

Registers

GLOBAL CONTROL (SETUP) REGISTERS

The Setup Control Register is used to enable or disable the VGA. It is also used to place the VGA in normal or setup mode. This register is used only in the PC-bus interface. In the Micro Channel Bus interface these functions are performed by the DISA/ and SETUP/ pins respectively.

The Global and Extension Enable Registers are accessible only during Setup mode. The Global ID Register contains the ID number that identifies the 82C450 as a Chips & Technologies product.

Note: In setup mode in the IBM VGA, the Global Setup Register (defined as port address 102) actually occupies the *entire I/O space*. Only the lower 3 bits are used to decode and select this register. To avoid bus conflicts with other peripherals, reads should only be performed at the 10xh port addresses while in setup mode. To eliminate potential compatibility problems in widely varying PC systems, the 82C450 decodes the Global Setup register at I/O port 102h only.

GENERAL CONTROL REGISTERS

Two Input Status Registers read the SENSE pin, pending CRT interrupt, display enable/HSYNC output, and vertical retrace/video output. The Feature Control Register selects the VSYNC function while the Miscellaneous Output Register controls I/O address select, clock selection, access to video RAM, memory page, and video SYNC polarity.

CGA / HERCULES REGISTERS

CGA Mode and Color Select registers are provided on-chip for emulation of CGA modes. Hercules Mode and Configuration registers are provided on-chip for emulation of Hercules mode.

SEQUENCER REGISTERS

The Sequencer Index Register contains a 3-bit index to the Sequencer Data Registers. The Reset Register forces an asynchronous or synchronous reset of the sequencer. The Sequencer Clocking Mode Register controls master clocking functions, video enable/disable and selects either an 8 or 9 dot character clock. A Plane/Map Mask Register enables the color plane and write protect. The Character

Font Select Register handles video intensity and character generation and controls the display memory plane through the character generator select. The Sequencer Memory Mode Register handles all memory, giving access by the CPU to 4/16/32KBytes, Odd/Even addresses (planes) and writing of data to display memory.

CRT CONTROLLER REGISTERS

The CRT Controller Index Register contains a 6-bit index to the CRT Controller Registers. Twenty eight registers perform all display functions for modes: horizontal and vertical blanking and sync, panning and scrolling, cursor size and location, light pen, and underline.

GRAPHICS CONTROLLER REGISTERS

The Graphics Controller Index Register contains a 4-bit index to the Graphics Controller Registers. The Set/Reset Register controls the format of the CPU data to display memory. It also works with the Enable Set/Reset Register. Reducing 32 bits of display data to 8 bits of CPU data is accomplished by the Color Compare Register. Data Rotate Registers specify the CPU data bits to be rotated and subjected to logical operations. The Read Map Select Register reduces memory data for the CPU in the four plane (16 color) graphics mode. The Graphics Mode Register controls the write, read, and shift register modes. The Miscellaneous Register handles graphics/text, chaining of odd/even planes, and display memory mapping. Additional registers include Color Don't Care and Bit Mask.

ATTRIBUTE CONTROLLER AND EXTERNAL COLOR PALETTE REGISTERS

The Attribute Controller Index Register contains a 5-bit index to the Attribute Controller Registers. A 6th bit is used to enable the video. The Attribute Controller Registers handle internal color lookup table mapping, text/graphics mode, overscan color, and color plane enable. The horizontal Pixel Panning and Pixel Padding Registers control pixel attributes on screen. External color palette registers handle CPU reads and writes to I/O address range 3C6h-3C9h. Some of the registers are located external to the 82C450 in the external color palette. Inmos MSG176 (Brooktree BT471/476) compatible registers are documented in this manual.

EXTENSION REGISTERS

The 82C450 uses several additional registers to support new features that are not available in an ordinary VGA. No new bits are defined and no reserved/unused bits are used in the regular VGA registers.

These extended 82C450 registers and the functions they control are disabled on reset. The extended registers can be accessed by two sets of control bits (disabled on reset). Access to 82C450 extended registers is accomplished by putting the 82C450 in VGA setup mode and setting bit-7 of the register at I/O address 103h. Once access is enabled, extended registers can be addressed using the index/data pair of registers at I/O address 3B6h / 3B7h or 3D6h / 3D7h.

Extension register 70h, '46E8 Register Override', allows Setup Register 103h (Extension Enable Register) to be write protected. Setting bit-7 of XR70 forces the extended registers to stay enabled no matter what is written to port 46E8h or the setup registers.

The extension registers handle a variety of interfacing, compatibility, and display functions as discussed below. They are grouped into the following logical groups for discussion purposes:

1. Miscellaneous Registers include the 82C450 Version number, Dip Switch, CPU interface, paging control, memory mode control, and diagnostic functions.
2. General Purpose Registers handle video blanking and the video default color.
3. Backwards Compatibility Registers control Hercules, MDA, and CGA emulation modes. Write Protect functions are provided to increase flexibility in providing backwards compatibility.
4. Alternate Horizontal and Vertical Registers handle all horizontal and vertical timing, including sync, blank and offset. These are used for backwards compatibility.

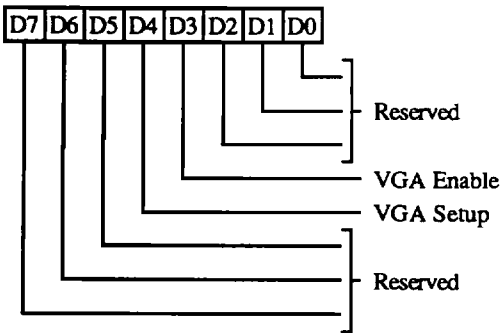
Note: The state of most of the Standard VGA Registers is undefined at reset. All registers specific to the 82C450 (Extension Registers) are summarized in the Extension Register Table.

82C450 Global Control (Setup) Registers

| Register Mnemonic | Register Name | Index | Access | I/O Address | Protect Group | Page |
|-------------------|------------------|-------|--------|---------------------|---------------|------|
| - | Setup Control | - | W | 46E8h (PC-Bus only) | - | 25 |
| - | Global Enable | - | RW | 102h & Setup mode | - | 25 |
| - | Extension Enable | - | RW | 103h & Setup mode | - | 26 |
| - | Global ID | - | R | 104h & Setup mode | - | 26 |

SETUP CONTROL REGISTER

Write only at I/O Address 46E8h

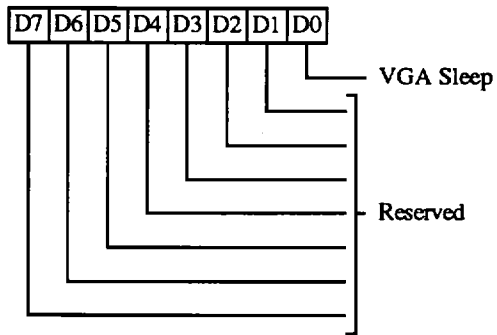


This register is used with the PC-Bus Interface only. It is cleared by RESET. In the Micro Channel interface, the Setup mode and VGA Disable are controlled through the SETUP# and DISA# pins, respectively.

- 2-0** Reserved (0)
- 3** VGA Enable
 - 0 VGA is disabled
 - 1 VGA is enabled
- 4** Setup Mode
 - 0 VGA is in Normal Mode
 - 1 VGA is in Setup Mode
- 7-5** Reserved (0)

GLOBAL ENABLE REGISTER

Read/Write at I/O Address 102h

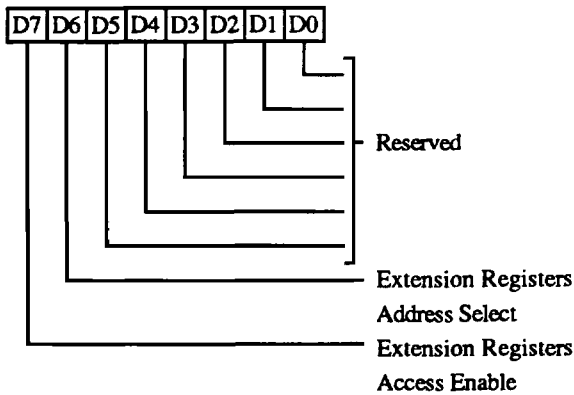


This register is only accessible in Setup Mode. It is cleared by RESET.

- 0** VGA Sleep
 - 0 VGA is disabled
 - 1 VGA is enabled
- 7-1** Reserved (0)

EXTENSION ENABLE REGISTER

Read/Write at I/O Address 103h



This register is only accessible in Setup Mode. It is cleared by RESET.

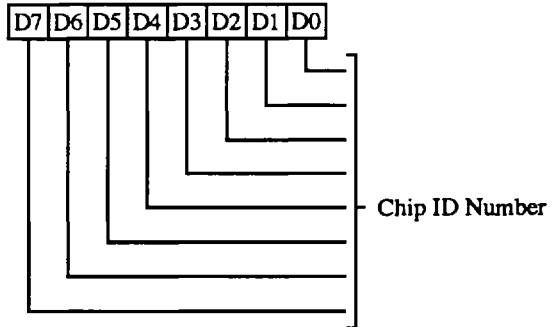
- 3-0 Reserved (0)
- 4 Reserved (0) This bit must be set to zero for proper operation of the 82C450.
- 5 Reserved (0)
- 6 Address for Extension Registers
 - 0 Extension registers at I/O Address 3D6/3D7h
 - 1 Extension registers at I/O Address 3B6/3B7h
- 7 Extension Registers Access Enable

This bit controls access to the extension registers at 3D6/7 or 3B6/7. It also allows access to all CGA, MDA and Hercules registers in non-emulation mode.

 - 0 Disable Access
 - 1 Enable Access

GLOBAL ID REGISTER

Read only at I/O Address 104h



This register is only accessible in Setup Mode.

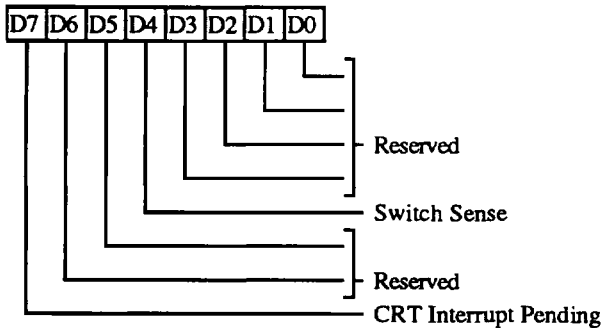
- 7-0 These bits contain the ID number (0A5h). This identifies the chip as a Chips and Technologies product.

82C450 General Control & Status Registers

| Register Mnemonic | Register Name | Index | Access | I/O Address | Protect Group | Page |
|-------------------|----------------------|-------|--------|-------------|---------------|------|
| ST00 | Input Status 0 | - | R | 3C2h | - | 27 |
| ST01 | Input Status 1 | - | R | 3BAh/3DAh | - | 27 |
| FCR | Feature Control | - | W | 3BAh/3DAh | 5 | 28 |
| MSR | Miscellaneous Output | - | R | 3CAh | 5 | 28 |
| | | | W | 3C2h | | |
| | | | R | 3CCh | | |

INPUT STATUS REGISTER 0 (ST00)

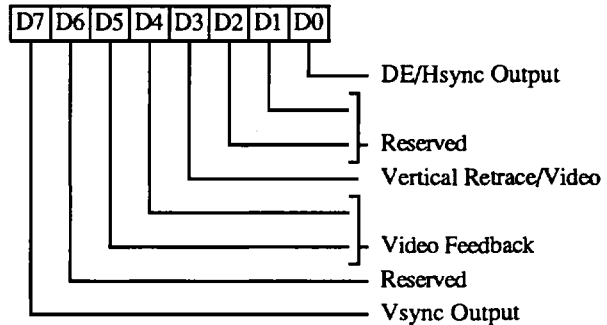
Read only at I/O Address at 3C2h



- 3-0** Reserved (0)
- 4** Switch Sense. This bit returns the Status of the SENSE pin.
- 6-5** Reserved. These bits read back 00 in an AT bus implementation and 11 in Micro Channel implementation.
- 7** CRT Interrupt Pending
 - 0** Indicates no CRT interrupt is pending
 - 1** Indicates a CRT interrupt is waiting to be serviced

INPUT STATUS REGISTER 1 (ST01)

Read only at I/O Address 3BAh/3DAh



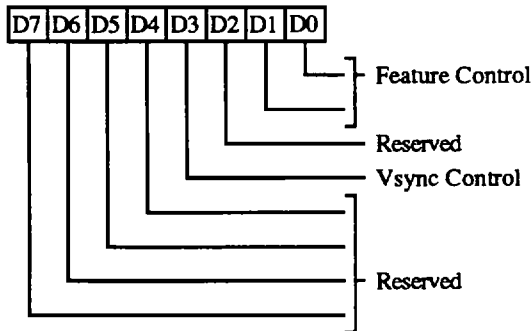
- 0** Display Enable/HSYNC Output. The functionality of this bit is controlled by the Emulation Mode register (XR14[4]).
 - 0** Indicates DE or HSYNC inactive
 - 1** Indicates DE or HSYNC active
- 2-1** Reserved (0)
- 3** Vertical Retrace/Video. The functionality of this bit is controlled by the Emulation Mode register (XR14[5]).
 - 0** Indicates VSYNC or video inactive
 - 1** Indicates VSYNC or video active
- 5-4** Video Feedback 1, 0. These are diagnostic video bits which are selected via the Color Plane Enable Register.
- 6** Reserved (0)
- 7** Vsync Output. The functionality of this bit is controlled by the Emulation Mode register (XR14[6]). It reflects the active status of the VSYNC output: 0=inactive, 1=active.

FEATURE CONTROL REGISTER (FCR)

Write at I/O Address 3BAh/3DAh

Read at I/O Address 3CAh

Group 5 Protection



1-0 Feature Control. These bits are used internal to the 82C450 in conjunction with the Configuration Register (XR01). When enabled by XR01 bits 2-3 and Misc Output Register bits 3-2 = 10, these bits determine the pixel clock frequency typically as follows:

FCR1:0 = 00 = 40.000 MHz

FCR1:0 = 01 = 50.350 MHz

FCR1:0 = 10 = User defined

FCR1:0 = 11 = 44.900 MHz

This preserves compatibility with drivers developed for the 82C451 and 82C452 VGA controllers.

2 Reserved (0)

3 Vsync Control This bit is cleared by RESET.

0 VSync output on the VSYNC pin

1 Logical 'OR' of VSync and Display Enable output on the VSYNC pin

This capability is not typically very useful, but is provided for IBM compatibility.

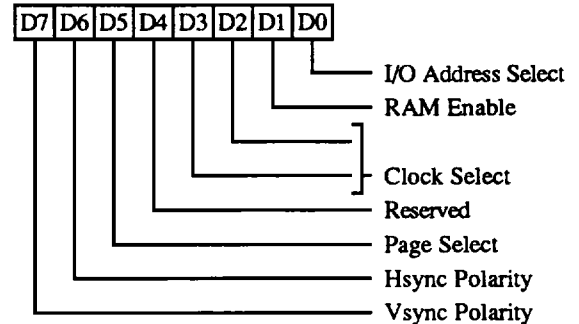
7-4 Reserved (0)

MISCELLANEOUS OUTPUT REGISTER (MSR)

Write at I/O Address 3C2h

Read at I/O Address 3CCh

Group 5 Protection



This register is cleared by RESET.

0 I/O Address Select. This bit selects 3Bxh or 3Dxh as the I/O address for the CRT Controller registers, the Feature Control Register (FCR), and Input Status Register 1 (ST01).

0 Select 3Bxh I/O address

1 Select 3Dxh I/O address

1 Enable RAM.

0 Prevent CPU access to display memory

1 Allow CPU access to display memory.

3-2 Clock Select. These bits usually select the dot clock source for the CRT interface:

MSR3:2 = 00 = Select CLK0

MSR3:2 = 01 = Select CLK1

MSR3:2 = 10 = Select CLK2

MSR3:2 = 11 = Select CLK3

See extension register XR01 bits 2-3 (Configuration) and FCR bits 0-1 for variations of the above clock selection mapping. See also XR1F (Virtual Switch Register) for additional functionality potentially controlled by these bits.

4 Reserved (0)

5 Page Select. In Odd/Even Memory Map Mode 1 (GR6), this bit selects the upper or lower 64K byte page in display memory for CPU access: 1=select lower page; 0=select upper page.

6 CRT Hsync Polarity. 0=pos, 1=neg

7 CRT Vsync Polarity. 0=pos, 1=neg

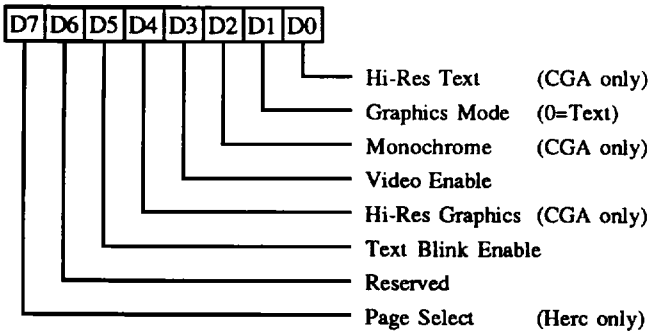
(Blank pin polarity can be controlled via the Video Interface Register, XR28)

82C450 CGA / Hercules Registers

| Register Mnemonic | Register Name | Index | Access | I/O Address | Protect Group | Page |
|-------------------|------------------------|-------|--------|-------------|---------------|------|
| MODE | CGA/Hercules Mode | - | RW | 3D8h | - | 29 |
| COLOR | CGA Color Select | - | RW | 3D9h | - | 30 |
| HCFG | Hercules Configuration | - | RW | 3BFh | - | 31 |

CGA / HERCULES MODE CONTROL REGISTER (MODE)

Read/Write at I/O Address 3B8h/3D8h



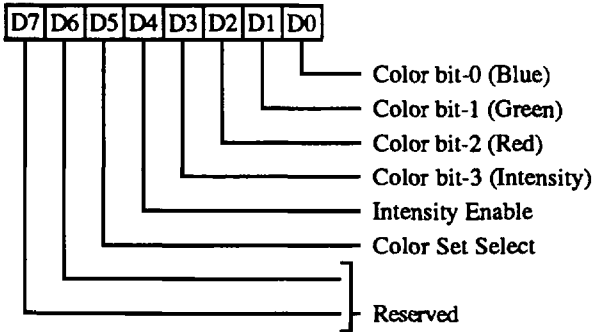
This register is effective only in CGA and Hercules modes. It is accessible if CGA or Hercules emulation mode is selected or the extension registers are enabled. If the extension registers are enabled, the address is determined by the address select in the Miscellaneous Outputs register. Otherwise the address is determined by the emulation mode. It is cleared by RESET.

- 0 CGA 80/40 Column Text Mode
 - 0 Select 40 column CGA text mode
 - 1 Select 80 column CGA text mode
- 1 CGA/Hercules Graphics/Text Mode
 - 0 Select text mode
 - 1 Select graphics mode

- 2 CGA Mono/Color Mode
 - 0 Select CGA color mode
 - 1 Select CGA monochrome mode
- 3 CGA/Hercules Video Enable
 - 0 Blank the screen
 - 1 Enable video output
- 4 CGA High Resolution Mode
 - 0 Select 320x200 graphics mode
 - 1 Select 640x200 graphics mode
- 5 CGA/Hercules Text Blink Enable
 - 0 Disable character blink attribute (blink attribute bit-7 used to control background intensity)
 - 1 Enable character blink attribute
- 6 Reserved (0)
- 7 Hercules Page Select
 - 0 Select the lower part of memory (starting address B0000h) in Hercules Graphics Mode
 - 1 Select the upper part of the memory (starting address B8000h) in Hercules Graphics Mode

CGA COLOR SELECT REGISTER

Read/Write at I/O Address 3D9h



This register is effective only in CGA modes. It is accessible if CGA emulation mode is selected or the extension registers are enabled. This register may also be read or written as an Extension Register (XR7E). It is cleared by RESET.

3-0 Color

320x200 4-color: Background Color (color when the pixel value is 0)

The foreground colors (colors when the pixel value is 1-3) are determined by bit-5 of this register.

640x200 2-color: Foreground Color (color when the pixel value is 1)

The background color (color when the pixel value is 0) is black.

4 Intensity Enable

Text Mode: Enables intensified background colors

320x200 4-color: Enables intensified colors 0-3

640x200 2-color: Don't care

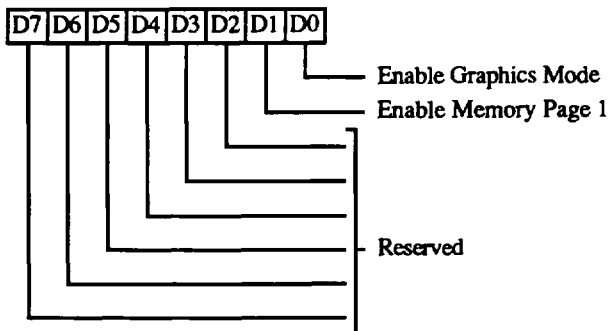
5 Color Set Select. This bit selects one of two available CGA color palettes to be used in 320x200 graphics mode (it is ignored in all other modes) according to the following table:

| Pixel Value | Color Set 0 | Color Set 1 |
|-------------|--------------------|--------------------|
| 0 0 | Color per bits 0-3 | Color per bits 0-3 |
| 0 1 | Green | Cyan |
| 1 0 | Red | Magenta |
| 1 1 | Brown | White |

7-6 Reserved (0)

HERCULES CONFIGURATION REGISTER (HCFG)

Write only at I/O Address 3BFh



This register is effective only in Hercules mode. It is accessible in Hercules emulation mode or if the extension registers are enabled. It may be read back through XR14 bits 2 & 3. It is cleared by RESET.

0 Enable Graphics Mode

- 0 Lock the 82C450 in Hercules text mode. In this mode, the CPU has access only to memory address range B0000h-B7FFFh (in text mode the same area of display memory wraps around 8 times within this range such that B0000 accesses the same display memory location as B1000, B2000, etc.).
- 1 Permit entry to Hercules Graphics mode.

1 Enable Memory Page 1

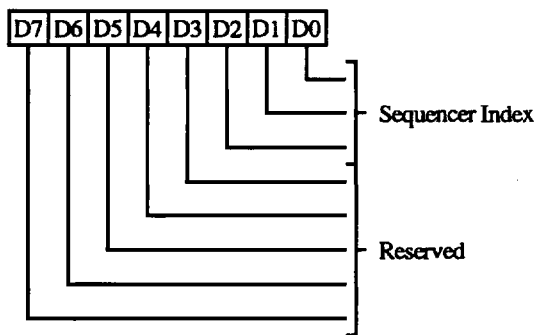
- 0 Prevent setting of the Page Select bit (bit 7 of the Hercules Mode Control Register). This function also restricts memory usage to addresses B0000h-B7FFFh.
- 1 The Page Select bit can be set and the upper part of display memory (addresses B8000h - BFFFFh) is available.

7-2 Reserved (0)

Sequencer Registers

| Register Mnemonic | Register Name | Index | Access | I/O Address | Protect Group | Page |
|-------------------|------------------------------------|-------|--------|-------------|---------------|------|
| SRX | Sequencer Index | - | RW | 3C4h | 1 | 33 |
| SR00 | Reset | 00h | RW | 3C5h | 1 | 33 |
| SR01 | Clocking Mode | 01h | RW | 3C5h | 1 | 34 |
| SR02 | Plane/Map Mask | 02h | RW | 3C5h | 1 | 34 |
| SR03 | Character Font | 03h | RW | 3C5h | 1 | 35 |
| SR04 | Memory Mode | 04h | RW | 3C5h | 1 | 36 |
| SR07 | Horizontal Character Counter Reset | 07h | W | 3C5h | - | 36 |

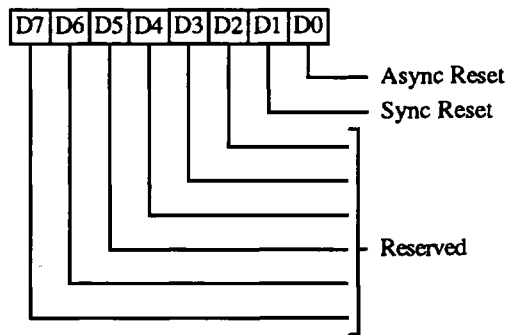
SEQUENCER INDEX REGISTER (SRX)
Read/Write at I/O Address 3C4h



This register is cleared by RESET.

- 2-0 These bits contain a 3-bit Sequencer Index value used to access sequencer data registers at indices 0 through 7.
- 7-3 Reserved (0)

SEQUENCER RESET REGISTER (SR00)
Read/Write at I/O Address 3C5h
Index 00h
Group 1 Protection



0 Asynchronous Reset

- 0 Force asynchronous reset
- 1 Normal operation

Display memory data will be corrupted if this bit is set to zero.

1 Synchronous Reset

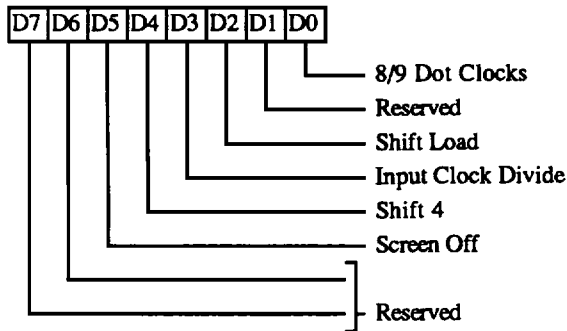
- 0 Force synchronous reset
- 1 Normal operation

Display memory data is not corrupted if this bit is set to zero for a short period of time (a few tens of microseconds).

- 7-2 Reserved (0)

SEQUENCER CLOCKING MODE REGISTER (SR01)

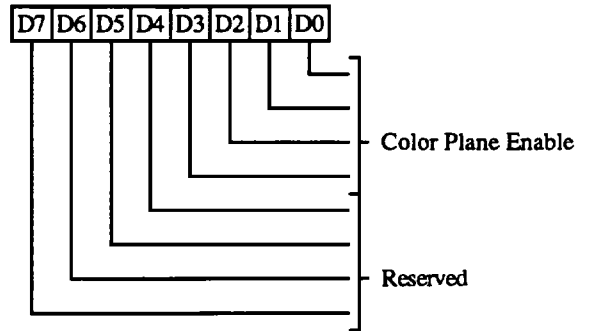
Read/Write at I/O Address 3C5h
 Index 01h
 Group 1 Protection



- 0 8/9 Dot Clocks. This bit determines whether a character clock is 8 or 9 dot clocks long.
 - 0 Select 9 dots/character clock
 - 1 Select 8 dots/character clock
 - 1 Reserved (0)
 - 2 Shift Load
 - 0 Load video data shift registers every character clock
 - 1 Load video data shift registers every other character clock
- Bit-4 of this register must be 0 for this bit to be effective.
- 3 Input Clock Divide
 - 0 Sequencer master clock output on the PCLK pin (used for 640 (720) pixel modes)
 - 1 Master clock divided by 2 output on the PCLK pin (used for 320 (360) pixel modes)
 - 4 Shift 4
 - 0 Load video shift registers every 1 or 2 character clocks (depending on bit-2 of this register)
 - 1 Load shift registers every 4th character clock.
 - 5 Screen Off
 - 0 Normal Operation
 - 1 Disable video output and assign all display memory bandwidth for CPU accesses
 - 7-6 Reserved (0)

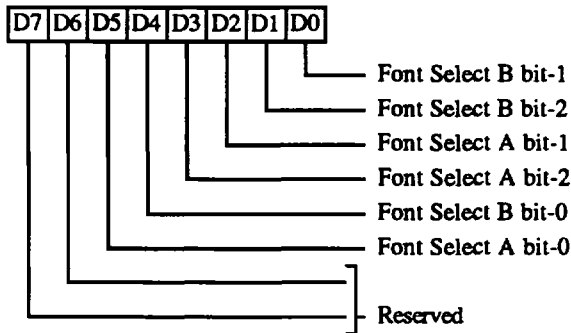
SEQUENCER PLANE/MAP MASK REGISTER (SR02)

Read/Write at I/O Address 3C5h
 Index 02h
 Group 1 Protection



- 3-0 Color Plane Enable
 - 0 Write protect corresponding color plane
 - 1 Allow write to corresponding color plane.
- In Odd/Even and Quad modes, these bits still control access to the corresponding color plane.
- 7-4 Reserved (0)

CHARACTER FONT SELECT REGISTER (SR03)
Read/Write at I/O Address 3C5h
Index 03h
Group 1 Protection



In text modes, bit-3 of the video data's attribute byte normally controls the foreground intensity. This bit may be redefined to control switching between character sets. This latter function is enabled whenever there is a difference in the values of the Character Font Select A and the Character Font Select B bits. If the two values are the same, the character select function is disabled and attribute bit-3 controls the foreground intensity.

SR04 bit-1 must be 1 for the character font select function to be active. Otherwise, only character fonts 0 and 4 are available.

- 1-0 High order bits of Character Generator Select B
- 3-2 High order bits of Character Generator Select A
- 4 Low order bit of Character Generator Select B
- 5 Low order bit of Character Generator Select A
- 7-6 Reserved (0)

The following table shows the display memory plane selected by the Character Generator Select A and B bits.

| <u>Code</u> | <u>Character Generator Table Location</u> |
|-------------|---|
| 0 | First 8K of Plane 2 |
| 1 | Second 8K of Plane 2 |
| 2 | Third 8K of Plane 2 |
| 3 | Fourth 8K of Plane 2 |
| 4 | Fifth 8K of Plane 2 |
| 5 | Sixth 8K of Plane 2 |
| 6 | Seventh 8K of Plane 2 |
| 7 | Eighth 8K of Plane 2 |

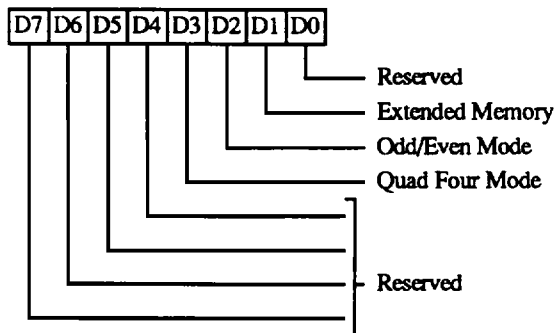
where 'code' is:

Character Generator Select A (bits 3, 2, 5) when bit-3 of the the attribute byte is one.

Character Generator Select B (bits 1, 0, 4) when bit-3 of the attribute byte is zero.

SEQUENCER MEMORY MODE REGISTER (SR04)

Read/Write at I/O Address 3C5h
 Index 04h
 Group 1 Protection



- 0 Reserved (0)
- 1 Extended Memory
 - 0 Restrict CPU access to 4/16/32 Kbytes
 - 1 Allow complete access to memory

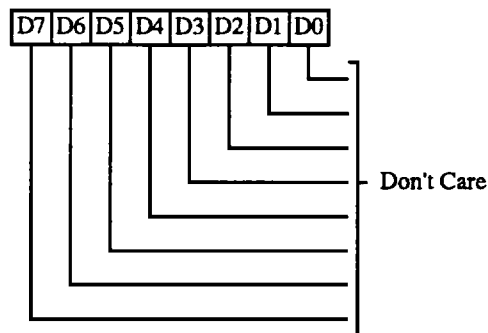
This bit should normally be 1.
- 2 Odd/Even Mode
 - 0 CPU accesses to Odd/Even addresses are directed to corresponding odd/even planes
 - 1 All planes are accessed simultaneously (IRGB color)

Bit-3 of this register must be 0 for this bit to be effective. This bit affects only CPU write accesses to display memory.
- 3 Quad Four Mode
 - 0 CPU addresses are mapped to display memory as defined by bit-2 of this register
 - 1 CPU addresses are mapped to display memory modulo 4. The two low order CPU address bits select the display memory plane.

This bit affects both CPU reads and writes to display memory.
- 7-4 Reserved (0)

SEQUENCER HORIZONTAL CHARACTER COUNTER RESET (SR07)

Read/Write at I/O Address 3C5h
 Index 07h



Writing to SR07 with any data will cause the horizontal character counter to be held reset (character counter output = 0) until a write to any other sequencer register with any data value. The write to any index in the range 0-6 clears the latch that is holding the reset condition on the character counter.

The vertical line counter is clocked by a signal derived from horizontal display enable (which does not occur if the horizontal counter is held reset). Therefore, if the write to SR07 occurs during vertical retrace, the horizontal and vertical counters will both be set to zero. A write to any other sequencer register may then be used to start both counters with reasonable synchronization to an external event via software control.

This is a standard VGA register which was not documented by IBM.

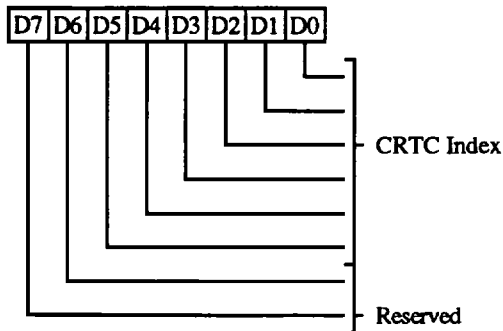
CRT Controller Registers

| Register Mnemonic | Register Name | Index | Access | I/O Address | Protect Group | Page |
|-------------------|----------------------------------|-------|---------|-------------|---------------|------|
| CRX | CRTC Index | – | RW | 3B4h/3D4h | – | 38 |
| CR00 | Horizontal Total | 00h | RW | 3B5h/3D5h | 0 | 38 |
| CR01 | Horizontal Display Enable End | 01h | RW | 3B5h/3D5h | 0 | 38 |
| CR02 | Horizontal Blank Start | 02h | RW | 3B5h/3D5h | 0 | 39 |
| CR03 | Horizontal Blank End | 03h | RW | 3B5h/3D5h | 0 | 39 |
| CR04 | Horizontal Sync Start | 04h | RW | 3B5h/3D5h | 0 | 40 |
| CR05 | Horizontal Sync End | 05h | RW | 3B5h/3D5h | 0 | 40 |
| CR06 | Vertical Total | 06h | RW | 3B5h/3D5h | 0 | 41 |
| CR07 | Overflow | 07h | RW | 3B5h/3D5h | 0/3 | 41 |
| CR08 | Preset Row Scan | 08h | RW | 3B5h/3D5h | 3 | 42 |
| CR09 | Maximum Scan Line | 09h | RW | 3B5h/3D5h | 2/4 | 42 |
| CR0A | Cursor Start Scan Line | 0Ah | RW | 3B5h/3D5h | 2 | 43 |
| CR0B | Cursor End Scan Line | 0Bh | RW | 3B5h/3D5h | 2 | 43 |
| CR0C | Start Address High | 0Ch | RW | 3B5h/3D5h | – | 44 |
| CR0D | Start Address Low | 0Dh | RW | 3B5h/3D5h | – | 44 |
| CR0E | Cursor Location High | 0Eh | RW | 3B5h/3D5h | – | 44 |
| CR0F | Cursor Location Low | 0Fh | RW | 3B5h/3D5h | – | 44 |
| CR10 | Vertical Sync Start (See Note 2) | 10h | W or RW | 3B5h/3D5h | 4 | 45 |
| CR11 | Vertical Sync End (See Note 2) | 11h | W or RW | 3B5h/3D5h | 3/4 | 45 |
| CR10 | Lightpen High (See Note 2) | 10h | R | 3B5h/3D5h | – | 45 |
| CR11 | Lightpen Low (See Note 2) | 11h | R | 3B5h/3D5h | – | 45 |
| CR12 | Vertical Display Enable End | 12h | RW | 3B5h/3D5h | 4 | 46 |
| CR13 | Offset | 13h | RW | 3B5h/3D5h | 3 | 46 |
| CR14 | Underline Row | 14h | RW | 3B5h/3D5h | 3 | 46 |
| CR15 | Vertical Blank Start | 15h | RW | 3B5h/3D5h | 4 | 47 |
| CR16 | Vertical Blank End | 16h | RW | 3B5h/3D5h | 4 | 47 |
| CR17 | CRT Mode Control | 17h | RW | 3B5h/3D5h | 3/4 | 48 |
| CR18 | Line Compare | 18h | RW | 3B5h/3D5h | 3 | 49 |
| CR22 | Memory Data Latches | 22h | R | 3B5h/3D5h | – | 50 |
| CR24 | Attribute Controller Toggle | 24h | R | 3B5h/3D5h | – | 50 |

Note 1: When MDA or Hercules emulation is enabled, the CRTC I/O address should be set to 3B4h-3B5h by setting the I/O address select bit in the Miscellaneous Output register (3C2h/3CC h bit-0) to zero. When CGA emulation is enabled, the CRTC I/O address should be set to 3D4h-3D5h by setting Misc Output Register bit-0 to 1.

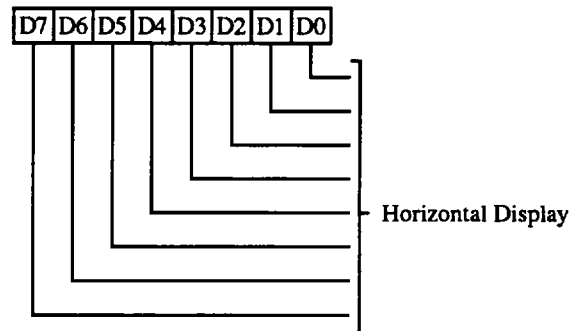
Note 2: In the EGA, all CRTC registers except the cursor (CR0C-CR0F) and light pen (CR10 and CR11) registers are write-only (i.e., no read back). In both the EGA and VGA, the light pen registers are at index locations conflicting with the vertical sync registers. This would normally prevent reads and writes from occurring at the same index. Since the light pen registers are not normally useful, the VGA provides software control (CR03 bit-7) of whether the vertical sync or light pen registers are readable at indices 10-11.

CRTC INDEX REGISTER (CRX)
Read/Write at I/O Address 3B4h/3D4h



- 5-0 CRTC data register index
- 7-6 Reserved (0)

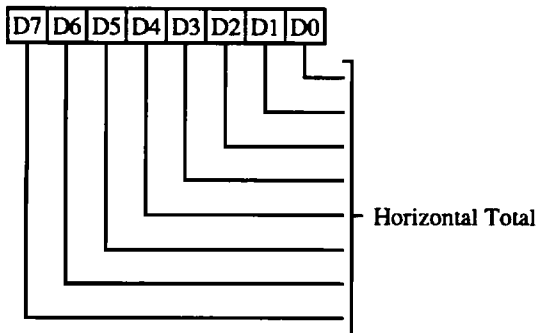
HORIZONTAL DISPLAY ENABLE END REGISTER (CR01)
Read/Write at I/O Address 3B5h/3D5h
Index 01h
Group 0 protection



This register is used for all VGA and EGA modes on CRTs. It is also used for 640 column CGA modes and MDA/Hercules text mode. In all 320 column CGA modes and Hercules graphics mode, the alternate register is used.

- 7-0 Number of Characters displayed per scan line - 1.

HORIZONTAL TOTAL REGISTER (CR00)
Read/Write at I/O Address 3B5h/3D5h
Index 00h
Group 0 protection

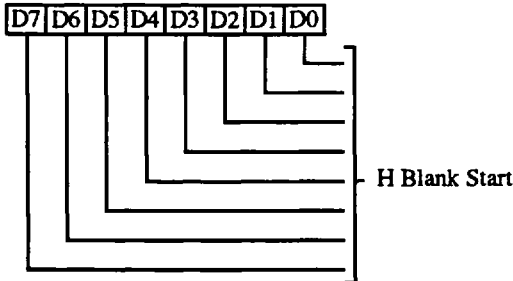


This register is used for all VGA and EGA modes. It is also used for 640 column CGA modes and MDA/Hercules text mode. In all 320 column CGA modes and Hercules graphics mode, the alternate register is used.

- 7-0 Horizontal Total. Total number of character clocks per line = contents of this register + 5. This register determines the horizontal sweep rate.

HORIZONTAL BLANK START REGISTER (CR02)

Read/Write at I/O Address 3B5h/3D5h
 Index 02h
 Group 0 protection

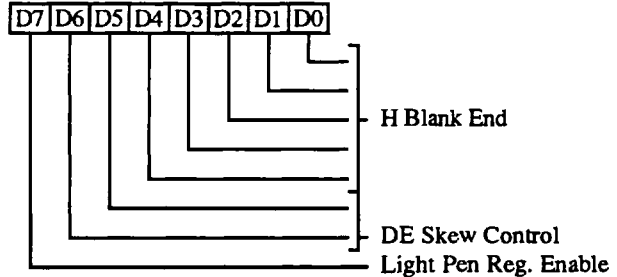


This register is used for all VGA and EGA modes. It is also used for 640 column CGA modes and MDA/Hercules text mode. In all 320 column CGA modes and Hercules graphics mode, the alternate register is used.

- 7-0 These bits specify the beginning of horizontal blank in terms of character clocks from the beginning of the display scan. The period between Horizontal Display Enable End and Horizontal Blank Start is the right side border on screen.

HORIZONTAL BLANK END REGISTER (CR03)

Read/Write at I/O Address 3B5h/3D5h
 Index 03h
 Group 0 protection

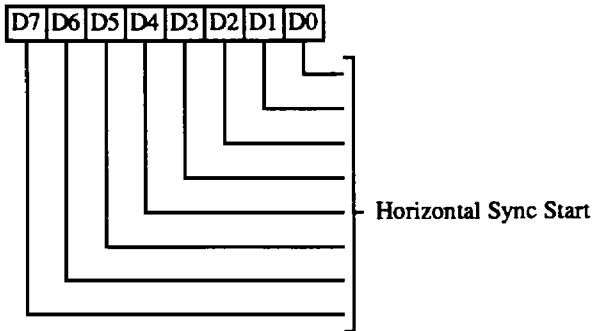


This register is used for all VGA and EGA modes. It is also used for 640 column CGA modes and MDA/Hercules text mode. In all 320 column CGA modes and Hercules graphics mode, the alternate register is used.

- 4-0 These are the lower 5 bits of the character clock count used to define the end of horizontal blank. The interval between the end of horizontal blank and the beginning of the display (a count of 0) is the left side border on the screen. If the horizontal blank width desired is W clocks, the 5-bit value programmed in this register = $[(\text{contents of CR02} + W) \text{ and } 1Fh]$. The most significant bit is programmed in CR05 bit-7. This bit = $[(\text{CR02} + W) \text{ and } 20h] / 20h$.
- 6-5 Display Enable Skew Control: Defines the number of character clocks that the Display Enable signal is delayed to compensate for internal pipeline delays.
- 7 Light Pen Register Enable: Must be 1 for normal operation; when this bit is 0, CRTC registers CR10 and CR11 function as light-pen readback registers.

HORIZONTAL SYNC START REGISTER (CR04)

*Read/Write at I/O Address 3B5h/3D5h
Index 04h
Group 0 protection*

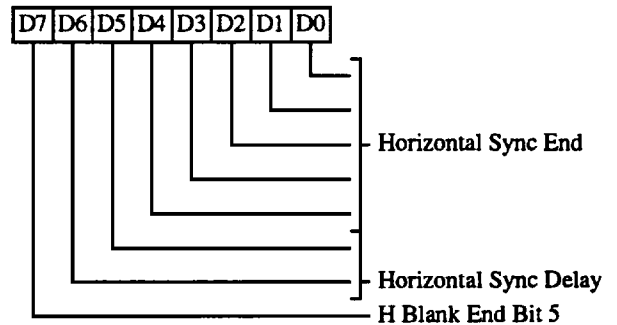


This register is used for all VGA and EGA modes. It is also used for 640 column CGA modes and MDA/Hercules text mode. In all 320 column CGA modes and Hercules graphics mode, the alternate register is used.

- 7-0 These bits specify the beginning of Hsync in terms of Character clocks from the beginning of the display scan. These bits also determine display centering on the screen.

HORIZONTAL SYNC END REGISTER (CR05)

*Read/Write at I/O Address 3B5h/3D5h
Index 05h
Group 0 protection*



This register is used for all VGA and EGA modes. It is also used for 640 column CGA modes and MDA/Hercules text mode. In all 320 column CGA modes and Hercules graphics mode, the alternate register is used.

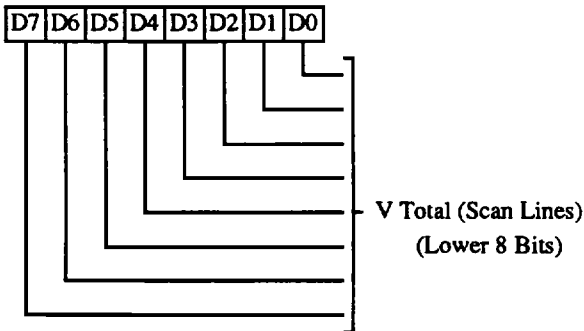
- 4-0 Hsync End. Lower 5 bits of the character clock count which specifies the end of Horizontal Sync. If the horizontal sync width desired is N clocks, then these bits = (N + contents of CR04) and 1Fh.
- 6-5 Horizontal Sync Delay. These bits specify the number of character clocks that the Horizontal Sync is delayed to compensate for internal pipeline delays.
- 7 Horizontal Blank End Bit 5. Sixth bit of the Horizontal Blank End Register (CR03).

VERTICAL TOTAL REGISTER (CR06)

Read/Write at I/O Address 3B5h/3D5h

Index 06h

Group 0 protection



This register is used in all modes.

7-0 These are the 8 low order bits of a 10-bit register. The 9th and 10th bits are located in the CRT Controller Overflow Register. The Vertical Total value specifies the total number of scan lines (horizontal retrace periods) per frame.

$$\text{Programmed Count} = \text{Actual Count} - 2$$

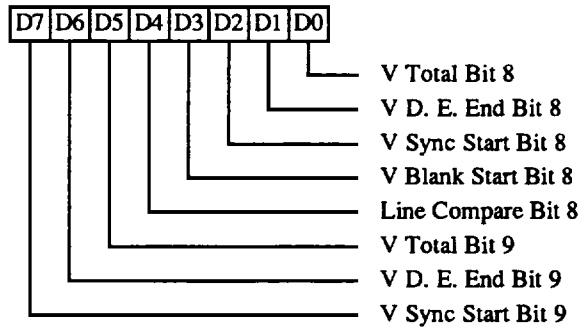
OVERFLOW REGISTER (CR07)

Read/Write at I/O Address 3B5h/3D5h

Index 07h

Group 0 protection on bits 0-3 and bits 5-7

Group 3 protection on bit 4



This register is used in all modes.

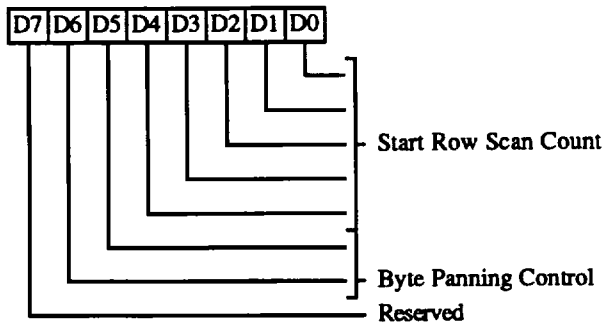
- 0** Vertical Total Bit 8
- 1** Vertical Display Enable End Bit 8
- 2** Vertical Sync Start Bit 8
- 3** Vertical Blank Start Bit 8
- 4** Line Compare Bit 8
- 5** Vertical Total Bit 9
- 6** Vertical Display Enable End Bit 9
- 7** Vertical Sync Start Bit 9

PRESET ROW SCAN REGISTER (CR08)

Read/Write at I/O Address 3B5h/3D5h

Index 08h

Group 3 Protection



- 4-0 These bits specify the starting row scan count after each vertical retrace. Every horizontal retrace increments the character row scan line counter. The horizontal row scan counter is cleared at maximum row scan count during active display. This register is used for soft scrolling in text modes.
- 6-5 **Byte Panning Control.** These bits specify the lower order bits for the display start address. They are used for horizontal panning in Odd/Even and Quad modes.
- 7 Reserved (0)

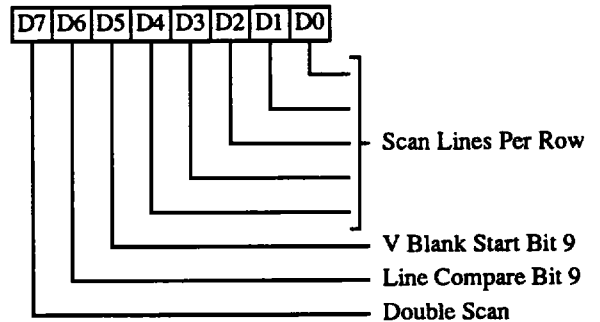
MAXIMUM SCAN LINE REGISTER (CR09)

Read/Write at I/O Address 3B5h/3D5h

Index 09h

Group 2 protection on bits 0-4

Group 4 Protection on bits 5-7

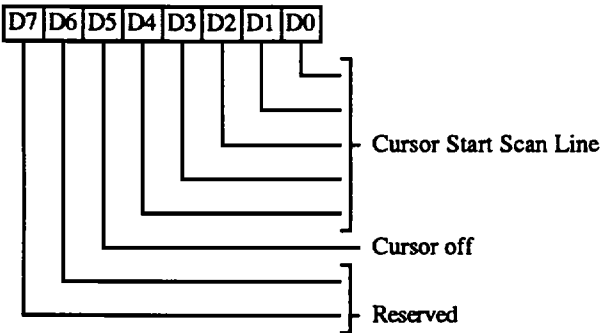


- 4-0 These bits specify the number of scan lines in a row: Programmed Value = Number of scan lines per row – 1.
- 5 Bit 9 of the Vertical Blank Start register
- 6 Bit 9 of the Line Compare register
- 7 **Double Scan**
 - 0 Normal Operation
 - 1 Enable scan line doubling

The vertical parameters in the CRT Controller (even for a split screen) are not affected, only the CRT row scan counter (bits 0-4 of this register) and display memory addressing screen refresh are affected.

CURSOR START SCAN LINE REGISTER (CR0A)

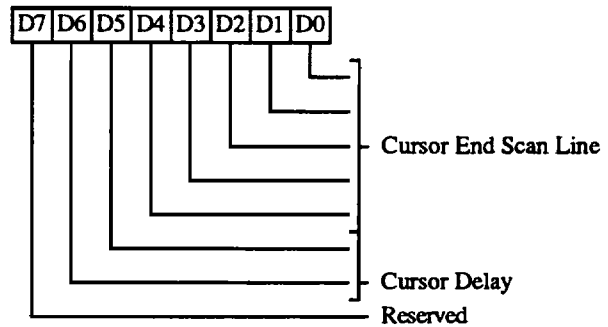
Read/Write at I/O Address 3B5h/3D5h
 Index 0Ah
 Group 2 Protection



- 4-0 These bits specify the scan line of the character row where the cursor display begins.
- 5 Cursor Off
 - 0 Text Cursor On
 - 1 Text Cursor Off
- 7-6 Reserved (0)

CURSOR END SCAN LINE REGISTER (CR0B)

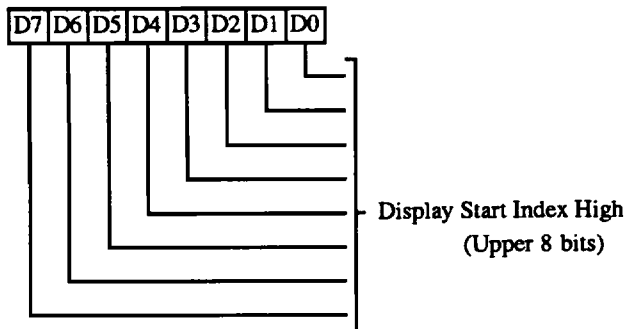
Read/Write at I/O Address 3B5h/3D5h
 Index 0Bh
 Group 2 protection



- 4-0 These bits specify the scan line of a character row where the cursor display ends: Last scan line for the block cursor = Value + 1.
- 6-5 These bits define the number of character clocks that the cursor is delayed to compensate for internal pipeline delay.
- 7 Reserved (0)

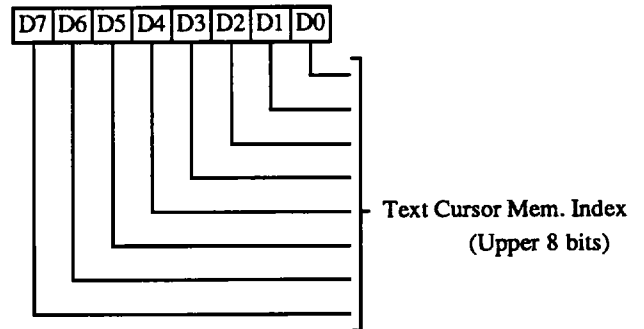
Note: If the Cursor Start Line is greater than the Cursor End Line, then no cursor is generated.

START INDEX HIGH REGISTER (CR0C)
 Read/Write at I/O Address 3B5h/3D5h
 Index 0Ch



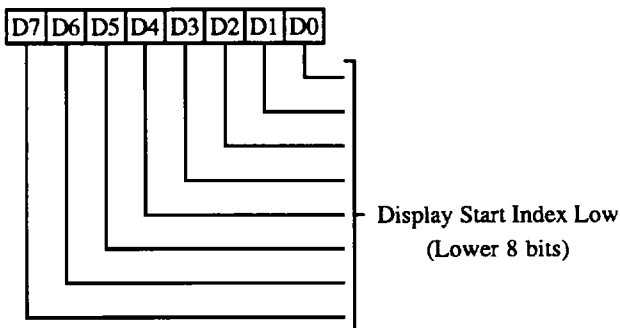
7-0 Upper 8 bits of display start address. In CGA/MDA/Hercules modes, this register wraps around at the 16, 32, and 64 KByte boundaries respectively.

CURSOR LOCATION HIGH REGISTER (CR0E)
 Read/Write at I/O Address 3B5h/3D5h
 Index 0Eh



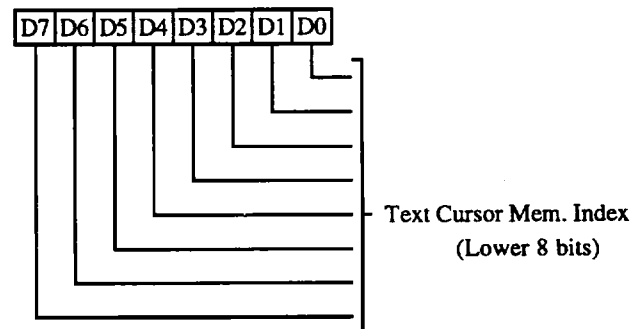
7-0 Upper 8 bits of the memory address where the text cursor is active. In CGA/MDA/Hercules modes, this register wraps around at 16, 32, and 64 KByte boundaries respectively.

START INDEX LOW REGISTER (CR0D)
 Read/Write at I/O Address 3B5h/3D5h
 Index 0Dh



7-0 Lower 8 bits of the display start address. The display start address points to the memory address corresponding to the top left corner of the screen.

CURSOR LOCATION LOW REGISTER (CR0F)
 Read/Write at I/O Address 3B5h/3D5h
 Index 0Fh



7-0 Lower 8 bits of the memory address where the text cursor is active. In CGA/MDA/Hercules modes, this register wraps around at 16, 32, and 64 KByte boundaries respectively.

LIGHTPEN HIGH REGISTER (CR10)

Read only at I/O Address 3B5h/3D5h
Index 10h

Read-only Register loaded at line compare (the light pen flip-flop is not implemented). Effective only in MDA and Hercules modes or when CR03 bit-7 = 0.

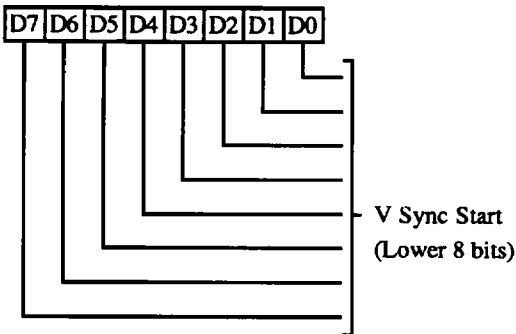
LIGHTPEN LOW REGISTER (CR11)

Read only at I/O Address 3B5h/3D5h
Index 11h

Read-only Register loaded at line compare (the light pen flip-flop is not implemented). Effective only in MDA and Hercules modes or when CR03 bit-7 = 0.

VERTICAL SYNC START REGISTER (CR10)

Read/Write at I/O Address 3B5h/3D5h
Index 10h
Group 4 Protection



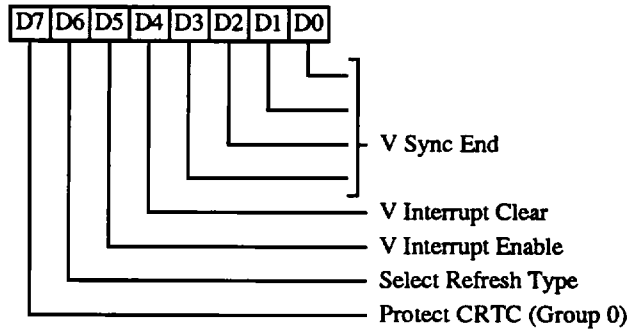
This register is used in all modes. This register is not readable in (Line Compare bit-9) MDA/Hercules emulation or when CR03 bit-7=1.

- 7-0 The eight low order bits of a 10-bit register. The 9th and 10th bits are located in the CRTC Overflow Register. They define the scan line position at which Vertical Sync becomes active.

VERTICAL SYNC END REGISTER (CR11)

Read/Write at I/O Address 3B5h/3D5h
Index 11h

Group 3 Protection for bits 4 and 5
Group 4 Protection for bits 0-3, 6 and 7

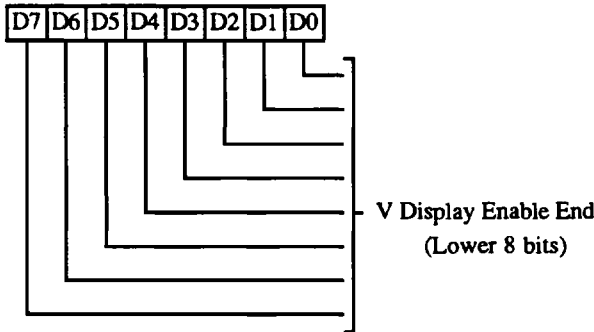


This register is used in all modes. This register is not readable in MDA/Hercules emulation or when CR03 bit-7=1.

- 3-0 Vertical Sync End. Lower 4 bits of the scan line count that defines the end of vertical sync. If the vertical sync width desired is N lines, then bits 3-0 of this register = (CR10 + N) AND 0Fh.
 - 4 Vertical Interrupt Clear
 - 0 Clear vertical interrupt generated on the IRQ output (default on reset)
 - 1 Normal operation
 - 5 Vertical Interrupt Enable
 - 0 Enable vertical interrupt (default)
 - 1 Disable vertical interrupt
 - 6 Select Refresh Type
 - 0 3 refresh cycles per scan line
 - 1 5 refresh cycles per scan line
 - 7 Group Protect 0. This bit is logically ORed with XR15 bit-6 to determine the protection for group 0 registers. This bit is cleared by RESET.
 - 0 Enable writes to CR00-CR07
 - 1 Disable writes to CR00-CR07
- CR07 bit-4 (Line Compare bit-9) is not affected by this bit.

VERTICAL DISPLAY ENABLE END REGISTER (CR12)

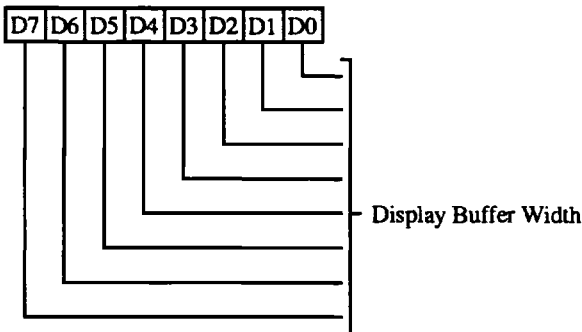
Read/Write at I/O Address 3B5h/3D5h
Index 12h
Group 4 protection



7-0 These are the eight low order bits of a 10-bit register. The 9th and 10th bits are located in the CRT Controller Overflow register. The actual count = Contents of this register + 1.

OFFSET REGISTER (CR13)

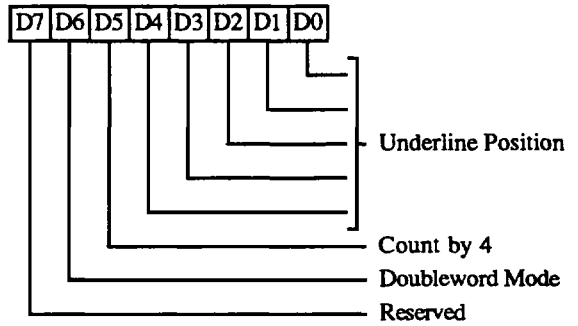
Read/Write at I/O Address 3B5h/3D5h
Index 13h
Group 3 protection



7-0 Display Buffer Width. The byte starting address of the next display row = Byte Start Address for current row + K * (CR13 + Z/2), where Z = bit defined in XR0D and K = 2 in byte mode, K = 4 in word mode. Byte, word and double word mode is selected by bit-6 of CR17 and bit-6 of CR14. A less significant bit than bit-0 of this register is defined in the Auxiliary Offset register (XR0D). This allows finer resolution of the bit map width. Byte, word and doubleword mode affects the translation of the 'logical' display memory address to the 'physical' display memory address.

UNDERLINE LOCATION REGISTER (CR14)

Read/Write at I/O Address 3B5h/3D5h
Index 14h
Group 3 protection



4-0 These bits specify the underline's scan line position within a character row. Value = Actual scan line number - 1.

5 Count by 4 for Doubleword Mode

0 Display Memory Address is incremented by 1 or 2

1 Display Memory Address is incremented by 4 or 2

See CR17 bit-3 for further details.

6 Doubleword Mode

0 Display Memory Address is a byte or word address

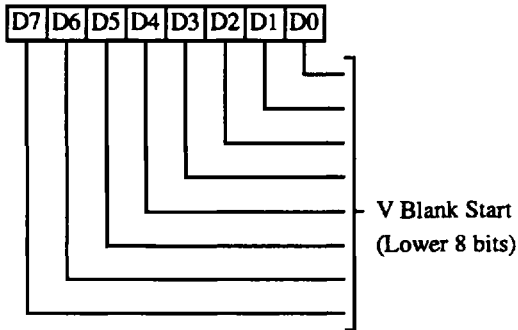
1 Display Memory Address is a doubleword address

This bit is used in conjunction with CR17 bit-6 to select the display memory addressing mode.

7 Reserved (0)

VERTICAL BLANK START REGISTER (CR15)

Read/Write at I/O Address 3B5h/3D5h
 Index 15h
 Group 4 protection

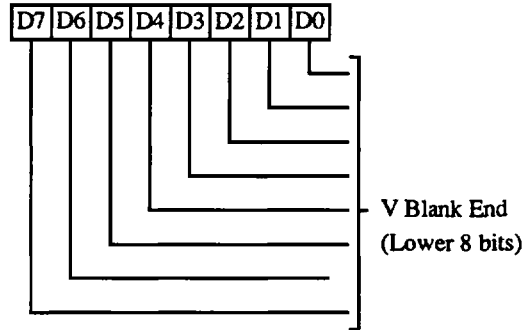


This register is used in all modes.

- 7-0 These are the 8 low order bits of a 10-bit register. The 9th and 10th bits are located in the CRT Controller Overflow and Maximum Scan Line Registers respectively. Together these 10 bits define the scan line position where vertical blank begins. The interval between the end of the vertical display and the beginning of vertical blank is the bottom border on the screen.

VERTICAL BLANK END REGISTER (CR16)

Read/Write at I/O Address 3B5h/3D5h
 Index 16h
 Group 4 protection



This register is used in all modes.

- 7-0 End Vertical Blank. These are the 8 low order bits of the scan line count which specifies the end of Vertical Blank. If the vertical blank width desired is Z lines these bits = (Vertical Blank Start + Z) and 0FFh.

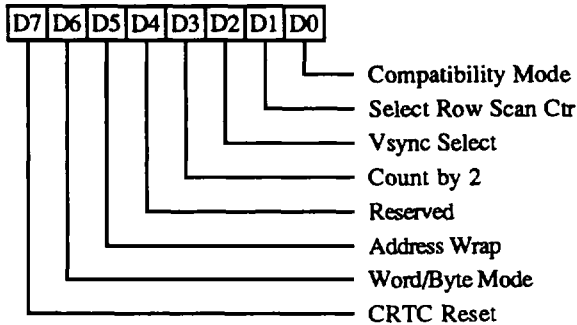
CRT MODE CONTROL REGISTER (CR17)

Read/Write at I/O Address 3B5h/3D5h

Index 17h

Group 3 Protection for bits 0,1 and 3-7

Group 4 Protection for bit 2.



- 0** Compatibility Mode Support. This bit allows compatibility with the IBM CGA two-bank graphics mode.
 - 0** The character row scan line counter bit 0 is substituted for memory address bit 13 during active display time.
 - 1** Normal operation, no substitution takes place.
- 1** Select Row Scan Counter. This bit allows compatibility with Hercules graphics and with any other 4-bank graphics system.
 - 0** Substitute character row scan line counter bit 1 for memory address bit 14 during active display time.
 - 1** Normal operation, no substitution takes place.
- 2** Vertical Sync Select. This bit controls the vertical resolution of the CRT Controller by permitting selection of the clock rate input to the vertical counters. When set to 1, the vertical counters are clocked by the horizontal retrace clock divided by 2.
- 3** Count By Two
 - 0** Memory address counter is incremented every character clock
 - 1** Memory address counter is incremented every two character clocks, used in conjunction with bit-5 of 0Fh.

Note: This bit is used in conjunction with CR14 bit-5. The net effect is as follows:

| CR14 bit-5 | CR17 bit-3 | Increment Addressing Every |
|------------|------------|----------------------------|
| 0 | 0 | 1 CCLK |
| 0 | 1 | 2 CCLK |
| 1 | 0 | 4 CCLK |
| 1 | 1 | 2 CCLK |

Note: In Hercules graphics and Hi-res CGA modes, the address increments every two clocks.

- 4** Reserved (0)
 - 5** Address Wrap (effective only in word mode.)
 - 0** Wrap display memory address at 16 KBytes. This is used in IBM CGA mode.
 - 1** Normal operation (extended mode)
 - 6** Word Mode or Byte Mode.
 - 0** Select Word Mode. In this mode the display memory address counter bits are shifted down by one, causing the most-significant bit of the counter to appear on the least-significant bit of the display memory address output.
 - 1** Select Byte Mode
- Note:** This bit is used in conjunction with CR14 bit-6 to select byte, word, or double word memory addressing as follows:
- | CR14 Bit-6 | CR17 Bit-6 | Addressing Mode |
|------------|------------|------------------|
| 0 | 0 | Word Mode |
| 0 | 1 | Byte Mode |
| 1 | 0 | Double Word Mode |
| 1 | 1 | Double Word Mode |
- Display memory addresses are affected as shown in the table on the following page.
- 7** Hardware Reset (This bit is cleared by RESET)
 - 0** Force HSYNC and VSYNC to be inactive. No other registers or outputs are affected.
 - 1** Normal Operation

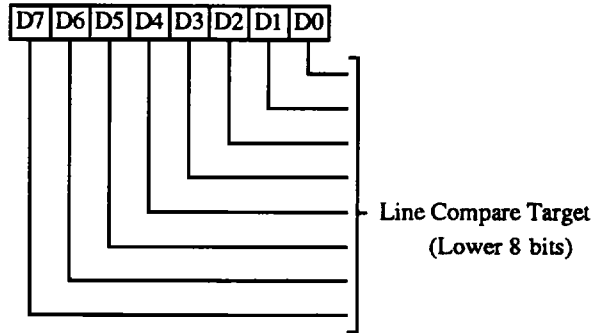
Display memory addresses are affected by CR17 bit-6 as shown in the table below:

| Logical Memory Address | Physical Memory Address | | |
|------------------------|-------------------------|-----------|------------------|
| | Byte Mode | Word Mode | Double Word Mode |
| MA00 | A00 | Note 1 | Note 2 |
| MA01 | A01 | A00 | Note 3 |
| MA02 | A02 | A01 | A00 |
| MA03 | A03 | A02 | A01 |
| MA04 | A04 | A03 | A02 |
| MA05 | A05 | A04 | A03 |
| MA06 | A06 | A05 | A04 |
| MA07 | A07 | A06 | A05 |
| MA08 | A08 | A07 | A06 |
| MA09 | A09 | A08 | A07 |
| MA10 | A10 | A09 | A08 |
| MA11 | A11 | A10 | A09 |
| MA12 | A12 | A11 | A10 |
| MA13 | A13 | A12 | A11 |
| MA14 | A14 | A13 | A12 |
| MA15 | A15 | A14 | A13 |

Note 1 = A13 * NOT CR17 bit-5 + A15 * CR17 bit-5
 Note 2 = A12 xor (A14 * XR04 bit-2)
 Note 3 = A13 xor (A15 * XR04 bit-2)

LINE COMPARE REGISTER (CR18)

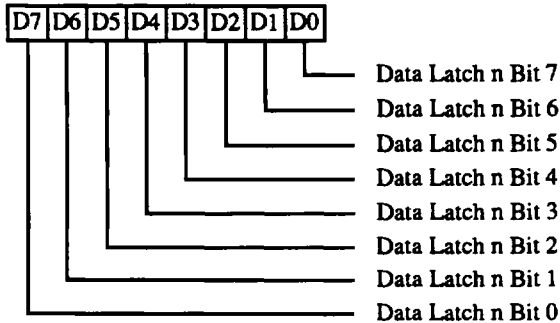
Read/Write at I/O Address 3B5h/3D5h
 Index 18h
 Group 3 protection



7-0 These are the low order 8 bits of a 10-bit register. The 9th and 10th bits are located in the CRT Controller Overflow and Maximum Scan Line Registers, respectively. This register is used to implement a split screen function. When the scan line counter value is equal to the contents of this register, the memory address counter is cleared to 0. The display memory address counter then sequentially addresses the display memory starting at address 0. Each subsequent row address is generated by the addition of the Offset Register contents. This register is not affected by the double scanning bit (CR09 bit-7).

MEMORY DATA LATCH REGISTER (CR22)

*Read only at I/O Address 3B5h/3D5h
Index 22h*



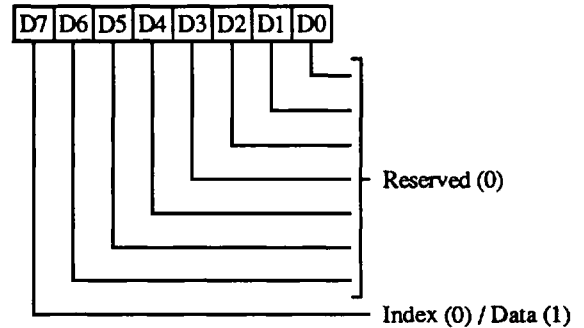
This register may be used to read the state of Graphics Controller Memory Data Latch 'n', where 'n' is controlled by the Graphics Controller Read Map Select Register (GR04 Bits 0 & 1) and is in the range 0-3.

Writes to this register are not decoded and will be ignored.

This is a standard VGA register which was not documented by IBM.

ATTRIBUTE CONTROLLER TOGGLE REGISTER (CR24)

*Read only at I/O Address 3B5h/3D5h
Index 24h*



6-0 Reserved (0)

7 Index/Data

This bit may be used to read back the state of the attribute controller index/data latch. This latch indicates whether the next write to the attribute controller at 3C0h will be to the register index pointer or to an indexed register.

0 Next write is to the index

1 Next write is to an indexed register

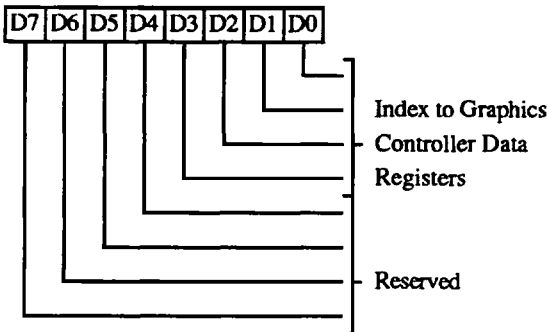
Writes to this register are not decoded and will be ignored.

This is a standard VGA register which was not documented by IBM.

Graphics Controller Registers

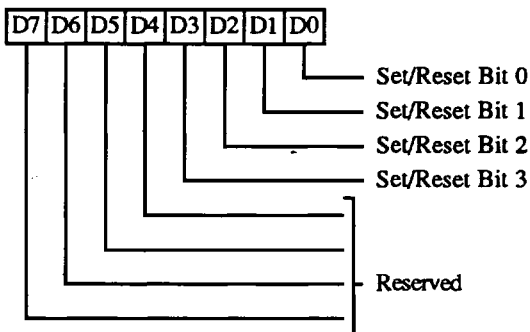
| Register Mnemonic | Register Name | Index | Access | I/O Address | Protect Group | Page |
|-------------------|------------------|-------|--------|-------------|---------------|------|
| GRX | Graphics Index | - | RW | 3CEh | 1 | 51 |
| GR00 | Set/Reset | 00h | RW | 3CFh | 1 | 51 |
| GR01 | Enable Set/Reset | 01h | RW | 3CFh | 1 | 52 |
| GR02 | Color Compare | 02h | RW | 3CFh | 1 | 52 |
| GR03 | Data Rotate | 03h | RW | 3CFh | 1 | 53 |
| GR04 | Read Map Select | 04h | RW | 3CFh | 1 | 53 |
| GR05 | Graphics mode | 05h | RW | 3CFh | 1 | 54 |
| GR06 | Miscellaneous | 06h | RW | 3CFh | 1 | 56 |
| GR07 | Color Don't Care | 07h | RW | 3CFh | 1 | 56 |
| GR08 | Bit Mask | 08h | RW | 3CFh | 1 | 57 |

GRAPHICS CONTROLLER INDEX REGISTER (GRX)
 Write only at I/O Address 3CEh
 Group 1 Protection



- 3-0 4-bit index to Graphics Controller registers
- 7-4 Reserved (0)

SET/RESET REGISTER (GR00)
 Read/Write at I/O Address 3CFh
 Index 00h
 Group 1 Protection



The SET/RESET and ENABLE SET/RESET registers are used to 'expand' 8 bits of CPU data to 32 bits of display memory.

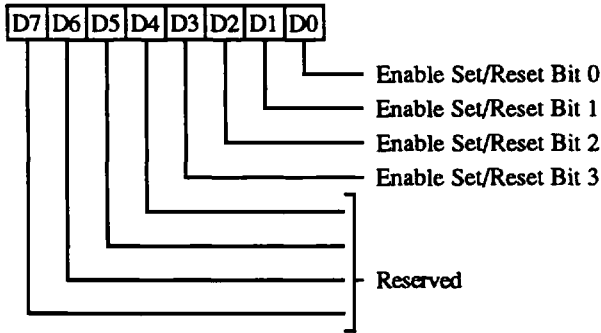
- 3-0 When the Graphics Mode register selects Write Mode 0, all 8 bits of each display memory plane are set as specified in the corresponding bit in this register. The Enable Set/Reset register (GR01) allows selection of some of the source of data to be written to individual planes. In Write Mode 3 (see GR05), these bits determine the color value.
- 7-4 Reserved (0)

ENABLE SET/RESET REGISTER (GR01)

Read/Write at I/O Address 3CFh

Index 01h

Group 1 Protection



3-0 This register works in conjunction with the Set/Reset register (GR00). The Graphics Mode register must be programmed to Write Mode 0 in order for this register to have any effect.

0 The corresponding plane is written with the data from the CPU data bus

1 The corresponding plane is set to 0 or 1 as specified in the Set/Reset Register

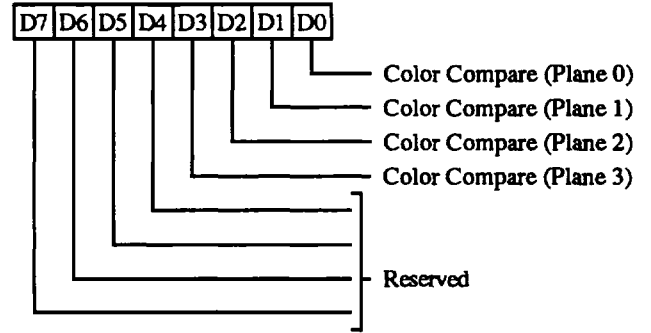
7-4 Reserved (0)

COLOR COMPARE REGISTER (GR02)

Read/Write at I/O Address 3CFh

Index 02h

Group 1 Protection

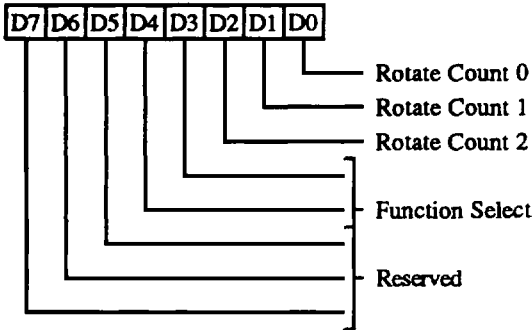


3-0 This register is used to 'reduce' 32 bits of memory data to 8 bits for the CPU in 4-plane graphics mode. These bits provide a reference color value to compare to data read from display memory planes 0-3. The Color Don't Care register (GR07) is used to affect the result. This register is active only if the Graphics Mode register (GR05) is set to Read Mode 1. A match between the memory data and the Color Compare register (GR02) (for the bits specified in the Color Don't Care register) causes a logical 1 to be placed on the CPU data bus for the corresponding data bit, a mis-match returns a logical 0.

7-4 Reserved (0)

DATA ROTATE REGISTER (GR03)

Read/Write at I/O Address 3CFh
 Index 03h
 Group 1 Protection



2-0 These bits specify the number of bits to rotate to the right the data being written by the CPU. The CPU data bits are first rotated, then subjected to the logical operation as specified in the Function Select bit field. The rotate function is active only if the Graphics Mode register is programmed for Write Mode 0.

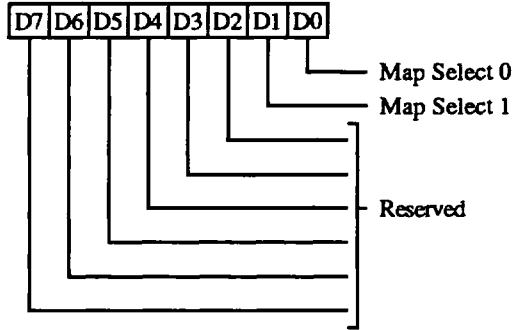
4-3 These Function Select bits specify the logical function performed on the contents of the processor latches (loaded on a previous CPU read cycle) before the data is written to display memory. These bits operate as follows:

| Bit 4 | Bit 3 | Result |
|-------|-------|--|
| 0 | 0 | No change to the Data |
| 0 | 1 | Logical 'AND' between Data and latched data; |
| 1 | 0 | Logical 'OR' between Data and latched data; |
| 1 | 1 | Logical 'XOR' between Data and latched data. |

7-5 Reserved (0)

READ MAP SELECT REGISTER (GR04)

Read/Write at I/O Address 3CFh
 Index 04h
 Group 1 Protection



1-0 This register is also used to 'reduce' 32 bits of memory data to 8 bits for the CPU in the 4-plane graphics mode. These bits select the memory plane from which the CPU reads data in Read Mode 0. In Odd/Even mode, bit-0 is ignored. In Quad mode, bits 0 and 1 are both ignored.

The four memory maps are selected as follows:

| Bit 1 | Bit 0 | Map Selected |
|-------|-------|--------------|
| 0 | 0 | Plane 0 |
| 0 | 1 | Plane 1 |
| 1 | 0 | Plane 2 |
| 1 | 1 | Plane 3 |

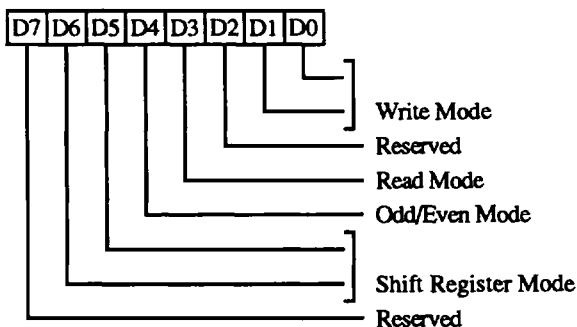
7-2 Reserved (0)

GRAPHICS MODE REGISTER (GR05)

Read/Write at I/O Address 3CFh

Index 05h

Group 1 Protection



1-0 These bits specify the Write Mode as follows: (For 16-bit writes, the operation is repeated on the lower and upper bytes of CPU data).

| Bit 1 | Bit 0 | Write Mode |
|-------|-------|---|
| 0 | 0 | Write mode 0. Each of the four display memory planes is written with the CPU data rotated by the number of counts in the Rotate Register, except when the Set/Reset Register is enabled for any of the four planes. When the Set/Reset Register is enabled, the corresponding plane is written with the data stored in the Set/Reset Register. |
| 0 | 1 | Write mode 1. Each of the four display memory planes is written with the data previously loaded in the processor latches. These latches are loaded during all read operations. |
| 1 | 0 | Write mode 2. The CPU data bus data is treated as the color value for the addressed byte in planes 0-3. All eight pixels in the addressed byte are modified unless protected by the Bit Mask register setting. A logical 1 in the Bit Mask register sets the corresponding pixel in the addressed byte to the color specified on the data bus. A 0 in the Bit Mask |

register sets the corresponding pixel in the addressed byte to the corresponding pixel in the processor latches. The Set/Reset and Enable Set/Reset registers are ignored. The Function Select bits in the Data Rotate register are used.

1 1 **Write mode 3.** The CPU data is rotated then logically ANDed with the contents of the Bit Mask register (GR08) and then treated as the addressed data's bit mask while the contents of the Set/Reset register is treated as the color value.

A '0' on the data bus (mask) causes the corresponding pixel in the addressed byte to be set to the corresponding pixel in the processor latches.

A '1' on the data bus (mask) causes the corresponding pixel in the addressed byte to be set to the color value specified in the Set/Reset register.

The Enable Set/Reset register is ignored. The Data Rotate is used. This write mode can be used to fill an area with a single color and pattern.

- 2 Reserved (0)
- 3 This bit specifies the Read Mode as follows:
 - 0 The CPU reads data from one of the planes as selected in the Read Map Select register.
 - 1 The CPU reads the 8-bit result of the logical comparison between all eight pixels in the four display planes and the contents of the Color Compare and Color Don't Care registers. The CPU reads a logical 1 if a match occurs for each pixel and logical 0 if a mismatch occurs. In 16-bit read cycles, this operation is repeated on the lower and upper bytes.

(Continued on following page)

4 Odd/Even Mode:

- 0 All CPU addresses sequentially access all planes
- 1 Even CPU addresses access planes 0 and 2, while odd CPU addresses access planes 1 and 3. This option is useful for IBM CGA-compatible memory organization.

6-5 Shift Register Mode. These two bits select the data shift pattern used when passing data from the four memory planes through the four video shift registers. If the data bits in the memory planes (0-3) are represented as M0D0-M0D7, M1D0-M1D7, M2D0-M2D7, and M3D0-M3D7 respectively, then the data in the serial shift registers is shifted out as follows:

| <u>Bit 65</u> | <u>Last Bit Shifted Out</u> | <u>Shift Direction</u> → | | | | | | <u>1st Bit Shifted Out</u> | <u>Output to:</u> |
|---------------|-----------------------------|--------------------------|------|------|------|------|------|----------------------------|-------------------|
| 00 | M0D0 | M0D1 | M0D2 | M0D3 | M0D4 | M0D5 | M0D6 | M0D7 | Bit0 |
| | M1D0 | M1D1 | M1D2 | M1D3 | M1D4 | M1D5 | M1D6 | M1D7 | Bit1 |
| | M2D0 | M2D1 | M2D2 | M2D3 | M2D4 | M2D5 | M2D6 | M2D7 | Bit2 |
| | M3D0 | M3D1 | M3D2 | M3D3 | M3D4 | M3D5 | M3D6 | M3D7 | Bit3 |
| 01 | M1D0 | M1D2 | M1D4 | M1D6 | M0D0 | M0D2 | M0D4 | M0D6 | Bit0 |
| | M1D1 | M1D3 | M1D5 | M1D7 | M0D1 | M0D3 | M0D5 | M0D7 | Bit1 |
| | M3D0 | M3D2 | M3D4 | M3D6 | M2D0 | M2D2 | M2D4 | M2D6 | Bit2 |
| | M3D1 | M3D3 | M3D5 | M3D7 | M2D1 | M2D3 | M2D5 | M2D7 | Bit3 |
| 1x | M3D0 | M3D4 | M2D0 | M2D4 | M1D0 | M1D4 | M0D0 | M0D4 | Bit0 |
| | M3D1 | M3D5 | M2D1 | M2D5 | M1D1 | M1D5 | M0D1 | M0D5 | Bit1 |
| | M3D2 | M2D6 | M3D2 | M2D6 | M1D2 | M1D6 | M0D2 | M0D6 | Bit2 |
| | M3D3 | M3D7 | M2D3 | M2D7 | M1D3 | M1D7 | M0D3 | M0D7 | Bit3 |

Note: If the Shift Register is not loaded every character clock (see SR01 D2 & 4) then the four 8-bit shift registers are effectively 'chained' with the output of shift register 1 becoming the input to shift register 0 and so on. This allows one to have a large monochrome (or 4 color) bit map and display one portion thereof.

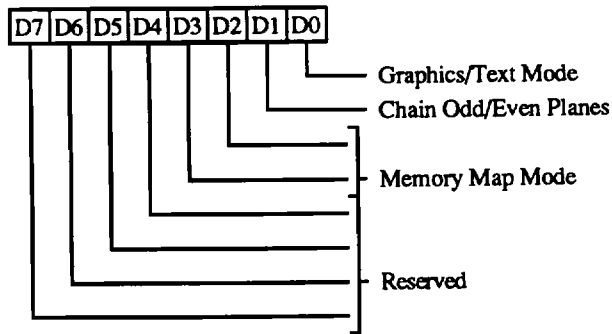
7 Reserved (0)

MISCELLANEOUS REGISTER (GR06)

Read/Write at I/O Address 3CFh

Index 06h

Group 1 Protection



- 0 Graphics/Text Mode:**
 - 0 Text Mode
 - 1 Graphics mode
- 1 Chain Odd/Even Planes.** This mode can be used to double the address space into display memory.
 - 1 CPU address bit A0 is replaced by a higher order address bit. The state of A0 determines which memory plane is to be selected:
 - A0 = 0 select planes 0 and 2
 - A0 = 1 select planes 1 and 3
 - 0 A0 not replaced
- 3-2 Memory Map mode.** These bits control the mapping of the display memory into the CPU address space as follows (also used in extended modes):

| Bit 3 | Bit 2 | CPU Address |
|-------|-------|---------------|
| 0 | 0 | A0000h-BFFFFh |
| 0 | 1 | A0000h-AFFFFh |
| 1 | 0 | B0000h-B7FFFh |
| 1 | 1 | B8000h-BFFFFh |

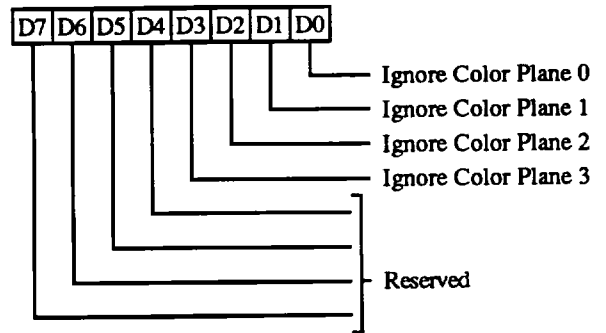
7-4 Reserved (0)

COLOR DON'T CARE REGISTER (GR07)

Read/Write at I/O Address 3CFh

Index 07h

Group 1 Protection



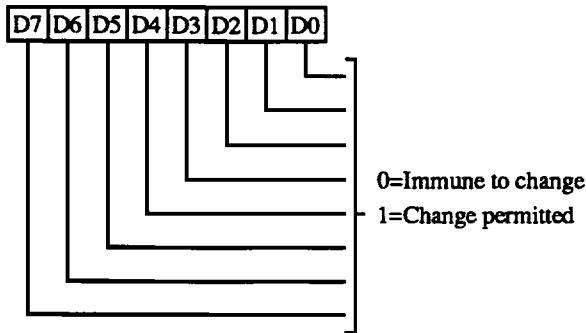
- 3-0 Ignore Color Plane (0-3):**
 - 0 This causes the corresponding bit of the Color Compare register to be a don't care during a comparison.
 - 1 The corresponding bit of the Color Compare register is enabled for color comparison. This register is active in Read Mode 1 only.
- 7-4 Reserved (0)**

BIT MASK REGISTER (GR08)

Read/Write at I/O Address 3CFh

Index 08h

Group 1 Protection



7-0 This bit mask is applicable to any data written by the CPU, including that subject to a rotate, logical function (AND, OR, XOR), Set/Reset, and No Change. In order to execute a proper read-modify-write cycle into displayed memory, each byte must first be read (and latched by the VGA), the Bit Mask register set, and the new data then written. The bit mask applies to all four planes simultaneously.

- 0 The corresponding bit in each of the four memory planes is written from the corresponding bit in the latches.
- 1 Unrestricted manipulation of the corresponding data bit in each of the four memory planes is permitted.

Attribute Controller and Color Palette Registers

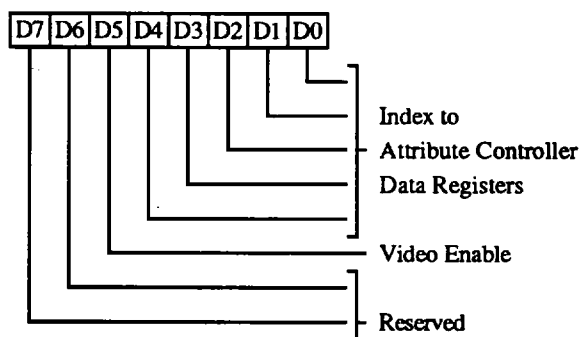
| Register Mnemonic | Register Name | Index | Access | I/O Address | Protect Group | Page |
|-------------------|---|--------|--------|-------------|---------------|------|
| ARX | Attribute Index (for 3C0/3C1h) | – | RW | 3C0h | 1 | 59 |
| AR00-AR0F | Internal Color Palette Data | 00-0Fh | RW | 3C0h/3C1h | 1 | 60 |
| AR10 | Mode Control | 10h | RW | 3C0h/3C1h | 1 | 60 |
| AR11 | Overscan Color | 11h | RW | 3C0h/3C1h | 1 | 61 |
| AR12 | Color Plane Enable | 12h | RW | 3C0h/3C1h | 1 | 61 |
| AR13 | Horizontal Pixel Panning | 13h | RW | 3C0h/3C1h | 1 | 62 |
| AR14 | Pixel Pad | 14h | RW | 3C0h/3C1h | 1 | 62 |
| DACMASK | External Color Palette Pixel Mask | – | RW | 3C6h | 6 | 63 |
| DACSTATE | DAC State | – | R | 3C7h | – | 63 |
| DACRX | External Color Palette Read-Mode Index | – | W | 3C7h | 6 | 64 |
| DACX | External Color Palette Index (for 3C9h) | – | RW | 3C8h | 6 | 64 |
| DACDATA | External Color Palette Data | 00-FFh | RW | 3C9h | 6 | 64 |

In regular VGA mode, all Attribute Controller registers are located at the same byte address (3C0h) in the CPU I/O space. An internal flip-flop controls the selection of either the Attribute Index or Data Registers. To select the Index Register, an I/O Read is executed to address 3BAh/3DAh to clear this flip-flop. After the Index Register has been loaded by an I/O Write to address 3C0h, this flip-flop toggles, and the Data Register is ready to be accessed. Every I/O Write to address 3C0h toggles this flip-flop. The flip-flop does not have any effect on the reading of the Attribute Controller registers. The Attribute Controller index register is always read back at address 3C0h, the data register is always read back at address 3C1h.

In one of the extended modes (See "CPU Interface Register"), the Attribute Controller Index register is located at address 3C0h and the Attribute Controller Data register is located at address 3C1h (to allow word I/O accesses). In another extended mode, the Attribute Controller can be both read and written at either 3C0h or 3C1h (EGA compatible mode).

ATTRIBUTE INDEX REGISTER (ARX)

*Read/Write at I/O Address 3C0h
Group 1 Protection*



4-0 These bits point to one of the internal registers of the Attribute Controller.

5 Enable Video:

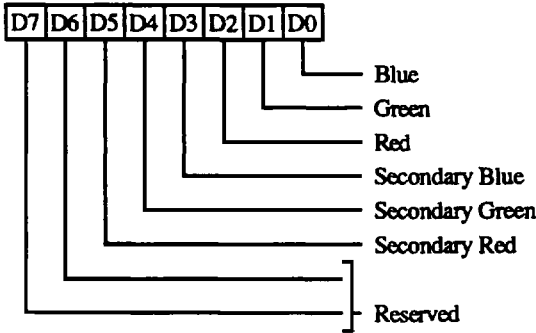
0 Disables the video, allowing the Attribute Controller color registers to be accessed by the CPU

1 Enables the video and causes the Attribute Controller Color registers (AR00-AR0F) to be inaccessible by the CPU.

7-6 Reserved (0)

ATTRIBUTE CONTROLLER COLOR PALETTE DATA REGISTERS (AR00-AR0F)

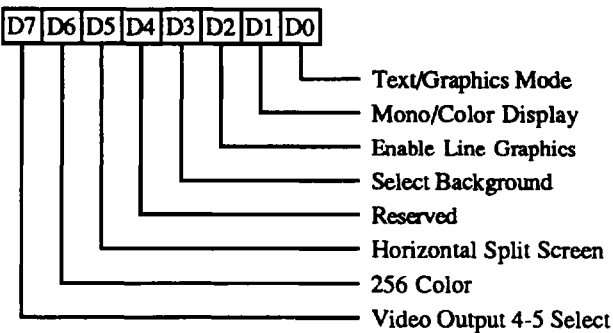
Read at I/O Address 3C1h
 Write at I/O Address 3C0/1h
 Index 00-0Fh
 Group 1 Protection or XR63D6



- 5-0 These bits are the color value in the respective palette register as pointed to by the index register.
- 7-6 Reserved (0)

ATTRIBUTE CONTROLLER MODE CONTROL REGISTER (AR10)

Read at I/O Address 3C1h
 Write at I/O Address 3C0/1h
 Index 10h
 Group 1 Protection

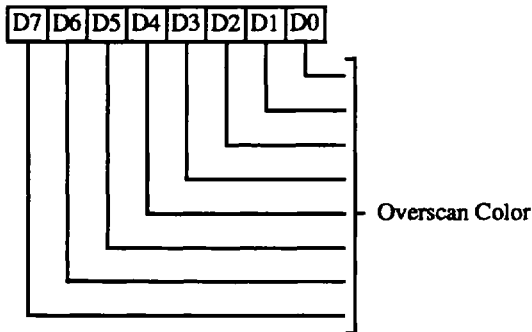


- 0 Text/Graphics Mode:
 - 0 Select text mode
 - 1 Select graphics mode
- 1 Monochrome/Color Display
 - 0 Select color display attributes
 - 1 Select mono display attributes

- 2 Enable Line Graphics Character Codes. This bit is dependent on bit 0 of the Override register.
 - 0 Make the ninth pixel appear the same as the background
 - 1 For special line graphics character codes (0C0h-0DFh), make the ninth pixel identical to the eighth pixel of the character. For other characters, the ninth pixel is the same as the background.
- 3 Enable Blink/Select Background Intensity. The blinking counter is clocked by the VSYNC signal.
 - 0 Disable Blinking and enable text mode background intensity
 - 1 Enable the blink attribute in text and graphics modes.
- 4 Reserved (0)
- 5 Split Screen Horizontal Panning Mode
 - 0 Scroll both screens horizontally as specified in the Pixel Panning register
 - 1 Scroll horizontally only the top screen as specified in the Pixel panning register
- 6 256 Color Output Assembler
 - 0 6-bits of video (translated from 4-bits by the internal color palette) are output every dot clock
 - 1 Two 4-bit sets of video data are assembled to generate 8-bit video data at half the frequency of the internal dot clock (256 color mode).
- 7 Video Output 5-4 Select:
 - 0 Video bits 4 and 5 are generated by the internal Attribute Controller color palette registers
 - 1 Video bits 4 and 5 are the same as bits 0 and 1 in the Pixel Pad register (AR14)

OVERSCAN COLOR REGISTER (AR11)

Read at I/O Address 3C1h
 Write at I/O Address 3C01h
 Index 11H
 Group 1 Protection

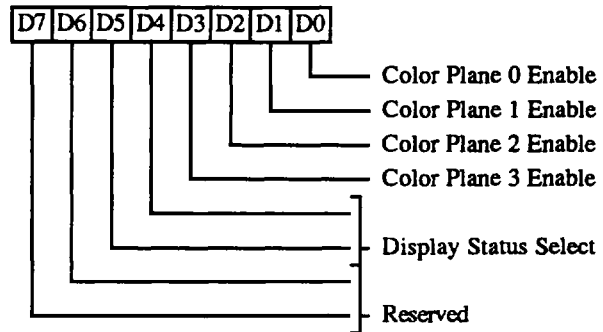


7-0 **Overscan Color.** These 8 bits define the overscan (border) color value. For monochrome displays, these bits should be zero.

The border color is displayed in the interval after Display Enable End and before Blank Start (end of display area; i.e. right side and bottom of screen) and between Blank End and Display Enable Start (beginning of display area; i.e. left side and top of screen).

COLOR PLANE ENABLE REGISTER (AR12)

Read at I/O Address 3C1h
 Write at I/O Address 3C01h
 Index 12h
 Group 1 Protection



3-0 **Color Plane (0-3) Enable**

- 0 Force the corresponding color plane pixel bit to 0 before it addresses the color palette
- 1 Enable the plane data bit of the corresponding color plane to pass

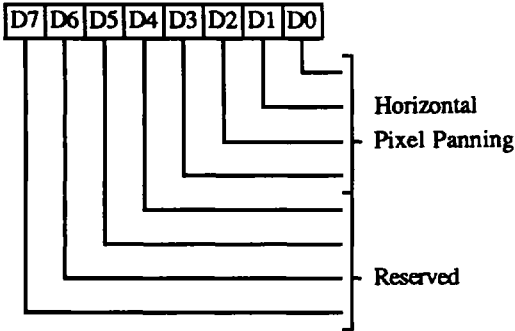
5-4 **Display Status Select.** These bits select two of the eight color outputs to be read back in the Input Status Register 1 (port 3BAh or 3DAh). The output color combinations available on the status bits are as follows:

| Status Register 1 | | | |
|-------------------|-------|-------|-------|
| Bit 5 | Bit 4 | Bit 5 | Bit 4 |
| 0 | 0 | P2 | P0 |
| 0 | 1 | P5 | P4 |
| 1 | 0 | P3 | P1 |
| 1 | 1 | P7 | P6 |

7-6 **Reserved (0)**

ATTRIBUTE CONTROLLER HORIZONTAL PIXEL PANNING REGISTER (AR13)

Read at I/O Address 3C1h
 Write At I/O Address 3C01h
 Index 13h
 Group 1 Protection



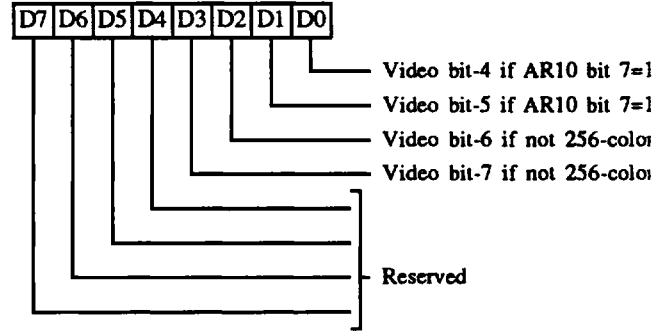
3-0 Horizontal Pixel Panning. These bits select the number of pixels to shift the display horizontally to the left. Pixel panning is available in both text and graphics modes. In 9 pixels/character text mode, the output can be shifted a maximum of 9 pixels. In 8 pixels/character text mode and all graphics modes a maximum shift of 8 pixels is possible. In 256-color mode (output assembler AR10 bit 6 = 1), bit 0 of this register must be 0 which results in only 4 panning positions per display byte. In Shift Load 2 and Shift Load 4 modes, register CR08 provides single pixel resolution for panning. Panning is controlled as follows:

| AR13 | Number of Pixels Shifted | | |
|------|--------------------------|------------|----------------|
| | 9-dot mode | 8-dot mode | 256-color mode |
| 0 | 1 | 0 | 0 |
| 1 | 2 | 1 | -- |
| 2 | 3 | 2 | 1 |
| 3 | 4 | 3 | -- |
| 4 | 5 | 4 | 2 |
| 5 | 6 | 5 | -- |
| 6 | 7 | 6 | 3 |
| 7 | 8 | 7 | -- |
| 8 | 0 | -- | -- |

7-4 Reserved (0)

ATTRIBUTE CONTROLLER PIXEL PAD REGISTER (AR14)

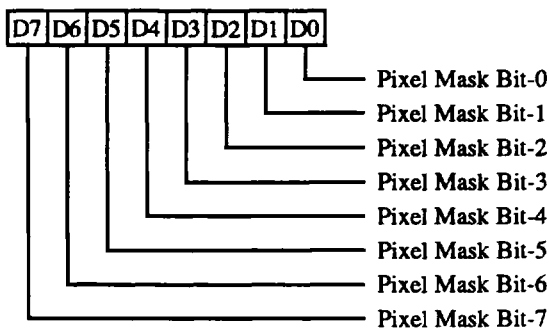
Read at I/O Address 3C1h
 Write At I/O Address 3C01h
 Index 14h
 Group 1 Protection



1-0 These bits are output as video bits 5 and 4 when AR10 bit-7 = 1. They are disabled in the 256 color mode.

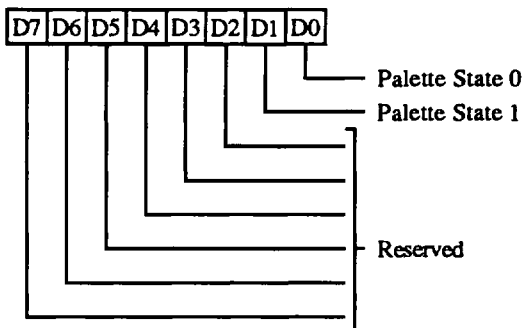
3-2 These bits are output as video bits 7 and 6 in all modes except 256-color mode.

7-4 Reserved (0)

**EXTERNAL COLOR PALETTE
PIXEL MASK REGISTER (DACMASK)**
Read/Write at I/O Address 3C6h
Group 6 Protection


The contents of this register are logically ANDed with the 8 bits of video data coming into the external color palette. Zero bits in this register therefore cause the corresponding address input to the external color palette to be zero. For example, if this register is programmed with 7, only external color palette registers 0-7 would be accessible; video output bits 3-7 would be ignored and all color values would map into the lower 8 locations in the color palette.

This register is physically located in the external color palette chip (used for displaying analog data to the CRT). Reads from this I/O location cause the PALRD# pin to be asserted. Writes to this I/O location cause the PALWR# pin to be asserted. The functionality of this port is determined by the external palette chip.

**EXTERNAL COLOR PALETTE
STATE REGISTER (DACSTATE)**
Read only at I/O Address 3C7h


1-0 Status bits indicate the I/O address of the last CPU write to the external DAC/Color Palette:

- 00 The last write was to 3C8h (write mode)
- 11 The last write was to 3C7h (read mode)

7-2 Reserved (0)

To allow saving and restoring the state of the video subsystem, this register is required since the external color palette chip automatically increments its index register differently depending on whether the index is written at 3C7h or 3C8h.

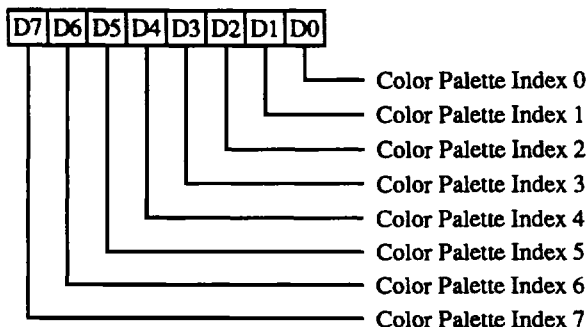
This register is physically located in the 82C450 chip (PALRD# is *not* asserted for reads from this I/O address).

**EXTERNAL COLOR PALETTE
READ-MODE INDEX REGISTER (DACRX)**

*Write only at I/O Address 3C7h
Group 6 Protection*

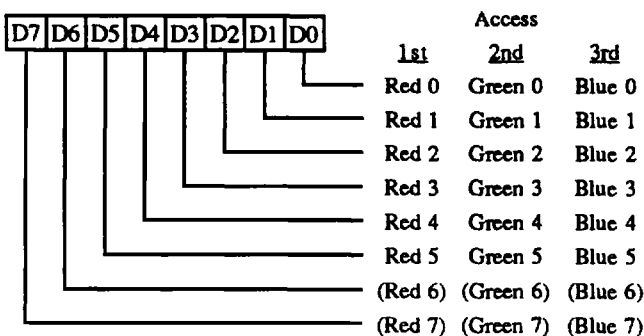
**EXTERNAL COLOR PALETTE
INDEX REGISTER (DACX)**

*Read/Write at I/O Address 3C8h
Group 6 Protection*



**EXTERNAL COLOR PALETTE
DATA REGISTERS (DACDATA 00-FF)**

*Read/Write at I/O Address 3C9h
Index 00h-FFh
Group 6 Protection*



The color palette index and data registers are physically located in the external color palette chip. The index register is used to point to one of 256 data registers. Each data register is either 18 or 24 bits in length depending on the type of palette chip used (6 or 8 bits each for red, green, and blue), so the data values must be read as a sequence of 3 bytes. After writing the index register (3C7h or 3C8h), data values may be read from or written to the color palette data register port (3C9h) in sequence: first red, then green, then blue, then repeat for the next

location if desired (the index is incremented automatically by the palette chip).

The index may be written at 3C7h and may be read or written at 3C8h. When the index value is written to either port, it is written to both the index register and a 'save' register internal to the color palette chip.

The save register (not the index register) is used internally by the palette chip to point at the current data register. When the index value is written to 3C7h (read mode), it is written to both the index register and the save register, then the index register is automatically incremented. When the index value is written to 3C8h (write mode), the automatic incrementing of the index register does not occur.

After the third of the three sequential data reads from (or writes to) 3C9h is completed, the save and index registers are both automatically incremented by the palette chip. This allows the entire palette (or any subset) to be read (written) by writing the index of the first color in the set, then sequentially reading (writing) the values for each color, without having to reload the index every three bytes.

The state of the RGB sequence is not saved; the user must access each three bytes in an uninterruptable sequence (or be assured that interrupt service routines will not access the palette index or data registers). When the index register is written (at either port), the RGB sequence is restarted. Data value reads and writes may be intermixed; either reads or writes increment the palette chip internal RGB sequence counter.

The palette chip internal save register always contains a value one less than the readable index value if the last index write was to the 'read mode' port. The 82C450 therefore saves the state of which port (3C7h or 3C8h) was last written and returns that information on reads from 3C7h (PALRD# is only asserted on reads from 3C8h and not on reads from 3C7h). Writes to 3C7h or 3C8h cause the PALWR# pin to be asserted.

The functionality of the index and data ports is determined by the external palette chip.

Extension Registers

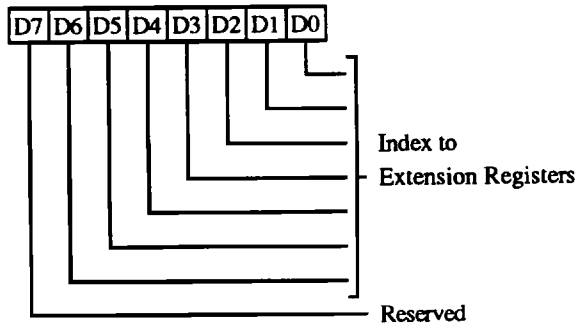
| Register Mnemonic | Register Group | Register Name | Index | I/O Access | Address | State After Reset | Page |
|-------------------|----------------|--------------------------------------|-------|------------|-------------|-------------------|------|
| XR00 | Misc | Chip Version | 00h | R | 3B7h / 3D7h | 0100rrrr | 66 |
| XR01 | Misc | Configuration | 01h | R | 3B7h / 3D7h | dddddddd | 67 |
| XR02 | Misc | CPU Interface | 02h | RW | 3B7h / 3D7h | 00000000 | 68 |
| XR0D | Misc | Auxiliary Offset | 0Dh | RW | 3B7h / 3D7h | -----00 | 70 |
| XR0E | Misc | Text Mode Control | 0Eh | RW | 3B7h / 3D7h | ---00000 | 70 |
| XR28 | Misc | Video Interface | 28h | RW | 3B7h / 3D7h | --0--000 | 78 |
| XR2B | Misc | Default Video | 2Bh | RW | 3B7h / 3D7h | 00000000 | 78 |
| XR70 | Misc | 46E8 Register Override | 70h | RW | 3B7h / 3D7h | 0----- | 79 |
| XR7F | Misc | Diagnostic | 7Fh | RW | 3B7h / 3D7h | 00xxxx00 | 79 |
| XR04 | Mapping | Memory Mapping | 04h | RW | 3B7h / 3D7h | 000--0-0 | 68 |
| XR0B | Mapping | CPU Paging | 0Bh | RW | 3B7h / 3D7h | -----000 | 69 |
| XR0C | Mapping | Start Address Top | 0Ch | RW | 3B7h / 3D7h | -----0 | 69 |
| XR10 | Mapping | Single/Low Map | 10h | RW | 3B7h / 3D7h | xxxxxxx | 70 |
| XR11 | Mapping | High Map | 11h | RW | 3B7h / 3D7h | xxxxxxx | 70 |
| XR14 | Compatibility | Emulation Mode | 14h | RW | 3B7h / 3D7h | 0000hh00 | 71 |
| XR15 | Compatibility | Write Protect | 15h | RW | 3B7h / 3D7h | 00000000 | 73 |
| XR1F | Compatibility | Virtual EGA Switch | 1Fh | RW | 3B7h / 3D7h | 0--xxxx | 77 |
| XR7E | Compatibility | CGA Color Select | 7Eh | RW | 3B7h / 3D7h | -xxxxxx | 79 |
| XR18 | Alternate | Alternate Horizontal Display End | 18h | RW | 3B7h / 3D7h | xxxxxxx | 74 |
| XR19 | Alternate | Alt H Sync Start / Half Line Compare | 19h | RW | 3B7h / 3D7h | xxxxxxx | 74 |
| XR1A | Alternate | Alternate Horizontal Sync End | 1Ah | RW | 3B7h / 3D7h | xxxxxxx | 75 |
| XR1B | Alternate | Alternate Horizontal Total | 1Bh | RW | 3B7h / 3D7h | xxxxxxx | 76 |
| XR1C | Alternate | Alternate Horizontal Blank Start | 1Ch | RW | 3B7h / 3D7h | xxxxxxx | 75 |
| XR1D | Alternate | Alternate Horizontal Blank End | 1Dh | RW | 3B7h / 3D7h | 0xxxxxx | 76 |
| XR1E | Alternate | Alternate Offset | 1Eh | RW | 3B7h / 3D7h | xxxxxxx | 74 |

Reset Codes: x = Not changed by RESET (indeterminate on power-up)
 d = Set from the corresponding data bus pin on falling edge of RESET
 h = Read-only Hercules Configuration Register Readback bits

- = Not implemented (always reads 0)
 r = Chip revision # (starting from 0000)
 0 = Reset to 0 by falling edge of RESET

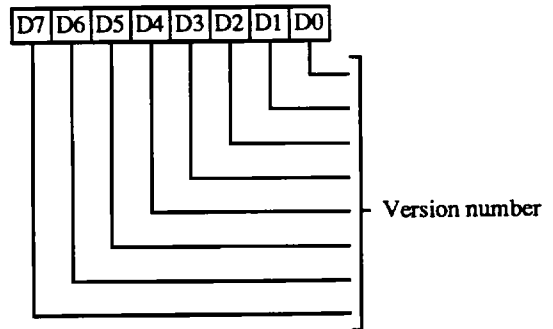
Note: These registers can be accessed only if enabled through the Extension Enable register (port 103h during setup).

EXTENSION INDEX REGISTER (XR0)
Read/Write at I/O Address 3B6h/3D6h



- 6-0 Index value used to access the extension registers
- 7 Reserved (0)

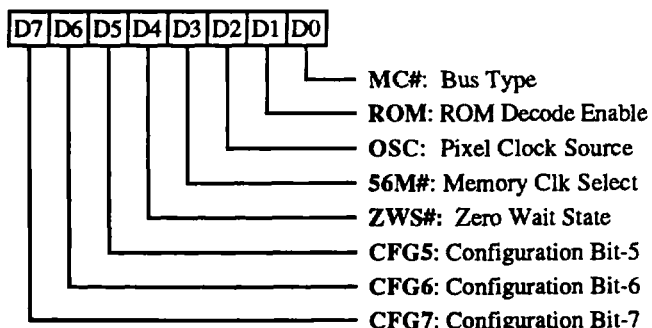
CHIPS VERSION REGISTER (XR00)
Read only at I/O Address 3B7h/3D7h
Index 00h



- 7-0 This register contains the version number for the 82C450. Values start at 40h and are incremented for every silicon step.

CONFIGURATION REGISTER (XR01)

Read only at I/O Address 3B7h/3D7h
Index 01h



These bits latch the state of the CPU data bus (AD bus) on the falling edge of RESET. The state of bits 0-4 after RESET effect the 82C450 internal logic as indicated below; bits 5-7 are latched from AD5-7 on the falling edge of RESET and may be read in this register, but otherwise have no hardware effect on the 82C450 chip. The AD bus has internal on-chip high-valued pullups and will float high if not driven otherwise during RESET so that the default state of all bits is 'one'.

This register is not related to the Virtual EGA Switch register (XR1F).

- 0 MC# - Bus type
 - 0 = Micro Channel
 - 1 = ISA
- 1 ROM - ROM Decode Enable: 0 = Disable, 1 = Enable. Setting this bit causes the 82C450 to decode the ROM space (C0000h-C7FFFh) for activating ROMCS#. This bit is valid for ISA Bus only.
- 2 OSC - Pixel Clock (PCLK) Source
 - 0 Clock Chip Configuration:
CLK0 pin is Memory clock input
CLK1 pin is Pixel clock input
CLK2 pin is CLKSELO output
CLK3 pin is CLKSEL1 output
 - 1 Discrete Oscillator Configuration:
CLK0-CLK3 are Pixel clock inputs
CLK0 or CLK1 pin is MCLK input

Note: Actual pixel clock frequencies generated (and how the CLKSELO-1 outputs are driven) is determined by Misc Output register (MSR) bits 2-3 and/or Fcout register (FSR) bits 0-1 (see also MCS bit and table in the Clock Interface section of the Functional Description for actual pixel clock frequencies).

- 3 56M# - Memory Clock (MCLK) Select
Clock pin connections should be as follows:

Clock Chip Configuration (OSC = 0)

- 0 MCLK (CLK0) = 56.644 MHz
Clock Select 0 = 40.000 MHz
Clock Select 1 = 50.350 MHz
Clock Select 2 = User-defined
Clock Select 3 = 44.900 MHz
- 1 MCLK (CLK0) = 50.350 MHz
Clock Select 0 = 40.000 MHz
Clock Select 1 = 28.322 MHz
Clock Select 2 = User-defined
Clock Select 3 = 44.900 MHz

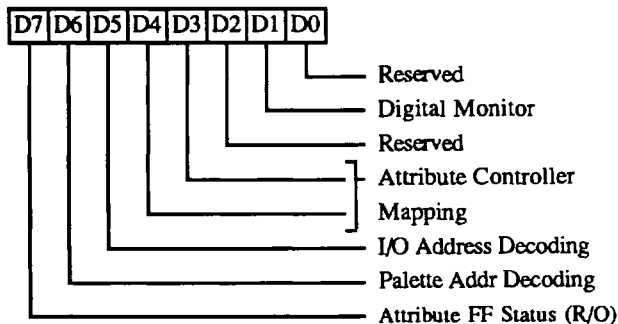
Discrete Oscillator Configuration (OSC = 1)

- 0 CLK0=50.350 MHz
CLK1=56.644 MHz (MCLK source)
CLK2=40.000 MHz
CLK3=44.900 MHz
- 1 CLK0=50.350 MHz (MCLK source)
CLK1=28.322 MHz
CLK2=40.000 MHz
CLK3=44.900 MHz

Actual internal pixel clock frequencies generated can be referenced in the Clock Interface section of the Functional Description. See also XR02, MSR, and FCR.

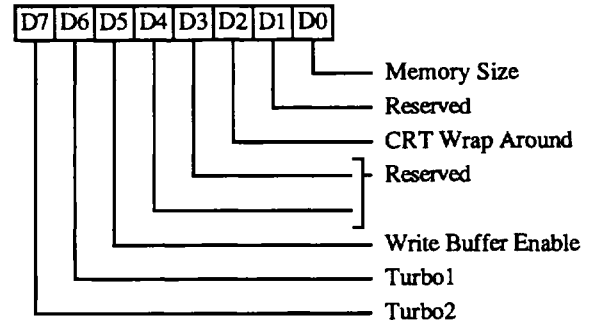
- 4 ZWS# - Zero Wait State Enable
 - 0 Enable Zero Wait State. Pin definitions are:
 - 19 A8-SENSE
 - 44 ROMCS#-ZWS#
 - 58 SYSCLK
 - 1 Disable Zero Wait State. Pin definitions are:
 - 19 A8
 - 44 ROMCS#
 - 58 SENSE
- 7-5 CFG - Configuration bits: Latched from AD 7-5 at RESET and readable in this register but have no other hardware function.

CPU INTERFACE REGISTER (XR02)
 Read/Write at I/O Address 3B7h/3D7h
 Index 02h



- 0 Reserved (0)
- 1 Digital Monitor clock mode
 - 0 Normal (clock 0-1 = 25 & 28 MHz)
 - 1 Digital Monitor (clk0-1=14 & 16MHz)
 - 14MHz = 56MHz + 4 or 28MHz + 2
 - 16MHz = 50MHz + 3
- 2 Reserved (0)
- 4-3 Attribute Controller Mapping
 - 4 3 Attribute Controller I/O Mapping**
 - 0 0 Write Index and Data at 3C0h. (Default on Reset; VGA type mapping).
 - 0 1 Write Index at 3C0h and Data at 3C1h (the attribute flip-flop is always reset in this mode)
 - 1 0 Write Index and Data at 3C0h or 3C1h (EGA type mapping)
 - 1 1 Reserved / Illegal
- 5 I/O Address Decoding. This bit affects 3B4/5h, 3D4/5h, 3C0-2h, 3C4/5h, 3CE/Fh, 3BAh, 3BFh and 3D8h. 0: Decode all 16 bits of I/O address (Default on Reset); 1: Decode only the lower 10 bits.
- 6 Palette Address Decoding
 - 0 Decode 3C6h-3C9h (default)
 - 1 Decode 3C6h-3C9h and 83C6h-83C9h (use for Brooktree-type palette chips)
- 7 Attribute Flip-flop Status (read only)
 - 0 Index
 - 1 Data

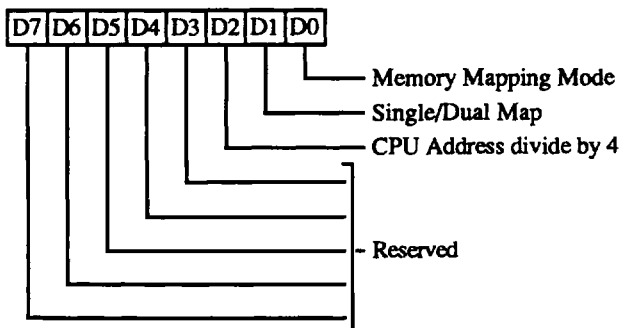
MEMORY MODE REGISTER (XR04)
 Read/Write at I/O Address 3B7h/3D7h
 Index 04h



- 0 Memory Size
 - 0 256 KBytes of display memory (4 planes of 64K each using two 256Kx4 devices). Default on reset.
 - 1 512 KBytes of display memory (4 planes of 128K each using four 256Kx4 devices).
- 1 Reserved (0)
- 2 CRT Wrap Around
 - 0 82C450 will wraparound CRT addresses at 64K boundaries for VGA compatibility regardless of the amount of memory on the board. (Default on Reset).
 - 1 82C450 generates addresses for the entire memory on the board. This bit should be set for extended mode which use more than 256 KBytes of display memory.
- 4-3 Reserved (0)
- 5 Memory Write Buffer Enable
- 6 Turbo1
 - 0 Disable Turbo feature for ZWS. ZWS cycle is 4 bus clocks.
 - 1 Enable Turbo feature. All ZWS cycle are 3 bus clocks for both odd and even bytes.
- 7 Turbo2
 - 0 Disable Turbo feature for odd byte. ZWS cycle is 4 bus clocks for both odd and even bytes.
 - 1 Enable Turbo feature for odd bytes. ZWS cycle is 3 bus clocks for odd bytes and 4 bus clocks for even bytes.

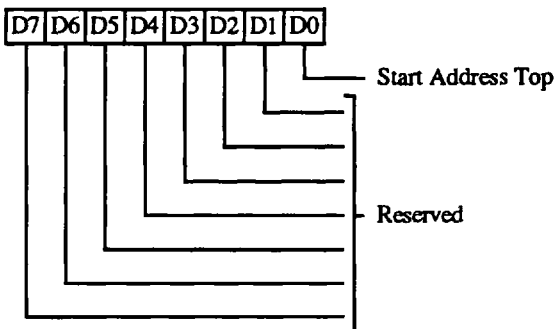
Note: When bit '6' is set to 1, bit '7' has no effect.

CPU PAGING REGISTER (XR0B)
 Read/Write at I/O Address 3B7h/3D7h
 Index 0Bh



- 0** Memory Mapping Mode
 - 0** Normal Mode (VGA compatible)
 - 1** Extended Mode (mapping for 512 KByte memory configuration)
- 1** Single/Dual Map
 - 0** CPU uses only a single map to access the extended video memory space. The base address for this map is defined in the Single Map Register (XR10).
 - 1** CPU uses two maps to access the extended video memory space. The base addresses for the two maps are defined in the Low and High Map Registers (XR10 and XR11)
- 2** CPU address divide by 4
 - 0** Disable divide by 4 (normal mode)
 - 1** Enable divide by 4 for CPU addresses. This allows video memory to be accessed sequentially in mode 13. In addition, all video memory is available in mode 13 by setting this bit.
- 7-3** Reserved (0)

START ADDRESS TOP REGISTER (XR0C)
 Read/Write at I/O Address 3B7h/3D7h
 Index 0Ch

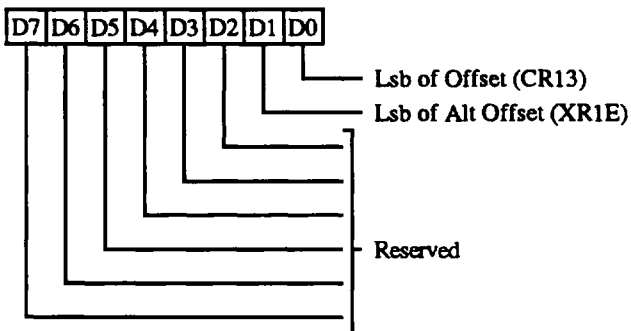


- 0** Start Address Top. This bit defines the high order bit for the Display Start Address when 512KB of memory is used.
- 7-1** Reserved (0)

AUXILIARY OFFSET REGISTER (XR0D)

Read/Write at I/O Address 3B7h/3D7h

Index 0Dh

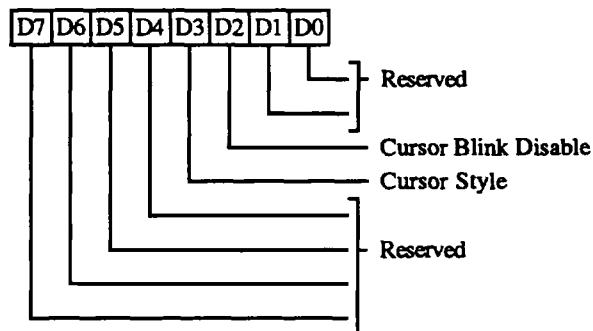


- 0 This bit provides finer granularity to the Offset when the Chain (Odd/Even) and Chain 4 modes are used. This bit is used with the regular Offset register (CR13).
- 1 This bit provides finer granularity to the Offset when the Chain (Odd/Even) and Chain 4 modes are used. This bit is used with the Alternate Offset register (XR1E).
- 7-2 Reserved (0)

TEXT MODE CONTROL REGISTER (XR0E)

Read/Write at I/O Address 3B7h/3D7h

Index 0Ch

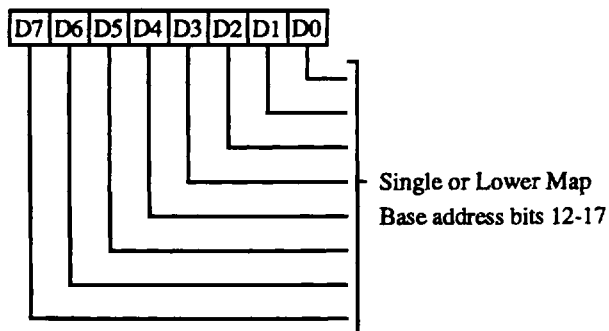


- 1-0 Reserved
- 2 Cursor Blink Disable
 - 0 Blinking
 - 1 Non-blinking
- 3 Cursor Style
 - 0 Replace
 - 1 Exclusive-Or
- 7-4 Reserved

SINGLE/LOW MAP REGISTER (XR10)

Read/Write at I/O Address 3B7h/3D7h

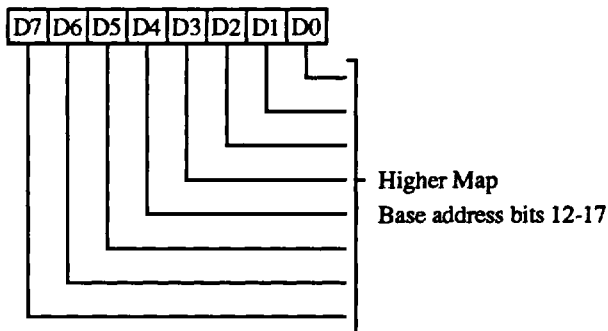
Index 10h



HIGH MAP REGISTER (XR11)

Read/Write at I/O Address 3B7h/3D7h

Index 11h



7-0 These eight bits define the Single or Lower Map (in Dual Map Mode) base address bits 17-12. The map starts on a 1K boundary in planar modes and on a 4K boundary in packed pixel modes. In case of dual mapping this register controls the CPU window into the display memory based on the contents of GR06 bits 2-3 as follows:

| GR06 | Low Map |
|------|----------------|
| 0 | 0A0000-0AFFFFh |
| 1 | 0A0000-0A7FFFh |
| 2 | 0B0000-0B7FFFh |
| 3 | 0B8000-0BFFFFh |

7-0 These eight bits define the Higher Map (in Dual Map Mode) base address bits 17-12. The map starts on a 1K boundary in planar modes and on a 4K boundary in packed pixel modes. This register maps the CPU window into display memory based on the contents of GR06 bits 2-3 as follows:

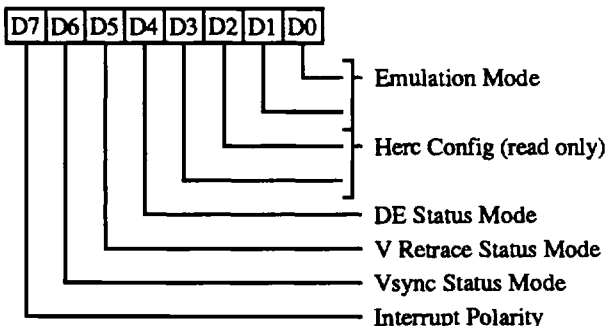
| GR06 | Low Map |
|------|----------------|
| 0 | 0B0000-0BFFFFh |
| 1 | 0A8000-0AFFFFh |
| 2 | Don't care |
| 3 | Don't care |

Dual mapping is not allowed in the last two cases. In the last two cases the CPU uses single mapping.

EMULATION MODE REGISTER (XR14)

Read/Write at I/O Address 3B7h/3D7h

Index 14h



1-0 Emulation Mode

| 1 0 | Mode |
|-----|----------------|
| 0 0 | VGA |
| 0 1 | CGA |
| 1 0 | MDA / Hercules |
| 1 1 | EGA |

3-2 Hercules Configuration Register (3BFh) readback (read only).

4 Display Enable Status Mode

- 0 Select Display Enable status to appear at bit 0 of Input Status register 1 (I/O Address 3xAh). Normally used for CGA, EGA, and VGA modes.
- 1 Select Hsync status to appear at bit 0 of Input Status register 1 (I/O Address 3xAh). Normally used for MDA / Hercules mode.

5 Vertical Retrace Status Mode

- 0 Select Vertical Retrace status to appear at bit 3 of Input Status register 1 (I/O Address 3xAh). Normally used for CGA, EGA, and VGA modes.
- 1 Select Video to appear at bit 3 of Input Status register 1 (I/O Address 3xAh). Normally used for MDA / Hercules mode.

6 Vsync Status Mode

- 0 Prevent Vsync status from appearing at bit 7 of Input Status register 1 (I/O Address 3xAh). Normally used for CGA, EGA, and VGA modes.
- 1 Enable Vsync status to appear at bit 7 of Input Status register 1 (I/O Address 3xAh). Normally used for MDA / Hercules mode.

7 Interrupt Output Function

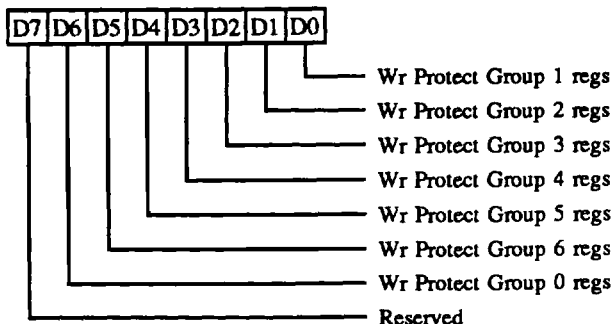
This bit controls the function of the IRQ# output in both Micro Channel-bus and PC-bus.

| Interrupt State | XR14[7]=0 | | XR14[7]=1 | |
|-------------------|-----------|---------|-----------|---------|
| | ISA | MC | ISA | MC |
| Disabled | 3-state | 3-state | 3-state | 3-state |
| Enabled, Inactive | 3-state | 3-state | Low | Low |
| Enabled, Active | 3-state | Low | High | High |

WRITE PROTECT REGISTER (XR15)

Read/Write at I/O Address 3B7h/3D7h

Index 15h



6 Write Protect Group 0. Auxiliary Write Protect for CRT Controller registers CR00-CR07 except CR07[4]. This bit is logically ORed with CR11[7].

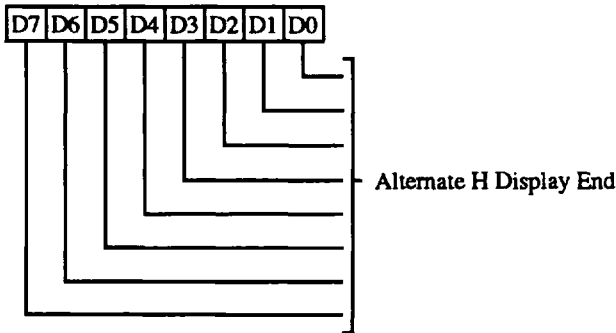
7 Reserved

This register controls write protection for various groups of registers as shown. 0 = unprotected, 1 = protected.

- 0 Write Protect Group 1 Registers
 - Sequencer (SR00-SR04)
 - Graphics Controller (GR00-GR08)
 - Attribute Controller (AR00-14)
- 1 Write Protect Group 2 Registers
 - Cursor Size register (CR09) bits 0-4
 - Character Height regs (CR0A, CR0B)
- 2 Write Protect Group 3 Registers
 - CRT Controller CR07 bit-4
 - CRT Controller CR08
 - CRT Controller CR11 bits 4 and 5
 - CRT Controller CR13 and CR14
 - CRT Controller CR17 bits 0,1 & 3-7
 - CRT Controller CR18

(Split screen, smooth scroll, & CRT mode control registers)
- 3 Write Protect Group 4 Registers
 - CRT Controller CR09 bits 5-7
 - CRT Controller CR10
 - CRT Controller CR11 bits 0-3 & 6
 - CRT Controller CR12, CR15, CR16
 - CRT Controller CR17 bit-2
- 4 Write Protect Group 5 Registers
 - Miscellaneous Output (3C2h)
 - Feature Control (3BA/3DAh)
- 5 Write Protect Group 6. (I/O Addresses 3C6-3C9h). The PALRD# and PALWR# output signals are disabled and the 82C450 DAC state register is write protected.

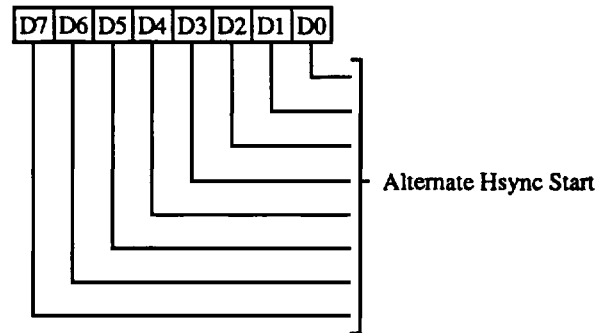
**ALTERNATE HORIZONTAL
DISPLAY ENABLE END (XR18)**
Read/Write at I/O Address 3B7h/3D7h
Index 18h



This register is used in low resolution (320-pixel) CGA modes and Hercules graphics modes.

- 7-0** Alternate Horizontal Display Enable End. The value in this register defines the number of characters to be displayed per horizontal line. The programmed value is the number of characters displayed per scan line - 1.

**ALTERNATE HORIZONTAL SYNC START
/ HALF LINE COMPARE (XR19)**
Read/Write at I/O Address 3B7h/3D7h
Index 19h



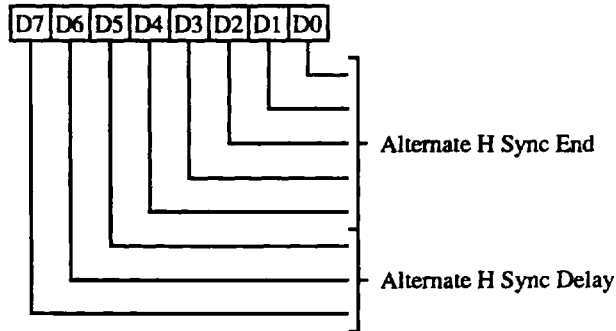
This register is used in low resolution (320-pixel) CGA modes and Hercules graphics modes.

- 7-0** Alternate Horizontal Sync Start or Half Line Compare.

XR28 bit-3 = 0 (Non-interlaced Video)
When the alternate register set is in effect the value in this register defines the beginning of Horizontal Sync in terms of character clocks from the beginning of the display scan. This controls the centering of the display on the screen.

XR28 bit-3 = 1 (Interlaced Video)
The value in this register is used to generate the 'half-line compare' signal that controls the positioning of the Vsync for odd frames.

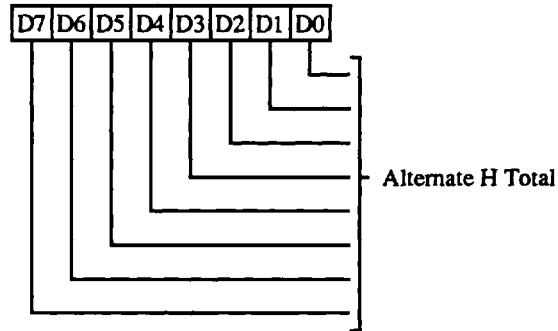
ALTERNATE HORIZONTAL SYNC END (XR1A)
 Read/Write at I/O Address 3B7h/3D7h
 Index 1Ah



This register is used in low resolution (320-pixel) CGA modes and Hercules graphics modes.

- 4-0 Alternate Horizontal Sync End. Lower 5 bits of the character count that defines the end of Horizontal Sync.
 The value programmed into bits 0-4 of this register is the lower 5 bits of the sum of the value in Horizontal Sync Start register plus the desired Horizontal Sync Width.
- 6-5 Alternate Horizontal Sync Delay. The value in these bits defines the number of character clocks that the Horizontal Sync is delayed to compensate for internal pipeline delays.
- 7 Alternate Horizontal Blank End bit-5. Sixth bit of the Horizontal Blank End register (CR03).

ALTERNATE HORIZONTAL TOTAL (XR1B)
 Read/Write at I/O Address 3B7h/3D7h
 Index 1Bh

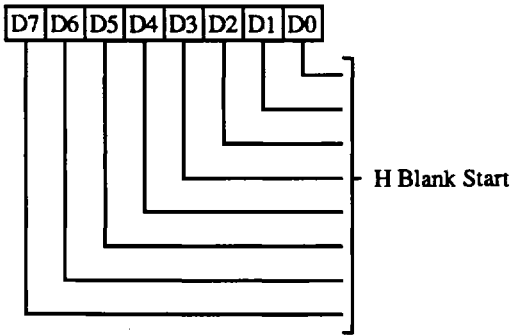


This register is used in low resolution (320-pixel) CGA modes and Hercules graphics modes.

- 7-0 Alternate Horizontal Total. This register defines the total number of character times in a scan line including both displayed characters and retrace. The programmed value is the number of character clocks per scan line minus 5 for VGA mode and minus 2 for EGA mode.

ALTERNATE HORIZONTAL BLANK START (XR1C)

*Read/Write at I/O Address 3B7h/3D7h
Index 1Ch*

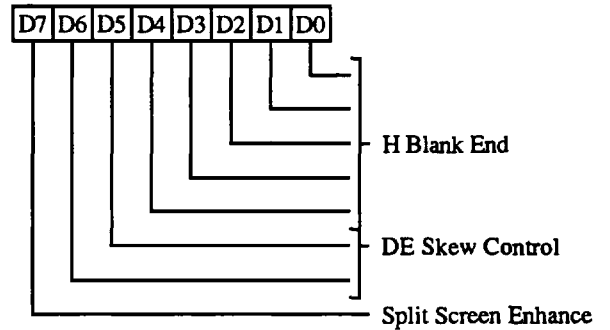


This register is used in low resolution (320-pixel) CGA modes and Hercules graphics modes.

- 7-0 Alternate Horizontal Blank Start. This register defines the beginning of Horizontal Blanking in terms of character clocks. The period between horizontal display enable end and horizontal blanking start is the right side border on the screen.

ALTERNATE HORIZONTAL BLANK END (XR1D)

*Read/Write at I/O Address 3B7h/3D7h
Index 1Dh*



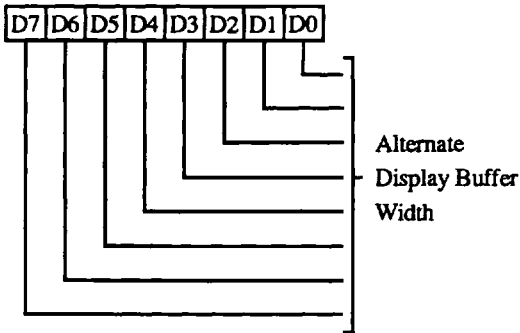
This register is used in low resolution (320-pixel) CGA modes and Hercules graphics modes.

- 4-0 Alternate Horizontal Blank End. These bits are programmed with the lower 5 bits of the character count that defines the end of horizontal blanking. The interval between the end of horizontal blanking and the beginning of the display (count 0) is the left side border on the screen. The programmed value is calculated by adding the value in the horizontal blanking start register to the desired horizontal blanking width. The lower 5 bits of the result is programmed into this register and the sixth bit is programmed into CR05.
- 6-5 Display Enable Skew Control. These bits define the number of character clocks (0-3) that the Display Enable signal is delayed to compensate for internal pipeline delays.
- 7 Split Screen Enhancement
 - 0 IBM VGA compatible operation
 - 1 Enhances split-screen functionality. Also, this bit should be set to '1' for Hercules graphics mode (720x348 resolution).

ALTERNATE OFFSET (XR1E)

Read/Write at I/O Address 3B7h/3D7h

Index 1Eh



This register is used in low resolution (320-pixel) CGA modes and Hercules graphics modes.

- 7-0 Alternate Offset. The byte starting address of the next display row is 'Byte start address of the current row plus (K times the contents of the Offset Register)' where K = 2 in byte mode and 4 in word mode.

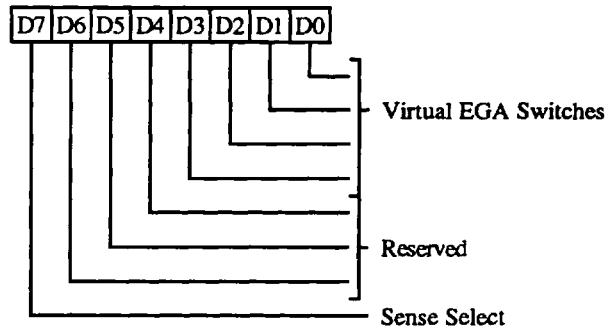
To provide finer granularity in offset, an additional bit is defined in the Auxiliary Offset Register in the extended I/O space. This additional bit essentially adds a least significant bit to the Offset.

The byte or word mode for the memory address is selected by the CRT mode control Register bit-6. The 400-line register bit-2 allows byte/word resolution to the display buffer width.

VIRTUAL SWITCH REGISTER (XR1F)

Read/Write at I/O Address 3B7h/3D7h

Index 1Fh



- 3-0 Virtual switch register bits 3-0. If bit-7 of this register is '1', then one of these four bits is read back in Input Status Register 0 bit-4. The bit selected is determined by Misc Output Register (3C2h) bits 2-3.

- 6-4 Reserved (0)

- 7 Sense Select

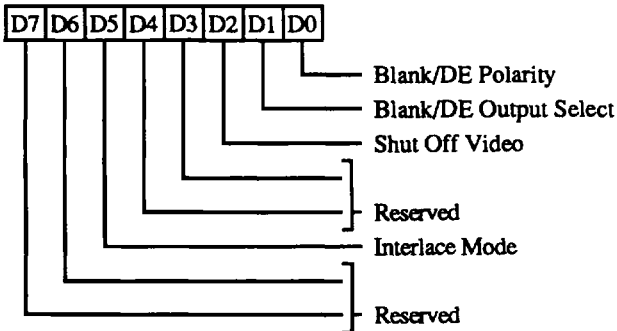
- 0 Select the SENSE pin for readback in Input Status Register 0 bit-4.

- 1 Select one of bits 0-3 of this register for readback in Input Status Register 0 bit-4. The selected bit is read back as follows:

| Misc 3-2 | XR1F Bit Selected |
|----------|-------------------|
| 00 | bit-3 |
| 01 | bit-2 |
| 10 | bit-1 |
| 11 | bit-0 |

VIDEO INTERFACE REGISTER (XR28)

Read/Write at I/O Address 3B7h/3D7h
Index 28h



0 Blank / Display Enable Polarity

- 0 Negative
- 1 Positive

1 Blank / Display Enable Select

- 0 BLANK# pin outputs BLANK#
- 1 BLANK# pin outputs DE

The signal polarity selected by bit 0 is applicable for either selection.

2 Shut off Video

- 0 Video forced to 00 (Default Video Register) during blank time.
- 1 Video forced to default video when the screen is blanked

4-3 Reserved (0)

5 Interlace Mode

- 0 Non-interlaced video
- 1 Interlaced video

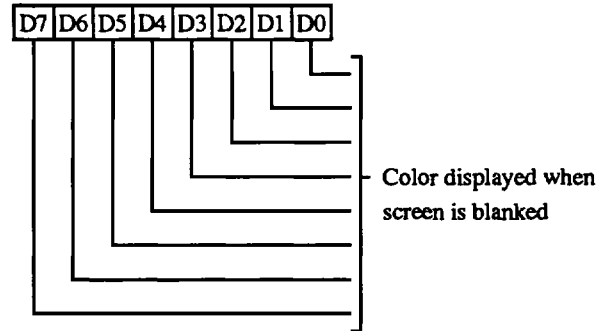
In interlace mode, XR19 holds the half-line compare value which controls the positioning of Vsync for odd frames.

Note: Interlace may be used in graphics modes only.

7-6 Reserved (0)

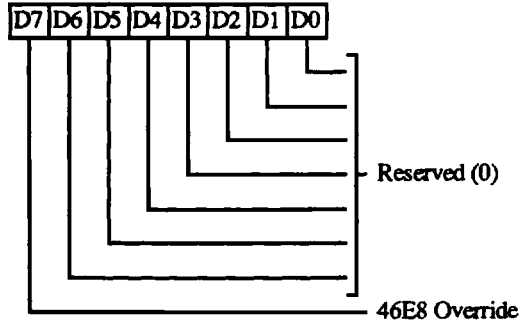
DEFAULT VIDEO REGISTER (XR2B)

Read/Write at I/O Address 3B7h/3D7h
Index 2Bh



7-0 These bits specify the color to be displayed when the screen is forced to the blank state using SR1 bit-5.

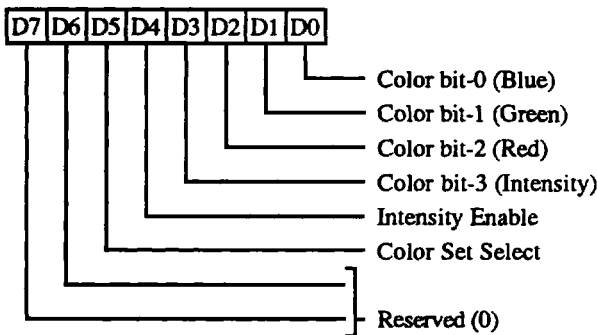
46E8 REGISTER OVERRIDE (XR70)
 Read/Write at I/O Address 3B7h/3D7h
 Index 70h



- 6-0** Reserved (0)
- 7** 46E8 Register Override
 - 0** Port 46E8h works as defined to allow VGA disable and setup mode control.
 - 1** Writes to port 46E8h have no effect (VGA remains enabled and will not go into setup mode). This effectively forces extension registers to always be accessible independent of the contents of port 46E8.

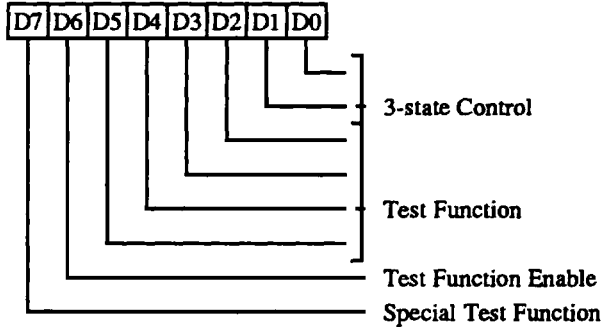
Reads from port 46E8h have no effect independent of the programming of this register (46E8 is a write-only register).

CGA COLOR SELECT (XR7E)
 Read/Write at I/O Address 3B7h/3D7h
 Index 7Eh



This register is a copy of the CGA color select register 3D9h. Writes to this register will change the copy at 3D9h. It is effective in CGA emulation mode. The copy at 3D9h is visible only in CGA emulation mode. The copy at XR7E is always visible.

DIAGNOSTIC (XR7F)
 Read/Write at I/O Address 3B7h/3D7h
 Index 7Fh



- 0** 3-state control bit-0
 - 0** Normal outputs (default)
 - 1** 3-state the following pins:
 PALRD#, PALWR#,
 RDY, IRQ,
 HSYNC, VSYNC
- 1** 3-state control bit-1
 - 0** Normal outputs (default)
 - 1** 3-state the following pins:
 WE#,
 RASA#, RASB#,
 CASA#, CASB#,
 AA8[8:0], BA8[8:0]
- 5-2** Test Function bits. These bits select one of sixteen functions used for internal testing of the 82C450 chip.
- 6** Test Function Enable. Used to enable one of sixteen functions selected by bits 5-2. This bit should be set to 0 for normal operation (default on reset).
- 7** Special Test Function. Prevents CPU data bus collision problems with certain manufacturing vendors. This bit should be set to 0 for normal operation (default on reset).

All bits in this register should be set to '0' for normal operation. On power up (RESET) bits 5-2 are disabled by bit 6.