

EXAR **DATABOOK**

■ LINEAR ■ CONTROL ■ INTERFACE ■ CUSTOM

EXAR

DATABOOK



LINEAR
CONTROL
INTERFACE
CUSTOM

Disclaimer

Exar reserves the right to make changes in the products contained in this book in order to improve design or performance and to supply the best possible products. Exar also assumes no responsibility for the use of any circuits described herein, conveys no license under any patent or other right, and makes no representations that the circuits are free from patent infringement. Applications for any integrated circuits contained in this publication are for illustration purposes only and Exar makes no representation or warranty that such applications will be suitable for the use specified without further testing or modification. Reproduction of any portion hereof without the prior written consent of Exar is prohibited.



**750 Palomar Avenue
Sunnyvale, CA 94086
Telephone (408) 732-7970
TWX: 910-339-9233**

TABLE OF CONTENTS

Introduction	Intro
Standard Products	1
Custom/Semi-Custom Products	2
Application Notes	3
Quality Assurance	4
General Information	5

EXAR Corporation
750 Palomar Avenue
Sunnyvale, CA 94086
Telephone (408) 732-7970
TWX: 910-339-9233



Introduction

Introduction

This Data Book contains a complete summary of technical information covering Exar's full line of standard, semi-custom, and custom IC products. Each of the products presented covers a wide range of applications, greatly simplifying most system designs. To help the designer find the right device for his application, the products are grouped by function, and a convenient cross-reference chart is provided to show Exar's direct replacement for a number of popular industry products.

EXPERIENCE AND PRODUCTS

Exar's innovativeness, product quality, and responsiveness to customer need, has been the key to its success. Exar offers a broad line of linear and interface circuits. In the field of standard linear IC products, Exar has extended its circuit technological leadership into the areas of communications and control circuits. Today, Exar has one of the most complete lines of oscillators, timing circuits and phase-locked loop ICs in the industry. Exar also manufactures a large family of telecommunication circuits, such as tone decoders, companders, modulators, PCM repeaters, and FSK and PSK modem circuits. In the field of industrial control circuits, Exar manufactures a broad line of quad and dual operational amplifiers, voltage regulators, radio-control and servo driver ICs, and power control circuits.

Exar's experience and expertise in the area of bipolar, CMOS and I^2L IC technology extends into both custom and standard IC products. In the area of custom ICs, Exar has designed, developed, and manufactured a wide range of full custom monolithic circuits, particularly for applications in the areas of telecommunications, consumer electronics, and industrial controls.

In addition to the full custom capability, Exar also offers a unique semi-custom IC development capability, for low to medium volume requirements. This semi-custom program is intended for those customers seeking cost-effective solutions; reducing component count and board size in order to compete more effectively in a changing marketplace. The program allows a customized monolithic IC to be developed with a turnaround time of several weeks, at a small fraction of the cost of a full custom development program.

EXCELLENCE IN ENGINEERING

Exar quality starts in Engineering where highly qualified people are backed up with the advanced instruments and facilities needed for design and manufacture of custom, semi-custom and standard integrated circuits. Exar's engineering and facilities are geared to handle all three classes of IC design: (1) Semi-custom design

programs using Exar's bipolar and I^2L Master Chips; (2) Full custom IC design, and (3) Development and high-volume production of standard products.

Some of the challenging and complex development programs successfully completed by Exar include analog companders and PCM repeaters for telecommunication, electronic fuel-injection, anti-skid braking systems, and voltage regulators for automotive electronics, digital voltmeter circuits, 40-MHz frequency synthesizers, high-current, high-voltage display and relay driver ICs, and many others.

NEW TECHNOLOGIES

Through company sponsored research and development activities, Exar constantly stays abreast of all technology areas related to changing customer needs and requirements. Exar has a complete design engineering group dedicated to new technology.

FIRST IN QUALITY

From incoming inspection of all materials, to the final test of finished goods, Exar performs sample testing of each lot to ensure that every product meets Exar's high quality standards. Exar's manufacturing process is inspected or tested in accordance with its own stringent Quality Assurance Program, which is in compliance with MIL-I-45208. Additional special screening and testing can be negotiated to meet individual customer requirements.

Throughout the wafer fab and assembly process, the latest scientific instruments, such as scanning electron microscopes, are used for inspection, and modern automated equipment is used for wafer probe, ac, dc, and functional testing. Environmental and burn-in testing of finished products is also done in-house. For special environmental or high-reliability burn-in tests, outside testing laboratories are used to complement Exar's own extensive in-house facilities.

FIRST IN SERVICE

Exar has the ability and flexibility to serve the customer in a variety of ways, from wafer fabrication to full parametric selection of assembled units for individual customer requirements. Special marking, special packaging, and military screening, are only a few of the service options available from Exar. We are certain that Exar's service is flexible enough to satisfy 99% of your needs. The company has a large staff of Applications Engineers to assist the customer in the use of the product, and to handle any request, large or small.



Standard Products



STANDARD PRODUCTS

Phase-Locked Loops

Fundamentals of Phase-Locked Loops	1-5
Applications of PPL IC's	1-6
Choosing the Right PLL Circuit	1-8
XR-210	1-9
XR-215	1-14
XR-2211	1-23
XR-2212	1-31
XR-2213	1-38

Tone Decoders

XR-567	1-43
XR-567A	1-53
XR-L567	1-55
XR-2567	1-62

Filters

XR-1000/1008	1-71
XR-2103	1-73
XR-2120	1-78
XR-2120A	1-84

Modem Circuits

Modem Basics	1-87
XR-14412	1-93
XR-2121/2122	1-99
XR-2123	1-103
XR-2125	1-109

Interface Circuits

XR-1488/1489A	1-111
---------------------	-------

Disk Drive Circuits

XR-2247/2247A	1-114
XR-3470A/3470B	1-121

Timing Circuits

Fundamentals of IC Timers	1-128
Choosing the Right IC Timer	1-131



STANDARD PRODUCTS (CONTINUED)

XR-320	1-134
XR-555	1-139
XR-L555	1-142
XR-556	1-146
XR-L556	1-149
XR-558/559	1-155
XR-2556	1-159
XR-2240	1-168
XR-2242	1-176
XR-2243	1-180
Function Generators	
Fundamentals of Monolithic Waveform	
Generation and Shaping	1-184
Choosing the Right IC Oscillator	1-186
XR-205	1-188
XR-2206	1-193
XR-2207	1-199
XR-2209	1-208
XR-8038	1-213
XR-8038A	1-217
Multipliers/Modulators	
XR-2208	1-219
XR-2228	1-227
Display Drivers	
XR-2271	1-236
XR-2272	1-238
XR-2276	1-241
XR-2277/2278	1-246
XR-2279	1-251
XR-2284/2288	1-255
XR-6118/6128	1-259
Operational Amplifiers	
Fundamentals of Operational Amplifiers	1-262
Definitions of Operational Amplifier Terms	1-263
Basic Applications of Operational Amplifiers	1-264
Choosing the Right Op Amp	1-270
XR-082/083	1-272
XR-084	1-275

STANDARD PRODUCTS (CONTINUED)

XR-094/095	1-277
XR-096	1-279
XR-146/246/346	1-281
XR-1458/4558	1-285
XR-3403/3503	1-287
XR-4136	1-290
XR-4202	1-293
XR-4212	1-297
XR-4739	1-300
XR-4741	1-303
XR-5532/5532A	1-306
XR-5533/5533A	1-310
XR-5534/5534A	1-314
Voltage Regulators	
XR-1468/1568	1-318
XR-494	1-320
XR-495	1-324
XR-1524/2524/3524	1-328
XR-1525A/2525A/3525A	
XR-1527A/2527A/3527A	1-336
XR-1543/2543/3543	1-343
XR-2230	1-351
XR-4194	1-358
XR-4195	1-361
High Current Drivers	
XR-2001/2002/2003/2004	1-364
XR-2011/2012/2013/2014	1-368
XR-2200	1-372
XR-2201/2202/2203/2204	1-374
Special Functions	
XR-S200	1-376
XR-1310	1-385
XR-2264/2265	1-387
XR-2266	1-390
XR-9201	1-398
XR-4151	1-406
XR-7000	1-411

STANDARD PRODUCTS (CONTINUED)

XR-2216	1-413
XR-13600	1-417
Repeaters	
XR-C240	1-428
XR-C262	1-430
XR-C277	1-432
XR-C587/C588	1-434
XR-T5600/T5620	1-440
XR-T5640	1-447
XR-T5650	1-449
XR-T5660	1-451
XR-T5700/T5720	1-453
XR-T5740	1-460
XR-T5750	1-462
XR-T5760	1-464

Phased-Locked Loops

Fundamentals of Phase-Locked Loops

The phase locked loop provides frequency selective tuning and filtering without the need for coils or inductors. As shown in Figure 1, the PLL in its most basic form is a feedback system comprised of three basic functional blocks: a phase comparator, low-pass filter and voltage controlled oscillator (VCO).

The basic principle of operation of a PLL can briefly be explained as follows: With no input signal applied to the system, the error voltage V_d is equal to zero. The VCO operates at a set frequency, f_0 , which is known as the free-running frequency. If an input signal is applied to the system, the phase comparator compares the phase and frequency of the input signal with the VCO frequency and generates an error voltage, $V_e(t)$, that is related to the phase and frequency difference between the two signals. This error voltage is then filtered and applied to the control terminal of the VCO. If the input frequency, f_s , is sufficiently close to f_0 , the feedback nature of the PLL causes the VCO to synchronize, or lock, with the incoming signal. Once in lock, the VCO frequency is identical to the input signal, except for a finite phase difference.

Two key parameters of a PLL system are its lock and capture ranges. They can be defined as follows:

Lock range: The range of frequencies in the vicinity of f_0 , over which the PLL can maintain lock with an input signal. It is also known as the tracking or holding range. Lock range increases as the over-all gain of the PLL is increased.

Capture range: The band of frequencies in the vicinity of f_0 where the PLL can establish or acquire lock with an input signal. It is also known as the acquisition range. It

is always smaller than the lock range and is related to the low-pass filter bandwidth. It decreases as the filter bandwidth is reduced.

The lock and the capture ranges of a PLL can be illustrated with reference to Figure 2, which shows the typical frequency-to-voltage characteristics of a PLL. In the figure, the input is assumed to be swept slowly over a broad frequency range. The vertical scale corresponds to the loop error voltage.

In the upper part of Figure 2, the loop frequency is being gradually increased. The loop does not respond to the signal until it reaches a frequency f_1 , corresponding to the lower edge of the capture range. Then, the loop suddenly locks on the input, causing a negative jump of the loop error voltage. Next, V_d varies with frequency with a slope equal to the reciprocal of the VCO voltage-to-frequency conversion gain, and goes through zero as $f_s = f_0$. The loop tracks the input until the input frequency reaches f_2 , corresponding to the upper edge of the lock range. The PLL then loses lock, and the error voltage drops to zero.

If the input frequency is now swept slowly back, the cycle repeats itself as shown in the lower part of Figure 2. The loop recaptures the signal at f_3 and traces it down to f_4 . The frequency spread between (f_1, f_3) and (f_2, f_4) corresponds to the total capture and lock ranges of the system; that is, $f_3 - f_1 = \text{capture range}$ and $f_2 - f_4 = \text{lock range}$. The PLL responds only to those input signals sufficiently close to the VCO frequency, f_0 , to fall within the "lock" or "capture" range of the system. Its performance characteristics, therefore, offer a high degree of frequency selectivity, with the selectivity characteristics centered about f_0 .

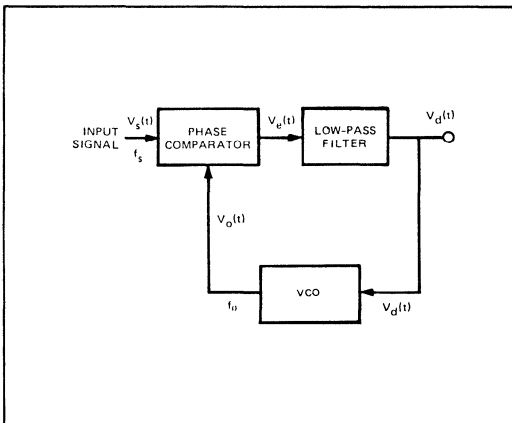


Figure 1. The basic phase locked loop consists of three functional blocks: a phase comparator, a low pass filter and a voltage-controlled oscillator.

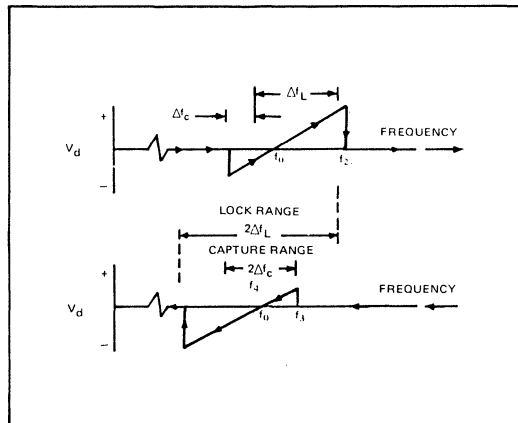


Figure 2. Typical PLL frequency-to-voltage transfer characteristics are shown for increasing (upper diagram) and decreasing (lower diagram) input frequency.

Applications of PLL IC's

The basic concept of the phase locked loop (PLL) has been around since the early 1930's and has been used for a variety of applications in instrumentation and space telemetry. However, before the advent of monolithic integration, cost and complexity considerations limited its use to precision measurements requiring very narrow bandwidths. In the past few years, the advantages of monolithic integration have changed the phase locked loop from a specialized design technique to a general-purpose building block. Therefore, what is "new" at this point is not the concept of the PLL, but its availability in a low-cost self contained monolithic IC package.

In many ways, this is similar to the case of the monolithic operational amplifier, which, until less than a decade ago, was an expensive building block. Today, with the advent of monolithic technology, it has become a basic building block in nearly every system design. The monolithic phase locked loop also offers a similar potential. In fact, many of the applications of the PLL outlined in this article become economically feasible only because the PLL is now available as a low-cost IC building block.

Today, over a dozen different integrated PLL products are available from a number of IC manufacturers. Some of these are designed as "general-purpose" circuits, suitable for a multitude of uses; others are intended or optimized for special applications such as tone detection, stereo decoding and frequency synthesis. This article is intended as a brief survey of the expanding field of monolithic phase locked loops. Its purpose is to familiarize the reader with their individual characteristics, capabilities and applications.

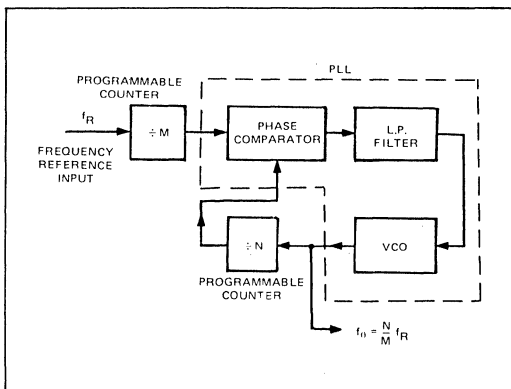


Figure 3. A frequency multiplier/divider can be constructed using a phase locked loop.

Applications for PLLs Abound

As a versatile building block, the PLL covers a wide range of applications. Some of the more important are the following:

FM demodulation: In this application, the PLL is locked on the input FM signal, and the loop-error voltage, $V_d(t)$ in Figure 1 (see Box), which keeps the VCO in lock with the input signal, represents the demodulated output. Since the system responds only to input signals within the capture range of the PLL, it also provides a high degree of frequency selectivity. In most applications the quality of the demodulated output (i.e., its linearity and signal/noise ratio) obtained from a PLL is superior to that of a conventional discriminator.

FSK demodulation: Frequency-shift keyed (FSK) signals are commonly used to transmit digital information over telephone lines. In this type of modulation, the carrier signal is shifted between two discrete frequencies to encode the binary data. When the PLL is locked on the input signal, tracking the shifts in the input frequency, the error voltage in the loop, $V_d(t)$, converts the frequency shifts back to binary logic pulses.

Signal conditioning: When the PLL is locked on a noisy input signal, the VCO output duplicates the frequency of the desired input but greatly attenuates the noise, undesired sidebands and interference present at the input. It is also a tracking filter since it can track a slowly varying input frequency.

Frequency synthesis: The PLL can be used to generate new frequencies from a stable reference source by either frequency multiplication and division, or by frequency translation. Figure 3 shows a typical frequency multiplication and division circuit, using a PLL and two programmable counters. In this application, one of the counters is inserted between the VCO and phase comparator and effectively divides the VCO frequency by

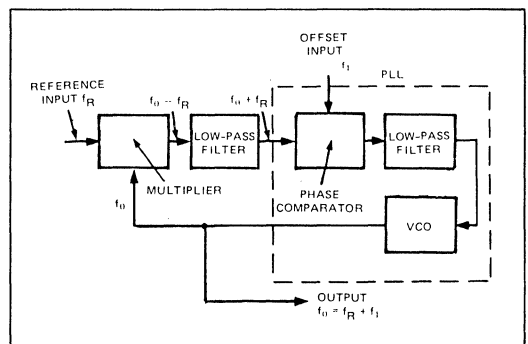


Figure 4. Frequency translation can be accomplished with a phase locked loop by adding a multiplier and an additional low-pass filter to the basic PLL.

the counter's modulus N. When the system is in lock, the VCO output is related to the reference frequency, f_R , by the counter moduli M and N as:

$$f_o = \left(\frac{N}{M}\right) f_R$$

By adding a multiplier and an additional low-pass filter to a PLL (Figure 4), one can form a frequency translation loop. In this application, the VCO output is shifted from the reference frequency, f_R , by an amount equal to the offset frequency, f_1 , i.e., $f_o = (f_R + f_1)$.

Data synchronization: The PLL can be used to extract synchronization from a composite signal, or can be used to synchronize two data streams or system clocks to the same frequency reference. Such applications are useful in PCM data transmission, regenerative repeaters, CRT scanning and or drum memory read-write synchronization.

AM detection: The PLL can be converted to a synchronous AM detector with the addition of a non-critical phase-shift network, an analog multiplier and a low-pass filter. The system block diagram for this application is shown in Figure 5.

In this application, as the PLL tracks the carrier of the input signal, the VCO regenerates the unmodulated carrier and feeds it to the reference input of the multiplier section. In this manner, the system functions as a synchronous demodulator with the filtered output of the multiplier representing the demodulated audio information.

Tone detection: In this application, the PLL is again connected as shown in Figure 5. When a signal tone is present at the input, within a frequency band corresponding to the capture range of the PLL, the output dc voltage is shifted from its tone-absent level. This shift is easily converted to a logic signal by adding a threshold detector with logic-compatible output levels.

Motor speed control: Many electromechanical systems, such as magnetic tape drives and disc or drum head drivers, require precise speed control. This can be

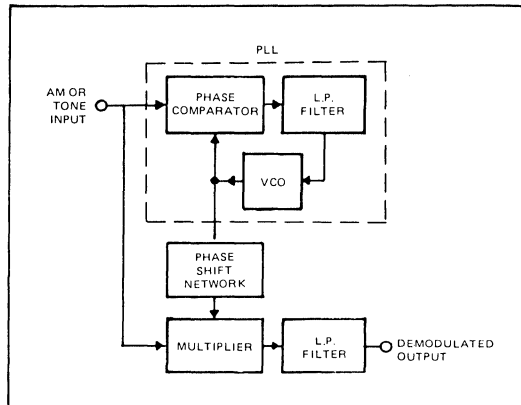


Figure 5. AM and tone detection are possible by adding three functional blocks to the basic phase locked loop.

achieved using a PLL system, as shown in Figure 6. The VCO section of the monolithic PLL is separated from the phase-comparator and used to generate a voltage controlled reference frequency, f_R . The motor shaft and the tachometer output provide the second signal, frequency f_M , which is compared to the reference frequency. The controller is a power amplifier which drives the speed-control windings of the motor. Thus, the motor and tachometer combination essentially functions as a VCO which is phase locked to the voltage controlled reference frequency, f_R .

Stereo decoding: In commercial FM broadcasting, suppressed carrier AM modulation is used to superimpose the stereo information on the FM signal. To demodulate the complex stereo signal, low-level pilot tone is transmitted at 19 kHz (1/2 of actual carrier frequency). The PLL can be used to lock onto this pilot tone, and regenerate a coherent 38 kHz carrier which is then used to demodulate the complete stereo signal. A number of highly specialized monolithic circuits have been developed for this application. A typical example of monolithic stereo decoder circuits using the PLL principle is the XR-1310 stereo demodulator IC.

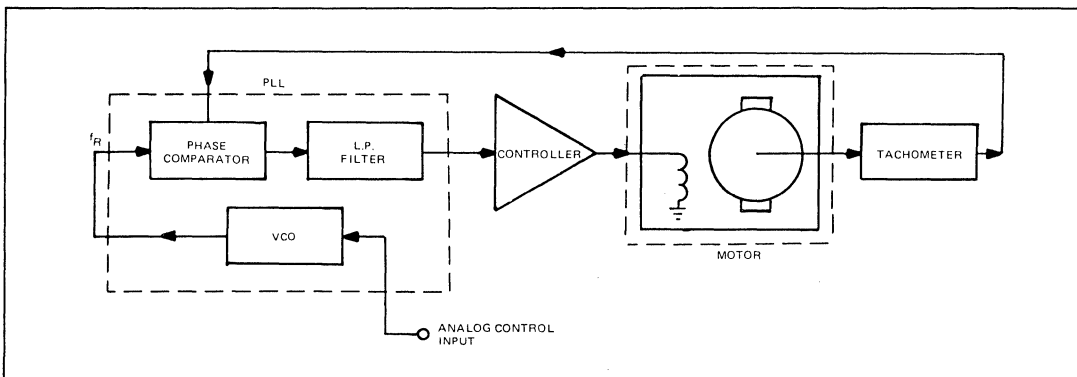


Figure 6. Very precise motor speed control is possible with a phase locked loop system of this type.

Choosing the Right PLL Circuit

At the onset of his design, the user of monolithic PLL products is faced with the key question of choosing the phase-locked loop IC best suited to his application. The broad line of PLL products offered by Exar cover a wide range of applications. It is often difficult to determine at a glance the best circuit for a given application. The purpose of this section is to review some of the key performance requirements, from an applications point of view, and help answer the question, "What is the best PLL product for the job?"

Table 2 gives a brief listing of some of the major classes of PLL applications, and lists the recommended circuits for each. A further discussion of the key performance parameters associated with each application are also listed below.

FM demodulation: Essentially all the PLL circuits listed in Table 1 can be used for FM demodulation. However, it is often possible to narrow the choice down to 2 or 3 circuits, based on the particular performance criteria. In general, there are three key performance parameters which should be examined:

- Quality of demodulated output: This is normally measured in terms of the output level, distortion, and signal/noise ratio for a given FM deviation.
- VCO frequency range and frequency stability: For reliable operation, VCO upper frequency limit (see Table 1) should be at least 20% above the FM carrier frequency. VCO frequency stability is important, especially if a narrow-band filter is used in front of the PLL, or multiple input channels are present. If the VCO exhibits excessive drift, the PLL can drift out of the input signal band as the ambient temperature varies.
- Detection threshold: This parameter determines minimum signal level necessary for the PLL to lock and demodulate an FM signal of given deviation.

In most FM demodulation applications, it is also desirable to control the amplitude of the demodulated output. This feature is provided in some of the PLL circuits (such as the XR-215 and the XR-2212) by means of a variable-gain amplifier contained on the chip.

For low-frequency FM detection (below 300 kHz carrier frequency) the XR-2212 is recommended because of its versatility and temperature stability. For FM demodulation at frequencies above 300 kHz, the XR-2215 offers the best performance because of its high frequency capability.

FSK decoding: Frequency-shift keying used in digital communications is very similar to analog FM modulation. Therefore, any PLL IC can be used for FSK decoding, provided that its input sensitivity and the tracking range are sufficient for a given FSK signal deviation. Some of the basic requirements and desirable features for a PLL used in FSK decoding are:

- Center frequency stability.
- Logic compatible output.
- Control of VCO conversion gain.

Center frequency stability is essential to insure that the VCO frequency range stays within the signal band over the operating temperature range. A logic compatible output is desirable to avoid the need for an external voltage comparator (slicer) to square the output pulses. It is particularly convenient if the output conforms to RS-232C standard, thereby eliminating the need for a separate line-driver circuit. Control of the VCO's conversion gain allows the circuit to be used for both large deviation FSK signals (such as 1200 baud operation) as well as for small deviation (75 baud) FSK signals.

For FSK decoding at low frequencies (i.e., below 300 kHz) the XR-2211 is by far the optimum circuit to use because of its frequency stability and carrier-detect capability. For FSK detection at higher frequencies (up to 10 MHz) the XR-210 is the recommended circuit.

Frequency synthesis: This application requires a PLL circuit with the loop opened between the VCO output and the phase comparator input, so that an external frequency divider can be inserted into the feedback loop of the PLL. This requirement is satisfied by XR-S200, XR-210, XR-215 and the XR-2212 PLL circuits.

For frequency synthesis at low frequencies (i.e., with maximum output frequency less than 300 kHz) the XR-2212 is by far the best suited circuit since it has the best VCO stability and interfaces easily with all logic families. For operation above 300 kHz, either the XR-210 or the XR-215 PLL IC's can be used for frequency synthesis; however the XR-215 offers the highest frequency capability.

Signal conditioning: Most signal conditioning applications require very narrow-band operation of the PLL. This in turn may require the use of active filters within the loop (between the phase detector and the VCO). The PLL circuits which allow active filters to be inserted into the loop are the XR-S200 and the XR-2212. Both of these circuits already contain an op. amp. on the chip for active filtering. For low frequencies (i.e. below 300 kHz) the XR-2212 is the best suited circuit because of its adjustable tracking bandwidth and excellent frequency stability. For higher frequencies the XR-S200 is the recommended circuit.

Tone decoding: The PLL circuits especially designed for this application are the XR-567, the XR-L567, the XR-2567 and the XR-2211. The XR-2211 offers the highest frequency stability, and independent control of system bandwidth and response time, among the three circuits. The XR-567 has a relatively high input threshold (≈ 20 mV, rms) and may require input preamplification; however it requires fewer external components than the XR-2211. The XR-2567, which contains two independent 567-type tone decoders on the same chip may be more economical to use in multiple-tone detection systems.

FSK Modulator/Demodulator

GENERAL DESCRIPTION

The XR-210 is a highly versatile monolithic phase-locked loop system, especially designed for data communications. It is particularly well suited for FSK modulation/demodulation (MODEM) applications, frequency synthesis, tracking filters, and tone decoding. The XR-210 operates over a power supply range of 5V to 26V, and over a frequency band of 0.5 Hz to 20 MHz. The circuit can accommodate analog signals between 300 μ V and 3V, and can interface with conventional DTL, TTL, and ECL logic families.

FEATURES

Wide Frequency Range	0.5 Hz to 20 MHz
Wide Supply Voltage Range	5V to 26V
Digital Programming Capability	
RS-232C Compatible Demodulator Output	
DTL, TTL and ECL Logic Compatibility	
Wide Dynamic Range	300 μ V to 3V
ON-OFF Keying & Sweep Capability	
Wide Tracking Range	$\pm 1\%$ to $\pm 50\%$
Good Temperature Stability	200 ppm/ $^{\circ}$ C
High-Current Logic Output	50 mA
Independent "Mark" and "Space" Frequency Adjustment	
VCO Duty Cycle Control	

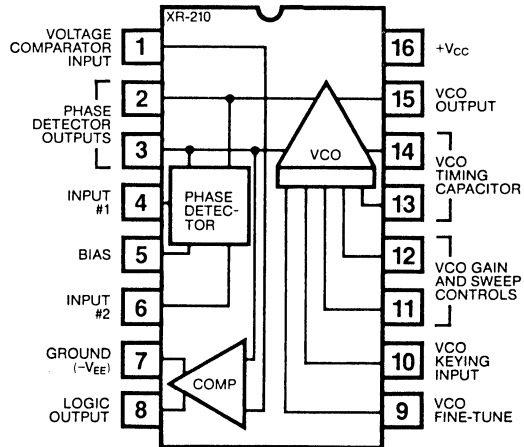
APPLICATIONS

- Data Synchronization
- Signal Conditioning
- FSK Generation
- Tone Decoding
- Frequency Synthesis
- FSK Demodulation
- Tracking Filter
- FM Detection
- FM and Sweep Generation
- Wideband Discrimination

ABSOLUTE MAXIMUM RATINGS

Power Supply	26 Volts
Power Dissipation	750 mW
Derate Above +25 $^{\circ}$ C	6.0 mW/ $^{\circ}$ C
Storage Temperature	-65 $^{\circ}$ C to +150 $^{\circ}$ C

FUNCTIONAL BLOCK DIAGRAM



ORDERING INFORMATION

Part Number	Package	Operating Temperature
XR-210M	Ceramic	-55 $^{\circ}$ C to +125 $^{\circ}$ C
XR-210CN	Ceramic	0 $^{\circ}$ C to +70 $^{\circ}$ C

SYSTEM DESCRIPTION

The XR-210 is made up of a stable wide-range voltage-controlled oscillator (VCO), exclusive OR gate type phase detector, and an analog voltage comparator. The VCO, which produces a square wave as an output, is either used in conjunction with the phase detector to form a phase-locked loop (PLL) for FSK demodulation and tone detection or as a generator in FSK modulation schemes. The phase detector when used in the PLL configuration produces a differential output voltage with a 6 k Ω output impedance, which when capacitively loaded forms a single pole loop filter. The voltage comparator is used to sense the phase detector output and produces the output in the FSK demodulation connection.



XR-210

ELECTRICAL CHARACTERISTICS

Test Conditions: $V^+ = 12V$ (single supply), $T_A = +25^\circ C$, Test circuit of Figure 1 with $C_0 = 0.02 \mu F$, S_1, S_2, S_5 closed, S_3, S_4, S_6, S_7 open, unless otherwise specified.

SYMBOL	PARAMETERS	MIN	TYP	MAX	UNIT	CONDITIONS
GENERAL CHARACTERISTICS						
V_{CC}	Supply Voltage	5		26	V dc	See Figure 1
	Single Supply	± 2.5		± 13	V dc	See Figure 2
	Split Supply					
I_{CC}	Supply Current	9	12	16	mA	See Figure 1, S_2 open
f_{UL}	Upper Frequency Limit	15	20		MHz	See Figure 1, S_1 open, S_4 closed
f_{LL}	Lowest Practical Operating Frequency		0.5		Hz	$C_0 = 500 \mu F$
VCO SECTION						
	Stability					
T_C	Temperature		200	500	ppm/ $^\circ C$	$f = 10 \text{ kHz}$, $V^+ \geq 10V$, $0 < T_A < 75^\circ C$
PSR	Power Supply		0.05	0.5	%/V	$10V < V^+ < 24V$
f_{SW}	Sweep Range	5:1	8:1			S_3 closed, S_4 open, $0 < V_S < 6V$
						See Figure 5, $V^+ = 12V$
V_O	Output Voltage Swing	1.5	2.5		V p-p	S_5 open
DC	Duty Cycle Asymmetry		± 1	± 3	%	S_5 open
T_R	Rise Time		20		ns	10 pF to ground at Pin 15, S_5 open
T_F	Fall Time		40		ns	10 pF to ground at Pin 15, S_5 open
PHASE DETECTOR SECTION						
K_D	Conversion Gain		2		V/rad	$V_{in} > 50 \text{ mV rms}$, see Figure 8
Z_O	Output Impedance		6		k Ω	Measured looking into Pin 2 or 3
V_{OOS}	Output Offset Voltage		35	150	mV	Measured across Pin 1 and 3, $V_{in} = 0$, S_5 open
VOLTAGE COMPARATOR SECTION						
A_{VOL}	Open Loop Voltage Gain	66	80		dB	$f = 20 \text{ Hz}$
Z_{IN}	Input Impedance	0.5	2		M Ω	Measured looking into Pin 1
V_{OS}	Input Offset Voltage		1		mV	
I_B	Input Bias Current		80		nA	
CMRR	Common Mode Rejection		90		dB	
LOGIC OUTPUT SECTION						
SR	Slew Rate		15		V/ μsec	$R_L = 3 \text{ k}\Omega$, $C_L = 10 \text{ pF}$, S_2 closed
I_{OL}	"1" Output Leakage Current		0.02	10	μA	$V_O = +24V$
V_{OL}	"0" Output Voltage		0.2	0.4	V	$I_L = 10 \text{ mA}$
I_{SINK}	Current Sink Capability	30	50		mA	$V_O \leq 1V$

PRINCIPLES OF OPERATION

Description of Controls

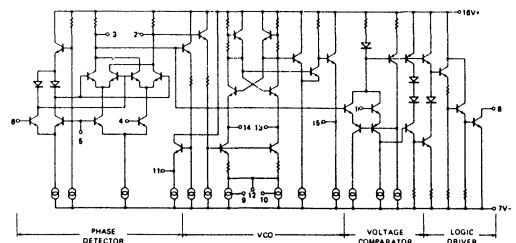
Phase-Detector Inputs (Pin 4 and 6):

One input to the phase detector is used as the signal input; the remaining input should be ac coupled to the VCO output (Pin 15), to complete the PLL (see Figure 1). For split supply operation, these inputs are biased from ground as shown in Figure 2.

Phase-Detector Bias (Pin 5):

This terminal should be dc biased as shown in Figures 1 and 2, and ac grounded with a bypass capacitor. The

EQUIVALENT SCHEMATIC DIAGRAM



bias resistor in series with this pin should be half as large as those in series with Pin 4 and 6.

Phase-Detector Outputs (Pin 2 and 3):

The low-frequency (or dc) voltage across these pins corresponds to the phase difference between the two signals at the phase-detector inputs (Pin 4 and 6). These differential phase-detector outputs are internally connected to the VCO control terminals. Pin 3 is also internally connected to the reference input of the voltage comparator section.

In normal use, the low-pass loop-filter capacitor, C_1 , is connected between Pin 2 and 3. The 6 k Ω impedances of the two outputs add to 12 k Ω in the single-pole RC low-pass loop filter. Pin 2 is externally connected to the voltage comparator input (Pin 1) through an RC low-pass filter.

Frequency-Keying Input (Pin 10):

The VCO frequency can be varied between two discrete frequencies, f_1 and f_2 , by connecting an external resistor, R_X , to this terminal. Referring to Figure 6, the VCO frequency is proportional to the sum of currents, I_1 and I_2 , through the transistors, T_1 and T_2 , on the monolithic chip. These transistors are biased from a fixed internal reference. The current, I_1 , is set internally, and is partially controllable by the fine-tune adjustment, R_T . The current, I_2 , is set by the external resistor, R_X , connected between Pin 10 and Pin 7. For any C_O setting, the VCO frequency, f_2 , with R_X connected to Pin 10, can be expressed as:

$$f_2 = f_1 \left(1 + \frac{0.3}{R_X} \right) \text{ Hz}$$

where f_1 is the frequency with Pin 10 open-circuited, and R_X is in k Ω . Note that f_2 can be fine-tuned to a desired value by the proper choice of R_X .

VCO Sweep Input (Pin 12):

The VCO frequency can be swept over a broad range by applying an analog sweep voltage, V_S to Pin 12 (see Figure 5). The impedance level looking into the sweep input is approximately 50 Ω . Therefore, for sweep applications, a current limiting resistor, R_S , should be connected in series with this terminal. Typical sweep characteristics of the circuit are shown in Figure 5. The VCO temperature dependence is minimal when the sweep input is not used, and should be left open-circuited.

CAUTION: For safe operation of the circuit, the maximum current, I_S , drawn from the sweep terminal should be limited to 5 mA or less, under all operating conditions.

VCO Conversion Gain (Pin 11):

The VCO voltage-to-frequency conversion gain, K_O , is inversely proportional to the value of the external gain-control resistor, R_O , connected across Pin 11 and 12.

Fine Tune Control (Pin 9):

For a given choice of timing capacitor, C_O , the VCO frequency can be further fine-adjusted to a desired frequency, f_1 , by means of a trimmer resistor, R_T , connected from Pin 9 to Pin 7, as shown in Figure 6. The fine tuned VCO frequency, f_1 , is related to R_T as:

$$f_1 \approx \frac{220}{C_O} \left(1 + \frac{0.1}{R_T} \right) \text{ Hz}$$

where C_O is in μF , and R_T is in k Ω .

VCO Timing Capacitor (Pin 13 and 14):

The VCO free-running frequency, f_0 , is inversely proportional to the timing capacitor, C_O , connected between Pin 13 and 14. With Pin 9 and 10 open-circuited, the VCO frequency is related to C_O as:

$$f_0 \approx \frac{220}{C_O} \text{ Hz}$$

where C_O is in μF .

VCO Output (Pin 15):

The VCO produces approximately a 2.5V p-p square wave output signal at this pin. The dc output level is approximately 2 volts below V_{CC} . This pin should be connected to Pin 7 through a 10 k Ω resistor to increase the output current drive capability. For high-voltage operation ($V_{CC} > 20\text{V}$), a 20 k Ω resistor is recommended. It is also advisable to connect a 500 Ω resistor in series with this output, for short-circuit protection.

Using the frequency-keying control, the VCO frequency can also be stepped in a binary manner by applying a logic signal to Pin 10, as shown in Figure 6. For high-level logic inputs, the transistor, T_2 , is turned off, R_X is effectively switched out of the circuit, and the VCO frequency is shifted from f_2 to f_1 .

Voltage Comparator Input (Pin 1):

This pin provides the signal input to the voltage comparator section. The comparator section is normally used for post-demodulation slicing and pulse shaping. Normally, Pin 1 is connected to Pin 2 through a 15K external resistor, as shown in Figures 1 and 2. The input impedance level at this pin is approximately 2 M Ω .

Logic Driver Output (Pin 8):

This pin provides a binary logic output corresponding to the polarity of the input signal, at the voltage comparator inputs. It is a bare-collector type stage with high-current sinking capability.

Definition of Terms

Phase-Detector Gain, K_d :

K_d is the output voltage from the phase detector per radian of phase difference at the phase-detector inputs (Pin 4 and 6). K_d is proportional to the input signal for low-level inputs (≤ 25 mV rms), and is constant at high-input levels (see Figure 8).

XR-210

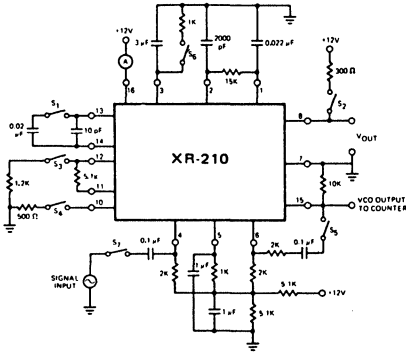


Figure 1. Test Circuits for Single Supply Operation

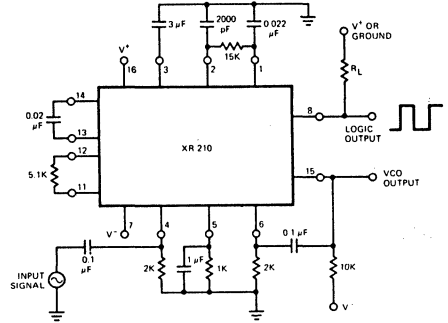


Figure 2. Test Circuit for Split Supply Operation

VCO Conversion Gain, K_0 :

$$K_0 \approx \frac{700}{C_0 R_0} \quad (\text{radians/sec/volt})$$

where C_0 is in μF and R_0 is in $\text{k}\Omega$. For most applications, recommended values for R_0 range from 1 $\text{k}\Omega$ to 10 $\text{k}\Omega$.

When the XR-210 is connected as a PLL, its lock range can be controlled by varying the VCO gain control resistor, R_0 , across Pin 11 and 12. For input signals greater than 30 mV rms, the PLL loop-gain is independent of signal amplitude, but is inversely proportional to R_0 . Figure 7 shows the dependence of lock range, $\pm \Delta f_L$, on R_0 .

Lock Range ($\Delta\omega_L$):

The range of frequencies in the vicinity of f_0 over which the PLL can maintain lock with an input signal. If saturation or limiting does not occur, the lock range is equal to the loop gain; i.e., $\Delta\omega_L = K_T = K_d K_0$.

Capture Range ($\Delta\omega_C$):

The band of frequencies in the vicinity of f_0 where the PLL can establish or acquire lock with an input signal. It is also known as the acquisition range. It is always smaller than the lock range, and is related to the low-pass filter bandwidth. It can be approximated by a parametric equation of the form:

$$\Delta\omega_C \approx \Delta\omega_L |F(j\Delta\omega_C)|$$

where $|F(j\Delta\omega_C)|$ is the low-pass filter magnitude response at $\omega = \Delta\omega_C$. For a simple lag filter, it can be expressed as:

$$\Delta\omega_C \approx \sqrt{\frac{\Delta\omega_L}{T_1}}$$

APPLICATIONS INFORMATION

FSK Demodulation

Figure 3 shows a generalized circuit connection for FSK demodulation. The circuit is connected as a PLL

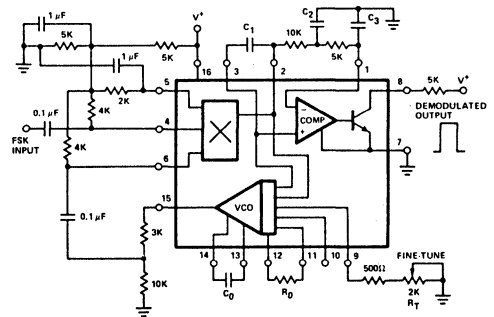


Figure 3. Circuit Connection for FSK Demodulation (Single Supply)

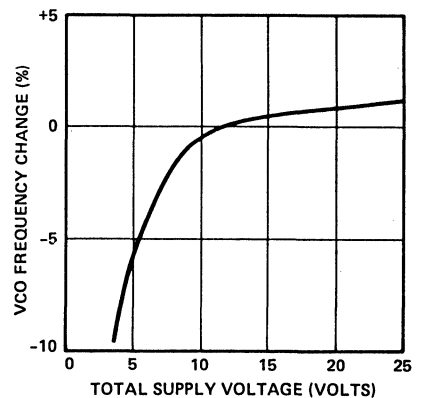
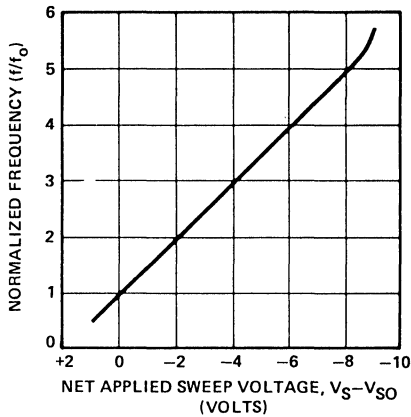


Figure 4. VCO Frequency Variation as a Function of Supply Voltage

XR-210



(NOTE: $V_{SO} \approx V_{CC} - 5V =$ Open Circuit Voltage at pin 12)

Figure 5. Frequency Sweep Characteristics as a Function of Net Applied Sweep Voltage (Pin 10 Open)

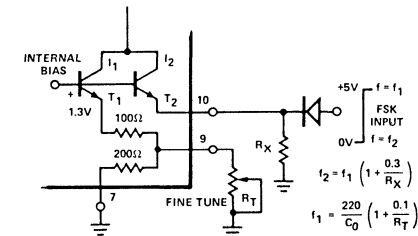


Figure 6. VCO Fine-Tune (Pin 9) and Frequency-Keying (Pin 10) Controls

system, by ac coupling the VCO output (Pin 15) to Pin 6. The FSK input is applied to Pin 4. When the input frequency is shifted, corresponding to a data bit, the polarity of the dc voltage across the phase-detector outputs (Pin 2 and 3) is reversed. The voltage comparator and the logic driver section convert this dc level shift to a binary pulse. The capacitor, C_1 , serves as the PLL loop filter, and C_2 and C_3 as post-detection filters. The timing capacitor, C_0 , and fine-tune adjustments are used to set the VCO frequency, f_0 , midway between the mark

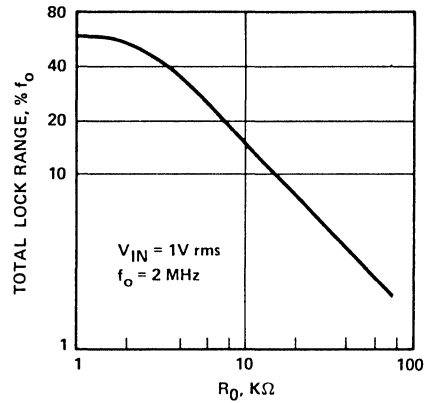


Figure 7. Total Lock Range, $\pm \Delta f_L$, versus VCO Gain Control Resistor, R_0

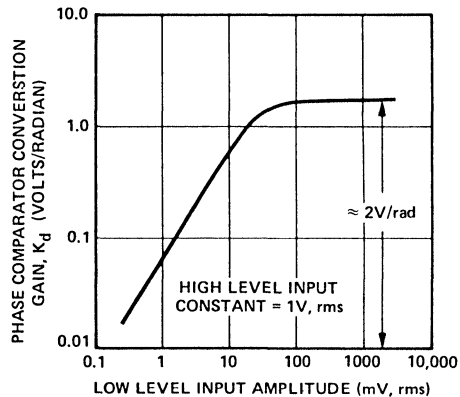


Figure 8. Phase Detector Conversion Gain, K_d , versus Input Amplitude

and space frequencies of the input signal. Typical component values for 300 baud (103-type) and 1200 baud (202-type) MODEM applications are listed below:

OPERATING CONDITIONS	TYPICAL COMPONENT VALUES
300 Baud	
Low Band: $f_1 = 1070$ Hz	$R_0 = 5.1$ kΩ, $C_0 = 0.22$ μF
$f_2 = 1270$ Hz	$C_1 = C_2 = 0.047$ μF, $C_3 = 0.033$ μF
High Band: $f_1 = 2025$ Hz	$R_0 = 8.2$ kΩ, $C_0 = 0.1$ μF
$f_2 = 2225$ Hz	$C_1 = C_2 = C_3 = 0.033$ μF
1200 Baud	
$f_1 = 1200$ Hz	$C_1 = 0.033$ μF, $C_3 = 0.02$ μF
$f_2 = 2200$ Hz	$C_2 = 0.01$ μF

Monolithic Phase-Locked Loop

The XR-215 is a highly versatile monolithic phase-locked loop (PLL) system designed for a wide variety of applications in both analog and digital communication systems. It is especially well suited for FM or FSK demodulation, frequency synthesis and tracking filter applications. The XR-215 can operate over a large choice of power supply voltages ranging from 5 V to 26 V and a wide frequency band of 0.5 Hz to 35 MHz. It can accommodate analog signals between 300 microvolts and 3 volts and can interface with conventional DTL, TTL, and ECL logic families.

FEATURES

- Wide Frequency Range: 0.5 Hz to 35 MHz
- Wide Supply Voltage Range: 5V to 26V
- Digital Programming Capability
- DTL, TTL and ECL Logic Compatibility
- Wide Dynamic Range: 300 μ V to 3V
- ON-OFF Keying and Sweep Capability
- Wide Tracking Range: Adjustable from $\pm 1\%$ to $\pm 50\%$
- High-Quality FM Detection: Distortion 0.15%
Signal/Noise 65dB

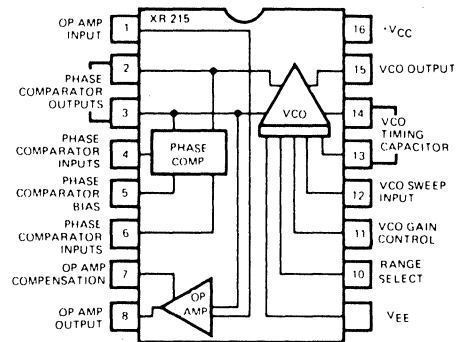
APPLICATIONS

- FM Demodulation
- Frequency Synthesis
- FSK Coding/Decoding (MODEM)
- Tracking Filters
- Signal Conditioning
- Tone Decoding
- Data Synchronization
- Telemetry Coding/Decoding
- FM, FSK and Sweep Generation
- Crystal Controlled Detection
- Wideband Frequency Discrimination
- Voltage-to-Frequency Conversion

ABSOLUTE MAXIMUM RATINGS

Power Supply	26 volts
Power Dissipation	750 mW
Derate above +25°C	5 mW/°C
Temperature Storage	-65°C to +150°C

FUNCTIONAL BLOCK DIAGRAM



ORDERING INFORMATION

Part Number	Package	Operating Temperature
XR-215CN	Ceramic	0°C to 70°C

SYSTEM DESCRIPTION

The XR-215 monolithic PLL system consists of a balanced phase comparator, a highly stable voltage-controlled oscillator (VCO) and a high speed operation amplifier. Figure 1 depicts the functional block diagram of the circuit. The phase comparator outputs are internally connected to the VCO inputs and to the non-inverting input of the operational amplifier. A self-contained PLL System is formed by simple AC coupling the VCO output to either of the phase comparator inputs and adding a low-pass filter to the phase comparator output terminals.

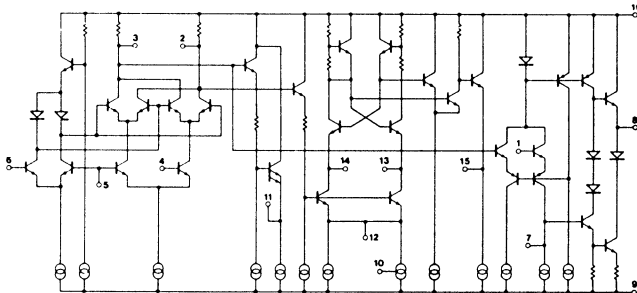
The VCO section has frequency sweep, on-off keying, sync, and digital programming capabilities. Its frequency is highly stable and is determined by a single external capacitor. The operational amplifier can be used to for audio preamplification in FM detector applications or as a high speed sense amplifier (or comparator) in FSK demodulation.

XR-215

ELECTRICAL CHARACTERISTICS

Test Conditions: $V^+ = 12V$ (single supply), $T_A = 25^\circ C$, Test Circuit of Figure 2 with $C_0 = 100$ pF, (silver-mica) S_1, S_2, S_5 , closed, S_3, S_4 open unless otherwise specified.

PARAMETERS	LIMITS			UNITS	CONDITIONS
	MIN	TYP	MAX		
I—GENERAL CHARACTERISTICS					
SUPPLY VOLTAGE					
Single Supply	5		26	V dc	See Figure 2
Split Supply	± 2.5		± 13	V dc	See Figure 3
Supply Current	8	11	15	mA	See Figure 2
Upper Frequency Limit	20	35		MHz	See Figure 2, S_1 open, S_4 closed
Lowest Practical Operating Frequency		0.5		Hz	$C_0 = 500 \mu F$
VCO SECTION:					
Stability:					
Temperature		250	600	ppm/ $^\circ C$	See Figure 2, $0^\circ C \leq T_A \leq 75^\circ C$
Power Supply		0.1		%/V	$V^+ > 10V$
Sweep Range	5:1	8:1			S_3 closed, S_4 open, $0 < V_S < 6V$
Output Voltage Swing	1.5	2.5		V_{p-p}	See Figure 9, $C_0 = 2000$ pF
Rise Time		20		ns	S_5 open
Fall Time		20		ns	10 pF to ground at Pin 15
PHASE COMPARATOR SECTION:					
Conversion Gain		2		V/rad	$V_{in} > 50$ mV rms (See characteristic curves)
Output Impedance		6		k Ω	Measured looking into Pins 2 or 3
Output Offset Voltage		20	100	mV	Measured across Pins 2 and 3 $V_{in} = 0, S_5$ open
OP AMP SECTION:					
Open Loop Voltage Gain	66	80		dB	S_2 open
Slew Rate		2.5		V/ μ sec	$A_V = 1$
Input Impedance	0.5	2		M Ω	
Output Impedance		2		k Ω	
Output Swing	7	10		V_{p-p}	$R_L = 30$ k Ω from Pin 8 to ground
Input Offset Voltage		1		mV	
Input Bias Current		80		nA	
Common Mode Rejection		90		dB	
II—SPECIAL APPLICATIONS					
A) FM Demodulation					
Test Conditions: Test circuit of Figure 4, $V^+ = 12V$, input signal = 10.7 MHz FM with $\Delta f = 75$ kHz, $f_{mod} = 1$ kHz.					
Detection Threshold		0.8	3	mV rms	50 Ω source
Demodulated Output Amplitude	250	500		mV rms	Measured at Pin 8
Distortion (THD)		0.15	0.5	%	
AM Rejection		40		dB	$V_{in} = 10$ mV rms, 30% AM
Output Signal/Noise	55	65		dB	
B) Tracking Filter					
Test Conditions: Test circuit of Figure 5, $V^+ = 12V, f_o = 1$ MHz, $V_{in} = 100$ mV rms, 50 Ω source.					
Tracking Range (% of f_o)	± 30	± 50			See Figures 5 and 25
Discriminator Output		50		mV/%	Adjustable — See applications information
$\frac{\Delta V_{out}}{\Delta f_o}$					



EQUIVALENT SCHEMATIC DIAGRAM

1

XR-215

DESCRIPTION OF CIRCUIT CONTROLS

PHASE COMPARATOR INPUTS (PINS 4 AND 6)

One input to the phase comparator is used as the signal input; the remaining input should be ac coupled to the

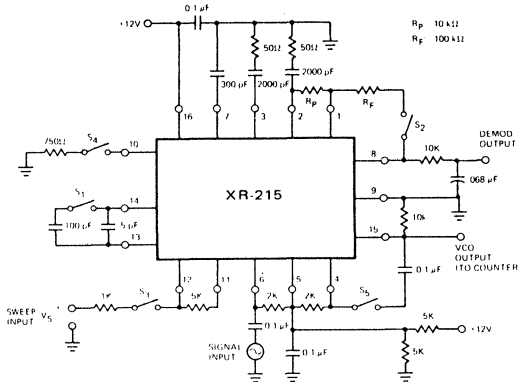


Figure 2. Test Circuit For Single Supply Operation

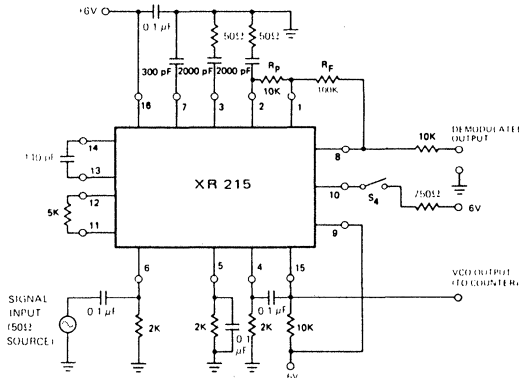


Figure 3. Test Circuit For Split-Supply Operation

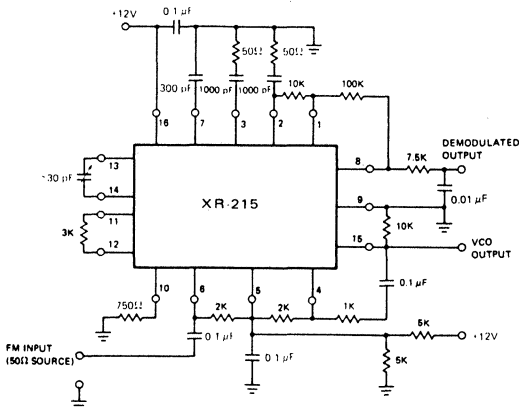


Figure 4. Test Circuit For FM Demodulation

VCO output (pin 15) to complete the PLL (see Figure 2). For split supply operation, these inputs are biased from ground as shown in Figure 3. For single supply operation, a resistive bias string similar to that shown in Figure 2 should be used to set the bias level at approximately $V_{CC}/2$. The dc bias current at these terminals is nominally $8 \mu A$.

PHASE COMPARATOR BIAS (PIN 5)

This terminal should be dc biased as shown in Figures 2 and 3, and ac grounded with a bypass capacitor.

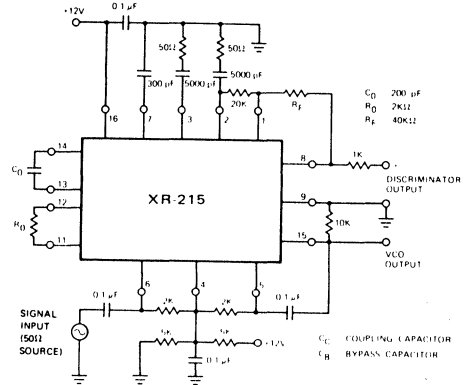


Figure 5. Test Circuit For Tracking Filter

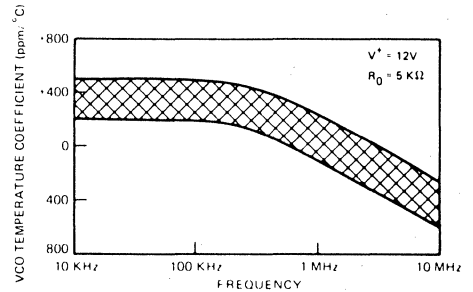


Figure 6. Typical VCO Temperature Coefficient Range as a Function of Operating Frequency (pin 10 open)

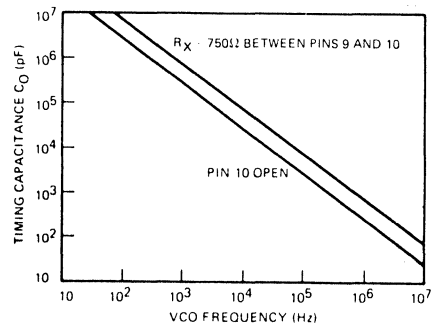


Figure 7. VCO Free Running Frequency vs Timing Capacitor

XR-215

PHASE COMPARATOR OUTPUTS (PINS 2 AND 3)

The low frequency (or dc) voltage across these pins corresponds to the phase difference between the two signals at the phase comparator inputs (pins 4 and 6). The phase comparator outputs are internally connected to the VCO control terminals (see Figure 1). One of the outputs (pin 3) is internally connected to the *non-inverting* input of the operational amplifier. The low-pass filter is achieved by connecting an RC network to the phase comparator outputs as shown in Figure 14.

VCO TIMING CAPACITOR (PINS 13 AND 14)

The VCO free-running frequency, f_0 , is inversely proportional to timing capacitor C_0 connected between pins 13 and 14. (See Figure 7).

VCO OUTPUT (PIN 15)

The VCO produces approximately a 2.5 V_{p-p} output signal at this pin. The dc output level is approximately 2 volts below V_{CC} . This pin should be connected to pin 9 through a 10 k Ω resistor to increase the output current drive capability. For high voltage operation ($V_{CC} >$

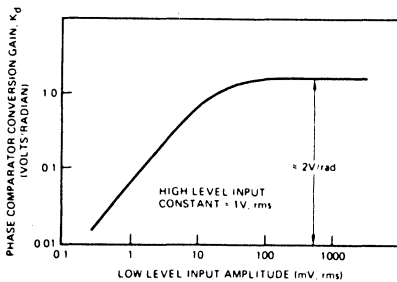


Figure 8. Phase Comparator Conversion Gain, K_d , versus Input Amplitude

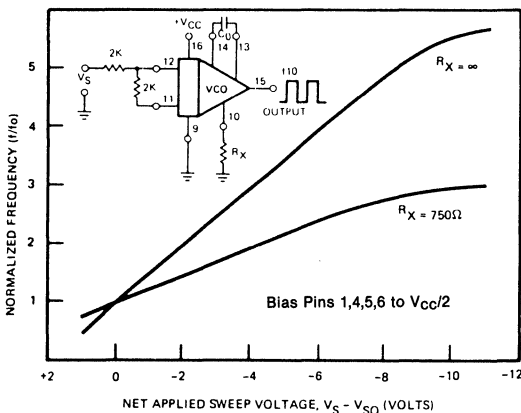


Figure 9. Typical Frequency Sweep Characteristics as a Function of Applied Sweep Voltage

(Note: $V_{S0} \approx V_{CC} - 5V =$ Open Circuit Voltage at pin 12)

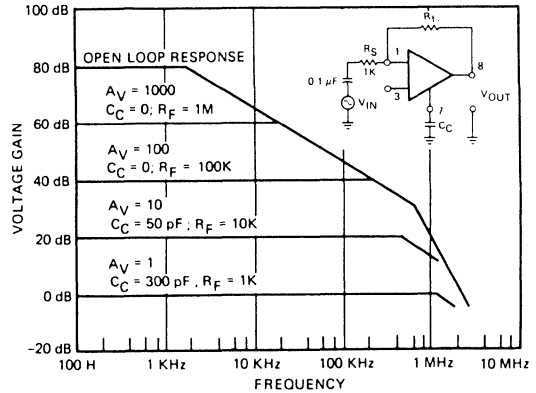


Figure 10. XR-215 Op Amp Frequency Response

20V), a 20 k Ω resistor is recommended. It is also advisable to connect a 500 Ω resistor in series with this output for short circuit protection.

VCO SWEEP INPUT (PIN 12)

The VCO Frequency can be swept over a broad range by applying an analog sweep voltage, V_S , to pin 12 (see Figure 9). The impedance level looking into the sweep input is approximately 50 Ω . Therefore, for sweep applications, a current limiting resistor, R_S , should be connected in series with this terminal. Typical sweep characteristics of the circuit are shown in Figure 9. The VCO temperature dependence is minimum when the sweep input is not used.

CAUTION: For safe operation of the circuit, the maximum current, I_S , drawn from the sweep terminal should be limited to 5 mA or less under all operating conditions.

ON-OFF KEYING: With pin 10 open circuited, the VCO can be keyed off by applying a positive voltage pulse to the sweep input terminal. With $R_S = 2\text{ k}\Omega$, oscillations will stop if the applied potential at pin 12 is raised 3 volts above its open-circuit value. When sweep, sync, or on-off keying functions are not used, R_S should be left open circuited.

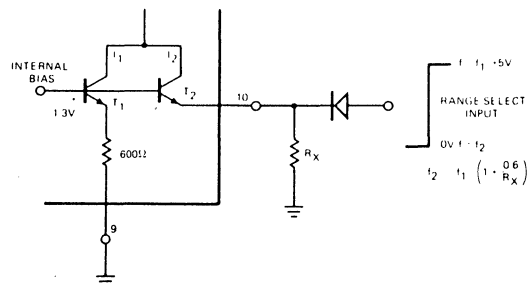


Figure 11. Explanation of VCO Range-Select Controls

XR-215

RANGE-SELECT (PIN 10)

The frequency range of the XR-215 can be extended by connecting an external resistor, R_X , between pins 9 and 10. With reference to Figure 11, the operation of the range-select terminal can be explained as follows: The VCO frequency is proportional to the sum of currents I_1 and I_2 through transistors T_1 and T_2 on the monolithic chip. These transistors are biased from a fixed internal reference. The current I_1 is set internally, whereas I_2 is set by the external resistor R_X . Thus, at any C_0 setting, the VCO frequency can be expressed as:

$$f_o = f_1 \left(1 + \frac{0.6}{R_X} \right)$$

where f_1 is the frequency with pin 10 open circuited and R_X is in $k\Omega$. External resistor R_X ($\approx 750\Omega$) is recommended for operation at frequencies in excess of 5 MHz.

The range select terminal can also be used for fine tuning the VCO frequency, by varying the value of R_X . Similarly, the VCO frequency can be changed in discrete steps by switching in different values of R_X between pins 9 and 10.

DIGITAL PROGRAMMING

Using the range select control, the VCO frequency can be stepped in a binary manner, by applying a logic signal to pin 10, as shown in Figure 11. For high level logic inputs, transistor T_2 is turned off, and R_X is effectively switched out of the circuit. Using the digital programming capability, the XR-215 can be time-multiplexed between two separate input frequencies, as shown in Figures 18 and 19.

AMPLIFIER INPUT (PIN 1)

This pin provides the inverting input for the operational amplifier section. Normally it is connected to pin 2 through a 10 $k\Omega$ external resistor (see Figure 2 or 3).

AMPLIFIER OUTPUT (PIN 8)

This pin is used as the output terminal for FM or FSK demodulation. The amplifier gain is determined by the external feedback resistor, R_F , connected between pins 1 and 8. Frequency response characteristics of the amplifier section are shown in Figure 10.

AMPLIFIER COMPENSATION (PIN 7)

The operational amplifier can be compensated by a single 300 pF capacitor from pin 7 to ground. (See Figure 10).

BASIC PHASE-LOCKED LOOP OPERATION

PRINCIPLE OF OPERATION

The phase-locked loop (PLL) is a unique and versatile circuit technique which provides frequency selective tuning and filtering without the need for coils or inductors. As shown in Figure 12, the PLL is a feedback sys-

tem comprised of three basic functional blocks: phase comparator, low-pass filter and voltage-controlled oscillator (VCO). The basic principle of operation of a PLL can be briefly explained as follows: with no input signal applied to the system, the error voltage V_d , is equal to zero. The VCO operates at a set frequency, f_o , which is known as the "free-running" frequency. If an input signal is applied to the system, the phase comparator compares the phase and frequency of the input signal with the VCO frequency and generates an error voltage, $V_e(t)$, that is related to the phase and frequency difference between the two signals. This error voltage is then filtered and applied to the control terminal of the VCO. If the input frequency, f_s , is sufficiently close to f_o , the feedback nature of the PLL causes the VCO to synchronize or "lock" with the incoming signal. Once in lock, the VCO frequency is identical to the input signal, except for a finite phase difference.

A LINEARIZED MODEL FOR PLL

When the PLL is in lock, it can be approximated by the linear feedback system shown in Figure 13. ϕ_s and ϕ_o are the respective phase angles associated with the input signal and the VCO output, $F(s)$ is the low-pass filter response in frequency domain, and K_d and K_o are the conversion gains associated with the phase comparator and VCO sections of the PLL.

DEFINITION OF XR-215 PARAMETERS FOR PLL APPLICATIONS

VCO FREE-RUNNING FREQUENCY, f_o

The VCO frequency with no input signal. It is determined by selection of C_0 across pins 13 and 14 and can be increased by connecting an external resistor R_X between pins 9 and 10. It can be approximated as:

$$f_o = \frac{200}{C_0} \left(1 + \frac{0.6}{R_X} \right)$$

where C_0 is in μF and R_X is in $k\Omega$. (See Figure 7).

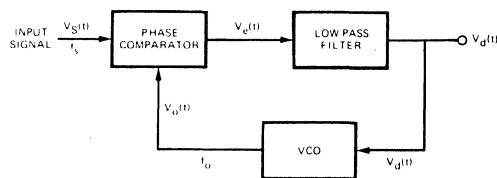


Figure 12. Block Diagram of a Phase-Locked Loop

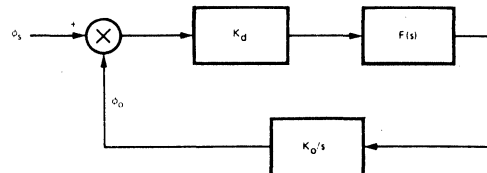


Figure 13. Linearized Model of a PLL as a Negative Feedback System

XR-215

PHASE COMPARATOR GAIN K_D

The output voltage from the phase comparator per radian of phase difference at the phase comparator inputs (pins 4 and 6).

VCO CONVERSION GAIN K_O

The VCO voltage-to-frequency conversion gain is determined by the choice of timing capacitor C_0 and gain control resistor, R_0 connected externally across pins 11 and 12. It can be expressed as

$$K_O \approx \frac{700}{C_0 R_0} \text{ (radians/sec)/volt}$$

where C_0 is in μF and R_0 is in $\text{k}\Omega$. For most applications, recommended values for R_0 range from 1 $\text{k}\Omega$ to 10 $\text{k}\Omega$.

LOCK RANGE ($\Delta\omega_L$)

The range of frequencies in the vicinity of f_0 , over which the PLL can maintain lock with an input signal. It is also known as the "tracking" or "holding" range. If saturation or limiting does not occur, the lock range is equal to the loop gain, i.e. $\Delta\omega_L = K_T = K_D K_O$.

CAPTURE RANGE ($\Delta\omega_C$)

The band of frequencies in the vicinity of f_0 where the PLL can establish or acquire lock with an input signal. It is also known as the "acquisition" range. It is always smaller than the lock range and is related to the low-pass filter bandwidth. It can be approximated by a parametric equation of the form:

$$\Delta\omega_C \approx \Delta\omega_L |F(j\Delta\omega_C)|$$

where $|F(j\Delta\omega_C)|$ is the low-pass filter magnitude response at $\omega = \Delta\omega_C$. For a simple lag filter, it can be expressed as:

$$\Delta\omega_C \approx \sqrt{\frac{\Delta\omega_L}{T_1}}$$

where T_1 is the filter time constant.

AMPLIFIER GAIN A_V

The voltage gain of the amplifier section is determined by feedback resistors R_F and R_P between pins (8, 1) and 2, 1) respectively. (See Figures 2 and 3). It is given by:

$$A_V = \frac{-R_F}{R_1 + R_P}$$

where R_1 is the 6 $\text{k}\Omega$ internal impedance at pin 2, and R_P is the external resistor between pins 1 and 2.

LOW-PASS FILTER

The low-pass filter section is formed by connecting an external capacitor or RC network across terminals 2

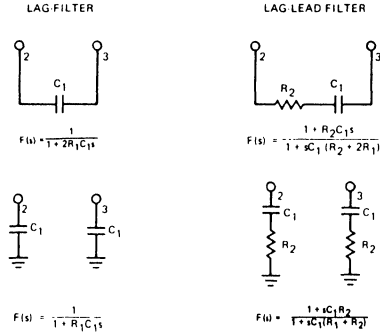


Figure 14.

and 3. The low-pass filter components can be connected either between pins 2 and 3 or, from each pin to ground. Typical filter configurations and corresponding filter transfer functions are shown in Figure 14 where R_1 (6 $\text{k}\Omega$) is the internal impedance at pins 2 and 3.

APPLICATIONS INFORMATION

FM DEMODULATION

Figure 15 shows the external circuit connections to the XR-215 for frequency-selective FM demodulation. The choice of C_0 is determined by the FM carrier frequency (see Figure 7). The low-pass filter capacitor C_1 is determined by the selectivity requirements. For carrier frequencies of 1 to 10 MHz, C_1 is in the range of 10 C_0 to 30 C_0 . The feedback resistor R_F can be used as a "volume-control" adjustment to set the amplitude of the demodulated output. The demodulated output amplitude is proportional to the FM deviation and to resistors R_0 and R_F . For $\pm 1\%$ FM deviation it can be approximated as:

$$V_{OUT} \approx R_0 R_F \left(1 + \frac{0.6}{R_X}\right) \text{ mV, rms}$$

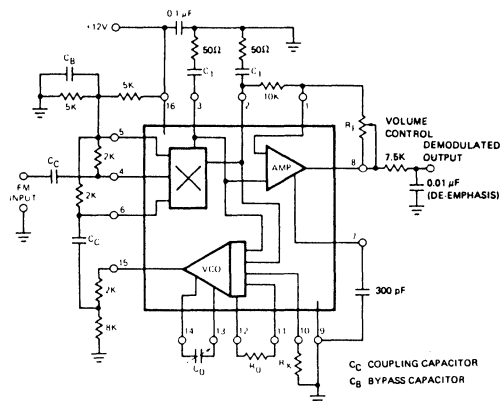


Figure 15. Circuit Connection for FM Demodulation

XR-215

Note that for 300 Baud operation the circuit can be time-multiplexed between high and low bands by switching the external resistor R_X in and out of the circuit with a control signal, as shown in Figure 11.

FSK GENERATION

The digital programming capability of the XR-215 can be used for FSK generation. A typical circuit connection for this application is shown in Figure 21. The VCO frequency can be shifted between the mark (f_2) and space (f_1) frequencies by applying a logic pulse to pin 10. The circuit can provide two separate FSK outputs: a low level ($2.5 V_{p-p}$) output at pin 15 or a high amplitude ($10 V_{p-p}$) output at pin 8. The output at each of these terminals is a symmetrical squarewave with a typical second harmonic content of less than 0.3%.

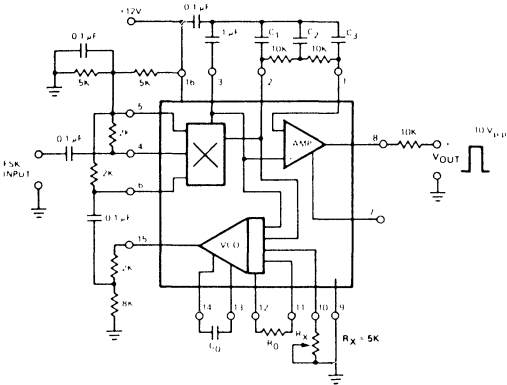


Figure 20. Circuit Connection for FSK Demodulation

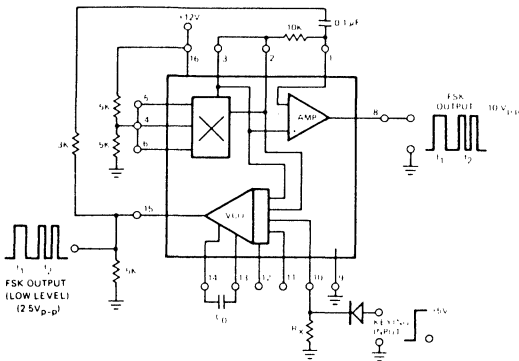


Figure 21. Circuit Connection For FSK Generation

FREQUENCY SYNTHESIS

In frequency synthesis applications, a programmable counter or divide-by-N circuit is connected between the VCO output (pin 15) and one of the phase detector inputs (pins 4 or 6), as shown in Figure 22. The principle of operation of the circuit can be briefly explained as

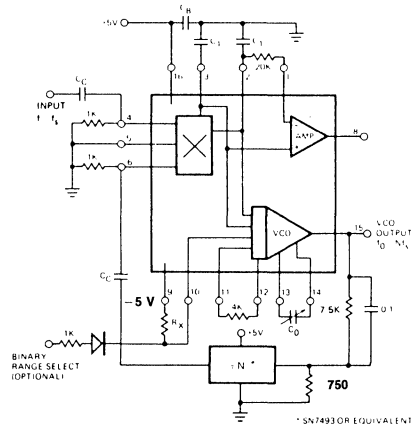


Figure 22. Circuit Connection For Frequency Synthesis

follows: The counter divides down the oscillator frequency by the programmable divider modulus, N. Thus, when the entire system is phase-locked to an input signal at frequency, f_s , the oscillator output at pin 15 is at a frequency (Nf_s), where N is the divider modulus. By proper choice of the divider modulus, a large number of discrete frequencies can be synthesized from a given reference frequency. The low-pass filter capacitor C_1 is normally chosen to provide a cut-off frequency equal to 0.1% to 2% of the signal frequency, f_s .

The circuit was designed to operate with commercially available monolithic programmable counter circuits using TTL logic, such as MC4016, SN5493 or equivalent. The digital or analog tuning characteristics of the VCO can be used to extend the available range of frequencies of the system, for a given setting of the timing capacitor C_0 .

Typical input and output waveforms for $N = 16$ operation with $f_s = 100$ kHz and $f_o = 1.6$ MHz are shown in Figure 23.

TRACKING FILTER/DISCRIMINATOR

The wide tracking range of the XR-215 allows the system to track an input signal over a 3:1 frequency range,

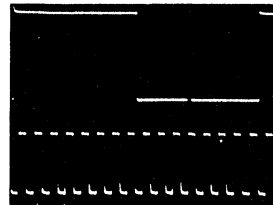


Figure 23. Typical Input/Output Waveforms For $N = 16$
 Top: Input (100 kHz)
 Bottom: VCO Output (1.6 MHz)
 Vertical Scale 1 V/cm

FSK Demodulator/Tone Decoder

GENERAL DESCRIPTION

The XR-2211 is a monolithic phase-locked loop (PLL) system especially designed for data communications. It is particularly well suited for FSK modem applications. It operates over a wide supply voltage range of 4.5 to 20V and a wide frequency range of 0.01 Hz to 300 kHz. It can accommodate analog signals between 2 mV and 3V, and can interface with conventional DTL, TTL, and ECL logic families. The circuit consists of a basic PLL for tracking an input signal within the pass band, a quadrature phase detector which provides carrier detection, and an FSK voltage comparator which provides FSK demodulation. External components are used to independently set center frequency, bandwidth, and output delay. An internal voltage reference proportional to the power supply provides ratio metric operation for low system performance variations with power supply changes.

The XR-2211 is available in 14 pin DTL ceramic or plastic packages specified for commercial or military temperature ranges.

FEATURES

Wide Frequency Range	0.01 Hz to 300 kHz
Wide Supply Voltage Range	4.5V to 20 V
DTL/TTL/ECL Logic Compatibility	
FSK Demodulation, with Carrier Detection	
Wide Dynamic Range	2 mV to 3 V rms
Adjustable Tracking Range ($\pm 1\%$ to $\pm 80\%$)	
Excellent Temp. Stability	20 ppm/ $^{\circ}$ C, typ.

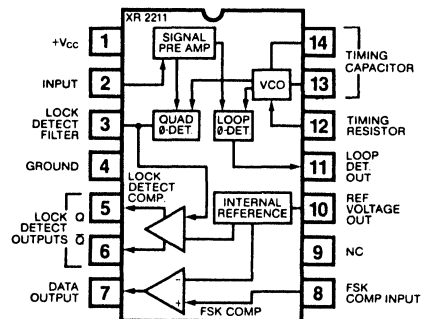
APPLICATIONS

FSK Demodulation
Data Synchronization
Tone Decoding
FM Detection
Carrier Detection

ABSOLUTE MAXIMUM RATINGS

Power Supply	20V
Input Signal Level	3V rms
Power Dissipation	
Ceramic Package	750 mW
Derate Above $T_A = +25^{\circ}$ C	6 mW/ $^{\circ}$ C
Plastic Package	
Derate Above $T_A = +25^{\circ}$ C	5.0 mW/ $^{\circ}$ C

FUNCTIONAL BLOCK DIAGRAM



ORDERING INFORMATION

Part Number	Package	Operating Temperature
XR-2211M	Ceramic	-55 $^{\circ}$ C to +125 $^{\circ}$ C
XR-2211CN	Ceramic	0 $^{\circ}$ C to +70 $^{\circ}$ C
XR-2211CP	Plastic	0 $^{\circ}$ C to +70 $^{\circ}$ C
XR-2211N	Ceramic	-40 $^{\circ}$ C to +85 $^{\circ}$ C
XR-2211P	Plastic	-40 $^{\circ}$ C to +85 $^{\circ}$ C

SYSTEM DESCRIPTION

The main PLL within the XR-2211 is constructed from an input preamplifier, analog multiplier used as a phase detector, and a precision voltage controlled oscillator (VCO). The preamplifier is used as a limiter such that input signals above typically 2MV RMS are amplified to a constant high level signal. The multiplying-type phase detector acts as a digital exclusive or gate. Its output (unfiltered) produces sum and difference frequencies of the input and the VCO output, $f_{input} + f_{input}$ ($2f_{input}$) and $f_{input} - f_{input}$ (0 Hz) when the phase detector output to remove the "sum" frequency component while passing the difference (DC) component to drive the VCO. The VCO is actually a current controlled oscillator with its nominal input current (I_0) set by a resistor (R_0) to ground and its driving current with a resistor (R_1) from the phase detector.

The other sections of the XR-2211 act to: determine if the VCO is driven above or below the center frequency (FSK comparator); produced both active high and active low outputs to indicate when the main PLL is in lock (quadrature phase detector and lock detector comparator).

XR-2211

ELECTRICAL CHARACTERISTICS

Test Conditions: Test Circuit of Figure 1, $V^+ = V^- = 6V$, $T_A = +25^\circ C$, $C = 5000\text{ pF}$, $R_1 = R_2 = R_3 = R_4 = 20\text{ k}\Omega$, $R_L = 4.7\text{ k}\Omega$. Binary Inputs grounded, S_1 and S_2 closed, unless otherwise specified.

PARAMETER	XR-2211/2211M			XR-2211C			UNITS	CONDITIONS
	MIN	TYP	MAX	MIN	TYP	MAX		
GENERAL								
Supply Voltage	4.5		20	4.5		20	V	$R_0 \geq 10\text{ k}\Omega$. See Fig. 4
Supply Current		4	7		5	9	mA	
OSCILLATOR SECTION								
Frequency Accuracy		± 1	± 3		± 1		%	Deviation from $f_0 = 1/R_0C_0$ $R_1 = 1/2$ See Fig. 8.
Frequency Stability							ppm/ $^\circ C$	
Temperature		± 20	± 50		± 20		%/V	$V^+ = 12 \pm 1V$. See Fig. 7. $V^+ 5 \pm 0.5V$. See Fig. 7.
Power Supply		0.05	0.5		0.05		%/V	
Upper Frequency Limit	100	300			300		kHz	$R_0 = 8.2\text{ k}\Omega$, $C_0 = 400\text{ pF}$
Lowest Practical								
Operating Frequency			0.01		0.01		Hz	$R_0 = 2\text{ M}\Omega$, $C_0 = 50\text{ }\mu F$ See Fig. 5.
Timing Resistor, R_0								
Operating Range	5		2000	5		2000	k Ω	
Recommended Range	15		100	15		100	k Ω	See Figs. 7 and 8.
LOOP PHASE DETECTOR SECTION								
Peak Output Current	± 150	± 200	± 300	± 100	± 200	± 300	μA	Measured at Pin 11.
Output Offset Current		± 1			± 2		μA	
Output Impedance		1			1		M Ω	Referenced to Pin 10.
Maximum Swing	± 4	± 5		± 4	± 5		V	
QUADRATURE PHASE DETECTOR								
Measured at Pin 3.								
Peak Output Current	100	150			150		μA	
Output Impedance		1			1		M Ω	
Maximum Swing		11			11		V pp	
INPUT PREAMP SECTION								
Measured at Pin 2.								
Input Impedance		20			20		k Ω	
Input Signal								
Voltage Required to Cause Limiting		2	10		2		mV rms	
VOLTAGE COMPARATOR SECTIONS								
Input Impedance		2			2		M Ω	Measured at Pins 3 and 8. $R_L = 5.1\text{ k}\Omega$ $I_C = 3\text{ mA}$ $V_O = 12V$
Input Bias Current		100			100		nA	
Voltage Gain	55	70		55	70		dB	
Output Voltage Low		300			300		mV	
Output Leakage Current		0.01			0.01		μA	
INTERNAL REFERENCE								
Voltage Level	4.9	5.3	5.7	4.75	5.3	5.85	V	Measured at Pin 10.
Output Impedance		100			100		Ω	

XR-2211

Reference Voltage, V_R (Pin 10): This pin is internally biased at the reference voltage level, V_R : $V_R = V + /2 - 650$ mV. The dc voltage level at this pin forms an internal reference for the voltage levels at Pins 5, 8, 11 and 12. Pin 10 *must* be bypassed to ground with a $0.1 \mu\text{F}$ capacitor for proper operation of the circuit.

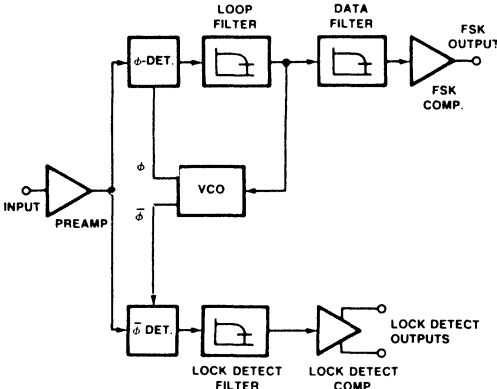


Figure 1. Functional Block Diagram of a Tone and FSK Decoding System Using XR-2211

Loop Phase Detector Output (Pin 11): This terminal provides a high impedance output for the loop phase detector. The PLL loop filter is formed by R_1 and C_1 connected to Pin 11 (see Figure 2). With no input signal, or with no phase error within the PLL, the dc level at Pin 11 is very nearly equal to V_R . The peak voltage swing available at the phase detector output is equal to $\pm V_R$.

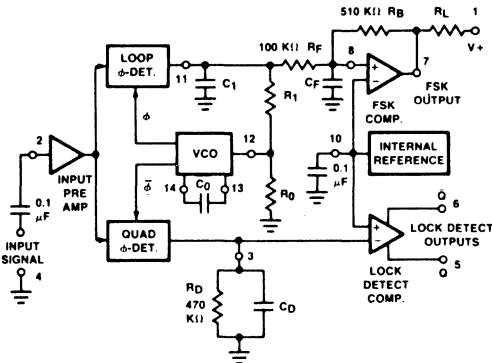


Figure 2. Generalized Circuit Connection for FSK and Tone Detection

VCO Control Input (Pin 12): VCO free-running frequency is determined by external timing resistor, R_0 , connected from this terminal to ground. The VCO free-running frequency, f_0 , is:

$$f_0 = \frac{1}{R_0 C_0} \text{ Hz}$$

where C_0 is the timing capacitor across Pins 13 and 14. For optimum temperature stability, R_0 must be in the range of $10 \text{ K}\Omega$ to $100 \text{ K}\Omega$ (see Figure 8).

This terminal is a low impedance point, and is internally biased at a dc level equal to V_R . The maximum timing current drawn from Pin 12 must be limited to $\leq 3 \text{ mA}$ for proper operation of the circuit.

VCO Timing Capacitor (Pins 13 and 14): VCO frequency is inversely proportional to the external timing capacitor, C_0 , connected across these terminals (see Figure 5). C_0 must be nonpolar, and in the range of 200 pF to $10 \mu\text{F}$.

VCO Frequency Adjustment: VCO can be fine-tuned by connecting a potentiometer, R_X , in series with R_0 at Pin 12 (see Figure 9).

VCO Free-Running Frequency, f_0 : XR-2211 does not have a separate VCO output terminal. Instead, the VCO outputs are internally connected to the phase detector sections of the circuit. However, for set-up or adjustment purposes, VCO free-running frequency can be measured at Pin 3 (with C_D disconnected), with no input and with Pin 2 shorted to Pin 10.

DESIGN EQUATIONS

(See Figure 2 for definition of components.)

1. VCO Center Frequency, f_0 :

$$f_0 = 1/R_0 C_0 \text{ Hz}$$

2. Internal Reference Voltage, V_R (measured at Pin 10):

$$V_R = V + /2 - 650 \text{ mV}$$

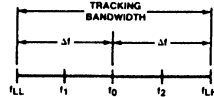
3. Loop Low-Pass Filter Time Constant, τ :

$$\tau = R_1 C_1$$

4. Loop Damping, ζ :

$$\zeta = 1/4 \sqrt{\frac{C_0}{C_1}}$$

5. Loop Tracking Bandwidth, $\pm \Delta f/f_0$:
 $\Delta f/f_0 = R_0/R_1$



6. FSK Data Filter Time Constant, τF :
 $\tau F = R_F C_F$

7. Loop Phase Detector Conversion Gain, K_ϕ : (K_ϕ is the differential dc voltage across Pins 10 and 11, per unit of phase error at phase detector input):

$$K_\phi = 0.2V_R/\pi \text{ volts/radian}$$

8. VCO Conversion gain, K_0 : (K_0 is the amount of change in VCO frequency, per unit of dc voltage change at Pin 11):

$$K_0 = -1/V_R C_0 R_1 \text{ Hz/volt}$$

XR-2211

9. Total Loop Gain, K_T :

$$K_T = 2\pi K\phi K_0 = 4/C_0 R_1 \text{ rad/sec/volt}$$

10. Peak Phase Detector Current I_A :

$$I_A = V_R \text{ (volts)}/25 \text{ mA}$$

APPLICATIONS INFORMATION

FSK DECODING:

Figure 9 shows the basic circuit connection for FSK decoding. With reference to Figures 2 and 9, the functions of external components are defined as follows: R_0 and C_0 set the PLL center frequency, R_1 sets the system bandwidth, and C_1 sets the loop filter time constant and the loop damping factor. C_F and R_F form a one-pole post-detection filter for the FSK data output. The resistor R_B ($= 510 \text{ K}\Omega$) from Pin 7 to Pin 8 introduces positive feedback across the FSK comparator to facilitate rapid transition between output logic states.

Recommended component values for some of the most commonly used FSK bands are given in Table 1.

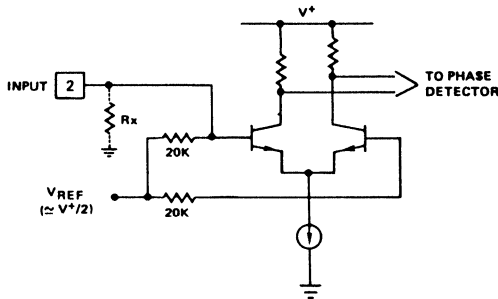
Design Instructions:

The circuit of Figure 9 can be tailored for any FSK decoding application by the choice of five key circuit components: R_0 , R_1 , C_0 , C_1 and C_F . For a given set of FSK mark and space frequencies, f_1 and f_2 , these parameters can be calculated as follows:

a) Calculate PLL center frequency, f_0 :

$$f_0 = \frac{f_1 + f_2}{2}$$

b) Choose value of timing resistor R_0 , to be in the range of $10 \text{ K}\Omega$ to $100 \text{ K}\Omega$. This choice is arbitrary.



$$V_{IN \text{ MINIMUM (PEAK)}} \approx V + \left[\frac{10K}{R_x + 20K} \right] \pm 2.8 \text{ mV}$$

Figure 3. Desensitizing Input Stage

The recommended value is $R_0 \approx 20 \text{ K}\Omega$. The final value of R_0 is normally fine-tuned with the series potentiometer, R_X .

c) Calculate value of C_0 from design equation (1) or from Figure 6:

$$C_0 = 1/R_0 f_0$$

d) Calculate R_1 to give a Δf equal to the mark space deviation:

$$R_1 = R_0 [f_0 / (f_1 - f_2)]$$

e) Calculate C_1 to set loop damping. (See design equation No. 4.):

Normally, $\zeta \approx 1/2$ is recommended.

$$\text{Then: } C_1 = C_0/4 \text{ for } \zeta = 1/2$$

f) Calculate Data Filter Capacitance, C_F :

For $R_F = 100 \text{ K}\Omega$, $R_B = 510 \text{ K}\Omega$, the recommended value of C_F is:

$$C_F \approx 3/(\text{Baud Rate}) \mu\text{F}$$

Note: All calculated component values except R_0 can be rounded to the nearest standard value, and R_0 can be varied to fine-tune center frequency, through a series potentiometer, R_X . (See Figure 9.)

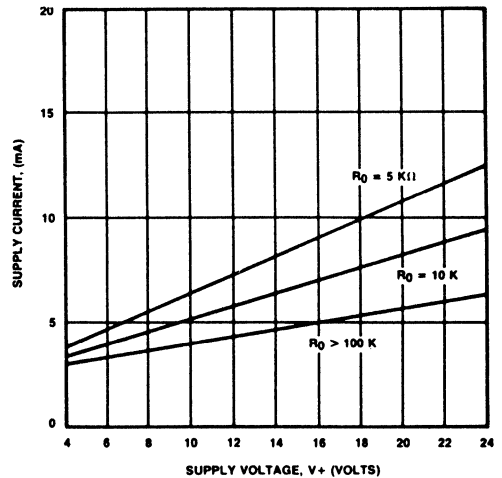


Figure 4. Typical Supply Current vs V^+ (Logic Outputs Open Circuited)

XR-2211

1

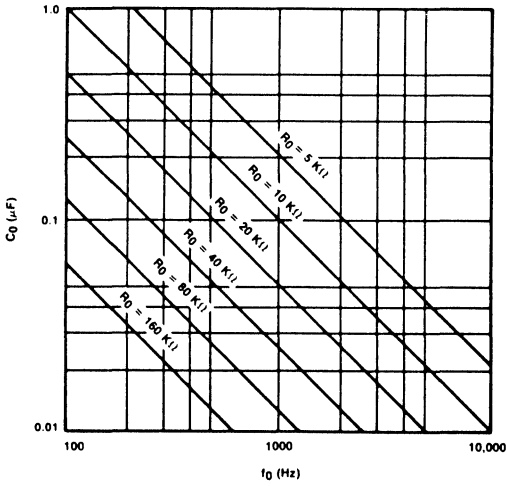


Figure 5. VCO Frequency vs Timing Resistor

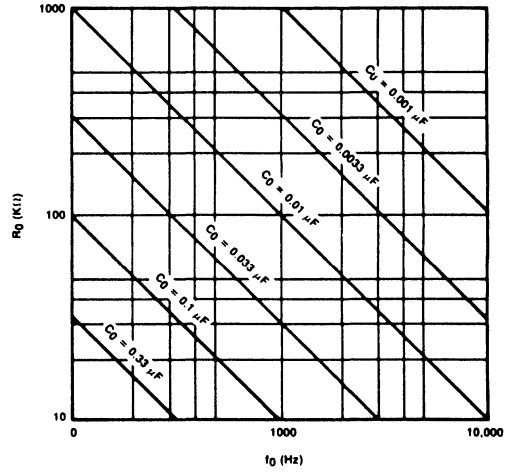


Figure 6. VCO Frequency vs Timing Capacitor

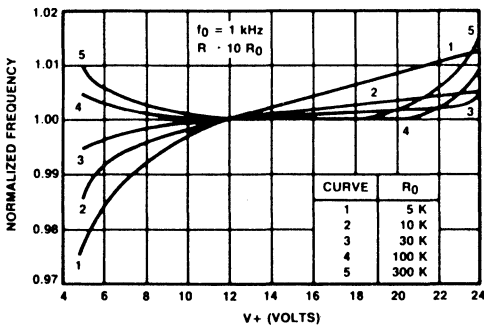


Figure 7. Typical f_0 vs Power Supply Characteristics

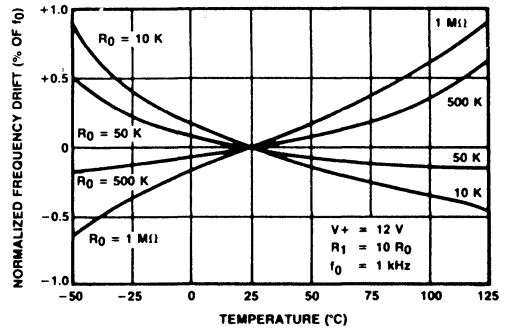


Figure 8. Typical Center Frequency Drift vs Temperature

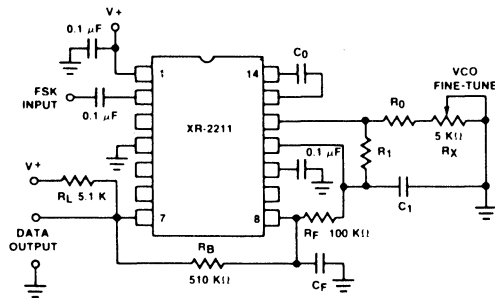


Figure 9. Circuit Connection for FSK Decoding

XR-2211

Design Example:

75 Baud FSK demodulator with mark space frequencies of 1110/1170 Hz:

Step 1: Calculate f_0 : $f_0 (1110 + 1170) (1/2) = 1140$ Hz

Step 2: Choose R_0 - 20 K Ω (18 K Ω fixed resistor in series with 5 K Ω potentiometer)

Step 3: Calculate C_0 from Figure 6: $C_0 = 0.044$ μ F

Step 4: Calculate R_1 : $R_1 = R_0 (2240/60) = 380$ K Ω

Step 5: Calculate C_1 : $C_1 = C_0/4 = 0.011$ μ F

Note: All values except R_0 can be rounded to nearest standard value.

Table 1. Recommended Component Values for Commonly Used FSK Bands.
(See Circuit of Figure 9.)

FSK BAND	COMPONENT VALUES
300 Baud $f_1 = 1070$ Hz $f_2 = 1270$ Hz	$C_0 = 0.039$ μ F $C_F = 0.005$ μ F $C_1 = 0.01$ μ F $R_0 = 18$ K Ω $R_1 = 100$ K Ω
300 Baud $f_1 = 2025$ Hz $f_2 = 2225$ Hz	$C_0 = 0.022$ μ F $C_F = 0.005$ μ F $C_1 = 0.0047$ μ F $R_0 = 18$ K Ω $R_1 = 200$ K Ω
1200 Baud $f_1 = 1200$ Hz $f_2 = 2200$ Hz	$C_0 = 0.027$ μ F $C_F = 0.0022$ μ F $C_1 = 0.01$ μ F $R_0 = 18$ K Ω $R_1 = 30$ K Ω

FSK DECODING WITH CARRIER DETECT:

The lock detect section of XR-2211 can be used as a carrier detect option, for FSK decoding. The recommended circuit connection for this application is shown in Figure 10. The open collector lock detect output, Pin 6, is shorted to data output (Pin 7). Thus, data output

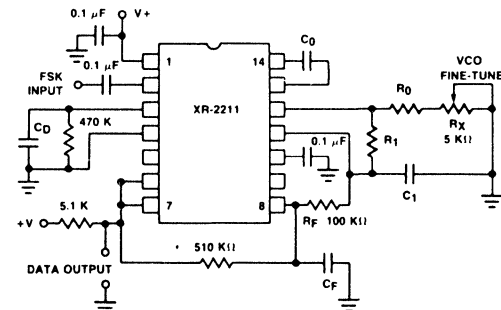


Figure 10. External Connectors for FSK Demodulation with Carrier Detect Capability

Note: Data Output is "Low" When No Carrier is Present.

will be disabled at "low" state, until there is a carrier within the detection band of the PLL, and the Pin 6 output goes "high," to enable the data output.

The minimum value of the lock detect filter capacitance C_D is inversely proportional to the capture range, $\pm \Delta f_c$. This is the range of incoming frequencies over which the loop can acquire lock and is always less than the tracking range. It is further limited by C_1 . For most applications, $\Delta f_c > \Delta f/2$. For $R_D = 470$ K Ω , the approximate minimum value of C_D can be determined by:

$$C_D (\mu\text{F}) \geq 16/\text{capture range in Hz.}$$

With values of C_D that are too small, chatter can be observed on the lock detect output as an incoming signal frequency approaches the capture bandwidth. Excessively large values of C_D will slow the response time of the lock detect output.

tone detection:

Figure 11 shows the generalized circuit connection for tone detection. The logic outputs, Q and \bar{Q} at Pins 5 and 6 are normally at "high" and "low" logic states, respectively. When a tone is present within the detection band of the PLL, the logic state at these outputs become reversed for the duration of the input tone. Each logic output can sink 5 mA of load current.

Both logic outputs at Pins 5 and 6 are open collector type stages, and require external pull-up resistors R_{L1} and R_{L2} , as shown in Figure 11.

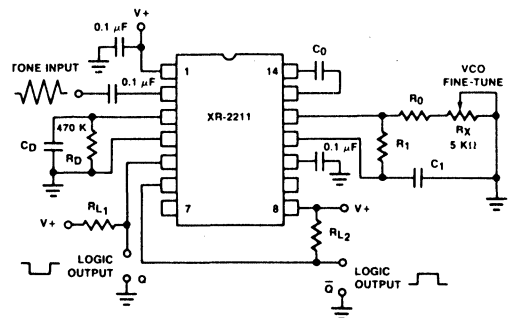


Figure 11. Circuit Connection for Tone Detection

With reference to Figures 2 and 11, the functions of the external circuit components can be explained as follows: R_0 and C_0 set VCO center frequency; R_1 sets the detection bandwidth; C_1 sets the low pass-loop filter time constant and the loop damping factor. R_{L1} and R_{L2} are the respective pull-up resistors for the Q and \bar{Q} logic outputs.

Design Instructions:

The circuit of Figure 11 can be optimized for any tone detection application by the choice of the 5 key circuit components: R_0 , R_1 , C_0 , C_1 and C_D . For a given input,

XR-2211

the tone frequency, f_S , these parameters are calculated as follows:

- Choose R_0 to be in the range of 15 K Ω to 100 K Ω . This choice is arbitrary.
- Calculate C_0 to set center frequency, f_0 equal to f_S (see Figure 6): $C_0 = 1/R_0 f_S$
- Calculate R_1 to set bandwidth $\pm \Delta f$ (see design equation No. 5):

$$R_1 = R_0(f_0/\Delta f)$$

Note: The total detection bandwidth covers the frequency range of $f_0 \pm \Delta f$.

- Calculate value of C_1 for a given loop damping factor;

$$C_1 = C_0/16 \zeta^2$$

Normally $\zeta \approx 1/2$ is optimum for most tone detector applications, giving $C_1 = 0.25 C_0$.

Increasing C_1 improves the out-of-band signal rejection, but increases the PLL capture time.

- Calculate value of filter capacitor C_D . To avoid chatter at the logic output, with $R_D = 470$ K Ω , C_D must be:

$$C_D(\mu F) \geq (16/\text{capture range in Hz})$$

Increasing C_D slows down the logic output response time.

Design Examples:

Tone detector with a detection band of 1 kHz \pm 20 Hz:

- Choose $R_0 = 20$ K Ω (18 K Ω in series with 5 K Ω potentiometer).
- Choose C_0 for $f_0 = 1$ kHz (from Figure 6): $C_0 = 0.05 \mu F$.
- Calculate R_1 : $R_1 = (R_0) (1000/20) = 1$ M Ω .
- Calculate C_1 : for $\zeta = 1/2$, $C_1 = 0.25$, $C_0 = 0.013 \mu F$.
- Calculate C_D : $C_D = 16/38 = 0.42 \mu F$.
- Fine-tune center frequency with 5 K Ω potentiometer, R_X .

LINEAR FM DETECTION:

XR-2211 can be used as a linear FM detector for a wide range of analog communications and telemetry applications. The recommended circuit connection for this application is shown in Figure 12. The demodulated output is taken from the loop phase detector output (Pin 11), through a post-detection filter made up of R_F and C_F , and an external buffer amplifier. This buffer amplifier is necessary because of the high impedance output

at Pin 11. Normally, a non-inverting unity gain op amp can be used as a buffer amplifier, as shown in Figure 12.

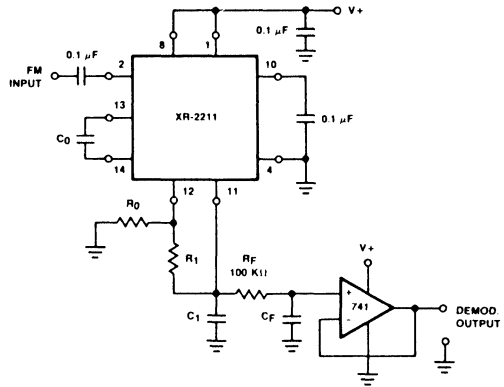


Figure 12. Linear FM Detector Using XR-2211 and an External Op Amp. (See Section on Design Equation for Component Values.)

The FM detector gain, i.e., the output voltage change per unit of FM deviation can be given as:

$$V_{out} = R_1 V_R/100 R_0 \text{ Volts/\% deviation}$$

where V_R is the internal reference voltage ($V_R = V +/2 - 650$ mV). For the choice of external components R_1 , R_0 , C_D , C_1 and C_F , see section on design equations.

PRINCIPLES OF OPERATION

Signal Input (Pin 2): Signal is ac coupled to this terminal. The internal impedance at Pin 2 is 20 K Ω . Recommended input signal level is in the range of 10 mV rms to 3V rms.

Quadrature Phase Detector Output (Pin 3): This is the high impedance output of quadrature phase detector and is internally connected to the input of lock detect voltage comparator. In tone detection applications, Pin 3 is connected to ground through a parallel combination of R_D and C_D (see Figure 2) to eliminate the chatter at lock detect outputs. If the tone detect section is not used, Pin 3 can be left open circuited.

Lock Detect Output, Q (Pin 5): The output at Pin 5 is at "high" state when the PLL is out of lock and goes to "low" or conducting state when the PLL is locked. It is an open collector type output and requires a pull-up resistor, R_L , to $V+$ for proper operation. At "low" state, it can sink up to 5 mA of load current.

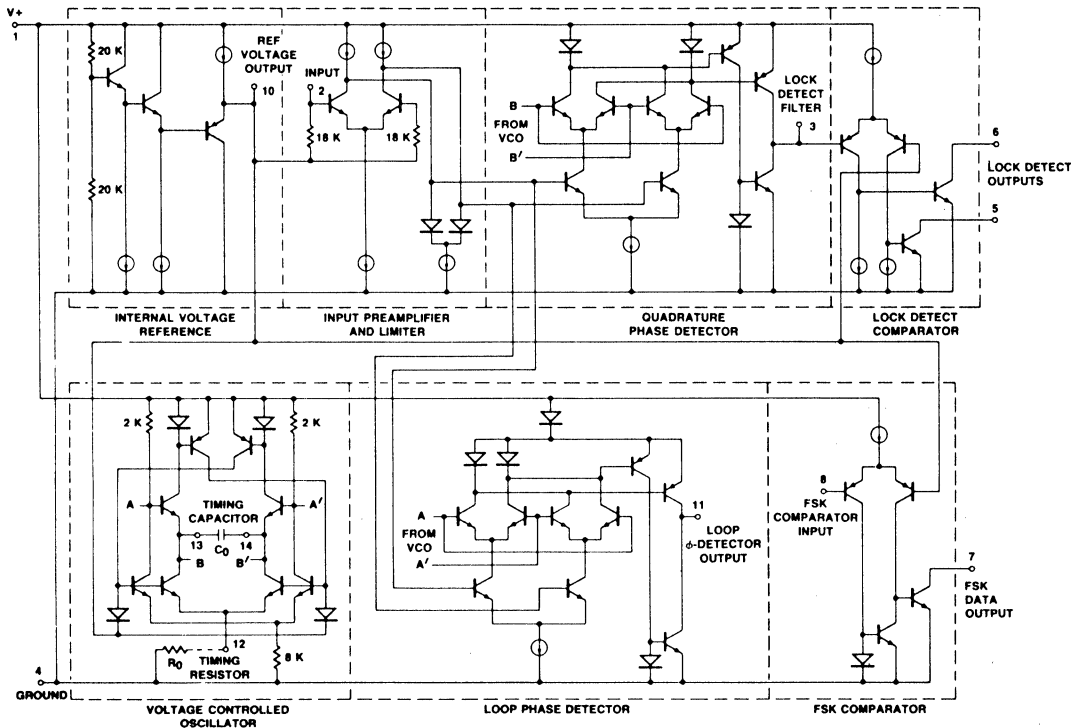
Lock Detect Complement, \bar{Q} (Pin 6): The output at Pin 6 is the logic complement of the lock detect output at Pin 5. This output is also an open collector type stage which can sink 5 mA of load current at low or "on" state.

XR-2211

FSK Data Output (Pin 7): This output is an open collector logic stage which requires a pull-up resistor, R_L , to V^+ for proper operation. It can sink 5 mA of load current. When decoding FSK signals, FSK data output is at "high" or "off" state for low input frequency, and at "low" or "on" state for high input frequency. If no input signal is present, the logic state at Pin 7 is indeterminate.

FSK Comparitor Input (Pin 8): This is the high impedance input to the FSK voltage comparator. Normally, an FSK post-detection or data filter is connected between this terminal and the PLL phase detector output (Pin 11). This data filter is formed by R_F and C_F of Figure 2. The threshold voltage of the comparator is set by the internal reference voltage, V_R , available at Pin 10.

EQUIVALENT SCHEMATIC DIAGRAM



Precision Phase-Locked Loop

GENERAL DESCRIPTION

The XR-2212 is an ultra-stable monolithic phase-locked loop (PLL) system especially designed for data communications and control system applications. Its on board reference and uncommitted operational amplifier, together with a typical temperature stability of better than 20 ppm/°C, make it ideally suited for frequency synthesis, FM detection, and tracking filter applications. The wide input dynamic range, large operating voltage range, large frequency range, and ECL, DTL, and TTL compatibility contribute to the usefulness and wide applicability of this device.

FEATURES

Quadrature VCO Outputs	
Wide Frequency Range	0.01 Hz to 300 kHz
Wide Supply Voltage Range	4.5V to 20V
DTL/TTL/ECL Logic Compatibility	
Wide Dynamic Range	2 mV to 3 Vrms
Adjustable Tracking Range ($\pm 1\%$ to $\pm 80\%$)	
Excellent Temp. Stability	20 ppm/°C, Typ.

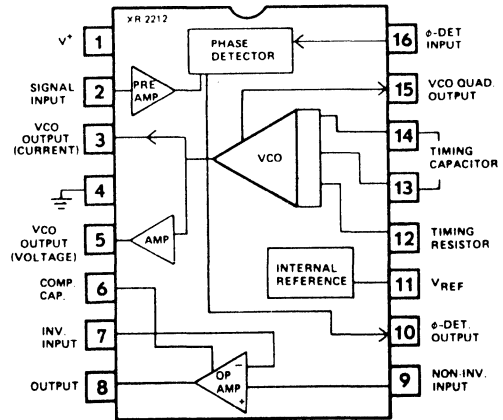
APPLICATIONS

Frequency Synthesis
 Data Synchronization
 FM Detection
 Tracking Filters
 FSK Demodulation

ABSOLUTE MAXIMUM RATINGS

Power Supply	18V
Input Signal Level	3 Vrms
Power Dissipation	
Ceramic Package:	750 mW
Derate Above $T_A = +25^\circ\text{C}$	6 mW/°C
Plastic Package:	625 mW
Derate Above $T_A = +25^\circ\text{C}$	5 mW/°C

FUNCTIONAL BLOCK DIAGRAM



ORDERING INFORMATION

Part Number	Package	Operating Temperature
XR-2212M	Ceramic	-55°C to +125°C
XR2212CN	Ceramic	0°C to +70°C
XR-2212CP	Plastic	0°C to +70°C
XR-2212N	Ceramic	-40°C to +85°C
XR-2212P	Plastic	-40°C to +85°C

SYSTEM DESCRIPTION

The XR-2212 is a complete PLL system with buffered inputs and outputs, an internal reference, and an uncommitted op amp. Two VCO outputs are pinned out; one sources current, the other sources voltage. This enables operation as a frequency synthesizer using an external programmable divider. The op amp section can be used as an audio preamplifier for FM detection or as a high speed sense amplifier (comparator) for FSK demodulation. The center frequency, bandwidth, and tracking range of the PLL are controlled independently by external components. The PLL output is directly compatible with MOS, DTL, ECL, and TTL logic families as well as microprocessor peripheral systems.

The precision PLL system operates over a supply voltage range of 4.5 V to 20 V, a frequency range of 0.01 Hz to 300 kHz, and accepts input signals in the range of 2 mV to 3 Vrms. Temperature stability of the VCO is typically better than 20 ppm/°C.

XR-2212

ELECTRICAL CHARACTERISTICS

Test Conditions: $V^+ = +12V$, $T_A = +25^\circ C$, $R_0 = 30\text{ k}\Omega$, $C_0 = 0.033\text{ }\mu F$, unless otherwise specified. See Figure 2 for component designation.

PARAMETERS	XR-2212/2212M			XR-2212C			UNITS	CONDITIONS
	MIN	TYP	MAX	MIN	TYP	MAX		
GENERAL								
Supply Voltage	4.5		15	4.5		15	V	$R_0 \geq 10\text{ k}\Omega$. See Fig. 4
Supply Current		6	10		6	12	mA	
OSCILLATOR SECTION								
Frequency Accuracy		± 1	± 3		± 1		%	Deviation from $f_0 = 1/R_0C_0$ $R_1 = \infty$ See Fig. 8.
Frequency Stability								
Temperature		± 20	± 50		± 20		ppm/ $^\circ C$	$V^+ = 12 \pm 1\text{ V}$. See Fig. 7. $V^+ = 5 \pm 0.5\text{ V}$. See Fig. 7.
Power Supply		0.05	0.5		0.05		%/V	
		.2			.2		%/V	
Upper Frequency Limit	100	300			300		kHz	$R_0 = 8.2\text{ k}\Omega$, $C_0 = 400\text{ pF}$
Lowest Practical								
Operating Frequency			0.01		0.01		Hz	$R_0 = 2\text{ M}\Omega$, $C_0 = 50\text{ }\mu F$ See Fig. 5.
Timing Resistor, R_0								
Operating Range	5		2000	5		2000	k Ω	
Recommended Range	15		100	15		100	k Ω	See Fig. 7 and 8.
OSCILLATOR OUTPUTS								
Voltage Output								Measured at Pin 5.
Positive Swing, V_{OH}		11			11		V	
Negative Swing, V_{OL}	.8	.4			.5		V	
Current Sink Capability		1			1		mA	
Current Output								Measured at Pin 3.
Peak Current Swing	100	150			150		μA	
Output Impedance		1			1		M Ω	
Quadrature Output								Measured at Pin 15.
Output Swing		0.6			0.6		V	
DC Level		0.3			0.3		V	Referenced to Pin 11.
Output Impedance		3			3		k Ω	
LOOP PHASE DETECTOR SECTION								
Peak Output Current	± 150	± 200	± 300	± 100	± 200	± 300	μA	Measured at Pin 10.
Output Offset Current		± 1			± 2		μA	
Output Impedance		1			1		M Ω	
Maximum Swing	± 4	± 5		± 4	± 5		V	Referenced to Pin 11.
INPUT PREAMP SECTION								
Input Impedance		20			20		k Ω	Measured at Pin 2.
Input Signal to Cause Limiting		2	10		2		mVrms	
OP AMP SECTION								
Voltage Gain	55	70		55	70		dB	$R_L = 5.1\text{ k}\Omega$, $R_F = \infty$
Input Bias Current		0.1	1		0.1	1	μA	
Offset Voltage		± 5	± 20		± 5	± 20	mV	
Slew Rate		2			2		V/ μsec	
INTERNAL REFERENCE								
Voltage Level	4.9	5.3	5.7	4.75	5.3	5.85	V	Measured at Pin 11.
Output Impedance		100			100		Ω	

XR-2212

DESCRIPTION OF CIRCUIT CONTROLS

Signal Input (Pin 2): Signal is ac coupled to this terminal. The internal impedance at Pin 2 is 20 K Ω . Recommended input signal level is in the range of 10 mV to 5V peak-to-peak.

VCO Current Output (Pin 3): This is a high impedance (M Ω) current output terminal which can provide $\pm 100 \mu\text{A}$ drive capability with a voltage swing equal to V^+ . This output can directly interface with CMOS or NMOS logic families.

VCO Voltage Output (Pin 5): This terminal provides a low-impedance ($\approx 50\Omega$) buffered output for the VCO. It can directly interface with low-power Schottley TTL. For interfacing with standard TTL circuits, a 750 Ω pull-down resistor from pin 5 to ground is required. For operation of the PLL without an external divider, pin 5 can be dc coupled to pin 16.

Op Amp Compensation (Pin 6): The op amp section is frequency compensated by connecting an external capacitor from pin 6 to the amplifier output (pin 8). For unity-gain compensation a 20 pF capacitor is recommended.

Op Amp Inputs (Pins 7 and 9): These are the inverting and the non-inverting inputs for the op amp section. The common-mode range of the op amp inputs is from +1V to ($V^+ - 1.5$) volts.

Op Amp Output (Pin 8): The op amp output is an open-collector type gain stage and requires a pull-up resistor, R_L , to V^+ for proper operation. For most applications, the recommended value of R_L is in 5 k Ω to 10 k Ω range.

Phase Detector Output (Pin 10): This terminal provides a high-impedance output for the loop phase-detector. The PLL loop filter is formed by R_1 and C_1 connected to Pin 10 (see Figure 2). With no input signal, or with no phase-error within the PLL, the dc level at Pin 10 is very nearly equal to V_R . The peak voltage swing available at the phase detector output is equal to $\pm V_R$.

Reference Voltage, V_R (Pin 11): This pin is internally biased at the reference voltage level, $V_R: V_R = V^+ / 2 - 650 \text{ mV}$. The dc voltage level at this pin forms an internal reference for the voltage levels at pins 10, 12 and 16. Pin 1 *must* be bypassed to ground with a 0.1 μF capacitor, for proper operation of the circuit.

VCO Control Input (Pin 12): VCO free-running frequency is determined by external timing resistor, R_0 , connected from this terminal to ground. For optimum temperature stability, R_0 must be in the range of 10 K Ω to 100 K Ω (see Figure 8).

VCO Frequency Adjustment: VCO can be fine-tuned by connecting a potentiometer, R_X , in series with R_0 at Pin 12 (see Figure 10).

This terminal is a low-impedance point, and is internally biased at a dc level equal to V_R . The maximum timing current drawn from Pin 12 must be limited to $\leq 3 \text{ mA}$ for proper operation of the circuit.

VCO Timing Capacitor (Pins 13 and 14): VCO frequency is inversely proportional to the external timing capacitor, C_0 , connected across these terminals (see Figure 5). C_0 must be nonpolar, and in the range of 200 pF to 10 μF .

VCO Quadrature Output (Pin 15): The low-level ($\approx 0.6 V_{pp}$) output at this pin is at quadrature phase (i.e. 90 $^\circ$ phase-offset) with the other VCO outputs at pins 3 and 5. The dc level at pin 15 is approximately 300 mV above V_R . The quadrature output can be used with an external multiplier as a "lock detect" circuit. In order not to degrade oscillator performance, the output at pin 15 must be buffered with an external high-impedance low-capacitance amplifier. When not in use, pin 15 should be left open-circuited.

Phase Detector Input (Pin 16): Voltage output of the VCO (pin 5) or the output of an external frequency divider is connected to this pin. The dc level of the sensing threshold for the phase detector is referenced to V_R . If the signal is capacitively coupled to pin 16, then this pin must be biased from pin 11, through an external resistor, R_B ($R_B \approx 10 \text{ K}\Omega$). The peak voltage swing applied to pin 16 *must not* exceed ($V^+ - 1.5$) volts.

PHASE-LOCKED LOOP PARAMETERS:

Transfer Characteristics:

Figure 9 shows the basic frequency to voltage characteristics of XR-2212. With no input signal present, filtered phase detector output voltage is approximately equal to the internal reference voltage, V_R , at pin 11. The PLL can track an input signal over its tracking bandwidth, shown in the figure. The frequencies f_{TL} and f_{TH} represent the lower and the upper edge of the tracking range, f_0 represents the VCO center frequency.

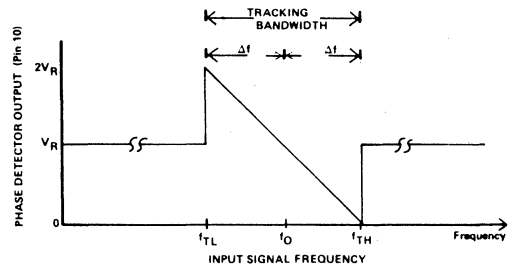


Figure 9. Phase Detector Output Voltage (Pin 10) as a Function of Input Signal Frequency. Note: Output Voltage is Referenced to Internal Reference Voltage V_R at Pin 11

Design Equations:

(See Figure 2 and Figure 9 for definition of components.)

1. VCO Center Frequency, f_0 : $f_0 = 1/R_0C_0 \text{ Hz}$

XR-2212

e) Calculate C_1 to set loop damping (see design equation 4). Normally, $\zeta = 1/2$ is recommended. Then, $C_1 = C_0/4$ for $\zeta = 1/2$.

f) Calculate R_C and R_F to set peak output signal amplitude. Output signal amplitude, V_{out} , is given as:

$$V_{out} = \left(\frac{\Delta f_{SM}}{f_0} \right) \left(V_R \right) \left(\frac{R_1}{R_0} \right) \left[\frac{R_C + R_F}{R_C} \right]$$

In most applications, $R_F = 100 \text{ K}\Omega$ is recommended; then R_C can be calculated from the above equation to give desired output swing. The output amplifier can also be used as a unity-gain voltage follower, by open circuiting R_C (i.e., $R_C = \infty$).

Note: All calculated component values except R_0 can be rounded-off to the nearest standard value, and R_0 can be varied to fine-tune center frequency, through a series potentiometer, R_X . (See Figure 10.)

Design Example:

Demodulator for FM signal with 67 kHz carrier frequency with $\pm 5 \text{ kHz}$ frequency deviation. Supply voltage is $+12\text{V}$ and required peak output swing is $\pm 4 \text{ volts}$.

Step a) f_0 is chosen as 67 kHz.

Step b) Choose $R_0 = 20 \text{ K}\Omega$ (18 K Ω fixed resistor in series with 5 K Ω potentiometer).

Step c) Calculate C_0 ; from design Eq. (1).

$$C_0 = 746 \text{ pF}$$

Step d) Calculate R_1 . For given FM deviation, $\Delta f_{SM}/f_0 = 0.0746$, and $N = 3$ from Table I.

Then:

$$R_0/R_1 = (3)(0.0746) = 0.224$$

or:

$$R_1 = 89.3 \text{ K}\Omega.$$

Step e) Calculate $C_1 = (C_0/4) = 186 \text{ pF}$.

Step f) Calculate R_C and R_F to get $\pm 4 \text{ volts}$ peak output swing: Let $R_F = 100 \text{ K}\Omega$. Then,

$$R_C = 80.6 \text{ K}\Omega.$$

Note: All values except R_0 can be rounded-off to nearest standard value.

FREQUENCY SYNTHESIS

Figure 11 shows the generalized circuit connection for frequency synthesis. In this application an external frequency divider is connected between the VCO output (pin 5) and the phase-detector input (pin 16). When the circuit is in lock, the two signals going into the phase-detector are at the same frequency, or $f_S = f_1/N$ where

N is the modulus of the external frequency divider. Conversely, the VCO output frequency, f_1 is equal to Nf_S .

In the circuit configuration of Figure 11, the external timing components, R_0 and C_0 , set the VCO free-running frequency; R_1 sets the tracking bandwidth and C_1 sets the loop damping, i.e., the low-pass filter time constant (see design equations).

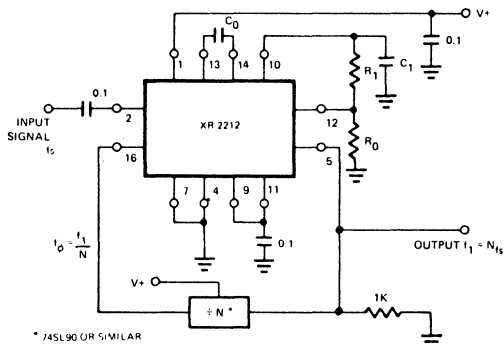


Figure 11. Circuit Connection for Frequency Synthesizer

The total tracking range of the PLL (see Figure 9), should be chosen to accommodate the lowest and the highest frequency, f_{max} and f_{min} , to be synthesized. A recommended choice for most applications is to choose a tracking half-bandwidth Δf , such that:

$$\Delta f \approx f_{max} - f_{min}.$$

If a fixed output frequency is desired, i.e. N and f_S are fixed, then a $\pm 10\%$ tracking bandwidth is recommended. Excessively large tracking bandwidth may cause the PLL to lock on the harmonics of the input signals; and the small tracking range increases the "lock-up" or acquisition time.

If a variable input frequency and a variable counter modulus N is used, then the maximum and the minimum values of output frequency will be:

$$f_{max} = N_{max} (f_S)_{max} \text{ and } f_{min} = N_{min} (f_S)_{min}.$$

Design Instructions:

For a given performance requirement, the circuit of Figure 11 can be optimized as follows:

- Choose center frequency, f_0 , to be equal to the output frequency to be synthesized. If a range of output frequencies is desired, set f_0 to be at mid-point of the desired range.
- Choose timing resistor R_0 to be in the range of 15 K Ω to 100 K Ω . This choice is arbitrary. R_0 can be fine tuned with a series potentiometer, R_X .
- Choose timing capacitor, C_0 from Figure 6 or Equation 1.

XR-2212

- d) Calculate R_1 to set tracking bandwidth (see Figure 9, and design equation 5). If a range of output frequencies are desired, set R_1 to get:

$$\Delta f = f_{\max} - f_{\min}$$

If a single fixed output frequency is desired, set R_1 to get:

$$\Delta f = 0.1 f_0$$

- e) Calculate C_1 to obtain desired loop damping. (See design equation 4). For most applications, $\zeta = 1/2$ is recommended, thus:

$$C_1 = NC_0/4$$

Note: All component values except R_0 can be rounded-off to nearest standard value.

XR-2213

ELECTRICAL CHARACTERISTICS

Test Conditions: $V_{CC} = +12V$, $T_A = +25^\circ C$, $R_O = 10\text{ k}\Omega$, $C_O = 0.1\ \mu F$, unless otherwise specified. See Figure 2 for component designation.

PARAMETERS	XR-2213/2213M			XR-2213C			UNITS	CONDITIONS
	MIN	TYP	MAX	MIN	TYP	MAX		
GENERAL								
Supply voltage	4.5		15	4.5		15	V	$R_O \geq 10\text{ k}\Omega$
Supply current		9	11		9	12	mA	
OSCILLATOR SECTION								
Frequency accuracy		± 1	± 3		± 1		%	Deviation from $f_0 = \frac{1}{R_O C_O}$ $R_1 = x$
Frequency stability							PPM/ $^\circ C$	$V^+ = 12V \pm 1V$ $R_O = 8.2\text{ k}\Omega$, $C_O = 400\text{ pF}$
Temperature		20	50		20			
Power supply		0.05	0.5		0.05		%/V	
Upper frequency limit	100	300			300		kHz	
Timing resistor R_O								
operating range	5		2000				k Ω	
Recommended range	10		100				k Ω	
OSCILLATOR OUTPUT								
Voltage output								
Positive swing	9.5	11.5		2.5	4.5		V	$I_L \leq 100\ \mu A$ $I_L = 2\text{ mA}$
Negative swing		0.4	0.8		0.4	0.8	V	
LOOP PHASE DETECTOR SECTION								
Peak output current	± 150	± 200		± 100	± 200		μA	Referenced to V_{REF}
Output offset current		± 1			± 2		μA	
Output impedance		1			1		M Ω	
Maximum swing	± 4	± 5		± 4	± 5		V	
INPUT PREAMP SECTION								
Input impedance		20			20		k Ω	
Input signal to cause limiting		2	10		2		mV _{RMS}	
Internal Reference								
Voltage level	4.9	5.3	5.7	4.75	5.3	5.85	V	
Output impedance		100			100		Ω	

PRINCIPLES OF OPERATION

Figure 2 shows the standard connection for tone detection. The input signal at Pin 4 is amplified and squared-up by the preamp before it is fed to the loop phase detector. The V_{CO} Q output provides the other loop phase detector input. The V_{CO} provided in the XR-2213 is actually a current controlled oscillator, ICO. The input to the ICO, Pin 13, is internally biased at V_{REF} , with the current drawn from this pin controlling the frequency of operation of the ICO. The resistor R_O from Pin 13 to ground will provide a constant current which will be made up of the current from Pin 13 and the current from R_1 or the phase detector output. The phase detector output, filtered by C_1 , will provide a voltage to R_1 , which is proportional to the phase difference between the input frequency and the ICO frequency. The relationship between this voltage and phase difference is shown in Figure 3. If the phase difference is 90° , Pin 6 will be at V_{REF} , and therefore there will be no current

flow in R_1 with all of the current in R_O coming from Pin 13. This point is defined as the center frequency, f_0 , of the PLL and is calculated by:

$$*f_0 = \frac{1}{R_O C_O}$$

If the input frequency is increased, the phase shift will decrease causing the voltage at Pin 6 to decrease. Current will now flow from Pin 13 to both R_O and R_1 , causing an increase in ICO input current and thus an output frequency increase. If the phase detector swings all the way to 0 volts, the current in R_1 , will be:

$$I_{R_1} = \frac{V_{REF}}{R_1}$$

*This condition will also occur if no input signal is applied to Pin 4.

XR-2213

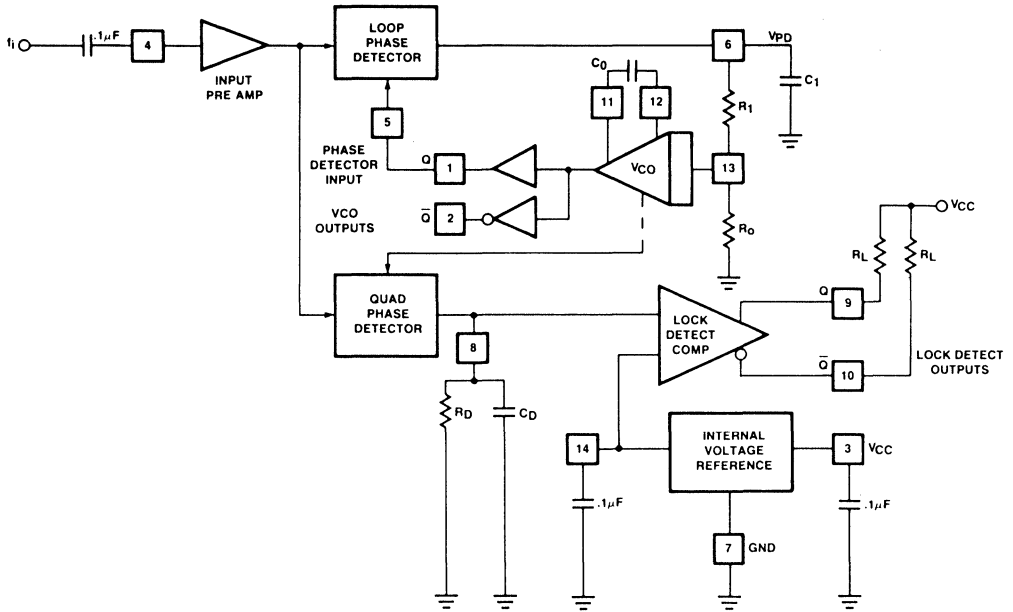


Figure 2. Generalized Circuit Connection for Tone Detection

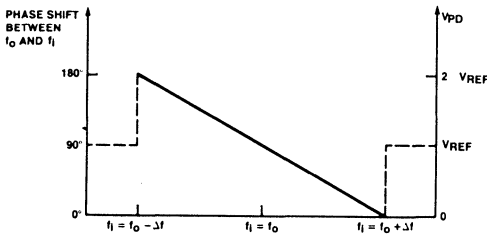


Figure 3. PLL Input/Output Relationships

At f_0 , the current from Pin 13 was:

$$I_{13} = \frac{V_{REF}}{R_0}$$

If the ratio of Pin 13 current at f_0 and the change, Δ , from f_0 is written, the tracking range can be determined:

$$\frac{\Delta f_L}{f_0} = \frac{R_1}{V_{REF}} = \frac{R_0}{R_1} \quad \text{or} \quad \Delta f_L = \frac{R_0}{R_1} f_0$$

If the input frequency was decreased, Δf will have the same magnitude in the opposite direction. The tracking range of the PLL will then be:

$$f_0 \pm \Delta f$$

The capture range of the PLL, which is always less than the tracking range, is described by:

$$\Delta W_C = 2\pi\Delta f_C = \sqrt{\frac{\Delta W_L}{\tau}}$$

$\tau = R_1 C_1$ loop time constant
 $f_C =$ capture range

$$\Delta f_C = \sqrt{\frac{\Delta f_L}{2\pi R_1 C_1}}$$

The internal voltage reference provides a voltage equal to:

$$V_{REF} = \frac{V_{CC}}{2} - .7 \text{ V}$$

This reference can sink up to 2 mA, but source only 100 μ A.

The quadrature phase detector will provide a high level, $\sim V_{CC}$, at Pin 8 whenever a frequency within the PLL capture range is present at Pin 4. This will drive the lock-detect outputs for a tone-detection indication. The response of the lock-detect section can be controlled by the capacitor, C_D , from Pin 8 to ground. The minimum value of C_D is calculated by the formula:

$$C_D (\mu\text{F}) \geq \frac{16}{f_C} \quad f_C = \text{capture range in Hz}$$

XR-2213

$R_D = 470 \text{ K}\Omega$ is suitable for most applications.

The input to the phase detector may be directly connected to the V_{CO} output in the stand-alone connection. If the V_{CO} is not connected to the phase detector, the signal driving this pin must have sufficient amplitude to drive the pin above and below a voltage equal to V_{REF} . For low level signals, Pin 5 should be connected to V_{REF} through a $10 \text{ K}\Omega$ resistor and the signal capacitively coupled to Pin 5. The impedance into Pin 5 is approximately $100 \text{ K}\Omega$ and this pin is clamped for swings above $V_{REF} + 2 \text{ V}$.

DESIGN EQUATIONS

Refer to Figure 2 for component definitions.

1. V_{CO} center frequency, f_0 :

$$f_0 = \frac{1}{R_0 C_0} \text{ Hz}$$

2. Internal voltage reference, V_{REF} :

$$V_{REF} = \frac{V_{CC}}{2} - .7 \text{ V}$$

3. Loop tracking range, $\pm \Delta f_L$:

$$\Delta f_L = f_0 \frac{R_0}{R_1} \text{ Hz}$$

4. Loop low-pass filter time constant, τ :

$$\tau = R_1 C_1 \text{ sec.}$$

5. Loop damping, ζ :

$$\zeta = \frac{1}{4} \sqrt{\frac{C_0}{C_1}}$$

6. Loop phase detector conversion gain, K_0 :

$$K_0 = - \frac{2 V_{REF}}{\pi} \frac{\text{volts}}{\text{radian}}$$

7. V_{CO} conversion gain, K_0 :

$$K_0 = - \frac{1}{V_{REF} C_0 R_1} \frac{\text{Hz}}{\text{volt}}$$

8. Total loop gain, K_T :

$$K_T = K_0 K_0 = \frac{4}{C_0 R_1} \text{ Hz}$$

9. Loop capture range, $\pm \Delta f_C$:

$$\Delta f_C = \sqrt{\frac{\Delta f_L}{2\pi R_1 C_1}} \text{ Hz}$$

10. Lock detect filter capacitor:

$$C_D = \frac{16}{f_c} \mu\text{F}$$

APPLICATIONS INFORMATION

Figure 2 shows the XR-C453 connected for tone detection. The input signal is capacitively coupled to Pin 4 and may range from 2 mV to 3 V RMS. The V_{CO} Q output is directly connected to the phase detector input, Pin 5. The detection bandwidth is set by the ratio of R_0 and R_1 and the loop time constant, τ . This corresponds to the capture range of the PLL. The lock-detect output, Pins 9 and 10, will give an active high and low indication when a tone in the detection bandwidth is present.

DESIGN EXAMPLE:

20 kHz tone detector with a $\pm 1 \text{ kHz}$ detection band.

- A. Choose $R_0 = 15 \text{ K}\Omega$, $12 \text{ K}\Omega$ resistor plus 5Ω potentiometer.

B. Calculate $C_0 = \frac{1}{f_0 R_0} = .0033 \mu\text{F}$

C. Calculate $C_1 = \frac{C_0}{4} = .001 \mu\text{F}$

D. Calculate $R_1 = f_0 \frac{R_0}{\Delta f_C} = 300 \text{ K}\Omega$

E. Calculate $C_D = \frac{16}{f_c} = 0.01 \mu\text{F}$

- F. Fine tune f_0 with R_x , 5 K potentiometer.

The complete circuit is shown in Figure 4.

Figure 5 shows the connection for a frequency synthesizer. Here an input frequency of 10 kHz produces an output frequency of 40 kHz. The V_{CO} center frequency, f_0 , is set for 40 kHz. The divide by four will then provide the phase detector input with 10 kHz. The lock range is set to approximately 10% of f_0 . For larger divider ratios, C_1 should be increased to minimize phase jitter.

XR-2213

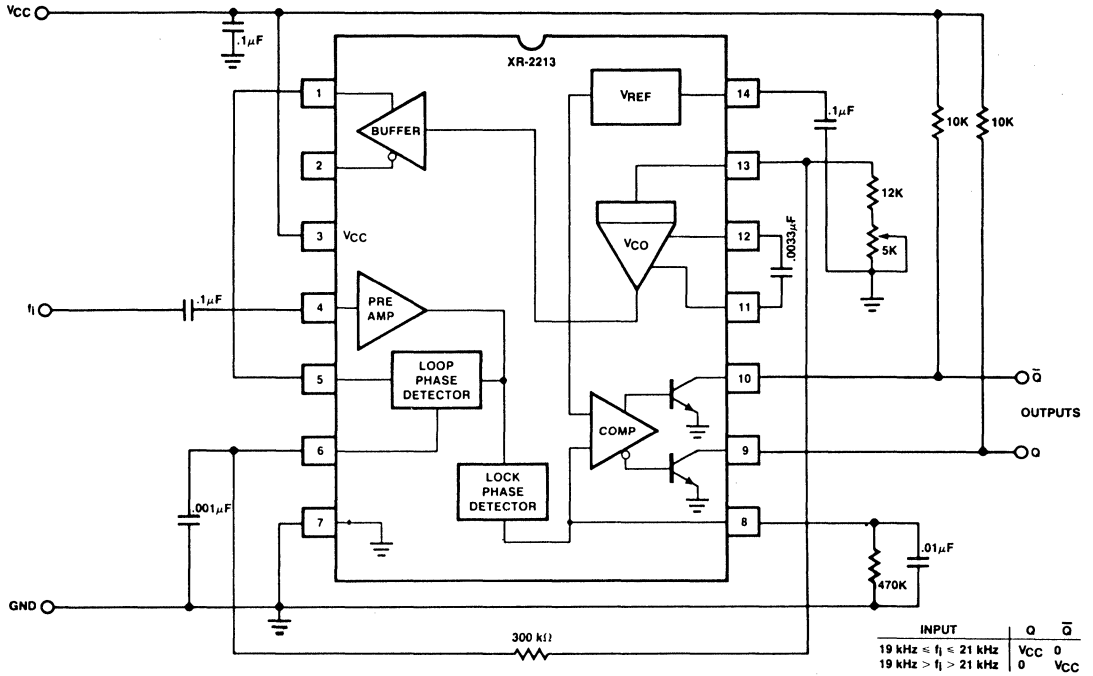


Figure 4. Tone Detector

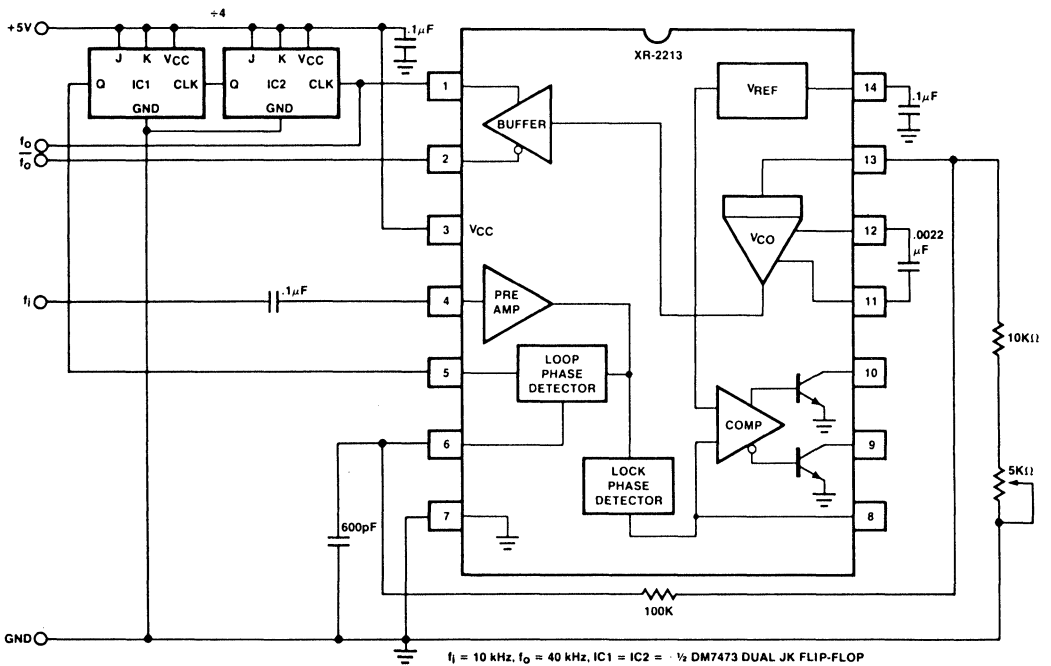


Figure 5. Frequency Synthesizer

Tone Decoders

Monolithic Tone Decoder

GENERAL DESCRIPTION

The XR-567 is a monolithic phase-locked loop system designed for general purpose tone and frequency decoding. The circuit operates over a wide frequency band of 0.01 Hz to 500 kHz and contains a logic compatible output which can sink up to 100 milliamps of load current. The bandwidth, center frequency, and output delay are independently determined by the selection of four external components.

Figure 1 contains a functional block diagram of the complete monolithic system. The circuit consists of a phase detector, low-pass filter, and current-controlled oscillator which comprise the basic phase-locked loop; plus an additional low-pass filter and quadrature detector that enable the system to distinguish between the presence or absence of an input signal at the center frequency.

FEATURES

- Bandwidth adjustable from 0 to 14%
- Logic compatible output with 100 mA current sinking capability
- High stable center frequency
- Center frequency adjustable from 0.01 Hz to 500 kHz
- Inherent immunity to false signals
- High rejection of out-of-band signals and noise
- Frequency range adjustable over 20:1 range by external resistor

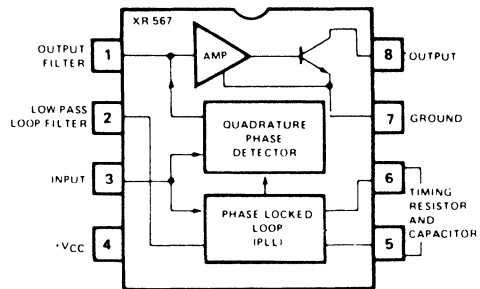
APPLICATIONS

- Touch-Tone® Decoding
- Sequential Tone Decoding
- Communications Paging
- Ultrasonic Remote-Control
- Telemetry Decoding

ABSOLUTE MAXIMUM RATINGS

Power Supply	10 volts
Power Dissipation (package limitation)	
Ceramic Package	385 mW
Plastic Package	300 mW
Derate Above +25°C	2.5 mW/°C
Temperature	
Operating	
XR-567M	-55°C to +125°C
XR-567CN/567CP	0°C to +70°C
Storage	-65°C to +150°C

FUNCTIONAL BLOCK DIAGRAM



ORDERING INFORMATION

Part Number	Package	Operating Temperature
XR-567M	Ceramic	-55°C to +125°C
XR-567CN	Ceramic	0°C to +70°C
XR-567CP	Plastic	0°C to +70°C

SYSTEM DESCRIPTION

The XR-567 monolithic tone decoder consists of a phase detector, low pass filter, and current controlled oscillator which comprise the basic phase-locked loop, plus an additional low pass filter and quadrature detector enabling detection on in-band signals. The device has a normally high open collector output capable of sinking 100 mA.

The input signal is applied to Pin 3 (20 kΩ nominal input resistance). Free running frequency is controlled by an RC network at Pins 5 and 6 and can typically reach 500 kHz. A capacitor on Pin 1 serves as the output filter and eliminates out-of-band triggering. PLL filtering is accomplished with a capacitor on Pin 2; bandwidth and skew are also dependant upon the circuitry here. Bandwidth is adjustable from 0% to 14% of the center frequency. Pin 4 is +V_{CC} (4.75 to 9V nominal, 10V maximum); Pin 7 is ground; and Pin 8 is open collector output, pulling low when an in-band signal triggers the device.

In applications requiring two or more 567-type devices, consider the XR-2567 dual tone decoder. Where center frequency accuracy and drift are critical, compare the XR-567A. Investigate employing the XR-L567 in low power circuits.

XR-567

ELECTRICAL CHARACTERISTICS

Test Conditions: $V_{CC} = +5V$, $T_A = 25^\circ C$, unless otherwise specified. Test circuit of Figure 2.

PARAMETERS	LIMITS			UNITS	CONDITIONS
	MIN	TYP	MAX		
GENERAL					
Supply Voltage Range	4.75		9.0	V dc	
Supply Current					
Quiescent XR-567M		6	8	mA	$R_L = 20k\Omega$
XR-567C		7	10	mA	$R_L = 20k\Omega$
Activated XR-567M		11	13	mA	$R_L = 20k\Omega$
XR-567C		12	15	mA	$R_L = 20k\Omega$
Output Voltage			15	V	
Negative Voltage at Input			-10	V	
Positive Voltage at Input			$V_{CC} + 0.5$	V	
CENTER FREQUENCY					
Highest Center Frequency	100	500		kHz	
Center Frequency Stability					
Temperature $T_A = 25^\circ C$		35		ppm/ $^\circ C$	See Figure 9
$0 < T_A < 70^\circ C$		± 60		ppm/ $^\circ C$	See Figure 9
$-55 < T_A < +125^\circ C$		± 140		ppm/ $^\circ C$	See Figure 9
Supply Voltage					
XR-567M		0.5	1.0	%/V	$f_o = 100$ kHz
XR-567C		0.7	2.0	%/V	$f_o = 100$ kHz
DETECTION BANDWIDTH					
Largest Detection Bandwidth					
XR-567M	12	14	16	% of f_o	$f_o = 100$ kHz
XR-567C	10	14	18	% of f_o	$f_o = 100$ kHz
Largest Detection Bandwidth Skew					
XR-567M		1	2	% of f_o	
XR-567C		2	3	% of f_o	
Largest Detection Bandwidth Variation					
Temperature		± 0.1		%/ $^\circ C$	$V_{in} = 300$ mV rms
Supply Voltage		± 2		%/V	$V_{in} = 300$ mV rms
INPUT					
Input Resistance		20		k Ω	
Smallest Detectable Input Voltage		20	25	mV rms	$I_L = 100$ mA, $f_i = f_o$
Largest No-Output Input Voltage	10	15		mV rms	$I_L = 100$ mA, $f_i = f_o$
Greatest Simultaneous Outband Signal to Inband Signal Ratio		+6		dB	
Minimum Input Signal to Wideband Noise Ratio		-6		dB	$B_n = 140$ kHz
OUTPUT					
Output Saturation Voltage		0.2	0.4	V	$I_L = 30$ mA, $V_{in} = 25$ mV rms
		0.6	1.0	V	$I_L = 100$ mA, $V_{in} = 25$ mV rms
Output Leakage Current		0.01	25	μA	
Fastest ON-OFF Cycling Rate		$f_o/20$			
Output Rise Time		150		ns	$R_L = 50\Omega$
Output Fall Time		30		ns	$R_L = 50\Omega$

XR-567

DEFINITION OF XR-567 PARAMETERS

CENTER FREQUENCY f_0

f_0 is the free-running frequency of the current-controlled oscillator with no input signal. It is determined by resistor R_1 between pins 5 and 6, and capacitor C_1 from pin 6 to ground. f_0 can be approximated by

$$f_0 \approx \frac{1}{R_1 C_1}$$

where R_1 is in ohms and C_1 is in farads.

DETECTION BANDWIDTH (BW)

The *detection bandwidth* is the frequency range centered about f_0 , within which an input signal larger than the threshold voltage (typically 20 mV rms) will cause a logic zero state at the output. The detection bandwidth corresponds to the capture range of the PLL and is determined by the low-pass bandwidth filter. The bandwidth of the filter, as a percent of f_0 , can be determined by the approximation

$$BW = 1070 \sqrt{\frac{V_i}{f_0 C_2}}$$

where V_i is the input signal in volts, rms, and C_2 is the capacitance at pin 2 in μF .

LARGEST DETECTION BANDWIDTH

The *largest detection bandwidth* is the largest frequency range within which an input signal above the threshold voltage will cause a logical zero state at the output. The maximum detection bandwidth corresponds to the lock range of the PLL.

DETECTION BAND SKEW

The *detection band skew* is a measure of how accurately the largest detection band is centered about the center frequency, f_0 . It is defined as $(f_{\max} + f_{\min} - 2f_0)/f_0$, where f_{\max} and f_{\min} are the frequencies corresponding to the edges of the detection band. If necessary, the detection band skew can be reduced to zero by an optional centering adjustment. (See Optional Controls).

DESCRIPTION OF CIRCUIT CONTROLS

OUTPUT FILTER — C_3 (Pin 1)

Capacitor C_3 connected from pin 1 to ground forms a simple low-pass *post detection* filter to eliminate spurious outputs due to out-of-band signals. The time constant of the filter can be expressed as $T_3 = R_3 C_3$, where R_3 (4.7 k Ω) is the internal impedance at pin 1.

The precise value of C_3 is not critical for most applications. To eliminate the possibility of false triggering by spurious signals, it is recommended that C_3 be $\geq 2C_2$, where C_2 is the loop filter capacitance at pin 2.

If the value of C_3 becomes too large, the *turn-on* or *turn-off* time of the output stage will be delayed until the voltage change across C_3 reaches the threshold voltage. In certain applications, the delay may be desirable as a means of suppressing spurious outputs. Conversely, if the value of C_3 is too small, the beat rate at the output of the quadrature detector (see Figure 1) may cause a false logic level change at the output. (Pin 8)

The average voltage (during lock) at pin 1 is a function of the inband input amplitude in accordance with the given transfer characteristic.

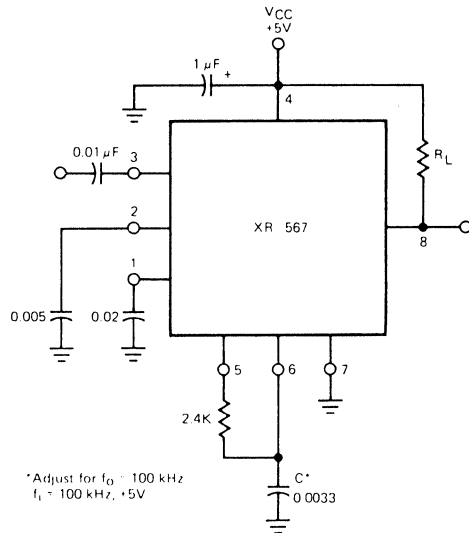


Figure 2. XR-567 Test Circuit

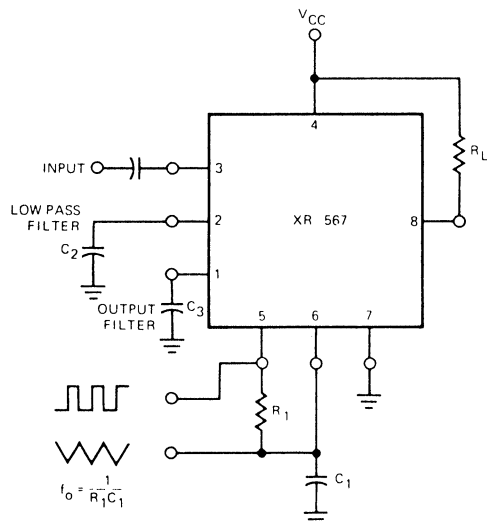


Figure 3. XR-567 Connection Diagram

XR-567

TYPICAL CHARACTERISTIC CURVES

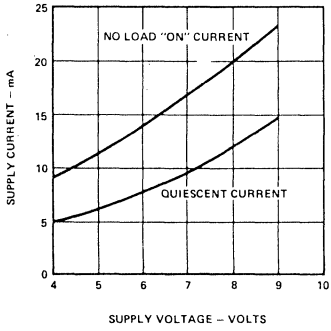


Figure 4. Supply Current Versus Supply Voltage

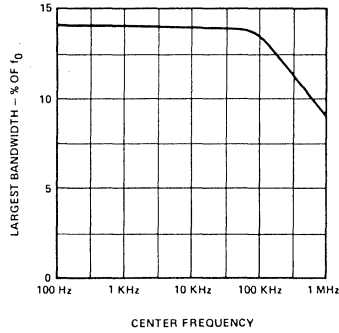


Figure 5. Largest Detection Bandwidth Versus Operating Frequency

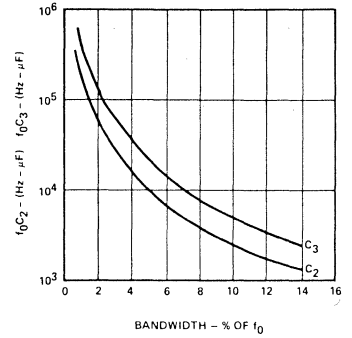


Figure 6. Detection Bandwidth as a Function of C_2 and C_3

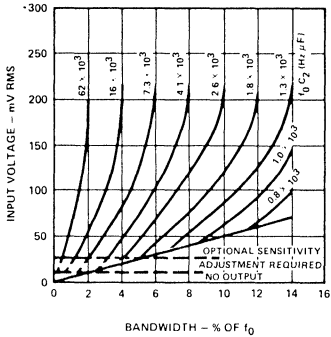


Figure 7. Bandwidth Versus Input Signal Amplitude (C_2 in μF)

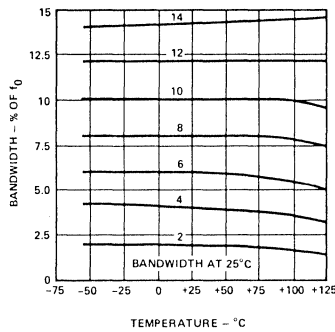


Figure 8. Bandwidth Variation with Temperature

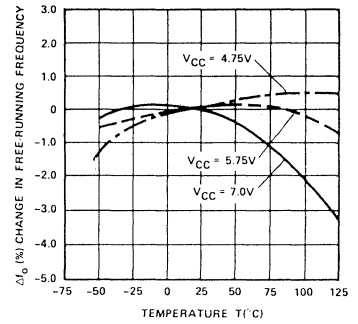


Figure 9. Frequency Drift with Temperature

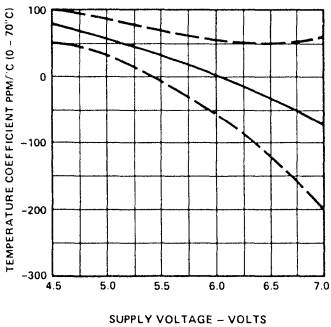


Figure 10. Temperature Coefficient of Center Frequency (Mean and S.D.)

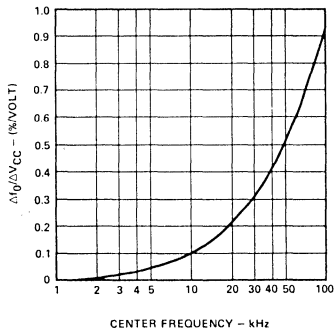


Figure 11. Power Supply Dependence of Center Frequency

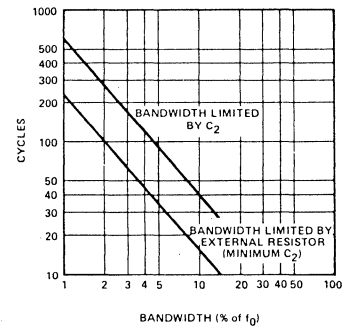


Figure 12. Greatest Number of Cycles Before Output

LOOP FILTER — C_2 (Pin 2)

Capacitor C_2 connected from pin 2 to ground serves as a single pole, low-pass filter for the PLL portion of the XR-567. The filter time constant is given by $T_2 = R_2 C_2$, where R_2 (10 k Ω) is the impedance at pin 2.

The selection of C_2 is determined by the detection bandwidth requirements, as shown in Figure 6. For additional information see section on "Definition of XR-567 Parameters".

The voltage at pin 2, the phase detector output, is a linear function of frequency over the range of 0.95 to 1.05 f_0 , with a slope of approximately 20 mV/% frequency deviation.

INPUT (Pin 3)

The input signal is applied to pin 3 through a coupling capacitor. This terminal is internally biased at a dc level 2 volts above ground, and has an input impedance level of approximately 20 k Ω .

TIMING RESISTOR R_1 AND CAPACITOR C_1 (Pins 5 and 6)

The center frequency of the decoder is set by resistor R_1 between pins 5 and 6, and capacitor C_1 from pin 6 to ground, as shown in Figure 3.

Pin 5 is the oscillator squarewave output which has a magnitude of approximately $V_{CC} - 1.4V$ and an average dc level of $V_{CC}/2$. A 1 k Ω load may be driven from this point. The voltage at pin 6 is an exponential triangle waveform with a peak-to-peak amplitude of 1 volt and an average dc level of $V_{CC}/2$. Only high impedance loads should be connected to pin 6 to avoid disturbing the temperature stability or duty cycle of the oscillator.

LOGIC OUTPUT (Pin 8)

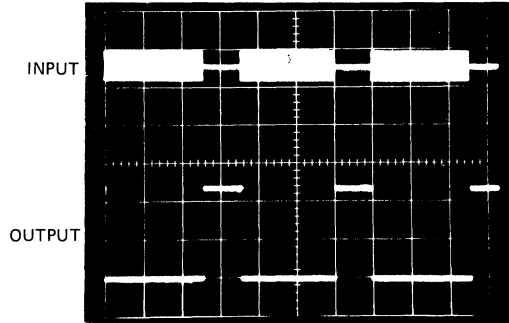
Terminal 8 provides a binary logic output when an input signal is present within the pass-band of the decoder. The logic output is an uncommitted, "base-collector" power transistor capable of switching high current loads. The current level at the output is determined by an external load resistor, R_L , connected from pin 8 to the positive supply.

When an in-band signal is present, the output transistor at pin 8 saturates with a collector voltage less than 1 volt (typically 0.6V) at full rated current of 100 mA. If large output voltage swings are needed, R_L can be connected to a supply voltage, $V+$, higher than the V_{CC} supply. For safe operation, $V+ \leq 20$ volts.

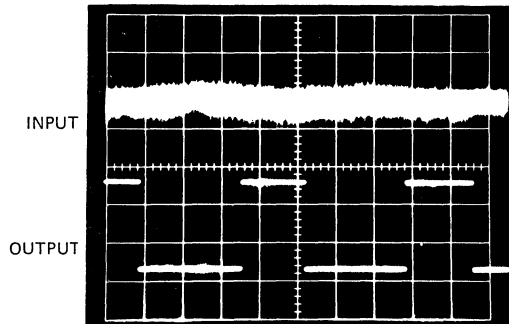
OPERATING INSTRUCTIONS

SELECTION OF EXTERNAL COMPONENTS

A typical connection diagram for the XR-567 is shown in Figure 3. For most applications, the following procedure will be sufficient for determination of the external components R_1 , C_1 , C_2 , and C_3 .



Response to 100 mV rms tone burst.
 $R_L = 100$ ohms.



Response to same input tone burst with wideband noise.
 $\frac{S}{N} = -6$ dB $R_L = 100$ ohms

Noise Bandwidth = 140 Hz

Figure 13. Typical Response

- R_1 and C_1 should be selected for the desired center frequency by the expression $f_0 \approx 1/R_1 C_1$. For optimum temperature stability, R_1 should be selected such that $2k\Omega \leq R_1 \leq 20$ k Ω , and the $R_1 C_1$ product should have sufficient stability over the projected operating temperature range.
- Low-pass capacitor, C_2 , can be determined from the Bandwidth versus Input Signal Amplitude graph of Figure 7. One approach is to select an area of operation from the graph, and then adjust the input level and value of C_2 accordingly. Or, if the input amplitude variation is known, the required $f_0 C_2$ product can be found to give the desired bandwidth. Constant bandwidth operation requires $V_i > 200$ mV rms. Then, as noted on the graph, bandwidth will be controlled solely by the $f_0 C_2$ product.
- Capacitor C_3 sets the band edge of the low-pass filter which attenuates frequencies outside of the detection band and thereby eliminates spurious outputs. If C_3 is too small, frequencies adjacent to the detection band may switch the output stage off and on at the beat frequency, or the output may pulse off and on during the turn-on transient. A typical minimum value of C_3 is $2 C_2$.

XR-567

Conversely, if C_3 is too large, turn-on and turn-off of the output stage will be delayed until the voltage across C_3 passes the threshold value.

PRINCIPLE OF OPERATION

The XR-567 is a frequency selective tone decoder system based on the phase-locked loop (PLL) principle. The system is comprised of a phase-locked loop, a quadrature AM detector, a voltage comparator, and an output logic driver. The four sections are internally interconnected as shown in Figure 1.

When an input tone is present within the pass-band of the circuit, the PLL synchronizes or "locks" on the input signal. The quadrature detector serves as a lock indicator: when the PLL is locked on an input signal, the dc voltage at the output of the detector is shifted. This dc level shift is then converted to an output logic pulse by the amplifier and logic driver. The logic driver is a "bare collector" transistor stage capable of switching 100 mA loads.

The logic output at pin 8 is normally in a "high" state, until a tone that is within the capture range of the decoder is present at the input. When the decoder is locked on an input signal, the logic output at pin 8 goes to a "low" state.

The center frequency of the detector is set by the free-running frequency of the current-controlled oscillator in the PLL. This free-running frequency, f_0 , is determined by the selection of R_1 and C_1 connected to pins 5 and 6, as shown in Figure 3. The detection bandwidth is determined by the size of the PLL filter capacitor, C_2 ; and the output response speed is controlled by the output filter capacitor, C_3 .

OPTIONAL CONTROLS

PROGRAMMING

Varying the value of resistor R_1 and/or capacitor C_1 will change the center frequency. The value of R_1 can be changed either mechanically or by solid state switches. Additional C_1 capacitors can be added by grounding them through saturated npn transistors.

SPEED OF RESPONSE

The minimum lock-up time is inversely related to the loop frequency. As the natural loop frequency is lowered, the turn-on transient becomes greater. Thus maximum operating speed is obtained when the value of capacitor C_2 is minimum. At the instant an input signal is applied its phase may drive the oscillator away from the incoming frequency rather than toward it. Under this condition, the lock-up transient is in a worst case situation, and the minimum theoretical lock-up time will not be achievable.

The following expressions yield the values of C_2 and C_3 , in microfarads, which allow the maximum operating speeds for various center frequencies. The minimum rate that digital information may be detected without

losing information due to turn-on transient or output chatter is about 10 cycles/bit, which corresponds to an information transfer rate of $f_0/10$ baud.

$$C_2 = \frac{130}{f_0}, \quad C_3 = \frac{260}{f_0} \mu\text{F}$$

In situations where minimum turn-off time is of less importance than fast turn-on, the optional sensitivity adjustment circuit of Figure 14 can be used to bring the quiescent C_3 voltage closer to the threshold voltage. Sensitivity to beat frequencies, noise, and extraneous signals, however, will be increased.

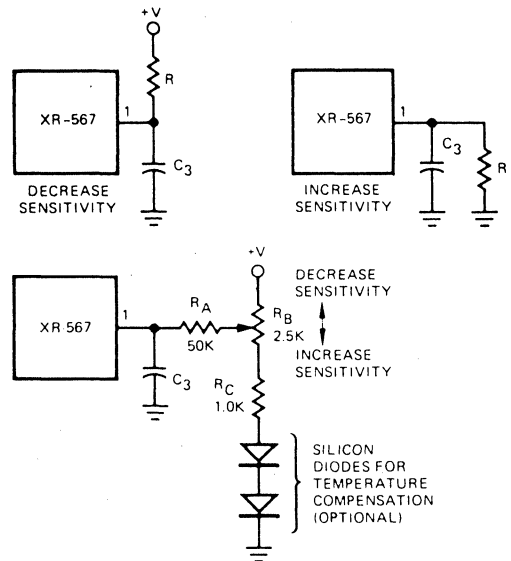


Figure 14. Optional Sensitivity Connections

CHATTER

When the value of C_3 is small, the lock transient and ac components at the lock detector output may cause the output stage to move through its threshold more than once, resulting in output chatter.

Although some loads, such as lamps and relays will not respond to chatter, logic may interpret chatter as a series of output signals. Chatter can be eliminated by feeding a portion of the output back to the input (pin 1) or, by increasing the size of capacitor C_3 . Generally, the feedback method is preferred since keeping C_3 small will enable faster operation. Three alternate schemes for chatter prevention are shown in Figure 15. Generally, it is only necessary to assure that the feedback time constant does not get so large that it prevents operation at the highest anticipated speed.

SKEW ADJUSTMENT

The circuits shown in Figure 16 can be used to change the position of the detection band (capture range) with-

XR-567

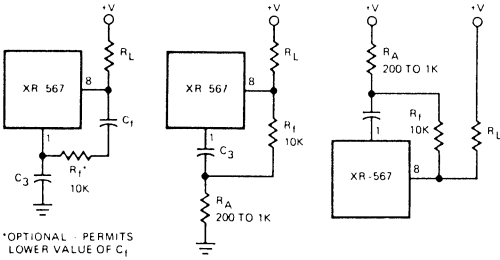


Figure 15. Methods of Reducing Chatter

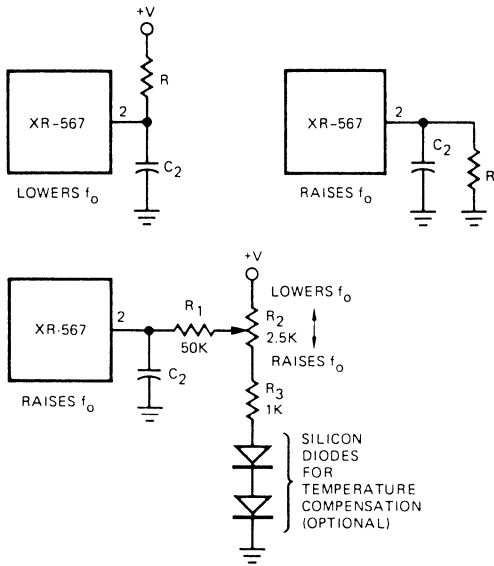


Figure 16. Connections to Reposition Detection Band

in the largest detection band (or lock range). By moving the detection band to either edge of the lock range, input signal variations will expand the detection band in one direction only. Since R_3 also has a slight effect on the duty cycle, this approach may be useful to obtain a precise duty cycle when the circuit is used as an oscillator.

OUTPUT LATCHING

In order to latch the output of the XR-567 "on" after a signal is received, it is necessary to include a feedback resistor around the output stage, between pin 8 and pin 1, as shown in Figure 17. Pin 1 is pulled up to unlatch the output stage.

BANDWIDTH REDUCTION

The bandwidth of the XR-567 can be reduced by either increasing capacitor C_2 or reducing the loop gain. Increasing C_2 may be an undesirable solution since this will also reduce the damping of the loop and thus slow the circuit response time.

Figure 18 shows the proper method of reducing the loop gain for reduced bandwidth. This technique will improve damping and permit faster operation under narrow band operation. The reduced impedance level at pin 2 will require a larger value of C_2 for a given cut-off frequency.

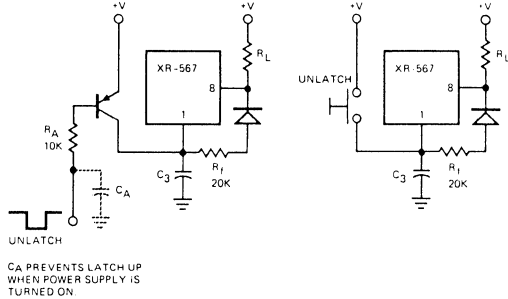
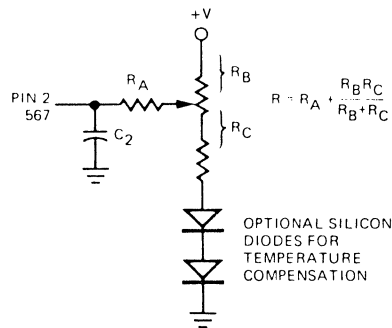
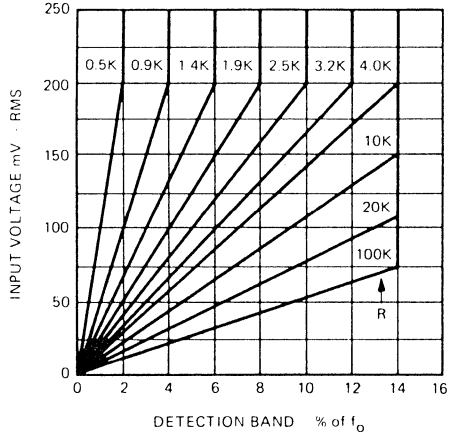


Figure 17. Output Latching



$$\frac{130}{f_0} \left(\frac{10K + R}{R} \right) < C_2 < \frac{1300}{f_0} \left(\frac{10K + R}{R} \right)$$

NOTE: ADJUST CONTROL FOR SYMMETRY OF DETECTION BAND EDGES ABOUT f_0

Figure 18. Bandwidth Reduction

1

XR-567

PRECAUTIONS

1. The XR-567 will lock on signals near $(2n + 1) f_0$ and produce an output for signals near $(4n + 1) f_0$, for $n = 0, 1, 2$ - etc. Signals at $5 f_0$ and $9 f_0$ can cause an unwanted output and should, therefore, be attenuated before reaching the input of the circuit.
2. Operating the XR-567 in a reduced bandwidth mode of operation at input levels less than 200 mV rms results in maximum immunity to noise and out-band signals. Decreased loop damping, however, causes the worst-case lock-up time to increase, as shown by the graph of Figure 12.
3. Bandwidth variations due to changes in the in-band signal amplitude can be eliminated by operating the XR-567 in the high input level mode, above 200 mV. The input stage is then limiting, however, so that out-band signals or high noise levels can cause an apparent bandwidth reduction as the in-band signal is suppressed. In addition, the limited input stage will create in-band components from subharmonic signals so that the circuit components from subharmonic signals so that the circuit becomes sensitive to signals at $f_0/3$, $f_0/5$ etc.
4. Care should be exercised in lead routing and lead lengths should be kept as short as possible. Power supply leads should be properly bypassed close to the integrated circuit and grounding paths should be carefully determined to avoid ground loops and undesirable voltage variations. In addition, circuits requiring heavy load currents should be provided by a separate power supply, or filter capacitors increased to minimize supply voltage variations.

ADDITIONAL APPLICATIONS

DUAL TIME CONSTANT TONE DECODER

For some applications it is important to have a tone decoder with narrow bandwidth and fast response time. This can be accomplished by the dual time constant tone decoder circuit shown in Figure 19. The circuit has two low-pass loop filter capacitors, C_2 and C'_2 . With no input signal present, the output at pin 8 is high, transistor Q_1 is off, and C'_2 is switched out of the circuit. Thus the loop low-pass filter is comprised of C_2 , which can be kept as small as possible for minimum response time.

When an in-band signal is detected, the output at pin 8 will go low, Q_1 will turn on, and capacitor C'_2 will be switched in parallel with capacitor C_2 . The low-pass filter capacitance will then be $C_2 + C'_2$. The value of C'_2 can be quite large in order to achieve narrow bandwidth. Notice that during the time that no input signal is being received, the bandwidth is determined by capacitor C_2 .

NARROW BAND FM DEMODULATOR WITH CARRIER DETECT

For FM demodulation applications where the bandwidth is less than 10% of the carrier frequency, an XR-567

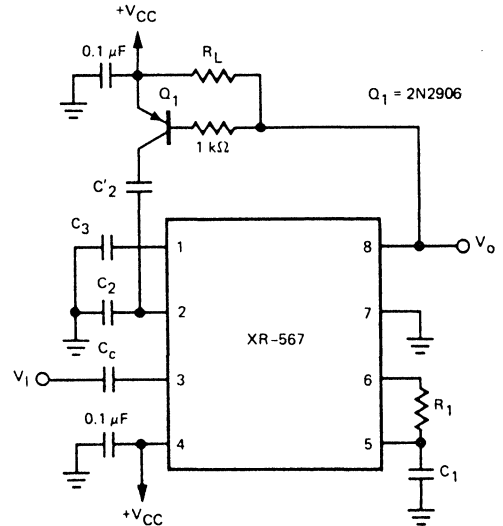


Figure 19. Dual Time Constant Tone Decoder

can be used to detect the presence of the carrier signal. The output of the XR-567 is used to turn off the FM demodulator when no carrier is present, thus acting as a squelch. In the circuit shown, an XR-215 FM demodulator is used because of its wide dynamic range, high signal/noise ratio and low distortion. The XR-567 will detect the presence of a carrier at frequencies up to 500 kHz.

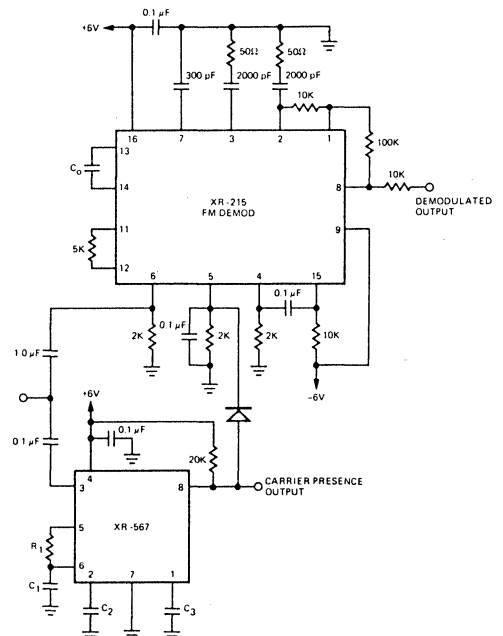


Figure 20. Narrow Band FM Demodulator with Carrier Detect

XR-567

DUAL TONE DECODER

In dual tone communication systems, information is transmitted by the simultaneous presence of two separate tones at the input. In such applications two XR-567 units can be connected in parallel, as shown in Figure 21 to form a dual tone decoder. The resistor and capacitor values of each decoder are selected to provide the desired center frequencies and bandwidth requirements.

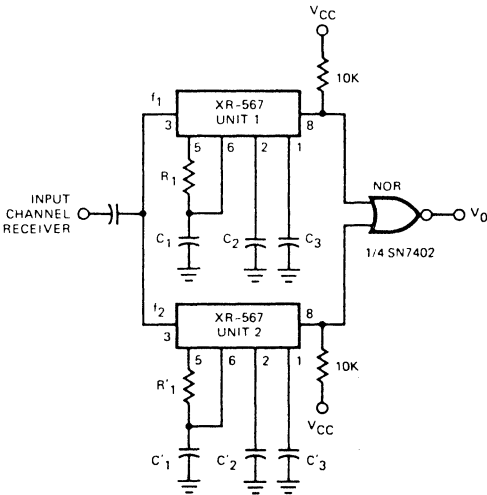


Figure 21. Dual Tone Decoder

PRECISION OSCILLATOR

The current-controlled oscillator (CCO) section of the XR-567 provides two basic output waveforms as shown in Figure 22. The squarewave is obtained from pin 5, and the exponential ramp from pin 6. The relative phase relationships of the waveforms are also provided in the figure. In addition to being used as a general purpose oscillator or clock generator, the CCO can also be used for any of the following special purpose oscillator applications:

1. High-Current Oscillator

The oscillator output of the XR-567 can be amplified using the output amplifier and high-current logic output available at pin 8. In this manner, the circuit can switch 100 mA load currents without sacrificing oscillator stability. A recommended circuit connection for this application is shown in Figure 23. The oscillator frequency can be modulated over $\pm 6\%$ in frequency by applying a control voltage to pin 2.

2. Oscillator with Quadrature Outputs

Using the circuit connection of Figure 24 the XR-567 can function as a precision oscillator with two separate squarewave outputs (at pins 5 and 8, respectively) that are at nearly quadrature phase with each

other. Due to the internal biasing arrangement the actual phase shift between the two outputs is typically 80° .

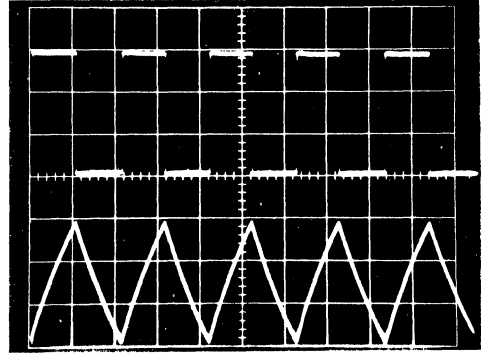


Figure 22. Oscillator Output Waveform Available From CCO Section.

Top: Square Wave Output at Pin 5:
Amplitude = $(V^+ - 1.4V)$, pp.,
Avg. Value = $V^+ / 2$

Bottom: Exponential Triangle Wave at Pin 6:
Amplitude = $1V$ pp., Avg. Value = $V^+ / 2$

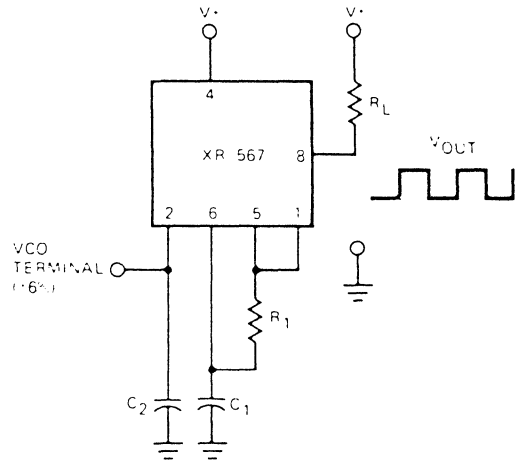


Figure 23. Precision Oscillator to Switch 100 mA Loads

3. Oscillator with Frequency Doubled Output

The CCO frequency can be doubled by applying a portion of the squarewave output at pin 5 back to the input at pin 3, as shown in Figure 25. In this manner, the quadrature detector functions as a frequency doubler and produces an output of $2 f_0$ at pin 8.

FSK DECODING

XR-567 can be used as a low speed FSK demodulator. In this application the center frequency is set to one of

1

XR-567

the input frequencies, and the bandwidth is adjusted to leave the second frequency outside the detection band. When the input signal is frequency keyed between the *in-band* signal and the *out-band* signal, the logic state of the output at pin 8 is reversed. Figure 26 shows the FSK input ($f_2 = 3 f_1$) and the demodulated output signals, with $f_0 = f_2 = 1$ kHz. The circuit can handle data rates up to $f_0/10$ baud.

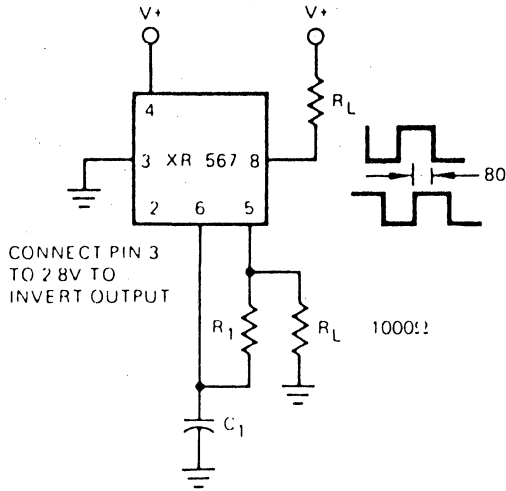
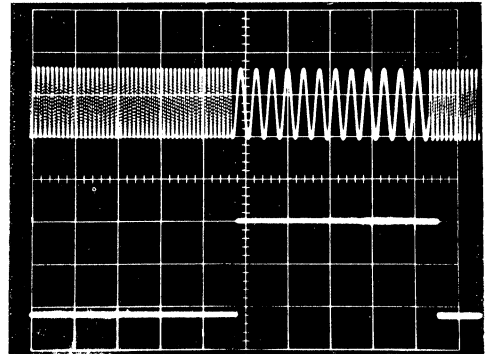
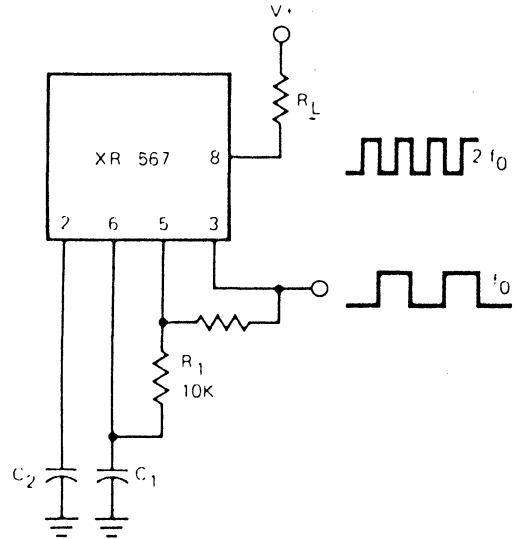


Figure 24. Oscillator with Quadrature Output



Precision Tone Decoder

GENERAL DESCRIPTION

The XR-567A provides all the necessary circuitry for constructing a variety of tone detector and frequency decoder applications. Phase-locked loop circuit techniques are used to provide operation from 0.01 Hz to 500 kHz. The circuit also features an input preamp, a high-current logic output, and programmable output delay.

The XR-567A, available in an 8-Pin DIL package, is designed to offer improved frequency accuracy and drift characteristics over the standard industry 567. These changes offer improved overall circuit performance, while reducing initial circuit adjustments.

FEATURES

Programmable Detection Bandwidth	0% to 14%
Logic Output	100 mA
Wide Center	
Frequency Range	0.01 Hz to 500 kHz
High Rejection	
of Out-of-Band Signals and Noise	
Direct Replacement for standard 567	
Inherent immunity to	
out-of-band signals & noise	

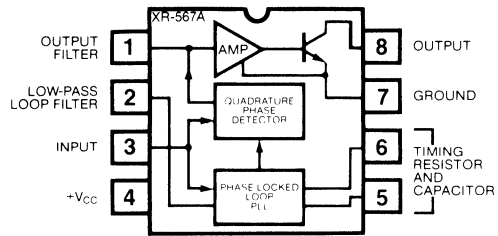
APPLICATIONS

- Tone Detection
- Touch-Tone® Decoding
- Communications Paging
- Ultrasonic Remote Control
- Precision Oscillator
- Wireless Intercom
- Carrier-Tone Transceiver
- FSK Demodulation
- Dual Time Constant Tone Detector

ABSOLUTE MAXIMUM RATINGS

Power Supply	10 volts
Power Dissipation	
Ceramic Package	385 mW
Plastic Package	300 mW
Derate above 25°C	2.5 mW/°C
Operating Temperature Range	
XR-567AM	-55°C to +125°C
XR-567ACN/ACP	0°C to +70°C
Storage Temperature Range	-65°C to +150°C

FUNCTIONAL BLOCK DIAGRAM



ORDERING INFORMATION

Part Number	Package	Operating Temperature
XR-567AM	Ceramic	-55°C to +125°C
XR-567ACN	Ceramic	0°C to +70°C
XR-567ACP	Plastic	0°C to +70°C

SYSTEM DESCRIPTION

The XR-567A is an improved version of the popular 567 tone decoder. Center frequency accuracy is guaranteed by design modifications and testing to 5%, and is typically better than 2%. Temperature drift of the center frequency is also improved. Thus, in most applications, no trimming is required.

The XR-567A monolithic tone decoder consists of a phase detector, low pass filter, and current controlled oscillator which comprise the basic phase-locked loop, plus an additional low pass filter and quadrature detector enabling detection of in-band signals. The device has a normally high open collector output capable of sinking 100 mA.

The input signal is applied to Pin 3 (20 kΩ nominal input resistance). Free running frequency is controlled by an RC network at Pins 5 and 6 and can typically reach 500 kHz. A capacitor on Pin 1 serves as the output filter and eliminates out-of-band triggering. PLL filtering is accomplished with a capacitor on Pin 2; bandwidth and skew are also dependant upon the circuitry here. Bandwidth is adjustable from 0% to 14% of the center frequency. Pin 4 is +V_{CC} (4.75 to 9V nominal, 10V maximum); Pin 7 is ground; and Pin 8 is open collector output, pulling low when an in band signal triggers the device.

XR-567A

ELECTRICAL CHARACTERISTICS

Test Conditions: $V_{CC} = +5V$, $T_A = 25^\circ C$, unless otherwise specified.

PARAMETER	LIMITS			UNITS	CONDITIONS
	MIN	TYP	MAX		
GENERAL					
Supply Voltage Range	4.75		9.0	Vdc	
Supply Current					
Quiescent XR-567AM		6	8	mA	$R_L = 20\text{ k}\Omega$
Quiescent XR-567AC		7	10	mA	$R_L = 20\text{ k}\Omega$
Activated XR-567AM		11	13	mA	$R_L = 20\text{ k}\Omega$
Activated XR-567AC		12	15	mA	$R_L = 20\text{ k}\Omega$
Output Voltage			15	V	
Negative Voltage at Input			-10	V	
Positive Voltage at Input			$V_{CC} + 0.5$	V	
CENTER FREQUENCY					
Highest Center Frequency	100	500		kHz	
Center Frequency Stability					
Temperature $T_A = 25^\circ C$		35		ppm/ $^\circ C$	
$0 < T_A < 70^\circ C$		± 60		ppm/ $^\circ C$	
$-55 < T_A < +125^\circ C$		± 120		ppm/ $^\circ C$	
Supply Voltage					
XR-567AM		0.5	1.0	%/V	$f_o = 100\text{ kHz}$
XR-567AC		0.7	2.0	%/V	$f_o = 100\text{ kHz}$
Initial Accuracy		± 2.0	± 5.0	%	$f_o = 100\text{ kHz}$
DETECTION BANDWIDTH					
Largest Detection Bandwidth					
XR-567AM	12	14	16	% of f_o	$f_o = 100\text{ kHz}$
XR-567AC	10	14	18	% of f_o	$f_o = 100\text{ kHz}$
Largest Detection Bandwidth Skew					
XR-567AM		1	2	% of f_o	
XR-567AC		2	3	% of f_o	
Largest Detection Bandwidth Variation					
Temperature		± 0.1		%/ $^\circ C$	$V_{in} = 300\text{ mV rms}$
Supply Voltage		± 1	± 2	%/V	$V_{in} = 300\text{ mV rms}$
INPUT					
Input Resistance		20		k Ω	
Smallest Detectable Input Voltage		20	25	mV rms	$I_L = 100\text{ mA}$, $f_i = f_o$
Largest No-Output Input Voltage	10	15		mV rms	$I_L = 100\text{ mA}$, $f_i = f_o$
Greatest Simultaneous Outband					
Signal to Inband Signal Ratio		+6		dB	
Minimum Input Signal to Wideband					
Noise Ratio		-6		dB	$B_n = 140\text{ kHz}$
OUTPUT					
Output Saturation Voltage		0.2	0.4	V	$I_L = 30\text{ mA}$, $V_{in} = 25\text{ mV rms}$
		0.6	1.0	V	$I_L = 100\text{ mA}$, $V_{in} = 25\text{ mV rms}$
Output Leakage Current		0.01	25	μA	
Fastest ON/OFF Cycling Rate		$f_o/20$			
Output Rise Time		150		ns	$R_L = 50\Omega$
Output Fall Time		30		ns	$R_L = 50\Omega$

Micropower Tone Decoder

GENERAL DESCRIPTION

The XR-L567 is a micropower phase-locked loop (PLL) circuit designed for general purpose tone and frequency decoding. In applications requiring very low power dissipation, the XR-L567 can replace the popular 567-type decoder with only minor component value changes. The XR-L567 offers approximately 1/10th the power dissipation of the conventional 567-type tone decoder, without sacrificing its key features such as the oscillator stability, frequency selectivity, and detection threshold. Typical quiescent power dissipation is less than 4 mW at 5 volts. It operates over a wide frequency band of 0.01 Hz to 60 kHz and contains a logic compatible output which can sink up to 10 milliamps of load current. The bandwidth, center frequency, and output delay are independently determined by the selection of four external components.

FEATURES

- Very Low Power Dissipation (≈ 4 mW at 5V).
- Bandwidth Adjustable from 0 to 14%.
- Logic Compatible Output with 10 mA Current Sinking Capability.
- Highly Stable Center Frequency.
- Center Frequency Adjustable from 0.01 Hz to 60 kHz.
- Inherent Immunity to False Signals.
- High Rejection of Out-of-Band Signals and Noise.
- Frequency Range Adjustable Over 20:1 Range by External Resistor.

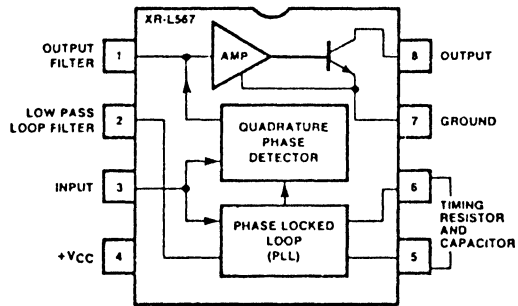
APPLICATIONS

- Battery-Operated Tone Detection
- Touch-Tone® Decoding
- Sequential Tone Decoding
- Communications Paging
- Ultrasonic Remote-Control
- Telemetry Decoding

ABSOLUTE MAXIMUM RATINGS

Power Supply	10 volts
Power Dissipation (package limitation)	
Ceramic Package	385 mW
Plastic Package	300 mW
Derate Above +25°C	2.5 mW/°C
Operating Temperature	0°C to +70°C
Storage Temperature	-65°C to +150°C

FUNCTIONAL BLOCK DIAGRAM



ORDERING INFORMATION

Part Number	Package	Operating Temperature
XR-L567CN	Ceramic	0°C to +70°C
XR-L567CP	Plastic	0°C to +70°C

SYSTEM DESCRIPTION

The XR-L567 monolithic circuit consists of a phase detector, low pass filter, and current controlled oscillator which comprise the basic phase-locked loop, plus an additional low pass filter and quadrature detector enabling detection of in-band signals. The device has a normally high open collector output.

The input signal is applied to Pin 3 (100 k Ω nominal input resistance). Free running frequency is controlled by an RC network at Pins 5 and 6. A capacitor on Pin 1 serves as the output filter and eliminates out-of-band triggering. PLL filtering is accomplished with a capacitor on Pin 2; band-width and skew are also dependant upon the circuitry here. Pin 4 is +V_{CC} (4.75 to 8V nominal, 10V maximum); Pin 7 is ground; and Pin 8 is the open collector output, pulling low when an in-band signal triggers the device.

The XR-L567 is pin-for-pin compatible with the standard XR-567-type decoder. Internal resistors have been scaled up by a factor of ten, thereby reducing power dissipation and allowing use of smaller capacitors for the same applications compared to the standard part. This scaling also lowers maximum device center frequency and load current sinking capabilities.



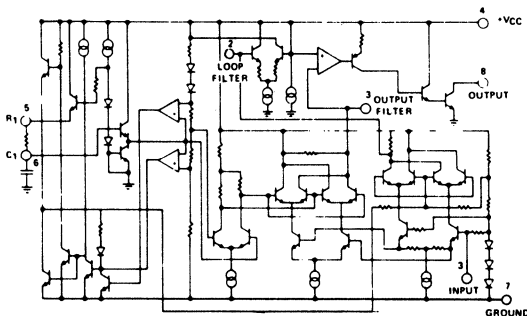
XR-L567

ELECTRICAL CHARACTERISTICS

Test Conditions: $V_{CC} = +5V$, $T_A = 25^\circ C$, unless otherwise specified. Test Circuit of Figure 1.

PARAMETERS	LIMITS			UNITS	CONDITIONS
	MIN	TYP	MAX		
General					
Supply Voltage Range	4.75		8.0	V	
Supply Current		0.6	1.0	mA	$R_L = 20\text{ k}\Omega$
Quiescent		0.8	1.4	mA	$R_L = 20\text{ k}\Omega$
Center Frequency					
Highest Center Frequency	10	60		kHz	
Center Frequency Drift					
Temperature $T_A = 25^\circ C$		-35		ppm/ $^\circ C$	See Figures 10 and 11
$0 < T_A < 70^\circ C$		-150		ppm/ $^\circ C$	See Figures 10 and 11
Supply Voltage		0.5	3.0	%/V	$f_o = 10\text{ kHz}$, $V_{CC} = 5.25 \pm 0.5V$
Detection Bandwidth					
Largest Detection Bandwidth	10	14	18	% of f_o	$f_o = 10\text{ kHz}$
Largest Detection Bandwidth Skew		2	3	% of f_o	See Figure 13 for Definition
Largest Detection Bandwidth Variation					
Temperature		± 0.1		%/ $^\circ C$	$V_{in} = 300\text{ mV rms}$
Supply Voltage		± 2		%/V	$V_{in} = 300\text{ mV rms}$
Inputs					
Input Resistance		100		k Ω	
Smallest Detectable Input Voltage		20	25	mV rms	$I_L = 10\text{ mA}$, $f_i = f_o$
Largest No-Output Input Voltage	10	15		mV rms	$I_L = 10\text{ mA}$, $f_i = f_o$
Greatest Simultaneous Outband					
Signal to Inband Signal Ratio		+6		dB	
Minimum Input Signal to Wideband					
Noise Ratio		-6		dB	$B_n = 140\text{ kHz}$
Outputs					
Output Saturation Voltage		0.2	0.4	V	$I_L = 2\text{ mA}$, $V_{in} = 25\text{ mV rms}$
		0.3	0.6	V	$I_L = 10\text{ mA}$, $V_{in} = 25\text{ mV rms}$
Output Leakage Current		0.01	25	μA	
Fastest On/Off Cycling Rate		$f_o/20$			
Output Rise Time		150		ns	$R_L = 1\text{ k}\Omega$
Output Fall Time		30		ns	$R_L = 1\text{ k}\Omega$

EQUIVALENT SCHEMATIC DIAGRAM



PRINCIPLES OF OPERATION

The XR-L567 is a frequency selective tone decoder system based on the phase-locked loop (PLL) principle. The system is comprised of a phase-locked loop, a quadrature am detector, a voltage comparator, and an output logic driver.

When an input tone is present within the pass-band of the circuit, the PLL synchronizes or "locks" on the input signal. The quadrature detector serves as a lock indicator: when the PLL is locked on an input signal, the dc voltage at the output of the detector is shifted. This dc level shift is then converted to an output logic pulse by the amplifier and logic driver. The logic output at Pin 8 is an "open-collector" NPN transistor stage capable of switching 10 mA current loads.

XR-L567

The logic output at Pin 8 is normally in a "high" state, until a tone that is within the capture range of the decoder is present at the input. When the decoder is locked on an input signal, the logic output at Pin 8 goes to a "low" state.

Figure 3 shows the typical output response of the circuit for a tone-burst applied to the input, within the detection band.

The center frequency of the detector is set by the free-running frequency of the current-controlled oscillator in the PLL. This free-running frequency, f_o , is determined by the selection of R_1 and C_1 connected to Pins 5 and 6, as shown in Figure 2. The detection bandwidth is determined by the size of the PLL filter capacitor, C_2 (see Figure 10); and the output response speed is controlled by the output filter capacitor, C_3 .

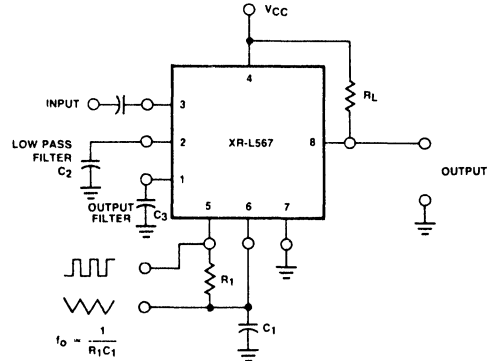


Figure 2. XR-L567 Generalized Connection Diagram

DEFINITION OF DEVICE PARAMETERS

Center Frequency f_o

f_o is the free-running frequency of the current-controlled oscillator with no input signal. It is determined by resistor R_1 between Pins 5 and 6, and capacitor C_1 from Pin 6 to ground. f_o can be approximated by

$$f_o \approx \frac{1}{R_1 C_1} \text{ Hz}$$

where R_1 is in ohms and C_1 is in farads.

Detection Bandwidth (BW)

The largest *detection bandwidth* is the frequency range centered about f_o , within which an input signal larger than the threshold voltage (typically 20 mV rms) will cause a logic zero state at the output. The detection bandwidth corresponds to the capture range of the PLL and is determined by the low-pass loop filter at Pin 2. Typical dependence of detection bandwidth on the filter capacitance and the input signal amplitude is shown in Figures 10 and 11, or may be calculated by the approximation

$$BW (\%) \approx 338 \frac{V_i (\text{RMS})}{\sqrt{f_o (\text{Hz}) \cdot C_2 (\mu\text{F})}}$$

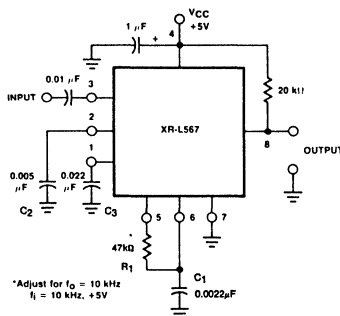


Figure 1. XR-L567 Test Circuit

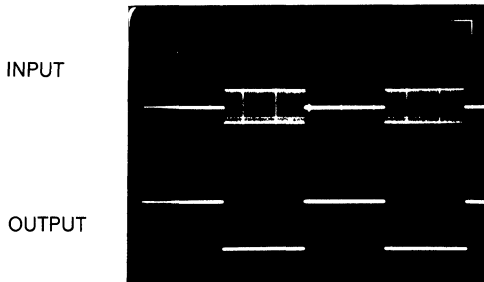
Largest Detection Bandwidth

The largest detection bandwidth is the largest frequency range within which an input signal above the threshold voltage will cause a logical zero state at the output. The maximum detection bandwidth corresponds to the lock range of the PLL.

Detection Band Skew

The *detection band skew* is a measure of how accurately the largest detection band is centered about the center frequency, f_o . This parameter is graphically illustrated in Figure 4. In the figure, f_{\min} and f_{\max} correspond to the lower and the upper ends of the largest detection band, and f_1 corresponds to the apparent center of the detection band, and is defined as the arithmetic average of f_{\min} and f_{\max} and f_o is the free-running frequency of the XR-L567 oscillator section. The bandwidth skew, Δf_x , is the difference between these frequencies. Normalized to f_o , this bandwidth skew can be expressed as:

$$\text{Bandwidth Skew} = \frac{\Delta f_x}{f_o} = \frac{(f_{\max} + f_{\min} - 2f_o)}{2f_o}$$



Response to 100 mV rms tone burst.
 $R_L = 1K$ ohms

Figure 3. Typical Output Response to 100 mV Input Tone-Burst

XR-L567

If necessary, the detection band skew can be reduced to zero by an optional centering adjustment. (See Optional Controls.)

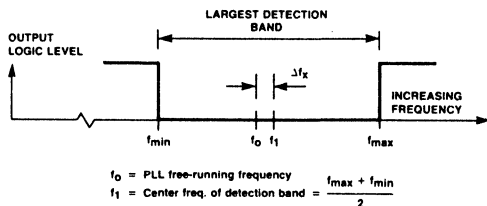


Figure 4. Definition of Bandwidth Skew

DESCRIPTION OF CIRCUIT CONTROLS

Input (Pin 3)

The input signal is applied to Pin 3 through a coupling capacitor. This terminal is internally biased at a dc level 2 volts above ground, and has an input impedance level of approximately 100 k Ω .

Timing Resistor R₁ and Capacitor C₁ (Pins 5 and 6)

The center frequency of the decoder is set by resistor R₁ between Pins 5 and 6, and capacitor C₁ from Pin 6 to ground, as shown in Figure 2.

Pin 5 is the oscillator squarewave output which has a magnitude of approximately $V_{CC} - 1.4V$ and an average dc level of $V_{CC}/2$. A 5 k Ω load may be driven from this point. The voltage at Pin 6 is an exponential triangle waveform with a peak-to-peak amplitude of $\approx (V_{CC} - 1.3)/3.5$ volts and an average dc level of $V_{CC}/2$. Only high impedance loads should be connected to Pin 6 to avoid disturbing the temperature stability or duty cycle of the oscillator.

Loop Filter—C₂ (Pin 2)

Capacitor C₂ connected from Pin 2 to ground serves as a single pole, low-pass filter for the PLL portion of the XR-L567. The filter time constant is given by $T_2 = R_2C_2$, where R₂ (100 k Ω) is the impedance at Pin 2.

The selection of C₂ is determined by the detection bandwidth requirements, as shown in Figure 10. For additional information see section on "Definition of Device Parameters."

The voltage at Pin 2, the phase detector output, is a linear function of frequency over the range of 0.95 f₀ to 1.05 f₀, with a slope of approximately 20 mV/% frequency deviation.

Output Filter—C₃ (Pin 1)

Capacitor C₃ connected from Pin 1 to ground forms a simple low-pass post *detection* filter to eliminate spurious outputs due to out-of-band signals. The time con-

stant of the filter can be expressed as $T_3 = R_3C_3$, where R₃ (47 k Ω) is the internal impedance at Pin 1.

If the value of C₃ becomes too large, the *turn-on* or *turn-off* time of the output stage will be delayed until the voltage change across C₃ reaches the threshold voltage. In certain applications, the delay may be desirable as a means of suppressing spurious outputs. Conversely, if the value of C₃ is too small, the beat rate at the output of the quadrature detector may cause a false logic level change at the output (Pin 8).

The average voltage (during lock) at Pin 1 is a function of the in-band input amplitude in accordance with the given transfer characteristic.

Logic Output (Pin 8)

Terminal 8 provides a binary logic output when an input signal is present within the pass-band of the decoder. The logic output is an uncommitted, open-collector power transistor capable of switching high current loads. The current level at the output is determined by an external load resistor, R_L, connected from Pin 8 to the positive supply.

When an in-band signal is present the output transistor at Pin 8 saturates with a collector voltage of less than 0.6V at full rated output current of 10 mA. If large output voltage swings are needed, R_L can be connected to a supply voltage, V₊, higher than the V_{CC} supply. For safe operation, $V_+ \leq 15$ volts.

OPERATING INSTRUCTIONS

Selection of External Components

A typical connection diagram for the XR-L567 is shown in Figure 2. For most applications, the following procedure will be sufficient for determination of the external components R₁, C₁, C₂, and C₃.

1. R₁ and C₁ should be selected for the desired center frequency by the expression $f_0 \approx 1/R_1C_1$. For optimum temperature stability, R₁ should be selected such that $20 \text{ k}\Omega \leq R_1 \leq 200 \text{ k}\Omega$, and the R₁C₁ product should have sufficient stability over the projected operating temperature range.
2. Low-pass capacitor, C₂, can be determined from the Bandwidth versus Input Signal Amplitude graph of Figure 10. One approach is to select an area of operation from the graph, and then adjust the input level and value of C₂ accordingly. Or, if the input amplitude variation is known, the required f₀C₂ product can be found to give the desired bandwidth. Constant bandwidth operation requires $V_1 > 200$ mV rms. Then, as noted on the graph, bandwidth will be controlled solely by the f₀C₂ product.
3. Capacitor C₃ sets the band edge of the low-pass filter which attenuates frequencies outside of the detection band and thereby eliminates spurious outputs. If C₃ is too small, frequencies adjacent to the

XR-L567

detection band may switch the output stage off and on at the beat frequency, or the output may pulse off and on during the turn-on transient. A typical minimum value for C_3 is $2 C_2$.

Conversely, if C_3 is too large, turn-on and turn-off of the output stage will be delayed until the voltage across C_3 passes the threshold value.

Precautions

1. The XR-L567 will lock on signals near $(2n + 1) f_0$ and produce an output for signals near $(4n + 1) f_0$ for $n = 0, 1, 2$ —etc. Signals at $5 f_0$ and $9 f_0$ can cause an unwanted output and should, therefore, be attenuated before reaching the input of the circuit.
2. Operating the XR-L567 in a reduced bandwidth mode of operation at input levels less than 200 mV rms results in maximum immunity to noise and out-band signals. Decreased loop damping, however, causes the worst-case lock-up time to increase, as shown by the graph of Figure 13.
3. Bandwidth variations due to changes in the in-band signal amplitude can be eliminated by operating the XR-L567 in the high input level mode, above 200 mV. The input stage is then limiting, however, so that out-band signals or high noise levels can cause an apparent bandwidth reduction as the in-band signal is suppressed. In addition, the limited input stage will create in-band components from subharmonic signals at $f_0/3$, $f_0/5$ etc.
4. Care should be exercised in lead routing and lead lengths should be kept as short as possible. Power supply leads should be properly bypassed close to the integrated circuit and grounding paths should be carefully determined to avoid ground loops and undesirable voltage variations. In addition, circuits requiring heavy load currents should be provided by a separate power supply, or filter capacitors increased to minimize supply voltage variations.

OPTIONAL CONTROLS

Programming

Varying the value of resistor R_1 and/or capacitor C_1 will change the center frequency. The value of R_1 can be changed either mechanically or by solid state switches. Additional C_1 capacitors can be added by grounding them through saturated npn transistors.

Speed of Response

The minimum lock-up time is inversely related to the loop frequency. As the natural loop frequency is lowered, the turn-on transients becomes greater. Thus maximum operating speed is obtained when the value of capacitor C_2 is minimum. At the instant an input signal is applied, its phase may drive the oscillator away from the incoming frequency rather than toward it. Un-

der this condition, the lock-up transient is in a worst case situation, and the minimum theoretical lock-up time will not be achievable.

The following expressions yield the values of C_2 and C_3 , in microfarads, which allow the maximum operating speeds for various center frequencies where f_0 is Hz.

$$C_2 = \frac{13}{f_0}, C_3 = \frac{26}{f_0} \mu\text{F}$$

The minimum rate that digital information may be detected without losing information due to turn-on transient or output chatter is about 10 cycles/bit, which corresponds to an information transfer rate of $f_0/10$ baud. In situations where minimum turn-off is of less importance than fast turn-on, the optional sensitivity adjustment circuit of Figure 5 can be used to bring the quiescent C_3 voltage closer to the threshold voltage. Sensitivity to beat frequencies, noise, and extraneous signals, however, will be increased.

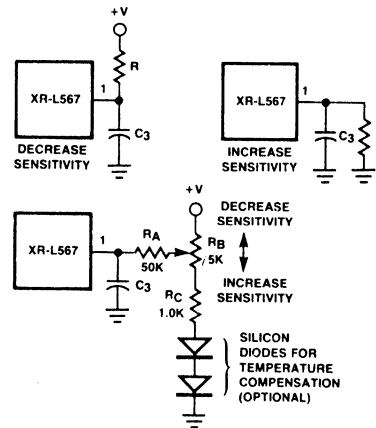


Figure 5. Adjustable Sensitivity Connections

Chatter

When the value of C_3 is small, the lock transient and ac components at the lock detector output may cause the output stage to move through its threshold more than once, resulting in output chatter.

Although some loads, such as lamps and relays will not respond to chatter, logic may interpret chatter as a series of output signals. Chatter can be eliminated by feeding a portion of the output back to the input (Pin 1) or, by increasing the size of capacitor C_3 . Generally, the feedback method is preferred since keeping C_3 small will enable faster operation. Three alternate schemes for chatter prevention are shown in Figure 6. Generally, it is only necessary to assure that the feedback time constant does not get so large that it prevents operation at the highest anticipated speed.

XR-L567

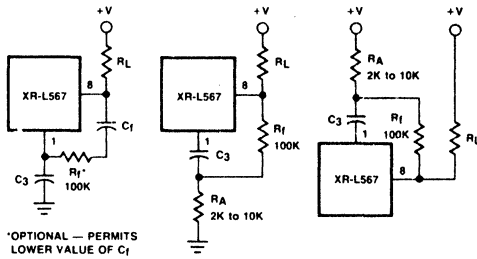


Figure 6. Methods of Reducing Chatter

Skew Adjustment

The circuits shown in Figure 7 can be used to change the position of the detection band (capture range) within the largest detection band (lock range). By moving the detection band to either edge of the lock range, input signal variations will expand the detection band in one direction only. Since R_3 also has a slight effect on the duty cycle, this approach may be useful to obtain a precise duty cycle when the circuit is used as an oscillator.

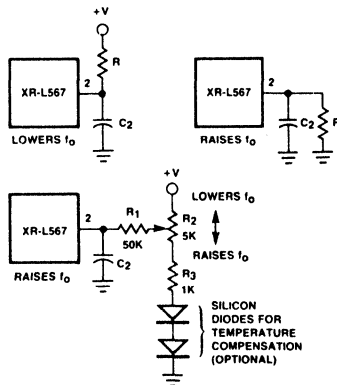


Figure 7. Detection Band Skew Adjustment

CHARACTERISTIC CURVES

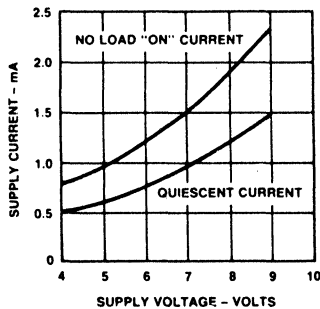


Figure 8. Supply Current Versus Supply Voltage

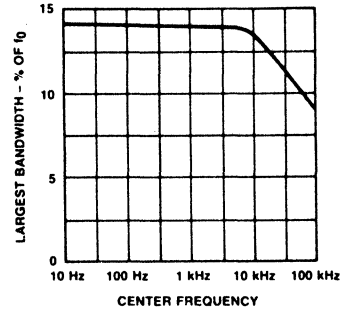


Figure 9. Largest Detection Bandwidth Versus Operating Frequency

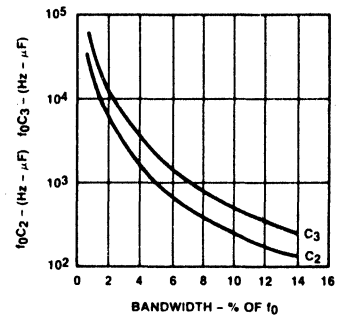


Figure 10. Detection Bandwidth as a Function of C_2 and C_3

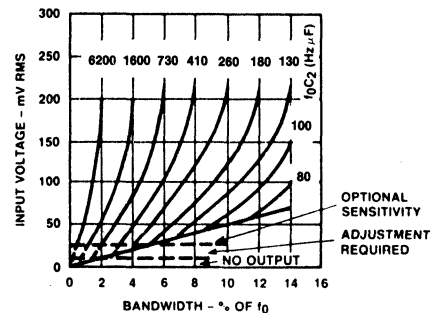


Figure 11. Bandwidth Versus Input Signal Amplitude (C_2 in μF)

XR-L567

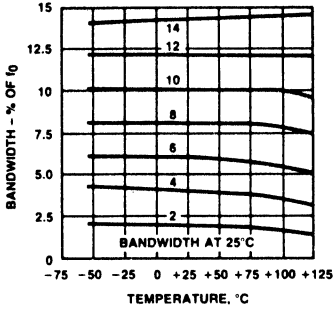


Figure 12. Bandwidth Variation With Temperature

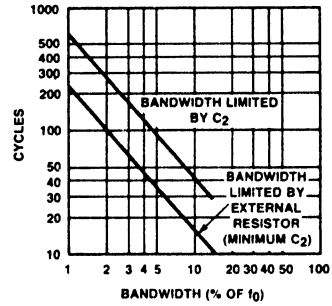


Figure 13. Greatest Number of Cycles Before Output

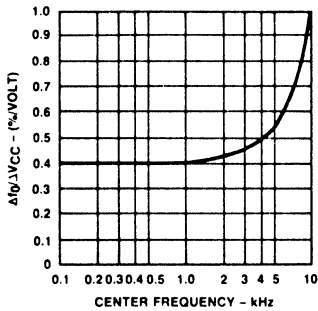


Figure 14. Power Supply Dependence of Center Frequency

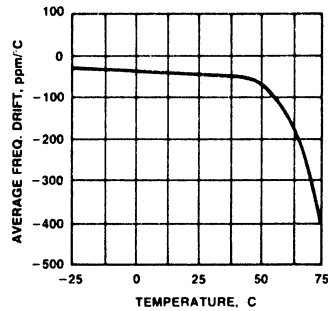


Figure 15. Typical Center Frequency Drift With Temperature ($V^+ = 5V$, $R_1 = 80\text{ k}\Omega$, $f_0 = 1\text{ kHz}$)

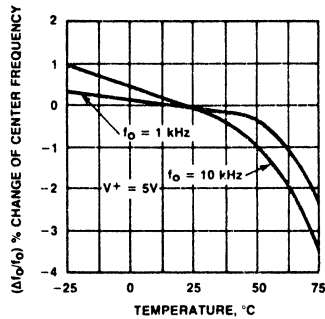


Figure 16. Typical Frequency Drift as a Function of Temperature

1

Dual Monolithic Tone Decoder

GENERAL DESCRIPTION

The XR-2567 is a dual monolithic tone decoder of the 567-type that is ideally suited for tone or frequency decoding in multiple-tone communication systems. Each decoder of the XR-2567 can be used independently or both sections can be interconnected for dual operation. The matching and temperature tracking characteristics between decoders on this monolithic chip are superior to those available from two separate tone decoder packages.

The XR-2567 operates over a frequency range of 0.01 Hz to 500 kHz. Supply voltages can vary from 4.5V to 12V, with internal voltage regulation provided for supplies between 7V and 12V. Each decoder consists of a phase-locked loop (PLL), a quadrature AM detector, a voltage comparator, and a logic compatible output that can sink more than 100 mA of load current.

The center frequency of each decoder is set by an external resistor and capacitor which determine the free-running frequency of each PLL. When an input tone is present within the passband of the circuit, the PLL "locks" on the input signal. The logic output, which is normally "high", then switches to a "low" state during this "lock" condition.

FEATURES

- Replaces two 567-type decoders
- Excellent temperature tracking between decoders
- Bandwidth adjustable from 0 to 14%
- Logic compatible outputs with 100 mA sink capability
- Center frequency matching (1% typ.)
- Center frequency adjustable from 0.01 Hz to 500 kHz
- Inherent immunity to false triggering
- Frequency range adjustable over 20:1 range by external resistor.

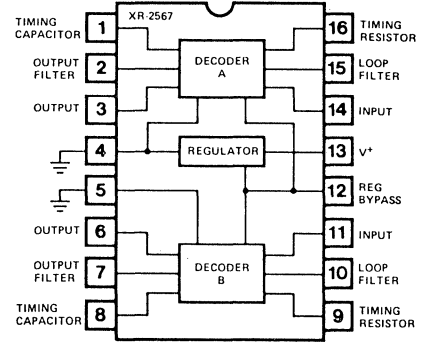
APPLICATIONS

- | | |
|--|---------------------------------|
| Touch-Tone® Decoding | Full-Duplex Carrier-Tone |
| Sequential Tone Decoding | Transceiver |
| Dual-Tone Decoding/
Encoding | Wireless Intercom |
| Communications Paging | Dual Precision |
| Ultrasonic Remote-
Control and Monitoring | Oscillator |
| | FSK Generation and
Detection |

ABSOLUTE MAXIMUM RATINGS

Power Supply	
With Internal Regulator	14V
Without Regulator (Pins 12 and 13 shorted)	10V
Power Dissipation	
Ceramic Package	750 mW
Derate Above +25°C	6 mW/°C
Plastic Package	325 mW/°C
Derate Above +25°C	5.5 mW/°C

FUNCTIONAL BLOCK DIAGRAM



Operating Temperature

XR-2567M	-55°C to +125°C
XR-2567C	0°C to +70°C

Storage Temperature

-65°C to +150°C

ORDERING INFORMATION

Part Number	Package	Temperature Range
XR-2567M	Ceramic	-55°C to +125°C
XR-2567CN	Ceramic	0°C to +70°C
XR-2567CP	Plastic	0°C to +70°C

SYSTEM DESCRIPTION

The XR-2567 dual monolithic tone decoder consists of two independent 567-type circuits and an on board voltage regulator. Each decoder has a phase detector, low pass filter, and current controlled oscillator which comprise the basic phase locked loop, plus an additional low pass filter and quadrature detector enabling detection of in-band signals. Both devices have normally high open collector outputs capable of sinking 100 mA.

The input signal is applied to Pin 14 (device A) or Pin 11 (device B), both with 20 kΩ nominal input resistance. Free running frequency is controlled by an RC network at Pins 1 and 16 (device A) or Pins 8 and 9 (device B). A capacitor on Pin 2 (A), or Pin 7 (B) serves as the output filter and eliminates out-of-band triggering. PLL filtering is accomplished with a capacitor on Pin 15 (A), or Pin 10 (B); bandwidth and skew are also dependant upon the circuitry here. Bandwidth is adjustable from 0% to 14% of the center frequency. Pin 13 is +V_{CC} (4.75 to 12V nominal, 14V maximum); Pin 7 is ground; and Pin 3 (A) or Pin 6 (B) is the open collector output, pulling low when an in-band signal triggers the device.

Voltage supplies below 7V necessitate bypassing the internal regulator. This is accomplished by shorting Pin 12 to V_{CC}; for supplies over 7V, a bypass capacitor of at least 1 μF should AC ground Pin 12.

XR-2567

ELECTRICAL CHARACTERISTICS

Test Conditions: $V_{CC} = +5V$, $T_A = 25^\circ C$, unless otherwise specified. Test circuit of Figure 2, S_1 closed unless otherwise specified.

PARAMETERS	LIMITS			UNITS	CONDITIONS
	MIN	TYP	MAX		
GENERAL					
Supply Voltage Range	4.75 6.5		7	V_{dc}	See Figure 5, S_1 closed. See Figure 5, S_1 open.
Without Regulator			12	V_{dc}	
Supply Current (both decoders)					See Figure 7, 8
Quiescent XR-2567M		12	16	mA	$R_L = 20\ k\Omega$
XR-2567C		14	20	mA	$R_L = 20\ k\Omega$
Activated XR-2567M		22	26	mA	$R_L = 20\ k\Omega$
XR-2567C		24	30	mA	$R_L = 20\ k\Omega$
Output Voltage			15	V	
Negative Voltage at Input			-10	V	
Positive Voltage at Input			$V_{CC} + 0.5$	V	
CENTER FREQUENCY (each decoder section)					
Highest Center Frequency	100	500		kHz	
Center Frequency Stability					
Temperature $T_A = 25^\circ C$		35		ppm/ $^\circ C$	See Figure 14
$0^\circ < T_A < +70^\circ C$		± 60		ppm/ $^\circ C$	See Figure 14
$-55^\circ < T_A < +125^\circ C$		± 140		ppm/ $^\circ C$	See Figure 14
Supply Voltage					
Without Regulator					
XR-2567M		0.5	1.0	%/V	$f_o = 100\ kHz$
XR-2567C		0.7	2.0	%/V	$f_o = 100\ kHz$
With Internal Regulator					
XR-2567M		0.05		%/V	$f_o = 100\ kHz$, $V_{CC} = 9V$
XR-2567C		0.1		%/V	$f_o = 100\ kHz$, $V_{CC} = 9V$
DETECTION BANDWIDTH (each decoder section)					
Largest Detection Bandwidth					
XR-2567M	12	14	16	% of f_o	$f_o = 100\ kHz$
XR-2567C	10	14	18	% of f_o	$f_o = 100\ kHz$
Largest Detection Bandwidth Skew					
XR-2567M		1	2	% of f_o	
XR-2567C		1	3	% of f_o	
Largest Detection Bandwidth Variation					
Temperature		± 0.1		%/ $^\circ C$	$V_{in} = 300\ mV\ rms$
Supply Voltage		± 2		%/V	$V_{in} = 300\ mV\ rms$
INPUT (each decoder section)					
Input Resistance		20		k Ω	
Smallest Detectable Input Voltage	10	20	25	mV rms	$I_L = 100\ mA$, $f_i = f_o$ $I_L = 100\ mA$, $f_i = f_o$
Largest No-Output Input Voltage		15		mV rms	
Greatest Simultaneous Outband Signal to Inband Signal Ratio		+6		dB	
Minimum Input Signal to Wideband Noise Ratio		-6		dB	Noise Bw = 140 kHz
OUTPUT (each decoder section)					
Output Saturation Voltage		0.2	0.4	V	$I_L = 30\ mA$, $V_{in} = 25\ mV\ rms$ $I_L = 100\ mA$, $V_{in} = 25\ mV\ rms$
		0.6	1.0	V	
Output Leakage Current		0.01	25	μA	
Fastest ON-OFF Cycling Rate		$f_o/20$			
Output Rise Time		150		ns	$R_L = 50\ \Omega$
Output Fall Time		30		ns	$R_L = 50\ \Omega$
MATCHING CHARACTERISTICS					
Center Frequency Matching		1		%	$f_o = 10\ kHz$
Temperature Drift Matching		± 20		ppm/ $^\circ C$	$0^\circ C < T_A < 70^\circ C$
		± 50		ppm/ $^\circ C$	$-55^\circ C < T_A < 125^\circ C$

1

XR-2567

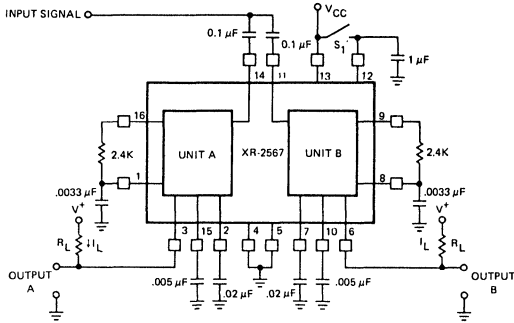
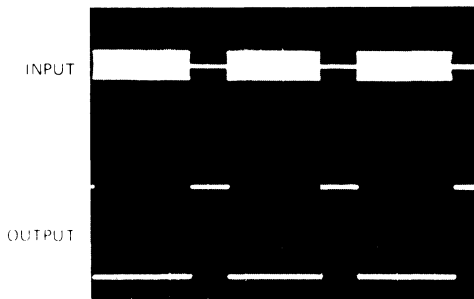


Figure 2. Test Circuit



Response to 100 mV rms tone burst.
 $R_L = 100$ ohms.

Figure 3. XR-2567 Typical Response

DEFINITIONS OF XR-2567 PARAMETERS

f_0 is the *free-running frequency* of the current-controlled oscillator of the PLL with no input signal. It is determined by resistor R_1 and capacitor C_1 ; f_0 can be approximated by

$$f_0 \approx \frac{1}{R_1 C_1} \text{ Hz}$$

where R_1 is in ohms and C_1 is in farads.

The *detection bandwidth* is the frequency range centered about f_0 , within which an input signal larger than the threshold voltage (typically 20 mV rms) will cause a "logic zero" state at the output. The detection bandwidth corresponds to the capture range of the PLL and is determined by the low-pass bandwidth filter. The bandwidth of the filter, as a percent of f_0 , can be determined by the approximation

$$BW \approx 1070 \sqrt{\frac{V_i}{f_0 C_2}}$$

where V_i is the input signal in volts, rms, and C_2 is the capacitance in μF at Pins 10 or 15.

The *largest detection bandwidth* is the largest frequency range within which an input signal above the threshold voltage will cause a logical zero state at the output. The maximum detection bandwidth corresponds to the lock range of the PLL.

The *detection band skew* is a measure of how accurately the largest detection band is centered about the center frequency, f_0 . It is defined as $(f_{\text{max}} + f_{\text{min}} - 2f_0)/f_0$, where f_{max} and f_{min} are the frequencies corresponding to the edges of the detection band. If necessary, the detection band skew can be reduced to zero by an optional centering adjustment. (See Optional Controls.)

DESCRIPTION OF CIRCUIT CONTROLS

INPUT (Pins 11 and 14)

The input signal is applied to Pins 14 and/or 11 through a coupling capacitor, C_C . These terminals are internally biased at a dc level 2 volts above ground and they have an input impedance level of approximately 20 k Ω .

TIMING RESISTOR R_1 AND CAPACITOR C_1 (Pins 1, 8, 9, and 16)

The center frequency, f_0 , of each decoder section is set by a resistor R_1 and a capacitor C_1 . R_{1A} is connected between Pins 1 and 16 in decoder section A, and R_{1B} between Pins 8 and 9 of decoder section B. C_{1A} is connected from Pin 1 to ground, and C_{1B} from Pin 8 to ground, as shown in Figure 4. R_1 and C_1 should be selected for the desired center frequency by the expression $f_0 \approx 1/R_1 C_1$. For optimum temperature stability, R_1 should be selected such that $2 \text{ k}\Omega \leq R_1 \leq 20 \text{ k}\Omega$, and the $R_1 C_1$ product should have sufficient stability over the projected operating temperature range.

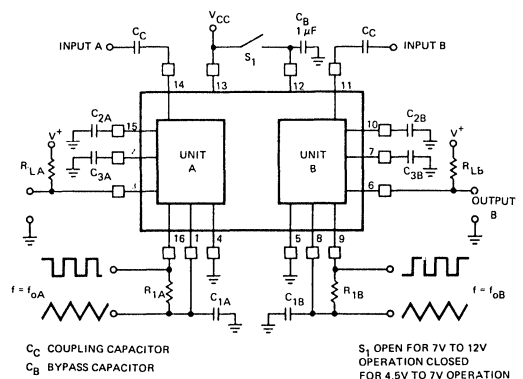


Figure 4. Circuit Connection Diagram

For decoder section A, the oscillator output can be obtained at either Pin 1 or 16. Pin 16 is the oscillator squarewave output which has a magnitude of approximately $V_{CC} - 1.4\text{V}$ and an average dc level of $V_{CC}/2$. A 1 k Ω load may be driven from this point. The voltage at

XR-2567

TYPICAL CHARACTERISTICS

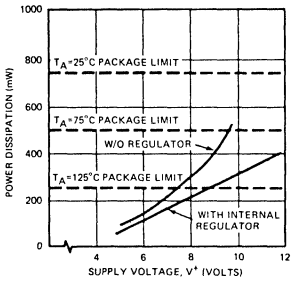


Figure 5. Internal Power Dissipation vs. Supply Voltage. Both Units Activated, $R_L = 20\text{ k}$

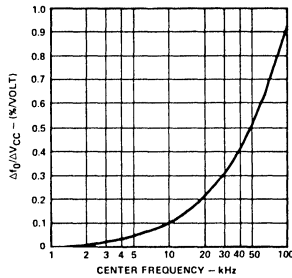


Figure 6. Power Supply Dependence of Center Frequency

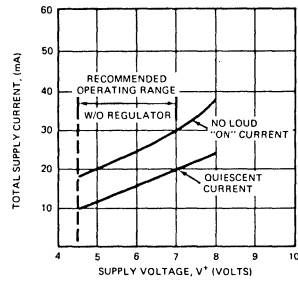


Figure 7. Total Supply Current vs. Supply Voltage for Operation Without Internal Regulator (Pins 12 and 13 Shorted)

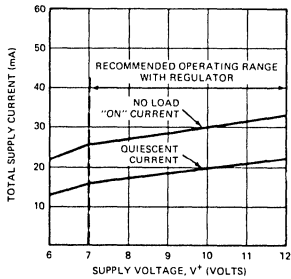


Figure 8. Total Supply Current vs. Supply Voltage for Operation with Internal Regulator (Pins 12 and 13 Not Connected)

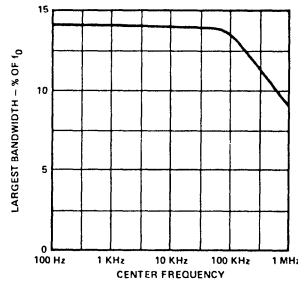


Figure 9. Largest Detection Bandwidth

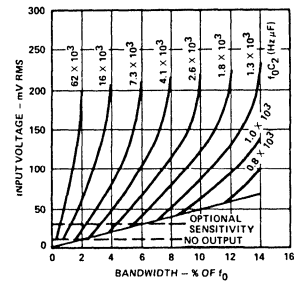


Figure 10. Bandwidth vs. Input Signal Amplitude (C_2 in μF)

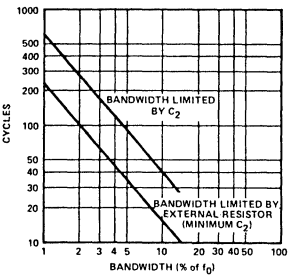


Figure 11. Greatest Number of Cycles Before Output

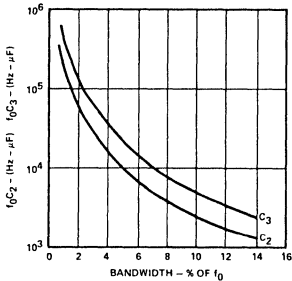


Figure 12. Detection Bandwidth as a Function of C_2 and C_3

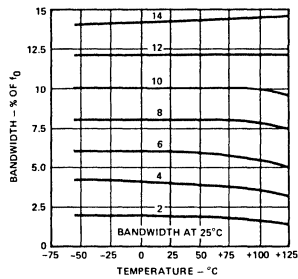


Figure 13. Bandwidth Variation With Temperature

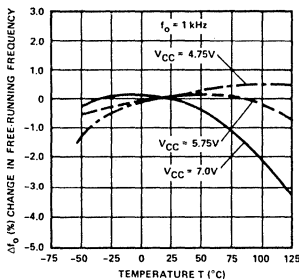


Figure 14. Frequency Drift With Temperature

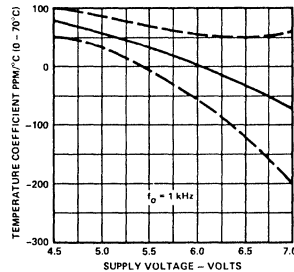


Figure 15. Temperature Coefficient of Center Frequency (Mean and S.D.)



XR-2567

pin 1 is an exponential triangle waveform with a peak-to-peak amplitude of 1 volt and an average dc level of $V_{CC}/2$. Only high impedance loads should be connected to Pin 1 to avoid disturbing the temperature stability or duty cycle of the oscillator. For section B, Pin 9 is the squarewave output and Pin 8 the exponential triangle waveform output.

LOOP FILTER, C_2 (Pins 10 and 15)

Capacitors C_{2A} and C_{2B} connected from Pins 15 and 10 to ground are the single-pole, low-pass filters for the PLL portion of decoder sections A and B. The filter time constant is given by $T_2 = R_2 C_2$, where R_2 (10 k Ω) is the impedance at Pins 10 or 15. The selection of C_2 is determined by the detection bandwidth requirements and input signal amplitude as shown in Figures 10 and 12. One approach is to select an area of operation from the graph and then adjust the input level and value of C_2 accordingly. Or, if the input amplitude variation is known, the required $f_0 C_2$ product can be found to give the desired bandwidth. Constant bandwidth operation requires $V_i > 200$ mV rms. Then, as noted in Figure 10, bandwidth will be controlled solely by the $f_0 C_2$ product. (For additional information, see Optional Controls Section, "Speed of Response" and "Bandwidth Reduction".)

Pins 10 and 15 correspond to the PLL phase detector outputs of sections A and B, respectively. The voltage level at these pins is a linear function of frequency over the range of 0.95 to 1.05 f_0 , with a slope of approximately 20 mV/% frequency deviation.

OUTPUT FILTER, C_3 (Pins 2 and 7)

Capacitors C_{3A} and C_{3B} connected from Pins 2 and 7 to ground form low-pass post detection filters for sections A and B respectively. The function of the post detection filter is to eliminate spurious outputs caused by out-of-band signals. The time constant of the filter can be expressed as $T_3 = R_3 C_3$, where R_3 (4.7 k) is the internal impedance at Pins 2 or 7.

The precise value of C_3 is not critical for most applications. To eliminate the possibility of false triggering by spurious signals, a minimum value for C_3 is $2C_2$, where C_2 is the loop filter capacitance for the corresponding decoder section. If C_3 is smaller than $2C_2$, then frequencies adjacent to the detection band may switch the output stage "off" and "on" at the beat frequency, or the output may pulse "off" and "on" during the turn-on transient.

If the value of C_3 becomes too large, the turn-on or turn-off time of the output stage will be delayed until the voltage change across C_3 reaches the threshold voltage. In certain applications, this delay may be desirable as a means of suppressing spurious outputs. (For additional information, see Optional Controls Section, "Speed of Response" and "Chatter".)

LOGIC OUTPUT (Pins 3 and 6)

Output terminals 3 and 6 provide a binary logic output when an input signal tone is present within the detection-band of each respective decoder section. The logic outputs are uncommitted "bare-collector" power transistors capable of switching high current loads. The current level at the output is determined by an external load resistor, R_L , connected from V_{CC} to Pins 3 or 6.

When an in-band signal is present, the output transistor at Pins 3 or 6 saturates with a collector voltage less than 1 volt (typically 0.6V) at full rated current of 100 mA. If large output voltage swings are needed, R_L can be connected to a supply voltage, $V+$ higher than the V_{CC} supply. For safe operation, $V+ \leq 15$ volts.

REGULATOR BY-PASS (Pin 12)

This pin corresponds to the output of the voltage regulator section. For circuit operation with a supply voltage greater than 7V, Pin 12 should be ac grounded with a bypass capacitor $\geq 1 \mu F$. For circuit operation over a supply voltage range of 4.5 to 7V, the voltage regulator section is not required; Pin 12 should be shorted to V_{CC} .

GROUND TERMINALS (Pins 4 and 5)

To eliminate parasitic interaction, each decoder section has a separate ground terminal. The internal regulator shares a common ground with decoder section A (Pin 4).

Independent ground terminals also allow additional flexibility for split supply operation. Pin 4 can be used as $V-$, and Pin 5 as ground, as shown in Figure 16. When the circuit is operated with split supplies, the positive supply should always be $> 6V$, and the dc potential across Pins 13 and 14 should not exceed 15 volts.

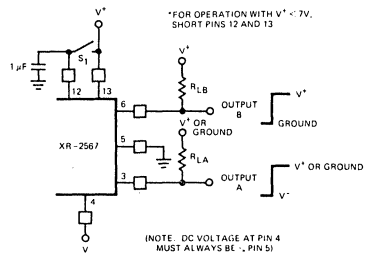


Figure 16. Split-Supply Operation Using Independent Ground Terminals of Units A and B. Unit A Operates Between $V+$ and $V-$; Unit B Operates Between $V+$ and Ground

XR-2567

OPTIONAL CONTROLS

SPEED OF RESPONSE

The minimum lock-up time is inversely related to the loop frequency. As the natural loop frequency is lowered, the turn-on transient becomes greater. Thus, maximum operating speed is obtained when the value of capacitor C_2 is minimum. At the instant an input signal is applied, its phase may drive the oscillator away from the incoming frequency rather than toward it. Under this condition, the lock-up transient is in a worst case situation, and the minimum theoretical lock-up time will not be achievable.

The following expressions yield the values of C_2 and C_3 , in microfarads, which allow the maximum operating speeds for various center frequencies. The minimum rate that digital information may be detected without losing information due to turn-on transient or output chatter is about 10 cycles/bit, which corresponds to an information transfer rate of $f_0/10$ baud.

$$C_2 = \frac{130}{f_0}, C_3 = \frac{260}{f_0}$$

In situations where minimum turn-off time is of less importance than fast turn-on, the optional sensitivity adjustment circuit of Figure 17 can be used to bring the quiescent C_3 voltage closer to the threshold voltage. Sensitivity to beat frequencies, noise, and extraneous signals, however, will be increased.

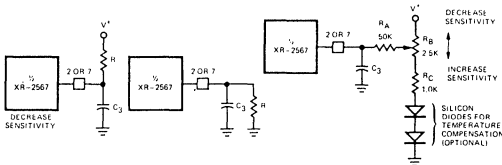


Figure 17. Optional Connections for Sensitivity Control

CHATTER

When the value of C_3 is small, the lock transient and ac components at the lock detector output may cause the output stage to move through its threshold more than once, resulting in output chatter.

Although some loads, such as lamps and relays will not respond to chatter, "logic" may interpret chatter as a series of output signals. Chatter can be eliminated by feeding a portion of the output back to the input or, by increasing the size of capacitor C_3 . Generally, the feedback method is preferred since keeping C_3 small will enable faster operation. Three alternate schemes for chatter prevention are shown in Figure 18. Generally, it is only necessary to assure that the feedback time constant does not get so large that it prevents operation at the highest anticipated speed.

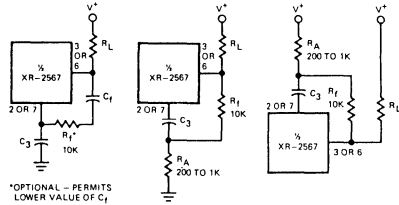


Figure 18. Methods of Reducing Chatter

SKEW ADJUSTMENT

The circuits shown in Figure 19 can be used to change the position of the detection band (capture range) within the largest detection band (or lock range). By moving the detection band to either edge of the lock range, input signal variations will expand the detection band in one direction only. Since R_3 also has a slight effect on the duty cycle, this approach may be useful to obtain a precise duty cycle when the circuit is used as an oscillator.

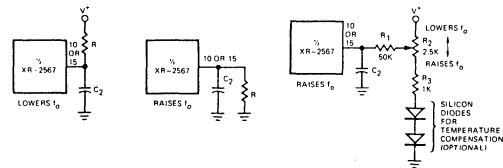


Figure 19. Connections to Reposition Detection Band

OUTPUT LATCHING

After a signal is received, the output of either decoder section can be latched "on" by connecting a 20 kΩ resistor and diode from the "output" terminal to the "output filter" terminal as shown in Figure 20. The output stage can be unlatched by raising the voltage level at the output filter terminal.

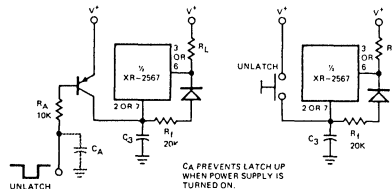


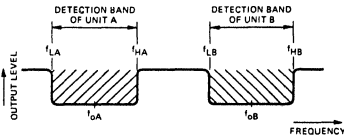
Figure 20. Output Latching

POSITIONING OF DETECTION BANDS

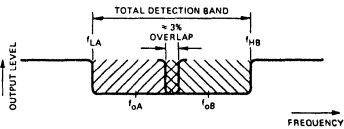
Figure 21 defines the respective band-edge and band-center frequencies for sections A and B of the dual tone decoder.

XR-2567

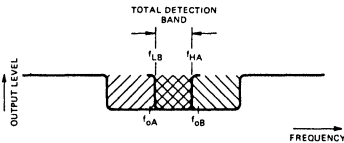
Frequencies f_L and F_H with appropriate subscripts refer to the low and the high band-edge frequencies for decoder sections A and B, and f_0 is the center frequency.



(a) Independent Detection of Two Separate Tones



(b) Addition of Detection Bandwidth for Wide-Band Detection



(c) Subtraction of Bandwidths for Narrow-Band Detection

Figure 21. Positioning of Detection Bands

The two sections can be interconnected to form a single tone detector with an overall detection bandwidth equal to the sum or the difference of the detection bands for the two individual detector sections. For example, if the individual decoder sections are interconnected as shown in Figure 25, then the total detection bandwidth would be approximately equal to the sum of the respective bandwidths as shown in Figure 21(b). Similarly, if the decoders are interconnected as shown in Figure 23, then the overall detection band would be equal to the difference, or the overlap, between the respective bandwidths as shown in Figure 21(c).

BANDWIDTH REDUCTION

The bandwidth of each decoder can be reduced by either increasing the loop filter capacitor C_2 or reducing the loop gain. Increasing C_2 may be an undesirable solution since this will also reduce the damping of the loop and thus slow the circuit response time.

Figure 22 shows the proper method of reducing the loop gain for reduced bandwidth. This technique will improve damping and permit faster performance under narrow band operation. Bandwidth reduction can also be obtained by subtracting overlapping bandwidths of the two decoder sections (see Figures 21(c) and 23).

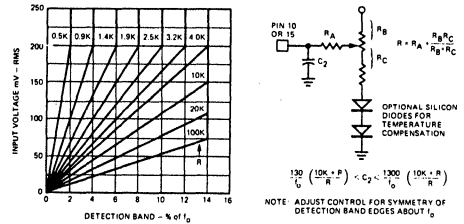


Figure 22. Bandwidth Reduction

APPLICATIONS

DUAL-TONE DETECTION

In most dual-tone detection systems, the decoder output is required to change state only when *both* input tones are present simultaneously. This can be implemented by setting the detection bandwidth of each of the XR-2567 decoder sections to cover one of the input tones; and then connecting the respective outputs through a NOR gate, as shown in Figure 23. In this case, the output of the NOR gate will be "high" only when both input tones are present simultaneously.

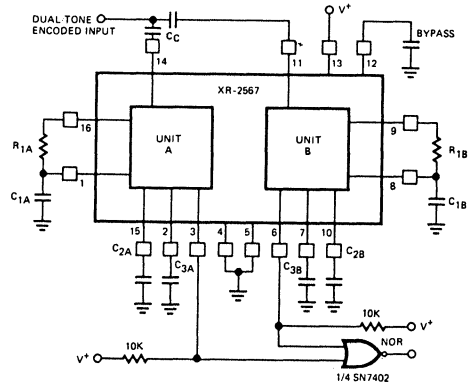


Figure 23. Connection for Decoding Dual-Tone Encoded Input Signals

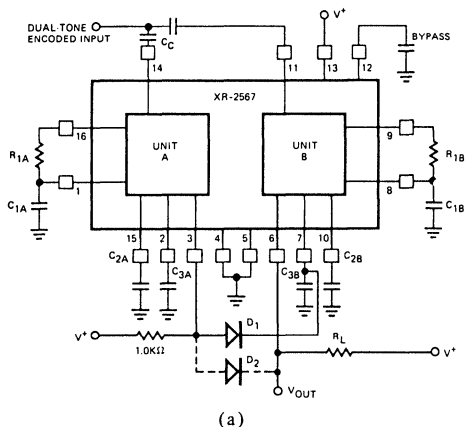
Figure 24 shows additional circuit configurations which can be used for decoding multiple-tone input signals. In Figure 24(a), the output of Unit A is connected to the output filter (Pin 7) of Unit B through the diode D_1 . If no input tone is present within the detection-band of Unit A, then its output (pin 3) is "high", which keeps diode D_1 conducting and "disables" Unit B by keeping its output (pin 6) "high". If an input tone is present within the detection-band of Unit A, Pin 3 is low, diode D_1 is reverse biased, and decoder B is no longer disabled. If under these conditions an input signal is present within the detection-band of Unit B, then its output at Pin 6 would be "low". Thus, the output at Pin 6 is "low" only

XR-2567

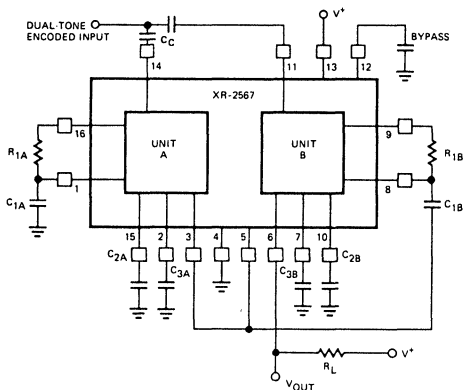
when input tones within the detection-band of A and B are present simultaneously.

The dual-tone decoder circuit of Figure 24(b) makes use of the split-ground feature of the XR-2567. The output terminal of Unit A is used as a "switch" in series with the ground terminal (Pin 5) of Unit B. If the input tone A is not present, Pin 3 is at its high-impedance state, and the ground terminal of Unit B is open-circuited. When the input tone A is present, Pin 3 goes to a low-impedance state and Unit B is activated. In this manner, the output of Unit B will be "low" *only* when both tones A and B are present.

In the circuit connection of Figure 24(b), Unit B does not draw any current until it is activated. Therefore, its power dissipation in a stand-by condition is lower than other dual-tone decoder configurations. However, due to finite series resistance between Pin 3 and ground when Unit B is activated, the output current sink capability is limited to ≤ 10 mA.



(a)



(b)

Figure 24. Additional Dual-Tone Decoding Circuits

SEQUENTIAL TONE DECODING

Dual-tone decoder circuits can also be used for sequential tone decoding where one tone must be present before the other for the circuit to operate. This can be achieved by making the output filter capacitance, C_3 , of one of the sections large with respect to the other. For example, in the circuits of Figures 24(a) and 24(b), if C_{3A} is chosen to be much larger than C_{3B} ($C_{3A} \geq C_{3B}$), then Unit A will remain "on" and activate B for a finite time duration after tone A is terminated. Thus, the circuit will be able to detect the two tones only if they are present sequentially, with tone A preceding tone B.

The circuit of Figure 24(a) can also be modified for sequential tone decoding by addition of a diode, D_2 , between pins 3 and 6. Once activated by Unit A, Unit B will stay "on" as long as tone B is present, even though tone A may terminate. Once tone B disappears, the circuit is reset to its original state and would require tone A to be present for activation.

HIGH-SPEED NARROW-BAND TONE DECODER

The circuit of Figure 23 can be used as a narrow-band tone decoder by overlapping the detection bands of Units A and B (see Figure 21(c)). The output of the NOR gate will be high only when an input signal is present within the overlapping portions of the detection band. To maintain uniform response within the pass-band, the input signal amplitude should be ≥ 80 mV rms. For minimum response time, PPL filter capacitors C_{2A} and C_{2B} should be:

$$C_{2A} = C_{2B} \cong \frac{130}{f_0} \mu\text{F}$$

Under this condition, the worst-case output delay is ≈ 10 to 14 cycles of the input tone.

The practical matching and tracking tolerances of individual units limit the minimum bandwidth to $\approx 4\%$ of f_0 .

WIDE-BAND TONE DECODER

Figure 25 is a circuit configuration for increasing the detection bandwidth of the XR-2567 by combining the respective bandwidths of individual decoder sections. If the detection bands of each section are located adjacent to each other as shown in Figure 21(b), and if the two outputs (pins 3 and 6) are shorted together, then the resulting bandwidth is the sum of individual bandwidths. In this manner, the total detection bandwidth can be increased to 24% of center frequency. To maintain uniform response throughout the pass band, the input signal level should be ≥ 80 mV, rms, and the respective pass-bands of each section should have $\approx 3\%$ overlap at center frequency.

TONE TRANSCEIVER

The XR-2567 can be used as a full-duplex tone transceiver by using one section of the unit as a tone detector and the remaining section as a tone generator. Since both sections operate independently, the circuit

XR-2567

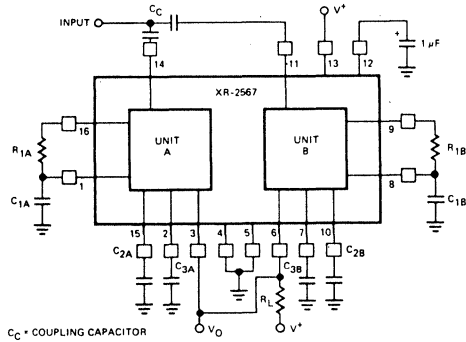


Figure 25. Wide-Band Tone Detection

can transmit and receive simultaneously. A recommended circuit connection for transceiver applications is shown in Figure 26. In this case, Unit A is utilized as the receiver, and Unit B is used as the transmitter. The transmitter section can be keyed "on" and "off" by applying a pulse to pin 8 through a disconnect diode D₁. The oscillator section of Unit B will be keyed "off" when the keying logic level at pin 8 is at a "low" state.

The output of the transmitter section (Unit B) can also be frequency modulated over a $\pm 6\%$ deviation range by applying a modulation signal to pin 10.

HIGH CURRENT OSCILLATOR

The oscillator output of each section of XR-2567 can be amplified using the high current logic driver sections of the circuit. In this manner, each section of the circuit can switch 100 mA loads, without sacrificing oscillator stability. A recommended circuit connection for this application is shown in Figure 27. The oscillator frequency can be modulated over $\pm 6\%$ of f_0 by applying a control voltage to pins 15 or 10.

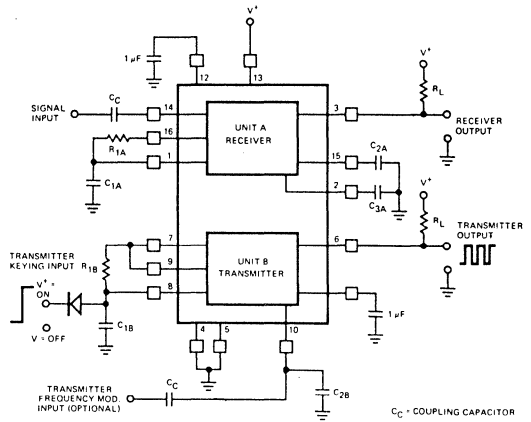


Figure 26. Tone Transceiver

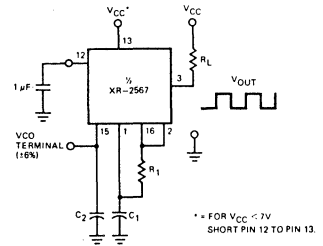


Figure 27. Precision Oscillator with High Current Output Capability

Filters

General Purpose Low Pass Filter

GENERAL DESCRIPTION

The XR-1000 is a general purpose 4th order low pass filter utilizing switched capacitor (SCF) circuit techniques. XR-1000 is available in several options providing Butterworth or Chebyshev filter responses. The Chebyshev option is also available with passband ripple specifications of 0.01, 0.1, or 1.0 dB specifications.

The SCF techniques used provide a clock tunable cut-off frequency, with either 50:1 or 100:1 clock to cutoff frequency ratios available. The clock may be externally generated or an on-board Schmitt trigger is supplied for providing an internal clock with an external resistor/capacitor combination.

The XR-1000, utilizing CMOS technology, is available in either a 14-Pin or 8-Pin DIL package.

FEATURES

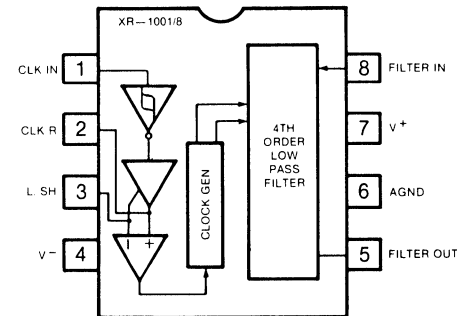
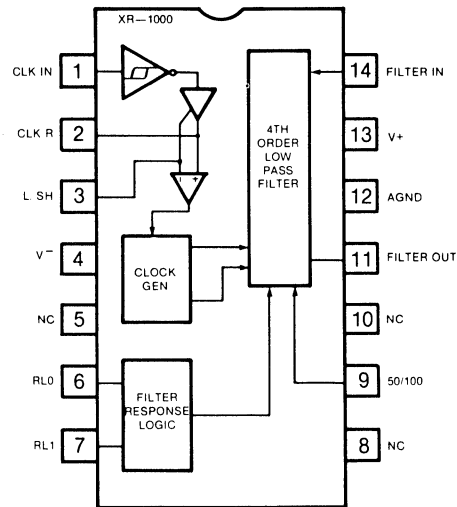
- Switched Capacitor Circuit Techniques
- Single 5 Volt Operation
- Low External Parts Count
- No Precision Components Necessary
- Low Power Operation
- 50:1/100:1 Clock to Cutoff Frequency Options
- 8-Pin/14-Pin Package Options
- 0.1 to 20 kHz Cutoff Frequency Range
- Internal/External Clock Operation

APPLICATIONS

- General Purpose Low Pass Filters
- Telecom Filtering
- Medical Systems
- Audio Applications
- Data Acquisition Systems

ORDERING INFORMATION

FUNCTIONAL BLOCK DIAGRAMS



Part Number	Package	Pins	Response/Ripple	f_{CLK}/f_c	Operating Temperature Range
XR-1000CP/CN	Plastic/Ceramic	14	BW-CH/-	50/100	0°C to 70°C
XR-1001CP/CN	Plastic/Ceramic	8	BW/-	100	0°C to 70°C
XR-1002CP/CN	Plastic/Ceramic	8	BW/-	50	0°C to 70°C
XR-1003CP/CN	Plastic/Ceramic	8	CH/0.01 dB	100	0°C to 70°C
XR-1004CP/CN	Plastic/Ceramic	8	CH/0.01 dB	50	0°C to 70°C
XR-1005CP/CN	Plastic/Ceramic	8	CH/0.1 dB	100	0°C to 70°C
XR-1006CP/CN	Plastic/Ceramic	8	CH/0.1 dB	50	0°C to 70°C
XR-1007CP/CN	Plastic/Ceramic	8	CH/1.0 dB	100	0°C to 70°C
XR-1008CP/CN	Plastic/Ceramic	8	CH/1.0 dB	50	0°C to 70°C



XR-1000-1008

ABSOLUTE MAXIMUM RATINGS

Power Supply $V^+ + V^- $	14 Volts
Power Dissipation	
14-Pin	750 mW
8-Pin	500 mW
Derate Above 25°	
14-Pin	6 mW/°C
8-Pin	2.5 mW/°C
Storage Temperature Range	-65°C to +150°C

PIN DESCRIPTIONS

V^+ , V^- ,—The power supplies are applied to these pins. The XR-1000 series will operate over a range of 5V to 14V with a single supply, or $\pm 2.5V$ to $\pm 7V$ for dual supplies.

Filter In—The raw signal, biased to mid-supply or capacitively coupled, is applied to this pin.

Clock Input (CLK IN)—A dual purpose Schmitt trigger, accessed at this pin, aids system flexibility by allowing either an external CMOS level clock or generation of an internal clock signal (self clocking) with an external resistor and capacitor. See CLK R for further information.

Clock Resistor (CLK R)—A TTL level clock may be applied here. Alternately, a resistor connected between CLK R and CLK IN and a capacitor from CLK IN to ground, allows self clocking operation with the internal Schmitt trigger.

Level Shift (L.SH)—The level shift pin provides clock selection and switching thresholds. The voltage at L.SH determines the threshold of the clock level shift stage, which converts either external TTL, external CMOS, or the internally generated clock signal to full V^+ to V^- excursions. Comparison threshold voltage level is two volts above the voltage on L.SH. For TTL clocks, L.SH should be held at power supply ground and dual supplies of $\pm 5V$ or greater must be employed. For CMOS

or internal clocking, connect L.SH to V^- (or ground, with single supplies). Forcing L.SH to V^+ disables the filter.

Analog Ground (AGND)—The analog, or signal ground should be directly connected to system power supply ground for dual supply operation. This pin is internally biased to $(V^+ + V^-)/2$, and should be heavily bypassed with capacitors to power supply ground for single supply operation. In noisy environments, performance may be improved with an additional bypass capacitor to V^+ .

Filter Out—The filter output will typically source 3 mA and sink 0.9 mA. With a 5k Ω or larger load resistance, the output will typically swing to within 1V of either supply.

Frequency Ratio Select (50/100)—(XR-1000 only) The clock to center frequency ratio is determined by this pin. When tied to V^+ , the ratio is 50:1, when tied to V^- , 100:1 operation is selected.

Filter Response Select (RLO and RL1)—(XR-1000 only) The desired filter response is selected by programming these pins. Logic 1 is V^+ , logic 0 is V^- . Table 1 depicts the programming necessary to select the various options available from the XR-1000.

Table 1. XR-1000 Programming

RLO	RL1	50/100	RESPONSE	RIPPLE	f_{CLK}/f_c
0	0	0	Butterworth	X	50:1
0	0	1	Butterworth	X	100:1
0	1	0	Chebyshev	0.01 dB	50:1
0	1	1	Chebyshev	0.01 dB	100:1
1	0	0	Chebyshev	0.1 dB	50:1
1	0	1	Chebyshev	0.1 dB	100:1
1	1	0	Chebyshev	0.5 dB	50:1
1	1	1	Chebyshev	0.5 dB	100:1

FSK Modem Filter

GENERAL DESCRIPTION

The XR-2103 is a Monolithic Switched-Capacitor Filter designed to perform the complete filtering function necessary for a Bell 103 Compatible Modem. The XR-2103 is specifically intended for use with the XR-14412 Modulator/Demodulator to form a complete stand alone two-chip modem. In addition to complete high and low bandpass filters, the XR-2103 contains internal mode switching, auto-zeroing limiter and dedicated duplexer op amp. An on board carrier detect circuit is also included to complete the overall system. Designed for crystal-controlled operation, the XR-2103 may operate from a 1.0 MHz or 4.0 MHz crystal or external clock. A 1 MHz buffered clock output is provided for the XR-14412. A self-test circuit is included.

The XR-2103, available in a 20 pin package, utilizes CMOS technology for low power operation with a supply voltage range from 4.75V to 15V.

FEATURES

- Single 5 Volt Operation
- 4.0 MHz/1 MHz Clock Input—Slaveable
- Complete On Board Output Active Filters
- Low Supply Current
- Internal Answer/Originate Mode Switching
- Programmable Input Receive Gain
- Carrier Detect Output
- Active Duplexer

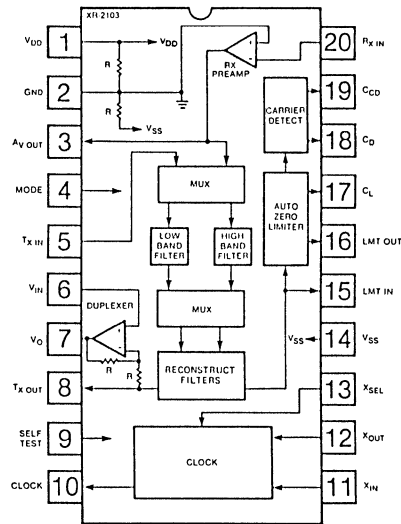
APPLICATIONS

Bell 103 Transmit/Receive Filtering
 Complement to XR-14412 or other Modulator/
 Demodulators

ABSOLUTE MAXIMUM RATINGS

Power Supply	16V
Power Dissipation	1.0W
Derate Above 25°C	5.0 mW/°C
Operating Temperature	0°C to 70°C
Storage Temperature	-65°C to 150°C
Any Input Voltage	(V _{DD} + 0.5V) to (V _{SS} - 0.5V)

FUNCTIONAL BLOCK DIAGRAM



ORDERING INFORMATION

Part Number	Package	Operating Temperature
XR-2103CP	Plastic	0°C to 70°C
XR-2103CN	Ceramic	0°C to 70°C

SYSTEM DESCRIPTION

The XR-2103 internally consists of four main signal blocks. They are: input and output multiplexers to route the transmit and receive signals to the proper filter and output, according to the mode input; high and low band filters, 6 poles each, to perform precise bandpass filtering; output RC active filters to perform output reconstruction and filtering; carrier detection circuit for system interfacing.

An input amplifier with programmable gain is provided for the receive signals. The XR-2103 contains an internal clock oscillator which accepts either a crystal or an external oscillator of 1 MHz or 4 MHz.

XR-2103

ELECTRICAL CHARACTERISTICS

Test Conditions: $V_{DD} = 5V$, $V_{SS} = 0V$, $X_{IN} = 4.0\text{ MHz}$, $X_{sel} = V_{DD}$, $T_J = 25^\circ\text{C}$, unless otherwise specified.

SYMBOL	PARAMETERS	MIN	TYP	MAX	UNIT	CONDITIONS
V_{DD} I_{DD}	Power Supply Voltage Range Power Supply Current	4.75	8	15 10 35	V mA	$V_{SS} = 0$ $V_{DD} = 5V$ $V_{DD} = 15V$
ANALOG SECTION RECEIVE AMPLIFIER						
V_{OS} A_{OL} I_B SR	Offset Voltage Open Loop Gain Input Bias Current Slew Rate Output Swing	-50	66 1 4.5	50	mV dB pA $V/\mu\text{s}$ Vp-p	$R_L = 100k$ $R_L = 100k$ to GND (Pin 2)
DUPLEXER						
V_{OS}	Isolation Output Swing Offset Voltage	3 -100	20 4.5	100	dB Vp-p mV	$R_2 = \text{Line Resistance} = 600\ \Omega$
LIMITER						
	Output Symmetry Error Output Swing Output Current		± 15 4 100	± 2.0	% Vp-p μA	$C_C = 1\ \mu\text{f}$ Deviation from 50% $R_L = 1\ \text{meg}$ Duty Cycle $R_L = 1k$
CARRIER DETECT						
V_{th} t_{on} t_{off}	Threshold Voltage Hysteresis Turn On Time Turn Off Time	2	-48 4 ≥ 100 ≤ 100	6	dBm dB msec msec	Receive Amplifier Gain = 14 dB $C_{cd} = 0.1\ \mu\text{F}$, $V_{in} = -48\ \text{dBm}$
LOW BAND FILTER						
f_o BW V_{fs} A_r DR PSRR GD	Center Frequency Bandwidth Full Scale Input Pass Band Gain Dynamic Range Power Supply Rej. Pass Band Ripple High Band Rejection Differential (Group) Delay Clock Feedthrough	1160	1170 500 2.5 4 50 15 40 200 -60	1180 500 2.5 4 50 15 2 500	Hz Hz Vp-p dB dB dB dB dB μs dBV	$f = 2\ \text{KHz}$ p-p 1070 Hz-1270 Hz 2025 Hz-2225 Hz
HIGH BAND FILTER						
f_o BW V_{fs} A_r DR PSRR GD	Center Frequency Bandwidth Full Scale Input Pass Band Gain Dynamic Range Power Supply Rej. Pass Band Ripple Rejection Differential Delay (Grp.) Clock Feedthrough	2105	2125 500 2.5 4 50 18 40 200 -60	2145 500 2.5 4 5 2 500	Hz Hz Vp-p dB dB dB dB μs dBV	$f = 1\ \text{kHz}$ p-p 2025 Hz-2225 Hz 1070 Hz-1270 Hz 2025 Hz-2225 Hz 62.5 kHz
TRANSMIT						
V_{OS}	DC Offset Voltage Output Swing Output Current	2.2	1.2	100	mV Vp-p mA	$R_2 = \text{Line Resistance} = 600\ \Omega$
DIGITAL CMOS LOGIC LEVELS ($V_{DD} = 5V$, $V_{SS} = 0V$)						
V_{ih} V_{il} I_{oh} I_{ol} I_{oh} I_{ol} f_c f_x	Input Voltage Input Voltage Output Current Output Current Output Current Output Current Clock Frequency Crystal Frequency	1.5	2.75 2.25 500 1000 100 200 1.0 4.0	3.5	V V μA μA μA μA MHz MHz	'1' Level '0' Level '1' Level CLK OUT '0' Level CLK OUT '1' Level X OUT '0' Level X OUT

XR-2103

OPERATING PRINCIPLES

The XR-2103 contains all the filtering and multiplexing functions necessary for a Bell 103 type (300 baud) FSK modem. A complete modem requires only the XR-2103, the XR-14412, and telephone line interfacing hardware. A description of the main functional blocks follows.

Bandpass Filtering: Two six pole, 500 Hz bandwidth switched capacitor filters, designed for Bell 103 standard center frequencies of 1170 Hz (low band) and 2125 Hz (high band), constitute the main portion of the device. Both filters feature +4 dB passband gain, 50 dB dynamic range, and more than 40 dB opposite band rejection. Filter response curves are depicted in Figure 3. On board multiplexing allows using these filters for both transmitting and receiving. Active low pass filters reconstruct the time sampled output signals, characteristic of switched capacitor filters, and attenuate the unwanted energy above 15 kHz.

Duplexer: An operational amplifier is employed as an active two to four wire converter (duplexer). The two phone wires are "split" into transmit and receive components for proper processing; the transmit output from Pin 8 is applied to the lines through a resistor and the received signal is drawn from the line and routed into a preamplifier. Transmit energy appears as a common mode signal, hence does not appear on the duplexer output. The received signal, meanwhile, is amplified by two. Isolation is maximized when the transmit injection resistor (between Pins 6 and 8) is equal in magnitude to the phone line impedance (600 Ω nominal). Transmit signal levels are typically -9 dBm. Received signals can vary over a 50 dB dynamic range.

Received Carrier Amplifier: An operational amplifier, with its inverting input on Pin 20 and output on Pin 3, serves as a received carrier amplifier. Duplexer output (Pin 7) is routed to Pin 20 through a 100 k Ω or larger resistor. Gain, typically 5 (14 dB), equals the ratio of the feedback resistor (Pin 3 to Pin 20) to the input resistor (Pin 7 to Pin 20). The non-inverting input is internally biased to

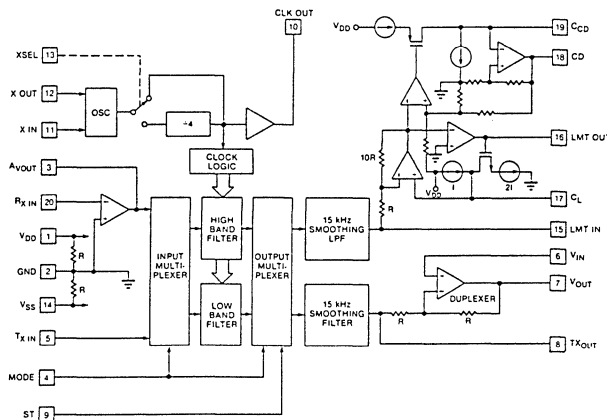
one half supply. The amplifier features open loop gain of 66 dB, output swings of 4.5 Vp-p, and a slew rate of 2V/ μ s. This pin-out allows flexible signal processing capabilities: for example, an input low pass filter for eliminating aliasing is easily achieved.

Auto-Zeroing Limiter: An automatic offset zeroing comparator (limiter) compensates for errors caused by system offset voltages and currents, and converts the received carrier into an accurate 50% duty cycle waveform. The resultant square wave on Pin 16 is at digital logic levels and can interface directly with the modulator/demodulator circuit.

Carrier Detector: An on board carrier detection circuit simplifies total system interfacing. Carrier detect output (Pin 18) pulls low when a suitable signal is received. With 14 dB of gain in the receiver preamplifier, the threshold level is -48 dBm and has 4 dB of hysteresis. Turn on/off delay time is externally programmable by a capacitor from Pin 19 to ground. A 0.1 μ F unit yields 100 ms; delay is directly proportional to capacitance.

Clocking: Filter frequency accuracy is directly related to the clock frequency. The device operates within specifications with a 1 MHz clock, provided by either a 1 MHz or 4 MHz crystal (divided down internally) or by sharing the 1 MHz clock signal from the XR-14412. The device will operate at other clock frequencies, but the filter center frequencies will differ. The crystal and a parallel 10 M Ω resistor are attached between Pins 11 and 12. The crystal should be series resonant with a shunt capacitance less than 9 pF. Pin 13, when high, divides the input frequency by 4; when low, the internal prescaler is bypassed. Pin 10 is the clock output for interconnection with other devices.

Self Test: An on board self test diagnostic activates an analog loop-back mode: the transmit carrier is routed through the proper filter and back through the receive carrier preamplifier and filters, allowing performance verification of all systems.



EQUIVALENT SCHEMATIC DIAGRAM

XR-2103

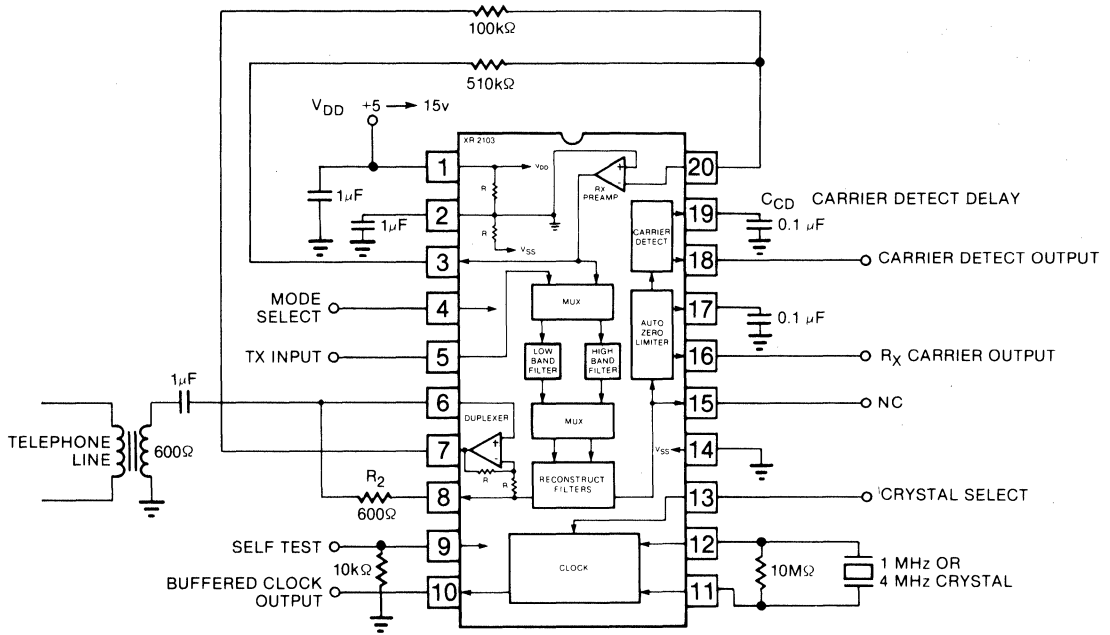


Figure 1. Basic Applications Circuit

STATE LOGIC INPUT	0	1
MODE	ANSWER	ORIGINATE
ST	NORMAL OPERATION	SELF TEST MODE
XSEL	1 MHZ	4 MHZ

Figure 2. Control Inputs

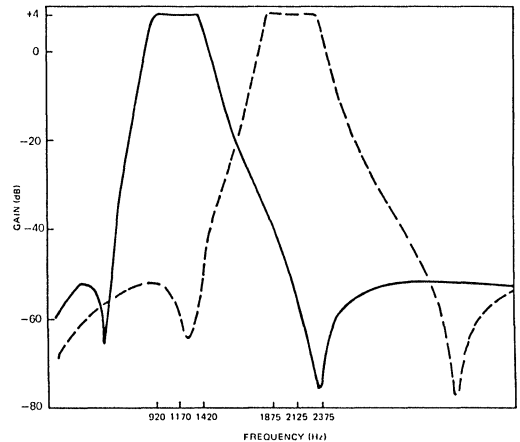


Figure 3. Filter Characteristics

XR-2103

APPLICATIONS

The Bell 103 compatible modem of Figure 4 consists of the XR-2103 FSK modem filter and the XR-14412 FSK modulator/demodulator. Designed for full duplex 300 baud operation, the circuit requires only telephone line and computer interfacing. The entire system uses a single 5V supply, and performs both answer and originate functions. Answer/Originate selection is controlled by the mode input; low inputs select answer, high selects originate.

The telephone line is connected via an isolation transformer to the duplexer input (Pin 6) of the XR-2103. A resistor, equal to the line resistance, attaches from Pin 6 to the transmit output (Pin 8) and couples the transmit signal to the line. The received signal is removed from the line via the duplexer (also called a "two to four wire converter" or "hybrid"). Duplexer output is coupled through the receive carrier preamplifier into the multiplexer, where the proper band pass filter is selected. Transmit energy is seen as a common mode signal and does not appear on the duplexer output.

If the system is in the originate mode (mode pin pulled high), the received signal passes through the low band filter. Then, the sampled signal is reconstructed by an on board RC active low pass filter and is fed into the

limiter and carrier detect circuit. Carrier detect output (Pin 18) pulls low after a 100 ms delay, controlled by the $0.1 \mu\text{F}$ capacitor on the C_{CD} pin (Pin 19). The limiter circuit compensates for circuit imperfections (offset voltages, etc.), and outputs a 50% duty cycle waveform to the demodulator input (Pin 1) of the XR-14412. The demodulated data appears on Pin 7 of the XR-14412.

Transmit data is applied to the modulator input (Pin 11) of the XR-14412. Depending on mode, originate or answer, the data modulates either the high or low band. The modulated signal exits Pin 9 and is applied to the transmit multiplexer input (Pin 5) of the XR-2103; is filtered, reconstructed, and sent into the duplexer and the phone line.

One shared time base is employed: here, the oscillator of the XR-2103 serves both devices. Buffered output is routed from Pin 10 of the XR-2103 into Pin 4 of the XR-14412. With a 1 MHz crystal, the oscillator divide by four prescaler is bypassed—Pin 13 is held low. With Pin 13 high, a 4 MHz crystal is used.

This circuit requires no adjustments. With suitable telephone line coupling and data system interfacing, this modem realizes its goals of high performance and reliability at low cost.

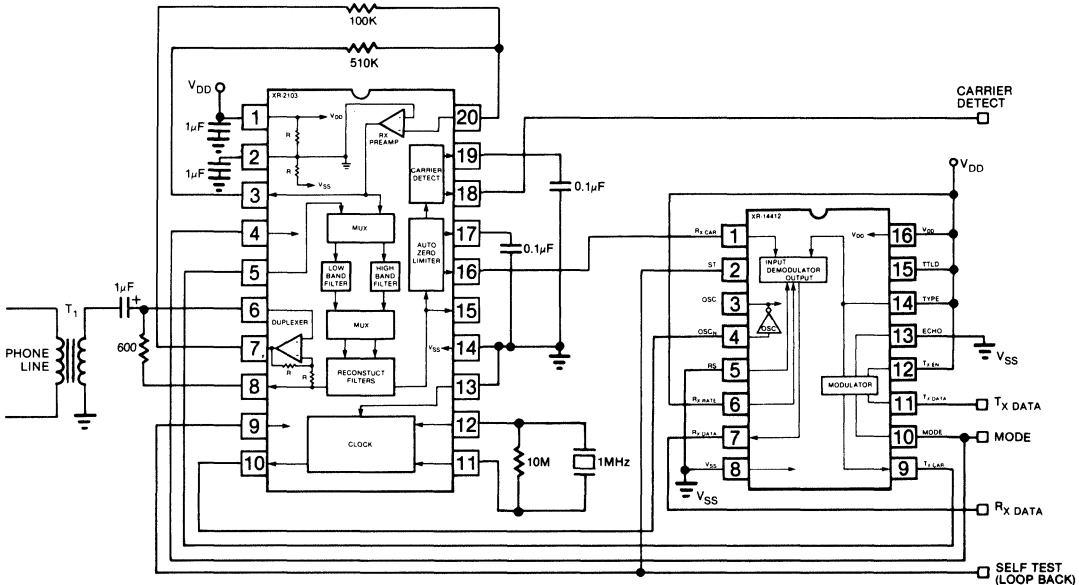


Figure 4. Bell 103 Compatible Modem



PSK Modem Filter

GENERAL DESCRIPTION

The XR-2120 is a self-contained bandpass filter set designed for realization of Bell 212A compatible 1200 bits/sec PSK Modems. The XR-2120 utilizes CMOS technology and switched capacitor circuit techniques to minimize external components to a single crystal or frequency source. Contained in the device are two complete bandpass filters centered around the Bell standard 1200 Hz and 2400 Hz send and receive frequencies. These filters also provide compromise line equalization. Additional features included are digitally programmable transmit and receive gains as well as input anti-aliasing and complete output smoothing filters. Separate V_{SS} pins for transmit, receive, and digital sections are provided to minimize crosstalk.

The XR-2120, available in a 22-Pin package (0.4 inch wide), is designed to operate from a single 12 volt or dual 6 volt supplies.

FEATURES

- On-board Crystal Oscillator With Buffered Output
- Internal Anti-aliasing Filters
- Complete On-board Output Active Filters
- Digitally Programmable Transmit and Receive Gains
- MODE Input Internally Switches Filters for Answer/Originate
- Single or Split Supply Operation
- Center Frequencies Movable with Input Clock
- High-Impedance Inputs (100 $k\Omega$ min)
- Low Supply Current
- 1% Center Frequency Accuracy
- Separate CLK IN and CLK OUT Pins

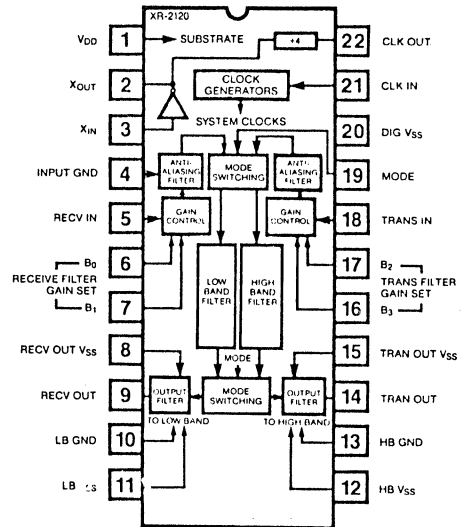
APPLICATIONS

- Bell 212A Transmit/Receive Filtering
- Answer Back Signal Filtering

ABSOLUTE MAXIMUM RATINGS

Power Supply	16 V
Power Dissipation	1.0 W
Derate above 25°C	5 mW/°C
Operating Temperature	0°C to 70°C
Storage Temperature	-65°C to 150°C
Any Input Voltage	($V_{DD} + 0.5V$) to ($V_{SS} - 0.5V$)
DC Current Into Any Input	± 1 mA

FUNCTIONAL BLOCK DIAGRAM



ORDERING INFORMATION

Part Number	Package	Operating Temperature
XR-2120CN	Ceramic	0°C to +70°C
XR-2120CP	Plastic	0°C to +70°C

SYSTEM DESCRIPTION

The XR-2120 is comprised of four main signal blocks: The digitally programmable gain amplifier, an input anti-aliasing switched capacitor filter, switched capacitor bandpass filters at 1200 Hz and 2400 Hz, and output RC active filters. These sections serve to: (1) Amplify and condition incoming signals, (2) remove noise which can cause aliasing problems in the bandpass filters, (3) provide very precise bandpass filtering and phase compensation, and (4) perform output reconstruction and filtering. To perform these necessary filtering and phase compensation functions, a total of 48 poles are used in the XR-2120.

The programmable gain stages provide 4 selectable gains for transmit or receive. Separate clock output and input pins are provided for flexibility.

XR-2120

ELECTRICAL CHARACTERISTICS

Test Conditions: $V_{DD} = 6V$, $V_{SS} = -6V$, $X_{fN} = 4.032 \text{ MHz}$ (CLK IN = 1.008 MHz), $T_J = 25^\circ\text{C}$, unless otherwise specified.

SYMBOL	PARAMETERS	MIN	TYP	MAX	UNIT	CONDITIONS
DIGITAL SECTION						
CLK OUT	CLK OUT Drive Capability			50	pF	
I_I	Digital Input Current			1.0	$\mu\text{A DC}$	
V_{IL}	Digital Input Voltage	V_{SS}		$V_{SS} + 2$	V	For "0" Level
V_{IH}		$V_{dd} - 2$		V_{dd}	V	For "0" Level
ANALOG SECTION						
f_{OL}	Filter Center	1190	1200	1210	Hz	Low Band
f_{OH}	Frequencies	2380	2400	2420	Hz	High Band
BW	3 dB Bandwidth		960		Hz	Either Band
R_I	Input Impedance	100K			Ohms	
C_I	Input Capacitance			10	pF	
f_{SI}	Anti-Aliasing Filter Sampling Frequency		504		kHz	
f_{SB}	High/Low Band Sampling Frequency		126		kHz	
	Tran/Recv Output Drive Capability	10K		50	Ohms pF	
	Output Clock Feedthrough			2	mV rms	at 126 kHz
e_{o100}	Output Noise		160		$\mu\text{V rms}$	In Passbands (100 Hz BW)
e_{o1000}	Output Noise		700		$\mu\text{V rms}$	In Passbands (1 kHz BW)
$e_{i\text{range}}$	Dynamic Range of Filters		85		dB	Note 1
$V_{o\text{sw}}$	Output Voltage Swing	7.2	8.2		V pp	Note 2
2ndHarm	2nd Harmonic Content		-60		dB	$f_{fN} = 1200 \text{ Hz}$ Referenced to Fundamental
T_{SW}	Mode Switching		10		ms	
I_{DD}	Supply Current		18	27	mA	
V_{SUP}	Supply Voltage Range	± 4.75 9.5	± 6 12	± 7.5 15.0	V V	V_{dd} Reference to V_{SS}

Note 1: Dynamic range is defined as: $e_{i\text{range}} = 20 \text{ Log}(V_{o\text{sw}}/e_o)$.

Note 2: $V_{o\text{sw}}$ is the maximum output swing before output clipping occurs.

XR-2120

PRINCIPLES OF OPERATION

Figure 1 shows the typical connection for the XR-2120 in a split supply configuration. In this mode, Pins 4, 10, and 13, are simply tied to ground. For single supply operation, Pins 10 and 13 internally bias to half supply and should be externally bypassed with 2.2 μF capacitors. Pin 4 does not internally dc bias, however, Pin 10 or 13 can provide it with a half supply bias point. In this connection, a 10 k Ω resistor should be used between Pin 4, and Pin 10 or 13, with Pin 4 bypassed with a 2.2 μF capacitor.

Signal flow is illustrated as shown in Figure 2. The transmit or receive signal will follow a path through four internal blocks. First it passes through a digitally programmable gain stage. The gain, as a function of a 2-Bit digital input, is shown in Figure 3. Next, the signal passes through a two-pole anti-aliasing low-pass filter at 12 kHz. This is used to remove noise around the main filter switching frequency of 126 kHz. The anti-aliasing filter is also a sampled-data filter, but is switched at a much higher rate of 504 kHz. It is necessary, therefore, to ensure that wideband noise above 252 kHz is not present at the inputs. In noisy environments a sin-

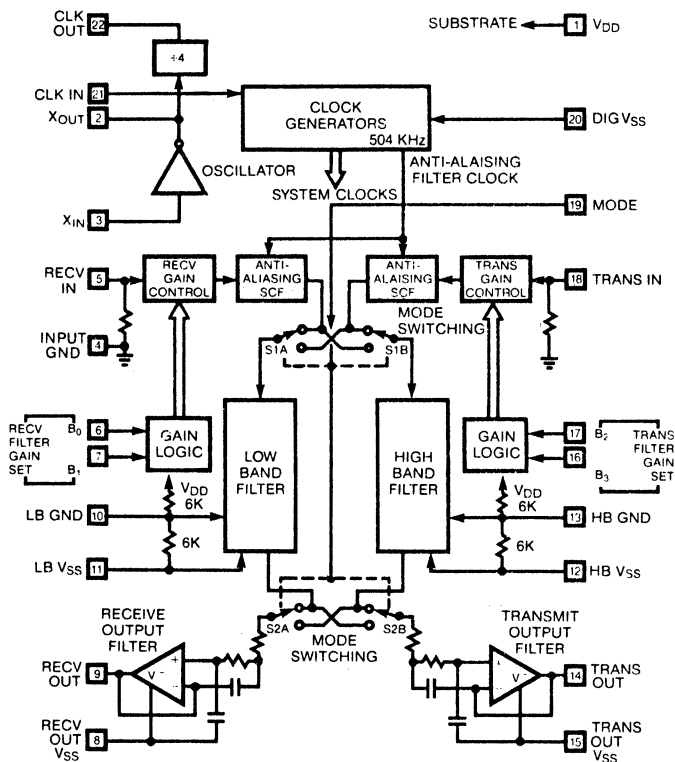
gle noise pole RC filter at 30 kHz is usually sufficient for filtering input noise. The third signal block is the main bandpass filtering section at 1200 Hz or 2400 Hz, depending on the mode selected. The last section is the output smoothing filter; a two-pole RC active filter used to reconstruct the signal from its sampled data form.

The mode input pin is used to direct the transmit and receive signals to the appropriate filter section. Figure 4 shows mode selection logic convention.

The XR-2120 is designed to be operated with a 4.032 MHz crystal between the X_{IN} and X_{OUT} pins. The 4.032 MHz is divided by four and output on the CLK OUT pin, Pin 22. For normal operation, the CLK OUT pin, Pin 22. For normal operation, the CLK IN pin, Pin 21; however, the bandpass center frequencies can be decreased by providing a divider between these two pins. An external CLK can be used by inputting a 1.008 MHz clock into the CLK IN pin, or a 4.032 MHz clock into the X_{IN} pin.

Figure 5 shows circuitry suitable for translating TTL signals to the CMOS levels required by all XR-2120 digital inputs. The amplitude and group delay characteristics of the XR-2120 are shown in Figures 6 through 8.

EQUIVALENT SCHEMATIC DIAGRAM



XR-2120

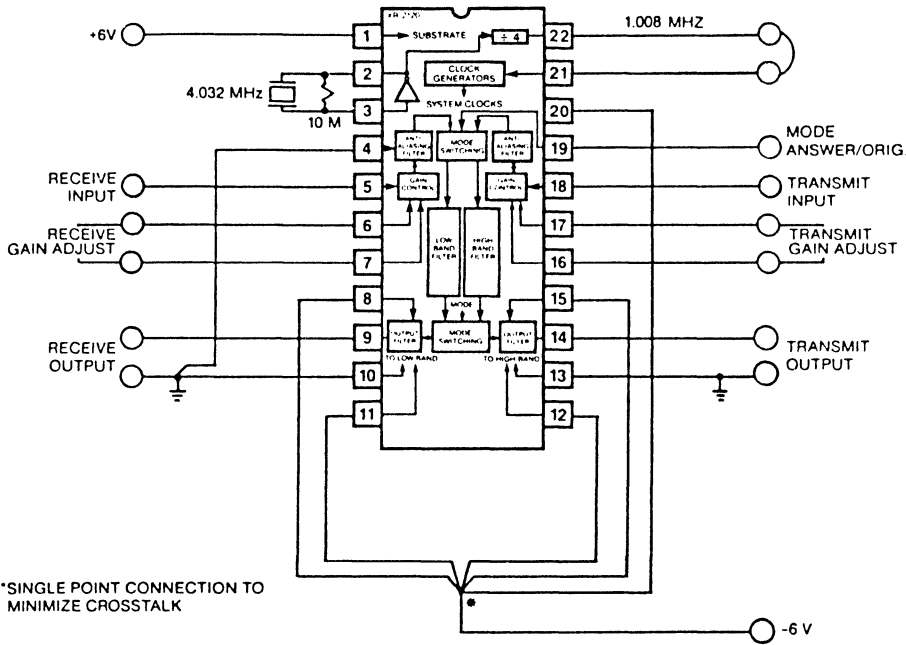


Figure 1. Typical Split Supply Connection.

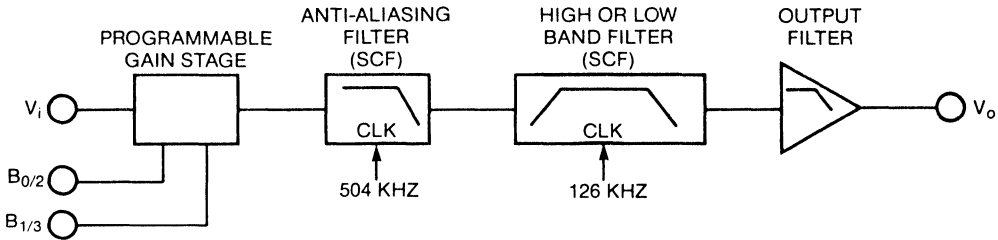


Figure 2. Signal Path

B1 / B3	B0 / B2	INPUT GAIN (dB)	
0	0	0	
0	1	6	
1	0	10	1 = Logic High
1	1	14	0 = Logic Low

Figure 3. Gain Programming (Nominal Gain as shown in Fig. 6)

1

XR-2120

MODE PIN	TRANSMIT	RECEIVE	TERMINOLOGY
1	Low Band	High Band	Originate
0	High Band	Low Band	Answer

Figure 4. Mode Selection Logic

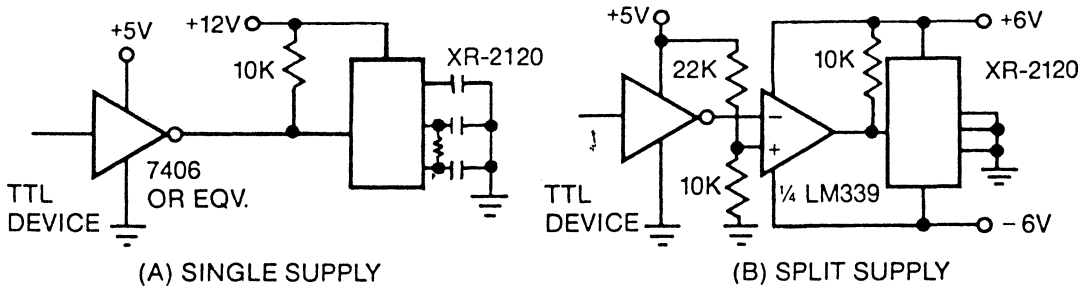


Figure 5. TTL Interfacing of Digital Inputs

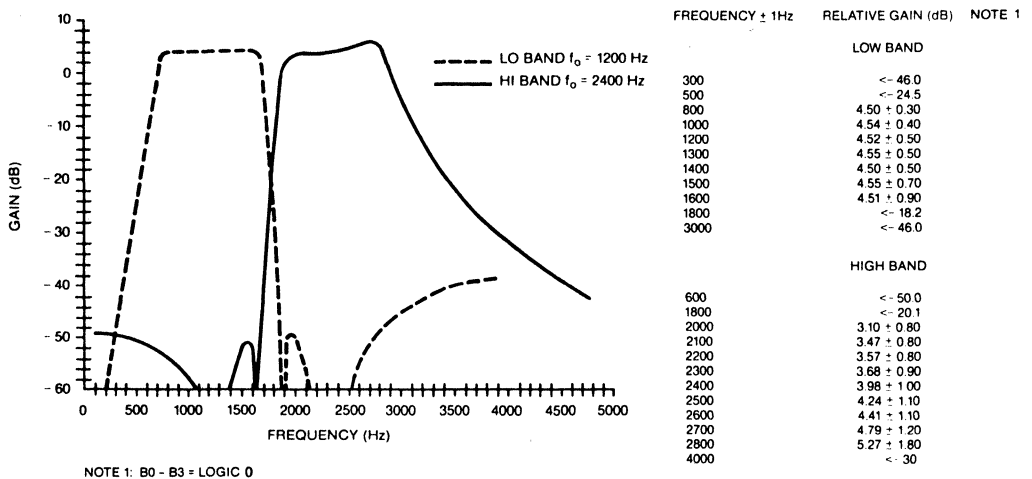


Figure 6. High and Low Band Amplitude Response

XR-2120

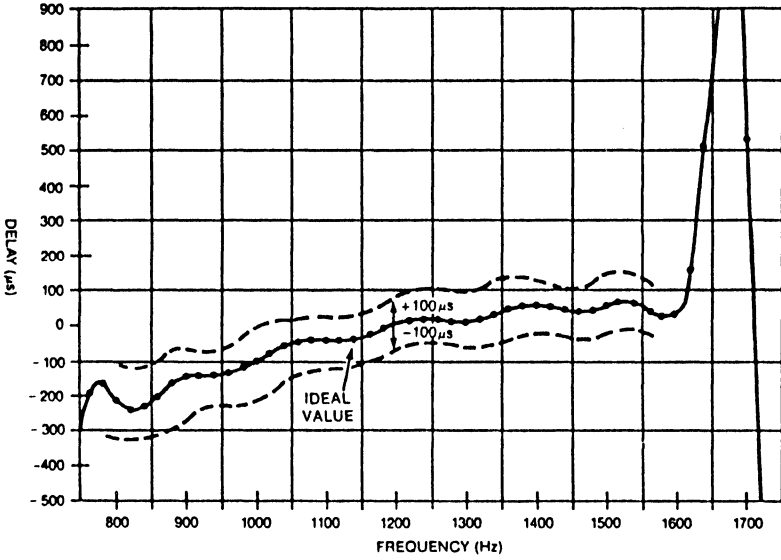


Figure 7. Low Band Group Delay Characteristics

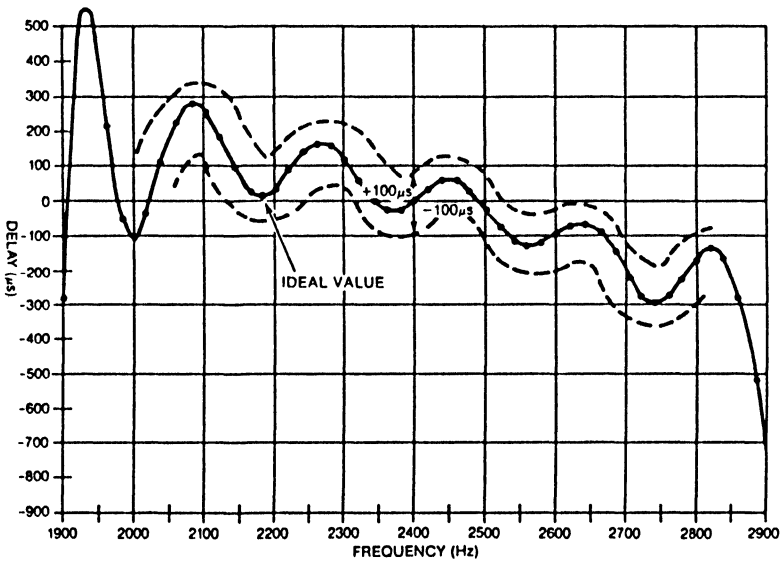


Figure 8. High Band Group Delay Characteristics

212A/V.22 Modem Filter

GENERAL DESCRIPTION

The XR-2120A is a filter system for performing the complete filter function for Bell 212A or CCITT V.22 type modems. The XR-2120A supplies both transmit and receive filtering functions for the standard 1200 Hz and 2400 Hz 212A/V.22 carrier frequencies. Also supplied are mode switching, internal clock generators, input anti-aliasing filters, output reconstruction filters, and digitally controlled transmit and receive gains. Additional features included are CCITT notch filters, additional pin selectable equalization for worst case phone lines and complete analog loopback function.

The XR-2120A utilizes silicon gate CMOS technology and switched-capacitor circuit techniques to minimize external components and enhance overall performance.

The XR-2120A, available in a 24-Pin Package, is designed to operate from dual 5 volt or a single 10 volt power supply.

FEATURES

- 1200 Hz/2400 Hz Transmit and Receive Bandpass Filters
- Mode Switching for Answer/Oriinate
- Internal Anti-Aliasing Filters
- Complete On-Board Output Reconstruction Filters
- Self-Contained Analog Loopback Function
- Digitally Programmable Transmit and Receive Gains
- Additional Pin-Selectable Equalization for Worst Case Phone Lines
- Single or Split Supply Operation
- Low Supply Current
- CCITT Notch Filter (1800 Hz)
- Center Frequencies Movable with Clock Input

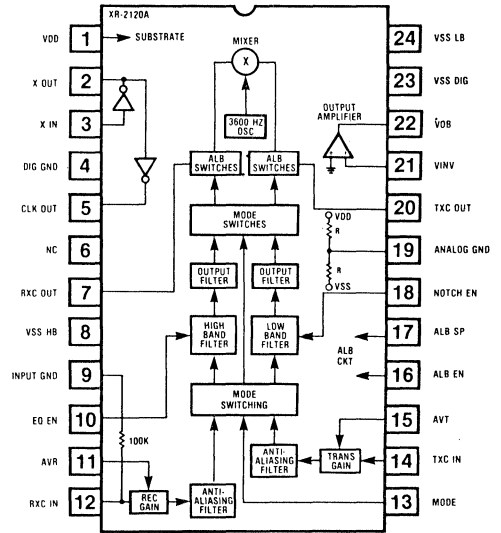
APPLICATIONS

- Bell 212A/CCITT V.22 Transmit and Receive Filtering
- Answer Back Signal Filtering

ABSOLUTE MAXIMUM RATINGS

Power Supply	11V
Power Dissipation	1.0W
Derate Above 25° C	5 mW/°C
Operating Temperature Range	0° C to 70° C
Storage Temperature Range	-65° C to 150° C
Any input Voltage	V _{SS} - 0.3V to V _{DD} + 0.3V

FUNCTIONAL BLOCK DIAGRAM



ORDERING INFORMATION

Part Number	Package	Operating Temperature
XR-2120ACN	Ceramic	0° C to 70° C
XR-2120ACP	Plastic	0° C to 70° C

SYSTEM DESCRIPTION

The XR-2120A is made up of five main signal blocks; Digitally programmable gain transmit and receive amplifiers, input anti-aliasing filters, switched capacitor bandpass filters centered at 1200 Hz and 2400 Hz, output RC active filters, and 3600 Hz oscillator and mixer. These blocks serve to (1) Amplify and condition incoming signals, (2) Remove noise and signals which may cause aliasing problems in the bandpass filters, (3) Provide precise bandpass filtering and phase equalization, (4) Provide output reconstruction and filtering, and, (5) Perform analog loop back functions.

XR-2120A

ELECTRICAL CHARACTERISTICS

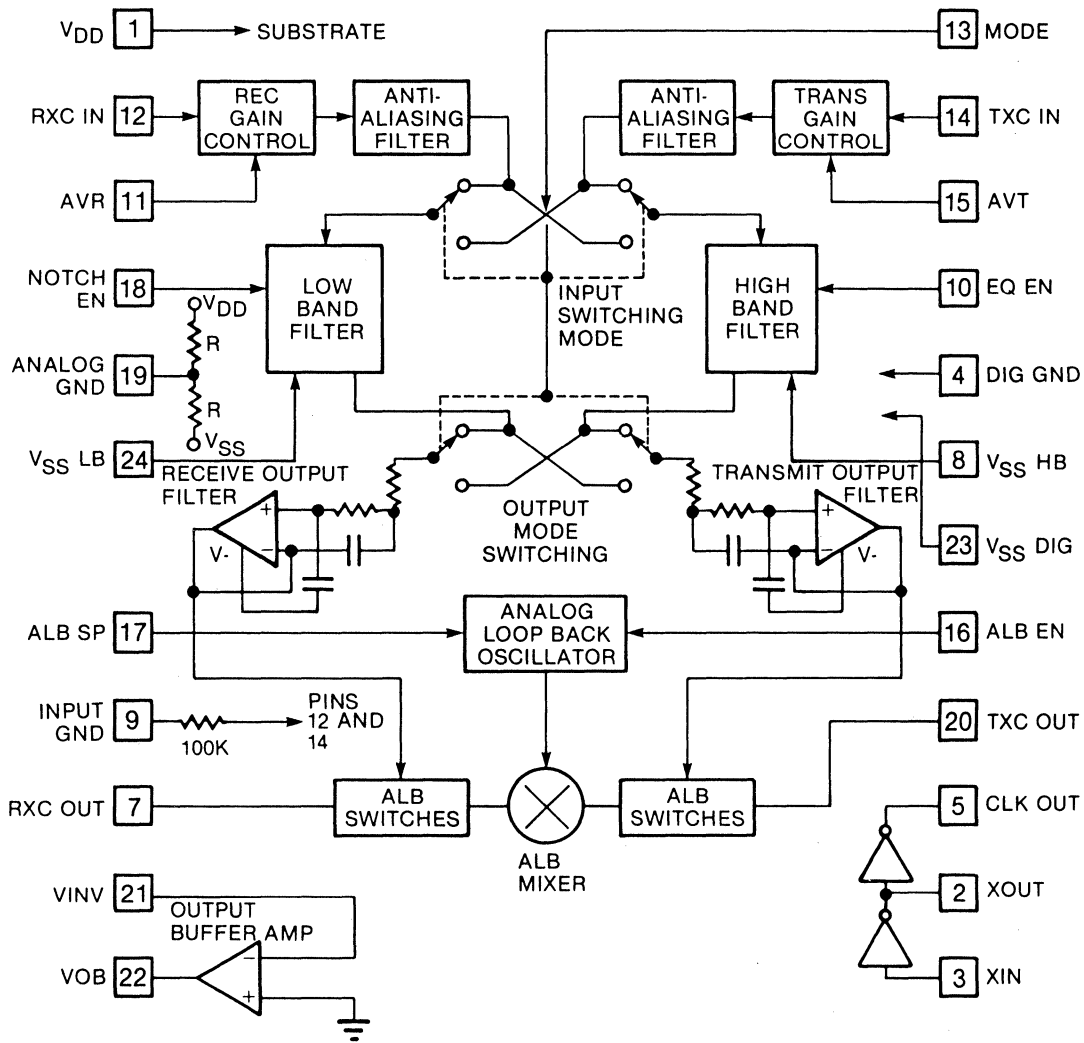
Test Conditions: $V_{DD} = 5V$, $V_{SS} = -5V$, $X_{IN} = 1,8432 \text{ MHz}$, $T_J = 25^\circ\text{C}$, unless otherwise specified.

SYMBOL	PARAMETER	MIN	TYP	MAX	UNITS	CONDITIONS
V_{DD}	Power Supply	4.75	5.0	5.25	V	
V_{SS}	Voltage	4.75	-5.0	-5.25	V	
I_{DD}	Power Supply		20	40	mA	
I_{SS}	Current		-20	-40	mA	
DIGITAL SECTION						
CLK OUT	CLK OUT Drive Capability			50	pF	
I_I	Digital Input Current			10	μA	$V_{IN} = V_{DD}$ or GND
V_{IH}	Input High Voltage	2.4			V	
V_{IL}	Input Low Voltage			0.8	V	
V_{OH}	Output High Voltage	2.6			V	$I_{OH} = 400 \mu\text{A}$
V_{OL}	Output Low Voltage			0.5	V	$I_{OL} = 1.6 \text{ MA}$
ANALOG SECTION						
f_{ol}	Bandpass Center	1190	1200	1210	Hz	See Note 1
f_{ob}	Frequencies	2380	2400	2420	Hz	See Note 1
BW	3 dB Bandwidth of Filters		± 480		Hz	Either Band See Note 1
A_{vt}	Transmit Gain at	5	6	7	dB	$A_{vt} = \text{HIGH}$
A_{vt}	Center Frequency	14	15	16	dB	$A_{vt} = \text{LOW}$
A_{vr}	Receive Gain at	10	11	12	dB	$A_{vr} = \text{LOW}$
A_{vr}	Center Frequency	19	20	21	dB	$A_{vr} = \text{HIGH}$
R_i	Input Impedance		100		Kohm	
C_i	Input Capacitance			10	pF	
e_j range	Input Dynamic Range		80		dB	$R_L = 600 \text{ ohm}$
Vo swing	Output Voltage Swing	7.2	8.2		Vp-p	
CHSEP	Channel Separation	60			dB	See Note 2

Note: 1. Filter Characteristics Shown in Figure
2. Test Circuit Shown in Figure



XR-2120A



EQUIVALENT SCHEMATIC DIAGRAM

Modems

Modem Basics

GENERAL INFORMATION

The **modem** or **modulator/demodulator** serves as the inter-connecting link for digital equipment to communicate over telephone or other wire media. As shown in Figure 1 the modem encodes (modulates) incoming binary data into signals suited for transmission over the available media.

Conversely on the opposite end, the other modem decodes (demodulates) the received signals from the line. In this figure, Rxd_2 (received data) would be identical to that of Txd_1 and Rxd_1 equal to Txd_2 . That is a properly operating modem receiving an encoded signal would reproduce at its output exactly what the transmitting modem had at its Txd input. The modem initiating the "conversation" is termed the **originate** and the receive modem the **answer**. Figure 1 illustrates modems which have the ability to communicate both directions, which when able to do simultaneously is known as **full-duplex** operation. This same communication in both directions but only one direction at a time is **half-duplex** operation. Communication in only one direction is **simplex** operation. These modes of operation can be likened to a television for simplex, a CB which has to be keyed to talk for half duplex and a telephone for full duplex where both parties can talk at once.

Modem speeds of transmitting and receiving are specified in **BPS** (bits per second). This term describes the number of binary data bits that can be transmitted per second. For low speed modems, **baud rate** is interchangeably used in place of BPS. **Low** speed modems are usually those with 0 to 1200 BPS, **medium** speed for 2400 to 9600 BPS, and those above 9600 BPS **high** speed. Most modems are generally classified according to which **Bell** (US) or **CCITT** (European) standard they conform to. This standard indicates the modem speed, operation and encoding technique used. Figure 2 shows the most popular low and medium speed standards used.

BINARY DATA TO BE TRANSMITTED

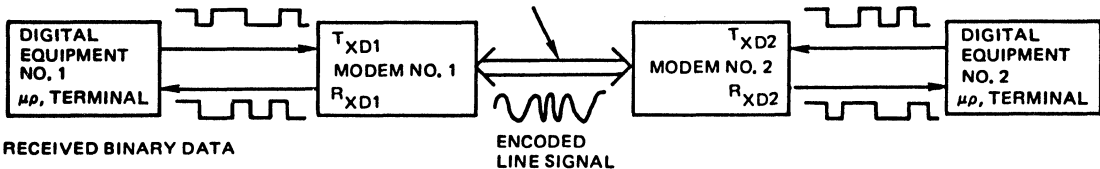


Figure 1. Modem System Block Diagram

MODULATION TECHNIQUES

Many types of encoding formats are used in modems, with the speed of the modem and type of media usually the determining factors. Here the two most popular will be discussed, FSK and PSK.

FSK or frequency shift keying, illustrated in Figure 2, encodes binary data into two discrete frequencies.

STANDARD	SPEED	OPERATION	ENCODING TECHNIQUE
103	0-300 BPS	Full-Duplex	FSK
201	1200 BPS	Half-Duplex	PSK
202	1200 BPS	Half-Duplex	FSK
212A	0-300 1200	Full-Duplex	FSK PSK
(A)			
V.21	0-300 BPS	Full-Duplex	FSK
V.22	1200 BPS	Full-Duplex	PSK
V.23	1200 BPS	Half-Duplex	FSK
	75 BPS		
V.26	2400 BPS	Half-Duplex	PSK
(B)			

Figure 2. Popular Bell (A) and CCITT (B) Standards

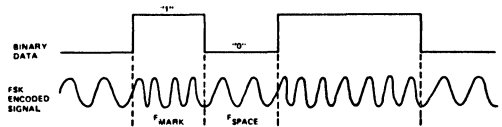


Figure 3. FSK Encoding

The pair of frequencies used in the FSK scheme are chosen to be within the bandwidth of the media used. For example, the telephone line has a bandpass characteristic with the low frequency cutoff of about 300 Hz and a high frequency cutoff of about 3 kHz. For the telephone line the FSK frequencies would have to both fall within its 300 Hz to 3 kHz frequency restriction. With the FSK scheme the higher frequency is known as the **Mark** frequency and the lower the **Space**. The placing of the frequencies, as mentioned, strongly depends on the media bandwidth, however, the spacing between the mark and space frequencies also depends on the demodulation techniques used. For PLL (Phase-Locked Loop), demodulation, described in subsequent sections, the following relationships must be met:

- A. For wide mark-space deviations (close to 2 to 1)
 $f_{\text{mark}} - f_{\text{space}} = \Delta f \geq \text{baud rate (BPS)} \times .83$
- B. For narrow spacing
 $f_{\text{mark}} - f_{\text{space}} = \Delta f \geq \text{baud rate (BPS)} \times .67$

In full-duplex systems two mark/space frequency pairs must be used, one for answer mode and another for originate. This is necessary because of the simultaneous two way communication for full-duplex operation. The phase of the frequencies, one relative to the next, of mark to space or space to mark transitions can be either coherent or noncoherent. **Coherent** indicating that the phase is continuous on frequency transitions or the phase of the "new" frequency takes over where the "old" left off. **Noncoherent** indicating the phase of the new frequency has no relationship to that of the old. Here again the demodulation technique used being the determining factor of the necessity of phase coherency. PLL demodulation is one popular scheme requiring phase coherent FSK signals.

The other popular encoding scheme used is **PSK** or phase shift keying. Here a constant carrier frequency is used with the relative phase of it indicating the "value" of the binary data bit. Because the relative and not absolute phase of the carrier is important, most PSK schemes are **DPSK** or dibit PSK. DPSK measures the phase of the carrier in two successive bit frames in order to determine the phase change. Figure 4 illustrates PSK encoding, with Figure 5 listing the phase shifts and dibit values of two popular PSK modems.

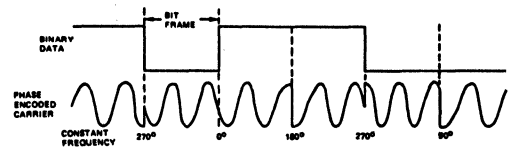


Figure 4. PSK Encoding

STANDARD	BELL 212A/V.22	BELL 201/V.26
Phase Shift	0° +90° -90° +180°	45° 135° 225° 315°
Dibit Value	01 00 11 10	00 01 11 10

Figure 5. Popular Phase Shifts and Dibit Values

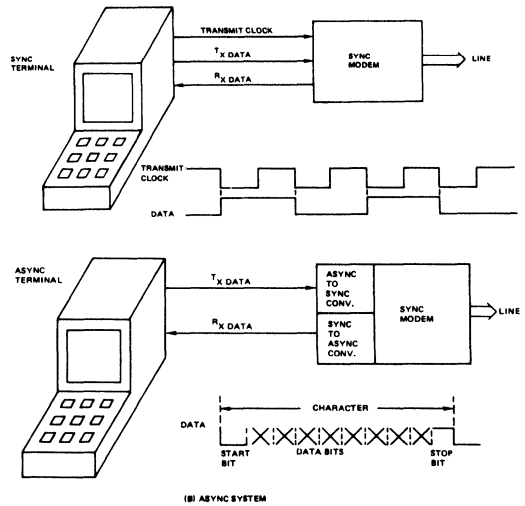


Figure 6. SYNC and ASYNC Formats

PSK operates in either **SYNC** (synchronous) or **ASYN** (asynchronous) formats. Sync systems use a transmit clock from the digital equipment to clock data out and maintain synchronization. In this format the data stream itself has no synchronizing information. In ASYNC systems, there is no timing signal from the digital equipment to the modem. Here synchronization and timing information is derived from start and stop bits placed in the data stream bracketing each character. Timing is maintained by the modem inserting or removing stop bits. Figure 6 illustrates a terminal connected to a SYNC system in (A) and ASYNC system in (B). Different character lengths are used, with Bell 212A having options for 9 or 10 bit lengths, or 7 or 8 data bits each with one start and one stop bit.

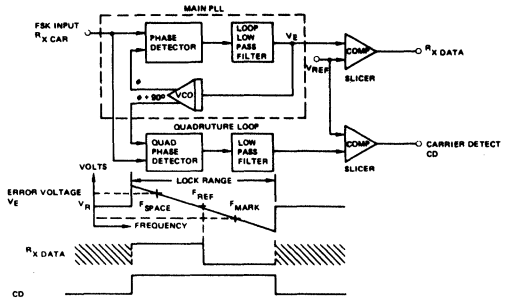


Figure 7

DEMODULATION TECHNIQUES

Once data has been encoded onto a carrier, T_{xcar} , by the modulator in either FSK or PSK formats, the receiving modem (answer mode) must decode or demodulate this received carrier, R_{xcar} . For FSK encoding, analog and digital techniques are used for demodulation. Popular analog schemes often employ PLL type demodulation. Using this method, illustrated in Figure 7, a PLL locks to the incoming FSK frequencies and produces two different DC error voltages at the phase detector output. These voltages are compared to a reference to indicate whether the incoming frequencies lie above or below a reference frequency, or whether they are mark (high) or space (low) frequencies.

A second phase detector (quadrature) is often added whose output, when filtered and sliced, produces a carrier detector (CD) output. This output is active only when the PLL is in lock, allowing an indication when valid data is present at Rx data.

PSK demodulators typically employ one of two popular schemes, differential digital or coherent demodulation techniques. The differential scheme examines zero crossings to determine carrier phase. With coherent demodulators internal PLL's are used to lock and to determine the phase of the incoming carrier. Coherent schemes usually provide better overall performance, but at the sacrifice of higher circuit complexity and cost.

The demodulator affects and determines several key parameters of the modem. The demodulation process adds several degradations to the other originally transmitted data. One, **Bias distortion**, illustrated in Figure 8, is easiest seen in an alternating 0,1,0,1... data pattern. This pattern should have equal times for each bit, high (1) and low (0) ($T_{1t} = T_{0t}$).

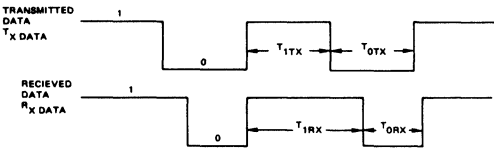


Figure 8. Bias Distortion

Bias distortion describes how far from equal the received data, R_{xdata} , high and low times are:

$$\text{Bias distortion (\%)} = \left[(.5) \frac{T_{1RX}}{T_{1PX} + T_{0RX}} \right] 100$$

Output jitter is another parameter describing the quality of the demodulation process. Illustrated in Figure 9 again with an alternating 0,1,0,1... data pattern.

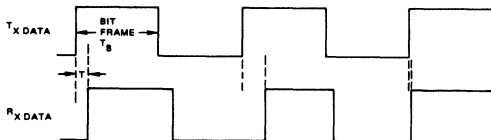


Figure 9

The output jitter is usually specified in percent, indicating what percentage of the bit frame the peak to peak jitter is.

$$\text{Jitter (\%)} = \left[\frac{T_{\text{maximum}} - T_{\text{minimum}}}{T_b} \right] 100$$

FILTER REQUIREMENTS

Filters in modems serve two functions: to filter the modulator output for band limiting and filtering of the received carrier (R_{xcar}) before the demodulator. Figure 10 illustrates these filter functions.

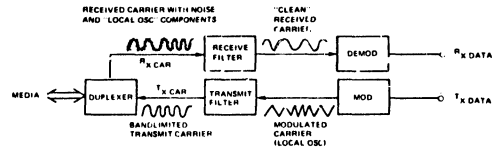


Figure 10. Transmit/Receive Filtering

The transmit filter is typically a lowpass or bandpass structure. As this filter is used to bandlimit the modulated carrier, it is usually of low order (low number of poles to zeros). The complexity is defined by the frequency spectrum generated by the modulator and how well this has to be confined on the media. For example; telephone lines have restrictions as to the amplitude of frequency even above its narrow 3 kHz band width (see FCC requirements).

The receive filter serves two functions: remove noise from the received signal and more importantly remove any local modulator signal which gets mixed with the receiver carrier. Figure 11 illustrates the function of the receive filter.

An additional block (duplexer) must be considered when specifying the receive filter. The duplexer acts to channel the received carrier from the media to the demodulator, A, and channel the transmit carrier to the media, B (four to two wire conversion). Imperfections in the duplexer allow some of the T_{xcar} to get into the R_{xcar} , C. Therefore, to maintain a good **S/N** (signal to noise) ratio at the demodulator input, R_{xcar} , the receive filter must remove this unwanted local T_{xcar} . An example illustrates the consideration in terminating the complexity of the receive filter. In this case, an FSK, Bell 103 Type, modem is examined, as shown in Figure 11, with the following requirements:

$$\begin{aligned} \text{Demodulator: } f_{\text{mark}} &= 2225 \text{ Hz; } f_{\text{space}} = 2025 \text{ Hz,} \\ f_c &= \frac{2225 \text{ Hz} - 2025 \text{ Hz}}{2} = 2125 \text{ Hz} \end{aligned}$$

$$\text{Rxcar dynamic range} = -10 \text{ dBm to } -48 \text{ dBm}$$

$$s/n \text{ at Rxcar} = 15 \text{ dB}$$

$$\begin{aligned} \text{Modulator: } f_{\text{mark}} &= 1270 \text{ Hz; } f_{\text{space}} = 1070 \text{ Hz,} \\ f_c &= 1170 \text{ Hz} \end{aligned}$$

$$T_{xcar} (B) = -9 \text{ dBm}$$

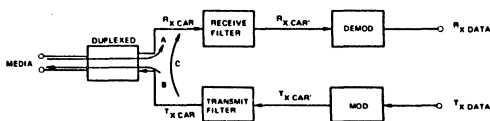


Figure 11. Modem Signal Paths

Because of line impedance variations, $600\Omega \pm 100\Omega$ or more (telephone lines), the duplexer may only be able to maintain 10 dB of Txcar ejection to the receive filter input. Rxcar will contain more than -19 dBm of Txcar and at a minimum, Rxcar = 54 dB [Path (A) has a 6 dB loss due to termination]. If the receive filter has 0 dB pass-band gain, to achieve a 15 dB s/n ratio at Rxcar the Txcar "bleed through" (Path C) attenuation is calculated as follows:

at Rxcar: Signal = 54 dBm

$$Txcar (C) = -54 \text{ dBm} - 15 \text{ dBm} = -69 \text{ dBm}$$

$$\text{Attenuation} = -10 \text{ dBm} - (-69 \text{ dBm}) = 59 \text{ dB}$$

The filter requirements are illustrated in Figure 12.

Other requirements to consider are filter bandwidth, which optimally is set close to the FSK baud rate, or here 300 Hz (small bandwidths can alter the transmitted carrier's spectrum). The phase response or specifically group delay within the passband can degrade the quality of the Rx data in terms of jitter. The **group delay (GD)** is a measure of the difference in time it takes for a mark or space frequency to pass through the filter. It is calculated by taking the first derivative of phase, with respect to frequency:

$$GD = \frac{d\theta}{df}$$

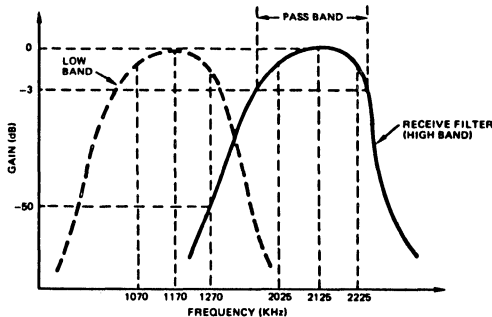


Figure 12. 103 FSK Receive Filter

Typical differential group delay values for the 103 example are 50 - 300 us over the pass band.

For full or half-duplex modems the receive filter can be used for transmit filtering of the opposite band, shown in Figure 13 (mode switching).

An additional filtering requirement for many modems must be considered. This is the second harmonic con-

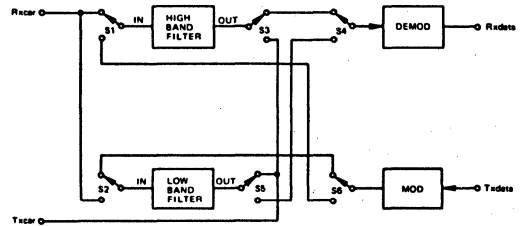


Figure 13. Mode Switching

tent of the transmitted local carrier. An example of problems caused by the term are seen in the FSK 103 type modem. If the local modulator is transmitting 1070 Hz, the second harmonic content (2140 Hz) falls right in the receive filter's passband. Therefore, the transmit filter must attenuate this harmonic content to an acceptable level.

PHONE LINE INTERFACING

The phone line interfacing has to couple the Txcar onto the line while removing the Rxcar and channeling it to the receiver. Figure 14 shows a simple acoustical connection which uses the telephone's internal carbon microphone and speaker.

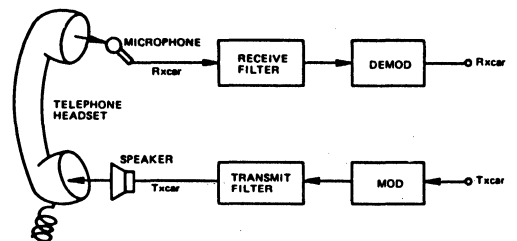


Figure 14. Acoustical Coupling

In this connection the telephone headset itself acts as the duplexer or 2 to 4 wire converter. Attenuation of Txcar to Rxcar should be infinite, but mechanical transmission or bleed through may occur and should be considered.

Typically acoustical coupling is only used for FSK type modems with low data rates, 1200 BPS and down. This is because of the poor quality carbon microphones found in most telephones.

The other coupling configuration is the direct connect, typically design DAA (Direct Access Arrangements). The DAA, shown in Figure 15, serves to:

1. Provide DC isolation between modem and telephone line-T₁.

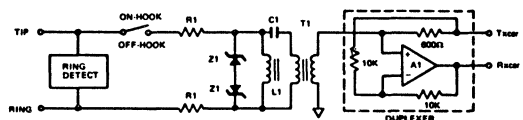


Figure 15

2. Provide a ring detect to control the on/off hook switch—may be manual.
3. Provide a DC current path during off—hook to “hold” the Line—L1. This current is monitored by the telephone company to indicate when someone is connected to the line.
4. Provide transient protection— R_1/Z_1 .

A hybrid transformer is often used in place of the differentially connected op amp to perform the duplexer function, shown in Figure 16.

The hybrid transformer, T_1 , provides better Txcar bleed-through attenuation (typically 20 dB) but at additional expense over the op amp duplexer.

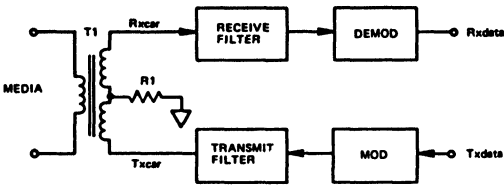


Figure 16

COMPLETE MODEM SPECIFICATIONS

Line signals received by the modem are often greatly changed by the media from the originally transmitted signal at the originating modem. With telephone communications Bell specifies five different lines which appear in standard dial-up lines as shown in Figure 17. Since which line will appear is totally unknown, the worst case line (Bell 3002) is generally used for modem evaluation.

From Figure 17 it can be seen that severe amplitude variations can occur on received line signals. Typically modems should function with received line signals from 0 to -45 dBm (2.2V to 12.3 mVp-p).

Group delay also can experience large changes. Figure 18 shows the general shape of the group delay characteristics as a function of frequency. Medium to high speed modems (PSK encoding) generally use some kind of equalization to compensate for group delay variations.

BELL SCHEDULE	3002	C1	C2	C4	DCS-S#
Attenuation Characteristic (referenced to 1000 Hz)	300 to 3000 Hz -3 to +12 dB	300 to 2700 Hz -2 to +6 dB	300 to 3000 Hz -2 to +6 dB	300 to 3200 Hz -2 to +6 dB	300 to 3000 Hz -1 to +3 dB
Envelope Delay Distortion (max. μ sec)	800 to 2600 Hz 1750 μ sec	1000 to 2400 Hz 1000 μ sec 800 to 2600 Hz 1750 μ sec	1000 to 2600 Hz 500 μ sec 600 to 2600 Hz 1500 μ sec 500 to 2800 Hz 3000 μ sec	1000 to 2600 Hz 300 μ sec 800 to 2800 Hz 500 μ sec 600 to 3000 Hz 1500 μ sec 500 to 3000 Hz 3000 μ sec	1000 to 2600 Hz 100 μ sec 600 to 2600 Hz 300 μ sec 500 to 2800 Hz 600 μ sec

Figure 17. Bell Dial-up Line Characteristics

The dotted line in Figure 18 illustrates a compromise line equalization to flatten the effective group delay variation.

Direct connection to the telephone line requires FCC approval as specified in Part 68 of the FCC regulations. One of the main requirements of this FCC regulation is the maximum in-band power levels over frequency bands not only within the 300 to 3000 Hz line bandwidth, but also above it be restricted to given levels. Figure 19 shows the maximum power levels to be put on the line.

Because modems communicate over vast distances often automatically operated, test facilities are often added. These test facilities are used to test the local modem as well as the distant one. Figure 20 illustrates these functions.

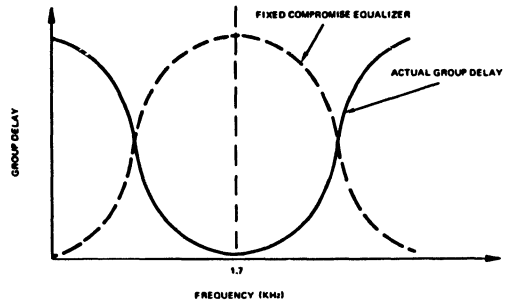


Figure 18. Group Delay Characteristics

Frequency (KHz)	3.995 to 4.005	4 to 10	10 to 25	25 to 40	Above 50
Maximum Power Level (dBm)	-18	-16	-24	-36	-50

Figure 19. FCC Phone Line Restrictions

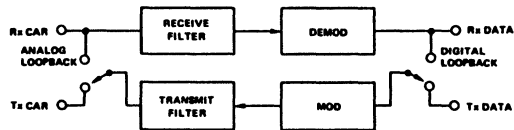


Figure 20. Test Facilities

EXAR CROSS REFERENCE TO MODEM TYPE

XR PART NUMBER	FUNCTION	STANDARD	
		BELL	CCITT
XR-210	FSK Mod or Demod	103, 212A (FSK), 202, NS	V.21, V.23, NS
XR-2211	FSK Demod	103, 212A (FSK), 202, NS	V.21, V.23, NS
XR-2206	FSK Mod	103, 212A (FSK), NS	V.21, V.23, NS
XR-2207	FSK Mod	103, 212A (FSK), NS	V.21, V.23, NS
XR-14412	FSK Mod/Demod	103	V.21
XR-2103	FSK Filter	103	
XR-2104*	FSK Filter		V.21
XR-2120	PSK/FSK Filter	212A, 103	V.22 (needs 1800 Hz notch)
XR-2120A	PSK/FSK Filter	212A, 103	V.22
XR-2121	PSK/FSK Modulator	212A	V.22 (no guard tone generator)
XR-2122	PSK/FSK Demodulator	212A	V.22
XR-2123	PSK Mod/Demod	212A (PSK), 201	V.22, V.26, NS
XR-2125	Data Buffer	212A	

NS = Non Standard

* No Data Available at Time of Printing

EXAR MODEM SUPPORT CIRCUITS

XR PART NUMBER	FUNCTION
LINE INTERFACE	
XR-1488	Quad Line Driver
XR-1489	Quad Line Receiver
OPERATIONAL AMPLIFIERS	
XR-082/083	Dual Bipolar JFET Operational Amplifier
XR-084	Quad Bipolar JFET Operational Amplifier
XR-094	Quad Programmable Bipolar JFET Operational Amplifier
XR-095	Quad Programmable Bipolar JFET Operational Amplifier
XR-096	Quad Programmable Bipolar JFET Operational Amplifier
XR-146/246/346	Programmable Quad Operational Amplifier
XR-1458/4558	Dual Operational Amplifier
XR-3403/3503	Quad Operational Amplifier
XR-4136	Quad Operational Amplifier
XR-4202	Programmable Quad Operational Amplifier
XR-4212	Quad Operational Amplifier
XR-4739	Dual Low-Noise Operational Amplifier
XR-4741	Quad Operational Amplifier
TONE DECODERS	
XR-567/567A	Monolithic Tone Decoder
XR-L567	Micropower Tone Decoder
XR-2567	Dual Monolithic Tone Decoder

FSK Modem System

GENERAL DESCRIPTION

The XR-14412 contains all the necessary circuitry to construct a complete FSK modulator/demodulator (MODEM) system. Included is circuitry for pin-programmable frequency bands, either U.S. or foreign (CCITT) standards for low-speed MODEMS. The XR-14412 provides T²L-compatible inputs and outputs. Included in the XR-14412 are features for self-testing and an echo suppression tone generator. The XR-14412 utilizes complementary MOS technology for low-power operation.

FEATURES

- Simplex, Half-Duplex, and Full-Duplex Operation
- Crystal Controlled
- Answer or Originate Modes
- Single Supply Operation
- Self-test Mode
- Selectable Data Rates—300, or 600 bps
- T²L- or CMOS-Compatible Inputs and Outputs
- Echo Suppressor Disable Tone Generator
- U.S. or Foreign (CCITT) Compatible

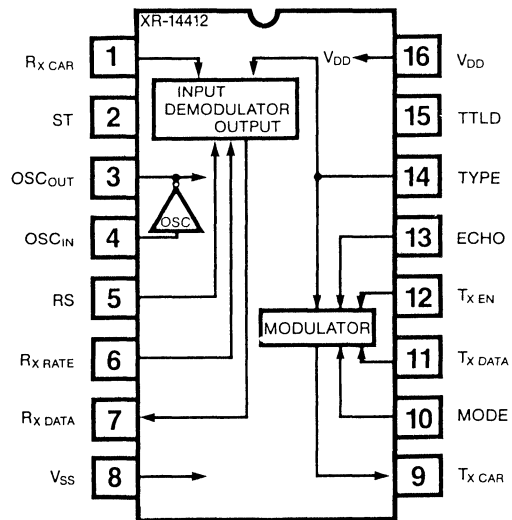
APPLICATIONS

- Stand-Alone MODEMS
- Remote Terminals
- Acoustical Couplers
- Built-in MODEMS

ABSOLUTE MAXIMUM RATINGS

Power Supply		
XR-14412F		15V
XR-14412V		6V
Any Input Voltage	$V_{DD} + .5V$ to $V_{SS} - .5V$	
Output Current from any Pin	(Except Pins 7 or 8)	10 mA
Output Current from Pin 7 or 8		35 mA
Operating Temperature Range		-40°C to +85°C
Storage Temperature Range		-65°C to +150°C
Power Dissipation		
Ceramic Package		1000 mW
Derate Above $T_A = +25^\circ C$		8.0 mW/°C
Plastic Package		625 mW
Derate Above $T_A = +25^\circ C$		5.0 mW/°C

FUNCTIONAL BLOCK DIAGRAM



ORDERING INFORMATION

Part Number	Package	Operating Voltage Range
XR-14412FP	Plastic	4.75V to 15V
XR-14412VP	Plastic	4.75V to 6V
XR-14412FN	Ceramic	4.75V to 15V
XR-14412VN	Ceramic	4.75V to 6V

SYSTEM DESCRIPTION

The XR-14412 is basically comprised of two main components; the FSK modulator and demodulator. The modulator serves to convert or encode incoming binary data into two discrete frequencies. The pair of frequencies generated are determined by which standard (US or CCITT), and mode (answer or originate), are selected. These frequencies are within a range suitable for transmission over the telephone lines. The demodulator performs the opposite function by decoding the received pairs of frequencies into binary data. It also responds to those frequencies selected by the standard and mode selected. All functions within the XR-14412 are digital and controlled by a master clock. This clock is generated by an external crystal connected between the OSC_{IN} and OSC_{OUT} pins. As well as being used internally by the 14412, the clock may be used to clock other circuitry by using the OSC_{OUT} pin.

XR-14412

ELECTRICAL CHARACTERISTICS

SYMBOL	PARAMETERS	V _{DD} **	- 40°C		+ 25°C			+ 85°C		UNIT	
			MIN	MAX	MIN	TYP	MAX	MIN	MAX		
V _{OL}	Output Voltage V _{IN} =V _{DD} or 0	"0" Level	5.0	—	0.05	—	0	0.05	—	0.05	Vdc
			10	—	0.05	—	0	0.05	—	0.05	
			15	—	0.05	—	0	0.05	—	0.05	
V _{OH}	V _{IN} =0 or V _{DD}	"1" Level	5.0	4.95	—	4.95	5.0	—	4.95	—	Vdc
			10	9.95	—	9.95	10	—	9.95	—	
			15	14.95	—	14.95	15	—	14.95	—	
V _{IL}	Input Voltage* (V _O =4.5 or 0.5 Vdc) (V _O =9.0 or 1.0 Vdc) (V _O =13.5 or 1.5 Vdc)	"0" Level	5.0	—	1.5	—	2.25	1.5	—	1.5	Vdc
			10	—	3.0	—	4.50	3.0	—	3.0	
			15	—	4.0	—	6.75	4.0	—	4.0	
V _{IH}	(V _O =0.5 or 4.5 Vdc) (V _O =1.0 or 9.0 Vdc) (V _O =1.5 or 13.5 Vdc)	"1" Level	5.0	3.5	—	3.5	2.75	—	3.5	—	Vdc
			10	7.0	—	7.0	5.50	—	7.0	—	
			15	11.0	—	11.0	8.25	—	11.0	—	
		Pins 12, 15	5 to 15	0.75	—	0.8	2.0	—	0.85	—	
I _{OH}	Output Drive Current (V _{OH} =2.5) (V _{OH} =9.5) (V _{OH} =13.5)	(Pin 7)	5	-0.62	—	-0.5	-1.5	—	-0.35	—	mAdc
			10	-0.62	—	-0.5	-1.0	—	-0.35	—	
			15	-1.8	—	-1.5	-3.6	—	-1.1	—	
I _{OL}	(V _{OL} =0.4) (V _{OL} =0.5) (V _{OL} =1.5)		4.75	2.3	—	2.0	4.0	—	1.6	—	mAdc
			10	5.3	—	4.5	10	—	3.6	—	
			15	15	—	13	35	—	10	—	
I _{IN}	Input Current (Pin 15=V _{DD})		—	—	—	±0.00001	±0.1	—	—	μAdc	
I _P	Input Pull-up Resistor Source Current (Pin 15=V _{SS} , V _{IN} =2.4 Vdc) Pin 1,2,5,6,10,11,12,13,14		5	285	—	250	460	—	205	—	μAdc
C _{IN}	Input Capacitance		—	—	—	—	5.0	—	—	—	pF
I _T	Total Supply Current (Pin 15=V _{DD})		5	—	4.5	—	1.1	4.0	—	3.5	mAdc
			10	—	13	—	4.0	12	—	11	
			15	—	27	—	8.0	25	—	23	
ACC	Modulator/Demodulator Frequency Accuracy (Excluding Crystal)		5 to 15	—	—	—	0.5	—	—	—	%
V _{2H}	Transmit Carrier Output 2nd Harmonic		5 to 10	—	—	-20	-26	—	—	—	dB
			10 to 15	—	—	-25	-32	—	—	—	
V _{OUT}	Transmit Carrier Output Voltage (R _L = 100 kΩ) (Pin 9)		5	—	—	0.2	0.30	—	—	—	V _{RMS}
			10	—	—	0.5	0.85	—	—	—	
			15	—	—	1.0	1.5	—	—	—	
t _{TLH} , t _{THL}	Receive Carrier Rise and Fall Times (Pin 1)		5	—	15	—	—	15	—	15	ns
			10	—	5.0	—	—	5.0	—	5.0	
			15	—	4.0	—	—	4.0	—	4.0	

*DC Noise Immunity (V_{IL},V_{IH}) is defined as the maximum voltage change from an ideal "0" or "1" input level, that the circuit will withstand before accepting an erroneous input.

**Note: Only 5-Volt specifications apply to XR-14412VP devices.

XR-14412

EQUIVALENT SCHEMATIC DIAGRAM

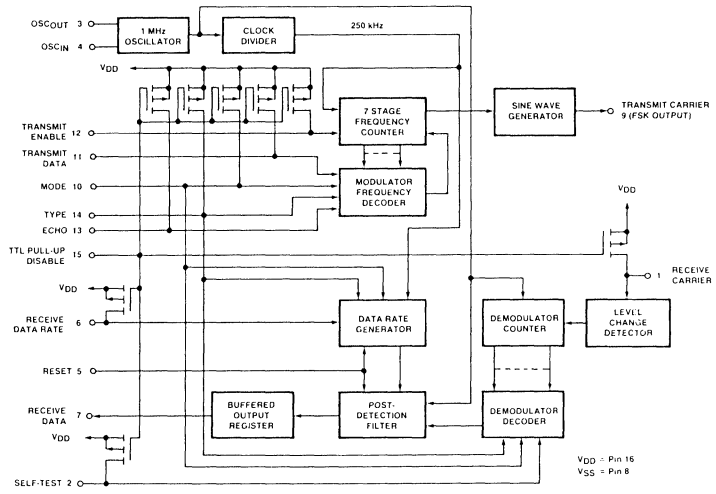


Figure 1. Typical Connection of the XR-14412 in a Complete Modem System

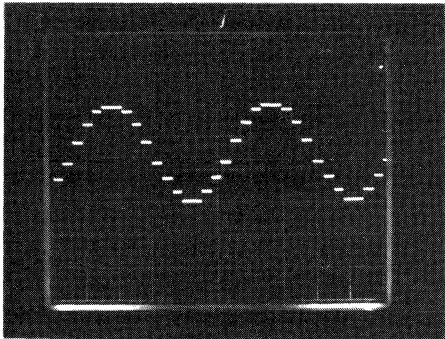
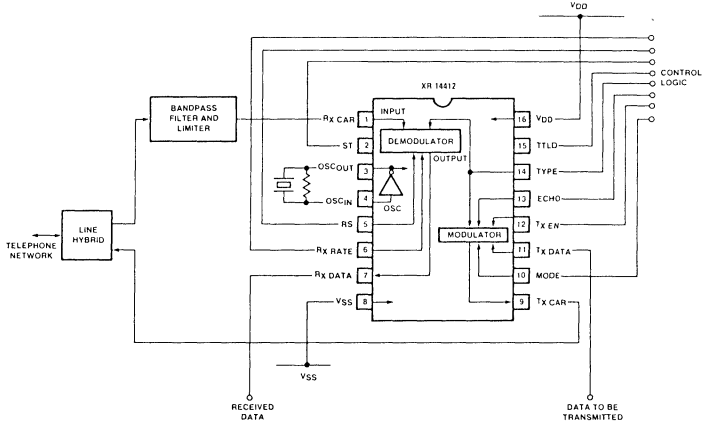


Figure 2. Transmit Carrier Sine Wave

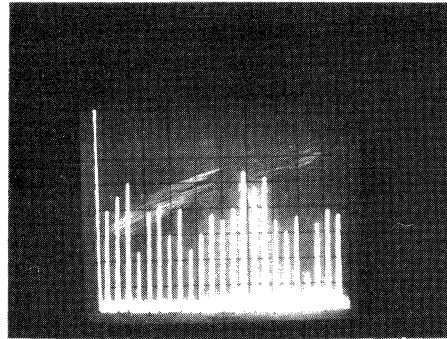


Figure 3. Typical Transmit Carrier Frequency Spectrum

XR-14412

PRINCIPLES OF OPERATION

Figure 1 shows the typical connection for the XR-14412 as a modem system. The system has four main component blocks. They are FSK modulator and demodulator, which are contained in the XR-14412, the bandpass filter, and the line hybrid. The function of each block is as follows:

Line Hybrid: This block acts to direct received FSK information to the bandpass filter and demodulator, while the FSK modulated carrier is directed to the telephone network.

Bandpass Filter and Limiter: Received FSK information is filtered by this block to remove extraneous signals received from the telephone network. The local transmitter carrier is also filtered out. The limiter stage is used to provide the XR-14412 with a TTL- or CMOS-compatible signal.

Modulator: This block, contained in the XR-14412, converts serial binary data into an FSK-encoded carrier signal. The carrier frequency is controlled by the mode and type inputs. Input data must be TTL- or CMOS-compatible. The output of the modulator is a digitally synthesized sine wave (see Fig. 2), with its harmonic content shown in Fig. 3.

Demodulator: This is used to convert an FSK-encoded carrier signal into serial data. The rate at which data can be received and decoded is controlled by the Rx rate and type control inputs.

Description of Control Inputs—Refer to Figure 1 and Table 1.

Type (Pin 14): This input is used to select either U.S. or CCITT operating frequencies.

Transmit Data (Tx DATA, Pin 11): This is the input for binary serial data.

Transmit Carrier (Tx CAR, Pin 9): This output provides a digitally synthesized sine wave derived from a 1 MHz crystal oscillator. The carrier frequency is controlled by the type and mode inputs.

Transmit Enable (Tx ENABLE, Pin 12): This pin is used to enable and disable the modulator, or Tx CAR, output.

Mode (Pin 10): In conjunction with the type input, the carrier frequencies are selected with this input.

Echo (Pin 13): This input is used to program the modulator to produce a 2100-Hz tone for disabling line echo suppressors.

Receive Data (Rx DATA, Pin 7): This is the binary data output resulting from demodulating the FSK-encoded receive carrier.

Receive Carrier (Rx CAR, Pin 1): The FSK-encoded receive carrier is fed into this input. The input signal must have either TTL or CMOS logic levels with a duty cycle of $50\% \pm 4\%$.

Receive Data Rate (Rx RATE, Pin 6): This input is used to adjust the demodulator for the incoming data rate.

Self-Test (Pin 2): This input can be used for self-testing the demodulator section. A square wave applied to this pin will internally apply an FSK signal to the demodulator input, thus causing the Rx data output, Pin 7, to follow Pin 2.

Reset (Rs, Pin 5): This input can be used to disable the demodulator. With reset at logic "1", the demodulator output is forced high, logic "1". For normal operation, reset is tied low, logic "0".

Crystal (OSC_{IN}, OSC_{OUT}, Pin 4, Pin 3, respectively): A 1.0 MHz crystal is connected between these two pins for utilizing the on-chip oscillator. An external oscillator can also be used by feeding it into the OSC_{IN}, Pin 4, input. In the crystal mode, external parasitic capacitance, including crystal shunt capacitance, must be less than 9 picofarads at Pin 4.

TTL Pull-Up Disable (TTLD, Pin 15): All of the inputs to the XR-14412 have on-chip pull-up resistors. These pull-up resistors may be disabled when interfacing to CMOS logic by taking the TTLD input to a logic "1". For TTL logic interfacing, TTLD is tied to a logic "0".

APPLICATIONS

Figure 4 shows the XR-14412 connected as a 300-baud FSK modem. Amplifiers A₁ – A₃ are connected as bandpass filters to remove extraneous signals picked up from the phone line as well as local oscillator isolation. A₄ is connected as a comparator to provide limiting to the received carrier and provide the necessary square wave for Pin 1, Rx CAR, input. A₅ acts as a line hybrid. It provides amplification to the received carrier while attenuating the local oscillator, trying to go toward the bandpass filter. A₆ is simply used to buffer the Tx CAR, Pin 9, output of the XR-14412.

The configuration as shown is for answer mode, as the mode pin is at a logic "0". This circuit will work over a received carrier range of -10 dBm to -40 dBm.

Figure 5 shows a connection using the two spare amplifiers from the XR-346 to provide a carrier detect output. Here A₇ acts to amplify and peak detect the received carrier from the output of the bandpass filter. This voltage is then fed to A₈, connected as a comparator, to provide a logic output for carrier detect indication.

XR-14412

Table 1. Input/Output Controls

INPUTS					OUTPUTS				
Tx ENABLE (12)	Rx RATE (6)	MODE (10)	TYPE (14)	ECHO (13)	STANDARD	MODE	Tx DATA	Tx CARRIER	BAUD RATE
1	0	1	1	0	US	ORIGINATE	MARK 1	1270 Hz	600 bps
1	0	1	1	0	US	ORIGINATE	SPACE 0	1070 Hz	600 bps
1	0	0	1	0	US	ANSWER	MARK 1	2225 Hz	600 bps
1	0	0	1	0	US	ANSWER	SPACE 0	2025 Hz	600 bps
1	1	1	1	0	US	ORIGINATE	MARK 1	1270 Hz	300 bps
1	1	1	1	0	US	ORIGINATE	SPACE 0	1070 Hz	300 bps
1	1	0	1	0	US	ANSWER	MARK 1	2225 Hz	300 bps
1	1	0	1	0	US	ANSWER	SPACE 0	2025 Hz	300 bps
1	1	1	0	0	CCITT	CHANNEL 1	MARK 1	980 Hz	300 bps
1	1	1	0	0	CCITT	CHANNEL 1	SPACE 0	1180 Hz	300 bps
1	1	0	0	0	CCITT	CHANNEL 2	MARK 1	1650 Hz	300 bps
1	1	0	0	0	CCITT	CHANNEL 2	SPACE 0	1850 Hz	300 bps
1	X	0	0	1	CCITT	CHANNEL 2	— 1	2100 Hz	—
0	X	X	X	X	—	—	— —	NO OUTPUT	—

1 — Input or output is at a digital high, refer to Electrical Characteristics for exact value.
 0 — Input or output is at a digital low, refer to Electrical Characteristics for exact value.
 X — Can be either a 1 or a 0.

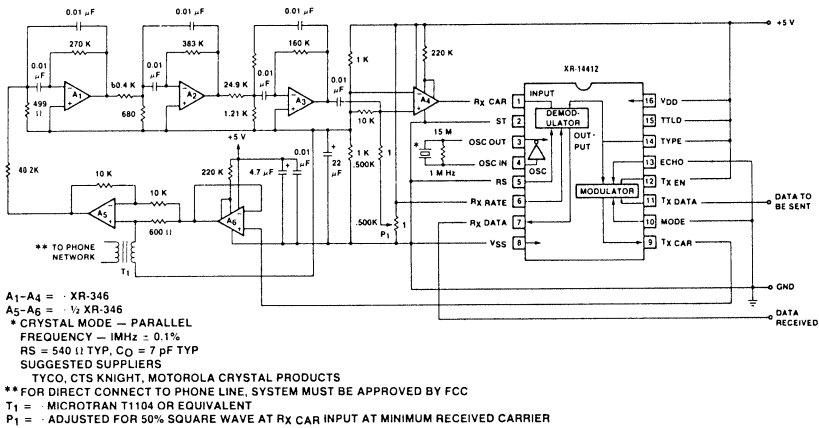


Figure 4. Complete 300 Baud, Answer Mode, FSK Modem

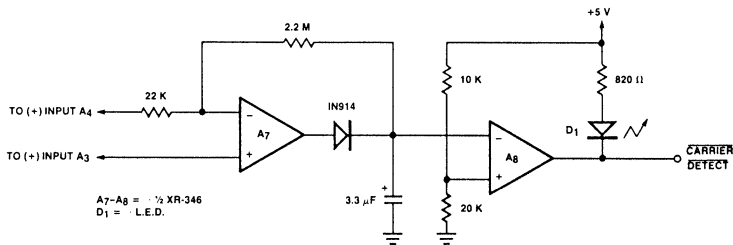


Figure 5. Carrier Detect Circuit

XR-14412

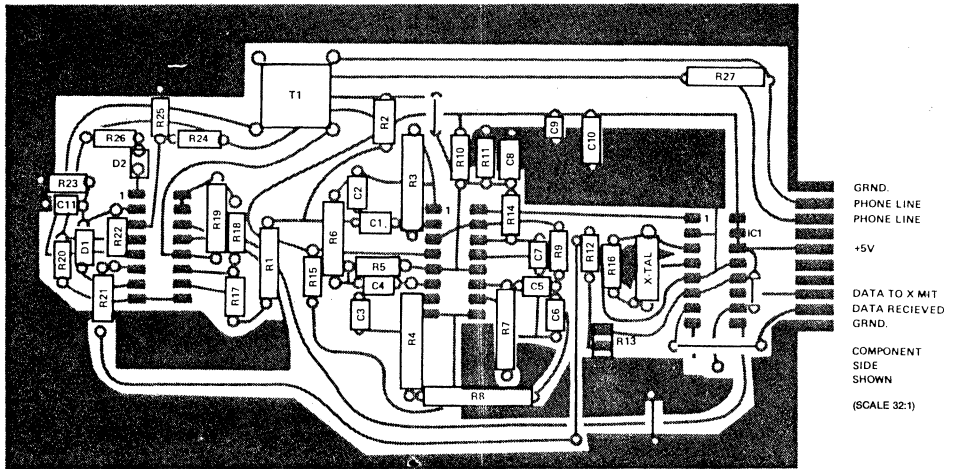


Figure 6. Complete FSK Modem Printed Circuit Board Layout
(Circuit Shown in Figure 4)

Table 2. Parts List for 300 Baud MODEM.

*1% tolerance; all other resistors are 1/4W, 10%; all capacitors are 10%.
Resistors are in ohms and capacitors are in μ F.

	ANSWER	ORIGINATE		ANSWER	ORIGINATE
*R1	40.2K	47.5K	R24	20K	20K
*R2	499	191	R26	500	500
*R3	270K	357K	*R27	600	600
*R4	383K	270K			
*R5	680	160	C1-C6	.01	.01
*R6	60.4K	39.4K	C7	.1	.1
*R7	160K	160K	C8	22	22
*R8	24.9K	20K	C9	.01	.01
*R9	1.21K	360	C10	4.7	4.7
R10-R11	1K	1K	C11	3.3	3.3
R12	500K	500K			
R13	500K Pot	500K Pot	D1	IN914	IN914
R14	10K	10K	D2	LED	LED
R15	220K	220K			
R16	15M	15M	T1	Microtran T1104	Microtran T1104
R17-R18	10K	10K			
*R19	600	600	CRYSTAL	1 MHz \pm .1%	1 MHz \pm .1%
R20	220K	220K	A1-A8	XR-346	XR-346
R21	22K	22K	MODEM IC ₁	XR-14412VP	XR-14412VP
R22	2.2M	2.2M			
R23	3.0K	3.0K			
R24	20K	20K			
R25	30K	30K			

Bell 212A Modulator/Demodulator

GENERAL DESCRIPTION

The XR-2121 and XR-2122 are designed to provide the complete modulator and demodulator functions for the Bell Standard 212A PSK Modem. These devices, when used with the XR-2120 PSK Filter, offer a three-chip solution for realizing this 1200/300 bps Modem System.

The XR-2121 Modulator Provides either a 1200 bps PSK or 0 to 300 bps FSK output. Crystal controlled operation offers extremely accurate and stable 1200/2400 Hz carriers for the PSK and 1170/2125 Hz carriers for the FSK. An enable/disable pin is provided for blanking the modulator output. A transmit clock output, 1200 Hz, is also provided for synchronization of the terminal and other facilities. An internal scrambler and an asynchronous to synchronous converter are also provided.

The XR-2122 Demodulator provides the complete demodulation function for either 1200 bps PSK or 0 to 300 bps FSK incoming carriers. Auto speed selection is provided for the answer mode. An internal descrambler and an asynchronous to synchronous converter are also provided.

Both XR-2121 and XR-2122 utilize CMOS technology for low power operation. They are designed to operate from dual 6-volt power supplies, and provide CMOS or T²L compatible inputs and outputs.

FEATURES

Bell Standard 212A Compatible

XR-2121—Modulator

- 6-Bit Synthesized Sine Wave Output
- Enable/Disable Input
- 1200 Hz Transmit Clock Output
- Internal Scrambler
- Asynchronous to Synchronous Converter
- Crystal Controlled with Buffered Clock Output
- External Clock Input
- CMOS/TTL Compatible Inputs

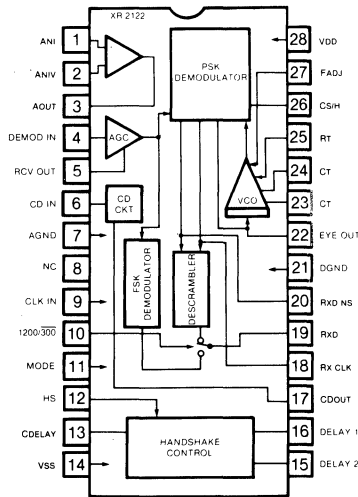
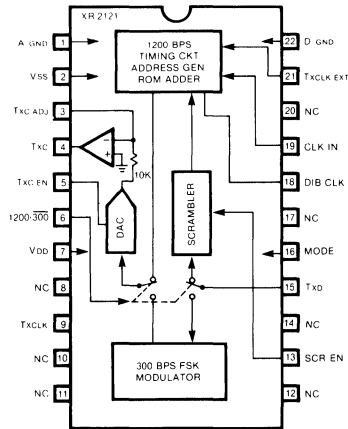
XR-2122—Demodulator

- Automatic Speed Selection in Answer Mode
- 36 dB (–9 to –45 dBm) Dynamic Input Range
- On-Board Descrambler
- Synchronous to Asynchronous Converter
- Carrier Detect Output

APPLICATIONS

- Stand-Alone Modems
- Remote Terminals
- Built-In Modems

FUNCTIONAL BLOCK DIAGRAMS



ORDERING INFORMATION

Part Number	Package	Operating Temperature
XR-2121/22CN	Ceramic	0°C to +70°C
XR-2121/22CP	Plastic	0°C to +70°C

XR-2121/2122

ELECTRICAL CHARACTERISTICS

Test Conditions: $V_{DD} = 6V$, $V_{SS} = -6V$, $X_{IN} = 1.8432 \text{ MHz}$, $T_J = 25^\circ\text{C}$

SYMBOL	PARAMETERS	MIN	TYP	MAX	UNIT	CONDITIONS
DIGITAL SECTION						
V_{OH}	Output High Voltage	3.5			V	$I_o = 1 \text{ mA}$ $I_o = 1.5 \text{ mA}$
V_{OL}	Output Low Voltage			0.5	V	
V_{IH}	Input High Voltage	3.5			V	
V_{IO}	Input Low Voltage			1.5	V	
I_{IN}	Input Current			10	μA	$V_{OH} = 3.5V$ $V_{OL} = 0.5V$
I_{OH}	Output Drive Current	-0.5	-1.5		mA	
I_{OL}	Output Drive Current	2.0	4.0		mA	
C_L	CLK OUT Drive Capability			50	pF	
ANALOG SECTION						
Z_{IN}	Input Impedance — $R_X \text{ CAR}$	50			k Ω	XR-2122
$V_O \text{ CAR}$	Output Level — $T_X \text{ CAR}$	0.3	0.4		V rms	XR-2121, $R_L \geq 600\Omega$ Referenced to $V_O \text{ CAR}$
V_{2H}	2nd Harmonic Content — $T_X \text{ CAR}$		-40		dB	
$V_i \text{ CAR}$	Dynamic Range — $R_X \text{ CAR}$	-45		-9	dBm	XR-2122
I_{DD}	Power Supply Current		100	150	mA	
V_{SUP}	Supply Voltage Range		± 6		V	

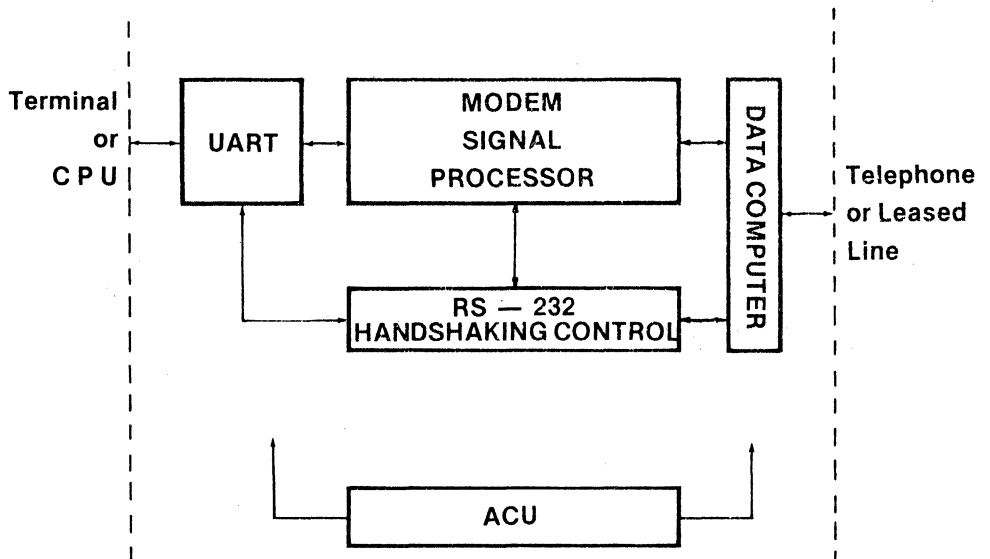


Figure 1. Modem Block Diagram

XR-2121/2122

PRINCIPLES OF OPERATION

Figure 1 illustrates a general block diagram of a complete modem system. These blocks are necessary for the modem to be able to: (1) Interface to the telephone network; (2) accept control signals and supply timing, (3) process data, and (4) modulate and demodulate data.

The XR-2121 and XR-2122 provide the modulation and demodulation function, and when used with the XR-2120 filter, perform the complete modem signal processor function.

Description of Control Inputs and Outputs

XR-2121

X_{IN}, X_{OUT}: These are the crystal input pins.

CLK OUT: This provides a buffered crystal output for the XR-2122 or other circuits.

TRANS CLK: A 1200 Hz square wave is available at this output for a terminal or other circuits.

TRANS CLK IN/EXT: This selects whether an external trans clock at the EXT TRANS CLK input is used for carrier timing or an internal clock is used.

EXT TRANS CLK: Provides an input for an external transmit clock input.

T_X CAR: This output provides a digitally synthesized sine wave output. The modulation on this carrier, either FSK or PSK, is determined by the speed input.

T_X ENABLE: This input can be used to enable or disable the T_X CAR output.

CTS: The clear-to-send signal is supplied by this pin.

MODE: Answer or originate mode of operation is selected by this pin.

SPEED SEL: 1200 bps PSK or 0 to 300 bps operation is selected by this input.

ENABLE CONV/CONV LENGTH: These pins select the bit length of input characters, and if the internal asynchronous to synchronous converter is used or not. Input character length is either 9 or 10 bits.

T_X DATA: This is the input for data to be transmitted.

XR-2122

CLK IN: A 1.8432 MHz clock is fed into this pin from the XR-2121 or other source.

RC CLK: A 1200 Hz signal is available at this output for synchronization of other circuits.

C_D, R_{CD}, C_{CD}: C_D provides a carrier detect output indicating a valid carrier is present at the R_X CAR input. The R_{CD} and C_{CD} input provide the carrier ON and carrier OFF times.

MODE SEL: Answer or originate mode is selected by this pin.

R_X DATA: Demodulated Data is present at this output.

R_X CAR: Received modulated carriers are input to this pin.

ATTACK TIME: These pins are used to set attack and decay times of the input AGC circuit.

APPLICATIONS INFORMATION

Figure 2 shows the interconnections between the XR-2121 and XR-2122 Modulator/Demodulator, and the XR-2120 Filter. Here the XR-2121 supplies the XR-2122 with its clock input. The auto speed function of the XR-2122 sets the speed of the XR-2121 automatically through the speed indicator output of the XR-2122.

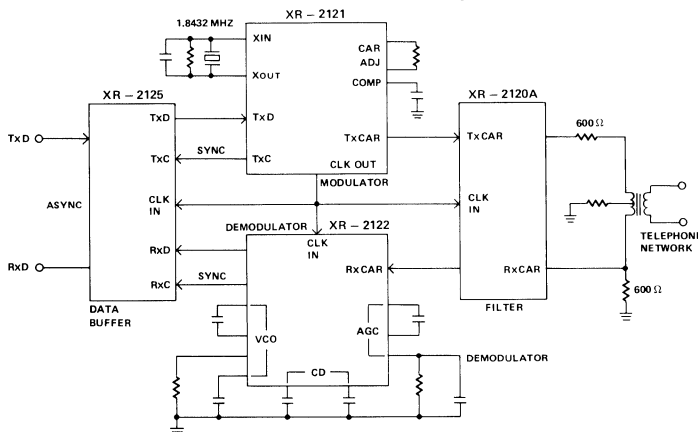
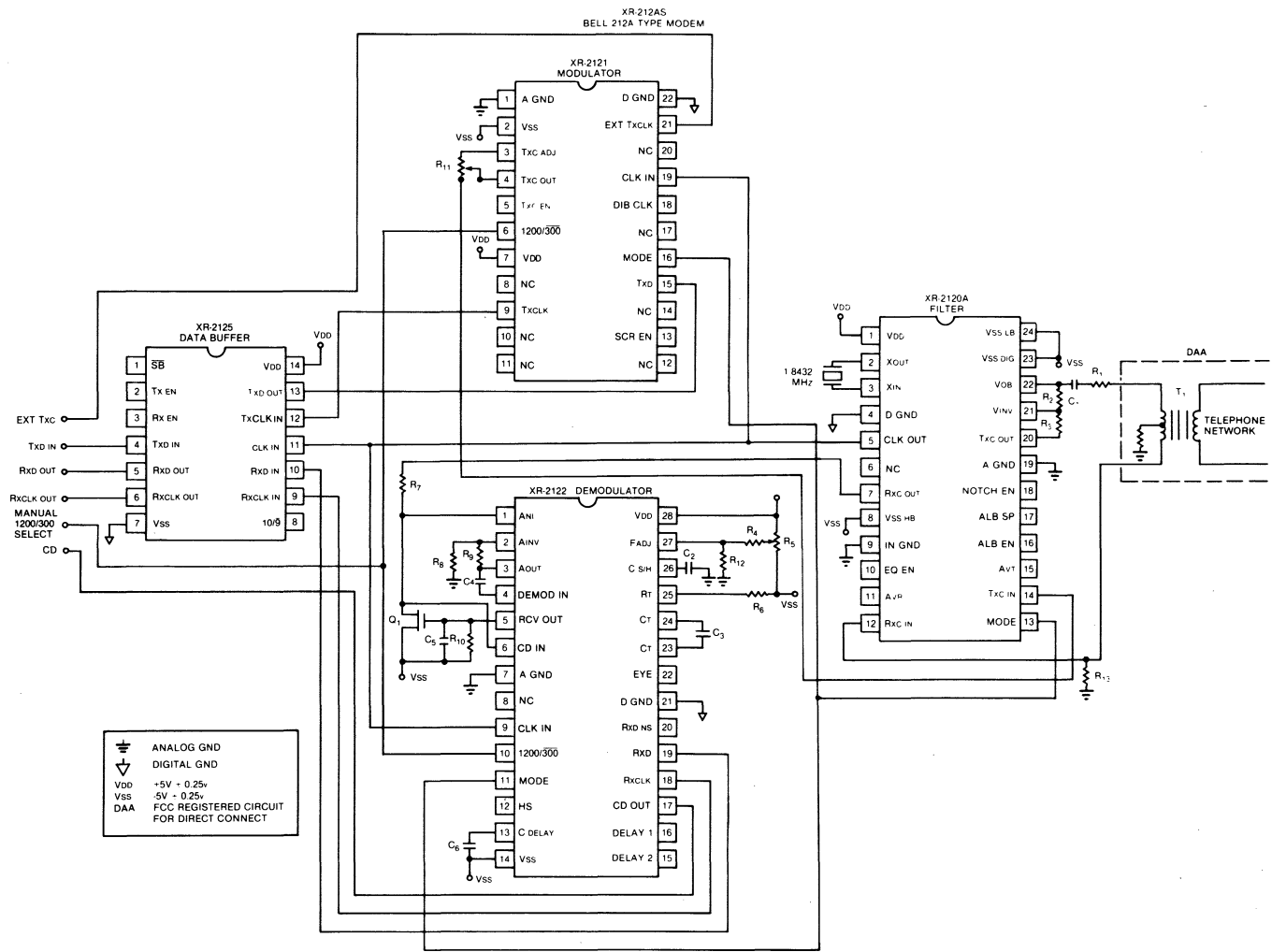


Figure 2. Complete 1200/300 BPS Modem Signal Processor

XR-2121/2122

1-102



XR-212AS Bell 212A Type Modem

PSK Modulator/Demodulator

GENERAL DESCRIPTION

The XR-2123 provides the phase-shift keying (PSK) Modulator and Demodulator Functions for implementing a full-duplex 1200 bps or 2400 half-duplex Modem System. Using fully digital circuit techniques allows the XR-2123 to be externally programmed for operation for Bell Standards 201B and C or 212A (1200 bps only), and CCITT V.22 or V.26. Internal logic and timing functions minimized external parts, while crystal controlled operation provides stable and accurate operation.

The XR-2123 utilizes CMOS technology for low power operation while providing single +5 volt operation, packaged in a standard 28 pin DIL plastic or ceramic package. The XR-2123 operates from 0°C to 70°C.

FEATURES

- Single +5 Volt Operation
- Low Power Consumption (Typ 10mw)
- 1200 bps Full-Duplex
- 2400 bps Half-Duplex
- Programmable for US or European Standards (CCITT)
- Dibit PSK (DPSK) Operation
- Crystal Controlled
- Synthesized Sine Wave Modulator Output
- Adjustable Modulator Output Amplitude
- Input Protection

APPLICATIONS

- Bell Standard 201 or 212A Modems
- CCITT Standard V.22 or V.26 Modems

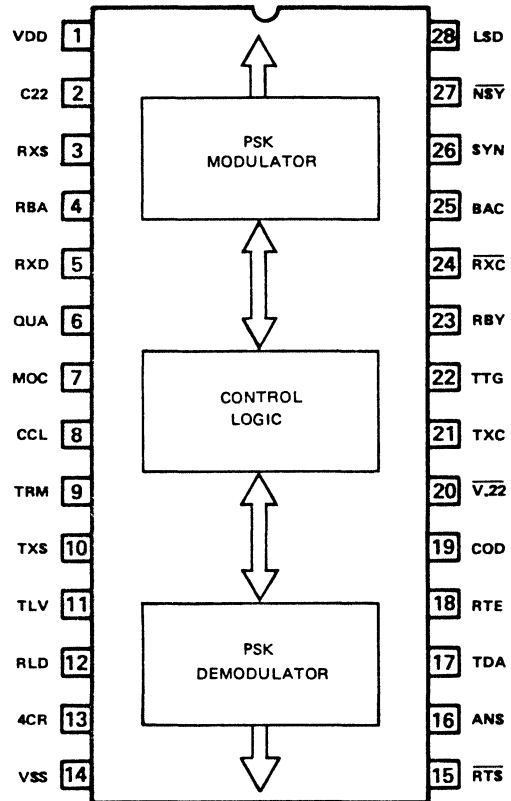
ABSOLUTE MAXIMUM RATINGS

Power Supply	5.5V
Power Dissipation	1.0W
Derate Above 25°C	5 mW/°C
Operating Temperature	0°C to 70°C
Storage Temperature	-65°C to 150°C
All Input Voltage	-0.5V to (V _{DD} to 0.5V)
DC Current Into Any Input	± 1 mA

ORDERING INFORMATION

Part Number	Package	Operating Temperature
XR-2123CN	Ceramic	0°C to +70°C
XR-2123CP	Plastic	0°C to +70°C

FUNCTIONAL BLOCK DIAGRAM



SYSTEM DESCRIPTION

The XR-2123 provides the complete demodulation, modulation, and control functions for DPSK Modem Systems. The Demodulation is a digital type using Phase-Locked Loops (PLL). The Modulator provides a synthesized sine wave output in a dibit Phase-Shift Keying (DPSK) Format. The Phase Shifts and carrier frequencies are programmable with logic inputs.

XR-2123

ELECTRICAL CHARACTERISTICS

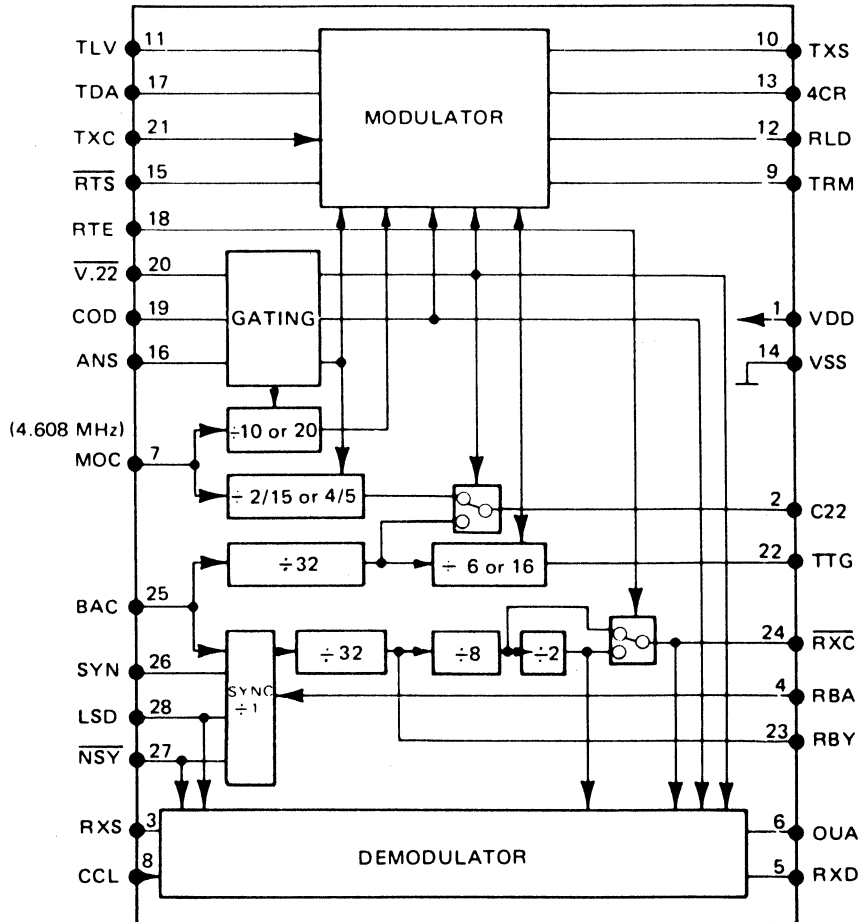
Test Conditions: $V_{DD} = +5V$, $V_{SS} = 0V$, $T_j = 0^\circ C$ to $70^\circ C$

Digital Inputs: RXS, MOC, CCL, \overline{RTS} , ANS, TDA, RTE, COD, $\overline{V.22}$, TXC, BAC, SYN, \overline{NSY} , LSD

Digital Outputs: C22, RBA, RXD, QUA, TBA, 4CR, TTG, RBY, \overline{RXC}

SYMBOL	PARAMETERS	MIN	TYP	MAX	UNIT	CONDITIONS
V_{OL}	Output Low Voltage			0.4	V	$I_{OL} = 1.6 \text{ MA}$ $I_{OH} = 1.0 \text{ MA}$
V_{OH}	Output High Voltage	4.6			V	
V_{IL}	Input Low Voltage	0.5		11	V	
V_{IH}	Input High Voltage	3.5		5	V	
I_{IL}	Input Leakage Current		100		pA	
I_{DD}	Power Supply Current		2.5	4	MA	
C_i	Input Capacitance		5		pF	
t_R	Low to High Logic Transition Time		20		nS	$C_L = 10 \text{ pF}$
t_F	High to Low Logic Transition Time		20		nS	$C_L = 10 \text{ pF}$
V_{TXS}	Transmitted Carrier Signal Level		-9		dBm	$V_{PIN 11} = 0.8V$

EQUIVALENT SCHEMATIC DIAGRAM



XR-2123

*Coding	European/US Std.	ANSI Std.
00	+90°	+45°
01	0°	135°
10	180°	315°
11	-90°	225°
	ALT.A	ALT.B

RTE (Pin 18) controls the baud rate of the modem. When RTE is LO the transmission rate is 1200 b/s, and when RTE is HI, the transmission rate is 2400 b/s. ANS (Pin 16) controls the answering tone (2100 Hz) to the transmission line. When ANS is LO and V22 is HI, the answering tone (2100 Hz) is connected to the transmission line.

BAC (Pin 25) is the time base input which is 512 times the normal receiver baud timing. In the case of a 1200 b/s, full duplex modem, BAC = 307.2 kHz or MOC/15 TXC (Pin 21) is the transmitter bit timing input. It may be tied directly to TTG (Pin 22) which is the transmitter timing set by RTE.

$$\begin{aligned} \text{RTE HI TTG} &= \text{BAC}/256 \\ \text{RTE LO TTG} &= \text{BAC}/512 \end{aligned}$$

Of course external timing signals may be applied for nonstandard uses.

TLV (Pin 11) sets the transmitter amplitude by using a resistive divider between +5V and ground. This signal may be set between 1.0V and 5V. TRM (Pin 9) signals that the modem is in the transmit mode. When TRM is HI, the unit is transmitting. When TRM is LO, the unit is not transmitting. The relationship between the voltage at TLV and the amplitude of TXS is shown in the Electrical Characteristics.

The data to be modulated and transmitted is applied at TDA (Pin 17). The modulated signal is output at TXS (Pin 10).

DEMODULATION

There are two types of incoming signal processing which will be discussed. The first concerns full duplex reception. In this case, using the Bell 212A as our example, the received signal will be centered on 1200 Hz. The signal is passed through a 1200 Hz filter and applied to a peak detection circuit. This signal is then passed through an amplification stage and applied to Pin 3 (RXS). After the amplifier stage, the signal is simultaneously applied to a sync-generating circuit and passed to Pin 26 (SYN). The output of the peak detector is also applied to a level detector and provides the input for Pin 28 (LSD) and Pin 27 (NSY).

The second type of modem to discuss is a half-duplex system. Speeds of up to 3200 b/s are available for use on leased lines. The received signal is coupled through the line interface to a 1.8 kHz filter. The signal is then sent to a peak-detector circuit and is then applied to a narrow band filter. The signal is then applied to a syn-

chronized digital phase-locked loop which maintains the basic timing and initiates all phase shift detection operations.

This filtered signal is then applied to Pin 3 (RXS). The phase-locked loop is synchronized by the signal available from Pin 13 (4CR). Synchronization is maintained by generating a sync pulse from the phase-locked loop and applying it to Pin 26 (SYN). RBA, Pin 4, provides the output from the receiver's synchronizer. This output command the phase shift detector to start a single measuring cycle.

Coherent demodulation techniques are used in the receiver section. The reference frequency used to detect phase shifts in the carrier from the transmission line is generated in an internal phase locked loop. In the case of a 1200 bit/sec application, the reference frequency is synchronized to the line carrier.

In applications requiring 2400 bits/sec and upwards, the reference frequency is five (5) times the carrier. This permits phase detection at much higher rates.

This phase shift detector subtracts the carrier from the reference. The difference sets a "window" in which standard pulses are counted. The following table shows the correlation between angles and counts:

Phase Angles (°)		Pulse Counts		MSB (bit 8)	
A	B	Reg. 1	Reg. 2	Reg. 1	Reg. 2
0	45	64	64	0	0
90	135	192	64	1	0
180	225	192	192	1	1
270	315	64	192	0	1

The counting results should be identical to the table. If not, the reference is either ahead or behind the ideal phase. This information is decoded and the phase locked loop is either accelerated or decelerated.

Once demodulation has been accomplished, the data is available at Pin 5 (RXD). The data at RXD is changed to "1" when Pin 28 (LSD) is "0" or Pin 27 (NSY) is "1". LSD is a line signal detector which tells the system that there is a signal present. The 1.8 kHz filter is applied to a level detection circuit, which consists of a comparator. NSY is a "new synchronizer" input. When it is "1", data is disabled; when "0", data is enabled. However, on the transition from "1" to "0", the receiver clock, Pin 24 (RXC), immediately synchronizes with the SYN signal during the next symbol interval. RXC provides the user with bit rate timing (baud timing) for synchronized transmission to the receiving terminal. The following table represents the above discussion.

LSD	NSY	RXD	RXC
0	0	1	free running
0	1	1	free running
1	0	Data	Synchronized
1	1	Data	Synchronized
1	↓	—	Fast Synchronization



XR-2123

Pin 2 (C22/TBY) provides the carrier clock signal for both reception and transmission. When V22 is "0", C22 is defined as in the following table:

V22	ANS	COD	C22
0	0	0	1228.8 kHz (512 × 2400 Hz)
0	0	1	614.4 kHz (512 × 1200 Hz)
0	1	0	614.4 kHz
0	1	1	1228.8 kHz

C22 may be tied directly to Pin 8 (CCL). With V22 = "1", TBY provides transmitter byte timing which is 16 times the transmitter baud timing.

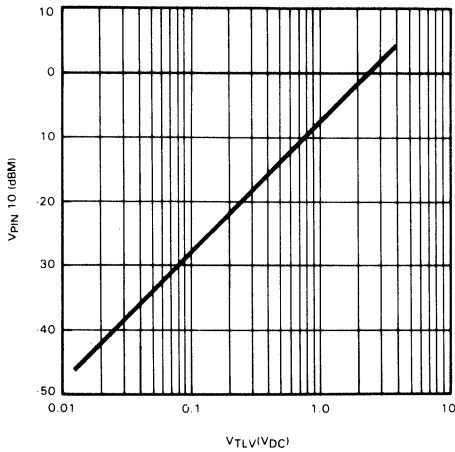


Figure 5. T_{XS} vs V_{TLV}

Pin 12 (RLD) provides a signal which indicates to the receiving terminal that a signal has been detected. RLD = "1" when a received signal is detected, and RLD = "0" when a received signal is not present.

RBY, Pin 23, provides a timing signal for 3000 b/s, half-duplex modem usage. It is similar in use to RXC.

QUA, Pin 6, provides an indication of the quality of the demodulated signal. It is "0" when errors are greater than 22.5° during one symbol interval. This phase error is measured with respect to RBA.

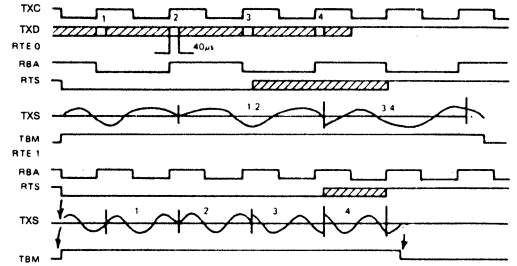


Figure 1. Timing Diagram of the Transmitter

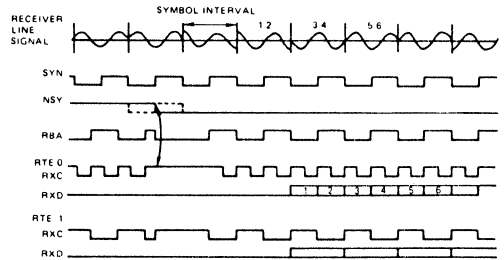


Figure 2. Timing Diagram of the Receiver

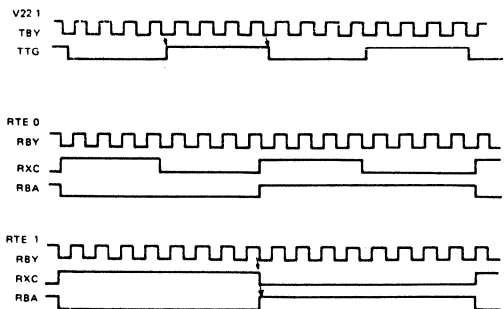


Figure 3. Timing Circuit

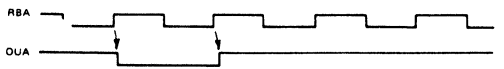
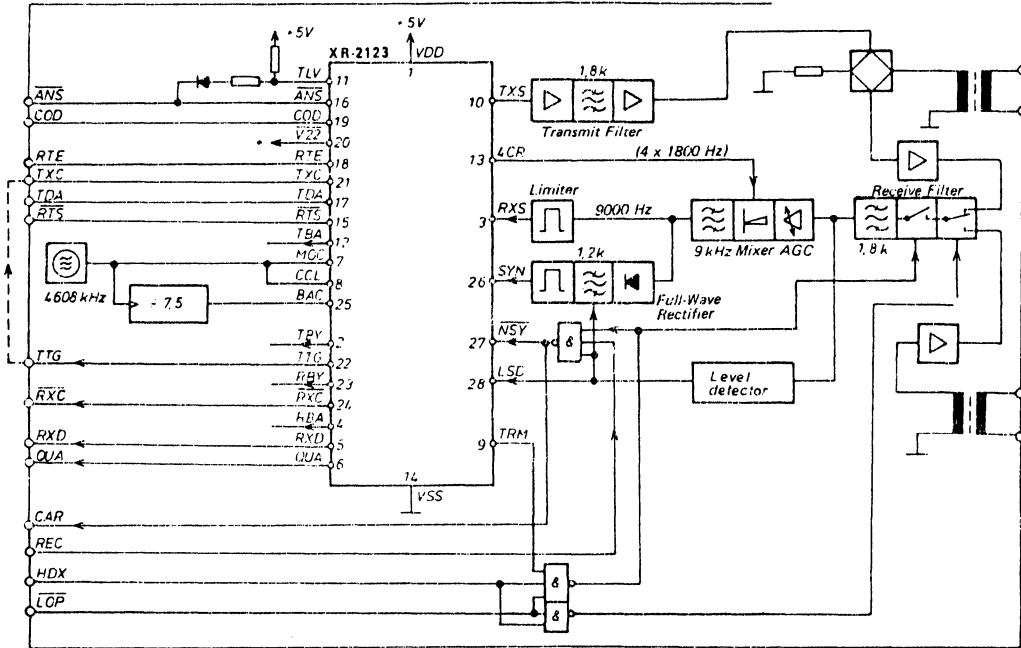


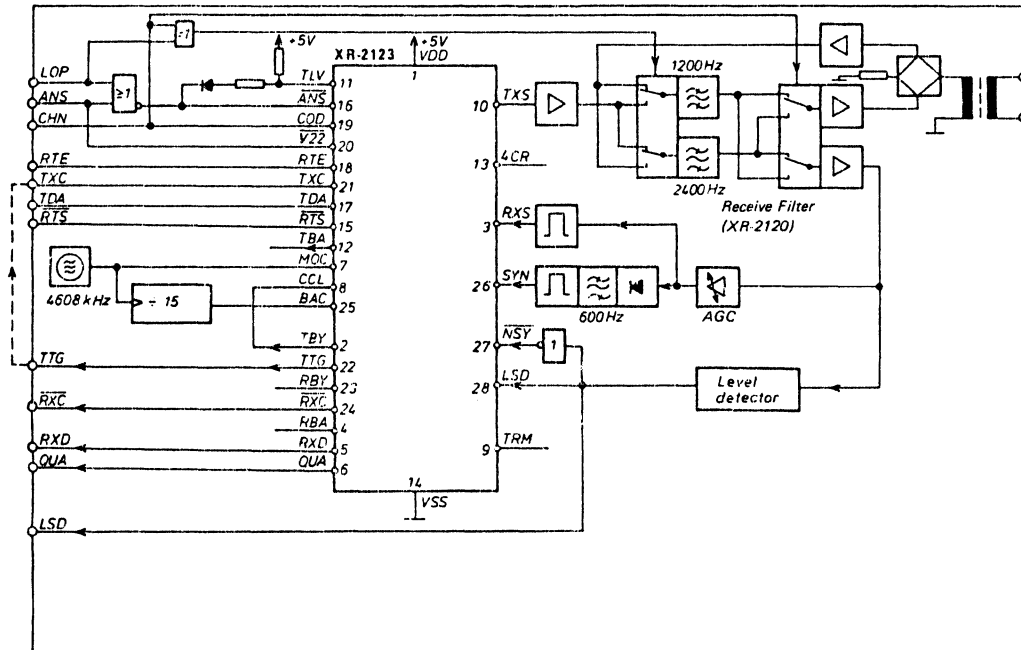
Figure 4. Quality

XR-2123



CAR Carrier detector
 REC Receive mode
 HDX Half duplex
 LOP "0" Connects Local Loop

V.26/201 Modem 2400 bps



LDP "1" Connects Local Loop
 ANS "1" Connects answering tone to line
 CHN Selects the channels

V.22/212A (PSK Only) Modem 1200 bps



XR-2123

The following is a description of the operation of each pin of the XR-2123.

INPUTS

Pin Number	Designation	Description
1	VDD	+5V ± 0.5%
14	VSS	ground
19	COD	code
20	V.22	V.22 mode
16	ANS	answering tone
		} Mode selection
		<u>V22 ANS COD</u>
		0 0 0 V.22/212A modem; Tx high ch; Rx high ch. (local loop)
		0 0 1 V.22/212A modem; Tx low ch; Rx low ch. (local loop)
		0 1 0 V.22/212A modem; Tx high ch; Rx low ch. (answer mode)
		0 1 1 V.22/212A modem; Tx low ch; Rx high ch. (call mode)
		1 0 0 Answering tone (2100 Hz)
		1 0 1 Answering tone (2225 Hz)
		1 1 0 V.26 modem code A (n x 90°)
		1 1 1 V.26 modem code B (n x 45°)
11	TLV	Transmitter level. The sending level is directly dependent on the voltage of TLV signal 1...5.5V (See Electrical Characteristics)
7	MOC	Modulator clock 4.608 MHz square wave
17	TDA	Transmitted data
21	TXC	Transmitter bit timing
18	RTE	Rate 0 low bit rate 1 high bit rate
15	RTS	Request-to-send 1 transmitter clamped 0 transmitter sending
25	BAC	Baud clock 512 x nominal receiver baud timing
26	SYN	Synchronization The receiver baud timing will synchronize to this square wave signal
28	LSD	Line signal detector 1 Receive 0 The receiver is clamped
27	NSY	New synchronizing 1-state forces the received data to "1" state. New synchronizing is made when the NSY goes from 1 to 0
3	RXS	Received signal Received signal in square wave form
8	CCL	Carrier clock 512 x Received carrier signal (Max. 4.608 MHz)

TRANSMISSION

The transmission sequence is initiated by the external signal at RTS (Pin 15) changing from a HI state to a LO state. The transmission mode may be selected from several possibilities by the concurrent manipulation of the external signals at RTE (Pin 18), V22 (Pin 20), COD (Pin 19), ANS (Pin 16). With the input frequency at MOC (Pin 7) at 4.608 MHz, the following table applies:

OUTPUTS

Pin Number	Designation	Description
10	TXS	Transmitted signal Modulated 8 level sine wave
9	TRM	Transmit mode
13	4CR	4 x Carrier frequency in square wave
2	C22	V22 = 0 Carrier clock for V.22 modem C22 can be connected directly to pin 8 (CCL)
		<u>V22 ANS COD C22</u>
		0 0 0 1228.8 kHz (512 x 2400 Hz)
		0 0 1 6144 kHz (512 x 1200 Hz)
		0 1 0 6144 kHz
		0 1 1 1228.8 kHz
	TBY	V22 = 1 Transmitter byte timing Square wave 16 x transmitter baud timing
22	TTG	Timing for transmitter RTE = 0 TTG = BAC/512 RTE = 1 TTG = BAC/256
23	RBY	Receiver byte timing Square wave 16 x received baud timing
24	RXC	Received bit timing
4	RBA	Received baud timing
6	QUA	Quality of demodulated signal. "O" when error is demodulated signal is more than 22.5°
5	RXD	Received data
12	RLD	Received data. Ready signal to terminal.

V.22/212A APPLICATION

INPUT	STATE	DESCRIPTION
V22	LO	
COD	LO	fc = 2400 Hz*
COD	HI	fc = 1200 Hz*
	*Coding	European/US Std.
00	0	90
01	—	0
11	1	270 (-90)
10	—	180
1200 BPS EURO/US	600 BPS EURO	modes i, ii, iii, iv

V.26/201 APPLICATION

INPUT	STATE	DESCRIPTION
V22	HI	fc = 1800Hz
COD	LO	European/U.S. Std. Coding**
COD		ANSI Coding**
	**Coding	European/US Std. ANSI Std.
00	0	45
01	90	135
11	180	225
10	270	315
	alt. A	alt. B

Data Buffer

GENERAL DESCRIPTION

The XR-2125 is a logic circuit designed to perform the data buffer function for Bell 212A Type Modem Systems. Both asynchronous to synchronous and synchronous to asynchronous conversion are performed at nominal data rates of 1200 bits per second. The XR-2125 is selectable for character lengths of 9 or 10 bits. Separate enable/disable inputs are supplied for async to sync and sync to async converter sections. These inputs allow the same data lines to be used for asynchronous or synchronous operation.

The receive data buffer section (sync to async) accepts input sync data (typically from the modem demodulator) at 1200 BPS and converts it to a 1219 BPS async data format. The transmit data buffer (async to sync) accepts input async format data with a data rate of $1200 \text{ BPS} \pm 1\%$, -2.5% and it is synchronized to 1200 BPS, which is typically sent to the modem modulator. This section also provides break signal automatic extension.

The XR-2125 is constructed using silicon gate CMOS technology for low power operation. Operation is designed for an input clock frequency of 1.8432 MHz. The XR-2125, available in a 14 Pin package, is designed for single 5 volt operation.

FEATURES

- Bell 212A Compatible
- Asynchronous to Synchronous Conversion
- Synchronous to Asynchronous Conversion
- Independent Disable Input for Receiver and Transmitter Sections
- 1.8432 MHz Clock
- Break Signal Automatic Extension for Transmitter
- 1200 BPS $\pm 1\%$, -2.5% Operation
- Single 5 Volt Operation

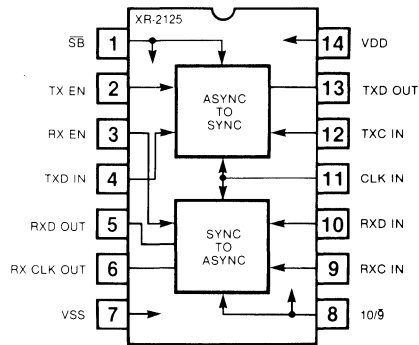
APPLICATIONS

Bell 212A Data Buffer

ABSOLUTE MAXIMUM RATINGS

Power Supply	-0.3 to +5.5V
Input Voltage	-0.3 to $V_{DD} + 0.3$
DC Input Current (any input)	$\pm 10 \text{ mA}$
Power Dissipation	250 mW
Storage Temperature Range	-65°C to +125°C

FUNCTIONAL BLOCK DIAGRAM



ORDERING INFORMATION

Part Number	Package	Operating Temperature
XR-2125CN	Ceramic	0°C to 70°C
XR-2125CP	Plastic	0°C to 70°C

SYSTEM DESCRIPTION

The XR-2125 provides the complete interface between synchronous and character - asynchronous data systems. The synchronous side consists of two data lines T_{XD} and R_{xD} , each with their respective clocks, T_{XC} and R_{CX} . The synchronous portion is designed for data rates of $1200 \pm .01\%$ BPS. The asynchronous side handles data oriented in characters where the actual data bits are bracketed by a start and stop bit. Character lengths are 9 or 10 bit (7 or 8 data bits), pin selectable.

To perform this interface, the XR-2125 consists of two main sections: synchronous to asynchronous (receive section) converter to reinsert stop bits deleted by the sending modem. The other section is asynchronous to synchronous converter (transmit section) to add or delete stop bits to correct the transmit data rate to 1200 BPS. This section also extends the break signal to two character lengths plus three bits when it comes in at a shorter period.

A standby mode is included to put the XR-2125 in a low supply current, non-operative, mode on command.



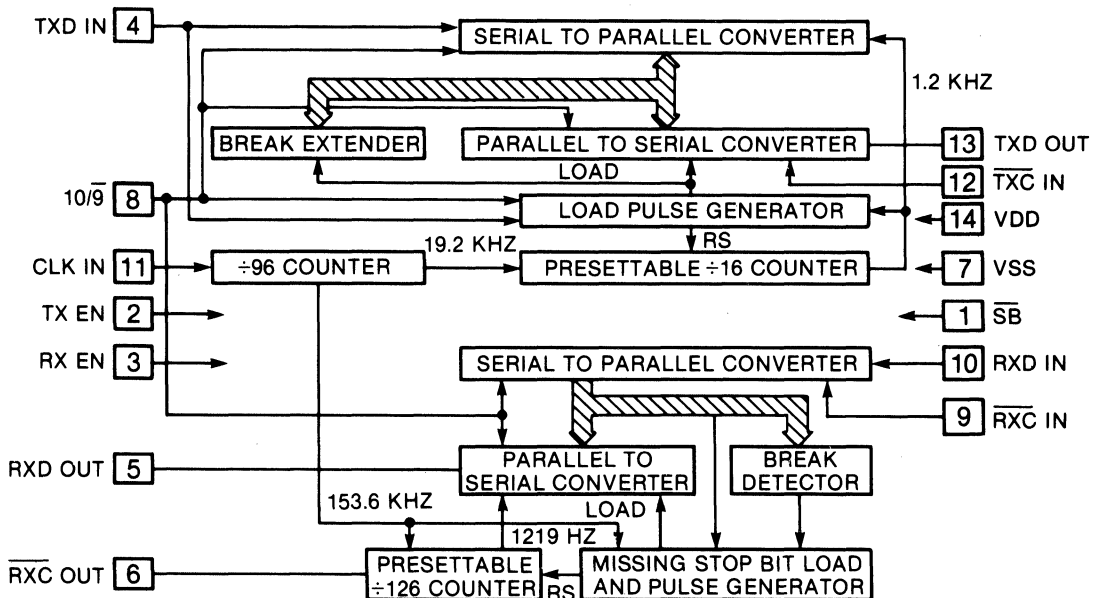
XR-2125

ELECTRICAL CHARACTERISTICS

Test Conditions: $V_{DD} = \pm 5V \pm 5\%$, $T_J = 25^\circ C$, CLK IN = 1.8432 MHz, unless otherwise specified.

SYMBOL	PARAMETERS	MIN	TYP	MAX	UNIT	CONDITIONS
DC CHARACTERISTICS						
V_{OL}	Output Low Voltage	2.4		0.4	V	$I_{OL} = 1.6 \text{ mA}$ $I_{OH} = 400 \mu\text{A}$
V_{OH}	Output High Voltage					
V_{IL}	Input Low Voltage					
V_{IH}	Input High Voltage					
I_{OL}	Output Low Current			4	mA	$T_A = 70^\circ C$
I_{OH}	Output High Current			400	μA	
I_{IN}	Input Current			± 10	μA	
I_{DD}	Supply Current Quiescent			80	μA	
				600	μA	
I_{DD}	Supply Current Standby		10		μA	
AC CHARACTERISTICS						
f_{txd}	TXD In Baud Rate	1170	1200	1212	BPS	See Note 1 $C_L = \text{pF}$; $10/\overline{9} = \text{Hi}$ $10/\overline{9} = \text{Hi}$
f_{scx}	Internal Sampling Clock Frequency		1200		Hz	
t_{dtxd}	TXD Out Delay Time		10.5		Bits	
t_h	RXD Out Delay Time		8		Bits	
f_{rxco}	RXC Out Frequency		1219		Hz	
t_{wrxco}	RXCO Out Pulse Width		410		μs	

Note 1: $f_{scx} = f_{clk}/1536$. When the character start bit comes, internal sampling clock is synchronized with this bit.



EQUIVALENT SCHEMATIC DIAGRAM

Interface Circuits

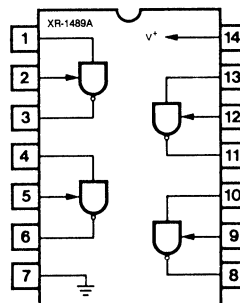
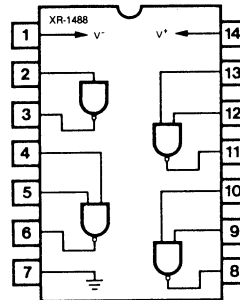
Quad Line Driver/Receiver

GENERAL DESCRIPTION

The XR-1488 is a monolithic quad line driver designed to interface data terminal equipment with data communications equipment in conformance with the specifications of EIA Standard No. RS232C. This extremely versatile integrated circuit can be used to perform a wide range of applications. Features such as output current limiting, independent positive and negative power supply driving elements, and compatibility with all DTL and TTL logic families greatly enhance the versatility of the circuit.

The XR-1489A is a monolithic quad line receiver designed to interface data terminal equipment with data communications equipment. The XR-1489A quad receiver along with its companion circuit, the XR-1488 quad driver, provide a complete interface system between DTL or TTL logic levels and the RS232C defined voltage and impedance levels.

FUNCTIONAL BLOCK DIAGRAMS



ABSOLUTE MAXIMUM RATINGS

Power Supply	
XR-1488	± 15 Vdc
XR-1489A	+ 10 Vdc
Power Dissipation	
Ceramic Package	1000 mW
Derate above +25°C	6.7 mW/°C
Plastic Package	650 mW/°C
Derate above +25°C	5 mW/°C

ORDERING INFORMATION

Part Number	Package	Operating Temperature
XR-1488N	Ceramic	0°C to +70°C
XR-1488P	Plastic	0°C to +70°C
XR-1489AN	Ceramic	0°C to +70°C
XR-1489AP	Plastic	0°C to +70°C

SYSTEM DESCRIPTION

The XR-1488 and XR-1489A are a matched set of quad line drivers and line receivers designed for interfacing between TTL/DTL and RS232C data communication lines.

The XR-1488 contains four independent split supply line drivers, each with a ± 10 mA current limited output. For RS232C applications, the slew rate can be reduced to the 30 V/ μ S limit by shunting the output to ground with a 410 pF capacitor. The XR-1489A contains four independent line receivers, designed for interfacing RS232C to TTL/DTL. Each receiver features independently programmable switching thresholds with hysteresis, and input protection to ± 30 V. The output can typically source 3 mA and sink 20 mA.

XR-1488/1489A

ELECTRICAL CHARACTERISTICS

Test Conditions: ($V^+ = +9.0 \pm 1\% \text{ Vdc}$, $V^- = -9.0 \pm 1\% \text{ Vdc}$, $T_A = 0^\circ\text{C}$ to $+70^\circ\text{C}$, unless otherwise noted)

PARAMETERS	XR-1488 LIMITS			UNITS	CONDITIONS
	MIN	TYP	MAX		
Forward Input Current		1.0	1.6	mA	$V_{in} = 0 \text{ Vdc}$
Reverse Input Current			10	μA	$V_{in} = +5.0 \text{ Vdc}$
Output Voltage High $V^+ = +9.0 \text{ Vdc}$, $V^- = -9.0 \text{ Vdc}$ $V^+ = +13.2 \text{ Vdc}$, $V^- = -13.2 \text{ Vdc}$	+6.0 +9.0	+7.0 +10.5		Vdc	$V_{in} = 0.8 \text{ Vdc}$, $R_L = 3.0 \text{ k}\Omega$
Output Voltage Low $V^+ = +9.0 \text{ Vdc}$, $V^- = -9.0 \text{ Vdc}$ $V^+ = +13.2 \text{ Vdc}$, $V^- = -13.2 \text{ Vdc}$	-6.0 -9.0	-7.0 -10.5		Vdc	$V_{in} = 1.9 \text{ Vdc}$, $R_L = 3.0 \text{ k}\Omega$
Positive Output Short-Circuit Current	+6.0	+10	+12	mA	
Negative Output Short-Circuit Current	-6.0	-10	-12	mA	
Output Resistance $V^+ = V^- = 0$	300			Ohms	$ V_O = \pm 2.0 \text{ V}$
Positive Supply Current ($R_L = \infty$) $V_{in} = 1.9 \text{ Vdc}$, $V^+ = +9.0 \text{ Vdc}$ $V_{in} = 0.8 \text{ Vdc}$, $V^+ = +9.0 \text{ Vdc}$ $V_{in} = 1.9 \text{ Vdc}$, $V^+ = +12 \text{ Vdc}$ $V_{in} = 0.8 \text{ Vdc}$, $V^+ = +12 \text{ Vdc}$ $V_{in} = 1.9 \text{ Vdc}$, $V^+ = +15 \text{ Vdc}$ $V_{in} = 0.8 \text{ Vdc}$, $V^+ = +15 \text{ Vdc}$		+15 +4.5 +19 +5.5	+20 +6.0 +25 +7.0 +34 +12	mA	
Negative Supply Current ($R_L = \infty$) $V_{in} = 1.9 \text{ Vdc}$, $V^- = -9.0 \text{ Vdc}$ $V_{in} = 0.8 \text{ Vdc}$, $V^- = -9.0 \text{ Vdc}$ $V_{in} = 1.9 \text{ Vdc}$, $V^- = -12 \text{ Vdc}$ $V_{in} = 0.8 \text{ Vdc}$, $V^- = -12 \text{ Vdc}$ $V_{in} = 1.9 \text{ Vdc}$, $V^- = -15 \text{ Vdc}$ $V_{in} = 0.8 \text{ Vdc}$, $V^- = -15 \text{ Vdc}$		-13 0 -18 0	-17 0 -23 0 -34 -2.5	mA	
Power Dissipation $V^+ = 9.0 \text{ Vdc}$, $V^- = -9.0 \text{ Vdc}$ $V^+ = 12 \text{ Vdc}$, $V^- = 12 \text{ Vdc}$			333 576	mW	
Switching Characteristics ($V^+ = +9.0 \pm 1\% \text{ Vdc}$, $V^- = -9.0 \pm 1\% \text{ Vdc}$, $T_A = +25^\circ\text{C}$)					
Propagation Delay time (t_{pd}^+)		150	200	ns	$Z_L = 3.0\text{k}$ and 15 pF
Fall Time		45	75	ns	$Z_L = 3.0\text{k}$ and 15 pF
Propagation Delay Time (t_{pd}^-)		65	120	ns	$Z_L = 3.0\text{k}$ and 15 pF
Rise Time		55	100	ns	$Z_L = 3.0\text{k}$ and 15 pF

XR-1488/1489A

ELECTRICAL CHARACTERISTICS

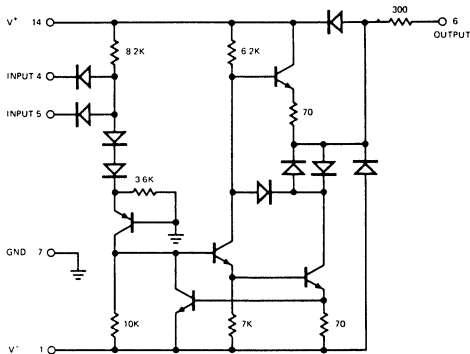
Test Conditions: Response control pin is open. ($V^+ = +5.0 \text{ Vdc} \pm 1\%$, $T_A = 0^\circ\text{C}$ to $+75^\circ\text{C}$, unless otherwise noted)

PARAMETERS	XR-1489 LIMITS			UNITS	CONDITIONS
	MIN	TYP	MAX		
Positive Input Current $V_{in} = +25 \text{ Vdc}$ $V_{in} = +3.0 \text{ Vdc}$	3.6 0.43		8.3	mA	
Negative Input Current $V_{in} = -25 \text{ Vdc}$ $V_{in} = -3.0 \text{ Vdc}$	-3.6 -0.43		- 8.3	mA	
Input Turn-On Threshold Voltage $T_A = +25^\circ\text{C}$, $V_{OL} \leq 0.45 \text{ V}$	1.75	1.95	2.25	Vdc	
Input Turn-Off Threshold Voltage $T_A = +25^\circ\text{C}$, $V_{OH} \geq 2.5 \text{ V}$	0.75	0.8	1.25	Vdc	$I_L = -0.5 \text{ mA}$
Output Voltage High $V_{in} = 0.75 \text{ V}$ Input Open Circuit	2.6 2.6	4.0 4.0	5.0 5.0	Vdc	$I_L = -0.5 \text{ mA}$
Output Voltage Low		0.2	0.45	Vdc	$V_{in} = 3.0 \text{ V}$, $I_L = 10 \text{ mA}$
Output Short-Circuit Current		3.0		mA	
Power Supply Current		20	26	mA	$V_{in} = +5.0 \text{ Vdc}$
Power Dissipation		100	130	mW	$V_{in} = +5.0 \text{ Vdc}$
Switching Characteristics ($V^+ = 5.0 \text{ Vdc} \pm 1\%$, $T_A = +25^\circ\text{C}$)					
Propagation Delay Time (t_{PLH})		25	85	ns	$R_L = 3.9 \text{ k}\Omega$
Rise Time		120	175	ns	$R_L = 3.9 \text{ k}\Omega$
Propagation Delay Time (t_{PHL})		25	50	ns	$R_L = 390 \text{ k}\Omega$
Fall Time		10	20	ns	$R_L = 390 \text{ k}\Omega$

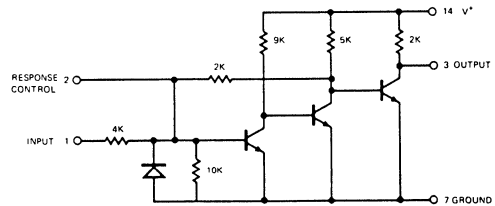
1

EQUIVALENT SCHEMATIC DIAGRAMS

XR-1488



XR-1489A



Disk Drive Circuits

Floppy Disk Write Amplifier

GENERAL DESCRIPTION

The XR-2247/2247A is a write amplifier designed to provide the complete interface between write data signals and tunnel-erase magnetic heads. Although primarily intended for floppy disk drive systems, the XR-2247/2247A can also be used in other magnetic media systems such as tape drives. To minimize external part count for dual head systems, complete head switching is done internally with emitter-coupled PNP transistors in the XR-2247 and diodes (which offer improved broadband noise characteristics) in the XR-2247A. Write and erase currents are each externally programmable with a single resistor. Also included is circuitry for inner track write current compensation. To prevent false write current outputs during power-on, an inhibit input has been provided. Erase turn-on and turn-off times are each externally programmable.

The XR-2247/2247A, available in a 22-Pin DIP, operates from a single power supply and provides TTL compatible inputs.

FEATURES

- Fully Programmable Write and Erase Currents
- Fully Programmable Erase Turn-on/Turn-off Times
- Internal Head Switching for Dual Head Drives
- Single Supply Operation
- Inner Track Write Current Compensation
- Inhibit Input
- TTL Compatible Inputs
- Low External Parts Count

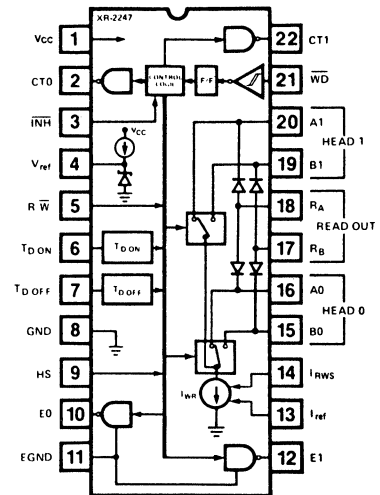
APPLICATIONS

- Floppy Disk Drives
- Single/Dual Head Systems
- Magnetic Tape Write Amplifier

ABSOLUTE MAXIMUM RATINGS

Power Supply Voltage (Pin 1)	16 V dc
Input Voltage (all digital inputs)	-0.2V to +16 V dc
Reference Current (Pin 4)	10 mA dc
Output Current (Pins 2, 10, 12, 22)	100 mA dc
Storage Temperature	-55°C to +150°C
Operating Junction Temperature	150°C
Power Dissipation	750 mW
Derate Above 25°C	6.5 mW/°C

FUNCTIONAL BLOCK DIAGRAM



ORDERING INFORMATION

Part Number	Package	Operating Temperature
XR-2247CN	Ceramic	0°C to +70°C
XR-2247CP	Plastic	0°C to +70°C
XR-2247ACN	Ceramic	0°C to +70°C
XR-2247ACP	Plastic	0°C to +70°C

SYSTEM DESCRIPTION

The XR-2247/2247A accepts a serial binary data stream input. With the write mode selected, negative transitions of this input signal will alternately provide write current to each half of the head. The XR-2247/2247A provides two sets of current outputs for dual head drives, with the head select (HS) control determining which is active. The write current is externally programmed with a resistor between the internal voltage reference and the current setting input. Two high-current open-collector outputs provide the erase coil drive. Turn-on and turn-off delay circuitry is provided for these outputs, with the delay externally programmed.

An inhibit input ($\overline{\text{INH}}$) is provided to disable the outputs to prevent false writing during power-on. With the read mode selected, internal head switching channels the proper head to the read outputs.

XR-2247/2247A

ELECTRICAL CHARACTERISTICS

Test Conditions: $T_A = 25^\circ\text{C}$, $V_{CC} = 12\text{V}$, $R_{ref} = 10\text{ k}\Omega$, unless otherwise specified.

SYMBOL	PARAMETERS	MIN	TYP	MAX	UNIT	CONDITIONS
I_{CC}	Power Supply Current	-	13	20	mA	$V_{CC} = 9\text{V to }16\text{V}$
V_{CC}	Power Supply Range	9	12	16	V	
DIGITAL INPUT VOLTAGE						
V_{IH}	High Level Voltage	2.0	-	-	V	
V_{IL}	Low Level Voltage	-	-	0.8	V	
DIGITAL INPUT CURRENTS						
I_{IH}	High Level Current	-	0.1	4.0	μA	$V_I = 2.4\text{V}$
I_{IL}	Low Level Current	-	15	100	μA	
CT0 or CT1 OUTPUTS						
V_{CTH}	Output High Voltage	9.5	10.2	-	V	$I_{out} = 100\text{ mA}$
V_{CTL}	Output Low Voltage	-	0.1	0.2	V	
E0 or E1 OUTPUTS						
I_{OL}	Output High Leakage	-	0.01	20	μA	$V_{CC} = 16\text{V}$
V_{OEL}	Output Low Voltage	-	1.0	1.5	V	
$T_{D ON}$	Erase Turn-on Delay	0.45	0.5	0.55	mS	$R_{D1} = 4.55\text{ k}\Omega$, $C_{D1} = 0.1\text{ }\mu\text{F}$
$T_{D OFF}$	Erase Turn-off Delay	0.9	1.0	1.1	mS	
CURRENT SOURCE						
V_{ref}	Reference - Pin 4	8.0	8.5	9.0	V	$I_{ref} = 1\text{ mA}$
		7.8	8.2	8.8	V	
V_{mir}	I_{ref} Input Voltage - Pin 13	0.65	0.80	0.95	V	$I_{ref} = 1\text{ mA}$
I_{WRL}	Write Current Off Leakage — Pins 15, 16, 19, 20	-	0.03	15	μA	
V_{comp}	Current Sink Compliance — Pins 15, 16, 19, 20	7	-	12	V	
I_{WR}	Write Current w/o I_{RWS} — Pins 15, 16, 19, 20	3.7	4.1	4.5	mA	$I_{RWS} = \text{Low}$
I_{WRS}	Write Current with I_{RWS} — Pins 15, 16, 19, 20	5.1	5.7	6.3	mA	$I_{RWS} = \text{High}$
ΔI_{WR}	Difference in Write Current	-	-	40	μA	$I_{RWS} = \text{Low (Note 1)}$
READ OUTPUT						
e_{no}	Differential Noise Voltage at Read Output — 2247	-	4	-	μV_{rms}	$BW = 10\text{ Hz to }1.0\text{ MHz}$
		-	1	-	μV_{rms}	
	2247A	-	1	-	μV_{rms}	

Note 1: Difference = $|(I_{PIN\ 15,16} - I_{PIN\ 19,20})|$

1

XR-2247/2247A

AC SWITCHING CHARACTERISTICS

Test Conditions: Test Circuit of Figure 4, $V_{CC} = 12V$, $T_A = 25^\circ C$, $I_{RWS} = 0.4V$

SYMBOL	PARAMETER	MIN	TYP	MAX	UNIT	CONDITIONS
t _{d1}	Delay from $\overline{R/W}$ going low through 0.8V to CT0 or CT1 going high through 9.0V.	-	0.11	-	μs	R/W signal at Pin 5: f = 50 KHz, 50% duty cycle, amplitude = 0.4V to 2.4V See Figure 1
t _{d2}	Delay from $\overline{R/W}$ going low through 0.8V to A0, A1, B0, or B1 settling to final value.	-	0.40	-	μs	
t _{d3}	Delay from $\overline{R/W}$ going high through 2.0V to A0, A1, B0, or B1 settling to final value.	-	0.20	-	μs	
t _{d4}	Delay from $\overline{R/W}$ going low through 0.8V to V_{ref} going high through 8.0V.	-	0.13	-	μs	
t _{d5}	Delay from $\overline{R/W}$ going high through 2.0V to V_{ref} going low through 1.0V.	-	3.50	-	μs	
t _{d6}	Delay from HS going high through 2.0V to CT0 going high through 9.0V.	-	0.12	-	μs	HS signal at Pin 9: f = 50 KHz, 50% duty cycle, amplitude = 0.4V to 2.4V See Figure 1
t _{d7}	Delay from HS going high through 2.0V to CT1 going low through 1.0V.	-	0.11	-	μs	
t _{d8}	Delay from HS going low through 0.8V to CT0 going low through 1.0V.	-	0.10	-	μs	
t _{d9}	Delay from HS going low through 0.8V to CT1 going high through 9.0V.	-	0.20	-	μs	
t ₁₀	\overline{WD} low hold time.	150	-	-	ns	See Figure 1
t ₁₁	\overline{WD} high hold time.	500	-	-	ns	
t _{d12}	Delay from \overline{WD} going low through 1.4V to A0 or A1 turning on through 50%.	-	75	-	ns	See Figure 3
t _{d13}	Delay from \overline{WD} going low through 1.4V to B0 or B1 turning off through 50%.	-	75	-	ns	
t _{d14}	Delay from \overline{WD} going low through 1.4V to A0 or A1 turning off through 50%.	-	75	-	ns	
t _{d15}	Delay from \overline{WD} going low through 1.4V to B0 or B1 turning on through 50%.	-	75	-	ns	
t ₁₆	Turn-on time, 10% to 90%, of A0 or A1	-	50	-	ns	
t ₁₇	Turn-on time, 10% to 90%, of B0 or B1	-	50	-	ns	
t ₁₈	Turn-off time, 90% to 10%, of A0 or A1	-	50	-	ns	
t ₁₉	Turn-off time, 90% to 10%, of B0 or B1	-	50	-	ns	

XR-2247/2247A

PRINCIPLES OF OPERATION

The functions of the input and output pins are as follows:

Head Select — HS (Pin 9): The head select input makes a selection between head 0 and head 1. It channels the proper drive signals to the CT and E pins.

Read/Write — R/W (Pin 5): This input selects read data when high, and write data when low.

Write Data — WD (Pin 21): Digital data to be written to the head is fed into this pin. Data is alternately written to A0, B0 or A1, B1 on negative transitions of WD.

I_{RWS} Select — I_{RWS} (Pin 14): This pin is used to provide a digital control for the amount of current written to the head. It is used to provide inner track compensation. When low, the head current is that dictated, by R_{ref}. When driven high, the head current is increased by 40%.

V_{ref} (Pin 4), I_{ref} (Pin 13): A resistor, R_{ref}, connected between these pins control the write current. With I_{RWS} low, the write current is approximately five times the R_{ref} current, and seven times with I_{RWS} high.

Center Tap 0 — CT0 (Pin 2), Center Tap 1 — CT1 (Pin 22): These pins are high-current outputs used to apply V_{CC} to the center taps of the head. With R/W low, both CT outputs are in the high state.

Erase 0 — E0 (Pin 10), Erase 1 — E1 (Pin 12): These pins provide high-current open-collector outputs for supplying erase current to the head. With R/W low, the erase output selected by HS will be low with the other open. With R/W high, both E0 and E1 will be open or high impedance outputs.

A0 (Pin 16), B0 (Pin 15): These pins provide the write current to the head. A0 is connected to one side of the head, with B0 connected to the other. They provide out-of-phase drive to each end of the head write coil. These outputs are selected when HS is low.

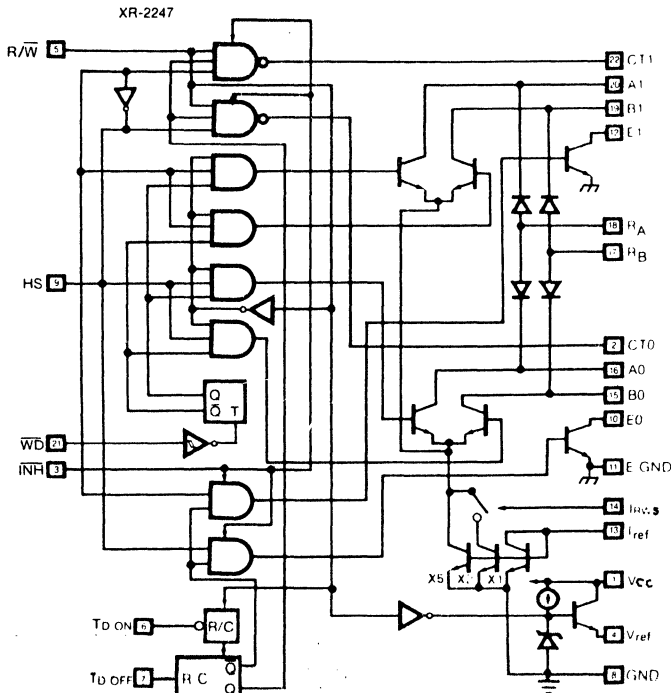
A1 (Pin 20), B1 (Pin 19): These outputs provide the same current-sink drive as A0/B0, except to the other head when HS is high.

R_A (Pin 18), R_B (Pin 17): These are read signal outputs to be connected to the read amplifier inputs. With R/W high, the head selected by HS will be connected to these pins.

Inhibit — INH (Pin 3): When active (low), this input will turn off both erase and center taps to avoid erroneous outputs during power-on.

T_D ON (Pin 6), T_D OFF (Pin 7): The resistor, R_D, and capacitor, C_D, combination of these pins will set the turn-on and turn-off times of the erase outputs. Figure 5 shows the connection of these components, with section 3 of the applications information describing the time as a function of R_D and C_D.

EQUIVALENT SCHEMATIC DIAGRAM



XR-2247/2247A

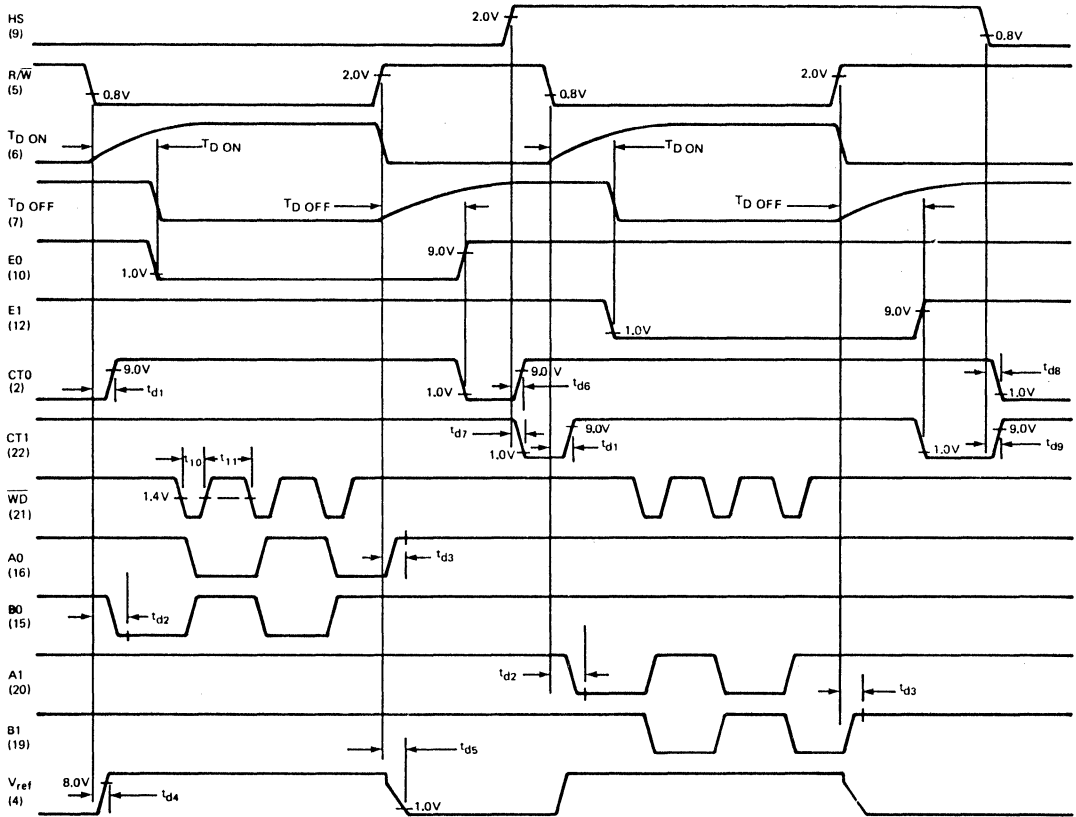


Figure 1. Timing Diagram

INPUT			OUTPUT				
INH	R/W	HS	CT0	CT1	E0	E1	V _{ref}
1	0	0	H	H	Low	Open	H
1	0	1	H	H	Open	Low	H
1	1	0	L	H	Open	Open	L
1	1	1	H	L	Open	Open	L
0	-	-	L*	L*	Open	Open	H

*High impedance

Figure 2. Truth Table

XR-2247/2247A

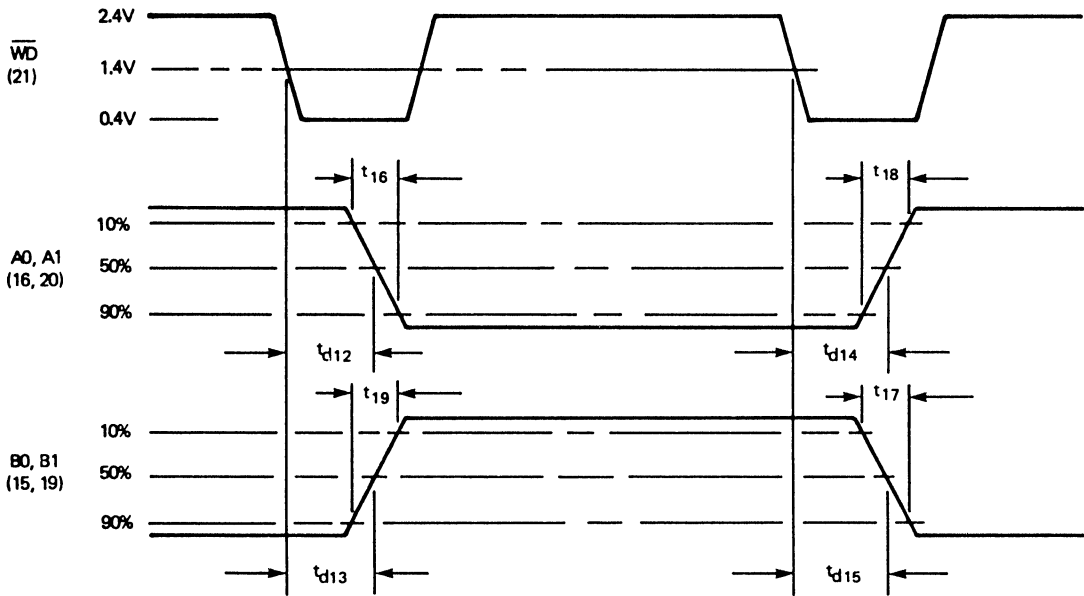


Figure 3. Write Current Output Characteristics

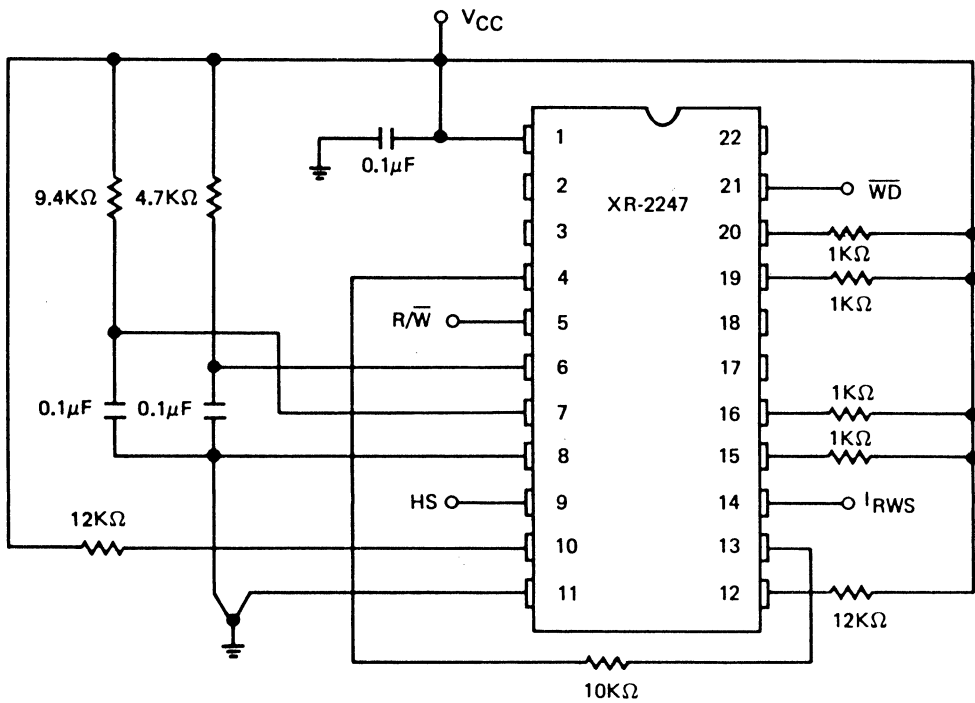


Figure 4. Test Circuit for AC Switching Characteristics

XR-2247/2247A

APPLICATIONS INFORMATION

A typical dual head connection of the XR-2247 in a floppy disk system is shown in Figure 5. Referring to Figure 5 and the electrical characteristics, the external components are calculated as follows:

1) Write Current, I_{WR}

$$I_{WR} = (5.3) \left(\frac{V_{ref} - V_{mir}}{R_{ref}} \right) \quad I_{RWS} = \text{Low}$$

Given $I_{WR} = 4.1 \text{ mA}$, $R_{ref} = 10 \text{ k}\Omega$
 I_{ref} , the current into Pin 13, should not exceed 2.0 mA.

2) Erase Current, I_E

$$I_E = \frac{V_{CTH} - V_{OEL}}{R_E} \approx \frac{V_{CC} - 2V}{R_E}$$

Given $I_E = 50 \text{ mA}$ and $V_{CC} = 12V$, $R_E = 200\Omega \frac{1}{2} W$

3) Erase Delay Time, $T_{D ON}$ and $T_{D OFF}$

$$T_{D ON} \approx 1.1 (R_{D1} \times C_{D1})$$

$$T_{D OFF} \approx 1.05 (R_{D2} \times C_{D2})$$

Given $T_{D ON} = 0.5 \text{ ms}$ and $T_{D OFF} = 1.0 \text{ ms}$,

$$R_{D1} = 4.55 \text{ k}\Omega, R_{D2} = 9.54 \text{ k}\Omega$$

$$C_{D1} = C_{D2} = 0.1 \mu F$$

Control of the erase outputs can also be done from an external source by grounding Pin 6 and driving Pin 7 directly. The selected erase output will be on when Pin 7 is low and off when Pin 7 is high. This input is not TTL compatible, however, with the threshold voltage being approximately $\frac{1}{2} V_{CC}$.

4) Resistors R_{WD} are used to damp any ringing that may occur when the write current transitions are applied to the head. Their value is determined by the head characteristics and the desired damping.

R_{RD} is used to provide additional damping in the read mode if this is desired. Usually, R_{RD} is only used with the XR-2247A where the head switching diodes make the total read damping resistance approximately $R_{RD} // R_{WD}$. In the XR-2247, the transistors used for head switching act to buffer R_{RD} from the head.

Resistors R_B are used to bias the head switching network in the read mode and their value is selected to provide currents in the $100 \mu A$ to $300 \mu A$ range.

5) When in the read mode, digital signals appearing along the \overline{WD} line (Pin 21) can couple externally through stray capacitances into the read signal coming from the head. It is recommended that \overline{WD} be held low while reading.

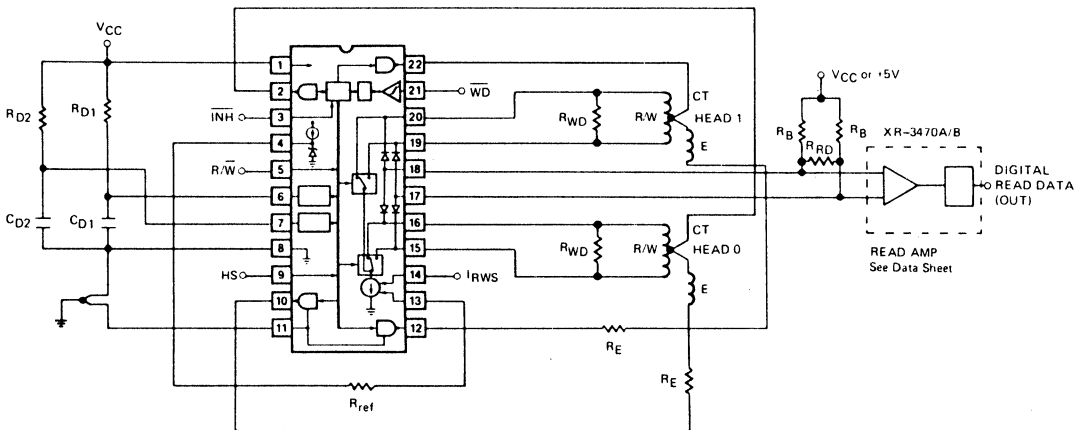


Figure 5. Typical Dual Head Floppy Disk System

Floppy Disk Read Amplifier

GENERAL DESCRIPTION

The XR-3470A/3470B is read amplifier system designed primarily for use in a floppy disk drive system. It is designed to perform the complete readback function, by accepting the readback signal from a magnetic head and converting it into digital output pulses. To perform this function, the circuit contains a high-frequency amplifier, an active differentiator, a zero-crossing detector, and a time domain filter.

The XR-3470A/3470B is suited for systems with data transfer rates up to 3 megabaud. High input sensitivity allows operation with signal levels as low as 1.4 mV pp, which gives it the flexibility to be used for single or double density floppy disk systems.

The XR-3470A/3470B offers improvements (over the standard 3470) of lower peak shift and power part-to-part input amplifier gain variations.

The XR-3470A/3470B, available in an 18 Pin DIP, is powered by +5 and +12 volt power supplies.

FEATURES

Complete Floppy Disk Read Amplifier	
Low Input Voltage detection	1.4 mV pp
Low Peak Shift 3470A	2% Max
3470B	4% Max
Low Amplifier Gain Variation	100 V/V Min
	130 V/V Max
High Amplifier Frequency Response	10 MHz, Min.

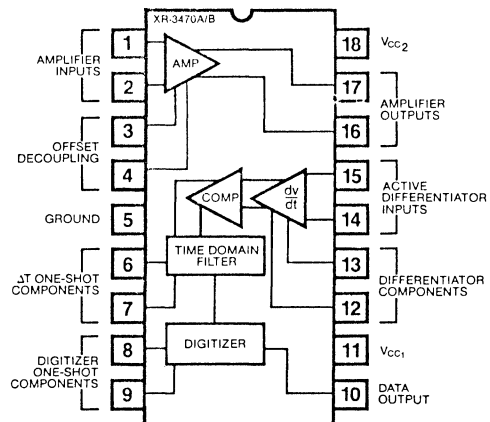
APPLICATIONS

Single/Double Density Floppy Disk Read Amplifier
Magnetic Read Amplifier

ABSOLUTE MAXIMUM RATINGS

Power Supply Voltage (Pin 11)	7 V dc
Power Supply Voltage (Pin 18)	16 V dc
Input Voltage (Pins 1 and 2)	-2V to +7 V dc
Output Voltage (Pin 10)	-2V to +7 V dc
Operating Ambient Temperature	0°C to +70°C
Storage Temperature	-65°C to +150°C
Operating Junction Temperature	150°C

FUNCTIONAL BLOCK DIAGRAM



ORDERING INFORMATION

Part Number	Package	Operating Temperature
XR-3470ACN	Ceramic	0°C to +70°C
XR-3470ACP	Plastic	0°C to +70°C
XR-3470BCN	Ceramic	0°C to +70°C
XR-3470BCP	Plastic	0°C to +70°C

SYSTEM DESCRIPTION

The XR-3470A/3470B contains four internal signal blocks. Their functions are as follows: **Input Amplifier** — This section receives an input directly from the magnetic head. It provides a nominal gain of 110 V/V, with gain select pins to reduce gain or tailor it for ac response. The amplifier has differential inputs and outputs. **Active Differentiator** — This circuit differentiates the signal from the amplifier which causes a zero-crossing for each peak of the readback signal. The time constant and response of this section is externally set. **Zero-Crossing Detector** — This function is performed by a voltage comparator. It produces complementary outputs for the internal digital section. **Digital Section** — This section consists of 2 one-shots and other control circuitry. The one-shots are used to prevent false outputs, and set the output pulse width.



XR-3470A/3470B

ELECTRICAL CHARACTERISTICS

Test Conditions: $T_A = 0^\circ\text{C}$ to 70°C ; $V_{CC1} = 4.75\text{V}$ to 5.25V ; $V_{CC2} = 10\text{V}$ to 14V ; unless otherwise specified.

SYMBOL	PARAMETERS	MIN	TYP	MAX	UNIT	CONDITIONS
GAIN AMPLIFIER SECTION						
A_{VD}	Differential Voltage Gain	100	110	130	V/V	$f = 200\text{ kHz}$, $V_{ID} = 5\text{ mV (RMS)}$
I_{IB}	Input Bias Current	—	-10	-25	μA	
V_{ICM}	Input Common Mode Range Linear Operation	-0.1	—	1.5	V	5% max THD
V_{ID}	Differential Input Voltage Linear Operation	—	—	25	mV pp	5% max THD
V_{OD}	Output Voltage Swing Differential	3.0	4.0	—	V pp	
I_O	Output Source Current, Toggled	—	8.0	—	mA	
I_{OS}	Output Sink Current	2.8	4	—	mA	Pins 16 and 17
R_I	Small Signal Input Resistance	100	250	—	k Ω	$T_A = 25^\circ\text{C}$
R_O	Small Signal Output Resistance Single-Ended	—	15	—	Ω	$T_A = 25^\circ\text{C}$, $V_{CC1} = 5\text{V}$ $V_{CC2} = 12\text{V}$
BW	Bandwidth, -3 dB	10.0	—	—	MHz	$T_A = 25^\circ\text{C}$, $V_{CC1} = 5\text{V}$ $V_{ID} = 2\text{ mV (RMS)}$, $V_{CC2} = 12\text{V}$
CMRR	Common Mode Rejection Ratio	50	—	—	dB	$T_A = 25^\circ\text{C}$, $f = 100\text{ kHz}$ $A_{VD} = 40\text{ dB}$, $V_{CC1} = 5\text{V}$ $V_{IN} = 200\text{ mV pp}$, $V_{CC2} = 12\text{V}$
PSSR1	V_{CC1} Supply Rejection Ratio	50	—	—	dB	$T_A = 25^\circ\text{C}$, $A_{VD} = 40\text{ dB}$ $4.75 < V_{CC1} < 5.25$, $V_{CC2} = 12\text{V}$
PSSR2	V_{CC2} Supply Rejection Ratio	60	—	—	dB	$T_A = 25^\circ\text{C}$, $A_{VD} = 40\text{ dB}$ $10 < V_{CC2} < 14\text{V}$, $V_{CC1} = 5\text{V}$
V_{DO}	Differential Output Offset	—	—	0.4	V	$T_A = 25^\circ\text{C}$, $V_{ID} = V_{IN} = 0\text{V}$
V_{CO}	Common Mode Output Offset	—	3.0	—	V	$V_{ID} = V_{IN} = 0\text{V}$ Differential and Common Mode
e_n	Differential Noise Voltage Referred to Input	—	15	—	$\mu\text{V (RMS)}$	BW = 10 Hz to 1.0 MHz $T_A = 25^\circ\text{C}$
ACTIVE DIFFERENTIATOR SECTION						
I_{OD}	Differentiator Output Sink Current	1.0	1.4	—	mA	Pins 12 and 13, $V_{OD} = V_{CC1}$
PS	Peak Shift 3470A	—	—	2.0	%	$f = 250\text{ kHz}$, $V_{ID} = 1\text{V pp}$
	3470B	—	—	4.0	%	$I_{CAP} = 500\text{ }\mu\text{A}$ $V_{CC1} = 5\text{V}$, $V_{CC2} = 12\text{V}$ See Figure 2
R_{ID}	Differentiator Input Resistance Differential	—	30	—	k Ω	$T_A = 25^\circ\text{C}$
R_{OD}	Differentiator Output Resistance Differential	—	40	—	Ω	$T_A = 25^\circ\text{C}$
DIGITAL SECTION						
V_{OH}	Output Voltage High Logic Level	2.7	—	—	V	Pin 10, $V_{CC1} = 4.75\text{V}$ $I_{OH} = -0.4\text{ mA}$, $V_{CC2} = 12\text{V}$
V_{OL}	Output Voltage Low Logic Level	—	—	0.5	V	Pin 10, $V_{CC1} = 4.75\text{V}$ $I_{OL} = 8.0\text{ mA}$, $V_{CC2} = 12\text{V}$
t_{TLH}	Output Rise Time	—	—	20	ns	Pin 10
t_{THL}	Output Fall Time	—	—	25	ns	Pin 10
$t_{1A,B}$	Timing Range Mono #1	500	—	4000	ns	t_{1A}, t_{1B}
E_{t1}	Timing Accuracy Mono #1	85	—	115	%	$R_1 = 6.4\text{ k}\Omega$, $C_1 = 200\text{ pF}$ (Note 1)
t_2	Timing Range Mono #2	150	—	1000	ns	
E_{t2}	Timing Accuracy Mono #2	85	—	115	%	$R_2 = 1.6\text{ k}\Omega$, $C_2 = 200\text{ pF}$ (Note 2)
I_{CC1}	V_{CC1} Power Supply Current	—	25	40	mA	
I_{CC2}	V_{CC2} Power Supply Current	—	3	10	mA	

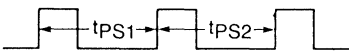
1. Accuracy guaranteed for R_1 and C_1 in range
 $1.5\text{ k}\Omega < R_1 < 10\text{ k}\Omega$
 $150\text{ pF} < C_1 < 680\text{ pF}$

2. Accuracy guaranteed for R_2 and C_2 in range
 $1.5\text{ k}\Omega < R_2 < 10\text{ k}\Omega$
 $100\text{ pF} < C_2 < 800\text{ pF}$

XR-3470A/3470B

1

$$PS = \frac{1}{2} \left(\frac{t_{PS1} - t_{PS2}}{t_{PS1} + t_{PS2}} \right) \text{ at Pin 10}$$



I_{CAP} = current into Pin 12

Figure 2.

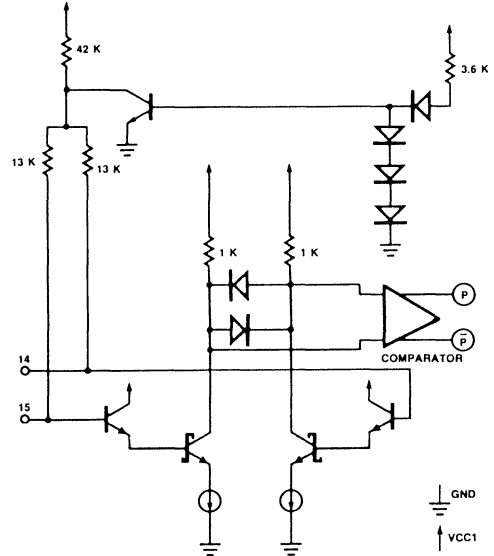
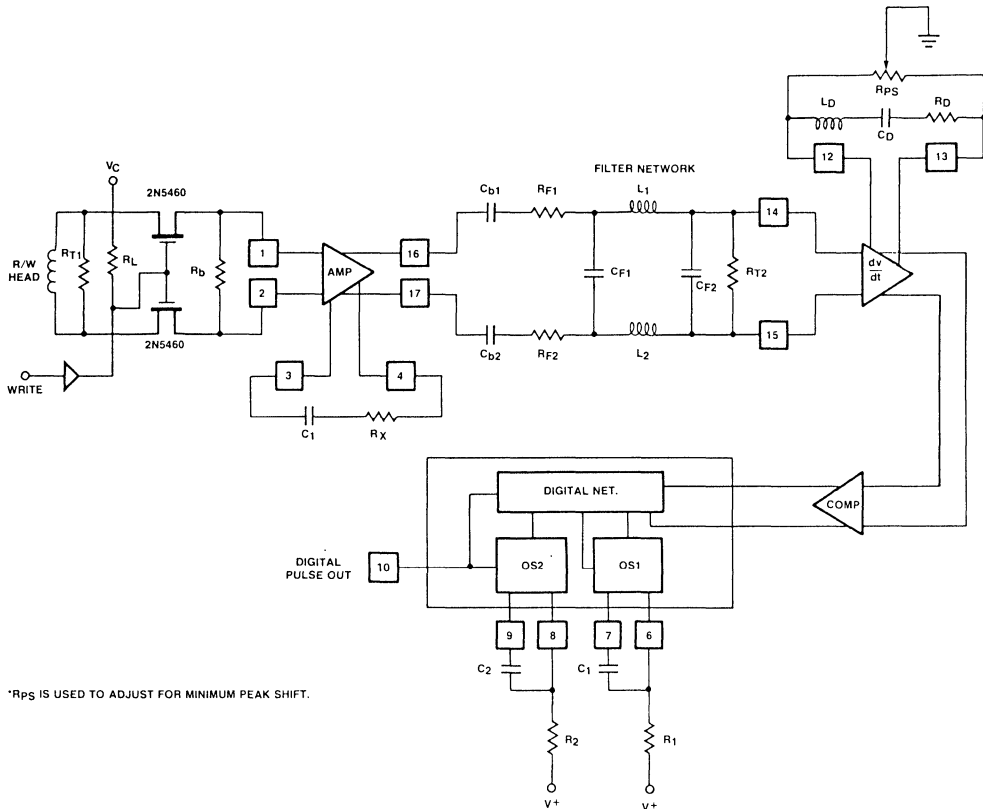


Figure 3. Active Differentiator and Zero Crossing Detector



*R_{PS} IS USED TO ADJUST FOR MINIMUM PEAK SHIFT.

Figure 4. Generalized Circuit Connection for Floppy Disk Read System

XR-3470A/3470B

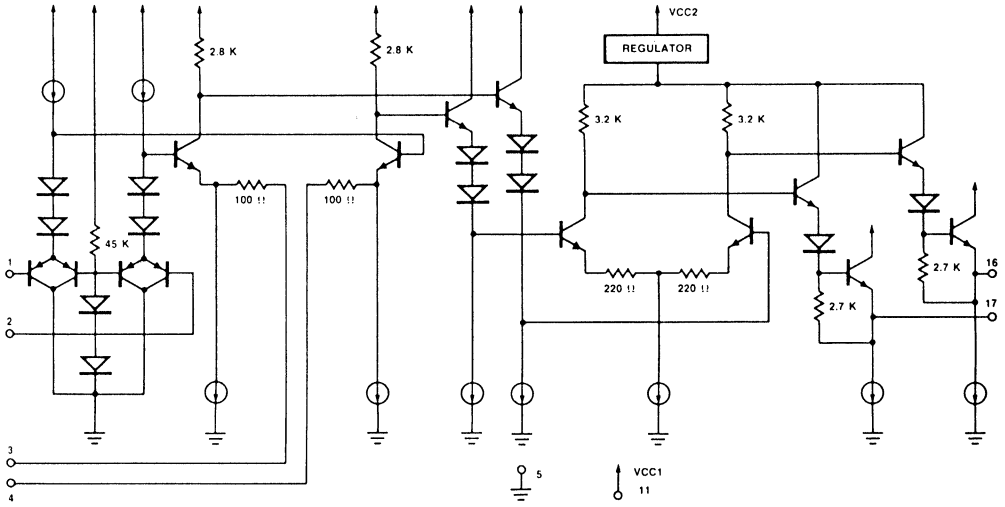


Figure 5. Input Amplifier

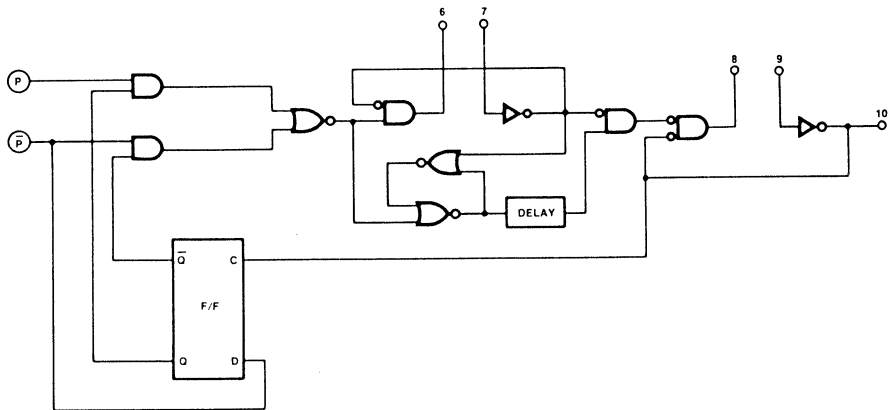


Figure 6. Digital Section

XR-3470A/3470B

R/W HEAD COUPLING

When switching from the write channel to the read channel, one must be careful not to present a differential voltage to the inputs of the amplifier, for this will result in an amplified swing at the output of the amplifier, which will cause peak shifting at the digital output. A balanced diode network or FET switches, as shown in Figure 4, may be used to overcome this problem.

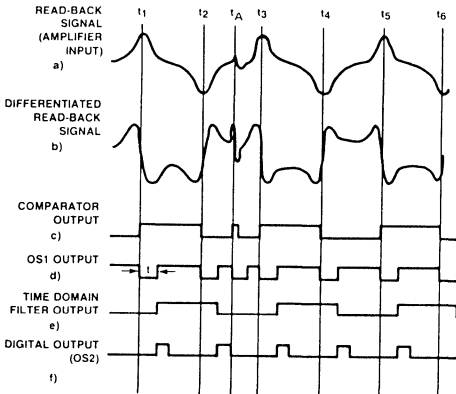


Figure 7a-f. Waveforms Through the XR-3470A/3470B

AMPLIFIER STAGE

The amplifier stage will typically amplify the read back signal by a factor of 110. In order to eliminate any offset between the amplifier stages, a capacitor, C_1 , should be inserted between Pins 3 and 4. If the input signal to the amplifier is to be above 25 mV, clamping of the amplifier may occur. To reduce the gain, a resistor R_X may be inserted in series with C_1 between Pins 3 and 4. The graph in Figure 8 shows a plot of normalized gain vs R_X .

It should be noted that capacitor C_1 with R_X and the resistance looking into Pins 3 and 4, will create a pole at approximately

$$\omega_p = \frac{1}{(R_X + 250) C_1}$$

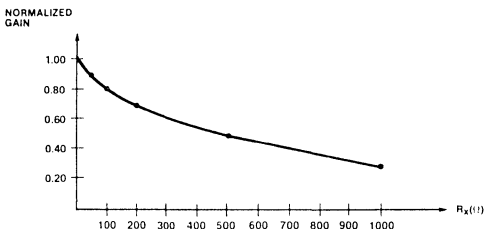


Figure 8. Normalized Gain vs R_X for Amplifier Stage

so C_1 should not be made too low. $C_1 = 0.1 \mu\text{F}$ is nominal for most floppy disk applications.

FILTER NETWORK

The filter network, between the XR-3470A/3470B amplifier stage and differentiator stage, is subject to several system and circuit considerations.

The filter network, first and foremost, must be designed to pass all frequencies up to $1/2$ the maximum baud rate, with a constant gain and phase shift. This frequency can be stated as f_{max} , where

$$f_{\text{max}} = 1/2 (\text{Baud rate})_{\text{max}}$$

In order to avoid saturation of the amplifier current sources, the current into the filter must not exceed 2.8 mA. In order to meet this condition the impedance of the filter must be governed by the following constraint

$$Z_{\text{min}} > \frac{(A_{\text{VD}} E_{\text{p}})_{\text{max}}}{2.8 \text{ mA}}$$

where A_{VD} is the gain of the amplifier
 E_{p} is the maximum peak voltage of the input signal

The differentiator inputs are dc biased internally. This implies that the dc level from the amplifier stage must be blocked in order not to disturb these levels. Therefore blocking capacitors, C_{b1} and C_{b2} , should be placed before the differentiator inputs. In order to keep the transient response to a minimum it is best to place the dc blocking capacitors before the filter network.

ACTIVE DIFFERENTIATOR

The amplified filtered read back signal is fed into the active differentiator. Here, the peaks of the read back signal are transformed into zero crossings as shown by Figures 7a and 7b.

In order to perform the differentiator function a capacitor C_D is needed across Pins 12 and 13. The selection of C_D for accurate zero crossing is optimized by maximizing current slew rate through C_D , which occurs when

$$C_D = \frac{1 \text{ mA}}{(A_{\text{VD}} E_{\text{p}} \omega)_{\text{max}} A_{\text{F}}}$$

Where A_{VD} is the gain of the amplifier
 E_{p} is the maximum expected input voltage
 ω is the maximum operating frequency in radians/sec of the system
 A_{F} is the gain of the filter network

If C_D is greater than the maximum value calculated above, peak shifting will occur.

XR-3470A/3470B

As can be seen from Figure 9; the capacitor C_D and the effective output resistance, R_O of transistors Q1 and Q2 produce a pole given by

$$\omega_p = \frac{1}{2R_O C_D}$$

where R_O is typically 40Ω .

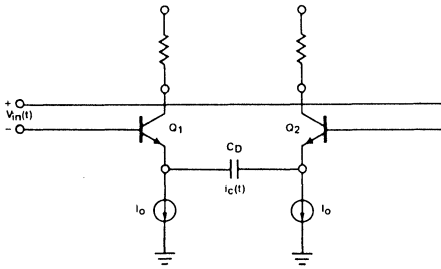


Figure 9. Simplified Active Differentiator Section

In order to obtain a phase shift approaching 90° for perfect differentiation ω_p would have to approach ∞ since

$$\theta = \tan^{-1}(\omega_p/\omega_o)$$

ω_o = operating frequency

It must be considered, however, that making ω_p as high as possible also produces a noise bandwidth as high as possible.

In order to come to a reasonable compromise ω_p should be selected to be ten times the maximum expected operating frequency.

$$\omega_p = 10 \omega_{max}$$

where ω_{max} is the maximum operating frequency of the system in radians/sec.

Doing this produces a phase shift of approximately 84° , while limiting the noise bandwidth. The design criteria is now given by

$$\omega_{max} = \frac{1}{20R_O C_D}$$

It may be that R_O is too low, creating a pole at a higher frequency than $10 \omega_{max}$. If this is so one can insert a resistor R_D in series with C_D , giving the equation

$$\omega_{max} = \frac{1}{20RC_D}$$

where $R = R_O + 0.5R_D$

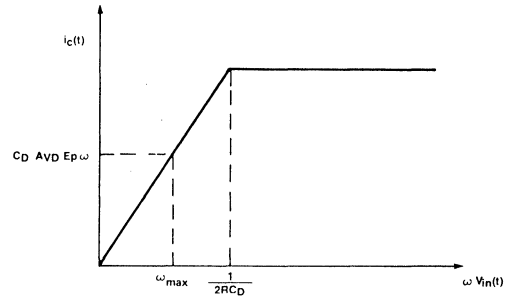


Figure 10. Differentiator Response for C_D and R

In order to reduce the noise bandwidth further a second pole can be introduced at $10 \omega_{max}$ by placing an inductor in series with C_D and R_D , where L_D is given by

$$L_D = \frac{1}{100(\omega_{max})^2 C_D}$$

The damping ratio, δ , should be between .3 and 1 where

$$\delta = \frac{(R_O + 0.5R_D) C_D}{2\sqrt{L_D C_D}}$$

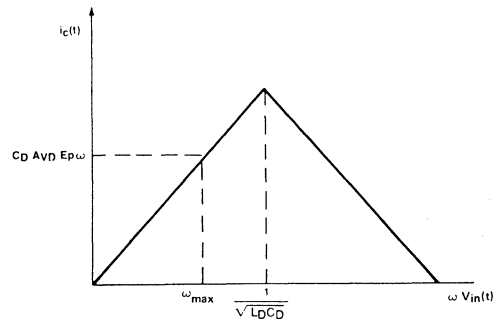


Figure 11. Differentiator Response with R_D , C_D , and L

PEAK SHIFT CONSIDERATIONS

The arrangement shown in Figure 12 will eliminate the current imbalance in the differentiator, and offset in the comparator, thus minimizing the peak shift at the digital output. The potentiometer is adjusted with a minimum sinusoidal $E_p \omega$ at the input, for symmetrical digital waveform at the digital output, Pin 10.

XR-3470A/3470B

ZERO CROSSING DETECTOR

The differentiated output signals from the active differentiator are run into a comparator. Since the outputs of the active differentiator are 180° out of phase, the comparator will produce an output pulse whenever the differentiated signal crosses zero. This is shown in Figures 7b and 7c.

MONOSTABLE #1 (OS1)

This one shot is used to prevent false digital outputs due to noise at zero crossings as shown at time t_A , in Figure 7a. The adjustment of the one shot is done via external components R_1 and C_1 where

$$\begin{aligned} 1.5 \text{ K} < R_1 < 10 \text{ K} \\ 0.150 \text{ pF} < C_1 < 680 \text{ pF} \\ \text{and } t = R_1 C_1 (0.625) + 0.2 \text{ } \mu\text{sec} \end{aligned}$$

The value of t is determined by the maximum period of expected distortion, ΔT , and the maximum operating frequency

$$\text{where } \Delta T < t < \frac{1}{4f_{\text{max}}} - \frac{\Delta T}{2}$$

The one shot is triggered on the rising and falling edge of the comparator output as can be seen in Figures 7c and 7d. The time domain filter will change state on the rising edge of OS1's output if and only if the pulse width of the comparator output is greater than the time of OS1's pulse, t . This is shown in Figures 7c, 7d, and 7e.

MONOSTABLE #2 (OS2)

This one shot is used to adjust the pulse width of the digital output pulses at Pin 10. The adjustment of this one shot is done via external components R_2 and C_2 where

$$\begin{aligned} 1.5 \text{ K} < R_2 < 10 \text{ K} \\ 150 \text{ pF} < C_2 < 680 \text{ pF} \end{aligned}$$

The pulse width of the output pulse is given by

$$t_O = R_2 C_2 (0.625)$$

This one shot is triggered on the rising and falling edges of the time domain filter output, as shown on Figures 7e and 7f, giving the corresponding digital pulses for the peaks of the read back signal, shifted by OS1's time, t , as can be seen from Figures 7a, 7d, and 7f.

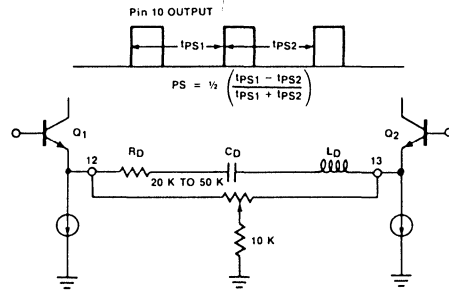


Figure 12. Nulling Network to Minimize Peak Shift (PS)

1

Timing Circuits

Fundamentals of IC Timers

Monolithic timing circuits or *timers* find a wide variety of applications in both linear and digital signal processing. In a large number of industrial control or test sequencing applications, these circuits provide direct and economical replacement for mechanical or electro-mechanical timing devices.

Monolithic timers generate precise timing pulses, or time delays whose length or repetition rate is determined by an external timing resistor, R, and a timing capacitor, C. The timing interval is proportional to the external (RC) product, and can be varied from microseconds to minutes, days or months, by the choice of the external R and C. Integrated circuit timers can be classified into two categories, based on their principle of operation:

1. **One-Shot or Single-Cycle Timers:** These timer IC's operate by charging an external capacitor with a current set by an external resistor. Upon triggering, the charging cycle happens only *once* during the timing interval. The total timing interval, T, is the time duration necessary for the voltage across the capacitor to reach a threshold value.
2. **Multiple-Cycle or Timer/Counters:** These timer circuits charge and discharge the external timing capacitor, not once, but a *multiple number of times* during the timing interval. The number of times the capacitor is charged and discharged is set by means of a pre-set count, N, stored in a binary counter included on the chip. Thus, the resulting time interval is proportional to N times the external (RC) product.

Both the one-shot and the timer/counter type IC's can be operated in either their monostable or free-running (i.e., self-triggering) mode. They can also be used for sequential timing, clock generation, as well as for pulse-position or pulse-width modulation, as outlined in Table 1.

Precision Timing

Time-Delay Generation

Sequential Timing

Pulse Generation/Shaping

Pulse-Position Modulation

Pulse-Width Modulation

Missing-Pulse Detection

Sweep Generation

Pulse Counting

Clock Generation

Table 1. Typical Applications of Monolithic Timers

ONE-SHOT OR SINGLE-CYCLE TIMERS

One-shot or single-cycle timers operate by charging a timing capacitor through an external resistor or a current source. The simplest form of the one-shot type timer is the "exponential-ramp generator" circuit shown in Figure 1. Normally all the components except the R and the C shown in the Figure are internal to the IC, and the switch S₁ is a grounded-emitter NPN transistor included in the IC chip.

The operation of the circuit can be briefly explained as follows: In the rest, or reset condition, the switch S₁ is closed; and the voltage across the capacitor is clamped to ground. The timing cycle is initiated by applying an external trigger pulse to "set" the flip-flop and to open the switch S₁ across the timing capacitor. The voltage across the capacitor rises exponentially toward the supply voltage, V_{CC}, with a time-constant of RC. When this voltage level reaches an internally set threshold voltage, V_{REF}, the voltage comparator changes state, resets the flip-flops, closes the switch S₁, and end the timing cycle. The output is taken from either the Q or \bar{Q} terminal of the flip-flop and corresponds to a timing pulse of duration T, where:

$$T = RC \ln \left[\frac{V_{CC}}{V_{CC} - V_{REF}} \right] \quad (1)$$

Normally, the internal threshold voltage, V_{REF}, is generated from the supply voltage by means of a resistor divider as shown in Figure 1. Then, V_{REF} is equal to a fraction of the supply voltage:

$$V_{REF} = V_{CC} \left[\frac{R_2}{R_1 + R_2} \right] \quad (2)$$

and the basic timing equation becomes independent of the supply voltage:

$$T = RC \ln \left[1 + \frac{R_2}{R_1} \right] \quad (3)$$

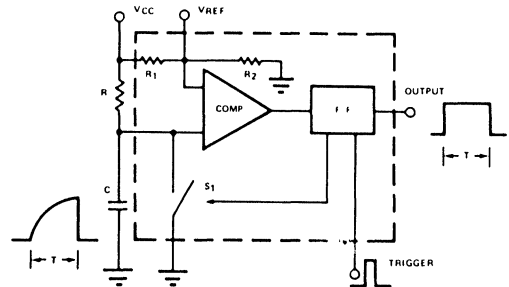


Figure 1. Exponential-Ramp Type Timing Circuit

Since the resistors R_1 and R_2 are inside the IC, their ratio is set by the design of the IC, and is normally accurate to within $\pm 1\%$. Thus, virtually all the accuracy of the timing interval is determined by the external R and C .

An alternate approach to the design of one-shot timers is the "linear-ramp generator" circuit, shown in Figure 2. This circuit operates on a principle similar to that of the basic exponential timer, except the timing capacitor C is now charged *linearly* with a constant current, I , and generates a linear-ramp waveform with a constant slope of (I/C) . The constant-current is in turn controlled by an external control voltage, V_C , applied to the current source. The total timing interval, T , is the time necessary for the voltage across C to rise from ground to V_{REF} , at a constant slope of (I/C) , or:

$$T = (V_{REF}/C/I) \quad (4)$$

Normally, V_{REF} and V_C (and consequently I) would be derived from V_{CC} by means of resistor-dividers; therefore, they would be both proportional to V_{CC} . Thus, the effects of supply voltage variations cancel, and the basic timing equation for the linear-ramp type timer circuit of Figure 2 becomes

$$T = \alpha RC$$

where α is a constant of proportionality set by the internal resistor-dividers within the IC, and R and C are the external timing components.

The exponential-ramp type timing circuit of Figure 1 is inherently simpler and more accurate than the linear-ramp type circuit. However, the latter has the advantage of providing a linear voltage across the capacitor which is proportional to the *elapsed-time* during the timing cycle and can be used as a "linear sweep" or time-base signal for oscilloscope or X-Y recorder displays.

Normally, the internal threshold reference, V_{REF} of one-shot IC's is available as a package terminal and can be modulated by an external input signal. This permits the user to modulate or vary the timing interval by means of an external control signal. This feature can also be used for generating pulse-width modulated

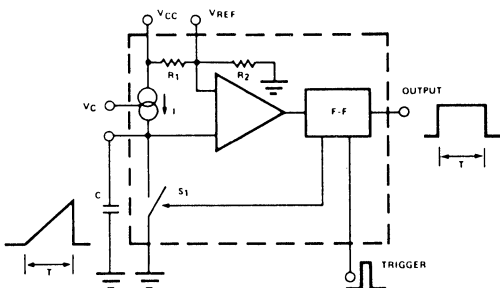


Figure 2. Block Diagram of a Linear-Ramp Type Timer Circuit

(PWM), or pulse-position modulated (PPM) signals, or allows the timer circuit to be used as a voltage-controlled oscillator.

PRACTICAL LIMITATIONS OF ONE-SHOT TIMERS

The accurate timing intervals which can be obtained from commercially available one-shot type timer IC's are limited to the range of several micro-seconds to several minutes. For generating very short timing pulses (in the few micro-second range) the internal time delays associated with the switching speeds of the comparator, the flip-flop and the discharge transistor (i.e., the switch S_1) may contribute additional timing errors. Similarly, for long time delays (in the several minute range) which require large values of R and C , the input bias current of the comparator, and the leakage currents associated with the timing capacitor, or the internal discharge transistor, may limit the timing accuracy of the circuit.

In general, for timing applications requiring time delays in excess of several minutes, the multiple-cycle or timer/counter type timer circuits provide a more economical and practical solution than the one-shot type IC timers.

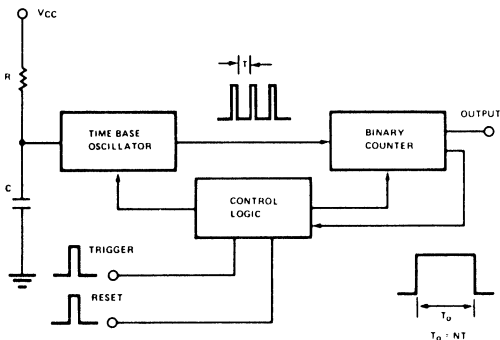


Figure 3. Simplified Block Diagram of a Timer/Counter

TIMER/COUNTER CIRCUITS

The timer/counter, or multiple-cycle timing circuits use the combination of a time-base oscillator and a binary counter to generate the desired time delay. Figure 3 shows a simplified block diagram of a timer/counter IC, which is made up of three basic blocks: (1) a time-base oscillator; (2) a binary counter; and (3) a control flip-flop.

With reference to the simplified block diagram of Figure 3, the principle of operation of a timer/counter can be explained as follows: when the circuit is at rest, or reset condition, the time-base oscillator is disabled, and the counter is reset to zero. Once the circuit is triggered, the time-base oscillator is activated and produces a series of timing pulses whose repetition rate is proportional to external timing resistor R , and the capacitor

C. These timing pulses are then counted by the binary counter; and when a pre-programmed count is reached, the binary-counter resets the control flip-flops, stops the time-base oscillator and ends the timing cycle. The total timing interval, T_0 , is then proportional to N times the (RC) product, where N is the pre-programmed count.

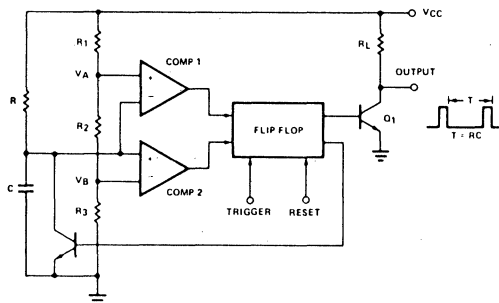


Figure 4. Simplified Schematic of a Time-Base Oscillator Circuit

Time-Base Oscillator: The time-base oscillator used in most of the timer/counter IC's is derived from the simple exponential-ramp type timer circuit. Figure 4 shows the simplified circuit diagram of such an oscillator. The timing components, R and C , are external to the chip. The operation of such an oscillator can be described as follows: when the circuit is at rest the flip-flop is latched in its reset state, and the transistor Q_1 is "off", the external capacitor C is fully charged to a voltage approximately equal to V_{CC} . When the circuit is triggered, the flip-flop is unlatched and set, which causes the discharge transistor Q_1 to turn "on" and discharge C rapidly. When the voltage across C discharges to the voltage level V_B , the comparator #2 changes state, resets the flip-flop and turns Q_1 "off". Then, C charges toward V_{CC} with a time constant set by the external R and C . When the voltage across it reaches the upper threshold, V_A , comparator #1 changes state and sets the flip-flop again, and discharges C back to the lower threshold level, V_B . In this manner, the circuit continues to oscillate, with the voltage level across C exponentially rising to V_A , then rapidly decaying to V_B , and then repeating its cycle. The output of the circuit is a sequence of narrow pulses, with a repetition rate T , given as:

$$T = RC \ln \left[1 + \frac{R_2}{R_1} \right] \quad (6)$$

where R_1 and R_2 are the internal bias resistors setting up the threshold levels V_A and V_B . The train of output pulses coming out of the time-base oscillator are count-

ed by the binary counter; and when a given count, N , is reached, the control flip-flop is latched in its reset condition until the next trigger input to the circuit.

In most timer/counter designs, it is convenient to set the ratio of resistors R_1 and R_2 such that:

$$\frac{(R_1 + R_2)}{R_1} = e = 2.718 \dots \quad (7)$$

where "e" is the base of the natural logarithm. This makes the period of the time-base oscillator directly equal to $1.0 RC$ and simplifies the selection of external R or C values for a given timer setting.

UNIQUE FEATURES OF TIMER/COUNTERS

The combination of a stable time-base oscillator and a programmable binary counter on the same IC chip offer some unique application and performance features. Some of these are outlined below:

Generating Long Delays with Small Capacitors: For a given time delay setting, the timer/counter would require a timing capacitor, C , that is N times smaller than that needed for the "one-shot" type timer, where N is the count programmed into the binary counter. Since large-value, low-leakage capacitors are quite expensive, this technique may provide substantial cost savings for generating long time delays in excess of several minutes.

Generating Ultra-Long Delays by Cascading: When a cascading two timer/counters, one cascades the counter stages of both timers. Since the second timer/counter further divides down the counter output of the first timer, the total available count is increased *geometrically*, rather than arithmetically. For example, if one timer/counter gives a time delay of NRC , two such timer/counters cascaded will produce a time delay of $N^2 RC$ where N is the count setting of the binary counter. Thus, a cascade of two timer/counter IC's, each with an 8-bit binary counter, can produce a time delay in excess of $32,000 RC$.

Generating Multiple Delays From Same RC Setting: By using a programmable binary counter, whose total count can be programmed between a minimum count of 1, to a maximum count of N , one can obtain N different time intervals from the same external RC setting.

Easy to Set or Calibrate: Although timer/counters are normally used for generating long time delays or intervals, their accuracy characteristics are only determined by the characteristics of the time-base oscillator. The counter section does not affect the over-all timing accuracy. Thus, time setting or calibration for long interval timing can be done quickly, without waiting for the entire timing cycle, by setting the accuracy of the time-base oscillator.

Choosing the Right IC Timer

Because of its versatility, the monolithic IC timer offers a very wide range of applications in circuit or system design. However, during the design phase, once the "paper design" is accomplished, the user is faced with the key question: which IC timer is the best choice for a given application? If the performance characteristics and the limitations of the timer IC is not carefully considered, the total system performance may be degraded; similarly, if the timing function is overspecified with an excessive amount of "overkill", particularly with regards to its stability and accuracy requirements, then the system cost will increase unnecessarily.

The key selection criteria in choosing the right timer for the job is finding the monolithic IC which will result in the lowest system cost (including the external components) for a given performance requirement.

A very large majority of applications for IC timers can be classified into one of the four categories listed below:

- Interval or Event Timing
- Pulse Generation and Shaping
- Oscillation or Clock-Generation
- Ramp Generation

These categories of applications are discussed in more detail in the following sections, with the particular emphasis on "choosing the right IC timer" for the particular application.

INTERVAL OR EVENT TIMING

In such an application one uses the IC timer either to control the *time interval* between events, or the *duration* of an event. A typical example of such application would be to control the opening or closing of an electro-mechanical relay or sequencing of indicator lights.

General Purpose Timing: Most timing applications fall within the time interval range of a few microseconds to several minutes. For such applications the basic one-shot timer, such as the XR-555, is often the best choice, based on its low cost and versatility.

Low-Power Timing: Many timing applications involving battery-operated or portable equipment, require a low-power timer which can perform the general purpose timing functions with a minimum amount of power dissipation. The XR-L555 Micropower Timer IC, which operates with less than 1 mW of power dissipation and with supply voltages as low as 2.7 volts, is especially designed for such applications.

Long Interval Timing: For timing applications requiring interval timing in the minutes, hours, or days range, the timer/counter IC's present the most economical approach, since they can produce long time delays using a small value capacitor. For such an application of the low-cost XR-2242 Long Range Timer, which operates on the timer/counter principle, is the most cost-effective circuit.

Sequential Timing: Many timing applications require sequencing of timing functions, i.e., one timer completes its operation and initiates the next timer, and so on. Since these applications require a multiplicity of timer circuits, they are best served by dual-timer IC's, such as the XR-556 or the XR-2556.

Delayed Timing: Certain timing applications require that the start of the timing pulse be delayed by a specific time from the occurrence of the trigger. This can be easily accomplished by using a dual-timer, such as the XR-556, where one section of the dual-timer can be used to set the initial "delay" subsequent to the trigger; and the second section can be used to generate the actual timing pulse.

Event Counting: In such an application, one needs to keep an accurate count of "events" which are normally a series of incoming pulses. This function can be easily performed with a programmable timer/counter IC, such as the XR-2240, where the binary counter section can be programmed to count a given number of input pulses and stop the count, and/or reset the circuit when the programmed count is reached. In the case of the XR-2240, the existing count in the counters is displayed in a 8-bit parallel binary-format.

Digitally-Programmed Timing: Some timing applications may require that the timing interval be digitally programmable, without switching additional precision resistors and capacitors into the circuit. Such a function can be easily achieved by using a programmable timer/counter, such as the XR-2240, where output duration can be programmed from 1.0 RC to 255 RC, in 1 RC increments, where R and C are the external timing components.

PULSE GENERATION AND SHAPING

A popular class of applications for the one-shot type timers is pulse shaping or stretching. Some specific examples of such applications and the recommended types of IC timers for each are given below.

Pulse Stretching: In such an application the IC timer is operated in its monostable mode and is triggered by an input series of pulses, whose repetition period is *longer* than that timing period of the IC. The output from the timer will then have the same repetition rate as the input pulse train, except that each output pulse will now have a uniform duration or length, as set by the RC time constant of the timer. The two IC's best suited to this application are the XR-555 and the XR-320. The XR-555 has the advantage of low unit price, whereas the XR-320 has the advantage of being able to trigger on *either* positive- or negative-going edge of the input pulses.

Delayed-Pulse Generation: In this application it is necessary to convert the input pulse train to a *different* pulse sequence which has the *same* repetition rate but a *different* duration and a *different* phase. This function can



be accomplished with a dual-timer circuit, such as the XR-556 or the XR-2556, where the first timer which is triggered by the input signal, sets the phase difference or "delay" between the input and the output pulse sequence; and the second timer which is triggered at the trailing-edge of the first one, sets the output pulse-width.

Pulse Blanking: In this application it is necessary to selectively "interrupt" or "blank-out" a pulse train. Such an application can be performed using a dual-timer IC, such as the XR-556, where one section of the timer can be operated as a "pulse-stretcher" triggered by the input pulse train; and the second timer section can be triggered by a separate timing signal and serve as an enable/disable control for the first timer, thus interrupting or "blanking" its output during its timing interval.

Pulse-Width Modulation: In certain timing applications it is necessary to modulate the pulse-width of an output pulse sequence, without affecting its repetition rate. Such a requirement can be met by a one-shot timer, such as the XR-555, operating in its monostable mode and being triggered by a fixed-frequency input pulse-train. The width of the output pulses from the timer IC can be modified without affecting the repetition rate, by simply applying a control-voltage to the modulation terminal of XR-555.

Pulse-Position Modulation: This application requires the generation of a pulse sequence whose pulse-width is constant (and usually very narrow) and, whose repetition rate is modulated. Such a function can be easily implemented using a dual-timer IC, such as the XR-556, where the second timer generates the narrow output pulses when triggered by the output of the first timer. The first timer section is then operated in its free-running (i.e., astable) mode and its frequency is then externally modulated by applying a control-voltage to its modulation terminal.

OSCILLATION OR CLOCK-GENERATION

IC Timers can be operated in their free-running or "self-triggering" mode, to generate periodic timing pulses. Since the output pulse-width or the frequency can be controlled by the choice of external resistors and capacitors. These circuits make excellent low-cost clock oscillators, for a number of digital systems. Some of these applications are outlined below.

Clock Generator: In such applications, the IC is used to generate a fixed-frequency output waveform with nearly 50% duty cycle. The XR-555 timer, whose output duty-cycle can be controlled by the choice of two external resistors, is ideally suited for such an application, for clock frequencies up to 300 kHz.

High-Current Oscillator: Certain oscillator applications require that the circuit output should be able to source or sink high load currents (≥ 100 mA) in order to drive electromechanical relays or capacitive loads. The XR-555 Timer IC, which can provide up to 200 mA of current drive, is well suited for such applications.

Micropower Oscillator: Battery operated or remote-controlled instruments often require a low-power clock oscillator. The XR-L555 Micropower Timer, which operates with less than 1 mW of power drain, is the recommended choice for such applications, since it dissipates 1/15th the power of the conventional 555-type timer.

Voltage-Controlled Oscillator: Voltage-controlled oscillator (VCO) circuits find a wide range of applications in phase-locked loop systems. The XR-555 (or its low-power/low-voltage version of the XR-L555) which has a separate modulation terminal (Pin 5) can be used as a VCO by applying the proper control voltage to its modulation terminal and operating the IC in its self-triggering mode.

Low-Voltage Oscillator: Low threshold CMOS logic circuits normally require stable clock oscillators which can operate with a single 3 volt supply. The XR-L555 Micropower Timer which can operate with supply voltages as low as 2.7 volts is particularly suited for such applications.

Ultra-Low Frequency Oscillator: Certain battery operated or remote-controlled equipment require a stable ultra-low frequency clock oscillator, whose frequency can be as low as one cycle per day. The XR-2242 Long-Range Timer circuit which produces a square-wave output with a period of 256 RC, when operating in its free-running mode, is a very cost-effective replacement for such an oscillator.

Digitally-Programmed Oscillator: In certain applications it may be necessary to program the frequency of an oscillator by means of a binary control signal, without switching additional resistors or capacitors into the circuit. The XR-2240 Programmable Timer/Counter, when operating in its delayed-trigger mode (see Exar Application Note AN-07) can be used in such an application to generate an output frequency whose period is equal to $(N + 1)RC$, where N is the binary count which can be digitally programmed by an external 8-bit binary signal, to be any integer between 1 and 255.

Binary Pattern Generator: In certain test instrumentation design, it is necessary to generate a pseudorandom binary data pattern, which would then repeat itself periodically. The XR-2240 Programmable Timer/Counter which provides eight separate "open-collector" outputs, can perform such a function by selective shorting of one or more of its outputs to a common pull-up resistor.

Tone-Burst Generator: Some instrumentation applications require the generation of a certain tone or frequency signal, at periodic intervals. This function can be accomplished using a dual-timer IC, such as the XR-556 or the XR-2556, where one of the timer sections would operate as a keyed oscillator which is turned "on" and "off" by the other timer section. The output of the first timer section will then be a "tone-burst", which will be present only during the timing cycle of the second timer.

RAMP GENERATION

In a number of timing applications, it is necessary to generate an analog voltage which is proportional to the time elapsed during the timing cycle. This function is particularly useful for generating linear sweep voltage for oscilloscope or X-Y recorder display applications and it can be accomplished either *linearly* or *digitally*, as described below.

Linear Ramp Generator: A linear ramp can be obtained by charging a timing capacitor with a constant-current source. Since the XR-320 Timer IC operates on such a principle, it is ideally suited for this application. Upon triggering, the XR-320 produces a positive-going ramp at its current-source output (Pin 3). This ramp starts

from the ground level and rises up to a voltage level approximately equal to 80% of the supply voltage, during the timing interval. Since the current-source output at Pin 3 is a high impedance terminal, the sweep or linear ramp signal at this point should be buffered by a high impedance op amp connected as a voltage follower.

Digital Ramp Generator: In certain applications, a digitally generated "staircase" voltage is preferred over a linear ramp signal. Such a digital ramp signal can be generated using the XR-2240 Programmable Timer/Counter, along with an external resistor ladder and a current-summing op amp. The digital ramp signal is particularly useful for analog-to-digital conversion or digital sample-and-hold applications.

Monolithic Timing Circuit

GENERAL DESCRIPTION

The XR-320 monolithic timing circuit is designed for use in instrumentation and digital communications equipment, and for a wide variety of industrial control and special testing applications. In many cases, this circuit provides a monolithic replacement for mechanical or electromechanical timing devices.

The XR-320 timing circuit generates precise timing pulses (or time delays) whose repetition rate (or length) is determined by an external timing resistor, R, and timing capacitor, C. The timing period is exactly equal to $2RC$ and can be continuously varied from $1 \mu\text{sec}$ to 1 hour. The circuits can be operated in a monostable or free-running (self-triggering) mode. They can be used for sequential timing and sweep generation, and also for pulse-position and pulse-width modulation.

The XR-320 integrated circuit is comprised of a stable internal bias reference, a precision current source, a voltage comparator, a flip-flop, a timing switch, and a pair of output logic drivers. The high current output at pin 12 can sink or source up to 100 milliamps of current.

FEATURES

- Wide Timing Range: $1 \mu\text{sec}$ to 1 hour
- High Accuracy: 1%
- Excellent Temperature Stability: 100 ppm/ $^{\circ}\text{C}$
- Wide Supply Voltage Range: 4.5V to 18V
- Triggering with Positive or Negative-Going Pulses
- Programmable
 - Resistor Programming: 3 decades
 - Capacitor Program: 9 decades
- Logic Compatible Outputs
- High Current Drive Capability: 100 mA

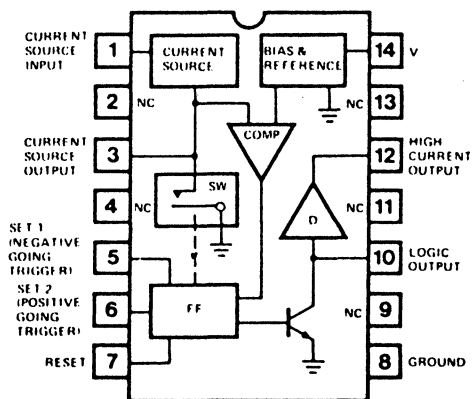
APPLICATIONS

- Precision Timing
- Time-Delay Generation
- Sequential Timing
- Pulse Generation/Shaping
- Pulse-Position Modulation
- Pulse-Width Modulation
- Sweep Generation

ABSOLUTE MAXIMUM RATINGS

Power Supply	18 volts
Internal Power Dissipation	750 mW
Plastic Package:	625 mW
Derate above $T_A = +25^{\circ}\text{C}$	5 mW/ $^{\circ}\text{C}$
Storage Temperature Range	-65°C to $+150^{\circ}\text{C}$

FUNCTIONAL BLOCK DIAGRAM



ORDERING INFORMATION

Part Number	Package	Operating Temperature
XR-320P	Plastic	0°C to $+70^{\circ}\text{C}$

SYSTEM DESCRIPTION

The XR-320 is an extremely versatile monolithic timer capable of delays ranging from $1 \mu\text{sec}$ to 1 hour. It works with both positive and negative triggering, and features both normally high and normally low outputs. An on board current source, programmable by an external resistor, changes the timing capacitor. This produces a true ramp function and allows accurate timing intervals equal to $2RC$.

Positive going triggering is applied to Pin 6; negative triggering is applied to Pin 5. After a trigger pulse is applied, the open collector output (Pin 10) will go high and the high current output (Pin 12) switches into the current sink mode. At timeout, the open collector pulls low, and can sink 10 mA; the high current output goes high and can source 100 mA. Utilizing the high current output requires a pull-up resistor from Pin 10 to $+V_{CC}$. The resistor must limit current to no more than 10 mA; 1 mA is sufficient. Timing is interrupted and the device is reset when Pin 7 is grounded. Astable operation is attained by tying the negative going (falling) trigger (Pin 5) to the timing capacitor (Pin 3). In this configuration, the device will automatically retrigger itself upon completion of the timing interval.

XR-320

ELECTRICAL CHARACTERISTICS

Test Conditions: Supply Voltage = 12V ± 5%, Test Circuit of Figure 2, T_A = 25°C, unless otherwise specified.

PARAMETERS	XR-320			UNITS	CONDITIONS
	MIN	TYP	MAX		
Supply Voltage	4.5		18	V _{dc}	
Quiescent Supply Current					
V+ = 5V		2.0	3.5	mA	
V+ = 12V		6.0	7.0	mA	
V+ = 18V		10.0	12.5	mA	
Timing Cycle Supply Current					
V+ = 5V		2.5	4.0	mA	
V+ = 12V		6.5	8.0	mA	
V+ = 18V		12.0	14.0	mA	
Timing Accuracy					
V+ = 5V		1.0	5.0	%	
V+ = 12V		1.0	5.0	%	
V+ = 18V		1.0	5.0	%	
Temperature Drift		100		ppm/°C	
Timing vs. Supply Voltage		0.1	0.5	%/V	
Stand-by Voltage (Pin 3)		0.7		V	
Comparator Threshold Voltage (Pin 3)					
V+ = 5V		2.4		V	
V+ = 12V	4.5	5.2	6.0	V	
V+ = 18V		8.4		V	
Current Source Input Voltage (Pin 1)					
V+ = 5V		4.15		V	
V+ = 12V	9.0	9.75	10.6	V	
V+ = 18V		16.15		V	
Trigger Voltage					
Set (Pin 5)		1.0	1.5	V	See Figure 11
Set 2 (Pin 6)	0.5	1.4		V	See Figure 12
Reset (Pin 7)		0.7	1.5	V	
Trigger Current					
Set 1 (Pin 5)		10		μA	
Set 2 (Pin 6)		60		μA	
Reset (Pin 7)		30		μA	
Output 1 (Pin 10) (Normally low)					
"Low" Voltage		0.1		V	
"High" Voltage	4.0	5.0		V	
Rise Time		140		nsec	
Fall Time		50		nsec	
Output 2 (Pin 12) (Normally high)					
"High" Voltage		10.4		V	I _{source} = 100 mA
"Low" Voltage		1.5		V	I _{sink} = 100 mA
Rise Time		100		nsec	
Fall Time		40		nsec	

DEFINITIONS

Timing Accuracy: the timing error solely introduced by the XR-320, defined in per cent as:

$$100 \times \frac{\text{measured timing} - 2 \text{ RC based on actual pulse length}}{2 \text{ RC based on actual component values}} \%$$

Timing vs Supply

Voltage: the maximum timing drift over the power supply range of 5 to 18 volts referenced to 12 volt operation, defined in per cent per volt as:

$$\frac{100}{15} \times \frac{\text{max. timing pulse length} - \text{min. timing pulse length}}{\text{timing pulse length with 12 volt supply}} \%$$

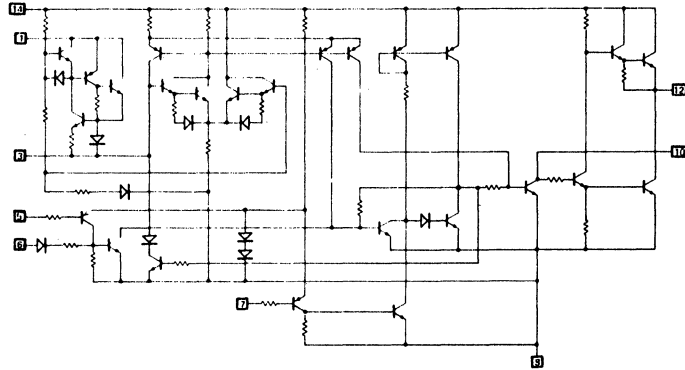
Stand-by Voltage: the voltage between pin 3 and ground in reset condition.

Comparator Threshold Voltage (Pin 3): the voltage at which the internal comparator triggers the flip-flop and the timing capacitor discharges.

Trigger Voltage: the DC voltage level applied to each set or reset terminal which causes the output to change state.

1

XR-320



EQUIVALENT SCHEMATIC DIAGRAM

OPERATING INSTRUCTIONS

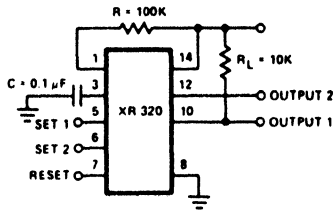


Figure 1. Test Circuit

Figures 2 and 3 show typical connections for the XR-320. Only three external components are required for basic operation: the resistor R and capacitor C which determine the time delay ($2RC$); and an external load resistor, R_L . The circuit provides two independent logic outputs: a medium current output (up to 10 mA) at pin 10, and a high current output (up to 100 mA) at pin 12. The output at pin 10 is of the "bare-collector" type which requires an external pull-up resistor, R_L , connected between this terminal and V^+ for proper circuit operation.

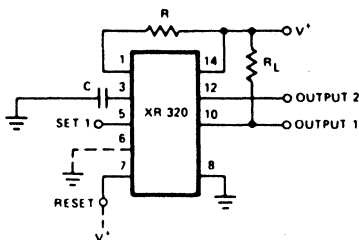


Figure 2. Monostable Operation, Negative Trigger

With no trigger pulse applied, the output at pin 10 is in a low state near ground potential; and the output at pin 12 is in a high state, near V^+ . The circuit is triggered by the application of a negative-going pulse to pin 5 or a positive-going pulse to pin 6. At that instant, the output levels change state such that pin 10 becomes high and pin 12 low. The outputs will remain in this (switched) state until the delay time, $T = 2RC$, expires, at which time the outputs will return to their original state. In this mode of operation, the trigger input can be activated repeatedly without further influencing the time cycle, i.e., once the circuit is triggered it becomes immune to subsequent triggering until the entire timing cycle is completed.

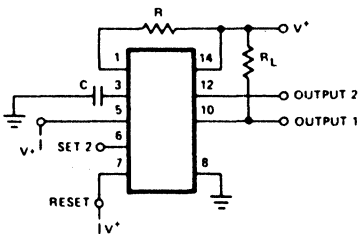


Figure 3. Monostable Operation, Positive Trigger

For reliable operation, the trigger pulse width must be shorter than the output pulse width. Although many units will function when this rule is not observed, proper operation cannot be guaranteed.

Figure 4 shows the waveforms at various circuit locations for a negative-going trigger applied to pin 5. A similar set of waveforms is displayed in Figure 5 for a positive-going pulse applied to pin 6. The timing cycle can be reset at any time by simply grounding pin 7.

XR-320

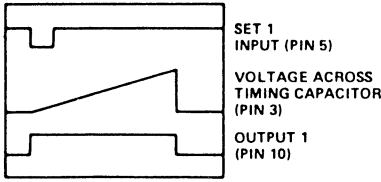


Figure 4. Waveforms for Negative-Going Trigger

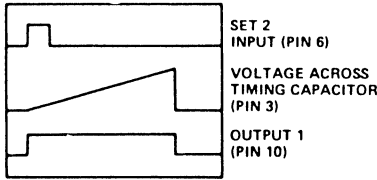


Figure 5. Waveforms for Positive-Going Trigger

DESCRIPTION OF CIRCUIT CONTROLS

TIMING RESISTOR (PIN 1)

Timing resistor, R, is connected between pin 1 and V⁺, pin 14. For maximum timing accuracy, R should be in the range $6 \text{ k}\Omega \leq R \leq 1 \text{ M}\Omega$. See Figure 6 for the minimum and maximum values for R for various supply voltages.

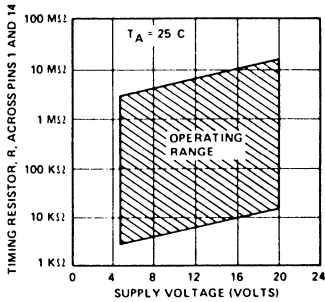


Figure 6. Operating Range as a Function of Timing Resistor and Supply Voltage

TIMING CAPACITOR (PIN 3)

Timing capacitor, C, is connected between pin 3 and ground. The time delay, T, is equal to $2RC$ in seconds. NOTE: A timing error can result due to the leakage current of the timing capacitor. When a capacitor with a relatively low insulation resistance (e.g. a high-valued electrolytic) is used as the timing capacitor, the resulting delay time will be much longer than $2RC$ because of the associated leakage current.

SET 1 — NEGATIVE TRIGGER (PIN 5)

A negative-going pulse applied to pin 5 will cause the outputs to change state. Output 1, pin 10, which is normally low will go high, Output 2, pin 12, which is normal-

ly high will go low. See Figure 11 for additional details. When not used, pin 5 should be connected to V⁺ to avoid false triggering.

By grounding or applying a negative pulse to the reset (Pin 7), the timing cycle is automatically interrupted and the outputs return to their original state. When the reset function is not in use, it is recommended that it be connected to V⁺ to avoid any possibility of false resetting.

SET 2 — POSITIVE TRIGGER (PIN 6)

A positive-going pulse applied to pin 6 will cause the outputs to change state. The normally low output at pin 10 will go high, and the normally high output at pin 12 will go low. See Figure 12 for additional details. When not used, pin 6 should be grounded to avoid false triggering.

ADDITIONAL APPLICATIONS

FREE-RUNNING MODE

By shorting pins 3 and 5, the XR-320 will operate in a "free-running" or self-triggering mode. In this mode of operation, the circuit functions as a stable clock pulse generator with a repetition rate of approximately $1/(2RC)$. The circuit connection and free-running frequency in this application are shown in Figure 7. Note that one cycle is not precisely equal to $2RC$ because of capacitor discharge time. Typical waveforms for self-triggered operation are shown in Figure 8.

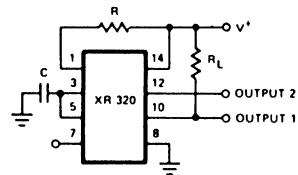
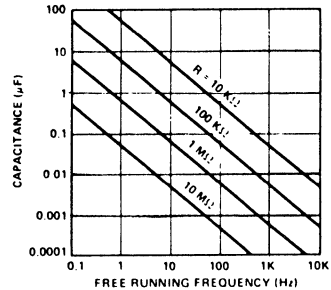


Figure 7. Free-Running Operation

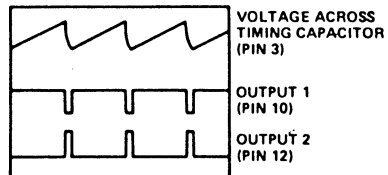


Figure 8. Waveforms for Self-Triggered Operation

1

XR-320

SWEEP GENERATION

In self-triggered operation, the waveform across the timing capacitor (at pin 3) is a linear ramp as shown in Figure 8. The waveform at pin 3 can be used as a highly linear sweep voltage with a total nonlinearity of less than 1%.

PULSE-WIDTH MODULATION

For this application, the XR-320 should be connected as shown in Figure 9.

The modulation input is applied to pin 1 through coupling capacitor, C_C . The input signal modulates the current through the timing resistor, R , and, in turn, changes the width of the output timing pulses. The resistor R_M , in series with the signal source, is used to control the amount of modulation for a given input signal level.

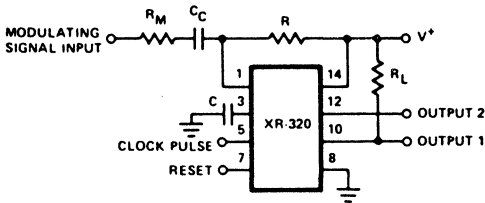


Figure 9. Circuit Connection for Pulse-width Modulation

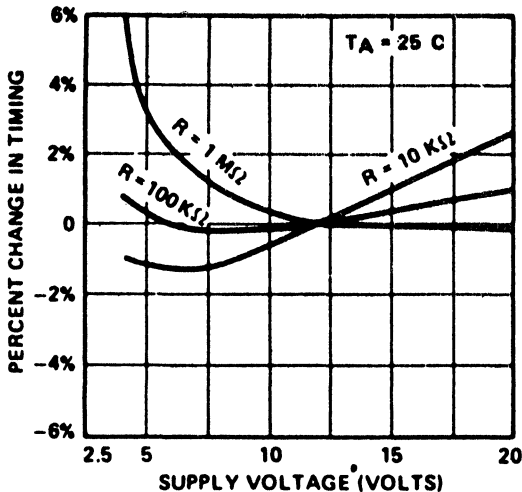


Figure 10. Change in Timing vs. Supply Voltage

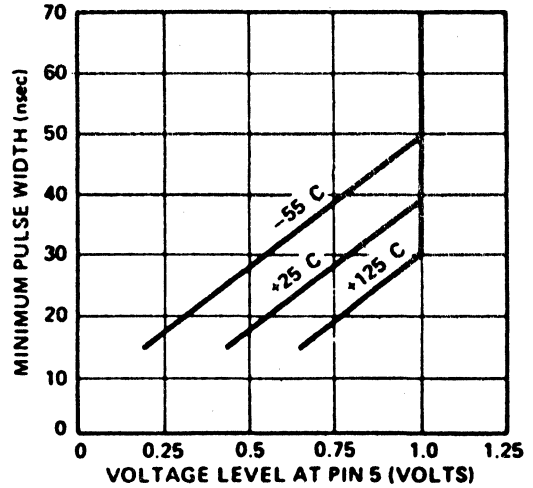


Figure 11. Minimum Pulse Width for Triggering at Pin 5

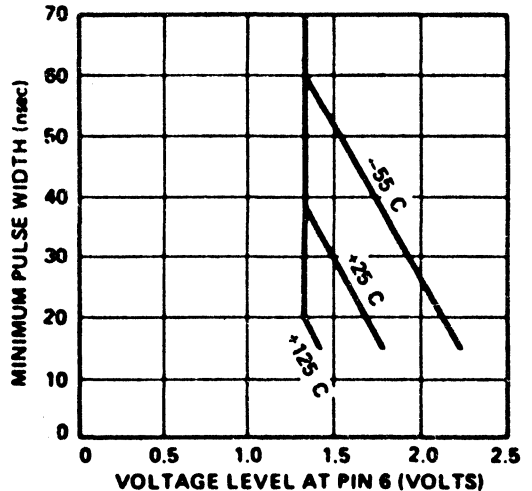


Figure 12. Minimum Pulse Width for Triggering at Pin 6

Timing Circuit

GENERAL DESCRIPTION

The XR-555 monolithic timing circuit is a highly stable controller capable of producing accurate timing pulses. It is a direct, pin-for-pin replacement for the SE/NE 555 timer. The circuit contains independent control terminals for triggering or resetting if desired.

In the monostable mode of operation, the time delay is controlled by one external resistor and one capacitor. For astable operation as an oscillator, the free-running frequency and the duty cycle are accurately controlled with two external resistors and one capacitor (as shown in Figure 2).

The XR-555 may be triggered or reset on falling waveforms. Its output can source or sink up to 200 mA or drive TTL circuits.

FEATURES

- Direct Replacement for SE/NE 555
- Timing from Microseconds Thru Hours
- Operates in Both Monostable and Astable Modes
- High Current Drive Capability (200 mA)
- TTL and DTL Compatible Outputs
- Adjustable Duty Cycle
- Temperature Stability of 0.005%/°C

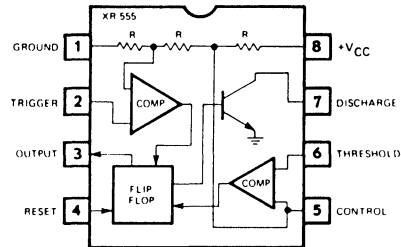
APPLICATIONS

- Precision Timing
- Pulse Generation
- Sequential Timing
- Pulse Shaping
- Clock Generation
- Missing Pulse Detection
- Pulse-Width Modulation
- Frequency Division
- Pulse-Position Modulation
- Appliance Timing

ABSOLUTE MAXIMUM RATINGS

Power Supply	18 volts
Power Dissipation (package limitation)	
Ceramic Package	385 mW
Plastic Package	300 mW
Derate above +25°C	2.5 mW/°C
Storage Temperature	-65°C to +125°C

FUNCTIONAL BLOCK DIAGRAM



ORDERING INFORMATION

Part Number	Package	Operating Temperature
XR-555M	Ceramic	-55°C to +125°C
XR-555CM	Ceramic	0°C to +70°C
XR-555CP	Plastic	0°C to +70°C

SYSTEM DESCRIPTION

The XR-555 is an industry standard timing circuit capable of both monostable and astable operation with timing intervals ranging from low microseconds up through several hours. Timing is independent of supply voltage, which may range from 4.5 V to 18 V. The output stage can source or sink 200 mA.

In the monostable (one shot) mode, timing is determined by one resistor and capacitor. Astable operations (oscillation) requires an additional resistor, which controls duty cycle. An internal resistive divider provides a reference voltage of $2/3 V_{CC}$, which provides a timing interval of $1.1 RC$. As the reference is related to V_{CC} , the interval is independent of supply voltage; however, for maximum accuracy, the user should ensure V_{CC} does not vary during timing.

The output of the XR-555 is high during the timing interval, and pulls low at timeout. It is triggered and reset on falling waveforms. The control voltage input (Pin 5) may serve as a pulse width modulation point.

For applications requiring dual matched 555-type timers, see the XR-556 and XR-2556. For low voltage and/or low power drain applications, consider the XR-L555 and XR-L556 devices.



XR-555

ELECTRICAL CHARACTERISTICS

Test Conditions: ($T_A = 25^\circ\text{C}$, $V_{CC} = +5\text{V}$ to $+15\text{V}$, unless otherwise specified.)

PARAMETERS	XR-555M			XR-555C			UNITS	CONDITIONS
	MIN	TYP	MAX	MIN	TYP	MAX		
Supply Voltage	4.5		18	4.5		16	V	
Supply Current		3 10	5 12		3 10	6 15	mA mA	Low State Output (Note 1) $V_{CC} = 5\text{V}$, $R_L = \infty$ $V_{CC} = 15\text{V}$, $R_L = \infty$
Timing Error (Monostable) Initial Accuracy Drift with Temperature Drift with Supply Voltage		0.5 30 0.05	2.0 100 0.2		1.0 50 0.1	3.0 150 0.5	% ppm/ $^\circ\text{C}$ %/V	$R_A, R_B = 1\text{K}\Omega$ to $100\text{K}\Omega$ Note 2, $C = 0.1\ \mu\text{F}$ $0^\circ\text{C} \leq T_A \leq 75^\circ\text{C}$
Timing Error (Astable) Initial Accuracy (Note 2) Drift with Temperature Drift with Supply Voltage		1.5 90 0.15			2.25 150 0.3		% ppm/ $^\circ\text{C}$ %/V	$R_A, R_B = 1\text{K}\Omega$ to $100\text{K}\Omega$ $C = 0.1\ \mu\text{F}$ $V_{CC} = 15\text{V}$
Threshold Voltage	9.4 2.7	10.0 3.33	10.6 4.0	8.8 2.4	10.0 3.33	11.2 4.2	V V	$V_{CC} = 15\text{V}$ $V_{CC} = 5\text{V}$
Trigger Voltage	1.45 4.8	1.67 5.0	1.9 5.2		1.67 5.0		V V	$V_{CC} = 5\text{V}$ $V_{CC} = 15\text{V}$
Trigger Current		0.5	0.9		0.5	2.0	μA	
Reset Voltage	0.4	0.7	1.0	0.4	0.7	1.0	V	Trigger Input High
Reset Current		0.4	1.0		0.4	1.5	mA	
Threshold Current		0.1	0.25		0.1	0.25	μA	(Note 3)
Control Voltage level	2.7 9.4	3.33 10.0	4.0 10.6	2.4 8.8	3.33 10.0	4.2 11.2	V V	$V_{CC} = 5\text{V}$ $V_{CC} = 15\text{V}$
Output Voltage Drop (Low)		0.10 0.05 0.1 0.4 2.0 2.5	0.25 0.2 0.15 0.5 2.2		0.3 0.25 0.1 0.4 2.0 2.5	0.35 0.25 0.25 0.75 2.5	V V V V V V	$V_{CC} = 5\text{V}$ $I_{\text{sink}} = 8.0\text{ mA}$ $I_{\text{sink}} = 5.0\text{ mA}$ $V_{CC} = 15\text{V}$ $I_{\text{sink}} = 10\text{ mA}$ $I_{\text{sink}} = 50\text{ mA}$ $I_{\text{sink}} = 100\text{ mA}$ $I_{\text{sink}} = 200\text{ mA}$
Output Voltage Drop (High)	3.0 13	3.3 13.3		2.75 12.75	3.3 13.3		V V V	$I_{\text{source}} = 100\text{ mA}$ $V_{CC} = 5\text{V}$ $V_{CC} = 15\text{V}$ $I_{\text{source}} = 200\text{ mA}$ $V_{CC} = 15\text{V}$
Turn Off Time (Note 4)		0.5	0.2		0.5		μs	V_{RESET} High
Rise Time of Output		100	200		100	300	nsec	
Fall Time of Output		100	200		100	300	nsec	
Discharge Transistor Leakage		20	100		20	100	nA	

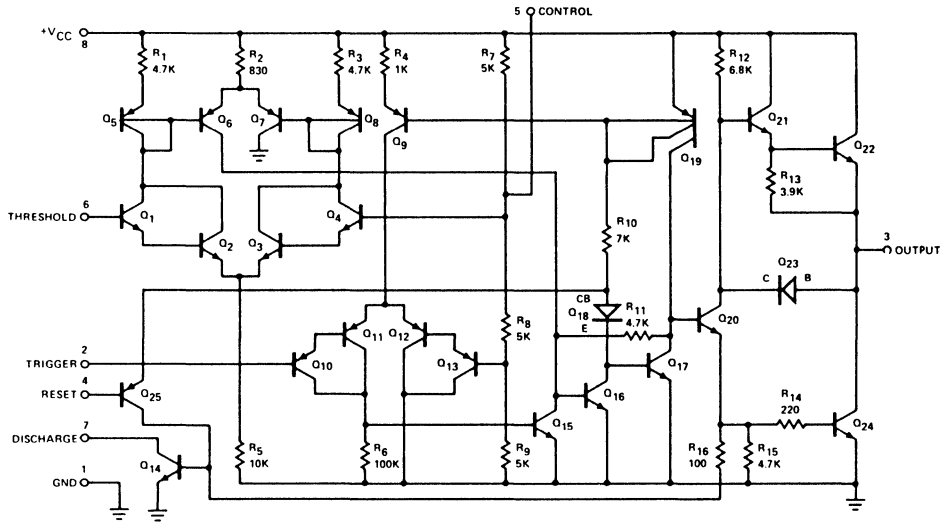
Note 1: Supply current when output is high is typically 1.0 mA less.

Note 2: Tested at $V_{CC} = 5\text{V}$ and $V_{CC} = 15\text{V}$.

Note 3: This will determine the maximum value of $R_A + R_B$ for 15V operation. The maximum total $R = 20$ megohms and for 5V operation, the maximum $R_T = 3.4$ megohms.

Note 4: Time measured from a positive-going input pulse from 0 to $0.8 \times V_{CC}$ into the threshold to the drop from high to low of the output. Trigger is tied to threshold.

XR-555



EQUIVALENT SCHEMATIC DIAGRAM

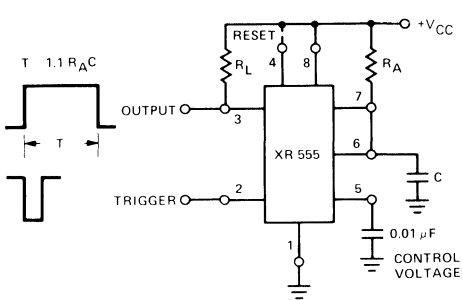


Figure 1. Monostable (One-Shot) Circuit

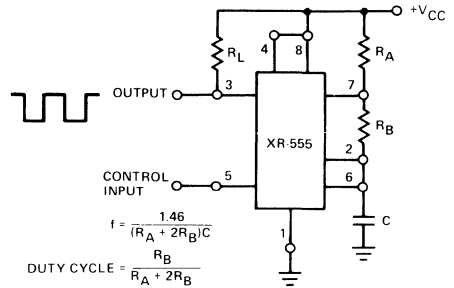


Figure 2. Astable (Free-Running) Circuit

Micropower Timing Circuit

GENERAL DESCRIPTION

The XR-L555 is a stable micropower controller capable of producing accurate timing pulses. It is a direct replacement for the popular 555-timer for applications requiring very low power dissipation. The XR-L555 has approximately 1/15th the power dissipation of the standard 555-timer and can operate down to 2.7 volts without sacrificing such key features as timing accuracy and frequency stability. At 5-volt operation, typical power dissipation of the XR-L555 is 900 microwatts.

The circuit contains independent control terminals for triggering or resetting if desired. In the monostable mode of operation, the time delay is controlled by one external resistor and one capacitor. For astable operation as an oscillator the free-running frequency and the duty cycle are accurately controlled with two external resistors and one capacitor as shown in Figure 2. The XR-L555 is triggered or reset on falling waveforms. Its output can source up to 100 mA or drive TTL circuits.

Because of its temperature stability and low-voltage (2.7V) operation capability, the XR-L555 is ideally suited as a micropower clock oscillator or VCO for low-power CMOS systems. It can operate up to 1500 hours with only two 300 mA-Hr NiCd batteries.

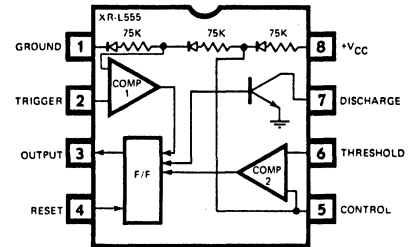
FEATURES

- Pin Compatible with Standard 555 Timer
- Less than 1 mW Power Dissipation ($V_+ = 5V$)
- Timing from Microseconds to Minutes
- Over 1000-Hour Operation with 2 NiCd Batteries
- Low Voltage Operation ($V_+ = 2.7V$)
- Operates in Both Monostable and Astable Modes
- CMOS TTL and DTL Compatible Outputs

APPLICATIONS

- Battery Operated Timing
- Micropower Clock Generator
- Pulse Shaping and Detection
- Micropower PLL Design
- Power-On Reset Controller
- Micropower Oscillator
- Sequential Timing
- Pulse Width Modulation
- Appliance Timing
- Remote-Control Sequencer

FUNCTIONAL BLOCK DIAGRAM



ABSOLUTE MAXIMUM RATINGS

Power Supply	18 volts
Power Dissipation (package limitation)	
Ceramic Package	385 mW
Plastic Package	300 mW
Derate above +25°C	2.5 mW/°C
Storage Temperature	-65°C to +125°C

ORDERING INFORMATION

Part Number	Package	Operating Temperature
XR-L555M	Ceramic	-55°C to +125°C
XR-L555CN	Ceramic	0°C to +70°C
XR-L555CP	Plastic	0°C to +70°C

SYSTEM DESCRIPTION

The XR-L555 is a micropower timing circuit similar to the industry standard 555-type timer. It is capable of both monostable and astable operation with timing intervals ranging from low microseconds up through several hours. Timing is independent of supply voltage which may range from 2.7 V to 15 V. The output stage can source 50 mA.

In the monostable (one shot) mode, timing is determined by one resistor and capacitor. Astable operation (oscillation) requires an additional resistor, which controls duty cycle. An internal resistive divider provides a reference voltage of $2/3 V_{CC}$, the interval is independent of supply voltage; however, for maximum accuracy, the user should ensure V_{CC} does not vary during timing.

The output of the XR-L555 is high during the timing interval. It is triggered and reset on falling waveforms. The control voltage input (Pin 5) may serve as a pulse width modulation point.

For applications requiring dual L555-type timers, see the XR-L556.

XR-L555

ELECTRICAL CHARACTERISTICS

Test Conditions: ($T_A = 25^\circ\text{C}$, $V_{CC} = +5\text{V}$, unless otherwise specified.)

PARAMETERS	XR-L555M			XR-L555C			UNITS	CONDITIONS
	MIN	TYP	MAX	MIN	TYP	MAX		
Supply Voltage	2.7		15	2.7		15	V	
Supply Current		150	300		190	500	μA	Low State Output $V_{CC} = 5\text{V}$, $R_L = \infty$
Timing Error								$R_A, R_B = 1\text{ k}\Omega$ to $100\text{ k}\Omega$ $C = 0.1\text{ }\mu\text{F}$ $0^\circ\text{C} \leq T_A \leq 75^\circ\text{C}$
Initial Accuracy		0.5	2.0		1.0		%	
Drift with Temperature		30	100		50		ppm/ $^\circ\text{C}$	
Drift with Supply Voltage		0.05			0.05		%/V	
Threshold Voltage		2/3			2/3		$\times V_{CC}$	
Trigger Voltage	1.45 4.8	1.67 5.0	1.9 5.2		1.67 5.0		V V	$V_{CC} = 5\text{V}$ $V_{CC} = 15\text{V}$
Trigger Current		0.5			0.5		μA	
Reset Voltage	0.4	0.7	1.0	0.4	0.7	1.0	V	
Reset Current		0.1			0.1		mA	
Threshold Current		0.1	0.25		0.1	0.25	μA	
Control Voltage Level	2.90 9.6	3.33 10.0	3.80 10.4	2.60 9.0	3.33 10.0	4.00 11.0	V V	$V_{CC} = 5\text{V}$ $V_{CC} = 15\text{V}$
Output Voltage Drop (Low)		0.1	0.3		0.25	0.35	V	$I_{\text{sink}} = 1.5\text{ mA}$
Output Voltage Drop (High)	3.0 13	3.3 13.3		2.75 12.75	3.3 13.3		V V V	$I_{\text{source}} = 10\text{ mA}$ $V_{CC} = 5\text{V}$ $V_{CC} = 15\text{V}$ $I_{\text{source}} = 100\text{ mA}$ $V_{CC} = 15\text{V}$
Rise Time of Output		100			100		nsec	
Fall Time of Output		100			100		nsec	
Discharge Transistor Leakage		0.1			0.1		μA	

1

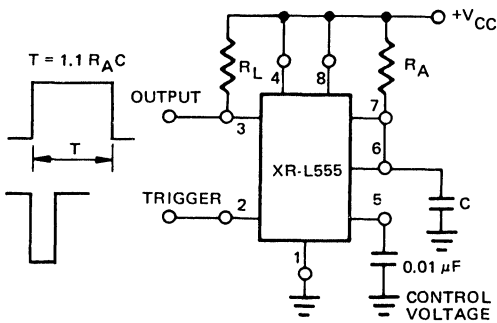


Figure 1. Monostable (One-Shot) Circuit

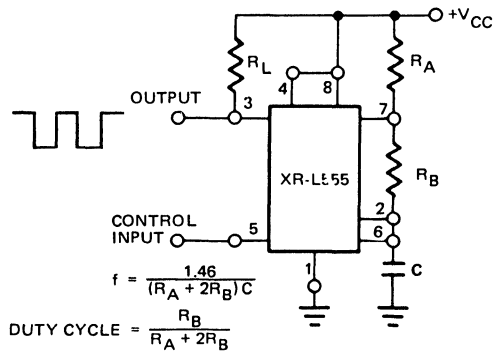


Figure 2. Astable (Free-Running) Circuit

XR-L555

GENERAL CHARACTERISTICS

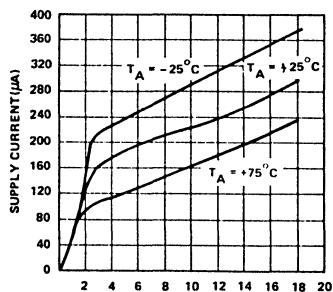


Figure 3. Supply Current as a Function of Supply Voltage

MONOSTABLE OPERATION

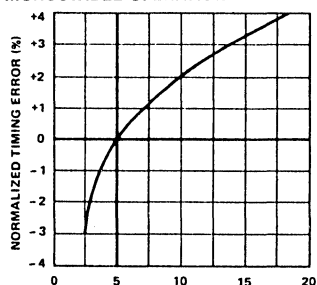


Figure 6. Typical Timing Accuracy as a Function of Supply Voltage

ASTABLE OPERATION

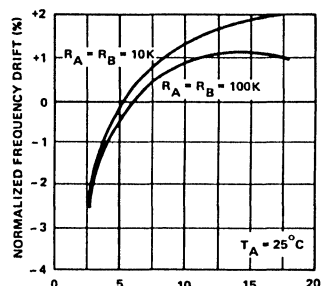


Figure 9. Typical Frequency Stability as a Function of Supply Voltage

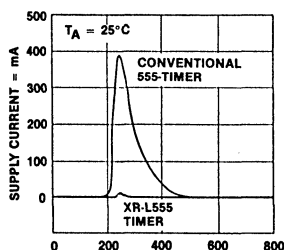


Figure 12. Comparison of Supply Current Transient of Conventional 555-Timer with XR-L555 Micropower Timer

CHARACTERISTIC CURVES

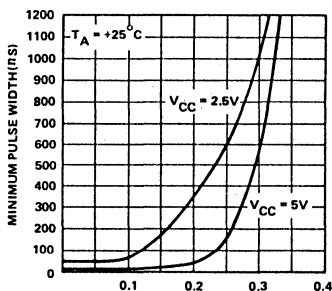


Figure 4. Minimum Pulse-Width Required for Triggering

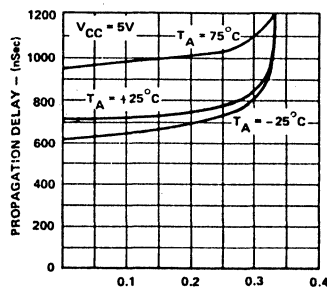


Figure 5. Propagation Delay as a Function of Voltage Level of Trigger Pulse

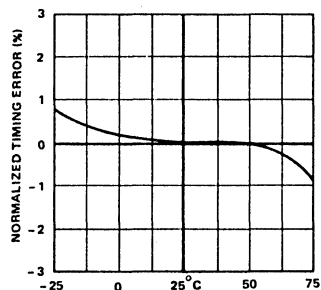


Figure 7. Typical Timing Accuracy as a Function of Temperature ($V_{CC} = 5V$, $R_A = 100K\Omega$, $C = 0.01 \mu F$)

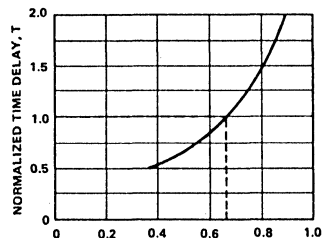


Figure 8. Normalized Time Delay as a Function of Control Voltage

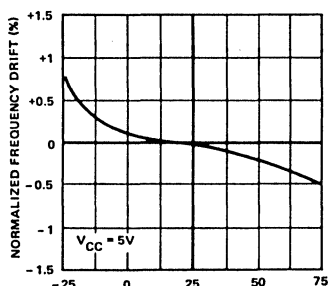


Figure 10. Typical Frequency Stability as a Function of Temperature ($R_A = R_B = 10K\Omega$, $C = 0.1 \mu F$)

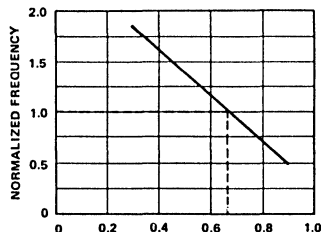


Figure 11. Normalized Frequency of Oscillation as a Function of Control Voltage

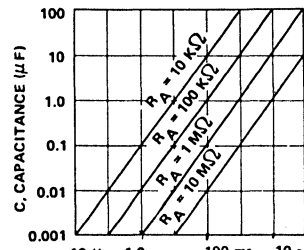


Figure 13. Timing Period, T , as a Function of External R-C Network

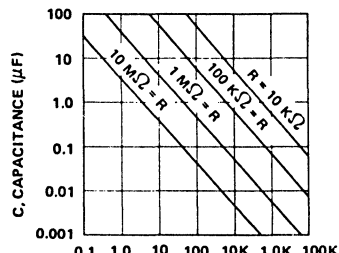


Figure 14. Free Running Frequency as a Function of External Timing Components (Note: $R = R_A + 2R_B$)

XR-L555

FEATURES OF XR-L555

The XR-L555 micropower timer is, in most instances, a direct pin-for-pin replacement for the conventional 555-type timer. However, compared to conventional 555-timer, it offers the following important performance features:

Reduced Power Dissipation: The current drain is 1/15th of the conventional 555-timer.

No Supply Current Transients: The conventional 555-timer can produce 300 to 400 mA of supply current spikes during switching. The XR-L555 is virtually transient-free as shown in Figure 12.

Low-Voltage Operation: The XR-L555 operates down to 2.7 volts of supply voltage, vs. 4.5V minimum operating voltage needed for conventional 555-timer. Thus, the XR-L555 can operate safely and reliably with two 1.5V NiCd batteries.

Proven Bipolar Technology: The XR-L555 is fabricated using conventional bipolar process technology. Thus, it is immune to electrostatic burn-out problems associated with low-power timers using CMOS technology.

APPLICATIONS INFORMATION

MONOSTABLE (ONE-SHOT) OPERATION

The circuit connection for monostable, or one-shot operation of the XR-L555 is shown in Figure 1. The internal flip-flop is triggered by lowering the trigger level at pin 2 to less than $1/3 V_{CC}$. The circuit triggers on a negative-going slope. Upon triggering, the flip-flop is set to one side, which releases the short circuit across the capacitor and also moves the output level at pin 3 toward V_{CC} . The voltage across the capacitor, therefore, starts increasing exponentially with a time constant $\tau = R_A C$. A high impedance comparator is refer-

enced to $2/3 V_{CC}$ with the use of three equal internal resistors. When the voltage across the capacitor reaches this level, the flip-flop is reset, the capacitor is discharged rapidly, and the output level moves toward ground, and the timing cycle is completed.

The duration of the timing period, T , during which the output logic level is at a "high" state is given by the equation:

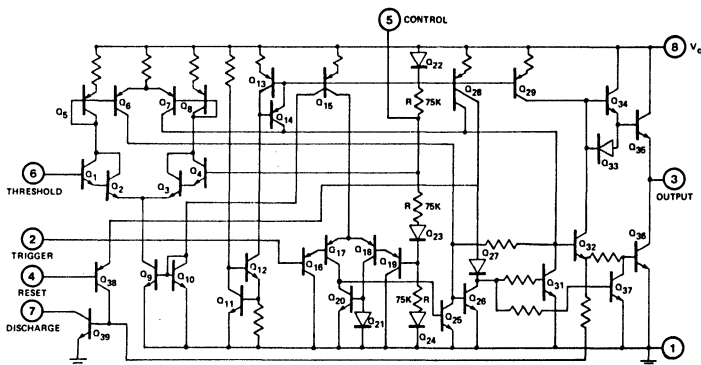
$$T = 1.1 R_A C$$

The time delay varies linearly with the choice of R_A and C as shown by the timing curves of Figure 13. For proper operation of the circuit, the trigger pulse-width *must be less than the timing period.*

Once the circuit is triggered it is immune to additional trigger inputs until the present timing-period has been completed. The timing-cycle can be interrupted by using the reset control (pin 4). When the reset control is "low", the internal discharge transistor is turned "on" and prevents the capacitor from charging. As long as the reset voltage is applied, the digital output level will remain unchanged, i.e. "low". The reset pin should be connected to $+V_{CC}$ when not used to avoid the possibility of false triggering.

ASTABLE (SELF-TRIGGERING) OPERATION

For astable (or self-triggering) operation, the correct circuit connection is shown in Figure 2. The external capacitor charges to $2/3 V_{CC}$ through the parallel combination of R_A and R_B , and discharges to $1/3 V_{CC}$ through R_B . In this manner, the capacitor voltage oscillates between $1/3 V_{CC}$ and $2/3 V_{CC}$, with an exponential waveform. The oscillations can be keyed "on" and "off" using the reset control. The frequency of oscillation can be readily calculated from the equations in Figure 2 and Figure 14.



EQUIVALENT SCHEMATIC DIAGRAM



Dual Timer

GENERAL DESCRIPTION

The XR-556 dual timing circuit contains two independent 555-type timers on a single monolithic chip. It is a direct, pin-for-pin replacement for the SE/NE 556 dual timer. Each timer section is a highly stable controller capable of producing accurate time delays or oscillations. Independent output and control terminals are provided for each section as shown in the functional block diagram.

In the monostable mode of operation, the time delay for each section is precisely controlled by one external resistor and one capacitor. For astable operation as an oscillator, the free-running frequency and the duty cycle of each section are accurately controlled with two external resistors and one capacitor.

The XR-556 may be triggered or reset on falling waveforms. Each output can source or sink up to 150 mA or drive TTL circuits. The matching and temperature tracking characteristics between each timer section of the XR-556 are superior to those available from two separate timer packages.

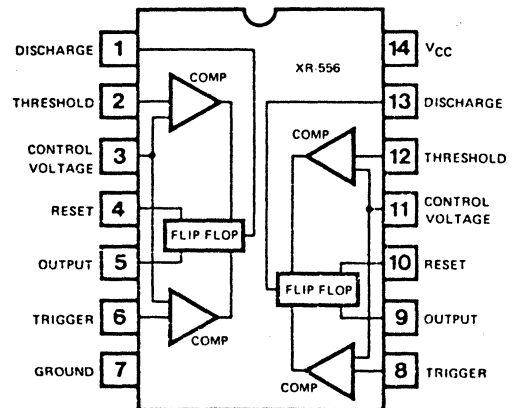
FEATURES

- Direct Replacement for SE/NE 556
- Replaces Two 555-Type Timers
- TTL Compatible Pinouts
- Timing from Microseconds Thru Hours
- Excellent Matching Between Timer Sections
- Operates in Both Monostable and Astable Modes
- High Current Drive Capability (150 mA each output)
- TTL and DTL Compatible Outputs
- Adjustable Duty Cycle
- Temperature Stability of 0.005%/°C

APPLICATIONS

- Precision Timing
- Pulse Generation
- Sequential Timing
- Pulse Shaping
- Time Delay Generation
- Clock Pattern Generation
- Missing Pulse Detection
- Pulse-Width Modulation
- Frequency Division
- Clock Synchronization
- Pulse-Position Modulation
- Appliance Timing

FUNCTIONAL BLOCK DIAGRAM



ABSOLUTE MAXIMUM RATINGS

Power Supply	18V
Power Dissipation	
Ceramic Dual-In-Line	750 mW
Derate above $T_A = 25^\circ\text{C}$	6 mW/°C
Plastic Dual-In-Line	625 mW
Derate above $T_A = 25^\circ\text{C}$	5 mW/°C
Storage Temperature Range	-65°C to +150°C

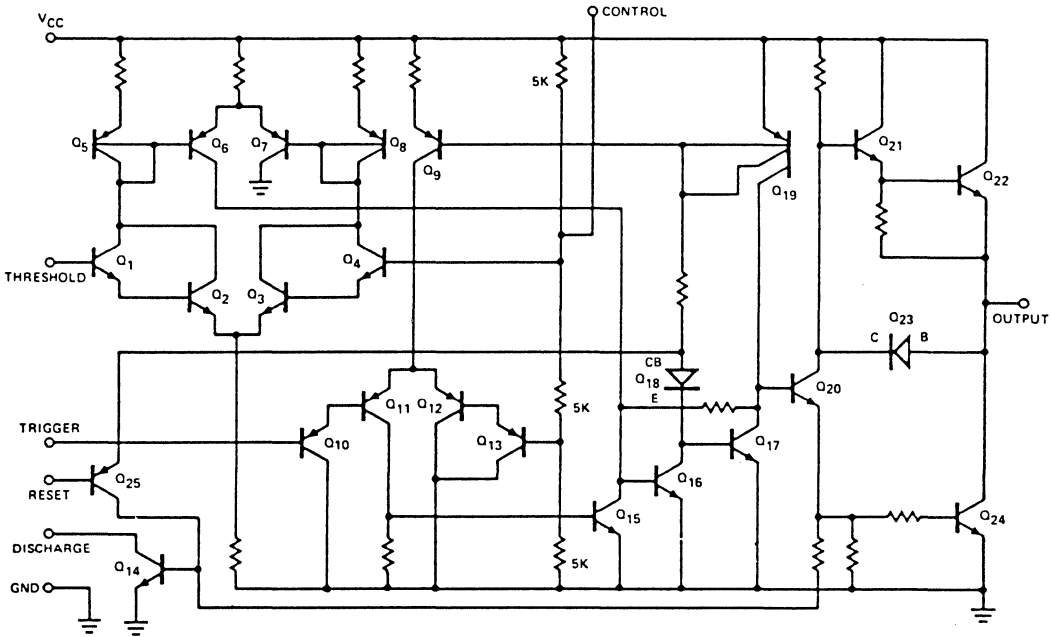
ORDERING INFORMATION

Part Number	Package	Operating Temperature
XR-556M	Ceramic	-55°C to +125°C
XR-556CN	Ceramic	0°C to +70°C
XR-556CP	Plastic	0°C to +70°C

SYSTEM DESCRIPTION

The XR-556 is an industry standard dual timing circuit capable of both monostable and astable operation with timing intervals ranging from low microseconds up through several hours. Timing is independent of supply voltage, which may range from, 4.5 V to 18 V. The output stage can source or sink 150 mA. Each timer section is fully independent and similar to 555-type devices.

XR-556



EQUIVALENT SCHEMATIC DIAGRAM

SYSTEM DESCRIPTION (continued)

In the monostable (one shot) mode, timing is determined by one resistor and capacitor. Astable operation (oscillation) requires an additional resistor, which controls duty cycle. An internal resistive divider provides a reference voltage of $2/3 V_{CC}$, which produces a timing interval of $1.1 RC$. As the reference is related to V_{CC} , the interval is independent of supply voltage; however, for maximum accuracy, the user should ensure V_{CC} does not vary during timing.

The output of the XR-556 is high during the timing interval, and pulls low at timeout. It is triggered and reset on falling waveforms. The control voltage inputs (Pins 3 and 11) may serve as pulse width modulation points. Matching between sections is typically better than 0.05% initially, with temperature drift tracking to ± 10 ppm/ $^{\circ}C$ and supply voltage drift tracking to 0.1%/V. For low voltage and/or low power drain applications, consider the XR-L556.

1

XR-556

ELECTRICAL CHARACTERISTICS

Test Conditions: (Each timer section, $T_A = 25^\circ\text{C}$, $V_{CC} = +5\text{V}$ to $+15\text{V}$, unless otherwise specified.)

PARAMETERS	XR-556M			XR-556C			UNITS	CONDITIONS
	MIN	TYP	MAX	MIN	TYP	MAX		
Supply Voltage	4.5		18	4.5		16	V	
Supply Current (Each Timer Section)		3	5		3	6	mA	Low State Output, Note 1 $V_{CC} = 5\text{V}$, $R_L = \infty$
		10	11		10	14	mA	$V_{CC} = 15\text{V}$, $R_L = \infty$
Total Supply Current (Both Timer Sections)		6	10		6	12	mA	Low State Output, Note 1 $V_{CC} = 5\text{V}$, $R_L = \infty$
		20	22		20	28	mA	$V_{CC} = 15\text{V}$, $R_L = \infty$
Timing Error (Monostable)								Timing, $R = 1\text{K}\Omega$ to $100\text{K}\Omega$ Note 2, $C = 1.0\ \mu\text{F}$ $0^\circ\text{C} \leq T_A \leq 75^\circ\text{C}$
Initial Accuracy		0.5	1.5		.75	3	%	
Drift with Temperature		30	100		50		ppm/ $^\circ\text{C}$	
Drift with Supply Voltage		0.05	0.2		0.1	0.5	%/V	
Timing Error (Astable)								$R_A, R_B = 1\text{K}\Omega$ to $100\text{K}\Omega$ $C = 0.1\ \mu\text{F}$ $V_{CC} = 15\text{V}$
Initial Accuracy (Note 2)		1.5			2.25		%	
Drift with Temperature		90			150		ppm/ $^\circ\text{C}$	
Drift with Supply Voltage		0.15			0.3		%/V	
Threshold Voltage	9.4	10.0	10.6	8.8	10.0	11.2	V	$V_{CC} = 15\text{V}$
	2.7	3.33	4.0	2.4	3.33	4.2	V	$V_{CC} = 5\text{V}$
Trigger Voltage	1.45	1.67	1.9		1.67		V	$V_{CC} = 5\text{V}$
	4.8	5.0	5.2	4.5	5.0	5.6	V	$V_{CC} = 15\text{V}$
Trigger Current		0.5	0.9		0.5	2	μA	$V_{TRIG} = 0\text{V}$
Reset Voltage	0.4	0.7	1.0	0.4	0.7	1.0	V	V_{TRIG} High
Reset Current		0.4	1		0.4	1.5	mA	$V_{RESET} = 0\text{V}$
Threshold Current		0.03	0.1		0.03	0.1	μA	Note 3
Control Voltage Level	2.90	3.33	3.80	2.60	3.33	4.00		$V_{CC} = 5\text{V}$
	9.6	10.0	10.4	9.0	10.0	11.0		$V_{CC} = 15\text{V}$
Output Voltage Drop (Low)		0.10	0.25		0.3		V	$V_{CC} = 5\text{V}$
		0.05	0.20		0.25	0.35	V	$I_{\text{sink}} = 8.0\text{mA}$
							V	$I_{\text{sink}} = 5.0\text{mA}$
		0.1	0.15		0.1	0.25	V	$V_{CC} = 15\text{V}$
		0.4	0.5		0.4	0.75	V	$I_{\text{sink}} = 10\text{mA}$
		2.0	2.25		2.0	2.75	V	$I_{\text{sink}} = 50\text{mA}$
		2.5			2.5		V	$I_{\text{sink}} = 100\text{mA}$
							V	$I_{\text{sink}} = 200\text{mA}$
Output Voltage Drop (High)	3.0	3.3		2.75	3.3		V	$I_{\text{source}} = 100\text{mA}$
	13	13.3		12.75	13.3		V	$V_{CC} = 5\text{V}$
		12.5			12.5		V	$V_{CC} = 15\text{V}$
							V	$I_{\text{source}} = 200\text{mA}$
							V	$V_{CC} = 15\text{V}$
Rise Time of Output		100	200		100	300	nsec	
Fall Time of Output		100	200		100	300	nsec	
Matching Characteristic								Note 4
Initial Timing Accuracy		0.05	0.1		0.1	0.2	%	
Timing Drift with Temperature		± 10			± 10		ppm/ $^\circ\text{C}$	
Drift with Supply Voltage		0.1	0.2		0.2	0.5	%/V	

Note 1: Supply current when output is high is typically 1.0 mA less.

Note 2: Tested at $V_{CC} = 5\text{V}$ and $V_{CC} = 15\text{V}$.

Note 3: This will determine the maximum value of $R_A + R_B$ for 15V operation. The maximum total $R = 10$ megohms, and for 5V operation, the maximum $R = 3.4$ megohms.

Note 4: Matching characteristics refer to the difference between performance characteristics of each timer section.

Micropower Dual Timer

GENERAL DESCRIPTION

The XR-L556 dual timer contains two independent micropower timer sections on a monolithic chip. It is a direct replacement for the conventional 556-type dual timers, for applications requiring very low power dissipation. Each section of the XR-L556 dual timer is equivalent to Exar's XR-L555 micropower timer. The circuit dissipates only 1/15th of the stand-by power of conventional dual timers and can operate down to 2.5 volts without sacrificing such key features as timing accuracy and stability. At 5 volt operation, typical power dissipation of the dual-timer circuit is less than 2 mW; and it can operate in excess of 500 hours with only two 300 mA-Hr NiCd batteries.

The two timer sections of the circuit have separate controls and outputs, but share common supply and ground terminals. Each output can source up to 100 mA of output current or drive TTL circuits.

FEATURES

- Replaces two XR-L555 Micropower Timers
- Pin Compatible with Standard 556-Type Dual Timer
- Less than 1 mW Power Dissipation per Section ($V_{CC} = 5V$)
- Timing from Microseconds to Minutes
- Over 500-Hour Operation with 2 NiCd Batteries Low Voltage Operation ($V_{CC} = 2.5V$)
- Operates in Both Monostable and Astable Modes
- CMOS TTL and DTL Compatible Outputs
- Introduces No Switching Transients

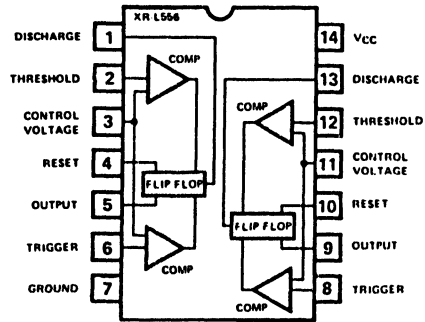
APPLICATIONS

- Battery Operated Timing
- Micropower Clock Generator
- Pulse Shaping and Detection
- Micropower PLL Design
- Power-On Reset Controller
- Micropower Oscillator
- Sequential Timing
- Pulse-Width Modulation
- Appliance Timing
- Remote-Control Sequencer

ABSOLUTE MAXIMUM RATINGS

Power Supply	18V
Power Dissipation	
Ceramic Dual-In-Line	750 mW
Derate above $T_A = 25^\circ C$	6 mW/ $^\circ C$
Plastic Dual-In-Line	625 mW
Derate above $T_A = 25^\circ C$	5 mW/ $^\circ C$
Storage Temperature Range	-65 $^\circ C$ to +150 $^\circ C$

FUNCTIONAL BLOCK DIAGRAM



ORDERING INFORMATION

Part Number	Package	Operating Temperature
XR-L556 M	Ceramic	-55 $^\circ C$ to +125 $^\circ C$
XR-L556 CN	Ceramic	0 $^\circ C$ to +70 $^\circ C$
XR-L556 CP	Plastic	0 $^\circ C$ to +70 $^\circ C$

SYSTEM DESCRIPTION

The XR-L556 is a micropower version of the industry standard XR-556 timing circuit, capable of both monostable and astable operation with timing intervals ranging from low microseconds up through several hours. Timing is independent of supply voltage, which may range from 2.5 V to 15 V. The output stage can source 100 mA. Each timer section is fully independent and similar to the XR-L555.

In the monostable (one shot) mode, timing is determined by one resistor and capacitor. Astable operation (oscillation) requires an additional resistor, which controls duty cycle. An internal resistive divider provides a reference voltage of $2/3 V_{CC}$, which produces a timing interval of $1.1 RC$. As the reference is related to V_{CC} , the interval is independent of supply voltage; however, for maximum accuracy, the user should ensure V_{CC} does not vary during timing.

The output of the XR-L556 is high during the timing interval. It is triggered and reset on falling waveforms. The control voltage inputs (Pins 3 and 11) may serve as pulse width modulation points.

XR-L556

ELECTRICAL CHARACTERISTICS

Test Conditions: ($T_A = 25^\circ\text{C}$, $V_{CC} = +5\text{V}$, unless otherwise specified)

PARAMETERS	XR-L556M			XR-L556C			UNITS	CONDITION
	MIN	TYP	MAX	MIN	TYP	MAX		
Supply Voltage	2.5		15	2.7		15	V	
Supply Current (Each Timer Section) Total Supply Current (Both Timer Sections)		150 300	300 600		200 400	500 1000	μA	Low State Output $V_{CC} = 5\text{V}$, $R_L = \infty$
Timing Error Initial Accuracy Drift with Temperature Drift with Supply Voltage		0.5 50 0.5			1.0 50 0.5		% ppm/ $^\circ\text{C}$ %/V	$R_A, R_B = 1\text{K}\Omega$ to $100\text{K}\Omega$ $C = 0.1\ \mu\text{F}$ $0^\circ\text{C} \leq T_A \leq 70^\circ\text{C}$ Monostable Operation
Threshold Voltage		2/3			2/3		$\times V_{CC}$	
Trigger Voltage	1.45 4.8	1.67 5.0	1.9 5.2		1.67 5.0		V V	$V_{CC} = 5\text{V}$ $V_{CC} = 15\text{V}$
Trigger Current		20			20		nA	
Reset Voltage	0.4	0.7	1.0	0.4	0.7	1.0	V	
Reset Current		10			10		μA	
Threshold Current		10	50		20	100	nA	
Control Voltage Level	2.90 9.6	3.33 10.0	3.80 10.4	2.60 9.0	3.33 10.0	4.00 11.0	V V	$V_{CC} = 5\text{V}$ $V_{CC} = 15\text{V}$
Output Voltage Drop (Low)		0.1	0.3		0.15	0.35	V	$I_{\text{sink}} = 1.5\text{mA}$
Output Voltage Drop (High)	3.0 13	3.3 13.3		2.75 12.75	3.3 13.3		V V V	$I_{\text{source}} = 10\text{mA}$ $V_{CC} = 5\text{V}$ $V_{CC} = 15\text{V}$ $I_{\text{source}} = 100\text{mA}$ $V_{CC} = 15\text{V}$
Rise Time of Output		200			200		nsec	
Fall Time of Output		100			100		nsec	
Discharge Transistor Leakage		0.1			0.1		μA	

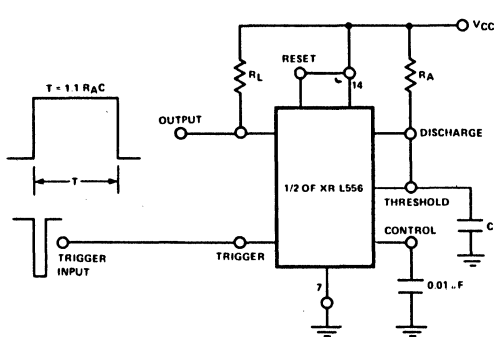


Figure 1. Monostable (One-Shot) Circuit

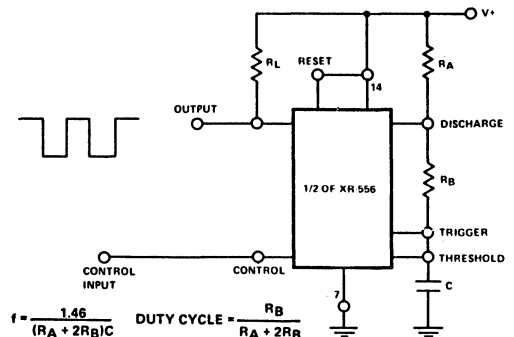


Figure 2. Astable (Free-Running) Circuit

CHARACTERISTIC CURVES

GENERAL CHARACTERISTICS

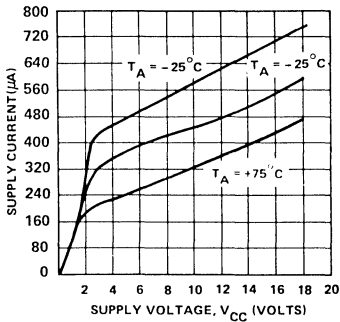


Figure 3. Total Supply Current as a Function of Supply Voltage

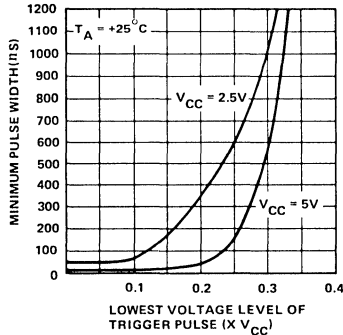


Figure 4. Minimum Pulse-Width Required for Triggering

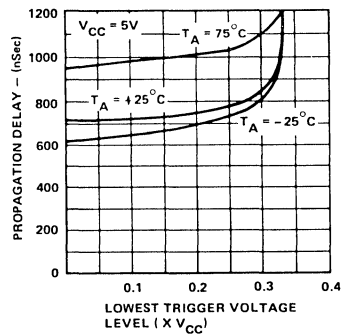


Figure 5. Propagation Delay as a Function of Voltage Level of Trigger Pulse

MONOSTABLE OPERATION

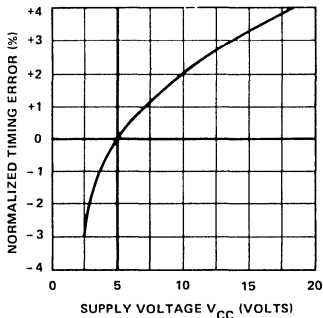


Figure 6. Typical Timing Accuracy as a Function of Supply Voltage

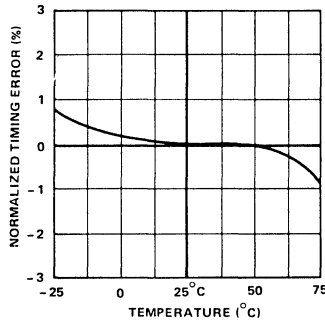


Figure 7. Typical Timing Accuracy as a Function of Temperature
($V_{CC} = 5V$, $R_A = 100K\Omega$, $C = 0.01\mu F$)

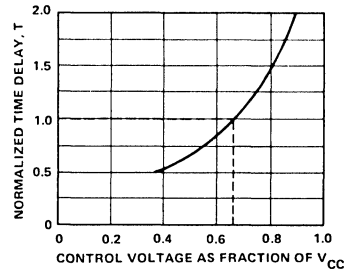


Figure 8. Normalized Time Delay as a Function of Control Voltage

ASTABLE OPERATION

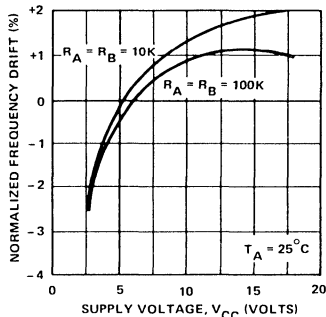


Figure 9. Typical Frequency Stability as a Function of Supply Voltage

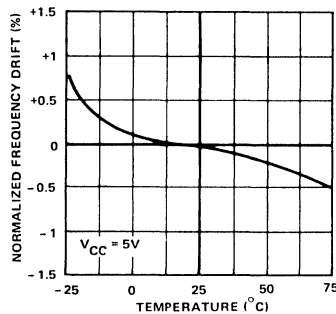


Figure 10. Typical Frequency Stability as a Function of Temperature
($R_A = R_B = 10K\Omega$, $C = 0.1\mu F$)

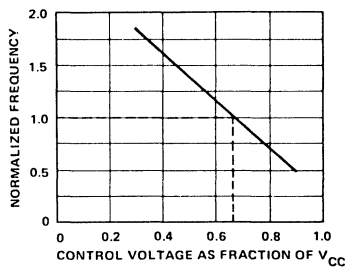


Figure 11. Normalized Frequency of Oscillation as a Function of Control Voltage

XR-L556

FEATURES OF XR-L556

The XR-L556 micropower dual timer is, in most instances, a direct pin-for-pin replacement for the conventional 556-type dual timer. However, compared to conventional 556-timer, it offers the following important performance features:

Reduced Power Dissipation: The current drain is 1/15th of the conventional 556-type dual timer.

No Supply Current Transients: The conventional 556-timer can produce 300 to 400 mA of supply current spikes during switching of either one of its timer sections. The XR-L556 is virtually transient-free as shown in Figure 12.

Low-Voltage Operation: The XR-L556 operates down to 2.7 volts of supply voltage, vs. 4.5V minimum operating voltage needed for conventional 556-timer. Thus, the XR-L556 can operate safely and reliably with two 1.5V NiCd batteries.

Proven Bipolar Technology: The XR-L556 is fabricated using conventional bipolar process technology. Thus, it is immune to electrostatic burn-out problems associated with low-power timers using CMOS technology.

PRINCIPLES OF OPERATION

MONOSTABLE (ONE-SHOT) OPERATION

The circuit connection for monostable, or one-shot operation is one of the timer sections of the XR-L556 is shown in Figure 1. The internal flip-flop is triggered by lowering the trigger level to less than 1/3 of V_{CC} . The circuit triggers on a negative-going slope. Upon triggering, the flip-flop is set, which releases the short circuit across the capacitor and also moves the output level toward V_{CC} . The voltage across the capacitor, therefore, starts increasing exponentially with a time constant $\tau = R_A C$. A comparator is referenced to 2/3 V_{CC} with the use of three equal internal resistors. When the voltage across the capacitor reaches this level, the flip-flop is reset, the capacitor is discharged rapidly, the output level moves toward ground and the timing cycle is completed. The duration of the timing period, T , during which the output logic level is at a "high" state is given by the equation:

$$T = 1.1 R_A C$$

This time delay varies linearly with the choice of R_A and C as shown by the timing curves of Figure 13. For proper operation of the circuit, the trigger pulse-width *must be* less than the timing period.

Once the circuit is triggered it is immune to additional trigger inputs until the present period has been completed. The timing-cycle can be interrupted by using the reset control. When the reset control is "low", the internal discharge transistor is turned "on" and prevents the capacitor from charging. As long as the reset voltage is applied, the digital output level will remain unchanged

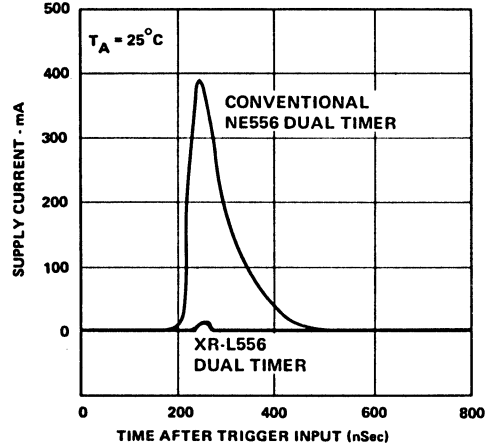


Figure 12. Comparison of Supply Current Transient of Conventional NE556 Dual Timer with XR-L556 Micropower Dual Timer

i.e. "low". The reset pin should be connected to + V_{CC} when not used to avoid the possibility of false triggering.

ASTABLE (SELF-TRIGGERING) OPERATION

For astable (or self-triggering) operation, the correct circuit connection is shown in Figure 2. The external capacitor charges to 2/3 V_{CC} through the series combination of R_A and R_B , and discharges to 1/3 V_{CC} through R_B . In this manner, the capacitor voltage oscillates between 1/3 V_{CC} and 2/3 V_{CC} , with an exponential waveform. The output level at pin 5 (or 9) is high during the charging cycle, and goes low during the discharge cycle. The charge and the discharge times are independent of supply voltage. The oscillations can be keyed "on" and "off" using the reset controls (pin 4 or 10).

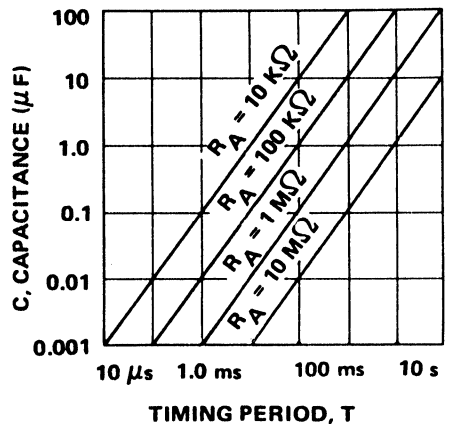


Figure 13. Timing Period, T , as a Function of External R-C Network

XR-L556

The charge time (output high) is given by:

$$t_1 = 0.695 (R_A + R_B)C$$

The discharge time (output low) is:

$$t_2 = 0.695 (R_B)C$$

Thus the total period is given by:

$$T = t_1 + t_2 = 0.695 ((R_A + 1R_B)C)$$

The frequency of oscillation is then:

$$f = \frac{1}{T} = \frac{1.44}{(R_A + 2R_B)C}$$

may be easily found as shown in Figure 14.

The duty cycle D, is given by:

$$D = \frac{R_B}{R_A + 2R_B}$$

APPLICATIONS INFORMATION

INDEPENDENT TIME DELAYS

Each timer section of the XR-L556 can operate as an independent timer to generate a time delay, T, set by the respective external timing components. Figure 15 is a circuit connection where each section is used separately in the monostable mode to produce respective time delays of T₁ and T₂, where:

$$T_1 = 1.1 R_1 C_1 \text{ and } T_2 = 1.1 R_2 C_2$$

SEQUENTIAL TIMING (DELAYED ONE-SHOT)

In this application, the output of one timer section (Timer 1) is capacitively coupled to the trigger terminal of the second, as shown in Figure 16. When Timer 1 is triggered at pin 6, its output at pin 5 goes "high" for a time duration T₁ = 1.1 R₁C₁. At the end of this timing cycle, pin 5 goes "low" and triggers Timer 2 through the capacitive coupling, C_C, between pins 5 thru 8. Then, the output at pin 9 goes "high" for a time duration

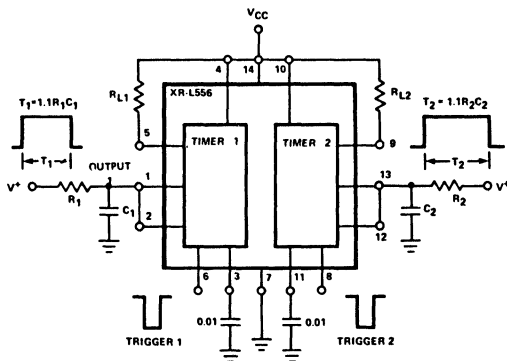


Figure 15. Generation of Two Independent Time Delays

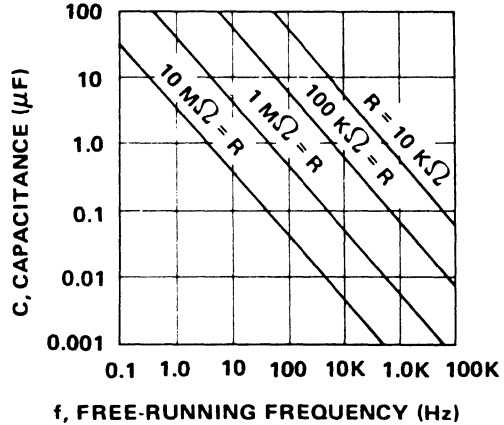


Figure 14. Free Running Frequency as a Function of External Timing Components (Note: R = R_A + 2R_B)

T₂ = 1.1 R₂C₂. In this manner, the unit behaves as a "delayed one-shot" where the output of Timer 2 is delayed from the initial trigger at pin 6 by a time delay of T₁

KEYED OSCILLATOR

One of the timer sections of the XR-L556 can be operated in its free-running mode, and the other timer section can be used to key it "on" and "off". A recommended circuit connection is shown in Figure 17. Timer 2 is used as the oscillator section, and its frequency is set by the resistors R_A, R_B and the capacitor C₂. Timer 1 is operated as a monostable circuit, and its output is connected to the reset terminal (pin 10 of Timer 2).

When the circuit is at rest, the logic level at the output of Timer 1 is "low"; and the oscillations of Timer 2 are inhibited. Upon application of a trigger signal to Timer 1, the logic level at pin 1 goes "high" and the oscillator section (Timer 2) is keyed "on". Thus, the output of Timer 2 appears as a tone burst whose frequency is set by R_A, R_B and C₂, and whose duration is set by R₁ and C₁ of Figure 17.

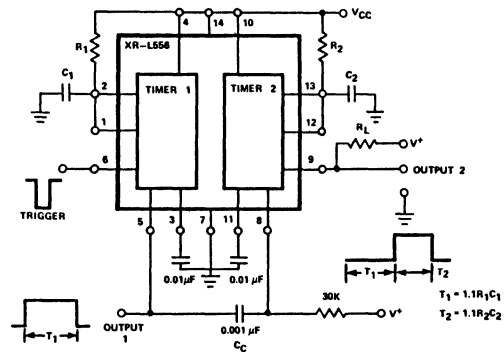


Figure 16. Sequential Timing

XR-L556

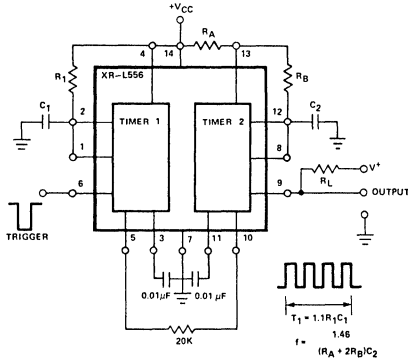


Figure 17. Keyed Oscillator

FREQUENCY DIVIDER AND PULSE SHAPER

If the frequency of the input is known, each timer section of the XR-L556 can be used as a frequency divider by adjusting the length of its timing cycle. If the timing interval $T_1 (= 1.1 R_1 C_1)$ is larger than the period of the input pulse trigger, then only those input pulses which are spaced more than $1.1 R_1 C_1$ will actually trigger the circuit.

The output frequency is equal to $(1/N)$ times the input frequency. The division factor N is in the range:

$$\frac{T}{T_P} - 1 < N < \frac{T}{T_P}$$

where T_P is the period of the input pulse signal.

Since the two timer sections of the XR-L556 are electrically independent, each can be used as a frequency divider. Thus, if the trigger terminals of both timer sections are connected to a common input, the XR-L556 can produce two independent outputs at frequencies f_1 and f_2 :

$$f_1 = f_2/N_1 \text{ and } f_2 = f_2 = f_S/N_2$$

Where N_1 and N_2 are the division factors for respective timer sections, set by external resistors and capacitors at pins (1, 2) and (12, 13).

Frequency division can be performed by $1/2$ of the XR-L556. The remaining timer section can be used as a "pulse-shaper" to adjust the duty cycle of the output waveform. As seen in Figure 18, Timer 1 is used as the frequency divider section and Timer 2 is used as the pulse shaper.

The output of Timer 1 (pin 5) triggers Timer 2, which produces an output pulse whose frequency is the same as the output frequency of Timer 1, and whose duty cycle is controlled by the timing resistor and capacitor of Timer 2. The duty cycle of the output of Timer 2 (pin 9) can be adjusted from 1% to 99% by varying the value of R_2 .

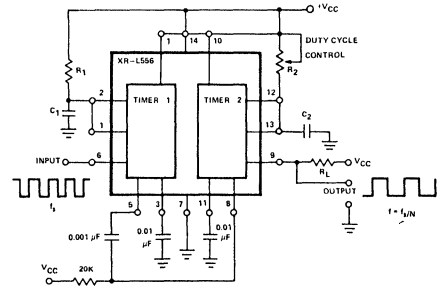


Figure 18. Frequency Divider and Pulse-Shaper

MICROPOWER OSCILLATOR WITH INDEPENDENT FREQUENCY AND DUTY CYCLE ADJUSTMENT

If Timer 1 is operated in its astable mode and Timer 2 is operated in its monostable mode, as shown in Figure 19, then an oscillator with fixed frequency and variable duty cycle results.

Timer 1 generates a basic periodic waveform that is then used to trigger Timer 2. If the time delay, T_2 , of Timer 2 is chosen to be less than the period of oscillations of Timer 1, then the output at pin 9 has the same frequency as Timer 1, but has its duty cycle determined by the timing cycle of Timer 2. The output duty cycle can be adjusted over a wide range (from 1% to 99%) by adjusting R_2 .

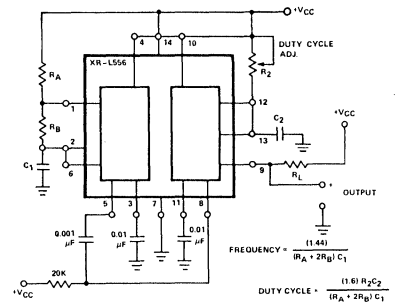
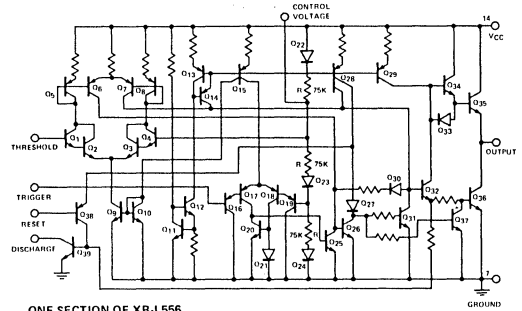


Figure 19. Micropower Oscillator with Fixed Frequency and Variable Duty-Cycle



EQUIVALENT SCHEMATIC DIAGRAM

Quad Timing Circuits

GENERAL DESCRIPTION

The XR-558 and the XR-559 quad timing circuits contain four independent timer sections on a single monolithic chip. Each of the timer sections on the chip are entirely independent, and each one can produce a time delay from microseconds to minutes, as set by an external R-C network. Each timer has its separate trigger terminal, but all four timers in the IC package share a common reset control.

Both the XR-558 and the XR-559 quad timer circuits are "edge-triggered" devices, so that each timer section can be cascaded, or connected in tandem, with other timer sections, without requiring coupling capacitors.

The XR-558 is designed with open-collector outputs; each output can sink up to 100 mA. The XR-559 is designed with emitter-follower outputs. Each output can source up to 100 mA of load current. The outputs are normally at "low" state, and go to "high" state during the timing interval.

FEATURES

- Four Independent Timer Sections
- High Current Output Capability
 - XR-558: 100 mA sinking capability/output
 - XR-559: 100 mA sourcing capability/output
- Edge Triggered Controls
- Output Stage Independent of Trigger Condition
- Wide Supply Range: 4.5 V to 16 V

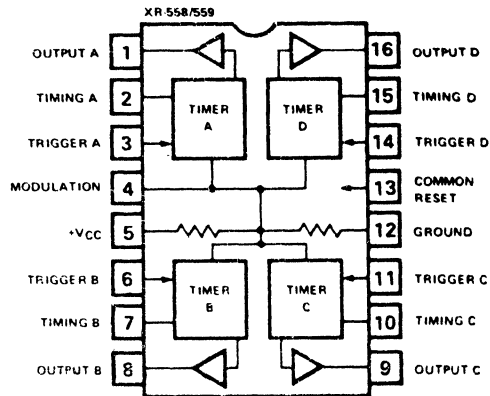
APPLICATIONS

- Precision Timing
- Pulse Shaping
- Clock Synchronization
- Appliance Timing

ABSOLUTE MAXIMUM RATINGS

Power Supply	18V
Power Dissipation	
Ceramic Dual-In-Line	750 mW
Derate above $T_A = 25^\circ$	6 mW/ $^\circ$ C
Plastic Dual-In-Line	625 mW
Derate above $T_A = 25^\circ$ C	5 mW/ $^\circ$ C
Storage Temperature Range	-65°C to +150°C

FUNCTIONAL BLOCK DIAGRAM



ORDERING INFORMATION

Part Number	Package	Operating Temperature
XR-558M	Ceramic	-55°C to +125°C
XR-558CN	Ceramic	0°C to +70°C
XR-558CP	Plastic	0°C to +70°C
XR-559M	Ceramic	-55°C to +125°C
XR-559CN	Ceramic	0°C to +70°C
XR-559CP	Plastic	0°C to +70°C

SYSTEM DESCRIPTION

The XR-558 and XR-559 are easy to use quad timers capable of operation with supply voltages between 4.5 V and 18 V. Each section has independent timing and triggering, and can operate over intervals ranging from the low microseconds up through several minutes. The devices are triggered on falling waveforms and are immune to long trigger pulses. When the reset pin (Pin 13) is held below 0.8 V, all four outputs are set low and all triggers are disabled. Timing period accuracy is typically better than 1%, independent of V_{CC} , and drift is better than 150 ppm/ $^\circ$ C and 0.5%/V. The timing period, in seconds, equals R times C.

The XR-558 features open collector outputs, capable of sinking 100 mA, that are driven low during the timing interval. The XR-559 has emitter followers, active upon timeout, capable of sourcing 100 mA. The XR-558 sinks load current from $+V_{CC}$, the XR-559 sources load current to ground.

XR-558/559

ELECTRICAL CHARACTERISTICS

Test Conditions: ($T_A = 25^\circ\text{C}$, $V_{CC} = +5\text{V}$ to $+15\text{V}$, unless otherwise noted.)

PARAMETERS	XR-558M/XR-559M			XR-558C/XR-559C			UNITS	CONDITIONS
	MIN	TYP	MAX	MIN	TYP	MAX		
Supply Voltage	4.5		18	4.5		16	V	
Supply Current XR-558 Family XR-559 Family		21 9	32 16		27 12	36 18	mA mA	$V_{CC} = V_{RESET} = 15\text{V}$ Outputs Open Outputs Open
Timing Accuracy Initial Accuracy Drift with Temperature Drift with Supply Voltage		1 150 0.1	3		2 150 0.1		% ppm/ $^\circ\text{C}$ %/V	$R = 2\text{ k}\Omega$ to $100\text{ k}\Omega$ $C = 1\text{ }\mu\text{F}$
Trigger Characteristics Trigger Voltage Trigger Current	0.8	1.5 5	2.4 30	0.8	1.5 10	2.4 100	V μA	See Note: 1 $V_{CC} = 15\text{V}$ $V_{TRIGGER} = 0\text{V}$
Reset Characteristics Reset Voltage Reset Current	0.8	1.5 50	2.4 300	0.8	1.5 50	2.4	V μA	See Note: 2
Threshold Characteristics Threshold Voltage Threshold Leakage		0.63 15			0.63 15		$\times V_{CC}$ nA	Measured at Timing Pins (Pins 2, 7, 10 or 15)
XR-558 Output Characteristics Output Voltage Output Leakage Output Leakage		0.1 0.7 10	0.2 1.5		0.1 1.0 10	0.4 2.0	V V nA	See Note: 3 $I_L = 10\text{ mA}$ $I_L = 100\text{ mA}$ Output High Condition
XR-559 Output Characteristics Output Voltage Output Voltage	13 12.5	13.6 13.3		12.5 12.0	13.3 13.0		V V	See Note: 4 $I_L = 10\text{ mA}$, $V_{CC} = 15\text{V}$ $I_L = 100\text{ mA}$, $V_{CC} = 15\text{V}$
Propagation Delay XR-558 Family XR-559 Family		1.0 0.4			1.0 0.4		μsec μsec	
Output Rise-time Output Fall-time		100 100			100 100		nsec nsec	$I_L = 100\text{ mA}$ $I_L = 100\text{ mA}$

NOTES:

1. The trigger functions only on the falling edge of the trigger pulse only after previously being high. After reset the trigger must be brought high and then low to implement triggering.
2. For reset below 0.8 volts, outputs set low and trigger inhibited. For reset above 2.4 volts, trigger enabled.
3. The XR-558 output structure is open collector which requires a pull up resistor to V_{CC} to sink current. The output is normally low sinking current.
4. The XR-559 output structure is a darlington emitter follower which requires a pull down resistor to ground to source current. The output is normally low and sources current only when switched high.

DESCRIPTION OF CIRCUIT OPERATION

The XR-558/559 quad timing circuits are designed to be used in timing applications ranging from few microseconds up several hours. They provide cost-effective alternative to single-timer IC's in applications requiring a multiplicity of timing or sequencing functions.

Each quad-timer circuit contains four independent timer sections, where each section can generate a time delay set by its own resistor and capacitor, external to

the IC. All four timing sections can be used simultaneously, or can be interconnected in tandem, for sequential timing applications. For astable operation, two sections of the quad-timer IC can be interconnected to provide an oscillator circuit whose duty-cycle can be adjusted from close to zero, to nearly 100%.

The generalized test and evaluation circuit for both the XR-558 and the XR-559 quad timer circuits is shown in Figure 1. Note that, the only difference between the two circuit types is the structure of the output circuitry.

XR-558/559

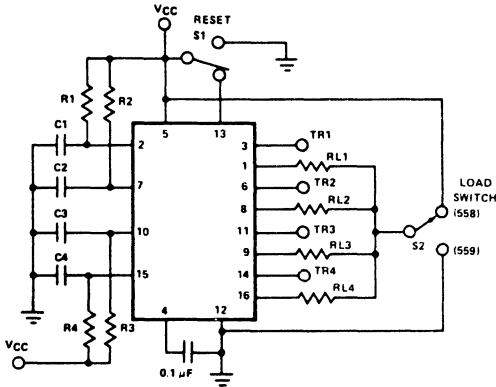


Figure 1. Generalized Test and Evaluation Circuit for XR-558/XR-559 Quad Timer Circuits

MONOSTABLE OPERATION

In the monostable, or one-shot mode of operation, it is necessary to supply two external components, a resistor and a capacitor, for each section of the timer IC. The timing terminals of those timer-sections not being used can be left open-circuited. The time period is equal to the external RC product. A plot of the timing period, T , as a function of the external R-C combination is shown in Figure 2.

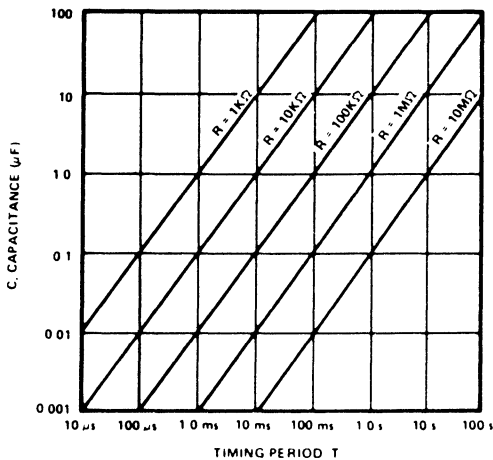


Figure 2. Timing Period, T , as a Function of External R-C Combination (Note: $T = 1.0 RC$)

ASTABLE OPERATION

For astable, or free-running, operation of the quad timer circuits, it is desirable to cross-couple two of the timer sections on the chip, as shown in Figure 3. In this circuit configuration, the outputs of each section are direct-coupled to the opposite trigger input. Thus, the "high" and "low" half-periods of the output can be set by the external R-C products, as R_1C_1 and R_2C_2 , respectively. The frequency of oscillation, and the output duty-cycle are given as:

The frequency of oscillation can be externally controlled by applying a control-voltage to the control terminal (pin 4). Since the control terminal is common to all the timer sections, the duty cycle of the output waveform is not effected by the modulation voltage; thus the circuit can function as a variable-frequency, fixed duty-cycle oscillator.

The frequency of oscillation increases as the voltage at the control terminal (pin 4) is lowered below its open-circuit value.

$$\text{Frequency of Oscillation} = \frac{1}{R_1 C_1 + R_2 C_2}$$

$$\text{Output Duty-Cycle} = \frac{R_2 C_2}{R_1 C_1 + R_2 C_2}$$

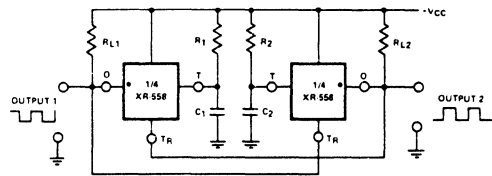


Figure 3. Typical Circuit Connection for Astable Operation Using Two Timer-Sections. (Note: For XR-559, R_{L1} and R_{L2} are Connected from Outputs to Ground.)

OUTPUT STRUCTURE

The XR-558 family of quad timers have "open-collector" NPN-type output stages. Each output can individually sink up to 100 mA of load current. However, with more than one output active, the total current capability is limited by the power-dissipation rating of the IC package (see Absolute Maximum Ratings). In the normal operation of the circuit, each output will require a pull-up resistor to $+V_{CC}$. The output is normally "low" state (i.e. sinking current) when the timer is at reset; and goes to "high" state during the timing cycle.

The XR-559 family of quad timers have Darlington NPN "emitter-follower" type outputs. Each output can source up to 100 mA, during its "high" state. The total amount of output current, available from all outputs, is limited by the package power dissipation rating. For normal operation of the circuit, a pull-down resistor is required from each output to ground. The output of XR-559 is normally low (i.e. at "off-state"), and goes to "high" state when the circuit is triggered.

TRIGGER INPUTS

Each timer section of the quad-timer IC's has its own trigger input. The trigger level is set at nominally +1.5 V, and the trigger input is edge-triggered on the falling edge of an input trigger pulse. In other words, for proper triggering, the trigger signal must first go "high" and then go "low". If both the trigger and the reset controls are activated, the reset control overrides the trigger input.

XR-558/559

RESET INPUT

The reset control (pin 13) is common to all four timer sections and resets all of the timer sections simultaneously.

The reset voltage must be brought below 0.8 V to insure reset condition. When reset is activated, all the outputs go to "low" state. While the reset is active, the trigger inputs are inhibited. After reset is finished, the trigger voltage must be taken high and then low to implement triggering.

CONTROL VOLTAGE

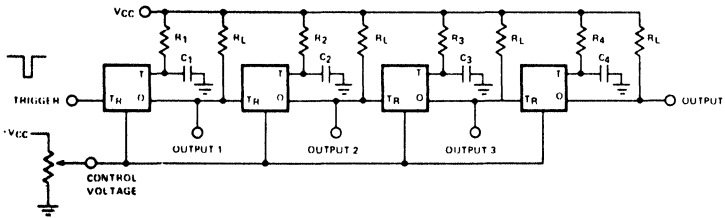
The control voltage terminal (pin 4) is common to all four timer sections of the XR-558 or the XR-559. This terminal allows the internal threshold voltages of all four timer sections to be modulated, and thus provides the control of the pulse-width or the duty-cycle of the output waveforms. The range of this control voltage is from 0.5 V to +V_{CC} minus 1 Volt. This range provides

an over-all timing variation of approximately 50:1. Since the time period of each timer section is proportional to the control voltage, all four timing periods can be simultaneously varied, and their relative ratios remain unchanged over the adjustment range.

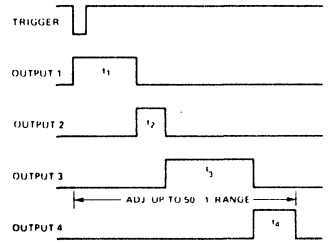
APPLICATIONS EXAMPLE

Sequential Timer:

Figure 4 shows a typical application for the quad-timer in sequential timing application. For illustration purposes, the XR-558 is used in the example. Note that, when triggered, the circuit produces four sequential time delays, where the duration of each output is independently controlled by its own R-C time constant. Yet, all four outputs can be modulated over a 50:1 range, and remain proportional over this entire range. Since each timer section is edge-triggered, the sections can be cascaded by direct coupling of respective outputs and trigger inputs.

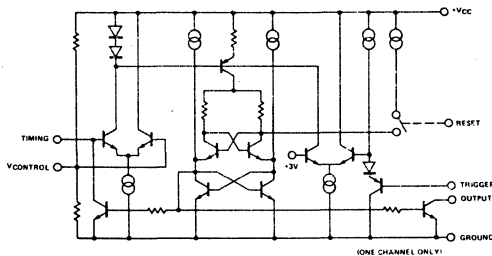


(a) Circuit Connection

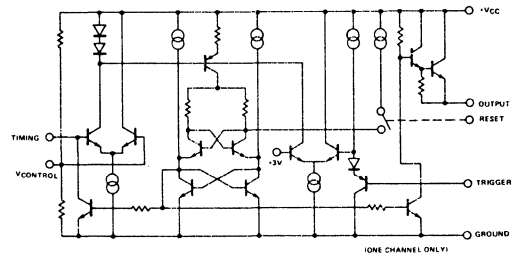


NOTE
t₁, t₂, t₃, t₄ remain proportional over entire adj. range
(b) Timing Waveforms

Figure 4. Using the XR-558 as a Four-Stage Sequential Timer with Voltage Control Capability



XR-558 EQUIVALENT SCHEMATIC



XR-559 EQUIVALENT SCHEMATIC

Dual Timing Circuit

GENERAL DESCRIPTION

The XR-2556 dual timing circuit contains two independent 555-type timers on a single monolithic chip. Each timer section is a highly stable controller capable of producing accurate time delays or oscillations. Independent output and control terminals are provided for each section as shown in the functional block diagram.

In the monostable mode of operation, the time delay for each section is precisely controlled by one external resistor and one capacitor. For astable operation as an oscillator, the free-running frequency and the duty cycle of each section are accurately controlled with two external resistors and one capacitor.

The XR-2556 may be triggered or reset on falling waveforms. Each output can source or sink up to 200 mA or drive TTL circuits. The matching and temperature tracking characteristics between each timer section of the XR-2556 are superior to those available from two separate timer packages.

FEATURES

- Replaces Two 555-Type Timers
- TTL Compatible Pinouts (Gnd—Pin 7, V_{CC} —Pin 14)
- Timing from Microseconds Thru Hours
- Excellent Matching Between Timer Sections
- Operates in Both Monostable and Astable Modes
- High Current Drive Capability (200 mA each output)
- TTL and DTL Compatible Outputs
- Adjustable Duty Cycle
- Temperature Stability of 0.005%/°C
- Normally ON and Normally OFF Outputs

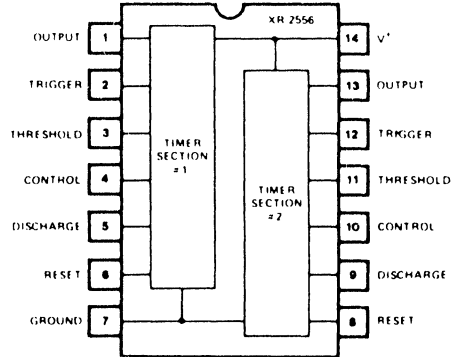
APPLICATIONS

- | | |
|--------------------------|---------------------------|
| Precision Timing | Missing Pulse Detection |
| Pulse Generation | Pulse-Width Modulation |
| Sequential Timing | Frequency Division |
| Pulse Shaping | Clock Synchronization |
| Time Delay Generation | Pulse-Position Modulation |
| Clock Pattern Generation | |

ABSOLUTE MAXIMUM RATINGS

Power Supply	18 volts
Power Dissipation	
Ceramic Dual-In-Line	750 mW
Derate above $T_A = 25^\circ\text{C}$	5 mW/°C
Plastic Dual-In-Line	625 mW
Derate above $T_A = 25^\circ\text{C}$	5 mW/°C
Storage Temperature Range	-65°C to +150°C

FUNCTIONAL BLOCK DIAGRAM



ORDERING INFORMATION

Part Number	Package	Operating Temperature
XR-2556M	Ceramic	-55°C to +125°C
XR-2556CN	Ceramic	0°C to +70°C
XR-2556CP	Plastic	0°C to +70°C

SYSTEM DESCRIPTION

The XR-2556 is a high output dual timing circuit similar to the popular 555-type timer, capable of both monostable and astable operation with timing intervals ranging from low microseconds up through several hours. Timing is independent of supply voltage, which may range from 4.5 V to 18 V. The output stage can source or sink 200 mA. Each timing section is fully independent.

In the monostable (one shot) mode, timing is determined by one resistor and capacitor. Astable operation (oscillation) requires an additional resistor, which controls duty cycle. An internal resistive divider provides a reference voltage of $2/3 V_{CC}$, which produces a timing interval of $1.1 RC$. As the reference is related to V_{CC} , the interval is independent of supply voltage; however, for maximum accuracy, the user should ensure V_{CC} does not vary during timing.

The output of the XR-2556 is high during the timing interval and pulls low at timeout. It is triggered and reset on falling waveforms. The control voltage inputs (Pins 4 and 10) may serve as pulse width modulation points. Matching between sections is typically better than 0.2% initially with temperature drift tracking to ± 10 ppm/°C.

For low voltage and/or low power drain applications consider the XR-L556.

XR-2556

ELECTRICAL CHARACTERISTICS

Test Conditions: (Each timer section, $T_A = 25^\circ\text{C}$, $V_{CC} = +5\text{V}$ to $+15\text{V}$, unless otherwise specified.)

PARAMETERS	XR-2556M			XR-2556C			UNITS	FIGURE	CONDITIONS
	MIN	TYP	MAX	MIN	TYP	MAX			
Supply Voltage	4.5		18	4.5		16	V	7	
Supply Current (Each Timer Section)		3 10	5 12		3 10	6 15	mA mA	7	Low State Output, Note 1 $V_{CC} = 5\text{V}$, $R_L = \infty$ $V_{CC} = 15\text{V}$, $R_L = \infty$
Total Supply Current (Both Timer Sections)		6 20	10 24		6 20	12 30	mA mA	7	Low State Output $V_{CC} = 5\text{V}$, $R_L = \infty$ $V_{CC} = 15\text{V}$, $R_L = \infty$
Timing Error									
Initial Accuracy		0.5	2.0		1.0		%		$R_A, R_B = 1\text{ k}\Omega$ to $100\text{ k}\Omega$ Note 2, $C = 0.1\ \mu\text{F}$
Drift with Temperature		30	100		50		ppm/ $^\circ\text{C}$	13	
Drift with Supply Voltage		0.05	0.1		0.05		%/V	12	
Threshold Voltage		2/3			2/3		$\times V_{CC}$		
Trigger Voltage	1.45 4.8	1.67 5.0	1.9 5.2		1.67 5.0		V V	6	$V_{CC} = 5\text{V}$ $V_{CC} = 15\text{V}$
Trigger Current		0.5			0.5		μA		
Reset Voltage	0.4	0.7	1.0	0.4	0.7	1.0	V		
Reset Current		0.1			0.1		mA		
Threshold Current		0.1	0.25		0.1	0.25	μA		Note 3
Control Voltage Level	2.90 9.6	3.33 10.0	3.80 10.4	2.60 9.0	3.33 10.0	4.00 11.0			$V_{CC} = 5\text{V}$ $V_{CC} = 15\text{V}$
Output Voltage Drop (Low)		0.10	0.25		0.25	0.35	V V	9 11	$V_{CC} = 5\text{V}$ $I_{\text{sink}} = 8.0\text{ mA}$ $I_{\text{sink}} = 5.0\text{ mA}$ $V_{CC} = 15\text{V}$ $I_{\text{sink}} = 10\text{ mA}$ $I_{\text{sink}} = 50\text{ mA}$ $I_{\text{sink}} = 100\text{ mA}$ $I_{\text{sink}} = 200\text{ mA}$
Output Voltage Drop (High)	3.0 13	3.3 13.3		2.75 12.75	3.3 13.3		V V	8	$I_{\text{source}} = 100\text{ mA}$ $V_{CC} = 5\text{V}$ $V_{CC} = 15\text{V}$ $I_{\text{source}} = 200\text{ mA}$ $V_{CC} = 15\text{V}$
Rise Time of Output		100			100		nsec		
Fall Time of Output		100			100		nsec		
Matching Characteristics									Note 4
Initial Timing Accuracy		0.2	0.6		0.2		%		
Timing Drift with Temperature		± 10			± 10		ppm/ $^\circ\text{C}$		

Note 1: Supply current when output is high is typically 1.0 mA less.

Note 2: Tested at $V_{CC} = 5\text{V}$ and $V_{CC} = 15\text{V}$.

Note 3: This will determine the maximum value of $R_A + R_B$ for 15V operation. The maximum total $R = 20$ meg-ohms.

Note 4: Matching characteristics refer to the difference between performance characteristics of each timer section.

XR-2556

PRINCIPLES OF OPERATION

Figure 2 is the functional block diagram for each timer section of the XR-2556. These sections share the same V^+ and ground leads, but have independent outputs and control terminals. Therefore, each timer section can operate independently of the other. The timing cycle of each section is determined by an external resistor-capacitor network.

MONOSTABLE (ONE-SHOT) OPERATION

When operating either timer section of the XR-2556 in the monostable mode, a single resistor and a capacitor are used to set the timing cycle. The discharge and threshold terminals are also interconnected in this mode, as shown in Figure 3.

Referring to Figure 2, monostable operation of the XR-2556 is explained as follows: the external timing capacitor C is held discharged by the internal transistor, T_0 . The internal flip-flop is triggered by lowering the trigger levels (pins 2 or 12) to less than $1/3 V_{CC}$. The circuit triggers on a *negative-going* slope. Upon triggering, the flip-flop is set to one side, which releases the short circuit across the capacitor and also moves the output level at pins 1 or 13 toward V_{CC} . The voltage across the capacitor, therefore, starts increasing exponentially with a time constant $\tau = R_A$. A high impedance comparator is referenced to $2/3 V_{CC}$ with the use of three equal interval resistors. When the voltage across the capacitor reaches this level, the flip-flop is reset, the capacitor is discharged rapidly, and the output level moves toward ground, and the timing cycle is completed.

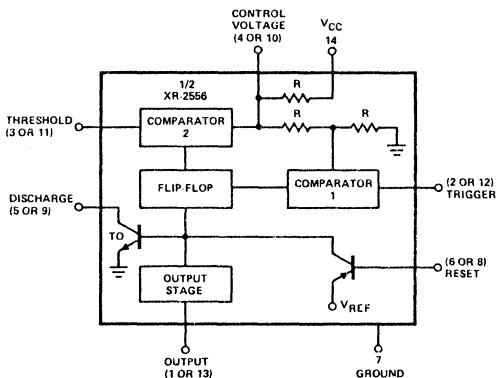


Figure 2. Functional Diagram of One Timer Section

Once the circuit is triggered it is immune to additional trigger inputs until the present timing-period has been completed. The timing-cycle can be interrupted by using the reset control (pins 6 or 8). When the reset control is "low", the internal discharge transistor is turned "on" and prevents the capacitor from charging. As long as the reset voltage is applied, the digital output level will remain unchanged, i.e. "low". The reset pin should be connected to V^+ when not used to avoid the possibility of false triggering.

Figure 4 shows the waveforms during the monostable timing cycle. The top waveform is the trigger pulse; the

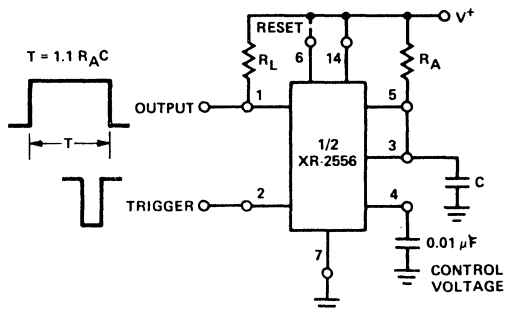


Figure 3. Monostable (One-Shot) Circuit

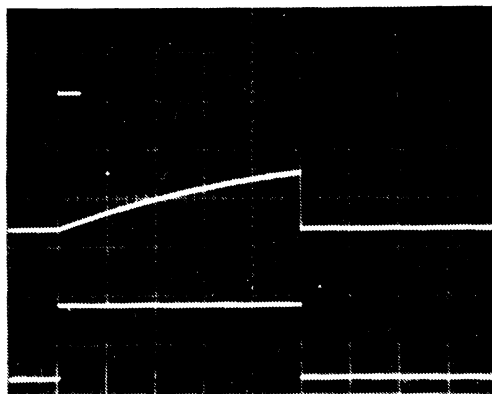


Figure 4. Monostable Waveforms
Top: Trigger Input
Middle: Exponential Ramp across Timing Capacitor
Bottom: Output Logic Level

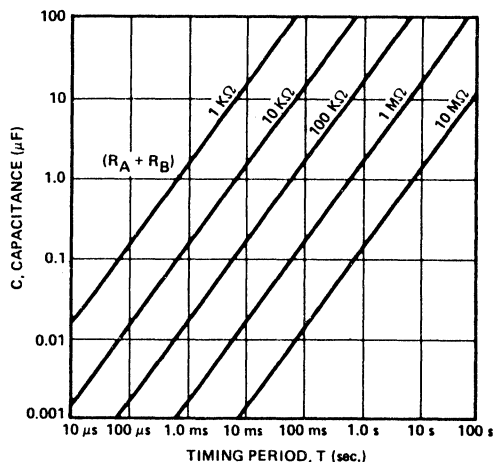


Figure 5. Timing Period, T , as a Function of External R-C Network

1

XR-2556

TYPICAL CHARACTERISTICS (Each Timer Section)

middle is the exponential ramp across the timing capacitor. The bottom waveform is the output logic state (at pins 1 or 13) during the timing cycle. For proper operation of the circuit, the trigger pulse-width must be less than the timing period.

The duration of the timing period, T , during which the output logic level is at a "high" state is given by the equation:

$$T = 1.1 R_A C$$

This time delay varies linearly with the choice of R_A and C as shown by the timing curves of Figure 5.

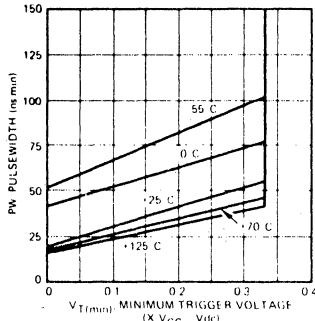


Figure 6. Trigger Pulse Width

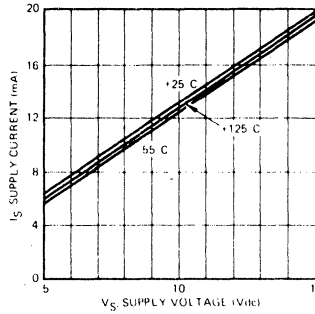


Figure 7. Supply Current (Both Timer Sections)

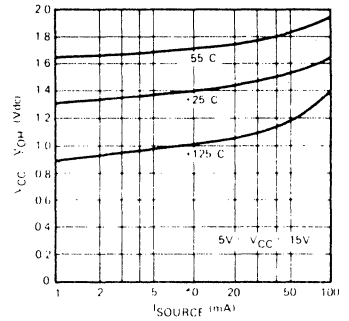


Figure 8. High Output Voltage

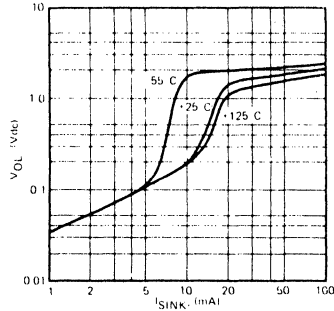


Figure 9. Low Output Voltage
 $V_{CC} = 5.0 \text{ Vdc}$

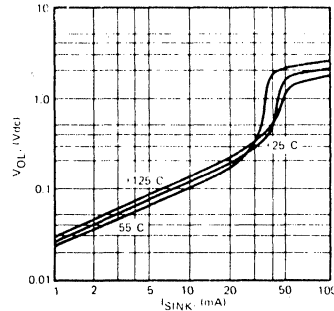


Figure 10. Low Output Voltage
 $V_{CC} = 10 \text{ Vdc}$

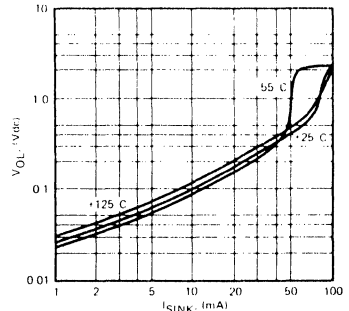


Figure 11. Low Output Voltage
 $V_{CC} = 15 \text{ Vdc}$

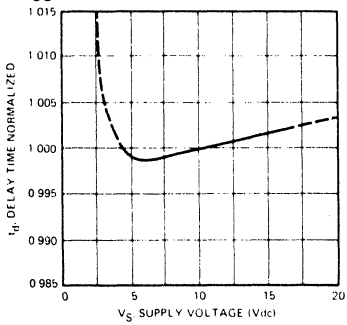


Figure 12. Delay Time vs. Supply Voltage

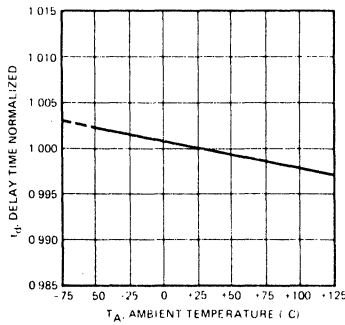


Figure 13. Delay Time vs. Temperature

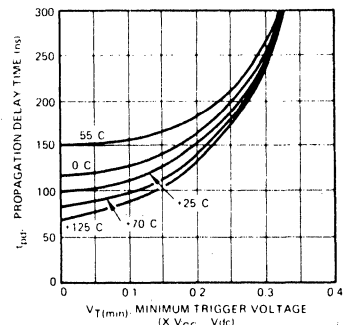


Figure 14. Propagation Delay vs. Trigger Voltage

ASTABLE (SELF-TRIGGERING) OPERATION

For astable (or self-triggering) operation, the correct circuit connection is shown in Figure 15. The external capacitor charges to $2/3 V_{CC}$ through the parallel combination of R_A and R_B , and discharges to $1/3 V_{CC}$ through R_B . In this manner, the capacitor voltage oscillates between $1/3 V_{CC}$ and $2/3 V_{CC}$, with the exponential waveform as shown in Figure 16. The output level at pin 1 (or 13) is high during the charging cycle, and goes low during the discharge cycle. The charge and the discharge times are independent of supply voltage. The oscillations can be keyed "on" and "off" using the reset controls (pin 6 or 8)

XR-2556

The charge time (output high) is given by:

$$t_1 = 0.695 (R_A + R_B)C$$

The discharge time (output low) by:

$$t_2 = 0.695 (R_B)C$$

Thus the total period is given by:

$$T = t_1 + t_2 = 0.695 (R_A + 2R_B)C$$

The frequency of oscillation is then:

$$f = \frac{1}{T} = \frac{1.44}{(R_A + 2R_B)C} \text{ and}$$

may be easily found as shown in Figure 17.

The duty cycle, D, is given by:

$$D = \frac{R_B}{R_A + 2R_B}$$

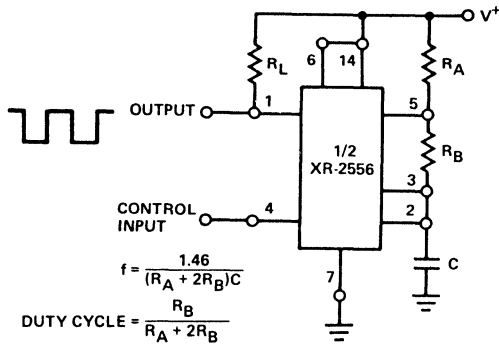


Figure 15. Astable (Free-Running) Circuit

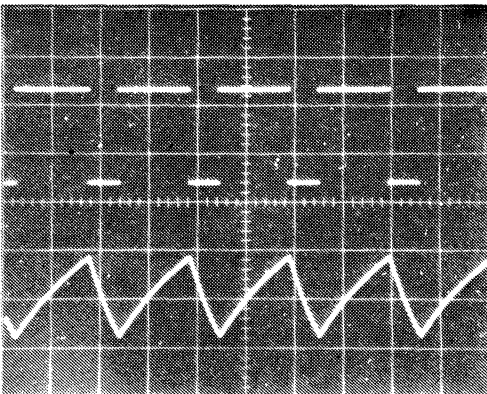


Figure 16. Astable Waveforms
Top: Output Waveform
Bottom: Waveform Across Timing Capacitor

To obtain the maximum duty cycle, R_A must be as small as possible; but it must also be large enough to limit the discharge current (pin 5 current) within the maximum rating of the discharge transistor (200 mA).

DESCRIPTION OF CIRCUIT CONTROLS

OUTPUT (PINS 1 or 13)

The output logic level is normally in a "low" state, and goes "high" during the timing cycle. Each output of the XR-2556 is a "totem pole" type capable of sinking or sourcing 200 mA of load current (see Figure 18).

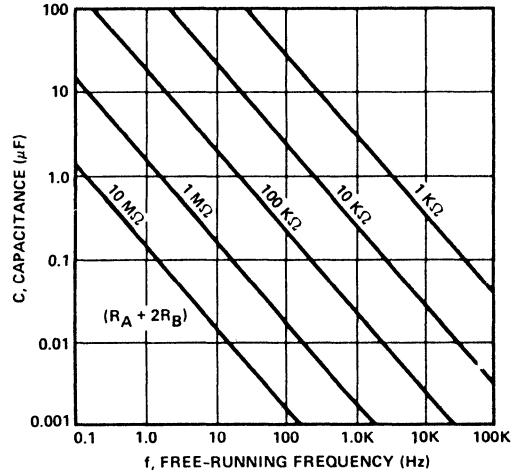


Figure 17. Free-Running Frequency as a Function of External Timing Components

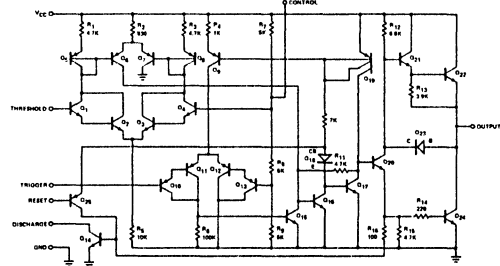


Figure 18. Circuit Schematic—1/2 of XR-2556

TRIGGER (PINS 2 OR 12)

The timing cycle is initiated by lowering the dc level at the trigger terminal below $1/3 V_{CC}$. Once triggered, the circuit is immune to additional triggering until the timing cycle is completed.

THRESHOLD (PINS 3 OR 11)

The timing cycle is completed when the voltage level at the trigger terminal reaches $2/3 V_{CC}$. At this point, Comparator #2 of Figure 2 changes state, resets the internal flip-flop, and initiates the discharge cycle.

1

XR-2556

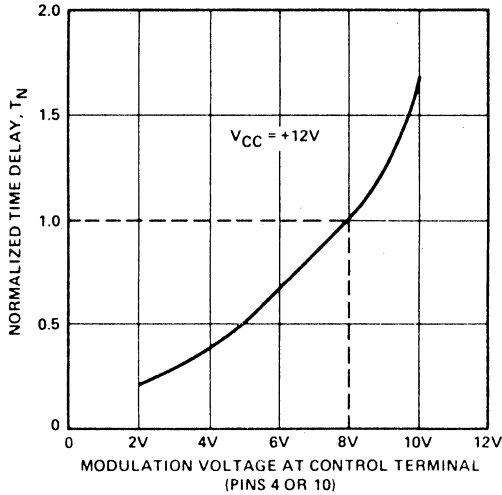


Figure 19. Normalized Time Delay vs. Modulation Voltage

CONTROL OR FM (PINS 4 OR 10)

The timing cycle or the frequency of oscillation can be controlled or modulated by applying a dc control voltage to pin 4 or 10. This terminal is internally biased at $2/3 V_{CC}$. The control signal for frequency modulation or pulse-width modulation is applied to this terminal. Figure 19 shows the variation of the timing period, T , as a function of dc voltage at the control terminal. When not in use, the control terminals should be ac grounded through $0.01 \mu\text{F}$ decoupling capacitors.

DISCHARGE (PINS 5 OR 9)

This terminal corresponds to the collector of the discharge transistor, T_D , of Figure 2. During the charging cycle, this terminal behaves as an open-circuit; during discharge, it becomes a low impedance path to ground.

RESET (PINS 6 OR 8)

The timing cycle can be interrupted by grounding the reset terminal. When the reset signal is applied, the output goes "low" and remains in that state while the rest voltage is applied. When the reset signal is removed, the output remains "low" until re-triggered. When not used, the reset terminals should be connected to V_{CC} in order to avoid any possibility of false triggering. When the timing circuits are operated in the astable mode, the reset terminals can be used for "on" and "off" keying of the oscillations. (See Figure 22).

APPLICATIONS INFORMATION

INDEPENDENT TIME DELAYS

Each timer section of the XR-2556 can operate as an independent timer to generate a time delay, T , set by the respective external timing components. Figure 20 is a circuit connection where each section is used sepa-

rately in the monostable mode to produce respective time delays of T_1 and T_2 , where:

$$T_1 = 1.1 R_1 C_1 \text{ and } T_2 = 1.1 R_2 C_2$$

SEQUENTIAL TIMING (DELAYED ONE-SHOT)

In this application, the output of one timer section (Timer 1) is capacitively coupled to the trigger terminal of the second, as shown in Figure 21. When Timer 1 is triggered at pin 2, its output at pin 1 goes "high" for a time duration $T_1 = 1.1 R_1 C_1$. At the end of this timing cycle, pin 1 goes "low" and triggers Timer 2 through the capacitive coupling, C_C , between pins 1 and 12. Then, the output at pin 13 goes "high" for a time duration $T_2 = 1.1 R_2 C_2$. In this manner, the unit behaves as a "delayed one-shot" where the output of Timer 2 is delayed from the initial trigger at pin 2 by a time delay of T_1 .

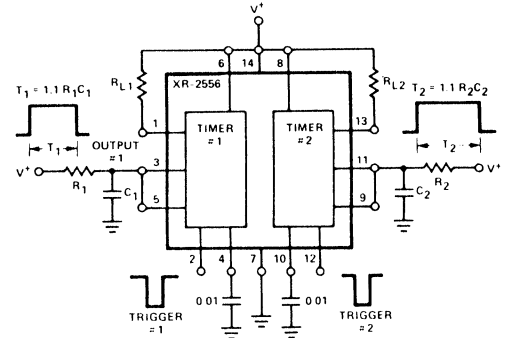


Figure 20. Generation of Two Independent Time Delays

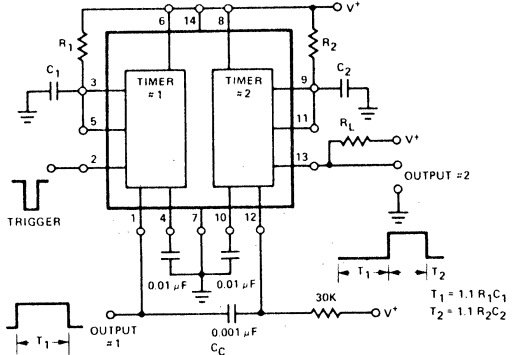


Figure 21. Sequential Timing

KEYED OSCILLATOR

One of the timer sections of the XR-2556 can be operated in its free-running mode, and the other timer section can be used to key it "on" and "off". A recommended circuit connection is shown in Figure 22. Timer 2 is used as the oscillator section, and its frequency is set by the resistors R_A , R_B and the capacitor C_2 . Timer 1 is operated as a monostable circuit, and its output is connected to the reset terminal (pin 8) of Timer 2.

XR-2556

When the circuit is at rest, the logic level at the output of Timer 1 is "low"; and the oscillations of Timer 2 are inhibited. Upon application of a trigger signal to Timer 1, the logic level at pin 1 goes "high" and the oscillator section (Timer 2) is keyed "on". Thus, the output of Timer 2 appears as a tone burst whose frequency is set by R_A , R_B and C_2 , and whose duration is set by R_1 and C_1 of Figure 22.

FREQUENCY DIVIDER

If the frequency of the input is known, each timer section of the XR-2556 can be used as a frequency divider by adjusting the length of its timing cycle. If the timing interval $T_1 (= 1.1 R_1 C_1)$ is larger than the period of the input pulse trigger, then only those input pulses which are spaced more than $1.1 R_1 C_1$ will actually trigger the circuit.

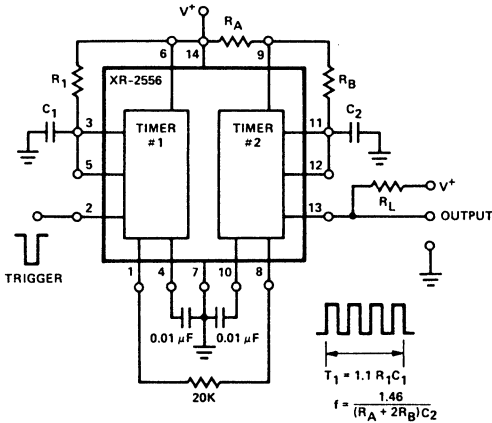


Figure 22. Keyed Oscillator

The output frequency is equal to $(1/N)$ times the input frequency. The division factor N is in the range:

$$\left(\frac{T}{T_P} - 1\right) < N < \frac{T}{T_P}$$

where T_P is the period of the input pulse signal.

Figure 23 shows the circuit waveforms for divide-by-five operation for one of the timer sections of the XR-2556. In this case, the timing period of the circuit is set to be approximately 4.5 times the period of the input pulse.

Since the two timer sections of the XR-2556 are electrically independent, each can be used as a frequency divider. Thus, if the trigger terminals of both timer sections are connected to a common input, the XR-2556 can produce two independent outputs at frequencies f_1 and f_2 :

$$f_1 = f_s/N_1 \text{ and } f_2 = f_s/N_2$$

where N_1 and N_2 are the division factors for respective timer sections, set by external resistors and capacitors at pins (3, 5) and (9, 11).

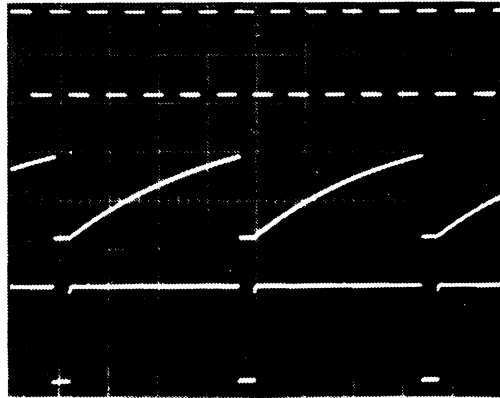


Figure 23. Frequency Divider Waveforms
Top: Input Pulse Train ($f = 5 \text{ kHz}$)
Middle: Waveforms Across Timing Capacitor
Bottom: Output Waveform ($f = 1 \text{ kHz}$)

FREQUENCY DIVIDER AND PULSE SHAPER

Frequency division can be performed by $1/2$ of the XR-2556. The remaining timer section can be used as a "pulse-shaper" to adjust the duty cycle of the output waveform. As seen in Figure 24, Timer 1 is used as the frequency divider section and Timer 2 is used as the pulse-shaper.

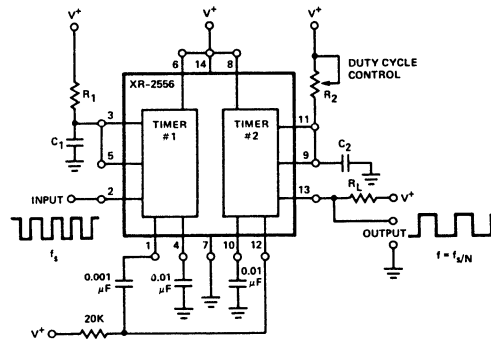


Figure 24. Frequency Divider and Pulse-Shaper

The output of Timer 1 (pin 1) triggers Timer 2, which produces an output pulse whose frequency is the same as the output frequency of Timer 1, and whose duty cycle is controlled by the timing resistor and capacitor of Timer 2. The duty cycle of the output of Timer 2 (pin 13) can be adjusted from 1% to 99% by varying the value of R_2 .

Figure 25 shows the circuit waveforms in this application. The top waveform is the input signal of frequency f_s applied to the trigger input (pin 2) of Timer 1. The middle waveform is the output of Timer 1 for divide-by-three operation; and the bottom waveform is the pulse-shaped output obtained from Timer 2 (pin 13).

XR-2556

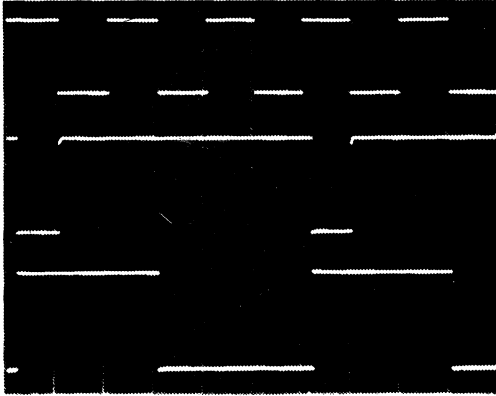


Figure 25. Frequency Divider and Pulse-Shaper Waveforms
 Top: Input Signal ($f_s = 9 \text{ kHz}$)
 Middle: Output at Pin 1 for Divide-by-3
 Bottom: Variable Duty Cycle Output at Pin 13

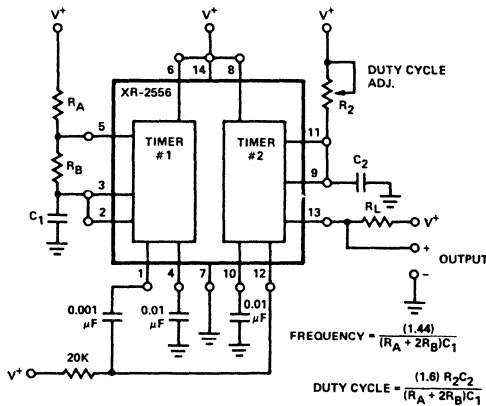


Figure 26. Fixed Frequency Oscillator With Variable Duty Cycle

FIXED-FREQUENCY, VARIABLE DUTY CYCLE OSCILLATOR

If Timer 1 is operated in its astable mode and Timer 2 is operated in its monostable mode, as shown in Figure 26, then an oscillator with fixed frequency and variable duty cycle results.

Timer 1 generates a basic periodic waveform that is then used to trigger Timer 2. If the time delay, T_2 , of Timer 2 is chosen to be less than the period of oscillations of Timer 1, then the output at pin 13 has the same frequency as Timer 1, but has its duty cycle determined by the timing cycle of Timer 2. The output duty cycle can be adjusted over a wide range (from 1% to 99%) by adjusting R_2 .

The frequency and the duty cycle of the output waveform are given as:

$$\text{Frequency} = \frac{1.44}{(R_A + 2R_B)C_1}$$

$$\text{Duty Cycle} = \frac{(1.6) R_2 C_2}{(R_A + 2R_B)C_1}$$

OSCILLATOR WITH SYNCHRONIZED OUTPUTS

The circuit of Figure 26 can also be used as an oscillator with synchronized multiple frequency outputs. Timer 1 generates an output at frequency f_1 at pin 1, as set by resistor R_A , R_B , and C_1 . Timer 2 is used as a frequency divider by setting its timing cycle, T_2 , to be larger than the period of Timer 1 (see section on frequency division). The resulting output of Timer 2 (pin 13) is at frequency f_2 given as:

$$f_2 = f_1/N$$

where N is the divider ratio set by the external R-C networks as described by Figures 23 and 24.

PULSE-WIDTH MODULATION

For pulse-width modulation, one-half of the XR-2556 is connected as shown in Figure 27. The circuit operates in its monostable mode and is triggered with a continuous pulse train. Output pulses are generated at the same rate as the input pulse train, except the output pulse-width is determined by the timing components R_1 and C_1 .

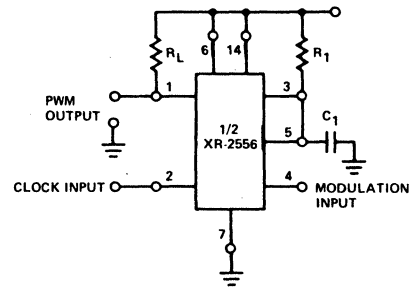


Figure 27. Pulse-Width Modulation

In this mode of operation, the duration of the timing cycle (i.e., the output pulse-width) can be modulated by applying a modulation input to the control voltage terminals (pins 4 or 10). The control characteristics associated with the modulation terminals are depicted in Figure 19. Figure 28 shows the actual circuit waveforms generated in this manner.

When using the XR-2556 for pulse-width modulation, an external clock signal is not necessary, since one section can be operated in its astable mode (see Figure 15) and serve as the clock generator. Figure 29 is the recommended connection for such an application. In this case, Timer 2 is used as the clock generator, and Timer 1 is used as the pulse-width modulator section.

XR-2556

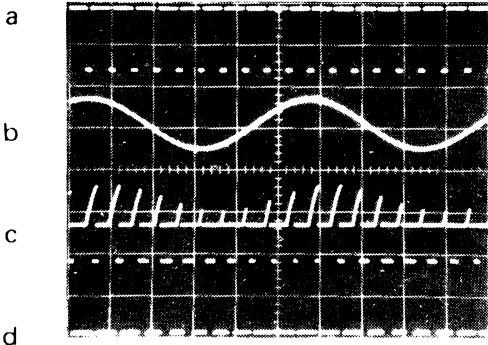


Figure 28. Pulse-Width Modulation Waveforms

- a) Clock Input at Pin 2
- b) Modulation Input at Pin 4
- c) Capacitor Voltage at Pin 3
- d) Pulse-Width Modulated Output at Pin 1

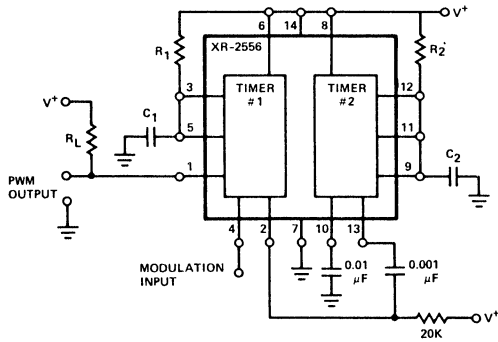


Figure 29. Pulse-Width Modulation With Internal Clock

PULSE-POSITION MODULATION

When a timer section of the XR-2556 is operated in its astable mode (see Figure 15), the period of the output pulse train can be varied by applying a modulation voltage to the corresponding modulation control terminal. In this manner, the repetition rate of the output pulse train can be varied, resulting in a pulse-position modulated output. Typical transfer characteristics between the timing cycle and the modulation voltage are given in Figure 19.

LOGIC "AND" AND "OR" CONNECTION OF OUTPUTS

The individual outputs (pins 1 and 13) of the XR-2556 can be interconnected as shown in Figure 30 to perform logic "or" and "and" functions. Since the output of each timer section is a high-current "totem-pole" type, external diodes are needed to avoid current flow from one output into the other.

Referring to Figure 30(a), the output logic level "P" would read "high" when either one of the outputs at pins 1 or 13 is "high." For Figure 30(b), the output will read "high" only when both outputs at pins 1 and 13 are "high".

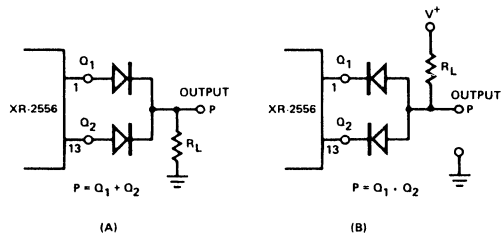
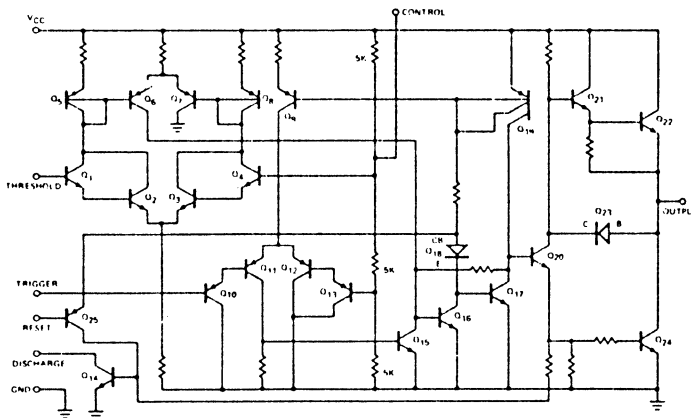


Figure 30. Logic "OR" and "AND"



One section of XR-2556

EQUIVALENT SCHEMATIC DIAGRAM



Programmable Timer/Counter

GENERAL DESCRIPTION

The XR-2240 Programmable Timer/Counter is a monolithic controller capable of producing ultra-long time delays without sacrificing accuracy. In most applications, it provides a direct replacement for mechanical or electromechanical timing devices and generates programmable time delays from micro-seconds up to five days. Two timing circuits can be cascaded to generate time delays up to three years.

As shown in Figure 1, the circuit is comprised of an internal time-base oscillator, a programmable 8-bit counter and a control flip-flop. The time delay is set by an external R-C network and can be programmed to any value from 1 RC to 255 RC.

In astable operation, the circuit can generate 256 separate frequencies or pulse-patterns from a single RC setting and can be synchronized with external clock signals. Both the control inputs and the outputs are compatible with TTL and DTL logic levels.

FEATURES

- Timing from micro-seconds to days
- Programmable delays: 1RC to 255 RC
- Wide supply range; 4V to 15V
- TTL and DTL compatible outputs
- High accuracy: 0.5%
- External Sync and Modulation Capability
- Excellent Supply Rejection: 0.2%/V

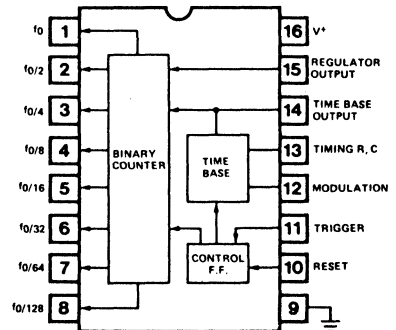
APPLICATIONS

Precision Timing	Frequency Synthesis
Long Delay Generation	Pulse Counting/Summing
Sequential Timing	A/D Conversion
Binary Pattern Generation	Digital Sample and Hold

ABSOLUTE MAXIMUM RATINGS

Supply Voltage	18V
Power Dissipation	
Ceramic Package	750 mW
Derate above +25°C	6 mw/°C
Plastic Package	625 mW
Derate above +25°C	5 mW/°C
Operating Temperature	
XR-2240M	-55°C to +125°C
XR-2240C	0°C to +70°C
Storage Temperature	-65°C to +150°C

FUNCTIONAL BLOCK DIAGRAM



ORDERING INFORMATION

Part Number	Package	Operating Temperature
XR-2240M	Ceramic	-55°C to +125°C
XR-2240N	Ceramic	0°C to +70°C
XR-2240CN	Ceramic	0°C to +70°C
XR-2240P	Plastic	0°C to +70°C
XR-2240CP	Plastic	0°C to +70°C

SYSTEM DESCRIPTION

The XR-2240 is a combination timer/counter capable of generating accurate timing intervals ranging from microseconds through several days. The time base works as an astable multivibrator with a period equal to RC. The eight bit counter can divide the time base output by any integer value from 1 to 255. The wide supply voltage range of 4.5 to 15 V, TTL and DTL logic compatibility, and 0.5% accuracy allow wide applicability. The counter may operate independently of the time base. Counter outputs are open collector and may be wire-OR connected.

The circuit is triggered or reset with positive going pulses. By connecting the reset pin (Pin 10) to one of the counter outputs, the time base will halt at timeout. If none of the outputs are connected to the reset, the circuit will continue to operate in the astable mode. Activating the trigger terminal (Pin 11) while the timebase is stopped will set all counter outputs to the low state and start the timebase.

XR-2240

ELECTRICAL CHARACTERISTICS

Test Conditions: See Figure 2, $V^+ = 5V$, $T_A = 25^\circ C$, $R = 10\text{ k}\Omega$, $C = 0.1\ \mu F$, unless otherwise noted.

PARAMETERS	XR-2240			XR-2240C			UNIT	CONDITIONS
	MIN	TYP	MAX	MIN	TYP	MAX		
GENERAL CHARACTERISTICS								
Supply Voltage	4		15	4		15	V	For $V^+ < 4.5V$, Short Pin 15 to Pin 16
Supply Current								
Total Circuit		3.5	6		4	7	mA	$V^+ = 5V, V_{TR} = 0, V_{RS} = 5V$
Counter Only		12	16		13	18	mA	$V^+ = 15V, V_{TR} = 0, V_{RS} = 5V$
Counter Only		1			1.5		mA	See Figure 3
Regulator Output, V_R	4.1	4.4	6.6	3.9	4.4	6.8	V	Measured at Pin 15, $V^+ = 5V$
	6.0	6.3		5.8	6.3		V	$V^+ = 15V$, See Figure 4
TIME BASE SECTION								
Timing Accuracy*		0.5	2.0		0.5	5	%	See Figure 2
Temperature Drift		150	300		200		ppm/ $^\circ C$	$V^+ = 5V, 0^\circ C \leq T \leq 75^\circ C$
Supply Drift		80			80		ppm/ $^\circ C$	$V^+ = 15V$
Max. Frequency	100	0.05	0.2		0.08	0.3	%/V	$V^+ \geq 8\text{ Volts}$, See Figure 11
		130			130		kHz	$R = 1\text{ k}\Omega, C = 0.007\ \mu F$
Modulation Voltage Level								Measured at Pin 12
	3.00	3.50	4.0	2.80	3.50	4.20	V	
		10.5			10.5		V	$V^+ = 15V$
Recommended Range of Timing Components								See Figure 8
Timing Resistor, R	0.001		10	0.001		10	M Ω	
Timing Capacitor, C	0.007		1000	0.01		1000	μF	
TRIGGER/RESET CONTROLS								
Trigger								Measures at Pin 11, $V_{RS} = 0$
Trigger Threshold		1.4	2.0		1.4	2.0	V	
Trigger Current		8			10		μA	
Impedance		25			25		k Ω	$V_{RS} = 0, V_{TR} = 2V$
Response Time**		1			1		$\mu sec.$	
Reset								
Reset Threshold		1.4	2.0		1.4	2.0	V	
Reset Current		8			10		μA	$V_{TR} = 0, V_{RS} = 2V$
Impedance		25			25		k Ω	
Response Time**		0.8			0.8		$\mu sec.$	
COUNTER SECTION								
Max. Toggle Rate	0.8	1.5			1.5		MHz	See Figure 4, $V^+ = 5V$
Input:								$V_{RS} = 0, V_{TR} = 5V$
Impedance		20			20		k Ω	Measured at Pin 14
Threshold	1.0	1.4		1.0	1.4		V	
Output:								
Rise Time		180			180		nsec.	Measured at Pins 1 thru 8
Fall Time		180			180		nsec.	$R_L = 3k, C_L = 10\text{ pF}$
Sink Current	3	5		2	4		mA	$V_{OL} \leq 0.4V$
Leakage Current		0.01	8		0.01	15	μA	$V_{OH} = 15V$

*Timing error solely introduced by XR-2240, measured as % of ideal time-base period of $T = 1.00\ RC$.

**Propagation delay from application of trigger (or reset) input to corresponding state change in counter output at pin 1.

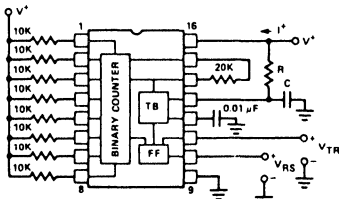


Figure 2. Generalized Test Circuit

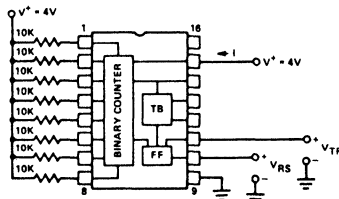


Figure 3. Test Circuit for Low-Power Operation (Time-Base Powered Down)

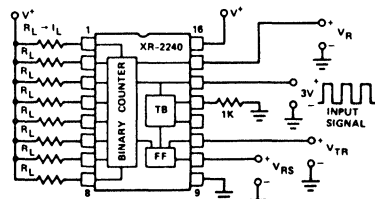


Figure 4. Test Circuit for Counter Section

1

XR-2240

PRINCIPLES OF OPERATION

The timing cycle for the XR-2240 is initiated by applying a positive-going trigger pulse to pin 11. The trigger input actuates the time-base oscillator, enables the counter section, and sets all the counter outputs to "low" state. The time-base oscillator generates timing pulses with its period, T , equal to $1 RC$. These clock pulses are counted by the binary counter section. The timing cycle is completed when a positive-going reset pulse is applied to pin 10.

Figure 5 gives the timing sequence of output waveforms at various circuit terminals, subsequent to a trigger input. When the circuit is at reset state, both the time-base and the counter sections are disabled and all the counter outputs are at "high" state.

In most timing applications, one or more of the counter outputs are connected back to the reset terminal, as shown in Figure 6, with S_1 closed. In this manner, the circuit will start timing when a trigger is applied and will automatically reset itself to complete the timing cycle when a programmed count is completed. If none of the counter outputs are connected back to the reset terminal (switch S_1 open), the circuit would operate in its astable or free-running mode, subsequent to a trigger input.

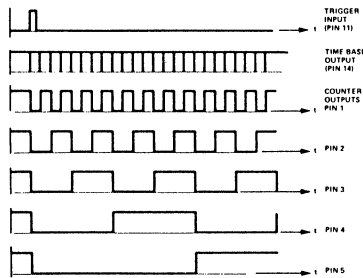


Figure 5. Timing Diagram of Output Waveforms

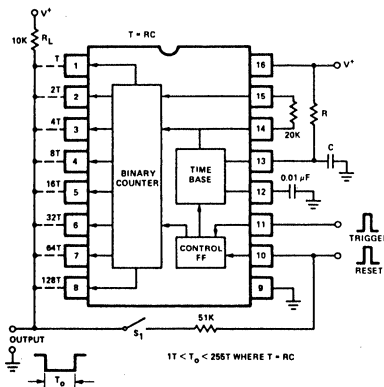


Figure 6. Generalized Circuit Connection for Timing Applications (Switch S_1 Open for Astable Operations, Closed for Monostable Operations)

PROGRAMMING CAPABILITY

The binary counter outputs (pins 1 through 8) are open-collector type stages and can be shorted together to a common pull-up resistor to form a "wired-or" connection. The combined output will be "low" as long as any one of the outputs is low. In this manner, the time delays associated with each counter output can be summed by simply shorting them together to a common output bus as shown in Figure 6. For example, if only pin 6 is connected to the output and the rest left open, the total duration of the timing cycle, T_0 , would be $32T$. Similarly, if pins 1, 5, and 6 were shorted to the output bus, the total time delay would be $T_0 = (1 + 16 + 32) T = 49T$. In this manner, by proper choice of counter terminals connected to the output bus, one can program the timing cycle to be: $1T \leq T_0 \leq 255T$, where $T = RC$.

TRIGGER AND RESET CONDITIONS

When power is applied to the XR-2240 with no trigger or reset inputs, the circuit reverts to "reset" state. Once triggered, the circuit is immune to additional trigger inputs, until the timing cycle is completed or a reset input is applied. If both the reset and the trigger controls are activated simultaneously trigger overrides reset.

DESCRIPTION OF CIRCUIT CONTROLS

COUNTER OUTPUTS (PINS 1 THROUGH 8)

The binary counter outputs are buffered "open-collector" type stages, as shown in Figure 15. Each output is capable of sinking ≈ 5 mA of load current. At reset condition, all the counter outputs are at high or non-conducting state. Subsequent to a trigger input, the outputs change state in accordance with the timing diagram of Figure 5.

The counter outputs can be used individually, or can be connected together in a "wired-or" configuration, as described in the Programming section.

RESET AND TRIGGER INPUTS (PINS 10 AND 11)

The circuit is reset or triggered with positive-going control pulses applied to pins 10 and 11. The threshold level for these controls is approximately two diode drops ($\approx 1.4V$) above ground.

Minimum pulse widths for reset and trigger inputs are shown in Figure 10. Once triggered, the circuit is immune to additional trigger inputs until the end of the timing cycle.

MODULATION AND SYNC INPUT (PIN 12)

The period T of the time-base oscillator can be modulated by applying a dc voltage to this terminal (see Figure 13). The time-base oscillator can be synchronized to an external clock by applying a sync pulse to pin 12, as shown in Figure 16. Recommended sync pulse widths and amplitudes are also given in the figure.

TYPICAL CHARACTERISTICS

XR-2240

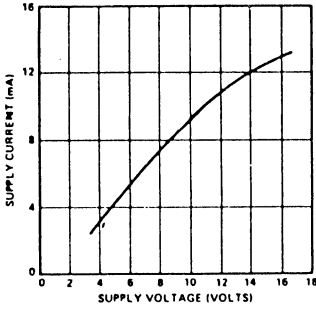


Figure 7. Supply Current vs. Supply Voltage in Reset Condition (Supply Current Under Trigger Condition is \approx 0.7 mA less)

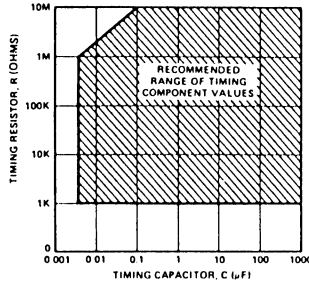


Figure 8. Recommended Range of Timing Component Values.

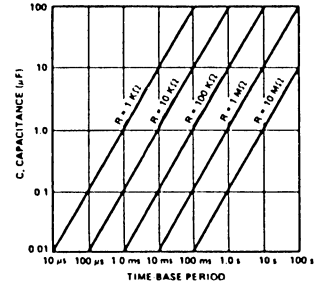


Figure 9. Time-Base Period, T, as a Function of External RC

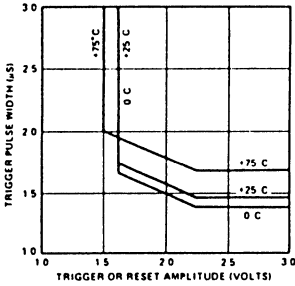


Figure 10. Minimum Trigger and Reset Pulse Widths at Pins 10 and 11

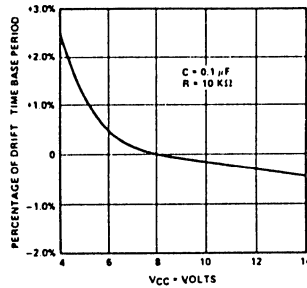


Figure 11. Power Supply Drift

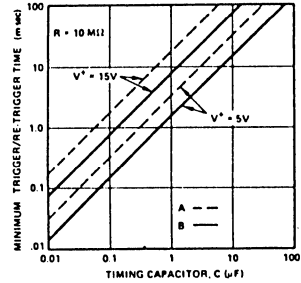


Figure 12.
A) Minimum Trigger Delay Time Subsequent to Application of Power
B) Minimum Re-trigger Time, Subsequent to a Reset Input

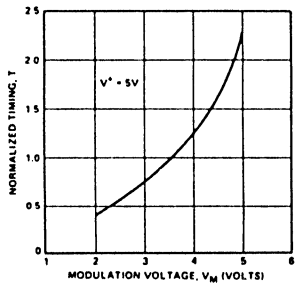


Figure 13. Normalized Change in Time-Base Period As a Function of Modulation Voltage at Pin 12

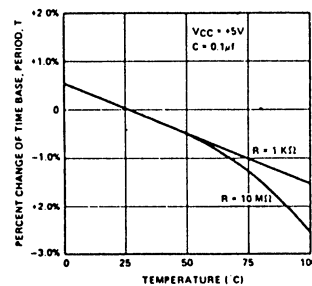


Figure 14. Temperature Drift of Time-Base Period, T

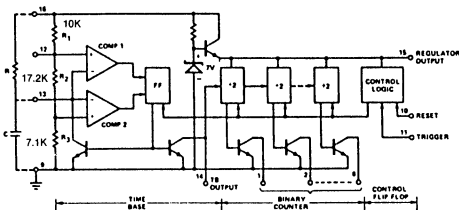
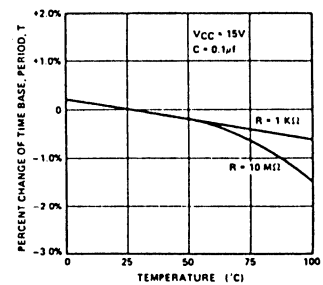


Figure 15. Simplified Circuit Diagram of XR-2240

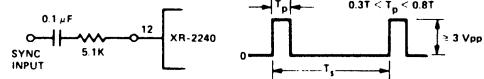


Figure 16. Operation with External Sync Signal.
(a) Circuit for Sync Input
(b) Recommended Sync Waveform

1

XR-2240

HARMONIC SYNCHRONIZATION

Time-base can be synchronized with *integer multiples or harmonics* of input sync frequency, by setting the time-base period, T , to be an integer multiple of the sync pulse period, T_S . This can be done by choosing the timing components R and C at pin 13 such that:

$$T = RC = (T_S/m) \text{ where}$$

m is an integer, $1 \leq m \leq 10$.

Figure 17 gives the typical pull-in range for harmonic synchronization, for various values of harmonic modulus, m . For $m < 10$, typical pull-in range is greater than $\pm 4\%$ of time-base frequency.

TIMING TERMINAL (PIN 13)

The time-base period T is determined by the external R-C network connected to this pin. When the time-base is triggered, the waveform at pin 13 is an exponential ramp with a period $T = 1.0 RC$.

TIME-BASE OUTPUT (PIN 14)

Time-Base output is an open-collector type stage, as shown in Figure 15 and requires a 20 K Ω pull-up resistor to Pin 15 for proper operation of the circuit. At reset state, the time-base output is at "high" state. Subsequent to triggering, it produces a negative-going pulse train with a period $T = RC$, as shown in the diagram of Figure 5.

Time-base output is internally connected to the binary counter section and also serves as the input for the external clock signal when the circuit is operated with an external time-base.

The counter input triggers on the negative-going edge of the timing or clock pulses applied to pin 14. The trigger threshold for the counter section is $\approx +1.5$ volts. The counter section can be disabled by clamping the voltage level at pin 14 to ground.

Note:

Under certain operating conditions such as high supply voltages ($V^+ > 7V$) and small values of timing capacitor ($C < 0.1 \mu F$) the pulse-width of the time-base output at pin 14 may be too narrow to trigger the counter section. This can be corrected by connecting a 300 pF capacitor from pin 14 to ground.

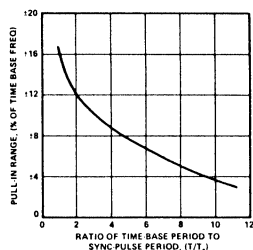


Figure 17. Typical Pull-In Range for Harmonic Synchronization

REGULATOR OUTPUT (PIN 15)

This terminal can serve as a V^+ supply to additional XR-2240 circuits when several timer circuits are cascaded (See Figure 20), to minimize power dissipation. For circuit operation with external clock, pin 15 can be used as the V^+ terminal to power-down the internal time-base and reduce power dissipation. The output current shall not exceed 10 mA.

When the internal time-base is used with $V^+ \leq 4.5V$, pin 15 should be shorted to pin 16.

APPLICATIONS INFORMATION

PRECISION TIMING (Monostable Operation)

In precision timing applications, the XR-2240 is used in its monostable or "self-resetting" mode. The generalized circuit connection for this application is shown in Figure 18.

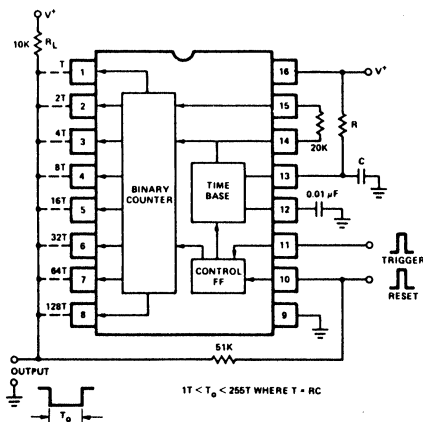


Figure 18. Circuit for Monostable Operation ($T_0 = NRC$ where $1 \leq N \leq 255$)

The output is normally "high" and goes to "low" subsequent to a trigger input. It stays low for the time duration T_0 and then returns to the high state. The duration of the timing cycle T_0 is given as:

$$T_0 = NT = NRC$$

where $T = RC$ is the time-base period as set by the choice of timing components at pin 13 (See Figure 9). N is an integer in the range of:

$$1 \leq N \leq 255$$

as determined by the combination of counter outputs (pins 1 through 8) connected to the output bus, as described below.

PROGRAMMING OF COUNTER OUTPUTS: The binary counter outputs (pins 1 through 8) are open-collector type stages and can be shorted together to a common pull-up resistor to form a "wired-or" connection where

XR-2240

the combined output will be "low" as long as any one of the outputs is low. In this manner, the time delays associated with each counter output can be summed by simply shorting them together to a common output bus as shown in Figure 18. For example if only pin 6 is connected to the output and the rest left open, the total duration of the timing cycle, T_0 , would be $32T$. Similarly, if pins 1, 5, and 6 were shorted to the output bus, the total time delay would be $T_0 = (1 + 16 + 32) T = 49T$. In this manner, by proper choice of counter terminals connected to the output bus, one can program the timing cycle to be: $1T \leq T_0 \leq 255T$.

ULTRA-LONG DELAY GENERATION

Two XR-2240 units can be cascaded as shown in Figure 19 to generate extremely long time delays. In this application, the reset and the trigger terminals of both units are tied together and the time base of Unit 2 disabled. In this manner, the output would normally be high when the system is at reset. Upon application of a trigger input, the output would go to a low stage and stay that way for a total of $(265)^2$ or 65,536 cycles of the time-base oscillator.

PROGRAMMING: Total timing cycle of two cascaded units can be programmed from $T_0 = 256RC$ to $T_0 = 65,536RC$ in 256 discrete steps by selectively shorting any one or the combination of the counter outputs from Unit 2 to the output bus.

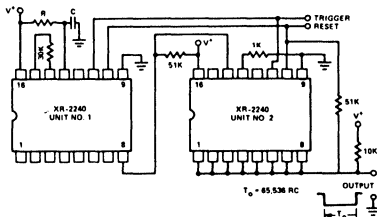


Figure 19. Cascaded Operation for Long Delay Generation

LOW-POWER OPERATION

In cascaded operation, the time-base section of Unit 2 can be powered down to reduce power consumption, by using the circuit connection of Figure 20. In this case, the V^+ terminal (pin 16) of Unit 2 is left open-circuited, and the second unit is powered from the regulator output of Unit 1, by connecting pin 15 of both units.

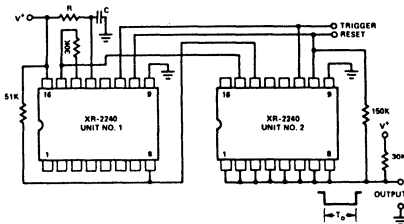


Figure 20. Low-Power Operation of Cascaded Timers

ASTABLE OPERATION

The XR-2240 can be operated in its astable or free-running mode by disconnecting the reset terminal (pin 10) from the counter outputs. Two typical circuit connections for this mode of operation are shown in Figure 21. In the circuit connection of Figure 21(a), the circuit operates in its free-running mode, with external trigger and reset signals. It will start counting and timing subsequent to a trigger input until an external reset pulse is applied. Upon application of a positive-going reset signal to pin 10, the circuit reverts back to its rest state. The circuit of Figure 21(a) is essentially the same as that of Figure 6, with the feedback switch S_1 open.

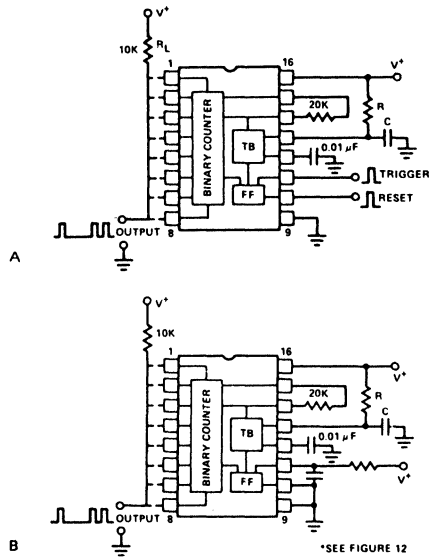


Figure 21. Circuit Connections for Astable Operation
(a) Operation with External Trigger and Reset Controls
(b) Free-running or Continuous Operation

The circuit of Figure 21(b) is designed for continuous operation. The circuit self-triggers automatically when the power supply is turned on, and continues to operate in its free-running mode indefinitely.

In astable or free-running operation, each of the counter outputs can be used individually as synchronized oscillators; or they can be interconnected to generate complex pulse patterns.

BINARY PATTERN GENERATION

In astable operation, as shown in Figure 21, the output of the XR-2240 appears as a complex pulse pattern. The waveform of the output pulse train can be determined directly from the timing diagram of Figure 5 which shows the phase relations between the counter outputs. Figure 22 shows some of these complex pulse patterns. The pulse pattern repeats itself at a rate equal to the period of the *highest* counter bit connected

XR-2240

to the common output bus. The minimum pulse width contained in the pulse train is determined by the *lowest* counter bit connected to the output.

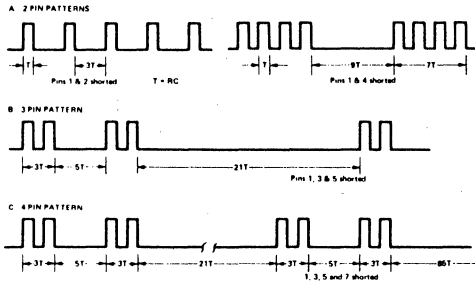


Figure 22. Binary Pulse Patterns Obtained by Shorting Various Counter Outputs

OPERATION WITH EXTERNAL CLOCK

The XR-2240 can be operated with an external clock or time-base, by disabling the internal time-base oscillator and applying the external clock input to pin 14. The recommended circuit connection for this application is shown in Figure 23. The internal time-base can be deactivated by connecting a 1 K Ω resistor from pin 13 to ground. The counters are triggered on the negative-going edges of the external clock pulse. For proper operation, a minimum clock pulse amplitude of 3 volts is required. Minimum external clock pulse width must be $\geq 1 \mu\text{s}$.

For operation with supply voltages of 6V or less, the internal time-base section can be powered down by open-circuiting pin 16 and connecting pin 15 to V⁺. In this configuration, the internal time-base does not draw any current, and the over-all current drain is reduced by $\approx 3 \text{ mA}$.

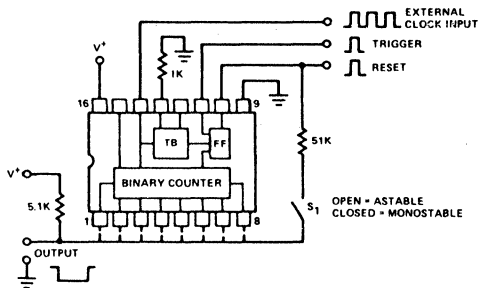


Figure 23. Operation with External Clock

FREQUENCY SYNTHESIZER

The programmable counter section of XR-2240 can be used to generate 255 discrete frequencies from a given time base setting using the circuit connection of Figure 24. The output of the circuit is a positive pulse train with a pulse width equal to T, and a period equal to (N + 1) T where N is the programmed count in the counter.

The modulus N is the *total count* corresponding to the counter outputs connected to the output bus. Thus, for example, if pins 1, 3 and 4 are connected together to the output bus, the total count is: $N = 1 + 4 + 8 = 13$; and the period of the output waveform is equal to (N + 1) T or 14T. In this manner, 256 different frequencies can be synthesized from a given time-base setting.

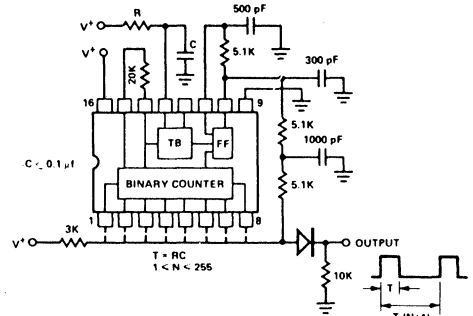


Figure 24. Frequency Synthesis from Internal Time-Base

SYNTHESIS WITH HARMONIC LOCKING: The harmonic synchronization property of the XR-2240 time-base can be used to generate a wide number of discrete frequencies from a given input reference frequency. The circuit connection for this application is shown in Figure 25. (See Figures 16 and 17 for external sync waveform and harmonic capture range.) If the time base is synchronized to (m)th harmonic of input frequency where $1 \leq m \leq 10$, as described in the section "Harmonic Synchronization", the frequency f_0 of the output waveform in Figure 25 is related to the input reference frequency f_R as:

$$f_0 = f_R \frac{m}{(N + 1)}$$

where m is the harmonic number, and N is the programmed counter modulus. For a range of $1 \leq N \leq 255$, the circuit of Figure 25 can produce 1500 separate frequencies from a single fixed reference.

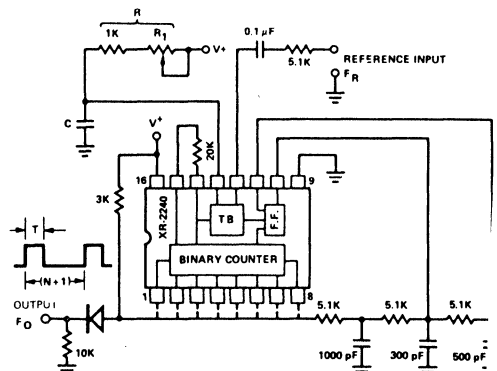


Figure 25. Frequency Synthesis by harmonic Locking to an External Reference

XR-2240

One particular application of the circuit of Figure 25 is generating frequencies which are not harmonically related to a reference input. For example, by choosing the external R-C to set $m = 10$ and setting $N = 5$, one can obtain a 100 Hz output frequency synchronized to 60 Hz power line frequency.

STAIRCASE GENERATOR

The XR-2240 Timer/Counter can be interconnected with an external operational amplifier and a precision resistor ladder to form a staircase generator, as shown in Figure 26. Under reset condition, the output is low. When a trigger is applied, the op. amp. output goes to a high state and generates a negative going staircase of 256 equal steps. The time duration of each step is equal to the time-base period T. The staircase can be stopped at any desired level by applying a "disable" signal to pin 14, through a steering diode, as shown in Figure 26. The count is stopped when pin 14 is clamped at a voltage level less than 1.4V.

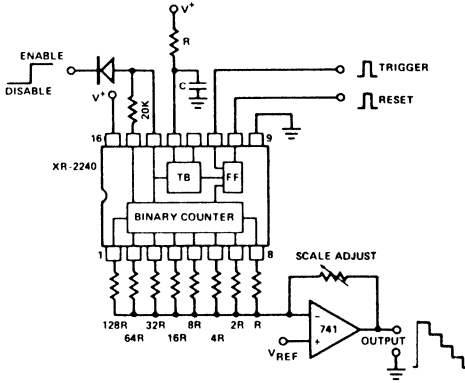


Figure 26. Staircase Generator

DIGITAL SAMPLE/HOLD

Figure 27 shows a digital sample and hold circuit using the XR-2240. The principle of operation of the circuit is similar to the staircase generator described in the previous section. When a "strobe" input is applied, the RC low-pass network between the reset and the trigger inputs of XR-2240 causes the timer to be first reset and then triggered by the same strobe input. This strobe input also sets the output of the bistable latch to a high state and activates the counter.

The circuit generates a staircase voltage at the output of the op. amp. When the level of the staircase reaches that of the analog input to be sampled, comparator changes state, activates the bistable latch and stops the count. At this point, the voltage level at the op. amp. output corresponds to the sampled analog input. Once the input is sampled, it will be held until the next strobe signal. Minimum re-cycle time of the system is ≈ 6 msec.

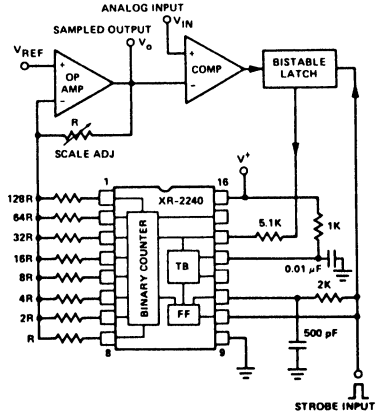


Figure 27. Digital Sample and Hold Circuit

ANALOG-TO-DIGITAL CONVERTER

Figure 28 shows a simple 8-bit A/D converter system using the XR-2240. The operation of the circuit is very similar to that described in connection with the digital sample/hold system of Figure 15. In the case of A/D conversion, the digital output is obtained in parallel format from the binary counter outputs, with the output at pin 8 corresponding to the most significant bit (MSB). The re-cycle time of the A/D converter is ≈ 6 msec.

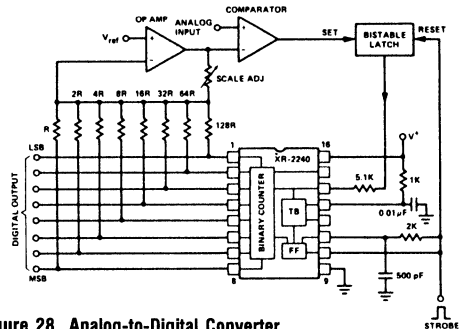
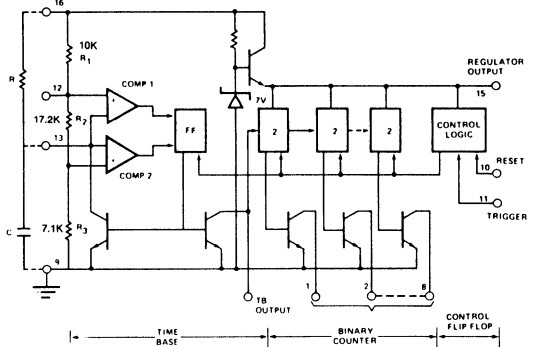


Figure 28. Analog-to-Digital Converter



EQUIVALENT SCHEMATIC DIAGRAM

Long-Range Timer

GENERAL DESCRIPTION

The XR-2242 is a monolithic timer/controller capable of producing ultra-long time delays from milliseconds to days. Two timing circuits can be cascaded to generate time delays or timing intervals up to one year. The circuit is comprised of an internal time-base oscillator, an 8 bit binary counter and a control flip-flop. For a given external R-C network connected to the timing terminal, the circuit produces an output timing pulse of 128 RC. If two circuits are cascaded, a total time delay of $(128)^2$ or 16,384 RC is obtained.

Three output pins are provided on the device: the time base (RC) on Pin 8, 2 RC on Pin 2, and the counter output (128 RC) on Pin 3.

FEATURES

- Timing from micro-seconds to days
- Wide supply range: 4.5V to 15V
- TTL and DTL compatible outputs
- High accuracy: 0.5%
- Excellent Supply Rejection: 0.2%/V
- Monostable and Astable Operation

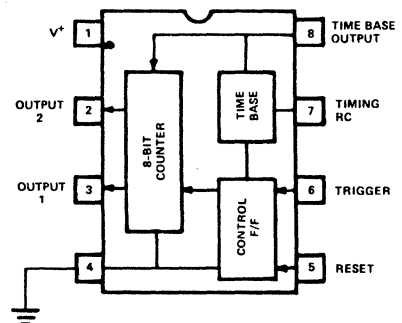
APPLICATIONS

- Long Delay Generation
- Sequential Timing
- Precision Timing
- Ultra-Low Frequency Oscillator

ABSOLUTE MAXIMUM RATINGS

Power Supply	18 volts
Power Dissipation (package limitation)	
Ceramic Package	385 mW
Plastic Package	300 mW
Derate above +25°C	2.5 mW/°C
Temperature Range	
Operating	
XR-2242M	-55°C to +125°C
XR-2242C	0°C to +70°C
Storage	-65° to +150°C

FUNCTIONAL BLOCK DIAGRAM



ORDERING INFORMATION

Part Number	Package	Operating Temperature
XR-2242M	Ceramic	-55°C to +125°C
XR-2242CN	Ceramic	0°C to +70°C
XR-2242CP	Plastic	0°C to +70°C

SYSTEM DESCRIPTION

The timing cycle for the XR-2242 is initiated by applying a positive-going trigger pulse to Pin 6. The trigger input actuates the time-base oscillator, enables the counter section, and sets the output to "low" state. The time-base oscillator generates timing pulses with its period, T, equal to 1 RC. These clock pulses are counted by the binary counter section. The timing cycle is completed when a positive-going reset pulse is applied to Pin 5.

In monostable timer applications the output terminal (Pin 3) is connected back to the reset terminal. In this manner, after 128 clock pulses are applied to the circuit, this output goes to "high" state and resets the circuit thus completing the timing cycle. Thus, subsequent to triggering, the output at Pin 3 will produce a total timing pulse of 128 RC before the circuit resets itself to complete the timing cycle. During the timing interval, the secondary output at Pin 2 produces a square-wave output with the period of 2 RC.

If the output at Pin 3 is not connected back to the reset terminal, the circuit continues to operate in an astable mode, subsequent to a trigger input.

XR-2242

ELECTRICAL CHARACTERISTICS

Test Conditions: See Figure 3, $V^+ = 5V$, $T_A = 25^\circ C$, $R = 10\text{ k}\Omega$, $C = 0.1\text{ }\mu F$, unless otherwise noted.

PARAMETERS	XR-2242M			XR-2242C			UNIT	CONDITIONS
	MIN	TYP	MAX	MIN	TYP	MAX		
GENERAL CHARACTERISTICS								
Supply Voltage	4		15	4		15	V	$V^+ = 5V$, $V_{TR} = 0$, $V_{RS} = 5V$ $V^+ = 15V$, $V_{TR} = 0$, $V_{RS} = 5V$
Supply Current		3.5	6		4	7	mA	
Total Circuit		12	16		13	18	mA	
TIME BASE SECTION							See Figure 3	
Timing Accuracy*		0.5	2.0		0.5	5	%	$V_{RS} = 0$, $V_{TR} = 5V$ $V^+ = 5V$ $0^\circ C \leq T \leq 70^\circ C$ $V^+ = 15V$ $V^+ \geq 8\text{ Volts}$ $R = 1\text{ k}\Omega$, $C = 0.007\text{ }\mu F$ See Figure 5
Temperature Drift		150	300		200		ppm/ $^\circ C$	
Supply Drift		80			80		ppm/ $^\circ C$	
Max Frequency	100	0.05	0.2		0.08	0.3	%/V	
Recommended Range of Timing Components		130			130		kHz	
Timing Resistor, R	0.001		10	0.001		5	M Ω	Low-Leakage Capacitor Required.
Timing Capacitor, C	0.007		1000	0.01		1000	μF	
TRIGGER/RESET CONTROLS								
Trigger								Measured at Pin 6, $V_{RS} = 0$ $V_{RS} = 0$, $V_{TR} = 2V$
Trigger Threshold		1.4	2.0		1.4	2.0	V	
Trigger Current		8			10		μA	
Impedance		25			25		k Ω	
Response Time**		1			1		$\mu sec.$	Measured at Pin 5, $V_{TR} = 0$ $V_{TR} = 0$, $V_{RS} = 2V$
Reset								
Reset Threshold		1.4	2.0		1.4	2.0	V	
Reset Current		8			10		μA	
Impedance		25			25		k Ω	
Response Time**		0.8			0.8		$\mu sec.$	
COUNTER SECTION							See Figure 4, $V^+ = 5V$	
Max. Toggle Rate Input:	0.5	1.0			1.0		MHz	$V_{RS} = 0$, $V_{TR} = 5V$
Impedance		20			20		k Ω	
Threshold	1.0	1.4		1.0	1.4		V	
Output:								Measured at Pins 2 and 3 $R_L = 3K\Omega$, $C_L = 10\text{ pF}$ $V_{OL} \leq 0.4V$ $V_{OH} \leq 15V$
Rise Time		180			180		nsec.	
Fall Time		180			180		nsec.	
Sink Current	3	5		2	4		mA	
Leakage Current		0.01	8		0.01	15	μA	

*Timing error solely introduced by XR-2242, measured as % of ideal time-base period of $T = 1.00\text{ RC}$.

**Propagation delay from application of trigger (or reset) input to corresponding state change in first stage counter output at pin 2.

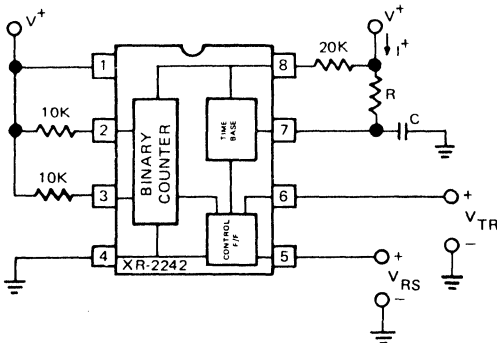


Figure 3. Generalized Test Circuit

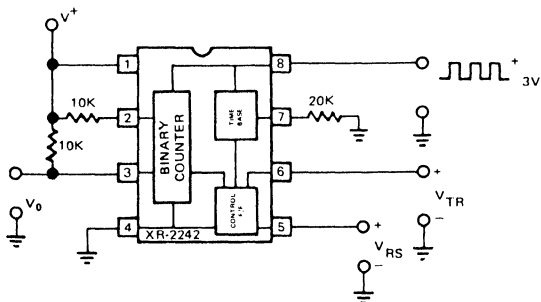


Figure 4. Test Circuit for Counter Section

XR-2242

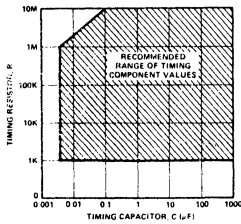


Figure 5. Recommended Range of Timing Component Values

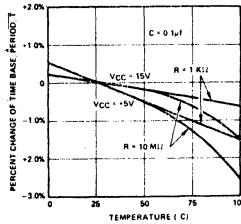


Figure 6. Temperature Drift of Time-Base Period, T

DESCRIPTION OF CIRCUIT CONTROLS

COUNTER OUTPUTS (PINS 2 AND 3)

The binary counter outputs are buffered "open-collector" type stages. Each output is capable of sinking ≈ 5 mA of load current. At reset condition, all the counter outputs are at high or non-conducting state. Subsequent to a trigger input, the outputs change state in accordance with the timing diagram of Figure 7.

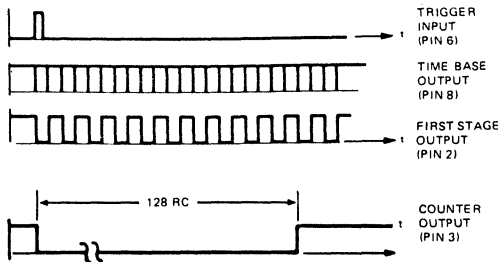


Figure 7. Timing Diagram of Output Waveforms

Basic circuit connection for timing applications is shown in Figure 8. Subsequent to a positive trigger pulse applied to pin 6, the timing output at pin 3 goes to a "low" state and will stay low for a total time duration $T_0 = 128 RC$, where R and C are the timing components connected to pin 7. If the switch S_1 is open, then the output at pin 3 would alternately change state every T_0 interval of time, and the circuit would operate in its "astable" mode. If the switch S_1 is closed, the circuit

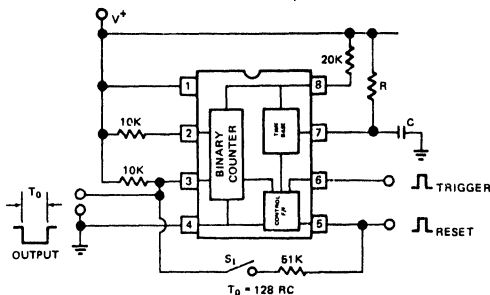


Figure 8. Circuit Connection for Timing Applications (Switch S_1 Open for Astable Operations, Closed for Monostable Operations)

will reset itself and complete its timing cycle after a time interval of T_0 , when the output at pin 3 goes to a "high" state. This corresponds to the "monostable" mode of operation.

RESET AND TRIGGER INPUTS (PINS 5 AND 6)

The circuit is reset or triggered with positive-going control pulses applied to pins 5 and 6. The threshold level for these controls is approximately two diode drops ($\approx 1.4V$) above ground.

Minimum pulse widths for reset and trigger inputs, minimum trigger delay time and minimum re-trigger delay time are shown in Figures 9 and 10. Once triggered, the circuit is immune to additional trigger inputs until the end of the timing cycle.

Note: In noisy operating environment, $0.01 \mu F$ capacitors to ground are recommended from reset and trigger terminals.

When power is applied with no trigger or reset inputs, the circuit reverts to "reset" state. Once triggered, the circuit is immune to additional trigger inputs, until the timing cycle is completed or a reset input is applied. If both the reset and the trigger controls are activated simultaneously, trigger overrides reset.

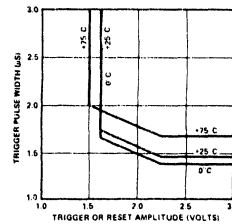


Figure 9. Minimum Trigger and Reset Pulse Widths at Pins 5 and 6

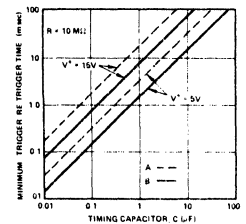


Figure 10. Trigger and Re-trigger Delay Time

(A) Minimum Trigger Delay Time Subsequent to Application of Power

(B) Minimum Re-trigger Time, Subsequent to a Reset Input

TIMING TERMINAL (PIN 7)

The time-base period T is determined by the external R-C network connected to this pin. When the time-base is triggered, the waveform at pin 7 is an exponential ramp with a period $T = 1.0 RC$.

TIME-BASE OUTPUT (PIN 8)

Time-base output is an open-collector type stage, as shown in Figure 1 and requires a $20 K\Omega$ pull-up resistor to Pin 1 (V^+) for proper operation of the circuit. At reset state, the time-base output is at "high" stage. Subsequent to triggering, it produces a negative-going pulse train with a period $T = RC$, as shown in the diagram of Figure 7.

XR-2242

TIMING TERMINAL (PIN 7)

The time-base period T is determined by the external RC network connected to this pin. When the time-base is triggered, the waveform at pin 7 is an exponential ramp with a period $T = 1.0 RC$.

TIME-BASE OUTPUT (PIN 8)

Time-base output is an open-collector type stage, as shown in Figure 1 and requires a $20 K\Omega$ pull-up resistor to Pin 1 (V^+) for proper operation of the circuit. At reset state, the time-base output is at "high" stage. Subsequent to triggering, it produces a negative-going pulse train with a period $T = RC$, as shown in the diagram of Figure 7.

ASTABLE OPERATION

The XR-2242 can be operated in its astable or free-running mode by disconnecting the reset terminal (pin 5) from the counter output (pin 3). Two typical circuit connections for this mode of operation are shown in Figures 11 and 12. In the circuit connection of Figure 11, the circuit operates in its free-running mode, with external trigger and reset signals. It will start counting and timing subsequent to a trigger input until an external reset pulse is applied. Upon application of a positive-going reset signal to pin 5, the circuit reverts back to its rest state. The circuit of Figure 11 is essentially the same as that of Figure 8, with the feedback switch S_1 open.

The circuit of Figure 12 is designed for continuous operation. The circuit self-triggering automatically when the power supply is turned on, and continues to operate in its free-running mode indefinitely.

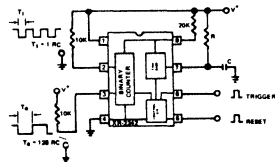


Figure 11. Astable Operation with External Trigger and Reset Controls

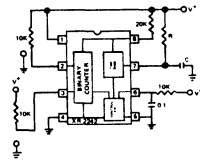


Figure 12. Free-running Operation Self-triggered When Power Supply is Turned On

OPERATION WITH EXTERNAL CLOCK

The XR-2242 can be operated with an external clock or time-base, by disabling the internal time-base oscillator and applying the external clock input to pin 8. The internal time-base can be de-activated by connecting a $1 K\Omega$ resistor from pin 7 to ground. The counters are triggered on the negative-going edges of the external clock pulse. For proper operation, a minimum clock pulse amplitude of 3 volts is required. Minimum external clock pulse width must be $\geq 1 \mu S$.

CASCADED OPERATION:

a) Ultra-Long Delay Generation:

Ultra-long time delays, up to one-year duration, can be generated by cascading two XR-2242 timers as shown in Figure 13. In this configuration, the counter section of Unit 2 is cascaded with the counter output of Unit 1, to provide a total count of 32,640 clock cycles before the output (pin 3 of Unit 2) changes state. In the appli-

cation circuit of Figure 13, the output (pin 3) of Unit 1 is directly connected to the time-base output (pin 8) of Unit 2, through a common pull-up resistor. In this manner, the counter section of Unit 2 is triggered every time the output of Unit 1 makes a *positive-going* transition. The time-base section of Unit 2 is disabled by connection pin 7 of Unit 2 to ground through a $1 K\Omega$ resistor. The reset and trigger terminals of both units are connected together for common controls. If an additional XR-2242 were cascaded with Unit 2 of Figure 13, the total available time delay can be extended to $(1.065)(10^9) RC$. With an external $RC = 0.1$ sec, this would correspond to a time delay of 3.4 years.

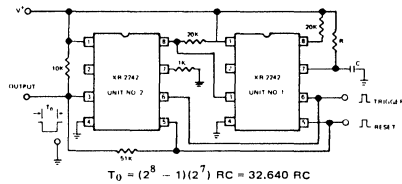


Figure 13. Cascaded Operation of Two XR-2242 Timer Circuits

b) Sequential Timing:

Two XR-2242 timers can be cascaded to produce sequential or delayed-timing pulses as shown in Figure 14. In this configuration, the second timer is triggered by the first timer, subsequent to the completion of its timing cycle. Thus, the triggering of Unit 2 is delayed by a time interval, $T_1 (= 128 R_1 C_1)$ corresponding to the timing cycle of Unit 1.

The output of Unit 2, which is normally at "high" state will stay high for a duration of $T_1 = 128 R_1 C_1$, subsequent to the application of a trigger pulse; then go to a low state for a duration of $T_2 = 128 R_2 C_2$ corresponding to the timing interval of Unit 2; and finally revert back to its rest state after the completion of the entire timing sequence.

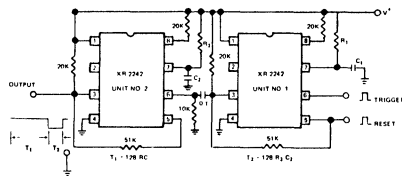
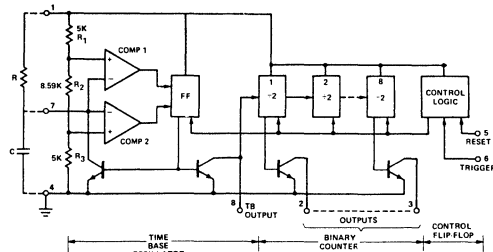


Figure 14. Sequential Timing Using Two XR-2242 Timer Circuits



EQUIVALENT SCHEMATIC DIAGRAM

Micropower Long Range Timer

GENERAL DESCRIPTION

The XR-2243 is a monolithic Timer/Controller capable of producing ultra-long time delays from micro-seconds to days. Two timing circuits can be cascaded to generate time delays or timing intervals up to one year. The circuit is comprised of an internal time-base oscillator, an 11-bit binary counter and a control flop-flop. For a given external R-C network connected to the timing terminal, the circuit produces an output timing pulse of 1024 RC. If the two circuits are cascaded, a total time delay of $(1024)^2$ or 1,048,576 RC is obtained.

The XR-2243 long range timer was designed for low power operation. Its supply current requires less than $100 \mu\text{A}$ in standby or reset mode. Normal operation requires less than 1mA.

The timing cycle is initiated by applying a positive going pulse to the trigger input, Pin 6. The time-base oscillator generates timing pulses with its period, T , equal to 1 RC. These clock pulses are counted by the binary counter section. The timing cycle is completed when a positive-going reset pulse is applied to Pin 5.

In monostable timer applications, the output terminal (Pin 3) is connected to the reset terminal, Pin 5. In this manner, after 1024 clock pulses are counted, this output goes to "high" state and resets the circuit, thus completing the timing cycle. Therefore, after triggering, the output at Pin 3 will produce a total timing pulse of 1024 RC before the circuit resets itself to complete the timing cycle. During the timing interval, the secondary output at Pin 2 produces a square-wave output with the period of 2 RC.

If the output at Pin 3 is not connected back to the reset terminal, the circuit continues to operate in an astable mode, subsequent to a trigger input.

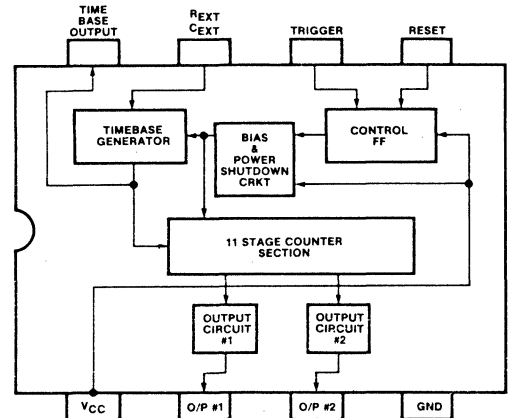
APPLICATIONS

- Long Delay Generation
- Sequential Timing
- Precision Timing
- Ultra-Low Frequency Oscillator
- Battery Powered Applications

FEATURES

- High Output Current Sink Capability
- Timing from Micro-seconds to Days
- Wide Supply Range: 2.2V to 15V
- TTL and DTL Compatible Outputs

FUNCTIONAL BLOCK DIAGRAM



- High Accuracy: 0.5%
- Excellent Supply Rejection
- Monostable and Astable Operation
- Micro Power Consumption-Standby Operation
- Low Power Consumption-Normal Operation

ABSOLUTE MAXIMUM RATINGS

Power Supply	18 Volts
Power Dissipation (package limitation)	
Ceramic Package	385 mW
Plastic package	300 mW
Derate above +25°C	2.5 mW/°C
Temperature Range	
Operating	0°C to +70°C
XR-2243C	
Storage	-65°C to +150°C

ORDERING INFORMATION

Part Number	Package	Operating Temperature
XR-2243CN	Ceramic	0°C to +70°C
XR-2243CP	Plastic	0°C to +70°C

PRINCIPLES OF OPERATION

The ultra-long time delay micropower timer, in simplest block diagram terms, consists of a timing section followed by a counter section and a control flip-flop.

The main functional portion of the circuit is the time base section. It is a relaxation oscillator whose period

XR-2243

ELECTRICAL CHARACTERISTICS

Test Conditions: See Figure 3, $V^+ = 5V$, $T_A = 25^\circ C$, $R = 22\text{ k}\Omega$, $C = 0.047\ \mu F$, unless otherwise noted.

PARAMETERS	XR-2243C			UNIT	CONDITIONS
	MIN	TYP	MAX		
Supply Voltage	2.7		15	V	
Supply Current		45	95	μA	$V_{CC} = 2.7V$ $V_{TR} = 0V$ $V_{RS} = 5V$
Standby		80	135	μA	$V_{CC} = 5V$
Operating		250	415	μA	$V_{CC} = 15V$
		900	1000	μA	$V_{CC} = 5V$ $V_{TR} = 5V$ $V_{RS} = 0V$
		750	900	μA	$V_{CC} = 2.7V$
		1250	1500	μA	$V_{CC} = 15V$
Time Base Section					
Timing Accuracy*		0.5	3	%	$V_{CC} = 2.7V$ $V_{TR} = 5V$ $V_{RS} = 0V$
Temperature Drift		80	125	ppm/ $^\circ C$	$V_{CC} = 5V$
		150	225	ppm/ $^\circ C$	$V_{CC} = 15V$ $0^\circ C \leq T_A \leq 70^\circ C$
		300	650	ppm/ $^\circ C$	$V_{CC} = 8V$
Supply Drift		0.30	1.0	%/V	
Maximum Frequency	25	35		kHz	
Recommended Range of Timing Components					
Timing Resistor, R	0.005		10	m Ω	
Timing Capacitor, C	0.005		1000	μF	
Trigger/Reset Controls					
Trigger					Measures at Pin 11, $V_{RS} = 0$
Trigger Threshold		1.4	2.0	V	
Trigger Current		22	30	μA	$V_{RS} = 0$, $V_{TR} = 2V$
Impedance		25		k Ω	
Response Time					
Reset					
Reset Threshold		1.4	2.0	V	
Reset Current		22	30	μA	$V_{TR} = 0$, $V_{RS} = 2V$
Impedance		25		k Ω	
Response Time					
Counter Section					
Max. Toggle Rate		100	250	kHz	See Figure 4, $V^+ = 5V$ $V_{RS} = 0$, $V_{TR} = 5V$ Measured at Pin 14
Input:					
Impedance		15		k Ω	
Threshold		1.4		V	
Output:					
Sink Current		10		mA	$V_{OL} \leq 0.4V$
Leakage Current		0.01		μA	$V_{OH} \leq 15V$

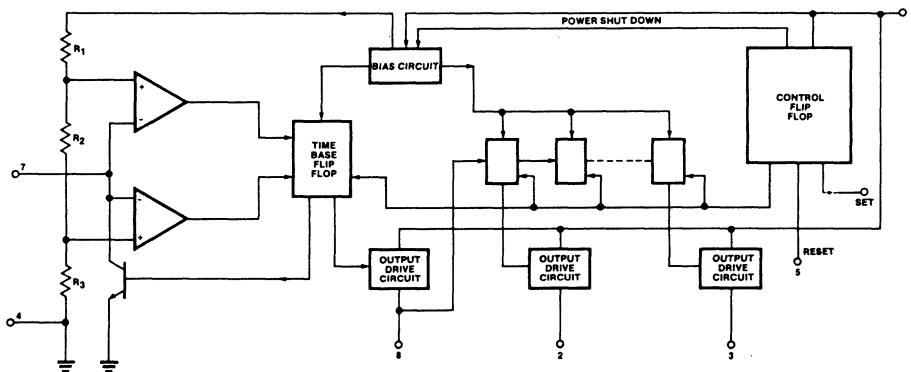


Figure 1. Simplified Circuit Schematic



XR-2243

of oscillation is determined by the external R and C values. The timing section is followed by an I²L counter, which consists of eleven binary stages, with high current drive capability output stages from the first and the last. A third subsection of the circuit is the control logic circuit consisting of a flip-flop that is set and reset by Pins 6 and 5, respectively. This section controls the re-setting of all counter stages, and starting the timing circuit upon application of a positive-going trigger pulse. The control logic also activates the power shut down circuit when a reset pulse is received, or when the timing cycle is completed. The power shut down circuit turns off the bias line to the time base and I²L counters to reduce the standby power.

CONTROL FLIP-FLOP

The logic flip-flop circuit controls the time/counter, as well as the internal power, to reduce standby current consumption to approximately 100 μ A. Upon command, by a positive-going trigger pulse applied to Pin 6, the control logic circuit will first establish the upper and lower threshold voltages and then setup all internal current sources, biasing the time base and counter sections.

The circuit will automatically reset itself when power is first applied. Once triggered, the circuit is immune to additional trigger pulses until it is reset. A reset pin terminates the timing cycle by resetting the internal logic and shuts off the internal bias circuitry.

TIME BASE OSCILLATOR

The time base oscillator is a simple exponential ramp type timer circuit. The timing components, R and C, are external to the chip. The operation of such an oscillator can be described as follows: when the circuit is at rest the flip-flop is latched in its reset state, the discharge transistor is "off", and the external capacitor, C, is fully charged to a voltage approximately equal to V_{CC}. When the circuit is triggered, the flip-flop is unlatched and set, which causes the discharge transistor to turn "on" and discharge C rapidly. When the voltage across C discharges to the voltage level V_{th-}, the upper comparator changes state, resets the flip-flop and turns the discharge transistor "off". Then, C charges toward V_{CC} with a time constant set by the external R and C. When the voltage across it reaches the upper threshold, V_{th+}, the comparator changes state, sets the flip-flop again, and discharges C back to the lower threshold level, V_{th-}. In this manner, the circuit continues to oscillate with the voltage level across C exponentially rising to V_{th+}, then rapidly decaying to V_{th-} and then repeating this cycle until the timing period ends.

COUNTER SECTION (Pin 8)

The counter consists of eleven stages connected in a "ripple counter" configuration. The operating injector currents are set from a bus of 1.2 volts. This current is supply independent. Pin 8, which is time based o/p, is also the counter section input.

I²L counters are D-type flip-flops with their \bar{Q} output internally connected to their D input; basically, they form

a divide by 2 block. With eleven stages, one could create delays of 1024 RC in a monostable mode of operation. The counters change state on the falling edge of the clock pulses.

When the trigger pulse is applied, the internal power line which is supplying voltage for I²L circuitry (I²LV_{CC}) is set up first, a Schmitt trigger circuit with a built in delay ensures the application of an internal set pulse, right after the power for the I² section is made available. The counters are all set to "1" and are ready to count with the incoming falling edges of clock impulses.

OUTPUT SECTIONS (Pins 2 and 3)

The output sections are designed such that they can handle 10mA load currents @ V_{OL} = 300mV. Both of the transistors in this section are operating in a non-saturated mode because of the clamping action. This ensures faster operation and also decreases the need of high base drive at full load operation.

The timing cycle for the circuit is initiated by applying a positive-going trigger to the set, or trigger pin, (Pin 6) of the device. The trigger pulse actuates the time base oscillator, enables the counter section, and sets the outputs to "low" state. The time base oscillator generates timing pulses with its period, T = 1RC. These timing or clock pulses are counted by the binary counter section. The timing cycle is completed when a positive-going reset pulse is applied to the reset pin (Pin 5).

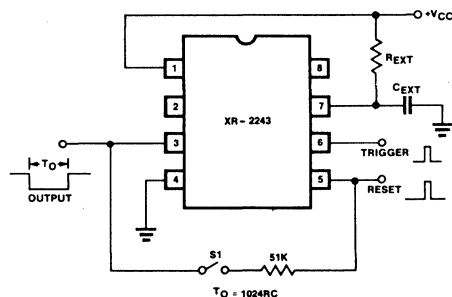


Figure 2. Typical Operation Diagram

ASTABLE AND MONOSTABLE MODE

Figure 2 shows the basic connection diagram for astable and monostable modes. When switch S₁ is open, the circuit is in its astable mode of operation. Upon the application of a trigger pulse, the time base oscillator resumes the timing cycles. Until the application of a reset pulse, the circuit will keep on working while generating a square wave at the last stage output, whose frequency is 1/2048 of the time base oscillator frequency. When switch S₁ is closed, the circuit is in its monostable mode of operation, with the last stage being connected to the reset input via an external resistor. This way, when a trigger pulse is applied, and the time base resumes its timing cycle, the last stage output will go low with the first pulse generated by the time

XR-2243

base generator, and will stay low for 1024 pulses. With the arrival of the 1024th pulse, the last output will go to a high state since it is coupled to the reset input (see Figure 3). When this stage goes high, the timing cycle is completed.

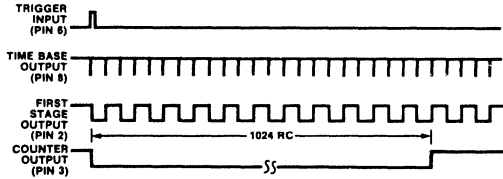


Figure 3. Timing Diagram of Output Waveforms

CASCADED MODE

The cascaded mode of operation allows the generation of ultra-long time delays. When several XR-2243 circuits are cascaded, such that their counter sections are connected in series, the total count available increases geometrically rather than arithmetically. Since one XR-2243 is capable of generating a total of 1024 RC time delay, where R and C are the external timing components, then when two such timers are cascaded, they will produce $(1024)^2$ RC and three will produce

$(1024)^3$ RC time delay, and so on. Thus, one can easily achieve time delays in the range of days, months, or years, simply by cascading two or three such counter/timer circuits.

Figure 4 shows the basic connection for cascaded operation. Unit 2's time base is disabled by grounding Pin 7 to ground via a 1 kΩ resistor. The last stage output of Unit 1 is connected to the input of the counter section of Unit 2. When the circuit is triggered, Unit 1 will resume generating a frequency whose period $T = R_{EXT}C_{EXT}$. The output of Unit 1 will change state every 1024 pulses. Since these pulses are supplied to Unit 2, the circuit will stop the timing cycle after 1024 pulses are generated by Unit 1. Therefore, a time delay of $(1024)^2$ RC is generated.

SEQUENTIAL TIMING APPLICATIONS

Figure 5 shows the basic connections for sequential timing applications. In this mode of operation, Unit 2's trigger input is connected to Unit 1's last output, while each unit's reset input is connected to their last output via external resistors. This way, Unit 1 will generate a time delay $1024 R_1C_1$ upon the application of a trigger pulse. Once $1024 R_1C_1$ seconds have elapsed, Unit 2 will be triggered, generating in its turn a delay equal to $1024 R_2C_2$ seconds; therefore, resulting in an overall time delay of $1024 R_1C_1 + 1024 R_2C_2$.

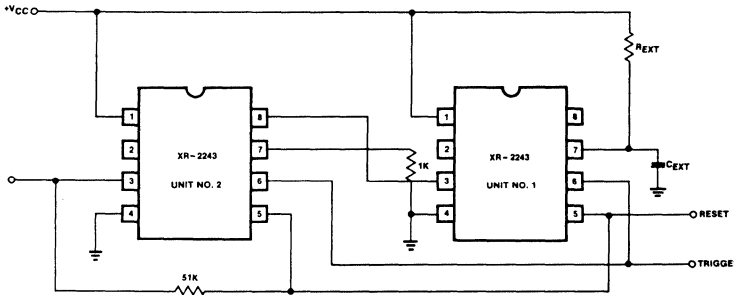


Figure 4. Cascaded Operation of Two XR-2243 Timer Circuits

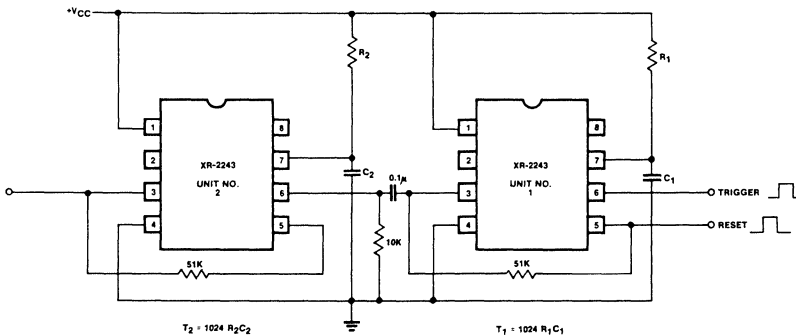


Figure 5. Sequential Timing Using XR-2243 Timer Circuits

Function Generators

Fundamentals of Monolithic Waveform Generation and Shaping

Waveform or function generators find a wide range of applications in communications and telemetry equipment, as well as for testing and calibration in the laboratory. In most of these applications, commercially-available monolithic IC oscillators and function generators provide the system designer with a low-cost alternative to conventional, non-integrated units costing several hundred dollars or more.

The fundamental techniques of waveform generation and shaping are well suited to monolithic IC technology. In fact, monolithic integrated circuits offer some inherent advantages to the circuit designer, such as the availability of a large number of active devices and close matching and thermal tracking of component values. By making efficient use of the capabilities of integrated components and the batch-processing advantages of monolithic circuits, it is now possible to design integrated waveform generator circuits that can provide a performance comparable to that of complex discrete generators, at a very small fraction of the cost. This article provides a brief review of the fundamental principles of monolithic waveform generation and wave-shaping methods.

Basics of IC Waveform Generation

Essentially a waveform generator is a stable oscillator circuit that outputs well-defined waveforms; and, these can be externally modulated or swept over a frequency range. A waveform generator usually consists of four sections: (1) an oscillator to generate the basic periodic waveform; (2) a wave-shaper; (3) an optional modulator section to provide AM capability, and (4) an output buffer amplifier to provide the necessary load drive.

Figure 1 shows a simplified generator using the four functional blocks. Each block can be built readily in monolithic form with established linear IC technology. Hence fabrication of all four blocks on a single monolithic chip has evolved as a natural extension of earlier circuits.

The oscillator, usually a relaxation type, can generate linear, triangle or ramp waveforms. The usual technique involves constant-current charging and discharging of an external timing capacitor. Figure 2 shows a typical, though simplified, example: an emitter-coupled multivibrator circuit, which can generate a square wave as well as a triangle or a linear ramp output.

The circuit's operation is as follows: At any given time, either Q_1 and D_1 or Q_2 and D_2 are conducting such that capacitor C_0 is alternately charged and discharged by constant-current I_1 . The output across D_1 and D_2 corresponds to a symmetrical square wave, having a pk-pk amplitude of $2V_{BE}$, or twice the transistor base-emitter voltage drop. Output V_A , constant when Q_1 is on, becomes a linear ramp with a slope equal to $-I_1/C_0$ when Q_2 is on.

C_0 goes off. Except for a half cycle delay, output $V_B(t)$ is the same as $V_A(t)$.

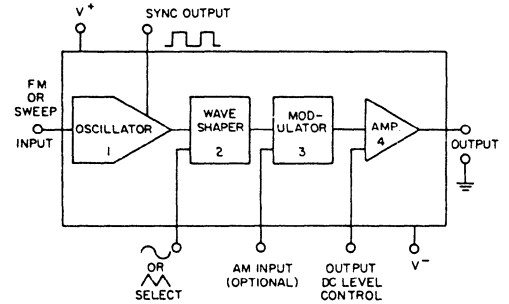


Figure 1. Basically, a waveform generator consists of four sections. Each section can be built readily in monolithic form with established IC technology.

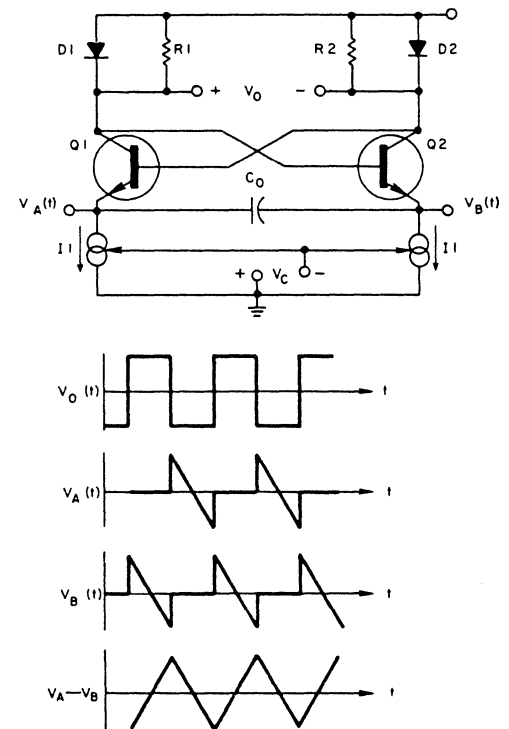


Figure 2. A simple oscillator circuit can be used to generate square, ramp and triangle waveforms.

Both linear ramp waveforms have pk-pk amplitudes of $2V_{BE}$. Their frequency of oscillation, f_0 , can be determined from the formula

$$f_0 = \frac{I_1}{4V_{BE}C_0}$$

And f_0 can be controlled by variation of charging-current I_1 via control voltage V_C . A subtraction of one output ramp voltage from the other, by use of a simple differential amplifier, obtains the linear triangular waveform.

Symmetry of triangle and square-wave outputs may be adjusted by replacement of one of the two current sources in Figure 2 by I_2 , where $I_2 \neq I_1$. Then the duty cycle of the output waveforms becomes the following:

$$\text{Duty Cycle} = 50 \frac{I_1}{I_2} \%$$

The duty cycle of the output may be varied over a wide range by varying the ratio of the currents I_1 and I_2 .

Wave-Shaping Techniques

The most useful waveform in signal processing applications is the sine wave. In the design of function generators, sinusoidal output is normally obtained by passing a triangular wave through a wave shaping circuit. In most discrete-component generators, wave-shaping involves a diode-resistor or a transistor-resistor ladder network. Introduction of a finite number of "break points" on the triangle wave changes it to a lower distortion sine wave.

Although this method can also be adapted to monolithic circuits, it is not as practical because it requires extremely tight control of resistor values and diode char-

acteristics. A simpler, and more practical, sine shaper for monolithic circuits employs the "gradual cutoff" characteristics of a basic differential gain stage, as in Figure 3.

Reduction of the emitter = degeneration resistance, R_E , allows either transistor Q_3 or Q_4 to be brought near their cutoff point when the input triangle waveform reaches its peaks. For the proper choice of the input amplitude and bias-current levels, the transfer characteristics at the peaks of the input triangle waveform become logarithmic rather than linear. Thus, the peaks of the triangle become rounded, and the output appears as a low distortion sine wave.

Use of this technique permits output harmonics to be reduced to less than 0.5% with only a single adjustment. The low distortion is possible because the technique relies on component matching rather than their absolute values. Since monolithic ICs can be designed readily for close matching, this wave-shaping is ideally suited to monolithic design.

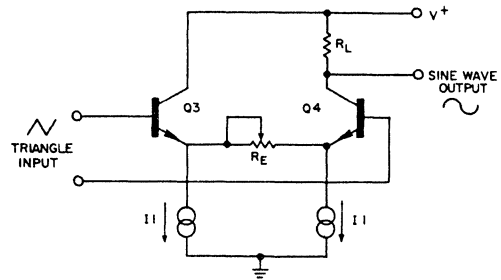


Figure 3. Conversion of triangle to sine wave employs a differential gain stage, which avoids dependence on absolute values of components.

Choosing The Right IC Oscillator

At the onset of his design, the user of monolithic oscillator products is faced with the key question of choosing the oscillator or the function generator best suited to his application. The broad line of function generator products offered by Exar covers a wide range of applications. It is often difficult to determine at a glance the best circuit for a given application. The purpose of this section is to review some of the key performance requirements, from an applications point of view, and help answer the question. "What is the best IC oscillator for the job?"

Sine Wave Generation

In evaluating the output characteristics of sinusoidal IC oscillators, total harmonic distortion (THD) of the output waveform is usually the key performance criteria. In a number of voice-grade telecommunication or laboratory applications, sine wave distortion of 2% to 3% may be tolerable. However, for audio-quality signals, distortion level of 1% or less is required. Furthermore, it is desirable that the output distortion should be relatively independent of the output amplitude, frequency or temperature changes; and that the distortion level be minimized with a minimum amount of external adjustments.

Exar manufactures three separate families of IC oscillators which provide sinusoidal output waveforms. These are the XR-205, XR-2206 and the XR-8038. All of these circuits require external trimming to minimize the output distortion. In the case of XR-205, the untrimmed distortion is about 5%; in the case of the XR-2206 and the XR-8038, untrimmed distortion is typically less than 2%, and can be reduced to 0.5% with additional trimming.

For low frequency sine wave generation (below 100 kHz), the XR-2206 and the XR-8038 are the recommended circuits. The XR-8038 has a fixed output level, whereas the XR-2206 offers separate output dc level and amplitude adjustment capability.

AM Generation

Linear modulation of output amplitude by means of an analog control signal is a desirable feature for telemetry and data transmission applications. In monolithic IC oscillators, this capability is normally obtained by including a four-quadrant transconductance multiplier on the IC chip. Both the XR-205 and the XR-2206 circuits have such a feature included on the chip and can be used for generating sinusoidal AM signals. They can operate both in suppressed-carrier or conventional double-sideband AM generator mode. For operation with frequencies below 100 kHz, the XR-2206 has superior performance characteristics over the XR-205.

FM Generation

Essentially all of Exar's IC oscillator circuits can be used for generating frequency-modulated waveforms. For small frequency deviations (i.e., $\pm 5\%$ or less) about the center frequency, all of these oscillators have FM nonlinearity of 0.1% or less. However, if wider FM deviations are required the XR-2209, XR-2207 and the XR-2206 offer the best FM linearity.

FSK Generation

Frequency-shift keying (FSK) is widely used in digital communications, particularly in data-interface or acoustical-coupler type MODEM systems. In monolithic IC oscillators, FSK capability is obtained by using a current-controlled oscillator and keying its control current between two or more programmed levels which are set by external resistors. This results in output waveforms which are phase-continuous during the frequency transitions between the "mark" and "space" frequencies.

The XR-2207 can produce four discrete frequencies, set by one external capacitor and four setting resistors. Frequency keying between these four frequencies is achieved by a two-bit binary logic input. The circuit produces both triangle and square wave outputs. The XR-2206 produces two discrete frequencies, f_1 and f_2 , and has a one-bit keying logic input. The key advantage of XR-2206 over the XR-2207 in FSK MODEM design is the availability of a sinusoidal output waveform.

Exar has compiled a comprehensive application note describing the use of both of these IC products in the design of FSK MODEM systems. This application note entitled "Stable FSK MODEMs Featuring the XR-2207, XR-2206 and the XR-2211" is also included in this Data Book.

Laboratory Function Generator

One of the main applications for oscillators is for laboratory or test instrumentation or calibration where a variety of different output waveforms are required. Most such applications require both AM/FM modulation capability, linear frequency sweep and sinusoidal output. The circuit which fits this application best is the XR-2206 since it has all the fundamental features of a complete function generator system costing upwards of several hundred dollars.

A comprehensive description of building a self-contained laboratory-quality function generator system using the XR-2206, Application Note AN-14, is included in this Data Book.

Phase-Locked Loop Design

The current-controlled or voltage-controlled oscillator (VCO) is one of the essential components of a phase-locked loop (PLL) system. The key requirement for this application is that the oscillator should have a high degree of frequency stability and linear voltage or current-to-frequency conversion characteristics. Sinusoidal output, although often useful, is generally not required in this application.

Although all of Exar's IC oscillators can be used as a VCO in designing PLL systems, the XR-2207 or its low-cost and simplified version, the XR-2209, are often the best suited devices for this application. For additional information refer to Application Note AN-06, entitled "Precision PLL System Using the XR-2207 and the XR-2208," which is included in this Data Book.

Sweep Oscillator

A sweep oscillator is required to have a large linear sweep range. Among Exar's function generators, the XR-2207 and the XR-2206 have the widest linear sweep range (over 1000:1), and are best suited for such an application.

By using a linear ramp output from the XR-2207 to sweep the frequency of the XR-2206, one can build a two-chip sweep oscillator system which has a 2000:1 sweep range and sinusoidal output.

Low-Cost General Purpose Oscillator

In many digital design applications, one needs a stable, low-cost oscillator IC to serve as the system clock. For such applications, the XR-2209 precision oscillator is a logical design choice since it is a simple, low-cost oscillator circuit and offers 20 ppm/°C frequency stability.

The monolithic timer circuits, such as the XR-555, or its micropower version, the XR-L555, can also be used as low-cost, general purpose oscillators by operating them in their free-running, i.e., self-triggering, mode.

Ultra-Low Frequency Oscillator

In certain applications such as interval-timing or sequencing, stable, ultra-low frequency oscillators which can operate at frequencies of 0.01 Hz or lower are required. Among Exar's oscillator circuits, the IC most suited to such an application is the XR-8038 since it can operate with a polarized electrolytic capacitor as its timing component. All other oscillator circuits described in this book require non-polar timing capacitors, and therefore are not as practical as the XR-8038 for ultra-low frequency operation.

An alternate approach to obtaining stable ultra-low frequency oscillators is to use the XR-2242 counter/timer as an oscillator in its free-running mode. Such a circuit generates a square wave output with a frequency of $(1/256 RC)$ where R and C are the external timing components.

Monolithic Waveform Generator

GENERAL DESCRIPTION

The XR-205 is a highly versatile, monolithic waveform generator designed for diverse applications in communication and telemetry equipment, as well as in systems design and testing. It is a self-contained, totally monolithic signal generator that provides sine, square, triangle, ramp and sawtooth output waveforms, which can be both amplitude and frequency modulated.

The circuit has three separate sections: a voltage-controlled oscillator (VCO) which generates the basic periodic waveforms; a balanced modulator which provides amplitude or phase modulation; a buffer amplifier section which provides a low impedance output with high current drive capability.

FEATURES

- High Frequency Operation
- AM and FM Capabilities
- Sine, Triangle, Square, Sawtooth, Ramp and Pulse Waveforms
- Wide Supply Range 8 V to 26 V
- Split Supply Capability

APPLICATIONS

Waveform Generation

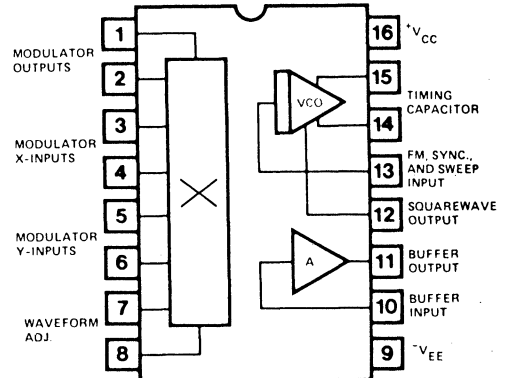
Sinewave	Sawtooth
Triangle	Ramp
Square	Pulse

AM Generation Double Sideband Suppressed Carrier
 Crystal-Controlled
 FM Generation
 Sweep Generation
 Tone Burst Generation
 Simultaneous AM/FM
 Frequency-Shift Keyed (FSK) Signal Generation
 Phase-Shift Keyed (PSK) Signal Generation
 On-Off Keyed Oscillation
 Clock Generation

ABSOLUTE MAXIMUM RATINGS

Power Supply	26 Volts
Power Dissipation	750 mW
Derate above +25°C	6 mW/°C
Temperature	
Storage	-65°C to +150°C

FUNCTIONAL BLOCK DIAGRAM



ORDERING INFORMATION

Part Number	Package	Operating Temperature
XR-205	Ceramic	0°C to +70°C

SYSTEM DESCRIPTION

The XR-205 is a high frequency monolithic function generator capable of sine, square, triangle, ramp, sawtooth, and pulse waveforms with frequencies ranging to 4 MHz. Operating frequency is determined by a single capacitor and may be externally swept over a 10:1 range. Duty cycle is variable from 10% to 90%. Amplitude modulation, up to 100%, is accomplished using the modulator X inputs (Pins 3 and 4). The on board buffer amplifier features 50Ω output resistance and 20 mA output capability. The XR-205 operates with either single or split supplies.

XR-205

ELECTRICAL CHARACTERISTICS

Test Conditions: Supply Voltage = 12V (single supply) $T_A = 25^\circ\text{C}$, $f = 10\text{ kHz}$, $R_L = 3\text{ k}\Omega$, unless otherwise specified.

PARAMETERS	MIN	LIMITS TYP	MAX	UNITS	CONDITIONS
I — General Characteristics					
Supply Voltage: Single Supply Split Supply	8 ± 5		26 ± 13	Vdc Vdc	See Figure 1 See Figures 2 and 3
Supply Current	8	10	12	mA	w/o buffer amp
Frequency Stability: Power Supply Temperature		0.2 300	0.5 600	%/V ppm/ $^\circ\text{C}$	$ V_{CC} - V_{EE} > 10\text{V}$ Sweep input open circuit
Frequency Sweep Range	7:1	10:1			See Figure 7
Output Swing: Single Ended Differential Output Diff. Offset Voltage	2 4	3 6 0.1	0.4	Vpp Vpp Vdc	Measured at pin 1 or 2 Measured across 1 and 2 Measured across 1 and 2
Amplitude Control Range		60		dB	Controlled by R_q (see Figure 1)
Buffer Amplifier Output Resistance		50		ohms	$R_L = 750\Omega$
Output Current Swing	± 6	± 10		mA	
II — Output Waveforms					
Sinusoidal: Upper Frequency Limit Peak Output Swing Distortion (THD)	2 2	4 3 2.5	4	MHz Vpp %	Measured at Pin 11 S_1, S_3 closed, S_2 open closed S_2 open
Triangle: Peak Swing Non-Linearity Asymmetry	2	4 ± 1 ± 1		Vpp % %	Measured at Pin 11 S_1, S_2 open, S_3 closed $f = 10\text{ kHz}$
Sawtooth: Peak Swing Non-Linearity	2	3 1.5		Vpp %	See Figure 1, S_2 closed; S_2 and S_3 closed
Ramp: Peak-Swing Non-Linearity	1	1.4 1		Vpp %	See Figure 1, S_2 and S_3 open pin 10 shorted to pin 15
Squarewave (Low Level): Output Swing Duty Cycle Asymmetry Rise Time Fall Time	0.5	0.7 $q \pm 1$ 20 20	± 4	Vpp % ns ns	See Figure 1, S_2 and S_3 open, pin 10 shorted to pin 12 10 pF connected from pin 11 to ground
Squarewave (High Level): Peak Swing Duty Cycle Asymmetry Rise Time Fall Time	2	3 ± 1 80 60	± 4	Vpp % ns ns	See Figure 3, S_2 open 10 pF connected from pin 11 to ground
Pulse Output: Peak Swing Rise Time Fall Time	2 2	3 3 80 60		Vpp Vpp ns ns	See Figure 3, S_2 closed See Figure 3, S_2 closed
Duty Cycle Range		20-80		%	Adjustable (see Figure 6)
III — Modulation Characteristics (sine, triangle and squarewave):					
Amplitude Modulation: Double Sideband Modulation Range Linearity Sideband Symmetry Suppressed Carrier Carrier Suppression		0-100 0.5 1.0 52		% % % dB	See Figure 2 for 30% modulation $f < 1\text{ MHz}$
Frequency Modulation: Distortion		0.3		%	See Figure 2 (± 10 frequency deviation)

1

XR-205

TEST CIRCUITS

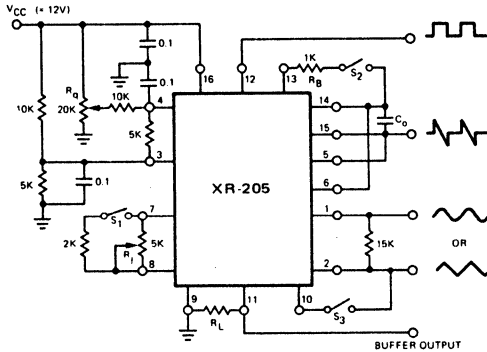


Figure 1. Test Circuit for Single-Supply Operation

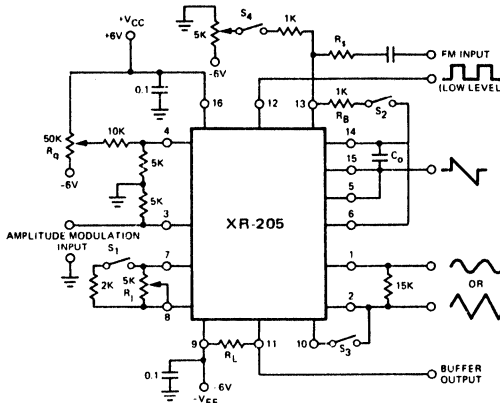


Figure 2. Test Circuit for Split-Supply Operation and AM/FM Modulation

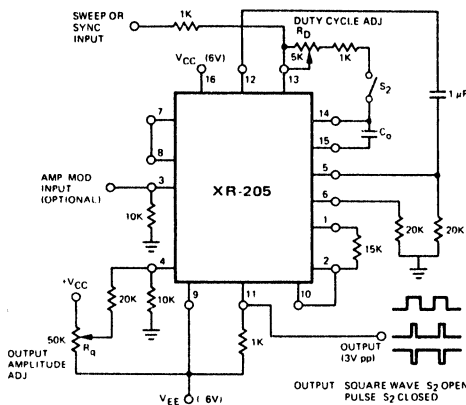


Figure 3. Test Circuit for High-Level Pulse and Squarewave Output

DESCRIPTION OF CIRCUIT CONTROLS

(Refer to functional block diagram)

TIMING CAPACITOR (PINS 14 AND 15)

The oscillator frequency is inversely proportional to the value of the timing capacitor, C_0 , connected between pins 14 and 15. With the sweep input open circuited, frequency f_0 can be approximated as: $f_0 = 400/C_0$ where f_0 is in Hz and C_0 is in microfarads. (See Figure 4.)

MODULATOR Y-INPUTS (PINS 5 AND 6)

These inputs are normally connected to the oscillator outputs. For sinewave or trianglewave outputs, they are dc coupled to pins 14 and 15 (see Figure 1); for high-level squarewave or pulse output, ac coupling is used as shown in Figure 3.

MODULAR X-INPUTS (PINS 3 AND 4)

Modulator output (at pins 1 or 2) is proportional to a dc voltage applied across these inputs - (see Figure 5). These inputs can be used for amplitude modulation or, as an output amplitude control. The phase of the output voltage is reversed if the polarity of the dc bias across pins 3 and 4 is reversed; therefore these inputs can be used for phase-shift keyed (PSK) modulation.

MODULATOR OUTPUTS (PINS 1 AND 2)

All of the high level output waveforms are obtained at these terminals. The output waveforms appear differentially between pins 1 and 2. The terminals can, therefore, be used for either in-phase or out-of-phase outputs. Normally, a 15 K Ω load resistor should be connected between these terminals to prevent the output from saturating or clipping at large output voltage swings.

LOW LEVEL SQUAREWAVE OUTPUT (PIN 12)

The output at this pin is a symmetrical squarewave with 0.7V amplitude and 20 ns rise time. It can be used directly as an output waveform, or amplified to a 3 Vpp signal level using the modulator section of the XR-205 as an amplifier (see Figure 3).

SWEEP OR FM INPUT (PIN 13)

The oscillator frequency increases linearly with an increasing *negative* voltage, V_S , applied to this terminal. Normally a series resistor, R_S ($R_S \approx$ approx. 1 K Ω) is connected in series with this terminal to provide current limiting and linear voltage-to-frequency transfer characteristics. The frequency derivation (for any given modulation level) is inversely proportional to R_S . Typical sweep characteristics of the circuit are shown in Figure 7. For proper operation of the circuit with $R_S = 1$ K Ω , the sweep voltage, V_S , must be within range: $(V_{S0} - 6) > V_S > (V_{S0} + 1)$ where V_{S0} is the open circuit voltage at pin 13. The frequency of oscillation can also be synchronized to an external source by applying a sync

pulse to this terminal. For $R_S = 1\text{ K}\Omega$, a sync pulse of 0.1V to 1V amplitude is recommended.

WAVEFORM ADJUSTMENT (PINS 7 AND 8)

The shape of the output waveform at pins 1 and 2 is controlled by a potentiometer, R_j , connected between these terminals as shown in Figure 1. For sinewave outputs at pins 1 and 2, the value of R_j is adjusted to minimize the harmonic content of the output waveform. This adjustment is independent of frequency and *needs to be done only once*. The output can be converted to a symmetrical triangle waveform by increasing the effective resistance across these terminals. This can be done without changing the potentiometer setting, by opening the switch S_2 as shown in Figures 1-3.

BUFFER INPUT AND OUTPUT (PINS 10 AND 11)

The buffer amplifier can be connected to any of the circuit outputs (pins 1, 2, 12, 14 or 15) to provide low output impedance and high current drive capability. *For proper operation of the buffer amplifier, pin 11 must be connected to the most negative potential in the circuit, with an external load resistor R_L ($0.75\text{ K}\Omega < R_L < 10\text{ K}\Omega$). The maximum output current at this pin must not exceed 20 mA.*

DUTY CYCLE ADJUSTMENT

The duty-cycle of the *output waveforms* can be adjusted by connecting a resistor R_B across pins 13 and 14, as shown in Figures 1-3. With switch S_2 open, the output waveform will be symmetrical. Duty cycle is reduced as R_B is decreased. (See Figure 6.)

ADDITIONAL GAIN CONTROL

For amplitude modulated output signals, the dc level across pins 3 and 4 is fixed by the modulation index required. In this case, the output amplitude can be controlled without effecting the modulation by connecting a potentiometer between pins 1 and 2.

ON-OFF KEYING

The oscillator can be keyed off by applying a positive voltage pulse to the sweep input terminal. With $R_S = 1\text{ K}\Omega$, oscillations will stop if the applied potential at pin 13 is raised 3 volts above its open-circuit value.

OUTPUT WAVEFORMS

TRIANGLE OUTPUT

The circuit is connected as shown in Figures 1 or 2, with switches S_1 and S_2 open.

SINEWAVE OUTPUT

The circuit is connected as shown in Figures 1 or 2, with switch S_2 open and S_1 closed. The output waveform is adjusted for minimum harmonic distortion using trimmer resistor R_j connected across pins 7 and 8. Sinusoidal output is obtained from pins 1 or 2 (or pin 11 if the buffer amplifier is used). The amplitude of the output waveform is controlled by the differential dc voltage appearing between pins 3 and 4. This bias can be controlled by potentiometer R_Q . For a differential bias between these terminals of ± 2 volts or greater, the output amplitude is maximum and equal to approximately 3 volts p-p.

SAWTOOTH OUTPUT

The circuit is connected as shown in Figures 1 or 2, with switch S_1 open and S_2 closed. Closing S_2 places resistor R_B across pins 13 and 14. This changes the duty cycle of the triangle output and converts it to a sawtooth waveform. The polarity of the sawtooth can be changed by reversing the polarity of the dc bias across pins 3 and 4. If S_1 is closed, the linear sawtooth waveform is converted to the sinusoidal sawtooth waveform of Figure 9A.

RAMP OUTPUT (FIGURE 9B)

For ramp outputs, switch S_3 of Figure 1 or 2 is opened, and pin 10 is shorted to pin 14. This results in a 1.4 volt p-p ramp output at pin 11. The duty cycle of this ramp can be controlled by connecting R_B across pins (13-14) or (13-15).

SQUAREWAVE AND PULSE OUTPUTS

For squarewave outputs, the circuit is connected as shown in Figure 3, with S_2 open. The output can be converted to a pulse by closing S_2 . The duty cycle of the pulse output is controlled by potentiometer R_D . The amplitude and polarity of either the pulse or square-wave output can be controlled by potentiometer R_Q .

XR-205

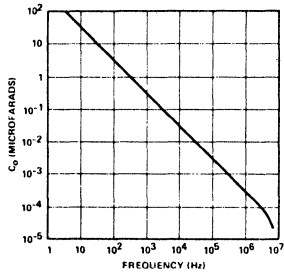


Figure 4. Frequency as a Function of C_D Across Pins 14 and 15

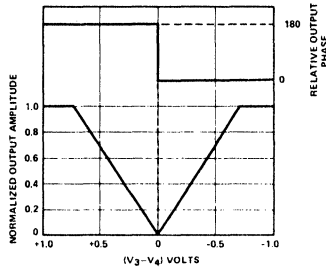


Figure 5. Modular Section Phase and Amplitude Transfer Characteristics

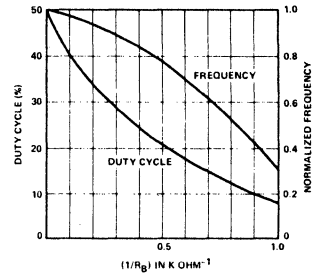


Figure 6. Duty-Cycle and Frequency Variation as a Function of Resistor R_B Connected Across Pins 13 and 14

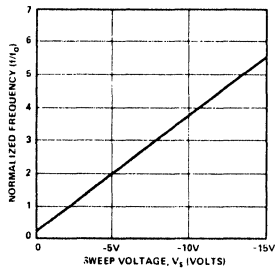


Figure 7. Normalized Frequency vs. Sweep Voltage

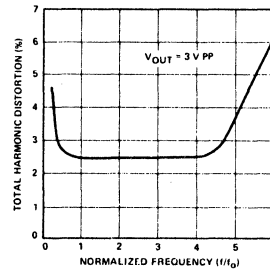
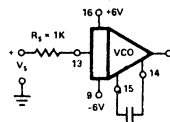


Figure 8. Sinusoidal Output Distortion as a Function of Frequency Sweep

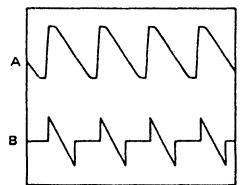
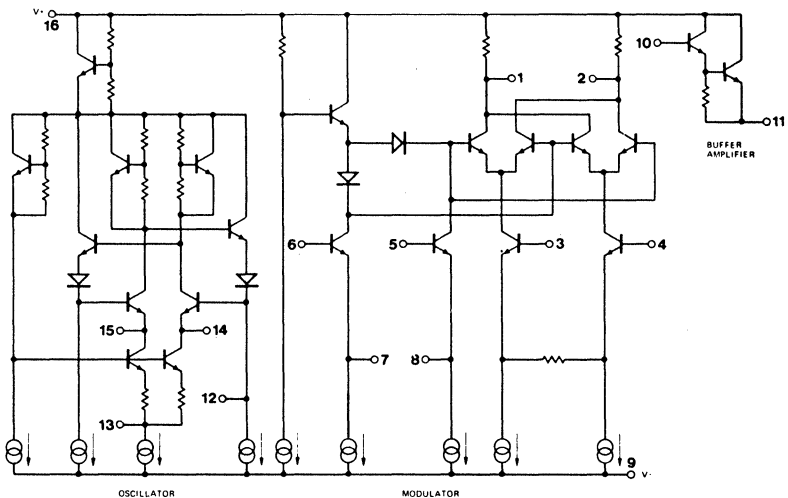


Figure 9. Sinusoidal Sawtooth and Linear Ramp Outputs



EQUIVALENT SCHEMATIC DIAGRAM

Monolithic Function Generator

GENERAL DESCRIPTION

The XR-2206 is a monolithic function generator integrated circuit capable of producing high quality sine, square, triangle, ramp, and pulse waveforms of high stability and accuracy. The output waveforms can be both amplitude and frequency modulated by an external voltage. Frequency of operation can be selected externally over a range of 0.01 Hz to more than 1 MHz.

The circuit is ideally suited for communications, instrumentation, and function generator applications requiring sinusoidal tone, AM, FM, or FSK generation. It has a typical drift specification of 20 ppm/°C. The oscillator frequency can be linearly swept over a 2000:1 frequency range, with an external control voltage, having a very small affect on distortion.

FEATURES

Low-Sine Wave Distortion	0.5%, Typical
Excellent Temperature Stability	20 ppm/°C, Typical
Wide Sweep Range	2000:1, Typical
Low-Supply Sensitivity	0.01% V, Typical
Linear Amplitude Modulation	
TTL Compatible FSK Controls	
Wide Supply Range	10V to 26V
Adjustable Duty Cycle	1% to 99%

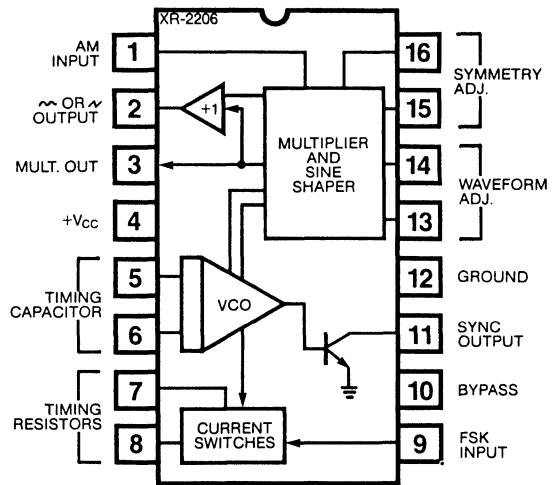
APPLICATIONS

Waveform Generation
Sweep Generation
AM/FM Generation
V/F Conversion
FSK Generation
Phase-Locked Loops (VCO)

ABSOLUTE MAXIMUM RATINGS

Power Supply	26V
Power Dissipation	750 mW
Derate Above 25°C	5 mW/°C
Total Timing Current	6 mA
Storage Temperature	-65°C to +150°C

FUNCTIONAL BLOCK DIAGRAM



ORDERING INFORMATION

Part Number	Package	Operating Temperature
XR-2206M	Ceramic	-55°C to +125°C
XR-2206N	Ceramic	0°C to +70°C
XR-2206P	Plastic	0°C to +70°C
XR-2206CN	Ceramic	0°C to +70°C
XR-2206CP	Plastic	0°C to +70°C

SYSTEM DESCRIPTION

The XR-2206 is comprised of four functional blocks; a voltage-controlled oscillator (VCO), an analog multiplier and sine-shaper; a unity gain buffer amplifier; and a set of current switches.

The VCO actually produces an output frequency proportional to an input current, which is produced by a resistor from the timing terminals to ground. The current switches route one of the timing pins current to the VCO controlled by an FSK input pin, to produce an output frequency. With two timing pins, two discrete output frequencies can be independently produced for FSK Generation Applications.



XR-2206

ELECTRICAL CHARACTERISTICS

Test Conditions: Test Circuit of Figure 1, $V^+ = 12V$, $T_A = 25^\circ$, $C = 0.01 \mu F$, $R_1 = 100 k\Omega$, $R_2 = 10 k\Omega$, $R_3 = 25 k\Omega$ unless otherwise specified. S_1 open for triangle, closed for sine wave.

PARAMETERS	XR-2206M			XR-2206C			UNITS	CONDITIONS
	MIN	TYP	MAX	MIN	TYP	MAX		
GENERAL CHARACTERISTICS								
Single Supply Voltage	10		26	10		26	V	
Split-Supply Voltage	± 5		± 13	± 5		± 13	V	
Supply Current		12	17		14	20	mA	$R_1 \geq 10 k\Omega$
OSCILLATOR SECTION								
Max. Operating Frequency	0.5	1		0.5	1		MHz	$C = 1000 pF$, $R_1 = 1 k\Omega$
Lowest Practical Frequency		0.01			0.01		Hz	$C = 50 \mu F$, $R_1 = 2 M\Omega$
Frequency Accuracy		± 1	± 4		± 2		% of f_0	$f_0 = 1/R_1 C$
Temperature Stability		± 10	± 50		± 20		ppm/ $^\circ C$	$0^\circ C \leq T_A \leq 70^\circ C$, $R_1 = R_2 = 20 k\Omega$
Supply Sensitivity		0.01	0.1		0.01		%/V	$V_{LOW} = 10V$, $V_{HIGH} = 20V$, $R_1 = R_2 = 20 k\Omega$
Sweep Range	1000:1	2000:1			2000:1		$f_H = f_L$	$f_H @ R_1 = 1 k\Omega$ $f_L @ R_1 = 2 M\Omega$
Sweep Linearity								
10:1 Sweep		2			2		%	$f_L = 1 kHz$, $f_H = 10 kHz$
1000:1 Sweep		8			8		%	$f_L = 100 kHz$, $f_H = 100 kHz$
FM Distortion		0.1			0.1		%	$\pm 10\%$ Deviation
Recommended Timing Components								
Timing Capacitor: C	0.001		100	0.001		100	μF	See Figure 4.
Timing Resistors: R_1 & R_2	1		2000	1		2000	k Ω	
Triangle Sine Wave Output								See Note 1, Figure 2.
Triangle Amplitude		160			160		mV/k Ω	Figure 1, S_1 Open
Sine Wave Amplitude	40	60	80		60		mV/k Ω	Figure 1, S_1 Closed
Max. Output Swing		6			6		V p-p	
Output Impedance		600			600		Ω	
Triangle Linearity		1			1		%	
Amplitude Stability		0.5			0.5		dB	For 1000:1 Sweep
Sine Wave Amplitude Stability		4800			4800		ppm/ $^\circ C$	See Note 2.
Sine Wave Distortion								
Without Adjustment		2.5			2.5		%	$R_1 = 30 k\Omega$
With Adjustment		0.4	1.0		0.5	1.5	%	See Figures 6 and 7.
Amplitude Modulation								
Input Impedance	50	100		50	100		k Ω	
Modulation Range		100			100		%	
Carrier Suppression		55			55		dB	
Linearity		2			2		%	For 95% modulation
Square-Wave Output								
Amplitude		12			12		V p-p	Measured at Pin 11.
Rise Time		250			250		nsec	$C_L = 10 pF$
Fall Time		50			50		nsec	$C_L = 10 pF$
Saturation Voltage		0.2	0.4		0.2	0.6	V	$I_L = 2 mA$
Leakage Current		0.1	20		0.1	100	μA	$V_{I1} = 26V$
FSK Keying Level (Pin 9)	0.8	1.4	2.4	0.8	1.4	2.4	V	See section on circuit controls
Reference Bypass Voltage	2.9	3.1	3.3	2.5	3	3.5	V	Measured at Pin 10.

Note 1: Output amplitude is directly proportional to the resistance, R_3 , on Pin 3. See Figure 2.

Note 2: For maximum amplitude stability, R_3 should be a positive temperature coefficient resistor.

XR-2206

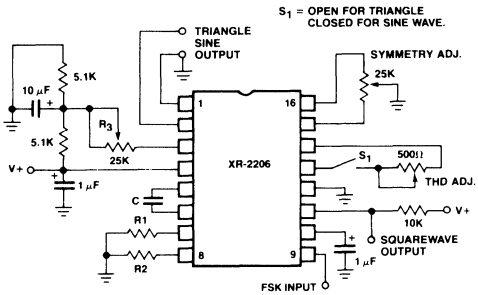


Figure 1. Basic Test Circuit.

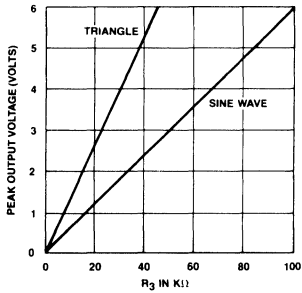


Figure 2. Output Amplitude as a Function of the Resistor, R_3 , at Pin 3.

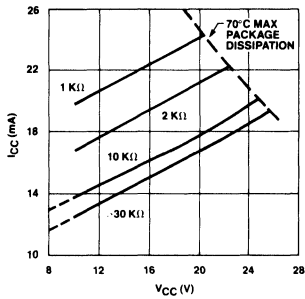


Figure 3. Supply Current versus Supply Voltage, Timing, R.

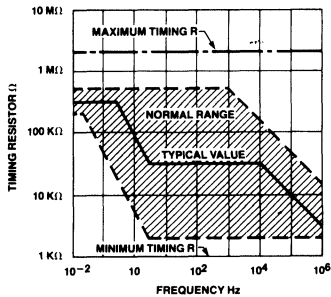


Figure 4. R versus Oscillation Frequency.

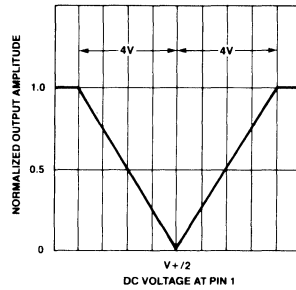


Figure 5. Normalized Output Amplitude versus DC Bias at AM Input (Pin 1).

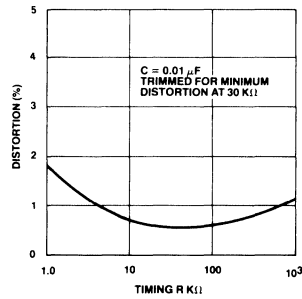


Figure 6. Trimmed Distortion versus Timing Resistor.

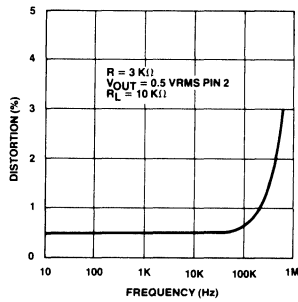


Figure 7. Sine Wave Distortion versus Operating Frequency with Timing Capacitors Varied.

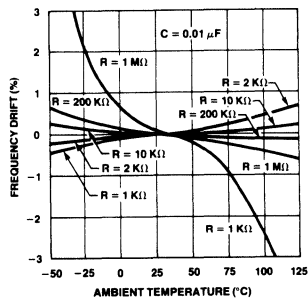


Figure 8. Frequency Drift versus Temperature.

XR-2206

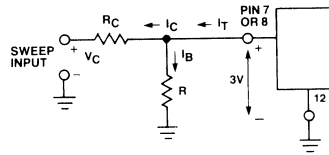


Figure 9. Circuit Connection for Frequency Sweep.

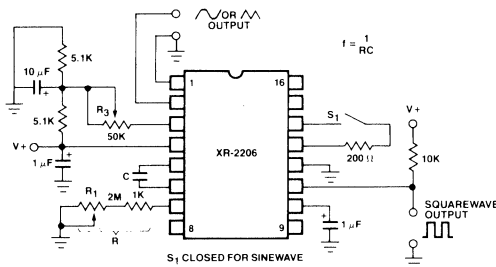


Figure 10. Circuit for Sine Wave Generation without External Adjustment. (See Figure 2 for Choice of R_3).

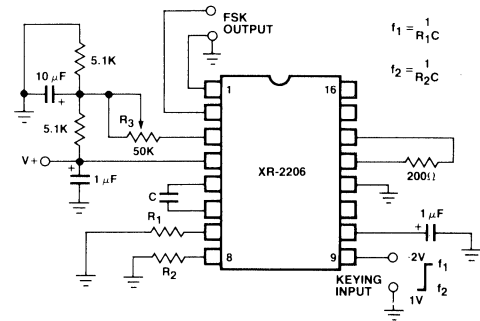


Figure 12. Sinusoidal FSK Generator.

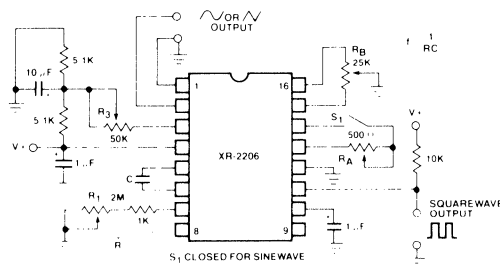


Figure 11. Circuit for Sine Wave Generation with Minimum Harmonic Distortion. (R_3 Determines Output Swing—See Figure 2.)

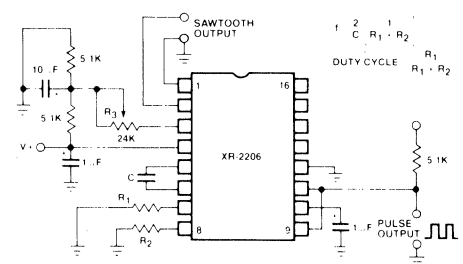


Figure 13. Circuit for Pulse and Ramp Generation.

Frequency-Shift Keying:

The XR-2206 can be operated with two separate timing resistors, R_1 and R_2 , connected to the timing Pin 7 and 8, respectively, as shown in Figure 12. Depending on the polarity of the logic signal at Pin 9, either one or the other of these timing resistors is activated. If Pin 9 is open-circuited or connected to a bias voltage $\geq 2V$, only R_1 is activated. Similarly, if the voltage level at Pin 9 is $\leq 1V$, only R_2 is activated. Thus, the output frequency can be keyed between two levels, f_1 and f_2 , as:

$$f_1 = 1/R_1C \text{ and } f_2 = 1/R_2C$$

For split-supply operation, the keying voltage at Pin 9 is referenced to V^- .

Output DC Level Control:

The dc level at the output (Pin 2) is approximately the same as the dc bias at Pin 3. In Figures 10, 11 and 12, Pin 3 is biased midway between V^+ and ground, to give an output dc level of $\approx V^+/2$.

APPLICATIONS INFORMATION

Sine Wave Generation

Without External Adjustment:

Figure 10 shows the circuit connection for generating a sinusoidal output from the XR-2206. The potentiometer, R_1 at Pin 7, provides the desired frequency tuning. The maximum output swing is greater than $V^+/2$, and the typical distortion (THD) is $< 2.5\%$. If lower sine wave distortion is desired, additional adjustments can be provided as described in the following section.

The circuit of Figure 10 can be converted to split-supply operation, simply by replacing all ground connections with V^- . For split-supply operation, R_3 can be directly connected to ground.

With External Adjustment:

The harmonic content of sinusoidal output can be reduced to $\approx 0.5\%$ by additional adjustments as shown in Figure 11. The potentiometer, R_A , adjusts the sine-shaping resistor, and R_B provides the fine adjustment for the waveform symmetry. The adjustment procedure is as follows:

1. Set R_B at midpoint, and adjust R_A for minimum distortion.
2. With R_A set as above, adjust R_B to further reduce distortion.

Triangle Wave Generation

The circuits of Figures 10 and 11 can be converted to triangle wave generation, by simply open-circuiting Pin 13 and 14 (i.e., S_1 open). Amplitude of the triangle is approximately twice the sine wave output.

FSK Generation

Figure 12 shows the circuit connection for sinusoidal FSK signal operation. Mark and space frequencies can be independently adjusted, by the choice of timing resistors, R_1 and R_2 ; the output is phase-continuous during transitions. The keying signal is applied to Pin 9. The circuit can be converted to split-supply operation by simply replacing ground with V^- .

Pulse and Ramp Generation

Figure 13 shows the circuit for pulse and ramp waveform generation. In this mode of operation, the FSK keying terminal (Pin 9) is shorted to the square-wave output (Pin 11), and the circuit automatically frequency-shifts itself between two separate frequencies during the positive-going and negative-going output waveforms. The pulse width and duty cycle can be adjusted from 1% to 99%, by the choice of R_1 and R_2 . The values of R_1 and R_2 should be in the range of 1 k Ω to 2 M Ω .

PRINCIPLES OF OPERATION

Description of Controls

Frequency of Operation:

The frequency of oscillation, f_o , is determined by the external timing capacitor, C , across Pin 5 and 6, and by the timing resistor, R , connected to either Pin 7 or 8. The frequency is given as:

$$f_o = \frac{1}{RC} \text{ Hz}$$

and can be adjusted by varying either R or C . The recommended values of R , for a given frequency range, as shown in Figure 4. Temperature stability is optimum for 4 k Ω $< R < 200$ k Ω . Recommended values of C are from 1000 pF to 100 μ F.

Frequency Sweep and Modulation:

Frequency of oscillation is proportional to the total timing current, I_T , drawn from Pin 7 or 8:

$$f = \frac{320 I_T \text{ (mA)}}{C \text{ (}\mu\text{F)}} \text{ Hz}$$

Timing terminals (Pin 7 or 8) are low-impedance points, and are internally biased at +3V, with respect to Pin 12. Frequency varies linearly with I_T , over a wide range of current values, from 1 μ A to 3 mA. The frequency can be controlled by applying a control voltage, V_C , to the activated timing pin as shown in Figure 9. The frequency of oscillation is related to V_C as:

$$f = \frac{1}{RC} + \frac{R}{RC} \left(1 - \frac{V_C}{3}\right) \text{ Hz}$$



XR-2206

where V_C is in volts. The voltage-to-frequency conversion gain, K , is given as:

$$K = \delta f / \delta V_C = - \frac{0.32}{R_{CC}} \text{ Hz/V}$$

CAUTION: For safety operation of the circuit, I_T should be limited to ≤ 3 mA.

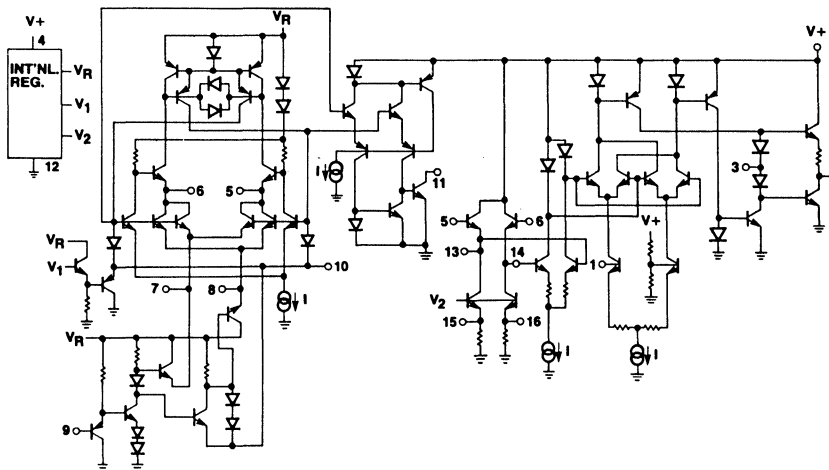
Output Amplitude:

Maximum output amplitude is inversely proportional to the external resistor, R_3 , connected to Pin 3 (see Figure 2). For sine wave output, amplitude is approximately 60 mV peak per $k\Omega$ of R_3 ; for triangle, the peak amplitude is approximately 160 mV peak per $k\Omega$ of R_3 . Thus, for example, $R_3 = 50 k\Omega$ would produce approximately $\pm 3V$ sinusoidal output amplitude.

Amplitude Modulation:

Output amplitude can be modulated by applying a dc bias and a modulating signal to Pin 1. The internal impedance at Pin 1 is approximately $100 k\Omega$. Output amplitude varies linearly with the applied voltage at Pin 1, for values of dc bias at this pin, within ± 4 volts of $V^+ / 2$ as shown in Figure 5. As this bias level approaches $V^+ / 2$, the phase of the output signal is reversed, and the amplitude goes through zero. This property is suitable for phase-shift keying and suppressed-carrier AM generation. Total dynamic range of amplitude modulation is approximately 55 dB.

CAUTION: AM control must be used in conjunction with a well-regulated supply, since the output amplitude now becomes a function of V^+ .



EQUIVALENT SCHEMATIC DIAGRAM

Voltage-Controlled Oscillator

GENERAL DESCRIPTION

The XR-2207 is a monolithic voltage-controlled oscillator (VCO) integrated circuit featuring excellent frequency stability and a wide tuning range. The circuit provides simultaneous triangle and squarewave outputs over a frequency range of 0.01 Hz to 1 MHz. It is ideally suited for FM, FSK, and sweep or tone generation, as well as for phase-locked loop applications.

The XR-2207 has a typical drift specification of 20 ppm/°C. The oscillator frequency can be linearly swept over a 1000:1 range with an external control voltage; and the duty cycle of both the triangle and the squarewave outputs can be varied from 0.1% to 99.9% to generate stable pulse and sawtooth waveforms.

FEATURES

- Excellent Temperature Stability (20 ppm/°C)
- Linear Frequency Sweep
- Adjustable Duty Cycle (0.1% to 99.9%)
- Two or Four Level FSK Capability
- Wide Sweep Range (1000:1 Min)
- Logic Compatible Input and Output Levels
- Wide Supply Voltage Range ($\pm 4V$ to $\pm 13V$)
- Low Supply Sensitivity (0.1%/V)
- Wide Frequency Range (0.01 Hz to 1 MHz)
- Simultaneous Triangle and Squarewave Outputs

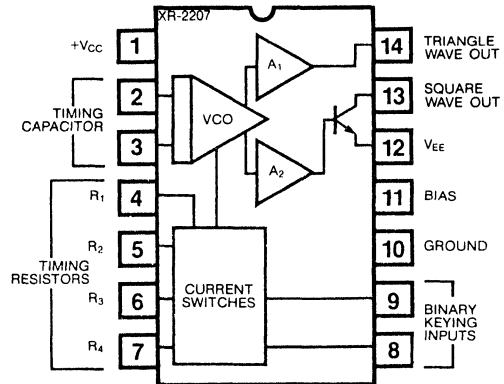
APPLICATIONS

- FSK Generation
- Voltage and Current-to-Frequency Conversion
- Stable Phase-Locked Loop
- Waveform Generation
 - Triangle, Sawtooth, Pulse, Squarewave
- FM and Sweep Generation

ABSOLUTE MAXIMUM RATINGS

Power Supply	26V
Power Dissipation (package limitation)	
Ceramic package	750 mW
Derate above +25°C	6.0 mW/°C
Plastic package	625 mW
Derate above +25°C	5 mW/°C
Storage Temperature Range	-65°C to +150°C

FUNCTIONAL BLOCK DIAGRAM



ORDERING INFORMATION

Part Number	Package	Operating Temperature
XR2207M	Ceramic	-55°C to +125°C
XR2207N	Ceramic	0°C to +70°C
XR2207P	Plastic	0°C to +70°C
XR2207CN	Ceramic	0°C to +70°C
XR2207CP	Plastic	0°C to +70°C

SYSTEM DESCRIPTION

The XR-2207 utilizes four main functional blocks for frequency generation. These are a voltage controlled oscillator (VCO), four current switches which are activated by binary keying inputs, and two buffer amplifiers for triangle and squarewave outputs. The VCO is actually a current controlled oscillator which gets its input from the current switches. As the output frequency is proportional to the input current, the VCO produces four discrete output frequencies. Two binary input pins determine which timing currents are channelled to the VCO. These currents are set by resistors to ground from each of the four timing terminals.

The triangle output buffer provides a low impedance output (10Ω TYP) while the squarewave is an open-collector type. A programmable reference point allows the XR-2207 to be used in either single or split supply configurations.

XR-2207

ELECTRICAL CHARACTERISTICS

Test Conditions: Test Circuit of Figure 1, $V^+ = V^- = 6V$, $T_A = +25^\circ C$, $C = 5000\text{ pF}$, $R_1 = R_2 = R_3 = R_4 = 20\text{ K}\Omega$, $R_L = 4.7\text{ K}\Omega$, Binary Inputs grounded, S_1 and S_2 closed unless otherwise specified.

PARAMETERS	XR-2207/XR-2207M			XR-2207C			UNITS	CONDITIONS
	MIN	TYP	MAX	MIN	TYP	MAX		
GENERAL CHARACTERISTICS								
Supply Voltage								
Single Supply	8		26	8		26	V	See Figure 3
Split Supplies	± 4		± 13	± 4		± 13	V	
Supply Current								
Single Supply		5	7		5	8	mA	Measured at pin 1, S_1 and S_2 open See Figure 2
Split Supplies								
Positive		5	7		5	8	mA	Measured at pin 1, S_1, S_2 open
Negative		4	6		4	7	mA	Measured at pin 12, S_1, S_2 open
OSCILLATOR SECTION — FREQUENCY CHARACTERISTICS								
Upper Frequency Limit	0.5	1.0		0.5	1.0		MHz	C = 500 pF, $R_3 = 2\text{ K}\Omega$ C = 50 μF , $R_3 = 2\text{ M}\Omega$
Lowest Practical Frequency		0.01			0.01		Hz	
Frequency Accuracy		± 1	± 3		± 1	± 5	% of f_0	
Frequency Matching		0.5			0.5		% of f_0	
Frequency Stability								
Temperature		20	50		30		ppm/ $^\circ C$	$0^\circ C < T_A < 70^\circ C$
Power Supply		0.15			0.15		%/V	
Sweep Range	1000:1	3000:1			1000:1		f_H/f_L	$R_3 = 1.5\text{ K}\Omega$ for f_{H1} $R_3 = 2\text{ M}\Omega$ for f_L C = 5000 pF
Sweep Linearity							%	$f_H = 10\text{ kHz}$, $f_L = 1\text{ kHz}$ $f_H = 100\text{ kHz}$, $f_L = 100\text{ Hz}$ $\pm 10\%$ FM Deviation
10:1 Sweep		1	2		1.5			
1000:1 Sweep		5			5			
FM Distortion		0.1			0.1		%	See Characteristic Curves
Recommended Range of Timing Resistors	1.5		2000	1.5		2000	$\text{K}\Omega$	
Impedance at Timing Pins		75			75		Ω	Measured at pins 4, 5, 6, or 7
DC Level at Timing Terminals		10			10		mV	
BINARY KEYING INPUTS								
Switching Threshold	1.4	2.2	2.8	1.4	2.2	2.8	V	Measured at pins 8 and 9, Referenced to pin 10
Input Impedance		5			5		$\text{K}\Omega$	
OUTPUT CHARACTERISTICS								
Triangle Output								Measured at pin 13
Amplitude	4	6		4	6		V_{pp}	
Impedance		10			10		Ω	
DC Level		+100			+100		mV	Referenced to pin 10
Linearity		0.1			0.1		%	From 10% to 90% to swing Measured at pin 13, S_2 closed
Squarewave Output								
Amplitude	11	12	0.4	11	12	0.4	V_{pp}	Referenced to pin 12
Saturation Voltage		0.2			0.2		V	
Rise Time		200			200		nsec	$C_L \leq 10\text{ pF}$
Fall Time		20			20		nsec	$C_L \leq 10\text{ pF}$

PRECAUTIONS

The following precautions should be observed when operating the XR-2207 family of integrated circuits:

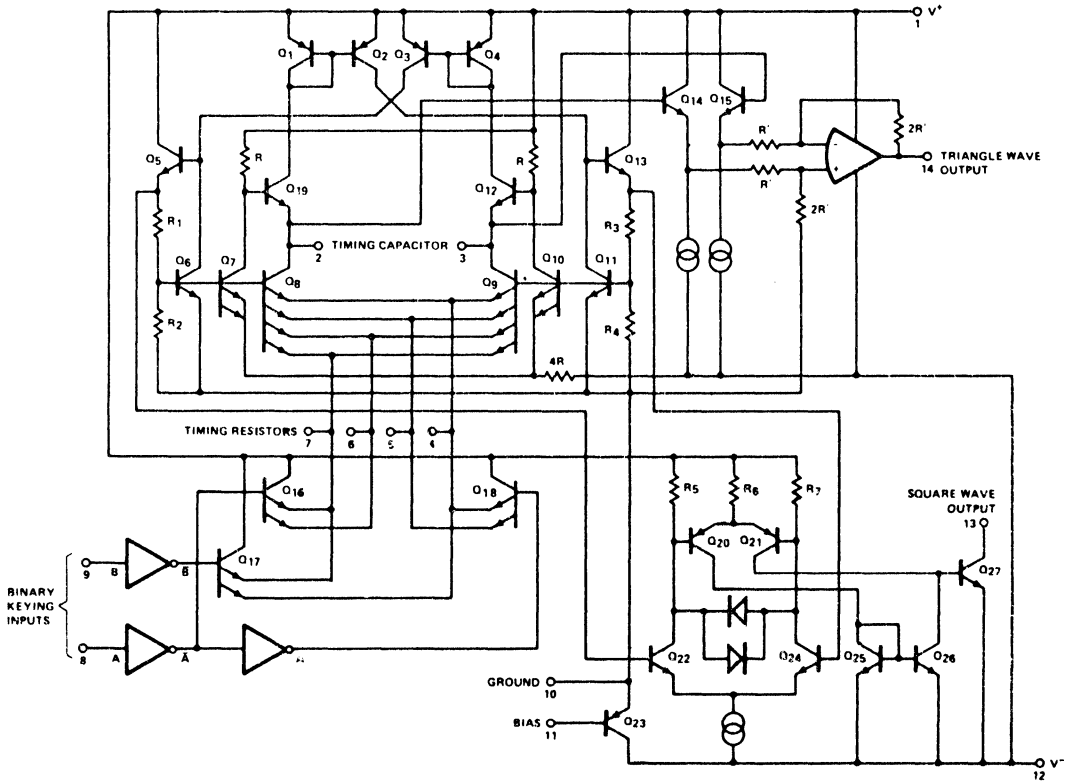
1. Pulling excessive current from the timing terminals will adversely effect the temperature stability of the circuit. To minimize this disturbance, it is recommended that the *total current* drawn from pins 4, 5, 6, and 7 be limited to $\leq 6\text{ mA}$. In addition, perma-

nent damage to the device may occur if the total timing current exceeds 10 mA.

2. Terminals 2, 3, 4, 5, 6, and 7 have very low internal impedance and should, therefore, be protected from accidental shorting to ground or the supply voltages.
3. The keying logic pulse amplitude should not exceed the supply voltage.

XR-2207

1



EQUIVALENT SCHEMATIC DIAGRAM

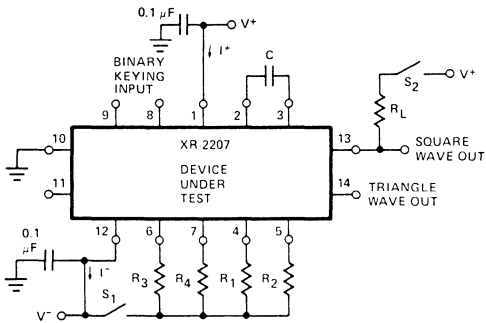


Figure 1. Test Circuit For Split Supply Operation

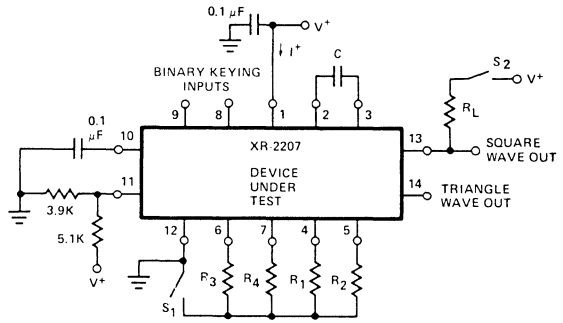


Figure 2. Test Circuit For Single Supply Operation

PRINCIPLES OF OPERATION

TIMING CAPACITOR (PINS 2 AND 3)

The oscillator frequency is inversely proportional to the timing capacitor, C, as indicated in Figure 8. The minimum capacitance value is limited by stray capacitances and the maximum value by physical size and leakage current considerations. Recommended values

range from 100 pF to 100 μF. The capacitor should be non-polar.

TIMING RESISTORS (PINS 4, 5, 6, AND 7)

The timing resistors determine the total timing current, I_T , available to charge the timing capacitor. Values for timing resistors can range from 2 KΩ to 2 MΩ; however, for optimum temperature and power supply stability,

XR-2207

recommended values are 4 K Ω to 200 K Ω (see Figures 4, 5, and 7). To avoid parasitic pick up, timing resistor leads should be kept as short as possible. For noisy environments, unused or deactivated timing terminals should be bypassed to ground through 0.1 μ F capacitors.

SUPPLY VOLTAGE (PINS 1 AND 12)

The XR-2207 is designed to operate over a power supply range of ± 4 V to ± 13 V for split supplies, or 8V to 26V for single supplies. At high supply voltages, the frequency sweep range is reduced (see Figures 3 and 4). Performance is optimum for ± 6 V, or 12V single supply operation.

BINARY KEYING INPUTS (PINS 8 AND 9)

The internal impedance at these pins is approximately 5 K Ω . Keying levels are < 1.4 V for "zero" and > 3 V for "one" logic levels referenced to the dc voltage at pin 10 (see Figure 8).

BIAS FOR SINGLE SUPPLY (PIN 11)

For single supply operation, pin 11 should be externally biased to a potential between $V^+ / 3$ and $V^+ / 2$ volts (see Figure 2). The bias current at pin 11 is nominally 5% of the total oscillation timing current, I_T .

GROUND (PIN 10)

For split supply operation, this pin serves as circuit ground. For single supply operation, pin 10 should be ac grounded through a 1 μ F bypass capacitor. During split supply operation, a ground current of $2I_T$ flows out of this terminal, where I_T is the total timing current.

SQUAREWAVE OUTPUT (PIN 13)

The squarewave output at pin 13 is a "open-collector" stage capable of sinking up to 20 mA of load current. R_L serves as a pull-up load resistor for this output. Recommended values for R_L range from 1 K Ω to 100 K Ω .

TRIANGLE OUTPUT (PIN 14)

The output at pin 14 is a triangle wave with a peak swing of approximately one-half of the total supply voltage. Pin 14 has a very low output impedance of 10 Ω and is internally protected against short circuits.

BYPASS CAPACITORS

The recommended value for bypass capacitors is 1 μ F, although larger values are required for very low frequency operation.

SPLIT SUPPLY OPERATION

Figure 1 is the recommended circuit connection for split supply operation. The frequency of operation is determined by the timing capacitor, C, and the activated timing resistors (R_1 through R_4). The timing resistors

are activated by the logic signals at the binary keying inputs (pins 8 and 9), as shown in the logic table (Table 1). If a single timing resistor is activated, the frequency is $1/RC$. Otherwise, the frequency is either $1/(R_1 \parallel R_2)C$ or $1/(R_3 \parallel R_4)C$.

The squarewave output is obtained at pin 13 and has a peak-to-peak voltage swing equal to the supply voltages. This output is an "open-collector" type and requires an external pull-up load resistor (nominally 5 K Ω) to the positive supply. The triangle waveform obtained at pin 14 is centered about ground and has a peak amplitude of $V^+ / 2$.

The circuit operates with supply voltages ranging from ± 4 V to ± 13 V. Minimum drift occurs with ± 6 volt supplies. For operation with unequal supply voltages, see Figure 3.

Note: For Single-Supply Operation, Logic Levels are Referenced to Voltage at Pin 10

SINGLE SUPPLY OPERATION

The circuit should be interconnected as shown in Figure 11 for single supply operation. Pin 12 should be grounded, and pin 11 biased from V^+ through a resistive divider to a value of bias voltage between $V^+ / 3$ and $V^+ / 2$. Pin 10 is bypassed to ground through a 1 μ F capacitor.

For single supply operation, the dc voltage at pin 10 and the timing terminals (pins 4 through 7) are equal and approximately 0.6V above V_B , the bias voltage at pin 11. The logic levels at the binary keying terminals are referenced to the voltage at pin 10.

For a fixed frequency of $f_3 = 1/R_3C$, the external circuit connections can be simplified as shown in Figure 11b.

Table 1
Logic Table for Binary Keying Controls

LOGIC LEVEL		SELECTED TIMING PINS	FREQUENCY	DEFINITIONS
8	9			
0	0	6	f_1	$f_1 = 1/R_3C, \Delta f_1 = 1/R_4C$
0	1	6 and 7	$f_1 + \Delta f_1$	$f_2 = 1/R_2C, \Delta f_2 = 1/R_1C$
1	0	5	f_2	Logic Levels: 0 = Ground
1	1	4 and 5	$f_2 + \Delta f_2$	1 = > 3 V

XR-2207

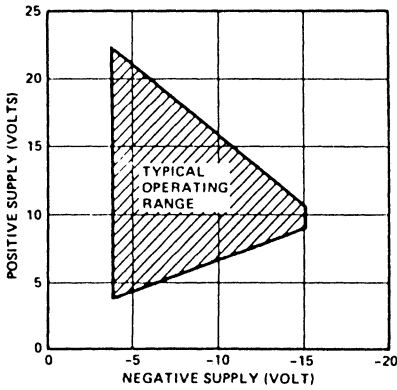


Figure 3. Typical Operating Range For Split Supply Voltage

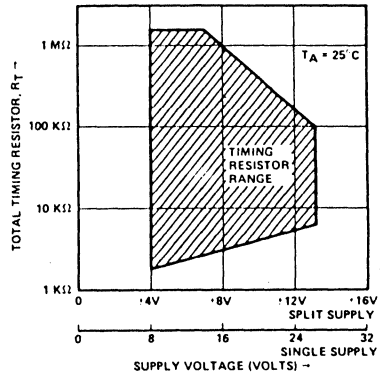


Figure 4. Recommended Timing Resistor Value vs. Power Supply Voltage*

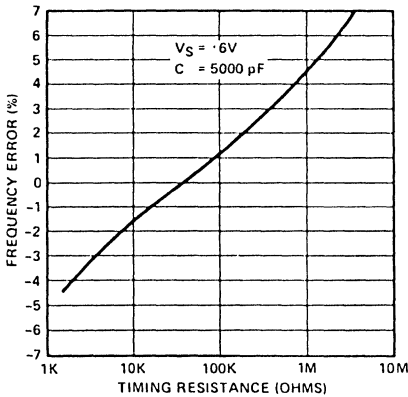


Figure 5. Frequency Accuracy vs. Timing Resistance

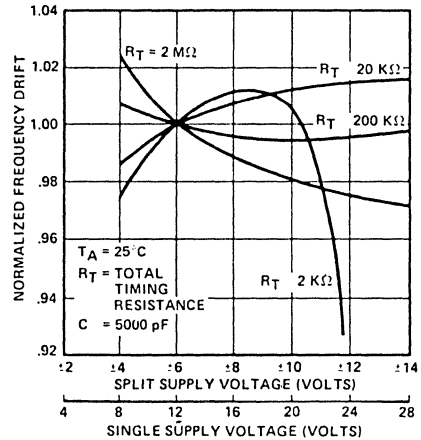


Figure 6. Frequency Drift vs. Supply Voltage

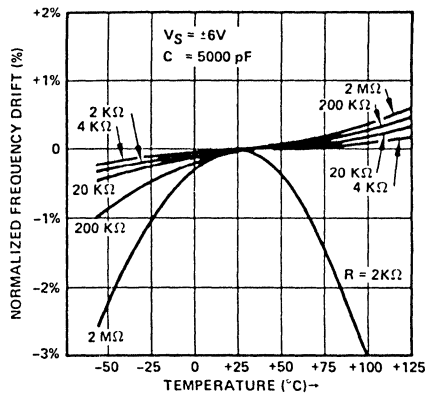


Figure 7. Normalized Frequency Drift With Temperature

XR-2207

LOGIC LEVEL	SELECTED TIMING PINS		FREQUENCY	DEFINITIONS
	A	B		
0	0	6	f_1	$f_1 = 1/R_3C, \Delta f_1 = 1/R_4C$
0	1	6 and 7	$f_1 + \Delta f_1$	$f_2 = 1/R_2C, \Delta f_2 = 1/R_1C$
1	0	5	f_2	Logic Levels: 0 = Ground
1	1	4 and 5	$f_2 + \Delta f_2$	$I \Rightarrow 3V$

Figure 8. Logic Table For Binary Keying Controls.
Note: For Single-Supply Operation, Logic Levels are Referenced to Voltage at Pin 10

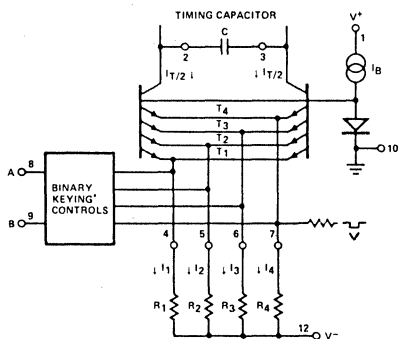


Figure 9. Simplified Schematic of Frequency Control Mechanism

FREQUENCY CONTROL (SWEEP AND FM)

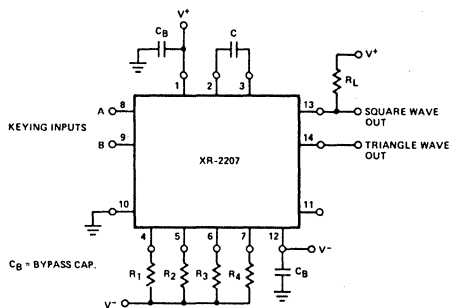
The frequency of operation is controlled by varying the total timing current, I_T , drawn from the activated timing pins 4, 5, 6, or 7. The timing current can be modulated by applying a control voltage, V_C , to the activated timing pin through a series resistor R_C as shown in Figures 12 & 13.

For split supply operation, a *negative* control voltage, V_C , applied to the circuits of Figures 15 & 16 causes the total timing current, I_T , and the frequency, to increase.

As an example, in the circuit of Figure 12, the binary keying inputs are grounded. Therefore, only timing pin 6 is activated.

The frequency of operation, normally $f = \frac{1}{R_3C}$, is now proportional to the control voltage, V_C , and determined as:

$$f = \frac{1}{R_3C} \left[1 - \frac{V_C R_3}{R_C V^-} \right]$$



A

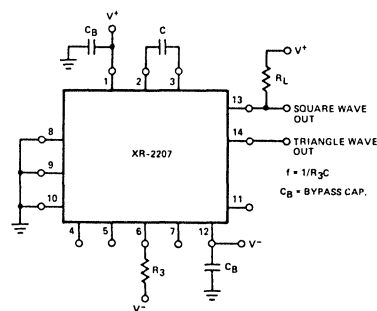


Figure 10. Split-Supply Operation:
(a) General
(b) Fixed Frequency

The frequency f will increase as the control voltage is made more negative. If $R_3 = 2 \text{ M}\Omega$, $R_C = 2 \text{ K}\Omega$, $C = 5000 \text{ pF}$, then at 1000: 1 frequency sweep would result for a negative sweep voltage $V_C \approx V^-$.

The voltage to frequency conversion gain, K , is controlled by the series resistance R_C and can be expressed as:

$$K = \frac{\Delta f}{\Delta V_C} = - \frac{1}{R_C C V^-} \text{ Hz/volt}$$

The circuit of Figure 12 can operate both with positive and negative values of control voltage. However, for positive values of V_C with small (R_C/R_3) ratio, the direction of the timing current I_T is reversed and the oscillations will stop.

Figure 13 shows an alternate circuit for frequency control where two timing pins, 6 and 7, are activated. The frequency and the conversion gain expressions are the same as before, except that the circuit would operate only with negative values of V_C . For $V_C > 0$, pin 7 becomes deactivated

and the frequency is fixed at $f = \frac{1}{R_3C}$.

XR-2207

CAUTION

For operation of the circuit, total timing current I_T must be less than 6 mA over the frequency control range.

DUTY CYCLE CONTROL

The duty cycle of the output waveforms can be controlled by frequency shift keying at the end of every half cycle of oscillator output. This is accomplished by connecting one or both of the binary keying inputs (pins 8 or 9) to the squarewave output at pin 13. The output waveforms can then be converted to positive or negative pulses and sawtooth waveforms.

Figure 14 is the recommended circuit connection for duty cycle control. Pin 8 is shorted to pin 13 so that the circuit switches between the "0,0" and the "1,0" logic states given in Figure 11. Timing pin 5 is activated when the output is "high;" and the timing pin is activated when the squarewave output goes to a low state.

The duty cycle of the output waveforms is given as:

$$\text{Duty Cycle} = \frac{R_2}{R_2 + R_3}$$

and can be varied from 0.1% to 99.9% by proper choice of timing resistors. The frequency of oscillation, f , is given as:

$$f = \frac{2}{C} \left[\frac{1}{R_2 + R_3} \right]$$

The frequency can be modulated or swept without changing the duty cycle by connecting R_2 and R_3 to a common control voltage V_C , instead of to V^- (see Figure 15). The sawtooth and the pulse output waveforms are shown in Figure 15.

ON-OFF KEYING

The XR-2207 can be keyed on and off by simply activating an open circuited timing pin. Under certain conditions, the circuit may exhibit very low frequency (< 1 Hz) residual oscillations in the "off" state due to internal bias currents. If this effect is undesirable, it can be eliminated by connecting a 10 MΩ resistor from pin 3 to V^+ .

TWO-CHANNEL FSK GENERATOR (MODEM TRANSMITTER)

The multi-level frequency shift-keying capability of XR-2207 makes it ideally suited for two-channel FSK generation. A recommended circuit connection for this application is shown in Figure 16.

For two-channel FSK generation, the "mark" and "space" frequencies of the respective channels are determined by the timing resistor pairs (R_1 , R_2) and (R_3 , R_4). Pin 8 is the "channel-select" control in accord

with Figure 11. For a "high" logic level at pin 8, the timing resistors R_1 and R_2 are activated. Similarly, for a "low" logic level, timing resistors R_3 and R_4 are enabled.

The "high" and "low" logic levels at pin 9 determine the respective high and low frequencies within the selected FSK channel.

Recommended component values for various commonly used FSK frequencies are given in Table 1. When only a single FSK channel is used, the remaining channel can be deactivated by connecting pin 8 to either V^+ or ground. In this case, the unused timing resistors can also be omitted from the circuit.

The low and high frequencies, f_1 and f_2 , for a given FSK channel can be fine tuned using potentiometers connected in series with respective timing resistors. In fine tuning the frequencies, f_1 should be set first with the logic level at pin 9 in a "low" level.

Typical frequency drift of the circuit for 0°C to 75°C operation is $\pm 0.2\%$. Since the frequency stability is directly related to the external timing components, care must be taken to use timing components with low temperature coefficients.

FSK TRANSCEIVER (FULL-DUPLEX MODEM)

The XR-2207 can be used in conjunction with the XR-210, FSK demodulator, to form a full-duplex FSK transceiver, or modem. A recommended circuit connection for this application is shown in Figure 20. Table 1 shows the recommended component values for 300-Baud (103-type) and 1200-Baud (202-type) Modem applications.

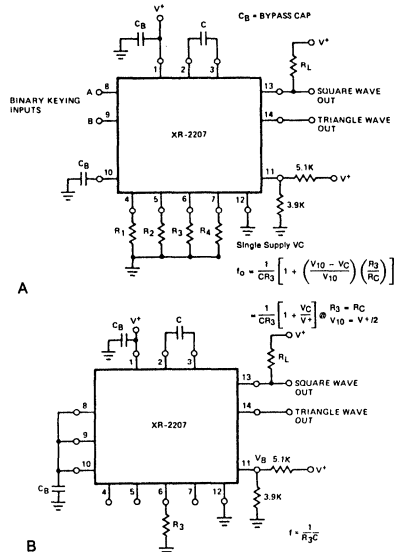


Figure 11. Single Supply Operation:
(a) General
(b) Fixed Frequency

1

XR-2207

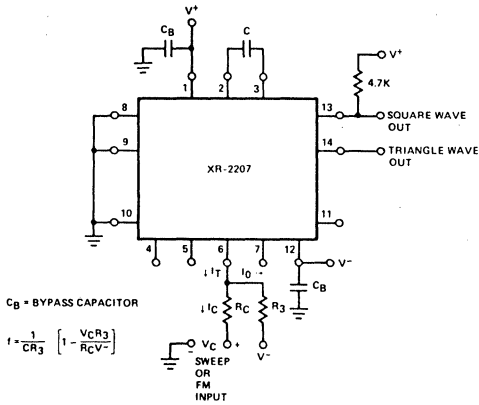


Figure 12. Frequency Sweep Operation

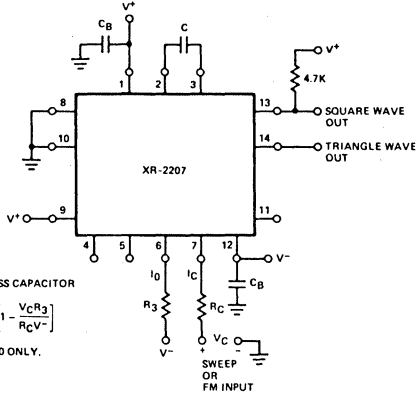


Figure 13. Alternate Frequency Sweep Operation

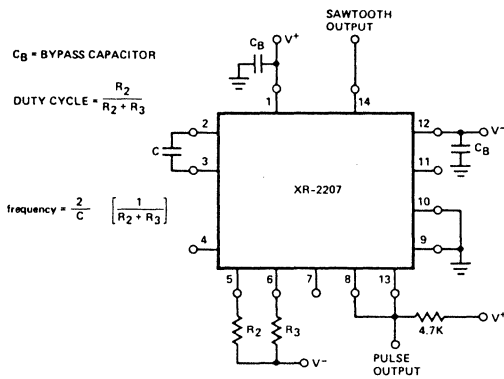


Figure 14. Sawtooth and Pulse Outputs

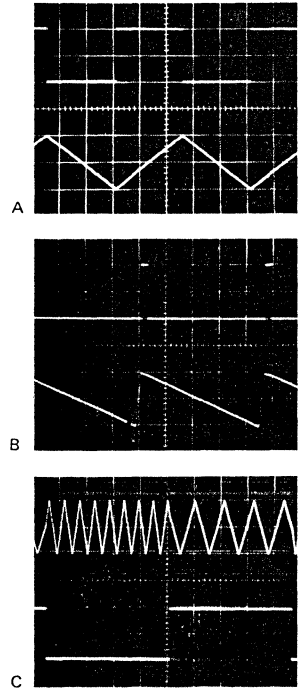


Figure 15. Output Waveforms:
 (a) Squarewave and Triangle Outputs
 (b) Pulse and Sawtooth Outputs
 (c) Frequency-Shift Keyed Output
 Top: FSK Output With $f_2 = 2f_1$
 Bottom: Keying Logic Input

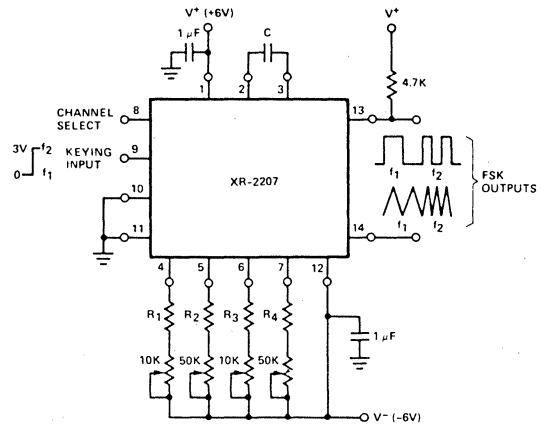


Figure 16. Multi-Channel FSK Generation

XR-2207

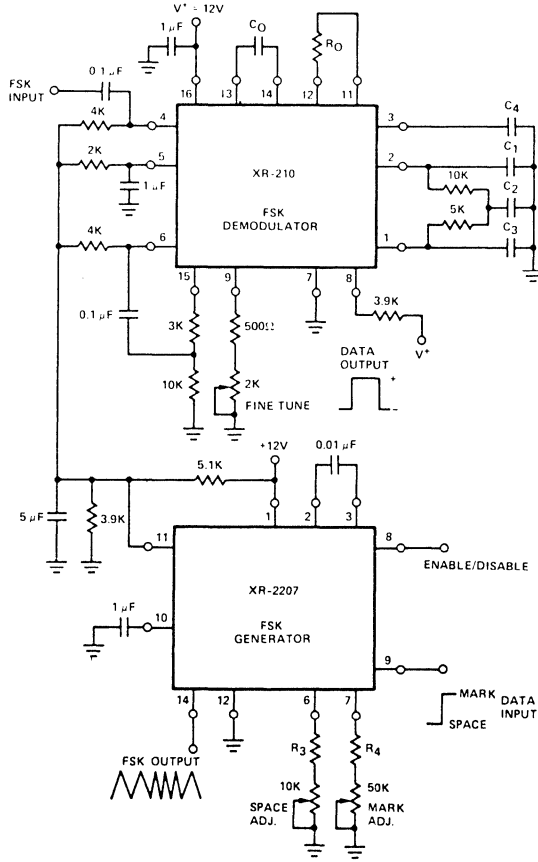


Figure 17. Full Duplex FSK Modem Using XR-210 and XR-2207 (See Table 1 For Component Values)

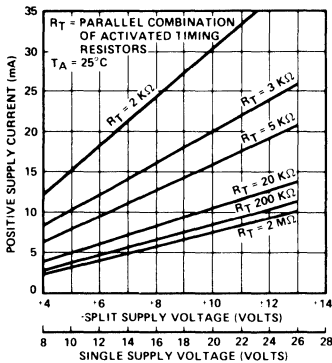


Figure 18. Positive Supply Current, I^+ (Measured at Pin 1) vs. Supply Voltage*

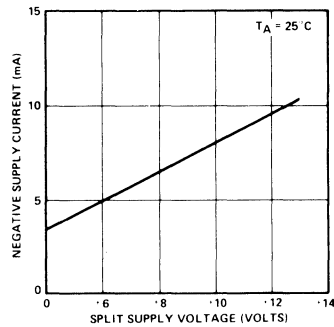


Figure 19. Negative Supply Current, I^- (Measured at Pin 12) vs. Supply Voltage

*Note: R_T = Parallel Combination of Activated Timing Resistors

Precision Oscillator

GENERAL DESCRIPTION

The XR-2209 is a monolithic variable frequency oscillator circuit featuring excellent temperature stability and a wide linear sweep range. The circuit provides simultaneous triangle and squarewave outputs over a frequency range of 0.01 Hz to 1 MHz. The frequency is set by an external RC product. It is ideally suited for frequency modulation, voltage to frequency or current to frequency conversion, sweep or tone generation as well as for phase-locked loop applications when used in conjunction with a phase comparator such as the XR-2208.

FEATURES

- Excellent Temperature Stability (20 ppm/°C)
- Linear Frequency Sweep
- Wide Sweep Range (1000:1 Min)
- Wide Supply Voltage Range ($\pm 4V$ to $\pm 13V$)
- Low Supply Sensitivity (0.15%/V)
- Wide Frequency Range (0.01 Hz to 1 MHz)
- Simultaneous Triangle and Squarewave Outputs

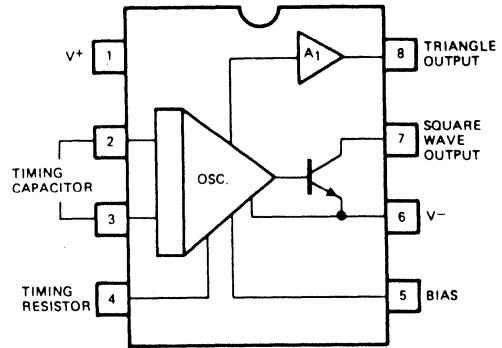
APPLICATIONS

- Voltage and Current-to-Frequency Conversion
- Stable Phase-Locked Loop
- Waveform Generation
- FM and Sweep Generation

ABSOLUTE MAXIMUM RATINGS

Power Supply	26 volts
Power Dissipation (package limitation)	
Ceramic Package	385 mW
Plastic Package	300 mW
Derate above +25°C	2.5 mW/°C
Operating Temperature Range	
XR-2209M	-55°C to +125°C
XR-2209C	0°C to +70°C
Storage Temperature Range	-65°C to +150°C

FUNCTIONAL BLOCK DIAGRAM



ORDERING INFORMATION

Part Number	Package	Operating Temperature
XR-2209M	Ceramic	-55°C to +125°C
XR-2209CN	Ceramic	0°C to +70°C
XR-2209CP	Plastic	0°C to +70°C

SYSTEM DESCRIPTION

The XR-2209 precision oscillator is comprised of three functional blocks: a variable frequency oscillator which generates the basic periodic waveforms and two buffer amplifiers for the triangle and the squarewave outputs. The oscillator frequency, set by an external capacitor, C, and the timing resistor, R, operates over 8 frequency decades, from 0.01 Hz to 1 MHz. With no sweep signal applied, the frequency of oscillation is equal to 1/RC.

The XR-2209 has a typical drift specification of 20 ppm/°C. Its frequency can be linearly swept over a 1000:1 range with an external control signal. Output duty cycle is adjustable from less than 1% to over 99%. The device may operate from either single or split supplies from 8 V to 26 V ($\pm 4 V$ to $\pm 13 V$).

XR-2209

ELECTRICAL CHARACTERISTICS

Test Conditions: Test Circuit of Figure 1, $V^+ = V^- = 6V$, $T_A = +25^\circ C$, $C = 5000\text{ pF}$, $R = 20\text{ K}\Omega$, $R_L = 4.7\text{ k}\Omega$. S_1 and S_2 closed unless otherwise specified.

PARAMETERS	XR-2209M			XR-2209C			UNITS	CONDITIONS
	MIN	TYP	MAX	MIN	TYP	MAX		
GENERAL CHARACTERISTICS								
Supply Voltage							V	See Figure 2
Single Supply	8		26	8		26	V	See Figure 1
Split Supplies	± 4		± 13	± 4		± 13	V	
Supply Current							mA	Measured at pin 1, S_1 , S_2 open
Single Supply		5	7		5	8	mA	See Figure 2
Split Supplies							mA	Measured at pin 1, S_1 , S_2 open
Positive		5	7		5	8	mA	Measured at pin 4, S_1 , S_2 open
Negative		4	6		4	7	mA	
OSCILLATOR SECTION — FREQUENCY CHARACTERISTICS								
Upper Frequency Limit	0.5	1.0		0.5	1.0		MHz	$C = 500\text{ pF}$, $R = 2\text{ K}\Omega$
Lowest Practical Frequency		0.01			0.01		Hz	$C = 50\text{ }\mu\text{F}$, $R = 2\text{ M}\Omega$
Frequency Accuracy		± 1	± 3		± 1	± 5	% of f_o	
Frequency Stability							ppm/ $^\circ C$	$0^\circ C < T_A < 70^\circ C$
Temperature		20	50		30			
Power Supply		0.15			0.15		%/V	
Sweep Range	1000:1	3000:1			1000:1		f_H/f_L	$R = 1.5\text{ K}\Omega$ for f_{H1} $R = 2\text{ M}\Omega$ for f_L $C = 5000\text{ pF}$
Sweep Linearity							%	$f_H = 10\text{ kHz}$, $f_L = 1\text{ kHz}$ $f_H = 100\text{ kHz}$, $f_L = 100\text{ Hz}$ $\pm 10\%$ FM Deviation
10:1 Sweep		1	2		1.5			See Characteristic Curves
1000:1 Sweep		5			5			
FM Distortion		0.1			0.1		%	
Recommended Range of Timing Resistors	1.5		2000	1.5		2000	$K\Omega$	
Impedance at Timing Pin		75			75		Ω	Measured at pin 4
OUTPUT CHARACTERISTICS								
Triangle Output								Measured at pin 8
Amplitude	4	6		4	6		V _{pp}	
Impedance		10			10		Ω	
Linearity		0.1			0.1		%	10% to 90% of swing
Squarewave Output								Measured at pin 7, S_2 closed
Amplitude	11	12	0.4	11	12	0.4	V _{pp}	Referenced to pin 6
Saturation Voltage		0.2			0.2		V	$C_L \leq 10\text{ pF}$, $R_L = 4.7\text{ K}\Omega$
Rise Time		200			200		nsec	$C_L \leq 10\text{ pF}$
Fall Time		20			20		nsec	

PRECAUTIONS

The following precautions should be observed when operating the XR-2209 family of integrated circuits:

1. Pulling excessive current from the timing terminal will adversely effect the temperature stability of the circuit. To minimize this disturbance, it is recommended that the total current drawn from pin 4 be limited to $\leq 6\text{ mA}$.
2. Terminals 2, 3, and 4 have very low internal impedance and should, therefore, be protected from accidental shorting to ground or the supply voltages.

3. Triangle waveform linearity is sensitive to parasitic coupling between the square and the triangle-wave outputs (pins 7 and 8). In board layout or circuit wiring care should be taken to minimize stray wiring capacitances between these pins.

DESCRIPTION OF CIRCUIT CONTROLS

TIMING CAPACITOR (PINS 2 and 3)

The oscillator frequency is inversely proportional to the timing capacitor, C. The minimum capacitance value is limited by stray capacitances and the maximum value



XR-2209

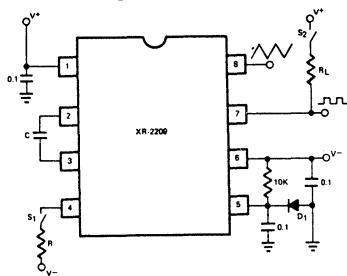


Figure 1. Test Circuit for Split Supply Operation ($D_1 = 1N4148$ or Equivalent)

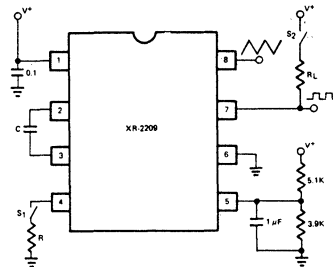


Figure 2. Test Circuit for Single Supply Operation

CHARACTERISTIC CURVES

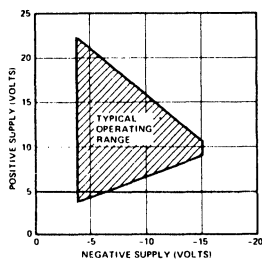


Figure 3. Typical Operating Range For Split Supply Voltage

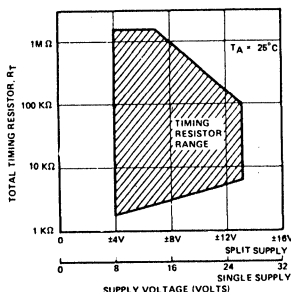


Figure 4. Recommended Timing Resistor Value vs. Power supply Voltage*

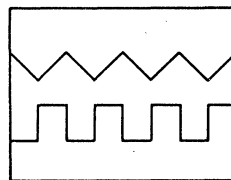


Figure 5. Output Waveforms
Top: Triangle Output (Pin 8)
Bottom: Squarewave Output (Pin 7)

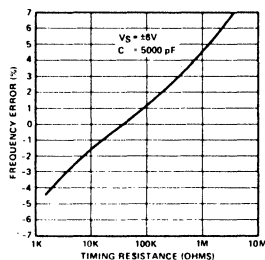


Figure 6. Frequency Accuracy vs. Timing Resistance

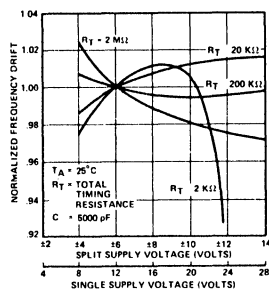


Figure 7. Frequency Drift vs. Supply Voltage

*Note: R_T = Timing Resistor at Pin 4

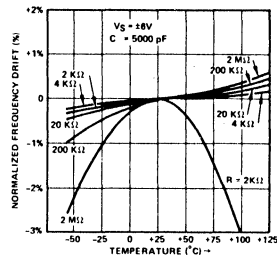


Figure 8. Normalized Frequency Drift With Temperature

RECOMMENDED CIRCUIT CONNECTIONS

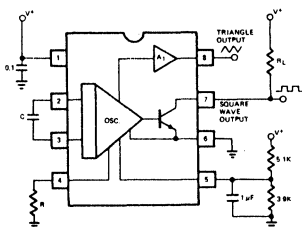


Figure 9. Circuit Connection for Single Supply Operation

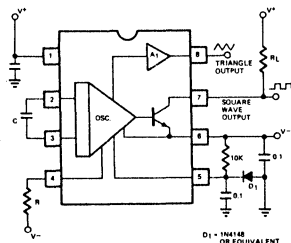


Figure 10. Generalized Circuit Connection for Split Supply Operation

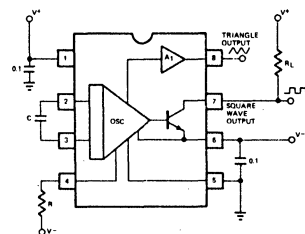


Figure 11. Simplified Circuit Connection for Split Supply Operation With $V_{CC} = V_{EE} > \pm 7V$ (Note: Triangle wave output has $+0.6V$ offset with respect to ground.)

XR-2209

OPERATING INSTRUCTIONS

SPLIT SUPPLY OPERATION

The recommended circuit for split supply operation is shown in Figure 10. Diode D_1 in the figure assures that the triangle output swing at pin 8 is symmetrical about ground. This circuit operates with supply voltages ranging from $\pm 4V$ to $\pm 13V$. Minimum drift occurs at $\pm 6V$ supplies. See Figure 3 for operation with unequal supplies.

Simplified Connection

For operation with split supplies in excess of ± 7 volts, the simplified circuit connection of Figure 11 can be used. This circuit eliminates the diode D_1 used in Figure 10; however the triangle wave output at pin 8 now has a $+0.6$ volt DC offset with respect to ground.

SINGLE SUPPLY OPERATION

The recommended circuit connection for single-supply operation is shown in Figure 9. Pin 6 is grounded; and pin 5 is biased from V^+ through a resistive divider as shown in the figure, and is bypassed to ground with a $1 \mu F$ capacitor.

For single supply operation, the DC voltage at the timing terminal, pin 4, is approximately 0.6 volts above V_B , the bias voltage at pin 5.

The frequency of operation is determined by the timing capacitor C and the timing resistor R , and is equal to $1/RC$. The squarewave output is obtained at pin 7 and has a peak-to-peak voltage swing equal to the supply voltage. This output is an "open-collector" type and requires an external pull-up load resistor (nominally $5 K\Omega$) to V^+ . The triangle waveform obtained at pin 8 is centered about a voltage level V_O where:

$$V_O = V_B + 0.6V$$

where V_B is the bias voltage at pin 5. The peak-to-peak output swing of triangle wave is approximately equal to $V^+ / 2$.

FREQUENCY CONTROL (SWEEP AND FM)

The frequency of operation is proportional to the total timing current I_T drawn from the timing pin, pin 4. This timing current, and the frequency of operation can be modulated by applying a control voltage, V_C , to the timing pin, through a series resistor, R_S , as shown in Figure 12. If V_C is negative with respect to V_A , the voltage level at pin 4, then an additional current I_O is drawn from the timing pin causing I_T to increase, thus increasing the frequency. Conversely, making V_C higher than V_A causes the frequency to decrease by decreasing I_T .

The frequency of operation, is determined by:

$$f = f_0 \left[1 + \frac{R}{R_S} - \frac{V_C R}{V_A R_S} \right]$$

where $f_0 = 1/RC$.

by physical size and leakage current considerations. Recommended values range from 100 pF to 100 μF . The capacitor should be non-polar.

TIMING RESISTOR (PIN 4)

The timing resistor determines the total timing current, I_T , available to charge the timing capacitor. Values for the timing resistor can range from 1.5 $K\Omega$ to 2 $M\Omega$; however, for optimum temperature and power supply stability, recommended values are 4 $K\Omega$ to 200 $K\Omega$ (see Figures 4, 7, and 8). To avoid parasitic pick up, timing resistor leads should be kept as short as possible.

SUPPLY VOLTAGE (PINS 1 AND 6)

The XR-2209 is designed to operate over a power supply range of $\pm 4V$ to $\pm 13V$ for split supplies, or 8V to 26V for single supplies. At high supply voltages, the frequency sweep range is reduced (see Figures 3 and 4). Performance is optimum for $\pm 6V$, or 12V single supply operation.

BIAS FOR SINGLE SUPPLY (PIN 5)

For single supply operation, pin 5 should be externally biased to a potential between $V^+ / 3$ and $V^+ / 2$ volts (see Figure 9). The bias current at pin 5 is nominally 5% of the total oscillation timing current, I_T , at pin 4. This pin should be bypassed to ground with 0.1 μF capacitor.

SQUAREWAVE OUTPUT (PIN 7)

The squarewave output at pin 7 is a "open-collector" stage capable of sinking up to 20 mA of load current. R_L serves as a pull-up load resistor for this output. Recommended values for R_L range from 1 $K\Omega$ to 100 $K\Omega$.

TRIANGLE OUTPUT (PIN 8)

The output at pin 8 is a triangle wave with a peak swing of approximately one-half of the total supply voltage. Pin 8 has a very low output impedance of 10Ω and is internally protected against short circuits.

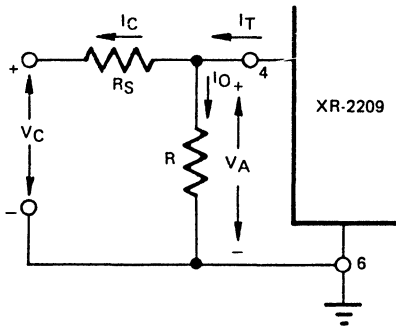
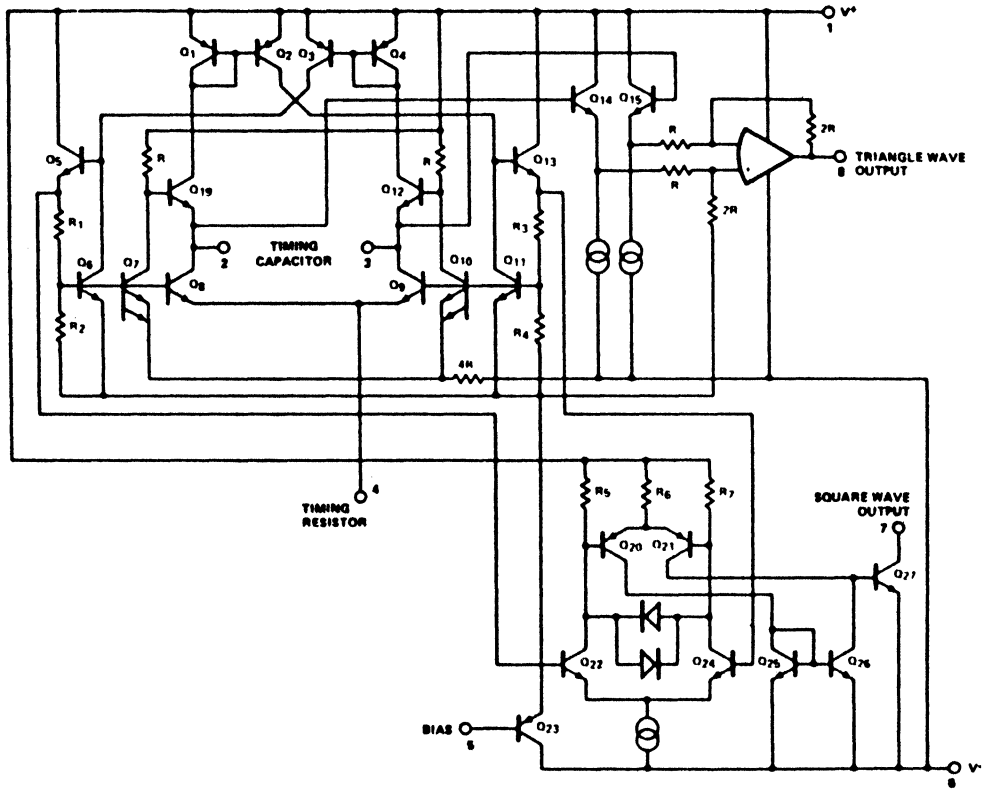


Figure 12. Frequency Sweep Operation



XR-2209



EQUIVALENT SCHEMATIC DIAGRAM

Precision Waveform Generator

GENERAL DESCRIPTION

The XR-8038 is a precision waveform generator IC capable of producing sine, square, triangular, sawtooth and pulse waveforms with a minimum number of external components and adjustments. Its operating frequency can be selected over nine decades of frequency, from 0.001 Hz to 1 MHz by the choice of external R-C components. The frequency of oscillation is highly stable over a wide range of temperature and supply voltage changes. The frequency control, sweep and modulation can be accomplished with an external control voltage, without affecting the quality of the output waveforms. Each of the three basic waveforms, i.e., sinewave, triangle and square wave outputs are available simultaneously, from independent output terminals.

The XR-8038 monolithic waveform generator uses advanced processing technology and Schottky-barrier diodes to enhance its frequency performance. It can be readily interfaced with a monolithic phase-detector circuit, such as the XR-2208, to form stable phase-locked loop circuits.

FEATURES

- Direct Replacement for Intersil 8038
- Low Frequency Drift—50 ppm/°C Max.
- Simultaneous Sine, Triangle and Square-Wave Outputs
- Low Distortion—THD \approx 1%
- High FM and Triangle Linearity
- Wide Frequency Range—0.001 Hz to 1 MHz
- Variable Duty-Cycle—2% to 98%

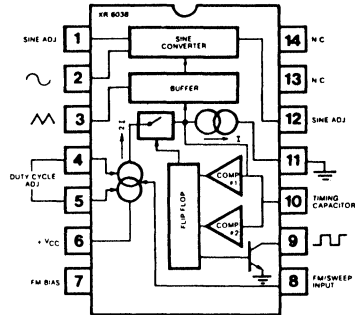
APPLICATIONS

- Precision Waveform Generation Sine, Triangle, Square, Pulse
- Sweep and FM Generation
- Tone Generation
- Instrumentation and Test Equipment Design
- Precision PLL Design

ABSOLUTE MAXIMUM RATINGS

Power Supply	36V
Power Dissipation (package limitation)	
Ceramic package	750 mW
Derate above +25°C	6.0 mW/°C
Plastic package	625 mW
Derate above +25°C	5 mW/°C
Storage Temperature Range	-65°C to +150°C

FUNCTIONAL BLOCK DIAGRAM



ORDERING INFORMATION

Part Number	Package	Operating Temperature
XR-8038M	Ceramic	-55°C to +125°C
XR-8038N	Ceramic	0°C to +70°C
XR-8038P	Plastic	0°C to +70°C
XR-8038CN	Ceramic	0°C to +70°C
XR-8038CP	Plastic	0°C to +70°C

SYSTEM DESCRIPTION

The XR-8038 precision waveform generator produces highly stable and sweepable square, triangle and sine waves across nine frequency decades. The device time base employs resistors and a capacitor for frequency and duty cycle determination. The generator contains dual comparators, a flip-flop driving a switch, current sources, a buffer amplifier and a sine wave converter. Three identical frequency waveforms are simultaneously available. Supply voltage can range from 10V to 30V, or $\pm 5V$ with dual supplies.

Unadjusted sine wave distortion is typically less than 0.7%, with Pin 1 open and 8 k Ω from Pin 12 to Pin 11 ($-V_{EE}$ or ground). Sine wave distortion may be improved by including two 100 k Ω potentiometers between V_{CC} and V_{EE} (or ground), with one wiper connected to Pin 1 and the other connected to Pin 12.

Frequency sweeping or FM is accomplished by applying modulation to Pins 7 and 8 for small deviations, or only to Pin 8 for large shifts. Sweep range typically exceeds 1000:1.

The square wave output is an open collector transistor; output amplitude swing closely approaches the supply voltage. Triangle output amplitude is typically 1/3 of the supply, and sine wave output reaches 0.22 V_S .

XR-8038

ELECTRICAL CHARACTERISTICS

Test Conditions: $V_S = \pm 5V$ to $\pm 15V$, $T_A = 25^\circ C$, $R_L = 1 M\Omega$, $R_A = R_B = 10 k\Omega$, $C_1 = 3300 pF$, S_1 closed, unless otherwise specified. See Test Circuit of Figure 1.

PARAMETERS	XR-8038M/XR-8038			XR-8038C			UNITS	CONDITIONS
	MIN	TYP	MAX	MIN	TYP	MAX		
GENERAL CHARACTERISTICS								
Supply Voltage, V_S	10	30		10	30		V	$V_S = \pm 10V$. See Note 1.
Single Supply	± 5	± 15		± 5	± 15		V	
Dual Supplies							V	
Supply Current		12	15		12	20	mA	
FREQUENCY CHARACTERISTICS (Measured at Pin 9)								
Range of Adjustment								
Max. Operating Frequency		1			1		MHz	$R_A = R_B = 500\Omega$, $C_1 = 0$, $R_L = 15 k\Omega$ $R_A = R_B = 1 M\Omega$, $C_1 = 500 \mu F$ S_1 Open. See Notes 2 and 3. S_1 Open. See Note 3. Values of R_A and R_B
Lowest Practical Frequency		0.001			0.001		Hz	
Max. FM Sweep Frequency		100			100		kHz	
FM Sweep Range		1000:1			1000:1			
FM Linearity		0.1			0.2		%	
Range of Timing Resistors	0.5		1000	0.5		1000	$k\Omega$	
Temperature Stability								
XR-8038M		20	50	—	—	—	ppm/ $^\circ C$	
XR-8038		50	100	—	—	—	ppm/ $^\circ C$	
XR-8038C	—	—	—		50		ppm/ $^\circ C$	
Power Supply Stability		0.05			0.05		%/V	See Note 4.
OUTPUT CHARACTERISTICS								
Square-Wave								
Amplitude	0.9	0.98		0.9	0.98		$\times V_S$	Measured at Pin 9. $R_L = 100 k\Omega$ $I_{sink} = 2 mA$ $R_L = 4.7 k\Omega$ $R_L = 4.7 k\Omega$
Saturation Voltage		0.2	0.4		0.2	0.5	V	
Rise Time		100			100		nsec	
Fall Time		40			40		nsec	
Duty Cycle Adj.	2		98	2		98	%	
Triangle/Sawtooth/Ramp								
Amplitude	0.3	0.33		0.3	0.33		$\times V_S$	Measured at Pin 3. $R_L = 100 k\Omega$ $I_{out} = 5 mA$
Linearity		0.05			0.1		%	
Output Impedance		200			200		Ω	
Sine-Wave Amplitude								
Distortion	0.2	0.22		0.2	0.22		$\times V_S$	$R_L = 100 k\Omega$
Unadjusted		0.7	1.5		0.8	3	%	$R_L = 1 M\Omega$. See Note 5.
Adjusted		0.5			0.5		%	$R_L = 1 M\Omega$

Note 1: Currents through R_A and R_B not included.

Note 2: $V_S = 20V$, $f = 10 kHz$, $R_A = R_B = 10k\Omega$.

Note 3: Apply sweep voltage at Pin 8.

($2/3 V_S + 2V$) $\leq V_{sweep} \leq V_S$

Note 4: $10V \leq V_S \leq 30V$ or $\pm 5V \leq V_S \leq \pm 15V$.

Note 5: $81 k\Omega$ resistor connected between Pins 11 and 12.

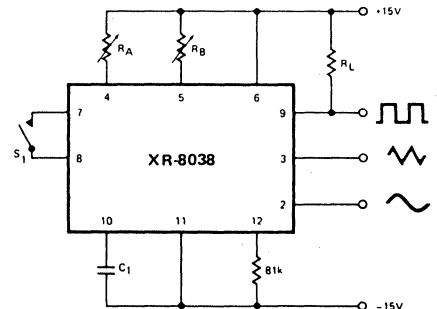
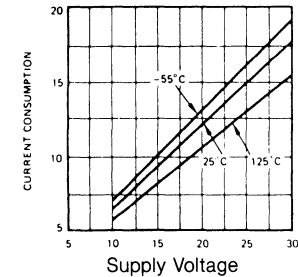


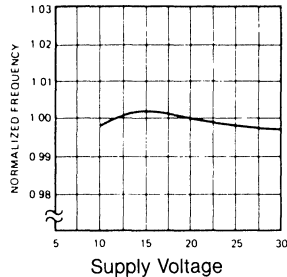
Figure 1. Generalized Test Circuit

XR-8038

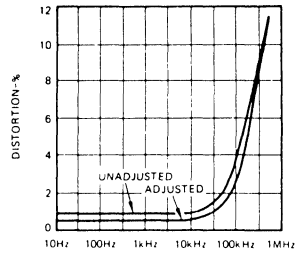
CHARACTERISTIC CURVES



Power Dissipation vs. Supply Voltage



Frequency Drift vs. Power Supply



Sinewave THD vs. Frequency

1

WAVEFORM ADJUSTMENT

The *symmetry* of all waveforms can be adjusted with the external timing resistors. Two possible ways to accomplish this are shown in Figure 2. Best results are obtained by keeping the timing resistors R_A and R_B separate (a). R_A controls the rising portion of the triangle and sine-wave and the "Low" state of the square wave.

The magnitude of the triangle waveform is set at $1/3 V_{CC}$; therefore, the duration of the rising portion of the triangle is:

$$t_1 = \frac{C \times V}{I} = \frac{C \times 1/3 \times V_{CC} \times R_A}{1/5 \times V_{CC}} = \frac{5}{3} R_A \times C$$

The duration of the falling portion of the triangle and the sine-wave, and the "High" state of the square-wave is:

$$t_2 = \frac{C \times V}{I} = \frac{C \times 1/3 V_{CC}}{\frac{2}{5} \times \frac{V_{CC}}{R_B} - \frac{1}{5} \times \frac{V_{CC}}{R_A}} = \frac{5}{3} \times \frac{R_A R_B C}{2R_A - R_B}$$

Thus a 50% duty cycle is achieved when $R_A = R_B$.

If the duty-cycle is to be varied over a small range about 50% only, the connection shown in Figure 2b is

slightly more convenient. If no adjustment of the duty cycle is desired, terminals 4 and 5 can be shorted together, as shown in Figure 2c. This connection, however, carries an inherently larger variation of the duty-cycle.

With two separate timing resistors, the *frequency* is given by

$$f = \frac{1}{t_1 + t_2} = \frac{1}{\frac{5}{3} R_A C \left(1 + \frac{R_B}{2R_A - R_B} \right)}$$

or, if $R_A = R_B = R$

$$f = 0.3/RC \text{ (for Figure 2a)}$$

If a single timing resistor is used (Figures 2b and c), the frequency is

$$f = 0.15/RC$$

The frequency of oscillation is independent of supply voltage, even though none of the voltages are regulated inside the integrated circuit. This is due to the fact that both currents *and* thresholds are direct, linear function of the supply voltage and thus their effects cancel.

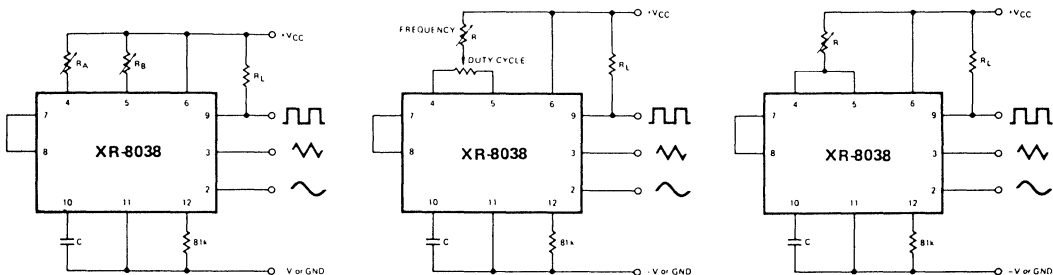


Figure 2. Possible Connections for the External Timing Resistors.

XR-8038

DISTORTION ADJUSTMENT

To minimize *sine-wave* distortion the 81 kΩ resistor between pins 11 and 12 is best made a variable one. With this arrangement distortion of less than 1% is achievable. To reduce this even further, two potentiometers can be connected as shown in Figure 3. This configuration allows a reduction of sine-wave distortion close to 0.5%

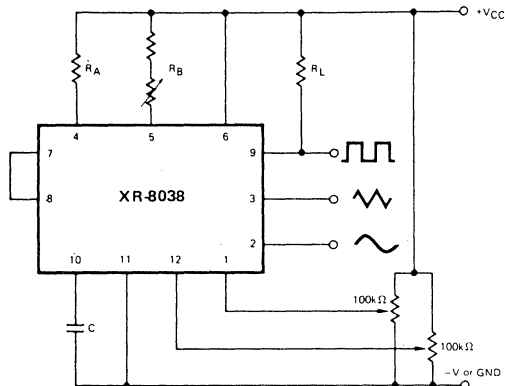


Figure 3. Connection to Achieve Minimum Sine-Wave Distortion.

SELECTING TIMING COMPONENTS

For any given output frequency, there is a wide range of RC combinations that will work. However certain constraints are placed upon the magnitude of the charging current for optimum performance. At the low end, currents of less than 0.1 μA are undesirable because circuit leakages will contribute significant errors at high temperatures. At higher currents (1 > 5 mA), transistor betas and saturation voltages will contribute increasingly larger errors. Optimum performance will be obtained for charging currents of 1 μ to 1 mA. If pins 7 and 8 are shorted together the magnitude of the charging current due to RA can be calculated from:

$$1 = \frac{R_1 \times V_{CC}}{(R_1 + R_2)} \times \frac{1}{R_A} = \frac{V_{CC}}{5R_A}$$

A similar calculation holds for RB.

SINGLE-SUPPLY AND SPLIT-SUPPLY OPERATION

The waveform generator can be operated either from a single power-supply (10 to 30 Volts) or a dual power-supply (±5 to ±15 Volts). With a single power-supply the average levels of the triangle and sine-wave are at exactly one-half of the supply voltage, while the square-wave alternates between +VCC and ground. A split power supply has the advantage that all waveforms move symmetrically about ground.

The square-wave output is not committed. A load resistor can be connected to a different power-supply, as long as the applied voltage remains within the breakdown capability of the waveform generator (30V). In this way, the square-wave output will be TTL compatible

(load resistor connected to +5 Volts) while the waveform generator itself is powered from a higher supply voltage.

FREQUENCY MODULATION AND SWEEP

The frequency of the waveform generator is a direct function of the DC voltage at terminal 8 (measured from +VCC). By altering this voltage, frequency modulation is performed.

For small deviations (e.g., ±10%) the modulating signal can be applied directly to pin 8 by merely providing ac coupling with a capacitor, as shown in Figure 4a. An external resistor between pins 7 and 8 is not necessary, but it can be used to increase input impedance. Without it (i.e. terminals 7 and 8 connected together), the input impedance is 8kΩ; with it, this impedance increases to (R + 8kΩ).

For larger FM deviations or for frequency sweeping, the modulating signal is applied between the positive supply voltage and pin 8 (Figure 4b). In this way the entire bias for the current sources is created by the modulating signal and a very large (e.g., 1000:1) sweep range is obtained (f = 0 at V_{sweep} = 0). Care must be taken, however, to regulate the supply voltage; in this configuration the charge current is no longer a function of the supply voltage (yet the trigger thresholds still are) and thus the frequency becomes dependent on the supply voltage. The potential on Pin 8 may be swept from VCC to 2/3 VCC + 2V.

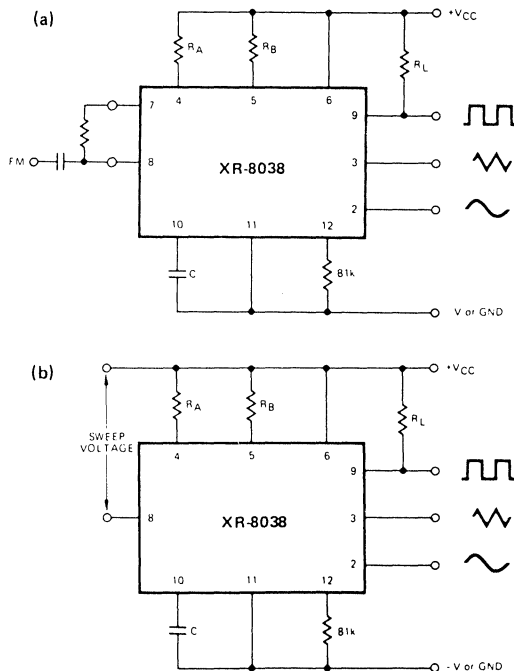


Figure 4. Connections for Frequency Modulation (a) and Sweep (b).

Precision Waveform Generator

GENERAL DESCRIPTION

The XR-8038A is a precision waveform generator IC capable of producing sine, square, triangular, sawtooth, and pulse waveforms, with a minimum number of external components and adjustments. The 8038A allows the elimination of the external distortion adjusting resistor which greatly improves the temperature drift of distortion, as well as lowering external parts count. Its operating frequency can be selected over nine decades of frequency, from 0.001 Hz to 1 MHz, by the choice of external R-C components. The frequency of oscillation is highly stable over a wide range of temperature and supply voltage changes. The frequency control, the sweep, and the modulation can be accomplished with an external control voltage, without affecting the quality of the output waveforms. Each of the three basic waveform outputs, (i.e., sine, triangle and square) are simultaneously available from independent output terminals.

The XR-8038A monolithic waveform generator uses advanced processing technology and Schottky-barrier diodes to enhance its frequency performance. It can be readily interfaced with a monolithic phase-detector circuit, such as the XR-2228 to form stable phase-locked circuits.

FEATURES

- Low Frequency Drift 50 ppm/°C, Typical
- Simultaneous Sine, Triangle, and Square Wave Outputs
- Low Distortion THD 1%
- High FM and Triangle Linearity
- Wide Frequency Range 0.001 Hz to 1 MHz, Typical
- Variable Duty Cycle 2% to 98%
- Low Distortion Variation with Temperature

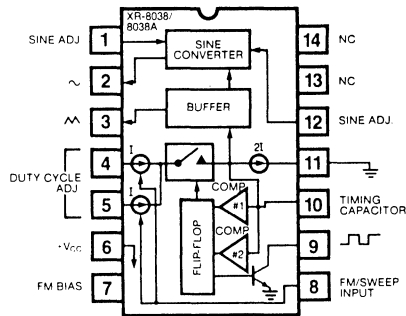
APPLICATIONS

- Precision Waveform Generation
- Sweep and FM Generation
- Tone Generation
- Instrumentation and Test Equipment Design
- Precision PLL Design

ABSOLUTE MAXIMUM RATINGS

Power Supply	36V
Power Dissipation (package limitation)	
Ceramic Package	750 mW
Derate Above +25°C	6.0 mW/°C
Plastic Package	625 mW
Derate Above +25°C	5 mW/°C
Storage Temperature Range	-65°C to +150°C

FUNCTIONAL BLOCK DIAGRAM



ORDERING INFORMATION

Part Number	Package	Operating Temperature
XR-8038AM	Ceramic	-55°C to +125°C
XR-8038AN	Ceramic	0°C to +70°C
XR-8038AP	Plastic	0°C to +70°C
XR-8038ACN	Ceramic	0°C to +70°C
XR-8038ACP	Plastic	0°C to +70°C

SYSTEM DESCRIPTION

The XR-8038A precision waveform generator produces highly stable and sweepable square, triangle, and sine waves across nine frequency decades. The XR-8038A is an advanced version of the XR-8038, with improved sine distortion temperature drift. The device time base employs resistors and a capacitor for frequency and duty cycle determination. The generator contains dual comparators, a flip-flop driving a switch, current sources, a buffer amplifier, and a sine wave convertor. Three identical frequency outputs are simultaneously available. Supply voltage can range from 10V to 30V, or $\pm 5V$ to $\pm 15V$ with dual supplies.

Unadjusted sine wave distortion is typically less than 0.7% with the sine wave distortion adjust pin (Pin 1) open. Distortion levels may be improved by including a 100k Ω potentiometer between the supplies, with the wiper connected to Pin 1.

Frequency sweeping or FM is accomplished by applying modulation to Pins 7 and 8 for small deviations, or only Pin 8 for large shifts. Sweep range typically exceed 1000:1.

The square wave output is an open collector transistor; output amplitude swing closely approaches the supply voltage. Triangle output amplitude is typically 1/3 of the supply, and sine wave output reaches 0.22V_S.



XR-8038A

ELECTRICAL CHARACTERISTICS

Test Conditions: $V_S = \pm 5V$ to $\pm 15V$, $T_A = 25^\circ C$, $R_L = 1\text{ M}\Omega$, $R_A = R_B = 10\text{ k}\Omega$, $C_1 = 3300\text{ pF}$, S_1 closed, unless otherwise specified.

PARAMETERS	XR-8038AM			XR-8038AC			UNITS	CONDITIONS	
	MIN	TYP	MAX	MIN	TYP	MAX			
GENERAL CHARACTERISTICS									
Supply Voltage, V_S									
Single Supply	10		30	10		30	V	$V_S = \pm 10V$ (Note 1)	
Dual Supplies	± 5		± 15	± 5		± 15	V		
Supply Current		12	15		12	20	mA		
FREQUENCY CHARACTERISTICS (Measured at Pin 9)									
Range of Adjustment									
Max. Operating Frequency		1			1		MHz	$R_A = R_B = 500\Omega$, $C_1 = 0$, $R_L = 15\text{ k}\Omega$ $R_A = R_B = 1\text{ M}\Omega$, $C_1 = 500\text{ }\mu\text{F}$	
Lowest Practical Frequency		0.001			0.001		Hz		
Max. FM Sweep Frequency		100			100		kHz		
FM Sweep Range		1000:1			1000:1		%		
FM Linearity		0.1			0.2		%	S_1 Open (Note 2 & 3) S_1 Open (Note 3) Values of R_A and R_B	
Range of Timing Resistors	0.5		1000	0.5		1000	k Ω		
Temperature Stability									
XR-8038AM		50	100	—	—	—	ppm/ $^\circ C$	$T_A = -55^\circ C$ to $+125^\circ C$ $T_A = 0^\circ C$ to $+70^\circ C$ (Note 4)	
XR-8038AC					20		ppm/ $^\circ C$		
Power Supply Stability		0.05			0.05		%/V		
OUTPUT CHARACTERISTICS									
Square-Wave									
Amplitude	0.9	0.98		0.9	0.98		$\times V_S$	Measured at Pin 9 $R_L = 100\text{ k}\Omega$ $I_{\text{sink}} = 2\text{ mA}$ $R_L = 4.7\text{ k}\Omega$ $R_L = 4.7\text{ k}\Omega$	
Saturation Voltage		0.2	0.4		0.2	0.5	V		
Rise Time		100			100		nsec		
Fall Time		40			40		nsec		
Duty Cycle Adjustment	2		98	2		98	%	Measured at Pin 3 $R_L = 100\text{ k}\Omega$ $I_{\text{out}} = 5\text{ mA}$ $R_L = 100\text{ k}\Omega$ $R_L = 1\text{ M}\Omega$ (Note 5 & 6) $R_L = 1\text{ M}\Omega$ (Note 5 & 6)	
Triangle/Sawtooth/Ramp									
Amplitude	0.3	0.33		0.3	0.33		$\times V_S$		
Linearity		0.05			0.1		%		
Output Impedance		200			200		$\times V_S$		
Sine-Wave Amplitude									
Distortion	0.2	0.22		0.2	0.22		$\times V_S$		
Unadjusted		0.7	1.5		0.8	3	%		
Adjusted		0.5			0.5		%		
$\Delta\text{THD}/\Delta T$		0.5			0.3		%		

Note 1: Currents through R_A and R_B not included.

Note 2: $V_S = 20V$, $f = 10\text{ kHz}$, $R_A = R_B = 10\text{ k}\Omega$.

Note 3: Apply sweep voltage at Pin 8.

$2/3 V_S \leq V_{\text{sweep}} \leq V_{\text{SN}}$.

Note 4: $10V \leq V_S \leq 30V$ or $\pm 5V \leq V_S \leq \pm 15V$.

Note 5: Pin 12 open circuited (No 81 k Ω resistor as standard 8038).

Note 6: Triangle duty cycle set to 50%, use R_A and R_B .

Multipliers/Modulators

Operational Multiplier

GENERAL DESCRIPTION

The XR-2208 operational multiplier combines a four-quadrant analog multiplier (or modulator), a high frequency buffer amplifier, and an operational amplifier in a monolithic circuit that is ideally suited for both analog computation and communications signal processing application. As shown in the functional block diagram, for maximum versatility the multiplier and operational amplifier sections are not internally connected. They can be interconnected, with a minimum number of external components, to perform arithmetic computation, such as multiplication, division, square-root extraction. The operational amplifier can also function as a pre-amplifier for low-level input signals, or as a post detection amplifier for synchronous demodulator applications. For signal processing, the high frequency buffer amplifier output is available at pin 15. This multiplier/buffer amplifier combination extends the small signal 3-db bandwidth to 8-MHz and the transconductance bandwidth to 100 MHz.

The XR-2208 operates over a wide range of supply voltages, $\pm 4.5V$ to $\pm 16V$. Current and voltage levels are internally regulated to provide excellent power supply rejection and temperature stability. The XR-2208 operates over a $0^{\circ}C$ to $70^{\circ}C$ temperature range. The XR-2208M is specified for operation over the military temperature range of $-55^{\circ}C$ to $+125^{\circ}C$.

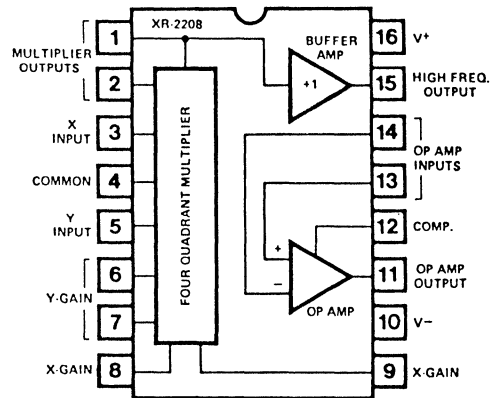
FEATURES

- Maximum Versatility
 - Independent Multiplier, Op Amp, and Buffer
- Excellent Linearity (0.3% typ.)
- Wide Bandwidth
 - 3 dB B.W.—8 MHz typ.
 - 3° Phase Shift B.W.—1.2 MHz typ.
 - Transconductance B.W.—100 MHz typ.
- Simplified Offset Adjustments
- Wide Supply Voltage Range ($\pm 4.5V$ to $\pm 16V$)

APPLICATIONS

- | | |
|--------------------------|--------------------------------------|
| Analog Computation | Triangle-to-Sinewave Converter |
| Multiplication | AGC Amplifier |
| Division | Phase Detector |
| Squaring | Phase-Locked Loop (PLL) Applications |
| Square-Root | Motor Speed Control |
| Signal Processing | Precision PLL |
| AM Generation | Carrier Detection |
| Frequency Doubling | Phase-Locked AM Demodulation |
| Frequency Translation | |
| Synchronous AM Detection | |

FUNCTIONAL BLOCK DIAGRAM



ABSOLUTE MAXIMUM RATINGS

Power Supply V+	+ 18 Volts
V-	- 18 Volts
Power Dissipation	
Ceramic Package	750mW
Derate above +25°C	6mW/°C
Plastic Package	625 mW
Derate above +25°C	5 mW/°C
Storage Temperature Range	-65°C to +150°C

ORDERING INFORMATION

Part Number	Package	Operating Temperature
XR-2208M	Ceramic	-55°C to +125°C
XR-2208N	Ceramic	0°C to +70°C
XR-2208P	Plastic	0°C to +70°C
XR-2208CN	Ceramic	0°C to +70°C
XR-2208CP	Plastic	0°C to +70°C

SYSTEM DESCRIPTION

The XR-2208 multiplier/detector contains a four quadrant multiplier and a fully independent operational amplifier. The four quadrant multiplier has fully differential X and Y inputs and outputs. Both inputs have 3 MHz dynamic response and 100 MHz transconductance bandwidth. The operational amplifier features high gain and a large common mode range. The device is powered by 4.5V to 16V split supplies.

For higher frequency applications, consider the XR-2208.



XR-2208

ELECTRICAL CHARACTERISTICS

Test Conditions: Supply Voltage = $\pm 15V$, $T_A = 25^\circ C$, unless otherwise specified.

PARAMETERS	XR-2208/ XR-2208M			XR-2208C			UNITS	FIGURES	CONDITIONS
	MIN	TYP	MAX	MIN	TYP	MAX			
I. GENERAL									
Supply Voltage	± 4.5		± 16	± 4.5		± 16	Vdc		See Figure 11 Measured at Pin 16
Supply Current		4	7		5	8	mA	2	
II. MULTIPLIER SECTION									
Non-linearity (Output Error in % of Full Scale)		0.3 0.3 0.7	0.5 0.5 1.0		0.5 0.5 0.8	1.0 1.0 %	%	3	No external offset trim $V_Y = \pm 10V, -10V < V_X < +10V$ $V_X = \pm 10V, -10V < V_Y < +10V$ $T_{LOW} \leq T_A \leq T_{HIGH}$ (Note 1) $f = 50 \text{ Hz}$ $V_X = 20 \text{ Vp-p}, V_Y = 0$ $V_Y = 20 \text{ Vp-p}, V_X = 0$ $V_X = 20 \text{ Vp-p}, V_X = 0$ $V_Y = 20 \text{ Vp-p}, V_X = 0$ $T_{LOW} \leq T_A \leq T_{HIGH}$ (Note 1)
Feedthrough									
a) With Offset Adj.									
X-input		45	80		70	120	mVp-p		
Y-input		60	100		90	150	mVp-p		
b) No Offset Adj.									
X-input		120			200		mVp-p		
Y-input		120			200		mVp-p		
Temperature Coefficient of Scale Factor		± 0.07			± 0.07		%/ $^\circ C$		
Input Bias Current							μA	2	
X, Y input		2	6		3	8	μA	2	
Common input		4	12		6	16	μA	2	
Input Resistance	0.5	1.0			1.0		M Ω	2	
Output Offset Voltage		50	80		80	140	mV	2	
Avg. Temp. Drift		0.5			0.5		mV/ $^\circ C$	5	
Dynamic Response									
3-dB Bandwidth									
X-input	6	8		6	8		MHz		
Y-input	3	4		3	4		MHz		
3 $^\circ$ Phase-Shift Bandwidth		1.2			1.2		MHz		
1% Absolute Error Bandwidth		30			30		kHz		
Transconductance Bandwidth		100			100		MHz		
Output Impedance		6			6		k Ω		
III. BUFFER AMPLIFIER									
Output Impedance		200			200		Ω	5	Measured looking into Pin 15
Gain		1.0			1.0				
IV. OPERATIONAL AMPLIFIER									
Input Offset Voltage		1	3		2	6	mV	6	$R_S < 50\Omega$ $T_{LOW} \leq T_A \leq T_{HIGH}$
Temperature Coefficient of Input Offset Voltage		6	20		9	30	$\mu V/^\circ C$		
Input Offset Current		4	75		10	100	nA	6	$\frac{ I_{B1} - I_{B2} }{2}$
Input Bias Current		30	200		50	300	nA	6	
Voltage Gain	70	75		70	75		dB	6	$R_L \geq 2K, V_O = \pm 10V, f = 20 \text{ Hz}$
Differential Input Resistance	0.5	3			3		M Ω	6	
Output Voltage Swing	± 10	± 12		± 10	± 12		V		$R_L \geq 2K, T_{LOW} \leq T_A \leq T_{HIGH}$
Input Common	+12	+14		+12	+14				
Mode Range	-10	-12		-10	-12		V	6	
Common Mode Rejection	70	90		70	90		dB	6	$f = 20 \text{ Hz}$
Output Resistance		2			2		k Ω	6	
Slew Rate		0.5			0.5		V/ μs	7	Gain = 1, $R_L \geq 2K, C_L \leq 100 \text{ pF}$ $C_C = 20 \text{ pF}$ $R_S \leq 10K$
Power Supply Sensitivity		30			30		$\mu V/V$	6	

Note 1: $T_{LOW} = -55^\circ C, T_{HIGH} = +125^\circ C$ for XR-2208M

$T_{LOW} = 0^\circ C, T_{HIGH} = +70^\circ C$ for XR-2208C

CAUTION: When using only the op amp or only the multiplier section of the XR-2208, the input terminals to the unused section must be grounded. Thus, when using the multiplier section alone, ground pins 13 and 14; when using the op amp section alone, ground pins 3, 4 and 5.

XR-2208

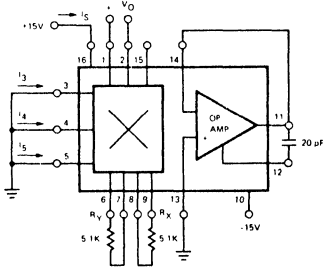


Figure 1. Test Circuit for Quiescent Supply Current, Multiplier Input Bias and Output Offset Voltage.

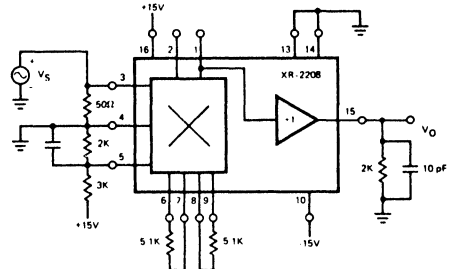


Figure 4. Test Circuit for Multiplier Small-Signal Bandwidth for X-Input (For Y-Input, reverse connections between Pin 3 and 5).

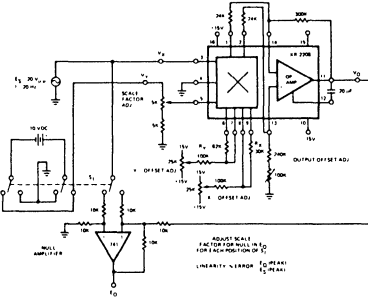


Figure 2. Linearity Test Circuit

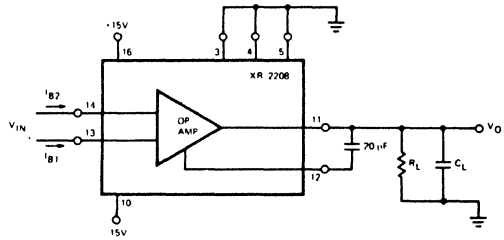


Figure 5. Test Circuit for Op Amp DC Parameters

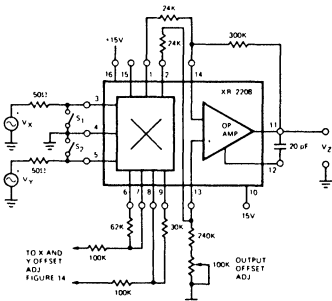


Figure 3. Test Circuit for Feedthrough Measurement.
X-Input Feedthrough = V_Z with S_1 , open, S_2 closed.
Y-Input Feedthrough = V_Z with S_1 , closed, S_2 open.

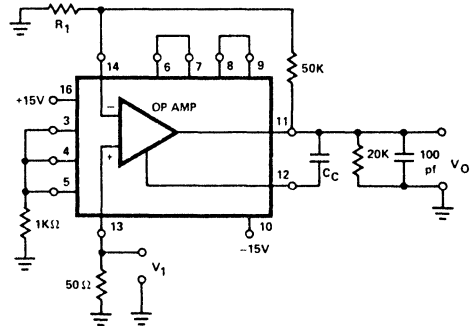


Figure 6. Op Amp AC Test Circuit

DEFINITION OF MULTIPLIER TERMS

NONLINEARITY: Nonlinearity is the maximum deviation of the output voltage from a straight-line transfer function. It is measured separately for the X and Y inputs and is specified as (%) of full scale output.

FEEDTHROUGH: The amount of peak-to-peak output voltage present with one input grounded and a specified peak-to-peak input applied to the other input. Feedthrough is a function of multiplier offsets and can be minimized by offset adjustment (see Figure 13).

OFFSET VOLTAGES: A four-quadrant analog multiplier has three separate offsets: the X and Y input offsets and the output offset. The transfer function of a practical multi-

plier with scale factor K can be written as:

$$V_Z = K[(V_X + \phi_X)(V_Y + \phi_Y)] + \phi_0$$

where ϕ_X and ϕ_Y are the offset voltages associated with the respective inputs, ϕ_0 is the offset voltage of the output, V_Z is the multiplier output, V_X and V_Y are the multiplier inputs. As shown in Figures 13 and 14, each of these offset voltages can be nulled to zero by external adjustments.

SCALE FACTOR, K: The constant of proportionality that relates the multiplier output to the X and Y inputs. If the offset terms are neglected, the multiplier output, V_Z , is related to the X and Y inputs as $V_Z = K(V_X \cdot V_Y)$. The scale factor K has the dimensions of (volts)⁻¹ and can be adjusted externally.

XR-2208

TYPICAL CHARACTERISTIC CURVES

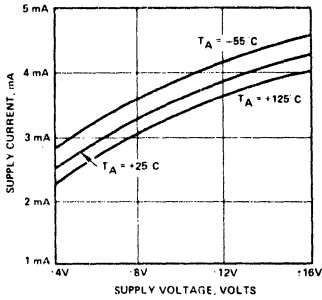


Figure 7. Supply Current vs Supply Voltage

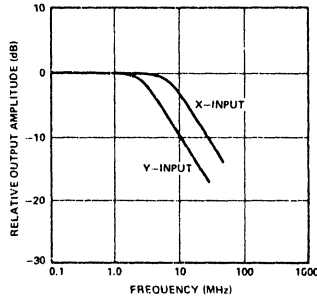


Figure 8. Small-Signal Frequency Response for the Multiplier Section. (Output Measured at Pin 15—See Fig. 4).

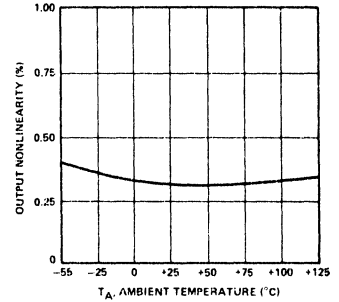


Figure 9. Temperature Dependence of Output Nonlinearity for X or Y Inputs (See Figure 2).

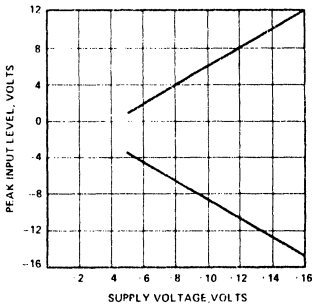


Figure 10. Multiplier Input Dynamic Range vs Power Supply

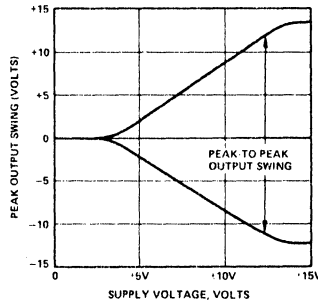


Figure 11. Op Amp Output Swing vs Power Supply

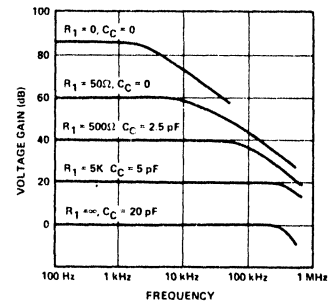


Figure 12. Op Amp Frequency Response

In most arithmetic applications the multiplier and op amp sections of the XR-2208 are interconnected as shown in Figure 14. In such applications, over-all scale factor K can be written as:

$$K = (K_m)(K_a) = \left(\frac{V_o}{V_x Y_y} \right) \left(\frac{V_z}{V_o} \right)$$

where K_m is the gain constant of the multiplier section, and K_a is the gain of the op amp stage in Figure 14, V_o is the multiplier output across pins 1 and 2, and V_z is the op amp output at pin 11. With reference to Figure 14, these gain constants can be expressed as:

$$K_m \approx \frac{25}{R_x R_y} (\text{volts})^{-1}; \quad K_a \approx \frac{R_f}{6 + R_i}$$

where all resistors are in $k\Omega$.

Thus, overall scale factor K can be adjusted by varying R_x , R_y , R_f . For fine adjustment of the scale factor, K , an additional potentiometer can be included into the circuit, as shown in Figure 14.

INPUT DYNAMIC RANGE: The maximum peak signal which can be applied to the X or Y inputs for a given supply voltage without impairing linearity. (See Figure 10).

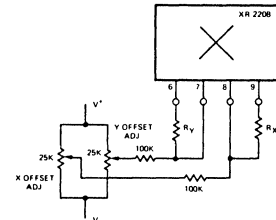


Figure 13. Offset Adjustment

MULTIPLIER BANDWIDTH: Depending on the particular application, a different definition of "multiplier bandwidth" may be used. The most commonly accepted definitions are:

- 3-dB Bandwidth:** Frequency where the multiplier output is 3-dB below its low frequency ($f = 20$ Hz) level.
- 3° Phase Shift Bandwidth:** Frequency where the net phase shift across the multiplier is equal to 3°.
- 1% Absolute Error Bandwidth:** Frequency where the phase vector error between the actual and ideal output vectors is equal to 1%. This frequency is reached when the net phase shift across the multiplier is equal to 0.01 radian or 0.57°.

XR-2208

- d) *Transconductance Bandwidth*: Frequency where the transconductance of the multiplier drops 3-dB below its low frequency value. This bandwidth defines the frequency range of operation for phase-detector and synchronous AM detector applications.

DESCRIPTION OF CIRCUIT CONTROLS

MULTIPLIER INPUTS (PINS 3, 4, AND 5)

The X and Y inputs to the multiplier are applied to pins 3 and 5 respectively. The third input (pin 4) is common to both X and Y portions of the multiplier, and in most applications serves as a "reference" or ground terminal. The typical bias current at the multiplier inputs is 3 μ A for the X- and Y- inputs and 6 μ A for the "common" terminal. In circuit applications such as "synchronous AM detection" or "frequency doubling" where the same input signal is applied to both X and Y inputs, pin 4 can be used as the input terminal since it is common to both X and Y sections of the multiplier.

MULTIPLIER OUTPUTS (PINS 1 AND 2)

The differential output voltage, V_O , across these terminals is proportional to the linear product of voltages V_X and V_Y applied to the inputs. V_O can be expressed as:

$$V_O \approx \left(\frac{25}{R_X R_Y} \right) (V_X V_Y)$$

where all voltages are in volts and the resistors are in $k\Omega$. R_X and R_Y are the gain control resistors for X and Y sections of the multiplier.

The common-mode dc potential at the multiplier outputs is approximately 3 volts below the positive supply. One of the multiplier outputs (pin 1) is internally connected to the unity-gain buffer amplifier input for high-frequency applications.

In most analog computation operations, such as multiplication, division, etc., pins 1 and 2 are dc coupled to the op amp inputs (pins 13 and 14). The final output, V_Z , is then obtained from the op amp output at pin 11, as shown in Figure 14.

X AND Y GAIN ADJUST (PINS 6, 7, 8, 9)

The gains of the X and Y sections of the multiplier are inversely proportional to resistors R_X and R_Y connected across the respective gain terminals. The multiplier conversion gain, K_M , can be expressed as:

$$K_M \approx \frac{25}{R_X R_Y} \quad (\text{volts})^{-1}$$

where R_X and R_Y are in $k\Omega$.

X AND Y OFFSET ADJUST (PINS 7 AND 8)

Two of the gain-control terminals, pins 7 and 8, are also used for adjusting X and Y offsets. Figure 13 shows the typical adjustment circuitry which can be connected to these pins to null-out input offsets.

OP AMP INPUTS (PINS 13 AND 14)

Pin 13 is the non-inverting and pin 14 the inverting inputs for the op amp section. In most multiplier applications, these terminals are connected to the multiplier outputs (pins 1 and 2). **Note: When the op amp section is not used, these terminals should be grounded.**

OP AMP COMPENSATION (PIN 12)

The op amp section can be compensated for unconditional stability with a 20 pF capacitor connected between pin 12 and pin 11. For op amp voltage gains greater than unity, this compensation capacitance can be reduced to improve slew rate and small signal bandwidth as shown in Figure 12.

OP AMP OUTPUT (PIN 11)

This terminal serves as the output for the op amp section. It is internally protected against accidental short circuit conditions, and can sink or source 10 mA of current into a resistive load. In most multiplier applications, pin 11 is the actual XR-2208 output, with the op amp inputs being connected to the multiplier outputs.

BUFFER AMPLIFIER OUTPUT (PIN 15)

The buffer amp is internally connected to the multiplier section. The buffer amp has unity voltage gain, and provides a low-impedance output at pin 15 for the multiplier section. The buffer amp is particularly useful for high frequency operation since it minimizes the capacitive loading effects at the multiplier outputs.

The buffer amplifier is activated by connecting a load resistor, R_1 , from pin 15 to ground. When it is not used, pin 15 can be left open circuited. However, since the buffer amplifier output is a low impedance point, reasonable care should be taken to avoid burnout due to accidental short circuits. The maximum dc current drawn from pin 15 should be limited to 10 mA. The dc voltage at pin 15 is typically 4.5 volts below $V+$.

APPLICATIONS INFORMATION

PART I: ARITHMETIC OPERATIONS

Multiplication

For most multiplication applications, the multiplier and op amp sections are interconnected as shown in Figure 15 to provide a single-ended analog output with a wide dynamic range. The circuit of Figure 14 provides a linear output swing of 10V for maximum input signals of 10V, with a scale factor $K = 0.1$. The trimming procedure for the circuit is as follows:

1. Apply OV to both inputs and adjust the output offset to OV using the output offset control.
2. Apply 20V p-p at 50 Hz to the X-input and OV to the Y-input. Trim the Y-offset adjust for minimum peak-to-peak output.

XR-2208

3. Apply 20V p-p to the Y-input and OV to the X-input. Trim X-offset adjust for minimum peak-to-peak output.
4. Repeat step 1.
5. Apply +10V to both inputs and adjust scale factor for $V_O = +10V$. This step may be repeated with different amplitudes and polarities of input voltages to optimize accuracy over the entire range of input voltages, or over any specific portion of input voltage range.

Squaring Circuit

The recommended circuit connection for squaring applications is shown in Figure 15. This circuit is the same as the basic multiplier circuit with both inputs tied together, except only one input offset adjustment is necessary. Trimming procedure for the squaring circuit is as follows:

1. Apply 0 volts to the input and adjust the output offset to zero.
2. Apply 1.0V to the input and adjust the Y-offset until $V_O = 0.10V$.
3. Apply 10V to the input and adjust the scale factor until $V_O = +10V$.
4. Apply -10V to the input and check that $V_O = +10V$. If not, repeat steps 1 through 3. Some compromise may be necessary in scale factor adjustments given in steps 3 and 4.

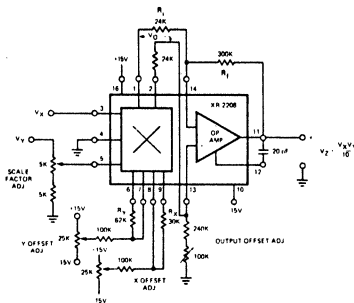


Figure 14. Multiplication Circuit

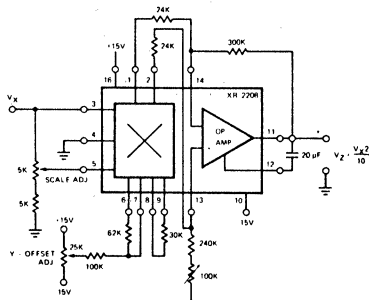


Figure 15. Squaring Circuit

Dividing Circuit

Recommended circuit connection for performing analog division is shown in Figure 16. This circuit uses the multiplier in the feedback path of the op amp. For the circuit shown, $V_O = +10 V_Z/V_X$ where $V_X < 0$ and V_Z can have either sign. Positive values of V_X are not allowed, since this will reverse the polarity of the feedback loop, causing positive feedback and latchup.

This latchup mode is nondestructive to the XR-2208, and is common to all analog division circuits. The divide circuit is trimmed as follows:

1. Apply $V_Z = 0$ and trim the output offset adjustment for constant output voltage as V_X is varied from -1V to -10V.
2. Keeping $V_Z = 0$, and applying $V_X = -10V$, trim the Y-offset adjust until $V_O = 0$.
3. Let $V_Z = V_X$ and/or $V_Z = -V_X$ and trim the X-offset adjustment for constant output voltage as V_X is varied from -1V to -10V.
4. Repeat steps 1 and 2 if step 3 required a large initial adjustment.
5. Keeping $V_Z = V_X$, adjust the scale factor trim for $V_O = -10V$ as V_X is varied from -1V to -10V.

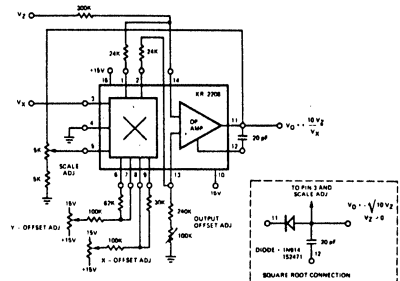


Figure 16. Dividing Circuit

Square Root Circuit

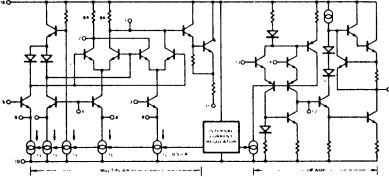
This is essentially the dividing circuit with the X input tied to the output. Thus, the voltage on the Z input is divided by the output voltage, i.e. the output is proportional to the square root of the input. A diode is included in series with the output to prevent a latchup condition which would result if V_Z were allowed to go negative. The square root circuit may be trimmed as a divider by disconnecting the X-input from the output, keeping $V_Z > 0$ and $V_X < 0$. The square root circuit may also be trimmed in the closed-loop mode by the following procedure:

1. Apply $V_Z = +0.10V$ and trim the output offset adjust for $V_O = -0.316V$.
2. Apply $V_Z = +0.9V$ and trim the X-offset adjust for $V_O = -3.0V$.

XR-2208

3. Apply $V_Z = +10V$ and trim the scale factor adjust for $V_O = -10V$.
4. Repeat steps 1 through 3 until desired accuracy is achieved.

EQUIVALENT SCHEMATIC DIAGRAM



PART II: SIGNAL PROCESSING

AM GENERATION

Figure 17 is the recommended circuit connection for generating double side-band (DSB) or suppressed carrier AM signals. Modulation and carrier inputs are applied to the X and Y inputs respectively. The carrier level at the output can be adjusted by the dc voltage applied to pin 3. For suppressed carrier operation, the carrier feedthrough can be further reduced by using the X and Y offset adjustments. In this application, the unity-gain buffer amplifier section will provide a low impedance output if desired. If the buffer amp is not used, pin 15 should be open circuited to reduce power dissipation.

Typical carrier suppression without offset adjustment is 40 dB for frequencies up to 1 MHz, and 30 dB for frequencies up to 10 MHz. For low frequency applications ($f < 10$ kHz), carrier suppression can be reduced to 60 dB by using the offset adjustment controls.

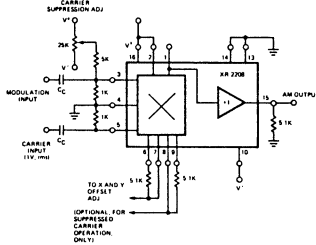


Figure 17. AM Generation

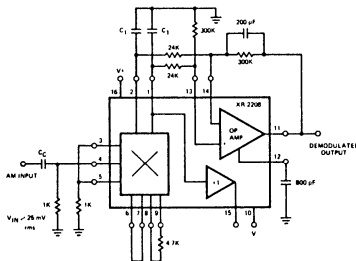


Figure 18. Synchronous AM Detector.

SYNCHRONOUS AM DETECTION

Figure 18 is a typical circuit connection for synchronous AM detection for carrier frequencies up to 100 MHz. The AM input signal is applied to the multiplier "common" terminal (pin 4). The Y-gain terminals are shorted, and this section of the multiplier serves as a "limiter" for input signals ≥ 50 mVrms; the X-section of the multiplier operates in its linear mode. The low-pass filter capacitors, C_1 , at pins 1 and 2 are used to filter the carrier feedthrough. If desired, the op amp section can be used as an audio preamplifier to increase the demodulated output amplitude.

TRIANGLE-TO-SINEWAVE CONVERSION

A triangular input can be converted into a low distortion (THD $< 1\%$) sinusoidal output with the XR-2208. A recommended connection for this application is shown in Figure 19. The triangle input signal is applied to the X-input (pin 3). The multiplier section rounds off the peaks of this input and converts it to a low distortion sine wave. For the component values shown in Figure 19, the recommended input signal level at pin 3 is ≈ 300 mV pp in order to obtain a 2V pp sine wave output at pin 15. This waveform can be further amplified using the op amp section to provide high level (10V pp), low distortion output at pin 11.

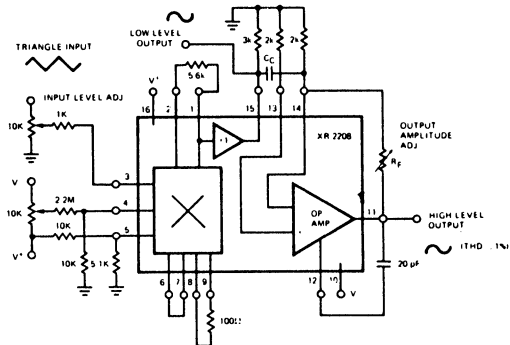


Figure 19. Triangle-to-Sine Converter

PHASE DETECTION

The multiplier section can be used as a phase detector. A recommended circuit connection is shown in Figure 20. The reference input is applied to pin 5, and the input signal whose phase is to be detected is applied to pin 3. The differential dc voltage, V_ϕ , at the multiplier outputs (pins 1 and 2) is related to the phase difference, ϕ , between the two input signals, V_1 and V_2 , as:

$$V_\phi = K_D \cos \phi$$

where K_D is the phase detector conversion gain. For input signals ≥ 50 mV rms, K_D is $\approx 2V/\text{radian}$ and is independent of signal amplitude. For lower input amplitudes, K_D decreases linearly with the decreasing input level. The capacitors C_1 at pins 1 and 2 provide a low-pass filter with a time constant $T_1 = R_1 C_1$, where $R_1 = 6$ k Ω is the internal impedance level at these pins.

Monolithic Multiplier/Detector

GENERAL DESCRIPTION

The XR-2228 is a monolithic multiplier/detector circuit especially designed for interfacing with integrated phase-locked loop (PLL) circuits, to perform synchronous AM detection and triangle-to-sinewave conversion. It combines a four-quadrant analog multiplier (or modulator) and a high-gain operational amplifier in a single monolithic circuit.

As shown in the equivalent schematic diagram, the four-quadrant multiplier section is designed with fully differential X- and Y-inputs and differential outputs. For maximum versatility, the multiplier and the operational amplifier sections are not internally connected. The operational amplifier can also function as a pre-amplifier for low-level input signals, or as a post-detection amplifier for synchronous demodulation, phase-detection or for sine-shaper applications.

FEATURES

- Independent Multiplier and Op Amp Sections
- Differential X and Y Inputs
- Interfaces with all PLL and VCO Circuits
- Wide Common Mode Range
- Wide Transconductance Bandwidth (100 MHz, Typ.)
- Wide Supply Voltage Range ($\pm 4.5V$ to $\pm 16V$)

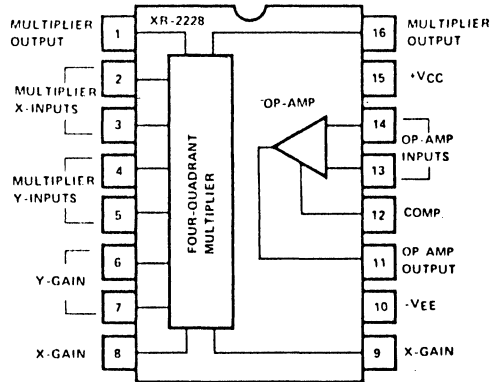
APPLICATIONS

- Phase-Locked Loop Design
- Phase Detection
- Synchronous AM Detection
- AM Generation
- Triangle-to-Sinewave Conversion
- Frequency Translation

ABSOLUTE MAXIMUM RATINGS

Power Supply	± 18 Volts
Power Dissipation	
Ceramic Package	750 mW
Derate above +25°C	6 mW/°C
Plastic Package	625 mW
Derate above +25°C	5 mW/°C
Storage Temperature Range	-65°C to +150°C

FUNCTIONAL BLOCK DIAGRAM



ORDERING INFORMATION

Part Number	Package	Operating Temperature
XR-2228M	Ceramic	-55°C to +125°C
XR-2228N	Ceramic	-40°C to +85°C
XR-2228P	Plastic	-40°C to +85°C
XR-2228CN	Ceramic	0°C to +70°C
XR-2228CP	Plastic	0°C to +70°C

SYSTEM DESCRIPTION

The XR-2228 multiplier/detector contains a four quadrant multiplier and a fully independent operational amplifier. The four quadrant multiplier has fully differential X and Y inputs and outputs. Both inputs have 3 MHz dynamic response and 100 MHz transconductance bandwidth. The operational amplifier features high gain and a large common mode range. The device is powered by 4.5V to 16V split supplies.

For higher frequency applications, consider the XR-2208.

XR-2228

ELECTRICAL CHARACTERISTICS

Test Conditions: Supply Voltage = $\pm 15V$, $T_A = 25^\circ C$, unless otherwise specified.

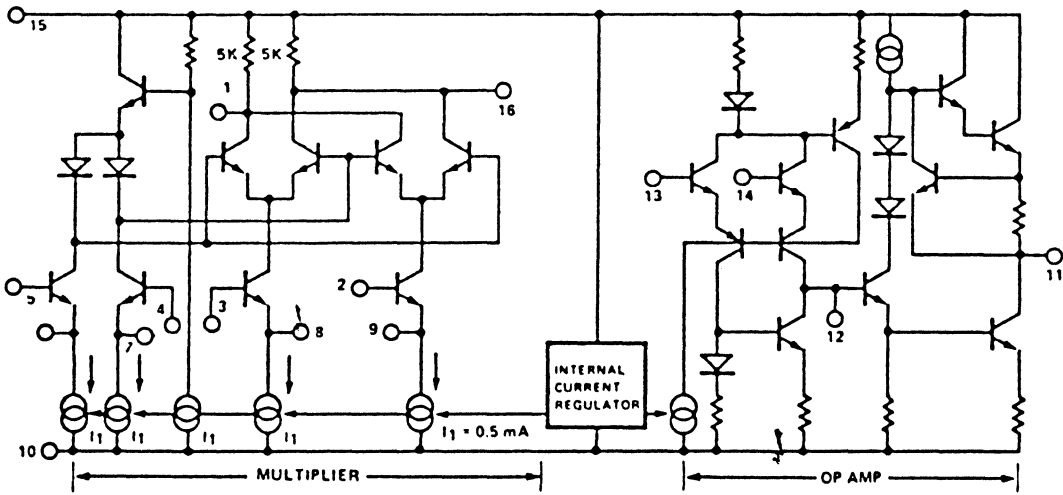
PARAMETERS	XR-2228M			XR-2228/XR-2228C			UNITS	FIGURES	CONDITIONS
	MIN	TYP	MAX	MIN	TYP	MAX			
I. GENERAL									
Supply Voltage	± 4.5		± 16	± 4.5		± 16	V dc		See Figure 11 Measured at Pin 15
Supply Current		4	7		5	8	mA	1	
II. MULTIPLIER/MODULATOR SECTION									
Non-linearity (Output Error in % of Full Scale)		0.3	0.5		0.5	1.0	%	2	No external offset trim $V_y = \pm 10V, -10V < V_x < +10V$ $V_x = \pm 10V, -10V < V_y < +10V$ $T_{LOW} \leq T_A \leq T_{HIGH}$ (Note 1) $f = 50 \text{ Hz}$
		0.3	0.5		0.5	1.0	%		
		0.7	1.0		0.8		%		
Feedthrough a. With Offset Adj.									$V_x = 20 \text{ Vp-p}, V_y = 0$ $V_y = 20 \text{ Vp-p}, V_x = 0$
	X-input	45	80		70	120	mVp-p	3	
Y-input	60	100		90	150	mVp-p			
b. No Offset Adj.	X-input	120			200		mVp-p		$V_x = 20 \text{ Vp-p}, V_y = 0$ $V_y = 20 \text{ Vp-p}, V_x = 0$ $T_{LOW} \leq T_A \leq T_{HIGH}$ (Note 1)
	Y-input	120			200		mVp-p		
Temperature Coefficient of Scale Factor		± 0.07			± 0.07		%/ $^\circ C$		
Input Bias Current							μA	1	Measured at Pins 2, 3, 4 or 5.
X or Y inputs	0.5	2	6		3		μA		
Input Resistance		1.0			1.0		M Ω	2	Measured at Pins 2, 3, 4 or 5.
Output Offset Voltage		50	80		80	140	mV	2	Measured across Pins 1 and 16
Avg. Temp. Drift		0.5			0.5		mV/ $^\circ C$		$T_{LOW} \leq T_A \leq T_{HIGH}$
Dynamic Response								4	See Definition Section
3-dB Bandwidth									
X-input	1	3		1	3		MHz		
Y-input	1	3		1	3		MHz		
3 $^\circ$ Phase-Shift Bandwidth		1			1		MHz		
1% Absolute Error Bandwidth		30			30		kHz		
Transconductance Bandwidth		100			100		MHz		
Output Impedance		5			5		k Ω		Measured looking into Pins 1 or 16
III. OPERATIONAL AMPLIFIER SECTION									
Input Offset Voltage		1	3		2	6	mV	5	$R_S < 50\Omega$ $T_{LOW} \leq T_A \leq T_{HIGH}$
Temp. Coef. of Input Offset Voltage		6	20		9	30	$\mu V/^\circ C$		
Input Offset Current		4	75		10	100	nA	5	$ B_1 - B_2 $ $ B_1 + B_2 $
Input Bias Current		30	200		50	300	nA	5	
Voltage Gain	70	75		70	75		dB	5	$R_L \geq 2K, V_O = \pm 10V,$ $f = 20 \text{ Hz}$
Differential Input Resistance	0.5	3			3		M Ω	5	
Output Voltage Swing	± 10	± 12		± 10	± 12		V		$R_L \geq 2K, T_{LOW} \leq T_A \leq T_{HIGH}$
Input Common Mode Range	+12 -10	+14 -12		+12 -10	+14 -12		V	5	
Common Mode Rejection	70	90		70	90		dB	5	$f = 20 \text{ Hz}$
Output Resistance		2			2		k Ω	5	
Slew Rate		0.5			0.5		V/ μs	5	Gain = 1, $R_1 \geq 2K,$ $C_L \leq 100 \text{ pF}, C_C = 20 \text{ pF}$
Power Supply Sensitivity		30			30		$\mu V/V$	5	$R_S \leq 10K$

Note 1: $T_{LOW} = -55^\circ C, T_{HIGH} = +125^\circ C$ for XR-2228M $T_{LOW} = 0^\circ C, T_{HIGH} = +70^\circ C$ for XR-2228C
 $T_{LOW} = -40^\circ C, T_{HIGH} = +85^\circ C$ for XR-2228

CAUTION: When using only the op amp or only the multiplier section of the XR-2228, the input terminals to the unused section must be grounded. Thus, when using the multiplier section alone, ground pins 13 and 14; when using the op amp section alone, ground pins 2, 3, 4 and 5.

XR-2228

1



EQUIVALENT SCHEMATIC DIAGRAM

XR-2228

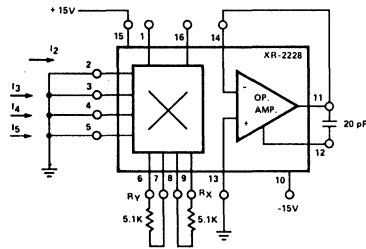


Figure 1. Test Circuit for Quiescent Supply Current, Multiplier Input Bias and Output Offset Voltage

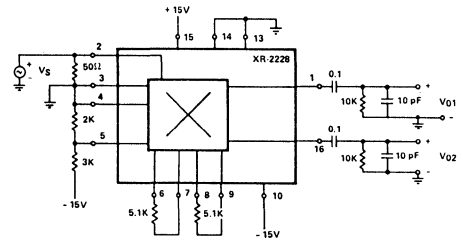


Figure 4. Test Circuit for Multiplier Small-Signal Bandwidth for X-Input (For Y-Input, reverse connections between Pins 2 and 5)

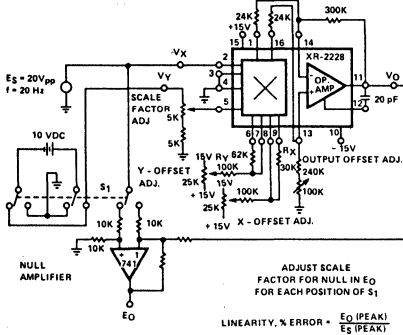


Figure 2. Linearity Test Circuit

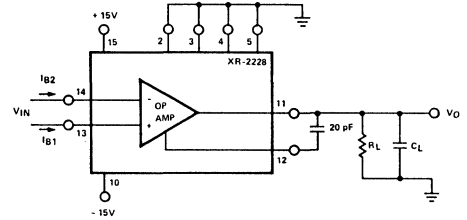


Figure 5. Test Circuit for Op Amp DC Parameters

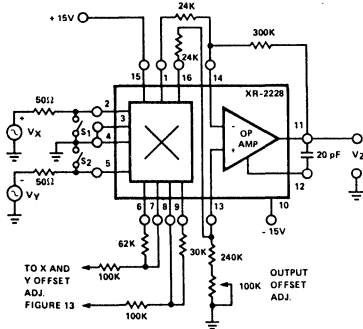


Figure 3. Test Circuit for Feedthrough Measurement. X-Input Feedthrough = V_Z with S_1 , open S_2 closed. Y-Input Feedthrough = V_Z with S_1 closed, S_2 open.

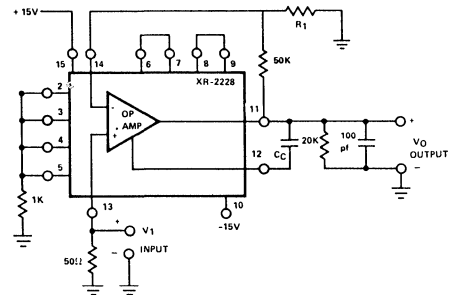


Figure 6. Op Amp AC Test Circuit

DEFINITION OF MULTIPLIER TERMS

NONLINEARITY: Nonlinearity is the maximum deviation of the output voltage from a straight-line transfer function. It is measured separately for the X and Y inputs and is specified as (%) of full scale output.

FEEDTHROUGH: The amount of peak-to-peak output voltage present with one input grounded and a specified peak-to-peak input applied to the other input. Feedthrough is a function of multiplier offsets and can be minimized by offset adjustment (see Figure 13).

OFFSET VOLTAGES: A four-quadrant analog multiplier has three separate offsets: the X and Y input offsets and the output offset. The transfer function of a practical multiplier with scale factor K can be written as:

$$V_Z = K[(V_X + \phi_X)(V_Y + \phi_Y)] + \phi_O$$

where ϕ_X and ϕ_Y are the offset voltages associated with the respective inputs, ϕ_O is the offset voltage of the output. V_Z is the multiplier output, V_X and V_Y are the multiplier inputs. As shown in Figures 13 and 14, each of these offset voltages can be nulled to zero by external adjustments.

TYPICAL CHARACTERISTICS CURVES

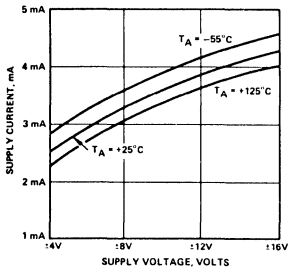


Figure 7. Supply Current vs Supply Voltage

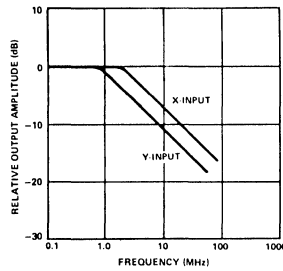


Figure 8. Small-Signal Frequency Response for the Multiplier Section. (Output Measured at Pin 16—See Fig. 4)

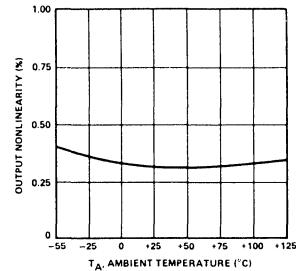


Figure 9. Temperature Dependence of Output Nonlinearity for X or Y Inputs (See Figure 2)

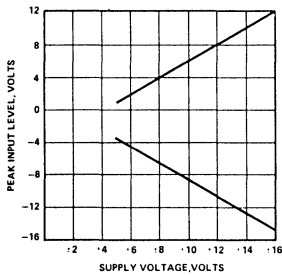


Figure 10. Multiplier Input Dynamic Range vs Power Supply

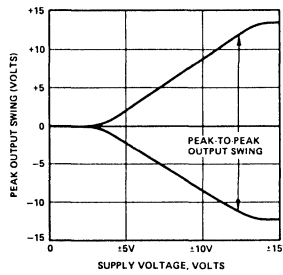


Figure 11. Op Amp output Swing vs Power Supply

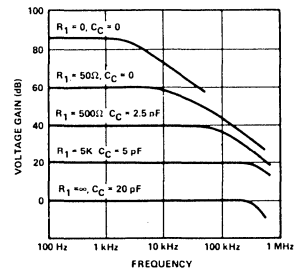


Figure 12. Op Amp Frequency Response

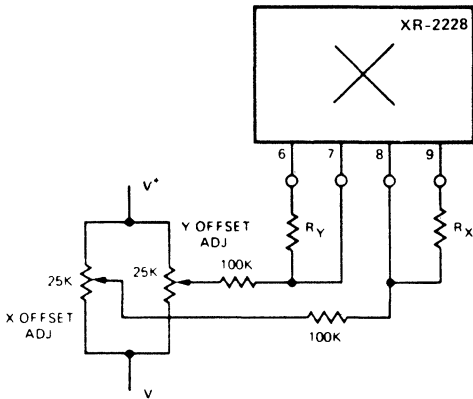


Figure 13. Offset Adjustment

where ϕ_X and ϕ_Y are the offset voltages associated with the respective inputs, ϕ_O is the offset voltage of the output. V_Z is the multiplier output, V_X and V_Y are the multiplier inputs. As shown in Figures 13 and 14, each of these offset voltages can be nulled to zero by external adjustments.

SCALE FACTOR, K: The constant of proportionality that relates the multiplier output to the X and Y inputs. If the offset terms are neglected, the multiplier output, V_Z , is

related to the X and Y inputs as $V_Z = K (V_X \cdot V_Y)$. The scale factor K has the dimensions of $(\text{volts})^{-1}$ and can be adjusted externally.

In most arithmetic applications the multiplier and op amp sections of the XR-2228 are interconnected as shown in Figure 14. In such applications, over-all scale factor K can be written as:

$$K = (K_m)(K_a) = \left(\frac{V_O}{V_X V_Y} \right) \left(\frac{V_Z}{V_O} \right)$$

where K_m is the gain constant of the multiplier section, and K_a is the gain of the op amp stage in Figure 14. V_O is the multiplier output across pins 1 and 16, and V_Z is the op amp output at pin 11. With reference to Figure 14, the gain constants can be expressed as:

$$K_m \approx \frac{25}{R_X R_Y} (\text{volts})^{-1}; \quad K_a \approx \frac{R_f}{6 + R_i}$$

where all resistors are in kilo-ohms.

Thus, overall scale factor K can be adjusted by varying R_X , R_Y , R_f . For fine adjustment of the scale factor, K, an additional potentiometer can be included into the circuit, as shown in Figure 14.



XR-2228

INPUT DYNAMIC RANGE: The maximum peak signal which can be applied to the X or Y inputs for a given supply voltage without impairing linearity. (See Figure 10).

MULTIPLIER BANDWIDTH: Depending on the particular application, a different definition of "multiplier bandwidth" may be used. The most commonly accepted definitions are:

- 3-dB Bandwidth:** Frequency where the multiplier output is 3-dB below its low frequency ($f = 20$ Hz) level.
- 3° Phase Shift Bandwidth:** Frequency where the net phase shift across the multiplier is equal to 3°.
- 1% Absolute Error Bandwidth:** Frequency where the phase vector error between the actual and ideal output vectors is equal to 1%. This frequency is reached when the net phase shift across the multiplier is equal to 0.01 radian or 0.57°.
- Transconductance Bandwidth:** Frequency where the transconductance of the multiplier drops 3-dB below its low frequency value. This bandwidth defines the frequency range of operation for phase-detector and synchronous AM detector applications.

DESCRIPTION OF CIRCUIT CONTROLS

MULTIPLIER INPUTS (PINS 2, 3, 4 AND 5): These four terminals provide the differential inputs to the X- and Y-sections of the multiplier, respectively. The output will be a linear product of the two voltages, V_x and V_y , applied differentially across pins (2,3) and (4,5). Typical input bias current at the multiplier inputs is approximately $3 \mu\text{A}$, for each of the four inputs. In circuit applications requiring single-ended, rather than differential, input signals, pins 3 and 4 can be shorted together and connected to a common bias point.

MULTIPLIER OUTPUTS (PINS 1 AND 16): The differential output voltage, V_o , across these terminals is proportional to the linear product of voltages V_x and V_y applied to the inputs. V_o can be expressed as:

$$V_o \approx \left(\frac{25}{R_x R_y} \right) (V_x V_y)$$

where all voltages are in volts and the resistors are in $k\Omega$. R_x and R_y are the gain control resistors for X and Y sections of the multiplier.

The common-mode dc potential at the multiplier outputs is approximately 3 volts below the positive supply.

In most analog computation operations, such as multiplication, division, etc., pins 1 and 16 are dc coupled to the op amp inputs (pins 13 and 14). The final output, V_z , is then obtained from the op amp output at pin 11, as shown in Figures 14 and 15.

X AND Y GAIN ADJUST (PINS 6, 7, 8, 9): The gains of the X and Y sections of the multiplier are inversely proportional to resistors R_x and R_y connected across the respective gain terminals. The multiplier conversion gain, K_m , can be expressed as:

$$K_m \equiv \frac{25}{R_x R_y} (\text{volts})^{-1}$$

where R_x and R_y are in $k\Omega$.

X AND Y OFFSET ADJUST (PINS 7 AND 8): Two of the gain-control terminals, pins 7 and 8, are also used for adjusting X and Y offsets. Figure 13 shows the typical adjustment circuitry which can be connected to these pins to null-out input offsets.

OP AMP INPUTS (PINS 13 AND 14): Pin 13 is the noninverting and pin 14 the inverting inputs for the op amp section. In most multiplier applications, these terminals are connected to the multiplier outputs (pins 1 and 16). **Note: When the op amp section is not used, these terminals should be grounded.**

OP AMP COMPENSATION (PIN 12): The op amp section can be compensated for unconditional stability with a 20 pF capacitor connected between pin 12 and pin 11. For op amp voltage gains greater than unity, this compensation capacitance can be reduced to improve slew rate and small signal bandwidth as shown in Figure 12.

OP AMP OUTPUT (PIN 11): This terminal serves as the output for the op amp section. It is internally protected against accidental short circuit conditions, and can sink or source 10 mA of current into a resistive load. In most multiplier applications, pin 11 is the actual XR-2228 output, with the op amp inputs being connected to the multiplier outputs.

APPLICATIONS INFORMATION

PART I: ARITHMETIC OPERATIONS

MULTIPLICATION

For most multiplication applications, the multiplier and op amp sections are interconnected as shown in Figure 14 to provide a single-ended analog output with a wide dynamic range. The circuit of Figure 14 provides a linear output swing of 10V for maximum input signals of 10V, with a scale factor $K = 0.1$. The trimming procedure for the circuit is as follows:

- Apply 0V to both inputs and adjust the output offset to 0V using the output offset control.
- Apply 20V p-p at 50 Hz to the X-input and 0V to the Y-input. Trim the Y-offset adjust for minimum peak-to-peak output.
- Apply 20V p-p to the Y-input and 0V to the X-input. Trim X-offset adjust for minimum peak-to-peak output.

XR-2228

- Repeat step 1.
- Apply +10V to both inputs and adjust scale factor for $V_O = +10V$. This step may be repeated with different amplitudes and polarities of input voltages to optimize accuracy over the entire range of input voltages, or over any specific portion of input voltage range.

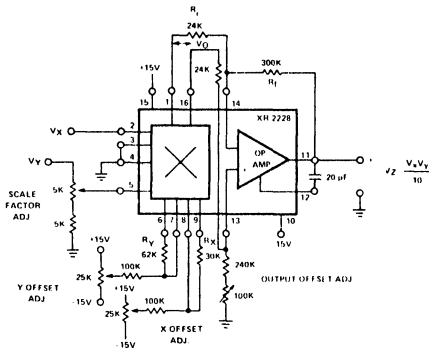


Figure 14. Multiplication Circuit

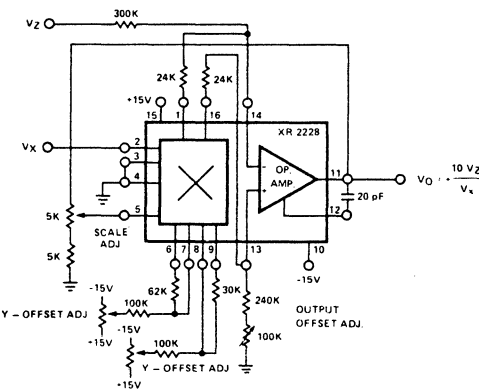


Figure 15. Dividing Circuit

DIVIDING CIRCUIT

Recommended circuit connection for performing analog division is shown in Figure 15. This circuit uses the multiplier in the feedback path of the op amp. For the circuit shown, $V_O = +10 V_Z/V_X$ where $V_X < 0$ and V_Z can have either sign. Positive values of V_X are not allowed, since this will reverse the polarity of the feedback loop, causing positive feedback and latchup.

This latchup mode is nondestructive to the XR-2228,

and is common to all analog division circuits. The divider circuit is trimmed as follows:

- Apply $V_Z = 0$ and trim the output offset adjustment for constant output voltage as V_X is varied from $-1V$ to $-10V$.
- Keeping $V_Z = 0$, and applying $V_X = -10V$, time the Y-offset adjust until $V_O = 0$.
- Let $V_Z = V_X$ and/or $V_Z = -V_X$ and trim the X-offset adjustment for constant output voltage as V_X is varied from $-1V$ to $-10V$.
- If step 3 requires a large initial adjustment, repeat steps 1, 2 and 3.
- Keeping $V_Z = V_X$, adjust the scale factor trim for $V_O = -10V$ as V_X is varied from $-1V$ to $-10V$.

PART II: ANALOG SIGNAL PROCESSING

PHASE DETECTION

The multiplier section of the XR-2228 can be used as a linear phase-discriminator. A recommended circuit connection for this application is shown in Figure 16. In this case, the reference input (input 1) is applied to pin 2, and the input signal whose phase is to be detected (input 2) is applied to pin 5. For input signal amplitudes ≥ 50 mV rms, the differential output voltage, V_O across pins 1 and 16 is directly proportional to the phase difference, ϕ , between the two input signals. It can be expressed as

$$V_O(\phi) = 5 \left(\frac{2\phi}{\pi} - 1 \right)$$

Where ϕ is the phase difference expressed in radians.

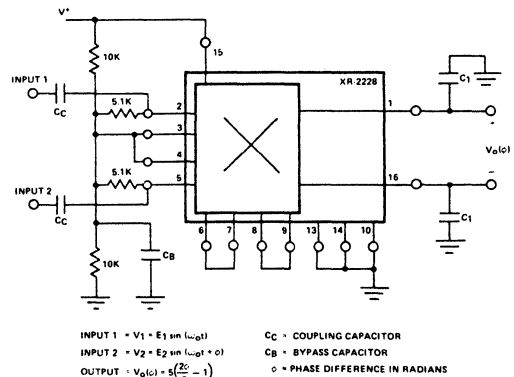


Figure 16. Phase-Detector Circuit

XR-2228

Figure 20 shows the circuit connection diagram for a two-chip AM and FM detection system, using the XR-215 high-frequency PLL in conjunction with the XR-2228 multiplier/detector. Because of the high-frequency capability of the XR-215, the circuit is useful as a phase-locked AM detector for carrier frequencies up to 20 MHz, and operates over a supply voltage range of 10V to 20V.

The VCO section of XR-215 does not have a separate "quadrature" output. However, this problem can be overcome by driving the XR-2228 multiplier directly from the timing capacitor terminals (pins 13 and 14) of XR-215. The Y-input of the XR-2228 is operated with maximum gain, since the Y-gain control terminals (pins 6 and 7) are shorted together. This causes the triangular waveform across the timing capacitor, C_0 , to be converted to an effective "quadrature" drive.

The modulated input signal is simultaneously applied to both circuits through coupling capacitors. The phase-detector inputs of the XR-215, as well as the multiplier X-inputs of the XR-2228, are biased at approximated one-half of V_{CC} , by means of an external resistive divider.

In Figure 20, C_0 sets the VCO frequency of the XR-215. In the case of FM demodulation, R_1 and C_1 serve as the post-detection filter for the detected FM signal and R_{F1} sets the gain of the FM post-detection amplifier.

The Y-input of the XR-2228 is operated in its switching mode, with the Y-gain terminals (pins 6 and 7) shorted together. The AM and/or FM signal is simultaneously applied to both circuits through coupling capacitors; the output of the multiplier, at pin 16, is AC coupled to the op amp section of the XR-2228, which serves as the post-detection amplifier for the demodulated AM signal. In the circuit, R_X sets the amplifier demodulation gain, C_3 serves as the low-pass post-detection filter.

A detailed description of the circuit operation, and the design equations for calculating the external component values are given in Exar's Application Note AN-13, entitled "Frequency Selective AM Detection using Monolithic Phase-Locked Loops."

PHASE-LOCKED LOOP TONE DETECTION

The XR-2228 multiplier/detector can be used in conjunction with the XR-210 or the XR-215 high-frequency PLL circuits, to provide high-frequency tone or carrier-detect systems. The generalized circuit connection for such an application is given in Figure 21. The circuit, as shown, can operate with a single power supply, from 10V, to 20V, or with split supplies in the range of $\pm 5V$ to $\pm 10V$. In the case of split power supplies, the resistor string biasing the input terminals of the XR-2228 is not necessary and can be eliminated by connecting node A of Figure 21 to ground.

The input signal is AC coupled, with separate coupling capacitors, both to the input of the particular PLL circuit to be used and to the X-input terminal (pin 2) of the XR-2228.

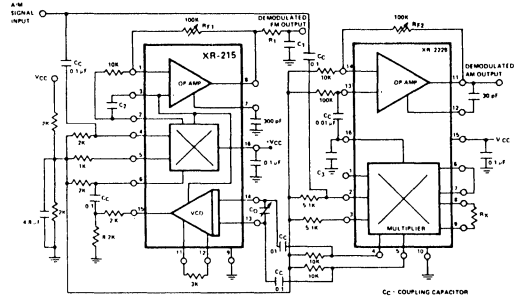


Figure 20. Phase-Locked AM Detection Using XR-215 Monolithic PLL and XR-2228 Multiplier/Detector

The Y-inputs (pins 4 and 5) are driven differentially from the VCO timing capacitor signal (available at pins 13 and 14 of the PLL IC) which is AC coupled to pins 4 and 5 of the XR-2228 multiplier input. The differential DC voltage level at the multiplier output terminals (pins 1 and 16) is offset by means of an external resistor, R_A . This initial offset causes the op amp output of the XR-2228 to settle to a known state when there is no carrier or tone signal to be detected. With the op amp input connections as shown in Figure 21, the op amp output (pin 11) would be at a "low" state when the PLL is not locked on a tone, and goes to a "high" state (i.e., near $+V_{CC}$) when the PLL circuit is "locked" on to an input tone. The output logic polarity can be reversed simply by reversing the op amp inputs.

The filter capacitor, C_A , connected across pins 1 and 16 of the multiplier outputs, serves as the post-detection low-pass filter. The value of C_A is chosen to provide a compromise between the response time and the spurious noise rejection characteristics of the circuit: increasing C_A improves the noise rejection characteristics of the circuit, but slows down the response time.

A detailed description of the principle of operation of the circuit of Figure 21 is given in Exar's Application Note AN-12 entitled: "Designing High Frequency Phase-Locked Loop Carrier-Detector Circuits".

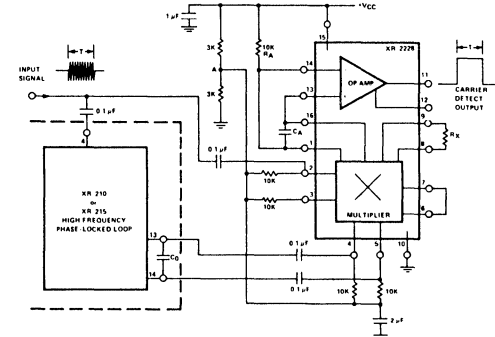


Figure 21. Recommended Circuit Connection of the XR-2228 with the XR-210 or the XR-215 High-Frequency Phase-Locked Loops for Tone or Carrier-Detector Application

Display Drivers

Fluorescent Display Driver

GENERAL DESCRIPTION

The XR-2271 is a monolithic 7-digit or 7-segment display driver designed to interface MOS logic with fluorescent displays. It features active high logic and low input current. Each XR-2271 is capable of driving seven digits or segments of a display panel and provides complete input and output isolation. Since the output pull up resistors are incorporated on chip, no external parts are required to interface fluorescent displays.

FEATURES

- Active High Logic
- Low Input Current
- Complete Input Output Isolation
- Output Pull Up Resistors On Chip
- No External Parts Required To Drive Fluorescent Displays

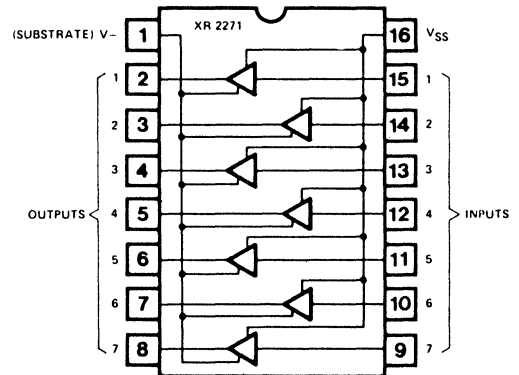
APPLICATIONS

Fluorescent Display Driver
MOS Logic/High-Voltage Interface

ABSOLUTE MAXIMUM RATINGS (Note 1)

$V_{SS} - V -$	50V Max.
Input to $V -$	50V Max.
Outputs to $V -$	50V Max.
I_{SS}	20 mA Max.
Power Dissipation $T_A \leq 25^\circ\text{C}$	625 mW Max.
Derate above 25°C	5 mW/ $^\circ\text{C}$
Storage Temperature	-65°C to $+150^\circ\text{C}$

FUNCTIONAL BLOCK DIAGRAM



ORDERING INFORMATION

Part Number	Package	Operating Temperature
XR-2271CN	Ceramic	0°C to $+70^\circ\text{C}$
XR-2271CP	Plastic	0°C to $+70^\circ\text{C}$

SYSTEM DESCRIPTION

The XR-2271 fluorescent display driver requires no additional components to interface seven segment fluorescent displays to MOS Logic. The output is an emitter follower and can switch up to 50V at 20 mA. All inputs are protected to 50V and pull up resistors are integrated onto the device.

XR-2271

ELECTRICAL CHARACTERISTICS ($T_A = +25^\circ\text{C}$, $V_{SS} = 0\text{V}$, $V_- = -40\text{V}$, Note 2)

PARAMETERS	MIN	TYP	MAX	UNITS	SYMBOL	CONDITIONS
Logical "1" Input Voltage	-1.2		0	V	$V_{in\ on}$	$V_O = -2.0\text{V}$ $I_O = -7.5\text{ mA}$
Logical "0" Input Voltage			-6	V	$V_{in\ off}$	$V_O = V_- + 2\text{V}$
Logical "1" Input Current		0.25	0.8	mA	$I_{in\ on}$	$V_{in} = -1.2\text{V}$ $V_O = -2.0\text{V}$
Logical "0" Input Current	-50	0 -90	50	μA μA	$I_{in\ off}$	$V_O = V_- + 2\text{V}$ $V_{in} = -6\text{V}$ $V_{in} = -15\text{V}$
Logical "1" Output Voltage	-2.0	-0.9	0	V	$V_O\ on$	$V_O\ on$
Logical "0" Output Voltage		-40	-38	V	$V_O\ off$	$V_{in} = -6\text{V}$
Output Pull Down Resistance		45		$\text{K}\Omega$	R_O	$V_{in} = -6\text{V}$ Note 3
Output Pull Down Current		350		μA	I_S	$V_O = -5\text{V}$ $V_{in} = -6\text{V}$ Note 3
Power Supply Current		-1.2 -7	-1.4 -12.0	mA mA	I_{-off} I_{-on}	All inputs -6V All inputs -1.2V

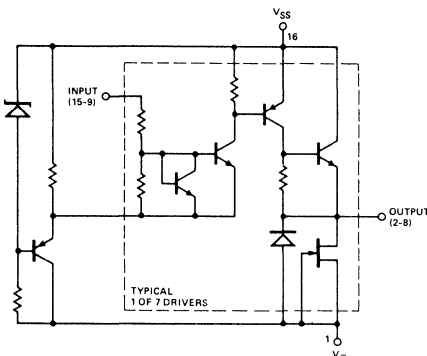
AC Parameters ($T_A = +25^\circ\text{C}$, Test Circuit Figure 2)

PARAMETERS	MIN	TYP	MAX	UNITS	SYMBOL	CONDITIONS
Output on Delay Time		1	5	μS	t_d	$C_L = 25\text{ pF}$ $R_L = 10\text{ K}\Omega$
Output on Rise Time		0.5	2	μS	t_r	$C_L = 25\text{ pf}$ $R_L = 10\text{K}$
Output off Storage Time		0.8	5	μS	t_s	$C_L = 25\text{ pF}$ $R_L = 10\text{ K}\Omega$
Output off Fall Time		0.6 2	2.0 25	μS μS	t_f	$C_L = 25\text{ pF}$ $R_L = 10\text{K}$ $R_L = \infty$

Note 1. The "Absolute Maximum Ratings" are those values beyond which the device may be damaged.

Note 2. All voltages measured with respect to V_{SS} unless otherwise noted. Positive current flow is into a device pin.

Note 3. The output pull down resistance is an N channel junction FET. For $V_O \approx V_-$ it is resistive, and for $|V_O - (V_-)| > 20\text{V}$, it is current sink.



EQUIVALENT SCHEMATIC DIAGRAM

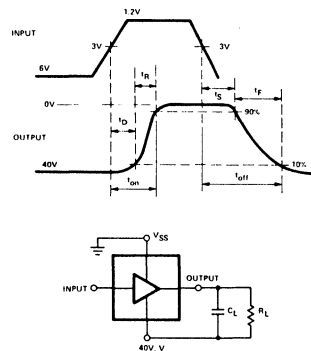


Figure 2. XR-2271 AC Parameter Test Circuit



High-Voltage 7-Digit Display Driver

GENERAL DESCRIPTION

The XR-2272 is a monolithic high voltage display driver array specifically designed to drive gas-filled digit displays. The circuit is made up of seven independent digit driver sections in the same monolithic package. Its main application is to act as buffer interface between MOS outputs and the anodes of a gas discharge panel. The XR-2272 is particularly well suited to interfacing with Panaplex II type displays.

FEATURES

- Active Low Inputs
- High Breakdown Voltage
- Low Power Dissipation
- Complete Input-Output Isolation
- On-Chip Pull-Up Resistors
- Versatility for Display Interface

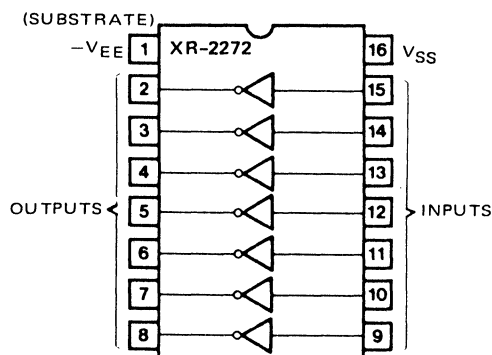
APPLICATIONS

- Gas Discharge Display Driver
- Panaplex Display Driver
- MOS Logic to High-Voltage Interface

ABSOLUTE MAXIMUM RATINGS

Supply Voltage ($-V_{EE}$)	-75V Max.
Output on Current Each Output	-20 mA Max.
Output on Current All Combined	-50 mA Max.
Positive Supply Current I_{SS}	60 mA Max.
Input Current	± 3 mA Max.
Input Voltage	$-V_{EE}$, Min., V_{SS} , Max.
Package Power Dissipation, 25°C	625 mW (Plastic)
Derating above 25°C	5 mW/°C
Operating Temperature Range	0°C to +70°C
Storage Temperature Range	-65°C to 150°C

FUNCTIONAL BLOCK DIAGRAM



ORDERING INFORMATION

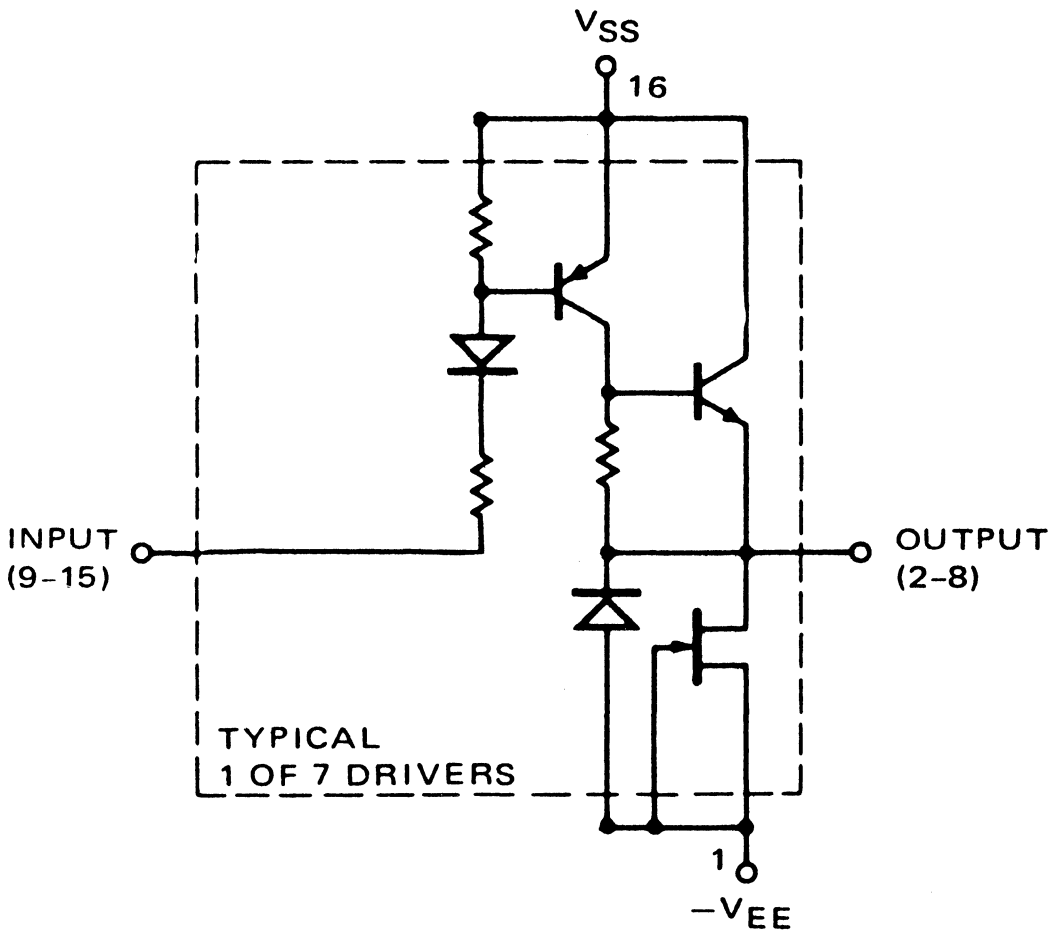
Part Number	Package	Operating Temperature
XR-2272CN	Ceramic	0°C to +70°C
XR-2272CP	Plastic	0°C to +70°C

SYSTEM DESCRIPTION

The XR-2272 high voltage display driver features seven independent sections, each capable of switching -75 V at up to 20 mA. Each has active low inputs and monolithic pull-up resistors. The output is an emitter follower.

XR-2272

1



EQUIVALENT SCHEMATIC DIAGRAM

XR-2272

ELECTRICAL CHARACTERISTICS ($T_A = +25^\circ\text{C}$, $V_{SS} = 0\text{V}$, $V^- = -60\text{V}$, Note 1)

PARAMETERS	MIN	TYP	MAX	UNITS	SYMBOL	CONDITIONS
Input Off Voltage		-1.8	-1.2	V	$V_{in\text{off}}$	$I_O = -5\ \mu\text{A}$
Input Off Current		-20		μA	$I_{in\text{off}}$	$V_{in} = -1.2\text{V}$ $I_O = -5\ \mu\text{A}$
Input On Voltage			-6	V	$V_{in\text{ on}}$	$V_O = -1.4\text{V}$ $I_O = -15\ \text{mA}$
Input On Current	-600	-250	-100	μA	$I_{in\text{ on}}$	$V_O = -1.4\text{V}$ $I_O = -15\ \text{mA}$
Output Off Voltage		-60	-48	V	$V_O\text{ off}$	$V_{in} = -1.2\text{V}$
Output On Voltage	-1.4	-0.9	0	V	$V_O\text{ on}$	$V_{in} = -6\text{V}$ $I_O = -15\ \text{mA}$
Output Pull Down Resistance		45		$\text{K}\Omega$	R_O	$V_{in} = -6\text{V}$ Note 2
Output Pull Down Current		350		μA	I_S	$V_O = -5\text{V}$ $V_{in} = -6\text{V}$ Note 2
Supply Current Off State		1	150	μA	I^-	All inputs at -1.2V
One Segment On		0.35	2	mA	I^-	One input at -6V
All Segments On		2.2	6	mA	I^-	All inputs at -6V

AC Parameters ($T_A = +25^\circ\text{C}$, Test Circuit Figure 2)

Output on Delay Time		1	5	μS	t_d	$C_L = 25\ \text{pF}$ $R_L = 10\ \text{K}\Omega$
Output on Rise Time		0.5	2	μS	t_r	$C_L = 25\ \text{pF}$ $R_L = 10\ \text{K}$
Output off Storage Time		0.8	5	μS	t_s	$C_L = 25\ \text{pF}$ $R_L = 10\ \text{K}\Omega$
Output off Fall Time		0.6 2	2.0 25	μS μS	t_f	$C_L = 25\ \text{pF}$ $R_L = 10\text{K}$ $R_L = \infty$

Note 1. All voltages measured with respect to V_{SS} unless otherwise noted. Positive current flow is into a device pin.

Note 2. The output pull down resistance is an N-Channel junction FET. For $V_O \approx V^-$ it is resistive, and for $|V_O - (V^-)| > 20\text{V}$, it is a current sink.

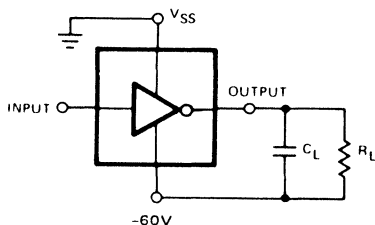


Figure 2. XR-2272 AC Parameter Test Circuit

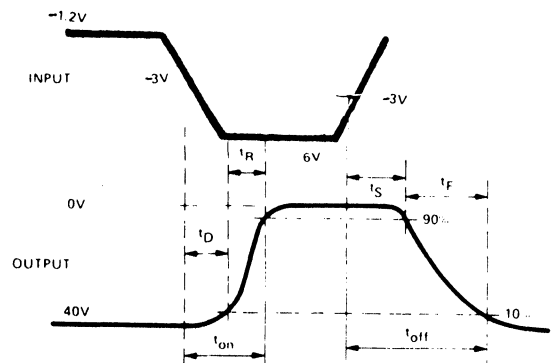


Figure 3. AC Test Waveforms

Bar Graph Display Generator

GENERAL DESCRIPTION

The XR-2276 is a 12-point logarithmic bar graph display generator designed for interfacing with fluorescent displays. The device's twelve comparators, internally biased at logarithmic intervals about an adjustable reference, controlling twelve fluorescent drivers. The XR-2276 may also drive LEDs if the maximum device power dissipation is not exceeded.

The XR-2276 is especially suited for generating 12-point bar graphs or other multi-segment fluorescent displays, such as those used for audio level-detector or level-indicator applications.

FEATURES

- High Input Impedance
- Internal Pull-Down Resistors
- Logarithmic Display Characteristics
- External Reference Level Adjustment

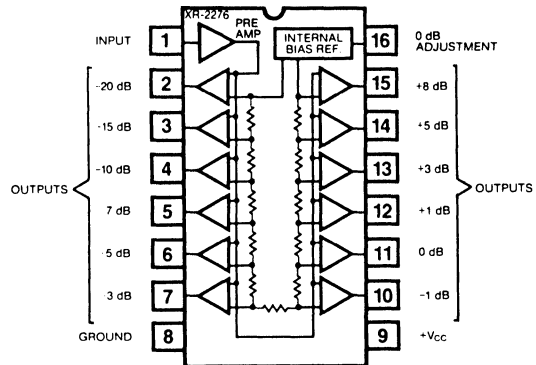
APPLICATIONS

- Bar-Graph Display Generator
- 12-Point Display Driver
- Audio Level Indicator
- Channel Separation Indicator
- 12-Point Digital Controller
- Sequential Display Generator

ABSOLUTE MAXIMUM RATINGS

Power Supply	24V
Input Signal Range	-1V to +10V
Output Current	5 mA
Power Dissipation	625 mW
Derate Above +25°C	5 mW/°C
Operating Temperature	0°C to +70°C
Storage Temperature	-65°C to +125°C

FUNCTIONAL BLOCK DIAGRAM



ORDERING INFORMATION

Part Number	Package	Operating Temperature
XR-2276CP	Plastic	0°C to +70°C

SYSTEM DESCRIPTION

The XR-2276 is a logarithmic level detection and fluorescent display driver. The circuit is comprised of an input buffer amplifier, 12 high gain comparators, an internal voltage reference and a bias-setting resistor string. All of the twelve comparator stages have independent buffered outputs.

Each of the comparators have a threshold level higher than the preceding comparator stage. With no input signal, all of the comparators are "off" and all the outputs are at a low state. As the input level is increased, the outputs successively switch to their high state. The threshold levels are within the range of -20 dB to +8 dB with reference to a 0 dB level setting. The 12 ranges are: -20 dB, -15 dB, -10 dB, -7 dB, -5 dB, -3 dB, -1 dB, 0 dB, 1 dB, 3 dB, 5 dB, and 8 dB.

XR-2276

ELECTRICAL CHARACTERISTICS

Test Conditions: $V_{CC} = 18$ Volts, $T_A = 25^\circ\text{C}$, unless otherwise specified. (See Test Circuit of Figure 1)

PARAMETERS	LIMITS			UNITS	SYMBOL	CONDITIONS
	MIN	TYP	MAX			
Input Current		30	300	nA	I_{IN}	$V_{IN} = 7.5$ Volts
Output Low Voltage		0	0.5	V	V_{OL}	$R_L = 220$ K Ω Measured at each output
Output High Voltage	14.0	15.5		V	V_{OH}	$R_L = 15$ K Ω Measured at each output
Input Bias Voltage	0.9	1.25	1.6	V	V_{OS}	
Comparator Threshold Voltages					V_C	Input level above V_{OS} necessary to change comparator state.
0 dB Output	—	2.10	—	V		Measured at pin 11 after 0 dB adjustment
-20 dB Output		0.3		V		Measured at pin 2
-15 dB Output	0.40	0.46	0.52	V		Measured at pin 3
-10 dB Output	0.65	0.73	0.83	V		Measured at pin 4
-7 dB Output	0.92	0.99	1.07	V		Measured at pin 5
-5 dB Output	1.15	1.23	1.30	V		Measured at pin 6
-3 dB Output	1.43	1.52	1.61	V		Measured at pin 7
-1 dB Output	1.77	1.88	2.00	V		Measured at pin 10
+1 dB Output	2.21	2.34	2.49	V		Measured at pin 12
+3 dB Output	2.76	2.93	3.10	V		Measured at pin 13
+5 dB Output	3.37	3.66	3.97	V		Measured at pin 14
+8 dB Output	4.72	5.12	5.56	V		Measured at pin 15
ODB Adjust Range		+1 -2		Segments		10 K Trim Pot from pin 16 to GND $V_{IN} = 3.35$ V
Comparator Threshold Change with Supply	-0.6		+0.6	dB	ΔV_C	$\Delta V_{CC} = 6$ V $R_L = 15$ K Ω
Supply Current		13	20	mA	I_{CC}	$V_{IN} = 7.5$ V $R_L = 220$ K Ω , $V_{CC} = 18$ V

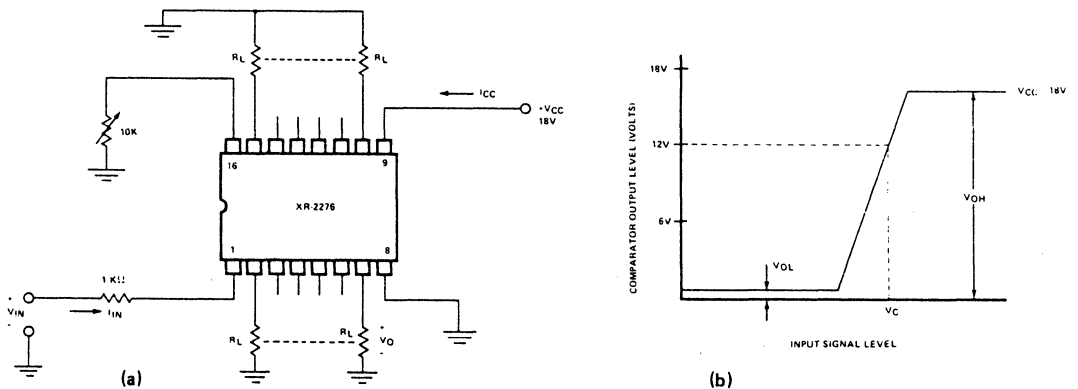
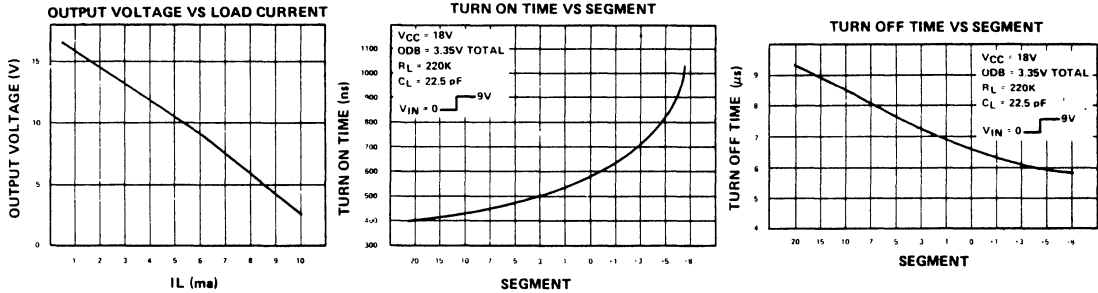


Figure 1. Basic Test Circuit: (a) Circuit Connection, (b) Output Waveform.

XR-2276

TYPICAL PERFORMANCE CHARACTERISTICS



APPLICATION INFORMATION

Vacuum Fluorescent Displays: Vacuum fluorescent displays operate like vacuum tubes. The display consists of a filament, a grid and several plates. Each segment on the bar graph and the other symbols, reference numbers, etc., are plates coated with fluorescent material. As with a vacuum tube, when the plate is at a potential lower than that of the grid, no plate current flows and the segment associated with that plate is cut off. When the plate is at the same potential as the grid, electrons flow from the filament to the plate, striking the fluorescent material, thus, causing it to glow. Most of the new low voltage vacuum fluorescent displays operate with a plate voltage of about 16V-18V, a filament voltage of 3V rms and a filament current of about 100 ma.

XR-2276 Detailed Description: The XR-2276 contains an input buffer amplifier, a bias network and 12 comparators. The input buffer amplifier, pin 1, must be biased at approximately +1.25V under quiescent conditions. The signal is then applied in addition to this bias voltage. The full scale calibration of the XR-2276 can be fine tuned by varying the bias voltage slightly.

The buffer amplifier is a high input impedance unity gain amplifier that applies the input voltage to one input of each of the twelve comparators.

The bias network consists of a voltage reference and a string of weighted resistors which provide the threshold voltages for the twelve comparators. The reference voltage is adjustable by connecting a 10K trimpot from pin 16 to ground. This feature allows a precise setting of the 0 db point.

Since decibels are ratios with respect to a reference value, the threshold voltages determined by the resistor string may not correspond to the desired reference. In this case it will be necessary to scale the input signal with either gain or attenuation to obtain the desired correspondence (see the design examples below).

The comparators have a high open loop gain, NPN output transistors with 220K resistors connected from the emitters to the ground terminal, pin 8, and a 1.5K resistor in series with the output.

Applications Circuits: Figure 2 shows a typical connection for a two channel display. Note that the grid and any

plate segments that are to remain constantly on are tied to the V+ line. All other plate connections are switched by either the XR-2276 or some other means (i.e., a selective switch for a Dolby symbol, etc.). The 0 db point is adjusted for each device by the 10K pot from pin 16 to ground.

Design Example: Design a gain scaling and peak detector circuit to drive the circuit in Figure 2, to yield an audio level indicator with 0 db referenced to 1 mw into 600Ω. The circuit should have an input impedance of 100 kΩ, respond to frequencies from 50 Hz to 15 kHz, have an output dc offset of 1.25V to bias the input of the XR-2276 and operate from a single 16V supply. This circuit is shown in Figure 3.

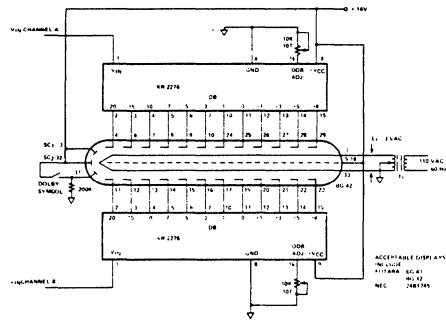


Figure 2. 2 Channel Display

Calculate the component values for the gain scaling stage.

The rms voltage that corresponds to 1 mw in 600Ω is:

$$\sqrt{PR} = \sqrt{(1 \text{ mw})(600\Omega)} = .774 V_{\text{rms}}$$

Therefore

$$V_{\text{peak}} = (1.414)(.774)V_{\text{rms}} = 1.095V$$

The dc input voltage to the XR-2276 that gives a 0 db indication is 2.10V.

The gain required is $2.10/1.095 = 1.92$. For a non-inverting amplifier gain = $1 + R_F/R_S$. If we choose,

$$R_F = 22K \text{ Then } R_S = 22K/.92 = 24K$$

XR-2276

$R_1 = R_2 = 200K$ to bias the input at $V+/2$ and yield an input impedance of $100K$.

$$C_1 = 1/2\pi(50 \text{ Hz})(100K) \approx .033 \mu\text{F}$$

$$C_2 = 1/2\pi(50 \text{ Hz})(24K) \approx .15 \mu\text{F}$$

The input impedance to the peak detector is:

$$47K \parallel 100K \approx 32K$$

$$C_3 = 1/2\pi(50 \text{ Hz})(32K) \approx 0.1 \mu\text{F}$$

The peak detector circuit provides full wave rectification of the incoming audio signal. A_1 serves an inverting unity gain peak detector giving a positive output for the negative half cycle of the incoming signal. A_2 serves as a unity gain non-inverting peak detector giving a positive output for the positive half cycle of the incoming signal. D_3 and D_4 serve as rectifier diodes and D_1 and D_2 keep the feedback loops on A_1 and A_2 , respectively, closed during the amplifiers non-rectifying half cycle. R_5 and R_7 set the closed loop gain of A_1 at unity. R_8 and R_7 together with C_5 provide a filter for the peak detector output. C_5 can be adjusted to provide the desired damping. R_4 , R_6 , C_4 , D_5 and D_6 prevent the input of A_2 from being pulled below ground by the large negative transients. R_9 , R_{10} and C_6 establish the 1.25 volt (adjustable by R_{10}) dc bias for the XR2276 input. The operational amplifier chosen to be used in this circuit is the XR-3403. It has adequate ac performance and is ideally suited to single supply operation, since its common mode input voltage range includes ground.

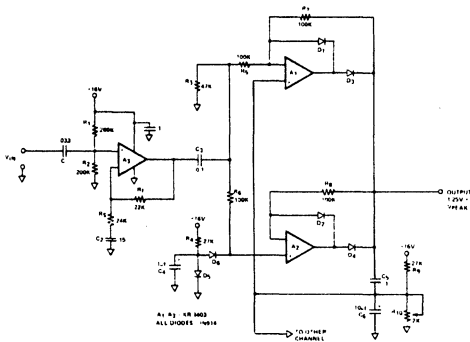


Figure 3. Peak Detector

Design Example: Design a vu indicator. The circuit above could be used to make a vu indicator with a slight adjustment in the circuit gain. Since 0 vu is 4 dB above 1 mw into 600Ω :

$$4 \text{ dB} = 20 \log(0 \text{ vu})/1.095$$

$$(10)^{1/5}(1.095)V = 0 \text{ vu}$$

$$0 \text{ vu} = 1.735V_{\text{peak}}$$

The gain for the input amplifier would have to be

$$\text{Gain} = (2.10)/1.735 = 1.21$$

$$R_5/R_f = .21 \text{ for non inverting amplifier}$$

if

$$R_f = 24K$$

$$R_5 = (24K)(.21) \approx 5.1K$$

Driving LED's with the XR-2276: LED's can be driven by the XR-2276 provided care is taken not to exceed the maximum power dissipation of the device. This can be accomplished in two ways. First, the cathodes of the display device can be multiplexed such that the total current sourced by the XR-2276 at any one time, does not cause excessive power to be dissipated. An alternate method is to drive an external pass device, such as an XR-2203, which in turn drives the LED's. In this way the power dissipation is moved off of the XR-2276.

Design Example: How many LED's can be driven simultaneously without exceeding the maximum power dissipation of 625 mw? $V_{CC} = +18V$, $T_A = 25^\circ\text{C}$.

The 1.5K resistor in series with the output can be as high as 3K and the no load output high voltage of the XR-2276 should be $\approx V_{CC} - 1V$. If the forward voltage on an LED is $\approx 1.7V$, the current typically available to drive the LED would be:

$$(18V - 1V - 1.7V)/1.5K = 10.2 \text{ ma}$$

$$(5.1 \text{ ma if the series resistor} = 3K)$$

The total voltage across each output would be 16.3V. The total power dissipated per segment is:

$$P_D = (16.3V)(10.2 \text{ ma}) = 166 \text{ mw}$$

The quiescent dissipation of the device

$$P_{Dq} = (I_{\text{supply max}})(V_{\text{supply}})$$

or

$$(20\text{ma})(18V) = 360 \text{ mw}$$

The total number of segments that can be on at once is:

$$625 \text{ mw} - 360 \text{ mw}/166 \text{ mw/segment} \approx 1 \text{ Segment}$$

The circuit in Figure 4 shows an acceptable method for using the XR-2276 in conjunction with LED's.

Design Example: How can 12 LED's be driven simultaneously at 20 ma without causing excessive power dissipation in the XR-2276:

This can be done easily using two XR-2203's to drive the LED's as shown in Figure 7. The current through the LED's is limited by the series resistors.

XR-2276

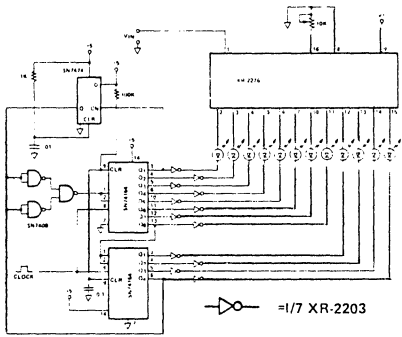


Figure 4. Multiplexed Display

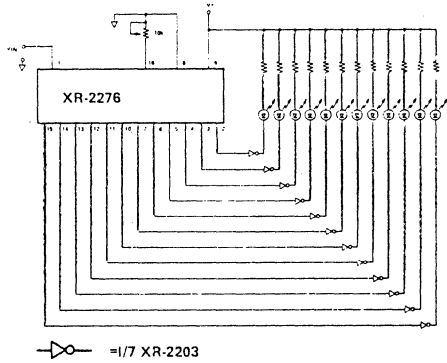
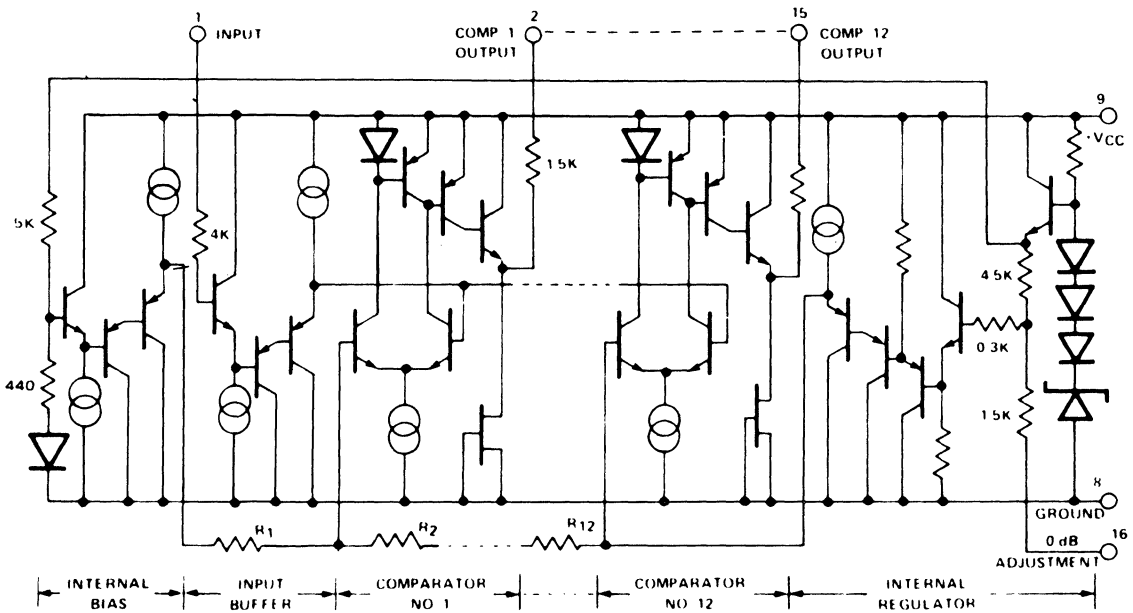


Figure 5. Continuous Display



EQUIVALENT SCHEMATIC DIAGRAM



Dot and Bar Graph Display Generators

GENERAL DESCRIPTION

The XR-2277 and XR-2278 are 12 point level detector circuits designed for direct interfacing to light emitting diode (LED) moving-dot or bar-graph displays. Each of the circuits is comprised of an input buffer amplifier and 12 comparators, biased from a resistor string at logarithmic intervals. Accuracy is enhanced by an internal reference. Each comparator provides a high impedance current source output which are all very closely matched and simultaneously adjustable with a single external resistor. A control signal applied to the mode select pin determines whether the display is driven in a moving-dot or bar-graph format.

FEATURES

- High Impedance Buffered Input
- Direct LED Interface
- Constant Current Outputs
- External Dot/Bar Mode Select

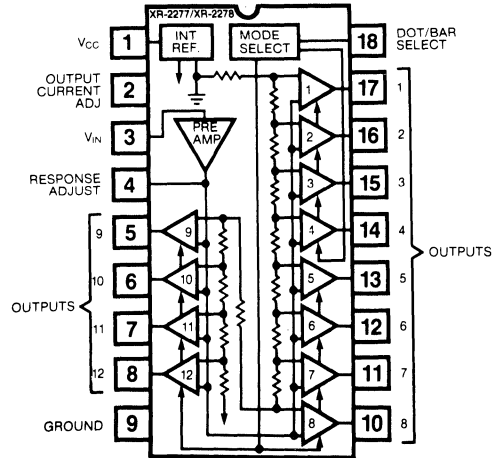
APPLICATIONS

- Bar-Graph Display Generator/Driver
- Moving-dot Display Driver
- Sequential Display Indicator
- Audio Level Indicator

ABSOLUTE MAXIMUM RATINGS

Power Supply	15V
Power Dissipation	625 mW
Derate Above 25°C	5 mW/°C
Operating Temperature Range	0°C to +70°C
Storage Temperature Range	-65°C to +150°C

FUNCTIONAL BLOCK DIAGRAM



ORDERING INFORMATION

Part Number	Package	Operating Temperature
XR-2277P	Plastic	0°C to +70°C
XR-2278P	Plastic	0°C to +70°C

SYSTEM DESCRIPTION

The XR-2277 and XR-2278 are 12 point logarithmic level detectors and LED drivers. LED driving current is provided by on board adjustable current sinks; no series limiting resistors are required. All LEDs receive matched currents, ensuring equal brightness. The drivers can be programmed to source up to 22 mA.

The LED current is set by a resistor from Pin 2 to Ground. The zero dB reference is set by varying the bias on Pin 3. The output may be either moving dot (one segment only) or bar mode (all segments up to the measured value illuminated). This is determined by Pin 18.

The XR-2277 provides 12 discrete outputs for an input level range of -30 dB to +6 dB, referenced to an internally set zero dB level which is typically 0.2 V_{RMS} . The XR-2278 has similar electrical characteristics, providing a -20 dB to +8 dB input dynamic range referenced to 0.13 V_{RMS} . Both parts operate from a nominal 12V supply.

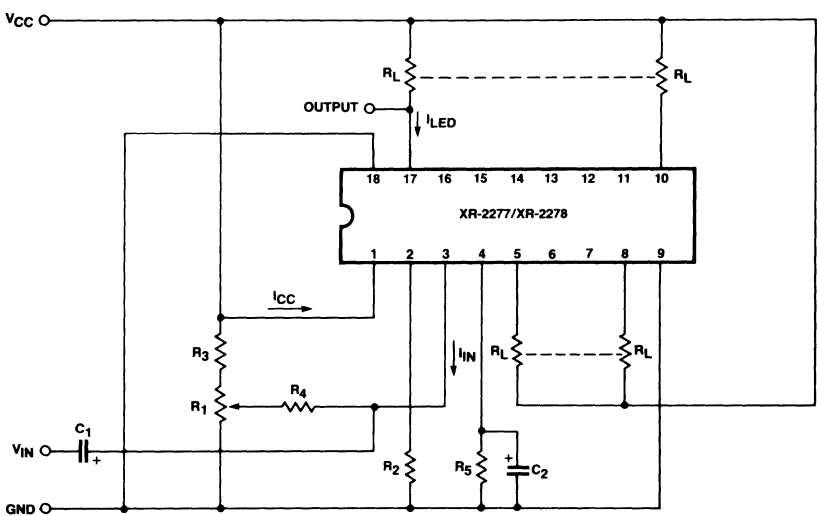
XR-2277/2278

ELECTRICAL CHARACTERISTICS $V_{CC} = 12$ Volts, $T_A = 25^\circ\text{C}$, unless otherwise specified. (See Test Circuit of Figure 2.)

PARAMETERS	XR-2277			XR-2278			UNITS	CONDITIONS
	MIN	TYP	MAX	MIN	TYP	MAX		
Supply Voltage	10	12	14	10	12	14	V_{DC}	$V_{F(LED)} = 2$ V
Supply Current		5	10		5	10	mA	$V_{IN} = 0$ V
LED Current			22			22	mA	R_2 Varied See Figure 4
LED Current	12	15	18	12	15	18	mA	$R_2 = 27$ K Ω
I_{LED} Matching between Outputs	-1.5		+1.5	-1.5		+1.5	mA	$R_2 = 27$ K Ω
Input Voltage for 0 dB Output	0.10	0.20	0.25	0.09	0.13	0.18	V_{RMS}	0 dB Output Threshold
Input Current		50			50		nA	
Outputs								
Output 1 (pin 17)	-31.5	-30.0	-28.5		20.0		dB	See Note 1
Output 2 (pin 16)		-27.0		-16.5	-15.0	-13.5	dB	See Note 2
Output 3 (pin 15)	-25.0	-24.0	-23.0	-11.5	-10.0	-8.5	dB	
Output 4 (pin 14)	-21.5	-20.0	-18.5	-8.0	-7.0	-6.0	dB	
Output 5 (pin 13)	-18.5	-17.0	-15.5	-6.0	-5.0	-4.0	dB	
Output 6 (pin 12)	-15.5	-14.0	-12.5	-4.0	-3.0	-2.0	dB	
Output 7 (pin 11)	-11.0	-10.0	-9.0	-1.5	-1.0	-0.5	dB	
Output 8 (pin 10)	-8.0	-7.0	-6.0		0		dB	
Output 9 (pin 8)	-5.0	-4.0	-3.0	+0.5	+1.0	+1.5	dB	
Output 10 (pin 7)		0		+2.0	+3.0	+4.0	dB	
Output 11 (pin 6)	+2.0	+3.0	+4.0	+4.0	+5.0	+6.0	dB	
Output 12 (pin 5)	+4.5	+6.0	+7.5	+6.5	+8.0	+9.5	dB	

NOTES:

1. Calibration adjustment for XR-2277: An input voltage, V_{IN} , is applied at -27 dB level, referenced to zero dB setting, and R_1 is adjusted until Output 2 (Pin 16) turns on.
2. Calibration adjustment for XR-2278: An input voltage, V_{IN} , is applied at -20 dB level, referenced to zero dB setting, and R_1 is adjusted until Output 1 (Pin 17) turns on.

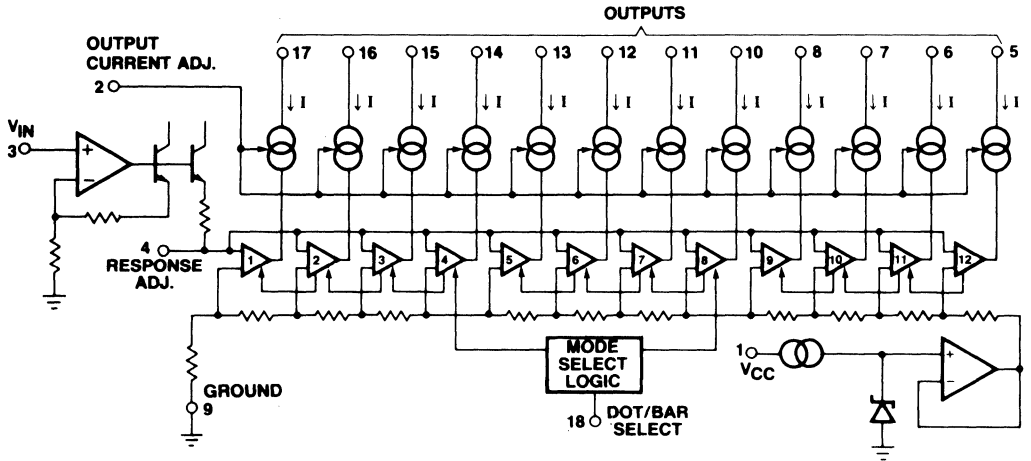


- $R_1 = 500\Omega$
- $R_2 = 27K\Omega$
- $R_3 = 330K\Omega$
- $R_4 = 10K\Omega$
- $R_5 = 10K\Omega$
- $C_1 = 2.2\mu F$
- $C_2 = 10\mu F$
- $R_L = 200\Omega$

Figure 2. Generalized Test Circuit



XR-2277/2278



EQUIVALENT SCHEMATIC DIAGRAM

XR-2277/2278

PRINCIPLES OF OPERATION

As shown in the equivalent circuit schematic of Figure 1, each circuit is comprised of 12 voltage comparators with current source outputs. One input in each of the comparators is connected to a common voltage line. The input voltage, V_{IN} , is applied to this signal line through a buffer amplifier. The remaining input of each of the comparators is biased from an internal resistor ladder connected to a voltage reference on the IC chip. Thus, each of the 12 ladder taps corresponds to the particular output thresholds, listed as outputs one through twelve, in the electrical characteristics.

As the input voltage applied to the device is increased, each of the 12 comparators in the chip changes state sequentially at the time the input signal levels reach their respective threshold levels. The current source outputs of these comparators can directly drive LED displays. The circuit can operate both in moving-dot or bar-graph display format.

Figure 3 shows the typical output current waveforms for operating in either the moving-dot or the bar-graph modes. The mode of operation is selected by the logic state at Pin 18. If this pin is grounded, the output display is in the moving-dot format where only one of the current outputs is active at any one time, depending on the input signal level.

If Pin 18 is left an open circuit, then the IC operates as a bar-graph display generator. In this mode of operation, the external LEDs are connected in series, in groups of four to minimize power dissipation.

The outputs of the comparators (4), (8), and (12), continue conducting in this manner as long as the voltage level is above in respective threshold points.

EXTERNAL ADJUSTMENTS

Output Brightness Adjustment

The output current level for each of the 12 outputs is controlled by an external current setting resistor, R_2 , ($R_2 \geq 20 \text{ k}\Omega$) connected from Pin 2 to Ground, Figure 4

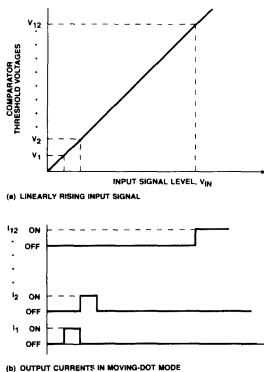


Figure 3. Typical Output Waveforms in Moving-Dot Display Mode

shows the available output drive current, I_{LED} , as a function of R_2 .

Response Adjustment

Transient response of the circuit is adjusted by an external resistor, R_5 , and capacitor, C_2 , connected from Pin 4 to ground. Typical component values for audio frequency applications, from 20 Hz to 20 kHz, are: $R_5 = 10 \text{ k}\Omega$ and $C_2 = 10 \mu\text{F}$. The internal impedance at Pin 4 is approximately 100 ohms. C_2 functions as a holding capacitor of the internal peak rectifier circuit, with R_5 controlling its decay time.

Scale Adjustment

The output thresholds for the XR-2277 or the XR-2278 are measured relative to an internal zero dB reference level. Thus, for a given input signal dynamic range, each circuit must be calibrated with respect to the zero dB reference level setting. This calibration is performed by adjusting the potentiometer, R_1 , shown in Figure 2. The scale adjustment is performed with an audio frequency ac signal applied to the circuit.

XR-2277

Step 1: Determine exact value of input voltage to produce zero dB output. This is done by increasing the ac input signal amplitude until Output 10 (Pin 7) begins conduction.

Step 2: Reduce input voltage level to -27 dB referenced to the input level of Step 1. Adjust R_1 until Output 1 (Pin 16) begins conduction.

XR-2278

Step 1: Determine exact value of input voltage to produce zero dB output. Do this by increasing ac input signal level until Output 8 (Pin 10) begins conduction.

Step 2: Reduce input voltage level by -20dB referenced to its zero dB level. Adjust R_1 until Output 1 (Pin 17) begins conduction.

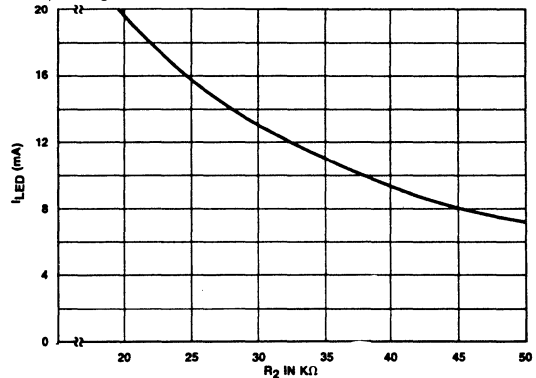


Figure 4. Output Drive Current as a Function of Current Setting Resistor, R_2

XR-2277/2278

APPLICATIONS

MOVING-DOT DISPLAY

Figure 5 shows the basic connection of the XR-2277, or the XR-2278, as a moving-dot display generator and driver. In this mode of operation Pin 18 is connected to ground. Increasing the voltage at the input will cause each one of the 12 LEDs to turn on, one at a time, at the appropriate input level, and thus generate a moving dot of light. Output waveforms for this mode are shown in Figure 3(b).

BAR-GRAPH DISPLAY

Figure 6 shows the basic circuit connection for the XR-2277, or the XR-2278, as a bar-graph display generator and driver. Note that in this mode of operation the 12 LEDs are connected in series in three groups of four LEDs, and the mode-select terminal (Pin 18) is left an open circuit. Each LED will turn on and stay on as the input signal amplitude is increased as long as the input voltage stays above the threshold level corresponding to that particular output.

AUDIO LEVEL INDICATOR

Figure 7 shows a complete audio level indicator system made up of either the XR-2277 or the XR-2278 Display Generator and an adjustable gain amplifier. For a given dynamic range of the input audio voltage, V_A , the potentiometer R_6 is used to set the gain of the input amplifier which is adjusted to give the desired zero dB output level from the display generator IC. The potentiometer R_1 is then adjusted to set the lowest output level; i.e., the -27 dB level for the XR-2277 or the -20 dB level for the XR-2278. The display output format can be either the moving-dot or the bar-graph type, by choosing the LED interconnections and the logic signal applied to Pin 18.

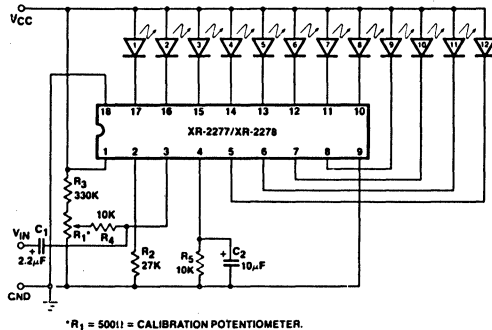


Figure 5. Circuit Connection for Moving-Dot Display Generation

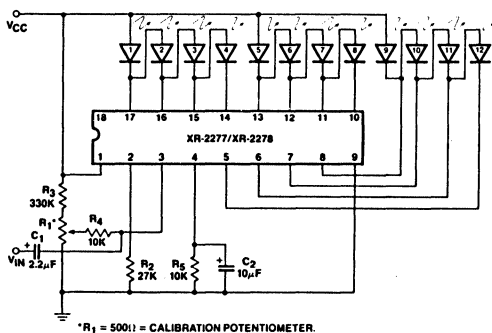
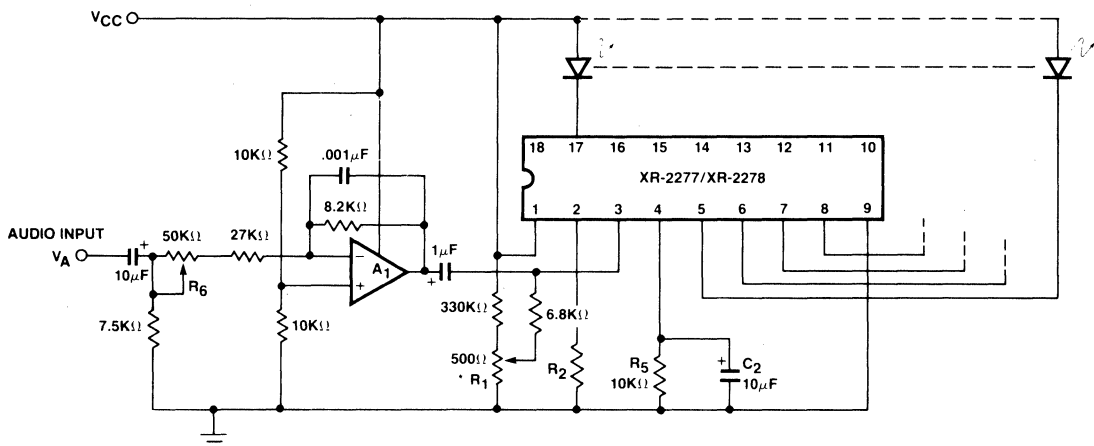


Figure 6. Circuit Connection for Bar-Graph Display Generation



$A_1 = \frac{1}{2}$ OF XR-082
 $R_1 =$ CALIBRATION POTENTIOMETER.

Figure 7. Typical Audio Level Indicator System Using the XR-2277/XR-2278.

Dot and Bar-Graph Display Generators

GENERAL DESCRIPTION

The XR-2279 is a 12 point logarithmic dot or bar-graph generator/LED driver. The device compares an input signal with an adjustable reference and graphically displays the results. Since LED driving current is provided by on board adjustable current sources, no current limiting resistors are required. A special feature of the XR-2279 is the four highest outputs sink one half the current of the lower eight; this allows equivalent brightness with red and green mixed displays.

Dot or bar mode selection is provided. The twelve output levels are in 3 dB steps from -27 dB to $+6$ dB. The reference point is externally adjustable.

FEATURES

- Direct LED Interface
- Constant Three dB/Step Logarithmic Scale
- External Dot/Bar Mode Select for Dot/Bar-Graph Formats
- Adjustable Output Current Levels
- Current Source Outputs

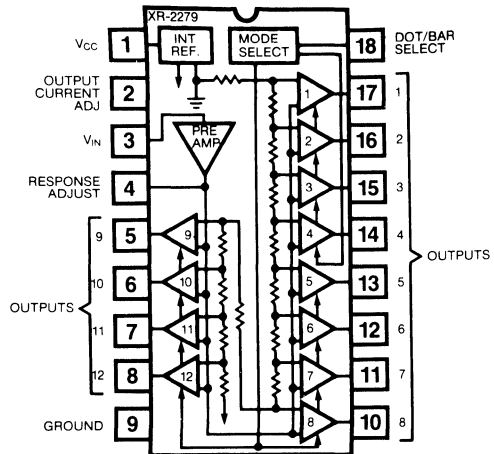
APPLICATIONS

- Bar Graph Display Generator
- Moving-dot Display Generator
- Logarithmic Level Indicator
- Sequential Level Indicator

ABSOLUTE MAXIMUM RATINGS

Power Supply	15V
Power Dissipation	625 mW
Derate Above 25°C	5 mW/°C
Operating Temperature Range	0°C to +75°C
Storage Temperature Range	-65°C to +150°C

FUNCTIONAL BLOCK DIAGRAM



ORDERING INFORMATION

Part Number	Package	Operating Temperature
XR-2279CP	Plastic	0°C to +70°C

SYSTEM DESCRIPTION

The XR-2279 is a 12 point logarithmic level detector circuit designed for direct interfacing to light emitting diode (LED) moving-dot or bar-graph displays. The circuit is comprised of an input buffer amplifier and 12 comparators which are biased from an internal voltage reference. Each comparator provides a high impedance current source output which are all very closely matched and simultaneously adjustable with a single external resistor. A control signal applied to the mode select Pin 18 determines whether the display is driven in a moving-dot or bar-graph format.

The circuit provides 12 discrete outputs for an input level range of -27 dB to $+6$ dB, referenced to an internally set zero dB level, typically $0.2 V_{RMS}$. Each step represents 3 dB, and the reference level is adjustable.

The upper four outputs, 9-12 (see Equivalent Schematic Diagram), are internally set to provide one-half the current out as outputs 1-8. This is for driving red LEDs (as over-range indicators) which require less current than other colors.

XR-2279

ELECTRICAL CHARACTERISTICS

Test Conditions: $V_{CC} = 12$ Volts, $T_A = 25^\circ\text{C}$, unless otherwise specified. (See Test Circuit of Figure 2.)

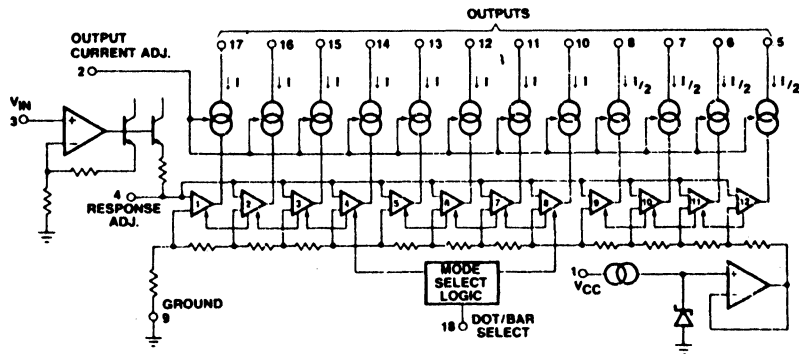
PARAMETERS	XR-2279			UNITS	CONDITIONS
	MIN	TYP	MAX		
Supply Voltage	10	12	14	V_{DC}	$V_{F(LED)} = 2V$
Supply Current		5	10	mA	$V_{IN} = 0V$
Output Current					$R_2 = 27K\Omega$
Outputs 1 through 8	12	15	18	mA	Measured at Pins 10 through 17
Outputs 9 through 12	6	8	10	mA	Measured at Pins 5 through 8
Output Current Matching					$R_2 = 27K\Omega$
Outputs 1 through 8	-2.0		+2.0	mA	Measured at Pins 10 through 17
Outputs 9 through 12	-1.0		+1.0	mA	Measured at Pins 5 through 8
Maximum Drive Current					R_2 varied - see Figure 4
Outputs 1 through 8			22	mA	Measured at Pins 10 through 17
Outputs 9 through 12			11	mA	Measured at Pins 5 through 8
Input Voltage for 0 dB Output	0.10	0.20	0.25	V_{RMS}	0 dB Output Threshold
Input Current		50		nA	Measured at Pin 3
Outputs					
Output 1 (Pin 7)		-27		dB	See Note 1
Output 2 (Pin 16)	-25.5	-24.0	-22.5	dB	
Output 3 (Pin 15)	-22.5	-21.0	-19.5	dB	
Output 4 (Pin 14)	-19.5	-18.0	-16.5	dB	
Output 5 (Pin 13)	-16.5	-15.0	-13.5	dB	
Output 6 (Pin 12)	-13.5	-12.0	-10.5	dB	
Output 7 (Pin 11)	-10.5	-9.0	-7.5	dB	
Output 8 (Pin 10)	-7.0	-6.0	-5.0	dB	
Output 9 (Pin 5)	-4.0	-3.0	-2.0	dB	
Output 10 (Pin 6)		0		dB	See Note 1
Output 11 (Pin 7)	+2.0	+3.0	+4.0	dB	
Output 12 (Pin 8)	+4.5	+6.0	+7.5	dB	

Note 1:

Determine exact value of input voltage to produce zero dB output. This is done by increasing the ac input signal amplitude until Output 10 (Pin 6) begins conduction.

Reduce input voltage level to -27 dB referenced to the input level of Note 1. Adjust R_1 until Output 1 (Pin 17) begins conduction.

EQUIVALENT SCHEMATIC DIAGRAM



XR-2279

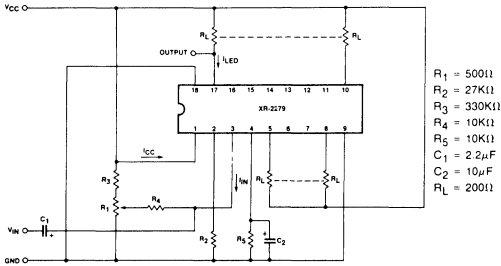


Figure 2. Generalized Test Circuit

PRINCIPLES OF OPERATION

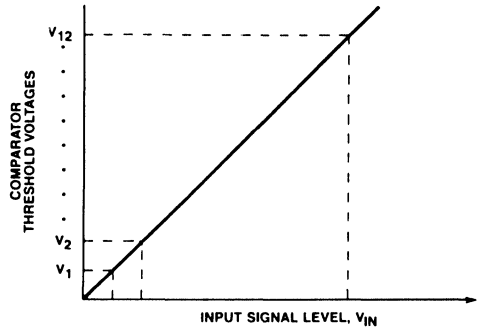
As shown in the equivalent circuit schematic, the circuit is comprised of 12 voltage comparators with current source outputs. One input in each of the comparators is connected to a common voltage line. The input voltage, V_{IN} , is applied to this signal line through a buffer amplifier. The remaining input of each of the comparators is biased from an internal resistor ladder connected to a voltage reference on the IC chip. Thus, each of the 12 ladder taps corresponds to the particular output thresholds, listed as outputs one through twelve, in the electrical characteristics.

As the input voltage applied to the device is increased, each of the 12 comparators in the chip changes state sequentially at the time the input signal levels reach their respective threshold levels. The output currents of the last four outputs (Pins 5 through 8) are set at one-half the current output of the first eight outputs. This is done to minimize power dissipation since the last four outputs normally drive red LEDs to indicate "over-range" condition. The red LEDs are normally more efficient than other colors and require approximately one-half as much current for the same brightness.

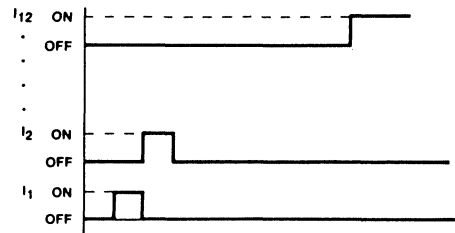
Figure 3 shows the typical output current waveforms for operating in the moving-dot mode. The mode of operation is selected by the logic state at Pin 18. If this pin is grounded, the output display is in the moving-dot format where only one of the current outputs is active at any one time, depending on the input signal level (see Figure 3(b)).

If Pin 18 is left an open circuit, then the IC operates as a bar-graph display generator. In this mode of operation, the external LEDs are connected in series, in groups of four to minimize power dissipation.

The outputs of the comparators, (4), (8), and (12), continue conducting in this manner as long as the voltage level is above the respective threshold points.



(a) LINEARLY RISING INPUT SIGNAL



(b) OUTPUT CURRENTS IN MOVING-DOT MODE

Figure 3. Typical Output Waveforms in Moving-Dot Display Mode

EXTERNAL ADJUSTMENTS

Output Brightness Adjustment

The output current level for each of the 12 outputs is controlled by an external current setting resistor, R_2 , ($R_2 \geq 20 k\Omega$) connected from Pin 2 to Ground. Figure 4 shows the available output drive current, I_{LED} , as a function of R_2 .

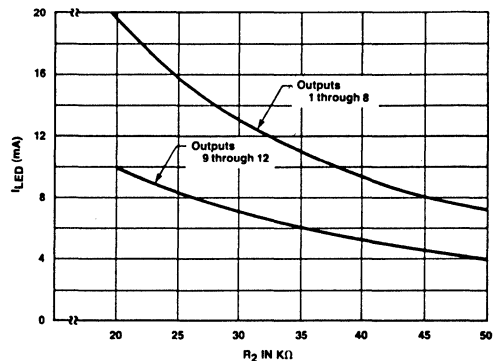


Figure 4. Output Drive Current as a Function of Current Setting Resistor, R_2

XR-2279

Response Adjustment

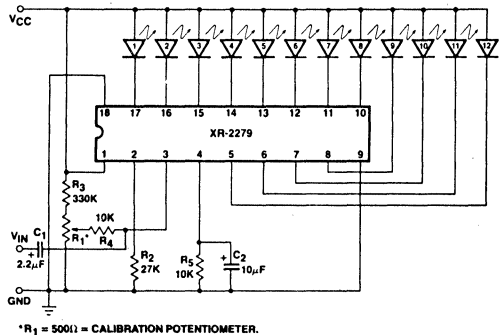
Transient response of the circuit is adjusted by an external resistor, R_5 , and capacitor, C_2 , connected from Pin 4 to ground. Typical component values for audio frequency applications, from 20 Hz to 20 kHz, are: $R_5 = 10\text{ k}\Omega$ and $C_2 = 10\text{ }\mu\text{F}$. The internal impedance at Pin 4 is approximately 100 ohms. C_2 functions as a holding capacitor of the internal peak rectifier circuit, with R_5 controlling its decay time.

Scale Adjustment

The output thresholds for the XR-2279 are measured relative to an internal zero dB reference level. Thus, for a given input signal dynamic range, each circuit must be calibrated with respect to the zero dB reference level setting. This calibration is performed by adjusting the potentiometer, R_1 , shown in Figure 2, with an audio frequency ac signal applied to the circuit in two steps, as follows:

Step 1: Determine exact value of input voltage to produce zero dB output. This is done by increasing the ac input signal amplitude until Output 10 (Pin 7) begins conduction.

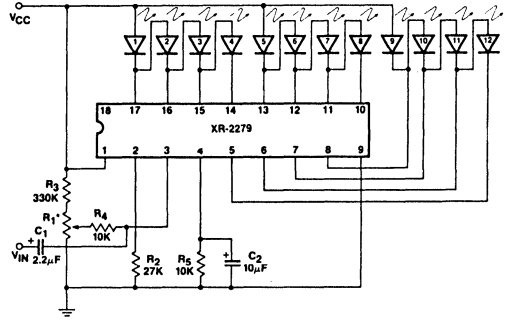
Step 2: Reduce input voltage level to -27 dB referenced to the input level of Step 1. Adjust R_1 until Output 1 (Pin 7) begins conduction.



* $R_1 = 500\Omega$ = CALIBRATION POTENTIOMETER.
Figure 5. Circuit Connection for Moving-Dot Display Generation

MOVING-DOT DISPLAY

Figure 5 shows the basic connection of the XR-2279 as a moving-dot display generator and driver. In this mode of operation pin 18 is connected to ground. Increasing the voltage at the input will cause each one of the 12 LEDs to turn on, one at a time, at the appropriate input level, and thus generate a moving dot of light. Output waveforms for this mode are shown in Figure 3(b).



* $R_1 = 500\Omega$ = CALIBRATION POTENTIOMETER.
Figure 6. Circuit Connection for Bar-Graph Display Generation

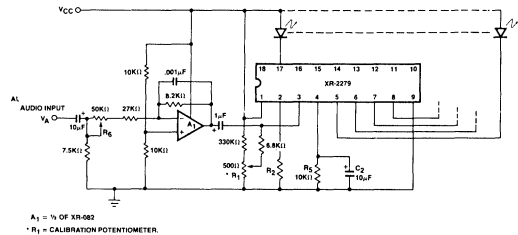
will turn on and stay on as the input signal amplitude is increased as long as the input voltage stays above the threshold level corresponding to that particular output.

AUDIO LEVEL INDICATOR

Figure 7 shows a complete audio level indicator system made up of the XR-2279 Display Generator and an adjustable gain amplifier. For a given dynamic range of the input audio voltage, V_A , the potentiometer R_6 is used to set the gain of the input amplifier which is adjusted to give the desired zero dB output level from the display generator IC. The potentiometer R_1 is then adjusted to set the lowest output level; i.e., the -27 dB level. The display output format can be either the moving-dot or the bar-graph type, by choosing the LED interconnections and the logic signal applied to Pin 18.

BAR-GRAPH DISPLAY

Figure 6 shows the basic circuit connection for the XR-2279 as a bar-graph display generator and driver. Note that in this mode of operation the 12 LEDs are connected in series in three groups of four LEDs, and the mode-select terminal (Pin 18) is left an open circuit. Each LED



$A_1 = \text{N of XR-082}$
 $R_1 = \text{CALIBRATION POTENTIOMETER}$
Figure 7. Typical Audio Level Indicator System Using the XR-2279.

High-Voltage AC Plasma Display Drivers

GENERAL DESCRIPTION

The XR-2284 and the XR-2288 are high voltage display driver arrays especially designed for interfacing with ac plasma display systems. The XR-2284 contains four independent driver channels, whereas its dual version, the XR-2288, contains eight driver channels. Each driver array can be used for either the segment or the column (or digit) drive, and several arrays can be "stacked" together to drive a large number of display segments.

All four channels of the XR-2284 are driven by a common ac toggle voltage; however, the XR-2288 has two independent toggle inputs, one for each of the four channels in the IC. The XR-2284 and the XR-2288 are designed for 360 volt ac plasma systems and have minimum stand-off voltages of 90 volts. The XR-2284C and the XR-2288C are designed for 240 volt plasma systems, and have minimum stand-off voltages of 60 volts.

The circuits can operate with ac toggle frequencies up to 200 kHz, and each driver channel can sink or source 100 mA of capacitive load current. For proper operation, the substrate terminals of all drivers must be grounded through an external disconnect diode, D_X , as shown in the schematic diagram.

FEATURES

- High Stand-off Voltage
 - 90 V minimum for XR-2284/XR-2288
 - 60 V minimum for XR-2284C/XR-2288C
- Very Low AC Standby Power
 - (≈ 25 mW/channel at 100 kHz)
- Zero DC Standby Power
- 100 mA Output Drive Capability
- TTL and CMOS Compatible Inputs
- Digital or Segment Drive Capability

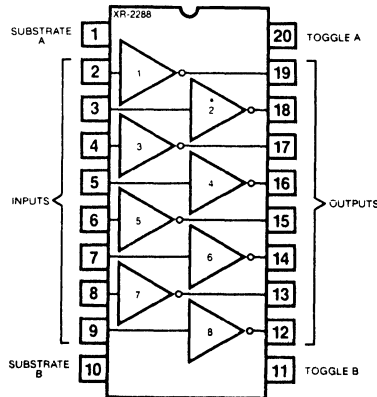
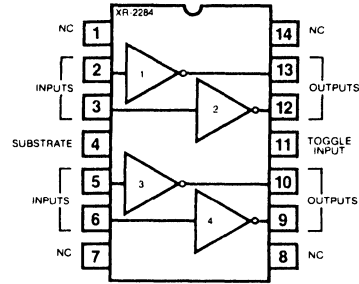
APPLICATIONS

- High Voltage AC Plasma Panels
- High Voltage Pulsed Displays
- Pulsed AC Switching

ABSOLUTE MAXIMUM RATINGS

Toggle Input Voltage	
XR-2284P/XR-2288P	$\pm 90V$ peak
XR-2284CP/XR-2288CP	$\pm 60V$ peak

FUNCTIONAL BLOCK DIAGRAMS



Power Dissipation	
XR-2284P/XR-2284CP	625 mW
XR-2288P/XR-2288CP	900 mW
Derate above +25°C	5 mW/°C
Storage Temperature	-65°C to 150°C

ORDERING INFORMATION

Part Number	Package	Operating Temperature
XR-2284P	Plastic	0°C to 70°C
XR-2284CP	Plastic	0°C to 70°C
XR-2288P	Plastic	0°C to 70°C
XR-2288CP	Plastic	0°C to 70°C



XR-2284/2288

ELECTRICAL CHARACTERISTICS

Test Conditions: Test Circuit of Figure 1, with external diode $D_X = \text{IN4002}$ or equivalent, $T_A = 25^\circ\text{C}$, unless otherwise specified. (See operating precautions.)

PARAMETERS	XR-2284/XR-2288			XR-2284C/XR-2288C			UNIT	SYMBOL	CONDITIONS
	MIN	TYP	MAX	MIN	TYP	MAX			
Maximum Toggle Voltage	± 90			± 60			V _{pp}	V _T	Peak-to-peak AC voltage- See Figure 3.
Output Current Capability Max Sourcing Current	100	150		100	120		mA	I _{source}	12% Duty Cycle
Max Sinking Current	100	120		100	120		mA	I _{sink}	12% Duty Cycle
Output Voltage High Output (selected)		(V _T - 4)			(V _T - 4)		V _{peak}	V _{OHS}	See Figure 4.
High Output (non-selected)		4V			4V			V _{OHN}	
Low output		(-V _T + 2)			(-V _T + 2)		V _{peak}	V _{OL}	
Maximum Toggle Frequency	200			100	200		kHz	f _T	
High-Level Input	2	1.4		2	1.4		V	V _{IH}	
Low-Level Input		1.2	0.8		1.2	0.8	V	V _{IL}	
Input Current		8	16		8	16	mA	I _{IN}	See Figure 3.
Switching Characteristics Rise Delay		500			500		nsec	t _{rd}	See Figure 4.
Fall Delay (selected)		500			500		nsec	t _{fds}	
Fall Delay (non-selected)		500			500		nsec	t _{fdn}	

IMPORTANT OPERATING PRECAUTIONS

1. External diode D_X with reverse breakdown voltage $\geq V_T$ must be included in all circuit applications. This diode decouples or "floats" the IC from the circuit ground during the negative excursions of the toggle voltage, V_T .

2. the rise and fall times of toggle voltages, V_T , must be held to a value such that output current of each chan-

nel does not exceed 100 mA. This can be done by limiting the slewrate of toggle voltage to:

$$\left(\frac{dV_T}{dt}\right)_{\max} \leq \frac{100 \text{ mA}}{C_L}$$

where C_L is the total load capacitance, including the capacitance of the display elements, driven by the particular output.

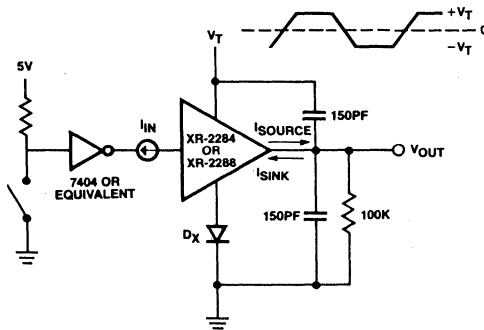


Figure 1. Generalized Test Circuit

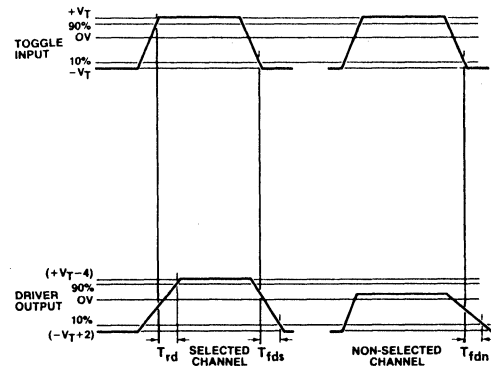


Figure 2. Typical Timing Waveforms

XR-2284/2288

FUNDAMENTALS OF AC PLASMA DISPLAYS

Ac plasma display offer significant advantages over other alpha-numeric displays such as fluorescent or LED type panels. Some of these advantages are the low cost of the display itself, its wide viewing angle, and the ease of formatting in the selection of display segments and digits. Plasma systems typically require high voltage (200V or higher) ac drivers operating at relatively high frequencies (100 kHz and up). Although the plasma display panel is a capacitive load and does not draw dc current, the display driver output is required to provide a high output drive current (typically 50 to 100 mA), during the rising and the falling edges of the toggle voltage, so that the driver output can still follow the ac toggle voltage at high frequencies.

The ac plasma displays normally require a net voltage in excess of 200 volts across the display to turn it on. In practice, this is achieved by "pulsing" the display with two out-of-phase toggle voltages (V_T), such that a net peak-to-peak voltage of $2V_T$ appears across the selected display portion to make it turn on. Thus, in controlling the plasma display, one must control the amplitude of two peak-to-peak toggle swings, one on the "segment-side" and the other on the "digit-side" of the display, where each toggle swing is equal to only one-half of the total voltage swing needed to light up the display. For example, for 240 volt ac plasma display systems, the toggle voltage used (V_T) would be 120 volts; and for 360 volt display systems, 180 volt toggle voltage will be needed.

PRINCIPLES OF OPERATION

The XR-2284 and the XR-2288 ac plasma display driver circuits control the drive voltage applied to the segment or the digit section of an ac plasma panel.

Figure 3 shows the timing waveforms associated with the ac plasma driver circuit, for the case of a 360 volt display system (i.e., $V_T = \pm 90V = 180V$ pp). In normal operation, all of the driver channels are driven by a common ac toggle voltage (V_T) shown in Figure 3(a). When the control input to a driver channel, V_{IN} , is at "high" state, as shown in Figure 3(b), its output would be clamped nearly to ground and would follow the negative excursions of the toggle voltage, V_T . This produces only 1/2 of the required peak-to-peak voltage across the particular display segment, which is *not* enough to light it. However, if V_{IN} is at a "low" state, the driver output, V_{OUT} , would be enabled and follow closely the peak-to-peak excursions of the toggle voltage. This would then cause the nearly full peak-to-peak swing of the ac drive to appear across the selected display segment.

It should be noted that due to the external blocking diode D_X of Figure 1, the monolithic IC substrate is completely decoupled from ground during the negative excursion of the toggle voltage and the internal diode, D_2 , of the schematic diagram causes the output to follow the toggle voltage within one diode drop. In this manner, the IC has to withstand only *one-half* of the total ac signal swing, or the *one-fourth* of the total voltage ap-

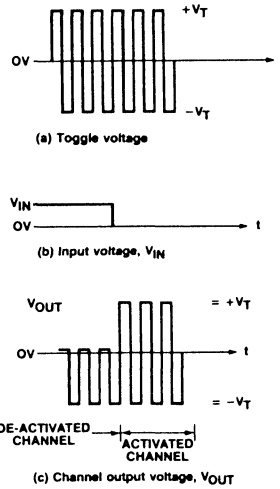


Figure 3. Timing Diagram of Circuit Waveforms

pearing across the entire plasma panel.

CIRCUIT DESCRIPTION

Both the XR-2284 and the XR-2288 are multichannel driver circuits, packaged in 14 and 20-pin dual-in-line IC packages respectively. The XR-2284 is a four-channel display driver, whereas the XR-2288 is an eight-channel circuit, made up of two four-channel driver chips in the same dual-in-line package. Thus, the XR-2288 has two toggle voltage and substrate inputs; one for each of the two four-channel IC chips sharing the same package.

The equivalent circuit diagram for a typical driver channel is shown in the schematic. All the channels have their own independent inputs and outputs, but share a common toggle or clock input and a common substrate or ground connection. The circuit is designed as a series connection of two controlled-switches, or SCR's. The transistors, Q_3 and Q_2 , form one of the controlled-switches, and Q_1 and Q_4 , form the second controlled-switch. The internal junction capacitance, C_j , causes

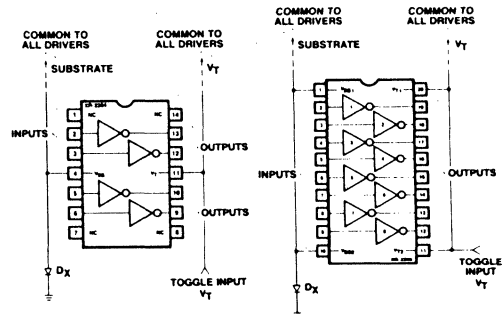


Figure 4. Generalized Connection Diagram XR-2284 and XR-2288.

XR-2284/2288

the respective controlled-switches to be turned on during the positive and negative edges of the toggle input, V_T .

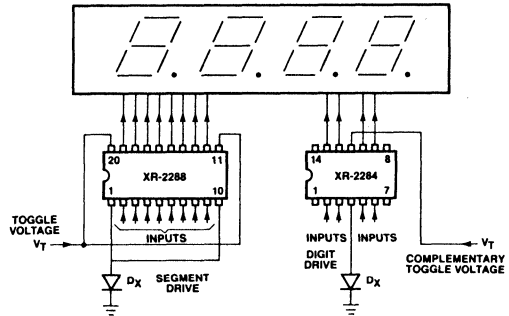
An external diode, D_X with a breakdown voltage $\geq V_T$, is used to "float" the substrate or decouple it from ground during the negative excursions of the toggle voltage. This external decoupling diode is common to all channels, and can serve more than one IC package, as shown in Figure 4. In this manner, many driver IC's, either of the four-channel (XR-2284) or the eight-channel (XR-2288) type, can be "stacked" to drive a large number of display segments or columns, with only one common blocking diode and a common toggle input, as shown in the Figure 4.

Under dc conditions, i.e., with no ac toggle drive, the driver IC's do not dissipate any appreciable standby power. However, when the ac toggle voltage, V_T , is applied and a particular channel is enabled, then the corresponding output can follow the peak-to-peak toggle voltage and sink or source up to 100 mA of capacitive load current to the plasma panel.

APPLICATIONS

Driving Seven-Segment Displays

Figure 5 illustrates a four digit, seven-segment plasma display panel with decimal point. The entire display can be driven by one XR-2288 driver for the segment side and one XR-2284 driver for the digit side. The segment and the digit drivers each must have their external disconnect diode, D_X , as shown in the figure. The segment and the digit sides of the display are driven by out-of-phase toggle signals, V_T and $V_{\bar{T}}$, which cause a total firing voltage of four V_T to appear across the enabled display segment. Segments not enabled will have a net voltage of three V_T across them. The peak-to-peak



NOTE: EXTERNAL DIODE, D_X (IN4002 OR EQUIVALENT) SHOULD BE SEPARATE FOR DIGIT AND SEGMENT SIDES

Figure 5. Typical Circuit Connection for Driving 7-Segment 4-Digit Display with Decimal Point

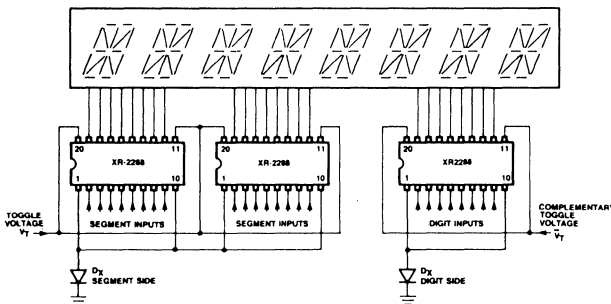
swing of the toggle voltage, V_T , is chosen so that the firing voltage, V_f , necessary for the display to light up, falls into the range of:

$$3 V_T < V_f < 4 V_T$$

In this manner, only the selected and enabled display cells will have an energizing voltage $\geq V_f$.

Driving Alpha-Numeric Displays

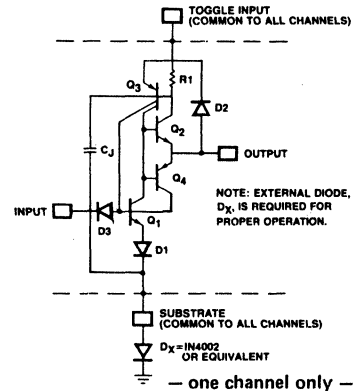
Figure 6 shows the circuit connection for driving an eight digit, 16-segment alpha-numeric display. The number of digits can be increased by connecting additional XR-2284 or XR-2288 driver arrays into the digit side. These additional arrays can be directly "stacked" using the same external disconnect diode, D_X , and the same toggle voltage drive lines already present on the digit side.



NOTE: EXTERNAL DIODE, D_X (IN4002 OR EQUIVALENT) SHOULD BE SEPARATE FOR DIGIT AND SEGMENT SIDES

Figure 6. Circuit Configuration for Driving 16-Segment Alpha-Numeric Display Panel

EQUIVALENT SCHEMATIC DIAGRAM



NOTE: EXTERNAL DIODE, D_X , IS REQUIRED FOR PROPER OPERATION.

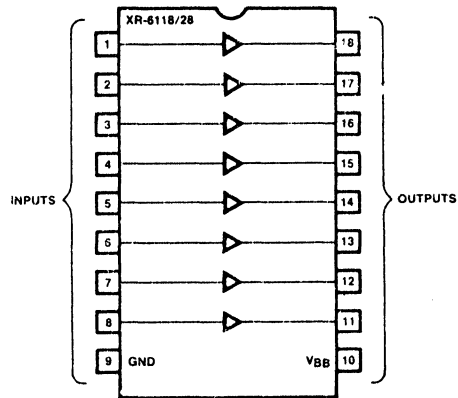
— one channel only —

Fluorescent Display Drivers

GENERAL DESCRIPTION

The XR-6118 and the XR-6128 are high-voltage display driver arrays which are designed to interface between low-level digital logic and vacuum fluorescent displays. Each circuit consists of eight independent signal channels comprised of Darlington output stages and common-emitter type inputs. All stages on the chip share common power supply and ground connections. Both device types are capable of driving digits and/or segments of fluorescent displays, and all of the eight outputs can be activated simultaneously.

FUNCTIONAL BLOCK DIAGRAM



FEATURES

- Direct Replacement for Sprague UDN-6118A, UDN-6128A, and UDN-6118P-2 (60V)
- Digit or Segment Drive Capability
- Low Input Current
- Integral Output Pulldown Resistors
- Low Power
- High Output Breakdown Voltage

ABSOLUTE MAXIMUM RATINGS

Supply Voltage, V_{BB}	85V
Output Voltage, V_{OUT}	85V
Input Voltage, V_{IN}	20V
Output Current, I_{OUT}	40 mA
Power Dissipation, ($T_A \leq 25^\circ\text{C}$)	1 W
Derate Above 25°C	8 mW/ $^\circ\text{C}$
Operating Temperature	0°C to $+85^\circ\text{C}$
Storage Temperature	-55°C to $+150^\circ\text{C}$

ORDERING INFORMATION

Part Number	Package	Operating Temperature
XR-6118P	Plastic	0°C to $+70^\circ\text{C}$
XR-6128P	Plastic	0°C to $+70^\circ\text{C}$
XR-6118P-2	Plastic	0°C to $+70^\circ\text{C}$

SYSTEM DESCRIPTION

The XR-6118 and XR-6128 fluorescent display drivers can switch up to 85V and 40 mA. Inputs are protected to 20V. The XR-6118 is compatible with TTL, Schottky TTL, DTL and 5 Volt CMOS logic families. The XR-6128 is intended for use with PMOS or CMOS logic families operating with supply voltages of 6V to 15V. The two device types differ only in their input threshold levels (See Figure 1). With either device type, the output load is activated when the inputs are pulled toward positive supply. Output pulldown resistors are included on the die.



XR-6118/6128

ELECTRICAL CHARACTERISTICS

Test Conditions: ($T_A = 25^\circ\text{C}$, $V_{BB} = 80\text{V}$) Full Temp. Range 0°C to $+70^\circ\text{C}$, XR-6118A only.

SYMBOL	PARAMETERS	XR-6118A			XR-6128A			UNIT	CONDITIONS
		MIN	TYP	MAX	MIN	TYP	MAX		
I_{CEX}	Output Leakage Current			15 15			15	μA	$V_{IN} = 0.4\text{ V}$
V_{OUT}	Output ON Voltage	75 75			75			V	$I_{OUT} = 25\text{ mA}$ $V_{IN} = 2.4\text{ V (XR-6118)}$ $V_{IN} = 4\text{ V (XR-6128)}$
	Input On Voltage			2.4 2.4			4.0	V	$I_{OUT} = 25\text{ mA}$
	Input ON Current			500 550			900	μA	$V_{IN} = 5\text{ V (XR-6118)}$ $V_{IN} = 15\text{ V (XR-6128)}$
$I_{BB(OFF)}$	Supply Current Off Condition			225 225			225	μA	ALL Inputs Open
$I_{BB(ON)}$	On Condition			8 8			8	mA	$V_{IN} = 2.4\text{ V (XR-6118)}$ (ALL Inputs)
I_{OUT}	Output Pulldown Current			800 950			800	μA	ALL Inputs Open $V_{OUT} = 80\text{ V}$

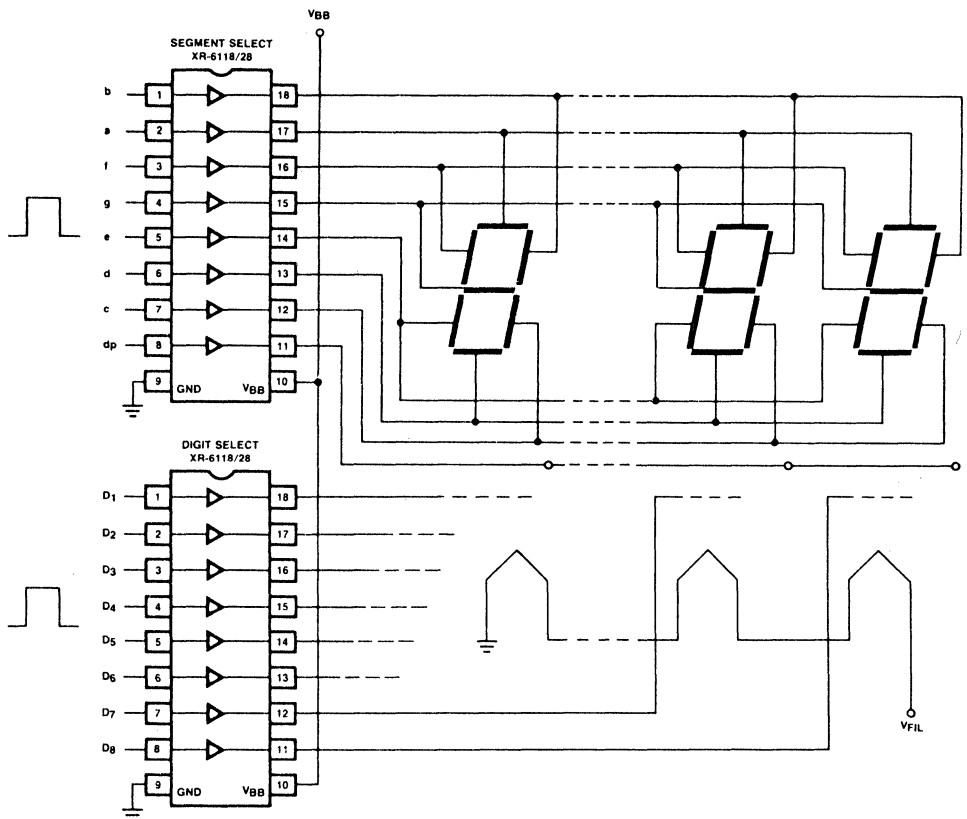
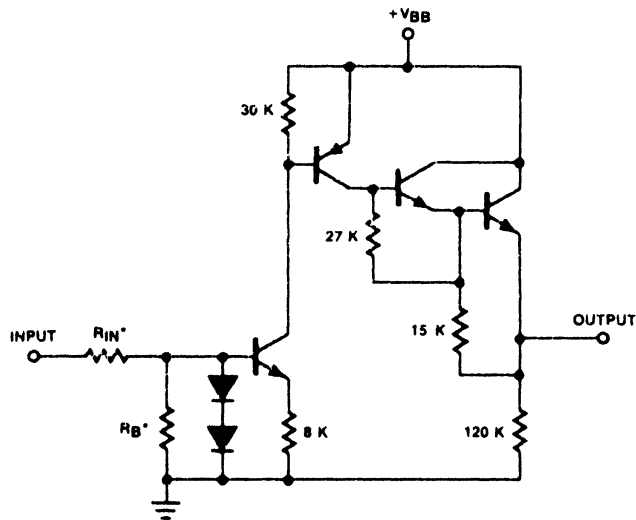


Figure 2. Typical Multiplexed Fluorescent Display Drive Application

XR-6118/6128



One of Eight
Stages

(*) For XR-6118
 $R_{IN} = 10\text{ K}$, $R_B = 30\text{ K}$
For XR-6128:
 $R_{IN} = R_B = 20\text{ K}$

EQUIVALENT SCHEMATIC DIAGRAM

Operational Amplifiers

Fundamentals of Operational Amplifiers

The "ideal" operational amplifier can be defined as a voltage-controlled voltage amplifier circuit which offers infinite voltage gains with an infinite input impedance, zero output impedance, and infinite bandwidth. The advantage of such an idealized block of gain is that one can perform a large number of mathematical "operations", or generate a number of circuit functions by applying passive feedback around the amplifier.

The key features of operational amplifier application can be illustrated using the simple feedback circuit of Figure 1, and assuming that the operational amplifier has infinite gain and infinite input impedance. Then, the following two conditions have to be satisfied:

- Since the voltage gain is infinite, the net voltage across the input terminals of the operational amplifier must be zero, if the operational amplifier output voltage is to be finite. In the circuit of Figure 1, this causes the inverting input terminal of the operational amplifier to behave as a "virtual ground".
- Since the input impedance of the ideal operational amplifier is infinite, no input current is drawn by the operational amplifier, the total current going into the circuit node connected to the inverting input of the operational amplifier (node Q in Figure 1) must be equal to the total current coming out, i.e.:

$$I_S = -I_F \text{ and } \frac{V_{IN}}{R_S} = -\frac{V_O}{R_F} \quad (1)$$

Solving for the overall voltage gain, one obtains:

$$A_V = \frac{V_{OUT}}{V_{IN}} = -\frac{R_F}{R_S} \quad (2)$$

Because of this property, the noninverting input of an operational amplifier is often referred to as its "summing input".

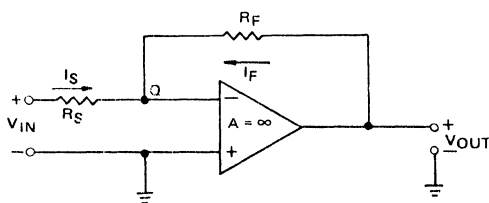


Figure 1. The "Ideal" Operational Amplifier as a Feedback Amplifier

In the case of actual operational amplifiers, both the voltage gain and the input impedance are quite high, but still finite. Figure 2 shows the same basic feedback circuit assuming that the amplifier now has a finite input resistance, R_{IN} , and a finite voltage gain A . For simplicity, the output impedance of the operational amplifier is assumed to be negligible. The overall voltage gain of the circuit can now be expressed as:

$$A_V = V_{OUT}/V_{IN} = -\frac{R_F}{R_S} \left[\frac{1}{1 + \frac{1}{A} \left(1 + R_F/R_S + R_F/R_{IN} \right)} \right] \quad (3)$$

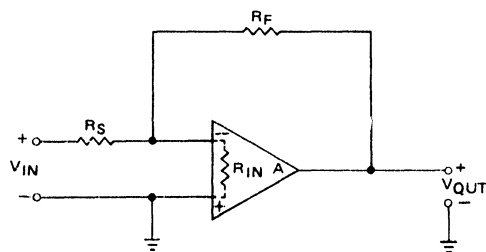


Figure 2. Basic Feedback Configuration Using an Operational Amplifier With Finite Input Impedance and Gain

It should be noted that, for large values of R_{IN} , as the voltage gain increases (i.e. $A \rightarrow \infty$), this expression rapidly converges to that given in equation 2; and the circuit performance becomes solely determined by the external components.

In addition to having finite gain and input impedance, an actual operational amplifier circuit also has finite input bias currents as well as input offset voltage and currents. A more complete model of a practical operational amplifier is shown in Figure 3 where I_B indicates the finite input bias currents; V_{IO} and I_{IO} represent the voltage and current offsets associated with the circuit and R_O is the output resistance. Due to non-zero values of V_{IO} and I_{IO} in a practical operational amplifier circuit, $V_{OUT} \neq 0$ for $V_{IN} = 0$.

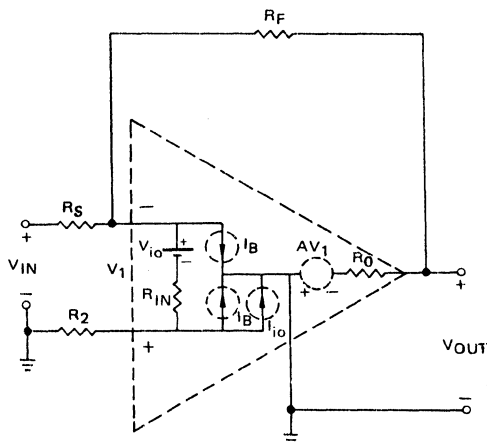


Figure 3. Equivalent Circuit of a Practical Operational Amplifier Showing the Effects of Finite Input Impedance, Current and Voltage Offsets

Definitions of Operational Amplifier Terms

Since the operational amplifier has become a universal building block for circuit and system design, a number of widely accepted design terms have evolved which describe the comparative merits of various operational amplifiers. Some of these terms are defined below:

Input Offset Voltage: The input voltage which must be applied across the input terminals to obtain zero output voltage.

Input Offset Current: The difference of the currents into the two input terminals with the output at zero volts.

Input Bias Current: The average of the two input currents.

Input Common-Mode Range: Maximum range of input voltage that can be simultaneously applied to both inputs without causing cutoff or saturation of amplifier gain stages.

Common-Mode Rejection Ratio: Ratio of the differential open-loop gain to the common-mode open-loop gain.

Supply Voltage Rejection Ratio: Input offset voltage change per volt of supply voltage change.

Input Resistance: The ratio of the change in input voltage to the change in input current on either input with the other grounded.

Supply Current: The current required from the power supply to operate the amplifier with no load and the output at zero.

Output Voltage Swing: The peak output voltage swing, referred to zero, that can be obtained without clipping.

Large-Signal Voltage Gain: The ratio of the output voltage swing to the change in input voltage required to drive the output from zero to this voltage.

Full-Power Bandwidth: Maximum frequency over which the full output voltage swing can be obtained.

Unity-Gain Bandwidth: Frequency at which the open loop voltage gain is equal to unity.

Slew Rate: The maximum time rate of change of the output voltage, for a voltage step applied to the input. It is normally measured at the zero crossing point of the output voltage swing with the amplifier frequency compensated for unity gain.

Overload Recovery Time: Time required for the output stage to return to active region, when driven into hard saturation.

Gain Margin: The amount by which the voltage gain is below the unity (0 dB) level, at the frequency where the excess phase shift across the amplifier is exactly 180° . It is measured in decibels, and must be positive for unconditional stability.

Phase Margin: 180° minus the excess phase shift at the Frequency where the magnitude of the open loop voltage gain is equal to unity. It is measured in degrees and must be positive for unconditional stability.



Basic Applications of Operational Amplifiers

The general usefulness of the operational amplifier stems from the fact that when used in a feedback loop, its overall performance and transfer characteristics are determined almost totally by the choice of feedback components. To be universally useful in such an application, the "ideal" operational amplifier should exhibit infinite gain, infinite input impedance and infinite bandwidth. Although these are all idealized characteristics, the practical monolithic operational amplifiers closely approximate these features, particularly for low frequency applications.

The availability and the low-cost of the integrated operational amplifier makes it an extremely versatile building block for analog system or equipment design. Therefore, it is mandatory that the circuit designer be familiar with the fundamental applications of operational amplifiers. This section of Exar's Operational Amplifier Data Book is intended to familiarize the designer with some of the simple but fundamental circuit configurations using IC operational amplifiers. The discussion is slanted toward the practical applications of operational amplifiers, as controlled by the external feedback circuitry. The particular operational amplifier parameters will be discussed as they effect the circuit performance and accuracy.

The integrated operational amplifiers shown in the figures are for the most part internally compensated, so frequency stabilization components are not shown; however, other amplifiers using external compensation may be utilized to achieve greater operating speed in many circuits.

The Inverting Amplifier

The basic operational amplifier circuit is shown in Figure 1. This circuit gives closed-loop gain of R_2/R_1 when this ratio is small compared with the amplifier open-loop gain and, as the name implies, is an inverting circuit. The input impedance is equal to R_1 . The closed-loop bandwidth is equal to the unity-gain frequency divided by one plus the closed-loop gain.

The only cautions to be observed are that R_3 should be chosen to be equal to the parallel combination of R_1 and R_2 to minimize the offset voltage error due to bias current; and that there will be a DC offset voltage error due to bias current; and that there will be a DC offset voltage at the amplifier output equal to closed-loop gain times the offset voltage at the amplifier input.

Offset voltage at the input of an operational amplifier is comprised of two components, these components are identified in specifying the amplifier as input offset voltage and input bias current. The input offset voltage is fixed for a particular amplifier; however, the contribution due to input bias current is dependent on the circuit configuration used. For minimum offset voltage at

the amplifier input without circuit adjustment, the source resistance for both inputs should be equal. In this case, the maximum offset voltage would be the algebraic sum of amplifier offset voltage and the voltage drop across the source resistance due to offset current. Amplifier offset voltage is the predominant error term for low source resistances, and offset current causes the main error for high source resistances.

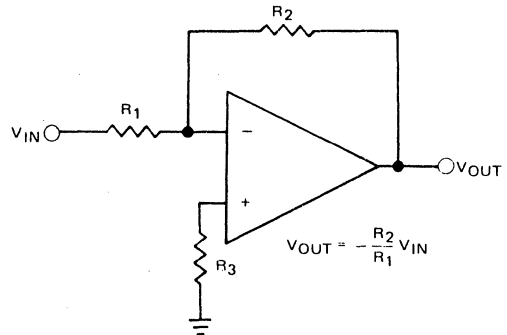


Figure 1. Inverting Amplifier

In high source resistance applications, offset voltage at the amplifier output may be adjusted by adjusting the value of R_3 and using the variation in voltage drop across it as an input offset voltage trim.

Offset voltage at the amplifier output is not as important in AC coupled applications. Here the only consideration is that any offset voltage at the output reduces the peak-to-peak linear output swing of the amplifier.

The gain-frequency characteristic of the amplifier and its feedback network must be such that oscillation does not occur. To meet this condition, the phase shift through amplifier and feedback network must never exceed 180° for any frequency where the combined gain of the amplifier and its feedback network is greater than unity. In practical applications, the phase shift should not approach 180° since this is the situation of conditional stability. Obviously, the most critical case occurs when the attenuation of the feedback network is zero.

Amplifiers which are not internally compensated may be used to achieve increased performance in circuits where feedback network attenuation is high, i.e., the amount of feedback around the amplifier is low. The compensation trade-off for a particular connection is stability versus bandwidth. Larger values of compensation capacitor yield greater stability and lower bandwidth and vice versa.

The Non-Inverting Amplifier

Figure 2 shows a high input impedance non-inverting circuit. This circuit gives a closed-loop gain equal to the ratio of $(R_1 + R_2)$ to R_1 . Its closed-loop 3-dB bandwidth is equal to the amplifier unity-gain frequency divided by the closed-loop gain.

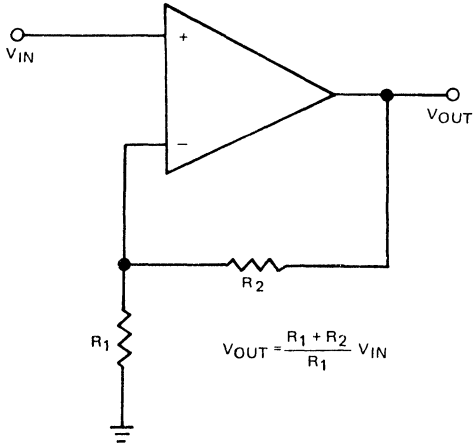


Figure 2. Non-Inverting Amplifier

The primary differences between this connection and the inverting circuit are that the output is not inverted and that the input impedance is very high and is equal to the differential input impedance multiplied by loop gain (open-loop gain/closed-loop gain). In DC coupled applications, input impedance is not as important as input current and its voltage drop across the source resistance. To minimize the output error due to the input bias current of the operational amplifier, $(R_1 + R_2)$ should be chosen equal to the source impedance of the input signal. Applications cautions are the same for this amplifier as for the inverting amplifier with one exception: the amplifier output will go into saturation if the input is allowed to float. This may be important if the amplifier must be switched from source to source. The compensation trade off discussed for the inverting amplifier is also valid for this connection.

The Unity-Gain Buffer

The unity-gain buffer is shown in Figure 3. The circuit gives the highest input impedance of any operational amplifier circuit. Input impedance is equal to the differential input impedance multiplied by the open-loop gain, in parallel with common mode input impedance. The gain error of this circuit is equal to the reciprocal of the amplifier open-loop gain or to the common-mode rejection, whichever is less. Input impedance is a misleading concept in a DC coupled unity-gain buffer. Bias current for the amplifier will be supplied by the source resistance and will cause an error at the amplifier input due to its voltage drop across the source resistance.

The cautions to be observed in applying this circuit are as follows: the amplifier must be compensated for unity-gain operation, and the output swing of the amplifier may be limited by the amplifier common-mode range. The input signal swing should not exceed the input common-mode range, since this may cause a latch-up condition.

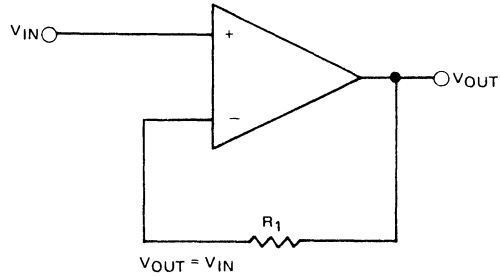


Figure 3. Unity-Gain Buffer

Summing Amplifier

The summing amplifier, a special case of the inverting amplifier, is shown in Figure 4. The circuit gives an inverted output which is equal to the weighted algebraic sum of all three inputs. The gain of any input of this circuit is equal to the inverse ratio of the appropriate input resistor to the feedback resistor, R_4 . Amplifier bandwidth may be calculated as in the inverting amplifier shown in Figure 1 by assuming the input resistor to be the parallel combination of R_1 , R_2 , and R_3 . Application cautions are the same as those for the inverting amplifier. If an uncompensated amplifier is used, compensation is calculated on the basis of this bandwidth as is discussed in the section describing the simple inverting amplifier.

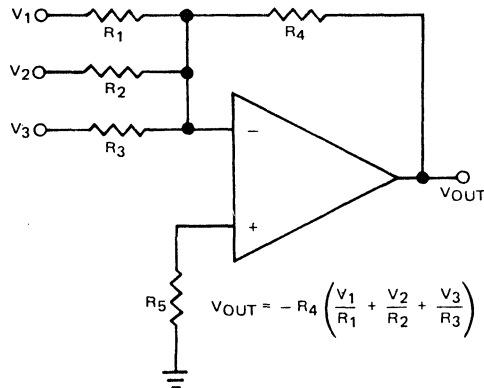


Figure 4. Summing Amplifier

The advantage of this circuit is that there is no interaction between inputs, therefore, operations such as summing and weighted-averaging are implemented very easily.



The Difference Amplifier

The difference amplifier is the complement of the summing amplifier and allows the subtraction of two voltages or, as a special case, the cancellation of a single common to the two inputs. This circuit is shown in Figure 5 and is useful as a computational amplifier, in making a differential to single-ended conversion, or in rejecting an unwanted common-mode signal.

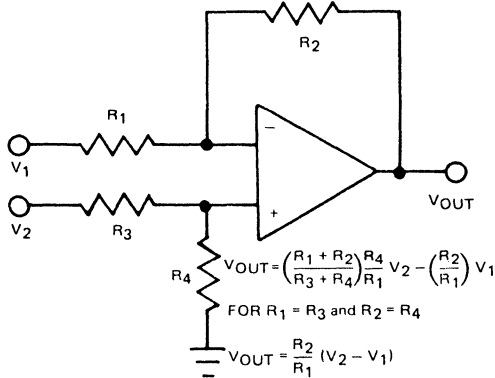


Figure 5. Difference Amplifier

Circuit bandwidth may be calculated in the same manner as for the inverting amplifier, but input impedance is somewhat more complicated. Input impedance for the two inputs is not necessarily equal: inverting input impedance is the same as for the inverting amplifier of Figure 1 and the noninverting input impedance is the sum of R_3 and R_4 . Gain for either input is the ratio of R_1 to R_2 for the special case of a differential input single-ended output where $R_1 = R_3$ and $R_2 = R_4$. The general expression for gain is given in the figure. Compensation should be chosen on the basis of amplifier bandwidth.

Care must be exercised in applying this circuit since input impedances are not equal for minimum bias current error.

Differentiator Circuit

The basic principle of a differentiator circuit is shown in the simplified connection diagram of Figure 6. However, although mathematically accurate, this particular connection is not directly useful in practice because it is extremely susceptible to high frequency noise since AC gain increases at the rate of 6 dB per octave. In addition, the feedback network of the differentiator made up of the resistor R_3 and the capacitor C_3 is an RC low pass filter which contributes 90° phase shift to the loop and may cause stability problems even with an amplifier which is compensated for unity-gain.

A practical differentiator which corrects the high frequency noise problem is shown in Figure 7. Here both the stability and noise problems are corrected by addi-

tion of two additional components, R_1 and C_2 . R_2 and C_2 form a 6 dB per octave high frequency roll-off in the feedback network, and R_1C_1 form a 6 dB per octave roll-off network in the input network for a total high frequency roll-off of 12 dB per octave, to reduce the effect of high frequency input and amplifier noise. In addition R_1C_1 and R_2C_2 form lead networks in the feedback loop which, if placed below the amplifier unity-gain frequency, provide 90° phase lead to compensate the 90° phase lag of R_2C_1 and prevent loop instability.

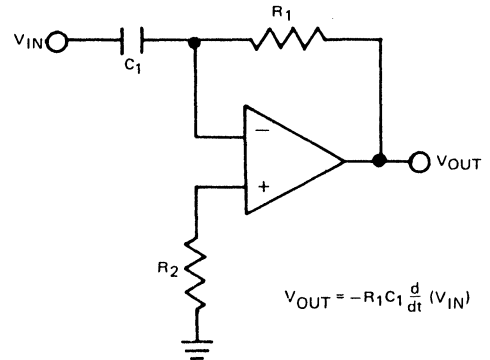


Figure 6. Basic Differentiator Connection

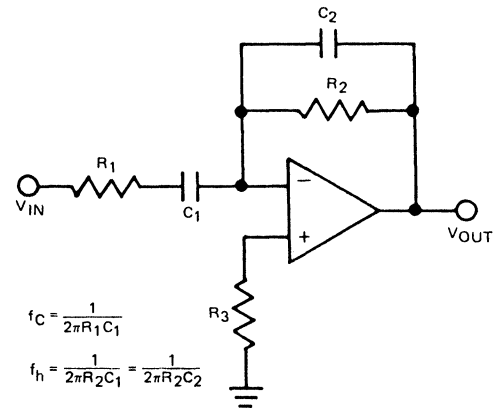


Figure 7. Practical Differentiator Circuit

Integrator Circuit

Figure 8 shows the basic circuit connection for performing the mathematical operation of integration. This circuit is essentially a low-pass filter with a constant frequency roll-off of -6 dB per octave.

The circuit must be provided with an external method of establishing initial conditions. This is shown in the figure as the double-pole, single-throw switch S_1 . When S_1 is in position 1, the amplifier is connected in unity-gain configuration, and capacitor C_1 is discharged, setting an initial condition of zero volts. When S_1 is in posi-

tion 2, the amplifier is connected as an integrator, and its output will be the time-integral of the input voltage.

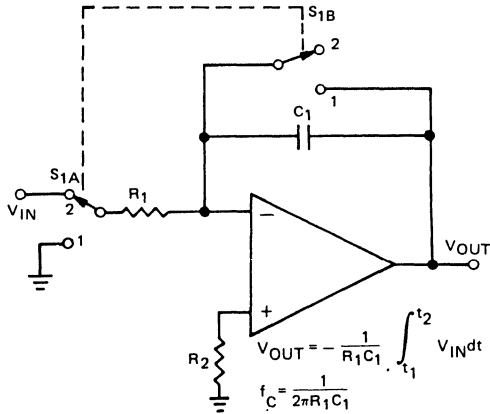


Figure 8. The Integrator Circuit

The cautions to be observed with this circuit are two: the amplifier used should generally be stabilized for unity-gain operation and R_2 must equal R_1 for minimum error due to bias current.

Simple Low-Pass Filter

The simple low-pass filter is shown in Figure 9. This circuit has a 6 dB per octave roll-off after a closed-loop 3-dB point defined by f_C . Gain below this corner frequency is defined by the ratio of R_3 to R_1 . The circuit may be considered as an AC integrator at frequencies well above f_C ; however, the time domain response is that of a single RC rather than an integral.

A gain vs. frequency plot of circuit response is shown in Figure 10 to illustrate the difference between this circuit and the true integrator. Note that the frequency response is flat for frequencies below f_C

$$\text{where } f_C = \frac{1}{2\pi R_3 C_1}$$

Current-to-Voltage Converter

Current may be measured in two ways with an operational amplifier: the current may be converted into a voltage with a resistor and then amplified or it may be injected directly into a summing node. Converting into voltage is undesirable for two reasons: first, an impedance is inserted into the measuring line causing an error; second, amplifier offset voltage is also amplified with a subsequent loss of accuracy. The use of a current-to-voltage converter avoids both of these problems.

The current-to-voltage converter is shown in Figure 11. The input current is fed directly into the summing node, and the amplifier output voltage changes to extract the same current from the summing node through R_1 . The

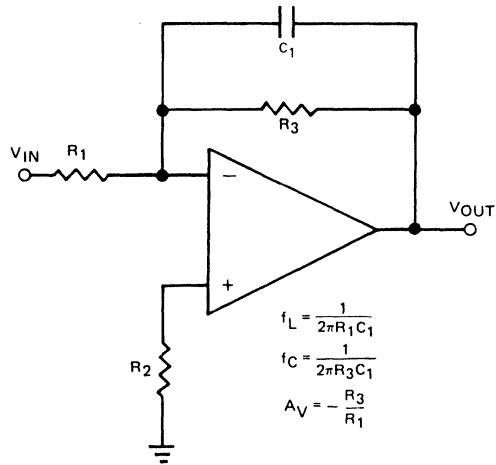


Figure 9. A Simple Low-Pass Filter Circuit

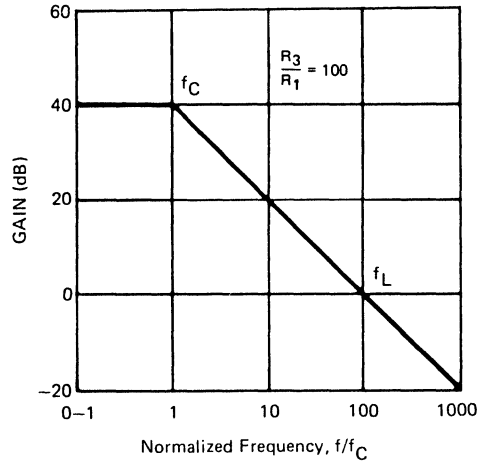


Figure 10. Frequency Response of the Simple Low-Pass Filter

scale factor of this circuit is R_1 volts per ampere of current. The only conversion error in this circuit is the bias current of the operational amplifier input which is summed algebraically with the input current, I_{IN} . The main design constraints are that scale factors must be chosen to minimize errors due to bias current and since voltage gain and source impedance are often indeterminate (as with photocells) the amplifier must be compensated for unity-gain operation.

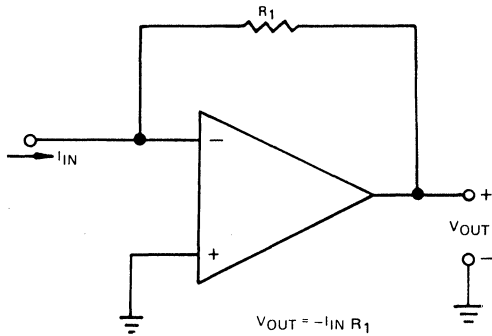


Figure 11. Operational Amplifier as a Current-to-Voltage Converter

Voltage Controlled Current-Source

Figures 12, 13, and 14 show three simple circuit configurations for voltage-controlled constant-current stages. The circuit of Figure 12 is a basic current-sink circuit which uses a pair of Darlington connected NPN transistors external to the operational amplifier. Assuming that the base current of T_1 is negligible compared to the controlled current I_0 , the current of the output transistors is equal to V_{IN}/R_1 .

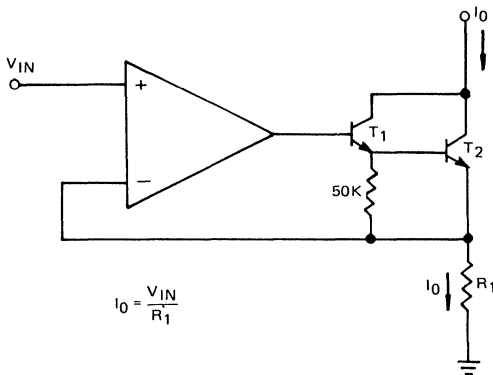


Figure 12. Voltage-Controlled Current-Sink Circuit

Figure 13 shows a current-source circuit which uses a composite connection of external PNP and NPN transistors and produces a constant output current which is proportional to the net voltage drop across the sensing resistor, R_1 .

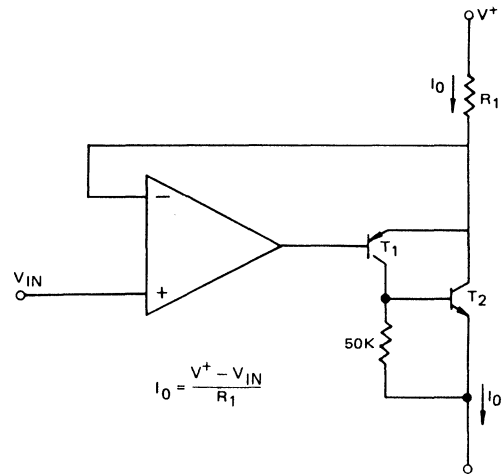


Figure 13. Voltage-Controlled Current-Source Circuit

Figure 14 shows an alternate approach to obtaining a voltage-controlled current source which does not require additional active devices. The circuit provides an output current proportional to the input voltage V_{IN} . If the resistors R_1 through R_4 are chosen to be equal and much larger than R_5 , then the output current is:

$$I_{OUT} = V_{IN}/R_5$$

The above expression assumes that the current through R_3 is much smaller than I_0 .

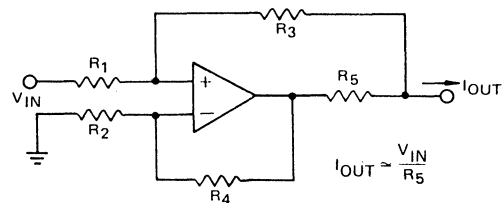


Figure 14. A Voltage-Controlled Current Source Circuit Which Does Not Require External Active Devices

This circuit can supply an output current of either polarity, up to the maximum positive or negative output current available from the operational amplifier. The maximum voltage compliance of the output is limited by the output swing of the operational amplifier minus the voltage drop across the sensing resistor, R_5 .

Triangle Wave Oscillator

A constant amplitude triangular wave generator is shown in Figure 15. This circuit provides a variable frequency triangular wave whose amplitude is independent of frequency. This entire circuit can be built inexpensively, using a dual operational amplifier IC, such as the XR-4558.

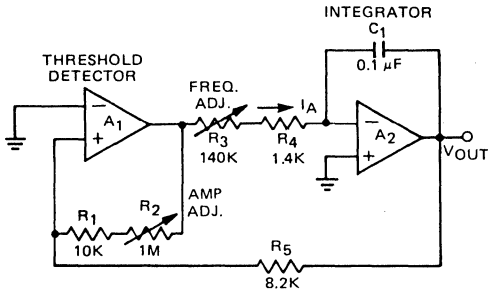


Figure 15. A Simple Triangle Wave Oscillator

The generator embodies an integrator as a ramp generator and a threshold detector with hysteresis as a reset circuit. The integrator has been described in a previous section and requires no further explanation. The threshold detector is similar to a Schmitt trigger in that it is a latch circuit with a large dead zone. This function is implemented by using positive feedback around an operational amplifier. When the amplifier output is in either the positive or negative saturated state, the positive feedback network provides a voltage at the non-inverting input which is determined by the attenuation of the feedback loop and the saturation voltage of the amplifier. To cause the amplifier to change states, the voltage at the input of the amplifier must be caused to change polarity by an amount in excess of the amplifier input offset voltage. When this is done, the amplifier saturates in the opposite direction and remains in that

state until the voltage at its input again reverses. The complete circuit operation may be understood by examining the operation with the output of the threshold detector in the positive state. The detector positive saturation voltage is applied to the integrator summing junction through the combination R_3 and R_4 causing the current I_A to flow.

The integrator then generates a negative-going ramp with a rate of I_A/C_1 volts per second until its output equals the negative trip point of the threshold detector. The threshold detector then changes to the negative output state, and supplies a negative current, I_B , at the integrator summing point. The integrator now generates a positive-going ramp with a rate of I_B/C_1 volts per second until its output equals the positive trip point of the threshold detector, where the detector again changes output state and the cycle repeats.

Triangular wave frequency is determined by R_3 , R_4 and C_1 and the positive and negative saturation voltages of the amplifier A_1 . Amplitude is determined by the ratio of R_5 to the combination of R_1 and R_2 and the threshold detector saturation voltages. Positive and negative ramp rates are equal and positive and negative peaks are equal if the detector has equal positive and negative saturation voltages. The output waveform may be offset with respect to ground if the inverting input of the threshold detector, A_1 , is offset with respect to ground.

The generator may be made independent of temperature and supply voltage if the detector is clamped with matched zener diodes.

The integrator section should be compensated for unity-gain. The detector section may require compensation if power supply impedance causes oscillation during its transition time. The current into the integrator should be large with respect to the input bias current for maximum symmetry; and offset voltage should be small with respect to peak output voltage swing.

1

Choosing the Right Op Amp

Because of its versatility and ease of application, the op-amp is often the easiest active component to design into the circuit. However, once the initial "paper design" is accomplished, the user is faced with the key question: which op-amp is the best choice for the particular application? The availability of a very wide choice of IC op-amps of varying part numbers, types and features does not make the answer to this question an easy one. If the op-amp characteristics are not carefully considered, the total system performance may be degraded: similarly if each op-amp is overspecified with an excessive amount of "overkill" for the particular application, then the system cost will increase unnecessarily. The key selection criteria is finding the lowest cost operational amplifier which will be sufficient to meet the system performance requirements. This section provides a brief summary of various classes of IC op-amps, their features and key applications, to assist the user in choosing the most cost-effective operational amplifier for his application.

General Purpose Op-Amps

A wide variety of op-amp applications such as low-frequency amplifiers, active filters, voltage-to-current converters and voltage regulators are most economically accomplished using the low-cost general purpose IC op-amps. These op-amps are almost all variations of the basic 741-type op-amp, and offer significant cost savings over any special-purpose op-amps. They are commercially available in single, dual or quad versions. The dual and quad op-amps are particularly cost-effective for applications such as active filters which require a multiplicity of op-amps. The cost per op-amp is usually lower if one can use multiple op-amp IC's rather than single op-amps.

The single and dual general purpose op-amps are available in both internally compensated and uncompensated versions. The quad op-amps are almost invariably internally compensated, to reduce the IC package pin count. Most general purpose IC op-amps have comparable electrical characteristics, namely open loop gain of ≥ 20 mV/V, small-signal unity gain bandwidth of 1 to 2 MHz and a slew rate of $\approx 1\text{V}/\mu\text{sec}$.

Exar manufactures a wide choice of dual or quad general purpose op-amps. All of these op-amps are internally compensated to make them cost-effective and reduce the external parts count. Exar's general purpose op-amps recommended for most applications are XR-1458 and XR-4558 for duals, and XR-4136, XR-4212 and XR-4741 for quad op-amps.

Ground Sensing Op-Amps

These types of op-amps have an input stage common-mode range which extends all the way to the negative supply rail. This is obtained by using Darlington-connected PNP transistors at the input stage of the op-amp. The key advantage of this class of op-amps is that

they can be operated with a single positive supply, and still be able to detect or sense small signals near ground potential. The particular circuit recommended for this application is Exar's XR-3403 quad operational amplifier.

Programmable Op-Amps

Programmable op-amps allow the user to "program" or set the operating current levels within the IC op-amp by means of an external setting resistor, and thus be able to trade-off power dissipation for slew-rate or signal bandwidth. These circuits are normally available in quad form, where the power levels of all or some of the op-amps in the package can be programmed by one or two external setting resistors. The key areas of applications for programmable op-amps are active filters and telecommunication channel filters where the user is normally concerned with power dissipation. These op-amps can also be programmed to operate at micro-power levels, by the choice of external setting resistors.

The programmable quad operational amplifiers are available with either one or two separate setting controls. Those with a single setting control have all four of the operational amplifiers programmed from same current setting control. Those with two setting controls have the four op-amps on the chip programmed either in groups of two, or in groups of one and three op-amps. The advantage of partitioned programming is that some of the op-amps in the IC package can be operated at a different power or bandwidth level than the rest of the op-amps in the same chip. For example, in an active filter application, the three op-amps performing the filtering can be operated at a low-power level, yet the fourth op-amp which may be serving as an output buffer can be operated at a higher power level to provide load-drive capability.

Exar offers the broadest product line of programmable op-amps in the industry: The XR-4202, XR-146 and the XR-346-2 families of op-amps are all-bipolar programmable quad op-amp circuits. The XR-4202 offers a single current-setting control for all of the four op-amps on the chip; the XR-146 and the XR-346-2 offer partitioned programming of the four op amps. The XR-094 and XR-095 families are programmable FET-input quad op-amps which have the same pin configuration as the XR-146 and the XR-346-2 families, respectively. These programmable FET-input quad op-amps are fabricated using Exar's ion-implanted bipolar/FET or BIFET process technology which combines matched junction FETs and high-performance bipolar transistors on the same chip.

FET-Input Op-Amps

Finite input impedance or input bias currents associated with conventional bipolar op-amps can be a problem in specific applications such as sample-and-hold circuits or signal sensing applications from high-

impedance signal source such as transducer systems. For such applications, op-amps with junction-FET input stages offer significant performance advantages since they offer input resistances of the order of 10^{12} ohms, and input bias currents in the low pico-ampere range. Another unique feature of FET-input op-amps is their high slew-rate and wide bandwidth. For example, most FET-input op-amps offer slew-rates in excess of $10 \text{ V}/\mu\text{sec}$ and unity gain bandwidth of 3 MHz.

The FET-input op-amps offer somewhat higher offset voltages and input noise than all-bipolar op-amps.

Exar offers a wide selection of FET-input dual and quad op-amps which are manufactured using Exar's ion-implanted BIPOLAR/FET process. The XR-082/XR-083 are dual op-amps; the XR-084 is a quad FET-input op-amp. The XR-094 and the XR-095 are programmable quad FET-input op-amps. Because of their low power capability, the programmable JFET op-amps are particularly suitable for low-power active filter designs.

Low Noise Op-Amps

These op-amps are particularly suited for audio amplifier and mixer applications, where low noise is of prime importance. The noise characteristics of an op-amp are determined by the noise generated at the input stage, since the noise generated at this point is amplified by the full open-loop gain of the amplifier. In most cases, input noise voltages of $10 \text{ nV}/\sqrt{\text{Hz}}$ or less is required to be suitable for high quality or professional audio signal processing applications. Such low noise characteristics are normally obtained by careful device design and manufacturing processing of the IC chips. In general, all-bipolar operational amplifiers tend to have better

low noise characteristics than the FET-input op-amps. Exar manufactures a number of low noise op-amp circuits uniquely suited to audio applications. Among Exar's family of low noise op-amps, the XR-5534 operational amplifier, and its dual versions, the XR-5532 and the XR-5533 offer the best noise performance.

Low Distortion Op-Amps

In addition to low noise characteristics, another key performance requirement for audio applications is low distortion. The distortion characteristics of op-amps are normally determined by the design of the output stage as well as the amplifier bandwidth characteristics. The total harmonic distortion (THD) is made up of three components: (a) intermodulation distortion; (b) cross-over distortion which depends on output stage design, and (c) slew-induced distortion which occurs when the output of the op-amp is forced to slew faster than its slew-rate.

The cross-over distortion can be avoided by using op-amps which have class-AB, rather than class-B type output stages. All of Exar's op-amps fall into this category.

To avoid slew-induced distortion, one should ensure that the slew rate of the amplifier is never exceeded during the excursions of the input signal. The high-speed operational amplifiers such as Exar's XR-5533 or XR-5534 op-amps which have slew rates in excess of $10 \text{ V}/\mu\text{sec}$ with a power bandwidth of 200 kHz can easily cover the entire audio frequency range without introducing slew-induced distortion.

Dual Bipolar JFET Operational Amplifier

GENERAL DESCRIPTION

The XR-082/XR-083 family of dual bipolar JFET operational amplifiers are designed to offer higher performance than conventional bipolar op amps. Each amplifier features high slew rate, low input bias and offset currents, and low offset voltage drift with temperature. These operational amplifier circuits are fabricated using ion-implantation technology which combines well-matched junction JFETs and high-performance bipolar transistors on the same monolithic chip.

The XR-082 of family of dual bipolar JFET op amps are packaged in 8-pin dual-in-line packages. The XR-083 family of op amps offer independent offset adjustment for each of the individual op amps on the same chip, and are available in 14-pin dual-in-line packages.

FEATURES

- Direct Replacement for TL082/TL083
- Low Power Consumption
- Wide Common-Mode and Differential Voltage Ranges
- Low Input Bias and Offset Currents
- Output Short Circuit Protection
- High Input Impedance . . . JFET Input Stage
- Internal Frequency Compensation
- Latch-Up-Free Operation
- High Slew Rate . . . 13 V/ μ s, Typical

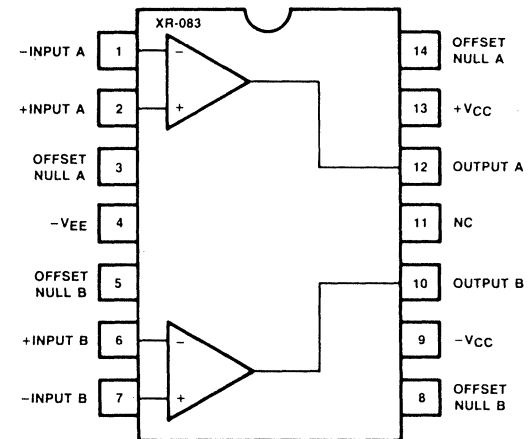
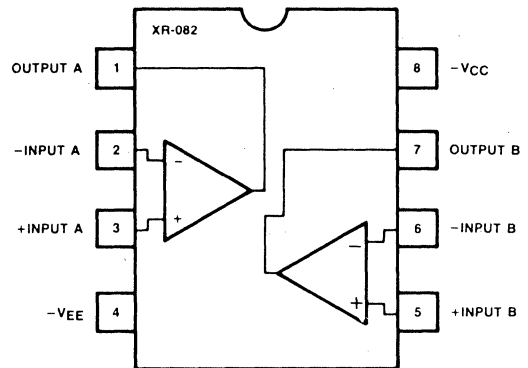
APPLICATIONS

- Buffer Amplifiers
- Summing/Differencing Amplifiers
- Instrumentation Amplifiers
- Active Filters
- Signal Processing
- Sample and Differencing
- I to V Converters
- Integrators
- Simulated Components
- Analog Computers

ABSOLUTE MAXIMUM RATINGS

Supply Voltage	± 18 V
Differential Input Voltage	± 30 V
Input Voltage Range (Note 1)	± 15 V
Output Short Circuit Duration (Note 2)	Indefinite
Package Power Dissipation:	
Plastic Package	625 mW
Derate Above $T_A = +25^\circ\text{C}$	5.0 mW/ $^\circ\text{C}$
Ceramic Package	750 mW
Derate Above $T_A = +25^\circ\text{C}$	6.0 mW/ $^\circ\text{C}$
Storage Temperature Range	-65°C to $+150^\circ\text{C}$

FUNCTIONAL BLOCK DIAGRAMS



ORDERING INFORMATION

Part Number	Package	Operating Temperature
XR-082M/XR-083M	Ceramic	-55°C to $+125^\circ\text{C}$
XR-082N/XR-083N	Ceramic	-25°C to $+85^\circ\text{C}$
XR-082P/XR-083P	Plastic	-25°C to $+85^\circ\text{C}$
XR-082CN/XR-083CN	Ceramic	0°C to $+70^\circ\text{C}$
XR-082CP/XR-083CP	Plastic	0°C to $+70^\circ\text{C}$

XR-082/083

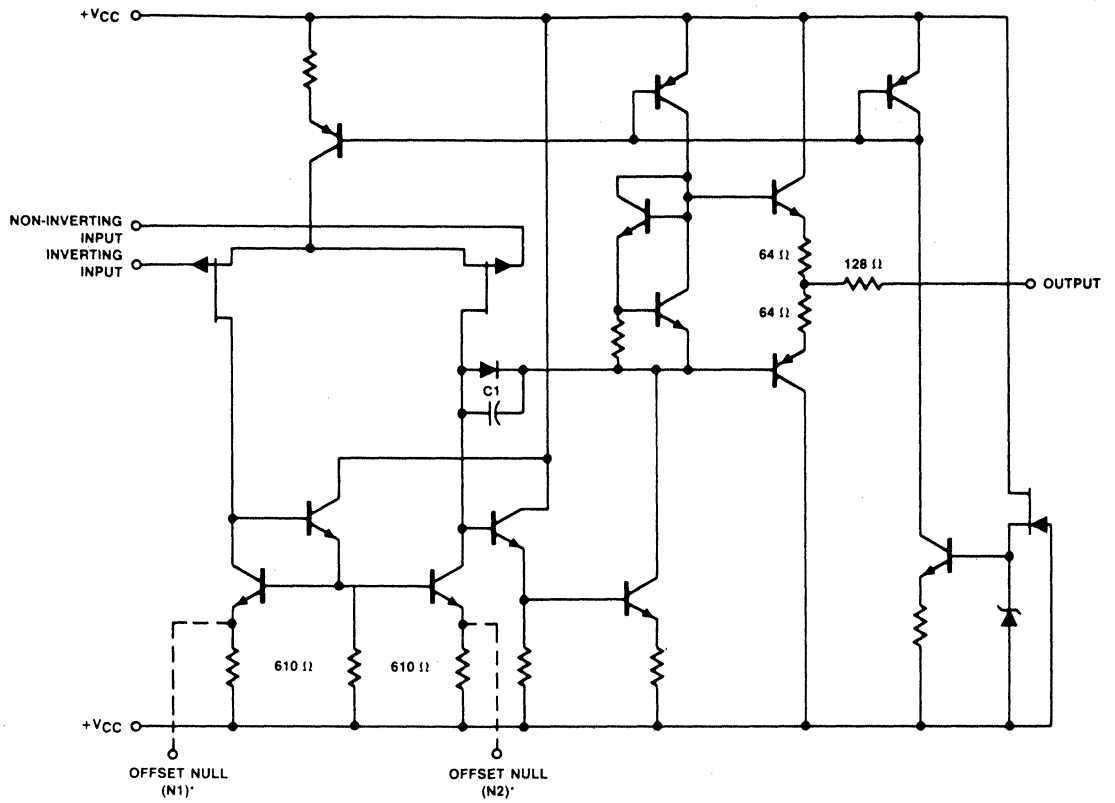
ELECTRICAL CHARACTERISTICS $T_A = 25^\circ\text{C}$, $V_{CC} = \pm 15\text{V}$, unless otherwise specified.

SYMBOL	PARAMETERS	XR-082M/ XR-083M			XR-082/ XR-083			XR-082C/ XR-083C			UNIT	CONDITIONS
		MIN	TYP	MAX	MIN	TYP	MAX	MIN	TYP	MAX		
V_{OS} V_{OS}	Input Offset Voltage		3	6 9		3	6 9		5	15 20	mV mV	$R_S = 50\Omega$ $R_S = 50\Omega$, $T_A = \text{Full Range}$
$\Delta V_{OS}/\Delta T$	Offset Voltage Temp. Coef.		10			10			10		$\mu\text{V}/^\circ\text{C}$	$R_S = 50\Omega$, $T_A = \text{Full Range}$
I_B	Input Bias Current		30	200		30	200		30	400	pA	
I_B	Input Bias Current Over Temp.			50			20			20	nA	$T_A = \text{Full Range}$
I_{OS}	Input Offset Current		5	100		5	100		5	200	pA	
	Input Offset Current Over Temp.			20			10			5	nA	$T_A = \text{Full Range}$
I_{CC}	Supply Current (per amplifier)		1.4	2.8		1.4	2.8		1.4	2.8	mA	No Load, No Input Signal
V_{iCM}	Input Common Mode Range	± 12			± 12			± 10			V	
A_{VOL}	Voltage Gain	50	200		50	200		25	200		V/mV	$R_L \geq 2\text{ k}\Omega$, $V_O = \pm 10\text{V}$ $T_A = \text{Full Range}$
		25			25			15				
V_{OPP}	Max. Output Swing (peak-to-peak)	24	27		24	27		24	27		V	$R_L \geq 10\text{ k}\Omega$ $T_A = \text{Full Range}$
		24			24			24				
R_{iN}	Input Resistance		10^{12}			10^{12}			10^{12}		Ω	
BW	Unity-Gain Bandwidth		3			3			3		MHz	
CMRR	Common-Mode Rejection	80	86		80	86		70	76		dB	$R_S \leq 10\text{ k}\Omega$
PSRR	Supply-Voltage Rejection	80	86		80	86		70	76		dB	
	Channel Separation		120			120			120		dB	$A_V = 100$, Freq. = 1 kHz
dV_{OUT}/DT	Slew Rate		13			13			13		V/ μS	$A_V = 1$, $R_L = 2\text{ k}\Omega$ $C_L = 100\text{ pF}$, $V_1 = 10\text{V}$
T_R	Rise Time		0.1			0.1			0.1		μsec	$A_V = 1$, $R_L = 2\text{ k}\Omega$
T_O	Overshoot		10			10			10		%	$C_L = 100\text{ pF}$, $V_1 = 20\text{ mV}$
E_N	Equivalent Input Noise Voltage		20			20			20		nV/ $\sqrt{\text{Hz}}$	$R_S = 100\Omega$ $f = 1\text{ kHz}$

Note 1: For Supply Voltage less than $\pm 15\text{ V}$, the absolute maximum input voltage is equal to the supply voltage.

Note 2: The output may be shorted to ground or to either supply. Temperature and/or supply voltages must be limited to ensure that the dissipation rating is not exceeded.

XR-082/083



* AVAILABLE IN XR-083 ONLY.

(ONE CHANNEL ONLY)

EQUIVALENT SCHEMATIC DIAGRAM

Quad Bipolar JFET Operational Amplifier

GENERAL DESCRIPTION

The XR-084 quad bipolar JFET operational amplifier is designed to offer higher performance than conventional bipolar quad op amps. Each of the four op amps on the chip is closely matched in performance characteristics, and each amplifier features high slew rate, low input bias and offset currents, and low offset voltage drift with temperature. The XR-084 JFET input quad op amp is fabricated using ion-implanted bipolar JFET technology which combines well-matched JFETs and high-performance bipolar transistors on the same monolithic integrated circuit.

FEATURES

- Direct Replacement for TL084
- Same Pin Configuration as XR-3403, LM324
- High-Impedance JFET Input Stage
- Internal Frequency Compensation
- Low Power Consumption
- Wide Common-Mode and Differential Voltage Ranges
- Low Input Bias and Offset Currents
- Output Short Circuit Protection
- Latch-Up-Free Operation
- High Slew Rate . . . 13 V/ μ S, Typical

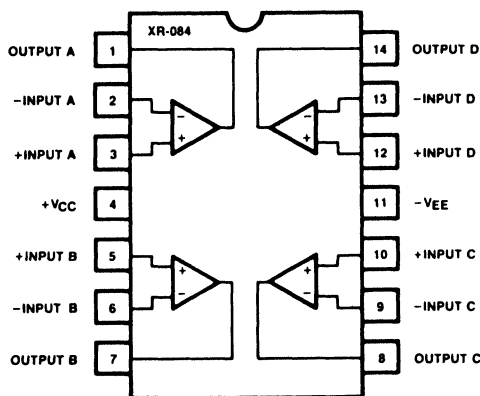
APPLICATIONS

- Buffer Amplifiers
- Summing/Differencing Amplifiers
- Instrumentation Amplifiers
- Active Filters
- Signal Processing
- Sample and Differencing
- I to V Converters
- Integrators
- Simulated Components
- Analog Computers

ABSOLUTE MAXIMUM RATINGS

Supply Voltage	$\pm 18V$
Differential Input Voltage	$\pm 30V$
Input Voltage Range (Note 1)	$\pm 15V$
Output Short Circuit Duration (Note 2)	Indefinite
Package Power Dissipation:	
Plastic Package	625 mW
Derate Above $T_A = +25^\circ C$	5.0 mW/ $^\circ C$
Ceramic Package	750 mW
Derate Above $T_A = +25^\circ C$	6.0 mW/ $^\circ C$
Storage Temperature Range	$-65^\circ C$ to $+150^\circ C$

FUNCTIONAL BLOCK DIAGRAM



ORDERING INFORMATION

Part Number	Package	Operating Temperature
XR-084M	Ceramic	$-55^\circ C$ to $+125^\circ C$
XR-084N	Ceramic	$-25^\circ C$ to $+85^\circ C$
XR-084P	Plastic	$-25^\circ C$ to $+85^\circ C$
XR-084CN	Ceramic	$0^\circ C$ to $+70^\circ C$
XR-084CP	Plastic	$0^\circ C$ to $+70^\circ C$

SYSTEM DESCRIPTION

The XR-084 is a quad JFET input operational amplifier featuring extremely high input resistance, low input bias and offset currents, large common mode voltage range, and large output swing range. Unity gain bandwidth is 3 MHz and slew rate is 13V/ μ S. The devices are unity gain compensated.

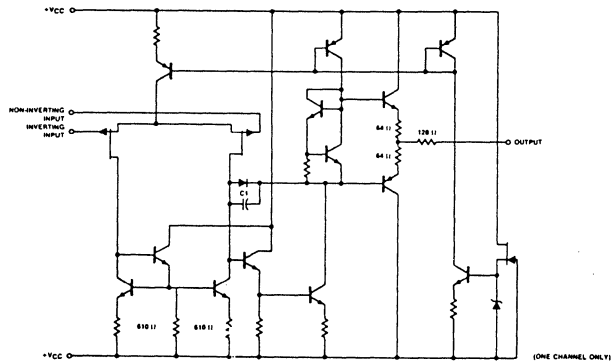
XR-084

ELECTRICAL CHARACTERISTICS $T_A = 25^\circ\text{C}$, $V_{CC} = \pm 15$, unless otherwise specified.

SYMBOL	PARAMETERS	XR-084M			XR-084			XR-084C			UNIT	CONDITIONS
		MIN	TYP	MAX	MIN	TYP	MAX	MIN	TYP	MAX		
V_{OS} V_{OS}	Input Offset Voltage		3 6 9			3 6 9			5 15 20		mV mV	$R_S = 50\Omega$ $R_S = 50\Omega$ $T_A = \text{Full Range}$
$\Delta V_{OS}/\Delta T$	Offset Voltage Temp. Coef.		10			10			10		$\mu\text{V}/^\circ\text{C}$	$R_S = 50\Omega$ $T_A = \text{Full Range}$
I_B	Input Bias Current		30	200		30	200		30	400	pA	
I_B	Input Bias Current Over Temp.			50			20			20	nA	$T_A = \text{Full Range}$
I_{OS}	Input Offset Current		5	100		5	100		5	200	pA	
	Input Offset Current Over Temp.			20			10			5	nA	$T_A = \text{Full Range}$
I_{CC}	Supply Current (per amplifier)		1.4	2.8		1.4	2.8		1.4	2.8	mA	No Load, No Input Signal
V_{ICM}	Input Common Mode Range	± 12			± 12			± 10			V	
A_{VOL}	Voltage Gain	50 25	200		50 25	200		25 15	200		V/mV	$R_L \geq 2\text{k}\Omega$ $V_O = \pm 10\text{V}$ $T_A = \text{Full Range}$
V_{OPP}	Max. Output Swing (peak-to-peak)	24 24	27		24 24	27		24 24	27		V	$R_L \geq 10\text{k}\Omega$ $T_A = \text{Full Range}$
R_{IN}	Input Resistance		10^{12}			10^{12}			10^{12}		Ω	
BW	Unity-Gain Bandwidth		3			3			3		MHz	
CMRR	Common-Mode Rejection	80	86		80	86		70	76		dB	$R_S \leq 10\text{k}\Omega$
PSRR	Supply-Voltage Rejection	80	86		80	86		70	76		dB	
	Channel Separation		120			120			120		dB	$A_V = 100$, Freq. = 1 kHz
DV_{OUT}/DT	Slew Rate		13			13			13		V/ μS	$A_V = 1$, $R_L = 2\text{k}\Omega$ $C_L = 100\text{pF}$, $V_1 = 10\text{V}$
T_R	Rise Time		0.1			0.1			0.1		μsec	$A_V = 1$, $R_L = 2\text{k}\Omega$ $C_L = 100\text{pF}$, $V_1 = 20\text{mV}$
T_O	Overshoot		10			10			10		%	$A_V = 1$, $R_L = 2\text{k}\Omega$ $C_L = 100\text{pF}$, $V_1 = 20\text{mV}$
E_N	Equivalent Input Noise Voltage		20			20			20		nV/ $\sqrt{\text{Hz}}$	$R_S = 100\Omega$ $f = 1\text{kHz}$

Note 1: For Supply Voltage less than $\pm 15\text{V}$, the absolute maximum input voltage is equal to the supply voltage.

Note 2: The output may be shorted to ground or to either supply. Temperature and/or supply voltages must be limited to ensure that the dissipation rating is not exceeded.



EQUIVALENT SCHEMATIC DIAGRAM

Quad Programmable Bipolar JFET Operational Amplifiers

GENERAL DESCRIPTION

The XR-094 and XR-095 bipolar JFET input quad programmable operational amplifiers consist of four independent, high gain, internally compensated amplifiers. Two external resistors (R_{SET}) allow the user to program supply current slew-rate input noise without the usual sacrifice of gain bandwidth product. For example, the user can trade-off slew-rate for supply current or optimize the noise figure for a given source impedance. Except for the two programming pins at the end of the package, the XR-094 and XR-095 pin-out is the same as the popular 324, 3403, 124, 148 and 4741 operational amplifiers.

In the case of the XR-094, three of the op amps on the chip share a common programming pin; and the fourth op amp is programmed separately. In the case of the XR-095, each pair of op amps share a common programming pin.

FEATURES

- Same Pin Configuration as LM-346
- High-Impedance FET Input Stage
- Internal Frequency Compensation
- Low Power Consumption
- Wide Common-Mode and Differential Voltage Ranges
- Low Input Bias and Offset Currents
- Output Short-Circuit Protection
- High Slew-Rate . . . 13 V/ μ s, Typical
- Programmable Electrical Characteristics

APPLICATIONS

Total Supply Current = 5.6 mA ($I_{SET}/320 \mu$ A)
 Slew Rate = 13 V/ μ s ($I_{SET}/320 \mu$ A)
 I_{SET} = Current into set terminal

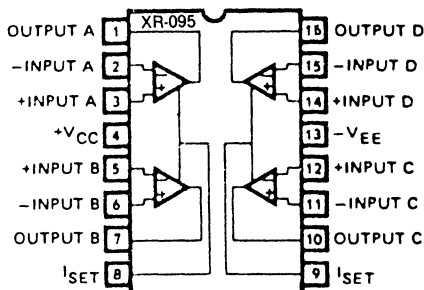
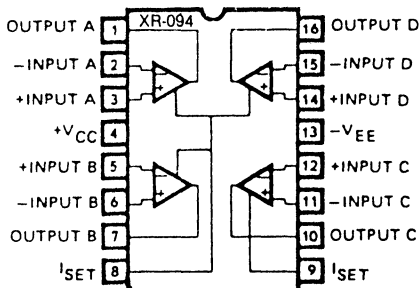
$$I_{SET} = \frac{V_{CC} - (V_{EE} - 0.6V)}{R_{SET}}$$

Note: I_{SET} must be $\leq 400 \mu$ A

ABSOLUTE MAXIMUM RATINGS

Supply Voltage	$\pm 18V$
Differential Input Voltage	$\pm 30V$
Input Voltage Range (Note 1)	$\pm 15V$
Output Short-Circuit Duration (Note 2)	Indefinite
Package Power Dissipation:	
Plastic Package	625 mW

FUNCTIONAL BLOCK DIAGRAMS



ABSOLUTE MAXIMUM RATINGS (Continued)

Derate Above $T_A = +25^\circ C$	5.0 mW/ $^\circ C$
Ceramic Package	750 mW
Derate Above $T_A = +25^\circ C$	6.0 mW/ $^\circ C$
Storage Temperature Range	$-65^\circ C$ to $+150^\circ C$

Note 1: For Supply Voltage less than $\pm 15V$, the absolute maximum input voltage is equal to the supply voltage.

Note 2: The output may be shorted to ground or to either supply. Temperature and/or supply voltages must be limited to ensure that the dissipation rating is not exceeded.

ORDERING INFORMATION

Part Number	Package	Operating Temperature
XR-094/XR-095N	Ceramic	$-25^\circ C$ to $+85^\circ C$
XR-094/XR-095P	Plastic	$-25^\circ C$ to $+85^\circ C$
XR-094/XR-095CN	Ceramic	$0^\circ C$ to $+70^\circ C$
XR-094/XR-095CP	Plastic	$0^\circ C$ to $+70^\circ C$

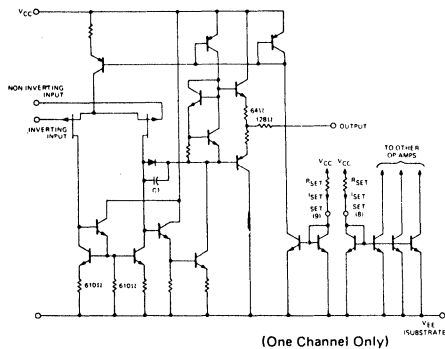


XR-094/095

ELECTRICAL CHARACTERISTICS

$T_A = 25^\circ\text{C}$, $V_{CC} = \pm 15\text{V}$, unless otherwise specified.
 $I_{SET} = 320 \mu\text{A}$.

PARAMETERS	XR-094/095			XR-094/095C			UNITS	SYMBOL	CONDITIONS
	MIN	TYP	MAX	MIN	TYP	MAX			
Input Offset Voltage		3	6 9		5	15 20	mV mV	V_{OS} V_{OS}	$R_S = 50\Omega$, $T_A = 25^\circ\text{C}$ $R_S = 50\Omega$, $T_A = \text{Full Range}$
Offset Voltage Temp. Coef.		10			10		$\mu\text{V}/^\circ\text{C}$	$\Delta V_{OS}/\Delta T$	$R_S = 50\Omega$, $T_A = \text{Full Range}$
Input Bias Current		80	600 20		80	800 20	pA nA	I_B	$T_A = 25^\circ\text{C}$ $T_A = \text{Full Range}$
Input Offset Current		40	300 10		40	500 5	pA nA	I_{OS}	$T_A = 25^\circ\text{C}$ $T_A = \text{Full Range}$
Supply Current (per amplifier)		1.4	2.8		1.4	2.8	mA	I_{CC}	No Load, No Input Signal
Input Common Mode Range	± 12			± 10			V	V_{ICM}	
Voltage Gain	50 25	200		25 15	200		V/mV	A_{VOL}	$R_L \geq 2\text{K}\Omega$, $V_0 = \pm 10\text{V}$ $T_A = 25^\circ\text{C}$ $T_A = \text{Full Range}$
Max. Output Swing (peak-to-peak)	24 24	27		24 24	27		V	V_{OPP}	$R_L \geq 10\text{K}\Omega$ $T_A = 25^\circ\text{C}$ $T_A = \text{Full Range}$
Input Resistance		10^{12}			10^{12}		Ω	R_{in}	$T_A = 25^\circ\text{C}$
Unity-Gain Bandwidth		3			3		MHz	BW	$T_A = 25^\circ\text{C}$
Common-Mode Rejection	80	86		70	76		dB	CMRR	$R_S \leq 10\text{K}\Omega$
Supply-Voltage Rejection	80	86		70	76		dB	PSRR	
Channel Separation		120			120		dB		$A_V = 100$, Freq. = 1 kHz
Slew Rate		13			13		V/ μs	dV_{out}/dt	$A_V = 1$, $R_L = 2\text{K}\Omega$ $C_L = 100\text{pF}$, $V_1 = 10\text{V}$
Rise Time Overshoot		0.1 10			0.1 10		μsec %	t_r t_o	$A_V = 1$, $R_L = 2\text{K}\Omega$ $C_L = 100\text{pF}$, $V_1 = 20\text{mV}$
Equivalent Input Noise Voltage		18			18		nV/ $\sqrt{\text{Hz}}$	e_n	$R_S = 100\Omega$ $f = 1\text{kHz}$



EQUIVALENT SCHEMATIC DIAGRAM

Quad Programmable Bipolar JFET Operational Amplifier

GENERAL DESCRIPTION

The XR-096 monolithic circuit contains four independently programmable JFET operational amplifiers in a single IC package. Each of the four op amp sections on the chip has its own external bias terminal; thus its performance characteristics and power dissipation can be independently controlled, without effecting the other op amp sections on the chip. The respective bias-setting resistors, R_{SET} , connected to the programming terminals of the circuit allow one to trade-off power dissipation for slew-rate, without sacrificing the gain-bandwidth product of the circuit. These individual bias terminals can also be used to switch the op amp sections "on" and "off", and thus, multiplex between various op amp channels on the same chip.

FEATURES

- Programmable Version of XR-084
- Independent Programming of All Four Op Amps
- Programmable for Micropower Operation
- High-Impedance JFET Input Stage
- Internal Frequency Compensation
- Low Input Bias and Offset Currents

APPLICATIONS

Total Supply Current = 5.6 mA ($I_{SET}/320 \mu A$)
 Slew-Rate = 13 V/ μs ($I_{SET}/320 \mu A$)
 I_{SET} = Current into set terminal

$$I_{SET} = \frac{V_{CC} - (V_{EE} - 0.6V)}{R_{SET}}$$

Note. I_{SET} must be $\leq 400 \mu A$

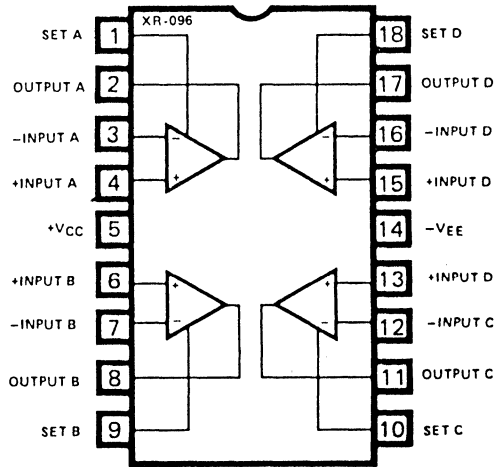
ABSOLUTE MAXIMUM RATINGS

Supply Voltage	$\pm 18V$
Differential Input Voltage	$\pm 30V$
Input Voltage Range (Note 1)	$\pm 15V$
Output Short-Circuit Duration (Note 2)	Indefinite
Package Power Dissipation:	
Plastic Package	625 mW
Derate Above $T_A = +25^\circ C$	5.0 mW/ $^\circ C$
Ceramic Package	750 mW
Derate Above $T_A = +25^\circ C$	6.0 mW/ $^\circ C$
Storage Temperature Range	$-65^\circ C$ to $+150^\circ C$

Note 1: For Supply Voltage less than $\pm 15V$, the absolute maximum input voltage is equal to the supply voltage.

Note 2: The output may be shorted to ground or to either supply. Temperature and/or supply voltages must be limited to ensure that the dissipation rating is not exceeded.

FUNCTIONAL BLOCK DIAGRAM



ORDERING INFORMATION

Part Number	Package	Operating Temperature
XR-096N	Ceramic	$-25^\circ C$ to $+85^\circ C$
XR-096P	Plastic	$-25^\circ C$ to $+85^\circ C$
XR-096CN	Ceramic	$0^\circ C$ to $+70^\circ C$
XR-096CP	Plastic	$0^\circ C$ to $+70^\circ C$

SYSTEM DESCRIPTION

The XR-096 is a quad independently programmable JFET input operational amplifier featuring extremely high input resistance, low input bias and offset current, large common mode voltage range, and large output swing range. Unity gain bandwidth is 3 MHz, and slew rate is 13V/ μs . The devices are unity gain compensated.

Each of the four amplifiers may be independently "programmed"-rebiased-by connecting a resistor from the bias adjust pin to the positive supply. Bias current may range up to 400 μA , thus affording the designer flexibility along the power consumption/slew rate curve.

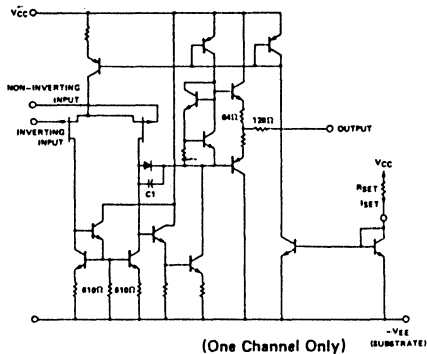


XR-096

ELECTRICAL CHARACTERISTICS

$T_A = 25^\circ\text{C}$, $V_{CC} = \pm 15\text{V}$, unless otherwise specified.
 $I_{SET} = 320 \mu\text{A}$.

PARAMETERS	XR-096			XR-096C			UNITS	SYMBOL	CONDITIONS
	MIN	TYP	MAX	MIN	TYP	MAX			
Input Offset Voltage		3	6 9		5	15 20	mV mV	V_{OS} V_{OS}	$R_S = 50\Omega$, $T_A = 25^\circ\text{C}$ $R_S = 50\Omega$, $T_A = \text{Full Range}$
Offset Voltage Temp. Coef.		10			10		$\mu\text{V}/^\circ\text{C}$	$\Delta V_{OS}/\Delta T$	$R_S = 50\Omega$, $T_A = \text{Full Range}$
Input Bias Current		80	600 20		80	800 20	pA nA	I_B	$T_A = 25^\circ\text{C}$ $T_A = \text{Full Range}$
Input Offset Current		40	300 10		40	500 5	pA nA	I_{OS}	$T_A = 25^\circ\text{C}$ $T_A = \text{Full Range}$
Supply Current (per amplifier)		1.4	2.8		1.4	2.8	mA	I_{CC}	No Load, No Input Signal
Input Common Mode Range	± 12			± 10			V	V_{ICM}	
Voltage Gain	50 25	200		25 15	200		V/mV	A_{VOL}	$R_L \geq 2\text{K}\Omega$, $V_O = \pm 10\text{V}$ $T_A = 25^\circ\text{C}$ $T_A = \text{Full Range}$
Max. Output Swing (peak-to-peak)	24 24	27		24 24	27		V	V_{OPP}	$R_L \geq 10\text{K}\Omega$ $T_A = 25^\circ\text{C}$ $T_A = \text{Full Range}$
Input Resistance		10^{12}			10^{12}		Ω	R_{in}	$T_A = 25^\circ\text{C}$
Unity-Gain Bandwidth		3			3		MHZ	BW	$T_A = 25^\circ\text{C}$
Common-Mode Rejection	80	86		70	76		dB	CMRR	$R_S \leq 10\text{K}\Omega$
Supply-Voltage Rejection	80	86		70	76		dB	PSRR	
Channel Separation		120			120		dB		$A_V 100$, Freq. = 1 kHz
Slew Rate		13			13		V/ μs	dV_{out}/dt	$A_V = 1$, $R_L = 2\text{K}\Omega$ $C_L = 100\text{pF}$, $V_1 = 10\text{V}$
Rise Time Overshoot		0.1 10			0.1 10		μsec %	t_r t_o	$A_V = 1$, $R_L = 2\text{K}\Omega$ $C_L = 100\text{pF}$, $V_1 = 20\text{mV}$
Equivalent Input Noise Voltage		18			18		nV/ $\sqrt{\text{Hz}}$	e_n	$R_S = 100\Omega$ $f = 1\text{kHz}$



EQUIVALENT SCHEMATIC DIAGRAM

Programmable Quad Operational Amplifiers

GENERAL DESCRIPTION

The XR-146 family of quad operational amplifiers contain four independent high-gain, low-power, programmable op-amps on a monolithic chip. The use of external bias setting resistors permit the user to program gain-bandwidth product, supply current, input bias current, input offset current, input noise and the slew rate.

The basic XR-146 family of circuits offer partitioned programming of the internal op-amps where one setting resistor is used to set the bias levels in the three op-amps, and a second bias setting is used for the remaining op-amp. Its modified version, the XR-346-2 provides a separate bias setting resistor for each of the two op-amp pairs.

FEATURES

- Programmable
- Micropower operation
- Low noise
- Wide power supply range
- Class AB output
- Ideal pin out for biquad active filters
- Overload protection for input and output
- Internal frequency compensation

APPLICATIONS

- Total Supply Current = 1.4 mA ($I_{SET}/10 \mu A$)
- Gain Bandwidth Product = 1 MHz ($I_{SET}/10 \mu A$)
- Slew Rate = 0.4V/ μs ($I_{SET}/10 \mu A$)
- Input Bias Current ≈ 50 nA ($I_{SET}/10 \mu A$)

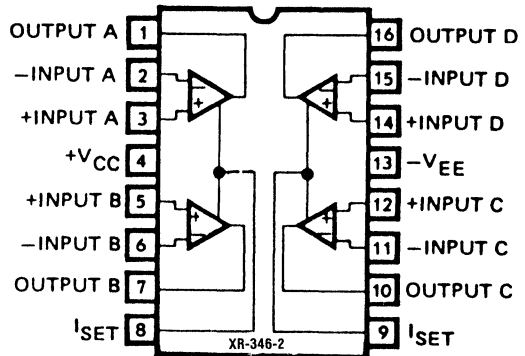
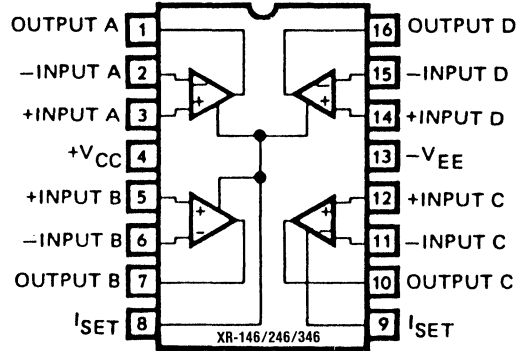
I_{SET} = Current into pin 8, pin 9 (see schematic)

$$I_{SET} = \frac{V^+ - V^- - 0.6V}{R_{SET}}$$

ABSOLUTE MAXIMUM RATINGS

Supply Voltage	
XR-146	$\pm 22V$
XR-246/346	$\pm 18V$
Differential Input Voltage (Note 1)	
XR-146/246/346	$\pm 30V$
Common Mode Input Voltage (Note 1)	
XR-146/246/346	$\pm 15V$
Power Dissipation (Note 2)	
XR-146	900 mW
XR-246/346	500 mW
Output Short Circuit Duration (Note 3)	
XR-146/246/346	Indefinite
Maximum Junction Temperature	
XR146	150°C
XR-246	110°C
XR-346	100°C

FUNCTIONAL BLOCK DIAGRAMS



ABSOLUTE MAXIMUM RATINGS (continued)

Storage Temperature Range	
XR-146/246/346	$-65^{\circ}C$ to $+150^{\circ}C$

ORDERING INFORMATION

Part Number	Package	Operating Temperature
XR-146M	Ceramic	$-55^{\circ}C$ to $+125^{\circ}C$
XR-246N	Ceramic	$-25^{\circ}C$ to $+85^{\circ}C$
XR-246P	Plastic	$-25^{\circ}C$ to $+85^{\circ}C$
XR-346/346-2CN	Ceramic	$0^{\circ}C$ to $+70^{\circ}C$
XR-346/346-2CP	Plastic	$0^{\circ}C$ to $+70^{\circ}C$

XR-146/246/346

ELECTRICAL CHARACTERISTICS ($T_A = +25^\circ\text{C}$, $V_S = \pm 15\text{V}$, $I_{\text{SET}} = 10 \mu\text{A}$)

PARAMETERS	XR-146			XR-246/346			UNITS	CONDITIONS
	MIN	TYP	MAX	MIN	TYP	MAX		
Input Offset Voltage		0.5	5		0.5	6	mV	$V_{\text{CM}} = 0\text{V}$, $R_S \leq 50\Omega$
Input Offset Current		2	20		2	100	nA	$V_{\text{CM}} = 0\text{V}$
Input Bias Current		50	100		50	250	nA	$V_{\text{CM}} = 0\text{V}$
Supply Current (4 Op-Amps)		1.4	2.0		1.4	2.5	mA	
Large Signal Voltage Gain	100	1000		50	1000		V/mV	$R_L = 10 \text{ k}\Omega$, $\Delta V_{\text{OUT}} = \pm 10\text{V}$
Input CM Range	± 13.5	± 14		± 13.5	± 14		V	
CM Rejection Ratio	80	100		70	100		dB	$R_S \leq 10 \text{ k}\Omega$
Power Supply Rejection Ratio	80	100		74	100		dB	$R_S \leq 10 \text{ k}\Omega$
Output Voltage Swing	± 12	± 14		± 12	± 14		V	$R_L \leq 10 \text{ k}\Omega$
Short-Circuit Current	5	20	30	5	20	30	mA	
Gain Bandwidth Product	0.8	1.2		0.5	1.2		MHz	
Phase Margin		60			60		Deg	
Slew Rate		0.4			0.4		V/ μs	
Input Noise Voltage		28			28		nV/ $\sqrt{\text{Hz}}$	$f = 1 \text{ kHz}$
Channel Separation		120			120		dB	$R_L = 10 \text{ k}\Omega$, $\Delta V_{\text{OUT}} = 0\text{V to } +12\text{V}$
Input Resistance		1.0			1.0		M Ω	
Input Capacitance		2.0			2.0		pF	

The following specifications apply over the Maximum Operating Temperature Range

Input Offset Voltage		0.5	6		0.5	7.5	mV	$V_{\text{CM}} = 0\text{V}$, $R_S \leq 50\Omega$
Input Offset Current		2	25		2	100	nA	$V_{\text{CM}} = 0\text{V}$
Input Bias Current		50	100		50	250	nA	$V_{\text{CM}} = 0\text{V}$
Supply Current (4 Op-Amps)		1.5	2.0		1.5	2.5	mA	
Large Signal Voltage Gain	50	1000			25	1000	V/mV	$R_L = 10 \text{ k}\Omega$, $\Delta V_{\text{OUT}} = \pm 10\text{V}$
Input CM Range	± 13.5	± 14		± 13.5	± 14		V	
CM Rejection Ratio	70	100		70	100		dB	$R_S \leq 50\Omega$
Power Supply Rejection Ratio	76	100		74	100		dB	$R_S \leq 50\Omega$
Output Voltage Swing	± 12	± 14		± 12	± 14		V	$R_L \geq 10 \text{ k}\Omega$

ELECTRICAL CHARACTERISTICS ($T_A = 25^\circ\text{C}$, $V_S = \pm 15\text{V}$, $I_{\text{SET}} = 1 \mu\text{A}$)

Input Offset Voltage		0.5	5		0.5	6	mV	$V_{\text{CM}} = 0\text{V}$, $R_S \leq 50\Omega$
Input Bias Current		7.5	20		7.5	100	nA	$V_{\text{CM}} = 0\text{V}$
Supply Current (4 Op-Amps)		140	250		140	300	μA	
Gain Bandwidth Product	80	100		50	100		kHz	

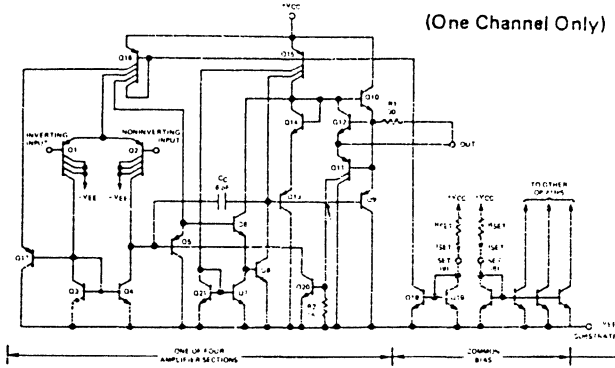
ELECTRICAL CHARACTERISTICS ($T_A = +25^\circ\text{C}$, $V_S = \pm 1.5\text{V}$, $I_{\text{SET}} = 10 \mu\text{A}$)

Input Offset Voltage		0.5	5		0.5	7	mV	$V_{\text{CM}} = 0\text{V}$, $R_S \leq 50\Omega$
Input CM Range	± 0.7			± 0.7			V	
CM Rejection Ratio		80			80		dB	$R_S \leq 50\Omega$
Output Voltage Swing	± 0.6			± 0.6			V	$R_L \geq 10 \text{ k}\Omega$

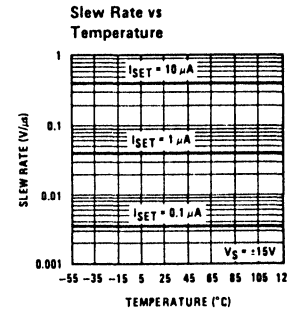
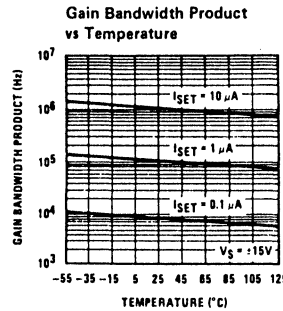
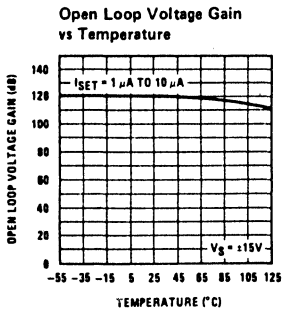
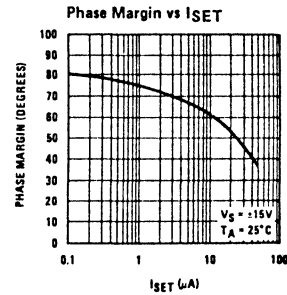
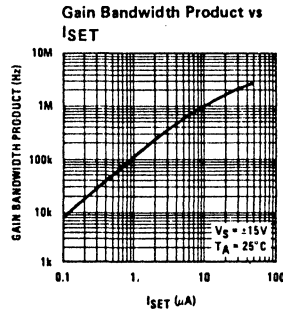
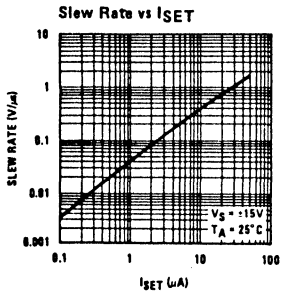
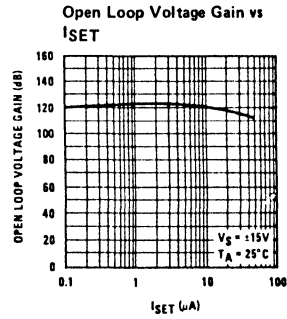
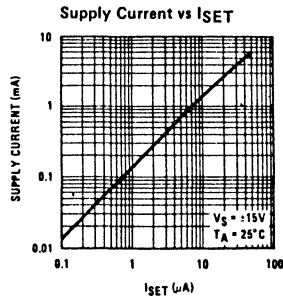
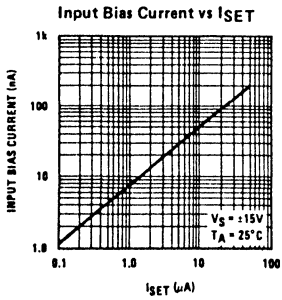
XR-146/246/346

EQUIVALENT SCHEMATIC DIAGRAM

(One Channel Only)

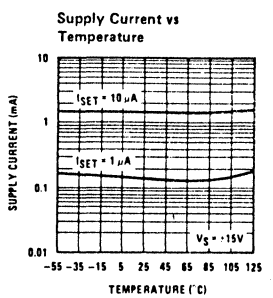
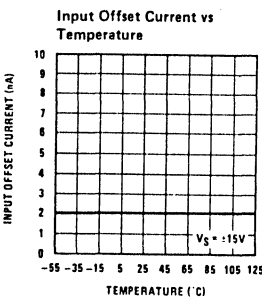
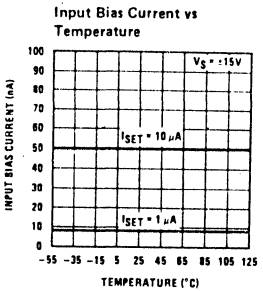
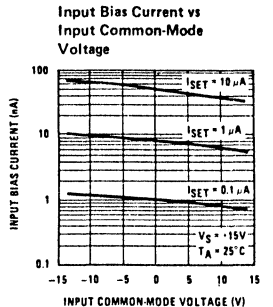
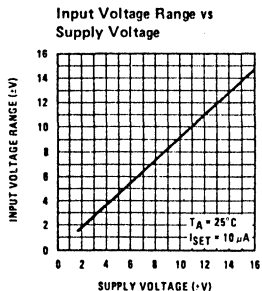
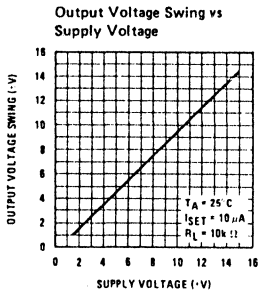
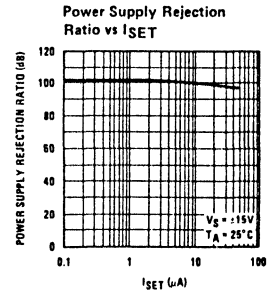
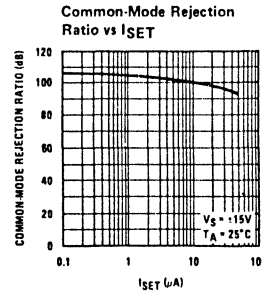
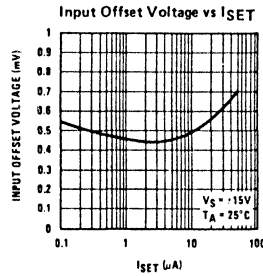
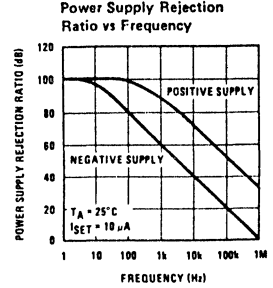
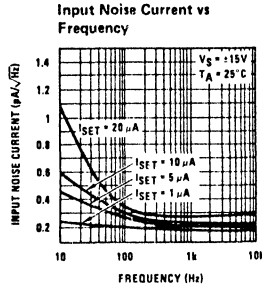
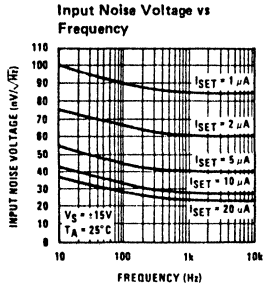


TYPICAL PERFORMANCE CHARACTERISTICS



XR-146/246/346

TYPICAL PERFORMANCE CHARACTERISTICS (Continued)



- Note 1: For supply voltages less than $\pm 15V$, the absolute maximum input voltage is equal to the supply voltage.
- Note 2: The maximum power dissipation for these devices must be derated at elevated temperatures and is dictated by T_{jMAX} , θ_{jA} , and the ambient temperature, T_A . The maximum available power dissipation at any temperature is $P_D = (T_{jMAX} - T_A)/\theta_{jA}$ or the $25^\circ C$ $P_{D(MAX)}$, whichever is less.
- Note 3: Any of the amplifier outputs can be shorted to ground indefinitely; however, more than one should be simultaneously shorted as the maximum junction temperature will be exceeded.

Dual Operational Amplifier

GENERAL DESCRIPTION

The XR-1458/4558 is a pair of independent internally compensated operational amplifiers on a single silicon chip, each similar to the popular 741, but with a power consumption less than one 741. Good thermal tracking and matched gain-bandwidth products make these Dual Op-amps useful for active filter applications.

FEATURES

- Direct Pin-for-Pin Replacement for MC1458, RC4558, N5558
- Low Power Consumption — 50 mW typ. and 120mW max.
- Short-Circuit Protection
- Internal Frequency Compensation
- No Latch-Up
- Wide Common-Mode and Differential Voltage Ranges
- Matched Gain-Bandwidth

APPLICATIONS

- Buffer Amplifiers
- Summing/Differencing Amplifiers
- Instrumentation Amplifiers
- Active Filters
- Signal Processing
- Sample and Differencing
- I to V Converters
- Integrators
- Simulated Components
- Analog Computers

ABSOLUTE MAXIMUM RATINGS

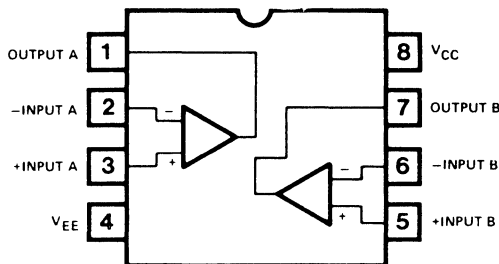
Supply Voltage	± 18V
XR-4558CP	± 15V
Input Voltage (Note 1)	± 15V
Common Mode Voltage Range	V_{EE} to V_{CC}
Output Short-Circuit Duration (Note 2)	indefinite
Differential Input Voltage	± 30V
Internal Power Dissipation (Note 3)	500 mW
Plastic Package:	500 mW
Storage Temperature Range:	-65°C to +150°C
Operating Temperature Range:	0°C to +70°C

Note 1: For supply voltages less than ± 15V, the absolute maximum input voltage is equal to the supply voltage.

Note 2: Short circuit may be to ground or either supply. Rating applies to +125°C case temperature of +75°C ambient temperature for XR1458/4558.

Note 3: Rating applies for case temperatures to 125°C; derate linearly at 6.5mW/°C for ambient temperatures above +75°C for XR1458/4558.

FUNCTIONAL BLOCK DIAGRAM



ORDERING INFORMATION

Part Number	Package	Operating Temperature
XR-1458CN	Ceramic	0°C to +70°C
XR-1458CP	Plastic	0°C to +70°C
XR-4558CN	Ceramic	0°C to +70°C
XR-4558CP	Plastic	0°C to +70°C

SYSTEM DESCRIPTION

The XR-1458 and XR-4558 are dual general purpose op amps featuring better performance than industry standard devices such as the 741; bandwidth, slew rate, and input resistance are greatly improved. Internal protection circuitry includes latch-up elimination, short circuit current limiting, and internal compensation.

The two amplifiers are completely independent, sharing bias circuitry only.



XR-1458/4558

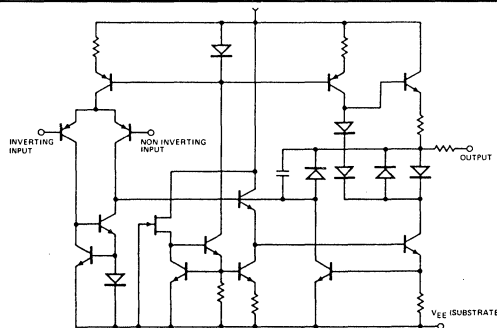
ELECTRICAL CHARACTERISTICS

Test Conditions: $T_A = +25^\circ\text{C}$, $\pm 15\text{V}$, unless otherwise specified.

PARAMETERS	XR1458/4558CP			UNITS	SYMBOLS	CONDITIONS
	MIN	TYP	MAX			
Input Offset Voltage		0.5	6.0	mV	$ V_{io} $	$R_S \leq 10\text{ K}\Omega$
Input Offset Current		5	200	nA	$ I_{io} $	
Input Bias Current		40	500	nA	$ I_b $	
Input Resistance	0.3	5		M Ω	R_{in}	
Large Signal Voltage Gain	20	300		V/mV	A_{VOL}	$R_L \geq 2\text{ K}\Omega$ $V_{out} = \pm 10\text{V}$
Output Voltage Swing	± 12	± 14		V	V_{out}	$R_L \geq 10\text{ K}\Omega$ $R_L \geq 2\text{ K}\Omega$
	± 10	± 13		V	V_{out}	
Input Voltage Range	± 12	± 14		V	V_{iCM}	
Common Mode Rejection Ratio	70	90		dB	CMRR	$R_S \leq 10\text{ K}\Omega$
Supply Voltage Rejection Ratio		30	150	$\mu\text{V/V}$	PSRR	$R_S \leq 10\text{ K}\Omega$
Power Consumption		50	170	mW	P_i	
Transient Response (unity gain)	Risetime	0.13		μs	t_r	$V_{in} = 20\text{ mV}$ $R_L = 2\text{ K}\Omega$ $C_L \leq 100\text{ pF}$
	Overshoot	5		%	t_o	
Unity Gain Bandwidth		3.0		MHz	BW	
Slew Rate (unity gain)		1.0		V/ μs	dV_{out}/dt	$R_L \geq 2\text{ K}\Omega$
Channel Separation (open loop)		120		dB		$f = 10\text{ kHz}$ $R_S = 1\text{ K}\Omega$
	(Gain of 100)	105		dB		$f = 10\text{ kHz}$ $R_S = 1\text{ K}\Omega$

The following specifications apply for $0^\circ\text{C} \leq T_A \leq +70^\circ\text{C}$ for XR4558CP

Input Offset Voltage			7.5	MV	$ V_{io} $	$R_S \leq 10\text{ k}\Omega$
Input Offset Current			300	nA	$ I_{io} $	
Input Bias Current			800	nA	I_b	
Large-Signal Voltage Gain	15			V/mV	A_{VOL}	$R_S \geq 2\text{ K}\Omega$ $V_{out} = \pm 10\text{V}$
Output Voltage Swing	± 10			mV	V_{out}	$R_L \geq 2\text{ K}\Omega$
Power Consumption		90	150	mW	P_i	$V_S = \pm 15\text{V}$ $T_A = \text{High}$ $T_A = \text{Low}$
		120	200	mW	P_i	



EQUIVALENT SCHEMATIC DIAGRAM

Quad Operational Amplifiers

GENERAL DESCRIPTION

The XR-3403 and XR-3503 are quad operational amplifiers specifically designed for single supply operation. All four amplifiers are similar in characteristics to industry standard op amps like the 741. The XR-3403 is available in both ceramic and plastic packages; the XR-3503 is available in a 14 pin ceramic package with guaranteed performances across the military temperature range.

FEATURES

- Short Circuit Protected Outputs
- Class AB Output Stage for Minimal Crossover Distortion
- True Differential Input Stage
- Single Supply Operation: 3.0 to 36 Volts
- Split Supply Operation: ± 1.5 to ± 18 Volts
- Low Input Bias Currents: 500 nA Max
- Four Amplifiers per Package
- Internally Compensated
- Similar Performance to Popular 741
- Direct Pin-for-Pin Replacement for MC3403/3503, LM324 and RC4137

APPLICATIONS

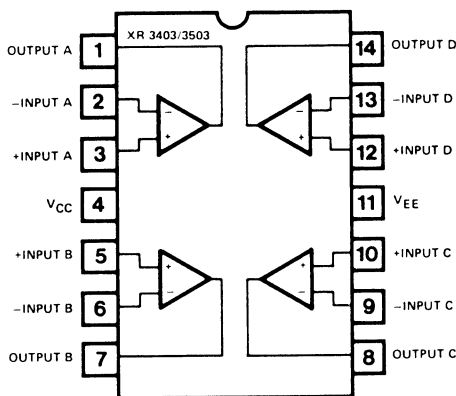
- Buffer Amplifiers
- Summing/Differencing Amplifiers
- Instrumentation Amplifiers
- Active Filters
- Signal Processing
- Sample and Differencing
- I to V Converters
- Integrators
- Simulated Components
- Analog Computers

ABSOLUTE MAXIMUM RATINGS

Power Supply Voltages	
Single Supply	36V
Split Supplies	$\pm 18V$
Input Differential Voltage Range with	
Split Power Supply	$\pm 30V$
Input Common Mode Voltage Range*	$\pm 15V$
Package Power Dissipation:	
Plastic Package	625 mW
Derate above $T_A = +25^\circ C$	5.0 mW/ $^\circ C$
Ceramic Package	750 mW
Derate above $T_A = +25^\circ C$	6.0 mW/ $^\circ C$
Storage Temperature Range	
	$-65^\circ C$ to $+150^\circ C$

*For Supply Voltage less than $\pm 15V$, the absolute maximum input voltage is equal to the supply voltage.

FUNCTIONAL BLOCK DIAGRAM



ORDERING INFORMATION

Part Number	Package	Operating Temperature
XR-3503M	Ceramic	$-55^\circ C$ to $+125^\circ C$
XR-3403CN	Ceramic	$0^\circ C$ to $+70^\circ C$
XR-3403CP	Plastic	$0^\circ C$ to $+70^\circ C$

SYSTEM DESCRIPTION

The XR-3403 is an array of four independent operational amplifiers, each with true differential inputs. The device has electrical characteristics similar to the popular 741. However, the XR-3403 has several distinct advantages over standard operational amplifier types in single supply applications. The XR-3403 can operate at supply voltages as low as 3.0 volts or as high as 36 volts with quiescent currents about one-fifty of those associated with the 741 (on a per amplifier basis). The common mode input range includes the negative supply, thereby eliminating the necessity for external biasing components in many applications. The output voltage range also includes the negative power supply voltage.



XR-3403/3503

ELECTRICAL CHARACTERISTICS

Test Conditions: $V_{CC} = +15V$, $V_{EE} = 15V$, $T_A = +25^\circ C$ unless otherwise noted.

PARAMETERS	XR-3503M			XR-3403C			UNITS	CONDITIONS
	MIN	TYP	MAX	MIN	TYP	MAX		
Input Offset Voltage		2.0	5.0 6.0		2.0	10 12	mV	$T_A = T_{high}$ to T_{low} ¹
Input Offset Current		30	50 200		30	50 200	nA	$T_A = T_{high}$ to T_{low}
Large Signal Open-Loop Voltage Gain	50 25	200 300		20 15	200		V/mV	$V_O = \pm 10V$ $R_L = 2.0\text{ K}\Omega$ $T_A = T_{high}$ to T_{low}
Input Bias Current		-200 -300	-500 -1500		-200	-500 -800	nA	$T_A = T_{high}$ to T_{low}
Output Impedance		75			75		Ω	$f = 20\text{ Hz}$
Input Impedance	0.3	1.0		0.3	1.0		M Ω	$f = 20\text{ Hz}$
Output Voltage Swing	± 12 ± 10 ± 10	± 13.5 ± 13		± 12 ± 10 ± 10	± 13.5 ± 13		V	$R_L = 10\text{ K}\Omega$ $R_L = 2.0\text{ K}\Omega$ $R_L = 2.0\text{ K}\Omega$ $T_A = T_{high}$ to T_{low}
Input Common Mode Voltage Range	+13V- V_{EE}	+13.5V- V_{EE}		+13V- V_{EE}	+13.5V- V_{EE}		V	
Common Mode Rejection Ratio	70	90		70	90		dB	$R_S < 10\text{ K}\Omega$
Power Supply Current ($V_O = 0$)		2.8	4.0		2.8	7.0	mA	$R_L = \infty$
Individual Output Short-Circuit Current ²	± 20	± 30	± 45	± 10	± 20	± 45	mA	
Positive Power Supply Rejection Ratio		30	150		30	150	$\mu V/V$	
Negative Power Supply Rejection Ratio		30	150		30	150	$\mu V/V$	
Average Temperature Coefficient of Input Offset Current		50			50		pA/ $^\circ C$	$T_A = T_{high}$ to T_{low}
Average Temperature Coefficient of Input Offset Voltage		10			10		$\mu V/^\circ C$	$T_A = T_{high}$ to T_{low}
Power Bandwidth		9.0			9.0		kHz	$A_V = 1$, $R_L = 2.0\text{ K}\Omega$ $V_O = 20V$ (p-p) THD = 5%
Small Signal Bandwidth		1.0			1.0		MHz	$A_V = 1$, $R_L = 10\text{ K}\Omega$ $V_O = 50\text{ mV}$
Slew Rate		0.6			0.6		V/ μs	$A_V = 1$, $V_I = -10V$ to $+10V$
Rise Time		0.6			0.6		μs	$A_V = 1$, $R_L = 10\text{ K}\Omega$ $V_O = 50\text{ mV}$
Fall Time		0.6			0.6		μs	$A_V = 1$, $R_L = 10\text{ K}\Omega$ $V_O = 50\text{ mV}$
Overshoot		20			20		%	$A_V = 1$, $R_L = 10\text{ K}\Omega$ $V_O = 50\text{ mV}$
Phase Margin		60			60		Degrees	$A_V = 1$, $R_L = 2.0\text{ K}\Omega$ $C_L = 200\text{ pF}$
Crossover Distortion		1.0			1.0		%	($V_{in} = 30\text{ mV}$ p-p $V_{out} = 2.0V$ p-p $F = 10\text{ kHz}$)

¹ $T_{high} = +125^\circ C$ for XR-3503M, $+70^\circ C$ for XR-3403C
¹ $T_{low} = -55^\circ C$ for XR-3503M, $0^\circ C$ for XR-3403C

²Not to exceed maximum package power dissipation.

³Output will swing to ground.

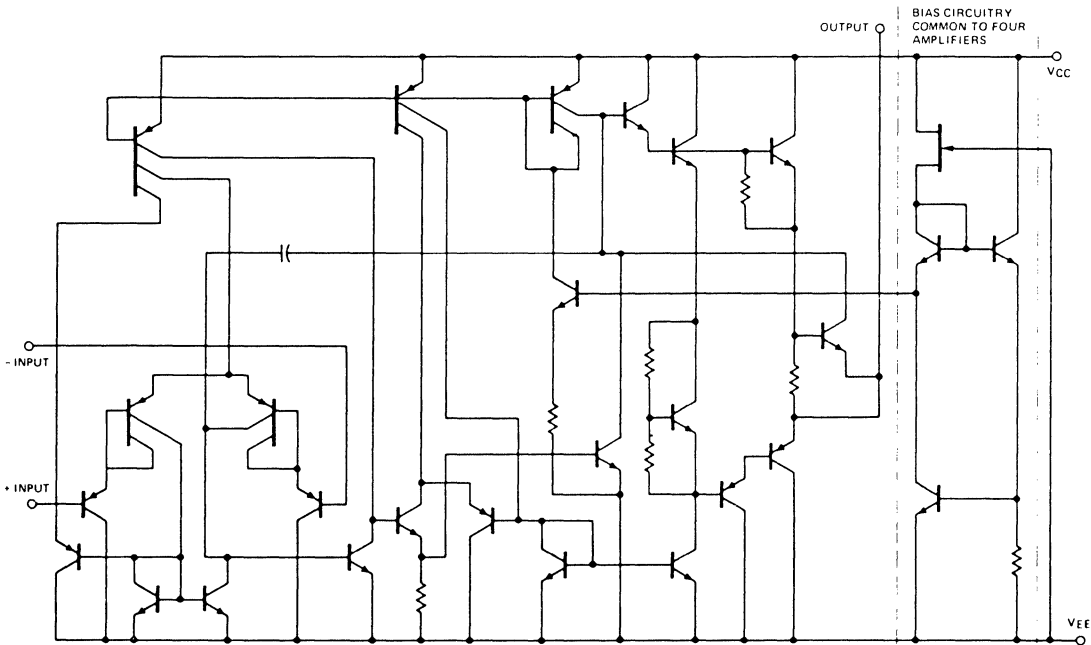
XR-3403/3503

ELECTRICAL CHARACTERISTICS

Test Conditions: $V_{CC} = 5.0V$, $V_{EE} = Gnd$, $T_A = +25^\circ C$, unless otherwise noted.

PARAMETERS	XR-3503M			XR-3403C			UNITS	CONDITIONS
	MIN	TYP	MAX	MIN	TYP	MAX		
Input Offset Voltage		2.0	5.0		2.0	10	mV	
Input Offset Current		30	50		30	50	nA	
Input Bias Current		-200	-500		-200	-500	nA	
Large Signal Open Loop Voltage Gain	20	200		20	200		V/mV	$R_L = 2.0 K\Omega$
Power Supply Rejection Ratio			150			150	$\mu V/V$	
Output Voltage Range ³	3.5 $V_{CC} - 1.5V$			3.5 $V_{CC} - 1.5V$			Vp-p	$R_L = 10 K\Omega$ $V_{CC} = 5.0V$ $R_L = 10 K\Omega$ $5.0V \leq V_{CC} \leq 30V$
Power Supply Current		2.5	4.0		2.5	7.0	mA	
Channel Separation		-120			-120		dB	$f = 1.0 kHz$ to $20 kHz$ (Input Referenced)

1



EQUIVALENT SCHEMATIC DIAGRAM

Quad Operational Amplifier

GENERAL DESCRIPTION

The XR-4136 is an array of four independent internally compensated operational amplifiers on a single silicon chip, each similar to the popular 741. Good thermal tracking and matched gain-bandwidth products make these Quad Op-amps useful for active filter applications.

FEATURES

- Direct Pin-for-Pin Replacement for RC4136 and RM4136
- Short-Circuit Protection
- Internal Frequency Compensation
- No Latch-Up
- Wide Common-Mode and Differential Voltage Ranges
- Matched Gain-Bandwidth

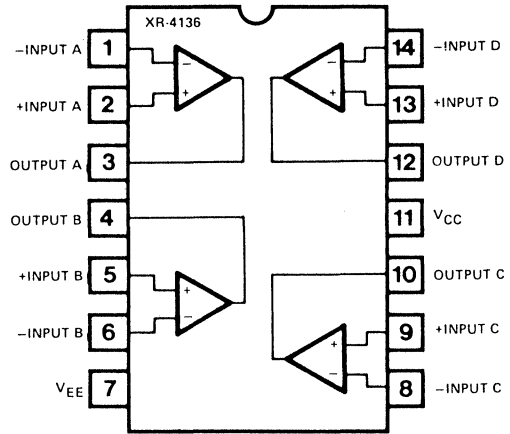
APPLICATIONS

- Buffer Amplifiers
- Summing/Differencing Amplifiers
- Instrumentation Amplifiers
- Active Filters
- Signal Processing
- Sample and Differencing
- I to V Converters
- Integrators
- Simulated Components
- Analog Computers

ABSOLUTE MAXIMUM RATINGS

Supply Voltage	
XR-4136M	± 22V
XR-4136C	± 18V
Common Mode Voltage Range	V_{EE} to V_{CC}
Output Short-Circuit Duration	Indefinite
Differential Input Voltage	± 30V
Internal Power Dissipation	
Ceramic Package:	750 mW
Derate above $T_A = +25^\circ\text{C}$	6 mW/ $^\circ\text{C}$
Plastic Package:	625 mW
Derate above $T_A = +25^\circ\text{C}$	5 mW/ $^\circ\text{C}$
Storage Temperature Range:	-65 $^\circ\text{C}$ to +150 $^\circ\text{C}$

FUNCTIONAL BLOCK DIAGRAM



ORDERING INFORMATION

Part Number	Package	Operating Temperature
XR-4136M	Ceramic	-55 $^\circ\text{C}$ to +125 $^\circ\text{C}$
XR-4136CN	Ceramic	0 $^\circ\text{C}$ to +70 $^\circ\text{C}$
XR-4136CP	Plastic	0 $^\circ\text{C}$ to +70 $^\circ\text{C}$

SYSTEM DESCRIPTION

The XR-4136 is a quad operational amplifier featuring similar characteristics to standard 741-type devices. As all four are monolithic, they have matched characteristics, including thermal tracking and gain bandwidth products.

XR-4136

ELECTRICAL CHARACTERISTICS

Test Conditions: $T_A = +25^\circ\text{C}$, $V_S = \pm 15\text{V}$, unless otherwise specified.

PARAMETERS	XR4136M			XR4136C			UNITS	SYMBOLS	CONDITIONS
	MIN	TYP	MAX	MIN	TYP	MAX			
Input Offset Voltage		.5	5.0		.5	6.0	mV	$ V_{io} $	$R_S \leq 10\text{ K}\Omega$
Input Offset Current		5.0	200		5.0	200	nA	$ I_{io} $	
Input Bias Current		40	500		40	500	nA	$ I_b $	
Input Resistance	0.3	5.0		0.3	5.0		M Ω	R_{in}	
Large Signal Voltage Gain	50	300		20	300		V/mV	A_{VOL}	$R_L \geq 2\text{ K}\Omega$ $V_{out} = \pm 10\text{V}$
Output Voltage Swing	± 12	± 14		± 12	± 14		V	V_{out}	$R_L \geq 10\text{ K}\Omega$
	± 10	± 13		± 10	± 13		V	V_{out}	$R_L \geq 2\text{ K}\Omega$
Input Voltage range	± 12	± 14.0		± 12	± 14.0		V	V_{iCM}	
Common Mode Rejection Ratio	70	105		70	105		dB	CMRR	$R_S \leq 10\text{ K}\Omega$
Supply Voltage Rejection Ratio		10	150		10	150	$\mu\text{V/V}$	PSRR	$R_S \leq 10\text{ K}\Omega$
Power Consumption		210	340		210	340	mW	P_i	
Transient Response (unity gain) Risetime Overshoot		.13 5.0			.13 5.0		μs %	t_r t_o	$V_{in} = 20\text{ mV}$ $R_L = 2\text{ K}\Omega$ $C_L \leq 100\text{ pF}$
Unity Gain Bandwidth	2.0	3.0			3.0		MHz	BW	
Slew Rate (unity gain)		1.5			1		V/ μs	dV_{out}/dt	$R_L \geq 2\text{ K}\Omega$
Channel Separation (open loop)		105			105		dB		$f = 10\text{ KHz}$ $R_S = 1\text{ K}\Omega$
(Gain of 100)		105			105		dB		$f = 10\text{ KHz}$ $R_S = 1\text{ K}\Omega$
The following specifications apply for $-55^\circ\text{C} \leq T_A \leq +125^\circ\text{C}$ for XR-4136M: $0^\circ\text{C} \leq T_A \leq +70^\circ\text{C}$ for XR-4136C									
Input Offset Voltage			6.0			7.5	mV	$ V_{io} $	$R_S \leq 10\text{ K}\Omega$
Input Offset Current			500			300	nA	$ I_{io} $	
Input Bias Current			1500			800	nA	I_b	
Large-Signal Voltage Gain	25			15			V/mV	A_{VOL}	$R_L \geq 2\text{ K}\Omega$ $V_{out} = \pm 10\text{V}$
Output Voltage Swing	± 10			± 10			V	V_{out}	$R_L \geq 2\text{ K}\Omega$
Power Consumption		180 240	300 400		100 240	300 400	mW mW	P_i P_i	$V_S = \pm 15\text{V}$ $T_A = \text{High}$ $T_A = \text{Low}$
Output Short-Circuit Current		45			45		mA	I_{SC}	

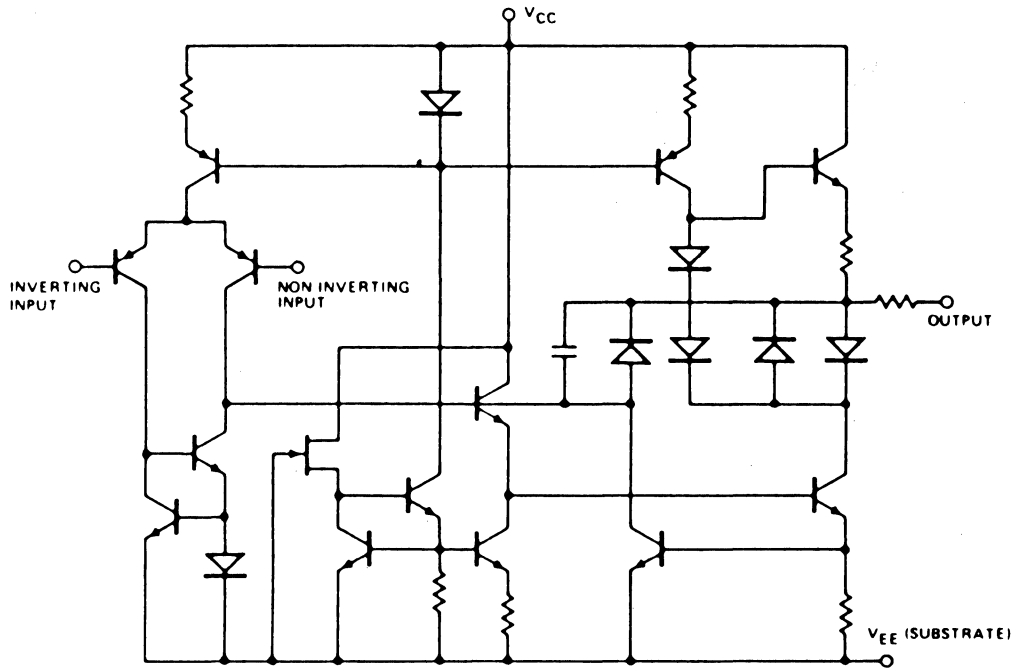
TYPICAL PARAMETER MATCHING:

Test Conditions: $T_A = +25^\circ\text{C}$, $V_S = \pm 15\text{V}$ unless otherwise noted

PARAMETERS	XR4136M TYP	XR4136C TYP	UNITS	SYMBOLS	CONDITIONS
Input Offset Voltage	± 1.0	± 2.0	mV	$ V_{io} $	$R_S \geq 10\text{ K}\Omega$
Input Offset Current	± 7.5	± 7.5	nA	$ I_{io} $	
Input Bias Current	± 15	± 15	nA	I_b	
Voltage Gain	± 0.5	± 1.0	dB	A_{VOL}	$R_S \geq 2\text{ K}\Omega$



XR-4136



1/4 of XR-4136

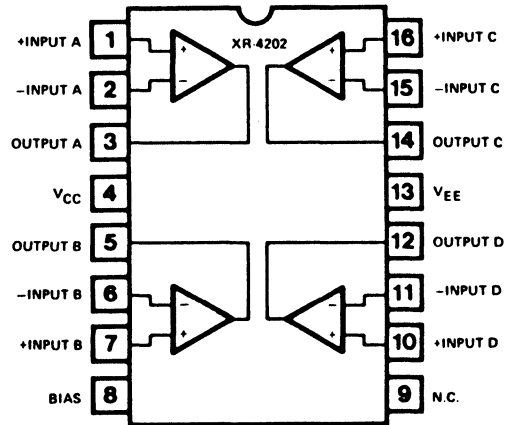
EQUIVALENT SCHEMATIC DIAGRAM

Programmable Quad Operational Amplifier

GENERAL DESCRIPTION

The XR-4202 is an array of four independent operational amplifiers on a single silicon chip. The operating current of the array is externally controlled by a single resistor or current source, allowing the user to trade-off power dissipation for bandwidth.

FUNCTIONAL BLOCK DIAGRAM



FEATURES

- Programmable
- Micropower Operation
- Wide Input Voltage and Common Mode Range
- Internal Frequency Compensation
- No Latch-Up
- Matched Parameters
- Short-Circuit Protection

APPLICATIONS

The following approximate relations are useful for design:

- Gain-Bandwidth Product $\approx 50 I_{SET}$ (KHz)
- Power Supply Current $\approx 30 I_{SET}$ (μA)
- Slew Rate $\approx 20 I_{SET}$ (V/ms)

Where: I_{SET} is in μA

$$I_{SET} = \frac{V_{EE} - V_{BE}}{R_{SET}}$$

WHERE V_{BE} DIODE VOLTAGE $\approx 0.65V$

ORDERING INFORMATION

Part Number	Package	Operating Temperature
XR-4202N	Ceramic	-40°C to +85°C
XR-4202P	Plastic	-40°C to +85°C

ABSOLUTE MAXIMUM RATINGS

Supply Voltage	$\pm 18V$
Differential Input Voltage	$\pm 30V$
Power Dissipation	
Ceramic Package:	750 mW
Derate above $T_A = +25^\circ C$	6 mW/ $^\circ C$
Plastic Package:	625 mW
Derate above $T_A = +25^\circ C$	5 mW/ $^\circ C$
Common Mode Range	V_{EE} to V_{CC}
Short Circuit Duration	Indefinite
Storage Temperature	-60°C to +150°C

SYSTEM DESCRIPTION

The XR-4202 is a quad independently programmable operational amplifier featuring improved performance over industry standard devices such as the 741. Amplifier bias currents can be "programmed" by a single resistor to Pin 8. Bias currents can range from less than $1\mu A$, thus affording the designer flexibility along the device speed/power consumption trade off curve.

XR-4202

ELECTRICAL CHARACTERISTICS

Test Conditions: High Power Mode ($V_S = \pm 15V$, $I_{SET} = 75 \mu A$ and $T_A = +25^\circ C$, unless otherwise specified).

PARAMETERS	MIN	TYP	MAX	UNITS	SYMBOL	CONDITIONS
Short Circuit Current	5	17	30	mA	I_{SC}	$0^\circ C \leq T_A \leq 70^\circ C$
Supply Current	0.8	1.7	6.0	mA	I_S	Note 3
Input Offset Voltage		0.8	5.0	mV	V_{IO}	$R_S \leq 10 K\Omega$
Input Bias Current		80	500	nA	I_b	
Input Off-set Current		10	200	nA	I_{io}	
Input Resistance	0.1	0.6		M Ω	R_{in}	
Input Common Mode Voltage Range	12	± 14		$\pm V$	V_{ICM}	
Common Mode Rejection Ratio	70	110		dB	CMRR	
Voltage Supply Rejection Ratio		15	150	$\mu V/V$	PSRR	
Large Signal Voltage Gain	74	88		dB	A_{VOL}	$R_L = 3 K\Omega$; $\Delta V_O = \pm 10 V$
Output Voltage Swing	± 10	± 13.6		$\pm V$	V_{out}	$R_L = 3 K\Omega$
Gain-Bandwidth Product		3.5		MHz	f_1	
Phase Margin		45		Deg.		
Rise Time		70		ns	t_R	$\Delta V_O = \pm 20 mV$
Overshoot		20		%	t_o	$\Delta V_O = \pm 20 mV$
Channel Separation		120		dB		Any amp. pair: freq. = 1 Hz, $R_L = 3 K\Omega$
		105		dB		Any amp. pair: freq. = 10 KHz, $R_L = 3 K\Omega$
Slew Rate		1.5		V/ μs	dV_{out}/dt	
Input Voltage Noise		25		nV/ \sqrt{Hz}	e_n	Bandwidth 100 Hz to 10 KHz

Note: Short circuit may be taken to either supply line or ground on only one amplifier at a time.

ELECTRICAL CHARACTERISTICS

Test Conditions: High Power Mode ($V_S = \pm 15V$, $I_{SET} = 75 \mu A$ and $T_A = -55^\circ C$ to $+125^\circ C$)

PARAMETERS	MIN	TYP	MAX	UNITS	SYMBOL	CONDITIONS
Input Offset Voltage		0.8	10	mV	V_{IO}	$R_S \leq 10 K\Omega$
Input Bias Current		80	1500	nA	I_b	
Input Offset Current		10	200	nA	I_{io}	
Large Signal Voltage Gain	68	88		dB	A_{VOL}	$R_L 3 K\Omega$ $\Delta V_O = \pm 10 V$

XR-4202

ELECTRICAL CHARACTERISTICS

Test Conditions: Micropower Mode ($I_{SET} = 1 \mu A$, $V_S = \pm 1.5V$)

PARAMETERS	MIN	TYP	MAX	UNITS	SYMBOL	CONDITIONS
Supply Current			100	μA	I_S	Note 3
Input Bias Current			200	nA	I_B	
Input Offset Current			20	nA	I_{OS}	
Input Offset Voltage		0.5	5	mV	V_{OS}	$R_S \leq 10 K\Omega$
Input Resistance	0.5			$M\Omega$	R_{in}	
Input Common Mode Voltage Range	0.3	± 0.8		$\pm V$	V_{ICM}	
Common Mode Rejection Ratio	60	100		dB	CMRR	
Voltage Supply Rejection Ratio		20	200	$\mu V/V$	PSRR	
Large Signal Voltage Gain	66	80		dB	A_{Vol}	$R_L \geq 100 K\Omega$
Gain-Bandwidth Product		50		KHz	f_1	
Phase Margin		75		Deg.		
Slew-Rate		20		V/ms	dV_{out}/dt	
Rise Time		7		μs	t_R	$\Delta V_O = \pm 20 mV$
Overshoot		0		%	t_o	$\Delta V_O = \pm 20 mV$
Channel Separation		120		dB		Freq. = Hz: $R_L = 20 K\Omega$, $\Delta V_O = \pm 0.5 V$
		120		dB		Freq. = 1 KHz: $R_L = 10 K\Omega$, $\Delta V_O = \pm 0.5 V$
Equivalent Input Voltage Noise		200		nV/\sqrt{Hz}	e_n	Bandwidth = 100 Hz to 10 KHz

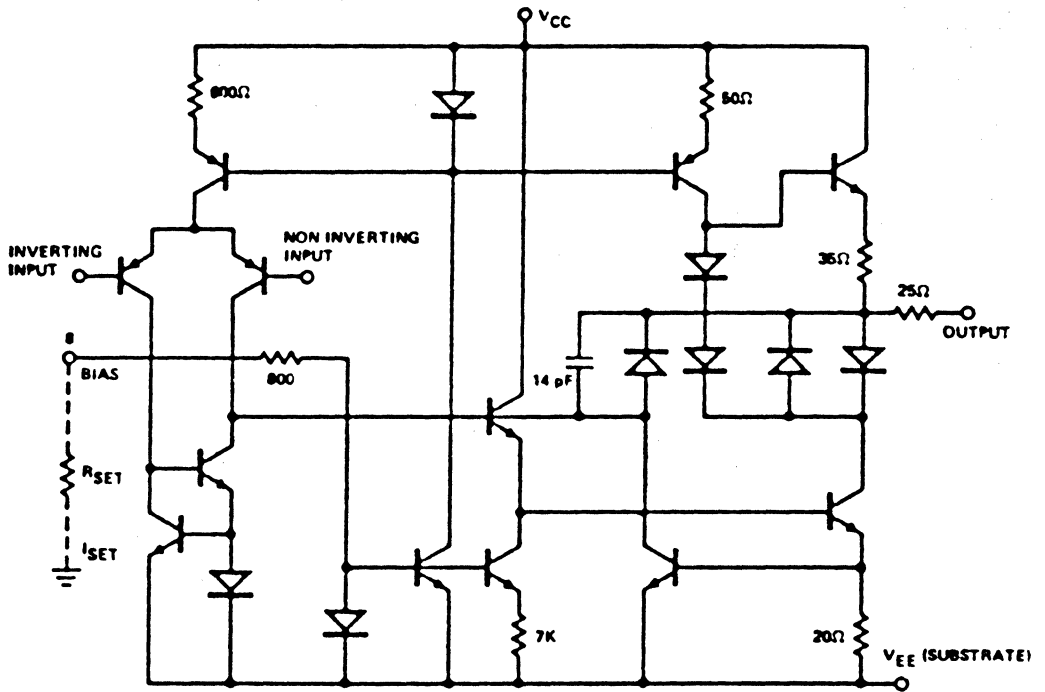
PARAMETER MATCHING ($I_{SET} = 75 \mu A$ (2))

PARAMETERS	MIN	TYP	MAX	UNITS	SYMBOL	CONDITIONS
Input Offset Voltage		1		$\pm mV$	V_{OS}	$R_S \leq 10 K\Omega$
Input Bias Current		10		$\pm nA$	I_B	
Input Offset Current		2		$\pm nA$	I_{OS}	
Gain-Bandwidth Product		100		$\pm KHz$	f_1	
Slew Rate		0.2		$\pm V/\mu s$	dV_O/dt	

- NOTES: 1. All tests refer to a single Op. amp unless otherwise specified.
 2. Tests apply for parameter matching between any Op. amp pair.
 3. Tests apply to four Op. amps and bias network.



XR-4202



1/4 of XR-4202

EQUIVALENT SCHEMATIC DIAGRAM

Quad Operational Amplifier

GENERAL DESCRIPTION

The XR-4212 is an array of four independent internally compensated operational amplifiers on a single silicon chip, each similar to the popular 741, but with a power consumption less than one 741. Good thermal tracking and matched gain-bandwidth products make these Quad Op-amps useful for active filter applications.

FEATURES

- Same Pinout as MC3403 and LM324
- Low Power Consumption—50 mW typ. and 120mW max.
- Short-Circuit Protection
- Internal Frequency Compensation
- No Latch-Up
- Wide Common-Mode and Differential Voltage Ranges
- Matched Gain-Bandwidth

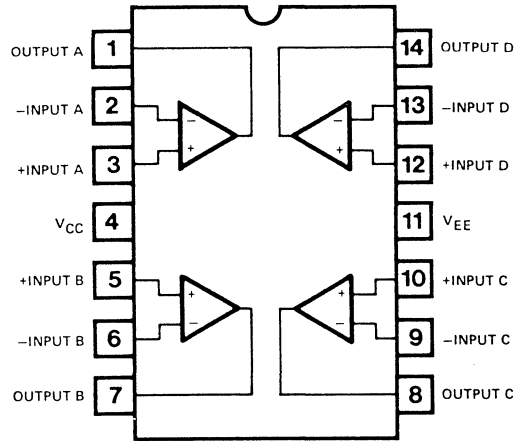
APPLICATIONS

- Buffer Amplifiers
- Summing/Differencing Amplifiers
- Instrumentation Amplifiers
- Active Filters
- Signal Processing
- Sample and Differencing
- I to V Converters
- Integrators
- Simulated Components
- Analog Computers

ABSOLUTE MAXIMUM RATINGS

Supply Voltage	
XR-4212M	± 22V
XR-4212C	± 18V
Common Mode Voltage	V_{EE} to V_{CC}
Output Short-Circuit Duration	Indefinite
Differential Input Voltage	± 30V
Internal Power Dissipation	
Ceramic Package:	750 mW
Derate above $T_A = +25^\circ\text{C}$	6 mW/ $^\circ\text{C}$
Plastic Package:	625 mW
Derate above $T_A = +25^\circ\text{C}$	5 mW/ $^\circ\text{C}$
Storage Temperature Range:	-65 $^\circ\text{C}$ to +150 $^\circ\text{C}$

FUNCTIONAL BLOCK DIAGRAM



ORDERING INFORMATION

Part Number	Package	Operating Temperature
XR-4212M	Ceramic	-55 $^\circ\text{C}$ to +125 $^\circ\text{C}$
XR-4212CN	Ceramic	0 $^\circ\text{C}$ to +70 $^\circ\text{C}$
XR-4212CP	Plastic	0 $^\circ\text{C}$ to +70 $^\circ\text{C}$

SYSTEM DESCRIPTION

The XR-4212 is a quad independently programmable operational amplifier featuring improved performance over industry standard devices such as the 741. Amplifier bias currents can be "programmed" by a single resistor to Pin 8. Bias currents can range from less than 1 μA to over 75 μA , thus affording the designer flexibility along the device speed/power consumption trade off curve.



XR-4212

ELECTRICAL CHARACTERISTICS

Test Conditions: $T_A = +25^\circ\text{C}$, $V_S = \pm 15\text{V}$, unless otherwise specified.

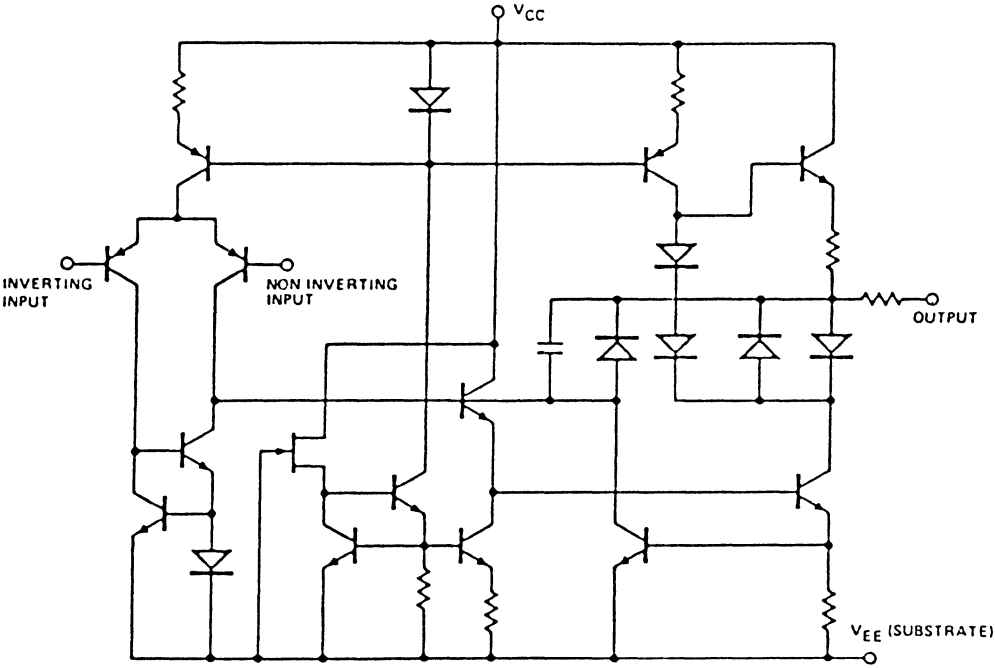
PARAMETERS	XR-4212M			XR-4212C			UNITS	SYMBOLS	CONDITIONS
	MIN	TYP	MAX	MIN	TYP	MAX			
Input Offset Voltage		1	5.0		1	6.0	mV	$ V_{io} $	$R_S \leq 10\text{K}\Omega$
Input Offset Current		10	50		10	50	nA	$ I_{io} $	
Input Bias Current		80	500		80	500	nA	$ I_b $	
Input Resistance	0.3	1.8		0.3	1.8		M Ω	R_{in}	
Large Signal Voltage Gain	20	60		5	40		V/mV	A_{VOL}	$R_L \geq 2\text{K}\Omega$ $V_{out} = \pm 10\text{V}$
Output Voltage Swing	± 12	± 14		± 12	± 14		V	V_{out}	$R_L \geq 10\text{K}\Omega$
	± 10	± 12		± 10	± 12		V	V_{out}	$R_L \geq 2\text{K}\Omega$
Input Voltage Range	± 12	± 13.5		± 12	± 13.5		V	V_{ICM}	
Common Mode Rejection Ratio	70	105		70	105		dB	CMRR	$R_S \leq 10\text{K}\Omega$
Supply Voltage Rejection Ratio		10	150		10	150	$\mu\text{V/V}$	PSRR	$R_S \leq 10\text{K}\Omega$
Power Consumption		50	120		50	120	mW	P_i	
Transient Response (unity gain)									
	Risetime	0.07			0.07		μs	t_r	$V_{in} = 20\text{mV}$ $R_L = 2\text{K}\Omega$ $C_L \leq 100\text{pF}$
Overshoot	20			20		%	t_o		
Unity Gain Bandwidth	2.0	3.0			3.0		MHz	BW	
Slew Rate (unity gain)		1.6			1.6		V/ μs	dV_{out}/dt	$R_L \geq 2\text{K}\Omega$
Channel Separation (open loop)		120			120		dB		$f = 10\text{KHz}$ $R_S = 1\text{K}\Omega$
	(Gain of 100)		105		105		dB		$f = 10\text{KHz}$ $R_S = 1\text{K}\Omega$
The following specifications apply for $-55^\circ\text{C} \leq T_A \leq +125^\circ\text{C}$ for XR-4212M: $0^\circ\text{C} \leq T_A \leq +70^\circ\text{C}$ for XR-4212C									
Input Offset Voltage			6.0			7.5	mV	$ V_{io} $	$R_S \leq 10\text{K}\Omega$
Input Offset Current			200			200	nA	$ I_{io} $	
Input Bias Current			1500			800	nA	I_b	
Large-Signal Voltage Gain	20			5			V/mV	A_{VOL}	$R_L \geq 2\text{K}\Omega$ $V_{out} = \pm 10\text{V}$
Output Voltage Swing	± 10			± 10			V	V_{out}	$R_L \geq 2\text{K}\Omega$
Power Consumption			150			150	mW	P_i	$V_S = \pm 15\text{V}$ $T_A = \text{High}$
			200			200	mW	P_i	$T_A = \text{Low}$
Output Short-Circuit Current	5	17	35	5	17	35	mA	I_{SC}	

TYPICAL PARAMETER MATCHING:

Test Conditions: $T_A = +25^\circ\text{C}$, $V_S = \pm 15\text{V}$ unless otherwise noted

PARAMETERS	XR-4212M	XR-4212C	UNITS	SYMBOLS	CONDITIONS
Input Offset Voltage	± 1.0	± 2.0	mV	$ V_{io} $	$R_S \geq 10\text{K}\Omega$
Input Offset Current	± 7.5	± 7.5	nA	$ I_{io} $	
Input Bias Current	± 15	± 15	nA	I_b	
Voltage Gain	± 0.5	± 1.0	dB	A_{VOL}	$R_S \geq 2\text{K}\Omega$

XR-4212



1/4 of XR-4212

EQUIVALENT SCHEMATIC DIAGRAM

1

Dual Low-Noise Operational Amplifier

GENERAL DESCRIPTION

The XR-4739 is a monolithic dual op amp featuring low noise and a large gain bandwidth product. The device is ideal for preamplifiers, signal processing equipment, and active filters.

FEATURES

- Internally Compensated Replacement for μ A 739 and MC1303
- Signal-to-Noise Ratio 76dB (RIAA 10 mV ref.)
- Channel Separation 125dB
- Unity Gain Bandwidth 3MHz
- Output Short-circuit Protected
- 0.1% Distortion at 8.5V RMS Output into 2K Ω Load

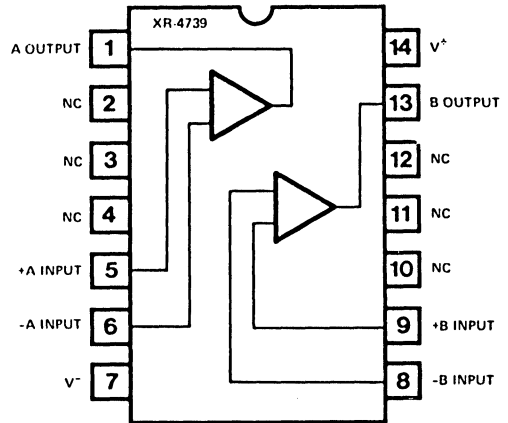
APPLICATIONS

- Buffer Amplifiers
- Summing/Differencing Amplifiers
- Instrumentation Amplifiers
- Active Filters
- Signal Processing
- Sample and Differencing
- I to V Converters
- Integrators
- Simulated Components
- Analog Computers

ABSOLUTE MAXIMUM RATINGS

Supply Voltage	± 18 V
Internal Power Dissipation (Note 1)	500 mW
Differential Input Voltage	± 30 V
Input Voltage (Note 2)	± 15 V
Storage Temperature Range	-65°C to +150°C
Lead Temperature (Soldering, 60s)	300°C
Output Short-Circuit Duration (Note 3)	Indefinite

FUNCTIONAL BLOCK DIAGRAM



ORDERING INFORMATION

Part Number	Package	Operating Temperature
XR-4739CN	Ceramic	0°C to +70°C
XR-4739CP	Plastic	0°C to +70°C

SYSTEM DESCRIPTION

The XR-4739 dual low-noise operational amplifier is fabricated on a single silicon chip using the planar epitaxial process. It was designed primarily for preamplifiers in consumer and industrial signal processing equipment. The device is pin compatible with the μ A739 and MC1303, however, compensation is internal. This permits a lowered external parts count and simplified application.

The XR-4739 is available in a ceramic or molded dual inline 14 Pin package, and operates over the commercial temperature range from 0°C to +70°C.

XR-4739

ELECTRICAL CHARACTERISTICS

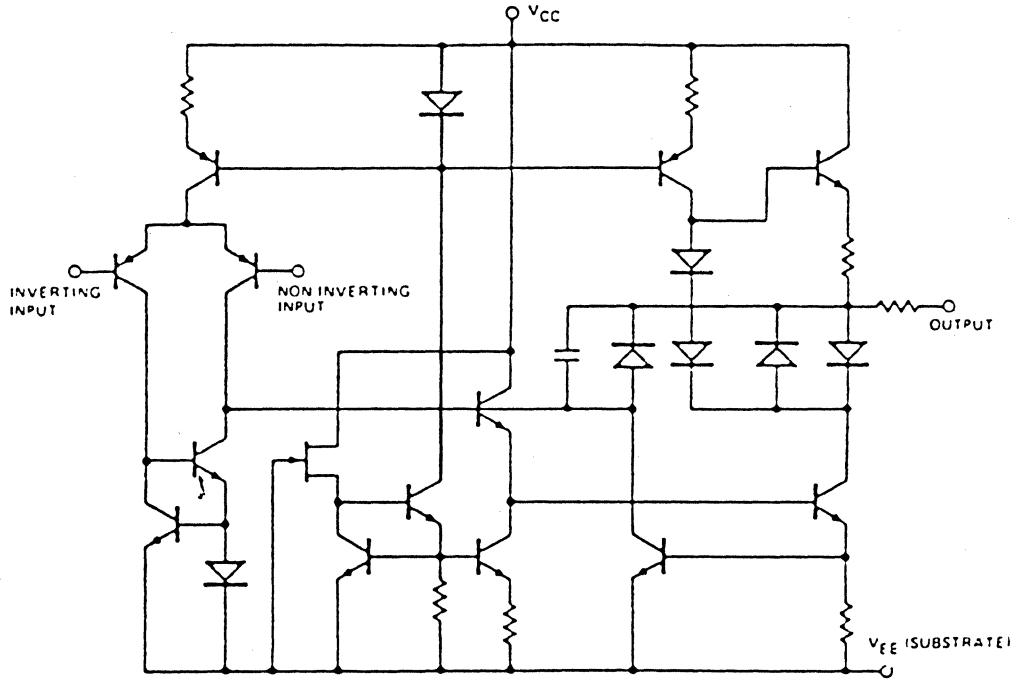
Test Conditions: $T_A = 25^\circ\text{C}$, $V_{CC} = \pm 15\text{V}$, unless otherwise specified.

PARAMETERS	MIN	TYP	MAX	UNITS	CONDITIONS
Input Offset Voltage		2.0	6.0	mV	$R_S \leq 10\text{ k}\Omega$
Input Offset Current		5.0	200	nA	
Input Bias Current		40	500	nA	
Input Resistance	0.3	5.0		M Ω	
Large-Signal Voltage Gain	20	60		K	$R_L \geq 2\text{ k}\Omega$ $V_{out} = \pm 10\text{V}$
Output Voltage Swing	± 12 ± 10	± 14 ± 13		V V	$R_L \geq 10\text{ k}\Omega$ $R_L \geq 2\text{ k}\Omega$
Input Voltage Range	± 12	± 14		V	
Common Mode Rejection Ratio	70	100		dB	$R_S \leq 10\text{ k}\Omega$
Supply Voltage Rejection Ratio		10	150	$\mu\text{V/V}$	$R_S \leq 10\text{ k}\Omega$
Power Consumption		40	120	mW	
Transient Response (unity gain) Risetime		0.15		μs	$V_{in} = 20\text{ mV}$ $R_L = 20\text{ k}\Omega$ $C_L \leq 100\text{ pF}$
Transient Response (unity gain) Overshoot		10		%	$V_{in} = 20\text{ mV}$ $R_L = 2\text{ k}\Omega$ $C_L \leq 100\text{ pF}$
Slew Rate (unity gain)		1.0		V/ μs	$R_L \geq 2\text{ k}\Omega$
Broadband Noise Voltage		2.5		μV_{RMS}	$\text{BW} = 10\text{ Hz}-30\text{ KHz}$ $R_S = 1\text{ k}\Omega$
Channel Separation		125		dB	$f = 1.0\text{ kHz}$ $A_V = 40\text{ dB}$ $R_S = 1\text{ k}\Omega$
The following specifications apply for $0^\circ\text{C} \leq T_A \leq 75^\circ\text{C}$ unless otherwise specified.					
Input Offset Voltage		3.0	7.5	mV	$R_S \leq 10\text{ k}\Omega$
Input Offset Current		7.0	300	nA	
Input Bias Current		50	800	nA	
Large-Signal Voltage Gain	15,000	200,000			$R_L \geq 2\text{ k}\Omega$ $V_{out} = \pm 10\text{V}$
Output Voltage Swing	± 10	± 13		V	$R_L \geq 2\text{ k}\Omega$
Power Consumption		100 110	150 200	mW mW	$V_S = \pm 15\text{V}$ $T_A = 70^\circ\text{C}$ $T_A = 0^\circ\text{C}$

- Notes:**
1. Rating applies for ambient temperatures below $+75^\circ\text{C}$
 2. For supply voltages less than 15V, the absolute maximum input voltage is equal to the supply voltage.
 3. Short-circuit may be ground, typically 45 mA. Rating applies to $+125^\circ\text{C}$ ambient temperature.

1

XR-4739



EQUIVALENT SCHEMATIC DIAGRAM

Quad Operational Amplifier

GENERAL DESCRIPTION

The XR-4741 is an array of four independent internally-compensated operational amplifiers on a single silicon chip, each similar to the popular 741. Each amplifier offers performance equal to or better than the 741 type in all respects. It has high slew rate, superior bandwidth, and low noise, which makes it excellent for audio amplifiers or active filter applications.

FEATURES

Short-Circuit Protection
 Internal Frequency Compensation
 No Latch-Up
 Wide Common-Mode and Differential Voltage Ranges
 Matched Gain-Bandwidth
 High Slew Rate $1.6V/\mu S(\text{Typ})$
 Unity Gain-Bandwidth $3.5 \text{ MHz}(\text{Typ})$
 Low Noise Voltage $9 \text{ NV}/\sqrt{\text{Hz}}$
 Input Offset Current $60 \text{ nA}(\text{Typ})$
 Input Offset Voltage $.5 \text{ mV}(\text{Typ})$
 Supply Range $\pm 2V \text{ to } \pm 20V$

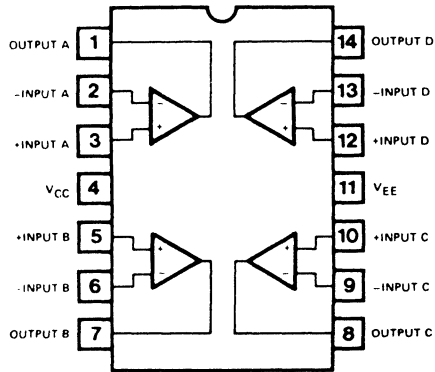
APPLICATIONS

Buffer Amplifiers
 Summing/Differencing Amplifiers
 Instrumentation Amplifiers
 Active Filters
 Signal Processing
 Sample and Differencing
 I to V Converters
 Integrators
 Simulated Components
 Analog Computers

ABSOLUTE MAXIMUM RATINGS

Supply Voltage XR-4741 ± 20
 Common Mode Voltage $V_{EE} \text{ to } V_{CC}$
 Output Short-Circuit Duration Indefinite
 Differential Input Voltage $\pm 30V$
 Internal Power Dissipation
 Ceramic Package: 880 mW
 Derate above $T_A = +25^\circ C$ $5.8 \text{ mW}/^\circ C$
 Plastic Package: 625 mW
 Derate above $T_A = +25^\circ C$ $5 \text{ mW}/^\circ C$
 Storage Temperature Range: $-65^\circ C \text{ to } +150^\circ C$

FUNCTIONAL BLOCK DIAGRAM



ORDERING INFORMATION

Part Number	Package	Operating Temperature
XR-4741M	Ceramic	$-55^\circ C \text{ to } +125^\circ C$
XR-4741CN	Ceramic	$0^\circ C \text{ to } +70^\circ C$
XR-4741CP	Plastic	$0^\circ C \text{ to } +70^\circ C$

SYSTEM DESCRIPTION

The XR-4741 is a quad independently programmable operational amplifier featuring improved performance over industry standard devices such as the 741. Amplifier bias currents can be "programmed" by a single resistor to Pin 8. Bias currents can range from less than $1 \mu A$ to over $75 \mu A$, thus affording the designer flexibility along the device speed/power consumption trade off curve.

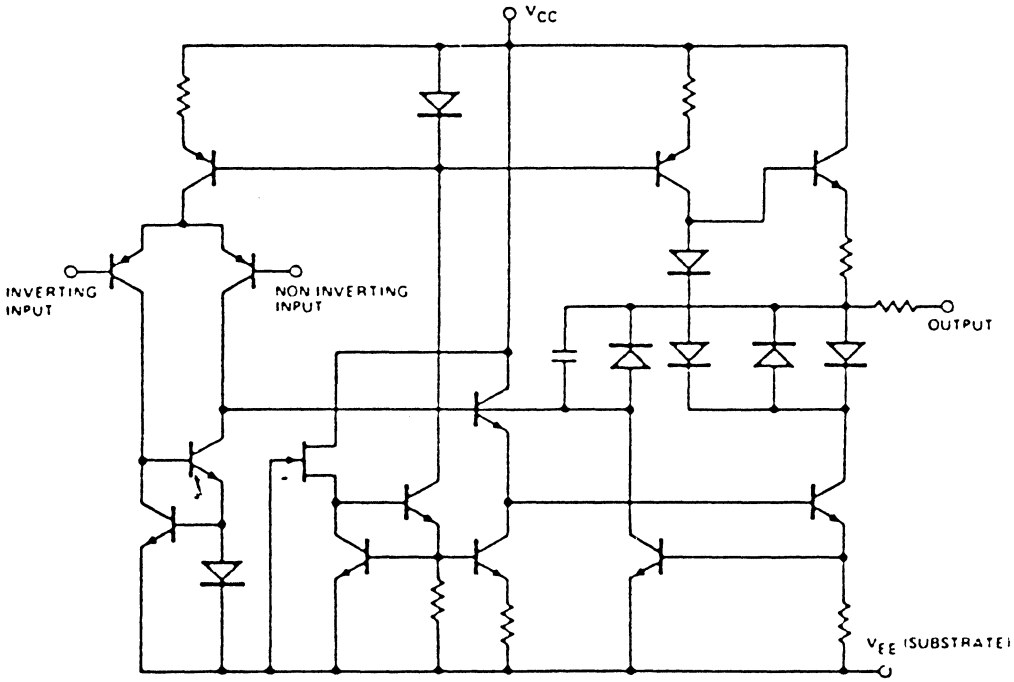
XR-4741

ELECTRICAL CHARACTERISTICS

Test Conditions: $T_A = +25^\circ\text{C}$, $V_S = \pm 15\text{ V}$ unless otherwise specified.

PARAMETERS	XR-4741M			XR-4741C			UNITS	SYMBOLS	CONDITIONS
	MIN	TYP	MAX	MIN	TYP	MAX			
Input Offset Voltage		0.5	3.0		1.0	5.0	mV	$ V_{io} $	$R_S \leq 10\text{ K}\Omega$
Input Offset Current		10	30		10	50	nA	$ I_{io} $	
Input Bias Current		60	200		60	300	nA	$ I_b $	
Differential Input Resistance		5			5		M Ω	R_{in}	
Input Noise Voltage ($f = 1\text{ kHz}$)		9			9		nV/ $\sqrt{\text{Hz}}$		
Large Signal Voltage Gain	50	100		25	50		V/mV	A_{VOL}	$R_L \geq 2\text{ K}\Omega$ $V_{out} = \pm 10\text{ V}$
Output Voltage Swing	± 12 ± 10	± 13.7 ± 12.5		± 12 ± 10	± 13.7 ± 12.5		V V	V_{out} V_{out}	$R_L \geq 10\text{ K}\Omega$ $R_L \geq 2\text{ K}\Omega$
Full Power Bandwidth		25			25		kHz		
Output Resistance		300			300		Ω		
Input Voltage Range	± 12	± 13.5		± 12	± 13.5		V	V_{iCM}	
Common Mode Rejection Ratio	80	100		80	100		dB	CMRR	$R_S \leq 10\text{ K}\Omega$
Supply Voltage Rejection Ratio		10	100		10	100	$\mu\text{V/V}$	PSRR	$R_S \leq 10\text{ K}\Omega$
Power Consumption			150			210	mW	P_i	
Transient Response (unity gain)									$V_{in} = 20\text{ mV}$ $R_L = 2\text{ K}\Omega$
Risetime		.07			.07		μs	t_r	$C_L \leq 100\text{ pF}$
Overshoot		20			20		%	t_o	
Unit Gain Bandwidth		3.5			3.5		MHz	BW	
Slew Rate (unity gain)		1.6			1.6		V/ μs	dV_{out}/dt	$R_L \geq 2\text{ K}\Omega$
Channel Separation (open loop)		120			120		dB		$f = 10\text{ KHz}$ $R_S = 1\text{ K}\Omega$
(Gain of 100)		105			105		dB		$f = 10\text{ KHz}$ $R_S = 1\text{ K}\Omega$
The following specifications apply for $-55^\circ\text{C} \leq T_A \leq +125^\circ\text{C}$ for XR-4741M; $0^\circ\text{C} \leq T_A \leq +70^\circ\text{C}$ for XR-4741C									
Input Offset Voltage		4.0	5.0		5.0	6.5	mV	$ V_{io} $	$R_S \leq 10\text{ K}\Omega$
Input Offset Current			75			100	nA	$ I_{io} $	
Input Bias Current			325			400	nA	I_b	
Input Voltage Range	± 12			± 12			V		
Common Mode Rejection Ratio	74			74			db		
Large-Signal Voltage Gain	25			15			V/mV	A_{VOL}	$R_L \geq 2\text{ K}\Omega$ $V_{out} = \pm 10\text{ V}$
Output Voltage Swing	± 10	± 12.5		± 10	± 12.5		V	V_{out}	$R_L = 2\text{ K}\Omega$
Power Consumption	± 12.0	± 13.7		± 12	± 13.7		mW mW	P_i P_i	$R_L \geq 10\text{ K}\Omega$ $V_S = \pm 15\text{ V}$ $T_A = \text{High}$ $T_A = \text{Low}$
Supply Voltage Rejection Ratio		100	150 200 $\mu\text{V/V}$		100	150 200 $\mu\text{V/V}$			
Output Short-Circuit Current	± 5	± 15		± 5	± 15		mA	I_{SC}	

XR-4741



1/4 of XR-4741

EQUIVALENT SCHEMATIC DIAGRAM

1

Dual Low-Noise Operational Amplifier

GENERAL DESCRIPTION

The XR-5532 dual low-noise operational amplifier is especially designed for applications in high quality professional audio equipment. The low-noise, wide bandwidth and output drive capability make it ideally suited for instrumentation and control circuits as well as active filter design.

The XR-5532A is the specially screened version of the XR-5532, with guaranteed noise characteristics.

FEATURES

- Direct Replacement for Signetics NE 5532
- Wide Small-Signal Bandwidth: 10 MHz
- High-Current Drive Capability
(10V rms into 600Ω at $V_S = \pm 18V$)
- High Slew Rate: 9 V/μs 140
- Wide Power-Bandwidth: 140 kHz
- Very Low Input Noise: 5 nV/√Hz
- Wide Supply Range: ±3V to ±20V

APPLICATIONS

- High Quality Audio Amplification
- Telephone Channel Amplifier
- Servo Control Systems
- Low-Level Signal Detection
- Active Filter Design

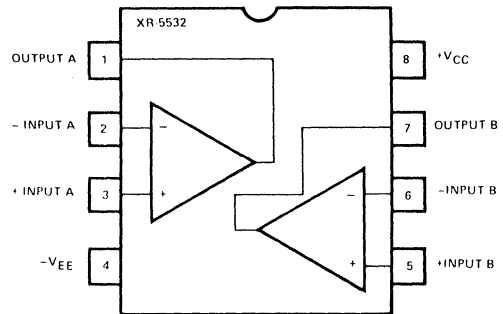
ABSOLUTE MAXIMUM RATINGS

Power Supply	±22V
Input Common-Mode Range	-V _{EE} to +V _{CC}
Differential Input Voltage (Note 1)	±0.5V
Power Dissipation (Package Limitation)	
Ceramic Package 8-Pin	600 mW
Derate Above T _A = 25°C	8 mW/°C
Storage Temperature	-60°C to +150°C

Note 1: Diodes protect the inputs against over-voltage. Therefore, unless current-limiting resistors are used, large currents will flow if the differential input voltage exceeds 0.6V. Maximum current should be limited to ±10 mA.

Note 2: Output may be shorted to ground at V_{CC} = V_{EE} = 15V, T_A = 25°C. Temperature and/or voltages must be limited to ensure dissipation rating is not exceeded.

FUNCTIONAL BLOCK DIAGRAM



ORDERING INFORMATION

Part Number	Package	Operating Temperature
XR-5532N	Ceramic	0°C to +70°C
XR-5532P	Ceramic	0°C to +70°C
XR-5532AN	Plastic	0°C to +70°C
XR-5532AP	Plastic	0°C to +70°C

SYSTEM DESCRIPTION

The XR-5532 and XR-5532A are dual monolithic operational amplifiers featuring low noise and very large gain bandwidth products. The devices have low output resistance and can drive 10 Vrms into 600Ω. Input noise is 100% tested on the XR-5532A, and is typically only 5 nV/√Hz. The small signal bandwidth is 10 MHz and slew rate exceeds 9 V/μs. Supply voltage may range from ±3V to ±20V.

XR-5532/5532A

ELECTRICAL CHARACTERISTICS

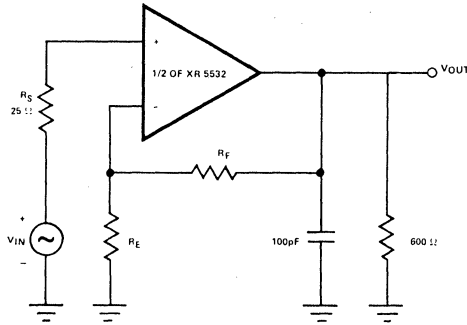
Test Conditions: $T_A = 25^\circ\text{C}$, $V_{CC} = V_{EE} = 15\text{V}$ unless otherwise specified.

PARAMETERS	XR-5532A			XR-5532			UNITS	SYMBOL	CONDITIONS
	MIN	TYP	MAX	MIN	TYP	MAX			
DC CHARACTERISTICS									
Input Offset Voltage		0.5	4 5		0.5	4 5	mV mV	V_{OS}	$T_A = 25^\circ\text{C}$ $T_A = \text{Full Range}$
Input Offset Current		10	150 200		10	150 200	nA nA	I_{OS}	$T_A = 25^\circ\text{C}$ $T_A = \text{Full Range}$
Input Bias Current		200	800 1000		200	800 1000	nA nA	I_B	$T_A = 25^\circ\text{C}$ $T_A = \text{Full Range}$
Large Signal Voltage Gain	25 15	100		25 15	100		V/mV V/mV	A_{VOL}	$R_L \geq 600\Omega$, $V_O = \pm 10\text{V}$ $T_A = 25^\circ\text{C}$ $T_A = \text{Full Range}$
Supply Current		8	16		8	16	mA	I_{CC}	$R_L = \text{Open}$
Output Swing	± 12 ± 15	± 13 ± 16		± 12 ± 15	± 13 ± 16		V V	V_{OUT}	$R_L \geq 600\Omega$ $V_{CC} = V_{EE} = 15\text{V}$ $V_{CC} = V_{EE} = 18\text{V}$
Output Short Circuit Current		38			38		mA	I_{SC}	(Note 2)
Input Resistance	30	300		30	300		k Ω	R_{IN}	
Common-Mode Range	± 12	± 13		± 12	± 13		V	V_{ICM}	
Common-Mode Rejection	70	100		70	100		dB	CMRR	
Power Supply Rejection		10	100		10	100	$\mu\text{V/V}$	PSRR	
Channel Separation		110			110			dB	$f = 1\text{ kHz}$, $R_S = 5\text{ K}\Omega$
AC CHARACTERISTICS									
Transient Response Rise Time Overshoot		20 10			20 10		nsec %	t_r t_o	Voltage Follower $R_L = 600\Omega$ $V_{IN} 100\text{ MV}_{pp}$, $C_L = 100\text{ pF}$
AC Gain		2.2			2.2		V/mV		$f = 10\text{ kHz}$
Unity-Gain Bandwidth		10			10		MHz	BW	$C_L = 100\text{ pF}$
Slew Rate		9			9		V/ μsec		
Power Bandwidth		140			140		kHz	f_p	$V_{OUT} = \pm 10\text{V}$ $R_L = 600\Omega$
Output Resistance		.3			.3		Ω	R_{OUT}	$A_v = 30\text{ dB}$ Closed loop $f = 10\text{ kHz}$ $R_L = 600\Omega$
NOISE CHARACTERISTICS									
Input Noise Voltage		8 5	10 6		8 5		nV/ $\sqrt{\text{Hz}}$ nV/ $\sqrt{\text{Hz}}$	e_n	$f_0 = 30\text{ kHz}$ $f_0 = 1\text{ kHz}$
Input Noise Current		2.7 .7			2.7 .7		pA/ $\sqrt{\text{Hz}}$ pA/ $\sqrt{\text{Hz}}$	i_n	$f_0 = 30\text{ Hz}$ $f_0 = 1\text{ kHz}$

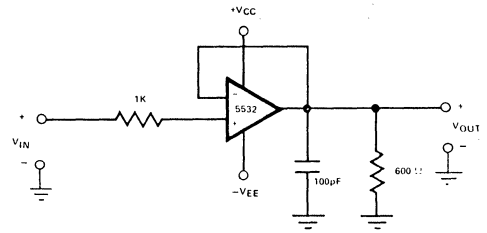
XR-5532/5532A

TEST CIRCUITS

CLOSED LOOP FREQUENCY RESPONSE

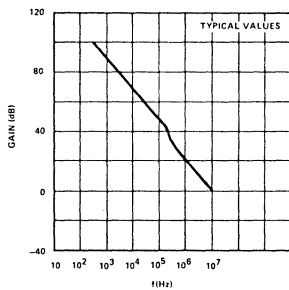


VOLTAGE FOLLOWER

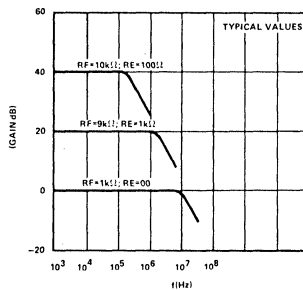


TYPICAL PERFORMANCE CHARACTERISTICS

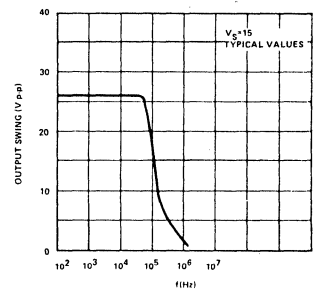
OPEN LOOP FREQUENCY RESPONSE



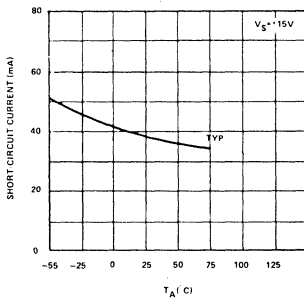
CLOSED LOOP FREQUENCY RESPONSE



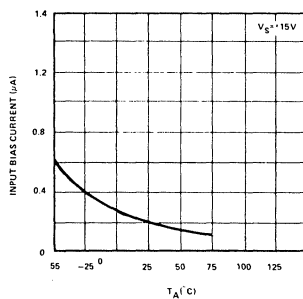
LARGE-SIGNAL FREQUENCY RESPONSE



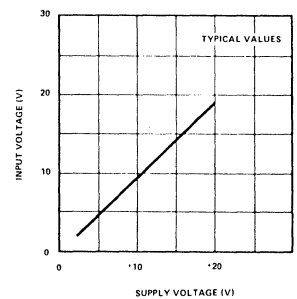
OUTPUT SHORT-CIRCUIT CURRENT



INPUT BIAS CURRENT



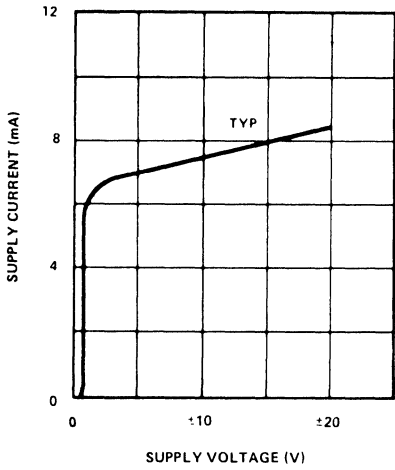
INPUT COMMON MODE VOLTAGE RANGE



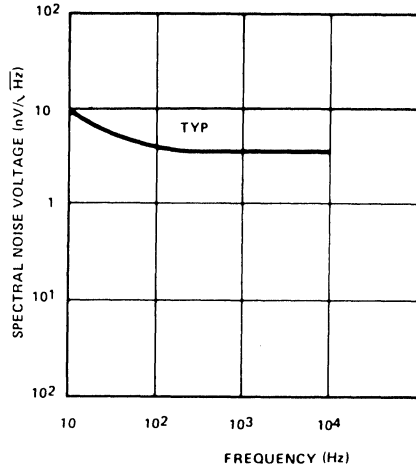
XR-5532/5532A

TYPICAL PERFORMANCE CHARACTERISTICS (Continued)

SUPPLY CURRENT

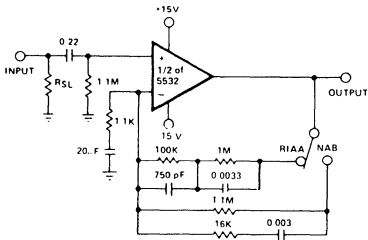


INPUT NOISE VOLTAGE DENSITY

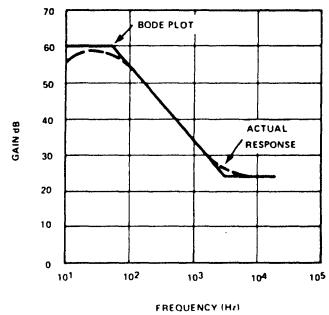
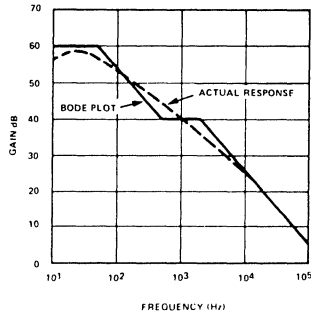


1

PREAMPLIFIER—RIAA/NAB COMPENSATION



TYPICAL APPLICATION

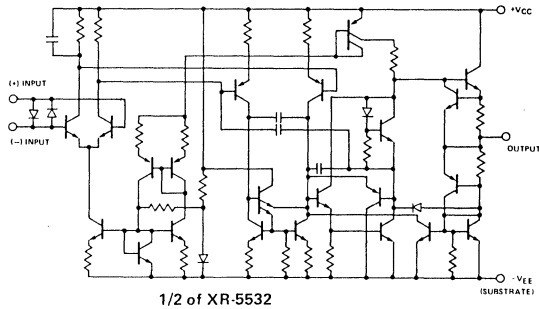


*SELECT TO PROVIDE SPECIFIED TRANSDUCER LOADING
 OUTPUT NOISE = 0.8 mV rms (WITH INPUT SHORTED)
 ALL RESISTOR VALUES ARE IN OHMS

BODE PLOT OF RIAA EQUALIZATION AND THE
 RESPONSE REALIZED IN AN ACTUAL CIRCUIT
 USING THE XR 5533

BODE PLOT OF NAB EQUALIZATION AND THE
 RESPONSE REALIZED IN THE ACTUAL CIRCUIT USING
 THE XR 5533

EQUIVALENT SCHEMATIC DIAGRAM



1/2 of XR-5532

Dual Low-Noise Operational Amplifier

GENERAL DESCRIPTION

The XR-5533 dual low-noise operational amplifier is especially designed for applications in high quality professional audio equipment. The low-noise, wide bandwidth and output drive capability make it ideally suited for instrumentation and control circuits as well as active filter design.

The XR-5533A is the specially screened version of the XR-5533 with guaranteed worst-case noise specifications.

FEATURES

- Direct Replacement for Signetics SE/NE 5533
- Wide Small-Signal Bandwidth: 10 MHz
- High-Current Drive Capability
(10V rms into 600Ω at $V_S = \pm 18V$)
- High Slew Rate: 13 V/μs
- Wide Power-Bandwidth: 200 kHz
- Very Low Input Noise: 4 nV/√Hz

APPLICATIONS

- High Quality Audio Amplification
- Telephone Channel Amplifier
- Servo control Systems
- Low-Level Signal Detection
- Active Filter Design

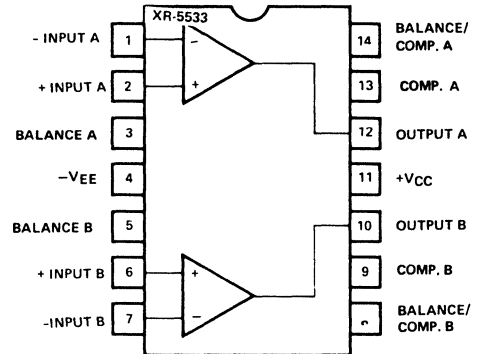
ABSOLUTE MAXIMUM RATINGS

Power Supply	±22V
Input Common-Mode Range	-V _{EE} to +V _{CC}
Differential Input Voltage (Note 1)	±0.5V
Short Circuit Duration (Note 2)	Indefinite
Power Dissipation (Package Limitation)	
Ceramic Package 14-Pin	750 mW
Plastic Package 14-Pin	600 mW
Derate Above T _A = 25°C	5 mW/°C
Storage Temperature	-60°C to +150°C

Note 1: Diodes protect the inputs against over-voltage. Therefore, unless current-limiting resistors are used, large currents will flow if the differential input voltage exceeds 0.6V. Maximum current should be limited to ±10 mA.

Note 2: Output may be shorted to ground at V_{CC} = V_{EE} = 15V, T_A = 25°C. Temperature and/or supply voltages must be limited to ensure dissipation rating is not exceeded.

FUNCTIONAL BLOCK DIAGRAM



ORDERING INFORMATION

Part Number	Package	Operating Temperature
XR-5533AN	Ceramic	0°C to +70°C
XR-5533AP	Plastic	0°C to +70°C
XR-5533N	Ceramic	0°C to +70°C
XR-5533P	Plastic	0°C to +70°C

SYSTEM DESCRIPTION

The XR-5533 and XR-5533A are dual monolithic operational amplifiers featuring low noise and very large gain bandwidth products. The devices have low output resistance and can drive 10 V_{rms} into 600Ω. Input noise is 100% tested on the XR-5533A, and is typically only 4 nV/√Hz. The small signal bandwidth is 10 MHz and slew rate exceeds 13 V/μs.

XR-5533/5533A

ELECTRICAL CHARACTERISTICS

Test Conditions: $T_A = 25^\circ\text{C}$, $V_{CC} = V_{EE} = 15\text{V}$ unless otherwise specified.

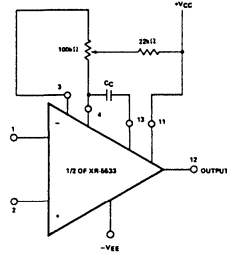
PARAMETERS	XR-5533A			XR-5533			UNITS	SYMBOL	CONDITIONS
	MIN.	TYP.	MAX.	MIN.	TYP.	MAX.			
DC CHARACTERISTICS									
Input Offset Voltage		0.5	4 5		0.5	4 5	mV mV	V_{OS}	$T_A = 25^\circ\text{C}$ $T_A = \text{Full Range}$
Input Offset Current		20	300 400		20	300 400	nA nA	I_{OS}	$T_A = 25^\circ\text{C}$ $T_A = \text{Full Range}$
Input Bias Current		500	1500 2000		500	1500 2000	nA nA	I_B	$T_A = 25^\circ\text{C}$ $T_A = \text{Full Range}$
Large Signal Voltage Gain	25 15	100		25 15	100		V/mV V/mV	A_{VOL}	$R_L \geq 600\Omega$ $V_O = \pm 10\text{V}$ $T_A = 25^\circ\text{C}$ $T_A = \text{Full Range}$
Supply Current (Each Amplifier)		4	8		4	8	mA	I_{CC}	$R_L = \text{Open}$
Output Swing	± 12 ± 15	± 13 ± 16		± 12 ± 15	± 13 ± 16		V V	V_{OUT}	$R_L \geq 600\Omega$ $V_{CC} = V_{EE} = 15\text{V}$ $V_{CC} = V_{EE} = 18\text{V}$
Output Short Circuit Current		38			38		mA	I_{SC}	(Note 2)
Input Resistance	30	100		30	100		k Ω	R_{IN}	
Common-Mode Range	± 12	± 13		± 12	± 13		V	V_{ICM}	
Common-Mode Rejection	70	100		70	100		dB	CMRR	
Power Supply Rejection		10	100		10	100	$\mu\text{V/V}$	PSRR	
Channel Separation		110			110			dB	$f = 1\text{ kHz}$ $R_S = 5\text{ k}\Omega$
AC CHARACTERISTICS									
Transient Response Rise Time		20			20		nsec	t_r	Voltage Follower $R_L = 600\Omega$, $C_C = 22\text{ pF}$ $C_L = 100\text{ pF}$ $V_{IN} = 50\text{ mV}$
Overshoot		20			20		%	t_o	
AC Gain									$f = 10\text{ kHz}$
		6 2.2			6 2.2		V/mV V/mV		$C_C = 0$ $C_C = 22\text{ pF}$
Unity-Gain Bandwidth		10			10		MHz	BW	$C_C = 22\text{ pF}$, $C_L = 100\text{ pF}$
Slew Rate		13 6			13 6		V/ μsec V/ μsec		$C_C = 0$ $C_C = 22\text{ pF}$
Power Bandwidth		95			95		kHz	f_p	$V_{OUT} = \pm 10\text{V}$, $C_C = 22\text{ pF}$ $C_C = 0\text{ pF}$
		200			200		kHz		
NOISE CHARACTERISTICS									
Input Noise Voltage		5.5 3.5	7 4.5		7 4		nV/ $\sqrt{\text{Hz}}$ nV/ $\sqrt{\text{Hz}}$	e_n	$f_0 = 30\text{ Hz}$ $f_0 = 1\text{ kHz}$
Input Noise Current		1.5 0.4			2.5 0.6		pA/ $\sqrt{\text{Hz}}$ pA/ $\sqrt{\text{Hz}}$	i_n	$f_0 = 30\text{ Hz}$ $f_0 = 1\text{ kHz}$
Broadband Noise Figure		0.9			0.9		dB	R_N	$F_S = 5\text{ k}\Omega$ $f = 10\text{ Hz to } 20\text{ kHz}$



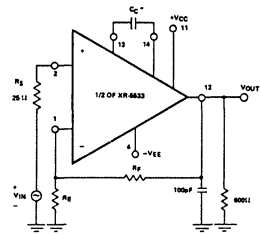
XR-5533/5533A

TEST CIRCUITS

FREQUENCY COMPENSATION AND OFFSET
VOLTAGE ADJUSTMENT CIRCUIT

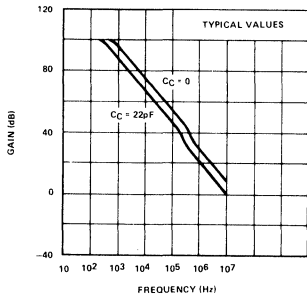


CLOSED LOOP FREQUENCY RESPONSE

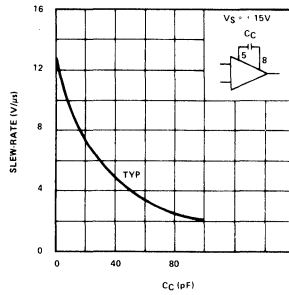


TYPICAL PERFORMANCE CHARACTERISTICS

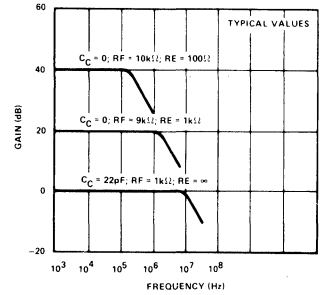
OPEN LOOP FREQUENCY RESPONSE



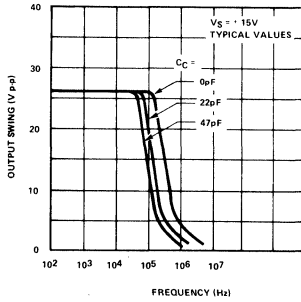
SLEW-RATE AS A FUNCTION OF COMPENSATION CAPACITANCE



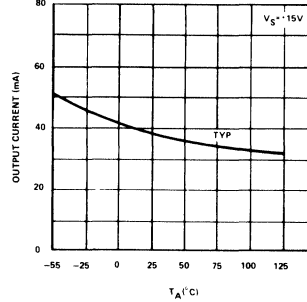
CLOSED LOOP FREQUENCY RESPONSE



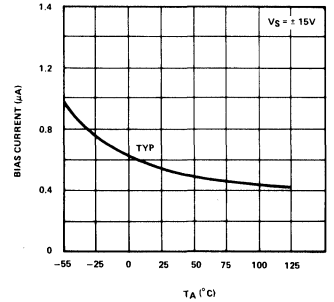
LARGE-SIGNAL FREQUENCY RESPONSE



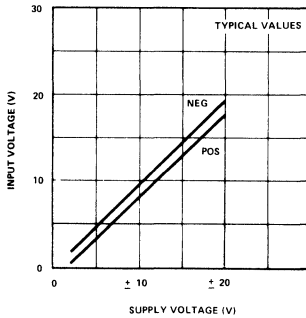
OUTPUT SHORT-CIRCUIT CURRENT



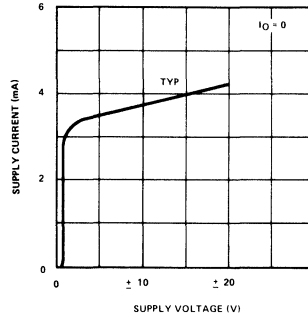
INPUT BIAS CURRENT



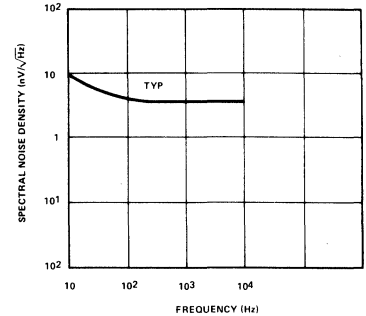
INPUT COMMON MODE VOLTAGE RANGE



SUPPLY CURRENT PER OP-AMP



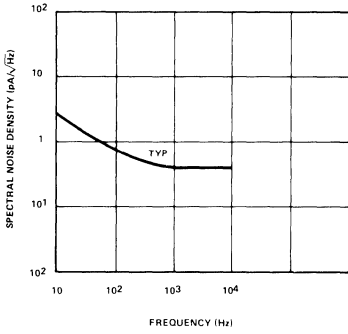
INPUT NOISE VOLTAGE DENSITY



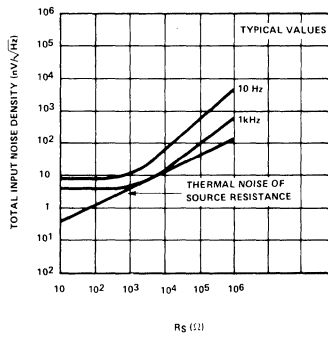
XR-5533/5533A

TYPICAL PERFORMANCE CHARACTERISTICS (Continued)

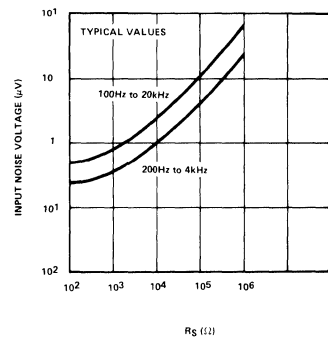
INPUT NOISE CURRENT DENSITY



TOTAL INPUT NOISE DENSITY

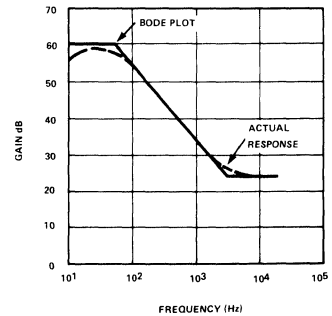
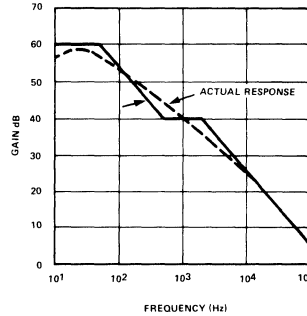
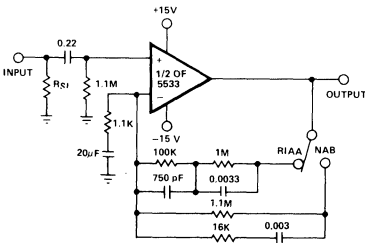


BROADBAND INPUT NOISE VOLTAGE



TYPICAL APPLICATION

PREAMPLIFIER—RIAA/NAB COMPENSATION

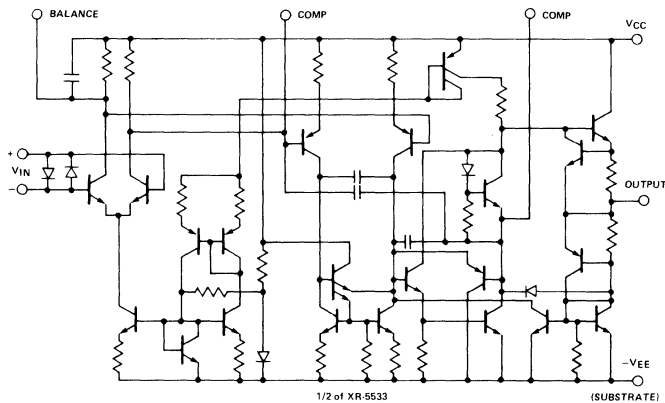


*SELECT TO PROVIDE SPECIFIED TRANSDUCER LOADING
OUTPUT NOISE ≥ 0.8 mV rms (WITH INPUT SHORTED)
ALL RESISTOR VALUES ARE IN OHMS.

BODE PLOT OF RIAA EQUALIZATION AND THE
RESPONSE REALIZED IN AN ACTUAL CIRCUIT
USING THE XR-5533.

BODE PLOT OF NAB EQUALIZATION AND THE
RESPONSE REALIZED IN THE ACTUAL CIRCUIT USING
THE XR-5533

EQUIVALENT SCHEMATIC DIAGRAM



Low-Noise Operational Amplifier

GENERAL DESCRIPTION

The XR-5534 is a high performance low-noise operational amplifier especially designed for application in high quality and professional audio equipment. It offers five-fold improvement in noise characteristics, output drive capability and full-power bandwidth over conventional 741-type op amps. The op amp is internally compensated for gain equal to, or higher than, three. The frequency response can be optimized with an external compensation capacitor for various applications such as operating in unity gain mode or driving capacitive loads.

The XR-5534A is a specially-screened version of the XR-5534, with guaranteed noise specifications.

FEATURES

Direct Replacement for Signetics NE/SE 5534
 Wide Small-Signal Bandwidth: 10 MHz
 High-Current Drive Capability
 (10V rms into 600Ω at $V_S = \pm 18V$)
 High Slew Rate: 13 V/ μ s
 Wide Power-Bandwidth: 200 kHz typ.
 Very Low Input Noise: 4 nV/ \sqrt{Hz} typ.

APPLICATIONS

High Quality Audio Amplification
 Telephone Channel Amplifiers
 Servo Control Systems
 Low-Level Signal Detection
 Active Filter Design

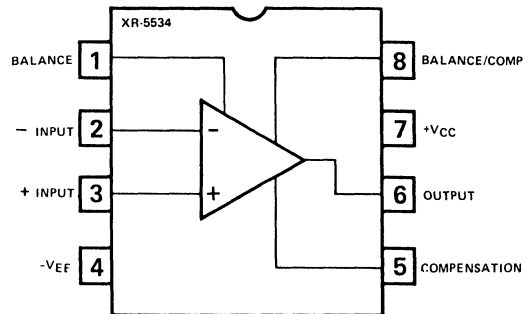
ABSOLUTE MAXIMUM RATINGS

Power Supply	± 22 V
Input Common-Mode Voltage	$+V_{CC}$ to $-V_{EE}$
Differential Input Voltage (Note 1)	± 0.5 V
Power Dissipation (Package Limitation)	
Ceramic Package	385 mW
Plastic Package	300 mW
Derate Above $+24^\circ\text{C}$	2.5 mW/ $^\circ\text{C}$
Short Circuit Duration (Note 2)	Indefinite
Storage Temperature	-60°C to $+150^\circ\text{C}$

Note 1: Diodes protect the inputs against over-voltage. Therefore, unless current-limiting resistors are used, large currents will flow if the differential input voltage exceeds 0.6V. Maximum current should be limited to ± 10 mA.

Note 2: Output may be shorted to ground at $V_S = \pm 15V$, $T_A = 25^\circ\text{C}$. Temperature and/or supply voltages must be limited to ensure dissipation rating is not exceeded.

FUNCTIONAL BLOCK DIAGRAM



ORDERING INFORMATION

Part Number	Package	Operating Temperature
5534AM	Ceramic	-55°C to $+125^\circ\text{C}$
5534M	Ceramic	-55°C to $+125^\circ\text{C}$
5534ACN	Ceramic	0°C to $+70^\circ\text{C}$
5534CN	Ceramic	0°C to $+70^\circ\text{C}$
5534ACP	Plastic	0°C to $+70^\circ\text{C}$
5534CP	Plastic	0°C to $+70^\circ\text{C}$

SYSTEM DESCRIPTION

The XR-5534 and XR-5534A are monolithic operational amplifiers featuring low noise and a very large gain bandwidth product. The devices offer low output resistance and can drive 10 Vrms into 600Ω. Input noise is 100% tested on the XR-5534A, and is typically only 4 nV/ \sqrt{Hz} . The small signal bandwidth is 10 MHz and slew rate exceeds 13 V/ μ s.

Reverse parallel diodes provide input protection; maximum differential input voltage is 0.7 V. Balance pins are provided to zero offset voltage. The device is internally compensated for gains ≥ 3 and provides external compensation pins for unity gain applications. Supply voltage may range from $\pm 3V$ to $\pm 20V$.

XR-5534/5534A

ELECTRICAL CHARACTERISTICS

Test Conditions: $T_A = 25^\circ\text{C}$, $V_{CC} = V_{EE} = 15\text{V}$, unless otherwise specified.

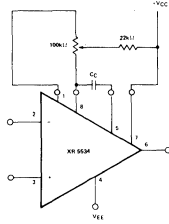
PARAMETERS	XR-5534M/5534AM			XR-5534AC/XR-5534C			UNITS	SYMBOL	CONDITIONS
	MIN	TYP	MAX	MIN	TYP	MAX			
DC CHARACTERISTICS									
Input Offset Voltage		0.5	2 3		0.5	4 5	mV mV	V_{OS}	$T_A = 25^\circ\text{C}$ $T_A = \text{Full Range}$
Input Offset Current		10	200 500		20	300 400	nA nA	I_{OS}	$T_A = 25^\circ\text{C}$ $T_A = \text{Full Range}$
Input Bias Current		400	800 1500		500	1500 2000	nA nA	I_B	$T_A = 25^\circ\text{C}$ $T_A = \text{Full Range}$
Large Signal Voltage Gain	50 25	100		25 15	100		V/mV V/mV	A_{VOL}	$R_L \geq 600\Omega$, $V_O = \pm 10\text{V}$ $T_A = 25^\circ\text{C}$ $T_A = \text{Full Range}$
Supply Current		4	6.5		4	8	mA	I_{CC}	$R_L = \text{Open}$
Output Swing	± 12 ± 15	± 13 ± 16		± 12 ± 15	± 13 ± 16		V V	V_{OUT}	$R_L \geq 600\Omega$ $V_{CC} = V_{EE} = 15\text{V}$ $V_{CC} = V_{EE} = 18\text{V}$
Output Short Circuit Current		38			38		mA	I_{SC}	(Note 2)
Input Resistance	50	100		30	100		k Ω	R_{IN}	
Common-Mode Range	± 12	± 13		± 12	± 13		V	V_{ICM}	
Common-Mode Rejection	80	100		70	100		dB	CMRR	
Power Supply Rejection		10	50		10	100	$\mu\text{V/V}$	PSRR	
AC CHARACTERISTICS									
Transient Response									Voltage Follower
Rise Time		20			20		nSec	t_r	$R_L \geq 600\Omega$, $C_C = 22\text{ pF}$
Overshoot		20			20		%	t_0	$C_L = 100\text{ pF}$
AC Gain		6 2.2			6 2.2		6 2.2 V/mV V/mV		$f = 10\text{ kHz}$ $C_C = 0$ $C_C = 22\text{ pF}$
Unity-Gain Bandwidth		10			10		MHz	BW	$C_C = 22\text{ pF}$, $C_L = 100\text{ pF}$
Slew Rate		13 6			13 6		V/ μsec V/ μsec		$C_C = 0$ $C_C = 22\text{ pF}$
Power Bandwidth		95			95		kHz	f_p	$V_{OUT} = \pm 10\text{V}$, $C_C = 22\text{ pF}$, $C_C = 0$
		200			200		kHz		
NOISE CHARACTERISTICS									
PARAMETERS	XR-5534A			XR-5534			UNITS	SYMBOL	CONDITIONS
	MIN	TYP	MAX	MIN	TYP	MAX			
Input Noise Voltage		5.5 3.5	7 4.5		7 4		nV/ $\sqrt{\text{Hz}}$ nV/ $\sqrt{\text{Hz}}$	e_n	$f_0 = 30\text{ Hz}$ $f_0 = 1\text{ kHz}$
Input Noise Current		1.5 0.4			2.5 0.6		pA/ $\sqrt{\text{Hz}}$ pA/ $\sqrt{\text{Hz}}$	i_n	$f_0 = 30\text{ Hz}$ $f_0 = 1\text{ kHz}$
Broadband Noise Figure		0.9					dB	F_N	$R_S = 5\text{ k}\Omega$ $f = 10\text{ Hz to } 20\text{ kHz}$



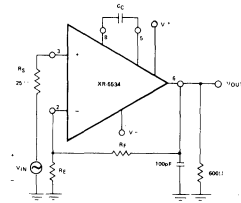
XR-5534/5534A

TEST CIRCUITS

FREQUENCY COMPENSATION AND OFFSET VOLTAGE ADJUSTMENT CIRCUIT

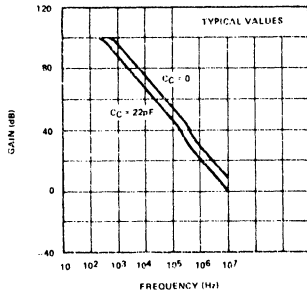


CLOSED LOOP FREQUENCY RESPONSE

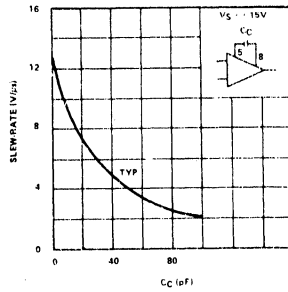


TYPICAL PERFORMANCE CHARACTERISTICS

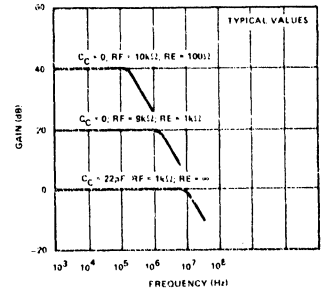
OPEN LOOP FREQUENCY RESPONSE



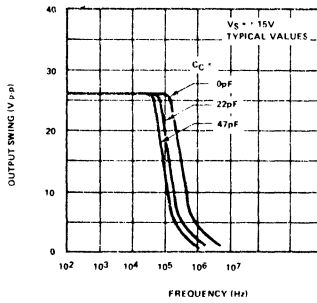
SLEW-RATE AS A FUNCTION OF COMPENSATION CAPACITANCE



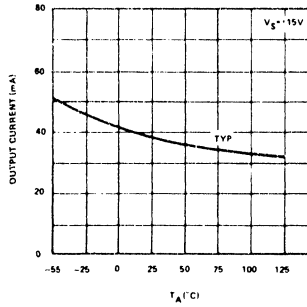
CLOSED LOOP FREQUENCY RESPONSE



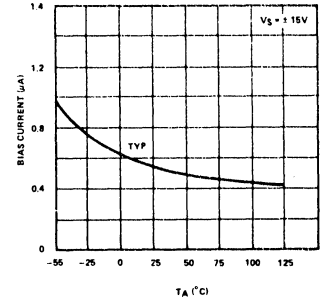
LARGE-SIGNAL FREQUENCY RESPONSE



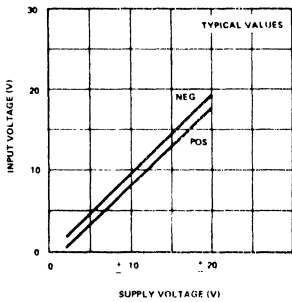
OUTPUT SHORT-CIRCUIT CURRENT



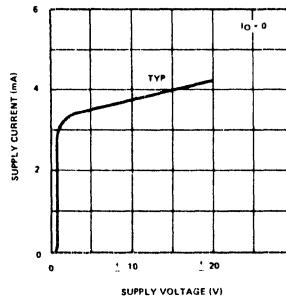
INPUT BIAS CURRENT



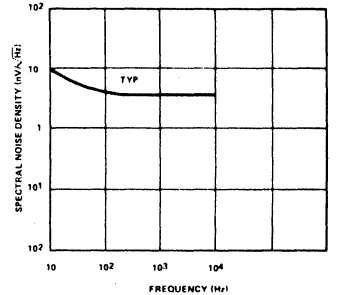
INPUT COMMON MODE VOLTAGE RANGE



SUPPLY CURRENT



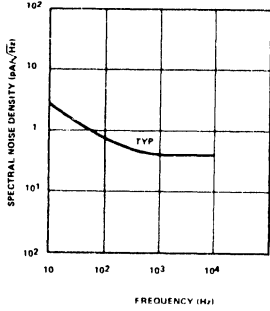
INPUT NOISE VOLTAGE DENSITY



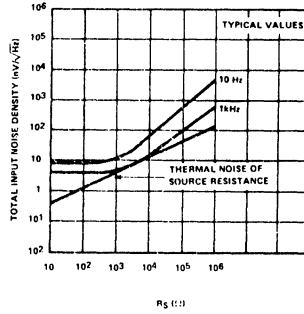
XR-5534/5534A

TYPICAL PERFORMANCE CHARACTERISTICS (Continued)

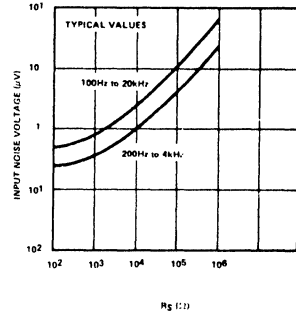
INPUT NOISE CURRENT DENSITY



TOTAL INPUT NOISE DENSITY

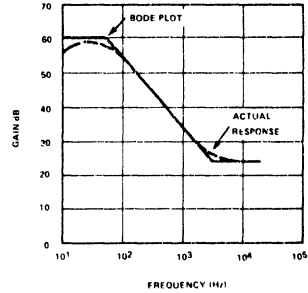
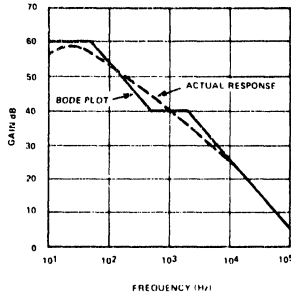
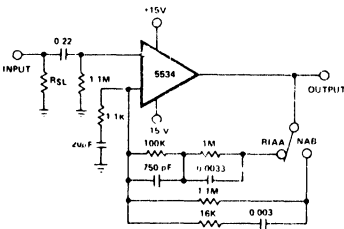


BROADBAND INPUT NOISE VOLTAGE



TYPICAL APPLICATION

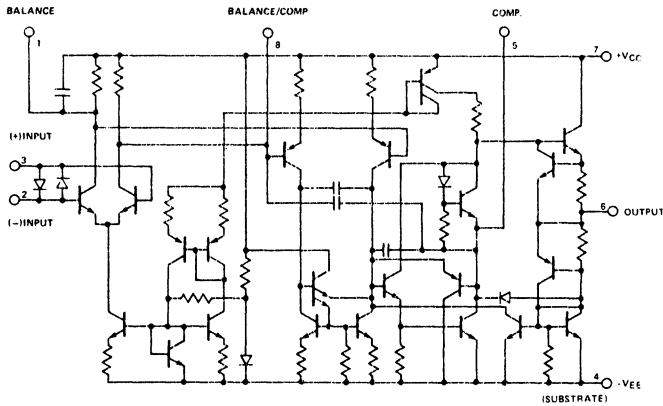
PREAMPLIFIER—RIAA/NAB COMPENSATION



*SELECT TO PROVIDE SPECIFIED TRANSDUCER LOADING
 OUTPUT NOISE = 0.8 mV rms (WITH INPUT SHORTED)
 ALL RESISTOR VALUES ARE IN OHMS

BODE PLOT OF RIAA EQUALIZATION AND THE
 RESPONSE REALIZED IN AN ACTUAL CIRCUIT
 USING THE XR-5534.

BODE PLOT OF NAB EQUALIZATION AND THE
 RESPONSE REALIZED IN THE ACTUAL CIRCUIT USING
 THE XR-5534.



EQUIVALENT SCHEMATIC DIAGRAM



Voltage Regulators

Dual-Polarity Tracking Voltage Regulator

GENERAL DESCRIPTION

The XR-1468/1568 is a dual polarity tracking voltage regulator, internally trimmed for symmetrical positive and negative 15V outputs. Current output capability is 100 mA, and may be increased by adding external pass transistors. The device is intended for local "on-card" regulation, which eliminates the distribution problems associated with single point regulation.

The XR-1468CN and XR-1568N are guaranteed over the 0°C to 70°C commercial temperature range. The XR-1568M is rated over the full military temperature range of -55°C to +125°C.

FEATURES

- Internally Set for ±15V Outputs
- ±100 mA Peak Output Current
- Output Voltages Balanced Within 1% (XR-1568)
- 0.06% Line and Load Regulation
- Low Stand-By Current
- Output Externally Adjustable from ±8 to ±20 Volts
- Externally Adjustable Current Limiting
- Remote Sensing

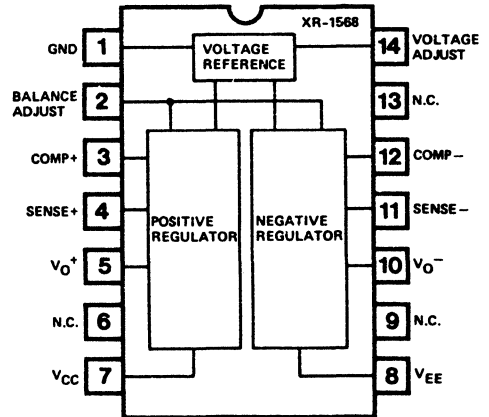
APPLICATIONS

- Main Regulation in Small Instruments
- On-Card Regulation in Analog and Digital Systems
- Point-of-Load Precision Regulation

ABSOLUTE MAXIMUM RATINGS

Power Supply	±30 Volts
Minimum Short-Circuit Resistance	4.0 Ohms
Load Current, Peak	±100 mA
Power Dissipation	
Ceramic (N) Package	1.0 Watt
Derate Above +25°C	6.7 mW/°C
Operating Temperature	
XR-1568M	-55°C to +125°C
XR-1568/XR-1468C	0°C to +70°C
Storage Temperature	-65°C to +150°C

FUNCTIONAL BLOCK DIAGRAM



ORDERING INFORMATION

Part Number	Temperature	Output Offset	Package
XR-1568M	-55°C to +125°C	±150 mV max	Ceramic
XR-1568N	0°C to +70°C	±150 mV max	Ceramic
XR-1468CN	0°C to +70°C	±300 mV max	Ceramic

SYSTEM DESCRIPTION

The XR-1468/1568 is a dual polarity tracking voltage regulator combining two separate regulators with a common reference element in a single monolithic circuit, thus providing a very close balance between the positive and negative output voltages. Outputs are internally set to ±15 Volts but can be externally adjusted between ±8.0 to ±20 Volts with a single control. The circuit features ±100 mA output current, with externally adjustable current limiting, and provision for remote voltage sensing.

XR-1468/1568

ELECTRICAL CHARACTERISTICS

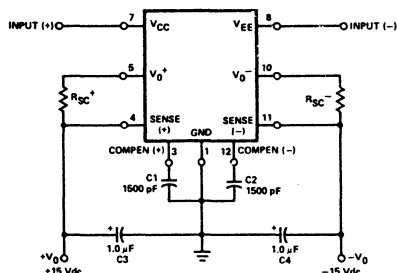
Test conditions: ($V_{CC} = +20V$, $V_{EE} = -20V$, $C1 = C2 = 1500 \mu F$, $C3 = C4 = 1.0 \mu F$, $R_{SC}^+ = R_{SC}^- = 4.0\Omega$, $I_L^+ = I_L^- = 0$, $T_C = +25^\circ C$ unless otherwise noted.)

PARAMETERS	XR-1468C			XR-1568			UNITS
	MIN	TYP	MAX	MIN	TYP	MAX	
Output Voltage	14.5	15	15.5	14.8	15	15.2	Vdc
Input Voltage	—	—	30	—	—	30	Vdc
Input-Output Voltage Differential	2.0	—	—	2.0	—	—	Vdc
Output Voltage Balance	—	± 50	± 300	—	± 50	± 150	mV
Line Regulation Voltage ($V_{in} = 18V$ to $30V$) ($T_L \uparrow$ to $T_H \uparrow \uparrow$)	—	—	10 20	—	—	10 20	mV
Load Regulation Voltage ($I_L = 0$ to 50 mA, $T_J =$ constant) ($T_A = T_L$ to T_H)	—	—	10 30	—	—	10 30	mV
Output Voltage Range	8.0	—	20	8.0	—	20	Vdc
Ripple Rejection ($f = 120$ Hz)	—	75	—	—	75	—	dB
Output Voltage Temperature Stability (T_L to T_H)	—	0.3	1.0	—	0.3	1.0	%
Short-Circuit Limit ($R_{SC} = 10$ ohms)	—	60	—	—	60	—	mA
Output Noise Voltage ($BW = 10$ Hz - 10 kHz)	—	100	—	—	100	—	μV (rms)
Positive Standby Current ($V_{in} = +30V$)	—	2.4	4.0	—	2.4	4.0	mA
Negative Standby Current ($V_{in} = -30V$)	—	1.0	3.0	—	1.0	3.0	mA
Long-Term Stability	—	0.2	—	—	0.2	—	%/Khr

$\uparrow T_L = 0^\circ C$ for XR-1468C/1568
 $= -55^\circ C$ for XR-1568M

$\uparrow \uparrow T_H = +70^\circ C$ for XR-1468C/1568
 $= +125^\circ C$ for XR-1568M

$T_J =$ Junction Temp.
 $T_C =$ Case Temp.



C1 and C2 should be located as close to the device as possible. A $0.1 \mu F$ ceramic capacitor may be required on the input lines if the device is located an appreciable distance from the rectifier filter capacitors.

C3 and C4 may be increased to improve load transient response and to reduce the output noise voltage. At low temperature operation, it may be necessary to bypass C4 with a $0.1 \mu F$ ceramic disc capacitor.

Figure 1. Basic 50 mA Regulator

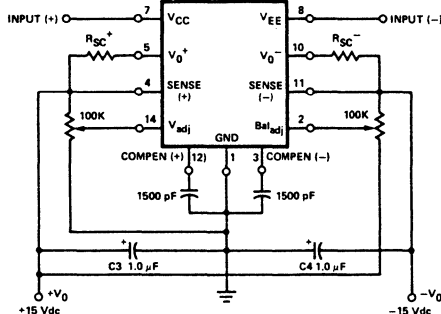


Figure 2. Voltage Adjust and Balance Adjust Circuit



Pulse-Width Modulating Regulator

GENERAL DESCRIPTION

The XR-494 is a monolithic pulse width modulating regulator designed to contain all the blocks necessary for a switching regulator. Included in a 16 pin dual in-line package is a voltage reference, oscillator, control logic, error amplifiers, and dual uncommitted outputs. This device can be used for switching regulators of either polarity, polarity converters, transformer coupled DC to DC converters, transformerless voltage doublers, and many other power control applications. The XR-494M is fully specified for operation over the full military temperature range from -55°C to $+125^{\circ}\text{C}$, while the XR-494CN and XR-494CP are designed for commercial applications over 0°C to $+70^{\circ}\text{C}$.

FEATURES

- Complete PWM Power Control Circuitry
- Uncommitted Outputs for 200-mA Sink or Source
- Output Control Selects Single-Ended or Push-Pull Operation
- Internal Circuitry Prohibits Double Pulse at Either Output
- Variable Dead Time Provides Control Over Total Range
- Internal Regulator Provides a Stable 5-V Reference Supply
- Circuit Architecture Provides Easy Synchronization

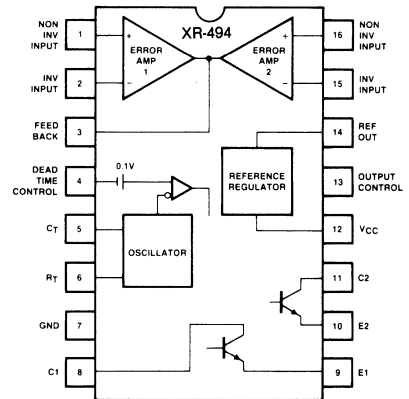
APPLICATIONS

Pulse-Width Modulated Power Control Systems
Switching Regulators

ABSOLUTE MAXIMUM RATINGS, $T_A = 25^{\circ}\text{C}$

Amplifier Input Voltages	$V_{CC} = \pm 0.3$ Volts
Output Current	250 mA
Supply Voltage	41 Volts
Collector Output Voltage	41 Volts
Power Dissipation	
Total, at or below 25°C	1000 mW
Ceramic Package	
Derate above $+28^{\circ}\text{C}$	8.2 mW/ $^{\circ}\text{C}$
Plastic Package	
Derate above $+41^{\circ}\text{C}$	9.2 mW/ $^{\circ}\text{C}$

FUNCTIONAL BLOCK DIAGRAM



ORDERING INFORMATION

Part Number	Package	Operating Temperature
XR-494M	Ceramic	-55°C to $+125^{\circ}\text{C}$
XR-494CN	Ceramic	0°C to $+70^{\circ}\text{C}$
XR-494CP	Plastic	0°C to $+70^{\circ}\text{C}$

SYSTEM DESCRIPTION

All functions required to construct a pulse-width modulating regulator are incorporated on a single monolithic chip in the XR-494. The device is primarily designed for power supply control and contains an on-chip five volt regulator, two error amplifiers, an adjustable oscillator, dead-time control comparator, a pulse-steering flip-flop, and output control circuits. Either common emitter or emitter follower output capability is provided by the uncommitted output transistors. Single ended or push-pull output operation may be selected through the output control function. The XR-494 architecture prohibits the possibility of either output being pulsed twice during push-pull operation. The internal amplifiers's circuitry allows for a common-mode input voltage range of -0.3 volt to $V_{CC} - 2$ volts. The dead time control comparator provides approximately 5% dead time unless the dead time control is externally driven. The on-chip oscillator may be used to drive the common XR-494 circuitry and provide a sawtooth input for associated control circuitry in synchronous multiple-rail power supplies, or may be bypassed by terminating R_T (Pin 6) to the reference output and providing a sawtooth input to C_T (Pin 5).

XR-494

RECOMMENDED OPERATING CONDITIONS

PARAMETERS	XR-494M		XR-494CN XR-494CP		UNIT
	MIN	MAX	MIN	MAX	
Supply voltage, V_{CC}	7	40	7	40	V
Amplifier input voltages, V_I	-0.3	$V_{CC} - 2$	-0.3	$V_{CC} - 2$	V
Collector output voltage, V_O		40		40	V
Collector output current (each transistor)		200		200	mA
Current into feedback terminal		0.3		0.3	mA
Timing capacitor, C_T	0.47	10,000	0.47	10,000	nF
Timing resistor, R_T	1.8	500	1.8	500	k Ω
Oscillator frequency	1	300	1	300	kHz
Operating free-air temperature, T_A	-55	125	0	75	$^{\circ}\text{C}$

SWITCHING CHARACTERISTICS $T_A = 25^{\circ}\text{C}$

PARAMETER	MIN.	TYP. ¹	MAX.	UNIT	TEST CONDITIONS
Output Voltage Rise Time		100	200	ns	Common-Emitter Configuration, See Figure 1
Output Voltage Fall Time		25	100	ns	
Output Voltage Rise Time		100	200	ns	Emitter-Follower Configuration, See Figure 2
Output Voltage Fall Time		40	100	ns	

1. All typical values except for temperature coefficients are at $T_A = 25^{\circ}\text{C}$.

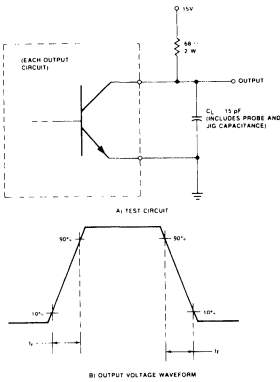


Figure 1. Common-Emitter Configuration

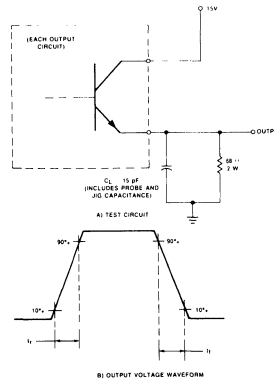


Figure 2. Emitter-Follower Configuration

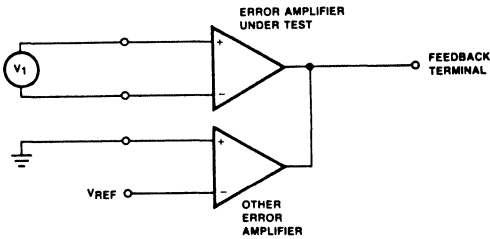


Figure 3. Error-Amplifier Characteristics

FUNCTION TABLE

INPUTS	OUTPUT FUNCTION
OUTPUT CONTROL	
Grounded	Single-ended or parallel output
At V_{ref}	Normal push-pull operation
At V_{ref}	PWM Output at Q1
At V_{ref}	PWM Output at Q2

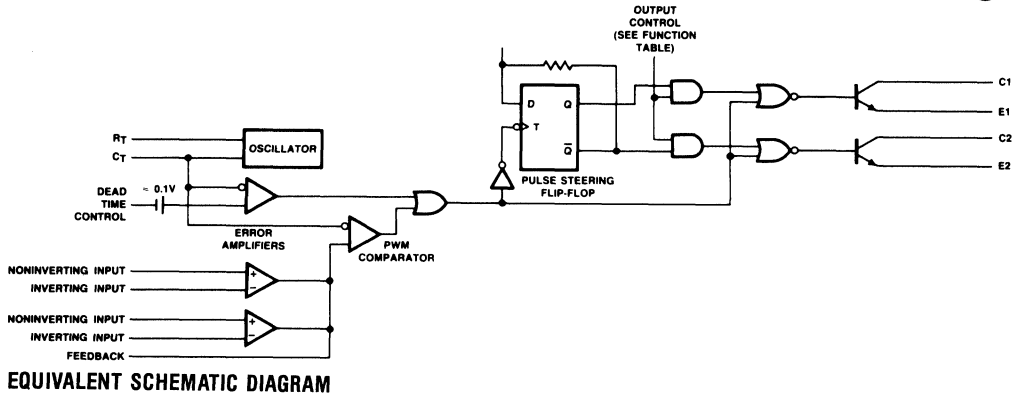
XR-494

ELECTRICAL CHARACTERISTICS

Test Conditions: $T_A = 25^\circ\text{C}$, unless otherwise specified.

PARAMETERS	XR-494			UNIT	CONDITIONS
	MIN	TYP	MAX		
Reference Section					
Output Voltage (V_{ref})	4.75	5.0	5.25	V	$I_O = 1\text{mA}$ $V_{\text{CC}} = 7\text{V to } 40\text{V}$ $I_O = 1 \text{ to } 10\text{mA}$ $\Delta T_A = \text{Min to Max}$ $V_{\text{ref}} = 0$
Input Regulation		2.0	25.0	mV	
Output Regulation		1	15	mV	
Output Voltage Change with Temperature		0.2	1	%	
Short Circuit Output ¹ Current	10	35	50	mA	
Oscillator Section					
Frequency		10		kHz	$C_T = 0.01 \mu\text{F}$, $R_T = 12\text{k}\Omega$ V_{CC} , C_T , R_T , T_A ; all values constant $V_{\text{CC}} = 7\text{V to } 40\text{V}$
Standard Deviation ² of Frequency		10		%	
Frequency Change with Voltage		0.1		%	
Frequency Change with Temperature			2	%	$C_T = 0.01 \mu\text{F}$, $R_T = 12\text{k}\Omega$, $\Delta T_A = \text{Min to Max}$
Dead Time Control Section (See Figure 2)					
Input Bias Current (Pin 4) Maximum Duty Cycle (each output)	45	-2	-10	μA %	$V_I = 0 \text{ to } 5.25\text{V}$ $V_I = 0 \text{ (Pin 4)}$
Input Threshold Voltage (Pin 4)		3	3.3	V	
Error-Amplifier Sections					
Input Offset Voltage		2	10	mV	$V_O \text{ (Pin 3)} = 2.5\text{V}$ $V_O \text{ (Pin 3)} = 2.5\text{V}$ $V_O \text{ (Pin 3)} = 2.5\text{V}$ $V_{\text{CC}} = 7\text{V to } 40\text{V}$ $\Delta V_O = 3\text{V}$, $V_O = 0.5\text{V to } 3.5\text{V}$ $V_{\text{CC}} = 40\text{V}$ $V_{\text{ID}} = -15\text{mV to } -5\text{V}$, $V \text{ (Pin 3)} = 0.7\text{V}$ $V_{\text{ID}} = 15\text{mV to } 5\text{V}$, $V \text{ (Pin 3)} = 3.5\text{V}$
Input Offset Current		25	250	nA	
Input Bias Current		0.2	1	μA	
Common-Mode Input Voltage Range	-0.3 to $V_{\text{CC}} - 2$			V	
Open Loop Voltage Amplification	70	95		dB	
Unity Gain Bandwidth		800		kHz	
Common-Mode Rejection Ratio	65	80		dB	
Output Sink Current (Pin 3)	0.3	0.7		mA	
Output Source Current (Pin 3)	-2			mA	
Output Section					
Collector Off-State Current		2	100	μA	$V_{\text{CE}} = 40\text{V}$, $V_{\text{CC}} = 40\text{V}$ $V_{\text{CC}} = V_{\text{C}} = 40\text{V}$, $V_{\text{E}} = 0$, XR-494M Max = -150 μA
Emitter Off-State Current			-100	μA	
Collector-Emitter Saturation Voltage Common-Emitter		1.1	1.3	V	
Emitter-Follower Output Control Input Current		1.5	2.5 3.5	V mA	$V_{\text{E}} = 0$, $I_{\text{C}} = 200\text{mA}$, XR-494M Max = 1.5V $V_{\text{C}} = 15\text{V}$, $I_{\text{E}} = -200\text{mA}$ $V_I = V_{\text{ref}}$
PWM Comparator Section					
Input Threshold Voltage (Pin 3)		4	4.5	V	Zero Duty Cycle
Input Sink Current (Pin 3)	0.3	0.7		mA	$V \text{ (Pin 3)} = 0.7\text{V}$
Total Device					
Standby Supply Current		6 9	10 15	mA mA	$V_{\text{CC}} = 15\text{V}$, Pin 6 at V_{ref} $V_{\text{CC}} = 40\text{V}$, All Other Inputs and Outputs Open $V = 2\text{V}$ (Pin 4)
Average Supply Current		7.5		mA	

XR-494



1

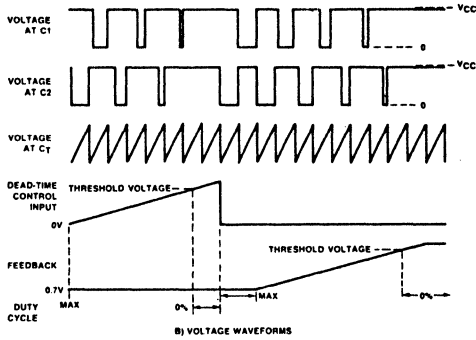
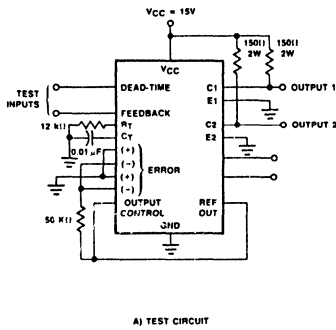
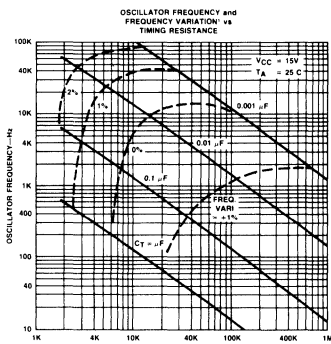


Figure 4. Dead-Time and Feedback Control



¹ Frequency variation is the change in oscillator frequency that occurs over the full temperature range.

Figure 5. Oscillator Frequency and Frequency Variation¹ vs Timing Resistance

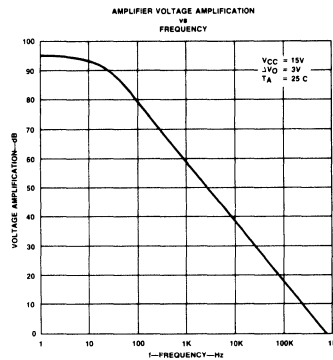


Figure 6. Amplifier Voltage Amplification vs Frequency

Pulse-Width Modulating Regulator

GENERAL DESCRIPTION

The XR-495 is a monolithic pulse width modulating regulator designed to contain all blocks necessary for a switching regulator. Included in the 16 pin dual in-line packages is a voltage reference, oscillator, control logic, error amplifiers, and dual uncommitted outputs. This device can be used for switching regulators of either polarity, polarity converters, transformer coupled DC to DC converters, transformerless voltage doublers, and many other power control applications. A 39V zener diode allows operation with supply voltages exceeding 40V. The XR-495M is fully specified for operation over the full military temperature range from -55°C to $+125^{\circ}\text{C}$, while the XR-495CN and XR-495CP are designed for commercial applications over 0°C to $+70^{\circ}\text{C}$.

FEATURES

- Complete PWM Power Control Circuitry
- Uncommitted Outputs for 200-mA Sink or Source
- Output Control Selects Single-Ended or Push-Pull Operation
- Internal Circuitry Prohibits Double Pulse at Either Output
- Variable Dead Time Provides Control Over Total Range
- Internal Regulator Provides a Stable 5-V Reference Supply
- Circuit Architecture Provides Easy Synchronization
- On-Chip 39-V Zener
- External Control of Output Steering

APPLICATIONS

- Pulse-Width Modulated Power Control Systems
- Switching Regulators

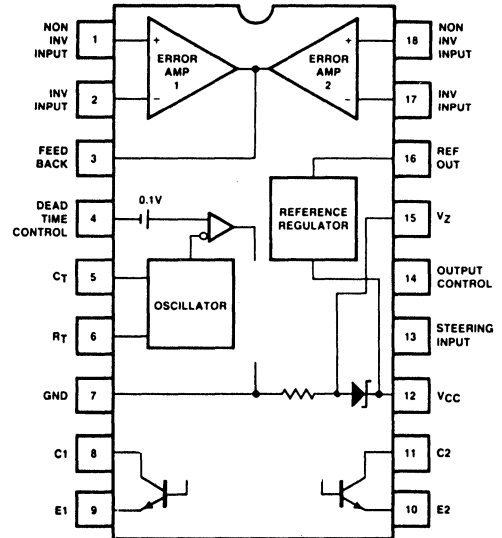
ORDERING INFORMATION

Part Number	Package	Operating Temperature
XR-495M	Ceramic	-55°C to $+125^{\circ}\text{C}$
XR-495CN	Ceramic	0°C to $+70^{\circ}\text{C}$
XR-495CP	Plastic	0°C to $+70^{\circ}\text{C}$

ABSOLUTE MAXIMUM RATINGS, $T_A = 25^{\circ}\text{C}$

Amplifier Input Voltages	$V_{CC} = +0.3$ Volts
Output Current	250 mA
Supply Voltage	41 Volts
Collector Output Voltage	41 Volts
Power Dissipation	
Total, at or below 25°C	1000 mW
Ceramic Package	
Derate above $+28^{\circ}\text{C}$	8.2 mW/ $^{\circ}\text{C}$
Plastic Package	
Derate above $+41^{\circ}\text{C}$	9.2 mW/ $^{\circ}\text{C}$

FUNCTIONAL BLOCK DIAGRAM



SYSTEM DESCRIPTION

All functions required to construct a pulse-width modulating regulator are incorporated on a single monolithic chip in the XR-495. The device is primarily designed for power supply control and contains an on-chip five volt regulator, two error amplifiers, an adjustable oscillator, dead-time control comparator, a pulse-steering flip-flop, and output control circuits. Either common emitter or emitter follower output capability is provided by the uncommitted output transistors. Single ended or push-pull output operation may be selected through the output control function. The XR-495 architecture prohibits the possibility of either output being pulsed twice during push-pull operation. The internal amplifier's circuitry allows for a common-mode input voltage range of -0.3 volt to $V_{CC} - 2$ volts. The dead time control comparator provides approximately 5% dead time unless the dead time control is externally driven. The on-chip oscillator may be used to drive the common XR-495 circuitry and provide a sawtooth input for associated control circuitry in synchronous multiple-rail power supplies, or may be bypassed by terminating R_T (Pin 6) to the reference output and providing a sawtooth input to C_T (Pin 5).

The XR-495 also contains an on-chip 39 volt zener diode for high voltage applications where V_{CC} is greater than 40 volts, and an output steering control that overrides the internal control of the pulse steering flip-flop.

XR-495

ELECTRICAL CHARACTERISTICS

Test Conditions: $T_A = 25^\circ\text{C}$, unless specified otherwise.

PARAMETERS	XR-495				CONDITIONS
	MIN	TYP	MAX	UNIT	
Reference Section					
Output Voltage (V_{ref})	4.75	5.0	5.25	V	$I_O = 1\text{mA}$ $V_{\text{CC}} = 7\text{V to } 40\text{V}$ $I_O = 1\text{ to } 10\text{mA}$ $\Delta T_A = \text{Min to Max}$ $V_{\text{ref}} = 0$
Input Regulation		2.0	25.0	mV	
Output Regulation		1	15	mV	
Output Voltage Change with Temperature		0.2	1	%	
Short Circuit Output ¹ Current	10	35	50	mA	
Oscillator Section					
Frequency		10		kHz	$C_T = 0.01\ \mu\text{F}$, $R_T = 12\text{k}\Omega$ V_{CC} , C_T , R_T , T_A ; all values constant $V_{\text{CC}} = 7\text{V to } 40\text{V}$ $C_T = 0.01\ \mu\text{F}$, $R_T = 12\text{k}\Omega$, $\Delta T_A = \text{Min to Max}$
Standard Deviation ² of Frequency		10		%	
Frequency Change with Voltage		0.1		%	
Frequency Change with Temperature			2	%	
Dead Time Control Section (See Figure 2)					
Input Bias Current (Pin 4)		-2	-10	μA	$V_I = 0\text{ to } 5.25\text{V}$ $V_I = 0\text{ (Pin 4)}$
Maximum Duty Cycle (each output)	45			%	
Input Threshold Voltage (Pin 4)		3	3.3	V	Zero Duty Cycle, Maximum Duty Cycle = 0V Min
Error-Amplifier Sections					
Input Offset Voltage		2	10	mV	$V_O\text{ (Pin 3)} = 2.5\text{V}$ $V_O\text{ (Pin 3)} = 2.5\text{V}$ $V_O\text{ (Pin 3)} = 2.5\text{V}$ $V_{\text{CC}} = 7\text{V to } 40\text{V}$ $\Delta V_O = 3\text{V}$, $V_O = 0.5\text{V to } 3.5\text{V}$
Input Offset Current		25	250	nA	
Input Bias Current		0.2	1	μA	
Common-Mode Input Voltage Range	-0.3 to $V_{\text{CC}} - 2$			V	
Open Loop Voltage Amplification	70	95		dB	
Unity Gain Bandwidth		800		kHz	$V_{\text{CC}} = 40\text{V}$ $V_{\text{ID}} = -15\text{mV to } -5\text{V}$, $V\text{ (Pin 3)} = 0.7\text{V}$ $V_{\text{ID}} = 15\text{mV to } 5\text{V}$, $V\text{ (Pin 3)} = 3.5\text{V}$
Common-Mode Rejection Ratio	65	80		dB	
Output Sink Current (Pin 3)	0.3	0.7		mA	
Output Source Current (Pin 3)	-2			mA	
Output Section					
Collector Off-State Current		2	100	μA	$V_{\text{CE}} = 40\text{V}$, $V_{\text{CC}} = 40\text{V}$ $V_{\text{CC}} = V_{\text{C}} = 40\text{V}$, $V_{\text{E}} = 0$, XR-494M Max = $-150\ \mu\text{A}$
Emitter Off-State Current			-100	μA	
Collector-Emitter Saturation Voltage Common-Emitter		1.1	1.3	V	$V_{\text{E}} = 0$, $I_{\text{C}} = 200\text{mA}$, XR-494M Max = 1.5V
Emitter-Follower Output Control Input Current		1.5	2.5	V	$V_{\text{C}} = 15\text{V}$, $I_{\text{E}} = -200\text{mA}$ $V_I = V_{\text{ref}}$
			3.5	mA	
PWM Comparator Section					
Input Threshold Voltage (Pin 3)		4	4.5	V	Zero Duty Cycle $V\text{ (Pin 3)} = 0.7\text{V}$
Input Sink Current (Pin 3)	0.3	0.7		mA	
Total Device					
Standby Supply Current		6	10	mA	$V_{\text{CC}} = 15\text{V}$, Pin 6 at V_{ref} $V_{\text{CC}} = 40\text{V}$, All Other Inputs and Outputs Open $V = 2\text{V (Pin 4)}$
		9	15	mA	
Average Supply Current		7.5		mA	

1. Duration of the short circuit should not exceed one second.

2. Standard deviation is a measure of the statistical distribution about the mean as derived from the formula $\sigma =$.

SWITCHING CHARACTERISTICS $T_A = 25^\circ\text{C}$

PARAMETER	MIN	TYP ¹	MAX.	UNIT	TEST CONDITIONS
Output Voltage Rise Time		100	200	ns	Common-Emitter Configuration, See Figure 1
Output Voltage Fall Time		25	100	ns	
Output Voltage Rise Time		100	200	ns	Emitter-Follower Configuration, See Figure 2
Output Voltage Fall Time		40	100	ns	

1. All typical values except for temperature coefficients are at $T_A = 25^\circ\text{C}$.

XR-495

RECOMMENDED OPERATING CONDITIONS

PARAMETERS	XR-495M		XR-495CN XR-495CP		UNIT
	MIN	MAX	MIN	MAX	
Supply voltage, V_{CC}	7	40	7	40	V
Amplifier input voltages, V_I	-0.3	$V_{CC}-2$	-0.3	$V_{CC}-2$	V
Collector output voltage, V_O		40		40	V
Collector output current (each transistor)		200		200	mA
Current into feedback terminal		0.3		0.3	mA
Timing capacitor, C_T	0.47	10,000	0.47	10,000	nF
Timing resistor, R_T	1.8	500	1.8	500	k Ω
Oscillator frequency	1	300	1	300	kHz
Operating free-air temperature, T_A	-55	125	0	75	$^{\circ}\text{C}$

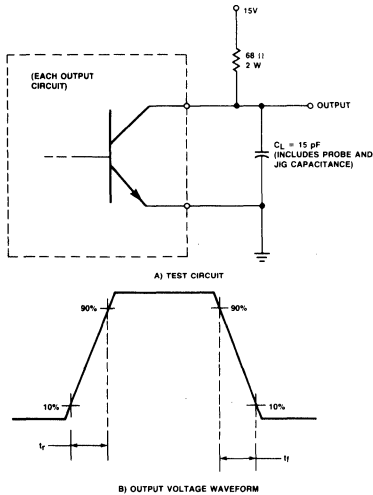


Figure 1. Common-Emitter Configuration

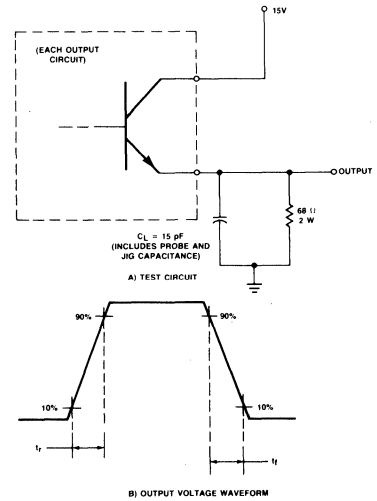
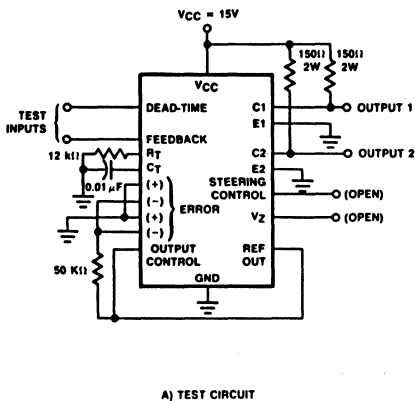
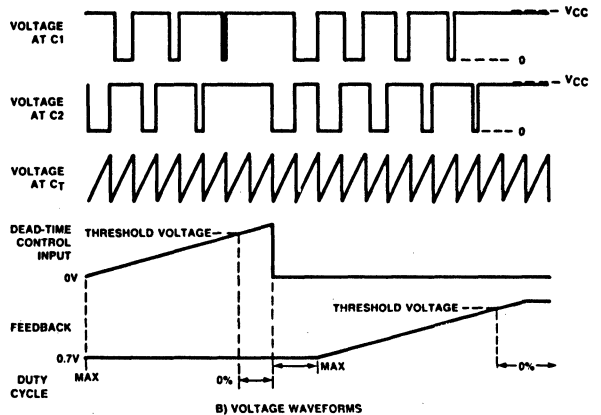


Figure 2. Emitter-Follower Configuration



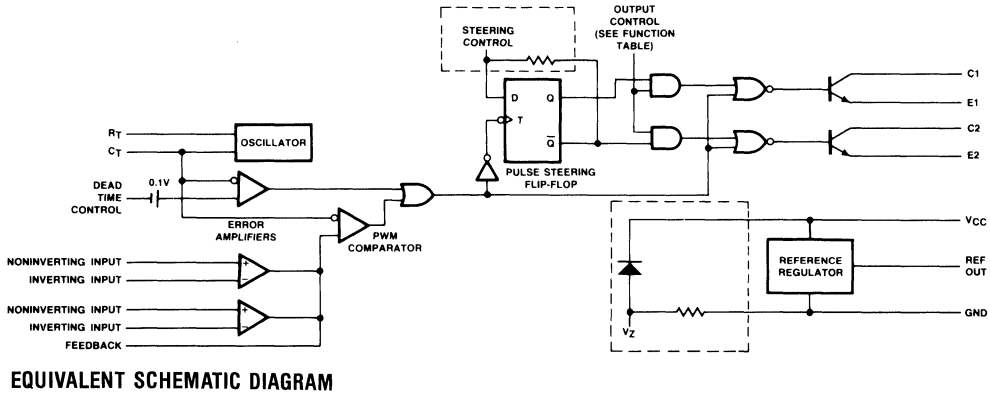
A) TEST CIRCUIT



B) VOLTAGE WAVEFORMS

Figure 3. Dead-Time and Feedback Control

XR-495



1

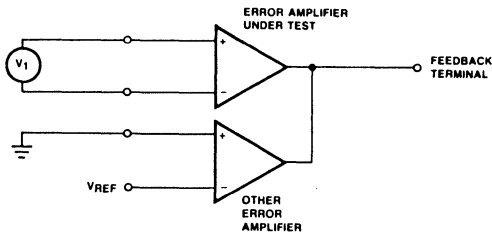
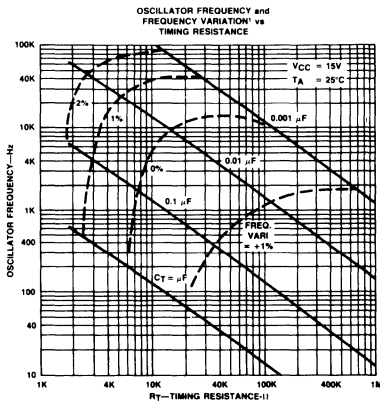


Figure 4. Error Amplifier Characteristics

FUNCTION TABLE

INPUTS		OUTPUT FUNCTION
OUTPUT CONTROL	STEERING INPUT	
Grounded	Open	Single-ended or parallel output
At V_{ref}	Open	Normal push-pull operation
At V_{ref}	$V_I < 0.4V$	PWM Output at Q1
At V_{ref}	$V_I > 0.4V$	PWM Output at Q2



1 Frequency variation is the change in oscillator frequency that occurs over the full temperature range.

Figure 5. Oscillator Frequency and Frequency Variation¹ vs Timing Resistance

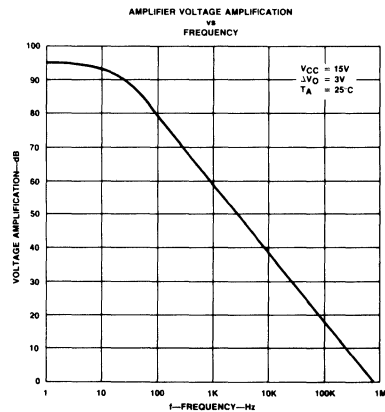


Figure 6. Amplifier Voltage Amplification vs Frequency

Pulse-Width Modulating Regulator

GENERAL DESCRIPTION

The XR-1524 family of monolithic integrated circuits contain all the control circuitry for a regulating power supply inverter or switching regulator. Included in a 16-pin dual-in-line package is the voltage reference, error-amplifier, oscillator, pulse width modulator, pulse steering flip-flop, dual alternating output switches and current limiting and shut-down circuitry. This device can be used for switching regulators of either polarity, transformer coupled DC to DC converters, transformerless voltage doublers and polarity converters, as well as other power control applications. The XR-1524 is specified for operation over the full military temperature range of -55°C to $+125^{\circ}\text{C}$, while the XR-2524 and XR-3524 are designed for commercial applications of 0°C to $+70^{\circ}\text{C}$.

FEATURES

- Direct Replacement for SG-1524/2524/3524
- Complete PWM power control circuitry
- Single ended or push-pull outputs
- Line and load regulation of 0.2%
- 1% maximum temperature variation
- Total supply current less than 10 mA
- Operation beyond 100 kHz

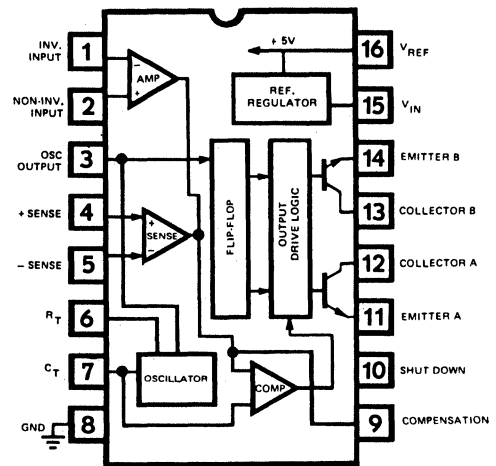
APPLICATIONS

- Switching Regulators
- Pulse-width Modulated Power Control Systems

ABSOLUTE MAXIMUM RATINGS

Input Voltage	40V
Output Current (each output)	100 mA
Reference Output Current	50 mA
Oscillator Charging Current	5 mA
Power Dissipation	
Ceramic Package	1000 mW
Derate above $+25^{\circ}\text{C}$	8 mW/ $^{\circ}\text{C}$
Plastic Package	625 mW/ $^{\circ}\text{C}$
Derate above $+25^{\circ}\text{C}$	5 mW/ $^{\circ}\text{C}$
Operating Temperature Range	
XR-1524	-55°C to $+125^{\circ}\text{C}$
XR-2524/XR-3524	0°C to $+70^{\circ}\text{C}$
Storage Temperature Range	-65°C to $+150^{\circ}\text{C}$

FUNCTIONAL BLOCK DIAGRAM



ORDERING INFORMATION

Part Number	Package	Operating Temperature
XR-1524M	Ceramic	-55°C to $+125^{\circ}\text{C}$
XR-2524N	Ceramic	0°C to $+70^{\circ}\text{C}$
XR-2524P	Plastic	0°C to $+70^{\circ}\text{C}$
XR-3524N	Ceramic	0°C to $+70^{\circ}\text{C}$
XR-3524P	Plastic	0°C to $+70^{\circ}\text{C}$

SYSTEM DESCRIPTION

The XR-1524/2524/3524 pulse width modulating regulator is a complete monolithic switching regulator. An internal 5V reference, capable of supplying up to 50 mA to external loads, provides an on board operating standard. The oscillator frequency and duty cycle are adjusted by an external RC network. Regulation is controlled by an error amplifier which, combined with the sense amplifier, also allows current limiting and remote shutdown functions. The outputs of the XR-1524/2524/3524 are two identical NPN transistors with both emitters and collectors uncommitted. Each output transistor has antisaturation circuitry for fast response and local current limiting set at 100 mA.

XR-15/25/3524

ELECTRICAL SPECIFICATIONS

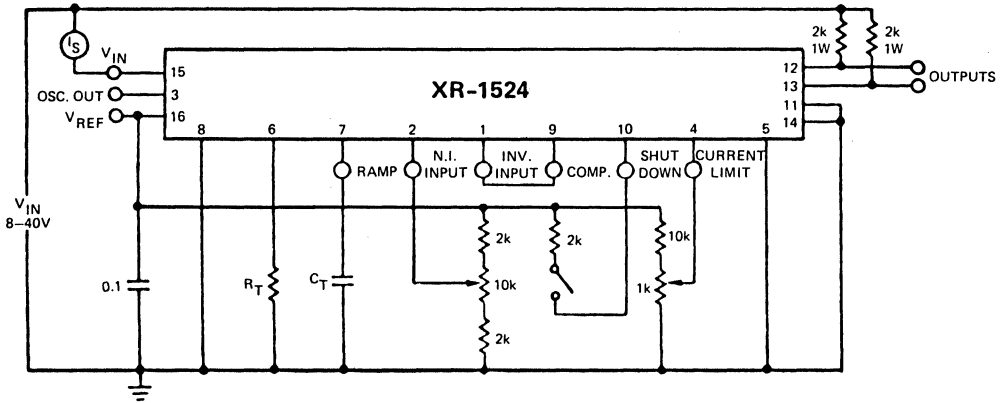
Test Conditions: $T_A = -55^\circ\text{C}$ to $+125^\circ\text{C}$ for the XR-1524 and 0°C to $+70^\circ\text{C}$ for the XR-2524 and XR-3524, $V_{IN} = 20\text{V}$, and $f = 20\text{ kHz}$, unless specified otherwise.

PARAMETERS	XR-1524/ XR-2524			XR-3524			UNITS	CONDITIONS
	MIN	TYP	MAX	MIN	TYP	MAX		
REFERENCE SECTION								
Output Voltage	4.8	5.0	5.2	4.6	5.0	5.4	V	$V_{IN} = 8$ to 40 Volts $I_L = 0$ to 20 mA $f = 120$ Hz, $T_A = 25^\circ\text{C}$ $V_{REF} = 0$, $T_A = 25^\circ\text{C}$ Over Operating Temperature Range $T_A = 25^\circ\text{C}$
Line Regulation		10	20		10	30	mV	
Load Regulation		20	50		20	50	mV	
Ripple Rejection		66			66		dB	
Short Circuit Current Limit		100			100		mA	
Temperature Stability		0.3	1		0.3	1	%	
Long Term Stability		20			20		mV/khr	
OSCILLATOR SECTION								
Maximum Frequency		300			300		KHz	$C_T = .001\ \mu\text{F}$, $R_T = 2\ \text{K}\Omega$ R_T and C_T constant $V_{IN} = 8$ to 40 Volts, $T_A = 25^\circ\text{C}$ Over Operating Temperature Range Pin3, $T_A = 25^\circ\text{C}$ $C_T = .01\ \text{mfd}$, $T_A = 25^\circ\text{C}$
Initial Accuracy		5			5		%	
Voltage Stability			1			1	%	
Temperature Stability			2			2	%	
Output Amplitude		3.5			3.5		V	
Output Pulse Width		0.5			0.5		μS	
ERROR AMPLIFIED SECTION								
Input Offset Voltage		0.5	5		2	10	mV	$V_{CM} = 2.5$ Volts $V_{CM} = 2.5$ Volts $T_A = 25^\circ\text{C}$ $T_A = 25^\circ\text{C}$ $A_V = 0$ dB, $T_A = 25^\circ\text{C}$ $T_A = 25^\circ\text{C}$
Input Bias Current		2	10		2	10	μA	
Open Loop Voltage Gain	72	80		60	80		dB	
Common Mode Voltage	1.8		3.4	1.8		3.4	V	
Common Mode Rejection Ratio		70			70		dB	
Small Signal Bandwidth		3			3		MHz	
Output Voltage	0.5		3.8	0.5		3.8	V	
COMPARATOR SECTION								
Duty Cycle	0		45	0		45	%	% Each Output On Zero Duty Cycle Max. Duty Cycle
Input Threshold		1			1		V	
Input Threshold		3.5			3.5		V	
Input Bias Current		1			1		μA	
CURRENT LIMITING SECTION								
Sense Voltage	190	200	210	180	200	220	mV	Pin 9 = 2V with Error Amplifier Set for Max. Out, $T_A = 25^\circ\text{C}$
Sense Voltage Temp. Coef.		0.2			0.2		$\text{mV}/^\circ\text{C}$	
Common Mode Voltage	-1		+1	-1		+1	V	
OUTPUT SECTION (Each Output)								
Max. Collector-Emitter Voltage	40			40			V	$V_{CE} = 40\text{V}$ $I_C = 50\ \text{mA}$ $V_{IN} = 20\text{V}$ $R_C = 2\ \text{K}\Omega$, $T_A = 25^\circ\text{C}$ $R_C = 2\ \text{K}\Omega$, $T_A = 25^\circ\text{C}$
Collector Leakage Current		0.1	50		0.1	50	μA	
Saturation Voltage		1	2		1	2	V	
Emitter Output Voltage	17	18		17	18		V	
Rise Time		0.2			0.2		μS	
Fall Time		0.1			0.1		μS	
TOTAL STANDBY CURRENT (Excluding oscillator charging current, error and current limit dividers, and with outputs open)								
		8	10		8	10	mA	$V_{IN} = 40\text{V}$



XR-15/25/3524

OPEN LOOP TEST CIRCUIT



DESCRIPTION OF CIRCUIT OPERATION

VOLTAGE REFERENCE SECTION

The internal voltage reference and regulator section provides a 5-volt reference output at pin 16. This voltage also serves as a regulated voltage source for the internal timing and control circuitry. This regulator may be bypassed for operation from a fixed 5-volt supply by connecting pins 15 and 16 together to the input voltage. In this configuration, the maximum input voltage is 6.0 volts.

This reference regulator may be used as a 5-volt source for other circuitry. It will provide up to 50 mA of current itself and can easily be expanded to higher currents with an external PNP as shown in Figure 2.

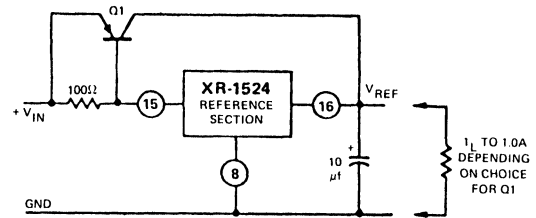


Figure 2. Using the Internal Regulator as 5V Power Supply for External Circuitry

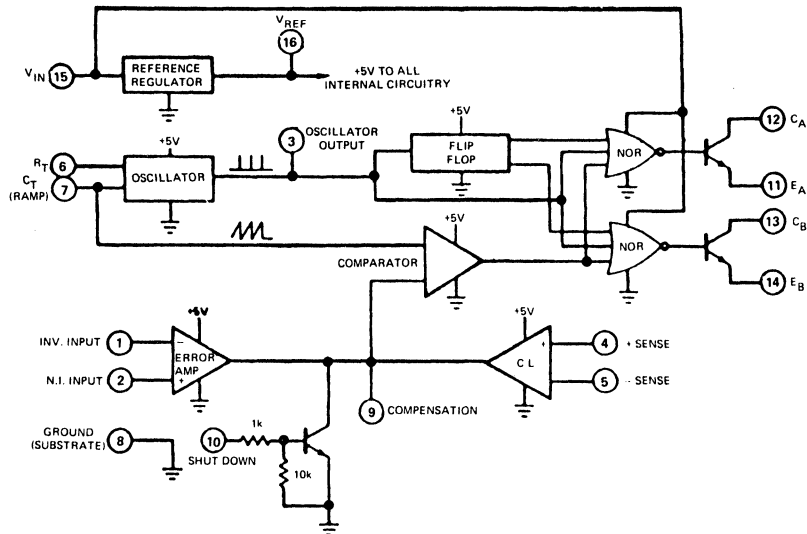


Figure 1. Detailed System Block Diagram of XR-1524

XR-15/25/3524

OSCILLATOR SECTION

The oscillator section in the XR-1524 uses an external resistor (R_T) to establish a constant charging current into an external capacitor (C_T). While this uses more current than a series connected RC, it provides a linear ramp voltage on the capacitor which is also used as a reference for the comparator. The charging current is equal to $3.6V \div R_T$ and should be kept within the range of approximately 30 μA to 2 mA, i.e., $1.8K < R_T < 100K$.

The oscillator period is approximately $T = R_T C_T$ where T is in microseconds when $R_T =$ ohms and $C_T =$ microfarads.

The use of Figure 3 allows the selection of R_T and C_T for a wide range of operating frequencies. Note that for series regulator applications, the two outputs can be connected in parallel for an effective 0 - 90% duty cycle and the frequency of the oscillator is the frequency of the output. For push-pull applications, the outputs are separated and the flip-flop divides the frequency such that each output's duty cycle is 0 - 45% and the overall frequency is 1/2 that of the oscillator.

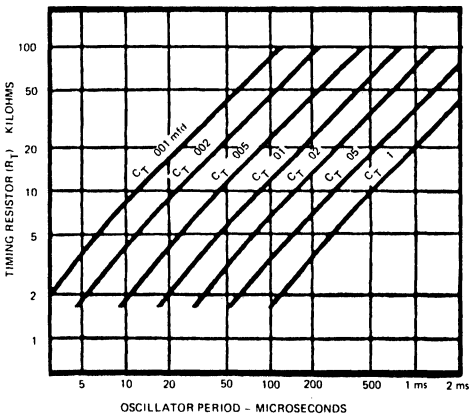


Figure 3. Oscillator Period as a Function of R_T and C_T

The range of values for C_T also has limits as the discharge time of C_T determines the pulse width of the oscillator output pulse. This pulse is used (among other things) as a blanking pulse to both outputs to insure that there is no possibility of having both outputs on simultaneously during transitions. This output dead time relationship is shown in Figure 4. A pulse width below approximately 0.5 microseconds may allow false triggering of one output by removing the blanking pulse prior to the flip-flop's reaching a stable state. If small values of C_T must be used, the pulse width may still be expanded by adding a shunt capacitance (≈ 100 pF) to ground at the oscillator output. (Note: Although the oscillator output is a convenient oscilloscope sync input, the cable and input capacitance may increase the blanking pulse width slightly.) Obviously, the upper limit to the pulse width is determined by the maximum duty cycle acceptable. Practical values of C_T fall between .001 and 0.1 μF .

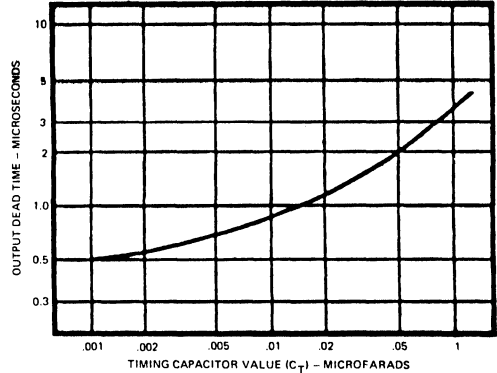


Figure 4. Output Stage Dead Time as a Function of the Timing Capacitor Value

If it is desired to synchronize the XR-1524 to an external clock, a pulse of $\approx +3$ volts may be applied to the oscillator output terminal with $R_T C_T$ set slightly greater than the clock period. The same considerations of pulse width apply. The impedance to ground at this point is approximately 2K ohms.

If two or more XR-1524 circuits must be synchronized together, one must be designated as master with its $R_T C_T$ set for the correct period. The slaves should each have an $R_T C_T$ set for approximately 10% longer period than the master with the added requirement that C_T (slave) = 1/2 C_T (master). Then connecting pin 3 on all units together will insure that the master output pulse - which occurs first and has a wider pulse width - will reset the slave units.

ERROR AMPLIFIER SECTION

The error amplifier is a simple differential-input, trans-conductance amplifier. The output is the compensation terminal, pin 9, which is a high-impedance node ($R_L \approx 5$ M Ω). The gain is

$$A_v = g_m R_L = \frac{8 I_C R_L}{2kT} \approx .002 R_L$$

and can easily be reduced from a nominal of 10,000 by an external shunt resistance from pin 9 to ground, as shown in Figure 5.

In addition to DC gain control, the compensation terminal is also the place for AC phase compensation. The frequency response curves of Figure 5 show the uncompensated amplifier with a single pole at approximately 200 Hz and a unity gain cross-over at 5 MHz.

Typically, most output filter designs will introduce one or more additional poles at a significantly lower frequency. Therefore, the best stabilizing network is a series R-C combination between pin 9 and ground which introduces a zero to cancel one of the output filter poles. A good starting point is 50 K Ω plus .001 μF .

XR-15/25/3524

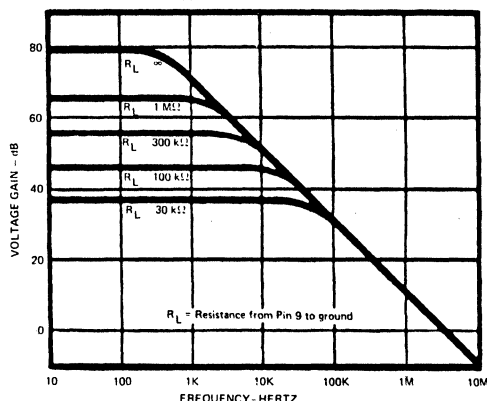


Figure 5. Error Amplifier Frequency Response as a Function of External Resistor, R_L , at Pin 9

One final point on the compensation terminal is that this is also a convenient place to insert any programming signal which is to override the error amplifier. Internal shutdown and current limit circuits are connected here, but any other circuit which can sink $200 \mu A$ can pull this point to ground, thus shutting off both outputs.

While feedback is normally applied around the entire regulator, the error amplifier can be used with conventional operational amplifier feedback and is stable in either the inverting or non-inverting mode. Regardless of the connections, however, input common-mode limits must be observed or output signal inversions may result. For conventional regulator applications, the 5-volt reference voltage must be divided down as shown in Figure 6. The error amplifier may also be used in fixed duty cycle applications by using the unit gain configuration shown in the open loop test circuit.

CURRENT LIMITING CONTROLS

The current limiting circuitry of the XR-1524 is shown in Figure 7.

By matching the base-emitter voltages of Q1 and Q2, and assuming negligible voltage drop across R_1 ,

$$\text{Threshold} = V_{BE}(Q1) + I_1 R_2 - V_{BE}(Q2) = I_1 R_2 \approx 200 \text{ mV}$$

Although this circuit provides a relatively small threshold with a negligible temperature coefficient, there are some limitations to its use, the most important of which is the ± 1 volt common mode range which requires sensing in the ground line. Another factor to consider is that the frequency compensation provided by $R_1 C_1$ and Q1 provides a roll-off pole at approximately 300 Hertz.

Since the gain of this circuit is relatively low, there is a transition region as the current limit amplifier takes over pulse width control from the error amplifier. For testing purposes, threshold is defined as the input volt-

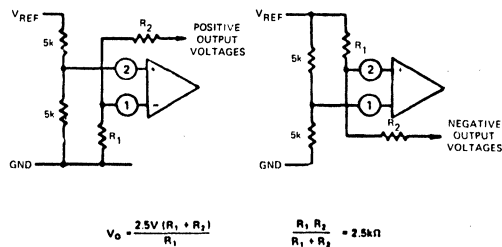


Figure 6. Error Amplifier Biasing Circuits. (Note: Change in Input Connections for Opposite Polarity Outputs)

age to get 25% duty cycle with the error amplifier signaling maximum duty cycle.

In addition to constant current limiting, pins 4 and 5 may also be used in transformer-coupled circuits to sense primary current and shorten an output pulse, should transformer saturation occur. (Refer to Figure 15.) Another application is to ground pin 5 and use pin 4 as an additional shutdown terminal, i.e., the output will be off with pin 4 open and on when it is grounded. Finally, foldback current limiting can be provided with the network of Figure 8. This circuit can reduce the short-

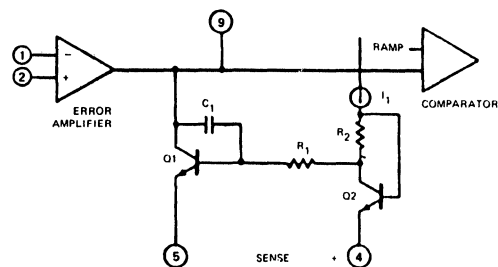


Figure 7. Current Limiting Circuitry of the XR-1524

circuit current (I_{SC}) to approximately one-third the maximum available output current (I_{MAX}).

OUTPUT CIRCUITS

The outputs of the XR-1524 are two identical NPN transistors with both collectors and emitters uncommitted. Each output transistor has antisaturation circuitry for fast response, and current limiting set for a maximum output current of approximately 100 mA. The availability of both collectors and emitters allows maximum versatility to enable driving either NPN or PNP external transistors.

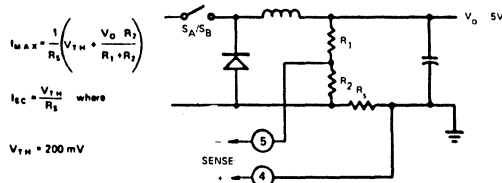


Figure 8. Foldback Current Limiting Can Be Used to Reduce Power Dissipation Under Shorted Output Conditions

XR-15/25/3524

In considering the application of the XR-1524 to voltage regulator circuitry, there are a multitude of output configurations possible. In general, however, they fall into three basic classifications:

1. Capacitor-diode coupled voltage multipliers
2. Inductor-capacitor single-ended circuits
3. Transformer-coupled circuits

Examples of each category are shown in Figures 9, 10 and 11. In each case, the switches indicated can be either the output transistors in the XR-1524 or added external transistors according to the load current requirements.

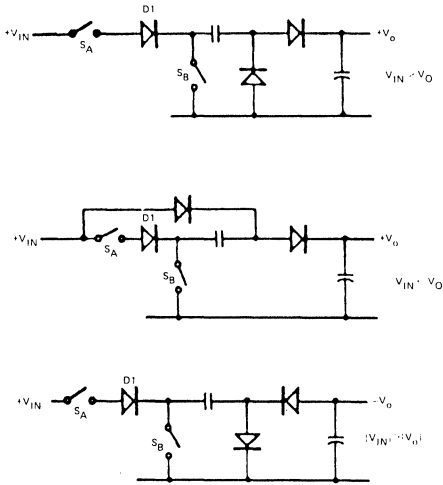


Figure 9. Capacitor-Diode Coupled Voltage Multiplier Output Stages. (Note: Diode D1 is Necessary to Prevent Reverse Emitter-Base Breakdown of Transistor Switch S_A)

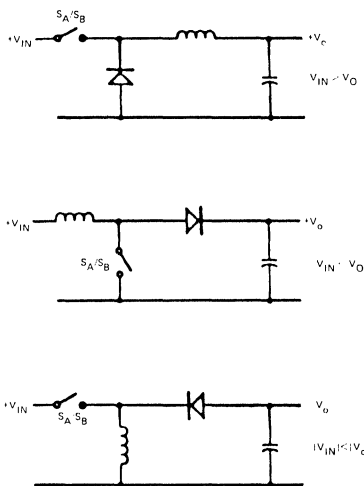
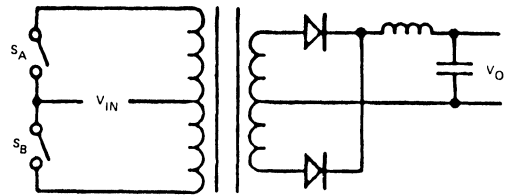
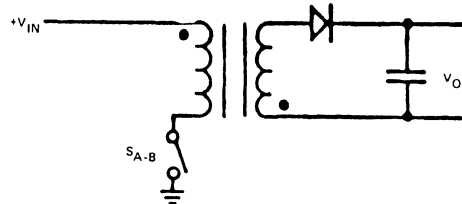


Figure 10. Single-ended Inductor Circuits Where the Two Outputs of the XR-1524 are Connected in Parallel



(a) Push-Pull



(b) Flyback

Figure 11. Push-Pull and Flyback Connections for Transformer-Coupled Outputs

DEADBAND CONTROL

The XR-1524 pulse width modulating regulator provides two outputs which alternate in turning on for push-pull inverter applications. The internal oscillator sends a momentary blanking pulse to both outputs at the end of each period to provide a deadband so that there cannot be a condition when both outputs are on at the same time. The amount of deadband is determined by the width of the blanking pulse appearing on pin 3 and can be controlled by any one of the four techniques described below:

Method 1: For 0.2 to 2.0 microseconds, the deadband is controlled by the timing capacitor, C_T, on pin 7. The relationship between C_T and deadband is shown in Figure 4. Of course, since C_T also helps determine the operating frequency, the range of control is somewhat limited.

Method 2: For 0.5 to 5.0 microseconds, the blanking pulse may be extended by adding a small capacitor from pin 3 to ground. The value of the capacitor must be less than 1000 pF or triggering will become unreliable.

Method 3: For longer and more well-controlled blanking pulses, a simple one-shot latch similar to the circuit shown in Figure 12 should be used.

PUSH-PULL CONVERTER

The circuit of Figure 17 shows the use of XR-1524 in a transformer-coupled DC-DC converter with push-pull outputs (see Figure 11a). Note that the oscillator must be set at twice the desired output frequency as the XR-1524's internal flip-flop divides the frequency by 2 as it switches the P.W.M. signal from one output to the other. Current limiting is done in the primary. This causes the pulse/width to be reduced automatically if the transformer saturation occurs.

XR-15/25/3524

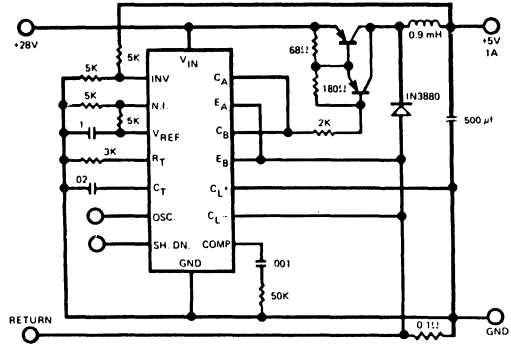


Figure 16. Conventional Single-Ended Regulator Connection ($V_{in} = +28V$, $V_o = +5V$, $I_{out} \leq 1 \text{ Amp}$)

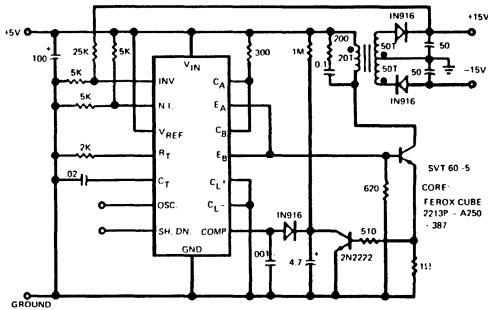


Figure 15. A Low-Current DC-DC Converter Using Flyback Principle ($V_{out} = +15V$, $V_{in} = +5V$, $I_L \leq 20 \text{ mA}$)

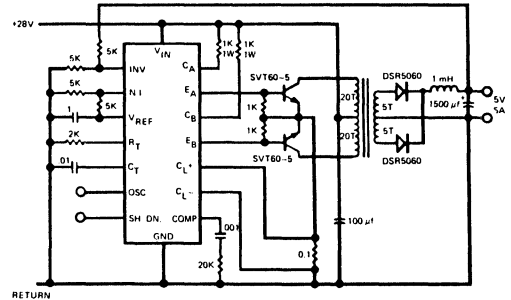


Figure 17. A High-Current DC-DC Converter with Push-Pull Outputs ($V_{in} = +28V$, $V_o = +5V$, $I_o \leq 5A$)

Pulse-Width Modulating Regulators

GENERAL DESCRIPTION

The XR-1525A/1527A is a series of monolithic integrated circuits that contain all of the control circuitry necessary for a pulse-width modulating regulator. Included in the 16-Pin dual-in-line package is a voltage reference, an error amplifier, a pulse-width modulator, an oscillator, under-voltage lockout, soft-start circuitry, and output drivers.

The XR-1525A/2525A/3525A series features NOR logic, giving a LOW output for an OFF state. The XR-1527A/2525A/3527A series features OR logic, giving a HIGH output for an OFF state.

FEATURES

- 8V to 35V Operation
- 5.1V Reference Trimmed to $\pm 1\%$
- 100 Hz to 500 kHz Oscillator Range
- Separate Oscillator Sync Terminal
- Adjustable Deadtime Control
- Internal Soft-Start
- Input Under-voltage Lockout
- Latching PWM to Prevent Double Pulsing
- Dual Source/Sink Output Drivers
 - Capable of Over 200 mA
- Power-FET Drive Capability

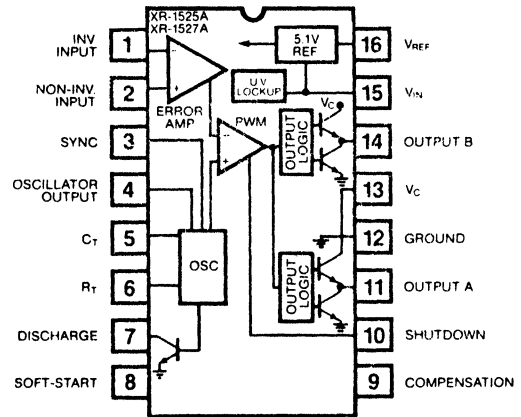
APPLICATIONS

- Power Control Systems
- Switching Regulators
- Industrial Controls

ABSOLUTE MAXIMUM RATINGS

Supply Voltage (+ V_{IN})	+ 40V
Collector Supply Voltage (V_C)	+ 40V
Logic Inputs	- 0.3V to 5.5V
Analog Inputs	- 0.3V to + V_{IN}
Output Current, Source or Sink	500 mA
Reference Output Current	50 mA
Oscillator Charging Current	5 mA
Power Dissipation	
Ceramic Package	1000 mW
Derate above $T_A = +25^\circ\text{C}$	8.0 mW/ $^\circ\text{C}$
Plastic Package	625 mW
Derate above $T_A = +25^\circ\text{C}$	5.0 mW/ $^\circ\text{C}$
Operating Junction Temperature (T_J)	+ 150 $^\circ\text{C}$
Storage Temperature Range	- 65 $^\circ\text{C}$ to + 150 $^\circ\text{C}$

FUNCTIONAL BLOCK DIAGRAM



ORDERING INFORMATION

Part Number	Package	Operating Temperature
XR-1525A/27M	Ceramic	- 55 $^\circ\text{C}$ to + 125 $^\circ\text{C}$
XR-2525A/27AN	Ceramic	- 25 $^\circ\text{C}$ to + 85 $^\circ\text{C}$
XR-2525A/27AP	Plastic	- 25 $^\circ\text{C}$ to + 85 $^\circ\text{C}$
XR-3525A/27CN	Ceramic	0 $^\circ\text{C}$ to + 70 $^\circ\text{C}$
XR-3525A/27CP	Plastic	0 $^\circ\text{C}$ to + 70 $^\circ\text{C}$

SYSTEM DESCRIPTION

The on-chip 5.1-volt reference is trimmed to $\pm 1\%$ initial accuracy, and the common-mode input range of the error amplifier is extended to include the reference voltage. Deadtime is adjustable with a single external resistor. A sync input to the oscillator allows multiple units to be slaved together, or a single unit to be synchronized to an external clock. A positive-going signal applied to the shutdown pin provides instantaneous turnoff of the outputs. The under-voltage lockout circuitry keeps the output drivers off, and the soft-start capacitor discharged, for an input voltage below the required value. The latch on the PWM comparator insures the outputs to be active only once per oscillator period, thereby eliminating any double pulsing. The latch is reset with each clock pulse.

The output drivers are totem-pole designs capable of sinking and sourcing over 200 mA.

XR-1527A/2527A/3527A XR-1525A/2525A/3525A

ELECTRICAL CHARACTERISTICS

Test Conditions: $V_{IN} = +20V$, $T_J =$ Full operating temperature range, unless otherwise specified.

PARAMETERS	XR-1525A/2525A XR-1527A/2527A			XR-3525A XR-3527A			UNIT	CONDITIONS
	MIN	TYP	MAX	MIN	TYP	MAX		
VOLTAGE REFERENCE SECTION								
Output Voltage	5.05	5.10	5.15	5.00	5.10	5.20	V	$T_J = 25^\circ\text{C}$
Line Regulation		10	20		10	20	mV	$V_{IN} = 8V$ to 35V
Load Regulation		20	50		20	50	mV	$I_L = 0$ to 20 mA
Temperature Stability (2)		20	50		20	50	mV	$T_J =$ Full Operating Range
Total Output Variation (2)	5.00		5.20	4.95		5.25	V	Line, Load and Temperature
Output Short Circuit Current		80	100		80	100	mA	$T_J = 25^\circ\text{C}$, $V_{ref} = 0V$
Output Noise Voltage (2)		40	200		40	200	$\mu\text{V rms}$	$T_J = 25^\circ\text{C}$, $10\text{ Hz} \leq f \leq 10\text{ kHz}$
Long Term Stability (2)		20	50		20	50	mV/kHR	$T_J = 125^\circ\text{C}$
OSCILLATOR SECTION (Note 3)								
Initial Accuracy (2,3)		± 2	± 6		± 2	± 6	%	$T_J = 25^\circ\text{C}$, $f = 40\text{ kHz}$
Temperature Stability (2)		± 3	± 6		± 3	± 6	%	$T_J =$ Full Operating Range
Input Voltage Stability (2,3)		± 0.3	± 1		± 1	± 2	%	$V_{IN} = 8V$ to 35V
Minimum Frequency			100			100	Hz	$R_T = 150\text{ k}\Omega$, $C_T = 0.1\ \mu\text{F}$
Maximum Frequency	400			400			kHz	$R_T = 2\text{ k}\Omega$, $C_T = 1\text{ nF}$
Current Mirror	1.7	2.0	2.2	1.7	2.0	2.2	mA	$I_{RT} = 2\text{ mA}$
Clock Amplitude (2,3)	3.0	3.5		3.0	3.5		V	
Clock Pulse Width (2,3)	0.3	0.5	1.0	0.3	0.5	1.0	μsec	$T_J = 25^\circ\text{C}$, $R_D = 0\Omega$
Sync Threshold	1.2	2.0	2.8	1.2	2.0	2.8	V	
Sync Input Current		1.0	2.5		1.0	2.5	mA	Sync Voltage = 3.5V
ERROR AMPLIFIER SECTION ($V_{CM} = 5.1V$)								
Input Offset Voltage		0.5	5.0		2	10	mV	
Input Bias Current		1	10		1	10	μA	
Input Offset Current			1			1	μA	
DC Open-Loop Gain				60	75		dB	$R_L \geq 10\text{ M}\Omega$
Gain Bandwidth Product (2)	60	75		1	2		MHz	$T_J = 25^\circ\text{C}$
Output Low Voltage		0.2	0.5		0.2	0.5	V	
Output High Voltage	3.8	5.6		3.8	5.6		V	
Common-Mode Rejection Ratio	60	75		60	75		dB	$V_{CM} = 1.5V$ to 5.2V
Supply Voltage Rejection Ratio	50	60		50	60		dB	$V_{IN} = 8V$ to 35V
PULSE-WIDTH MODULATING COMPARATOR								
Minimum Duty Cycle	45	49	0	45	49	0	%	
Maximum Duty Cycle							%	
Input Threshold (3)	0.6	0.9		0.6	0.9		V	Zero Duty Cycle
Input Threshold (3)		3.3	3.6		3.3	3.6	V	Maximum Duty Cycle
Input Bias Current (2)		0.05	1.0		0.05	1.0	μA	
SOFT-START SECTION								
Soft-Start Current	25	50	80	25	50	80	μA	$V_{shutdown} = 0V$
Soft-Start Voltage		0.4	0.6		0.4	0.6	V	$V_{shutdown} = 2V$
Shutdown Input Current		0.4	1.0		0.4	1.0	mA	$V_{shutdown} = 2.5V$
OUTPUT DRIVERS (Each Output) $V_C = 20V$								
Output Low Voltage		0.2	0.4		0.2	0.4	V	$I_{sink} = 20\text{ mA}$
Output Low Voltage		1.0	2.0		1.0	2.0	V	$I_{sink} = 100\text{ mA}$
Output High Voltage	18	19		18	19		V	$I_{source} = 20\text{ mA}$
Output High Voltage	17	18		17	18		V	$I_{source} = 100\text{ mA}$
Under-voltage Lockout	6	7	8	6	7	8	V	V_{comp} and $V_{SS} = \text{High}$
Collector Leakage (4)			200			200	μA	$V_C = 35V$
Rise Time (2)		100	600		100	600	nsec	$T_J = 25^\circ\text{C}$, $C_L = 1\text{ nF}$
Fall Time (2)		50	300		50	300	nsec	$T_J = 25^\circ\text{C}$, $C_L = 1\text{ nF}$
Shutdown Delay (2)		0.2	0.5		0.2	0.5	μsec	$V_{SD} = 3V$, $C_S = 0$, $T_J = 25^\circ\text{C}$
TOTAL STANDBY CURRENT								
Supply Current		14	20		14	20	mA	$V_{IN} = 35V$

Note 2: These parameters, although guaranteed over the recommended operating conditions, are not 100% tested in production.

Note 3: Tested at $f = 40\text{ kHz}$ ($R_T = 3.6\text{ k}\Omega$, $C_T = 0.01\ \mu\text{F}$, $R_D = 0\Omega$).

Note 4: Applies to XR-1525A/2525A/3525A only, due to polarity of output pulses.



XR-1525A/2525A/3525A

XR-1527A/2527A/3527A

PRINCIPLES OF OPERATION

The different control blocks within the XR-1525A/1527A function as follows:

Voltage Reference Section

The internal voltage reference circuit of the XR-1525A/1527A is based on the well-known "band-gap" reference, with a nominal output voltage of 5.1 volts, internally trimmed to $\pm 1\%$ accuracy. It is short circuit protected and is capable of providing up to 20 mA of reference current. A simplified circuit schematic is shown in Figure 7.

Oscillator Section

The sawtooth oscillator derives its frequency from an external timing resistor/capacitor pair. The timing resistor, R_T , determines the charging current into the timing capacitor, C_T . The magnitude of this current is approximately given by:

$$\frac{V_{\text{ref}} - 2V_{\text{BE}}}{R_T} \approx \frac{3.7V}{R_T}$$

where R_T may range from 2 k Ω to 150 k Ω . In general, temperature stability is maximized with lower values of R_T . The current source charging C_T creates a linear ramp voltage which is compared to fixed thresholds within. When the capacitor voltage reaches +3.3 volts, the oscillator output (Pin 4) goes high, turning ON the discharge transistor. The capacitor is discharged through the deadtime resistor, R_D . When the voltage on C_T falls to +1.0 volt, the oscillator output goes low, the discharge transistor is turned OFF, and the capacitor is charged through the constant current source as another cycle starts. With large values of R_D (500 Ω , maximum), deadtime is increased. The actual operating frequency is thus a function of the charge and discharge times. Figure 2 shows how charge time is related to R_T and C_T , with $R_D = 0\Omega$. Deadtime is a function of R_D and C_T , and can vary between 0.5 to 7 μsec , with $R_D = 0\Omega$, as shown in Figure 3. The equivalent circuit schematic of the oscillator section is shown in Figure 8.

A unit can be synchronized to an external source by selecting its free-running oscillator period to be 10% longer than the period of the external source. A positive-going pulse of at least 300 nsec wide should be applied to the sync terminal for reliable triggering; however, it should not exceed the free-running pulse width by more than 200 nsec. The amplifier of the pulse should be kept between 2 and 5 volts. Multiple units can be synchronized to each other by connecting all C_T pins, and oscillator output pins together; R_T pins and discharge pins on slave oscillators must be left open.

Error Amplifier

The error amplifier of the XR-1525A/1527A is a differential input transconductance amplifier. Its common-mode range covers the reference voltage. Its open-loop gain, typically 75 dB, can be reduced by a load resistor on Pin 9. To ensure proper operation, the output load should be limited to 50 k Ω or greater. An equivalent circuit schematic of the error amplifier is shown in Figure 9.

Soft-Start Circuitry

The soft-start function is provided to achieve controlled turn-on of the pulse-width modulator. When power is applied to the device, the external capacitor, $C_{\text{soft-start}}$, on Pin 8 is charged by a 50 μA constant current source. The ramp voltage appearing on this capacitor is fed into the pulse-width modulator, which gradually increases its output duty cycle from zero to the prescribed value. When the shutdown terminal is raised to a positive value, an internal transistor turns ON, and discharges the capacitor, C_S , causing the PWM to turn OFF. When the shutdown terminal is open or pulled low, the transistor turns OFF, and C_S begins charging as before. The turn-on time (time required to charge C_S to +2.7 volts) can be approximated as:

$$T_C (\text{msec}) = 54 C_S$$

where C_S is in μF .

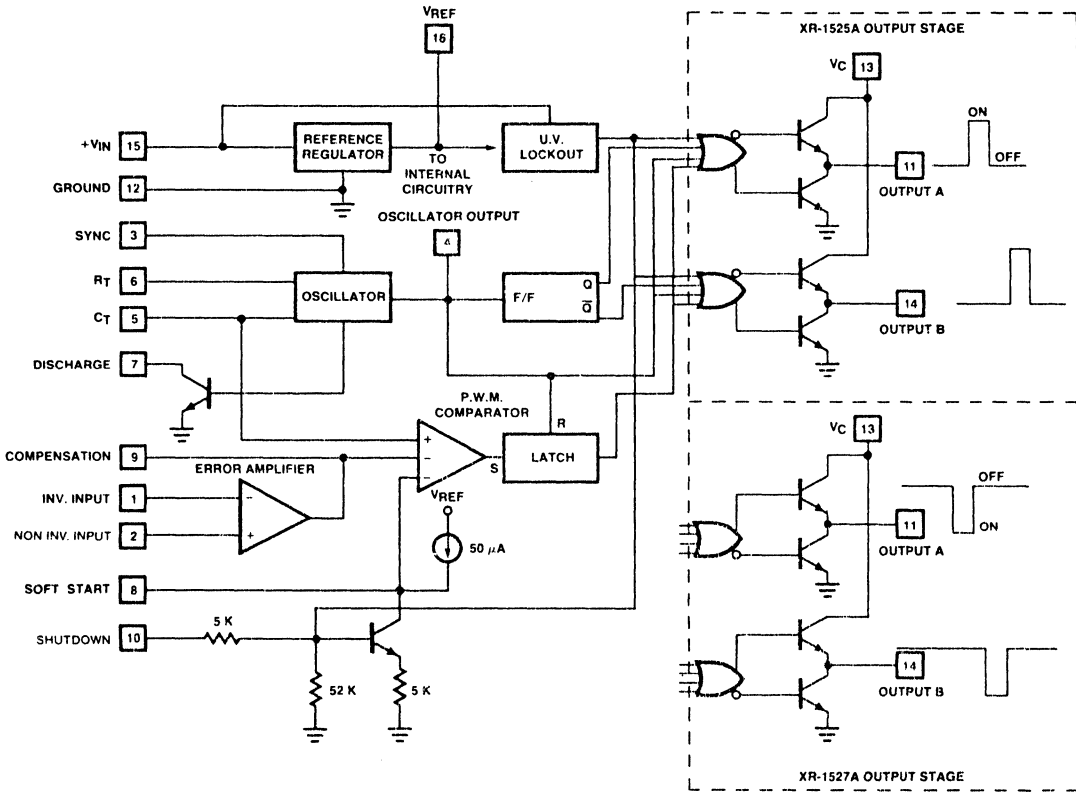
Output Section

The output drivers of the XR-1525A/1527A are totem-pole designs capable of sinking and sourcing 200 mA. The low source impedance in the high or low states provides ideal interfacing with bipolar as well as FET power transistors. Either push-pull or single-ended output configurations are possible with separate collector supply terminals. The equivalent schematic of the output drivers is shown in Figure 10.

RECOMMENDED OPERATING CONDITIONS

Note 1: Range over which the device is functional and parameter limits are guaranteed.	
Collector Supply Voltage (V_C)	+4.5V to +35V
Sink/Source Load Current (Steady State)	0 to 100 mA
Sink/Source Load Current (Peak)	0 to 400 mA
Reference Load Current	0 to 20 mA
Oscillator Frequency Range	100 Hz to 400 kHz
Oscillator Timing Resistor	2 k Ω to 150 k Ω
Oscillator Timing Capacitor	0.001 μF to 0.1 μF
Deadtime Resistor Range	0 to 500 Ω

XR-1525A/2525A/3525A XR-1527A/2527A/3527A



EQUIVALENT SCHEMATIC DIAGRAM

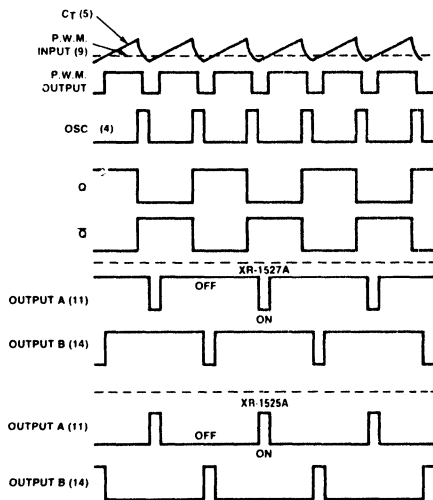


Figure 1: Typical Waveforms—XR-1525A/1527A

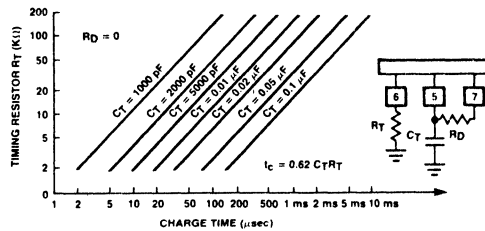


Figure 2. Oscillator Charge Time vs R_T and C_T

XR-1525A/2525A/3525A XR-1527A/2527A/3527A

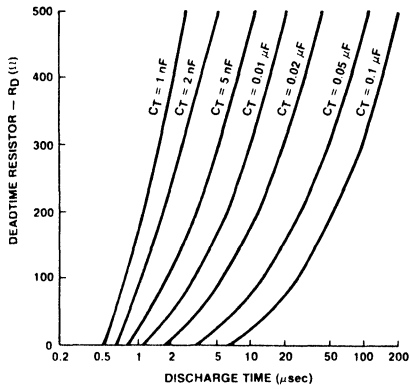


Figure 3. Oscillator Discharge Time vs R_D and C_T

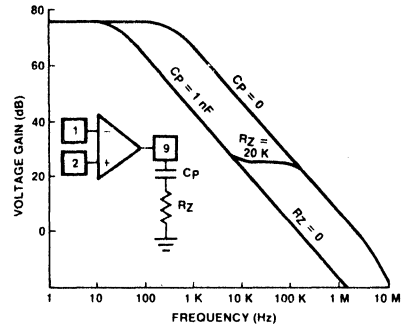


Figure 4. Error Amplifier Open-Loop Frequency Response.

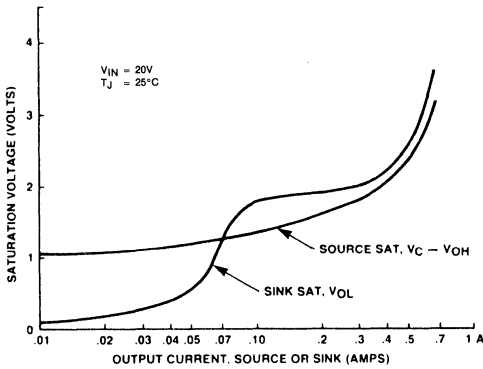


Figure 5. Output Saturation Characteristics

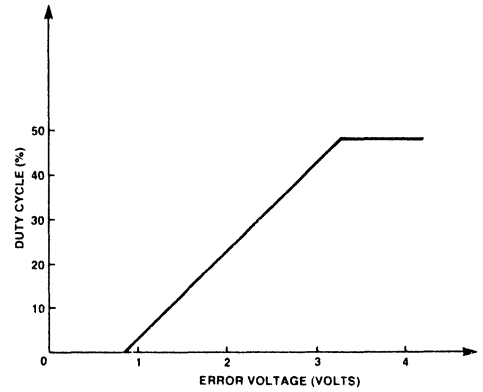


Figure 6. Output Duty Cycle vs Error Voltage

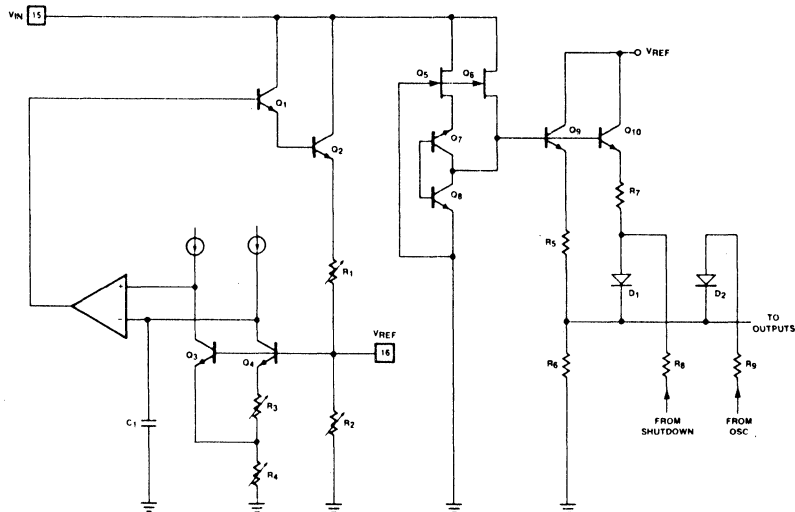


Figure 7. Equivalent Schematic of Voltage Reference Section

XR-1525A/2525A/3525A XR-1527A/2527A/3527A

1

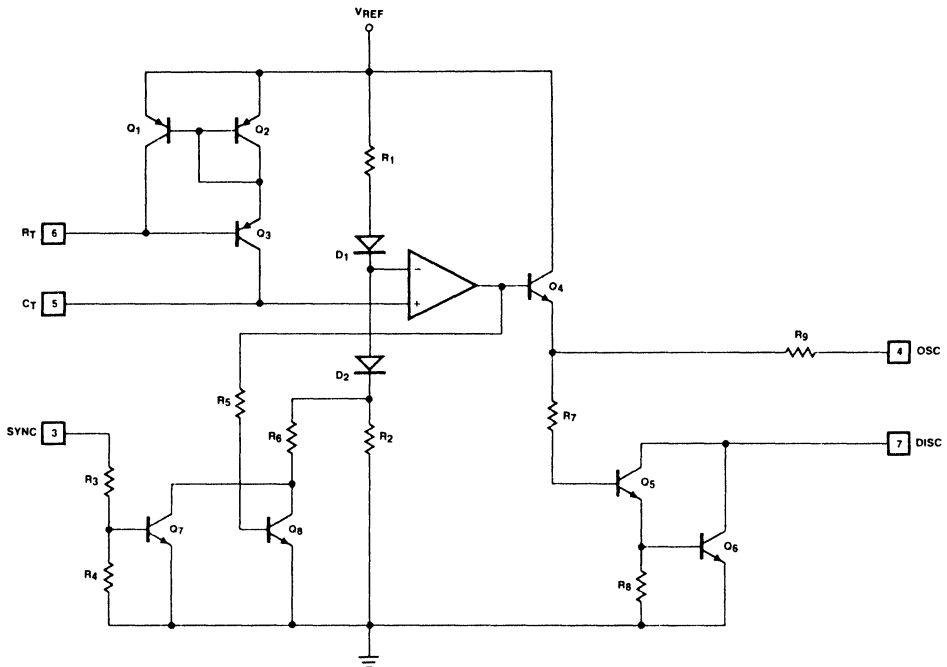


Figure 8. Equivalent Schematic of the Oscillator Section

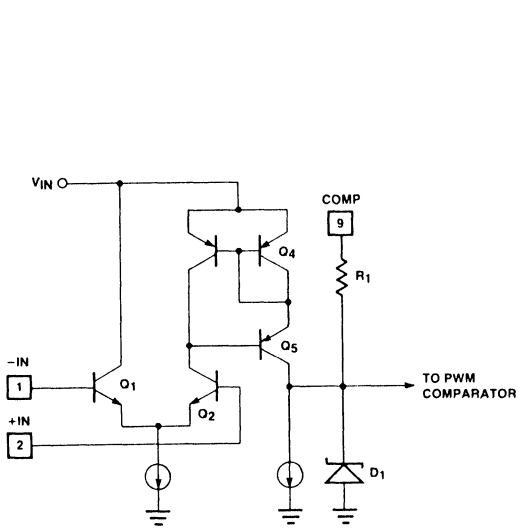


Figure 9. Equivalent Schematic of Error Amplifier Section

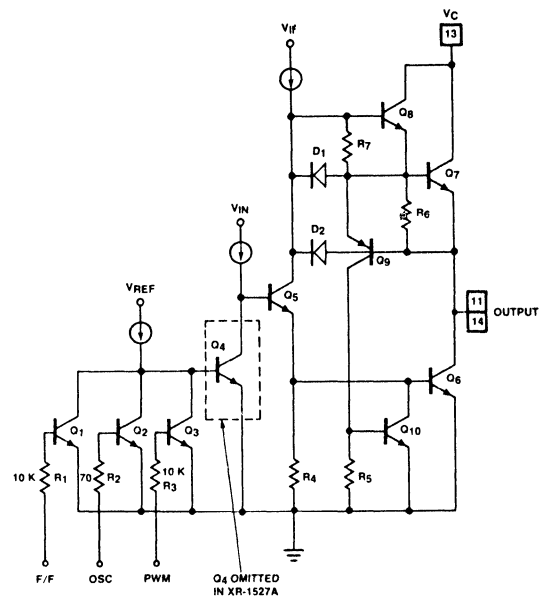


Figure 10. Equivalent Schematic of Output Drivers

XR-1525A/2525A/3525A XR-1527A/2527A/3527A

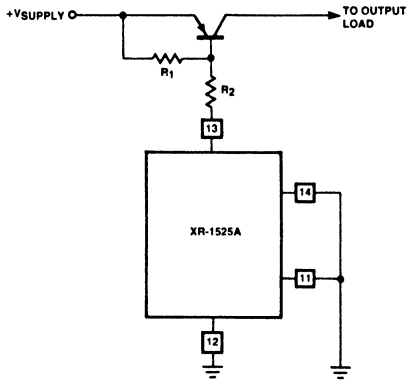


Figure 11. Single-Ended Output for XR-1525A

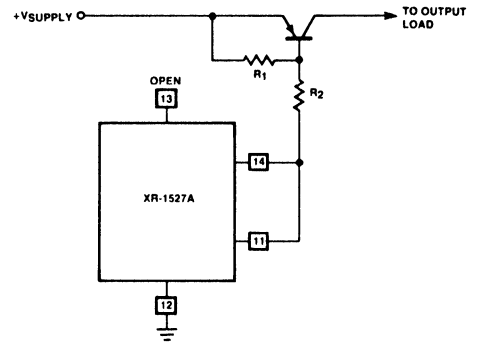


Figure 12. Single-Ended Output for XR-1527A

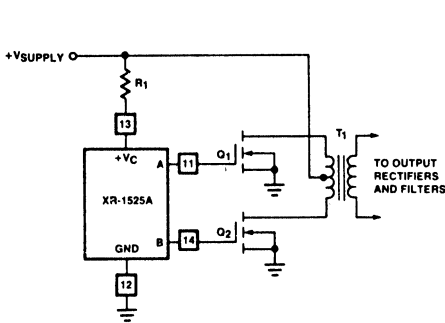


Figure 13. Push-Pull Outputs with XR-1525A

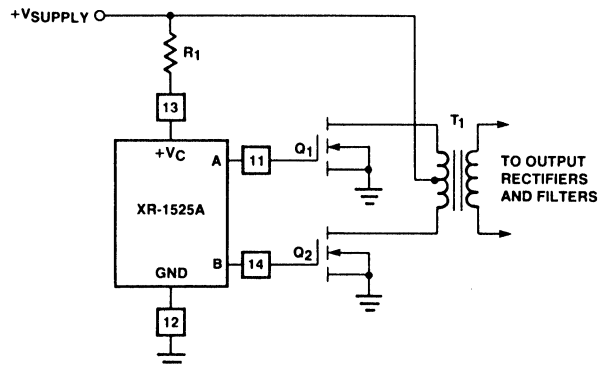


Figure 14. Power FET Push-Pull Outputs with XR-1525A

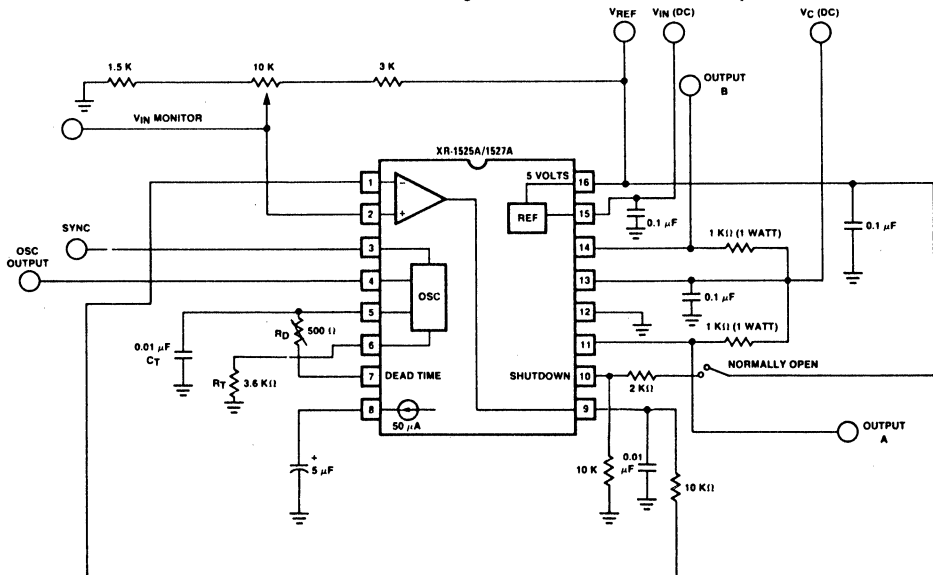


Figure 15. Generalized Test Circuit

Power Supply Output Supervisory Circuit

GENERAL DESCRIPTION

The XR-1543/2543/3543 are monolithic integrated circuits that contain all the functions necessary to monitor and control the output of a power supply system. Included in the 16-Pin dual-in-line package is a voltage reference, an operational amplifier, voltage comparators, and a high-current SCR trigger circuit. The functions performed by this device include over-voltage sensing, under-voltage sensing and current limiting, with provisions for triggering an external SCR "crowbar."

The internal voltage reference on the XR-1543 is guaranteed for an accuracy of $\pm 1\%$ to eliminate the need for external potentiometers. The entire circuit may be powered from either the output that is being monitored or from a separate bias voltage.

FEATURES

- Over-Voltage Sensing Capability
- Under-Voltage Sensing Capability
- Current Limiting Capability
- Reference Voltage Trimmed $\pm 1\%$
- SCR "Crowbar" Drive 300 mA
- Programmable Time Delays
- Open Collector Outputs
- and Remote Activation Capability
- Total Standby current Less than 10 mA

APPLICATIONS

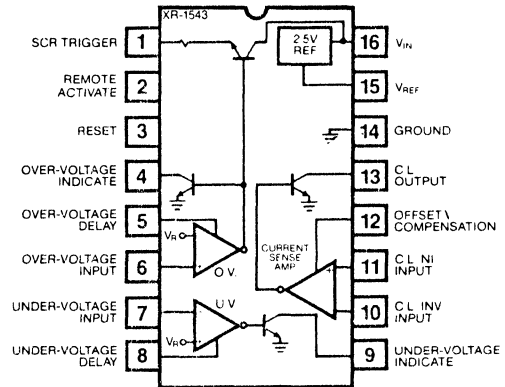
- DC/DC Converters
- Switch Mode Power Supplies
- Power Line Monitors
- Linear Power Supplies

ABSOLUTE MAXIMUM RATINGS

Input Supply Voltage, V_{IN}	40V
Sense Inputs	V_{IN}
SCR Trigger Current (Note 1)	300 mA
Indicator Output Voltage	40V
Indicator Output Sink Current	50 mA
Power Dissipation (Ceramic)	1000 mW
Derate Above $T_A = +25^\circ\text{C}$	8 mW/ $^\circ\text{C}$
Power Dissipation (Plastic)	625 mW
Derate Above $T_A = +25^\circ\text{C}$	5 mW/ $^\circ\text{C}$
Operating Junction Temperature (T_J)	+150 $^\circ\text{C}$
Storage Temperature Range	-65 $^\circ\text{C}$ to +150 $^\circ\text{C}$

Note 1: At higher input voltages, a dissipation limiting resistor, R_G , is required.

FUNCTIONAL BLOCK DIAGRAM



ORDERING INFORMATION

Part Number	Package	Operating Temperature
XR-1543M	Ceramic	-55 $^\circ\text{C}$ to +125 $^\circ\text{C}$
XR-2543N	Ceramic	-25 $^\circ\text{C}$ to +85 $^\circ\text{C}$
XR-3543N	Ceramic	0 $^\circ\text{C}$ to +70 $^\circ\text{C}$
XR-3543P	Plastic	0 $^\circ\text{C}$ to +70 $^\circ\text{C}$

SYSTEM DESCRIPTION

An output supervisory circuit, such as the XR-1543, is used to control and monitor the performance of a power supply. In many systems, it is crucial that the supply voltage is always within some minimum and maximum level, to guarantee proper performance, and to prevent damage to the system. If the supply voltage is out of tolerance, it is often desirable to shut down the system or to have some form of indication to the operator or system controller. As well as protecting the system, the power supply sometimes needs to be protected under short circuit and current overload situations. By providing an SCR "crowbar" on the output of a power supply, it can be shut off under certain fault conditions as well.

The over-voltage sensing circuit (O.V.) can be used to monitor the output of a power supply and provide triggering of an SCR, when the output goes above the prescribed output voltage. The under-voltage sensing circuit (U.V.) can be used to monitor either the output of a power supply or the input line voltage.

XR-15/25/3543

ELECTRICAL CHARACTERISTICS

Test Conditions: $V_{IN} = 10V$, T_J = full operating temperature range, unless otherwise specified. Refer to Figure 9 for component designation.

PARAMETERS	XR-1543/2543			XR-3543			UNIT	CONDITIONS	
	MIN	TYP	MAX	MIN	TYP	MAX			
Input Voltage Range	4.5		40	4.5		40	V	$T_J = 25^\circ\text{C}$ to max $T_J = \text{min to max}$ $T_J = 25^\circ\text{C}$, $V_{IN} = 40V$	
Input Voltage Range	4.7		40	4.7		40	V		
Supply Current		7	10		7	10	mA		
REFERENCE VOLTAGE SECTION (Pins 15 and 16)									
Output Voltage	2.48	2.50	2.52	2.45	2.50	2.55	V	$T_J = 25^\circ\text{C}$ $T_J = \text{min to max}$ $V_{IN} = 5$ to 30V $I_{\text{ref}} = 0$ to 10 mA $V_{\text{ref}} = 0V$	
Output Voltage	2.45		2.55	2.40		2.60	V		
Line Regulation		1	5		1	5	mV		
Load Regulation		1	10		1	10	mV		
Short Circuit Current	12	15	25	12	15	25	mA		
Temperature Stability		50			50		ppm/ $^\circ\text{C}$		
SCR TRIGGER SECTION (Pins 1, 2, and 3)									
Peak Output Current	100	200	400	100	200	400	mA		$V_{IN} = 5V$, $R_G = 0\Omega$, $V_O = 0$ $V_{IN} = 15V$, $I_O = 100$ mA $V_{IN} = 40V$ Pin 2 = GND Pin 2 = Open Pin 2 = GND, Pin 3 = GND Pin 2 = GND, Pin 3 = Open $T_J = 25^\circ\text{C}$, $R_L = 50\Omega$, $C_D = 0$ $T_J = 25^\circ\text{C}$, $R_L = 50\Omega$, $C_D = 0$, Pin 2 = 0.4V $T_J = 25^\circ\text{C}$, $R_L = 50\Omega$, $C_D = 0$, Pin 6 = 2.7V
Peak Output Voltage	12	13		12	13		V		
Output OFF Voltage		0	0.1		0	0.1	V		
Remote Activate Current		0.4	0.8		0.4	0.8	mA		
Remote Activate Voltage		2	6		2	6	V		
Reset Current		0.4	0.8		0.4	0.8	mA		
Reset Voltage		2	6		2	6	V		
Output Current Slew Rate		400			400		mA/ μs		
Propagation Delay Time (From Pin 2)		300			300		nsec		
Propagation Delay Time (From Pin 6)		500			500		nsec		
COMPARATOR SECTIONS (Pins 4, 5, 6, 7, 8, and 9)									
Input Threshold (Input Voltage Rising on Pin 6 and Falling on Pin 7)	2.45	2.50	2.55	2.40	2.50	2.60	V	$T_J = \text{min to max}$ $T_J = 25^\circ\text{C}$	
Input Hysteresis	2.40	25	2.60	2.35	25	2.65	mV		
Input Bias Current		0.3	1.0		0.3	1.0	μA	Sense input = 0V	
Delay Saturation		0.2	0.5		0.2	0.5	V		
Delay High Level		6	7		6	7	V	$V_D = 0V$ $I_L = 10$ mA $V_{\text{out}} = 40V$ $C_D = 0$ Pin 6 = 2.7V Pin 7 = 2.3V $T_J = 25^\circ\text{C}$	
Delay Charging Current	200	250	300	200	250	300	μA		
Indicate Saturation Voltage		0.2	0.5		0.2	0.5	V		
Indicate Leakage Current		0.01	1.0		0.01	1.0	μA		
Propagation Delay Time		400			400		nsec		
Propagation Delay Time		10			10		msec		
CURRENT LIMIT AMPLIFIER SECTION (Pins 10, 11, 12, and 13)									
Input Voltage Range	0		$V_{IN} - 3V$	0		$V_{IN} - 3V$	V	Pin 12 = Open, $V_{CM} = 0V$ Pin 12 = Open, $V_{CM} = 0V$ Pin 12 = 10 k Ω to GND $V_{IN} = 15V$, $0 \leq V_{CM} \leq 12V$	
Input Bias Current		0.3	1.0		0.3	1.0	μA		
Input Offset Voltage		0	10		0	15	mV		
Input Offset Voltage Common Mode	80	100	120	70	100	130	mV	$V_{CM} = 0V$, Pin 12 = Open $I_L = 10$ mA $V_{\text{out}} = 40V$ $T_J = 25^\circ\text{C}$, $A_v = 0$ dB $T_J = 25^\circ\text{C}$, $V_{\text{overdrive}} = 100$ mV	
Rejection Ratio	60	70		60	70		dB		
Open Loop Gain	72	80		72	80		dB		
Output Saturation Voltage		0.2	0.5		0.2	0.5	V		
Output Leakage Current		0.01	1.0		0.01	1.0	μA		
Small Signal Bandwidth		5			5		MHz		
Propagation Delay Time		200			200		nsec		

XR-15/25/3543

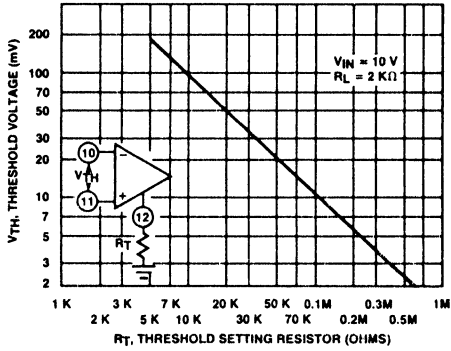


Figure 1. Current Limiting Threshold (V_{TH}) vs. Threshold Setting Resistor (R_T)

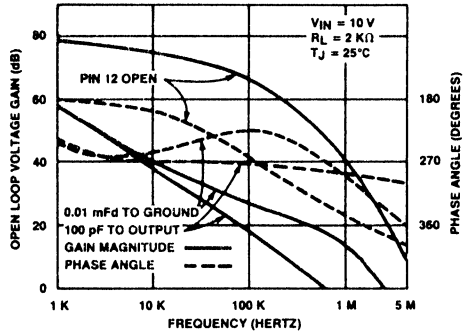


Figure 2. Current Limiting Amplifier—Frequency Response

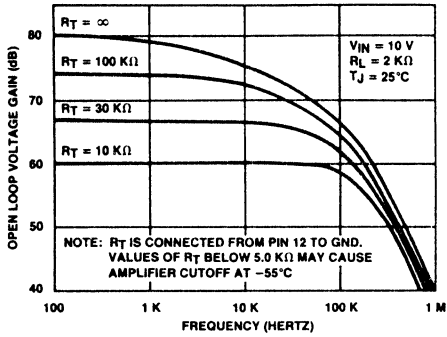


Figure 3. Current Limiting Amplifier Gain vs. Threshold Setting Resistor (R_T)

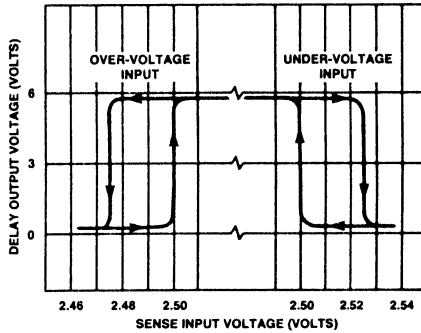


Figure 4. Over-Voltage and Under-Voltage Comparator Hysteresis

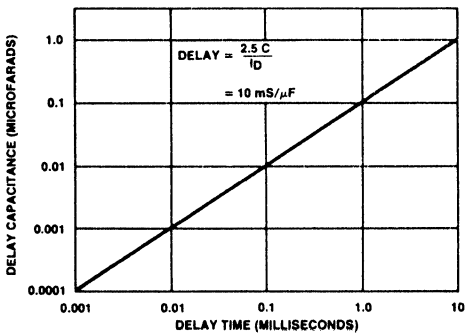


Figure 5. Comparator Activation Delay vs. Capacitor Value

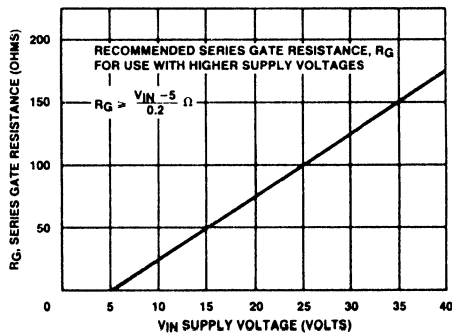


Figure 6. SCR Trigger—Series Gate Resistance (R_G) vs. Input Voltage

1

XR-15/25/3543

PRINCIPLES OF OPERATION

The internal control blocks of the XR-1543 operate as follows:

Voltage Reference Section

The internal voltage reference circuit of the XR-1543 is based on the well-known "band-gap reference" with a nominal output voltage of 2.50 volts, internally trimmed to give an accuracy of $\pm 1\%$ at 25°C. It is capable of providing a stable output voltage over a wide input voltage range. Furthermore, its performance is guaranteed for changes in line and load conditions. The accuracy of the output voltage is guaranteed to $\pm 2\%$ maximum for the XR-1543/2543, and $\pm 4\%$ maximum for the XR-3543, over the entire operating temperature range.

The output of the reference circuit is capable of providing up to 10 mA of current for use as a reference for external circuitry. The primary function of this circuit is to provide a very accurate and stable reference input for the under-voltage and over-voltage comparators, thereby enabling very precise monitoring of line and output voltages without potentiometers.

Comparator Section

The under-voltage and over-voltage sensing comparators of the XR-1543 are identical except for the input polarities. Each section is made up of two comparators in series whose inputs are referenced to 2.50 volts. The delay terminal between the comparators requires an external capacitor to ground for programmable time delays on the output.

When an out-of-tolerance situation occurs, the first comparator activates a current source which then charges the external capacitor at a constant rate. This ramp voltage is then compared to the reference voltage by the second comparator which activates the output indicating circuit. With no external capacitor, the overall time delay from sense input to output is approximately 0.5 μ sec. The charging current for the capacitor, C_D , is approximately 250 μ A which results in the following relationship:

$$\text{Time delay} = 10 C_D \text{ (msec)}$$

where C_D is in μ F.

The output npn transistors are capable of sinking 10 mA with saturation voltage of less than 0.4 volts. The outputs can be "wired OR'd" to provide a single output indicator.

Current Sensing Amplifier

The operational amplifier used in the XR-1543 is a high-gain, externally compensated amplifier with open collector outputs. The npn input stage provides for a wide

input common mode range extending from ground to approximately 3 volts below the positive supply. With a 2 k Ω pull-up resistor, the open-loop voltage gain is 72 dB minimum with a unity gain bandwidth beyond 5 MHz. The operational amplifier may be used as a comparator or, if linear amplification is required, external compensation may be added for stable performance over a wide frequency range.

The input offset voltage of this amplifier is specified for 10 mV maximum; however, it may be programmed externally for thresholds up to 200 mV. By connecting a resistor, R_T , from Pin 12 to ground, the input threshold voltage can be varied. For most current sensing applications, the required threshold polarity calls for a positive voltage on the inverting input. Reducing the impedance on Pin 12 also lowers the overall voltage gain of the amplifier, which makes this pin a convenient point to apply frequency compensation. This can be accomplished by either connecting C_1 to the output, or C_2 to ground as shown in Figure 8. The diode, D_1 , and the resistor, R_C , are used only if it is necessary to increase the frequency response by operating the output at a higher current and/or isolating the load from R_C and C_1 , when the amplifier is off.

SCR Trigger Section

The SCR trigger section of the XR-1543 is connected to the output of the over-voltage comparator and is capable of handling 300 mA. The circuit also provides for remote activation of the output as well as a reset terminal. When an over-voltage situation occurs, the output of the sensing comparator goes low, turning "on" the over-voltage indicate transistor. At the same time, the comparator drives an npn Darlington pair which provides 300 mA to activate an external SCR crowbar.

A remote activation circuit is included to allow the user to activate the SCR crowbar in other than an over-voltage situation. When this terminal, Pin 2, is grounded, it forces the output of the comparator low which activates the output circuitry in the same manner as the over-voltage comparator does.

Another function of this circuit is to provide the capability to latch the O.V. indicate and SCR trigger outputs "on", after a fault is sensed. This is done by connecting the remote activate terminal (Pin 2) to the O.V. indicating terminal (Pin 4). When an O.V. condition occurs, Pin 2 is pulled low, which in turn holds the outputs in the "on" condition until the reset terminal is externally grounded, removing the latch and turning "off" the outputs. If the external connection is not made, the high current output will be activated only as long as a fault condition exists. When the fault condition disappears, the outputs will be disabled. The thresholds for both remote activation and reset terminals are approximately 1.2 volts.

XR-15/25/3543

EQUIVALENT SCHEMATIC DIAGRAM

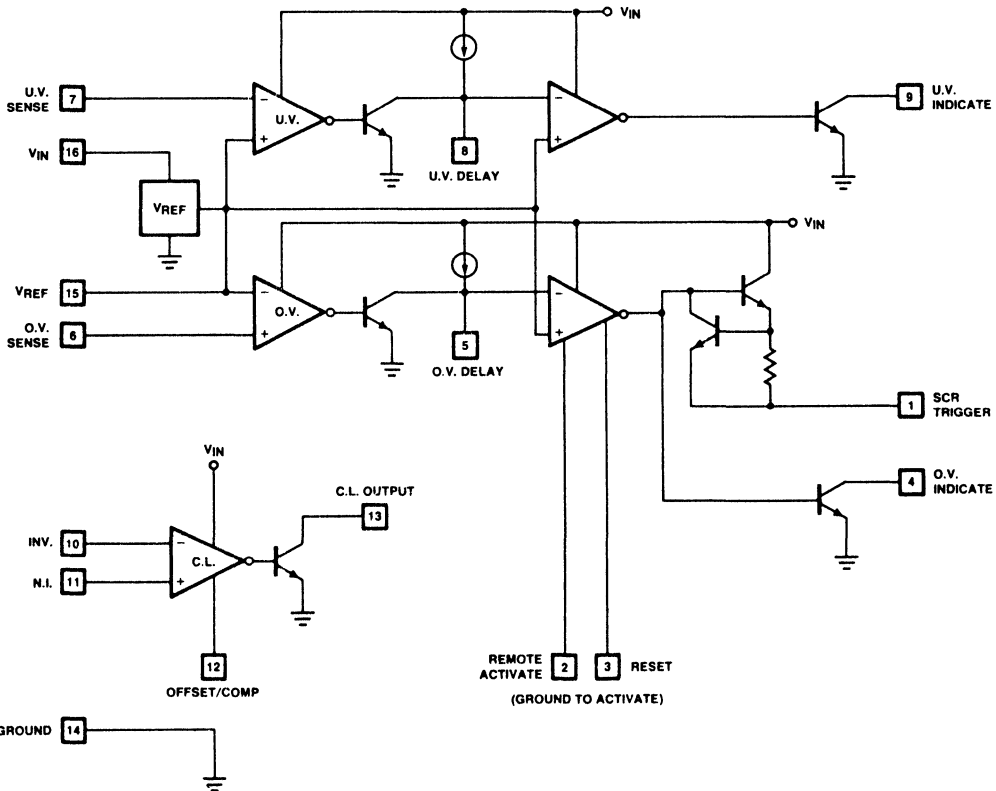
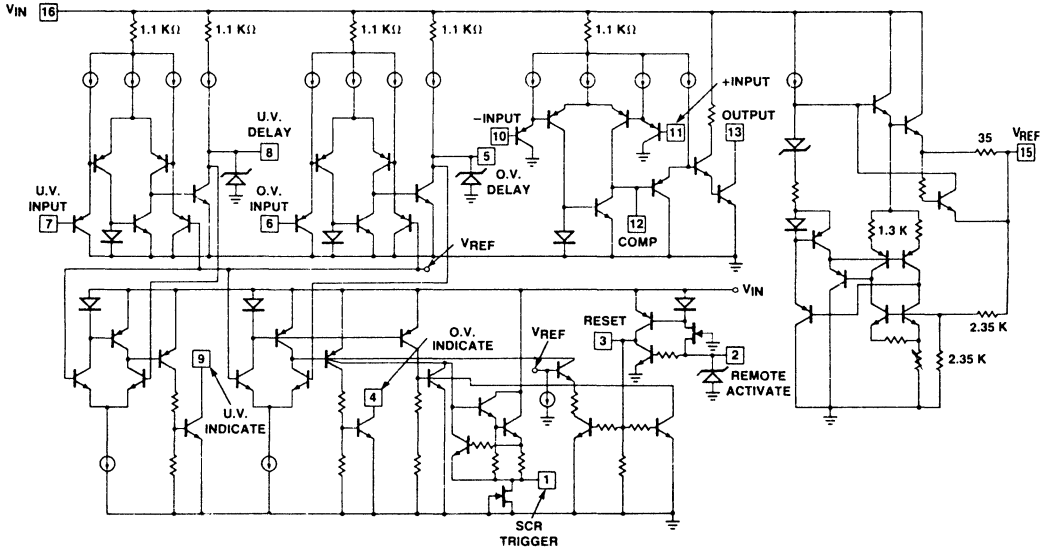


Figure 7. XR-1543 Block Diagram



XR-15/25/3543

APPLICATIONS INFORMATION

A typical application of the XR-1543 is to monitor a single power supply output voltage as shown in Figure 9. In this circuit, both over- and under-voltage sensing and current-limiting functions are performed. The circuit shown is powered from an external bias capable of supplying 10 mA in addition to the activation current for the SCR trigger. With Pin 2 tied to Pin 4, a latch has been provided such that when an over-voltage situation occurs, the o.v. indicator and SCR trigger are activated and held until the reset terminal is externally grounded.

In powering an SCR from supply voltages greater than 5 volts, an external resistor, R_G , is required on Pin 1 to limit the power dissipation for the XR-1543. Although the XR-1543 is capable of handling 300 mA of current, its power dissipation must be kept below the absolute maximum ratings.

In this circuit, current-limiting is performed by sensing the voltage drop across the resistor, R_{SC} , in the positive supply line. The threshold for the amplifier is externally set by the resistor, R_T .

The values of the external components used in Figure 9 are calculated as follows:

1. Current limiting threshold, $V_{TH} \approx \frac{1000}{R_T}$

2. C_1 is determined by the loop dynamics.

3. Peak current to load,

$$I_p \approx \frac{V_{TH}}{R_{SC}} + \frac{V_O}{R_{SC}} \left(\frac{R_2}{R_2 + R_3} \right)$$

4. Short circuit current,

$$I_{SC} = \frac{V_{TH}}{R_{SC}}$$

5. Low output voltage limit,

$$V_O(\text{low}) = \frac{2.5(R_4 + R_5 + R_6)}{R_5 + R_6}$$

6. High output voltage limit,

$$V_O(\text{high}) = \frac{2.5(R_4 + R_5 + R_6)}{R_6}$$

7. Voltage sensing delay, $T_D = 10,000 C_D$

8. SCR trigger power limiting resistor,

$$R_G > \frac{V_{IN} - 5}{0.2}$$

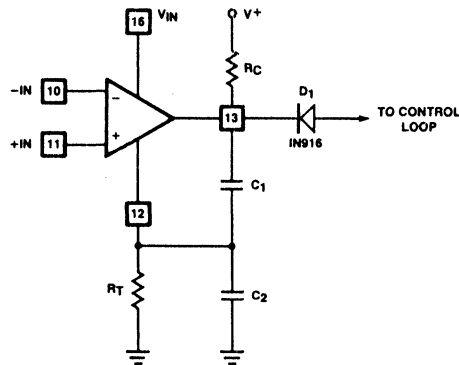


Figure 8. Current Limiting Amplifier Connections for Threshold Control and Frequency Compensation

XR-15/25/3543

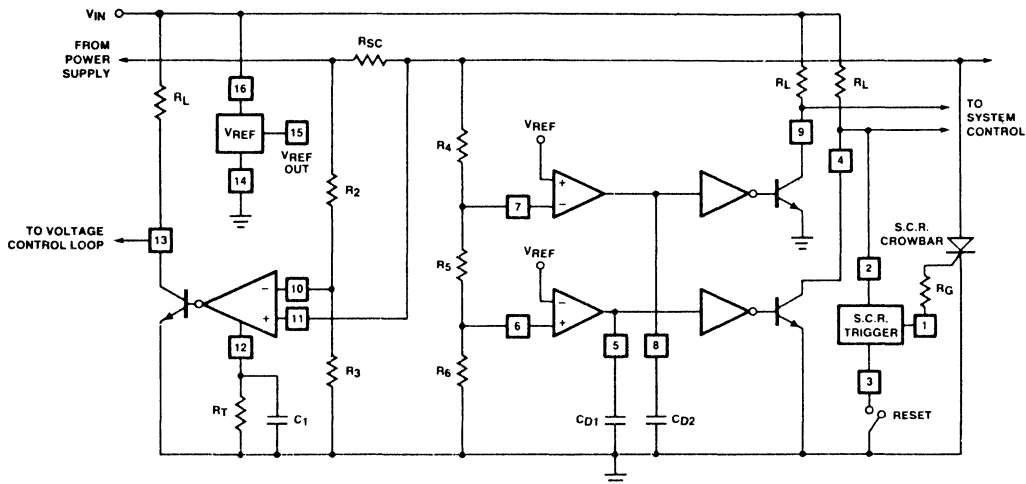


Figure 9. Typical Connection for Linear Foldback Current Limiting as well as Over-Voltage and Under-Voltage Protection.

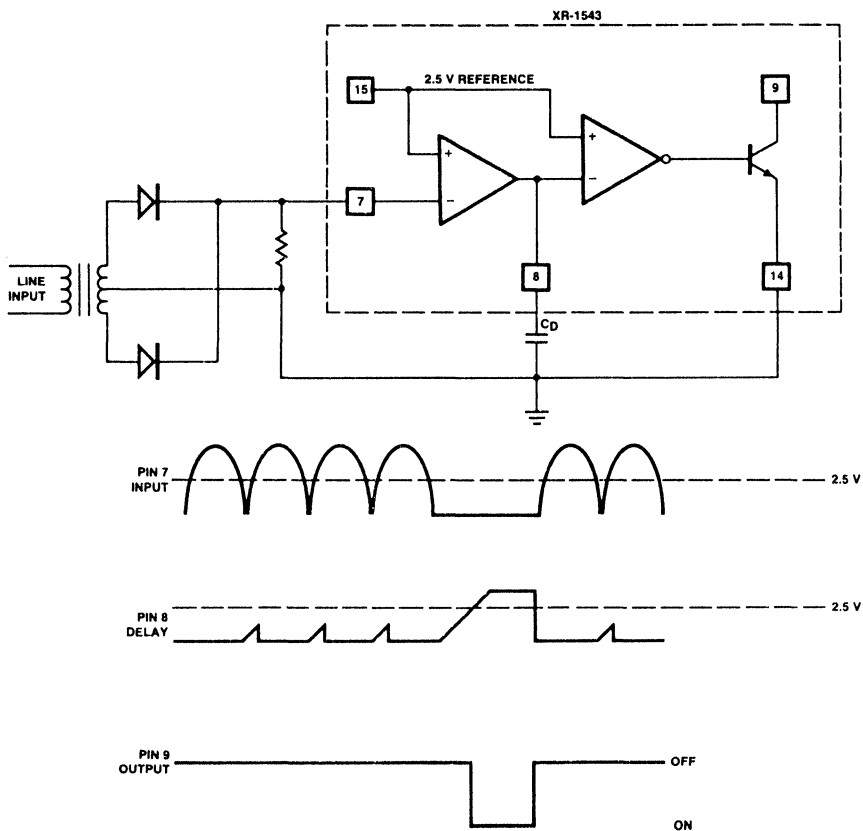


Figure 10. XR-1543—Input Line Monitor Circuit



XR-15/25/3543

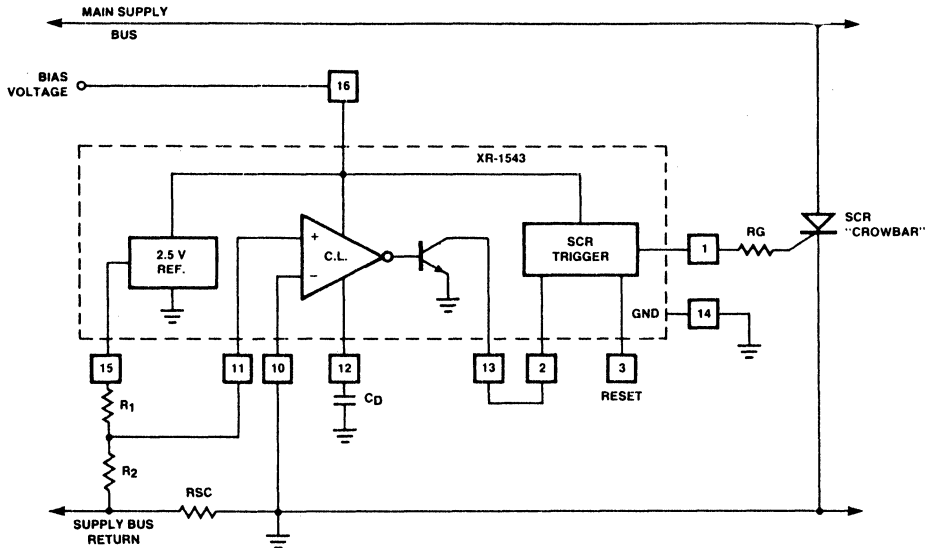


Figure 11. XR-1543—Over Current Shutdown Circuitry

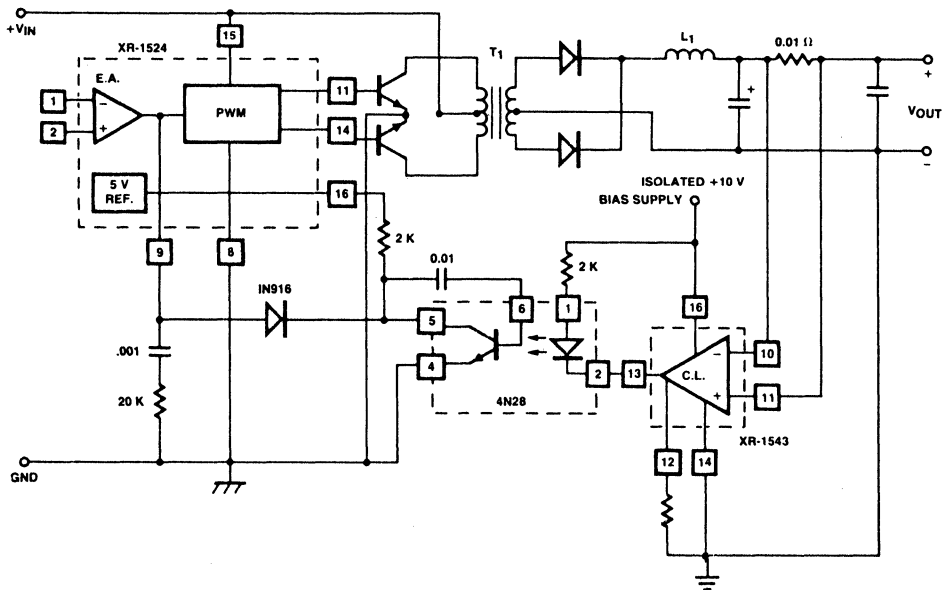


Figure 12. XR-1543 - DC Converter with Isolated Current Limiting

Pulse-Width Modulator Control System

GENERAL DESCRIPTION

The XR-2230 is a high-performance monolithic pulse width modulator control system. It contains all the necessary control blocks for designing switch mode power supplies, and other power control systems. Included in the 18-Pin dual-in-line package are two error amplifiers, a sawtooth generator, and the necessary control logic to drive two open-collector power transistors. Also included are protective features, such as adjustable dead-time control, thermal shutdown, soft-start control, and double-pulse protection circuitry.

The device provides two open-collector output transistors which are driven 180° out-of-phase, and are capable of sinking 30 mA. These outputs can be used to implement single-ended or push-pull switching regulation of either polarity in transformerless or transformer-coupled converters.

FEATURES

- Thermal Shutdown
- Adjustable Dead-time
- Dual Open-Collector
 - 30 mA Output Transistors
- Double-Pulse Protection Circuit
- Soft-Start Control
- High-Speed Remote Shut-Down Input
- Two High-Performance Error Amplifiers
 - with $\pm 5V$ Input Common-Mode Range

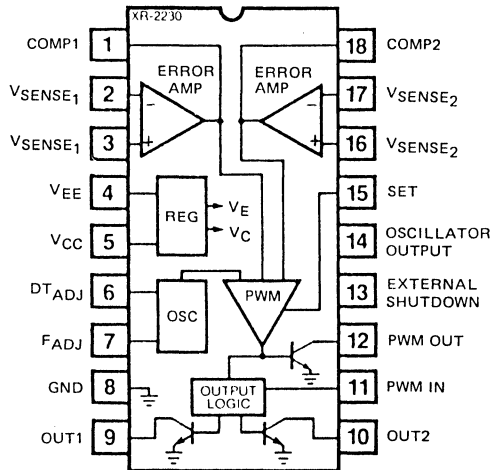
APPLICATIONS

- Switching Regulators
- Motor-Speed Controllers
- Pulse-Width Modulated Control Systems

ABSOLUTE MAXIMUM RATINGS

Positive Supply Voltage	-0.5 to +18V
Negative Supply Voltage	+0.5 to -18V
Input Voltage	-18 to +18V
Output Voltage	-0.5 to +18V
Power Dissipation ($T_A \leq 25^\circ C$)	400 mW
Operating Temperature	-10°C to +85°C
Storage Temperature	-55°C to +125°C

FUNCTIONAL BLOCK DIAGRAM



ORDERING INFORMATION

Part Number	Package	Operating Temperature
XR-2230CP	Plastic	0°C to +70°C

SYSTEM DESCRIPTION

The XR-2230 PWM circuit contains two high-performance error amplifiers with wide input common-mode range, and large voltage gains. Typically, one amplifier (Pins 16, 17, 18) is used for current sensing and the other (Pins 1, 2, 3) is used as an error amplifier to sense the output voltage. The XR-2230 requires a split supply between ± 8 volts and ± 15 volts, however, it can be operated from a single supply with proper external biasing on the ground pin and input pins of the error amplifiers. The output drivers capable of sinking 30 mA at a saturation voltage of about 0.3V can be used in a push-pull configuration, or can be paralleled for a single-ended configuration with a duty cycle between 0% to over 90%.

The XR-2230 features a self-protecting thermal-shutdown circuitry which turns off the output drivers when the junction temperature exceeds 130°C. The on-board regulator stabilizes the oscillator frequency to 0.1%/V for reliable performance.

XR-2230

ELECTRICAL CHARACTERISTICS

Test Conditions: $T_A = 25^\circ\text{C}$, $V_{CC} = +12\text{V}$, $V_{EE} = -12\text{V}$, $f_{OSC} = 20\text{ kHz}$, unless otherwise specified.

SYMBOL	PARAMETERS	MIN	TYP	MAX	UNIT	CONDITIONS
SUPPLY SECTION						
V_{CC}	Positive Supply Voltage	+10			V	
V_{EE}	Negative Supply Voltage			-10	V	
I_{CC}	Positive Supply Current	7.0	11.0	15.0	mA	
I_{EE}	Negative Supply Current	-2.0	-6.0	-2.0	mA	
OSCILLATOR SECTION						
f_{OSC}	Frequency Range	10		100	kHz	$R_T = 30\text{ k}\Omega$, $C_T = 4700\text{ pF}$ $V_{CC} = +10\text{V} \approx +15\text{V}$ $V_{CC} = +18\text{V}$, $V_{EE} = -8\text{V}$
	Initial Accuracy			15	%	
V_{OSC}	Supply Voltage Stability		0.1		%/V	
	Low Supply Voltage	-20		+20	%	
	Temperature Stability		0.01		%/°C	
δ	Sawtooth Peak Voltage	3.0	3.5	4.0	V	$f_{OSC} = 20\text{ kHz}$
	Duty Cycle Range	10		90	%	
VOLTAGE ERROR AMPLIFIER						
V_{OS}	Input Offset Voltage		2	10	mV	$A_{VCL} = 40\text{ dB}$ $V_{ICM} = \pm 4.5\text{V}$ $R_L = 10\text{ k}\Omega$ $V_{CC} = +8\text{V}$, $V_{EE} = -8\text{V}$ $A_{VCL} = 14\text{ dB}$, $R_F = 10\text{ k}\Omega$
I_{BIAS}	Input Bias Current		-0.5	-30	μA	
A_{VO}	Open-Loop Gain	60	90		dB	
$f_{-3\text{dB}}$	Closed-Loop Bandwidth		25		kHz	
CMRR	Common-Mode Rejection Ratio	60	90		dB	
V_{OM}	Output Voltage Swing	± 5			V	
SR	Slew Rate	2	4		V/ μs	
	Input Voltage Range		± 5		V	
CURRENT ERROR AMPLIFIER						
V_{OS}	Input Offset Voltage		4	20	mV	$A_{VCL} = 40\text{ dB}$ $V_{ICM} = \pm 4.5\text{V}$ $R_L = 10\text{ k}\Omega$ $V_{CC} = +8\text{V}$, $V_{EE} = -8\text{V}$ $A_{ACL} = 14\text{ dB}$, $R_F = 10\text{ k}\Omega$
I_{BIAS}	Input Bias Current		-1.0	-60	μA	
A_{VO}	Open-Loop Gain	60	90		dB	
$f_{-3\text{dB}}$	Closed-Loop Bandwidth		25		kHz	
CMRR	Common-Mode Rejection Ratio	60	90		dB	
V_{OM}	Output Voltage Swing	± 5			V	
SR	Slew Rate	± 4	8		V/ μs	
	Input Voltage Range	4	± 5		V	
MODULATOR SECTION						
t_d	Set Input Open Voltage (Pin 15)	3.1	3.6	4.1	V	$V_{CC} = +8\text{V}$, $V_{EE} = -8\text{V}$
	Modin Input Open Voltage (Pin 11)	2.8	3.3	4.3	V	
	Inhibit Input Current (Pin 13)	3.1	3.6	4.1	V	
	Inhibit Propagation Delay	2.8	3.3	4.3	V	
t_f	Out1, Out2, Output Voltage (Pins 9 and 10)	-50	-10		μA	$V_{CC} = +8\text{V}$, $V_{EE} = -8\text{V}$
	Low Supply Voltage		60		ns	
	Out1, Out2 Fall Time			0.3	V	
	Modout Output Voltage (Pin 12)			0.4	V	
	Under Low Supply Voltage			0.3	V	
t_f	Oscillator Output Voltage (Pin 14)			0.4	V	$I_O = 30\text{ mA}$, $T_A = 25^\circ\text{C}$ $T_A = -10 \approx +85^\circ\text{C}$ $I_O = 27\text{ mA}$, $T_A = 25^\circ\text{C}$
	Thermal Shutdown Temp.		130		°C	
				0.3	V	
				0.4	V	
				0.3	V	
			0.4	V	$I_O = 16\text{ mA}$, $T_A = 25^\circ\text{C}$ $T_A = -10 \approx +85^\circ\text{C}$ $I_O = 24\text{ mA}$, $T_A = 25^\circ\text{C}$ $I_O = 3\text{ mA}$, $T_A = 25^\circ\text{C}$ $T_A = -10 \approx +85^\circ\text{C}$	

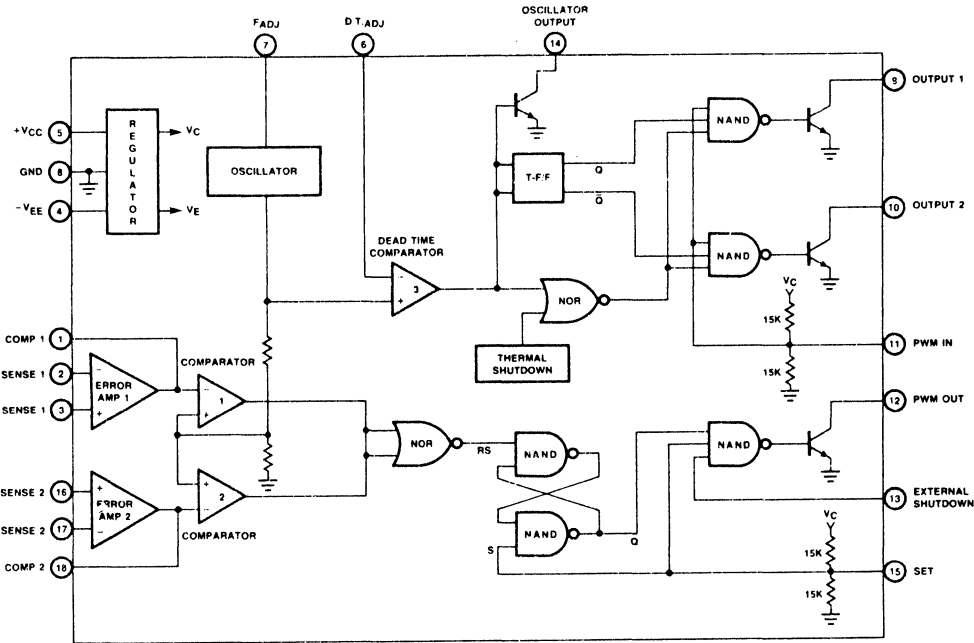


Figure 1. Equivalent Schematic Diagram

PRINCIPLES OF OPERATION

The heart of the XR-2230 is the sawtooth generator. As seen in Figure 1, this sawtooth drives one input of each of the three system comparators. Comparators one and two have their other inputs tied to the outputs of the error amplifiers. These comparators will now produce, at their outputs, square waves which will have a duty cycle proportional to the voltage at the inputs to the error amplifiers, or pulse width information. The pulse width information is fed into the NOR gate and used to provide the reset information to the pulse-width modulation flip-flop (PWM). The PWM flip-flop information is fed in to the NAND gate with the external shutdown and PWM flip-flop set input. The information from the NAND gate drives an open-collector transistor to provide the pulse-width modulation output, Pin 12. The PWM output will be a square wave with a frequency set by the sawtooth generator, and a duty cycle equal to either comparator, one or two, whichever is shorter. If the external shutdown, Pin 13 is driven low, the PWM output will remain low or go to zero duty cycle. The set input of the PWM flip-flop, Pin 15, is normally connected to the buffered sawtooth generator output, Pin 14, so that a reset pulse is provided every cycle. Each output transistor is driven by a three input NAND gate. These inputs consist of:

1. Pulse width information from the PWM input, Pin 11, which is used to control the off time of the output transistors. The PWM input is normally tied to the

PWM output so that the output transistor's off time is a function of the error amplifier's input voltage.

2. Pulse-steering information from flip-flop two, which will determine which output transistor receives the PWM input signal. Flip-flop two will toggle once every cycle of the sawtooth generator's output, which will make the output transistor's toggle frequency one-half that of the sawtooth generator's.
3. Information from dead-time and thermal shutdown circuitry. The dead-time is an externally adjustable time between one output transistor turning off and the other turning on. This is used to protect external circuitry. This dead-time is controlled by an external voltage applied to Pin 6, which is internally compared with the sawtooth waveform. The thermal shutdown circuitry will drive the input to the NAND gate low, if the junction temperature exceeds 130°C. This will make both outputs low.

The circuit control blocks and functions operate as follows:

Error Amplifiers—These are high-gain op amps which are used to sense output conditions, voltage and current, and provide a dc voltage to comparators one and two. This will in turn adjust the PWM output duty cycle and ultimately that of the output transistors to correct for errors in the output voltage or overcurrent conditions. The amplifier's outputs are provided for tailoring the closed-

XR-2230

loop gain or frequency response of the system. Figure 2 shows the relationship between output duty cycle, Pins 11 and 12 connected, and the voltage at Pins 1 or 18. Amplifier two is approximately twice as fast as Amplifier one, and should, therefore, be used to sense output current.

External Shutdown, Pin 13—A low level signal applied to this pin will turn both outputs on. If not used, this input should be left open-circuited. The impedance at this node is approximately 1 MΩ.

Oscillator Output, Pin 14—This is an open-collector output which will be a square wave with a frequency set by the sawtooth generator. The duty cycle of this output will vary from 10 to 90%, and is a function of the dead-time setting. This pin is normally connected to Pin 15, set to provide reset pulses for the PWM flip-flop.

Set, Pin 15—This is the set input for the PWM flip-flop. A low-going signal at this pin will cause the flip-flop to be reset. The impedance at this pin is approximately 7.5 kΩ. This pin is normally connected to the oscillator output, Pin 14.

PWM Out, Pin 12—This is an open-collector output which provides a square wave with a duty cycle determined by the error amplifiers. This output is normally connected to PWM IN, Pin 11.

PWM In, Pin 11—This is the input which controls the duty cycle of the output transistors. A low level on this pin will drive both output transistors on. The impedance into this pin is approximately 7.4 kΩ.

Output Transistors, Pins 9 and 10—These pins provide the open-collector output transistors which are capable of sinking 30 mA, typically. They are alternately turned off, 180° out-of-phase, at a rate equal to one-half the frequency of the oscillator.

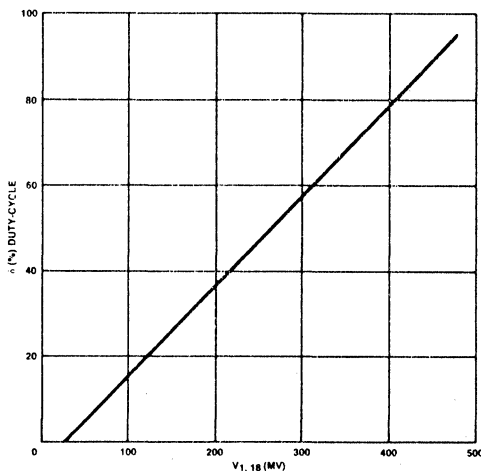


Figure 2. Modulation Duty Cycle vs Error Voltage

F_{ADJ}, Pin 7—A resistor, R_{ext} to +V_{CC}, and a capacitor, C_{ext}, to ground from this pin, set the frequency of the sawtooth and oscillator output, by the relationship:

$$F_{OSC} = \frac{2.68}{R_{ext} \times C_{ext}}$$

The sawtooth waveform a signal varying from zero volts to +5V, will be present at Pin 7. Normal values of R_{ext} will range from 1 kΩ to 100 kΩ. Figure 3 shows the oscillator period as a function of various R_{ext} and C_{ext} values.

The dead-time (minimum time from one output turning on to the other turning off) is controlled by the voltage applied to Pin 6.

Dead-time Control, Pin 6—Figure 4 shows output deadtime as a function of V_{PIN 6}. The maximum duty cycle of each output is also controlled by the dead-time, and may be determined by the following expression:

$$\text{Duty Cycle Max (\%)} = \left(1 - \frac{.35}{V_{PIN 6}}\right) \times 50\%$$

$$V_{PIN 6} < 3.5V$$

The impedance into this pin is approximately 10 kΩ.

APPLICATIONS INFORMATION

The soft-start function may be implemented as shown in Figure 7. This configuration will reduce the output duty cycle to zero, and gradually increase to its normal operating point, whenever power is applied to the circuit, or after an external shutdown command has been given. This is used to keep the magnetics in the circuit from saturating.

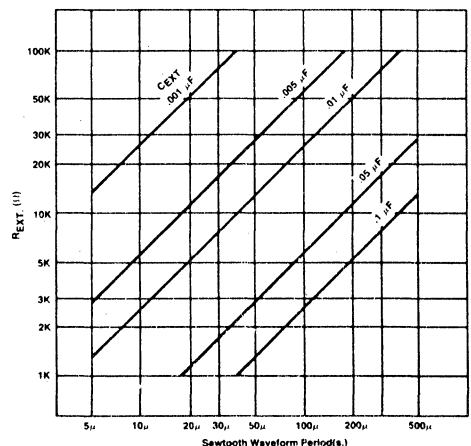


Figure 3. Oscillation Period vs R_{EXT} and C_{EXT}

XR-2230

The time for the duty cycle to start will be approximately equal to $R_1 \times C_1$.

A typical step-down switching regulator configuration is shown in Figure 8. Only one output transistor is used, so that the maximum duty cycle will be limited to 45%. If a larger duty cycle range is needed, the two outputs may be externally NOR'd as shown in Figure 9. This configuration will allow up to 90% duty cycles.

Figure 10 shows a detailed timing diagram of circuit operation.

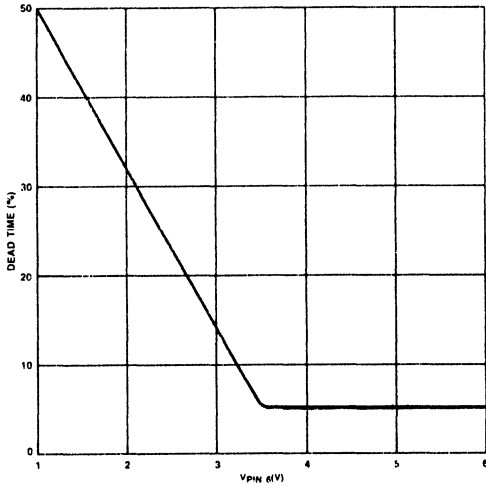


Figure 4. Dead Time vs Dead Time Adjustment Voltage

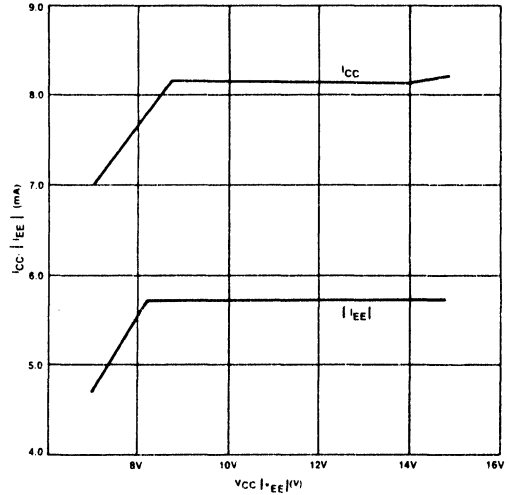


Figure 5. Supply Current vs Supply Voltage

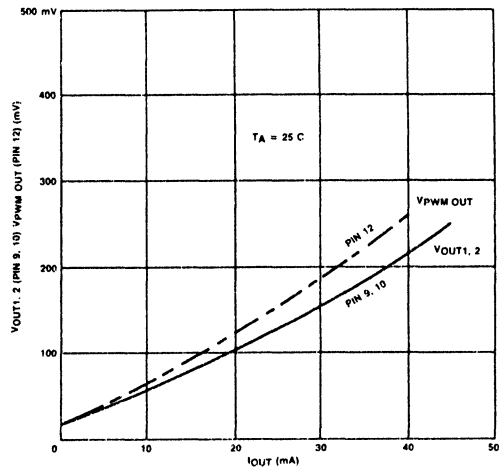


Figure 6. Output Saturation Voltage vs Load Current

RECOMMENDED OPERATING CONDITIONS

SYMBOL	PARAMETER	CONDITION	UNIT
V _{CC}	Positive Supply Voltage	+10 ≈ +15	V
V _{EE}	Negative Supply Voltage	-10 ≈ -15	V
R _R	Minimum Feedback Resistance	10	kΩ
A _v	Minimum Voltage Gain	14 5	dB V/V

XR-2230

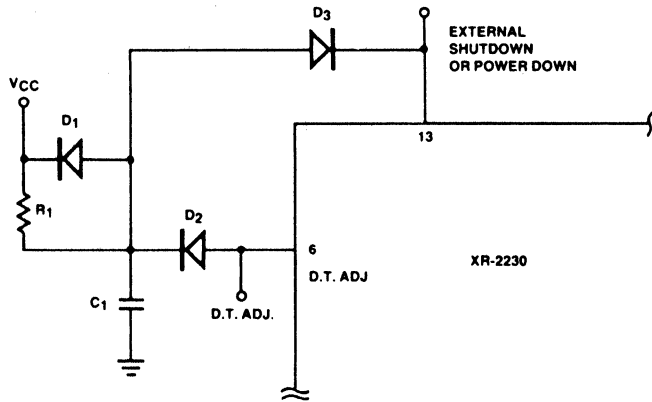


Figure 7. Soft Start Connection

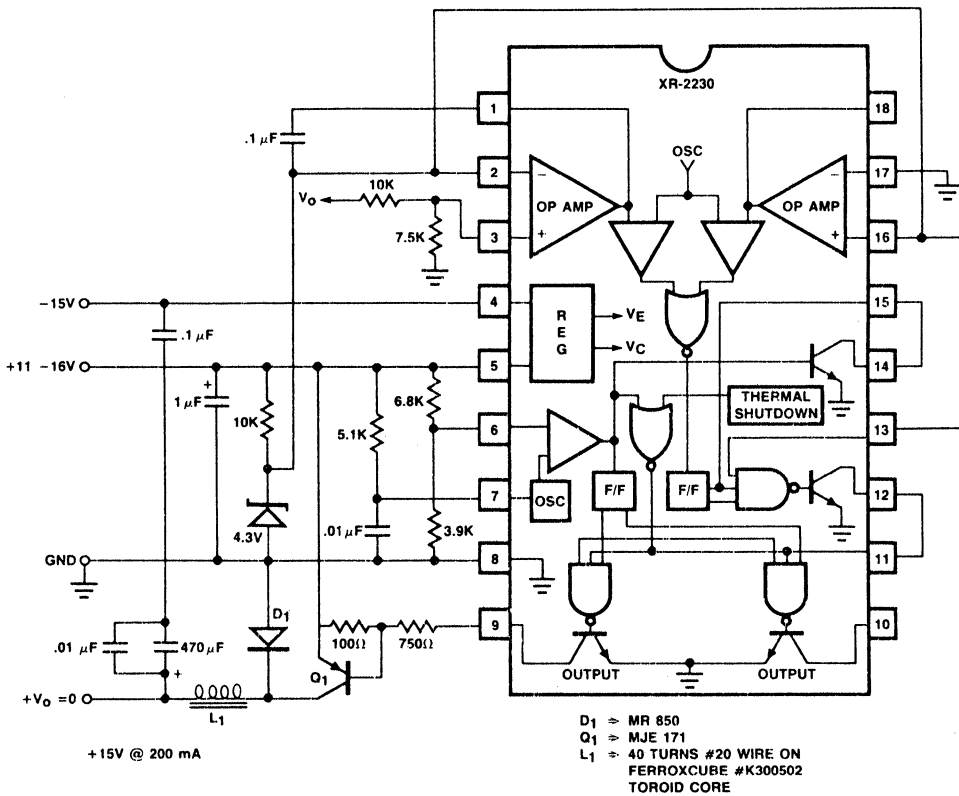


Figure 8. +10V Step-Down Regulator

XR-2230

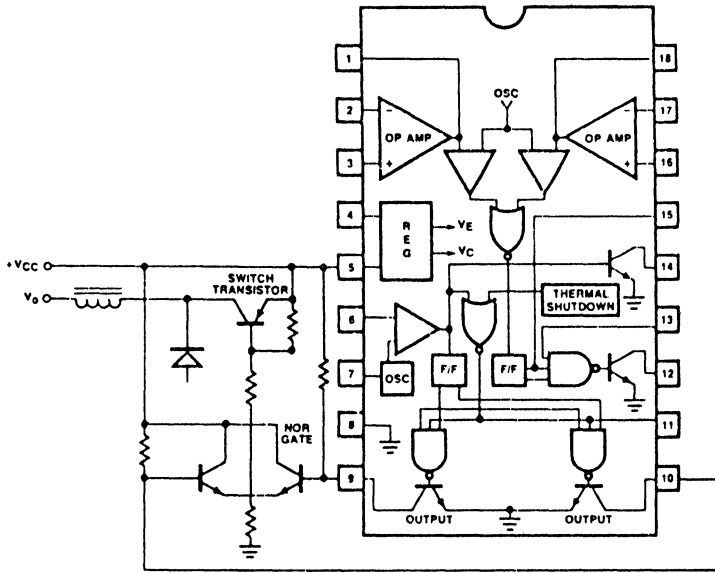


Figure 9. Outputs Nor'd for up to 90% Duty Cycle's

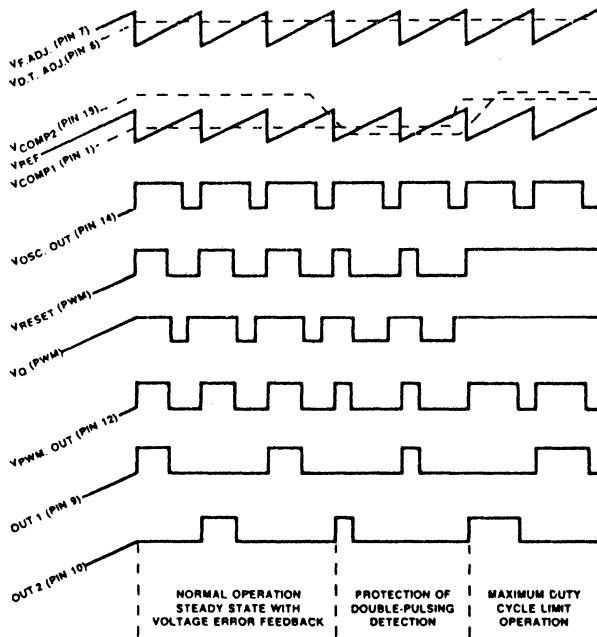


Figure 10. Timing Waveform Diagram

Dual-Tracking Voltage Regulator

GENERAL DESCRIPTION

The XR-4194 is a dual-polarity tracking regulator designed to provide balanced or unbalanced positive and negative output voltages at currents of up to 200 mA. A single resistor can be used to adjust both outputs between the limits of $\pm 50\text{mV}$ and $\pm 42\text{ V}$. The device is ideal for local on-card regulation, which eliminates the distribution problems associated with single-point regulation. The XR-4194 is available in a 14-pin ceramic dual-in-line package, which has a 900 mW rating.

FEATURES

- Direct Replacement for RM/RC 4194
- Both Outputs Adjust with Single Resistor
- Load Current to $\pm 200\text{ mA}$ with 0.2% Load Regulation
- Low External Parts Count
- Internal Thermal Shutdown at $T_J = 175^\circ\text{C}$
- External Adjustment for $\pm V_O$ Unbalancing

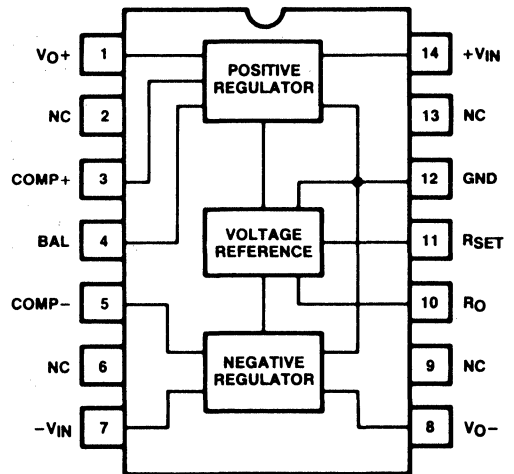
APPLICATIONS

- On-Card Regulation
- Adjustable Regulator

ABSOLUTE MAXIMUM RATINGS

Input Voltage $\pm V$ to Ground	
XR-4194M	$\pm 45\text{ V}$
XR-4194CN	$\pm 35\text{ V}$
Input/Output Voltage Differential	$\pm 45\text{ V}$
Power Dissipation at $T_A = 25^\circ\text{C}$	900 mW
Load Current	150 mA
Operating Junction Temperature Range	
XR-4194M	-55°C to $+150^\circ\text{C}$
XR-4194CN	0°C to $+125^\circ\text{C}$
Storage Temperature Range	-65°C to $+150^\circ\text{C}$

FUNCTIONAL BLOCK DIAGRAM



ORDERING INFORMATION

Part Number	Package	Operating Temperature
XR-4194CN	Ceramic DIP	0°C to $+70^\circ\text{C}$
XR-4194M	Ceramic DIP	-55°C to $+125^\circ\text{C}$

SYSTEM DESCRIPTION

The XR-4194 is a dual polarity tracking voltage regulator. An on board reference, set by a single resistor, determines both output voltages. Tracking accuracy is better than 1%. Non-symmetrical output voltages are obtained by connecting a resistor to the balance adjust (Pin 4). Internal protection circuits include thermal shutdown and active current limiting.

XR-4194

ELECTRICAL CHARACTERISTICS

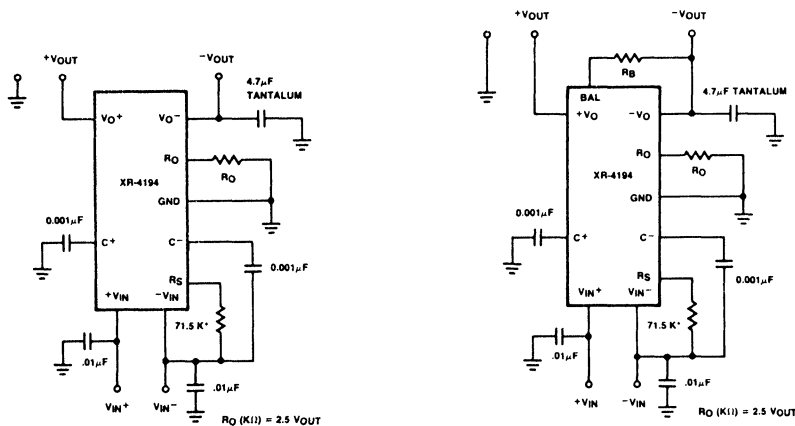
Test Conditions: $\pm 5 \leq V_{OUT} \leq V_{MAX}$; XR-4194M $-55^{\circ}\text{C} \leq +125^{\circ}\text{C}$; XR-4194CN $0^{\circ}\text{C} \leq T_J \leq +70^{\circ}\text{C}$

PARAMETERS	XR-4194M			XR-4194CN			UNIT	CONDITIONS
	MIN	TYP	MAX	MIN	TYP	MAX		
Line Regulation		0.02	0.1		0.02	0.1	% V_{OUT}	$\Delta V_{IN} = 0.1 V_{IN}$
Load Regulation		0.001	0.0025		0.001	0.004	% V_{O}/mA	XR-4194CN, M: $I_L = 5$ to 100 mA
TC of Output Voltage		0.002	0.020		0.003	0.015	%/ $^{\circ}\text{C}$	
*Stand-by Current Drain from		+0.3	+1.0		+0.3	+1.5	mA	$V_{IN} = V_{MAX}$, $V_O = 0\text{V}$
to		-1.2	-2.0		-1.2	-2.0		$V_{IN} = V_{MAX}$, $V_O = 0\text{V}$
Input Voltage Range	± 9.5		± 45	± 9.5		± 35	V	
Output Voltage Scale Factor	2.45	2.5	2.55	2.38	2.5	2.62	K Ω/V	$R_{SET} = 71.5$ K $T_J = 25^{\circ}\text{C}$
Output Voltage Range	0.05		+42	0.05		± 32	V	$R_{SET} = 71.5$ K
Output Voltage Tracking			1.0			2.0	%	
Ripple Rejection		70			70		dB	$f = 120$ Hz, $T_J = 25^{\circ}\text{C}$
Input-Output Voltage Differential	3.0			3.0			V	$I_L = 50$ mA
Output Short Circuit Current		300			300		mA	$V_{IN} = \pm 30$ V Max
Output Noise Voltage		250			250		$\mu\text{V RMS}$	$C_L = 4.7$ μF , $V_O = \pm 15$ V $f = 10$ Hz to 100 KHz
Internal Thermal Shutdown		175			175		$^{\circ}\text{C}$	

* $\pm I_{Quiescent}$ will increase by $50 \mu\text{A}/V_{OUT}$ on positive side and $100 \mu\text{A}/V_{OUT}$ on negative side.

THERMAL CHARACTERISTICS

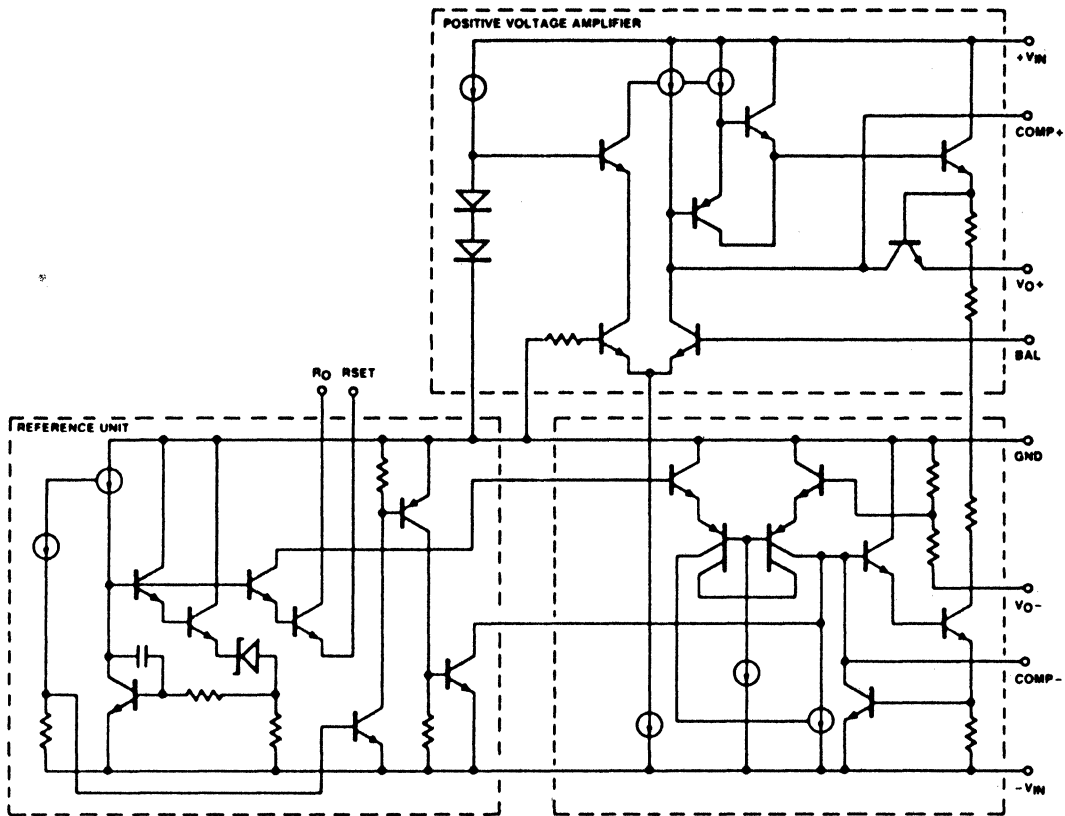
PARAMETERS	XR-4194M			XR-4194CN			CONDITIONS
	MIN	TYP	MAX	MIN	TYP	MAX	
Power Dissipation			900 mW 2.2 W			900 mW 2.2 W	$T_A = 25^{\circ}\text{C}$ $T_C = 25^{\circ}\text{C}$
Thermal Resistance Junction to Ambient		128 $^{\circ}\text{C}/\text{W}$			128 $^{\circ}\text{C}/\text{W}$		
Junction to Case		55 $^{\circ}\text{C}/\text{W}$			55 $^{\circ}\text{C}/\text{W}$		



* For Best Tracking Temperature Coefficient of R_0 Should Be Same As For R_S
 Adjust R_0 for $-V_S = 6$ V (15 K Ω) then
 Adjust R_0 for $+V_S = 12$ V (20 K Ω)

Figure 2. Typical Applications

XR-4194



EQUIVALENT SCHEMATIC DIAGRAM

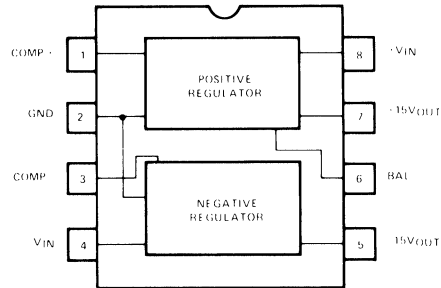
± 15V Dual-Tracking Voltage Regulator

GENERAL DESCRIPTION

The XR-4195 is a dual-polarity tracking regulator designed to provide balanced positive and negative 15V output voltages at currents of up to 100mA.

The device is ideal for local "on-card" regulation, which eliminates the distribution problems associated with single-point regulation. Intended for ease of application, the XR-4195 requires only two external components for operation.

FUNCTIONAL BLOCK DIAGRAM



FEATURES

- Direct Replacement for RM/RC 4195
- ± 15V Operational Amplifier Power
- Thermal Shutdown at $T_j = +175^\circ\text{C}$
- Output Currents to 100mA
- As a Single Output Regulator, it may be used with up to + 50V Output
- Available in 8-Pin Plastic Mini-DIP
- Low External Parts Count

APPLICATIONS

- Operational Amplifier Supply
- On-Card Regulation
- Regulating High Voltage

ABSOLUTE MAXIMUM RATINGS

Input Voltage $\pm V$ to Ground	$\pm 30\text{ V}$
Power Dissipation at $T_A = 25^\circ\text{C}$	600 mW
Load Current	100 mA
Operating Junction Temperature Range	$0^\circ\text{C to } +125^\circ\text{C}$
Storage Temperature Range	$-65^\circ\text{C to } +150^\circ\text{C}$

ORDERING INFORMATION

Part Number	Package	Operating Temperature
XR-4195CP	Dip	$0^\circ\text{C to } +70^\circ\text{C}$

SYSTEM DESCRIPTION

The XR-4195 is a dual polarity tracking voltage regulator, internally trimmed to $\pm 15\text{V}$. Only output capacitors are required for operation. Internal protection circuits include thermal shutdown and active current limiting. The device may be configured as a single output high voltage regulator by adding a voltage divider between an output pin, the device ground (Pin 2) and system ground.

XR-4195

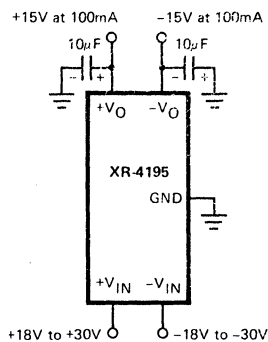
ELECTRICAL CHARACTERISTICS

Test Conditions: ($I_L = 1\text{mA}$, $V_{CC} = \pm 20\text{V}$, $C_L = 10\mu\text{F}$ unless otherwise specified)

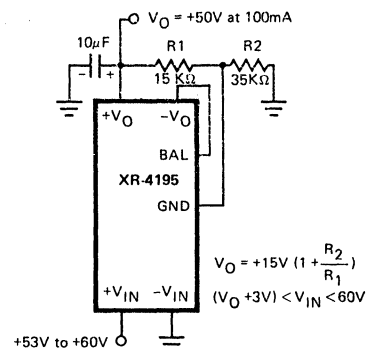
PARAMETERS	XR-4195CP			UNITS	CONDITIONS
	MIN	TYP	MAX		
Line Regulation		2	20	mV	$V_{IN} = \pm 18$ to $\pm 30\text{V}$
Load Regulation		5	30	mV	$I_L = 1$ to 100mA
Output Voltage Temperature Stability		0.005	0.015	%/°C	
Standby Current Drain		± 1.5	± 3.0	mA	$V_{IN} = \pm 30\text{V}$, $I_L = 0\text{mA}$
Input Voltage Range	18		30	V	
Output Voltage	14.5	15	15.5	V	$T_i = +25^\circ\text{C}$
Output Voltage Tracking		± 50	± 300	mV	
Ripple Rejection		75		dB	$f = 120\text{Hz}$, $T_i = +25^\circ\text{C}$
Input-Output Voltage Differential	3			V	$I_L = 50\text{mA}$
Short-Circuit Current		220		mA	$T_i = +25^\circ\text{C}$
Output Noise Voltage		60		$\mu\text{V RMS}$	$T_i = +25^\circ\text{C}$, $f = 100\text{Hz}$ to 100kHz
Internal Thermal Shutdown		175		°C	

THERMAL CHARACTERISTICS

PARAMETERS	XR-4195CP			CONDITIONS
	MIN	TYP	MAX	
Power Dissipation			0.6W	$T_A = 25^\circ\text{C}$ $T_C = 25^\circ\text{C}$
Thermal Resistance		210°C/W		θ_{J-C} θ_{J-A}



Balanced Output



Positive Single Supply

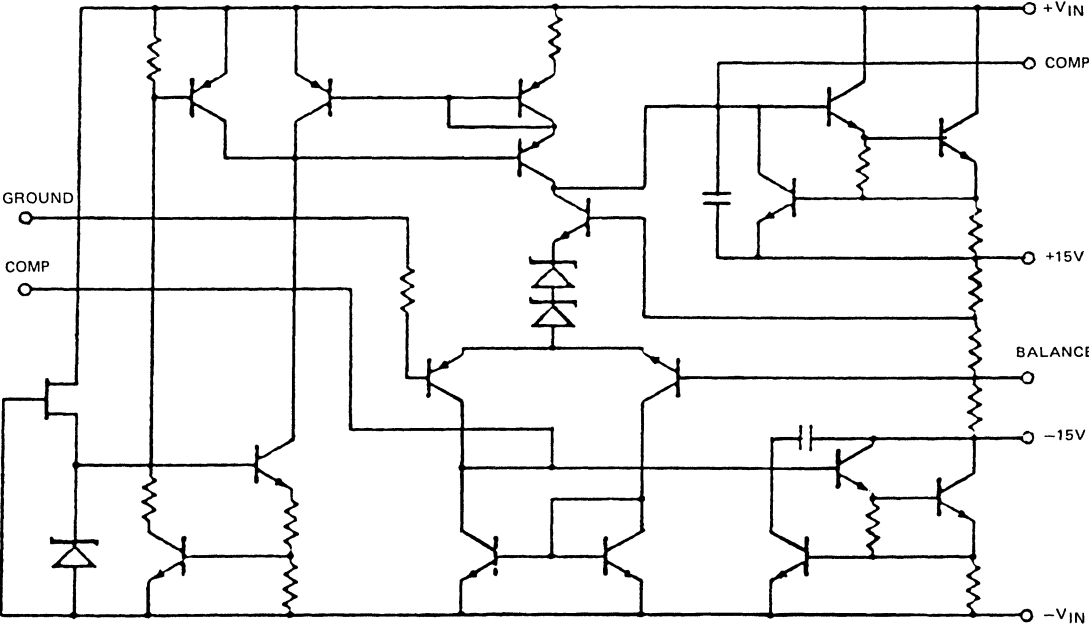
$$V_O = +15\text{V} \left(1 + \frac{R_2}{R_1}\right)$$

$$(V_O + 3\text{V}) < V_{IN} < 60\text{V}$$

TYPICAL APPLICATIONS

XR-4195

1



EQUIVALENT SCHEMATIC DIAGRAM

High Current Drivers

High-Voltage, High-Current Darlington Transistor Arrays

GENERAL DESCRIPTION

The XR-2001/2002/2003/2004 are high-voltage, high-current Darlington transistor arrays consisting of seven silicon NPN Darlington pairs on a common monolithic substrate. All units feature open collector outputs and integral protection diodes for driving inductive loads. Peak inrush currents of up to 600 mA are allowed, which makes the arrays ideal for driving tungsten filament lamps. The outputs may be paralleled to achieve high load current capability although each driver has a maximum continuous collector current rating of 500 mA. The arrays are directly price competitive with discrete transistor alternatives.

FEATURES

- Peak Inrush Current Capability of 600 mA.
- Internal Protection Diodes for Driving Inductive Loads
- Excellent Noise Immunity
- Direct Compatibility with Most Logic Families
- Opposing Pin Configuration Eases Circuit Board Layout

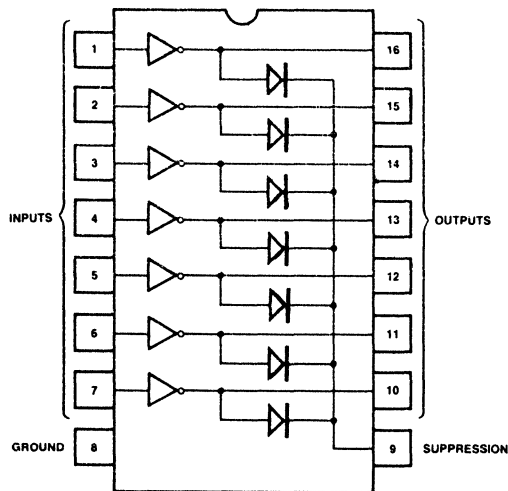
APPLICATIONS

- Relay Drivers
- High Current Logic Drivers
- Solenoid Driver

ABSOLUTE MAXIMUM RATINGS $T_A = 25^\circ\text{C}$

Output Voltage, V_{CE}	50V
Input Voltage, V_{IN}	30V
Continuous Collector Current, I_C (Each Driver)	500mA
Continuous Base Current, I_B (Each Driver)	25mA
Power Dissipation, P_D (Each Driver)	1.0W
(Total Package)	See graph
Derate Above 25°C	16 mW/ $^\circ\text{C}$
Storage Temperature Range	-55°C to $+150^\circ\text{C}$

FUNCTIONAL BLOCK DIAGRAM



ORDERING INFORMATION

Part Number	Package	Operating Temperature
XR-2001CN	Ceramic	0°C to $+70^\circ\text{C}$
XR-2002CN	Ceramic	0°C to $+70^\circ\text{C}$
XR-2003CN	Ceramic	0°C to $+70^\circ\text{C}$
XR-2004CN	Ceramic	0°C to $+70^\circ\text{C}$

SYSTEM DESCRIPTION

The XR-2001 interfaces with bipolar digital logic (with external current limiting), or with CMOS or PMOS directly.

The XR-2002 was specifically designed to interface with 14 to 25 PMOS devices.

The XR-2003 permits operation directly with CMOS or TTL operating at a supply voltage of 5 volts. Interface requirements beyond the scope of standard logic buffers are easily handled by the XR-2003.

The XR-2004 requires less input current than the XR-2003 and the input voltage is less than that required by the XR-2002. The XR-2004 operates directly from PMOS or CMOS outputs using supply voltages of 6 to 15 volts.

XR-2001/2/3/4

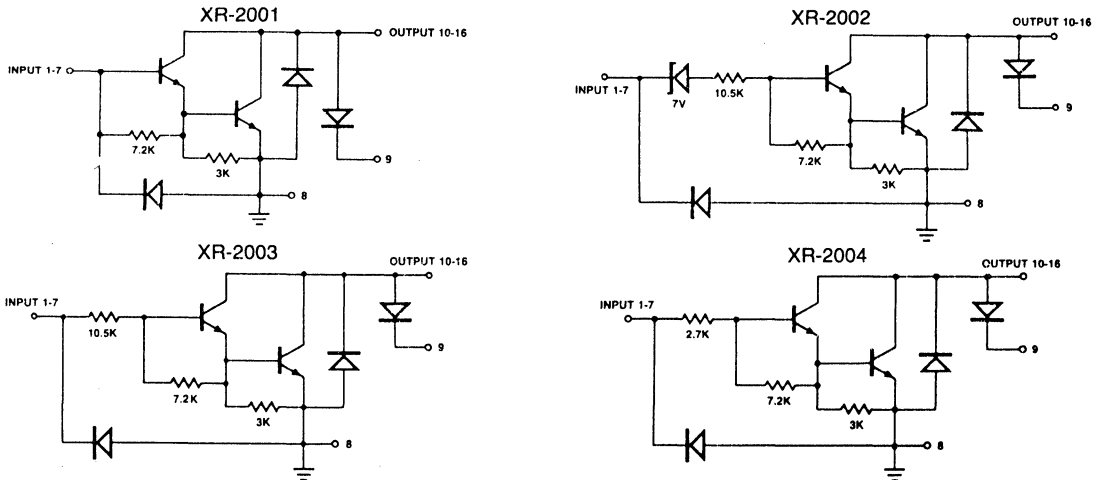
ELECTRICAL CHARACTERISTICS

Test Conditions: T_A 25°C, unless otherwise specified.

SYMBOL	PARAMETERS	LIMITS			UNITS	CONDITIONS
		MIN	TYP	MAX		
I_{CEX}	Output Leakage Current XR-2002 XR-2004			100	μA	$V_{CE} = 50 V, T_A = 70^\circ C$ $V_{CE} = 50 V, T_A = 70^\circ C, V_{IN} = 6V$ $V_{CE} = 50 V, T_A = 70^\circ C, V_{IN} = 1V$
				500	μA	
				500	μA	
V_{CE}	Collector-Emitter Saturation Voltage		1.25	1.6	V	$I_C = 350mA, I_B = 500\mu A$ $I_C = 200mA, I_B = 350\mu A$ $I_C = 100mA, I_B = 250\mu A$
			1.1	1.3	V	
			0.9	1.1	V	
I_{IN}	Input Current (on) XR-2002 XR-2003 XR-2004		0.85	1.25	mA	$V_{IN} = 17V$ $V_{IN} = 3.85V$ $V_{IN} = 5V$ $V_{IN} = 12V$
			0.93	1.35	mA	
			0.35	0.5	mA	
			1.0	1.45	mA	
I_{IN}	Input Current (off)	50	65		μA	$I_C = 500\mu A, T_A = 70^\circ C$
V_{IN}	Input Voltage XR-2002 XR-2003 XR-2004			13	V	$V_{CE} = 2 V, I_C = 300mA$ $V_{CE} = 2 V, I_C = 200mA$ $V_{CE} = 2 V, I_C = 250mA$ $V_{CE} = 2 V, I_C = 300mA$ $V_{CE} = 2 V, I_C = 125mA$ $V_{CE} = 2 V, I_C = 200mA$ $V_{CE} = 2 V, I_C = 275mA$ $V_{CE} = 2 V, I_C = 350mA$
				2.4	V	
				2.7	V	
				3.0	V	
				5.0	V	
				6.0	V	
				7.0	V	
				8.0	V	
h_{FE}	D-C Forward Current Transfer Ratio XR-2001	1000				$V_{CE} = 2 V, I_C = 350mA$
C_{IN}	Input Capacitance		15	30	pF	
I_R	Clamp Diode Leakage Current			50	μA	$V_R = 50V$
V_F	Clamp Diode Forward Voltage		1.7	2.0	V	$I_F = 350mA$
t_{PLH}	Turn-On Delay		0.25	1.0	μS	0.5 E_{IN} to 0.5 E_{OUT}
t_{PHL}	Turn-Off Delay		0.25	1.0	μS	0.5 E_{IN} to 0.5 E_{OUT}

1

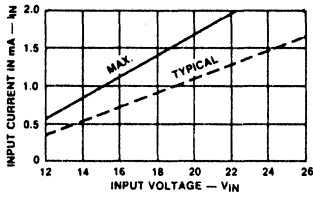
SCHEMATIC DIAGRAMS (One of 7 Identical Drivers is shown for each device.)



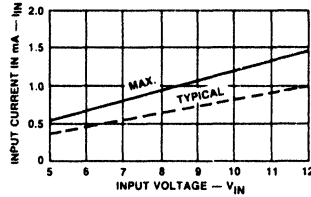
XR-2001/2/3/4

CHARACTERISTIC CURVES

(a) XR-2002



(b) XR-2004



(c) XR-2003

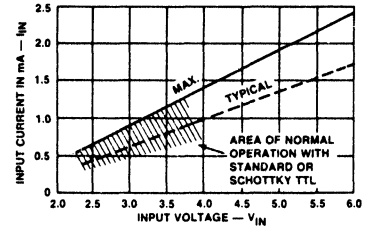


Figure 1. Input Current as a Function of Input Voltages

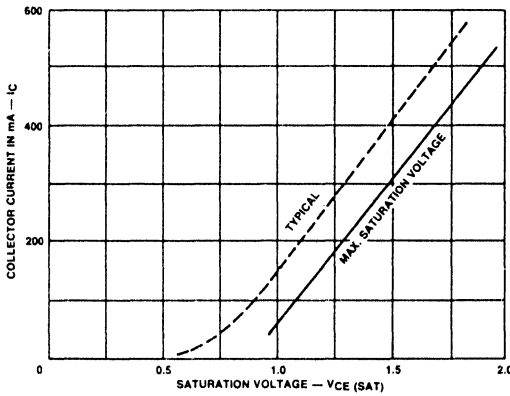


Figure 2. Collector Current as a Function of Saturation Voltage.

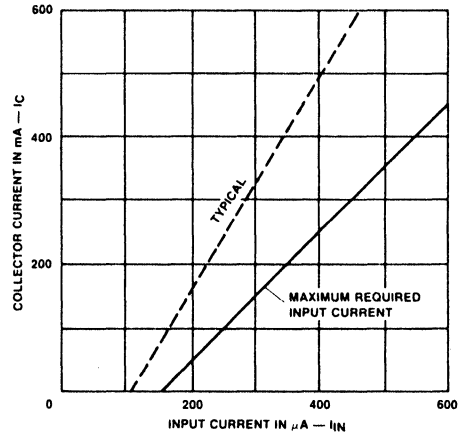


Figure 3. Collector Current as a Function of Input Current

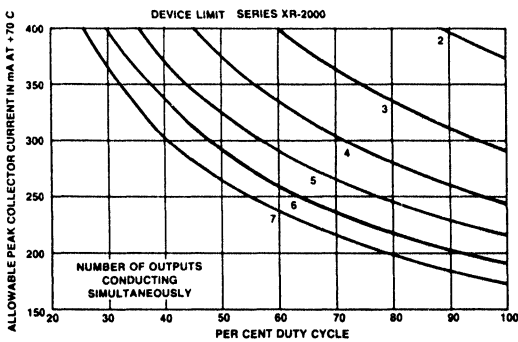


Figure 4. Peak Collector Current as a Function of Duty Cycle and Number of Outputs

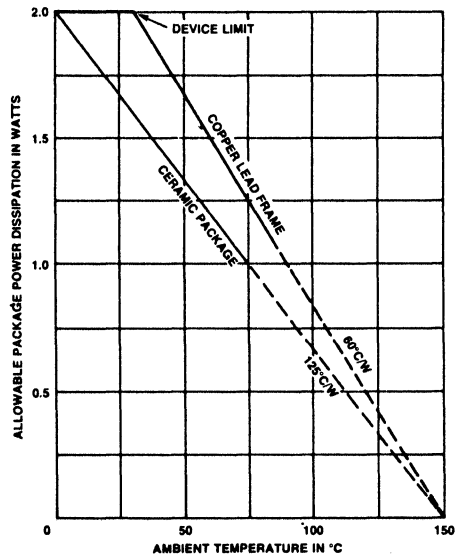


Figure 5. Allowable Average Power Dissipation as a Function of Ambient Temperature

XR-2001/2/3/4

TYPICAL APPLICATIONS

XR-2002

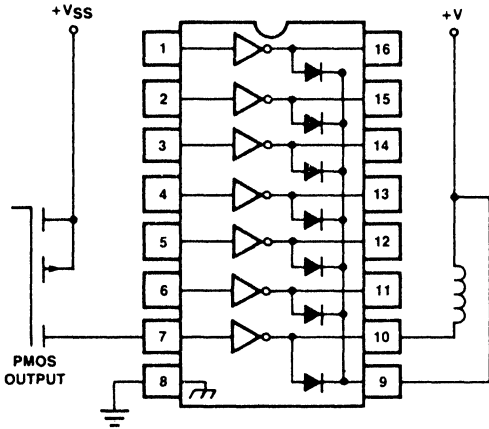


Figure 6. PMOS to Load

XR-2003

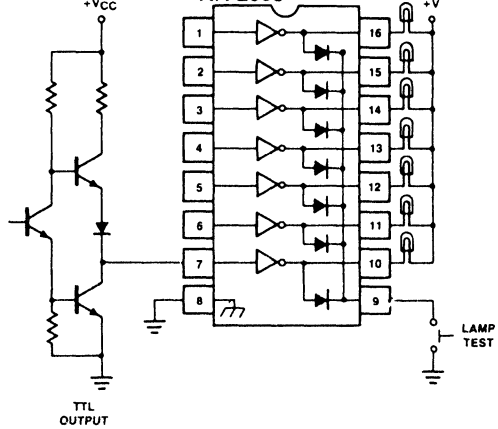


Figure 7. TTL to Load

XR-2004

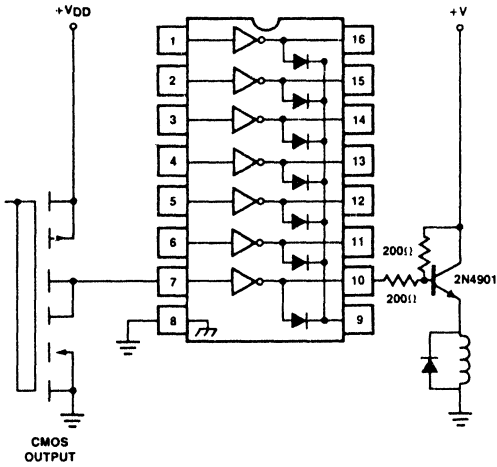


Figure 8. Buffer for Higher Current Loads

XR-2003

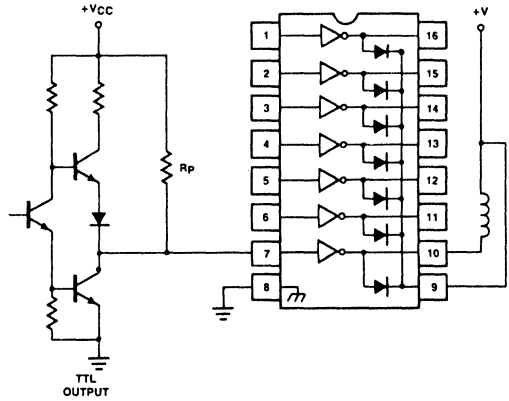


Figure 9. Use of Pull-up Resistors to Increase Drive Current



High-Voltage, High-Current Darlington Transistor Arrays

GENERAL DESCRIPTION

The XR-2011/2012/2013/2014 are high-voltage, high-current Darlington transistor arrays consisting of seven silicon NPN Darlington pairs on a common monolithic substrate. All units feature open collector outputs and integral protection diodes for driving inductive loads. Peak inrush currents of up to 750 mA are allowed, which makes the arrays ideal for driving tungsten filament lamps. The outputs may be paralleled to achieve higher load current capability although each driver has a maximum continuous collector current rating of 600 mA. The arrays are directly price competitive with discrete transistor alternatives.

FEATURES

- Peak Inrush Current Capability of 750 mA
- Internal Protection Diodes for Driving Inductive Loads
- Excellent Noise Immunity
- Direct Compatibility with Most Logic Families
- Opposing Pin Configuration Eases Circuit Board Layout

APPLICATIONS

- Relay Drive
- High Current Logic Driver

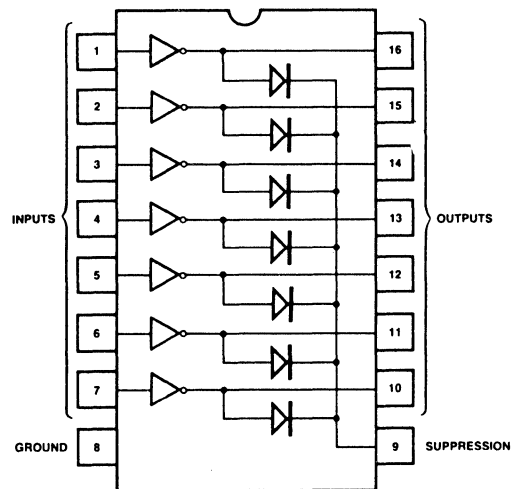
ABSOLUTE MAXIMUM RATINGS $T_A = 25^\circ\text{C}$

Output Voltage, V_{CE}	50V
Input Voltage, V_{IN}	30V
Continuous Collector Current, I_C (Each Driver)	600 mA
Continuous Base Current, I_B (Each Driver)	25 mA
Power Dissipation, P_D (Each Driver)	1.0 W
	(Total Package) See graph
Derate Above 25°C	16.67 mW/ $^\circ\text{C}$
Storage Temperature Range	-55°C to $+150^\circ\text{C}$

ORDERING INFORMATION

Part Number	Package Type	Operating Temperature
XR-2011 CN	Ceramic	0°C to $+70^\circ\text{C}$
XR-2012 CN	Ceramic	0°C to $+70^\circ\text{C}$
XR-2013 CN	Ceramic	0°C to $+70^\circ\text{C}$
XR-2014 CN	Ceramic	0°C to $+70^\circ\text{C}$

FUNCTIONAL BLOCK DIAGRAM



SYSTEM DESCRIPTION

The XR-2011 device is a general purpose array to be used with bipolar digital logic (with external current limiting), or with CMOS or PMOS directly. Output pins opposite input pins facilitates circuit board layout.

The XR-2012 was specifically designed to interface with 14 to 25 volt PMOS devices. The input current is limited to a safe value by a Zener diode and resistor in series.

A 2.7 k Ω series base resistor to each Darlington pair in the XR-2013 permits operation directly with CMOS or TTL operating with a 5 volt supply. Interface requirements beyond the scope of standard logic buffers are easily handled by the XR-2013.

The XR-2014 requires less input current than the XR-2013 and the input voltage is less than that required by the XR-2012. The XR-2014 has a 10.5 k Ω series input resistor, permitting operation directly from PMOS or CMOS outputs using supply voltages of 6 to 15 volts.

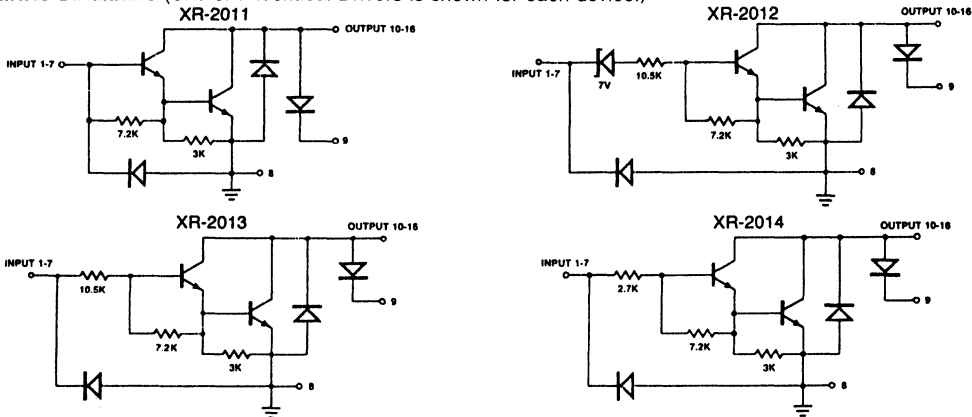
XR-2011/12/13/14

ELECTRICAL CHARACTERISTICS (T_A 25°C unless otherwise noted)

SYMBOL	PARAMETERS	LIMITS			UNITS	CONDITIONS
		MIN	TYP	MAX		
I_{CEX}	Output Leakage Current XR-2012 XR-2014			100 500 500	μA μA μA	$V_{CE} = 50 V, T_A = 70^\circ C$ $V_{CE} = 50 V, T_A = 70^\circ C, V_{IN} = 6V$ $V_{CE} = 50 V, T_A = 70^\circ C, V_{IN} = 1V$
V_{CE}	Collector-Emitter Saturation Voltage		1.7 1.3 1.1	1.9 1.6 1.3	V V V	$I_C = 500mA, I_B = 600\mu A$ $I_C = 350mA, I_B = 500\mu A$ $I_C = 200mA, I_B = 350\mu A$
I_{IN}	Input Current (on) XR-2012 XR-2013 XR-2014		0.82 0.93 0.35 1.0	1.25 1.35 0.5 1.45	mA mA mA mA	$V_{IN} = 17V$ $V_{IN} = 3.85V$ $V_{IN} = 5V$ $V_{IN} = 12V$
I_{IN}	Input Current (off)	50	65		μA	$I_C = 500\mu A, T_A = 70^\circ C$
V_{IN}	Input Voltage XR-2012 XR-2013 XR-2014			17 2.7 3.0 3.5 7.0 8.0 9.5	V V V V V V V	$V_{CE} = 2 V, I_C = 500mA$ $V_{CE} = 2 V, I_C = 250mA$ $V_{CE} = 2 V, I_C = 300mA$ $V_{CE} = 2 V, I_C = 500mA$ $V_{CE} = 2 V, I_C = 275mA$ $V_{CE} = 2 V, I_C = 350mA$ $V_{CE} = 2 V, I_C = 500mA$
h_{FE}	D-C Forward Current Transfer Ratio XR-2011	1000				$V_{CE} = 2 V, I_C = 350mA$
C_{IN}	Input Capacitance		15	30	pF	
I_R	Clamp Diode Leakage Current			50	μA	$V_R = 50V$
V_F	Clamp Diode Forward Voltage		2.1	2.5	V	$I_F = 500mA$
t_{PLH}	Turn-On Delay		0.25	1.0	μS	$0.5 E_{IN}$ to $0.5 E_{OUT}$
t_{PHL}	Turn-Off Delay		0.25	1.0	μS	$0.5 E_{IN}$ to $0.5 E_{OUT}$

1

SCHEMATIC DIAGRAMS (One of 7 Identical Drivers is shown for each device.)



XR-2011/12/13/14

CHARACTERISTIC CURVES

(a) XR-2012

(b) XR-2014

(c) XR-2013

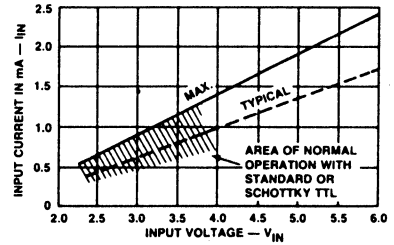
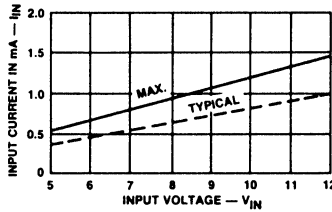
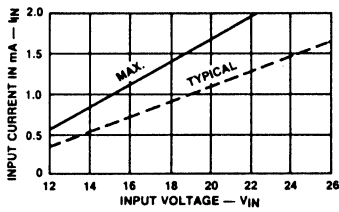


Figure 1. Input Current as a Function of Input Voltages

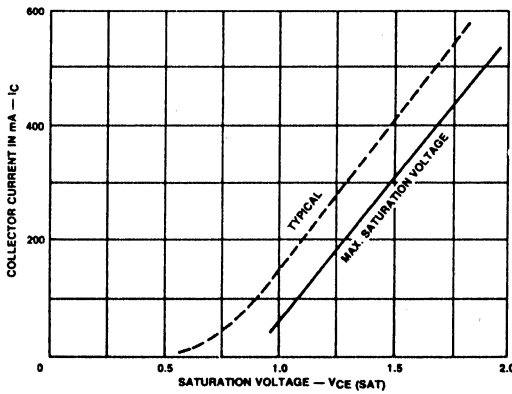


Figure 2. Collector Current as a Function of Saturation Voltage

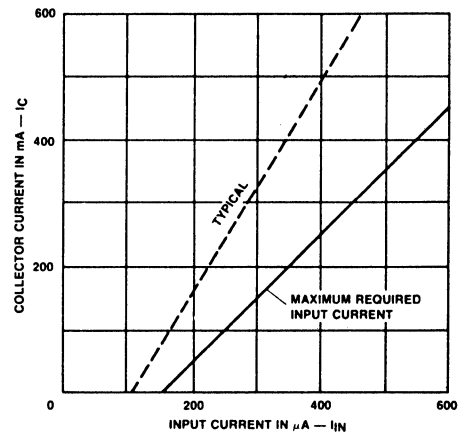


Figure 3. Collector Current as a Function of Input Current

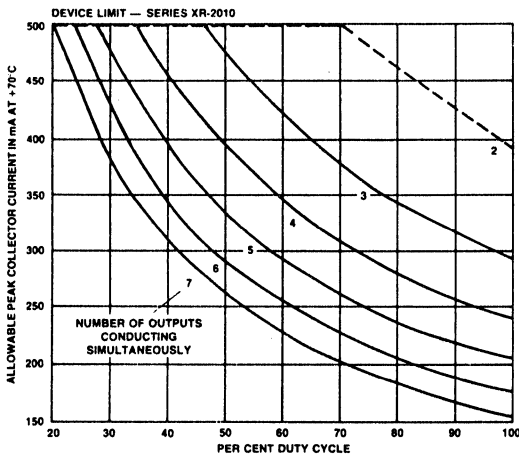


Figure 4. Peak Collector Current as a Function of Duty Cycle and Number of Outputs

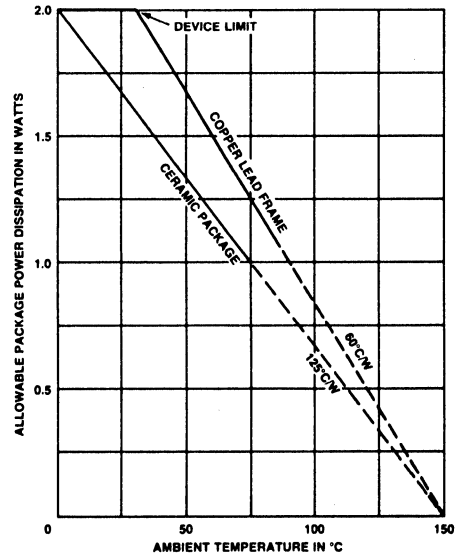


Figure 5. Allowable Average Power Dissipation as a Function of Ambient Temperature

XR-2011/12/13/14

TYPICAL APPLICATIONS

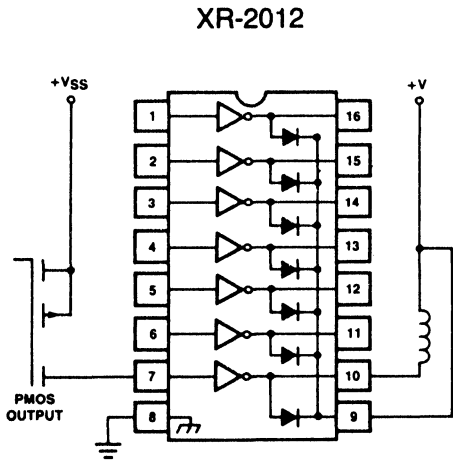


Figure 6. PMOS to Load

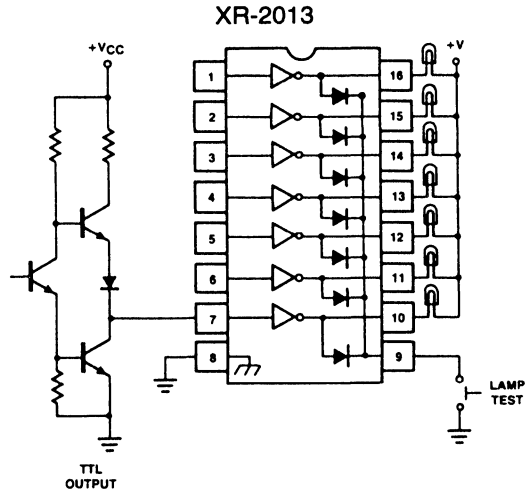


Figure 7. TTL to Load

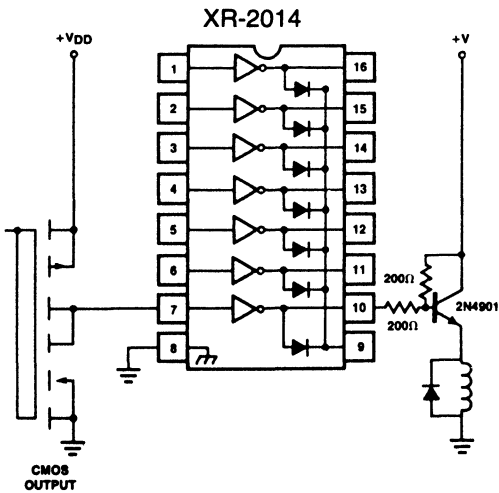


Figure 8. Buffer for Higher Current Loads

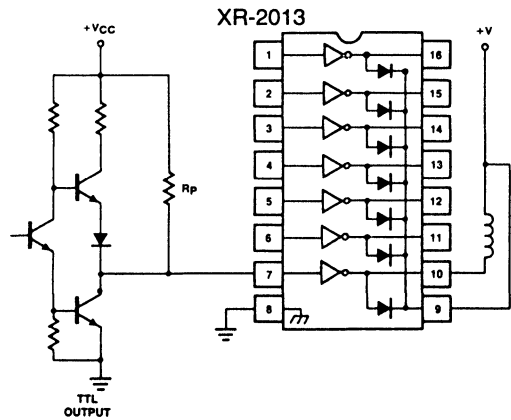


Figure 9. Use of Pull-up Resistors to Increase Drive Current

1

Hammer Driver

GENERAL DESCRIPTION

The XR-2200 is an array of five Darlington transistor pairs which are capable of driving high-current loads such as solenoids, relays, and LED's. Each of the five circuits contained on the XR-2200 is capable of sinking up to 400 mA. The XR-2200 was specifically designed for use with 14 V to 25 V PMOS devices.

FEATURES

- Output Capability of 400 mA for Each Driver
- Drivers may be used in parallel for increased output drive capability.
- Input is directly compatible with PMOS outputs

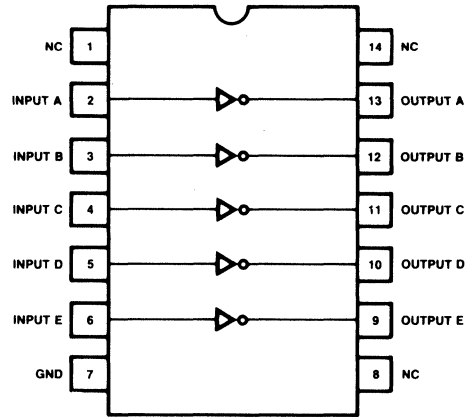
APPLICATIONS

- Printing Calculator Hammer Driver
- High Current LED Driver
- Solenoid and Relay Driver
- Tungsten Lamp Driver
- High Current Switch

ABSOLUTE MAXIMUM RATINGS

Collector to Base Voltage	30V
Collector to Emitter Voltage	30V
Emitter to Base Voltage	5.5V
Collector Current	450 mA
Input Terminal Breakdown Voltage (plus)	30V
Input Terminal Breakdown Voltage (minus)	-0.5V
Power Dissipation	550 mW

FUNCTIONAL BLOCK DIAGRAM



ORDERING INFORMATION

Part Number	Package Type	Operating Temperature
XR-2200 CP	Plastic	-25°C to +70°C

SYSTEM DESCRIPTION

The XR-2200 hammer driver contains five Darlington connected transistor pairs, each capable of switching 30V. All five emitters are connected to a common ground (Pin 7). With a guaranteed current gain of 2000, each section of the XR-2200 can sink 400 mA.

XR-2200

ELECTRICAL CHARACTERISTICS ($T_A = 25^\circ\text{C}$)

PARAMETERS	LIMITS			UNITS	CONDITIONS
	MIN	TYP	MAX		
Power Supply Voltage			26	Vdc	
Output Leakage Current			100	μA	$V_{CE} = 26\text{ V}, V_{IN} = 0\text{ V}$
Output Current One Driver			400	mA	
Output Current 5 Drivers					See Figure 2
Output Saturation Voltage			2.2	Vdc	$I_{OUT} = 400\text{ mA}$ $V_{IN} = 17\text{ V}$ $I_{OUT} = 200\text{ mA}$ $V_{IN} = 17\text{ V}$
Current Gain	2000				$V_{CE} = 3\text{ V}$ $I_{OUT} = 200\text{ mA}$
Input Current		0.7		mA	$V_{IN} = 17\text{ V}$ $I_{OUT} = 0\text{ mA}$

1

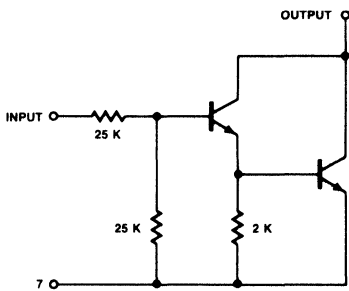


Figure 1. Schematic Diagram (1 of 5 Circuits Shown)

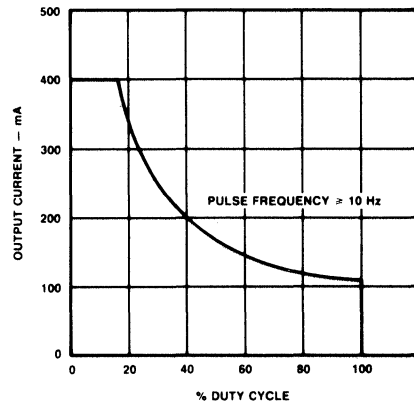


Figure 2. Maximum Permissible Output Current per Driver vs Duty Cycle with 5 Drivers Pulsed Simultaneously.

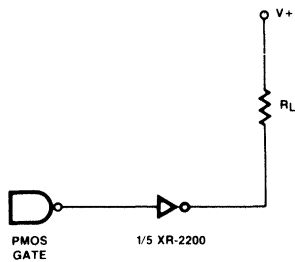


Figure 3. Circuit Connection for Driving Non-Inductive Loads

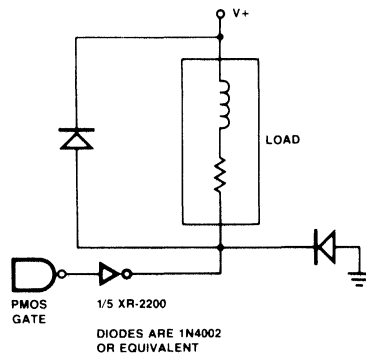


Figure 4. Circuit Connection for Driving Inductive Loads.
NOTE: The XR-2200 may be damaged if the diodes are omitted when driving an inductive load.

High-Voltage, High-Current Darlington Transistor Arrays

GENERAL DESCRIPTION

The XR-2201, XR-2202, XR-2203, and XR-2204 Darlington transistor arrays are comprised of seven silicon NPN Darlington pairs on a single monolithic substrate. All units feature open-collector outputs and integral protection diodes for driving inductive loads. Peak inrush currents of up to 600 mA are allowable, making them also ideal for driving tungsten filament lamps. Although the maximum continuous collector current rating is 500mA for each driver, the outputs may be paralleled to achieve higher load current capability.

FEATURES

- High Peak Current Capability—600mA
- Internal Protection Diodes for Driving Inductive Loads
- Directly Compatible with TTL, CMOS, PMOS, and DTL Logic Families
- Exact Replacement for Sprague Types ULN-2001A, ULN-2002A, ULN-2003A, and ULN2004A

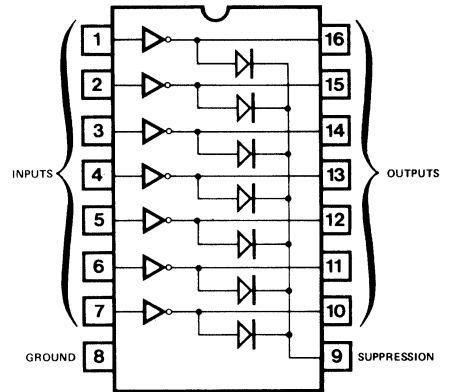
APPLICATIONS

- Relay Drivers
- Solenoid Drivers
- High Current Inverters

ABSOLUTE MAXIMUM RATINGS $T_A = 25^\circ\text{C}$

Output Voltage, V_{CE}	50V
Input Voltage, V_{IN}	30V
Emitter-Base Voltage, V_{EBO}	6V
Continuous Collector Current, I_C (Each Driver)	500mA
Continuous Base Current, I_B (Each Driver)	25mA
Power Dissipation, P_D (Each Driver)	1.0W
(Total Package)	2.0W
Derate Above 25°C	16.67 mW/ $^\circ\text{C}$
Storage Temperature Range	-55°C to $+150^\circ\text{C}$

FUNCTIONAL BLOCK DIAGRAM



ORDERING INFORMATION

Part Number	Package	Operating Temperature
XR-2201CP	Plastic	0°C to $+85^\circ\text{C}$
XR-2202CP	Plastic	0°C to $+85^\circ\text{C}$
XR-2203CP	Plastic	0°C to $+85^\circ\text{C}$
XR-2204CP	Plastic	0°C to $+85^\circ\text{C}$

SYSTEM DESCRIPTION

The XR-2201 is compatible with most common logic forms, including PMOS, CMOS, and TTL. It requires a current-limiting resistor placed in series with the input to limit base current to less than 25mA.

The XR-2202 is designed for direct compatibility with 14V-25V PMOS devices.

The XR-2203 is compatible with TTL or CMOS operating at 5 volts. Each input has a series base resistor to limit the input current to a safe value.

The XR-2204 is designed for direct operation from CMOS or PMOS outputs utilizing supply voltages of 6 to 15V.

With all four devices, the load should be connected between the driver output and $+V_{CC}$. For protection from transient voltage spikes, Pin 9 should be connected to $+V_{CC}$.

XR-2201/2/3/4

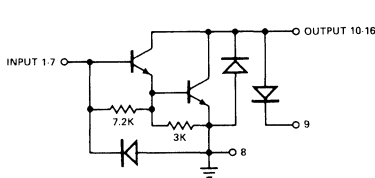
ELECTRICAL CHARACTERISTICS

Test Conditions: $T_A = 25^\circ\text{C}$ unless otherwise noted

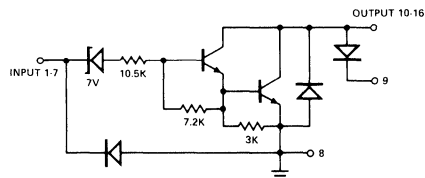
PARAMETERS	LIMITS			UNITS	CONDITIONS
	MIN	TYP	MAX		
Output Leakage Current XR-2202 XR-2204			100 500 500	μA μA μA	$V_{CE} = 50\text{V}, T_A = 70^\circ\text{C}$ $V_{CE} = 50\text{V}, T_A = 70^\circ\text{C}, V_{IN} = 6\text{V}$ $V_{CE} = 50\text{V}, T_A = 70^\circ\text{C}, V_{IN} = 1\text{V}$
Collector-Emitter Saturation Voltage		1.25	1.6	V	$I_C = 350\text{mA}, I_B = 500\mu\text{A}$
		1.1 0.9	1.3 1.1	V V	$I_C = 200\text{mA}, I_B = 350\mu\text{A}$ $I_C = 100\text{mA}, I_B = 250\mu\text{A}$
Input Current XR-2202 XR-2203 XR-2204		0.85 0.93 0.35 1.0	1.3 1.35 0.5 1.45	mA mA mA mA	$V_{IN} = 17\text{V}$ $V_{IN} = 3.85\text{V}$ $V_{IN} = 5\text{V}$ $V_{IN} = 12\text{V}$
Input Current	50	65		μA	$I_C = 500\mu\text{A}, T_A = 70^\circ\text{C}$
Input Voltage XR-2202 XR-2203 XR-2204			13 2.4 2.7 3.0 5.0 6.0 7.0 8.0	V V V V V V V V	$V_{CE} = 2\text{V}, I_C = 300\text{mA}$ $V_{CE} = 2\text{V}, I_C = 200\text{mA}$ $V_{CE} = 2\text{V}, I_C = 250\text{mA}$ $V_{CE} = 2\text{V}, I_C = 300\text{mA}$ $V_{CE} = 2\text{V}, I_C = 125\text{mA}$ $V_{CE} = 2\text{V}, I_C = 200\text{mA}$ $V_{CE} = 2\text{V}, I_C = 275\text{mA}$ $V_{CE} = 2\text{V}, I_C = 350\text{mA}$
D-C Forward Current Transfer Ratio XR-2201	1000				$V_{CE} = 2\text{V}, I_C = 350\text{mA}$
Input Capacitance		15	30	pF	
Turn-On Delay		1.0	5	μS	$0.5 E_{IN}$ to $0.5 E_{OUT}$
Turn-Off Delay		1.0	5	μS	$0.5 E_{IN}$ to $0.5 E_{OUT}$
Clamp Diode Leakage Current			50	μA	$V_R = 50\text{V}$
Clamp Diode Forward Voltage		1.7	2	V	$I_F = 350\text{mA}$

1

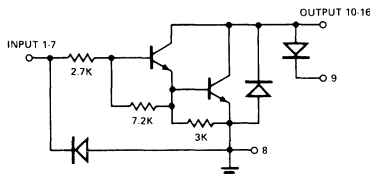
SCHEMATIC DIAGRAMS (One of 7 Identical Drivers is shown for each device.)



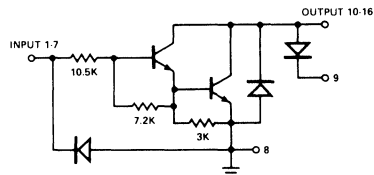
XR-2201



XR-2202



XR-2203



XR-2204

Special Functions

Multi-Function PLL System

GENERAL DESCRIPTION

The XR-S200 integrated circuit is a highly versatile, multipurpose circuit that contains all of the essential functions of most communication system designs on a single monolithic substrate. The functions contained in the XR-S200 include: 1. a four quadrant analog multiplier, 2. a high frequency voltage controlled oscillator (VCO) and 3. a high performance operational amplifier.

The three functions can be used independently, or directly interconnected in any order to perform a large number of complex circuit functions, from phase-locked loops to the generation of complex waveforms. The XR-S200 can accommodate both analog and digital signals, over a frequency range of 0.1 Hz to 30 MHz, and operate with a wide choice of power supplies extending from ± 3 volts to ± 30 volts.

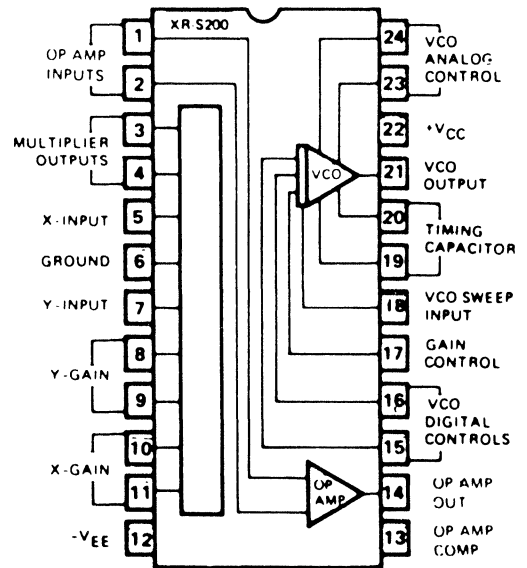
FEATURES

Wide VCO Frequency Range 0.1 Hz to 300 MHz
 Wide Supply Voltage Range ± 3 V to ± 30 V
 Uncommitted Inputs and Outputs for Maximum Flexibility
 Large Input Dynamic Range

APPLICATIONS

- Phase-locked loops
- FM demodulation
 - Narrow and wideband FM
 - Commercial FM-IF
 - TV sound and SCA detection
- FSK detection (MODEM)
- PSK demodulation
- Signal conditioning
- Tracking filters
- Frequency synthesis
- Telemetry coding/decoding
- AM detection
 - Quadrature detectors
 - Synchronous detectors
- Linear sweep & AM generation
 - Crystal controlled
 - Suppressed carrier
 - Double sideband
- Tone generation/detection
- Waveform generation
 - Single/square/triangle/sawtooth
- Analog multiplication

FUNCTIONAL BLOCK DIAGRAM



ABSOLUTE MAXIMUM RATINGS

Power Supply	30 Volts
Power Dissipation	900 mW
Derate above +25°C	5 mW/°C
Temperature	
Operating	-55°C to +125°C
Storage	-65°C to +150°C
Input Signal Level, V_S	6 V _{p-p}

ORDERING INFORMATION

Part Number	Package	Operating Temperature
XR-S200	Ceramic	0°C to +70°C

XR-S200

ELECTRICAL SPECIFICATIONS (T = 25°C, V_{SUPPLY} = ±10V)



PARAMETERS	LIMITS			UNITS	CONDITIONS
	MIN	TYP	MAX		
MULTIPLIER SECTION: See Figure 2, R _x = R _y = 15k, Pins 1, 2, 6, 23, 24 Grounded.					
Output Offset Voltage		±40	±120	mV	V _x = V _y = 0, V _{i0} = V ₃ - V ₄
Input Bias Current		5	15	μA	Measured at pins 5 and 7
Input Offset Current		0.1	1.0	μA	Measured at pins 5 and 7
Linearity					
(Output error, %		1.0		%	-5 < V _x < +5, V _y = ±5V
of full scale)		1.5		%	-5 < V _y < +5, V _x = ±5V
Scale Factor, K _M		0.1		-	K _M = 25/R _x R _y (Adjustable)
Input Resistance	0.3	1.0		MΩ	f = 20 Hz, Measured at pins 5 and 7
3 dB Bandwidth	3	6		MHz	C _L ≤ 5 pF
Phase detection B.W.	50	100		MHz	R _x = R _y = 0
Differential Output Swing	±4	±6		V p-p	Measured across pins 3 and 4
Output Impedance					
Single Ended		6		kΩ	Measured at pins 3 and 4
Differential		12		kΩ	
OPERATIONAL AMPLIFIER SECTION: See Figure 10 and 11, R _L = 20k, C _L = 550 pF.					
Input Bias Current		0.08	0.5	μA	
Input Offset Current		0.02	0.2	μA	
Input Offset Voltage		1.0	6.0	mVdc	
Differential Input Impedance					Open loop, f = 20 Hz
Resistance	0.4	2.0		MΩ	
Capacitance		1.0		pF	
Common Mode Range		±8		V	
Common Mode Rejection	70	90		dB	f = 20 Hz
Open Loop Voltage Gain	66	80		dB	
Output Impedance		2		kΩ	
Output Voltage Swing	±7	±9		V	R _L ≥ 20 kΩ
Power Supply Sensitivity		30		μV/V	R _S ≤ 10 kΩ
Slew Rate		2.5		V/μsec	A _V = 1, C _L = 10 pF
VCO SECTION: See Figure 11, R _L = 10k, f ₀ = 1 MHz.					
Upper Frequency Limit	15	30		MHz	C _O = 10 pF
Sweep Range	8:1	10:1		-	f ₀ = 10 kHz, See Figure 14
Linearity					Digital Controls Off
(distortion for		.2	1.0	%	Digital Controls Off
Δf/f = 10%)					
Frequency Stability					V _{CC} > 8V, f ₀ = 1 MHz
Power Supply		0.08	0.5	%/V	Sweep Input Open
Temperature		300	650	ppm/°C	
Analog Input Impedance					Measured at pins 23 and 24
Resistance	0.1	0.5		MΩ	
Capacitance		1.5		pF	
Output Amplitude		3		V p-p	Squarewave
Output Rise Time		15		ns	C _L = 10 pF, R _L = 5 kΩ
Fall Time		20		ns	
Input Common Mode Range	+6	+8		Vdc	
	-4	-6		Vdc	

CAUTION: When using only some of the blocks within the XR-S200, the input terminals to the unused section must be grounded (for split-supply operation); or connected to an ac ground biased at V⁺/2 (for single supply operation).

XR-S200

XR-S200 ANALOG MULTIPLIER SECTION

The analog multiplier in the XR-S200 (Figure 2) provides linear four-quadrant multiplication over a broad range of input signal levels. It also serves as a balanced modulator, phase comparator, or synchronous detector. Gain is externally adjustable. Nonlinearity is less than 2% of full scale output.

TYPICAL APPLICATIONS OF MULTIPLIER SECTION

- Analog multiplication/division
- Phase detection
- Balanced modulation/demodulation
- Electronic gain control
- Synchronous detection
- Frequency doubling

ANALOG MULTIPLICATION

The XR-S200 multiplier section can be combined with the amplifier section to perform analog multiplication without the need for dc level shifting between input and output. The amplifier functions as an operational amplifier with a single-ended output at ground level when connected as shown in Figure 3.

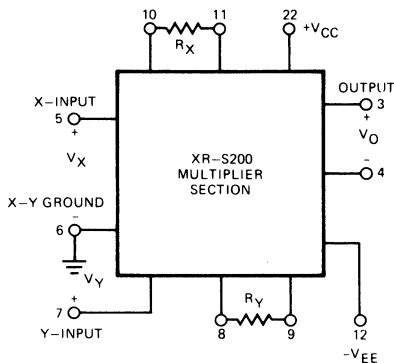


Figure 2. XR-S200 Multiplier Section

PHASE COMPARATOR

For phase comparison, a low-level reference signal is normally applied to one input and a high-level reference or carrier signal to the other input, as in Figure 4. The signal may be applied to either the X or Y input, since the response is symmetrical.

If the two inputs, $V_R(t)$ and $V_S(t)$ are at the same frequency, then the dc voltage at the output of the phase comparator can be related to the phase angle ϕ between the two signals as

$$V_\phi = K_\phi \cos\phi$$

where K_ϕ is the conversion gain in volts per radian (Figure 5). For phase comparator applications, one input is

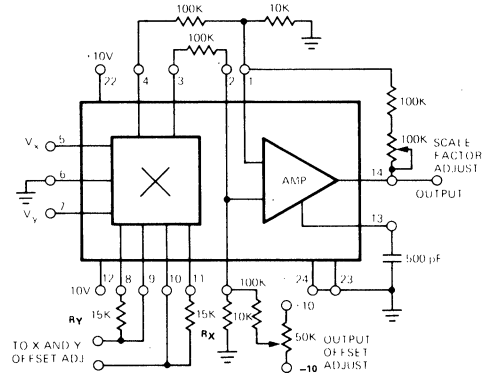
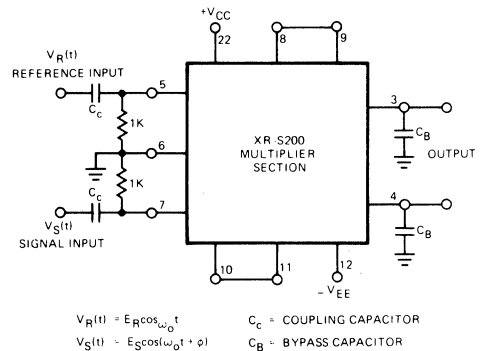


Figure 3. Analog Multiplication



$$V_R(t) = E_R \cos\omega_c t$$

$$V_S(t) = E_S \cos(\omega_c t + \phi)$$

C_c = COUPLING CAPACITOR
 C_B = BYPASS CAPACITOR

Figure 4. XR-S200 Multiplier Section as a Phase Comparator

normally a high level reference signal and the other input a low level information signal. Since the XR-S200 multiplier section offers symmetrical response with respect to the X and Y inputs, either input can be used as the carrier or modulation input. For low input levels, the conversion gain is proportional to the input signal amplitude. For high level inputs, ($V_S > 40$ mV, rms) K_ϕ is constant and approximately equal to $2V/\text{rad}$.

SUPPRESSED-CARRIER AM

The multiplier generates suppressed-carrier AM signals when connected as in Figure 6. Again, the symmetrical response allows the X or Y inputs to be used interchangeably as the carrier or modulation inputs. The X and Y offset adjustments optimize carrier suppression. Gain control resistors R_X and R_Y typically range from $1 \text{ K}\Omega$ to $10 \text{ K}\Omega$, depending on input signal amplitudes. The values shown give approximately 60 dB carrier suppression at 500 kHz and 40 dB at 10 MHz.

XR-S200

DOUBLE-SIDEBAND AM GENERATION

The connection for double-sideband AM generation is shown in Figure 7. The dc offset adjustment on the modulation input terminal sets the carrier output level, while the dc offset of the carrier input governs symmetry of the output waveform. The modulation input can also be used as a linear gain control (AGC), to control amplification with respect to the carrier input signals.

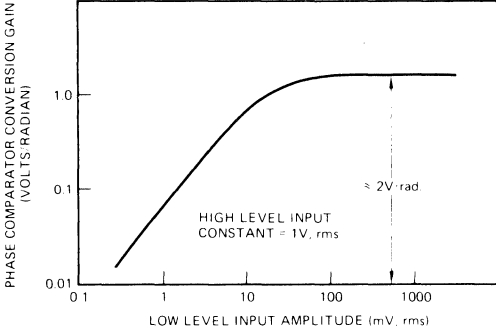


Figure 5. Phase Comparator Conversion Gain Versus Input Amplitude

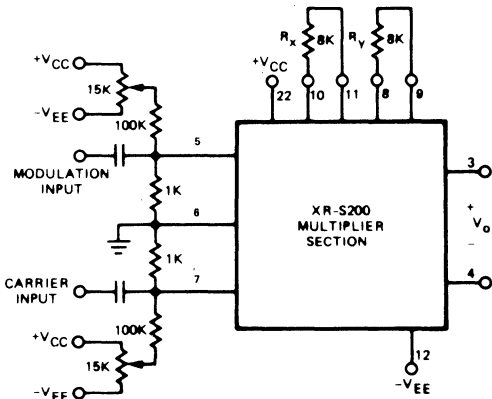


Figure 6. Suppressed Carrier Modulation Using XR-S200 Multiplier Section

FREQUENCY DOUBLING

Figure 8 shows how to double a sinusoidal input signal of frequency f_s to produce a low-distortion sinewave output of $2f_s$. Total harmonic distortion is less than 0.6% with an input of 4V, p-p, at 10 kHz and an output of 1V, p-p, at 20 kHz. The multiplier's X and Y offsets are nulled as shown to minimize the output's harmonic content.

SYNCHRONOUS AM DETECTION

A typical synchronous AM detector is shown in Figure 9. The signal is applied to the multiplier common input and the X and Y inputs are grounded. Since the Y input

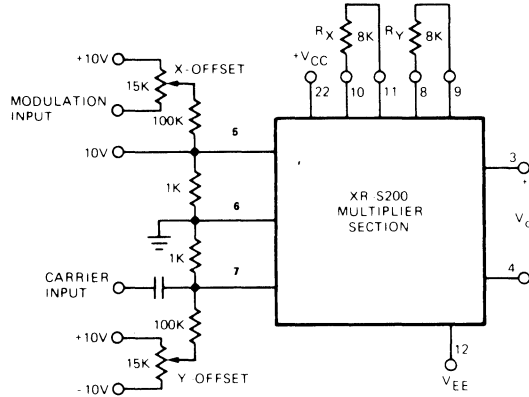


Figure 7. Double Sideband Amplitude Modulation Using XR-S200 Multiplier Section

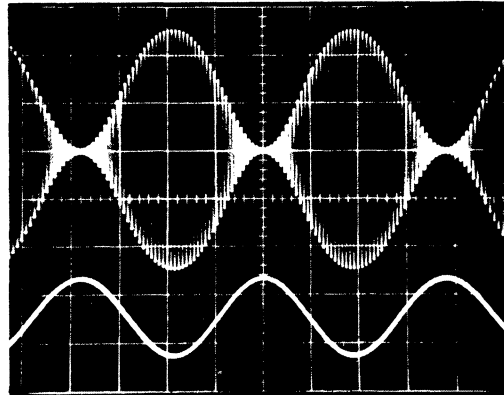


Figure 7-1. AM Modulation, 95% AM, $f_c = 50$ kHz, $f_m = 1$ kHz

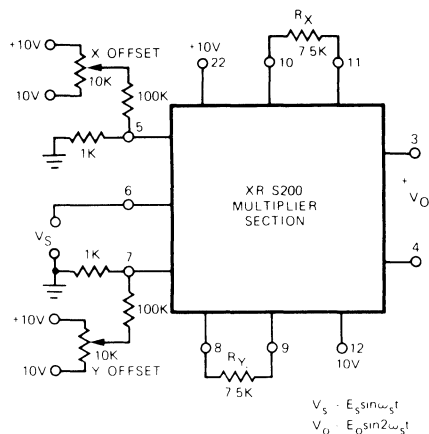


Figure 8. Multiplier Section as Frequency Doubler

XR-S200

operates at maximum gain with $R_Y = 0$, the detector gain and demodulated output linearity are determined by R_X . An R_X range of 1 K Ω to 10 K Ω is recommended for carrier amplitudes of 100 mV, p-p; or greater. The multiplier output can be low-pass filtered to obtain the demodulated output. Figure 9-1 shows the carrier and modulated waveforms for a 30% modulated input signal with a 10 MHz carrier and 1 kHz modulation.

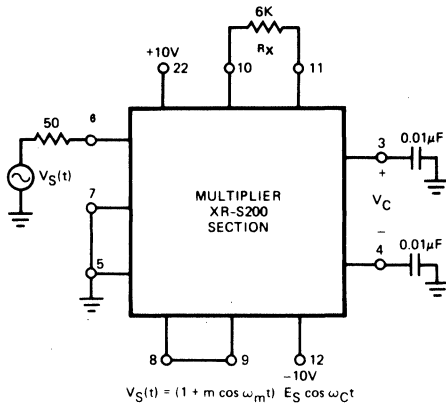


Figure 9. Synchronous AM Detector

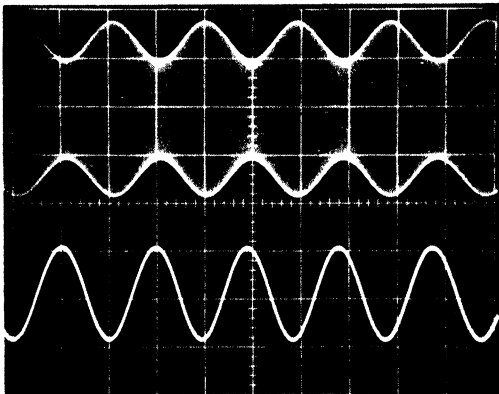


Figure 9-1. Synchronous AM Demodulation

XR-S200 AMPLIFIER SECTION

This multi-purpose function (Figure 10) can be used as a general-purpose operational amplifier, high-speed comparator, or sense amplifier. It features an input impedance of 2 megohms, high voltage gain, and a slew rate of 2.5V/microsecond. The frequency response curves for the amplifier section are also shown in Figure 10.

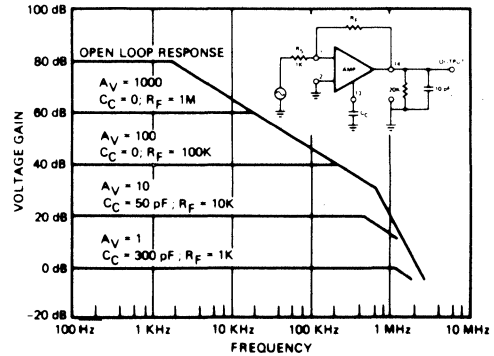


Figure 10. Amplifier Section Frequency Response

XR-S200 OSCILLATOR SECTION

The voltage-controlled oscillator section, (Figure 11) is an exceptionally versatile design capable of operating from a fraction of a cycle to in excess of 40 MHz. Frequencies can be selected and controlled by three methods, and used in various combinations for different applications:

1. External timing capacitor C_0 tunes the VCO to a center frequency between 0.1 Hz and 40 MHz. The free-running frequency is inversely proportional to C_0 . (see Figure 12)
2. Two digital control inputs allow four discrete frequencies to be selected at any center frequency. The digital inputs convert the logic signal voltages to internal control currents. (see Figure 13)
3. A sweep voltage, applied through a limiting resistor R_S is used for frequency sweeping, on-off keying, and synchronization of the VCO to a sync pulse. (see Figure 14)

The voltage-to-frequency conversion of the VCO section is highly linear. In addition, the conversion gain can be controlled through the analog control input. Gain is inversely proportional to R_0 . When the digital controls are also used, gain decreases as the frequency is stepped up.

The VCO interfaces easily with ECL or TTL logic. It can be converted to a highly stable crystal-controlled oscillator by simply substituting a crystal in place of the timing capacitor, C_0 .

Typical performance characteristics of the VCO section are shown in Figures 12, 13, and 14.

XR-S200

EXPLANATION OF VCO DIGITAL CONTROLS

The VCO frequency is proportional to the total charging current, I_T , applied to the timing capacitor. As shown in Figure 15, I_T is comprised of three separate components: I_0 , I_1 , and I_2 , which are contributed by transistors T_0 , T_1 , and T_2 , respectively. With pins 15 and 16 open circuited, these currents are interrelated as

$$I_0 = I_1 = 2I_2$$

Currents I_1 and I_2 can be externally controlled through pins 16 and 15 respectively. By increasing the dc level at either of these pins, T_1 or T_2 can be turned "off" and I_1 or I_2 can be reduced to zero. With reference to Figure 15, this can be done by applying a 3 volt logic pulse to these pins, through disconnect diodes D_1 and D_2 . In this manner, the VCO frequency can be stepped in four discrete intervals, over a frequency range of 2.5:1, as shown in Figure 13.

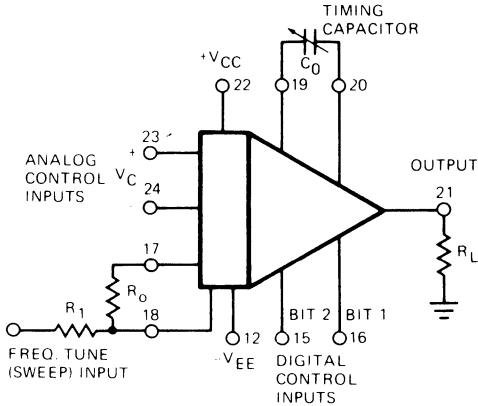


Figure 11. XR-S200 Oscillator Section

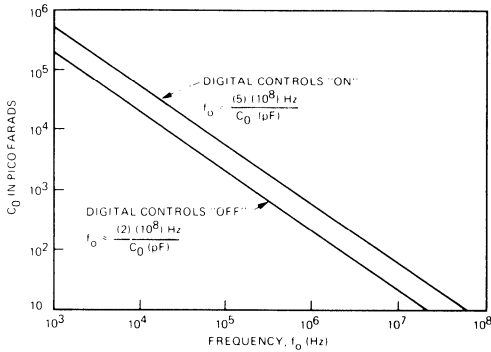


Figure 12. VCO Frequency as a Function of Timing Capacitor, C_0

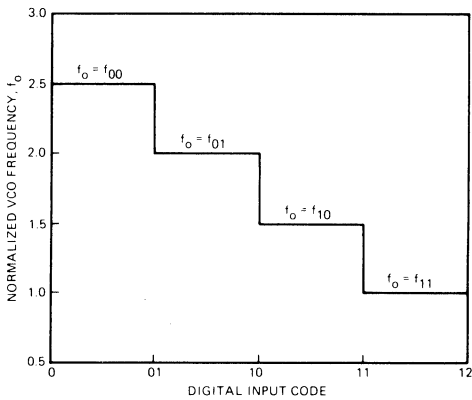


Figure 13. VCO Digital Tuning Characteristics

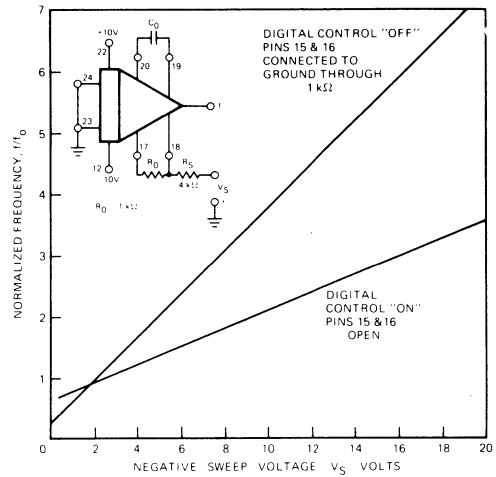


Figure 14. Voltage Sweep Characteristics

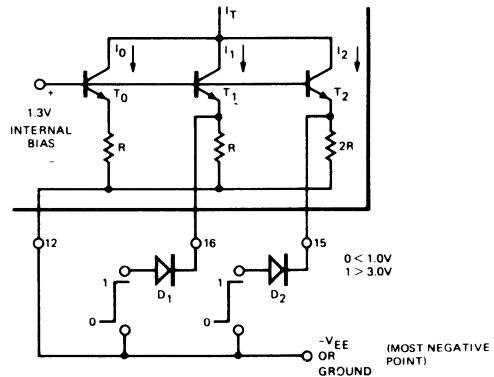


Figure 15. Explanation of VCO Digital Controls

XR-S200

TYPICAL APPLICATIONS OF VCO SECTION

- Voltage/frequency conversion
- Phase-locked loops
- Frequency synthesis
- Signal conditioning
- Carrier generation
- Synchronization
- Sweep and FM generator
- Crystal oscillator
- Waveform generator
- Keyed oscillator

APPLICATIONS OF THE XR-S200 SYSTEM

PHASE-LOCKED LOOP

A self-contained phase-locked loop is formed by connecting the XR-S200 as outlined in Figure 16.

In most PLL applications, the amplifier is available for functions useful outside the loop, since the phase comparator (multiplier section) and VCO provide sufficient conversion gain. In this case, the amplifier gain does not enter the PLL gain expression. Assuming unity dc gain for the filter, the PLL loop gain is $K_T = K_\phi K_0$ where K_ϕ and K_0 are the multiplier and VCO conversion gains, respectively.

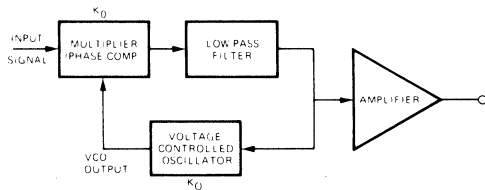


Figure 16. XR-S200 as a Phase-Locked Loop

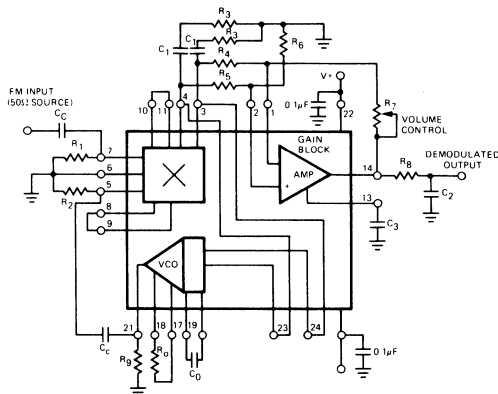


Figure 17. Circuit Connection for FM Detection

FREQUENCY-SELECTIVE FM DEMODULATION

For FM demodulation, the PLL connection is used (Figure 17.) The multiplier, with its gain terminals shorted, serves as the phase detector, and the VCO and filter govern the operating frequencies.

The gain block is used as an audio preamplifier to set the demodulated output signal level. Volume is controlled by the variable feedback resistor R_7 . If R_6 equals R_7 , the dc output level will be very close to ground, for circuit operation with split power supplies. C_3 is the amplifier's compensation capacitor. R_8 and C_2 set the output de-emphasis time constant T_D , which is normally $75 \mu\text{sec}$. for commercial FM applications ($f_0 = 10.7 \text{ MHz}$).

FSK DETECTION

FSK signals are detected and demodulated with the PLL connection, as well. It is shown in Figure 18 as a monolithic MODEM suitable for Bell 103 or 202 type data sets operating at data rates to 1800 baud. An input frequency shift corresponding to a data bit causes the multiplier's dc voltage output to reverse polarity. The dc level is changed to a binary output pulse by the gain block, connected as a voltage comparator.

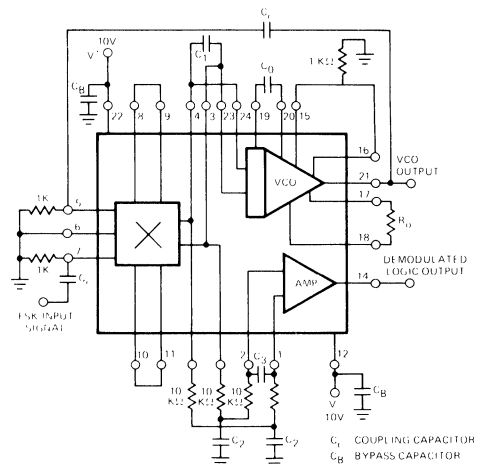


Figure 18. FSK Detection

FREQUENCY SYNTHESIZER

Frequency synthesis is performed in Figure 19 by a phase-locked loop closed with a programmable counter or digital divide-by-N circuit inserted into the feedback loop. The VCO frequency is divided by N, so that when the circuit locks to an input signal at frequency f_s , the

XR-S200

oscillator output is Nf_s . A large number of discrete frequencies can be synthesized from a given reference frequency by changing N .

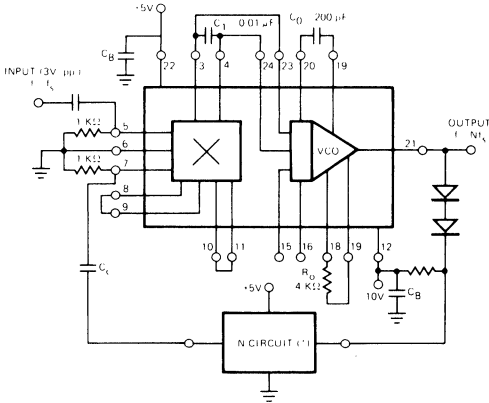


Figure 19. Frequency Synthesizer

TRACKING FILTER AND WIDEBAND DISCRIMINATOR

In tracking filter applications, the XR-S200 again forms a PLL system (Figure 20). When the PLL locks on an input signal, it functions as a "frequency-filter" and produces a filtered version of the input signal frequency at the VCO output. Since it can track the input over a broad range of frequencies around the VCO free-running frequency, it is also called a "tracking filter". The system can track input signals over a 3:1 frequency range.

WAVEFORM GENERATOR

The XR-S200 can also be interconnected to form a versatile waveform generator. The typical circuit shown in Figure 21 generates the basic periodic square (or sawtooth) waveform. The multiplier section, connected as a linear differential amplifier, convert the differential sawtooth waveform input into a triangle wave output at pins 3 and 4.

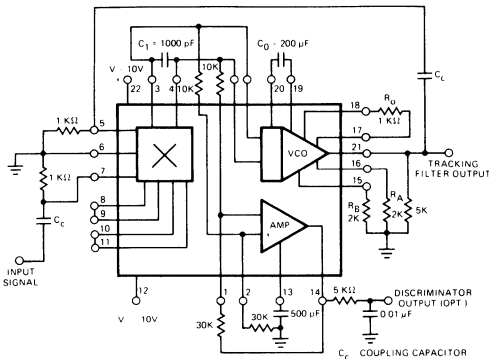


Figure 20. Recommended Circuit Connection for Tracking Filter Application ($f_0 = 1 \text{ MHz}$)

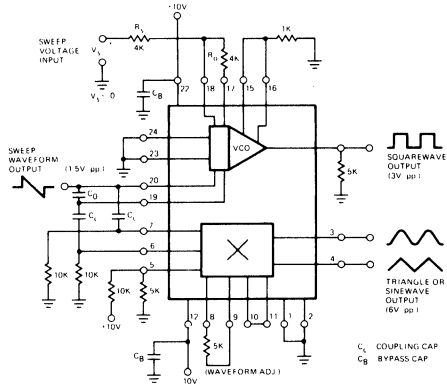


Figure 21. Waveform Generator Typical Circuit Connection Diagram

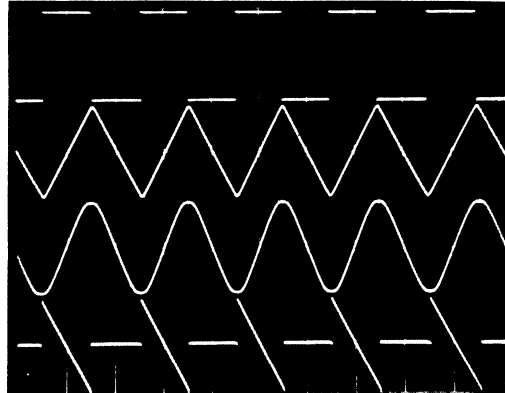


Figure 21-1. Basic Waveforms Available from XR-S200

3 and 4. The waveform adjustment pot across pins 8 and 9 can be used to round the peaks of the triangle waveform and convert it to a low distortion sinewave (THD < 2%). Terminals 3 and 4 can be used either differentially or single endedly to provide both in-phase and out-of-phase output waveforms.

The output frequency can be swept or frequency modulated by applying the proper analog control input to the circuit. For linear FM modulation with relatively small frequency deviation ($\Delta f/f < 10\%$) the modulation input can be applied across terminals 23 and 24. For large deviation sweep inputs, a negative going sweep voltage, V_s , can be applied to pin 18.

This allows the frequency to be voltage-tuned over approximately a 10:1 range in frequency. The digital control inputs (15 and 16) can be used for frequency-shift-keying (FSK) applications. They can be disabled by connecting them to ground through a current-limiting resistor.

Stereo Demodulator

GENERAL DESCRIPTION

The XR-1310 is a unique FM stereo demodulator which uses phase-locked techniques to derive the right and left audio channels from the composite signal. Using a phase-locked loop to regenerate the 38 kHz subcarrier, it requires no external L-C tanks for tuning. Alignment is accomplished with a single potentiometer.

FEATURES

- Requires No Inductors
- Low External Part Count
- Simple, Noncritical Tuning by Single Potentiometer Adjustment
- Internal Stereo/Monaural Switch with 100 mA Lamp Driving Capability
- Wide Dynamic Range: 600 mV (RMS) Maximum Composite Input Signal
- Wide Supply Voltage Range: 8 to 14 Volts
- Excellent Channel Separation
- Low Distortion
- Excellent SCA Rejection

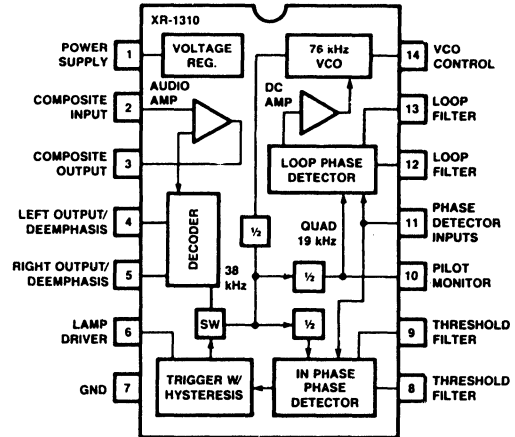
APPLICATIONS

- FM Stereo Demodulation
- Stereo Indicator

ABSOLUTE MAXIMUM RATINGS

(T _A = +25°C unless otherwise noted)	
Power Supply Voltage	14V
Lamp Current	75 mA
(nominal rating, 12 V lamp)	
Power Dissipation	625 mW
(package limitation)	
Derate above T _A = +25°C	5.0 mW/°C
Operating Temperature Range (Ambient)	-40 to +85°C
Storage Temperature Range	-65 to +150°C

FUNCTIONAL BLOCK DIAGRAM



ORDERING INFORMATION

Part Number	Package	Operating Temperature
XR-1310CP	Plastic	-40°C to +85°C

SYSTEM DESCRIPTION

The XR-1310 is a complete stereo demodulator specifically designed for transforming a composite FM stereo signal into its left and right channel components.

The composite FM stereo input signal, from the receiver detector, is applied to the buffer amplifier, Pin 2. Buffered output (gain = 1) is applied to the L + R, L - R decoder.

The VCO of the PLL runs at 76 kHz, four times the 19 kHz pilot frequency. Free-running frequency is set by the parallel RC circuit on Pin 14. The VCO output drives a controlled switch which allows demodulation. When the PLL is locked, the lamp driver open collector output (Pin 6) can sink up to 100 mA.

Left and right channel outputs are taken from Pins 4 and 5 respectively. De-emphasis is performed by the RC circuit here; slightly higher gain is possible by increasing the resistor size, but the RC product should remain constant.

XR-1310

ELECTRICAL CHARACTERISTICS

Test Conditions: Unless otherwise noted; $V_{CC}^* = +12 \text{ Vdc}$, $T_A = +25^\circ\text{C}$, 560 mV (RMS) (2.8 Vp-p) standard multiplex composite signal with L or R channel only modulated at 1.0 kHz and with 100 mV (RMS) (10% pilot level), using circuit of Figure 1.

PARAMETERS	MIN	TYP	MAX	UNIT
Maximum Standard Composite Input Signal (0.5% THD)	2.8			Vp-p
Maximum Monaural Input Signal (1.0% THD)	2.8			Vp-p
Input Impedance		50		k Ω
Stereo Channel Separation (50 Hz — 15 KHz)	30	40		dB
Audio Output Voltage (desired channel)		485		mV (RMS)
Monaural Channel Balance (pilot tone "off")			1.5	dB
Total Harmonic Distortion		0.3		%
Ultrasonic Frequency Rejection 19 kHz 38 kHz		34.4 45		dB
Inherent SCA Rejection (f = 67 kHz; 9.0 kHz beat note measured with 1.0 kHz modulation "off")		80		dB
Stereo Switch Level (19 kHz input for lamp "on") Hysteresis	13	6	20	mV (RMS) dB
Capture Range (permissible tuning error of internal oscillator, reference circuit values of Figure 1)		± 3.5		%
Operating Supply Voltage (loads reduced to 2.7 k Ω for 8.0-volt operation)	8.0		14	Vdc
Current Drain (lamp "off")		13		mAdc

*Symbols conform to JEDEC Engineering Bulletin No. 1 where applicable.

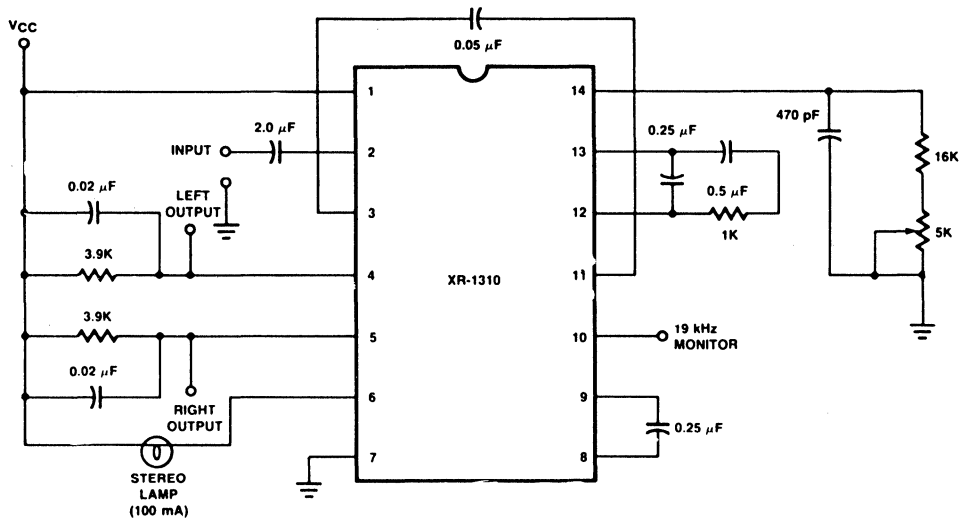


Figure 1. Typical Application

Pulse-Proportional Servo Circuit

GENERAL DESCRIPTION

The XR-2264 and 2265 are Monolithic circuits designed for use in pulse-proportional servo systems. They have been specifically designed for Radio Control applications. These devices are capable of controlling positions in direct proportion to the width of input pulses. The 2264 can interface directly with servo motors requiring up to 350mA of drive current. The 2265 with open collector outputs can drive relays, optical couplers and triacs, directly. Both the 2264 and 2265 can drive external PNP transistors for 500mA output drive requirements.

The XR-2264 or 2265, combined with a servo motor and a feedback potentiometer form a closed-loop system. These devices have internal one-shot multivibrators. The pulse width of this one-shot is controlled by the servo potentiometer. When an input pulse is applied, the motor is turned "on" in the direction necessary to make the internal one-shot pulse width equal to the incoming pulse width. Because the transfer characteristics of the XR-2264 and 2265 can be controlled by the selection of external components, it can be used in many industrial and radio controlled servo-system applications.

FEATURES

- Wide Supply Voltage Range (3.0V to 6.0V)
- Bi-directional Operation with Single Supply
- Separately-Adjustable Dead Band and Pulse Stretching
- 2264 - 350mA Source and Sink on chip.
- 500mA with External PNP
- 2265 - 500mA Sink Capability on chip.
- 500mA Sink or Source Capability with external PNP

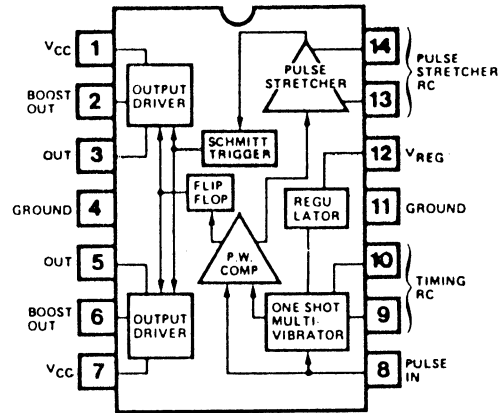
APPLICATIONS

- Remote Control Toys
- Robotics Applications

ABSOLUTE MAXIMUM RATINGS

Supply Voltage	6.5V
Power Dissipation	550 mW
Storage Temperature Range	-65°C to +150°C

FUNCTIONAL BLOCK DIAGRAM



ORDERING INFORMATION

Part Number	Package	Operating Temperature
XR-2264 CP	Plastic Dual-	-10°C to +50°C
XR-2265 CP	In-Line	

SYSTEM DESCRIPTION

Figure 3 shows the circuit connection diagram for the XR-2264. The external component values shown are selected for a pulse width range of 1 to 2 msec, a frame time of 12.5 msec, and a dead band* that is suitable for use with small radio-controlled servos. However, with a proper choice of external components, the characteristics of these devices can be adapted to provide optimum performance for a broad range of hobby and industrial servo control applications.

The shaft of potentiometer R_2 is connected to the servo output shaft; the voltage on the wiper provides positional feedback to the one-shot multivibrator of the XR-2264 or 2265. The one-shot pulse width range is set by the product of R_1 and C_1 ; R_1 should be kept in the range of 8K Ω to 16K Ω . For operation over a range of pulse widths



XR-2264/2265

ELECTRICAL CHARACTERISTICS

Test Conditions: $V_{CC} = 5.0V$, $T_A = 25^\circ C$

PARAMETERS	LIMIT			UNITS	CONDITIONS
	MIN	TYP	MAX		
Supply Voltage	3.2	5.0	6.5	V	
Supply Current		4.5	10.0	mA	Measured into Pins 1 & 7
Regulated Output Voltage	2.0	2.2	2.4	V	Voltage at Pin 12
Input Current		0.1		mA	
Input Voltage Range	2.4		6.0	V	
Pulse Timing Error			± 300	μSec	Initial Setting 1.07 sec; Circuit of Figure 3

OUTPUT CHARACTERISTICS

DEVICE	PARAMETER	LIMIT			UNITS	CONDITIONS
		MIN	TYP	MAX		
2264	Output Current Range	0		500	mA	I sink
	Output Current Range	0		350	mA	I source
	V_{CE}			0.25	V	I sink 500mA
	$V_{CE} (V_{CC} - V_{OH})$			1	V	I source 350mA
2265	Output Current Range	0		500	mA	I sink
	V_{CE}			0.25	V	I sink 500mA

of less than 2 to 1, the value of potentiometer R_2 may be reduced; the value of the $2.2K\Omega$ resistor to ground should be increased by about the same amount.

The voltage on C_2 provides the input signal for the Schmitt trigger. In order for the motor to be driven, pin 14 must remain low, long enough to pull C_2 down to the lower threshold via R_3 . The motor will be turned off only after pin 14 has turned off and C_2 has charged to the upper Schmitt trigger threshold through R_4 . Thus, the dead band is controlled by $C_2 (R_3 + R_4)$ where R_i is the "on" resistance at Pin 14. The pulse stretching is controlled by the product of C_2 and R_4 . Figure 4 shows the effect of R_3 and R_4 upon the dead band and pulse-stretching performance of the XR-2264 with $C_2 = 0.22\mu F$.

**Note: The "Dead band" is the narrow region about a given shaft position which 2264 will not produce a Stretched Pulse large enough to drive the motor. Some dead band width is necessary because the motor shaft has inertia; otherwise, the motor would never stop "hunting" its target position.*

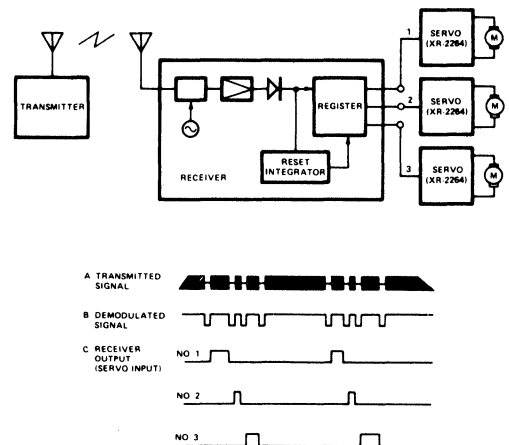
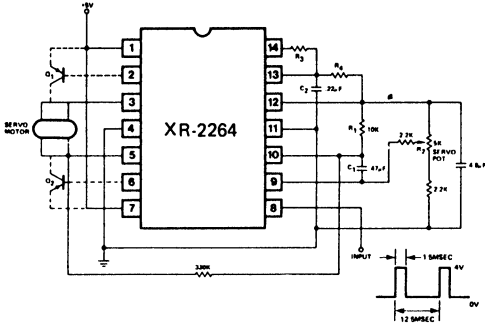


Figure 2. Radio Control System

XR-2264/2265



*NOTE: XR-2264 Q_1 and Q_2 optional; only needed for Servos requiring 500mA drive current.
 **NOTE: XR-2265 Q_1 and Q_2 needed if output current source is required.

Figure 3. Connection Diagram of XR-2264 and XR-2265 Servo Control IC

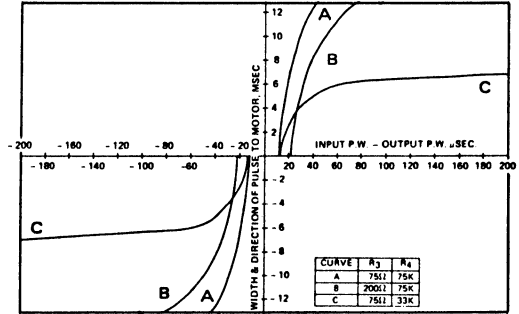


Figure 4. XR-2264 and XR-2265 Output vs. Input Showing Dead Band. Circuit of Figure 3

1

Monolithic Servo Controller

GENERAL DESCRIPTION

The XR-2266 is a monolithic servo controller specifically designed for radio controlled model cars. The device is capable of controlling speed in forward or reverse, direction of turn, backup lights, and turn signals with programmable flash rate. Supply voltage may range from 3.5V to 9V.

FEATURES

- Internal Channel Divider
- Internal Steering Servo with Direct Drive for Servomotor and Turn Signal Indicators
- Directional Signal Time Constant Externally Settable
- Variable Speed Control with Direct Drive for Backup Lights
- Wide Supply Range (3.5 - 8.0 volts)
- Steering and Speed Servos Independently Programmed

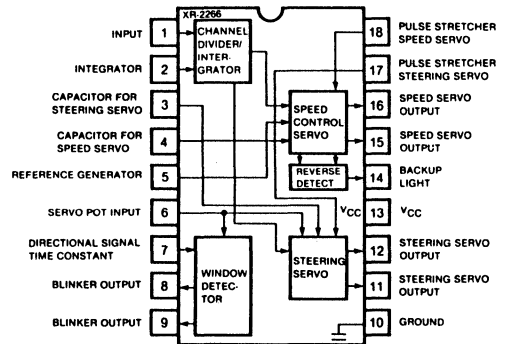
APPLICATIONS

Radio Controlled Cars

ABSOLUTE MAXIMUM RATINGS

Supply Voltage	9V
Power Dissipation	1100 mW
Derate above $T_A = 25^\circ\text{C}$	6 mW/ $^\circ\text{C}$
Storage Temperature Range	-65°C to $+150^\circ\text{C}$

FUNCTIONAL BLOCK DIAGRAM



ORDERING INFORMATION

Part Number	Package	Operating Temperature
XR-2266	Plastic	0°C to $+70^\circ\text{C}$

SYSTEM DESCRIPTION

The XR-2266 is a monolithic servo controller system specifically designed for radio-controlled model cars. The integrated circuit is a self-contained system made up of two servo controller channels: one controls the direction and speed of travel, the other provides the steering function. The circuit contains an internal channel separator section which automatically steers the incoming control signal to the appropriate servo controller channel.

The entire servo controller system is available in an 18-Pin dual-in-line package, with terminals provided for accessory controls such as turn indicator signals and backup lights. The entire system is fabricated on a monolithic chip, using low-power integrated injection logic (I^2L) technology along with precision analog circuitry. It operates with supply voltages in the range of 3.5 volts to 8 volts.

XR-2266

ELECTRICAL CHARACTERISTICS

Test Conditions: $V_{CC} = 6$ Volts $T_A = 25^\circ\text{C}$ unless otherwise specified

PARAMETERS	LIMITS			UNITS	CONDITIONS
	MIN	TYP	MAX		
Supply Current		30		mA	Measured at Pin 6
Operating Supply Range	3.5	6.0	8.0	V	
Input Threshold		0.7		V	
Reference Generator Output Current		100		μA	
Directional Detector					
Pin 5 Voltage		55		%	Voltage at Pin 6 (Blinker "off")
Pin 5 Voltage		61		%	Voltage at Pin 6 (Pin 8 Blinker "on")
Pin 5 Voltage		48		%	Voltage at Pin 6 (Pin 9 Blinker "on")
Output Current			100	mA	
Steering SERVO					
Output Source Current		350		mA	Pin 11 or 12
Output Sink Current		350		mA	Pin 11 or 12
Reverse Detector					
Output Current			100	mA	Pin 14
Speed Control Servo					
Output HIGH Voltage		$V_{CC} - 1\text{V}$		V	Pin 15 or 16
Output Low Voltage		0.2		V	Pin 15 or 16
Output Impedance		700		Ω	Pin 15 or 16

1

XR-2266

PRINCIPLES OF OPERATION

The theory of operation can be explained with reference to the block diagram of Figure 2 and the timing diagram of Figure 3. The direction and speed information are encoded onto a carrier by either Amplitude Modulation (illustrated Curve A) or Frequency Modulation (not shown). This signal is received and demodulated into Waveform B. The timing of Waveform B is as follows: T_F is the frame time and determines the frequency with which the servos are controlled. T_S is a space pulse used to separate the channel information of T_1 and T_2 . The width of T_1 and T_2 contain the steering and speed information respectively.

Waveform B is applied to the input of the XR-2266. This signal is integrated into Waveform C which is then squared to form D. Waveform D is used as a reset to the channel divider circuit. The channel divider circuit triggers on the leading edge of the input signal and generates two outputs; one for steering and the other for the speed control; Waveforms E and F, respectively.

Waveform E is applied to the input of Servo No. 1 which serves as the positional control for the steering wheel. The servo pot on the linkage forms a closed loop system with the servoamplifier to position the front wheels to the required position. The servo pot is also connected to the directional indicator circuit which determines whether the wheels are turned enough to enable the blinker lights.

Waveform F is the input to the variable speed control servo. This servo determines the error between the input signal and the preset nominal value and applies drive to the motor proportional to this difference. A de-

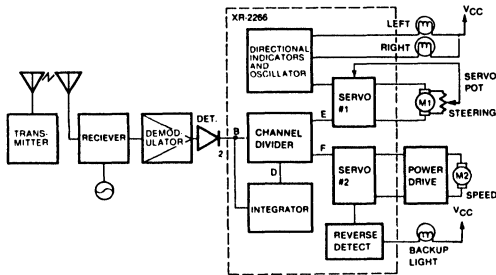


Figure 2. Radio Controlled System Block Diagram

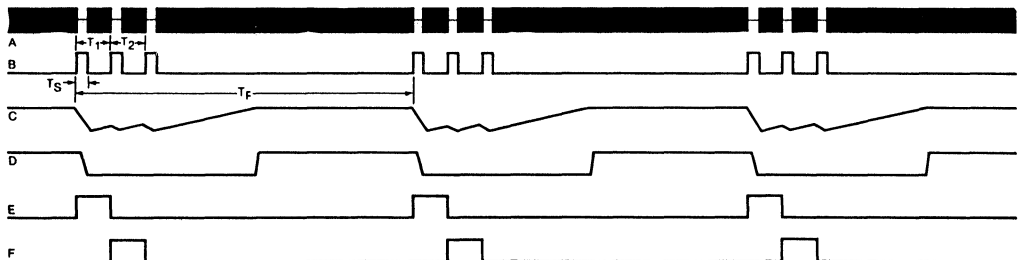


Figure 3. Timing Diagram

tection circuit has also been built into the IC to detect when the car is going in reverse and turn on the backup lights.

SYSTEM BLOCKS

The XR-2266 is comprised of three independent systems internally connected as in Figure 4 to perform the complete car function. These blocks are the channel divider, steering servo and a speed control circuit. (While a total understanding of these circuits is not necessary a fundamental knowledge of the operation of each block will be an asset to any servo design.)

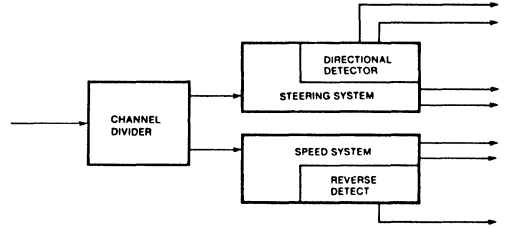


Figure 4. Three Primary Systems of XR-2266

Channel Divider: The function of the channel divider is to decode the channel information from the demodulated input signal and to synchronize the receiver to the transmitter. The synchronization is required to assure that the decoded input is applied to the correct servo. The generation of the synchronization signal is illustrated in Figure 3 and can be explained as follows: The input signal B is integrated by the RC time constant on pin 2 to form waveform C. This integrated signal is then squared to form the synchronization signal D. This signal resets the channel divider when high, guaranteeing that the first input be directed to the channel one servo and the second input be directed to the channel two servo, as illustrated by waveforms E and F, respectively. The width of the input signals is determined by the time interval between two successive positive going edges of waveform B. After the channel two input ends, the integrator charges up to the reset level and enables channel one for the next rising edge of the input signal. The time constant for the integrator is externally set by the RC time constant on pin 2. It is recommended that the time constant be chosen such that the reset occurs midway between the input frame time.

XR-2266

Steering Servo: The block diagram of the steering servoamplifier is illustrated in Figure 5. The primary function of this block is to control the position of the front wheels of the car in direct proportion to the input pulse width. The XR-2266 has the additional feature of being able to detect the magnitude and direction of the position of the wheels from their center position and if it is greater than an externally preset amount, to activate a blinker circuit for the appropriate turn-direction. The operation of the steering servoamplifier can be explained with reference to the block diagram of Figure 5 and timing diagram Figure 6. On the leading edge of the input signal an internal one-shot is triggered. The one-shot generates an output pulse whose width is directly proportional to the present position of the shaft of the servomotor. The position information is supplied via the servo pot. The width of these two pulses are then compared and two error signals are generated; one is the directional error which is used to determine the output drive direction and the other is the magnitude error which is applied to the pulse stretcher section which determines whether the error was of sufficient magnitude to enable the output driver stage. If the dead band is exceeded, the error pulse of several microseconds is then stretched to several milliseconds of output drive. The dead band is required to assure that the motor does not oscillate about its center point. The XR-2266 has internal driver transistors that are capable of sinking or sourcing 350 mA. The positional information from the servo pot is also applied to a window comparator and the output of this circuit determines the deviation of the steering wheel from its center position. If this is greater than the preset amount, the blinker signals are activated. The time constant of the blinkers is set by the capacitor on pin 7. The blinker outputs are open collector type capable of sinking 100 mA each.

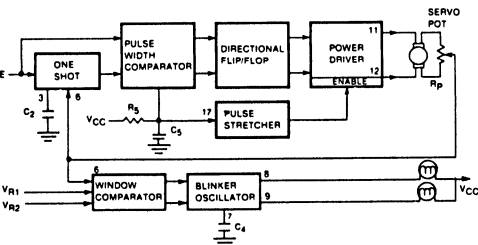


Figure 5. Steering Servo System

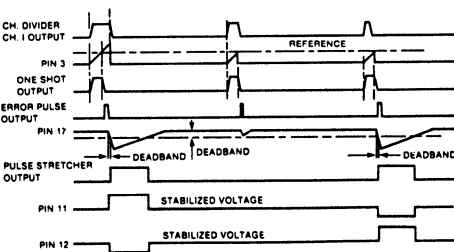


Figure 6. Timing Diagram

Speed Control Circuit: The channel two output Waveform F from the channel divider, as shown in Figure 7, is applied to the input of the speed control servo. This circuit is similar to the steering control servo with the exception that it is operated in an open loop configuration. Thus, the duty cycle of the output drive increases until a maximum drive is reached. The drive characteristics for the speed control are set independently of the steering by an RC time constant on pin 18. Due to the high power motors required for speed control, an external driver transistor must be used. A typical connection for these transistors is illustrated in Figure 7. The speed control amplifier also features an additional output for the backup lights. This output is obtained from the directional logic which determines whether the car is going in the forward or reverse direction. The motor terminals could also be reversed and the output used to drive the front headlights when the car is going forward. The output for the driver lamps is an open collector transistor and is capable of sinking 100 mA. Since this is an open collector output, care should be taken to avoid any possible shorting to the V_{CC} pin, as this will damage the device.

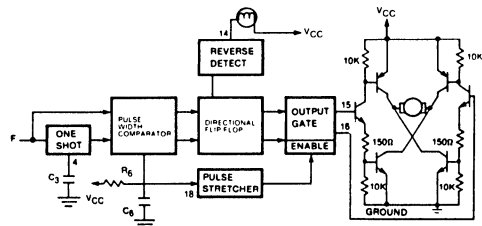


Figure 7. Speed Control Servo System with Connection for External Driver Transistors

DESCRIPTION OF CONTROLS

Input (Pin 1): The demodulated output from the receiver is applied to this pin. The threshold for the input is approximately 0.7V. It is recommended that a 0.0022 μF capacitor be connected from this point to ground to eliminate any RF signal at the input.

Reset Integrator (Pin 2): The function of this pin is to synchronize the servo control to the transmitter. This assures that the steering and speed control signals are not interchanged. The time constant used for this circuit is dependent upon the frame time of the input signal. For a 15 millisecond frame, the value for R₁ is 510K and for C₁, 0.1 μF. Other frame rates may be used, in which case the RC time constant may be determined by the following equation:

$$R_1 C_1 = [T_F - X(T_N)]/2 \ln [V_{CC}/(V_{CC} - .66)]$$

where

- T_F = Frame Time
- X = Number of Servos
- T_N = Nominal Pulse Width for Servos
- V_{CC} = Nominal Supply Voltage

XR-2266

Timing Cap for Steering Servo (Pin 3): The capacitor on this pin is used to determine the nominal one-shot time constant for the steering control. The capacitor value is chosen by the following equation:

$$C_2 = T_N / (R_2 + R_p / 2)$$

where R_2 is a 1K potentiometer and R_p is the servo pot, nominally 5K. This yields 0.47 μF for C_2 . R_F is a damping resistor that provides a momentum feedback to prevent the servo from overshooting. The recommended values for R_F are 100K to 700K, depending on the required loop damping.

Timing Cap for Speed Control (Pin 4): This capacitor determines the nominal one-shot time constant for the speed control servo. The capacitor value is determined by:

$$C_3 = 1.3 T_N / (R_p + R_2)$$

Reference Generator (Pin 5): Pin 5 is used to generate the reference level for the speed and steering servos and also control the degree of turning before the directional indicators are activated. This pin is directly connected to one end of the servo pot with the other connected to a 1K pot or fixed resistor to ground. This 1K pot is used to adjust the dead time for the directional indicators. In noisy environments, pin 5 should be bypassed to ground via a 0.001 μF capacitor.

Steering Positional Input (Pin 6): The wiper of the servo pot is connected to this pin to supply the positional information to the one-shot of the steering servo. In noisy environments this pin should be bypassed to ground via a 0.002 μF capacitor.

Directional Signal Time Constant (Pin 7): The capacitor connected to this pin determines the time constant for the directional indicators. The ratio of 'ON' to 'OFF' is approximately 2:1 and the frequency is determined by:

$$F(\text{Hz}) = 81 / C_4 (\mu\text{F})$$

Outputs for Directional Indicators (Pin 8 & 9): These pins are used to drive the directional signal indicators. These are open collector outputs that can sink a maximum current of 100 mA.

Steering Motor Drive (Pin 11 & 12): These outputs connect directly to the steering servomotor and are capable of sinking or sourcing 350 mA.

Output for Backup Lights (Pin 14): This terminal is activated when the car is driving in the *reverse* direction. This is an open collector output with a maximum current of 100 mA.

Note: by reversing the motor leads, this terminal could be used to control front headlights when the car is moving forward.

Output for Speed Control (Pin 15 & 16): These pins are used to drive an external power bridge to control the speed of the car. A typical connection is illustrated in Figure 7.

Pulse Stretcher (Pin 17 & 18): The RC time constant on pin 17 and pin 18 is used to set the dead band and the maximum drive pulse to the steering servo and speed control servo, respectively. The dead band time is determined by:

$$T_{dB} = (51.4)(C)$$

The maximum drive time is determined by:

$$T_{MD} = RC1n [(V_{CC} - .73e^{-(1 \times 10^{-6}/C)}) / (V_{CC} - .66)]$$

Power Supply (Pin 13 & 10): The battery should be connected from pin 13 (V_{CC}) to pin 10 (ground). The operating power supply range is 3.5 to 9 volts. A 100 μF capacitor is recommended across the power supply terminals.

APPLICATION EXAMPLE

The method for determining the component values for any servo application can be obtained by the following design rules. These equations will yield values suitable for proper operation and can later be adjusted to suit particular applications. For the example chosen, the frame time is 15 ms and the pulse width is nominally 1.4 ms with a deviation of 500 μs . Dead band is chosen to be 30 μs and 80 μs for the steering and speed control sections, respectively. The servo pot is a 5K pot and the operating supply voltage is 6 volts.

Procedure:

1. To determine the time constant of the integrator on pin 2, use the following formula with R_1 assumed to be between 100K and 1M. In this example we set $C_1 = 0.1 \mu\text{F}$ and calculate R_1 .

$$R_1 = [T_F - X(T_N)] / 2C_1 n [V_{CC} / (V_{CC} - .66)]$$

This yields $R_1 \approx 510\text{K}$

2. C_3 and R_2 setting (using a 1K pot) is determined by the following: First approximate R_2 to be one half of its value and solve for C_3 .

$$C_3 = 1.3 T_N / (R_p + R_2 / 2)$$

$$C_3 \approx .33 \mu\text{F}$$

$$C_3 = 0.25 \mu\text{F}$$

Select nearest standard value for C_3 and calculate R_2 value

$$R_2 = (1.3 T_N / C_3) - R_p$$

$$R_2 \approx 515\Omega$$

3. C_2 is determined by the following: Use value for R_2 as calculated above.

$$C_2 = T_N / (R_2 + R_p / 2)$$

$$C_2 \approx .47 \mu\text{F}$$

XR-2266

4. C_4 determines the blinker frequency, for a frequency of 2 times per second.

$$C_4(\text{Hz}) = 81/F(\text{Hz})$$

$$C_4 \approx 47.0 \mu\text{F}$$

5. C_5 determines the dead band time for the steering servo for most car applications. This is chosen to be approximately 30 μs . Solving for C_5 yields:

$$C_5 = T_{dB}/51.4$$

$$C_5 \approx .47 \mu\text{F}$$

6. R_5 is selected via the formula

$$R_5 = T_{MD}/[C_1 n(V_{CC} - .73e^{-(1 \times 10^{-6}/4C)})/V_{CC} - .66]$$

$$R_5 = 910\text{K}$$

7. C_6 is chosen with the same formula as C_5 except dead band is set to approximately 80 μs . This gives the system better speed control.

$$C_6 = T_{dB}/51.4 = 1 \mu\text{F}$$

8. R_6 is chosen via the same equation as R_5 .

$$R_6 = T_{MD}/[C_1 n(V_{CC} - .73e^{-(1 \times 10^{-6}/C)})/V_{CC} - .66]$$

$$R_6 = 430\text{K}$$

9. Set $R_F = 510\text{K}$. To adjust value see Table I.

The complete circuit with the calculated values is illustrated in Figure 8. The circuit layout is illustrated in Figure 9.

Table I lists the recommended values for the servo application outlined above and describes the result if improper values are used.

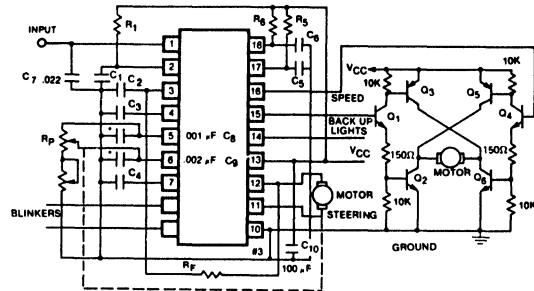


Figure 8. Typical Application Schematic

XR-2266

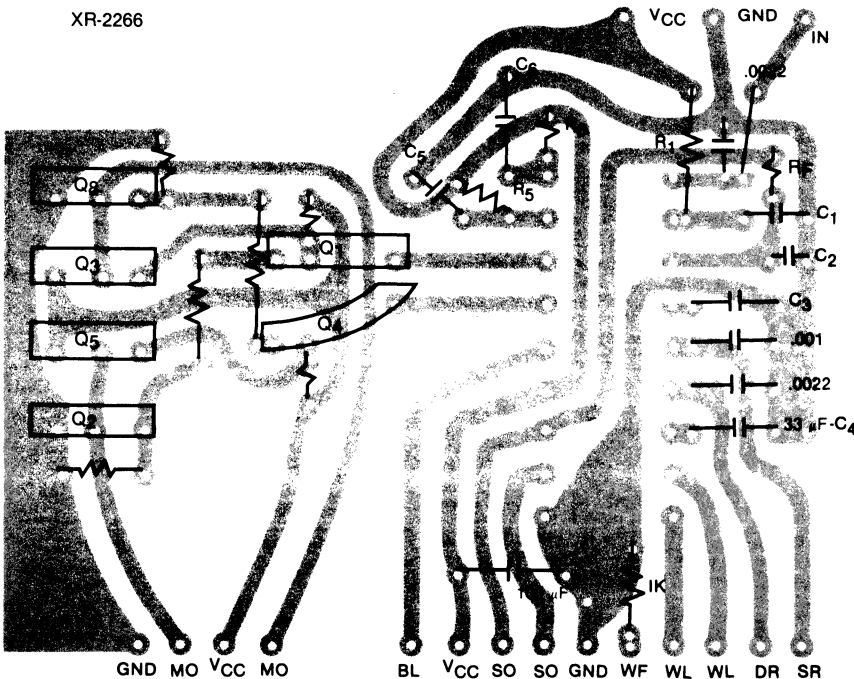


Figure 9. Printed Circuit Board Layout (4x)

XR-2266

TABLE I

COMPONENT NUMBER	VALUES	EFFECTS
R ₁ 510K	Small	The integrator rise time becomes too fast and the fall time becomes too slow. Therefore, the integrator may reset too soon.
	Large	The integrator rise time becomes too slow and the integrator may not reset before the next input.
	Recommended	200K — 700 K carbon film R25 series.
R _F 510K	Small	Too much negative feedback occurs, causing the response of the servo to be too slow.
	Large	Almost no negative feedback occurs and a large positional overshoot results.
	Recommended	100K — 800K should be selected by the actual test results (dependent upon motor gears and linkage used). Carbon film R25 series.
R ₅ 910K	Small	The pulse stretcher gain becomes too small and this reduces output drive time causing wheels to turn slowly.
	Large	The pulse stretcher gain becomes too large and the motor tends to oscillate (hunt) about its position.
	Recommended	500K — 1M, largely dependant upon the value of C ₅ , frame time and maximum deviation of the input pulse width. The equation for determining the nominal value is given in the "Description of Controls" section for pins 17 and 18.
R ₆ 430K	Small	The pulse stretcher gain becomes too small and the maximum speed of the car is reduced.
	Large	The pulse stretcher gain becomes too large and the car speed becomes hard to control. It is either 'ON' full, or 'OFF'.
	Recommended	400K — 700K, depending on the value of the capacitor; since this is for the speed, the dead band width is set larger and pulse stretcher gain is set high. Carbon film R25 series.
R _p 5K	Recommended	This is the servo pot connected to the steering linkage, a B type volume potentiometer is recommended.
R ₂ 1K	Recommended	This potentiometer is used to set both the neutral position for the speed control and the range of operation for the directional indicators. A temperature stable carbon type is recommended.
C ₁ 0.1 μF	Small	The charging time tends to be short and the discharging time constant tends to be long, therefore, the integrator may reset too soon.
	Large	The charging time tends to become long and the integrator may not reset before the next input.
	Recommended	If R ₁ = 510K, C ₁ should be between 0.047 μF to 0.22 μF. Mylar recommended.

XR-2266

1

COMPONENT NUMBER	VALUES	EFFECTS
C ₂ 0.47 μ F	Small	The width of the one-shot for the steering servo becomes too small and the front wheels may turn fully in one direction.
	Large	The width of the one-shot for the steering servo becomes too large and the front wheels may turn fully in one direction.
	Recommended	If the nominal input width is 1.4 ms, 0.47 μ F is recommended. For operation with other conditions, see "Description of Controls" section for pin 3. Tantalum type is recommended.
C ₃ 0.33 μ F	Small	The width of the one-shot for the speed control servo becomes too small and drive occurs in only one direction.
	Large	The width of the one-shot for the speed control servo becomes too large and drive occurs only in one direction.
	Recommended	If the nominal input width is 1.4 ms, 0.33 μ F is recommended. For operation with other conditions, see "Description of Controls" section for pin 4. Tantalum type is recommended.
C ₄ 33 μ F	Recommended	This capacitor determines the direction signal time constant. The capacitor value is determined by the equation in the "Description of Controls" section for pin 7.
C ₅ 0.47 μ F	Small	Dependent upon the value of R ₅ . Generally the pulse stretcher gain becomes smaller, thus, slowing down the general speed and making acute turns slower. This also decreases dead band causing hunting about its position.
	Large	Depending on the value of R ₅ , the pulse stretcher gain becomes extremely large and although turning speed improves, the hunting condition becomes worse. This also increased dead band causing the motor to jump position.
	Recommended	In case of R ₅ = 910K, 0.1 μ F to 0.68 μ F is suitable. Tantalum type is recommended.
C ₆ 1 μ F	Small	Depending on the value of R ₆ , the pulse stretcher gain becomes smaller and you cannot achieve 100% drive; also, the dead band is reduced and the neutral position on the stick may be eliminated.
	Large	The pulse stretch gain increases causing rapid increase in speed, once the dead band is exceeded; also, the dead band increases causing a long amount of neutral position in the control stick.
	Recommended	In case of R ₂ = 430K, 0.68 to 2.2 μ F is suitable. Tantalum type is recommended.
C ₇ 2200 pF	Recommended	As mentioned in the "Description of Controls" section for pin 2, this value should be between 0.001 and 0.01 μ F. Ceramic or mylar is the best choice.
C ₈ 1000 pF	Recommended	As mentioned in the "Description of Controls" section for pin 5, this value should be between 0.01 and 0.001 μ F. Ceramic or mylar are recommended.
C ₉	Recommended	Same as above.
C ₁₀ 100 μ F	Recommended	As mentioned in the "Description of Controls" section for pin 10 and 13, this capacitor helps to stabilize the power supply when the car is running. If operation becomes intermittent, this value should be increased. Recommended 10 to 470 μ F tantalum.

8-Bit Microprocessor Compatible Digital-To-Analog Converter

GENERAL DESCRIPTION

The XR-9201 is a monolithic 8-Bit μ P compatible digital-to-analog converter with differential current outputs. It contains an internal data latch, making it suitable for interfacing with microprocessors. The chip contains a stable voltage reference (2.0 V Nominal) which is externally adjustable and can be used as a reference for other D/A and A/D converters.

The XR-9201 features non-linearity of $\pm 1/2$ LSB maximum ($\pm .19\%$ of full scale current). The internal voltage reference maintains a temperature coefficient of 50 ppm/ $^{\circ}$ C.

FEATURES

- 8-Bit Resolution
- Input Data Latches
- Internal Voltage Reference
- Microprocessor Compatible
- Non Linearity
- Full Scale Current Stability
- Reference Voltage Stability
- Differential Current Outputs
- TTL Compatible

$\pm 1/2$ LSB Maximum
 ± 50 ppm/ $^{\circ}$ C
 ± 50 ppm/ $^{\circ}$ C

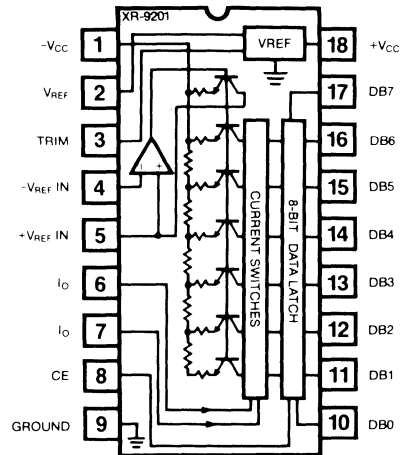
APPLICATIONS

- Bipolar and Unipolar D/A Conversion
- A/D Conversion
- Test Equipment
- Measuring Instruments
- Programmable Current Source
- Programmable Voltage Source

ABSOLUTE MAXIMUM RATINGS

+V _{CC} Positive Supply Voltage	+6V
-V _{CC} Negative Supply Voltage	-8.5V
Logic Input Voltages	0 to +6V
Power Dissipation	500 mW
Derate Above 25 $^{\circ}$ C	5 mW/ $^{\circ}$ C
Storage Temperature	-55 $^{\circ}$ C to +150 $^{\circ}$ C

FUNCTIONAL BLOCK DIAGRAM



ORDERING INFORMATION

Part Number	Package	Operating Temperature
XR-9201 CP	Plastic	0 $^{\circ}$ to +70 $^{\circ}$ C

SYSTEM DESCRIPTION

To convert the output currents of the digital-to-analog converter to a voltage, an operational amplifier can be used as shown in Figure 12.

Care must be taken in selecting an operational amplifier to be used in D/A conversion. For accurate conversion, the operational amplifier should have low input offset voltage, low input bias and offset currents, and fast settling times. Input offset voltage contributes a DC error on the output and should be properly nulled. Input bias current contributes to the D/A converter current flowing through the feedback resistor, R_{FB}, and also causes a DC error on the output voltage. This error can be reduced by the addition of a resistor equal in value to R_{FB} from the noninverting input to ground. Settling time is important because it rules how fast the output reaches its prescribed voltage level. The OP-01 is suitable for D/A converter applications producing negligible errors.

XR-9201

ELECTRICAL CHARACTERISTICS

Test Conditions: $V_{CC} = +5V$, $-V_{CC} = -7V$, $T_A = 25^\circ C$, $I_{REF} = 1.0\text{ mA}$, unless otherwise specified.

SYMBOL	PARAMETERS	MIN	TYP	MAX	UNIT	CONDITIONS
	Resolution	8	8	8	Bits	
	Monotonicity	8	8	8	Bits	
	Non-linearity			± 0.5 ± 0.19	LSB % I_{FS}	
+V _{CC}	Positive Supply Voltage	4.5	5.0	5.5	V	
-V _{CC}	Negative Supply Voltage	-7.7	-7.0	-6.3	V	
V _{IH}	Data Input and Chip Enable "High" Voltage	2.0			V	
V _{IL}	Data Input and Chip Enable "Low" Voltage			0.8	V	
I _{IH}	Data Input and Chip Enable "High" Current			500	μA	
I _{IL}	Data Input and Chip Enable "Low" Current			± 20	μA	
I _{FS}	Full Scale Output Current	1.914	1.992	2.070	mA	$I_{REF} = 1.000\text{ mA}$
I _{ZO}	Zero Scale Output Current			± 10	μA	
TC _{I_{FS}}	Full Scale Current Temperature Sensitivity		± 50		ppm/ $^\circ C$	$0^\circ C \leq T_A \leq 75^\circ C$
I _{FSS}	Full Scale Symmetry			± 10	μA	
V _{REF}	Internal Reference Voltage	2.005	2.000	1.990	V	R _{ADJ} = 50 k Ω R _{ADJ} = 0 Ω R _{ADJ} = 6 Ω
TC _{REF}	V _{REF} Temperature Stability		± 50		ppm/ $^\circ C$	V _{REF} = 2.00 V
+I _{CC}	Positive Supply Current		15	25	mA	
-I _{CC}	Negative Supply Current	-25	-15		mA	
	Positive Output Voltage Compliance		+5.0		V	
	Negative Output Voltage Compliance		-1.0		V	
	Maximum Full Scale Current		3		mA	
t _S	Settling Time		600		nsec	
t _{SU}	Data Set-up Time		170		nsec	
t _H	Data Hold Time		40		nsec	
t _W	Minimum Chip Enable (CE) Pulse Width		170		nsec	
t _D	Propagation Delay Time		500		nsec	

XR-9201

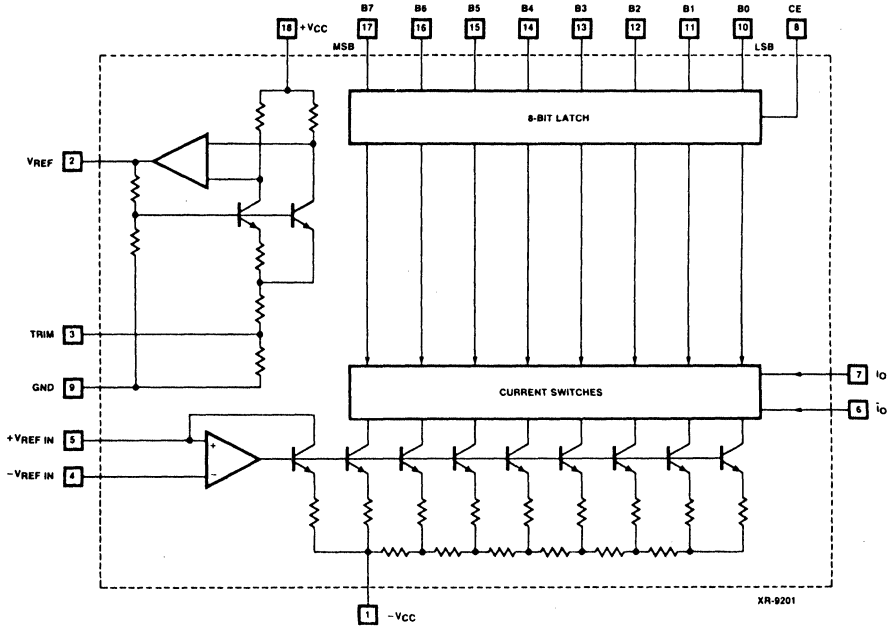


Figure 2. Functional Block Diagram

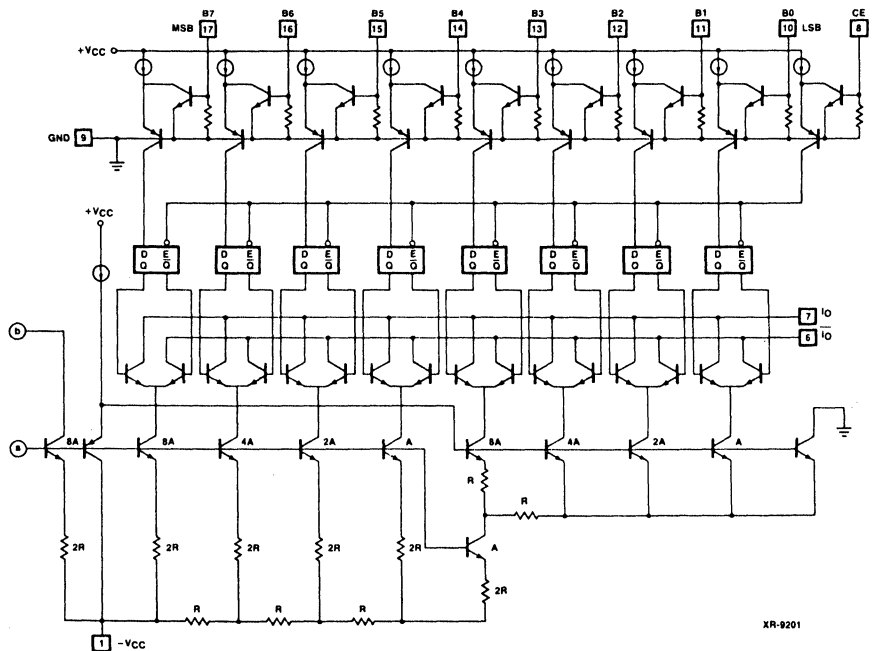


Figure 3A. Equivalent Circuit of Data Latches and Current Switches

XR-9201

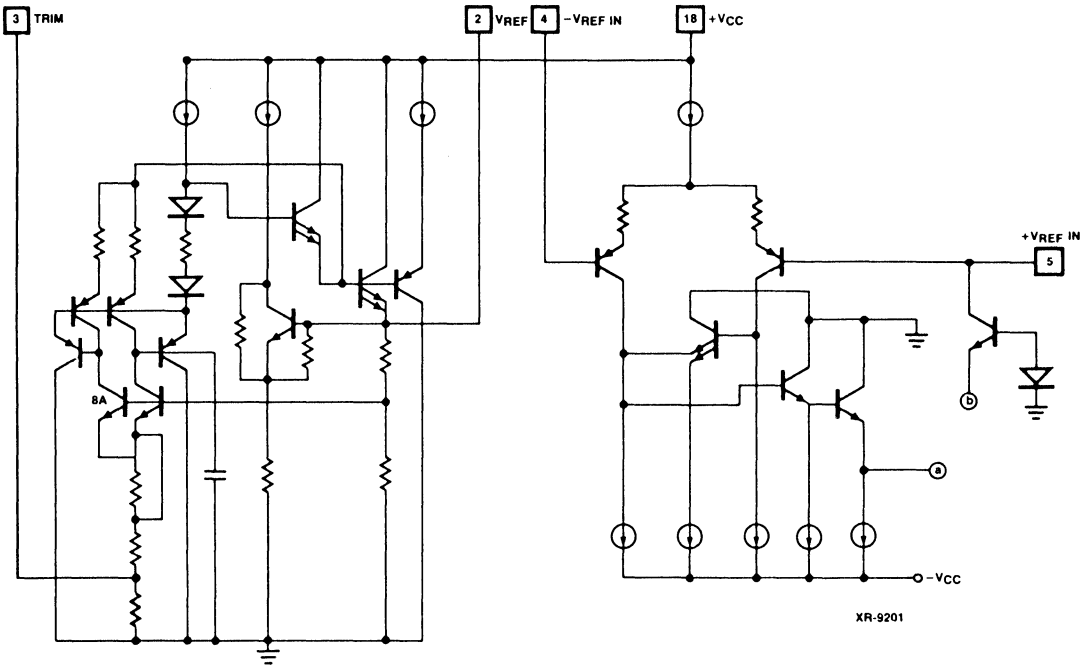


Figure 3B. Equivalent Circuit of Voltage Reference and Input Amplifier

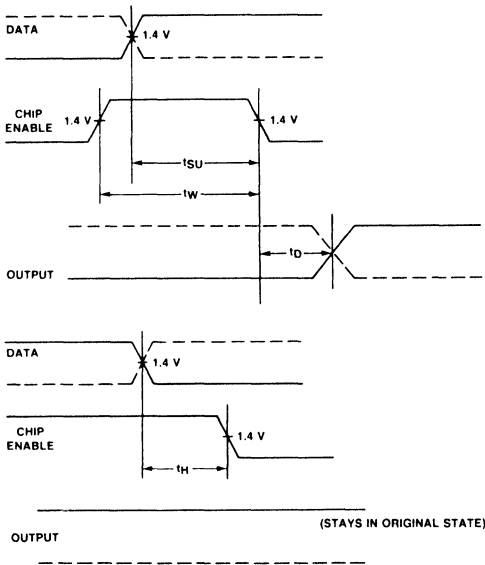


Figure 4. Timing Diagram

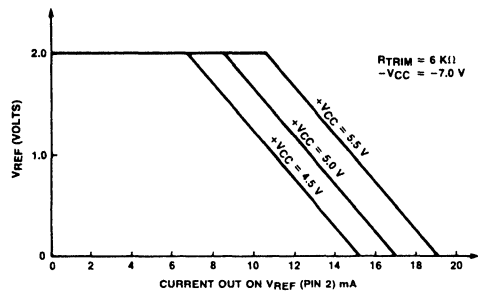


Figure 5. V_{REF} vs. Current Output

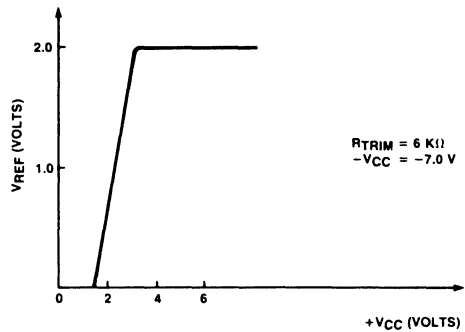


Figure 6. V_{REF} vs. $+V_{CC}$

XR-9201

DEFINITIONS OF SWITCHING PARAMETERS

<p>Settling Time (t_s): Time required for output to reach its final value (to within $\pm .19\%$ of full scale output) after data is applied to the inputs. Chip enable, CE, is held "high."</p>	<p>to when CE goes "low", and still obtain valid output data of the previous input state. Data hold time indicates that the input data does not have to be present during the latter part of the CE high state, and still have valid output data.</p>
<p>Data Set-Up Time (t_{SU}): Minimum time required for data to be present at the inputs while CE is "high", in order to obtain valid output data. It is measured from when proper data is applied to the inputs to when CE goes "low".</p>	<p>Chip Enable Pulse Width (t_W): Minimum pulse width required for chip enable signal in order to obtain valid output data.</p>
<p>Data Hole Time (t_H): Maximum time required for data to be present at the inputs before CE goes "low", in order to obtain valid output data. It is measured from when the input data changes state</p>	<p>Propagation Delay Time (t_D): Time required for output to reach its final value (50%) after CE is applied. It is measured from the falling edge of the CE pulse to 50% of the output pulse under minimum data set-up time conditions.</p>

DESCRIPTION OF PIN CONTROLS

- VREF (PIN 2):** Internal voltage reference output provides +2.00 V Nominal voltage. Can be used as reference voltage for other circuitry. Maximum output current capability is approximately 9 mA with $V^+ = 5.0$ V.
- TRIM (PIN 3):** VREF can be adjusted by connecting a 10 K Ω potentiometer between the trim pin and ground. Temperature stability is optimized for VREF = 2.00 V to 10–50 ppm/ $^{\circ}$ C.
- VREF IN (PIN 4):** This pin is tied to ground through a resistor, R, equal in value to that of Pin 5 and VREF.
- +VREF IN (PIN 5):** Reference voltage is connected to this pin using a resistor, R, to provide the reference current, IREF, for

the D/A converter. Either the internal VREF (Pin 2) or an external VREF can be connected to this pin. IREF is approximately equal to VREF/R. Maximum value for IREF is about 1.5 mA before internal saturation occurs.

- \bar{I}_O (PIN 6):** Complement output current.
- I_O (PIN 7):** Output current. The sum of \bar{I}_O and I_O is always equal to the full scale output current (IFS).
- CE (PIN 8):** Chip enable pin controls the input data into the internal data latch. The latch is transparent in the "high" state.
- DB0–DB7 (PIN 10–17):** Data input pins. DB0 corresponds to the LSB. DB7 corresponds to the MSB.

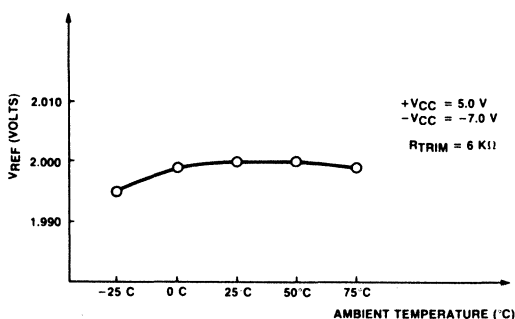


Figure 7. VREF vs. Temperature

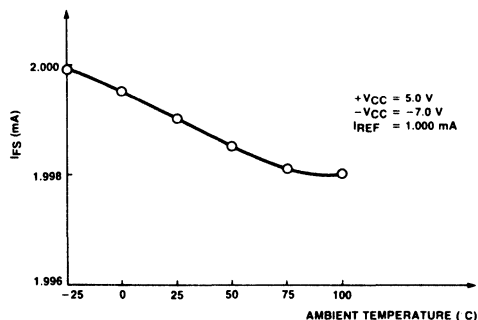


Figure 8. IFS vs. Temperature

XR-9201

PRINCIPLES OF OPERATION

Figure 10 shows the basic configuration of the XR-9201 D/A converter. The input data bits to the chip can be latched (stored) in the D/A by controlling the chip enable (CE) pin. When CE is "high" (>2.0 volts), the latch is transparent and data bits present are passed through the latch and directly control the D/A converter switches. When CE is "low" (<0.8 volts), the data bits within the latch are retained and remain there until CE goes "high" again. When CE is "low", the data bits at the inputs are ignored until CE goes "high". This interval latch provides a useful interface with microprocessors.

The output currents, I_O and \bar{I}_O , are related to I_{REF} as follows:

$$I_O = 2 I_{REF} \left[\frac{b_7}{2} + \frac{b_6}{4} + \frac{b_5}{8} + \frac{b_4}{16} + \frac{b_3}{32} + \frac{b_2}{64} + \frac{b_1}{128} + \frac{b_0}{256} \right]$$

Where: $b_n = 1$ if Bit N is "High"
 $= 0$ if Bit N is "Low"
 $b_7 =$ MSB (Pin 17)
 $b_0 =$ LSB (Pin 10)

\bar{I}_O is the complement current output of I_O . For all possible input data combinations,

$$I_O + \bar{I}_O = I_{FS} = \text{full scale output current.}$$

$$\text{where } I_{FS} = 2 I_{REF} \left(\frac{255}{256} \right)$$

The XR-9201 D/A converter contains an internal reference voltage (V_{REF}) with nominal value of 2.00V using a 6 K Ω resistor to ground. V_{REF} can be adjusted using a 10 K Ω potentiometer tied between Pin 3 and ground. For maximum temperature stability, V_{REF} should be set to 2.00V. The maximum output current capability of V_{REF} is about 9 mA (see Figure 5) and can be used to provide a reference voltage for other DACs, as well as other circuitry.

The reference current (I_{REF}) for the D/A converter is established by a resistor, R, connected between V_{REF} and Pin 5 (+ V_{REF} IN), or between an external reference source and Pin 5, and is approximately given as:

$$I_{REF} = \frac{V_{REF}}{R}$$

For $I_{REF} \leq 1$ mA. The maximum I_{REF} allowed is about 1.5 mA beyond which saturation occurs in the internal circuitry. To balance the internal operational amplifier, a resistor equal to R must be placed between Pin 4 ($-V_{REF}$ IN) and ground.

NOTE:

When operating the XR-9201 D/A converter with an operational amplifier, care must be taken with the PC

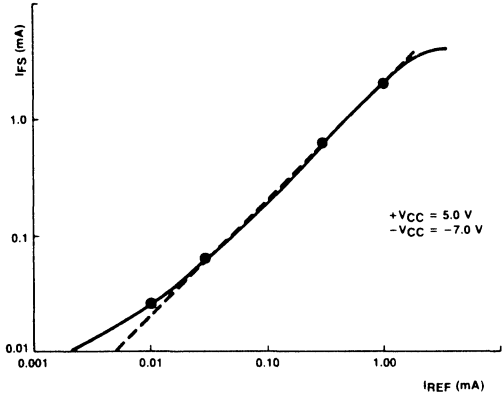


Figure 9. I_{FS} vs. I_{REF}

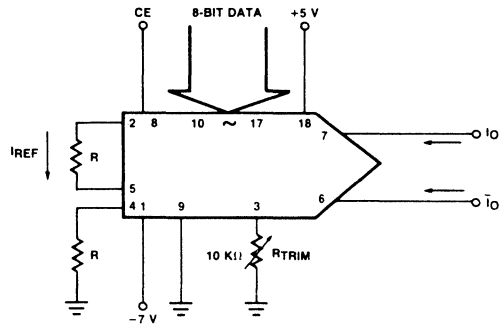


Figure 10. Basic Configuration

board layout. Specifically, connection between the current output terminals, I_O and \bar{I}_O , and the operational amplifier inputs needs to be as short as possible so as to minimize capacitance at the node. Oscillations on the operational amplifier output may result with long wires. A capacitor in the feedback loop of the operational amplifier can reduce these oscillations.

ZERO AND FULL SCALE ADJUSTMENTS

Figure 13 shows a circuit for zero and full scale adjustments. It allows the output voltage to be nulled with zero scale input conditions (0000,0000). This is done by shorting out R_{FB} and adjusting the VOS adjust potentiometer of the operational amplifier until the output reads zero volts. This is performed with all digital bits set to zeros. If \bar{I}_O is the output being used, then all digital bits are set to ones and the zero scale is adjusted.

For full scale adjustment, all digital inputs are set to ones and the I_{REF} potentiometer, from Pin 2 to Pin 5, is adjusted until the output is at the desired voltage level (e.g., output is adjusted to 10.000 volts for nominal 9.960 volts output).



XR-9201

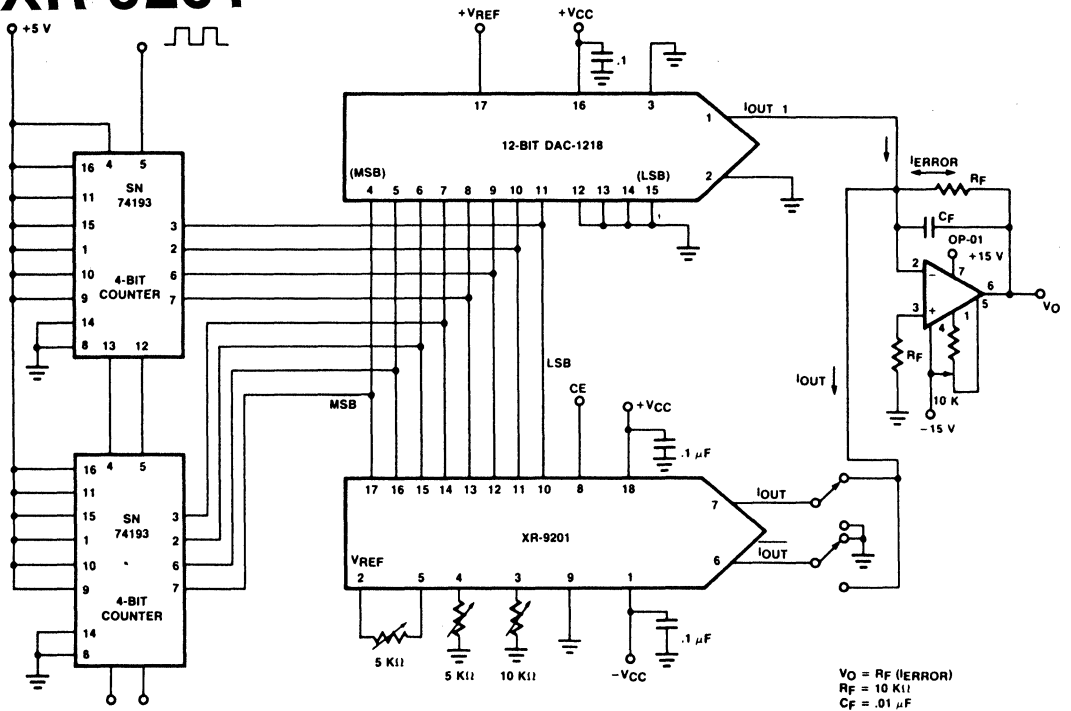
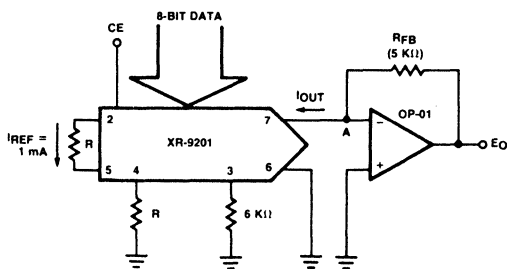


Figure 11. Relative Accuracy Test Circuit



$0 \text{ V} \cdot E_O = 10 \text{ V}$ FOR $R_{FB} = 5 \text{ K}\Omega$, $I_{REF} = 1 \text{ mA}$

$I_{FS} = 2I(REF) (255/256)$

FOR OPERATION WITH NEGATIVE LOGIC D/A CONVERSION, I.E. ZERO FULL SCALE (0000 0000) CORRESPONDING TO FULL SCALE OUTPUT, CONNECT THE INVERTING INPUT OF OP AMP TO I_O (PIN 6) AND CONNECT I_Q (PIN 7) TO GROUND.

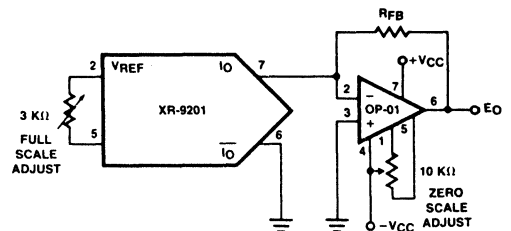


Figure 13. Full Scale and Zero Scale Adjustment

Figure 12. Digital-to-Analog Conversion: Unipolar Operation

Table 1. Unipolar Operation — Input/Output Relationship

	B ₇	B ₆	B ₅	B ₄	B ₃	B ₂	B ₁	B ₀	I _O (mA)	E _O (V)
Positive Full Scale	1	1	1	1	1	1	1	1	1.992	9.960
Pos. Full Scale - LSB	1	1	1	1	1	1	1	0	1.984	9.922
Pos. Full Scale - MSB	0	1	1	1	1	1	1	1	0.992	4.961
Zero Full Scale + LSB	0	0	0	0	0	0	0	1	0.008	0.039

XR-9201

Table 2. Bipolar Operation: Input/Output Relationship

	B ₇	B ₆	B ₅	B ₄	B ₃	B ₂	B ₁	B ₀	E ₁ (V)	E ₀ (V)
Full Scale Output	1	1	1	1	1	1	1	1	0.000	10.00
Full Scale - LSB	1	1	1	1	1	1	1	0	0.016	9.921
Zero Scale + MSB	1	0	0	0	0	0	0	0	1.984	0.078
Full Scale - MSB	0	1	1	1	1	1	1	1	2.000	0.000
Zero Scale + LSB	0	0	0	0	0	0	0	1	3.968	-9.844
Zero Scale	0	0	0	0	0	0	0	0	3.984	-9.922

BIPOLAR OUTPUT OPERATION

Figure 14 shows a basic bipolar output operation. For full scale input (1111,1111) the output voltage is equal to 1.0V. For zero scale input (0000,0000), output voltage is equal to -1.0V. Due to the internal circuitry of the XR-9201, the current output terminals should not be pulled below approximately -1.0 volt. Therefore the circuit shown in Figure 14 would not function for E₀ less than -1.0V. For bipolar operation with larger output voltages, the circuit shown in Figure 15 is recommended. Note that the current outputs, I_O and I₀, are held at zero volts for all digital inputs for greater accuracy.

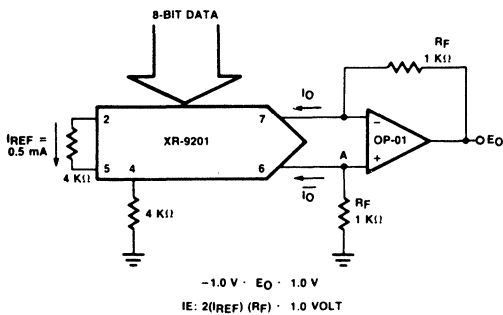


Figure 14. Digital-to-Analog Conversion — Bipolar Operation

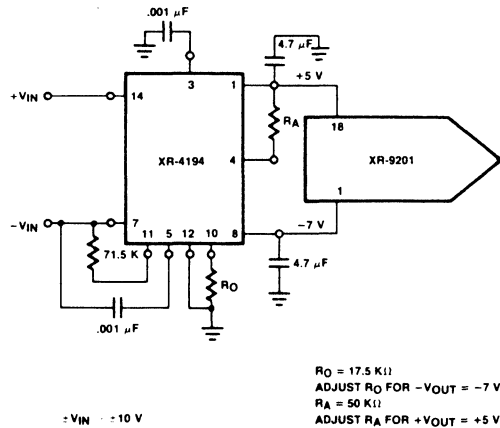


Figure 15. Digital-to-Analog Conversion — Bipolar Operation

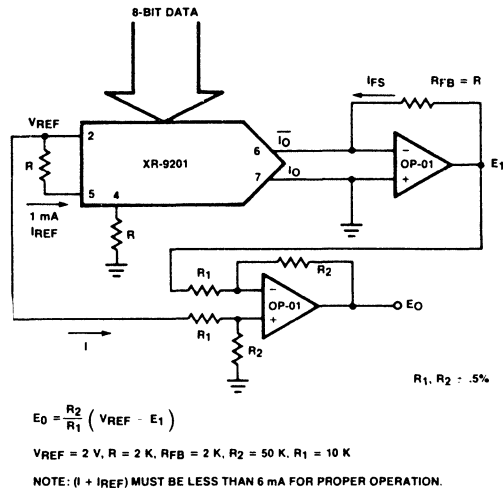


Figure 16. Regulated Supplies for XR-9201

Voltage-to-Frequency Converter

GENERAL DESCRIPTION

The XR-4151 is a device designed to provide a simple, low-cost method for converting a DC voltage into a proportional pulse repetition frequency. It is also capable of converting an input frequency into a proportional output voltage. The XR-4151 is useful in a wide range of applications including A/D and D/A conversion and data transmission.

FEATURES

- Single Supply Operation (–8V to +22V)
- Pulse Output Compatible With All Logic Forms
- Programmable Scale Factor (K)
- Linearity $\pm 0.05\%$ Typical–Precision Mode
- Temperature Stability $\pm 100\%$ ppm/°C Typical
- High Noise Rejection
- Inherent Monotonicity
- Easily Transmittable Output
- Simple Full Scale Trim
- Single-Ended Input, Referenced to Ground
- Also Provides Frequency-to-Voltage Conversion
- Direct Replacement for RC/RV/RM-4151

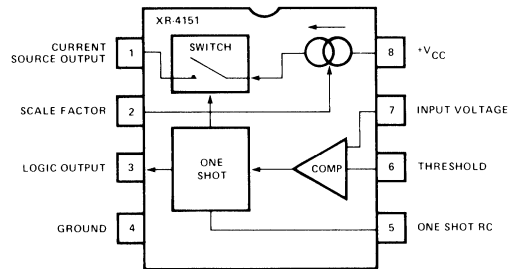
APPLICATIONS

- Voltage-to-Frequency Conversion
- A/D and D/A Conversion
- Data Transmission
- Frequency-to-Voltage Conversion
- Transducer Interface
- System Isolation

ABSOLUTE MAXIMUM RATINGS

Power Supply	22V
Output Sink Current	20 mA
Internal Power Dissipation	500 mW
Input Voltage	–0.2V to +V _{CC}
Output Short Circuit to Ground	Continuous

FUNCTIONAL BLOCK DIAGRAM



ORDERING INFORMATION

Part Number	Package	Operating Temperature
XR-4151P	Plastic	–40°C to +85°C
XR-4151CP	Plastic	0°C to +70°C

SYSTEM DESCRIPTION

The XR-4151 is a precision voltage to frequency converter featuring 0.05% conversion linearity, high noise rejection, monotonicity, and single supply operation from 8V to 22V. An RC network on Pin 5 sets the maximum full scale frequency. Input voltage on Pin 7 is compared with the voltage on Pin 6 (which is generally controlled by the current source output, Pin 1). Frequency output is proportioned to the voltage on Pin 7. The current source is controlled by the resistance on Pin 2 (nominally 14k Ω) with $1 = 1.9 V/R$. The output is an open collector at Pin 3.

XR-4151

ELECTRICAL CHARACTERISTICS

Test Conditions: ($V_{CC} = 15V$, $T_A = +25^\circ C$, unless otherwise specified)

PARAMETERS	LIMITS			UNITS	CONDITIONS
	MIN	TYP	MAX		
Supply Current	2.0	3.5	6.0	mA	$8V < V_{CC} < 15V$ $15V < V_{CC} < 22V$
Conversion Accuracy					
Scale Factor	0.90	1.00	1.10	kHz/V	Circuit of Figure 3, $V_I = 10V$ $R_S = 14.0k\Omega$
Drift with Temperature	—	± 100	—	ppm/ $^\circ C$	Circuit of Figure 3, $V_I = 10V$
Drift with V_{CC}	—	0.2	1.0	%/V	Circuit Figure 3, $V_I = 1.0V$ $8V < V_{CC} < 18V$
Input Comparator					
Offset Voltage	—	5	10	mV	
Offset Current	—	± 50	± 100	nA	
Input Bias Current	—	-100	-300	nA	
Common Mode Range (Note 1)	0	0 to $V_{CC}-2$	$V_{CC}-3.0$	V	
One-Shot					
Threshold Voltage, Pin 5	0.63	.667	0.70	$\times V_{CC}$	
Input Bias Current, Pin 5	—	-100	-500	nA	
Reset V_{SAT}	—	0.15	0.50	V	Pin 5, $I = 2.2mA$
Current Source					
Output Current	—	138.7	—	μA	Pin 1, $V = 0$, $R_S = 14.0k\Omega$
Change with Voltage	—	1.0	2.5	μA	Pin 1, $V = 0V$ to $V = 10V$
Off Leakage	—	1	50.0	nA	Pin 1, $V = 0V$
Reference Voltage	1.70	1.9	2.08	V	Pin 2
Logic Output					
V_{SAT}	—	0.15	0.50	V	Pin 3, $I = 3.0mA$
V_{SAT}	—	0.10	0.30	V	Pin 3, $I = 2.0mA$
Off Leakage	—	.1	1.0	μA	

Note 1: Input Common Mode Range includes ground.

PRINCIPLES OF OPERATION

SINGLE SUPPLY MODE VOLTAGE-TO-FREQUENCY CONVERTER

In this application, the XR-4151 functions as a stand-alone voltage-to-frequency converter operating on a single positive power supply. Refer to the functional block diagram and Figure 3, the circuit connection for single supply voltage-to-frequency conversion. The XR-4151 contains a voltage comparator, a one-shot, and a precision switched current source. The voltage comparator compares a positive input voltage applied at pin 7 to the voltage at pin 6. If the input voltage is higher, the comparator will fire the one-shot. The output of the one-shot is connected to both the logic output and the precision switched current source. During the one-shot period, T , the logic output will go low and the current source will turn on with current I . At the end of the one shot period the logic output will go high and the current source will shut off. At this time the current source has injected an amount of charge $Q = IQT$ into the network R_B-C_B . If this charge has not increased the voltage V_B such that $V_B > V_I$, the comparator again fires the one-shot and the current source injects another lump of

charge, Q , into the R_B-C_B network. This process continues until $V_B > V_I$. When this condition is achieved, the current source remains off and the voltage V_B decays until V_B is again equal to V_I . This completes one cycle. The VFC will now run in a steady state mode. The current source dumps lumps of charge into the capacitor C_B at a rate fast enough to keep $V_B \geq V_I$. Since the discharge rate of capacitor C_B is proportional to V_B/R_B , the frequency at which the system runs will be proportional to the input voltage.

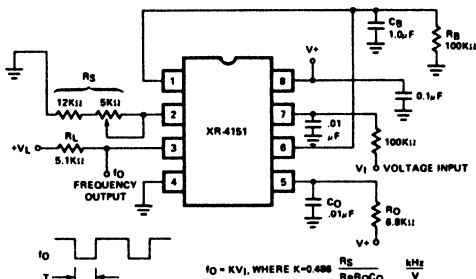


Figure 3. Voltage-to-Frequency Converter

XR-4151

TYPICAL APPLICATIONS

SINGLE SUPPLY VOLTAGE-TO-FREQUENCY CONVERTER

Figure 3 shows the simplest type of VFC that can be made with the XR-4151. The input voltage range is from 0 to +10V, and the output frequency is from 0 to 10 kHz. The full scale frequency can be tuned by adjusting R_B , the output current set resistor. This circuit has the advantage of being simple and low in cost, but it suffers from inaccuracy due to a number of error sources. Linearity error is typically 1%. A frequency offset will also be introduced by the input comparator offset voltage. Also, response time for this circuit is limited by the passive integration network $R_B C_B$. For the component values shown in Figure 3, response time for a step change input from 0 to +10V will be 135 msec. For applications which require fast response time and high accuracy, use the circuit of Figure 4.

PRECISION VOLTAGE-TO-FREQUENCY CONVERTER

In this application (Figure 4) the XR-4151 is used with an operational amplifier integrator to provide typical linearity of 0.05% over the range of 0 to -10V. Offset is adjustable to zero. Unlike many VFC designs which lose linearity below 10mV, this circuit retains linearity over the full range of input voltage, all the way to 0V.

Trim the full scale adjust pot at $V_1 = -10V$ for an output frequency of 10kHz. The offset adjust pot should be set for 10Hz with an input voltage of -10mV.

The operational amplifier integrator improves linearity of this circuit over that of Figure 3 by holding the output of the source, Pin 1, at a constant 0V. Therefore, the linearity error due to the current source output conductance is eliminated. The diode connected around the

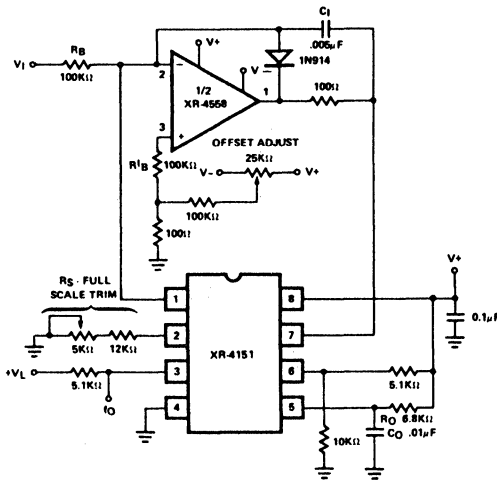


Figure 4. Precision Voltage-to-Frequency Converter

op-amp prevents the voltage at pin 7 of the XR-4151 from going below 0. Use a low-leakage diode here, since any leakage will degrade the accuracy. This circuit can be operated from a single positive supply if an XR-3403 ground-sensing op-amp is used for the integrator. In this case, the diode can be left out. Note that even though the circuit itself will operate from a single supply, the input voltage is necessarily negative. For operation above 10kHz, bypass pin 6 of the XR-4151 with $.01\mu F$.

FREQUENCY-TO-VOLTAGE CONVERSION

The XR-4151 can be used as a frequency-to-voltage converter. Figure 5 shows the single-supply FVC configuration. With no signal applied, the resistor bias networks tied to pins 6 and 7 hold the input comparator in the off state. A negative going pulse applied to pin 6 (or positive pulse to pin 7) will cause the comparator to fire the one-shot. For proper operation, the pulse width must be less than the period of the one-shot, $T = 1.1 R_0 C_0$. For a 5V p-p square-wave input the differentiator network formed by the input coupling capacitor and the resistor bias network will provide pulses which correctly trigger the one-shot. An external voltage comparator can be used to "square-up" sinusoidal input signals before they are applied to the XR-4151. Also, the component values for the input signal differentiator and bias network can be altered to accommodate square waves with different amplitudes and frequencies. The passive integrator network $R_B C_B$ filters the current pulses from the pin 1 output. For less output ripple, increase the value of C_B .

For increased accuracy and linearity, use an operational amplifier integrator as shown in Figure 6, the precision FVC configuration. Trim the offset to give -10mV out with 10Hz in and trim the full scale adjust for -10V out with 10kHz in. Input signal conditioning for this circuit is necessary just as for the single supply mode and the scale factor can be programmed by the choice of component values. A tradeoff exists between the amount of output ripple and the response time, through the choice or integration capacitor C_1 . If $C_1 = 0.1 \mu f$ the ripple will be about 100mV. Response time constant $\tau R = R_B C_1$. For $R_B = 100 k\Omega$ and $C_1 = 0.1 \mu f$, $\tau R = 10msec$.

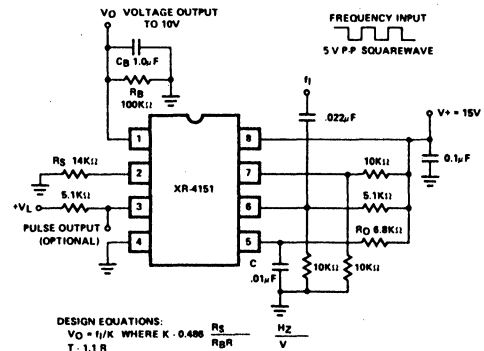


Figure 5. Frequency-to-Voltage Converter

XR-4151

PRECAUTIONS

1. The voltage applied to comparator input pins 6 and 7 should not be allowed to go below ground by more than 0.3 volt.
2. Pins 3 and 5 are open-collector outputs. Shorts between these pins and +V_{CC} can cause overheating and eventual destruction.
3. Reference voltage terminal pin 2 is connected to the emitter of an NPN transistor and is held at approximately 1.9 volts. This terminal should be protected from accidental shorts to ground or supply voltages. Permanent damage may occur if the current in pin 2 exceeds 5mA.
4. Avoid stray coupling between pins 5 and 7; it could cause false triggering. For the circuit of Figure 3, bypass pin 7 to ground with at least 0.01μf. This is necessary for operation above 10kHz.

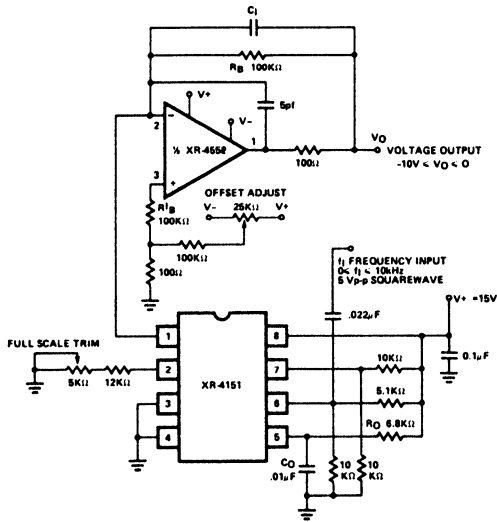


Figure 6. Precision Frequency-to-Voltage Converter

PROGRAMMING THE XR-4151

The XR-4151 can be programmed to operate with a full scale frequency anywhere from 1.0Hz to 100kHz. In the case of the VFC configuration, nearly any full scale input voltage from 1.0V and up can be tolerated if proper scaling is employed. Here is how to determine component values for any desired full scale frequency.

1. Set $R_S = 14k\Omega$ or use a 12k resistor and 5k pot as shown in the figures. (The only exception to this is Figure 4.)

2. Set $T = 1.1 R_0 C_0 = 0.75[1/f_0]$ where f_0 is the desired full scale frequency. For optimum performance make $6.8k\Omega > R_0 > 680k\Omega$ and $0.001\mu f < C_0 < 1.0\mu f$.

3. a) For the circuit of Figure 3 make $C_B = 10^{-2} [1/f_0]$ Farads.

Smaller values of C_B will give a faster response time, but will also increase the frequency offset and nonlinearity.

- b) For the active integrator circuit make

$$C_1 = 5 \times 10^{-5} [1/f_0] \text{ Farads.}$$

The op-amp integrator must have a slew rate of at least $135 \times 10^{-6} [1/C_1]$ volts per second where the value of C_1 is in Farads.

4. a) For the circuit of Figure 4 keep the values of R_B and R_0 as shown and use an input attenuator to give the desired full scale input voltage.

- b) For the precision mode circuit of Figure 4, set $R_B = V_{IO}/100\mu A$ where V_{IO} is the full scale input voltage.

Alternately, the op-amp inverting input (summing node) can be used as a current input with the full scale input current $I_{IO} = -100\mu A$.

5. For the FVC's, pick the value of C_B or C_1 to give the optimum tradeoff between the response time and output ripple for the particular application.

DESIGN EXAMPLE

- I. Design a precision VFC (from Figure 5) with $f_0 = 100kHz$ and $V_{IO} = -10V$.

1. Set $R_S = 14.0k\Omega$

2. $T = 0.75 [1/10^5] = 7.5\mu sec$

Let $R_0 = 6.8k\Omega$ and $C_0 = 0.001\mu f$.

3. $C_1 = 5 \times 10^5 [1/10^5] = 500pf$.

Op-amp slew rate must be at least

$$SR = 135 \times 10^6 [1/500pf] = 0.27V/\mu sec$$

4. $R_B = 10V/100\mu A = 100k\Omega$.

- II. Design a precision VFC with $f_0 = 1Hz$ and $V_{IO} = 10V$.

1. Let $R_S = 14.0k\Omega$

2. $T = 0.75 [1/1] = 0.75 sec$

Let $R_0 = 680k\Omega$ and $C_0 = 1.0\mu f$.

3. $C_1 = 5 \times 10^{-5} [1/1]F = 50\mu f$.

4. $R_B = 100k\Omega$.

XR-4151

III. Design a single supply FVC to operate with a supply voltage of 9V and full scale input frequency $f_o = 83.3$ Hz. The output voltage must reach at least 0.63 of its final value in 200msec. Determine the output ripple.

1. Set $R_S = 14.0k\Omega$

2. $T = 0.75 [1/83.3] = 9msec$

Let $R_0 = 82k\Omega$ and $C_0 = 0.1 \mu f$.

3. Since this FVC must operate from 8.0V, we shall make the full scale output voltage at pin 6 equal to 5.0V.

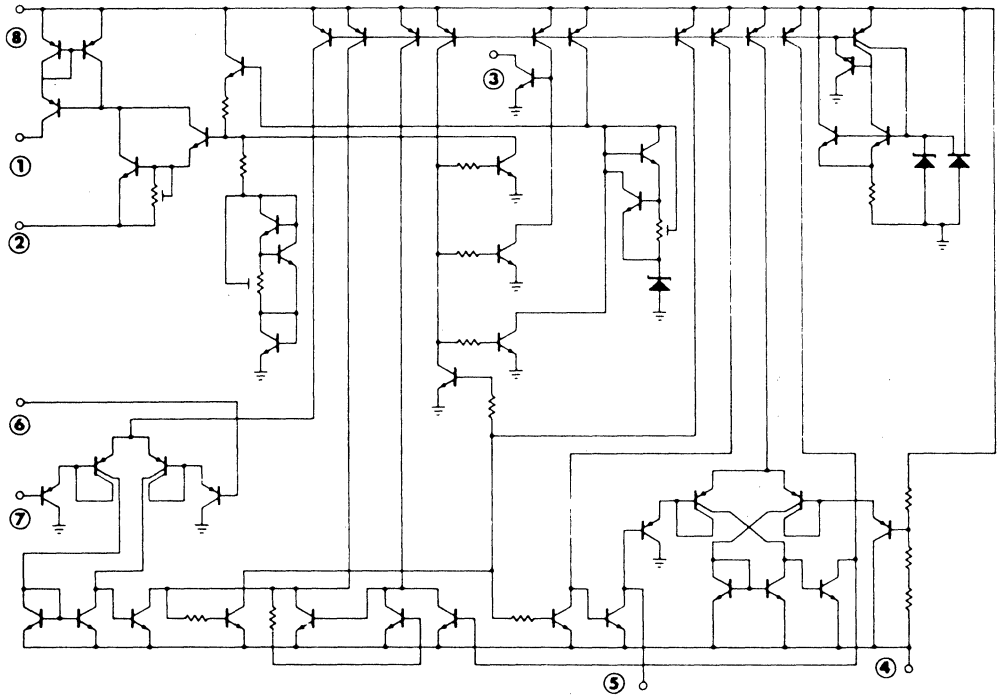
4. $R_B = 5V/100\mu A = 50k\Omega$.

5. Output response time constant is $\tau R \leq 200$ msec
Therefore-

$$C_B \leq \tau R / R_B = (200 \times 10^{-3}) / (50 \times 10^3) = 4 \mu f$$

Worst case ripple voltage is

$$V_R = (9mS \times 135\mu A) / 4 \mu f = 304mV.$$



EQUIVALENT SCHEMATIC DIAGRAM

Log Video Amplifier

GENERAL DESCRIPTION

The XR-7000 is a universal logarithmic video amplifier chip. Because of its extremely wide bandwidth, it can be used in systems ranging from audio applications to radar subsystems. The XR-7000 utilizes seven separate precision logarithmic elements. These elements may be used separately for small dynamic ranges or cascaded to offer an extremely wide dynamic range of operation.

The XR-7000 has an internal band-gap voltage reference, a differential video summing amplifier, and a precision die temperature sensor, to aid in its system interfacing. Also included are internal power supply regulators to provide excellent power supply rejection.

The XR-7000 is available in a 40-Pin ceramic or plastic package. It is designed to operate from dual 11 to 15 volt power supplies

FEATURES

- Seven Uncommitted Logging Elements
- Internal Band-Gap Voltage Reference
- Dual Tracking Regulators On-Board
- Precision Die Temperature Sensor

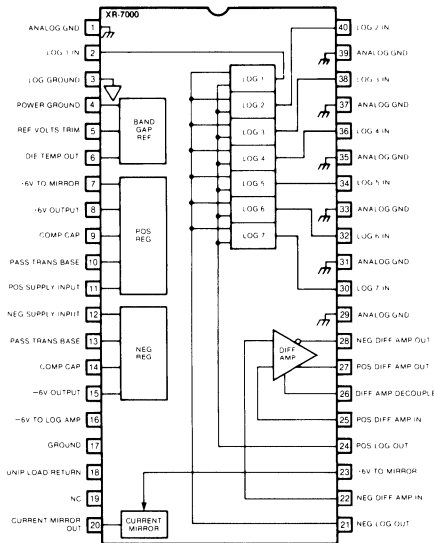
APPLICATIONS

- Receiver Subsystems
- Radar Subsystems
- Spectrum Analyzers
- Power Meters
- Test Equipment
- Video Cartridge Tape Recorders
- Audio Tape Recorders
- Smoke Detectors
- Chemical Process Systems
- Ultrasonic Imaging
- Medical Equipment (Tomography)

ABSOLUTE MAXIMUM RATINGS

Power Supply	30V
Power Dissipation	1.0W
Derate Above at 25°C	5 mW/°C
Operating Temperature	
Ceramic	-55°C to +125°C
Plastic	0°C to +70°C
Any Input Voltage	V _{CC} + .5V to V _{EE} - .5V

FUNCTIONAL BLOCK DIAGRAM



ORDERING INFORMATION

Part Number	Package	Operating Temperature
XR-7000M	Ceramic	-55°C to +125°C
XR-7000CP	Plastic	0°C to +70°C

SYSTEM DESCRIPTION

The main section of the XR-7000 comprises seven logarithmic sections. Each section has a dynamic range of approximately 12 dBV. For wide range applications, the seven sections may be cascaded to provide a total dynamic range of over 90 dBV. The logarithmic sections provide current outputs, which can be summed and converted to voltages, using the on-board summing amplifiers. A unipolar output with built-in offset is also available for use with an external I to V converter.

The precision die temperature sensor is useful in dc-coupled applications to provide stability over its temperature range.

XR-7000

ELECTRICAL CHARACTERISTICS

Test Conditions: With $V_{CC} = +12V$, $V_{EE} = -12V$, $T_{AMB} = 25^{\circ}C$, dual polarity output load resistances = 100 ohms, unipolar internal load resistance = 200 ohms, unless specified otherwise.

SYMBOL	PARAMETERS	MIN	TYP	MAX	UNIT	CONDITIONS
V_{CC}	Positive Supply Voltage	11	12	15	V	
V_{EE}	Positive Supply Voltage	11	12	15	V	
I_{CC}	Positive Supply Current		15		mA	
I_{EE}	Negative Supply Current		15		mA	
$+V_{out}$	Positive Regulator Output Voltage	5.8	6.0	6.2	V	Reference Untrimmed
$-V_{out}$	Negative Regulator Output Voltage	-5.8	-6.0	-6.2	V	Reference Untrimmed
LOG SECTION						
LG	Log Range per Element		12		dB	Dual Polarity Output
BW	Bandwidth	14	30		MHz	100 Ω Diff. Load
T_r	Risetime		12	25	ns	10% Points
T_{pd}	Prop. Delay	6	10	12	ns	
T_{rec}	Saturation Recovery		20		ns	
I_{in}	Input Bias Current		2		μA	
PSRR	Power Supply Rejection Ratio	60	65		dBV	DC to 100 MHz
V_{TRAC}	Tracking of Regulators		20		ppm	
T_{tcv}	Output Tempco		50		ppm	Trimmed
V_{out}	Output Voltage per Stage		118		mV	Unipolar
V_{out}	Output Voltage per Stage		120		mV	Bipolar each Output
R_{out}	Unipolar Output Resistance	150	200	250	ohms	
N_{out}	Output Noise		100		μV rms	Unipolar connection

Monolithic Compressor

GENERAL DESCRIPTION

The XR-2216 is a monolithic audio frequency compressor designed to compress or expand the dynamic range of speech or other analog signals transmitted through telecommunication systems. The monolithic circuit can be connected as either a compressor or an expander, the choice being determined by the external circuitry.

FEATURES

- Functions as either a Compressor or an Expander
- Wide Dynamic Range: 60 dB
- Wide Supply Range: 6 to 20 Volts
- Excellent Transfer Function Tracking
- Low Power Supply Drain
- Controlled Attack and Release Times
- Low Noise and Low Distortion

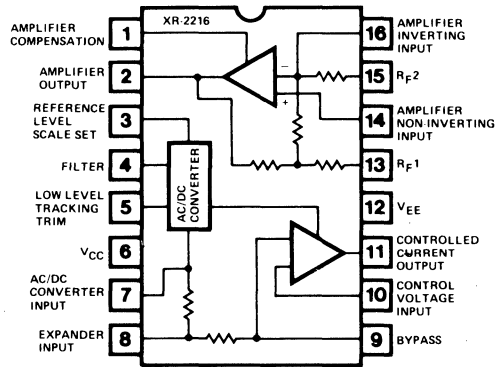
APPLICATIONS

- Telephone Trunk—Line Compressor
- Speech/Data Compression and Expansion
- Telecommunication Systems
- Mobile Communications
- Model Data Processing

ABSOLUTE MAXIMUM RATINGS

Supply Voltage	20V
Power Dissipation	
Ceramic Package	750 mW
Derate above +25°C	6 mW/°C
Plastic Package	625 mW
Derate above +25°C	5 mW/°C
Storage Temperature	-60°C to +150°C

FUNCTIONAL BLOCK DIAGRAM



ORDERING INFORMATION

Part Number	Package (16 Pin DIP)	Operating Temperature
XR-2216CN	Ceramic	-40°C to +60°C
XR-2216CP	Plastic	-40°C to +60°C

SYSTEM DESCRIPTION

The XR-2216 is comprised of four basic blocks: (1) an internal voltage reference; (2) an AC/DC converter which converts AC signal input to a DC current level; (3) an impedance converter whose impedance level is a function of a DC control signal; and (4) a high gain operational amplifier.

The XR-2216 is designed to accommodate a wide range of system configurations. It can be operated with positive or negative single supply systems, or dual power supplies over a power supply range of 6 volts to 20 volts.



XR-2216

ELECTRICAL CHARACTERISTICS

Test Conditions: $V_C = +12V$, $T_A = 25^\circ C$

COMPANDOR

PARAMETERS	MIN	TYP	MAX	UNITS	CONDITIONS
Power Supply Voltage	6		20	VDC	
Nominal Power Supply Voltage	12		18	VDC	
Power Supply Current, No Signal Input			3	mA	
Gain Change Over Frequency Tolerance	-1		+1	dB	300 ~ 3500 Hz
Distortion Measured at -4 dB* Input Level at 1 KHz		3		% THD	
Attack Time Measured at -10 dB Input Level			5	ms	To 90% of Final Value
Decay Time Measured at -10 dB Input Level			5	ms	To 10% of Final Value
Transfer Characteristics** Compandor Output With Input Levels of:					
-4 dB	3.5	+6	7.5	dB	
-8 dB	-0.5	+2	3.5	dB	
-10 dB	-1.5	0	+1.5	dB	
-14 dB (reference)		-4		dB	
-24 dB	-15.5	-14	-12.5	dB	
-34 dB	-25.5	-24	-22.5	dB	
-44 dB	-36.5	-34	-32.5	dB	
-54 dB	-49	-44	-42.5	dB	
-64 dB	-59	-54	-52.5	dB	

COMPRESSOR

PARAMETERS	MIN	TYP	MAX	UNITS	CONDITIONS
Input Impedance	50			K ohm	
Output Impedance			50	ohm	
Output Signal Level for -10 dB Input at 1 KHz		-10		dB	
Output Voltage Swing	0			dB	
Output Noise, Input AC Grounded			30	dBrc	
Compressor Transfer Characteristics** Compressor Output With Input Levels of:					
-4 dB		-7		dB	
-8 dB		-9		dB	
-10 dB		-10		dB	
-14 dB(reference)		-12		dB	
-24 dB		-17		dB	
-34 dB		-22		dB	
-44 dB		-27		dB	
-54 dB		-32		dB	
-64 dB		-37		dB	

EXPANDER

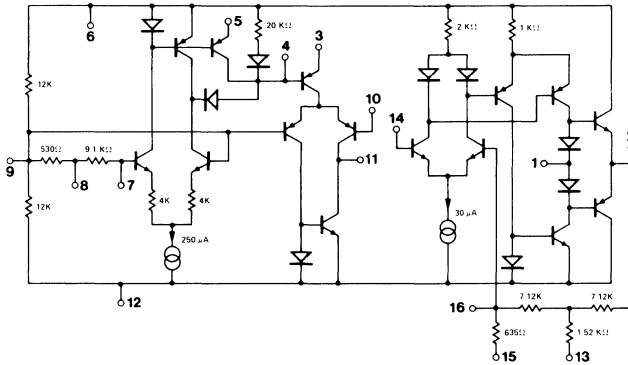
PARAMETERS	MIN	TYP	MAX	UNITS	CONDITIONS
Input Impedance	50			K ohm	
Output Impedance			50	ohm	
Output Signal Level for -10 dB		0		dB	
Output Voltage Swing	+8			dB	
Output Noise Input AC Grounded			+5	dBrc	
Expander Transfer Characteristics** Expander Input Levels Required for Output of:					
+6 dB		-7		dB	
+2 dB		-9		dB	
0 dB		-10		dB	
-4 dB(reference)		-12		dB	
-14 dB		-17		dB	
-24 dB		-22		dB	
-34 dB		-27		dB	
-44 dB		-32		dB	
-55 dB		-37		dB	

Notes: *0 dB = 0.775 Vrms (1 mW across 600 ohm load)

**Recommended transfer characteristics.

XR-2216

EQUIVALENT SCHEMATIC DIAGRAM



CIRCUIT DESCRIPTION

The analog signal compressor/expander or "comparator" circuits are among the most fundamental building blocks in telecommunication systems. These circuits are intended to compress or expand the dynamic range of speech or other analog signals transmitted through telecommunication systems.

Figure 1 shows the simplified block diagram of a typical speech transmission system, using the compression/expansion or "companding" technique. The dynamic range of the input signal is first compressed at the transmitting end; then transmitted through the system, and finally expanded back to the original amplitude at the receiving end. Thus, the "compressor" and the "expander" sections of a compander system perform reciprocal functions. In a bi-directional transmission system, there is a compander at each end of the line which compresses the out-going signal, or expands the incoming signal by an equal amount.

Figure 2 shows the typical transfer characteristics of compressor and expander circuits commonly used in telecommunication systems. In the compressor, the output amplitude varies 1 dB for every 2 dB change of input amplitude; the reverse is true for the expander.

The functional block diagram of XR-2216 compander is shown on Page 1, in terms of the monolithic circuit package. The XR-2216 is designed to be connected as either a compressor or an expander, the choice being determined by the external circuitry. The monolithic

system is comprised of four basic blocks: (1) an internal voltage reference; (2) an ac/dc converter which converts ac signal input to a dc current level; (3) an impedance converter whose impedance level is a function of a dc control signal; and (4) a high gain operational amplifier.

The XR-2216 is designed to accommodate a wide range of system configurations. It can be operated with positive, or negative, single-supply systems, or with balanced power supplies, over a power supply range of 6 volts to 20 volts.

Some of its key features are: low external component count, excellent transfer function, tracking, low power supply drain, controlled attack and release times, low noise and low distortion.

EXPANDER (Figure 3)

Figure 3 shows the external circuit connections and components necessary to operate XR-2216 as an expander. An input signal is applied to Pin 7 which is the

AC/DC converter input. The AC/DC converter converts the AC signal input to a dc current level which in turn controls the transconductance of the impedance converter. Part of the input signal is applied to the impedance converter by connecting Pins 8 and 10. Thus the signal current at Pin 11 is proportional to the product of the input signal and its average value.

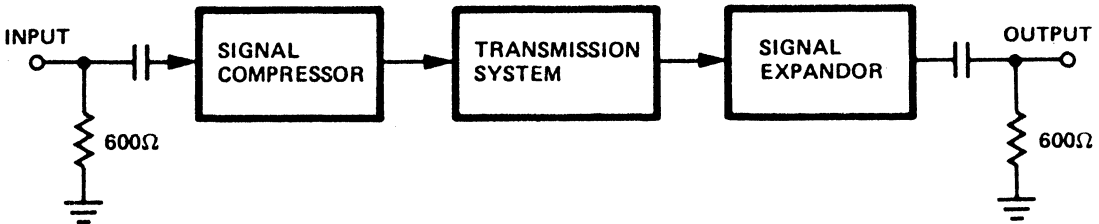


Figure 1. Simplified Block Diagram of a Speech Transmission System Using Companding Technique



XR-2216

The output signal current is then fed to the operational amplifier by connecting Pins 11 and 16, and the output signal voltage is directly proportional to the signal current flowing into Pin 16. The output signal of the expander is available at Pin 2. In this operation, the reference level is set by the trim pot R1, and the trim pot R2 provides a means for trimming low level tracking.

In the connection of Figure 3, the input signals of -37 dBm to -7 dBm are expanded to 60 dB output range with up to 0 dBm power matched output to 600Ω load.

COMPRESSOR (Figure 4)

Figure 4 shows the typical circuit connection for compressor operation. It is just a non-inverting voltage amplifier whose input level is proportional to the product of the incoming signal and the impedance of the impedance converter which is inversely proportional to the amplifier output. Consequently, the output signal at Pin 2 is proportional to square root of the input signal.

In this operation, just like expander operation, the reference level is set by the trim pot R1 and low level tracking is adjusted by the trim pot R2. In the connection of Figure 4, the output change is 1 dB for 2 dB change at input. The output range can be adjusted to -37 dBm to -7 dBm for input signals of 60 dB dynamic range.

Note: Attack and Decay Times:

The speed with which gain changes to follow changes in input signal levels is determined by the capacitor C1 and the resistor R1. A small capacitor will yield rapid response but will not fully filter low frequency signals. Any ripple on the gain control signal will modulate the signal passing through the impedance converter. In an expander and compressor application, this would lead to a 3rd harmonic distortion, so there is a tradeoff to be made between fast attack and decay times, and distortion.

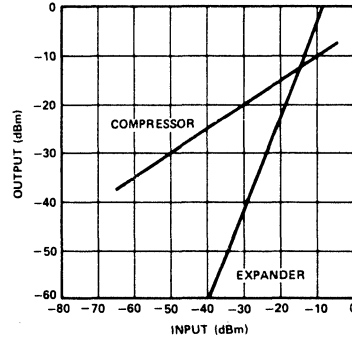


Figure 2. Transfer Characteristics of Compressor and Expander Circuits

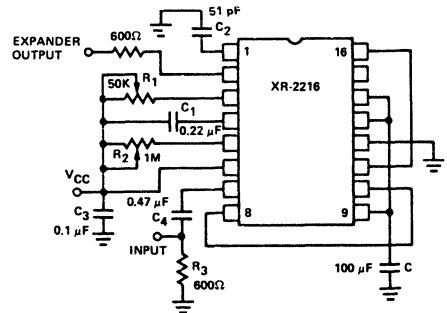


Figure 3. External Connections for Operation Expander

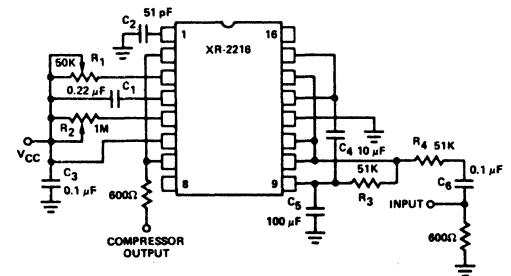


Figure 4. External Connections for Compressor Operation

TYPICAL PERFORMANCE CURVES

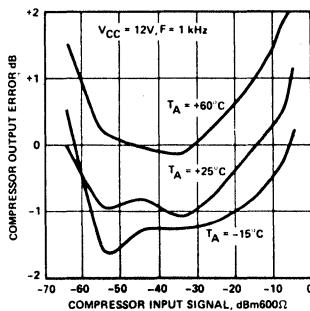


Figure 5. XR-2216 Compressor Output Error vs. Input Signal Amplitude

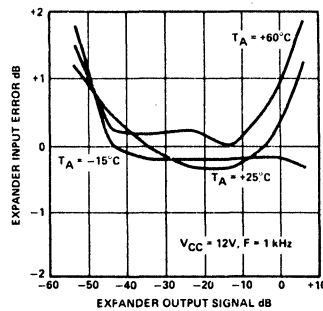


Figure 6. EX-2216 Expander Input Error vs. Output Signal Amplitude

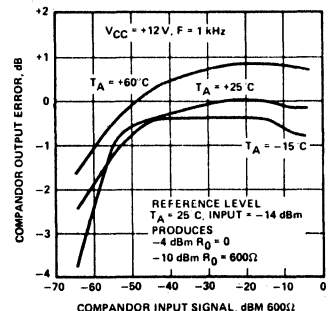


Figure 7. XR-2216 Compressor Tracking Error vs. Input Signal

Dual Operational Transconductance Amplifier

GENERAL DESCRIPTION

The XR-13600 is a dual operational transconductance (norton) amplifier with predistortion diodes and non-committed Darlington buffer outputs.

The device is especially suitable for electronically controllable gain amplifiers, controlled frequency filters, an other applications requiring current or voltage adjustments.

FEATURES

- Direct Replacement for LM-13600 and LM-13600 A
- Transconductance Adjustable Over 4 Decades
- Excellent Transconductance-Control Linearity
- Uncommitted Darlington Output Buffers
- On-Chip Predistortion Diodes
- Excellent Matching Between Amplifiers
- Wide Supply Range: $\pm 2V$ to $\pm 18V$

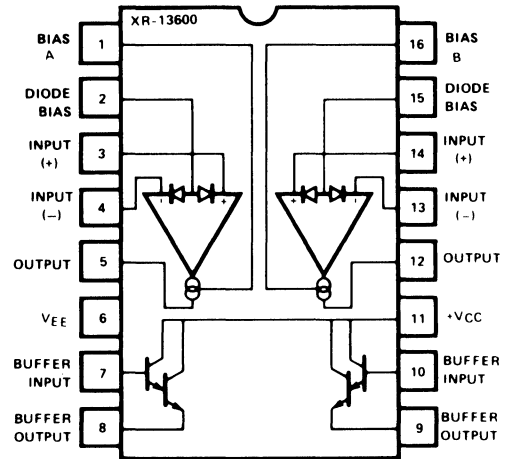
APPLICATIONS

- Current-Controlled Amplifiers
- Current-Controlled Impedances
- Current-Controlled Filters
- Current-Controlled Oscillators
- Multipliers/Attenuators
- Sample and Hold Circuits
- Electronic Music Synthesis

ABSOLUTE MAXIMUM RATINGS

Supply Voltage (See Note 1)	$\pm 22 V$
Power Dissipation ($T_A = 25^\circ C$, see Note 2)	625 mW
Derate Above $25^\circ C$	5 mW/ $^\circ C$
DC Input Voltage	$+V_{CC}$ to $-V_{EE}$
Differential Input Voltage	$\pm 5 V$
Diode Bias Current (I_D)	2 mA
Amplifier Bias Current (I_B)	2 mA
Output Short Circuit Duration	Indefinite
Buffer Output Current (Note 3)	20 mA
Storage Temperature Range	$-65^\circ C$ to $+150^\circ C$

FUNCTIONAL BLOCK DIAGRAM



ORDERING INFORMATION

Part Number	Package	Operating Temperature
XR-13600AP	Plastic	$0^\circ C$ to $+70^\circ C$
XR-13600CP	Plastic	$0^\circ C$ to $+70^\circ C$

SYSTEM DESCRIPTION

The XR-13600 consists of two programmable transconductance amplifiers with high input impedance and push-pull outputs. The two amplifiers share common supplies but otherwise operate independently. Each amplifier's transconductance is directly proportional to its applied bias current. To improve signal-to-noise performance, predistortion diodes are included on the inputs; the use of these diodes results in a 10 dB improvement referenced to 0.5% THD. Independent Darlington emitter followers are included to buffer the outputs.

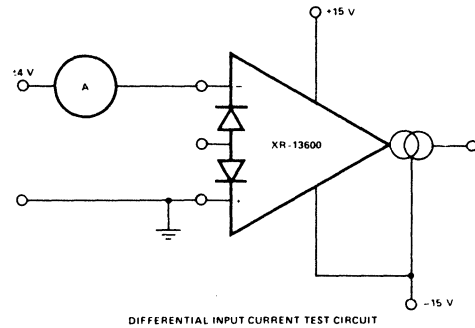
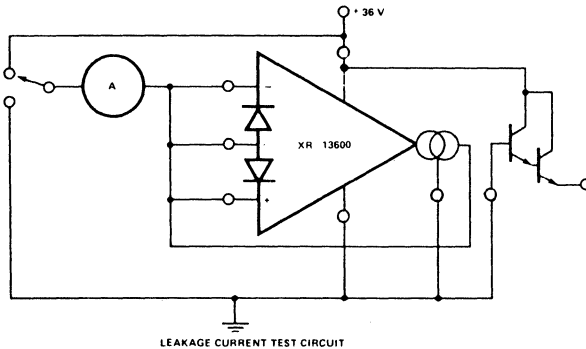
XR-13600

ELECTRICAL CHARACTERISTICS

Test Conditions: $T_A = +25^\circ\text{C}$, Supply Voltage = $\pm 15\text{V}$, unless otherwise specified.

PARAMETERS	XR-13600A			XR-13600C			UNITS	CONDITIONS
	MIN	TYP	MAX	MIN	TYP	MAX		
Input Offset Voltage (V_{OS})		0.4	2		0.4	5	mV	Over Temperature Range $I_B = 5\mu\text{A}$ Diode Bias Current (I_D) = $500\mu\text{A}$ $5\mu\text{A} \leq I_B \leq 500\mu\text{A}$ $T_A = 25^\circ\text{C}$ Over Temperature Range
		0.3	2		0.3	5	mV	
V_{OS} Including Diodes		0.5	2		0.5	5	mV	
Input Offset Change		0.1	3		0.1		mV	
Input Offset Current		0.1	0.6		0.1	0.6	μA	
Input Bias Current		0.4	5		0.4	5	μA	
		1	7		1	8	μA	
Forward Transconductance (g_m)	7700	9600	12000	6700	9600	13000	μmho	
	4000			5400			μmho	
g_m Tracking		0.3			0.3		dB	
Peak Output Current	3	5	7		5		μA	
	350	500	650	350	500	650	μA	
	300			300			μA	
Peak Output Voltage								
Positive	+12	+14.2		+12	+14.2		V	
Negative	-12	-14.4		-12	-14.4		V	
Supply Current					2.6		mA	
V_{OS} Sensitivity								
Positive		20	150		20	150	$\mu\text{V/V}$	
Negative		20	150		20	150	$\mu\text{V/V}$	
CMRR	80	110		80	110		dB	
Common Mode Range	± 12	± 13.5		± 12	± 13.5		V	
Channel Separation		100			100		dB	
Diff. Input Current		0.02	10		0.02	100	nA	
Leakage Current		0.2	5		0.2	100	nA	
Input Resistance	10	26		10	26		k Ω	
Open Loop Bandwidth		2			2		MHz	
Slew Rate		50			50		V/ μSec	
Buff. Input Current		0.4	5		0.4	5	μA	
Peak Buffer Output Voltage	10			10			V	

TEST CIRCUITS

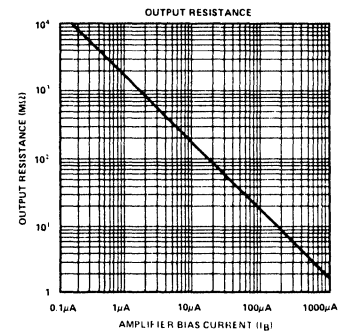
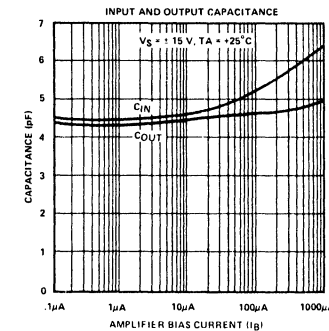
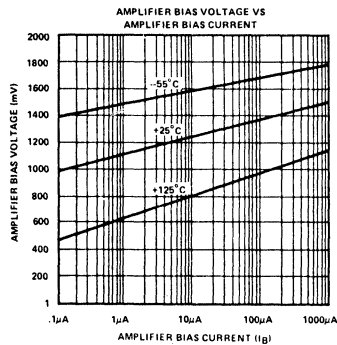
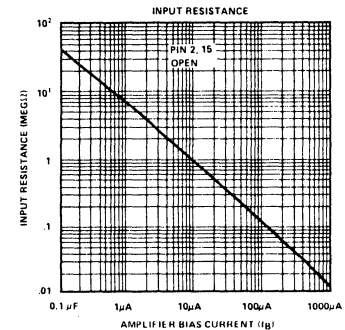
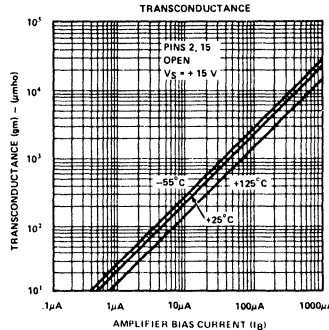
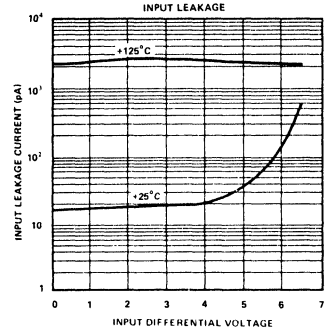
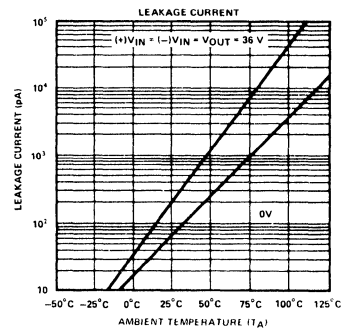
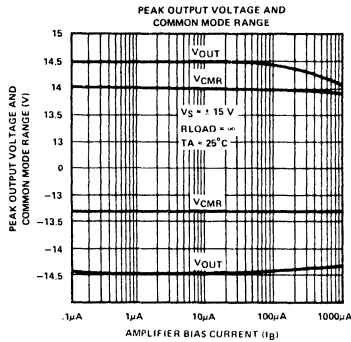
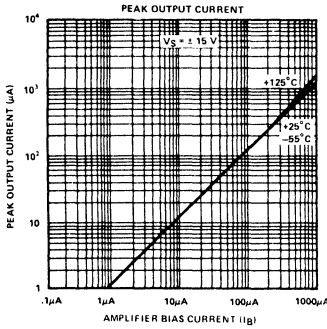
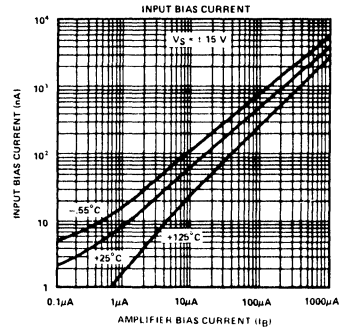
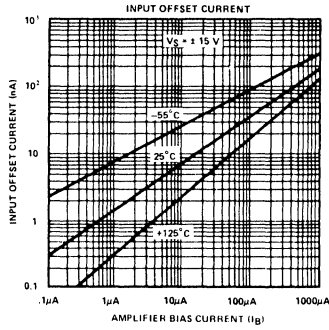
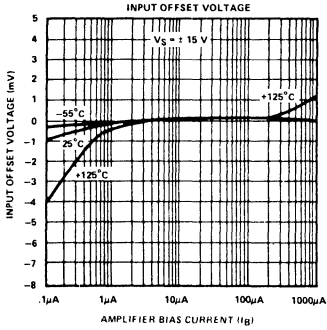


- Note 1. For selections to a supply voltage above $\pm 22\text{V}$, contact factory.
- Note 2. For operating at high temperatures, the device may be derated based on a 150°C maximum junction temperature and a thermal resistance of 175°C/W which applies for the device soldered in a printed circuit board, operating in still air.
- Note 3. Buffer output current should be limited so as to not exceed package dissipation.

- Note 4. These specifications apply for $V_{CC} = V_{EE} = 15\text{V}$, $T_A = 25^\circ\text{C}$, amplifier bias current (I_B) = $500\mu\text{A}$, pins 2 and 15 open unless otherwise specified. The inputs to the buffers are grounded and outputs are open.
- Note 5. These specifications apply for $V_{CC} = V_{EE} = 15\text{V}$, $I_B = 500\mu\text{A}$, $R_{OUT} = 5\text{k}\Omega$ connected from the buffer output to $-V_{EE}$ and the input of the buffer is connected to the transconductance amplifier output.

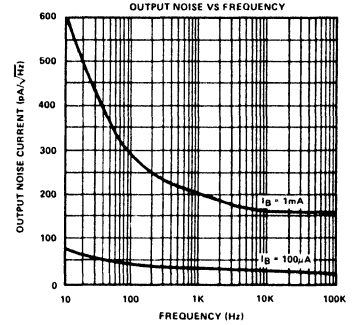
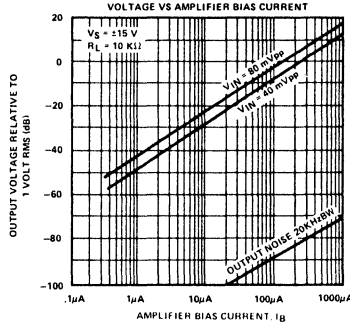
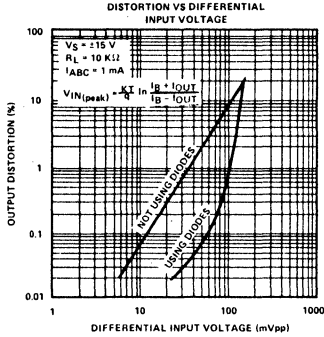
XR-13600

TYPICAL PERFORMANCE CHARACTERISTICS

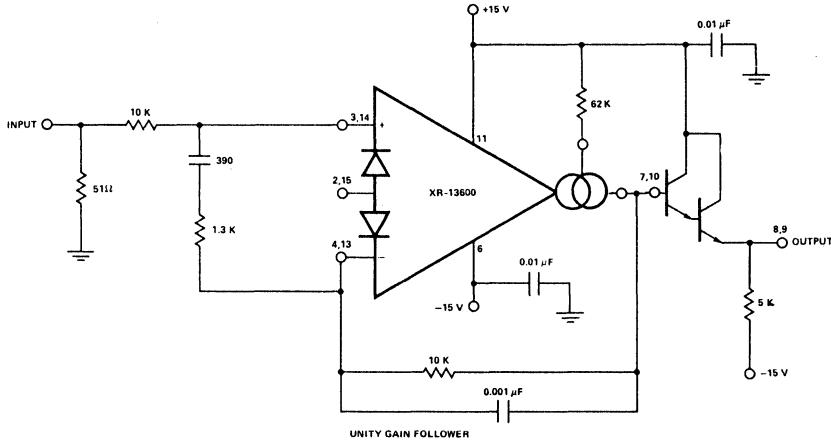


XR-13600

TYPICAL PERFORMANCE CHARACTERISTICS (Continued)



TYPICAL CIRCUIT CONNECTION



CIRCUIT DESCRIPTION

The differential transistor pair Q_4 and Q_5 form a transconductance stage in that the ratio of their collector currents is defined by the differential input voltage according to the transfer function:

$$V_{IN} = \frac{KT}{q} \ln \frac{I_5}{I_4} \quad (1)$$

where V_{IN} is the differential input voltage, KT/q is approximately 26 mV at 25° C and I_5 and I_4 are the collector currents of transistors Q_5 and Q_4 respectively. With the exception of Q_3 and Q_{13} , all transistors and diodes are identical in size. Transistors Q_1 and Q_2 with Diode D_1 form a current mirror which forces the sum of currents I_4 and I_5 to equal I_B :

$$I_4 + I_5 = I_B \quad (2)$$

where I_B is the amplifier bias current applied to the gain pin.

For small differential input voltages the ratio of I_4 and I_5

approaches unity and the Taylor series of the \ln function can be approximated as:

$$\frac{KT}{q} \ln \frac{I_5}{I_4} \approx \frac{KT}{q} \frac{I_5 - I_4}{I_4} \quad (3)$$

$$I_4 \approx I_5 \approx \frac{I_B}{2}$$

$$V_{IN} \left[\frac{(I_B/q)}{2KT} \right] = I_5 - I_4 \quad (4)$$

Collector currents I_4 and I_5 are not very useful by themselves and it is necessary to subtract one current from the other. The remaining transistors and diodes form three current mirrors that produce an output current equal to I_5 minus I_4 thus:

$$V_{IN} \left[\frac{(I_B/q)}{2KT} \right] = I_{OUT} \quad (5)$$

The term in brackets is then the transconductance of the amplifier and is proportional to I_B .

LINEARIZING DIODES

For differential voltages greater than a few millivolts, Equation 3 is no longer accurate, and the transconductance becomes increasingly nonlinear. Figure 1 demonstrates how the internal diodes can linearize the transfer function of the amplifier. For convenience assume the diodes are biased with current sources and the input signal is the form of current I_S . Since the sum of I_4 and I_5 is I_B and the difference is I_{OUT} , currents I_4 and I_5 can be written as follows:

$$I_4 = \frac{I_B}{2} - \frac{I_{OUT}}{2}, \quad I_5 = \frac{I_B}{2} + \frac{I_{OUT}}{2}$$

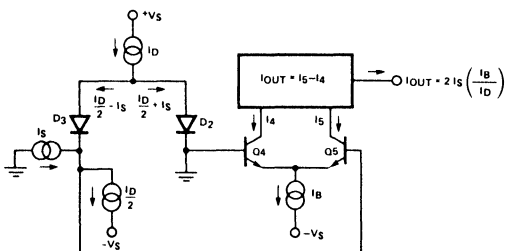


Figure 1. Linearizing Diodes

Since the diodes and the input transistors have identical geometries and are subject to similar voltages and temperatures, the following is true:

$$\frac{KT}{q} \ln \frac{I_D + I_S}{I_D - I_S} = \frac{KT}{q} \ln \frac{I_B + I_{OUT}}{I_B - I_{OUT}}$$

$$\therefore I_{OUT} = I_S \left(\frac{2I_B}{I_D} \right) \text{ for } |I_S| < \frac{I_D}{2} \quad (6)$$

Notice that in deriving Equation 6, no approximations have been made and there are no temperature dependent terms. The limitations are that the signal current not exceed $I_D/2$ and that the diodes be biased with currents. In practice, replacing the current sources with resistors will generate insignificant errors.

CONTROLLED IMPEDANCE BUFFERS

The upper limit of transconductance is defined by the maximum value of I_B (2 mA). The lowest value of I_B for which the amplifier will function therefore determines the overall dynamic range. At very low values of I_B , a buffer which has very low input bias current is desirable. A FET follower satisfies the low input current requirement, but is somewhat non-linear for large voltage swing. The controlled impedance buffer is a Darlington which modifies its input bias current to suit the need. For low values of I_B , the buffer's input current is minimal. At higher levels of I_B , transistor Q_3 biases up to Q_2 with a current proportional to I_B for fast slew rate.

APPLICATIONS

VOLTAGE CONTROLLED AMPLIFIERS (VCA)

Figure 2 shows how the linearizing diodes can be used in a voltage controlled amplifier. To understand the input biasing, it is best to consider the 13 K Ω resistor as a current source and use a Therenin equivalent circuit as shown in Figure 3. This circuit is similar to Figure 1 and operates the same. The potentiometer in Figure 2 is adjusted to minimize the effects of the control signal at the output.

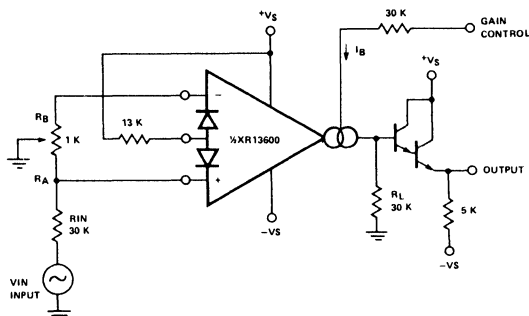


Figure 2. Voltage Controlled Amplifier (VCA) Circuit

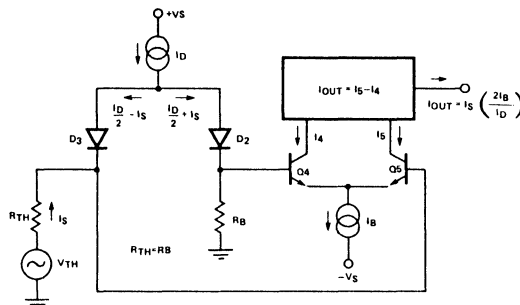


Figure 3. Equivalent VCA Input Circuit

For optimum signal-to-noise performance, I_B should be as large as possible as shown by the Output Voltage vs. Amplifier Bias Current graph. Larger amplitudes of input signal also improve the S/N ratio. The linearizing diodes help here by allowing larger input signals for the same output distortion as shown by the Distortion vs. Differential Input voltage graph. S/N may be optimized by adjusting the magnitude of the input signal via R_{IN} (Figure 2) until the output distortion is below some desired level. The output voltage swing can then be set at any level by selecting R_L .

Although the noise contribution of the linearizing diodes is negligible relative to the contribution of the amplifier's internal transistors, I_D should be as large as possible. This minimizes the dynamic junction resistance of the diodes (r_e) and maximizes their linearizing action when balanced against R_{IN} . A value of 1 mA is recommended for I_D unless the specific application demands otherwise.

XR-13600

STEREO VOLUME CONTROL

The circuit of Figure 4 uses the excellent matching of the two XR-13600 amplifiers to provide a Stereo Volume Control with a typical channel-to-channel gain tracking of 0.3 dB. R_p is provided to minimize the output offset voltage and may be replaced with two 510Ω resistors in AC-coupled applications. For the component values given, amplifier gain is derived from Figure 2 as being:

$$\frac{V_O}{V_{IN}} = 940 \times I_B \text{ (mA)}$$

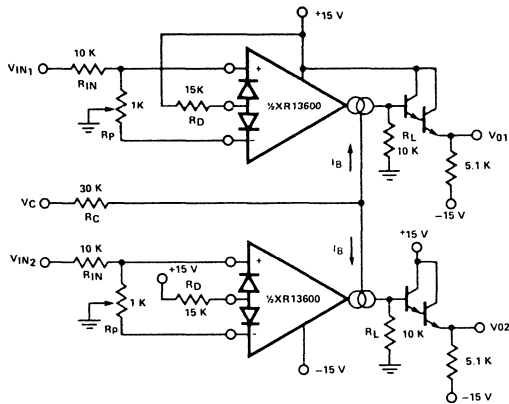


Figure 4. Stereo Volume Control

If V_C is derived from a second signal source then the circuit becomes an amplitude modulator or two-quadrant multiplier as shown in Figure 5, where:

$$I_O = \frac{-2I_S}{I_D}(I_B) = \frac{-2I_S}{I_D} \frac{V_{IN2}}{R_C} - \frac{2I_S}{I_D} \left(\frac{V}{R_C} \right)$$

The constant term in the above equation may be cancelled by feeding $I_S \times I_D R_C / 2(V + 1.4 V)$ into I_O . The circuit of Figure 6 adds R_M to provide this current, resulting in a four-quadrant multiplier where R_C is trimmed such that $V_O = 0V$ for $V_{IN2} = 0V$. R_M also serves as the load resistor for I_O .

Noting that the gain of the XR-13600 amplifier of Figure 3 may be controlled by varying the linearizing diode current I_D as well as by varying I_B , Figure 7 shows an AGC Amplifier using this approach. As V_O reaches a high enough amplitude (3V_{BE}) the increase in I_D reduces the amplifier gain so as to hold V_O at that level.

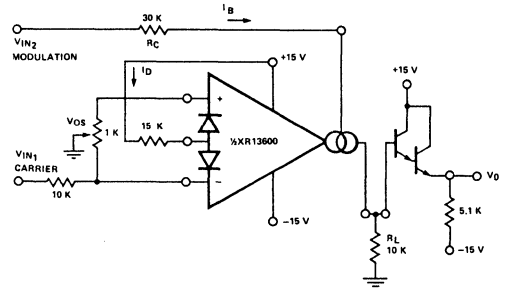


Figure 5. Amplitude Modulator

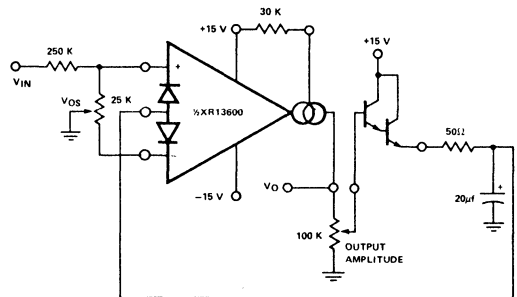


Figure 6. Four-Quadrant Multiplier

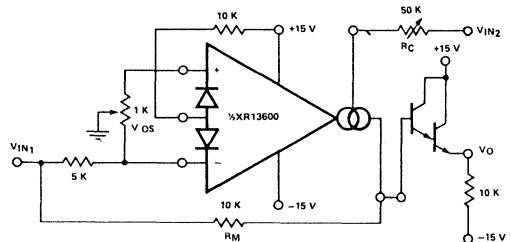


Figure 7. AGC Amplifier

VOLTAGE CONTROLLED RESISTORS (VCR)

An Operational Transconductance Amplifier (OTA) may be used to implement a Voltage Controlled Resistor as shown in Figure 8. A signal voltage applied at V_X generates a V_{IN} to the XR-13600 which is then multiplied by the g_m of the amplifier to produce an output current, thus:

$$R_X = \frac{R + R_A}{g_m R_A}$$

where $g_m \approx 19.2 I_B$ at 25°C. Note that the attenuation of V_O by R and R_A is necessary to maintain V_{IN} within the linear range of the XR-13600 input.

XR-13600

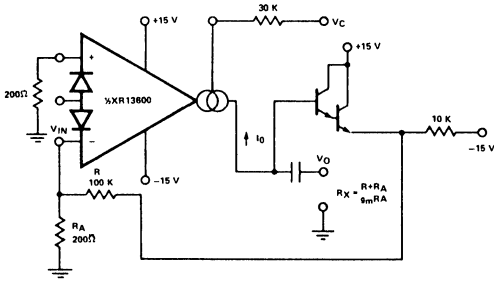


Figure 8. Voltage Controlled Resistor, Single-Ended

Figure 9 shows a similar VCR where the linearizing diodes are added, essentially improving the noise performance of the resistor. A floating VCR is shown in Figure 10, where each "end" of the "resistor" may be at any voltage within the output voltage range of the XR-13600.

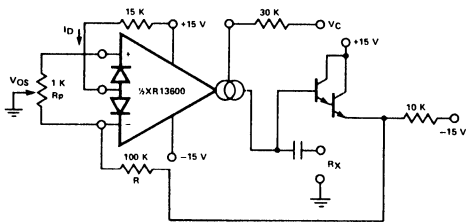


Figure 9. Voltage Controlled Resistor with Linearizing Diodes

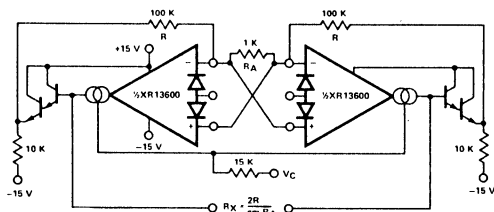


Figure 10. Floating Voltage Controlled Resistor

VOLTAGE CONTROLLED FILTERS

OTA's are extremely useful for implementing voltage controlled filters, with the XR-13600 having the advantage that the required buffers are included on the I.C. The VC Lo-Pass Filter of Figure 11 performs as a unity-gain buffer amplifier at frequencies below cut-off, with the cut-off frequency being the point at which X_C/g_m equals the closed-loop gain of (R/R_A) . At frequencies above cut-off the circuit provides a single RC roll-off (6 dB per octave) of the input signal amplitude with a -3 dB point defined by the given equation, where g_m is again $19.2 \times I_B$ at room temperature.

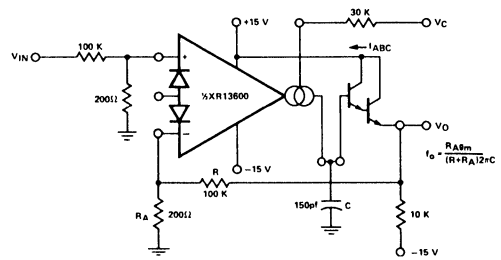


Figure 11. Voltage Controlled Low-Pass Filter

Figure 12 shows a voltage controlled high-pass filter which operates in much the same manner, providing a single RC roll-off below the defined cut-off frequency.

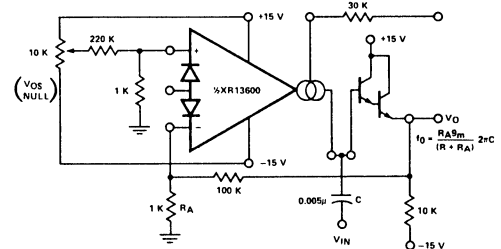


Figure 12. Voltage Controlled High-Pass Filter

Additional amplifiers may be used to implement higher order filters as demonstrated by the two-pole Butterworth lowpass filter of Figure 13 and the state variable filter of Figure 14. Due to the excellent g_m tracking of the two amplifiers and the varied bias of the buffer Darlington's, these filters perform well over several decades of frequency.

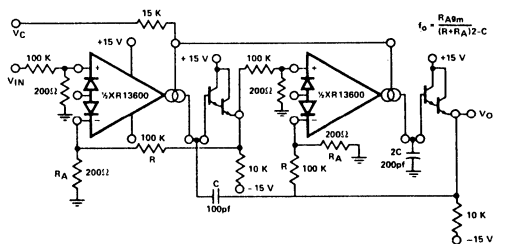


Figure 13. Voltage Controlled 2-Pole Butterworth Low-Pass Filter

VOLTAGE CONTROLLED OSCILLATORS (VCO)

The classic Triangular/Square Wave VCO of Figure 15 is one of a variety of Voltage Controlled Oscillators which may be built utilizing the XR-13600. With the component values shown, this oscillator provides signals from 200 kHz to below 2 Hz as I_C is varied from 1mA to 10nA. The output amplitudes are set by $I_A \times R_A$. Note that the peak differential input voltage must be less than 5 volts to prevent zenering the inputs.

XR-13600

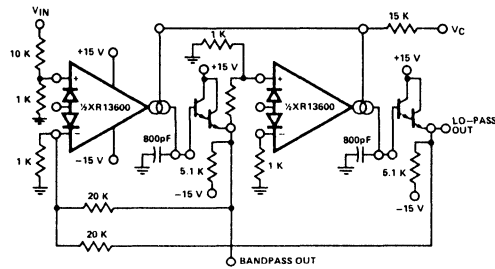


Figure 14. Voltage Controlled State Variable Filter

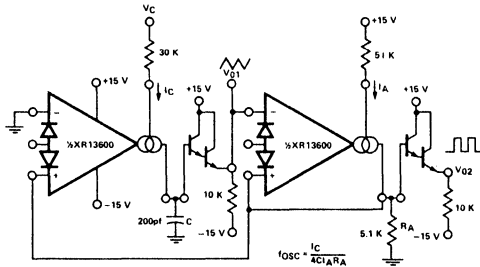


Figure 15. Triangular/Square-Wave VCO

A few modifications to this circuit produce the ramp/pulse VCO of Figure 16. When V_{O2} is high, I_F is added to I_C to increase amplifier A1's bias current and thus to increase the charging rate of capacitor C. When V_{O2} is low, I_F goes to zero and the capacitor discharge current is set by I_C .

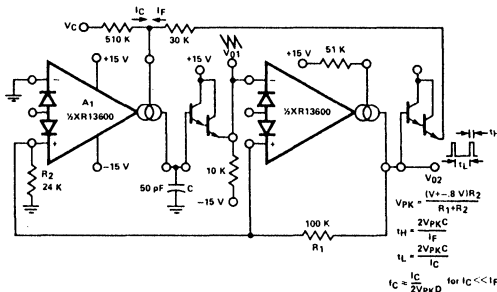


Figure 16. Ramp/Pulse VCO

The voltage-controlled low-pass filter of Figure 11 may be used to design a high-quality sinusoidal VCO. The circuit of Figure 17 employs two XR-13600 packages, with three of the amplifiers configured as low-pass filters and the fourth as a limiter/inverter. The circuit oscillates at the frequency at which the loop phase-shift is

360° or 180° for the inverter and 60° per filter stage. This VCO operates from 5 Hz to 50 kHz with less than 1% THD.

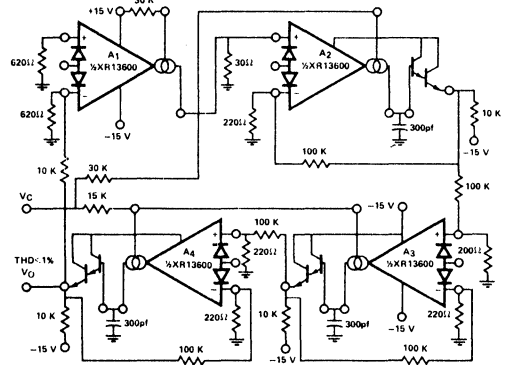


Figure 17. Sinusoidal VCO Using Two XR-13600 Circuits

Figure 18 shows how to build a VCO using one amplifier when the other amplifier is needed for another function.

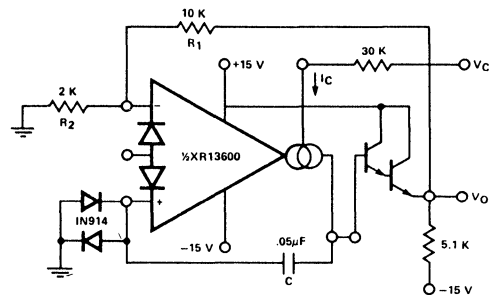


Figure 18. Single Amplifier VCO

ADDITIONAL APPLICATIONS

Figure 19 presents an interesting one-shot which draws no power supply current until it is triggered. A positive-going trigger pulse of at least 2V amplitude turns on the amplifier through R_B and pulls the non-inverting input high. The amplifier regenerates and latches its output high until capacitor C charges to the voltage level on the non-inverting input. The output then switches low, turning off the amplifier and discharging the capacitor. The capacitor discharge rate is speeded up by shorting the diode bias pin to the inverting input so that an additional discharge current flows through D_1 when the amplifier output switches low. A special feature of this timer is that the other amplifier, when biased from V_O , can perform another function and draw zero stand-by power as well.

XR-13600

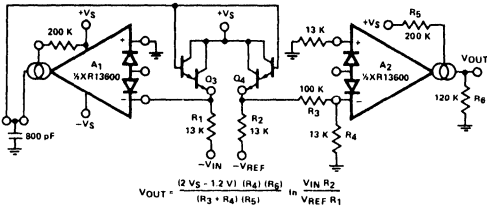


Figure 29. Log Amplifier

$$V_{IN1} = \frac{-2KT I_3}{q I_2} = \frac{2KT V_C}{q I_2 R_C}$$

The voltage on the base of Q1 is then

$$V_{B1} = \frac{(R_1 + R_2) V_{IN1}}{R_1}$$

The ratio of the Q1 to Q2 collector currents is defined by:

$$V_{B1} = \frac{KT}{q} \ln \frac{I_{C2}}{I_{C1}} \approx \frac{KT}{q} \ln \frac{I_B}{I_1}$$

Combining and solving for I_B yields:

$$I_B = (I_1) \exp \left[\frac{2(R_1 + R_2) V_C}{I_2 R_1 R_C} \right]$$

This logarithmic current can be used to bias the circuit of Figure 4 to provide temperature independent stereo attenuation characteristic.

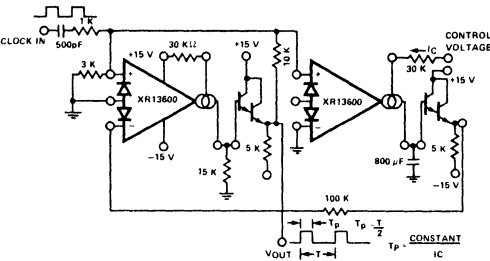


Figure 30. Pulse Width Modulator

For generating I_B over a range of 4 to 6 decades of current, the system of Figure 31 provides a logarithmic current out for a linear voltage in.

Since the closed-loop configuration ensures that the input to A_2 is held equal to O_V , the output current of A_1 is equal to $I_3 = -V_C/R_C$.

The differential voltage between Q_1 and Q_2 is attenuated by the R_1, R_2 network so that A_1 may be assumed to be operating within its linear range. From equation (5), the input voltage to A_1 is:

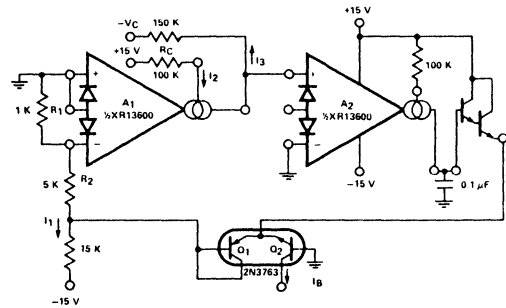
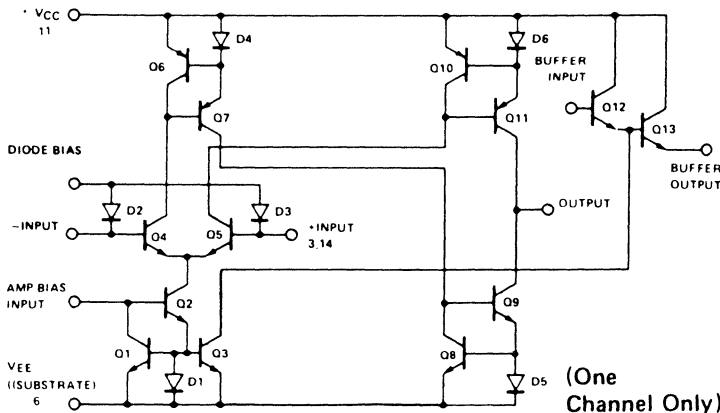


Figure 31. Logarithmic Current Source



EQUIVALENT SCHEMATIC DIAGRAM



Repeaters

Monolithic PCM Repeater

GENERAL DESCRIPTION

The XR-C240 is a monolithic repeater circuit for Pulse-Code Modulated (PCM) telephone systems. It is designed to operate as a regenerative repeater at 1.544 Megabits per second (Mbps) data rate on T1-type PCM lines.

The XR-C240 monolithic IC is packaged in a hermetic 16-Pin DIP package, and is designed to operate over a temperature range of -40°C to $+85^{\circ}\text{C}$. It contains all the basic functional blocks of a regenerative repeater system including Automatic Line Build-Out (ALBO) and equalization, and is insensitive to reflections caused by cable discontinuities.

Compared to conventional repeater designs using discrete components, the XR-C240 monolithic repeater IC offers greatly improved reliability and performance, along with significant savings in power consumption and system cost.

FEATURES

- Contains all Active Components of PCM Repeater
- On-Chip ALBO Equalizer
- High-Current Output Drivers
- Low-Power Consumption
- Increased Reliability over Discrete Designs
- 2 Megabit Operation Capability

APPLICATIONS

- PCM Repeater for T1 Systems
- Repeater for 2 Megabit PCM Systems

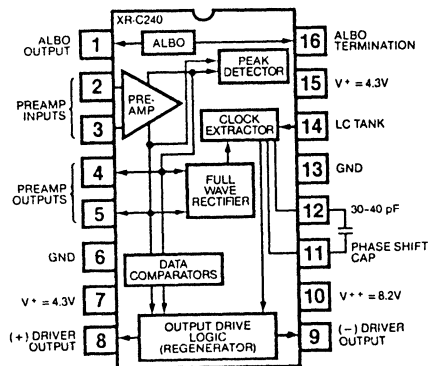
ABSOLUTE MAXIMUM RATINGS

Storage Temperature	-65°C to $\pm 150^{\circ}\text{C}$
Operating Temperature	-40°C to $\pm 85^{\circ}\text{C}$
Supply Voltage	-0.5 to 10 V
Input Voltage (Except Pin 1,16)	-0.5 to $+7\text{ V}$
Input Voltage (Pin 7,16)	-0.5 to $+0.5\text{ V}$
Data Output Voltage (Pin 8,9)	$+20\text{ V}$
Voltage Surge (Pin 2,3,8,9) (10 msec only)	50 V

ORDERING INFORMATION

Part Number	Package	Operating Temperature
XR-C240	Ceramic	-40°C to $+85^{\circ}\text{C}$

FUNCTIONAL BLOCK DIAGRAM



SYSTEM DESCRIPTION

The XR-C240 contains all the active circuits required to build one side of a T1 or 2 M bit/s PCM repeater. T1 is the most widely used PCM transmission system, operating at 1.544 M bit/s. It can operate on either pulp or plastic insulated twisted pair cables. Although the cable gauge may vary, the total cable loss should not exceed 36 dB at 772 kHz. For a 22 gauge pulp insulated cable and a bit error rate (BER) of less than 10^{-6} , the max allowable repeater to repeater spacing is about 6300 feet.

Bipolar PCM signal is attenuated and dispersed in time as it travels along a transmission cable. This signal, when received, is amplified and reconstructed by the preamplifier automatic line build out (ALBO), clock and data threshold detector circuits contained within the XR-C240. Amplitude equalization and frequency spectrum shaping is achieved through the variable impedance of the ALBO ports and its associated ALBO network.

Incoming pulse stream is full wave rectified and timing information is extracted by the clock threshold detector. Clock recovery is then achieved by driving an injection locked oscillator tuned to 1.544 MHz. The oscillator's sinusoidal waveform is amplified and phase shifted by 90 degrees with the help of a capacitor between Pins 11 and 12.

Data is sampled and stored in the output data latches by an internally generated sampling pulse. Buffer drivers are then enabled to produce precisely timed output pulses whose width and time of occurrence are controlled by the regenerated clock signal.

XR-C240

ELECTRICAL CHARACTERISTICS

Test Conditions: (Measured at 25°C with $V^{++} = 8.2V$, $V^+ = 4.3V$, unless otherwise specified.)

PARAMETERS	LIMITS		UNITS	CONDITIONS
	MIN	MAX		
Supply Voltage V^{++} V^+	7.79 4.085	8.61 4.515	V V	Measured at Pin 10 Measured at Pins 7 and 15
Supply Current: I_A I_B Total Current	1.1 6 7.1	2.5 11 13.5	mA mA mA	Supply = 8.2V
Preamplifier Input Offset Voltage, V_{OS} Open Loop Differential Gain, A_O Input Bias Current, I_B Input Offset Current, I_{OS} Input Impedance, R_{iN}	50 50	15 54 4 2	mV db μA μA k Ω	
Comparator Thresholds Peak Detector (ALBO) Threshold Full-Wave Rectifier Threshold Data Threshold	 ± 1.3 ± 0.9 ± 0.28	 ± 1.6 ± 1.15 ± 0.48	 V V V	Measured Differentially Across Pins 4 and 5
Clock Extractor Section Tank Drive Impedance Tank Drive Current "Zero" Signal Current "One" Signal Current Recommended Tank Q Phase Shifter Offset Voltage	50 12 80 100 -18	 24 220 +18	k Ω μA μA mV	At Pin 14 Voltage applied to Pins 7 and 14 to reduce differential voltage across Pins 11 and 12 to zero.
Output Drive Section Output Voltage Swing Low Output Voltage Output Leakage Current Output Pulse Maximum Pulse Width Error Rise and Fall Times	3.0 0.65	 0.95 50 ± 30 80	V V μA ns ns	Voltage levels referenced to Pin 7 $R_L = 100 \Omega$ Referenced to Pin 7, $I_L = 30 \text{ mA}$

1

High-Performance PCM Repeater

GENERAL DESCRIPTION

The XR-C262 is a high-performance monolithic repeater IC for pulse-code modulated (PCM) telephone lines. It is designed to operate as a regenerative repeater at 1.544 Megabits per second (Mbps) data rates on T1-type PCM lines.

The XR-C262 operates with a single 6.8 volt power supply, and with a typical supply current of 13 mA. It provides bipolar output drive with high-current handling capability. The clock-extractor section of XR-C262 uses the resonant-tank circuit principle, rather than the injection-locked oscillator technique used in earlier monolithic repeater designs. The bipolar output drivers are designed to go to their "off" state automatically, when there is no input signal present.

FEATURES

- Contains all Necessary Active Components of a PCM Repeater
- Uses L-C Tank for Clock Recovery
- Low-Voltage Operation (6.8 volts)
- Low-Current Drain (13 mA, typical)
- High-Current Bipolar Output Drivers
- On-Chip ALBO Equalizer
- Automatic Zero-Input Shutdown
- Increased Reliability Over Discrete Designs
- 2 Megabit Operation Capability

APPLICATIONS

- PCM Repeater for T1 Systems
- Repeater for 2 Megabit PCM Systems

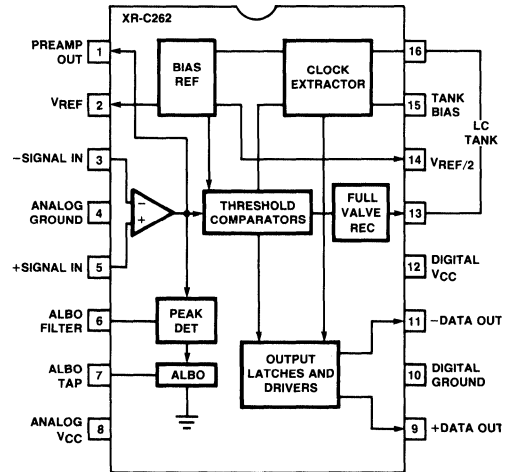
ABSOLUTE MAXIMUM RATINGS

Storage Temperature	-65°C to ±150°C
Operating Temperature	-40°C to +85°C
Supply Voltage	-0.5 to +10 V
Input Voltage (Except Pin 6,7)	-0.5 to +7 V
Input Voltage (Pin 6,7)	-0.5 to +0.5 V
Data Output Voltage (Pin 9,11)	+20 V
Voltage Surge (Pin 3,5,9,11) (10 msec only)	50 V

ORDERING INFORMATION

Part Number	Package	Operating Temperature
XR-C262	Ceramic	-40°C to +85°C

FUNCTIONAL BLOCK DIAGRAM



SYSTEM DESCRIPTION

The XR-C262 contains all the active functions required to build one side of a T1 or 2 M bit/s PCM repeater. T1 is the most widely used PCM transmission system, operating at 1.544 M bit/s. It can operate on either pulp or plastic insulated twisted pair cables. Although the cable gauge may vary, the total cable loss should not exceed 36 dB at 772 kHz. For a 22 gauge pulp insulated cable and a bit error rate (BER) of less than 10^{-6} , the max allowable repeater to repeater spacing is about 6300 feet.

Bipolar PCM signal is attenuated and dispersed in time as it travels along a transmission cable. This signal, when received, is amplified and reconstructed by the peamplifier automatic line build out (ALBO), clock and data threshold detector circuits contained within the XR-C262. Amplitude equalization and frequency spectrum shaping is achieved through the variable impedance of the ALBO port and its associated ALBO network.

Incoming pulse stream is full wave rectified and timing information is extracted by the clock threshold detector. Clock recovery is then achieved by pulsing a tank circuit tuned to 1.544 MHz.

Data is sampled and stored in the output data latches. Buffer drivers are then enabled to produce precisely timed output pulses whose width and time of occurrence are controlled by the regenerated clock signal.

XR-C262

ELECTRICAL CHARACTERISTICS

Test Conditions: $+V_{CC} = 6.8\text{ V}$, $T_A = -40^\circ\text{C to } +85^\circ\text{C}$.

PARAMETERS	LIMITS			UNITS	CONDITIONS
	MIN	TYP	MAX		
Supply Current					
Digital Current	7	10	13	mA	Measured at Pin 12
Analog Current	2	3.5	5	mA	Measured at Pin 8
Total Current		13	17	mA	
Preamplifier					
Input Offset Voltage	-15		+15	mV	Measured between Pins 3 and 5
DC Gain	60	69	74	dB	
Output High Level	4.3			V	Measured at Pin 1
Output Low Level			0.5	V	Measured at Pin 1
Clock Recovery Section					
Clock Drive Swing (High)	5.1			V	Measured at Pin 13
Clock Drive Swing (Low)			3.8	V	Measured at Pin 13
Clock Bias	3.8	4	4.2	V	Measured at Pin 15
Clock Source Input Current		0.5	4	μA	Measured at Pin 16
Comparator Thresholds					Measured at Pin 1 relative to Pin 14
ALBO Threshold	0.75	0.9	1.1	V	
Clock Threshold	0.323	0.4	0.517	V	
Data Threshold	0.323	0.4	0.517	V	
Internal Reference Voltages					
Reference Voltage	5.2	5.45	5.55	V	Measured at Pin 2
Divider Center Tap	2.6	2.78	2.85	V	Measured at Pin 14
ALBO Section					
Off Voltage		10	75	mV	Measured at Pin 7
On Voltage	1.2		1.7	V	Measured at Pin 7
On Impedance			15	Ω	Measured at Pin 7
Filter Drive Current	0.7	1	1.5	mA	Drive current available at Pin 6
Output Driver Section					
Output High Swing	5.9	6.8		V	Measured at Pins 9 and 11
Output Low Swing	0.6	0.7	0.9	V	$R_L = 400\ \Omega$
Leakage Current			100	μA	$I_L = 15\ \text{mA}$
Output Pulse Width				nsec	Measured with output in off state
Output Rise Time	294	324	354	nsec	
Output Fall Time			100	nsec	
Pulse Width Unbalance			15	nsec	

1

Low-Voltage PCM Repeater

GENERAL DESCRIPTION

The XR-C277 is a monolithic repeater circuit for Pulse-Code Modulated (PCM) telephone systems. It is designed to operate as a regenerative repeater at 1.544 Megabits per second (Mbps) data rates on T1-type PCM lines. It is packaged in a hermetic 16-Pin CERDIP package and is designed to operate over a temperature range of -40°C to $+85^{\circ}\text{C}$. It contains all the basic functional blocks of a regenerative repeater system, including Automatic Line Build-Out (ALBO) and equalization, and is insensitive to reflections caused by cable discontinuities.

The key feature of the XR-C277 is its ability to operate with low supply voltage (6.3 volts and 4.3 volts) with a supply current of less than 13 mA. Compared to conventional repeater designs using discrete components, the XR-C277 monolithic repeater IC offers greatly improved reliability and performance, along with significant savings in power consumption and system cost.

FEATURES

- Contains all the Active Components of a PCM Repeater
- Low-Voltage Operation (6.3 volts)
- Low-Power Dissipation (13 mA)
- On-Chip ALBO Equalizer
- High-Current Output Drivers
- Increased Reliability over Discrete Designs
- 2 Megabit Operation Capability
- Pin-Compatible with XR-C240

APPLICATIONS

- PCM Repeater for T1 Systems
- Repeater for 2 M/bits PCM Systems

ABSOLUTE MAXIMUM RATINGS

Storage Temperature	-65°C to $\pm 150^{\circ}\text{C}$
Operating Temperature	-40°C to $\pm 85^{\circ}\text{C}$
Supply Voltage	-0.5 to 10 V
Input Voltage (Except Pin 1, 16)	-0.5 to $+7\text{ V}$
Input Voltage (Pin 1, 16)	-0.5 to $+0.5\text{ V}$
Data Output Voltage (Pin 8, 9)	20 V
Voltage Surge (Pin 2, 3, 8, 9) (10 msec only)	50 V

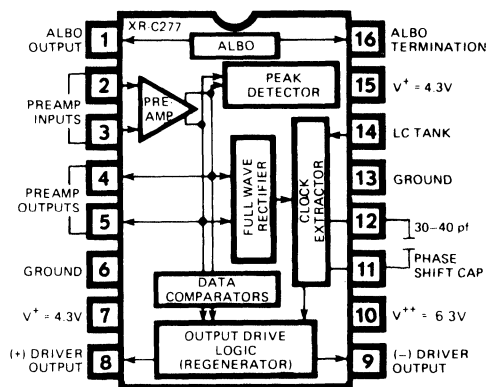
ORDERING INFORMATION

Part Number	Package	Operating Temperature
XR-C277	Ceramic	-40°C to $+85^{\circ}\text{C}$

SYSTEM DESCRIPTION

The XR-C277 contains all the active circuits required to build one side of a T1 or 2 M bit/s PCM repeater. T1 is the most widely used PCM transmission system, oper-

FUNCTIONAL BLOCK DIAGRAM



ating at 1.544 M bit/s. It can operate on either pulp or plastic insulated twisted pair cables. Although the cable gauge may vary the total cable loss should not exceed 36 dB at 772 kHz. For a 22 gauge pulp insulated cable and a bit error rate (BER) of less than 10^{-6} the max allowable repeater to repeater spacing is about 6300 feet.

Bipolar PCM signal is attenuated and dispersed in time as it travels along a transmission cable. This signal, when received, is amplified and reconstructed by the preamplifier automatic line build out (ALBO), clock and data threshold detector circuits contained within the XR-C277. Amplitude equalization and frequency spectrum shaping is achieved through the variable impedance of the ALBO port and its associated ALBO network.

Incoming pulse stream is full wave rectified and timing information is extracted by the clock threshold detector. Clock recovery is then achieved by pulsing a tank circuit tuned to 1.544 MHz. Either injection locking or pulsed tank type clock extraction are possible with the XR-C277. By grounding Pin 13, the circuit works in the pulsed tank mode. Floating (open) Pin 13 switches the XR-C277 to an injection locked mode. The oscillator's sinusoidal waveform is amplified and phase shifted by 90 degrees with the help of a capacitor between Pins 11 and 12.

Data is sampled and stored in the output data latches by an internally generated sampling pulse. Buffer drivers are then enabled to produce precisely timed output pulses whose width and time of occurrence are controlled by the regenerated clock signal.

XR-C277

ELECTRICAL CHARACTERISTICS

Test Conditions: (+25°C, V+ + = 6.3V ± 5%, V+ = 4.4V ± 5%, unless otherwise specified.)

PARAMETERS	LIMITS			UNITS	CONDITIONS
	MIN	TYP	MAX		
Supply Current					
I _A		3.5		mA	Measured at Pin 10 Measured at Pin 15 (I _C + I _B)
I _B		7.5		mA	
Total Current	8	11	13	mA	
Preamplifier					
Input Offset Voltage		1.5	15	mV	Measured at Pins 2 and 3 Measured at Pins 2 and 3 Single-ended Gain
Input Bias Current		0.3	4	μA	
Voltage Gain	44	48	51	dB	
Preamp Output Swing					
					Measured at Pins 4 and 5
High Swing	3.45	3.6	3.75	V	Maximum Voltage Swing Minimum Voltage Swing
Low Swing	1.25	1.4	1.55	V	
Output DC Level	2.47	2.55	2.72	V	
ALBO Section					
ALBO "Off" Voltage		10	75	mV	Measured from Pin 1 and 16 to Ground Measured at Pin 1
ALBO "On" Voltage	0.6	0.87	1.1	V	
ALBO "On" Voltage	1.2	1.5	2.1	V	Measured at Pin 16
ALBO Threshold	1.35	1.50	1.65	V	Measured Differentially Across Pins 4 and 5
Differential Threshold	-75		+75	mV	Threshold Difference for Polarity Reversal at Pins 4 and 5
ALBO "On" Impedance		5	10	Ω	Measured at Pin 1
ALBO "Off" Impedance	20	50		kΩ	Measured at Pin 1
Comparator Thresholds					
Clock Threshold	68	73	78	%	% of ALBO Threshold
Data Threshold	47	50	53	%	% of ALBO Threshold
Clock Extractor					
Oscillator Current	10	14	20	μA	Ratio of Current Q _{1B} to Current in Q _{1A}
Tank Drive Impedance		50		kΩ	
Recommended OSC Q	100				
I _{injection} /I _{OSC}	6.0	7	7.5		
Output Driver					
Low Output Voltage	0.65	0.75	0.95	V	Measured at Pins 8 and 9 I _L = 15 mA V _{out} = 20V
Output "Off" Current		5	100	μA	
Output Pulse Max. Pulse Width Error			±30	n sec	
Rise Time			80	n sec	
Full Time			80	n sec	

1

T1C PCM Repeater Chip Set

GENERAL DESCRIPTION

The IC pair, XR-C587 and XR-C588, provides all the active circuitry needed to form one side of a T1C PCM Repeater (3.152 MBits/sec). Each chip is packaged in a 16-Pin Cerdip package, with an operating temperature range of -40°C to $+85^{\circ}\text{C}$. The supply voltage range is 6.0 to 6.8 VDC, with a typical supply current for the pair of 16 mA.

The XR-C587 contains an amplifier, three ALBO ports, and an npn transistor. The amplifier is a modified version of the amplifier in Exar's XR-C262 T1 repeater chip. This amplifier has its own ground pin for isolation, as well as for eliminating the amplifier current drain if only the XR-C587 ALBO diodes and/or the transistor are used. Each of the three ALBO ports has a separate ground and one common drive input. Any number, up to three, can be used while eliminating current in any not used. The npn transistor is provided for incidental uses.

The XR-C588 contains a preamplifier, an ALBO drive output, a voltage reference, comparators, a clock recovery circuit, ECL latches and two output drivers. The XR-C588 is a modified version of XR-C262 for T1C performance. The amplifiers in the XR-C587 and XR-C588 are the same. The clock driver output is modified to drive a crystal and has higher gain. Both inputs to the clock amplifier are available. The clock amplifier may be biased, both from the center tap voltage (Pin 14), and the clock bias voltage (Pin 7).

Two options for the clock comparator threshold voltage are provided. Option 1 is 65% of ALBO threshold, and Option 2 is 50% (the same as C262).

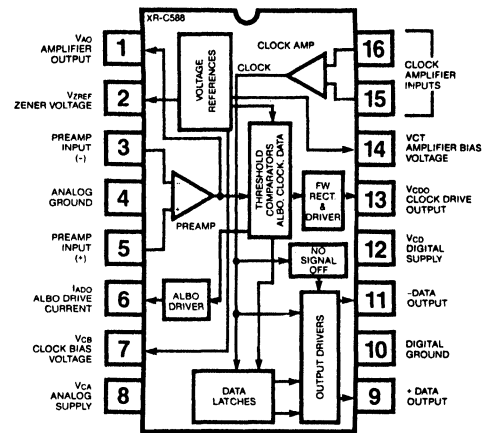
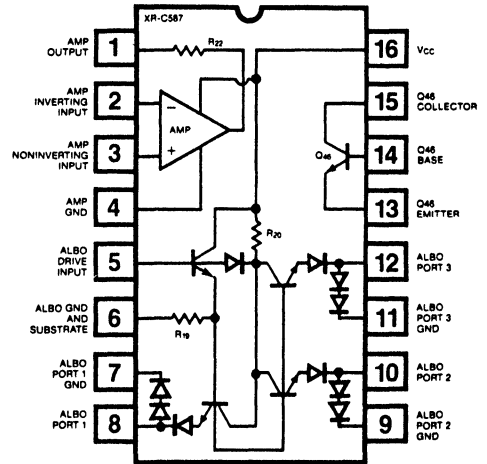
FEATURES

- Modified Preamplifier with Improved Phase Margin
- Separate Grounds for Preamplifier and ALBO Ports
- Crystal Drive Capability
- Optional Clock Comparator Threshold Levels (50% and 65%)

ABSOLUTE MAXIMUM RATINGS

Analog Supply Voltage	-0.5V to 10V
Digital Supply Voltage	-0.5V to 10V
Differential Input Voltage	-5V to 5V
Output Voltage	-0.5V to 20V
Storage Temperature	-65°C to $+150^{\circ}\text{C}$
Operating Temperature	-40°C to $+85^{\circ}\text{C}$
Lead Soldering (10 seconds)	300°C

FUNCTIONAL BLOCK DIAGRAMS



ORDERING INFORMATION

Part Number	Package	Operating Temperature
XR-C587	Ceramic	-45°C to $+85^{\circ}\text{C}$
XR-C588	Ceramic	-45°C to $+85^{\circ}\text{C}$

XR-C587/C588

ELECTRICAL CHARACTERISTICS—XR-C587/C588

Test Conditions: $T_A = -40^\circ\text{C}$ to 85°C , at a supply voltage of $V_{CC} = 6.0\text{V}$ to 6.8V dc, unless otherwise specified.

PARAMETERS	MIN	TYP	MAX	UNIT	CONDITIONS
SUPPLY					
Supply Current	6.0 2.3	6.4 2.7	6.8 3.3	V dc mA	All ALBO Pins open $V_{CC} = 6.3\text{V}$
ALBO Bias Current	200	280	360	mA	ALBO Grounds open ALBO drive pin at 3.5V ($\approx 5 V_{BE}'s$)
AMPLIFIER					
DC open-loop gain	54	60	68	dB	1 V p-p output level,
AC gain at 1 MHz	34			dB	$R_L = 4\text{ k}\Omega$ returned
Corner Frequency		110		kHz	to $V_{CM} = 2.7\text{V}$
Input Offset Voltage	-15	0	+15	mV	$R_S = 10\text{ k}\Omega$ to both inputs
Input Bias Current		1	4	μA	
Output Sink Current	300	400	500	μA	
ALBO					
One Common Drive Input, Three Ports, Each With Its Own Ground Max ALBO Current	2.5	4.5	6	mA	Total current to Ground through all ALBO Ground Pins, Drive input returned to $V_{CC} = 6.0\text{V}$ through $51\text{ k}\Omega$.
ALBO Current Mismatch	-5	0	+5	%	Measured with 1 mA nominal level in each ALBO Ground Pin.
ALBO Port Voltage	1.2V	1.45	1.7V	V dc	Two V_{BE} above Ground, 1 mA in each Port.
ALBO OFF Impedance	10			$\text{k}\Omega$	Drive input and ALBO Ground Pins Grounded Frequency = 1.5 MHz
SINGLE TRANSISTOR					
Beta (β)	75	150	400		$V_{CE} = 6.8\text{V}$, $I_C = 100\text{ mA}$
Leakage	0.01	1	5	μA	$V_{CE} = 6.8\text{V}$

1

XR-C587/C588

ELECTRICAL CHARACTERISTICS—XR-C588

Test Conditions: $T_A = -40^\circ\text{C}$ to $+85^\circ\text{C}$, at a supply voltage of $V_{CC} = V_{CA} = V_{CD} = 6.0\text{V}$ to 6.8V dc, unless otherwise specified.

PARAMETERS	MIN	TYP	MAX	UNIT	CONDITIONS
SUPPLY CURRENTS					
I_{CA} , V_{CA} Supply Current	1.8	3.5	5	mA	V_{CA} is Analog Supply Voltage V_{CD} is Digital Supply Voltage
I_{CD} , V_{CD} Supply Current	5	8	12	mA	Outputs off, $V_{AO} = V_{CT}$
I_{CCT} , $I_{CA} + I_{CD}$	7	12.5	14.5	mA	Outputs off, $V_{AO} = V_{CT}$
AMPLIFIER					
Same specifications as amplifier in C587					V_{AO} = Amplifier Output Voltage
VOLTAGE REFERENCES					
V_{zref} , Zener Voltage	5.0	5.4	5.65	Volts	No external loading
V_{CT} , Center Tap Voltage	2.35	2.70	2.90	Volts	No external loading
V_{CB} , Clock Bias	3.5	4.0	4.3	Volts	No external loading
THRESHOLD VOLTAGES					
ALBO Comparator					
V_{APD+} , ALBO + peak detector voltage	.75	.9	1.05	Volts	V_{AO} measured w/respect to V_{CT} , with $I_{ADO} = 100 \mu\text{A}$
V_{APD-} , ALBO - peak detector voltage	-.75	-.9	-1.05	Volts	
$V_{APD+} - V_{APD-}$	-50	0	50	mV	
Data Comparators					
V_{DT+} , + data threshold	42	48	53	% of V_{APD+}	V_{AO} varied, clock drive input = 3.152 MHz sine wave at .5V pp. Detect onslaught of output pulses at 3.152 MHz, measure V_{AO} .
V_{DT-} , - data threshold	42	48	53	% of V_{APD-}	Same as for V_{DT+}
$V_{DT+} - V_{DT-}$	30	0	30	mV	
Clock Comparator					
V_{CLK+} , + clock threshold	*57/42	62/48	67/53	% of V_{APD+}	V_{AO} varied, detect 100 mV change in V_{CDO} .
V_{CLK-} , - clock threshold	*57/42	62/48	67/53	% of V_{APD-}	
$V_{CLK+} - V_{CLK-}$	35/30	0/0	35/30	mV	

* Upper limits are for Option 1, lower limits are for Option 2.

XR-C587/C588

ELECTRICAL CHARACTERISTICS—XR-C588 (Continued)

Test conditions: $T_A = -40^\circ\text{C}$ to $+85^\circ\text{C}$, at a supply voltage of $V_{CC} = V_{CA} = V_{CD} = 6.0\text{V}$ to 6.8V dc, unless otherwise specified.

PARAMETERS	MIN	TYP	MAX	UNIT	CONDITIONS
CLOCK DRIVE OUTPUT V_{CDO}					
A_{CD+} , gain from V_{AO} to V_{CDO}	-2.7	-3.0	-3.3	V/V	V_{AO} changed from V_{CLK+} to $(V_{CLK+} + .5\text{V})$ measure change in V_{CDO} .
A_{CD-}	2.7	3.0	3.3	V/V	V_{AO} changed from V_{CLK-} to $(V_{CLK-} - .5\text{V})$ measure change in V_{CDO} .
A_{CD+}/A_{CD-} V_{CDO} High	-1.1 -1.8	-1.0 -1.5	-.9 -1.1	V	V_{CDO} measured w/respect to V_{CC} . $V_{AO} = V_{CT}$
V_{CDO+} Low			-3.2	V	V_{CDO} measured w/respect to V_{CC} . $V_{AO} = V_{CT} + 1.5$ volts.
V_{CDO-} Low			-3.2	V	V_{CDO} measured w/respect to V_{CC} . $V_{AO} = V_{CT} - 1.5$ volts.
CLOCK AMPLIFIER					
V_{CACM} , Clock Input Common Mode Bias Voltage	2.35		4.3	V	V_{CT} or V_{CB} can be used as V_{CACM}
Input Offset Voltage	-15		15	mV	
Input Bias Current		1	4	μA	
ALBO DRIVE I_{ADO} I_{ADO} Max	.7	1.5	3.0	mA	V_{AO} at $V_{CT} \pm 1.5$ volts I_{ADO} measured to Gnd.
I_{ADO} Off			10	μA	$V_{AO} = V_{CT}$, I_{ADO} measured to Gnd.
OUTPUT DRIVER					
$I_{O\pm}$ Leak		100		μA	Output off and returned to 20 volts.
$V_{OL\pm}$.5	.8	1.0	Volts	$I_{LOAD} = 15$ mA
$V_{OL+} - V_{OL-}$	-80	0	+80	mV	$I_{LOAD} = 15$ mA
$T_{OPW\pm}$, output pulse width	143	159	175	nsec	50% Pts. $R_L = 350\Omega$
$T_{OPW+} - T_{OPW-}$	-10	0	10	nsec	$R_L = 350\Omega$
$T_{RT\pm}$, Rise time			40	nsec	20% to 80% Pts.
$T_{FT\pm}$, Fall time			40	nsec	$R_L = 350\Omega$ 20% to 80% Pts.
NO SIGNAL PROTECTION					With no clock signal, Output will be off

1

XR-C587/C588

PRINCIPLES OF OPERATION

T1C is a digital line system operating at 3.152 Mb/sec, very similar, in principle, to the T1 line system. It provides 48 digitally encoded and time division multiplexed voice channel repeaters containing 2 regenerators which have the approximate spacing of 6300 ft. Power is provided by a simplex arrangement with a line current of 120 mA. Two regenerators share a common power supply. Basic repeater functions, namely reshaping, retiming and regenerating, are performed for cable losses from 6 to 54 dB, as measured at 1.576 MHz.

The bipolar PCM signal, which is attenuated and distorted due to transmission medium, is applied to a preamplifier through a pulse-shaping network. This network, and the variolossor diodes, forms the ALBO circuitry which provides attenuation and shaping to automatically adjust for varying cable characteristics.

A feedback network is used around the preamplifier for gain equalization, as well as to reject out-of-band noise. The output of the preamplifier is controlled to swing between two established peak levels, and drives a set of

data comparators which are internally biased from a voltage reference and precision voltage divider network. The preamplifier output is sliced at various voltage levels to eliminate the effects of baseline noise. This output is full wave rectified, and applied to a crystal time extraction circuit. The sinusoidal wave shape from the time extraction circuit is differentially coupled to a clock slicer block to produce the internal square wave clock signal.

The regeneration of data is achieved through a pair of data comparators and ECL latches. The data slicing levels are set to $\pm 50\%$ of the preamplifier output peak voltages. ECL latch outputs and clock signal are then gated to produce two precisely timed output data signals. The positive and negative data paths are separate but identical in design.

A zero input protection circuit is provided for the dual task of preventing the output switches from latching in an ON state, as well as reducing the likelihood of output pulses with no input signal.

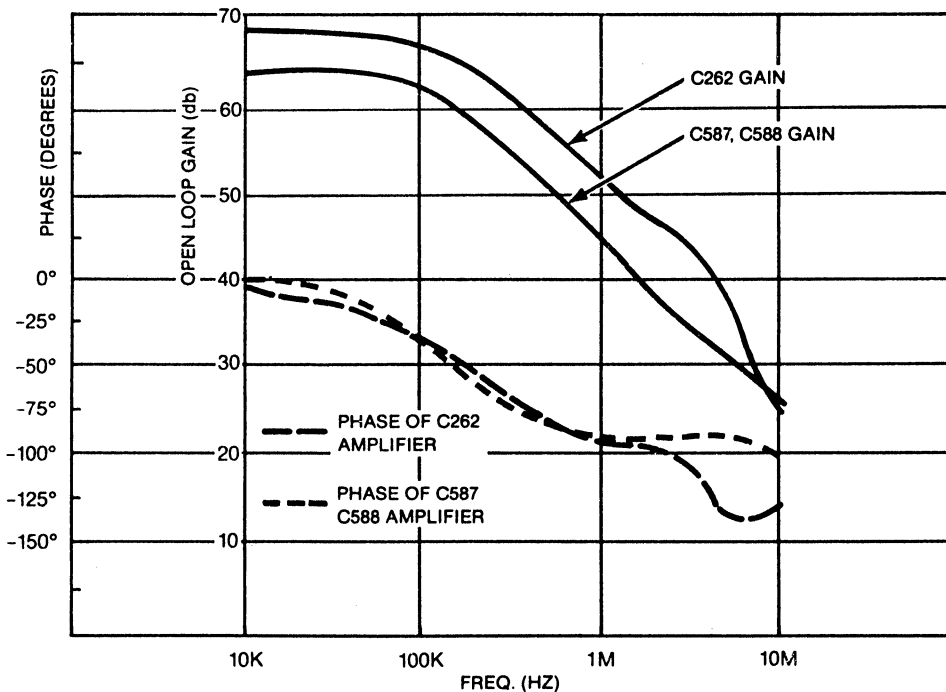


Figure 1. Bode Plot of C262 and C587/C588 Amplifiers

XR-C587/C588

BLOCK DIAGRAM OF C587 AND C588 INTERCONNECTED

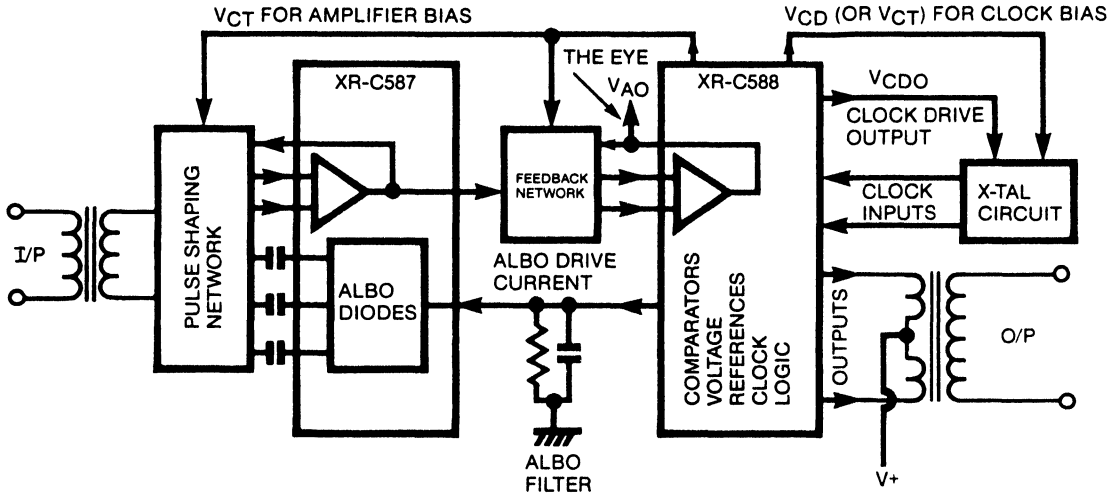


Figure 2. Block Diagram of C587/C588 Interconnected

1

T1, T148C, & 2 M Bit/s PCM Line Repeater

GENERAL DESCRIPTION

The XR-T5600/T5620 is a bipolar monolithic repeater IC designed for PCM carrier systems operating at 1.544 M bit/s (T1), 2 M bit/s, or 2.37 M bit/s (T148C). It provides all of the active circuits required for one side of a PCM repeater. A crystal filter clock extraction version of XR-T5600/T5620 is available as XR-T5700/T5720.

FEATURES

- Single 5.1 V Power Supply
- Less than 10 ns Sampling Pulse over the Operating Range
- Triple Voltage Matched ALBO Ports
- 2 M Bit/s Capability

APPLICATIONS

- T1 PCM Repeater
- T148C PCM Repeater
- European 2 M Bit/s PCM Repeater
- T1C PCM Repeater (requires external preamplifier)

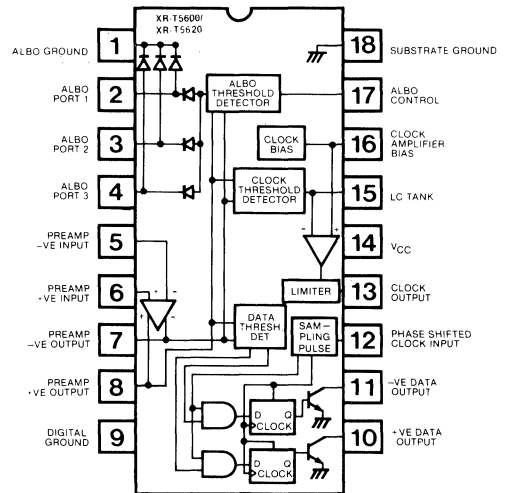
ABSOLUTE MAXIMUM RATINGS

Storage Temperature	-65°C to +150°C
Operating Temperature	-40°C to +85°C
Supply Voltage	-0.5 to +10V
Supply Voltage Surge (10 ms)	+25V
Input Voltage (except Pin 2,3,4,17)	-0.5 to 7V
Input Voltage (Pin 2,3,4,17)	-0.5 to +0.5V
Data Output Voltage (Pin 10,11)	20V
Voltage Surge (Pin 5,6,10,11) (10 msec only)	50V

ORDERING INFORMATION

Part Number	Package	Operating Temperature
XR-T5600/T5620	Ceramic	-40°C to 85°C

FUNCTIONAL BLOCK DIAGRAM



SYSTEM DESCRIPTION

The XR-T5600/T5620 performs most of the functions required for one side of a PCM repeater operating at 2 M bit/s or similar baud rate. The integrated circuit amplifies the received positive and negative pulses and feeds them into Automatic Line Build-out (ALBO), clock and data threshold detectors, see Figure 1. The ALBO threshold detector ensures that the received pulses at Pins 7 and 8 have the correct amplitude and shape. This is carried out by controlling the gain and frequency shaping of the ALBO network with three variable impedance ALBO ports.

The clock threshold detector extracts timing information from the pulses received at Pins 7 and 8 and passes it into the external tank coil at Pin 15. The sinusoidal-type waveform is amplified into a square wave at Pin 13, and forwarded through an external phase shift network into Pin 12. This waveform provides the data sampling pulse which opens latches into which the data from the data threshold detectors is passed. The resulting pulses are stored for half a bit period (normally 488 ns) in the latches. They appear as half-width output pulses at Pins 10 and 11.

XR-T5600

ELECTRICAL CHARACTERISTICS

Test Conditions: $T_A = 25^\circ\text{C}$, $V_{CC} = 5.1\text{ V} \pm 5\%$, unless specified otherwise (see Figure 1).

PARAMETERS	PINS	MIN	TYP	MAX	UNIT	CONDITIONS
Supply Current	14		22	30	mA	$V_{\text{pull-up}} = 15\text{ V}$, $V_{CC} = 5.35\text{ V}$
Data Output Leakage Current	10,11		0	100	μA	
ALBO Port Off Voltage	2,3,4		0	0.1	V	
Amplifier Pin Voltage	5,6,7,8	2.4	2.9	3.4	V	
DYNAMIC CHARACTERISTICS AMPLIFIER						
Output Offset Voltage		-50	0	50	mV	$R_S = 8.2\text{ k}\Omega$
AC Gain @ 1 MHz		47	50	53	dB	
Input Impedance		20			k Ω	
Output Impedance				200	Ω	
ALBO						
ALBO Off Impedance		20		25	k Ω	
ALBO On Impedance				25	Ω	
THRESHOLDS						
ALBO Threshold		1.4	1.5	1.6	V	At $V_O = V_{\text{ALBO Threshold}}$
Clock Threshold as % of ALBO Threshold		68		80	%	
DATA Threshold as % of ALBO Threshold		42		49	%	
Clock Drive Current		0.7		1.4	mA	
OUTPUT STAGES						$R_L = 130\Omega$, $V_{\text{pull-up}} = 5.1 \pm 5\%$
Output Pulse Rise Time				40	ns	
Output Pulse Fall Time				40	ns	
Output Pulse Width		224	244	264	ns	
Output Pulse Width Differential		-10		+10	ns	
Buffer Gate Voltage (Low)		0.65		0.95	V	
Buffer Gate Voltage Differential		-0.15		0.15	V	

1

XR-T5620

ELECTRICAL CHARACTERISTICS

Test Conditions: Unless otherwise stated, all characteristics shall apply over the operating temperature range of -40°C to $+85^{\circ}\text{C}$ with $V_{\text{CC}} = 5.1\text{ V} \pm 5\%$, all voltages referred to ground = 0 V.

SYMBOL	PARAMETERS	PINS	MIN	TYP	MAX	UNIT	CONDITIONS
GENERAL (Ref. Figure 2)							
I_{S} I_{LD}	Supply Current	14		22	30	mA	From V_{S} (See Note 1)
	Data Output Leakage Current	10,11		6	100	μA	
	Amplifier Pin Voltages ALBO Ports Off Voltage	5,6,7,8 2,3,4	2.4	2.9	3.4 0	V V	

Note 1: $V_{\text{S}} = 15\text{V}$, $V_{\text{CC}} = 5.35\text{V}$

AMPLIFIER (Ref. Figure 2, Only Pins 1,9,10...18 (connected))							
	Input Offset Voltage	5 & 6	-10		+10	mV	$R_{\text{S}} = 8.2\text{ k}\Omega$ (See Note 1)
	Input Bias Current	5 & 6	0		5	μA	$R_{\text{S}} = 8.2\text{ k}\Omega$ (See Note 1)
	Input Offset Current	5 & 6	-1		1	μA	$R_{\text{S}} = 8.2\text{ k}\Omega$ (See Note 1)
	Output Offset Voltage	7 & 8	-50	0	-50	mV	$R_{\text{S}} = 8.2\text{ k}\Omega$ (See Note 1)
	Common Mode Rejection Ratio	7 & 8	30			dB	$V_{\text{CC}} \pm 10\%$
	Output Voltage Swing	7 & 8	2.2			V	

Note 1: $R_{\text{S}} =$ Source Resistance

CLOCK AMPLIFIER (Ref. Figure 2 Disconnect Pin 15 from Pin 16)							
	Input Offset Voltage	15 & 16	0.5		6	mV	$R_{\text{S}} = 10\text{ k}\Omega$ (See Note 1)
	Input Bias Current	15 & 16			10	μA	$T = 25^{\circ}\text{C}$
	Max Output Voltage	13	0.7			V	
	Min Output Voltage	13	0.7			V	
	Max./Min Output Voltage Difference	—	0.7		50	mV	

Notes: 1. $R_{\text{S}} =$ Source resistance, Pin 15 positive with respect to Pin 16

- Pin 15 = Pin 16 = 3.6V
- Pin 15 = 2.6V, Pin 16 = 3.6V
- Pin 15 = 4.6V, Pin 16 = 3.6V
- Calculation only

ALBO (Ref Figure 2)							
	On Current	1	3			mA	$V_{\text{8-V7}} = \pm 1.75\text{ V}$
	Drive Current	17	0.4		1.4	mA	$V_{\text{8-V7}} = \pm 1.75\text{ V}$
	Resistance Pin 17 to Ground		35	50	70	$\text{k}\Omega$	Not Powered

DYNAMIC CHARACTERISTICS

AMPLIFIER (Ref. Figure 3)							
A_{o}	AC Gain at 1 MHz	5 to 8	47	50	53	dB	(See Note 1)
Z_{in}	Input Impedance	5	20			$\text{k}\Omega$	
Z_{out}	Output Impedance	7,8			200	Ω	(See Note 2)

- Notes: 1. At 1 MHz, AC ground Pins 7 and 8 disconnect 51 Ω resistor. Allow for in-circuit R,C
2. At 1 MHz, use Figure 2.

CLOCK AMPLIFIER (Ref. Figure 3)							
A_{o}	AC Gain	15, 16 to 13	32			dB	(See Note 1)
BW	-3 dB Bandwidth	15, 16 to 13	10			MHz	(See Note 2)
t_{d}	Delay	15 to 13	8		12	ns	(See Note 3)
Z_{out}	Output Impedance	13			200	Ω	(See Note 4)

- Notes: 1. Remove dc offset, at 2,048 MHz, Pin 13 = 1 V pk-pk sine wave
2. Remove dc offset, Pin 13 = 1 V pk-pk sine wave
3. Remove dc offset, Pin 15 = 2 V pk-pk sine wave; delay from Pin 15 negative-going zero crossover to Pin 13 positive edge.
4. Remove dc offset, at 2,048 MHz

XR-T5620

SYMBOL	PARAMETERS	PINS	MIN	TYP	MAX	UNIT	CONDITIONS
ALBO (Ref. Figure 2)							
	Off Impedance	2,3,4	20			kΩ	(See Note 1)
	Intermediate Impedance Difference	2,3,4			5	%	(See Note 2)
	On Impedance	2,3,4			25	Ω	(See Note 3)
	Transconductance	7/8 to 1			0.03	dB	(See Note 4)

- Notes: 1. At 1 MHz, allow for in-circuit R,C
 2. At 1 MHz, V₈-V₇ adjusted for current at Pin 1 = 100μA
 3. At 1 MHz, V₈-V₇ adjusted for ± 1.75 V
 4. At 1 MHz, change in V₈-V₇ for current at Pin 1 = 10 μA to 100 μA

THRESHOLD VOLTAGES (Ref. Figure 3)							
	ALBO Threshold +ve	8-7	1.4	1.5	1.6	V	(See Notes 1 & 2)
	ALBO Threshold -ve	7-8	1.4	1.5	1.6	V	(See Notes 1 & 2)
	ALBO Threshold Difference	—	-5	0	5	%	(See Note 3)
	Clock Drive on Current (Peak) +ve	18		1.0	1.4	mA	(See Note 4)
	Clock Drive on Current (Peak) -ve	18		1.0	1.3	mA	(See Note 5)
	Clock Drive on Current Difference	—	-5	0	5	%	(See Note 3)
	Clock Threshold +ve	8-7	68		80	%	(See Notes 1, 6, 8)
	Clock Threshold -ve	7-8	68		80	%	(See Notes 1, 7, 8)
	Clock Threshold Difference	—	-5	0	5	%	(See Note 3)
	Data Threshold +ve	8-7	44	46	48	%	(See Notes 1, 8, 9, 11)
	Data Threshold -ve	7-8	44	46	48	%	(See Notes 1, 8, 10, 11)
	Data Threshold Difference	—	-3	0	3	%	(See Note 3)

- Notes: 1. Pk/pk voltage at Pins 7 and 8 of a 1 MHz sine wave derived through amplifier and measured differentially
 2. Pk/pk voltage at Pins 7 and 8 adjusted for current at Pin 1 = 3 mA
 3. Calculation only
 percentage difference calculated from $\left(\frac{\text{higher value}}{\text{lower value}} - 1 \right) \times 100 \%$
 4. V₈-V₇ adjusted to ALBO threshold +ve voltage ref. Pin 16 = 3.6 V
 5. V₇-V₈ adjusted to ALBO threshold -ve voltage ref. Pin 16 = 3.6 V
 6. V₈-V₇ adjusted to peak current at Pin 18 = 1/2 (clock drive on current peak +ve)
 7. V₇-V₈ adjusted to peak current at Pin 18 = 1/2 (clock drive on current peak -ve)
 8. Figure taken as a percentage of lower ALBO threshold
 9. V₈-V₇ increased until 1 MHz PRF on counter at Pin 10
 10. V₇-V₈ increased until 1 MHz PRF on counter at Pin 11
 11. With 2,048 MHz 2 V pk-pk sine wave to Pin 15 with 180 μH in parallel with 36 Ω to Pin 16 = 3.6 V

OUTPUT STAGES (Ref. Figure 3. Use 180 μH inductor between Pins 15 and 16. Apply 2.048 MHz 2V pk/pk to Pin 15.)							
t _r	Output Pulse Rise Time +ve	10			40	ns	10% - 90%
t _r	Output Pulse Rise Time -ve	11			40	ns	10% to 90%
t _f	Output Pulse Fall Time +ve	10			40	ns	10%-90%
t _f	Output Pulse Fall Time -ve	11			40	ns	10%-90%
t _w	Output Pulse Width +ve	10	224	244	264	ns	at 50%
t _w	Output Pulse Width -ve	11	224	244	264	ns	at 50%
Δt _w	Output Pulse Width Difference	—	-10		10	ns	
V _{OL}	Buffer Gate Voltage (low) +ve	10	0.65		0.95	V	
V _{OL}	Buffer Gate Voltage (low) -ve	11	0.65		0.95	V	
ΔV _{OL}	Buffer Gate Voltage Difference	—	-0.15		0.15	V	

XR-T5620

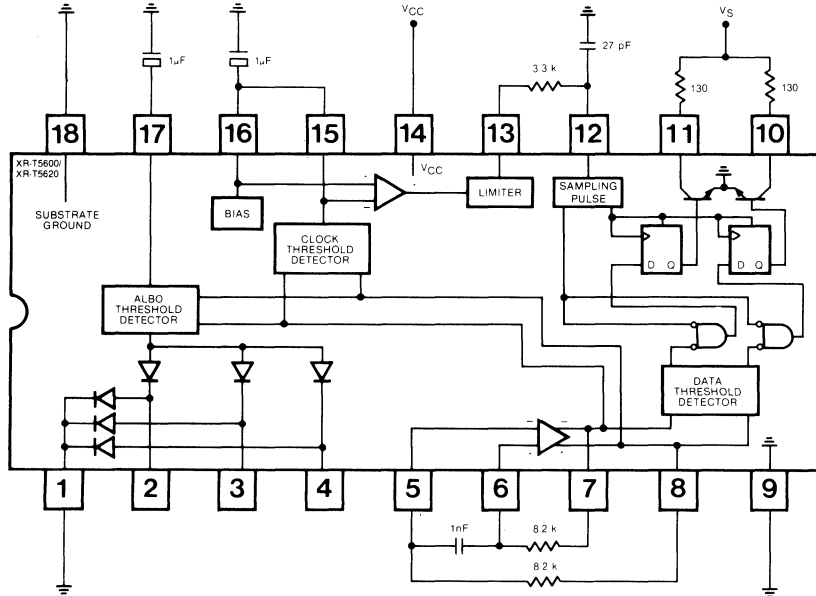


Figure 2. D.C. Parameter Test Circuit

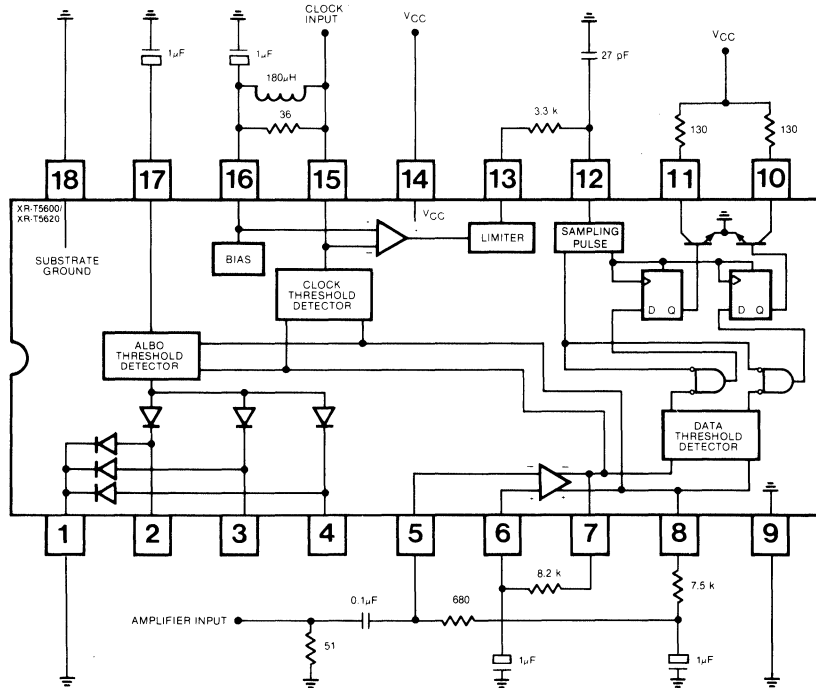


Figure 3. A.C. Parameter Test Circuit

XR-T5620

SYMBOL	PARAMETERS	PINS	MIN	TYP	MAX	UNIT	CONDITIONS
SAMPLE PULSE WIDTH (Ref. Figure 4. $C_y = 27$ pF)							
	Sample Pulse Width			10		ns	(See Notes 1...5)

- Notes:
1. The sample pulse width is the period during which the output latches are opened to accept a signal above the data threshold at Pin 7 or 8 and cause a half-width output pulse at Pin 11 or 10 respectively.
 2. Sample pulse width is specified with a 2.048 MHz TTL waveform at clock input (Pin 15) and a 2.400 MHz Schottky TTL waveform at amplifier input in the circuit of Figure 4. Figure 7 shows the relevant IC waveforms.
 3. Monitor the frequency of coincident output pulses at Pins 10 and 11 either directly or through output circuit to frequency counter.
 4. Sample pulse width = X ns + $(0.1 \times \text{measured frequency in kHz})$ ns where X is the mean rise/fall times of the waveform at Pin 8 between 25% and 75%.
 5. X to be within the range $10 \text{ ns} < X < 12 \text{ ns}$. This requires HF layout techniques with the amplifier operated closed loop.

SAMPLE PULSE GENERATOR INPUT WAVEFORM (Pin 12 Ref. Figure 4, $C_y = 40$ pF)							
	Output Pulse Frequency	10,11	1.024 - 100 ppm	1.024	1.024 + 100 ppm	MHz	(See Note 1)

- Notes:
1. Width 2.048 MHz \pm 100 ppm TTL waveform at clock input with half of above waveform frequency at amplifier input.

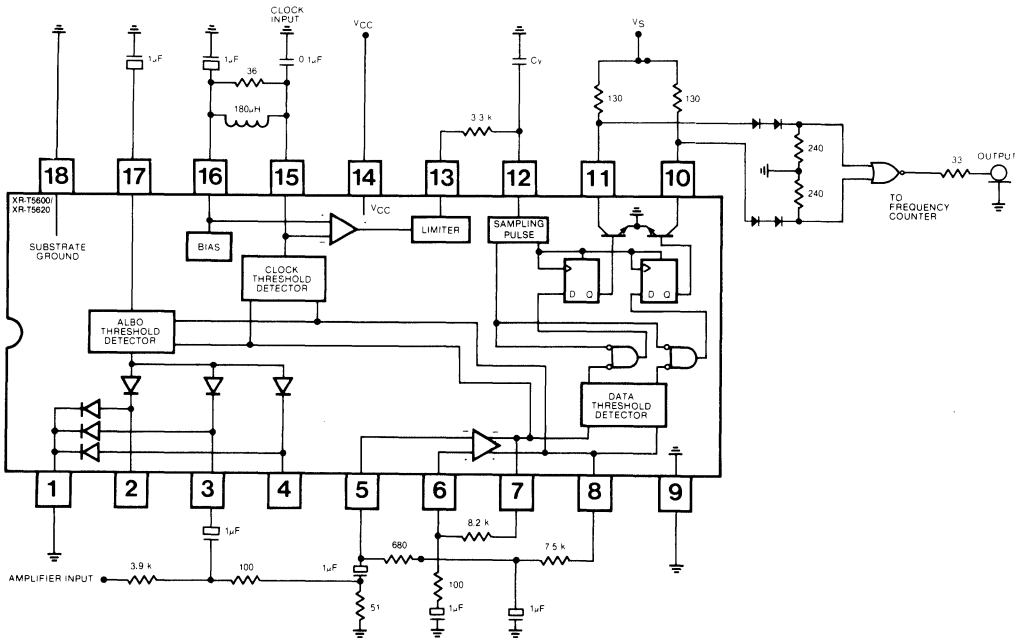


Figure 4. Sampling Pulse Test Circuit

XR-T5620

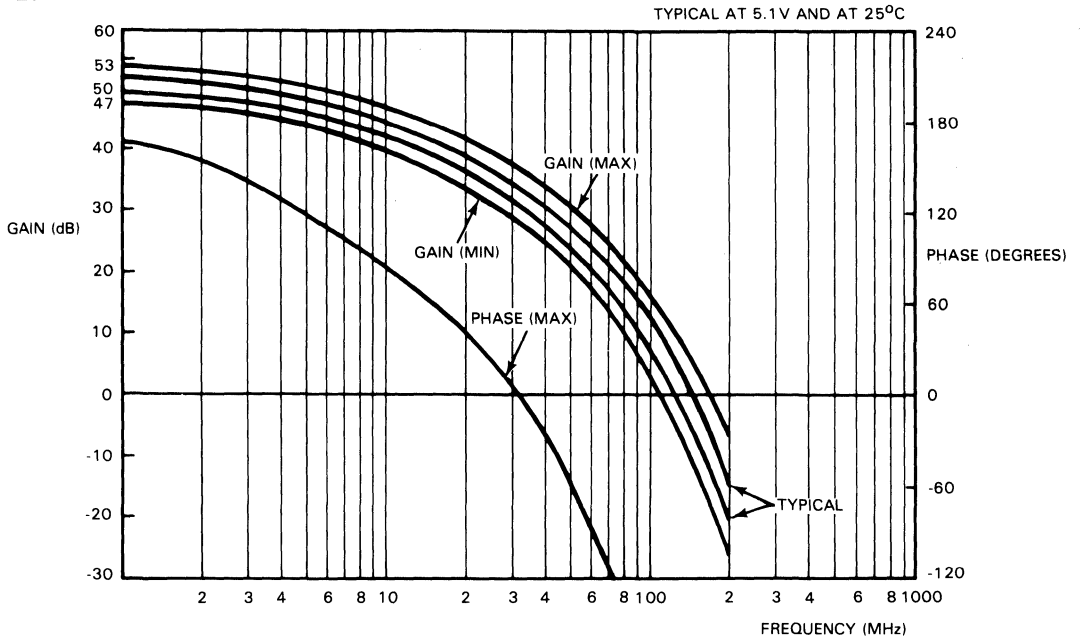
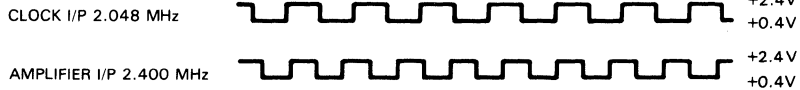
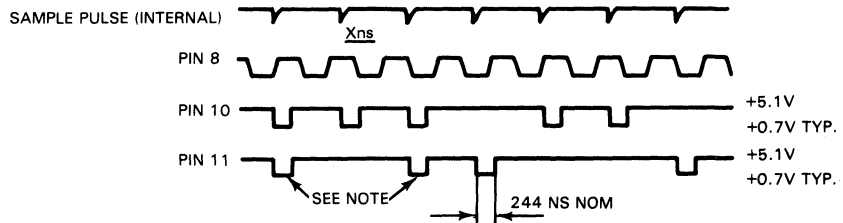


Figure 5. Typical and Limiting Values of Gain and Phase

INPUT WAVEFORMS



IC WAVEFORMS



NOTE

COINCIDENT OUTPUT PULSES

Figure 6. IC Waveforms for Measuring Sampling Pulse Width

PCM AMI Line Receiver and Clock Recovery Circuit

GENERAL DESCRIPTION

The XR-T5640 is a monolithic bipolar IC designed for T1 type line receiver application operating at 1.544 M bit/s. It provides all the active circuitry required to perform automatic line build out (ALBO), threshold detection, binary NRZ data and clock recovery.

A clock recovery using crystal filter circuit version of the XR-T5640 is also available as XR-T5740.

FEATURES

- On Chip NRZ Data and Clock Recovery
- Less than 10 ns Sampling Pulse Over the Operating Range
- Triple Matched ALBO Ports
- Single 5.1 Power Supply

APPLICATIONS

- T1 PCM Line Receiver
- T1C PCM Line Receiver (requires external gain)
- General Purpose Bipolar Line Receiver

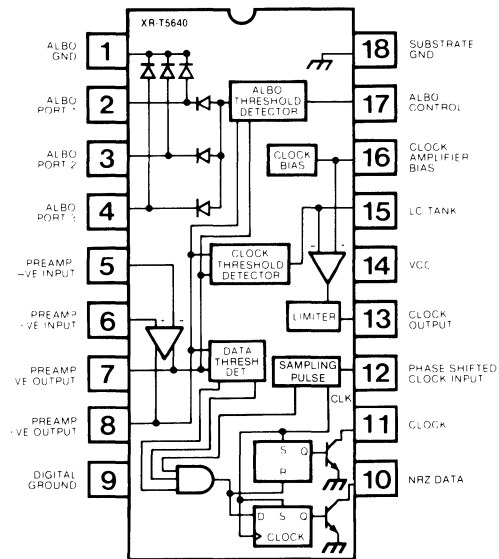
ABSOLUTE MAXIMUM RATINGS

Storage Temperature	-65°C to +150°C
Operating Temperature	-40°C to +85°C
Supply Voltage	-0.5 to +10V
Supply Voltage Surge (10 ms)	+25V
Input Voltage (except Pins 2,3,4,17)	-0.5 to 7V
Input Voltage (Pins 2,3,4,17)	-0.5 to +0.5V
Data Output Voltage (Pins 10,11)	20V
Voltage Surge (Pins 5,6,10,11) (10 msec only)	50V

ORDERING INFORMATION

Part Number	Package	Operating Temperature
XR-T5640	Ceramic	-40°C to 85°C

FUNCTIONAL BLOCK DIAGRAM



SYSTEM DESCRIPTION

The XR-T5640 is designed as a receiver for interfacing T1 PCM carrier lines on plastic or pulp insulated cables. It can also be used as a general purpose alternate mark inversion (AMI) receiver.

The XR-T5640 is a modified version of XR-T5620 PCM repeater IC. It contains all the active circuitry needed to build a T1 line receiver for interfacing up to 6300 ft. The preamplifier, the clock amplifier, threshold detectors, ALBO port, data latches and output drivers are similar to the ones on XR-T5620. Clock extraction is done by means of an L-C tank circuit.

Bipolar +1 and -1 pulses are combined within the IC to form a binary non-return to zero PCM signal at Pin 10. A synchronous clock signal is made available at Pin 11. Both outputs have open collector transistors.

XR-T5640

ELECTRICAL CHARACTERISTICS

Test Conditions: $T_A = 25^\circ\text{C}$, $V_{CC} = 5.1\text{V} \pm 5\%$

PARAMETERS	MIN	TYP	MAX	UNIT	CONDITIONS
Supply Current		22	30	mA	ALBO Off
Clock & Data Output Leakage Current		0	100	μA	$V_{\text{pull-up}} = 15\text{V}$
Amplifier Pin Voltages	2.4	2.9	3.4	V	At Unity DC Gain
Amplifier Output Voltage Swing	2.2			V	
Amplifier Output Offset Voltage	-50	0	50	mV	$R_S = 8.2\text{k}\Omega$
Amplifier Input Bias Current			5	μA	
ALBO on Current	3			mA	
Drive Current		1		mA	
AC CHARACTERISTICS					
Pre-Amplifier					
AC Gain at 1 MHz	20	50		dB	Open Loop
Input Impedance			200	$\text{k}\Omega$	
Output Impedance				Ω	
Clock Amplifier					
AC Gain	10	32		dB	Open Loop
-3 dB Bandwidth				MHz	
Delay		10		ns	
Output Impedance			200	Ω	
ALBO					
Off Impedance	20			$\text{k}\Omega$	
On Impedance			25	Ω	
CLOCK DATA OUTPUT BUFFERS					$R_L = 130\Omega$, $V_{\text{pull-up}} = 5.1\text{V} \pm 5\%$
Rise Time		30		ns	
Fall Time		30		ns	
Output Pulse Width		244		ns	
Sample Pulse Width		10		ns	
V_{OL}		0.7		V	
I_L sink		35		mA	
THRESHOLDS					
ALBO	1.4	1.5	1.6	V	At $V_O = V_{ALBO}$ Threshold
Clock Drive Current Peak		1.0		mA	
Clock Thresholds					
% of ALBO	63		75	%	
Data Threshold					
% of ALBO	40	46	52	%	

PCM Line Receiver and Clock Recovery Circuit

GENERAL DESCRIPTION

The XR-T5650 is a monolithic bipolar IC designed for PCM type line receiver applications operating at T1, T148C, T1C and 2 M bit/s data rates. It provides all the active circuitry required to perform automatic line build out (ALBO), threshold detection, positive and negative data and clock recovery.

Clock recover using a crystal filter instead of an LC tank circuit is also available as XR-T5750.

FEATURES

- On Chip Positive and Negative Data, Clock Recovery Less than 10 ns Sampling Pulse over the Operating Range
- Double Matched ALBO Ports
- Single 5.1 V Power Supply
- 2 M Bit/s Capability

APPLICATIONS

- T1 PCM Line Receiver
- T148C Line Receiver
- T1C PCM Line Receiver (requires external amplifier)
- General Purpose Bipolar Line Receiver
- HDB3 Line Receiver
- B8ZS Line Receiver

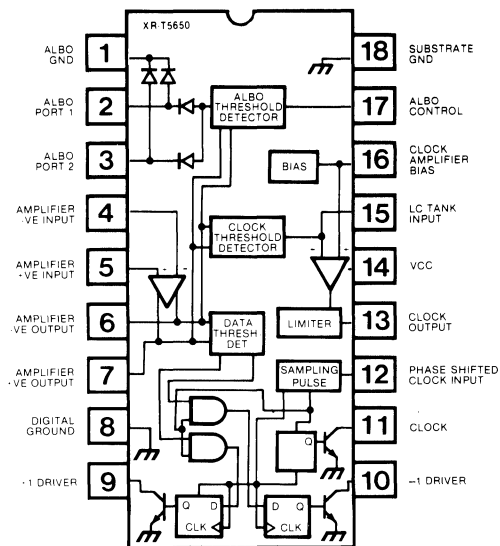
ABSOLUTE MAXIMUM RATINGS

Storage Temperature	-65°C to +150°C
Operating Temperature	-40° to +85°C
Supply Voltage	-0.5 to +10V
Supply Voltage Surge (10ms)	+25V
Input Voltage (except Pins 2,3,4,17)	-0.5 to 7V
Input Voltage (Pins 2,3,4,17)	-0.5 to +0.5V
Data Output Voltage (Pins 10,11)	20V
Voltage Surge (Pins 5,6,10,11) (10 msec only)	50V

ORDERING INFORMATION

Part Number	Package	Operating Temperature
XR-T5650	Ceramic	-40°C to +85°C

FUNCTIONAL BLOCK DIAGRAM



SYSTEM DESCRIPTION

The XR-T5650 is designed for interfacing T1, T148C and 2 Mbit/s PCM carrier lines on plastic or pulp insulated cables. It can also be used at T1C rate (3.152 M bit/s) with external gain. Since it outputs plus and minus ones on a bipolar pulse stream together with the clock, it can be used to interface systems having different line codes like AMI, AMI-B8ZS or AMI-HDB3.

The XR-5650 is a modified version of XR-T5620 PCM repeater IC. It contains all the active circuitry needed to build a PCM line receiver up to 6300 ft cable length. The preamplifier, the clock amplifier, threshold detectors, data latches and output drivers are similar to the ones on XR-T5620. Clock extraction is done by means of an LC tank circuit.

In addition to plus and minus one outputs, a synchronous clock signal is made available at Pin 11 by deleting one of the ALBO ports on XR-T5620 thus leaving two matched ALBO parts. All outputs have high current open collector transistors.

XR-T5650

ELECTRICAL CHARACTERISTICS

Test Conditions: $V_{CC} = 5.1 \text{ V} \pm 5\%$, $T_A = 25^\circ\text{C}$, unless specified otherwise.

PARAMETERS	MIN	TYP	MAX	UNIT	CONDITIONS
Supply Current		24	30	mA	ALBO Off
Clock and Data Output Output Leakage Current		0	100	μA	$V_{\text{pull-up}} = 15 \text{ V}$ At DC Unity Gain
Amplifier Pin Voltages	2.4	2.9	3.4	V	
Amplifier Output Offset Voltage	-50	0	50	mV	$R_S = 8.2 \text{ k}\Omega$ Measured Differentially from Pin 7 to Pin 6
Voltage Swing	2.2			V	
Amplifier Input Bias Current			5	μA	
Albo on Current	3			mA	
Drive Current		1		mA	
AC CHARACTERISTICS					
Pre-Amplifier AC Gain at 1 MHz		50		dB	
Input Impedance	20			$\text{k}\Omega$	
Output Impedance			200	Ω	
Clock Amplifier AC Gain		32		dB	
-3 dB Bandwidth	10			MHz	
Delay		10		ns	
Output Impedance			200	Ω	
ALBO Off Impedance	20			$\text{k}\Omega$	
On Impedance			25	Ω	
CLOCK DATA OUTPUT BUFFERS					$R_L = 130\Omega$, $V_{\text{pull-up}} = 5.1 \text{ V} \pm 5\%$
Rise Time		30		ns	
Fall Time		30		ns	
Output Pulse Width		244		ns	
Sample Pulse Width		10		ns	
V_{OL}		0.7		V	
$I_{L \text{ sink}}$		35		mA	
THRESHOLDS					
ALBO Clock Drive Current Peak	1.4	1.5 1.0	1.6	V mA	At $V_O = V_{\text{ALBO}}$ Threshold
CLOCK THRESHOLD					
% of ALBO	63	68	75	%	
DATA THRESHOLD					
% of ALBO	40	46	52	%	

Low Power T1, T148C, & 2 M Bit/s Repeater

GENERAL DESCRIPTION

The XR-T5660 is a monolithic bipolar low power version of the XR-T5620 repeater circuit for T1 type carrier system operating at 1.544 M bit/s (T1), European 2 M bit/s or 2.37 M bit/s (T148C). It provides all of the active circuitry required for one side of a PCM repeater. A crystal filter clock extraction version is available as XR-T5760.

FEATURES

- Low Power
- Single 5.1 V Power Supply
- Triple Matched Automatic Line Build-out (ALBO) Ports
- 2 M Bit/s Capability

APPLICATIONS

- T1 PCM Repeater
- T148C PCM Repeater
- European 2 M Bit/s PCM Repeater
- T1C PCM Repeater (requires external amplifier)

ABSOLUTE MAXIMUM RATINGS

Storage Temperature	-65°C to +150°C
Operating Temperature	-40°C to +85°C
Supply Voltage	-0.5 to +10V
Supply Voltage Surge (10 ms)	+25V
Input Voltage (except Pins 2,3,4,17)	-0.5 to 7V
Input voltage (Pins 2,3,4,17)	-0.5 to +0.5V
Data Output Voltage (Pins 10,11)	20V
Voltage Surge (Pins 5,6,10,11) (10 msec only)	50V

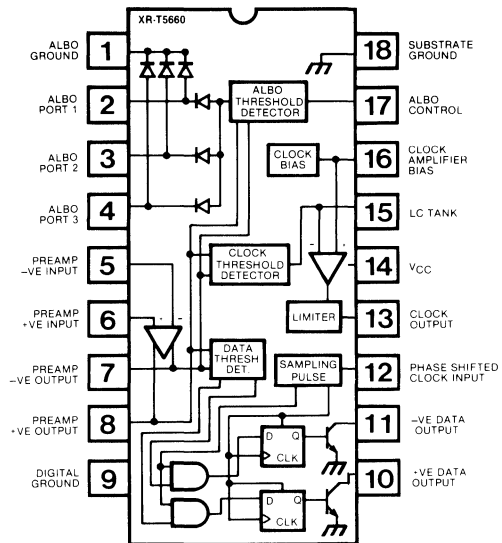
ORDERING INFORMATION

Part Number	Package	Operating Temperature
XR-T5660	Ceramic	-40°C to +85°C

SYSTEM DESCRIPTION

The XR-T5660 is a monolithic bipolar PCM repeater IC operating at 1.544 (T1), 2.048 and 2.37 (T148C) M bits/sec. It is the low power version of XR-T5620 PCM repeater IC. It contains all the active circuitry to implement one side of a PCM repeater operating on either pulp or plastic insulated cables. Repeater to repeater spacing on either type of cable is 6300 ft. max.

FUNCTIONAL BLOCK DIAGRAM



Bipolar PCM signal is attenuated and dispersed in time as it travels along the transmission cable, characteristics of which vary with length, frequency, temperature and humidity. The PCM signal when received is amplified, equalized for amplitude characteristics and reconstructed by the preamplifier, automatic line build out (ALBO), clock and data threshold circuits. Amplitude equalization is achieved through shaping the frequency spectrum with the help of variable impedance ALBO ports.

Timing information is contained in the incoming pulse stream. This signal is full wave rectified and applied to an L-C tank circuit to extract the clock signal at the data rate. The clock signal is amplified and phase shifted between Pins 13 and 12 to obtain 90° phase shift by means of an R-L-C circuit.

Data is sampled and stored in the output data latches by an internally generated sampling pulse. Buffer drivers are then enabled to produce precisely timed output pulses whose width and time of occurrence are controlled by the regenerated clock.

XR-T5660

ELECTRICAL CHARACTERISTICS

Test Conditions: $V_{CC} = 5.1V, \pm 5\%$, $T_A = 25^\circ C$, unless otherwise specified.

PARAMETERS	MIN	TYP	MAX	UNIT	CONDITIONS
Supply Current		9	14	mA	ALBO Off
Clock & Data Output					
Output Leakage Current		0	100	μA	$V_{pull-up} = 15 V$
Amplifier Pin Voltages	2.4	2.9	3.4	V	At DC Unity Gain
Amplifier Output					
Offset Voltage	-50	0	50	mV	$R_S = 8.2 k\Omega$
Voltage Swing	2.2			V	Measured Differentially from Pin 8 to Pin 7
Amplifier Input					
Bias Current			5	μA	
ALBO on Current	3			mA	
Drive Current		1		mA	
AC CHARACTERISTICS					
Pre-Amplifier					
AC Gain at 1 MHz		50		dB	
Input Impedance	20			k Ω	
Output Impedance			200	Ω	
Clock Amplifier					
AC Gain		32		dB	
-3 dB Bandwidth	10			MHz	
Delay		10		ns	
Output Impedance			200	Ω	
ALBO					
Off Impedance	20			k Ω	
On Impedance			25	Ω	
DATA OUTPUT BUFFERS					$R_L = 130\Omega, V_{pull-up} = 5.1 V \pm 5\%$
Rise Time		30		ns	
Fall Time		30		ns	
Output Pulse Width		244		ns	
Sample Pulse Width		10		ns	
V_{OL}		0.7		V	
I_L sink		35		mA	
THRESHOLDS					
ALBO	1.4	1.5	1.6	V	
Clock Drive Current Peak		1.0		mA	At $V_O = V_{ALBO}$ Threshold
CLOCK THRESHOLD					
% of ALBO	63	68	75	%	
DATA THRESHOLD					
% of ALBO	40	46	52	%	

T1, T148C, & 2 M Bit/s PCM Line Repeater

GENERAL DESCRIPTION

The XR-T5700/T5720 is a bipolar monolithic repeater IC that provides all the active circuits required for one side of a PCM repeater. The IC is designed for clock extraction by using a crystal filter.

The primary applications of XR-T5700 are T1 (1.544 M bit/s), T148C (2.37 M bit/s) and European 2 M bit/s PCM repeater.

A tank circuit clock extraction version of XR-T5700/T5720 is available as XR-T5600/T5620.

FEATURES

- Crystal Clock Extraction
- Single 5.1 V Power Supply
- Less than 10 ns Sampling Pulse over the Operating Range
- Triple Matched ALBO Ports

APPLICATIONS

- T1 PCM Repeater
- T148C PCM Repeater
- T1C PCM Repeater (requires external preamplifier)
- European 2 M Bit/s PCM Repeater

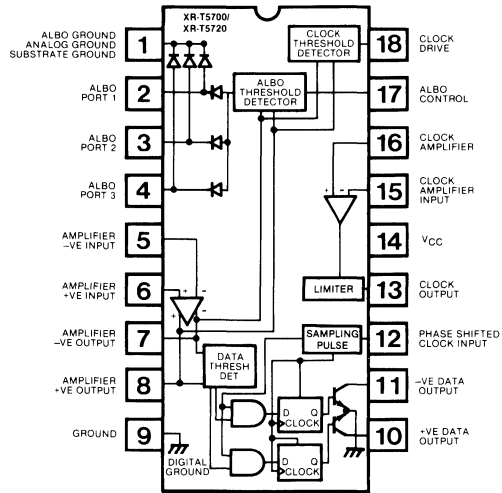
ABSOLUTE MAXIMUM RATINGS

Storage Temperature	-65°C to +150°C
Operating Temperature	-40°C to +85°C
Supply Voltage	-0.5 to +10V
Supply Voltage Surge (10 ms)	+25V
Input Voltage (except Pins 2,3,4,17)	-0.5 to 7V
Input Voltage (Pins 2,3,4,17)	-0.5 to +0.5V
Data Output Voltage (Pins 10,11)	20V
Voltage Surge (Pins 5,6,10,11) (10 msec only)	50V

ORDERING INFORMATION

Part Number	Package	Operating Temperature
XR-T5700/ T5720	Ceramic	-40C to +85°C

FUNCTIONAL BLOCK DIAGRAM



SYSTEM DESCRIPTION

The XR-T5700/T5720 performs most of the functions required for one side of a PCM repeater operating at 2 M bit/s or similar baud rate. The integrated circuit amplifies the received positive and negative pulses and feeds them into Automatic Line Build-out (ALBO), clock and data threshold detectors, see Figure 1. The ALBO threshold detector ensures that the received pulses at Pins 7 and 8 have the correct amplitude and shape. This is carried out by controlling the gain and frequency shaping of the ALBO network with three variable impedance ALBO ports.

The clock threshold detector extracts timing information from the pulses received at Pins 7 and 8 and passes it into open collector Pin 18. A crystal filter is connected from Pin 18 to clock amplifier input Pins 16 and 15. The sinusoidal-type waveform is amplified into a square wave at Pin 13, and forwarded through an external phase shift network into Pin 12. This waveform provides the data sampling pulse which opens latches into which the data from the data threshold detectors is passed. The resulting pulses are stored for half a bit period (normally 488 ns for 2 M bit/s) in the latches. They appear as half-width output pulses at Pins 10 and 11.

XR-T5700

ELECTRICAL CHARACTERISTICS

Test Conditions: $T_A = 25^\circ\text{C}$, $V_{CC} = 5.1\text{ V} \pm 5\%$ unless specified otherwise (see Figure 1).

PARAMETERS	PINS	MIN	TYP	MAX	UNIT	CONDITIONS
Supply Current	14		22	30	mA	$V_{\text{pull-up}} = 15\text{ V}$, $V_{CC} = 5.35\text{ V}$
Data Output Leakage Current	10,11		0	100	μA	
ALBO Port Off Voltage	2,3,4		0	0.1	V	
Amplifier Pin Voltage	5,6,7,8	2.4	2.9	3.4	V	
DYNAMIC CHARACTERISTICS AMPLIFIER						
Output Offset Voltage		-50	0	50	mV	$R_S = 8.2\text{ k}\Omega$
AC Gain @ 1 MHz		47	50	53	dB	
Input Impedance		20			$\text{k}\Omega$	
Output Impedance				200	Ω	
ALBO						
ALBO Off Impedance		20		25	$\text{k}\Omega$	
ALBO On Impedance				25	Ω	
THRESHOLDS						
ALBO Threshold		1.4	1.5	1.6	V	At $V_O = V_{\text{ALBO Threshold}}$
Clock Threshold as % of ALBO Threshold		68		80	%	
DATA Threshold as % of ALBO Threshold		42		49	%	
Clock Drive Current		0.7		1.4	mA	
OUTPUT STAGES						$R_L = 130\Omega$, $V_{\text{pull-up}} = 5.1 \pm 5\%$
Output Pulse Rise Time				40	ns	
Output Pulse Fall Time				40	ns	
Output Pulse Width		224	244	264	ns	
Output Pulse Width Differential		-10		+10	ns	
Buffer Gate Voltage (Low)		0.65		0.95	V	
Buffer Gate Voltage Differential		-0.15		0.15	V	

XR-T5720

ELECTRICAL CHARACTERISTICS

Test Conditions: Unless otherwise stated, all characteristics shall apply over the operating temperature range of -40°C to $+85^{\circ}\text{C}$ with $V_{\text{CC}} = 5.1\text{ V} \pm 5\%$, all voltages referred to ground = 0 V.

SYMBOL	PARAMETERS	PINS	MIN	TYP	MAX	UNIT	CONDITIONS
GENERAL CHARACTERISTICS (Ref. Figure 2)							
I_{S}	Supply Current	14		22	30	mA	
I_{LD}	Data Output Leakage Current	10,11			100	μA	from V_{S} (See Note 1)
	Amplifier Pin Voltages	5,6,7,8	2.4	2.9	3.4	V	
	ALBO Ports Off Voltage	2,3,4		0	0.1	V	

Note 1: $V_{\text{S}} = 15\text{V}$, $V_{\text{CC}} = 5.35\text{V}$

AMPLIFIER (Ref. Figure 2, Only Pins 1,9,10...18 (Connected))							
	Input Offset Voltage	5 & 6	-10		+10	mV	$R_{\text{S}} = 8.2\text{ k}\Omega$ (See Note 1)
	Input Bias Current	5 & 6	0		5	μA	$R_{\text{S}} = 8.2\text{ k}\Omega$ (See Note 1)
	Input Offset Current	5 & 6	-1		1		$R_{\text{S}} = 8.2\text{ k}\Omega$ (See Note 1)
	Output Offset Voltage	7 & 8	-50	0	-50	mV	$R_{\text{S}} = 8.2\text{ k}\Omega$ (See Note 1)
	Common Mode Rejection Ratio	7 & 8	30			dB	$V_{\text{cm}} \pm 0.3\text{ V}$
	Power Supply Rejection Ratio	7 & 8	30			dB	$V_{\text{CC}} \pm 10$
	Output Voltage Swing	7 & 8	2.2			V	

Note 1: $R_{\text{S}} = \text{Source Resistance}$

CLOCK AMPLIFIER (Ref. Figure 2 Disconnect Pin 15 from Pin 16)							
	Input Offset Voltage	15 & 16	0.5		6	mV	$R_{\text{S}} = \text{k}\Omega$ (See Note 1)
	Input Bias Current	15 & 16			10	μA	$T = 25^{\circ}\text{C}$
	Max Output Voltage	13	0.7			V	
	Min Output Voltage	13	0.7			V	
	Max./Min Output Voltage Difference				50	mV	

Notes: 1. $R_{\text{S}} = \text{Source resistance}$, Pin 15 positive with respect to Pin 16

- Pin 15 = Pin 16 = 3.6V
- Pin 15 = 2.6V, Pin 16 = 3.6V
- Pin 15 = 4.6V, Pin 16 = 3.6V
- Calculation only

ALBO (Ref Figure 2)							
	On Current	1	3			mA	$V_{\text{S}}-V_{\text{T}} = \pm 1.75\text{ V}$
	Drive Current	17	0.4		1.4	mA	$V_{\text{S}}-V_{\text{T}} = \pm 1.75\text{ V}$
	Resistance Pin 17 to GN		35	50	70	$\text{k}\Omega$	Not Powered

DYNAMIC CHARACTERISTICS

AMPLIFIER (Ref. Figure 3)							
A_{o}	AC Gain at 1 MHz	5 to 8	47	50	53		
Z_{in}	Input Impedance	5	20			$\text{k}\Omega$	(See Note 1)
Z_{out}	Output Impedance	7,8			200	Ω	(See Note 2)

Notes: 1. At 1 MHz, AC ground Pins 7 and 8 disconnect $51\ \Omega$ resistor. Allow for in-circuit R,C

2. At 1 MHz, use Figure 2.

CLOCK AMPLIFIER (Ref. Figure 3)							
A_{o}	AC Gain	15,16 to 13	32			dB	(See Note 1)
BW	-3 dB Bandwidth	15,16 to 13	10			MHz	(See Note 2)
	Delay	15,16 to 13	8		12	ns	(See Note 3)
	Output Impedance	13			200	Ω	(See Note 4)

Notes: 1. Remove dc offset, at 2,048 MHz, Pin 13 = 1 V pk-pk sine wave

2. Remove dc offset, Pin 13 = 1 V pk-pk sine wave

3. Remove dc offset, Pin 15 = 2 V pk-pk sine wave. Delay from Pin 15 negative-going zero crossover to Pin 13 positive edge.

4. Remove dc offset, at 2,048 MHz



XR-T5720

SYMBOL	PARAMETERS	PINS	MIN	TYP	MAX	UNIT	CONDITIONS
ALBO (Ref. Figure 2)							
	Off Impedance	2,3,4	20			kΩ	(See Note 1)
	Intermediate Impedance Difference	2,3,4			5		(See Note 2)
	On Impedance	2,3,4			25	M	(See Note 3)
	Transconductance	7/8 to 1			0.03	dB	(See Note 4)

- Notes: 1. At 1 MHz, allow for in-circuit R,C
 2. At 1 MHz, V₈-V₇ adjusted for current at Pin 1 = 100μA
 3. At 1 MHz, V₈-V₇ adjusted for ± 1.75 V
 4. At 1 MHz, change in V₈-V₇ for current at Pin 1 = 10 μA to 100 μA

THRESHOLD VOLTAGES (Ref. Figure 3)							
	ALBO Threshold +ve	8-7	1.4	1.5	1.6	V	(See Notes 1 & 2)
	ALBO Threshold -ve	7-8	1.4	1.5	1.6	V	(See Notes 1 & 2)
	ALBO Threshold Difference	—	.5	0	5		(See Note 3)
	Clock Drive on Current (Peak) +ve	18	0.65	1.0	1.4	mA	(See Note 4)
	Clock Drive on Current (Peak) -ve	18	0.65	1.0	1.3	mA	(See Note 5)
	Clock Drive on Current Difference	—	.5	0	5		(See Note 3)
	Clock Threshold +ve	8-7	68		80		(See Notes 1, 6, 8)
	Clock Threshold -ve	7-8	68		80	%	(see Notes 1, 7, 8)
	Clock Threshold Difference	—	-5	0	5	%	(See Note 3)
	Data Threshold +ve	8-7	44	46	48	%	(See Notes 1, 8, 9, 11)
	Data Threshold -ve	7-8	44	46	48	%	(See Notes 1, 8, 10, 11)
	Data Threshold Difference	—	-3	0	3	%	(See Note 3)

- Notes: 1. Pk/pk voltage at Pins 7 and 8 of a 1 MHz sine wave derived through amplifier and measured differentially
 2. Pk/pk voltage at Pins 7 and 8 adjusted for current at Pin 1 = 3 mA
 3. Calculation only

$$\text{percentage difference calculated from } \left(\frac{\text{higher value}}{\text{lower value}} - 1 \right) \times 100 \%$$

4. V₈-V₇ adjusted to ALBO threshold +ve voltage (ref. Pin 16 = 3.6 V)
 5. V₇-V₈ adjusted to ALBO threshold -ve voltage (ref. Pin 16 = 3.6 V)
 6. V₈-V₇ adjusted to peak current at Pin 18 = 1/2 (clock drive on current peak +ve)
 7. V₇-V₈ adjusted to peak current at Pin 18 = 1/2 (clock drive on current peak -ve)
 8. Figure taken as a percentage of lower ALBO threshold
 9. V₈-V₇ increased until 1 MHz PRF on counter at Pin 10
 10. V₇-V₈ increased until 1 MHz PRF on counter at Pin 11
 11. With 2,048 MHz 2 V pk-pk sine wave to Pin 15 with 180 μH in parallel with 36 Ω to Pin 16 = 3.6 V

OUTPUT STAGES (Ref. Figure 3. Use 180 μH inductor between Pins 15 and 16. Apply 2.048 MHz 2V pk/pk to Pin 15.)							
t _r	Output Pulse Rise Time +ve	10			40	ns	10% - 90%
t _r	Output Pulse Rise Time -ve	11			40	ns	10% to 90%
t _f	Output Pulse Fall Time +ve	10			40	ns	10%-90%
t _f	Output Pulse Fall Time -ve	11			40	ns	10%-90%
t _w	Output Pulse Width +ve	10	244	244	264	ns	at 50%
t _w	Output Pulse Width -ve	11	244	244	264	ns	at 50%
Y _{t_w}	Output Pulse Width Difference	—	-10		10	ns	
V _{OL}	Buffer Gate Voltage (low) +ve	10	0.65		0.95	V	
V _{OL}	Buffer Gate Voltage (low) -ve	11	0.65		0.95	V	
bV _{OL}	Buffer Gate Voltage Difference	—	-0.15		0.15	V	

XR-T5720

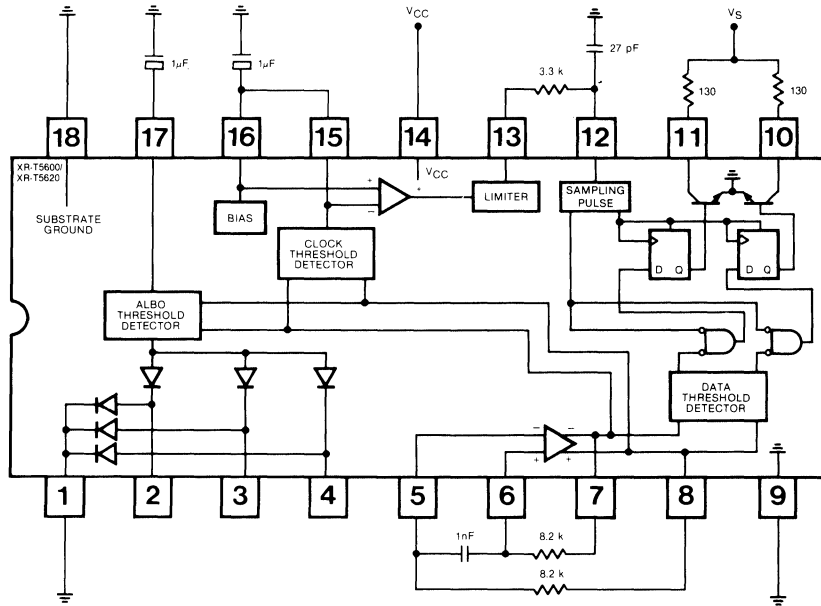


Figure 2. D.C. Parameter Test Circuit

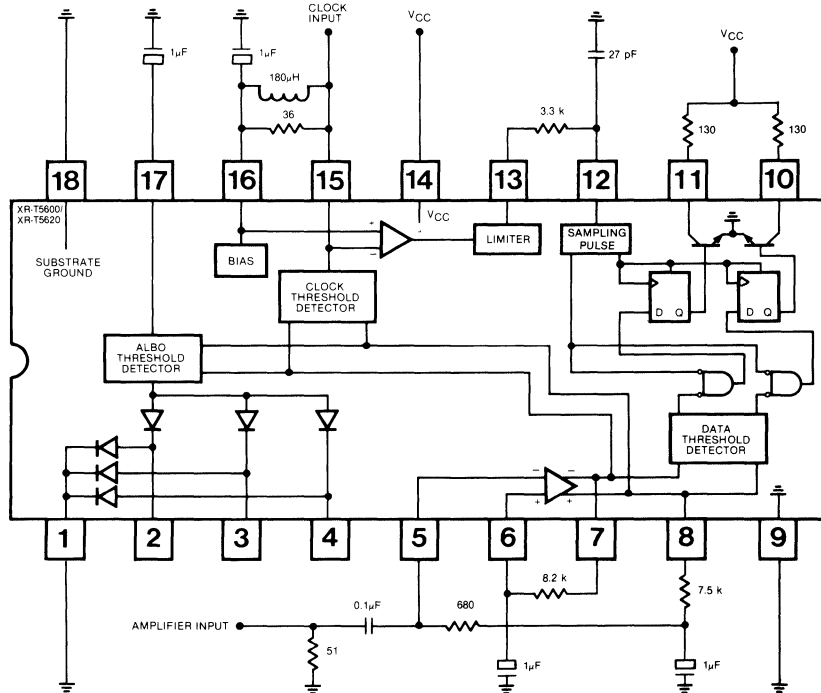


Figure 3. A.C. Parameter Test Circuit



XR-T5720

SYMBOL	PARAMETERS	PINS	MIN	TYP	MAX	UNIT	CONDITIONS
SAMPLE PULSE WIDTH (Ref. Figure 4. $C_y = 27$ pF)							
	Sample Pulse Width	—		10	20	ns	(See Notes 1...5)

- Notes: 1. The sample pulse width is the period during which the output latches are opened to accept a signal above the data threshold at Pin 7 or 8 and cause a half-width output pulse at Pin 11 or 10 respectively.
2. Sample pulse width is specified with a 2.048 MHz TTL waveform at clock input (Pin 15) and a 2.400 MHz Schottky TL waveform at amplifier input in the circuit of Figure 5. Figure 7 shows the relevant IC waveforms.
3. Monitor the frequency of coincident output pulses at Pins 10 and 11 either directly or through output circuit to frequency counter.
4. Sample pulse width = $Xns + (0.1 \times \text{measured frequency in kHz ns where X is the mean rise/fall times of the waveform at Pin 8 between 25% and 75%}$.
5. X to be within the range $10 \text{ ns} < X < 12 \text{ ns}$. This requires HF layout techniques with the amplifier operated closed loop.

SAMPLE PULSE GENERATOR INPUT WAVEFORM (Pin 12 Ref. Figure 4, $C_y = 40$ pF)							
	Output Pulse Frequency	10,11	1,024 - 100 ppm	1,024	1,024 + 100 ppm	MHz	(See Note 1)

- Notes: 1. Width 2.048 MHz \pm 100 ppm TTL waveform at clock input with half of above waveform frequency at amplifier input.
2. Sample pulse width is specified with a 2.048 MHz TTL waveform at clock input (Pin 15) and a 2,400 MHz Schottky TL waveform at amplifier input in the circuit of Figure 5. Figure 7 shows the relevant IC waveforms.

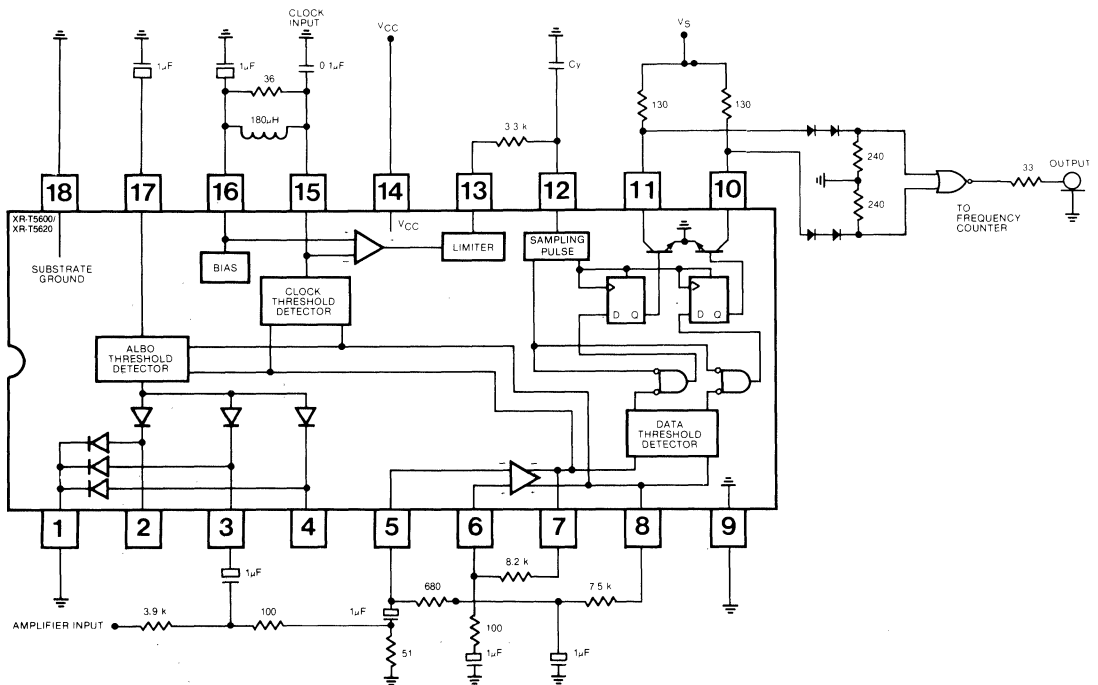
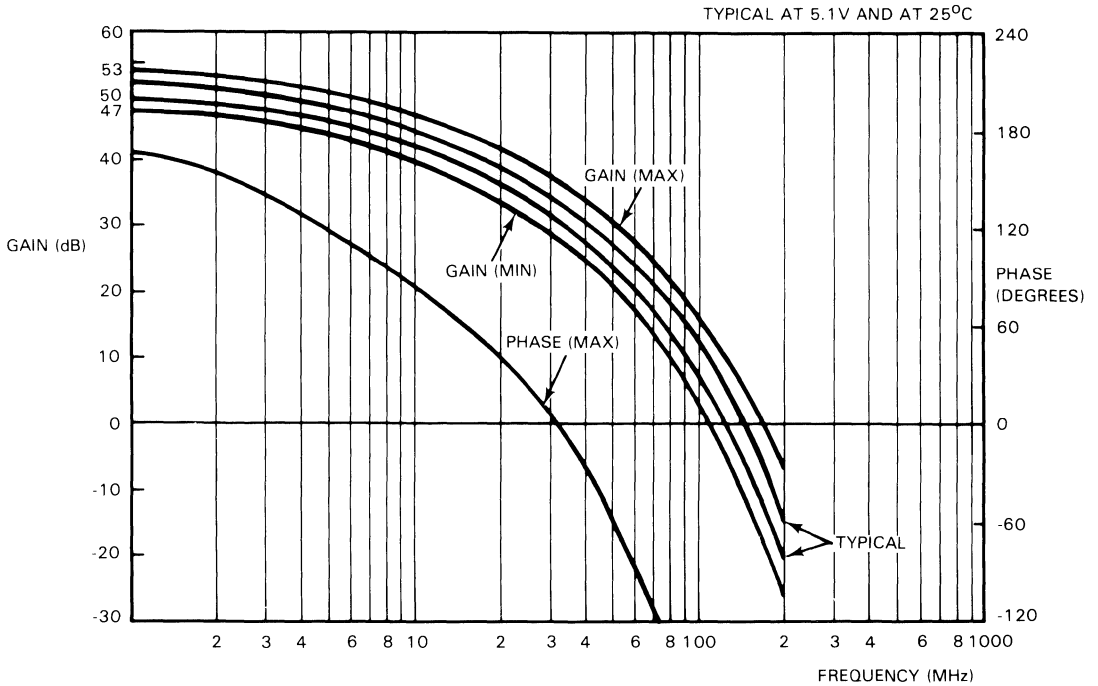


Figure 4. Sampling Pulse Test Circuit

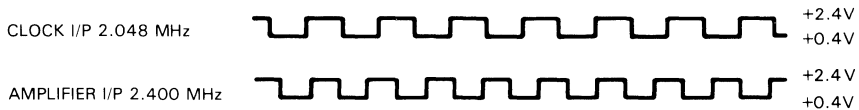
XR-T5720



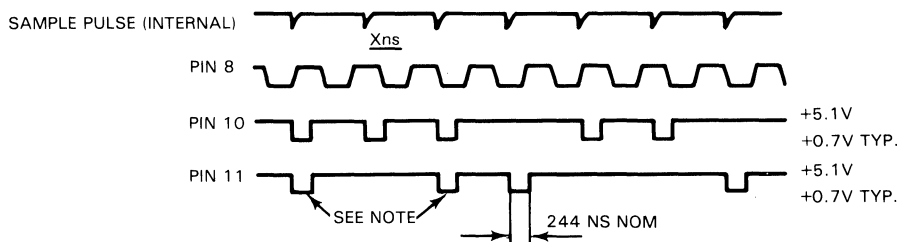
1

Figure 5. Typical and Limiting Values of Gain and Phase

INPUT WAVEFORMS



IC WAVEFORMS



NOTE

COINCIDENT OUTPUT PULSES

Figure 6. IC Waveforms for Measuring Sampling Pulse Width

PCM AMI Line Receiver and Clock Recovery Circuit

GENERAL DESCRIPTION

The XR-T5740 is a monolithic bipolar IC designed for T1 line receiver application operating at 1.544 M bit/s. It provides all the active circuitry required to perform automatic line build out (ALBO), threshold detection, binary NRZ data and clock recovery as the XR-T5640 but with a crystal filter instead of a LC tank circuit.

A clock recovery using an LC filter circuit version of the XR-T5740 is also available as the XR-T5640.

FEATURES

- Clock Recovery using Crystal Filter
- On-chip NRZ Data and Clock Recovery Circuitry
- Less than 10 ns Sampling Pulse Over the Operating Range
- Triple Matched ALBO Ports
- Single 5.1 V Power Supply

APPLICATIONS

- T1 PCM Line Receiver
- T1C PCM Line Receiver (requires external gain)
- General Purpose Bipolar Line Receiver

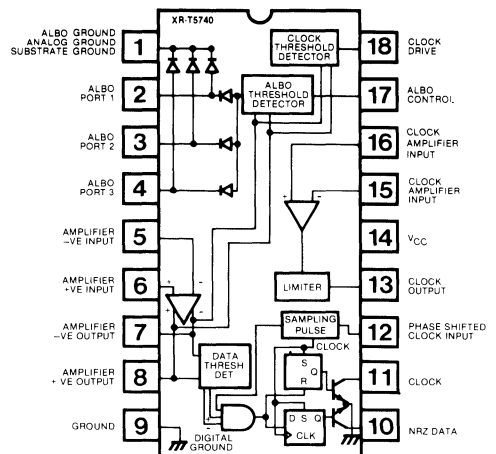
ABSOLUTE MAXIMUM RATINGS

Storage Temperature	-65°C to +150°C
Operating Temperature	-40°C to +85°C
Supply Voltage	-0.5 to +10V
Supply Voltage Surge (10 ms only)	+25V
Input Voltage (except Pins 2,3,4,17)	-0.5 to +7V
Input Voltage (Pins 2,3,4,17)	-0.5 to +0.5V
Data and Clock Output Voltage	-0.5 to 20V
Voltage Sure (Pins 5,6,10,11) (10 ms only)	+50V

ORDERING INFORMATION

Part Number	Package	Operating Temperature
XR-T5740	Ceramic	-40°C to +85°C

FUNCTIONAL BLOCK DIAGRAM



SYSTEM DESCRIPTION

The XR-T5740 is designed as a receiver for interfacing T1 PCM carrier lines on plastic or pulp insulated cables. It can also be used as a general purpose alternate mark inversion (AMI) receiver.

The XR-T5740 is a modified version of XR-T5720 PCM repeater IC. It contains all the active circuitry needed to build a T1 receiver for interfacing up to 6300 ft. The preamplifier, the clock amplifier, threshold detectors, ALBO port, data latches and output drivers are similar to the ones on XR-T5720. Clock extraction is done by means of a crystal filter circuit.

Bipolar +1 and -1 pulses are combined within the IC to form a binary non-return to zero PCM signal at Pin 10. A synchronous clock signal is made available at Pin 11. Both outputs have open collector transistors.

XR-T5740

ELECTRICAL CHARACTERISTICS

Test Conditions: $T_A = 25^\circ\text{C}$, $V_{CC} = 5.1\text{ V} \pm 5\%$

PARAMETERS	MIN	TYP	MAX	UNIT	CONDITIONS
Supply Current		22	30	mA	ALBO Off $V_{\text{pull-up}} = 15\text{V}$ At Unity DC Gain $R_S = 8.2\text{ k}\Omega$
Clock & Data Output Leakage Current		0	100	μA	
Amplifier Pin Voltages	2.4	2.9	3.4	V	
Amplifier Output Voltage Swing	2.2			V	
Amplifier Output Offset Voltage	-50	0	50	mV	
Amplifier Input Bias Current			5	μA	
ALBO on Current	3			mA	
Drive Current		1		mA	
AC CHARACTERISTICS					
Pre-Amplifier					Open Loop
AC Gain at 1 MHz		50		dB	
Input Impedance	20		200	$\text{k}\Omega$	
Output Impedance				Ω	Open Loop
Clock Amplifier					
AC Gain		32		dB	
-3 dB Bandwidth	10			MHz	
Delay		10		ns	
Output Impedance			200	Ω	
ALBO					
Off Impedance	20			$\text{k}\Omega$	
On Impedance			25	Ω	
CLOCK DATA OUTPUT BUFFERS					$R_L = 130\Omega$, $V_{\text{pull-up}} = 5.1\text{V} \pm 5\%$
Rise Time		30		ns	
Fall Time		30		ns	
Output Pulse Width		244		ns	
Sample Pulse Width		10		ns	
V_{OL}		0.7		V	
I_L sink		35		mA	
THRESHOLDS					
ALBO	1.4	1.5	1.6	V	At $V_O = V_{\text{ALBO}}$ Threshold
Clock Drive Current Peak		1.0		mA	
Clock Thresholds					
% of ALBO	63		75	%	
Data Threshold					
% of ALBO	40	46	52	%	

1

PCM Line Receiver and Clock Recovery Circuit

GENERAL DESCRIPTION

The XR-T5750 is a monolithic bipolar IC designed for PCM type line receiver applications operating at T1, T148C, T1C and 2 M bit/s data rates. It provides all the active circuitry required to perform automatic line build out (ALBO), threshold detection, positive and negative data and clock recovery using a crystal filter.

Clock recovery using an LC tank circuit instead of a crystal filter is also available as XR-T5650.

FEATURES

- On Chip Positive and Negative Data, Clock Recovery Less than 10 ns Sampling Pulse over the Operating Range
- Double Matched ALBO Ports
- Single 5.1 V Power Supply
- 2 M Bit/s Capability
- Clock Recovery using Crystal Filter

APPLICATIONS

- T1 PCM Line Receiver
- T148C Line Receiver
- T1C PCM Line Receiver (requires external amplifier)
- General Purpose Bipolar Line Receiver
- HDB3 Line Receiver
- B8ZS Line Receiver

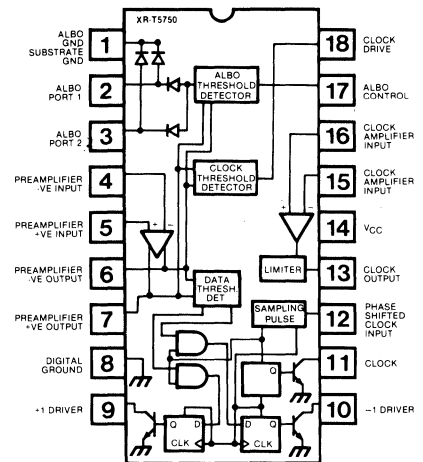
ABSOLUTE MAXIMUM RATINGS

Storage Temperature	-65°C to +150°C
Operating Temperature	-40° to +85°C
Supply Voltage	-0.5 to +10V
Supply Voltage Surge (10 ms)	+25V
Input Voltage (except Pins 2,3,4,17)	-0.5 to 7V
Input Voltage (Pins 2,3,4,17)	-0.5 to +0.5V
Data Output Voltage (Pins 10,11)	20V
Voltage Surge (Pins 5,6,10,11) (10 msec only)	50V

ORDERING INFORMATION

Part Number	Package	Operating Temperature
XR-T5750	Ceramic	-40°C to 85°C

FUNCTIONAL BLOCK DIAGRAM



SYSTEM DESCRIPTION

The XR-T5750 is designed for interfacing T1, T148C and 2 Mbit/s PCM carrier lines on plastic or pulp insulated cables. It can also be used at T1C rate (3.152 M bit/s) with external gain. Since it outputs plus and minus ones on a bipolar pulse stream together with the clock, it can be used to interface systems having different line codes like AMI, AMI-B8ZS or AMI-HDB3.

The XR-5750 is a modified version of XR-T5720 PCM repeater IC. It contains all the active circuitry needed to build a PCM line receiver up to 6300 ft cable length. The preamplifier, the clock amplifier, threshold detectors, data latches and output drivers are similar to the ones on XR-T5720. Clock extraction is done by means of a crystal filter circuit.

In addition to plus and minus one outputs, a synchronous clock signal is made available at Pin 11 by deleting one of the ALBO ports on XR-T5720 thus leaving two matched ALBO ports. All outputs have high current open collector transistors.

XR-T5750

ELECTRICAL CHARACTERISTICS

Test Conditions: $V_{CC} = 5.1V, \pm 5\%, T_A = 25^\circ C$, unless otherwise specified.

PARAMETERS	MIN	TYP	MAX	UNIT	CONDITIONS
Supply Current		24	30	mA	ALBO Off
Clock & Data Output Output Leakage Current		0	100	μ	$V_{pull-up} = 15V$ At DC Unity Gain
Amplifier Pin Voltages	2.4	2.9	3.4	V	
Amplifier Output Offset Voltage	-50	0	50	mV	$R_S = 8.2k\Omega$ Measured Differentially from Pin 7 to Pin 6
Voltage Swing	2.2			V	
Amplifier Input Bias Current			5	μA	
ALBO on Current	3			mA	
Drive Current		1		mA	
AC CHARACTERISTICS					
Pre-Amplifier AC Gain at 1 MHz	20	50		dB	
Input Impedance			200	$k\Omega$	
Output Impedance				Ω	
Clock Amplifier AC Gain		32		dB	
-3 dB Bandwidth	10			MHz	
Delay		10		ns	
Output Impedance			200	Ω	
ALBO Off Impedance	20			$k\Omega$	
On Impedance			25	Ω	
CLOCK DATA OUTPUT BUFFERS					$R_L = 130\Omega, V_{pull-up} = 5.1V \pm 5\%$
Rise Time		30		ns	
Fall Time		30		ns	
Output Pulse Width		244		ns	
Sample Pulse Width		10		ns	
VOL		0.7		V	
I_L sink		35		mA	
THRESHOLDS					
ALBO	1.4	1.5	1.6	V	
Clock Drive Current Peak		1.0		mA	At $V_O = V_{ALBO}$ Threshold
CLOCK THRESHOLD					
% of ALBO	63	68	75	%	
DATA THRESHOLD					
% of ALBO	40	46	52	%	



Low Power T1, T148C & 2 M Bit/s Repeater

GENERAL DESCRIPTION

The XR-T5760 is a low power version of the XR-T5700 repeater circuit for T1 carrier system operating at 1.544 M bit/s (T1), European 2 M bit/s or 2.37 M bit/s (T148C). It provides all of the active circuitry required for one side of a PCM repeater and also has the capability of clock extraction using a crystal filter.

Clock recovery using an LC tank circuit instead of a crystal filter is also available as XR-T5660.

FEATURES

- Low Power
- Crystal Filter Clock Extraction
- Single 5.1 V Power Supply
- Less than 10 ns Sampling Pulse Over the Operating Range
- Triple Matched Automatic Line Build-out (ALBO) Ports
- 2 M Bit/s Capability

APPLICATIONS

- T1 PCM Repeater
- T148C PCM Repeater
- European 2 M Bit/s PCM Repeater
- T1C PCM Repeater (requires external preamplifier)

ABSOLUTE MAXIMUM RATINGS

Storage Temperature	-65°C to +150°C
Operating Temperature	-40°C to +85°C
Supply Voltage	-0.5 to +10V
Supply Voltage Surge (10 ms)	+25V
Input Voltage (except Pins 2,3,4,17)	-0.5 to 7V
Input Voltage (Pins 2,3,4,17)	-0.5 to +0.5V
Data Output Voltage (Pins 10,11)	20V
Voltage Surge (Pins 5,6,10,11) (10 msec only)	50V

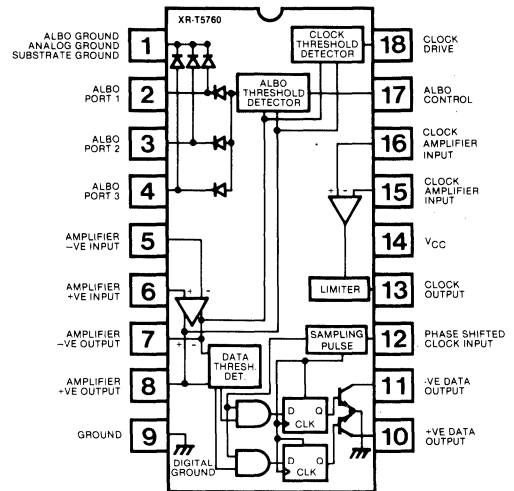
ORDERING INFORMATION

Part Number	Package	Operating Temperature
XR-T5760	Ceramic	-40°C to +85°C

SYSTEM DESCRIPTION

The XR-T5760 is a monolithic bipolar PCM repeater IC operating at 1.544 (T1), 2.048 and 2.37 (T148C) M bits/sec. It is the low power version of XR-T5720 PCM re-

FUNCTIONAL BLOCK DIAGRAM



peater IC. It contains all the active circuitry to implement one side of a PCM, repeater operating on either pulp or plastic insulated cables. Repeater to repeater spacing on either type of cable is 6300 ft. max.

Bipolar PCM signal is attenuated and dispersed in time as it travels along the transmission cable, characteristics of which vary with length, frequency, temperature and humidity. The PCM signal when received is amplified, equalized for amplitude characteristics and reconstructed by the preamplifier, automatic line build out (ALBO), clock and data threshold circuits. Amplitude equalization is achieved through shaping the frequency spectrum with the help of variable impedance ALBO ports.

Timing information is contained in the incoming pulse stream. This signal is full wave rectified and applied to a crystal filter circuit to extract the clock signal at the data rate. The clock signal is amplified and phase shifted between Pins 13 and 12 to obtain 90° phase shift by means of an R-L-C circuit.

Data is sampled and stored in the output data latches by an internally generated sampling pulse. Buffer drivers are then enabled to produce precisely timed output pulses whose width and time of occurrence are controlled by the regenerated clock.

XR-T5760

ELECTRICAL CHARACTERISTICS

Test Conditions: $V_{CC} = 5.1 \text{ V} \pm 5\%$, $T_A = 25^\circ\text{C}$, unless specified otherwise.

PARAMETERS	MIN	TYP	MAX	UNIT	CONDITIONS
Supply Current			14	mA	ALBO Off
Clock and Data Output					
Output Leakage Current		0	100	μA	$V_{\text{pull-up}} = 15 \text{ V}$
Amplifier Pin Voltages	2.4	2.9	3.4	V	At DC Unity Gain
Amplifier Output					
Offset Voltage	-50	0	50	mV	$R_S = 8.2 \text{ k}\Omega$
Voltage Swing	2.2			V	Measured Differentially from Pin 8 to Pin 7
Amplifier Input					
Bias Current			5	μA	
ALBO on Current	3			mA	
Drive Current		1		mA	
AC CHARACTERISTICS					
Pre-Amplifier					
AC Gain at 1 MHz		50		dB	
Input Impedance	20			$\text{k}\Omega$	
Output Impedance			200	Ω	
Clock Amplifier					
AC Gain		32		dB	
-3 dB Bandwidth	10			MHz	
Delay		10		ns	
Output Impedance			200	Ω	
ALBO					
Off Impedance	20			$\text{k}\Omega$	
On Impedance			25	Ω	
DATA OUTPUT BUFFERS					
					$R_L = 130\Omega$, $V_{\text{pull-up}} = 5.1 \text{ V} \pm 5\%$
Rise Time		30		ns	
Fall Time		30		ns	
Output Pulse Width		244		ns	
Sample Pulse Width		10		ns	
V_{OL}		0.7		V	
I_L sink		35		mA	
THRESHOLDS					
ALBO	1.4	1.5	1.6	V	
Clock Drive Current Peak		1.0		mA	At $V_O = V_{\text{ALBOThreshold}}$
CLOCK THRESHOLD					
% of ALBO	63	68	75	%	
DATA THRESHOLD					
% of ALBO	40	46	52	%	



Custom/Semi-Custom Products

CUSTOM/SEMI-CUSTOM PRODUCTS

Semi-Custom Design Concept	2-2
Answers to Frequently Asked Questions	2-5
Economics of Semi-Custom Design	2-6
Converting Semi-Custom to Full Custom	2-7
Full Custom Development	2-8
Testing of Semi-Custom IC's	2-10
Linear Semi-Custom Design	2-11
XR-A100 Master-Chip	2-13
XR-B100 Master-Chip	2-14
XR-C100A Master-Chip	2-15
XR-D100 Master-Chip	2-16
XR-E100 Master-Chip	2-17
XR-F100 Master-Chip	2-18
XR-G100 Master-Chip	2-19
XR-H100 Master-Chip	2-20
XR-J100 Master-Chip	2-21
XR-L100 Master-Chip	2-22
XR-M100 Master-Chip	2-23
XR-U100 Master-Chip	2-24
XR-V100 Master-Chip	2-25
XR-W100 Master-Chip	2-26
XR-X100 Master-Chip	2-27
XR-400 i ² L Master-Chip	2-28
Linear Semi-Custom Design Cycle	2-29
Electrical Characteristics of Linear Master-Chip Components	2-35
i ² L Semi-Custom Design	2-36
Features of i ² L Technology	2-36
Designing with i ² L Master-Chip	2-37
XR-200 i ² L Master-Chip	2-42
XR-300 i ² L Master-Chip	2-43
XR-400 i ² L Master-Chip	2-44
XR-500 i ² L Master-Chip	2-45
i ² L Design Kit	2-47
XR-C409 i ² L Evaluation Circuit	2-49
Electrical Characteristics of i ² L Master-Chip	2-51
CMOS Semi-Custom Design and Features	2-52
CMOS Semi-Custom Design Cycle	2-53
Electrical Characteristics of CMOS Master-Chips	2-54
Designing with CMOS Master-Chips	2-55
XR-CMA Master-Chip	2-57
XR-CMB Master-Chip	2-58
XR-CMC Master-Chip	2-59
XR-CMD Master-Chip	2-60

SEMI-CUSTOM DESIGN CONCEPT

Traditionally, the development of custom IC's has been a long and costly undertaking. The development time would normally run in excess of one year, design changes are slow and costly, and it may take a long time to get from the prototype stage to full production. Because of these difficulties, the use of custom IC's could be economically justified only when a very large quantity of circuits, i.e., several hundred-thousand units, were required during the life of the end product. In the past, these drawbacks have severely limited the use of custom monolithic IC's.

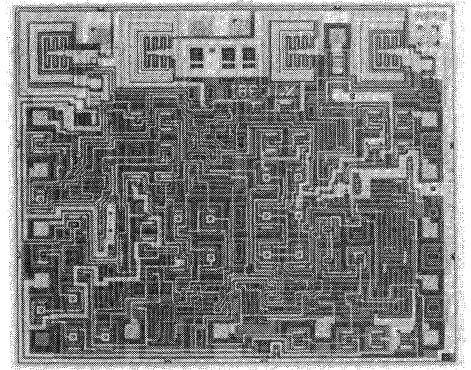
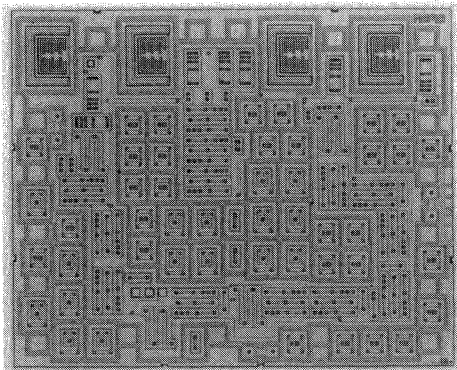
The semi-custom design concept, pioneered by Exar, now overcomes this traditional problem. Exar makes this possible by stocking wafers that are completely fabricated except for the final process step of device interconnection which metalizes all selected components together in the required circuit configuration. This enables an engineer to design a metal mask based on his circuit which will interconnect the uncommitted components on the prefabricated wafers, and thus convert them into customized chips corresponding to the customer's design. This unique method of IC design and development allows one to develop an almost unlimited variety of custom linear or digital integrated circuits at very substantial cost savings.

The semi-custom program is intended for those customers seeking cost effective methods of reducing component count and board size in order to compete more effectively in a changing marketplace. The program allows a customized monolithic IC to be developed with a turnaround time of several weeks, at approximately 10% to 20% of the development costs for tooling associated with the conventional full custom designs. The semi-custom design concept is an interac-

tive or cooperative development effort between Exar and the customer. In most cases, the cost and development time for the program can be reduced even further, if the customer does the design and breadboarding of his own semi-custom IC, using Exar Design Kits, instruction manuals and layout sheets.

The semi-custom design approach is based on a number of standardized IC chips with fixed component locations. These standardized IC chips, called Master-Chips, contain a large number of undedicated active and passive components (i.e., transistors, resistors, logic gates, etc.). These integrated components can be interconnected in thousands of different ways with a customizing interconnection pattern. Each different metal interconnection pattern creates a new custom IC. The figures below show the magnified photograph of a Master-Chip, both in its prefabricated form and after its customization with a special interconnection pattern. This method is called semi-custom rather than full custom, since only the last layer of tooling is changed to customize an IC chip, and rest of the layers are standard. As a result, the development phase is very short, far less expensive and risk free, compared to conventional full or dedicated custom IC's. Similarly, if a design change or iteration is necessary, it can be readily accommodated within a matter of weeks by simply generating a new or modified interconnection pattern.

Exar offers a wide choice of Master-Chips for linear and digital semi-custom design. Presently, Master-Chips are available in linear bipolar, linear compatible I²L and CMOS technologies. Additional chips are under development for a variety of special applications. The details of each of the presently available chips are discussed in the later section of this book.



Magnified Photograph of a Linear Master-Chip Before and After Customizing

DESIGN KITS

Exar offers three Design Kits: One for linear bipolar, one for I^2L and one for CMOS. Since the general approach to semi-custom design is the same as that for full custom, these design kits are valuable tools for both full custom and semi-custom design work. This is especially true in the case of linear design. Each of these kits contain a comprehensive design manual, a set of semi-custom layout sheets and a P.C. board, IC sockets and other hardware for building your breadboard. The only active components in these kits, that are meant for use in breadboarding, are the transistor arrays found in the linear bipolar and I^2L design kits. The logic blocks found in the I^2L design kit is meant to be used for process evaluation. Digital breadboarding can be done using the appropriate logic family such as 74LXX, 74CXX or 4XXX. The kits are designed so that an engineer, armed only with a background in discrete design, a calculator and a pencil, can design his own customized integrated circuit. The technical material is presented in a straight forward, no-nonsense format with lots of illustrative figures and all of the pertinent equations.

After the circuit is designed, and before it is breadboarded, it is recommended that the customer send Exar a schematic and a circuit description for an engineering evaluation. Normally, there is no charge for such an evaluation. Exar has successfully completed well over 850 custom design programs and our experience can provide valuable guidelines. Exar's Applications Engineering department is ready and able to help our semi-custom design program customers in both the breadboard and layout stage. We can provide immediate answers to your circuit design or testing questions, and speed your custom design on its way.

YOUR FIRST STEP

Your very first step, at the start of a semi-custom program, should be to contact Exar for a preliminary analysis and discussion of your needs. This can be done even while the program is still at the thought stage. This initial review by Exar is performed at no cost to the cus-

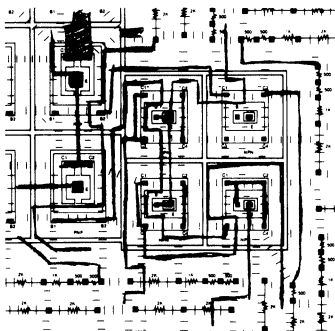
tomers and is essential to the success of the program. It avoids any possible design pitfalls or misunderstandings. This early interaction also allows you to find out some of the options or variations available in Exar's semi-custom programs and choose the one which is best suited to your needs.

The following is required by Exar's technical staff to provide you with an accurate feasibility study of your project, and a budgetary estimate of the development costs, timetables and production pricing.

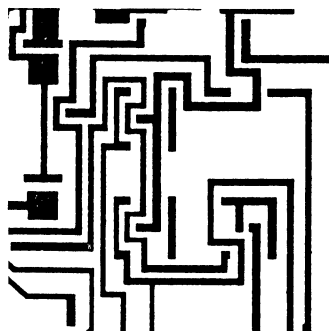
- A block diagram of circuit function and input/output interface requirements.
- A circuit schematic or logic diagram of your circuit.
- Preliminary or objective performance specifications and limits on critical circuit parameters (also possible tradeoffs which may be allowed).
- Types of electrical testing required for production units (i.e., ac or dc parametric testing, functional testing, etc.).
- Packaging requirements.
- Production quantity requirements.
- Desired development and production timetables.
- An indication of how much of the breadboarding, layout, etc., can be done by you, the customer, using Exar's Design Kits or standard logic blocks (74LXX, 74CXX or 4XXX).

Once the above data package is submitted to Exar, we would review it and respond to you within a few days.

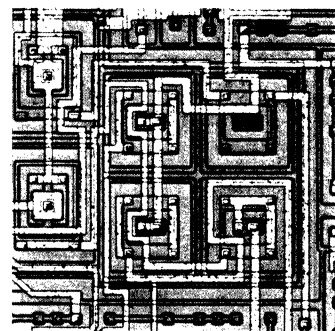
Normally, the test system development effort is initiated in parallel with chip development. Exar has a complete computer controlled IC test facility and offers complete IC testing capability for production units.



CUSTOMER LAYOUT



METAL MASK



FINISHED CHIP

Steps of Semi-Custom Design

WHAT PACKAGE TYPES ARE AVAILABLE?

All semi-custom IC's are available in dual-in-line (DIP) packages. Commercial grade units are normally packaged in plastic DIP packages. Exar offers a wide selection of such packages, in 8-, 14-, 16-, 18-, 20-, 22-, 24-, 28- and 40-pin versions. The industrial or military grade products requiring hermetic packaging are available in frit-seal ceramic packages (CERDIP). Other packages, such as molded plastic flat packs, single-in-line (SIP), small-outline (S.O.) packages and leadless carriers, are also available. All of the packaged units are subjected to Exar's stringent quality assurance specifications prior to shipment.

IS THERE A SECOND SOURCE FOR SEMI-CUSTOM IC'S?

In most high volume production applications of IC's the customer often requires more than one supplier of a given IC. Anticipating this alternate source requirement, Exar has made contractual agreements with other IC manufacturers to provide a second source for Exar's semi-custom IC's.

In certain cases, where a critical supply situation may exist, Exar can also provide a special bonded inventory of parts, either in chip form or in packaged form, by prior arrangement with the customer.

WHAT IF MY PRODUCTION REQUIREMENTS EXCEED MY INITIAL EXPECTATIONS?

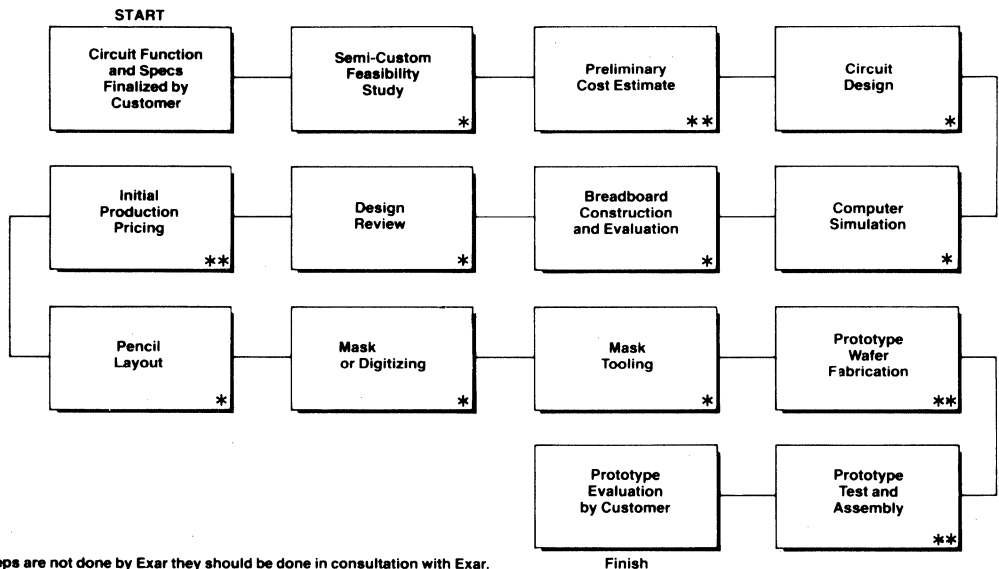
Using the semi-custom IC, it is not unusual for an end product to be extremely successful in a very short time. In that case, the anticipated volume of the custom IC may jump from a few thousand units to several hundred thousand units. When this happens, Exar can quickly convert your semi-custom design to a full custom chip and make it much more cost effective for you. Translating a semi-custom design to a full custom IC is a very simple, trouble free step which can normally be done in less than six months, and at a modest cost.

CAN EXAR SUPPLY CHIPS?

All of Exar's semi-custom products can also be supplied in chip form for hybrid assemblies. A detailed description of the electrical specifications, visual inspection criteria, and the handling and shipping options available for monolithic chips is given in a later section of this book.

CAN EXAR DO ENVIRONMENTAL SCREENING?

Exar has complete burn-in, environmental test and screening services available for temperature stressing, thermal shock or humidity and hermeticity tests. For a detailed analysis of your needs, consult Exar's Marketing department.



FLOW CHART OF TYPICAL SEMI-CUSTOM DEVELOPMENT

FREQUENTLY ASKED QUESTIONS AND THEIR ANSWERS

Based on our long experience with Exar's semi-custom Master-Chips, we have compiled a comprehensive glossary of the most often asked questions concerning the program. The following is a list of these questions and their answers.

WHAT IS THE COST OF THE BASIC PROGRAM?

The cost of the semi-custom development program depends on how much of the design and layout is done by the customer. In general, the basic semi-custom program is where the customer does the design, breadboard evaluation and pencil layout on the Master-Chip worksheet; and Exar does only the IC tooling and prototype fabrication. This is the most economical and cost effective approach.

For bipolar semi-custom designs, the development cost of the basic program is in the range of \$3,500 to \$6,000, starting with an accurate layout supplied by the customer. The above prices also include the cost of 50 monolithic prototypes delivered at the completion of the program. Additional prototypes are available at a nominal cost, in minimum lots of 200 units.

In the case of I²L or CMOS semi-custom designs, the basic development program costs are in the range of \$4,200 to \$8,500, depending on the layout complexity and the particular Master-Chip used. This development cost also includes 25 monolithic prototypes. Additional prototypes are available at a nominal cost, in minimum lots of 200 units each.

WHAT IS THE DEVELOPMENT TIME?

Typical development time for the basic bipolar semi-custom program is four to six weeks, starting with the customer's pencil layout and ending with the monolithic prototypes. If Exar is required to do the IC layout or breadboard evaluation, several additional weeks may be required to complete the development program.

In the case of I²L or CMOS semi-custom development programs, the typical development time is eight to ten weeks, starting with the pencil layout of the Master-Chip worksheet. The I²L semi-custom program takes slightly longer than bipolar or CMOS because it requires three layers of custom tooling, rather than one, to customize a prefabricated Master-Chip.

WHAT IF ADDITIONAL DESIGN CYCLES ARE NEEDED?

If the customer desires to modify the design or layout after evaluation of the initial prototypes, a new design iteration cycle can be completed within five weeks for the bipolar and CMOS designs, and within eight to ten weeks for the I²L designs.

Typical costs of additional design cycles are \$2,000 to \$4,500 for bipolar and CMOS designs and \$3,500 to \$5,000 for I²L designs. These costs also include the additional prototypes supplied at the completion of the design iteration cycle.

WHAT ABOUT PRODUCTION PRICING?

The production pricing of monolithic IC's depends upon a number of important factors such as:

- a) Master-Chip type.
- b) Circuit complexity (i.e., yield).
- c) Device performance and test requirements.
- d) Special environmental screening requirements (burn-in, hermeticity tests, etc.).
- e) Package type required.

In the case of a custom IC, it is impossible to anticipate the impact of these factors without detailed knowledge about the circuit and its application. Each custom IC, by definition, has some unique requirement or feature associated with it. After reviewing your specific needs, particularly with regard to the circuit performance and quality requirements, Exar can provide you with a detailed proposal outlining the development costs and production pricing for your particular circuit.

WHAT ABOUT THE TESTING OF SEMI-CUSTOM IC's?

Exar will develop test software and fixtures to provide fully tested production IC's. All production devices receive 100% electrical test and screening to a mutually agreed upon device specification. In addition to the complete electrical testing, all of the production devices are screened by Exar's Quality Assurance department to assure compliance with the agreed upon Acceptable Quality Level (AQL) standards.

There is normally a nonrecurring engineering charge associated with this test system generation. This covers the cost of the test fixture and computer software development. Depending on the complexity of the test requirements, this test engineering charge is normally in the range of \$800 to \$1,250.

Exar can perform two basic types of tests for production IC's: (1) parametric testing which measures a specific parameter value (normally current or voltage) and compares it against pre-established limits; (2) functional testing which applies a series of operating conditions and compares the circuit under test with a known good device. These two types of tests can be performed both as steady state (dc) or dynamic (ac) measurements.

ECONOMICS OF SEMI-CUSTOM DESIGN

In developing either linear or digital custom circuits, one is always confronted with the following key question: for a given product type and production requirement, is it cheaper to develop a semi-custom or full custom IC? Since the functional requirements of each custom IC program vary greatly, there is no general answer to the above question. However, based on Exar's long experience in both full and semi-custom IC design and depending on the overall production requirements, it is possible to establish some sound economic guidelines for choosing the most cost effective approach.

COST FACTORS INVOLVED

Any custom IC development, whether full or semi-custom, involves similar types of cost factors. These are:

1. Non recurring engineering (NRE) or development costs.
2. Cost or unit price of the product in production quantities.

In the case of monolithic IC's, particularly those which have relatively limited production volume, the development costs may be a significant factor in the cost of the end product. Therefore, when discussing the economics of custom IC's for medium to low production quantities, it is best to consider the cost tradeoffs in terms of the amortized unit price of the IC at a given production volume. This amortized unit price is defined as the actual cost of each unit including its share of the development cost. As an example, a full custom IC may cost \$50,000 to develop and may be priced at \$2.90 each at a 50,000 piece total production level. Then, its true amortized unit price including development costs will be \$2.90 plus \$1.00, or \$3.90. Similarly, an equivalent semi-custom IC may cost \$5,000 to develop and be

priced at \$3.20 each, at the same 50,000 production level. Then, its amortized per unit price will be \$3.30, or approximately 20% cheaper than a full custom.

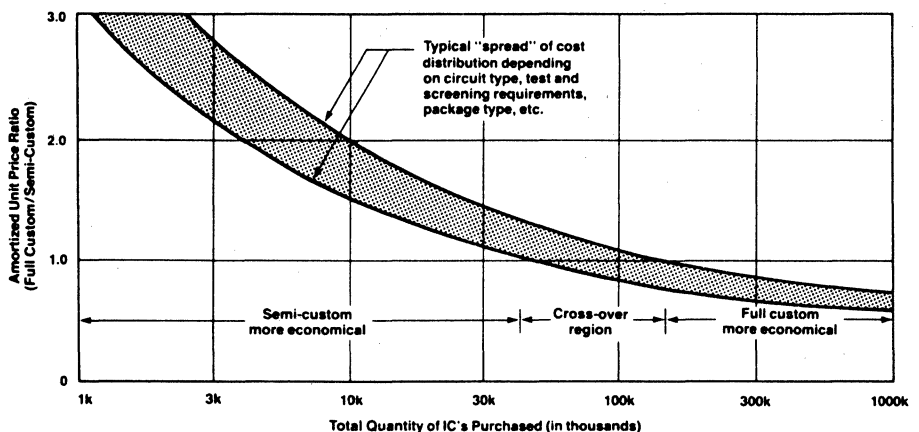
The figure below gives a comparative graph of the amortized unit price for a typical full custom design, along with the equivalent in semi-custom form for various production quantities. For comparison purposes, the relative ratio of the amortized unit price is plotted along the vertical axis. If this ratio is greater than 1.0 then the semi-custom method is the more cost effective solution.

NO TWO IC'S ARE THE SAME

By definition, each custom IC type is unique. Therefore, the cost comparison curve given below is shown as a spread rather than a single line. This is because, in addition to the production quantity, the cost of monolithic IC's also depends on the circuit complexity, special test requirements and the IC package type.

The key information contained in the relative cost vs. quantity figure can be summarized as follows:

1. For a total production requirement of 50,000 pieces or less, the semi-custom approach is definitely the most economical.
2. For a production requirement of 200,000 pieces or more, the full custom design is more cost effective.
3. For production quantity requirements in the 50,000 to 200,000 piece range, the crossover point for the most economical approach will depend strongly on the specifics of a particular IC function; i.e., its special test, environmental screening, and package requirements.



TYPICAL COST VS QUANTITY COMPARISON OF FULL CUSTOM AND SEMI-CUSTOM DESIGNS

CONVERTING SEMI-CUSTOM TO FULL CUSTOM

Exar can offer you the combined advantages of semi-custom and full custom design programs. This is because Exar has a complete semiconductor manufacturing facilities. This unique capability allows Exar to state a custom development program using a combination of semi-custom Master-Chips during the initial phases of a customer's product, taking full advantage of the low tooling cost and short development cycle. As the product matures and its market expands (resulting in higher volume production run rates) Exar can convert the multiple semi-custom chip approach into a single custom IC, thus achieving a cost reduction and in many cases a performance improvement. The significant advantage of this type of program is that the risk associated with a custom development is greatly reduced. The IC design approach has been proven, production "bugs" are out of the product and your production line continues to flow during the full custom chip development. Once the custom chip is completely characterized and found acceptable, the semi-custom IC system in your product can be phased out while the full custom IC is being phased in.

SEMI- AND FULL CUSTOM COMBINATION: THE TWO-STEP DEVELOPMENT

In many custom development programs one is faced with very short development times and a rapid transfer into high volume production. Such a requirement does not leave room for lengthy development and design change or iteration cycles associated with conventional full custom IC design.

Exar combines full and semi-custom design capabilities, and a complete wafer fabrication facility under one roof, therefore, providing a unique solution to this problem; initially developing the prototypes in a semi-custom form, and then converting them to full custom.

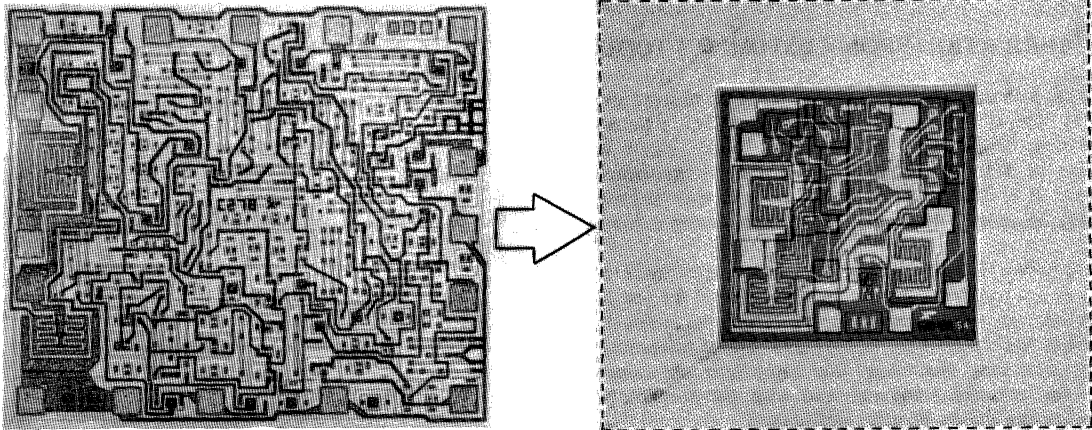
In this manner, the customer has the best of both worlds with the combination of these two technologies. The quick turnaround advantage of semi-custom Master-Chips provide prototypes and initial production units, while the subsequent full custom design provides cost savings at high volume production. During this transition, the customer is assured of a continuous flow of product through its production line.

In such a two-step development, the semi-custom prototypes often serve as a monolithic breadboard to optimize and debug the final design. This allows design iterations or changes to be made quickly and inexpensively. In fact, the only difference between the semi-custom and full custom chip is the actual size of the silicon chip.

Once the design is satisfactory, conversion of a semi-custom to a full custom chip is very straight forward and relatively risk free. We simply remove the unused electrical components from the chip to reduce the chip size and pass the resulting cost savings on to you in the form of a reduced unit price.

The two-step development capability; i.e., start as semi-custom and finish as full custom, is a very powerful design technique. It avoids the risks associated with a conventional black box type of custom design where one does not know until the very last day of development whether the circuit works or if it can be manufactured.

The two-step program is faster and less expensive than the conventional full custom development, since it avoids costly and lengthy design iteration or modification cycles for a full custom IC. In addition, it gives the customer a very high degree of assurance that the final full custom unit will work the first time.



SEMI-CUSTOM DESIGN AND ITS FULL CUSTOM EQUIVALENT

FULL CUSTOM DEVELOPMENT

Exar offers a complete design and production capability for full custom IC development. This provides an excellent complement to Exar's unique semi-custom capability. Exar's full custom IC development and production capabilities offer complete flexibility to meet changing customer needs or design problems. We can develop a complete custom IC starting from your black box specifications, or reduce your working breadboard prototype to a monolithic chip. Alternately, if you have the facilities and resources to do the IC design and layout, Exar will provide you with the device characteristics and IC layout rules for the particular process suitable to your design and review your IC layout for you. Then, Exar can generate the IC tooling and fabricate your IC prototypes.

YOUR FIRST STEP FOR FULL CUSTOM DESIGN

The following technical data package is required in order for Exar to provide you with a quotation for your full custom development program:

1. Circuit block diagram with subblocks.
2. Circuit schematic or logic diagram.
3. Description of circuit operation and pertinent application information.
4. Preliminary or objective device specification indicating min/max conditions and limits for the critical parameters; i.e., input/output voltage and current levels,

operating frequency, timing diagrams, input/output impedances, power dissipation, etc.

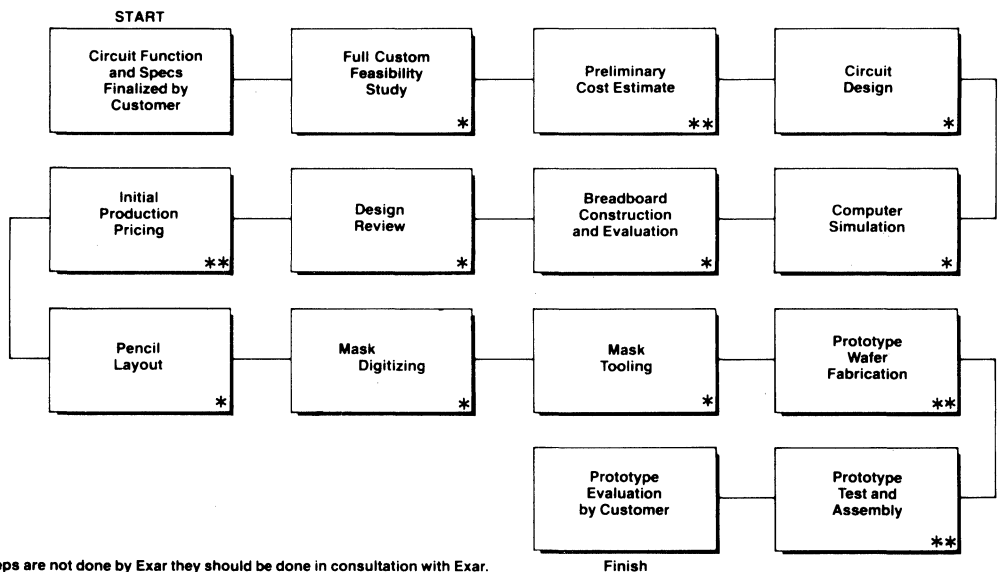
5. Production requirements and the desired development timetable.
6. Packaging requirements.
7. Level of screening required.

IC FABRICATION FROM CUSTOMER'S TOOLING

Exar has a complete in-house silicon wafer fabrication and processing line at its main manufacturing plant in Sunnyvale, California. This facility currently runs 3-inch silicon wafers and will soon add 4-inch capability, and is also available for manufacturing custom IC's directly from a set of customer supplied IC tooling, in coordination with Exar's Mask Design department.

If you have a set of IC tooling (masks and composite overlays) or are contemplating having one designed for you, Exar's technical staff will be glad to review it for you to assure compatibility with Exar's technology and layout tolerances. Our wafer processing technology and capabilities are compatible with the industry standards, and with the technologies of other leading IC manufacturers.

For additional information on Exar's wafer fabrication services, contact Exar directly. We pride ourselves in our flexibility and quick response to your needs.



*If these steps are not done by Exar they should be done in consultation with Exar.

**These steps must be done by Exar.

FLOW CHART OF TYPICAL FULL CUSTOM DEVELOPMENT

	Advantages of Semi-Custom Design over Discrete Design	Advantages of Full Custom Design over Discrete Design
Quick Turn-around		
Low initial Development Cost		
High Reliability		
100% Tested		
Small Size		
Fewer Connections		
Fewer Components		
Simple to Trouble-Shoot		
Reduced Labor Costs		
Smaller Inventory of Parts		
Increased Protection Against Imitation		
Lower Supply Current Possible		
Reduced System Cost		
Increased System Features		
Specialized Components Possible		
Higher Level of Integration than Semi-Custom		
Lower Unit Cost Than Semi-Custom		
More Optimum Design Possible		

THE RELATIVE ADVANTAGES OF SEMI-CUSTOM AND FULL CUSTOM DESIGN OVER DISCRETE DESIGN

TESTING OF SEMI-CUSTOM IC's

All production units of semi-custom IC's are 100% electrically tested and screened to test specifications which have been mutually agreed upon between Exar and the customer, using one of Exar's several computerized test systems. In addition, Exar's Quality Assurance department performs an independent set of electrical tests on randomly selected samples of production units, prior to shipment, to assure conformity with Exar's Acceptable Quality Level (AQL) standards.

EXAR's TEST CAPABILITIES

Exar can perform two basic types of tests for production IC's: (1) parametric testing which measures a specific parameter value (normally current or voltage) and compares it against pre-established limits; (2) functional testing which applies a series of operating conditions and compares the circuit under test with a known good device. These two types of tests can be performed both as steady state (dc) or dynamic (ac) measurements.

Exar provides 100% electrical testing of IC chips in wafer form, using automated wafer probe stations, and in packaged form, using automatic handlers. Exar's test facility currently has fifteen independent computer controlled test systems, with more being added as we grow. Exar's automated test system compliment is comprised of:

- Teradyne A311
- Teradyne A312
- Teradyne A360
- Teradyne J273
- Fairchild 5000C

Testing is one of the most critical steps in IC production. Therefore, to insure efficient and cost effective testing of production IC's, it is essential that a preliminary test plan be prepared jointly between the customer and Exar at an early stage of the custom development. This preliminary test plan will lead to the final detailed test specifications, once the development prototypes are fully evaluated and characterized and the circuit is ready to release to production.

TEST INTERFACE DEVELOPMENT

The performance and characterization data derived from careful prototype evaluation is the basis upon which test hardware and software is developed. Exar and the customer will jointly determine the performance expectations to be placed on this new IC, and once these specifications are agreed upon, Exar will proceed with test development.

Test development involves the design and construction of a test interface circuit, probe card and automatic handler hardware as well as writing the software which allows Exar's test system to perform the desired electrical tests. All these elements are then brought together under actual production conditions for evaluation and system debugging. This process can take from four to six weeks to complete, depending on the sophistication and complexity of the test plan under development. Test development begins concurrently with the start of production wafers (which require approximately 6 weeks to process).

SPECIFICATION AGREEMENT LETTER

With each new custom IC Exar issues a Specification Agreement Letter. This specification states precisely the test conditions, performance levels and environmental requirements which each production IC must meet before it can leave our factory, and is the document upon which acceptability of the IC is judged. It is issued in duplicate and signed by responsible representatives from both companies prior to beginning production. One copy is retained by the customer, the other is returned to Exar.

If, for some reason, changes in the IC's specification are required, a new Specification Agreement Letter will be issued by Exar reflecting these changes. No change, however, will be put into effect until both companies have signed the new agreement. This document will then supercede all prior agreements and remain in effect until both firms, again agree, a change is required.



LINEAR SEMI-CUSTOM DESIGN

COMPONENT UTILIZATION

The total number of components on the Exar Linear Master-Chips range from 110 on the XR-C100A to 850 on the XR-W100. However, the number of these components that are actually usable depends upon many considerations. The first thing that must be evaluated is the general requirements of the finished circuit. Factors such as the number of pins that are required, breakdown voltage as well as die size limitation imposed by packaging requirements, determine which of the Master-Chips are suitable. This can impose limitations on the number of available components.

Circuit characteristics also impose limitations upon the number of usable components. For example, a circuit whose package pin configuration can be chosen freely, that handles small signals, low supply voltages, is insensitive to dc offset voltages, and whose various circuit blocks follow one another with a minimum of interconnections between blocks, may be able to use over 90% of the components on the selected Master-Chip.

On the other hand, in more complex designs requiring special layout or design considerations, the component utilization may be as low as 50%. Examples of such

cases are those where the package pin-outs are predetermined, or the choice of component locations on the die may be fixed due to thermal consideration, circuitry symmetry or offset requirements. In certain cases the series or parallel connection of several resistors to obtain a predetermined value, or paralleling several transistors to increase their current handling capability, may also limit the total component utilization.

Over 850 custom programs have been completed to date, using Exar's bipolar Master-chips. Thus, Exar's Engineering department has a great wealth of experience concerning the layout techniques utilizing the Master-Chips. In many cases, it is advantageous for the customer to call Exar for a free consultation regarding the choice of a particular Master-Chip which may be best suited for his application.

The bipolar Master-Chips are laid out to provide easy routing of metal interconnection paths. In addition, a multiplicity of low resistance crossunders are provided on the chip to simplify the interconnection layout. Based on our experience in the layout of various Master-Chips, the table below gives a rough estimate of the ease of interconnection of a circuit on each of the Master-Chips, versus the number of components used in the circuit.

Ease of Metal Interconnection vs Components Used

Master-Chip Type	Easy			Somewhat Difficult			Difficult		
	NPN	PNP	Resistance	NPN	PNP	Resistance	NPN	PNP	Resistance
XR-A100	40	12	120k ohm	45	15	140k ohm	48	16	160k ohm
XR-B100	50	7	150k ohm	52	9	170k ohm	58	12	200k ohm
XR-C100A	17	6	50k ohm	18	7	60k ohm	20	8	75k ohm
XR-D100	38	20*	90k ohm	41	24*	100k ohm	45	26*	120k ohm
XR-E100	38	20*	90k ohm	41	24*	100k ohm	45	26*	120k ohm
XR-F100	60	40*	250k ohm	70	46*	300k ohm	80	54*	340k ohm
XR-G100	50	7	150k ohm	52	9	170k ohm	58	12	200k ohm
XR-H100	50	28	190k ohm	55	34	225k ohm	61	38	260k ohm
XR-J100	23	16	90k ohm	28	18	110k ohm	30	20	125k ohm
XR-L100	56	28	200k ohm	61	34	230k ohm	68	38	265k ohm
XR-M100	103	80	410k ohm	113	95	475k ohm	126	108	550k ohm
XR-U100	to be announced — call for information								
XR-V100	100	77	1440k ohm (1.4M)	110	92	1675k ohm (1.675M)	122	104	1940k ohm (1.94M)
XR-W100	150	86	1790k ohm (1.79M)	165	103	2080k ohm (2.08M)	183	117	2400k ohm (2.4M)
XR-X100	17	20	170k ohm	20	25	200k ohm	22	26	220k ohm

EXAR LINEAR MASTER-CHIPS

The following section profiles the available Exar linear Master-Chips. The brief description of each Master-Chip includes a small layout of the chip indicating component locations, a brief outline of the key features of the chip, and applications that it is especially well suited for, as well as a tabulation of the type and number of components each Master-Chip contains.

Linear Master-Chip Selection Guide

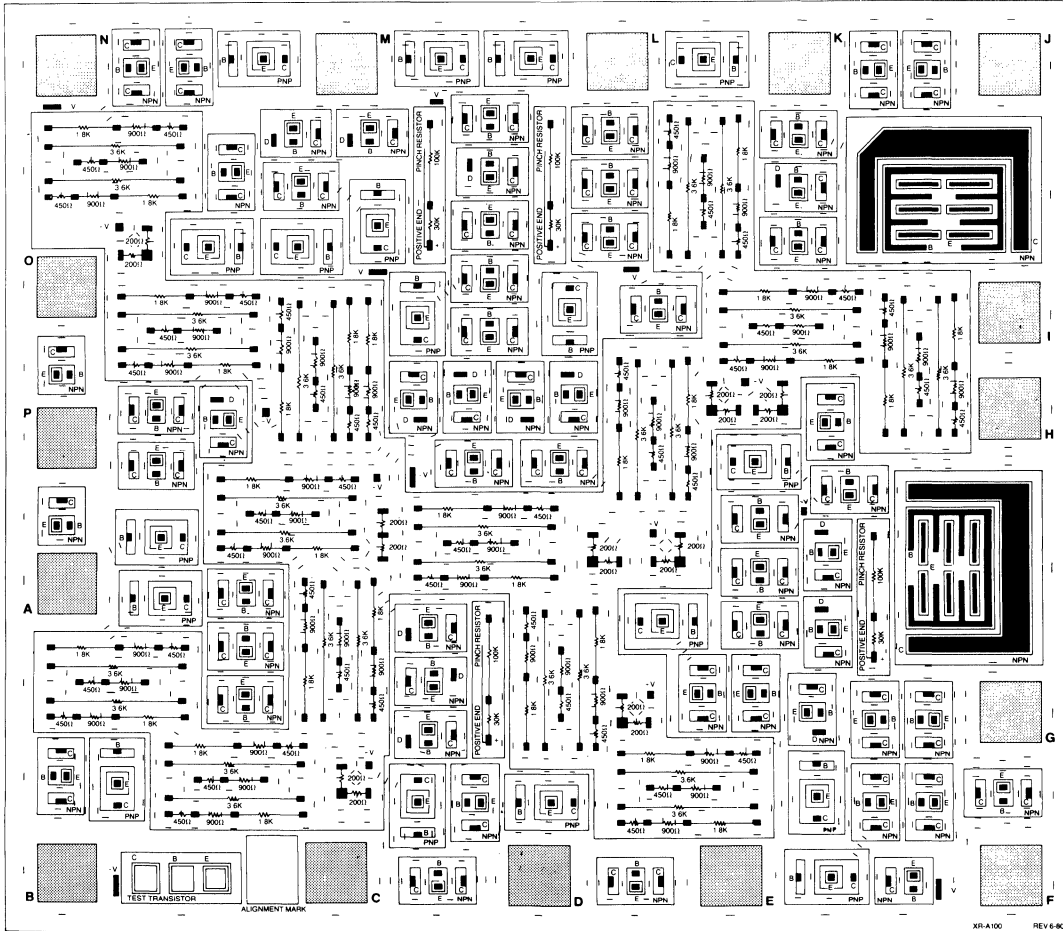
Master-Chip Type	Chip Size Mils	Possible Pins	Maximum Voltage	Total Components
XR-A100	78 × 73	16	20V	260
XR-B100	85 × 85	24	20V	300
XR-C100A	62 × 56	14	20V	110
XR-D100	81 × 80	16	36V	209
XR-E100	82 × 82	18	20V	200
XR-F100	115 × 98	24	20V	472
XR-G100	90 × 90	18	20V	309
XR-H100	95 × 80	18	20V	378
XR-J100	80 × 75	18	20V	170
XR-L100	102 × 85	24	20V	408
XR-M100	176 × 121	28	20V	812
XR-U100	T.B.D.	T.B.D.	36V	T.B.D.
XR-V100	147 × 113	28	36V	672
XR-W100	164 × 134	40	36V	850
XR-X100	115 × 95	18	75V	230

XR-A100 Master-Chip™

Chip Size: 73 × 83 mils
 Total Components: 260
 Bonding Pads: 16
 Max. Operating Voltage: 20V

NPN Transistors
 Small Signal: 58
 High Current: 2 (200 mA)
 PNP Transistors: 18
 Schottky Diodes: 15

Pinch Resistors
 30kΩ: 4
 100kΩ: 4
 Diffused Resistors
 200Ω: 16 1.8kΩ: 29
 450Ω: 43 3.6kΩ: 28
 900Ω: 43
 Total Resistance: 214kΩ



XR-A100

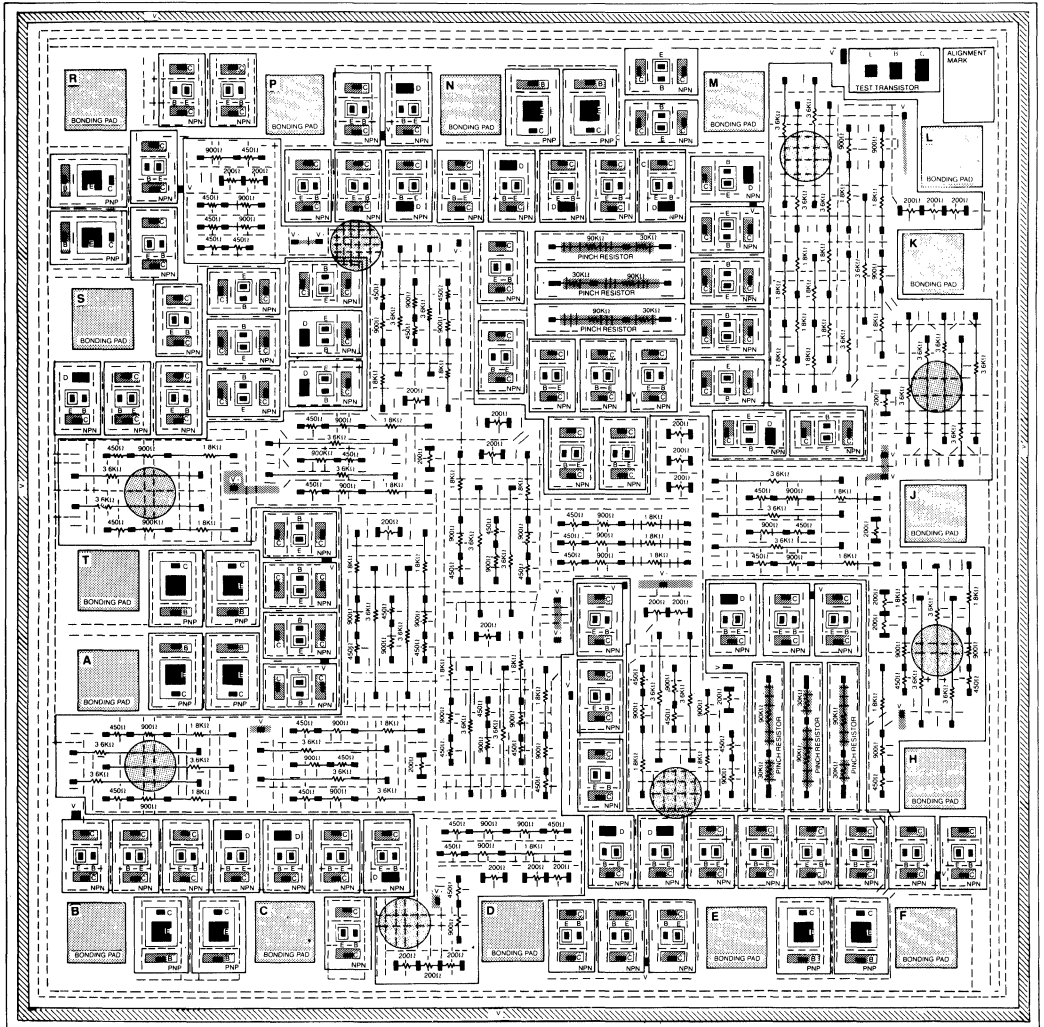


XR-B100 Master-Chip™

Chip Size: 85 × 85 mils
 Total Components: 300
 Bonding Pads: 16
 Max. Operating Voltage: 20V

NPN Transistors
 Small Signal: 69
 High Current: None
 Dual PNP Transistors: 12
 Schottky Diodes: 16

Pinch Resistors
 30kΩ: 6
 100kΩ: 6
 Diffused Resistors
 200Ω: 27 1.8kΩ: 39
 450Ω: 44 3.6kΩ: 36
 900Ω: 45
 Total Resistance: 255k



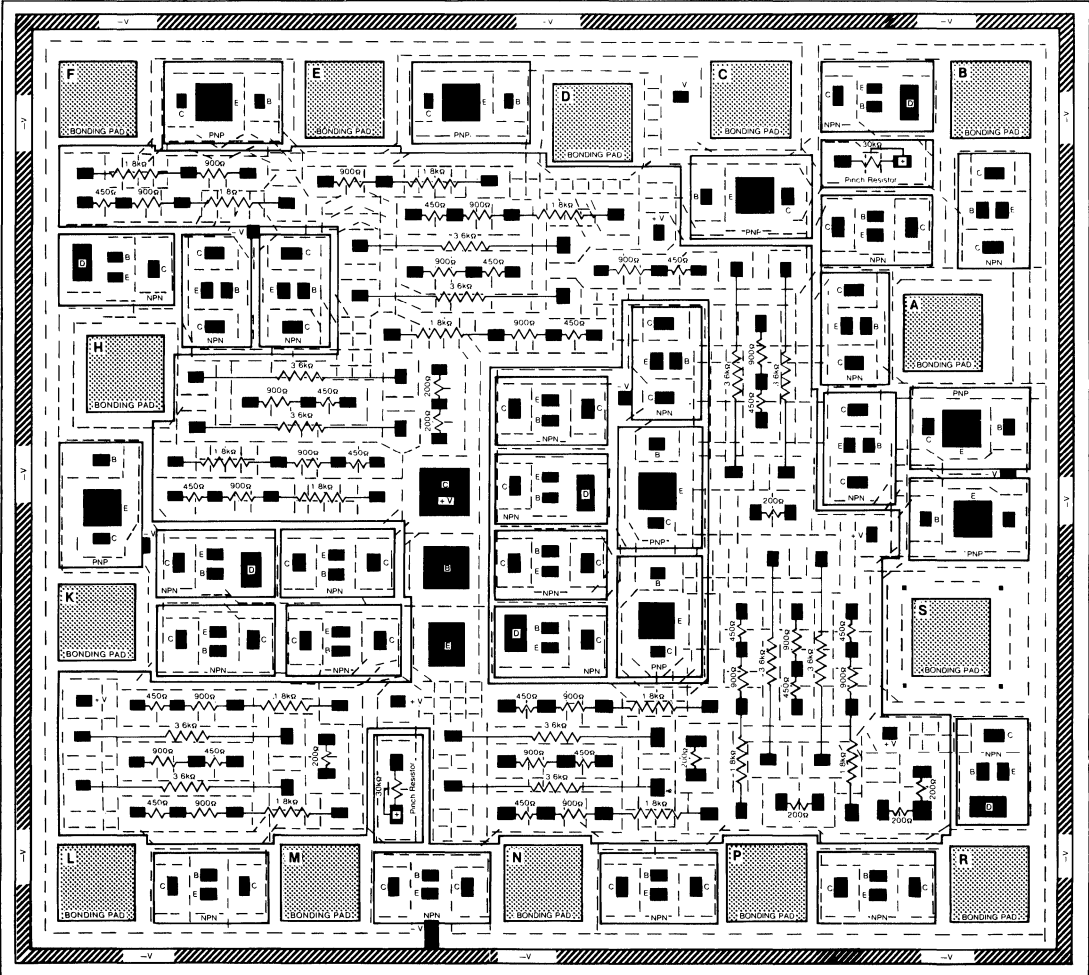
XR-B100

XR-C100A Master-Chip™

Chip Size: 56 × 62 mils
 Total Components: 110
 Bonding Pads: 14
 Max. Operating Voltage: 20V

NPN Transistors
 Small Signal: 23
 High Current: None
 PNP Transistors: 8
 Schottky Diodes: 6

Pinch Resistors
 30kΩ: 2
 Diffused Resistors
 200Ω: 8 1.8kΩ: 13
 450Ω: 18 3.6kΩ: 12
 900Ω: 20
 Total Resistance: 154kΩ



2

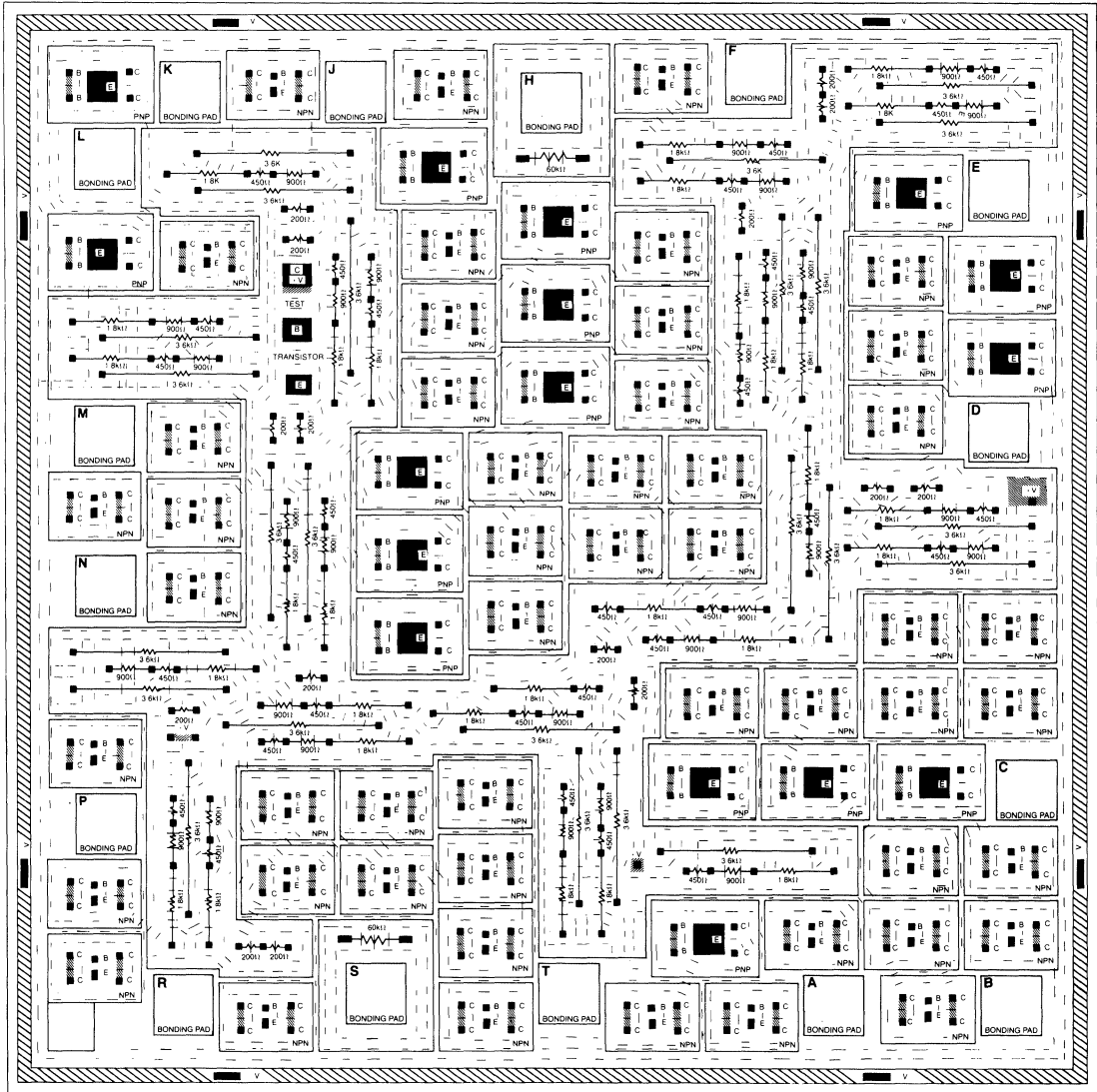
XR-C100A

XR-D100 Master-Chip™

Chip Size: 80 × 81 mils
 Total Components: 193
 Bonding Pads: 16
 Max. Operating Voltage: 36V

NPN Transistors
 Small Signal: 50
 Dual PNP Transistors: 16

Pinch Resistors
 60kΩ: 2
 Diffused Resistors
 200Ω: 15 1.8kΩ: 29
 450Ω: 29 3.6kΩ: 24
 900Ω: 28
 Total Resistance: 180kΩ



XR-D100

XR-F100 Master-Chip™

Chip Size: 98 × 115 mils

Total Components: 440

Bonding Pads: 24

Max. Operating Voltage: 20V

NPN Transistors

Small Signal: 93

High Current: 4

Dual PNP Transistors: 36

Pinch Resistors

30kΩ: 9

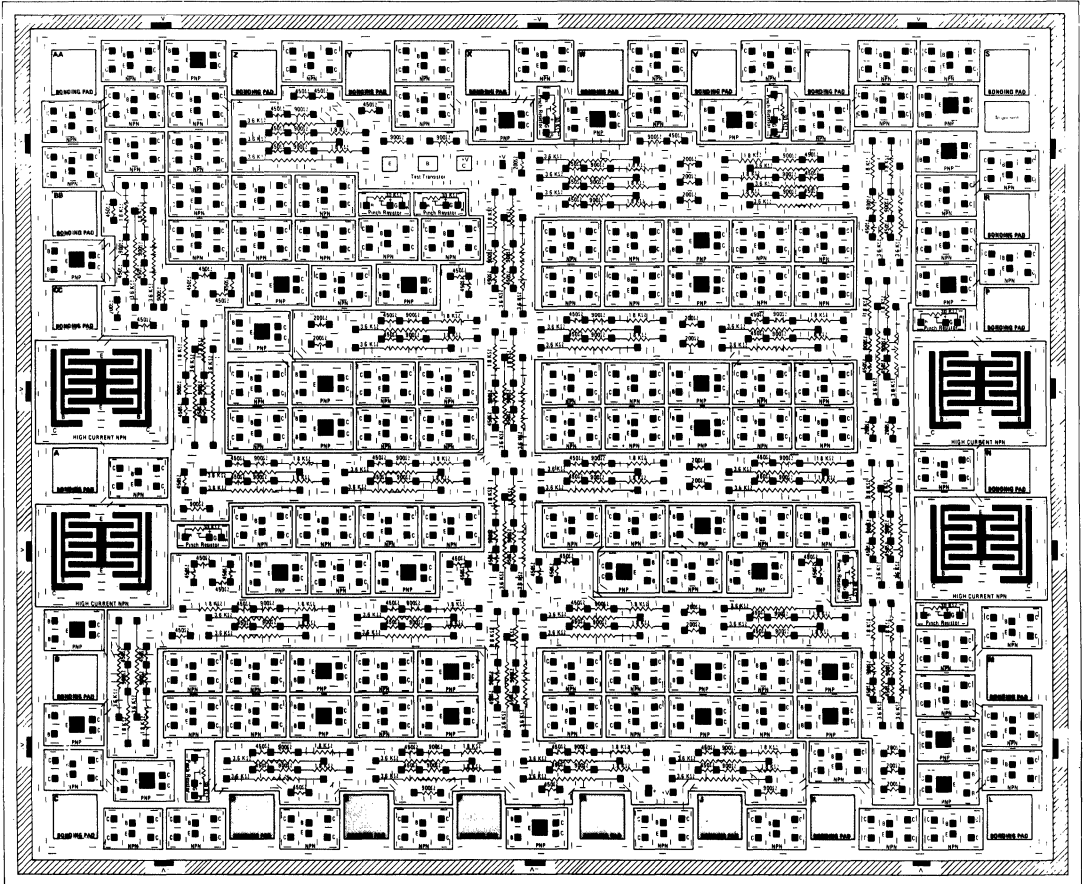
Diffused Resistors

200Ω: 18 1.8kΩ: 61

450Ω: 90 3.6kΩ: 61

900Ω: 68

Total Resistance: 425kΩ



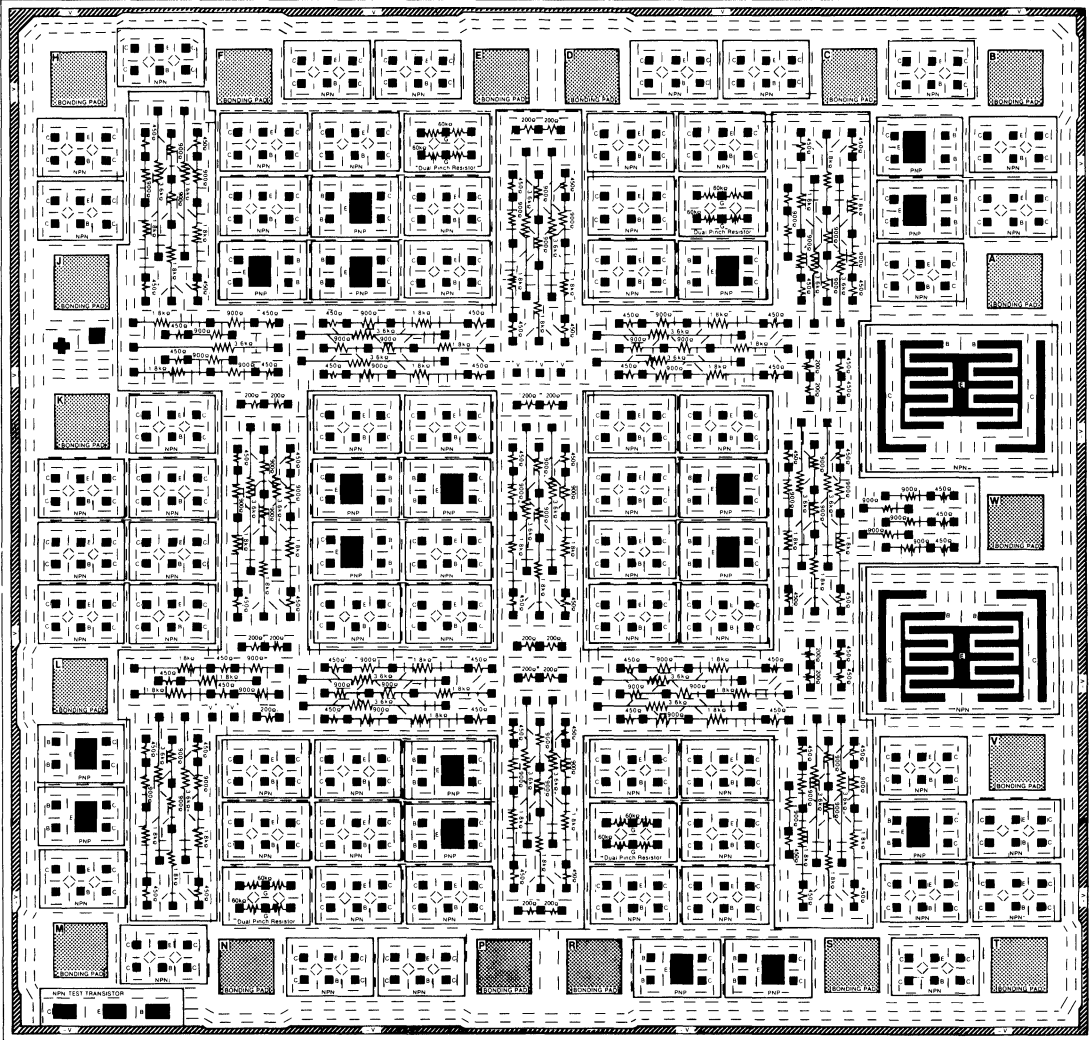
XR-F100

XR-G100 Master-Chip™

Chip Size: 90 × 90 mils
Total Components: 309
Bonding Pads: 18
Max. Operating Voltage: 20V

NPN Transistors
Small Signal: 58
High Current: 2
PNP Transistors: 18
Schottky Diodes: None

Pinch Resistors
60k Ω : 8
Diffused Resistors
200 Ω : 19 1.8k Ω : 44
450 Ω : 68 3.6k Ω : 27
900 Ω : 65
Total Resistance: 269k Ω



2

XR-G100

XR-H100 Master-Chip™

Chip Size: 95 × 80 mils
Total Components: 378
Bonding Pads: 18

Max. Operating Voltage: 20V

NPN Transistors
Small Signal: 70
Medium: 2
PNP Transistors
Lateral: 22

Pinch Resistors

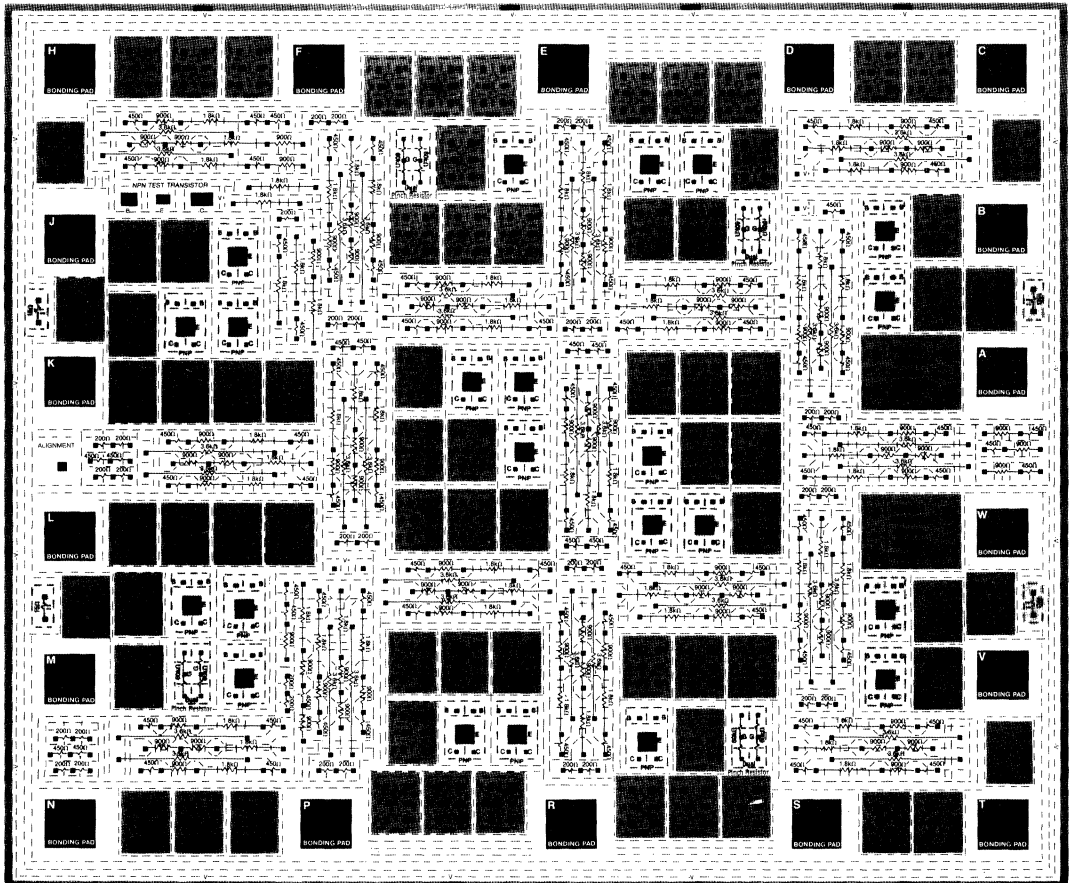
60kΩ: 8

Diffused Resistors

200kΩ: 29 1.8kΩ: 54

450kΩ: 82 1.8kΩ: 36

900kΩ: 75



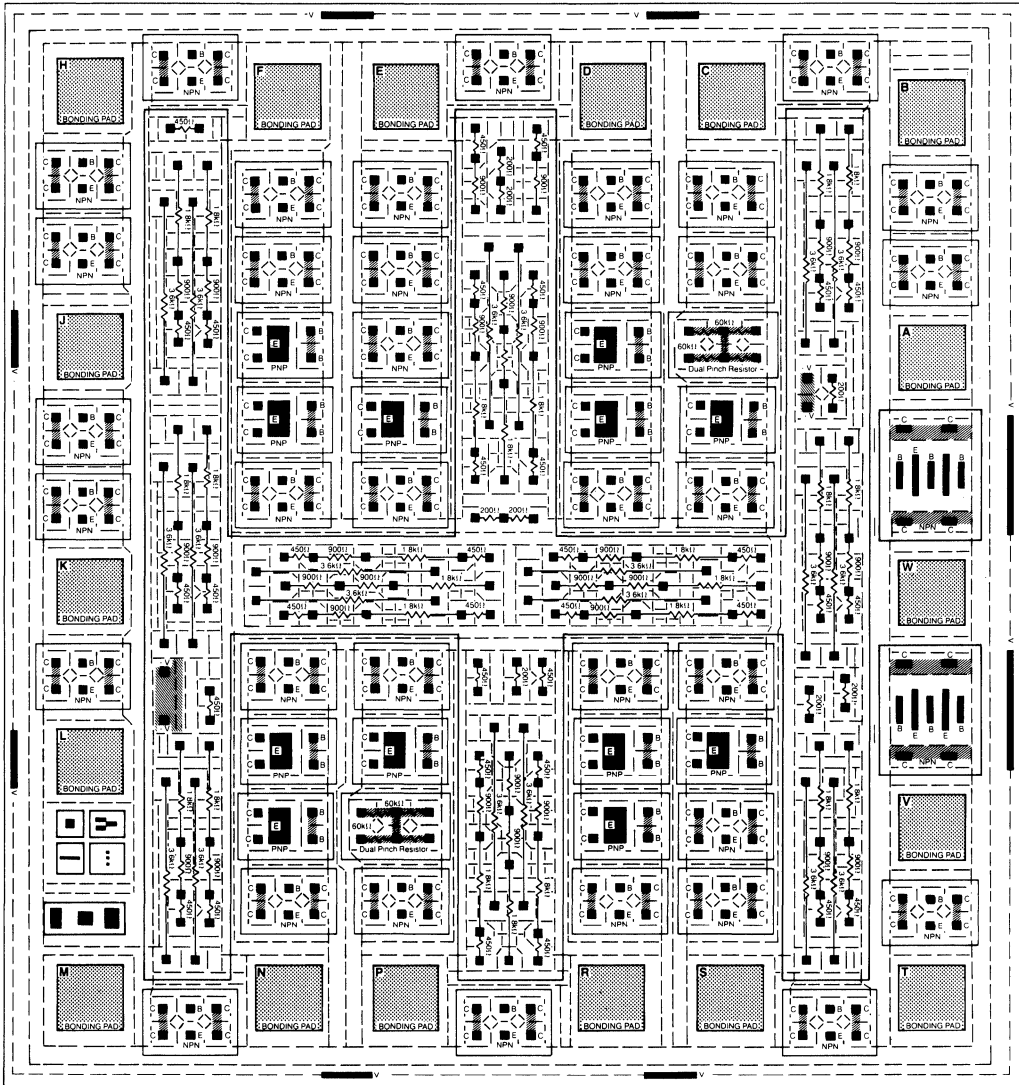
XR-H100

XR-J100 Master-Chip™

Linear, bipolar
 Chip Size: 80 × 75 mils
 Total Components: 170
 Bonding Pads: 18
 Max. Operating Voltage: 20V

NPN Transistors
 Small Signal: 36
 Medium: 2
 Dual PNP Transistors: 12

Pinch Resistors
 60k Ω : 4
 Diffused Resistors
 200 Ω : 8 1.8k Ω : 20
 450 Ω : 34 3.6k Ω : 20
 900 Ω : 30
 Total Resistance: 399k



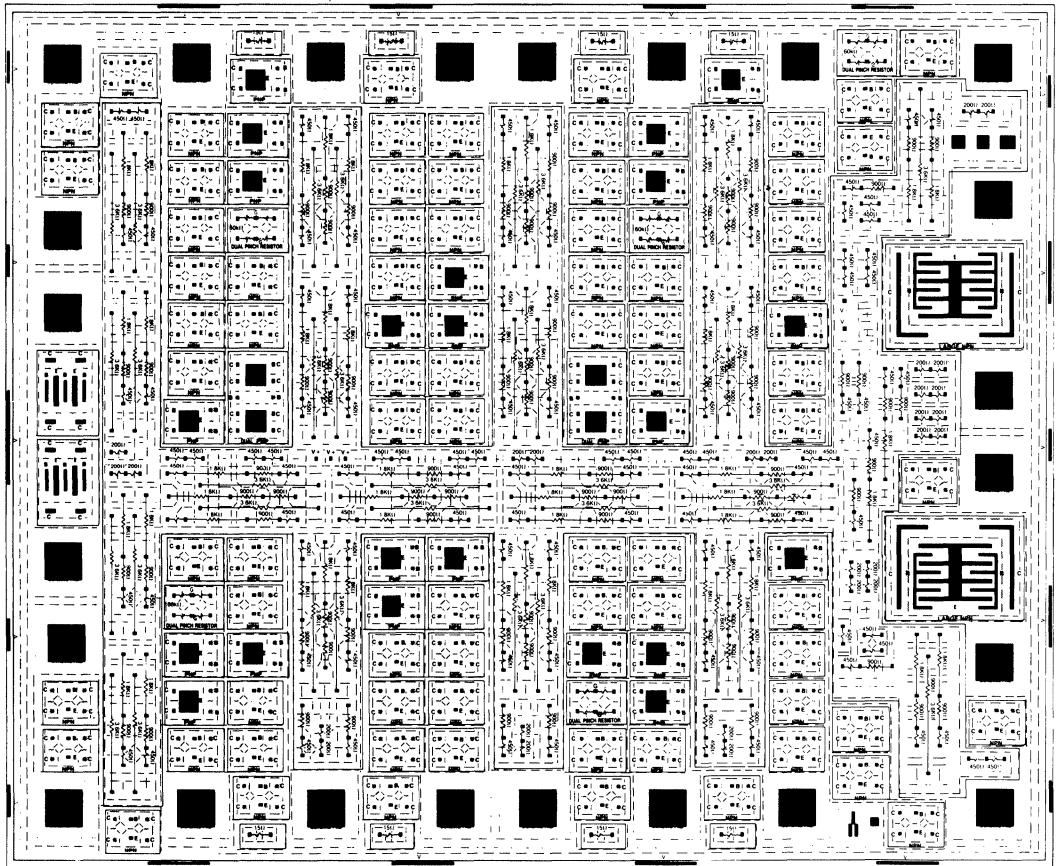
XR-J100

XR-L100 Master-Chip™

Chip Size: 102 × 85 mils
Total Components: 408
Bonding Pads: 24
Max. Operating Voltage: 20V

NPN Transistors
Small Signal: 76
Medium: 2
Large: 2
PNP Transistors
Lateral: 22
Quad Collector: 4

Pinch Resistors
60kΩ: 10
Diffused Resistors
200kΩ: 23
450kΩ: 103
900kΩ: 77
1.8kΩ: 53
3.6kΩ: 36



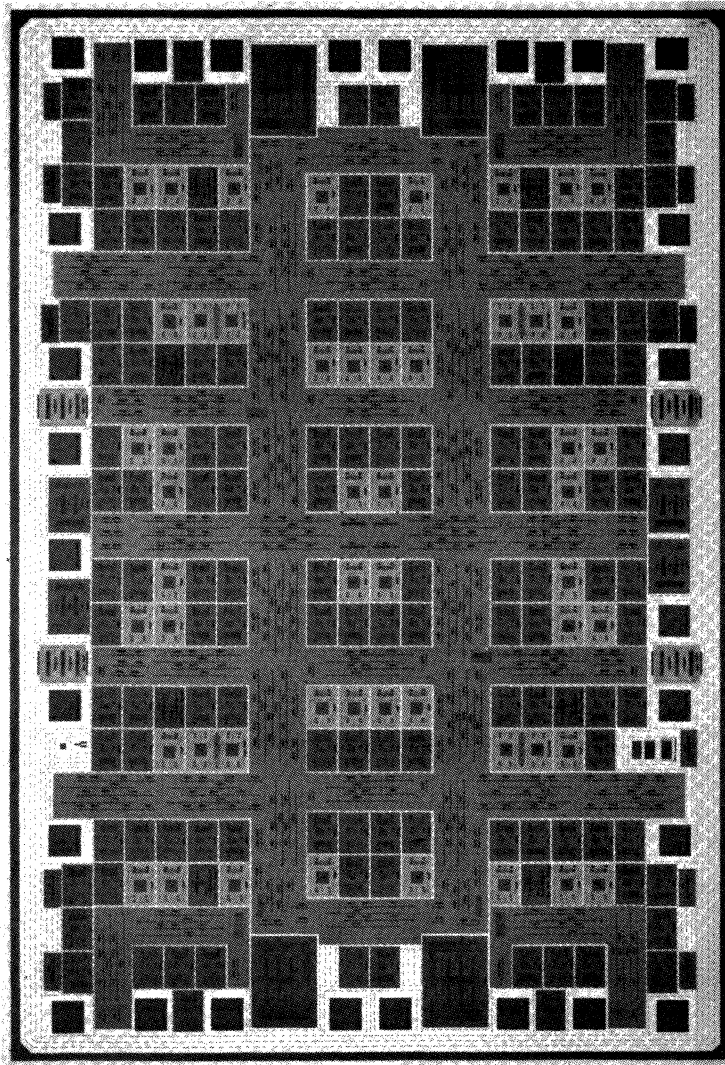
XR-L100

XR-M100 Master-Chip™

Chip Size: 176 × 121 mils
Total Components: 812
Bonding Pads: 28
Max. Operating Voltage: 20V

NPN Transistors
Small Signal: 137
Low Noise: 4
Medium: 4
Large: 4
PNP Transistors
Lateral: 44
Quad Collector: 8
Large Vertical: 4

Pinch Resistors
60k Ω : 16
Diffused Resistors
200k Ω : 60
450k Ω : 188
900k Ω : 140
1.8k Ω : 104
3.6k Ω : 84
Cross Under Resistors
15k Ω : 11



XR-M100

XR-U100 Master-Chip™

Master-Chip in production. Call EXAR for information.

XR-V100 Master-Chip™

Chip Size: 113 × 147 mils
Total Components: 672
Bonding Pads: 28
Max. Operating Voltage: 36V

NPN Transistors
Small Signal: 140
Large: 4
PNP Transistors
Lateral: 56
Small Vertical: 4
Large Vertical: 4
JFET Transistors
P-Channel: 4

Diffused Resistors
200Ω: 28 3.6kΩ: 60
450Ω: 84 1.8kΩ: 68
900Ω: 68
Total Resistance: 443k
Ion Implant
50k: 24 5k: 24
20k: 24 1k: 20
10k: 24
Total Resistors: 2.06 MegΩ
Cross Under Resistors
5Ω: 4

Oxide Capacitor: 4 × 10 pF

Master-Chip in production. Call EXAR for information.

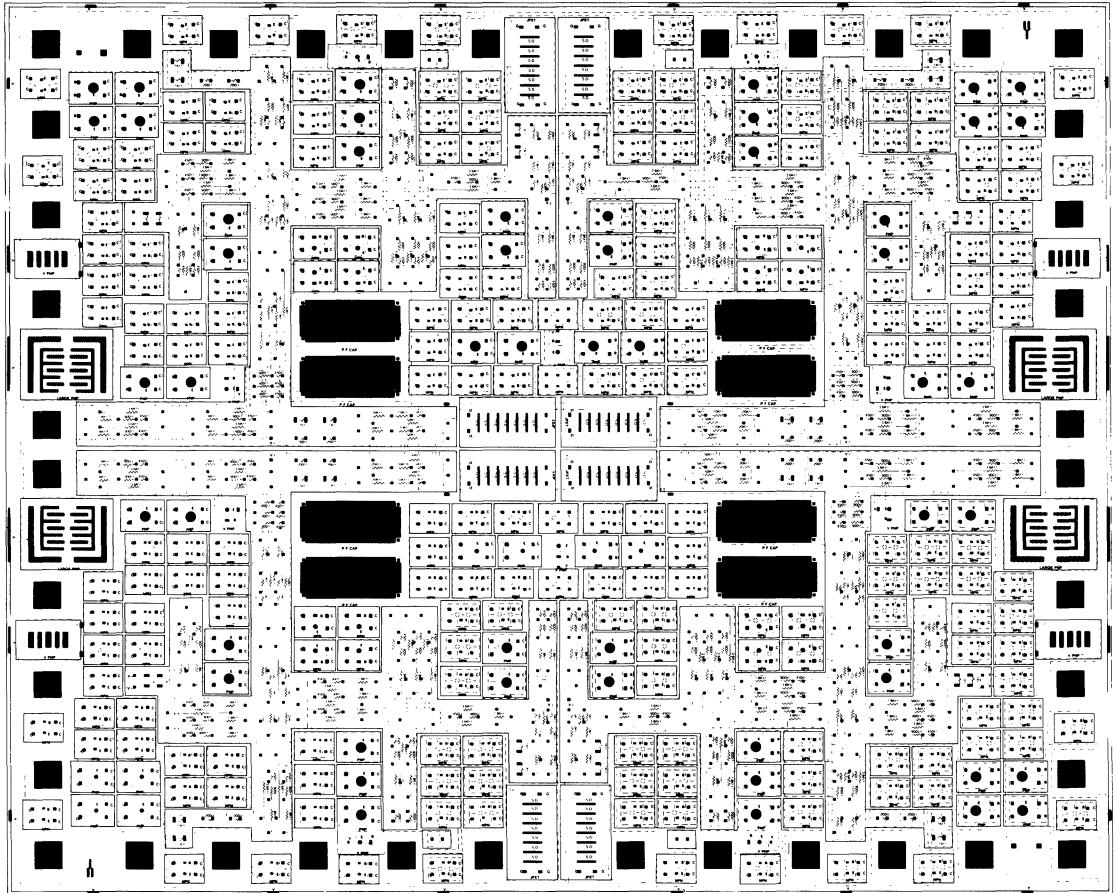
XR-W100 Master-Chip™

Chip Size: 164 × 134 mils
Total Components: 850
Bonding Pads: 40
Max. Operating Voltage: 36V

NPN Transistors
Small Signal: 196
Medium Quad: 4
Large: 4
PNP Transistors
Lateral: 60
Small Vertical: 10
Large Vertical: 4

Diffused Resistors
200kΩ: 24 1.8kΩ: 88
450kΩ: 100 3.6kΩ: 72
900kΩ: 100
Ion Implant
50kΩ: 28 5kΩ: 32
20kΩ: 32 1kΩ: 32
10kΩ: 32
Cross Under Resistors
5kΩ: 4

Oxide Capacitor 8 × 10 pF



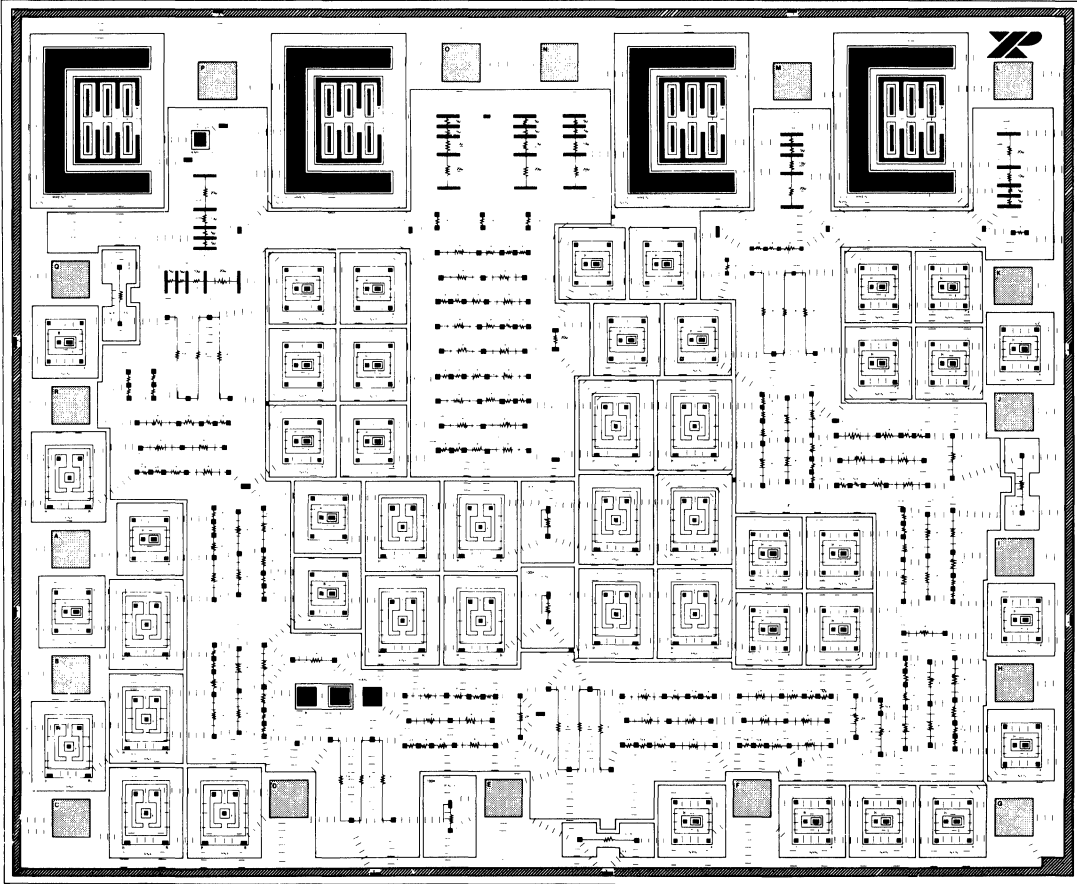
XR-W100

XR-X100 Master-Chip™

Chip Size: 115 × 95 mils
Total Components: 230
Bonding Pads: 18
Max. Operating Voltage: 75V

NPN Transistors
Small Signal: 30
High Current: 4
PNP Transistors: 46

Pinch Resistors
30kΩ: 3
100kΩ: 3
Diffused Resistors
5Ω: 14 1kΩ: 27
10Ω: 7 2kΩ: 57
20Ω: 8 5kΩ: 12
500Ω: 49
Total Resistance: 615k



XR-X100

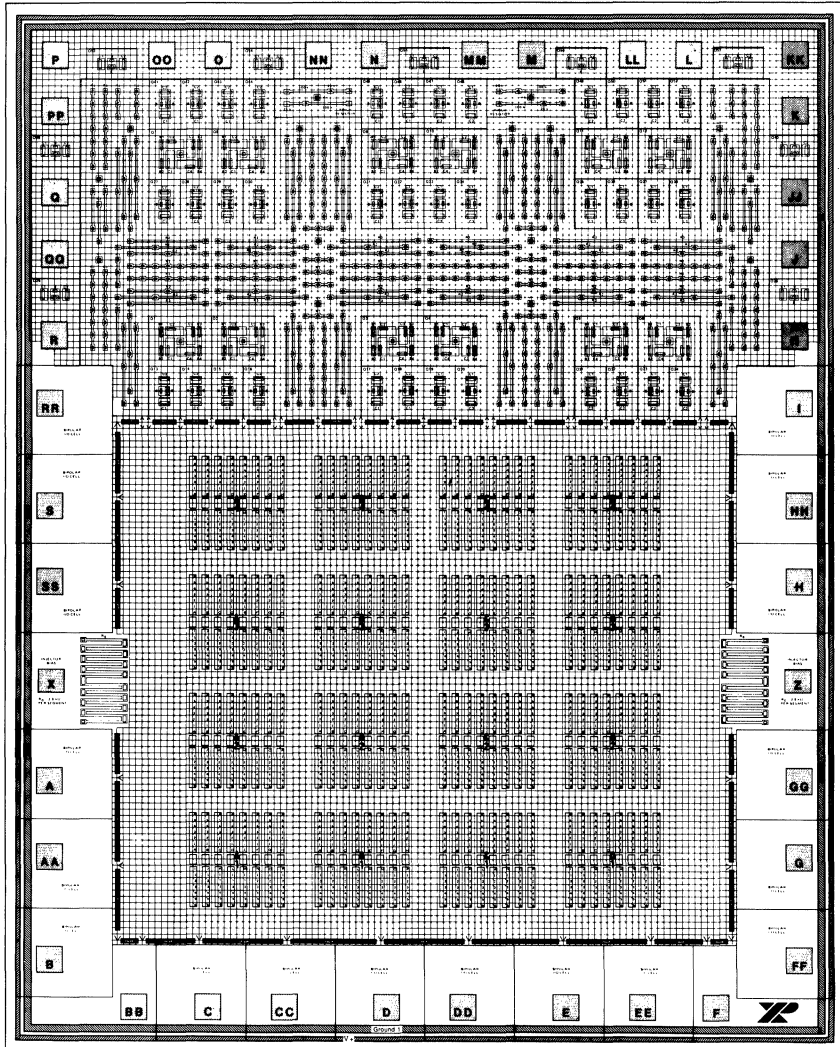
2

XR-400 I²L Master-Chip™

Chip Size: 119 × 149 mils
5-Output I²L Gates: 256
Bonding Pads: 40
Max. Operating Voltage: 7V

NPN Transistors: 45
4-Collector PNP
Transistors: 12
Schottky-Bipolar I/O
Interfaces: 18

Diffused Resistors
700Ω: 200
2.5kΩ: 116
5kΩ: 20
Total Resistance: 530k



XR-400 I²L

LINEAR SEMI-CUSTOM DESIGN CYCLE: SIX SIMPLE STEPS

The basic linear semi-custom design program involves only 6 *single steps*, from the beginning of circuit design to the completion of monolithic prototypes. The first four of these steps can be done by either the customer in consultation with Exar or by Exar. The last two are performed by Exar.

Step 1

Circuit design and breadboard using Linear Design Kit.	Customer purchases Exar's Linear IC Design Kit, made up of a comprehensive Design Manual and monolithic kit parts. The circuit is designed, breadboarded and its performance evaluated using these kit parts. The electrical characteristics of the kit parts are virtually identical to the component which will be on the finished IC chip. Thus, this step provides a true simulation of the final IC performance.
---	---

Step 2

Circuit layout is prepared	After the completion of breadboard evaluation, a layout of the circuit on the selected Master Chip by following the basic layout rules given in the Design Manual. The layout is done simply by interconnecting appropriate device terminals with pen or pencil lines on oversize drawings of the Master Chips supplied with the kit.
-----------------------------------	---

Step 3

Layout review	Exar reviews the circuit layout and schematic to check the following: <ul style="list-style-type: none"> a) That basic circuit function is feasible b) No layout rules are violated c) Circuit layout accurately represents the circuit schematic. NOTE: Exar offers consulting service and design advice during these first three steps.
----------------------	--

Step 4

Exar generates custom interconnection pattern.	Using the completed Master-Chip layout sheet, Exar generates a custom interconnection pattern, or metal mask to be applied to pre-fabricated Master-Chip wafers.
---	--

Step 5

Exar fabricates customized IC wafers.	Exar applies the custom interconnection patterns to pre-fabricated Master-Chip wafers. During this customization process, the hardware and software necessary to test the prototypes is made ready. After the wafers are customized, each die is tested by an automatic tester.
--	---

Step 6

Exar assembles and delivers monolithic prototypes.	The customized IC wafers are scribed or cut into individual IC chips. After a visual inspection, several die that tested "good" are assembled in cerdip packages. These packaged devices are then tested again before shipment. Fifty assembled IC's, and test data for correlation purposes, are sent to the customer in a prototype package that includes a die photo, device schematic test details and a layout sheet.
---	--



LINEAR DESIGN KIT

Exar's Linear Design Kit is comprised of thirty-eight monolithic kit parts or breadboard components, a comprehensive Linear Design Manual, and a number of layout forms corresponding to Exar's Linear Master-Chips. This design kit provides an ideal vehicle for the customer to do his own semi-custom IC design. He can evaluate his breadboard performance using the kit parts and then proceed to do his own layout on the Master-Chip worksheet.

The Linear Design Manual Provided as a part of the design kit gives a detailed description of the basic guidelines and rules of IC design, evaluation and layout. It also describes the electrical characteristics of each type of component available in the Master-Chips, and gives some of the anticipated parameter distribution and worst case tolerances associated with each. In addition, several design and layout examples are provided to demonstrate the efficient use of the IC chips.

Once the breadboard evaluation is complete, the designer is ready to start his own IC layout using the appropriate Master-Chip layout form supplied with the kit. When this layout is ready and is reviewed by Exar, the prototype fabrication portion of the custom program is ready to begin.

TECHNICAL ASSISTANCE

If any special or unusual circuit design or layout problems are encountered in the preparation of your semi-custom IC layout, Exar's technical staff will be glad to review your design problem and provide technical guidance. In many cases, it is beneficial to call Exar for a preliminary discussion of your custom IC needs even before you decide to buy a design kit.

ADDITIONAL KIT PARTS

The number of kit parts supplied as part of the Linear Design Kit is sufficient for most designs. However, if additional kit parts are required to complete your evaluation, these can be obtained either directly from Exar or through your local Exar technical representative.

BREADBOARDING

After a circuit has been designed and analyzed on paper, it is time to reduce the theoretical design to a functioning circuit that will duplicate, as closely as possible, the operation of the finished integrated circuit. This is the purpose of breadboarding. A great deal of care needs to be taken during this phase of IC development. Accurate breadboarding will not only allow you to gain an accurate assessment of the performance you can expect from the finished IC, but it will also allow you to discover circuit design flaws. A correctly connected, nonfunctional breadboard is a very vivid indication that something has been overlooked. Changes can be made

on a breadboard in a couple of minutes with a pair of pliers and a hot soldering iron. Changes on an IC are much more expensive and time consuming. The breadboard can be tested over temperature in a temperature chamber and circuit performance can be measured with worst case resistor values. Preliminary test specifications can also be readily developed from a properly functioning breadboard. Next to the initial paper design, breadboarding is the most important step in IC development.

KIT PARTS

Since the purpose of breadboarding is to build a circuit that will duplicate, as closely as possible, the performance of the finished IC, Exar has included with this design kit a generous supply of kit parts. These kit parts are the same integrated components that you will find on the finished IC. They are metalized and brought out individually so that you can use them to connect your circuit. The table below lists the kit parts that come with the design kit; how many of each are included, and which components are found on each Master-Chip.

Generally speaking, the integrated resistor arrays need only be used in circuits where certain characteristics of these resistors, such as high frequency response or temperature coefficients, are critical to circuit performance. In most cases, standard off-the-shelf carbon film resistors are entirely adequate for breadboarding.

BREADBOARDING TECHNIQUES

The single most important thing to remember when you are building a breadboard is that you are trying to simulate the operation of a circuit that measures approximately a tenth of an inch on a side with one that measures several inches on a side. Although this task is not impossible, it does require a significant amount of planning and forethought, if it is to be successful.

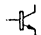


Included in the Exar Design Kit are conveniences, such as a prototyping board and IC sockets, to make breadboarding easier and quicker.

It is arranged on a matrix format so that individual kit parts can be easily located and identified. Space is provided at the top of the breadboard for identifying the circuit title, the design engineer, the revision, as well as the date of construction. The interdigitated metal runs are designed to serve as V^+ and ground for single supply applications; or as V^+ and V^- with the outside border serving as ground or dual supply applications. An edge connector has been provided so that you can easily connect your breadboard to power supplies, signal sources and test equipment, without having to solder leads directly to the breadboard. This allows you to disconnect the breadboard to test kit parts on a curve tracer or to make circuit modifications without destroying your test setup.

Kit Part

20V Masterchips	101	103	108	111	112	114	117	202	206	210	213	215	216	421
XR-A-		✓												
XR-B-	✓							✓						
XR-F-	✓		✓					✓						
XR-J-						✓	✓					✓	✓	
XR-M-				✓	✓					✓				
36V Masterchips														
XR-D-	✓								✓					
XR-W-	✓		✓	✓					✓		✓			✓
75V Masterchips														
XR-X-	✓		✓						✓					

General Notes on Kit Parts

- 1) Dual collector PNP's will have both collectors tied together and acting as one collector unless shown otherwise in a kit part outline.
- 2) Kit parts with small NPN's use all available collector contacts on each device. The designer should note that if fewer than the full complement of collector contacts (generally four) are used when designing the I.C. layout, slightly degraded performance may result.
- 3) For proper operation of these kit parts the substrate pin, labeled \ominus , must be tied to the lowest potential in the circuit. Resistor kit parts require connection to both the most positive and most negative potentials within a circuit for proper operation.
- 4)  Denotes transistors designed to operate above 10 mA.
- 5)  Denotes Schottky transistors.
- 6)  Denotes pinch or FET resistors.

Resistor networks RN1 and RN2 are only available for Exar's 20V process. RN3 devices are available for both 20V and 36V operation. To order, specify:

RN1: XR-A-104
 RN2: XR-A-105
 RN3: XR-F-XXX For 20V operation
 XR-W-XXX For 36V operation

XXX = Resistor value in k Ω . Available Values for base diffused and ion implant resistors are shown below.

BASE		ION IMPLANT	
Value	XXX	Value	XXX
3.6K	3R6	50K	50R
1.8K	1R8	20K	20R
900 Ω	R90	10K	10R
450 Ω	R45	5K	05R
200 Ω	R20	1K	01R

Breadboarding Recommendations

For Designs Using Exar Master-Chip	Use Kit Parts
A100 B100 C100	XR-A-NNN* XR-B-NNN
D100	XR-D-NNN
E100 F100 G100 H100 J100 K100 L100 M100	XR-F-NNN XR-J-NNN XR-M-NNN
U100 V100 W100	XR-W-NNN
X100	XR-X-NNN

* NNN = Kit part number.

Ordering Information

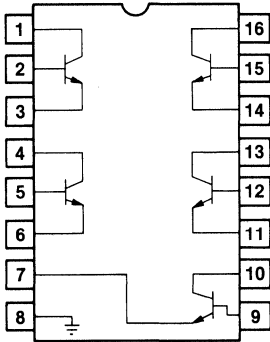
Additional or extra kit parts may be ordered from your local distributor or Exar representative. To order, specify the desired device(s) by using the part number code as shown above.

Example: XR-F-101
 XR-J-215
 XR-W-421

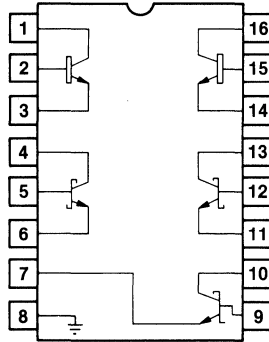


EXAR LINEAR KIT PARTS

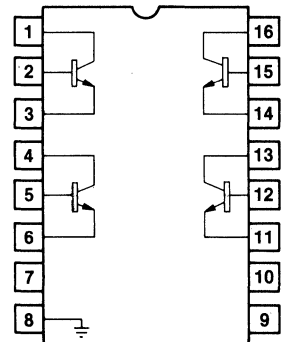
101



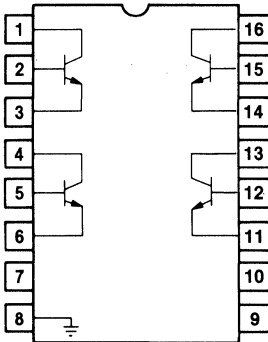
103



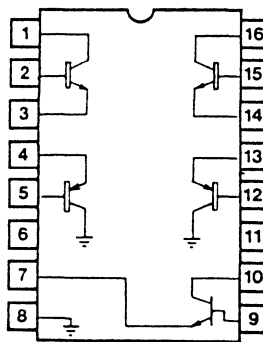
108



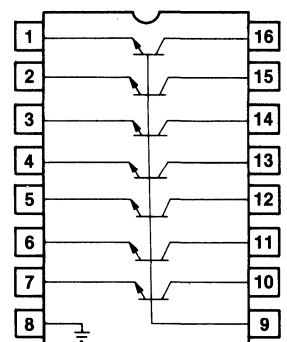
111



112

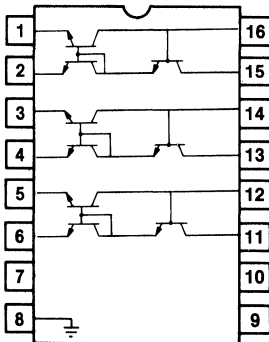


114

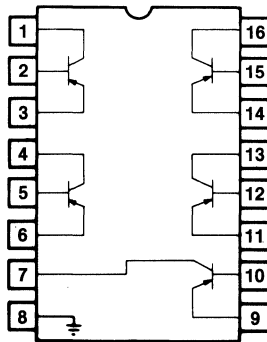


2 Medium NPN's
2 Large Vertical PNP's
1 Small NPN

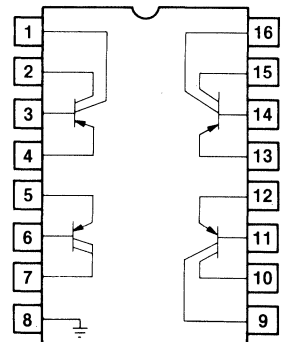
117



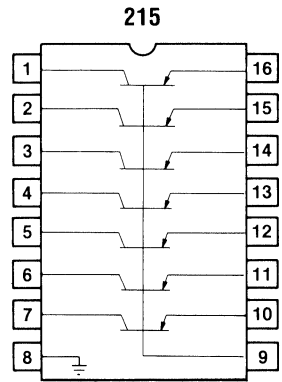
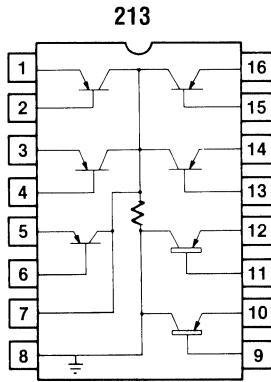
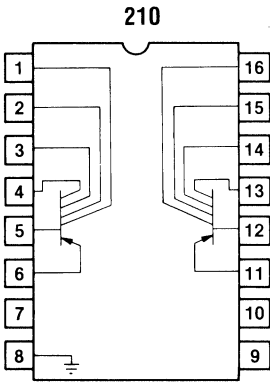
202



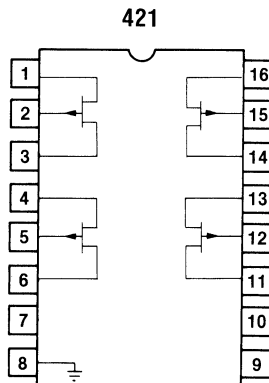
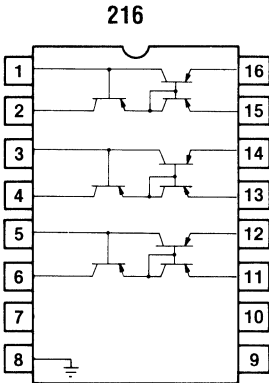
206



EXAR LINEAR KIT PARTS

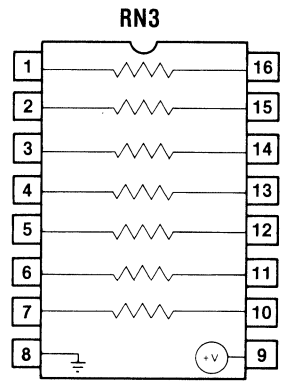
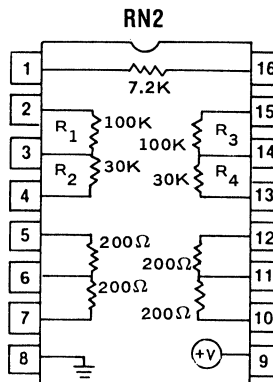
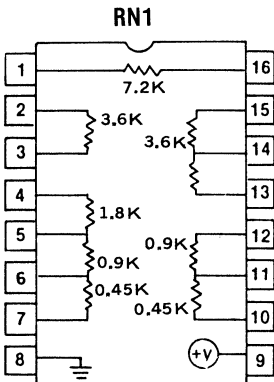


NOTE: 5 Small & 2 Large Vertical PNP's.
Resistance shown is substrate
resistance between middle and
edge of die.



NOTE: Drain and Source
are Interchangeable

Resistor Networks



NOTE: All resistors are the same value

ELECTRICAL CHARACTERISTICS OF LINEAR MASTER-CHIP COMPONENTS

The following tables list the electrical characteristics of the circuit components available on Exar's linear Master-Chips. Whenever applicable, the "worst case" tolerances and the parameter distributions are also listed.

PARAMETERS	TYPICAL VALUES	σ -LIMIT	WORST CASE TOLERANCE
Small-Signal NPN Transistors			
Current gain (h_{FE}) @ 1 mA, 5V	180	—	80–300
Temperature Coefficient of h_{FE}			
–55°C to 25°C	+0.5%/°C	—	—
25°C to 125°C	+1%/°C	—	—
Matching of h_{FE}	—	3%	10%
Breakdown voltage (LV_{CEO})			
20-V Master-Chips	23V	—	20–30V
36-V Master-Chips	40V	—	36–50V
Collector-Base Leakage Current @ 20 V	1 nA	—	0.1–50 nA
Cutoff Frequency (f_T) @ 5 mA	500 MHz	—	—
Storage Time (t_S)	50 nsec	—	—
Saturation Resistance (All except D100)			
One collector contact	100 Ohms	±50 Ohms	60–160 Ohms
Two collector contacts	50 Ohms	±20 Ohms	30–80 Ohms
Saturation Resistance (D100 chip)			
One collector contact	300 Ohms	±100 Ohms	150–480 Ohms
Two collector contacts	150 Ohms	±50 Ohms	75–240 Ohms
High-Current NPN Transistors			
Current Gain (h_{FE})			
@ 1 mA, 5V	180	—	80–300
@ 100 mA, 5V	100	—	50–200
Temperature Coefficient of h_{FE}			
–55°C to 25°C	+0.5%/°C	—	—
25°C to 125°C	+1%/°C	—	—
Matching h_{FE}	—	3%	10%
Breakdown Voltage (LV_{CEO})	23V	—	20–35V
Collector-Base Leakage Current @ 20V	20 nA	—	1–500 nA
Cutoff Frequency (f_T)	100 MHz	—	—
Storage Time (t_S)	200 nsec	—	—
Saturation Resistance	5 Ohms	±1 Ohm	3–8 Ohms
Lateral PNP Transistors			
Current Gain (h_{FE}) @ 100 μ A, 5V	20	—	5–80
Temperature Coefficient of h_{FE}	±1.0%/°C	—	—
Matching of h_{FE}	—	5%	15%
Breakdown Voltage (LV_{CEO})			
20-V Master Chips	35V	—	25V–40V
36-V Master Chips	45V	—	36–60V
Collector-Base Leakage Current @ 20V	5 nA	—	0.1 to 100 nA
Cutoff Frequency (f_T)	5 MHz	—	—
Storage Time (t_S)	500 nsec	—	—
Saturation Resistance	600 Ohms	±100 Ohms	300–900 Ohms
TRANSISTORS CONNECTED AS DIODES (Collector and Base Shorted)			
Small NPN			
Forward Voltage Drop @ 1 mA, 25°C	0.74V	±200 mV	0.68–0.8V
Forward Voltage Matching	—	2 mV	6 mV
Forward Voltage Tracking	—	5 μ V/°C	15 μ V/°C
Lateral PNP			
Forward Voltage Drop @ 200 μ A, 25°C	0.70V	±200 mV	0.62–0.76V
Forward Voltage Matching	—	3 mV	5 mV
Forward Voltage Tracking	—	8 μ V/°C	25 μ V/°C

PARAMETERS	TYPICAL VALUES	σ -LIMIT	WORST CASE TOLERANCE
NPN Base-Emitter Junctions Used as Zener Diodes			
Small NPN Transistors			
Breakdown Voltage @ 100 μ A			
20-V Master Chips	6.35V	$\pm 0.15V$	5.9–6.8V
36-V Master Chips	6.7V	$\pm 0.2V$	6.0–7.2V
Temperature Coefficient	+2.5 mV/ $^{\circ}C$	± 0.3 mV/ $^{\circ}C$	1.8–3.1 mV/ $^{\circ}C$
Schottky-Barrier Diodes (A100/B100/C100 Only)			
Forward Voltage Drop @ 10 μ A	0.36V	$\pm 0.02V$	0.22 to 0.44V
Temperature Coefficient of Forward Voltage Drop	-1.5 mV/ $^{\circ}C$	± 0.1 mV/ $^{\circ}C$	± 0.3 mV/ $^{\circ}C$
Reverse Breakdown Voltage	30V	—	20–40V
Leakage Current @ 20V	200 nA	—	1 nA–1 μ A
Diffused Resistors (All Master-Chips)			
Absolute Values	—	$\pm 10\%$	$\pm 25\%$
Temperature Coefficients			
-55 $^{\circ}C$ to -25 $^{\circ}C$	-650 ppm/ $^{\circ}C$	± 100 ppm	—
-25 $^{\circ}C$ to 0 $^{\circ}C$	+150 ppm/ $^{\circ}C$	± 40 ppm	—
0 $^{\circ}C$ to 25 $^{\circ}C$	+680 ppm/ $^{\circ}C$	± 40 ppm	—
25 $^{\circ}C$ to 75 $^{\circ}C$	+1040 ppm/ $^{\circ}C$	± 20 ppm	—
75 $^{\circ}C$ to 125 $^{\circ}C$	+1400 ppm/ $^{\circ}C$	± 40 ppm	—
Matching Between Resistors			
Identical Values	—	$\pm 0.8\%$	$\pm 2.4\%$
Non-Identical Values			
200–450	—	$\pm 1.6\%$	$\pm 4.8\%$
200–900	—	$\pm 1.7\%$	$\pm 5.1\%$
200–1.8K	—	$\pm 1.9\%$	$\pm 5.7\%$
200–3.6K	—	$\pm 2.0\%$	$\pm 6.0\%$
450–900	—	$\pm 1.5\%$	$\pm 4.5\%$
450–1.8K	—	$\pm 1.7\%$	$\pm 5.1\%$
450–3.6K	—	$\pm 1.9\%$	$\pm 5.7\%$
900–1.8K	—	$\pm 1.5\%$	$\pm 4.5\%$
900–3.6K	—	$\pm 1.7\%$	$\pm 5.1\%$
1.8K–3.6K	—	$\pm 1.5\%$	$\pm 4.5\%$
Pinch-Resistors			
Absolute Value Tolerance	$\pm 50\%$	—	+100% to -50%
Matching Between Identical Resistors	$\pm 20\%$	—	—
Breakdown Voltage	6.4V	—	—
Temp. Coefficient	+6,000 ppm/ $^{\circ}C$	—	8,000 ppm/ $^{\circ}C$



I²L SEMI-CUSTOM DESIGN

Integrated Injection Logic (I²L) technology extends the capabilities of semi-custom design to high complexity digital or combined analog/digital systems. Exar has made this possible by the development of a family of I²L Master-Chips which combine a large number of I²L gates and Schottky bipolar transistors on the same chip. Similar to its bipolar counterpart, Exar's I²L semi-custom program also utilizes partially fabricated silicon wafers which are then customized by the application of special mask patterns.

Exar's I²L Master-Chips utilize bipolar input/output (I/O) interface circuitry on the same chip with the high density I²L logic arrays. Thus, outwardly the I²L semi-custom chip looks and performs exactly as a bipolar LSI chip, which can readily interface with TTL level signals. In other words, these gate array Master-Chips combine the high functional density advantages of I²L technology with the interface and load drive capability of the bipolar circuitry on the same IC. This feature makes it very convenient to retrofit I²L LSI designs into existing TTL type logic systems.

ACHIEVING HIGH COMPLEXITY

Traditionally, the application of semi-custom technology to complex digital systems has been somewhat limited due to one key factor; in order to be economically feasible, a complex digital LSI circuit must achieve a high functional density on the chip (high gate count per unit of chip area). This requirement is not compatible with the random interconnection concept which is key to the semi-custom or Master-Chip design technique. Exar's approach overcomes this limitation, by making use of the unique layout and interconnection properties of I²L gates, and by extending the customizing steps to mask layers. In addition to the metal interconnection pattern, Exar can achieve high packing density and still retain the quick turnaround features and low cost of semi-custom.

Exar's I²L Master-Chips are customized by not one but three mask layers:

1. A custom diffusion pattern to define gate outputs and custom underpasses for interconnection.
2. A custom contact mask which opens contact windows or activates only those devices actually used in the design.
3. A custom metal interconnection mask which interconnects all the activated devices.

FULLY AUTOMATED MASK GENERATION

Exar has developed a fully automated mask generation technique which allows all three custom mask layers

used with I²L Master-Chips to be generated simultaneously from a customer's pencil layout on the Master-Chip worksheet. This unique mask generation technique, and the three-mask customizing method, are the heart of Exar's I²L semi-custom program. In this manner, one is able to combine low cost, quick turnaround capabilities of semi-custom designs with the high functional density of I²L technology, and still make very efficient use of the chip area.

WHEN TO USE DIGITAL SEMI-CUSTOM

The key application of I²L semi-custom design is to replace complex blocks of random logic with a single monolithic chip. An entire digital subsystem comprised of many SSI or MSI chips, or discrete components, can be put on a single I²L Master-Chip. This can provide significant cost and space savings and greatly improve system reliability. The availability of bipolar input/output interface circuitry on the same chip with the high density I²L logic makes it very convenient to retrofit I²L designs into existing TTL logic systems. Therefore, semi-custom I²L LSI designs provide cost effective solutions for complex custom LSI requirements, even at production volumes as low as a few thousand pieces.

FEATURES OF I²L TECHNOLOGY

High Functional Density: I²L logic gates offer a much smaller size than their bipolar counterparts. Thus, a much higher degree of logic complexity or functional density can be achieved on a given IC chip.

Easy to Interconnect: Unique structure and geometry of I²L gates make them ideal for semi-custom design. An entire array of gates can be easily customized and interconnected using only three masks without sacrificing high functional density.

Bipolar Compatible Processing: I²L is a direct derivative of conventional bipolar IC technology. Therefore, one can combine bipolar devices on the same chip as I²L gates. This feature has the following key advantages:

- Input/output section of I²L chips are bipolar. Thus, they can readily interface with existing logic families or retrofit into existing systems.
- Analog and digital functions can be combined on the same chip. One of Exar's Master-Chips, the XR-400, is specifically designed for such an application.

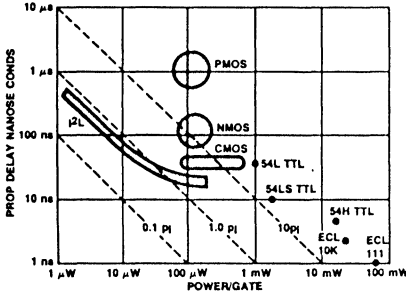
Low Voltage Operation: I²L gates can operate with supply voltages as low as one volt, and require only a single power supply.

Low Current and Low Power Operation: Depending on speed requirements, I²L gates can operate with current

levels in the nanoampere range. This feature, along with its low voltage operation makes it ideal for applications in low power, battery operated systems.

Higher Reliability Than MOS: Since I^2L gates have the same basic features as bipolar transistors, they are not subject to electrostatic burn-out problems associated with MOS transistors and do not require special handling precautions.

Wide Operating Temperature: I^2L gates are not seriously affected by leakage currents as are their MOS counterparts. Thus, they can accommodate the full military temperature range.



COMPARISON OF SPEED AND POWER CAPABILITIES OF VARIOUS LOGIC FAMILIES

THE BASIC I^2L GATE

The I^2L logic technology is derived from the basic single input, multiple output inverter circuit shown below. The logic functions are performed in a manner similar to the conventional open-collector logic. The outputs of various gates are interconnected together in a wired-AND configuration. Many sections of the I^2L gate share common semi-conductor regions. For example, the collector of the pnp is the same as the base of the npn, and the emitter of the npn is the same as the base of the pnp. This leads to a very compact device structure which occupies a correspondingly small chip area. As a result, the functional density of I^2L gates is comparable to that of some MOS technologies and is approximately 5 times higher than conventional TTL logic.

LOGIC CONVERSION TO I^2L GATES

Converting conventional logic diagrams from their NAND/NOR gate equivalents to I^2L gates is a simple and straightforward procedure. This information is contained in the I^2L Design Manual, which is available as a part of Exar's I^2L Design Kit. In addition, Exar has developed a large library of I^2L logic subblocks corresponding to popular logic functions, such as decoders, flip-flops and counters, which greatly simplifies this conversion process.

DESIGNING WITH I^2L MASTER-CHIPS

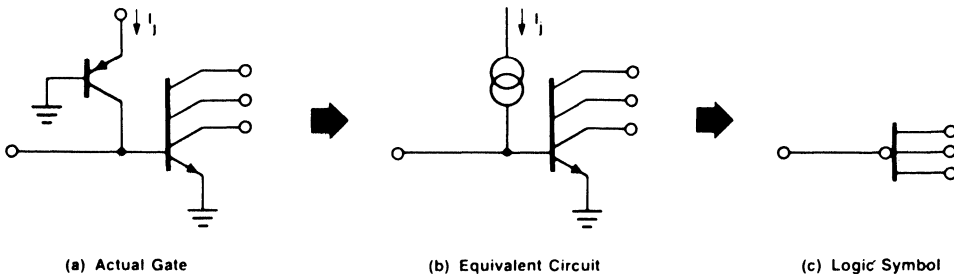
Exar currently has four I^2L Master-Chips in production. These are the XR-200, XR-300, XR-400 and the XR-500 Master-Chips. The XR-200, XR-300 and the XR-500 are designed for digital systems. The XR-400 Master-Chip is intended for systems requiring both analog and digital functions.

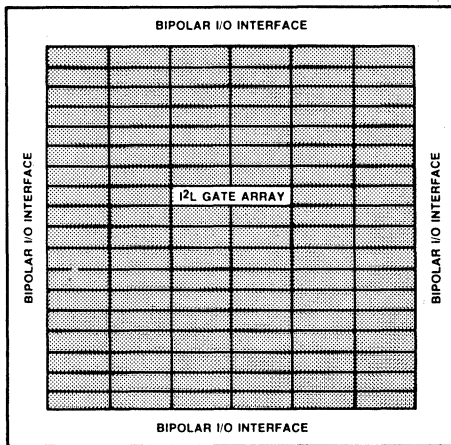
All four of these Master-Chips are fabricated with the same manufacturing process. They differ only in their architecture and in the number of components. All of these chips are especially designed for Exar's unique three-mask customization process using fully automated mask generation techniques.

XR-200, XR-300 and XR-500 MASTER-CHIPS

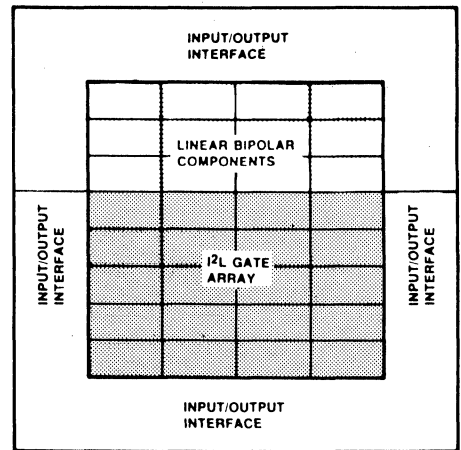
These Master-Chips are primarily designed for applications requiring only digital signal processing. They contain a large number of multiple output I^2L gates along with Schottky bipolar input/output buffers. Except for the difference in size, all three chips have the same architecture shown below. The I^2L gates are arranged in array form at the center of the chip and the input/output buffers are located along the periphery of the chip. The bipolar I/O sections of the chips contain two identical sets of resistor arrays located at opposite ends of the chip which are used for biasing the injectors of the I^2L gates. The XR-200 contains 192 five-output I^2L gates and 24 I/O buffers. The XR-300 contains 288 five-output I^2L gates and 28 I/O buffers. The XR-500 contains 520 five-output I^2L gates and 40 I/O buffers. A detailed description of the bipolar input/output interface circuitry is given further on in the text.

THE BASIC I^2L GATE





BASIC LAYOUT OF XR-200, XR-300 AND XR-500 MASTER CHIPS



BASIC LAYOUT OF XR-400 MASTER CHIP

XR-400 MASTER-CHIP

The XR-400 Master-Chip is designed primarily for applications requiring the combination of analog and digital functions on the same chip. Thus, it is made up of both a linear and a digital section. The digital section of the chip has the same basic architecture as the XR-300. It contains 256 five-output I^2L gates and 18 Schottky bipolar I/O interface sections. The linear section of the chip is made up of an array of npn and pnp transistors and resistors and is very similar to Exar's bipolar Master-Chips.

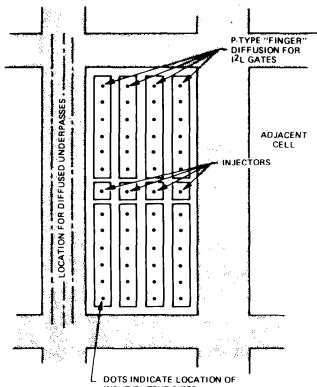
COMPONENT UTILIZATION

The unique three-mask customizing technique used in Exar's I^2L Master-Chips makes them very efficient for both ease of logic layout and component utilization. One of the three customizing mask steps is a custom diffusion step which allows the placement of low resistance crossunders, or underpasses, selectively on the chip. This technique provides the designer with virtually two layers of interconnection on the chip and, thus, greatly simplifies the logic layout and improves the component utilization efficiency. Normally, in the case of random combinational logic, one can easily utilize 60% to 80% of the total gates available on a given I^2L Master-Chip. In the case of sequential and repetitive logic circuits, the gate utilization is normally as high as 80% to 100%.

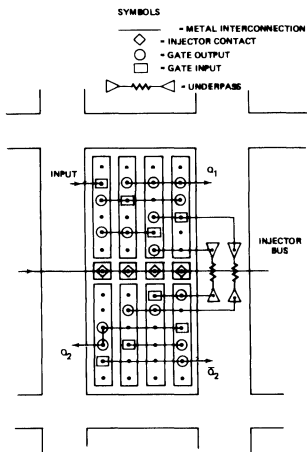
In the case of the XR-400 Master-Chip, which combines analog circuit components and digital gates on the same chip, the three-mask customizing technique is applicable to the digital section, while the analog section of the chip is customized with one mask in the same way as the linear Master-Chips.

Components on XR I^2L Master-Chips

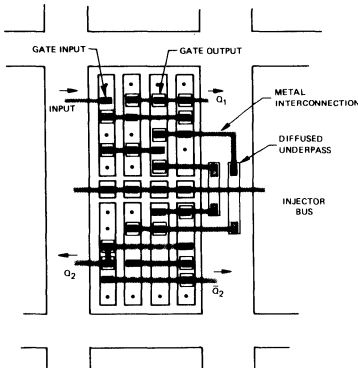
Component Type	Quantity			
	XR-200	XR-300	XR-400	XR-500
5-Output I^2L Gates	192	288	256	520
Schottky-Bipolar I/O Interfaces	24	28	18	40
Max Operating Voltage	7V	7V	7V	7V
NPN Transistors	0	0	45	0
4-Collector PNP Transistors	0	0	12	0
Diffused Resistors	700 Ω	0	200	0
	2.5 K	0	116	0
	5 K	0	20	0
Bonding Pads	30	34	40	42
Chip Size (mils)	98 x 119	106 x 144	119 x 149	122 x 185



BASIC 8 GATE CELL PRIOR TO CUSTOMIZATION



SAMPLE PENCIL LAYOUT ON MASTER CHIP WORKSHEET

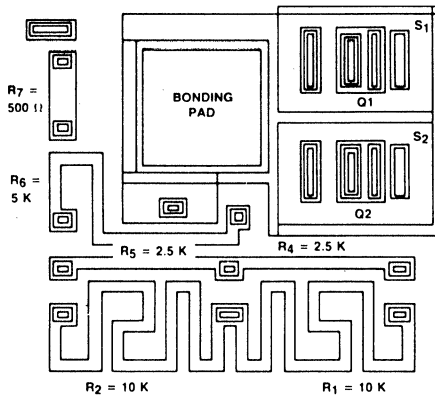


SAMPLE LAYOUT OF 8 GATE CELL AFTER CUSTOMIZING WITH N+ COLLECTOR DIFFUSION, CONTACT MASK AND METAL INTERCONNECTION PATTERN

THE I²L GATE ARRAY SECTION

This section of the I²L Master-Chip is made up of logic cells which contain a number of multiple output I²L inverters grouped together. The figure below shows a typical layout of such a cell made up of eight multiple output inverters which share a common set of four injectors. The basic gate cells forming the I²L gate array are made up of p-type injectors and p-type gate fingers which serve as the base regions of the I²L gates. The six dots on each gate area indicate the possible locations (or sites) for gate inputs or outputs. The particular use of these sites as an input or output is determined by two custom masks. An n-type collector diffusion mask defines the locations of outputs and a custom contact mask opens the appropriate input and output contacts. Finally, a third custom mask is applied to form the metal interconnections between the gates and the gate cells. The custom n-type diffusion step, which determines the locations of gate outputs, is also used for forming low resistivity underpasses between the gate cells. The area between each of the gate cells can accommodate two or three parallel underpasses in the horizontal or vertical direction. Since the n-type diffusion which forms these underpasses is a part of the customizing step, the location and length of each underpass can be chosen to fit a given interconnection requirement. This method provides the designer with virtually all of the advantages and capabilities of multi-layer interconnection paths on the surface of the chip and allows approximately 80% of the gates on the chip to be utilized in a typical logic layout.

The custom logic interconnections can be easily laid out in pencil on a layout sheet by simply interconnecting the desired gate sites with a pencil line and appropriately defining the function of the site as an input, output, injector contact or an underpass. The function of each of the potential sites is defined by simply drawing an appropriate symbol on it, such as a circle for an output and a square for an input, as defined in the example below.

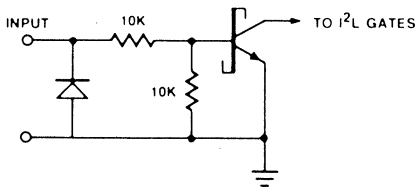


A TYPICAL SCHOTTKY-BIPOLAR INPUT/OUTPUT INTERFACE CELL

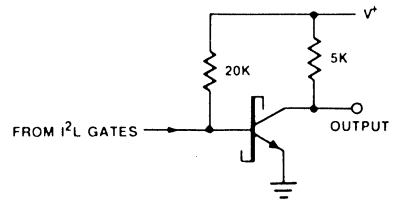
BIPOLAR INPUT/OUTPUT INTERFACE SECTION

The bipolar input/output interface sections of the I²L Master-Chips are located along the periphery of the chips. The component locations in a typical I/O cell are shown in the adjacent figure. Each I/O cell is designed to be either an input or an output interface depending on the choice of the metal interconnection pattern applied to the cell. Furthermore, two adjacent cells can be combined together to provide a three-state type output buffer. Some of the basic input and output circuit configurations available from the I/O interface are shown below. In the case of a three-state output configuration, one would also utilize several gates from the I²L logic section to perform the necessary gating functions.

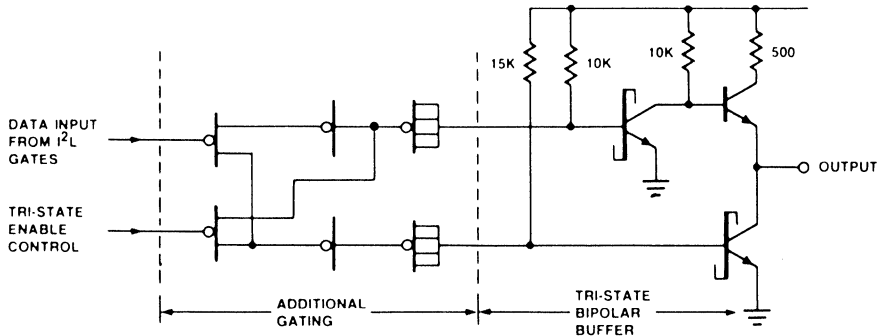
Each input/output interface cell contains one bonding pad, several resistors of varying values, a clamp diode to substrate and two npn transistors with optional Schottky diode clamps. Each npn transistor is capable of sinking 5 mA of current with Schottky diode clamps and 10 mA of current without, at a saturation voltage of $\leq 0.5V$. The breakdown voltage of the bipolar I/O section is 7V.



(a) Input Interface Circuit



(b) Output Interface Circuit



(c) Tri-State Output Interface Circuit

TYPICAL BIPOLAR INPUT/OUTPUT INTERFACE CIRCUITS AVAILABLE FROM I/O INTERFACE CELL

EXAR I²L Master-Chips™

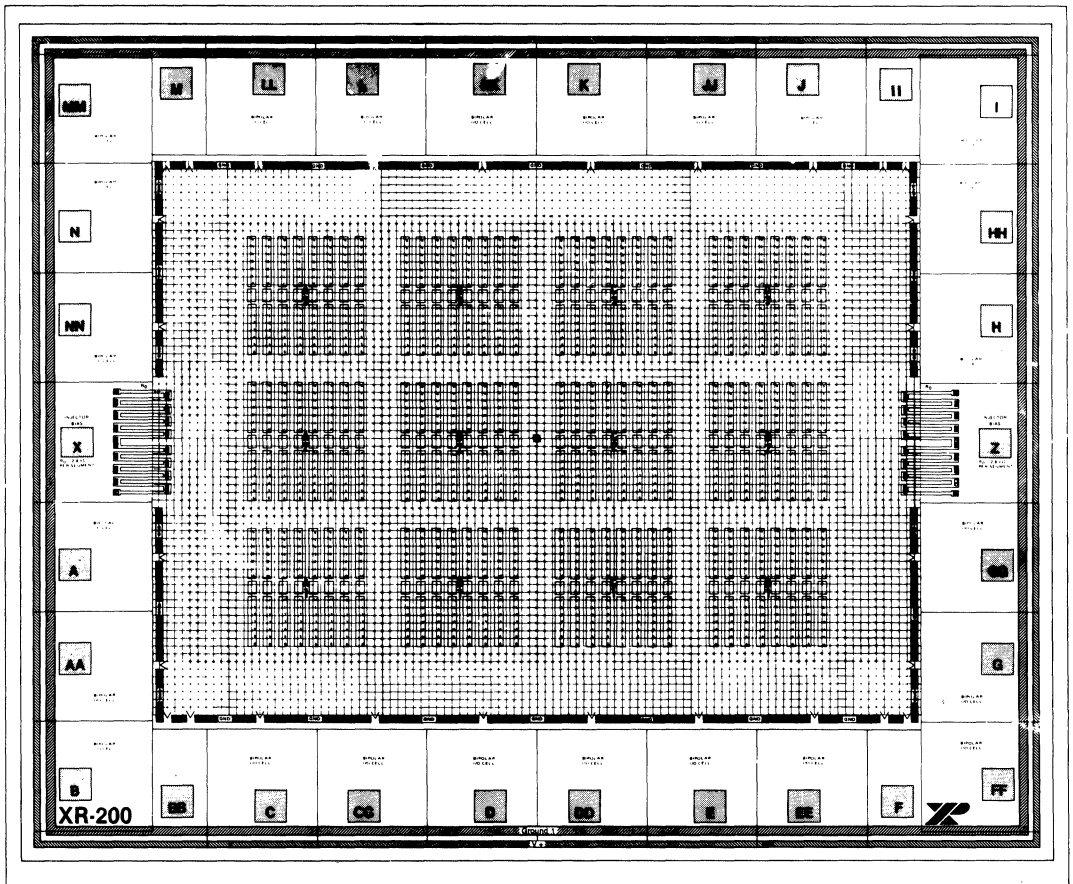
The following section profiles the available Exar I²L Master-Chips™. The brief description of Master-Chip™ includes a small layout sheet of the chip indicating component locations, a brief outline of the key features

of the chip, and applications for which it is well suited as well as a tabulation of the type and number of components each chip contains.

XR-200 I²L Master-Chip™

Chip Size: 98 × 119 mils
5-Output I²L Gates: 192
Schottky-Bipolar I/O
Interfaces: 24
Bonding Pads: 30
Max. Operating Voltage: 7V

The XR-200 I²L Master-Chip™ is designed for applications that require medium complexity logic on a single chip. The bipolar I/O interface cells make the XR-200 compatible with standard TTL or 5V CMOS logic families.

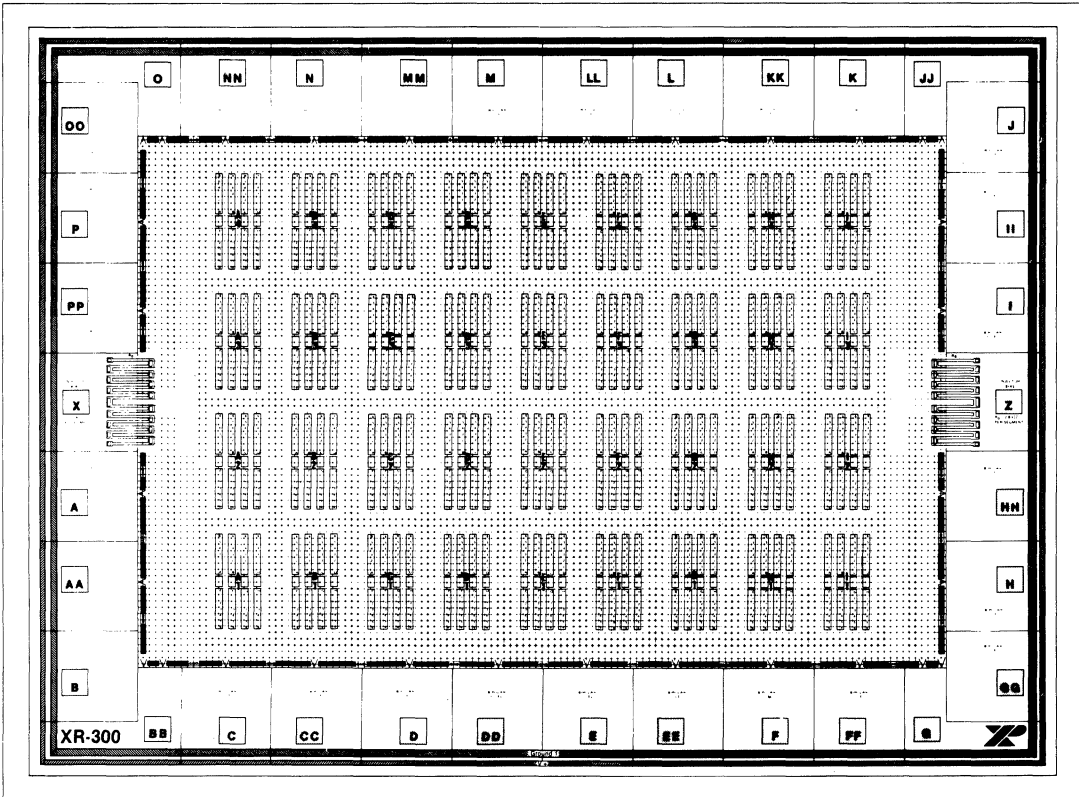


XR-200 I²L

XR-300 I²L Master-Chip™

Chip Size: 106 × 144 mils
5-Output I²L Gates: 288
Schottky-Bipolar I/O
Interfaces: 28
Bonding Pads: 34
Max. Operating Voltage: 7V

The XR-300 I²L Master-Chip™ is designed for applications which require high density random logic on a single chip. The eight gate logic cells allow room for cross-unders between cells thus increasing layout efficiency. The bipolar I/O interface cells make the XR-300 compatible with standard TTL or 5V CMOS logic families.



XR-300 I²L

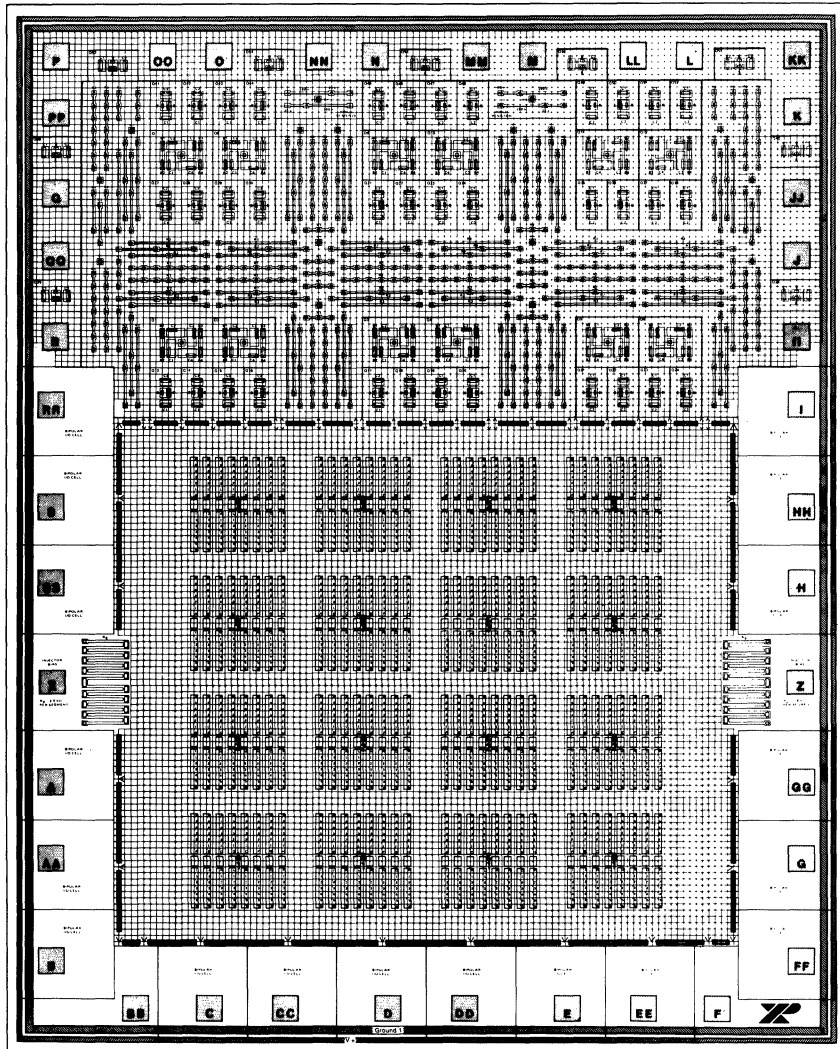
2

XR-400 I²L Master-Chip™

Digital Components: 149
Chip Size: 119 × 149 mils
5-Output I²L Gates: 256
Schottky-Bipolar I/O
Interfaces: 18
Bonding Pads: 40
Max. Operating Voltage: 7V

Linear Components:
NPN Transistors: 45
4-Collector PNP
Transistors: 12
Diffused Resistors:
700Ω: 200
2.5kΩ: 116
5kΩ: 20
Total Resistance: 530K

The XR-400 is a unique Master-Chip™ that provides the capability of combining moderately complex linear circuitry on the same die as complex logic circuitry. This Master-Chip is an excellent choice when the advantages and capabilities of linear and digital techniques must be combined. The bipolar I/O interface cells make the XR-400's I²L section compatible with standard TTL or 5V CMOS logic families.

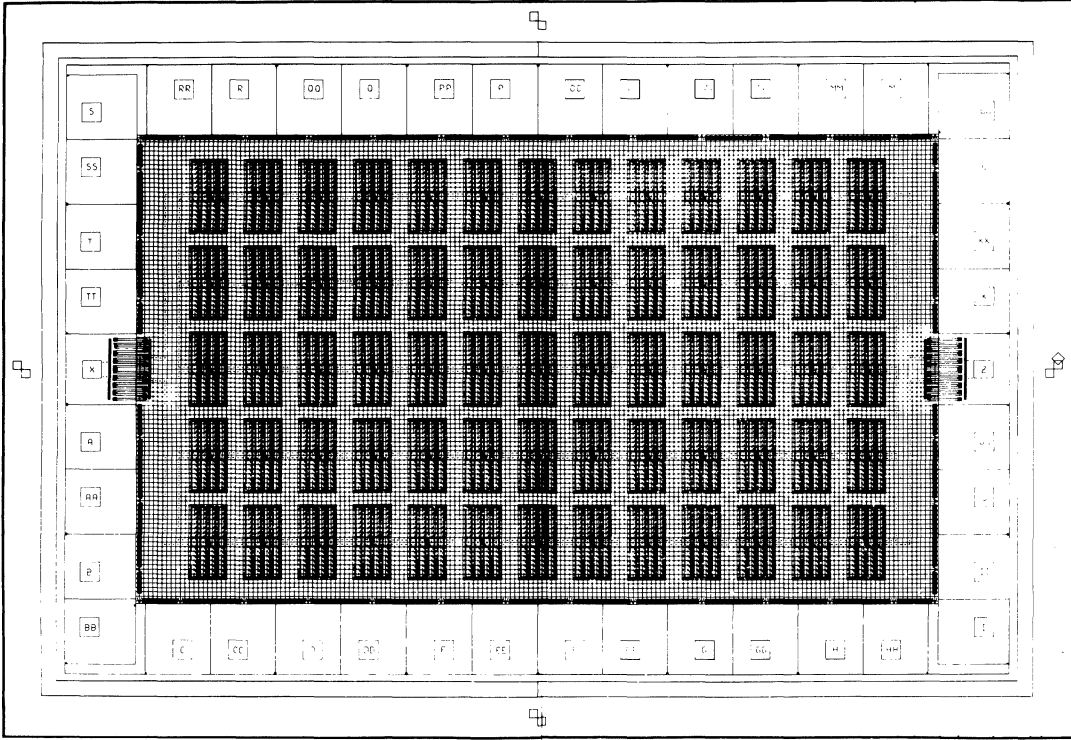


XR-400 I²L

XR-500 I²L Master-Chip™

Chip Size: 122 × 185 mils
5-Output I²L Gates: 520
Schottky-Bipolar I/O
Interfaces: 40
Bonding Pads: 42
Max. Operating Voltage: 7V

The XR-500 I²L Master-Chip™ is designed for applications which require high density logic on a single chip. The eight gate logic cells allow room for cross-unders between cells for increased layout efficiency. A generous number of I/O cells and bonding pads allows many connections between the on board logic and the outside world. The bipolar I/O interface cells make the XR-500 compatible with standard TTL or 5V CMOS logic families.

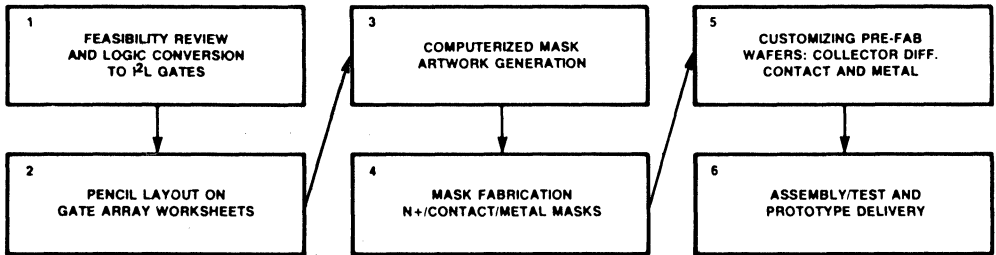


XR-500 I²L

I²L SEMI-CUSTOM DESIGN CYCLE

The digital semi-custom LSI design program using Exar's I²L Master-Chips is devised for maximum versatility and flexibility to suit varying customer needs and capabilities. The flow chart below gives the outline and sequence of six basic steps associated with a typical I²L semi-custom program.

In many cases, the first two steps indicated in the flow chart can be done by the customer, in consultation with Exar, using Exar's I²L Design Kit and the design instruction manual. Whenever possible, such an approach is recommended since it greatly reduces the development costs and turnaround time.



SIX BASIC STEPS OF SEMI-CUSTOM I²L LSI DEVELOPMENT

STEP 1: FEASIBILITY REVIEW AND LOGIC CONVERSION

Starting with the customer's logic diagram (preferably reduced to flip-flops and gates), the first step is a detailed review of the system requirements with regard to the overall gate count, I/O requirements, operating speeds, etc., to assure feasibility and to choose the most economical gate array. The next step is to convert the logic diagram into I²L gates. At this state a computer simulation of the logic diagram may also be performed, if deemed necessary.

STEP 2: PENCIL LAYOUT ON GATE ARRAY WORKSHEETS

Once the logic diagram is converted to I²L gates, the next step will be to make a pencil layout of the circuit on the appropriate array worksheet. This pencil layout is done on a blank worksheet where the gate input and output locations are shown as target dots. During the layout, the interconnections and underpasses between the gates are indicated by pencil lines and appropriate symbols. The bipolar I/O cells do not need to be internally interconnected. Since these cells are standardized, it is only necessary for the designer to specify if a particular I/O cell is to be used as an input or output.

STEP 3: COMPUTERIZED MASK ARTWORK GENERATION

Using a specially developed computerized mask generation technique, the three layers of necessary custom

IC tooling (n-type diffusion, contact window opening and metal interconnections) can be automatically generated by a single digitizing step from the pencil layout. This simultaneous and automated generation of the custom mask layers greatly reduces the tooling cost and turnaround time, and avoids mask errors.

STEP 4: MASK FABRICATION

The photographic tooling plates, or masks, are fabricated by a pattern generation technique from the digitized coordinate information stored in the computer.

STEP 5: CUSTOMIZING PREFABRICATED WAFERS

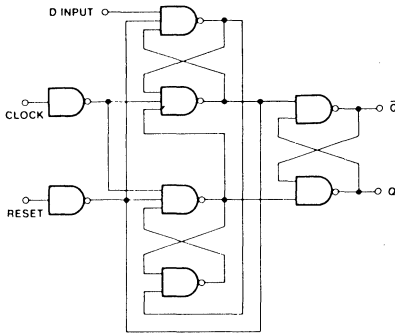
The prefabricated I²L wafers containing the p-type base diffusion and gate fingers are customized into completed monolithic LSI chips using the custom IC tooling generated in Steps 3 and 4.

STEP 6: ASSEMBLY/TEST AND PROTOTYPE DELIVERY

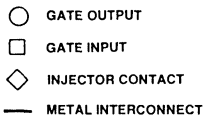
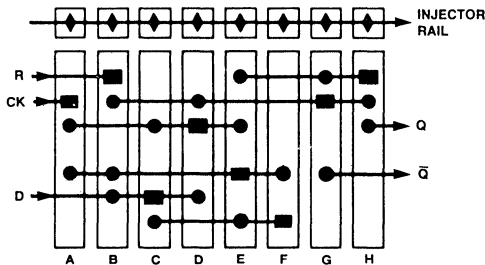
The completed monolithic chips are first evaluated on the finished IC wafer and later assembled, electrically tested and delivered as completed prototypes. The amount of electrical testing done on the initial prototypes depends on the customer's specific needs and requirements.

DESIGN EXAMPLE

The multiple output I^2L gates on the Exar Master-Chips are arranged in 8-gate or 16-gate cells. A complex logic array can be partitioned into subsections and each of these subsections can be laid out on one or more of these cells. The example below shows the layout of a D-type flip-flop on one of Exar's Master-Chips. The dark lines in the layout example correspond to the metal interconnection busses; the circles and squares indicate the respective gate outputs and inputs. As a part of the I^2L Design Kit, Exar supplies a complete Design Manual and special layout worksheets which enable the customer to do his own logic conversion and layout.



(a) NAND LOGIC DIAGRAM



(b) TYPICAL PENCIL LAYOUT ON MASTER CHIP WORKSHEET

I^2L Design Kit

Exar's I^2L Design Kit provides an ideal vehicle for the customer to familiarize himself with the fundamentals of I^2L logic. He can then proceed to do the design and

layout of his own semi-custom I^2L chip. This Design Kit contains the following:

- A set of 40 monolithic kit parts for process evaluation and critical circuit breadboarding.
- A comprehensive design manual which covers the fundamentals of I^2L logic and provides design and layout examples.
- A set of layout worksheets which lets the user prepare his own logic layout directly on the I^2L Master-Chip.
- A breadboard kit which includes a P.C. board, IC sockets, and an edge connector, as well as other hardware.

The monolithic kit parts which make up the I^2L Design Kit are comprised of basic logic building blocks such as gate arrays, latches and flip-flops, as well as bipolar input/output buffers. The kit parts allow the designer to characterize the I^2L circuit performance and optimize his design well in advance of performing the final circuit layout. In this manner, the problems and pitfalls normally encountered in converting a discrete logic system into a monolithic design are avoided. In addition, the kit also includes a special I^2L evaluation or test chip, the XR-C409. This test circuit contains frequency dividers and ring oscillators to evaluate the high frequency capabilities and the power speed tradeoffs of I^2L gates.

The I^2L Design Manual gives a comprehensive review of I^2L logic technology and describes the electrical characteristics of each type of component available on the Master-Chips. It also presents some of the anticipated parameter distributions and the worst case tolerances associated with each type of circuit component. In addition, the design manual also provides a library of I^2L equivalents of logic subblocks corresponding to popular logic functions such as decoders, flip-flops, counters and multiplexers, and gives layout examples which demonstrate the efficient use of layout worksheets.

ADDITIONAL KIT PARTS

The number of kit parts supplied as a part of the I^2L design kit are generally sufficient. However, if additional kit parts are required to complete your evaluation, these can be obtained either directly from Exar, or through your local Exar technical representative.

TECHNICAL ASSISTANCE

If any special or unusual circuit design or layout problems are encountered in the preparation of your semi-custom IC layout, Exar's technical staff will be glad to review your design problem and provide technical guidance. In many cases it is beneficial to call Exar for a preliminary discussion of your custom IC needs, even before you decide to buy a design kit.

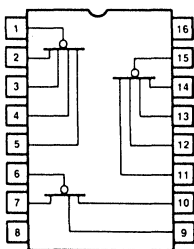
COMPONENTS INCLUDED IN I²L DESIGN KIT

Part Number	Description	Quantity
XR-C501	I ² L Triple Inverter Array	15
XR-C502	Quad NOR-Gate Array	4
XR-C503	Dual D-type Flip-Flop (unbuffered)	8
XR-C504	Dual D-type Flip-Flop with Bipolar I/O Buffers	2
XR-C505	Dual J-K Flip-Flop (unbuffered)	4
XR-C506	I ² L Compatible NPN Transistor Array	2
XR-C507	I ² L Evaluation Circuit	1
Total		40

When breadboarding with I²L kit parts included in the design kit, a word of caution is in order: The high frequency capabilities of I²L gates in the kit, which have buffered outputs, are to a large extent limited by the parasitic capacitances associated with the package or the external wiring on the circuit board. In the monolithic design, when the electrical connections are made internal to the chip and the outputs are buffered, these parasitic package capacitances do not present a problem. However, when breadboarding with I²L kit parts which have no buffered outputs, these package capacitances may limit the switching speeds obtainable at the kit part breadboard stage. For this reason it is recommended that logic verification breadboards be built with 74CXX or 74LXX logic. The buffered I²L kit parts are useful for circuit areas that are sensitive to the propagation delays and/or frequency limitations of the I²L process.

COMPONENTS IN I²L DESIGN KIT

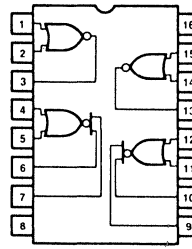
XR-C501 I²L INVERTER ARRAY



Pin 16 = Injector
Pin 8 = Ground

XR-C501 contains three multiple-output I²L inverters. These three gates each have independent inputs and outputs, however they share a common injector.

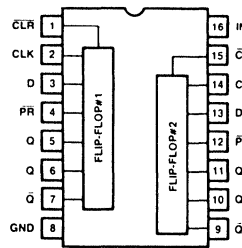
XR-C502 I²L NOR-GATE ARRAY



Pin 16 = Injector
Pin 8 = Ground

XR-C502 contains two single- and two dual-output I²L NOR gates. All four gates share a common injector.

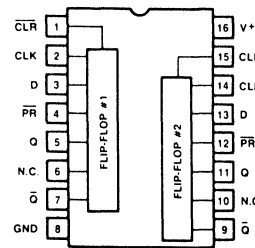
XR-C503 Dual "D" FLIP-FLOP



Pin 16 = Injector
Pin 8 = Ground

XR-C503 contains two independent D-type flip-flops. Both flip-flops share a common injector and trigger on positive-going edges. Both the inputs and outputs of each flip-flop unbuffered.

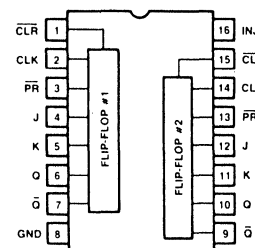
XR-C504 BUFFERED DUAL-D FLIP-FLOP



Pin 16 = V+
Pin 8 = Ground
Option

XR-C504 is a buffered version of the XR-C503 flip-flop array. Both flip-flops contain Schottky-bipolar input and output buffers (see page 26). The two flip-flops share a common injector which is internally connected to V⁺ = 5V, the I²L gates are biased at approximately 50 μA gate and are positive edge triggered.

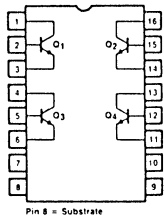
XR-C505 DUAL J-K FLIP-FLOP



Pin 16 = Injector
Pin 8 = Ground

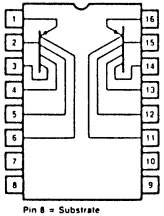
XR-C505 contains two independent J-K flip-flops which share a common injector. Both the inputs and outputs are comprised of unbuffered I²L gates. Both flip-flops are positive edge triggered.

XR-C506
I²L COMPATIBLE NPN TRANSISTOR ARRAY



XR-C506 contains four small signal NPN transistors. These are equivalent to the transistors available in the linear section of the XR-400 Master-Chip.

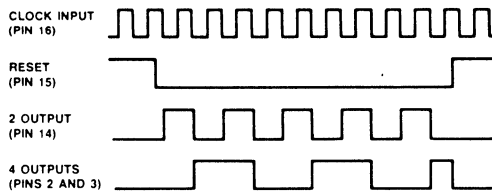
XR-C507
I²L COMPATIBLE PNP TRANSISTOR ARRAY



XR-C507 contains two four-collector lateral PNP transistors. These devices are equivalent to the PNP transistors available in the linear section of the XR-400 Master-Chip.

FREQUENCY DIVIDER SECTION

The frequency divider section of the XR-C409 test circuit are made up of two D-type flip-flops internally connected in the (2) mode. These frequency dividers are operated with serial clocking and parallel reset controls. The flip-flops operate on the negative transitions of the clock input and reset with a high logic state. When the circuit is reset, all the outputs go to a low state. The logic polarities and timing sequence of the circuit waveforms are shown in the following drawing.

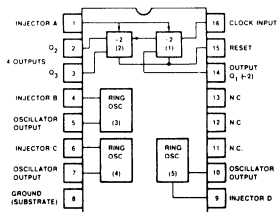


TIMING DIAGRAM FOR FREQUENCY DIVIDER SECTION

XR-C409 I²L EVALUATION CIRCUIT

The XR-C409 monolithic IC is a test circuit for evaluating the speed and performance capabilities of Exar's Integrated Injection Logic (I²L) technology. It is intended to familiarize the I²L user and the digital system designer with some of the performance features of I²L, such as its high frequency capability and power speed tradeoffs.

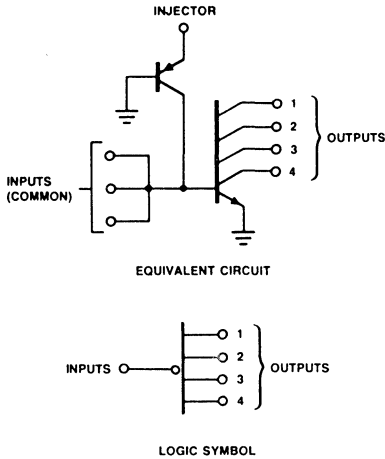
The XR-C409 I²L test circuit is comprised of five separate evaluation blocks as shown below. Blocks 1 and 2 are D-type flip-flops which are internally connected as frequency dividers. Each of these dividers provides buffered open collector outputs (Blocks 3, 4, and 5, etc.) to be used for measuring gate propagation delays at different injector current levels. The XR-C409 evaluation circuit is included as a part of Exar's I²L Design Kit.



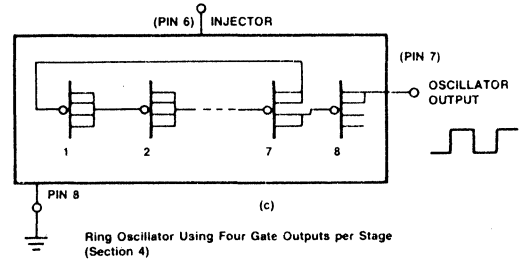
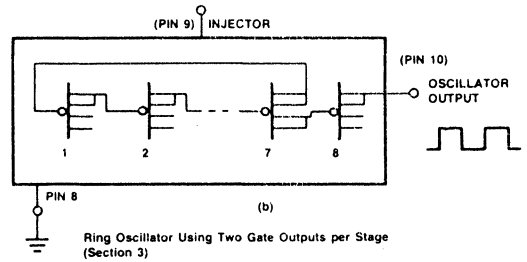
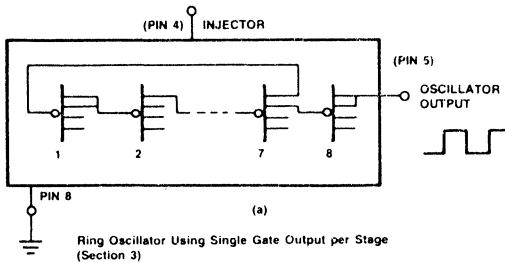
PACKAGE TERMINALS FOR XR-C409

RING OSCILLATOR SECTIONS

The ring oscillator sections of the XR-C409 test circuit are intended for the measurement of propagation delays associated with I^2L gates. Each of these oscillators is made up of a cascade of eight four-output I^2L gates. The basic gate operates as an inverter with a single input and four outputs.



FOUR-OUTPUT I^2L GATE



EQUIVALENT CIRCUITS OF THE 7-STAGE RING OSCILLATOR SECTION

Since the delay characteristics depend on the choice and number of gate outputs used, the test IC includes three separate ring oscillator sections. The ring oscillator below that corresponds to section (3) in the package diagram of the XR-C409, uses only one gate output per gate. The output used is the one closest to the injector with the remaining outputs left open circuited.

The ring oscillator that uses two gate outputs per stage, uses the two closest to the injector. The last ring oscillator has all four outputs shorted together.

All three oscillator sections of the XR-C409 have separate injectors but share a common ground (Pin 8). Each oscillator also has a separate output buffer stage.

ELECTRICAL CHARACTERISTICS OF i²L MASTER-CHIP™ COMPONENTS

i²L GATES (All Master-Chips)

PARAMETER	TYPICAL CHARACTERISTICS AT VARIOUS INJECTOR CURRENTS			
	$I_j = 100 \text{ nA}$	$I_j = 1 \text{ } \mu\text{A}$	$I_j = 10 \text{ } \mu\text{A}$	$I_j = 100 \text{ } \mu\text{A}$
Output Sink Current, I_O	300 nA	8 μA	80 μA	600 μA
Output Sat. Voltage, V_{OL}	3 mV	3 mV	4 mV	10 mV
Input Threshold	0.48 V	0.54 V	0.60 V	0.66 V
Power-Delay Product ($V^+ = 1\text{V}$)	0.6 pJ	0.6 pJ	1.0 pJ	3 pJ
Average Prop. Delay	6 μsec	0.6 μsec	100 nsec	50 nsec
Max. Toggle Freq. (D F/F)	6 kHz	60 kHz	400 kHz	2 MHz
Input OFF Current ($V_{IN} = 0$)	150 nA	1.5 μA	15 μA	130 μA
Output Breakdown Voltage (Unbuffered Output)	3 V	3 V	3 V	3 V

SMALL SIGNAL NPN TRANSISTORS (Linear Section of XR-400 Chip Only)

PARAMETER	TEST CONDITION	TYPICAL VALUES	SIGMA LIMIT	WORST CASE TOLERANCE
Current Gain (h_{FE})	$I_C = 1\text{mA}$, $V_{CE} = 5\text{V}$	200	—	80-800
Temp. Coefficient of h_{FE}	-55°C to +25°C	+0.5%/°C	—	—
Matching of h_{FE}	25°C to 125°C	+1%/°C	—	—
Breakdown Voltage	$I_C = 1 \text{ mA}$ LVCEO	7 V	±5%	±20%
Cutoff Frequency (f_T)	$I_C = 1 \text{ mA}$	500 MHz	—	6-10V
Saturation Resistance		50 Ω	—	30-100 Ω

LATERAL PNP TRANSISTORS (Linear Section of XR-400 Only)

PARAMETER	TEST CONDITION	TYPICAL VALUES	SIGMA LIMIT	WORST CASE TOLERANCE
Current Gain (h_{FE})	$I_C = 100 \text{ } \mu\text{A}$	10	—	5-20
(All collectors shorted)	$I_C = 10 \text{ } \mu\text{A}$	30	—	10-50
Temp. Coefficient of h_{FE}	$I_C = 10 \text{ } \mu\text{A}$	±0.1%/°C	—	—
Matching of h_{FE}	$I_C = 10 \text{ } \mu\text{A}$	±3%	±5%	—
Breakdown Voltage	LVCEO	25 V	—	15-30 V
Cutoff Frequency (f_T)	$I_C = 100 \text{ } \mu\text{A}$	5 MHz	—	—

2

CMOS SEMI-CUSTOM DESIGN

Exar's CM (CMOS Master-Chip) series of digital gate arrays is composed of four CMOS Master-Chips which range in size from approximately 100 to 525 gate equivalents. Each of the CM series Master-Chips is completely prefabricated as a standard product except for the final fabrication step of device interconnection. The metal interconnection pattern can be designed to connect the Master-Chip into a custom circuit designed specifically to meet your particular system requirements.

A CMOS semi-custom design can be approached in two ways. In one case, a customer may already have a working system on which it is necessary, for example, to reduce manufacturing costs by incorporating a CMOS Master-Chip to simplify a complex printed circuit board. The task in this case is to determine what portion, if not all, of this P.C. board can be incorporated into a Master-Chip. The partitioning of the system and the choice of which Master-Chip to use must be carefully considered with cost, packaging, versatility and testability in mind. Exar's Custom Applications department will be glad to assist a customer in his selection, or perform a design review of the system at no charge, and suggest Master-Chip and partitioning alternatives. This design review will include a quotation for development charges and production pricing of the Master-Chip, as well as an approximation of the development time that will be required to build prototypes.

In the second case, a design engineer may be in the process of designing a completely new system. In this case, the system can be designed in such a way that it can be easily partitioned into one or more Master-Chips. Once again, Exar's Custom Applications department will be happy to provide assistance in selecting the appropriate Master-Chip along with price and delivery information.

Breadboards that are built to functionally test the logic intended for a CMOS Master-Chip should be constructed with SSI and MSI packages from one of the popular logic families such as 74LXX, 74CXX or 4XXX. These logic families are recommended for breadboarding due to their standard nature as well as their universal availability. After the logic is functionally proven, either on paper or via a breadboard, the MSI logic must be converted to gate level logic so that it can be laid out on the

chosen Master-Chip. At this time, logic simulation programs can be run on the resulting gate level logic to check for correct logic, race conditions or other possible problems. After this phase of the program is completed, the logic is ready to be laid out.

Exar has a CMOS Master-Chip Design Kit available which includes a comprehensive design manual, a P.C. board and associated hardware for use in building a prototype breadboard, layout sheets for all of the CMOS Master-Chips and stick-on overlays for frequently used logic functions. The design manual will be extremely useful in converting SSI and MSI logic to gate level logic. The manual also gives detailed specifications on the performance of the CMOS cells.

As with all of our other custom programs, Exar is available to help the customer. Through our design kit, we can give the customer the option of designing and laying out his own semi-custom LSI chip. If the customer desires, Exar can do the design, from black box specifications, including the breadboard and logic simulation as well as the layout, for a nominal fee. We at Exar stand ready to help our customers and we can provide as little or as much service as our customers require.

FEATURES OF CMOS TECHNOLOGY

Exar's metal gate CMOS Master-Chips offer most of the features of I^2L , plus some additional ones. The CMOS Master-Chips permit highly complex logic circuitry to be implemented on a semi-custom gate array with only one customizing layer; the metalization. Although the minimum operating voltage for the CMOS array is 3V, as opposed to approximately 1V for I^2L , the CMOS can function at a supply voltage of 15V. For circuitry that is mostly in a static condition (not continuously switching) CMOS circuitry will draw less supply current than I^2L .

The CMOS Master-Chips can interface with both 5V and 15V logic families when they are powered by the appropriate power supply. The CM series Master-Chips have an upper frequency limit that is approximately 3 times greater than that for the I^2L Master-Chips. Of course, Exar's CM series CMOS Master-Chips offer Exar's usual high reliability and high quality, plus offering all of the cost and space saving features of Exar's other semi-custom Master-Chips.

CMOS SEMI-CUSTOM DESIGN CYCLE

Your very first step, at the start of the CMOS semi-custom program, should be to contact Exar for a preliminary analysis and discussion of your needs. This can be done even while the program is still at the thought stage. This initial review by Exar is performed at no cost to the customer. Yet, it is essential to the success of the program since it avoids any possible design pitfalls or misunderstandings. This early interaction also allows you to find out some of the options or variations available in Exar's semi-custom programs and choose the one which is best suited to your needs.

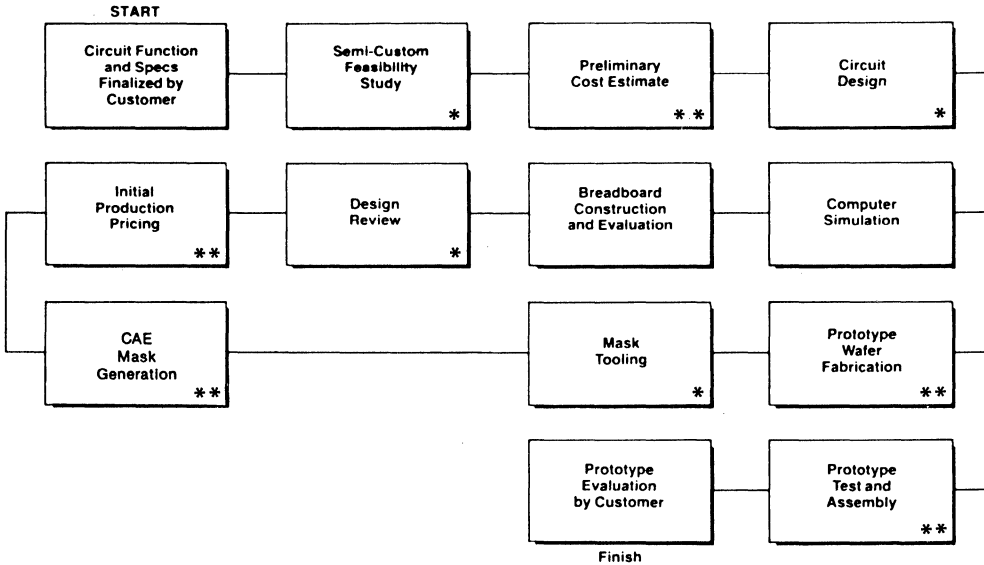
The following is a typical check list of items and information which is required by Exar's technical staff to provide you with an accurate feasibility study of your project along with a budgetary estimate of the development costs, timetables and production pricing.

- A block diagram of circuit function and input/output interface requirements.

- Production quantity requirements.
- Desired development and production timetables.
- An indication of how much of the breadboarding, layout, etc., can be done by you, the customer, using Exar's Design Kits.
- Packaging requirements.
- Desired level of screening.

Once the above data package is submitted to Exar, we would review it and respond to you with a feasibility assessment, budgetary cost and price estimate for your semi-custom program, within a few days after the receipt of the above information package.

The figure below illustrates the flow of a CMOS semi-custom program. Either Exar or the customer can enter the program at any step, up to the prototype wafer fabrication. Exar will provide as much or as little service as the customer requires, and will help with the design and layout.



* If these steps are not done by Exar they should be done in consultation with Exar.

** These steps must be done by Exar.

EXAR CM SERIES CMOS MASTER-CHIP™ ELECTRICAL CHARACTERISTICS

ABSOLUTE MAXIMUM RATINGS

Operating Temperature	-55°C to +125°C
Storage Temperature	-55°C to 150°C
V _{DD} (Operating Power Supply Range)	+3.0 to 15.0 Vdc ±10%
DC Input Voltage (any pin to V _{SS})	-0.3 to V _{DD} + 0.5 Vdc

DC ELECTRICAL CHARACTERISTICS T_A 25°C

SYMBOL	PARAMETERS	CONDITIONS	MIN	TYP	MAX	UNITS	
V _{CL}	Output Low Level	V _{DD} = 5.0V	—	0	0.1	V	
		V _{DD} = 10.0V	—	0	0.1	V	
		V _{DD} = 15.0V	—	0	0.1	V	
V _{OH}	Output High Level	V _{DD} = 5.0V	4.95	5.0	—	V	
		V _{DD} = 10.0V	9.95	10.0	—	V	
		V _{DD} = 15.0V	14.95	15.0	—	V	
V _{NL}	Noise Voltage Output Low	V _{DD} = 5.0V V _{DD} = 10.0V V _{DD} = 15.0V	1.5 3.9 4.5	2.25 4.50 6.75	— — —	V V V	
							V _{OUT} ≥ 3.5V
							V _{OUT} ≥ 7.0V
V _{NH}	Noise Voltage Output High	V _{DD} = 5.0V V _{DD} = 10.0V V _{DD} = 15.0V	1.5 3.0 4.5	2.25 4.50 6.75	— — —	V V V	
							V _{OUT} ≤ 1.5V
							V _{OUT} ≤ 3.0V
	V _{OUT} ≤ 4.5V						

AC CHARACTERISTICS: T_A 25°C

SYMBOL	PARAMETER	CONDITIONS	TYP	UNITS
t _{pd}	Average Propagation Delay	Inverter with fan-out = 2		
		V _{DD} = 5.0	21	ns
		V _{DD} = 10.0	11	ns
		V _{DD} = 15.0	8	ns
f _t	Toggle Frequency	V _{DD} = 5.0	2.5	MHz
		V _{DD} = 10.0	5.0	MHz
		V _{DD} = 15.0	8.0	MHz

DESIGNING WITH CMOS MASTER-CHIPS

Exar offers four CMOS Master-Chips™ the features of which are outlined in the table below. Since Exar fabricates its own wafers we can also offer full custom circuits.

CMOS MASTER-CHIPS

Master Chip	Array Cells	I/O Cells	D-Type Flip-Flops	Die Size (Mils)	Maximum Pins	Voltage
XR-CMA	112 In 8 rows of 14 each	29 15 which can be connected as three state outputs	—	112 × 124	32	3-15
XR-CMB	162 in 9 rows of 18 each	34 16 which can be connected as three state outputs	—	136 × 136	38	3-15
XR-CMC	216 in 12 rows of 18 each	40 22 which can be connected as three state outputs	—	136 × 174	44	3-15
XR-CMD	224 in 8 rows of 24 each and 4 rows of 8 each	46 30 which can be connected as three state outputs	32 in 4 rows of 8 each	175 × 175	50	3-15

EXAR CMOS MASTER-CHIPS™

The following section profiles the available Exar CMOS Master-Chips™. The brief description of each Master-Chip™ includes a small layout sheet of the chip indicating component locations, a brief outline of the key features of the chip, and applications for which it is well suited. Also included is a tabulation of the type and number of components each chip contains.

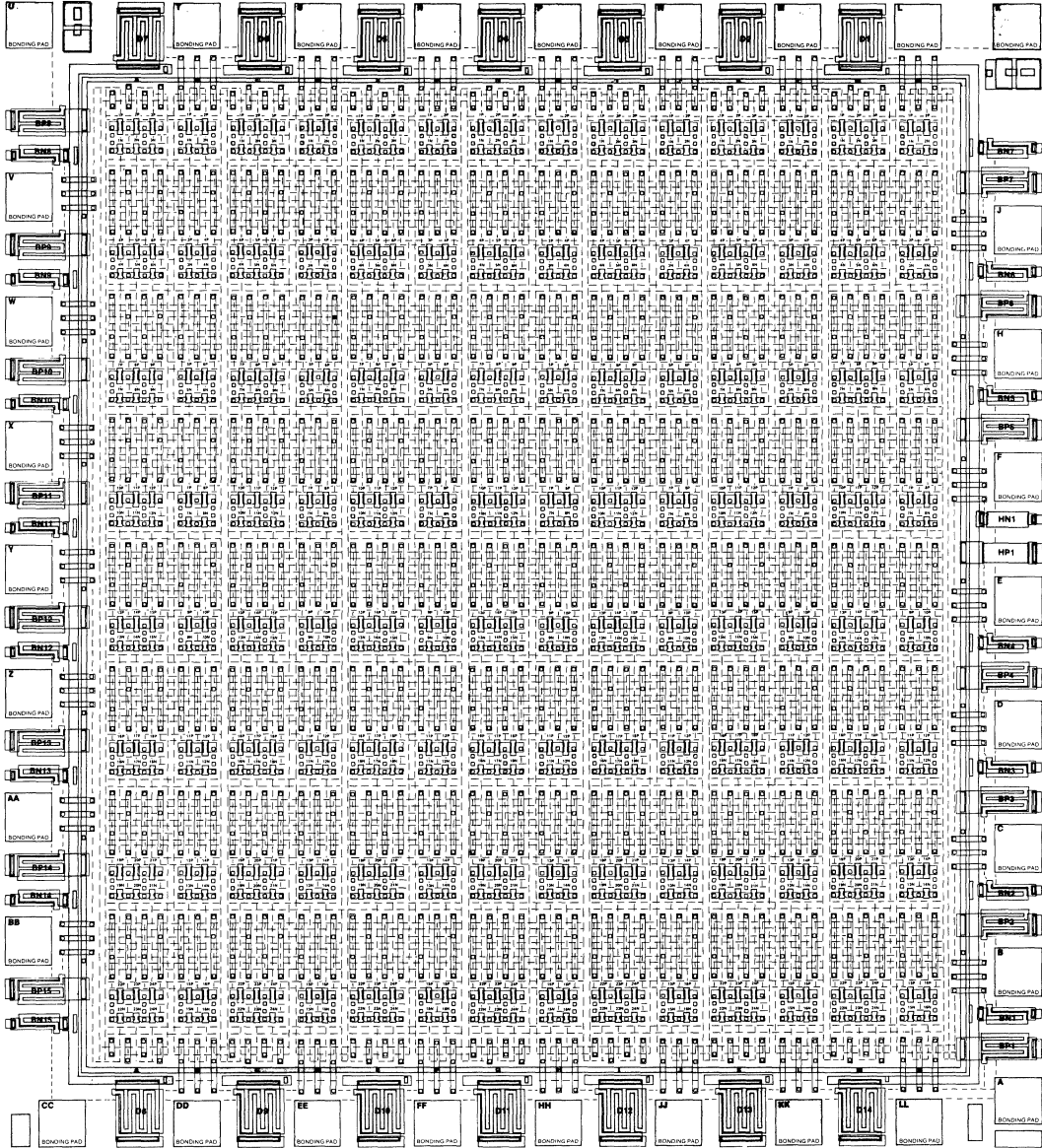
XR-CMA CMOS Master-Chip™

Chip Size: 112 × 124 mills
 Array Cells: 112
 I/O Cells:

Bonding Pads: 32
 Operating Voltage
 Range: 3-15V

The XR-CMA metal gate CMOS Master-Chip™ is designed for applications that require medium complexity logic on a single chip. The XR-CMA outputs can be made compatible with 5V logic families as well as 15V CMOS logic families depending upon device power supply voltage.

29 (15 can be connected as three state outputs)



XR-CMA

P - P CHANNEL
 N - N CHANNEL

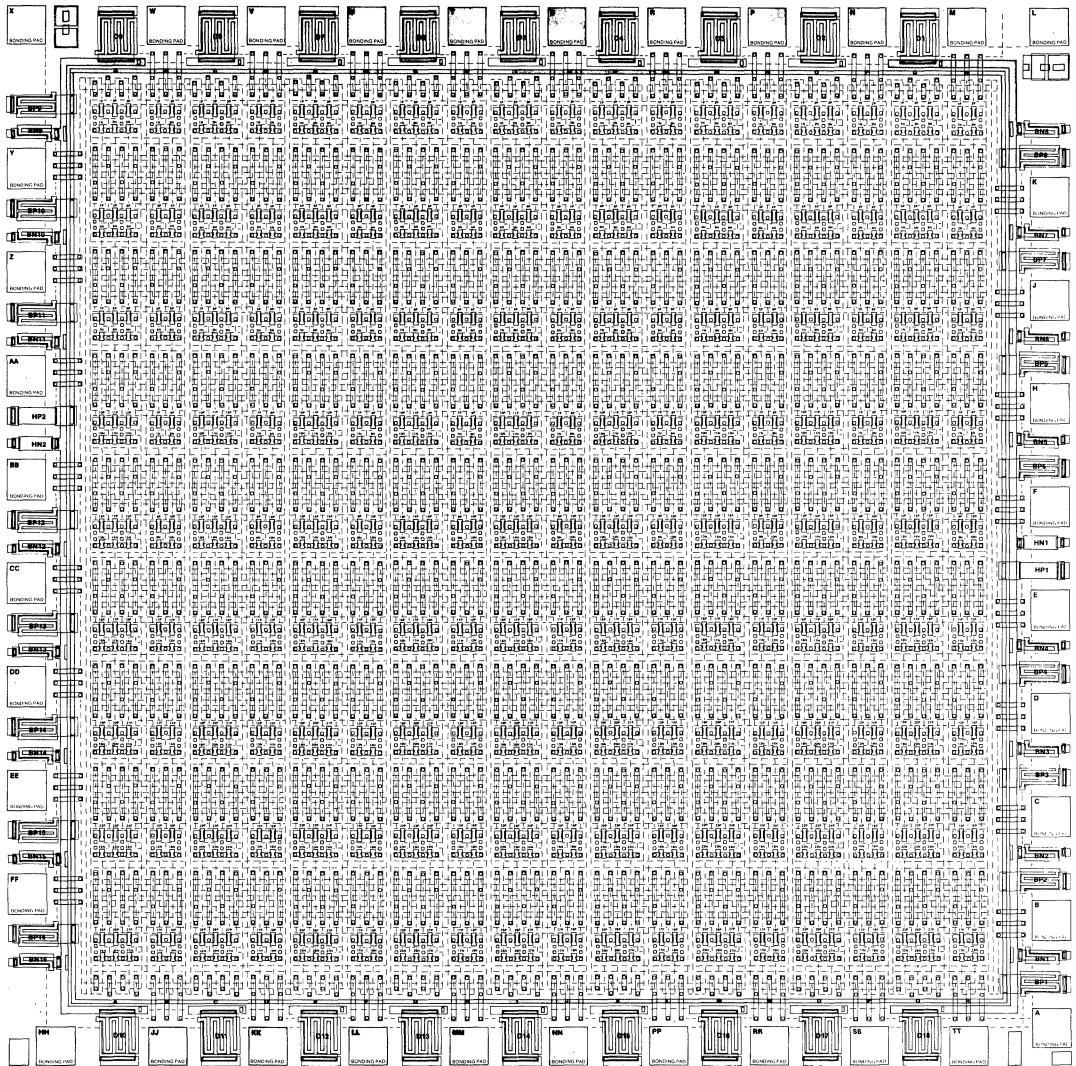
XR-CMB CMOS Master-Chip™

Chip Size: 136 × 136 mils
Array Cells: 162
I/O Cells:

34 (16 can be connected as three state outputs)

Bonding Pads: 38
Operating Voltage Range: 3-15V

The XR-CMB metal gate CMOS Master-Chip™ is designed for applications requiring a slightly larger capacity than that of the XR-CMB. The XR-CMB outputs can be made compatible with 5V or 15V logic families by choosing the appropriate power supply voltage.



XR-CMB

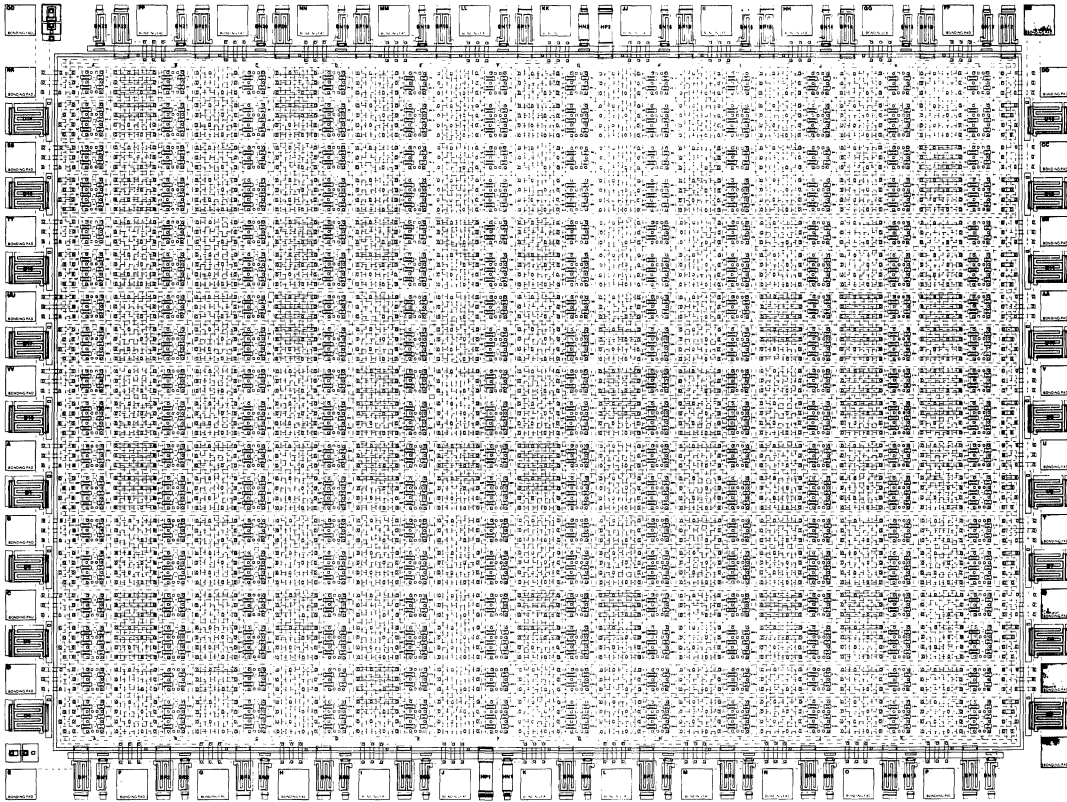
P P CHANNEL
N N CHANNEL

XR-CMC CMOS Master-Chip™

Chip Size: 136 × 174 mils
Array Cells: 216
I/O Cells:
40 (22 can be
connected as three
state outputs)

Bonding Pads: 44
Operating Voltage
Range: 3-15V

The XR-CMA metal gate CMOS Master-Chip™ is designed for applications that require highly complex logic to be placed on a single chip. The large number of I/O cells and bonding pads make the XR-CMC ideal for applications with a large number of inputs and outputs. The XR-CMC outputs can be made compatible with 5V or 15V logic families by choosing the appropriate power supply voltage.



XR-CMC

2

XR-CMD CMOS Master-Chip™

Chip Size: 175 × 175 mils

Array Cells:
224 and 32 "D"

Flip-Flops

I/O Cells:

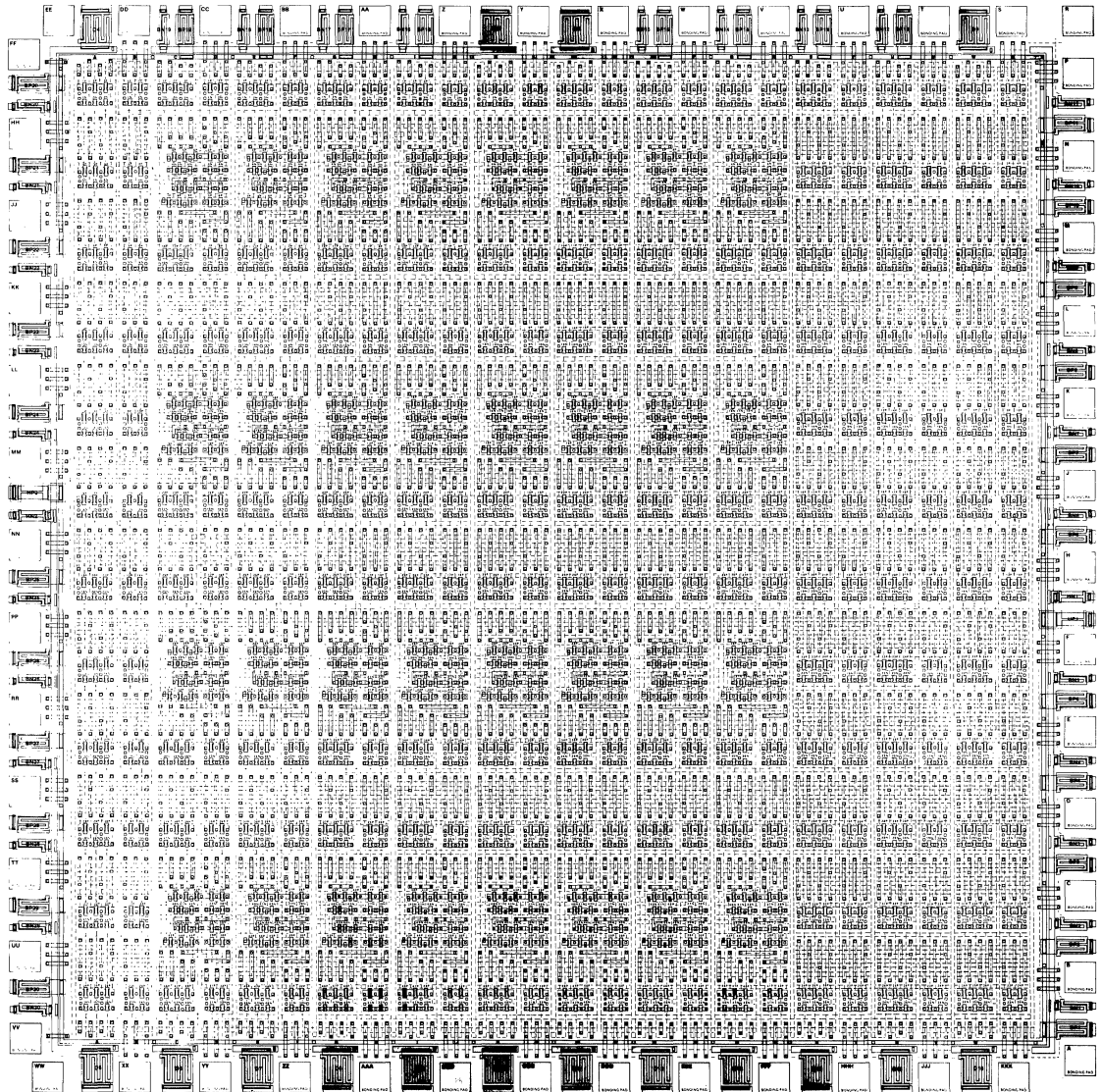
46 (30 can be
connected as three
state outputs)

Bonding Pads: 50

Operating Voltage

Range: 3-15V

The XR-CMD metal gate CMOS Master-Chip™ is designed for applications that require highly complex logic including numerous flip-flops. Circuits with large sequential counts or long divider chains for small data storage registers are ideal for the XR-CMD. The XR-CMD has a large number of bonding pads and I/O cells to accommodate many inputs and outputs. The XR-CMD outputs can be made compatible with 5V or 15V logic families by choosing the appropriate power supply voltage.



XR-CMD

Application Notes

APPLICATION NOTES

Applications Guide	3-2
AN-01, Stable FSK Modems featuring the XR-2207, XR-2206 and XR-2211	3-7
AN-02, XR-C240 Monolithic PCM Repeater	3-13
AN-03, Active Filter Design with IC Op Amps	3-20
AN-04, XR-C277 Low-Voltage PCM Repeater IC	3-28
AN-05, Three-Stage FSK Modem Design using XR-2207 and XR-2211	3-35
AN-06, Precision PLL System using the XR-2207 and the XR-2208	3-41
AN-07, Single-Chip Frequency Synthesizer Employing the XR-2240	3-45
AN-08, Dual Tone Decoding with XR-567 and XR-2567	3-47
AN-09, Sinusoidal Output from XR-215 Monolithic PLL Circuit	3-50
AN-10, XR-C262 High-Performance PCM Repeater IC	3-53
AN-11, A Universal Sine Wave Converter using the XR-2208 and the XR-2111	3-61
AN-12, Designing High-Frequency Phase-Locked Loop Carrier-Detector Circuits	3-65
AN-13, Frequency-Selective AM Detection using Monolithic Phase-Locked Loops	3-68
AN-14, High-Quality Function Generator System with the XR-2206	3-72
AN-15, An Electric Music Synthesizer using the XR-2207 and the XR-2240	3-76
AN-16, Semi-Custom LSI Design with I ² L Gate Arrays	3-78
AN-17, XR-C409 Monolithic I ² L Test Circuit	3-84
AN-18, Designing Wide-Tracking Phase-Locked Loop Systems	3-88
AN-19, Clock Recovery System	3-92
AN-20, Building a Complete FSK Modem using XR-2211 and XR-2206	3-95
AN-21, Precision Narrow-Band Tone Detector	3-98
AN-22, XR-210/XR-215/XR-S200 Phase-Locked Loops	3-101
AN-23, High-Performance Frequency-to-Voltage Converter using the XR-2211	3-111
AN-24, Digitally Programmable Phase-Locked Loop	3-113
AN-25, Full-Duplex 1200 BPS/300 BPS Modem System	3-116
AN-26, High-Speed FSK Modem Design	3-119
AN-27, High-Frequency TTL Compatible Output from the XR-215 Monolithic PLL Circuits	3-125
AN-28, XR-212AS Modem System	3-128

Applications Guide

Exar's line of monolithic IC products cover a wide range of applications. This *Applications Guide* is intended as a brief selection guide for the IC user, to assist him in finding the Exar product most suited to his application.

The application categories, or classes, are listed in alphabetical order, dictionary style, to allow the user to locate the product he needs at a glance. In certain applications, two of Exar's products used in combination may be necessary to perform the complete function. In such a case, these products are grouped together as a pair. For example, to make a complete FSK modem may require the XR-2206 Modulator and the XR-2211 Decoder. Thus, in the Applications Guide shown below, both of these products will be grouped under the Modem category as XR-2206/XR-2211.

In many of the applications, more than one product type is recommended. In such cases, the user can choose the device best suited to his specific application by either consulting with Exar's Applications department, or by reviewing the electrical specifications of the individual devices involved.

*ADVANCED INFORMATION

A	
Active Filters	XR-084, XR-094, XR-096, XR-346, XR-3403, XR-4202
Acoustical Couplers (See Modems)	XR-2206, XR-2207, XR-2211
A/D Conversion (Pulse Counting Type)	XR-2240
Amplitude Detection	
Phase-Locked AM Detection	XR-215/XR-2228, XR-2212/XR-2228
Synchronous AM Detection	XR-S200, XR-2208, XR-2228
Amplitude Level Detection	XR-2276, XR-2277, XR-2278, XR-2279
Amplitude Modulated Oscillator	XR-205, XR-2206
Crystal Controlled AM Oscillator	XR-S200, XR-205
Amplitude Modulation	XR-2206, XR-2208, XR-2228, XR-13600
Analogue Computation	
Analog Multiplication/Division	XR-2208, XR-2228
Analog Square/Square-Root Operation	XR-2208
Analog-To-Frequency Conversion	XR-2209, XR-4151
Analog Sample-Hold	XR-13600/XR-082
Analog Semi-Custom Design (Master Chips)	XR-A100, XR-B100, XR-C100, XR-D100, XR-F100, XR-G100, XR-X100
Appliance Timing	XR-555, XR-556, XR-558, XR-559, XR-2240, XR-2242, XR-2243
Audio Amplifier/Preamp	XR-5532, XR-5534
Audio Level Detector	XR-2276, XR-2279
Automatic Gain Control (AGC)	XR-2208, XR-2216, XR-2228, XR-13600

B	
Bar-Graph Display	XR-2276, XR-2277, XR-2278, XR-2279
Battery Charger Timing	XR-2242, XR-2243
Battery Operated Instruments (Low-Power)	
Timing	XR-L555, XR-L556, XR-2243
Tone Detection	XR-L567
Bit-Pattern Generation	XR-2240

C	
Carrier Detection (See AM and Tone Detection)	
High-Frequency (> 1 MHz)	XR-215/XR-2228
Low-Frequency (< 1 MHz)	XR-567A, XR-2211, XR-L567
Low-Power	XR-L567
Carrier-Tone Transceiver	XR-2567
Clock Generation (See Oscillators)	
Low-Frequency (< 1 MHz)	XR-555, XR-2209, XR-2242
Low-Power	XR-L555, XR-L556, XR-2243
High-Frequency	XR-205
Phase Locked	XR-215, XR-2212, XR-2213
Clock Extraction	
Phase Locked	XR-210, XR-215, XR-2212, XR-2213
PCM Signal Clock	XR-C262, XR-C277
Clock Pattern Generation	XR-2240
Clock Synchronization	
High-Frequency (> 1 MHz)	XR-210, XR-215
Low-Frequency (< 1 MHz)	XR-2212, XR-2213
Commandor (Speech/Data)	XR-2216
Current-to-Frequency Converter	XR-2206, XR-2207, XR-2209
Current Drive	XR-2247, XR-2247A

D	
Darlington Arrays (High-Current, High-Voltage)	XR-2200, XR-2201, XR-2202, XR-2203, XR-2204, XR-2001, XR-2002, XR-2003, XR-2004, XR-2011, XR-2012, XR-2013, XR-2014
Data Synchronization	
High-Frequency (> 1 MHz)	XR-210, XR-215
Low-Frequency (< 1 MHz)	XR-2212, XR-2213
DC/DC Converter (See Switching Regulators)	XR-1524, XR-2524, XR-3524, XR-1525A, XR-1527A, XR-2525A, XR-3525A, XR-2527A, XR-3527A

Detector	
FM	XR-215, XR-2122
FSK	XR-210, XR-2211, XR-14412, XR-2122
Tone	XR-567, XR-L567, XR-2211, XR-2567,
PSK	XR-2122, XR-2123
Amplitude Level	XR-2276, XR-2279
Amplitude Modulation	XR-2208
Differential Multiplier	XR-2228
Digital Sample/Hold	XR-2240
Digital Semi-Custom Design (I ² L, CMOS Gate Arrays)	
Complete Digital Design (I ² L)	XR-200, XR-300, XR-500
Complete Digital Design (CMOS)	CMA, CMB, CMC, CMD
Combined Analog/Digital Design	XR-400
Display Driver	
Fluorescent	XR-2271, XR-2272, XR-6118, XR-6128
Bar-Graph	XR-2276, XR-2277, XR-2278, XR-2279
Plasma Displays	XR-2284, XR-2288
Division (Analog)	XR-2208
Division (Frequency)	XR-2240
Dual Operational Amplifiers	
Dual-741 Type	XR-1458, XR-4558, XR-4739
Low-Noise	XR-5532, XR-5533
Bipolar FET	XR-082, XR-083
Transconductance	XR-13600
Dual Oscillator	XR-556, XR-2556, XR-2567
Low-Power	XR-L556
Dual Tone Detector	XR-2567

E

Electronic Gain Control	XR-2208, XR-2216, XR-2228, XR-13600
Expander (Speech/Data)	XR-2216

F

Filters	
Active Filters	XR-084, XR-094, XR-346, XR-3403, XR-4202
Tracking Filters (Phase Locked)	XR-S200, XR-215, XR-2212
Switched Capacitor	XR-2120, XR-2103
Floppy Disk	
Read Amplifier	XR-3470A, XR-3470B
Write Amplifier	XR-2247, XR-2247A
Fluorescent Display Driver	
Medium Voltage ($\leq 50V$)	XR-2271, XR-2272
High-Voltage ($> 50V$)	XR-6118, XR-6128
Bar-Graph Display	XR-2276, XR-2277, XR-2278, XR-2279
Frequency Detection (See Tone Detection)	
High-Frequency (> 1 MHz)	XR-215/XR-2228
Low-Frequency (< 1 MHz)	XR-567, XR-2211, XR-2213
Multiple Frequency	XR-2567
Frequency Discriminator (See F/V Converter)	

High-Frequency (> 1 MHz)	XR-215
Low-Frequency (< 1 MHz)	XR-2212, XR-4151, XR-2213
Frequency Division	XR-320, XR-555, XR-2240, XR-2242, XR-2243
Frequency Doubling	XR-2208, XR-2228
FM Detection	
High-Frequency (> 1 MHz)	XR-215
Low-Frequency (< 1 MHz)	XR-215, XR-2212, XR-2213
FM Generation	
High-Frequency (> 1 MHz)	XR-S200, XR-205
Low-Frequency (< 1 MHz)	XR-2206, XR-2207, XR-2209, XR-8038
Frequency Multiplication (Synthesis)	
High-Frequency (> 1 MHz)	XR-S200, XR-215
Low-Frequency (< 1 MHz)	XR-2212, XR-2213
Frequency Translation	
High-Frequency (> 1 MHz)	XR-215/XR-2228
Low-Frequency (< 1 MHz)	XR-2212/XR-2228
Frequency/Voltage (F/V) Converter	
Wideband	XR-4151
Narrow-Band	XR-2212, XR-2213
FSK Detection (Decoding)	
High-Frequency (> 1 MHz)	XR-210
Low-Frequency (< 1 MHz)	XR-2211, XR-14412,
FSK Generation (Encoding)	
High-Frequency (> 1 MHz)	XR-210
Low-Frequency (< 1 MHz)	XR-2206, XR-2207, XR-14412, XR-2121
Sinusoidal Output	XR-2206, XR-14412, XR-2121
Multiple Frequency Levels	XR-2207
FSK Modem (Modulator/ Demodulator)	XR-2211/XR-2206 XR-2211/XR-2207, XR-14412, XR-2121/XR-2122

G

Gate Arrays (See Digital Semi-Custom)	XR-200, XR-300, XR-400, XR-500 CMA, CMB, CMC, CMD
Generator (See Function Generators)	XR-205, XR-2206, XR-8038
Ground-Sensing Op Amps	XR-3403
Gyrator Design	XR-094, XR-346, XR-3403, XR-4202, XR-13600

H

Hammer Driver (See High- Current Drivers)	XR-2200, XR-2201, XR-2202, XR-2203, XR-2204
High-Voltage Driver	XR-6118, XR-6128, XR-2284, XR-2288

I

Indicator, Amplitude (See AM Detector, Level Detector)	XR-2208, XR-2228, XR-2276, XR-2279
---	---------------------------------------

Pulse Blanking	XR-556, XR-2556
Pulse-Code Modulation (PCM) Regenerator	XR-C240, XR-C262, XR-C277
Pulse Counting	XR-2240
Pulse Generation	XR-320, XR-555, XR-L555, XR-556
Pulse-Position Modulation (PPM)	XR-320
Pulse-Proportioned Servo Controller	XR-2264, XR-2265, XR-2266
Pulse Shaping	XR-555, XR-556, XR-558, XR-559
Pulse Stretching	XR-320, XR-555, XR-556
Pulse-Width Modulation (PWM)	XR-320, XR-555
Pulse-Width Modulating Regulator	XR-1524, XR-2524, XR-3524, XR-1525A, XR-2525A, XR-3525A, XR-1527A, XR-2527A, XR-3527A

Q

Quadrature AM Detector	XR-2208, XR-2228
Quadrature-Output Oscillator	XR-2212

R

Radio-Controlled Servo Driver	XR-2264, XR-2265, XR-2266
Radio-FM I.F. Demodulation -AM I.F. Detection	XR-215, XR-2228
Relay Driver (See Hammer Driver)	XR-2200, XR-2201, XR-2202, XR-2203, XR-2204
Remote-Control Timer/Sequencer	XR-L555, XR-L556, XR-2240
Remote-Control Transceiver	XR-567A, XR-L567, XR-2567
Reset Controller (See Power-On Reset)	XR-L555, XR-L556

S

Sample/Hold (See Bipolar FET Op Amps)	XR-082, XR-084
Saw-Tooth Generator	XR-320, XR-2207
Semi-Custom Design	XR-A100, XR-B100, XR-C100, XR-D100, XR-E100, XR-F100, XR-G100, XR-H100, XR-L100, XR-M100, XR-U100, XR-V100, XR-W100, XR-X100
Digital (I ² L) Master-Chips	XR-200, XR-300, XR-400, XR-500
Digital (CMOS) Master-Chips	CMA, CMB, CMC, CMD
Sequential Timing	XR-566, XR-L566, XR-588, XR-559
Sequential Tone Decoding	XR-567A, XR-L567, XR-2567
Servo Controller/Driver	XR-2264, XR-2266
Signal Conditioning	
High-Frequency (> 1 MHz)	XR-S200, XR-215, XR-2212

Low-Frequency (< 1 MHz)	XR-2212, XR-2213
Simultaneous AM/FM Detection	XR-215/XR-2228, XR-2212/XR-2228
Simultaneous AM/FM Generation	XR-205, XR-2206
Sine Wave Converter	XR-2212/XR-2228
Sine Wave Generator	XR-205, XR-2206, XR-8038, XR-8038A
Solenoid Driver (See Relay Driver)	XR-2200, XR-2201, XR-2202, XR-2203, XR-2204
Speech Compressor	XR-2216
Square-Root Extraction	XR-2208
Squaring (Analog)	XR-2208, XR-2228
Stable PLL	XR-2211, XR-2212
Stereo Demodulator (Decoder)	XR-1310
Suppressed Carrier AM Generator	XR-205, XR-2206, XR-2208, XR-2228
Sweep Generation (See Saw-Tooth Generation)	XR-320, XR-2207
Switching Regulators	XR-1524, XR-2524, XR-3524, XR-1525A, XR-2525A, XR-3525A, XR-1527A, XR-2527A, XR-3527A, XR-2230, XR-494, XR-495
Synchronization (Clock Frequency)	XR-215, XR-2212
Synchronous AM Detection	XR-215/XR-2228, XR-2212/XR-2228

T

Telecommunication Circuits	
PCM Repeater (T1-type)	XR-C240, XR-C262, XR-C277
Speech Compressor	XR-2216
Tone Decoder (PLL-type)	XR-567, XR-L567, XR-2211, XR-2567
Tone Encoder	XR-2206, XR-2207
Timing Circuits (Timers)	
General Purpose Timers - Single	XR-320, XR-555
General Purpose Timers - Dual	XR-556, XR-2556
General Purpose Timers - Quad	XR-558, XR-559
Low-Power Timers	XR-L555, XR-L556, XR-2243
Long Delay Timer	XR-2242, XR-2243
Programmable Timer	XR-2240
Tone Decoder (PLL-type)	
General Purpose - Single	XR-567A
General Purpose - Dual	XR-2567
Precision	XR-2211, XR-2213
Low-Power	XR-L567
Tone Encoder	XR-2206, XR-2207
Tracking Filter	
High-Frequency (> 1 MHz)	XR-S200, XR-215
Low-Frequency (< 1 MHz)	XR-2212, XR-2213
Tracking Regulator	XR-1468, XR-4194, XR-4195
Transceiver (Wireless Intercom)	XR-2567
Triangle-to-Sine Wave Converter	XR-2208, XR-2228
Triangle Wave Oscillator	XR-2206, XR-2207, XR-2209, XR-8038
TV Sound Detection	XR-215

U

Ultra Low-Frequency Oscillator	XR-2242, XR-2243
Ultrasonic Remote Control	XR-567, XR-2211, XR-2567
Universal Sine Wave Converter	XR-2212/XR-2228



V

Voltage-Controlled Amplifier	XR-2208, XR-2228, XR-13600
Voltage-Controlled Oscillator (VCO)	
High-Frequency (> 1 MHz)	XR-S200, XR-205
Low-Frequency (< 1 MHz)	XR-2206, XR-2207, XR-2209, XR-8038A
Ultra-Stable	XR-2206, XR-2207, XR-2209
Sinusoidal Output	XR-2206, XR-8038, XR-8038A
Wide Linear Sweep	XR-2207, XR-2209
Voltage-to-Current Conversion	XR-13600

Voltage-to-Frequency (V/F)
Conversion

XR-2209, XR-4151

W

Waveform Generator (See Oscillators)	
High-Frequency (> 1 MHz)	XR-205
Low-Frequency (< 1 MHz)	XR-2206, XR-2209, XR-8038, XR-8038A
Waveform Shaping/Modulation	XR-2208, XR-2228
Wideband Discriminator (FM)	
High-Frequency (> 1 MHz)	XR-S200, XR-215
Low-Frequency (< 1 MHz)	XR-2212, XR-4151
Wireless Intercom	XR-215, XR-567A, XR-2212

Stable FSK Modems featuring the XR-2207, XR-2206 and XR-2211

INTRODUCTION

Frequency-shift keying (FSK) is the most commonly used method for transmitting digital data over telecommunications links. In order to use FSK, a modulator/demodulator (modem) is needed to translate digital 1's and 0's into their respective frequencies and back again. This application note describes the design of a modem using state-of-the-art Exar devices specifically intended for modem application.

The devices featured in this application note are the XR-2206 and XR-2207 FSK Modulators, and the XR-2211 FSK demodulator with carrier detect capability. Because of the superior frequency stability of these devices (typically 20 ppm/°C), a properly designed modem will be virtually free of the temperature and voltage-dependent drift problems associated with many other designs. In addition, the demodulator performance is independent of incoming signal strength variation over a 60 dB dynamic range. Because bias voltages are generated internally, the external parts count is much lower than in most other designs. The modem designs shown in this application note can be used with mark and space frequencies, anywhere from several Hz to 100 kHz.

PRINCIPLES OF OPERATION

THE XR-2206 FSK MODULATOR

FEATURES

- Typically 20 ppm/°C Temperature Stability
- Choice of 0.5% THD Sine Wave, Triangle, or Square Wave Output
- Phase-Continuous FSK Output
- Inputs are TTL and CMOS Compatible
- Low-Power Supply Sensitivity (0.01%)

- Low-Power Supply Sensitivity (0.01% /V)
- Split or Single Supply Operation
- Low External Parts Count

The XR-2206 is ideal for FSK applications requiring the spectral purity of a sinusoidal output waveform. It offers TTL and CMOS compatibility, excellent frequency stability, and ease of application. The XR-2206 can typically provide a 3-volt p-p sine wave output. Total harmonic distortion can be trimmed to 0.5%. If left untrimmed, it is approximately 2.5%.

The circuit connection for the XR-2206 FSK Generator is shown in Figure 1. The data input is applied to Pin 9. A high-level signal selects the frequency ($1/R_6C_3$) Hz; a low level signal selects the frequency ($1/R_7C_3$) Hz, (resistors in ohms and capacitors in farads). For optimum stability, R_6 and R_7 should be within the range of 10 kΩ to 100 kΩ. The voltage applied to Pin 9 should be selected to fall between ground and $V+$.

Note: Over and under voltage may damage the device.

Potentiometers, R_8 and R_9 , should be adjusted for minimum total harmonic distortion. In applications where minimal distortion is unnecessary, Pins 15 and 16 may be left open-circuited and R_8 may be replaced by a fixed 200Ω resistor.

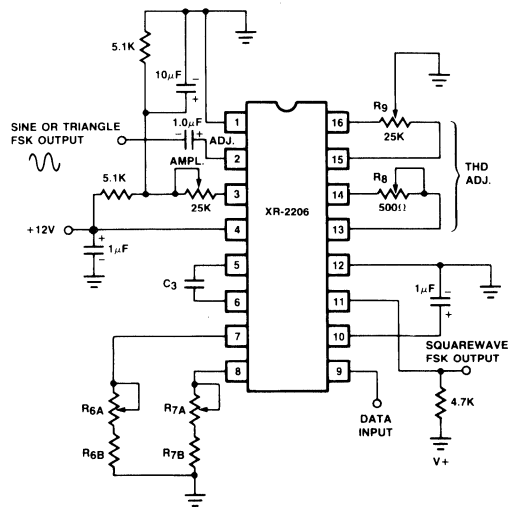


Figure 1. The XR-2206 Sinusoidal FSK Generator.

In applications where a triangular output waveform is satisfactory, Pins 13 through 16 may be left open-circuited.

The output impedance at Pin 2 is about 600Ω, with ac coupling normally being used.

AN-01

THE XR-2207 FSK MODULATOR

FEATURES

Typically 20 ppm/°C Temperature Stability
 Phase-Continuous FSK Output
 Provides Both Triangle and Square Wave Outputs
 Operates Single-Channel or Two-Channel Multiplex
 Inputs are TTL and CMOS Compatible
 Split- or Single-Power Supply Operation
 Low-Power Supply Sensitivity (0.15%/V)
 Low External Parts Count

The XR-2207 is a stable FSK generator which is designed for those applications where only a triangle or square wave output is required. It is capable of either single-channel or two-channel multiplex operation, and can be used easily with either split- or single-power supplies.

Figure 2 shows the XR-2207 using a single-supply and Figure 3 shows split-supply operation. When used as an FSK modulator, Pin 8 and 9 provide the digital inputs. When the 2207 is used with a split-supply, the threshold at these pins is approximately +2 volts, which is a level that is compatible with both TTL and CMOS logic forms. When used with a single-supply, the threshold is near mid-supply and is CMOS compatible. Table 1 shows how to select the timing resistors, R₁ through R₄, to determine the output frequency based on the logic levels applied to Pin 8 and 9. For optimum stability, the values of R₁ and R₃ should be selected to fall between 10 kΩ and 100 kΩ.

With Pin 8 grounded, Pin 9 serves as the data input. A high-level signal applied to Pin 8 will disable the oscillator. When used in this manner, Pin 8 of the XR-2207 serves as the channel select input. For two-channel multiplex operation, Pin 4 and 5 should be connected as shown by the dotted lines. (For single channel operation, Pin 4 and 5 should be left open-circuited.)

The XR-2207 provides two outputs: a square wave at Pin 13 and a triangle wave at Pin 14. (For safe operation, current into Pin 13 should be limited to 20 mA.) When used with a split-supply, the triangle wave peak-to-peak amplitude is equal to V⁻ and the dc level is near ground. Direct coupling is usually used. With a single-supply, the peak-to-peak amplitude is approximately equal to one-half V⁺, the dc level is approximately at mid-supply, and ac coupling is usually necessary. In either case, the output impedance is typically 10Ω and is internally protected against short circuits.

The square wave output has an npn open-collector configuration. When connected as shown in Figure 2 and 3, this output voltage will swing between V⁺ and the voltage at Pin 12.

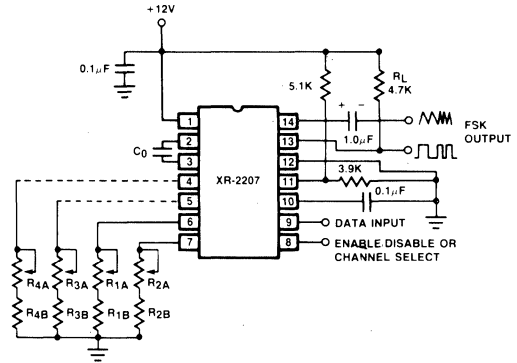


Figure 2. The XR-2207 FSK Modulator Single-Supply Operation.

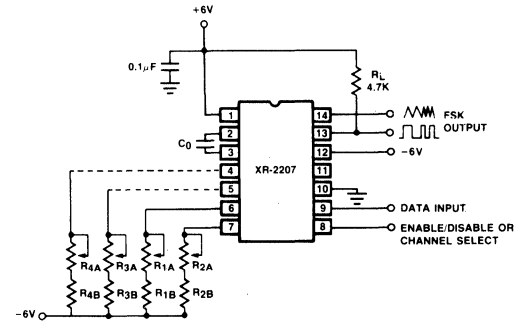


Figure 3. The XR-2207 FSK Modulator Split-Supply Operation.

Table 1.
XR-2207 FSK Input Control Logic

Logic Level		Active Timing Resistor	Output Frequency
Pin 8	Pin 9		
L	L	Pin 6	$\frac{1}{C_0 R_1}$
L	H	Pins 6 and 7	$\frac{1}{C_0 R_1} + \frac{1}{C_0 R_2}$
H	L	Pin 5	$\frac{1}{C_0 R_3}$
H	H	Pin 4 and 5	$\frac{1}{C_0 R_3} + \frac{1}{C_0 R_4}$

Units: Resistors — Ohms; Capacitors — Farads; Frequency — Hz

The XR-2211 FSK DEMODULATOR

FEATURES

- Typically 20 ppm/°C Temperature Stability
- Simultaneous FSK and Carrier-Detect Output
- Outputs are TTL and CMOS Compatible
- Wide Dynamic Range (2 mV to 3V rms)
- Split or Single Supply Operation
- Low-Power Supply Sensitivity (0.05%/V)
- Low External Parts Count

The XR-2211 is an FSK demodulator which operates on the phase-locked loop principle. Its performance is virtually independent of input signal strength variations, over the range of 2 mV to 3V rms.

Figure 4 shows the circuit connection for the XR-2211. The center frequency is determined by $f_0 = (1/C_1 R_4)$ Hz, where capacitance is in farads and resistance is in ohms. Calculation for f_0 should fall mid-way between the mark and space frequencies.

The tracking range ($\pm \Delta f$) is the range of frequencies over which the phase-locked loop can retain lock with a swept input signal. This range is determined by the formula: $\Delta f = (R_4 f_0 / R_5)$ Hz. Δf should be made equal to, or slightly less than, the difference between the mark and space frequencies. For optimum stability, choose an R_4 between 10 k Ω and 100 k Ω .

The capture range ($\pm \Delta f_c$) is the range of frequencies over which the phase-locked loop can acquire lock. It is always less than the tracking range. The capture range is limited by C_2 , which, in conjunction with R_5 , forms the loop filter time constant. In most modem applications, $\Delta f_c = (80\% - 99\%) \Delta f$.

The loop-damping factor (ζ) determines the amount of overshoot, undershoot, or ringing present in the phase-locked loop's response to a step change in frequency. It is determined by $\zeta = 1/4 \sqrt{C_1 / C_2}$. For most modem applications, choose $\zeta \approx 1/2$.

The FSK output filter time constant (τ_F) removes chatter from the FSK output. The formula is: $\tau_F = R_F C_F$. Normally calculate τ_F to be approximately equal to $[0.3 / (\text{baud rate})]$ seconds.

The lock-detect filter capacitor (C_D) removes chatter from the lock-detect output. With $R_D = 510$ k Ω , the minimum value of C_D can be determined by: $C_D (\mu\text{f}) \approx 16 / \text{capture range in Hz}$.

Note: Excessive values of C_D will unnecessarily slow the lock-detect response time.

The XR-2211 has three npn open-collector outputs, each of which is capable of sinking up to 5 mA. Pin 7 is the FSK data output, Pin 5 is the Q lock-detect output which goes low when a carrier is detected, and Pin 6 is the Q lock-detect output which goes high when lock is detected. If Pin 6 and 7 are wired together, the output signal from these terminals will provide data when FSK is applied, and will be LOW when no carrier is present.

If the lock-detect feature is not required, Pins 3, 5 and 6 may be left open-circuited.

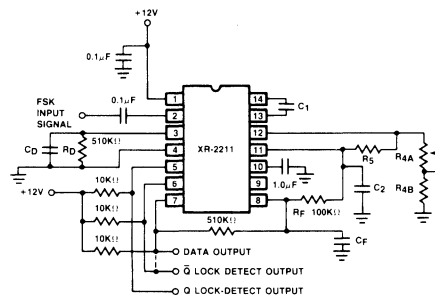
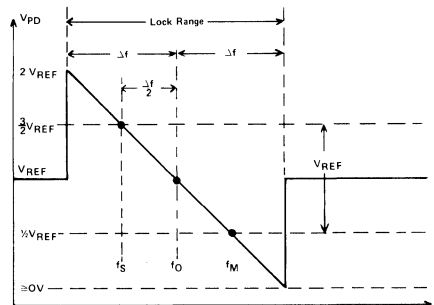


Figure 4: The XR-2211 FSK Demodulator with Carrier Detect



XR-2211 TRACKING CHARACTERISTICS

As seen above, the XR-2211 produces at its phase detector output a voltage V_{PD} , which has a peak to peak value equal to about V_{REF} for a frequency swing from f_M (mark) to f_S (space). The DC level V_{PD} will be about $V_{REF} (\frac{V_+}{2} - .65)$.

3

AN-01

CIRCUIT DESIGN

Table 2 shows recommended component values for the three most commonly used FSK bands. In many instances, system constraints dictate the use of some non-standard FSK bands. The XR-2206/XR-2207/XR-2211 combination is suitable for any range of frequencies from several Hertz to 100 kiloHertz.

Here are several guidelines to use when calculating non-standard frequencies:

- For maximum baud rate, choose the highest upper frequency that is consistent with the system bandwidth.
- The lower frequency must be at least 55% of the upper frequency (less than a 2:1 ratio).
- For minimum demodulated output pulse-width jitter, select an FSK band whose mark and space frequencies are both high, compared to the baud rate. (i.e., for a 300 baud channel, mark and space frequencies of 2025 Hz and 2225 Hz would result in significantly less pulse-width jitter than 300 Hz and 550 Hz).
- For any given pair of mark and space frequencies, there is a limit to the baud rate that can be achieved. When maximum spacing between the mark and space frequencies is used (where the ratio is close to 2:1) the relationship

$$\frac{\text{mark-space frequency difference (Hz)}}{\text{maximum data rate (baud)}} \geq 83\%$$

should be observed.

For narrower spacing, the minimum ratio should be about 67%.

The values shown in Table 2 may be scaled proportionately for mark and space frequencies, maximum baud rate, and (inversely) capacitor value. It is best to retain (approximately) the resistor values shown.

DESIGN EXAMPLES

I. Design a modem to handle a 10 kilobaud data rate, using the minimum necessary bandwidth.

A. Frequency Calculation

Because we want to use the minimum possible bandwidth (lowest possible upper frequency) we will use a 55:100 frequency ratio. The frequency difference, or 45% of the upper frequency, will be 83% of 10,000. We therefore chose an upper frequency:

$$\frac{83 \times 10,000}{45} = 18.444 \text{ kHz} \approx 18.5 \text{ kHz.}$$

and the lower frequency:

$$0.55 \times 18.5 \text{ kHz} = 10.175 \text{ kHz.}$$

B. Component Selection

1. For the XR-2207 FSK modulator, set $R_1 \approx 30 \text{ k}\Omega$. Now, select a value of C_0 to generate 10.175 kHz with R_1 :

$$10.175 \text{ kHz} = 1/(C_0 \times 30,000); C_0 = 3300\text{pF.}$$

To choose R_2 :

$$18.500 \text{ kHz} - 10.175 \text{ kHz} = 8.325 \text{ kHz} = 1/C_0 R_2; R_2 = 36 \text{ k}\Omega.$$

A good choice would be to use 10 k Ω potentiometers for R_{1A} and R_{2A} , and to set $R_{1B} = 24 \text{ k}\Omega$ and $R_{2B} = 30 \text{ k}\Omega$.

2. For the XR-2206, we can make R_7 equal to R_1 , and C_3 equal to C_0 above. To determine R_6 :

$$18.5 \text{ kHz} = 1/R_6 C_3; R_6 = 16 \text{ k}\Omega$$

Use at 10 k Ω potentiometer for R_{6A} and set $R_{6B} = 13 \text{ k}\Omega$.

Table 2.
Recommended Component Values for Typical FSK Bands

FSK Band			XR-2207					XR-2206					XR-2211						
Baud Rate	f _L	f _H	R _{1A} R _{3A}	R _{1B} R _{3B}	R _{2A} R _{4A}	R _{2B} R _{4B}	C ₀	R _{6A}	R _{6B}	R _{7A}	R _{7B}	C ₃	R _{4A}	R _{4B}	R ₅	C ₁	C ₂	C _F	C _D
300	1070	1270	10	20	100	100	.039	10	18	10	20	.039	10	18	100	.039	.01	.005	.05
300	2025	2225	10	18	150	160	.022	10	16	10	18	.022	10	18	200	.022	.0047	.005	.05
1200	1200	2200	20	30	20	36	.022	10	16	20	30	.022	10	18	30	.027	.0033	.0022	.01

Units: Frequency — Hz; Resistors — k Ω ; Capacitors — μF

AN-01

- For the XR-2211 demodulator, we need to first determine R_4 and C_1 . First, $f_0 = (f_L + f_H)/2 = (10,175 + 18,500)/2 = 14,338$ kHz. If we make $R_4 = 25$ k Ω , then $1/(C_1 \times 25,000) = 14,338$; $C_1 = 2790$ pF ≈ 2700 pF. With that value of C_1 , the precise value of R_4 is now 25.8 k Ω . Select $R_{4B} = 18$ k Ω and use a 10 k Ω for R_{4A} .

C. Frequency Component Selection

- To calculate R_5 , we first need our Δf , which is 18,500 — 10,175, or 8.325 kHz:

$$8325 = (25,800 \times 14,338)/R_5$$

$$R_5 = 44.4 \text{ k}\Omega \approx 47 \text{ k}\Omega.$$

- To determine C_2 use $\zeta = 1/2 = 1/4 = C_1/C_2$. Then, $C_2 = 1/4 C_1$; $C_2 = 670$ pF:

- To select C_F , we use $\tau_F = [0.3/(\text{baud rate})]$ seconds:

$$\tau_F = 0.3/10,000 = 30 \text{ }\mu\text{sec}.$$

with

$$R_F = 100 \text{ k}\Omega, C_F = 300 \text{ pF}$$

D. Lock Range Selection

To select C_D , let us start with the actual lock range:

$$\Delta f = R_4 f_0 / R_5 \text{ Hz} = 7870 \text{ Hz}$$

If we assume a capture range of 80%:

$$\Delta f_C = 6296 \text{ Hz}$$

therefore, our total capture range of $\pm \Delta f_C$ is 12,592 Hz. Our minimum value for C_D is $(16/12,592) \mu\text{f}$ or 0.0013 μf .

E. Completed Circuit Example

See Figure 5.

II. Design a 3 kilobaud modem to operate with low output jitter. The bandwidth available is 13 kHz.

For this modem, we can take the values from two for the 300 baud modem operating at 1070 Hz and 1270 Hz, multiply our baud rate and mark and space frequencies by ten, and divide all capacitor values on the table by ten. Resistor values should be left as they are.

III. Design a 2 channel multiplex FSK modulator to operate at the following pairs of mark and space frequencies: 600 Hz and 900 Hz, and 1400 and 1700 Hz (each of these channels could handle about 400 baud).

For this task, we will use the XR-2207. The only real consideration here is that, if possible, we want to keep the following resistances all between 10 k Ω and 100 k Ω : R_1 , R_1/R_2 , R_3 and R_3/R_4 . The ratio between the maximum and minimum frequencies is less than 3:1, so we should have no trouble meeting this criterion. If we set our maximum frequency with an R of about 20 k Ω , we have: $1700 = 1/(C_0 \times 20,000)$; $C_0 = 0.029 \mu\text{f}$ which is approximately equal to 0.033 μf .

Calculating R_1 using 600 Hz and 0.033 μf , we get $R_1 = 50.5$ k Ω . We can use $R_{1B} = 47$ k Ω and $R_{1A} = 10$ k Ω . For R_2 , we get 101 k Ω . Use $R_{2B} = 91$ k Ω and $R_{2A} = 20$ k Ω . To determine R_3 , use: $1400 \text{ Hz} = 1/R_3 C_0$, which gives us $R_3 = 21.6$ k Ω . Use $R_{3B} = 18$ k Ω and $R_{3A} = 5$ k Ω . R_4 must generate a 300 Hz shift in frequency, the same as R_2 . Therefore, set R_4 equal to R_2 .

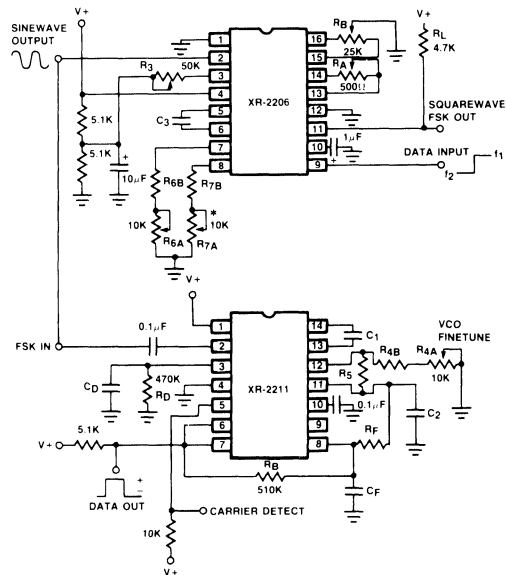


Figure 5: Full Duplex FSK Modem Using XR-2206 and XR-2211. (See Table 2 for Component Values.)

AN-01

Adjustment Procedure

The only adjustments that are required with any of the circuits in this application note are those for frequency fine tuning. Although these adjustments are fairly simple and straightforward, there are a couple of recommendations that should be followed.

The XR-2207: Always adjust the lower frequency first with R_{1B} or R_{3B} and a low level on Pin 9. Then with a high level on Pin 9, adjust the high frequency using R_{2B} or R_{4B} . The second adjustment affects only the high-frequency, whereas the first adjustment affects both the low- and the high-frequencies.

The XR-2206: The upper and lower frequency adjustments are independent, and the sequence is not important.

The XR-2211: With the input open-circuited, the loop-phase detector output voltage is essentially undefined and VCO frequency may be anywhere within

the lock range. There are several ways that f_o can be monitored:

1. Short Pin 2 to Pin 10 and measure f_o at Pin 3 with C_D disconnect;
2. Open R_5 and monitor Pin 13 or 14 with a high-impedance probe; or
3. Remove the resistor between Pin 7 and 8, and find the input frequency at which the FSK output changes state.

Note: Do NOT adjust the center frequency of the XR-2211 by monitoring the timing capacitor frequency with everything connected and no input signal applied.

For further information regarding the use of the XR-2207, XR-2206 and XR-2211 refer to the individual product data sheets.

XR-C240 Monolithic PCM Repeater

INTRODUCTION

The XR-C240 is a monolithic repeater circuit for Pulse-Code Modulated (PCM) telephone systems. It is designed to operate as a regenerative repeater at 1.544 Mega bits per second (Mbps) data rates on T-1 type PCM lines. The device is packaged in hermetic 16-pin DIP package and is designed to operate over a temperature range of -40°C to $+85^{\circ}\text{C}$. It contains all the basic functional blocks of a regenerative repeater system including Automatic Line Build-out (ALBO) and equalization, and is insensitive to reflections caused by cable discontinuities. Compared to conventional repeater designs using discrete components, the XR-C240 monolithic repeater IC offers greatly improved reliability and performance and provides significant savings in power consumption and system cost.

THE T-1 REPEATER SYSTEM:

The T-1 Repeater Line is designed to provide a transmission capability for 24 two-way voice frequency signals which are transmitted digitally using a Pulse-Code Modulation (PCM) technique. The system operates at a data rate of 1.544 Mbps, with bipolar data pulses. It can operate on either pulp- or polyethylene-insulated paired cable that is either pole mounted or buried. Operation is possible with a variety of wire gauges, provided that the total cable loss at 772 kHz is less than 36 dB. Thus, the system can operate satisfactorily on nearly all paired cables which are used for voice frequency trunk circuits.

The transmission system is designed to operate with both directions of transmission within the same cable sheath. The system performance is limited primarily by near-end crosstalk produced by other systems operating within the same cable sheath. In order to insure that the probability of a bit error is less than 10^{-6} , the maximum allowable repeater spacing, when used with 22-gauge pulp cable, is approximately 6000 feet.

The details of the T-1 type PCM systems are well covered in the literature listed in References 1 through 5.

Figure 1 shows the block diagram of a bi-directional PCM repeater system consisting of two identical digital regenerator or repeater sections, one for each direction of transmission. These repeaters share a common power supply. The dc power is simplexed over the paired cable and is extracted at each repeater by means of a series zener diode regulator.

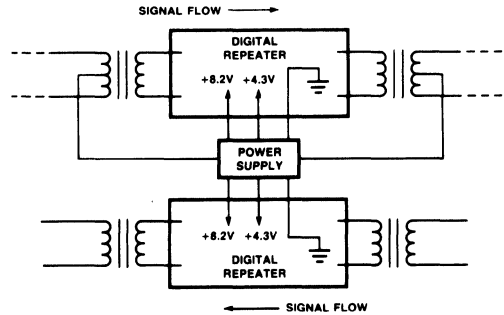


Figure 1. Block Diagram of a Bi-directional Digital Repeater System.

The XR-C240 monolithic IC replaces about 90% of the electronic components and circuitry within the "digital repeater" sections of Figure 1. Thus, a bi-directional repeater system would require two XR-C240 ICs, one for each direction of information flow.

Figure 2 shows the functional block diagram of one of the digital repeater sections, along with the external zener regulator. The basic system architecture shown in the figure is the same as that utilized in the design of the XR-C240 monolithic IC.

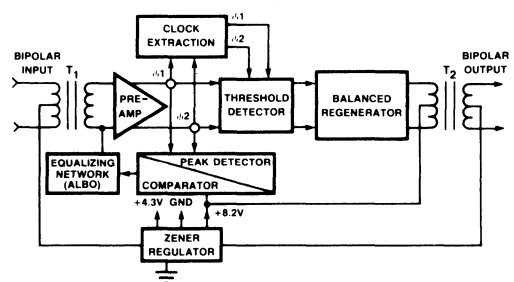


Figure 2. Functional Block Diagram of a Digital PCM Repeater Section.

AN-02

In terms of the functional blocks shown in Figure 2, the basic operation of the repeater can be briefly explained as follows:

The bipolar signal, after traversing through a dispersive, noisy medium is applied to a linear amplifier and automatic equalizer. It is the function of this circuit to provide the necessary amount of gain and phase equalization and, in addition, to band limit the signal in order to optimize the performance of the repeater for near-end crosstalk produced by other systems operating within the same cable sheath.

The output signals of the preamplifier which are balanced and of opposite phases are applied to the clock extraction circuit and also to the pulse regenerator. The signals applied to the clock extraction circuit are rectified and then applied to a high-Q resonant circuit. This resonant circuit extracts a 1.544 MHz frequency component from the applied signal. The extracted signal is first amplified and then used to control the time at which the output signals of the preamplifier are sampled and also to control the width of the regenerated pulse.

It is the function of the pulse regenerator to perform the sampling and threshold operations and to regenerate the appropriate pulse. The regenerated pulse is in turn applied to a discrete switch which is used to drive the next section of the paired cable.

REFERENCES ON PCM REPEATERS:

1. Mayo, J. S., "A Bipolar Repeater for Pulse Code Signals," B.S.T.J., Vol. 41, January, 1962, pp. 25-97.
2. Aaron, M. R., "PCM Transmission in the Exchange Plant," B.S.T.J., Vol. 41, January, 1962, pp. 99-143.
3. Davis, C. G., "An Experimental Pulse Code Modulation System for Short-Haul Trunks," B.S.T.J., Vol. 41, January, 1962, pp. 1-25.
4. Fultz, K. E., and Penick, D. B., "The T-1 Carrier System," B.S.T.J., Vol. 44, September, 1965, pp. 1405-1452.
5. Tarbox, R. A., "A Regenerative Repeater Utilizing Hybrid IC Technology," Proceedings of International Communications Conference, 1969, pp. 46-5 — 46-10.

OPERATION OF THE XR-C240

The XR-C240 combines all the functional blocks of a PCM repeater system in a single monolithic IC chip. The pin connections for each of the functional circuits within the repeater chip are shown in Figure 3, for a 16-pin dual-in-line (DIP) package.

The circuit is designed to operate with two positive supply voltages, V^{++} and V^+ which are nominally set to be 8.2V and 4.3V, respectively. Figure 4 gives a typical recommended power supply connection for the circuit.

The supply currents I_A and I_B drawn from the two supply voltages applied to the chip are specified to be within the following limits:

- a. Current from 8.2V supply voltage, I_A :

$$1.1\text{mA} \leq I_A \leq 2.5\text{mA}$$

- b. Current from 4.3V supply voltage, I_B :

$$6\text{mA} \leq I_B \leq 11\text{mA}$$

The external components necessary for proper operation of the circuit are shown in Figure 5, in terms of the

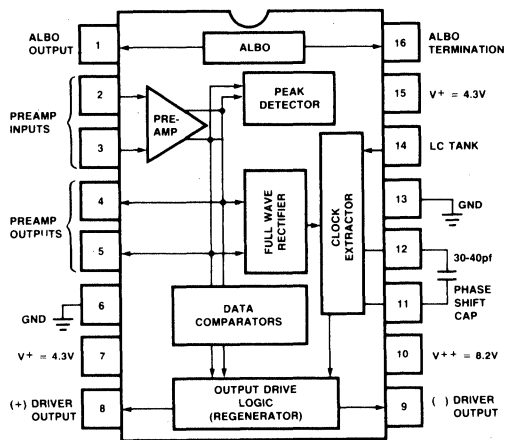


Figure 3. Package Diagram of XR-C240 Monolithic PCM Repeater.

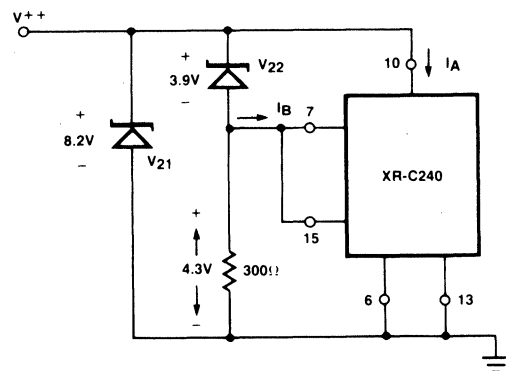


Figure 4. Recommended supply Voltage Connection for XR-C240 (Note: See Figure 6 for Recommended bypass capacitors).

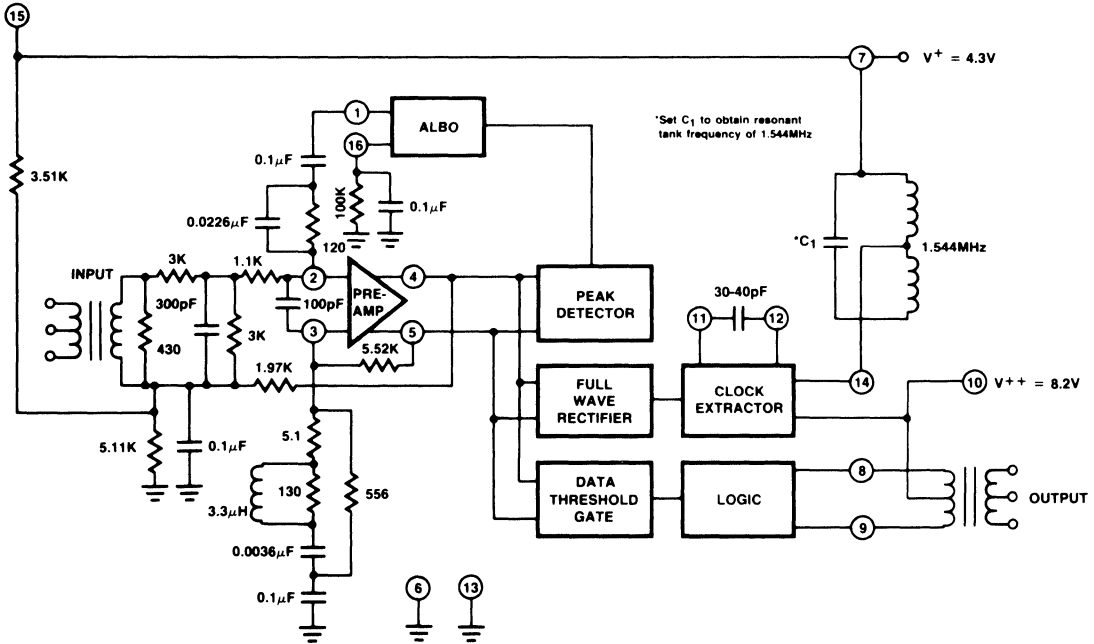


Figure 5. External Components Necessary for Circuit Operation.

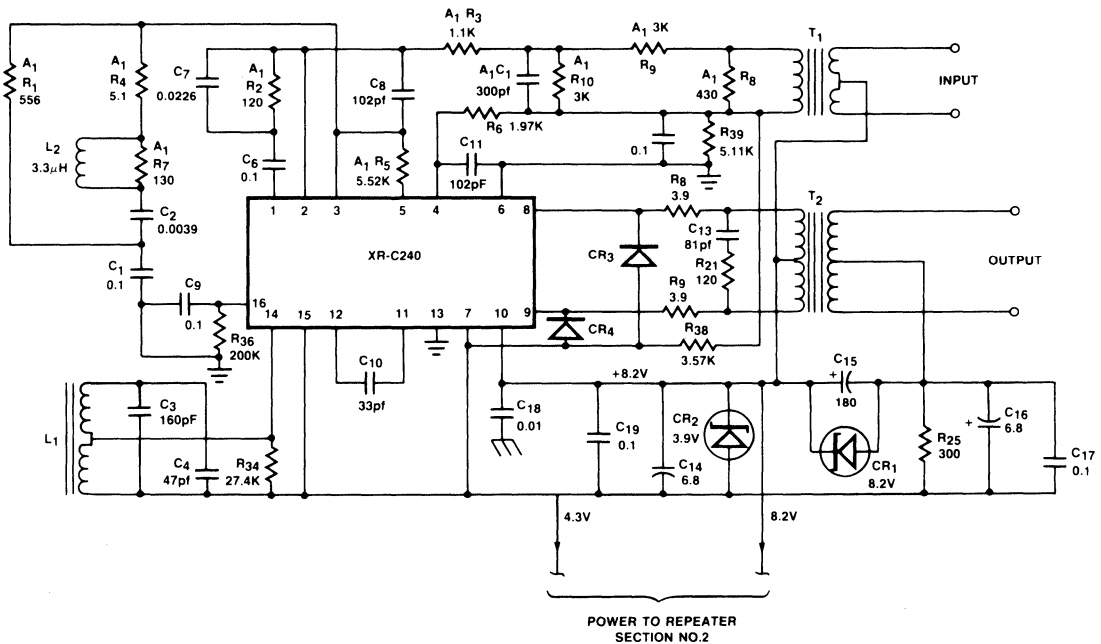


Figure 6. A Typical Circuit Connection for XR-C240 in 1.544 MHz T-1 Repeater System.

AN-02

system block diagram. Note that all the blocks shown in Figure 6 are a part of the monolithic IC; and the numbered circuit terminals correspond to the IC package pins (see Figure 4).

Figure 6 shows a practical circuit connection for the XR=C240 in an actual PCM repeater application for 1.544 Mbps T-1 Repeater application. For simplification purposes, the lightning protection circuitry and the second repeater section are not shown in the figure.

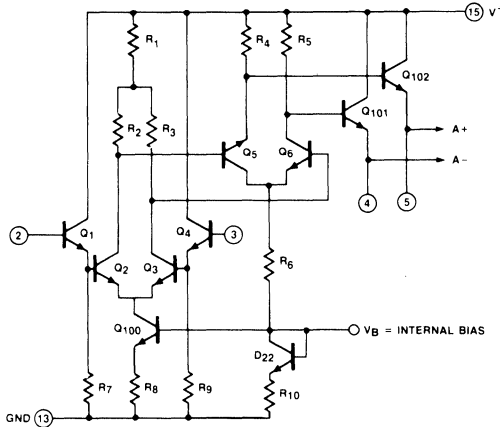


Figure 7. Circuit Diagram of Pre-amplifier Section.

DESCRIPTION OF CIRCUIT OPERATION:

This section gives a brief description of the internal circuitry contained within the XR-C240 monolithic IC.

The circuit diagram of the preamplifier section is shown in Figure 7. This section is designed as a two-stage differential amplifier with a broadband voltage gain of 52db. The differential outputs of the preamplifier (Pins 4 and 5) are internally connected to the peak-detector,

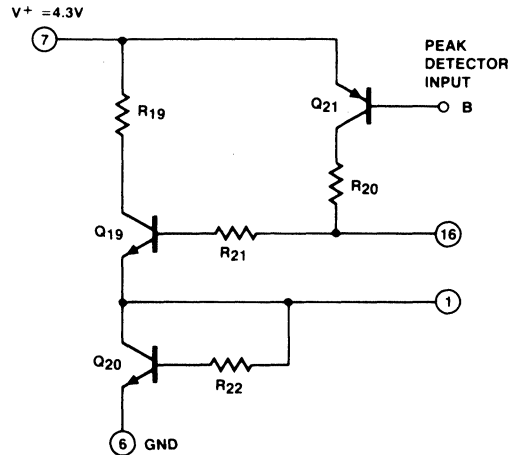


Figure 9. Automatic Line Build-Out (ALBO) Section.

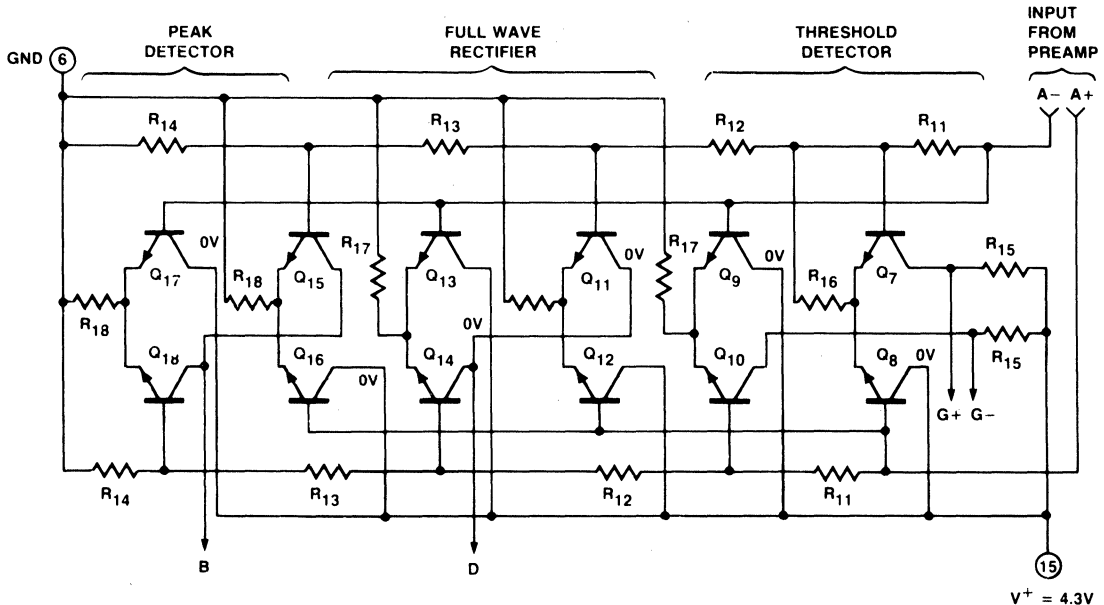


Figure 8. Circuit Diagram of Threshold-Detector, Full-Wave Rectifier and Peak-Detector Sections.

full-wave rectifier and the threshold detector sections of the XR-C240 as shown in Figure 8.

The peak-detector output (terminal B of Figure 8) is internally connected to the Automatic Line Build-out (ALBO) section of the circuit and controls the DC bias current through the ALBO diodes Q₁₉ through Q₂₀, as shown in Figure 9.

The full-wave rectifier output (output D of Figure 8) is internally connected to the clock-extractor section of the repeater and provides the excitation signal for the L-C tuned tank circuit (Pin 14) of the injection locked oscillator. The threshold-detector outputs (G+ and G- of Figure 8) provide the differential logic drive to the data latches of the logic section of XR-C240.

The clock-extractor section of XR-C240 is designed as an injection locked oscillator as shown in the circuit schematic of Figure 10. The excitation is applied to the emitter of Q₂₃, through terminal D which is internally connected to the output of the threshold comparator. This signal in turn controls the current in the resonant L-C tank circuit connected to Pin 14. The sinusoidal waveform across the tank is then amplified and squared through the cascaded differential gain stages made up of Q₃₁, Q₃₂ and Q₃₅, Q₃₆. The output swing

of the second gain stage is "integrated" by the phase-shift capacitor, C₁, externally connected to Pins 11 and 12. (See timing diagrams of Figure 13.) The nominal value of this capacitor is in the 30 to 40pf range. The triangular waveform across Pins 11 and 12 is at quadrature phase with the sinusoidal voltage swing across the L-C tank circuit. This waveform is then used to generate the "strobe" signal, C_p, and the clock pulse C_φ, which is applied to the data latches of the logic section.

The strobe and clock pulses out of the clock-regenerator section are applied to the output data latches shown in Figure 11. The two parallel output R-S flip-flops are driven by the differential inputs (G+ and G-) from the data comparator of Figure 8. The two sets of differential data signals, F₁, F₁ and F₂, F₂ are then applied to the output driver amplifier shown in Figure 12. The high-current outputs of the driver stage (Pins 8 and 9) are connected to the center-tapped output transformer as shown in Figure 5. The voltage swing across the output is one diode drop (V_{BE}) less than the supply voltage spread, i.e.:

$$\text{Peak Output Swing} = (V^{++}) - (V^+) - (V_{BE}) \approx 3.2V$$

The output stage is designed to work into a nominal load impedance of 100 ohms, and can handle peak load currents of 30mA.

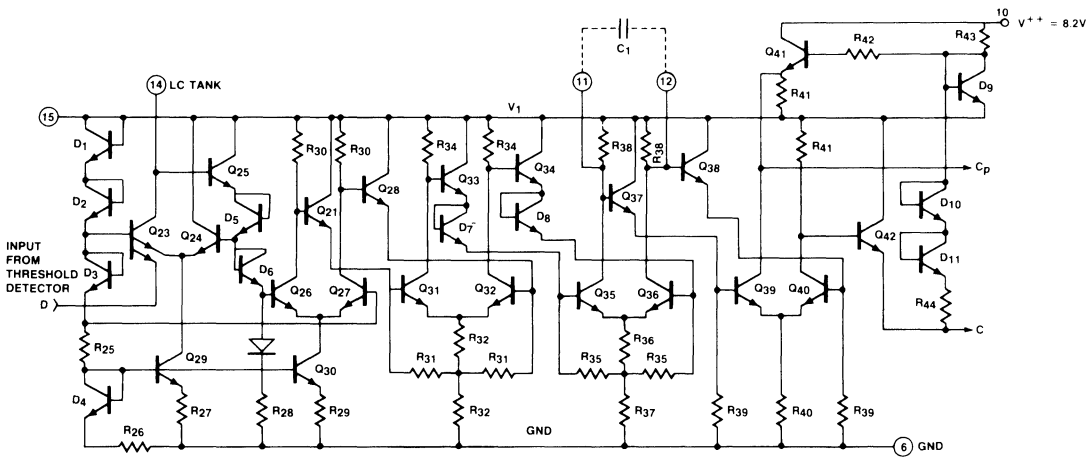


Figure 10. Circuit Diagram of Clock Extractor Section.

AN-02

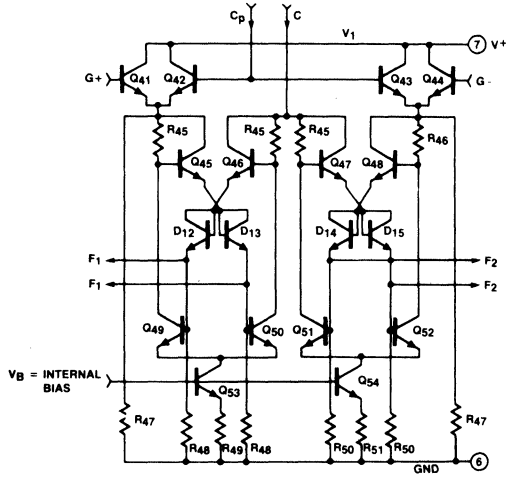


Figure 11. Data Output Latches (Logic Section).

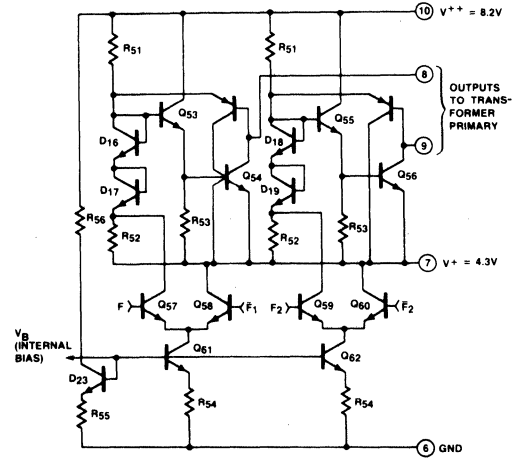


Figure 12. Output Driver Section.

AN-02

ELECTRICAL CHARACTERISTICS

(Measured at 25°C with $V_{++} = 8.2V$, $V_{+} = 4.3V$, unless specified otherwise.)

PARAMETER	LIMITS		UNITS	CONDITIONS
	MIN.	MAX.		
Supply Voltage: V_{++} V_{+}	7.79 4.085	8.61 4.515	V V	Measured at Pin 10 Measured at Pins 7 and 15
Supply Current: I_A I_B Total Current	1.1 6 7.1	2.5 11 13.5	mA mA mA	See Figure 4 Supply = 8.2V Supply = 4.3V
Preamplifier Input Offset Voltage, V_{OS} Open Loop Differential Gain, A_O Input Bias Current, I_B Input Offset Current, I_{OS} Input Impedance, R_{in}	50	15 54 4 2	mV db μA μA k Ω	
Comparator Thresholds Peak Detector (ALBO) Threshold Full-Wave Rectifier Threshold Data Threshold				See Figure 8 Measured Differentially Across Pins 4 and 5
Clock Extractor Section Tank Drive Impedance Tank Drive Current "Zero" Signal Current "One" Signal Current Recommended Tank Q Phase Shifter Offset Voltage	50		k Ω μA μA mV	See Figure 10 At Pin 14 Voltage applied to Pins 7 and 14 to reduce differential voltage across Pins 11 and 12 to zero.
Output Drive Section Output Voltage Swing Low Output Voltage Output Leakage Current Output Pulse Maximum Pulse Width Error Rise and Fall Times	3.0 0.65	0.95 50	V V μA ns ns	See Figure 12 Voltage levels referenced to Pin 7 $R_L = 100 \Omega$ Referenced to Pin 7, $I_L = 30 mA$ See Figure 13

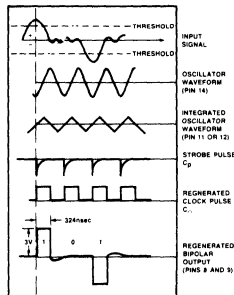


Figure 13. Typical Timing Waveforms for a 1-0-1 Input Data Pattern

Active Filter Design with IC OP Amps

INTRODUCTION

This application note will assist the designer in selecting the optimum filter for his application. It begins with a table of transfer functions, and network defining equations, for the high-pass, low-pass, bandpass, and band-reject filters. A guide to the three types of filter responses will be presented, along with illustrations of several filter realizations, with their respective merits and limitations. Finally, the entire contents are brought together, to provide the designer a complete working schematic of an active filter in a modem configuration, utilizing the XR-4202 Quad Programmable Operational Amplifier, along with the XR-2206 Waveform generator, and the XR-2211 Precision Tone Decoder.

PRINCIPLES OF OPERATION

The XR-4202 Quad Programmable Operational Amplifier is a basic building block for active filters, and is ideally suited for most filter applications. The XR-4202 provides the user the flexibility to externally program the gain-bandwidth product, the supply current, the input bias current, the input offset current, the input noise, and the slew rate. The user, therefore, can trade-off bandwidth for supply current or optimize the noise figure. Likewise, other amplifier characteristics can be programmed for a specific need.

Since the operational amplifier plays such a key role in the active filter, its characteristics are of prime importance. By using operational amplifiers as the basic gain stage of the active filter, problems previously encountered due to low-input impedance, high-output impedance and low-gain are virtually eliminated. Operational amplifiers provide the required response for various filter types. Some of the more popular filters are multiple feedback, state variable, bi-quad and Sallen Key, which can be used to obtain high-pass, bandpass and low-pass filter functions. They are capable of giving the designer all of the standard filter responses, i.e., Butterworth, Chebyshev, and Bessel.

There are many single, dual, and quad operational amplifiers that can be used to implement the filters discussed. Table 1 lists some standard operational amplifiers and compares their important characteristics. Table 2 gives the designer a brief review of the basic transfer functions and network defining equations. Note that a family of curves exists for all filters except first order low-pass and high-pass. This is due to the presence of loop damping. This point will be expanded upon in the next section on filter responses.

Table 1.

DEVICE CHARACTERISTICS	XR-4202	XR-3403	XR-4136	XR-4558	741	UNITS
Slew Rate	1.5	.6	1.6	1	.5	V/ μ S
Gain-Bandwidth Product	3.5	1	3	3	1	MHz
Input Offset Current	10	30	10	5	20	nA
Input Bias Current	80	200	80	40	80	nA
Supply Current (max)	6.0	7.0	4.0	5.7	2.8	mA

Note: All values typical unless otherwise specified.

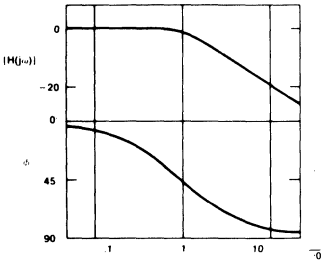
Table 2.
Transfer Functions and Equations

Low Pass

$$H(s) = \frac{H_0\omega_0}{s + \omega_0}$$

$$|H(j\omega)| = \left[\frac{H_0^2\omega_0}{\omega^2 + \omega_0^2} \right]^{1/2}$$

$$\phi = \text{Tan}^{-1} \frac{\omega}{\omega_0}$$

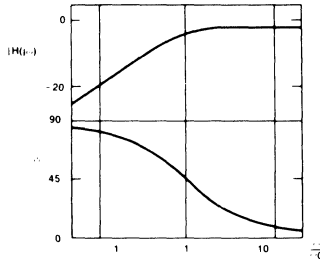


High Pass

$$H(s) = \frac{H_0s}{s + \omega_0}$$

$$|H(j\omega)| = \left[\frac{H_0^2\omega_0^2}{\omega^2 + \omega_0^2} \right]$$

$$\phi = \frac{\pi}{2} - \text{Tan}^{-1} \frac{\omega}{\omega_0}$$



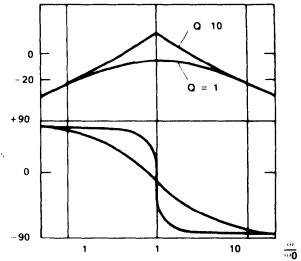
Band Pass

$$H(s) = \frac{H_0 \alpha \omega_0 s}{s^2 + \alpha\omega_0 s + \omega_0^2}$$

$$|H(j\omega)| = \left[\frac{H_0^2 \alpha^2 \omega_0^2 \omega^2}{\omega^4 + \omega^2 \omega_0^2 (\alpha^2 - 2) + \omega_0^4} \right]$$

$$\phi = \frac{\pi}{2} - \text{Tan}^{-1} \left(\frac{2Q\omega}{\omega_0} + \sqrt{4Q^2 - 1} \right)$$

$$- \text{Tan}^{-1} \left(\frac{2Q\omega}{\omega_0} - \sqrt{4Q^2 - 1} \right)$$



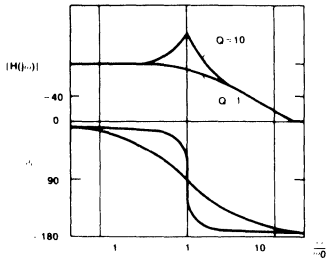
Low Pass Second Order

$$H(s) = \frac{H_0\omega_0^2}{s^2 + \alpha\omega_0 s + \omega_0^2}$$

$$|H(j\omega)| = \left[\frac{H_0^2\omega_0^4}{\omega^4 + \omega^2\omega_0^2(\alpha^2 - 2) + \omega_0^4} \right]$$

$$\phi = -\text{Tan}^{-1} \left[\frac{1}{\alpha} \left(2 \frac{\omega}{\omega_0} + \sqrt{4 - \alpha^2} \right) \right]$$

$$- \text{Tan}^{-1} \left[\frac{1}{2} \left(\frac{2\omega}{\omega_0} - \sqrt{4 - \alpha^2} \right) \right]$$



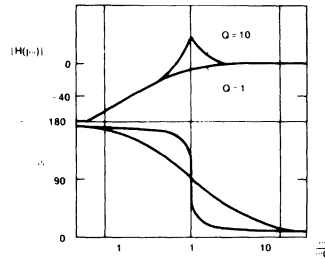
High Pass Second Order

$$H(s) = \frac{H_0s^2}{s^2 + \alpha\omega_0 s + \omega_0^2}$$

$$|H(j\omega)| = \left[\frac{H_0^2\omega^4}{\omega^4 + \omega^2\omega_0^2(\alpha^2 - 2) + \omega_0^4} \right]$$

$$\phi = \pi - \text{Tan}^{-1} \left[\frac{1}{\alpha} \left(2 \frac{\omega}{\omega_0} + \sqrt{4 - \alpha^2} \right) \right]$$

$$- \text{Tan}^{-1} \left[\frac{1}{2} \left(\frac{2\omega}{\omega_0} - \sqrt{4 - \alpha^2} \right) \right]$$



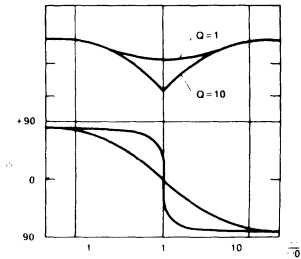
Band Reject

$$H(s) = \frac{(s^2 + \omega_0^2)H_0}{s^2 + \alpha\omega_0 s + \omega_0^2}$$

$$|H(j\omega)| = \left[\frac{H_0^2\omega^4 + \omega_0^4}{\omega^4 + \omega^2\omega_0^2(\alpha^2 - 2) + \omega_0^4} \right]$$

$$\phi = \frac{\pi}{2} - \text{Tan}^{-1} \frac{2Q\omega}{\omega_0} + \sqrt{4Q^2 - 1}$$

$$- \text{Tan}^{-1} \left(\frac{2Q\omega}{\omega_0} - \sqrt{4Q^2 - 1} \right)$$



Definition of terms:

ω_0 = Cutoff frequency $2\pi f_0$

α = Loop damping

$s = \sigma + j\omega$ complex frequency

ω_C = Center frequency

ω_1 = Lower cutoff frequency

ω_2 = Upper cutoff frequency

$$Q = 1/\alpha = \frac{\omega_C}{\omega_2 - \omega_1}$$

ϕ = Phase

$|H(j\omega)|$ = Magnitude response

$H(s)$ = Transfer function

AN-03

Filter Responses

Once the transfer function has been determined, the next step in filter design is to decide upon the desired response. As previously mentioned, the damping of the filter determines its characteristics near cutoff. There are three basic types of responses which are depicted in Table 3, along with their characteristics. In the case of Butterworth and Bessel, the response has been fixed. However, for the Chebychev the α is chosen for the particular response desired. This is done by using a nomograph such as the one shown in Figure 1. To use a nomograph the information required is: A_{max} (maximum ripple in the passband), A_{min} (minimum attenuation in the stop band), and Ω_s (ratio of the A_{min} bandwidth to the A_{max} bandwidth). These terms are illustrated in Figure 2. Once these terms are known, the nomograph is used by locating A_{max} , and drawing a straight line through A_{min} to the left-hand side of the graph. From this point, a horizontal line is drawn to the intersection of Ω_s . The minimum order of the transfer function will be the number of the curve passing above this point. Once this is done, the α and ω_0 for each stage is found by consulting the Chebychev network parameter tables for the desired passband ripple, and the number of poles. Such tables can be found in standard filter handbooks.

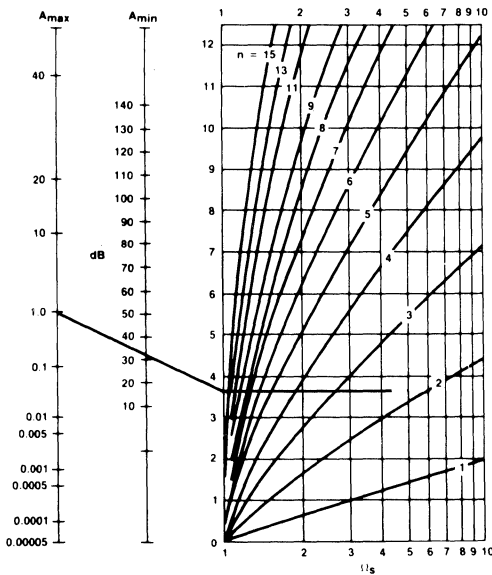


Figure 1. Nomograph to Select Desired Response.

Filter Realizations

There are numerous ways of realizing the transfer functions discussed. Each method has its own relative merit. The configuration selected depends primarily on the specific application and the desired sensitivity parameters. Sensitivity parameters are a means of relating the resultant change in a transfer function, due to an ele-

ment change. Although these parameters are only directly applicable to an infinitesimal change, they are easily used to evaluate performance for 1% changes, and many times are used for element changes up to 10%. Examples will be given later in this section that will help clarify this parameter.

Table 3.

FILTER TYPE	α	BASIC FEATURES	AMP. RESPONSE
Bessel	$\sqrt{3}$	Best time delay Smoothest phase response	
Butterworth	$\sqrt{2}$	Maximally flat amplitude response	
Chebychev	Can Vary	Passband ripple Fast cutoff slope	

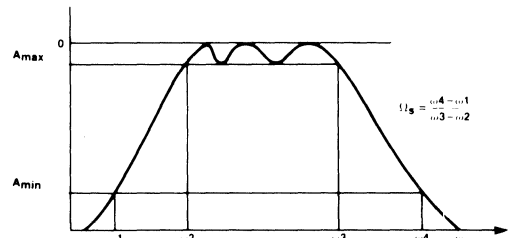


Figure 2. Ratio of A_{min} Bandwidth to A_{max} Bandwidth.

The filter realizations presented here are to be used as a basic guide to help the designer become more adept at designing filters. State-variable and multiple feedback filters will be discussed, and the relative merits of each will be given. It will also be shown that many of the commonly used filters are actually specific cases for the filters mentioned.

Figure 3 illustrates a typical multiple feedback connection with the non-inverting input grounded. To minimize offset, this point should be returned to ground via a resistor whose value is equal to the impedance at the inverting input. The transfer function for this circuit is given by Eq. 1. Each element represents a single resistor or capacitor. To realize the transfer function, each admittance parameter is replaced by $1/R$ for a resistor and sC for a capacitor. An example will help to clarify this point. If the desired response is a high pass, the form of the characteristic equation is given in Table 2. To transform Eq. 1 into the high-pass characteristic, then Y_1 , Y_3 , and Y_4 become capacitors and Y_2 and Y_5 resistors. (It should be obvious that a low-pass function could have been fabricated by letting Y_2 and Y_5 be capacitors, and similarly, a bandpass function could have been realized by making Y_3 and Y_4 capacitors.) The terms of the network function, for the high-pass filter shown in Figure 4, are given in Table 4 along with their sensitivity parameters. The transfer function for Figure 4 is given by Eq. 2.

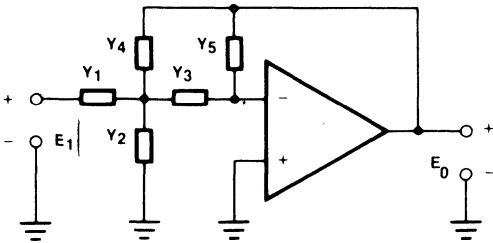


Figure 3. Multiple Feedback Connection with Noninverting Input Grounded.

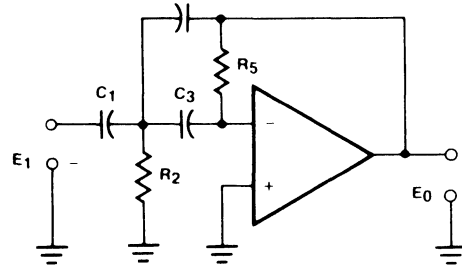


Figure 4. Network Function for the High-Pass Filter.

$$\text{Eq. 1 } \frac{E_0}{E_1}(s) = \frac{-Y_1 Y_3}{Y_5(Y_1 + Y_2 + Y_3 + Y_4) + Y_3 Y_4}$$

$$\text{Eq. 2 } \frac{E_0}{E_1}(s) = \frac{-(C_1/C_4)s^2}{s^2 + s(1/R_5)(C_1/C_3C_4 + 1/C_4 + 1/C_3) + 1/R_2R_5C_3C_4}$$

As can be seen from the sensitivity parameters, there is a high degree of circuit sensitivity due to the component tolerances. Due to the interaction of components, the tuning of this circuit may be rather involved. However, with tight component tolerances, these circuits give the designer very predictable results. Due to the high input impedance and low-output impedance, several of these stages may easily be cascaded to achieve a higher order function. What is desired is to have a

lower sensitivity to component tolerances. The most commonly used filter for this purpose is the state-variable.

The state-variable synthesis approach is used in most present day Universal Active Filters (UAF). With this method, the actual n^{th} order polynomial of the transfer function is simulated as it would be with an analog computer. When using the state-variable approach, all three outputs (high-pass, low-pass, and bandpass) are available simultaneously. The sensitivities, with respect to component tolerances, are typically less than or equal to one, and the sensitivity of Q, with respect to amplifier gain, can equal zero with high amplifier gain. Because of the high amplifier gain requirement, these filters tend to be limited to the audio range. The cost of reducing the circuit element sensitivities is the need to use $n + 2$ operational amplifiers to synthesize an n^{th} order transfer function. For this reason, this type of configuration may not be cost effective in the synthesis of low-Q, high-pass, and low-pass filters.

Table 4.

Parameter	Defining Equation	Sensitivity	
H_0	$= \frac{C_1}{C_4}$	$S_{C_1}H_0 = -S_{C_4}H_0 = 1$	
α	$= \sqrt{\frac{R_2}{R_5} \left(\frac{C_1}{\sqrt{C_3C_4}} + \sqrt{\frac{C_3}{C_4}} + \sqrt{\frac{C_4}{C_3}} \right)}$	$S_{C_3}\alpha = \frac{1}{2} - \frac{1}{\alpha\omega_0R_5C_3} \left(\frac{C_1}{C_3} + 1 \right)$ $S_{C_4}\alpha = \frac{1}{2} - \frac{1}{\alpha\omega_0R_5C_4} \left(\frac{C_1}{C_3} + 1 \right)$ $S_{C_1}\alpha = \frac{1}{\alpha\omega_0R_5} \frac{C_1}{C_3C_4}$ $S_{R_2}\alpha = -S_{R_5}\alpha = \frac{1}{2}$	Note: The sensitivity of H_0 with this implies that if C_1 changes by 1% H_0 will also change by 1%. The defining equation for a sensitivity parameter is: $S_x Y = \frac{xdY}{Ydx}$
ω_0	$= \left(\frac{1}{R_2R_5C_3C_4} \right)^{1/2}$	$S_{R_2}\omega_0 = S_{R_5}\omega_0 = S_{C_3}\omega_0 = S_{C_4}\omega_0 = -\frac{1}{2}$	

AN-03

Table 5.

Output	Parameters	Defining Equation	Sensitivity
Low Pass Eq. 3	H_0	$\frac{1 + R_3/R_4}{1 + R_1/R_2}$	$S_{R_1} H_0 = -S_{R_2} H_0 = -1/(1 + R_2/R_1)$ $S_{R_3} H_0 = -S_{R_4} H_0 = \frac{1}{H_0} \left(\frac{R_3/R_4}{1 + R_1/R_2} \right)$
	ω_0	$\left(\frac{R_4}{R_3 R_5 R_6 C_1 C_2} \right)^{1/2}$	$S_{R_3} \omega_0 = S_{R_5} \omega_0 = S_{R_6} \omega_0 = S_{C_1} \omega_0 = S_{C_2} \omega_0 = -S_{C_4} \omega_0 = -1/2$
	α	$\frac{1 + R_4/R_3}{1 + R_2/R_1} \left(\frac{R_3 R_6 C_2}{R_4 R_5 C_1} \right)^{1/2}$	$S_{R_4} \alpha = -S_{R_3} \alpha = -1/2 + \frac{R_4/R_3}{R_5 C_1 \alpha \omega_0 (1 + R_2/R_1)}$ $S_{R_1} \alpha = -S_{R_2} \alpha = \frac{1}{1 + R_1/R_2}$ $S_{R_6} \alpha = S_{C_2} \alpha = -S_{R_5} \alpha = -S_{C_1} \alpha = 1/2$
High Pass Eq. 4	H_0	$\frac{1 + R_4/R_3}{1 + R_1/R_2}$	$S_{R_1} H_0 = -S_{R_2} H_0 = -1/(1 + R_2/R_1)$ $S_{R_3} H_0 = -S_{R_4} H_0 = \frac{1}{H_0} \left(\frac{R_4/R_3}{1 + R_1/R_2} \right)$
	ω_0	SAME AS LOW PASS	
	α	$\left(\frac{1 + R_4/R_3}{1 + R_2/R_1} \right) \left(\frac{R_3 R_6 C_2}{R_4 R_5 C_1} \right)^{1/2}$	$S_{R_4} \alpha = -S_{R_3} \alpha = -1/2 + \frac{R_4/R_3}{R_5 C_1 \alpha \omega_0 (1 + R_2/R_1)}$ $S_{R_1} \alpha = -S_{R_2} \alpha = \frac{1}{1 + R_1/R_2}$ $S_{R_6} \alpha = S_{C_2} \alpha = -S_{R_5} \alpha = -S_{C_1} \alpha = 1/2$
Band Pass Eq. 5	H_0	$\frac{R_2}{R_1}$	$S_{R_1} H_0 = -S_{R_2} H_0 = -1$
	ω_0	SAME AS LOW PASS	
	$Q = 1/\alpha$	$\left(\frac{1 + R_2/R_1}{1 + R_4/R_3} \right) \left(\frac{R_4 R_5 C_1}{R_3 R_6 C_2} \right)^{1/2}$	$S_{R_5} Q = S_{C_1} Q = -S_{R_6} Q = -S_{C_2} Q = 1/2$ $S_{R_4} Q = S_{R_3} Q = 1/2 - \frac{R_4/R_3}{R_5 C_1 \alpha \omega_0 (1 + R_2/R_1)}$ $S_{R_2} Q = -S_{R_1} Q = \frac{1}{1 + R_1/R_2}$

Figure 5 shows a typical state-variable configuration whose characteristic equations are given by Eq. 3, Eq. 4, and Eq. 5. These equations all have the same denominator, and the numerator is determined by the point at which the output is taken. This form may also be used to simulate a band-reject function by summing the high-pass and low-pass outputs. The defining equations and sensitivity parameters are given in Table 5. It is noted here that the bi-quad is actually a slight variation of a second order state-variable.

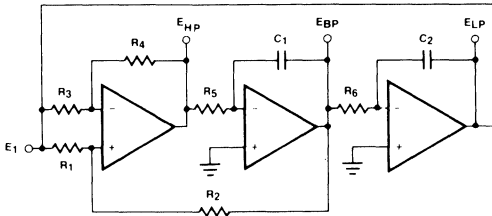


Figure 5. Typical State-Variable Configuration.

Eq. 3

$$\frac{E_{LP}}{E_i} = \frac{\left(\frac{1}{R_5 R_6 C_1 C_2}\right) \left(\frac{1 + R_4/R_3}{1 + R_1/R_2}\right)}{s^2 + s \left(\frac{1}{R_5 C_1}\right) \left(\frac{1 + R_4/R_3}{1 + R_2/R_1}\right) + \frac{R_4}{R_3} \left(\frac{1}{R_5 R_6 C_1 C_2}\right)}$$

Eq. 4

$$\frac{E_{HP}}{E_i} = \frac{s^2 \left(\frac{1 + R_4/R_3}{1 + R_1/R_2}\right)}{s^2 + s \left(\frac{1}{R_5 C_1}\right) \left(\frac{1 + R_4/R_3}{1 + R_2/R_1}\right) + \frac{R_4}{R_3} \left(\frac{1}{R_5 R_6 C_1 C_2}\right)}$$

Eq. 5

$$\frac{E_{BP}}{E_i} = \frac{-s \left(\frac{1}{R_5 C_1}\right) \left(\frac{1 + R_4/R_3}{1 + R_1/R_2}\right)}{s^2 + s \left(\frac{1}{R_5 C_1}\right) \left(\frac{1 + R_4/R_3}{1 + R_2/R_1}\right) + \frac{R_4}{R_3} \left(\frac{1}{R_5 R_6 C_1 C_2}\right)}$$

Modem Filter

A typical application for an active filter is the input stage of a frequency demodulator. Any noise or spurious signals at this point would affect the overall quality of the output. A more specific example can be cited by considering the FSK system shown in Figure 6. (Frequency-shift keying is a means of transmitting digital information, primarily through telecommunications links.) This type of system is thoroughly covered in Exar's Application Note, AN-01, and will only be briefly discussed here.

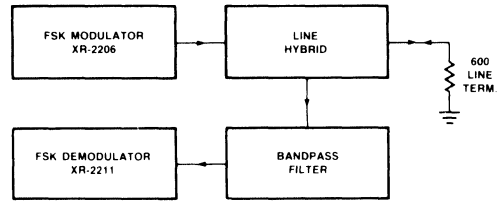


Figure 6. FSK System.

In this system, the digital data to be transmitted is used to key the XR-2206. The frequency-shift keyed output of the XR-2206 is then sent through the hybrid and out onto the line. (The hybrid is used to obtain isolation between data transmitted and data received, and may also be used to amplify the received signal.) In full duplex operation, this system must be able to receive and transmit, simultaneously. Due to line losses, the received signal may range from -12 dBm to -48 dBm. The output level of the transmitter is typically -6 dBm (allowing for a 6 dB loss in the hybrid). Due to line mismatch, the hybrid may only provide 10 dB of isolation to the filter. Therefore, the levels at the input of the filter, assuming a gain of 6 dB from the line through the hybrid, is -6 and -42 dBm for the desired signal, and -16 dBm from the local oscillator. This means that in a worst case situation, the input level of the received signal is -42 dBm, with the level of the local oscillator 26 dB above this. For the XR-2211 to operate with a low-bit error rate, the input should be 6 dB higher than the interfering signal. This implies that the stopband, A_{min} , from Figure 2 is 32 dB. The XR-2211 has an internal preamplifier with a dynamic range of greater than 60 dB, and requires a minimum input level of -38 dBm to cause limiting. If we choose a filter to have a passband ripple of 1 dB, and an overall gain of 5 dB, the input conditions of the XR-2211 will be satisfied. The filters introduce a phase shift that is only linear for approximately 1/2 and 1/3 of the passband; therefore, a bandwidth of 400 Hz is used for the filter. The general shape of the filter is shown in Figure 7.

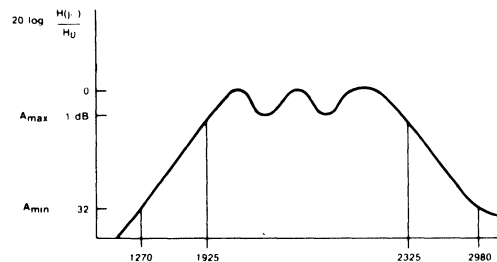


Figure 7. General Filter Shape.

Note: The values used in this filter are based on a modem using an XR-2206 as the modulator, and XR-2211 as the demodulator. If digital techniques are used, the filter parameters may be different, due to the harmonics generated by digital synthesis of a sine wave, and higher signal-to-noise requirements of the demodulator.

AN-03

To find the minimum number of poles required for this response, the nomograph in Figure 1 is used. The point falls between a 2- and 3-pole filter. The values of $\omega_0 + \alpha$ are determined from the tables, for a 3rd order Chebyshev response with 1 dB ripple.

From the tables:

$\omega_0 = .997098$ complex pole
 $\alpha = .495609$
 $\omega_0 = .494171$ - real pole.

The geometric center is $\omega_0 = \sqrt{\omega_3\omega_2}$ or $\sqrt{f_3f_2} = f_0$

$$\text{The filter } Q_0 = \frac{f_0}{f_3 - f_2} = \frac{\sqrt{(1925)(2325)}}{2325 - 1925} = 5.28892$$

The Q of each section of the filter is determined by Equation 6.

$$\text{Eq. 6} \quad Q_A = \frac{\left(\frac{\omega_1}{Q_0}\right)^2 + 4 + \sqrt{\left[\left(\frac{\omega_1}{Q_0}\right)^2 + 4\right]^2 - 4\left(\frac{\alpha_1\omega_1}{Q_0}\right)^2}}{2\frac{\alpha_1\omega_1}{Q_0}}$$

$Q_1 = 21.49 = Q_2$. Section two is a reflection of section one, about f_0 . The center frequencies are found by Eq. 7.

$$\text{Eq. 7} \quad M = \frac{\alpha\omega_1 Q_1}{2Q_0} + \sqrt{\left(\frac{\alpha\omega_1 Q_1}{2Q_0}\right)^2 - 1}$$

$$\text{Where } M = \frac{\omega_1}{\omega_0} = \frac{\omega_0}{\omega_2} = \frac{f_1}{f_0} = \frac{f_0}{f_2} \quad \begin{matrix} M = 1.0955 \\ f_1 = 2317.6 \\ f_2 = 1931.1 \end{matrix}$$

for Section 3 the real pole is transformed into a complex pole pair.

$$Q_3 = \frac{2Q_0}{\alpha\omega_B} = 10.7$$

and $f_3 = f_0$.

The 3 filter stages are now defined:

$$\begin{matrix} f_1 = 2317.6 & Q_1 = 21.49 \\ f_2 = 1931.1 & Q_2 = 21.49 \\ f_3 = 2115.56 & Q_3 = 10.7 \end{matrix}$$

In this example, the multiple feedback approach is used since 3-pole pairs can be generated with 3 op amps, 6 capacitors, and 9 resistors; an equivalent filter could have been designed with the state-variable, but this would have required 9 op amps to realize. The actual filter is shown in Figure 8. All capacitor values are chosen to be .01 μF (5%), and all resistors are 1%. The values for this filter and a low-band filter are shown in Table 6.

Figure 9 shows a complete Originate or Answer modem. The values for the XR-2206 and XR-2211 are given

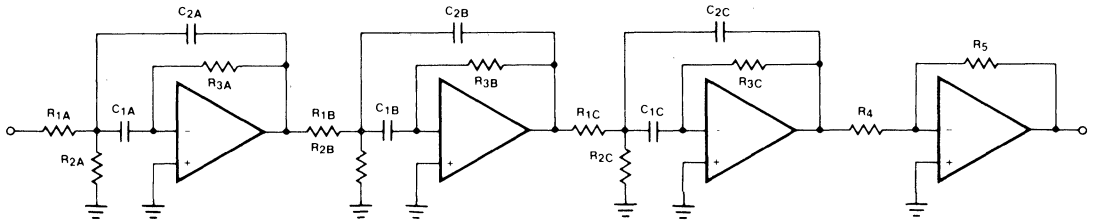


Figure 8. Modem Filter.

Table 6.

		f_0	ω_0	Q_0	R_1	R_2	R_2	C_1	C_2	H_0
Originate	A	1931.1	12.1335K	21.49	88.6K	192	354K	.01	.01	2
	B	2317.6	14.562K	21.49	74K	160	295K	.01	.01	2
	C	2115.6	13.293K	10.7	40K	355	161K	.01	.01	2
Answer	A	1362.26	10.115K	11.827	58.5K	421	234K	.01	.01	2
	B	975.51	6129.3	11.827	96.5K	421	386K	.01	.01	2
	C	1152.78	7.243K	5.832	40.3K	1219.5	161K	.01	.01	2

AN-03

in Table 7. For an originate modem, the transmitting frequencies are 1070 and 1270, and the receiving frequencies are 2025 and 2225, for a space and mark, respectively.

The first op-amp is connected as an active hybrid which should supply a minimum of 10 dB isolation, from transmit to receive, while adding 6 dB from the line to the receiver.

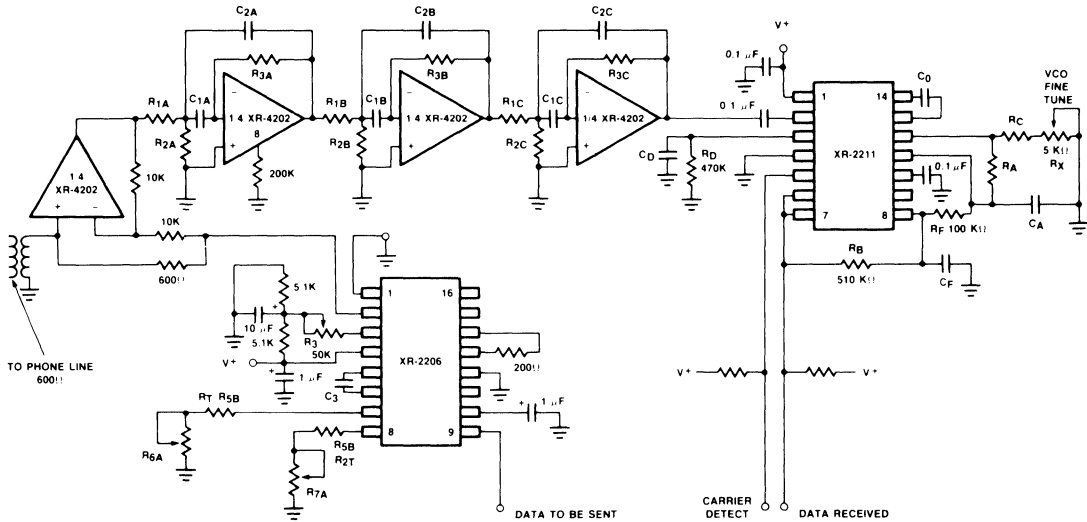


Figure 9. Originate or Answer Modem.

Table 7. Recommended Component Values for Typical FSK Bands

FSK Band			Component Values											
			XR-2206					XR-2211						
Baud Rate	f_L	f_H	R_{6A}	R_{6B}	R_{7A}	R_{7B}	C_3	R_X	R_C	R_A	C_0	C_A	C_F	C_D
Originate	1070	1270	10	18	10	20	.039	10	18	100	.039	.01	.005	.05
Answer	2025	2225	10	16	10	18	.022	10	18	200	.022	.0047	.005	.05

Units: Frequency — Hz; Resistors — k Ω ; Capacitors — μ F.

XR-C277 Low-Voltage PCM Repeater IC

INTRODUCTION

The XR-C277 is a monolithic repeater circuit for Pulse-Code Modulated (PCM) telephone systems. It is designed to operate as a regenerative repeater at 1.544 Mega bits per second (Mbps) data rates on T-1 type PCM lines. It is packaged in a hermetic 16-pin CERDIP package and is designed to operate over a temperature range of -40°C to $+85^{\circ}\text{C}$. It contains all the basic functional blocks of a regenerative repeater system including Automatic Line Build-Out (ALBO) and equalization, and is insensitive to reflections caused by cable discontinuities.

The key feature of the XR-C277 is its ability to operate with low supply voltages (6.3 volts and 4.4 volts) with a supply current of less than 13 mA. Compared to conventional repeater designs using discrete components, the XR-C277 monolithic repeater IC offers greatly improved reliability and performance and provides significant savings in power consumption and system cost.

FUNDAMENTALS OF PCM REPEATERS

Figure 1 shows the block diagram of a bi-directional PCM repeater system consisting of two identical digital regenerator or repeater sections, one for each direction of transmission. These repeaters share a common power supply. The DC power is simplexed over the paired cable and is extracted at each repeater by means of a series zener diode regulator. The XR-C277 monolithic IC replaces about 90% of the electronic components and circuitry within the digital repeater sections of Figure 1. Thus, a bi-directional repeater system

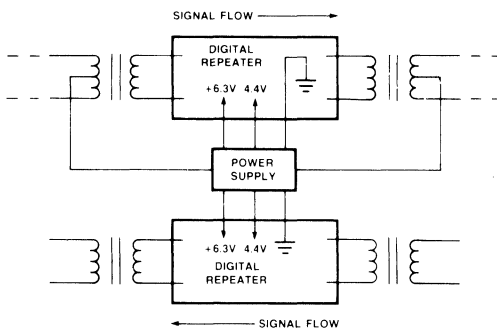


Figure 1. Block Diagram of a Bi-Directional Digital Repeater System

would require two XR-C277 IC's, one for each direction of information flow.

Figure 2 shows the functional block diagram of one of the digital repeater sections, along with the external zener regulator. The basic system architecture shown in the figure is the same as that utilized in the design of the XR-C277 monolithic IC.

In terms of the functional blocks shown in Figure 2, the basic operation of the repeater can be briefly explained as follows:

The bipolar signal, after traversing through a dispersive, noisy medium, is applied to a linear amplifier and automatic equalizer. It is the function of this circuit to provide the necessary amount of gain and phase equalization and, in addition, to band limit the signal in order to optimize the performance of the repeater for near-end crosstalk produced by other systems operating within the same cable sheath.

The output signals of the preamplifier which are balanced and of opposite phases are applied to the clock extraction circuit and also to the pulse regenerator. The signals applied to the clock extraction circuit are rectified and then applied to a high-Q resonant circuit. This resonant circuit extracts a 1.544 MHz frequency component from the applied signal. The extracted signal is first amplified and then used to control the time at which the output signals of the preamplifier are sampled and also to control the width of the regenerated pulse.

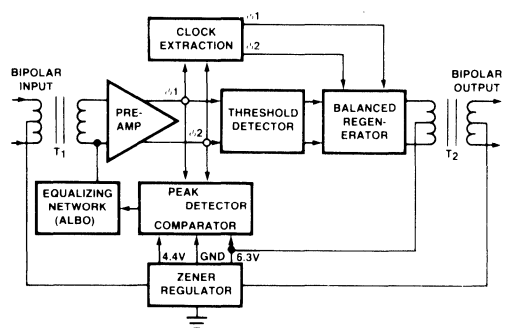


Figure 2. Functional Block Diagram of a Digital PCM Repeater System

AN-04

It is the function of the pulse regenerator to perform the sampling and threshold operations and to regenerate the appropriate pulse. The regenerated pulse in turn applied to a discrete output transformer which is used to drive the next section of the paired cable.

Additional References on PCM Repeaters:

1. Mayo, J. S., "A Bipolar Repeater for Pulse Code Signals," B.S.T.J., Vol. 41, January, 1962, pp. 25-97.
2. Aaron, M. R., "PCM Transmission in the Exchange Plant," B.S.T.J., Vol. 41, January, 1962, pp. 99-143.
3. Davis, C. G., "An Experimental Pulse Code Modulation System for Short-Haul Trunks," B.S.T.J., Vol. 41, January, 1962, pp. 1-25.
4. Fultz, K. E. and Penick, D. B., "The T-1 Carrier System," B.S.T.J., Vol. 44, September, 1965, pp. 1405-1452.
5. Tarbox, R. A., "A Regenerative Repeater Utilizing Hybrid IC Technology," Proceedings of International Communications Conference, 1969, pp. 46-5 — 46-10.

OPERATION OF THE XR-C277

The XR-C 277 combines all the functional blocks of a PCM repeater system in a single monolithic IC chip. The pin connections for each of the functional circuits within the repeater chip are shown in Figure 3, for a 16-pin dual-in-line package.

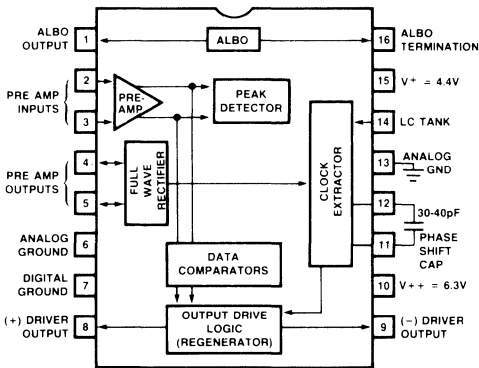


Figure 3. Package Diagram of XR-C277 Monolithic PCM Repeater

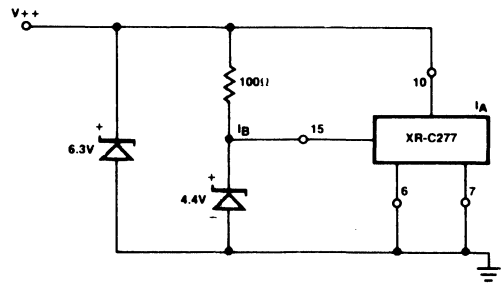


Figure 4. Recommended Supply Voltage Connection for XR-C277 (Note: See Figure 6 for Recommended Bypass Capacitors)

The circuit is designed to operate with two positive supply voltages, V^{++} and V^+ which are nominally set to be 6.3V and 4.4V, respectively. Figure 4 gives the recommended power supply connection for the circuit.

The supply currents I_A and I_B drawn from the two supply voltages applied to the chip are specified to be within the following limits:

- a. Current from 6.3V supply voltage, I_A :

$$2.5 \text{ mA} \leq I_A \leq 4.0 \text{ mA}$$

- b. Current from 4.4V supply voltage I_B :

$$7 \text{ mA} \leq I_B \leq 9 \text{ mA}$$

The external components necessary for proper operation of the circuit are shown in Figure 5, in terms of the system block diagram. Note that all the blocks shown in Figure 5 are a part of the monolithic IC; and the numbered circuit terminals correspond to the IC package pins (see Figure 3).

Figure 6 shows a practical circuit connection for the XR-C277 in an actual PCM repeater application for 1.544 Mbps T-1 Repeater application. For simplification purposes, the lightning protection circuitry and the second repeater section are not shown in the figure.

3

AN-04

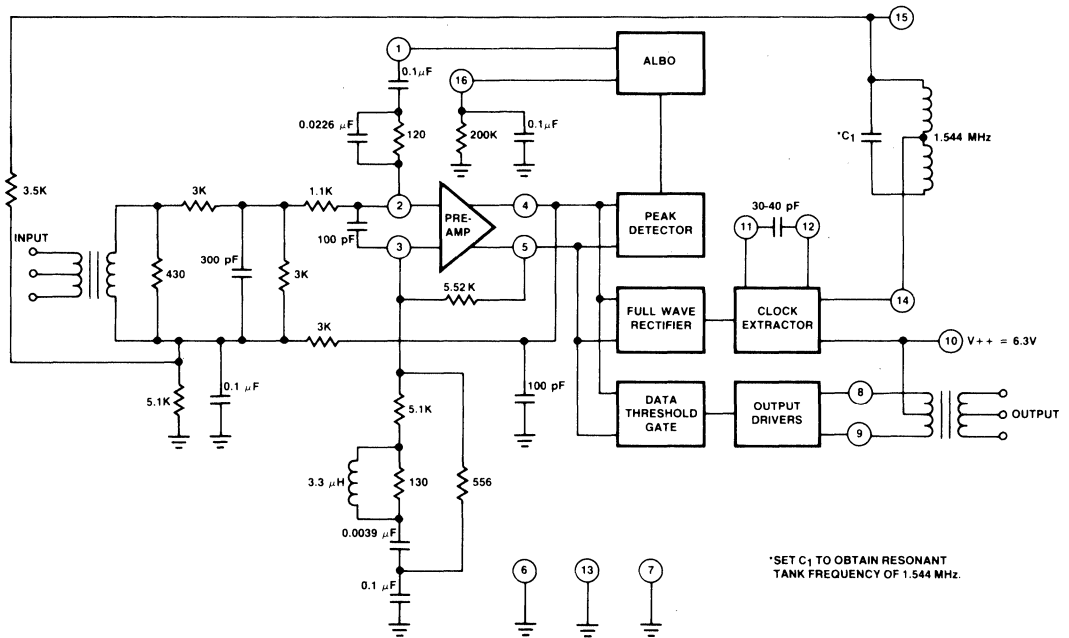


Figure 5. External Components Necessary for Circuit Operation in 1.544 MHz T-1 Repeater

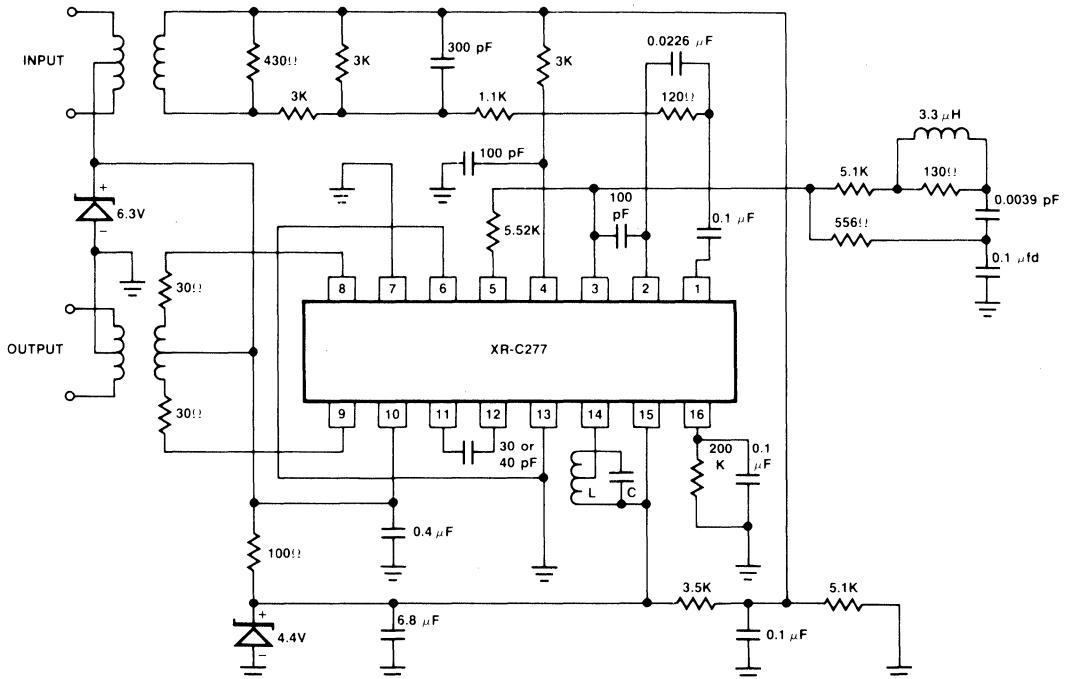


Figure 6. Typical Circuit Connection of XR-C277 in 1.544 MHz T-1 Repeater System. (Note: Set L and C to Form a High Q Tank Resonant at 1.544 MHz. It is Recommended that $Q \geq 100$, and $C \approx \mu\text{F}$ for most applications).

AN-04

DESCRIPTION OF CIRCUIT OPERATION

Preamplifier Section (Fig. 7):

The circuit diagram of the preamplifier section is shown in Figure 7. This section is designed as a two-stage differential amplifier with a broadband differential voltage gain of 52 dB. The differential outputs of the preamplifier, Pins 4 and 5, are internally connected to the peak-detector, full-wave rectifier and the data threshold detector sections of the XR-C277.

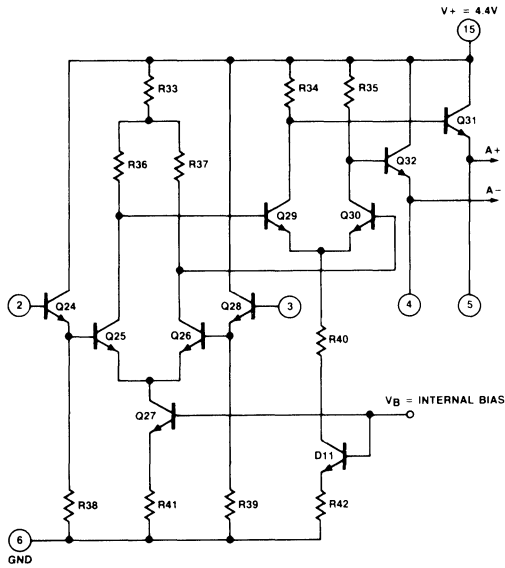


Figure 7. Circuit Diagram of Preamplifier Section

Automatic Line Build-Out (ALBO) Section (Fig. 8):

The ALBO function is achieved by controlling the dynamic impedance of ALBO diodes (Q₂₁ and Q₂₂). The current which sets this dynamic impedance is supplied through Q₂₁ and is controlled by the peak-detector output level applied to base of Q₂₂.

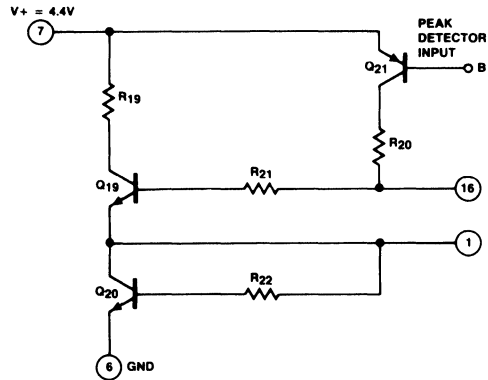


Figure 8. Automatic Line Build-Out (ALBO) Section

AN-04

Data-Threshold Detector; Full-Wave Rectifier and Peak Detector Sections (Figure 9):

The level detector and peak rectifier sections of the XR-C277 are made up of two sets of gain stages which are driven differentially with the (A⁺) and (A020⁻) outputs of the preamplifier section. The outputs of the data threshold comparators, D⁺ and D⁻ activate the data latches shown in Figure 11.

The peak-detector output, terminal B of Figure 9, is internally connected to the Automatic Line Build-Out (ALBO) section of the circuit and controls the dc bias cur-

rent through the ALBO diodes Q₂₁ through Q₂₂, as shown in Figure 8.

The full-wave rectifier output is internally connected to the clock-extractor section of the repeater and provides the excitation signal for the L-C tuned tank circuit (Pin 14) of the injection locked oscillator. The detection thresholds of the comparators are set by the resistor chains (R₄₅, R₄₇, R₅₁, R₅₅) and (R₄₆, R₄₈, R₅₂, R₅₆). The resistor ratios are chosen such that the data threshold is 50% of the ALBO threshold; and the clock extractor threshold is 73% of the ALBO threshold.

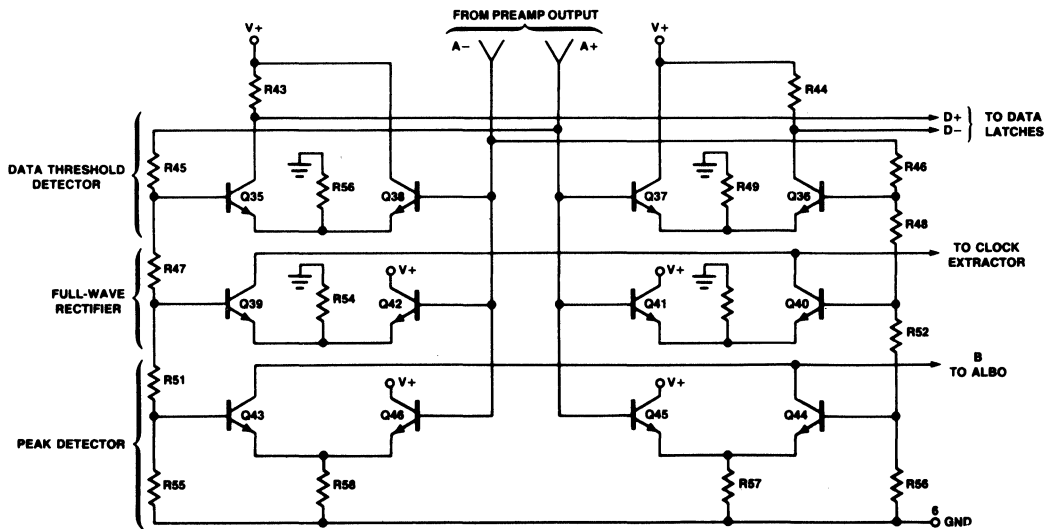


Figure 9. Data-Threshold Detector, Full-Wave Rectifier and The Peak Detector Sections of XR-C277

Clock Extractor Section (Figure 10):

The clock-extractor section of XR-C277 is designed as an injection locked oscillator as shown in the circuit schematic of Figure 10. The excitation is applied to the emitter of Q_{1B}, from the output of the full-wave rectifier. This signal in turn controls the current in the resonant L-C tank circuit connected to Pin 14. The sinusoidal waveform across the tank is then amplified and squared through two cascaded differential gain stages made up transistors Q₃ through Q₉. The output swing

of the second gain stage is integrated by the phase-shift capacitor, C₁, externally connected to Pins 11 and 12. See timing diagrams of Figure 13. The nominal value of this capacitor is in the 30 to 40 pF range. The triangular waveform across Pins 11 and 12 is at quadrature phase with the sinusoidal voltage swing across the L-C tank circuit. This waveform is then used to generate the strobe signal, C_p, and the clock pulse C_φ, which are applied to the data latches of the logic section.

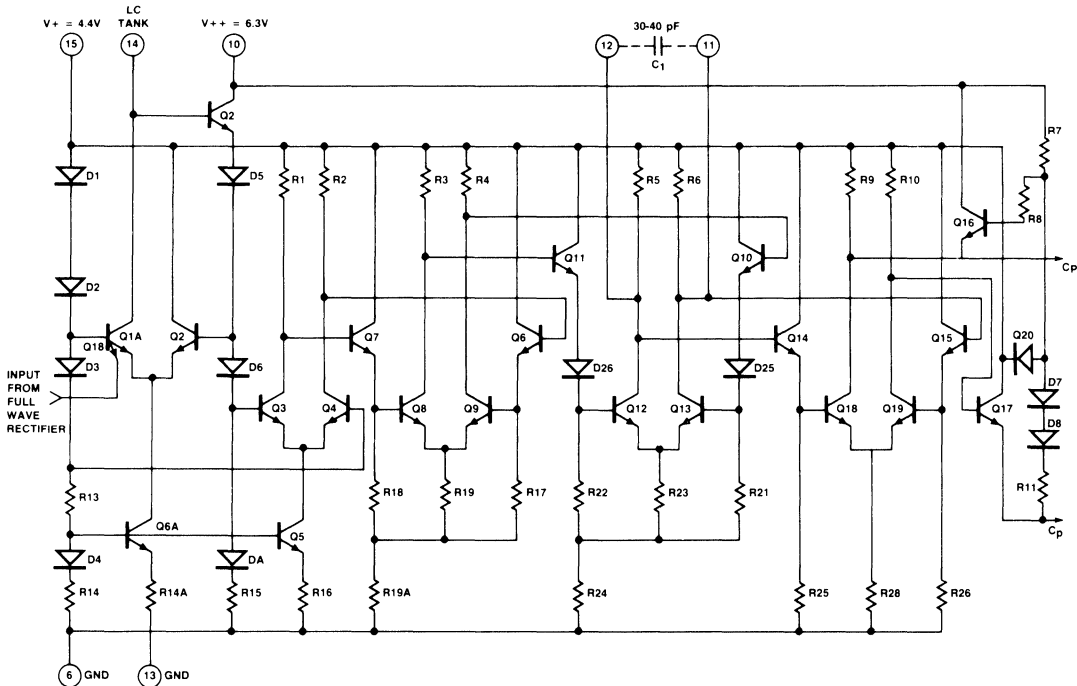


Figure 10. Circuit Diagram of Clock Extractor Section

Data-Latch and Output Driver Sections (Figures 11 and 12):

The data-latch section consists of two parallel flip-flops, driven by the D⁺ and D⁻ inputs from the data-threshold detector. When the D⁺ input is at a low state, the sampling or strobe pulse, C_p, is steered through Q_{47A} and sets Flip-Flop 1, on the leading edge of C_p. Conversely, when D⁻ input is at a low state, the sampling pulse is steered through Q_{47B} to set Flip-Flop 2. Each flip-flop section is then reset at the trailing edge of the clock pulse input, C_φ. The flip-flop outputs, (F₁, F₁) and (F₂, F₂) are then used to drive the output drivers. This logic arrangement results in an output pulse width

which is the same as the extracted clock pulse width (See timing diagram of Figure 13.)

The outputs of the two data latches drive the two output driver stages shown in Figure 12. The high-current outputs of the driver stage, Pins 8 and 9, are connected to the center-tapped output transformer as shown in Figure 5. The voltage swing across the output is one diode drop (V_{BE}) less than the supply voltage at Pin 10. The output stages are designed to work into a nominal load impedance of 100 ohms, and can handle peak load currents of 30 mA.

AN-04

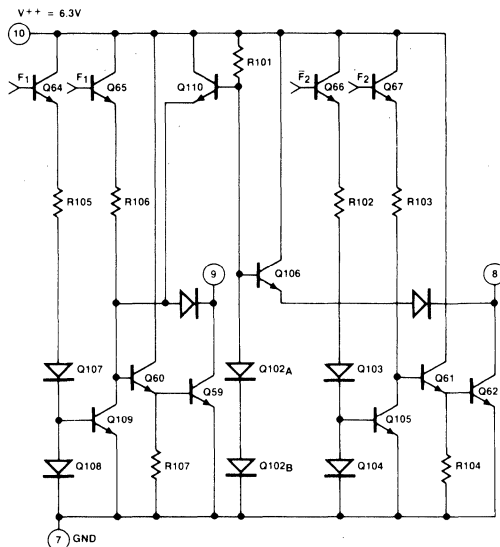


Figure 11. Data-Latch Section of XR-C277

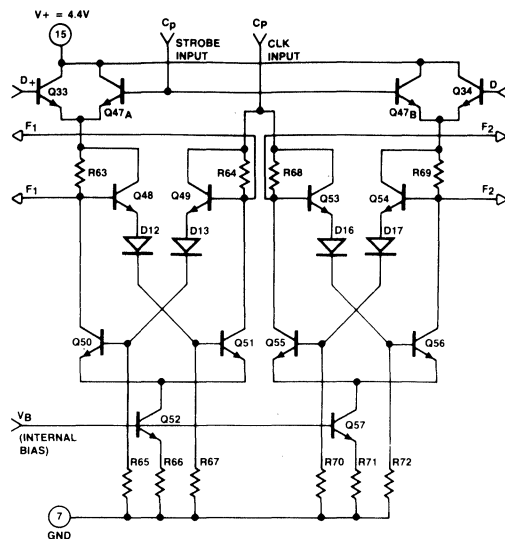


Figure 12. Output-Driver Section

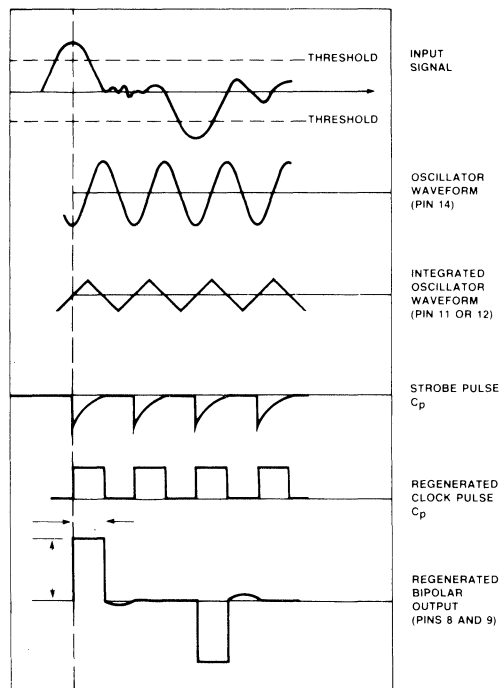


Figure 13. Typical Timing Waveforms for a 1-0-1 Input Data Pattern

Three-State FSK Modem Design using XR-2207 and XR-2211

INTRODUCTION

This application note describes the design principle, and the operation of three-state frequency-shift keyed (FSK) modems for industrial process control systems. Compared to conventional bi-state modems, which utilize only the mark and space frequencies, the three-state modems utilize a third frequency, the carrier signal, for additional command and control functions. This carrier-control feature allows each modem system connected to a central processor (CPU) to be interrogated or activated, one at a time, without interference from the other modem transmitters or receivers within the same system.

The design and operation of conventional bi-state FSK modems using the XR-2206 modulator, and the XR-2211 demodulator, are covered in Exar's Application Note, AN-01. This application note extends these basic concepts to the design of FSK modulators or demodulators with three-state operation capability.

PRINCIPLES OF OPERATION

In a wide variety of industrial process control applications, it is necessary to have a number of separate sensors and controllers activated by a centralized computer or processing unit (CPU). This can be achieved by

operating a number of separate FSK modulator/demodulator (modem) stations over a common set of telephone lines, and address them one at a time from the CPU. The simplified block diagram of such a process controlled system is shown in Figure 1. In many such cases, such a process control system also makes use of the distributed-intelligence concept by employing a separate data acquisition system at each control station. Such an intelligent data acquisition system is normally made up of a microprocessor, along with its A/D and D/A converter circuitry, which will interface with the sensors and the control machinery. An FSK modem will interface with the telephone wires going back to the central command unit, the CPU.

In the conventional operation of FSK modems, they operate in their bi-state mode, i.e., the information to be transmitted or received is available in two states, corresponding to either a mark or a space frequency. In a complex process control system, such as the one shown in Figure 1, the versatility of the system can be greatly enhanced by operating the FSK modulator/demodulator in three-state mode, where the information to be transmitted or received is available in three states, i.e., a mark or space frequency, or a carrier signal, which is normally a tone having a frequency halfway between the mark and space frequencies.

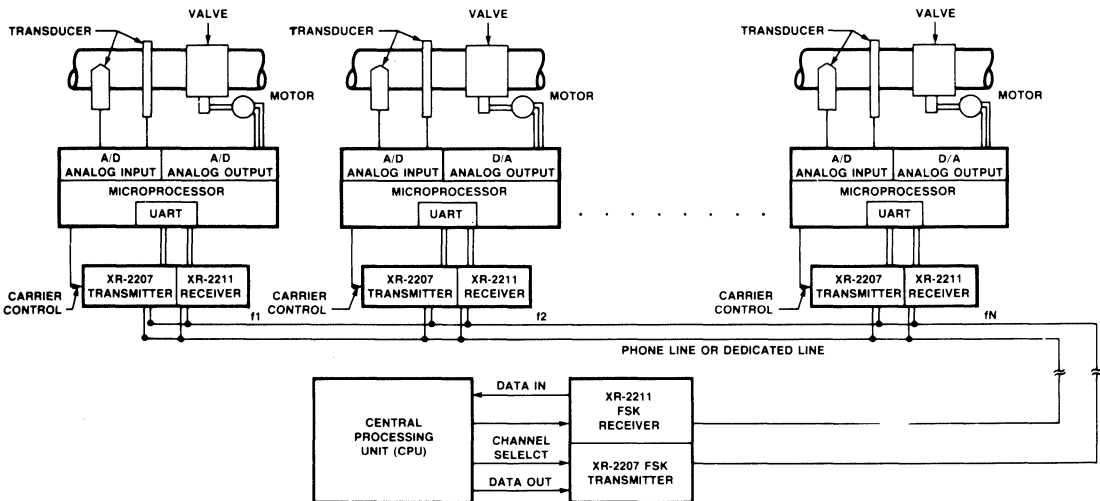


Figure 1. Simplified Block Diagram of a Complex Process Control System with Multiple FSK Modems.

AN-05

Figure 2 shows a detailed block diagram of a complete three-state FSK modem system. The system is made up of five blocks:

- FSK transmitter or encoder which converts the input data or logic signals into transmitted mark, space, and carrier tones.
- FSK receiver or decoder which converts the frequency signals sent over the telephone lines into binary logic signals.
- Transmitter bandpass filter which band-limits the frequency output of the transmitter to the allocated transmitter bandwidth.
- Receiver bandpass filter which limits the incoming signals to those frequencies which fall within the allocated receiver bandwidth.
- A line hybrid, or a 4-wire to 2-wire transformer, which isolates or decouples the transmitter output from the receiver input.

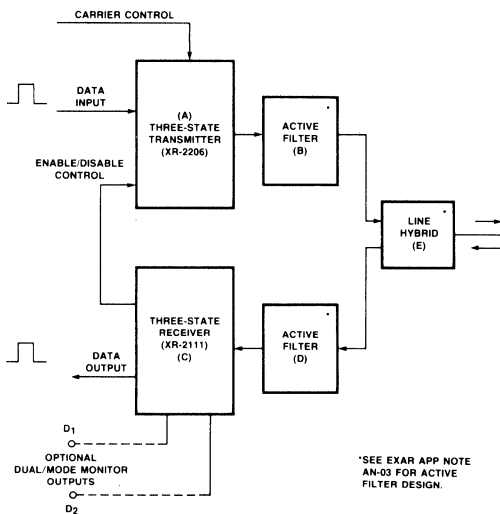


Figure 2. Block Diagram of a Three-State FSK Modem System.

The first 2 blocks, the FSK transmitter and the receiver, are the essential part of the modem system. The remaining three blocks, namely the active filters and the line-hybrid, are support circuits, depending on the frequency-band requirements or the necessary telephone line interconnections. Detailed descriptions and design examples for these active filters are given in Exar's Application Note, AN-03.

The three-state modem is designed to operate in two separate frequency bands: A transmit-band for the transmitted data, and a receive-band for the incoming frequencies. In certain operating modes, such as the half-duplex operation, these frequency bands may be one and the same. In its most general case, the frequency information associated with the three-state mo-

dem system (Figure 2) is concentrated in three discrete frequencies in each of the transmit- and receive-bands. These are:

Transmit-Band (transmitter output):

f_{T1} = Transmitter mark frequency

f_{T2} = Transmitter space frequency

f_{T0} = Transmitter carrier or center frequency

Receive-Band (receiver input):

f_{R1} = Receiver mark frequency

f_{R2} = Receiver space frequency

f_{R0} = Receiver carrier or center frequency

Normally, the mark and space frequencies are chosen to be near the opposite edges of the receive- or transmit-band, and the carrier frequency is chosen to be at the center of the corresponding band.

When activated by the enable/disable control, the three-state transmitter generates either the FSK mark/space frequencies, f_{T1} and f_{T2} , or the carrier frequency, f_{T0} . The carrier frequency is activated by the carrier control input, and can override the input data.

The three-state receiver provides two outputs: A binary data output, when activated by the input mark/space frequencies, f_{R1} and f_{R2} , and a logic signal, to control or enable the transmitter when the receiver-carrier frequency, f_{R0} , is present. As an option, it may have a dual-mode operation capability which can provide serial data outputs for half-bandwidth deviations of the input signal, i.e., for FSK signals comprised of center-to-mark or center-to-space frequency shifts. The data outputs corresponding to this mode of operation are shown as outputs, D_1 and D_2 of Figure 2.

CIRCUIT OPERATION

The generalized three-state modem system of Figure 2 can operate in a multiplicity of modes. Some of these are outlined below:

Answerback Under CPU Control

The modem will be in a standby mode with the transmitter disabled, and the receiver in a standby condition with its data output disabled. It will be activated only when an interrogate tone at the receiver center frequency, f_{R0} , is transmitted by the control modem unit associated with the CPU (see Figure 1). This tone is detected by the receiver; it activates the transmitter via its enable/disable control, and instructs the local microprocessor to transmit its status information via the local transmitter. This data is transmitted as an FSK signal made up of the transmit mark and space frequencies f_{T1} and f_{T2} . When the information transmission is complete, or when the interrogate tone is discontinued, the entire modem system again reverts back to its standby mode.

AN-05

Receive Under CPU Control

In this mode of operation, the transmitter remains disabled, the receiver is at its standby mode with its data output disabled. When the FSK data is sent by the CPU modem transmitter, at the mark/space frequencies, f_{R1} and f_{R2} , the data output is enabled, and the decoded binary data is fed into the local microprocessor. Since the center receive-frequency, f_{R0} , is not transmitted, the transmitter remains disabled.

Priority-Transmit Request

In an emergency situation, the local transmitter can be activated by its carrier-control input, which causes it to transmit a tone, f_{T0} , at its center frequency. When this tone is received by the CPU, it will be treated as a priority request to transmit information; the CPU will immediately interrogate the corresponding local modem by sending out its address tone at frequency, f_{R0} .

Dual-Channel Receive

As an option, the receiver can provide serial data outputs, through separate terminals, D_1 and D_2 of Figure 2, for half-bandwidth deviations of the input FSK signals. In this mode, the input data will be in the form of center-to-mark frequency shifts for one channel, and center-to-space shifts for the other. This mode of operation allows two separate sets of data or control instructions to be transmitted within the same channel bandwidth, provided that only one of these channels is used at any one time.

Dual-Channel Transmit

As an option, the transmitter can also transmit two separate channels, using half-bandwidth deviations of the transmit signal. In this case, the outgoing data will be encoded with center-to-mark transitions of the transmitter frequency in one of the channels, and center-to-space transitions in the other. However, similar to the case of the receiver, only one or the other, and not both, of these half-bandwidth channels can be on at a given time.

XR-2207 As A Three-State FSK Transmitter

The XR-2207 is a monolithic voltage-controlled oscillator (VCO) circuit with excellent temperature stability. It provides simultaneous triangle and square wave outputs, and can be keyed to any one of four preprogrammed frequencies by means of external logic signals. These four discrete frequencies are preprogrammed by the choice of four external timing resistors.

Figure 3 shows a functional block diagram of the XR-2207 monolithic FSK generator chip. The circuit is comprised of four functional blocks: A variable-frequency oscillator which generates the basic periodic waveforms; four current switches actuated by binary keying inputs, and buffer amplifiers for both the triangle and square wave outputs. The internal current switches transfer the oscillator current to any of four external tim-

ing resistors, to produce four discrete frequencies which are selected according to the binary logic levels at the keying terminals.

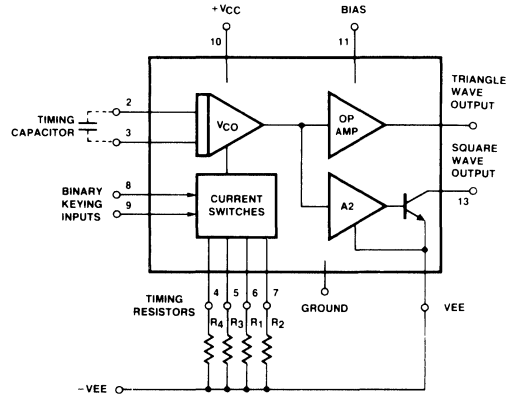


Figure 3. Functional Diagram of XR-2207 Monolithic FSK Generator.

The frequency of oscillation is set by an external timing capacitor, and by the combination of one or more of the external timing resistors, R_1 through R_4 . The keying terminals switch these external resistors in and out of the circuit and thus control the operating frequency. Table 1 shows the four discrete frequencies which can be obtained as a function of four logic states at Pin 8 and 9. It should be noted that the frequency is inversely proportional to the timing resistor connected to the activated timing pin. For example, if only one of the timing pins, say Pin 5, is activated and its associated resistor, R_3 , is left open-circuited (i.e., $R_3 = \infty$) the oscillator will be keyed OFF since this corresponds to a zero-frequency state.

Table 1.
Output Frequency of the XR-2207
as a Function of the Keying Logic.

Logic Level		Active Timing Resistor	Output Frequency
Pin 8	Pin 9		
L	L	Pin 6	$\frac{1}{C_0 R_1}$
L	H	Pin 6 and 7	$\frac{1}{C_0 R_1} + \frac{1}{C_0 R_2}$
H	L	Pin 5	$\frac{1}{C_0 R_3}$
H	H	Pin 4 and 5	$\frac{1}{C_0 R_3} + \frac{1}{C_0 R_4}$

(* Frequency in Hz, R in Ohms and C in Farads.)

AN-05

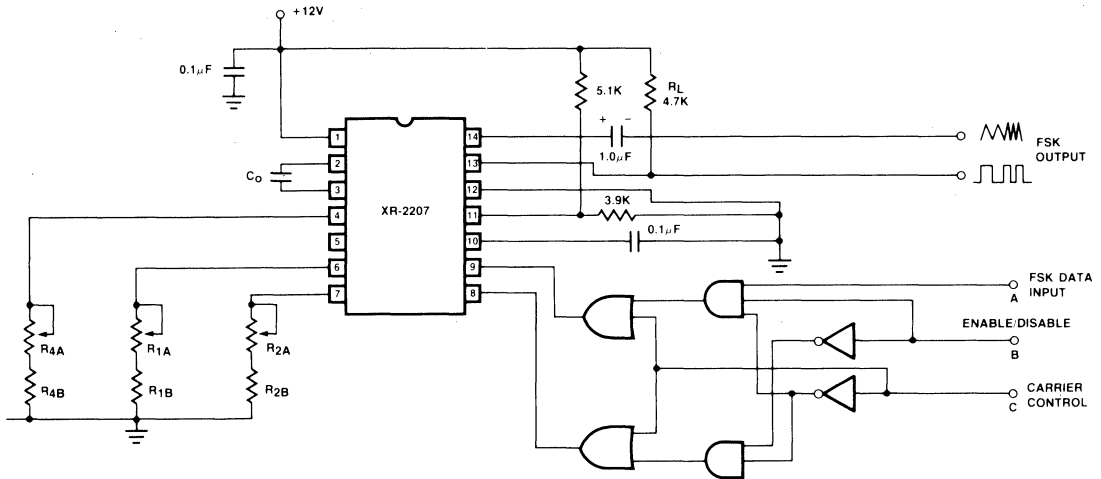


Figure 4. Three-State FSK Transmitter Using the XR-2207.

Figure 4 shows the recommended circuit connection of the XR-2207, for its operation as a three-state FSK transmitter. The three resistors, R_1 , R_2 and R_4 , are used to set the three discrete frequencies to be transmitted in accordance with the frequency expressions given in Table 1, where:

$$f_{T1} = \frac{1}{C_0 R_1} \quad f_{T2} = \frac{1}{C_0 R_1} + \frac{1}{C_0 R_2} \quad f_{T0} = \frac{1}{C_0 R_4}$$

It should be noted that Pin 5 is left open circuited (i.e., $R_3 = \infty$). This allows the circuit to be keyed OFF, or disabled, by applying a high-logic state to Pin 8, and a low-logic state to Pin 9 (see Table 1).

The functions of the three control terminals can be described as follows:

- FSK Data Input:** The serial binary data is applied to this terminal. With the carrier control at low- and enable/disable control at high-state, the binary data causes the transmitter to generate the mark and space frequencies, f_{T1} and f_{T2} .
- Enable/Disable Control:** When this input is at low-state, the transmitter is disabled.
- Carrier-Control:** When this terminal is at high-state, the transmitter generates a continuous tone at frequency, f_{T0} .

With the external logic circuitry shown in Figure 4, carrier-control can override both the enable/disable or the FSK data inputs. A detailed truth-table of the circuit outputs is given in Table 2, for various states of the three control inputs.

Table 2.
Three-State Transmitter Operating Modes
as a Function of Control Inputs

Control Input States			Level at Pin 9	Level at Pin 9	Transmitter Output Frequency	Transmitter Operating Mode
A	B	C				
L	L	L	L	H	OFF	Transmitter
H	L	L	L	H	OFF	Off
L	H	L	L	L	f_{T1}	Transmit
H	H	L	H	L	f_{T2}	Data
L	L	H	H	H	f_{T0}	Transmit
L	H	H	H	H	f_{T0}	Carrier
H	H	H	H	H	f_{T0}	Only

XR-2211 As A Three-State Receiver

The XR-2211 is a monolithic FSK demodulator which operates on the phase-locked loop principle. In addition to the basic PLL system, the monolithic chip also contains a quadrature-detector circuit which produces a logic signal when a carrier signal, or tone, is present within the capture range of the PLL. A simplified functional block diagram of the circuit is shown in Figure 5.

Basic Bi-State Operation

The basic operation of the XR-2211, in conventional bi-state modems, is described in detail in Exar's Application Note, AN-01. It will be briefly reviewed below.

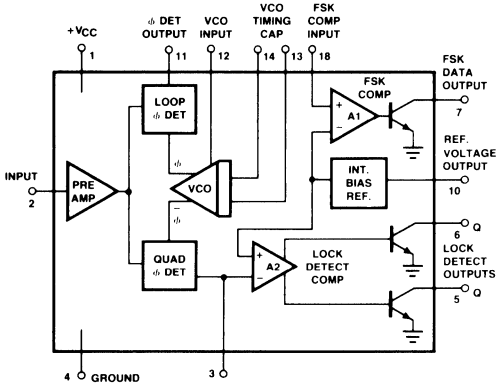


Figure 5. Functional Block Diagram of XR-2211 FSK and Tone Detector.

The basic circuit connection for the XR-2211 for bi-state FSK detection is shown in Figure 6. The center frequency is determined by $f_0 = (1/C_1R_4)$ Hz, where capacitance is in farads and resistance is in ohms. Calculations for f_0 should fall midway between the mark and space frequencies.

The tracking range ($\pm \Delta f$) is the range of frequencies over which the phase-locked loop can retain a lock with a swept input signal. This range is determined by the formula:

$$\Delta f = (R_4f_0/R_5) \text{ Hz.}$$

Δf should be made equal to, or slightly less than, the difference between the mark and space frequencies. For optimum stability, the recommended range of values for R_4 is between 10 k Ω and 100 k Ω .

The capture range ($\pm \Delta f_c$) is the range of frequencies over which the phase-locked loop can acquire lock. It is

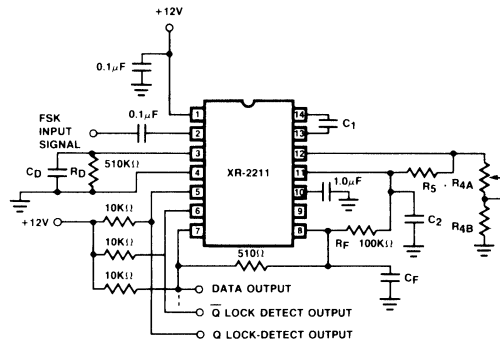


Figure 6. XR-2211 as a Bi-State Receiver with Tone-Detection Capability.

always less than the tracking range. The capture range is limited by C_2 , which, in conjunction with R_5 , forms the loop-filter time constant. In most modern applications, Δf_c is chosen to be $\approx 80\%$ to 95% of the tracking range, Δf .

The bi-state FSK data filter, made up of R_F and C_F , removes the jitter from the demodulated FSK signal. Similarly, the lock-detect filter capacitor (C_D) removes chatter from the lock-detect output. With $R_D = 510 \text{ k}\Omega$, the minimum value of C_D can be determined by: $C_D(\mu\text{f}) \approx 16/\text{capture range in Hz}$. The XR-2211 has three npn open-collector outputs, each of which is capable of sinking up to 5 mA. Pin 7 is the FSK data output, Pin 5 is the Q lock-detect output which goes low when a carrier is detected, and Pin 6 is the Q lock-detect output which goes high when lock is detected. If Pin 6 and 7 are wired together, the output signal from these terminals will provide data when FSK is applied, and will be low when no carrier is present.

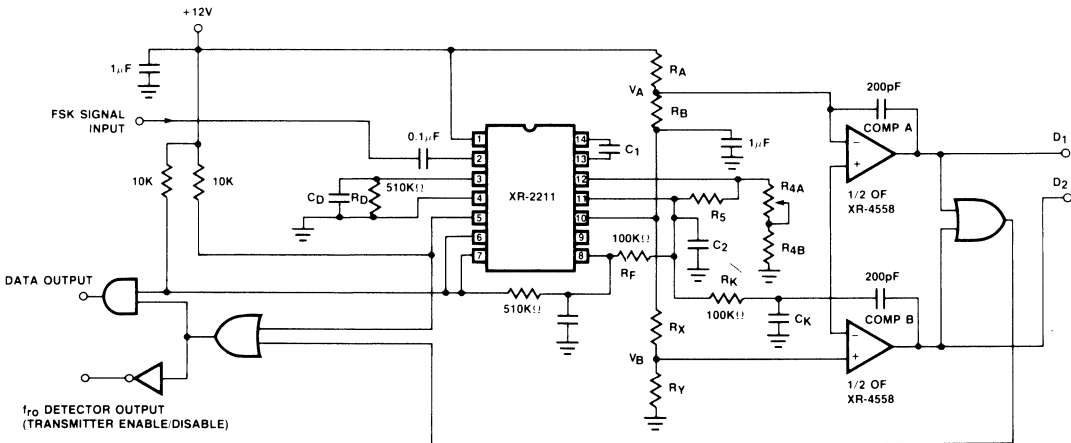


Figure 7. Circuit Connection for Operating XR-2211 as a Three-State FSK Receiver.

AN-05

Three-State Operation

The XR-2211 FSK demodulator circuit can be made to operate as a three-state receiver (see Block B of Figure 2), using the circuit configuration shown in Figure 7. With reference to the Figure, the basic operation of the circuit can be described as follows: The basic FSK decoding function, converting the incoming mark and space signals at frequencies f_{R1} and f_{R2} , is performed in the same manner as in the bi-state case, and the resulting output is available at Pin 7 of XR-2211. Pin 7 is connected to the tone-detect output, and then gated by the complement of the carrier-detect output. Thus, the data output terminal will be enabled only when the mark and space frequencies are present, but not when the receive-carrier, f_{R0} , is present.

The external voltage comparators shown in Figure 7 are added to the circuit to distinguish PLL output voltage levels corresponding to various input frequencies. The function of the XR-2211 frequency-to-voltage transfer characteristics can be understood by referring to Pin 11 in Figure 8. The voltage levels and polarities shown are relative to the XR-2211 internal reference voltage, V_{10} , at Pin 10. The mark and space frequencies, f_{R1} and f_{R2} , generate the maximum dc level shifts. V_{R1} and V_{R2} , sensed by the internal FSK comparator (see Figure 5) which is internally biased from the reference voltage, V_{10} .

The external comparators, Comp. A and Comp. B of Figure 7, are biased at voltage levels, V_A and V_B , approximately halfway between V_{R1} and V_{R2} , to trip at frequencies f_A and f_B , which are halfway between mark-to-center and space-to-center frequency shifts. This biasing is achieved with the external resistive dividers, R_A , R_B , R_X , and R_Y of Figure 7, which generate the reference voltage levels, V_A and V_B , with respect to the XR-2211 internal reference at Pin 10. It should be noted that the value of the resistors ($R_A + R_B$) and ($R_X + R_Y$) must be as large as possible (typically in excess of 100 k Ω) to avoid disturbing the voltage level at Pin 10.

The output of Pin 11 is filtered by R_K and C_K , and is used to drive the external voltage comparators. The outputs of these comparators are then connected through the external logic gates, to produce the carrier-detect or the enable/disable signal. The resulting logic output will be normally at a low state, and will go high only when the carrier signal, f_{R0} , is present. This logic signal is normally used for transmitter enable/disable control, as shown in Figure 2.

The logic level changes, at the external comparator outputs, correspond to mark-to-carrier or space-to-carrier frequency shifts (see Figure 8); thus, these outputs can be utilized as optional dual-mode monitor outputs, D_1 and D_2 of Figure 2.

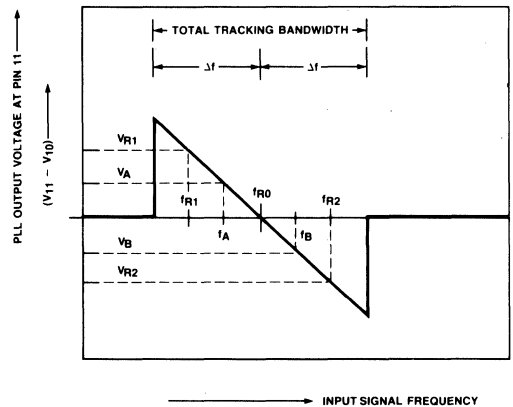


Figure 8. XR-2211 Frequency-to-Voltage Transfer Characteristics. (Note: V_{11} and V_{10} are the dc voltage levels at Pins 11 and 10, respectively.)

Precision PLL System using the XR-2207 and the XR-2208

INTRODUCTION

The phase-locked loop (PLL) is a versatile system block, suitable for a wide range of applications in data communications and signal conditioning. In most of these applications, the PLL is required to have a highly stable and predictable center frequency and a well-controlled bandwidth. Presently available monolithic PLL circuits often lack the frequency stability and the versatility required in these applications.

This application note describes the design and the application of two-chip PLL system using the XR-2207 and the XR-2208 monolithic circuits. The XR-2207 is a precision voltage controlled oscillator (VCO) circuit with excellent temperature stability (± 20 ppm/ $^{\circ}\text{C}$, typical) and linear sweep capability. The XR-2208 is an operational multiplier which combines a four quadrant multiplier and a high gain operational amplifier in the same package. Both circuits are designed to interface directly with each other with a minimum number of external components. Their combination functions as a high performance PLL, with the XR-2207 forming the VCO section of the loop, and the XR-2208 serving as the phase-detector and loop amplifier.

As compared with the presently available single-chip PLL circuits such as the XR-210 or the Harris HI-2820, the two-chip PLL system described in this paper offers approximately a factor of 10 improvement in temperature stability and center frequency accuracy. The system can operate from 0.01 Hz to 100 kHz, and its performance characteristics can be tailored to given design requirements with the choice of only four external components.

DEFINITIONS OF PLL PARAMETERS

The phase-locked loop (PLL) is a unique and versatile feedback system that provides frequency selective tuning and filtering without the need for coils or inductors. It consists of three basic functional blocks; phase comparator, low-pass filter, and voltage-controlled oscillator, interconnected as shown in Figure 1. With no input signal applied to the system, the error voltage, V_d , is equal to zero. The VCO operates at a set "free-running" frequency, f_0 . If an input signal is applied to the system, the phase comparator compares the phase and frequency of the input signal with the VCO frequency and generates an error voltage, $V_e(t)$, that is related to the phase and frequency difference between the two signals. This error voltage is then filtered and applied to the control terminal of the VCO. If the input signal frequency, f_s , is sufficiently close to f_0 , feedback causes

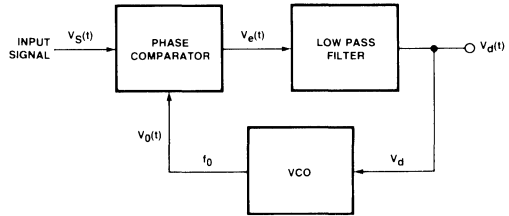


Figure 1. Block Diagram of a Phase-Locked Loop.

the VCO to synchronize or "lock" with the incoming signal. Once in lock, the VCO frequency is identical to the input signal, except for a finite phase difference.

Two key parameters of a phase-locked loop system are its "lock" and "capture" ranges. These can be defined as follows:

Lock Range = The band of frequencies in the vicinity of f_0 over which the PLL can *maintain lock* with an input signal. It is also known as the "tracking" or "holding" range. Lock range increases as the overall loop gain of the PLL is increased.

Capture Range = The band of frequencies in the vicinity of f_0 where the PLL can *establish or acquire lock* with an input signal. It is also known as the "acquisition" range. The capture is always smaller than the lock range. It is related to the low pass filter bandwidth and decreases as the low pass filter time constant increased.

The PLL responds to only those input signals sufficiently close to the VCO frequency, f_0 , to fall within the "lock" or "capture" ranges of the system. Its performance characteristics, therefore, offer a high degree of frequency selectivity, with the selectivity characteristics centered about f_0 . Figure 2 shows the typical frequency-to-voltage transfer characteristics of the PLL. The input is assumed to be a sine wave whose frequency is swept slowly, over a broad frequency range covering both the "lock" and the "capture" ranges of the PLL. The vertical scale corresponds to the filtered loop error voltage, V_d , appearing at the VCO control terminal.

As the input frequency, f_s , is swept up (Figure 2(a)) the system does not respond to the input signal until the input frequency reaches the lower end of capture range, f_{CL} . Then, the loop suddenly locks on the input signal, causing a positive jump in the error voltage V_d . Next, V_d varies at a slope equal to the reciprocal of VCO

AN-06

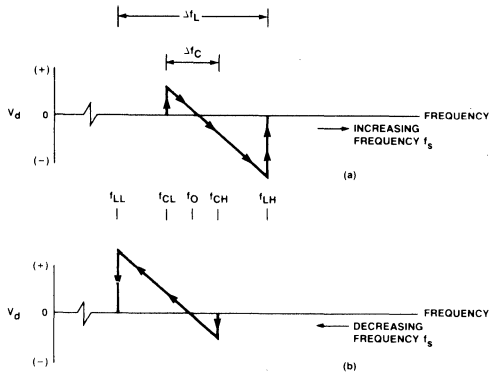


Figure 2. Frequency to Voltage Transfer Characteristics of a PLL System; (a) Increasing Input Frequency; (b) Decreasing Input Frequency.

voltage-to-frequency conversion gain, (K_V), and goes through zero at $f_s = f_0$. The loop tracks the input frequency until f_s reaches the upper edge of the lock range, f_{LH} . Then the PLL loses lock, and the error voltage drops to zero. If the input frequency is swept back slowly, from high towards low frequencies the cycle repeats itself, with the characteristics shown in Figure 2(b). The loop captures the signal at the upper edge of the capture range, f_{CH} , and tracks it down the lower edge of the lock range, f_{LL} . With reference to the figure, the "lock" and the "capture" ranges can be defined as:

$$\begin{aligned} \text{Lock Range} &= \Delta f_L = f_{LH} - f_{LL} \\ \text{Capture Range} &= \Delta f_C = f_{CH} - f_{CL} \end{aligned}$$

The gain parameters associated with the PLL are defined as follows:

Phase Detector Gain, K_ϕ : Phase detector output per unit of phase difference between the two signals appearing at the phase detector inputs. It is normally measured in volts per radian.

VCO Conversion Gain, K_V : VCO frequency change per unit of input voltage. It is normally measured in radians/sec./volt.

Loop Gain, K_L : Total d_C gain around the feedback loop. It is equal to the product of K_ϕ and K_V .

Loop Damping Factor, ζ : Defines the response of the loop error voltage V_d , to a step change in frequency. If $\zeta < 1$, the loop is underdamped; and the error voltage V_d will exhibit an underdamped response for a step change of signal frequency.

The lock range of the phase-locked loop is controlled by the loop gain, K_L . The capture range and the damping factor are controlled by both the loop gain and the low pass filter.

PRECISION PLL USING XR-2207 AND XR-2208

The XR-2207 VCO and the XR-2208 operational multiplier can be inter-connected as shown in Figure 3, to form a highly stable PLL system. The circuit of Figure 3 operates with supply voltages in the range of +12V to +26V; and over a frequency range of 0.01 Hz to 100 kHz. In the PLL system of Figure 3, all the basic performance characteristics of the PLL can be controlled and adjusted by the choice external 4 components identified as resistors R_0 and R_1 , and the capacitors C_0 and C_1 . C_0 and R_0 control the VCO center frequency; R_1 and C_1 determine the tracking range and the low pass filter characteristics. The two-chip PLL system can be readily converted to split supply operation by inter-connecting the circuit as shown in Figure 4. The PLL circuit of Figure 4 operates over a supply voltage range of ± 6 volts to ± 13 volts.

For best results, the timing resistor R_0 should be in the range of 5k to 100k, and $R_1 > R_0$. Under these conditions, the basic parameters of the PLL can be easily calculated from the design equations listed in Table 1.

Design Example

As an example, consider the design of a PLL system using the circuit of Figure 3, to meet the following nominal performance specifications:

- Center Frequency = 10 kHz
- Tracking Range = 20% (9 kHz to 11 kHz)
- Capture Range = 10% (9.5 kHz to 10.5 kHz)

Solution:

- Set Center Frequency:
Choose $R_0 = 10k$ (Arbitrary choice for $5k < R_0 < 100k$)

Then, from equation 1 of Table 1:

$$C_0 = (1/f_0 R_0) = 0.01 \mu F$$

- Set Lock Range:
From equation 2 of Table 1:

$$R_1 = (0.45) R_0 = 45k$$

- Set Capture Range:
Since capture range is significantly smaller than Lock range, equation 8(a) applies.

Solving equation 8(a) for C_1 , one obtains:

$$C_1 = 0.032 \mu F$$

PRECISION SINE WAVE OUTPUT PLL USING XR-2208 AND XR-2206

The interconnection of the XR-2208 and XR-2206 as shown in Figure 5 forms a precision phase-locked loop system with a sine wave output. The phase-locked loop

AN-06

characteristics are adjusted with the same four external components as previously described. Equation 2 in Table 1 is modified to:

$$(2) \text{ Lock Range } (\Delta f_L/f_0) = (0.5) (R_0/R_1)$$

This change is because the reference of the XR-2206 is internally set. The clamp network with Q₁ has been added to adjust the swing to the VCO to compensate for this reference. The sine wave characteristics are adjusted by R₄ and R₅, which adjust sine-shaping and symmetry respectively. Sine wave distortion levels are

typically 2.5% unadjusted with R₄ = 200Ω and R₅ open, and 0.5% adjusted using R₄ and R₅. Sine wave amplitude is adjusted by R₃ with the conversion gain equalling typically:

$$\frac{60\text{mV}_{\text{p-p}}}{K\Omega \text{ of } R_3}$$

The phase-locked loop input characteristics allow locking to input signal levels of 50 mV RMS to 2V RMS.

Table 1
Phase-Locked Loop Design Equations*

(1) Center Frequency: $f_0 = \frac{1}{R_0 C_0}$ Hz	(7) Loop Damping: $= \frac{1}{2\sqrt{\tau} K_L} = \sqrt{\frac{2 C_0}{C_1}}$
(2) Lock Range: $(\Delta f_L/f_0) = (0.9)(R_0/R_1)$	(8) Capture Range:
(3) Phase Detector Gain: $K\phi = 0.5 V_{CC}$ volts/radian Where $V_{CC} = V^+$ for split supply; $V_{CC} = V^+/2$ for single supply.	a) Underdamped Loop ($\zeta < 1/2$):
(4) VCO Conversion Gain:	$(\Delta f_c/f_0) = \frac{0.8 R_0}{R_1} \frac{C_0}{C_1}$
$K_V = \frac{1}{2 V_{CC} C_0 R_1}$ rad/sec/volt	b) Overdamped Loop ($\zeta > 1$):
(5) Loop Gain: $K_L = K\phi K_V = \frac{0.25}{C_0 R_1} \text{ sec}^{-1}$	$(\Delta f_c/f_0) = 0.8(R_0/R_1)$
(6) Low Pass Filter Time Constant: $\tau = \frac{C_1 R_1}{2} \text{ sec.}$	*See Figures 3 and 4 for component designation.

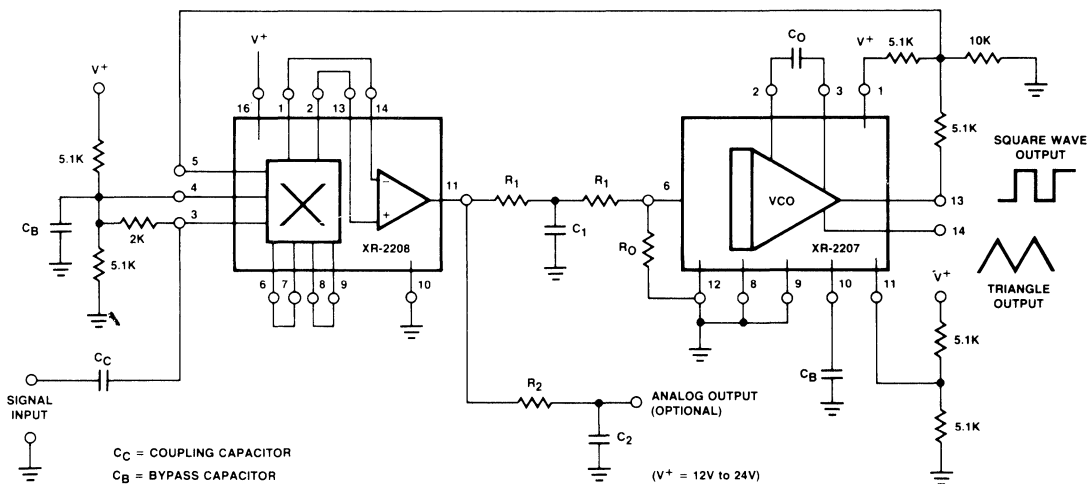


Figure 3. Circuit Interconnections for Single Supply Operation.

AN-06

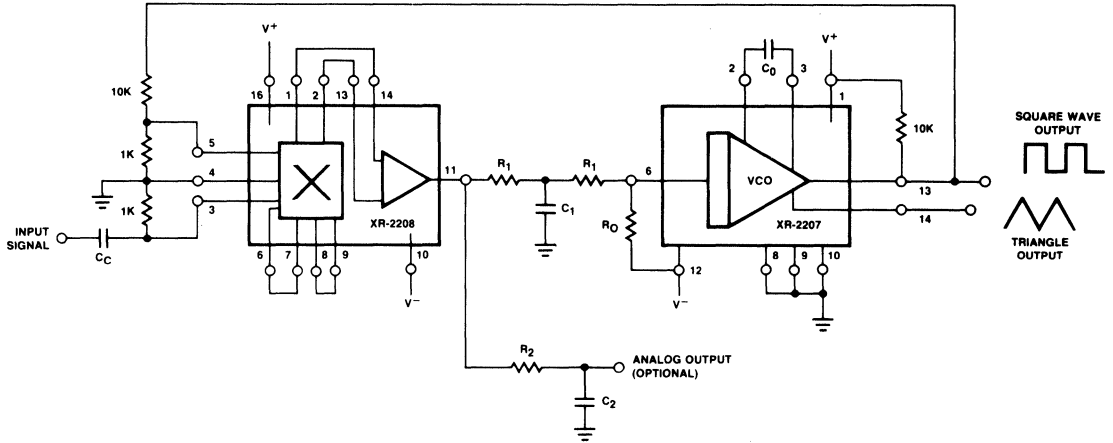


Figure 4. Circuit Interconnections for the Precision PLL System using the XR-2207 and the XR-2208 Monolithic Circuits. (Split-Supply operation, $\pm 6V$ to $\pm 13V$.)

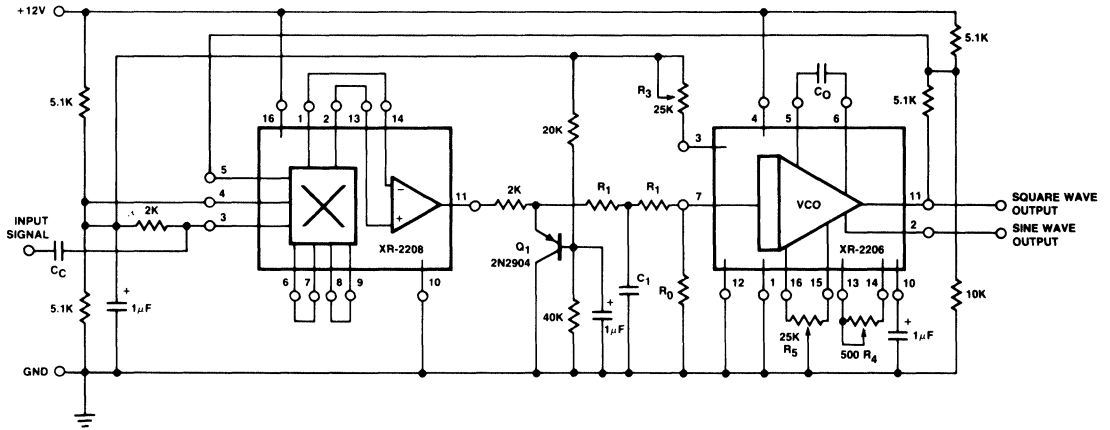


Figure 5.

Single-Chip Frequency Synthesizer Employing the XR-2240

INTRODUCTION

The XR-2240 monolithic timer/counter contains an 8-bit programmable binary counter and a stable time-base oscillator in a single 16-pin IC package. Although the circuit was originally designed as a long-delay timer capable of generating time delays from microseconds to weeks, it also offers a wide range of other applications beyond simple time-delay generation. One such unique application is its use as a single-chip, frequency synthesizer, where it can generate over 2,500 discrete frequencies from a single reference frequency input.

The operation of the XR-2240 as a frequency synthesizer is possible because of the ability of the circuit to both *multiply* and *divide* the input frequency reference. It can, simultaneously, multiply the input frequency by a factor, "M," and divide it by a factor "N + 1," where both M and N are adjustable integer values. Therefore, the circuit can produce an output frequency, f_o , related to the input reference frequency f_R as:

$$f_o = f_R \frac{M}{1 + N}$$

Figure 1 shows the circuit connection for operating the XR-2240 timer/counter as a self-contained frequency synthesizer. The integer values M and N can be externally adjusted over a broad range:

$$1 \leq M \leq 10 \quad 1 \leq N \leq 225$$

The multiplication factor M is obtained by locking on the harmonics of the input frequency. The division factor N is determined by the pre-programmed count in the binary counter section. The principle of operation of the circuit can be best understood by briefly examining its capabilities for frequency division and multiplication separately.

Frequency Division by (1 + N):

When there is no external reference input, f_R , the time-base oscillator section of the XR-2240 free-runs at its

set frequency, f_S ($f_S = 1/RC$), where R and C are the external components at pin 13. The 8-bit binary counter can be programmed to divide the time-base frequency by an integer count, N, and generate an output pulse train whose frequency is:

$$f_o = f_S \frac{1}{1 + N}$$

Frequency Multiplication by "M":

Frequency multiplication is achieved by synchronizing the time-base oscillator with the *harmonics* of the input sync or reference signal. Thus, if the time-base oscillator is made to free-run at "M" times the input frequency, it can be made to synchronize the "M"th harmonic of the input reference signal. Typical capital range of the circuit is better than $\pm 3\%$, for values of $1 \leq M \leq 10$; and since the time-base is accurate to within $\pm 0.5\%$ of the external R-C setting, lock-up does not present a problem for a given harmonic lock setting.

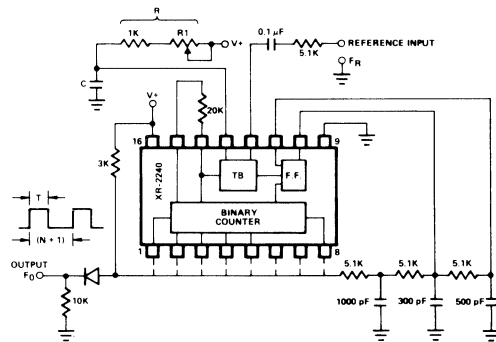


Figure 1

AN-07

Circuit Operation:

With reference to Figure 1, the operation of the synthesizer circuit can be briefly explained as follows: The reference input frequency, f_R , is applied to the time-base sync terminal (pin 12) through a $5.1\text{ K}\Omega$ series resistance and a coupling capacitor. The recommended waveform for the input frequency, f_R , is a 3 Vpp pulse train with a pulse width in the range of 30% to 80% of the time-base period, T. The multiplication factor M is chosen by the potentiometer R_1 which sets the time-base period T ($T = RC$). If no external reference is used, then M is automatically equal to 1.

The divider modulus, N, is chosen by shorting various counter outputs to a 3K common pull-up resistor. The output waveform is a pulse train with a fixed pulse width, $T = RC$, and a period $T_O = (N + 1)RC$.

The external R-C network between the output and the trigger and reset terminals of the XR-2240 is a non-critical delay network which resets and re-triggers the

circuit to maintain a periodic output waveform. For the component values shown in Figure 1, the circuit can operate with the timing components R and C in the range of:

$$0.005\ \mu\text{F} \leq C \leq 1\ \mu\text{F};\ 1\ \text{K}\Omega \leq R \leq 1\ \text{M}\Omega$$

The XR-2240 is a low-frequency circuit. Therefore, the maximum output frequency is limited to $\approx 200\text{ kHz}$, by the frequency capability of the internal time base oscillator.

A particularly useful application of the simple synthesizer circuit of Figure 1 is to generate stable clock frequencies which are synchronized to an external reference, such as the 60 Hz line frequency. For example, one can generate a 100 Hz reference synchronized to 60 Hz line frequency simply by setting $M = 5$ and $N = 2$ such that:

$$f_o = f_R \frac{M}{1 + N} = (60) \frac{5}{1 + 2} = 100\ \text{Hz}$$

Dual Tone Decoding with XR-567 and XR-2567

INTRODUCTION

Two integrated tone decoders, XR-567 units, can be connected (as shown in Figure 1A) to permit decoding of simultaneous or sequential tones. Both units must be on before an output is given. R_1C_1 and $R_1'C_1'$ are chosen, respectively, for Tones 1 and 2. If sequential tones (1 followed by 2) are to be decoded, then C_3 is made very large to delay turn-off of Unit 1 until Unit 2 has turned on and the NOR gate is activated. Note that the wrong sequence (2 followed by 1) will not provide an output since Unit 2 will turn off before Unit 1 comes on. Figure 1B shows a circuit variation which eliminates the NOR gate. The output is taken from Unit 2, but the Unit 2 output stage is biased off by R_2 and CR_1 until activated by Tone 1. Here, Unit 2 is turned on by the Unit 1 output when Tone 1 appears, reducing the standby power to half. Thus, when Unit 2 is on, Tone 1 is or was present. If Tone 2 is now present, Unit 2 comes on also and an output is given. Since a transient output pulse may appear

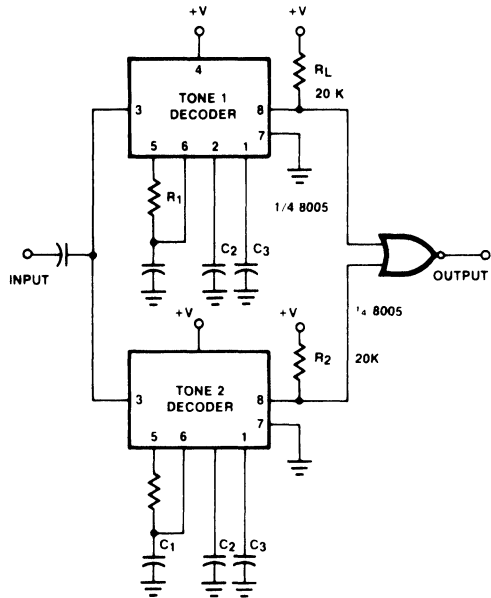


Figure 1A. Detection of Two Simultaneous or Sequential Tones

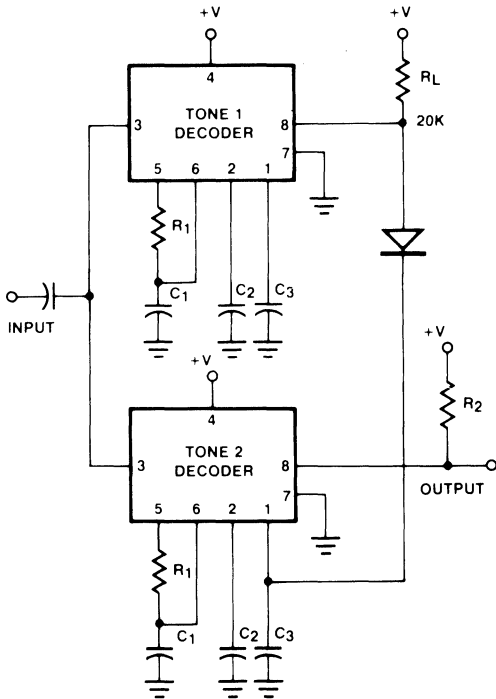


Figure 1B

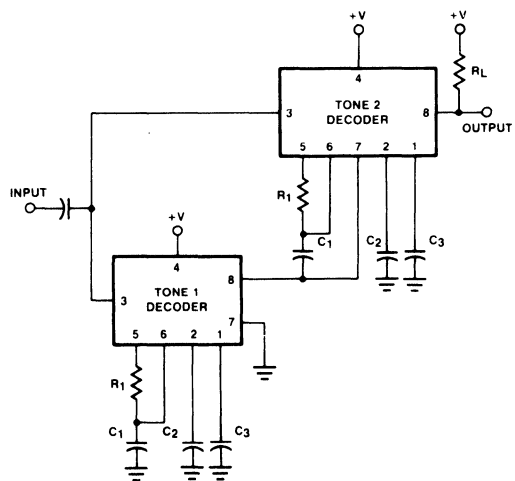


Figure 1C

3

AN-08

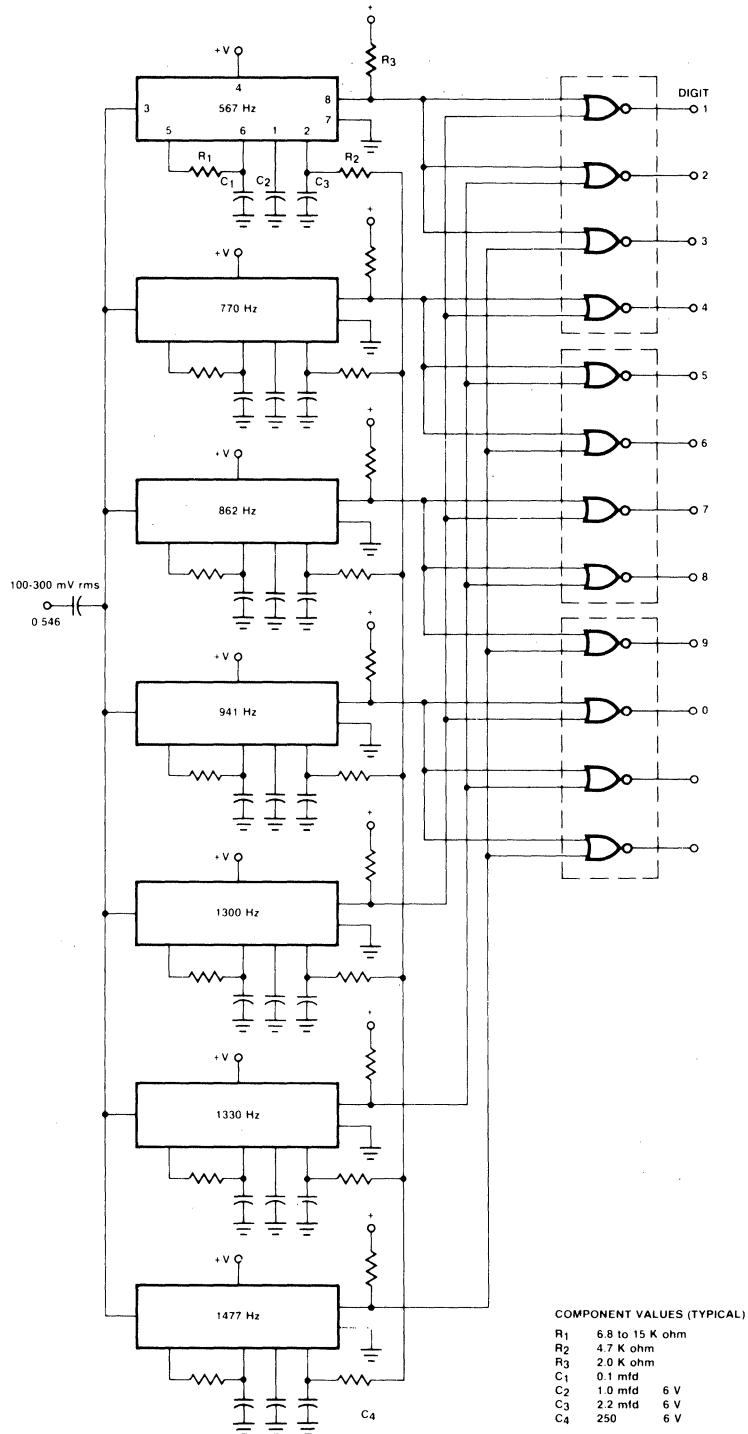


Figure 2. Low-Cost Touch Tone® Decoder

AN-08

during Unit 1 turn-on, even if Tone 2 is not present, the load must be slow in response to avoid a false output due to Tone 1 alone.

The XR-2567 Dual Tone Decoder can replace two integrated tone decoders in this application.

HIGH SPEED, NARROW BAND TONE DECODER

The circuit of Figure 1 may be used to obtain a fast, narrow band tone decoder. The detection bandwidth is achieved by overlapping the detection bands of the two tone decoders. Thus, only a tone within the overlap portion will result in an output. The input amplitude should be greater than 70 mV rms at all times to prevent detection band shrinkage and C_2 should be between $130/f_0$ and $1300/f_0$ mfd where f_0 is the nominal detection frequency. The small value of C_2 allows operation at the maximum speed so that worst-case output delay is only about 14 cycles.

TOUCH-TONE DECODER

Touch-Tone decoding is of great interest since all sorts of remote control applications are possible if you make use of the encoder (the push-button dial) that will ultimately be part of every tone. A low-cost decoder can be made as shown in Figure 2. Seven 567 tone decoders, their inputs connected in common to a phone line or acoustical coupler, drive three integrated NOR gate packages. Each tone decoder is tuned, by means of R_1 and C_1 , to one of the seven tones. The R_2 resistor reduces the bandwidth to about 8% of 100 mV and 5% at 50 mV rms. Capacitor C_4 decouples the seven units. If you are willing to settle for a somewhat slower response at low input voltages (50 to 10 mV rms), the bandwidth can be controlled in the normal manner by selecting C_2 , thereby eliminating the seven R_2 resistors and C_4 . In this case, C_2 would be 4.7 mfd for the three lower frequencies or 2.2 mfd for the four higher frequencies.

The only unusual feature of this circuit is the means of bandwidth reduction using the R_2 resistors. As shown in the 567 data sheet under Alternate Method of Bandwidth Reduction, the external resistor R_A can be used to reduce the loop gain and, therefore, the bandwidth. Resistor R_2 serves the same function as R_A except that instead of going to a voltage divider for dc bias it goes to a common point with the six other R_2 resistors. In effect, the five 567's which are not being activated during the decoding process serve bias voltage sources for

the R_2 resistors of the two 567's which are being activated. Capacitor C_4 (optional) decouples the ac currents at the common point.

LOW COST FREQUENCY INDICATOR

Figure 3 shows how two tone decoders set up with overlapping detection bands can be used for a go/no/go frequency meter. Unit 1 is set 6% above the desired sensing frequency and Unit 2 is set 6% below the desired frequency. Now, if the incoming frequency is within 13% of the desired frequency, either Unit 1 or Unit 2 will give an output. If both units are on, it means that the incoming frequency is within 1% of the desired frequency. Three light bulbs and a transistor allow low cost read-out.

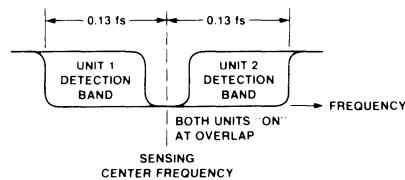
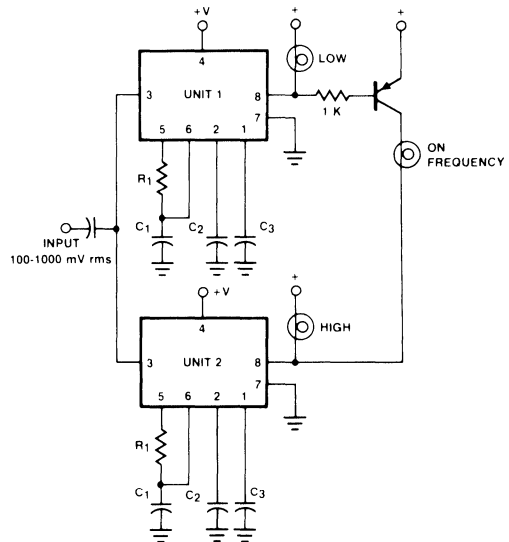


Figure 3. Frequency Meter with Low-Cost Lamp Readout

Sinusoidal Output from XR-215 Monolithic PLL Circuit

INTRODUCTION

In a wide range of communication or signal conditioning applications, it is necessary to obtain a sinusoidal output signal which is synchronized to a desired reference or clock input. This can be achieved by using the XR-215 type monolithic PLL circuit and an additional sine-shaping network.

When a periodic input signal is present within the capture range of the XR-215 PLL, the system will lock on the input; and the VCO section of the PLL will synchronize with the input frequency. The output of the oscillator section of the PLL can then be converted to a low distortion sine wave by a relatively simple sine-shaping circuit.

GENERAL DESCRIPTION

Figure 1 contains a functional block diagram of the XR-215 monolithic PLL system. The circuit consists of a balanced phase comparator, a highly stable voltage-controlled oscillator (VCO) and high speed operational amplifier. The phase comparator outputs are internally connected to the VCO inputs and to the non-inverting input of the operational amplifier. A self-contained PLL

system is formed by simply ac coupling the VCO output to either of the phase comparator inputs and adding a low-pass filter to the phase comparator output terminals. The XR-215 can operate over a large choice of power supply voltages ranging from 5 volts to 26 volts and a wide frequency band of 0.5 Hz to 35 MHz. It can accommodate analog signals between 300 microvolts and 3 volts and can interface with conventional DTL, TTL and ECL logic families.

Figure 2 shows the simplified circuit schematic of the XR-215 phase-locked loop IC. The VCO part of XR-215, shown in the center section of Figure 2, is an emitter-coupled multivibrator circuit, whose frequency is set by an external capacitor, C_0 , connected across the timing terminals (Pins 13 and 14). In this type of an oscillator, the differential voltage waveform across the timing capacitor, C_0 , is a linear triangle, with a peak-to-peak amplitude of 1.4 volts. This output amplitude across the timing capacitor is independent of supply voltage.

This triangular waveform can be shaped into a low distortion sine wave by passing it through a simple differential gain stage, as shown in Figure 3. By adjusting the potentiometer R_0 of Figure 3, the input transistors T_1 and T_2 of the differential stage can be brought to the verge of cutoff at the positive and the negative extremities of the input triangle wave. This causes the peaks of the triangle waveform to be rounded, resulting in a nearly sinusoidal output waveform from the differential stage. If the transistor characteristics and the current levels in the differential gain stage are well matched, one can reduce the total harmonic distortion (THD) of the sinusoidal output waveform to less than 3%.

The sine-shaper circuit of Figure 3 can be designed by using the XR-D101 NPN transistor array, which provides five identical NPN transistors in a single IC package. Figure 4 shows the package diagram of XR-D101 chip, in terms of its 16-pin DIP package.

The five independent transistors contained in the XR-D101 transistor array can be interconnected, as shown in Figure 5, to form the differential sine wave-shaping circuit of Figure 3. The inputs of the sine-shaper can be directly connected to the timing capacitor terminals (Pins 13 and 14) of the XR-215 PLL.

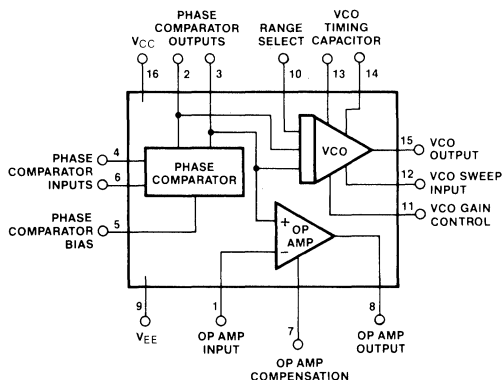


Figure 1. Functional Block Diagram of XR-215 Monolithic PLL Circuit

AN-09

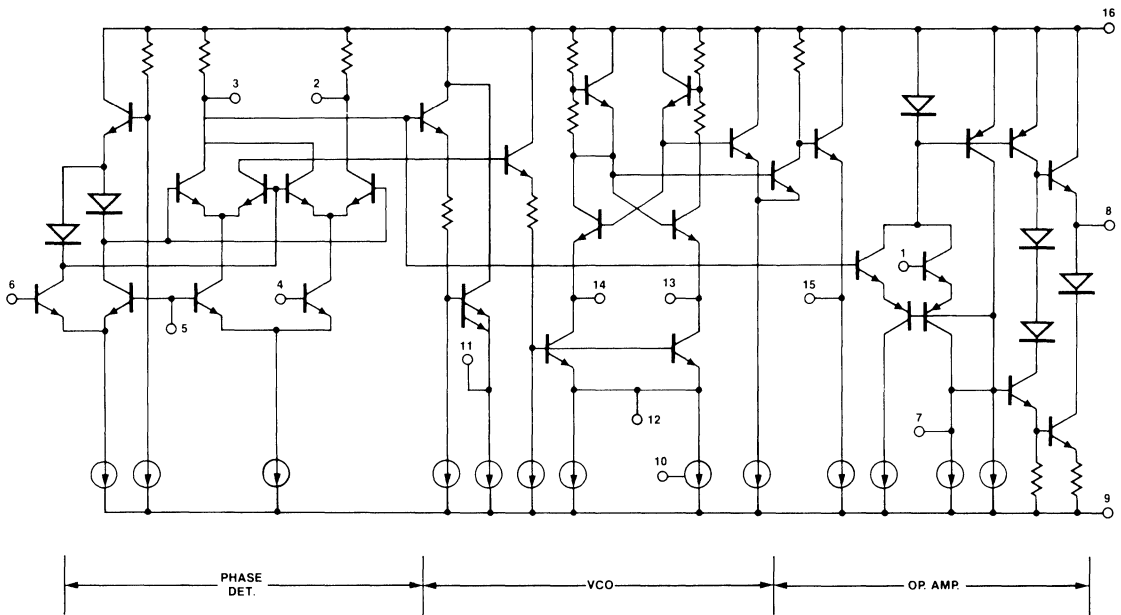


Figure 2. Simplified Schematic of XR-215

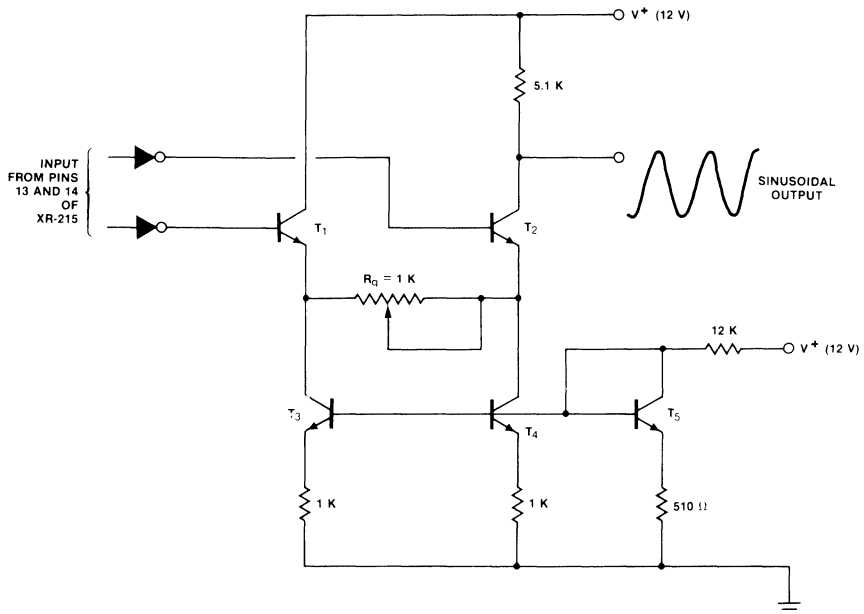


Figure 3. A Simple Triangle-to-Sine Wave Converter Using a Differential Gain Stage

3

AN-09

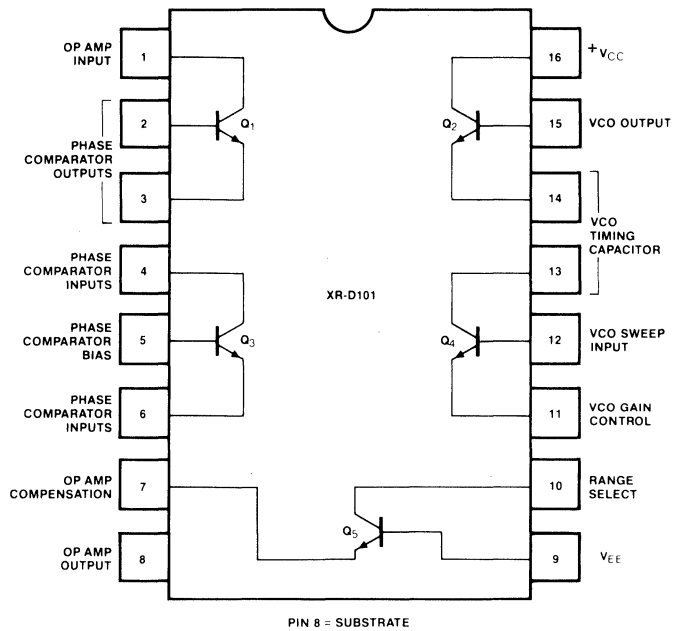


Figure 4. Package Diagram for XR-D101 Matched NPN Transistor Array

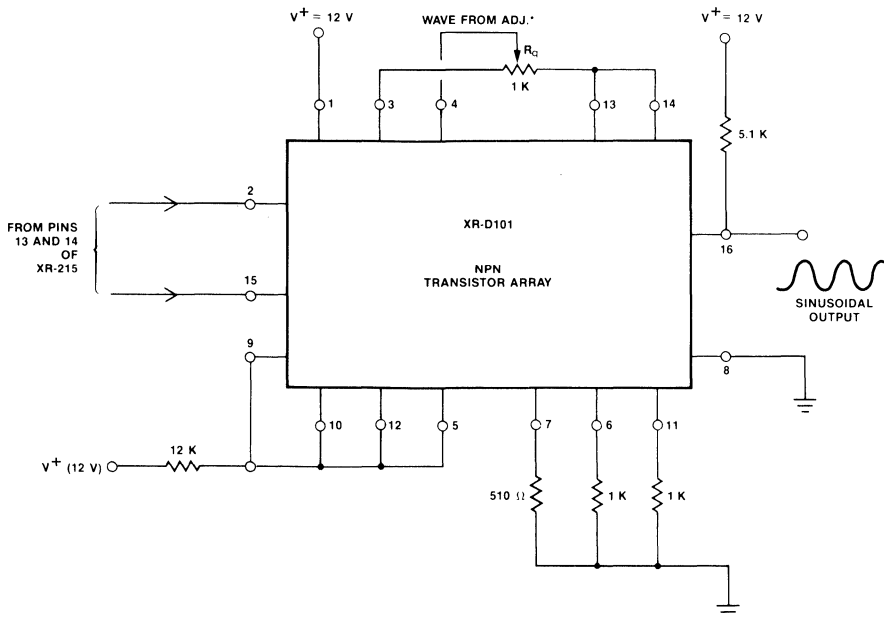


Figure 5. Use of XR-D101 Transistor Array to Obtain Sinusoidal Output from XR-215 PLL

XR-C262 High-Performance PCM Repeater IC

INTRODUCTION

The XR-C262 is a monolithic repeater circuit for Pulse-Code Modulated (PCM) telephone systems. It is designed to operate as a regenerative repeater at 1.544 Megabits per second (Mbps) data rates on T-1 type PCM lines. It is packaged in a hermetic 16-pin CERDIP package and is designed to operate over a temperature range of -40°C to +85°C. It contains all the basic functional blocks of a regenerative repeater system including Automatic Line Built-Out (ALBO) and equalization, and is insensitive to reflections caused by cable discontinuities.

The XR-C262 operates with a single 6.8-volt power supply, and with a typical supply current of 13 mA. It provides bipolar output drive with high-current handling capability. The clock extractor section of XR-C262 uses the resonant-tank circuit principle, rather than the injection-locked oscillator technique used in earlier monolithic repeater designs. The bipolar output drivers are designed to go to "off" state automatically when there is no input signal present. Compared to conventional repeater designs using discrete components, the XR-C262 monolithic repeater IC offers greatly improved reliability and performance and provides significant savings in power consumption and system cost.

This application note outlines the basic design principles and the electrical characteristics of the XR-C262 monolithic repeater IC. In addition, circuit connections and applications information are provided for its utilization in T-1 type 1.544 Megabit PCM repeater systems.

FUNDAMENTALS OF PCM REPEATERS

The Pulse-Code Modulation (PCM) telephone systems are designed to provide a transmission capability for multiple-channel two-way voice frequency signals which are transmitted in a digital PCM format. In order to minimize error rates, and provide transmission over long distances, this digital signal must be regenerated at periodic intervals, using a regenerative repeater system. Figure 1 shows the block diagram of a bi-directional PCM repeater system consisting of two identical digital regenerator or repeater sections, one for each direction of transmission. These repeaters share a common power supply. The DC power is simplexed over the paired cable and is extracted at each repeater by means of a series zener diode regulator.

In the United States, the most widely used PCM telephone system is the T-1 type system which operates at a data rate of 1.544 Mbps, with bipolar data pulses. It

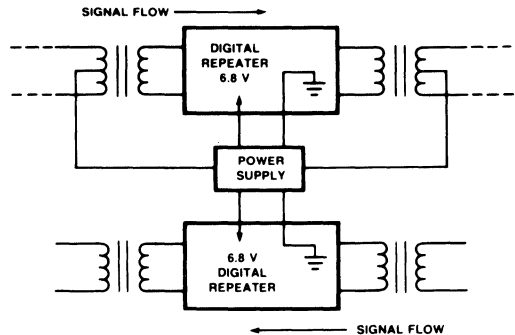


Figure 1. Block Diagram of a Bi-Directional Digital Repeater System.

can operate on either pulp- or polyethylene-insulated paired cable that is either pole-mounted or buried. Operation is possible with a variety of wire gauges, provided that the total cable loss at 772 kHz is less than 36 dB. Thus, the system can operate satisfactorily on nearly all paired cables which are used for voice frequency trunk circuits.

The T-1 type transmission system is designed to operate with both directions of transmission within the same cable sheath. The system performance is limited primarily by near-end cross-talk produced by other systems operating within the same cable sheath. In order to insure that the probability of a bit error is less than 10^{-6} , the maximum allowable repeater spacing, when used with 22-gauge pulp cable, is approximately 6000 feet.

The XR-C262 monolithic IC replaces about 90% of the electronic components and circuitry within the digital repeater sections of Figure 1. Thus, a bi-directional repeater system should require two XR-C262 ICs, one for each direction of information flow.

OPERATION OF THE XR-C262

The XR-C262 monolithic repeater is packaged in a 16-pin dual-in-line hermetic package, and is fabricated using bipolar process technology. The functions of the circuit terminals are defined in Figure 2, in terms of the monolithic IC package.

AN-10

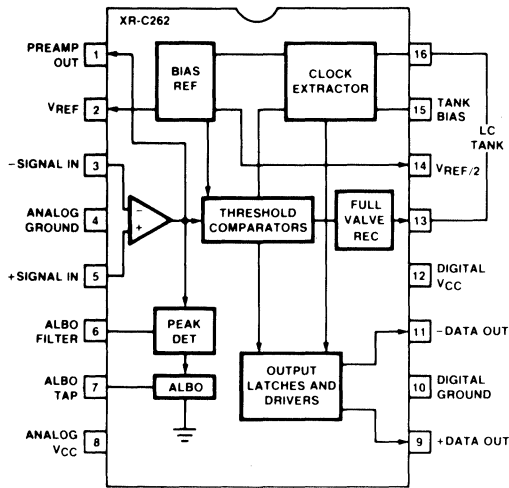


Figure 2. Package Diagram of XR-C262 Monolithic PCM Repeater.

A more detailed system block diagram for the monolithic repeater system is given in Figure 3. The system

blocks shown within the dotted area are included on the monolithic chip. The numbers on the circuit terminals correspond to the pin numbers of the 16-pin IC package containing the repeater chip. In terms of the system block diagram of Figure 3, the overall repeater operation can be briefly explained as follows.

The bipolar PCM signals which are attenuated and distorted due to the preceding transmission medium are applied to the input of a preamplifier (Block 1) through an Automatic Line Build-Out (ALBO) circuit. The impedance, Z_1 , corresponds to the passive section of the ALBO network. The preamplifier section, along with the passive equalizer networks Z_2 and Z_3 connected in feedback around it, provides gain to compensate for line losses and band-limiting to reject unwanted noise as well as gain and phase equalization to shape received pulses.

The ALBO circuitry provides attenuation and shaping to automatically adjust for varying cable characteristics. The output of the preamplifier is controlled to swing between two established peak levels. This is accomplished by feedback circuitry, and is similar in concept to automatic gain control. When the preamplifier output passes through the peak thresholds it is detected by the peak detector (Block 2) and produces a signal which is used to control a feedback loop establishing

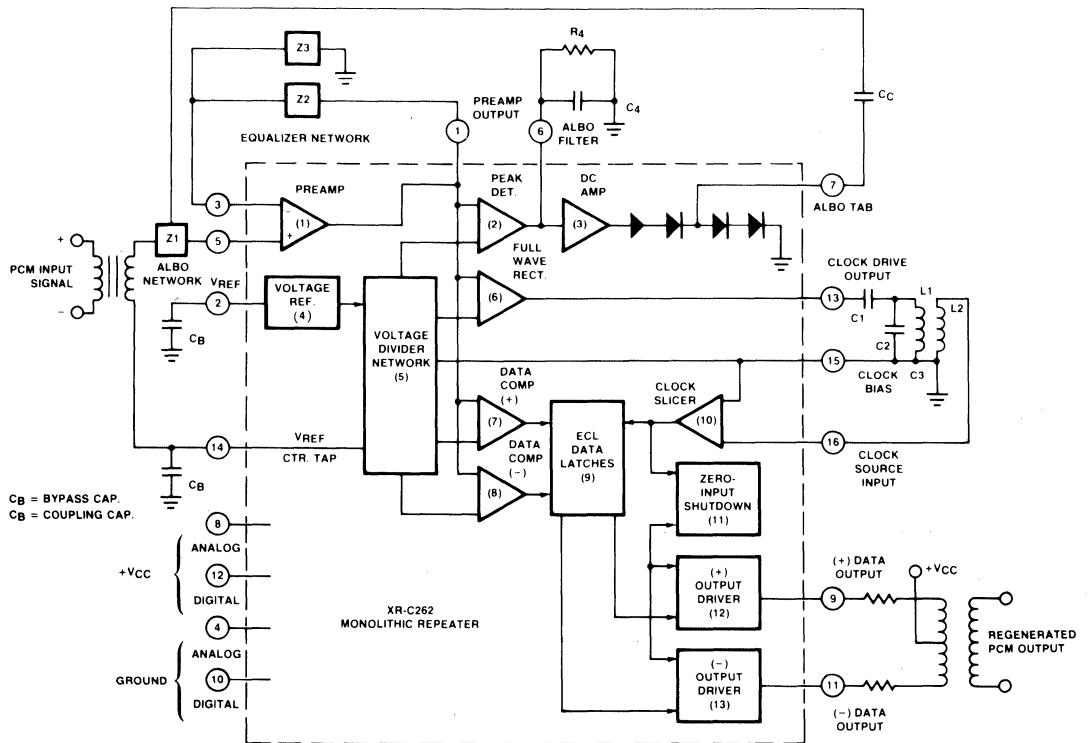


Figure 3. Detailed Block Diagram of the XR-C262 Monolithic Repeater System.

the attenuation and shaping of the ALBO network. The actual circuit design associated with this function is described in more detail in the discussion of peak detection and ALBO circuitry.

The output of the preamplifier drives a set of data comparators which are internally biased from a voltage reference (Block 4) and the precision voltage divider network (Block 5). Thus, the preamplifier output is "sliced" at various voltage levels to eliminate the effects of the baseline noise. This output is full-wave rectified and amplified through Block 6 of Figure 3. The resulting signal has a strong Fourier component at the clock frequency and is used to drive a high Q (≈ 100) resonant circuit tuned to that frequency. The output of the resonant circuit is transformer-coupled to a zero-crossing detector and clock limiter (Block 10). The resultant output is the desired recovered timing. This resonant circuit is driven by a low impedance amplifier, and the resulting clock edges are in phase with the peak of the received pulses.

The regeneration of the data is achieved through the two data comparators (Blocks 7 and 8) and the ECL latches (Block 9) which function as tracking flip-flops. The positive and negative data paths are separate, and, with the exception of the data limiter and slicer levels, identical in design. The preamplifier output is sliced at about 45 percent of the peak voltage and its amplitude is limited to provide digital data pulses. The data is applied to one of the inputs to the tracking flip-flop, whose state is latched and unlatched by the clock. During acquisition, the flip-flop acquires data; during hold, further data transitions are ignored and the state of the flip-flop output determines whether an output pulse is transmitted. The implication of using the clock to perform data sampling is that path delays of the data and clock must be controlled to be equal. The monolithic integrated circuit technology affords this control. The advantage of this technique is that the need for clock shifting or strobe pulse generating circuitry for accurate sampling alignment is eliminated. Actual circuit implementation resulted in a 40-nsec misalignment of clock and data. This 40-nsec error in sampling time amounts to less than 0.4 dB degradation in SNR performance. Figure 4 shows the idealized timing and signal waveforms within the circuit.

The output drivers use latched data and clock to produce an output pulse-width which is accurately controlled by the duration of the clock. Non-saturating output drivers (Blocks 12 and 13) insure that output pulse rise and fall times are less than 100 nsec. The zero input shut-down circuitry (Block 11) guarantees that in the event incoming data disappears, the output switch-

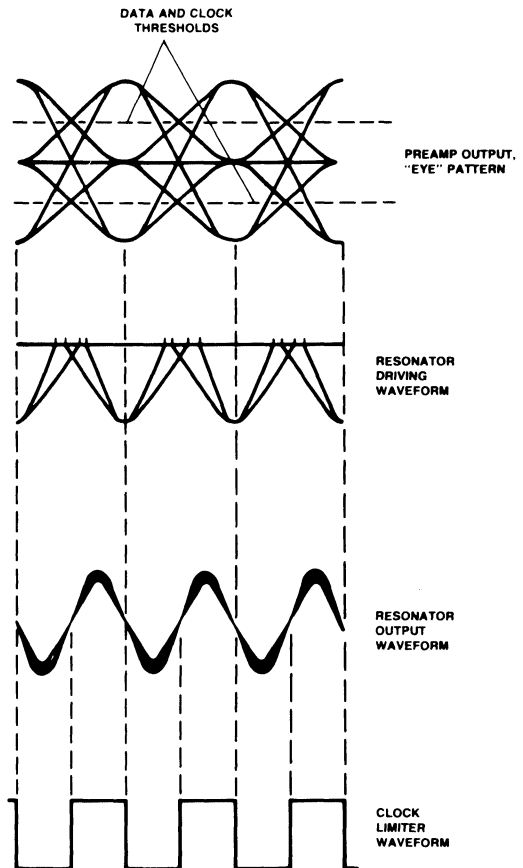


Figure 4. Timing Diagrams of Voltage Waveforms within the Clock Regeneration Section.

es will not latch in the "on" state. When no input signal is present, the absence of clock is sensed and the output drivers are held in the "off" state.

Figure 5 shows a practical PCM circuit connection for the XR-C262 in an actual PCM repeater application for 1.544 Mbps T-1 repeater system. For simplification purposes, the lightning protection circuitry and the second repeater section for the reverse channel are not shown in the figure.

Peak-Detector and ALBO Section (Figure 7):

The peak-detector circuit is designed to detect the peaks of the preamplifier output, provided that these peaks exceed the internal detection threshold levels. This peak information is then low-pass filtered and is used to control the current in a diode string which acts as a variable-loss or "variolooser" element in a feedback path. In the circuit, the comparators conduct whenever the preamp output exceeds the (+) threshold in a positive direction or the (-) threshold in a negative direction. Transistor Q₅ then injects a pulse of current into the ALBO filter. In the steady state, DC level across the ALBO filter controls the current through the diode string; and the dynamic resistance of the diodes acts as the variolooser element. The usable linear resistance range in this application is almost three orders of magnitude ranging from 11 Ω to ≈ 6 KΩ.

Data Latches (Figure 8):

The data latches are required to be impervious to data transitions in the latch mode, and to be "transparent," (i.e., tracking the input data) during the tracking mode. Figure 8 shows the basic circuit configuration used in the XR-C262, which meets the above-mentioned performance requirements. During the time when the clock pulse is high, the acquisition transistors Q₁ and Q₂ are differentially switched with data transitions, and the data is coupled to the respective bases of Q₃ and Q₄. When the clock pulse goes low at the sample time (see Figure 4), the information is regeneratively latched into Q₃ and Q₄. While the clock is low, further data transitions have no effect upon the state of the flip-flop. A more detailed description of the timing waveforms is given in Figure 13.

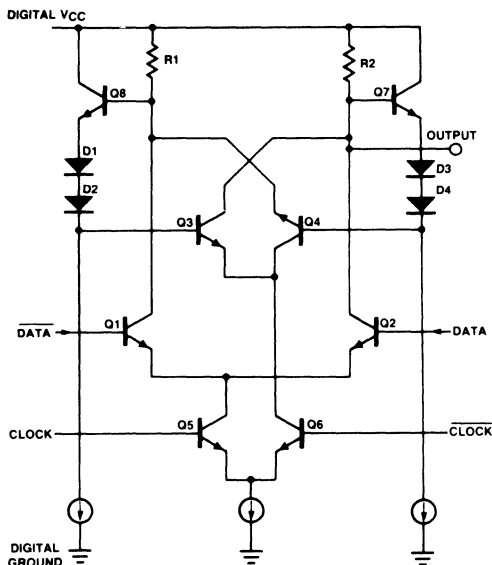


Figure 8. Circuit Configuration for Tracking Data Latches.

Threshold Circuitry (Figure 9):

Threshold circuitry is a low impedance voltage-divider circuit corresponding to Block 5 of Figure 3, and it establishes the fixed levels required for data, clock and peak detection. It is important that the thresholds are insensitive to temperature variations, and that they are of sufficiently low impedance to guarantee that there is no threshold variation due to changing signal conditions. The reference voltages of the peak-detector, data, and clock thresholds are set by a resistor chain which divides down the voltage of the on-chip zener diode. The ratios of data threshold to peak-detector threshold and that of clock threshold to peak-detector threshold are both set at 45 percent. In the actual circuit implementation, as shown in Figure 10, a compound connection of PNP's and NPN's are used to reduce the output impedance of the reference levels. The currents through the NPN and PNP transistor strings are set so as to insure that the base emitter voltage drops of the NPN's and PNP's are nominally the same. The output impedance of the resulting reference voltage taps are about 300 ohms. The center tap of the buffered divider is brought to a separate package terminal (Pin 14 of Figure 3) for biasing the preamplifier input.

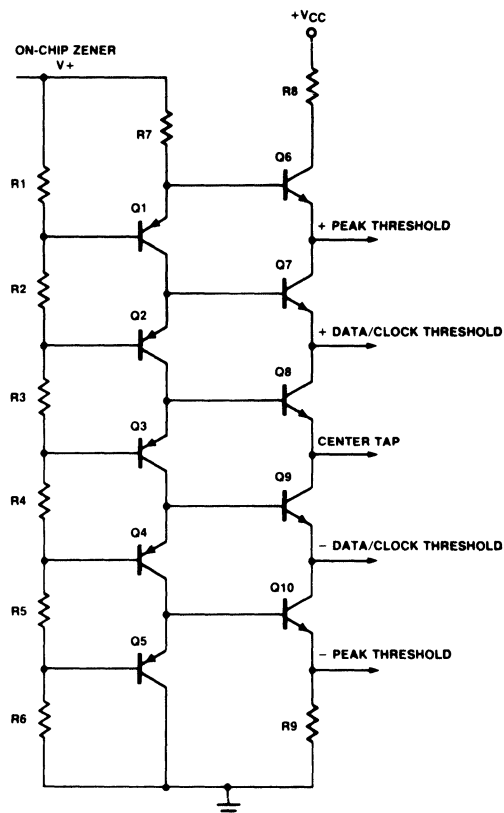


Figure 9. Internal Voltage-Divider Network for Comparator Threshold Setting.

AN-10

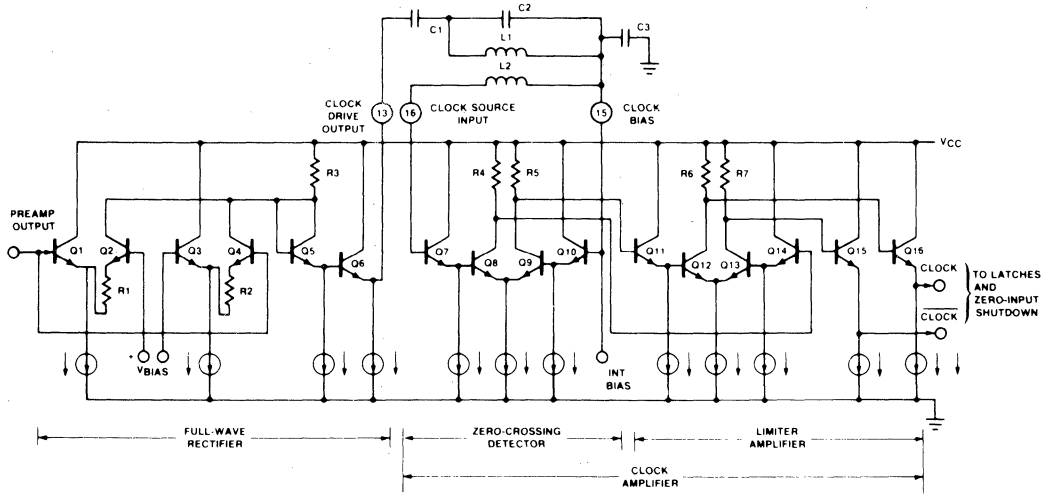


Figure 10. Circuit Diagram of the Clock Recovery Section.

Clock Recovery Section (Figure 10):

Clock recovery circuitry consists of a full-wave rectifier, an external L-C resonant circuit, a zero crossing detector, and a limiting amplifier, as shown in Figure 10. The full-wave rectifier circuit, comprising of cross-coupled transistor pairs Q₁ through Q₄ has a net voltage gain of 2, which is obtained by setting $R_1 = R_2 = (1/2)R_3$. The rectified output is then buffered by the Darlington emitter-follower stage made up of Q₅ and Q₆, and applied to the external L-C resonant circuit. Q₆ is operated at a high bias current level to provide an output impedance of less than 15Ω. This low impedance is required to insure that the L-C tank-drive circuitry looks like a voltage source.

The inductor of the resonant tank circuit is also a transformer which couples the sine wave signal to the zero crossing detector and limiting amplifier. The zero crossing detector is a differential amplifier with a nominal voltage gain of 20 and input impedance of 4 MΩ. The sine wave from the resonant circuit is sliced to produce a square wave with sharp transitions at the zero crossings. This eliminates timing variations that may be caused by amplitude changes of the sine wave signal. The output of the zero crossing detector is further enhanced by the limiter which is another differential pair with a nominal voltage gain of 30. The output of this amplifier is a 1.5 V peak-to-peak square wave clock which drives the data latches and the output drivers.

Zero-Input Protection Circuit (Figure 11):

The zero input protection circuitry accomplishes the dual task of preventing the output switches from latching in an "on" state, as well as reducing the likelihood of output pulses with no input signal. The data, clock, and regenerator circuitry are all balanced DC coupled circuits. Controlling the steady state, no-signal condition of these circuits without building an unacceptable offset into the path is not practical. Instead, a retriggerable one-shot that uses the saturation characteristics of

PNP transistors is used to control the level of the clock into the output switches. This technique uses the band-pass characteristics of the timing recovery resonant circuit to reject out of band signals, thus minimizing the chance of producing output pulses with no input signal and the presence of noise. Figure 11 shows the basic implementation of the zero-input protection circuit. Q₁ and Q₂ function as a simple retriggerable one-shot. The transistor Q₂ is a lateral PNP device with a limited frequency capability and long storage-time delay. The existence of the 1.544 MHz clock causes Q₂ to saturate and remain in saturation while clock pulses are present. The comparatively long time constant associated with Q₂ coming out of saturation ($\approx 5 \mu\text{sec}$) insures that, when data is present, the zero input protection has no effect upon operation. When data disappears there is no clock to retrigger the one-shot, thus Q₂ comes out of saturation, causing Q₃ to saturate which pulls the respective clock lines high, and disables both output drivers in their "off" state.

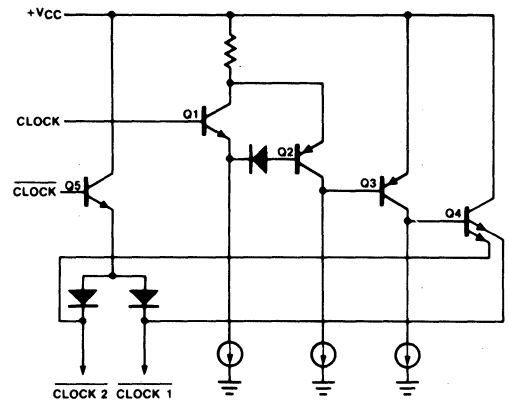


Figure 11. Zero-Input Shutdown Circuit for Output Protection.

AN-10

Output Drive Circuitry (Figure 12):

The output drive circuitry is made up of two identical channels as indicated in the block diagram of Figure 2. The circuit configuration for each of these driver sections is shown in Figure 12. The output would follow the data input from the latches only when the clock input is at a "high" state, i.e., with Q_2 off and Q_3 on. In this manner, the output pulse-width is controlled by the clock. To provide the fast turn-on and turn-off of the output drivers, all the transistors operate in a nonsaturating state. Q_4 forms an active clamp to reduce voltage swing at the base of Q_6 , and the clamp diode D_5 prevents the saturation of the output driver Q_7 . Because of the biasing scheme mentioned above, the amplitude of the clock and the latched data are insensitive to supply voltage and temperature changes. Thus, the variations of the regenerated pulse-width over temperature and supply are minimized.

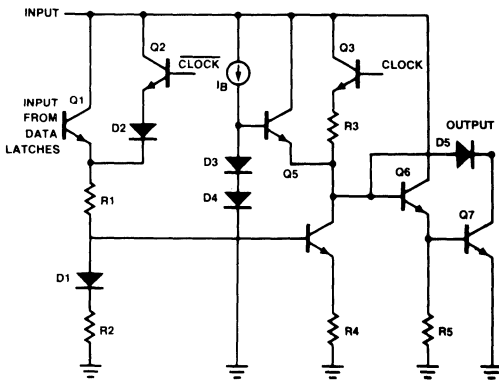


Figure 12. Circuit Configuration for the Output Drivers.

Timing Waveforms (Figure 13):

Figure 13 illustrates the relative time and phase relationships between the signal levels at various points within the circuit. For the purpose of illustration an input data pattern comprised of a string of "ONE"s is assumed, which looks like a nearly sinusoidal input after having traveled through a dispersive transmission medium such as a long cable. Waveform (1) is the output of the preamplifier; Waveforms (2) through (5) are the outputs of the two data comparators driven by the preamplifier output (see Figure 3). Waveform (6) is the low-level clock signal obtained from the resonant tank circuit, at Pin 16 which is then amplified and sliced by the clock-recovery circuit (see Figure 11) and appears as

the internal clock signals shown as Waveforms (7) and (8). Waveform (9) shows the output of one of the data latches (Figure 8) as a function of the clock and data inputs. The output of the latch tracks + DATA when the clock is low, and stays latched in that condition when the block goes high. The output drive at Pin 9, which is shown as Waveform (10) will then go low only when the Waveforms (8) and (9) are low. Waveform (11) shows the second output available at Pin 11. These two outputs are then differentially combined by the output transformer (see Figure 3) to provide the regenerated bipolar output pulses shown in Waveform (12) of Figure 13.

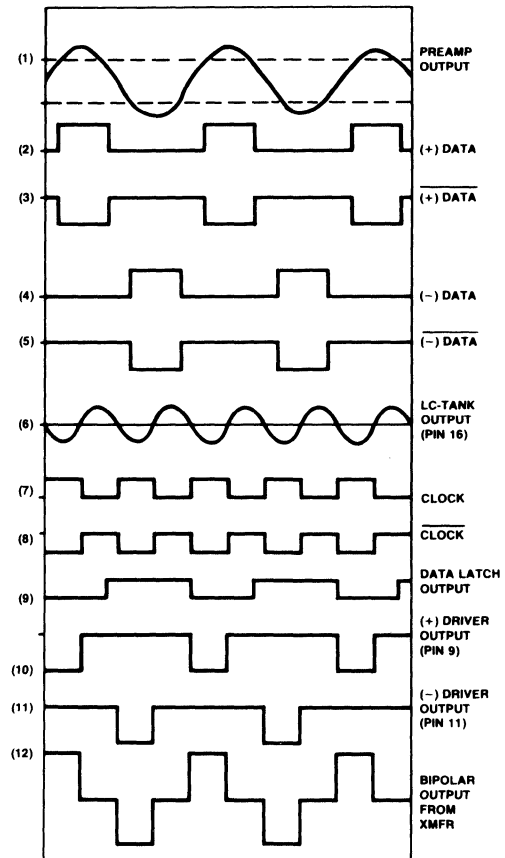


Figure 13. Timing Diagram of Circuit Waveforms for a 1-1-1 Input Data Pattern.

AN-10

ELECTRICAL CHARACTERISTICS +V_{CC} = 6.8 Volts, T_A = -40°C to +85°C.

CHARACTERISTICS	LIMITS			UNITS	CONDITIONS
	MIN.	TYP.	MAX.		
Supply Current Digital Current Analog Current Total Current	7 2	10 3.5 13	13 5 17	mA mA mA	Measured at Pin 12 Measured at Pin 8
Preamplifier Input Offset Voltage DC Gain Output High Level Output Low Level	-15 60 4.3	69	+15 74 0.5	mV dB V V	Measured between Pins 3 and 5 Measured at Pin 1 Measured at Pin 1
Clock Recovery Section Clock Drive Swing (High) Clock Drive Swing (Low) Clock Bias Clock Source Input Current	5.1 3.8	4 0.5	3.8 4.2 4	V V V μA	Measured at Pin 13 Measured at Pin 13 Measured at Pin 15 Measured at Pin 16
Comparator Thresholds ALBO Threshold Clock Threshold	0.75 0.323	0.9 0.4	1.1 0.517	V V	Measured at Pin 1 relative to Pin 14
Internal Reference Voltages Reference Voltage Divider Center Tap	5.2 2.6	5.45 2.78	5.55 2.85	V V	Measured at Pin 2 Measured at Pin 14
ALBO Section Off Voltage On Voltage On Impedance Filter Drive Current	1.2 0.7	10 1	75 1.7 15 1.5	mV V Ω mA	Measured at Pin 7 Measured at Pin 7 Measured at Pin 7 Drive current available at Pin 6
Output Driver Section Output High Swing Output Low Swing Leakage Current Output Pulse Width Output Rise Time Output Fall Time Pulse Width Unbalance	5.9 0.6 294	6.8 0.7 324	0.9 100 354 100 100 15	V V μA nsec nsec nsec nsec	Measured at Pins 9 and 11 R _L = 400 Ω I _L = 15 mA Measured with output in off state

ABSOLUTE MAXIMUM RATINGS

Supply Voltage	+10 V
Power Dissipation	750 mW
Derate above +25°C	6 mW/°C
Storage Temperature Range	-65°C to +150°C

ORDERING INFORMATION

Part Number	Package	Operating Temperature
XR-C262	CERDIP	-40°C to +85°C

A Universal Sine Wave Converter using the XR-2208 and the XR-2211

INTRODUCTION

A universal sine wave converter is a system block which can convert any periodic input signal waveform to a low-distortion sine wave, whose frequency is identical to the repetition rate of the periodic input signal. Such universal sine wave converters find applications in communications and telemetry systems. They are particularly useful for converting transducer output waveforms, or pulses, into clean sine wave signals over a band of frequencies. This conversion to sine wave is often necessary to reduce the required system bandwidth for signal transmission by eliminating the harmonic frequencies of the signal.

In the cases where the input frequency is known, and does not change, the universal sine wave converter can be replaced by a simple high-Q filter, tuned to the input frequency. However, in many cases the input frequency, or the repetition rate, is not constant, but varies as a function of time or input data. In such cases a fixed-frequency filter is not feasible, and one is forced to use a universal sine wave converter which is essentially a "tracking regenerative filter".

In this application note, the design principle and the performance characteristics of a regenerative sine wave converter circuit is described. The circuit operates on the phase-locked loop (PLL) principle and can be implemented using the XR-2211 monolithic PLL tone decoder and the XR-2208 multiplier IC.

PRINCIPLES OF OPERATION

Figure 1 shows the functional block diagram of a regenerative sine wave converter system, comprised of four functional blocks: (1) a phase-locked loop (PLL), (2) a sine-shaper, (3) a keyed amplifier, and (4) a lock-detect circuit. With reference to the figure, the principle of operation of the entire system can be briefly explained as follows:

When a periodic input signal is present at the input, within the tracking range of the PLL, the circuit would "lock" to the input signal; and the output of the voltage-controlled oscillator (VCO) section of the PLL will duplicate the frequency of the input signal. However, the VCO output waveform will have a fixed wave shape (normally a triangle wave) independent of the input waveform or amplitude. The output of the oscillator sec-

tion then can be connected to a triangle-to-sine wave converter which converts it to a low-distortion sine wave. The output of the triangle-to-sine converter is then applied to a variable-gain amplifier which sets the desired output amplitude. Since the oscillator section of the PLL is always running, the circuit also contains a "lock-detect" section which enables the output amplifier only when there is an input signal. Thus, with no input signal present within the bandwidth of the PLL, the lock-detect section will keep the output amplifier in the "off" state, and the circuit will not produce an output signal.

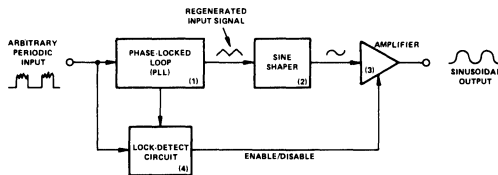


Figure 1. Basic Concept of a Regenerative Sinewave Converter.

CIRCUIT DESIGN

The basic regenerative sine wave converter system of Figure 1 can be easily implemented using the XR-2211 monolithic tone decoder and the XR-2208 monolithic multiplier IC's, with only a minimum number of external components.

The XR-2211 is a monolithic PLL circuit especially designed for FSK and tone detection. Thus, it contains the complete PLL and lock-detect sections (Blocks 1 and 4 of Figure 1) on the same chip. Its overall block diagram is shown in Figure 2. The circuit is packaged in a 14-pin dual-in-line package; and the functions of the circuit terminals are given in Figure 3 in terms of the monolithic IC package. In the sine wave converter application, the FSK detector portion of the circuit is not used; only the basic phase-locked loop and the lock-detect sections are utilized. Figure 4 illustrates the necessary external components for its application in the sine wave converter system. The oscillator section of the XR-2211 is an emitter-coupled multivibrator which oscillates by charging and discharging the external timing capacitor,

AN-11

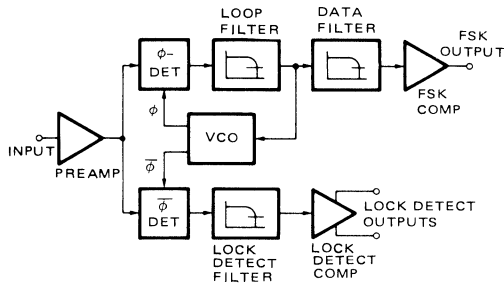


Figure 2. Block Diagram of XR-2211 Phase-Locked Loop FSK and Tone Decoder IC.

C_O , (connected across pins 13 and 14) through internal constant-current stages. Thus, the output waveform, taken differentially across the timing capacitor, is a linear triangle wave. This waveform can then be converted to a low-distortion sine wave by the XR-2208 multiplier.

The XR-2208 is a monolithic multiplier circuit which contains a four-quadrant analog multiplier, an op amp, and a unity-gain buffer amplifier in a 16-pin dual-in-line package. Its functional block diagram and equivalent circuit schematic are given in Figures 5 and 6, respectively.

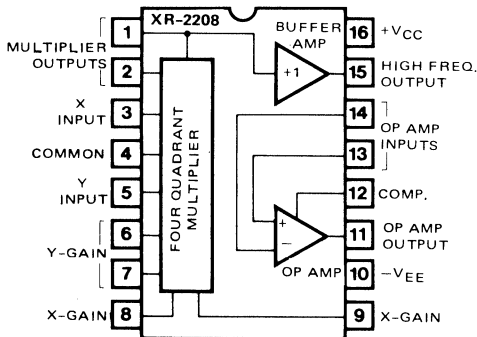


Figure 5. Diagram of XR-2208 Operational Multiplier.

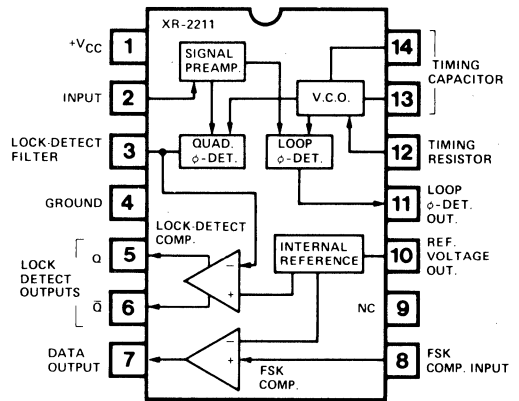


Figure 3. Package Diagram of XR-2211 PLL Circuit.

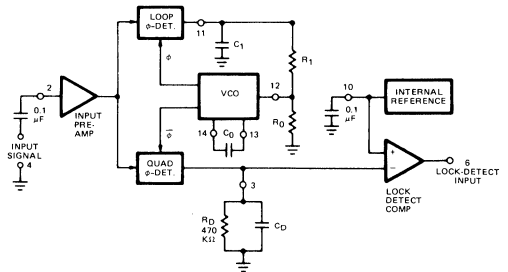


Figure 4. External Circuit Connections for XR-2211 for Sine-wave Converter Application.

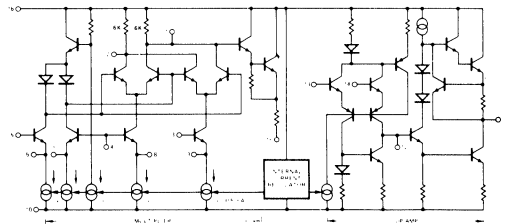


Figure 6. Simplified Circuit Schematic of the XR-2208 Operational Multiplier.

AN-11

Figure 7 shows the recommended circuit connection of the XR-2211 and the XR-2208 to form a universal sine wave converter circuit. In the figure, a non-critical zener diode ($V_Z \approx 6V$ to $7V$) is used to reduce the supply voltage applied to XR-2211, to facilitate DC coupling between the two chips. The frequency of the VCO section of the XR-2211 is set by the timing components R_O and C_O . In this application, a fixed value of $R_O = 10K\Omega$ is recommended, giving a center frequency, f_o value of:

$$f_o = \frac{100}{C_o (\mu F)} \text{ Hz}$$

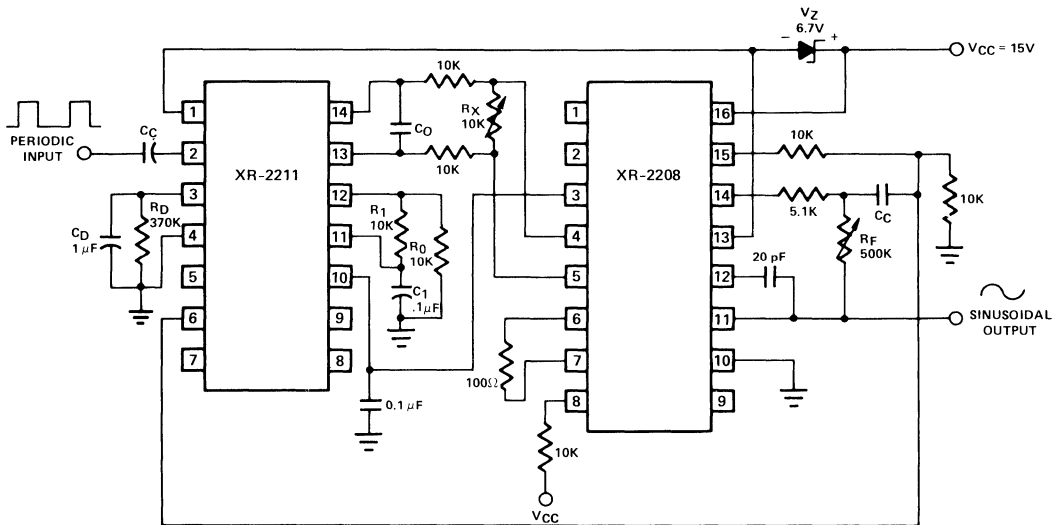
The triangle wave oscillator output of the XR-2211 PLL is attenuated through a resistive divider made up of two $10K\Omega$ resistors, and a variable $10K\Omega$ potentiometer, R_X . The attenuated triangle wave across R_X is then applied differentially to the X-input (pins 4 and 5) of the XR-2208. The 100Ω external resistor across Y-gain setting terminals (pins 6 and 7) causes the Y-input of the multiplier to be slightly overdriven, and thus causes the peaks of the triangle input rounded into a low-distortion sine wave.

The distortion of the sine wave is minimized by adjusting R_X , which sets the triangle wave amplitude. The output is available at the unity-gain buffer terminal (pin 15) of the XR-2208. This output is then level-shifted toward ground, through two $10K\Omega$ resistors, and is AC coupled to the inverting input of the op amp section of XR-2208. The gain of the op amp is externally adjusted by means

of the $500 k\Omega$ potentiometer, R_F . The DC voltage level of the op amp output is set at the reduced supply voltage (i.e., $V_{CC} - V_Z$).

The lock-detect output of the XR-2211 (pin 6) is shorted to the mid-point of the resistive divider at pin 15 of the XR-2208. With no input signal present at the input within the lock range of the XR-2211, pin 6 is at a "low" state. Thus it acts as a shorting switch to ground and disables the op amp section of the XR-2208. When a periodic input signal appears at the circuit input and the XR-2211 establishes lock with the signal; the lock-detect output at pin 6 goes to a "high" or nonconducting state and enables the output op amp of the XR-2208; and a low-distortion sine wave output is obtained at the output (pin 11 of XR-2208).

The circuit of Figure 7 can operate as a sine wave converter, over a frequency band between two frequencies f_H and f_L corresponding to the upper and lower lock ranges of the PLL. With the components shown in the figure, this corresponds to approximately $\pm 30\%$ bandwidth around the center frequency, f_o , for inputs with close to 50% duty cycle. For periodic inputs with less than 50% duty cycle, this lock range is reduced further. For example, for inputs with 20% duty cycle, this bandwidth drops to about $\pm 10\%$ of center frequency. The operation of the circuit with input signals having less than 10% (or more than 90%) duty cycle is not practical. The minimum input level required for circuit operation is 10 mV rms. The circuit can generate a nearly sinusoidal output with input signals from very low



R_X = Distortion Adj. Potentiometer
 R_F = Output Amplitude Adj. Pot.

C_C = Coupling Capacitor
 $(\geq 0.1 \mu F)$

Figure 7. Recommended Circuit Connection for the Regenerative Sinewave Converter.

AN-11

frequencies up to 100 kHz. Typical distortion characteristics of the output are shown in Figure 8, as a function of frequency of operation. Figure 9 shows a

typical example of input and output waveforms for sine converter circuit of Figure 7, operating at 1 kHz input repetition rate, with a noisy input signal.

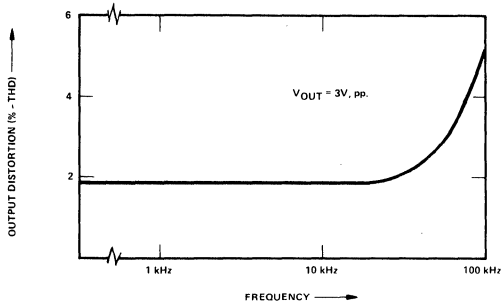


Figure 8. Output Distortion vs Frequency.

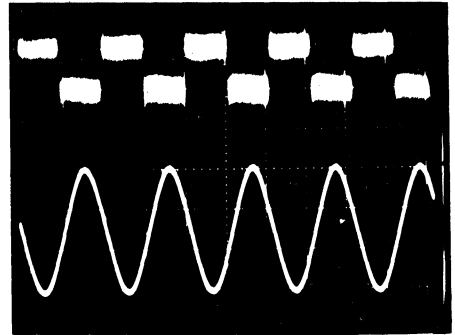


Figure 9. Typical Input-Output Waveforms.

(Top: Noisy Input Signal; Bottom: Sinusoidal Output.)

Scale: Vertical: 1 Volt/Div.

Horizontal: 1 m Sec./Div.

Designing High-Frequency Phase-Locked Loop Carrier-Detector Circuits

INTRODUCTION

The phase-locked loop (PLL) system can be converted to a frequency-selective tone- or carrier-detection system by the addition of a quadrature detector section to the basic PLL. Such a carrier-detect system serves as a lock indicator for the PLL and produces a logic signal at its output when there is a tone or a carrier signal present within the lock range of the phase-locked loop.

A number of monolithic tone-decoder ICs have been developed which implement the quadrature-detection technique for detection of low frequency tones, such as those used for telephone dialing or ultrasonic remote control. However, because of the particular PLL designs used in these monolithic detectors, their applications are limited to frequencies below 100 kHz. This application note describes a circuit approach, using the XR-210 or the XR-215 high frequency PLLs, along with the XR-2228 monolithic multiplier/detector, which extends phase-locked loop tone detection capabilities to frequencies up to 20 MHz.

PRINCIPLES OF OPERATION

The basic block diagram of a phase-locked loop tone detector system is shown in Figure 1. Such a detector system produces a logic-level signal at its output, when the PLL is locked on an input signal. It is made up of two main sections:

1. A PLL section which synchronizes or locks on the input signal.
2. A quadrature detector section made up of a phase-detector, a low-pass filter and a voltage-comparator.

The principle of operation can be briefly described as follows: When the PLL is locked on an input signal, its voltage-controlled oscillator (VCO) section produces a set of input signals, Φ_1 and Φ_2 , which are 90° apart in phase, but have the same frequency as the input signal to be detected. One of these signals, Φ_1 , is used to drive the PLL phase detector; the other output, which is called the "quadrature output" is used to drive a quadrature phase-detector, as shown in Figure 1. If the PLL is locked on the input signal, then the input signal and the VCO signal applied to the quadrature phase-detector are coherent in phase and frequency. This causes a DC level shift at the low-pass filtered output of the quadrature phase-detector and makes the voltage comparator output change its output logic state. Thus, an output logic signal is produced indicating the lock condition of the PLL.

This type of tone detection technique is a special case of the synchronous AM detection principle, discussed in detail in Exar's Application Note AN-13. The key difference between the tone detection and the synchronous AM detection application is that, in the case of the tone detection, a binary logic output is produced, corresponding to the *presence* or the *absence* of the desired input tone, rather than an analog demodulated signal.

XR-210 and XR-215 HIGH FREQUENCY PLL CIRCUITS

The XR-210 and the XR-215 are high frequency phase-locked loop detector and demodulator circuits. Their functional block diagrams are shown in Figures 2 and 3. Both circuits are packaged in 16-pin dual-in-line packages and contain high frequency VCO and phase-detector sections. The XR-215 chip also contains an operational amplifier. In the case of the XR-210, this op amp section is replaced by a high-gain voltage comparator which drives an open-collector type logic output. The XR-210 is particularly intended for FSK demodulation and can operate up to 20 MHz. The XR-215 is designed for linear FM detection and is suitable for frequencies up to 35 MHz. Except for the frequency capability of the VCO, the oscillator and the phase-comparator sections of both circuits are quite similar.

The VCO section of the XR-210 or the XR-215 does not provide a separate quadrature output, which is 90° phase-shifted with respect to the basic VCO output (Pin 15). However, the triangular output available across the VCO timing capacitor terminals (Pins 13 and 14) can

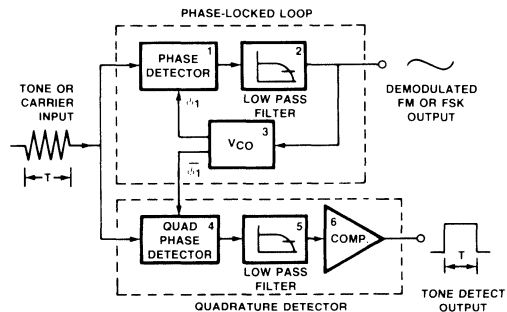


Figure 1. Functional Block Diagram of a PLL Tone- or Carrier-Detector System.

AN-12

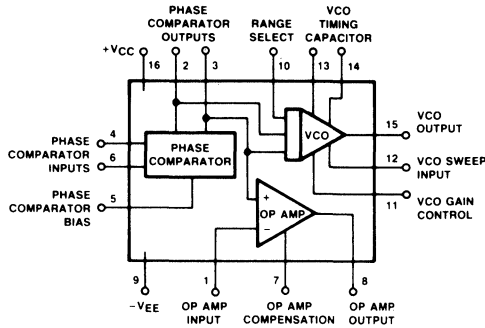


Figure 2. Functional Block Diagram of XR-210 High-Frequency FSK Modulator/Demodulator.

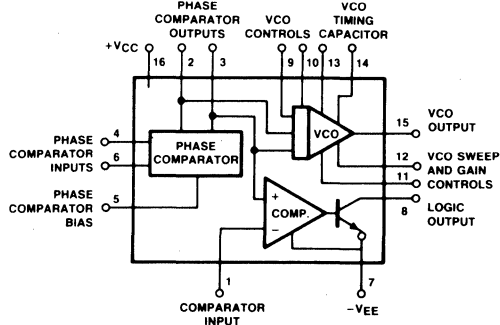


Figure 3. Functional Block Diagram of XR-215 High-Frequency Phase-Locked Loop.

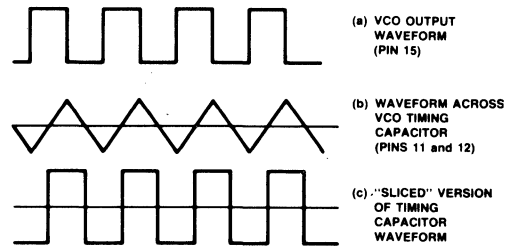


Figure 4. Timing Diagram of VCO Output Waveforms Available from XR-210 or XR-215 High-Frequency PLL Circuits.

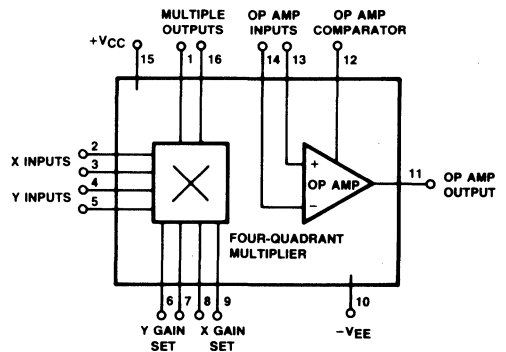


Figure 5. Functional Block Diagram of XR-2228 Multiplier/Detector.

serve as such a quadrature output if it is amplified and "sliced" externally, as shown in the timing diagram of Figure 4.

XR-2228 MULTIPLIER/DETECTOR CIRCUIT

The XR-2228 is comprised of a four-quadrant multiplier and a high-gain op amp on a single monolithic chip. It is packaged in a 16-pin dual-in-line package and has the functional block diagram shown in Figure 5. It contains independent and fully differential X- and Y-inputs which makes it easy to interface with the XR-210 or the XR-215 type PLL circuit for carrier-detection applications. In the tone- or carrier-detect application, the multiplier section of the XR-2228 is used as the quadrature phase-detector section of the block diagram of Figure 1. The op amp is used as a high-gain voltage comparator which converts the differential voltage level changes at the multiplier outputs into logic level output signals.

CIRCUIT OPERATION

Figure 6 shows the generalized circuit connection of the XR-2228, along with either the XR-210 or the XR-215 high frequency PLL IC, for tone- or carrier-detection application. Since the external connections for the XR-210 or the XR-215 are the same as those

given in their respective data sheets, only the external circuitry associated with the XR-2228 is shown in the figure. The circuit, as shown, can operate with a single power supply, from 10 V to 20 V, or with split supplies in the range of ± 5 V to ± 10 V. In the case of split power supplies, the resistor string biasing the input terminals of the XR-2228 is not necessary and can be eliminated by connecting node A of Figure 6 to ground.

The input signal is AC coupled, with separate coupling capacitors, both to the input of the particular PLL circuit to be used, and to the X-input terminal (Pin 2) of the XR-2228.

The Y-inputs (Pins 4 and 5) are driven differentially from the VCO timing capacitor signal (available at Pins 13 and 14 of the PLL IC) which is AC coupled to Pins 4 and 5 of the XR-2228 multiplier input. The multiplier input stage "slices" this signal to produce the quadrature frequency waveform shown in Figure 4(c).

The differential DC voltage level at the multiplier output terminals (Pins 1 and 6) is offset by means of an external resistor, R_A , as shown in Figure 6. This initial offset causes the op amp output of the XR-2228 to settle to a known state when there is no carrier or tone signal to be detected. With the op amp input connections as shown in Figure 6, the op amp output (Pin 11) would be

Frequency-Selective AM Detection using Monolithic Phase-Locked Loops

INTRODUCTION

This application note describes the use of monolithic phase-locked loop (PLL) circuits in detection of amplitude-modulated (AM) signals. The detection capabilities of a PLL system, which is a frequency-selective FM demodulator, can be extended to cover AM signals simply by the addition of an analog multiplier (or mixer) and a low-pass filter to the basic phase-locked loop. This technique of AM demodulation, which is called synchronous AM detection, offers significant performance advantages over conventional peak-detector type AM demodulators, in terms of its dynamic range and noise characteristics.

This application note outlines some of the fundamental principles of synchronous AM detectors, and gives design examples using the XR-2228 multiplier/detector IC in conjunction with the XR-215 and the XR-2212 monolithic PLL circuits.

PRINCIPLES OF OPERATION

The phase-locked loop AM detector circuits operate on the so-called "coherent AM detection" principle, where the amplitude modulated input signal is mixed with an unmodulated "coherent" carrier signal, and then low-pass filtered to produce the desired demodulated output signal. Figure 1 gives a simplified block diagram of such a detector system.

The amplitude-modulated input signal can be described by an expression of the form:

$$\text{Input Signal} = V_m(t) \cos \omega_0 t$$

where $V_m(t)$ is the modulated amplitude of the input signal and ω_0 is the input signal frequency expressed in radians. If this signal is linearly multiplied with an *unmodulated* signal which has the *same* frequency and phase as the input signal, then the output of the multiplier, $V_0(t)$, is a composite signal of the form:

$$V_0(t) = K_0 V_m(t) [1 + \cos (2 \omega_0 t)]$$

where K_0 is the gain of the multiplier circuit. If the above signal is then passed through a low-pass filter, to eliminate the double-frequency term, the resulting output signal is:

$$V_{out} = \text{Output Signal} = K_0 V_m(t)$$

which corresponds to the detected AM information.

The phase-locked loop AM detectors also operate on a similar principle: the PLL is made to "lock" on the carrier frequency of the input AM signal; then the VCO output of the PLL will regenerate the unmodulated coherent carrier signal necessary for detection. When this signal is mixed with the input AM signal and the resulting composite signal is passed through a low pass filter, one obtains the demodulated output. Figure 2 gives a block diagram of such an AM detector system. Compared to the basic synchronous AM detector system of Figure 1, the phase-locked loop AM detector of Figure 2 also has one added feature: the output of the PLL control voltage (i.e., output of the PLL low-pass filter) can be used as an FM detector or a frequency discriminator. Thus, such a system is capable of simultaneous AM and FM detection. In other words, the frequency and the amplitude modulation information present on the input signal can be *separately* and *simultaneously* demodulated. The particular design and application examples given in this application note fall into this category.

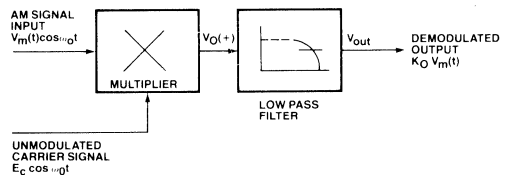


Figure 1 Block Diagram of a Synchronous AM Detector.

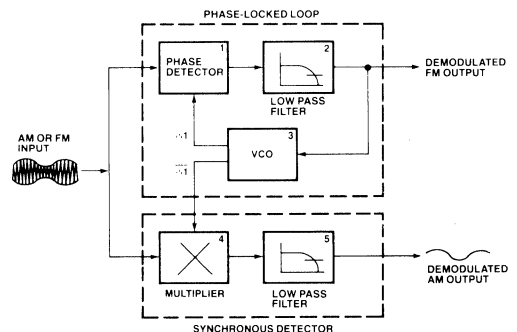


Figure 2. The Basic Phase-Locked Loop AM Detector.

XR-2212 AND XR-2228 MONOLITHIC CIRCUITS

The XR-2212 monolithic PLL is made up of an input pre-amplifier, a phase-detector, a high-gain differential amplifier and a stable voltage-controlled oscillator (VCO) as shown in Figure 3. The key feature of the XR-2212 PLL is the temperature stability and the frequency accuracy of its VCO section; it offers 20 ppm/°C typical temperature stability and a frequency accuracy of $\pm 1\%$ for an external RC setting. The oscillator section of the XR-2212 contains a separate "quadrature output" terminal (Pin 15) which is particularly intended for interfacing with a synchronous AM detector such as the XR-2228.

The XR-2228 multiplier/detector IC is specifically intended as a basic building block for synchronous AM detection. It contains a four-quadrant analog multiplier and a high-gain op amp on the same chip, as shown in the functional block diagram of Figure 4.

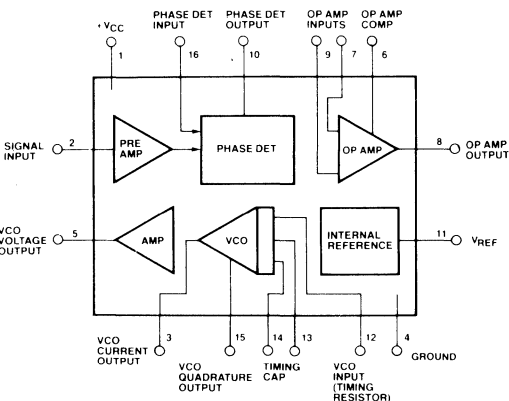


Figure 3. Functional Block Diagram of XR-2212 Precision Phase-Locked Loop.

XR-215 HIGH FREQUENCY PHASE-LOCKED LOOP

The XR-215 is a high frequency phase-locked loop circuit capable operating with input signal frequencies up to 35 MHz. It is comprised of a high frequency VCO, a phase-detector and an op amp section, as shown in the block diagram of Figure 5.

Unlike the XR-2212 PLL, the VCO section of the XR-215 does not have a separate quadrature output terminal. However, such a quadrature oscillator signal can be obtained by amplifying and "slicing" the triangle waveform available across the timing capacitor (Pins 13 and 14) of the XR-215 oscillator section. Figure 6 shows the relative phase relationship of these oscillator waveforms available from the circuit. The desired quadrature output signal (curve C of Figure 6) can be obtained by directly connecting one pair of the differential inputs of the XR-2228 directly across the timing capacitor terminals of the XR-215.

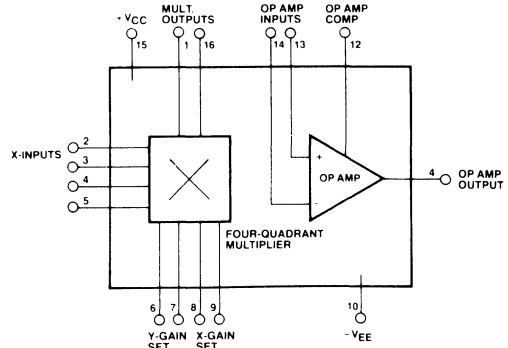


Figure 4. Functional Block Diagram of XR-2228 Multiplier/Detector IC.

AM/FM DETECTION USING THE XR-2212 PLL

Figure 7 shows a generalized circuit connection diagram for a two-chip AM and FM detection system, utilizing the XR-2212 PLL and the XR-2228 multiplier/detector. The XR-2212 section serves as the basic FM detector. The quadrature output of its VCO (Pin 15) is AC coupled to the Y input of the XR-2228.

The Y input of the XR-2228 is operated in its switching mode, with the Y gain terminals (Pins 6 and 7) shorted together. The AM and/or FM signal is simultaneously applied to both circuits through coupling capacitors; and all the multiplier inputs are DC biased from the internal reference output of the XR-2212 (Pin 11). The output of the multiplier, at Pin 16, is AC coupled to the op amp section of the XR-2228, which serves as the post-detection amplifier for the demodulated AM signal.

The circuit configuration shown in Figure 7 can operate with a single power supply, over the supply voltage range, of 10V to 20V. Its operation or performance can be tailored for any particular AM and FM detection application by the choice external components shown in the figure, over a carrier frequency band of 1 kHz to

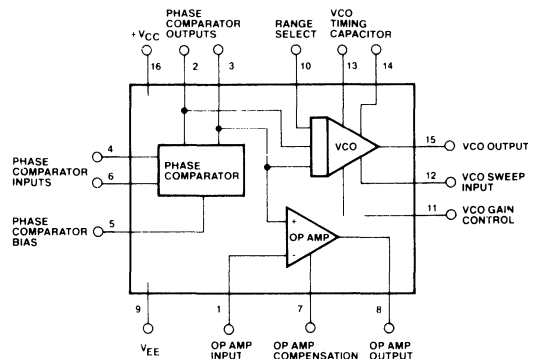


Figure 5. Functional Diagram of XR-215 High-Frequency Phase-Locked Loop.

AN-13

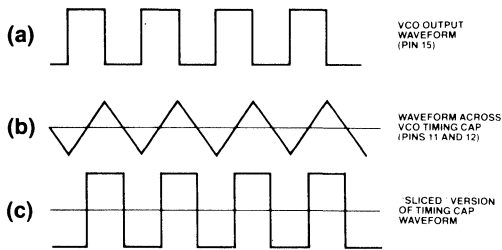


Figure 6. Timing Diagrams of VCO Output Waveforms from XR-215 Monolithic Phase-Locked Loop.

300 kHz. The functions of these external components are as follows:

- a) R_0 and C_0 set the VCO center frequency for the XR-2212 PLL circuit. The center frequency, f_0 , is given as:

$$f_0 = \frac{1}{R_0 C_0}$$

The VCO frequency f_0 is chosen to be equal to the carrier frequency of the input signal. R_0 is normally chosen to be in the range of 10 k Ω to 100 k Ω . This choice is arbitrary. For most applications $R_0 \approx 20$ k Ω is recommended. Once f_0 is given and R_0 is chosen, the C_0 can be calculated from the above equation.

- b) R_1 determines the tracking bandwidth of the PLL. For a required tracking bandwidth, Δf (see Figure 9 of XR-2212 data sheet) and f_0 , R_1 can be calculated as:

$$R_1 = R_0 \frac{f_0}{\Delta f}$$

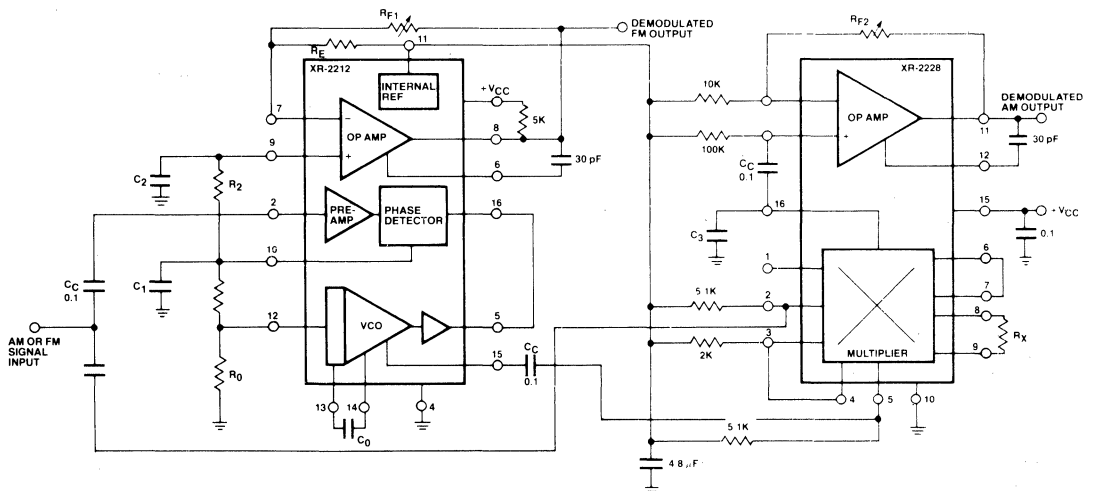


Figure 7. A Two-Chip AM/FM Detector System Using the XR-2212 Phase-Locked Loop and the XR-2228 Multiplier/Detector.

This tracking bandwidth, Δf , is the band of frequencies in the vicinity of f_0 , over which the PLL can maintain lock.

- c) C_1 sets the loop-damping factor for the PLL. For most applications, C_1 is chosen to be equal to one-half of C_0 .
- d) R_2 and C_2 form a low-pass filter for the detected FM signal. The 3 dB frequency, f_2 , of this low-pass filter is:

$$f_2 = \frac{1}{2\pi R_2 C_2}$$

Normally, f_2 is chosen to be equal to the demodulated FM information bandwidth.

- e) R_C and R_{F1} set the gain of the op amp section of the XR-2212 as:

$$A_V = 1 + \frac{R_{F1}}{R_C}$$

This op amp section serves as the post-detection amplifier for the demodulated FM signals.

- f) R_X sets the multiplier gain for the X input and R_{F2} sets the gain of the op amp section of the XR-2228. Thus, the demodulated AM signal output swing, V_{out} , for a given input signal of peak amplitude of V_M and modulation index of m ($0 \leq m \leq 1$) can be approximated as:

$$V_{out} = \frac{(V_M)m}{4} \frac{R_{F2}}{R_X}$$

AN-13

Thus, for example, a 100 mV peak input signal with 30% AM modulation ($m = 0.3$) will give a demodulated output of 150 mV peak, with $R_{F2} = 100 \text{ k}\Omega$ and $R_X = 5 \text{ k}\Omega$, at Pin 11 of the XR-2228.

- g) C_3 , in conjunction with the $5 \text{ k}\Omega$ internal impedance of the multiplier output (Pin 16) serves as the low-pass post-detection filter for the demodulated AM signal.

For further explanation and description for the system design equations, the reader is referred to the XR-2212 and the XR-2228 data sheets.

Design Example

Design an AM demodulator for 100 kHz carrier frequency with a detection (tracking) bandwidth of $\pm 4\%$. The demodulated information bandwidth is 3 kHz and an output level of one volt peak is required for a one volt peak input with 30% modulation.

Using the circuit of Figure 7, one proceeds as follows: Since FM detection is not required in this example, components R_2 , C_2 , R_C and R_{F1} are not essential to circuit operation. R_2 and R_C can be short-circuited, C_2 and R_{F1} can be left open-circuited. The rest of the component values are calculated as follows:

- Step 1) Set $f_0 = 100 \text{ kHz}$ by choosing $R_0 = 20 \text{ k}\Omega$ and calculating C_0 from paragraph (a) above.

$$C_0 = \frac{1}{R_0 f_0} = 500 \text{ pF}$$

- Step 2) Determine R_1 to set tracking bandwidth to $\pm 4\%$, from paragraph (b): $R_1 = 500 \text{ k}\Omega$.

- Step 3) Calculate C_1 : $C_1 \approx C_0/2 \approx 250 \text{ pF}$.

- Step 4) From paragraph (f), calculate the value of R_X and R_{F2} . For a typical choice of $R_X = 5 \text{ k}\Omega$, and $m = 0.3$ (30% modulation) with one volt

input carrier level, the value of R_{F2} to get one volt demodulated output is: $R_{F2} = 67 \text{ k}\Omega$.

- Step 5) Calculate C_3 to get 3 kHz bandwidth for post-detection filter: $C_3 \approx 0.01 \text{ }\mu\text{F}$.

AM DETECTION USING THE XR-215 PLL

Figure 8 shows the circuit connection diagram for a two-chip AM and FM detection system, using the XR-215 high-frequency PLL in conjunction with the XR-2228 multiplier/detector. Because of the high-frequency capability of the XR-215, the circuit of Figure 8 is useful as a phase-locked AM detector for carrier frequencies up to 20 MHz, and operates over a supply voltage range of 10V to 20V.

The VCO section of XR-215 does not have a separate quadrature output. However, this problem can be overcome by driving the XR-2228 multiplier directly from the timing capacitor terminals (Pins 13 and 14) of XR-215. The Y input of the XR-2228 is operated with maximum gain, since the Y gain control terminals (Pins 6 and 7) are shorted together. This causes the triangular waveform across C_0 to be converted to an effective quadrature drive as indicated by the timing diagram of Figure 6. The modulated input signal is simultaneously applied to both circuits through coupling capacitors. The phase-detector inputs of the XR-215, as well as the multiplier X inputs of the XR-2228, are biased at approximately one-half of V_{CC} , by means of an external resistive divider.

In Figure 8, C_0 sets the VCO frequency of the XR-215. In the case of FM demodulation, R_1 and C_1 serve as the post-detection filter for the detected FM signal and R_{F1} sets the gain of the FM post-detection amplifier.

The mode of operation of the XR-2228 is virtually the same as that described in connection with Figure 7: R_X sets the multiplier demodulation gain; C_3 serves as the low-pass post-detection filter. The values of R_X , R_{F2} and C_3 are calculated as given in paragraphs (f) and (g).

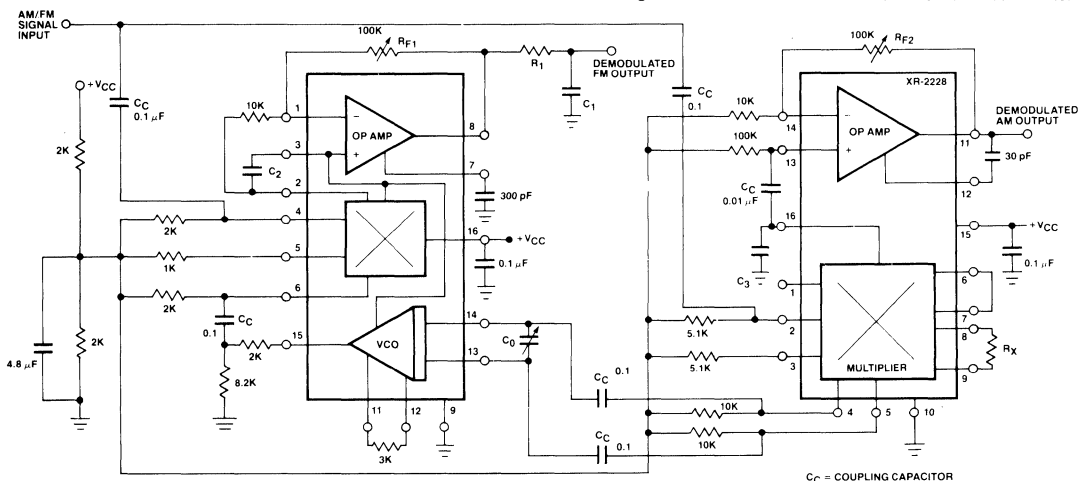


Figure 8. Circuit Connection for a High-Frequency AM and FM Detector Using the XR-215 and XR-2228.

High-Quality Function Generator System with the XR-2206

INTRODUCTION

Waveform or function generators capable of producing AM/FM modulated sine wave outputs find a wide range of applications in electrical measurement and laboratory instrumentation. This application note describes the design, construction and the performance of such a complete function generator system suitable for laboratory usage or hobbyist applications. The entire function generator is comprised of a single XR-2206 monolithic IC and a limited number of passive circuit components. It provides the engineer, student, or hobbyist with a highly versatile laboratory instrument for waveform generation at a very small fraction of the cost of conventional function generators available today.

GENERAL DESCRIPTION

The basic circuit configuration and the external components necessary for the high-quality function generator system is shown in Figure 1. The circuit shown in the figure is designed to operate with either a 12 V single power supply, or with ± 6 V split supplies. For most applications, split-supply operation is preferred since it results in an output dc level which is nearly at ground potential.

The circuit configuration of Figure 1 provides three basic waveforms: sine, triangle and square wave. There are four overlapping frequency ranges which give an overall frequency range of 1 Hz to 100 kHz. In each range, the frequency may be varied over a 100:1 tuning range.

The sine or triangle output can be varied from 0 to over 6 V (peak to peak) from a 600 ohm source at the output terminal.

A squarewave output is available at the sync output terminal for oscilloscope synchronizing or driving logic circuits.

TYPICAL PERFORMANCE CHARACTERISTICS

The performance characteristics listed below are not guaranteed or warranted by Exar. However, they represent the typical performance characteristics measured by Exar's application engineers during the laboratory evaluation of the function generator system shown in Figure 1. The typical performance specifications listed below apply only when all of the recommended assembly instructions and adjustment procedures are followed:

- (a) **Frequency Ranges:** The function generator system is designed to operate over four overlapping frequency ranges:

1 Hz to 100 Hz
10 Hz to 1 kHz
100 Hz to 10 kHz
1 kHz to 100 kHz

The range selection is made by switching in different timing capacitors.

- (b) **Frequency Setting:** At any range setting, frequency can be varied over a 100:1 tuning range with a potentiometer (see R_{13} of Figure 1).

- (c) **Frequency Accuracy:** Frequency accuracy of the XR-2206 is set by the timing resistor R and the timing capacitor C, and is given as:

$$f = 1/RC$$

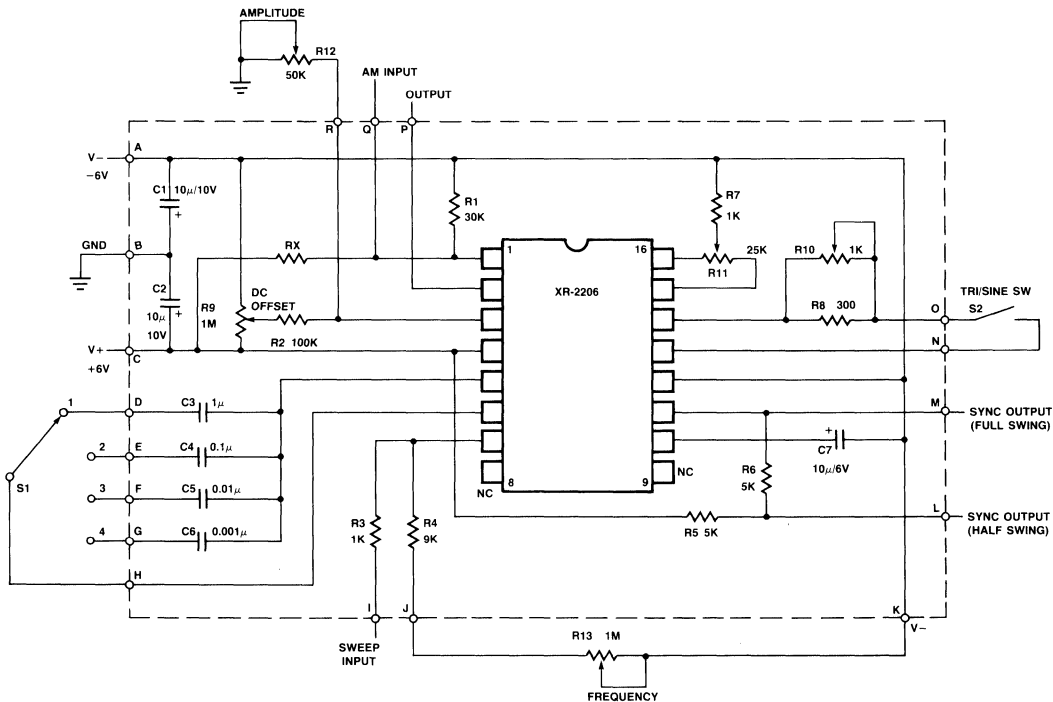
The above expression is accurate to within $\pm 5\%$ at any range setting. The timing resistor R is the series combination of resistors R_4 and R_{13} of Figure 1. The timing capacitor C is any one of the capacitors C_3 through C_6 , shown in the figure.

- (d) **Sine and Triangle Output:** The sine and triangle output amplitudes are variable from 0 V to $6 V_{pp}$. The amplitude is set by an external potentiometer, R_{12} of Figure 1. At any given amplitude setting, the triangle output amplitude is approximately twice as high as the sinewave output. The internal impedance of the output is 600 Ω .

- (e) **Sinewave Distortion:** The total harmonic distortion of sinewave is less than 1% from 10 Hz to 10 kHz and less than 3% over the entire frequency range. The selection of a waveform is made by the triangle/sine selector switch, S_2 .

- (f) **Sync Output:** The sync output provides a 50% duty cycle pulse output with either full swing or upper half swing of the supply voltage depending on the choice of sync output terminals on the printed circuit board (see Figure 1).

- (g) **Frequency Modulation (External Sweep):** Frequency can be modulated or swept by applying an external control voltage to sweep terminal (Terminal I of Figure 1). When not used, this terminal should be left open.



NOTE:

1. For Single Supply Operation Lift GND Connection Keeping R12 Across Terminals R and B Intact, and Connect Terminal A to GND.
2. For Maximum Output, R_X may be open. R_X = 68 K Ω is Recommended for External Amplitude Modulation.

Figure 1. Circuit Connection Diagram for Function Generator. (See Note 1 for Single Supply Operation.)

circuited. The open circuit voltage at this terminal is approximately 3V above the negative supply voltage and its impedance is approximately 1000 ohms.

(h) Amplitude Modulation: The output amplitude varies linearly with modulation voltage applied to AM input (terminal Q of Figure 1). The output amplitude reaches its minimum as the AM control voltage approaches the half of the total power supply voltage. The phase of the output signal reverses as the amplitude goes through its minimum value. The total dynamic range is approximately 55 dB, with AM control voltage range of 4V referenced to the half of the total supply voltage. When not used, AM terminal should be left open-circuited.

(i) Power Source: Split supplies: ± 6 V, or single supply: + 12 V. Supply Current 15 mA (see Figure 3).

EXPLANATION OF CIRCUIT CONTROLS:

Switches

Range Select Switch, S1: Selects the frequency range of operation for the function generator. The frequency is

inversely proportional to the timing capacitor connected across Pins 5 and 6 of the XR-2206 circuit. Nominal capacitance values and frequency ranges corresponding to switch positions of S1 are as follows:

Position	Nominal Range	Timing Capacitance
1	1 Hz to 100 Hz	1 μ F
2	10 Hz to 1 kHz	0.1 μ F
3	100 Hz to 10 kHz	0.01 μ F
4	1 Hz to 100 kHz	0.001 μ F

If additional frequency ranges are needed, they can be added by introducing additional switch positions.

Triangle/Sine Waveform Switch, S2: Selects the triangle or sine output waveform.

Trimmers and Potentiometers

Dc Offset Adjustment, R9: The potentiometer used for adjusting the dc offset level of the triangle or sine output waveform.

Sinewave Distortion Adjustment, R10: Adjusted to minimize the harmonic content of sinewave output.

AN-14

Sinewave Symmetry Adjustment, R11: Adjusted to optimize the symmetry of the sinewave output.

Amplitude Control, R12: Sets the amplitude of the triangle or sinewave output.

Frequency Adjust, R13: Sets the oscillator frequency for any range setting of S1. Thus, R13 serves as a frequency dial on a conventional waveform generator and varies the frequency of the oscillator over an approximate 100 to 1 range.

Terminals

- A. Negative Supply -6V
- B. Ground
- C. Positive Supply +6V
- D. Range 1, timing capacitor terminal
- E. Range 2, timing capacitor terminal
- F. Range 3, timing capacitor terminal
- G. Range 4, timing capacitor terminal
- H. Timing capacitor common terminal
- I. Sweep Input
- J. Frequency adjust potentiometer terminal
- K. Frequency adjust potentiometer negative supply terminal
- L. Sync output (1/2 swing)
- M. Sync output (full swing)
- N. Triangle/sine waveform switch terminals
- O. Triangle/sine waveform switch terminals
- P. Triangle or sinewave output
- Q. AM input
- R. Amplitude control terminal

PARTS LIST

The following is a list of external circuit components necessary to provide the circuit interconnections shown in Figure 1.

Capacitors:

- C1, C2, C7 Electrolytic, 10 μ F, 10V
- C3 Mylar, 1 μ F, nonpolar, 10%
- C4 Mylar, 0.1 μ F, 10%
- C5 Mylar, 0.01 μ F, 10%
- C6 Mylar, 1000 pF, 10%

Resistors:

- R1 30 K Ω , 1/4 W, 10%
- R2 100 K Ω , 1/4 W, 10%
- R3, R7 1 K Ω , 1/4 W, 10%
- R4 9 K Ω , 1/4 W, 10%
- R5, R6 5 K Ω , 1/4 W, 10%
- R8 300 K Ω , 1/4 W, 10%
- RX 62 K Ω , 1/4 W, 10% (RX can be eliminated for maximum output)

Potentiometers:

- R9 Trim, 1 M Ω , 1/4 W
- R10 Trim, 1 K Ω , 1/4 W
- R11 Trim, 25 K Ω , 1/4 W

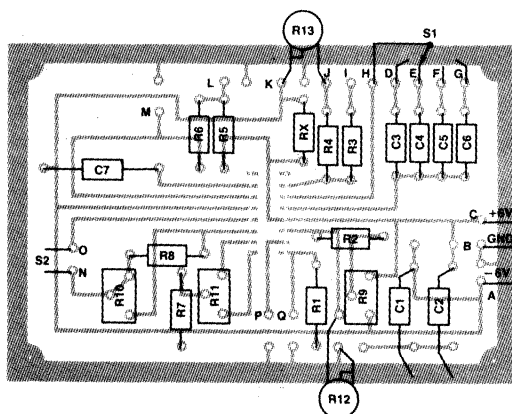
The following additional items are recommended to convert the circuit of Figure 1 to a complete laboratory instrument:

Potentiometers:

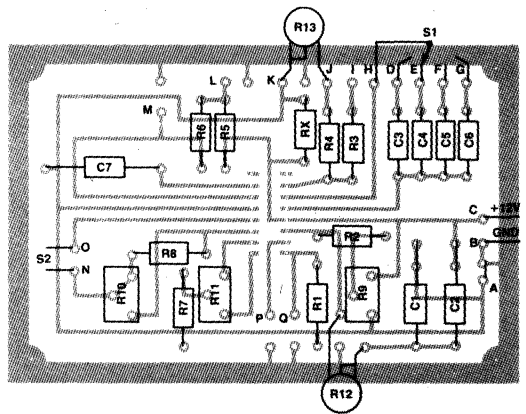
- R12 Amplitude control, linear, 50 K Ω
- R13 Frequency control, audio taper, 1 M Ω

Switches:

- S1 Rotary switch, 1-pole, 4 positions
- S2 Toggle or slide, SPST



(a) Split Supply PC Board Layout



(b) Single Supply PC Board Layout

Figure 2. Recommended PC Board Layout for Function Generator Circuit of Figure 1.

AN-14

Case:

7" x 4" x 4" (approx.) Metal or Plastic
(See Figures 4(a) and 4(b).)

Power Supply:

Dual supplies ± 6 V or single +12 V
Batteries or power supply unit
(See Figures 3(a) and 3(b).)

Miscellaneous:

Knobs, solder, wires, terminals, etc.

BOARD LAYOUT

Figures 2(a) and 2(b) show the recommended printed-circuit board layout for the function generator circuit of Figure 1.

RECOMMENDED ASSEMBLY PROCEDURE

The following instructions and recommendations for the assembly of the function generator assume that the basic PC board layout of Figure 2(a) or 2(b) is used in the circuit assembly.

All the parts of the generator, with the exception of frequency adjust potentiometer, amplitude control potentiometer, triangle/sine switch and frequency range select switch, are mounted on the circuit board.

Install and solder all resistors, capacitors and trimmer resistors on the PC board first. Be sure to observe the polarity of capacitors C1, C2, C7. The timing capacitors C3, C4, C5 and C6 must be non-polar type. Now install IC1 on the board. We recommend the use of an IC socket to prevent possible damage to the IC during soldering and to provide for easy replacement in case of a malfunction.

The entire generator board along with power supply or batteries and several switches and potentiometers will fit into a case of the type readily available at electronic hobby shops. It will be necessary to obtain either output jacks or terminals for the outputs and am and frequency sweep inputs.

Install the frequency adjust pot, the frequency range select switch, the output amplitude control pot, the power switch, and the triangle/sine switch on the case. Next, install the PC board in the case, along with a power supply.

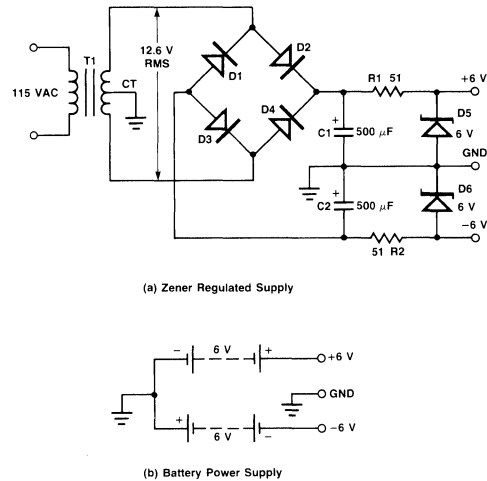
Any simple power supply having reasonable regulation may be used. Figure 3 gives some recommended power supply configurations.

Precaution: Keep the lead lengths small for the range selector switch.

ADJUSTMENT PROCEDURE

When assembly is completed and you are ready to put the function generator into operation, make sure that the polarity of power supply and the orientation of the IC unit are correct. Then apply the dc power to the unit.

To adjust for minimum distortion, connect the scope probe to the triangle/sine output. Close S2 and adjust the amplitude control to give non-clipping maximum swing. Then adjust R10 and R11 alternately for minimum distortion by observing the sinusoidal waveform. If a distortion meter is available, you may use it as a final check on the setting of sine-shaping trimmers. The minimum distortion obtained in this manner is typically less than 1% from 1 Hz to 10 kHz and less than 3% over the entire frequency range.



T1: Filament Transformer
Primary 115V/Secondary 12.6 VCT, 0.5A
D1 - D4: 1N4001 or Similar
D5, D6: 1N4735 or similar
R1, R2: 51 Ω , 1/2W, 10%

Figure 3. Recommended Power Supply Configurations.

An Electronic Music Synthesizer using the XR-2207 and the XR-2240

INTRODUCTION

This application note describes a simple, low-cost "music synthesizer" system made up of two monolithic IC's and a minimum number of external components. The electronic music synthesizer is comprised of the XR-2207 programmable tone generator IC which is driven by the pseudo-random binary pulse pattern generated by the XR-2240 monolithic counter/timer circuit.

PRINCIPLES OF OPERATION

All the active components necessary for the electronic music synthesizer system is contained in the two low-cost monolithic IC's, the XR-2207 variable frequency oscillator and the XR-2240 programmable counter/timer. Figure 1 shows the functional block diagram of the XR-2207 oscillator. This monolithic IC is comprised of four functional blocks: a variable-frequency oscillator which generates the basic periodic waveforms; four current switches actuated by binary keying inputs; and buffer amplifiers for both the triangle and squarewave outputs. The internal current switches transfer the oscillator current to any of four external timing resistors to produce four discrete frequencies which are selected according to the binary logic levels at the keying terminals (pins 8 and 9).

The XR-2240 programmable counter/timer is comprised of an internal time-base oscillator, a control flip-flop and a programmable 8-bit binary counter. Its functional block diagram is shown in Figure 2, in terms of the 16-pin IC package. The eight separate output terminals of the XR-2240 are "open-collector" type outputs which can either be used individually, or can be connected in a "wired-or" configuration.

Figure 3 shows the circuit connection for the electronic music or time synthesizer system using the XR-2207 and the XR-2240. The XR-2207 produces a sequence of tones by oscillating at a frequency set by the external capacitor C_1 and the resistors R_1 through R_6 connected to Pins 4 through 7. These resistors set the frequency or the "pitch" of the output tone sequence. The counter/timer IC generates the pseudo-random pulse patterns by selectively counting down the time-base frequency. The counter outputs of XR-2240 (Pins 1 through 8) then activate the timing resistors R_1 through R_6 of the oscillator IC, which converts the binary pulse patterns to tones. The time-base oscillator frequency of the counter/timer sets the "beat" or the tempo of the music. This setting is done through C_3 and R_0 of Figure 3.

The pulse sequence coming out of the counter/timer IC can be programmed by the choice of counter outputs (Pins 1 through 8 of XR-2240 connected to the programming pins (Pins 4 through 7) of the XR-2207 VCO. The connection of Figure 3 is recommended since it gives a particularly melodic tone sequence at the output.

The pseudo-random pulse pattern out of the counter/timer repeats itself at 8-bit (or 256 count) intervals of the time-base period. Thus, the output tone sequence continues for about 1 to 2 minutes (depending on the "beat") and then repeats itself. The counter/timer resets to zero when the device is turned on; thus, the music, or the tone sequence, always starts from the same point when the synthesizer is turned on.

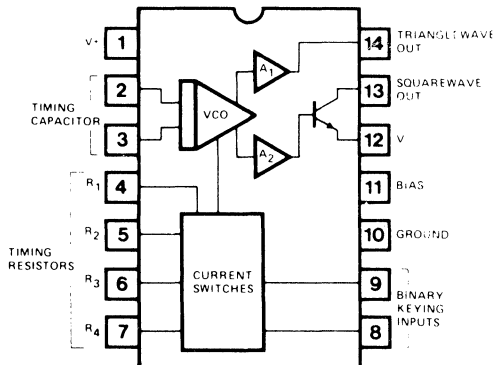


Figure 1. Functional Block Diagram of XR-2207 Oscillator Circuit.

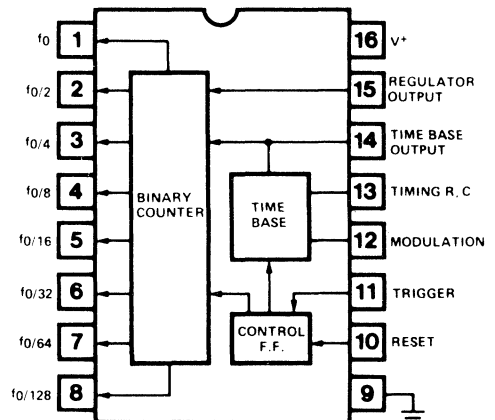


Figure 2. Functional Block Diagram of XR-2240 Counter/Timer.

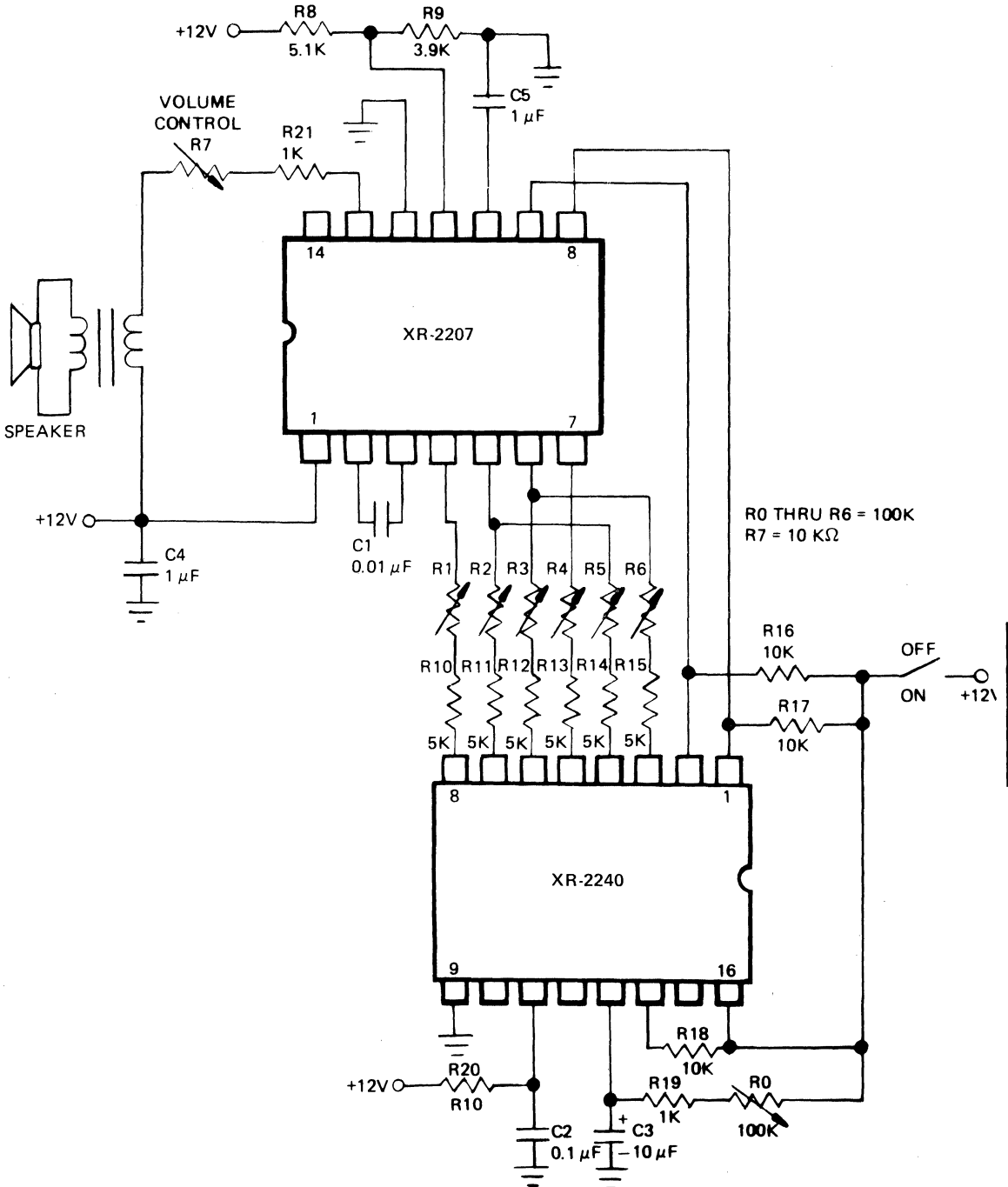


Figure 3. Circuit Connection Diagram for the Music Synthesizer.

Semi-Custom LSI Design with I²L Gate Arrays

INTRODUCTION

In designing semi-custom monolithic LSI, one uses a partially fabricated silicon wafer which is "customized" by the application of one or more special mask patterns. This technique greatly reduces the design and tooling cost and the prototype fabrication cycle associated with the conventional *full-custom* IC development cycle; and thus makes custom IC's economically feasible even at low production volumes.

Until recently, the application of semi-custom design technology to complex digital systems has been somewhat limited due to one key factor: to be economically feasible, a complex digital LSI chip must achieve a high functional density on the chip (i.e., high gate count per unit chip area). Traditionally, this requirement is not compatible with the random interconnection concept which is key to the semi-custom or master-slice design approach. This paper describes a *new* approach to the master-slice concept which overcomes this age-old problem. It achieves packing densities approaching those of full-custom digital LSI layout while still maintaining the low-cost and the quick turn-around attributes of semi-custom IC design. This is achieved by making use of unique layout and interconnection properties of I²L gates, and by extending the mask-programming to additional mask layers besides the metal interconnection.

FEATURES OF I²L TECHNOLOGY

Integrated Injection Logic (I²L) is one of the most significant recent advances in the area of monolithic LSI technology. Compared to other monolithic LSI technologies, I²L offers the following unique advantages:

- High Packing Density
- Bipolar Compatible Processing
- Low Power and Low Voltage Operation
- Low (Power x Delay) Product

Figure 1 gives a comparison of the speed and power capabilities of various logic families, including I²L. Since I²L technology is a direct extension of the conventional bipolar IC technology, it readily lends itself to combining high-density digital functions on the same chip along with conventional Schottky-bipolar circuitry. The availability of bipolar input-output interface on the same chip along with the high-density I²L logic makes it very convenient to retrofit custom I²L designs into many existing logic systems.

The I²L logic technology is developed around the basic single-input, multiple-output inverter circuit shown in Figure 2. A recommended circuit symbol for this gate circuit is also defined in the figure. Most terminals of the I²L gate share the same semi-conductor region (for example, the collector of the PNP is the same as the base of the NPN; and the emitter of the NPN is the same as the base of the PNP). This leads to a very compact device structure, and results in very high packing density in monolithic device fabrication. Figure 3 illustrates the basic device structure and the cross-section for a bipolar-compatible I²L gate. Since the individual I²L gates do not require separate P-type isolation diffusions, they can be placed in a common N-type tub. This feature greatly enhances the packing density on the chip since it eliminates the need for separate isolation pockets for individual gates. With conventional photo-masking and diffusion tolerances, gate densities of greater than 200 gates/mm² can be readily achieved in full-custom layout. Using the semi-custom approach which is outlined in this paper, one can maintain a packing density of greater than 120 gates/mm² even with random metallization or interconnection requirements. This offers at least a factor of four improvement over conventional bipolar master-slice technology and approximately a factor of two improvement over MOS master-slice approach in terms of gate-density and chip area utilization.

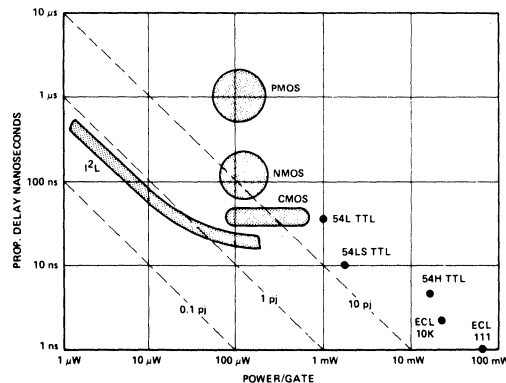


Figure 1. Comparison of Speed and Power Capabilities of Various Logic Families.

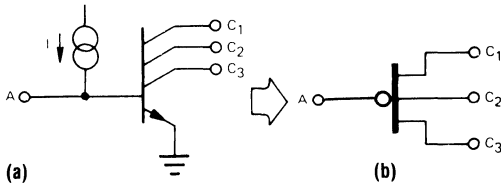


Figure 2. Equivalent Circuit (a), and a Recommended Symbol (b) for an I^2L Gate.

Table 1
List of Components on XR-300 and XR-500
Semi-Custom Chips

Component Type	Chip Type	
	XR-300	XR-500
Multiple Output I^2L Gates	288	520
Input/Output Buffers	28	40
Schottky - NPN Transistors	56	80
Resistors	168	240
Bonding Pads	34	42
Chip Size (mils)	104 x 140	122 x 185

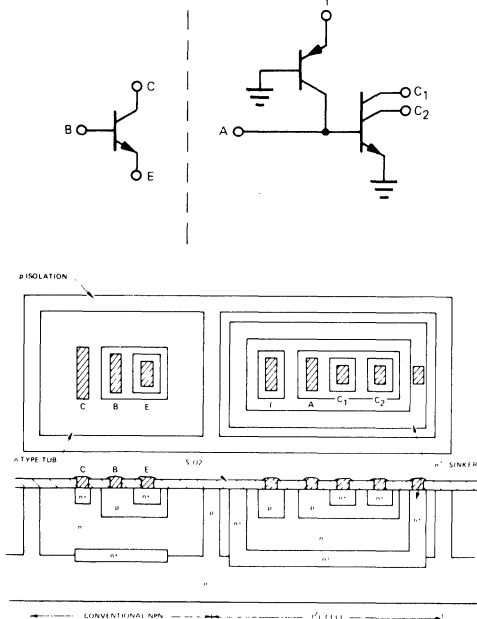


Figure 3. Basic Device Structure for Bipolar Compatible I^2L .

DESIGNING WITH I^2L GATE ARRAYS

A number of I^2L gate arrays have been developed at Exar utilizing bipolar-compatible integrated injection logic technology. The most recent additions to this family of products are the XR-300 and the XR-500 gate array chips which are specifically intended for semi-custom IC designs involving complex digital systems. These chips contain a large number of multiple-output I^2L gates along with Schottky-bipolar input/output buffers. Table 1 gives a summary of the components available on each of these chips.

Figure 4 shows the basic layout architecture of the XR-300 and the XR-500 gate array chips. As indicated in the figure, each chip is made up of two sections: (a) the I^2L gate matrix; and (b) the Schottky-bipolar input/output interface. In addition, the bipolar I/O section contains two identical sets of resistor arrays, located at opposite ends of the chip, which are used for biasing the injectors of the I^2L gates. The basic features of each of the sections of the gate array chips are outlined below:

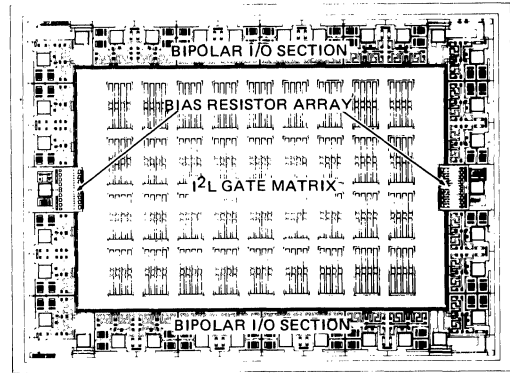


Figure 4. Basic Architecture of XR-300 and XR-500 I^2L Gate Arrays.

a) The I^2L Gate Matrix:

This section of the I^2L gate array is made up of 8-gate "cells." These cells contain eight multiple-output I^2L inverters which share a common set of four injectors. Figure 5 shows a basic 8-gate cell section within the I^2L gate section, prior to customization. The basic 8-gate cells forming the I^2L gate matrix are made up of P-type injectors and gate-fingers which serve as the base regions of the I^2L gates. The six dots on each gate area indicate the possible locations or sites for gate input or outputs. The particular use of these sites as an input or an output is determined by two custom masks: an N-type collector diffusion mask which defines the locations of outputs, and a custom contact mask which opens the appropriate input and output contact. Finally, a third custom mask is applied to form the metal interconnections between the gates, and the gate cells. The custom N-type diffusion step, which determines the locations of gate outputs, is also used for forming low-resistivity underpasses between the gate-cells. The area between each of the gate cells can accommodate two or three parallel underpasses in the horizontal and the vertical directions, respectively. Since the N-type diffusion which forms these underpasses is a part of the customizing step, the location and the length of each underpass can be chosen to fit a given interconnection require-

AN-16

ment. This method provides the designer with virtually all the advantages and capabilities of multi-layer interconnection paths on the surface of the chip; and allows approximately 80% of the gates on the chip to be utilized in a typical random-logic layout.

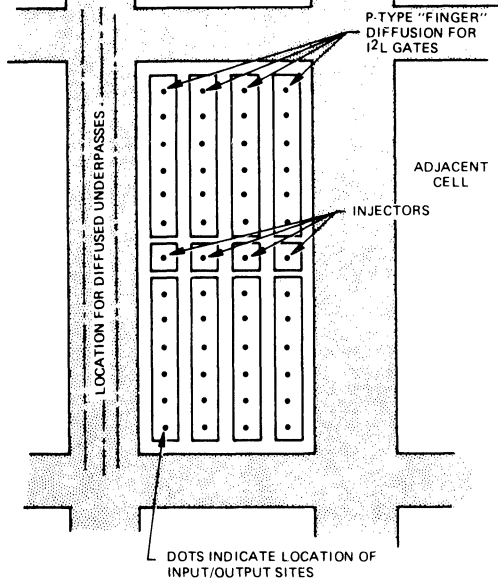


Figure 5. Basic 8-Gate Cell Before Customization.

The custom logic interconnections can be easily laid out in pencil on a layout sheet by simply interconnecting the desired gate "sites" with a pencil line and appropriately defining the function of the site as an input, output, injector contact or an underpass. Figure 6 shows a typical example of such a logic layout. The corresponding symbols defining the function of the sites on the layout are also identified in the figure. For convenience, an underpass is indicated with a resistor symbol, connecting two triangles corresponding to the terminal points of the underpass.

Figure 7 shows the sample layout of the same 8-gate cell, after its customization with a selective N-type collector diffusion, contact-window cut and the metal interconnection patterns.

Typical electrical characteristics of the I^2L gates within the gate matrix are listed in Table 2. Typical operating characteristics of the gates are given in Fig-

Table 2
Typical Characteristics of I^2L Gates

Parameter	Typical Characteristics at Various Injector Currents			
	$I_j = 100 \text{ nA}$	$I_j = 1 \text{ }\mu\text{A}$	$I_j = 10 \text{ }\mu\text{A}$	$I_j = 100 \text{ }\mu\text{A}$
Output Sink Current, I_O	300 nA	8 μA	80 μA	600 μA
Output Sat. Voltage, V_{OL}	3 mV	3 mV	4 mV	10 mV
Input Threshold	0.48 mV	0.54 mV	0.60 mV	0.66 mV
Pwr.-Delay Product ($V^+ = 1V$)	0.6 pJ	0.6 pJ	1.0 pJ	3 pJ
Average Prop Delay	6 μsec	0.6 μsec	200 nsec	50 nsec
Max. Toggle Freq (D F/F)	6 kHz	60 kHz	400 kHz	3 MHz
Input OFF Current ($V_{IN} = 0$)	150 nA	1.5 μA	15 μA	130 μA
Output Breakdown Voltage	3V	3V	3V	3V

ures 8, 9 and 10, as a function of the injector current per gate. As indicated in Figure 8, the average power-delay product for a four-output gate is approximately 0.5 pJ at low currents; and the typical propagation delay, t_{PD} , at injector currents in excess of 100 $\mu\text{A}/\text{gate}$ is approximately 50 nsec for the output furthest from the injector. Figure 9 shows the two components of the total propagation delay, namely the turn-on and turn-off delay, as a function of the injector bias. At low injector currents (i.e., $I_j \leq 10 \mu\text{A}$), turn-on delay is the dominant factor. For high-speed

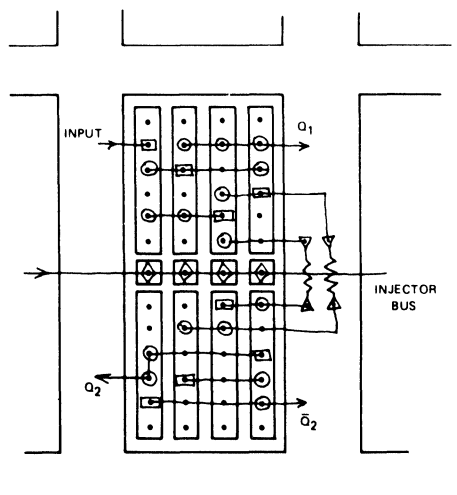
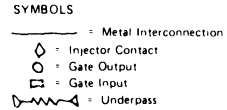


Figure 6. Sample Pencil Layout on a Logic Cell.

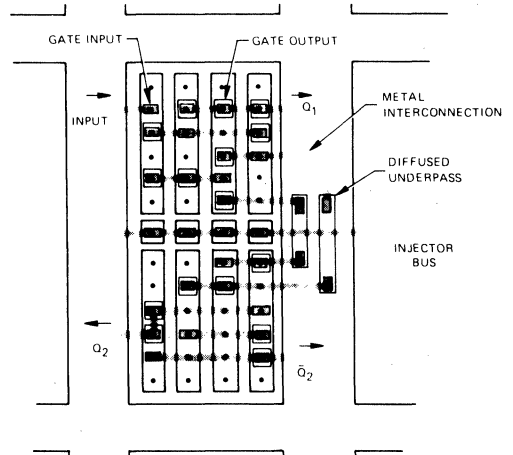


Figure 7. Sample Layout of 8-Gate Cell After Customizing it with N+ Collector Diffusion, Contact Mask and Metal Interconnection Pattern.

AN-16

operation with $I_j \leq 50 \mu\text{A}$, turn-off delay becomes the dominant limitation in speed. Typical toggle rate of a D-type flip-flop as a function of injector current is shown in Figure 10. As indicated in the figure, toggle rates of 3 MHz are obtained at injector current levels of approximately $100 \mu\text{A}$ per gate.

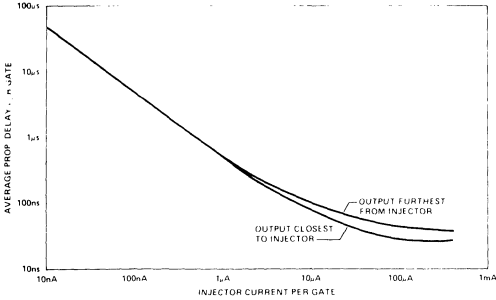


Figure 8. Propagation Delay Characteristics of $12L$ Gates as a Function of Injector Current.

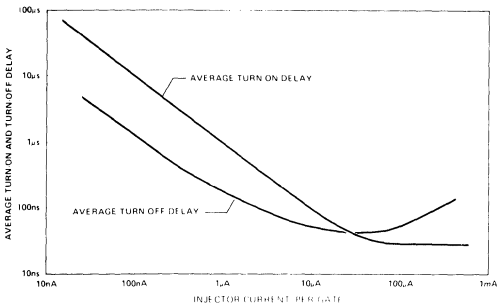


Figure 9. Average Turn-On and Turn-Off Delay vs. Injector Current.

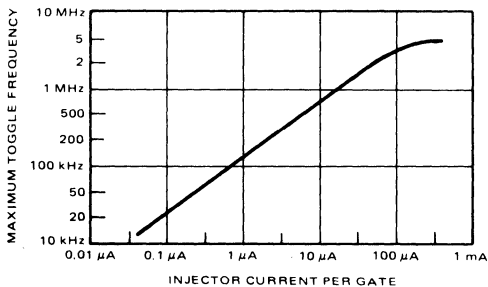


Figure 10. Maximum Toggle Rate of D-Type Flip-Flop as a Function of Injector Current.

b) Schottky-Bipolar I/O Section:

The Schottky-bipolar input/output interface sections are located along the periphery of the XR-300 and the XR-500 gate array chips. In addition, this bipolar section of the chip contains two sets of resistor arrays located at opposite ends of the chip (see Figure 4) for programming or setting the injector current levels for the $12L$ gates. By proper tapping of these resistor arrays, the injector currents of the gates can be set to any value between $1 \mu\text{A}$ to $100 \mu\text{A}$ per gate.

For operating with current levels below $1 \mu\text{A}$ /gate, an external current setting resistor can also be used.

The component layout of a typical bipolar input/output interface cell is shown in Figure 11. Such an I/O interface cell contains one bonding-pad, several diffused resistors of varying values, two Schottky-clamped NPN transistors and a clamp diode to the substrate. Each of the NPN bipolar transistors are capable of sinking 10mA of output current, with typically a saturation voltage of 0.5V . The breakdown voltage of the bipolar output transistors is 6V ; however, modified versions of the XR-300 and XR-500 $12L$ gate arrays are also available with output breakdown voltage in excess of 15V . Figure 12 shows some of the most commonly used input and output

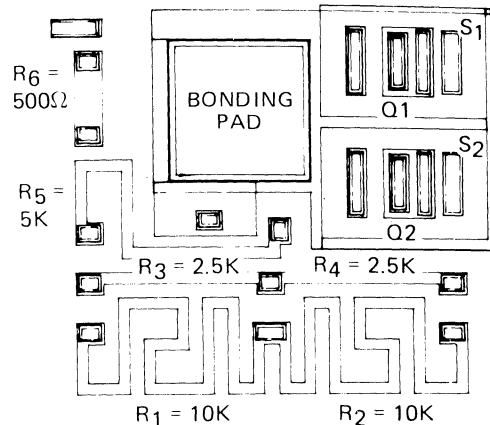
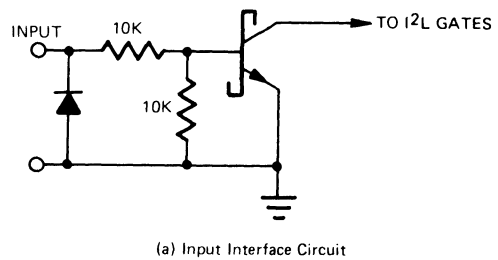
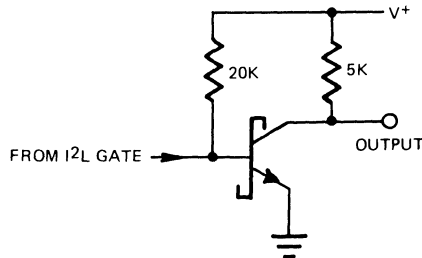


Figure 11. A Typical Schottky-Bipolar Input/Output Interface Cell.



(a) Input Interface Circuit



(b) Output Interface Circuit

Figure 12. Typical Bipolar I/O Interface Circuits.

AN-16

interface circuit configurations available from the basic bipolar I/O cell.

SEMI-CUSTOM DESIGN CYCLE

The semi-custom LSI design program utilizing the XR-300 and XR-500, is devised for maximum versatility, to suit varying customer needs or capabilities. Figure 13 gives an outline of the six basic steps associated with a typical I²L semi-custom program. The sequence of these steps are also outlined below:

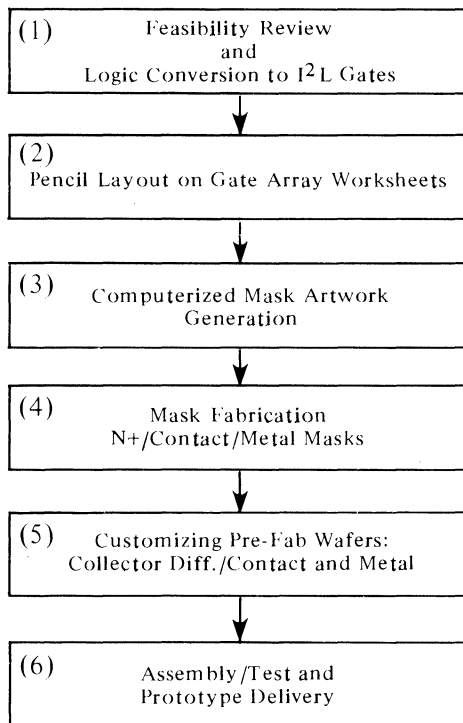


Figure 13. Sequence of Steps Associated with a Semi-Custom LSI Development Cycle.

Step 1. Feasibility Review and Logic Conversion:

Starting with the customer's logic diagram (preferably reduced to flip-flops and gates) the first step is a detailed review of the system requirements with regards to the overall gate count, I/O requirements, operating speeds, etc., to assure feasibility of integration, and to choose the most economical gate array chip to be used. If the results of this review indicate feasibility, the next step is to convert the logic diagram into I²L gates. At this state, a computer simulation of the logic diagram may also be performed, if deemed necessary.

Step 2. Pencil Layout on Gate Array Worksheets:

Once the logic diagram is converted to I²L gates, the next step will be to make a pencil layout of the circuit on

the appropriate array worksheet. This pencil layout is done on a blank worksheet where the gate input and output locations are shown as target dots (see Figure 5). During the layout, an appropriate symbol is placed over the corresponding dot on the gate outline, and the interconnections and the underpasses between the gates are indicated by pencil lines and with the symbols defined in the layout example of Figure 6. In this layout, the bipolar I/O cells do not need to be internally interconnected. Since these cells are standardized, it is only necessary for the designer to specify if a particular I/O cell is to be used as an input or an output.

Step 3. Computerized Mask Artwork Generation:

Using a specially developed computerized mask generation technique, the three layers of necessary custom IC tooling (i.e., for custom N-type diffusion, contact window cut; and the metal interconnections) can be automatically generated by a single "digitizing" step from the pencil layout. This simultaneous and automated generation of the three custom mask layers greatly reduces the tooling cost and turnaround time, and avoids mask errors.

Step 4. Mask fabrication:

The photographic tooling plates, or "masks," are fabricated by a pattern-generation technique from the digitized coordinate information stored in the computer.

Step 5. Customizing Prefabricated Wafers:

The prefabricated I²L wafers containing the P-type base diffusion and the gate "fingers" (see Figure 5) are customized into completed monolithic LSI chips using the custom IC tooling generated in Steps 3 and 4.

Step 6. Assembly/Test and Prototype Delivery:

The completed monolithic chips are first evaluated on the finished IC wafer, and later assembled, electrically tested and delivered as the completed prototypes.

In many cases, the first two steps indicated in the flow chart of Figure 13, can be done by the customer, in consultation with Exar, using Exar's I²L Design Kit and the design instruction manual. Whenever possible, such an approach is recommended, since it greatly reduces the development costs and the turnaround time.

Typical development cycle containing all the steps outlined in the flow chart of Figure 13, takes about 8 to 12 weeks, depending on the circuit complexity, and whether the customer or Exar does the logic conversion and pencil layout.

Figure 14 shows the photo-micrograph of a typical semicustom LSI chip, fabricated using the technology outlined in this paper. As indicated in the figure, the use of 3-mask customization step results in an efficient layout and utilization of the available active devices within the I²L gate array.

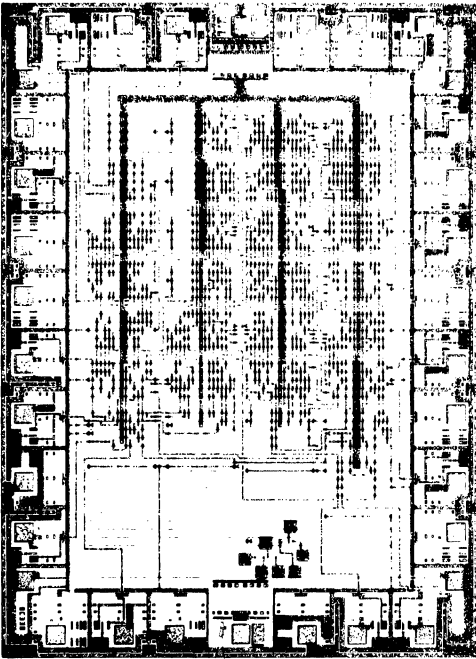


Figure 14. Photo-Micrograph of a Typical Semi-Custom i^2L LSI Chip.

ECONOMICS OF SEMI-CUSTOM DESIGN

In developing custom LSI circuits, one is confronted by the following key question: for a given production requirement, is it cheaper to develop a full or semi-custom IC? Since the performance and functional requirements of custom IC's vary greatly, there is no general answer to the above question. However, based on the overall production requirements it is possible to establish some economic guidelines for deciding which custom IC technology to use, and when.

One of the main advantages of semi-custom LSI design over conventional full custom IC development is the greatly reduced development cost. This development cost generally amounts to 10% to 30% of that required for a complete custom IC design. However, since the semi-custom design technique tends to waste some of the IC chip area due to random interconnections, the unit price of a semi-custom LSI chip in volume production is slightly higher (approximately 10% to 30%) than a full or complete custom design. Therefore, to decide which is the most economical approach, it is best to compare the estimated amortized unit cost per device for various production quantities. Figure 15 gives such a comparison for a "typical" custom LSI chip, as a function of total production requirement. The total amortized cost per unit is defined as the total cost of the development plus the production purchase, divided by the total number or quantity of units purchased. The ex-

tremely high development costs (typically in the range of \$50,000 to \$100,000) associated with full custom designs make the amortized unit cost of full custom IC's far more expensive than semi-custom designs, at low production quantities. Similarly, for the lower chip cost of full custom IC's make this approach more economical for high production volumes. Typical cross-over point between the economics of the full or semi-custom technology comes about in the quantity range of 50,000 pieces to 150,000 pieces, as implied by the illustration of Figure 15. However, it should be noted that Figure 15 is only a typical "case study," and that the actual cross-over point for a given program will depend on the circuit complexity, performance and test requirements, and the type of IC package used.

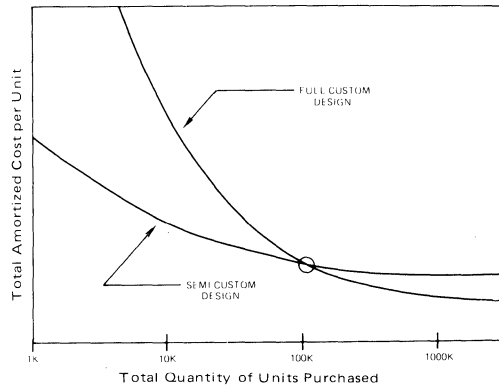


Figure 15. A Comparison of Relative Cost Advantages of Semi-Custom and Full Custom LSI Products. (NOTE: Amortized cost per unit includes the development cost.)

CONVERTING SEMI-CUSTOM TO FULL CUSTOM

It is often possible to start a development program using the semi-custom technology, such as the i^2L gate arrays described in this paper, and later change to a full custom design when the production quantities increase beyond the cost cross-over point illustrated in Figure 15. Such two-phase approach often combines the best advantages of each of the semi- and full custom technologies. For example, the initial development can be done in a semi-custom manner, using Exar's i^2L gate arrays, and thus take full advantage of the low tooling cost and the short development cycle. As a customer's product matures and its market expands, resulting in higher volume production run rates, Exar can convert the multiple semi-custom chip approach into a single custom IC, achieving a cost reduction and in many cases a performance improvement. The significant advantage of this type of program is that the risk associated with a custom development is greatly reduced; the IC design approach has been proven, and the design "bugs" are removed at the semi-custom stage thus eliminating the need for lengthy re-design cycles at the full custom level. Once the semi-custom chip is completely characterized in the user's system, and is used for the initial production runs, it can be gradually "phased-out" by a full custom design without interrupting the user's production line.

XR-C409 Monolithic I²L Test Circuit

INTRODUCTION

The XR-C409 monolithic IC is a test circuit for evaluation of speed and performance capabilities of Exar's Integrated Injection Logic (I²L) technology. It is intended to familiarize the I²L user and the digital system designer with some of the performance features of I²L, such as its high-frequency capability and power-speed tradeoffs.

Figure 1 shows the package diagram of the XR-C409 I²L test circuit. It is comprised of five separate evaluation blocks as shown in the figure. Blocks 1 and 2 are D-type flip-flops which are internally connected as frequency dividers. Each of these dividers provide buffered open-collector outputs. Blocks 3, 4, and 5 are 8-stage ring-oscillators with buffered outputs to be used for measuring gate propagation delays at different injector current levels.

FREQUENCY DIVIDER SECTION

The frequency divider sections of XR-C409 test circuits are made up of two D-type flip-flops internally connected in the (+2) mode. These frequency dividers are operated with *serial* clocking and *parallel* reset controls.

The internal interconnections of these D-type flip-flop sections are shown in Figure 2. The corresponding package terminals are also identified in the figure. The flip-flops operate on the negative-transitions of the clock input, and reset with the reset at a "high" logic state. When the circuit is reset, all the outputs go to a "low" state. The logic polarities and the timing sequence of the circuit waveforms are given in Figure 3.

Evaluating the Frequency Divider Section

Figure 4 shows the circuit connection for the frequency divider section of the XR-C409. The recommended clock input level is 0V and +1V for the "low" and "high" levels. For optimizing high frequency performance, a square wave clock input is recommended with a source impedance $\leq 100\Omega$.

Biasing of Injectors

All of the 16 I²L gates forming the frequency divider sections are biased by the total injector current, I_T, applied to the injector terminal (Pin 1) as shown in Figure 4. The total injector current, I_T, applied to the flip-flop

sections of XR-C409 is set by the external bias resistor, R_B, as:

$$I_T = \frac{V^+ - V_{be}}{R_B} \quad (1)$$

where V_{be} ($\approx 0.7V$) is the transistor base-emitter voltage drop.

The total injector current, I_T, is shared among 16 individual I²L gates forming the frequency-divider sections. Thus, the operating current of each gate, I_j, is equal to 1/16 of the total injector bias, or:

$$I_j = I_T/16 \quad (2)$$

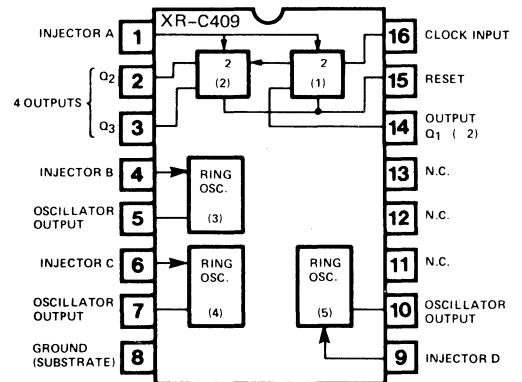


Figure 1. Package Terminals for XR-C409 Test IC.

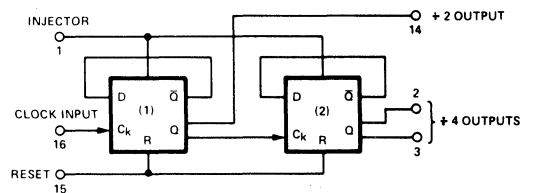


Figure 2. Block Diagram of Frequency Divider Section.

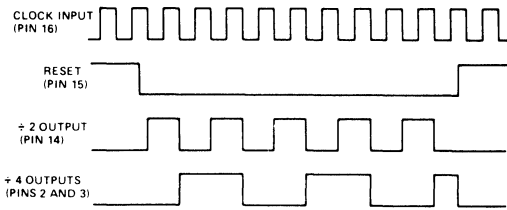


Figure 3. Timing Diagram for Frequency Divider Section.

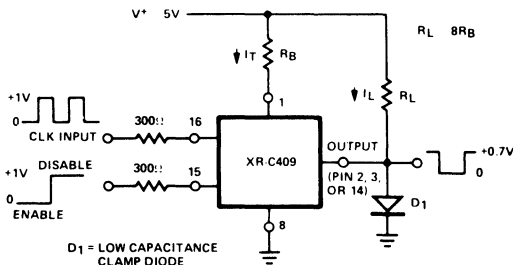


Figure 4. Test Circuit for Frequency Divider Section.

Measuring Output Waveforms

Each of the output terminals of XR-C409 frequency-divider are open-collector type terminals which require a pull-up resistor to positive supply voltage. Thus, the output rise-time is limited by the external RC time constant due to the load resistance, R_L , and the parasitic and/or load capacitance, C_L .

Figure 5 shows a recommended circuit connection to test the output swing at high frequencies, using a low-capacitance clamp-diode, D_1 , to clamp the output swing to $\approx +0.7V$ above ground.

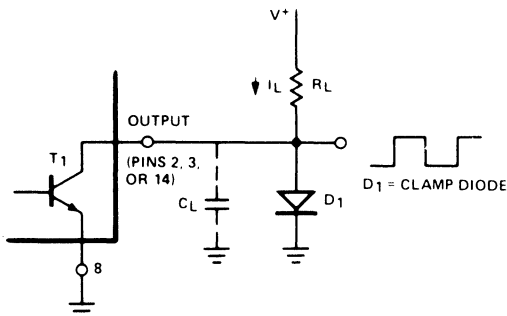


Figure 5. Recommended External Connections to Measure Output Waveforms.

The value of the load resistor, R_L , is determined by the current sinking capability of the output transistor, T_1 , internal to the chip. Since T_1 is the output of an I^2L gate, its worst case sinking current is limited to the individual gate current, i.e.:

$$I_L \leq I_j = \frac{I_T}{16} \quad (3)$$

This current-sinking capability in turn limits the minimum value of load resistance R_L to:

$$R_L \geq 16 R_B \quad (4)$$

The peak output swing is limited to approximately 3 volts due to the collector-base breakdown of the I^2L gate output, i.e., transistor T_1 of Figure 5.

High Frequency Capability

The maximum operating frequency of I^2L frequency-divider circuits is a function of the total injector current. For low-current operation, the maximum toggle-frequency of the flip-flops forming the frequency-divider section increases linearly with increasing injector current. Typical maximum toggle frequency vs. injector

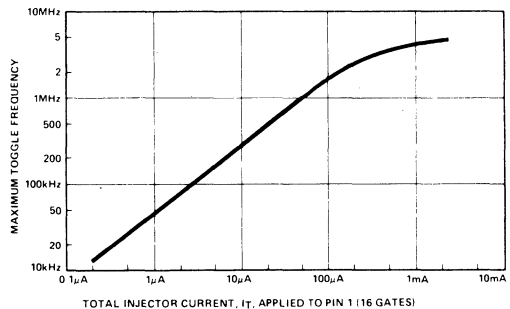


Figure 6. Typical Maximum Toggle Frequency vs. Injector Current Characteristics for XR-C409 Frequency Divider Section

(NOTE: Clock Input: 1V $p-p$ Square Wave)

current characteristics are shown in Figure 6. Note that the maximum toggle-rate obtainable is in the range of 3 to 5 MHz, at a total injector current level of 1 to 2 mA, which corresponds to individual injector currents of approximately 60 μA to 120 μA per gate.

RING-OSCILLATOR SECTIONS

The ring-oscillator sections of XR-C409 test circuit are intended for measurement of propagation delays associated with I^2L gates. Each of these oscillators are made up of a cascade of 8 four-output I^2L gates. Figure 7(a) shows the basic electrical equivalent circuit of a four-output I^2L gate. Its corresponding logic symbol is shown in Figure 7(b). The basic gate operates as an inverter with single input and four outputs.

AN-17

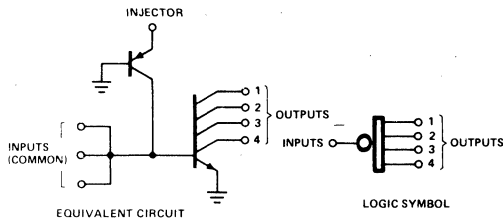


Figure 7. Four-Output I^2L Gate

The propagation delay through an I^2L gate depends on the following sets of parameters:

1. Device design: (i.e., manufacturing methods and device layout used in fabrication process).
2. Injector current level: (gate switching speed increases with increasing current, until a maximum is reached).
3. Choice of outputs used: (the output closest to the injector has minimum propagation delay at high currents).
4. Number of outputs used: (if fewer outputs are used and the unused outputs left open, the gate delay is Lower at low currents. However, at high currents, i.e., $I_j \geq 100\mu A/\text{gate}$, gates with fewer outputs left unused show lower delays. This is due to excess storage-time effects due to open-circuited gate outputs. See Figure 10.)

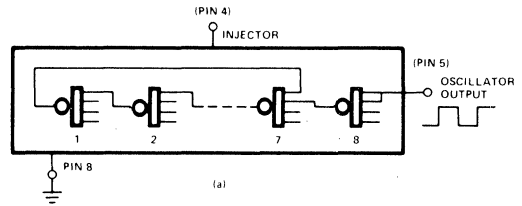
Figure 8 shows the basic seven-stage ring-oscillator circuits included on the XR-C409 chip to evaluate the propagation delay characteristics of I^2L gates. Since the delay characteristics depend on the choice and the number of gate outputs used, the test IC includes three separate ring oscillator sections. The ring oscillator of Figure 8(a) corresponds to section (3) in the package diagram of XR-C409 shown in Figure 1. This oscillator uses only one gate-output per gate. The output used is the one closest to the injector, with the remaining outputs left open-circuited.

The ring-oscillator of Figure 8(b) uses two gate outputs per stage. The outputs used are the two closest to the injector. The ring oscillator of Figure 8(c) has all four outputs shorted together.

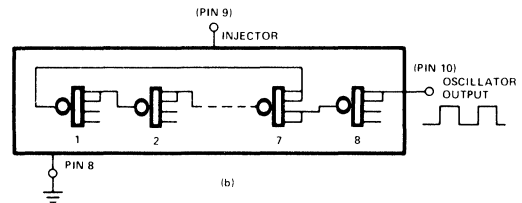
All three oscillator sections of XR-C409 have separate injectors, but share a common ground (pin 8). Each oscillator also has a separate output buffer stage.

Figure 9 shows a recommended test circuit for evaluating gate delay vs. gate current characteristics using the ring oscillator sections of XR-C409. Since each ring-oscillator section is comprised of 8 gates, the actual injector current per gate, I_j , is 1/8 of the total injector current, I_T :

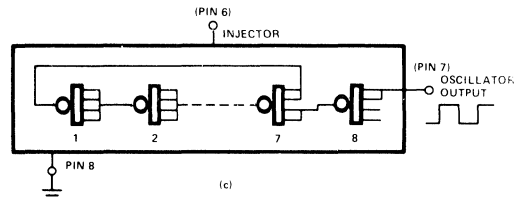
$$I_j = \text{injector current/gate} = \frac{I_T}{8} \quad (5)$$



Ring Oscillator Using Single Gate Output per Stage (Section 3)



Ring Oscillator Using Two Gate-Outputs per Stage (Section 5)



Ring Oscillator Using Four Gate-Outputs per Stage (Section 4)

Figure 8. Equivalent Circuits of the 7-Stage Ring Oscillator Section.

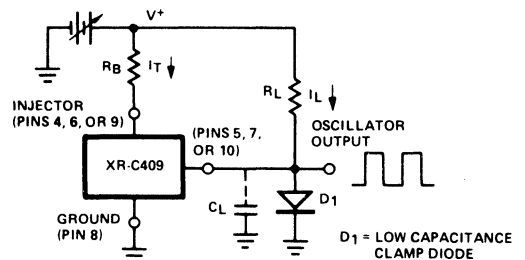


Figure 9. Recommended Test Circuit for Evaluating Power-Delay Characteristics of I^2L Gates Using Ring Oscillator Sections of XR-C409.

The total injector current, I_T , is determined by the external bias resistor, R_{BM} as given by equation (1).

Measuring Output Waveforms

The output terminals of XR-C409 ring counter sections are open-collector type terminals, similar to the outputs of the frequency divider sections. Thus, the outputs require pull-up resistors to the positive supply voltage. The output rise-time is strongly affected by the external RC time constant due to the load resistance, R_L , and the parasitic load capacitance, C_L . In the test circuit of Figure 9, a low-capacitance clamp diode, D_1 is used to limit the output swing and thus minimize the slow rise-time effects.

The minimum value of load resistance, R_L , is determined by the current sinking capability of the output I_{L}^{2L} gate. For proper operation of the ring-oscillator circuits, the load current, I_L , should be limited to:

$$I_L \leq \frac{I_T}{4} \quad (6)$$

which limits the output load resistance, R_L , for ring-oscillator sections to:

$$R_L \geq 4 R_B \quad (7)$$

Calculating Propagation Delays

The average propagation delay τ_d per gate can be calculated from the ring oscillator frequency, f_o as:

$$\tau_d = \frac{1}{2Nf_o} \text{ sec} \quad (8)$$

where N is the number of stages in the ring oscillator.

For the case of the 7-stage oscillator circuits in the XR-C409 test chip, τ_d can be calculated from equation (8) by setting $N = 7$.

Figure 10 shows the typical gate-delay vs. injector current characteristics measured from the three ring-oscillator sections of XR-C409. In the figure, the gate delay is plotted as a function of the injector current per gate. The gate geometry layout of XR-C409 ring-oscillator sections is not optimized for high frequency operation.

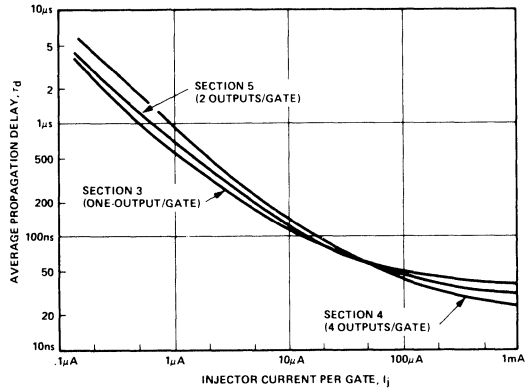


Figure 10. Typical Propagation Delay vs. Injector Current Characteristics as Measured from 7-Stage Ring Oscillator Section of XR-C409.

Designing Wide-Tracking Phase-Locked Loop Systems

INTRODUCTION

Phase locked-loops with their excellent frequency tracking characteristics have found their way into many applications where synchronizing or synthesizing of signals is required. Although they do have the ability to track an incoming signal very well, the actual tracking range is quite limited by the nature of PLL's to less than 2:1. This range of less than 2:1 must be observed if harmonic locking, a plague to the designer, is to be avoided.

This application note describes the design of tracking PLL with a tracking range of greater than 100:1, with no harmonic locking problems. This design uses the XR-2212 Precision Phase-Locked Loop in conjunction with the XR-320 Monolithic Timer and an XR-084 Quad BiFet Operational Amplifier to form a wide range PLL with automatic tuning.

PRINCIPLES OF OPERATION

Figure 1 shows the block diagram of the tracking PLL. The circuit is comprised of three blocks: the PLL, the Frequency to Voltage Converter, and Precision Clamping Circuit. The blocks operate as follows. The PLL locks onto the incoming frequency and produces an output frequency identical to that of the input, but phase shifted. The center of the lock range is controlled by V_1 . V_1 is derived from the F/V converter, which produces a voltage proportional to the incoming frequency. This voltage, V_1 , thus provides an automatic PLL center frequency tuning signal. The swing of the phase detectors filtered voltage, V_2 , controls the amount the VCO can be moved about its center frequency. The precision clamp fixes the swing on V_2 to a fixed percentage of V_1 , keeping the tracking range of the PLL constant as its center frequency is varied.

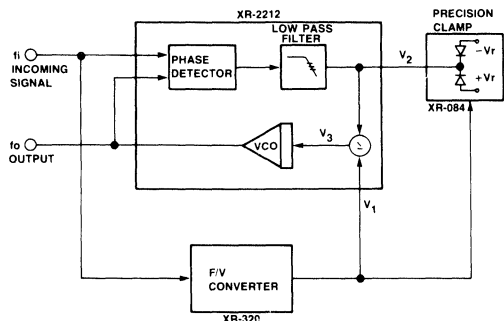


Figure 1. Tracking PLL Block Diagram.

The actual driving voltage for the VCO is now a voltage proportional to f_i which can be varied a fixed percentage by the phase detector.

CIRCUIT DESIGN

The heart of the circuit is the XR-2212 Precision Phase-Locked Loop. Figure 2 shows the XR-2212's internal blocks and necessary external components. The VCO in the XR-2212 is actually a current controlled oscillator.

Pin 12 is fixed at the reference voltage, $V_r \approx \frac{V^+}{2}$, and the current drawn from this terminal controls the frequency of oscillation of the VCO, f_0 . With R_0 grounded, as shown, the VCO's free running or center frequency is:

$$f_0 = \frac{1}{R_0 C_0}$$

R_0 and C_0 are calculated using this relationship at f_0 maximum. With the PLL locked on its center frequency, the phase detector's dc output, Pin 10, is also at V_r and the current flowing in R_0 is proportional to f_0 . If the bottom end of R_0 is now raised above ground, the current in R_0 will change linearly with the voltage, as will f_0 thus providing the voltage control input for the VCO. If R_0 is left at zero volts and f_i is moved, the dc voltage at Pin 10 will inversely follow f_i , increasing f_i decreases the voltage at Pin 10, modulating the current from Pin 10 and thus f_0 . The maximum swing of Pin 10 is $\approx \pm V_r$, giving the following relationship:

$$\pm \frac{\Delta f}{f_0} = \frac{\pm V_r}{V_r} = \frac{R_0}{R_1} \pm \frac{(V_r R_0)}{V_r R_1} = \pm \frac{R_0}{R_1}$$

Δf being the PLL's tracking range.

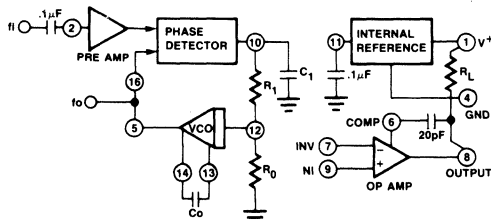


Figure 2. XR-2212 Internal Blocks with External Components.

AN-18

WIDE RANGE SYNTHESIZER USING RR-2212 PLL

In our application a constant $\frac{\Delta f}{f_0}$ is desired, so if the output of the phase detector, Pin 10, is clamped to $\sim V_{R0}$, the voltage across R_0 , a constant tracking range will be maintained. C_1 serves as the loop, low pass filter, and is made to equal $\frac{C_0}{4}$ for a damping of $\frac{1}{2}$.

The voltage driving R_0 comes from the F/V converter which is formed by the XR-320 Monolithic Timer. The internal blocks and external components of the XR-320 are shown in Figure 3. The input to the F/V is brought to the trigger input, Pin 6, which, when driven above the threshold, triggers the F/F and opens the internal switch transistor, S_1 . The voltage on C_T will linearly rise, at a rate set by R_T until V_T is reached at which time the comparator resets the F/F and closes S_1 , waiting now for the next rising edge on Pin 6. Once triggered the output, Pin 12, will go low for the timing period defined by the relationship:

$$T_{low} = 2R_T C_T$$

Since Pin 12 will now have a constant low time and a repetition rate equal to that of the incoming signal, f_i , it can be filtered to provide a voltage proportional to f_i .

Figure 4 shows the complete tracking PLL circuit. The precision clamp is formed by A_1 - A_3 which samples the voltage across R_0 and clamps the XR-2212's phase detectors output to $\pm V_{R0}$. With the given values, the tracking range of the circuit is one kHz to 100 kHz, with the XR-2212's tracking range set at approximately $\pm 0.33 f_0$. The input frequency voltage range is 10 mV RMS to 3 V RMS with the output producing a 10 V P-P square wave. Calibration is done by first applying 100 kHz to the input and adjusting P_1 for f_0 equal to f_i in frequency but shifted in phase by approximately 90° , then with $f_i = 1$ kHz P_2 is adjusted again for equal frequencies with 90° of phase shift.

This same technique of automatic tuning can be used to form a wide range synthesizer as shown in the block diagram of Figure 5. Here a programmable frequency divider has been put into the loop between the VCO output and the phase detector input. Since the PLL will drive the VCO until its two inputs are at the same frequency, the VCO will be at:

$$f_{VCO} = N f_r \quad \text{where } N \text{ is the binary number applied to the programmable divider } (N \geq 1)$$

The F/V converter used in the previous application to drive R_0 , or tune the PLL, is now replaced with a digital-to-analog converter, DAC. Its digital inputs come from the same lines which control N. The DAC's output voltage, which drives R_0 , will now vary proportionally with N, or retuning the PLL with each new N. The same clamping network is used on the phase detectors output as discussed earlier.

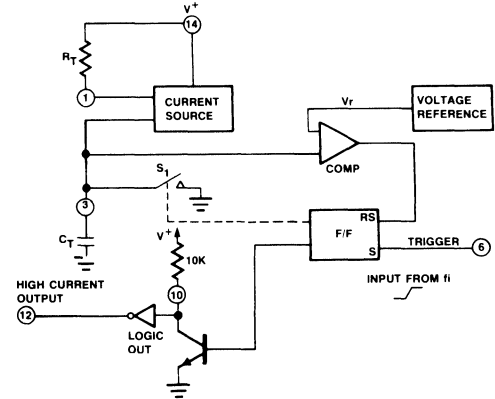


Figure 3. XR-320 Internal Blocks with External Components.

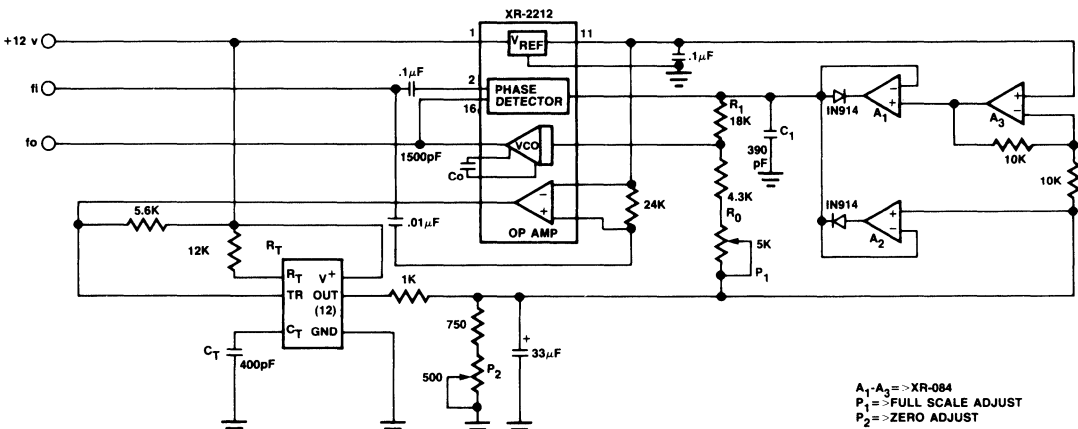


Figure 4. Wide Range Tracking PLL.

A_1 - A_3 => XR-084
 P_1 => FULL SCALE ADJUST
 P_2 => ZERO ADJUST



AN-18

Calibration is done by first adjusting P_1 for a 100 kHz output with $N = 100$ and then adjusting P_2 for a one kHz output with $N = 1$.

Typical input and output waveforms for $f_{ref} = 500$ Hz, top trace, and f_o , bottom trace, with N switching from 40 to 8 are shown in Figure 7.

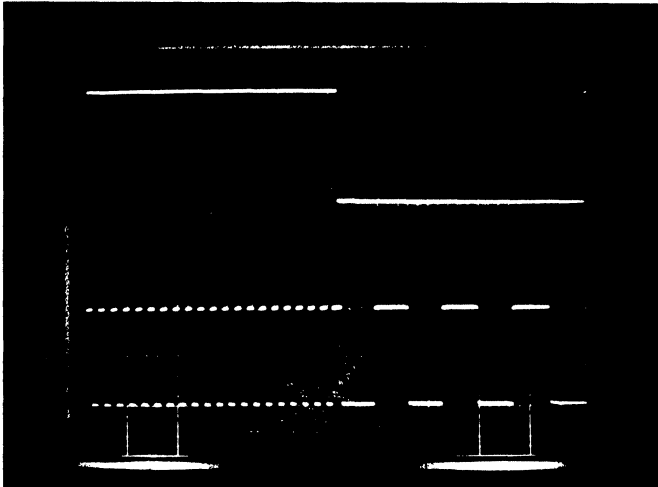


Figure 7. Typical Input and Output Waveform.

Clock Recovery System

INTRODUCTION

Recovering encoded serial data from floppy disk systems poses a major design problem as the synchronized clock used to encode data is embedded within the data stream. The clock cannot be readily extracted using common phase-locked loop techniques as the actual clock may appear for only short periods of time in a common encoding format such as NRZI. This clock is necessary to decode the serial data and retrieve the original data.

This application note describes the design of a PLL (phase-locked loop) system which can be used to recover the clock from a serial data stream using NRZI protocol with very excellent stability. The design utilizes the XR-2212 Precision Phase-Locked Loop in conjunction with the XR-320 Monolithic Timer to form the heart of the system. The system also uses a 74123 Dual One-Shot and 398/13333 for timing and sample and hold purposes.

PRINCIPLES OF OPERATION

Figure 1 shows a data stream and clock using a typical NRZI protocol. In this protocol changes in levels represents a binary zero, while no transitions a binary one. From the figure it can be seen that the data stream can have a maximum rate of change corresponding to a frequency equal to one half the clock frequency with the actual data being a string of zeros. This format guarantees that there will be no more than five ones in a row. The slowest rate of change will then be a frequency corresponding to one twelfth the clock.

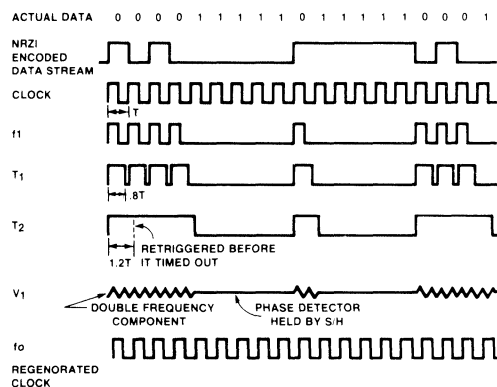


Figure 1. System Timing Diagram.

Figure 2 shows the block diagram of the clock recovery system. The XR-320 forms a bi-directional one-shot. It will produce a positive output pulse for both rising and falling edges on its input. The period of these output pulses is set equal to one half the total period of clock. This is used to provide a frequency component in the data stream equal to the clock even under worst case data conditions of five ones, zero, five ones, zero. (Seen in Figure 1.) This can also be seen to double the frequency of the data stream which is desirable as the PLL will now be able to lock to the original clock. The XR-2212 forms the PLL which, when the actual clock appears in the data stream, locks to and produces a frequency at its VCO output equal to and synchronized with the clock. The PLL's phase detector output is connected to the input of a sample and hold (S/H) as well as the S/H's output through a switch. This switch is held open by the 74123 as long as the clock appears in the data stream. Whenever a one is present the clock will not appear in the data stream and the 74123 places the sample and hold in the hold mode and closes the switch. This holds the voltage at the phase detector and keeps the proper driving voltage to the VCO, thus maintaining the frequency at the output of the VCO equal to and synchronized with the clock.

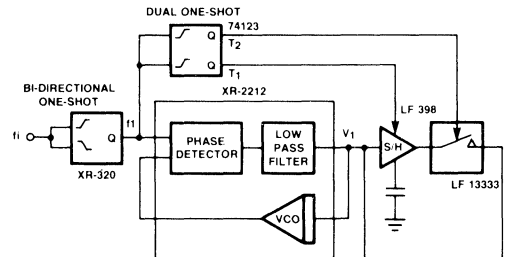


Figure 2. Clock Regenerator Block Diagram.

When the clock reappears in the data stream the 74121 drives the switch open and S/H to the sample mode with the PLL once again tracking the clock in the data stream. The length of T_1 is made equal to slightly less than the period of the clock so that the S/H is always ready in the event the clock is not in the data stream and any sample to hold glitches will not be transmitted to the phase detector's output. The length of T_2 is made slightly longer than the clock period which will cause the switch to close immediately after one clock pulse is missed. With a clock period T , these times, T_1 and T_2 , are set equal to $0.8 T$ and $1.2 T$, respectively.

CIRCUIT DESIGN

The heart of the circuit is the XR-2212 Precision Phase-Locked Loop. Figure 3 shows the XR-2212's internal blocks and necessary external components. The phase detector output is a high impedance current source output so it can be forced or held at a particular voltage easily, as by the S/H. The PLL's center frequency is equal to:

$$f_0 = \frac{1}{R_0 C_0}$$

R_0 and C_0 are calculated using the data stream's clock frequency set equal to f_0 . The tracking range of PLL is given by the following relationship:

$$\Delta f = f_0 \frac{R_1}{R_1} \quad \Delta f \Rightarrow \text{tracking range}$$

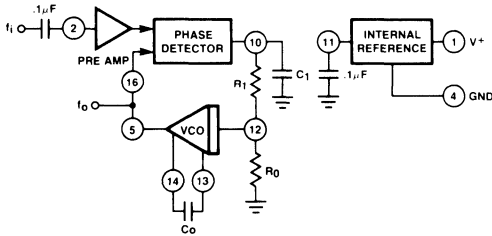


Figure 3. XR-2212 Internal Blocks with External Components.

The phase relationship between the incoming signal, f_1 , and the output signal, f_0 , will be 90° if f_1 is equal to f_0 and will vary up 90° or down 90° from this nominal if f_1 is at either end of the tracking range. The voltage at the output of the phase detector will also vary linearly with these phase relationships. These relationships are shown in Figure 4. The tracking range is made very large since a constant phase relationship between the recovered clock is desirable. Therefore, any errors in the S/H or drops through the switch will not significantly alter this phase relationship. Δf is made equal to approximately $0.8 f_0$, and R_1 is calculated accordingly. C_1 is used to remove the double frequency component from the phase detectors output and also in conjunction with C_0 controls the PLL transient response characteristics, according to the following relationship:

$$\xi = \frac{1}{4} \sqrt{\frac{C_0}{C_1}}$$

for a loop damping of $1/2$, $C_1 = \frac{C_0}{4}$

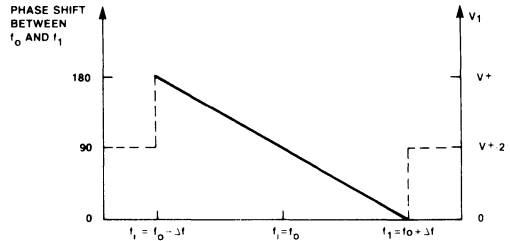


Figure 4. PLL In/Out Phase Relationships.

The XR-320 Monolithic Timer used for the bi-directional one-shot is shown in block form with its external components in Figure 5. The control flip-flop can be triggered by either positive or negative edges on its inputs, which are tied together for this application to provide bi-directional triggering. Once triggered, the output will provide a low level signal for a period defined by:

$$T_{LOW} = 2 R_T C_T$$

These components are calculated with T_{LOW} set equal to one half the clock period.

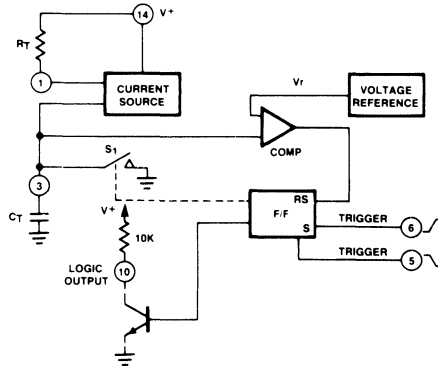


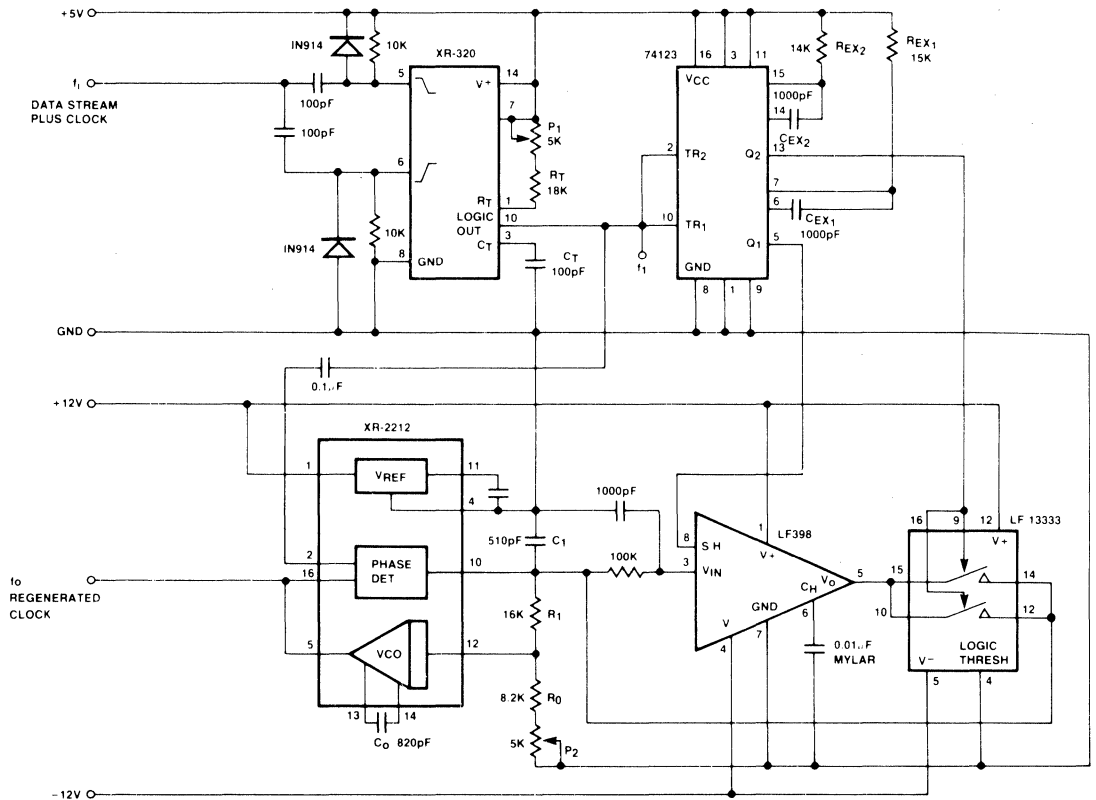
Figure 5. XR-320 Internal Blocks with External Components.

Table 1 summarizes the previously described formulas as well as those for the 74121 Dual One-Shot.

Table 1

FOR XR-2212	FOR XR-320	FOR 74123
(1) $R_0 C_0 = \frac{1}{f_{CLK}}$	(4) $R_T C_T = \frac{1}{2 f_{CLK}}$	(5) $R_{EX1} C_{EX1} = \frac{1}{0.8 f_{CLK} \ln 2}$
(2) $R_1 = 1.2 R_0$		(6) $R_{EX2} C_{EX2} = \frac{1}{1.2 f_{CLK} \ln 2}$
(3) $C_1 = \frac{C_0}{4}$		

AN-19



P₁ => ADJUST SO POSITIVE PORTION OF f₀ IS EQUAL TO 1/2 OF THE CLOCK PERIOD
 P₂ => ADJUST FOR 90° PHASE SHIFT BETWEEN f₁ AND f₀ WITH f₁ = f_{CLK}

Figure 6. Complete Clock Regenerator.

Figure 6 shows the complete clock recovery circuit with values designed for a clock of 122 kHz. The input to the system will accept input low levels from 0 V to 0.5 V levels and high levels from 1.5 V to 5 V. The output provides a 10 V P-P square-wave. Calibration is accomplished by adjusting P₁ for the output of the XR-320 to equal exactly one half of the clock period and P₂ for a 90° phase shift between f₁ and f₀ with a constant string of zeros applied at f₁.

The oscilloscope photograph in Figure 7 shows the system waveforms with the input data stream on top and f₀ on the bottom.

The same circuit can be used to regenerate or clean up a clock with occasional missing cycles by applying it to the point labeled f₁ and eliminating the XR-320 from the circuit.

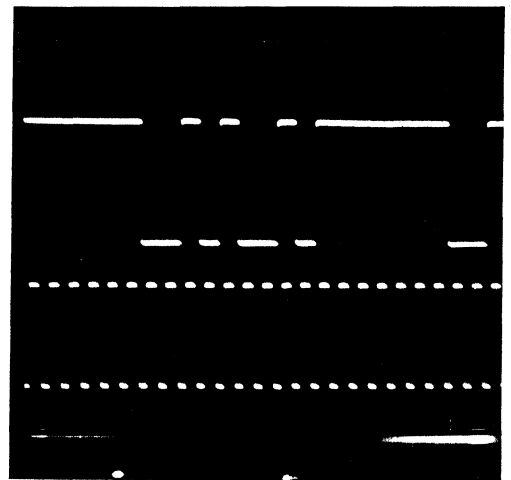


Figure 7. System Waveforms.

Building a Complete FSK Modem Using XR-2211 and XR-2206

INTRODUCTION

With the number of digital systems and equipment growing so rapidly, the need for a method of moving data has also become a fast growing field. This application note describes the construction of a modem system using frequency shift keying, FSK, for serial data transmission. The system utilizes the XR-2206 as a modulator, the XR-2211 as a demodulator, and an XR-084 op amp as a bandpass filter. These three IC's make up a complete working 300 baud, full duplex, FSK modem.

GENERAL DESCRIPTION

Figure 1 shows the block diagram of an FSK system. The complete system is comprised of an answer and originate modem. The answer modem will convert input data to either 1070 Hz or 1270 Hz and send it to the

phone line, while it will decode to "1's" and "0's" 2025 Hz and 2225 Hz received from the line. The originate modem simply reverses the frequencies for send and receive. The sinewave modulator will produce two discrete frequencies at its output corresponding to a "1" or a "0" at its data input. The line hybrid will steer these frequencies to the phone line while causing received frequencies to go to the bandpass filter and demodulator. This block will therefore provide isolation between modulator and demodulator at each end. The bandpass filter is used to remove unwanted signals and noise received from the phone line before they reach the demodulator.

The PLL demodulator will lock onto incoming frequencies at its input and produce "1's" or "0's" at its output. The carrier detect output will produce a low, "0" signal out when valid data is being received.

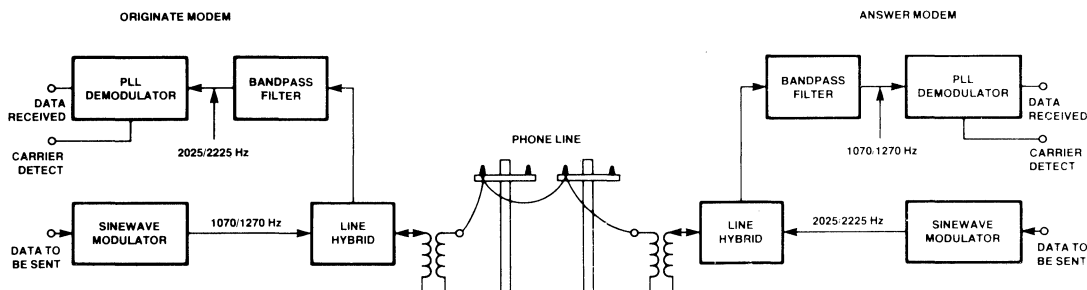


Figure 1. Block Diagram of FSK Modem System.

OPERATION AND CALIBRATION

The circuit has been designed for +12 volt operation. The data inputs accept TTL compatible signal levels, while the outputs provide 0V to +12V signal levels.

Calibration is done by first adjusting the modulator. With a low signal on its input, R_{21} is adjusted for 1270 Hz or 2225 Hz for originate and answer respectively. Then with a high signal in, R_{22} is adjusted for 1070 Hz or 2025.

The demodulator is easiest adjusted by feeding into the modem input an alternating 1070 Hz/1270 Hz or 2025 Hz/2225 Hz signal in a square-wave fashion. The modulating frequency should be 150 Hz, which is one-half the system baud rate of 300. The baud rate refers to the

number of bits per second which can be sent and received. The answer can be used to drive the originate and vice-versa. R_{19} is then adjusted for a square-wave on the data received output.

R_{20} is used to set the modulator output level. With the modulator output set at -6 dBm, the system will operate with an input signal range of +10 dBm to -48 dBm.

CIRCUIT CONSTRUCTION

Figures 2 and 3 show the circuit schematic and component layout. One PC board is used for answer or originate and should use the appropriate components as listed in Table 1.



AN-20

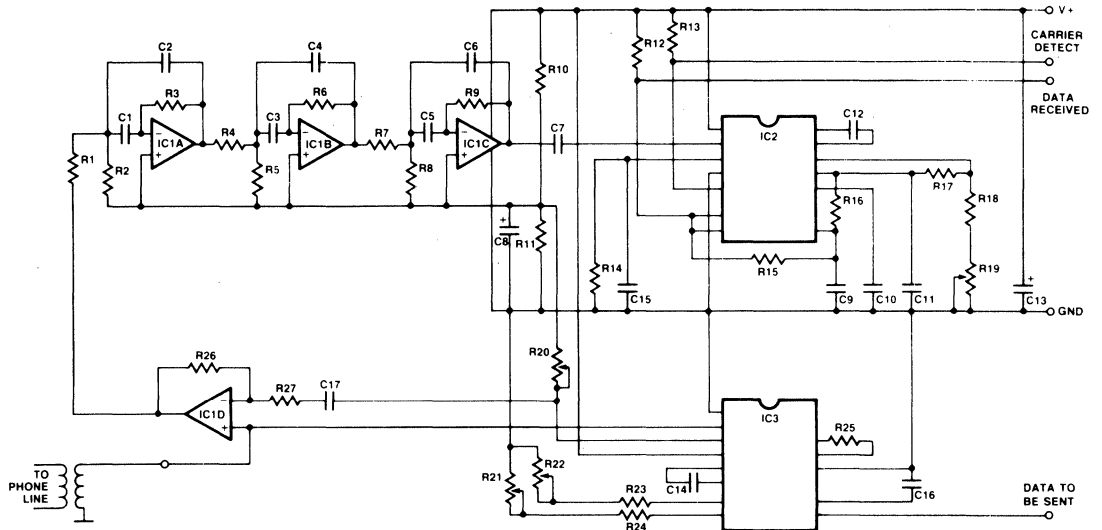


Figure 2. Complete FSK Modem Using XR-2211 and XR-2206.

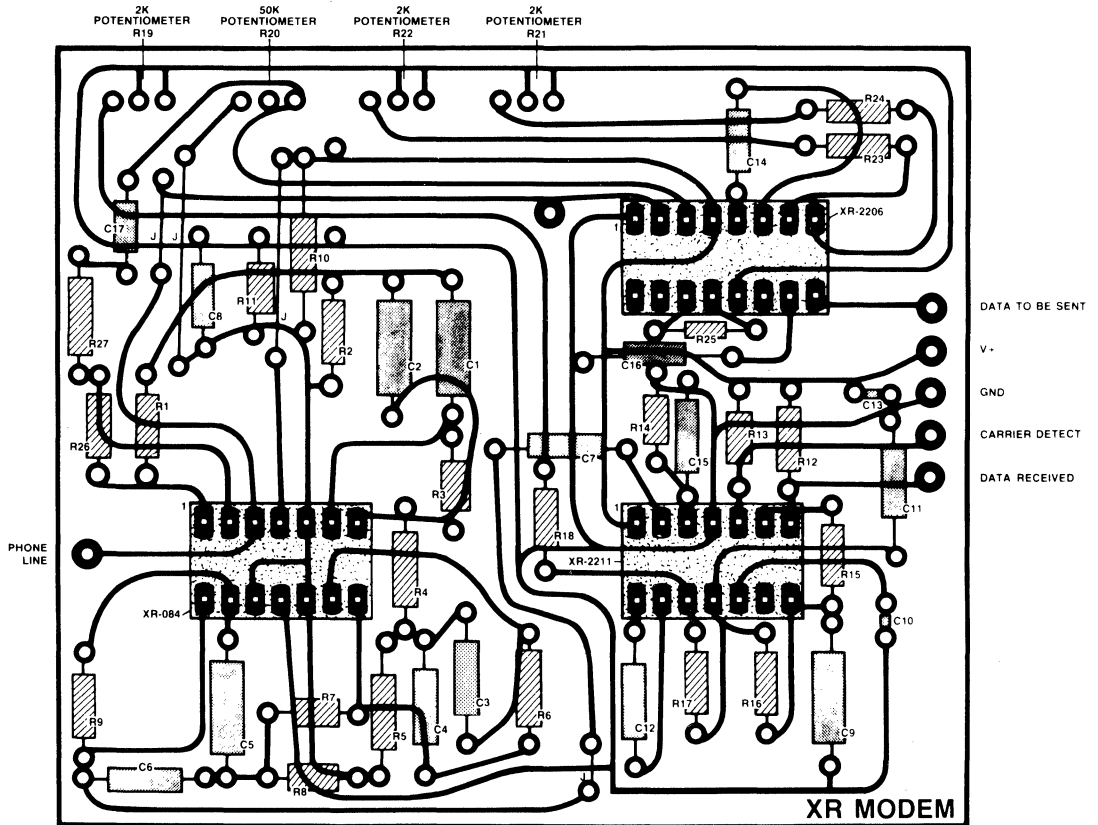


Figure 3. XR Modem Foil Side Shown (Not to Scale).

Table 1. Modem Parts List

IC1A-D	XR-084	
IC2	XR-2211	
IC3	XR-2206	
	ANSWER	ORIGINATE
R ₁ *	40.2K	47.5K
R ₂ *	499	191
R ₃ *	270K	357K
R ₄ *	60.4K	39.4K
R ₅ *	680	160
R ₆ *	383K	270K
R ₇ *	24.9K	20K
R ₈ *	1.21K	360
R ₉ *	160K	160K
R ₁₀	1K	1K
R ₁₁	1K	1K
R ₁₂	5.1K	5.1K
R ₁₃	5.1K	5.1K
R ₁₄	510K	510K
R ₁₅	510K	510K
R ₁₆	100K	100K
R ₁₇	47K	100K
R ₁₈	7.5K	9.1K
R ₁₉	2K	2K
R ₂₀	50K	50K
R ₂₁	2K	2K
R ₂₂	2K	2K
R ₂₃	3.9K	8.2K
R ₂₄	3.6K	6.8K
R ₂₅	200	200
R ₂₆	1M	1M
R ₂₇	1M	1M
C ₁ -C ₆ *	0.01	0.01
C ₇	0.1	0.1
C ₈	22	22
C ₉	0.01	0.01
C ₁₀	0.1	0.1
C ₁₁	0.022	0.01
C ₁₂	0.1	0.047
C ₁₃	1	1
C ₁₄	0.1	0.1
C ₁₅	0.1	0.1
C ₁₆	1	1
C ₁₇	1	1

All resistors are 1/4 watt -5% tolerance, except as marked with (*) which are 1% tolerance. Values given in (Ω).

All capacitors are 5% tolerance, except as marked with (*) which are 1% tolerance. Values given in μ F.

Precision Narrow-Band Tone Detector

INTRODUCTION

The Phase-Locked Loop (PLL) is a very versatile building block with a wide range of applications in signal processing and communication systems. As a tone detector or tone discriminator, the PLL is accurate and stable enough for most applications not requiring very narrow bandwidths. The smallest, practical detection band is limited by the temperature stability of the PLL center frequency and accuracies of external components. For example, designing a tone detector using a single PLL to discriminate a 10 Hz tone out of 100 kHz can present great difficulty. A PLL with center frequency of 100 kHz can drift by 2 Hz/°C given a typical center frequency drift of 20 ppm/°C. A slight change in ambient temperature can cause the PLL to unlock. On the other hand, there are various applications involving pressure transducers and crystal oscillators that require a very stable system capable of detecting a small change in frequency over a wide frequency spectrum.

This application note describes the use of the XR-2213 PLL in conjunction with the XR-2208 analog multiplier as a frequency mixer. It is capable of detecting a 1 Hz tone out of a frequency spectrum greater than 1 MHz. It can accept almost any periodic waveform including sine, square, and triangular waves. Error due to temperature drift is typically 0.2 %/°C. The tone detector output changes to a high state when the input is within the detection band.

PRINCIPLES OF OPERATION

Figure 1 shows the block diagram of the narrow-band tone detector using the XR-2208 and XR-2213. The XR-2208 is being operated as a balanced modulator or frequency mixer. It "mixes" the input frequency, f_{IN} , with a stable frequency source, f_C , to produce the sum and difference frequencies of f_{IN} and f_C . The low pass filter removes the higher frequency component ($f_{IN} + f_C$) and passes the difference frequency to the XR-2213 PLL. The input signal is "mixed-down" in frequency in this manner, allowing the PLL center frequency, f_0 , to be set at a much lower frequency than the input signal. With a lower f_0 , the PLL drift (Hz/°C) becomes less, making the tone detector less susceptible to ambient temperature changes.

The input signal to the XR-2208 is a periodic waveform with frequency of:

$$f_{IN} \pm \Delta f_{IN}$$

where Δf_{IN} is the detection range. The range of frequencies for detection is between $f_{IN} - \Delta f_{IN}$ and $f_{IN} + \Delta f_{IN}$. It is necessary to band-limit the input frequency for proper operation of the tone detector. Since the XR-2208 takes the "absolute" difference in frequency between f_{IN} and f_C , it is possible to obtain the same output frequency with different values for f_{IN} , causing the tone detector to lock onto the "wrong" frequencies.

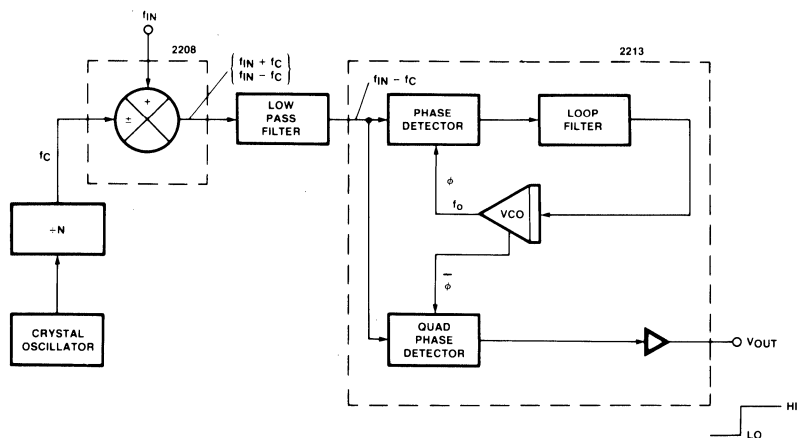


Figure 1. Functional Diagram of Narrow Band Tone Decoder.

In order to band-limit the input frequencies, a low pass filter with very sharp roll-off (6th order or higher) with the corner frequency around f_{IN} can be used. For high frequency applications ($f_{IN} > 100$ kHz), a bandpass crystal filter can be used. Crystal filters have stable frequency characteristics and very high Q's ($Q > 1000$) making very sharp bandpass filters. Crystal filters are commercially available through various manufacturers.

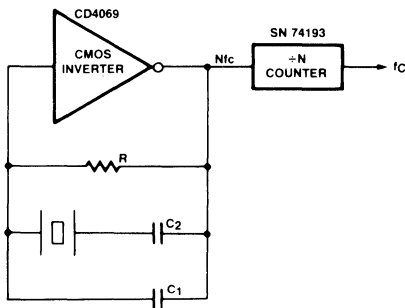
The control frequency, f_C , must come from a very stable and accurate source since any error in f_C will directly affect the tone decoder. A crystal oscillator with a "divide-by-N" counter as shown in Figure 2 can generate a very stable frequency, with temperature stability in the range of 1 ppm/°C.

The control frequency is given by:

$$f_C = f_{IN} + f_0$$

where f_0 is the PLL center frequency in Hz. The choice of f_0 is arbitrary, however the larger f_0 is, the more the PLL becomes susceptible to temperature variations but the better the acquisition time or "pull-in" time becomes. On the other hand, if f_0 is small, then temperature variation has less effect but acquisition time becomes worse. Table 1 shows the relative performances of the tone decoder with respect to the ratio of $\Delta f_{IN}/f_0$.

The output of the low pass filter is fed into the pre-amp of the XR-2213 PLL. When this frequency falls within the detection band or the PLL ($f_0 \pm \Delta f_C$), the voltage comparator goes to a high state and remains there until the input frequency falls outside the detection band; the output voltage then goes to a low state. when there is no input signal applied to the XR-2208, the PLL output remains low.



$$R = 5 \text{ M}\Omega \sim 10 \text{ M}\Omega$$

$$C_2 = 20 \text{ pF}$$

$$C_1 = 1 \text{ pG} \sim 30 \text{ pF}$$

C_1 Pulls the crystal down (lower frequency)

C_2 Pulls the crystal up (higher frequency)

Figure 2. Crystal Oscillator.

Table 1. Tone Decoder Performance vs. $\Delta f_{IN}/f_0$

$\frac{\pm \Delta f_{IN}}{f_0}$	TYPICAL PLL f_0 STABILITY (Hz/°C)	NORMALIZED RELATIVE ACQUISITION TIME	MAXIMUM f_{IN} ALLOWED (Hz)
0.1 %	$0.02 \times \Delta f_{IN}$	0.1	$f_{IN} + \Delta f_{IN}(1999)$
0.5 %	$0.004 \times \Delta f_{IN}$	0.5	$f_{IN} + \Delta f_{IN}(399)$
1.0 %	$0.002 \times \Delta f_{IN}$	1.0	$f_{IN} + \Delta f_{IN}(199)$
5.0 %	$0.0004 \times \Delta f_{IN}$	5.0	$f_{IN} + \Delta f_{IN}(39)$
10.0 %	$0.0002 \times \Delta f_{IN}$	10.0	$f_{IN} + \Delta f_{IN}(19)$
20.0 %	$0.0001 \times \Delta f_{IN}$	20.0	$f_{IN} + \Delta f_{IN}(9)$

$f_{IN}, \Delta f_{IN}, f_0$ in Hz.

f_0 = PLL center frequency

$f_{IN} \pm \Delta f_{IN}$ = input frequency range

DESIGN EQUATIONS (All R's in ohms; all C's in farads)

- The XR-2208 control frequency, f_C , is given by:

$$f_C = f_{IN} + f_0$$

- The maximum input frequency allowed is:

$$f_{IN}(\text{max}) \leq f_{IN} + 2f_0 - \Delta f_C$$

Where $\pm \Delta f_C$ is the capture range of the PLL.

- The capture range, $\pm \Delta f_C$, is set as:

$$\pm \Delta f_C = \pm \Delta f_{IN}$$

Where $\pm \Delta f_{IN}$ is the input frequency variation.

- The lock range, $\pm \Delta f_L$, is set equal to $\pm \Delta f_C$:

$$\frac{\Delta f_C}{f_0} = \frac{R_0}{R_1} \quad (\text{Hz})$$

- The loop damping factor, δ , is set to 0.63:

$$\delta = \frac{1}{4} \sqrt{\frac{C_0}{C_1}}$$

- The PLL center frequency, f_0 , is given by:

$$f_0 = \frac{1}{R_0 C_0} \quad (\text{Hz})$$

- Loop detect filter capacitor, C_d , is given by:

$$C_d(\mu\text{F}) \geq 16/\Delta f_C \quad \Delta f_C \text{ in Hz}$$

R_D is set to 470 k Ω .

Increasing C_d slows down the logic output response time.

- The low pass filter time constants, C_F and R_F :

$$R_F C_F = \frac{1}{f_0} \quad R_F \leq 20 \text{ k}\Omega$$

Where f_0 is the PLL center frequency.

AN-21

DESIGN EXAMPLE

Consider the design of a narrow-band tone detector with frequency detection range of $111.7 \text{ kHz} \pm 10 \text{ Hz}$ ($f_{IN} \pm \Delta f_{IN}$).

1. Choose the PLL center frequency to be 100 Hz.

$$f_C = 111.8 \text{ kHz}$$

f_C can be produced by using a 3.58 MHz crystal (adjusted to 3.5776 MHz) and using a divide-by-32 counter in a crystal oscillator.

2. Maximum input frequency allowed is:

$$f_{IN(max)} = 111,890 \text{ Hz}$$

3. Capture range, $\pm \Delta f_C$ is:

$$\pm \Delta f_C = \pm 10 \text{ Hz}$$

4. PLL center frequency is 100 Hz (f_0):
Choose $R_0 = 10 \text{ K}\Omega$ (choice is arbitrarily set between $10 \text{ K}\Omega \leq R_0 \leq 100 \text{ K}\Omega$)

$$C_0 = 1/f_0 R_0 = 1.0 \mu\text{F}$$

5. $\pm \Delta f_C = \pm \Delta f_L = \pm 10 \text{ Hz}$

$$R_1 = R_0 f_0 / \Delta f_C = 100 \text{ K}\Omega$$

6. The damping factor is set to 0.63:

$$C_1 = C_0 \left(\frac{1}{4\delta} \right)^2 = 0.16 \mu\text{F}$$

7. Loop detect filter constants:

Choose $R_D = 75 \text{ K}\Omega$ to prevent harmonic locking.

$$C_D = 16/20 \text{ Hz} = 0.8 \mu\text{F}$$

8. Low pass filter time constants, C_F and R_F :

$$R_F = 20 \text{ K}\Omega$$

$$C_F = 1/f_0 R_0 = 0.5 \mu\text{F}$$

A circuit schematic for the above tone detector is shown in Figure 3.

Typical acquisition time for this circuit is less than 100 msec.

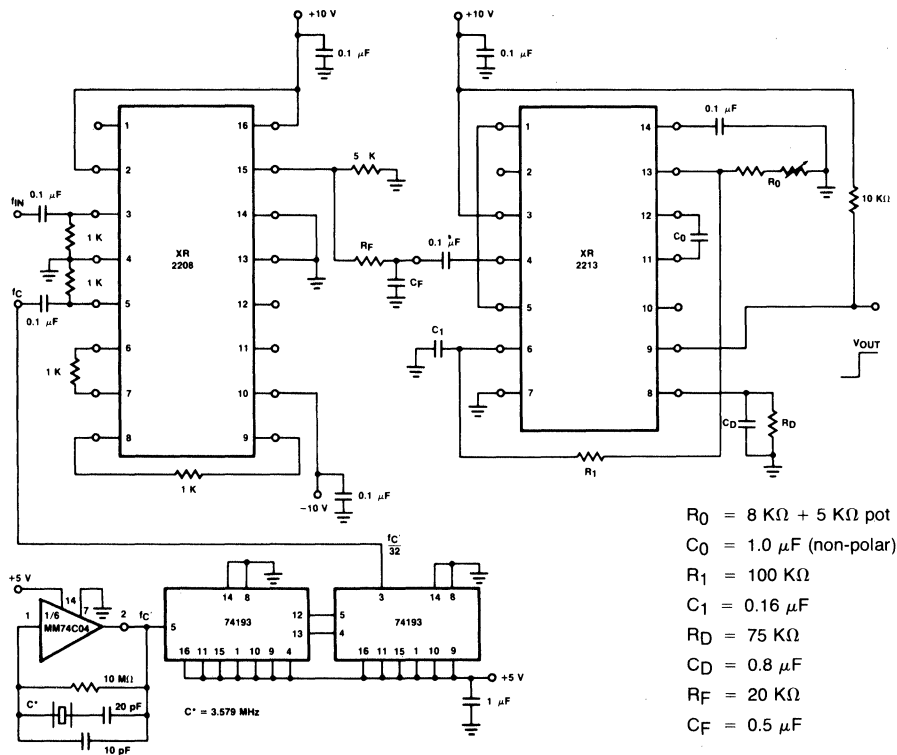


Figure 3. Circuit Schematic of Narrow Band Tone Decoder.

XR-210/XR-215/XR-S200 Phase-Locked Loops

INTRODUCTION

This Application Note discusses the various parameters and equations used in applying the XR-210, XR-215, and XR-S200 Phase Lock Loop (PLL) successfully. It describes the operation of the phase detector and the voltage controlled oscillator as well as a discussion on phase comparator gain, VCO gain, lock range, capture range and free running frequency. A section on low pass filters contains most common RC filters and a discussion on damping factor. Finally, a summary of PLL parameters and a design example are included.

XR-210

The functional diagram of the XR-210 Phase Locked Loop (PLL) is shown in Figure 1. The phase comparator produces a dc voltage which is directly proportional to the phase difference between the two input signals. This error voltage, V_{OUT} , is then filtered and applied to the voltage controlled oscillator (VCO), which in turn

produces a periodic signal whose frequency is proportional to the error voltage. The VCO is actually a "current" controlled oscillator (ICO) in the sense that it is the current derived from V_{OUT} that actually controls the frequency of oscillation.

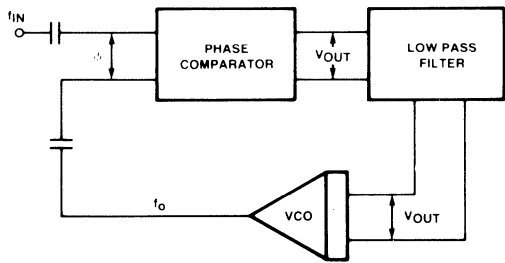


Figure 1. Phase Locked Loop Functional Diagram.

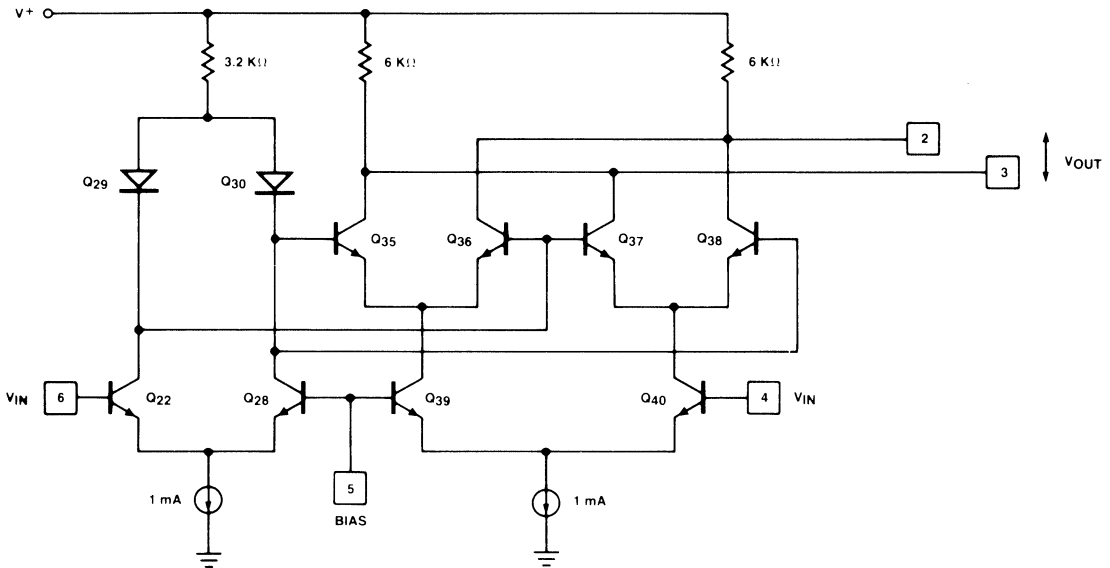


Figure 2. XR-210/XR-215 Phase Comparator.

AN-22

PHASE COMPARATOR

The circuit diagram of the XR-210 phase comparator is shown in Figure 2. The input pins (4 and 6) and the bias pin (5) are externally biased to approximately $\frac{1}{2} V^+$ to insure proper operation. The input signals must be capacitively coupled to Pins 4 and 6.

The output voltage on Pins 2 and 3, V_{OUT} , depends on the relative phase, ϕ , of the input signals. The change of V_{OUT} with respect to the change in ϕ is defined as the phase comparator conversion gain and is given by:

$$K_{\phi} = \frac{\Delta V_{OUT}}{\Delta \phi} \frac{\text{VOLTS}}{\text{RADIAN}} \quad (1)$$

To examine how V_{OUT} changes with ϕ , consider the following three cases. It is assumed that the input voltage is large enough ($> 50 \text{ mV}_{RMS}$) to cause limiting in the differential stage. All calculations are done at $V^+ = 12 \text{ volts}$.

Case 1: Input voltages are equal to the bias voltage.

The operating current is shared equally between transistors Q_{22} , Q_{28} , Q_{39} , and Q_{40} . This causes approximately 0.5 mA to flow through the output resistor (6 K Ω) and hence $V_{OUT} = 0 \text{ volts}$. The voltage on Pin 2 and Pin 3 is approximately equal to:

$$V^+ - (0.5 \text{ mA})(6\text{K}\Omega) = 9 \text{ volts.}$$

Case 2: Input voltages are both greater than the bias.

Q_{22} and Q_{40} conduct 1 mA each, causing Q_{38} to conduct 1 mA. Therefore $V_2 \cong 6 \text{ volts}$, $V_3 \cong 12 \text{ volts}$ and hence $V_{OUT} \cong -6 \text{ volts}$.

The same output conditions are obtained if the input voltages were both less than the bias.

Case 3: Input voltages are out of phase and V_{IN} (Pin 6) is greater than the bias.

Q_{22} and Q_{39} conduct 1 mA each, causing Q_{35} to conduct 1 mA. Therefore, $V_3 \cong 6 \text{ volts}$, $V_2 \cong 12 \text{ volts}$ and hence $V_{OUT} \cong +6 \text{ volts}$.

The same output conditions are obtained if V_{IN} (Pin 4) were greater than the bias.

Figure 3 shows the output voltage wave form when the input signals are 90° and 45° out of phase.

Notice that the duty cycle of the output waveform changes as the phase difference of the input signals change. For illustration purposes, square waves are shown as input signals, however, other periodic waveforms would produce similar output waveforms.

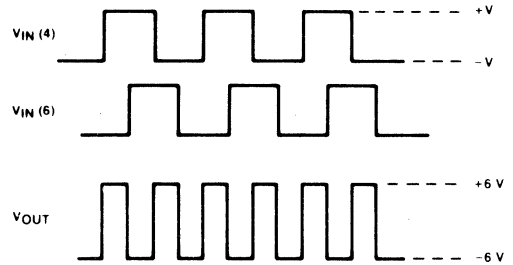


Figure 3a. 90° Out of Phase.

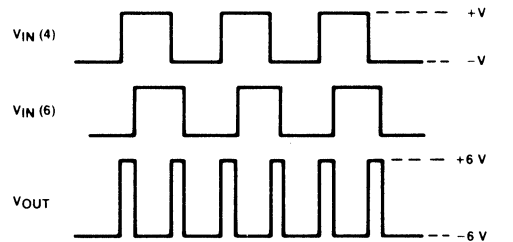


Figure 3b. 45° Out of Phase.

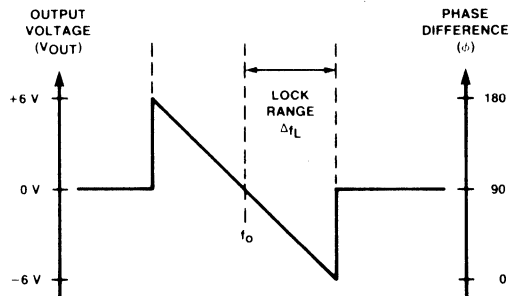


Figure 4a. Phase Detector With No Saturation.

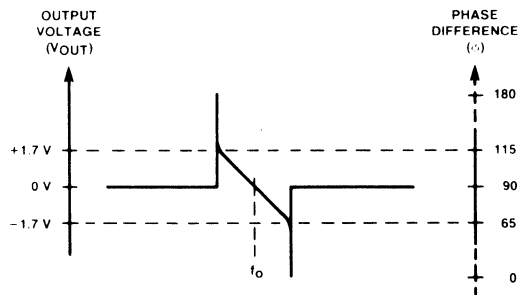


Figure 4b. Phase Detector With Saturation.

AN-22

The output of the phase detector is connected to a low pass filter which converts the square wave output to an approximate dc voltage. The relationship of this dc voltage, V_{OUT} , with respect to the input phase difference, ϕ , is shown graphically in Figure 4a. Assuming no saturation occurs in the internal circuitry, a PLL can lock onto an input signal with maximum difference of 180° to 0° with respect to the VCO signal.

Due to internal saturation of the output, the maximum phase difference the XR-210 can track is approximately 50° or $90^\circ \pm 25^\circ$. This is because the output transistors of the phase detector saturate at approximately 8.3 volts and the maximum output voltage, V_{OUT} , obtainable is about ± 1.7 volts. Figure 4b shows the phase detector characteristic of the XR-210.

It is possible to obtain a tracking range close to $90^\circ \pm 90^\circ$ by connecting an external resistor network to the phase detector output as shown in Figure 5. This circuitry limits the output swing to 10 ± 1 volt and prevents the internal circuitry from saturating at extreme phase conditions.

The phase comparator gain for the XR-210 is approximately given by:

$$K\phi \cong 4.0 \frac{\text{VOLTS}}{\text{RADIAN}} \quad (2)$$

With the external bias network, it is approximately:

$$K\phi \cong \frac{\text{VOLTS}}{\text{RADIAN}} \quad (3)$$

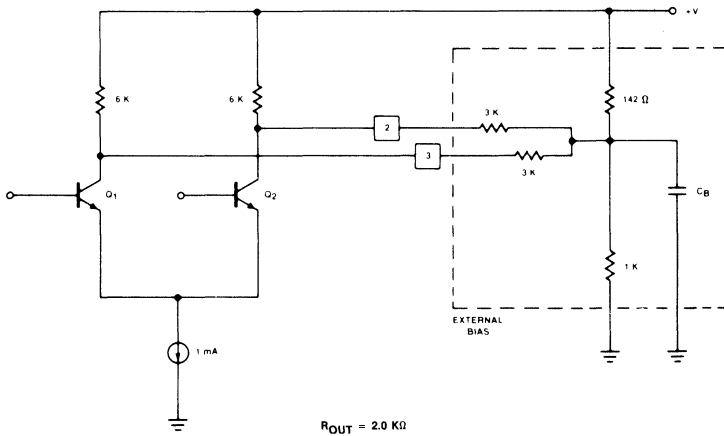


Figure 5. External Resistor Bias Network.

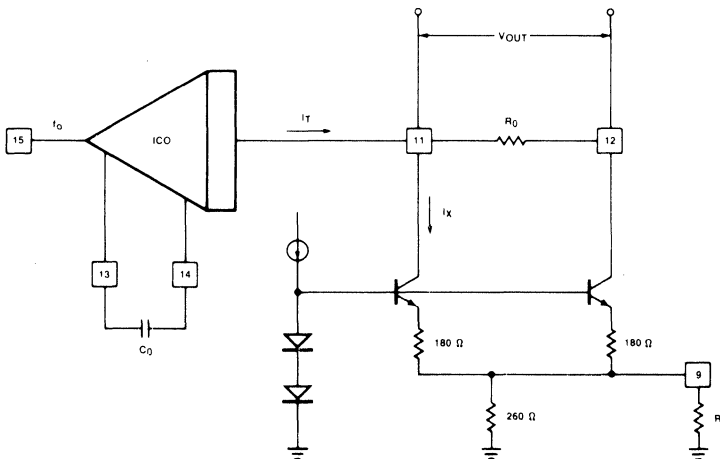


Figure 6. XR-210 Current Controlled Oscillator.

AN-22

CURRENT CONTROLLED OSCILLATOR (ICO)

The functional diagram of the ICO is shown in Figure 6. The output frequency, f_o , is directly proportional to the total timing current, I_T , seen by the ICO.

$$f_o \propto I_T \quad (4)$$

Any change in output voltage of the phase comparator causes a change in f_o as follows:

$$\Delta f_o \propto \frac{\Delta V_{OUT}}{R_0} \quad (5)$$

where R_0 is the external resistor between Pins 11 and 12. It will be shown in the following section how R_0 sets the lock range of the PLL.

Combining equations 4 and 5 yields:

$$\frac{\Delta F}{\Delta V_{OUT}} = \frac{f_o}{R_0 I_T} \quad (6)$$

where I_T is the total timing current with $V_{OUT} = 0$ volt. In this case, $I_T = I_X \cong 1$ mA. Substituting this into equation 6 yields the ICO conversion gain:

$$K_0 = \frac{\Delta \omega}{\Delta V_{OUT}} \cong \frac{2\pi f_o}{R_0} \frac{\text{RADIANS/SEC}}{\text{VOLT}} \quad (7)$$

where R_0 is in $K\Omega$.

The minimum value of R_0 should be approximately 1.7 $K\Omega$. This is because the maximum current through R_0 must be limited to 1 mA and since V_{OUT} has a maximum range of approximately ± 1.7 volts, R_0 must be limited to greater than 1.7 $K\Omega$.

The free running frequency of the PLL is given by:

$$f_o \cong \frac{200}{C_0} \quad C_0 \text{ is in } \mu\text{F.} \quad (8)$$

Substituting this into ICO gain equation 7 yields:

$$K_0 \cong \frac{1256}{R_0 C_0} \frac{\text{RADIANS/SEC}}{\text{VOLT}} \quad (9)$$

where R_0 is in $K\Omega$ and C_0 is in μF .

Experimental data yields:

$$K_0 \cong \frac{910}{R_0 C_0} \frac{\text{RADIANS/SEC}}{\text{VOLT}} \quad (10)$$

The above equations were calculated without the ICO tuning resistor, R_T , connected to Pin 9. Adding R_T increases the timing current and hence increases the free running frequency, f_o :

The change in timing current with R_T is given by:

$$\Delta I_T \cong \frac{0.17}{R_T} \text{ mA} \quad (11)$$

The free running frequency can now be given by:

$$f_o \cong \frac{200}{C_0} \left(1 + \frac{0.17}{R_T} \text{ Hz} \right) \quad (12)$$

where R_T is in $K\Omega$ and C_0 is in μF .

The ICO gain is now:

$$K_0 = \frac{\Delta \omega}{\Delta V_{OUT}} = \frac{2\pi f_o}{R_0 I_T} \cong \frac{2\pi \left(\frac{200}{C_0} \left(1 + \frac{0.17}{R_T} \right) \right)}{R_0 I_T} \quad (13)$$

However, the timing current is now:

$$I_T \cong \left(I_X + \frac{0.17}{R_T} \right) \text{ mA} = \left(1 + \frac{0.17}{R_T} \right) \text{ mA} \quad (14)$$

Substituting this into the ICO equation yields:

$$K_0 \cong \frac{200(2\pi)}{C_0 R_0} = \frac{1256}{R_0 C_0} \frac{\text{RADIANS/SEC}}{\text{VOLT}} \quad (15)$$

and remains unchanged with the addition of R_T .

Note: The discrepancy between the calculated and measured K_0 can be attributed to tolerances of internal resistors and errors in approximating I_X .

LOCK RANGE

The lock range of a PLL, $\pm \Delta \omega_L$, is given by:

$$\pm \Delta \omega_L = (K\phi) (K_0) (\theta_E) \frac{\text{RADIANS}}{\text{SEC}} \quad (16)$$

where θ_E is the maximum phase difference at the detector inputs in radians. θ_E is approximately equal to 0.43 radians (25°).

Using measured values for $K\phi$ and K_0 yields:

$$\pm \Delta \omega_L \cong \frac{1565}{R_0 C_0} \frac{\text{RADIANS}}{\text{SEC}} \quad (17)$$

where R_0 is in $K\Omega$ and C_0 is in μF .

XR-215

The XR-215 PLL is basically the same as the XR-210. The major difference is in the ICO section which is described below.

PHASE COMPARATOR

The phase comparator conversion gain is given by:

$$K_{\phi} \cong 3.6 \frac{\text{VOLTS}}{\text{RADIAN}} \quad (18)$$

Saturation of the internal circuitry occurs limiting the tracking range of the phase detector to about $90^{\circ} \pm 25^{\circ}$.

An external resistor network shown in Figure 5 can increase the range to about $90^{\circ} \pm 90^{\circ}$. The corresponding conversion gain becomes:

$$K_{\phi} \cong 1.3 \frac{\text{VOLTS}}{\text{RADIAN}} \quad (19)$$

ICO

The current controlled oscillator of the XR-215 is shown in Figure 7. The ICO conversion gain is given by:

$$K_0 = \frac{2\pi f_0 \text{ RADIANS/SEC}}{R_0 I_X \text{ VOLT}} \quad (20)$$

Since $I_X = 1.1 \text{ mA}$ and $f_0 = \frac{220}{C_0}$,

$$K_0 \cong \frac{1256 \text{ RADIANS/SEC}}{R_0 C_0 \text{ VOLT}} \quad (21)$$

where R_0 is in $\text{K}\Omega$ and C_0 is in μF .

Experimental data yields:

$$K_0 \cong \frac{1140 \text{ RADIANS/SEC}}{R_0 C_0 \text{ VOLT}} \quad (22)$$

With the ICO tuning resistor, R_X , connected to Pin 10, the free running frequency is increased by a factor proportional to the change in timing current:

$$\Delta f \propto \Delta I_T \cong \frac{0.7}{R_X} \quad (23)$$

The ICO free running frequency is given by:

$$f_0 \cong \frac{220}{C_0} \left(1 + \frac{0.7}{R_X} \right) \quad (24)$$

where R_X is in $\text{K}\Omega$ and C_0 is in μF .

$$K_0 \cong \frac{1140 \text{ RADIANS/SEC}}{R_0 C_0 \text{ VOLT}} \quad (25)$$

and remains unchanged with the addition of R_X .

LOCK RANGE

The lock range of the XR-215, $\pm \Delta\omega_L$, is given by:

$$\pm \Delta\omega_L = (K_{\phi})(K_0)(\theta_E) \quad (26)$$

where θ_E is approximately equal to $0.43 \text{ radians } (25^{\circ})$. Using measured values for K_{ϕ} and K_0 yields:

$$\pm \Delta\omega_L \cong \frac{1765 \text{ RADIANS}}{R_0 C_0 \text{ SEC}} \quad (27)$$

where R_0 is in $\text{K}\Omega$ and C_0 is in μF .

Note: Using the external bias network (Figure 5) does not change K_0 . To calculate the lock range with this network, θ_E should be set to approximately $\pi/2 \text{ radians } (90^{\circ})$.

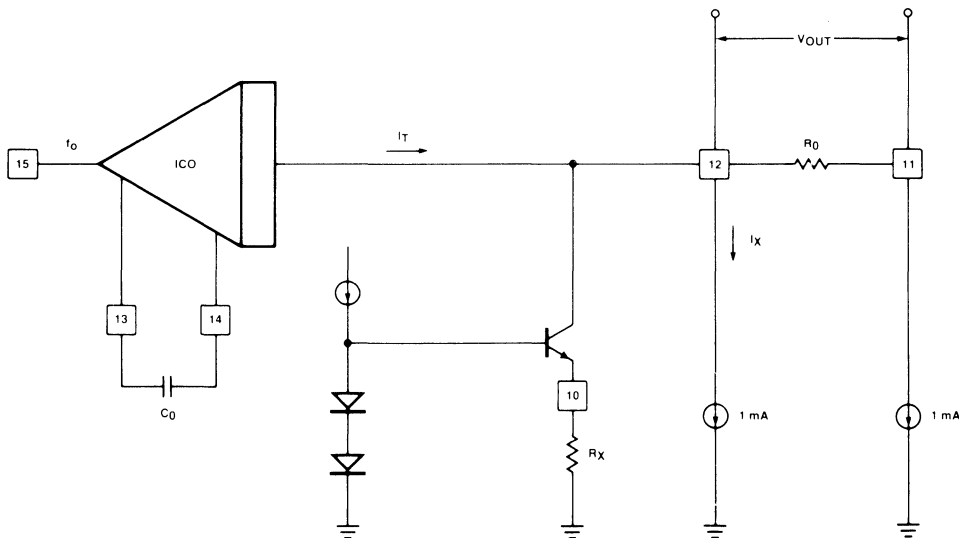


Figure 7. XR-215 ICO.

AN-22

XR-S200

The XR-S200 PLL is basically the same as the XR-210 and 215 except that many of the interconnections are made external to the chip. These external connections can aid in the flexibility of the chip.

PHASE COMPARATOR

The phase comparator outputs are not tied internally to the ICO as the XR-210 and 215. The measured phase comparator gain is approximately:

$$K\phi \cong 4 \frac{\text{VOLTS}}{\text{RADIAN}} \quad (28)$$

Saturation of the internal circuitry occurs limiting the tracking range to about $90^\circ \pm 25^\circ$. This range can be increased by using the bias network shown in Figure 5.

ICO

The current controlled oscillator of the XR-S200 is shown in Figure 8. The ICO gain is given by:

$$K_0 = \frac{2\pi f_0 \text{ RADIANS/SEC}}{R_0 I_T \text{ VOLT}} \quad (29)$$

where I_T is the timing current when $V_{OUT} = 0$ volts.

The ICO free running frequency, f_0 , can be modified by applying a digital pulse on Pins 15 and 16 through a diode and a 1 K Ω resistor. By changing the voltage states on these Pins, it is possible to obtain four discrete frequencies for f_0 . By connecting a resistor from either Pin 15 or 16 to ground, it is also possible to modify the center frequency.

With Pins 15 and 16 open, f_0 is given by:

$$f_0 \cong \frac{200}{C_0} (I_X + I_1 + I_2) = \frac{500}{C_0} \text{ Hz} \quad (30)$$

since $I_X \cong 1 \text{ mA}$, $I_1 \cong 0.5 \text{ mA}$, $I_2 \cong 1 \text{ mA}$.

With Pins 15 and 16 tied high, f_0 is given by:

$$f_0 \cong \frac{200}{C_0} (I_X) = \frac{200}{C_0} \text{ Hz} \quad (31)$$

where C_0 is in μF .

With Pins 15 and 16 open:

$$K_0 = \frac{2\pi f_0}{R_0 I_T} \cong \frac{3142}{R_0 C_0 I_T} \quad (32)$$

where $I_T = I_X + I_1 + I_2 \cong 2.5 \text{ mA}$, thus

$$K_0 \cong \frac{1256 \text{ RADIANS/SEC}}{R_0 C_0 \text{ VOLT}} \quad (33)$$

where R_0 is in K Ω and C_0 is in μF .

With Pins 15 and 16 tied high:

$$K_0 \cong \frac{1256}{R_0 C_0 I_T} \quad (34)$$

where $I_T = I_X \cong 1 \text{ mA}$. Thus

$$K_0 \cong \frac{1256 \text{ RADIANS/SEC}}{R_0 C_0 \text{ VOLT}} \quad (35)$$

and remains unchanged.

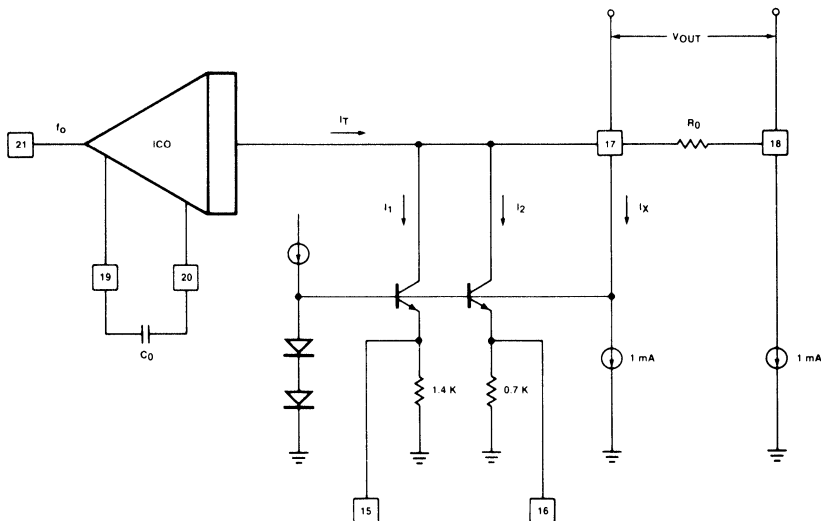


Figure 8. XR-S200 ICO.

LAG FILTER



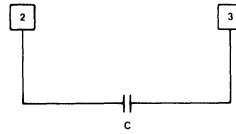
$$F(S) = \frac{1}{1 + \tau_1 S}$$

$$\tau_1 = R_1 C$$

$$\omega_\eta = \sqrt{\frac{K_V}{\tau_1}}$$

$$\delta = \frac{1}{2\sqrt{K_V \tau_1}}$$

LAG FILTER



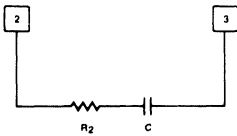
$$F(S) = \frac{1}{1 + 2 \tau_1 S}$$

$$\tau_1 = R_1 C$$

$$\omega_\eta = \sqrt{\frac{K_V}{2 \tau_1}}$$

$$\delta = \frac{1}{2\sqrt{2 K_V \tau_1}}$$

LAG-LEAD FILTER



$$F(S) = \frac{1 + \tau_2 S}{1 + S(2\tau_1 + \tau_2)}$$

$$\tau_1 = R_1 C; \tau_2 = R_2 C$$

$$\omega_\eta = \sqrt{\frac{K_V}{(2\tau_1 + \tau_2)}}$$

$$\delta = \frac{1}{2} \sqrt{\frac{K_V}{2\tau_1 + \tau_2}} \left(\tau_2 + \frac{1}{K_V} \right)$$

FOR $\tau_1 \gg \tau_2$

$$\delta = \frac{1}{2\sqrt{2K_V \tau_1}} (1 + \tau_2 K_V)$$

LAG-LEAD FILTER



$$F(S) = \frac{1 + \tau_2 S}{1 + S(\tau_1 + \tau_2)}$$

$$\tau_1 = R_1 C; \tau_2 = R_2 C$$

$$\omega_\eta = \sqrt{\frac{K_V}{\tau_1 + \tau_2}}$$

$$\delta = \frac{1}{2} \sqrt{\frac{K_V}{\tau_1 + \tau_2}} \left(\tau_2 + \frac{1}{K_V} \right)$$

FOR $\tau_1 \gg \tau_2$

$$\delta = \frac{1}{2\sqrt{K_V \tau_1}} (1 + \tau_2 K_V)$$

Figure 9. Low Pass Filters.

AN-22

Measured value for K_0 is approximately:

$$K_0 \cong \frac{1262 \text{ RADIANS/SEC}}{R_0 C_0 \text{ VOLT}} \quad (36)$$

LOCK RANGE

Using measured values for K_ϕ and K_0 yields:

$$\pm \Delta\omega_L \cong \frac{2170 \text{ RADIANS}}{R_0 C_0 \text{ SEC}} \quad (37)$$

where R_0 is in $K\Omega$, and C_0 is in μF .

LOW PASS FILTER

The low pass filter section for the XR-210/215/S200 is formed by connecting an external capacitor or RC network across the output of phase comparator section. Most common passive low pass filters are shown in Figure 9. R_1 is the internal resistor with nominal value of $6 K\Omega$. If an external bias network as shown in Figure 5 is used, $R_1 = 2 K\Omega$. Pin numbers shown in Figure 9 apply to the XR-210 and XR-215.

The term K_V shown in the filters is the total forward gain of the PLL and is equal to the product of K_ϕ and K_0 .

CAPTURE RANGE

The capture or acquisition range of the PLL, $\pm \Delta\omega_C$, can be approximated as:

$$\pm \Delta\omega_C \cong \pm \Delta\omega_L |F(j \Delta\omega_C)| \quad (38)$$

where $|F(j \Delta\omega_C)|$ is the magnitude of the low pass filter evaluated at $\omega = \Delta\omega_C$. Since $|F(j \Delta\omega_C)|$ is always less than unity, the capture range is always smaller than the lock range.

There is no explicit relationship for calculating $\Delta\omega_C$, however for a *simple lag* filter, it can be expressed as:

$$\pm \Delta\omega_C \cong \sqrt{\frac{K_V \text{ RADIANS}}{\tau_1 \text{ SEC}}} \quad (39)$$

For lag-lead filters, capture range can be roughly estimated by ω_η . (See Figure 9.) Actual data indicates that capture range is larger than ω_η and approaches the lock range.

DAMPING FACTOR

The advantage of using a lag-lead filter is that generally speaking, it gives better stability due to the extra zero. The damping factor can be adjusted without necessarily changing the capture range. With a simple lag filter,

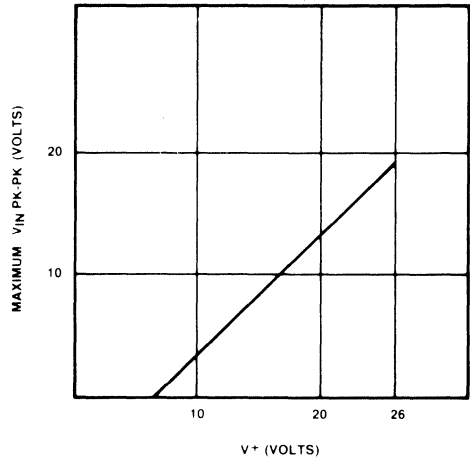


Figure 10. Maximum Input Voltage vs. Supply Voltage.

however, by adjusting τ , the damping factor as well as the capture range is changed. These two parameters can be individually controlled in a lag-lead filter.

General systems and control theory indicates that for maximum stability the damping factor, δ , must be greater than 0.7. In many FSK demodulation circuits using Exar PLLs, it was found that with δ as low as 0.2, the circuit functions properly at high baud rates.

DESIGN EXAMPLE

Design an FSK demodulator using the XR-210 with the following specifications:

Mark frequency: 1070 Hz
Space frequency: 1270 Hz
 V_{CC} : +12 volts

$$1. f_0 = 1170 \text{ Hz}$$

$$C_0 = \frac{200}{f_0} \cong 0.2 \mu\text{F}$$

Adjust R_T (Pin 9 to GND) for correct f_0 .

$$2. \Delta\omega_L = 2\pi (\Delta f_L) = 2\pi (200 \text{ Hz}) = 1256 \text{ RAD/SEC}$$

$$R_0 = \frac{1565}{\Delta\omega_L C_0} = 6.23 K\Omega$$

AN-22

Table 1. Summary of PLL Parameters (1)

PARAMETER	XR-210	XR-215	XR-S200
Phase Comparator $K\phi$	$4.0 \frac{\text{VOLTS}}{\text{RADIAN}}$	$3.6 \frac{\text{VOLTS}}{\text{RADIAN}}$	$4.0 \frac{\text{VOLTS}}{\text{RADIAN}}$
VCO K_0	$\frac{910 \text{ RAD/SEC}}{R_0 C_0 \text{ VOLT}}$	$\frac{1140 \text{ RAD/SEC}}{R_0 C_0 \text{ VOLT}}$	$\frac{1262 \text{ RAD/SEC}}{R_0 C_0 \text{ VOLT}}$
Lock Range $\pm \Delta\omega_L$	$\frac{1565 \text{ RADIANS}}{R_0 C_0 \text{ SEC}}$	$\frac{1765 \text{ RADIANS}}{R_0 C_0 \text{ SEC}}$	$\frac{2170 \text{ RADIANS}}{R_0 C_0 \text{ SEC}}$
Free Running Frequency f_0	$\frac{200}{C_0} \left(1 + \frac{0.17}{R_T}\right) \text{ Hz}$	$\frac{200}{C_0} \left(1 + \frac{0.7}{R_T}\right) \text{ Hz}$	$\frac{500}{C_0} \text{ Hz (2)}$
Capture Range $\pm \Delta\omega_C$ (Simple Lag) (3)	$\sqrt{\frac{K_0 K\phi}{\tau_1}}$	$\sqrt{\frac{K_0 K\phi}{\tau_1}}$	$\sqrt{\frac{K_0 K\phi}{\tau_1}}$
Damping Factor δ (Simple Lag)	$\frac{1}{2} \sqrt{\frac{1}{K_0 K\phi \tau_1}}$	$\frac{1}{2} \sqrt{\frac{1}{K_0 K\phi \tau_1}}$	$\frac{1}{2} \sqrt{\frac{1}{K_0 K\phi \tau_1}}$

(1) R_0, R_T, R_X in $K\Omega$
 C_0 in μF

(2) f_0 shown for Pins 15 and 16 open

(3) For other filter configurations, refer to the filter section. $\tau_1 = R_1 C_1$.

High-Performance Frequency-To-Voltage Converter using the XR-2211

INTRODUCTION

A stable highly linear f/v converter can be easily designed using the XR-2211 phase locked loop. The f/v can be used for a dynamic range from $\pm 1\%$ to $\pm 80\%$ over a frequency range of .01 Hz to 1 MHz.

The block diagram of the f/v is shown in Figure 1. The circuit will perform f/v conversion according to the relationship

$$f_{IN} = -K_1 V_O + K_2$$

where K_1 and K_2 are set by the designer.

The transfer function relating V_O to f_{IN} is shown in Figure 2. The carrier detect output, Q, (Pin 5) which goes high over the tracking range is shown in Figure 3.

The basic circuit diagram is shown in Figure 4. The slope K_1 is determined by the relationship

$$K_1 = \frac{-1}{V_{RC_0 R_1}}$$

where $V_R = V_{CC}/2 - V_{BE}$

The x intercept or upper frequency, K_2 is determined by the relationship

$$K_2 = \frac{R_0 + R_1}{R_0 R_1 C_0} = f_{MAX}$$

DESIGN EXAMPLE

Design a f/v converter for the frequency range 100 Hz to 600 Hz.

The first step is to calculate the center frequency f_0 , (Figure 2) in

$$f_0 = \frac{f_L + f_H}{2} = \frac{100 + 600}{2} = 350 \text{ Hz}$$

Supply voltage is directly proportional to the degree of resolution obtainable.

In order to obtain a greater resolution a higher supply voltage is used. For this design an 18 V supply is used giving us a resolution of approximately

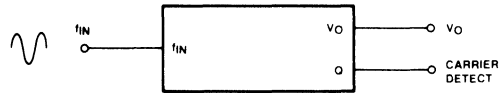


Figure 1. F/V Block Diagram.

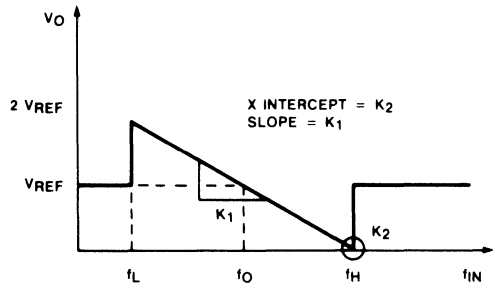


Figure 2. F/V Transfer Function.

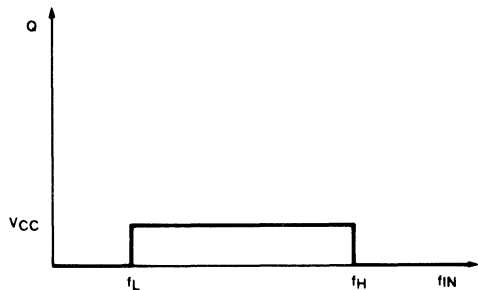


Figure 3. F/V Carrier Detect Output.

$$\text{resolution} \approx \frac{V_{CC} - V_{BE}}{f_H - f_L} = \frac{18 - 1.3}{600 - 100} = \frac{33.4 \text{ mV}}{\text{Hz}}$$

for $V_{CC} = 18 \text{ V}$

We can now calculate V_{REF}

$$V_{REF} = V_{CC}/2 - V_{BE} = 9 \text{ V} - .65 \text{ V} = 8.35 \text{ V}$$

The center frequency is given by

$$f_0 = \frac{1}{R_0 C_0}$$

AN-23

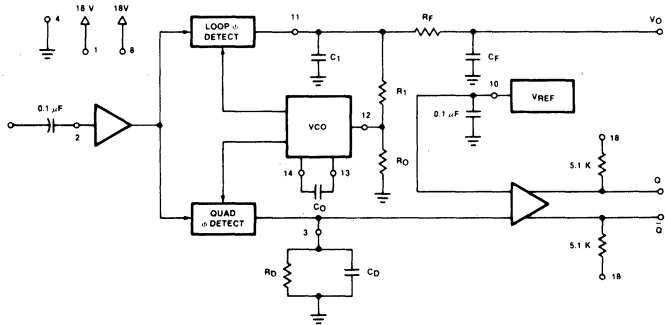


Figure 4. F/V Circuit Diagram.

choosing $R_0 = 20 \text{ K}$ and rearranging

$$C_0 = \frac{1}{R_0 F_0} = \frac{1}{(20 \text{ K}\Omega) (350 \text{ Hz})}$$

$$= .143 \mu\text{F}$$

Since

$$\frac{R_0}{R_1} = \frac{(f_H - f_L)}{2 f_0}$$

$$R_1 = \frac{2 f_0 R_0}{(f_H - f_L)} = \frac{2 (350 \text{ Hz}) (20\text{K})}{(600 - 100) \text{ Hz}}$$

$$= 28 \text{ K}$$

The selection of C_1 , the loop filter capacitor has a degree of flexibility in its value. For a damping coefficient of .5.

$$C_1 \approx \frac{C_0}{4} = \frac{.143 \mu\text{F}}{4} = .035 \mu\text{F}$$

It should be noted that an increased value of C_1 will increase response time but reduce ripple, while a decreased value of C_1 will reduce response time, increase capture range, but increase ripple.

The slope K_1 can now be calculated

$$K_1 = \frac{1}{V_{RC_0 R_1}} = \frac{1}{(8.35) (.143 \mu\text{F}) (28 \text{ K})}$$

$$= 29.91 \frac{\text{Hz}}{\text{V}}$$

and since $K_2 = f_{\text{MAX}} = 600 \text{ Hz}$

The transfer function is then given by

$$f_{IN} = -29.91 V_0 + 600$$

The filter $R_F C_F$ forms a one-pole post detection filter, with a time constant

$$\tau = R_F C_F$$

and a cut-off frequency

$$f_C = \frac{1}{2\mu R_F C_F}$$

Selecting $R_F = 100, \text{ K}$, C_F is then given by

$$C_F \approx \frac{3}{\Delta f / \Delta t} \mu\text{F}$$

where $\frac{\Delta f}{\Delta t}$ = maximum expected rate of change of input frequency

for $\frac{\Delta f}{\Delta t} = 300 \text{ cycles/sec}$

$$C_F = \frac{3}{300} \mu\text{F} = .01 \mu\text{F}$$

giving $\tau = 1 \mu\text{secs}$ $F_C = 160 \text{ Hz}$

A carrier detect output is available at Pins 5 and 6 (Q and Q̄). The components C_D and R_D comprise the lock-detect filter. For $R_D = 470 \text{ K}$, and a capture range approaching the lock range, a minimum value of C_D is given by

$$C_D (\mu\text{F}) \geq \frac{16}{f_H - f_L} = \frac{16}{500} = .032 \mu\text{F}$$

$$R_D = 470 \text{ K}$$

TEMPERATURE STABILITY

The XR-2211 is characterized by excellent temperature stability, in the order of 50 ppm/°C. The output voltage temperature coefficient can be calculated by

$$\frac{V}{^\circ\text{C}} = \frac{1}{K_1} \times \frac{50 \text{ ppm}}{^\circ\text{C}} \times (f_H - f_L)$$

substituting

$$= \frac{33.4 \text{ mV}}{\text{Hz}} \times 50 \text{ ppm} \times (600 - 100) \text{ Hz}$$

$$= \frac{.8 \text{ mV}}{^\circ\text{C}}$$

Digitally Programmable Phase-Locked Loop

INTRODUCTION

Most phase-locked loops require manual potentiometer adjustment if the center frequency of the circuit is critical. Also, once adjusted, if ambient temperature changes cause the PLL's VCO or center frequency to shift, the potentiometer would have to be readjusted if the accurate center frequency was to be maintained. Readjustments are, of course, an impractical solution.

This application note describes the design of a digitally programmable PLL. Being digitally controlled, a microprocessor or other digital circuitry could easily tune or retune the VCO when necessary. The design uses the XR-215 monolithic PLL together with the XR-9201 D/A converter, which provides the tuning function.

PRINCIPLES OF OPERATION

Figure 1 shows the block diagram of the digitally programmable PLL. The circuit is comprised of two blocks: the PLL and the D/A converter. The PLL is used for FM demodulation, synchronizing signals, or frequency synthesis. It processes these signals, which are centered around its free-running frequency, f_0 . This f_0 is set by the internal voltage-controlled oscillator, VCO, in the PLL. The VCO within the XR-215 is really a current-controlled oscillator, ICO. This is, the frequency of oscillation of the ICO is directly proportional to the timing current, I_T . I_T is made up of two components: an internal fixed current and an externally programmable current, $I_{PIN 10}$. This $I_{PIN 10}$ control current is provided by a D/A converter with a current output. Since the D/A provides an output current that is directly set by an input digital code, this code will actually control the center frequency of the PLL's ICO, f_0 .

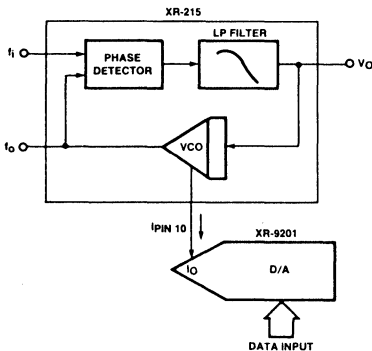


Figure 1. Programmable PLL Block Diagram.

CIRCUIT DESIGN

Figure 2 shows the XR-215 internal blocks and necessary external components. The VCO center frequency, f_0 , is calculated by the formula:

$$f_0 = \frac{200}{C_0} \left(1 + \frac{0.6}{R_X} \right) \frac{C_0 \text{ in } \mu\text{F}}{R_X \text{ in } \text{K}\Omega} \quad (1)$$

In this application it is desirable to have a variable current drawn from Pin 10, and R_X omitted. Equation 1 is then modified to equation 2 is a current instead of a resistor is used at Pin 10.

$$f_0 = \frac{200}{C_0} (1 + I_{PIN 10}) \frac{C_0 \text{ in } \mu\text{F}}{I_{PIN 10} \text{ in } \text{mA}} \quad (2)$$

Equation 2 can now be used to determine $I_{PIN 10}$ for a given f_0 adjustment range. Once the center frequency has been set, R_0 can be calculated to adjust the tracking range using the relationship:

$$\pm \Delta W_L = 2\pi \Delta f_L \approx \frac{1565 \text{ rad}}{R_0 C_0 \text{ sec}} \frac{R_0 \text{ in } \text{K}\Omega}{C_0 \text{ in } \mu\text{F}} \quad (3)$$

$$\text{or} \quad R_0 = \frac{1565}{2\pi \Delta f_L C_0} \frac{R_0 \text{ in } \text{K}\Omega, C_0 \text{ in } \mu\text{F}}{\quad} \quad (4)$$

Now with R_0 calculated for Δf_L , the capture range, Δf_C is set using the loop time constant capacitors C_1 :

$$\pm \Delta W_C = \sqrt{\frac{K_0 K_\phi}{\tau_1}} = 2\pi \Delta F_C \quad (5)$$

- τ_1 = Loop Time Constant
- K_0 = VCO Conversion Gain
- K_ϕ = Phase Detector Conversion Gain

Substituting the values for $K_0 K_\phi$ and solving for F_C :

$$\Delta F_C = \frac{1}{2\pi} \sqrt{\frac{0.684}{R_0 C_0 C_1}} \quad (6)$$

$$\text{or} \quad C_1 = \frac{0.017}{\Delta f_C^2 R_0 C_0} \frac{R_0 \text{ in } \text{K}\Omega, C_0 \text{ in } \mu\text{F}}{\quad} \quad (7)$$

The resistors R_I and R_F are used to set the gain of the op amp when used for FM demodulation. C_C is op amp compensation and is in the range of 300 pF for unity gain to 50 pF for a gain of 10 and up. The resistors going to Pins 4, 5, and 6 are used to dc-bias the phase detector inputs at half supply, with their actual value not critical. The capacitors C_2 and C_1 are used for capacitive coupling.

AN-24

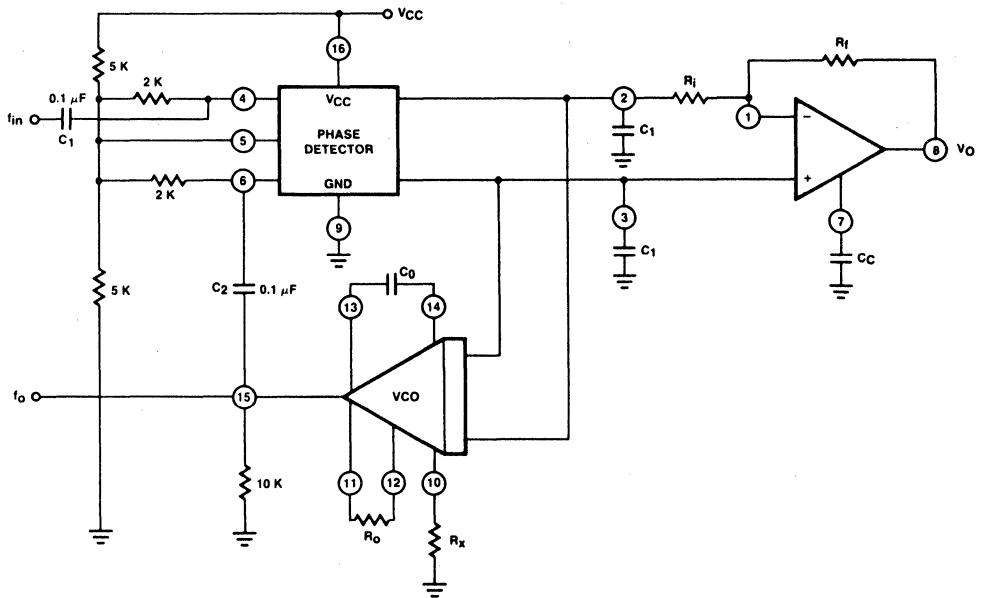


Figure 2. XR-215 with External Components.

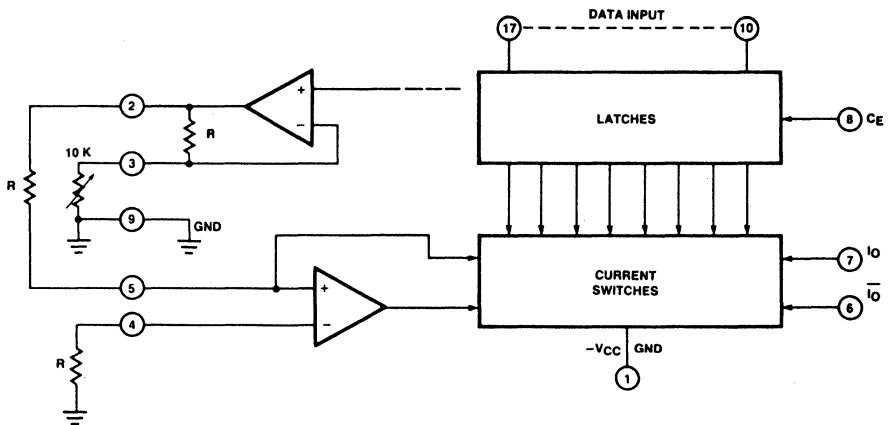


Figure 3. XR-9201 D/A with External Components.

Figure 3 shows the D/A converter internal blocks with external circuitry. Data is fed into the input latches, which will allow data to flow through to the current switches when C_E is high and hold data when C_E is low. The output currents are related to the digital inputs by:

$$I_O = 2 I_{REF} \left[\frac{B_7}{2} + \frac{B_6}{4} + \frac{B_5}{8} + \frac{B_4}{16} + \frac{B_3}{32} + \frac{B_2}{64} + \frac{B_1}{128} + \frac{B_0}{256} \right] \quad (8)$$

where $B_N = 1$ if bit N is high
 $B_N = 0$ if bit N is low
 $B_7 = \text{MSB}$
 $B_0 = \text{LSB}$

Also: $I_O + \bar{I}_O = I_{FS} = \text{Full-scale Current}$ (9)

$$I_{FS} = 2 I_{REF} \left(\frac{255}{256} \right) \quad (10)$$

The full-scale current is set using R by the relationship:

$$R = \frac{V_{REF}}{I_{REF}} V_{REF} \approx 2 \text{ V} \quad (11)$$

The 10 K Ω potentiometer from Pin 3 to ground is used to fine-adjust the internal reference to exactly 2.00 V.

AN-24

DESIGN EXAMPLE

Design a digitally programmable PLL with a center frequency, f_0 , equal to 20 kHz. Provide for a 10% digital tuning range. The circuit shall also have the following lock and capture ranges:

$$\pm \Delta f_L = 5 \text{ kHz}, \quad \pm \Delta f_C = 4 \text{ kHz}$$

- Using equation 2, first with $I_{PIN\ 10} = 0$ (digital inputs all zeros) C_O can be determined.

$$f_0 = \frac{200}{C_O} \quad C_O = 0.01 \mu\text{F}$$

- This same equation is used to determine the maximum value of $I_{PIN\ 10}$ for a 10% change in f_0 . Rearranging equation 2 yields:

$$I_{PIN\ 10} = \frac{f_0 C_O}{200} - 1 = \frac{22 \text{ K} (0.01)}{200} - 1 = 0.1 \text{ mA}$$

(max)

$$f_0 = 20 \text{ K} + 2 \text{ K Adjustment Range}$$

- R_O is now calculated from equation 4:

$$R_O = \frac{1565}{(2\pi) (5 \text{ K}) (0.01)} = 5 \text{ K}\Omega$$

- C_1 is determined by equation 7:

$$C_1 = \frac{0.017}{(4 \text{ K})^2 (5) (0.01)} \approx 0.022 \mu\text{F}$$

- The D/A components can now be specified, first using equation 10 and the previously calculated $I_{PIN\ 10}$ maximum current:

$$I_{PIN\ 10 \text{ max}} = I_{FS}^2 I_{REF} \left(\frac{255}{256} \right)$$

$$I_{REF} \approx 50 \mu\text{A}$$

- The reference current setting resistor, R , is now determined using equation 11:

$$R = \frac{2.00}{50 \mu\text{A}} = 40 \text{ K}\Omega$$

- Calibration of the system is accomplished by adjusting potentiometer R_3 for V_{REF} on the XR-9201 to exactly 2.00 V.

Figure 4 shows the completed design example.

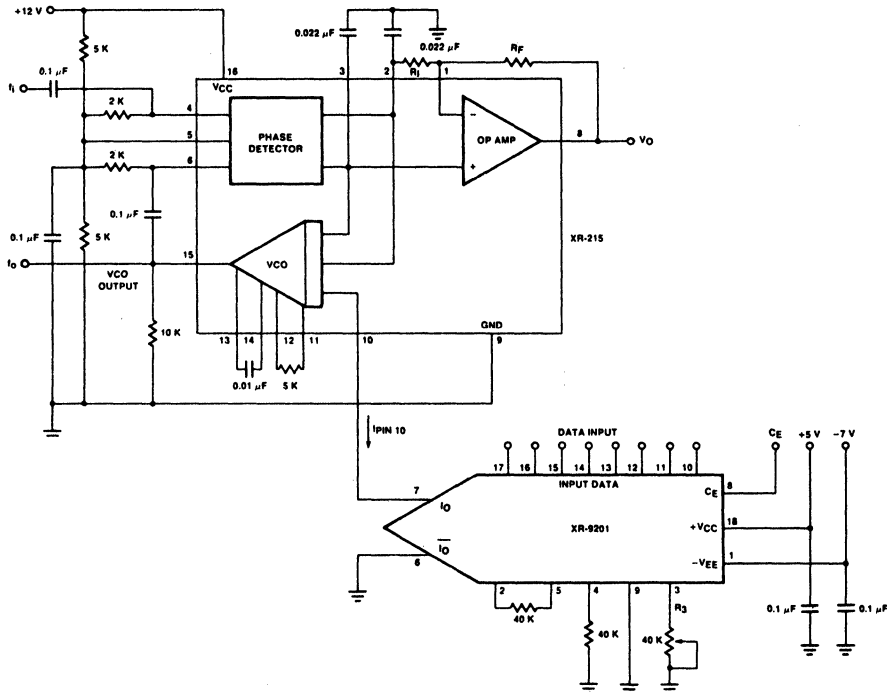


Figure 4. Digitally Programmable PLL.

Full-Duplex 1200 BPS/300 BPS Modem System

INTRODUCTION

This application note describes the construction of a full-duplex modem system which operates at either 1200 BPS with phase shift keying encoding (PSK) or 300 BPS with frequency shift keying (FSK). The 1200 BPS is in a synchronous format or 300 BPS asynchronous.

This system is not intended to be directly connected to the telephone network as this requires FCC approval.

PRINCIPLES OF OPERATION

The heart of this system is three LSI integrated circuits. The XR-2120 is a switched-capacitor filter (SCF) to provide precise bandpass filtering at 1200 Hz and 2400 Hz. The XR-2123 performs the 1200 BPS PSK modulation/demodulation and the XR-14412 the 300 BPS FSK modulation/demodulation. These three devices are shown with the necessary external functions to perform a 212A type synchronous modem in Figure 1. These other functions are described as follows:

LINE INTERFACE. Provide DC isolation between modem and telephone network. This section, known as a direct-access arrangement, must be approved by the FCC for direct connection to the telephone network.

AGC. Automatic gain control to provide a constant signal level to other portions of the circuit. Its re-

ceived signal range can vary from about 0 dBm to -45 dBm.

DEMUX. Demultiplexer to switch transmitted carrier (Tx_c) and received data (Rx_d) between 300 BPS and 1200 BPS.

AUTO SPEED SELECT. Automatically senses whether 300 BPS or 1200 BPS information is being received and controls the demux with this information.

SLICER. A voltage comparator used to convert analog receive carriers (Rx_{car}) into digital signals suitable for the XR-2123 and XR-14412 Rx_{car} inputs.

CARRIER DETECT (CD). A level sensor with a digital output to indicate when a Rx_{car} is present.

TIMING CIRCUIT. This circuit extracts a 600 Hz receive signal timing from the Rx_{car} for synchronization purposes in the XR-2123.

SCRAMBLER/DESCRAMBLER. These sections scramble the data to be transmitted (Tx_d) while descrambling the received data (Rx_d).

DELAY CIRCUIT. To provide a delay between the request to send (RTS) data and clear to send (CTS) data commands.

Figure 2 shows the complete circuit implementation of modem, with Table 1 listing the recommended circuit values.

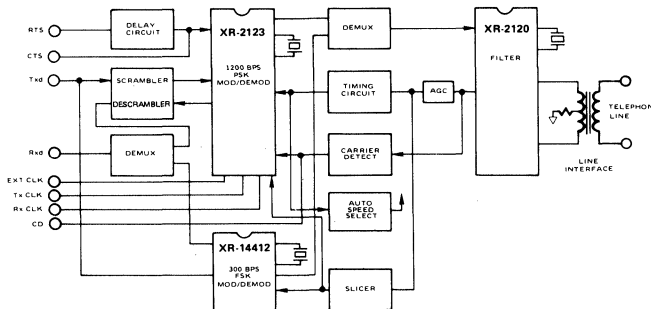


Figure 1. 212A Type Modem System.

3-117

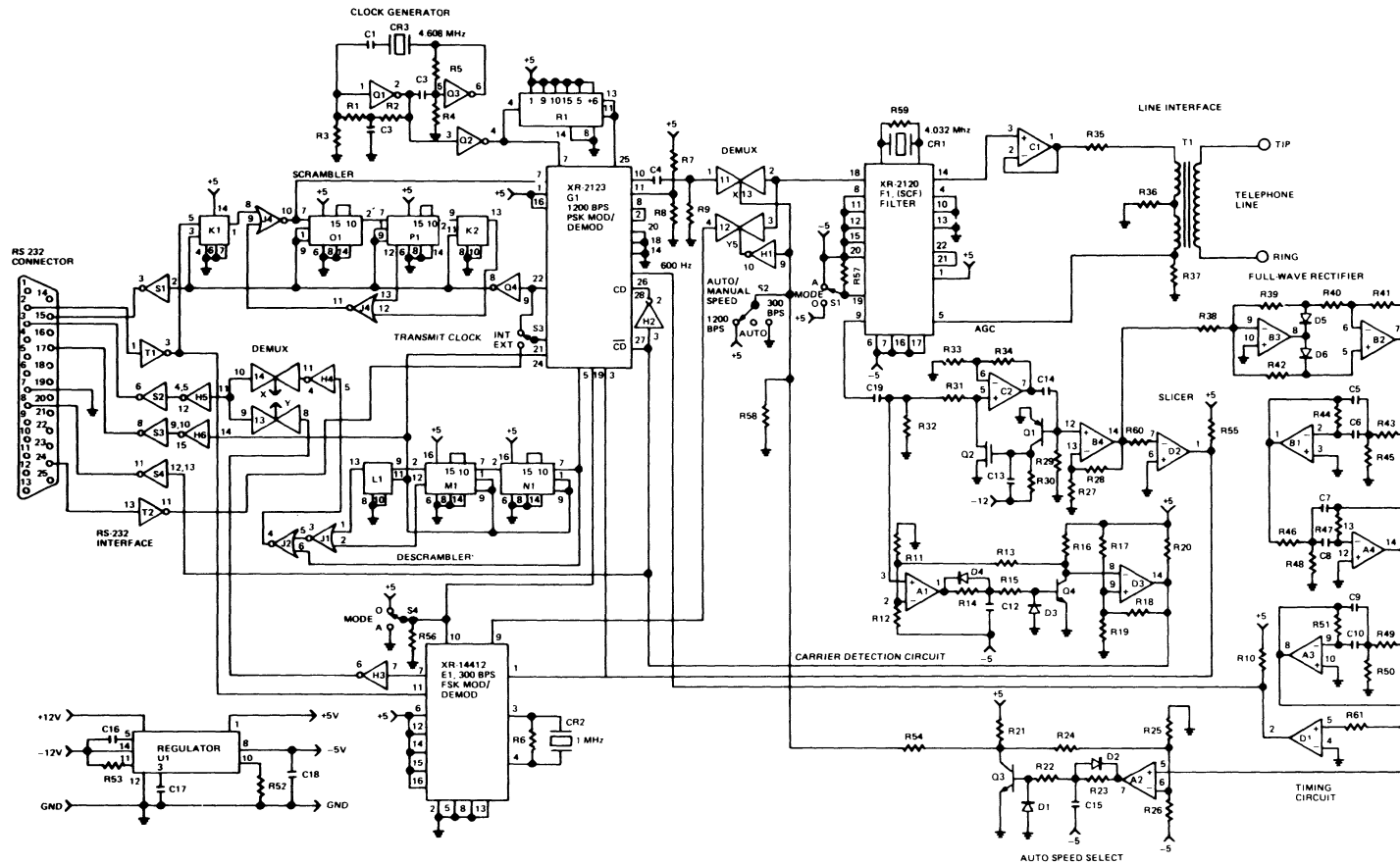


Figure 2. XR-212A Type Modem.



AN-25

AN-25

A.	XR-4741 Quad Op Amp
B.	XR-4741 Quad Op Amp
C.	XR-1458 Dual Op Amp
D.	LM-339 Quad Comparator
E.	XR-14412 FSK Mod/Demod 300 BPS
F.	XR-2120 Filter-Switched Cap
G.	XR-2123 PSK Mod/Demod 1200 BPS
H.	CD-4049 Hex Inverter
I.	CD-4016 Quad B1-Lateral Switch
J.	CD-4030 Quad Exclusive-OR Gate
K.	CD-4013 Dual D Flip-Flop
L.	CD-4013 Dual D Flip-Flop
M.	Dual 4 Bit Static Register 4015
N.	Dual 4 Bit Static Register 4015
O.	Dual 4 Bit Static Register 4015
P.	Dual 4 Bit Static Register 4015
Q.	MM7404 Hex Inverter
R.	DM74193 Synchronous Up/Down Counter
S.	XR-1488 Quad Line Driver
T.	XR-1489 Quad Line Receiver
U.	XR-4194 Dual Tracking Regulator

R1	2.2K	R2	2.2K	R3	2.2K
R4	2.2K	R5	1.2K	R6	1M
R7	10K	R8	10K	R9	1M
R10	10K	R11	1K	R12	62K
R13	100K	R14	47K	R15	62K
R16	10K	R17	100K	R18	470K
R19	100K	R20	10K	R21	10K
R22	62K	R23	47K	R24	100K
R25	18K	R26	62K	R27	1K
R28	4.7K	R29	10K	R30	1M
R31	120K	R32	10K	R33	1K
R34	68K	R35	600	R36	300
R37	600	R38	10K	R39	10K
R40	10K	R41	10K	R42	10K
R43	39K*	R44	180K*	R45	392*
R46	39K*	R47	180K*	R48	392*
R49	39K*	R50	464*	R51	180K*
R52	13K	R53	71.5K	R54	10K
R55	10K	R56	10K	R57	10K
R58	10K	R59	1M	R60	10K
R61	10K				

All resistor values are in ohms.
* = > 1% tolerance.

C1	82 pF	C14	1 μ F
C2	.033 μ F	C15	.1 μ F
C3	.022 μ F	C16	.001 μ F
C4	.1 μ F	C17	.001 μ F
C5	.033 μ F	C18	4.7 μ F
C6	.033 μ F	C19	2.2 μ F
C7	.033 μ F	C20	4.7 μ F
C8	.033 μ F	C21	4.7 μ F
C9	.033 μ F	C22	.1 μ F
C10	.033 μ F	C23	.1 μ F
C11	.1 μ F	C24	4.7 μ F
C12	0.22 μ F	C25	4.7 μ F
C13	4.7 μ F	C26	4.7 μ F

Crystals

CR1	— 4.032 MHz	MTRON
CR2	— 1,000 MHz	FOX
CR3	— 4.608 MHz	X-TRON

Transformer

T1 — T2220 MICROTRAN

Transistors

Q1	— A854	ROHM
Q3	— C1741	ROHM
Q4	— C1741	ROHM

FETs

Q2 — 2N4861

Component List for 212A Type Modem System

High-Speed FSK Modem Design

INTRODUCTION

As the need for transmitting data increases, some applications require data to be sent faster than the conventional telephone line modems. This application note describes the design and construction of a high speed full-duplex, FSK modem using XR-2206 as a modulator and XR-210 as the demodulator transmitting data at the rate of 100 Kilobaud.

PRINCIPLES OF OPERATION

The block diagram in Figure 1 describes the basic building block in any FSK modem system. The major difference is that in high speed applications, data is transmitted over a twisted pair wire or coaxial cable instead of the telephone line with its limited bandwidth. The complete system is comprised of an answer and originate modem. Simply stated, the modulator converts the input data to two discrete frequencies corresponding to its 1's and 0's and is then sent over a line or cable. The line hybrid steers these frequencies to the bandpass filter, where it will remove any unwanted signals that might have gotten through due to the line or cable before reaching the demodulator. The demodulator, which is a phase locked loop, will lock onto the incoming frequencies and produce 1's and 0's on its output. A detailed description on FSK techniques is given in the EXAR MODEM DESIGN HANDBOOK.

DESIGN EQUATIONS — Refer to Figure 6

1. The frequency of oscillation of the XR-2206 when used as a modulator, with the FSK input (Pin 9) is high is:

$$\frac{1}{R7A + R7B C_3}$$

When the FSK input (Pin 9) is low the frequency equals

$$\frac{1}{R8A + R8B C_3}$$

2. The filter best suited for modem applications is the butterworth filter due to its linear phase response within the passband. Table 1 shows the normalized capacitor values for butterworth filters up to fifth order.

Table 1

ORDER NO	C1	C2	C3
2	1.414	.7071	
3	3.546	1.392	.2024
4	1.082	.9241	
	2.613	.3825	
5	1.753	1.354	.4214
	3.235	.3090	

3

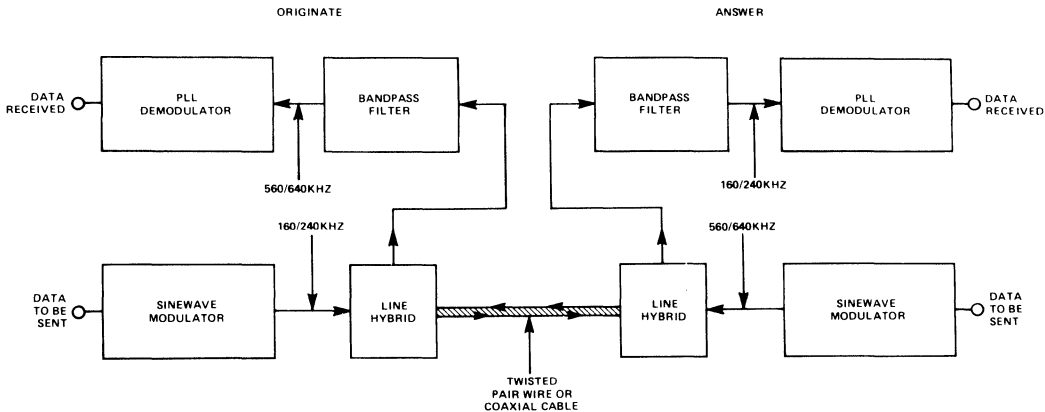


Figure 1. Block Diagram of High Speed FSK Modem System

AN-26

Figure 3 shows a third order active high pass filter. To solve for the actual resistor values we use the formula:

$$R = \frac{1}{W_C \text{ CN } C}$$

Where CN is the normalized capacitor and $W_C = 2\pi F_C$. In this equation, make all capacitors equal.

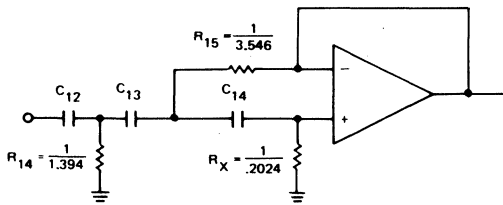


Figure 3.

After calculating R_x remember for single supply operation the op amp must be biased at $1/2 V_{CC}$; therefore take twice the calculated value for R_x and configure as shown in Figure 4.

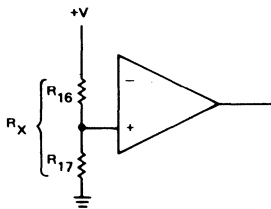


Figure 4.

Figure 5 shows a third order active butterworth low pass filter. To convert from the normalized capacitor values to the actual capacitor values, we use the formula:

$$C = \frac{\text{CN}}{W_C R}$$

Where CN is the normalized capacitor value and $W_C = 2\pi F_C$. In this equation, make all resistors equal.

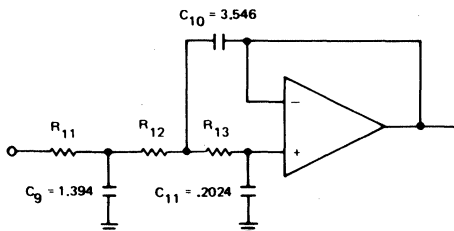


Figure 5.

The equations for using the XR-210 as an FSK demodulator are as follows:

$$\Delta F_L = (2)\Delta F$$

$$\Delta F = F_{\text{mark}} - F_{\text{space}}$$

$$\Delta F_L = 2(F_{\text{mark}} - F_{\text{space}})$$

$$F_0 = \frac{F_{\text{mark}} + F_{\text{space}}}{2}$$

$$F_0 = \frac{234}{C_0} \left(1 + \frac{.1}{R_T} \right) \quad \begin{array}{l} C_0 \text{ is in } \mu\text{f} \\ R_T \text{ is in } \text{K}\Omega \end{array}$$

$$C_0 = \frac{234}{F_0}$$

$$\Delta W_C = \sqrt{\frac{\Delta W_L}{6\text{K}C_1}}$$

$$\Delta W_L = 2\pi \Delta F_L$$

$$C_1 = \frac{\Delta W_L}{6\text{K}\Delta W_C^2}$$

$$R_0 = \frac{2(1565)}{\Delta W_L C_0} \quad R_0 \text{ is in } \text{K}\Omega$$

$$C_{18} = \frac{10^{-4}}{2\pi (\text{Baud Rate})}$$

$$C_{19} = \frac{10^{-4}}{3\pi (\text{Baud Rate})}$$

DESIGN EXAMPLE

Design a FSK Demodulator with the following specification:

$$F_0 = 200 \text{ kHz}$$

$$\Delta F_L = 160 \text{ kHz}$$

$$\text{Baud Rate} = 100 \text{ Kilobaud}$$

In this example, we **must** know the mark and space frequencies. If $F_{\text{mark}} = 160 \text{ kHz}$ and $F_{\text{space}} = 240 \text{ kHz}$, the free running frequency is equal to

$$\frac{F_{\text{mark}} + F_{\text{space}}}{2}$$

$$= 200 \text{ kHz}$$

In order to calculate the free running frequency, we use the formula:

$$F_0 = \frac{234}{C_0}$$

AN-26

In this example we will use a variable resistor (R_T) in order to fine tune F_0 to exactly 200 kHz, therefore:

$$F_0 = \frac{234}{C_0} \left(1 + \frac{.1}{R_T} \right)$$

The lock range (ΔF_L) is equal to twice the difference of the mark and space frequencies, so

$$\Delta F_L = 2(F_{\text{space}} - F_{\text{mark}})$$

R_0 , which sets the lock range equals:

$$R_0 = \frac{2(1565)}{\Delta W L C_0} \quad \Delta W L = \frac{2\pi F_L}{6.28 (160 \times 10^3)} = 1004800$$

$$= \frac{2(1565)}{1004800.0015} \quad \text{Where } C_0 \text{ is in } \mu\text{f} \text{ and } R_0 \text{ is in } K\Omega$$

$$= 2.0 K\Omega$$

The Capture Range (ΔF_C) is equal to:

$$\Delta W_C = \sqrt{\frac{\Delta W L}{6K C17}} \quad \Delta W_C = \frac{2\pi \Delta F_C}{2\pi \Delta F_L}$$

In order to solve for $C17$ we rearrange the equation to read.

$$C17 = \frac{\Delta W L}{(6K) W_C^2}$$

$$= \frac{1004800}{(6K) 753600^2} = 300 \times 10^{-12}$$

therefore:

$$\Delta W_C = \sqrt{\frac{1004800}{(6 \times 10^3) 300 \times 10^{-12}}}$$

$$= 118.97 \text{ kHz}$$

It is important to note $C17$ and $6K$ set the loop time constant. When used as an FSK Demodulator, the XR-210 has post detection filtering on the output of the phase detector. In order to calculate the values for $C18$ and $C19$ we use the relationships:

$$C18 = \frac{10^{-4}}{2\pi (\text{Baud Rate})}$$

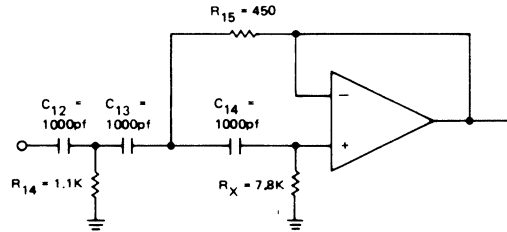
$$= \frac{10^{-4}}{6.28 (100 \times 10^3)} = 160 \times 10^{-12} \text{ or } 160 \text{ pf}$$

$$C19 = \frac{10^{-4}}{9.42 (100 \times 10^3)} = 106 \times 10^{-12} \text{ or } 106 \text{ pf}$$

For the filter, 18 dB of attenuation should be sufficient; therefore:

Design a third order high pass butterworth filter with $f_c = 100 \text{ kHz}$.

1) In order to solve for actual resistor values use Table 1 and set all capacitors equal. The design example is shown below:



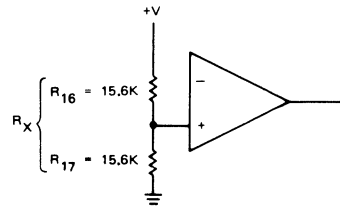
$$R = \frac{1}{W_C C N C}$$

$$R15 = \frac{1}{(6.28 \times 100 \times 10^3) 3.546 (1000 \times 10^{-12})} = 450\Omega$$

$$R14 = \frac{1}{(6.28 \times 100 \times 10^3) 1.392 (1000 \times 10^{-12})} = 1.1K\Omega$$

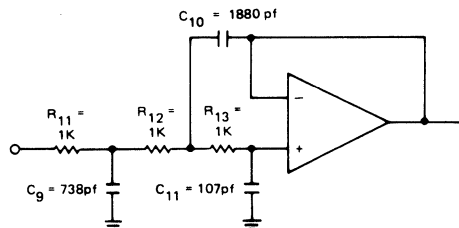
$$R_X = \frac{1}{(6.28 \times 100 \times 10^3) 2.024 (1000 \times 10^{-12})} = 7.8K\Omega$$

After calculating R_X take twice the value and configure as shown below:



Design a third order lowpass butterworth filter with $F_c = 300 \text{ kHz}$.

2) In order to solve the actual capacitances, use Table 1 and set all resistors equal. The design example is shown below:



AN-26

$$C = \frac{CN}{W_c R} \quad W_c = 2\pi F_c$$

$$C = \frac{3.546}{2\pi(300 \times 10^3) 1 \times 10^3} = 1880 \text{ pf}$$

$$C_{10} = \frac{3.546}{1884000000} = 1880 \text{ pf}$$

$$C_9 = \frac{1.392}{1884000000} = 738 \text{ pf}$$

$$C_{11} = \frac{.2024}{1884000000} = 107 \text{ pf}$$

Design an FSK modulator with $F_{\text{mark}} = 560 \text{ kHz}$ and $F_{\text{space}} = 640 \text{ kHz}$. The frequency of oscillation with the FSK input (Pin 9) is high is equal to:

$$F_{\text{mark}} = \frac{1}{R7A + R7B C3} = \frac{1}{1 \text{ K} + 785\Omega \cdot 0.01\mu\text{f}} = 560 \times 10^3 \text{ or } 560 \text{ kHz}$$

When FSK input (Pin 9) is low the frequency is equal to:

$$F_{\text{space}} = \frac{1}{R8A + R8B C3} = \frac{1}{1 \text{ K} + 562\Omega \cdot 0.01\mu\text{f}} = 640 \times 10^3 \text{ or } 640 \text{ kHz}$$

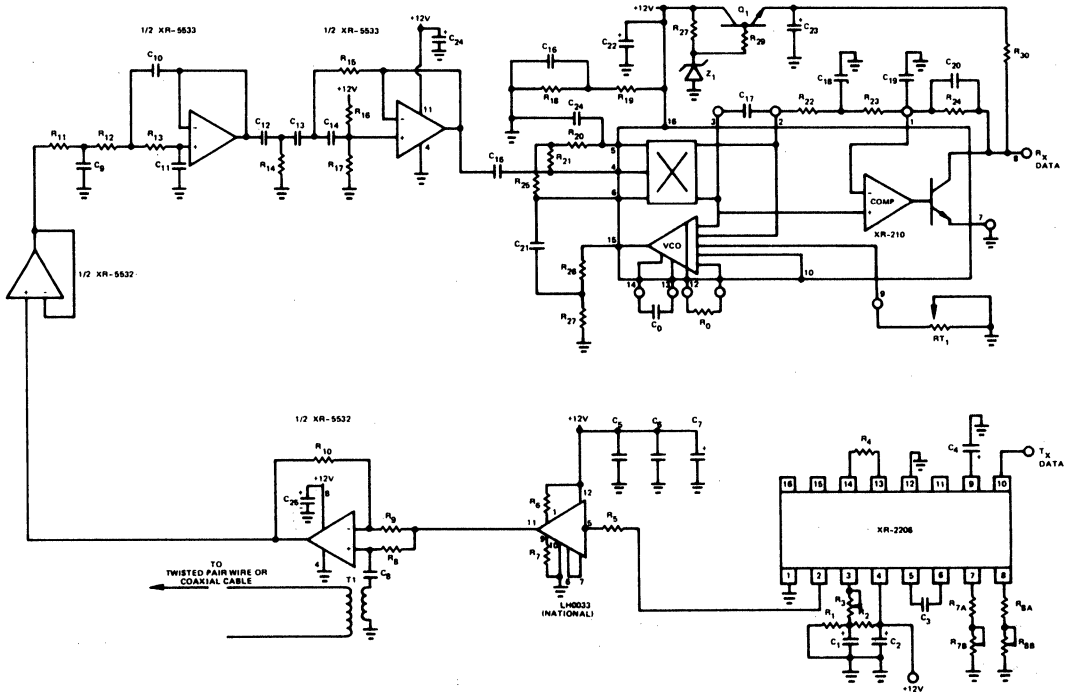
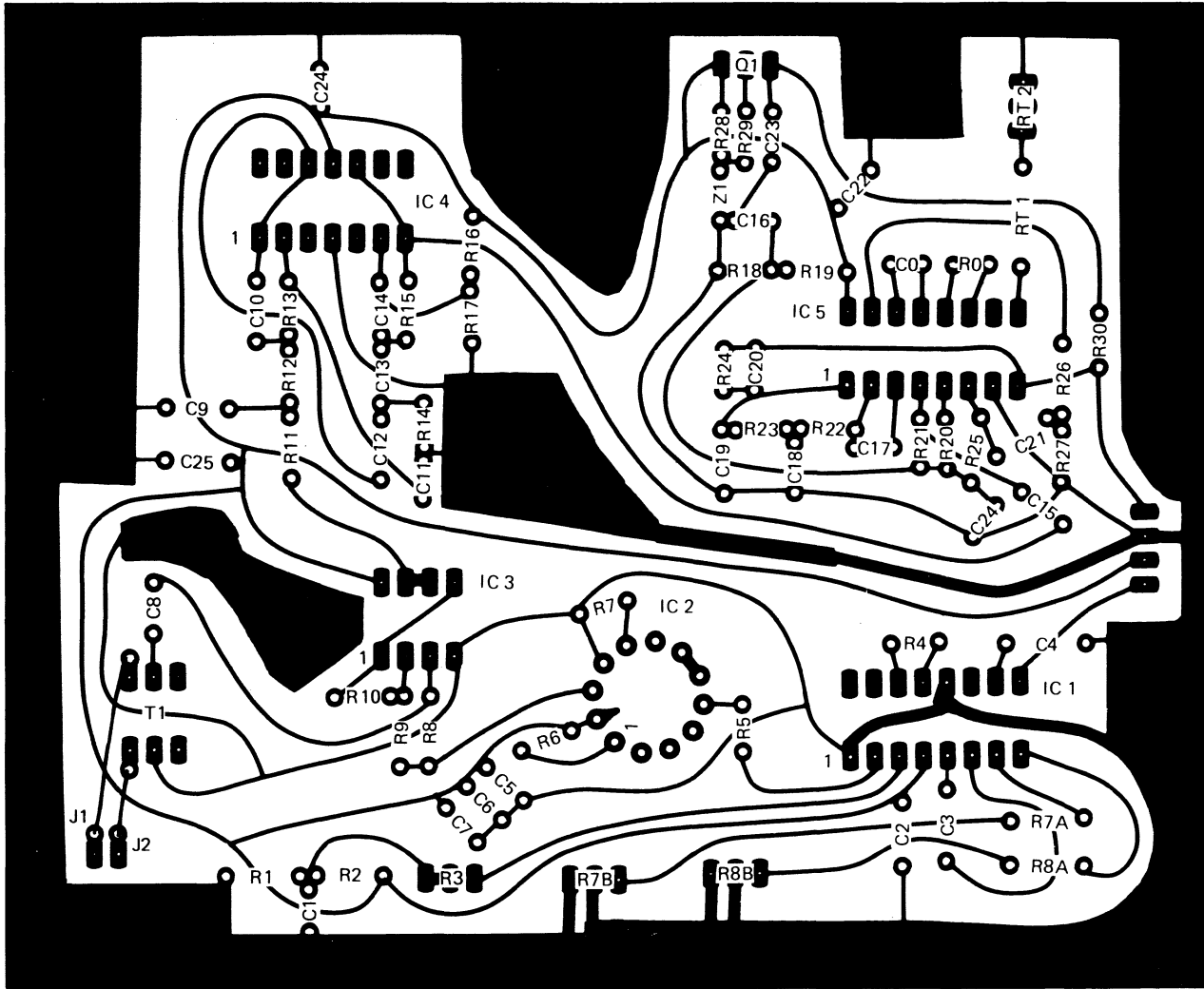


Figure 6. Complete Schematic for 100 Kilobaud FSK Modem



RX DATA
GRND
+12V
TX DATA

Figure 7. P.C. Board Layout for 100 Kilobaud FSK Modem—Component Side

AN-26

AN-26

PART NO.	ANSWER	ORIGINATE	PART NO.	ANSWER	ORIGINATE
R1-R2	5.1K	5.1K	C1	47 μ f	47 μ f
R3	50K Ω Pot	50K Ω Pot	C2	4.7 μ f	4.7 μ f
R4	200 Ω	200 Ω	C3	.001 μ f	.001 μ f
R5	51 Ω	51 Ω	C4	4.7 μ f	4.7 μ f
R6-R7	100 Ω	100 Ω	C5-C6	.1 μ f	.1 μ f
*R8	75 Ω	75 Ω	C7	4.7 μ f	4.7 μ f
R9-R10	10 K Ω	10 K Ω	C8	1 μ f	1 μ f
R11-R13	1 K Ω	1 K Ω	C9	738 pf	317 pf
R14	1.1 K Ω	228 Ω	C10	1800 pf	807 pf
R15	450 Ω	90 Ω	C11	107 pf	46 pf
R16-R17	16 K Ω	3 K Ω	C12-C14	1000 pf	1000 pf
R18-R19	5 K Ω	5 K Ω	C15	.22 μ f	.22 μ f
R20	2 K Ω	2 K Ω	C16	1 μ f	1 μ f
R21	4 K Ω	4 K Ω	C17	300 pf	300 pf
R22	10 K Ω	10 K Ω	C18	150 pf	150 pf
R23	5 K Ω	5 K Ω	C19	106 pf	106 pf
R24	249 K Ω	249 K Ω	C20	10 pf	10 pf
R25	4 K Ω	4 K Ω	C21	.1 μ f	.1 μ f
R26	3 K Ω	3 K Ω	C22-C25	4.7 μ f	4.7 μ f
R27	10 K Ω	10 K Ω	Q1	2N2222A	2N2222A
R28	5 K Ω	5 K Ω	T1	PE-5760**	PE-5760**
R29	562 Ω	562 Ω	Z1	1N5232	1N5232
R30	1.3 K Ω	1.3 K Ω	IC 1	XR-2206	XR-2206
RO	2.4 K Ω	7.4 K Ω	IC 2	LH0033†	LH0033†
RT2	1 K Ω Pot	1 K Ω Pot	IC 3	XR-5532	XR-5532
R7A	1.4 K Ω	562 Ω	IC 4	XR-5533	XR-5533
R7B	1 K Ω Pot	1 K Ω Pot	IC 5	XR-210	XR-210
R8A	750 Ω	3.3 K Ω	*150 Ω		
R8B	1 K Ω Pot	1 K Ω Pot	J1-J2	JUMPER	JUMPER
RT1	50 Ω	100 Ω		WIRE	WIRE

*Twisted Pair Wire

**Pulse Engineering

†National

Figure 8. Component List for 100 Kilobaud FSIC Modem

High-Frequency TTL Compatible Output from the XR-215 Monolithic PLL Circuit

INTRODUCTION

With digital circuitry as common as it is, it is necessary to be able to interface analog signals to digital systems. This can be done by using the XR-215, a monolithic PLL circuit, and an additional buffer circuit.

When an input signal is present within the capture range of the PLL system, the XR-215 will lock on the input signal and the VCO section of the PLL will synchronize with the input frequency. The VCO output can then be buffered in order to produce a TTL compatible output.

PRINCIPLES OF OPERATION

Figure 1 shows a functional block diagram of the XR-215 monolithic PLL system. The circuit contains a phase comparator, a voltage controlled oscillator (VCO), and an operational amplifier. A complete phase locked loop system can be made by simple ac coupling the VCO output to either of the phase comparator inputs, and by adding a low pass filter to the phase comparator outputs.

The VCO output can be buffered in order to produce a TTL compatible output at high frequencies by the simple common emitter circuit shown in Figure 2. The amplitude of VCO degrades as frequency increases and at 21 MHz, the amplitude is reduced from approximately 2.5 Vpp to 400 mVpp. The dc output level is 2 volts below V_{CC} so with V_{CC} equal to ± 5 volts, the dc level is

approximately 3 volts. The VCO output is ac coupled in order to block this dc level. The input signal causes Q_1 to be overdriven, where the amplitude is 400 mVpp offset at approximately 0.769 Vdc. When Q_1 is in the offstate, the collector voltage will be forced high and when this voltage exceeds 0.7 Vdc, Q_2 will turn on and the collector of Q_1 will be clamped at 0.7 Vdc. The output of the VCO at the TTL buffered output will be in phase.

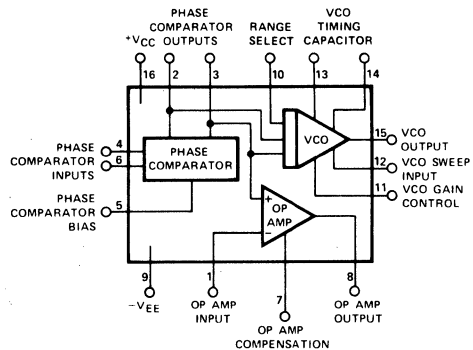


Figure 1. Functional Block Diagram of XR-215 Monolithic PLL Circuit.

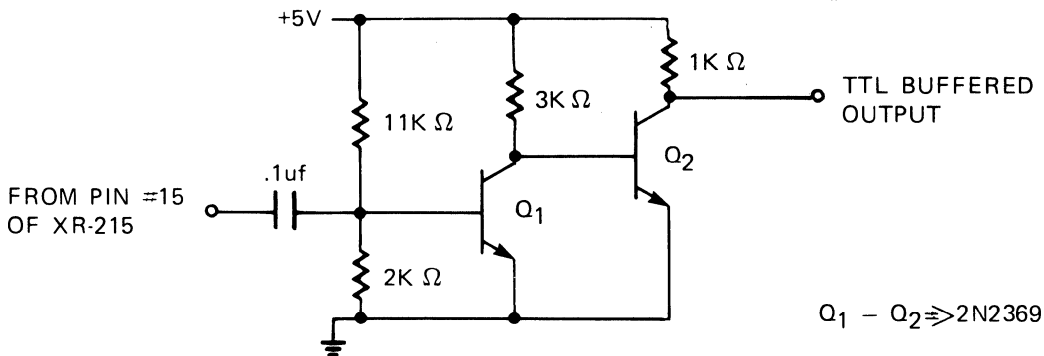
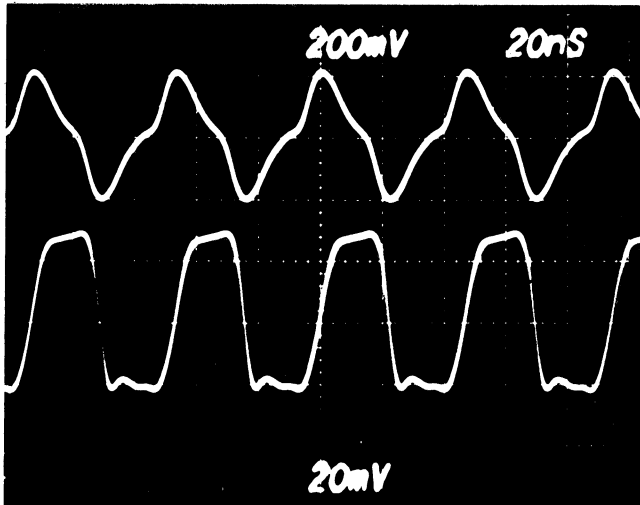


Figure 2. Common Emitter Buffer Circuit.

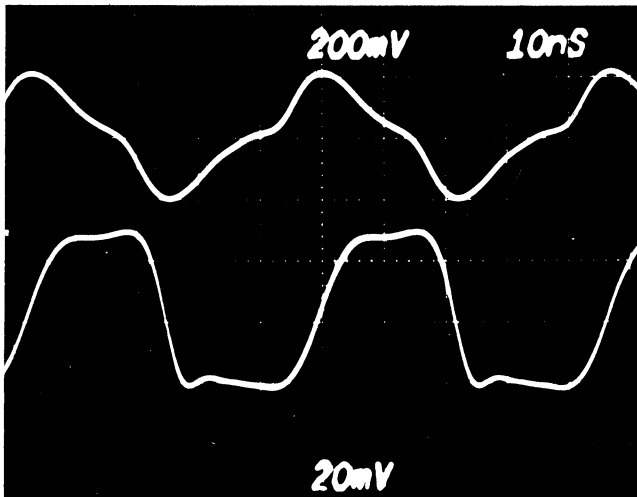
$Q_1 - Q_2 \Rightarrow 2N2369$

AN-27



VCO OUTPUT (PIN 15)
OF XR-215

TTL BUFFERED OUTPUT
AT 21 MHz MEASURED
WITH X100 PROBE.



PROPAGATION DELAY IS
APPROXIMATELY 5 ns

AN-27

HIGH FREQUENCY SYNTHESIS

An application where a high frequency TTL compatible output would be useful is in high frequency synthesis, as shown in Figure 3. The output of the buffer, which can produce a high frequency TTL compatible output, is divided down the divider modulus N. When the entire

system is synchronized to an input signal at frequency f_s , the VCO output (pin 15) is at frequency Nf_s , where N is the divider modulus. This is useful because a large number of discrete frequencies can be synthesized from a given reference frequency.

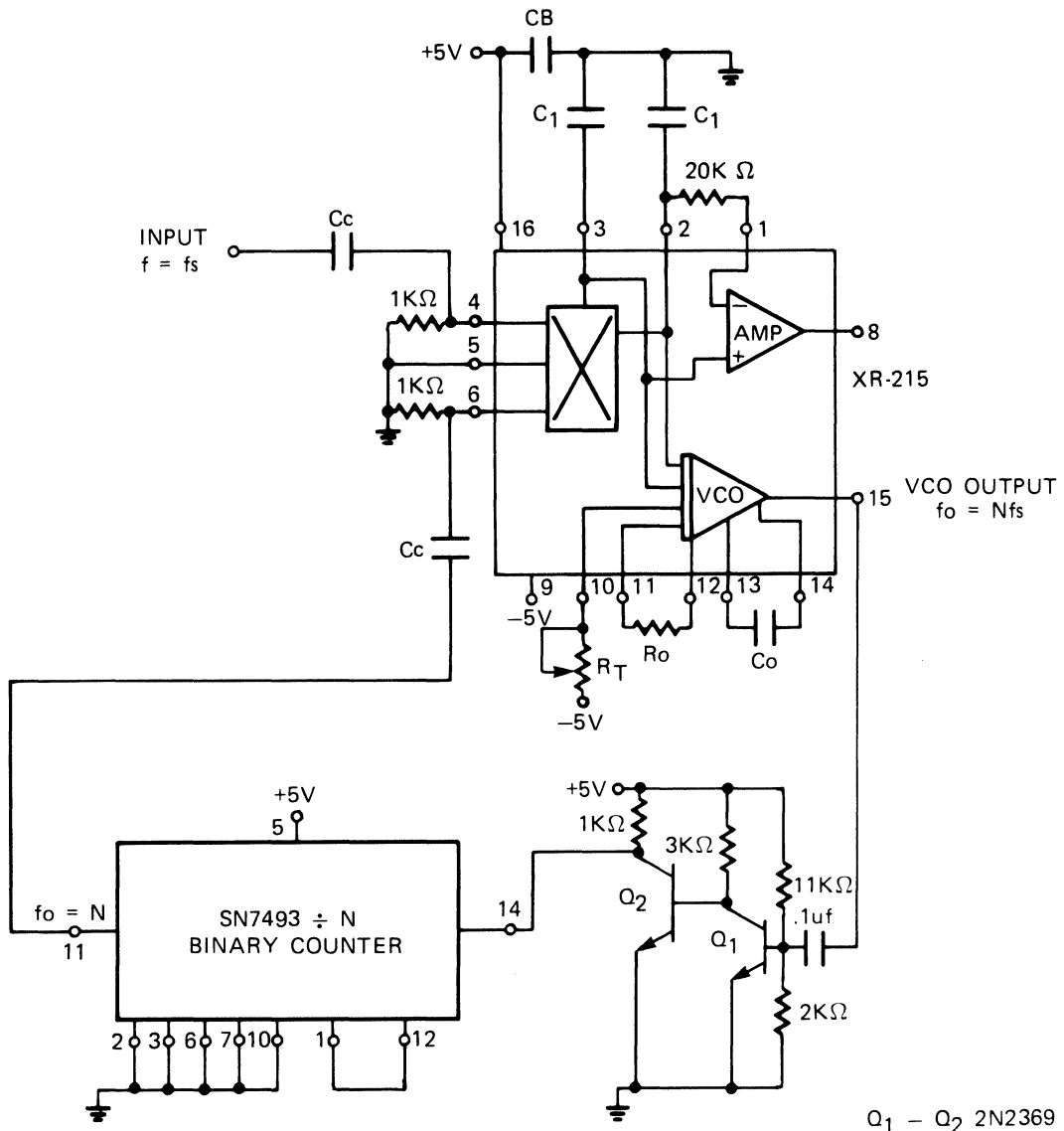


Figure 3. High Frequency Synthesis Circuit.

XR-212AS Modem System

INTRODUCTION

This application note describes a four-chip modem set designed to perform the complete Bell 212A type modem function. Described are the functions of each device, the connection of the four together, and testing procedures with performance data.

PRINCIPLES OF OPERATION

The basic characteristics of the 212A type modem are listed in Figure 1. As seen, this type of system is basically a dual modem. It can communicate with either low speed FSK modems (Bell 100 Series) or at 1200 BPS to PSK modems.

Figure 2 illustrates the major components of most modem systems. The four sections are:

1. **Modem Signal Processor (MSP):** This is the heart of the modem. It contains the modulator, demodulator, and filtering functions.
2. **Data Coupler:** This section in the 212A is a direct access arrangement (DAA). This type is directly connected to the switched telephone network. The DAA serves to protect the phone network from modem and vice versa.
3. **UART:** Performs serial to parallel conversion and timing functions.
4. **Handshaking Controls:** Timing functions for signals such as clear to send (CTS) and request to send (RTS).

The XR-212A consists of the following four devices which perform the complete MSP function.

XR-2120A 212A/V.22 Modem Filter: This is a switched capacitor type filter to perform precise filtering and equalization for transmitted and received carrier frequencies of 1200 Hz and 2400 Hz.

XR-2121 - PSK/FSK Modulator: Complete modulation functions are performed by this device for both 300 BPS FSK and 1200 BPS PSK.

XR-2122 - PSK/FSK Demodulator: Demodulation of FSK or PSK encoded carriers is performed by the XR-2122.

XR-2125 - Data Buffer: Performs asynchronous to synchronous and synchronous to asynchronous conversion.

MAJOR 212A TECHNICAL SPECIFICATIONS	
DATA RATES:	
Low Speed Mode:	0-300 BPS Asynchronous Format
High Speed Mode:	1200 BPS Character-Asynchronous Format 1200 BPS Synchronous Format
ENCODING FORMATS:	
Low Speed Mode:	FSK (Frequency Shift Keying)
High Speed Mode:	PSK (Phase Shift Keying)
OPERATING MODE:	
Full-Duplex at all Speeds	
LINE REQUIREMENT:	
Two-Wire Switched Network	

Figure 1. Major 212A Technical Specifications

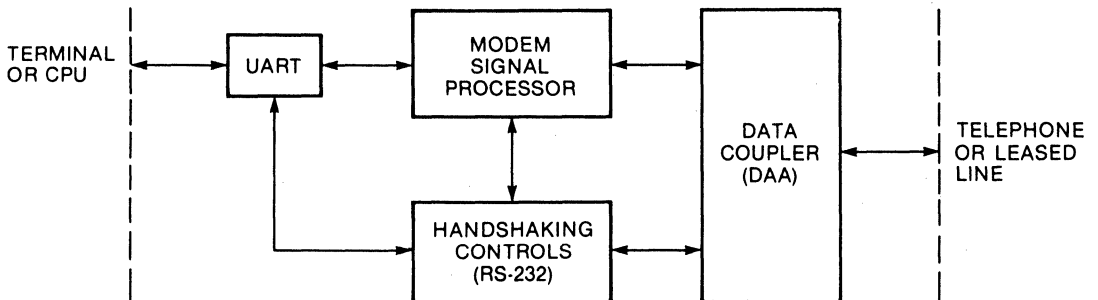


Figure 2. Modem Architecture

AN-28

COMPLETE SYSTEM

Figure 3 is a simplified complete schematic intended to illustrate the complexity of the system. Detailed pin connections were not available at the time of printing this application note.

A test set-up for bit error rate testing is shown in Figure 4, with testing results as well.

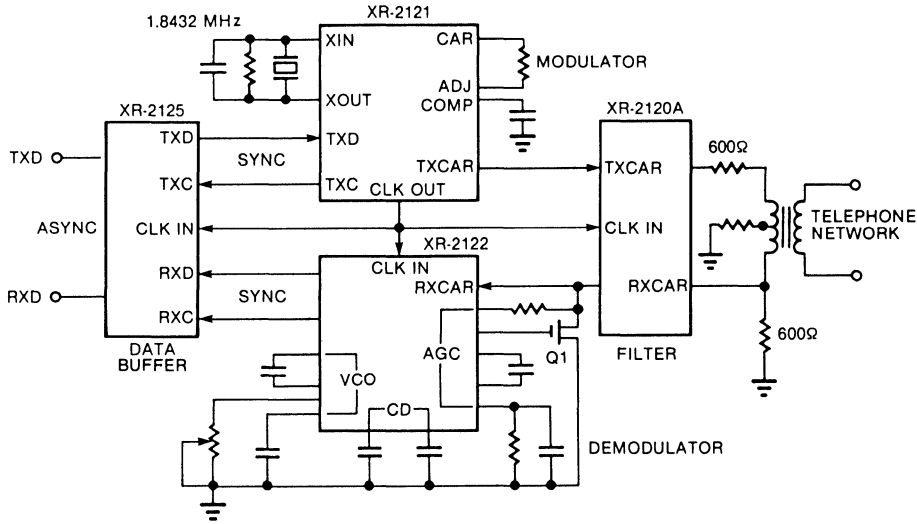
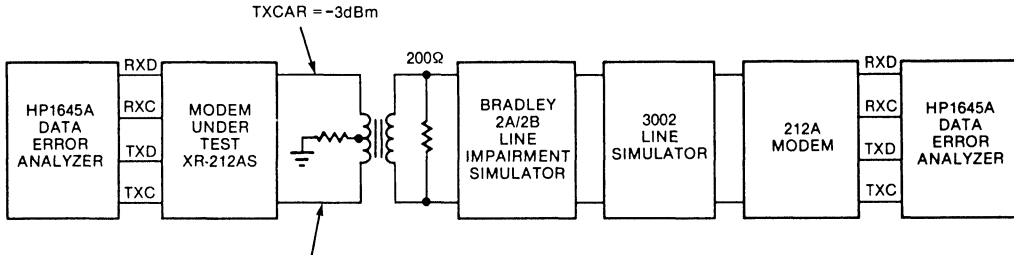


Figure 3. Complete Modem Signal Processor



CONDITIONS: RXCAR = -40 dBm, NOISE LEVEL = -52 dBm (S/N = 12 dB), HIGH SPEED MODE (1200 BPS)
RETURN LOSS = -4 dB, 511 DATA PATTERN

MODE	FREQUENCY OFFSET	BER
ANSWER	0 Hz	< 1/10 ⁻⁶
ANSWER	± 5 Hz	< 1/10 ⁻⁶
ORIGINATE	0 Hz	< 1/10 ⁻⁶
ORIGINATE	± 5 Hz	< 1/10 ⁻⁵
*ORIGINATE	± 5 Hz	< 1/10 ⁻⁶

*With additional equalizer selected on XR-2120A filter.

Figure 4. 212AS Performance Testing



QUALITY ASSURANCE

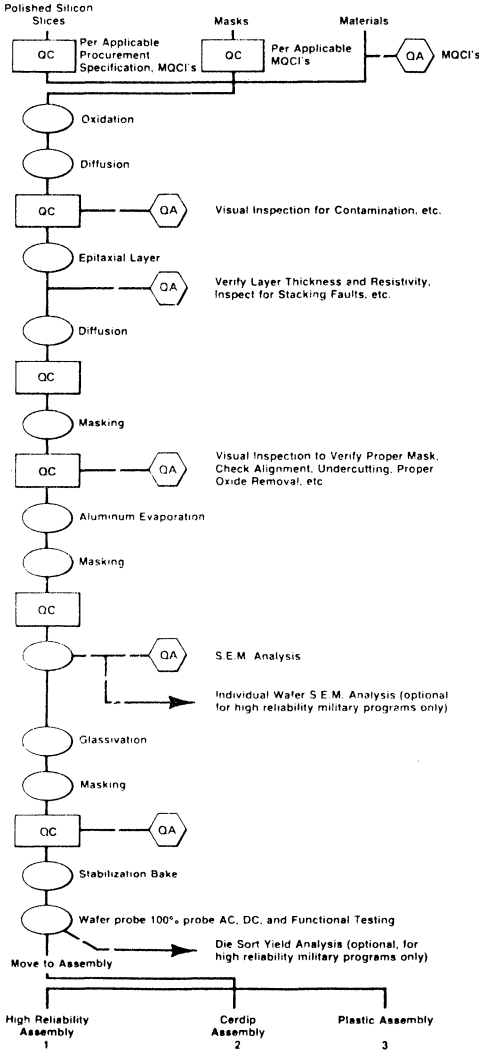
Quality Assurance Standards 4-2

Quality Assurance

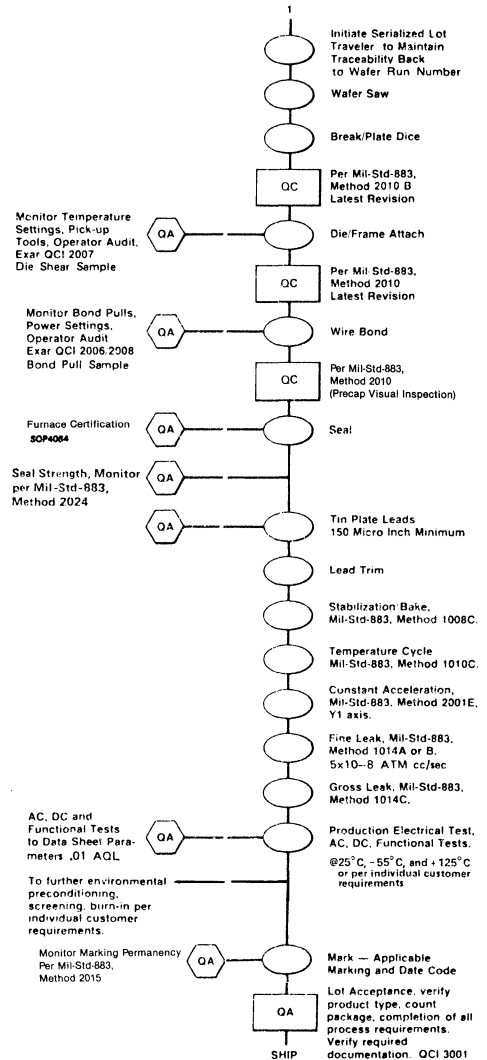
Quality Assurance Standards

The quality assurance program at Exar Corporation defines and establishes standards and controls on manufacturing, and audits product quality at critical points during manufacturing. The accompanying Manufacturing/QA process flow charts illustrate where quality assurance audits the manufacturing process, by inspection or test. The insertion of these quality assurance points is designed to insure that the highest quality standards are maintained on Exar products during manufacturing.

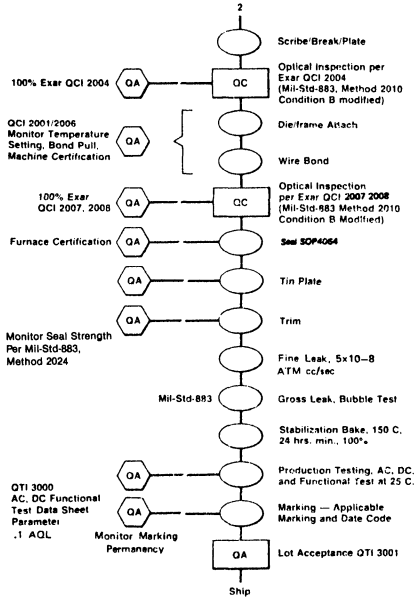
Wafer Fabrication/QA Flow



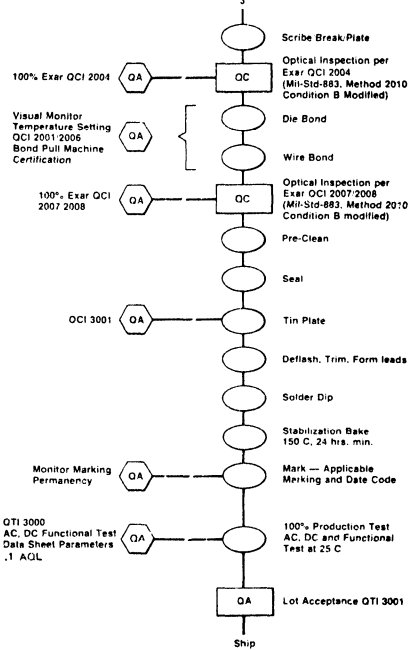
High Reliability Assembly/QA Flow



Cerdip Assembly Q/A Flow



Plastic Assembly Q/A Flow



PRODUCT ORDERING INFORMATION

Part Identification

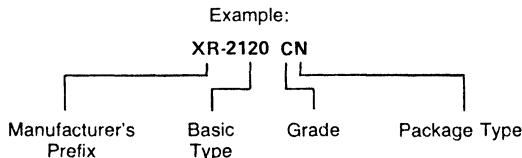
XR	XXXX
Manufacturer's Prefix	Basic Type
Grade	Package Type
M = Hi-Rel	N = Ceramic Dual-in-line
N = Prime	P = Plastic Dual-in-line
Electrical	MD = Small Outline
P = Prime	
Electrical	
C = Commercial	
K = Kit	

Definition of Symbols:

- M = Hi-Rel Grade Part, Ceramic Package Only, and are guaranteed to operate over the temperature range of -55 to +125°C.
- N = Prime Grade Part, Ceramic Package.
- P = Prime Grade Part, Plastic Package.
- CN = Commercial Grade Part, Ceramic Package.
- CP = Commercial Grade Part, Plastic Package.
- MD = Commercial Grade Part, Plastic Small Outline Package (Marking does not include MD letters)

N, P, CN and CP parts are electrically identical and guaranteed to operate over 0°C to +70°C range unless otherwise stated. In addition, N and P parts generally have operating parameters more tightly controlled than the CN or CP parts.

For details, consult Exar Sales Headquarters or Sales/Technical Representatives.



Legend:

- Operation
- 100% inspection
- Surveillance
- QC = Quality Control
- QA = Quality Assurance



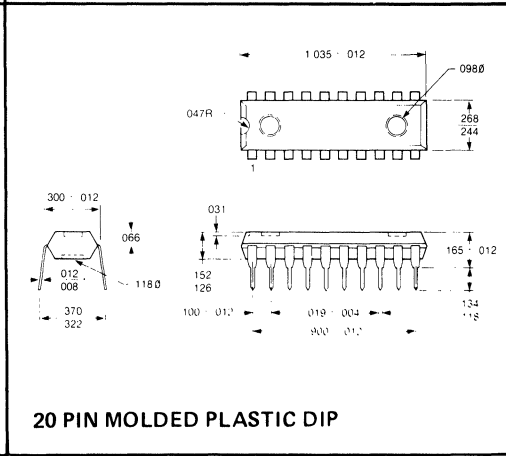
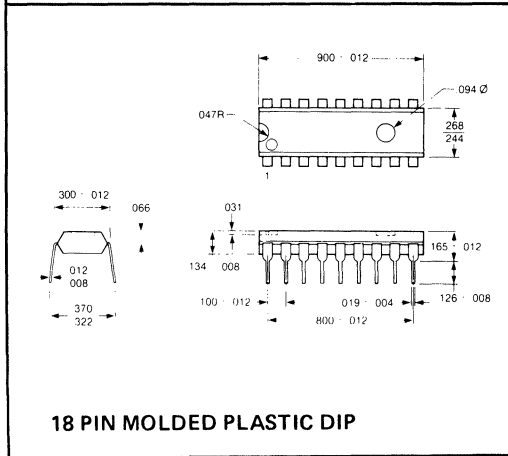
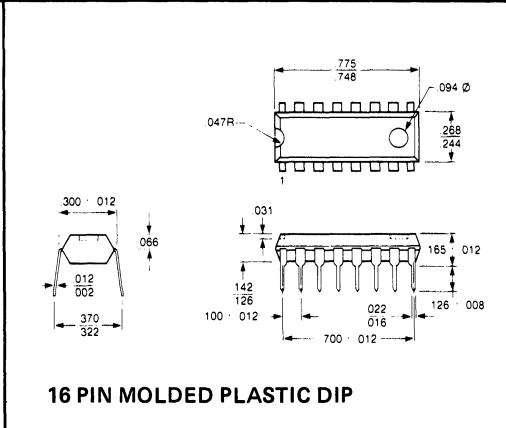
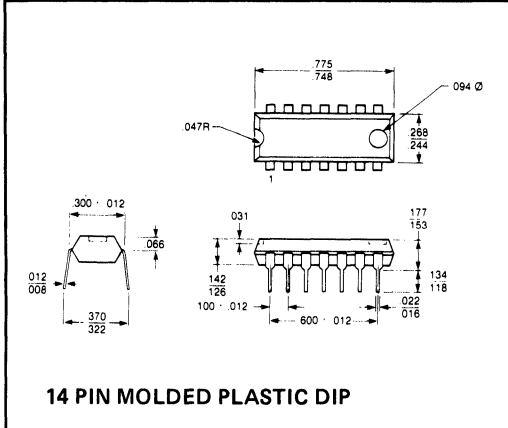
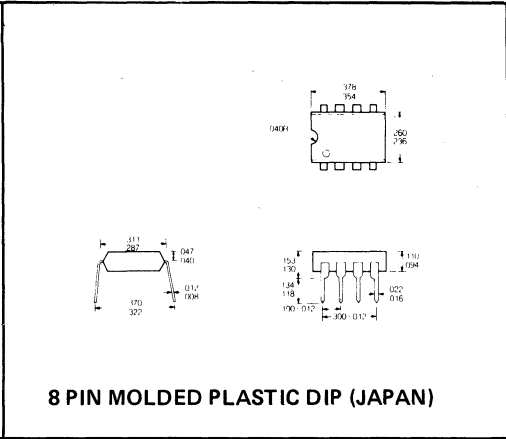
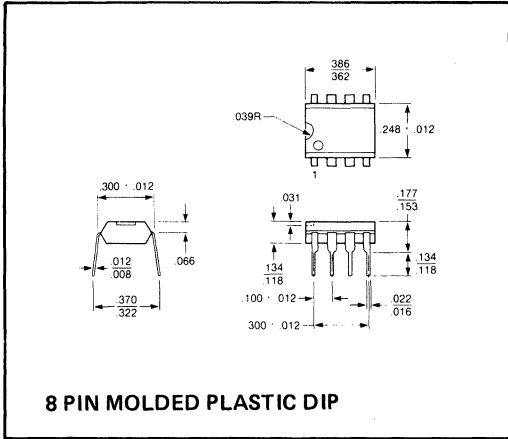
General Information



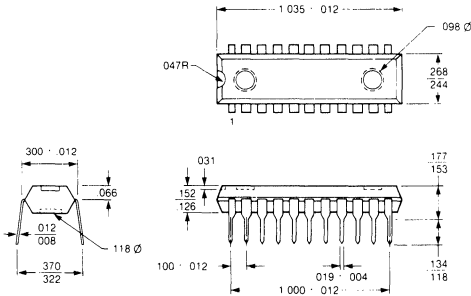
GENERAL INFORMATION

Package Information and Options	5-2
Monolithic Chips for Hybrid Assemblies	5-8
Industry-Wide Product Cross Reference	5-9
Distributors and Representatives	5-10
Technical Literature Request	5-16

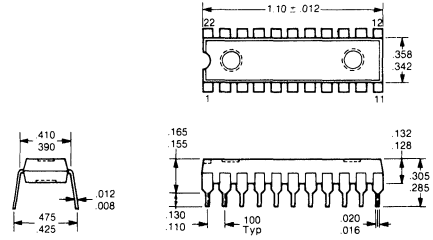
Package Information (Plastic)



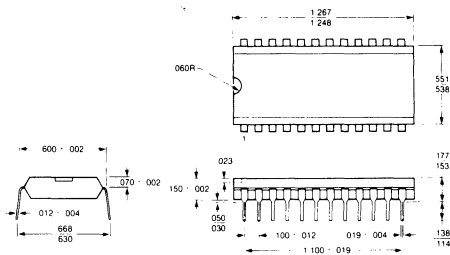
Package Information (Plastic)



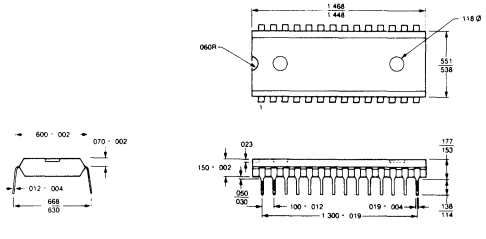
22 PIN MOLDED PLASTIC DIP



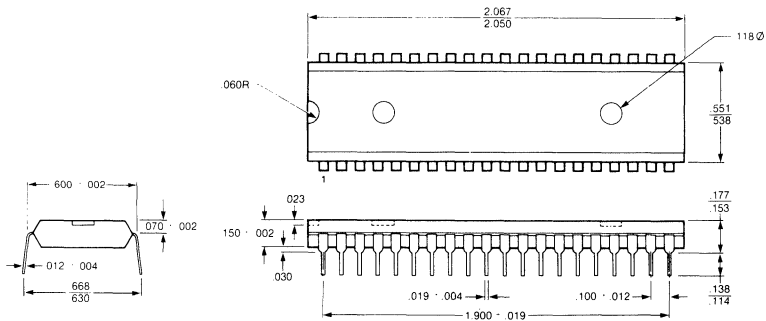
**22 PIN MOLDED PLASTIC DIP
(400 MILS WIDTH)**



24 PIN MOLDED PLASTIC DIP

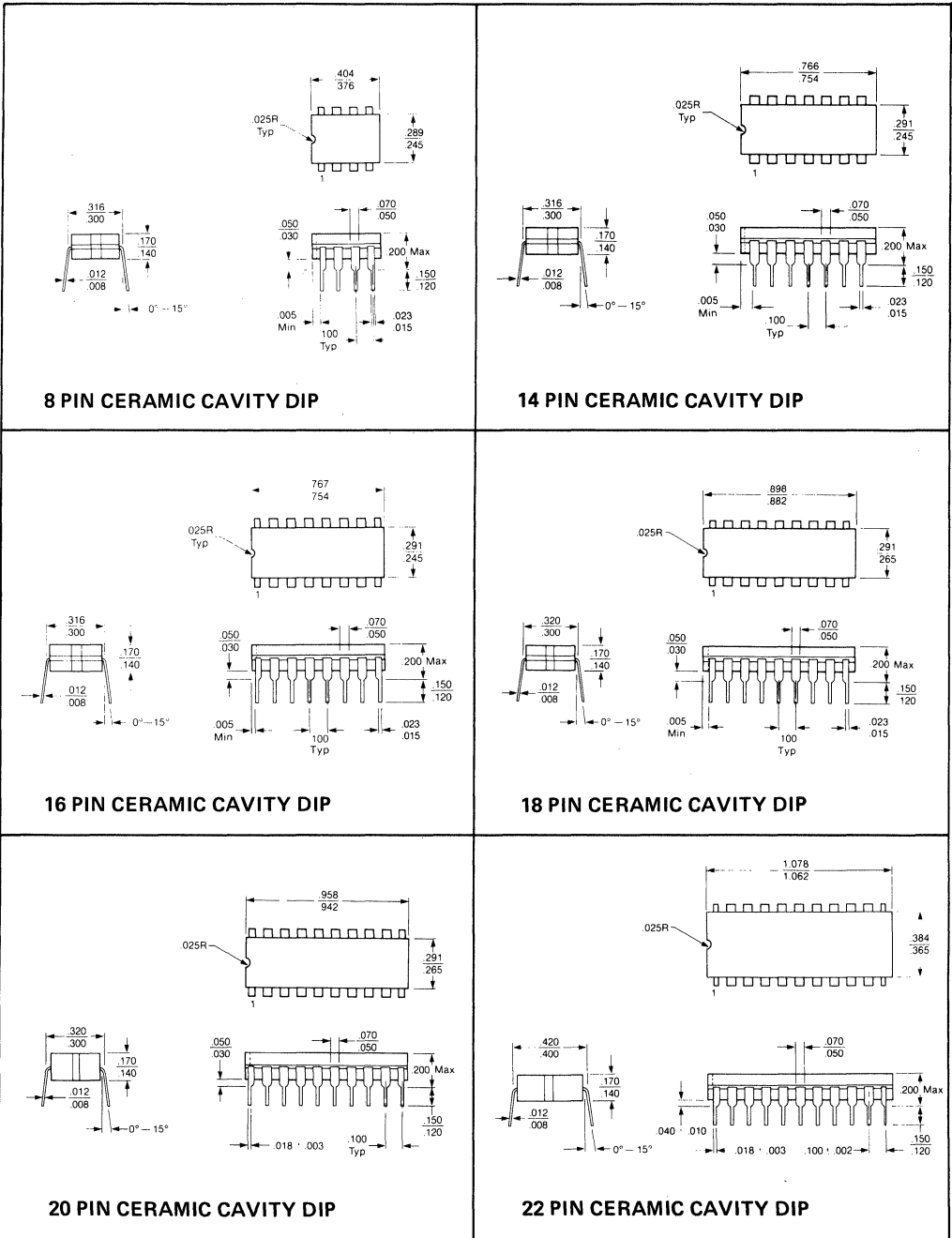


28 PIN MOLDED PLASTIC DIP

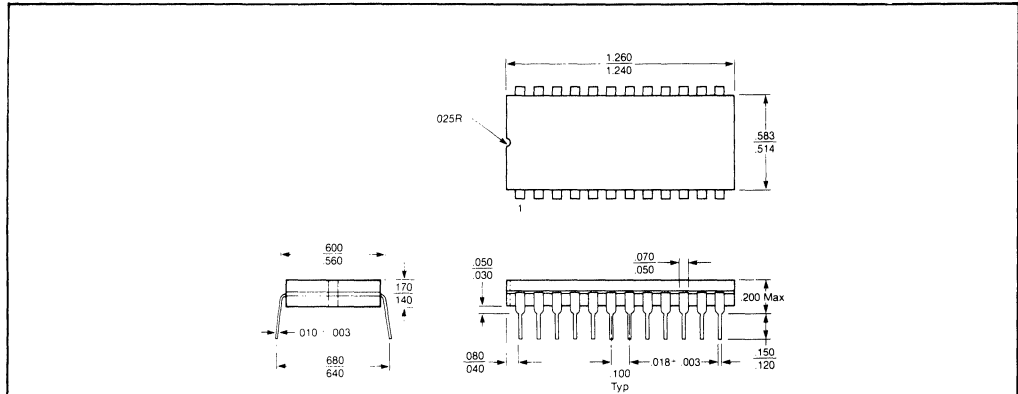


40 PIN MOLDED PLASTIC DIP

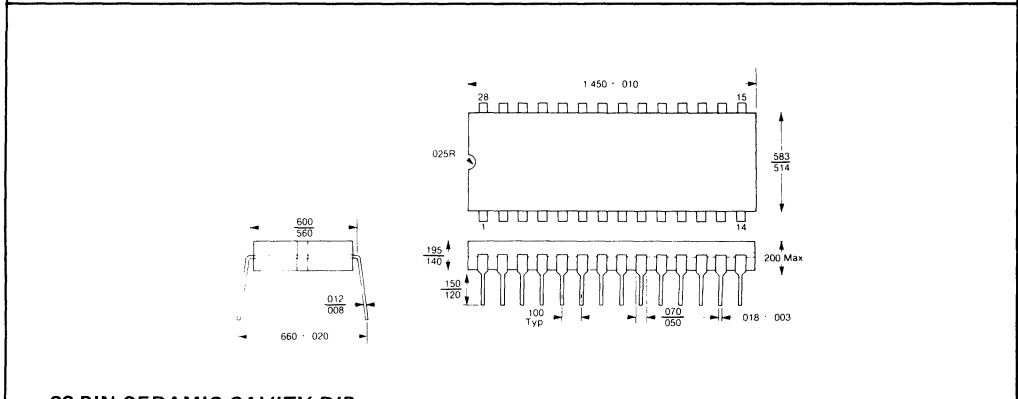
Package Information (Cerdip)



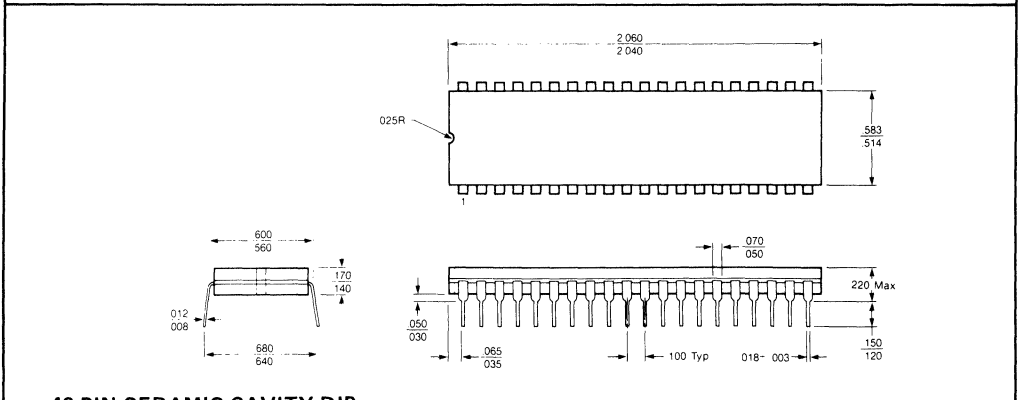
Package Information (Cerdip)



24 PIN CERAMIC CAVITY DIP



28 PIN CERAMIC CAVITY DIP



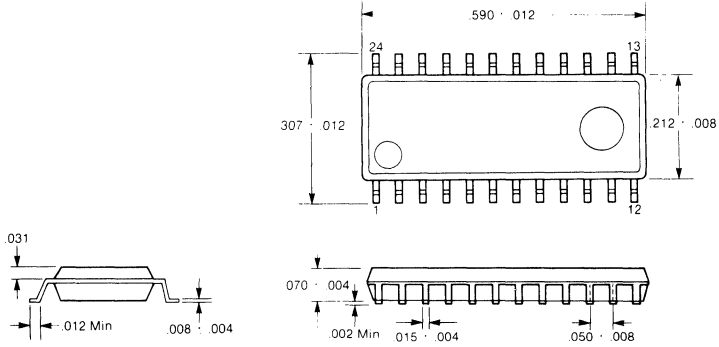
40 PIN CERAMIC CAVITY DIP

Package Information (Plastic Small Outline)

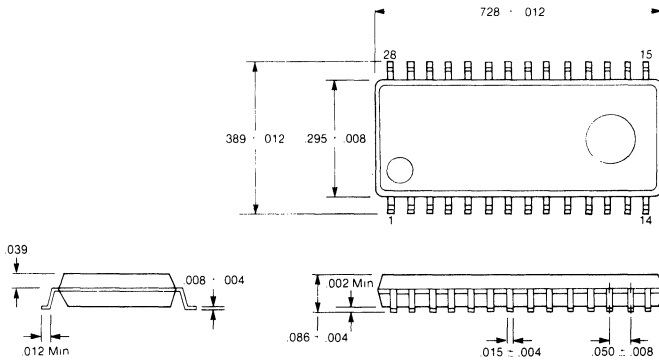
<p>8 PIN S.O.T. PACKAGE (M.D.P.)</p>	<p>14 PIN S.O.T. PACKAGE (M.D.P.)</p>
<p>16 PIN S.O.T. PACKAGE (M.D.P.)</p>	<p>18 PIN S.O.T. PACKAGE (M.D.P.)</p>
<p>20 PIN S.O.T. PACKAGE (M.D.P.)</p>	<p>22 PIN S.O.T. PACKAGE (M.D.P.)</p>

Package Information

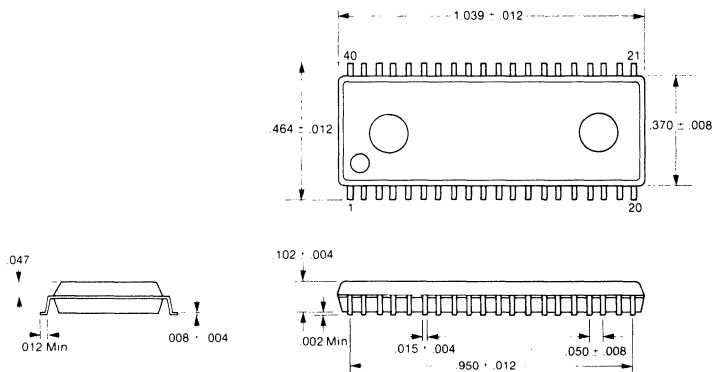
(Plastic Small Outline)



24 PIN S.O.T. PACKAGE (M.D.P.)



28 PIN S.O.T. PACKAGE (M.D.P.)



40 PIN S.O.T. PACKAGE (M.D.P.)

Monolithic Chips for Hybrid Assemblies

The major performance characteristics of Exar products are also available in chip form. All chips are 100% electrically tested for guaranteed dc parameters at 25°C, and 100% visually inspected at 30× to 100× magnification using Exar's standard visual inspection criteria or MIL-STD-883, Method 2010, depending on the individual customer requirements. Each chip is protected with an inert glass passivation layer over the metal interconnections. The chips are packaged in waffle-pack carriers with an anti-static shield and cushioning strip placed over the active surface to assure protection during shipment. All chips are produced on the same well-proven production lines that produce Exar's standard encapsulated devices. The Quality Assurance testing of dice is provided by normal production testing of packaged devices.

FEATURES

- Guaranteed dc Parameters at 25°C
- 100% Visual Inspection
- Care in Packaging
- 100% Stabilization Bake (Wafer Form)

CHIPS IN WAFER FORM

Probed and inked wafers are also available from Exar. The hybrid microcircuit designer can specify either scribed or unscribed wafers and receive a fully tested silicon wafer. Rejected die are clearly marked with an ink dot for easy identification in wafer form.

ELECTRICAL PARAMETERS

Probing the IC chips in die form limits the electrical testing to low-level dc parameters at 25°C. These dc parameters are characteristic of those parameters contained on the individual device data sheet and are guaranteed to an LTPD of 10%.

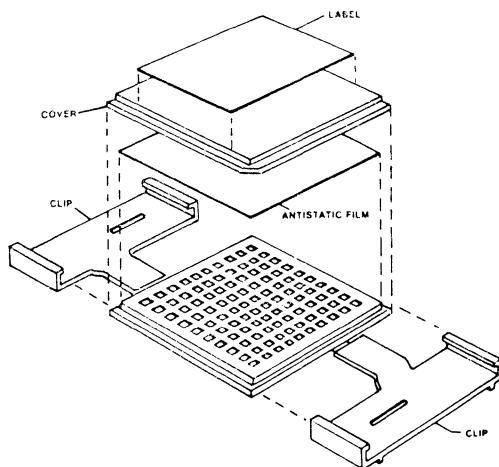
The ac parameters, which are similar to those in the standard Exar device data sheets, have been correlated to selected dc probe parameters.

HANDLING PRECAUTIONS AND PACKAGING OPTIONS

Extreme care must be used in the handling of unencapsulated semiconductor chips or dice, to avoid damage to the chip surface. Exar offers the following two handling or packaging options for monolithic chips supplied to the customer:

Cavity or Waffle Pack: The dice are placed in individual compartments of the waffle pack (see figure). The plastic snap clips permit inspection and resealing

Wafer Pack: The entire wafer is sandwiched between two pieces of mylar and vacuum sealed in a plastic envelope.



Typical Cavity Pack
(Waffle Pack)

INDUSTRY-WIDE PRODUCT CROSS REFERENCE

XR Devices	Fairchild	Intersil	Motorola	National	Raytheon	Signetics	Silicon General	Sprague	Texas Instruments
082 083 084									TL082 TL083 TL084
146 246 346 346-2				LM146 LM246 LM346 LM346-2	LM146 LM246 LM346				
494 495									TL494 TL495
555 L555 556 L556 558 559 567	UA555 UA556	NE555 NE556	MC1455 MC3456	LM555 LM556 LM567	RC555 RC556	NE555 NE556 NE558 NE559 NE567	SG555 SG556		SN72555
1310 1468 1488 1489 1524 1525A 1527A 1543	UA1488 UA1489A		MC1310 MC1468 MC1488 MC1489A	LM1310 LM1489A LM1524	RC1489A RC1489A	MC1310 MC1488 MC1489A SG1524	SG1468 SG1488 SG1489A SG1524 SG1525A SG1527A SG1543	ULN2110	SN76115N MC1488 SN75188 SN75189A SG1524
2001 2002 2003 2004 2011 2012 2013 2014	UA9665 UA9666 UA9667 UA9668		MC1411 MC1412 MC1413 MC1416			ULN2001 ULN2003 ULN2004	SG2001 SG2002 SG2003 SG2004 SG2011 SG2012 SG2013 SG2014	ULN2001 ULN2002 ULN2003 ULN2004 ULN2011 ULN2012 ULN2013 ULN2014	
2201 2202 2203 2204 2207 2211 2240	UA9665 UA9666 UA9667 UA9668 UA2240		MC1411 MC1412 MC1413 MC1416		RC2207 RC2211	ULN2001 ULN2002 ULN2003 ULN2004	SG2001 SG2002 SG2003	ULN2001 ULN2002 ULN2003 ULN2004	ULN2001 SN75466 ULN2002 SN75467 ULN2003 SN75468 ULN2004 SN75469 UA2240
2524 2525A 2527A 2543 2567				LM2524		SG2524 RC2567	SG2524 SG2525A SG2527A SG2543		
3403 3470A	UA3403		MC3403 MC3470A		RC3403				MC3403
3503 3524 3525A 3527A 3543	UA3503		MC3503	LM3524	RC3503	SG3524	SG3503 SG3524 SG3525A SG3527A SG3543		MC3503 SG3524
4136 4151 4194 4195	UA4136 UA4151				RC4136 RC4151 RC4194 RC4195		SG4194		RC4136
4558 4739 4741	UA4558 UA739	LM348	MC4558 MC4741	LM1458 LM348	RC4558 RC4739 HA4741-5	MC1458	SG1458		RC4558 SN72558
5532 5533 5534					RC5532 RC5533 RC5534	NE5532 NE5533 NE5534			NE5532 NE5533 NE5534
6118 6128						NE594		ULN6118 ULN6128	
8038		ICL8038							
13600 14412			MC14412	LM13600	LM13600	NE5517			

AUTHORIZED REPRESENTATIVES

ALABAMA

Rep. Incorporated
11535 Gilleland Rd./
P.O. Box 4889
Huntsville, AL 35803/35815
(205) 881-9270
TWX 810-726-2102

ALASKA

(Call Exar Direct)

ARIZONA

Summit Sales
7825 E. Redfield Rd.
Scottsdale, AZ 85260
(602) 998-4850
TWX 920-950-1283

ARKANSAS

(See Oklahoma)

CALIFORNIA (North)

Criterion
3350 Scott Blvd, Blvd. 44
Santa Clara, CA 95051
(408) 988-6300
TWX 910-338-7352

CALIFORNIA (South)

Harvey King, Inc.
8124 Miramar Rd.
San Diego, CA 92126
(619) 566-5252

Landa/Minyard, Inc.
1618 Cotner Ave.
Los Angeles, CA 90025
(213) 879-0770
TWX 910-342-6343

COLORADO

(Call EXAR Direct)

CONNECTICUT

Phoenix Sales
386 Main st.
Ridgefield, CT 06877
(203) 438-9644
TWX 710-467-0662

DELAWARE

(See Maryland)

FLORIDA

Donato & Assoc., Inc.
2758 W. Oakland Park Blvd.
Suite 210
P.O. Box 5848
Ft. Lauderdale, FL 33310
(305) 522-2200
TWX 810-850-0244

Donato & Assoc., Inc.
5401 Kirkman Rd., Ste. 785
Orlando, FL 32819
(305) 352-0727
TWX 810-850-0244

Donato & Assoc., Inc.
535 Hollow Ridge Rd.
P.O. Box 1560
Palm Harbor, FL 33563
(831) 785-3327

GEORGIA

Rep. Incorporated
1944 Cooleedge Rd.
Tucker, GA 30084
(404) 938-4358
TWX 810-766-0822

HAWAII

(Call Exar Direct)

IDAHO

(See Washington)

ILLINOIS (North)

Janus, Inc.
3166 Des Plaines Ave.
Suite 14
Des Plaines, IL 60018
(312) 298-9330
TWX 910-692-4024

ILLINOIS (South)

(See Missouri)

INDIANA

(See Ohio)

IOWA

(Call EXAR Direct)

KANSAS

(See Missouri)

KENTUCKY

(See Ohio)

LOUISIANA

(See Texas)

MAINE

(See Massachusetts)

MARYLAND

Component Sales, Inc.
106 Old Court Rd.
Suite 204
Baltimore, MD 21208
(301) 484-3647
TWX 710-862-0852

MASSACHUSETTS

Mass Tech Sales
54 Hartford St., Ste. 102
Westwood, MA 02090
(617) 329-8820
TWX 710-321-9335

MICHIGAN (Detroit Area)

J. L. Montgomery Assoc., Inc.
27200 Lahser Rd./P.O. Box 244
Southfield, MI 48037
(313) 358-2616
TWX 810-224-4981

(Western Michigan Area)

J. L. Montgomery Assoc., Inc.
2214 Oak Industrial Dr., NE
Grand Rapids, MI 49505
(616) 774-9308

MINNESOTA

Dan'l Engineering
1631 E. 79th Street, Ste. S145
Minneapolis, MN 55420
(612) 854-7550
TLX 291008
(DANL ENG BLTN)

MISSISSIPPI

(See Alabama)

MISSOURI

KKB and Company
1610 S. Big Band Blvd.
St. Louis, MO 63117
(314) 647-2400
TWX 910-761-1040

KKB and Company
104 North 12th
Blue Springs, MO 64015
(816) 229-0001
TWX 910-997-0718

MONTANA

(See Colorado)

NEBRASKA

(See Missouri)

NEVADA

(See California No.)

NEW HAMPSHIRE

(See Massachusetts)

NEW JERSEY (North)

(See New York City)

NEW JERSEY (South)

Vantage Sales Co.
6981 North Park Dr., Ste. 110
Pennsauken, NJ 08109
(609) 663-6660

NEW MEXICO

Syn Tech
8016 A Zuni Rd., SE
Albuquerque, NM 87108
(505) 266-7951

NEW YORK (Upstate)

Quality Components
3343 Harlem Rd.
Buffalo, NY 14225
(716) 837-5430
TWX 910-997-1313

Quality Components
116 E. Fayette St.
Manlius, NY 13104
(315) 682-8885

NEW YORK (City)

Trionic Assoc., Inc.
320 Northern Blvd.
Great Neck, NY 11021
(516) 466-2300
TWX 510-223-0834

NORTH CAROLINA

Zucker Assoc., Inc.
P.O. Box 19868
Raleigh, NC 27619
(919) 782-8433
TWX 510-928-0513

NORTH DAKOTA

(See Minnesota)

OHIO

McFadden Sales
1093 Fishinger Rd.
Columbus, OH 43221
(614) 459-1280
TWX 810-482-1623

OKLAHOMA

(See Texas)

OREGON

Components West, Inc.
15255 S.W. 72nd Ave., Ste. A
Tigard, OR 97223
(503) 684-1671
TWX 910-467-8740

PENNSYLVANIA (West)

(See Ohio)

PENNSYLVANIA (East)

(See New Jersey So.)

RHODE ISLAND

(See Massachusetts)

SOUTH CAROLINA

(See North Carolina)

SOUTH DAKOTA

(See Minnesota)

TENNESSEE (West)

Rep. Incorporated
113 S. Branner Ave.
Jefferson City, TN 37760
(615) 475-4105
TWX 810-570-4203

TENNESSEE (East)

(See North Carolina)

TEXAS

Technical Marketing
9027 Northgate Blvd., Ste. 140
Austin, TX 78758
(512) 835-0064

Technical Marketing
3320 Wiley Post Rd.
Carrollton, TX 75006
(214) 387-3601
TWX 910-860-5158

Technical Marketing
2901 Wilcrest Drive, Ste. 139
Houston, TX 77042
(713) 783-4497

UTAH

(Call EXAR Direct)

VERMONT

(See Massachusetts)

VIRGINIA

(See Maryland)

WASHINGTON

Components West
8275 166th NE
Redmond, WA 98052
(206) 885-5880

WASHINGTON, D.C.

(See Maryland)

WEST VIRGINIA

(See Ohio)

WISCONSIN (South East)

Janus, Inc.
11430 Bluemound Rd.
Milwaukee, WI 53026
(414) 476-9104

WISCONSIN (West)

(See Minnesota)

WYOMING

(See Colorado)

CANADA

Clark-Hurman Associates
148 Colonnade Rd., Ste. 205
Nepean, Ontario K2E 7J5
(613) 727-5626, 727-5627

AUTHORIZED DISTRIBUTORS

ALABAMA

Marshall Electronics
3313 Office Center, Ste. 106
Huntsville, AL 35801
205 881-9235

Pioneer
1207 Putnam Drive
Huntsville, AL 35805
205 837-9300

Resisticap
11547-B So. Memorial Parkway
Huntsville, AL 35815-0889
205 883-4270

RM Electronics
4702 Governors Drive
Huntsville, AL 35805
205 852-1550

ARIZONA

Bell Industries
1705 W. 4th Street
Tempe, AZ 85281
602 966-7800
TWX: 910-950-0133

Marshall Electronics
835 West 22nd Street
Tempe, AZ 85282
602 968-6181

Sterling Electric
3501 E. Broadway Road
Phoenix, AZ 85040
602 268-2121
TLX: 667317 "STERLING PHX"

Western Micro
7740 East Redfield Drive
Scottsdale, AZ 85260
602 948-4240

ARKANSAS

Carlton-Bates
3600 West 69th Street
Little Rock, AR 72219
501 562-9100

CALIFORNIA

A.V.E.D
1582 Parkway Loop, Unit G
Tustin, CA 92680
213 770-0871

Bell Industries
1-830 Vernon St., Bldg. 1
Roseville, CA 95678
916 969-3100

Bell Industries
1161 N. Fair Oaks Avenue
Sunnyvale, CA 94086
408 734-8570
TWX: 910-339-9378

Bell Industries
7450 Ronson Road
San Diego, CA 92111
619 268-1277

Diplomat
20151 Bahama Street
Chatsworth, CA 91311
213 341-4411

Diplomat
7140 McCormick
Costa Mesa, CA 92626
714 549-8401

Diplomat
9787 Aero Drive, Ste. E
San Diego, CA 92123
619-292-5693

Diplomat
1283 "F" Mtn. View/Alviso Rd.
Sunnyvale, CA 94086
408 734-1900
TWX: 910-379-0006

IEC/JACO
20600 Plummer Road
Chatsworth, CA 91311
213 998-2200
TWX: 910-494-1923

IEC/JACO
17062 Murphy
Irvine, CA 92714
714 660-1055

Marshall Electronics
8015 Deering Avenue
Canoga Park, CA 91304
818 999-5001

Marshall Electronics
9674 Telstar Avenue
El Monte, CA 91731-3004
818 442-7204

Marshall Electronics
17321 Murphy Avenue
Irvine, CA 92714
714 556-6400

Marshall Electronics
10105 Carroll Canyon Road
San Diego, CA 92131
619 478-9600

Marshall Electronics
788 Palomar Avenue
Sunnyvale, CA 94086
408 732-1100

Western Microtechnology
10040 Bubb Road
Cupertino, CA 95104
408 725-1664

Zeus Components, Inc.
1130 Hawk Circle
Anaheim, CA 92807
714 632-6880

COLORADO

A.C.T.
4016 Youngfield Street
Wheatridge, CO 80033
303 422-9229

Bell Industries
8155 West 48th Avenue
Wheatridge, CO 80033
303 424-1985
TWX: 910-938-0393

Diplomat Electronics
96 Inverness Drive, East
Suite R
Englewood, CO 80112
303 740-8300

Marshall Electronics
7000 North Broadway
Denver, CO 80221
303 427-1818

CONNECTICUT

Diplomat Electronics
52 Federal Road
Danbury, CT 06810
203 797-9674

J. V. Electronics
690 Main Street
East Haven, CT 06512
203 469-2321

Marshall Electronics
Barnes Industrial Park
33 Village Lane
P.O. Box 200
Wallingford, CT 06492
203 265-3822

DELAWARE

(See Pennsylvania)

FLORIDA

Diplomat Electronics
2120 Calumet Street
Clearwater, FL 33515
813 443-4514

Diplomat Electronics
1300 N.W. 65th Place
Fort Lauderdale, FL 33309
305 974-8700

Future Electronics
2073 Range Road
Clearwater, FL 33575
813 596-8295

Hammond Electronics
6600 N.W. 21st Avenue
Fort Lauderdale, FL 33309
305 973-7103

Hammond Electronics
1230 W. Central Blvd.
Orlando, FL 32805
305 849-6060

Marshall Electronics
1101 N.W. 62nd Street
Suite 306D
Fort Lauderdale, FL 33309
305 928-0661

Marshall Electronics
4205 34th Street, S.W.
Orlando, FL 32811
305 841-1878

GEORGIA

Diplomat Electronics
6659 Peachtree, Suite B
Norcross, GA 30092
404 449-4133

Marshall Electronics
4350 J International Blvd.
Norcross, GA 30093
404 923-5750

Pan American
889 Buford Road
Comming, GA 30130
404 577-2144

IDAHO

(See Washington)

ILLINOIS

Diplomat Electronics
1071 Judson Street
Bensenville, IL 60160
312 595-1000

GBL-Gould
610 Bonnie Lane
Elk Grove Village, IL 60007
312 490-0155

Marshall Electronics
1261 Wiley Road, Unit F
Schaumburg, IL 60195
312 490-0155

Intercomp
2200 Stongton Ave., Ste. 210
Hoffman Estates, IL 60695
312 843-2040

Reptron
721 W. Algonquin Road
Arlington Heights, IL 60005
312 593-7070

RM Electronics
265 Eisenhower Lane, South
Lombard, IL 60148
312 935-5150
TWX: 910-651-3245

INDIANA

Altex
12774 N. Meridian
Carmel, IN 46032
317 848-1323
TWX: 810-341-2635

Graham Electronics
133 S. Pennsylvania Street
Indianapolis, IN 46204
317 634-8202
TWX: 810-341-3481

Graham Electronics
3606 E. Maunee Avenue
Ft. Wayne, IN 46803
219 423-3422

RM Electronics
7031 Corporate Circle
Indianapolis, IN 46278
317 291-7110

IOWA

Bell Industries
1221 Park Place, N.E.
Cedar Rapids, IA 52412
319 395-0730

Deeco Inc.
2600 16th Avenue, S.W.
Cedar Rapids, IA 52406
319 365-7551
TWX: 910-525-1332

KANSAS

(See Missouri)

KENTUCKY

(See Indiana)

LOUISIANA

(See Texas)

MAINE

(See Massachusetts)

MARYLAND

Diplomat Electronics
9150 Rumsey Rd., Ste. A-6
Columbia, MD
301 995-1226

Marshall Electronics
8445 Helgerman Court
Gaithersburg, MD 20877
301 840-9450

Pioneer
9100 Gaither Road
Gaithersburg, MD 20760
301 948-0710
TWX: 710-828-0545

MASSACHUSETTS

Almo Electronics
60 Shawmut Avenue
Canton, MA 02021
617 329-8810

Diplomat Electronics
28 Comming Park
Woburn, MA 01801
617 935-6611

Gerber
128 Carnegie Row
Norwood, MA 02062
617 329-2400
TWX: 710-336-1987

Marshall Electronics
One Wilshire Road
Burlington, MA 01803
617 272-8200

Marshall Electronics
Corp. Support Ctr./East
Five Wilshire Road
Burlington, MA 01803
617 272-8200

RC Components
222 Andover Street
Wilmington, MA 01887
617 657-4310
TWX: 710-347-1743

MICHIGAN

Ambur Electronics
1344 So. Commerce
Walled Lake, MI 48088
313 669-3710

Marshall Electronics
13760 Merriman Road
Livonia, MI 48150
313 525-5850

RM Electronics
4310 Roger B. Chaffee
Memorial Drive
Grand Rapids, MI 49508
616 531-9300
TWX: 810-273-8779

Reptron Electronics
34404 Glendale Road
Livonia, MI 48150
313 525-2700

MINNESOTA

Marshall Electronics
13810 24th Avenue, N.S. No. 460
Plymouth, MN 55441
612 559-2211

Merit Electronics
2525 Nevada Avenue
Warehouse Suite 210
Minneapolis, MN 55427
612 546-5383

MISSISSIPPI

(See Alabama)

MISSOURI

Olive Electronics
9910 Page Blvd.
St. Louis, MO 63132
314 426-4500
TWX: 910-763-0720

MONTANA

(Call EXAR Direct)

NEBRASKA

(See Missouri)

NEVADA

(See California)

NEW HAMPSHIRE

(See Massachusetts)

NEW JERSEY

Diplomat Electronics
490 S. River View Drive
Totowa, NJ 07512
201 785-1830

GCI

Route 73
Berlin, NJ 08009
609 768-6767

Marshall Electronics
101 Fairfield Road
Fairfield, NJ 07006
201 882-0320

Marshall Electronics
102 Gaither Drive
Mt. Laurel, NJ 08054
609 234-9100 (NJ)
215 627-1920 (PA)

NEW MEXICO

Bell Industries
11728 Linn N.E.
Albuquerque, NM 87123
505 292-2700
TWX: 910-989-0625

Betatron

2825 B. Broadbent Pkwy, NE
Albuquerque, NM 87123
505 344-2381

NEW YORK

Diplomat Electronics
4610 Wetzel Road
Liverpool, NY 13088
315 652-5000

Diplomat Electronics
110 Marcus Drive
Melville, NY 11747
516 454-6400

JACO

145 Oser Avenue
Hauppauge, NY 11787
516 273-5500
TWX: 510-227-6232

Marshall Electronics
10 Hooper Road
Endwell, NY 13760
607 754-1570

Marshall Electronics
275 Oser Avenue
Hauppauge, LI, NY 11788
516 273-2424

Marshall Electronics
1280 Scottsville Road
Rochester, NY 14624
716 235-7620

S.A.I.

564 Smith Street
Farmingdale, NY 11735
516 293-2710

Zeus Components Inc.
100 Midland Avenue
Portchester, NY 10573
914 937-7400
TWX: 710-567-1248

NORTH CAROLINA

Hammond
2923 Pacific Avenue
Greensboro, NC 27406
919 275-6391

NORTH DAKOTA

(Call EXAR Direct)

OHIO

Graham
239 Northland Blvd.
Cincinnati, OH 45246
513 772-1661
TWX: 810-461-2896

Marshall Electronics
6212 Executive Blvd.
Dayton, OH 45424
513 236-8088

Marshall Electronics
5905B Harper Road
Salon, OH 44139
216 248-1788

Reptron Electronics
830 Busch Court
Columbus, OH 43229
614 436-6675

OKLAHOMA

Quality Components
9934 E. 21st Street, S.
Tulsa, OK 94128
918 664-8812

Radio, Inc.
1000 S. Main Street
Tulsa, OK 74119
918 587-9123

OREGON

Bell Industries
6024 S.W. Jean Road
Lake Oswego, OR 97034
503 241-4115
TWX: 910-455-8177

Marshall Electronics
8230 S.W. Nimbus Avenue
Beaverton, OR 97005
503 644-5050

Radar Electric Co., Inc.
704 S.E. Washington
Portland, OR 97214
503 232-3404
TWX: 910-464-2386

Western Microtechnology
13770 S.W. 24th Street
Beaverton, OR 97005
503 641-9312

PENNSYLVANIA

Advacom
5620 West Road
McKean, PA 16426
814 476-7774

Almo Electronics
9815 G. Roosevelt Blvd.
Philadelphia, PA 19114
215 698-4000

Pioneer
261 Gilbralter Road
Horsham, PA 19044
215 674-4000
TWX: 510-665-6778

RHODE ISLAND

(See Massachusetts)

SOUTH CAROLINA

Hammond Electronics
1035 Lowndes Hill Road
Greenville, SC 29607
803 233-4121

SOUTH DAKOTA

(Call EXAR Direct)

TENNESSEE

(See Alabama)

TEXAS

ERA
1147-B Larry Mahan
El Paso, TX 79925
915 592-4126

International Electronics
10937 Pellicano Drive
El Paso, TX 79935
915 598-3406

Marshall Electronics
8705 Shoal Creek Blvd.
Suite 202
Austin, TX 78758
512 458-5654

Marshall Electronics
14205 Proton Road
Dallas, TX 75234
214 233-5200

Marshall Electronics
3698 Westchase Drive
Houston, TX 77042
713 789-6600

Quality Components
4257 Kellway Circle
Addison, TX 75001
214 387-4949
TWX: 910-860-5459

Quality Components
2427 Rutland
Austin, TX 78758
512 835-0220

Quality Components
1005 Industrial Blvd.
Sugarland, TX 77478
713 491-2255
TWX: 910-880-4893

UTAH

Bell Industries
3639 W. 2150 So.
Salt Lake City, UT 84120
801 972-6969
TWX: 910-925-5686

Diplomat
3007 S.W. Temple
Salt Lake City, UT 84115
801 486-4134

VERMONT

(See Massachusetts)

VIRGINIA

(See Maryland)

WASHINGTON

Bell Industries
1900 132nd Avenue. N.E.
Bellevue, WA 98005
206 747-1515

IEC/JACO

1750 124th Avenue, Ste. J
Bellevue, WA 98005
206 455-2727

Marshall Electronics
14102 N.E. 21st Street
Bellevue, WA 98007
206 747-9100

Radar Electronic Co., Inc.
168 Western Avenue, W.
Seattle, WA 98119
206 282-2511
TWX: 910-444-2052

Western Microtechnology
14778 N.E. 95th Avenue
Redmond, WA 98052
206 881-6737

WISCONSIN

Bell Industries
W 227 N 913 W. Mound Ave.
Waukesha, WI 53186
414 547-8879

RM Electronics
2626 S. 162nd Street
Berlin, WI 53151
414 784-4420

Taylor Electric Co.
1000 W. Donges Bay Road
Mequon, WI 53092
414 241-4321
TWX: 910-262-3414

WYOMING

(See Colorado)

CANADA

Cam Guard Supply Ltd.
1777 Ellice Avenue
Winnipeg, Manitoba R3H 0W5
504 786-8401

Cam Guard Supply Ltd.
2055 Boundary Road
Vancouver, British Columbia V5M 3L2
604 291-1441

Cam Guard Supply Ltd.
162 - 36 116th Avenue
Edmonton, Alberta T5M 3V4
403 453-6693

Cam Guard Supply Ltd.
1501 Ontario Avenue
Sashatoon, Saskatchewan S7K 1S7

Cam Guard Supply Ltd.
500 Norfinch Drive
Downsview, Ontario M34 1V4
416 736-1744

Future Electronics
237 Humus Blvd.
Pt. Claire, Montreal,
Quebec H9R 5C7
514 694-7710

Intek Electronics Ltd.
10-8385 St. George Street
Vancouver, British Columbia V5X 4P3
604 324-6831
TWX: 610-922-5032

Intek Electronics Ltd./Alberta
4616 99th Street
Edmonton, Alberta T6E 5H5
403 437-2755

R.A.E Industrial Electronics
3455 Gardner Court
Burnaby, British Columbia V5G 4J7
604 291-8866
TWX: 610-929-3065

INTERNATIONAL SALES OFFICES AND REPRESENTATIVES

ARGENTINA

Rayo Electronics SRL
Belgrando 990, Pisos 6Y2
Buenos Aires
Phone: 37 98 90
Telex: (390) 122153 (RAYOX AR)

AUSTRALIA

Total Electronics
9 Harker Street
P.M.B. No. 250
Burwood, 3125 Australia
Phone: 288 4044
Telex: (790) 31261 (TOTELEC AA)

BELGIUM

(See Germany)

BRAZIL

Intectra Do Brazil
AV Paulista 807-S/415
Sao Paulo, Brazil
Phone: 285-6305
Telex: 01139872 (BRCO BR)

ROHM Do Brazil Industria
Electronica Ltda.
Al. Reo Negro, 1356 - Alphaville
Cep 06400 - Barueri, Sp.
Phone: (011) 421-4577
Telex: (391) 1135275 (UIEL BR)

DENMARK

Mer-el A/S
Ved Klædebo 18
DK-2970 Horsholm
Phone: 571000
Telex: (855) 37360 (MEREL DK)

FINLAND

Yliselektroniikka/oy
Luomannotko 6
02200 Espoo 20
Phone: 90-452-1255
Telex: 123212 (YLEOYF)

FRANCE

Tekelec/Airtronic
Rue Carle Vernet No. 2
Cite des Bruyeres
F-92310 Sevres
Phone: (1) 534 75 35
Telex: (842) 204552 (TKLEC A)

GERMANY (WEST)

ROHM Electronics GmbH
D-4051 Korschenbroich
Muehlenstrasse 70
Phone: (02161) 61010
Telex: (841) 852330 (ROHM D)
FAX: 02161-642102

GREECE

General Electronics Ltd.
209 Thivon Street
Nikea, Piraeus 7
VGNUJVUY
Phone: 49-13595
Telex: (863) 212949 (GELT GR)

HONG KONG

ROHM Electronics (H.K.) Co., Ltd.
Flat 13, 3/F Newport Centre
116, Mataukok Road, Tokwawan
Kowloon
Phone: 3-343481
Telex: (780) 37503 (REHCL HX)

INDIA

Zenith Electronics
106, Mittal Chambers
Nariman Point, Bombay 400021
Phone: 2024464
2027887
Telex: (953) 113152 (ZNTN IN)

Fegu
2584 Wyandotte Street
Mountain View, CA 94043 (USA)
Phone: (415) 961-2380
Telex: 345-599 FEGU ELEC PLA

ISRAEL

MLRN Electronics
15 Kineret St. Bney-Brak
P.O. Box 10205 Tel-Aviv
Israel 61101
Phone: 03 796 927 or
03 807 174-5
Telex: 342107 RNIS

ITALY

Eledra 33 S.P.A.
Viale Elvezia, 18
20154 Milano
Phone: 34.93.041
Telex: (843) 332332 (ELEDRA I)

JAPAN

Tokyo Electron Ltd.
Panetron Division
38 FL Shinjuku Nomura Blvd.
1-26-2, Nishi-Shinjuku
Shinjuku-ku, Tokyo 160
Phone: 03-343-4411
Telex: (781) 2322240 (LABTEL J)

KOREA

Spirox Holding, Inc.
3537 Ryder Street
Santa Clara, CA 95051 (USA)
Phone: (408) 739-3334
Telex: 346369 (SUVL)

LATIN AMERICA

Intectra
2629 Terminal Blvd.
Mtn. View, CA 94043 (USA)
Phone: (415) 967-8818
Telex: 3445 545 (INTECTRA MNTV)

LIECHTENSTEIN

(See Switzerland)

LUXEMBOURG

(See Germany)

NETHERLANDS

Nijerk Elektronika B.V.
Drentestraat 7 1083 HK
Amsterdam, Holland
Phone: 020 462221
Telex: 116 25 NESCO NL

NEW ZEALAND

Professional Electronics Ltd.
P.O. Box 31143
22A Milford Road
Milford, Auckland 9
Phone: 46 94 50
Telex: (791) 21084 (PROTON)

NORWAY

Hefro Teknisk A/S
P.O. Box 6596
Rodezokken 80, Trondheimsuir
Oslo 5
Phone: 38 02 86
Telex: (856) 76205 (HEFRO N)

SINGAPORE

ROHM Electronics Co. Pte., Ltd.
Unit A, 3rd Floor
No. 12 Arumug AM Road No. 04.01
Singapore 1440
Phone: 745 9342
Telex: (786) 26648 (ROHMS)

SOUTH AFRICA

South Continental Devices (Pty.) Ltd.
Suite 516, 5th Floor, Randover House
Cor Hendrik Verwoerd, Dover Road
Randburg, Transvaal
Phone: 48 05 15
Telex: (960) 4-24849 (SA)

SPAIN

Unitronics, S.A.
Princesa, 1
Madrid 8
Phone: 242 52-04
Telex: (831) 46786 (UTRON E)

SWEDEN

Lagercrantz Electronix AB
Kanalvagen 5
S-194 01 Upplands Vasby
Phone: (0760) 86 120
Telex: (854) 11275 (LAGER S)

SWITZERLAND

Stolz AG
Taefernstr .15
CH-5405
Baden-Daettwill, Switzerland
Phone: (05) 6480151
Telex: 54070 (STLZ CH)

TAIWAN

Sea Union
P.O. Box 45-95 TAI PEI
Room 303, Hua-Nan Blvd.
No. 162, Chang An East Rd.,
2nd Section
Taipei, Taiwan, Rep. of China
Phone: 751-2063 or 751-6856
Telex: 24209 (SEAUNION TAIPEI)

TURKEY

Testas
Karanfil Sakak No. 41
Bankanliklar, Ankara

UNITED KINGDOM

Thame Components
Thame Park Road
Thame, Oxon OX9 3RS
Phone: (084 421) 3146
Telex: (851) 837917 (MEMEC G)

ALL OTHER COUNTRIES

(Call EXAR Direct)

Technical Literature

APPLICATION DATA BOOK:

This practical applications guide contains a complete and up-to-date set of application notes prepared by Exar's technical staff. These application notes cover a wide range of subjects, such as FSK MODEMS, active filters, telecommunication circuits, electronic music synthesis and many more. In each case, specific design examples are given to demonstrate the applications discussed.

FUNCTION GENERATOR DATA BOOK:

This comprehensive data book contains a number of technical articles and application notes on monolithic voltage-controlled oscillators (VCO), and function generator IC products. In addition, the data sheets and technical specifications for Exar's monolithic VCO's and function generators are included.

MODEM DESIGN HANDBOOK:

This publication includes all Exar Data Sheets and Application Notes relating to Modem products as well as section on modem fundamentals. Subjects covered in this fundamentals section include: Modulation and Demodulation techniques for both FSK and PSK systems, filter considerations, line interface, and test modes. The scope of this manual allows even the beginning modem designer to implement Exar's available integrated circuits into complete working modems.

OPERATIONAL AMPLIFIER DATA BOOK:

A collection of technical articles on the fundamentals of monolithic IC op amps is contained in this technical publication. Some of the basic op amp circuits are given, and the application of IC op amps in active filter design is discussed. A complete set of electrical specifications on Exar's bipolar and bipolar JFET op amp products is included.

PHASE-LOCKED LOOP DATA BOOK:

The fundamentals of design and application of monolithic phase-locked loop (PLL) circuits are included in this data book. A long list of PLL applications are illustrated covering FM demodulation, frequency synthesis, FSK, and tone detection. Particular emphasis is given to the application of PLL circuits in data interface and communication systems such as FSK MODEMS. This book also contains the data sheets and electrical specifications for all of Exar's PLL products.

PRODUCT GUIDE:

A complete short-form catalogue of all of Exar's standard and custom products, quality assurance programs and technical capabilities. Key features and applications of each of Exar's products are given, along with their functional block diagrams, package types and operating temperature ranges. Products are grouped according to their applications, and a complete industry-wide cross reference chart is provided.

SWITCHING REGULATOR DATA BOOK:

Exar's entire line of switching regulator IC products are specified in this technical data book. In addition, several design and application articles are included, along with a review of the fundamentals of pulse-width modulated regulator circuits.

TIMER DATA BOOK:

Provided in this publication is a collection of technical articles and application information on monolithic timer IC products. Also included are the data sheets and detailed electrical specifications for all of Exar's timer circuits, including the programmable timer/counter, micro-power, and long-delay timers.

TECHNICAL LITERATURE REQUEST:

To obtain the technical literature of interest to you, contact the Exar Sales representative nearest you, or write **Exar Corporation, P.O. Box 3575, Sunnyvale, CA 94088-3575**, on your company letterhead.

Data Books can also be ordered directly from Exar, at a nominal charge, by completing and sending this request card to Exar with an appropriate check or money order (include \$2.00 for postage and handling). Please make checks payable to **Exar Corporation**.

- PLEASE SEND: Complete Set of Data Books: \$15.95 Exar Phase-Locked Loop Data Book: \$3.95
 Exar Applications Data Book: \$3.95 Exar Product Guide — No Charge
 Exar Function Generator Data Book: \$3.95 Exar Semi-Custom Product Guide — No Charge
 Exar Modem Design Handbook: \$4.95 Exar Switching Regulator Data Book: \$3.95
 Exar Operational Amplifier Data Book: \$3.95 Exar Timer Data Book: \$3.95

NAME _____ TITLE _____

COMPANY/AGENCY _____

ADDRESS _____

CITY/STATE/ZIP _____

PHONE (____) _____ MY COMPANY MANUFACTURES _____

-- NOTES --



Exar Corporation 750 Palomar Ave., Sunnyvale, CA. 94086

In Telecommunications, Computers, Industrial, Medical and Military Applications... **Exar Goes One Step Further.**