

1997

CROSS REFERENCE GUIDE

Cross Reference Guide 1997



Your next big idea™

 HARRIS SEMICONDUCTOR

 HARRIS SEMICONDUCTOR

DB315.1



TECHNICAL ASSISTANCE

Harris Marketing Support Services (HMSS)

HMSS provides world-class service to customers requiring information on all products offered by Harris Semiconductor. Ask Harris Marketing Support Services for answers concerning:

- Product Identification
- Availability
- Competitive and Obsolete Cross-Reference
- Distributor Stocking Levels
- Requests for Literature and Samples

HMSS services are available from 8:00am to 8:00pm EST. Within the United States, call 1-800-4HARRIS. Callers from outside the United States, dial (407) 727-9207.

HMSS is the initial contact for customers who need technical assistance with the selection and use of our products. Callers have the option to be connected directly to the Central Applications Group.

Central Applications

Ask our experienced staff of engineers for assistance with:

- Device Selection
- Specification Interpretation
- Applications for Any Harris Product

Central Applications serves you Monday through Thursday 8:00am to 7:00pm and Friday 8:00am to 5:00pm EST. Within the United States, call 1-800-4HARRIS. Callers from outside the United States dial (407) 727-9207.

Central Applications' knowledge of our portfolio can provide you with a total system design solution using the latest Harris devices!

Electronic Technical Support

Electronic services from Harris Semiconductor offer you the most current information possible.



<http://www.semi.harris.com>

- Latest Literature Revisions
- New Product Listing
- Product Information
- Design Support
- Contact Information



(407) 724-7800



- Latest Literature Revisions
- New Product Listing
- Data Book Request Form



centapp@harris.com, or 1-800-4HARRIS

- Technical Application Assistance



PRODUCT CROSS REFERENCE GUIDE

This guide contains a listing of semiconductor products that are second-sourced by Harris Semiconductor. This partial list of Harris cross-references was designed to offer the convenience of a hard copy. For a complete list of Harris cross-references check our XREF system - it identifies over one million crosses for products that are second-sourced by Harris Semiconductor.

This cross-reference guide includes: product selection trees, listing of Harris recommended crosses and direct replacements, ordering information, AnswerFAX instructions, cross reference guides for commercial and military, Harris sales office listings.

The D cross-reference is a direct replacement. Its function, all pins, specification, and package are identical to the product being sourced. Harris recommended crosses are identified by a H in the CROSS TYPE column of Section 3. A Harris recommended cross is a pin-to-pin cross-reference which Harris Semiconductor defines as its best replacement for the source product. The H cross-references listed in Section 3 are a small fraction of the pin-to-pin replacements that Harris offers. For additional pin-to-pin cross-references use the XREF system located on the Harris' SOAR database.

The following are trademarks of Harris Corporation and may only be used to identify Harris products.

Advancell, AnswerFAX, Antenna-to-Bits, ASIC Bus, Coolaudio, Coolmedia, DeCAPitator, DECIMATE, FASTRACK, LittleFET, MAXCMOS, MIMIC, PRISM, PRISM logo, Real Time Express, RTX, RTX2000, SERINADE, SynchroFET, UltraFET, UltraMOV, your next big idea

Harris Semiconductor products are sold by description only. Harris Semiconductor reserves the right to make changes in circuit design and/or specifications at any time without notice. Accordingly, the reader is cautioned to verify that data sheets are current before placing orders. Information furnished by Harris is believed to be accurate and reliable. However, no responsibility is assumed by Harris or its subsidiaries for its use; nor for any infringements of patents or other rights of third parties which may result from its use. No license is granted by implication or otherwise under any patent or patent rights of Harris or its subsidiaries.



CROSS-REFERENCE GUIDE

TABLE OF CONTENTS

Selection Trees **1**

Ordering Information **2**

Direct and Harris Replacements **3**

Harris Military and Rad Hard **4**

Harris Product Listing **5**

Harris' On-Line Services **6**

Sales Offices **7**

CROSS-REFERENCE GUIDE

1

SELECTION TREES

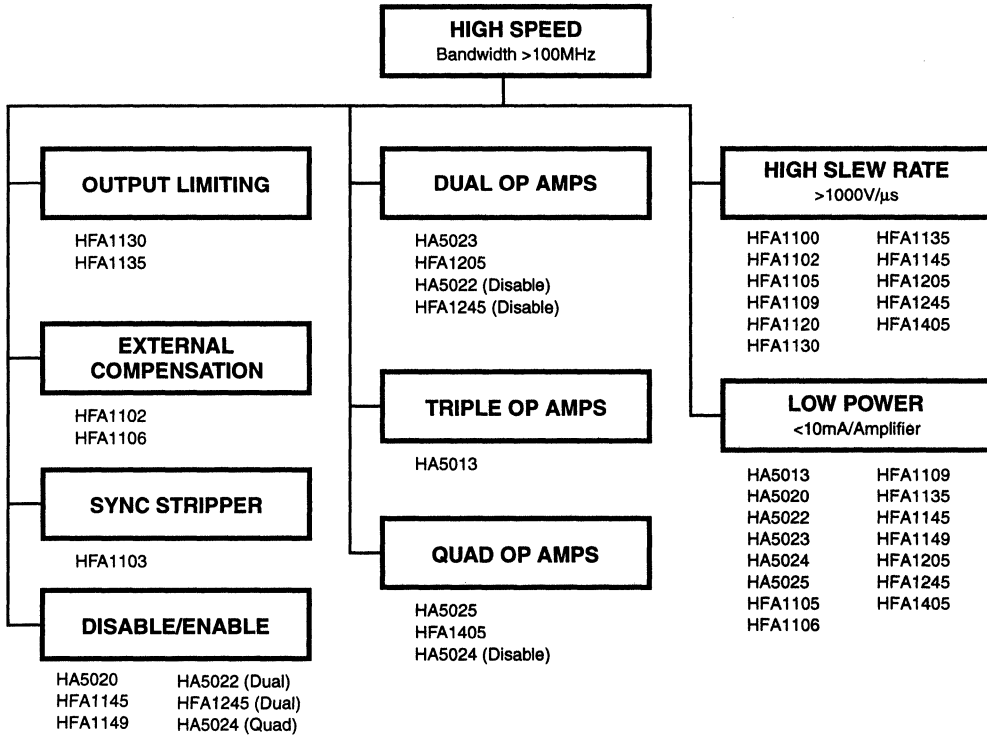
	PAGE
Linear	1-3
OPERATIONAL AMPLIFIERS.....	1-3
LOW NOISE OPERATIONAL AMPLIFIERS.....	1-3
GENERAL PURPOSE OPERATIONAL AMPLIFIERS.....	1-4
PRECISION OPERATIONAL AMPLIFIERS.....	1-4
LOW BIAS CURRENT OPERATIONAL AMPLIFIERS.....	1-4
5V SINGLE-SUPPLY OPERATIONAL AMPLIFIERS.....	1-5
LOW POWER OPERATIONAL AMPLIFIERS.....	1-5
HFA1100 SERIES OP AMPS AND BUFFERS.....	1-5
360MHz HFA1105 SERIES OP AMPS AND BUFFERS.....	1-6
HA5020 SERIES VIDEO OPERATIONAL AMPLIFIERS.....	1-6
WIDEBAND OPERATIONAL AMPLIFIERS AND BUFFERS.....	1-7
HIGH SLEW RATE OPERATIONAL AMPLIFIERS AND BUFFERS.....	1-8
VIDEO BUFFERS.....	1-8
HIGH SPEED VIDEO PRODUCTS.....	1-9
COMPARATORS.....	1-9
LOW POWER VIDEO CROSSPOINT SWITCHES.....	1-10
Data Acquisition	1-11
RS-232 INTERFACE FAMILY.....	1-11
A/D CONVERTERS.....	1-11
HIGH SPEED A/D CONVERTERS.....	1-12
A/D CONVERTERS WITH DISPLAY OUTPUTS.....	1-12
D/A CONVERTERS.....	1-13
HIGH SPEED D/A CONVERTERS.....	1-13
CLOCKS/COUNTERS.....	1-13
ANALOG MULTIPLEXERS.....	1-14
ANALOG SWITCHES.....	1-14
Digital Signal Processing	1-15
DSP PRODUCTS.....	1-15
Telecommunications	1-16
TELECOMMUNICATIONS.....	1-16
Intelligent Power	1-17
INTELLIGENT POWER INTEGRATED CIRCUITS.....	1-17
INTELLIGENT POWER DRIVER CIRCUITS.....	1-17
INTELLIGENT POWER SWITCHES.....	1-17

Selection Trees (Continued)

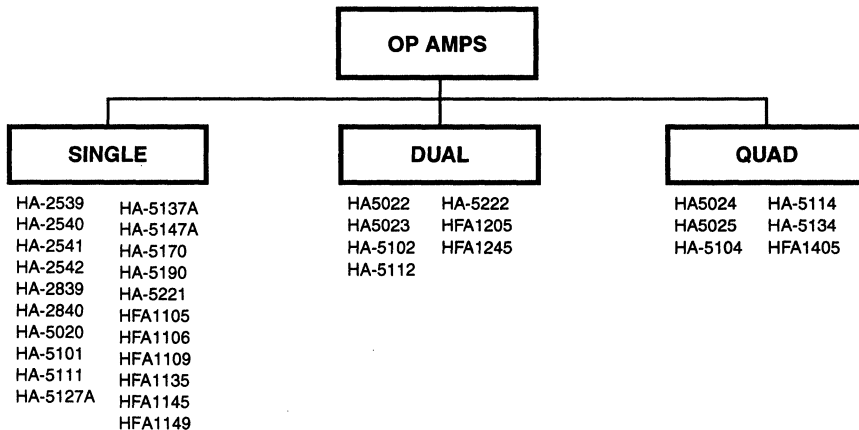
	PAGE
IGBTs	1-18
MOSFET	1-19
N-CHANNEL MOSFETs	1-19
P-CHANNEL MOSFETs	1-21
Rectifiers	1-22
Transient Voltage	1-23
MOV VOLTAGE SUPPRESSION DEVICES	1-23
UNIQUE VOLTAGE SUPPRESSION DEVICES	1-24
Microcontrollers	1-25
EMULATORS	1-25
MICROCONTROLLERS	1-25
PERIPHERALS	1-25
Logic	1-26
CD4000/HC/HCT/AC/ACT Family	1-26
ANALOG AND DIGITAL MULTIPLEXERS/DEMULTIPLEXERS	1-26
ANALOG SWITCHES	1-26
ARITHMETIC CIRCUITS	1-27
BUS TRANSCEIVERS	1-27
COUNTERS	1-28
DECODERS/ENCODERS	1-29
FLIP-FLOPS	1-30
LATCHES	1-30
REGISTERS	1-31
GATES/MULTIFUNCTION/AOI	1-32
INTERFACE/LEVEL CONVERTERS	1-32
INVERTERS/BUFFERS	1-33
BUS INTERFACE	1-33
DISPLAY DRIVERS	1-33
MULTIVIBRATORS	1-34
PHASE-LOCKED LOOP	1-34
SCHMITT TRIGGER	1-34
CMOS LPT/FCT Family	1-35
BUFFERS	1-35
DECODERS	1-35
LATCHES	1-36
MULTIPLEXERS	1-36
REGISTERS	1-37
TRANSCEIVERS	1-38
BICMOS 5V FCT Family	1-39
BUFFERS	1-39
FLIP-FLOP REGISTERS	1-39
BUS TRANSCEIVERS	1-39
LATCHES	1-39
Multimedia	1-40
DECODER	1-40
ENCODER	1-40

Linear

OPERATIONAL AMPLIFIERS

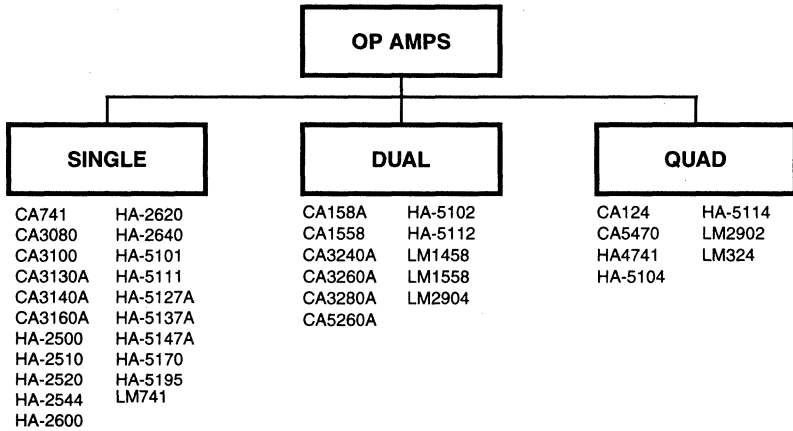


LOW NOISE OPERATIONAL AMPLIFIERS

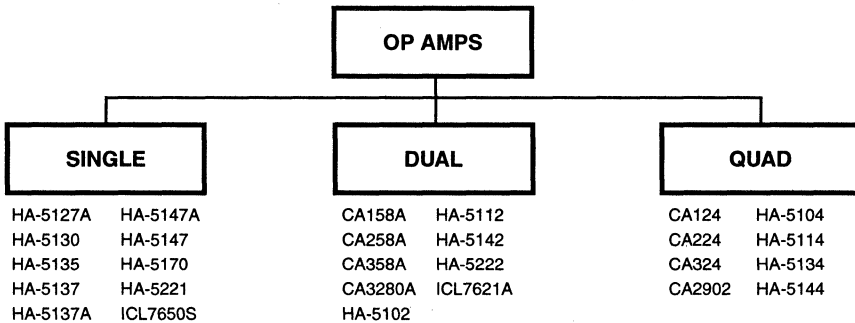


1
SELECTION TREES

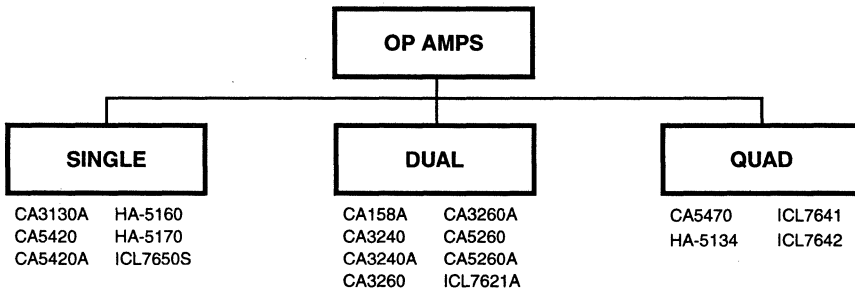
GENERAL PURPOSE OPERATIONAL AMPLIFIERS



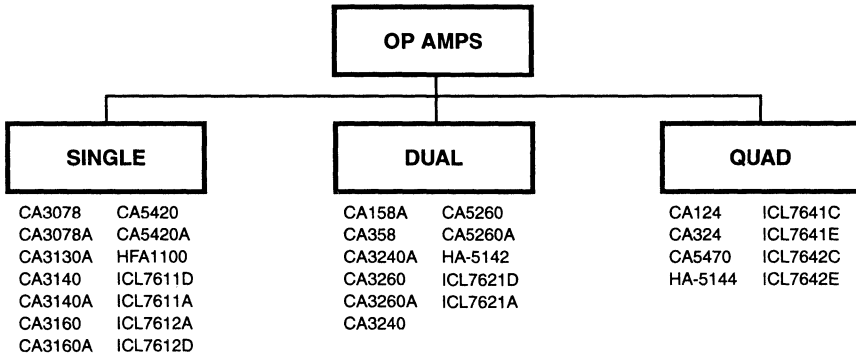
PRECISION OPERATIONAL AMPLIFIERS



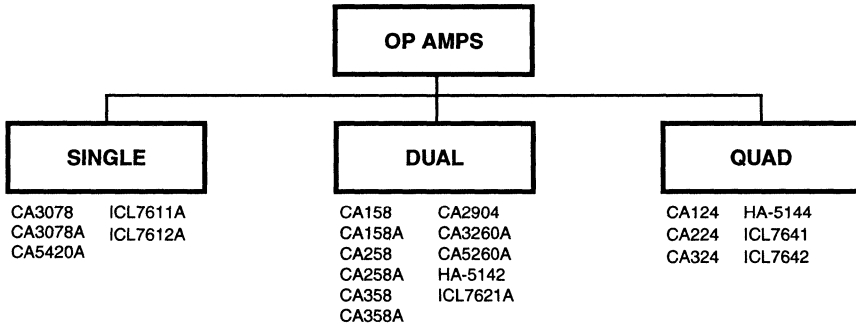
LOW BIAS CURRENT OPERATIONAL AMPLIFIERS



5V SINGLE-SUPPLY OPERATIONAL AMPLIFIERS

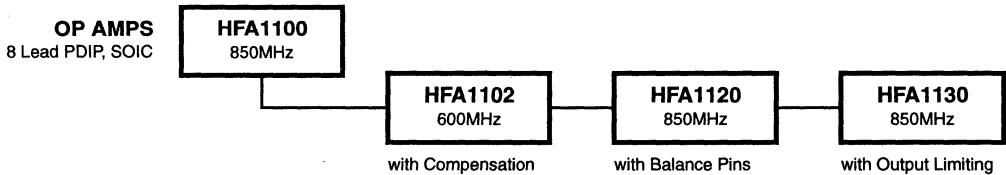


LOW POWER OPERATIONAL AMPLIFIERS



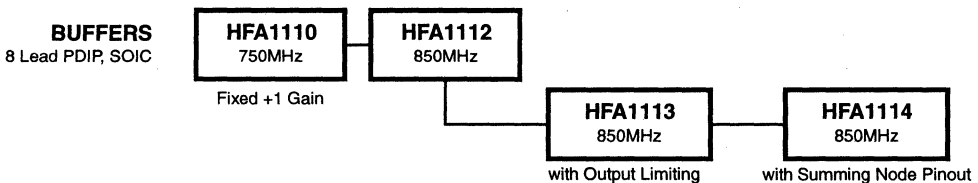
HFA1100 SERIES OP AMPS AND BUFFERS

STANDARD OPERATIONAL AMPLIFIER PINOUT



STANDARD BUFFER PINOUT

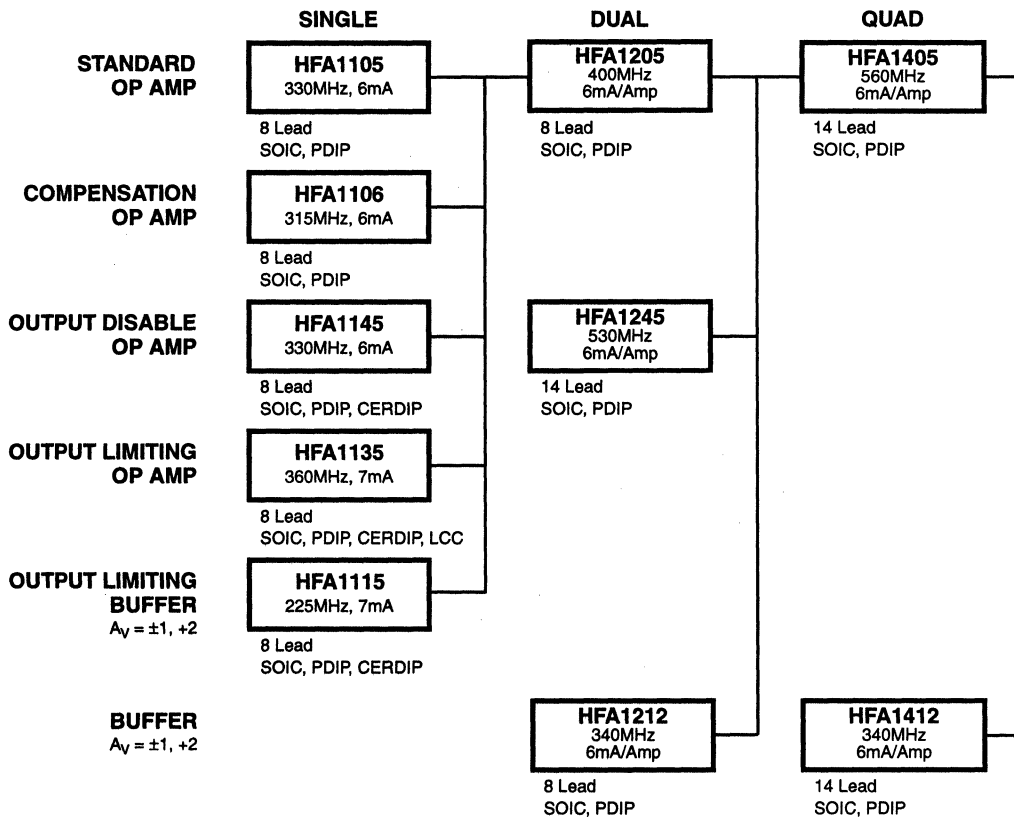
STANDARD OPERATIONAL AMPLIFIER PINOUT AND PROGRAMMABLE GAIN (+2, ±1)



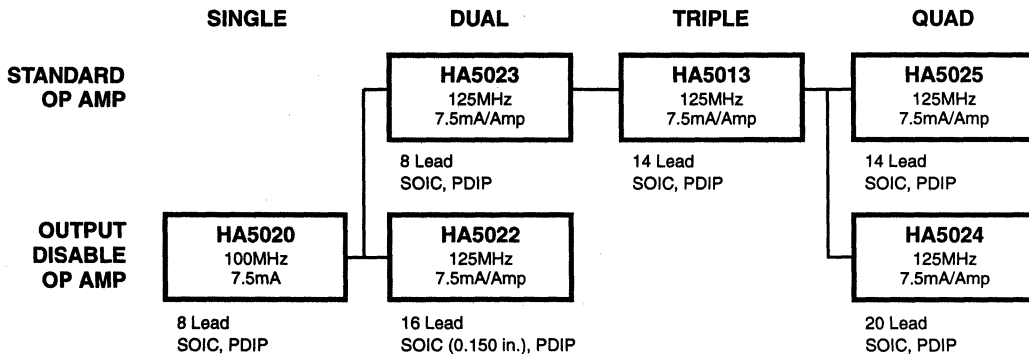
1
SELECTION TREES

Linear

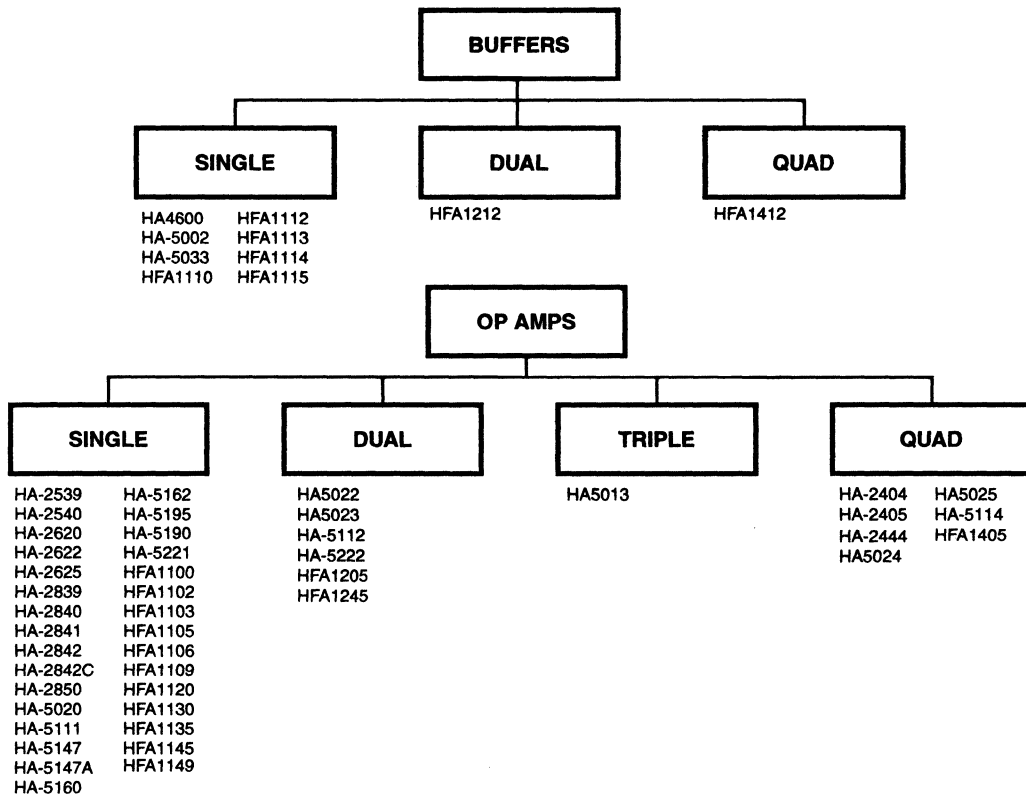
360MHz HFA1105 SERIES OP AMPS AND BUFFERS



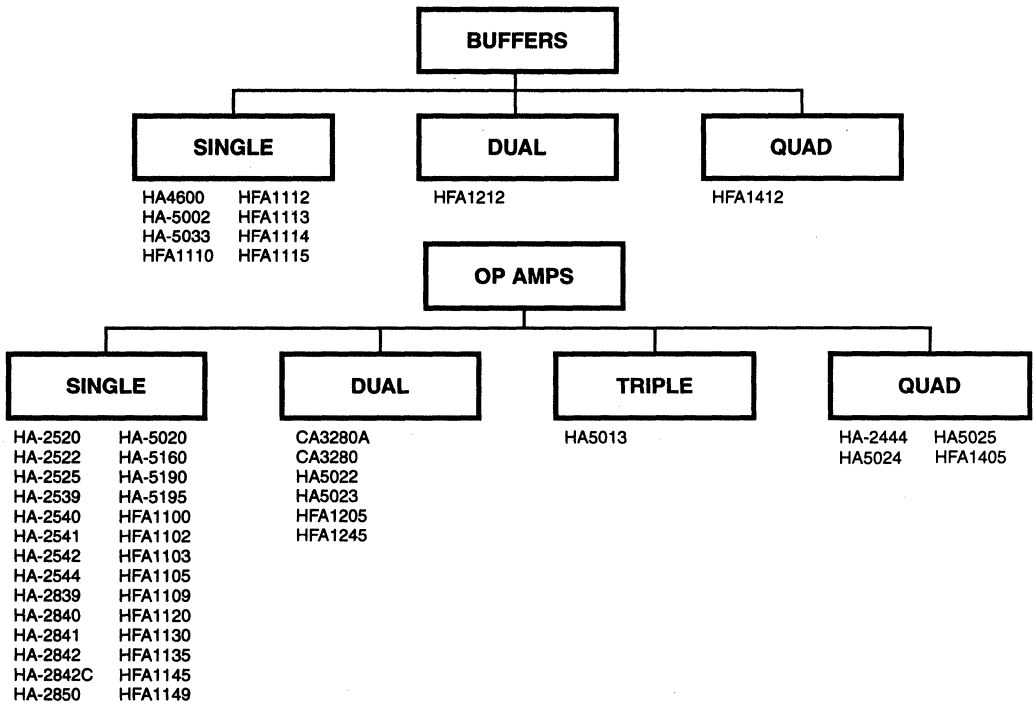
HA5020 SERIES VIDEO OPERATIONAL AMPLIFIERS



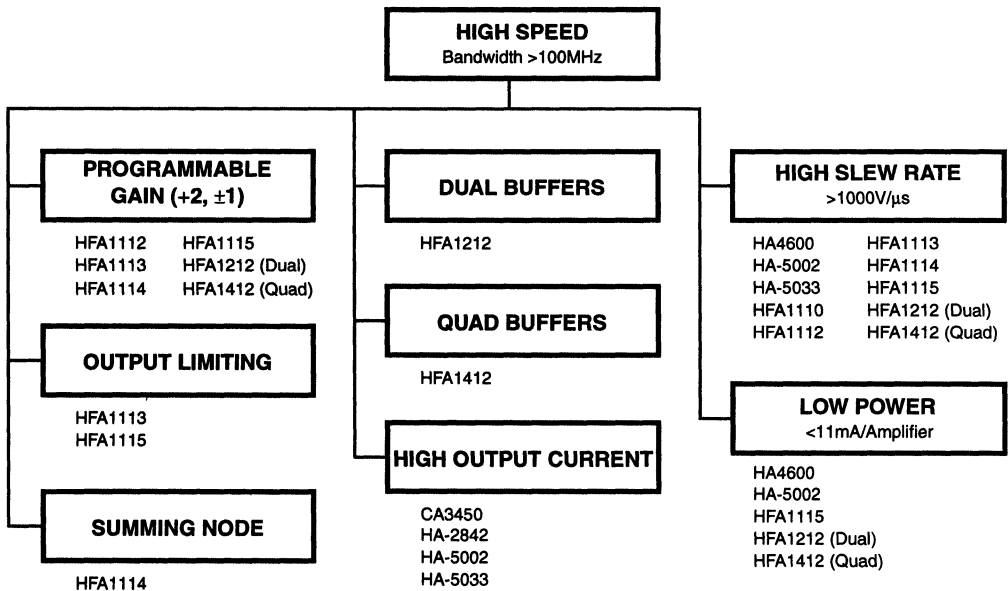
WIDEBAND OPERATIONAL AMPLIFIERS AND BUFFERS



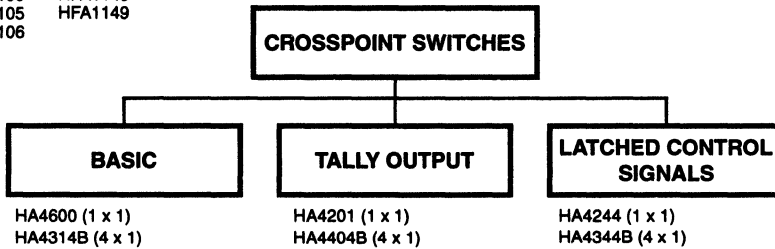
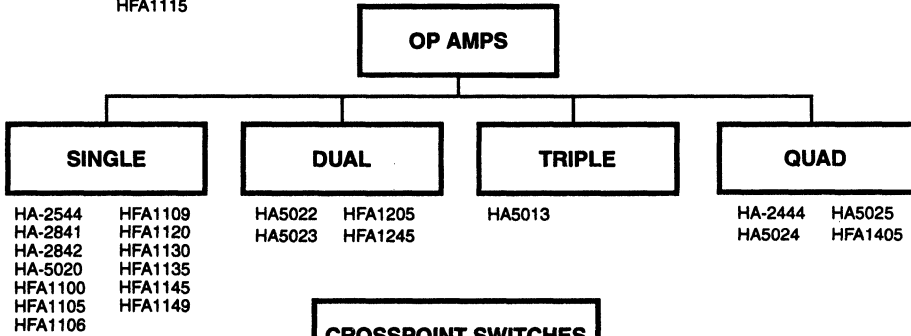
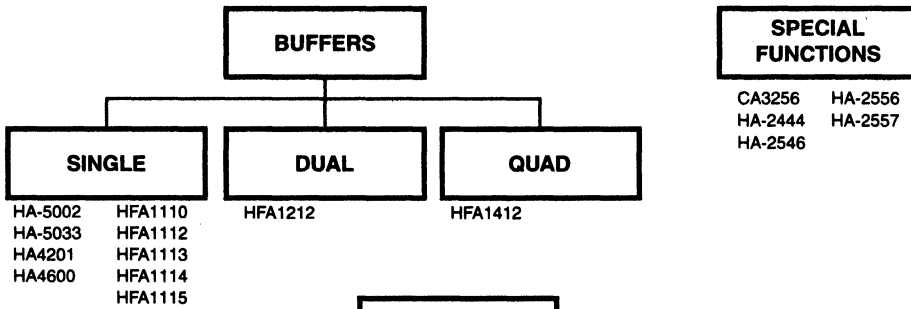
HIGH SLEW RATE OPERATIONAL AMPLIFIERS AND BUFFERS



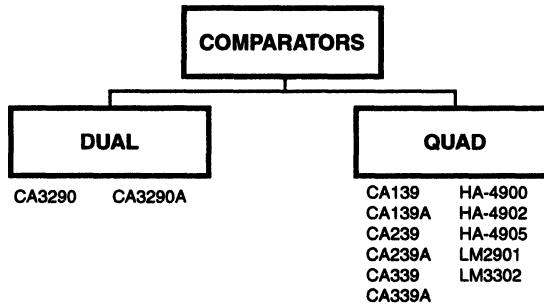
VIDEO BUFFERS



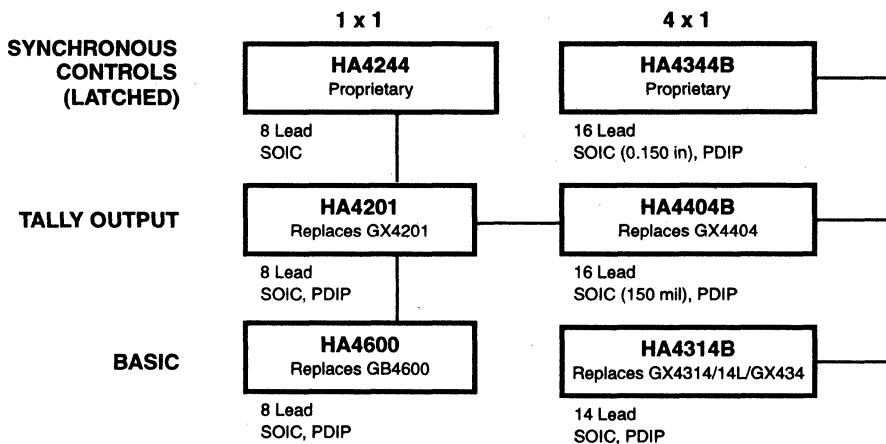
HIGH SPEED VIDEO PRODUCTS



COMPARATORS

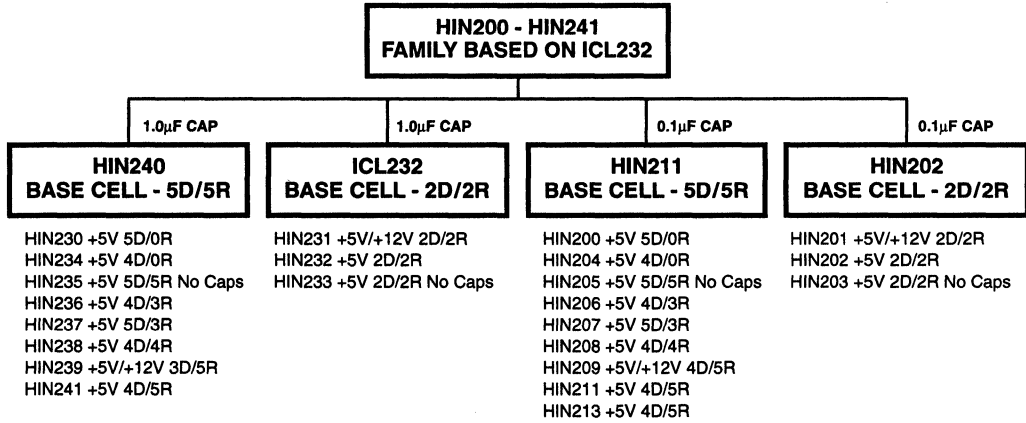


LOW POWER VIDEO CROSSPOINT SWITCHES

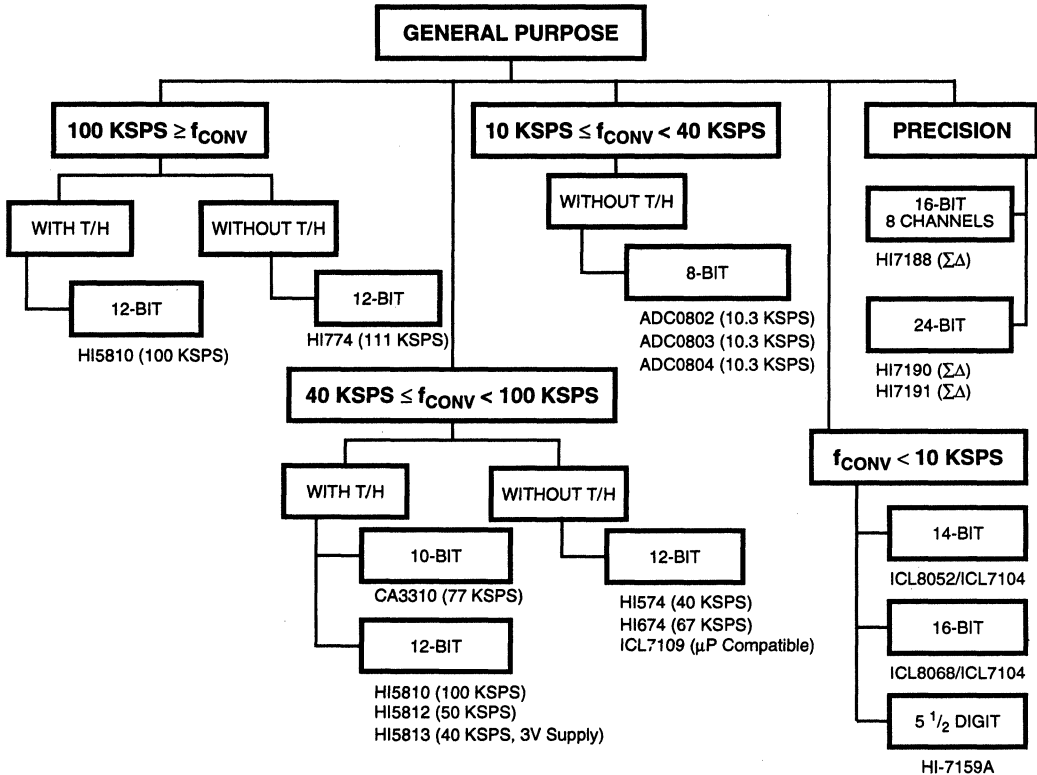


Data Acquisition

RS-232 INTERFACE FAMILY



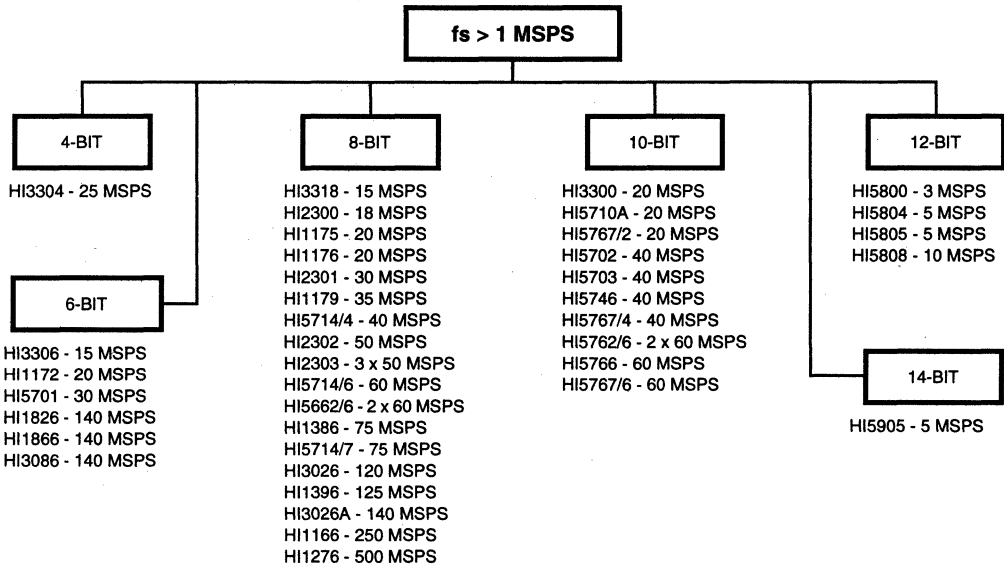
A/D CONVERTERS



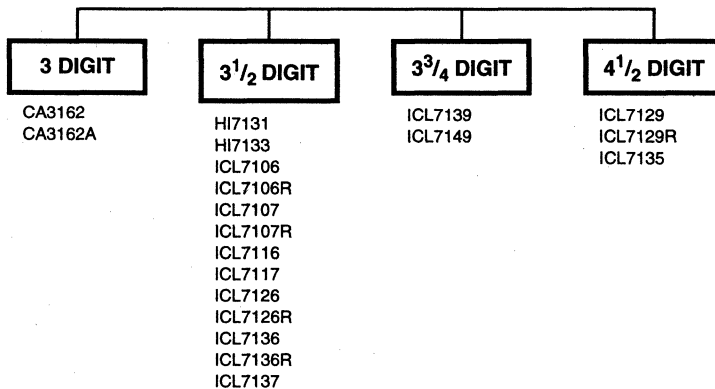
1
SELECTION TREES

Data Acquisition

HIGH SPEED A/D CONVERTERS

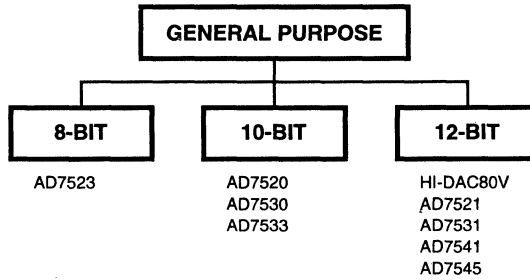


A/D CONVERTERS WITH DISPLAY OUTPUTS

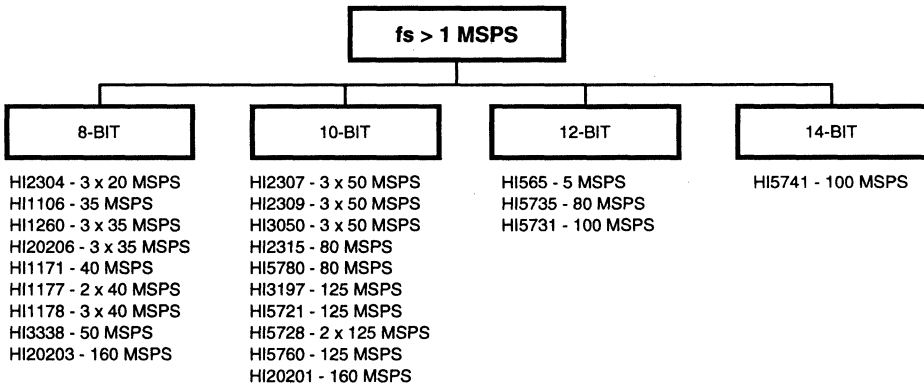


Data Acquisition

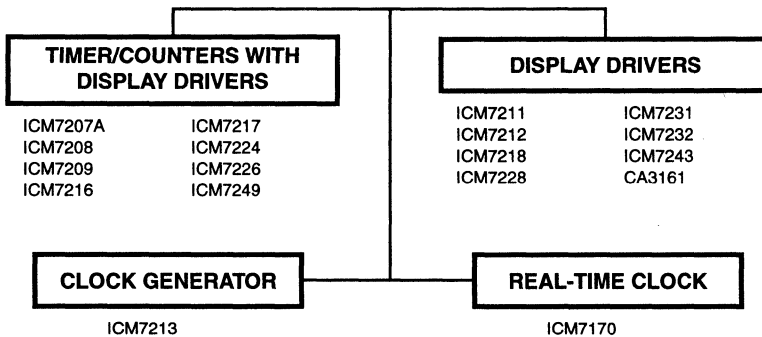
D/A CONVERTERS



HIGH SPEED D/A CONVERTERS

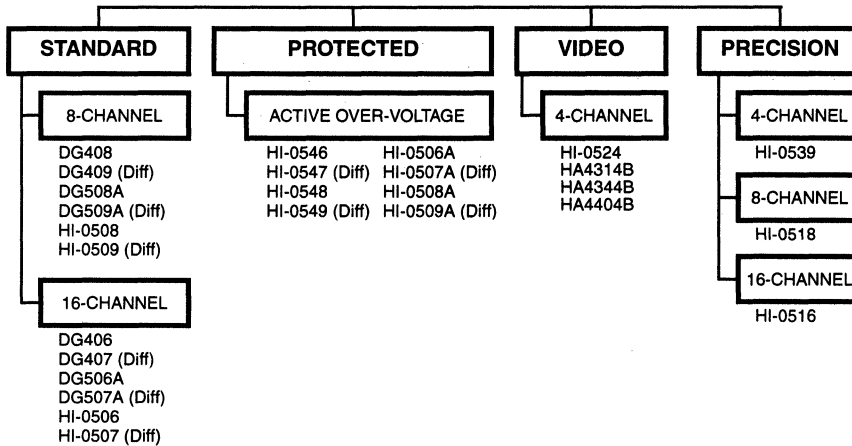


CLOCKS/COUNTERS

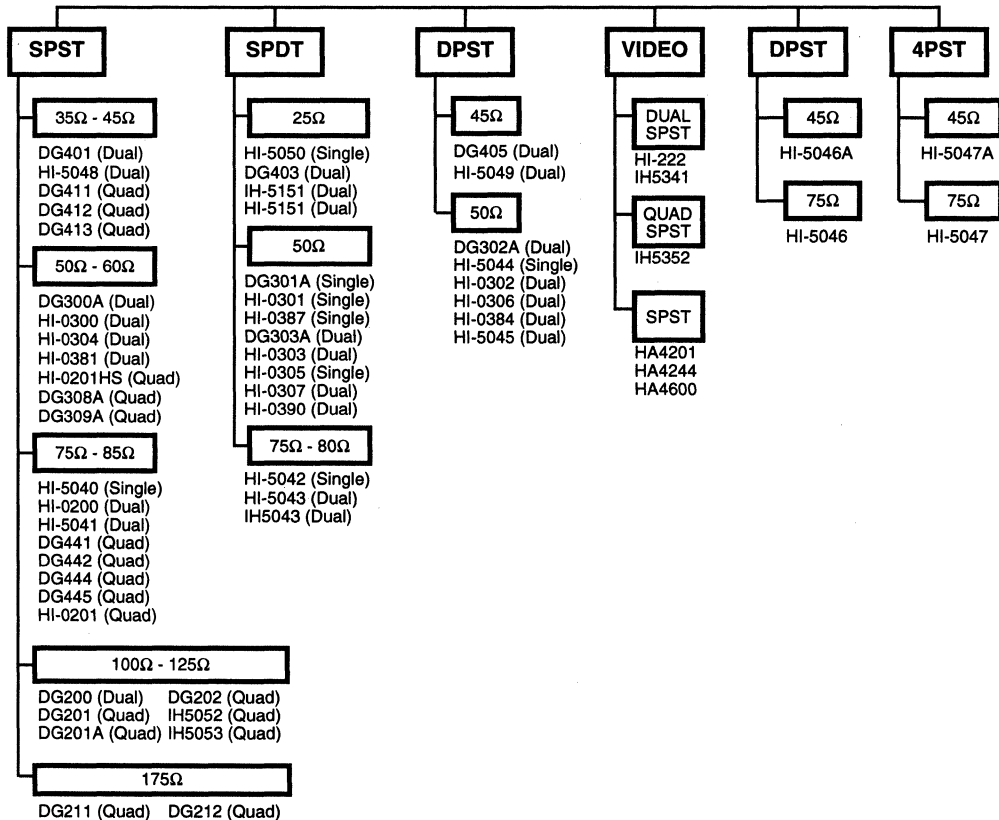


Data Acquisition

ANALOG MULTIPLEXERS



ANALOG SWITCHES



Digital Signal Processing

DSP PRODUCTS

DEVELOPMENT TOOLS

DECI•MATE™
 HSP43220 Decimating Digital Filter
 Development Software
 HSP45116-DB
 HSP45116 Daughter Board
 HSP50016-EV
 DDC Evaluation Platform
 SERINADE™
 HSP43124 Serial I/O Filter
 Development Software
 HSP-EVAL
 DSP Evaluation Platform
 HSP50110/210EVAL (Note 1)
 DSP Demodulator Evaluation Board

SIGNAL SYNTHESIZERS

HSP45102
 12-Bit Numerically Controlled
 Oscillator
 HSP45106
 16-Bit Numerically Controlled
 Oscillator
 HSP45116
 Numerically Controlled
 Oscillator/Modulator
 HSP45116A
 Numerically Controlled
 Oscillator/Modulator

COMMUNICATIONS

HSP50016
 Digital Down Converter
 HSP50110 (Note 1)
 Digital Quadrature Tuner
 HSP50210 (Note 1)
 Digital Costas Loop
 HSP50306 (Note 1)
 Digital QPSK Demodulator
 HSP50307 (Note 1)
 Burst QPSK Modulator

VIDEO PROCESSING

HSP48212
 Digital Video Mixer
 HSP48410
 Histogrammer/Accumulating Buffer
 HSP48901
 3 x 3 Image Filter
 HSP48908
 Two Dimensional Convolver
 HSP9501
 Programmable Data Buffer

MULTIPLIERS

HMA510
 16 x 16-Bit CMOS Parallel
 Multiplier Accumulator
 HMU16
 16 x 16-Bit CMOS Parallel Multiplier
 HMU17
 16 x 16-Bit CMOS Parallel Multiplier

DIGITAL FILTERS

HSP43168
 Dual FIR Filter
 HSP43220
 Decimating Digital Filter
 HSP43124
 Serial I/O Filter
 HSP43216
 Halfband Filter
 HSP43881
 Digital Filter
 HSP43891
 Digital Filter

SPECIAL FUNCTION

HSP45240
 Address Sequencer
 HSP45256
 Binary Correlator
 HSP9520
 Multilevel Pipeline Register
 HSP9521
 Multilevel Pipeline Register

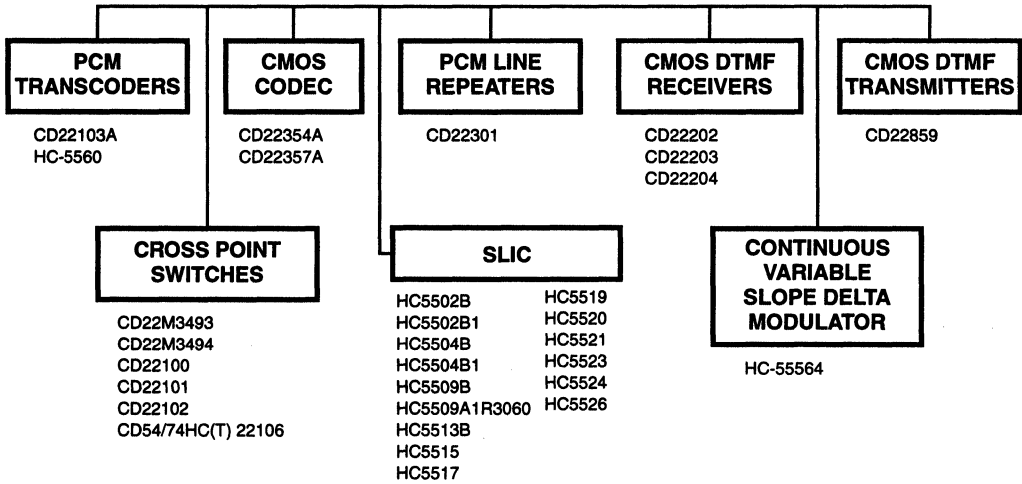
NOTE:

1. New Product

DECI•MATE™ is a registered trademark of Harris Corporation.
 SERINADE™ is a registered trademark of Harris Corporation.

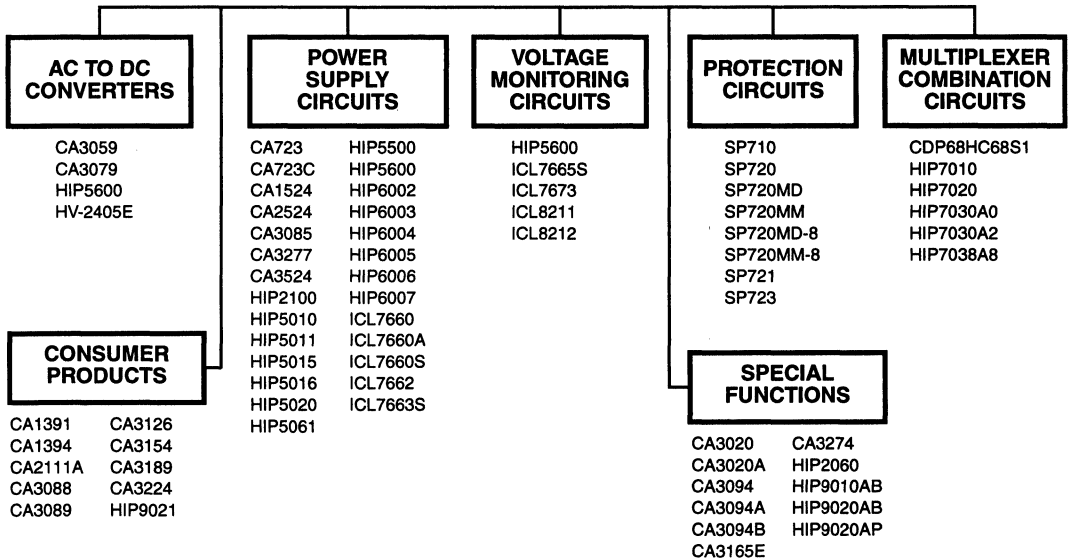
Telecommunications

TELECOMMUNICATIONS

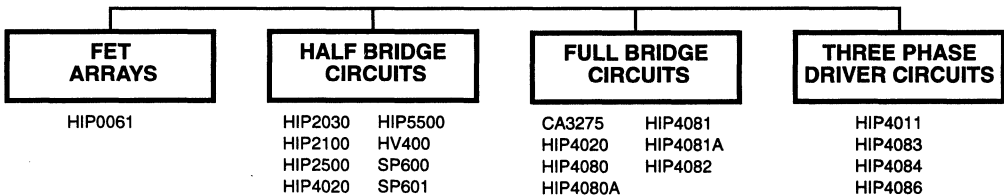


Intelligent Power

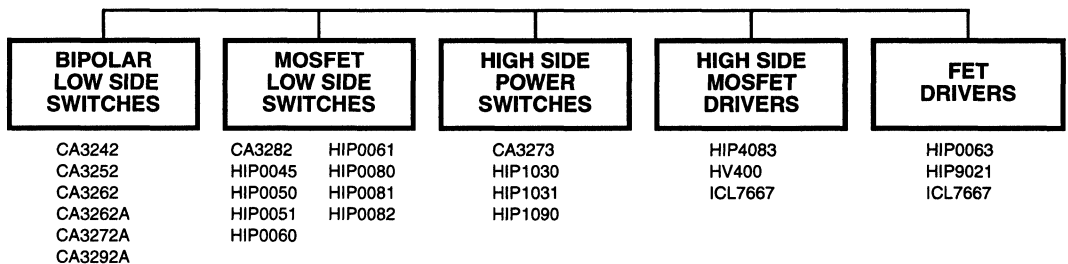
INTELLIGENT POWER INTEGRATED CIRCUITS



INTELLIGENT POWER DRIVER CIRCUITS



INTELLIGENT POWER SWITCHES



SELECTION TREES 1

IGBTs

IGBTs

IGBTs WITH INTEGRAL CURRENT SENSING

HGTB12N60D1C

IGBTs WITH AN INTEGRAL REVERSE DIODE

HGTG12N60D1D	HGTH20N50E1D
HGTG20N50C1D	HGTP10N40C1D
HGTH12N40C1D	HGTP10N40E1D
HGTH12N40E1D	HGTP10N50C1D
HGTH12N50C1D	HGTP10N50E1D
HGTH12N50E1D	HGTP10N50F1D
HGTH20N40C1D	HGTP6N40E1D
HGTH20N40E1D	HGTP6N50E1D
HGTH20N50C1D	

P-CHANNEL IGBTs

HGTD8P50G1
HGTD8P50G1S

400V-600V N-CHANNEL IGBTs

HGTA32N60E2	HGTH20N40E1
HGTG32N60E2	HGTD6N50E1
HGTG24N60D1	HGTD6N50E1S
HGTG20N100D2	HGTD10N50F1
HGTG34N100E2	HGTD10N50F1S
HGTD6N40E1	HGTP10N50E1
HGTD6N40E1S	HGTP10N50C1
HGTD10N40F1	HGTP10N50E1
HGTD10N40F1S	HGTH12N50E1
HGTP10N40E1	HGTH12N50C1
HGTP10N40C1	HGTP15N50E1
HGTH12N40E1	HGTP15N50C1
HGTH12N40C1	HGTP15N50E1
HGTP15N40E1	HGTH20N50E1
HGTP15N40C1	HGTH20N50C1
HGTH20N40C1	HGTP12N60D1

1200V SERIES IGBTs

HGTP15N120C3	HGT1S15N120C3
HGTG15N120C3	HGT1S15N120C3S
	HGTG15N120C3D

UFS SERIES IGBTs

HGTD3N60C3	HGT1S12N60C3S
HGTD3N60C3S	HGTP12N60C3
HGTD7N60C3	HGT1S20N60B3
HGTD7N60C3S	HGT1S20N60B3S
HGTP7N60C3	HGTP20N60B3
HGT1S12N60C3	HGTG20N60B3
	HGTG30N60C3

UFS SERIES IGBTs WITH INTEGRAL REVERSE DIODE

HGT1S3N60C3D	HGTP7N60C3D
HGT1S3N60C3DS	HGT1S12N60C3D
HGTP3N60C3D	HGT1S12N60C3DS
HGT1S7N60C3D	HGTP12N60C3D
HGT1S7N60C3DS	HGTG12N60C3D
	HGTG20N60B3D

IGBTs RUGGED SERIES

HGT1S20N60C3R	HGTP20N60C3R
HGT1S20N60C3RS	HGTG20N60C3R
	HGTG27N60C3R

IGBTs LOGIC LEVEL DRIVE AND COLLECTOR TO GATE VOLTAGE CLAMPING

HGTP14N40F3VL	HGTP20N35G3VL
HGT1S20N35G3VL	HGT1S14N36G3VL
HGT1S20N35G3VLS	HGT1S14N36G3VLS
	HGTP14N36G3VL

IGBTs RUGGED SERIES WITH INTEGRAL REVERSE DIODE

HGTG20N60C3DR
HGTG27N60C3DR

MOSFET

N-CHANNEL MOSFETs

PLASTIC PACKAGE N-CHANNEL MOSFETs

BUZ11	IRF711	IRFD321	IRFR320	RFD3055
BUZ20	IRF712	IRFD322	IRFR321	RFD3055SM
BUZ21	IRF713	IRFD323	IRFR322	RFG40N10
BUZ32	IRF720	IRFP140	IRFR410	RFG45N06
BUZ351	IRF721	IRFP141	IRFR420	RFG50N05
BUZ41A	IRF722	IRFP142	IRFR421	RFG50N06
BUZ42	IRF723	IRFP143	IRFR422	RFG70N06
BUZ60	IRF730	IRFP150	IRFU110	RFG75N05E
BUZ60B	IRF731	IRFP151	IRFU120	RFH10N45
BUZ71	IRF732	IRFP152	IRFU121	RFH10N50
BUZ71A	IRF733	IRFP153	IRFU214	RFH12N35
BUZ72A	IRF740	IRFP240	IRFU220	RFH12N40
BUZ73A	IRF741	IRFP241	IRFU221	RFH25N18
BUZ76	IRF742	IRFP242	IRFU222	RFH25N20
BUZ76A	IRF743	IRFP243	IRFU320	RFH75N05E
IRF510	IRF820	IRFP244	IRFU321	RFP10N12
IRF511	IRF821	IRFP245	IRFU322	RFP10N15
IRF512	IRF822	IRFP246	IRFU410	RFP12N08
IRF513	IRF823	IRFP247	IRFU420	RFP12N10
IRF520	IRF830	IRFP250	IRFU421	RFP12N18
IRF521	IRF831	IRFP251	IRFU422	RFP12N20
IRF522	IRF832	IRFP252	RF1K49086	RFP14N05
IRF523	IRF833	IRFP253	RF1K49088	RFP14N06
IRF530	IRF840	IRFP340	RF1K49090	RFP15N05
IRF531	IRF841	IRFP341	RF1K49154	RFP15N06
IRF532	IRF842	IRFP342	RF1K49157	RFP15N12
IRF533	IRF843	IRFP343	RF1K49221	RFP15N15
IRF540	IRFBC40	IRFP350	RF1S25N06	RFP18N08
IRF541	IRFBC42	IRFP351	RF1S25N06SM	RFP18N10
IRF542	IRFD110	IRFP352	RF1S45N06	RFP22N10
IRF543	IRFD111	IRFP353	RF1S45N06SM	RFP25N05
IRF610	IRFD112	IRFP360	RF1S50N06	RFP25N06
IRF611	IRFD113	IRFP362	RF1S50N06SM	RFP2N08
IRF612	IRFD120	IRFP460	RF1S530	RFP2N10
IRF613	IRFD121	IRFP462	RF1S530SM	RFP2N12
IRF614	IRFD122	IRFP440	RF1S540	RFP2N15
IRF620	IRFD123	IRFP441	RF1S540SM	RFP2N18
IRF621	IRFD1Z0	IRFP442	RF1S630	RFP2N20
IRF622	IRFD1Z1	IRFP443	RF1S630SM	RFP3055
IRF623	IRFD1Z2	IRFP450	RF1S640	RFP3N45
IRF630	IRFD1Z3	IRFP451	RF1S640SM	RFP3N50
IRF631	IRFD210	IRFP452	RF1S70N03	RFP40N10
IRF632	IRFD211	IRFP453	RF1S70N03SM	RFP45N06
IRF633	IRFD212	IRFPC40	RF1S70N06	RFP4N05
IRF640	IRFD213	IRFPC42	RF1S70N06SM	RFP4N06
IRF641	IRFD220	IRFPG40	RF1S70N06SM	RFP4N06
IRF642	IRFD221	IRFPG42	RFA100N05E	RFP4N100
IRF643	IRFD222	IRFR110	RFD14N05	RFP4N35
IRF644	IRFD223	IRFR120	RFD14N05SM	RFP4N40
IRF645	IRFD310	IRFR121	RFD14N06SM	RFP50N05
IRF646	IRFD311	IRFR214	RFD16N05	RFP50N06
IRF647	IRFD312	IRFR220	RFD16N05SM	RFP6N45
IRF710	IRFD313	IRFR221	RFD16N06	RFP6N50
	IRFD320	IRFR222	RFD16N06SM	RFP70N03
				RFP70N06
				RFP7N35

MOSFET

PLASTIC PACKAGE N-CHANNEL LOGIC LEVEL DEVICES

RF1K49092	RFD14N05L	RFD7N10LESM	RFP2N10L
RF1K49156	RFD14N05LSM	RFG40N10LE	RFP2N12L
RF1K49211	RFD14N06L	RFG45N06LE	RFP2N15L
RF1S23N06LE	RFD14N06LSM	RFG50N05L	RFP2N18L
RF1S23N06LESM	RFD15N06LE	RFG50N06LE	RFP2N20L
RF1S30N06LE	RFD15N06LESM	RFP10N12L	RFP3055LE
RF1S30N06LESM	RFD16N03L	RFP10N15L	RFP30N06LE
RF1S40N10LE	RFD16N03LSM	RFP12N06RLE	RFP40N10LE
RF1S40N10LESM	RFD16N05L	RFP12N08L	RFP42N03L
RF1S42N03L	RFD16N05LSM	RFP12N10L	RFP45N03L
RF1S42N03LSM	RFD16N06LE	RFP14N05L	RFP45N06LE
RF1S45N03L	RFD16N06LESM	RFP14N06L	RFP4N05L
RF1S45N03LSM	RFD30555LE	RFP15N05L	RFP4N06L
RF1S45N06LE	RFD3055LESM	RFP15N06L	RFP50N05L
RF1S45N06LESM	RFD3N08L	RFP15N08L	RFP50N06LE
RF1S50N06LE	RFD3N08LSM	RFP17N06L	RFP7N10LE
RF1S50N06LESM	RFD4N06L	RFP23N06LE	RFP8N10L
RFD12N06RLE	RFD4N06LSM	RFP25N05L	RFP8N18L
RFD12N06RLESM	RFD7N10LE	RFP25N06L	RFW2N06RLE
		RFP2N08L	

HERMETIC PACKAGE N-CHANNEL DEVICES

2N6755	2N7225	IRF230	IRF342	IRFF112	IRFF320	RFL2N06
2N6756	2N7227	IRF231	IRF343	IRFF113	IRFF321	RFL4N12
2N6757	2N7228	IRF232	IRF350	IRFF120	IRFF322	RFL4N15
2N6758	BUZ45	IRF233	IRF351	IRFF121	IRFF323	RFM10N12
2N6759	BUZ45A	IRF240	IRF352	IRFF122	IRFF330	RFM10N15
2N6760	BUZ45B	IRF241	IRF353	IRFF123	IRFF331	RFM10N45
2N6761	IRF120	IRF242	IRF420	IRFF130	IRFF332	RFM10N50
2N6762	IRF121	IRF243	IRF421	IRFF131	IRFF333	RFM12N08
2N6765	IRF122	IRF244	IRF422	IRFF132	IRFF420	RFM12N10
2N6766	IRF123	IRF245	IRF423	IRFF133	IRFF421	RFM12N18
2N6767	IRF130	IRF246	IRF430	IRFF210	IRFF422	RFM12N20
2N6768	IRF131	IRF247	IRF431	IRFF211	IRFF423	RFM12N35
2N6769	IRF132	IRF250	IRF432	IRFF212	IRFF430	RFM12N40
2N6770	IRF133	IRF251	IRF433	IRFF213	IRFF431	RFM15N05
2N6782	IRF140	IRF252	IRF440	IRFF220	IRFF432	RFM15N06
2N6784	IRF141	IRF253	IRF441	IRFF221	IRFF433	RFM15N12
2N6786	IRF142	IRF320	IRF442	IRFF222	RFF70N06	RFM15N15
2N6788	IRF143	IRF321	IRF443	IRFF223	RFK25N18	RFM18N08
2N6790	IRF150	IRF322	IRF450	IRFF230	RFK25N20	RFM18N10
2N6792	IRF151	IRF323	IRF451	IRFF231	RFL1N08	RFM3N45
2N6794	IRF152	IRF330	IRF452	IRFF232	RFL1N10	RFM3N50
2N6796	IRF153	IRF331	IRF453	IRFF233	RFL1N12	RFM4N35
2N6798	IRF220	IRF332	IRFAC40	IRFF310	RFL1N15	RFM4N40
2N6800	IRF221	IRF333	IRFAC42	IRFF311	RFL1N18	RFM6N45
2N6802	IRF222	IRF340	IRFF110	IRFF312	RFL1N20	RFM7N35
2N7224	IRF223	IRF341	IRFF111	IRFF313	RFL2N05	RFM7N40

HERMETIC PACKAGE N-CHANNEL LOGIC LEVEL DEVICES

2N6901	RFL1N10L	RFL2N05L	RFM15N05L
2N6902	RFL1N12L	RFL2N06L	RFM15N06L
2N6903	RFL1N15L	RFM10N12L	RFM8N18L
2N6904	RFL1N18L	RFM10N15L	RFM8N20L
RFL1N08L	RFL1N20L	RFM12N08L	
		RFM12N10L	

MOSFET

P-CHANNEL MOSFETs

PLASTIC PACKAGE P-CHANNEL LOGIC LEVEL DEVICES

RF1K49093
RFD8P06LE
RFD8P06LESM
RFP8P06LE
RFD10P03L
RFD10P03LSM
RFP10P03L

HERMETIC PACKAGE P-CHANNEL DEVICES

2N6804	IRF9232	IRFF9223
2N6849	IRF9233	IRFF9230
2N6851	IRF9240	IRFF9231
2N6895	IRF9241	IRFF9232
2N6896	IRF9242	IRFF9233
2N6898	IRF9243	RFF60P06
IRF9130	IRFF9120	RFK25P08
IRF9131	IRFF9121	RFK25P10
IRF9132	IRFF9122	RFL1P08
IRF9133	IRFF9123	RFL1P10
IRF9140	IRFF9130	RFM10P12
IRF9141	IRFF9131	RFM10P15
IRF9142	IRFF9132	RFM12P08
IRF9143	IRFF9133	RFM12P10
IRF9150	IRFF9220	RFM6P08
IRF9151	IRFF9221	RFM8P08
IRF9230	IRFF9222	RFM8P10
IRF9231		

PLASTIC PACKAGE P-CHANNEL DEVICES

IRF9510	IRF9630	IRFP9151	RF1S9540	RFH25P08
IRF9511	IRF9631	IRFP9240	RF1S9540SM	RFH25P10
IRF9512	IRF9632	IRFP9241	RF1S9630	RFP10P12
IRF9513	IRF9633	IRFP9242	RF1S9630SM	RFP10P15
IRF9520	IRF9640	IRFP9243	RF1S9640	RFP12P08
IRF9521	IRF9641	IRFR9110	RF1S9640SM	RFP12P10
IRF9522	IRF9642	IRFR9120	RFD15P05	RFP15P05
IRF9523	IRF9643	IRFR9220	RFD15P05SM	RFP15P06
IRF9530	IRFD9110	IRFU9110	RFD15P06	RFP2P08
IRF9531	IRFD9113	IRFU9120	RFD15P06SM	RFP2P10
IRF9532	IRFD9120	IRFU9220	RFD8P05	RFP30P05
IRF9533	IRFD9123	RF1S30P05	RFD8P05SM	RFP30P06
IRF9540	IRFD9220	RF1S30P05SM	RFD8P06E	RFP60P03
IRF9541	IRFD9223	RF1S30P06	RFD8P06ESM	RFP6P08
IRF9542	IRFP9140	RF1S30P06SM	RFG30P05	RFP6P10
IRF9543	IRFP9141	RF1S60P03	RFG30P06	RFP8P05
IRF9620	IRFP9142	RF1S60P03SM	RFG60P03	RFP8P06E
IRF9621	IRFP9143	RF1S9530	RFG60P05E	RFP8P08
IRF9622	IRFP9150	RF1S9530SM	RFG60P06E	RFP8P10
IRF9623				

Rectifiers

RECTIFIER PRODUCT LINE

ULTRAFAST RECOVERY

MUR1510	RURD420	RURD840	RURG5070	RURP1590	RURP890	RURU5070
MUR1515	RURD420S	RURD840S	RURG5080	RURP3010	RURU100100	RURU5080
MUR1520	RURD440	RURD850	RURG5090	RURP30100	RURU100120	RURU5090
MUR1540	RURD440S	RURD850S	RURG75120	RURP30120	RURU10040	RURU75120
MUR1550	RURD450	RURD860	RURG80100	RURP3015	RURU10050	RURU80100
MUR1560	RURD450S	RURD860S	RURG8040	RURP3020	RURU10060	RURU8040
MUR810	RURD460	RURG3010	RURG8050	RURP3040	RURU10070	RURU8050
MUR8100E	RURD460S	RURG30100	RURG8060	RURP3050	RURU10080	RURU8060
MUR815	RURD610	RURG30120	RURG8070	RURP3060	RURU10090	RURU8070
MUR820	RURD610S	RURG3015	RURG8080	RURP3070	RURU150100	RURU8080
MUR840	RURD6120	RURG3020	RURG8090	RURP3080	RURU150120	RURU8090
MUR850	RURD6120S	RURG3040	RURP1510	RURP3090	RURU15040	
MUR860	RURD615	RURG3050	RURP15100	RURP810	RURU15050	
MUR870E	RURD615S	RURG3060	RURP15120	RURP8100	RURU15060	
MUR880E	RURD620	RURG3070	RURP1515	RURP8120	RURU15070	
MUR890E	RURD620S	RURG3080	RURP1520	RURP815	RURU15080	
RURD410	RURD640	RURG3090	RURP1540	RURP820	RURU15090	
RURD410S	RURD640S	RURG50100	RURP1550	RURP840	RURU50100	
RURD4120	RURD650	RURG50120	RURP1560	RURP850	RURU50120	
RURD4120S	RURD650S	RURG5040	RURP1570	RURP860	RURU5040	
RURD415	RURD660	RURG5050	RURP1580	RURP870	RURU5050	
RURD415S	RURD660S	RURG5060		RURP880	RURU5060	

DUAL ULTRAFAST RECOVERY

BYW51100	RURD660CC	RURH1590CC
BYW51150	RURG15100CC	RURH30100CC
BYW51200	RURG1510CC	RURH3010CC
MUR1610CT	RURG15120CC	RURH3015CC
MUR1615CT	RURG1515CC	RURH3020CC
MUR1620CT	RURG1520CC	RURH3040CC
MUR3010PT	RURG1540CC	RURH3050CC
MUR3015PT	RURG1550CC	RURH3060CC
MUR3020PT	RURG1560CC	RURH3070CC
MUR3040PT	RURG1570CC	RURH3080CC
MUR3050PT	RURG1580CC	RURH3090CC
MUR3060PT	RURG1590CC	RURP4120CC
RURD410CC	RURG30100CC	RURP6120CC
RURD410CCS	RURG3010CC	RURP640CC
RURD415CC	RURG30120CC	RURP650CC
RURD415CCS	RURG3015CC	RURP660CC
RURD420CC	RURG3020CC	RURP8100CC
RURD420CCS	RURG3040CC	RURP810CC
RURD440CC	RURG3050CC	RURP8120CC
RURD440CCS	RURG3060CC	RURP815CC
RURD450CC	RURG3070CC	RURP820CC
RURD450CCS	RURG3080CC	RURP840CC
RURD460CC	RURG3090CC	RURP850CC
RURD460CCS	RURH15100CC	RURP860CC
RURD610CC	RURH1510CC	RURP870CC
RURD610CCS	RURH1515CC	RURP880CC
RURD615CC	RURH1520CC	RURP890CC
RURD615CCS	RURH1540CC	
RURD620CC	RURH1550CC	
RURD620CCS	RURH1560CC	
RURD640CC	RURH1570CC	
RURD650CC	RURH1580CC	

HYPERFAST RECOVERY

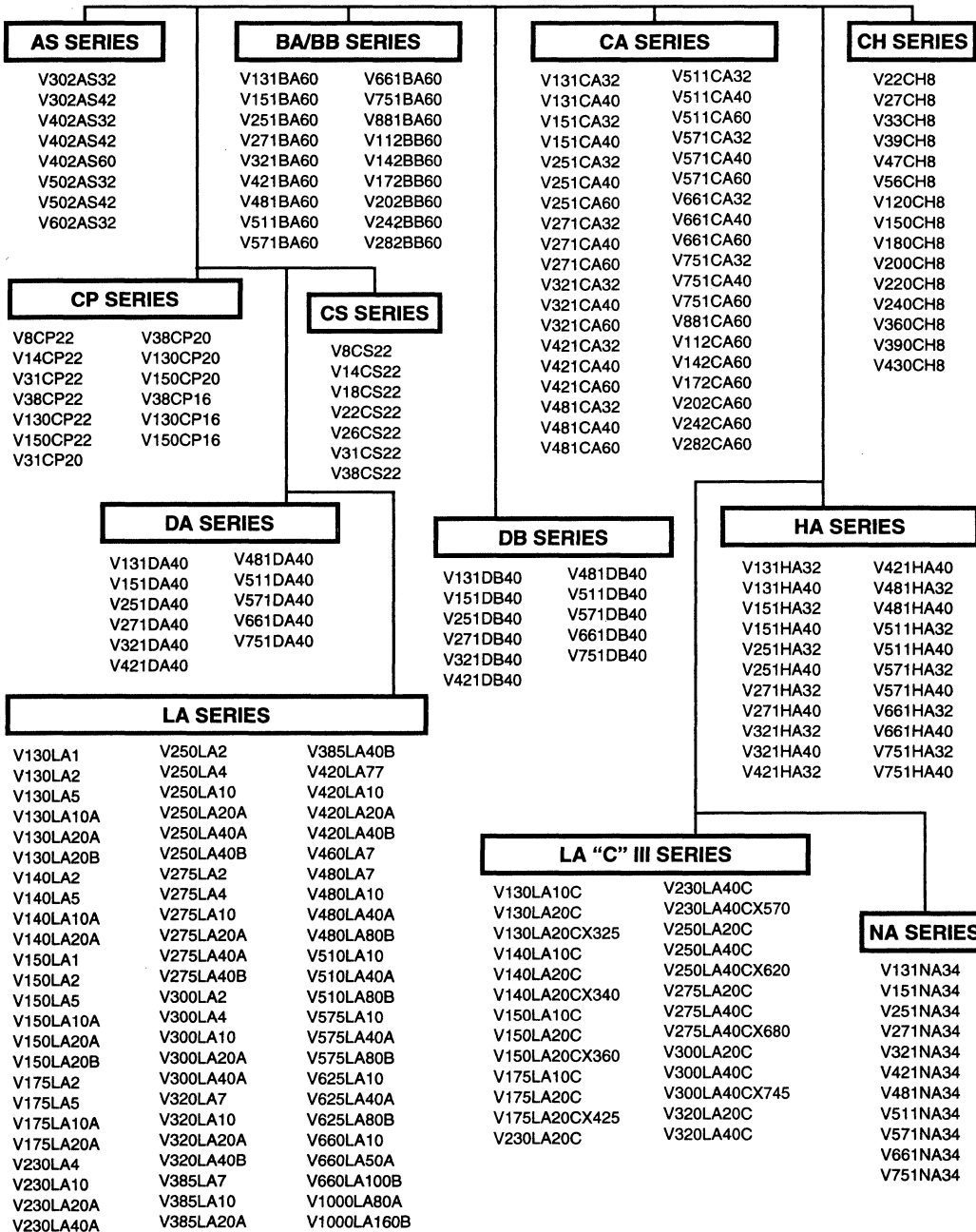
RHRD4120	RHRG75100	RHRU100120
RHRD4120S	RHRG75120	RHRU10040
RHRD440	RHRG7540	RHRU10050
RHRD440S	RHRG7550	RHRU10060
RHRD450	RHRG7560	RHRU150100
RHRD450S	RHRG7570	RHRU150120
RHRD460	RHRG7580	RHRU15040
RHRD460S	RHRG7590	RHRU15050
RHRD6120	RHRP15100	RHRU15060
RHRD6120S	RHRP15120	RHRU15090
RHRD640	RHRP1540	RHRU50100
RHRD640S	RHRP1550	RHRU50120
RHRD650	RHRP1560	RHRU5040
RHRD650S	RHRP1570	RHRU5050
RHRD660	RHRP1580	RHRU5060
RHRD660S	RHRP1590	RHRU5070
RHRG30100	RHRP30100	RHRU5080
RHRG30120	RHRP30120	RHRU5090
RHRG3040	RHRP3040	RHRU75100
RHRG3050	RHRP3050	RHRU75120
RHRG3060	RHRP3060	RHRU7540
RHRG3070	RHRP3070	RHRU7550
RHRG3080	RHRP3080	RHRU7560
RHRG3090	RHRP3090	RHRU7570
RHRG50100	RHRP8100	RHRU7580
RHRG50120	RHRP8120	RHRU7590
RHRG5040	RHRP840	
RHRG5050	RHRP850	
RHRG5060	RHRP860	
RHRG5070	RHRP870	
RHRG5080	RHRP880	
RHRG5090	RHRP890	

DUAL HYPERFAST RECOVERY

RHR1Y75120CC	RHRD460CC	RHRG1560CC	RHRG3040CC	RHRP4120CC	RHRP8120CC	RHRP890CC
RHRD440CC	RHRD460CCS	RHRG1570CC	RHRG3050CC	RHRP6120CC	RHRP840CC	
RHRD440CCS	RHRG15100CC	RHRG1580CC	RHRG3060CC	RHRP640CC	RHRP850CC	
RHRD450CC	RHRG15120CC	RHRG1590CC	RHRG3070CC	RHRP650CC	RHRP860CC	
RHRD450CCS	RHRG1540CC	RHRG30100CC	RHRG3080CC	RHRP660CC	RHRP870CC	
	RHRG1550CC	RHRG30120CC	RHRG3090CC	RHRP8100CC	RHRP880CC	

Transient Voltage

MOV VOLTAGE SUPPRESSION DEVICES



1
SELECTION TREES

Transient Voltage

MOV VOLTAGE SUPPRESSION DEVICES (Continued)

MA SERIES

V18MA1A	V47MA2B	V120MA2S
V18MA1B	V47MA2S	V150MA1A
V18MA1S	V56MA2A	V150MA2B
V22MA1A	V56MA2B	V180MA1A
V22MA1B	V56MA2S	V180MA3B
V22MA1S	V68MA3A	V220MA2A
V27MA1A	V68MA3B	V220MA4B
V27MA1B	V68MA3S	V270MA2A
V27MA1S	V82MA3A	V270MA4B
V33MA1A	V82MA3B	V330MA2A
V33MA1B	V82MA3S	V330MA5B
V33MA1S	V100MA4A	V390MA3A
V39MA2A	V100MA4B	V390MA6B
V39MA2B	V100MA4S	V430MA3A
V39MA2S	V120MA1A	V430MA7B
V47MA2A	V120MA2B	

PA SERIES

V130PA20A	V420PA40A
V130PA20C	V420PA40C
V150PA20A	V480PA80A
V150PA20C	V480PA80C
V250PA40A	V510PA80A
V250PA40C	V510PA80C
V275PA40A	V575PA80A
V275PA40C	V575PA80C
V320PA40A	V660PA100A
V320PA40C	V660PA100C

RA SERIES

V8RA8	V100RA8
V12RA8	V120RA8
V18RA8	V150RA8
V22RA8	V180RA8
V27RA8	V200RA8
V33RA8	V220RA8
V39RA8	V240RA8
V47RA8	V270RA8
V56RA8	V360RA8
V68RA8	V390RA8
V82RA8	V430RA8

ZA SERIES

V8ZA05	V22ZA1	V33ZA5	V47ZA20	V82ZA2	V150ZA05	V240ZA05
V8ZA1	V22ZA2	V33ZA70	V56ZA05	V82ZA4	V150ZA1	V270ZA05
V8ZA2	V22ZA3	V36ZA80	V56ZA2	V82ZA12	V150ZA4	V330ZA05
V12ZA05	V24ZA50	V39ZA05	V56ZA3	V100ZA05	V150ZA8	V360ZA05
V12ZA1	V27ZA05	V39ZA1	V56ZA8	V100ZA3	V150ZA20	V390ZA05
V12ZA2	V27ZA1	V39ZA3	V56ZA20	V100ZA4	V180ZA05	V430ZA05
V18ZA05	V27ZA2	V39ZA6	V68ZA05	V100ZA15	V180ZA1	V470ZA05
V18ZA1	V27ZA4	V39ZA20	V68ZA2	V120ZA05	V180ZA5	V620ZA05
V18ZA2	V27ZA60	V47ZA05	V68ZA3	V120ZA1	V180ZA10	V680ZA05
V18ZA3	V33ZA05	V47ZA1	V68ZA10	V120ZA4	V180ZA20	V715ZA05
V18ZA40	V33ZA1	V47ZA3	V68ZA20	V120ZA6	V205ZA05	V750ZA05
V22ZA05	V33ZA2	V47ZA7	V82ZA05	V120ZA20	V220ZA05	

UNIQUE VOLTAGE SUPPRESSION DEVICES

SURGECTORS

SGT10S10	SGT22B13A
SGT27S10	SGT23B13
SGT27S23	SGT23B13A
SGT03U13	SGT27B13
SGT06U13	SGT27B13A
SGT23U13	SGT27B13B
SGT21B13	SGT27B27
SGT21B13A	SGT27B27A
SGT22B13	SGT27B27B

MULTI-LAYERS

AUML SERIES

V18AUMLA1210
V18AUMLA1812
V18AUMLA2220

MLE SERIES

V18MLE0603
V18MLE0805
V18MLE1206

ML SERIES

V3.5MLA0603	V18MLA0603
V3.5MLA0805	V18MLA0805
V3.5MLA0805L	V18MLA0805L
V3.5MLA1206	V18MLA1206
V5.5MLA0603	V18MLA1210
V5.5MLA0805	V26MLA1206
V5.5MLA0805L	V26MLA1210
V5.5MLA1206	V33MLA1206
V9MLA0603	V42MLA1206
V14MLA0603	V56MLA1206
V14MLAA0805	V68MLA1206
V14MLA0805L	
V14MLA1206	

Microcontrollers

EMULATORS

8-BIT MCU EMULATOR

CDP68EM05C4, C8
CMOS High Performance
Silicon Gate
68HC05ICEC1-EV
Emulator Development Board

MICROCONTROLLERS

8-BIT MCU SERIES

CDP68HC05C4	CDP68HC05C4B
CDP68HCL05C4	CDP68HCL05C4B
CDP68HSC05C4	CDP68HSC05C4B
CDP68HC05C8	CDP68HC05C8B
CDP68HCL05C8	CDP68HCL05C8B
CDP68HSC05C8	CDP68HSC05C8B
CDP68HC05J3	CDP68HC05J4B
CDP68HCL05J3	CDP68HCL05J4B
CDP68HSC05J3	CDP68HSC05J4B
CDP68HC05P4B	CDP68HC05C16B
CDP68HCL05P4B	CDP68HCL05C16B
CDP68HSC05P4B	CDP68HSC05C16B

HCMOS MCU

CDP68HC05D2

CMOS 8-BIT MICROPROCESSOR

CDP6805E3, E3C
CDP6805E2, E2C

PERIPHERALS

8-BIT BUS PERIPHERALS

CDP6402, CDP6402C
CMOS Universal Asynchronous Receiver/
Transmitter (UART)
CDP65C51
CMOS Asynchronous Communications
Interface Adapter (ACIA)
CDP6818
CMOS Real-Time Clock with RAM
CDP6818A
CMOS Real-Time Clock Plus RAM
CDP6823
CMOS Parallel Interface
CDP6853
CMOS Asynchronous Communications
Interface Adapter (ACIA) with Motel Bus
CDP6872
Low Power Crystal Oscillator

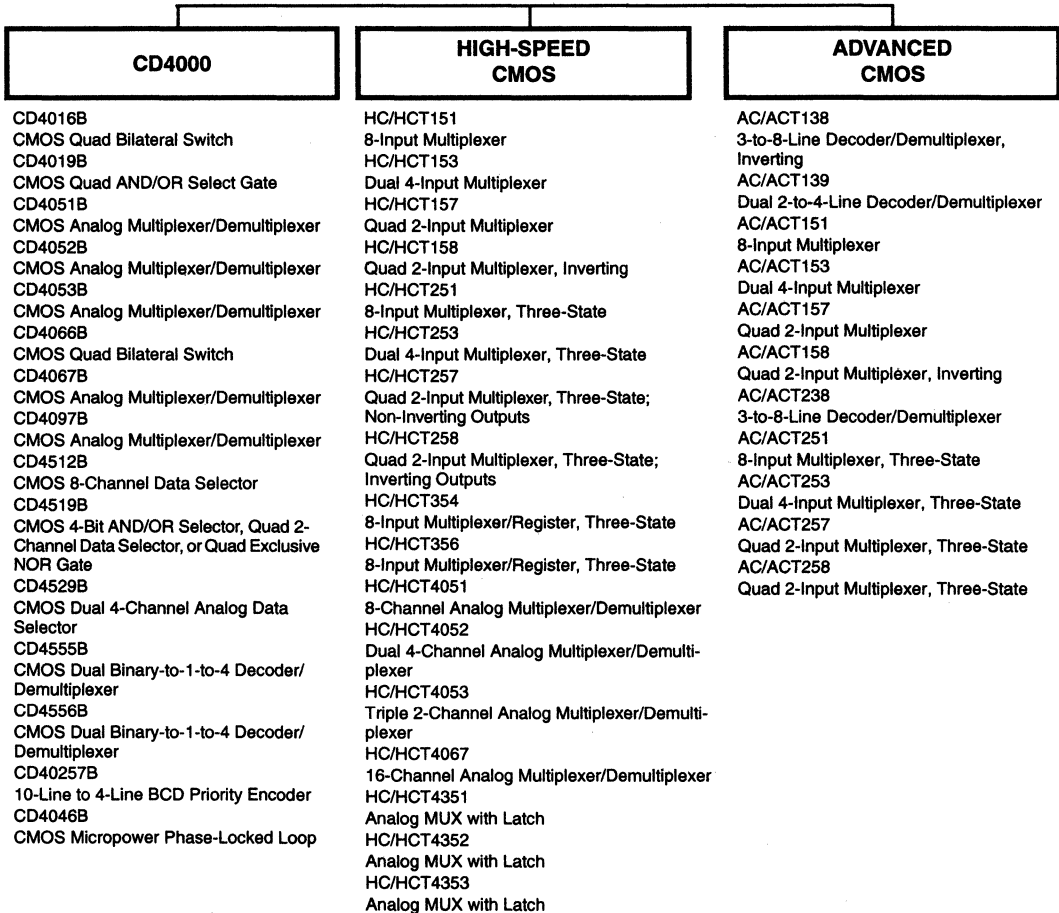
SPI SERIAL BUS PERIPHERALS

CDP68HC68A2
CMOS Serial 10-Bit A/D Converter
CDP68HC68P1
CMOS Single Port Input/Output
CDP68HC68R1, CDP68HC68R2
CMOS 128 Word and 256 Word Static
RAMS
CDP68HC68S1
Serial Bus Interface
CDP68HC68T1
CMOS Real-Time Clock with RAM and
Power Sense/Control
CDP68HC68W1
Digital Pulse Width Modulator

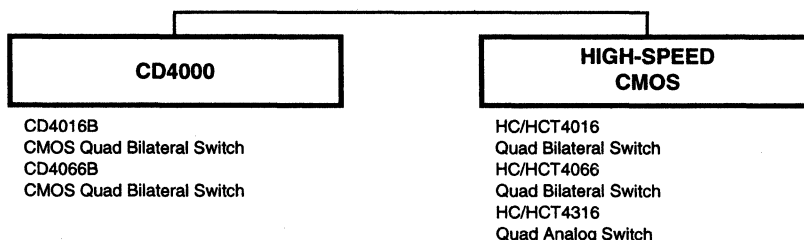
Logic

CD4000/HC/HCT/AC/ACT Family

ANALOG AND DIGITAL MULTIPLEXERS/DEMULTIPLEXERS

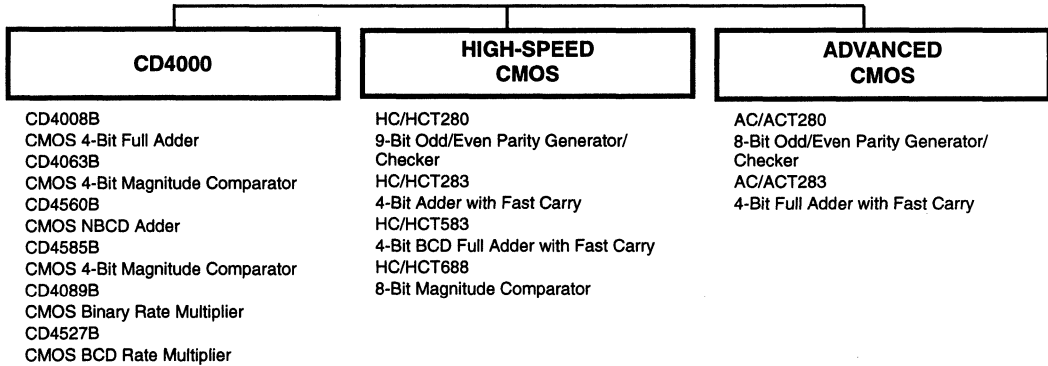


ANALOG SWITCHES

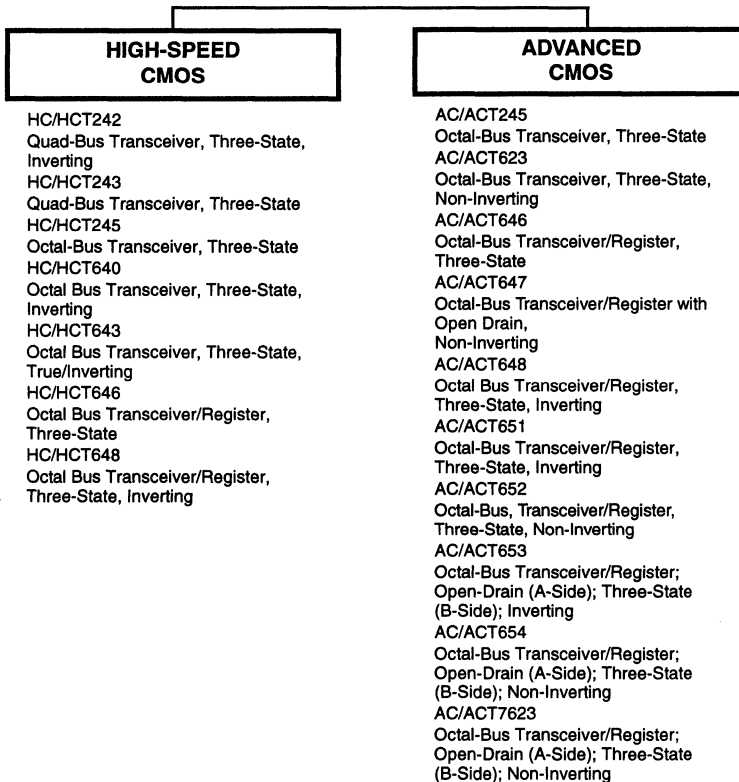


CD4000/HC/HCT/AC/ACT Family (Continued)

ARITHMETIC CIRCUITS



BUS TRANSCEIVERS



CD4000/HC/HCT/AC/ACT Family (Continued)

COUNTERS

HIGH-SPEED CMOS

HC/HCT93
4-Bit Binary Ripple Counter
HC/HCT160
Synchronous BCD Decade Counter,
Asynchronous Reset
HC/HCT161
Synchronous 4-Bit Binary Counter,
Asynchronous Reset
HC/HCT162
Synchronous BCD Decade Counter,
Synchronous Reset
HC/HCT163
Synchronous 4-Bit Binary Counter,
Synchronous Reset
HC/HCT190
Presettable Synchronous BCD Decade
Up/Down Counter
HC/HCT191
Synchronous 4-Bit Binary Up/Down
Counter
HC/HCT192
Synchronous BCD Decade Up/Down
Counter
HC/HCT193
Synchronous 4-Bit Binary Up/Down
Counter
HC/HCT390
Dual Decade Ripple Counter
HC/HCT393
Dual 4-Bit Binary Ripple Counter
HC/HCT4017
Decade Counter/Divider with
10 Decoded Outputs
HC/HCT4020
14-Stage Binary Ripple Counter
HC/HCT4024
7-Stage Binary Ripple Counter
HC/HCT4040
12-Bit Binary Counter
HC/HCT4059
Programmable Divide by "N" Counter
HC/HCT4060
14-Stage Binary Counter with Oscillator
HC/HCT4510
Up/Down Counter, BCD
HC/HCT4516
Up/Down Counter, Binary
HC/HCT4518
Dual Synchronous BCD Counter
HC/HCT4520
Dual 4-Bit Synchronous Binary Counter
HC/HCT40102
8-Bit Synchronous BCD Down Counter
HC/HCT40103
8-Bit Binary Down Counter

ADVANCED CMOS

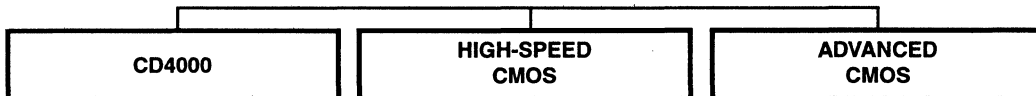
AC/ACT161
Synchronous 4-Bit Binary Counter,
Asynchronous Reset
AC/ACT163
Synchronous 4-Bit Binary Counter,
Synchronous Reset
AC/ACT191
Synchronous 4-Bit Binary Up/Down
Counter
AC/ACT193
Synchronous 4-Bit Binary Up/Down
Counter
AC/ACT7060
14-Stage Binary Counter with Oscillator

CD4000

CD4024B
CMOS Ripple-Carry Binary Counter/Di-
vider (7-Stage)
CD4040B
CMOS Ripple-Carry Binary Counter/Di-
vider (12-Stage)
CD4020B
CMOS Ripple-Carry Binary Counter/Di-
vider (14-Stage)
CD4060B
CMOS 14-Stage Ripple-Carry Binary
Counter/Divider and Oscillator
CD4521B
CMOS 24-Stage Frequency Divider
CD4045B
CMOS 21-Stage Counter
CD4536B
CMOS Programmable Timer
CD4566B
CMOS Industrial Time-Based Generator
CD4017B
CMOS Counter/Divider
CD4022B
CMOS Counter/Divider
CD4018B
CMOS Presettable Divide-By-N Counter
CD4059B
Programmable Divide-By-N Counter
CD4522B
CMOS Programmable BCD Divide-By-N
Counter
CD4029B
CMOS Presettable Up/Down Counter
CD4510B
CMOS Presettable Up/Down Counter
CD40192B
CMOS Presettable Up/Down Counter
(Dual Clock with Reset)
CD4516B
CMOS Presettable Up/Down Counter
CD40193B
CMOS Presettable Up/Down Counter
(Dual Clock with Reset)
CD40102B
CMOS 8-Stage Presettable Synchron-
ous Down Counter
CD40103B
CMOS 8-Stage Presettable Synchron-
ous Down Counter
CD4518B
CMOS Dual Up Counter
CD4520B
CMOS Dual Up Counter
CD40160B
CMOS Synchronous Programmable
4-Bit Counter
CD40161B
CMOS Synchronous Programmable
4-Bit Counter
CD40163B
CMOS Synchronous Programmable
4-Bit Counter

CD4000/HC/HCT/AC/ACT Family (Continued)

DECODERS/ENCODERS



CD4000

CD4028B
 CMOS BCD-to-Decimal Decoder
 CD4514B
 CMOS 4-Bit Latch/4-to-16-Line Decoder
 CD4515B
 CMOS 4-Bit Latch/4-to-16-Line Decoder
 CD4532B
 CMOS 8-Bit Priority Encoder
 CD4555B
 CMOS Dual Binary-to-1-to-4 Decoder/
 Demultiplexer
 CD4556B
 CMOS Dual Binary-to-1-to-4 Decoder/
 Demultiplexer
 CD40147B
 10-Line to 4-Line BCD Priority Encoder

**HIGH-SPEED
 CMOS**

HC/HCT42
 BCD-to-Decimal Decoder (1-to-10)
 HC/HCT137
 3-to-8-Line Decoder with Latch, Inverting
 HC/HCT138
 3-to-8-Line Decoder/Demultiplexer,
 Inverting
 HC/HCT139
 Dual 2-to-4-Line Decoder/Demultiplexer
 HC/HCT147
 10-to-4-Line Priority Encoder
 HC/HCT154
 4-to-16-Line Decoder/Demultiplexer
 HC/HCT237
 3-to-8-Line Decoder/Demultiplexer with
 Address Latches
 HC/HCT238
 3-to-8-Line Decoder/Demultiplexer
 HC/HCT4511
 BCD-to-7-Segment Latch/Decoder/Driver
 HC/HCT4514
 4-to-16-Line Decoder/Demultiplexer with
 Input Latch
 HC/HCT4515
 4-to-16-Line Decoder with Input Latches
 HC/HCT4543
 BCD-to-7-Segment Latch Decoder/Driver
 for LCDs

**ADVANCED
 CMOS**

AC/ACT138
 3-to-8-Line Decoder/Demultiplexer,
 Inverting
 AC/ACT139
 Dual 2-to-4-Line Decoder/Demultiplexer
 AC/ACT238
 3-to-8-Line Decoder/Demultiplexer

1
**SELECTION
 TREES**

CD4000/HC/HCT/AC/ACT Family (Continued)

FLIP-FLOPS

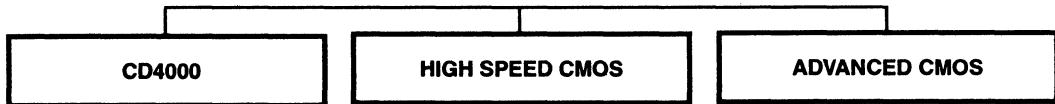
CD4000	HIGH SPEED CMOS	ADVANCED CMOS
<p>CD4013B CMOS Dual D-Type Flip-Flop CD4027B CMOS Dual J-K Master-Slave Flip-Flop CD4095B CMOS Gated J-K Master-Slave Flip-Flop CD4096B CMOS Gated J-K Master-Slave Flip-Flop CD40174B CMOS Hex D-Type Flip-Flop CD40175B CMOS Quad D-Type Flip-Flop</p>	<p>HC/HCT73 Dual J-K Flip-Flop with Reset HC/HCT74 Dual D Flip-Flop with Set and Reset HC/HCT107 Dual J-K Flip-Flop with Reset HC/HCT109 Dual J-K Flip-Flop with Set and Reset HC/HCT112 Dual J-K Flip-Flop with Set and Reset HC/HCT173 Quad D Flip-Flop, Three-State HC/HCT174 Hex D-Type Flip-Flop with Reset HC/HCT175 Quad D-Type Flip-Flop with Reset HC/HCT273 Octal D-Type Flip-Flop with Reset HC/HCT374 Octal D Flip-Flop, Three-State HC/HCT377 Octal D-Type Flip-Flop with Data Enable HC/HCT534 Octal D Flip-Flop, Three-State, Inverting HC/HCT564 Octal D Flip-Flop, Three-State, Inverting HC/HCT574 Octal D Flip-Flop, Three-State</p>	<p>AC/ACT74 Dual D Flip-Flop with Set and Reset AC/ACT109 Dual J-K Flip-Flop with Set and Reset AC/ACT112 Dual J-K Flip-Flop with Set and Reset AC/ACT174 Hex D-Type Flip-Flop with Reset AC/ACT175 Quad D-Type Flip-Flop with Reset AC/ACT273 Octal D-Type Flip-Flop with Reset AC/ACT374 Octal D Flip-Flop, Three-State AC/ACT534 Octal D Flip-Flop, Three-State, Inverting AC/ACT564 Octal D-Type Flip-Flop, Three-State, Inverting AC/ACT574 Octal D-Type Flip-Flop, Three-State</p>

LATCHES

CD4000	HIGH SPEED CMOS	ADVANCED CMOS
<p>CD4042B CMOS Quad Clocked D Latch CD4043B CMOS Quad Three-State R/S Latch CD4044B CMOS Quad Three-State R/S Latch CD4508B CMOS Dual 4-Bit Latch CD4099B CMOS 8-Bit Addressable Latch CD4724B CMOS 8-Bit Addressable Latch CD4099B CMOS 8-Bit Addressable Latch CD4724B CMOS 8-Bit Addressable Latch</p>	<p>HC/HCT75 Dual 2-Bit Bistable Transparent Latch HC/HCT259 8-Bit Addressable Latch HC/HCT373 Octal Transparent Latch, Three-State HC/HCT533 Octal Transparent Latch, Three-State, Inverting HC/HCT563 Octal Transparent Latch, Three-State, Inverting HC/HCT573 Octal Transparent Latch, Three-State</p>	<p>AC/ACT373 Octal Transparent Latch, Three-State AC/ACT533 Octal Transparent Latch, Three-State, Inverting AC/ACT563 Octal Inverting Transparent Latch, Three-State AC/ACT573 Octal Transparent Latch, Three-State</p>

CD4000/HC/HCT/AC/ACT Family (Continued)

REGISTERS



CD4000

CD4076B
CMOS 4-Bit D-Type Register
CD4015B
CMOS Dual 4-Stage Static Shift Register
CD4006B
CMOS 18-Stage Static Shift Register
CD4031B
CMOS 64-Stage Static Shift Register
CD4517B
CMOS Dual 64-Stage Static Shift Register
CD4014B
CMOS 8-Stage Static Shift Register
CD4021B
CMOS 8-Stage Static Shift Register
CD4035B
CMOS 4-Stage Parallel-In/Parallel-Out Shift Register
CD40194B
CMOS 4-Bit Bidirectional Universal Shift Register
CD4034B
CMOS 8-Stage Static Bidirectional Parallel/Serial Input/Output Bus Register
CD40100B
CMOS 32-Stage Static Left/Right Shift Register
CD4094B
CMOS 8-Stage Shift-and-Store Bus Register
CD4076B
CMOS 4-Bit D-Type Register
CD40105B
CMOS FIFO Register

HIGH SPEED CMOS

HC/HCT164
8-Bit Serial-In/Parallel-Out Shift Register
HC/HCT165
8-Bit Parallel-In/Serial-Out Shift Register
HC/HCT166
8-Bit Parallel-In/Serial-Out Shift Register
HC/HCT194
4-Bit Bidirectional Universal Shift Register
HC/HCT195
4-Bit Parallel Access Shift Register
HC/HCT299
8-Bit Universal Shift Register Three-State
HC/HCT40104
4-Bit Bidirectional Universal Shift Register, Three-State
HC/HCT40105
4 Bits x 16 Words FIFO Register
HC/HCT4015
Dual 4-Stage Static Shift Register
HC/HCT4094
8-Stage Shift-and-Store Bus Register
HC/HCT597
8-Bit Shift Register with Input Storage
HC/HCT670
4 x 4 Register File, Three-State
HC/HCT7030
9-Bit x 64 Word FIFO Register, Three-State

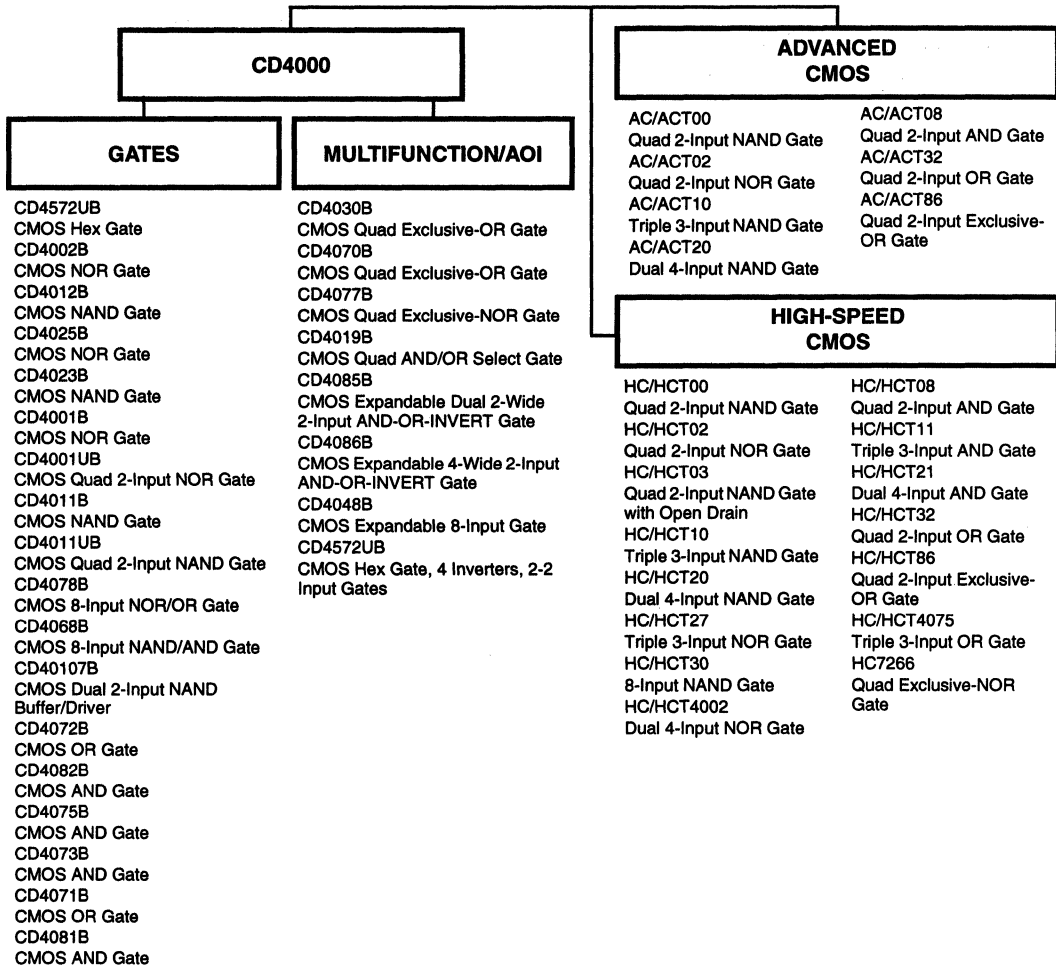
ADVANCED CMOS

AC/ACT164
8-Bit Serial-In/Parallel-Out Shift Register
AC/ACT299
8-Bit Universal Shift Register, Three-State
AC/ACT323
8-Bit Universal Shift Register, Three-State, (with Synchronous Reset)

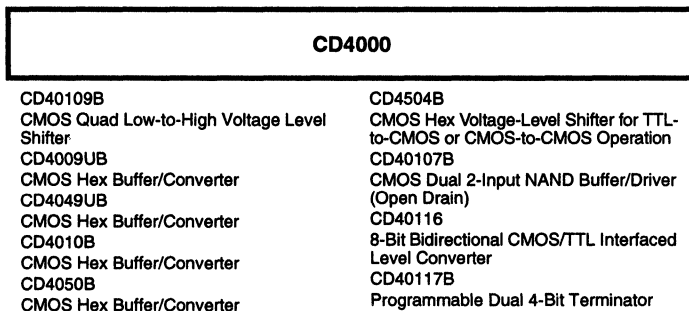
1
SELECTION TREES

CD4000/HC/HCT/AC/ACT Family (Continued)

GATES/MULTIFUNCTION/AOI

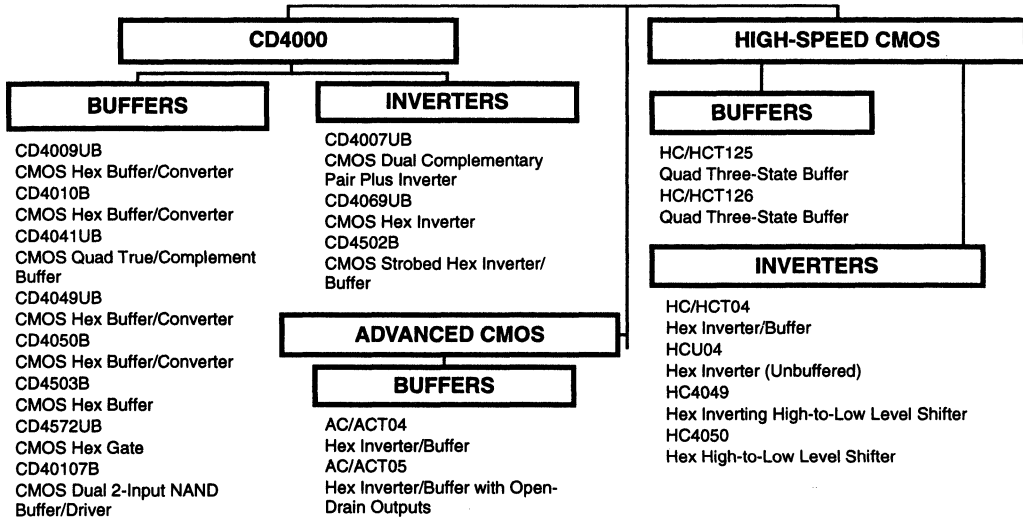


INTERFACE/LEVEL CONVERTERS

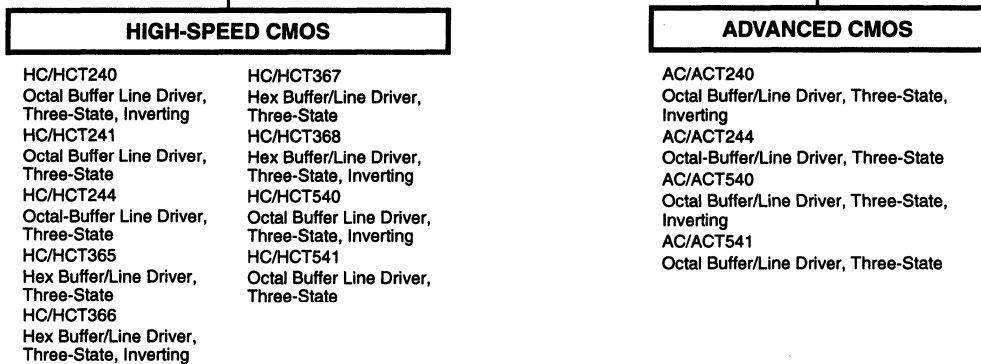


CD4000/HC/HCT/AC/ACT Family (Continued)

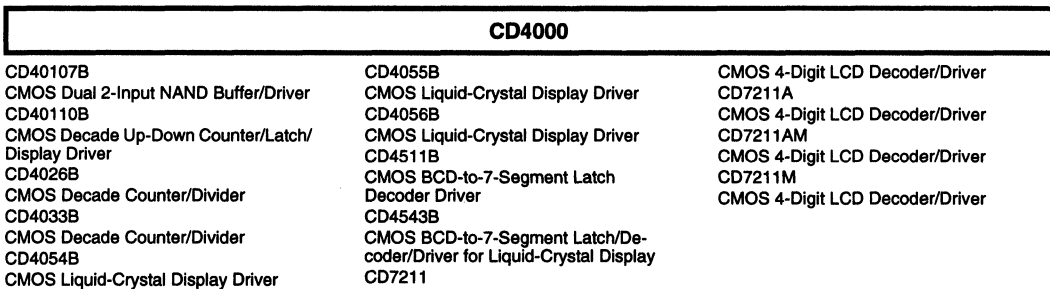
INVERTERS/BUFFERS



BUS INTERFACE



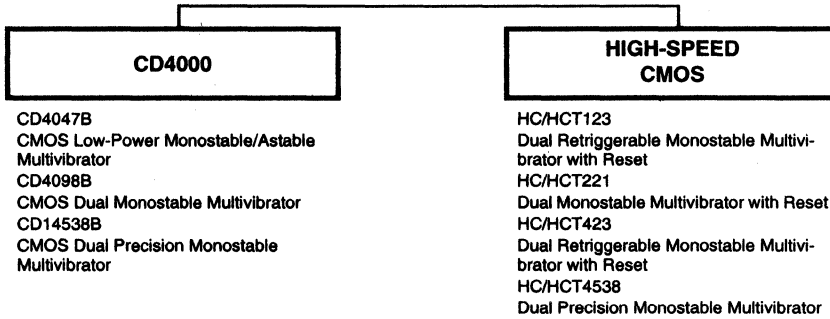
DISPLAY DRIVERS



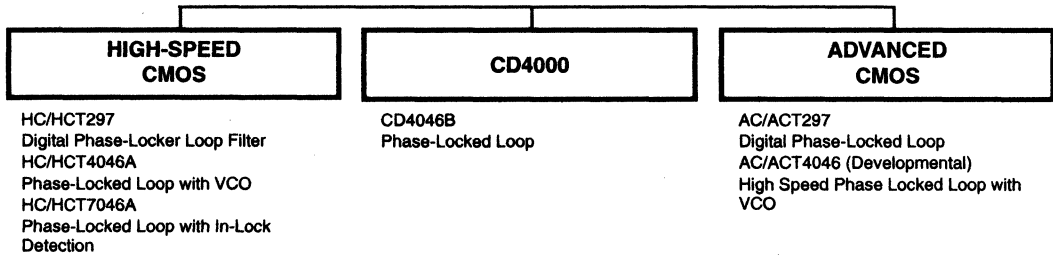
1
SELECTION TREES

CD4000/HC/HCT/AC/ACT Family (Continued)

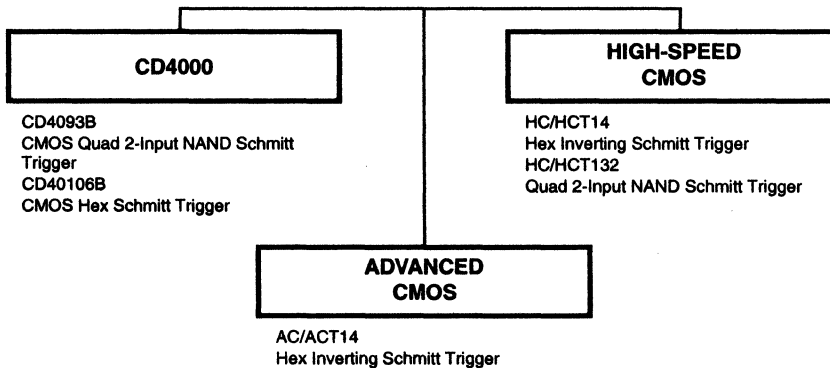
MULTIVIBRATORS



PHASE-LOCKED LOOP

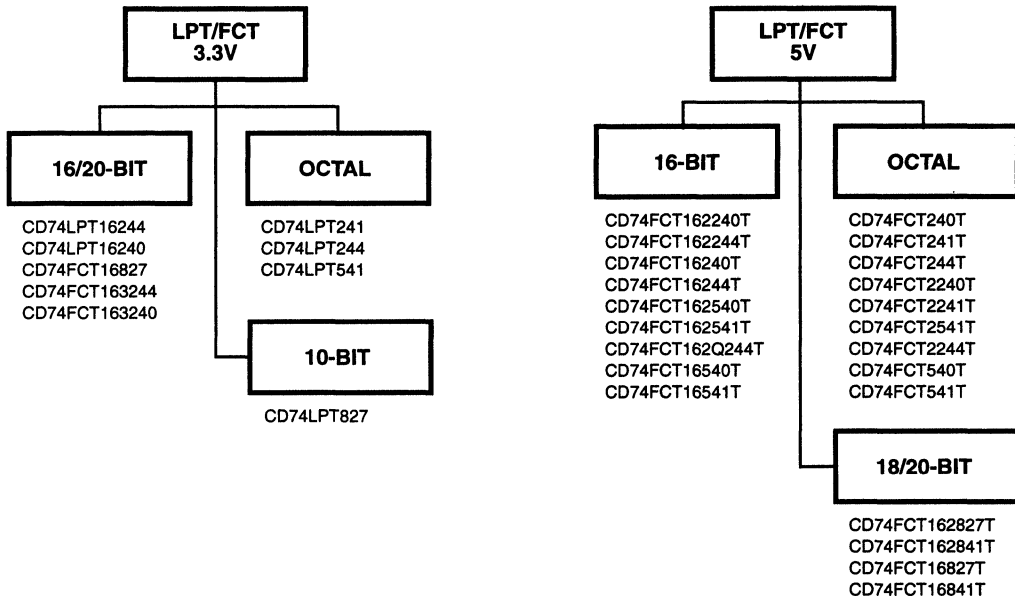


SCHMITT TRIGGER

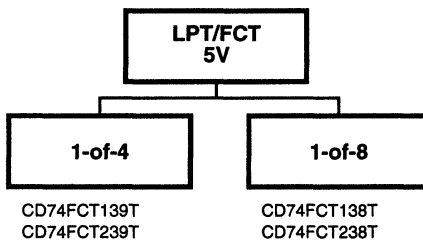


CMOS LPT/FCT Family

BUFFERS



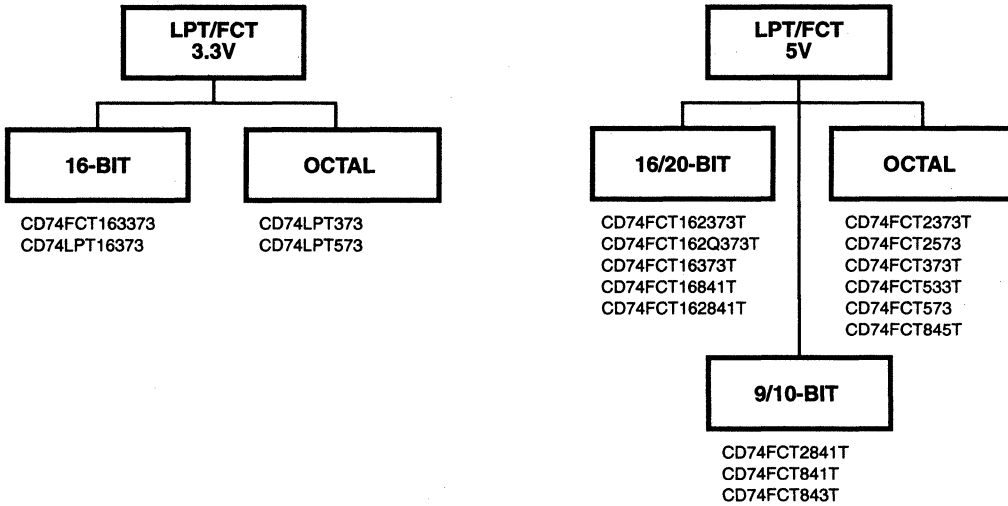
DECODERS



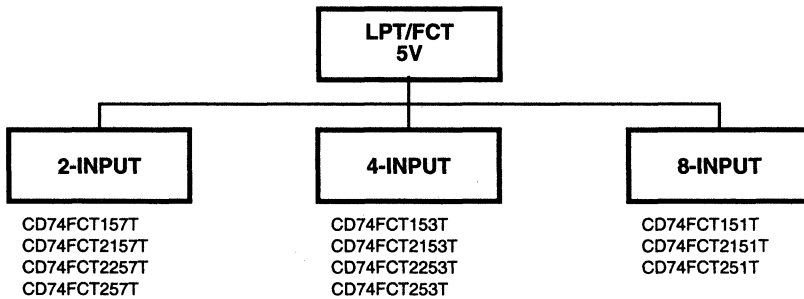
1
SELECTION TREES

CMOS LPT/FCT Family (Continued)

LATCHES



MULTIPLEXERS



CMOS LPT/FCT Family (Continued)

REGISTERS

**LPT/FCT
3.3V**

**16-BIT
THREE-STATE**

CD74LPT16374
CD74FCT163374

**LPT/FCT
5V**

FLIP-FLOP

CD74FCT273T
CD74FCT2273T
CD74FCT377T
CD29FCT520T

**8/9/10-BIT
BUS INTERFACE**

CD74FCT2821T
CD74FCT2823T
CD74FCT2827T
CD74FCT2828T
CD74FCT821T
CD74FCT823T
CD74FCT825T
CD74FCT827T
CD74FCT828T

**OCTAL D
THREE-STATE**

CD74FCT2374T
CD74FCT2574T
CD74FCT374T
CD74FCT534T
CD74FCT574T

16-BIT

CD74FCT162374T
CD74FCT162Q374T
CD74FCT16374T

**QUAD
DUAL-PORT**

CD74FCT399T

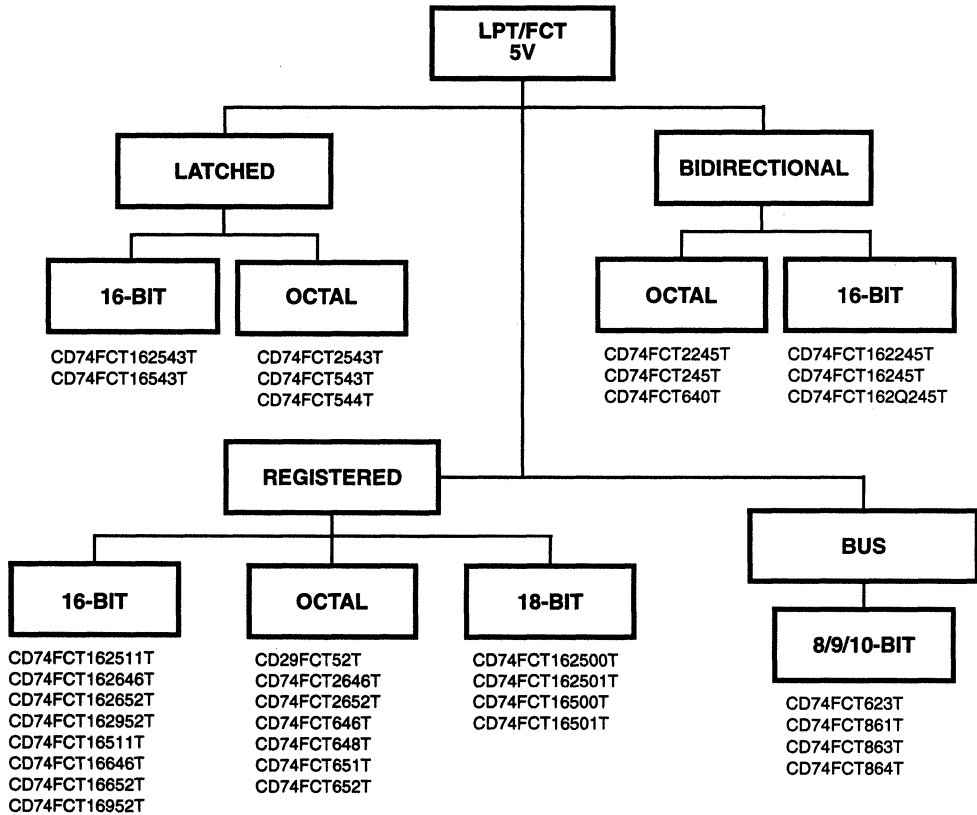
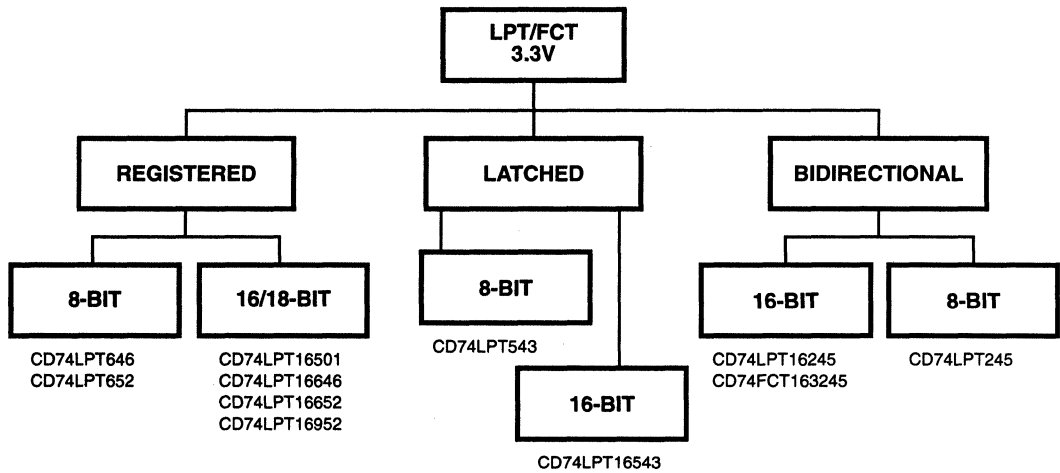
18-BIT

CD74FCT162823T
CD74FCT16823T

1
SELECTION
TREES

CMOS LPT/FCT Family (Continued)

TRANSCEIVERS



BiCMOS 5V FCT Family

BUFFERS

FCT 5V

- CD74FCT240
- CD74FCT244
- CD74FCT540
- CD74FCT541

BUS TRANSCEIVERS

FCT 5V

- CD74FCT245
- CD74FCT543
- CD74FCT646
- CD74FCT651
- CD74FCT652
- CD74FCT653
- CD74FCT654
- CD74FCT861
- CD74FCT863
- CD74FCT864

FLIP-FLOP REGISTERS

FCT 5V

- CD74FCT273
- CD74FCT374
- CD74FCT564
- CD74FCT574
- CD74FCT821
- CD74FCT822
- CD74FCT823
- CD74FCT824

LATCHES

FCT 5V

- CD74FCT373
- CD74FCT573
- CD74FCT841
- CD74FCT842
- CD74FCT843
- CD74FCT844

Multimedia

DECODER

**NTSC/PAL
VIDEO DECODER**

HMP8112

ENCODER

**NTSC/PAL
ENCODER**

HMP8156

CROSS-REFERENCE GUIDE

2

ORDERING NOMENCLATURE GUIDE

	PAGE
Ordering Nomenclature Guide	2-3
5962 SMD/DESC - QML TYPES	2-3
80C, 82CXXX TYPES	2-3
ACS, ACTS, HCS, HCTS RADIATION HARDENED TYPES	2-4
AD TYPES	2-4
BYW51 TYPES	2-4
CA TYPES	2-4
CD (AC, ACT, HC, HCT) TYPES	2-5
CD (FCT, LPT) TYPES	2-5
CD22XXX TYPES	2-6
CD4000 TYPES	2-6
CD4000 RADIATION HARDENED TYPES	2-7
CDP/CMM/MWS TYPES	2-7
CDP6805 TYPES	2-7
CDP68HC05C, HCL, HSC TYPES	2-7
CDP68HC05J, HCL, HSC TYPES	2-8
CDP68HC68 TYPES	2-8
CDP65C51 TYPES	2-8
CDP6XXX TYPES	2-8
CMM, GP RADIATION HARDENED TYPES	2-9
DG TYPES	2-9
FX RADIATION HARDENED POWER MOSFET TYPES	2-9
HX "OLD" TYPES	2-10
HX, HXX "NEW" TYPES	2-10
HCS, HCTS, ACS, ACTS, RADIATION HARD TYPES	2-11
HGT TYPES	2-11
HIP TYPES	2-12
HMP TYPES	2-12

2

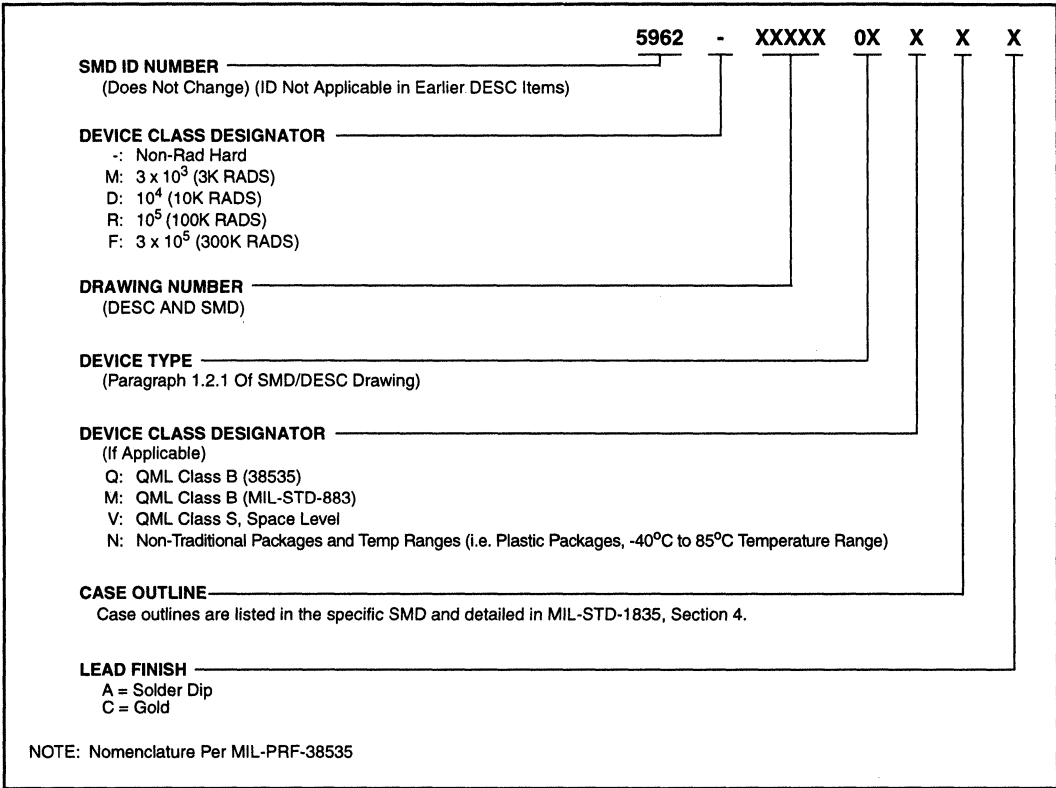
ORDERING
INFORMATION

Ordering Nomenclature Guide (Continued)

	PAGE
HMU/HMA TYPES	2-12
HS RADIATION HARDENED TYPES	2-13
HSP TYPES	2-13
HUF TYPES	2-14
ICL, ICM TYPES	2-14
IH TYPES	2-15
IRF TYPES	2-15
JM JAN-QML TYPES	2-15
LM TYPES	2-16
MCT TYPES	2-16
MUR TYPES	2-16
RF, RL TYPES	2-17
RF1S TYPES (TO-262, TO-263 IRF TYPES)	2-17
RUR, RHR TYPES	2-17
SGT TYPES	2-18
SP TYPES	2-18
ULTRAMOV TYPES	2-18
VARISTORS, DESC QUALIFIED AND STANDARD DRAWING TYPES	2-19
VXXAUMLA SUPPRESSION TYPES	2-19
VXXML SUPPRESSION TYPES	2-19
V (BA, BB, CA, CH, CP, CS, DA, DB, HA, LA, MA, NA, PA, ZA) TYPES	2-20
V (TX EQUIVALENT) TYPES	2-20

Ordering Nomenclature Guide

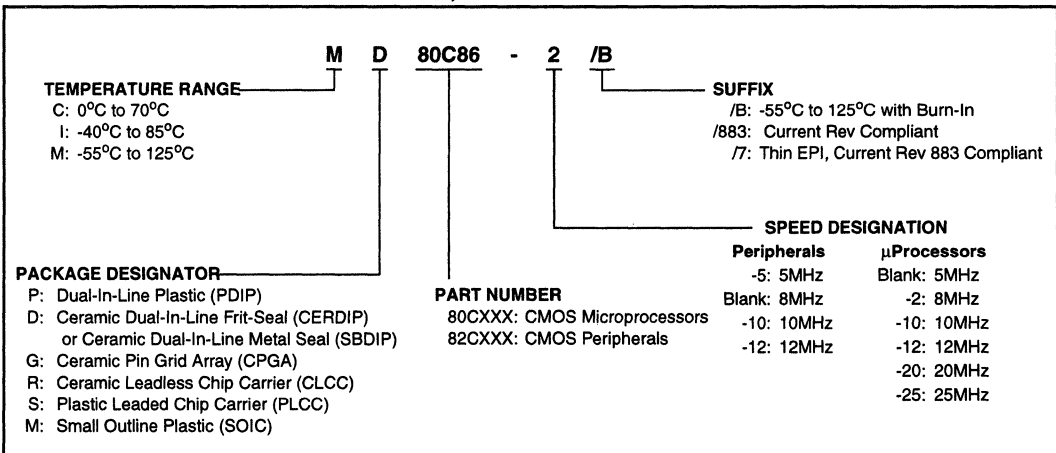
5962 SMD/DESC - QML TYPES



2

ORDERING INFORMATION

80C, 82CXXX TYPES



All options shown may not be available for every product. Please refer to the data sheet for specific ordering information.

Ordering Nomenclature Guide

ACS, ACTS, HCS, HCTS RADIATION HARDENED TYPES

	<u>HCSXXX</u>	<u>D</u>	<u>MS</u>	<u>R</u>	
PART NUMBER					HARDNESS ASSURANCE LEVEL
ACS, HCS: CMOS Compatible					R: 2×10^5 (200K RADS)
ACTS, HCTS: TTL Compatible					
PACKAGE DESIGNATOR					CLASS
D: Ceramic Dual-In-Line Metal-Seal (SBDIP)					MS: Class V (Note 1)
H: Die					NS: Class V with Neutron Irradiation (Note 1)
K: Ceramic Flatpack					SAMPLE
					/SAMPLE: 25°C Temperature Tested (Note 2)
NOTES:					
1. FLIGHT UNITS MUST BE ORDERED BY SMD#.					
A cross reference table is available on the Harris website at http://www.semi/harris.com/datasheets/smd/smd_xref .					
2. /SAMPLE available for design-in/breadboarding - NOT FOR FLIGHT.					

AD TYPES

	<u>ADC0803LC</u>	<u>WM</u>	<u>-T</u>	
PART NUMBER				SUFFIX
Converters				-T: Tape and Reel
AD, ADC				
	PACKAGE DESIGNATOR			
	D: Ceramic Dual-In-Line Frit-Seal (CERDIP)			
	or Ceramic Dual-In-Line Metal Seal (SBDIP)			
	H: TO-52 Can			
	N: Dual-In-Line Plastic (PDIP)			
	WM: Small Outline Plastic (SOIC)			

BYW51 TYPES

	<u>BYW51</u>	<u>XXX</u>	
DEVICE FAMILY			VOLTAGE RATING
DUAL ULTRA-FAST RECOVERY RECTIFIER			100 = 100V
			200 = 200V

CA TYPES

<u>CA3260</u>	<u>A</u>	<u>T</u>	<u>3</u>	
PART NUMBER				SUFFIX
CAXXXX				3: -55°C to 125°C
				Modified Class B
				3W: Modified Class B
				without High & Low
				Temperature DC
				96: Tape and Reel
ELECTRICAL OPTIONS	PACKAGE DESIGNATOR			
A, B, C, Blank	D: Ceramic Dual-In-Line Metal-Seal (SBDIP)			
	E: Dual-In-Line Plastic (PDIP)			
	F: Ceramic Dual-In-Line Frit-Seal(CERDIP)			
	J: Ceramic Leadless Chip Carrier (CLCC)			
	M: Small Outline Plastic (SOIC)			
	Q: Plastic Leaded Chip Carrier (PLCC)			
	S: DIL Formed TO-5			
	T: Can			
	Z: Single-In-Line Plastic (SIP)			
	Blank: Refer to Data Sheet for Package Type			
NOTE: If the part number contains three digits, add a leading zero when ordering. Example: CA555 becomes CA0555.				

All options shown may not be available for every product. Please refer to the data sheet for specific ordering information.

Ordering Nomenclature Guide

CD (AC, ACT, HC, HCT) TYPES

<p>CD</p> <p>Prefix Designation for Harris CMOS Digital Logic IC</p>	<p>XX</p>	<p>XXX</p>	<p>XXXXX</p>	<p>XX</p>	<p>XX</p>	
<p>TEMPERATURE RANGE 54/74: Refer to Individual Data Sheets for Temperature Range</p>		<p>Type Designation Up to 5 Digits</p> <p>LOGIC LEVEL AC: Advanced CMOS Logic CMOS Input Levels ACT: Advanced CMOS Logic TTL Input Levels HC: High Speed CMOS Logic CMOS Input Levels HCT: High Speed CMOS Logic TTL Input Levels HCU: High Speed CMOS Logic CMOS Input Levels, Unbuffered</p>		<p>HIGH-RELIABILITY SCREENING 3A: Fully Compliant with MIL-STD-883 (Note 1) X: 160 Hour Burn-In (125°C) (Note 2) 96: Tape and Reel</p>		
<p>PACKAGE DESIGNATOR E: Dual-In-Line Plastic (PDIP) EN: Narrow Dual-In-Line Plastic (PDIP) F: Ceramic Dual-In-Line Frit-Seal (CERDIP) H: Chip M: Small Outline Plastic (SOIC) SM: Shrink Small Outline Plastic (SSOP) W: Wafer</p>						
<p>NOTES:</p> <ol style="list-style-type: none"> JAN(38510) or SMD(5962) numbers must be used for order entry, where these options exist. Most Harris CMOS Logic ICs are available with burn-in to enhance commercial reliability. This cost-effective approach is provided by the Harris Enhanced Product. Enhanced Product is identified with the suffix "X", e.g., CD74HC/HCT373EX. 						

CD (FCT, LPT, LCX) TYPES

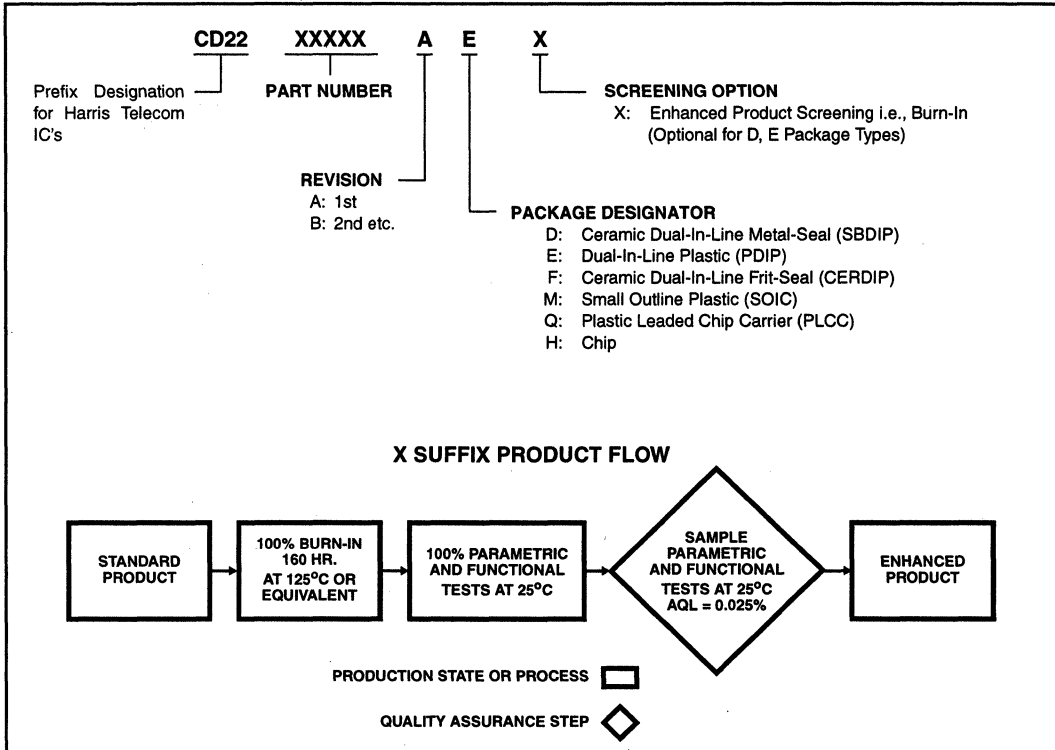
<p>CD</p> <p>Prefix Designation for Harris CMOS Digital Logic IC</p>	<p>XX</p>	<p>XXX</p>	<p>XXXXXX</p>	<p>X</p>	<p>X</p>	<p>X</p>	<p>XX</p>	
<p>TEMPERATURE RANGE 29/54/74: Refer to Individual Data Sheets for Temperature Range</p>		<p>TYPE DESIGNATION Up to 6 Digits XXX: 8-Bit/9-Bit/10-Bit 16XXX: 16-Bit/18-Bit/20-Bit 162XXX: 16-Bit with Balanced or High Drive Output 162HXXX: 16-Bit, with Bus Hold and 25Ω Series Output Resistor 162QXXX: 16-Bit, 25Ω Quiet Series 163XXX: 16-Bit 3.3V FCT (Recommend Harris LPT 3V Family) 2XXX: 25Ω Series Output Resistor.</p>		<p>OUTPUT VOLTAGE T: TTL Output Levels Blank: Non-TTL Output Levels</p> <p>NOTE: BiCMOS FCT has TTL output levels and show either Blank or T</p>			<p>PACK DESIGNATOR Blank: Tube 96: Tape and Reel</p>	
<p>LOGIC LEVEL FCT: Bus Interface 5.0V and 3.3V CMOS Family 5.0V BiCMOS Family LPT: Low Power Technology 3.3V CMOS Family LCX: Low Power Technology 3.3V CMOS Family</p>		<p>SPEED GRADE Blank: Lowest Speed A: B: C: D: E: Highest Speed NOTE: Refer to Individual Data Sheet for Speed Grade Detail.</p>		<p>PACKAGE DESIGNATOR E: Dual-In-Line Plastic (PDIP) EN: Narrow Dual-In-Line Plastic F: Dual-In-Line Ceramic (CERDIP) H: Chip M: 300 mil, Small Outline Plastic (SOIC) NM: 150 mil, Small Outline Plastic (SOIC) MT: Thin Shrink Small Outline (TSSOP) QM: 150 mil, Shrink Small Outline Plastic (SSOP/QSOP) SM: 209 or 300 mil, Shrink Small Outline Plastic (SSOP)</p> <p>NOTE: The E, EN and F package options are only offered in BiCMOS technology for FCT products.</p>				

2
ORDERING INFORMATION

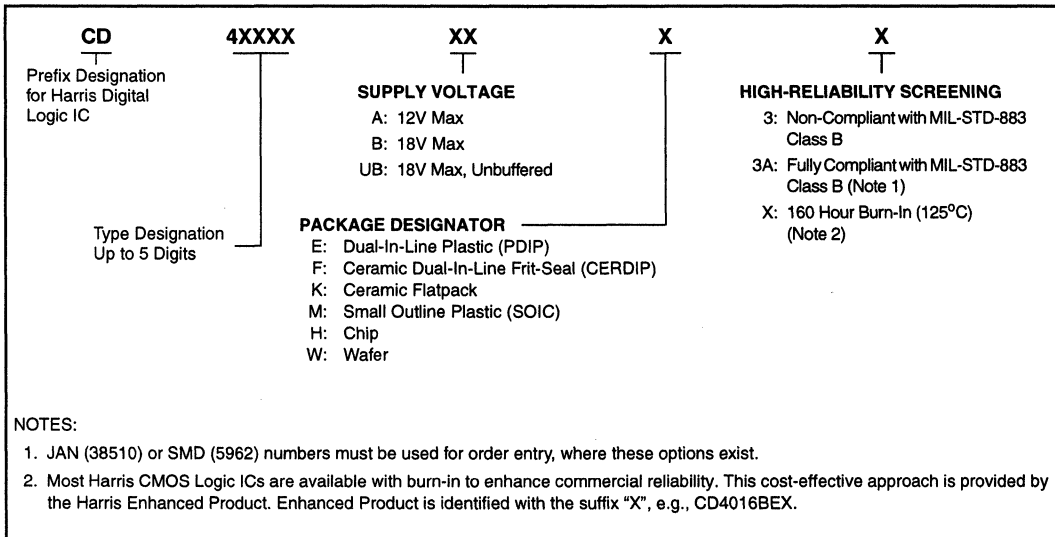
All options shown may not be available for every product. Please refer to the data sheet for specific ordering information.

Ordering Nomenclature Guide

CD22XXX TYPES



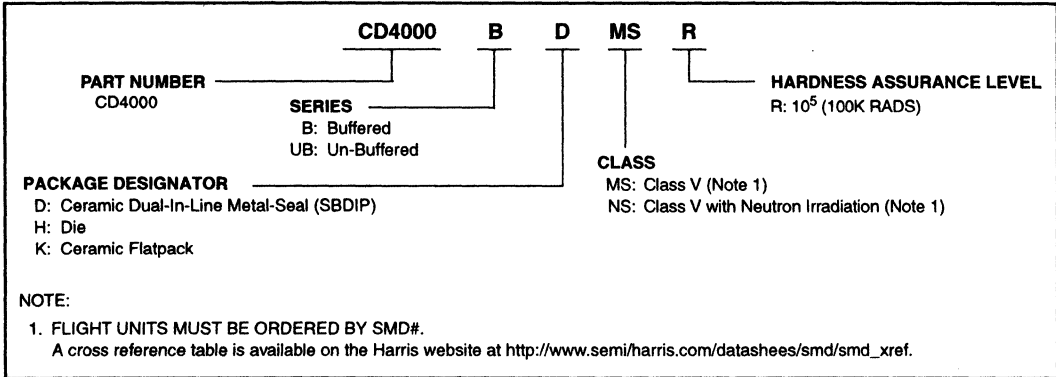
CD4000 TYPES



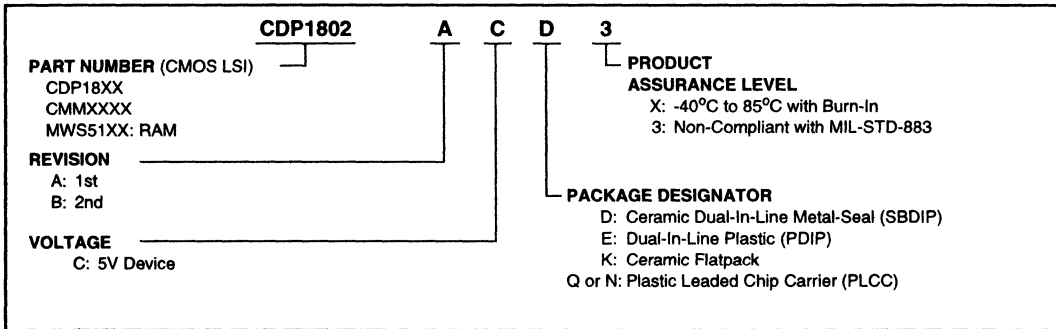
All options shown may not be available for every product. Please refer to the data sheet for specific ordering information.

Ordering Nomenclature Guide

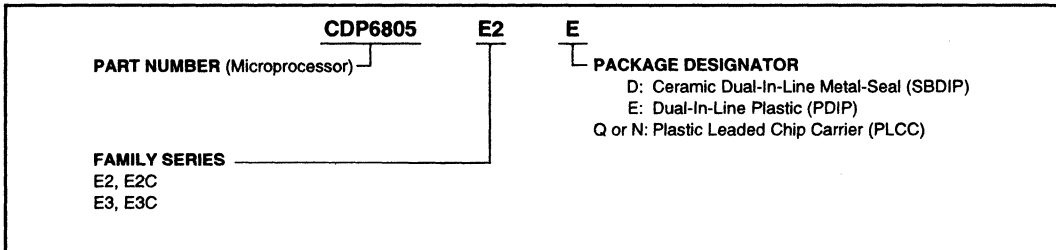
CD4000 RADIATION HARDENED TYPES



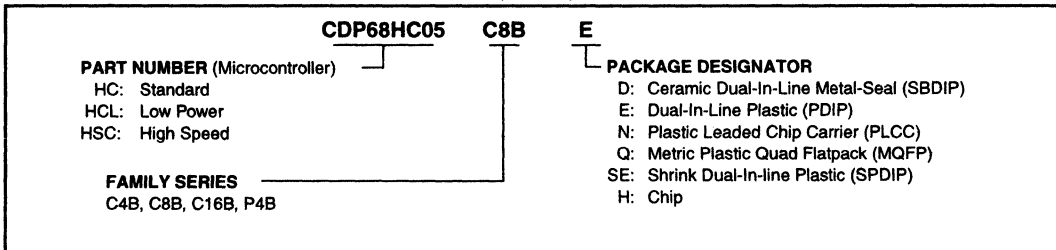
CDP/CMM/MWS TYPES



CDP6805 TYPES



CDP68HC05C, HCL, HSC TYPES



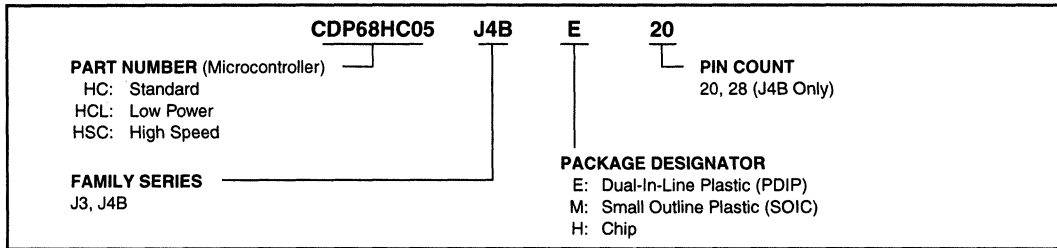
All options shown may not be available for every product. Please refer to the data sheet for specific ordering information.

2

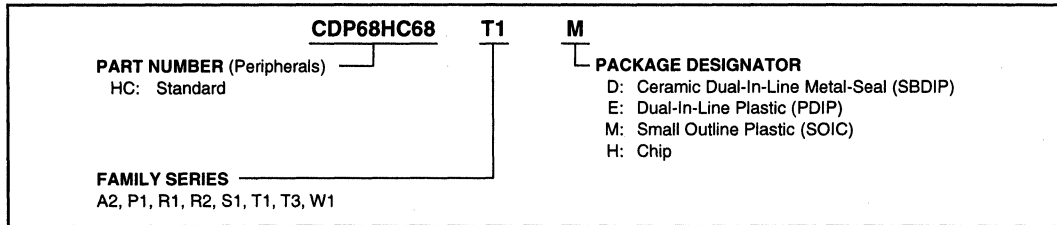
ORDERING INFORMATION

Ordering Nomenclature Guide

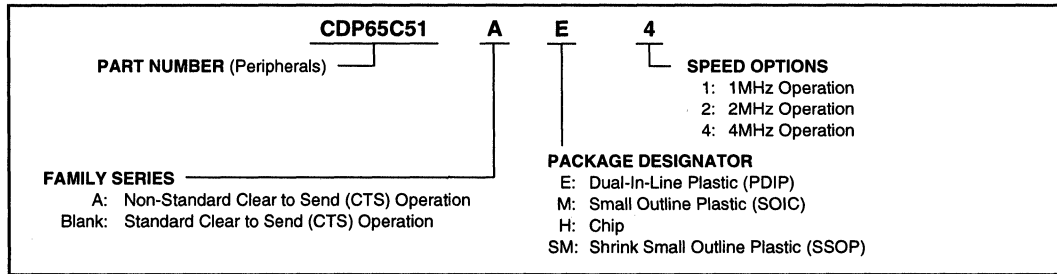
CDP68HC05J, HCL, HSC TYPES



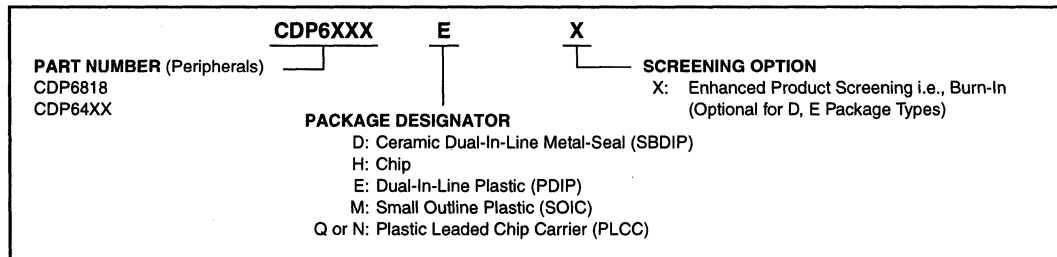
CDP68HC68 TYPES



CDP65C51 TYPES



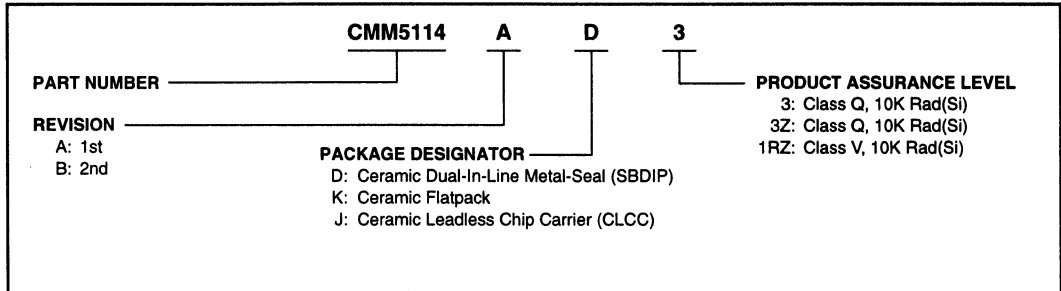
CDP6XXX TYPES



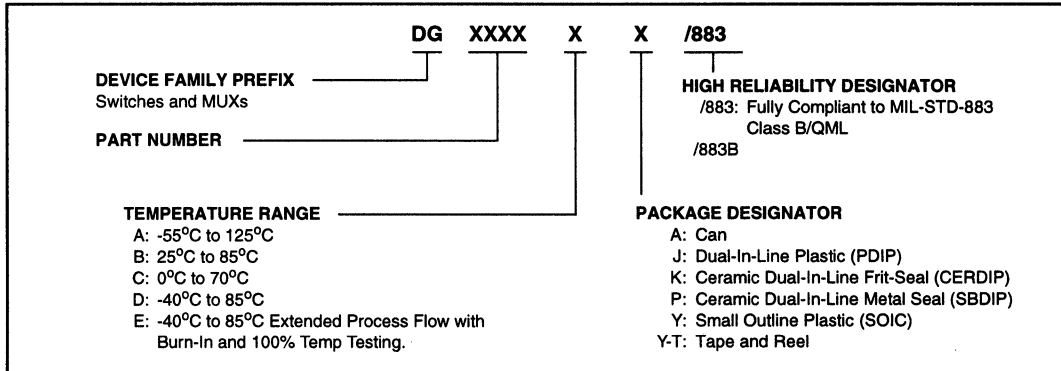
All options shown may not be available for every product. Please refer to the data sheet for specific ordering information.

Ordering Nomenclature Guide

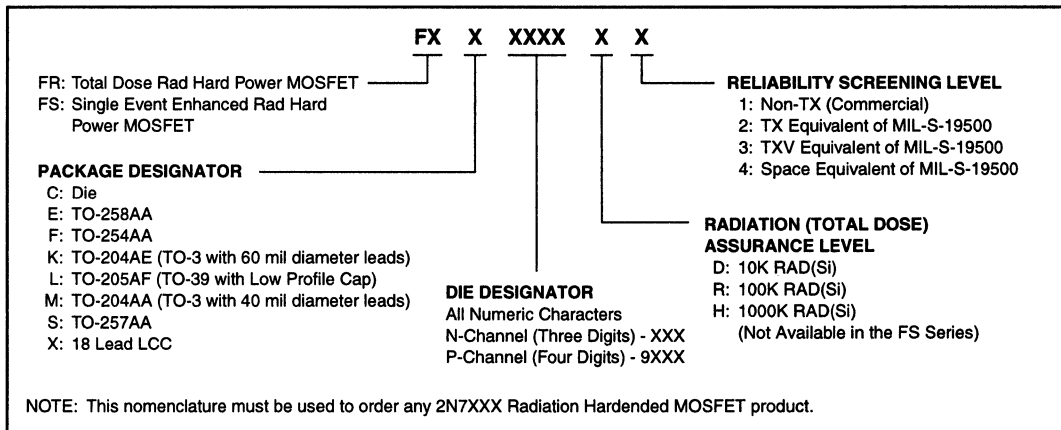
CMM, GP RADIATION HARDENED TYPES



DG TYPES



FX RADIATION HARDENED POWER MOSFET TYPES



2
ORDERING INFORMATION

All options shown may not be available for every product. Please refer to the data sheet for specific ordering information.

Ordering Nomenclature Guide

HX "OLD" TYPES

<p>PREFIX H: Harris</p> <p>FAMILY A: Analog C: Communications D: Digital I: Interface M: Memory V: Analog High Voltage</p> <p>PACKAGE DESIGNATOR 1: Ceramic Dual-In-Line Frit-Seal (CERDIP) 1B: Ceramic Dual-In-Line Metal-Seal (SBDIP) 2: Can 3: Dual-In-Line Plastic (PDIP) 4: Ceramic Leadless Chip Carriers (CLCC) 4P: Plastic Leaded Chip Carrier (PLCC) 6: Narrow Dual-In-Line Plastic (PDIP) or Ceramic Dual-In-Line Frit-Seal (CERDIP) 7: 8 Lead Ceramic Dual-In-Line Frit-Seal (CERDIP) 9P: Small Outline Plastic (SOIC) 0: Chip</p> <p>NOTE: If the package designator is 2 characters the hyphen is omitted from the part number.</p>	<p style="font-size: 1.2em; font-weight: bold;">H A 1 - 5134</p> <p>PART NUMBER</p> <p>PERFORMANCE GRADE A, B: High Performance C: Relaxed Specification S: Very High Speed</p> <p>NOTE: Applies to HA, HD and HM products only.</p>	<p style="font-size: 1.2em; font-weight: bold;">-2</p> <p>SUFFIX 96: Tape and Reel Option for SOIC, PLCC X96: Tape and Reel Option for SOIC, PLCC</p> <p>TEMPERATURE GRADE -2: -55°C to 125°C -4: -25°C to 85°C -5: 0°C to 75°C -6: 25°C Chip Probe -7: Dash-7 High Reliability Commercial Product 0°C to 75°C, includes 96 hour Burn-In -8: -55°C to 125°C Harris Class B Equivalent Devices for use in Military and Flight Systems -9: -40°C to 85°C /883: Fully Compliant to MIL-STD-883, Class B/QML BXXXX: Customer Specific Screening RXXXX: Customer Specific Screening SXXXX: Customer Specific Screening</p>
---	--	---

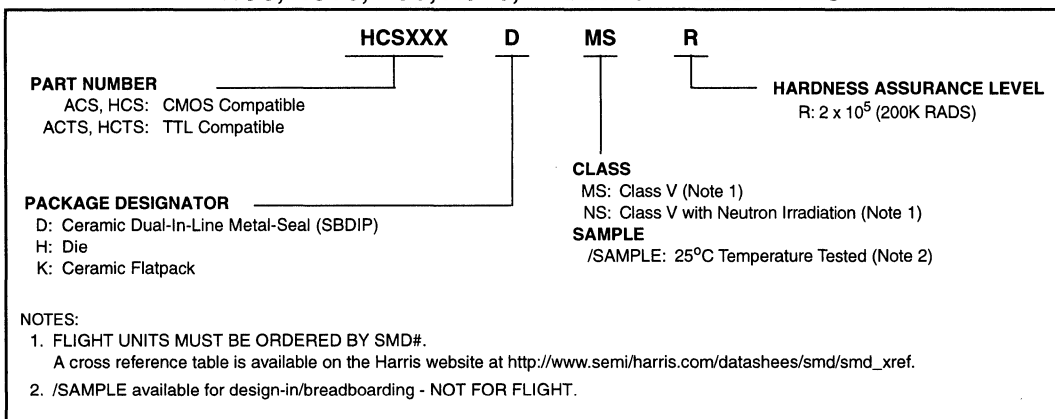
HX, HXX "NEW" TYPES

<p>PREFIX H: Harris</p> <p>FAMILY A: Analog C: Communications FA: Ultra-High Frequency Analog I: Data Acquisition IN: Interface V: Analog High Voltage</p>	<p style="font-size: 1.2em; font-weight: bold;">H A 4314B C B</p> <p>PART NUMBER TEMPERATURE</p> <p>C: 0°C to 70°C I: -40°C to 85°C M: -55°C to 125°C</p> <p>PACKAGE DESIGNATOR A: Shrink Small Outline Plastic (SSOP) B: Small Outline Plastic (SOIC) D: Ceramic Dual-In-Line Metal-Seal (SBDIP) H: Plastic Small Outline Transistor (SOT) J: Ceramic Dual-In-Line Frit-Seal (CERDIP) L: Ceramic Leadless Chip Carrier (CLCC) M: Plastic Leaded Chip Carrier (PLCC) N: Thin Quad Flatpack (TQFP), or Metric Quad Flatpack (MQFP) Q: Metric Plastic Quad Flatpack (MQFP), or Plastic Quad Flatpack (PQFP) P: Dual-In-Line Plastic (PDIP) T: Can Y: Chip (Commercial Visual) W: Wafer</p>	<p style="font-size: 1.2em; font-weight: bold;">96</p> <p>SUFFIX /883: Fully Compliant to MIL-STD-883 Class B/QML 96: Tape and Reel -T: Tape and Reel</p>
--	--	--

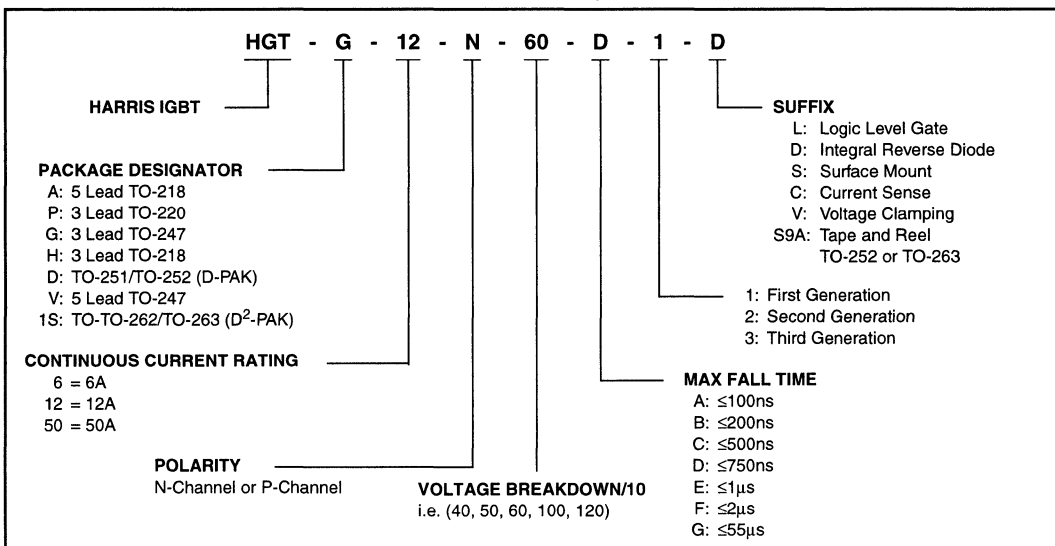
All options shown may not be available for every product. Please refer to the data sheet for specific ordering information.

Ordering Nomenclature Guide

HCS, HCTS, ACS, ACTS, RADIATION HARD TYPES



HGT TYPES



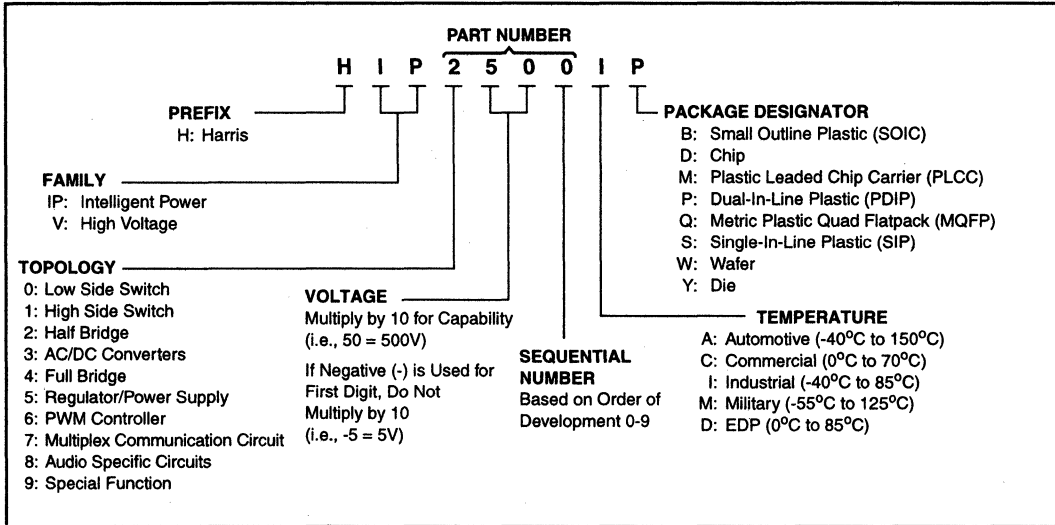
2

ORDERING INFORMATION

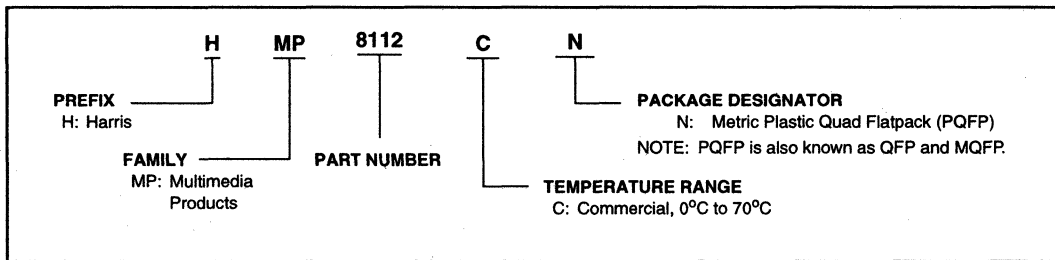
All options shown may not be available for every product. Please refer to the data sheet for specific ordering information.

Ordering Nomenclature Guide

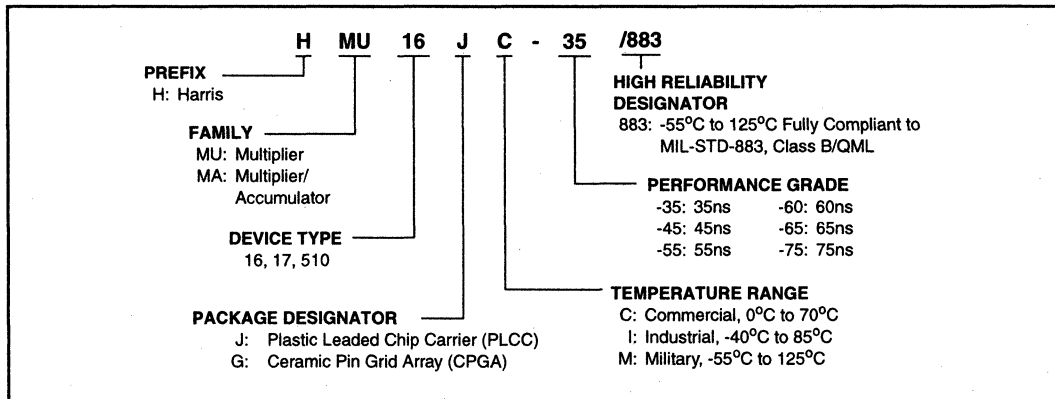
HIP TYPES



HMP TYPES



HMU/HMA TYPES



All options shown may not be available for every product. Please refer to the data sheet for specific ordering information.

Ordering Nomenclature Guide

HS RADIATION HARDENED TYPES

<p style="text-align: center;">H S 1 - 6617 RH -8</p> <p>PREFIX H: Harris</p> <p>FAMILY Rad Hard/High-Rel Products</p> <p>PACKAGE DESIGNATOR</p> <ul style="list-style-type: none"> 1: Ceramic Dual-In-Line Frit-Seal (CERDIP) or Ceramic Dual-In-Line Metal-Seal (SBDIP) 2: Can 4: Ceramic Leadless Chip Carriers (CLCC) 7: 8 Lead Ceramic Dual-In-Line Frit-Seal (CERDIP) 8: Ceramic Pin Grid Array (CPGA) 9: Ceramic Flatpack 0: Die 	<p>PART NUMBER</p> <p>TEMPERATURE GRADE</p> <ul style="list-style-type: none"> -8: -55°C to 125°C QML SMD Class Q (Note 1) -Q: -55°C to 125°C QML SMD Class V (Note 1) /SAMPLE: 25°C Temperature Tested (Note 2) /PROTO: -55°C to 125°C Temperature Tested (Note 2) <p>HARDNESS</p> <p>RH: Radiation Hardened (Note 3)</p>	
---	---	--

NOTES:

1. FLIGHT UNITS MUST BE ORDERED BY SMD#. A cross reference table is available on the Harris website at http://www.semi/harris.com/datasheets/smd/smd_xref.
2. /SAMPLE and /PROTO available for design-in/breadboarding - NOT FOR FLIGHT.
3. Refer to specific device type SMD for radiation hardness level.

HSP TYPES

<p style="text-align: center;">H SP XXXXX J C - XX /883</p> <p>PREFIX H: Harris</p> <p>FAMILY SP: Signal Processing</p> <p>DEVICE TYPE</p> <ul style="list-style-type: none"> 43XXX: Digital Filters 45XXX: Signal synthesis/Special Function 48XXX: Image Processing 95XX: Building Blocks 50XXX: Freq. Conversion and Modulation/ Demodulation 	<p>HIGH-RELIABILITY DESIGNATOR</p> <p>/883: -55°C to 125°C Fully Compliant to MIL-STD-883, Class B/QML</p> <p>SPEED GRADE IN MHz</p> <p>PACKAGE DESIGNATOR</p> <ul style="list-style-type: none"> D: Die G: Ceramic Pin Grid Array (CPGA) J: Plastic Leaded Chip Carrier (PLCC) P: Dual-In-Line Plastic (PDIP) S: Small Outline Plastic (SOIC) V: Metric Quad Flat Pack (MQFP) W: Wafer 	<p>TEMPERATURE RANGE</p> <ul style="list-style-type: none"> C: Commercial, 0°C to 70°C I: Industrial, -40°C to 85°C M: Military, -55°C to 125°C
---	---	---

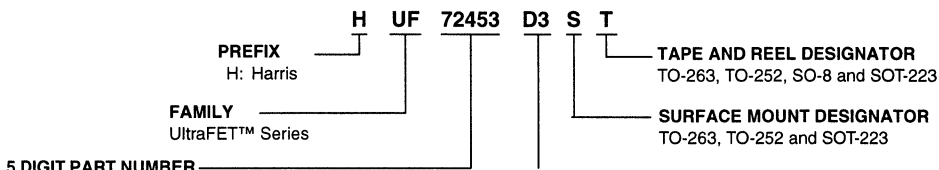
Suffix EV, EVAL: Evaluation Kit (Available for some products)

All options shown may not be available for every product. Please refer to the data sheet for specific ordering information.

2
ORDERING INFORMATION

Ordering Nomenclature Guide

HUF TYPES

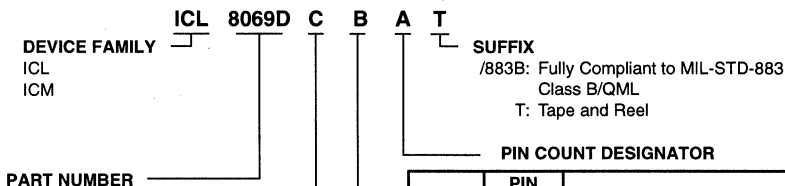


UltraFET is a Trademark of Harris Corporation

PACKAGE DESIGNATOR

- P3: TO-220
- P5: TO-220, TS-001 (5 Lead TO-220)
- G3: TO-247
- G5: TO-247 (5 Lead)
- S3: TO-262/263, TO-262AA/263AA (D²-PAK)
- S5: TO-262/263, TO-262AA/263AA (5 Lead)
- D3: TO-251/252, TO-251AA/252AA (D-PAK)
- T3: SOT-223
- R3: SOT-23
- DK8: Dual Die, MS-012AA (SO-8)
- SK8: Single Die, MS-012AA (SO-8)
- CK8: Complementary (N and P) Die, MS-012AA (SO-8)

ICL, ICM TYPES



- TEMPERATURE RANGE**
 C: Commercial, 0°C to 70°C
 I: Industrial, -25°C to 85°C or -40°C to 85°C
 (Specified on Data Sheet)
 M: Military, -55°C to 125°C

PACKAGE DESIGNATOR

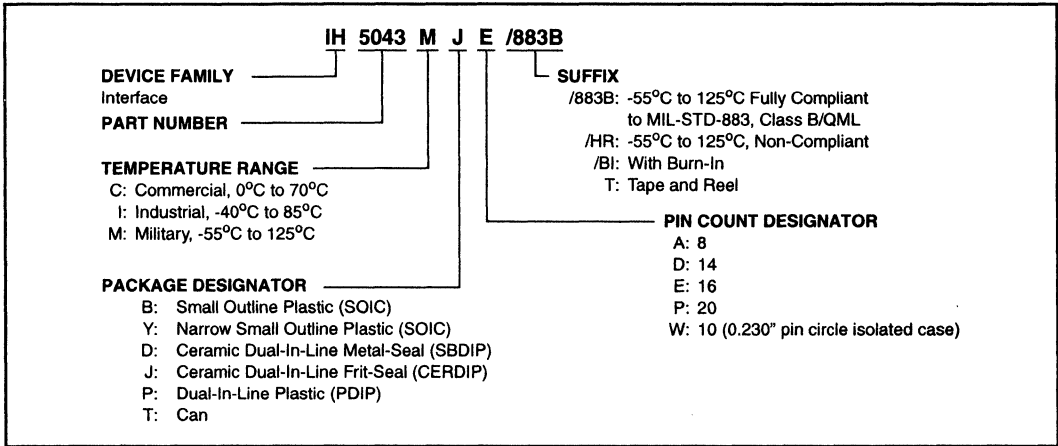
- B: Small Outline Plastic (SOIC)
- D: Ceramic Dual-In-Line Metal-Seal (SBDIP)
- F: Ceramic Flatpack
- J: Ceramic Dual-In-Line Frit-Seal (CERDIP)
- M: Metric Plastic Quad Flatpack (MQFP)
- P: Plastic Dual-In-Line
- S: TO-52 Can
- T: Can (TO-99, TO-100)
- Z: TO-92 (Plastic)
- /W: Wafer
- /D: Chip

SUFFIX	PIN COUNT	DIAMETER
A	8	
B	10	
C	12	
D	14	
E	16	
F	22	
G	24	
H	42	
I	28	
J	32	
K	35	
L	40	
N	18	
P	20	
Q	2	
R	3	
V	8	0.200" pin circle, isolated case
W	10	0.230" pin circle, isolated case
X	10	0.230" pin circle, case to pin 5
Y	8	0.200" pin circle, case to pin 4
Z	8	0.230" pin circle, case to pin 5
44	44	

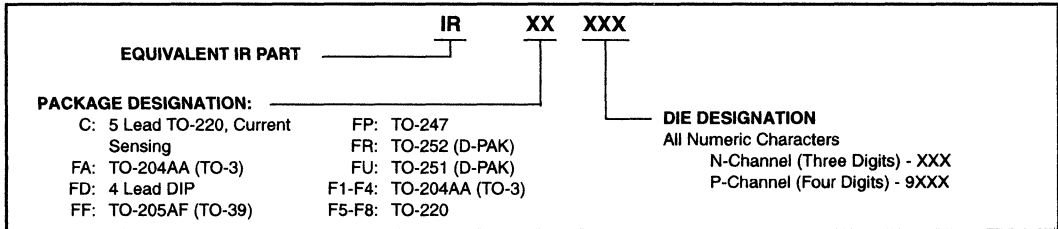
All options shown may not be available for every product. Please refer to the data sheet for specific ordering information.

Ordering Nomenclature Guide

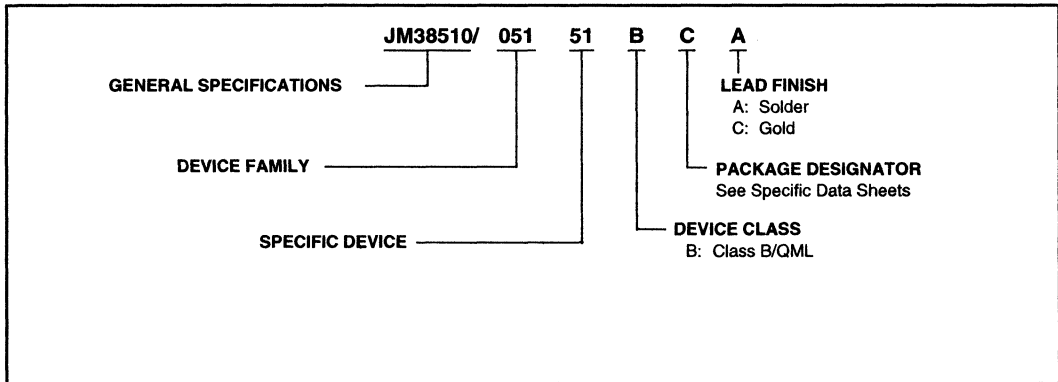
IH TYPES



IRF TYPES



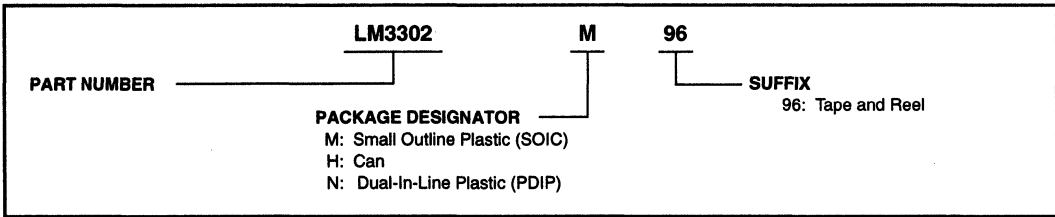
JM JAN-QML TYPES



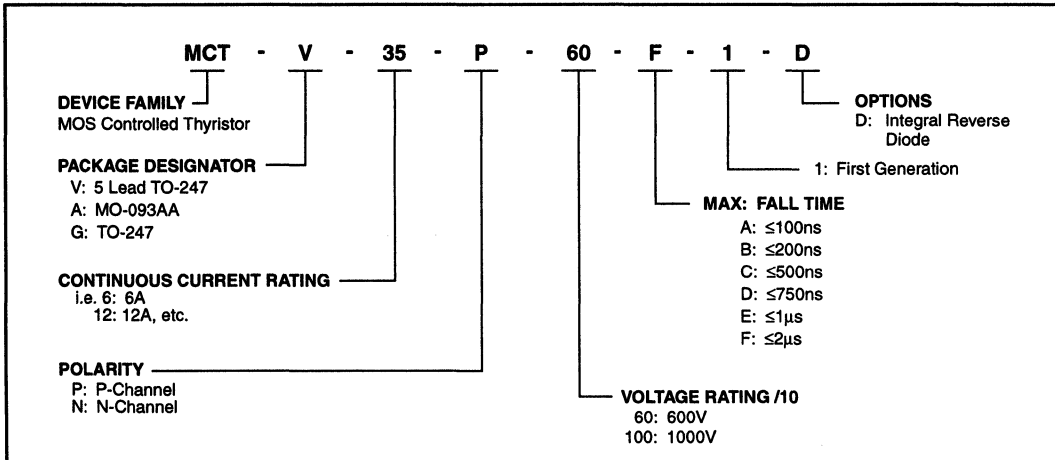
All options shown may not be available for every product. Please refer to the data sheet for specific ordering information.

Ordering Nomenclature Guide

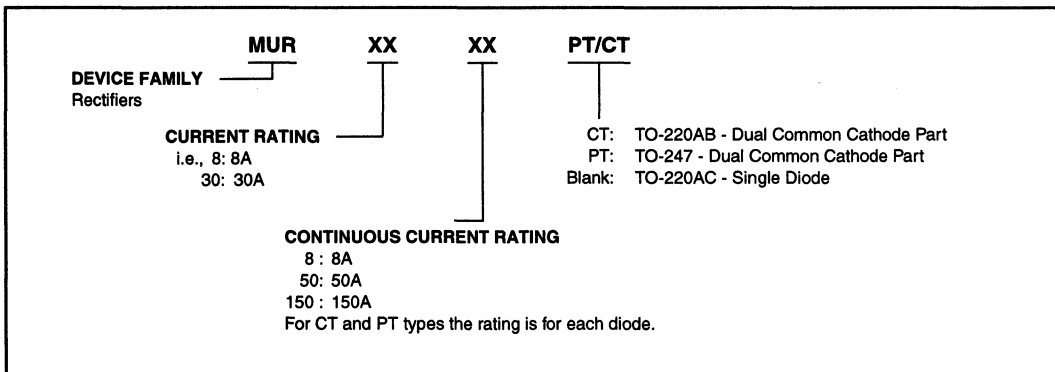
LM TYPES



MCT TYPES



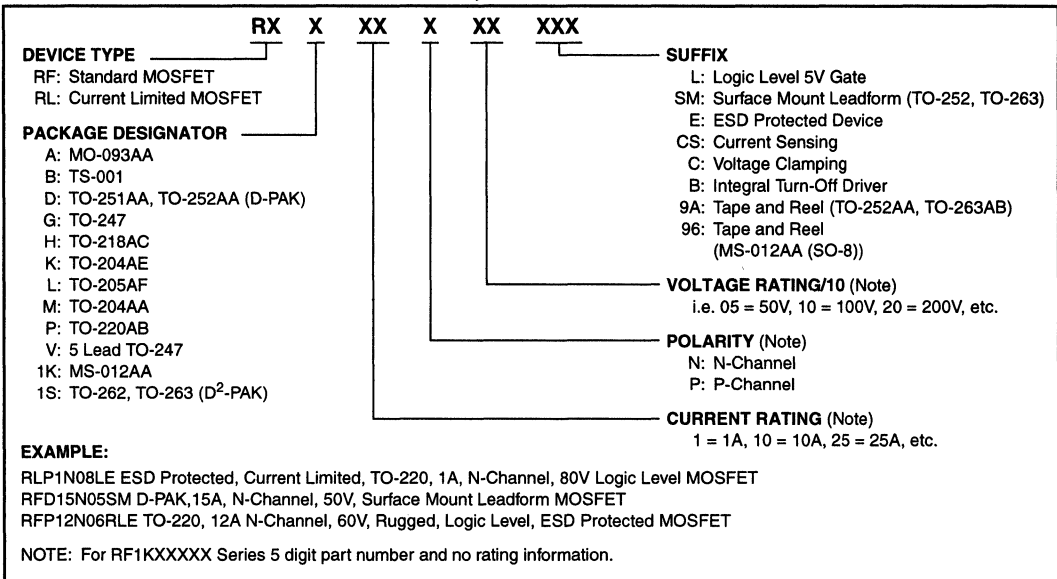
MUR TYPES



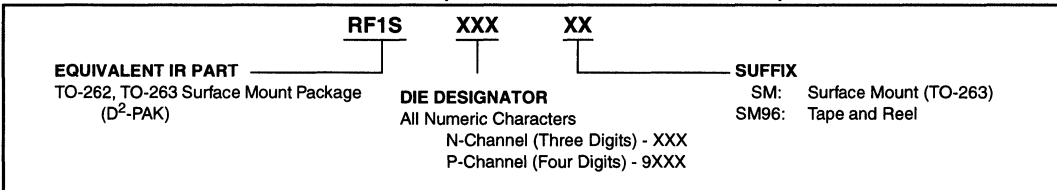
All options shown may not be available for every product. Please refer to the data sheet for specific ordering information.

Ordering Nomenclature Guide

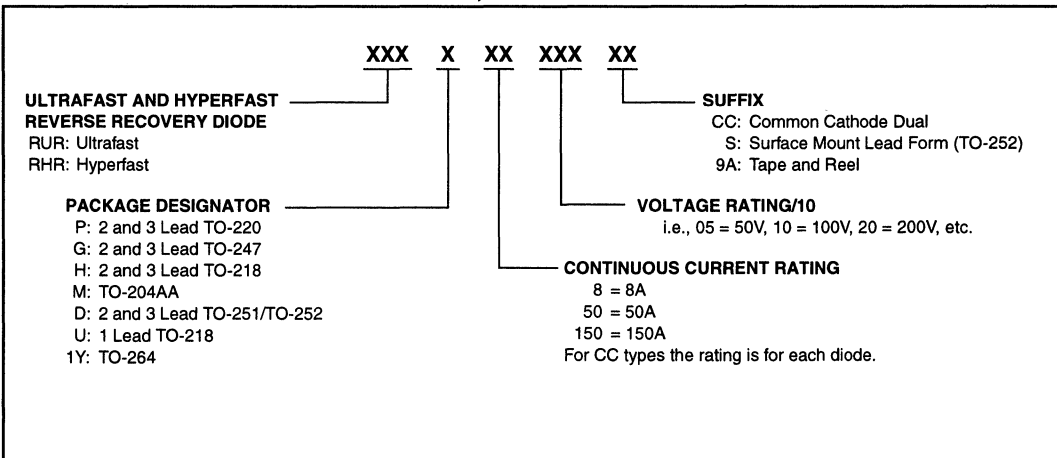
RF, RL TYPES



RF1S TYPES (TO-262, TO-263 IRF TYPES)



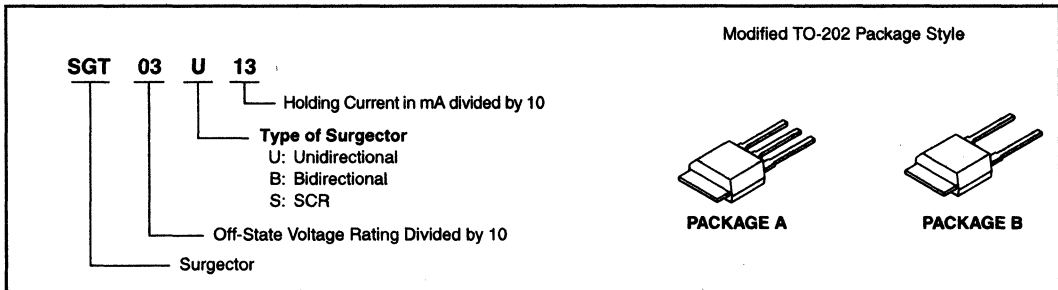
RUR, RHR TYPES



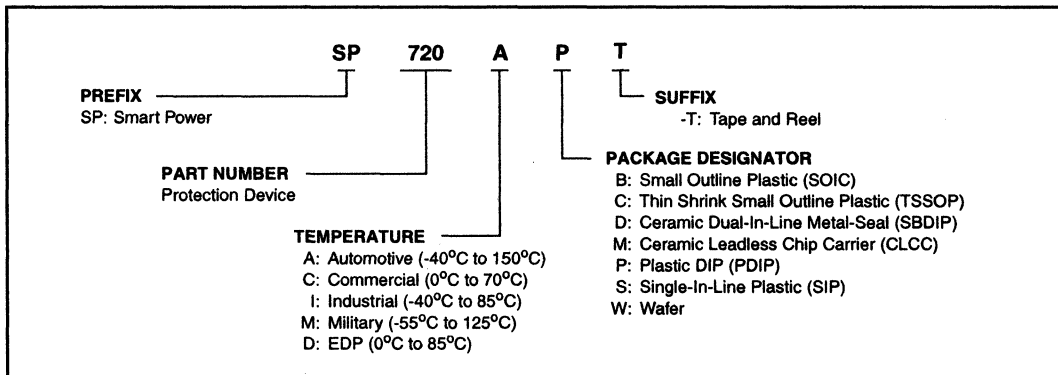
2
ORDERING INFORMATION

Ordering Nomenclature Guide

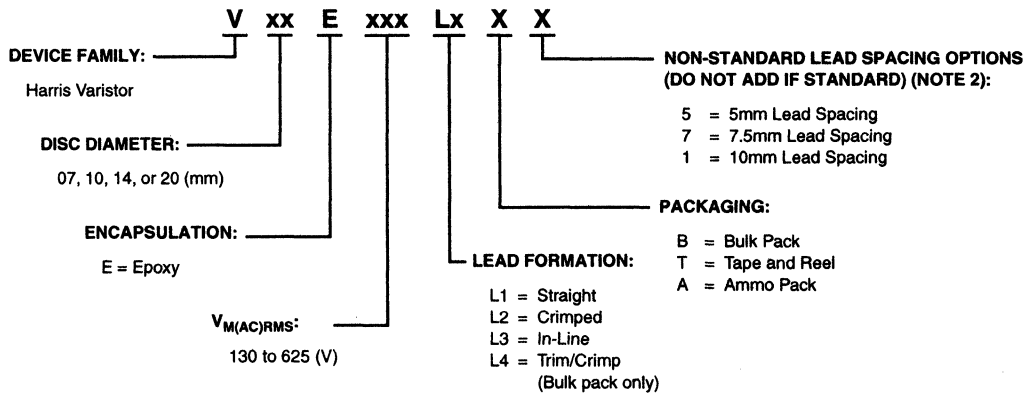
SGT TYPES



SP TYPES



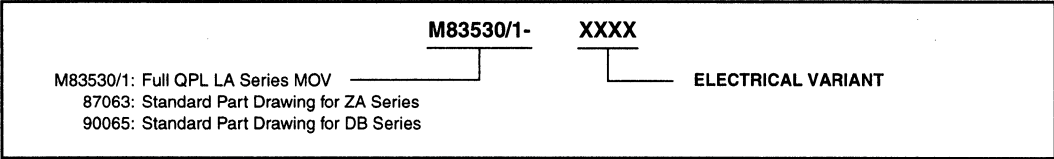
ULTRAMOV TYPES



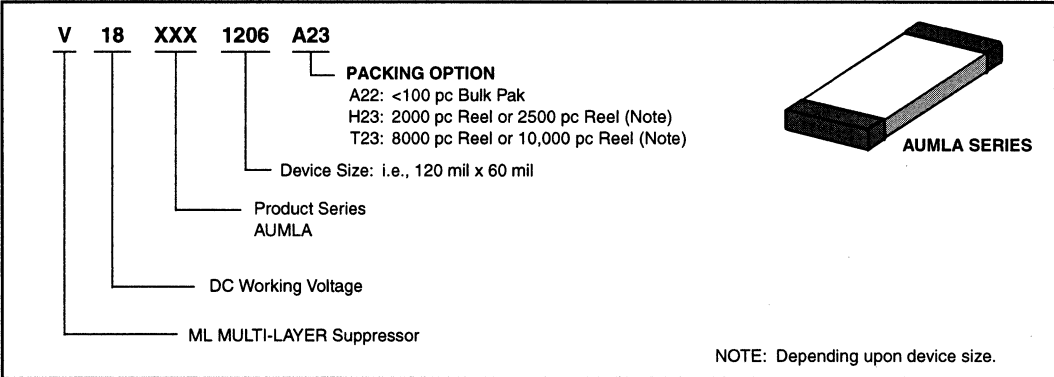
All options shown may not be available for every product. Please refer to the data sheet for specific ordering information.

Ordering Nomenclature Guide

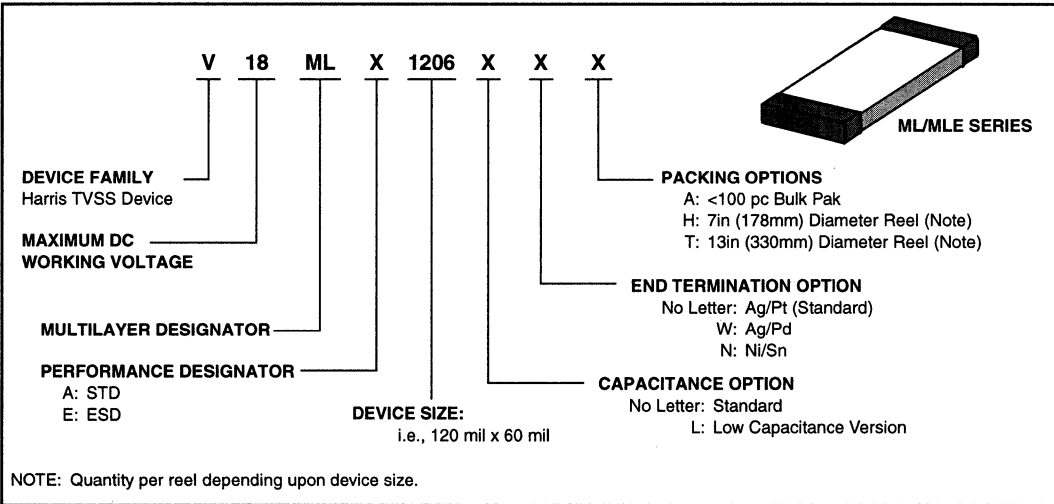
VARISTORS, DESC QUALIFIED AND STANDARD DRAWING TYPES



VXXAUMLA SUPPRESSION TYPES



VXXML SUPPRESSION TYPES



2

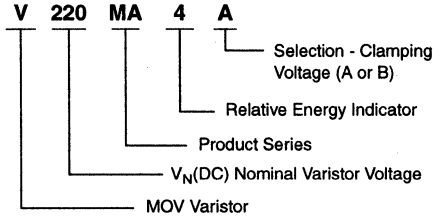
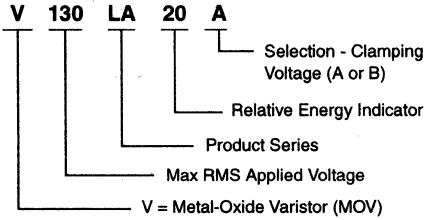
ORDERING INFORMATION

Ordering Nomenclature Guide

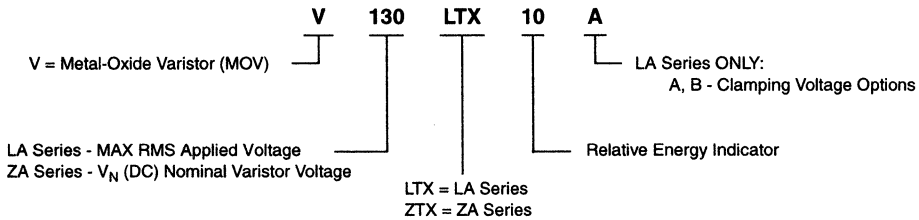
V (BA, BB, CA, CH, CP, CS, DA, DB, HA, LA, MA, NA, PA, ZA) TYPES

BA, BB, CA, CP, CS, DA, DB, HA, LA, NA, PA, VARISTOR SERIES

CH, MA, ZA, VARISTOR SERIES



V (TX EQUIVALENT) TYPES



All options shown may not be available for every product. Please refer to the data sheet for specific ordering information.

CROSS-REFERENCE GUIDE

3

DIRECT AND HARRIS REPLACEMENTS

DIRECT AND HARRIS CROSS-REFERENCE TABLE INFORMATION

The cross-reference listing on the following pages contains all the direct (D), as well as, a subset of the pin-to-pin (H) cross-references offered as a second source by Harris Semiconductor.

Column 1. Competitor Part Number

This column contains the marketing part number for the competitor's part. To make the cross-reference process possible the data in this chapter is sorted in alphanumeric order by the competitor part number.

Column 2. Competitor Name

To ensure the correct part number is being cross-referenced Harris supplies the competitor's name in column 2.

Column 3. Harris Part Number

This column contains the full Harris marketing part number to order as a replacement for the competitor's part.

Column 4. Cross Type

D = Direct Replacement

For convenience pins, functions, specification and package style have been matched to the competitor's part.

H = Harris Recommended Replacement

This is the pin-to-pin replacement that Harris recommends. This column contains only a subset of all the pin-to-pin replacements that Harris offers to its customers. For a list of all pin-to-pin replacements, check XREF on Harris' SOAR database.

Column 5. Comments

Column 5 contains comments that identify benefits the Harris product offers over the competitor's part.

3

DIRECT/HARRIS
REPLACEMENTS

Cross-Reference Guide

COMPETITOR #	COMPETITOR	HARRIS #	TYPE	COMPETITOR #	COMPETITOR	HARRIS #	TYPE
ADC-7104-14C	DATEL	ICL7104-14CPL	D	ADC774KP	BURR-BROWN	HI3-774K-5	H
ADC-7104-16C	DATEL	ICL7104-16CPL	D	ADEL2020AN	ADI	HA3-5020-9	H
ADC-8068AC	DATEL	ICL8068ACDD	D	ADG201ABQ	ADI	DG201ABK	H
ADC-8068AC	DATEL	ICL8068ACJD	D	ADG201AKN	ADI	DG201ACJ	H
ADC-830C	DATEL	ADC0803LCN	D	ADG201AKR	ADI	HI9P0201-5	H
ADC0802LCD	NATIONAL	ADC0802LCD	D	ADG201ATQ/883	ADI	DG201AAK/883B	H
ADC0802LCJ	NATIONAL	ADC0802LCD	D	ADG201ATQ/883B	ADI	DG201AAK/883B	H
ADC0802LCN	NATIONAL	ADC0802LCN	D	ADG201HSAQ	ADI	HI1-0201HS-4	H
ADC0802LD	NATIONAL	ADC0802LD	D	ADG201HSJN	ADI	HI3-0201HS-4	H
ADC0802LJ	NATIONAL	ADC0802LD	D	ADG201HSJP	ADI	HI4P0201HS-5	H
ADC0803-1CD	PHILIPS	ADC0803LCWM	D	ADG201HSKR	ADI	HI9P0201HS-9	H
ADC0803-1CD	SIGNETICS	ADC0803LCWM	D	ADG201HSSQ	ADI	HI1-0201HS-2	H
ADC0803-1CN	PHILIPS	ADC0803LCN	D	ADG202ATQ/883	ADI	DG202AK/883B	H
ADC0803-1LCF	SIGNETICS	ADC0803LCD	D	ADG202ATQ/883B	ADI	DG202AK/883B	D
ADC0803CD	PHILIPS	ADC0803LCWM	D	ADG211AKN	ADI	DG211CJ	H
ADC0803CD	SIGNETICS	ADC0803LCWM	D	ADG211AKR	ADI	DG211CY	H
ADC0803CD-T	PHILIPS	ADC0803LCWM	D	ADG212AKN	ADI	DG212CJ	H
ADC0803CD-T	SIGNETICS	ADC0803LCWM	D	ADG212AKR	ADI	DG212CY	H
ADC0803CN	PHILIPS	ADC0803LCN	D	ADG408BN	ADI	DG408DJ	H
ADC0803CN	SIGNETICS	ADC0803LCN	D	ADG408BR	ADI	DG408DY	H
ADC0803CN	TI	ADC0803LCN	D	ADG409BN	ADI	DG409DJ	H
ADC0803LCD	NATIONAL	ADC0803LCD	D	ADG409BR	ADI	DG409DY	H
ADC0803LCF	SIGNETICS	ADC0803LCD	D	ADG411BN	ADI	DG411DJ	H
ADC0803LCJ	NATIONAL	ADC0803LCD	D	ADG411BR	ADI	DG411DY	H
ADC0803LCN	NATIONAL	ADC0803LCN	D	ADG412BN	ADI	DG412DJ	H
ADC0803LCWM	NATIONAL	ADC0803LCWM	D	ADG412BR	ADI	DG412DY	H
ADC0803LD	NATIONAL	ADC0803LD	D	ADG506ABQ	ADI	HI1-0506-4	H
ADC0803LJ	NATIONAL	ADC0803LD	D	ADG506AGQ	ADI	DG506ABK	H
ADC0804-1CN	PHILIPS	ADC0804LCN	D	ADG506AKN	ADI	DG506ACJ	H
ADC0804-1CN	SIGNETICS	ADC0804LCN	D	ADG506AKN	ADI	HI3-0506-5	H
ADC0804-1LCF	PHILIPS	ADC0804LCD	D	ADG506AKP	ADI	HI4P0506-5	H
ADC0804-1LCF	SIGNETICS	ADC0804LCD	D	ADG506AKR	ADI	HI9P0506-5	H
ADC0804CN	PHILIPS	ADC0804LCN	D	ADG506ATQ	ADI	DG506AAK	H
ADC0804CN	SIGNETICS	ADC0804LCN	D	ADG506ATQ	ADI	HI1-0506-2	H
ADC0804CN	TI	ADC0804LCN	D	ADG507ABQ	ADI	HI1-0507-4	H
ADC0804LCD	NATIONAL	ADC0804LCD	D	ADG507AKN	ADI	DG507ACJ	H
ADC0804LCF	PHILIPS	ADC0804LCD	D	ADG507AKN	ADI	HI3-0507-5	H
ADC0804LCF	SIGNETICS	ADC0804LCD	D	ADG507AKP	ADI	HI4P0507-5	H
ADC0804LCJ	NATIONAL	ADC0804LCD	D	ADG507AKR	ADI	HI9P0507-5	H
ADC0804LCN	NATIONAL	ADC0804LCN	D	ADG507ATQ	ADI	DG507AAK	H
ADC574AJH	BURR-BROWN	HI1-574AJD-5	H	ADG507ATQ	ADI	HI1-0507-2	H
ADC574AJP	BURR-BROWN	HI3-574AJN-5	H	ADG508ABQ	ADI	DG508ABK	H
ADC574AKH	BURR-BROWN	HI1-574AKD-5	H	ADG508ADQ	ADI	HI1-0508-4	H
ADC574AKP	BURR-BROWN	HI3-574AKN-5	H	ADG508AKN	ADI	DG508ACJ	H
ADC574ASH	BURR-BROWN	HI1-574ASD-2	H	ADG508AKN	ADI	HI3-0508-5	H
ADC574ATH	BURR-BROWN	HI1-574ATD-2	H	ADG508AKP	ADI	HI4P0508-5	H
ADC674AJH	BURR-BROWN	HI1-674AJD-5	H	ADG508AKR	ADI	HI9P0508-5	H
ADC674AJP	BURR-BROWN	HI3-674AJN-5	H	ADG508ATQ	ADI	DG508AAK	H
ADC674AKH	BURR-BROWN	HI1-674AKD-5	H	ADG508ATQ	ADI	HI1-0508-2	H
ADC674AKP	BURR-BROWN	HI3-674AKN-5	H	ADG509ABQ	ADI	DG509ABK	H
ADC674ASH	BURR-BROWN	HI1-674ASD-2	H	ADG509ABQ	ADI	HI1-0509-4	H
ADC674ATH	BURR-BROWN	HI1-674ATD-2	H	ADG509AKN	ADI	DG509ACJ	H
ADC774JH	BURR-BROWN	HI1-774J-5	H	ADG509AKN	ADI	HI3-0509-5	H
ADC774JP	BURR-BROWN	HI3-774J-5	H	ADG509AKP	ADI	HI4P0509-5	H
ADC774KH	BURR-BROWN	HI1-774K-5	H	ADG509AKR	ADI	HI9P0509-5	H
ADG509ATQ	ADI	DG509AAK	H	ADOP37AQ	ADI	HA7-5137A-2	H
ADG509ATQ	ADI	HI1-0509-2	H	ADOP37BQ/883B	ADI	HA7-5137/883	H
ADM202JN	ADI	HIN232CP	H	ADOP37CH/883B	ADI	HA2-5137/883	H

NOTE: D = Direct Replacement, H = Harris Recommended Replacement.

3
DIRECT/HARRIS
REPLACEMENTS

Cross-Reference Guide

COMPETITOR #	COMPETITOR	HARRIS #	TYPE	COMPETITOR #	COMPETITOR	HARRIS #	TYPE
ADM202JRW	ADI	HIN232CB	H	AD202ABQ	ADI	DG202BK	H
ADM206AN	ADI	HIN206IP	H	AD202AKN	ADI	DG202CJ	H
ADM206AR	ADI	HIN206IB	H	AD230AR	ADI	HIN230IB	H
ADM206ARS	ADI	HIN206IA	H	AD230JR	ADI	HIN230CB	H
ADM207AN	ADI	HIN207IP	H	AD231AR	ADI	HIN231IB	D
ADM207AR	ADI	HIN207IB	H	AD231JR	ADI	HIN231CB	D
ADM207ARS	ADI	HIN207IA	H	AD232AN	ADI	HIN232IP	D
ADM208AN	ADI	HIN208IP	H	AD232AQ	ADI	HIN232J	D
ADM208AR	ADI	HIN208IB	H	AD232AR	ADI	HIN232IB	D
ADM208ARS	ADI	HIN208IA	H	AD232AR	ADI	ICL232IBE	D
ADM209AN	ADI	HIN209IP	H	AD232AR	ADI	ICL232IBET	D
ADM209AR	ADI	HIN209IB	H	AD232JN	ADI	HIN232CP	D
ADM211AR	ADI	HIN211IB	H	AD232JN	ADI	ICL232CPE	D
ADM211ARS	ADI	HIN211IA	H	AD232JR	ADI	HIN232CB	D
ADM213AR	ADI	HIN213IB	H	AD232JR	ADI	ICL232CBE	D
ADM213ARS	ADI	HIN213IA	H	AD232JR	ADI	ICL232CBET	D
ADM230LAR	ADI	HIN230IB	H	AD232SQ	ADI	HIN232MJ	D
ADM230LJR	ADI	HIN230CB	H	AD232SQ	ADI	ICL232MJE	D
ADM231LAR	ADI	HIN231IB	H	AD234AR	ADI	HIN234IB	H
ADM231LJR	ADI	HIN231CB	H	AD234JR	ADI	HIN234CB	H
ADM232AAN	ADI	HIN232ACP	H	AD236AN	ADI	HIN236IP	H
ADM232AARN	ADI	HIN232ACBN	H	AD236AR	ADI	HIN236IB	H
ADM232AARW	ADI	HIN232ACB	H	AD236JN	ADI	HIN236CP	H
ADM232LAN	ADI	HIN232IP	H	AD236JR	ADI	HIN236CB	H
ADM232LAQ	ADI	HIN232J	H	AD237AR	ADI	HIN237IB	H
ADM232LAR	ADI	HIN232IB	H	AD237JN	ADI	HIN237CP	H
ADM232LJN	ADI	HIN232CP	H	AD238AN	ADI	HIN238IP	H
ADM232LJR	ADI	HIN232CB	H	AD238AR	ADI	HIN238IB	H
ADM234LAR	ADI	HIN234IB	H	AD238JN	ADI	HIN238CP	H
ADM234LJR	ADI	HIN234CB	H	AD238JR	ADI	HIN238CB	H
ADM236LAN	ADI	HIN236IP	H	AD239AR	ADI	HIN239IB	D
ADM236LAR	ADI	HIN236IB	H	AD239JR	ADI	HIN239CB	D
ADM236LJN	ADI	HIN236CP	H	AD241AR	ADI	HIN241IB	D
ADM236LJR	ADI	HIN236CB	H	AD241JR	ADI	HIN241CB	D
ADM237LAN	ADI	HIN237IP	H	AD507JH	ADI	HA2-2625-5	H
ADM237LAR	ADI	HIN237IB	H	AD507KH	ADI	HA2-2625-5	H
ADM237LJN	ADI	HIN237CP	H	AD507SH	ADI	HA2-2620-2	H
ADM237LJR	ADI	HIN237CB	H	AD509JH	ADI	HA2-2525-5	D
ADM238LAN	ADI	HIN238IP	H	AD509JH	ADI	HA2-2529-5	H
ADM238LAR	ADI	HIN238IB	H	AD509JH/+	ADI	HA2-2525-7	D
ADM238LJN	ADI	HIN238CP	H	AD509KH	ADI	HA2-2525-5	H
ADM238LJR	ADI	HIN238CB	H	AD509SH	ADI	HA2-2520-2	D
ADM239LAR	ADI	HIN239IB	H	AD509SH	ADI	HA2-2522-2	H
ADM239LJR	ADI	HIN239CB	H	AD509SH	ADI	HA2-2529-2	H
ADM241LAR	ADI	HIN241IB	H	AD509SH/883B	ADI	HA2-2529/883	H
ADM241LJR	ADI	HIN241CB	H	AD518JH	ADI	HA2-2515-5	H
ADM663AN	ADI	ICL7663SAIPA	H	AD518JN	ADI	HA3-2515-5	H
ADM663AR	ADI	ICL7663SAIBA	H	AD518KH	ADI	HA2-2515-5	H
ADM663AR-REEL	ADI	ICL7663SIBA-T	H	AD518SH	ADI	HA2-2510-2	H
ADOP27AQ	ADI	HA7-5127A-2	H	AD533JH	ADI	ICL8013CCTX	D
ADOP27BQ/883B	ADI	HA7-5127/883	H	AD533KH	ADI	ICL8013BCTX	D
ADOP27EQ	ADI	HA7-5127A-5	H	AD533SH	ADI	ICL8013AMTX	D
AD565AJD/BIN	ADI	HI1-565AJD-5	D	AD741H	ADI	CA0741T	H
AD565AKD/BIN	ADI	HI1-565AKD-5	D	AD7506KD	ADI	DG506ABK	D
AD565ASD/BIN	ADI	HI1-565ASD-2	D	AD7506KD	ADI	HI1-0506-4	D
AD565ASD/BIN/883B	ADI	HI1-565ASD/883	D	AD7506KN	ADI	DG506ACJ	D
AD565ASD/883B	ADI	HI1-565ASD/883	D	AD7506KN	ADI	HI3-0506-5	D
AD565ATD/BIN	ADI	HI1-565ATD-2	D	AD7506KP	ADI	HI4P0506-5	D

NOTE: D = Direct Replacement, H = Harris Recommended Replacement.

Cross-Reference Guide

COMPETITOR #	COMPETITOR	HARRIS #	TYPE
AD565ATD/BIN/883B	ADI	HI1-565ATD/883	D
AD565ATD/883B	ADI	HI1-565ATD/883	D
AD574AJD	ADI	HI1-574AJD-5	H
AD574AJN	ADI	HI3-574AJN-5	H
AD574AKD	ADI	HI1-574AKD-5	H
AD574AKN	ADI	HI3-574AKN-5	H
AD574ALD	ADI	HI1-574ALD-5	H
AD574ALN	ADI	HI3-574ALN-5	H
AD574ALN	ADI	HI3-574ALN-5	H
AD574ASD	ADI	HI1-574ASD-2	H
AD574ASD/883B	ADI	HI1-574ASD/883	H
AD574ATD	ADI	HI1-574ATD-2	H
AD574ATD/883B	ADI	HI1-574ATD/883	H
AD574AUD	ADI	HI1-574AUD-2	H
AD574AUD/883B	ADI	HI1-574AUD/883	H
AD583KD	ADI	HA1-2425-5	H
AD589JH	ADI	ICL8069CCSQ	H
AD589KH	ADI	ICL8069CCSQ	H
AD589LH	ADI	ICL8069CCSQ	H
AD590IH	ADI	AD590IH	D
AD590JH	ADI	AD590JH	D
AD674AJD	ADI	HI1-674AJD-5	H
AD674AKD	ADI	HI1-674AKD-5	H
AD674ALD	ADI	HI1-674ALD-5	H
AD674ASD	ADI	HI1-674ASD-2	H
AD674ATD	ADI	HI1-674ATD-2	H
AD674AUD	ADI	HI1-674AUD-2	H
AD674AUD/883B	ADI	HI1-674AUD/883	H
AD674BAD	ADI	HI1-674ATD-2	H
AD674BBB	ADI	HI1-674AUD-2	H
AD674BJN	ADI	HI3-674AJN-5	H
AD674BKN	ADI	HI3-674AJN-5	H
AD674BTD	ADI	HI1-674ATD-2	H
AD674BTD/883B	ADI	HI1-674ATD/883	H
AD675AKD	ADI	HI1-674AKD-5	H
AD704AQ	ADI	HA1-5134-5	H
AD707AQ	ADI	HA7-5135-2	H
AD707BQ	ADI	HA7-5130-5	H
AD707SQ	ADI	HA7-5135-5	H
AD707TH/883B	ADI	HA2-5177/883	H
AD707TQ	ADI	HA7-5130-2	H
AD707TQ/883	ADI	HA7-5135/883	H
AD711BQ	ADI	HA7-5170-5	H
AD711CH	ADI	HA2-5170-5	H
AD711TH	ADI	HA2-5170-2	H
AD711TQ	ADI	HA7-5170-2	H
AD741CH	ADI	CA0741CT	H
AD741CN	ADI	CA0741CE	D
AD741CN	ADI	LM741CN	D
AD7520TD/883	NATIONAL	AD7520SD/883B	D
AD7520TD/883B	NATIONAL	AD7520SD/883B	D
AD7520UD	ADI	AD7520UD	D
AD7520UD	NATIONAL	AD7520UD	D
AD7520UD/883	NATIONAL	AD7520UD/883B	D
AD7520UD/883B	NATIONAL	AD7520UD/883B	D
AD7520UQ/883	MAXIM	AD7520UD/883B	D
AD7521JN	ADI	AD7521JN	D
AD7521JN	NATIONAL	AD7521JN	D

COMPETITOR #	COMPETITOR	HARRIS #	TYPE
AD7506KQ	ADI	DG506ABK	D
AD7506KQ	ADI	HI1-0506-4	D
AD7506TD	ADI	DG506AAK	D
AD7506TD	ADI	HI1-0506-2	D
AD7506TD/883B	ADI	DG506AAK/883B	D
AD7506TD/883B	ADI	HI1-0506/883	D
AD7506TE/883B	ADI	HI4-0506/883	D
AD7506TQ	ADI	DG506AAK	D
AD7506TQ	ADI	HI1-0506-2	D
AD7506TQ/883B	ADI	DG506AAK/883B	D
AD7506TQ/883B	ADI	HI1-0506/883	D
AD7507KD	ADI	DG507ABK	D
AD7507KD	ADI	HI1-0507-4	D
AD7507KN	ADI	DG507ACJ	D
AD7507KN	ADI	HI3-0507-5	D
AD7507KQ	ADI	DG507ABK	D
AD7507KQ	ADI	HI1-0507-4	D
AD7507TD	ADI	DG507AAK	D
AD7507TD	ADI	HI1-0507-2	D
AD7507TD/883B	ADI	DG507AAK/883B	D
AD7507TD/883B	ADI	HI1-0507/883	D
AD7507TE/883B	ADI	HI4-0507/883	D
AD7507TQ	ADI	DG507AAK	D
AD7507TQ	ADI	HI1-0507-2	D
AD7507TQ/883B	ADI	DG507AAK/883B	D
AD7507TQ/883B	ADI	HI1-0507/883	D
AD7520JD	ADI	AD7520JD	D
AD7520JN	ADI	AD7520JN	D
AD7520JN	ADI	AD7533JN	D
AD7520JN	NATIONAL	AD7520JN	D
AD7520JN	NATIONAL	AD7533JN	D
AD7520KD	ADI	AD7520KD	D
AD7520KN	ADI	AD7520KN	D
AD7520KN	ADI	AD7533KN	D
AD7520KN	NATIONAL	AD7520KN	D
AD7520KN	NATIONAL	AD7533KN	D
AD7520LD	ADI	AD7520LD	D
AD7520LN	ADI	AD7520LN	D
AD7520LN	ADI	AD7530LN	D
AD7520LN	ADI	AD7533LN	D
AD7520LN	NATIONAL	AD7520LN	D
AD7520LN	NATIONAL	AD7530LN	D
AD7520LN	NATIONAL	AD7533LN	D
AD7520SD	ADI	AD7520SD	D
AD7520SD	NATIONAL	AD7520SD	D
AD7520SD/883	NATIONAL	AD7520SD/883B	D
AD7520SD/883B	NATIONAL	AD7520SD/883B	D
AD7520SQ/883	MAXIM	AD7520SD/883B	D
AD7520SQ/883B	MAXIM	AD7520SD/883B	D
AD826AN	ADI	HA5023IP	H
AD826AR	ADI	HA5023IB	H
AD827AQ	ADI	HA7-5222-9	H
AD827JN	ADI	HA5023IP	H
AD827JR	ADI	HA5022IB	H
AD828AN	ADI	HA5023IP	H
AD828AR	ADI	HA5023IP	H
AD840JH	ADI	HA2-5195-5	H
AD840JN	ADI	HA3B2840-5	H

3
DIRECT/HARRIS
REPLACEMENTS

NOTE: D = Direct Replacement, H = Harris Recommended Replacement.

Cross-Reference Guide

COMPETITOR #	COMPETITOR	HARRIS #	TYPE	COMPETITOR #	COMPETITOR	HARRIS #	TYPE
AD7521KN	ADI	AD7521KN	D	AD840KN	ADI	HA3B2840-5	H
AD7521KN	NATIONAL	AD7521KN	D	AD840SQ	ADI	HA1-2840/883	H
AD7521LN	ADI	AD7521LN	D	AD840SQ/883	ADI	HA1-2840/883	H
AD7521LN	NATIONAL	AD7521LN	D	AD841JN	ADI	HA3-2841-5	H
AD7523JN	ADI	AD7523JN	D	AD841KN	ADI	HA3-2841-5	H
AD7523KN	ADI	AD7523KN	D	AD841KQ	ADI	HA3-2841-5	H
AD7523LN	ADI	AD7523LN	D	AD841SQ	ADI	HA1-2841/883	H
AD7530JN	ADI	AD7530JN	D	AD841SQ/883	ADI	HA1-2841/883	H
AD7530JN	NATIONAL	AD7520JN	D	AD842JN	ADI	HA3B2842-5	H
AD7530JN	NATIONAL	AD7533JN	D	AD842KN	ADI	HA3B2842-5	H
AD7530KN	ADI	AD7530KN	D	AD842SQ/883	ADI	HA1-2842/883	H
AD7530KN	NATIONAL	AD7520KN	D	AD846AN	ADI	HA3-5020-9	H
AD7530KN	NATIONAL	AD7533KN	D	AD846AQ	ADI	HA7-5020-9	H
AD7530LN	NATIONAL	AD7520LN	D	AD846BQ	ADI	HA7-5020-9	H
AD7530LN	NATIONAL	AD7530LN	D	AD846SQ	ADI	HA7-5020/883	H
AD7530LN	NATIONAL	AD7533LN	D	AD847JN	ADI	HA3-2544C-5	H
AD7531JN	ADI	AD7531JN	D	AD847JR	ADI	HA9P2544C-5	H
AD7531JN	NATIONAL	AD7521JN	D	AD9620AD	ADI	HFA1110IJ	H
AD7531KN	ADI	AD7531KN	D	AD9620SD	ADI	HFA1110MJ/883	H
AD7531KN	NATIONAL	AD7521KN	D	AD9621AN	ADI	HFA1105IP	H
AD7531LN	ADI	AD7531LN	D	AD9621AQ	ADI	HFA1100IJ	H
AD7531LN	NATIONAL	AD7521LN	D	AD9621AR	ADI	HFA1105IB	H
AD774BBD	ADI	HI1-774J-5	H	AD9621SQ	ADI	HFA1100MJ/883	H
AD774BJN	ADI	HI3-774J-5	H	AD9622AN	ADI	HFA1105IP	H
AD8001AN	ADI	HFA1105IP	H	AD9622AQ	ADI	HFA1100IJ	H
AD8001AR	ADI	HFA1105IB	H	AD9622AR	ADI	HFA1105IB	H
AD810AN	ADI	HA3-5020-9	H	AD9622SQ	ADI	HFA1100MJ/883	H
AD810AR	ADI	HA9P5020-5	H	AD9623AN	ADI	HFA1105IP	H
AD810SQ/883B	ADI	HA7-5020/883	H	AD9623AQ	ADI	HFA1100IJ	H
AD811AN	ADI	HA3-5020-9	H	AD9623AR	ADI	HFA1105IB	H
AD811AN	ADI	HFA1105IP	H	AD9623SQ	ADI	HFA1100MJ/883	H
AD811AR-8	ADI	HFA1105IB	H	AD9624AN	ADI	HFA1105IP	H
AD811SQ/883	ADI	HA7-5020/883	H	AD9624AQ	ADI	HFA1100IJ	H
AD812AN	ADI	HA5023IP	H	AD9624AR	ADI	HFA1105IB	H
AD812AR	ADI	HA5023IB	H	AD9624SQ	ADI	HFA1100MJ/883	H
AD812AR-8	ADI	HA5023IB	H	AD9630AN	ADI	HFA1110IP	H
AD813AN	ADI	HA5013IP	H	AD9630AQ	ADI	HFA1110IJ	H
AD813AR-14	ADI	HA5013IP	H	AD9630AR	ADI	HFA1110IB	H
AD817AN	ADI	HA3-2544C-5	H	AD9630SQ	ADI	HFA1110MJ/883	H
AD817AN	ADI	HA3-2841-5	H	AM-7650-1	DATEL	ICL7650SCPD	H
AD817AR	ADI	HA9P2544C-5	H	AM-7650-2	DATEL	ICL7650SCTV-1	H
AD817AR	ADI	HA9P2841-5	H	AM29C516A-1JC	AMD	HMU16JC-35	D
AD818AN	ADI	HA3-2841-5	H	AM29C516AJC	AMD	HMU16JC-45	D
AD818AN	ADI	HA3-5020-9	H	AM29C517A-1JC	AMD	HMU17JC-35	D
AD818AR	ADI	HA9P2841-5	H	AM29C517AJC	AMD	HMU17JC-45	D
AD818AR	ADI	HA9P5020-5	H	AM29520	AMD	HSP9520CP	H
AM723HC	AMD	CA0723CT	H	BCL4027BC	SOLID STATE	CD4027BF3A	D
AM723HM	AMD	CA0723T	H	BCL4027BD	SOLID STATE	CD4027BF3A	D
AN377	PANASONIC	CA3089E	H	BCL4027BC	SOLID STATE	CD4028BF3A	D
AP270FZ	ADI	HA7-5102-5	H	BCL4027BD	SOLID STATE	CD4028BF3A	D
ATT2405	AT&T	HV3-2405E-5	H	BCL4027BC	SOLID STATE	CD4029BF3A	D
ATT2405	AT&T	HV3-2405E-9	H	BCL4029BD	SOLID STATE	CD4029BF3A	D
ATT2405ABI	AT&T	HV3-2405E-9	D	BCL4030BC	SOLID STATE	CD4030BF3A	D
BCL4001BC	SOLID STATE	CD4001BF3A	D	BCL4030BD	SOLID STATE	CD4030BF3A	D
BCL4001BC	SOLID STATE	CD4001UBF3A	D	BCL4034ABD	SOLID STATE	CD4034BF3A	D
BCL4001BD	SOLID STATE	CD4001BF3A	D	BCL4035BC	SOLID STATE	CD4035BF3A	D
BCL4001BD	SOLID STATE	CD4001UBF3A	D	BCL4035BD	SOLID STATE	CD4035BF3A	D
BCL4001UBC	SOLID STATE	CD4001BF3A	D	BCL4040ABC	SOLID STATE	CD4040BF3A	D

NOTE: D = Direct Replacement, H = Harris Recommended Replacement.

Cross-Reference Guide

COMPETITOR #	COMPETITOR	HARRIS #	TYPE	COMPETITOR #	COMPETITOR	HARRIS #	TYPE
BCL4001UBC	SOLID STATE	CD4001UBF3A	D	BCL4040ABD	SOLID STATE	CD4040BF3A	D
BCL4001UBD	SOLID STATE	CD4001BF3A	D	BCL4040BC	SOLID STATE	CD4040BF3A	D
BCL4001UBD	SOLID STATE	CD4001UBF3A	D	BCL4040BD	SOLID STATE	CD4040BF3A	D
BCL4002BC	SOLID STATE	CD4002BF3A	D	BCL4041UBC	SOLID STATE	CD4041UBF3A	D
BCL4002BD	SOLID STATE	CD4002BF3A	D	BCL4041UBD	SOLID STATE	CD4041UBF3A	D
BCL4006ABC	SOLID STATE	CD4006BF3A	D	BCL4042BC	SOLID STATE	CD4042BF3A	D
BCL4006ABD	SOLID STATE	CD4006BF3A	D	BCL4042BD	SOLID STATE	CD4042BF3A	D
BCL4007UBC	SOLID STATE	CD4007UBF3A	D	BCL4043ABC	SOLID STATE	CD4043BF3A	D
BCL4007UBD	SOLID STATE	CD4007UBF3A	D	BCL4043ABD	SOLID STATE	CD4043BF3A	D
BCL4008BC	SOLID STATE	CD4008BF3A	D	BCL4044ABC	SOLID STATE	CD4044BF3A	D
BCL4008BD	SOLID STATE	CD4008BF3A	D	BCL4044ABD	SOLID STATE	CD4044BF3A	D
BCL4009UBC	SOLID STATE	CD4009UBF3A	D	BCL4046BC	SOLID STATE	CD4046BF3A	D
BCL4009UBD	SOLID STATE	CD4009UBF3A	D	BCL4046BD	SOLID STATE	CD4046BF3A	D
BCL4010BC	SOLID STATE	CD4010BF3A	D	BCL4047BC	SOLID STATE	CD4047BF3A	D
BCL4010BD	SOLID STATE	CD4010BF3A	D	BCL4047BD	SOLID STATE	CD4047BF3A	D
BCL4011BC	SOLID STATE	CD4011BF3A	D	BCL4049UBC	SOLID STATE	CD4049UBF3A	D
BCL4011BD	SOLID STATE	CD4011BF3A	D	BCL4049UBD	SOLID STATE	CD4049UBF3A	D
BCL4011UBC	SOLID STATE	CD4011BF3A	D	BCL4050BC	SOLID STATE	CD4050BF3A	D
BCL4011UBD	SOLID STATE	CD4011BF3A	D	BCL4050BD	SOLID STATE	CD4050BF3A	D
BCL4012BC	SOLID STATE	CD4012BF3A	D	BCL4051BC	SOLID STATE	CD4051BF3A	D
BCL4012BD	SOLID STATE	CD4012BF3A	D	BCL4051BD	SOLID STATE	CD4051BF3A	D
BCL4014ABC	SOLID STATE	CD4014BF3A	D	BCL4052BC	SOLID STATE	CD4052BF3A	D
BCL4014BD	SOLID STATE	CD4014BF3A	D	BCL4052BD	SOLID STATE	CD4052BF3A	D
BCL4015BC	SOLID STATE	CD4015BF3A	D	BCL4053BC	SOLID STATE	CD4053BF3A	D
BCL4015BD	SOLID STATE	CD4015BF3A	D	BCL4053BD	SOLID STATE	CD4053BF3A	D
BCL4017ABC	SOLID STATE	CD4017BF3A	D	BCL4060ABC	SOLID STATE	CD4060BF3A	D
BCL4017ABD	SOLID STATE	CD4017BF3A	D	BCL4060ABD	SOLID STATE	CD4060BF3A	D
BCL4018BC	SOLID STATE	CD4018BF3A	D	BCL4060BC	SOLID STATE	CD4060BF3A	D
BCL4018BD	SOLID STATE	CD4018BF3A	D	BCL4060BD	SOLID STATE	CD4060BF3A	D
BCL4019BC	SOLID STATE	CD4019BF3A	D	BCL4066BC	SOLID STATE	CD4066BF3A	D
BCL4019BD	SOLID STATE	CD4019BF3A	D	BCL4066BD	SOLID STATE	CD4066BF3A	D
BCL4020ABC	SOLID STATE	CD4020BF3A	D	BCL4069UBC	SOLID STATE	CD4069UBF3A	D
BCL4020ABD	SOLID STATE	CD4020BF3A	D	BCL4069UBD	SOLID STATE	CD4069UBF3A	D
BCL4020BC	SOLID STATE	CD4020BF3A	D	BCL4070BC	SOLID STATE	CD4070BF3A	D
BCL4020BD	SOLID STATE	CD4020BF3A	D	BCL4070BD	SOLID STATE	CD4070BF3A	D
BCL4021BC	SOLID STATE	CD4021BF3A	D	BCL4071BC	SOLID STATE	CD4071BF3A	D
BCL4021BD	SOLID STATE	CD4021BF3A	D	BCL4071BD	SOLID STATE	CD4071BF3A	D
BCL4022ABC	SOLID STATE	CD4022BF3A	D	BCL4072BC	SOLID STATE	CD4072BF3A	D
BCL4022ABD	SOLID STATE	CD4022BF3A	D	BCL4072BD	SOLID STATE	CD4072BF3A	D
BCL4023BC	SOLID STATE	CD4023BF3A	D	BCL4073BC	SOLID STATE	CD4073BF3A	D
BCL4023BD	SOLID STATE	CD4023BF3A	D	BCL4073BD	SOLID STATE	CD4073BF3A	D
BCL4024BC	SOLID STATE	CD4024BF3A	D	BCL4075BC	SOLID STATE	CD4075BF3A	D
BCL4024BD	SOLID STATE	CD4024BF3A	D	BCL4075BD	SOLID STATE	CD4075BF3A	D
BCL4076BC	SOLID STATE	CD4076BF3A	D	BCL4528BD	SOLID STATE	CD4098BF3A	D
BCL4076BD	SOLID STATE	CD4076BF3A	D	BCL4532BC	SOLID STATE	CD4532BF3A	D
BCL4077BC	SOLID STATE	CD4077BF3A	D	BCL4532BD	SOLID STATE	CD4532BF3A	D
BCL4077BD	SOLID STATE	CD4077BF3A	D	BCL4555BC	SOLID STATE	CD4555BF3A	D
BCL4081BC	SOLID STATE	CD4081BF3A	D	BCL4555BD	SOLID STATE	CD4555BF3A	D
BCL4081BD	SOLID STATE	CD4081BF3A	D	BCL4556BC	SOLID STATE	CD4556BF3A	D
BCL4082BC	SOLID STATE	CD4082BF3A	D	BCL4556BD	SOLID STATE	CD4556BF3A	D
BCL4082BD	SOLID STATE	CD4082BF3A	D	BCL4585BC	SOLID STATE	CD4585BF3A	D
BCL4085BC	SOLID STATE	CD4085BF3A	D	BCL4585BD	SOLID STATE	CD4585BF3A	D
BCL4085BD	SOLID STATE	CD4085BF3A	D	BTS114	SIEMENS	BUZ71	D
BCL4086BC	SOLID STATE	CD4086BF3A	D	BTS116	SIEMENS	BUZ71	D
BCL4086BD	SOLID STATE	CD4086BF3A	D	BUF634P	BURR-BROWN	HA3-5002-5	H
BCL4093BC	SOLID STATE	CD4093BF3A	D	BUF634T	BURR-BROWN	HA2-5002-5	H
BCL4093BD	SOLID STATE	CD4093BF3A	D	BUF634U	BURR-BROWN	HA9P5002-5	H
BCL4094BC	SOLID STATE	CD4094BF3A	D	BUK451-100A	PHILIPS	IRF512	H

3
**DIRECT/HARRIS
REPLACEMENTS**

NOTE: D = Direct Replacement, H = Harris Recommended Replacement.

Cross-Reference Guide

COMPETITOR #	COMPETITOR	HARRIS #	TYPE	COMPETITOR #	COMPETITOR	HARRIS #	TYPE
BCL4094BD	SOLID STATE	CD4094BF3A	D	BUK451-100B	PHILIPS	RFP2N08	H
BCL4099BC	SOLID STATE	CD4099BF3A	D	BUK452-100A	PHILIPS	BUZ72A	H
BCL4099BD	SOLID STATE	CD4099BF3A	D	BUK452-100B	PHILIPS	BUZ72A	H
BCL4160BC	SOLID STATE	CD40160BF3A	D	BUK452-60B	PHILIPS	RFP3055	H
BCL4160BD	SOLID STATE	CD40160BF3A	D	BUK453-100A	PHILIPS	IRF530	H
BCL4161BC	SOLID STATE	CD40161BF3A	D	BUK453-100B	PHILIPS	BUZ20	H
BCL4161BD	SOLID STATE	CD40161BF3A	D	BUK453-60A	PHILIPS	RFP25N06	H
BCL4163BC	SOLID STATE	CD40163BF3A	D	BUK453-60B	PHILIPS	BUZ71	H
BCL4163BD	SOLID STATE	CD40163BF3A	D	BUK454-200A	PHILIPS	BUZ32	H
BCL4174BC	SOLID STATE	CD40174BF3A	D	BUK454-200B	PHILIPS	BUZ32	H
BCL4174BD	SOLID STATE	CD40174BF3A	D	BUK454-400B	PHILIPS	BUZ76	H
BCL4193BC	SOLID STATE	CD40193BF3A	D	BUK454-500B	PHILIPS	BUZ76A	H
BCL4193BD	SOLID STATE	CD40193BF3A	D	BUK454-600B	PHILIPS	IRF822	H
BCL4502BC	SOLID STATE	CD4502BFB	D	BUK455-100A	PHILIPS	RFP22N10	H
BCL4502BD	SOLID STATE	CD4502BFB	D	BUK455-100B	PHILIPS	BUZ21	H
BCL4502BD	SOLID STATE	CD4502BF3A	D	BUK455-200A	PHILIPS	BUZ31	H
BCL4508BC	SOLID STATE	CD4508BF3A	D	BUK455-200B	PHILIPS	RFP12N18	H
BCL4508BD	SOLID STATE	CD4508BF3A	D	BUK455-400B	PHILIPS	BUZ60	H
BCL4511BC	SOLID STATE	CD4511BF3A	D	BUK455-500B	PHILIPS	BUZ41A	H
BCL4511BD	SOLID STATE	CD4511BF3A	D	BUK455-60A	PHILIPS	BUZ11	H
BCL4512BC	SOLID STATE	CD4512BF3A	D	BUK455-60	PHILIPS	HUF75321P3	H
BCL4512BD	SOLID STATE	CD4512BF3A	D	BUK455-60B	PHILIPS	BUZ11	H
BCL4514BC	SOLID STATE	CD4514BF3A	D	BUK455-600B	PHILIPS	BUZ42	H
BCL4514BD	SOLID STATE	CD4514BF3A	D	BUK456-100B	PHILIPS	IRF540	H
BCL4515BC	SOLID STATE	CD4515BF3A	D	BUK456-1000A	PHILIPS	RFP4N100	H
BCL4515BC	SOLID STATE	7703201JA	D	BUK456-200B	PHILIPS	BUZ31	H
BCL4515BD	SOLID STATE	CD4515BF3A	D	BUK456-60A	PHILIPS	RFP45N06	H
BCL4515BD	SOLID STATE	7703201JA	D	BUK456-60B	PHILIPS	RFP45N06	H
BCL4516BC	SOLID STATE	CD4516BF3A	D	BUK457-400B	PHILIPS	IRF740	H
BCL4516BD	SOLID STATE	CD4516BF3A	D	BUK457-500B	PHILIPS	IRF742	H
BCL4517BC	SOLID STATE	CD4517BF3A	D	BUK551-100B	PHILIPS	RFP2N08L	H
BCL4517BD	SOLID STATE	CD4517BF3A	D	BUK552-100A	PHILIPS	RFP10N12L	H
BCL4518BC	SOLID STATE	CD4518BF3A	D	BUK552-100B	PHILIPS	RFP10N12L	H
BCL4518BD	SOLID STATE	CD4518BF3A	D	BUK552-60A	PHILIPS	RFP12N06RLE	H
BCL4520BC	SOLID STATE	CD4520BF3A	D	BUK553-100A	PHILIPS	RFP12N08L	H
BCL4520BC	SOLID STATE	7702301EA	D	BUK553-100B	PHILIPS	RFP12N08L	H
BCL4520BD	SOLID STATE	CD4520BF3A	D	BUK553-60A	PHILIPS	RFP25N06L	H
BCL4520BD	SOLID STATE	7702301EA	D	BUK553-60B	PHILIPS	RFP17N06L	H
BCL4528BC	SOLID STATE	CD4098BF3A	D	BUK554-200B	PHILIPS	RFP8N20L	H
BUK555-60B	PHILIPS	RFP25N05L	H	BUK555-60A	PHILIPS	RFP25N05L	H
BUK556-60A	PHILIPS	RFP50N05L	H	BUZ72A	SILICONIX	BUZ72A	D
BUK7508-55	PHILIPS	HRF3205	H	BUZ73	MOTOROLA	BUZ32	H
BUK7514-55A	PHILIPS	HUF75337P3	H	BUZ74	SGS	IRF820	H
BUK7524-55A	PHILIPS	HUF75329P3	H	BUZ74A	SGS	IRF822	H
BUK7530-55A	PHILIPS	HUF75321P3	H	BUZ76	SGS	BUZ76	H
BUK7570-55A	PHILIPS	HUF75309P3	H	BUZ76A	SGS	BUZ76A	H
BUZ-31	SIEMENS	BUZ31	D	BUZ90	MOTOROLA	BUZ42	H
BUZ-45	SIEMENS	BUZ45	D	BU4016B	ROHM	CD4016BE	D
BUZ-45A	SIEMENS	BUZ45A	D	BU4051B	ROHM	CD4051BE	D
BUZ-45B	SIEMENS	BUZ45B	D	BU4052B	ROHM	CD4052BE	D
BUZ10	SGS	RFP25N06	H	BU4053B	ROHM	CD4053BE	D
BUZ10A	SGS	BUZ71A	H	BU4066B	ROHM	CD4066BE	D
BUZ100S	SIEMENS	HUF75333P3	H	CA3054	MOTOROLA	CA3054	D
BUZ102S	SIEMENS	HUF75329P3	H	CA3059	MOTOROLA	CA3059	H
BUZ11	MOTOROLA	BUZ11	H	CA3079	MOTOROLA	CA3079	D
BUZ11	SGS	BUZ11	H	CA3089	PHILIPS	CA3089E	H
BUZ11	SILICONIX	BUZ11	H	CA3089N	PHILIPS	CA3089E	H
				CA3089N	SIGNETICS	CA3089E	H

NOTE: D = Direct Replacement, H = Harris Recommended Replacement.

Cross-Reference Guide

COMPETITOR #	COMPETITOR	HARRIS #	TYPE	COMPETITOR #	COMPETITOR	HARRIS #	TYPE
BUZ11A	MOTOROLA	RFP25N06	H	CA3089N-A	SIGNETICS	CA3089E	H
BUZ11A	SGS	RFP25N06	H	CA3089N-B	PHILIPS	CA3089E	H
BUZ11A	SILICONIX	RFP25N06	H	CA3089N-B	SIGNETICS	CA3089E	H
BUZ11S2	SGS	BUZ11	H	CA3089NSIIA	SIGNETICS	CA3089E	H
BUZ110S	SIEMENS	HUF75339P3	H	CA3089NSIIB	SIGNETICS	CA3089E	H
BUZ111S	SIEMENS	HRF3205	H	CA3146P	MOTOROLA	CA3146E	H
BUZ20	SGS	BUZ20	H	CA3189N	SIGNETICS	CA3189E	D
BUZ21	SGS	BUZ21	H	CA3189N-A	SIGNETICS	CA3189E	H
BUZ31	PHILIPS	BUZ31	D	CA3189N-B	SIGNETICS	CA3189E	H
BUZ31	SIEMENS	BUZ31	D	CA3189NSIIA	SIGNETICS	CA3189E	H
BUZ31	SILICONIX	BUZ31	D	CA3189NSIIB	SIGNETICS	CA3189E	H
BUZ32	SGS	BUZ32	H	CA82C37A-5CD	CALMOS	CD82C37A-5	D
BUZ330	MOTOROLA	RFH10N50	H	CA82C37A-5CD	NEWBRIDGE	CD82C37A-5	D
BUZ351	PHILIPS	BUZ351	D	CA82C37A-5CJ	CALMOS	CD82C37A-5	D
BUZ351	SIEMENS	BUZ351	D	CA82C37A-5CN	CALMOS	CS82C37A-5	D
BUZ353	SGS	RFH10N50	H	CA82C37A-5CN	NEWBRIDGE	CS82C37A-5	D
BUZ41A	SGS	BUZ41A	H	CA82C37A-5CP	CALMOS	CP82C37A-5	D
BUZ42	SGS	BUZ42	H	CA82C37A-5CP	NEWBRIDGE	CP82C37A-5	D
BUZ45	PHILIPS	BUZ45	D	CA82C37A-5ID	CALMOS	ID82C37A-5	D
BUZ45	SGS	BUZ45	H	CA82C37A-5ID	NEWBRIDGE	ID82C37A-5	D
BUZ45	SIEMENS	BUZ45	D	CA82C37A-5IJ	CALMOS	ID82C37A-5	D
BUZ45	SILICONIX	BUZ45	D	CA82C37A-5IN	CALMOS	IS82C37A-5	D
BUZ45A	PHILIPS	BUZ45A	D	CA82C37A-5IN	NEWBRIDGE	IS82C37A-5	D
BUZ45A	SGS	BUZ45A	H	CA82C37A-5IP	CALMOS	IP82C37A-5	D
BUZ45A	SIEMENS	BUZ45A	D	CA82C37A-5IP	NEWBRIDGE	IP82C37A-5	D
BUZ45A	SILICONIX	BUZ45A	D	CA82C37A-8CD	CALMOS	CD82C37A	D
BUZ45B	PHILIPS	BUZ45B	D	CA82C37A-8CD	NEWBRIDGE	CD82C37A	D
BUZ45B	SIEMENS	BUZ45B	D	CA82C37A-8CJ	CALMOS	CD82C37A	D
BUZ60	SGS	BUZ60	H	CA82C37A-8CN	CALMOS	CS82C37A	D
BUZ60B	SGS	BUZ60B	H	CA82C37A-8CN	NEWBRIDGE	CS82C37A	D
BUZ71	MOTOROLA	BUZ71	H	CA82C37A-8CP	CALMOS	CP82C37A	D
BUZ71	SGS	BUZ71	H	CA82C37A-8CP	NEWBRIDGE	CP82C37A	D
BUZ71	SILICONIX	BUZ71	H	CA82C37A-8ID	CALMOS	ID82C37A	D
BUZ71A	MOTOROLA	BUZ71A	H	CA82C37A-8ID	NEWBRIDGE	ID82C37A	D
BUZ71A	SGS	BUZ71A	H	CA82C37A-8IJ	CALMOS	ID82C37A	D
BUZ71A	SILICONIX	BUZ71A	H	CA82C37A-8IN	CALMOS	IS82C37A	D
BUZ72A	SGS	BUZ72A	H	CA82C37A-8IN	NEWBRIDGE	IS82C37A	D
CA82C37A-8IP	CALMOS	IP82C37A	D	CA82C59A-8CN	NEWBRIDGE	CS82C59A	D
CA82C37A-8IP	NEWBRIDGE	IP82C37A	D	CA82C59A-8CP	CALMOS	CP82C59A	D
CA82C52-16CD	CALMOS	CD82C52	D	CA82C59A-8CP	NEWBRIDGE	CP82C59A	D
CA82C52-16CD	NEWBRIDGE	CD82C52	D	CA82C59A-8ID	CALMOS	ID82C59A	D
CA82C52-16CJ	CALMOS	CD82C52	D	CA82C59A-8ID	NEWBRIDGE	ID82C59A	D
CA82C52-16CN	CALMOS	CS82C52	H	CA82C59A-8IJ	CALMOS	ID82C59A	D
CA82C52-16CN	NEWBRIDGE	CS82C52	D	CA82C59A-8IN	CALMOS	IS82C59A	D
CA82C52-16CP	CALMOS	CP82C52	D	CA82C59A-8IN	NEWBRIDGE	IS82C59A	D
CA82C52-16CP	NEWBRIDGE	CP82C52	D	CA82C59A-8IP	CALMOS	IP82C59A	D
CA82C52-16ID	CALMOS	ID82C52	D	CA82C59A-8IP	NEWBRIDGE	IP82C59A	D
CA82C52-16ID	NEWBRIDGE	ID82C52	D	CA82C59A-8MD	CALMOS	5962-8501602YA	D
CA82C52-16IJ	CALMOS	ID82C52	D	CA82C59A-8MJ	CALMOS	5962-8501602YA	D
CA82C52-16IN	NEWBRIDGE	IS82C52	D	CA82C59A-9CN	CALMOS	CS82C59A	H
CA82C52-16IP	CALMOS	IP82C52	D	CA82C59A-9CN	NEWBRIDGE	CS82C59A	H
CA82C52-16IP	NEWBRIDGE	IP82C52	D	CA82C88-8CD	CALMOS	CD82C88	D
CA82C52-16MD	CALMOS	8501501XA	D	CA82C88-8CD	NEWBRIDGE	CD82C88	D
CA82C52-16MJ	CALMOS	8501501XA	D	CA82C88-8CJ	CALMOS	CD82C88	D
CA82C54-10CD	CALMOS	CD82C54-10	D	CA82C88-8CN	CALMOS	CS82C88	D
CA82C54-10CD	NEWBRIDGE	CD82C54-10	D	CA82C88-8CN	NEWBRIDGE	CS82C88	D
CA82C54-10CN	NEWBRIDGE	CS82C54-10	D	CA82C88-8CP	CALMOS	CP82C88	D
CA82C54-10ID	NEWBRIDGE	ID82C54-10	D	CA82C88-8CP	NEWBRIDGE	CP82C88	D

3
DIRECT/HARRIS
REPLACEMENTS

NOTE: D = Direct Replacement, H = Harris Recommended Replacement.

Cross-Reference Guide

COMPETITOR #	COMPETITOR	HARRIS #	TYPE	COMPETITOR #	COMPETITOR	HARRIS #	TYPE
CA82C54-10IN	NEWBRIDGE	IS82C54-10	D	CA82C88-8ID	CALMOS	ID82C88	D
CA82C54-10IP	CALMOS	IP82C54-10	D	CA82C88-8ID	NEWBRIDGE	ID82C88	D
CA82C54-10IP	NEWBRIDGE	IP82C54-10	D	CA82C88-8IJ	CALMOS	ID82C88	D
CA82C54-8CD	CALMOS	CD82C54	D	CA82C88-8IN	CALMOS	IS82C88	D
CA82C54-8CD	NEWBRIDGE	CD82C54	D	CA82C88-8IN	NEWBRIDGE	IS82C88	D
CA82C54-8CN	CALMOS	CS82C54	H	CA82C88-8IP	CALMOS	IP82C88	D
CA82C54-8CN	NEWBRIDGE	CS82C54	D	CA82C88-8IP	NEWBRIDGE	IP82C88	D
CA82C54-8CP	CALMOS	CP82C54	D	CA82C88-8MD	CALMOS	8406901RA	D
CA82C54-8CP	NEWBRIDGE	CP82C54	D	CA82C88-8MJ	CALMOS	8406901RA	D
CA82C54-8ID	CALMOS	ID82C54	D	CD4001BCN	FAIRCHILD	CD4001BE	D
CA82C54-8ID	NEWBRIDGE	ID82C54	D	CD4001BCN	FAIRCHILD	CD4001UBE	D
CA82C54-8IN	NEWBRIDGE	IS82C54	D	CD4001BCN	NATIONAL	CD4001BE	D
CA82C54-8IP	CALMOS	IP82C54	D	CD4001BCN	NATIONAL	CD4001UBE	D
CA82C54-8IP	NEWBRIDGE	IP82C54	D	CD4001BMD	NATIONAL	CD4001BF	D
CA82C55A-8CD	CALMOS	CD82C55A	D	CD4001BMD/883	NATIONAL	CD4001BF3A	D
CA82C55A-8CD	NEWBRIDGE	CD82C55A	D	CD4001BMD/883	NATIONAL	CD4001UBF3A	D
CA82C55A-8CJ	CALMOS	CD82C55A	D	CD4001BMD/883B	NATIONAL	CD4001BF3A	D
CA82C55A-8CN	CALMOS	CS82C55A	D	CD4001BMD/883B	NATIONAL	CD4001UBF3A	D
CA82C55A-8CN	NEWBRIDGE	CS82C55A	D	CD4001BMJ	FAIRCHILD	CD4001BF	D
CA82C55A-8CP	CALMOS	CP82C55A	D	CD4001BMJ	NATIONAL	CD4001BF	D
CA82C55A-8CP	NEWBRIDGE	CP82C55A	D	CD4001BMJ/883	NATIONAL	CD4001BF3A	D
CA82C55A-8ID	CALMOS	ID82C55A	D	CD4001BMJ/883	NATIONAL	CD4001UBF3A	D
CA82C55A-8ID	NEWBRIDGE	ID82C55A	D	CD4001BMJ/883B	NATIONAL	CD4001BF3A	D
CA82C55A-8IJ	CALMOS	ID82C55A	D	CD4001BMJ/883B	NATIONAL	CD4001UBF3A	D
CA82C55A-8IN	CALMOS	IS82C55A	D	CD4001BMW-MIL	NATIONAL	CD4001BK3	D
CA82C55A-8IN	NEWBRIDGE	IS82C55A	D	CD4002BCN	NATIONAL	CD4002BE	D
CA82C55A-8IP	CALMOS	IP82C55A	D	CD4002BMD/883	NATIONAL	CD4002BF3A	D
CA82C55A-8IP	NEWBRIDGE	IP82C55A	D	CD4002BMD/883B	NATIONAL	CD4002BF3A	D
CA82C55A-8MD	CALMOS	8406602QA	D	CD4002BMJ/883	NATIONAL	CD4002BF3A	D
CA82C55A-8MJ	CALMOS	8406602QA	D	CD4002BMJ/883B	NATIONAL	CD4002BF3A	D
CA82C59A-8CD	CALMOS	CD82C59A	D	CD4002BMW-MIL	NATIONAL	CD4002BK3	D
CA82C59A-8CD	NEWBRIDGE	CD82C59A	D	CD4002CN	NATIONAL	CD4002BE	D
CA82C59A-8CJ	CALMOS	CD82C59A	D	CD4002MD/883	NATIONAL	CD4002BF3A	D
CA82C59A-8CN	CALMOS	CS82C59A	D	CD4002MD/883B	NATIONAL	CD4002BF3A	D
CD4002MJ/883	NATIONAL	CD4002BF3A	D	CD4015BMD/883B	NATIONAL	CD4015BF3A	D
CD4002MJ/883B	NATIONAL	CD4002BF3A	D	CD4015BMJ	NATIONAL	CD4015BF	D
CD4006BCN	NATIONAL	CD4006BE	D	CD4015BMJ/883	NATIONAL	CD4015BF3A	D
CD4006BMD/883	NATIONAL	CD4006BF3A	D	CD4015BMJ/883B	NATIONAL	CD4015BF3A	D
CD4006BMD/883B	NATIONAL	CD4006BF3A	D	CD4016BCN	NATIONAL	CD4016BE	D
CD4006BMJ/883	NATIONAL	CD4006BF3A	D	CD4016BMD	NATIONAL	CD4016BF	D
CD4006BMJ/883B	NATIONAL	CD4006BF3A	D	CD4016BMD/883	NATIONAL	CD4016BF3A	D
CD4008BMD/883	NATIONAL	CD4008BF3A	D	CD4016BMD/883B	NATIONAL	CD4016BF3A	D
CD4008BMD/883B	NATIONAL	CD4008BF3A	D	CD4016BMJ	NATIONAL	CD4016BF	D
CD4008BMJ/883	NATIONAL	CD4008BF3A	D	CD4016BMJ/883	NATIONAL	CD4016BF3A	D
CD4008BMJ/883B	NATIONAL	CD4008BF3A	D	CD4016BMJ/883B	NATIONAL	CD4016BF3A	D
CD40106BCN	FAIRCHILD	CD40106BE	D	CD4016BMD/883	NATIONAL	CD40160BF3A	D
CD40106BCN	NATIONAL	CD40106BE	D	CD40160BMD/883B	NATIONAL	CD40160BF3A	D
CD40106BMD	NATIONAL	CD40106BF	D	CD40160BMJ/883	NATIONAL	CD40160BF3A	D
CD40106BMD/883	NATIONAL	CD40106BF3A	D	CD40160BMJ/883B	NATIONAL	CD40160BF3A	D
CD40106BMD/883B	NATIONAL	CD40106BF3A	D	CD40161BCN	NATIONAL	CD40161BE	D
CD40106BMJ	FAIRCHILD	CD40106BF	D	CD40161BMD/883	NATIONAL	CD40161BF3A	D
CD40106BMJ	NATIONAL	CD40106BF	D	CD40161BMD/883B	NATIONAL	CD40161BF3A	D
CD40106BMJ/883	NATIONAL	CD40106BF3A	D	CD40161BMJ/883	NATIONAL	CD40161BF3A	D
CD40106BMJ/883B	NATIONAL	CD40106BF3A	D	CD40161BMJ/883B	NATIONAL	CD40161BF3A	D
CD40106BMW	NATIONAL	CD40106BK	D	CD40163BMD/883	NATIONAL	CD40163BF3A	D
CD4011BCN	FAIRCHILD	CD4011BE	D	CD40163BMD/883B	NATIONAL	CD40163BF3A	D
CD4011BCN	FAIRCHILD	CD4011UBE	D	CD40163BMJ/883	NATIONAL	CD40163BF3A	D
CD4011BCN	NATIONAL	CD4011BE	D	CD40163BMJ/883B	NATIONAL	CD40163BF3A	D

NOTE: D = Direct Replacement, H = Harris Recommended Replacement.

Cross-Reference Guide

COMPETITOR #	COMPETITOR	HARRIS #	TYPE
CD4011BCN	NATIONAL	CD4011UBE	D
CD4011BMD	NATIONAL	CD4011BF	D
CD4011BMD/883	NATIONAL	CD4011BF3A	D
CD4011BMD/883B	NATIONAL	CD4011BF3A	D
CD4011BMJ	FAIRCHILD	CD4011BF	D
CD4011BMJ	NATIONAL	CD4011BF	D
CD4011BMJ-MIL	NATIONAL	CD4011AD3	D
CD4011BMJ/883	NATIONAL	CD4011BF3A	D
CD4011BMJ/883B	NATIONAL	CD4011BF3A	D
CD4011BMW-MIL	NATIONAL	CD4011BK3	D
CD4011CN	NATIONAL	CD4011BE	D
CD4011CN	NATIONAL	CD4011UBE	D
CD4011MD	NATIONAL	CD4011BF	D
CD4011MD/883	NATIONAL	CD4011BF3A	D
CD4011MD/883B	NATIONAL	CD4011BF3A	D
CD4011MJ	NATIONAL	CD4011BF	D
CD4011MJ/883	NATIONAL	CD4011BF3A	D
CD4011MJ/883B	NATIONAL	CD4011BF3A	D
CD4012BCN	NATIONAL	CD4012BE	D
CD4012BMD/883	NATIONAL	CD4012BF3A	D
CD4012BMD/883B	NATIONAL	CD4012BF3A	D
CD4012BMJ/883	NATIONAL	CD4012BF3A	D
CD4012BMJ/883B	NATIONAL	CD4012BF3A	D
CD4013BCN	NATIONAL	CD4013BE	H
CD4014BCN	NATIONAL	CD4014BE	D
CD4014BMD/883	NATIONAL	CD4014BF3A	D
CD4014BMD/883B	NATIONAL	CD4014BF3A	D
CD4014BMJ/883	NATIONAL	CD4014BF3A	D
CD4014BMJ/883B	NATIONAL	CD4014BF3A	D
CD4015BCN	NATIONAL	CD4015BE	D
CD4015BMD	NATIONAL	CD4015BF	D
CD4019CN	NATIONAL	CD4019BE	D
CD4019MD	NATIONAL	CD4019BF	D
CD4019MJ	NATIONAL	CD4019BF	D
CD40192BCN	NATIONAL	CD40192BE	D
CD40192BMD/883	NATIONAL	CD40192BF3A	D
CD40192BMD/883B	NATIONAL	CD40192BF3A	D
CD40192BMJ/883	NATIONAL	CD40192BF3A	D
CD40192BMJ/883B	NATIONAL	CD40192BF3A	D
CD40193BCN	NATIONAL	CD40193BE	D
CD40193BMD/883	NATIONAL	CD40193BF3A	D
CD40193BMD/883B	NATIONAL	CD40193BF3A	D
CD40193BMJ/883	NATIONAL	CD40193BF3A	D
CD40193BMJ/883B	NATIONAL	CD40193BF3A	D
CD4020BCN	NATIONAL	CD4020BE	D
CD4020BMD/883	NATIONAL	CD4020BF3A	D
CD4020BMD/883B	NATIONAL	CD4020BF3A	D
CD4020BMJ/883	NATIONAL	CD4020BF3A	D
CD4020BMJ/883B	NATIONAL	CD4020BF3A	D
CD4020CN	NATIONAL	CD4020BE	D
CD4021BCN	NATIONAL	CD4021BE	D
CD4021BMD/883	NATIONAL	CD4021BF3A	D
CD4021BMD/883B	NATIONAL	CD4021BF3A	D
CD4021BMJ/883	NATIONAL	CD4021BF3A	D
CD4021BMJ/883B	NATIONAL	CD4021BF3A	D
CD4022BCN	NATIONAL	CD4022BE	D
CD4022BMD/883	NATIONAL	CD4022BF3A	D
CD4022BMD/883B	NATIONAL	CD4022BF3A	D

COMPETITOR #	COMPETITOR	HARRIS #	TYPE
CD4017BCN	NATIONAL	CD4017BE	D
CD4017BMD/883	NATIONAL	CD4017BF3A	D
CD4017BMD/883B	NATIONAL	CD4017BF3A	D
CD4017BMJ/883	NATIONAL	CD4017BF3A	D
CD4017BMJ/883B	NATIONAL	CD4017BF3A	D
CD4017CN	NATIONAL	CD4017BE	D
CD40174BCN	NATIONAL	CD40174BE	D
CD40174BMD/883	NATIONAL	CD40174BF3A	D
CD40174BMD/883B	NATIONAL	CD40174BF3A	D
CD40174BMJ/883	NATIONAL	CD40174BF3A	D
CD40174BMJ/883B	NATIONAL	CD40174BF3A	D
CD40175BCN	NATIONAL	CD40175BE	D
CD40175BMD/883	NATIONAL	CD40175BF3A	D
CD40175BMD/883B	NATIONAL	CD40175BF3A	D
CD40175BMJ/883	NATIONAL	CD40175BF3A	D
CD40175BMJ/883B	NATIONAL	CD40175BF3A	D
CD4018BCN	NATIONAL	CD4018BE	D
CD4018BMD/883	NATIONAL	CD4018BF3A	D
CD4018BMD/883B	NATIONAL	CD4018BF3A	D
CD4018BMJ/883	NATIONAL	CD4018BF3A	D
CD4018BMJ/883B	NATIONAL	CD4018BF3A	D
CD4018BMW-MIL	NATIONAL	CD4018BK3	D
CD4019BCN	FAIRCHILD	CD4019BE	D
CD4019BCN	NATIONAL	CD4019BE	D
CD4019BMD	NATIONAL	CD4019BF	D
CD4019BMD/883	NATIONAL	CD4019BF3A	D
CD4019BMD/883B	NATIONAL	CD4019BF3A	D
CD4019BMJ	FAIRCHILD	CD4019BF	D
CD4019BMJ	NATIONAL	CD4019BF	D
CD4019BMJ/883	NATIONAL	CD4019BF3A	D
CD4019BMJ/883B	NATIONAL	CD4019BF3A	D
CD4027CN	NATIONAL	CD4027BE	D
CD4027MD	NATIONAL	CD4027BF	D
CD4027MJ	NATIONAL	CD4027BF	D
CD4028BCN	NATIONAL	CD4028BE	D
CD4028BMD	NATIONAL	CD4028BF	D
CD4028BMD/883	NATIONAL	CD4028BF3A	D
CD4028BMD/883B	NATIONAL	CD4028BF3A	D
CD4028BMJ	NATIONAL	CD4028BF	D
CD4028BMJ/883	NATIONAL	CD4028BF3A	D
CD4028BMJ/883B	NATIONAL	CD4028BF3A	D
CD4028CN	NATIONAL	CD4028BE	D
CD4028MD	NATIONAL	CD4028BF	D
CD4028MJ	NATIONAL	CD4028BF	D
CD4029BCN	NATIONAL	CD4029BE	D
CD4029BMD/883	NATIONAL	CD4029BF3A	D
CD4029BMD/883B	NATIONAL	CD4029BF3A	D
CD4029BMJ/883	NATIONAL	CD4029BF3A	D
CD4029BMJ/883B	NATIONAL	CD4029BF3A	D
CD4029CN	NATIONAL	CD4029BE	D
CD4030CN	FAIRCHILD	CD4030BE	D
CD4030CN	NATIONAL	CD4030BE	D
CD4030MD	NATIONAL	CD4030BF	D
CD4030MD/883	NATIONAL	CD4030BF3A	D
CD4030MD/883B	NATIONAL	CD4030BF3A	D
CD4030MJ	FAIRCHILD	CD4030BF	D
CD4030MJ	NATIONAL	CD4030BF	D
CD4030MJ/883	NATIONAL	CD4030BF3A	D

3
DIRECT/HARRIS
REPLACEMENTS

NOTE: D = Direct Replacement, H = Harris Recommended Replacement.

Cross-Reference Guide

COMPETITOR #	COMPETITOR	HARRIS #	TYPE
CD4022BMJ/883	NATIONAL	CD4022BF3A	D
CD4022BMJ/883B	NATIONAL	CD4022BF3A	D
CD4022CN	NATIONAL	CD4022BE	D
CD4023BCN	FAIRCHILD	CD4023BE	D
CD4023BCN	NATIONAL	CD4023BE	D
CD4023BMD	NATIONAL	CD4023BF	D
CD4023BMD/883	NATIONAL	CD4023BF3A	D
CD4023BMD/883B	NATIONAL	CD4023BF3A	D
CD4023BMJ	FAIRCHILD	CD4023BF	D
CD4023BMJ	NATIONAL	CD4023BF	D
CD4023BMJ/883	NATIONAL	CD4023BF3A	D
CD4023BMJ/883B	NATIONAL	CD4023BF3A	D
CD4023BMW-MIL	NATIONAL	CD4023BK3	D
CD4024BCN	NATIONAL	CD4024BE	D
CD4024BMD/883	NATIONAL	CD4024BF3A	D
CD4024BMD/883B	NATIONAL	CD4024BF3A	D
CD4024BMJ/883	NATIONAL	CD4024BF3A	D
CD4024BMJ/883B	NATIONAL	CD4024BF3A	D
CD4024CN	NATIONAL	CD4024BE	D
CD4025BCN	NATIONAL	CD4025BE	H
CD4027BCN	NATIONAL	CD4027BE	D
CD4027BMD	NATIONAL	CD4027BF	D
CD4027BMD/883	NATIONAL	CD4027BF3A	D
CD4027BMD/883B	NATIONAL	CD4027BF3A	D
CD4027BMJ	NATIONAL	CD4027BF	D
CD4027BMJ/883	NATIONAL	CD4027BF3A	D
CD4027BMJ/883B	NATIONAL	CD4027BF3A	D
CD4027BMW-MIL	NATIONAL	CD4027BK3	D
CD4040CN	NATIONAL	CD4040BE	D
CD4040MD	NATIONAL	CD4040BF	D
CD4040MJ	NATIONAL	CD4040BF	D
CD4042BCN	NATIONAL	CD4042BE	D
CD4042BMD/883	NATIONAL	CD4042BF3A	D
CD4042BMD/883B	NATIONAL	CD4042BF3A	D
CD4042BMJ/883	NATIONAL	CD4042BF3A	D
CD4042BMJ/883B	NATIONAL	CD4042BF3A	D
CD4042CN	NATIONAL	CD4042BE	D
CD4043BCN	NATIONAL	CD4043BE	D
CD4043BMD/883	NATIONAL	CD4043BF3A	D
CD4043BMD/883B	NATIONAL	CD4043BF3A	D
CD4043BMJ/883	NATIONAL	CD4043BF3A	D
CD4043BMJ/883B	NATIONAL	CD4043BF3A	D
CD4044BCN	NATIONAL	CD4044BE	D
CD4044BMJ/883	NATIONAL	CD4044BF3A	D
CD4044BMJ/883B	NATIONAL	CD4044BF3A	D
CD4044CN	NATIONAL	CD4044BE	D
CD4044MD/883	NATIONAL	CD4044BF3A	D
CD4044MD/883B	NATIONAL	CD4044BF3A	D
CD4044MJ/883	NATIONAL	CD4044BF3A	D
CD4044MJ/883B	NATIONAL	CD4044BF3A	D
CD4046BCN	NATIONAL	CD4046BE	D
CD4046BMD/883	NATIONAL	CD4046BF3A	D
CD4046BMD/883B	NATIONAL	CD4046BF3A	D
CD4046BMJ/883	NATIONAL	CD4046BF3A	D
CD4046BMJ/883B	NATIONAL	CD4046BF3A	D
CD4047BCN	NATIONAL	CD4047BE	D
CD4047BMD	NATIONAL	CD4047BF	D
CD4047BMD/883	NATIONAL	CD4047BF3A	D

COMPETITOR #	COMPETITOR	HARRIS #	TYPE
CD4030MJ/883B	NATIONAL	CD4030BF3A	D
CD4031BCN	NATIONAL	CD4031BE	D
CD4031BMD/883	NATIONAL	CD4031BF3A	D
CD4031BMD/883B	NATIONAL	CD4031BF3A	D
CD4031BMJ/883	NATIONAL	CD4031BF3A	D
CD4031BMJ/883B	NATIONAL	CD4031BF3A	D
CD4034BCN	NATIONAL	CD4034BE	D
CD4034BMD/883	NATIONAL	CD4034BF3A	D
CD4034BMD/883B	NATIONAL	CD4034BF3A	D
CD4034BMJ/883	NATIONAL	CD4034BF3A	D
CD4034BMJ/883B	NATIONAL	CD4034BF3A	D
CD4035BCN	NATIONAL	CD4035BE	D
CD4035BMD	NATIONAL	CD4035BF	D
CD4035BMD/883	NATIONAL	CD4035BF3A	D
CD4035BMD/883B	NATIONAL	CD4035BF3A	D
CD4035BMJ	NATIONAL	CD4035BF	D
CD4035BMJ/883	NATIONAL	CD4035BF3A	D
CD4035BMJ/883B	NATIONAL	CD4035BF3A	D
CD4035CN	NATIONAL	CD4035BE	D
CD4035MD	NATIONAL	CD4035BF	D
CD4035MJ	NATIONAL	CD4035BF	D
CD4040BCN	NATIONAL	CD4040BE	D
CD4040BMD	NATIONAL	CD4040BF	D
CD4040BMD/883	NATIONAL	CD4040BF3A	D
CD4040BMD/883B	NATIONAL	CD4040BF3A	D
CD4040BMJ	NATIONAL	CD4040BF	D
CD4040BMJ/883	NATIONAL	CD4040BF3A	D
CD4040BMJ/883B	NATIONAL	CD4040BF3A	D
CD4051BCN	NATIONAL	CD4051BE	D
CD4051BMD	NATIONAL	CD4051BF	D
CD4051BMD/883	NATIONAL	CD4051BF3A	D
CD4051BMD/883B	NATIONAL	CD4051BF3A	D
CD4051BMJ	FAIRCHILD	CD4051BF	D
CD4051BMJ	NATIONAL	CD4051BF	D
CD4051BMJ/883	NATIONAL	CD4051BF3A	D
CD4051BMJ/883B	NATIONAL	CD4051BF3A	D
CD4052BCN	FAIRCHILD	CD4052BE	D
CD4052BCN	NATIONAL	CD4052BE	D
CD4052BMD	NATIONAL	CD4052BF	D
CD4052BMD/883	NATIONAL	CD4052BF3A	D
CD4052BMD/883B	NATIONAL	CD4052BF3A	D
CD4052BMJ	FAIRCHILD	CD4052BF	D
CD4052BMJ	NATIONAL	CD4052BF	D
CD4052BMJ/883	NATIONAL	CD4052BF3A	D
CD4052BMJ/883B	NATIONAL	CD4052BF3A	D
CD4053BCN	FAIRCHILD	CD4053BE	D
CD4053BCN	NATIONAL	CD4053BE	D
CD4053BMD	NATIONAL	CD4053BF	D
CD4053BMD/883	NATIONAL	CD4053BF3A	D
CD4053BMD/883B	NATIONAL	CD4053BF3A	D
CD4053BMJ	FAIRCHILD	CD4053BF	D
CD4053BMJ	NATIONAL	CD4053BF	D
CD4053BMJ/883	NATIONAL	CD4053BF3A	D
CD4053BMJ/883B	NATIONAL	CD4053BF3A	D
CD4060BCN	NATIONAL	CD4060BE	D
CD4060BMD	NATIONAL	CD4060BF	D
CD4060BMD/883	NATIONAL	CD4060BF3A	D
CD4060BMD/883B	NATIONAL	CD4060BF3A	D

NOTE: D = Direct Replacement, H = Harris Recommended Replacement.

Cross-Reference Guide

COMPETITOR #	COMPETITOR	HARRIS #	TYPE	COMPETITOR #	COMPETITOR	HARRIS #	TYPE
CD4047BMD/883B	NATIONAL	CD4047BF3A	D	CD4060BMJ	NATIONAL	CD4060BF	D
CD4047BMJ	NATIONAL	CD4047BF	D	CD4060BMJ/883	NATIONAL	CD4060BF3A	D
CD4047BMJ-MIL	NATIONAL	CD4047BD3	D	CD4060BMJ/883B	NATIONAL	CD4060BF3A	D
CD4047BMJ/883	NATIONAL	CD4047BF3A	D	CD4066BCN	NATIONAL	CD4066BE	D
CD4047BMJ/883B	NATIONAL	CD4047BF3A	D	CD4066BMD	NATIONAL	CD4066BF	D
CD4048BCN	NATIONAL	CD4048BE	D	CD4066BMD/883	NATIONAL	CD4066BF3A	D
CD4048BMD/883	NATIONAL	CD4048BF3A	D	CD4066BMD/883B	NATIONAL	CD4066BF3A	D
CD4048BMD/883B	NATIONAL	CD4048BF3A	D	CD4066BMJ	NATIONAL	CD4066BF	D
CD4048BMJ/883	NATIONAL	CD4048BF3A	D	CD4066BMJ/883	NATIONAL	CD4066BF3A	D
CD4048BMJ/883B	NATIONAL	CD4048BF3A	D	CD4066BMJ/883B	NATIONAL	CD4066BF3A	D
CD4049UBMJ/883B	NATIONAL	CD4049UBF3A	D	CD4066BMW-MIL	NATIONAL	CD4066BK3	D
CD4050BCN	NATIONAL	CD4050BE	D	CD4066CN	NATIONAL	CD4066BE	D
CD4050BMD	NATIONAL	CD4050BF	D	CD4069CN	NATIONAL	CD4069UBE	D
CD4050BMD/883	NATIONAL	CD4050BF3A	D	CD4069MD	NATIONAL	CD4069UBF	D
CD4050BMD/883B	NATIONAL	CD4050BF3A	D	CD4069MD/883	NATIONAL	CD4069UBF3A	D
CD4050BMJ	NATIONAL	CD4050BF	D	CD4069MD/883B	NATIONAL	CD4069UBF3A	D
CD4050BMJ/883	NATIONAL	CD4050BF3A	D	CD4069MJ	NATIONAL	CD4069UBF	D
CD4050BMJ/883B	NATIONAL	CD4050BF3A	D	CD4069MJ/883	NATIONAL	CD4069UBF3A	D
CD4050BMW	NATIONAL	CD4050BF	D	CD4069MJ/883B	NATIONAL	CD4069UBF3A	D
CD4050BMW/883	NATIONAL	CD4050BF3A	D	CD4069UBCN	FAIRCHILD	CD4069UBE	D
CD4050BMW/883B	NATIONAL	CD4050BF3A	D	CD4069UBCN	NATIONAL	CD4069UBE	D
CD4050CN	NATIONAL	CD4050BE	D	CD4069UBMJ	FAIRCHILD	CD4069UBF	D
CD4050MD	NATIONAL	CD4050BF	D	CD4069UBMJ	NATIONAL	CD4069UBF	D
CD4050MJ	NATIONAL	CD4050BF	D	CD4069UBMJ/883	NATIONAL	CD4069UBF3A	D
CD4051BCN	FAIRCHILD	CD4051BE	D	CD4069UBMJ/883B	NATIONAL	CD4069UBF3A	D
CD4070BCN	FAIRCHILD	CD4070BE	D	CD4082BMD/883B	NATIONAL	CD4082BF3A	D
CD4070BCN	NATIONAL	CD4070BE	D	CD4082BMJ	NATIONAL	CD4082BF	D
CD4070BMD	NATIONAL	CD4070BF	D	CD4082BMJ/883	NATIONAL	CD4082BF3A	D
CD4070BMD/883	NATIONAL	CD4070BF3A	D	CD4082BMJ/883B	NATIONAL	CD4082BF3A	D
CD4070BMD/883B	NATIONAL	CD4070BF3A	D	CD4089BCN	NATIONAL	CD4089BE	D
CD4070BMJ	NATIONAL	CD4070BF	D	CD4089BMD/883	NATIONAL	CD4089BF3A	D
CD4070BMJ/883	NATIONAL	CD4070BF3A	D	CD4089BMD/883B	NATIONAL	CD4089BF3A	D
CD4070BMJ/883B	NATIONAL	CD4070BF3A	D	CD4089BMJ/883	NATIONAL	CD4089BF3A	D
CD4071BCN	FAIRCHILD	CD4071BE	D	CD4089BMJ/883B	NATIONAL	CD4089BF3A	D
CD4071BCN	NATIONAL	CD4071BE	D	CD4093BCN	FAIRCHILD	CD4093BE	D
CD4071BMD	NATIONAL	CD4071BF	D	CD4093BCN	NATIONAL	CD4093BE	D
CD4071BMD/883	NATIONAL	CD4071BF3A	D	CD4093BMD	NATIONAL	CD4093BF	D
CD4071BMD/883B	NATIONAL	CD4071BF3A	D	CD4093BMD/883	NATIONAL	CD4093BF3A	D
CD4071BMJ	FAIRCHILD	CD4071BF	D	CD4093BMD/883B	NATIONAL	CD4093BF3A	D
CD4071BMJ	NATIONAL	CD4071BF	D	CD4093BMJ	FAIRCHILD	CD4093BF	D
CD4071BMJ/883	NATIONAL	CD4071BF3A	D	CD4093BMJ	NATIONAL	CD4093BF	D
CD4071BMJ/883B	NATIONAL	CD4071BF3A	D	CD4093BMJ/883	NATIONAL	CD4093BF3A	D
CD4072BCN	NATIONAL	CD4072BE	D	CD4093BMJ/883B	NATIONAL	CD4093BF3A	D
CD4072BMD/883	NATIONAL	CD4072BF3A	D	CD4094BCN	NATIONAL	CD4094BE	D
CD4072BMD/883B	NATIONAL	CD4072BF3A	D	CD4094BMD	NATIONAL	CD4094BF	D
CD4072BMJ/883	NATIONAL	CD4072BF3A	D	CD4094BMD/883	NATIONAL	CD4094BF3A	D
CD4072BMJ/883B	NATIONAL	CD4072BF3A	D	CD4094BMD/883B	NATIONAL	CD4094BF3A	D
CD4073BCN	NATIONAL	CD4073BE	D	CD4094BMJ	NATIONAL	CD4094BF	D
CD4073BMD	NATIONAL	CD4073BF	D	CD4094BMJ/883	NATIONAL	CD4094BF3A	D
CD4073BMD/883	NATIONAL	CD4073BF3A	D	CD4094BMJ/883B	NATIONAL	CD4094BF3A	D
CD4073BMD/883B	NATIONAL	CD4073BF3A	D	CD4099BCN	NATIONAL	CD4099BE	D
CD4073BMJ	NATIONAL	CD4073BF	D	CD4099BMD/883	NATIONAL	CD4099BF3A	D
CD4073BMJ/883	NATIONAL	CD4073BF3A	D	CD4099BMD/883B	NATIONAL	CD4099BF3A	D
CD4073BMJ/883B	NATIONAL	CD4073BF3A	D	CD4099BMJ/883	NATIONAL	CD4099BF3A	D
CD4075BCN	NATIONAL	CD4075BE	D	CD4099BMJ/883B	NATIONAL	CD4099BF3A	D
CD4075BMD	NATIONAL	CD4075BF	D	CD4503BCN	FAIRCHILD	CD4503BE	D
CD4075BMD/883	NATIONAL	CD4075BF3A	D	CD4503BCN	NATIONAL	CD4503BE	D
CD4075BMD/883B	NATIONAL	CD4075BF3A	D	CD4503BMD/883	NATIONAL	CD4503BF3A	D

3
**DIRECT/HARRIS
REPLACEMENTS**

Cross-Reference Guide

COMPETITOR #	COMPETITOR	HARRIS #	TYPE	COMPETITOR #	COMPETITOR	HARRIS #	TYPE
CD4075BMJ	NATIONAL	CD4075BF	D	CD4503BMD/883B	NATIONAL	CD4503BF3A	D
CD4075BMJ/883	NATIONAL	CD4075BF3A	D	CD4503BMJ/883	NATIONAL	CD4503BF3A	D
CD4075BMJ/883B	NATIONAL	CD4075BF3A	D	CD4503BMJ/883B	NATIONAL	CD4503BF3A	D
CD4076BCN	NATIONAL	CD4076BE	D	CD4510BCN	NATIONAL	CD4510BE	D
CD4076BMD/883	NATIONAL	CD4076BF3A	D	CD4511BCN	FAIRCHILD	CD4511BE	D
CD4076BMD/883B	NATIONAL	CD4076BF3A	D	CD4511BCN	NATIONAL	CD4511BE	D
CD4076BMJ/883	NATIONAL	CD4076BF3A	D	CD4511BMD	NATIONAL	CD4511BF	D
CD4076BMJ/883B	NATIONAL	CD4076BF3A	D	CD4511BMD/883	NATIONAL	CD4511BF3A	D
CD4077BCN	FAIRCHILD	CD4077BE	D	CD4511BMD/883B	NATIONAL	CD4511BF3A	D
CD4077BCN	NATIONAL	CD4077BE	D	CD4511BMJ	FAIRCHILD	CD4511BF	D
CD4081BCN	FAIRCHILD	CD4081BE	D	CD4511BMJ	NATIONAL	CD4511BF	D
CD4081BCN	NATIONAL	CD4081BE	D	CD4511BMJ/883	NATIONAL	CD4511BF3A	D
CD4081BMD	NATIONAL	CD4081BF	D	CD4511BMJ/883B	NATIONAL	CD4511BF3A	D
CD4081BMD/883	NATIONAL	CD4081BF3A	D	CD4511BMW-MIL	NATIONAL	CD4511BK3	D
CD4081BMD/883B	NATIONAL	CD4081BF3A	D	CD4512BCN	NATIONAL	CD4512BE	D
CD4081BMJ	FAIRCHILD	CD4081BF	D	CD4512BMD/883	NATIONAL	CD4512BF3A	D
CD4081BMJ	NATIONAL	CD4081BF	D	CD4512BMD/883B	NATIONAL	CD4512BF3A	D
CD4081BMJ/883	NATIONAL	CD4081BF3A	D	CD4512BMJ/883	NATIONAL	CD4512BF3A	D
CD4081BMJ/883B	NATIONAL	CD4081BF3A	D	CD4512BMJ/883B	NATIONAL	CD4512BF3A	D
CD4082BCN	NATIONAL	CD4082BE	D	CD4512BMW/883B	NATIONAL	CD4512BF3A	D
CD4082BMD	NATIONAL	CD4082BF	D	CD4514BCN	NATIONAL	CD4514BE	D
CD4082BMD/883	NATIONAL	CD4082BF3A	D	CD4514BMD/883	NATIONAL	CD4514BF3A	D
CD4514BMD/883B	NATIONAL	CD4514BF3A	D	CD4724BMD/883B	NATIONAL	CD4724BF3A	D
CD4514BMJ/883	NATIONAL	CD4514BF3A	D	CD4724BMJ/883	NATIONAL	CD4724BF3A	D
CD4514BMJ/883B	NATIONAL	CD4514BF3A	D	CD4724BMJ/883B	NATIONAL	CD4724BF3A	D
CD4515BCN	NATIONAL	CD4515BE	D	CLC109AJB	COMLINEAR	HFA1110J	H
CD4515BMD/883	NATIONAL	CD4515BF3A	D	CLC109AJE	COMLINEAR	HA9P5002-5	H
CD4515BMD/883	NATIONAL	7703201JA	D	CLC109AJE	COMLINEAR	HFA1110IB	H
CD4515BMD/883B	NATIONAL	CD4515BF3A	D	CLC109AJP	COMLINEAR	HA3-5002-5	H
CD4515BMD/883B	NATIONAL	7703201JA	D	CLC109AJP	COMLINEAR	HFA1110IP	H
CD4515BMJ/883	NATIONAL	CD4515BF3A	D	CLC109A8B	COMLINEAR	HFA1110MJ/883	H
CD4515BMJ/883	NATIONAL	7703201JA	D	CLC1110AIB	COMLINEAR	HFA1110J	H
CD4515BMJ/883B	NATIONAL	CD4515BF3A	D	CLC1110AJP	COMLINEAR	HFA1110IP	H
CD4515BMJ/883B	NATIONAL	7703201JA	D	CLC1110A8B	COMLINEAR	HFA1110MJ/883	H
CD4516BCN	NATIONAL	CD4516BE	D	CLC111AIB	COMLINEAR	HFA1110J	H
CD4516BMD/883	NATIONAL	CD4516BF3A	D	CLC111AJE	COMLINEAR	HFA1110IB	H
CD4516BMD/883B	NATIONAL	CD4516BF3A	D	CLC111AJP	COMLINEAR	HFA1110IP	H
CD4516BMJ/883	NATIONAL	CD4516BF3A	D	CLC111A8B	COMLINEAR	HFA1110MJ/883	H
CD4516BMJ/883B	NATIONAL	CD4516BF3A	D	CLC400AJE	COMLINEAR	HFA1105IB	H
CD4518BCN	NATIONAL	CD4518BE	D	CLC400AJP	COMLINEAR	HFA1105IP	H
CD4518BMD	NATIONAL	CD4518BF	D	CLC401AIB	COMLINEAR	HFA1100J	H
CD4518BMD/883	NATIONAL	CD4518BF3A	D	CLC401AJE	COMLINEAR	HFA1105IB	H
CD4518BMD/883B	NATIONAL	CD4518BF3A	D	CLC401AJP	COMLINEAR	HFA1105IP	H
CD4518BMJ	NATIONAL	CD4518BF	D	CLC401A8B	COMLINEAR	HFA1100MJ/883	H
CD4518BMJ/883	NATIONAL	CD4518BF3A	D	CLC402AIB	COMLINEAR	HFA1100J	H
CD4518BMJ/883B	NATIONAL	CD4518BF3A	D	CLC402AJE	COMLINEAR	HFA1105IB	H
CD4520BCN	NATIONAL	CD4520BE	D	CLC402AJP	COMLINEAR	HFA1105IP	H
CD4520BMD	NATIONAL	CD4520BF	D	CLC402A8B	COMLINEAR	HFA1100MJ/883	H
CD4520BMD/883	NATIONAL	CD4520BF3A	D	CLC404AIB	COMLINEAR	HFA1100J	H
CD4520BMD/883	NATIONAL	7702301EA	D	CLC404AJE	COMLINEAR	HFA1105IB	H
CD4520BMD/883B	NATIONAL	CD4520BF3A	D	CLC404AJP	COMLINEAR	HFA1105IP	H
CD4520BMD/883B	NATIONAL	7702301EA	D	CLC404A8B	COMLINEAR	HFA1100MJ/883	H
CD4520BMJ	NATIONAL	CD4520BF	D	CLC406AIB	COMLINEAR	HFA1100J	H
CD4520BMJ/883	NATIONAL	CD4520BF3A	D	CLC406AJE	COMLINEAR	HFA1105IB	H
CD4520BMJ/883	NATIONAL	7702301EA	D	CLC406AJP	COMLINEAR	HFA1105IP	H
CD4520BMJ/883B	NATIONAL	CD4520BF3A	D	CLC406A8B	COMLINEAR	HFA1100MJ/883	H
CD4520BMJ/883B	NATIONAL	7702301EA	D	CLC409AIB	COMLINEAR	HFA1100J	H
CD4522BCN	NATIONAL	CD4522BE	D	CLC409AJE	COMLINEAR	HFA1105IB	H

NOTE: D = Direct Replacement, H = Harris Recommended Replacement.

Cross-Reference Guide

COMPETITOR #	COMPETITOR	HARRIS #	TYPE	COMPETITOR #	COMPETITOR	HARRIS #	TYPE
CD4527BCN	NATIONAL	CD4527BE	D	CLC409AJE	NATIONAL	HFA1109IB	D
CD4528BCN	NATIONAL	CD4098BE	D	CLC409AJP	COMLINEAR	HFA1105IP	H
CD4528BMD	NATIONAL	CD4098BF	D	CLC409AJP	NATIONAL	HFA1109IP	D
CD4528BMD/883	NATIONAL	CD4098BF3A	D	CLC409A8B	COMLINEAR	HFA1100MJ/883	H
CD4528BMD/883B	NATIONAL	CD4098BF3A	D	CLC410AJE	COMLINEAR	HFA1145IB	H
CD4528BMJ	NATIONAL	CD4098BF	D	CLC410AJE	NATIONAL	HFA1149IB	D
CD4528BMJ/883	NATIONAL	CD4098BF3A	D	CLC410AJP	COMLINEAR	HFA1145IP	H
CD4528BMJ/883B	NATIONAL	CD4098BF3A	D	CLC410AJP	NATIONAL	HFA1149IP	D
CD4538BCN	NATIONAL	CD14538BE	D	CLC411AJE	COMLINEAR	HFA1145IB	H
CD4538BMD/883	NATIONAL	CD14538BF3A	D	CLC411AJP	COMLINEAR	HFA1145IP	H
CD4538BMD/883B	NATIONAL	CD14538BF3A	D	CLC412AJE	COMLINEAR	HFA1205IB	H
CD4538BMJ/883	NATIONAL	CD14538BF3A	D	CLC412AJP	COMLINEAR	HFA1205IP	H
CD4538BMJ/883B	NATIONAL	CD14538BF3A	D	CLC414AJE	COMLINEAR	HA5025IB	H
CD4541BCN	NATIONAL	CD4541BE	D	CLC414AJP	COMLINEAR	HFA1405IB	H
CD4541BMJ/883	NATIONAL	CD4541BF3A	D	CLC414AJP	COMLINEAR	HA5025IP	H
CD4541BMJ/883B	NATIONAL	CD4541BF3A	D	CLC414AJP	COMLINEAR	HFA1405IP	H
CD4543BCN	NATIONAL	CD4543BE	D	CLC415AJE	COMLINEAR	HA5025IB	H
CD4724BCN	NATIONAL	CD4724BE	D	CLC415AJP	COMLINEAR	HFA1405IB	H
CD4724BMD/883	NATIONAL	CD4724BF3A	D	CLC415AJP	COMLINEAR	HA5025IP	H
CLC415AJP	COMLINEAR	HFA1405IP	H	CXD1176Q	SONY	HI1176JCQ	H
CLC425AJE	COMLINEAR	HFA1100IB	H	CXD1177Q	SONY	HI1177JCQ	H
CLC425AJP	COMLINEAR	HFA1100IP	H	CXD1178Q	SONY	HI1178JCQ	H
CLC428AJE	COMLINEAR	HA5023IB	H	CXD1260Q-Z	SONY	HI1260JCQ	H
CLC428AJP	COMLINEAR	HA5023IP	H	CXD2300Q	SONY	HI2300JCQ	H
CLC428A8B	COMLINEAR	HA5023MJ/883	H	CXD2301Q	SONY	HI2301JCQ	H
CLC430AIB	COMLINEAR	HA7-5020-9	H	CXD2302Q	SONY	HI2302JCQ	H
CLC430AJE	COMLINEAR	HA9P5020-9	H	CXD2306Q	SONY	HI5780JCQ	H
CLC430AJP	COMLINEAR	HA3-5020-9	H	CXD2308Q	SONY	HI3050JCQ	H
CLC432AJE	COMLINEAR	HA5023IB	H	CXD2309Q	SONY	HI2309JCQ	H
CLC432AJP	COMLINEAR	HA5023IP	H	CXD2310AR	SONY	HI5710AJCQ	H
CLC449AJE	COMLINEAR	HFA1100IB	H	CXD2315Q	SONY	HI2315JCQ	H
CLC449AJP	COMLINEAR	HFA1100IP	H	CXQ71054P	SONY	IP82C54	D
CLC449AJP	NATIONAL	HFA1149IP	D	CXQ71088P	SONY	IP82C88	D
CLC501AIB	COMLINEAR	HFA1130IJ	H	CX20201A-1	SONY	HI20201JCB	H
CLC501AJE	COMLINEAR	HFA1130IB	H	CX20201A-3	SONY	HI20203JCB	H
CLC501AJE	COMLINEAR	HFA1135IB	H	CX20202A-1	SONY	HI20201JCP	H
CLC501AJP	COMLINEAR	HFA1130IP	H	CX20202A-3	SONY	HI20203JCP	H
CLC501AJP	COMLINEAR	HFA1135IP	H	CY7C516-45GC	CYPRESS	HMU16GC-45	D
CLC501A8B	COMLINEAR	HFA1130MJ/883	H	CY7C516-45JC	CYPRESS	HMU16JC-45	D
CLC502AIB	COMLINEAR	HFA1130IJ	H	CY7C517-45GC	CYPRESS	HMU17GC-45	D
CLC502AJE	COMLINEAR	HFA1130IB	H	CY7C517-45JC	CYPRESS	HMU17JC-45	D
CLC502AJE	COMLINEAR	HFA1135IB	H	CY74FCT245ATSOC	CYPRESS	CD74FCT245ATM	D
CLC502AJP	COMLINEAR	HFA1130IP	H	CY74FCT273ATSOC	CYPRESS	CD74FCT273ATM	D
CLC502AJP	COMLINEAR	HFA1135IP	H	CY74FCT373ATSOC	CYPRESS	CD74FCT373ATM	D
CLC502A8B	COMLINEAR	HFA1130MJ/883	H	CY74FCT374ATSOC	CYPRESS	CD74FCT374ATM	D
CM4030AE	SOLITRON+B822	CD4030BE	D	CY74FCT543ATSOC	CYPRESS	CD74FCT543ATM	D
CS-1524J	CHERRY	CA1524F	H	CY74FCT573ATSOC	CYPRESS	CD74FCT573ATM	D
CS-2524J	CHERRY	CA2524F	H	CY74FCT574ATSOC	CYPRESS	CD74FCT574ATM	D
CS-2524N	CHERRY	CA2524E	H	DAC-7521C	DATEL	AD7521LN	D
CS-3524AJ	CHERRY	CA3524F	H	DAC-7523	DATEL	AD7523JN	D
CS-3524AN	CHERRY	CA3524E	H	DAC-7523C	DATEL	AD7523JN	D
CS-3524J	CHERRY	CA3524F	D	DAC-7541C	DATEL	AD7541KN	D
CS-3524N	CHERRY	CA3524E	D	DAC-7541C	DATEL	AD7541LN	D
CS-555A	CHERRY	CA0555E	D	DAC1020LCN	NATIONAL	AD7520LN	D
CS-555A	CHERRY	LM555N	D	DAC1020LCN	NATIONAL	AD7530LN	D
CS555A	CHERRY	CA0555E	D	DAC1020LCN	NATIONAL	AD7533LN	D
CS555A	CHERRY	LM555N	D	DAC1020LD	NATIONAL	AD7520UD	D
CXA1106M	SONY	HI1106JCB	H	DAC1020LD/883	NATIONAL	AD7520UD/883B	D

3
DIRECT/HARRIS
REPLACEMENTS

NOTE: D = Direct Replacement, H = Harris Recommended Replacement.

Cross-Reference Guide

COMPETITOR #	COMPETITOR	HARRIS #	TYPE	COMPETITOR #	COMPETITOR	HARRIS #	TYPE
CXA1106P	SONY	HI1106JCP	H	DAC1020LD/883B	NATIONAL	AD7520UD/883B	D
CXA1166K	SONY	HI1166AIL	H	DAC1020LJ	NATIONAL	AD7520UD	D
CXA1176AK	SONY	HI1166AIL	H	DAC1021LCN	NATIONAL	AD7520KN	D
CXA1276K	SONY	HI1276AIL	H	DAC1021LCN	NATIONAL	AD7533KN	D
CXA1386K	SONY	HI1386AIL	H	DAC1022LCN	NATIONAL	AD7520JN	D
CXA1386P	SONY	HI1386JCP	H	DAC1022LCN	NATIONAL	AD7533JN	D
CXA1396D	SONY	HI1396JCB	H	DAC1022LD	NATIONAL	AD7520SD	D
CXA1396K	SONY	HI1396AIL	H	DAC1022LD/883	NATIONAL	AD7520SD/883B	D
CXA1826Q	SONY	HI1826JCB	H	DAC1022LD/883B	NATIONAL	AD7520SD/883B	D
CXA1866Q	SONY	HI1866JCB	H	DAC1022LJ	NATIONAL	AD7520SD	D
CXA3026Q	SONY	HI3026JCB	H	DAC7520C	DATEL	AD7520LN	D
CXD1171M	SONY	HI1171JCB	H	DAC7520C	DATEL	AD7530LN	D
CXD1172AM	SONY	HI1172JCB	H	DAC7520C	DATEL	AD7533LN	D
CXD1172AP	SONY	HI1172JCP	H	DAC7520M	DATEL	AD7520UD	D
CXD1175AM	SONY	HI1175JCB	H	DAC7520R	DATEL	AD7520LD	D
CXD1175AP	SONY	HI1175JCP	H	DG200AA/883	SILICONIX	DG200AA/883B	D
DG200ACY	SILICONIX	HI9P0200-5	H	DG302AAK	SILICONIX	HI1-0302-2	D
DG201AAK	SILICONIX	DG201AAK	H	DG302AAK/883	MAXIM	DG302AAK/883B	D
DG201ABK	SILICONIX	DG201ABK	H	DG302AAK/883	MAXIM	HI1-0302/883	D
DG201ACJ	SILICONIX	DG201ACJ	H	DG302AAK/883	SILICONIX	DG302AAK/883B	D
DG201ACSE	SILICONIX	HI9P0201-5	H	DG302AAK/883	SILICONIX	HI1-0302/883	D
DG202AK	SILICONIX	DG202AK	D	DG302ABK	SILICONIX	DG302ABK	D
DG202AK/HR	SILICONIX	DG202AK/883B	H	DG302ACJ	SILICONIX	DG302ACJ	D
DG202BK	SILICONIX	DG202BK	H	DG302ACJ	SILICONIX	HI3-0302-5	D
DG202CJ	SILICONIX	DG202CJ	H	DG302ACK	SILICONIX	HI1-0302-5	D
DG202CJ-2	MAXIM	DG202CJ	D	DG302ACWE	SILICONIX	HI9P0302-5	H
DG211CJ	SILICONIX	DG211CJ	D	DG303AAK	SILICONIX	DG303AAK	D
DG211CJ-2	SILICONIX	DG211CJ	H	DG303AAK	SILICONIX	HI1-0303-2	D
DG211CY	SILICONIX	DG211CY	D	DG303AAK/883	MAXIM	DG303AAK/883B	D
DG212	SILICONIX	DG212CJ	D	DG303AAK/883	MAXIM	HI1-0303/883	D
DG212CJ	CALOGIC	DG212CJ	D	DG303AAK/883	SILICONIX	DG303AAK/883B	D
DG212CJ	SILICONIX	DG212CJ	D	DG303AAK/883	SILICONIX	HI1-0303/883	D
DG212CJ-2	SILICONIX	DG212CJ	H	DG303ABK	SILICONIX	DG303ABK	D
DG212CY	SILICONIX	DG212CY	D	DG303ACJ	SILICONIX	DG303ACJ	D
DG300AAA	SILICONIX	DG300AAA	D	DG303ACJ	SILICONIX	HI3-0303-5	D
DG300AAA	SILICONIX	HI2-0300-2	D	DG303ACK	SILICONIX	DG303ACK	D
DG300AAA/883	MAXIM	DG300AAA/883B	D	DG303ACK	SILICONIX	HI1-0303-5	D
DG300AAA/883	MAXIM	HI2-0300/883	D	DG303ACWE	SILICONIX	HI9P0303-5	H
DG300AAA/883	SILICONIX	DG300AAA/883B	D	DG303ACY	SILICONIX	DG303ACY	D
DG300AAA/883	SILICONIX	HI2-0300/883	D	DG303ACY	SILICONIX	HI9P0303-5	D
DG300AAK	SILICONIX	DG300AAK	D	DG303ADY	SILICONIX	HI9P0303-9	D
DG300AAK	SILICONIX	HI1-0300-2	D	DG304AAA	SILICONIX	HI2-0304-2	D
DG300AAK/883	MAXIM	DG300AAK/883B	D	DG304AAA/883	SILICONIX	HI2-0304/883	D
DG300AAK/883	MAXIM	HI1-0300/883	D	DG304AAK	SILICONIX	HI1-0304-2	D
DG300AAK/883	SILICONIX	DG300AAK/883B	D	DG304AAK/883	MAXIM	HI1-0304/883	D
DG300AAK/883	SILICONIX	HI1-0300/883	D	DG304AAK/883	SILICONIX	HI1-0304/883	D
DG300ABK	SILICONIX	DG300ABK	D	DG304ABK	SILICONIX	HI1-0304-5	H
DG300ACA	SILICONIX	HI2-0300-5	D	DG304ACA	SILICONIX	HI2-0304-5	D
DG300ACJ	SILICONIX	DG300ACJ	D	DG304ACJ	SILICONIX	HI3-0304-5	D
DG300ACJ	SILICONIX	HI3-0300-5	D	DG304ACK	SILICONIX	HI1-0304-5	D
DG300ACK	SILICONIX	DG300ACK	D	DG305AAA	SILICONIX	HI2-0305-2	D
DG300ACK	SILICONIX	HI1-0300-5	D	DG305AAA/883	SILICONIX	HI2-0305/883	D
DG301AAA	SILICONIX	DG301AAA	D	DG305AAK	SILICONIX	HI1-0305-2	D
DG301AAA	SILICONIX	HI2-0301-2	D	DG305AAK	SILICONIX	HI1-0307-2	H
DG301AAA/883	MAXIM	DG301AAA/883B	D	DG305AAK/883	MAXIM	HI1-0305/883	D
DG301AAA/883	MAXIM	HI2-0301/883	D	DG305AAK/883	SILICONIX	HI1-0305/883	D
DG301AAA/883	SILICONIX	DG301AAA/883B	D	DG305ABK	SILICONIX	HI1-0305-5	H
DG301AAA/883	SILICONIX	HI2-0301/883	D	DG305ACA	SILICONIX	HI2-0305-5	D

NOTE: D = Direct Replacement, H = Harris Recommended Replacement.

Cross-Reference Guide

COMPETITOR #	COMPETITOR	HARRIS #	TYPE	COMPETITOR #	COMPETITOR	HARRIS #	TYPE
DG301AAK	SILICONIX	DG301AAK	D	DG305ACJ	SILICONIX	HI3-0305-5	D
DG301AAK	SILICONIX	HI1-0301-2	D	DG305ACK	SILICONIX	HI1-0305-5	D
DG301AAK/883	MAXIM	DG301AAK/883B	D	DG306AAK/883	MAXIM	HI1-0306/883	D
DG301AAK/883	MAXIM	HI1-0301/883	D	DG306AAK/883	SILICONIX	HI1-0306/883	D
DG301AAK/883	SILICONIX	DG301AAK/883B	D	DG306ABK	SILICONIX	HI1-0306-5	H
DG301AAK/883	SILICONIX	HI1-0301/883	D	DG306ACJ	SILICONIX	HI3-0306-5	D
DG301ABK	SILICONIX	DG301ABK	D	DG306ACK	SILICONIX	HI1-0306-5	D
DG301ACA	SILICONIX	HI2-0301-5	D	DG307AAK	SILICONIX	HI1-0307-2	D
DG301ACJ	SILICONIX	DG301ACJ	D	DG307AAK/883	MAXIM	HI1-0307/883	D
DG301ACJ	SILICONIX	HI3-0301-5	D	DG307AAK/883	SILICONIX	HI1-0307/883	D
DG301ACK	SILICONIX	DG301ACK	D	DG307ABK	SILICONIX	HI1-0307-5	H
DG301ACK	SILICONIX	HI1-0301-5	D	DG307ACJ	SILICONIX	HI3-0307-5	D
DG302AAK	SILICONIX	DG302AAK	D	DG307ACK	SILICONIX	HI1-0307-5	D
DG307ACWE	MAXIM	HI9P0307-5	D	DG408DY	SILICONIX	DG408DY	H
DG307ACWE	SILICONIX	HI9P0307-5	H	DG409DJ	MAXIM	DG409DJ	H
DG308AAK/883	MAXIM	DG308AAK/883B	D	DG409DJ	SILICONIX	DG409DJ	H
DG308AAK/883	SILICONIX	DG308AAK/883B	D	DG409DY	MAXIM	DG409DY	H
DG308ACJ	CALOGIC	DG308ACJ	D	DG409DY	SILICONIX	DG409DY	H
DG308ACJ	SILICONIX	DG308ACJ	D	DG411DJ	CALOGIC	DG411DJ	D
DG309AK/883	MAXIM	DG309AK/883B	D	DG411DJ	MAXIM	DG411DJ	H
DG309CJ	CALOGIC	DG309CJ	D	DG411DJ	SILICONIX	DG411DJ	D
DG381AAA	SILICONIX	HI2-0381-2	D	DG411DY	CALOGIC	DG411DY	D
DG381AAA/883	MAXIM	HI2-0381/883	D	DG411DY	MAXIM	DG411DY	H
DG381AAA/883	SILICONIX	HI2-0381/883	D	DG411DY	SILICONIX	DG411DY	D
DG381AAK	SILICONIX	HI1-0381-2	D	DG412DJ	CALOGIC	DG412DJ	D
DG381AAK/883	MAXIM	HI1-0381/883	D	DG412DJ	MAXIM	DG412DJ	H
DG381AAK/883	SILICONIX	HI1-0381/883	D	DG412DJ	SILICONIX	DG412DJ	D
DG381ABK	SILICONIX	HI1-0381-5	H	DG412DY	CALOGIC	DG412DY	D
DG381ACA	SILICONIX	HI2-0381-5	D	DG412DY	MAXIM	DG412DY	H
DG381ACJ	SILICONIX	HI3-0381-5	D	DG412DY	SILICONIX	DG412DY	D
DG381ACK	SILICONIX	HI1-0381-5	D	DG413DJ	CALOGIC	DG413DJ	D
DG384AAK	SILICONIX	HI1-0384-2	D	DG413DJ	MAXIM	DG413DJ	H
DG384AAK/883	MAXIM	HI1-0384/883	D	DG413DJ	SILICONIX	DG413DJ	D
DG384ABK	SILICONIX	HI1-0384-5	H	DG413DY	CALOGIC	DG413DY	D
DG384ACJ	SILICONIX	HI3-0384-5	D	DG413DY	MAXIM	DG413DY	H
DG384ACK	SILICONIX	HI1-0384-5	D	DG413DY	SILICONIX	DG413DY	D
DG387AAA	SILICONIX	HI2-0387-2	D	DG441DJ	MAXIM	DG441DJ	H
DG387AAA/883	MAXIM	HI2-0387/883	D	DG441DJ	SILICONIX	DG441DJ	H
DG387AAA/883	SILICONIX	HI2-0387/883	D	DG441DY	MAXIM	DG441DY	H
DG387AAK	SILICONIX	HI1-0387-2	D	DG441DY	SILICONIX	DG441DY	D
DG387AAK/883	MAXIM	HI1-0387/883	D	DG442DJ	MAXIM	DG442DJ	H
DG387AAK/883	SILICONIX	HI1-0387/883	D	DG442DJ	SILICONIX	DG442DJ	H
DG387ABK	SILICONIX	HI1-0387-5	H	DG444DJ	MAXIM	DG444DJ	H
DG387ACA	SILICONIX	HI2-0387-5	D	DG444DJ	SILICONIX	DG444DJ	D
DG387ACJ	SILICONIX	HI3-0387-5	D	DG444DY	MAXIM	DG444DY	H
DG387ACK	SILICONIX	HI1-0387-5	D	DG444DY	SILICONIX	DG444DY	D
DG390AAK	SILICONIX	HI1-0390-2	D	DG444DY-T1	SILICONIX	DG444DY	D
DG390AAK/883	MAXIM	HI1-0390/883	D	DG445DJ	MAXIM	DG445DJ	H
DG390AAK/883	SILICONIX	HI1-0390/883	D	DG445DJ	SILICONIX	DG445DJ	D
DG390ABK	SILICONIX	HI1-0390-5	H	DG445DY	MAXIM	DG445DY	H
DG390ACJ	SILICONIX	HI3-0390-5	D	DG445DY	SILICONIX	DG445DY	D
DG390ACK	SILICONIX	HI1-0390-5	D	DG445DY-T1	SILICONIX	DG445DY	D
DG390ACWE	MAXIM	HI9P0390-5	D	DG458DJ	SILICONIX	DG458DJ	H
DG390ACWE	SILICONIX	HI9P0390-5	H	DG5040AK	SILICONIX	HI1-5040-2	D
DG401DJ	MAXIM	DG401DJ	H	DG5041AK	SILICONIX	HI1-5041-2	D
DG401DJ	SILICONIX	DG401DJ	H	DG5042AK	SILICONIX	HI1-5042-2	D
DG403AK/883	SILICONIX	DG403AK/883	D	DG5043AK	SILICONIX	HI1-5043-2	D
DG403DJ	MAXIM	DG403DJ	H	DG5045AK	SILICONIX	HI1-5045-2	D

3
DIRECTHARRIS
REPLACEMENTS

NOTE: D = Direct Replacement, H = Harris Recommended Replacement.

Cross-Reference Guide

COMPETITOR #	COMPETITOR	HARRIS #	TYPE	COMPETITOR #	COMPETITOR	HARRIS #	TYPE
DG403DJ	SILICONIX	DG403DJ	H	DG506AAK	SILICONIX	DG506AAK	D
DG403DY	MAXIM	DG403DY	H	DG506AAK	SILICONIX	HI1-0506-2	D
DG403DY	SILICONIX	DG403DY	H	DG506AAK/883	MAXIM	DG506AAK/883B	D
DG405DJ	MAXIM	DG405DJ	H	DG506AAK/883	MAXIM	HI1-0506/883	D
DG405DJ	SILICONIX	DG405DJ	H	DG506AAK/883	SILICONIX	DG506AAK/883B	D
DG405DY	MAXIM	DG405DY	H	DG506AAK/883	SILICONIX	HI1-0506/883	D
DG405DY	SILICONIX	DG405DY	H	DG506AAR	SILICONIX	DG506AAK	D
DG408DJ	MAXIM	DG408DJ	H	DG506AAR	SILICONIX	HI1-0506-2	D
DG408DJ	SILICONIX	DG408DJ	H	DG506AAR/883	MAXIM	DG506AAK/883B	D
DG408DY	MAXIM	DG408DY	H	DG506AAR/883	MAXIM	HI1-0506/883	D
DG506AAR/883	SILICONIX	DG506AAK/883B	D	DS1228	DALLAS	HIN232CP	H
DG506AAR/883	SILICONIX	HI1-0506/883	D	DS1228S	DALLAS	HIN232CB	H
DG506ABK	SILICONIX	DG506ABK	H	DS14C232CN	NATIONAL	HIN232CP	H
DG506ACJ	SILICONIX	DG506ACJ	D	DS14C232CWM	NATIONAL	HIN232CB	H
DG506ACJ	SILICONIX	HI3-0506-5	D	DS14C232TN	NATIONAL	HIN232IP	H
DG506ACJ-2	MAXIM	DG506ACJ	D	DS14C232TWM	NATIONAL	HIN232IB	H
DG506ACJ-2	MAXIM	HI3-0506-5	D	DS14C237N	NATIONAL	HIN237CP	H
DG506ACK	MAXIM	HI1-0506-7	D	DS14C237TN	NATIONAL	HIN237IP	H
DG506ACK	SILICONIX	HI1-0506-5	D	DS14C237TWM	NATIONAL	HIN237IB	H
DG506ACR	SILICONIX	HI1-0506-5	D	DS14C237WM	NATIONAL	HIN237CB	H
DG506ACWI	MAXIM	DG506ACY	D	DS14C238N	NATIONAL	HIN238CP	H
DG506ACWI	MAXIM	HI9P0506-5	D	DS14C238TN	NATIONAL	HIN238IP	H
DG506AEWI	MAXIM	HI9P0506-9	D	DS14C238TWM	NATIONAL	HIN238IB	H
DG507AAK	SILICONIX	DG507AAK	D	DS14C238WM	NATIONAL	HIN238CB	H
DG507AAK	SILICONIX	HI1-0507-2	D	DS14C239TWM	NATIONAL	HIN239IB	H
DG507AAK/HR	MAXIM	HI1-0507-8	D	DS14C239WM	NATIONAL	HIN239CB	H
DG507AAK/883	MAXIM	DG507AAK/883B	D	DS14C241TWM	NATIONAL	HIN241IB	H
DG507AAK/883	MAXIM	HI1-0507/883	D	DS14C241WM	NATIONAL	HIN241CB	H
DG507AAK/883	SILICONIX	DG507AAK/883B	D	DS3669N	NATIONAL	CA3252E	H
DG507AAK/883	SILICONIX	HI1-0507/883	D	D6121ZOV140RA02	MAIDA	V22ZA2	D
DG507AAR	SILICONIX	DG507AAK	D	D6121ZOV140RA02	MAIDA	V22ZS2	D
DG507AAR	SILICONIX	HI1-0507-2	D	D6121ZOV170RA03	MAIDA	V27ZA2	D
DG507AAR/883	MAXIM	DG507AAK/883B	D	D6121ZOV170RA03	MAIDA	V27ZS2	D
DG507AAR/883	MAXIM	HI1-0507/883	D	D6321ZOV131RA70	MAIDA	V130LA20A	D
DG507AAR/883	SILICONIX	DG507AAK/883B	D	D6321ZOV151RA80	MAIDA	V150LA20A	D
DG507AAR/883	SILICONIX	HI1-0507/883	D	D6421ZOV131RA10	MAIDA	V130LA10A	D
DG507ABK	SILICONIX	DG507ABK	H	D6421ZOV131RA10	MAIDA	V130LS10A	D
DG507ACJ	SILICONIX	DG507ACJ	D	D6421ZOV141RA10	MAIDA	V140LA10A	D
DG507ACJ	SILICONIX	HI3-0507-5	D	D6421ZOV141RA10	MAIDA	V140LS10A	D
DG507ACK	SILICONIX	DG507ACK	D	D6421ZOV151RA10	MAIDA	V150LA10A	D
DG507ACK	SILICONIX	HI1-0507-5	D	D6421ZOV151RA10	MAIDA	V150LS10A	D
DG507ACR	SILICONIX	DG507ACK	D	D65ZOV251RA130	MAIDA	V250LA40A	D
DG507ACR	SILICONIX	HI1-0507-5	D	D6521ZOV131RA20	MAIDA	V130LA20A	D
DG507ACWI	MAXIM	DG507ACY	D	D6521ZOV151RA20	MAIDA	V150LA20A	D
DG507ACWI	MAXIM	HI9P0507-5	D	D68ZOV131RA03	MAIDA	V130LA2	D
DG507AEWI	MAXIM	HI9P0507-9	D	D68ZOV131RA03	MAIDA	V130LS2	D
DG508AAK	SILICONIX	DG508AAK	H	D68ZOV141RA03	MAIDA	V140LA2	D
DG508ABK	SILICONIX	DG508ABK	H	D68ZOV141RA03	MAIDA	V140LS2	D
DG508ACJ	SILICONIX	DG508ACJ	H	D68ZOV151RA03	MAIDA	V150LA2	D
DG508ACK	SILICONIX	DG508ACK	H	D68ZOV151RA03	MAIDA	V150LS2	D
DG508ACWE	MAXIM	HI9P0508-5	H	D68ZOV231RA20	MAIDA	V230LA4	D
DG508ADY	SILICONIX	HI9P0508-5	H	D68ZOV231RA20	MAIDA	V230LS4	D
DG509AAK	SILICONIX	DG509AAK	D	D68ZOV251RA21	MAIDA	V250LA4	D
DG509AAK/HR	MAXIM	HI1-0509-8	D	D68ZOV251RA21	MAIDA	V250LS4	D
DG509AAK/883	MAXIM	HI1-0509/883	D	D69ZOV102RA220	MAIDA	V1000LA80A	D
DG509AAK/883	SILICONIX	DG509AAK/883B	D	D69ZOV102RA220	MAIDA	V1000LS80A	D
DG509ABK	SILICONIX	DG509ABK	D	D69ZOV231RA70	MAIDA	V230LA20A	D
DG509ACJ	SILICONIX	DG509ACJ	D	D69ZOV231RA70	MAIDA	V230LS20A	D

NOTE: D = Direct Replacement, H = Harris Recommended Replacement.

Cross-Reference Guide

COMPETITOR #	COMPETITOR	HARRIS #	TYPE
DG509ACK	SILICONIX	DG509ACK	D
DG509ADY	SILICONIX	H19P0509-5	H
DG509AEWE	MAXIM	H19P0509-5	H
DS0026CJ-8	NATIONAL	ICL7667CJA	H
DS0026CN	NATIONAL	ICL7667CPA	H
DS0026H	NATIONAL	ICL7667MTV	H
DS0026J-8	NATIONAL	ICL7667MJA	H
D69ZOV481RA105	MAIDA	V480LS40A	D
D69ZOV511RA110	MAIDA	V510LA40A	D
D69ZOV511RA110	MAIDA	V510LS40A	D
D6921ZOV131RA09	MAIDA	V130LA10A	D
D6921ZOV131RA09	MAIDA	V130LS10A	D
D6921ZOV140RA04	MAIDA	V22ZA3	D
D6921ZOV140RA04	MAIDA	V22ZS3	D
D6921ZOV141RA09	MAIDA	V140LA10A	D
D6921ZOV141RA09	MAIDA	V140LS10A	D
D6921ZOV151RA09	MAIDA	V150LA10A	D
D6921ZOV151RA09	MAIDA	V150LS10A	D
D6921ZOV170RA05	MAIDA	V27ZA4	D
D6921ZOV170RA05	MAIDA	V27ZS4	D
D6921ZOV750RA06	MAIDA	V120ZA6	D
D6921ZOV750RA06	MAIDA	V120ZS6	D
D6921ZOV950RA06	MAIDA	V150ZA8	D
D6921ZOV950RA06	MAIDA	V150ZS8	D
D73ZOV131RA03	MAIDA	V130LA2	D
D73ZOV131RA03	MAIDA	V130LS2	D
D73ZOV141RA03	MAIDA	V140LA2	D
D73ZOV141RA03	MAIDA	V140LS2	D
D73ZOV151RA03	MAIDA	V150LA2	D
D73ZOV151RA03	MAIDA	V150LS2	D
D73ZOV231RA20	MAIDA	V230LA4	D
D73ZOV231RA20	MAIDA	V230LS4	D
D73ZOV251RA21	MAIDA	V250LA4	D
D73ZOV251RA21	MAIDA	V250LS4	D
D82C54	AMD	CD82C54	D
D82C54-2	AMD	CD82C54-10	D
D82C88-2	INTEL	CD82C88	D
D84CN2	GE	IRF620	D
D84CQ2	GE	BUZ76	D
D84DM2	GE	IRF631	D
D84DN2	GE	IRF630	D
D84DQ1	GE	IRF731	D
D84DQ2	GE	IRF730	D
D84DR1	GE	IRF831	D
D84DR2	GE	BUZ41	D
D84DR2	GE	BUZ41A	D
D84DR2	GE	IRF830	D
D84EN2	GE	IRF640	D
D86DQ1	GE	IRF331	D
D86DQ2	GE	IRF330	D
D86DR1	GE	IRF431	D
D86DR2	GE	IRF430	D
D86EM2	GE	IRF241	D
D86EN2	GE	IRF240	D
D86FK2	GE	IRF151	D
D86FL2	GE	IRF150	D
D86FM2	GE	IRF251	D
D86FN2	GE	IRF250	D

COMPETITOR #	COMPETITOR	HARRIS #	TYPE
D69ZOV251RA72	MAIDA	V250LA20A	D
D69ZOV251RA72	MAIDA	V250LS20A	D
D69ZOV321RA90	MAIDA	V320LA20A	D
D69ZOV321RA90	MAIDA	V320LS20A	D
D69ZOV421RA90	MAIDA	V420LA20A	D
D69ZOV421RA90	MAIDA	V420LS20A	D
D69ZOV481RA105	MAIDA	V480LA40A	D
EF68HC05E2CM	SGS	CDP6805E2D	H
EF68HC05E2CMB/B	SGS	CDP6805E2CD	H
EF68HC05E2CV	SGS	CDP6805E2CD	D
EF68HC05E2J	SGS	CDP6805E2D	D
EF68HC05E2P	SGS	CDP6805E2E	D
EHA-2502/883B	ELANTEC	HA2-2502/883	H
EHA1-2400-2	ELANTEC	HA1-2400-2	D
EHA1-2400/883B	ELANTEC	HA1-2400/883	H
EHA1-2400A/883B	ELANTEC	HA1-2400/883	H
EHA1-2405-5	ELANTEC	HA1-2405-5	D
EHA1-2539-2	ELANTEC	HA1-2539-2	H
EHA1-2539-5	ELANTEC	HA1-2839-5	H
EHA1-2539/883B	ELANTEC	HA1-2539/883	H
EHA1-2539/883B	ELANTEC	HA1-2839/883	H
EHA1-2540-2	ELANTEC	HA1-2540-2	H
EHA1-2540/883	ELANTEC	HA1-2840/883	H
EHA1-2540/883B	ELANTEC	HA1-2540/883	H
EHA1-2540/883B	ELANTEC	HA1-2840/883	H
EHA1-5190-2	ELANTEC	HA1-5190-2	D
EHA1-5190/883B	ELANTEC	HA1-5190/883	H
EHA1-5195-5	ELANTEC	HA1-5195-5	D
EHA2-2500-2	ELANTEC	HA2-2500-2	H
EHA2-2500/883B	ELANTEC	HA2-2500/883	H
EHA2-2502-2	ELANTEC	HA2-2502-2	H
EHA2-2505-5	ELANTEC	HA2-2505-5	H
EHA2-2510-2	ELANTEC	HA2-2510-2	H
EHA2-2510/883B	ELANTEC	HA2-2510/883	H
EHA2-2512-2	ELANTEC	HA2-2512-2	H
EHA2-2512/883B	ELANTEC	HA2-2512/883	H
EHA2-2515-5	ELANTEC	HA2-2515-5	H
EHA2-2520-2	ELANTEC	HA2-2520-2	H
EHA2-2520/883B	ELANTEC	HA2-2520/883	D
EHA2-2522-2	ELANTEC	HA2-2522-2	D
EHA2-2522-8	ELANTEC	HA2-2522-8	D
EHA2-2522/883B	ELANTEC	HA2-2522/883	D
EHA2-2525-5	ELANTEC	HA2-2525-5	D
EHA2-2600-2	ELANTEC	HA2-2600-2	D
EHA2-2600/883B	ELANTEC	HA2-2600/883	H
EHA2-2602-2	ELANTEC	HA2-2602-2	D
EHA2-2602/883B	ELANTEC	HA2-2602/883	H
EHA2-2605-5	ELANTEC	HA2-2605-5	D
EHA2-2620-2	ELANTEC	HA2-2620-2	D
EHA2-2620-8	ELANTEC	HA2-2620-8	D
EHA2-2620/883B	ELANTEC	HA2-2620/883	H
EHA2-2622-2	ELANTEC	HA2-2622-2	D
EHA2-2622-8	ELANTEC	HA2-2622-8	D
EHA2-2622/883B	ELANTEC	HA2-2622/883	H
EHA2-2625-5	ELANTEC	HA2-2625-5	D
EHA2-5190-2	ELANTEC	HA2-5190-2	D
EHA2-5190/883B	ELANTEC	HA2-5190/883	H
EHA2-5195-5	ELANTEC	HA2-5195-5	H

3
DIRECT/HARRIS
REPLACEMENTS

NOTE: D = Direct Replacement, H = Harris Recommended Replacement.

Cross-Reference Guide

COMPETITOR #	COMPETITOR	HARRIS #	TYPE
D86FQ1	GE	IRF351	D
D86FQ2	GE	IRF350	D
ECG2053	PHILIPS ECG	ADC0802LCN	D
EF68HC05E2C	SGS	CDP6805E2D	D
EHA3-2625-5	ELANTEC	HA3-2625-5	D
EHA4-2520/883B	ELANTEC	HA4-2522/883	H
EHA4-2540/883B	ELANTEC	HA4-2540/883	H
EHA4-5190/883B	ELANTEC	HA4-5190/883	H
EHA7-2500-2	ELANTEC	HA7-2500-2	H
EHA7-2500/883B	ELANTEC	HA7-2500/883	H
EHA7-2505-5	ELANTEC	HA7-2505-5	H
EHA7-2510-2	ELANTEC	HA7-2510-2	H
EHA7-2510/883B	ELANTEC	HA7-2510/883	H
EHA7-2512-2	ELANTEC	HA7-2512-2	H
EHA7-2515-5	ELANTEC	HA7-2515-5	H
EHA7-2520-2	ELANTEC	HA7-2520-2	H
EHA7-2520/883B	ELANTEC	HA7-2520/883	D
EHA7-2522-2	ELANTEC	HA7-2522-2	D
EHA7-2522-8	ELANTEC	HA7-2522-8	D
EHA7-2522/883B	ELANTEC	HA7-2522/883	D
EHA7-2525-5	ELANTEC	HA7-2525-5	D
EHA7-2600-2	ELANTEC	HA7-2600-2	D
EHA7-2600/883B	ELANTEC	HA7-2600/883	H
EHA7-2602-2	ELANTEC	HA7-2602-2	D
EHA7-2605-5	ELANTEC	HA7-2605-5	D
EHA7-2620-2	ELANTEC	HA7-2620-2	D
EHA7-2620-8	ELANTEC	HA7-2620-8	D
EHA7-2620/883B	ELANTEC	HA7-2620/883	H
EHA7-2622-2	ELANTEC	HA7-2622-2	D
EHA7-2622/883B	ELANTEC	HA7-2622/883	H
EHA7-2625-5	ELANTEC	HA7-2625-5	D
ELH0002H/883B	ELANTEC	HA2-5002/883	H
ELH0033G/883B	ELANTEC	HA2-5033/883	H
EL2001AJ/883B	ELANTEC	HA7-5002/883	H
EL2001AL/883B	ELANTEC	HA4-5002/883	H
EL2001J/883B	ELANTEC	HA7-5002/883	H
EL2001L/883	ELANTEC	HA4-5002/883	H
EL2003CH	ELANTEC	HA2-5002-5	H
EL2003H	ELANTEC	HA2-5002-2	H
EL2003H/883B	ELANTEC	HA2-5002/883	H
EL2003J/883B	ELANTEC	HA7-5002/883	H
EL2003L/883B	ELANTEC	HA4-5002/883	H
EL2005G/883B	ELANTEC	HA2-5033/883	H
EL2020CJ	ELANTEC	HA7-5020-5	H
EL2020CN	ELANTEC	HA3-5020-5	H
EL2020J/883B	ELANTEC	HA7-5020/883	H
EL2020L/883B	ELANTEC	HA4-5020/883	H
EL2030CN	ELANTEC	HA3-5020-5	H
EL2030L/883B	ELANTEC	HA4-5020/883	H
EL2033J/883B	ELANTEC	HA7-5002/883	H
EL2038J/883B	ELANTEC	HA1-2539/883	H
EL2038J/883B	ELANTEC	HA1-2839/883	H
EL2038L/883B	ELANTEC	HA4-2539/883	H
EL2039CJ	ELANTEC	HA1-2839-5	H
EL2039CN	ELANTEC	HA3-2839-5	H
EL2039J/883	ELANTEC	HA1-2839/883	H
EL2039J/883B	ELANTEC	HA1-2539/883	H
EL2039J/883B	ELANTEC	HA1-2839/883	H

COMPETITOR #	COMPETITOR	HARRIS #	TYPE
EHA3-2525-5	ELANTEC	HA3-2525-5	D
EHA3-2539-5	ELANTEC	HA3-2839-5	H
EHA3-2540-5	ELANTEC	HA3B2840-5	H
EHA3-2605-5	ELANTEC	HA3-2605-5	D
EL2040CN	ELANTEC	HA3B2840-5	H
EL2040J/883	ELANTEC	HA1-2840/883	H
EL2040J/883B	ELANTEC	HA1-2540/883	H
EL2040J/883B	ELANTEC	HA1-2840/883	H
EL2040L/883B	ELANTEC	HA4-2540/883	H
EL2041CJ	ELANTEC	HA3-2841-5	H
EL2041G/883B	ELANTEC	HA2-2541/883	H
EL2041J	ELANTEC	HA1-2841/883	H
EL2041J/883B	ELANTEC	HA1-2841/883	H
EL2044CN	ELANTEC	HA3-2841-5	H
EL2044CS	ELANTEC	HA9P2841-5	H
EL2070J/883B	ELANTEC	HA7-5020/883	H
EL2072CN	ELANTEC	HFA1110IP	H
EL2072CS	ELANTEC	HFA1110IB	H
EL2072J/883B	ELANTEC	HFA1110MJ/883	H
EL2120CN	ELANTEC	HA3-5020-5	H
EL2120CS	ELANTEC	HA9P5020-5	H
EL2130CN	ELANTEC	HFA1105IP	H
EL2130CS	ELANTEC	HFA1105IB	H
EL2160CN	ELANTEC	HA3-5020-5	H
EL2160CS	ELANTEC	HA9P5020-5	H
EL2166CN	ELANTEC	HA3-5020-5	H
EL2166CS	ELANTEC	HA9P5020-5	H
EL2171CN	ELANTEC	HFA1100IP	H
EL2171CS	ELANTEC	HFA1100IB	H
EL2171J/883B	ELANTEC	HFA1100MJ/883	H
EL2186CN	ELANTEC	HFA1145IP	H
EL2186CS	ELANTEC	HFA1145IB	H
EL2190G	ELANTEC	HA2-5190-2	H
EL2190G/883B	ELANTEC	HA2-5190/883	H
EL2190J	ELANTEC	HA1-5190-2	H
EL2190J/883B	ELANTEC	HA1-5190/883	H
EL2190L/883B	ELANTEC	HA4-5190/883	H
EL2195CG	ELANTEC	HA2-5195-5	H
EL2195CJ	ELANTEC	HA1-5195-5	H
EL2210CM	ELANTEC	HA5023IB	H
EL2210CN	ELANTEC	HA5023IP	H
EL2211CM	ELANTEC	HA5023IB	H
EL2211CN	ELANTEC	HA5023IP	H
EL2232CN	ELANTEC	HA5023IP	H
EL2232CN	ELANTEC	HFA1205IP	H
EL2242J/883	ELANTEC	HA7-5222/883	H
EL2243J/883	ELANTEC	HA7-5222/883	H
EL2260CN	ELANTEC	HA5023IP	H
EL2260CN	ELANTEC	HFA1205IP	H
EL2260CS	ELANTEC	HA5023IB	H
EL2260CS	ELANTEC	HFA1205IB	H
EL2310CN	ELANTEC	HA5013IP	H
EL2310CS	ELANTEC	HA5013IB	H
EL2311CN	ELANTEC	HA5013IP	H
EL2311CS	ELANTEC	HA5013IB	H
EL2410CN	ELANTEC	HA5025IP	H
EL2410CS	ELANTEC	HA5025IB	H
EL2411CN	ELANTEC	HA5025IP	H

NOTE: D = Direct Replacement, H = Harris Recommended Replacement.

Cross-Reference Guide

COMPETITOR #	COMPETITOR	HARRIS #	TYPE	COMPETITOR #	COMPETITOR	HARRIS #	TYPE
EL2039L/883	ELANTEC	HA4-2539/883	H	EL2411CS	ELANTEC	HA5025IB	H
EL2460CN	ELANTEC	HA5025IP	H	ERZ-C10DK471	PANASONIC	V300LA10	D
EL2460CN	ELANTEC	HFA1405IP	H	ERZ-C10DK560	PANASONIC	V56ZA3	H
EL2460CS	ELANTEC	HA5025IB	H	ERZ-C10DK680	PANASONIC	V68ZA3	H
EL2460CS	ELANTEC	HFA1405IB	H	ERZ-C10DK681	PANASONIC	V420LA10	H
ERZ-C05DK101	PANASONIC	V100ZA05	H	ERZ-C10DK820	PANASONIC	V82ZA4	H
ERZ-C05DK121	PANASONIC	V120ZA05	H	ERZ-C14DK182	PANASONIC	V1000LA80A	H
ERZ-C05DK151	PANASONIC	V150ZA05	H	ERZ-C14DK201	PANASONIC	V130LA10A	H
ERZ-C05DK180	PANASONIC	V18ZA05	H	ERZ-C14DK220	PANASONIC	V22ZA3	H
ERZ-C05DK220	PANASONIC	V22ZA05	H	ERZ-C14DK221	PANASONIC	V140LA10A	H
ERZ-C05DK221	PANASONIC	V220ZA05	H	ERZ-C14DK241	PANASONIC	V150LA10A	H
ERZ-C05DK270	PANASONIC	V27ZA05	H	ERZ-C14DK270	PANASONIC	V27ZA4	H
ERZ-C05DK271	PANASONIC	V270ZA05	H	ERZ-C14DK271	PANASONIC	V175LA10A	H
ERZ-C05DK330	PANASONIC	V33ZA05	H	ERZ-C14DK330	PANASONIC	V33ZA5	H
ERZ-C05DK390	PANASONIC	V39ZA05	H	ERZ-C14DK361	PANASONIC	V230LA20A	H
ERZ-C05DK391	PANASONIC	V390ZA05	H	ERZ-C14DK390	PANASONIC	V39ZA6	H
ERZ-C05DK431	PANASONIC	V430ZA05	H	ERZ-C14DK391	PANASONIC	V250LA20A	H
ERZ-C05DK470	PANASONIC	V47ZA05	H	ERZ-C14DK431	PANASONIC	V275LA20A	H
ERZ-C05DK471	PANASONIC	V470ZA05	H	ERZ-C14DK470	PANASONIC	V47ZA7	H
ERZ-C05DK560	PANASONIC	V56ZA05	H	ERZ-C14DK560	PANASONIC	V56ZA8	H
ERZ-C05DK680	PANASONIC	V68ZA05	H	ERZ-C14DK680	PANASONIC	V68ZA10	H
ERZ-C05DK820	PANASONIC	V82ZA05	H	ERZ-C14DK681	PANASONIC	V420LA20A	H
ERZ-C07DK101	PANASONIC	V100ZA3	H	ERZ-C14DK751	PANASONIC	V480LA40A	H
ERZ-C07DK151	PANASONIC	V150ZA1	H	ERZ-C14DK821	PANASONIC	V510LA40A	H
ERZ-C07DK180	PANASONIC	V18ZA1	H	ERZ-C14DK911	PANASONIC	V575LA40A	H
ERZ-C07DK201	PANASONIC	V130LA2	H	ERZ-C20DK102	PANASONIC	V660LA100BX10	H
ERZ-C07DK220	PANASONIC	V22ZA1	H	ERZ-C20DK121	PANASONIC	V120ZA20	D
ERZ-C07DK221	PANASONIC	V140LA2	H	ERZ-C20DK220	PANASONIC	V24ZA50X10	H
ERZ-C07DK241	PANASONIC	V150LA2	H	ERZ-C20DK241	PANASONIC	V150LA20AX10	H
ERZ-C07DK270	PANASONIC	V27ZA1	H	ERZ-C20DK270	PANASONIC	V27ZA60X10	D
ERZ-C07DK271	PANASONIC	V175LA2	H	ERZ-C20DK391	PANASONIC	V250LA40AX10	H
ERZ-C07DK330	PANASONIC	V33ZA1	H	ERZ-C20DK431	PANASONIC	V275LA40AX10	H
ERZ-C07DK361	PANASONIC	V230LA4	H	ERZ-C20DK681	PANASONIC	V420LA40BX10	H
ERZ-C07DK390	PANASONIC	V39ZA1	H	ERZ-C20DK751	PANASONIC	V480LA80BX10	H
ERZ-C07DK391	PANASONIC	V250LA4	H	ERZ-C20DK781	PANASONIC	V510LA80BX10	H
ERZ-C07DK431	PANASONIC	V275LA4	H	ERZ-C20DK821	PANASONIC	V510LA80BX10	H
ERZ-C07DK470	PANASONIC	V47ZA1	H	ERZ-C20DK911	PANASONIC	V575LA80BX10	H
ERZ-C07DK471	PANASONIC	V300LA4	H	ERZ-C32EK391	PANASONIC	V251DA40	H
ERZ-C07DK560	PANASONIC	V56ZA2	H	ERZ-C32EK751	PANASONIC	V481DA40	H
ERZ-C07DK680	PANASONIC	V68ZA2	H	ERZ-C32EK821	PANASONIC	V511DA40	H
ERZ-C07DK820	PANASONIC	V82ZA2	H	ERZ-C32EK911	PANASONIC	V571DA40	H
ERZ-C10DK101	PANASONIC	V100ZA4	H	F4016BDM	FAIRCHILD	CD4016BF	D
ERZ-C10DK121	PANASONIC	V120ZA4	H	F4016BDMQB	FAIRCHILD	CD4016BF3A	D
ERZ-C10DK151	PANASONIC	V150ZA4	H	F4016BPC	FAIRCHILD	CD4016BE	D
ERZ-C10DK201	PANASONIC	V130LA5	H	F40174BDMQB	FAIRCHILD	CD40174BF3A	D
ERZ-C10DK220	PANASONIC	V22ZA2	H	F40174BPC	FAIRCHILD	CD40174BE	D
ERZ-C10DK221	PANASONIC	V140LA5	H	GB4600-CDA	GENNUM	HA4600CP	D
ERZ-C10DK241	PANASONIC	V150LA5	H	GB4600-CKA	GENNUM	HA4600CB	D
ERZ-C10DK270	PANASONIC	V27ZA2	H	GD4001BC	GOLDSTAR	CD4001BE	D
ERZ-C10DK271	PANASONIC	V175LA5	H	GD4001BC	GOLDSTAR	CD4001UBE	D
ERZ-C10DK330	PANASONIC	V33ZA2	H	GD40014BC	GOLDSTAR	CD40106BE	D
ERZ-C10DK361	PANASONIC	V230LA10	H	GD4002BC	GOLDSTAR	CD4002BE	D
ERZ-C10DK390	PANASONIC	V39ZA3	H	GD4006BC	GOLDSTAR	CD4006BE	D
ERZ-C10DK391	PANASONIC	V250LA10	H	GD4007UBC	GOLDSTAR	CD4007UBE	D
ERZ-C10DK431	PANASONIC	V275LA10	H	GD40085BC	GOLDSTAR	CD4585BE	D
ERZ-C10DK470	PANASONIC	V47ZA3	H	GD4011BC	GOLDSTAR	CD4011BE	D
GD4011BC	GOLDSTAR	CD4011UBE	D	GD4515BC	GOLDSTAR	CD4515BE	D
GD4012BC	GOLDSTAR	CD4012BE	D	GD4516BC	GOLDSTAR	CD4516BE	D

3
DIRECT/HARRIS
REPLACEMENTS

NOTE: D = Direct Replacement, H = Harris Recommended Replacement.

Cross-Reference Guide

COMPETITOR #	COMPETITOR	HARRIS #	TYPE	COMPETITOR #	COMPETITOR	HARRIS #	TYPE
GD4014BC	GOLDSTAR	CD4014BE	D	GD4518BC	GOLDSTAR	CD4518BE	D
GD4015BC	GOLDSTAR	CD4015BE	D	GD4520BC	GOLDSTAR	CD4520BE	D
GD4016BC	GOLDSTAR	CD4016BE	D	GD4521BC	GOLDSTAR	CD4521BE	D
GD40161BC	GOLDSTAR	CD40161BE	D	GD4522BC	GOLDSTAR	CD4522BE	D
GD4017BC	GOLDSTAR	CD4017BE	D	GD4527BC	GOLDSTAR	CD4527BE	D
GD40174BC	GOLDSTAR	CD40174BE	D	GD4528BC	GOLDSTAR	CD4098BE	D
GD40175BC	GOLDSTAR	CD40175BE	D	GD4532BC	GOLDSTAR	CD4532BE	D
GD4018BC	GOLDSTAR	CD4018BE	D	GD4538BC	GOLDSTAR	CD14538BE	D
GD4019BC	GOLDSTAR	CD4019BE	D	GD4543BC	GOLDSTAR	CD4543BE	D
GD40192BC	GOLDSTAR	CD40192BE	D	GD4555BC	GOLDSTAR	CD4555BE	D
GD40193BC	GOLDSTAR	CD40193BE	D	GD4556BC	GOLDSTAR	CD4556BE	D
GD40194BC	GOLDSTAR	CD40194BE	D	GD4702BC	GOLDSTAR	HD3-4702-9	D
GD4020BC	GOLDSTAR	CD4020BE	D	GD4724BC	GOLDSTAR	CD4724BE	D
GD4021BC	GOLDSTAR	CD4021BE	D	GD54HCT04J	GOLDSTAR	CD54HCT04F	D
GD4022BC	GOLDSTAR	CD4022BE	D	GD54HCT08J	GOLDSTAR	CD54HCT08F	D
GD4023BC	GOLDSTAR	CD4023BE	D	GD54HCT14J	GOLDSTAR	CD54HCT14F	D
GD4024BC	GOLDSTAR	CD4024BE	D	GD54HCT32J	GOLDSTAR	CD54HCT32F	D
GD4027BC	GOLDSTAR	CD4027BE	D	GD54HCT373J	GOLDSTAR	CD54HCT373F	D
GD4028BC	GOLDSTAR	CD4028BE	D	GD54HCT393J	GOLDSTAR	CD54HCT393F	D
GD4029BC	GOLDSTAR	CD4029BE	D	GD54HC00J	GOLDSTAR	CD54HC00F	D
GD4030BC	GOLDSTAR	CD4030BE	D	GD54HC04J	GOLDSTAR	CD54HC04F	D
GD4031BC	GOLDSTAR	CD4031BE	D	GD54HC08J	GOLDSTAR	CD54HC08F	D
GD4034BC	GOLDSTAR	CD4034BE	D	GD54HC245J	GOLDSTAR	CD54HC245F	D
GD4035BC	GOLDSTAR	CD4035BE	D	GD54HC74J	GOLDSTAR	CD54HC74F	D
GD4040BC	GOLDSTAR	CD4040BE	D	GD74HCT04	GOLDSTAR	CD74HCT04E	D
GD4042BC	GOLDSTAR	CD4042BE	D	GD74HCT04D	GOLDSTAR	CD74HCT04M	D
GD4043BC	GOLDSTAR	CD4043BE	D	GD74HCT04D	GOLDSTAR	CD74HCT04M96	D
GD4045BC	GOLDSTAR	CD4045BE	D	GD74HCT08	GOLDSTAR	CD74HCT08E	D
GD4046BC	GOLDSTAR	CD4046BE	D	GD74HCT08D	GOLDSTAR	CD74HCT08M	D
GD4047BC	GOLDSTAR	CD4047BE	D	GD74HCT08D	GOLDSTAR	CD74HCT08M96	D
GD4050BC	GOLDSTAR	CD4050BE	D	GD74HCT10	GOLDSTAR	CD74HCT10E	D
GD4051BC	GOLDSTAR	CD4051BE	D	GD74HCT10D	GOLDSTAR	CD74HCT10M	D
GD4052BC	GOLDSTAR	CD4052BE	D	GD74HCT10D	GOLDSTAR	CD74HCT10M96	D
GD4053BC	GOLDSTAR	CD4053BE	D	GD74HCT107	GOLDSTAR	CD74HCT107E	D
GD4066BC	GOLDSTAR	CD4066BE	D	GD74HCT109	GOLDSTAR	CD74HCT109E	D
GD4067BC	GOLDSTAR	CD4067BE	D	GD74HCT109D	GOLDSTAR	CD74HCT109M	D
GD4069UBC	GOLDSTAR	CD4069UBE	D	GD74HCT109D	GOLDSTAR	CD74HCT109M96	D
GD4070BC	GOLDSTAR	CD4070BE	D	GD74HCT11	GOLDSTAR	CD74HCT11E	D
GD4071BC	GOLDSTAR	CD4071BE	D	GD74HCT11D	GOLDSTAR	CD74HCT11M	D
GD4072BC	GOLDSTAR	CD4072BE	D	GD74HCT11D	GOLDSTAR	CD74HCT11M96	D
GD4073BC	GOLDSTAR	CD4073BE	D	GD74HCT125	GOLDSTAR	CD74HCT125E	D
GD4075BC	GOLDSTAR	CD4075BE	D	GD74HCT125D	GOLDSTAR	CD74HCT125M	D
GD4076BC	GOLDSTAR	CD4076BE	D	GD74HCT125D	GOLDSTAR	CD74HCT125M96	D
GD4077BC	GOLDSTAR	CD4077BE	D	GD74HCT126	GOLDSTAR	CD74HCT126E	D
GD4081BC	GOLDSTAR	CD4081BE	D	GD74HCT126D	GOLDSTAR	CD74HCT126M	D
GD4082BC	GOLDSTAR	CD4082BE	D	GD74HCT126D	GOLDSTAR	CD74HCT126M96	D
GD4085BC	GOLDSTAR	CD4085BE	D	GD74HCT132	GOLDSTAR	CD74HCT132E	D
GD4086BC	GOLDSTAR	CD4086BE	D	GD74HCT132D	GOLDSTAR	CD74HCT132M	D
GD4093BC	GOLDSTAR	CD4093BE	D	GD74HCT132D	GOLDSTAR	CD74HCT132M96	D
GD4510BC	GOLDSTAR	CD4510BE	D	GD74HCT139	GOLDSTAR	CD74HCT139E	D
GD4511BC	GOLDSTAR	CD4511BE	D	GD74HCT139D	GOLDSTAR	CD74HCT139M	D
GD4512BC	GOLDSTAR	CD4512BE	D	GD74HCT139D	GOLDSTAR	CD74HCT139M96	D
GD4514BC	GOLDSTAR	CD4514BE	D	GD74HCT14	GOLDSTAR	CD74HCT14E	D
GD74HCT14D	GOLDSTAR	CD74HCT14M	D	GD74HCT393	GOLDSTAR	CD74HCT393E	D
GD74HCT14D	GOLDSTAR	CD74HCT14M96	D	GD74HCT393D	GOLDSTAR	CD74HCT393M	D
GD74HCT147	GOLDSTAR	CD74HCT147E	D	GD74HCT393D	GOLDSTAR	CD74HCT393M96	D
GD74HCT151	GOLDSTAR	CD74HCT151E	D	GD74HCT42	GOLDSTAR	CD74HCT42E	D
GD74HCT151D	GOLDSTAR	CD74HCT151M	D	GD74HCT423	GOLDSTAR	CD74HCT423E	D

NOTE: D = Direct Replacement, H = Harris Recommended Replacement.

Cross-Reference Guide

COMPETITOR #	COMPETITOR	HARRIS #	TYPE
GD74HCT151D	GOLDSTAR	CD74HCT151M96	D
GD74HCT153	GOLDSTAR	CD74HCT153E	D
GD74HCT153D	GOLDSTAR	CD74HCT153M	D
GD74HCT153D	GOLDSTAR	CD74HCT153M96	D
GD74HCT154	GOLDSTAR	CD74HCT154E	D
GD74HCT154D	GOLDSTAR	CD74HCT154M	D
GD74HCT164	GOLDSTAR	CD74HCT164E	D
GD74HCT164D	GOLDSTAR	CD74HCT164M	D
GD74HCT164D	GOLDSTAR	CD74HCT164M96	D
GD74HCT194	GOLDSTAR	CD74HCT194E	D
GD74HCT21	GOLDSTAR	CD74HCT21E	D
GD74HCT21D	GOLDSTAR	CD74HCT21M	D
GD74HCT21D	GOLDSTAR	CD74HCT21M96	D
GD74HCT243	GOLDSTAR	CD74HCT243E	D
GD74HCT243D	GOLDSTAR	CD74HCT243M	D
GD74HCT251	GOLDSTAR	CD74HCT251E	D
GD74HCT251D	GOLDSTAR	CD74HCT251M	D
GD74HCT251D	GOLDSTAR	CD74HCT251M96	D
GD74HCT253	GOLDSTAR	CD74HCT253E	D
GD74HCT253D	GOLDSTAR	CD74HCT253M	D
GD74HCT253D	GOLDSTAR	CD74HCT253M96	D
GD74HCT257	GOLDSTAR	CD74HCT257E	D
GD74HCT257D	GOLDSTAR	CD74HCT257M	D
GD74HCT257D	GOLDSTAR	CD74HCT257M96	D
GD74HCT258	GOLDSTAR	CD74HCT258E	D
GD74HCT259	GOLDSTAR	CD74HCT259E	D
GD74HCT259D	GOLDSTAR	CD74HCT259M	D
GD74HCT259D	GOLDSTAR	CD74HCT259M96	D
GD74HCT27	GOLDSTAR	CD74HCT27E	D
GD74HCT27D	GOLDSTAR	CD74HCT27M	D
GD74HCT27D	GOLDSTAR	CD74HCT27M96	D
GD74HCT280	GOLDSTAR	CD74HCT280E	D
GD74HCT30	GOLDSTAR	CD74HCT30E	D
GD74HCT30D	GOLDSTAR	CD74HCT30M	D
GD74HCT30D	GOLDSTAR	CD74HCT30M96	D
GD74HCT32	GOLDSTAR	CD74HCT32E	D
GD74HCT32D	GOLDSTAR	CD74HCT32M	D
GD74HCT32D	GOLDSTAR	CD74HCT32M96	D
GD74HCT365	GOLDSTAR	CD74HCT365E	D
GD74HCT365D	GOLDSTAR	CD74HCT365M	D
GD74HCT365D	GOLDSTAR	CD74HCT365M96	D
GD74HCT373	GOLDSTAR	CD74HCT373E	D
GD74HCT373D	GOLDSTAR	CD74HCT373M	D
GD74HCT373D	GOLDSTAR	CD74HCT373M96	D
GD74HCT377	GOLDSTAR	CD74HCT377E	D
GD74HCT377D	GOLDSTAR	CD74HCT377M	D
GD74HCT377D	GOLDSTAR	CD74HCT377M96	D
GD74HCT390	GOLDSTAR	CD74HCT390E	D
GD74HCT390D	GOLDSTAR	CD74HCT390M	D
GD74HCT390D	GOLDSTAR	CD74HCT390M96	D
GD74HC243D	GOLDSTAR	CD74HC243M	D
GD74HC243D	GOLDSTAR	CD74HC243M96	D
GD74HC245	GOLDSTAR	CD74HC245E	D
GD74HC245D	GOLDSTAR	CD74HC245M	D
GD74HC245D	GOLDSTAR	CD74HC245M96	D
GD74HC257	GOLDSTAR	CD74HC257E	D
GD74HC257D	GOLDSTAR	CD74HC257M	D
GD74HC257D	GOLDSTAR	CD74HC257M96	D

COMPETITOR #	COMPETITOR	HARRIS #	TYPE
GD74HCT423D	GOLDSTAR	CD74HCT423M96	D
GD74HCT533	GOLDSTAR	CD74HCT533E	D
GD74HCT640	GOLDSTAR	CD74HCT640E	D
GD74HCT640D	GOLDSTAR	CD74HCT640M	D
GD74HCT670	GOLDSTAR	CD74HCT670E	D
GD74HCT670D	GOLDSTAR	CD74HCT670M	D
GD74HCT670D	GOLDSTAR	CD74HCT670M96	D
GD74HCT688	GOLDSTAR	CD74HCT688E	D
GD74HCT688D	GOLDSTAR	CD74HCT688M	D
GD74HCT688D	GOLDSTAR	CD74HCT688M96	D
GD74HCT75	GOLDSTAR	CD74HCT75E	D
GD74HCT75D	GOLDSTAR	CD74HCT75M	D
GD74HCT93	GOLDSTAR	CD74HCT93E	D
GD74HC00	GOLDSTAR	CD74HC00E	D
GD74HC00D	GOLDSTAR	CD74HC00M	D
GD74HC00D	GOLDSTAR	CD74HC00M96	D
GD74HC04	GOLDSTAR	CD74HC04E	D
GD74HC04D	GOLDSTAR	CD74HC04M	D
GD74HC04D	GOLDSTAR	CD74HC04M96	D
GD74HC08	GOLDSTAR	CD74HC08E	D
GD74HC08D	GOLDSTAR	CD74HC08M	D
GD74HC08D	GOLDSTAR	CD74HC08M96	D
GD74HC107	GOLDSTAR	CD74HC107E	D
GD74HC109	GOLDSTAR	CD74HC109E	D
GD74HC109D	GOLDSTAR	CD74HC109M	D
GD74HC109D	GOLDSTAR	CD74HC109M96	D
GD74HC112	GOLDSTAR	CD74HC112E	D
GD74HC112D	GOLDSTAR	CD74HC112M96	D
GD74HC137	GOLDSTAR	CD74HC137E	D
GD74HC138	GOLDSTAR	CD74HC138E	D
GD74HC138D	GOLDSTAR	CD74HC138M	D
GD74HC138D	GOLDSTAR	CD74HC138M96	D
GD74HC139	GOLDSTAR	CD74HC139E	D
GD74HC139D	GOLDSTAR	CD74HC139M	D
GD74HC139D	GOLDSTAR	CD74HC139M96	D
GD74HC147	GOLDSTAR	CD74HC147E	D
GD74HC147D	GOLDSTAR	CD74HC147M	D
GD74HC147D	GOLDSTAR	CD74HC147M96	D
GD74HC151	GOLDSTAR	CD74HC151E	D
GD74HC151D	GOLDSTAR	CD74HC151M	D
GD74HC151D	GOLDSTAR	CD74HC151M96	D
GD74HC166	GOLDSTAR	CD74HC166E	D
GD74HC166D	GOLDSTAR	CD74HC166M	D
GD74HC166D	GOLDSTAR	CD74HC166M96	D
GD74HC175	GOLDSTAR	CD74HC175E	D
GD74HC175D	GOLDSTAR	CD74HC175M	D
GD74HC175D	GOLDSTAR	CD74HC175M96	D
GD74HC195	GOLDSTAR	CD74HC195E	D
GD74HC195D	GOLDSTAR	CD74HC195M	D
GD74HC243	GOLDSTAR	CD74HC243E	D
HCC40107BD	SGS	CD40107BF	D
HCC40107BF	SGS	CD40107BF	D
HCC40107BF	SGS	CD40107BF	D
HCC40109BD	SGS	CD40109BF	D
HCC40109BF	SGS	CD40109BF	D
HCC40109BF	SGS	CD40109BF	D
HCC4011BD	SGS	CD4011BF	D
HCC4011BF	SGS	CD4011BF	D

3
**DIRECT/HARRIS
REPLACEMENTS**

NOTE: D = Direct Replacement, H = Harris Recommended Replacement.

Cross-Reference Guide

COMPETITOR #	COMPETITOR	HARRIS #	TYPE	COMPETITOR #	COMPETITOR	HARRIS #	TYPE
GD74HC273	GOLDSTAR	CD74HC273E	D	HCC4011BF	SGS	CD4011BF	D
GD74HC273D	GOLDSTAR	CD74HC273M	D	HCC4013BD	SGS	CD4013BF	D
GD74HC273D	GOLDSTAR	CD74HC273M96	D	HCC4013BF	SGS	CD4013BF	D
GD74HC280	GOLDSTAR	CD74HC280E	D	HCC4013BF	SGS	CD4013BF	D
GD74HC280D	GOLDSTAR	CD74HC280M96	D	HCC4015BD	SGS	CD4015BF	D
GD74HC32	GOLDSTAR	CD74HC32E	D	HCC4015BF	SGS	CD4015BF	D
GD74HC32D	GOLDSTAR	CD74HC32M	D	HCC4015BF	SGS	CD4015BF	D
GD74HC32D	GOLDSTAR	CD74HC32M96	D	HCC4016BD	SGS	CD4016BF	D
GD74HC374	GOLDSTAR	CD74HC374E	D	HCC4016BF	SGS	CD4016BF	D
GD74HC374D	GOLDSTAR	CD74HC374M	D	HCC4016BF	SGS	CD4016BF	D
GD74HC374D	GOLDSTAR	CD74HC374M96	D	HCC4019BD	SGS	CD4019BF	D
GD74HC377	GOLDSTAR	CD74HC377E	D	HCC4019BF	SGS	CD4019BF	D
GD74HC377D	GOLDSTAR	CD74HC377M	D	HCC4019BF	SGS	CD4019BF	D
GD74HC377D	GOLDSTAR	CD74HC377M96	D	HCC4023BD	SGS	CD4023BF	D
GD74HC42	GOLDSTAR	CD74HC42E	D	HCC4023BF	SGS	CD4023BF	D
GD74HC42D	GOLDSTAR	CD74HC42M	D	HCC4023BF	SGS	CD4023BF	D
GD74HC534	GOLDSTAR	CD74HC534E	D	HCC4027BD	SGS	CD4027BF	D
GD74HC564	GOLDSTAR	CD74HC564E	D	HCC4027BF	SGS	CD4027BF	D
GD74HC564D	GOLDSTAR	CD74HC564M	D	HCC4027BF	SGS	CD4027BF	D
GD74HC574	GOLDSTAR	CD74HC574E	D	HCC4028BD	SGS	CD4028BF	D
GD74HC574D	GOLDSTAR	CD74HC574M	D	HCC4028BF	SGS	CD4028BF	D
GD74HC574D	GOLDSTAR	CD74HC574M96	D	HCC4028BF	SGS	CD4028BF	D
GD74HC73	GOLDSTAR	CD74HC73E	D	HCC4030BD	SGS	CD4030BF	D
GD74HC73D	GOLDSTAR	CD74HC73M	D	HCC4030BF	SGS	CD4030BF	D
GD74HC73D	GOLDSTAR	CD74HC73M96	D	HCC4030BF	SGS	CD4030BF	D
GD74HC74D	GOLDSTAR	CD74HC74M	D	HCC4035BD	SGS	CD4035BF	D
GD74HC74D	GOLDSTAR	CD74HC74M96	D	HCC4035BF	SGS	CD4035BF	D
GL555	GOLDSTAR	CA0555CE	D	HCC4035BF	SGS	CD4035BF	D
GL555	GOLDSTAR	LM555CN	D	HCC4040BD	SGS	CD4040BF	D
GL555	GOLDSTAR	NE555N	D	HCC4040BF	SGS	CD4040BF	D
GX4201-CDA	GENNUM	HA4201CP	H	HCC4040BF	SGS	CD4040BF	D
GX4201-CKA	GENNUM	HA4201CB	H	HCC4041UBD	SGS	CD4041UBF	D
HADC574ZACD	SPT	HI1-574ALD-5	H	HCC4041UBF	SGS	CD4041UBF	D
HADC574ZAMD	SPT	HI1-574AUD-2	H	HCC4041UBF	SGS	CD4041UBF	D
HADC574ZBCD	SPT	HI1-574AKD-5	H	HCC4047BD	SGS	CD4047BF	D
HADC574ZBMD	SPT	HI1-574ATD-2	H	HCC4047BF	SGS	CD4047BF	D
HADC574ZCCD	SPT	HI1-574AJD-5	H	HCC4047BF	SGS	CD4047BF	D
HADC574ZCMD	SPT	HI1-574ASD-2	H	HCC4049UBD	SGS	CD4049UBF	D
HA12411	HITACHI	CA3189E	H	HCC4049UBF	SGS	CD4049UBF	D
HA17524G	HITACHI	CA1524F	H	HCC4049UBF	SGS	CD4049UBF	D
HA17524P	HITACHI	CA1524E	H	HCC4050BD	SGS	CD4050BF	D
HCC4001BD	SGS	CD4001BF	D	HCC4050BF	SGS	CD4050BF	D
HCC4001BF	SGS	CD4001BF	D	HCC4050BF	SGS	CD4050BF	D
HCC4001BF	SGS	CD4001BF	D	HCC4051BD	SGS	CD4051BF	D
HCC40106BD	SGS	CD40106BF	D	HCC4051BF	SGS	CD4051BF	D
HCC40106BF	SGS	CD40106BF	D	HCC4051BF	SGS	CD4051BF	D
HCC40106BF	SGS	CD40106BF	D	HCC4052BD	SGS	CD4052BF	D
HCC4052BF	SGS	CD4052BF	D	HCF4001BEY	SGS	CD4001UBE	D
HCC4052BF	SGS	CD4052BF	D	HCF4002BE	SGS	CD4002BE	D
HCC4053BD	SGS	CD4053BF	D	HCF4002BE	SGS	CD4002BE	D
HCC4053BF	SGS	CD4053BF	D	HCF4002BEY	SGS	CD4002BE	D
HCC4053BF	SGS	CD4053BF	D	HCF4006BE	SGS	CD4006BE	D
HCC4060BD	SGS	CD4060BF	D	HCF4006BE	SGS	CD4006BE	D
HCC4060BF	SGS	CD4060BF	D	HCF4006BEY	SGS	CD4006BE	D
HCC4060BF	SGS	CD4060BF	D	HCF4007UBE	SGS	CD4007UBE	D
HCC4066BD	SGS	CD4066BF	D	HCF4007UBE	SGS	CD4007UBE	D
HCC4066BF	SGS	CD4066BF	D	HCF4007UBEY	SGS	CD4007UBE	D
HCC4066BF	SGS	CD4066BF	D	HCF4010BEY	SGS	CD4010BE	D

NOTE: D = Direct Replacement, H = Harris Recommended Replacement.

Cross-Reference Guide

COMPETITOR #	COMPETITOR	HARRIS #	TYPE	COMPETITOR #	COMPETITOR	HARRIS #	TYPE
HCC4069UBD	SGS	CD4069UBF	D	HCF40102BE	SGS	CD40102BE	D
HCC4069UBF	SGS	CD4069UBF	D	HCF40102BE	SGS	CD40102BE	D
HCC4069UBF	SGS	CD4069UBF	D	HCF40102BEY	SGS	CD40102BE	D
HCC4070BD	SGS	CD4070BF	D	HCF40103BE	SGS	CD40103BE	D
HCC4070BF	SGS	CD4070BF	D	HCF40103BE	SGS	CD40103BE	D
HCC4070BF	SGS	CD4070BF	D	HCF40103BEY	SGS	CD40103BE	D
HCC4071BD	SGS	CD4071BF	D	HCF40105BE	SGS	CD40105BE	D
HCC4071BF	SGS	CD4071BF	D	HCF40105BE	SGS	CD40105BE	D
HCC4071BF	SGS	CD4071BF	D	HCF40105BEY	SGS	CD40105BE	D
HCC4073BD	SGS	CD4073BF	D	HCF40106BE	SGS	CD40106BE	D
HCC4073BF	SGS	CD4073BF	D	HCF40106BE	SGS	CD40106BE	D
HCC4073BF	SGS	CD4073BF	D	HCF40106BEY	SGS	CD40106BE	D
HCC4075BD	SGS	CD4075BF	D	HCF40109BE	SGS	CD40109BE	D
HCC4075BF	SGS	CD4075BF	D	HCF4011BE	SGS	CD4011BE	D
HCC4075BF	SGS	CD4075BF	D	HCF4011BE	SGS	CD4011UBE	D
HCC4081BD	SGS	CD4081BF	D	HCF4011BE	SGS	CD4011BE	D
HCC4081BF	SGS	CD4081BF	D	HCF4011BE	SGS	CD4011UBE	D
HCC4081BF	SGS	CD4081BF	D	HCF4011BEY	SGS	CD4011BE	D
HCC4082BD	SGS	CD4082BF	D	HCF4011BEY	SGS	CD4011UBE	D
HCC4082BF	SGS	CD4082BF	D	HCF40110BE	SGS	CD40110BE	D
HCC4082BF	SGS	CD4082BF	D	HCF40110BE	SGS	CD40110BE	D
HCC4093BD	SGS	CD4093BF	D	HCF40110BEY	SGS	CD40110BE	D
HCC4093BF	SGS	CD4093BF	D	HCF4012BE	SGS	CD4012BE	D
HCC4093BF	SGS	CD4093BF	D	HCF4012BE	SGS	CD4012BE	D
HCC4094BD	SGS	CD4094BF	D	HCF4012BEY	SGS	CD4012BE	D
HCC4094BF	SGS	CD4094BF	D	HCF4013BE	SGS	CD4013BE	D
HCC4094BF	SGS	CD4094BF	D	HCF4013BE	SGS	CD4013BE	D
HCC4098BD	SGS	CD4098BF	D	HCF4013BEY	SGS	CD4013BE	D
HCC4098BF	SGS	CD4098BF	D	HCF4014BE	SGS	CD4014BE	D
HCC4098BF	SGS	CD4098BF	D	HCF4014BE	SGS	CD4014BE	D
HCC4511BD	SGS	CD4511BF	D	HCF4014BEY	SGS	CD4014BE	D
HCC4511BF	SGS	CD4511BF	D	HCF4016BE	SGS	CD4016BE	D
HCC4511BF	SGS	CD4511BF	D	HCF4016BE	SGS	CD4016BE	D
HCC4518BD	SGS	CD4518BF	D	HCF4016BEY	SGS	CD4016BE	D
HCC4518BF	SGS	CD4518BF	D	HCF40161BE	SGS	CD40161BE	D
HCC4518BF	SGS	CD4518BF	D	HCF40161BE	SGS	CD40161BE	D
HCC4520BD	SGS	CD4520BF	D	HCF40161BEY	SGS	CD40161BE	D
HCC4520BF	SGS	CD4520BF	D	HCF4017BE	SGS	CD4017BE	D
HCC4520BF	SGS	CD4520BF	D	HCF4017BE	SGS	CD4017BE	D
HCF4001BE	SGS	CD4001BE	D	HCF4017BEY	SGS	CD4017BE	D
HCF4001BE	SGS	CD4001UBE	D	HCF40174BE	SGS	CD40174BE	D
HCF4001BE	SGS	CD4001BE	D	HCF40174BE	SGS	CD40174BE	D
HCF4001BE	SGS	CD4001UBE	D	HCF40174BEY	SGS	CD40174BE	D
HCF4001BEY	SGS	CD4001BE	D	HCF4018BE	SGS	CD4018BE	D
HCF4018BE	SGS	CD4018BE	D	HCF4035BE	SGS	CD4035BE	D
HCF4018BEY	SGS	CD4018BE	D	HCF4035BEY	SGS	CD4035BE	D
HCF4019BE	SGS	CD4019BE	D	HCF4040BE	SGS	CD4040BE	D
HCF4019BE	SGS	CD4019BE	D	HCF4040BE	SGS	CD4040BE	D
HCF4019BEY	SGS	CD4019BE	D	HCF4040BEY	SGS	CD4040BE	D
HCF40192BE	SGS	CD40192BE	D	HCF4041UBE	SGS	CD4041UBE	D
HCF40192BE	SGS	CD40192BE	D	HCF4041UBE	SGS	CD4041UBE	D
HCF40192BEY	SGS	CD40192BE	D	HCF4041UBEY	SGS	CD4041UBE	D
HCF40193BE	SGS	CD40193BE	D	HCF4042BE	SGS	CD4042BE	D
HCF40193BE	SGS	CD40193BE	D	HCF4042BE	SGS	CD4042BE	D
HCF40193BEY	SGS	CD40193BE	D	HCF4042BEY	SGS	CD4042BE	D
HCF40194BE	SGS	CD40194BE	D	HCF4043BE	SGS	CD4043BE	D
HCF40194BE	SGS	CD40194BE	D	HCF4043BE	SGS	CD4043BE	D
HCF40194BEY	SGS	CD40194BE	D	HCF4043BEY	SGS	CD4043BE	D

3
DIRECT/HARRIS
REPLACEMENTS

NOTE: D = Direct Replacement, H = Harris Recommended Replacement.

Cross-Reference Guide

COMPETITOR #	COMPETITOR	HARRIS #	TYPE	COMPETITOR #	COMPETITOR	HARRIS #	TYPE
HCF4020BE	SGS	CD4020BE	D	HCF4044BE	SGS	CD4044BE	D
HCF4020BE	SGS	CD4020BE	D	HCF4044BE	SGS	CD4044BE	D
HCF4020BEY	SGS	CD4020BE	D	HCF4044BEY	SGS	CD4044BE	D
HCF4021BE	SGS	CD4021BE	D	HCF4045BE	SGS	CD4045BE	D
HCF4021BE	SGS	CD4021BE	D	HCF4045BE	SGS	CD4045BE	D
HCF4021BEY	SGS	CD4021BE	D	HCF4045BEY	SGS	CD4045BE	D
HCF4022BE	SGS	CD4022BE	D	HCF4046BE	SGS	CD4046BE	D
HCF4022BE	SGS	CD4022BE	D	HCF4046BE	SGS	CD4046BE	D
HCF4022BEY	SGS	CD4022BE	D	HCF4046BEY	SGS	CD4046BE	D
HCF4023BE	SGS	CD4023BE	D	HCF4047BE	SGS	CD4047BE	D
HCF4023BE	SGS	CD4023BE	D	HCF4047BEY	SGS	CD4047BE	D
HCF4023BEY	SGS	CD4023BE	D	HCF4048BE	SGS	CD4048BE	D
HCF4024BE	SGS	CD4024BE	D	HCF4048BE	SGS	CD4048BE	D
HCF4024BE	SGS	CD4024BE	D	HCF4048BEY	SGS	CD4048BE	D
HCF4024BEY	SGS	CD4024BE	D	HCF4049UBE	SGS	CD4049UBE	D
HCF40257BE	SGS	CD40257BE	D	HCF4049UBE	SGS	CD4049UBE	D
HCF40257BE	SGS	CD40257BE	D	HCF4049UBEY	SGS	CD4049UBE	D
HCF40257BEY	SGS	CD40257BE	D	HCF4050BE	SGS	CD4050BE	D
HCF4026BEY	SGS	CD4026BE	D	HCF4050BE	SGS	CD4050BE	D
HCF4027BE	SGS	CD4027BE	D	HCF4050BEY	SGS	CD4050BE	D
HCF4027BE	SGS	CD4027BE	D	HCF4051BE	SGS	CD4051BE	D
HCF4027BEY	SGS	CD4027BE	D	HCF4051BE	SGS	CD4051BE	D
HCF4028BE	SGS	CD4028BE	D	HCF4051BEY	SGS	CD4051BE	D
HCF4028BE	SGS	CD4028BE	D	HCF4052BE	SGS	CD4052BE	D
HCF4028BEY	SGS	CD4028BE	D	HCF4052BE	SGS	CD4052BE	D
HCF4029BE	SGS	CD4029BE	D	HCF4052BEY	SGS	CD4052BE	D
HCF4029BE	SGS	CD4029BE	D	HCF4053BE	SGS	CD4053BE	D
HCF4029BEY	SGS	CD4029BE	D	HCF4053BE	SGS	CD4053BE	D
HCF4030BE	SGS	CD4030BE	D	HCF4053BEY	SGS	CD4053BE	D
HCF4030BE	SGS	CD4030BE	D	HCF4054BE	SGS	CD4054BE	D
HCF4030BEY	SGS	CD4030BE	D	HCF4054BE	SGS	CD4054BE	D
HCF4031BE	SGS	CD4031BE	D	HCF4054BEY	SGS	CD4054BE	D
HCF4031BE	SGS	CD4031BE	D	HCF4055BE	SGS	CD4055BE	D
HCF4031BEY	SGS	CD4031BE	D	HCF4055BE	SGS	CD4055BE	D
HCF4033BE	SGS	CD4033BE	D	HCF4055BEY	SGS	CD4055BE	D
HCF4033BE	SGS	CD4033BE	D	HCF4056BE	SGS	CD4056BE	D
HCF4033BEY	SGS	CD4033BE	D	HCF4056BE	SGS	CD4056BE	D
HCF4034BE	SGS	CD4034BE	D	HCF4056BEY	SGS	CD4056BE	D
HCF4034BE	SGS	CD4034BE	D	HCF4060BE	SGS	CD4060BE	D
HCF4034BEY	SGS	CD4034BE	D	HCF4060BE	SGS	CD4060BE	D
HCF4035BE	SGS	CD4035BE	D	HCF4060BEY	SGS	CD4060BE	D
HCF4063BE	SGS	CD4063BE	D	HCF4093BEY	SGS	CD4093BE	D
HCF4063BE	SGS	CD4063BE	D	HCF4094BE	SGS	CD4094BE	D
HCF4063BEY	SGS	CD4063BE	D	HCF4094BE	SGS	CD4094BE	D
HCF4066BE	SGS	CD4066BE	D	HCF4094BEY	SGS	CD4094BE	D
HCF4066BE	SGS	CD4066BE	D	HCF4097BE	SGS	CD4097BE	D
HCF4066BEY	SGS	CD4066BE	D	HCF4097BE	SGS	CD4097BE	D
HCF4067BE	SGS	CD4067BE	D	HCF4097BEY	SGS	CD4097BE	D
HCF4067BE	SGS	CD4067BE	D	HCF4098BE	SGS	CD4098BE	D
HCF4067BEY	SGS	CD4067BE	D	HCF4098BE	SGS	CD4098BE	D
HCF4068BE	SGS	CD4068BE	D	HCF4098BEY	SGS	CD4098BE	D
HCF4068BE	SGS	CD4068BE	D	HCF4099BE	SGS	CD4099BE	D
HCF4068BEY	SGS	CD4068BE	D	HCF4099BE	SGS	CD4099BE	D
HCF4069UBE	SGS	CD4069UBE	D	HCF4099BEY	SGS	CD4099BE	D
HCF4069UBE	SGS	CD4069UBE	D	HCF4502BE	SGS	CD4502BE	D
HCF4069UBEY	SGS	CD4069UBE	D	HCF4502BE	SGS	CD4502BE	D
HCF4070BE	SGS	CD4070BE	D	HCF4502BEY	SGS	CD4502BE	D
HCF4070BE	SGS	CD4070BE	D	HCF4503BE	SGS	CD4503BE	D

NOTE: D = Direct Replacement, H = Harris Recommended Replacement.

Cross-Reference Guide

COMPETITOR #	COMPETITOR	HARRIS #	TYPE	COMPETITOR #	COMPETITOR	HARRIS #	TYPE
HCF4070BEY	SGS	CD4070BE	D	HCF4503BE	SGS	CD4503BE	D
HCF4071BE	SGS	CD4071BE	D	HCF4503BEY	SGS	CD4503BE	D
HCF4071BE	SGS	CD4071BE	D	HCF4508BE	SGS	CD4508BE	D
HCF4071BEY	SGS	CD4071BE	D	HCF4508BEY	SGS	CD4508BE	D
HCF4072BE	SGS	CD4072BE	D	HCF4510BE	SGS	CD4510BE	D
HCF4072BE	SGS	CD4072BE	D	HCF4510BEY	SGS	CD4510BE	D
HCF4072BEY	SGS	CD4072BE	D	HCF4511BE	SGS	CD4511BE	D
HCF4073BE	SGS	CD4073BE	D	HCF4511BEY	SGS	CD4511BE	D
HCF4073BE	SGS	CD4073BE	D	HCF4512BE	SGS	CD4512BE	D
HCF4075BE	SGS	CD4075BE	D	HCF4512BEY	SGS	CD4512BE	D
HCF4075BE	SGS	CD4075BE	D	HCF4514BE	SGS	CD4514BE	D
HCF4075BEY	SGS	CD4075BE	D	HCF4514BEY	SGS	CD4514BE	D
HCF4076BE	SGS	CD4076BE	D	HCF4515BE	SGS	CD4515BE	D
HCF4076BE	SGS	CD4076BE	D	HCF4515BEY	SGS	CD4515BE	D
HCF4076BEY	SGS	CD4076BE	D	HCF4516BE	SGS	CD4516BE	D
HCF4077BE	SGS	CD4077BE	D	HCF4516BEY	SGS	CD4516BE	D
HCF4077BE	SGS	CD4077BE	D	HCF4518BE	SGS	CD4518BE	D
HCF4077BEY	SGS	CD4077BE	D	HCF4518BEY	SGS	CD4518BE	D
HCF4078BE	SGS	CD4078BE	D	HCF4520BE	SGS	CD4520BE	D
HCF4078BEY	SGS	CD4078BE	D	HCF4520BEY	SGS	CD4520BE	D
HCF4081BE	SGS	CD4081BE	D	HCF4527BE	SGS	CD4527BE	D
HCF4081BE	SGS	CD4081BE	D	HCF4527BEY	SGS	CD4527BE	D
HCF4081BEY	SGS	CD4081BE	D	HCF4532BE	SGS	CD4532BE	D
HCF4082BE	SGS	CD4082BE	D	HCF4532BEY	SGS	CD4532BE	D
HCF4082BE	SGS	CD4082BE	D	HCF4536BEY	SGS	CD4536BE	D
HCF4082BEY	SGS	CD4082BE	D	HCF4538BEY	SGS	CD14538BE	D
HCF4085BE	SGS	CD4085BE	D	HCF4541BEY	SGS	CD4541BE	D
HCF4085BE	SGS	CD4085BE	D	HEF4001BP	SIGNETICS	CD4001UBE	D
HCF4085BEY	SGS	CD4085BE	D	HEF4001BPN	PHILIPS	CD4001BE	D
HCF4086BE	SGS	CD4086BE	D	HEF4001BPN	PHILIPS	CD4001UBE	D
HCF4086BE	SGS	CD4086BE	D	HEF4001BPN	SIGNETICS	CD4001BE	D
HCF4086BEY	SGS	CD4086BE	D	HEF4001BPN	SIGNETICS	CD4001UBE	D
HCF4089BE	SGS	CD4089BE	D	HEF4001UBP	PHILIPS	CD4001BE	D
HCF4089BE	SGS	CD4089BE	D	HEF4001UBP	PHILIPS	CD4001UBE	D
HCF4089BEY	SGS	CD4089BE	D	HEF4001UBP	SIGNETICS	CD4001BE	D
HCF4093BE	SGS	CD4093BE	D	HEF4001UBP	SIGNETICS	CD4001UBE	D
HCF4093BE	SGS	CD4093BE	D	HEF4001UBPN	PHILIPS	CD4001BE	D
HCF4555BE	SGS	CD4555BE	D	HEF4001UBPN	PHILIPS	CD4001UBE	D
HCF4555BEY	SGS	CD4555BE	D	HEF4001UBPN	SIGNETICS	CD4001BE	D
HCF4556BE	SGS	CD4556BE	D	HEF4001UBPN	SIGNETICS	CD4001UBE	D
HCF4556BE	SGS	CD4556BE	D	HEF4002BP	PHILIPS	CD4002BE	D
HCF4556BEY	SGS	CD4556BE	D	HEF4002BP	SIGNETICS	CD4002BE	D
HCF4585BEY	SGS	CD4585BE	D	HEF4002BPN	PHILIPS	CD4002BE	D
HCF4724BEY	SGS	CD4724BE	D	HEF4002BPN	SIGNETICS	CD4002BE	D
HCMP1854ACD	HUGHES	CDP1854ACD	D	HEF4006BP	PHILIPS	CD4006BE	D
HCMP1854ACDX	HUGHES	CDP1854ACDX	D	HEF4006BP	SIGNETICS	CD4006BE	D
HCMP1854ACP	HUGHES	CDP1854ACE	D	HEF4006BPN	PHILIPS	CD4006BE	D
HCMP1854ACPX	HUGHES	CDP1854ACEX	D	HEF4006BPN	SIGNETICS	CD4006BE	D
HCMP1855CD	HUGHES	CDP1855CD	D				
HCMP1855CP	HUGHES	CDP1855CE	D				
HCMP1857CD	HUGHES	CDP1857CD	D				
HCMP1857CP	HUGHES	CDP1857CE	D				
HC1854ACP	HUGHES	CDP1854ACE	D				
HC1855CP	HUGHES	CDP1855CE	D				
HC1857CP	HUGHES	CDP1857CE	D				
HD14066BP	HITACHI	CD4066BE	D				
HD146818P	HITACHI	CDP6818AE	D				

3
DIRECT/HARRIS
REPLACEMENTS

NOTE: D = Direct Replacement, H = Harris Recommended Replacement.

Cross-Reference Guide

COMPETITOR #	COMPETITOR	HARRIS #	TYPE	COMPETITOR #	COMPETITOR	HARRIS #	TYPE
HD146818P	HITACHI	CDP6818E	D	HEF4006BPN	SIGNETICS	CD4006BE	D
HD74ACT240FP	HITACHI	CD74ACT240M	D	HEF4007UBP	PHILIPS	CD4007UBE	D
HD74ACT240P	HITACHI	CD74ACT240E	D	HEF4007UBP	SIGNETICS	CD4007UBE	D
HD74ACT241P	HITACHI	CD74ACT241E	D	HEF4007UBPN	PHILIPS	CD4007UBE	D
HD74ACT244FP	HITACHI	CD74ACT244M	D	HEF4007UBPN	SIGNETICS	CD4007UBE	D
HD74ACT244P	HITACHI	CD74ACT244E	D	HEF40106BP	PHILIPS	CD40106BE	D
HD74ACT245FP	HITACHI	CD74ACT245M96	D	HEF40106BP	SIGNETICS	CD40106BE	D
HD74ACT257P	HITACHI	CD74ACT257E	D	HEF40106BPN	PHILIPS	CD40106BE	D
HD74ACT273FP	HITACHI	CD74ACT273M	D	HEF40106BPN	SIGNETICS	CD40106BE	D
HD74ACT273FP	HITACHI	CD74ACT273M96	D	HEF4011BP	PHILIPS	CD4011BE	D
HD74ACT273P	HITACHI	CD74ACT273E	D	HEF4011BP	PHILIPS	CD4011UBE	D
HD74ACT540FP	HITACHI	CD74ACT540M	D	HEF4011BP	SIGNETICS	CD4011BE	D
HD74ACT540FP	HITACHI	CD74ACT540M96	D	HEF4011BP	SIGNETICS	CD4011UBE	D
HD74ACT540P	HITACHI	CD74ACT540E	D	HEF4011BPN	PHILIPS	CD4011BE	D
HD74ACT541FP	HITACHI	CD74ACT541M	D	HEF4011BPN	PHILIPS	CD4011UBE	D
HD74ACT541FP	HITACHI	CD74ACT541M96	D	HEF4011BPN	SIGNETICS	CD4011BE	D
HD74ACT541P	HITACHI	CD74ACT541E	D	HEF4011BPN	SIGNETICS	CD4011UBE	D
HD74AC240FP	HITACHI	CD74AC240M	D	HEF4011UBP	PHILIPS	CD4011BE	D
HD74AC240P	HITACHI	CD74AC240E	D	HEF4011UBP	PHILIPS	CD4011UBE	D
HD74AC244FP	HITACHI	CD74AC244M	D	HEF4011UBP	SIGNETICS	CD4011BE	D
HD74AC244P	HITACHI	CD74AC244E	D	HEF4011UBP	SIGNETICS	CD4011UBE	D
HD74AC245FP	HITACHI	CD74AC245M	D	HEF4011UBPN	PHILIPS	CD4011BE	D
HD74AC245FP	HITACHI	CD74AC245M96	D	HEF4011UBPN	PHILIPS	CD4011UBE	D
HD74AC245P	HITACHI	CD74AC245E	D	HEF4011UBPN	SIGNETICS	CD4011BE	D
HD74AC257P	HITACHI	CD74AC257E	D	HEF4011UBPN	SIGNETICS	CD4011UBE	D
HD74AC273FP	HITACHI	CD74AC273M	D	HEF4012BP	PHILIPS	CD4012BE	D
HD74AC273FP	HITACHI	CD74AC273M96	D	HEF4012BP	SIGNETICS	CD4012BE	D
HD74AC273P	HITACHI	CD74AC273E	D	HEF4012BPN	PHILIPS	CD4012BE	D
HD74AC540FP	HITACHI	CD74AC540M	D	HEF4012BPN	SIGNETICS	CD4012BE	D
HD74AC541FP	HITACHI	CD74AC541M	D	HEF4013BP	PHILIPS	CD4013BE	H
HD74AC541FP	HITACHI	CD74AC541M96	D	HEF4013BP	SIGNETICS	CD4013BE	H
HD74AC541P	HITACHI	CD74AC541E	D	HEF4014BP	PHILIPS	CD4014BE	D
HEF4001BP	PHILIPS	CD4001BE	D	HEF4014BP	SIGNETICS	CD4014BE	D
HEF4001BP	PHILIPS	CD4001UBE	D	HEF4014BPN	PHILIPS	CD4014BE	D
HEF4001BP	SIGNETICS	CD4001BE	D	HEF4014BPN	SIGNETICS	CD4014BE	D
HEF4015BP	PHILIPS	CD4015BE	D	HEF4022BPN	SIGNETICS	CD4022BE	D
HEF4015BP	SIGNETICS	CD4015BE	D	HEF4023BP	PHILIPS	CD4023BE	D
HEF4015BPN	PHILIPS	CD4015BE	D	HEF4023BP	SIGNETICS	CD4023BE	D
HEF4015BPN	SIGNETICS	CD4015BE	D	HEF4023BPN	PHILIPS	CD4023BE	D
HEF4016BP	PHILIPS	CD4016BE	D	HEF4023BPN	SIGNETICS	CD4023BE	D
HEF4016BP	SIGNETICS	CD4016BE	D	HEF4024BP	PHILIPS	CD4024BE	D
HEF4016BPN	PHILIPS	CD4016BE	D	HEF4024BP	SIGNETICS	CD4024BE	D
HEF4016BPN	SIGNETICS	CD4016BE	D	HEF4024BPN	PHILIPS	CD4024BE	D
HEF40161BP	PHILIPS	CD40161BE	D	HEF4024BPN	SIGNETICS	CD4024BE	D
HEF40161BP	SIGNETICS	CD40161BE	D	HEF4025BP	PHILIPS	CD4025BE	H
HEF40161BPN	PHILIPS	CD40161BE	D	HEF4025BP	SIGNETICS	CD4025BE	H
HEF40161BPN	SIGNETICS	CD40161BE	D	HEF4027BP	PHILIPS	CD4027BE	D
HEF4017BP	PHILIPS	CD4017BE	D	HEF4027BP	SIGNETICS	CD4027BE	D
HEF4017BP	SIGNETICS	CD4017BE	D	HEF4027BPN	PHILIPS	CD4027BE	D
HEF4017BPN	PHILIPS	CD4017BE	D	HEF4027BPN	SIGNETICS	CD4027BE	D
HEF4017BPN	SIGNETICS	CD4017BE	D	HEF4028BP	PHILIPS	CD4028BE	D
HEF40174BP	PHILIPS	CD40174BE	D	HEF4028BP	SIGNETICS	CD4028BE	D
HEF40174BP	SIGNETICS	CD40174BE	D	HEF4028BPN	PHILIPS	CD4028BE	D
HEF40174BPN	PHILIPS	CD40174BE	D	HEF4028BPN	SIGNETICS	CD4028BE	D
HEF40174BPN	SIGNETICS	CD40174BE	D	HEF4029BP	PHILIPS	CD4029BE	D
HEF40175BP	PHILIPS	CD40175BE	D	HEF4029BP	SIGNETICS	CD4029BE	D
HEF40175BP	SIGNETICS	CD40175BE	D	HEF4029BPN	PHILIPS	CD4029BE	D
HEF40175BPN	PHILIPS	CD40175BE	D	HEF4029BPN	SIGNETICS	CD4029BE	D

NOTE: D = Direct Replacement, H = Harris Recommended Replacement.

Cross-Reference Guide

COMPETITOR #	COMPETITOR	HARRIS #	TYPE	COMPETITOR #	COMPETITOR	HARRIS #	TYPE
HEF40175BPN	SIGNETICS	CD40175BE	D	HEF4030BP	PHILIPS	CD4030BE	D
HEF4018BP	PHILIPS	CD4018BE	D	HEF4030BP	SIGNETICS	CD4030BE	D
HEF4018BP	SIGNETICS	CD4018BE	D	HEF4030BPN	PHILIPS	CD4030BE	D
HEF4018BPN	PHILIPS	CD4018BE	D	HEF4030BPN	SIGNETICS	CD4030BE	D
HEF4018BPN	SIGNETICS	CD4018BE	D	HEF4031BP	PHILIPS	CD4031BE	D
HEF4019BP	PHILIPS	CD4019BE	D	HEF4031BP	SIGNETICS	CD4031BE	D
HEF4019BP	SIGNETICS	CD4019BE	D	HEF4031BPN	PHILIPS	CD4031BE	D
HEF4019BPN	PHILIPS	CD4019BE	D	HEF4031BPN	SIGNETICS	CD4031BE	D
HEF4019BPN	SIGNETICS	CD4019BE	D	HEF4035BP	PHILIPS	CD4035BE	D
HEF40192BP	PHILIPS	CD40192BE	D	HEF4035BP	SIGNETICS	CD4035BE	D
HEF40192BP	SIGNETICS	CD40192BE	D	HEF4035BPN	PHILIPS	CD4035BE	D
HEF40192BPN	PHILIPS	CD40192BE	D	HEF4035BPN	SIGNETICS	CD4035BE	D
HEF40192BPN	SIGNETICS	CD40192BE	D	HEF4040BP	PHILIPS	CD4040BE	D
HEF40193BP	PHILIPS	CD40193BE	D	HEF4040BP	SIGNETICS	CD4040BE	D
HEF40193BP	SIGNETICS	CD40193BE	D	HEF4040BPN	PHILIPS	CD4040BE	D
HEF40193BPN	PHILIPS	CD40193BE	D	HEF4040BPN	SIGNETICS	CD4040BE	D
HEF40193BPN	SIGNETICS	CD40193BE	D	HEF4042BP	PHILIPS	CD4042BE	D
HEF40194BP	PHILIPS	CD40194BE	D	HEF4042BP	SIGNETICS	CD4042BE	D
HEF40194BP	SIGNETICS	CD40194BE	D	HEF4042BPN	PHILIPS	CD4042BE	D
HEF40194BPN	PHILIPS	CD40194BE	D	HEF4042BPN	SIGNETICS	CD4042BE	D
HEF40194BPN	SIGNETICS	CD40194BE	D	HEF4043BP	PHILIPS	CD4043BE	D
HEF4020BP	PHILIPS	CD4020BE	D	HEF4043BP	SIGNETICS	CD4043BE	D
HEF4020BP	SIGNETICS	CD4020BE	D	HEF4043BPN	PHILIPS	CD4043BE	D
HEF4020BPN	PHILIPS	CD4020BE	D	HEF4043BPN	SIGNETICS	CD4043BE	D
HEF4020BPN	SIGNETICS	CD4020BE	D	HEF4044BP	PHILIPS	CD4044BE	D
HEF4021BP	PHILIPS	CD4021BE	D	HEF4044BP	SIGNETICS	CD4044BE	D
HEF4021BP	SIGNETICS	CD4021BE	D	HEF4044BPN	PHILIPS	CD4044BE	D
HEF4021BPN	PHILIPS	CD4021BE	D	HEF4044BPN	SIGNETICS	CD4044BE	D
HEF4021BPN	SIGNETICS	CD4021BE	D	HEF4046BP	PHILIPS	CD4046BE	D
HEF4022BP	PHILIPS	CD4022BE	D	HEF4046BP	SIGNETICS	CD4046BE	D
HEF4022BP	SIGNETICS	CD4022BE	D	HEF4046BPN	PHILIPS	CD4046BE	D
HEF4022BPN	PHILIPS	CD4022BE	D	HEF4046BPN	SIGNETICS	CD4046BE	D
HEF4047BP	PHILIPS	CD4047BE	D	HEF4075BP	SIGNETICS	CD4075BE	D
HEF4047BP	SIGNETICS	CD4047BE	D	HEF4075BPN	PHILIPS	CD4075BE	D
HEF4047BPN	PHILIPS	CD4047BE	D	HEF4075BPN	SIGNETICS	CD4075BE	D
HEF4047BPN	SIGNETICS	CD4047BE	D	HEF4076BP	PHILIPS	CD4076BE	D
HEF4050BP	PHILIPS	CD4050BE	D	HEF4076BP	SIGNETICS	CD4076BE	D
HEF4050BP	SIGNETICS	CD4050BE	D	HEF4076BPN	PHILIPS	CD4076BE	D
HEF4050BPN	PHILIPS	CD4050BE	D	HEF4076BPN	SIGNETICS	CD4076BE	D
HEF4050BPN	SIGNETICS	CD4050BE	D	HEF4077BP	PHILIPS	CD4077BE	D
HEF4051BP	PHILIPS	CD4051BE	D	HEF4077BP	SIGNETICS	CD4077BE	D
HEF4051BP	SIGNETICS	CD4051BE	D	HEF4077BPN	PHILIPS	CD4077BE	D
HEF4051BPN	PHILIPS	CD4051BE	D	HEF4077BPN	SIGNETICS	CD4077BE	D
HEF4051BPN	SIGNETICS	CD4051BE	D	HEF4078BP	PHILIPS	CD4078BE	H
HEF4052BP	PHILIPS	CD4052BE	D	HEF4078BP	SIGNETICS	CD4078BE	H
HEF4052BP	SIGNETICS	CD4052BE	D	HEF4081BP	PHILIPS	CD4081BE	D
HEF4052BPN	PHILIPS	CD4052BE	D	HEF4081BP	SIGNETICS	CD4081BE	D
HEF4052BPN	SIGNETICS	CD4052BE	D	HEF4081BPN	PHILIPS	CD4081BE	D
HEF4053BP	PHILIPS	CD4053BE	D	HEF4081BPN	SIGNETICS	CD4081BE	D
HEF4053BP	SIGNETICS	CD4053BE	D	HEF4082BP	PHILIPS	CD4082BE	D
HEF4053BPN	PHILIPS	CD4053BE	D	HEF4082BP	SIGNETICS	CD4082BE	D
HEF4053BPN	SIGNETICS	CD4053BE	D	HEF4082BPN	PHILIPS	CD4082BE	D
HEF4060BP	PHILIPS	CD4060BE	D	HEF4082BPN	SIGNETICS	CD4082BE	D
HEF4060BP	SIGNETICS	CD4060BE	D	HEF4085BP	PHILIPS	CD4085BE	D
HEF4060BPN	PHILIPS	CD4060BE	D	HEF4085BP	SIGNETICS	CD4085BE	D
HEF4060BPN	SIGNETICS	CD4060BE	D	HEF4085BPN	PHILIPS	CD4085BE	D
HEF4066BP	PHILIPS	CD4066BE	D	HEF4085BPN	SIGNETICS	CD4085BE	D
HEF4066BP	SIGNETICS	CD4066BE	D	HEF4086BP	PHILIPS	CD4086BE	D

3
DIRECT/HARRIS
REPLACEMENTS

NOTE: D = Direct Replacement, H = Harris Recommended Replacement.

Cross-Reference Guide

COMPETITOR #	COMPETITOR	HARRIS #	TYPE	COMPETITOR #	COMPETITOR	HARRIS #	TYPE
HEF4066BPN	PHILIPS	CD4066BE	D	HEF4086BP	SIGNETICS	CD4086BE	D
HEF4066BPN	SIGNETICS	CD4066BE	D	HEF4086BPN	PHILIPS	CD4086BE	D
HEF4067BP	PHILIPS	CD4067BE	D	HEF4086BPN	SIGNETICS	CD4086BE	D
HEF4067BP	SIGNETICS	CD4067BE	D	HEF4093BP	PHILIPS	CD4093BE	D
HEF4067BPN	PHILIPS	CD4067BE	D	HEF4093BP	SIGNETICS	CD4093BE	D
HEF4067BPN	SIGNETICS	CD4067BE	D	HEF4093BPN	PHILIPS	CD4093BE	D
HEF4068BP	PHILIPS	CD4068BE	H	HEF4093BPN	SIGNETICS	CD4093BE	D
HEF4068BP	SIGNETICS	CD4068BE	H	HEF4094BP	PHILIPS	CD4094BE	D
HEF4069UBP	PHILIPS	CD4069UBE	D	HEF4094BP	SIGNETICS	CD4094BE	D
HEF4069UBP	SIGNETICS	CD4069UBE	D	HEF4094BPN	PHILIPS	CD4094BE	D
HEF4069UBPN	PHILIPS	CD4069UBE	D	HEF4094BPN	SIGNETICS	CD4094BE	D
HEF4069UBPN	SIGNETICS	CD4069UBE	D	HEF4502BP	PHILIPS	CD4502BE	D
HEF4070BP	PHILIPS	CD4070BE	D	HEF4502BP	SIGNETICS	CD4502BE	D
HEF4070BP	SIGNETICS	CD4070BE	D	HEF4502BPN	PHILIPS	CD4502BE	D
HEF4070BPN	PHILIPS	CD4070BE	D	HEF4502BPN	SIGNETICS	CD4502BE	D
HEF4070BPN	SIGNETICS	CD4070BE	D	HEF4508BP	PHILIPS	CD4508BE	D
HEF4071BP	PHILIPS	CD4071BE	D	HEF4508BP	SIGNETICS	CD4508BE	D
HEF4071BP	SIGNETICS	CD4071BE	D	HEF4508BPN	PHILIPS	CD4508BE	D
HEF4071BPN	PHILIPS	CD4071BE	D	HEF4508BPN	SIGNETICS	CD4508BE	D
HEF4071BPN	SIGNETICS	CD4071BE	D	HEF4510BP	PHILIPS	CD4510BE	D
HEF4072BP	PHILIPS	CD4072BE	D	HEF4510BP	SIGNETICS	CD4510BE	D
HEF4072BP	SIGNETICS	CD4072BE	D	HEF4510BPN	PHILIPS	CD4510BE	D
HEF4072BPN	PHILIPS	CD4072BE	D	HEF4510BPN	SIGNETICS	CD4510BE	D
HEF4072BPN	SIGNETICS	CD4072BE	D	HEF4511BP	PHILIPS	CD4511BE	D
HEF4073BP	PHILIPS	CD4073BE	D	HEF4511BP	SIGNETICS	CD4511BE	D
HEF4073BP	SIGNETICS	CD4073BE	D	HEF4511BPN	PHILIPS	CD4511BE	D
HEF4073BPN	PHILIPS	CD4073BE	D	HEF4511BPN	SIGNETICS	CD4511BE	D
HEF4073BPN	SIGNETICS	CD4073BE	D	HEF4512BP	PHILIPS	CD4512BE	D
HEF4075BP	PHILIPS	CD4075BE	D	HEF4512BP	SIGNETICS	CD4512BE	D
HEF4512BPN	PHILIPS	CD4512BE	D	HEF4543BP	SIGNETICS	CD4543BE	D
HEF4512BPN	SIGNETICS	CD4512BE	D	HEF4543BPN	PHILIPS	CD4543BE	D
HEF4514BP	PHILIPS	CD4514BE	D	HEF4543BPN	SIGNETICS	CD4543BE	D
HEF4514BP	SIGNETICS	CD4514BE	D	HEF4555BP	PHILIPS	CD4555BE	D
HEF4514BPN	PHILIPS	CD4514BE	D	HEF4555BP	SIGNETICS	CD4555BE	D
HEF4514BPN	SIGNETICS	CD4514BE	D	HEF4555BPN	PHILIPS	CD4555BE	D
HEF4515BP	PHILIPS	CD4515BE	D	HEF4555BPN	SIGNETICS	CD4555BE	D
HEF4515BP	SIGNETICS	CD4515BE	D	HEF4556BP	PHILIPS	CD4556BE	D
HEF4515BPN	PHILIPS	CD4515BE	D	HEF4556BP	SIGNETICS	CD4556BE	D
HEF4515BPN	SIGNETICS	CD4515BE	D	HEF4556BPN	PHILIPS	CD4556BE	D
HEF4516BP	PHILIPS	CD4516BE	D	HEF4556BPN	SIGNETICS	CD4556BE	D
HEF4516BP	SIGNETICS	CD4516BE	D	HEF4585BP	PHILIPS	CD4585BE	D
HEF4516BPN	PHILIPS	CD4516BE	D	HEF4585BP	SIGNETICS	CD4585BE	D
HEF4516BPN	SIGNETICS	CD4516BE	D	HEF4585BPN	PHILIPS	CD4585BE	D
HEF4517BP	PHILIPS	CD4517BE	D	HEF4585BPN	SIGNETICS	CD4585BE	D
HEF4517BP	SIGNETICS	CD4517BE	D	HEF4724BP	PHILIPS	CD4724BE	D
HEF4517BPN	PHILIPS	CD4517BE	D	HEF4724BP	SIGNETICS	CD4724BE	D
HEF4517BPN	SIGNETICS	CD4517BE	D	HEF4724BPN	PHILIPS	CD4724BE	D
HEF4518BP	PHILIPS	CD4518BE	D	HEF4724BPN	SIGNETICS	CD4724BE	D
HEF4518BP	SIGNETICS	CD4518BE	D	HI1-0506A-2	BURR-BROWN	HI1-0506A-2	D
HEF4518BPN	PHILIPS	CD4518BE	D	HI1-0506A-2	BURR-BROWN	HI1-0546-2	D
HEF4518BPN	SIGNETICS	CD4518BE	D	HI1-0506A-2/883B	BURR-BROWN	HI1-0546/883	D
HEF4520BP	PHILIPS	CD4520BE	D	HI1-0506A-5	BURR-BROWN	HI1-0506A-5	D
HEF4520BP	SIGNETICS	CD4520BE	D	HI1-0506A-5	BURR-BROWN	HI1-0546-5	D
HEF4520BPN	PHILIPS	CD4520BE	D	HI1-0507A-2	BURR-BROWN	HI1-0547-2	D
HEF4520BPN	SIGNETICS	CD4520BE	D	HI1-0507A-2/883B	BURR-BROWN	HI1-0547/883	D
HEF4521BP	PHILIPS	CD4521BE	D	HI1-0507A-5	BURR-BROWN	HI1-0547-5	D
HEF4521BP	SIGNETICS	CD4521BE	D	HI1-0509A-2	BURR-BROWN	HI1-0509A-2	D
HEF4521BPN	PHILIPS	CD4521BE	D	HI1-0509A-5	BURR-BROWN	HI1-0509A-5	D

NOTE: D = Direct Replacement, H = Harris Recommended Replacement.

Cross-Reference Guide

COMPETITOR #	COMPETITOR	HARRIS #	TYPE
HEF4521BPN	SIGNETICS	CD4521BE	D
HEF4522BP	PHILIPS	CD4522BE	D
HEF4522BP	SIGNETICS	CD4522BE	D
HEF4522BPN	PHILIPS	CD4522BE	D
HEF4522BPN	SIGNETICS	CD4522BE	D
HEF4527BP	PHILIPS	CD4527BE	D
HEF4527BP	SIGNETICS	CD4527BE	D
HEF4527BPN	PHILIPS	CD4527BE	D
HEF4527BPN	SIGNETICS	CD4527BE	D
HEF4528BP	PHILIPS	CD4098BE	D
HEF4528BP	SIGNETICS	CD4098BE	D
HEF4528BPN	PHILIPS	CD4098BE	D
HEF4528BPN	SIGNETICS	CD4098BE	D
HEF4532BP	PHILIPS	CD4532BE	D
HEF4532BP	SIGNETICS	CD4532BE	D
HEF4532BPN	PHILIPS	CD4532BE	D
HEF4532BPN	SIGNETICS	CD4532BE	D
HEF4538BP	PHILIPS	CD14538BE	D
HEF4538BP	SIGNETICS	CD14538BE	D
HEF4538BPN	PHILIPS	CD14538BE	D
HEF4538BPN	SIGNETICS	CD14538BE	D
HEF4541BP	PHILIPS	CD4541BE	D
HEF4541BP	SIGNETICS	CD4541BE	D
HEF4541BPN	PHILIPS	CD4541BE	D
HEF4541BPN	SIGNETICS	CD4541BE	D
HEF4543BP	PHILIPS	CD4543BE	D
ICL7107CPL	MAXIM	ICL7107CPL	H
ICL7107CPL-3	MAXIM	ICL7107CPL	D
ICL7107CPL-3	MAXIM	ICL7107SCPL	D
ICL7107CQH	MAXIM	ICL7107CM44	H
ICL7107RCPL-4	MAXIM	ICL7107RCPL	D
ICL7109CPL	MAXIM	ICL7109CPL	H
ICL7109JL	MAXIM	ICL7109JL	H
ICL7116CPL	MAXIM	ICL7116CPL	H
ICL7116CPL-3	MAXIM	ICL7116CPL	D
ICL7116CPL-4	MAXIM	ICL7116CPL	D
ICL7116CQH	MAXIM	ICL7116CM44	H
ICL7117CPL	MAXIM	ICL7117CPL	H
ICL7117CPL-3	MAXIM	ICL7117CPL	D
ICL7126CPL	MAXIM	ICL7126CPL	H
ICL7126CPL-3	MAXIM	ICL7126CPL	D
ICL7126RCPL-4	MAXIM	ICL7126RCPL	D
ICL7129ACPL	MAXIM	ICL7129CPL	H
ICL7129ACQH	MAXIM	ICL7129CM44	H
ICL7135CPI	MAXIM	ICL7135CPI	H
ICL7135CPI-2	MAXIM	ICL7135CPI	D
ICL7136CMH	MAXIM	ICL7136CM44	D
ICL7136CMH	MAXIM	ICL7136CM44T	D
ICL7136CPL	MAXIM	ICL7136CPL	H
ICL7136CPL-3	MAXIM	ICL7136CPL	D
ICL7136CQH	MAXIM	ICL7136CM44	H
ICL7136RCPL-4	MAXIM	ICL7136RCPL	D
ICL7136RCPL-4	MAXIM	ICL7136SRCPL	D
ICL7137CPL	MAXIM	ICL7137CPL	H
ICL7137CPL-3	MAXIM	ICL7137CPL	D
ICL7137CQH	MAXIM	ICL7137CM44	D
ICL7137RCPL-4	MAXIM	ICL7137RCPL	D
ICL7611ACPA	MAXIM	ICL7611ACPA	H

COMPETITOR #	COMPETITOR	HARRIS #	TYPE
HI1-0509A-5-BI	BURR-BROWN	HI1-0509A-7	D
HI1-506A-2	BURR-BROWN	HI1-0506A-2	D
HI1-506A-2	BURR-BROWN	HI1-0546-2	D
HI1-506A-5	BURR-BROWN	HI1-0506A-5	D
HI1-506A-5	BURR-BROWN	HI1-0546-5	D
HI1-507A-2	BURR-BROWN	HI1-0547-2	D
HI1-507A-5	BURR-BROWN	HI1-0547-5	D
HI1-509A-2	BURR-BROWN	HI1-0509A-2	D
HI1-509A-5	BURR-BROWN	HI1-0509A-5	D
HI1-509A-5-BI	BURR-BROWN	HI1-0509A-7	D
HI1854CP	HUGHES	CDP1854ACEX	D
HI1855CP	HUGHES	CDP1855CEX	D
HI3-0506A-5	BURR-BROWN	HI3-0506A-5	D
HI3-0506A-5	BURR-BROWN	HI3-0546-5	D
HI3-0507A-5	BURR-BROWN	HI3-0507A-5	D
HI3-0507A-5	BURR-BROWN	HI3-0547-5	D
HI3-0509A-5	BURR-BROWN	HI3-0509A-5	D
HI3-506A-5	BURR-BROWN	HI3-0506A-5	D
HI3-506A-5	BURR-BROWN	HI3-0546-5	D
HI3-507A-5	BURR-BROWN	HI3-0507A-5	D
HI3-507A-5	BURR-BROWN	HI3-0547-5	D
HI3-509A-5	BURR-BROWN	HI3-0509A-5	D
ICL7106CPL-3	MAXIM	ICL7106CPL	D
ICL7106CPL-3	MAXIM	ICL7106SCPL	D
ICL7106CQH	MAXIM	ICL7106CM44	H
ICL7106RCPL-4	MAXIM	ICL7106RCPL	D
ICL7621AMTV	MAXIM	ICL7621AMTV	H
ICL7621BCPA	MAXIM	ICL7621BCPA	H
ICL7621BCTV	MAXIM	ICL7621BCTV	H
ICL7621BMTV	MAXIM	ICL7621BMTV	H
ICL7621DCPA	MAXIM	ICL7621DCPA	H
ICL7621DCPA-2	MAXIM	ICL7621DCPA	D
ICL7621DCPA2	MAXIM	ICL7621DCPA	D
ICL7621DCSA	MAXIM	ICL7621DCBA	D
ICL7621DCSA	MAXIM	ICL7621DCBA-T	D
ICL7621DCTV	MAXIM	ICL7621DCTV	H
ICL7621DMTV	MAXIM	ICL7621DMTV	H
ICL7641CCPD	MAXIM	ICL7641CCPD	H
ICL7641ECPD	MAXIM	ICL7641ECPD	H
ICL7642CCPD	MAXIM	ICL7642CCPD	H
ICL7642ECPD	MAXIM	ICL7642ECPD	H
ICL7660AMTV	MAXIM	ICL7660MTV	H
ICL7660AMTV	MAXIM	ICL7660SMTV	H
ICL7660AMTV/HR	MAXIM	ICL7660MTV/883B	H
ICL7660CPA	MAXIM	ICL7660CPA	H
ICL7660CPA-2	MAXIM	ICL7660CPA	D
ICL7660CPA-2	MAXIM	ICL7660SCPA	H
ICL7660CSA	MAXIM	ICL7660CBA	D
ICL7660CSA	MAXIM	ICL7660SCBA	H
ICL7660CSA-T	MAXIM	ICL7660CBA	D
ICL7660CSA/TR	MAXIM	ICL7660CBA	D
ICL7660CTV	MAXIM	ICL7660CTV	H
ICL7660EJA	MAXIM	ICL7662IPA	H
ICL7660EPA	MAXIM	ICL7662IPA	H
ICL7660ESA	MAXIM	ICL7660CBA	H
ICL7660ETV	MAXIM	ICL7660MTV	H
ICL7660IJA	MAXIM	ICL7662IPA	H
ICL7660IPA	MAXIM	ICL7662IPA	H

3
DIRECT/HARRIS
REPLACEMENTS

NOTE: D = Direct Replacement, H = Harris Recommended Replacement.

Cross-Reference Guide

COMPETITOR #	COMPETITOR	HARRIS #	TYPE	COMPETITOR #	COMPETITOR	HARRIS #	TYPE
ICL7611ACTV	MAXIM	ICL7611ACTV	H	ICL7660IPA-2	MAXIM	ICL7662IPA	H
ICL7611AMTV	MAXIM	ICL7611AMTV	H	ICL7660ISA	MAXIM	ICL7660CBA	H
ICL7611BCPA	MAXIM	ICL7611BCPA	H	ICL7660ITV	MAXIM	ICL7662ITV	H
ICL7611BCTV	MAXIM	ICL7611BCTV	H	ICL7660MTV	MAXIM	ICL7660MTV	H
ICL7611BMTV	MAXIM	ICL7611BMTV	H	ICL7660MTV/883B	MAXIM	ICL7660MTV/883B	D
ICL7611DCPA	MAXIM	ICL7611DCPA	H	ICL7662CBA	MAXIM	ICL7662MTV	H
ICL7611DCSA	MAXIM	ICL7611DCBA	H	ICL7662CBD	MAXIM	ICL7662CBD	H
ICL7611DCTV	MAXIM	ICL7611DCTV	H	ICL7662CPA	MAXIM	ICL7662CPA	H
ICL7611DMTV	MAXIM	ICL7611DMTV	H	ICL7662CPA-2	MAXIM	ICL7662CPA	H
ICL7612ACPA	MAXIM	ICL7612ACPA	H	ICL7662CTV	MAXIM	ICL7662CTV	H
ICL7612AMTV	MAXIM	ICL7612AMTV	H	ICL7662CTV-4	MAXIM	ICL7662CTV	H
ICL7612BCPA	MAXIM	ICL7612BCPA	H	ICL7662MTV	MAXIM	ICL7662MTV	H
ICL7612BCTV	MAXIM	ICL7612BCTV	H	ICL7662MTV-4	MAXIM	ICL7660MTV	H
ICL7612BMTV	MAXIM	ICL7612BMTV	H	ICL7663ACPA	MAXIM	ICL7663SACPA	H
ICL7612DCPA	MAXIM	ICL7612DCPA	H	ICL7663ACPA-2	MAXIM	ICL7663SACPA	H
ICL7612DCPA-2	MAXIM	ICL7612DCPA	D	ICL7663ACSA	MAXIM	ICL7663SCBA	H
ICL7612DCSA	MAXIM	ICL7612DCBA	D	ICL7663ACSA-T	MAXIM	ICL7663SCBA-T	H
ICL7612DCTV	MAXIM	ICL7612DCTV	H	ICL7663AEPA	MAXIM	ICL7663SAIPA	H
ICL7612DMTV	MAXIM	ICL7612DMTV	H	ICL7663AESA	MAXIM	ICL7663SAIBA	H
ICL7612DSCA	MAXIM	ICL7612DCBA	D	ICL7663AIJA	MAXIM	ICL7663SAIPA	H
ICL7612DSCA	MAXIM	ICL7612DCBA-T	D	ICL7663BCPA	MAXIM	ICL7663SACPA	H
ICL7621ACPA	MAXIM	ICL7621ACPA	H	ICL7663BCSA	MAXIM	ICL7663SACBA	H
ICL7663CPA	MAXIM	ICL7663SCPA	H	ICL7663BIJA	MAXIM	ICL7663SAIPA	H
ICL7663CPA-2	MAXIM	ICL7663SCPA	H	ICL8212MTV/883	MAXIM	ICL8212MTV/883B	H
ICL7663CSA	MAXIM	ICL7663SCBA	H	ICM7211AIPL	SIGNETICS	ICM7211AIPL	H
ICL7663EJA	MAXIM	ICL7663SIPA	H	ICM7211AIQH	SIGNETICS	ICM7211AIM44	H
ICL7663EPA	MAXIM	ICL7663SIPA	H	ICM7211AMIFL	SIGNETICS	ICM7211AMIFL	H
ICL7663ESA	MAXIM	ICL7663SIBA	H	ICM7211AMIQH	SIGNETICS	ICM7211AMIM44	H
ICL7663IJA	MAXIM	ICL7663SAIPA	H	ICM7211IPL	SIGNETICS	ICM7211IPL	H
ICL7663IPA	MAXIM	ICL7663SIPA	H	ICM7211MIPL	SIGNETICS	ICM7211MIPL	H
ICL7663ISA	MAXIM	ICL7663SIBA	H	ICM7212AMIFL	SIGNETICS	ICM7212AMIFL	H
ICL7665ACPA	MAXIM	ICL7665SACPA	H	ICM7217AIPI	SIGNETICS	ICM7217AIPI	H
ICL7665ACPA-2	MAXIM	ICL7665SACPA	H	ICM7217BIJI	SIGNETICS	ICM7217BIJI	H
ICL7665ACSA	MAXIM	ICL7665SACBA	H	ICM7217CIFI	SIGNETICS	ICM7217CIFI	H
ICL7665AEPA	MAXIM	ICL7665SAIPA	H	ICM7217IJI	SIGNETICS	ICM7217IJI	H
ICL7665AESA	MAXIM	ICL7665SAIBA	H	ICM7218DIPI	SIGNETICS	ICM7228DIPI	H
ICL7665AESA-TR	MAXIM	ICL7665SACBA-T	H	ICM7224IPL	SIGNETICS	ICM7224IPL	H
ICL7665AIPA	MAXIM	ICL7665SAIPA	H	ICM7242IPA	MAXIM	ICM7242IPA	H
ICL7665AISA	MAXIM	ICL7665SACBA	H	ICM7555CD	MAXIM	ICM7555CBA	H
ICL7665BCPA	MAXIM	ICL7665SACPA	H	ICM7555ITV	MAXIM	ICM7555ITV	H
ICL7665BCSA	MAXIM	ICL7665SACBA	H	ICM7555MTV	MAXIM	ICM7555MTV	H
ICL7665CPA	MAXIM	ICL7665SCPA	H	IDT29FCT2520ATQ	IDT	CD29FCT2520ATQM	H
ICL7665CSA	MAXIM	ICL7665SCBA	H	IDT29FCT2520ATSO	IDT	CD29FCT2520ATM	H
ICL7665EPA	MAXIM	ICL7665SIPA	H	IDT29FCT2520TQ	IDT	CD29FCT2520TQM	H
ICL7665ESA	MAXIM	ICL7665SIBA	H	IDT29FCT2520TSO	IDT	CD29FCT2520TM	H
ICL7665IIPA	MAXIM	ICL7665SIPA	H	IDT29FCT52ATQ	IDT	CD29FCT52ATQM	H
ICL7667CBA	MAXIM	ICL7667CBA	D	IDT29FCT52ATSO	IDT	CD29FCT52ATM	H
ICL7667CBA	MAXIM	ICL7667CBA-T	D	IDT29FCT52BTQ	IDT	CD29FCT52BTQM	H
ICL7667CJA	MAXIM	ICL7667CJA	H	IDT29FCT52BTSO	IDT	CD29FCT52BTM	H
ICL7667CPA	MAXIM	ICL7667CPA	H	IDT29FCT520ATQ	IDT	CD29FCT520ATQM	H
ICL7667CPA-2	MAXIM	ICL7667CPA	H	IDT29FCT520ATSO	IDT	CD29FCT520ATM	H
ICL7667CTV	MAXIM	ICL7667CTV	H	IDT29FCT520BTQ	IDT	CD29FCT520BTQM	H
ICL7667EBA	MAXIM	ICL7667CBA	H	IDT29FCT520BTSO	IDT	CD29FCT520BTM	H
ICL7667EJA	MAXIM	ICL7667MJA	H	IDT39C842SO	IDT	CD74FCT842AM	D
ICL7667EPA	MAXIM	ICL7667CTV	H	IDT39C8442SO	IDT	CD74FCT842AM96	D
ICL7667ETV	MAXIM	ICL7667MTV	H	IDT39C844P	IDT	CD74FCT844AEN	D
				IDT7216L35G	IDT	HMU16GC-35	D
				IDT7216L35J	IDT	HMU16JC-35	D

NOTE: D = Direct Replacement, H = Harris Recommended Replacement.

Cross-Reference Guide

COMPETITOR #	COMPETITOR	HARRIS #	TYPE	COMPETITOR #	COMPETITOR	HARRIS #	TYPE
ICL7667MJA	MAXIM	ICL7667MJA	H	IDT7216L45G	IDT	HMU16GC-45	D
ICL7667MTV	MAXIM	ICL7667MTV	H	IDT7216L45J	IDT	HMU16JC-45	D
ICL8069CCSQ-2	MAXIM	ICL8069CCSQ	D	IDT7217L35G	ICL	HMU17GC-35	D
ICL8069CCZQ-2	MAXIM	ICL8069CCSQ	D	IDT7217L35J	IDT	HMU17JC-35	D
ICL8069CCZQ-2	MAXIM	ICL8069CCZR	H	IDT7217L45G	IDT	HMU17GC-45	D
ICL8069CMSQ-2	MAXIM	ICL8069CMSQ	D	IDT7217L45J	IDT	HMU17JC-45	D
ICL8069DCSA	MAXIM	ICL8069DCBA	H	IDT74FCT138ATQ	ICL	CD74FCT138ATQM	H
ICL8069DCSQ-2	MAXIM	ICL8069DCSQ	D	IDT74FCT138ATSO	IDT	CD74FCT138ATM	H
ICL8069DCZQ-2	MAXIM	ICL8069DCSQ	D	IDT74FCT138CTQ	IDT	CD74FCT138CTQM	H
ICL8069DCZQ-2	MAXIM	ICL8069DCZR	H	IDT74FCT138CTSO	IDT	CD74FCT138CTM	H
ICL8069DMSQ-2	MAXIM	ICL8069DMSQ	D	IDT74FCT138TQ	IDT	CD74FCT138TQM	H
ICL8211CPA	MAXIM	ICL8211CPA	H	IDT74FCT138TQSO	IDT	CD74FCT138TQM	H
ICL8211CSA	MAXIM	ICL8211CBA	H	IDT74FCT139ATQ	IDT	CD74FCT139ATQM	H
ICL8211CTY	MAXIM	ICL8211CTY	H	IDT74FCT139ATSO	IDT	CD74FCT139ATM	H
ICL8211MTY	MAXIM	ICL8211MTY	H	IDT74FCT139CTQ	IDT	CD74FCT139CTQM	H
ICL8211MTY/883	MAXIM	ICL8211MTY/883B	H	IDT74FCT139CTSO	IDT	CD74FCT139CTM	H
ICL8212CPA	MAXIM	ICL8212CPA	H	IDT74FCT139TQ	IDT	CD74FCT139TQM	H
ICL8212CSA	MAXIM	ICL8212CBA	H	IDT74FCT139TQSO	IDT	CD74FCT139TQM	H
ICL8212CTY	MAXIM	ICL8212CTY	H	IDT74FCT151ATQ	IDT	CD74FCT151ATQM	H
ICL8212MTV	MAXIM	ICL8212MTY	H	IDT74FCT151ATQSO	IDT	CD74FCT151ATQM	H
IDT74FCT151CTQ	IDT	CD74FCT151CTQM	H	IDT74FCT151ATSO	IDT	CD74FCT151ATM	H
IDT74FCT151CTSO	IDT	CD74FCT151CTM	H	IDT74FCT162H373ETPV	IDT	CD74FCT162H373ETSM	H
IDT74FCT151TQ	IDT	CD74FCT151TQM	H	IDT74FCT162H373TPA	IDT	CD74FCT162H373TMT	H
IDT74FCT151TQSO	IDT	CD74FCT151TM	H	IDT74FCT162H373TPV	IDT	CD74FCT162H373TSM	H
IDT74FCT153ATQ	IDT	CD74FCT153ATQM	H	IDT74FCT162H374ATPA	IDT	CD74FCT162H374ATMT	H
IDT74FCT153ATSO	IDT	CD74FCT153ATM	H	IDT74FCT162H374ATPV	IDT	CD74FCT162H374ATSM	H
IDT74FCT153CTQ	IDT	CD74FCT153CTQM	H	IDT74FCT162H374CTPA	IDT	CD74FCT162H374CTMT	H
IDT74FCT153CTSO	IDT	CD74FCT153CTM	H	IDT74FCT162H374CTPV	IDT	CD74FCT162H374CTSM	H
IDT74FCT153TQ	IDT	CD74FCT153TQM	H	IDT74FCT162H374DTPA	IDT	CD74FCT162H374DTMT	H
IDT74FCT153TQSO	IDT	CD74FCT153TQM	H	IDT74FCT162H374DTPV	IDT	CD74FCT162H374DTSM	H
IDT74FCT157ATQ	IDT	CD74FCT157ATQM	H	IDT74FCT162H374ETPA	IDT	CD74FCT162H374ETMT	H
IDT74FCT157ATQSO	IDT	CD74FCT157ATQM	H	IDT74FCT162H374ETPV	IDT	CD74FCT162H374ETSM	H
IDT74FCT157CTQ	IDT	CD74FCT157CTQM	H	IDT74FCT162H374TPA	IDT	CD74FCT162H374TMT	H
IDT74FCT157CTQSO	IDT	CD74FCT157CTQM	H	IDT74FCT162H374TPV	IDT	CD74FCT162H374TSM	H
IDT74FCT157DTQ	IDT	CD74FCT157DTQM	H	IDT74FCT162H501ATPA	IDT	CD74FCT162H501ATMT	H
IDT74FCT157DTQSO	IDT	CD74FCT157DTQM	H	IDT74FCT162H501ATPV	IDT	CD74FCT162H501ATSM	H
IDT74FCT157TQ	IDT	CD74FCT157TQM	H	IDT74FCT162H501CTPA	IDT	CD74FCT162H501CTMT	H
IDT74FCT157TQSO	IDT	CD74FCT157TQM	H	IDT74FCT162H501CTPV	IDT	CD74FCT162H501CTSM	H
IDT74FCT162H240ATPA	IDT	CD74FCT162H240ATMT	H	IDT74FCT162H501DTPA	IDT	CD74FCT162H501DTMT	H
IDT74FCT162H240ATPV	IDT	CD74FCT162H240ATSM	H	IDT74FCT162H501DTPV	IDT	CD74FCT162H501DTSM	H
IDT74FCT162H240CTPA	IDT	CD74FCT162H240CTMT	H	IDT74FCT162H501ETPA	IDT	CD74FCT162H501ETMT	H
IDT74FCT162H240CTPV	IDT	CD74FCT162H240CTSM	H	IDT74FCT162H501ETPV	IDT	CD74FCT162H501ETSM	H
IDT74FCT162H240DTPA	IDT	CD74FCT162H240DTMT	H	IDT74FCT162H501TPA	IDT	CD74FCT162H501TMT	H
IDT74FCT162H240DTPV	IDT	CD74FCT162H240DTSM	H	IDT74FCT162H501TPV	IDT	CD74FCT162H501TSM	H
IDT74FCT162H240ETPA	IDT	CD74FCT162H240ETMT	H	IDT74FCT162H540ATPA	IDT	CD74FCT162H540ATMT	H
IDT74FCT162H240ETPV	IDT	CD74FCT162H240ETSM	H	IDT74FCT162H540ATPV	IDT	CD74FCT162H540ATSM	H
IDT74FCT162H240ETV	IDT	CD74FCT162H240ETSM	H	IDT74FCT162H540CTPA	IDT	CD74FCT162H540CTMT	H
IDT74FCT162H240TPA	IDT	CD74FCT162H240TMT	H	IDT74FCT162H540CTPV	IDT	CD74FCT162H540CTSM	H
IDT74FCT162H240TPV	IDT	CD74FCT162H240TSM	H	IDT74FCT162H540DTPA	IDT	CD74FCT162H540DTMT	H
IDT74FCT162H244ATPA	IDT	CD74FCT162H244ATMT	H	IDT74FCT162H540DTPV	IDT	CD74FCT162H540DTSM	H
IDT74FCT162H244ATPV	IDT	CD74FCT162H244ATSM	H	IDT74FCT162H540ETPA	IDT	CD74FCT162H540ETMT	H
IDT74FCT162H244CTPA	IDT	CD74FCT162H244CTMT	H	IDT74FCT162H540ETPV	IDT	CD74FCT162H540ETSM	H
IDT74FCT162H244CTPV	IDT	CD74FCT162H244CTSM	H	IDT74FCT162H540TPA	IDT	CD74FCT162H540TMT	H
IDT74FCT162H244DTPA	IDT	CD74FCT162H244DTMT	H	IDT74FCT162H540TPV	IDT	CD74FCT162H540TSM	H
IDT74FCT162H244DTPV	IDT	CD74FCT162H244DTSM	H	IDT74FCT162H541ATPA	IDT	CD74FCT162H541ATMT	H
IDT74FCT162H244ETPA	IDT	CD74FCT162H244ETMT	H	IDT74FCT162H541ATPV	IDT	CD74FCT162H541ATSM	H
IDT74FCT162H244CTPA	IDT	CD74FCT162H244CTMT	H	IDT74FCT162H541CTPA	IDT	CD74FCT162H541CTMT	H
IDT74FCT162H244CTPV	IDT	CD74FCT162H244CTSM	H	IDT74FCT162H541CTPV	IDT	CD74FCT162H541CTSM	H
IDT74FCT162H244DTPA	IDT	CD74FCT162H244DTMT	H	IDT74FCT162H541DTPA	IDT	CD74FCT162H541DTMT	H
IDT74FCT162H244DTPV	IDT	CD74FCT162H244TSM	H				

3
DIRECT/HARRIS
REPLACEMENTS

NOTE: D = Direct Replacement, H = Harris Recommended Replacement.

Cross-Reference Guide

COMPETITOR #	COMPETITOR	HARRIS #	TYPE	COMPETITOR #	COMPETITOR	HARRIS #	TYPE
IDT74FCT162H245ATPA	IDT	CD74FCT162H245ATMT	H	IDT74FCT162H541DTPV	IDT	CD74FCT162H541DTSMT	H
IDT74FCT162H245ATPV	IDT	CD74FCT162H245ATSMT	H	IDT74FCT162H541ETPA	IDT	CD74FCT162H541ETMT	H
IDT74FCT162H245CTPA	IDT	CD74FCT162H245CTMT	H	IDT74FCT162H541ETPV	IDT	CD74FCT162H541ETSM	H
IDT74FCT162H245CTPV	IDT	CD74FCT162H245CTSMT	H	IDT74FCT162H541TPA	IDT	CD74FCT162H541TMT	H
IDT74FCT162H245DTPA	IDT	CD74FCT162H245DTMT	H	IDT74FCT162H541TPV	IDT	CD74FCT162H541TSM	H
IDT74FCT162H245DTPV	IDT	CD74FCT162H245DTSMT	H	IDT74FCT162H543ATPA	IDT	CD74FCT162H543ATMT	H
IDT74FCT162H245ETPA	IDT	CD74FCT162H245ETMT	H	IDT74FCT162H543ATPV	IDT	CD74FCT162H543ATSM	H
IDT74FCT162H245ETPV	IDT	CD74FCT162H245ETSM	H	IDT74FCT162H543CTPA	IDT	CD74FCT162H543CTMT	H
IDT74FCT162H245TPA	IDT	CD74FCT162H245TMT	H	IDT74FCT162H543CTPV	IDT	CD74FCT162H543CTSMT	H
IDT74FCT162H245TPV	IDT	CD74FCT162H245TSM	H	IDT74FCT162H543DTPA	IDT	CD74FCT162H543DTMT	H
IDT74FCT162H373ATPA	IDT	CD74FCT162H373ATMT	H	IDT74FCT162H543DTPV	IDT	CD74FCT162H543DTSMT	H
IDT74FCT162H373ATPV	IDT	CD74FCT162H373ATSMT	H	IDT74FCT162H543ETPA	IDT	CD74FCT162H543ETMT	H
IDT74FCT162H373CTPA	IDT	CD74FCT162H373CTMT	H	IDT74FCT162H543ETPV	IDT	CD74FCT162H543ETSM	H
IDT74FCT162H373CTPV	IDT	CD74FCT162H373CTSMT	H	IDT74FCT162H543TPA	IDT	CD74FCT162H543TMT	H
IDT74FCT162H373DTPA	IDT	CD74FCT162H373DTMT	H	IDT74FCT162H543TPV	IDT	CD74FCT162H543TSM	H
IDT74FCT162H373DTPV	IDT	CD74FCT162H373DTSMT	H	IDT74FCT162H646ATPA	IDT	CD74FCT162H646ATMT	H
IDT74FCT162H373ETPA	IDT	CD74FCT162H373ETMT	H	IDT74FCT162H646ATPV	IDT	CD74FCT162H646ATSM	H
IDT74FCT162H646CTPA	IDT	CD74FCT162H646CTMT	H	IDT74FCT162244ETPV	IDT	CD74FCT162244ETSM	H
IDT74FCT162H646CTPV	IDT	CD74FCT162H646CTSMT	H	IDT74FCT162244TPA	IDT	CD74FCT162244TMT	H
IDT74FCT162H646DTPA	IDT	CD74FCT162H646DTMT	H	IDT74FCT162244TPV	IDT	CD74FCT162244TSM	H
IDT74FCT162H646DTPV	IDT	CD74FCT162H646DTSMT	H	IDT74FCT162245ATPA	IDT	CD74FCT162245ATMT	H
IDT74FCT162H646ETPA	IDT	CD74FCT162H646ETMT	H	IDT74FCT162245ATPV	IDT	CD74FCT162245ATSM	H
IDT74FCT162H646ETPV	IDT	CD74FCT162H646ETSM	H	IDT74FCT162245CTPA	IDT	CD74FCT162245CTMT	H
IDT74FCT162H646TPA	IDT	CD74FCT162H646TMT	H	IDT74FCT162245CTPV	IDT	CD74FCT162245CTSMT	H
IDT74FCT162H646TPV	IDT	CD74FCT162H646TSM	H	IDT74FCT162245DTPA	IDT	CD74FCT162245DTMT	H
IDT74FCT162H823ATPA	IDT	CD74FCT162H823ATMT	H	IDT74FCT162245DTPV	IDT	CD74FCT162245DTSMT	H
IDT74FCT162H823ATPV	IDT	CD74FCT162H823ATSMT	H	IDT74FCT162245ETPA	IDT	CD74FCT162245ETMT	H
IDT74FCT162H823BTPA	IDT	CD74FCT162H823BTMT	H	IDT74FCT162245ETPV	IDT	CD74FCT162245ETSM	H
IDT74FCT162H823BTPV	IDT	CD74FCT162H823BTSMT	H	IDT74FCT162245TPA	IDT	CD74FCT162245TMT	H
IDT74FCT162H823CTPA	IDT	CD74FCT162H823CTMT	H	IDT74FCT162245TPV	IDT	CD74FCT162245TSM	H
IDT74FCT162H823CTPV	IDT	CD74FCT162H823CTSMT	H	IDT74FCT162373ATPA	IDT	CD74FCT162373ATMT	H
IDT74FCT162H823DTPA	IDT	CD74FCT162H823DTMT	H	IDT74FCT162373ATPV	IDT	CD74FCT162373ATSM	H
IDT74FCT162H823DTPV	IDT	CD74FCT162H823DTSMT	H	IDT74FCT162373CTPA	IDT	CD74FCT162373CTMT	H
IDT74FCT162H823ETPA	IDT	CD74FCT162H823ETMT	H	IDT74FCT162373CTPV	IDT	CD74FCT162373CTSMT	H
IDT74FCT162H823ETPV	IDT	CD74FCT162H823ETSM	H	IDT74FCT162373DTPA	IDT	CD74FCT162373DTMT	H
IDT74FCT162H827ATPA	IDT	CD74FCT162H827ATMT	H	IDT74FCT162373DTPV	IDT	CD74FCT162373DTSMT	H
IDT74FCT162H827ATPV	IDT	CD74FCT162H827ATSMT	H	IDT74FCT162373ETPA	IDT	CD74FCT162373ETMT	H
IDT74FCT162H827BTPA	IDT	CD74FCT162H827BTMT	H	IDT74FCT162373ETPV	IDT	CD74FCT162373ETSM	H
IDT74FCT162H827BTPV	IDT	CD74FCT162H827BTSMT	H	IDT74FCT162373TPA	IDT	CD74FCT162373TMT	H
IDT74FCT162H827CTPA	IDT	CD74FCT162H827CTMT	H	IDT74FCT162373TPV	IDT	CD74FCT162373TSM	H
IDT74FCT162H827CTPV	IDT	CD74FCT162H827CTSMT	H	IDT74FCT162374ATPA	IDT	CD74FCT162374ATMT	H
IDT74FCT162H827DTPA	IDT	CD74FCT162H827DTMT	H	IDT74FCT162374ATPV	IDT	CD74FCT162374ATSM	H
IDT74FCT162H827DTPV	IDT	CD74FCT162H827DTSMT	H	IDT74FCT162374CTPA	IDT	CD74FCT162374CTMT	H
IDT74FCT162H827ETPA	IDT	CD74FCT162H827ETMT	H	IDT74FCT162374CTPV	IDT	CD74FCT162374CTSM	H
IDT74FCT162H827ETPV	IDT	CD74FCT162H827ETSM	H	IDT74FCT162374DTPA	IDT	CD74FCT162374DTMT	H
IDT74FCT162H952ATPA	IDT	CD74FCT162H952ATMT	H	IDT74FCT162374DTPV	IDT	CD74FCT162374DTSMT	H
IDT74FCT162H952ATPV	IDT	CD74FCT162H952ATSMT	H	IDT74FCT162374ETPA	IDT	CD74FCT162374ETMT	H
IDT74FCT162H952BTPA	IDT	CD74FCT162H952BTMT	H	IDT74FCT162374ETPV	IDT	CD74FCT162374ETSM	H
IDT74FCT162H952BTPV	IDT	CD74FCT162H952BTSMT	H	IDT74FCT162374TPA	IDT	CD74FCT162374TMT	H
IDT74FCT162H952CTPA	IDT	CD74FCT162H952CTMT	H	IDT74FCT162374TPV	IDT	CD74FCT162374TSM	H
IDT74FCT162H952CTPV	IDT	CD74FCT162H952CTSMT	H	IDT74FCT16240ATPA	IDT	CD74FCT16240ATMT	H
IDT74FCT162H952DTPA	IDT	CD74FCT162H952DTMT	H	IDT74FCT16240ATPV	IDT	CD74FCT16240ATSM	H
IDT74FCT162H952DTPV	IDT	CD74FCT162H952DTSMT	H	IDT74FCT16240CTPA	IDT	CD74FCT16240CTMT	H
IDT74FCT162H952ETPA	IDT	CD74FCT162H952ETMT	H	IDT74FCT16240CTPV	IDT	CD74FCT16240CTSM	H
IDT74FCT162H952ETPV	IDT	CD74FCT162H952ETSM	H	IDT74FCT16240DTPA	IDT	CD74FCT16240DTMT	H
IDT74FCT162240ATPA	IDT	CD74FCT162240ATMT	H	IDT74FCT16240DTPV	IDT	CD74FCT16240DTSMT	H
IDT74FCT162240ATPV	IDT	CD74FCT162240ATSMT	H	IDT74FCT16240ETPA	IDT	CD74FCT16240ETMT	H
IDT74FCT162240CTPA	IDT	CD74FCT162240CTMT	H	IDT74FCT16240ETPV	IDT	CD74FCT16240ETSM	H

NOTE: D = Direct Replacement, H = Harris Recommended Replacement.

Cross-Reference Guide

COMPETITOR #	COMPETITOR	HARRIS #	TYPE	COMPETITOR #	COMPETITOR	HARRIS #	TYPE
IDT74FCT162240CTPV	IDT	CD74FCT162240CTSM	H	IDT74FCT16240TPA	IDT	CD74FCT16240TMT	H
IDT74FCT162240DTPA	IDT	CD74FCT162240DTMT	H	IDT74FCT16240TPV	IDT	CD74FCT16240TSM	H
IDT74FCT162240DTPV	IDT	CD74FCT162240DTSM	H	IDT74FCT16244ATPA	IDT	CD74FCT16244ATMT	H
IDT74FCT162240ETPA	IDT	CD74FCT162240ETMT	H	IDT74FCT16244ATPV	IDT	CD74FCT16244ATSM	H
IDT74FCT162240ETPV	IDT	CD74FCT162240ETSMT	H	IDT74FCT16244CTPA	IDT	CD74FCT16244CTMT	H
IDT74FCT162240TPA	IDT	CD74FCT162240TMT	H	IDT74FCT16244CTPV	IDT	CD74FCT16244CTSM	H
IDT74FCT162240TPV	IDT	CD74FCT162240TSM	H	IDT74FCT16244DTPA	IDT	CD74FCT16244DTMT	H
IDT74FCT162244ATPA	IDT	CD74FCT162244ATMT	H	IDT74FCT16244DTPV	IDT	CD74FCT16244DTSMT	H
IDT74FCT162244ATPV	IDT	CD74FCT162244ATSM	H	IDT74FCT16244ETPA	IDT	CD74FCT16244ETMT	H
IDT74FCT162244CTPA	IDT	CD74FCT162244CTMT	H	IDT74FCT16244ETPV	IDT	CD74FCT16244ETSMT	H
IDT74FCT162244CTPV	IDT	CD74FCT162244CTSM	H	IDT74FCT16244TPA	IDT	CD74FCT16244TMT	H
IDT74FCT162244DTPA	IDT	CD74FCT162244DTMT	H	IDT74FCT16244TPV	IDT	CD74FCT16244TSM	H
IDT74FCT162244DTPV	IDT	CD74FCT162244DTSMT	H	IDT74FCT16245ATPA	IDT	CD74FCT16245ATMT	H
IDT74FCT162244ETPA	IDT	CD74FCT162244ETMT	H	IDT74FCT16245ATPV	IDT	CD74FCT16245ATSM	H
IDT74FCT16245CTPA	IDT	CD74FCT16245CTMT	H	IDT74FCT162646ATPV	IDT	CD74FCT162646ATSM	H
IDT74FCT16245CTPV	IDT	CD74FCT16245CTSM	H	IDT74FCT162646CTPA	IDT	CD74FCT162646CTMT	H
IDT74FCT16245DTPA	IDT	CD74FCT16245DTMT	H	IDT74FCT162646CTPV	IDT	CD74FCT162646CTSM	H
IDT74FCT16245DTPV	IDT	CD74FCT16245DTSMT	H	IDT74FCT162646DTPA	IDT	CD74FCT162646DTMT	H
IDT74FCT16245ETPA	IDT	CD74FCT16245ETMT	H	IDT74FCT162646DTPV	IDT	CD74FCT162646DTSMT	H
IDT74FCT16245ETPV	IDT	CD74FCT16245ETSMT	H	IDT74FCT162646ETPA	IDT	CD74FCT162646ETMT	H
IDT74FCT16245TPA	IDT	CD74FCT16245TMT	H	IDT74FCT162646ETPV	IDT	CD74FCT162646ETSMT	H
IDT74FCT16245TPV	IDT	CD74FCT16245TSM	H	IDT74FCT162646TPA	IDT	CD74FCT162646TMT	H
IDT74FCT162500ATPA	IDT	CD74FCT162500ATMT	H	IDT74FCT162646TPV	IDT	CD74FCT162646TSM	H
IDT74FCT162500ATPV	IDT	CD74FCT162500ATSM	H	IDT74FCT162652ATPA	IDT	CD74FCT162652ATMT	H
IDT74FCT162500CTPA	IDT	CD74FCT162500CTMT	H	IDT74FCT162652ATPV	IDT	CD74FCT162652ATSM	H
IDT74FCT162500CTPV	IDT	CD74FCT162500CTSM	H	IDT74FCT162652CTPA	IDT	CD74FCT162652CTMT	H
IDT74FCT162501ATPA	IDT	CD74FCT162501ATMT	H	IDT74FCT162652CTPV	IDT	CD74FCT162652CTSM	H
IDT74FCT162501ATPV	IDT	CD74FCT162501ATSM	H	IDT74FCT162652TPV	IDT	CD74FCT162652TSM	H
IDT74FCT162501CTPA	IDT	CD74FCT162501CTMT	H	IDT74FCT162823ATPA	IDT	CD74FCT162823ATMT	H
IDT74FCT162501CTPV	IDT	CD74FCT162501CTSM	H	IDT74FCT162823ATPV	IDT	CD74FCT162823ATSM	H
IDT74FCT162501DTPA	IDT	CD74FCT162501DTMT	H	IDT74FCT162823BTPA	IDT	CD74FCT162823BTMT	H
IDT74FCT162501DTPV	IDT	CD74FCT162501DTSMT	H	IDT74FCT162823BTPV	IDT	CD74FCT162823BTSM	H
IDT74FCT162501ETPA	IDT	CD74FCT162501ETMT	H	IDT74FCT162823CTPA	IDT	CD74FCT162823CTMT	H
IDT74FCT162501ETPV	IDT	CD74FCT162501ETSMT	H	IDT74FCT162823CTPV	IDT	CD74FCT162823CTSM	H
IDT74FCT162511ATPA	IDT	CD74FCT162511ATMT	H	IDT74FCT162823DTPA	IDT	CD74FCT162823DTMT	H
IDT74FCT162511ATPV	IDT	CD74FCT162511ATSM	H	IDT74FCT162823DTPV	IDT	CD74FCT162823DTSMT	H
IDT74FCT162511TPA	IDT	CD74FCT162511TMT	H	IDT74FCT162823ETPA	IDT	CD74FCT162823ETMT	H
IDT74FCT162511TPV	IDT	CD74FCT162511TSM	H	IDT74FCT162823ETPV	IDT	CD74FCT162823ETSMT	H
IDT74FCT162540ATPA	IDT	CD74FCT162540ATMT	H	IDT74FCT162827ATPA	IDT	CD74FCT162827ATMT	H
IDT74FCT162540ATPV	IDT	CD74FCT162540ATSM	H	IDT74FCT162827ATPV	IDT	CD74FCT162827ATSM	H
IDT74FCT162540CTPA	IDT	CD74FCT162540CTMT	H	IDT74FCT162827BTPA	IDT	CD74FCT162827BTMT	H
IDT74FCT162540CTPV	IDT	CD74FCT162540CTSM	H	IDT74FCT162827BTPV	IDT	CD74FCT162827BTSM	H
IDT74FCT162540DTPA	IDT	CD74FCT162540DTMT	H	IDT74FCT162827CTPA	IDT	CD74FCT162827CTMT	H
IDT74FCT162540DTPV	IDT	CD74FCT162540DTSMT	H	IDT74FCT162827CTPV	IDT	CD74FCT162827CTSM	H
IDT74FCT162540ETPA	IDT	CD74FCT162540ETMT	H	IDT74FCT162827DTPA	IDT	CD74FCT162827DTMT	H
IDT74FCT162540ETPV	IDT	CD74FCT162540ETSMT	H	IDT74FCT162827DTPV	IDT	CD74FCT162827DTSMT	H
IDT74FCT162540TPA	IDT	CD74FCT162540TMT	H	IDT74FCT162827ETPA	IDT	CD74FCT162827ETMT	H
IDT74FCT162540TPV	IDT	CD74FCT162540TSM	H	IDT74FCT162827ETPV	IDT	CD74FCT162827ETSMT	H
IDT74FCT162541ATPA	IDT	CD74FCT162541ATMT	H	IDT74FCT162841ATPA	IDT	CD74FCT162841ATMT	H
IDT74FCT162541ATPV	IDT	CD74FCT162541ATSM	H	IDT74FCT162841ATPV	IDT	CD74FCT162841ATSM	H
IDT74FCT162541CTPA	IDT	CD74FCT162541CTMT	H	IDT74FCT162841BTPA	IDT	CD74FCT162841BTMT	H
IDT74FCT162541CTPV	IDT	CD74FCT162541CTSM	H	IDT74FCT162841BTPV	IDT	CD74FCT162841BTSM	H
IDT74FCT162541DTPA	IDT	CD74FCT162541DTMT	H	IDT74FCT162841CTPA	IDT	CD74FCT162841CTMT	H
IDT74FCT162541DTPV	IDT	CD74FCT162541DTSMT	H	IDT74FCT162841CTPV	IDT	CD74FCT162841CTSM	H
IDT74FCT162541ETPA	IDT	CD74FCT162541ETMT	H	IDT74FCT162841DTPA	IDT	CD74FCT162841DTMT	H
IDT74FCT162541ETPV	IDT	CD74FCT162541ETSMT	H	IDT74FCT162841DTPV	IDT	CD74FCT162841DTSMT	H
IDT74FCT162541TPA	IDT	CD74FCT162541TMT	H	IDT74FCT162841ETPA	IDT	CD74FCT162841ETMT	H
IDT74FCT162541TPV	IDT	CD74FCT162541TSM	H	IDT74FCT162841ETPV	IDT	CD74FCT162841ETSMT	H

3
DIRECT/HARRIS
REPLACEMENTS

NOTE: D = Direct Replacement, H = Harris Recommended Replacement.

Cross-Reference Guide

COMPETITOR #	COMPETITOR	HARRIS #	TYPE	COMPETITOR #	COMPETITOR	HARRIS #	TYPE
IDT74FCT162543ATPA	IDT	CD74FCT162543ATMT	H	IDT74FCT162952ATPA	IDT	CD74FCT162952ATMT	H
IDT74FCT162543ATPV	IDT	CD74FCT162543ATSM	H	IDT74FCT162952ATPV	IDT	CD74FCT162952ATSM	H
IDT74FCT162543CTPA	IDT	CD74FCT162543CTMT	H	IDT74FCT162952CTPA	IDT	CD74FCT162952CTMT	H
IDT74FCT162543CTPV	IDT	CD74FCT162543CTSM	H	IDT74FCT162952CTPV	IDT	CD74FCT162952CTSM	H
IDT74FCT162543DTPA	IDT	CD74FCT162543DTMT	H	IDT74FCT162952DTPA	IDT	CD74FCT162952DTMT	H
IDT74FCT162543DTPV	IDT	CD74FCT162543DTSM	H	IDT74FCT162952DTPV	IDT	CD74FCT162952DTSM	H
IDT74FCT162543ETPA	IDT	CD74FCT162543ETMT	H	IDT74FCT162952ETPA	IDT	CD74FCT162952ETMT	H
IDT74FCT162543ETPV	IDT	CD74FCT162543ETSM	H	IDT74FCT162952ETPV	IDT	CD74FCT162952ETSM	H
IDT74FCT162543TPA	IDT	CD74FCT162543TMT	H	IDT74FCT162952TPA	IDT	CD74FCT162952TMT	H
IDT74FCT162543TPV	IDT	CD74FCT162543TSM	H	IDT74FCT162952TPV	IDT	CD74FCT162952TSM	H
IDT74FCT162646ATPA	IDT	CD74FCT162646ATMT	H	IDT74FCT163240AMT	IDT	CD74FCT163240ATMT	H
IDT74FCT163240ASM	IDT	CD74FCT163240ASM	H	IDT74FCT16501CTPA	IDT	CD74FCT16501CTMT	H
IDT74FCT163240MT	IDT	CD74FCT163240MT	H	IDT74FCT16501CTPV	IDT	CD74FCT16501CTSM	H
IDT74FCT163240SM	IDT	CD74FCT163240SM	H	IDT74FCT16501DTPA	IDT	CD74FCT16501DTMT	H
IDT74FCT163244AMT	IDT	CD74FCT163244AMT	H	IDT74FCT16501DTPV	IDT	CD74FCT16501DTSM	H
IDT74FCT163244ASM	IDT	CD74FCT163244ASM	H	IDT74FCT16501ETPA	IDT	CD74FCT16501ETMT	H
IDT74FCT163244CMT	IDT	CD74FCT163244CMT	H	IDT74FCT16501ETPV	IDT	CD74FCT16501ETSM	H
IDT74FCT163244CSM	IDT	CD74FCT163244CSM	H	IDT74FCT16511TPA	IDT	CD74FCT16511TMT	H
IDT74FCT163244MT	IDT	CD74FCT163244MT	H	IDT74FCT16511TPV	IDT	CD74FCT16511TSM	H
IDT74FCT163244SM	IDT	CD74FCT163244SM	H	IDT74FCT16540ATPA	IDT	CD74FCT16540ATMT	H
IDT74FCT163245AMT	IDT	CD74FCT163245AMT	H	IDT74FCT16540ATPV	IDT	CD74FCT16540ATSM	H
IDT74FCT163245ASM	IDT	CD74FCT163245ASM	H	IDT74FCT16540CTPA	IDT	CD74FCT16540CTMT	H
IDT74FCT163245CMT	IDT	CD74FCT163245CMT	H	IDT74FCT16540CTPV	IDT	CD74FCT16540CTSM	H
IDT74FCT163245CSM	IDT	CD74FCT163245CSM	H	IDT74FCT16540TPA	IDT	CD74FCT16540TMT	H
IDT74FCT163245MT	IDT	CD74FCT163245MT	H	IDT74FCT16540TPV	IDT	CD74FCT16540TSM	H
IDT74FCT163245SM	IDT	CD74FCT163245SM	H	IDT74FCT16541ATPA	IDT	CD74FCT16541ATMT	H
IDT74FCT163373AMT	IDT	CD74FCT163373AMT	H	IDT74FCT16541ATPV	IDT	CD74FCT16541ATSM	H
IDT74FCT163373ASM	IDT	CD74FCT163373ASM	H	IDT74FCT16541CTPA	IDT	CD74FCT16541CTMT	H
IDT74FCT163373CMT	IDT	CD74FCT163373CMT	H	IDT74FCT16541CTPV	IDT	CD74FCT16541CTSM	H
IDT74FCT163373CSM	IDT	CD74FCT163373CSM	H	IDT74FCT16541DTPA	IDT	CD74FCT16541DTMT	H
IDT74FCT163373MT	IDT	CD74FCT163373MT	H	IDT74FCT16541DTPV	IDT	CD74FCT16541DTSM	H
IDT74FCT163373SM	IDT	CD74FCT163373SM	H	IDT74FCT16541ETPA	IDT	CD74FCT16541ETMT	H
IDT74FCT163374AMT	IDT	CD74FCT163374AMT	H	IDT74FCT16541ETPV	IDT	CD74FCT16541ETSM	H
IDT74FCT163374ASM	IDT	CD74FCT163374ASM	H	IDT74FCT16541TPA	IDT	CD74FCT16541TMT	H
IDT74FCT163374CMT	IDT	CD74FCT163374CMT	H	IDT74FCT16541TPV	IDT	CD74FCT16541TSM	H
IDT74FCT163374CSM	IDT	CD74FCT163374CSM	H	IDT74FCT16543ATPA	IDT	CD74FCT16543ATMT	H
IDT74FCT163374MT	IDT	CD74FCT163374MT	H	IDT74FCT16543ATPV	IDT	CD74FCT16543ATSM	H
IDT74FCT163374SM	IDT	CD74FCT163374SM	H	IDT74FCT16543CTPA	IDT	CD74FCT16543CTMT	H
IDT74FCT16373ATPA	IDT	CD74FCT16373ATMT	H	IDT74FCT16543CTPV	IDT	CD74FCT16543CTSM	H
IDT74FCT16373ATPV	IDT	CD74FCT16373ATSM	H	IDT74FCT16543DTPA	IDT	CD74FCT16543DTMT	H
IDT74FCT16373CTPA	IDT	CD74FCT16373CTMT	H	IDT74FCT16543DTPV	IDT	CD74FCT16543DTSM	H
IDT74FCT16373CTPV	IDT	CD74FCT16373CTSM	H	IDT74FCT16543ETPA	IDT	CD74FCT16543ETMT	H
IDT74FCT16373DTPA	IDT	CD74FCT16373DTMT	H	IDT74FCT16543ETPV	IDT	CD74FCT16543ETSM	H
IDT74FCT16373DTPV	IDT	CD74FCT16373DTSM	H	IDT74FCT16543TPA	IDT	CD74FCT16543TMT	H
IDT74FCT16373ETPA	IDT	CD74FCT16373ETMT	H	IDT74FCT16543TPV	IDT	CD74FCT16543TSM	H
IDT74FCT16373ETPV	IDT	CD74FCT16373ETSM	H	IDT74FCT16646ATPA	IDT	CD74FCT16646ATMT	H
IDT74FCT16373TPA	IDT	CD74FCT16373TMT	H	IDT74FCT16646ATPV	IDT	CD74FCT16646ATSM	H
IDT74FCT16373TPV	IDT	CD74FCT16373TSM	H	IDT74FCT16646CTPA	IDT	CD74FCT16646CTMT	H
IDT74FCT16374ATPA	IDT	CD74FCT16374ATMT	H	IDT74FCT16646CTPV	IDT	CD74FCT16646CTSM	H
IDT74FCT16374ATPV	IDT	CD74FCT16374ATSM	H	IDT74FCT16646DTPA	IDT	CD74FCT16646DTMT	H
IDT74FCT16374CTPA	IDT	CD74FCT16374CTMT	H	IDT74FCT16646DTPV	IDT	CD74FCT16646DTSM	H
IDT74FCT16374CTPV	IDT	CD74FCT16374CTSM	H	IDT74FCT16646ETPA	IDT	CD74FCT16646ETMT	H
IDT74FCT16374DTPA	IDT	CD74FCT16374DTMT	H	IDT74FCT16646ETPV	IDT	CD74FCT16646ETSM	H
IDT74FCT16374DTPV	IDT	CD74FCT16374DTSM	H	IDT74FCT16646TPA	IDT	CD74FCT16646TMT	H
IDT74FCT16374ETPA	IDT	CD74FCT16374ETMT	H	IDT74FCT16646TPV	IDT	CD74FCT16646TSM	H
IDT74FCT16374ETPV	IDT	CD74FCT16374ETSM	H	IDT74FCT16652ATPA	IDT	CD74FCT16652ATMT	H
IDT74FCT16374TPA	IDT	CD74FCT16374TMT	H	IDT74FCT16652ATPV	IDT	CD74FCT16652ATSM	H
IDT74FCT16374TPV	IDT	CD74FCT16374TSM	H	IDT74FCT16652CTPA	IDT	CD74FCT16652CTMT	H

NOTE: D = Direct Replacement, H = Harris Recommended Replacement.

Cross-Reference Guide

COMPETITOR #	COMPETITOR	HARRIS #	TYPE	COMPETITOR #	COMPETITOR	HARRIS #	TYPE
IDT74FCT16500ATPA	IDT	CD74FCT16500ATMT	H	IDT74FCT16652CTPV	IDT	CD74FCT16652CTSM	H
IDT74FCT16500ATPV	IDT	CD74FCT16500ATSM	H	IDT74FCT16652DTPA	IDT	CD74FCT16652DTMT	H
IDT74FCT16500CTPA	IDT	CD74FCT16500CTMT	H	IDT74FCT16652DTPV	IDT	CD74FCT16652DTSMT	H
IDT74FCT16500CTPV	IDT	CD74FCT16500CTSM	H	IDT74FCT16652MT	IDT	CD74FCT16652MT	H
IDT74FCT16500DTPA	IDT	CD74FCT16500DTMT	H	IDT74FCT16652TPV	IDT	CD74FCT16652TSM	H
IDT74FCT16500DTPV	IDT	CD74FCT16500DTSMT	H	IDT74FCT16823ATPA	IDT	CD74FCT16823ATMT	H
IDT74FCT16501ATPA	IDT	CD74FCT16501ATMT	H	IDT74FCT16823ATPV	IDT	CD74FCT16823ATSM	H
IDT74FCT16501ATPV	IDT	CD74FCT16501ATSM	H	IDT74FCT16823BTPA	IDT	CD74FCT16823BTMT	H
IDT74FCT16823BTPV	IDT	CD74FCT16823BTSM	H	IDT74FCT2240ATQ	IDT	CD74FCT2240ATQM	H
IDT74FCT16823CTPA	IDT	CD74FCT16823CTMT	H	IDT74FCT2240ATSO	IDT	CD74FCT2240ATM	H
IDT74FCT16823CTPV	IDT	CD74FCT16823CTSM	H	IDT74FCT2240CTQ	IDT	CD74FCT2240CTQM	H
IDT74FCT16823DTPA	IDT	CD74FCT16823DTMT	H	IDT74FCT2240CTSO	IDT	CD74FCT2240CTM	H
IDT74FCT16823DTPV	IDT	CD74FCT16823DTSMT	H	IDT74FCT2240TQ	IDT	CD74FCT2240TQM	H
IDT74FCT16823ETPA	IDT	CD74FCT16823ETMT	H	IDT74FCT2240TQSO	IDT	CD74FCT2240TQM	H
IDT74FCT16823ETPV	IDT	CD74FCT16823ETSMT	H	IDT74FCT2241ATQ	IDT	CD74FCT2241ATQM	H
IDT74FCT16827ATPA	IDT	CD74FCT16827ATMT	H	IDT74FCT2241ATSO	IDT	CD74FCT2241ATM	H
IDT74FCT16827ATPV	IDT	CD74FCT16827ATSM	H	IDT74FCT2241CTQ	IDT	CD74FCT2241CTQM	H
IDT74FCT16827BTPA	IDT	CD74FCT16827BTMT	H	IDT74FCT2241CTSO	IDT	CD74FCT2241CTM	H
IDT74FCT16827BTPV	IDT	CD74FCT16827BTSM	H	IDT74FCT2241TQ	IDT	CD74FCT2241TQM	H
IDT74FCT16827CTPA	IDT	CD74FCT16827CTMT	H	IDT74FCT2241TQSO	IDT	CD74FCT2241TQM	H
IDT74FCT16827CTPV	IDT	CD74FCT16827CTSM	H	IDT74FCT2244ATQ	IDT	CD74FCT2244ATQM	H
IDT74FCT16827DTPA	IDT	CD74FCT16827DTMT	H	IDT74FCT2244ATSO	IDT	CD74FCT2244ATM	H
IDT74FCT16827DTPV	IDT	CD74FCT16827DTSMT	H	IDT74FCT2244CTQ	IDT	CD74FCT2244CTQM	H
IDT74FCT16827ETPA	IDT	CD74FCT16827ETMT	H	IDT74FCT2244CTSO	IDT	CD74FCT2244CTM	H
IDT74FCT16827ETPV	IDT	CD74FCT16827ETSMT	H	IDT74FCT2244DTSO	IDT	CD74FCT2244CTM	H
IDT74FCT16841ATPA	IDT	CD74FCT16841ATMT	H	IDT74FCT2244TQ	IDT	CD74FCT2244TQM	H
IDT74FCT16841ATPV	IDT	CD74FCT16841ATSM	H	IDT74FCT2244TQSO	IDT	CD74FCT2244TQM	H
IDT74FCT16841BTPA	IDT	CD74FCT16841BTMT	H	IDT74FCT2245ATQ	IDT	CD74FCT2245ATQM	H
IDT74FCT16841BTPV	IDT	CD74FCT16841BTSM	H	IDT74FCT2245ATSO	IDT	CD74FCT2245ATM	H
IDT74FCT16841CTPA	IDT	CD74FCT16841CTMT	H	IDT74FCT2245CTQ	IDT	CD74FCT2245CTQM	H
IDT74FCT16841CTPV	IDT	CD74FCT16841CTSM	H	IDT74FCT2245CTSO	IDT	CD74FCT2245CTM	H
IDT74FCT16841DTPA	IDT	CD74FCT16841DTMT	H	IDT74FCT2245TQ	IDT	CD74FCT2245TQM	H
IDT74FCT16841DTPV	IDT	CD74FCT16841DTSMT	H	IDT74FCT2245TQSO	IDT	CD74FCT2245TQM	H
IDT74FCT16841ETPA	IDT	CD74FCT16841ETMT	H	IDT74FCT2253ATQ	IDT	CD74FCT2253ATQM	H
IDT74FCT16841ETPV	IDT	CD74FCT16841ETSMT	H	IDT74FCT2253ATSO	IDT	CD74FCT2253ATM	H
IDT74FCT16952ATPA	IDT	CD74FCT16952ATMT	H	IDT74FCT2253CTQ	IDT	CD74FCT2253CTQM	H
IDT74FCT16952ATPV	IDT	CD74FCT16952ATSM	H	IDT74FCT2253CTSO	IDT	CD74FCT2253CTM	H
IDT74FCT16952CTPA	IDT	CD74FCT16952CTMT	H	IDT74FCT2253TQ	IDT	CD74FCT2253TQM	H
IDT74FCT16952CTPV	IDT	CD74FCT16952CTSM	H	IDT74FCT2253TQSO	IDT	CD74FCT2253TQM	H
IDT74FCT16952DTPA	IDT	CD74FCT16952DTMT	H	IDT74FCT2257ATQ	IDT	CD74FCT2257ATQM	H
IDT74FCT16952DTPV	IDT	CD74FCT16952DTSMT	H	IDT74FCT2257ATSO	IDT	CD74FCT2257ATM	H
IDT74FCT16952ETPA	IDT	CD74FCT16952ETMT	H	IDT74FCT2257CTQ	IDT	CD74FCT2257CTQM	H
IDT74FCT16952ETPV	IDT	CD74FCT16952ETSMT	H	IDT74FCT2257CTSO	IDT	CD74FCT2257CTM	H
IDT74FCT16952TPA	IDT	CD74FCT16952TMT	H	IDT74FCT2257TQ	IDT	CD74FCT2257TQM	H
IDT74FCT16952TPV	IDT	CD74FCT16952TSM	H	IDT74FCT2257TQSO	IDT	CD74FCT2257TQM	H
IDT74FCT2151ATQ	IDT	CD74FCT2151ATQM	H	IDT74FCT2273ATQ	IDT	CD74FCT2273ATQM	H
IDT74FCT2151ATSO	IDT	CD74FCT2151ATM	H	IDT74FCT2273ATSO	IDT	CD74FCT2273ATM	H
IDT74FCT2151CTQ	IDT	CD74FCT2151CTQM	H	IDT74FCT2273CTQ	IDT	CD74FCT2273CTQM	H
IDT74FCT2151CTSO	IDT	CD74FCT2151CTM	H	IDT74FCT2273CTSO	IDT	CD74FCT2273CTM	H
IDT74FCT2151TQ	IDT	CD74FCT2151TQM	H	IDT74FCT2273TQ	IDT	CD74FCT2273TQM	H
IDT74FCT2151TQSO	IDT	CD74FCT2151TQM	H	IDT74FCT2273TQSO	IDT	CD74FCT2273TQM	H
IDT74FCT2151TQSO	IDT	CD74FCT2151TQM	H	IDT74FCT2273TQSO	IDT	CD74FCT2273TQM	H
IDT74FCT2153ATQ	IDT	CD74FCT2153ATQM	H	IDT74FCT2373ATQ	IDT	CD74FCT2373ATQM	H
IDT74FCT2153ATSO	IDT	CD74FCT2153ATM	H	IDT74FCT2373ATSO	IDT	CD74FCT2373ATM	H
IDT74FCT2153CTQ	IDT	CD74FCT2153CTQM	H	IDT74FCT2373CTQ	IDT	CD74FCT2373CTQM	H
IDT74FCT2153CTSO	IDT	CD74FCT2153CTM	H	IDT74FCT2373CTSO	IDT	CD74FCT2373CTM	H
IDT74FCT2153TQ	IDT	CD74FCT2153TQM	H	IDT74FCT2373TQ	IDT	CD74FCT2373TQM	H
IDT74FCT2153TQSO	IDT	CD74FCT2153TQM	H	IDT74FCT2373TQSO	IDT	CD74FCT2373TQM	H
IDT74FCT2157ATQ	IDT	CD74FCT2157ATQM	H	IDT74FCT2374ATQ	IDT	CD74FCT2374ATQM	H

3
**DIRECT/HARRIS
REPLACEMENTS**

NOTE: D = Direct Replacement, H = Harris Recommended Replacement.
3-37

Cross-Reference Guide

COMPETITOR #	COMPETITOR	HARRIS #	TYPE	COMPETITOR #	COMPETITOR	HARRIS #	TYPE
IDT74FCT2157ATSO	IDT	CD74FCT2157ATM	H	IDT74FCT2374ATSO	IDT	CD74FCT2374ATM	H
IDT74FCT2157CTQ	IDT	CD74FCT2157CTQM	H	IDT74FCT2374CTQ	IDT	CD74FCT2374CTQM	H
IDT74FCT2157CTSO	IDT	CD74FCT2157CTM	H	IDT74FCT2374CTSO	IDT	CD74FCT2374CTM	H
IDT74FCT2157TQ	IDT	CD74FCT2157TQM	H	IDT74FCT2374TQ	IDT	CD74FCT2374TQM	H
IDT74FCT2157TSO	IDT	CD74FCT2157TM	H	IDT74FCT2374TSO	IDT	CD74FCT2374TM	H
IDT74FCT238ATQ	IDT	CD74FCT238ATQM	H	IDT74FCT245TSO	IDT	CD74FCT245TM	D
IDT74FCT238ATSO	IDT	CD74FCT238ATM	H	IDT74FCT245TSO	IDT	CD74FCT245M96	D
IDT74FCT238CTQ	IDT	CD74FCT238CTQM	H	IDT74FCT245TSO	IDT	CD74FCT245TM	H
IDT74FCT238CTSO	IDT	CD74FCT238CTM	H	IDT74FCT245TSO-TR	IDT	CD74FCT245M	D
IDT74FCT238TQ	IDT	CD74FCT238TQM	H	IDT74FCT245TSO-TR	IDT	CD74FCT245M96	D
IDT74FCT238TSO	IDT	CD74FCT238TM	H	IDT74FCT251ATQ	IDT	CD74FCT251ATQM	H
IDT74FCT239ATQ	IDT	CD74FCT239ATQM	H	IDT74FCT251ATSO	IDT	CD74FCT251ATM	H
IDT74FCT239ATSO	IDT	CD74FCT239ATM	H	IDT74FCT251CTQ	IDT	CD74FCT251CTQM	H
IDT74FCT239CTQ	IDT	CD74FCT239CTQM	H	IDT74FCT251CTSO	IDT	CD74FCT251CTM	H
IDT74FCT239CTSO	IDT	CD74FCT239CTM	H	IDT74FCT251TQ	IDT	CD74FCT251TQM	H
IDT74FCT239TQ	IDT	CD74FCT239TQM	H	IDT74FCT251TSO	IDT	CD74FCT251TM	H
IDT74FCT239TSO	IDT	CD74FCT239TM	H	IDT74FCT253ATQ	IDT	CD74FCT253ATQM	H
IDT74FCT240ASO	IDT	CD74FCT240ATM	D	IDT74FCT253ATSO	IDT	CD74FCT253ATM	H
IDT74FCT240ASO-TR	IDT	CD74FCT240ATM	D	IDT74FCT253CTQ	IDT	CD74FCT253CTQM	H
IDT74FCT240ATQ	IDT	CD74FCT240ATQM	H	IDT74FCT253CTSO	IDT	CD74FCT253CTM	H
IDT74FCT240ATSO	IDT	CD74FCT240ATM	H	IDT74FCT253TQ	IDT	CD74FCT253TQM	H
IDT74FCT240CTQ	IDT	CD74FCT240CTQM	H	IDT74FCT253TSO	IDT	CD74FCT253TM	H
IDT74FCT240CTSO	IDT	CD74FCT240CTM	H	IDT74FCT2541ATQ	IDT	CD74FCT2541ATQM	H
IDT74FCT240DTQ	IDT	CD74FCT240DTQM	H	IDT74FCT2541ATSO	IDT	CD74FCT2541ATM	H
IDT74FCT240DTSO	IDT	CD74FCT240DTM	H	IDT74FCT2541CTQ	IDT	CD74FCT2541CTQM	H
IDT74FCT240TP	IDT	CD74FCT240E	D	IDT74FCT2541CTSO	IDT	CD74FCT2541CTM	H
IDT74FCT240TQ	IDT	CD74FCT240TQM	H	IDT74FCT2541TQ	IDT	CD74FCT2541TQM	H
IDT74FCT240TSO	IDT	CD74FCT240M	D	IDT74FCT2541TSO	IDT	CD74FCT2541TM	H
IDT74FCT240TSO	IDT	CD74FCT240M96	D	IDT74FCT2543ATQ	IDT	CD74FCT2543ATQM	H
IDT74FCT240TSO	IDT	CD74FCT240TM	H	IDT74FCT2543ATSO	IDT	CD74FCT2543ATM	H
IDT74FCT240TSO-TR	IDT	CD74FCT240M	D	IDT74FCT2543CTQ	IDT	CD74FCT2543CTQM	H
IDT74FCT240TSO-TR	IDT	CD74FCT240M96	D	IDT74FCT2543CTSO	IDT	CD74FCT2543CTM	H
IDT74FCT241ATQ	IDT	CD74FCT241ATQM	H	IDT74FCT2543TQ	IDT	CD74FCT2543TQM	H
IDT74FCT241ATSO	IDT	CD74FCT241ATM	H	IDT74FCT2543TSO	IDT	CD74FCT2543TM	H
IDT74FCT241CTQ	IDT	CD74FCT241CTQM	H	IDT74FCT257ATQ	IDT	CD74FCT257ATQM	H
IDT74FCT241CTSO	IDT	CD74FCT241CTM	H	IDT74FCT257ATSO	IDT	CD74FCT257ATM	H
IDT74FCT241DTQ	IDT	CD74FCT241DTQM	H	IDT74FCT257CTQ	IDT	CD74FCT257CTQM	H
IDT74FCT241DTSO	IDT	CD74FCT241DTM	H	IDT74FCT257CTSO	IDT	CD74FCT257CTM	H
IDT74FCT241TQ	IDT	CD74FCT241TQM	H	IDT74FCT257TQ	IDT	CD74FCT257TQM	H
IDT74FCT241TSO	IDT	CD74FCT241TM	H	IDT74FCT257TSO	IDT	CD74FCT257TM	H
IDT74FCT244ASO	IDT	CD74FCT244ATM	D	IDT74FCT2573ATQ	IDT	CD74FCT2573ATQM	H
IDT74FCT244ATQ	IDT	CD74FCT244ATQM	H	IDT74FCT2573ATSO	IDT	CD74FCT2573ATM	H
IDT74FCT244ATSO	IDT	CD74FCT244ATM	H	IDT74FCT2573CTQ	IDT	CD74FCT2573CTQM	H
IDT74FCT244CTQ	IDT	CD74FCT244CTQM	H	IDT74FCT2573CTSO	IDT	CD74FCT2573CTM	H
IDT74FCT244CTSO	IDT	CD74FCT244CTM	H	IDT74FCT2573TQ	IDT	CD74FCT2573TQM	H
IDT74FCT244DTQ	IDT	CD74FCT244DTQM	H	IDT74FCT2573TSO	IDT	CD74FCT2573TM	H
IDT74FCT244DTSO	IDT	CD74FCT244DTM	H	IDT74FCT2574ATQ	IDT	CD74FCT2574ATQM	H
IDT74FCT244TP	IDT	CD74FCT244E	D	IDT74FCT2574ATSO	IDT	CD74FCT2574ATM	H
IDT74FCT244TQ	IDT	CD74FCT244TQM	H	IDT74FCT2574CTQ	IDT	CD74FCT2574CTQM	H
IDT74FCT244TSO	IDT	CD74FCT244M	D	IDT74FCT2574CTSO	IDT	CD74FCT2574CTM	H
IDT74FCT244TSO	IDT	CD74FCT244M96	D	IDT74FCT2574TQ	IDT	CD74FCT2574TQM	H
IDT74FCT244TSO	IDT	CD74FCT244TM	H	IDT74FCT2574TSO	IDT	CD74FCT2574TM	H
IDT74FCT245ATQ	IDT	CD74FCT245ATQM	H	IDT74FCT2646ATQ	IDT	CD74FCT2646ATQM	H
IDT74FCT245ATSO	IDT	CD74FCT245ATM	H	IDT74FCT2646ATSO	IDT	CD74FCT2646ATM	H
IDT74FCT245CTQ	IDT	CD74FCT245CTQM	H	IDT74FCT2646TQ	IDT	CD74FCT2646TQM	H
IDT74FCT245CTSO	IDT	CD74FCT245CTM	H	IDT74FCT2646TSO	IDT	CD74FCT2646TM	H
IDT74FCT245DTQ	IDT	CD74FCT245DTQM	H	IDT74FCT2652ATQ	IDT	CD74FCT2652ATQM	H
IDT74FCT245DTSO	IDT	CD74FCT245DTM	H	IDT74FCT2652ATSO	IDT	CD74FCT2652ATM	H

NOTE: D = Direct Replacement, H = Harris Recommended Replacement.

Cross-Reference Guide

COMPETITOR #	COMPETITOR	HARRIS #	TYPE	COMPETITOR #	COMPETITOR	HARRIS #	TYPE
IDT74FCT245TP	IDT	CD74FCT245E	D	IDT74FCT2652CTQ	IDT	CD74FCT2652CTQM	H
IDT74FCT245TQ	IDT	CD74FCT245TQM	H	IDT74FCT2652CTSO	IDT	CD74FCT2652CTM	H
IDT74FCT2652TQ	IDT	CD74FCT2652TQM	H	IDT74FCT374DTQ	IDT	CD74FCT374DTQM	H
IDT74FCT2652TSO	IDT	CD74FCT2652TM	H	IDT74FCT374DTSO	IDT	CD74FCT374DTM	H
IDT74FCT273ATQ	IDT	CD74FCT273ATQM	H	IDT74FCT374TP	IDT	CD74FCT374E	D
IDT74FCT273ATSO	IDT	CD74FCT273ATM	H	IDT74FCT374TQ	IDT	CD74FCT374TQM	H
IDT74FCT273CTQ	IDT	CD74FCT273CTQM	H	IDT74FCT374TSO	IDT	CD74FCT374M	D
IDT74FCT273CTSO	IDT	CD74FCT273CTM	H	IDT74FCT374TSO	IDT	CD74FCT374M96	D
IDT74FCT273DTQ	IDT	CD74FCT273DTQM	H	IDT74FCT374TSO	IDT	CD74FCT374TM	H
IDT74FCT273DTSO	IDT	CD74FCT273DTM	H	IDT74FCT374TSO-TR	IDT	CD74FCT374M	D
IDT74FCT273TQ	IDT	CD74FCT273TQM	H	IDT74FCT374TSO-TR	IDT	CD74FCT374M96	D
IDT74FCT273TSO	IDT	CD74FCT273TM	H	IDT74FCT377ATQ	IDT	CD74FCT377ATQM	H
IDT74FCT2821ATQ	IDT	CD74FCT2821ATQM	H	IDT74FCT377ATSO	IDT	CD74FCT377ATM	H
IDT74FCT2821ATSO	IDT	CD74FCT2821ATM	H	IDT74FCT377CTQ	IDT	CD74FCT377CTQM	H
IDT74FCT2821BTQ	IDT	CD74FCT2821BTQM	H	IDT74FCT377CTSO	IDT	CD74FCT377CTM	H
IDT74FCT2821BTSO	IDT	CD74FCT2821BTM	H	IDT74FCT377DTQ	IDT	CD74FCT377DTQM	H
IDT74FCT2823ATQ	IDT	CD74FCT2823ATQM	H	IDT74FCT377DTSO	IDT	CD74FCT377DTM	H
IDT74FCT2823ATSO	IDT	CD74FCT2823ATM	H	IDT74FCT377TQ	IDT	CD74FCT377TQM	H
IDT74FCT2823BTQ	IDT	CD74FCT2823BTQM	H	IDT74FCT377TSO	IDT	CD74FCT377TM	H
IDT74FCT2823BTSO	IDT	CD74FCT2823BTM	H	IDT74FCT399ATQ	IDT	CD74FCT399ATQM	H
IDT74FCT2823CTQ	IDT	CD74FCT2823CTQM	H	IDT74FCT399ATSO	IDT	CD74FCT399ATM	H
IDT74FCT2823CTSO	IDT	CD74FCT2823CTM	H	IDT74FCT399CTQ	IDT	CD74FCT399CTM	H
IDT74FCT2827ATQ	IDT	CD74FCT2827ATQM	H	IDT74FCT399CTSO	IDT	CD74FCT399CTM	H
IDT74FCT2827ATSO	IDT	CD74FCT2827ATM	H	IDT74FCT399TQ	IDT	CD74FCT399TQM	H
IDT74FCT2827BTQ	IDT	CD74FCT2827BTQM	H	IDT74FCT399TSO	IDT	CD74FCT399TM	H
IDT74FCT2827BTSO	IDT	CD74FCT2827BTM	H	IDT74FCT521ATQ	IDT	CD74FCT521ATQM	H
IDT74FCT2827CTQ	IDT	CD74FCT2827CTQM	H	IDT74FCT521ATSO	IDT	CD74FCT521ATM	H
IDT74FCT2827CTSO	IDT	CD74FCT2827CTM	H	IDT74FCT521BTQ	IDT	CD74FCT521BTQM	H
IDT74FCT2828ATQ	IDT	CD74FCT2828ATQM	H	IDT74FCT521BTSO	IDT	CD74FCT521BTM	H
IDT74FCT2828ATSO	IDT	CD74FCT2828ATM	H	IDT74FCT521CTQ	IDT	CD74FCT521CTQM	H
IDT74FCT2828BTQ	IDT	CD74FCT2828BTQM	H	IDT74FCT521CTSO	IDT	CD74FCT521CTM	H
IDT74FCT2828BTSO	IDT	CD74FCT2828BTM	H	IDT74FCT521DTQ	IDT	CD74FCT521DTQM	H
IDT74FCT2828CTQ	IDT	CD74FCT2828CTQM	H	IDT74FCT521DTSO	IDT	CD74FCT521DTM	H
IDT74FCT2828CTSO	IDT	CD74FCT2828CTM	H	IDT74FCT521TQ	IDT	CD74FCT521TQM	H
IDT74FCT2841ATQ	IDT	CD74FCT2841ATQM	H	IDT74FCT521TSO	IDT	CD74FCT521TM	H
IDT74FCT2841ATSO	IDT	CD74FCT2841ATM	H	IDT74FCT533ATQ	IDT	CD74FCT533ATQM	H
IDT74FCT2841BTQ	IDT	CD74FCT2841BTQM	H	IDT74FCT533ATSO	IDT	CD74FCT533ATM	H
IDT74FCT2841BTSO	IDT	CD74FCT2841BTM	H	IDT74FCT533CTQ	IDT	CD74FCT533CTQM	H
IDT74FCT2841CTQ	IDT	CD74FCT2841CTQM	H	IDT74FCT533CTSO	IDT	CD74FCT533CTM	H
IDT74FCT2841CTSO	IDT	CD74FCT2841CTM	H	IDT74FCT533TQ	IDT	CD74FCT533TQM	H
IDT74FCT373ATQ	IDT	CD74FCT373ATQM	H	IDT74FCT533TSO	IDT	CD74FCT533TM	H
IDT74FCT373ATSO	IDT	CD74FCT373ATM	H	IDT74FCT534ATQ	IDT	CD74FCT534ATQM	H
IDT74FCT373CTQ	IDT	CD74FCT373CTQM	H	IDT74FCT534ATSO	IDT	CD74FCT534ATM	H
IDT74FCT373CTSO	IDT	CD74FCT373CTM	H	IDT74FCT534CTQ	IDT	CD74FCT534CTQM	H
IDT74FCT373DTQ	IDT	CD74FCT373DTQM	H	IDT74FCT534CTSO	IDT	CD74FCT534CTM	H
IDT74FCT373DTSO	IDT	CD74FCT373DTM	H	IDT74FCT534DTQ	IDT	CD74FCT534DTQM	H
IDT74FCT373TP	IDT	CD74FCT373E	D	IDT74FCT534DTSO	IDT	CD74FCT534DTM	H
IDT74FCT373TQ	IDT	CD74FCT373TQM	H	IDT74FCT534TQ	IDT	CD74FCT534TQM	H
IDT74FCT373TSO	IDT	CD74FCT373M	D	IDT74FCT534TSO	IDT	CD74FCT534TM	H
IDT74FCT373TSO	IDT	CD74FCT373M96	D	IDT74FCT540ATQ	IDT	CD74FCT540ATQM	H
IDT74FCT373TSO	IDT	CD74FCT373TM	H	IDT74FCT540ATSO	IDT	CD74FCT540ATM	H
IDT74FCT374ATQ	IDT	CD74FCT374ATQM	H	IDT74FCT540CTQ	IDT	CD74FCT540CTQM	H
IDT74FCT374ATSO	IDT	CD74FCT374ATM	H	IDT74FCT540CTSO	IDT	CD74FCT540CTM	H
IDT74FCT374ATSO	IDT	CD74FCT374ATM96	D	IDT74FCT540DTQ	IDT	CD74FCT540DTQM	H
IDT74FCT374CTQ	IDT	CD74FCT374CTQM	H	IDT74FCT540DTSO	IDT	CD74FCT540DTM	H
IDT74FCT374CTSO	IDT	CD74FCT374CTM	H	IDT74FCT540TP	IDT	CD74FCT540E	D
IDT74FCT540TSO	IDT	CD74FCT540M	D	IDT74FCT540TQ	IDT	CD74FCT540TQM	H
				IDT74FCT623ATQ	IDT	CD74FCT623ATQM	H

3
DIRECT/HARRIS
REPLACEMENTS

NOTE: D = Direct Replacement, H = Harris Recommended Replacement.

Cross-Reference Guide

COMPETITOR #	COMPETITOR	HARRIS #	TYPE	COMPETITOR #	COMPETITOR	HARRIS #	TYPE
IDT74FCT540TSO	IDT	CD74FCT540M96	D	IDT74FCT623ATSO	IDT	CD74FCT623ATM	H
IDT74FCT540TSO	IDT	CD74FCT540TM	H	IDT74FCT623CTQ	IDT	CD74FCT623CTQM	H
IDT74FCT541ATQ	IDT	CD74FCT541ATQM	H	IDT74FCT623CTSO	IDT	CD74FCT623CTM	H
IDT74FCT541ATSO	IDT	CD74FCT541ATM	H	IDT74FCT623DTQ	IDT	CD74FCT623DTQM	H
IDT74FCT541CTQ	IDT	CD74FCT541CTQM	H	IDT74FCT623DTSO	IDT	CD74FCT623DTM	H
IDT74FCT541CTSO	IDT	CD74FCT541CTM	H	IDT74FCT623TQ	IDT	CD74FCT623TQM	H
IDT74FCT541DTQ	IDT	CD74FCT541DTQM	H	IDT74FCT623TSO	IDT	CD74FCT623TM	H
IDT74FCT541DTSO	IDT	CD74FCT541DTM	H	IDT74FCT640ATQ	IDT	CD74FCT640ATQM	H
IDT74FCT541TP	IDT	CD74FCT541E	D	IDT74FCT640ATSO	IDT	CD74FCT640ATM	H
IDT74FCT541TQ	IDT	CD74FCT541TQM	H	IDT74FCT640CTQ	IDT	CD74FCT640CTQM	H
IDT74FCT541TSO	IDT	CD74FCT541M	D	IDT74FCT640CTSO	IDT	CD74FCT640CTM	H
IDT74FCT541TSO	IDT	CD74FCT541M96	D	IDT74FCT640DTQ	IDT	CD74FCT640DTQM	H
IDT74FCT541TSO	IDT	CD74FCT541TM	H	IDT74FCT640DTSO	IDT	CD74FCT640DTM	H
IDT74FCT541TSO-TR	IDT	CD74FCT541M	D	IDT74FCT640TQ	IDT	CD74FCT640TQM	H
IDT74FCT541TSO-TR	IDT	CD74FCT541M96	D	IDT74FCT640TSO	IDT	CD74FCT640TM	H
IDT74FCT543ATQ	IDT	CD74FCT543ATQM	H	IDT74FCT646ATQ	IDT	CD74FCT646ATQM	H
IDT74FCT543ATSO	IDT	CD74FCT543ATM	H	IDT74FCT646ATSO	IDT	CD74FCT646ATM	H
IDT74FCT543CTQ	IDT	CD74FCT543CTQM	H	IDT74FCT646CTQ	IDT	CD74FCT646CTQM	H
IDT74FCT543CTSO	IDT	CD74FCT543CTM	H	IDT74FCT646CTSO	IDT	CD74FCT646CTM	H
IDT74FCT543DTQ	IDT	CD74FCT543DTQM	H	IDT74FCT646DTQ	IDT	CD74FCT646DTQM	H
IDT74FCT543DTSO	IDT	CD74FCT543DTM	H	IDT74FCT646DTSO	IDT	CD74FCT646DTM	H
IDT74FCT543TP	IDT	CD74FCT543EN	D	IDT74FCT646TP	IDT	CD74FCT646EN	D
IDT74FCT543TQ	IDT	CD74FCT543TQM	H	IDT74FCT646TQ	IDT	CD74FCT646TQM	H
IDT74FCT543TSO	IDT	CD74FCT543M	D	IDT74FCT646TSO	IDT	CD74FCT646M	D
IDT74FCT543TSO	IDT	CD74FCT543M96	D	IDT74FCT646TSO	IDT	CD74FCT646M96	D
IDT74FCT543TSO	IDT	CD74FCT543TM	H	IDT74FCT646TSO	IDT	CD74FCT646TM	H
IDT74FCT544ATQ	IDT	CD74FCT544ATQM	H	IDT74FCT648ATQ	IDT	CD74FCT648ATQM	H
IDT74FCT544ATSO	IDT	CD74FCT544ATM	H	IDT74FCT648ATSO	IDT	CD74FCT648ATM	H
IDT74FCT544CTQ	IDT	CD74FCT544CTQM	H	IDT74FCT648CTQ	IDT	CD74FCT648CTQM	H
IDT74FCT544CTSO	IDT	CD74FCT544CTM	H	IDT74FCT648CTSO	IDT	CD74FCT648CTM	H
IDT74FCT544TQ	IDT	CD74FCT544TQM	H	IDT74FCT648TQ	IDT	CD74FCT648TQM	H
IDT74FCT544TSO	IDT	CD74FCT544TM	H	IDT74FCT648TSO	IDT	CD74FCT648TM	H
IDT74FCT573ATQ	IDT	CD74FCT573ATQM	H	IDT74FCT651ATQ	IDT	CD74FCT651ATQM	H
IDT74FCT573ATSO	IDT	CD74FCT573ATM	H	IDT74FCT651ATSO	IDT	CD74FCT651ATM	H
IDT74FCT573CTQ	IDT	CD74FCT573CTQM	H	IDT74FCT651CTQ	IDT	CD74FCT651CTQM	H
IDT74FCT573CTSO	IDT	CD74FCT573CTM	H	IDT74FCT651CTSO	IDT	CD74FCT651CTM	H
IDT74FCT573DTQ	IDT	CD74FCT573DTQM	H	IDT74FCT651TP	IDT	CD74FCT651EN	D
IDT74FCT573DTSO	IDT	CD74FCT573DTM	H	IDT74FCT651TQ	IDT	CD74FCT651TQM	H
IDT74FCT573TP	IDT	CD74FCT573E	D	IDT74FCT651TSO	IDT	CD74FCT651M	D
IDT74FCT573TQ	IDT	CD74FCT573TQM	H	IDT74FCT651TSO	IDT	CD74FCT651M96	D
IDT74FCT573TSO	IDT	CD74FCT573M	D	IDT74FCT651TSO	IDT	CD74FCT651TM	H
IDT74FCT573TSO	IDT	CD74FCT573M96	D	IDT74FCT652ATQ	IDT	CD74FCT652ATQM	H
IDT74FCT573TSO	IDT	CD74FCT573TM	H	IDT74FCT652ATSO	IDT	CD74FCT652ATM	H
IDT74FCT574ATQ	IDT	CD74FCT574ATQM	H	IDT74FCT652CTQ	IDT	CD74FCT652CTQM	H
IDT74FCT574ATSO	IDT	CD74FCT574ATM	H	IDT74FCT652CTSO	IDT	CD74FCT652CTM	H
IDT74FCT574CTQ	IDT	CD74FCT574CTQM	H	IDT74FCT652DTQ	IDT	CD74FCT652DTQM	H
IDT74FCT574CTSO	IDT	CD74FCT574CTM	H	IDT74FCT652DTSO	IDT	CD74FCT652DTM	H
IDT74FCT574DTQ	IDT	CD74FCT574DTQM	H	IDT74FCT652TP	IDT	CD74FCT652EN	D
IDT74FCT574DTSO	IDT	CD74FCT574DTM	H	IDT74FCT652TQ	IDT	CD74FCT652TQM	H
IDT74FCT574TP	IDT	CD74FCT574E	D	IDT74FCT652TSO	IDT	CD74FCT652M	D
IDT74FCT574TQ	IDT	CD74FCT574TQM	H	IDT74FCT652TSO	IDT	CD74FCT652M96	D
IDT74FCT574TSO	IDT	CD74FCT574M	D	IDT74FCT652TSO	IDT	CD74FCT652TM	H
IDT74FCT574TSO	IDT	CD74FCT574M96	D	IDT74FCT821ATP	IDT	CD74FCT821AEN	D
IDT74FCT574TSO	IDT	CD74FCT574TM	H	IDT74FCT821ATQ	IDT	CD74FCT821ATQM	H
IDT74FCT821ATSO	IDT	CD74FCT821AM	D	IDT74FCT845ATSO	IDT	CD74FCT845ATM	H
IDT74FCT821ATSO	IDT	CD74FCT821AM96	D	IDT74FCT845BTQ	IDT	CD74FCT845BTQM	H
IDT74FCT821ATSO	IDT	CD74FCT821ATM	H	IDT74FCT845BTSO	IDT	CD74FCT845BTM	H
IDT74FCT821BTQ	IDT	CD74FCT821BTQM	H	IDT74FCT845CTQ	IDT	CD74FCT845CTQM	H

NOTE: D = Direct Replacement, H = Harris Recommended Replacement.

Cross-Reference Guide

COMPETITOR #	COMPETITOR	HARRIS #	TYPE	COMPETITOR #	COMPETITOR	HARRIS #	TYPE
IDT74FCT821BTSO	IDT	CD74FCT821BTM	H	IDT74FCT845CTSO	IDT	CD74FCT845CTM	H
IDT74FCT821CTQ	IDT	CD74FCT821CTQM	H	IDT74FCT861ATQ	IDT	CD74FCT861ATQM	H
IDT74FCT821CTSO	IDT	CD74FCT821CTM	H	IDT74FCT861ATSO	IDT	CD74FCT861ATM	H
IDT74FCT823ATP	IDT	CD74FCT823AEN	D	IDT74FCT861BSO	IDT	CD74FCT861AM	D
IDT74FCT823ATQ	IDT	CD74FCT823ATQM	H	IDT74FCT861BTO	IDT	CD74FCT861AM96	D
IDT74FCT823ATSO	IDT	CD74FCT823ATM	H	IDT74FCT861BTQ	IDT	CD74FCT861BTQM	H
IDT74FCT823BTQ	IDT	CD74FCT823BTQM	H	IDT74FCT861BTSO	IDT	CD74FCT861BTM	H
IDT74FCT823BTSO	IDT	CD74FCT823BTM	H	IDT74FCT861CTQ	IDT	CD74FCT861CTQM	H
IDT74FCT823CTQ	IDT	CD74FCT823CTQM	H	IDT74FCT861CTSO	IDT	CD74FCT861CTM	H
IDT74FCT823CTSO	IDT	CD74FCT823CTM	H	IDT74FCT863ATQ	IDT	CD74FCT863ATQM	H
IDT74FCT825ATQ	IDT	CD74FCT825ATQM	H	IDT74FCT863ATSO	IDT	CD74FCT863ATM	H
IDT74FCT825ATSO	IDT	CD74FCT825ATM	H	IDT74FCT863BSO	IDT	CD74FCT863AM	D
IDT74FCT825BTQ	IDT	CD74FCT825BTQM	H	IDT74FCT863BTO	IDT	CD74FCT863AM96	D
IDT74FCT825BTSO	IDT	CD74FCT825BTM	H	IDT74FCT863BTQ	IDT	CD74FCT863BTQM	H
IDT74FCT825CTQ	IDT	CD74FCT825CTQM	H	IDT74FCT863BTSO	IDT	CD74FCT863BTM	H
IDT74FCT825CTSO	IDT	CD74FCT825CTM	H	IDT74FCT863CTQ	IDT	CD74FCT863CTQM	H
IDT74FCT827ATQ	IDT	CD74FCT827ATQM	H	IDT74FCT863CTSO	IDT	CD74FCT863CTM	H
IDT74FCT827ATSO	IDT	CD74FCT827ATM	H	IDT74FCT864ATQ	IDT	CD74FCT864ATQM	H
IDT74FCT827BTQ	IDT	CD74FCT827BTQM	H	IDT74FCT864ATSO	IDT	CD74FCT864ATM	H
IDT74FCT827BTSO	IDT	CD74FCT827BTM	H	IDT74FCT864BTQ	IDT	CD74FCT864BTQM	H
IDT74FCT827CTQ	IDT	CD74FCT827CTQM	H	IDT74FCT864BTSO	IDT	CD74FCT864BTM	H
IDT74FCT827CTSO	IDT	CD74FCT827CTM	H	IDT74FCT864CTQ	IDT	CD74FCT864CTQM	H
IDT74FCT828ATQ	IDT	CD74FCT828ATQM	H	IDT74FCT864CTSO	IDT	CD74FCT864CTM	H
IDT74FCT828ATSO	IDT	CD74FCT828ATM	H	IP1524BJ	SEMELAB	CA1524F	H
IDT74FCT828BTQ	IDT	CD74FCT828BTQM	H	IP1524BJ/883B	SEMELAB	CA1524FX	H
IDT74FCT828BTSO	IDT	CD74FCT828BTM	H	IP1524J	SEMELAB	CA1524F	H
IDT74FCT828CTQ	IDT	CD74FCT828CTQM	H	IP1524J/883B	SEMELAB	CA1524FX	H
IDT74FCT828CTSO	IDT	CD74FCT828CTM	H	IP3524BJ	SEMELAB	CA3524F	H
IDT74FCT841ATP	IDT	CD74FCT841AEN	D	IP3524BN	SEMELAB	CA3524E	H
IDT74FCT841ATQ	IDT	CD74FCT841ATQM	H	IP3524J	SEMELAB	CA3524F	H
IDT74FCT841ATSO	IDT	CD74FCT841AM	D	IP3524N	SEMELAB	CA3524E	H
IDT74FCT841ATSO	IDT	CD74FCT841AM96	D	IRFAC30	INTL RECTIFIER	IRF432	H
IDT74FCT841ATSO	IDT	CD74FCT841ATM	H	IRFAC50	INTL RECTIFIER	BUZ45	H
IDT74FCT841BTQ	IDT	CD74FCT841BTQM	H	IRFBC20	INTL RECTIFIER	IRF822	H
IDT74FCT841BTSO	IDT	CD74FCT841BTM	H	IRFBC30	INTL RECTIFIER	BUZ42	H
IDT74FCT841CTQ	IDT	CD74FCT841CTQM	H	IRFBC32	INTL RECTIFIER	IRF820	H
IDT74FCT841CTSO	IDT	CD74FCT841CTM	H	IRFBE20	INTL RECTIFIER	RFP4N100	H
IDT74FCT842ASO	IDT	CD74FCT842AM	D	IRFBE30	INTL RECTIFIER	RFP4N100	H
IDT74FCT842ASO	IDT	CD74FCT842AM96	D	IRFBF30	INTL RECTIFIER	RFP4N100	H
IDT74FCT842BSO	IDT	CD74FCT842AM	D	IRFD120	INTL RECTIFIER	IRFD120	H
IDT74FCT842BSO	IDT	CD74FCT842AM96	D	IRFD120	MOTOROLA	IRFD120	H
IDT74FCT843ATQ	IDT	CD74FCT843ATQM	H	IRFD110	INTL RECTIFIER	IRFD110	H
IDT74FCT843ATSO	IDT	CD74FCT843ATM	H	IRFD110	MOTOROLA	IRFD110	H
IDT74FCT843BTQ	IDT	CD74FCT843BTQM	H	IRFD110	SILICONIX	IRFD110	H
IDT74FCT843BTSO	IDT	CD74FCT843BTM	H	IRFD113	INTL RECTIFIER	IRFD113	H
IDT74FCT843CTQ	IDT	CD74FCT843CTQM	H	IRFD113	MOTOROLA	IRFD113	H
IDT74FCT843CTSO	IDT	CD74FCT843CTM	H	IRFD113	SILICONIX	IRFD113	H
IDT74FCT844AP	IDT	CD74FCT844AEN	D	IRFD120	INTL RECTIFIER	IRFD120	H
IDT74FCT844BP	IDT	CD74FCT844AEN	D	IRFD120	MOTOROLA	IRFD120	H
IDT74FCT844CP	IDT	CD74FCT844AEN	D	IRFD120	SILICONIX	IRFD120	H
IDT74FCT845ATQ	IDT	CD74FCT845ATQM	H	IRFD123	INTL RECTIFIER	IRFD123	H
IRFD123	MOTOROLA	IRFD123	H	IRFF211	SILICONIX	IRFF211	D
IRFD123	SILICONIX	IRFD123	H	IRFF212	INTL RECTIFIER	IRFF212	D
IRFD210	INTL RECTIFIER	IRFD210	H	IRFF212	SILICONIX	IRFF212	D
IRFD210	MOTOROLA	IRFD210	H	IRFF213	INTL RECTIFIER	IRFF213	D
IRFD210	SILICONIX	IRFD210	H	IRFF213	SILICONIX	IRFF213	D
IRFD213	INTL RECTIFIER	IRFD213	H	IRFF220	INTL RECTIFIER	IRFF220	D
IRFD213	MOTOROLA	IRFD213	H	IRFF220	MOTOROLA	IRFF220	D

NOTE: D = Direct Replacement, H = Harris Recommended Replacement.

Cross-Reference Guide

COMPETITOR #	COMPETITOR	HARRIS #	TYPE	COMPETITOR #	COMPETITOR	HARRIS #	TYPE
IRFD213	SILICONIX	IRFD213	H	IRFF220	SILICONIX	IRFF220	D
IRFD220	INTL RECTIFIER	IRFD220	H	IRFF221	INTL RECTIFIER	IRFF221	D
IRFD220	MOTOROLA	IRFD220	H	IRFF221	SILICONIX	IRFF221	D
IRFD220	SILICONIX	IRFD220	H	IRFF222	INTL RECTIFIER	IRFF222	D
IRFD223	INTL RECTIFIER	IRFD223	H	IRFF222	SILICONIX	IRFF222	D
IRFD223	SILICONIX	IRFD223	H	IRFF223	INTL RECTIFIER	IRFF223	D
IRFD9110	INTL RECTIFIER	IRFD9110	H	IRFF223	MOTOROLA	IRFF223	D
IRFD9110	MOTOROLA	IRFD9110	H	IRFF223	SILICONIX	IRFF223	D
IRFD9113	INTL RECTIFIER	IRFD9113	H	IRFF230	INTL RECTIFIER	IRFF230	H
IRFD9120	INTL RECTIFIER	IRFD9120	H	IRFF230	SILICONIX	IRFF230	D
IRFD9120	MOTOROLA	IRFD9120	H	IRFF231	INTL RECTIFIER	IRFF231	D
IRFD9120	SILICONIX	IRFD9120	H	IRFF231	SILICONIX	IRFF231	D
IRFD9123	INTL RECTIFIER	IRFD9123	H	IRFF232	INTL RECTIFIER	IRFF232	D
IRFD9123	MOTOROLA	IRFD9123	H	IRFF232	SILICONIX	IRFF232	D
IRFD9123	SILICONIX	IRFD9123	H	IRFF233	INTL RECTIFIER	IRFF233	D
IRFD9220	INTL RECTIFIER	IRFD9220	H	IRFF233	SILICONIX	IRFF233	D
IRFD9220	SILICONIX	IRFD9220	H	IRFF310	INTL RECTIFIER	IRFF310	D
IRFD9223	INTL RECTIFIER	IRFD9223	H	IRFF310	SILICONIX	IRFF310	D
IRFD9223	SILICONIX	IRFD9223	H	IRFF311	INTL RECTIFIER	IRFF311	D
IRFF110	INTL RECTIFIER	IRFF110	D	IRFF311	SILICONIX	IRFF311	D
IRFF110	MOTOROLA	IRFF110	D	IRFF312	INTL RECTIFIER	IRFF312	D
IRFF110	SILICONIX	IRFF110	D	IRFF312	SILICONIX	IRFF312	D
IRFF111	INTL RECTIFIER	IRFF111	H	IRFF313	INTL RECTIFIER	IRFF313	D
IRFF111	SILICONIX	IRFF111	H	IRFF313	SILICONIX	IRFF313	D
IRFF112	INTL RECTIFIER	IRFF112	D	IRFF320	INTL RECTIFIER	IRFF320	D
IRFF112	SILICONIX	IRFF112	D	IRFF320	SILICONIX	IRFF320	D
IRFF113	INTL RECTIFIER	IRFF113	D	IRFF321	INTL RECTIFIER	IRFF321	D
IRFF113	MOTOROLA	IRFF113	D	IRFF321	SILICONIX	IRFF321	D
IRFF113	SILICONIX	IRFF113	D	IRFF322	INTL RECTIFIER	IRFF322	D
IRFF120	INTL RECTIFIER	IRFF120	H	IRFF322	SILICONIX	IRFF322	D
IRFF120	SILICONIX	IRFF120	H	IRFF323	INTL RECTIFIER	IRFF323	D
IRFF121	INTL RECTIFIER	IRFF121	D	IRFF323	SILICONIX	IRFF323	D
IRFF121	SILICONIX	IRFF121	D	IRFF330	INTL RECTIFIER	IRFF330	D
IRFF122	INTL RECTIFIER	IRFF122	H	IRFF330	SILICONIX	IRFF330	D
IRFF122	SILICONIX	IRFF122	H	IRFF331	INTL RECTIFIER	IRFF331	D
IRFF123	INTL RECTIFIER	IRFF123	H	IRFF331	SILICONIX	IRFF331	D
IRFF123	SILICONIX	IRFF123	H	IRFF332	INTL RECTIFIER	IRFF332	H
IRFF130	INTL RECTIFIER	IRFF130	H	IRFF332	SILICONIX	IRFF332	H
IRFF130	SILICONIX	IRFF130	H	IRFF333	INTL RECTIFIER	IRFF333	D
IRFF131	INTL RECTIFIER	IRFF131	H	IRFF333	SILICONIX	IRFF333	D
IRFF131	SILICONIX	IRFF131	H	IRFF420	INTL RECTIFIER	IRFF420	D
IRFF132	INTL RECTIFIER	IRFF132	H	IRFF420	SILICONIX	IRFF420	D
IRFF132	SILICONIX	IRFF132	H	IRFF421	INTL RECTIFIER	IRFF421	D
IRFF133	INTL RECTIFIER	IRFF133	H	IRFF421	SILICONIX	IRFF421	D
IRFF133	SILICONIX	IRFF133	H	IRFF422	INTL RECTIFIER	IRFF422	D
IRFF210	INTL RECTIFIER	IRFF210	D	IRFF422	SILICONIX	IRFF422	D
IRFF210	SILICONIX	IRFF210	D	IRFF423	INTL RECTIFIER	IRFF423	D
IRFF211	INTL RECTIFIER	IRFF211	D	IRFF423	SILICONIX	IRFF423	D
IRFF430	INTL RECTIFIER	IRFF430	D	IRFP150	IXYS	IRFP150	H
IRFF430	SILICONIX	IRFF430	D	IRFP150	SGS	IRFP150	H
IRFF431	INTL RECTIFIER	IRFF431	D	IRFP151	IXYS	IRFP151	H
IRFF431	SILICONIX	IRFF431	D	IRFP152	INTL RECTIFIER	IRFP152	H
IRFF432	INTL RECTIFIER	IRFF432	D	IRFP152	IXYS	IRFP152	H
IRFF432	SILICONIX	IRFF432	D	IRFP152	SGS	IRFP152	H
IRFF433	INTL RECTIFIER	IRFF433	D	IRFP153	INTL RECTIFIER	IRFP153	H
IRFF433	SILICONIX	IRFF433	D	IRFP153	IXYS	IRFP153	H
IRFF9120	INTL RECTIFIER	IRFF9120	H	IRFP153	SGS	IRFP153	H
IRFF9120	SILICONIX	IRFF9120	H	IRFP244	INTL RECTIFIER	IRFP244	H

NOTE: D = Direct Replacement, H = Harris Recommended Replacement.

Cross-Reference Guide

COMPETITOR #	COMPETITOR	HARRIS #	TYPE	COMPETITOR #	COMPETITOR	HARRIS #	TYPE
IRFF9121	INTL RECTIFIER	IRFF9121	H	IRFP245	INTL RECTIFIER	IRFP245	H
IRFF9121	SILICONIX	IRFF9121	H	IRFP250	INTL RECTIFIER	IRFP250	H
IRFF9122	INTL RECTIFIER	IRFF9122	H	IRFP250	IXYS	IRFP250	H
IRFF9122	SILICONIX	IRFF9122	H	IRFP250	SILICONIX	IRFP250	H
IRFF9123	INTL RECTIFIER	IRFF9123	H	IRFP251	INTL RECTIFIER	IRFP251	H
IRFF9123	SILICONIX	IRFF9123	H	IRFP251	IXYS	IRFP251	H
IRFF9130	INTL RECTIFIER	IRFF9130	H	IRFP252	INTL RECTIFIER	IRFP252	H
IRFF9130	SILICONIX	IRFF9130	H	IRFP252	IXYS	IRFP252	H
IRFF9131	INTL RECTIFIER	IRFF9131	H	IRFP253	INTL RECTIFIER	IRFP253	H
IRFF9131	SILICONIX	IRFF9131	H	IRFP253	IXYS	IRFP253	H
IRFF9132	INTL RECTIFIER	IRFF9132	H	IRFP264	INTL RECTIFIER	IRFP250	H
IRFF9132	SILICONIX	IRFF9132	H	IRFP340	INTL RECTIFIER	IRFP340	H
IRFF9133	INTL RECTIFIER	IRFF9133	H	IRFP341	INTL RECTIFIER	IRFP341	H
IRFF9133	SILICONIX	IRFF9133	H	IRFP350	INTL RECTIFIER	IRFP350	H
IRFF9210	INTL RECTIFIER	IRFF9222	H	IRFP350	IXYS	IRFP350	H
IRFF9211	INTL RECTIFIER	IRFF9223	H	IRFP350	SGS	IRFP350	H
IRFF9220	INTL RECTIFIER	IRFF9220	H	IRFP350	SILICONIX	IRFP350	H
IRFF9220	SILICONIX	IRFF9220	H	IRFP351	INTL RECTIFIER	IRFP351	H
IRFF9221	INTL RECTIFIER	IRFF9221	H	IRFP351	IXYS	IRFP351	H
IRFF9221	SILICONIX	IRFF9221	H	IRFP352	INTL RECTIFIER	IRFP352	H
IRFF9222	INTL RECTIFIER	IRFF9222	H	IRFP352	IXYS	IRFP352	H
IRFF9222	SILICONIX	IRFF9222	H	IRFP353	INTL RECTIFIER	IRFP353	H
IRFF9223	INTL RECTIFIER	IRFF9223	H	IRFP353	IXYS	IRFP353	H
IRFF9223	SILICONIX	IRFF9223	H	IRFP360	INTL RECTIFIER	IRFP360	H
IRFF9230	INTL RECTIFIER	IRFF9230	H	IRFP360	IXYS	IRFP360	H
IRFF9230	SILICONIX	IRFF9230	H	IRFP362	INTL RECTIFIER	IRFP362	H
IRFF9231	INTL RECTIFIER	IRFF9231	H	IRFP440	INTL RECTIFIER	IRFP440	H
IRFF9231	SILICONIX	IRFF9231	H	IRFP450	INTL RECTIFIER	IRFP450	H
IRFF9232	INTL RECTIFIER	IRFF9232	H	IRFP450	IXYS	IRFP450	H
IRFF9232	SILICONIX	IRFF9232	H	IRFP450	SGS	IRFP450	H
IRFF9233	INTL RECTIFIER	IRFF9233	H	IRFP450	SILICONIX	IRFP450	H
IRFF9233	SILICONIX	IRFF9233	H	IRFP451	INTL RECTIFIER	IRFP451	H
IRFPC50	INTL RECTIFIER	IRFP452	H	IRFP451	IXYS	IRFP451	H
IRFPF30	INTL RECTIFIER	IRFPG40	H	IRFP451	SGS	IRFP451	H
IRFPF42	INTL RECTIFIER	IRFPG40	H	IRFP452	INTL RECTIFIER	IRFP452	H
IRFPG30	INTL RECTIFIER	IRFPG42	H	IRFP452	IXYS	IRFP452	H
IRFPG40	INTL RECTIFIER	IRFPG40	D	IRFP452	SGS	IRFP452	H
IRFPG42	INTL RECTIFIER	IRFPG42	D	IRFP453	INTL RECTIFIER	IRFP453	H
IRFP040	INTL RECTIFIER	RFG45N06	H	IRFP453	IXYS	IRFP453	H
IRFP042	INTL RECTIFIER	RFG45N06	H	IRFP453	SGS	IRFP453	H
IRFP044	INTL RECTIFIER	RFG45N06	H	IRFP460	INTL RECTIFIER	IRFP460	D
IRFP045	INTL RECTIFIER	RFG45N06	H	IRFP460	IXYS	IRFP460	H
IRFP054	INTL RECTIFIER	RFG70N06	H	IRFP462	INTL RECTIFIER	IRFP462	D
IRFP064	INTL RECTIFIER	RFG75N05E	H	IRFP9140	INTL RECTIFIER	IRFP9140	H
IRFP150	INTL RECTIFIER	IRFP150	H	IRFP9141	INTL RECTIFIER	IRFP9141	H
IRFP9142	INTL RECTIFIER	IRFP9142	H	IRFZ32	INTL RECTIFIER	RFP25N06	H
IRFP9143	INTL RECTIFIER	IRFP9143	H	IRFZ32	MOTOROLA	RFP25N06	H
IRFP9240	INTL RECTIFIER	IRFP9240	H	IRFZ34	INTL RECTIFIER	BUZ11	H
IRFP9241	INTL RECTIFIER	IRFP9241	H	IRFZ34N	INTL RECTIFIER	HUF75321P3	H
IRFP9242	INTL RECTIFIER	IRFP9242	H	IRFZ34NS	INTL RECTIFIER	HUF75321S3S	H
IRFP9243	INTL RECTIFIER	IRFP9243	H	IRFZ35	INTL RECTIFIER	RFP25N06	H
IRFRC20	INTL RECTIFIER	IRFR410	H	IRFZ40	INTL RECTIFIER	RFP45N06	H
IRFR020	INTL RECTIFIER	RFD14N05SM	H	IRFZ40	MOTOROLA	RFP45N06	H
IRFR022	INTL RECTIFIER	RFD14N05SM	H	IRFZ40	SGS	RFP45N06	H
IRFR024	INTL RECTIFIER	RFD14N05SM	H	IRFZ42	INTL RECTIFIER	BUZ11	H
IRFR024N	INTL RECTIFIER	RFD14N06SM	H	IRFZ42	MOTOROLA	BUZ11	H
IRFR110	INTL RECTIFIER	IRFR110	H	IRFZ42	SGS	BUZ11	H
IRFR120	INTL RECTIFIER	IRFR120	H	IRFZ44	INTL RECTIFIER	RFP45N06	H

NOTE: D = Direct Replacement, H = Harris Recommended Replacement.

Cross-Reference Guide

COMPETITOR #	COMPETITOR	HARRIS #	TYPE	COMPETITOR #	COMPETITOR	HARRIS #	TYPE
IRFR121	INTL RECTIFIER	IRFR121	H	IRFZ44A	SAMSUNG	HUF75329P3	H
IRFR210	INTL RECTIFIER	IRFR222	H	IRFZ44N	INTL RECTIFIER	HUF75329P3	H
IRFR214	INTL RECTIFIER	IRFR214	H	IRFZ44NS	INTL RECTIFIER	HUF75329S3S	H
IRFR220	INTL RECTIFIER	IRFR220	H	IRFZ45	INTL RECTIFIER	BUZ11	H
IRFR222	INTL RECTIFIER	IRFR222	H	IRFZ48N	INTL RECTIFIER	HUF75333P3	H
IRFR224	INTL RECTIFIER	IRFR222	H	IRFZ48N	INTL RECTIFIER	HUF75333S3S	H
IRFR310	INTL RECTIFIER	IRFR421	H	IRF034	INTL RECTIFIER	IRF151	H
IRFR320	INTL RECTIFIER	IRFR320	H	IRF1010	INTL RECTIFIER	RFP70N06	H
IRFR420	INTL RECTIFIER	IRFR420	H	IRF1010N	INTL RECTIFIER	HUF75339P3	H
IRFR9020	INTL RECTIFIER	RFD8P05SM	H	IRF1010NS	INTL RECTIFIER	HUF75339S3S	H
IRFR9022	INTL RECTIFIER	RFD8P05SM	H	IRF130	INTL RECTIFIER	IRF130	D
IRFR9024	INTL RECTIFIER	RFD8P05SM	H	IRF130	MOTOROLA	IRF130	H
IRFUC20	INTL RECTIFIER	IRFU410	H	IRF130	SILICONIX	IRF130	H
IRFU020	INTL RECTIFIER	RFD14N05	H	IRF131	INTL RECTIFIER	IRF131	D
IRFU022	INTL RECTIFIER	RFD14N05	H	IRF131	SILICONIX	IRF131	H
IRFU024	INTL RECTIFIER	RFD14N05	H	IRF132	INTL RECTIFIER	IRF132	D
IRFU110	INTL RECTIFIER	IRFU110	H	IRF132	SILICONIX	IRF132	H
IRFU120	INTL RECTIFIER	IRFU120	H	IRF133	GE	2N6755	D
IRFU121	INTL RECTIFIER	IRFU121	H	IRF133	INTL RECTIFIER	IRF133	D
IRFU210	INTL RECTIFIER	IRFU222	H	IRF133	MOSPEC	2N6755	D
IRFU214	INTL RECTIFIER	IRFU214	H	IRF133	MOTOROLA	2N6755	D
IRFU220	INTL RECTIFIER	IRFU220	H	IRF133	NATIONAL	2N6755	D
IRFU222	INTL RECTIFIER	IRFU222	H	IRF133	SAMSUNG	2N6755	D
IRFU224	INTL RECTIFIER	IRFU222	H	IRF133	SILICONIX	IRF133	H
IRFU310	INTL RECTIFIER	IRFU421	H	IRF133	SILICONIX	2N6755	D
IRFU320	INTL RECTIFIER	IRFU320	H	IRF140	INTL RECTIFIER	IRF140	D
IRFU420	INTL RECTIFIER	IRFU420	H	IRF140	MOTOROLA	IRF140	H
IRFU9020	INTL RECTIFIER	RFD8P05	H	IRF140	SGS	IRF140	H
IRFU9022	INTL RECTIFIER	RFD8P05	H	IRF140	SILICONIX	IRF140	H
IRFU9024	INTL RECTIFIER	RFD8P05	H	IRF141	INTL RECTIFIER	IRF141	D
IRFZ20	INTL RECTIFIER	BUZ71	H	IRF141	MOTOROLA	IRF141	H
IRFZ20	MOTOROLA	BUZ71	H	IRF141	SGS	IRF141	H
IRFZ20	SGS	BUZ71	H	IRF141	SILICONIX	IRF141	H
IRFZ22	INTL RECTIFIER	BUZ71A	H	IRF142	INTL RECTIFIER	IRF142	D
IRFZ22	MOTOROLA	BUZ71A	H	IRF142	MOTOROLA	IRF142	H
IRFZ22	SGS	BUZ71A	H	IRF142	SGS	IRF142	H
IRFZ24	INTL RECTIFIER	BUZ71	H	IRF142	SILICONIX	IRF142	H
IRFZ24A	SAMSUNG	HUF75309P3	H	IRF143	INTL RECTIFIER	IRF143	D
IRFZ24N	INTL RECTIFIER	HUF75309P3	H	IRF143	SGS	IRF143	H
IRFZ25	INTL RECTIFIER	BUZ71	H	IRF143	SILICONIX	IRF143	H
IRFZ30	INTL RECTIFIER	BUZ11	H	IRF150	GE	IRF150	D
IRFZ30	MOTOROLA	BUZ11	H	IRF150	INTL RECTIFIER	IRF150	H
IRF150	IXYS	IRF150	H	IRF241	SAMSUNG	IRF241	D
IRF150	MOTOROLA	IRF150	D	IRF241	SILICONIX	IRF241	D
IRF150	NATIONAL	IRF150	D	IRF242	GE	IRF242	D
IRF150	SAMSUNG	IRF150	D	IRF242	INTL RECTIFIER	IRF242	D
IRF150	SGS	IRF150	H	IRF242	MOTOROLA	IRF242	D
IRF150	SILICONIX	IRF150	D	IRF242	NATIONAL	IRF242	D
IRF151	GE	IRF151	D	IRF242	SAMSUNG	IRF242	D
IRF151	INTL RECTIFIER	IRF151	H	IRF242	SILICONIX	IRF242	D
IRF151	IXYS	IRF151	H	IRF243	GE	IRF243	D
IRF151	MOTOROLA	IRF151	D	IRF243	INTL RECTIFIER	IRF243	D
IRF151	NATIONAL	IRF151	D	IRF243	MOTOROLA	IRF243	D
IRF151	SAMSUNG	IRF151	D	IRF243	NATIONAL	IRF243	D
IRF151	SGS	IRF151	H	IRF243	SAMSUNG	IRF243	D
IRF151	SILICONIX	IRF151	D	IRF243	SILICONIX	IRF243	D
IRF152	GE	IRF152	D	IRF244	INTL RECTIFIER	IRF244	D
IRF152	INTL RECTIFIER	IRF152	H	IRF245	INTL RECTIFIER	IRF245	D

NOTE: D = Direct Replacement, H = Harris Recommended Replacement.

Cross-Reference Guide

COMPETITOR #	COMPETITOR	HARRIS #	TYPE	COMPETITOR #	COMPETITOR	HARRIS #	TYPE
IRF152	IXYS	IRF152	H	IRF250	GE	IRF250	D
IRF152	MOTOROLA	IRF152	D	IRF250	INTL RECTIFIER	IRF250	D
IRF152	NATIONAL	IRF152	D	IRF250	IXYS	IRF250	H
IRF152	SAMSUNG	IRF152	D	IRF250	MOTOROLA	IRF250	D
IRF152	SGS	IRF152	H	IRF250	NATIONAL	IRF250	D
IRF152	SILICONIX	IRF152	D	IRF250	SAMSUNG	IRF250	D
IRF153	GE	IRF153	D	IRF250	SILICONIX	IRF250	D
IRF153	INTL RECTIFIER	IRF153	H	IRF251	GE	IRF251	D
IRF153	IXYS	IRF153	H	IRF251	INTL RECTIFIER	IRF251	D
IRF153	MOTOROLA	IRF153	D	IRF251	IXYS	IRF251	H
IRF153	NATIONAL	IRF153	D	IRF251	MOTOROLA	IRF251	D
IRF153	SAMSUNG	IRF153	D	IRF251	NATIONAL	IRF251	D
IRF153	SGS	IRF153	H	IRF251	SAMSUNG	IRF251	D
IRF153	SILICONIX	IRF153	D	IRF251	SILICONIX	IRF251	D
IRF220	INTL RECTIFIER	IRF220	D	IRF252	GE	IRF252	D
IRF220	MOTOROLA	IRF220	D	IRF252	INTL RECTIFIER	IRF252	D
IRF220	SAMSUNG	IRF220	D	IRF252	IXYS	IRF252	H
IRF221	INTL RECTIFIER	IRF221	D	IRF252	MOTOROLA	IRF252	D
IRF221	MOTOROLA	IRF221	D	IRF252	NATIONAL	IRF252	D
IRF221	SAMSUNG	IRF221	D	IRF252	SAMSUNG	IRF252	D
IRF222	INTL RECTIFIER	IRF222	D	IRF252	SILICONIX	IRF252	D
IRF222	MOTOROLA	IRF222	D	IRF253	GE	IRF253	D
IRF222	SAMSUNG	IRF222	D	IRF253	GE	2N6765	D
IRF223	INTL RECTIFIER	IRF223	D	IRF253	INTL RECTIFIER	IRF253	D
IRF223	MOTOROLA	IRF223	D	IRF253	INTL RECTIFIER	2N6765	D
IRF223	SAMSUNG	IRF223	D	IRF253	IXYS	IRF253	H
IRF224	INTL RECTIFIER	IRF222	H	IRF253	MOTOROLA	IRF253	D
IRF225	INTL RECTIFIER	IRF222	H	IRF253	MOTOROLA	2N6765	D
IRF233	GE	2N6767	D	IRF253	NATIONAL	IRF253	D
IRF240	GE	IRF240	D	IRF253	NATIONAL	2N6765	D
IRF240	INTL RECTIFIER	IRF240	D	IRF253	SAMSUNG	IRF253	D
IRF240	MOTOROLA	IRF240	D	IRF253	SAMSUNG	2N6765	D
IRF240	NATIONAL	IRF240	D	IRF253	SILICONIX	IRF253	D
IRF240	SAMSUNG	IRF240	D	IRF253	SILICONIX	2N6765	D
IRF240	SILICONIX	IRF240	D	IRF3205	INTL RECTIFIER	HRF3205	H
IRF241	GE	IRF241	D	IRF3205L	INTL RECTIFIER	HRF3205L	H
IRF241	INTL RECTIFIER	IRF241	D	IRF3205S	INTL RECTIFIER	HRF3205S	H
IRF241	MOTOROLA	IRF241	D	IRF330	GE	IRF330	D
IRF241	NATIONAL	IRF241	D	IRF330	INTL RECTIFIER	IRF330	D
IRF330	MOSPEC	IRF330	D	IRF351	NATIONAL	IRF351	D
IRF330	MOTOROLA	IRF330	D	IRF351	SAMSUNG	IRF351	D
IRF330	NATIONAL	IRF330	D	IRF351	SILICONIX	IRF351	D
IRF330	SAMSUNG	IRF330	D	IRF352	GE	IRF352	D
IRF330	SILICONIX	IRF330	D	IRF352	INTL RECTIFIER	IRF352	D
IRF331	GE	IRF331	D	IRF352	IXYS	IRF352	H
IRF331	INTL RECTIFIER	IRF331	D	IRF352	MOTOROLA	IRF352	D
IRF331	MOSPEC	IRF331	D	IRF352	NATIONAL	IRF352	D
IRF331	MOTOROLA	IRF331	D	IRF352	SAMSUNG	IRF352	D
IRF331	NATIONAL	IRF331	D	IRF352	SILICONIX	IRF352	D
IRF331	SAMSUNG	IRF331	D	IRF353	GE	IRF353	D
IRF331	SILICONIX	IRF331	D	IRF353	INTL RECTIFIER	IRF353	D
IRF332	GE	IRF332	D	IRF353	IXYS	IRF353	H
IRF332	INTL RECTIFIER	IRF332	D	IRF353	MOTOROLA	IRF353	D
IRF332	MOSPEC	IRF332	D	IRF353	NATIONAL	IRF353	D
IRF332	MOTOROLA	IRF332	D	IRF353	SAMSUNG	IRF353	D
IRF332	NATIONAL	IRF332	D	IRF353	SILICONIX	IRF353	D
IRF332	SAMSUNG	IRF332	D	IRF430	GE	IRF430	D
IRF332	SILICONIX	IRF332	D	IRF430	INTL RECTIFIER	IRF430	D

3
DIRECT/HARRIS
REPLACEMENTS

NOTE: D = Direct Replacement, H = Harris Recommended Replacement.

Cross-Reference Guide

COMPETITOR #	COMPETITOR	HARRIS #	TYPE	COMPETITOR #	COMPETITOR	HARRIS #	TYPE
IRF333	GE	IRF333	D	IRF430	MOSPEC	IRF430	D
IRF333	GE	2N6759	D	IRF430	MOTOROLA	IRF430	D
IRF333	INTL RECTIFIER	IRF333	D	IRF430	NATIONAL	IRF430	D
IRF333	INTL RECTIFIER	2N6759	D	IRF430	SAMSUNG	IRF430	D
IRF333	MOSPEC	IRF333	D	IRF430	SILICONIX	IRF430	D
IRF333	MOSPEC	2N6759	D	IRF431	GE	IRF431	D
IRF333	MOTOROLA	IRF333	D	IRF431	INTL RECTIFIER	IRF431	D
IRF333	MOTOROLA	2N6759	D	IRF431	MOSPEC	IRF431	D
IRF333	NATIONAL	IRF333	D	IRF431	MOTOROLA	IRF431	D
IRF333	NATIONAL	2N6759	D	IRF431	NATIONAL	IRF431	D
IRF333	SAMSUNG	IRF333	D	IRF431	SAMSUNG	IRF431	D
IRF333	SAMSUNG	2N6759	D	IRF431	SILICONIX	IRF431	D
IRF333	SILICONIX	IRF333	D	IRF432	GE	IRF432	D
IRF333	SILICONIX	2N6759	D	IRF432	INTL RECTIFIER	IRF432	D
IRF340	INTL RECTIFIER	IRF340	D	IRF432	MOSPEC	IRF432	D
IRF340	MOTOROLA	IRF340	H	IRF432	MOTOROLA	IRF432	D
IRF340	SILICONIX	IRF340	H	IRF432	NATIONAL	IRF432	D
IRF341	INTL RECTIFIER	IRF341	D	IRF432	SAMSUNG	IRF432	D
IRF341	SILICONIX	IRF341	H	IRF432	SILICONIX	IRF432	D
IRF3415	INTL RECTIFIER	IRF40N10	H	IRF433	GE	IRF433	D
IRF342	INTL RECTIFIER	IRF342	D	IRF433	GE	2N6761	D
IRF342	SILICONIX	IRF342	H	IRF433	INTL RECTIFIER	IRF433	D
IRF343	INTL RECTIFIER	IRF343	D	IRF433	INTL RECTIFIER	2N6761	D
IRF343	SILICONIX	IRF343	H	IRF433	MOSPEC	IRF433	D
IRF350	GE	IRF350	D	IRF433	MOSPEC	2N6761	D
IRF350	INTL RECTIFIER	IRF350	D	IRF433	MOTOROLA	IRF433	D
IRF350	IXYS	IRF350	H	IRF433	MOTOROLA	2N6761	D
IRF350	MOTOROLA	IRF350	D	IRF433	NATIONAL	IRF433	D
IRF350	NATIONAL	IRF350	D	IRF433	NATIONAL	2N6761	D
IRF350	SAMSUNG	IRF350	D	IRF433	SAMSUNG	IRF433	D
IRF350	SGS	IRF350	H	IRF433	SAMSUNG	2N6761	D
IRF350	SILICONIX	IRF350	D	IRF433	SILICONIX	IRF433	D
IRF351	GE	IRF351	D	IRF433	SILICONIX	2N6761	D
IRF351	INTL RECTIFIER	IRF351	H	IRF440	INTL RECTIFIER	IRF440	D
IRF351	IXYS	IRF351	H	IRF440	MOTOROLA	IRF440	H
IRF351	MOTOROLA	IRF351	D	IRF440	SILICONIX	IRF440	H
IRF441	INTL RECTIFIER	IRF441	D	IRF513	SILICONIX	IRF513	H
IRF441	MOTOROLA	IRF441	H	IRF513-001	INTL RECTIFIER	IRF513	D
IRF441	SILICONIX	IRF441	H	IRF513-006	INTL RECTIFIER	IRF513	D
IRF442	INTL RECTIFIER	IRF442	D	IRF513-009	INTL RECTIFIER	IRF513	D
IRF442	SILICONIX	IRF442	H	IRF513-010	INTL RECTIFIER	IRF513	D
IRF443	INTL RECTIFIER	IRF443	D	IRF520	INTL RECTIFIER	IRF520	D
IRF443	SILICONIX	IRF443	H	IRF520	MOTOROLA	IRF520	H
IRF448	INTL RECTIFIER	BUZ45	H	IRF520	SGS	IRF520	D
IRF449	INTL RECTIFIER	BUZ45	H	IRF520	SILICONIX	IRF520	H
IRF450	INTL RECTIFIER	IRF450	H	IRF520-001	INTL RECTIFIER	IRF520	D
IRF450	IXYS	IRF450	H	IRF520-006	INTL RECTIFIER	IRF520	D
IRF450	MOTOROLA	IRF450	H	IRF520-009	INTL RECTIFIER	IRF520	D
IRF450	SGS	IRF450	H	IRF520-010	INTL RECTIFIER	IRF520	D
IRF450	SILICONIX	IRF450	H	IRF521	INTL RECTIFIER	IRF521	D
IRF451	INTL RECTIFIER	IRF451	H	IRF521	MOTOROLA	IRF521	H
IRF451	IXYS	IRF451	H	IRF521	SGS	IRF521	D
IRF451	MOTOROLA	IRF451	H	IRF521	SILICONIX	IRF521	H
IRF451	SGS	IRF451	H	IRF521-001	INTL RECTIFIER	IRF521	D
IRF451	SILICONIX	IRF451	H	IRF521-006	INTL RECTIFIER	IRF521	D
IRF452	INTL RECTIFIER	IRF452	H	IRF521-009	INTL RECTIFIER	IRF521	D
IRF452	IXYS	IRF452	H	IRF521-010	INTL RECTIFIER	IRF521	D
IRF452	MOTOROLA	IRF452	H	IRF522	INTL RECTIFIER	IRF522	D

NOTE: D = Direct Replacement, H = Harris Recommended Replacement.

Cross-Reference Guide

COMPETITOR #	COMPETITOR	HARRIS #	TYPE	COMPETITOR #	COMPETITOR	HARRIS #	TYPE
IRF452	SGS	IRF452	H	IRF522	MOTOROLA	IRF522	H
IRF452	SILICONIX	IRF452	H	IRF522	SGS	IRF522	D
IRF453	INTL RECTIFIER	IRF453	H	IRF522	SILICONIX	IRF522	H
IRF453	IXYS	IRF453	H	IRF522-001	INTL RECTIFIER	IRF522	D
IRF453	SGS	IRF453	H	IRF522-006	INTL RECTIFIER	IRF522	D
IRF453	SILICONIX	IRF453	H	IRF522-009	INTL RECTIFIER	IRF522	D
IRF510	INTL RECTIFIER	IRF510	D	IRF522-010	INTL RECTIFIER	IRF522	D
IRF510	MOTOROLA	IRF510	H	IRF523	INTL RECTIFIER	IRF523	D
IRF510	SGS	IRF510	H	IRF523	MOTOROLA	IRF523	H
IRF510	SILICONIX	IRF510	H	IRF523	SGS	IRF523	H
IRF510-001	INTL RECTIFIER	IRF510	D	IRF523	SILICONIX	IRF523	H
IRF510-006	INTL RECTIFIER	IRF510	D	IRF523-001	INTL RECTIFIER	IRF523	D
IRF510-009	INTL RECTIFIER	IRF510	D	IRF523-006	INTL RECTIFIER	IRF523	D
IRF510-010	INTL RECTIFIER	IRF510	D	IRF523-009	INTL RECTIFIER	IRF523	D
IRF511	INTL RECTIFIER	IRF511	D	IRF523-010	INTL RECTIFIER	IRF523	D
IRF511	MOTOROLA	IRF511	H	IRF530	INTL RECTIFIER	IRF530	H
IRF511	SGS	IRF511	H	IRF530	MOTOROLA	IRF530	H
IRF511	SILICONIX	IRF511	H	IRF530	SGS	IRF530	H
IRF511-001	INTL RECTIFIER	IRF511	D	IRF530	SILICONIX	IRF530	H
IRF511-006	INTL RECTIFIER	IRF511	D	IRF531	INTL RECTIFIER	IRF531	H
IRF511-009	INTL RECTIFIER	IRF511	D	IRF531	MOTOROLA	IRF531	H
IRF511-010	INTL RECTIFIER	IRF511	D	IRF531	SGS	IRF531	H
IRF512	INTL RECTIFIER	IRF512	D	IRF531	SILICONIX	IRF531	H
IRF512	MOTOROLA	IRF512	H	IRF532	INTL RECTIFIER	IRF532	H
IRF512	SGS	IRF512	H	IRF532	MOTOROLA	IRF532	H
IRF512	SILICONIX	IRF512	H	IRF532	SGS	IRF532	H
IRF512-001	INTL RECTIFIER	IRF512	D	IRF532	SILICONIX	IRF532	H
IRF512-006	INTL RECTIFIER	IRF512	D	IRF533	INTL RECTIFIER	IRF533	H
IRF512-009	INTL RECTIFIER	IRF512	D	IRF533	MOTOROLA	IRF533	H
IRF512-010	INTL RECTIFIER	IRF512	D	IRF533	SGS	IRF533	H
IRF513	INTL RECTIFIER	IRF513	D	IRF533	SILICONIX	IRF533	H
IRF513	MOTOROLA	IRF513	H	IRF540	INTL RECTIFIER	IRF540	D
IRF513	SGS	IRF513	H	IRF540	MOTOROLA	IRF540	H
IRF540	SGS	IRF540	H	IRF621	INTL RECTIFIER	IRF621	H
IRF540	SILICONIX	IRF540	H	IRF621	MOTOROLA	IRF621	D
IRF540-001	INTL RECTIFIER	IRF540	D	IRF621	NATIONAL	IRF621	D
IRF540-006	INTL RECTIFIER	IRF540	D	IRF621	SAMSUNG	IRF621	D
IRF540-009	INTL RECTIFIER	IRF540	D	IRF621	SGS	IRF621	H
IRF540-010	INTL RECTIFIER	IRF540	D	IRF621	SILICONIX	IRF621	D
IRF541	INTL RECTIFIER	IRF541	D	IRF621	ZETEX, INC	IRF621	D
IRF541	MOTOROLA	IRF541	H	IRF623	GE	IRF623	D
IRF541	SGS	IRF541	H	IRF623	INTL RECTIFIER	IRF623	D
IRF541	SILICONIX	IRF541	H	IRF623	SGS	IRF623	D
IRF541-001	INTL RECTIFIER	IRF541	D	IRF623	SILICONIX	IRF623	H
IRF541-006	INTL RECTIFIER	IRF541	D	IRF623-001	INTL RECTIFIER	IRF623	D
IRF541-009	INTL RECTIFIER	IRF541	D	IRF623-006	INTL RECTIFIER	IRF623	D
IRF541-010	INTL RECTIFIER	IRF541	D	IRF623-009	INTL RECTIFIER	IRF623	D
IRF542	INTL RECTIFIER	IRF542	H	IRF623-010	INTL RECTIFIER	IRF623	D
IRF542	MOTOROLA	IRF542	H	IRF630	GE	IRF630	D
IRF542	SGS	IRF542	H	IRF630	INTL RECTIFIER	IRF630	D
IRF542	SILICONIX	IRF542	H	IRF630	MOTOROLA	IRF630	H
IRF543	INTL RECTIFIER	IRF543	D	IRF630	SILICONIX	IRF630	H
IRF543	SGS	IRF543	H	IRF630	ZETEX, INC	IRF630	D
IRF543	SILICONIX	IRF543	H	IRF630-001	INTL RECTIFIER	IRF630	D
IRF543-001	INTL RECTIFIER	IRF543	D	IRF630-006	INTL RECTIFIER	IRF630	D
IRF543-006	INTL RECTIFIER	IRF543	D	IRF630-009	INTL RECTIFIER	IRF630	D
IRF543-009	INTL RECTIFIER	IRF543	D	IRF630-010	INTL RECTIFIER	IRF630	D
IRF543-010	INTL RECTIFIER	IRF543	D	IRF631	GE	IRF631	D

3
DIRECT/HARRIS
REPLACEMENTS

NOTE: D = Direct Replacement, H = Harris Recommended Replacement.

Cross-Reference Guide

COMPETITOR #	COMPETITOR	HARRIS #	TYPE	COMPETITOR #	COMPETITOR	HARRIS #	TYPE
IRF610	INTL RECTIFIER	IRF610	D	IRF631	INTL RECTIFIER	IRF631	D
IRF610	MOTOROLA	IRF610	H	IRF631	MOTOROLA	IRF631	H
IRF610	SILICONIX	IRF610	H	IRF631	SILICONIX	IRF631	H
IRF610-001	INTL RECTIFIER	IRF610	D	IRF631-001	INTL RECTIFIER	IRF631	D
IRF610-006	INTL RECTIFIER	IRF610	D	IRF631-006	INTL RECTIFIER	IRF631	D
IRF610-009	INTL RECTIFIER	IRF610	D	IRF631-009	INTL RECTIFIER	IRF631	D
IRF610-010	INTL RECTIFIER	IRF610	D	IRF631-010	INTL RECTIFIER	IRF631	D
IRF611	INTL RECTIFIER	IRF611	D	IRF632	GE	IRF632	D
IRF611	SILICONIX	IRF611	H	IRF632	INTL RECTIFIER	IRF632	D
IRF611-001	INTL RECTIFIER	IRF611	D	IRF632	MOTOROLA	IRF632	H
IRF611-006	INTL RECTIFIER	IRF611	D	IRF632	SILICONIX	IRF632	H
IRF611-009	INTL RECTIFIER	IRF611	D	IRF632	ZETEX, INC	IRF632	D
IRF611-010	INTL RECTIFIER	IRF611	D	IRF632-001	INTL RECTIFIER	IRF632	D
IRF612	INTL RECTIFIER	IRF612	H	IRF632-006	INTL RECTIFIER	IRF632	D
IRF612	MOTOROLA	IRF612	H	IRF632-009	INTL RECTIFIER	IRF632	D
IRF612	SILICONIX	IRF612	H	IRF632-010	INTL RECTIFIER	IRF632	D
IRF613	INTL RECTIFIER	IRF613	H	IRF633	INTL RECTIFIER	IRF633	D
IRF613	SILICONIX	IRF613	H	IRF633	SILICONIX	IRF633	H
IRF615	INTL RECTIFIER	IRF612	H	IRF633-001	INTL RECTIFIER	IRF633	D
IRF620	GE	IRF620	D	IRF633-006	INTL RECTIFIER	IRF633	D
IRF620	INTL RECTIFIER	IRF620	D	IRF633-009	INTL RECTIFIER	IRF633	D
IRF620	MOTOROLA	IRF620	H	IRF633-010	INTL RECTIFIER	IRF633	D
IRF620	SGS	IRF620	D	IRF640	GE	IRF640	D
IRF620	SILICONIX	IRF620	H	IRF640	INTL RECTIFIER	IRF640	D
IRF620-001	INTL RECTIFIER	IRF620	D	IRF640	MOTOROLA	IRF640	H
IRF620-006	INTL RECTIFIER	IRF620	D	IRF640	SILICONIX	IRF640	H
IRF620-009	INTL RECTIFIER	IRF620	D	IRF640-001	INTL RECTIFIER	IRF640	D
IRF620-010	INTL RECTIFIER	IRF620	D	IRF640-006	INTL RECTIFIER	IRF640	D
IRF621	FERRANTI	IRF621	D	IRF640-009	INTL RECTIFIER	IRF640	D
IRF621	GEC PLESSEY	IRF621	D	IRF640-010	INTL RECTIFIER	IRF640	D
IRF641	INTL RECTIFIER	IRF641	H	IRF721	SILICONIX	IRF721	H
IRF641	MOTOROLA	IRF641	D	IRF721-001	INTL RECTIFIER	IRF721	D
IRF641	NATIONAL	IRF641	D	IRF721-006	INTL RECTIFIER	IRF721	D
IRF641	SAMSUNG	IRF641	D	IRF721-009	INTL RECTIFIER	IRF721	D
IRF641	SILICONIX	IRF641	D	IRF721-010	INTL RECTIFIER	IRF721	D
IRF642	GE	IRF642	D	IRF722	INTL RECTIFIER	IRF722	D
IRF642	INTL RECTIFIER	IRF642	D	IRF722	MOTOROLA	IRF722	H
IRF642	MOTOROLA	IRF642	H	IRF722	SGS	IRF722	D
IRF642	SILICONIX	IRF642	H	IRF722	SILICONIX	IRF722	H
IRF642-001	INTL RECTIFIER	IRF642	D	IRF722-001	INTL RECTIFIER	IRF722	D
IRF642-006	INTL RECTIFIER	IRF642	D	IRF722-006	INTL RECTIFIER	IRF722	D
IRF642-009	INTL RECTIFIER	IRF642	D	IRF722-009	INTL RECTIFIER	IRF722	D
IRF642-010	INTL RECTIFIER	IRF642	D	IRF722-010	INTL RECTIFIER	IRF722	D
IRF643	INTL RECTIFIER	IRF643	H	IRF723	INTL RECTIFIER	IRF723	D
IRF643	MOTOROLA	IRF643	D	IRF723	SGS	IRF723	D
IRF643	NATIONAL	IRF643	D	IRF723	SILICONIX	IRF723	H
IRF643	SAMSUNG	IRF643	D	IRF723-001	INTL RECTIFIER	IRF723	D
IRF643	SILICONIX	IRF643	D	IRF723-006	INTL RECTIFIER	IRF723	D
IRF644	INTL RECTIFIER	IRF644	H	IRF723-009	INTL RECTIFIER	IRF723	D
IRF645	INTL RECTIFIER	IRF645	H	IRF723-010	INTL RECTIFIER	IRF723	D
IRF710	INTL RECTIFIER	IRF710	D	IRF730	GE	IRF730	D
IRF710	SILICONIX	IRF710	H	IRF730	INTL RECTIFIER	IRF730	H
IRF710-001	INTL RECTIFIER	IRF710	D	IRF730	MOTOROLA	IRF730	H
IRF710-006	INTL RECTIFIER	IRF710	D	IRF730	SGS	IRF730	H
IRF710-009	INTL RECTIFIER	IRF710	D	IRF730	SILICONIX	IRF730	H
IRF710-010	INTL RECTIFIER	IRF710	D	IRF731	GE	IRF731	D
IRF711	INTL RECTIFIER	IRF711	D	IRF731	INTL RECTIFIER	IRF731	H
IRF711	SILICONIX	IRF711	H	IRF731	MOTOROLA	IRF731	H

NOTE: D = Direct Replacement, H = Harris Recommended Replacement.

Cross-Reference Guide

COMPETITOR #	COMPETITOR	HARRIS #	TYPE	COMPETITOR #	COMPETITOR	HARRIS #	TYPE
IRF711-001	INTL RECTIFIER	IRF711	D	IRF731	SGS	IRF731	H
IRF711-006	INTL RECTIFIER	IRF711	D	IRF731	SILICONIX	IRF731	H
IRF711-009	INTL RECTIFIER	IRF711	D	IRF732	GE	IRF732	D
IRF711-010	INTL RECTIFIER	IRF711	D	IRF732	INTL RECTIFIER	IRF732	H
IRF712	INTL RECTIFIER	IRF712	D	IRF732	MOTOROLA	IRF732	H
IRF712	SILICONIX	IRF712	H	IRF732	SGS	IRF732	H
IRF712-001	INTL RECTIFIER	IRF712	D	IRF732	SILICONIX	IRF732	H
IRF712-006	INTL RECTIFIER	IRF712	D	IRF733	GE	IRF733	D
IRF712-009	INTL RECTIFIER	IRF712	D	IRF733	INTL RECTIFIER	IRF733	H
IRF712-010	INTL RECTIFIER	IRF712	D	IRF733	MOTOROLA	IRF733	H
IRF713	INTL RECTIFIER	IRF713	D	IRF733	SGS	IRF733	H
IRF713	SILICONIX	IRF713	H	IRF733	SILICONIX	IRF733	H
IRF713-001	INTL RECTIFIER	IRF713	D	IRF740	INTL RECTIFIER	IRF740	D
IRF713-006	INTL RECTIFIER	IRF713	D	IRF740	MOTOROLA	IRF740	H
IRF713-009	INTL RECTIFIER	IRF713	D	IRF740	SGS	IRF740	D
IRF713-010	INTL RECTIFIER	IRF713	D	IRF740	SILICONIX	IRF740	H
IRF720	GE	BUZ76	D	IRF740-001	INTL RECTIFIER	IRF740	D
IRF720	INTL RECTIFIER	IRF720	D	IRF740-006	INTL RECTIFIER	IRF740	D
IRF720	MOTOROLA	IRF720	H	IRF740-009	INTL RECTIFIER	IRF740	D
IRF720	SGS	IRF720	D	IRF740-010	INTL RECTIFIER	IRF740	D
IRF720	SILICONIX	IRF720	H	IRF741	INTL RECTIFIER	IRF741	D
IRF720-001	INTL RECTIFIER	IRF720	D	IRF741	MOTOROLA	IRF741	H
IRF720-006	INTL RECTIFIER	IRF720	D	IRF741	SGS	IRF741	D
IRF720-009	INTL RECTIFIER	IRF720	D	IRF741	SILICONIX	IRF741	H
IRF720-010	INTL RECTIFIER	IRF720	D	IRF741-001	INTL RECTIFIER	IRF741	D
IRF721	INTL RECTIFIER	IRF721	D	IRF741-006	INTL RECTIFIER	IRF741	D
IRF721	SGS	IRF721	D	IRF741-009	INTL RECTIFIER	IRF741	D
IRF741-010	INTL RECTIFIER	IRF741	D	IRF831	SILICONIX	IRF831	H
IRF742	INTL RECTIFIER	IRF742	H	IRF832	GE	IRF832	D
IRF742	SGS	IRF742	H	IRF832	INTL RECTIFIER	IRF832	H
IRF742	SILICONIX	IRF742	H	IRF832	MOTOROLA	IRF832	H
IRF743	INTL RECTIFIER	IRF743	H	IRF832	SGS	IRF832	H
IRF743	SGS	IRF743	H	IRF832	SILICONIX	IRF832	H
IRF743	SILICONIX	IRF743	H	IRF833	GE	IRF833	D
IRF820	SGS	IRF820	H	IRF833	INTL RECTIFIER	IRF833	H
IRF820	INTL RECTIFIER	IRF820	D	IRF833	MOTOROLA	IRF833	H
IRF820	MOTOROLA	IRF820	H	IRF833	SGS	IRF833	H
IRF820	SGS	IRF820	D	IRF833	SILICONIX	IRF833	H
IRF820	SILICONIX	IRF820	H	IRF840	INTL RECTIFIER	IRF840	D
IRF820-001	INTL RECTIFIER	IRF820	D	IRF840	MOTOROLA	IRF840	H
IRF820-006	INTL RECTIFIER	IRF820	D	IRF840	SGS	IRF840	H
IRF820-009	INTL RECTIFIER	IRF820	D	IRF840	SILICONIX	IRF840	H
IRF820-010	INTL RECTIFIER	IRF820	D	IRF840-001	INTL RECTIFIER	IRF840	D
IRF821	INTL RECTIFIER	IRF821	D	IRF840-006	INTL RECTIFIER	IRF840	D
IRF821	MOTOROLA	IRF821	H	IRF840-009	INTL RECTIFIER	IRF840	D
IRF821	SGS	IRF821	D	IRF840-010	INTL RECTIFIER	IRF840	D
IRF821	SILICONIX	IRF821	H	IRF841	INTL RECTIFIER	IRF841	D
IRF821-001	INTL RECTIFIER	IRF821	D	IRF841	MOTOROLA	IRF841	H
IRF821-006	INTL RECTIFIER	IRF821	D	IRF841	SGS	IRF841	D
IRF821-009	INTL RECTIFIER	IRF821	D	IRF841	SILICONIX	IRF841	H
IRF821-010	INTL RECTIFIER	IRF821	D	IRF841-001	INTL RECTIFIER	IRF841	D
IRF822	INTL RECTIFIER	IRF822	H	IRF841-006	INTL RECTIFIER	IRF841	D
IRF822	SGS	IRF822	H	IRF841-009	INTL RECTIFIER	IRF841	D
IRF822	SILICONIX	IRF822	H	IRF841-010	INTL RECTIFIER	IRF841	D
IRF823	INTL RECTIFIER	IRF823	H	IRF842	INTL RECTIFIER	IRF842	D
IRF823	MOTOROLA	IRF823	H	IRF842	MOTOROLA	IRF842	H
IRF823	SGS	IRF823	H	IRF842	SGS	IRF842	H
IRF823	SILICONIX	IRF823	H	IRF842	SILICONIX	IRF842	H

3
DIRECT/HARRIS
REPLACEMENTS

NOTE: D = Direct Replacement, H = Harris Recommended Replacement.

Cross-Reference Guide

COMPETITOR #	COMPETITOR	HARRIS #	TYPE	COMPETITOR #	COMPETITOR	HARRIS #	TYPE
IRF830	GE	BUZ41	D	IRF842-001	INTL RECTIFIER	IRF842	D
IRF830	GE	BUZ41A	D	IRF842-006	INTL RECTIFIER	IRF842	D
IRF830	GE	IRF830	D	IRF842-009	INTL RECTIFIER	IRF842	D
IRF830	INTL RECTIFIER	IRF830	H	IRF842-010	INTL RECTIFIER	IRF842	D
IRF830	MOSPEC	BUZ41	D	IRF843	INTL RECTIFIER	IRF843	D
IRF830	MOSPEC	BUZ41A	D	IRF843	MOTOROLA	IRF843	H
IRF830	MOSPEC	IRF830	D	IRF843	SGS	IRF843	D
IRF830	MOTOROLA	BUZ41	D	IRF843	SILICONIX	IRF843	H
IRF830	MOTOROLA	BUZ41A	D	IRF843-001	INTL RECTIFIER	IRF843	D
IRF830	MOTOROLA	IRF830	D	IRF843-006	INTL RECTIFIER	IRF843	D
IRF830	NATIONAL	BUZ41	D	IRF843-009	INTL RECTIFIER	IRF843	D
IRF830	NATIONAL	BUZ41A	D	IRF843-010	INTL RECTIFIER	IRF843	D
IRF830	NATIONAL	IRF830	D	IRF9220	INTL RECTIFIER	RFP8P05	H
IRF830	SAMSUNG	BUZ41	D	IRF9222	INTL RECTIFIER	RFP8P05	H
IRF830	SAMSUNG	BUZ41A	D	IRF9224	INTL RECTIFIER	RFP8P05	H
IRF830	SAMSUNG	IRF830	D	IRF9230	INTL RECTIFIER	RFP15P05	H
IRF830	SGS	IRF830	H	IRF9234	INTL RECTIFIER	RFP15P05	H
IRF830	SILICONIX	BUZ41	D	IRF9130	INTL RECTIFIER	IRF9130	H
IRF830	SILICONIX	BUZ41A	D	IRF9130	SILICONIX	IRF9130	H
IRF830	SILICONIX	IRF830	D	IRF9131	INTL RECTIFIER	IRF9131	H
IRF831	GE	IRF831	D	IRF9131	SILICONIX	IRF9131	H
IRF831	INTL RECTIFIER	IRF831	H	IRF9132	INTL RECTIFIER	IRF9132	H
IRF831	MOTOROLA	IRF831	H	IRF9132	SILICONIX	IRF9132	H
IRF831	SGS	IRF831	H	IRF9133	INTL RECTIFIER	IRF9133	H
IRF9133	SILICONIX	IRF9133	H	IRF9531	INTL RECTIFIER	IRF9531	H
IRF9140	INTL RECTIFIER	IRF9140	H	IRF9531	SILICONIX	IRF9531	H
IRF9141	INTL RECTIFIER	IRF9141	D	IRF9532	INTL RECTIFIER	IRF9532	H
IRF9141	SAMSUNG	IRF9141	D	IRF9532	SILICONIX	IRF9532	H
IRF9142	INTL RECTIFIER	IRF9142	H	IRF9533	INTL RECTIFIER	IRF9533	H
IRF9143	INTL RECTIFIER	IRF9143	D	IRF9533	SILICONIX	IRF9533	H
IRF9143	SAMSUNG	IRF9143	D	IRF9540	INTL RECTIFIER	IRF9540	H
IRF9230	INTL RECTIFIER	IRF9230	H	IRF9541	INTL RECTIFIER	IRF9541	H
IRF9230	SILICONIX	IRF9230	H	IRF9542	INTL RECTIFIER	IRF9530	H
IRF9231	INTL RECTIFIER	IRF9231	H	IRF9543	INTL RECTIFIER	IRF9531	H
IRF9231	SILICONIX	IRF9231	H	IRF9610	INTL RECTIFIER	IRF9622	H
IRF9232	INTL RECTIFIER	IRF9232	H	IRF9611	INTL RECTIFIER	IRF9623	H
IRF9232	SILICONIX	IRF9232	H	IRF9620	INTL RECTIFIER	IRF9620	H
IRF9233	INTL RECTIFIER	IRF9233	H	IRF9620	SILICONIX	IRF9620	H
IRF9233	SILICONIX	IRF9233	H	IRF9621	INTL RECTIFIER	IRF9621	H
IRF9240	INTL RECTIFIER	IRF9240	D	IRF9621	SILICONIX	IRF9621	H
IRF9240	SAMSUNG	IRF9240	D	IRF9622	INTL RECTIFIER	IRF9622	H
IRF9241	INTL RECTIFIER	IRF9241	H	IRF9622	SILICONIX	IRF9622	H
IRF9242	INTL RECTIFIER	IRF9242	H	IRF9623	INTL RECTIFIER	IRF9623	H
IRF9243	INTL RECTIFIER	IRF9243	D	IRF9623	SILICONIX	IRF9623	H
IRF9243	SAMSUNG	IRF9243	D	IRF9630	INTL RECTIFIER	IRF9630	H
IRF9510	INTL RECTIFIER	IRF9510	H	IRF9630	MOTOROLA	IRF9630	H
IRF9511	INTL RECTIFIER	IRF9511	D	IRF9630	SILICONIX	IRF9630	H
IRF9511-001	INTL RECTIFIER	IRF9511	D	IRF9631	INTL RECTIFIER	IRF9631	H
IRF9511-006	INTL RECTIFIER	IRF9511	D	IRF9631	SILICONIX	IRF9631	H
IRF9511-009	INTL RECTIFIER	IRF9511	D	IRF9632	INTL RECTIFIER	IRF9632	H
IRF9511-010	INTL RECTIFIER	IRF9511	D	IRF9632	SILICONIX	IRF9632	H
IRF9512	INTL RECTIFIER	IRF9512	D	IRF9633	INTL RECTIFIER	IRF9633	H
IRF9512-001	INTL RECTIFIER	IRF9512	D	IRF9633	SILICONIX	IRF9633	H
IRF9512-006	INTL RECTIFIER	IRF9512	D	IRF9640	INTL RECTIFIER	IRF9640	D
IRF9512-009	INTL RECTIFIER	IRF9512	D	IRF9640	MOTOROLA	IRF9640	D
IRF9512-010	INTL RECTIFIER	IRF9512	D	IRF9640-001	INTL RECTIFIER	IRF9640	D
IRF9513	INTL RECTIFIER	IRF9513	D	IRF9640-006	INTL RECTIFIER	IRF9640	D
IRF9513-001	INTL RECTIFIER	IRF9513	D	IRF9640-009	INTL RECTIFIER	IRF9640	D

NOTE: D = Direct Replacement, H = Harris Recommended Replacement.

Cross-Reference Guide

COMPETITOR #	COMPETITOR	HARRIS #	TYPE	COMPETITOR #	COMPETITOR	HARRIS #	TYPE
IRF9513-006	INTL RECTIFIER	IRF9513	D	IRF9640-010	INTL RECTIFIER	IRF9640	D
IRF9513-009	INTL RECTIFIER	IRF9513	D	IRF9641	INTL RECTIFIER	IRF9641	H
IRF9513-010	INTL RECTIFIER	IRF9513	D	IRF9642	INTL RECTIFIER	IRF9642	H
IRF9520	INTL RECTIFIER	IRF9520	H	IRF9643	INTL RECTIFIER	IRF9643	D
IRF9520	SILICONIX	IRF9520	H	IRF9643-001	INTL RECTIFIER	IRF9643	D
IRF9521	INTL RECTIFIER	IRF9521	D	IRF9643-006	INTL RECTIFIER	IRF9643	D
IRF9521	SILICONIX	IRF9521	H	IRF9643-009	INTL RECTIFIER	IRF9643	D
IRF9521-001	INTL RECTIFIER	IRF9521	D	IRF9643-010	INTL RECTIFIER	IRF9643	D
IRF9521-006	INTL RECTIFIER	IRF9521	D	IRHF110	INTL RECTIFIER	2N6782	D
IRF9521-009	INTL RECTIFIER	IRF9521	D	IRLD014	INTL RECTIFIER	RFW2N06RLE	H
IRF9521-010	INTL RECTIFIER	IRF9521	D	IRLR024	INTL RECTIFIER	RFD14N05LSM	H
IRF9522	INTL RECTIFIER	IRF9522	H	IRLR120	INTL RECTIFIER	RFD7N10LESM	H
IRF9522	SILICONIX	IRF9522	H	IRLU024	INTL RECTIFIER	RFD14N05L	H
IRF9523	INTL RECTIFIER	IRF9523	D	IRLU120	INTL RECTIFIER	RFD7N10LE	H
IRF9523	SILICONIX	IRF9523	H	IRLZ24	INTL RECTIFIER	RFP17N06L	H
IRF9523-001	INTL RECTIFIER	IRF9523	D	IRLZ34	INTL RECTIFIER	RFP25N05L	H
IRF9523-006	INTL RECTIFIER	IRF9523	D	IRL520	INTL RECTIFIER	RFP10N12L	H
IRF9523-009	INTL RECTIFIER	IRF9523	D	IRL530	INTL RECTIFIER	RFP15N08L	H
IRF9523-010	INTL RECTIFIER	IRF9523	D	IR2110C	INTL RECTIFIER	HIP2500IY	H
IRF9530	INTL RECTIFIER	IRF9530	H	IR2110L	INTL RECTIFIER	HIP2500IP	H
IRF9530	SILICONIX	IRF9530	H	IR2110S	INTL RECTIFIER	HIP2500IB	H
IXTP 7N45	IXYS	IRF843	H	IXTP 4N100	IXYS	RFP4N100	H
IXFH 11N60	IXYS	IRFP452	H	IXTP 4N100A	IXYS	RFP4N100	H
IXFH 12N50	IXYS	IRFP452	H	IXTP 4N45	IXYS	IRF833	H
IXFH 13N50	IXYS	IRFP450	H	IXTP 4N45A	IXYS	IRF831	H
IXFH 15N60	IXYS	IRFP450	H	IXTP 4N50	IXYS	BUZ42	H
IXFH 17N60	IXYS	IRFP450	H	IXTP 4N50A	IXYS	BUZ41A	H
IXFH 19N50	IXYS	IRFP350	H	IXTP 4N60	IXYS	BUZ42	H
IXFH 20N60	IXYS	IRFP450	H	IXTP 4N60A	IXYS	BUZ42	H
IXFH 21N50	IXYS	IRFP350	H	IXTP 4N90	IXYS	RFP4N100	H
IXFH 21N60	IXYS	IRFP460	H	IXTP 4N95	IXYS	RFP4N100	H
IXFH 24N50	IXYS	IRFP360	H	IXTP 4N95A	IXYS	RFP4N100	H
IXFH 26N50	IXYS	IRFP360	H	IXTP 6N60	IXYS	BUZ41A	H
IXFM 10N60	IXYS	BUZ45	H	IXTP 7N45A	IXYS	IRF841	H
IXFM 12N50	IXYS	BUZ45B	H	IXTP 7N50	IXYS	IRF842	H
IXFM 13N50	IXYS	2N6770	H	IXTP 7N50A	IXYS	IRF840	H
IXTH 10N60A	IXYS	IRFP452	H	JANTXV2N6758	FAIRCHILD	2N6758TXV	D
IXTH 12N45	IXYS	IRFP453	H	JANTXV2N6758	INTL RECTIFIER	2N6758TXV	D
IXTH 12N45A	IXYS	IRFP451	H	JANTXV2N6758	MOTOROLA	2N6758TXV	D
IXTH 12N50	IXYS	IRFP452	H	JANTXV2N6758	NATIONAL	2N6758TXV	D
IXTH 12N50A	IXYS	IRFP450	H	JANTXV2N6758	PER QPL	2N6758TXV	D
IXTH 15N45	IXYS	IRFP451	H	JANTXV2N6758	SILICONIX	2N6758TXV	D
IXTH 15N50A	IXYS	IRFP450	H	JANTXV2N6758	UNITRODE	2N6758TXV	D
IXTH 15N60	IXYS	IRFP450	H	JANTXV2N6760	FAIRCHILD	2N6760TXV	D
IXTH 17N60	IXYS	IRFP450	H	JANTXV2N6760	INTL RECTIFIER	2N6760TXV	D
IXTH 19N45	IXYS	IRFP350	H	JANTXV2N6760	MOTOROLA	2N6760TXV	D
IXTH 19N50	IXYS	IRFP350	H	JANTXV2N6760	NATIONAL	2N6760TXV	D
IXTH 20N60	IXYS	IRFP450	H	JANTXV2N6760	PER QPL	2N6760TXV	D
IXTH 21N45	IXYS	IRFP350	H	JANTXV2N6760	SILICONIX	2N6760TXV	D
IXTH 21N50	IXYS	IRFP350	H	JANTXV2N6760	UNITRODE	2N6760TXV	D
IXTH 21N60	IXYS	IRFP460	H	JANTXV2N6782	INTL RECTIFIER	2N6782TXV	D
IXTH 24N45	IXYS	IRFP360	H	JANTXV2N6782	PER QPL	2N6782TXV	D
IXTH 24N45MA	IXYS	IRFP360	H	JANTXV2N6782	UNITRODE	2N6782TXV	D
IXTH 24N45MB	IXYS	IRFP360	H	JANTXV2N6784	INTL RECTIFIER	2N6784TXV	D
IXTH 24N50	IXYS	IRFP360	H	JANTXV2N6784	PER QPL	2N6784TXV	D
IXTH 24N50MA	IXYS	IRFP360	H	JANTXV2N6784	UNITRODE	2N6784TXV	D
IXTH 24N50MB	IXYS	IRFP360	H	JANTXV2N6792	INTL RECTIFIER	2N6792TXV	D
IXTH 26N45	IXYS	IRFP360	H	JANTXV2N6792	PER QPL	2N6792TXV	D

3
DIRECT/HARRIS
REPLACEMENTS

NOTE: D = Direct Replacement, H = Harris Recommended Replacement.

Cross-Reference Guide

COMPETITOR #	COMPETITOR	HARRIS #	TYPE	COMPETITOR #	COMPETITOR	HARRIS #	TYPE
IXTH 26N50	IXYS	IRFP360	H	JANTXV2N6792	SILICONIX	2N6792TXV	D
IXTH 27N35MA	IXYS	IRFP360	H	JANTXV2N6792	UNITRODE	2N6792TXV	D
IXTH 27N35MB	IXYS	IRFP360	H	JANTXV2N6794	INTL RECTIFIER	2N6794TXV	D
IXTH 27N40MA	IXYS	IRFP360	H	JANTXV2N6794	PER QPL	2N6794TXV	D
IXTH 27N40MB	IXYS	IRFP360	H	JANTXV2N6794	SILICONIX	2N6794TXV	D
IXTH 35N25	IXYS	IRFP250	H	JANTXV2N6794	UNITRODE	2N6794TXV	D
IXTH 35N25MA	IXYS	IRFP250	H	JANTXV2N6796	INTL RECTIFIER	2N6796TXV	D
IXTH 35N25MB	IXYS	IRFP250	H	JANTXV2N6796	PER QPL	2N6796TXV	D
IXTH 40N25	IXYS	IRFP250	H	JANTXV2N6796	SILICONIX	2N6796TXV	D
IXTM 10N60	IXYS	BUZ45	H	JANTXV2N6796	UNITRODE	2N6796TXV	D
IXTM 10N60A	IXYS	BUZ45	H	JANTXV2N6798	INTL RECTIFIER	2N6798TXV	D
IXTM 12N45	IXYS	2N6769	H	JANTXV2N6798	PER QPL	2N6798TXV	D
IXTM 12N45A	IXYS	IRF451	H	JANTXV2N6798	SILICONIX	2N6798TXV	D
IXTM 15N50A	IXYS	2N6770	H	JANTXV2N6798	UNITRODE	2N6798TXV	D
IXTM 35N25	IXYS	2N6766	H	JANTXV2N6800	INTL RECTIFIER	2N6800TXV	D
IXTM 4N60A	IXYS	IRF432	H	JANTXV2N6800	PER QPL	2N6800TXV	D
IXTM 40N25	IXYS	2N6766	H	JANTXV2N6800	SILICONIX	2N6800TXV	D
IXTM 6N60	IXYS	2N6762	H	JANTXV2N6800	UNITRODE	2N6800TXV	D
JANTXV2N6802	INTL RECTIFIER	2N6802TXV	D	JANTX2N6800	INTL RECTIFIER	2N6800TX	D
JANTXV2N6802	PER QPL	2N6802TXV	D	JANTX2N6800	PER QPL	2N6800TX	D
JANTXV2N6802	SILICONIX	2N6802TXV	D	JANTX2N6800	SILICONIX	2N6800TX	D
JANTXV2N6802	UNITRODE	2N6802TXV	D	JANTX2N6800	UNITRODE	2N6800TX	D
JANTXV2N6849	INTL RECTIFIER	2N6849TXV	D	JANTX2N6802	INTL RECTIFIER	2N6802TX	D
JANTXV2N6849	PER QPL	2N6849TXV	D	JANTX2N6802	PER QPL	2N6802TX	D
JANTXV2N6851	INTL RECTIFIER	2N6851TXV	D	JANTX2N6802	SILICONIX	2N6802TX	D
JANTXV2N6851	PER QPL	2N6851TXV	D	JANTX2N6802	UNITRODE	2N6802TX	D
JANTXV2N6895	PER QPL	2N6895TXV	D	JANTX2N6849	INTL RECTIFIER	2N6849TX	D
JANTXV2N6896	PER QPL	2N6896TXV	D	JANTX2N6849	PER QPL	2N6849TX	D
JANTXV2N6897	PER QPL	2N6897TXV	D	JANTX2N6851	INTL RECTIFIER	2N6851TX	D
JANTXV2N6898	PER QPL	2N6898TXV	D	JANTX2N6851	PER QPL	2N6851TX	D
JANTXV2N6901	PER QPL	2N6901TXV	D	JANTX2N6895	PER QPL	2N6895TX	D
JANTXV2N6902	PER QPL	2N6902TXV	D	JANTX2N6896	PER QPL	2N6896TX	D
JANTXV2N6903	PER QPL	2N6903TXV	D	JANTX2N6897	PER QPL	2N6897TX	D
JANTXV2N6904	PER QPL	2N6904TXV	D	JANTX2N6898	PER QPL	2N6898TX	D
JANTX2N6758	FAIRCHILD	2N6758TX	D	JANTX2N6901	PER QPL	2N6901TX	D
JANTX2N6758	INTL RECTIFIER	2N6758TX	D	JANTX2N6902	PER QPL	2N6902TX	D
JANTX2N6758	MOTOROLA	2N6758TX	D	JANTX2N6903	PER QPL	2N6903TX	D
JANTX2N6758	NATIONAL	2N6758TX	D	JANTX2N6904	PER QPL	2N6904TX	D
JANTX2N6758	PER QPL	2N6758TX	D	JM38510/05001BCA	MOTOROLA	JM38510/05001BCA	D
JANTX2N6758	SILICONIX	2N6758TX	D	JM38510/05001BCA	NATIONAL	JM38510/05001BCA	D
JANTX2N6758	UNITRODE	2N6758TX	D	JM38510/05001BCA	SPRAGUE	JM38510/05001BCA	D
JANTX2N6760	FAIRCHILD	2N6760TX	D	JM38510/05001BCB	NATIONAL	JM38510/05001BCA	D
JANTX2N6760	INTL RECTIFIER	2N6760TX	D	JM38510/05001BCB	SPRAGUE	JM38510/05001BCA	D
JANTX2N6760	MOTOROLA	2N6760TX	D	JM38510/05001BCC	SPRAGUE	JM38510/05001BCA	D
JANTX2N6760	NATIONAL	2N6760TX	D	JM38510/05003BCA	NATIONAL	JM38510/05003BCA	D
JANTX2N6760	PER QPL	2N6760TX	D	JM38510/05003BCA	SPRAGUE	JM38510/05003BCA	D
JANTX2N6760	SILICONIX	2N6760TX	D	JM38510/05003BCB	NATIONAL	JM38510/05003BCA	D
JANTX2N6760	UNITRODE	2N6760TX	D	JM38510/05003BCB	SPRAGUE	JM38510/05003BCA	D
JANTX2N6782	INTL RECTIFIER	2N6782TX	D	JM38510/05003BCC	SPRAGUE	JM38510/05003BCA	D
JANTX2N6782	PER QPL	2N6782TX	D	JM38510/05051BCA	SPRAGUE	CD4011AFB	D
JANTX2N6782	UNITRODE	2N6782TX	D	JM38510/05051BCA	SPRAGUE	CD4011BFB	D
JANTX2N6784	INTL RECTIFIER	2N6784TX	D	JM38510/05051BCA	SPRAGUE	JM38510/05051BCA	D
JANTX2N6784	PER QPL	2N6784TX	D	JM38510/05051BCB	SPRAGUE	CD4011AFB	D
JANTX2N6784	UNITRODE	2N6784TX	D	JM38510/05051BCB	SPRAGUE	CD4011BFB	D
JANTX2N6786	INTL RECTIFIER	2N6786TX	D	JM38510/05051BCB	SPRAGUE	JM38510/05051BCA	D
JANTX2N6786	PER QPL	2N6786TX	D	JM38510/05051BCC	SPRAGUE	CD4011AFB	D
JANTX2N6786	UNITRODE	2N6786TX	D	JM38510/05051BCC	SPRAGUE	CD4011BFB	D
JANTX2N6792	INTL RECTIFIER	2N6792TX	D	JM38510/05051BCC	SPRAGUE	JM38510/05051BCA	D

NOTE: D = Direct Replacement, H = Harris Recommended Replacement.

Cross-Reference Guide

COMPETITOR #	COMPETITOR	HARRIS #	TYPE	COMPETITOR #	COMPETITOR	HARRIS #	TYPE
JANTX2N6792	PER QPL	2N6792TX	D	JM38510/05052BCA	SPRAGUE	CD4012BFB	D
JANTX2N6792	SILICONIX	2N6792TX	D	JM38510/05052BCA	SPRAGUE	JM38510/05052BCA	D
JANTX2N6792	UNITRODE	2N6792TX	D	JM38510/05052BCB	SPRAGUE	CD4012BFB	D
JANTX2N6794	INTL RECTIFIER	2N6794TX	D	JM38510/05052BCB	SPRAGUE	JM38510/05052BCA	D
JANTX2N6794	PER QPL	2N6794TX	D	JM38510/05052BCC	SPRAGUE	CD4012BFB	D
JANTX2N6794	SILICONIX	2N6794TX	D	JM38510/05052BCC	SPRAGUE	JM38510/05052BCA	D
JANTX2N6794	UNITRODE	2N6794TX	D	JM38510/05053BCA	SPRAGUE	CD4023BFB	D
JANTX2N6796	INTL RECTIFIER	2N6796TX	D	JM38510/05053BCA	SPRAGUE	JM38510/05053BCA	D
JANTX2N6796	PER QPL	2N6796TX	D	JM38510/05053BCB	SPRAGUE	CD4023BFB	D
JANTX2N6796	SILICONIX	2N6796TX	D	JM38510/05053BCB	SPRAGUE	JM38510/05053BCA	D
JANTX2N6796	UNITRODE	2N6796TX	D	JM38510/05053BCC	SPRAGUE	CD4023BFB	D
JANTX2N6798	INTL RECTIFIER	2N6798TX	D	JM38510/05053BCC	SPRAGUE	JM38510/05053BCA	D
JANTX2N6798	PER QPL	2N6798TX	D	JM38510/05101BCA	MOTOROLA	JM38510/05101BCA	D
JANTX2N6798	SILICONIX	2N6798TX	D	JM38510/05101BCA	NATIONAL	JM38510/05101BCA	D
JANTX2N6798	UNITRODE	2N6798TX	D	JM38510/05101BCA	SPRAGUE	JM38510/05101BCA	D
JM38510/05101BCB	NATIONAL	JM38510/05101BCA	D	JM38510/05252BCC	SPRAGUE	CD4001BFB	D
JM38510/05101BCB	SPRAGUE	JM38510/05101BCA	D	JM38510/05252BCC	SPRAGUE	JM38510/05252BCA	D
JM38510/05101BCC	SPRAGUE	JM38510/05101BCA	D	JM38510/05254BCA	NATIONAL	CD4025BFB	D
JM38510/05102BEA	NATIONAL	JM38510/05102BEA	D	JM38510/05254BCA	NATIONAL	JM38510/05254BCA	D
JM38510/05102BEA	SPRAGUE	JM38510/05102BEA	D	JM38510/05254BCA	SPRAGUE	CD4025BFB	D
JM38510/05102BEB	NATIONAL	JM38510/05102BEA	D	JM38510/05254BCA	SPRAGUE	JM38510/05254BCA	D
JM38510/05102BEB	SPRAGUE	JM38510/05102BEA	D	JM38510/05254BCB	SPRAGUE	CD4025BFB	D
JM38510/05102BEC	SPRAGUE	JM38510/05102BEA	D	JM38510/05254BCB	SPRAGUE	JM38510/05254BCA	D
JM38510/05151BCA	NATIONAL	JM38510/05151BCA	D	JM38510/05254BCC	SPRAGUE	CD4025BFB	D
JM38510/05151BCA	SPRAGUE	JM38510/05151BCA	D	JM38510/05254BCC	SPRAGUE	JM38510/05254BCA	D
JM38510/05151BCB	NATIONAL	JM38510/05151BCA	D	JM38510/05302BEA	NATIONAL	CD4019AFB	D
JM38510/05151BCB	SPRAGUE	JM38510/05151BCA	D	JM38510/05302BEA	NATIONAL	JM38510/05302BEA	D
JM38510/05151BCC	SPRAGUE	JM38510/05151BCA	D	JM38510/05302BEA	SPRAGUE	CD4019AFB	D
JM38510/05152BEA	SPRAGUE	CD4027BFB	D	JM38510/05302BEA	SPRAGUE	JM38510/05302BEA	D
JM38510/05152BEA	SPRAGUE	JM38510/05152BEA	D	JM38510/05302BEB	NATIONAL	CD4019AFB	D
JM38510/05152BEB	SPRAGUE	CD4027BFB	D	JM38510/05302BEB	NATIONAL	JM38510/05302BEA	D
JM38510/05152BEB	SPRAGUE	JM38510/05152BEA	D	JM38510/05302BEB	SPRAGUE	CD4019AFB	D
JM38510/05152BEC	SPRAGUE	CD4027BFB	D	JM38510/05302BEB	SPRAGUE	JM38510/05302BEA	D
JM38510/05152BEC	SPRAGUE	JM38510/05152BEA	D	JM38510/05302BEC	SPRAGUE	CD4019AFB	D
JM38510/05201BCA	SPRAGUE	CD4000AFB	D	JM38510/05302BEC	SPRAGUE	JM38510/05302BEA	D
JM38510/05201BCA	SPRAGUE	JM38510/05201BCA	D	JM38510/05303BCA	NATIONAL	CD4030BFB	D
JM38510/05201BCB	SPRAGUE	CD4000AFB	D	JM38510/05303BCA	NATIONAL	JM38510/05353BCA	D
JM38510/05201BCB	SPRAGUE	JM38510/05201BCA	D	JM38510/05303BCA	SPRAGUE	CD4030BFB	D
JM38510/05201BCC	SPRAGUE	CD4000AFB	D	JM38510/05303BCA	SPRAGUE	JM38510/05353BCA	D
JM38510/05201BCC	SPRAGUE	JM38510/05201BCA	D	JM38510/05303BCB	NATIONAL	CD4030BFB	D
JM38510/05202BCA	MOTOROLA	CD4001AFB	D	JM38510/05303BCB	NATIONAL	JM38510/05353BCA	D
JM38510/05202BCA	MOTOROLA	JM38510/05202BCA	D	JM38510/05303BCB	SPRAGUE	CD4030BFB	D
JM38510/05202BCA	NATIONAL	CD4001AFB	D	JM38510/05303BCB	SPRAGUE	JM38510/05353BCA	D
JM38510/05202BCA	NATIONAL	JM38510/05202BCA	D	JM38510/05303BCC	SPRAGUE	CD4030BFB	D
JM38510/05202BCA	SPRAGUE	CD4001AFB	D	JM38510/05303BCC	SPRAGUE	JM38510/05353BCA	D
JM38510/05202BCA	SPRAGUE	JM38510/05202BCA	D	JM38510/05352BEA	NATIONAL	CD4019BFB	D
JM38510/05202BCB	NATIONAL	CD4001AFB	D	JM38510/05352BEA	NATIONAL	JM38510/05352BEA	D
JM38510/05202BCB	NATIONAL	JM38510/05202BCA	D	JM38510/05352BEA	SPRAGUE	CD4019BFB	D
JM38510/05202BCB	SPRAGUE	CD4001AFB	D	JM38510/05352BEA	SPRAGUE	JM38510/05352BEA	D
JM38510/05202BCB	SPRAGUE	JM38510/05202BCA	D	JM38510/05352BEB	NATIONAL	CD4019BFB	D
JM38510/05202BCC	SPRAGUE	CD4001AFB	D	JM38510/05352BEB	NATIONAL	JM38510/05352BEA	D
JM38510/05202BCC	SPRAGUE	JM38510/05202BCA	D	JM38510/05352BEB	SPRAGUE	CD4019BFB	D
JM38510/05204BCA	MOTOROLA	CD4025AFB	D	JM38510/05352BEB	SPRAGUE	JM38510/05352BEA	D
JM38510/05204BCA	MOTOROLA	JM38510/05204BCA	D	JM38510/05352BEC	SPRAGUE	CD4019BFB	D
JM38510/05204BCA	NATIONAL	CD4025AFB	D	JM38510/05352BEC	SPRAGUE	JM38510/05352BEA	D
JM38510/05204BCA	NATIONAL	JM38510/05204BCA	D	JM38510/05353BCA	SPRAGUE	CD4030BFB	D
JM38510/05204BCA	SPRAGUE	CD4025AFB	D	JM38510/05353BCA	SPRAGUE	JM38510/05353BCA	D
JM38510/05204BCA	SPRAGUE	JM38510/05204BCA	D	JM38510/05353BCB	SPRAGUE	CD4030BFB	D

3
**DIRECT/HARRIS
REPLACEMENTS**

NOTE: D = Direct Replacement, H = Harris Recommended Replacement.

Cross-Reference Guide

COMPETITOR #	COMPETITOR	HARRIS #	TYPE	COMPETITOR #	COMPETITOR	HARRIS #	TYPE
JM38510/05204BCB	NATIONAL	CD4025AFB	D	JM38510/05353BCB	SPRAGUE	JM38510/05353BCA	D
JM38510/05204BCB	NATIONAL	JM38510/05204BCA	D	JM38510/05353BCC	SPRAGUE	CD4030BFB	D
JM38510/05204BCB	SPRAGUE	CD4025AFB	D	JM38510/05353BCC	SPRAGUE	JM38510/05353BCA	D
JM38510/05204BCB	SPRAGUE	JM38510/05204BCA	D	JM38510/05503BEA	MOTOROLA	CD4049AFB	D
JM38510/05204BCC	SPRAGUE	CD4025AFB	D	JM38510/05503BEA	MOTOROLA	JM38510/05503BEA	D
JM38510/05204BCC	SPRAGUE	JM38510/05204BCA	D	JM38510/05503BEA	NATIONAL	CD4049AFB	D
JM38510/05252BCA	NATIONAL	CD4001BFB	D	JM38510/05503BEA	NATIONAL	JM38510/05503BEA	D
JM38510/05252BCA	NATIONAL	JM38510/05252BCA	D	JM38510/05503BEA	SPRAGUE	CD4049AFB	D
JM38510/05252BCA	SPRAGUE	CD4001BFB	D	JM38510/05503BEA	SPRAGUE	JM38510/05503BEA	D
JM38510/05252BCA	SPRAGUE	JM38510/05252BCA	D	JM38510/05503BEB	NATIONAL	CD4049AFB	D
JM38510/05252BCB	SPRAGUE	CD4001BFB	D	JM38510/05503BEB	NATIONAL	JM38510/05503BEA	D
JM38510/05252BCB	SPRAGUE	JM38510/05252BCA	D	JM38510/05503BEB	SPRAGUE	CD4049AFB	D
JM38510/05503BEB	SPRAGUE	JM38510/05503BEA	D	JM38510/05651BEA	SPRAGUE	CD4017BFB	D
JM38510/05503BEC	SPRAGUE	CD4049AFB	D	JM38510/05651BEA	SPRAGUE	JM38510/05651BEA	D
JM38510/05503BEC	SPRAGUE	JM38510/05503BEA	D	JM38510/05651BEB	SPRAGUE	CD4017BFB	D
JM38510/05504BEA	MOTOROLA	CD4050AFB	D	JM38510/05651BEB	SPRAGUE	JM38510/05651BEA	D
JM38510/05504BEA	MOTOROLA	JM38510/05504BEA	D	JM38510/05651BEC	SPRAGUE	CD4017BFB	D
JM38510/05504BEA	NATIONAL	CD4050AFB	D	JM38510/05651BEC	SPRAGUE	JM38510/05651BEA	D
JM38510/05504BEA	NATIONAL	JM38510/05504BEA	D	JM38510/05652BEA	NATIONAL	CD4018BFB	D
JM38510/05504BEA	SPRAGUE	CD4050AFB	D	JM38510/05652BEA	NATIONAL	JM38510/05652BEA	D
JM38510/05504BEA	SPRAGUE	JM38510/05504BEA	D	JM38510/05652BEA	SPRAGUE	CD4018BFB	D
JM38510/05504BEB	NATIONAL	CD4050AFB	D	JM38510/05652BEA	SPRAGUE	JM38510/05652BEA	D
JM38510/05504BEB	NATIONAL	JM38510/05504BEA	D	JM38510/05652BEB	NATIONAL	CD4018BFB	D
JM38510/05504BEB	SPRAGUE	CD4050AFB	D	JM38510/05652BEB	NATIONAL	JM38510/05652BEA	D
JM38510/05504BEB	SPRAGUE	JM38510/05504BEA	D	JM38510/05652BEB	SPRAGUE	CD4018BFB	D
JM38510/05504BEC	SPRAGUE	CD4050AFB	D	JM38510/05652BEB	SPRAGUE	JM38510/05652BEA	D
JM38510/05504BEC	SPRAGUE	JM38510/05504BEA	D	JM38510/05652BEC	SPRAGUE	CD4018BFB	D
JM38510/05553BEA	SPRAGUE	CD4049UBFB	D	JM38510/05652BEC	SPRAGUE	JM38510/05652BEA	D
JM38510/05553BEA	SPRAGUE	JM38510/05553BEA	D	JM38510/05655BCA	SPRAGUE	CD4024BFB	D
JM38510/05553BEB	SPRAGUE	CD4049UBFB	D	JM38510/05655BCA	SPRAGUE	JM38510/05655BCA	D
JM38510/05553BEB	SPRAGUE	JM38510/05553BEA	D	JM38510/05655BCB	SPRAGUE	CD4024BFB	D
JM38510/05553BEC	SPRAGUE	CD4049UBFB	D	JM38510/05655BCB	SPRAGUE	JM38510/05655BCA	D
JM38510/05553BEC	SPRAGUE	JM38510/05553BEA	D	JM38510/05655BCC	SPRAGUE	CD4024BFB	D
JM38510/05554BEA	SPRAGUE	CD4050BFB	D	JM38510/05655BCC	SPRAGUE	JM38510/05655BCA	D
JM38510/05554BEA	SPRAGUE	JM38510/05554BEA	D	JM38510/05754BEA	SPRAGUE	CD4021BFB	D
JM38510/05554BEB	SPRAGUE	CD4050BFB	D	JM38510/05754BEA	SPRAGUE	JM38510/05754BEA	D
JM38510/05554BEB	SPRAGUE	JM38510/05554BEA	D	JM38510/05754BEB	SPRAGUE	CD4021BFB	D
JM38510/05554BEC	SPRAGUE	CD4050BFB	D	JM38510/05754BEB	SPRAGUE	JM38510/05754BEA	D
JM38510/05554BEC	SPRAGUE	JM38510/05554BEA	D	JM38510/05754BEC	SPRAGUE	CD4021BFB	D
JM38510/05601BEA	NATIONAL	CD4017AFB	D	JM38510/05754BEC	SPRAGUE	JM38510/05754BEA	D
JM38510/05601BEA	NATIONAL	JM38510/05601BEA	D	JM38510/05852BCA	SPRAGUE	CD4066BFB	D
JM38510/05601BEA	SPRAGUE	CD4017AFB	D	JM38510/05852BCA	SPRAGUE	JM38510/05852BCA	D
JM38510/05601BEA	SPRAGUE	JM38510/05601BEA	D	JM38510/05852BCB	SPRAGUE	CD4066BFB	D
JM38510/05601BEB	NATIONAL	CD4017AFB	D	JM38510/05852BCB	SPRAGUE	JM38510/05852BCA	D
JM38510/05601BEB	NATIONAL	JM38510/05601BEA	D	JM38510/05852BCC	SPRAGUE	CD4066BFB	D
JM38510/05601BEB	SPRAGUE	CD4017AFB	D	JM38510/05852BCC	SPRAGUE	JM38510/05852BCA	D
JM38510/05601BEB	SPRAGUE	JM38510/05601BEA	D	JM38510/11601BCA	SILICONIX	JM38510/11601BCA	D
JM38510/05601BEC	SPRAGUE	CD4017AFB	D	JM38510/11601BCC	SILICONIX	JM38510/11601BCA	D
JM38510/05601BEC	SPRAGUE	JM38510/05601BEA	D	JM38510/11602BCA	SILICONIX	JM38510/11602BCA	D
JM38510/05603BEA	MOTOROLA	CD4020AFB	D	JM38510/11602BCC	SILICONIX	JM38510/11602BCA	D
JM38510/05603BEA	MOTOROLA	JM38510/05603BEA	D	JM38510/11603BCA	SILICONIX	JM38510/11603BCA	D
JM38510/05603BEA	NATIONAL	CD4020AFB	D	JM38510/11603BCC	SILICONIX	JM38510/11603BCA	D
JM38510/05603BEA	NATIONAL	JM38510/05603BEA	D	JM38510/11604BCA	SILICONIX	JM38510/11604BCA	D
JM38510/05603BEB	NATIONAL	CD4020AFB	D	JM38510/11604BCC	SILICONIX	JM38510/11604BCA	D
JM38510/05603BEB	NATIONAL	JM38510/05603BEA	D	JM38510/12302BEA	SILICONIX	JM38510/12302BEA	D
JM38510/05605BCA	MOTOROLA	CD4024AFB	D	JM38510/12302BEC	SILICONIX	JM38510/12302BEA	D
JM38510/05605BCA	MOTOROLA	JM38510/05605BCA	D	JM38510/12601BEA	LINEAR TECH	CA1524FX	H
JM38510/05605BCA	NATIONAL	CD4024AFB	D	JM38510/12601BEA	SILICON GEN	CA1524FX	H

NOTE: D = Direct Replacement, H = Harris Recommended Replacement.

Cross-Reference Guide

COMPETITOR #	COMPETITOR	HARRIS #	TYPE	COMPETITOR #	COMPETITOR	HARRIS #	TYPE
JM38510/05605BCA	NATIONAL	JM38510/05605BCA	D	JM38510/12601SEA	LINEAR TECH	CA1524FX	H
JM38510/05605BCA	SPRAGUE	CD4024AFB	D	JM38510/17001BCA	MOTOROLA	CD4081BFB	D
JM38510/05605BCA	SPRAGUE	JM38510/05605BCA	D	JM38510/17001BCA	SPRAGUE	CD4081BFB	D
JM38510/05605BCB	NATIONAL	CD4024AFB	D	JM38510/17001BCB	SPRAGUE	CD4081BFB	D
JM38510/05605BCB	NATIONAL	JM38510/05605BCA	D	JM38510/17001BCC	SPRAGUE	CD4081BFB	D
JM38510/05605BCB	SPRAGUE	CD4024AFB	D	JM38510/17002BCA	MOTOROLA	CD4082BFB	D
JM38510/05605BCB	SPRAGUE	JM38510/05605BCA	D	JM38510/17002BCA	SPRAGUE	CD4082BFB	D
JM38510/05605BCC	SPRAGUE	CD4024AFB	D	JM38510/17002BCB	SPRAGUE	CD4082BFB	D
JM38510/05605BCC	SPRAGUE	JM38510/05605BCA	D	JM38510/17003BCA	MOTOROLA	CD4073BFB	D
JM38510/17003BCA	SPRAGUE	CD4073BFB	D	JTXV2N6794	SILICONIX	2N6794TXV	D
JM38510/17003BCB	MOTOROLA	CD4073BFB	D	JTXV2N6794	UNITRODE	2N6794TXV	D
JM38510/17003BCB	SPRAGUE	CD4073BFB	D	JTXV2N6796	IR	2N6796TXV	D
JM38510/17003BCC	SPRAGUE	CD4073BFB	D	JTXV2N6796	PER QPL	2N6796TXV	D
JM38510/17101BCA	SPRAGUE	CD4071BFB	D	JTXV2N6796	SILICONIX	2N6796TXV	D
JM38510/17101BCB	SPRAGUE	CD4071BFB	D	JTXV2N6796	UNITRODE	2N6796TXV	D
JM38510/17101BCC	SPRAGUE	CD4071BFB	D	JTXV2N6798	IR	2N6798TXV	D
JM38510/17103BCA	SPRAGUE	CD4075BFB	D	JTXV2N6798	PER QPL	2N6798TXV	D
JM38510/17103BCB	SPRAGUE	CD4075BFB	D	JTXV2N6798	SILICONIX	2N6798TXV	D
JM38510/17103BCC	SPRAGUE	CD4075BFB	D	JTXV2N6798	UNITRODE	2N6798TXV	D
JM38510/17203BCA	MOTOROLA	CD4070BFB	D	JTXV2N6800	IR	2N6800TXV	D
JM38510/17203BCA	SPRAGUE	CD4070BFB	D	JTXV2N6800	PER QPL	2N6800TXV	D
JM38510/17203BCB	SPRAGUE	CD4070BFB	D	JTXV2N6800	SILICONIX	2N6800TXV	D
JM38510/17203BCC	SPRAGUE	CD4070BFB	D	JTXV2N6800	UNITRODE	2N6800TXV	D
JM38510/17401BCA	SPRAGUE	CD4069UBFB	D	JTXV2N6802	IR	2N6802TXV	D
JM38510/17401BCB	SPRAGUE	CD4069UBFB	D	JTXV2N6802	PER QPL	2N6802TXV	D
JM38510/17401BCC	SPRAGUE	CD4069UBFB	D	JTXV2N6802	SILICONIX	2N6802TXV	D
JM38510/19001BXC	SILICONIX	JM38510/19001BXA	D	JTXV2N6802	UNITRODE	2N6802TXV	D
JM38510/19003BXC	SILICONIX	JM38510/19003BXA	D	JTXV2N6849	IR	2N6849TXV	D
JM38510/19007BEA	SILICONIX	JM38510/19007BEA	D	JTXV2N6849	PER QPL	2N6849TXV	D
JM38510/19007BEC	SILICONIX	JM38510/19007BEA	D	JTXV2N6851	IR	2N6851TXV	D
JM38510/19008BEA	SILICONIX	JM38510/19008BEA	D	JTXV2N6851	PER QPL	2N6851TXV	D
JM38510/19008BEC	SILICONIX	JM38510/19008BEA	D	JTXV2N6895	PER QPL	2N6895TXV	D
JTXV2N6758	FAIRCHILD	2N6758TXV	D	JTXV2N6896	PER QPL	2N6896TXV	D
JTXV2N6758	IR	2N6758TXV	D	JTXV2N6897	PER QPL	2N6897TXV	D
JTXV2N6758	MOTOROLA	2N6758TXV	D	JTXV2N6898	PER QPL	2N6898TXV	D
JTXV2N6758	NATIONAL	2N6758TXV	D	JTXV2N6901	PER QPL	2N6901TXV	D
JTXV2N6758	PER QPL	2N6758TXV	D	JTXV2N6902	PER QPL	2N6902TXV	D
JTXV2N6758	SILICONIX	2N6758TXV	D	JTXV2N6903	PER QPL	2N6903TXV	D
JTXV2N6758	UNITRODE	2N6758TXV	D	JTXV2N6904	PER QPL	2N6904TXV	D
JTXV2N6760	FAIRCHILD	2N6760TXV	D	JTX2N6758	FAIRCHILD	2N6758TX	D
JTXV2N6760	IR	2N6760TXV	D	JTX2N6758	IR	2N6758TX	D
JTXV2N6760	MOTOROLA	2N6760TXV	D	JTX2N6758	MOTOROLA	2N6758TX	D
JTXV2N6760	NATIONAL	2N6760TXV	D	JTX2N6758	NATIONAL	2N6758TX	D
JTXV2N6760	PER QPL	2N6760TXV	D	JTX2N6758	PER QPL	2N6758TX	D
JTXV2N6760	SILICONIX	2N6760TXV	D	JTX2N6758	SILICONIX	2N6758TX	D
JTXV2N6760	UNITRODE	2N6760TXV	D	JTX2N6758	UNITRODE	2N6758TX	D
JTXV2N6762	FAIRCHILD	2N6762TXV	D	JTX2N6760	FAIRCHILD	2N6760TX	D
JTXV2N6762	IR	2N6762TXV	D	JTX2N6760	IR	2N6760TX	D
JTXV2N6762	NATIONAL	2N6762TXV	D	JTX2N6760	MOTOROLA	2N6760TX	D
JTXV2N6762	PER QPL	2N6762TXV	D	JTX2N6760	NATIONAL	2N6760TX	D
JTXV2N6762	SILICONIX	2N6762TXV	D	JTX2N6760	PER QPL	2N6760TX	D
JTXV2N6762	UNITRODE	2N6762TXV	D	JTX2N6760	SILICONIX	2N6760TX	D
JTXV2N6782	IR	2N6782TXV	D	JTX2N6760	UNITRODE	2N6760TX	D
JTXV2N6782	PER QPL	2N6782TXV	D	JTX2N6762	FAIRCHILD	2N6762TX	D
JTXV2N6782	UNITRODE	2N6782TXV	D	JTX2N6762	IR	2N6762TX	D
JTXV2N6784	IR	2N6784TXV	D	JTX2N6762	NATIONAL	2N6762TX	D
JTXV2N6784	PER QPL	2N6784TXV	D	JTX2N6762	PER QPL	2N6762TX	D
JTXV2N6784	UNITRODE	2N6784TXV	D	JTX2N6762	SILICONIX	2N6762TX	D

3
DIRECT/HARRIS
REPLACEMENTS

NOTE: D = Direct Replacement, H = Harris Recommended Replacement.

Cross-Reference Guide

COMPETITOR #	COMPETITOR	HARRIS #	TYPE	COMPETITOR #	COMPETITOR	HARRIS #	TYPE
JTXV2N6792	IR	2N6792TXV	D	JTX2N6762	UNITRODE	2N6762TX	D
JTXV2N6792	PER QPL	2N6792TXV	D	JTX2N6782	NATIONAL	2N6768TX	D
JTXV2N6792	SILICONIX	2N6792TXV	D	JTX2N6782	IR	2N6782TX	D
JTXV2N6792	UNITRODE	2N6792TXV	D	JTX2N6782	PER QPL	2N6782TX	D
JTXV2N6794	IR	2N6794TXV	D	JTX2N6782	UNITRODE	2N6782TX	D
JTXV2N6794	PER QPL	2N6794TXV	D	JTX2N6784	IR	2N6784TX	D
JTX2N6784	PER QPL	2N6784TX	D	KS74HCTLS03D	SAMSUNG	CD74HCT03M96	D
JTX2N6784	UNITRODE	2N6784TX	D	KS74HCTLS03DT	SAMSUNG	CD74HCT03M	D
JTX2N6786	IR	2N6786TX	D	KS74HCTLS03DT	SAMSUNG	CD74HCT03M96	D
JTX2N6786	PER QPL	2N6786TX	D	KS74HCTLS03N	SAMSUNG	CD74HCT03E	D
JTX2N6786	UNITRODE	2N6786TX	D	KS74HCTLS08D	SAMSUNG	CD74HCT08M	D
JTX2N6792	IR	2N6792TX	D	KS74HCTLS08D	SAMSUNG	CD74HCT08M96	D
JTX2N6792	PER QPL	2N6792TX	D	KS74HCTLS08DT	SAMSUNG	CD74HCT08M	D
JTX2N6792	SILICONIX	2N6792TX	D	KS74HCTLS08DT	SAMSUNG	CD74HCT08M96	D
JTX2N6792	UNITRODE	2N6792TX	D	KS74HCTLS08N	SAMSUNG	CD74HCT08E	D
JTX2N6794	IR	2N6794TX	D	KS74HCTLS08N+	SAMSUNG	CD74HCT08EX	D
JTX2N6794	PER QPL	2N6794TX	D	KS74HCTLS10D	SAMSUNG	CD74HCT10M	D
JTX2N6794	SILICONIX	2N6794TX	D	KS74HCTLS10D	SAMSUNG	CD74HCT10M96	D
JTX2N6794	UNITRODE	2N6794TX	D	KS74HCTLS10DT	SAMSUNG	CD74HCT10M	D
JTX2N6796	IR	2N6796TX	D	KS74HCTLS10DT	SAMSUNG	CD74HCT10M96	D
JTX2N6796	PER QPL	2N6796TX	D	KS74HCTLS10N	SAMSUNG	CD74HCT10E	D
JTX2N6796	SILICONIX	2N6796TX	D	KS74HCTLS112AN	SAMSUNG	CD74HCT112E	D
JTX2N6796	UNITRODE	2N6796TX	D	KS74HCTLS125D	SAMSUNG	CD74HCT125M	D
JTX2N6798	IR	2N6798TX	D	KS74HCTLS125D	SAMSUNG	CD74HCT125M96	D
JTX2N6798	PER QPL	2N6798TX	D	KS74HCTLS125DT	SAMSUNG	CD74HCT125M	D
JTX2N6798	SILICONIX	2N6798TX	D	KS74HCTLS125DT	SAMSUNG	CD74HCT125M96	D
JTX2N6798	UNITRODE	2N6798TX	D	KS74HCTLS125N	SAMSUNG	CD74HCT125E	D
JTX2N6800	IR	2N6800TX	D	KS74HCTLS126D	SAMSUNG	CD74HCT126M	D
JTX2N6800	PER QPL	2N6800TX	D	KS74HCTLS126D	SAMSUNG	CD74HCT126M96	D
JTX2N6800	SILICONIX	2N6800TX	D	KS74HCTLS126DT	SAMSUNG	CD74HCT126M	D
JTX2N6800	UNITRODE	2N6800TX	D	KS74HCTLS126DT	SAMSUNG	CD74HCT126M96	D
JTX2N6802	IR	2N6802TX	D	KS74HCTLS126N	SAMSUNG	CD74HCT126E	D
JTX2N6802	PER QPL	2N6802TX	D	KS74HCTLS132D	SAMSUNG	CD74HCT132M	D
JTX2N6802	SILICONIX	2N6802TX	D	KS74HCTLS132D	SAMSUNG	CD74HCT132M96	D
JTX2N6802	UNITRODE	2N6802TX	D	KS74HCTLS132DT	SAMSUNG	CD74HCT132M	D
JTX2N6849	IR	2N6849TX	D	KS74HCTLS132DT	SAMSUNG	CD74HCT132M96	D
JTX2N6849	PER QPL	2N6849TX	D	KS74HCTLS132N	SAMSUNG	CD74HCT132E	D
JTX2N6851	IR	2N6851TX	D	KS74HCTLS151D	SAMSUNG	CD74HCT151M	D
JTX2N6851	PER QPL	2N6851TX	D	KS74HCTLS151D	SAMSUNG	CD74HCT151M96	D
JTX2N6895	PER QPL	2N6895TX	D	KS74HCTLS151DT	SAMSUNG	CD74HCT151M	D
JTX2N6896	PER QPL	2N6896TX	D	KS74HCTLS151DT	SAMSUNG	CD74HCT151M96	D
JTX2N6897	PER QPL	2N6897TX	D	KS74HCTLS151N	SAMSUNG	CD74HCT151E	D
JTX2N6898	PER QPL	2N6898TX	D	KS74HCTLS153D	SAMSUNG	CD74HCT153M	D
JTX2N6901	PER QPL	2N6901TX	D	KS74HCTLS153D	SAMSUNG	CD74HCT153M96	D
JTX2N6902	PER QPL	2N6902TX	D	KS74HCTLS153DT	SAMSUNG	CD74HCT153M	D
JTX2N6903	PER QPL	2N6903TX	D	KS74HCTLS153DT	SAMSUNG	CD74HCT153M96	D
JTX2N6904	PER QPL	2N6904TX	D	KS74HCTLS153N	SAMSUNG	CD74HCT153E	D
KA2524N	SAMSUNG	CA2524E	H	KS74HCTLS154D	SAMSUNG	CD74HCT154M	D
KA3524	SAMSUNG	CA3524E	H	KS74HCTLS154DT	SAMSUNG	CD74HCT154M	D
KA3524N	SAMSUNG	CA3524E	D	KS74HCTLS154N	SAMSUNG	CD74HCT154EN	D
KA723	SAMSUNG	CA0723CE	D	KS74HCTLS194N	SAMSUNG	CD74HCT194E	D
KA723	SAMSUNG	LM723CN	D	KS74HCTLS21D	SAMSUNG	CD74HCT21M	D
KA723I	SAMSUNG	CA0723E	H	KS74HCTLS21D	SAMSUNG	CD74HCT21M96	D
KA723I	SAMSUNG	LM723N	H	KS74HCTLS21DT	SAMSUNG	CD74HCT21M	D
KA741	SAMSUNG	CA0741CE	D	KS74HCTLS21DT	SAMSUNG	CD74HCT21M96	D
KA741	SAMSUNG	LM741CN	D	KS74HCTLS21N	SAMSUNG	CD74HCT21E	D
KS54HCTLS08J	SAMSUNG	CD54HCT08F	D	KS74HCTLS238D	SAMSUNG	CD74HCT238M	D
KS54HCTLS32J	SAMSUNG	CD54HCT32F	D	KS74HCTLS238DT	SAMSUNG	CD74HCT238M	D

NOTE: D = Direct Replacement, H = Harris Recommended Replacement.

Cross-Reference Guide

COMPETITOR #	COMPETITOR	HARRIS #	TYPE
KS7126CN	SAMSUNG	ICL7126CPL	D
KS7126RVN	SAMSUNG	ICL7126RCPL	D
KS74HCTLS03D	SAMSUNG	CD74HCT03M	D
KS74HCTLS243N	SAMSUNG	CD74HCT243E	D
KS74HCTLS251D	SAMSUNG	CD74HCT251M	D
KS74HCTLS251D	SAMSUNG	CD74HCT251M96	D
KS74HCTLS251DT	SAMSUNG	CD74HCT251M	D
KS74HCTLS251DT	SAMSUNG	CD74HCT251M96	D
KS74HCTLS251N	SAMSUNG	CD74HCT251E	D
KS74HCTLS253D	SAMSUNG	CD74HCT253M	D
KS74HCTLS253D	SAMSUNG	CD74HCT253M96	D
KS74HCTLS253DT	SAMSUNG	CD74HCT253M	D
KS74HCTLS253DT	SAMSUNG	CD74HCT253M96	D
KS74HCTLS253N	SAMSUNG	CD74HCT253E	D
KS74HCTLS259D	SAMSUNG	CD74HCT259M	D
KS74HCTLS259D	SAMSUNG	CD74HCT259M96	D
KS74HCTLS259DT	SAMSUNG	CD74HCT259M	D
KS74HCTLS259DT	SAMSUNG	CD74HCT259M96	D
KS74HCTLS259N	SAMSUNG	CD74HCT259E	D
KS74HCTLS27D	SAMSUNG	CD74HCT27M	D
KS74HCTLS27D	SAMSUNG	CD74HCT27M96	D
KS74HCTLS27DT	SAMSUNG	CD74HCT27M	D
KS74HCTLS27DT	SAMSUNG	CD74HCT27M96	D
KS74HCTLS27N	SAMSUNG	CD74HCT27E	D
KS74HCTLS280N	SAMSUNG	CD74HCT280E	D
KS74HCTLS30D	SAMSUNG	CD74HCT30M	D
KS74HCTLS30D	SAMSUNG	CD74HCT30M96	D
KS74HCTLS30DT	SAMSUNG	CD74HCT30M	D
KS74HCTLS30DT	SAMSUNG	CD74HCT30M96	D
KS74HCTLS30N	SAMSUNG	CD74HCT30E	D
KS74HCTLS32D	SAMSUNG	CD74HCT32M	D
KS74HCTLS32D	SAMSUNG	CD74HCT32M96	D
KS74HCTLS32DT	SAMSUNG	CD74HCT32M	D
KS74HCTLS32DT	SAMSUNG	CD74HCT32M96	D
KS74HCTLS32N	SAMSUNG	CD74HCT32E	D
KS74HCTLS32N+	SAMSUNG	CD74HCT32EX	D
KS74HCTLS365AN	SAMSUNG	CD74HCT365E	D
KS74HCTLS377D	SAMSUNG	CD74HCT377M	D
KS74HCTLS377D	SAMSUNG	CD74HCT377M96	D
KS74HCTLS377DT	SAMSUNG	CD74HCT377M	D
KS74HCTLS377DT	SAMSUNG	CD74HCT377M96	D
KS74HCTLS377N	SAMSUNG	CD74HCT377E	D
KS74HCTLS390D	SAMSUNG	CD74HCT390M	D
KS74HCTLS390D	SAMSUNG	CD74HCT390M96	D
KS74HCTLS390DT	SAMSUNG	CD74HCT390M	D
KS74HCTLS390DT	SAMSUNG	CD74HCT390M96	D
KS74HCTLS390N	SAMSUNG	CD74HCT390E	D
KS74HCTLS42N	SAMSUNG	CD74HCT42E	D
KS74HCTLS423D	SAMSUNG	CD74HCT423M96	D
KS74HCTLS423DT	SAMSUNG	CD74HCT423M96	D
KS74HCTLS423N	SAMSUNG	CD74HCT423E	D
KS74HCTLS533N	SAMSUNG	CD74HCT533E	D
KS74HCTLS597D	SAMSUNG	CD74HCT597M	D
KS74HCTLS597D	SAMSUNG	CD74HCT597M96	D
KS74HCTLS597DT	SAMSUNG	CD74HCT597M	D
KS74HCTLS597DT	SAMSUNG	CD74HCT597M96	D
KS74HCTLS597N	SAMSUNG	CD74HCT597E	D
KS74HCTLS670D	SAMSUNG	CD74HCT670M	D

COMPETITOR #	COMPETITOR	HARRIS #	TYPE
KS74HCTLS238N	SAMSUNG	CD74HCT238E	D
KS74HCTLS243D	SAMSUNG	CD74HCT243M	D
KS74HCTLS243DT	SAMSUNG	CD74HCT243M	D
KS74HCTLS670D	SAMSUNG	CD74HCT670M96	D
KS74HCTLS670DT	SAMSUNG	CD74HCT670M	D
KS74HCTLS670DT	SAMSUNG	CD74HCT670M96	D
KS74HCTLS670N	SAMSUNG	CD74HCT670E	D
KS74HCTLS688D	SAMSUNG	CD74HCT688M	D
KS74HCTLS688D	SAMSUNG	CD74HCT688M96	D
KS74HCTLS688DT	SAMSUNG	CD74HCT688M	D
KS74HCTLS688DT	SAMSUNG	CD74HCT688M96	D
KS74HCTLS688N	SAMSUNG	CD74HCT688E	D
KS74HCTLS73AD	SAMSUNG	CD74HCT73M	D
KS74HCTLS73ADT	SAMSUNG	CD74HCT73M	D
KS74HCTLS73AN	SAMSUNG	CD74HCT73E	D
KS74HCTLS75D	SAMSUNG	CD74HCT75M	D
KS74HCTLS75DT	SAMSUNG	CD74HCT75M	D
KS74HCTLS75N	SAMSUNG	CD74HCT75E	D
KS82C37A-5CL	SAMSUNG	CS82C37A-5	D
KS82C37A-5CP	SAMSUNG	CP82C37A-5	D
KS82C37A-5IL	SAMSUNG	IS82C37A-5	D
KS82C37A-5IP	SAMSUNG	IP82C37A-5	D
KS82C37A-8CL	SAMSUNG	CS82C37A	D
KS82C37A-8CP	SAMSUNG	CP82C37A	D
KS82C37A-8IL	SAMSUNG	IS82C37A	D
KS82C37A-8IP	SAMSUNG	IP82C37A	D
KS82C52-16CL	SAMSUNG	CS82C52	D
KS82C52-16CP	SAMSUNG	CP82C52	D
KS82C52-16IL	SAMSUNG	IS82C52	D
KS82C52-16IP	SAMSUNG	IP82C52	D
KS82C54-10CL	SAMSUNG	CS82C54-10	D
KS82C54-10IL	SAMSUNG	IS82C54-10	D
KS82C54-10IP	SAMSUNG	IP82C54-10	D
KS82C54-8CL	SAMSUNG	CS82C54	D
KS82C54-8CP	SAMSUNG	CP82C54	D
KS82C54-8IL	SAMSUNG	IS82C54	D
KS82C54-8IP	SAMSUNG	IP82C54	D
KS82C55A-8CL	SAMSUNG	CS82C55A	D
KS82C55A-8CP	SAMSUNG	CP82C55A	D
KS82C55A-8IL	SAMSUNG	IS82C55A	D
KS82C55A-8IP	SAMSUNG	IP82C55A	D
KS82C59A-8CL	SAMSUNG	CS82C59A	D
KS82C59A-8CP	SAMSUNG	CP82C59A	D
KS82C59A-8IL	SAMSUNG	IS82C59A	D
KS82C59A-8IP	SAMSUNG	IP82C59A	D
KS82C59A-9CL	SAMSUNG	CS82C59A	H
KS82C88-8CL	SAMSUNG	CS82C88	D
KS82C88-8CP	SAMSUNG	CP82C88	D
KS82C88-8IL	SAMSUNG	IS82C88	D
KS82C88-8IP	SAMSUNG	IP82C88	D
KS82C88A-8CL	SAMSUNG	CS82C88	D
KS82C88A-8CP	SAMSUNG	CP82C88	D
KS82C88A-8IL	SAMSUNG	IS82C88	D
KS82C88A-8IP	SAMSUNG	IP82C88	D
LAS723	LAMBDA	CA0723T	H
LAS723	SEMT US CHRIS	CA0723T	H
LF43168GC22	LOGIC DEVICES	HSP43168GC-45	D
LF43168GC30	LOGIC DEVICES	HSP43168GC-33	D

3
**DIRECT/HARRIS
REPLACEMENTS**

NOTE: D = Direct Replacement, H = Harris Recommended Replacement.

Cross-Reference Guide

COMPETITOR #	COMPETITOR	HARRIS #	TYPE	COMPETITOR #	COMPETITOR	HARRIS #	TYPE
LF43168GMB30	LOGIC DEVICES	HSP43168GM-33/883	D	LMA2010JC55	LOGIC DEVICES	HMA510JC-45	H
LF43168GMB39	LOGIC DEVICES	HSP43168GM-25/883	H	LMC7660IM	NATIONAL	ICL7660CBA	H
LF43168JC22	LOGIC DEVICES	HSP43168JC-45	D	LMC7660IN	NATIONAL	ICL7660SIPA	H
LF43168JC30	LOGIC DEVICES	HSP43168JC-33	D	LMC7660MJ	NATIONAL	ICL7662IFA	H
LF43168QC22	LOGIC DEVICES	HSP43168VC-45	D	LMC7669IN	NATIONAL	ICL7662IFA	H
LF43168QC30	LOGIC DEVICES	HSP43168VC-33	D	LMC7669MJ	NATIONAL	ICL7662IFA	H
LF43881GC33	LOGIC DEVICES	HSP43881GC-30	D	LMU16EC45	LOGIC DEVICES	HMU16GC-45	D
LF43881GC40	LOGIC DEVICES	HSP43881GC-25	D	LMU16GC-1	LOGIC DEVICES	HMU16GC-45	D
LF43881GC50	LOGIC DEVICES	HSP43881GC-20	D	LMU16GC45	LOGIC DEVICES	HMU16GC-45	D
LF43881GMB40	LOGIC DEVICES	HSP43881GM-25/883	D	LMU16GMB-1	LOGIC DEVICES	HMU16GM-60/883	D
LF43881GMB50	LOGIC DEVICES	HSP43881GM-20/883	D	LMU17GC45	LOGIC DEVICES	HMU17GC-45	D
LF43881JC33	LOGIC DEVICES	HSP43881JC-30	D	LMU17GMB-1	LOGIC DEVICES	HMU17GM-60/883	D
LF43881JC40	LOGIC DEVICES	HSP43881JC-25	D	LMU18GC35	LOGIC DEVICES	HMU17GC-35	H
LF43881JC50	LOGIC DEVICES	HSP43881JC-20	D	LMU18GC45	LOGIC DEVICES	HMU17GC-45	H
LF43891GC33	LOGIC DEVICES	HSP43891GC-30	D	LMU18GMB45	LOGIC DEVICES	HMU17GM-45/883	H
LF43891GC40	LOGIC DEVICES	HSP43891GC-25	D	LMU216JC45	LOGIC DEVICES	HMU16JC-45	D
LF43891GC50	LOGIC DEVICES	HSP43891GC-20	D	LMU217JC35	LOGIC DEVICES	HMU17JC-35	D
LF43891GMB40	LOGIC DEVICES	HSP43891GM-25/883	D	LMU217JC45	LOGIC DEVICES	HMU17JC-45	D
LF43891GMB50	LOGIC DEVICES	HSP43891GM-20/883	D	LM100	NATIONAL	CA3085	H
LF43891JC33	LOGIC DEVICES	HSP43891JC-30	D	LM124D	TI	CA0124M	D
LF43891JC40	LOGIC DEVICES	HSP43891JC-25	D	LM124D	TI	CA0124M96	D
LF43891JC50	LOGIC DEVICES	HSP43891JC-20	D	LM124DR	TI	CA0124M	D
LF43891QC33	LOGIC DEVICES	HSP43891VC-30	D	LM124DR	TI	CA0124M96	D
LF43891QC40	LOGIC DEVICES	HSP43891VC-25	D	LM139AD	TI	CA0139AM	D
LF43891QC50	LOGIC DEVICES	HSP43891VC-20	D	LM139D	NATIONAL	CA0139F	D
LF48212JC25	LOGIC DEVICES	HSP48212JC-40	H	LM139D	TI	CA0139M	D
LF48212QC25	LOGIC DEVICES	HSP48212VC-40	H	LM139D	TI	CA0139M96	D
LF48410GC25	LOGIC DEVICES	HSP48410GC-40	D	LM139DG	SGS	CA0139F	D
LF48410GC30	LOGIC DEVICES	HSP48410GC-33	D	LM139DR	TI	CA0139M	D
LF48410GMB30	LOGIC DEVICES	HSP48410GM-33/883	D	LM139DR	TI	CA0139M96	D
LF48410GMB39	LOGIC DEVICES	HSP48410GM-25/883	D	LM139F	PHILIPS	CA0139F	D
LF48410JC25	LOGIC DEVICES	HSP48410JC-40	D	LM139F	SIGNETICS	CA0139F	D
LF48410JC30	LOGIC DEVICES	HSP48410JC-33	D	LM139J	MOTOROLA	CA0139F	D
LF48908GC31	LOGIC DEVICES	HSP48908GC-32	H	LM139J	RAYTHEON	CA0139F	D
LF48908GC50	LOGIC DEVICES	HSP48908GC-20	H	LM139J	TI	CA0139F	D
LF48908GMB37	LOGIC DEVICES	HSP48908GM-27/883	H	LM139N	MOTOROLA	CA0139E	D
LF48908GMB50	LOGIC DEVICES	HSP48908GM-20/883	H	LM139N	PHILIPS	CA0139E	D
LF48908JC31	LOGIC DEVICES	HSP48908JC-32	H	LM139N	SIGNETICS	CA0139E	D
LF48908JC50	LOGIC DEVICES	HSP48908JC-20	H	LM139N	TI	CA0139E	D
LF48908QC31	LOGIC DEVICES	HSP48908VC-32	H	LM1391N	NATIONAL	CA1391E	H
LF48908QC50	LOGIC DEVICES	HSP48908VC-20	H	LM1391N/A+	NATIONAL	CA1391E	H
LF9501JC31	LOGIC DEVICES	HSP9501JC-32	H	LM1391N/B+	NATIONAL	CA1391E	H
LF9501JC40	LOGIC DEVICES	HSP9501JC-25	H	LM1394N	NATIONAL	CA1394E	H
LH0002CH	NATIONAL	HA2-5002-5	H	LM1394N/A+	NATIONAL	CA1394E	H
LH0022CH	NATIONAL	CA3140AT	H	LM1394N/B+	NATIONAL	CA1394E	H
LH0032ACG	NATIONAL	HA2-2542-2	H	LM1458N	NATIONAL	CA1458E	D
LH0032AG	NATIONAL	HA2-2542-2	H	LM1458N	NATIONAL	LM1458N	D
LH0032CG	NATIONAL	HA2-2542-5	H	LM1524DJ	NATIONAL	CA1524E	H
LH0032G	NATIONAL	HA2-2542-2	H	LM1524J	NATIONAL	CA1524F	H
LH0042CH	NATIONAL	CA3140T	H	LM1524J/883	NATIONAL	CA1524FX	H
LMA1010GC55	LOGIC DEVICES	HMA510GC-55	H	LM1524J/883B	NATIONAL	CA1524FX	H
LMA1010GMB55	LOGIC DEVICES	HMA510GM-55/883	H	LM1524J/883C	NATIONAL	CA1524FX	H
LMA1010GMB65	LOGIC DEVICES	HMA510GM-65/883	H	LM158H	MOTOROLA	CA0158T	D
LMA1010GMB75	LOGIC DEVICES	HMA510GM-75/883	H	LM158H	SIGNETICS	CA0158T	D
LMA2010JC45	LOGIC DEVICES	HMA510JC-45	H	LM158N	PHILIPS	CA0158E	D
LM158N	SIGNETICS	CA0158E	D	LM258D	MOTOROLA	CA0258M96	D
LM2111N	NATIONAL	CA2111AE	H	LM258D	TI	CA0258M	D
LM239AD	AMD	CA0239AF	D	LM258D	TI	CA0258M96	D

NOTE: D = Direct Replacement, H = Harris Recommended Replacement.

Cross-Reference Guide

COMPETITOR #	COMPETITOR	HARRIS #	TYPE
LM239AD	MOTOROLA	CA0239AM	D
LM239AD	TI	CA0239AM	D
LM239ADG	SGS	CA0239AF	D
LM239ADP	SGS	CA0239AE	D
LM239AF	PHILIPS	CA0239AF	D
LM239AF	SIGNETICS	CA0239AF	D
LM239AJ	MOTOROLA	CA0239AF	D
LM239AJ	RAYTHEON	CA0239AF	D
LM239AJ	TI	CA0239AF	D
LM239AN	MOTOROLA	CA0239AE	D
LM239AN	PHILIPS	CA0239AE	D
LM239AN	RAYTHEON	CA0239AE	D
LM239AN	SIGNETICS	CA0239AE	D
LM239AN	TI	CA0239AE	D
LM239D	AMD	CA0239F	D
LM239D	MOTOROLA	CA0239M	D
LM239D	MOTOROLA	CA0239M96	D
LM239D	PHILIPS	CA0239M	D
LM239D	PHILIPS	CA0239M96	D
LM239D	SIGNETICS	CA0239M	D
LM239D	SIGNETICS	CA0239M96	D
LM239D	TI	CA0239M	D
LM239D	TI	CA0239M96	D
LM239D-T	PHILIPS	CA0239M	D
LM239D-T	PHILIPS	CA0239M96	D
LM239D-T	SIGNETICS	CA0239M	D
LM239D-T	SIGNETICS	CA0239M96	D
LM239DG	SGS	CA0239F	D
LM239DP	SGS	CA0239E	D
LM239DR	TI	CA0239M	D
LM239DR	TI	CA0239M96	D
LM239DR1	MOTOROLA	CA0239M	D
LM239DR1	MOTOROLA	CA0239M96	D
LM239F	PHILIPS	CA0239F	D
LM239F	SIGNETICS	CA0239F	D
LM239J	MOTOROLA	CA0239F	D
LM239J	RAYTHEON	CA0239F	D
LM239J	TI	CA0239F	D
LM239N	MOTOROLA	CA0239E	D
LM239N	PHILIPS	CA0239E	D
LM239N	RAYTHEON	CA0239E	D
LM239N	SIGNETICS	CA0239E	D
LM239N	TI	CA0239E	D
LM2524DN	NATIONAL	CA2524F	H
LM2524J	NATIONAL	CA2524F	H
LM2524J/A+	NATIONAL	CA2524FX	H
LM2524N	NATIONAL	CA2524E	H
LM2524N/A+	NATIONAL	CA2524FX	H
LM2524N/B+	NATIONAL	CA2524FX	H
LM258AN	NATIONAL	CA0258AE	D
LM258AP	TI	CA0258AE	D
LM258D	MOTOROLA	CA0258M	D
LM339AN	AMD	CA0339AE	D
LM339AN	AMD	LM339AN	D
LM339AN	MOTOROLA	CA0339AE	D
LM339AN	MOTOROLA	LM339AN	D
LM339AN	PHILIPS	CA0339AE	D
LM339AN	PHILIPS	LM339AN	D

COMPETITOR #	COMPETITOR	HARRIS #	TYPE
LM258DR	TI	CA0258M	D
LM258DR	TI	CA0258M96	D
LM258H	MOTOROLA	CA0258T	D
LM258H	SIGNETICS	CA0258T	D
LM258N	MOTOROLA	CA0258E	D
LM258P	TI	CA0258E	D
LM2901D	PHILIPS	LM2901M	D
LM2901D	PHILIPS	LM2901M96	D
LM2901D	SIGNETICS	LM2901M	D
LM2901D	SIGNETICS	LM2901M96	D
LM2901D-T	PHILIPS	LM2901M	D
LM2901D-T	PHILIPS	LM2901M96	D
LM2901D-T	SIGNETICS	LM2901M	D
LM2901D-T	SIGNETICS	LM2901M96	D
LM2901DP	SGS	LM2901N	D
LM2901DR2	MOTOROLA	LM2901M	D
LM2901DR2	MOTOROLA	LM2901M96	D
LM2901FP	SGS	LM2901M	D
LM2901FP	SGS	LM2901M96	D
LM2901N	PHILIPS	LM2901N	D
LM2901N	RAYTHEON	LM2901N	D
LM2901N	SIGNETICS	LM2901N	D
LM2901QD	TI	LM2901M	D
LM2901QD	TI	LM2901M96	D
LM3028AH	NATIONAL	CA3028A	D
LM3045J	NATIONAL	CA3045F	H
LM3046D	NATIONAL	CA3046M	H
LM3046N	NATIONAL	CA3046	H
LM3070N	NATIONAL	CA3070	D
LM3070N/A+	NATIONAL	CA3070	H
LM3070N/B+	NATIONAL	CA3070	H
LM3080AN	NATIONAL	CA3080AE	H
LM3080N	NATIONAL	CA3080E	H
LM3086J	NATIONAL	CA3086F	H
LM3086M	NATIONAL	CA3086M	H
LM3086N	NATIONAL	CA3086	H
LM3089N	NATIONAL	CA3089E	H
LM3189N	NATIONAL	CA3189E	D
LM324D	MOTOROLA	CA0324M	D
LM324D	MOTOROLA	CA0324M96	D
LM324DR2	MOTOROLA	CA0324M	D
LM324DR2	MOTOROLA	CA0324M96	D
LM324M	NATIONAL	CA0324M	H
LM324ND	MOTOROLA	CA0324EX	D
LM3302D	TI	LM3302M	D
LM3302D	TI	LM3302M96	D
LM3302N	NATIONAL	CA3290E	H
LM3302N	NATIONAL	LM3302N	H
LM3302N	TI	LM3302N	D
LM339AD	MOTOROLA	CA0339AM96	D
LM339AD	TI	CA0339AM96	D
LM339AFP	SGS	CA0339AM96	D
LM358D	MOTOROLA	CA0358M96	D
LM358D	TI	CA0358M	D
LM358D	TI	CA0358M96	D
LM358DR	TI	CA0358M	D
LM358DR	TI	CA0358M96	D
LM358DR2	MOTOROLA	CA0358M	D

3
DIRECT/HARRIS
REPLACEMENTS

NOTE: D = Direct Replacement, H = Harris Recommended Replacement.

Cross-Reference Guide

COMPETITOR #	COMPETITOR	HARRIS #	TYPE	COMPETITOR #	COMPETITOR	HARRIS #	TYPE
LM339AN	SGS-ATES	CA0339AE	D	LM358DR2	MOTOROLA	CA0358M96	D
LM339AN	SGS-ATES	LM339AN	D	LM358M	NATIONAL	CA0358M	H
LM339AN	SIGNETICS	CA0339AE	D	LM358N	MOTOROLA	CA0358E	D
LM339AN	SIGNETICS	LM339AN	D	LM358P	TI	CA0358E	D
LM339AN	TI	CA0339AE	D	LM555H	NATIONAL	CA0555T	D
LM339AN	TI	LM339AN	D	LM6162M	NATIONAL	HA9P5020-5	H
LM339AND	MOTOROLA	CA0339AEX	D	LM6162N	NATIONAL	HA3-2841-5	H
LM339CM	SGS-ATES	CA0339M	D	LM6162N	NATIONAL	HA7-5020/883	H
LM339CM	SGS-ATES	CA0339M96	D	LM6181AIN	NATIONAL	HA3-5020-9	H
LM339D	MOTOROLA	CA0339M	D	LM6181AIN	NATIONAL	HFA1105IP	H
LM339D	MOTOROLA	CA0339M96	D	LM6181AMN	NATIONAL	HFA1145MJ/883	H
LM339D	PHILIPS	CA0339M	D	LM6181IN	NATIONAL	HA3-5020-9	H
LM339D	PHILIPS	CA0339M96	D	LM6181IN	NATIONAL	HFA1105IP	H
LM339D	SIGNETICS	CA0339M	D	LM6182AIN	NATIONAL	HA5023IP	H
LM339D	SIGNETICS	CA0339M96	D	LM6182AIN	NATIONAL	HFA1205IP	H
LM339D	TI	CA0339M	D	LM6182IN	NATIONAL	HA5023IP	H
LM339D	TI	CA0339M96	D	LM6182IN	NATIONAL	HFA1205IP	H
LM339D-T	PHILIPS	CA0339M	D	LM6262M	NATIONAL	HA9P5020-5	H
LM339D-T	PHILIPS	CA0339M96	D	LM6262N	NATIONAL	HA3-2841-5	H
LM339D-T	SIGNETICS	CA0339M	D	LM6262N	NATIONAL	HA3-5020-5	H
LM339D-T	SIGNETICS	CA0339M96	D	LM6362M	NATIONAL	HA9P5020-5	H
LM339DP	SGS	CA0339E	D	LM6362N	NATIONAL	HA3-2841-5	H
LM339DR	TI	CA0339M	D	LM6362N	NATIONAL	HA3-5020-5	H
LM339DR	TI	CA0339M96	D	LM723CH	NATIONAL	CA0723CT	D
LM339DR1	MOTOROLA	CA0339M	D	LM723CH	NATIONAL	LM723CH	D
LM339DR1	MOTOROLA	CA0339M96	D	LM723CH	SGS	CA0723CT	D
LM339DR2	MOTOROLA	CA0339M	D	LM723CH	SGS	LM723CH	D
LM339DR2	MOTOROLA	CA0339M96	D	LM723CH/A+	NATIONAL	LM723CH	H
LM339FP	SGS	CA0339M	D	LM723CJ	MOTOROLA	CA0723CE	H
LM339FP	SGS	CA0339M96	D	LM723CJ	NATIONAL	CA0723CE	H
LM339M	NATIONAL	CA0339M	H	LM723CJ	PHILIPS	CA0723CE	H
LM339N	AMD	CA0339E	D	LM723CJ	SGS	CA0723CE	H
LM339N	MOTOROLA	CA0339E	D	LM723CJ	SIGNETICS	CA0723CE	H
LM339N	PHILIPS	CA0339E	D	LM723CJ/A+	NATIONAL	CA0723EX	H
LM339N	SGS-ATES	CA0339E	D	LM723CN	MOTOROLA	CA0723CE	D
LM339N	SIGNETICS	CA0339E	D	LM723CN	MOTOROLA	LM723CN	D
LM339N	TI	CA0339E	D	LM723CN	NATIONAL	CA0723CE	D
LM339ND	MOTOROLA	CA0339EX	D	LM723CN	NATIONAL	LM723CN	D
LM3524	NATIONAL	CA3524E	H	LM723CN	PHILIPS	CA0723CE	D
LM3524DN	NATIONAL	CA3524E	H	LM723CN	PHILIPS	LM723CN	D
LM3524J	NATIONAL	CA3524F	H	LM723CN	SAMSUNG	CA0723CE	D
LM3524J/A+	NATIONAL	CA3524FX	H	LM723CN	SAMSUNG	LM723CN	D
LM3524N	NATIONAL	CA3524E	H	LM723CN	SGS	CA0723CE	D
LM3524N/A+	NATIONAL	CA3524EX	H	LM723CN	SGS	LM723CN	D
LM3524N/B+	NATIONAL	CA3524EX	H	LM723CN	SIGNETICS	CA0723CE	D
LM358AD	TI	CA0358AM	D	LM723CN	SIGNETICS	LM723CN	D
LM358AD	TI	CA0358AM96	D	LM723CN/A+	NATIONAL	CA0723EX	H
LM358AP	TI	CA0358AE	D	LM723CN/B+	NATIONAL	CA0723EX	H
LM358D	MOTOROLA	CA0358M	D	LM723H	NATIONAL	CA0723T	D
LM723H	NATIONAL	LM723H	D	LT1081IS	LINEAR TECH	HIN232IB	H
LM723H	SGS	CA0723T	D	LT1126ACN8	LINEAR TECH	HA3-5222-5	H
LM723H	SGS	LM723H	D	LT1126AMJ8	LINEAR TECH	HA7-5222/883	H
LM723IN	SAMSUNG	CA0723E	H	LT1126CJ8	LINEAR TECH	HA7-5222-5	H
LM723J	NATIONAL	CA0723E	H	LT1126CN8	LINEAR TECH	HA3-5222-5	H
LM723J	NATIONAL	LM723N	H	LT1126MJ8	LINEAR TECH	HA7-5222/883	H
LM723J	PHILIPS	CA0723E	H	LT1190CN8	LINEAR TECH	HA3-2841-5	H
LM723J	SGS	CA0723E	H	LT1190CS8	LINEAR TECH	HA9P2841-5	H
LM723J	SIGNETICS	CA0723E	H	LT1190MJ8	LINEAR TECH	HA7-2841/883	H

NOTE: D = Direct Replacement, H = Harris Recommended Replacement.

Cross-Reference Guide

COMPETITOR #	COMPETITOR	HARRIS #	TYPE	COMPETITOR #	COMPETITOR	HARRIS #	TYPE
LM723N	NATIONAL	CA0723E	H	LT1192CN8	LINEAR TECH	HA3-2842-5	H
LM723N	NATIONAL	LM723N	H	LT1192CS8	LINEAR TECH	HA9P2842-5	H
LM741CN	NATIONAL	CA0741CE	D	LT1195CN8	LINEAR TECH	HA3-2841-5	H
LM741CN	NATIONAL	LM741CN	D	LT1195CS8	LINEAR TECH	HA9P2841-5	H
LM741CN	PHILIPS	CA0741CE	D	LT1195MJ8	LINEAR TECH	HA7-2841/883	H
LM741CN	PHILIPS	LM741CN	D	LT1206CN8	LINEAR TECH	HA3-5002-5	H
LM741CN	SAMSUNG	CA0741CE	D	LT1206CS8	LINEAR TECH	HA9P5002-5	H
LM741CN	SAMSUNG	LM741CN	D	LT1208CN8	LINEAR TECH	HA5023IP	H
LM741CN	SIGNETICS	CA0741CE	D	LT1208CS8	LINEAR TECH	HA5023IB	H
LM741CN	SIGNETICS	LM741CN	D	LT1209CN	LINEAR TECH	HA5025IP	H
LS508A-BZ	LIN INTEG SYS	HI1-0508A-8	D	LT1220CN8	LINEAR TECH	HA3-2841-5	H
LS508A-CP	LIN INTEG SYS	HI3-0508A-5	D	LT1221CN8	LINEAR TECH	HA3-2841-5	H
LTC1044ACN8	LINEAR TECH	ICL7660SCPA	H	LT1221MJ8	LINEAR TECH	HA7-2841/883	H
LTC1044ACS8	LINEAR TECH	ICL7660SCBA	H	LT1222CN8	LINEAR TECH	HA3-2840-5	H
LTC1044AIN8	LINEAR TECH	ICL7660SIPA	H	LT1222MJ8	LINEAR TECH	HA7-2840/883	H
LTC1044AIS8	LINEAR TECH	ICL7660SIBA	H	LT1223CJ8	LINEAR TECH	HA7-5020-5	H
LTC1044CD	LINEAR TECH	ICL7660SIBA	H	LT1223CN8	LINEAR TECH	HA3-5020-5	H
LTC1044CD	TI	ICL7660SIBA	H	LT1223CS8	LINEAR TECH	HA9P5020-5	H
LTC1044CDR	TI	ICL7660SIBAT	H	LT1223MJ8	LINEAR TECH	HA7-5020/883	H
LTC1044CH	LINEAR TECH	ICL7660SITV	H	LT1224CN8	LINEAR TECH	HA3-2841-5	H
LTC1044CJG	TI	ICL7660SIPA	H	LT1224CS8	LINEAR TECH	HA9P2841-5	H
LTC1044CJ8	LINEAR TECH	ICL7660SIPA	H	LT1224MJ8	LINEAR TECH	HA7-2841/883	H
LTC1044CL	TI	ICL7660SITV	H	LT1225CN8	LINEAR TECH	HA3-2841-5	H
LTC1044CLP-1	LINEAR TECH	ICL7660SIPA	H	LT1225CS8	LINEAR TECH	HA9P2841-5	H
LTC1044CLP-2	LINEAR TECH	ICL7660SIPA	H	LT1225MJ8	LINEAR TECH	HA7-2841/883	H
LTC1044CN8	LINEAR TECH	ICL7660SIPA	H	LT1227CN8	LINEAR TECH	HA3-5020-5	H
LTC1044CP	LINEAR TECH	ICL7660SIPA	H	LT1227CS8	LINEAR TECH	HFA11451P	H
LTC1044CP	TI	ICL7660SIPA	H	LT1227CS8	LINEAR TECH	HA9P5020-5	H
LTC1044CS8	LINEAR TECH	ICL7660SIBA	H	LT1227CS8	LINEAR TECH	HFA11451B	H
LTC1044MH	LINEAR TECH	ICL7660MTV	H	LT1227MJ8	LINEAR TECH	HA7-5020/883	H
LTC1044MH/883	LINEAR TECH	ICL7660SMTV/883B	H	LT1229CN8	LINEAR TECH	HA5023IP	H
LTC1044MH/883B	LINEAR TECH	ICL7660SMTV/883B	H	LT1229CS8	LINEAR TECH	HFA12051P	H
LTC1044MJG	TI	ICL7660SIPA	H	LT1229CS8	LINEAR TECH	HA5023IB	H
LTC1044MJGB	TI	ICL7660SIPA	H	LT1229CS8	LINEAR TECH	HFA12051B	H
LTC1044ML	TI	ICL7660SMTV	H	LT1230CN	LINEAR TECH	HA5025IP	H
LTC1044MLB	LINEAR TECH	ICL7660MTV	H	LT1230CS	LINEAR TECH	HA5025IB	H
LTC1044MLB	LINEAR TECH	ICL7660SMTV	H	LT1230CS	LINEAR TECH	HFA14051B	H
LTC1044MLB	TI	ICL7660SMTV/883B	H	LT1252CN8	LINEAR TECH	HA3-5020-5	H
LTC1046CN8	LINEAR TECH	ICL7660SCPA	H	LT1252CS8	LINEAR TECH	HA9P5020-5	H
LTC1046CS8	LINEAR TECH	ICL7660SCBA	H	LT1253CN8	LINEAR TECH	HA5023IP	H
LTC1046IN8	LINEAR TECH	ICL7660SIPA	H	LT1253CS8	LINEAR TECH	HA5023IB	H
LTC1046IS8	LINEAR TECH	ICL7660SIBA	H	LT1254CN	LINEAR TECH	HA5025IP	H
LT1081CJ	LINEAR TECH	HIN2321J	H	LT1254CS	LINEAR TECH	HA5025IB	H
LT1081CN	LINEAR TECH	HIN232CP	H	LT1259CN	LINEAR TECH	HA5022IP	H
LT1081CS	LINEAR TECH	HIN232CB	H	LT1259CN	LINEAR TECH	HFA12451P	H
LT1081IN	LINEAR TECH	HIN232IP	H	LT1259CS	LINEAR TECH	HA5022IB	H
LT1259CS	LINEAR TECH	HFA12451B	H	MAX203CWP	MAXIM	HIN203CB	H
LT1260CN	LINEAR TECH	HA50131P	H	MAX204CWE	MAXIM	HIN204CB	H
LT1260CS	LINEAR TECH	HA50131B	H	MAX204EWE	MAXIM	HIN204IB	H
LT1360CN8	LINEAR TECH	HA3-2841-5	H	MAX205CPE	MAXIM	HIN205CP	H
LT1360CN8	LINEAR TECH	HA3-5020-5	H	MAX206CAG	MAXIM	HIN206CA	H
LT1360CS8	LINEAR TECH	HA9P2841-5	H	MAX206CNG	MAXIM	HIN206CP	H
LT1360CS8	LINEAR TECH	HA9P5020-5	H	MAX206CWG	MAXIM	HIN206CB	H
LT1361CN8	LINEAR TECH	HA5023IP	H	MAX206EAG	MAXIM	HIN206IA	H
LT1361CS8	LINEAR TECH	HA5023IB	H	MAX206ENG	MAXIM	HIN206IP	H
LT1362CN	LINEAR TECH	HA5025IP	H	MAX206EWG	MAXIM	HIN206IB	H
LT1362CS	LINEAR TECH	HA5025IB	H	MAX207CAG	MAXIM	HIN207CA	H
LT1363CN8	LINEAR TECH	HA3-2841-5	H	MAX207CNG	MAXIM	HIN207CP	H

NOTE: D = Direct Replacement, H = Harris Recommended Replacement.

3
DIRECT/HARRIS
REPLACEMENTS

Cross-Reference Guide

COMPETITOR #	COMPETITOR	HARRIS #	TYPE	COMPETITOR #	COMPETITOR	HARRIS #	TYPE
LT1363CN8	LINEAR TECH	HA3-5020-5	H	MAX207CWG	MAXIM	HIN207CB	H
LT1363CS8	LINEAR TECH	HA9P2841-5	H	MAX207EAG	MAXIM	HIN207IA	H
LT1363CS8	LINEAR TECH	HA9P5020-5	H	MAX207ENG	MAXIM	HIN207IP	H
LT1364CN8	LINEAR TECH	HA50231P	H	MAX207EWG	MAXIM	HIN207IB	H
LT1364CS8	LINEAR TECH	HA50231B	H	MAX208CAG	MAXIM	HIN208CA	H
LT1365CN	LINEAR TECH	HA50251P	H	MAX208CNG	MAXIM	HIN208CP	H
LT1365CS	LINEAR TECH	HA50251B	H	MAX208CWG	MAXIM	HIN208CB	H
LT1524J	LINEAR TECH	CA1524F	H	MAX208EAG	MAXIM	HIN208IA	H
LT1524J/883	LINEAR TECH	CA1524FX	H	MAX208ENG	MAXIM	HIN208IP	H
LT1524J/883B	LINEAR TECH	CA1524FX	H	MAX208EWG	MAXIM	HIN208IB	H
LT230CN	LINEAR TECH	HFA1405IP	H	MAX209CNG	MAXIM	HIN209CP	H
LT3524J	LINEAR TECH	CA3524F	H	MAX209CWG	MAXIM	HIN209CB	H
LT3524N	LINEAR TECH	CA3524E	H	MAX209ENG	MAXIM	HIN209IP	H
L29C520PC22	LOGIC DEV	HSP9520CP	H	MAX209EWG	MAXIM	HIN209IB	H
L29C521PC22	LOGIC DEV	HSP9521CP	H	MAX211CAI	MAXIM	HIN211CA	H
L4939	SGS	CA3277E	H	MAX211CWI	MAXIM	HIN211CB	H
MAX1044CPA	MAXIM	ICL7660CPA	H	MAX211EAI	MAXIM	HIN211IA	H
MAX1044CPA	MAXIM	ICL7660SCPA	H	MAX211EWI	MAXIM	HIN211IB	H
MAX1044CSA	MAXIM	ICL7660CBA	H	MAX213CAI	MAXIM	HIN213CA	H
MAX1044CSA	MAXIM	ICL7660SCBA	H	MAX213CWI	MAXIM	HIN213CB	H
MAX1044CTV	MAXIM	ICL7660SCTV	H	MAX213EAI	MAXIM	HIN213IA	H
MAX1044EPA	MAXIM	ICL7660SIPA	H	MAX213EWI	MAXIM	HIN213IB	H
MAX1044ESA	MAXIM	ICL7660SIBA	H	MAX230C/D	MAXIM	HIN230BY	D
MAX1044ETV	MAXIM	ICL7660SITV	H	MAX230CWE	MAXIM	HIN230CB	H
MAX1044MJA	MAXIM	ICL7660SIPA	H	MAX230CWP	MAXIM	HIN230CB	D
MAX1044MTV	MAXIM	ICL7660SMTV	H	MAX230EWE	MAXIM	HIN230IB	H
MAX131CPL-3	MAXIM	ICL7136CPL	D	MAX230EWP	MAXIM	HIN230IB	D
MAX174AMJI	MAXIM	HI1-774U-2	H	MAX231CPD	MAXIM	HIN232CP	H
MAX174BCPI	MAXIM	HI3-774K-5	H	MAX231CWE	MAXIM	HIN231CB	H
MAX174CCPI	MAXIM	HI3-774J-5	H	MAX231EPD	MAXIM	HIN231IP	H
MAX200CWP	MAXIM	HIN200CB	H	MAX231EWE	MAXIM	HIN231IB	H
MAX200EWP	MAXIM	HIN200IB	H	MAX232ACPE	MAXIM	HIN232ACP	H
MAX201CPD	MAXIM	HIN201CP	H	MAX232ACSE	MAXIM	HIN232ACBN	H
MAX201CWE	MAXIM	HIN201CB	H	MAX232ACWE	MAXIM	HIN232ACB	H
MAX201EPD	MAXIM	HIN201IP	H	MAX232AEWE	MAXIM	HIN232IB	H
MAX201EWE	MAXIM	HIN201IB	H	MAX232CJE	MAXIM	HIN232CJ	H
MAX202CPE	MAXIM	HIN202CP	H	MAX232CPE	MAXIM	HIN232CP	H
MAX202CSE	MAXIM	HIN202CBN	H	MAX232CPE	MAXIM	ICL232CPE	H
MAX202CWE	MAXIM	HIN202CB	H	MAX232CWE	MAXIM	HIN232CB	H
MAX202EPE	MAXIM	HIN202IP	H	MAX232CWE	MAXIM	ICL232CBE	H
MAX202ESE	MAXIM	HIN202IBN	H	MAX232EJE	MAXIM	HIN232IJ	H
MAX202EWE	MAXIM	HIN202IB	H	MAX232EJE	MAXIM	ICL232IJE	H
MAX203CPP	MAXIM	HIN203CP	H	MAX232EPE	MAXIM	HIN232IP	H
MAX232EPE	MAXIM	ICL232IPE	H	MAX405ESA	MAXIM	HFA1110IB	H
MAX232EWE	MAXIM	HIN232IB	H	MAX452CPA	MAXIM	HA3-2841-5	H
MAX232EWE	MAXIM	ICL232IBE	H	MAX452CSA	MAXIM	HA9P2841-5	H
MAX232MJE	MAXIM	ICL232MJE	H	MAX452EJA	MAXIM	HA3-2841-9	H
MAX232MJE/883	MAXIM	ICL232MJE883B	H	MAX452EPA	MAXIM	HA3-2841-9	H
MAX234C/D	MAXIM	HIN234BY	D	MAX452MJA	MAXIM	HA7-2841/883	H
MAX234CWE	MAXIM	HIN234CB	D	MAX457CPA	MAXIM	HA50231P	H
MAX234EWE	MAXIM	HIN234IB	D	MAX457CSA	MAXIM	HA50231B	H
MAX235CPG	MAXIM	HIN235CP	H	MAX457EJA	MAXIM	HA5023MJ/883	H
MAX236C/D	MAXIM	HIN236BY	D	MAX457EPA	MAXIM	HA50231P	H
MAX236CEG	MAXIM	HIN236CB	D	MAX467CPE	MAXIM	HA50131P	H
MAX236CNG	MAXIM	HIN236CP	H	MAX467CWE	MAXIM	HA50131B	H
MAX236CWG	MAXIM	HIN236CB	D	MAX470CPE	MAXIM	HFA1412IP	H
MAX236CWG-T	MAXIM	HIN236CB	D	MAX470CWE	MAXIM	HFA1412IB	H
MAX236ENG	MAXIM	HIN236IP	H	MAX470EPE	MAXIM	HFA1412IP	H

NOTE: D = Direct Replacement, H = Harris Recommended Replacement.

Cross-Reference Guide

COMPETITOR #	COMPETITOR	HARRIS #	TYPE	COMPETITOR #	COMPETITOR	HARRIS #	TYPE
MAX236EWG	MAXIM	HIN236IB	D	MAX470EWE	MAXIM	HFA1412IB	H
MAX237C/D	MAXIM	HIN237BY	D	MAX626CPA	MAXIM	ICL7667CPA	H
MAX237CEG	MAXIM	HIN237CB	D	MAX626CSA	MAXIM	ICL7667CBA	H
MAX237CNG	MAXIM	HIN237CP	H	MAX626EJA	MAXIM	ICL7667CJA	H
MAX237CWG	MAXIM	HIN237CB	D	MAX626MJA	MAXIM	ICL7667MJA	H
MAX237CWG-T	MAXIM	HIN237CB	D	MAX660CPA	MAXIM	ICL7660CPA	H
MAX237ENG	MAXIM	HIN237IP	H	MAX660CPA	MAXIM	ICL7660SCPA	H
MAX237EWG	MAXIM	HIN237IB	D	MAX660CSA	MAXIM	ICL7660SCBA	H
MAX238C/D	MAXIM	HIN238BY	D	MAX660CTV	MAXIM	ICL7660CTV	H
MAX238CEG	MAXIM	HIN238CB	D	MAX660CTV	MAXIM	ICL7660SCTV	H
MAX238CNG	MAXIM	HIN238CP	H	MAX660EPA	MAXIM	ICL7660SIPA	H
MAX238CWG	MAXIM	HIN238CB	D	MAX660ESA	MAXIM	ICL7660SIBA	H
MAX238ENG	MAXIM	HIN238IP	H	MAX660MJA	MAXIM	ICL7662IPA	H
MAX238EWG	MAXIM	HIN238IB	D	MAX663CJA	MAXIM	ICL7663SACPA	H
MAX239C/D	MAXIM	HIN239BY	D	MAX663CPA	MAXIM	ICL7663SCPA	H
MAX239CEG	MAXIM	HIN239CB	D	MAX663CPA-2	MAXIM	ICL7663SCPA	H
MAX239CNG	MAXIM	HIN239CP	H	MAX663CSA	MAXIM	ICL7663SCBA	H
MAX239CWG	MAXIM	HIN239CB	D	MAX663EJA	MAXIM	ICL7663SAIPA	H
MAX239EWG	MAXIM	HIN239IB	D	MAX663EPA	MAXIM	ICL7663SIPA	H
MAX240C/D	MAXIM	HIN240BY	D	MAX663ESA	MAXIM	ICL7663SAIBA	H
MAX240CAI	MAXIM	HIN241CA	H	MAX663ESA	MAXIM	ICL7663SIBA	H
MAX240CMH	MAXIM	HIN240CN	D	MAX663IJA	MAXIM	ICL7663SAIPA	H
MAX240EMH	MAXIM	HIN240IN	D	MAX663MJA	MAXIM	ICL7663SAIPA	H
MAX241C/D	MAXIM	HIN241BY	D	MAX665CPA	MAXIM	ICL7660SCPA	H
MAX241CAI	MAXIM	HIN241CA	D	MAX665EPA	MAXIM	ICL7660SIPA	H
MAX241CWI	MAXIM	HIN241CB	D	MAX665MJA	MAXIM	ICL7660SIPA	H
MAX241CWI-T	MAXIM	HIN241CB	D	MAX7129CPL	MAXIM	ICL7129CPL	H
MAX241EAI	MAXIM	HIN241IA	D	MAX7129CQH	MAXIM	ICL7129CM44	H
MAX241EWI	MAXIM	HIN241IB	D	MAX7231BFIPL	MAXIM	ICM7231BFIPL	H
MAX328CPE	MAXIM	DG408DJ	H	MAX7232BFIPL	MAXIM	ICM7232BFIPL	H
MAX351ESE	MAXIM	DG411DY	D	MAX8211CPA	MAXIM	ICL8211CPA	H
MAX352ESE	MAXIM	DG412DY	D	MAX8211CPA-2	MAXIM	ICL8211CPA	H
MAX353ESE	MAXIM	DG413DY	D	MAX8211CSA	MAXIM	ICL8211CBA	H
MAX404CPA	MAXIM	HA3-2842-5	H	MAX8211CTY	MAXIM	ICL8211CTY	H
MAX404CSA	MAXIM	HA9P2842-5	H	MAX8212CPA	MAXIM	ICL8212CPA	H
MAX404EPA	MAXIM	HA3-2842-9	H	MAX8212CSA	MAXIM	ICL8212CBA	H
MAX404ESA	MAXIM	HA9P2842-5	H	MAX8212CTY	MAXIM	ICL8212CTY	H
MAX405CPA	MAXIM	HFA1110IP	H	MA15530CBXXX	GEC PLESSEY	7802901JA	D
MAX405CSA	MAXIM	HFA1110IB	H	MA6560PLF	GEC PLESSEY	CA3318CE	H
MAX405EPA	MAXIM	HFA1110IP	H	MB3752C	FUJITSU	CA0723E	H
MB3752M	FUJITSU	CA0723E	H	MC14017BCP	MOTOROLA	CD4017BE	H
MC1357D	MOTOROLA	CA2111AE	H	MC14018BBEBS	MOTOROLA	CD4018BF3A	D
MC1357P	MOTOROLA	CA2111AE	H	MC14018BCP	MOTOROLA	CD4018BE	H
MC1391P	MOTOROLA	CA1391E	H	MC14020BBEBS	MOTOROLA	CD4020BF3A	D
MC1394P	MOTOROLA	CA1394E	H	MC14020BCP	MOTOROLA	CD4020BE	H
MC14001BAL	MOTOROLA	CD4001BF	D	MC14021BBEBS	MOTOROLA	CD4021BF3A	D
MC14001BCL	MOTOROLA	CD4001BF	D	MC14021BCP	MOTOROLA	CD4021BE	H
MC14001BCP	MOTOROLA	CD4001BE	H	MC14022BBEBS	MOTOROLA	CD4022BF3A	D
MC14001BCP	MOTOROLA	CD4001UBE	H	MC14022BCP	MOTOROLA	CD4022BE	H
MC14001UBAL	MOTOROLA	CD4001BF	D	MC14023BAL	MOTOROLA	CD4023BF	D
MC14001UBBCBS	MOTOROLA	CD4001BF3A	D	MC14023BCL	MOTOROLA	CD4023BF	D
MC14001UBBCBS	MOTOROLA	CD4001UBF3A	D	MC14023BCP	MOTOROLA	CD4023BE	H
MC14001UBCL	MOTOROLA	CD4001BF	D	MC14024BBCBS	MOTOROLA	CD4024BF3A	D
MC14001UBCP	MOTOROLA	CD4001BE	H	MC14024BCP	MOTOROLA	CD4024BE	H
MC14001UBCP	MOTOROLA	CD4001UBE	H	MC14025BCP	MOTOROLA	CD4025BE	H
MC14002BCP	MOTOROLA	CD4002BE	H	MC14025UBCP	MOTOROLA	CD4025BE	H
MC14002CP	MOTOROLA	CD4002BE	D	MC14027BAL	MOTOROLA	CD4027BF	D
MC14002UBBCBS	MOTOROLA	CD4002BF3A	D	MC14027BBEBS	MOTOROLA	CD4027BF3A	D

3
DIRECT/HARRIS
REPLACEMENTS

NOTE: D = Direct Replacement, H = Harris Recommended Replacement.

Cross-Reference Guide

COMPETITOR #	COMPETITOR	HARRIS #	TYPE	COMPETITOR #	COMPETITOR	HARRIS #	TYPE
MC14002UBCP	MOTOROLA	CD4002BE	H	MC14027BCL	MOTOROLA	CD4027BF	D
MC14006B/BCAJC	MOTOROLA	CD4006BF3A	D	MC14027BCP	MOTOROLA	CD4027BE	H
MC14006BBCBS	MOTOROLA	CD4006BF3A	D	MC14028BAL	MOTOROLA	CD4028BF	D
MC14006BCP	MOTOROLA	CD4006BE	D	MC14028BBEBS	MOTOROLA	CD4028BF3A	D
MC14007UBCP	MOTOROLA	CD4007UBE	H	MC14028BCL	MOTOROLA	CD4028BF	D
MC14008BBEBS	MOTOROLA	CD4008BF3A	D	MC14028BCP	MOTOROLA	CD4028BE	H
MC14011ABCBS	MOTOROLA	CD4011AD3	D	MC14029BBEBS	MOTOROLA	CD4029BF3A	D
MC14011AL	MOTOROLA	CD4011BF	D	MC14029BCP	MOTOROLA	CD4029BE	D
MC14011BAL	MOTOROLA	CD4011BF	D	MC14034BBJBS	MOTOROLA	CD4034BF3A	D
MC14011BBCBS	MOTOROLA	CD4011AD3	D	MC14034BCP	MOTOROLA	CD4034BE	H
MC14011BCL	MOTOROLA	CD4011BF	D	MC14035BAL	MOTOROLA	CD4035BF	D
MC14011BCP	MOTOROLA	CD4011BE	H	MC14035BBEBS	MOTOROLA	CD4035BF3A	D
MC14011BCP	MOTOROLA	CD4011UBE	H	MC14035BCL	MOTOROLA	CD4035BF	D
MC14011BDCBS	MOTOROLA	CD4011AD3	D	MC14035BCP	MOTOROLA	CD4035BE	H
MC14011CP	MOTOROLA	CD4011BE	D	MC14040BAL	MOTOROLA	CD4040BF	D
MC14011CP	MOTOROLA	CD4011UBE	D	MC14040BBEBS	MOTOROLA	CD4040BF3A	D
MC14011UBAL	MOTOROLA	CD4011BF	D	MC14040BCL	MOTOROLA	CD4040BF	D
MC14011UBBCBS	MOTOROLA	CD4011BF3A	D	MC14040BCP	MOTOROLA	CD4040BE	H
MC14011UBCL	MOTOROLA	CD4011BF	D	MC14042BBEBS	MOTOROLA	CD4042BF3A	D
MC14011UBCP	MOTOROLA	CD4011BE	H	MC14042BCP	MOTOROLA	CD4042BE	H
MC14011UBCP	MOTOROLA	CD4011UBE	H	MC14043BBEBS	MOTOROLA	CD4043BF3A	D
MC14011UBDCBS	MOTOROLA	CD4011AD3	D	MC14043BCP	MOTOROLA	CD4043BE	H
MC14012BCP	MOTOROLA	CD4012BE	H	MC14044BBEBS	MOTOROLA	CD4044BF3A	D
MC14013BCL	MOTOROLA	CD4013BF	H	MC14044BCP	MOTOROLA	CD4044BE	H
MC14013BCP	MOTOROLA	CD4013BE	H	MC14046BBEBS	MOTOROLA	CD4046BF3A	D
MC14014BBEBS	MOTOROLA	CD4014BF3A	D	MC14046BCP	MOTOROLA	CD4046BE	H
MC14014BCP	MOTOROLA	CD4014BE	H	MC14049UBAL	MOTOROLA	CD4049UBF	D
MC14015BAL	MOTOROLA	CD4015BF	D	MC14049UBBEBS	MOTOROLA	CD4049UBF3A	D
MC14015BBEBS	MOTOROLA	CD4015BF3A	D	MC14049UBCL	MOTOROLA	CD4049UBF	D
MC14015BCL	MOTOROLA	CD4015BF	D	MC14049UBCP	MOTOROLA	CD4049UBE	H
MC14015BCP	MOTOROLA	CD4015BE	H	MC14049UBCP	ROCHESTER	CD4049UBE	D
MC14015BCPT	MOTOROLA	CD4015BE	D	MC14050BAL	MOTOROLA	CD4050BF	D
MC14016BAL	MOTOROLA	CD4016BF	D	MC14050BBEBS	MOTOROLA	CD4050BF3A	D
MC14016BCL	MOTOROLA	CD4016BF	H	MC14050BCL	MOTOROLA	CD4050BF	D
MC14016BCP	MOTOROLA	CD4016BE	H	MC14050BCP	MOTOROLA	CD4050BE	H
MC14016CP	MOTOROLA	CD4016BE	D	MC14051BAL	MOTOROLA	CD4051BF	D
MC14017BBEBS	MOTOROLA	CD4017BF3A	D	MC14051BBEBS	MOTOROLA	CD4051BF3A	D
MC14051BCL	MOTOROLA	CD4051BF	D	MC14081BCPD	MOTOROLA	CD4081BEX	D
MC14051BCP	MOTOROLA	CD4051BE	H	MC14082BAL	MOTOROLA	CD4082BF	D
MC14052BAL	MOTOROLA	CD4052BF	D	MC14082BBEBS	MOTOROLA	CD4082BF3A	D
MC14052BCL	MOTOROLA	CD4052BF	D	MC14082BCL	MOTOROLA	CD4082BF	D
MC14052BCP	MOTOROLA	CD4052BE	H	MC14082BCP	MOTOROLA	CD4082BE	H
MC14053BAL	MOTOROLA	CD4053BF	D	MC14093BAL	MOTOROLA	CD4093BF	D
MC14053BBEBS	MOTOROLA	CD4053BF3A	D	MC14093BBCBS	MOTOROLA	CD4093BF3A	D
MC14053BCL	MOTOROLA	CD4053BF	D	MC14093BCL	MOTOROLA	CD4093BF	D
MC14053BCP	MOTOROLA	CD4053BE	H	MC14093BCP	MOTOROLA	CD4093BE	H
MC14060BAL	MOTOROLA	CD4060BF	D	MC14094BAL	MOTOROLA	CD4094BF	D
MC14060BBEBS	MOTOROLA	CD4060BF3A	D	MC14094BBEBS	MOTOROLA	CD4094BF3A	D
MC14060BCL	MOTOROLA	CD4060BF	D	MC14094BCL	MOTOROLA	CD4094BF	D
MC14060BCL/BURNIN	MOTOROLA	CD4060BF	D	MC14094BCP	MOTOROLA	CD4094BE	H
MC14060BCP	MOTOROLA	CD4060BE	H	MC14097BCP	MOTOROLA	CD4097BE	H
MC14066BAL	MOTOROLA	CD4066BF	D	MC14099BBEBS	MOTOROLA	CD4099BF3A	D
MC14066BCL	MOTOROLA	CD4066BF	D	MC14099BCP	MOTOROLA	CD4099BE	H
MC14066BCP	MOTOROLA	CD4066BE	H	MC14106BAL	MOTOROLA	CD40106BF	D
MC14066BCPD	MOTOROLA	CD4066BEX	D	MC14106BCL	MOTOROLA	CD40106BF	D
MC14066BD	MOTOROLA	CD4066BM	H	MC14106BCP	MOTOROLA	CD40106BE	H
MC14067BBEBS	MOTOROLA	CD4067BF3A	D	MC14106BCPD	MOTOROLA	CD40106BEX	D
MC14067BCP	MOTOROLA	CD4067BE	D	MC14160BBEBS	MOTOROLA	CD40160BF3A	D

NOTE: D = Direct Replacement, H = Harris Recommended Replacement.

Cross-Reference Guide

COMPETITOR #	COMPETITOR	HARRIS #	TYPE	COMPETITOR #	COMPETITOR	HARRIS #	TYPE
MC14068BCP	MOTOROLA	CD4068BE	H	MC14161BBEBS	MOTOROLA	CD40161BF3A	D
MC14069UBAL	MOTOROLA	CD4069UBF	D	MC14161BCP	MOTOROLA	CD40161BE	H
MC14069UBCL	MOTOROLA	CD4069UBF	D	MC14163BBEBS	MOTOROLA	CD40163BF3A	D
MC14069UBCP	MOTOROLA	CD4069UBE	H	MC14174BBEBS	MOTOROLA	CD40174BF3A	D
MC14070BAL	MOTOROLA	CD4070BF	D	MC14174BCP	MOTOROLA	CD40174BE	H
MC14070BBCBS	MOTOROLA	CD4070BF3A	D	MC14175BBEBS	MOTOROLA	CD40175BF3A	D
MC14070BCL	MOTOROLA	CD4070BF	D	MC14175BCP	MOTOROLA	CD40175BE	H
MC14070BCP	MOTOROLA	CD4070BE	H	MC14194BCP	MOTOROLA	CD40194BE	H
MC14070BCPD	MOTOROLA	CD4070BEX	D	MC14502BBEBS	MOTOROLA	CD4502BFB	D
MC14071BAL	MOTOROLA	CD4071BF	D	MC14502BBEBS	MOTOROLA	CD4502BF3A	D
MC14071BBCBS	MOTOROLA	CD4071BF3A	D	MC14502BCP	MOTOROLA	CD4502BE	H
MC14071BCL	MOTOROLA	CD4071BF	D	MC14503BBEBS	MOTOROLA	CD4503BF3A	D
MC14071BCP	MOTOROLA	CD4071BE	H	MC14503BCP	MOTOROLA	CD4503BE	H
MC14071BCPT	MOTOROLA	CD4071BE	D	MC14507AL	MOTOROLA	CD4030BF	D
MC14072BBCBS	MOTOROLA	CD4072BF3A	D	MC14507CP	MOTOROLA	CD4030BE	D
MC14072BCP	MOTOROLA	CD4072BE	H	MC14508BBJBS	MOTOROLA	CD4508BF3A	D
MC14073BAL	MOTOROLA	CD4073BF	D	MC14508BCP	MOTOROLA	CD4508BE	D
MC14073BBCBJC	MOTOROLA	CD4073BF3A	D	MC14508DJBS	MOTOROLA	CD4508BD3	D
MC14073BCL	MOTOROLA	CD4073BF	D	MC14508CP	MOTOROLA	CD4508BE	D
MC14073BCP	MOTOROLA	CD4073BE	H	MC14510BCP	MOTOROLA	CD4510BE	D
MC14075BAL	MOTOROLA	CD4075BF	D	MC14510CP	MOTOROLA	CD4510BE	D
MC14075BBCBS	MOTOROLA	CD4075BF3A	D	MC14511BAL	MOTOROLA	CD4511BF	D
MC14075BCL	MOTOROLA	CD4075BF	D	MC14511BBEBS	MOTOROLA	CD4511BF3A	D
MC14075BCP	MOTOROLA	CD4075BE	H	MC14511BCL	MOTOROLA	CD4511BF	H
MC14076BBEBS	MOTOROLA	CD4076BF3A	D	MC14511BCP	MOTOROLA	CD4511BE	D
MC14076BCP	MOTOROLA	CD4076BE	H	MC14514BBJBS	MOTOROLA	CD4514BF3A	D
MC14077BBCBS	MOTOROLA	CD4077BF3A	D	MC14514BCP	MOTOROLA	CD4514BE	H
MC14077BCP	MOTOROLA	CD4077BE	H	MC14515BBJBS	MOTOROLA	CD4515BF3A	D
MC14078BCP	MOTOROLA	CD4078BE	H	MC14515BCP	MOTOROLA	7703201JA	D
MC14081BAL	MOTOROLA	CD4081BF	D	MC14515BCP	MOTOROLA	CD4515BE	H
MC14081BAL/59866	MOTOROLA	CD4081BF	D	MC14516BBEBS	MOTOROLA	CD4516BF3A	D
MC14081BBCBS	MOTOROLA	CD4081BF3A	D	MC14516BCP	MOTOROLA	CD4516BE	H
MC14081BCL	MOTOROLA	CD4081BF	D	MC14516BCPR	MOTOROLA	CD4516BE	D
MC14081BCP	MOTOROLA	CD4081BE	H	MC14517BBEBS	MOTOROLA	CD4517BF3A	D
MC14517BCP	MOTOROLA	CD4517BE	H	MC146823P	MOTOROLA	CDP6823E	D
MC14518BAL	MOTOROLA	CD4518BF	D	MC146823S	MOTOROLA	CDP6823D	D
MC14518BBEBS	MOTOROLA	CD4518BF3A	D	MC1555G	MOTOROLA	CA0555T	D
MC14518BCL	MOTOROLA	CD4518BF	D	MC1723CG	MOTOROLA	CA0723CT	D
MC14518BCP	MOTOROLA	CD4518BE	H	MC1723CG	MOTOROLA	LM723CH	D
MC14520BAL	MOTOROLA	CD4520BF	D	MC1723CGD	MOTOROLA	CA0723CT	H
MC14520BBEBS	MOTOROLA	CD4520BF3A	D	MC1723CGDS	MOTOROLA	CA0723CT	H
MC14520BBEBS	MOTOROLA	7702301EA	D	MC1723CGS	MOTOROLA	CA0723CT	H
MC14520BCL	MOTOROLA	CD4520BF	D	MC1723CL	MOTOROLA	CA0723CE	H
MC14520BCP	MOTOROLA	CD4520BE	H	MC1723CLD	MOTOROLA	CA0723EX	H
MC14522BCP	MOTOROLA	CD4522BE	H	MC1723CLDS	MOTOROLA	CA0723EX	H
MC14527BCP	MOTOROLA	CD4527BE	H	MC1723CLS	MOTOROLA	CA0723EX	H
MC14528BAL	MOTOROLA	CD4098BF	D	MC1723CP	MOTOROLA	CA0723CE	D
MC14528BBEBS	MOTOROLA	CD4098BF3A	D	MC1723CP	MOTOROLA	LM723CN	D
MC14528BCL	MOTOROLA	CD4098BF	D	MC1723CPD	MOTOROLA	CA0723EX	H
MC14528BCP	MOTOROLA	CD4098BE	H	MC1723CPDS	MOTOROLA	CA0723EX	H
MC14532BBEBS	MOTOROLA	CD4532BF3A	D	MC1723CPS	MOTOROLA	CA0723EX	H
MC14532BCP	MOTOROLA	CD4532BE	H	MC1723G	MOTOROLA	CA0723T	D
MC14536BCP	MOTOROLA	CD4536BE	H	MC1723G	MOTOROLA	LM723H	D
MC14538BBEBS	MOTOROLA	CD14538BF3A	D	MC1723G	ROCHESTER	CA0723T	D
MC14538BCP	MOTOROLA	CD14538BE	H	MC1723G	ROCHESTER	LM723H	D
MC14541BBCBS	MOTOROLA	CD4541BF3A	D	MC1723GD	MOTOROLA	CA0723CT	H
MC14541BCP	MOTOROLA	CD4541BE	H	MC1723GDS	MOTOROLA	CA0723CT	H
MC14543BCP	MOTOROLA	CD4543BE	H	MC1723GS	MOTOROLA	CA0723T	H

3
DIRECT/HARRIS
REPLACEMENTS

NOTE: D = Direct Replacement, H = Harris Recommended Replacement.

Cross-Reference Guide

COMPETITOR #	COMPETITOR	HARRIS #	TYPE	COMPETITOR #	COMPETITOR	HARRIS #	TYPE
MC1455G	MOTOROLA	CA0555CT	D	MC1723L	MOTOROLA	CA0723E	H
MC14555BBEBS	MOTOROLA	CD4555BF3A	D	MC1723LD	MOTOROLA	CA0723EX	H
MC14555BCP	MOTOROLA	CD4555BE	H	MC1723LDS	MOTOROLA	CA0723E	H
MC14556BBEBS	MOTOROLA	CD4556BF3A	D	MC1723LDS	MOTOROLA	LM723N	H
MC14556BCP	MOTOROLA	CD4556BE	H	MC1723LS	MOTOROLA	CA0723E	H
MC14556CP	MOTOROLA	CD4556BE	D	MC1723LS	MOTOROLA	LM723N	H
MC1458CP1	SGS-ATES	MC1458CP1	D	MC3302D	MOTOROLA	LM3302M	D
MC1458N	SAMSUNG	CA1458E	D	MC3302D	MOTOROLA	LM3302M96	D
MC1458N	SAMSUNG	LM1458N	D	MC3302D-T	PHILIPS	LM3302M	D
MC14580BDJBS	MOTOROLA	CD40108BD3	D	MC3302D-T	PHILIPS	LM3302M96	D
MC14585BBEBS	MOTOROLA	CD4585BF3A	D	MC3302D-T	SIGNETICS	LM3302M	D
MC14585BCP	MOTOROLA	CD4585BE	H	MC3302D-T	SIGNETICS	LM3302M96	D
MC146805E2CFN	MOTOROLA	CDP6805E2CQ	D	MC3302P	MOTOROLA	LM3302N	D
MC146805E2CL	MOTOROLA	CDP6805E2CD	D	MC3302P	ROCHESTER	LM3302N	D
MC146805E2CLDS	MOTOROLA	CDP6805E2CD	H	MC33078P	MOTOROLA	CA1558E	H
MC146805E2CLS	MOTOROLA	CDP6805E2CD	H	MC34151D	MOTOROLA	ICL7667CBA	H
MC146805E2CP	MOTOROLA	CDP6805E2CE	D	MC34151P	MOTOROLA	ICL7667CPA	H
MC146805E2CPDS	MOTOROLA	CDP6805E2CD	H	MC34152P	MOTOROLA	ICL7667CPA	H
MC146805E2CPS	MOTOROLA	CDP6805E2CD	H	MC54HCT08AJ	MOTOROLA	CD54HCT08F	D
MC146805E2CS	MOTOROLA	CDP6805E2CD	D	MC54HCT14AJ	MOTOROLA	CD54HCT14F	D
MC146805E2CSDS	MOTOROLA	CDP6805E2CD	H	MC54HCT14AJD	MOTOROLA	CD54HCT14F	D
MC146805E2CSS	MOTOROLA	CDP6805E2CD	H	MC54HCT245J	MOTOROLA	CD54HCT245F	D
MC146805E2L	MOTOROLA	CDP6805E2D	D	MC54HCT32AJ	MOTOROLA	CD54HCT32F	D
MC146805E2P	MOTOROLA	CDP6805E2E	D	MC54HCT373AJ	MOTOROLA	CD54HCT373F	D
MC146805E2S	MOTOROLA	CDP6805E2D	D	MC54HCT373J	MOTOROLA	CD54HCT373F	D
MC146818L	MOTOROLA	CDP6818AD	D	MC54HC00AN	MOTOROLA	CD74HC00E	H
MC146818P	MOTOROLA	CDP6818AE	D	MC54HC245AJ	MOTOROLA	CD54HC245F	D
MC146818P	MOTOROLA	CDP6818E	D	MC54HC245J	MOTOROLA	CD54HC245F	D
MC146818S	MOTOROLA	CDP6818AD	D	MC54HC4051J	MOTOROLA	CD54HC4051F	D
MC146823FN	MOTOROLA	CDP6823Q	D	MC54HC4051J	ROCHESTER	CD54HC4051F	D
MC146823L	MOTOROLA	CDP6823D	D	MC54HC4538AJ	MOTOROLA	CD54HC4538F	D
MC54HC4538J	MOTOROLA	CD54HC4538F	D	MC74ACT240N	MOTOROLA	CD74ACT240E	D
MC54HC74AJ	MOTOROLA	CD54HC74F	D	MC74ACT241N	MOTOROLA	CD74ACT241E	D
MC74ACT00D	MOTOROLA	CD74ACT00M	H	MC74ACT244DW	MOTOROLA	CD74ACT244M	D
MC74ACT00DR2	MOTOROLA	CD74ACT00M96	H	MC74ACT244DWR2	MOTOROLA	CD74ACT244M	D
MC74ACT00N	MOTOROLA	CD74ACT00E	H	MC74ACT244N	MOTOROLA	CD74ACT244E	D
MC74ACT02D	MOTOROLA	CD74ACT02M	H	MC74ACT245DW	MOTOROLA	CD74ACT245M	H
MC74ACT02DR2	MOTOROLA	CD74ACT02M96	H	MC74ACT245DW	MOTOROLA	CD74ACT245M96	D
MC74ACT02N	MOTOROLA	CD74ACT02E	H	MC74ACT245DWR2	MOTOROLA	CD74ACT245M96	D
MC74ACT04D	MOTOROLA	CD74ACT04M	H	MC74ACT245N	MOTOROLA	CD74ACT245E	H
MC74ACT04DR2	MOTOROLA	CD74ACT04M96	H	MC74ACT253D	MOTOROLA	CD74ACT253M	H
MC74ACT04N	MOTOROLA	CD74ACT04E	H	MC74ACT253DR2	MOTOROLA	CD74ACT253M96	H
MC74ACT05N	MOTOROLA	CD74ACT05E	H	MC74ACT253N	MOTOROLA	CD74ACT253E	H
MC74ACT08D	MOTOROLA	CD74ACT08M	H	MC74ACT257D	MOTOROLA	CD74ACT257M	D
MC74ACT08DR2	MOTOROLA	CD74ACT08M96	H	MC74ACT257D	MOTOROLA	CD74ACT257M96	D
MC74ACT08N	MOTOROLA	CD74ACT08E	H	MC74ACT257DR2	MOTOROLA	CD74ACT257M	D
MC74ACT10D	MOTOROLA	CD74ACT10M	H	MC74ACT257DR2	MOTOROLA	CD74ACT257M96	D
MC74ACT10DR2	MOTOROLA	CD74ACT10M96	H	MC74ACT257N	MOTOROLA	CD74ACT257E	D
MC74ACT10N	MOTOROLA	CD74ACT10E	H	MC74ACT258D	MOTOROLA	CD74ACT258M	D
MC74ACT109D	MOTOROLA	CD74ACT109M	H	MC74ACT258D	MOTOROLA	CD74ACT258M96	D
MC74ACT109N	MOTOROLA	CD74ACT109E	H	MC74ACT258DR2	MOTOROLA	CD74ACT258M	D
MC74ACT112D	MOTOROLA	CD74ACT112M	H	MC74ACT258DR2	MOTOROLA	CD74ACT258M96	D
MC74ACT138D	MOTOROLA	CD74ACT138M	H	MC74ACT273DW	MOTOROLA	CD74ACT273M	D
MC74ACT138DR2	MOTOROLA	CD74ACT138M96	H	MC74ACT273DW	MOTOROLA	CD74ACT273M96	D
MC74ACT138N	MOTOROLA	CD74ACT138E	H	MC74ACT273DWR2	MOTOROLA	CD74ACT273M	D
MC74ACT139D	MOTOROLA	CD74ACT139M	H	MC74ACT273DWR2	MOTOROLA	CD74ACT273M96	D
MC74ACT139DR2	MOTOROLA	CD74ACT139M96	H	MC74ACT273N	MOTOROLA	CD74ACT273E	D
MC74ACT139N	MOTOROLA	CD74ACT139E	H	MC74ACT299DW	MOTOROLA	CD74ACT299M	H

NOTE: D = Direct Replacement, H = Harris Recommended Replacement.

Cross-Reference Guide

COMPETITOR #	COMPETITOR	HARRIS #	TYPE	COMPETITOR #	COMPETITOR	HARRIS #	TYPE
MC74ACT14D	MOTOROLA	CD74ACT14M	H	MC74ACT32D	MOTOROLA	CD74ACT32M	H
MC74ACT14DR2	MOTOROLA	CD74ACT14M96	H	MC74ACT32DR2	MOTOROLA	CD74ACT32M96	H
MC74ACT14N	MOTOROLA	CD74ACT14E	H	MC74ACT32N	MOTOROLA	CD74ACT32E	H
MC74ACT151DR2	MOTOROLA	CD74ACT151M96	H	MC74ACT373DW	MOTOROLA	CD74ACT373M	H
MC74ACT153D	MOTOROLA	CD74ACT153M	H	MC74ACT373N	MOTOROLA	CD74ACT373E	H
MC74ACT153DR2	MOTOROLA	CD74ACT153M96	H	MC74ACT374DW	MOTOROLA	CD74ACT374M	H
MC74ACT153N	MOTOROLA	CD74ACT153E	H	MC74ACT374N	MOTOROLA	CD74ACT374E	H
MC74ACT157D	MOTOROLA	CD74ACT157M	H	MC74ACT540DW	MOTOROLA	CD74ACT540M	D
MC74ACT157DR2	MOTOROLA	CD74ACT157M96	H	MC74ACT540DW	MOTOROLA	CD74ACT540M96	D
MC74ACT157N	MOTOROLA	CD74ACT157E	H	MC74ACT540DWR2	MOTOROLA	CD74ACT540M	D
MC74ACT158DR2	MOTOROLA	CD74ACT158M96	H	MC74ACT540DWR2	MOTOROLA	CD74ACT540M96	D
MC74ACT161D	MOTOROLA	CD74ACT161M	H	MC74ACT540N	MOTOROLA	CD74ACT540E	D
MC74ACT161DR2	MOTOROLA	CD74ACT161M96	H	MC74ACT541DW	MOTOROLA	CD74ACT541M	D
MC74ACT161N	MOTOROLA	CD74ACT161E	H	MC74ACT541DW	MOTOROLA	CD74ACT541M96	D
MC74ACT163D	MOTOROLA	CD74ACT163M	H	MC74ACT541DWR2	MOTOROLA	CD74ACT541M	D
MC74ACT163DR2	MOTOROLA	CD74ACT163M96	H	MC74ACT541DWR2	MOTOROLA	CD74ACT541M96	D
MC74ACT163N	MOTOROLA	CD74ACT163E	H	MC74ACT541N	MOTOROLA	CD74ACT541E	D
MC74ACT174D	MOTOROLA	CD74ACT174M	H	MC74ACT573DW	MOTOROLA	CD74ACT573M	H
MC74ACT174DR2	MOTOROLA	CD74ACT174M96	H	MC74ACT573N	MOTOROLA	CD74ACT573E	H
MC74ACT174N	MOTOROLA	CD74ACT174E	H	MC74ACT574DW	MOTOROLA	CD74ACT574M	H
MC74ACT175D	MOTOROLA	CD74ACT175M	H	MC74ACT574N	MOTOROLA	CD74ACT574E	H
MC74ACT175DR2	MOTOROLA	CD74ACT175M96	H	MC74ACT646DW	MOTOROLA	CD74ACT646M	H
MC74ACT175N	MOTOROLA	CD74ACT175E	H	MC74ACT652DW	MOTOROLA	CD74ACT652M	H
MC74ACT20D	MOTOROLA	CD74ACT20M	H	MC74ACT74D	MOTOROLA	CD74ACT74M	H
MC74ACT20DR2	MOTOROLA	CD74ACT20M96	H	MC74ACT74DR2	MOTOROLA	CD74ACT74M96	H
MC74ACT20N	MOTOROLA	CD74ACT20E	H	MC74ACT74N	MOTOROLA	CD74ACT74E	H
MC74ACT240DW	MOTOROLA	CD74ACT240M	D	MC74ACT86D	MOTOROLA	CD74ACT86M	H
MC74ACT240DWR2	MOTOROLA	CD74ACT240M	D	MC74ACT86DR2	MOTOROLA	CD74ACT86M96	H
MC74ACT86N	MOTOROLA	CD74ACT86E	H	MC74AC244DWR2	MOTOROLA	CD74AC244M	D
MC74AC00D	MOTOROLA	CD74AC00M	H	MC74AC244N	MOTOROLA	CD74AC244E	D
MC74AC00DR2	MOTOROLA	CD74AC00M96	H	MC74AC245DW	MOTOROLA	CD74AC245M	D
MC74AC00N	MOTOROLA	CD74AC00E	H	MC74AC245DW	MOTOROLA	CD74AC245M96	D
MC74AC02D	MOTOROLA	CD74AC02M	H	MC74AC245DWR2	MOTOROLA	CD74AC245M	D
MC74AC02DR2	MOTOROLA	CD74AC02M96	H	MC74AC245DWR2	MOTOROLA	CD74AC245M96	D
MC74AC02N	MOTOROLA	CD74AC02E	H	MC74AC245N	MOTOROLA	CD74AC245E	D
MC74AC04D	MOTOROLA	CD74AC04M	H	MC74AC251D	MOTOROLA	CD74AC251M	H
MC74AC04DR2	MOTOROLA	CD74AC04M96	H	MC74AC251DR2	MOTOROLA	CD74AC251M96	H
MC74AC04N	MOTOROLA	CD74AC04E	H	MC74AC253D	MOTOROLA	CD74AC253M	H
MC74AC05N	MOTOROLA	CD74AC05E	H	MC74AC253DR2	MOTOROLA	CD74AC253M96	H
MC74AC08D	MOTOROLA	CD74AC08M	H	MC74AC257D	MOTOROLA	CD74AC257M	D
MC74AC08DR2	MOTOROLA	CD74AC08M96	H	MC74AC257D	MOTOROLA	CD74AC257M96	D
MC74AC08N	MOTOROLA	CD74AC08E	H	MC74AC257DR2	MOTOROLA	CD74AC257M	D
MC74AC10D	MOTOROLA	CD74AC10M	H	MC74AC257DR2	MOTOROLA	CD74AC257M96	D
MC74AC10DR2	MOTOROLA	CD74AC10M96	H	MC74AC257N	MOTOROLA	CD74AC257E	D
MC74AC10N	MOTOROLA	CD74AC10E	H	MC74AC273DW	MOTOROLA	CD74AC273M	D
MC74AC109DR2	MOTOROLA	CD74AC109M96	H	MC74AC273DW	MOTOROLA	CD74AC273M96	D
MC74AC109N	MOTOROLA	CD74AC109E	H	MC74AC273DWR2	MOTOROLA	CD74AC273M	D
MC74AC112D	MOTOROLA	CD74AC112M	H	MC74AC273DWR2	MOTOROLA	CD74AC273M96	D
MC74AC112N	MOTOROLA	CD74AC112E	H	MC74AC273N	MOTOROLA	CD74AC273E	D
MC74AC138D	MOTOROLA	CD74AC138M	H	MC74AC32D	MOTOROLA	CD74AC32M	H
MC74AC138DR2	MOTOROLA	CD74AC138M96	H	MC74AC32DR2	MOTOROLA	CD74AC32M96	H
MC74AC138N	MOTOROLA	CD74AC138E	H	MC74AC32N	MOTOROLA	CD74AC32E	H
MC74AC139DR2	MOTOROLA	CD74AC139M96	H	MC74AC323DW	MOTOROLA	CD74AC323M	H
MC74AC139N	MOTOROLA	CD74AC139E	H	MC74AC373DW	MOTOROLA	CD74AC373M	H
MC74AC14D	MOTOROLA	CD74AC14M	H	MC74AC373N	MOTOROLA	CD74AC373E	H
MC74AC14DR2	MOTOROLA	CD74AC14M96	H	MC74AC374DW	MOTOROLA	CD74AC374M	H
MC74AC14N	MOTOROLA	CD74AC14E	H	MC74AC374N	MOTOROLA	CD74AC374E	H
MC74AC151DR2	MOTOROLA	CD74AC151M96	H	MC74AC540DW	MOTOROLA	CD74AC540M	D

3
**DIRECT/HARRIS
REPLACEMENTS**

NOTE: D = Direct Replacement, H = Harris Recommended Replacement.

Cross-Reference Guide

COMPETITOR #	COMPETITOR	HARRIS #	TYPE	COMPETITOR #	COMPETITOR	HARRIS #	TYPE
MC74AC151N	MOTOROLA	CD74AC151E	H	MC74AC540DW-TR	MOTOROLA	CD74AC540M	D
MC74AC153DR2	MOTOROLA	CD74AC153M96	H	MC74AC540DWR2	MOTOROLA	CD74AC540M	D
MC74AC153N	MOTOROLA	CD74AC153E	H	MC74AC541DW	MOTOROLA	CD74AC541M	D
MC74AC157D	MOTOROLA	CD74AC157M	H	MC74AC541DW	MOTOROLA	CD74AC541M96	D
MC74AC157DR2	MOTOROLA	CD74AC157M96	H	MC74AC541DWR2	MOTOROLA	CD74AC541M	D
MC74AC157N	MOTOROLA	CD74AC157E	H	MC74AC541DWR2	MOTOROLA	CD74AC541M96	D
MC74AC158D	MOTOROLA	CD74AC158M	H	MC74AC541N	MOTOROLA	CD74AC541E	D
MC74AC161D	MOTOROLA	CD74AC161M	H	MC74AC563N	MOTOROLA	CD74AC563E	H
MC74AC161DR2	MOTOROLA	CD74AC161M96	H	MC74AC573DW	MOTOROLA	CD74AC573M	H
MC74AC161N	MOTOROLA	CD74AC161E	H	MC74AC573N	MOTOROLA	CD74AC573E	H
MC74AC163D	MOTOROLA	CD74AC163M	H	MC74AC574DW	MOTOROLA	CD74AC574M	H
MC74AC163DR2	MOTOROLA	CD74AC163M96	H	MC74AC574N	MOTOROLA	CD74AC574E	H
MC74AC163N	MOTOROLA	CD74AC163E	H	MC74AC646DW	MOTOROLA	CD74AC646M	H
MC74AC174D	MOTOROLA	CD74AC174M	H	MC74AC74D	MOTOROLA	CD74AC74M	H
MC74AC174DR2	MOTOROLA	CD74AC174M96	H	MC74AC74DR2	MOTOROLA	CD74AC74M96	H
MC74AC174N	MOTOROLA	CD74AC174E	H	MC74AC74N	MOTOROLA	CD74AC74E	H
MC74AC175D	MOTOROLA	CD74AC175M	H	MC74AC86D	MOTOROLA	CD74AC86M	H
MC74AC191N	MOTOROLA	CD74AC191E	H	MC74AC86DR2	MOTOROLA	CD74AC86M96	H
MC74AC20D	MOTOROLA	CD74AC20M	H	MC74AC86N	MOTOROLA	CD74AC86E	H
MC74AC20DR2	MOTOROLA	CD74AC20M96	H	MC74HCT00AD	MOTOROLA	CD74HCT00M	H
MC74AC20N	MOTOROLA	CD74AC20E	H	MC74HCT00ADR2	MOTOROLA	CD74HCT00M96	H
MC74AC240DW	MOTOROLA	CD74AC240M	D	MC74HCT00AN	MOTOROLA	CD74HCT00E	H
MC74AC240DWR2	MOTOROLA	CD74AC240M	D	MC74HCT00D	MOTOROLA	CD74HCT00M	H
MC74AC240N	MOTOROLA	CD74AC240E	D	MC74HCT00N	MOTOROLA	CD74HCT00E	H
MC74AC244DW	MOTOROLA	CD74AC244M	D	MC74HCT04AD	MOTOROLA	CD74HCT04M	H
MC74HCT04ADD	MOTOROLA	CD74HCT04M	H	MC74HCT373ADWR2	MOTOROLA	CD74HCT373M96	H
MC74HCT04ADR2	MOTOROLA	CD74HCT04M96	H	MC74HCT373AN	MOTOROLA	CD74HCT373E	H
MC74HCT04AN	MOTOROLA	CD74HCT04E	H	MC74HCT373DW	MOTOROLA	CD74HCT373M	D
MC74HCT04D	MOTOROLA	CD74HCT04M	H	MC74HCT373DW	MOTOROLA	CD74HCT373M96	D
MC74HCT04DD	MOTOROLA	CD74HCT04M	H	MC74HCT373DWD	MOTOROLA	CD74HCT373M	H
MC74HCT04N	MOTOROLA	CD74HCT04E	H	MC74HCT373N	MOTOROLA	CD74HCT373E	D
MC74HCT08AD	MOTOROLA	CD74HCT08M	H	MC74HCT374ADW	MOTOROLA	CD74HCT374M	H
MC74HCT08AN	MOTOROLA	CD74HCT08E	H	MC74HCT374ADWR2	MOTOROLA	CD74HCT374M96	H
MC74HCT138AD	MOTOROLA	CD74HCT138M	H	MC74HCT374AN	MOTOROLA	CD74HCT374E	H
MC74HCT138ADR2	MOTOROLA	CD74HCT138M96	H	MC74HCT374DW	MOTOROLA	CD74HCT374M	H
MC74HCT138AN	MOTOROLA	CD74HCT138E	H	MC74HCT374DWD	MOTOROLA	CD74HCT374M	H
MC74HCT138D	MOTOROLA	CD74HCT138M	H	MC74HCT374N	MOTOROLA	CD74HCT374E	H
MC74HCT138N	MOTOROLA	CD74HCT138E	H	MC74HCT533AN	MOTOROLA	CD74HCT533E	D
MC74HCT14AD	MOTOROLA	CD74HCT14M	H	MC74HCT533N	MOTOROLA	CD74HCT533E	H
MC74HCT14ADR2	MOTOROLA	CD74HCT14M96	H	MC74HCT534AN	MOTOROLA	CD74HCT534E	H
MC74HCT14AN	MOTOROLA	CD74HCT14E	H	MC74HCT534N	MOTOROLA	CD74HCT534E	H
MC74HCT157AD	MOTOROLA	CD74HCT157M	H	MC74HCT540DW	MOTOROLA	CD74HCT540M	H
MC74HCT157ADR2	MOTOROLA	CD74HCT157M96	H	MC74HCT540DWD	MOTOROLA	CD74HCT540M	H
MC74HCT157AN	MOTOROLA	CD74HCT157E	H	MC74HCT540N	MOTOROLA	CD74HCT540E	H
MC74HCT161AD	MOTOROLA	CD74HCT161M	H	MC74HCT541DW	MOTOROLA	CD74HCT541M	H
MC74HCT161ADR2	MOTOROLA	CD74HCT161M96	H	MC74HCT541DWD	MOTOROLA	CD74HCT541M	H
MC74HCT161AN	MOTOROLA	CD74HCT161E	H	MC74HCT541N	MOTOROLA	CD74HCT541E	H
MC74HCT163AD	MOTOROLA	CD74HCT163M	H	MC74HCT573ADW	MOTOROLA	CD74HCT573M	H
MC74HCT163AN	MOTOROLA	CD74HCT163E	H	MC74HCT573ADWR2	MOTOROLA	CD74HCT573M96	H
MC74HCT174AD	MOTOROLA	CD74HCT174M	H	MC74HCT573AN	MOTOROLA	CD74HCT573E	H
MC74HCT174ADR2	MOTOROLA	CD74HCT174M96	H	MC74HCT574ADW	MOTOROLA	CD74HCT574M	H
MC74HCT174AN	MOTOROLA	CD74HCT174E	H	MC74HCT574ADWR2	MOTOROLA	CD74HCT574M96	H
MC74HCT240ADW	MOTOROLA	CD74HCT240M	H	MC74HCT574AN	MOTOROLA	CD74HCT574E	H
MC74HCT240ADWR2	MOTOROLA	CD74HCT240M96	H	MC74HCT640ADW	MOTOROLA	CD74HCT640M	H
MC74HCT240AN	MOTOROLA	CD74HCT240E	H	MC74HCT640AN	MOTOROLA	CD74HCT640E	H
MC74HCT240DW	MOTOROLA	CD74HCT240M	H	MC74HCT640DW	MOTOROLA	CD74HCT640M	H
MC74HCT240DWD	MOTOROLA	CD74HCT240M	H	MC74HCT640DWD	MOTOROLA	CD74HCT640M	H
MC74HCT240N	MOTOROLA	CD74HCT240E	H	MC74HCT640N	MOTOROLA	CD74HCT640E	H

NOTE: D = Direct Replacement, H = Harris Recommended Replacement.

Cross-Reference Guide

COMPETITOR #	COMPETITOR	HARRIS #	TYPE	COMPETITOR #	COMPETITOR	HARRIS #	TYPE
MC74HCT241ADWR2	MOTOROLA	CD74HCT241M96	H	MC74HCT688DW	MOTOROLA	CD74HCT688M	D
MC74HCT241AN	MOTOROLA	CD74HCT241E	H	MC74HCT688DW	MOTOROLA	CD74HCT688M96	D
MC74HCT241N	MOTOROLA	CD74HCT241E	H	MC74HCT688N	MOTOROLA	CD74HCT688E	D
MC74HCT244ADW	MOTOROLA	CD74HCT244M	H	MC74HCT74AD	MOTOROLA	CD74HCT74M	H
MC74HCT244ADWR2	MOTOROLA	CD74HCT244M96	H	MC74HCT74ADR2	MOTOROLA	CD74HCT74M96	H
MC74HCT244AN	MOTOROLA	CD74HCT244E	H	MC74HCT74AN	MOTOROLA	CD74HCT74E	H
MC74HCT244DW	MOTOROLA	CD74HCT244M	H	MC74HCU04D	MOTOROLA	CD74HCU04M	H
MC74HCT244DWD	MOTOROLA	CD74HCT244M	H	MC74HCU04DD	MOTOROLA	CD74HCU04M	H
MC74HCT244N	MOTOROLA	CD74HCT244E	H	MC74HCU04DR2	MOTOROLA	CD74HCU04M96	H
MC74HCT245ADW	MOTOROLA	CD74HCT245M	H	MC74HCU04N	MOTOROLA	CD74HCU04E	H
MC74HCT245ADWR2	MOTOROLA	CD74HCT245M96	H	MC74HC00AD	MOTOROLA	CD74HC00M	H
MC74HCT245AN	MOTOROLA	CD74HCT245E	H	MC74HC00ADR2	MOTOROLA	CD74HC00M96	H
MC74HCT245DW	MOTOROLA	CD74HCT245M	H	MC74HC00AN	MOTOROLA	CD74HC00E	H
MC74HCT245DWD	MOTOROLA	CD74HCT245M	H	MC74HC00D	MOTOROLA	CD74HC00M	H
MC74HCT245N	MOTOROLA	CD74HCT245E	H	MC74HC00DD	MOTOROLA	CD74HC00M	H
MC74HCT273AD	MOTOROLA	CD74HCT273M	H	MC74HC00DR2	MOTOROLA	CD74HC00M96	H
MC74HCT273ADW	MOTOROLA	CD74HCT273M	H	MC74HC00N	MOTOROLA	CD74HC00E	H
MC74HCT273ADWR2	MOTOROLA	CD74HCT273M96	H	MC74HC02AD	MOTOROLA	CD74HC02M	H
MC74HCT273AN	MOTOROLA	CD74HCT273E	H	MC74HC02ADR2	MOTOROLA	CD74HC02M96	H
MC74HCT32AD	MOTOROLA	CD74HCT32M	H	MC74HC02AN	MOTOROLA	CD74HC02E	H
MC74HCT32AN	MOTOROLA	CD74HCT32E	H	MC74HC02D	MOTOROLA	CD74HC02M	H
MC74HCT373ADW	MOTOROLA	CD74HCT373M	H	MC74HC02DD	MOTOROLA	CD74HC02M	H
MC74HC02N	MOTOROLA	CD74HC02E	H	MC74HC132N	MOTOROLA	CD74HC132E	H
MC74HC03AD	MOTOROLA	CD74HC03M	H	MC74HC137N	MOTOROLA	CD74HC137E	H
MC74HC03ADR2	MOTOROLA	CD74HC03M96	H	MC74HC138AD	MOTOROLA	CD74HC138M	H
MC74HC03AN	MOTOROLA	CD74HC03E	H	MC74HC138ADR2	MOTOROLA	CD74HC138M96	H
MC74HC03D	MOTOROLA	CD74HC03M	H	MC74HC138AN	MOTOROLA	CD74HC138E	H
MC74HC03DD	MOTOROLA	CD74HC03M	H	MC74HC138D	MOTOROLA	CD74HC138M	H
MC74HC03DR2	MOTOROLA	CD74HC03M96	H	MC74HC138DD	MOTOROLA	CD74HC138M	H
MC74HC03N	MOTOROLA	CD74HC03E	H	MC74HC138DR2	MOTOROLA	CD74HC138M96	H
MC74HC04AD	MOTOROLA	CD74HC04M	H	MC74HC138N	MOTOROLA	CD74HC138E	H
MC74HC04ADR2	MOTOROLA	CD74HC04M96	H	MC74HC139AD	MOTOROLA	CD74HC139M	H
MC74HC04AN	MOTOROLA	CD74HC04E	H	MC74HC139ADR2	MOTOROLA	CD74HC139M96	H
MC74HC04D	MOTOROLA	CD74HC04M	H	MC74HC139AN	MOTOROLA	CD74HC139E	H
MC74HC04DD	MOTOROLA	CD74HC04M	H	MC74HC139D	MOTOROLA	CD74HC139M	H
MC74HC04N	MOTOROLA	CD74HC04E	H	MC74HC139DD	MOTOROLA	CD74HC139M	H
MC74HC08AD	MOTOROLA	CD74HC08M	H	MC74HC139N	MOTOROLA	CD74HC139E	H
MC74HC08ADR2	MOTOROLA	CD74HC08M96	H	MC74HC14AD	MOTOROLA	CD74HC14M	H
MC74HC08AN	MOTOROLA	CD74HC08E	H	MC74HC14ADR2	MOTOROLA	CD74HC14M96	H
MC74HC08D	MOTOROLA	CD74HC08M	H	MC74HC14AN	MOTOROLA	CD74HC14E	H
MC74HC08DD	MOTOROLA	CD74HC08M	H	MC74HC14D	MOTOROLA	CD74HC14M	H
MC74HC08N	MOTOROLA	CD74HC08E	H	MC74HC14DD	MOTOROLA	CD74HC14M	H
MC74HC10D	MOTOROLA	CD74HC10M	H	MC74HC14N	MOTOROLA	CD74HC14E	H
MC74HC10DD	MOTOROLA	CD74HC10M	H	MC74HC147D	MOTOROLA	CD74HC147M	H
MC74HC10DR2	MOTOROLA	CD74HC10M96	H	MC74HC147DD	MOTOROLA	CD74HC147M	H
MC74HC10N	MOTOROLA	CD74HC10E	H	MC74HC147DR2	MOTOROLA	CD74HC147M96	H
MC74HC107D	MOTOROLA	CD74HC107M	H	MC74HC147N	MOTOROLA	CD74HC147E	H
MC74HC107DD	MOTOROLA	CD74HC107M	H	MC74HC151D	MOTOROLA	CD74HC151M	H
MC74HC107DR2	MOTOROLA	CD74HC107M96	H	MC74HC151DD	MOTOROLA	CD74HC151M	H
MC74HC107N	MOTOROLA	CD74HC107E	H	MC74HC151DR2	MOTOROLA	CD74HC151M96	H
MC74HC109D	MOTOROLA	CD74HC109M	H	MC74HC151N	MOTOROLA	CD74HC151E	H
MC74HC109DD	MOTOROLA	CD74HC109M	H	MC74HC153D	MOTOROLA	CD74HC153M	H
MC74HC109DR2	MOTOROLA	CD74HC109M96	H	MC74HC153DD	MOTOROLA	CD74HC153M	H
MC74HC109N	MOTOROLA	CD74HC109E	H	MC74HC153DR2	MOTOROLA	CD74HC153M96	H
MC74HC11D	MOTOROLA	CD74HC11M	H	MC74HC153N	MOTOROLA	CD74HC153E	H
MC74HC11DD	MOTOROLA	CD74HC11M	H	MC74HC154DW	MOTOROLA	CD74HC154M	H
MC74HC11DR2	MOTOROLA	CD74HC11M96	H	MC74HC154DWD	MOTOROLA	CD74HC154M	H
MC74HC11N	MOTOROLA	CD74HC11E	H	MC74HC157AD	MOTOROLA	CD74HC157M	H

3
DIRECT/HARRIS
REPLACEMENTS

Cross-Reference Guide

COMPETITOR #	COMPETITOR	HARRIS #	TYPE
MC74HC112DR2	MOTOROLA	CD74HC112M96	H
MC74HC112N	MOTOROLA	CD74HC112E	H
MC74HC123N	MOTOROLA	CD74HC123E	H
MC74HC125AD	MOTOROLA	CD74HC125M	H
MC74HC125ADR2	MOTOROLA	CD74HC125M96	H
MC74HC125AN	MOTOROLA	CD74HC125E	H
MC74HC125D	MOTOROLA	CD74HC125M	H
MC74HC125DD	MOTOROLA	CD74HC125M	H
MC74HC125N	MOTOROLA	CD74HC125E	H
MC74HC126AD	MOTOROLA	CD74HC126M	H
MC74HC126ADR2	MOTOROLA	CD74HC126M96	H
MC74HC126AN	MOTOROLA	CD74HC126E	H
MC74HC126D	MOTOROLA	CD74HC126M	H
MC74HC126N	MOTOROLA	CD74HC126E	H
MC74HC132AD	MOTOROLA	CD74HC132M	H
MC74HC132ADR2	MOTOROLA	CD74HC132M96	H
MC74HC132AN	MOTOROLA	CD74HC132E	H
MC74HC132D	MOTOROLA	CD74HC132M	H
MC74HC132DD	MOTOROLA	CD74HC132M	H
MC74HC163AN	MOTOROLA	CD74HC163E	D
MC74HC163D	MOTOROLA	CD74HC163M	H
MC74HC163DD	MOTOROLA	CD74HC163M	H
MC74HC163DR2	MOTOROLA	CD74HC163M96	H
MC74HC163N	MOTOROLA	CD74HC163E	H
MC74HC164D	MOTOROLA	CD74HC164M	H
MC74HC164DD	MOTOROLA	CD74HC164M	H
MC74HC164DR2	MOTOROLA	CD74HC164M96	H
MC74HC164N	MOTOROLA	CD74HC164E	H
MC74HC165D	MOTOROLA	CD74HC165M	H
MC74HC165DD	MOTOROLA	CD74HC165M	H
MC74HC165DR2	MOTOROLA	CD74HC165M96	H
MC74HC165N	MOTOROLA	CD74HC165E	H
MC74HC166D	MOTOROLA	CD74HC166M	H
MC74HC166N	MOTOROLA	CD74HC166E	H
MC74HC173D	MOTOROLA	CD74HC173M	H
MC74HC173DD	MOTOROLA	CD74HC173M	H
MC74HC173DR2	MOTOROLA	CD74HC173M96	H
MC74HC173N	MOTOROLA	CD74HC173E	H
MC74HC174AD	MOTOROLA	CD74HC174M	H
MC74HC174ADR2	MOTOROLA	CD74HC174M96	H
MC74HC174AN	MOTOROLA	CD74HC174E	H
MC74HC174D	MOTOROLA	CD74HC174M	H
MC74HC174DR2	MOTOROLA	CD74HC174M96	H
MC74HC174N	MOTOROLA	CD74HC174E	H
MC74HC175D	MOTOROLA	CD74HC175M	H
MC74HC175DD	MOTOROLA	CD74HC175M	H
MC74HC175DR2	MOTOROLA	CD74HC175M96	H
MC74HC175N	MOTOROLA	CD74HC175E	H
MC74HC190N	MOTOROLA	CD74HC190E	H
MC74HC191D	MOTOROLA	CD74HC191M	H
MC74HC191N	MOTOROLA	CD74HC191E	H
MC74HC192N	MOTOROLA	CD74HC192E	H
MC74HC193D	MOTOROLA	CD74HC193M	H
MC74HC193N	MOTOROLA	CD74HC193E	H
MC74HC194D	MOTOROLA	CD74HC194M	H
MC74HC194DD	MOTOROLA	CD74HC194M	H
MC74HC194N	MOTOROLA	CD74HC194E	H
MC74HC195D	MOTOROLA	CD74HC195M	H

COMPETITOR #	COMPETITOR	HARRIS #	TYPE
MC74HC157ADR2	MOTOROLA	CD74HC157M96	H
MC74HC157AN	MOTOROLA	CD74HC157E	H
MC74HC157D	MOTOROLA	CD74HC157M	H
MC74HC157DD	MOTOROLA	CD74HC157M	H
MC74HC157N	MOTOROLA	CD74HC157E	H
MC74HC158D	MOTOROLA	CD74HC158M	H
MC74HC158DD	MOTOROLA	CD74HC158M	H
MC74HC158N	MOTOROLA	CD74HC158E	H
MC74HC161AD	MOTOROLA	CD74HC161M	H
MC74HC161ADR2	MOTOROLA	CD74HC161M96	H
MC74HC161AN	MOTOROLA	CD74HC161E	H
MC74HC161D	MOTOROLA	CD74HC161M	H
MC74HC161DD	MOTOROLA	CD74HC161M	H
MC74HC161DR2	MOTOROLA	CD74HC161M96	H
MC74HC161N	MOTOROLA	CD74HC161E	H
MC74HC163AD	MOTOROLA	CD74HC163M	D
MC74HC163AD	MOTOROLA	CD74HC163M96	D
MC74HC163ADR2	MOTOROLA	CD74HC163M	D
MC74HC163ADR2	MOTOROLA	CD74HC163M96	D
MC74HC240N	MOTOROLA	CD74HC240E	H
MC74HC241ADW	MOTOROLA	CD74HC241M	H
MC74HC241ADWR2	MOTOROLA	CD74HC241M96	H
MC74HC241AN	MOTOROLA	CD74HC241E	H
MC74HC241DW	MOTOROLA	CD74HC241M	H
MC74HC241DWD	MOTOROLA	CD74HC241M	H
MC74HC241N	MOTOROLA	CD74HC241E	H
MC74HC243D	MOTOROLA	CD74HC243M	D
MC74HC243D	MOTOROLA	CD74HC243M96	D
MC74HC243DD	MOTOROLA	CD74HC243M	H
MC74HC243N	MOTOROLA	CD74HC243E	D
MC74HC244ADW	MOTOROLA	CD74HC244M	H
MC74HC244ADWR2	MOTOROLA	CD74HC244M96	H
MC74HC244AN	MOTOROLA	CD74HC244E	H
MC74HC244DWD	MOTOROLA	CD74HC244M	H
MC74HC244N	MOTOROLA	CD74HC244E	H
MC74HC245ADW	MOTOROLA	CD74HC245M	H
MC74HC245ADWR2	MOTOROLA	CD74HC245M96	H
MC74HC245AN	MOTOROLA	CD74HC245E	H
MC74HC245DW	MOTOROLA	CD74HC245M	D
MC74HC245DW	MOTOROLA	CD74HC245M96	D
MC74HC245DWD	MOTOROLA	CD74HC245M	H
MC74HC245N	MOTOROLA	CD74HC245E	D
MC74HC251D	MOTOROLA	CD74HC251M	H
MC74HC251DD	MOTOROLA	CD74HC251M	H
MC74HC251DR2	MOTOROLA	CD74HC251M96	H
MC74HC251N	MOTOROLA	CD74HC251E	H
MC74HC253D	MOTOROLA	CD74HC253M	H
MC74HC253DD	MOTOROLA	CD74HC253M	H
MC74HC253N	MOTOROLA	CD74HC253E	H
MC74HC257D	MOTOROLA	CD74HC257M	H
MC74HC257DD	MOTOROLA	CD74HC257M	H
MC74HC257DR2	MOTOROLA	CD74HC257M96	H
MC74HC257N	MOTOROLA	CD74HC257E	H
MC74HC259D	MOTOROLA	CD74HC259M	H
MC74HC259DD	MOTOROLA	CD74HC259M	H
MC74HC259DR2	MOTOROLA	CD74HC259M96	H
MC74HC259N	MOTOROLA	CD74HC259E	H
MC74HC27D	MOTOROLA	CD74HC27M	H

NOTE: D = Direct Replacement, H = Harris Recommended Replacement.

Cross-Reference Guide

COMPETITOR #	COMPETITOR	HARRIS #	TYPE	COMPETITOR #	COMPETITOR	HARRIS #	TYPE
MC74HC195DD	MOTOROLA	CD74HC195M	H	MC74HC27DD	MOTOROLA	CD74HC27M	H
MC74HC195N	MOTOROLA	CD74HC195E	H	MC74HC27DR2	MOTOROLA	CD74HC27M96	H
MC74HC20D	MOTOROLA	CD74HC20M	H	MC74HC27N	MOTOROLA	CD74HC27E	H
MC74HC20DD	MOTOROLA	CD74HC20M	H	MC74HC273ADW	MOTOROLA	CD74HC273M	H
MC74HC20DR2	MOTOROLA	CD74HC20M96	H	MC74HC273ADWR2	MOTOROLA	CD74HC273M96	H
MC74HC20N	MOTOROLA	CD74HC20E	H	MC74HC273AN	MOTOROLA	CD74HC273E	H
MC74HC221N	MOTOROLA	CD74HC221E	H	MC74HC273DW	MOTOROLA	CD74HC273M	H
MC74HC237D	MOTOROLA	CD74HC237M	H	MC74HC273DWD	MOTOROLA	CD74HC273M	H
MC74HC237DD	MOTOROLA	CD74HC237M	H	MC74HC273N	MOTOROLA	CD74HC273E	H
MC74HC237DR2	MOTOROLA	CD74HC237M96	H	MC74HC280DR2	MOTOROLA	CD74HC280M96	H
MC74HC237N	MOTOROLA	CD74HC237E	H	MC74HC280N	MOTOROLA	CD74HC280E	H
MC74HC240ADW	MOTOROLA	CD74HC240M	H	MC74HC283D	MOTOROLA	CD74HC283M	H
MC74HC240ADWR2	MOTOROLA	CD74HC240M96	H	MC74HC283DD	MOTOROLA	CD74HC283M	H
MC74HC240AN	MOTOROLA	CD74HC240E	H	MC74HC283N	MOTOROLA	CD74HC283E	H
MC74HC240DW	MOTOROLA	CD74HC240M	H	MC74HC299D	MOTOROLA	CD74HC299M	H
MC74HC240DWD	MOTOROLA	CD74HC240M	H	MC74HC299DW	MOTOROLA	CD74HC299M	H
MC74HC299DWD	MOTOROLA	CD74HC299M	H	MC74HC4017N	MOTOROLA	CD74HC4017E	H
MC74HC299N	MOTOROLA	CD74HC299E	H	MC74HC4020D	MOTOROLA	CD74HC4020M	H
MC74HC30D	MOTOROLA	CD74HC30M	H	MC74HC4020DD	MOTOROLA	CD74HC4020M	H
MC74HC30DD	MOTOROLA	CD74HC30M	H	MC74HC4020N	MOTOROLA	CD74HC4020E	H
MC74HC30DR2	MOTOROLA	CD74HC30M96	H	MC74HC4024D	MOTOROLA	CD74HC4024M	H
MC74HC30N	MOTOROLA	CD74HC30E	H	MC74HC4024DD	MOTOROLA	CD74HC4024M	H
MC74HC32AD	MOTOROLA	CD74HC32M	H	MC74HC4024DR2	MOTOROLA	CD74HC4024M96	H
MC74HC32ADR2	MOTOROLA	CD74HC32M96	H	MC74HC4024N	MOTOROLA	CD74HC4024E	H
MC74HC32AN	MOTOROLA	CD74HC32E	H	MC74HC4040D	MOTOROLA	CD74HC4040M	H
MC74HC32D	MOTOROLA	CD74HC32M	H	MC74HC4040DD	MOTOROLA	CD74HC4040M	H
MC74HC32DD	MOTOROLA	CD74HC32M	H	MC74HC4040N	MOTOROLA	CD74HC4040E	H
MC74HC32N	MOTOROLA	CD74HC32E	H	MC74HC4049D	MOTOROLA	CD74HC4049M	H
MC74HC354N	MOTOROLA	CD74HC354E	H	MC74HC4049DD	MOTOROLA	CD74HC4049M	H
MC74HC365D	MOTOROLA	CD74HC365M	H	MC74HC4049DR2	MOTOROLA	CD74HC4049M96	H
MC74HC365DD	MOTOROLA	CD74HC365M	H	MC74HC4049N	MOTOROLA	CD74HC4049E	H
MC74HC365N	MOTOROLA	CD74HC365E	H	MC74HC4050D	MOTOROLA	CD74HC4050M	H
MC74HC366D	MOTOROLA	CD74HC366M	H	MC74HC4050DD	MOTOROLA	CD74HC4050M	H
MC74HC366DD	MOTOROLA	CD74HC366M	H	MC74HC4050DR2	MOTOROLA	CD74HC4050M96	H
MC74HC366N	MOTOROLA	CD74HC366E	H	MC74HC4050N	MOTOROLA	CD74HC4050E	H
MC74HC367D	MOTOROLA	CD74HC367M	H	MC74HC4051D	MOTOROLA	CD74HC4051M	H
MC74HC367DD	MOTOROLA	CD74HC367M	H	MC74HC4051DR2	MOTOROLA	CD74HC4051M96	H
MC74HC367N	MOTOROLA	CD74HC367E	H	MC74HC4051N	MOTOROLA	CD74HC4051E	H
MC74HC368D	MOTOROLA	CD74HC368M	H	MC74HC4052D	MOTOROLA	CD74HC4052M	H
MC74HC368DD	MOTOROLA	CD74HC368M	H	MC74HC4052DR2	MOTOROLA	CD74HC4052M96	H
MC74HC368N	MOTOROLA	CD74HC368E	H	MC74HC4052N	MOTOROLA	CD74HC4052E	H
MC74HC373ADW	MOTOROLA	CD74HC373M	H	MC74HC4053D	MOTOROLA	CD74HC4053M	H
MC74HC373ADWR2	MOTOROLA	CD74HC373M96	H	MC74HC4053N	MOTOROLA	CD74HC4053E	H
MC74HC373AN	MOTOROLA	CD74HC373E	H	MC74HC4060AN	MOTOROLA	CD74HC4060E	H
MC74HC373DW	MOTOROLA	CD74HC373M	H	MC74HC4060D	MOTOROLA	CD74HC4060M	H
MC74HC373DWD	MOTOROLA	CD74HC373M	H	MC74HC4060DD	MOTOROLA	CD74HC4060M	H
MC74HC373N	MOTOROLA	CD74HC373E	H	MC74HC4060N	MOTOROLA	CD74HC4060E	H
MC74HC374ADW	MOTOROLA	CD74HC374M	H	MC74HC4066D	MOTOROLA	CD74HC4066M	H
MC74HC374ADWR2	MOTOROLA	CD74HC374M96	H	MC74HC4066DD	MOTOROLA	CD74HC4066M	H
MC74HC374AN	MOTOROLA	CD74HC374E	H	MC74HC4066DR2	MOTOROLA	CD74HC4066M96	H
MC74HC374DW	MOTOROLA	CD74HC374M	H	MC74HC4066N	MOTOROLA	CD74HC4066E	H
MC74HC374DWD	MOTOROLA	CD74HC374M	H	MC74HC4075D	MOTOROLA	CD74HC4075M	H
MC74HC374N	MOTOROLA	CD74HC374E	H	MC74HC4075DD	MOTOROLA	CD74HC4075M	H
MC74HC390D	MOTOROLA	CD74HC390M	H	MC74HC4075DR2	MOTOROLA	CD74HC4075M96	H
MC74HC390DD	MOTOROLA	CD74HC390M	H	MC74HC4075N	MOTOROLA	CD74HC4075E	H
MC74HC390DR2	MOTOROLA	CD74HC390M96	H	MC74HC42D	MOTOROLA	CD74HC42M	H
MC74HC390N	MOTOROLA	CD74HC390E	H	MC74HC42DD	MOTOROLA	CD74HC42M	H
MC74HC393D	MOTOROLA	CD74HC393M	H	MC74HC42N	MOTOROLA	CD74HC42E	H

3
DIRECT/HARRIS
REPLACEMENTS

NOTE: D = Direct Replacement, H = Harris Recommended Replacement.

Cross-Reference Guide

COMPETITOR #	COMPETITOR	HARRIS #	TYPE	COMPETITOR #	COMPETITOR	HARRIS #	TYPE
MC74HC393DD	MOTOROLA	CD74HC393M	H	MC74HC4316D	MOTOROLA	CD74HC4316M	H
MC74HC393DR2	MOTOROLA	CD74HC393M96	H	MC74HC4316DD	MOTOROLA	CD74HC4316M	H
MC74HC393N	MOTOROLA	CD74HC393E	H	MC74HC4316DR2	MOTOROLA	CD74HC4316M96	H
MC74HC4002D	MOTOROLA	CD74HC4002M	H	MC74HC4316N	MOTOROLA	CD74HC4316E	H
MC74HC4002DD	MOTOROLA	CD74HC4002M	H	MC74HC4351DW	MOTOROLA	CD74HC4351M	H
MC74HC4002DR2	MOTOROLA	CD74HC4002M96	H	MC74HC4351DWD	MOTOROLA	CD74HC4351M	H
MC74HC4002N	MOTOROLA	CD74HC4002E	H	MC74HC4351N	MOTOROLA	CD74HC4351E	H
MC74HC4015N	MOTOROLA	CD74HC4015E	D	MC74HC4352N	MOTOROLA	CD74HC4352E	H
MC74HC4016DR2	MOTOROLA	CD74HC4016M96	H	MC74HC4511D	MOTOROLA	CD74HC4511M	H
MC74HC4016N	MOTOROLA	CD74HC4016E	H	MC74HC4511DD	MOTOROLA	CD74HC4511M	H
MC74HC4017D	MOTOROLA	CD74HC4017M	H	MC74HC4511N	MOTOROLA	CD74HC4511E	H
MC74HC4017DD	MOTOROLA	CD74HC4017M	H	MC74HC4514DW	MOTOROLA	CD74HC4514M	H
MC74HC4017DR2	MOTOROLA	CD74HC4017M96	H	MC74HC4514DWD	MOTOROLA	CD74HC4514M	H
MC74HC4518N	MOTOROLA	CD74HC4518E	H	MC74HC73N	MOTOROLA	CD74HC73E	H
MC74HC4520N	MOTOROLA	CD74HC4520E	H	MC74HC74AD	MOTOROLA	CD74HC74M	H
MC74HC4538AD	MOTOROLA	CD74HC4538M	H	MC74HC74ADR2	MOTOROLA	CD74HC74M96	H
MC74HC4538AN	MOTOROLA	CD74HC4538E	D	MC74HC74AN	MOTOROLA	CD74HC74E	H
MC74HC4538N	MOTOROLA	CD74HC4538E	H	MC74HC74D	MOTOROLA	CD74HC74M	H
MC74HC4543N	MOTOROLA	CD74HC4543E	H	MC74HC74DD	MOTOROLA	CD74HC74M	H
MC74HC533AN	MOTOROLA	CD74HC533E	H	MC74HC74DR2	MOTOROLA	CD74HC74M96	H
MC74HC533N	MOTOROLA	CD74HC533E	H	MC74HC74N	MOTOROLA	CD74HC74E	H
MC74HC534AN	MOTOROLA	CD74HC534E	H	MC74HC75D	MOTOROLA	CD74HC75M	H
MC74HC534N	MOTOROLA	CD74HC534E	H	MC74HC75DD	MOTOROLA	CD74HC75M	H
MC74HC540DW	MOTOROLA	CD74HC540M	H	MC74HC75N	MOTOROLA	CD74HC75E	H
MC74HC540DWD	MOTOROLA	CD74HC540M	H	MC74HC85D	MOTOROLA	CD74HC85M	H
MC74HC540N	MOTOROLA	CD74HC540E	H	MC74HC85DD	MOTOROLA	CD74HC85M	H
MC74HC541DW	MOTOROLA	CD74HC541M	H	MC74HC85N	MOTOROLA	CD74HC85E	H
MC74HC541DWD	MOTOROLA	CD74HC541M	H	MC74HC86D	MOTOROLA	CD74HC86M	H
MC74HC541N	MOTOROLA	CD74HC541E	H	MC74HC86DD	MOTOROLA	CD74HC86M	H
MC74HC563DW	MOTOROLA	CD74HC563M	H	MC74HC86DR2	MOTOROLA	CD74HC86M96	H
MC74HC563DWD	MOTOROLA	CD74HC563M	H	MC74HC86N	MOTOROLA	CD74HC86E	H
MC74HC563N	MOTOROLA	CD74HC563E	H	MC74HC93N	MOTOROLA	CD74HC93E	H
MC74HC564DW	MOTOROLA	CD74HC564M	H	MC74LCX16240MT	MOTOROLA	CD74LPT16240AMT	H
MC74HC564DWD	MOTOROLA	CD74HC564M	H	MC74LCX16244MT	MOTOROLA	CD74LPT16244AMT	H
MC74HC564N	MOTOROLA	CD74HC564E	H	MC74LCX16245MT	MOTOROLA	CD74LPT16245AMT	H
MC74HC573ADW	MOTOROLA	CD74HC573M	H	MC74LCX16373MT	MOTOROLA	CD74LPT16373AMT	H
MC74HC573ADWR2	MOTOROLA	CD74HC573M96	D	MC74LCX16374MT	MOTOROLA	CD74LPT16374AMT	H
MC74HC573AN	MOTOROLA	CD74HC573E	H	MC74LCX16501MT	MOTOROLA	CD74LPT16501AMT	H
MC74HC573DW	MOTOROLA	CD74HC573M	H	MC74LCX16543MT	MOTOROLA	CD74LPT16543CMT	H
MC74HC573DWD	MOTOROLA	CD74HC573M	H	MC74LCX16646MT	MOTOROLA	CD74LPT16646AMT	H
MC74HC573N	MOTOROLA	CD74HC573E	H	MC74LCX16652MT	MOTOROLA	CD74LPT16652AMT	H
MC74HC574ADW	MOTOROLA	CD74HC574M	H	MC74LCX244DW	MOTOROLA	CD74LPT244CM	H
MC74HC574ADWR2	MOTOROLA	CD74HC574M96	H	MC74LCX244SD	MOTOROLA	CD74LPT244CQM	H
MC74HC574AN	MOTOROLA	CD74HC574E	H	MC74LCX245DW	MOTOROLA	CD74LPT245CM	H
MC74HC574DW	MOTOROLA	CD74HC574M	H	MC74LCX245SD	MOTOROLA	CD74LPT245CQM	H
MC74HC574DWD	MOTOROLA	CD74HC574M	H	MC74LCX373DW	MOTOROLA	CD74LPT373CM	H
MC74HC574N	MOTOROLA	CD74HC574E	H	MC74LCX373SD	MOTOROLA	CD74LPT373CQM	H
MC74HC597D	MOTOROLA	CD74HC597M	H	MD4055BE	MITEL	CD4055BE	D
MC74HC597DD	MOTOROLA	CD74HC597M	H	MD4056BE	MITEL	CD4056BE	D
MC74HC597DR2	MOTOROLA	CD74HC597M96	H	MD4511BE	MITEL	CD4511BE	D
MC74HC597N	MOTOROLA	CD74HC597E	H	MD4511BF	MITEL	CD4511BF	D
MC74HC640AD	MOTOROLA	CD74HC640M	H	MD80C86	INTEL	MD80C86/883	D
MC74HC640ADW	MOTOROLA	CD74HC640M	H	MD80C86	INTEL	8405201QA	D
MC74HC640AN	MOTOROLA	CD74HC640E	H	MD80C86-2	INTEL	MD80C86-2/883	D
MC74HC640DW	MOTOROLA	CD74HC640M	H	MD80C86-2/B	INTEL	MD80C86-2/883	D
MC74HC640DWD	MOTOROLA	CD74HC640M	H	MD80C86/B	INTEL	MD80C86/883	D
MC74HC640N	MOTOROLA	CD74HC640E	H	MD80C86/B	INTEL	8405201QA	D
MC74HC646DW	MOTOROLA	CD74HC646M	H	MD82C284-10	INTEL	MD82C284-10/883	D

NOTE: D = Direct Replacement, H = Harris Recommended Replacement.

Cross-Reference Guide

COMPETITOR #	COMPETITOR	HARRIS #	TYPE	COMPETITOR #	COMPETITOR	HARRIS #	TYPE
MC74HC646DWD	MOTOROLA	CD74HC646M	H	MD82C54	INTEL	8406501JA	D
MC74HC688DW	MOTOROLA	CD74HC688M	H	MD82C54/B	INTEL	8406501JA	D
MC74HC688DWD	MOTOROLA	CD74HC688M	H	MD82C55A	INTEL	8406602QA	D
MC74HC688N	MOTOROLA	CD74HC688E	H	MD82C55A/B	INTEL	8406602QA	D
MC74HC7266D	MOTOROLA	CD74HC7266M	H	MD82C88	INTEL	8406901RA	D
MC74HC7266DD	MOTOROLA	CD74HC7266M	H	MD82C88/B	INTEL	8406901RA	D
MC74HC7266DR2	MOTOROLA	CD74HC7266M96	H	MG80C286-10	INTEL	MG80C286-10/883	D
MC74HC7266N	MOTOROLA	CD74HC7266E	H	MIC426	MOTOROLA	ICL7667CPA	H
MC74HC73D	MOTOROLA	CD74HC73M	H	MLM324PD	MOTOROLA	CA0324EX	D
MC74HC73DD	MOTOROLA	CD74HC73M	H	MLP1N06CL	MOTOROLA	RLP1N06CLE	H
MMH0026CP1	MOTOROLA	ICL7667CPA	H	MM54C193D/883B	NATIONAL	CD40193BF3A	D
MMH0026G	MOTOROLA	ICL7667MTV	H	MM54C193J/883	NATIONAL	CD40193BF3A	D
MMH0026J	MOTOROLA	ICL7667CJA	H	MM54C193J/883B	NATIONAL	CD40193BF3A	D
MM4619BJ/883B	NATIONAL	CD4019BF3A	D	MM54C86D	NATIONAL	CD4070BF	D
MM54C00D	NATIONAL	CD4011BF	D	MM54C86D/883	NATIONAL	CD4070BF3A	D
MM54C00D/883	NATIONAL	CD4011BF3A	D	MM54C86D/883B	NATIONAL	CD4070BF3A	D
MM54C00D/883B	NATIONAL	CD4011BF3A	D	MM54C86J	NATIONAL	CD4070BF	D
MM54C00J	NATIONAL	CD4011BF	D	MM54C86J/883	NATIONAL	CD4070BF3A	D
MM54C00J-MIL	NATIONAL	CD4011AD3	D	MM54C86J/883B	NATIONAL	CD4070BF3A	D
MM54C00J/883	NATIONAL	CD4011BF3A	D	MM54HCT00J/883	NATIONAL	5962-8683101CA	D
MM54C00J/883B	NATIONAL	CD4011BF3A	D	MM54HCT00J/883B	NATIONAL	5962-8683101CA	D
MM54C00W-MIL	NATIONAL	CD4011BK3	D	MM54HCT04J/883	NATIONAL	5962-8974701CA	D
MM54C04D	NATIONAL	CD4069UBF	D	MM54HCT04J/883B	NATIONAL	5962-8974701CA	D
MM54C04D/883	NATIONAL	CD4069UBF3A	D	MM54HCT08J	NATIONAL	CD54HCT08F	D
MM54C04D/883B	NATIONAL	CD4069UBF3A	D	MM54HCT08J/883	NATIONAL	CD54HCT08F3A	D
MM54C04J	NATIONAL	CD4069UBF	D	MM54HCT08J/883B	NATIONAL	CD54HCT08F3A	D
MM54C04J/883	NATIONAL	CD4069UBF3A	D	MM54HCT08J/883B	NATIONAL	5962-8688301CA	D
MM54C04J/883B	NATIONAL	CD4069UBF3A	D	MM54HCT138J/883	NATIONAL	8550401EA	D
MM54C14D	NATIONAL	CD40106BF	D	MM54HCT138J/883B	NATIONAL	8550401EA	D
MM54C14D/883	NATIONAL	CD40106BF3A	D	MM54HCT139J/883	NATIONAL	CD54HCT139F3A	D
MM54C14D/883B	NATIONAL	CD40106BF3A	D	MM54HCT139J/883B	NATIONAL	CD54HCT139F3A	D
MM54C14F	NATIONAL	CD40106BK	D	MM54HCT191J/883	NATIONAL	5962-8667101EA	D
MM54C14J	NATIONAL	CD40106BF	D	MM54HCT191J/883B	NATIONAL	5962-8667101EA	D
MM54C14J/883	NATIONAL	CD40106BF3A	D	MM54HCT240J/883	NATIONAL	8550501RA	D
MM54C14J/883B	NATIONAL	CD40106BF3A	D	MM54HCT240J/883B	NATIONAL	8550501RA	D
MM54C14W	NATIONAL	CD40106BK	D	MM54HCT244J/883	NATIONAL	8513001RA	D
MM54C160D/883	NATIONAL	CD40160BF3A	D	MM54HCT244J/883B	NATIONAL	8513001RA	D
MM54C160D/883B	NATIONAL	CD40160BF3A	D	MM54HCT245J/883	NATIONAL	8550601RA	D
MM54C160J/883	NATIONAL	CD40160BF3A	D	MM54HCT245J/883B	NATIONAL	8550601RA	D
MM54C161D/883	NATIONAL	CD40161BF3A	D	MM54HCT257J/883	NATIONAL	CD54HCT257F3A	D
MM54C161D/883B	NATIONAL	CD40161BF3A	D	MM54HCT257J/883B	NATIONAL	5962-8970501EA	D
MM54C161J/883	NATIONAL	CD40161BF3A	D	MM54HCT257J/883B	NATIONAL	CD54HCT257F3A	D
MM54C161J/883B	NATIONAL	CD40161BF3A	D	MM54HCT257J/883B	NATIONAL	CD54HCT257F3A	D
MM54C163D/883	NATIONAL	CD40163BF3A	D	MM54HCT257J/883B	NATIONAL	5962-8970501EA	D
MM54C163D/883B	NATIONAL	CD40163BF3A	D	MM54HCT373J/883	NATIONAL	CD54HCT373F3A	D
MM54C163J/883	NATIONAL	CD40163BF3A	D	MM54HCT373J/883	NATIONAL	5962-8686701RA	D
MM54C163J/883B	NATIONAL	CD40163BF3A	D	MM54HCT373J/883B	NATIONAL	CD54HCT373F3A	D
MM54C173D/883	NATIONAL	CD4076BF3A	D	MM54HCT373J/883B	NATIONAL	5962-8686701RA	D
MM54C173D/883B	NATIONAL	CD4076BF3A	D	MM54HCT374J/883	NATIONAL	8550701RA	D
MM54C173J/883	NATIONAL	CD4076BF3A	D	MM54HCT374J/883B	NATIONAL	8550701RA	D
MM54C173J/883B	NATIONAL	CD4076BF3A	D	MM54HCT533J/883	NATIONAL	CD54HCT533F3A	D
MM54C174D/883	NATIONAL	CD40174BF3A	D	MM54HCT533J/883B	NATIONAL	CD54HCT533F3A	D
MM54C174D/883B	NATIONAL	CD40174BF3A	D	MM54HCT573J/883	NATIONAL	CD54HCT573F3A	D
MM54C174J/883	NATIONAL	CD40174BF3A	D	MM54HCT573J/883B	NATIONAL	CD54HCT573F3A	D
MM54C174J/883B	NATIONAL	CD40174BF3A	D	MM54HCT688J/883	NATIONAL	CD54HCT688F3A	D
MM54C175D/883	NATIONAL	CD40175BF3A	D	MM54HCT688J/883B	NATIONAL	CD54HCT688F3A	D
MM54C175D/883B	NATIONAL	CD40175BF3A	D	MM54HCT74J/883	NATIONAL	5962-8685301CA	D
				MM54HCT74J/883B	NATIONAL	5962-8685301CA	D

3
DIRECT/HARRIS
REPLACEMENTS

NOTE: D = Direct Replacement, H = Harris Recommended Replacement.

Cross-Reference Guide

COMPETITOR #	COMPETITOR	HARRIS #	TYPE	COMPETITOR #	COMPETITOR	HARRIS #	TYPE
MM54C175J/883	NATIONAL	CD40175BF3A	D	MM54HCU04J/883	NATIONAL	8601001CA	D
MM54C175J/883B	NATIONAL	CD40175BF3A	D	MM54HCU04J/883B	NATIONAL	8601001CA	D
MM54C192D/883	NATIONAL	CD40192BF3A	D	MM54HC00J/883	NATIONAL	CD54HC00F3A	D
MM54C192D/883B	NATIONAL	CD40192BF3A	D	MM54HC00J/883	NATIONAL	8403701CA	D
MM54C192J/883	NATIONAL	CD40192BF3A	D	MM54HC00J/883B	NATIONAL	CD54HC00F3A	D
MM54C192J/883B	NATIONAL	CD40192BF3A	D	MM54HC00J/883B	NATIONAL	8403701CA	D
MM54C193D/883	NATIONAL	CD40193BF3A	D	MM54HC02J/883	NATIONAL	CD54HC02F3A	D
MM54HC02J/883B	NATIONAL	CD54HC02F3A	D	MM54HC259J/883B	NATIONAL	8551901EA	D
MM54HC04J/883	NATIONAL	8409801CA	D	MM54HC266J/883	NATIONAL	8404302CA	D
MM54HC04J/883B	NATIONAL	8409801CA	D	MM54HC266J/883B	NATIONAL	8404302CA	D
MM54HC109J/883	NATIONAL	8415001EA	D	MM54HC27J/883	NATIONAL	8404201CA	D
MM54HC109J/883B	NATIONAL	8415001EA	D	MM54HC27J/883B	NATIONAL	8404201CA	D
MM54HC11J/883	NATIONAL	8404801CA	D	MM54HC273J/883	NATIONAL	8409901RA	D
MM54HC11J/883B	NATIONAL	8404801CA	D	MM54HC273J/883B	NATIONAL	8409901RA	D
MM54HC125J/883	NATIONAL	5962-8772101CA	D	MM54HC280J/883	NATIONAL	8607701CA	D
MM54HC125J/883B	NATIONAL	5962-8772101CA	D	MM54HC280J/883B	NATIONAL	8607701CA	D
MM54HC126J/883	NATIONAL	5962-8684801CA	D	MM54HC30J/883	NATIONAL	8404001CA	D
MM54HC126J/883B	NATIONAL	5962-8684801CA	D	MM54HC30J/883B	NATIONAL	8404001CA	D
MM54HC151J/883	NATIONAL	8412801EA	D	MM54HC366J/883	NATIONAL	5962-8682801EA	D
MM54HC151J/883B	NATIONAL	8412801EA	D	MM54HC366J/883B	NATIONAL	5962-8682801EA	D
MM54HC153J/883	NATIONAL	8409301EA	D	MM54HC368J/883	NATIONAL	5962-8681201EA	D
MM54HC153J/883B	NATIONAL	8409301EA	D	MM54HC368J/883B	NATIONAL	5962-8681201EA	D
MM54HC157J/883	NATIONAL	5962-8606101EA	D	MM54HC393J/883	NATIONAL	8410001CA	D
MM54HC157J/883B	NATIONAL	5962-8606101EA	D	MM54HC393J/883B	NATIONAL	8410001CA	D
MM54HC158J/883	NATIONAL	5962-8682301EA	D	MM54HC400J/883	NATIONAL	8404401CA	D
MM54HC158J/883B	NATIONAL	5962-8682301EA	D	MM54HC400J/883B	NATIONAL	8404401CA	D
MM54HC160J/883	NATIONAL	5962-8682401EA	D	MM54HC4017J/883	NATIONAL	8601101EA	D
MM54HC160J/883B	NATIONAL	5962-8682401EA	D	MM54HC4017J/883B	NATIONAL	8601101EA	D
MM54HC162J/883	NATIONAL	8409401EA	D	MM54HC4020J/883	NATIONAL	8500301EA	D
MM54HC162J/883B	NATIONAL	8409401EA	D	MM54HC4020J/883B	NATIONAL	8500301EA	D
MM54HC163J/883	NATIONAL	8607601EA	D	MM54HC4024J/883	NATIONAL	8601201CA	D
MM54HC163J/883B	NATIONAL	8607601EA	D	MM54HC4024J/883B	NATIONAL	8601201CA	D
MM54HC164J/883	NATIONAL	8416201CA	D	MM54HC4040J/883	NATIONAL	8500401EA	D
MM54HC164J/883B	NATIONAL	8416201CA	D	MM54HC4040J/883B	NATIONAL	8500401EA	D
MM54HC165J/883	NATIONAL	8409501EA	D	MM54HC4046J/883	NATIONAL	5962-8960901EA	D
MM54HC165J/883B	NATIONAL	8409501EA	D	MM54HC4046J/883B	NATIONAL	5962-8960901EA	D
MM54HC173J/883	NATIONAL	5962-8682501EA	D	MM54HC4051J	NATIONAL	CD54HC4051F	D
MM54HC173J/883B	NATIONAL	5962-8682501EA	D	MM54HC4051J/883	NATIONAL	CD54HC4051F3A	D
MM54HC174J/883	NATIONAL	8407301EA	D	MM54HC4051J/883B	NATIONAL	CD54HC4051F3A	D
MM54HC174J/883B	NATIONAL	8407301EA	D	MM54HC4052J/883	NATIONAL	CD54HC4052F3A	D
MM54HC191J/883	NATIONAL	5962-8689101EA	D	MM54HC4052J/883	NATIONAL	5962-8855601EA	D
MM54HC191J/883B	NATIONAL	5962-8689101EA	D	MM54HC4052J/883B	NATIONAL	CD54HC4052F3A	D
MM54HC192J/883	NATIONAL	5962-8780801EA	D	MM54HC4052J/883B	NATIONAL	5962-8855601EA	D
MM54HC192J/883B	NATIONAL	5962-8780801EA	D	MM54HC4053J/883	NATIONAL	CD54HC4053F3A	D
MM54HC193J/883	NATIONAL	5962-8772401EA	D	MM54HC4053J/883	NATIONAL	5962-8775401EA	D
MM54HC193J/883B	NATIONAL	5962-8772401EA	D	MM54HC4053J/883B	NATIONAL	CD54HC4053F3A	D
MM54HC195J/883	NATIONAL	5962-8682701EA	D	MM54HC4053J/883B	NATIONAL	5962-8775401EA	D
MM54HC195J/883B	NATIONAL	5962-8682701EA	D	MM54HC4075J/883	NATIONAL	5962-8772201CA	D
MM54HC20J/883	NATIONAL	8403901CA	D	MM54HC4075J/883B	NATIONAL	5962-8772201CA	D
MM54HC20J/883B	NATIONAL	8403901CA	D	MM54HC42J/883	NATIONAL	5962-8682101EA	D
MM54HC243J/883	NATIONAL	CD54HC243F3A	D	MM54HC42J/883B	NATIONAL	5962-8682101EA	D
MM54HC243J/883	NATIONAL	8409001CA	D	MM54HC453BJ	NATIONAL	CD54HC4538F	D
MM54HC243J/883B	NATIONAL	CD54HC243F3A	D	MM54HC453BJ/883	NATIONAL	CD54HC4538F3A	D
MM54HC243J/883B	NATIONAL	8409001CA	D	MM54HC453BJ/883	NATIONAL	5962-8688601EA	D
MM54HC245J	NATIONAL	CD54HC245F	D	MM54HC4538J/883B	NATIONAL	CD54HC4538F3A	D
MM54HC245J/883	NATIONAL	CD54HC245F3A	D	MM54HC4538J/883B	NATIONAL	5962-8688601EA	D
MM54HC245J/883B	NATIONAL	CD54HC245F3A	D	MM54HC533J/883	NATIONAL	5962-8681301RA	D
MM54HC251J/883	NATIONAL	8512501EA	D	MM54HC533J/883B	NATIONAL	5962-8681301RA	D

NOTE: D = Direct Replacement, H = Harris Recommended Replacement.

Cross-Reference Guide

COMPETITOR #	COMPETITOR	HARRIS #	TYPE	COMPETITOR #	COMPETITOR	HARRIS #	TYPE
MM54HC251J/883B	NATIONAL	8512501EA	D	MM54HC534J/883	NATIONAL	5962-8681401RA	D
MM54HC257J/883	NATIONAL	8512401EA	D	MM54HC534J/883B	NATIONAL	5962-8681401RA	D
MM54HC257J/883B	NATIONAL	8512401EA	D	MM54HC564J/883	NATIONAL	5962-8681501RA	D
MM54HC259J/883	NATIONAL	8551901EA	D	MM54HC564J/883B	NATIONAL	5962-8681501RA	D
MM54HC573J/883	NATIONAL	8512801RA	D	MM70C97J/883	NATIONAL	CD4503BF3A	D
MM54HC573J/883B	NATIONAL	8512801RA	D	MM70C97J/883B	NATIONAL	CD4503BF3A	D
MM54HC7266J/883	NATIONAL	8404302CA	D	MM74C00N	NATIONAL	CD4011BE	D
MM54HC73J/883	NATIONAL	5962-8515301CA	D	MM74C00N	NATIONAL	CD4011UBE	D
MM54HC73J/883B	NATIONAL	5962-8515301CA	D	MM74C04N	NATIONAL	CD4069UBE	D
MM54HC74AJ	NATIONAL	CD54HC74F	D	MM74C14N	NATIONAL	CD40106BE	D
MM54HC74AJ/883	NATIONAL	CD54HC74F3A	D	MM74C161N	NATIONAL	CD40161BE	D
MM54HC74J/883	NATIONAL	8405601CA	D	MM74C173N	NATIONAL	CD4076BE	D
MM54HC74J/883B	NATIONAL	8405601CA	D	MM74C174N	NATIONAL	CD40174BE	D
MM54HC75J/883	NATIONAL	8407001EA	D	MM74C175N	NATIONAL	CD40175BE	D
MM54HC75J/883B	NATIONAL	8407001EA	D	MM74C192N	NATIONAL	CD40192BE	D
MM54HC85J/883	NATIONAL	8601301EA	D	MM74C193N	FAIRCHILD	CD40193BE	D
MM54HC85J/883B	NATIONAL	8601301EA	D	MM74C193N	NATIONAL	CD40193BE	D
MM5601BN	NATIONAL	CD4001BE	D	MM74C86N	NATIONAL	CD4070BE	D
MM5601BN	NATIONAL	CD4001UBE	D	MM74HCA138M	NATIONAL	CD74HC138M	D
MM5602AN	NATIONAL	CD4002BE	D	MM74HCA138M	NATIONAL	CD74HC138M96	D
MM5602BN	NATIONAL	CD4002BE	D	MM74HCT00M	NATIONAL	CD74HCT00M	H
MM5611AN	NATIONAL	CD4011BE	D	MM74HCT00N	NATIONAL	CD74HCT00M	H
MM5611AN	NATIONAL	CD4011UBE	D	MM74HCT03N	NATIONAL	CD74HCT03E	H
MM5611BN	NATIONAL	CD4011BE	D	MM74HCT04M	NATIONAL	CD74HCT04M	H
MM5611BN	NATIONAL	CD4011UBE	D	MM74HCT04N	NATIONAL	CD74HCT04E	H
MM5612BN	NATIONAL	CD4012BE	D	MM74HCT08M	NATIONAL	CD74HCT08M	D
MM5617BN	NATIONAL	CD4017BE	D	MM74HCT08M	NATIONAL	CD74HCT08M96	D
MM5618BN	NATIONAL	CD4018BE	D	MM74HCT08N	NATIONAL	CD74HCT08E	D
MM5619BN	NATIONAL	CD4019BE	D	MM74HCT107N	NATIONAL	CD74HCT107E	H
MM5620BN	NATIONAL	CD4020BE	D	MM74HCT109M	NATIONAL	CD74HCT109M	H
MM5623BN	NATIONAL	CD4023BE	D	MM74HCT109N	NATIONAL	CD74HCT109E	H
MM5624BN	NATIONAL	CD4024BE	D	MM74HCT112N	NATIONAL	CD74HCT112E	H
MM5625AN	NATIONAL	CD4025BE	H	MM74HCT138M	NATIONAL	CD74HCT138M	H
MM5625BN	NATIONAL	CD4025BE	H	MM74HCT138N	NATIONAL	CD74HCT138E	H
MM5627BN	NATIONAL	CD4027BE	D	MM74HCT139M	NATIONAL	CD74HCT139M	H
MM5628BN	NATIONAL	CD4028BE	D	MM74HCT139N	NATIONAL	CD74HCT139E	H
MM5630AN	NATIONAL	CD4030BE	D	MM74HCT147N	NATIONAL	CD74HCT147E	H
MM5631BN	NATIONAL	CD4031BE	D	MM74HCT151M	NATIONAL	CD74HCT151M	D
MM5635BN	NATIONAL	CD4035BE	D	MM74HCT151M	NATIONAL	CD74HCT151M96	D
MM5643BN	NATIONAL	CD4043BE	D	MM74HCT151N	NATIONAL	CD74HCT151E	D
MM5644AN	NATIONAL	CD4044BE	D	MM74HCT153N	NATIONAL	CD74HCT153E	D
MM5644BN	NATIONAL	CD4044BE	D	MM74HCT157M	NATIONAL	CD74HCT157M	H
MM5646BN	NATIONAL	CD4046BE	D	MM74HCT157N	NATIONAL	CD74HCT157E	H
MM5647BN	NATIONAL	CD4047BE	D	MM74HCT158N	NATIONAL	CD74HCT158E	H
MM5648BN	NATIONAL	CD4048BE	D	MM74HCT161N	NATIONAL	CD74HCT161E	H
MM5650BN	NATIONAL	CD4050BE	D	MM74HCT163N	NATIONAL	CD74HCT163E	H
MM5652BN	NATIONAL	CD4052BE	D	MM74HCT164M	NATIONAL	CD74HCT164M	H
MM5653BN	NATIONAL	CD4053BE	D	MM74HCT164N	NATIONAL	CD74HCT164E	H
MM5660BN	NATIONAL	CD4060BE	D	MM74HCT166M	NATIONAL	CD74HCT166M	H
MM5666BN	NATIONAL	CD4066BE	D	MM74HCT166N	NATIONAL	CD74HCT166E	H
MM5671BN	NATIONAL	CD4071BE	D	MM74HCT174N	NATIONAL	CD74HCT174E	H
MM5672BN	NATIONAL	CD4072BE	D	MM74HCT191N	NATIONAL	CD74HCT191E	H
MM5673BN	NATIONAL	CD4073BE	D	MM74HCT193N	NATIONAL	CD74HCT193E	H
MM5675BN	NATIONAL	CD4075BE	D	MM74HCT240N	NATIONAL	CD74HCT240E	H
MM5681BN	NATIONAL	CD4081BE	D	MM74HCT240WM	NATIONAL	CD74HCT240M	H
MM5682BN	NATIONAL	CD4082BE	D	MM74HCT241N	NATIONAL	CD74HCT241E	H
MM5699BN	NATIONAL	CD4099BE	D	MM74HCT244N	NATIONAL	CD74HCT244E	H
MM70C97D/883	NATIONAL	CD4503BF3A	D	MM74HCT244WM	NATIONAL	CD74HCT244M	H

3
**DIRECT/HARRIS
REPLACEMENTS**

NOTE: D = Direct Replacement, H = Harris Recommended Replacement.

Cross-Reference Guide

COMPETITOR #	COMPETITOR	HARRIS #	TYPE	COMPETITOR #	COMPETITOR	HARRIS #	TYPE
MM70C97D/883B	NATIONAL	CD4503BF3A	D	MM74HCT245N	NATIONAL	CD74HCT245E	H
MM74HCT245WM	NATIONAL	CD74HCT245M	H	MM74HC109N	NATIONAL	CD74HC109E	H
MM74HCT251M	NATIONAL	CD74HCT251M	D	MM74HC11M	NATIONAL	CD74HC11M	H
MM74HCT251M	NATIONAL	CD74HCT251M96	D	MM74HC111N	NATIONAL	CD74HC11E	H
MM74HCT251N	NATIONAL	CD74HCT251E	D	MM74HC112N	NATIONAL	CD74HC112E	H
MM74HCT253N	NATIONAL	CD74HCT253E	D	MM74HC123AM	NATIONAL	CD74HC123M	H
MM74HCT257N	NATIONAL	CD74HCT257E	D	MM74HC123AN	NATIONAL	CD74HC123E	H
MM74HCT258N	NATIONAL	CD74HCT258E	H	MM74HC123M	NATIONAL	CD74HC123M	H
MM74HCT273N	NATIONAL	CD74HCT273E	H	MM74HC123N	NATIONAL	CD74HC123E	H
MM74HCT273WM	NATIONAL	CD74HCT273M	H	MM74HC125M	NATIONAL	CD74HC125M	H
MM74HCT299N	NATIONAL	CD74HCT299E	H	MM74HC125N	NATIONAL	CD74HC125E	H
MM74HCT32M	NATIONAL	CD74HCT32M	D	MM74HC126M	NATIONAL	CD74HC126M	H
MM74HCT32M	NATIONAL	CD74HCT32M96	D	MM74HC126N	NATIONAL	CD74HC126E	H
MM74HCT32N	NATIONAL	CD74HCT32E	D	MM74HC132M	NATIONAL	CD74HC132M	H
MM74HCT373WM	NATIONAL	CD74HCT373M	D	MM74HC132N	NATIONAL	CD74HC132E	H
MM74HCT373WM	NATIONAL	CD74HCT373M96	D	MM74HC137N	NATIONAL	CD74HC137E	H
MM74HCT374N	NATIONAL	CD74HCT374E	H	MM74HC138M	NATIONAL	CD74HC138M	H
MM74HCT374WM	NATIONAL	CD74HCT374M	H	MM74HC138N	NATIONAL	CD74HC138E	H
MM74HCT533N	NATIONAL	CD74HCT533E	D	MM74HC139M	NATIONAL	CD74HC139M	H
MM74HCT534N	NATIONAL	CD74HCT534E	H	MM74HC139N	NATIONAL	CD74HC139E	H
MM74HCT540N	NATIONAL	CD74HCT540E	H	MM74HC14M	NATIONAL	CD74HC14M	H
MM74HCT540WM	NATIONAL	CD74HCT540M	H	MM74HC14N	NATIONAL	CD74HC14E	H
MM74HCT541N	NATIONAL	CD74HCT541E	H	MM74HC147M	NATIONAL	CD74HC147M	H
MM74HCT541WM	NATIONAL	CD74HCT541M	H	MM74HC147N	NATIONAL	CD74HC147E	H
MM74HCT563N	NATIONAL	CD74HCT563E	H	MM74HC151M	NATIONAL	CD74HC151M	H
MM74HCT563WM	NATIONAL	CD74HCT563M	H	MM74HC151N	NATIONAL	CD74HC151E	H
MM74HCT564N	NATIONAL	CD74HCT564E	H	MM74HC153M	NATIONAL	CD74HC153M	D
MM74HCT564WM	NATIONAL	CD74HCT564M	H	MM74HC153M	NATIONAL	CD74HC153M96	D
MM74HCT573N	NATIONAL	CD74HCT573E	H	MM74HC153N	NATIONAL	CD74HC153E	D
MM74HCT573WM	NATIONAL	CD74HCT573M	H	MM74HC154WM	NATIONAL	CD74HC154M	H
MM74HCT574N	NATIONAL	CD74HCT574E	H	MM74HC157M	NATIONAL	CD74HC157M	H
MM74HCT640N	NATIONAL	CD74HCT640E	H	MM74HC157N	NATIONAL	CD74HC157E	H
MM74HCT640WM	NATIONAL	CD74HCT640M	H	MM74HC158M	NATIONAL	CD74HC158M	H
MM74HCT688N	NATIONAL	CD74HCT688E	D	MM74HC158N	NATIONAL	CD74HC158E	H
MM74HCT688WM	NATIONAL	CD74HCT688M	D	MM74HC161M	NATIONAL	CD74HC161M	H
MM74HCT688WM	NATIONAL	CD74HCT688M96	D	MM74HC161N	NATIONAL	CD74HC161E	H
MM74HCT74M	NATIONAL	CD74HCT74M	H	MM74HC163M	NATIONAL	CD74HC163M	H
MM74HCT74N	NATIONAL	CD74HCT74E	H	MM74HC163N	NATIONAL	CD74HC163E	H
MM74HCU04M	NATIONAL	CD74HCU04M	H	MM74HC164M	NATIONAL	CD74HC164M	H
MM74HCU04N	NATIONAL	CD74HCU04E	H	MM74HC164N	NATIONAL	CD74HC164E	H
MM74HC00M	NATIONAL	CD74HC00M	H	MM74HC165M	NATIONAL	CD74HC165M	H
MM74HC00N	NATIONAL	CD74HC00E	H	MM74HC165N	NATIONAL	CD74HC165E	H
MM74HC02M	NATIONAL	CD74HC02M	H	MM74HC166M	NATIONAL	CD74HC166M	H
MM74HC02N	NATIONAL	CD74HC02E	H	MM74HC166N	NATIONAL	CD74HC166E	D
MM74HC03M	NATIONAL	CD74HC03M	H	MM74HC173M	NATIONAL	CD74HC173M	H
MM74HC03N	NATIONAL	CD74HC03E	H	MM74HC173N	NATIONAL	CD74HC173E	H
MM74HC04M	NATIONAL	CD74HC04M	H	MM74HC174M	NATIONAL	CD74HC174M	H
MM74HC04N	NATIONAL	CD74HC04E	H	MM74HC174N	NATIONAL	CD74HC174E	H
MM74HC08M	NATIONAL	CD74HC08M	H	MM74HC175M	NATIONAL	CD74HC175M	H
MM74HC08N	NATIONAL	CD74HC08E	H	MM74HC175N	NATIONAL	CD74HC175E	H
MM74HC10M	NATIONAL	CD74HC10M	H	MM74HC190N	NATIONAL	CD74HC190E	H
MM74HC10N	NATIONAL	CD74HC10E	H	MM74HC191N	NATIONAL	CD74HC191E	H
MM74HC107N	NATIONAL	CD74HC107E	H	MM74HC192N	NATIONAL	CD74HC192E	H
MM74HC109AM	NATIONAL	CD74HC109M	H	MM74HC193N	NATIONAL	CD74HC193E	H
MM74HC109AN	NATIONAL	CD74HC109E	H	MM74HC194M	NATIONAL	CD74HC194M	H
MM74HC109M	NATIONAL	CD74HC109M	H	MM74HC194N	NATIONAL	CD74HC194E	D
MM74HC195M	NATIONAL	CD74HC195M	H	MM74HC368N	NATIONAL	CD74HC368E	H
MM74HC195N	NATIONAL	CD74HC195E	H	MM74HC373N	NATIONAL	CD74HC373E	H

NOTE: D = Direct Replacement, H = Harris Recommended Replacement.

Cross-Reference Guide

COMPETITOR #	COMPETITOR	HARRIS #	TYPE	COMPETITOR #	COMPETITOR	HARRIS #	TYPE
MM74HC20M	NATIONAL	CD74HC20M	H	MM74HC373WM	NATIONAL	CD74HC373M	H
MM74HC20N	NATIONAL	CD74HC20E	H	MM74HC374N	NATIONAL	CD74HC374E	H
MM74HC221AM	NATIONAL	CD74HC221M	H	MM74HC374WM	NATIONAL	CD74HC374M	H
MM74HC221AN	NATIONAL	CD74HC221E	H	MM74HC390N	NATIONAL	CD74HC390E	H
MM74HC221N	NATIONAL	CD74HC221E	H	MM74HC393M	NATIONAL	CD74HC393M	H
MM74HC237M	NATIONAL	CD74HC237M	H	MM74HC393N	NATIONAL	CD74HC393E	H
MM74HC237N	NATIONAL	CD74HC237E	H	MM74HC4002M	NATIONAL	CD74HC4002M	H
MM74HC240N	NATIONAL	CD74HC240E	H	MM74HC4002N	NATIONAL	CD74HC4002E	H
MM74HC240WM	NATIONAL	CD74HC240M	H	MM74HC4016N	NATIONAL	CD74HC4016E	H
MM74HC241M	NATIONAL	CD74HC241M	H	MM74HC4017M	NATIONAL	CD74HC4017M	H
MM74HC241N	NATIONAL	CD74HC241E	H	MM74HC4017N	NATIONAL	CD74HC4017E	H
MM74HC241WM	NATIONAL	CD74HC241M	H	MM74HC4020M	NATIONAL	CD74HC4020M	H
MM74HC243M	NATIONAL	CD74HC243M	D	MM74HC4020N	NATIONAL	CD74HC4020E	H
MM74HC243M	NATIONAL	CD74HC243M96	D	MM74HC4024N	NATIONAL	CD74HC4024E	H
MM74HC243N	NATIONAL	CD74HC243E	D	MM74HC4040M	NATIONAL	CD74HC4040M	H
MM74HC244N	NATIONAL	CD74HC244E	H	MM74HC4040N	NATIONAL	CD74HC4040E	H
MM74HC244WM	NATIONAL	CD74HC244M	H	MM74HC4049M	NATIONAL	CD74HC4049M	H
MM74HC245AN	NATIONAL	CD74HC245E	D	MM74HC4049N	NATIONAL	CD74HC4049E	H
MM74HC245AWM	NATIONAL	CD74HC245M	D	MM74HC4050M	NATIONAL	CD74HC4050M	H
MM74HC245AWM	NATIONAL	CD74HC245M96	D	MM74HC4050N	NATIONAL	CD74HC4050E	H
MM74HC245N	NATIONAL	CD74HC245E	D	MM74HC4051N	NATIONAL	CD74HC4051E	D
MM74HC245WM	NATIONAL	CD74HC245M	D	MM74HC4052N	NATIONAL	CD74HC4052E	D
MM74HC245WM	NATIONAL	CD74HC245M96	D	MM74HC4053N	NATIONAL	CD74HC4053E	D
MM74HC251M	NATIONAL	CD74HC251M	H	MM74HC4060M	NATIONAL	CD74HC4060M	H
MM74HC251N	NATIONAL	CD74HC251E	H	MM74HC4060N	NATIONAL	CD74HC4060E	H
MM74HC253M	NATIONAL	CD74HC253M	H	MM74HC4066N	NATIONAL	CD74HC4066E	H
MM74HC253N	NATIONAL	CD74HC253E	H	MM74HC4075M	NATIONAL	CD74HC4075M	H
MM74HC257M	NATIONAL	CD74HC257M	H	MM74HC4075N	NATIONAL	CD74HC4075E	H
MM74HC257N	NATIONAL	CD74HC257E	H	MM74HC42M	NATIONAL	CD74HC42M	H
MM74HC259M	NATIONAL	CD74HC259M	H	MM74HC42N	NATIONAL	CD74HC42E	H
MM74HC259N	NATIONAL	CD74HC259E	H	MM74HC4316N	NATIONAL	CD74HC4316E	H
MM74HC266N	NATIONAL	CD74HC266E	H	MM74HC4351N	NATIONAL	CD74HC4351E	H
MM74HC27M	NATIONAL	CD74HC27M	H	MM74HC4352N	NATIONAL	CD74HC4352E	H
MM74HC27N	NATIONAL	CD74HC27E	H	MM74HC4511M	NATIONAL	CD74HC4511M	H
MM74HC273N	NATIONAL	CD74HC273E	H	MM74HC4511N	NATIONAL	CD74HC4511E	H
MM74HC273WM	NATIONAL	CD74HC273M	H	MM74HC4514WM	NATIONAL	CD74HC4514M	H
MM74HC280N	NATIONAL	CD74HC280E	H	MM74HC4538M	NATIONAL	CD74HC4538M	D
MM74HC283M	NATIONAL	CD74HC283M	H	MM74HC4538M	NATIONAL	CD74HC4538M96	D
MM74HC283N	NATIONAL	CD74HC283E	H	MM74HC4538N	NATIONAL	CD74HC4538E	D
MM74HC299N	NATIONAL	CD74HC299E	H	MM74HC4543N	NATIONAL	CD74HC4543E	H
MM74HC299WM	NATIONAL	CD74HC299M	H	MM74HC533N	NATIONAL	CD74HC533E	H
MM74HC30M	NATIONAL	CD74HC30M	H	MM74HC534N	NATIONAL	CD74HC534E	H
MM74HC30N	NATIONAL	CD74HC30E	H	MM74HC540N	NATIONAL	CD74HC540E	H
MM74HC32M	NATIONAL	CD74HC32M	H	MM74HC540WM	NATIONAL	CD74HC540M	H
MM74HC32N	NATIONAL	CD74HC32E	H	MM74HC541N	NATIONAL	CD74HC541E	H
MM74HC354N	NATIONAL	CD74HC354E	H	MM74HC541WM	NATIONAL	CD74HC541M	H
MM74HC365M	NATIONAL	CD74HC365M	H	MM74HC563N	NATIONAL	CD74HC563E	H
MM74HC365N	NATIONAL	CD74HC365E	H	MM74HC563WM	NATIONAL	CD74HC563M	H
MM74HC366M	NATIONAL	CD74HC366M	H	MM74HC564N	NATIONAL	CD74HC564E	H
MM74HC366N	NATIONAL	CD74HC366E	H	MM74HC564WM	NATIONAL	CD74HC564M	H
MM74HC367M	NATIONAL	CD74HC367M	H	MM74HC573N	NATIONAL	CD74HC573E	H
MM74HC367N	NATIONAL	CD74HC367E	H	MM74HC573WM	NATIONAL	CD74HC573M96	D
MM74HC368M	NATIONAL	CD74HC368M	H	MM74HC574N	NATIONAL	CD74HC574E	H
MM74HC574WM	NATIONAL	CD74HC574M	H	MN4512B	PANASONIC	CD4512BE	D
MM74HC597M	NATIONAL	CD74HC597M	H	MN4516B	PANASONIC	CD4516BE	D
MM74HC597N	NATIONAL	CD74HC597E	H	MN4518B	PANASONIC	CD4518BE	D
MM74HC640AN	NATIONAL	CD74HC640E	H	MN4520B	PANASONIC	CD4520BE	D
MM74HC640AWM	NATIONAL	CD74HC640M	H	MN4528B	PANASONIC	CD4098BE	D

3
DIRECT/HARRIS
REPLACEMENTS

NOTE: D = Direct Replacement, H = Harris Recommended Replacement.

Cross-Reference Guide

COMPETITOR #	COMPETITOR	HARRIS #	TYPE	COMPETITOR #	COMPETITOR	HARRIS #	TYPE
MM74HC640N	NATIONAL	CD74HC640E	H	MN565AJ	MICRO NET	HI1-565AJD-5	D
MM74HC640WM	NATIONAL	CD74HC640M	H	MN565AK	MICRO NET	HI1-565AKD-5	D
MM74HC646N	NATIONAL	CD74HC646EN	D	MN565AS	MICRO NET	HI1-565ASD-2	D
MM74HC646WM	NATIONAL	CD74HC646M	H	MN565AS/B	MICRO NET	HI1-565ASD/883	D
MM74HC688N	NATIONAL	CD74HC688E	H	MN565AT	MICRO NET	HI1-565ATD-2	D
MM74HC688WM	NATIONAL	CD74HC688M	H	MN565AT/B	MICRO NET	HI1-565ATD/883	D
MM74HC7266M	NATIONAL	CD74HC7266M	H	MN574AJ	MICRO NET	HI1-574AJD-5	H
MM74HC7266N	NATIONAL	CD74HC7266E	H	MN574AK	MICRO NET	HI1-574AKD-5	H
MM74HC73M	NATIONAL	CD74HC73M	H	MN574AL	MICRO NET	HI1-574ALD-5	H
MM74HC73N	NATIONAL	CD74HC73E	H	MN574AS	MICRO NET	HI1-574ASD-2	H
MM74HC74AM	NATIONAL	CD74HC74M	H	MN574AS/B	MICRO NET	HI1-574ASD/883	H
MM74HC74AN	NATIONAL	CD74HC74E	H	MN574AT	MICRO NET	HI1-574ATD-2	H
MM74HC74N	NATIONAL	CD74HC74E	H	MN574AT/B	MICRO NET	HI1-574ATD/883	H
MM74HC75M	NATIONAL	CD74HC75M	H	MN574AU	MICRO NET	HI1-574AUD-2	H
MM74HC75N	NATIONAL	CD74HC75E	H	MN574AU/B	MICRO NET	HI1-574AUD/883	H
MM74HC85N	NATIONAL	CD74HC85E	H	MN74HC107	PANASONIC	CD74HC107E	D
MM74HC86M	NATIONAL	CD74HC86M	H	MN74HC107S	PANASONIC	CD74HC107M	D
MM74HC86N	NATIONAL	CD74HC86E	H	MN74HC107S	PANASONIC	CD74HC107M96	D
MM80C97N	NATIONAL	CD4503BE	D	MN74HC243	PANASONIC	CD74HC243E	D
MN4001B	PANASONIC	CD4001BE	D	MN74HC243S	PANASONIC	CD74HC243M	D
MN4001B	PANASONIC	CD4001UBE	D	MN74HC243S	PANASONIC	CD74HC243M96	D
MN4002B	PANASONIC	CD4002BE	D	MN74HC245	PANASONIC	CD74HC245E	D
MN4011B	PANASONIC	CD4011BE	D	MN74HC74S	PANASONIC	CD74HC74M	D
MN4011B	PANASONIC	CD4011UBE	D	MN74HC74S	PANASONIC	CD74HC74M96	D
MN4012B	PANASONIC	CD4012BE	D	MPC16S	BURR-BROWN	HI1-0506A-5	D
MN4016B	PANASONIC	CD4016BE	D	MPC16S	BURR-BROWN	HI1-0546-5	D
MN40161B	PANASONIC	CD40161BE	D	MPC8D	BURR-BROWN	HI1-0547-5	D
MN4017B	PANASONIC	CD4017BE	D	MP7506KD	EXAR	DG506ABK	D
MN4023B	PANASONIC	CD4023BE	D	MP7506KD	EXAR	HI1-0506-4	D
MN4024B	PANASONIC	CD4024BE	D	MP7506KD	MICRO PWR	DG506ABK	D
MN4027B	PANASONIC	CD4027BE	D	MP7506KD	MICRO PWR	HI1-0506-4	D
MN4028B	PANASONIC	CD4028BE	D	MP7506KN	EXAR	DG506ACJ	D
MN4029B	PANASONIC	CD4029BE	D	MP7506KN	EXAR	HI3-0506-5	D
MN4030B	PANASONIC	CD4030BE	D	MP7506KN	MICRO PWR	DG506ACJ	D
MN4035B	PANASONIC	CD4035BE	D	MP7506KN	MICRO PWR	HI3-0506-5	D
MN4040B	PANASONIC	CD4040BE	D	MP7506TD	MICRO PWR	DG506AAK	D
MN4050B	PANASONIC	CD4050BE	D	MP7506TD	MICRO PWR	HI1-0506-2	D
MN4053B	PANASONIC	CD4053BE	D	MP7507KD	EXAR	DG507ABK	D
MN4066B	PANASONIC	CD4066BE	D	MP7507KD	EXAR	HI1-0507-4	D
MN4069UB	PANASONIC	CD4069UBE	D	MP7507KD	MICRO PWR	DG507ABK	D
MN4070B	PANASONIC	CD4070BE	D	MP7507KD	MICRO PWR	HI1-0507-4	D
MN4071B	PANASONIC	CD4071BE	D	MP7507KN	EXAR	DG507ACJ	D
MN4072B	PANASONIC	CD4072BE	D	MP7507KN	EXAR	HI3-0507-5	D
MN4073B	PANASONIC	CD4073BE	D	MP7507KN	MICRO PWR	DG507ACJ	D
MN4075B	PANASONIC	CD4075BE	D	MP7507KN	MICRO PWR	HI3-0507-5	D
MN4076B	PANASONIC	CD4076BE	D	MP7507TD	MICRO PWR	DG507AAK	D
MN4081B	PANASONIC	CD4081BE	D	MP7507TD	MICRO PWR	HI1-0507-2	D
MN4085B	PANASONIC	CD4085BE	D	MP7520JD	MICRO PWR	AD7520JD	H
MN4093B	PANASONIC	CD4093BE	D	MP7520JN	MICRO PWR	AD7520JN	H
MN4503B	PANASONIC	CD4503BE	D	MP7520KD	MICRO PWR	AD7520KD	H
MP7520KN	MICRO PWR	AD7520KN	H	MTD2N20	MOTOROLA	IRFU222	H
MP7520LD	MICRO PWR	AD7520LD	H	MTD2N50	MOTOROLA	IRFU410	H
MP7520LN	MICRO PWR	AD7520LN	H	MTD2955	MOTOROLA	RFD8P06ESM	H
MP7520SD	MICRO PWR	AD7520SD	H	MTD3055E	MOTOROLA	RFD3055	H
MP7520UD	MICRO PWR	AD7520UD	H	MTD3055EL	MOTOROLA	RFD12N06RLESM	H
MP7521JN	MICRO PWR	AD7521JN	H	MTD3055EL1	MOTOROLA	RFD12N06RLE	H
MP7521KN	MICRO PWR	AD7521KN	H	MTD4N20	MOTOROLA	IRFU220	H
MP7521LN	MICRO PWR	AD7521LN	H	MTD5N10	MOTOROLA	IRFU110	H

NOTE: D = Direct Replacement, H = Harris Recommended Replacement.

Cross-Reference Guide

COMPETITOR #	COMPETITOR	HARRIS #	TYPE	COMPETITOR #	COMPETITOR	HARRIS #	TYPE
MP7523JN	MICRO PWR	AD7523JN	H	MTD6N10	MOTOROLA	IRFU120	H
MP7633JN	MICRO PWR	AD7533JN	H	MTD9N10E	MOTOROLA	IRFU120	H
MP7633KN	MICRO PWR	AD7533KN	H	MTH13N45	MOTOROLA	BUZ351	H
MP7633KN	MICRO PWR	AD7533LN	H	MTH13N50	MOTOROLA	BUZ351	H
MSM80C86A-2JS	OKI	CS80C86	H	MTH20P08	MOTOROLA	RFH25P08	H
MSM80C86A-2JS	OKI	CS80C86-2	D	MTH20P10	MOTOROLA	RFH25P10	H
MSM80C86A-2RS	OKI	CP80C86	H	MTH8N40	MOTOROLA	RFH10N45	H
MSM80C86A-2RS	OKI	CP80C86-2	D	MTM10N12	MOTOROLA	RFM10N12	D
MSM80C86AJS	OKI	CP80C86-2	H	MTM12N10	MOTOROLA	2N6756	H
MSM80C86AJS	OKI	IS80C86	D	MTM12N10L	MOTOROLA	2N6902	H
MSM80C86ARS	OKI	IP80C86	D	MTM12P08	MOTOROLA	IRF9131	H
MSM80C88A-2JS	OKI	CS80C88	H	MTM12P10	MOTOROLA	2N6804	H
MSM80C88A-2RS	OKI	CP80C88	H	MTM13N50E	MOTOROLA	2N6770	H
MSM80C88AJS	OKI	CP80C88-2	H	MTM15N05L	MOTOROLA	RFM15N05L	H
MSM80C88AJS	OKI	IS80C88	D	MTM15N06L	MOTOROLA	RFM15N05L	H
MSM80C88ARS	OKI	CS80C86-2	H	MTM15N35	MOTOROLA	IRF351	H
MSM80C88ARS	OKI	IP80C88	D	MTM15N40	MOTOROLA	2N6768	H
MSM82C37A-5JS	OKI	CP82C37A-12	H	MTM15N40E	MOTOROLA	2N6768	H
MSM82C37A-5JS	OKI	IS82C37A-5	D	MTM15N45	MOTOROLA	IRF451	H
MSM82C37A-5RS	OKI	CS80C286-25	H	MTM15N50	MOTOROLA	2N6770	H
MSM82C37A-5RS	OKI	IP82C37A-5	D	MTM20N10	MOTOROLA	IRF130	H
MSM82C37B-5JS	OKI	IS82C37A-5	D	MTM24N50E	MOTOROLA	2N6768	H
MSM82C37B-5RS	OKI	IP82C37A-5	D	MTM3N60	MOTOROLA	IRF432	H
MSM82C54-2GS	OKI	CM82C54-10	H	MTM4N45	MOTOROLA	IRF431	H
MSM82C54-2JS	OKI	CP82C54-12	H	MTM4N50	MOTOROLA	2N6762	H
MSM82C54-2JS	OKI	IS82C54-10	D	MTM5N35	MOTOROLA	IRF331	H
MSM82C54-2RS	OKI	CS82C52	H	MTM5N40	MOTOROLA	2N6760	H
MSM82C54-2RS	OKI	IP82C54-10	D	MTM5P18	MOTOROLA	IRF9230	H
MSM82C55A-2JS	OKI	CS82C55A-5	H	MTM5P20	MOTOROLA	IRF9230	H
MSM82C55A-2JS	OKI	IS82C55A	D	MTM7N45	MOTOROLA	BUZ45A	H
MSM82C55A-2RS	OKI	CP82C55A-5	H	MTM7N50	MOTOROLA	BUZ45A	H
MSM82C55A-2RS	OKI	IP82C55A	D	MTM8N20	MOTOROLA	2N6758	H
MSM82C55A-2VJS	OKI	IS82C55A	D	MTM8N40	MOTOROLA	IRF340	H
MSM82C55A-5JS	OKI	CP82C55A	H	MTM8N60	MOTOROLA	2N6770	H
MSM82C55A-5RS	OKI	CS82C54-12	H	MTM8P08	MOTOROLA	IRF9133	H
MSM82C59A-2JS	OKI	CS82C59A-5	H	MTM8P10	MOTOROLA	IRF9132	H
MSM82C59A-2RS	OKI	IS82C59A	D	MTM8P18	MOTOROLA	IRF9230	H
MSM82C59A-2RS	OKI	CP82C59A-5	H	MTM8P20	MOTOROLA	IRF9242	H
MSM82C59A-2RS	OKI	IP82C59A	D	MTP10N08	MOTOROLA	IRF521	H
MSM82C59A2GS	OKI	CP82C59A	H	MTP10N10	MOTOROLA	IRF520	H
MSM82C84A-2JS	OKI	CP82C84A	H	MTP10N10E	MOTOROLA	BUZ72A	H
MSM82C88-2JS	OKI	CP82C88	H	MTP10N12L	MOTOROLA	RFP10N12L	H
MSM82C88-2JS	OKI	IS82C88	D	MTP10N15	MOTOROLA	RFP10N15	H
MSM82C88-2RS	OKI	IP82C88	D	MTP10N15L	MOTOROLA	RFP10N15L	H
MTB52N06V	MOTOROLA	HUF75329S3S	H	MTP10N35	MOTOROLA	IRF741	H
MTB75N05HD	MOTOROLA	HUF75343S3S	H	MTP10N40E	MOTOROLA	IRF740	H
MTD10N05E	MOTOROLA	RFD14N05	H	MTP12N05E	MOTOROLA	BUZ71A	H
MTP12N08	MOTOROLA	IRF531	H	MTP36N06E	MOTOROLA	BUZ11	H
MTP12N08L	MOTOROLA	RFP12N08L	H	MTP4N08	MOTOROLA	IRF513	H
MTP12N10E	MOTOROLA	IRF530	H	MTP4N40E	MOTOROLA	BUZ76	H
MTP12N10EL	MOTOROLA	RFP15N08L	H	MTP4N45	MOTOROLA	IRF831	H
MTP12N10L	MOTOROLA	RFP12N10L	H	MTP4N50E	MOTOROLA	BUZ41A	H
MTP12N20	MOTOROLA	RFP12N20	H	MTP4N85	MOTOROLA	RFP4N100	H
MTP12P05	MOTOROLA	RFP8P05	H	MTP4N90	MOTOROLA	RFP4N100	H
MTP12P08	MOTOROLA	IRF9533	H	MTP45N05E	MOTOROLA	BUZ11	H
MTP12P10	MOTOROLA	IRF9530	H	MTP5N12	MOTOROLA	IRF512	H
MTP15N05	MOTOROLA	RFP15N05	H	MTP5N20	MOTOROLA	IRF620	H
MTP15N05E	MOTOROLA	BUZ71	H	MTP5N35	MOTOROLA	IRF731	H

NOTE: D = Direct Replacement, H = Harris Recommended Replacement.

3
DIRECT/HARRIS
REPLACEMENTS

Cross-Reference Guide

COMPETITOR #	COMPETITOR	HARRIS #	TYPE	COMPETITOR #	COMPETITOR	HARRIS #	TYPE
MTP15N05L	MOTOROLA	RFP15N05L	H	MTP5N40E	MOTOROLA	BUZ60	H
MTP15N06	MOTOROLA	RFP15N05	H	MTP5P18	MOTOROLA	IRF9630	H
MTP15N06E	MOTOROLA	BUZ71	H	MTP5P20	MOTOROLA	IRF9630	H
MTP15N06EL	MOTOROLA	RFP12N06RLE	H	MTP5P25	MOTOROLA	IRF9622	H
MTP15N06L	MOTOROLA	RFP12N06RLE	H	MTP50N05E	MOTOROLA	RFP45N06	H
MTP15N08EL	MOTOROLA	RFP15N08L	H	MTP50N06E	MOTOROLA	RFP45N06	H
MTP15N08L	MOTOROLA	RFP15N08L	H	MTP52N06V	MOTOROLA	HUF75329P3	H
MTP15N15	MOTOROLA	IRF643	H	MTP6N10	MOTOROLA	IRF512	H
MTP2N20	MOTOROLA	IRF610	H	MTP6N55	MOTOROLA	IRF842	H
MTP2N25	MOTOROLA	RFP4N35	H	MTP6P20E	MOTOROLA	IRF9630	H
MTP2N35	MOTOROLA	IRF713	H	MTP60N06HD	MOTOROLA	HUF75337P3	H
MTP2N40	MOTOROLA	IRF710	H	MTP60N06HD	MOTOROLA	HUF75337S3S	H
MTP2N45	MOTOROLA	IRF823	H	MTP7N20	MOTOROLA	BUZ73A	H
MTP2N50	MOTOROLA	IRF822	H	MTP75N05HD	MOTOROLA	HUF75343P3	H
MTP2N60E	MOTOROLA	IRF822	H	MTP8N08	MOTOROLA	IRF511	H
MTP20N06	MOTOROLA	BUZ71	H	MTP8N10E	MOTOROLA	IRF510	H
MTP20N06V	MOTOROLA	HUF75307P3	H	MTP8N15L	MOTOROLA	RFP8N18L	H
MTP20N08	MOTOROLA	IRF531	H	MTP8N20	MOTOROLA	BUZ32	H
MTP20N10	MOTOROLA	IRF530	H	MTP8N45	MOTOROLA	IRF742	H
MTP20N10E	MOTOROLA	IRF530	H	MTP8N50E	MOTOROLA	IRF742	H
MTP25N05	MOTOROLA	RFP25N06	H	MTP8P08	MOTOROLA	IRF9533	H
MTP25N05E	MOTOROLA	RFP25N06	H	MTP8P10	MOTOROLA	IRF9532	H
MTP25N05L	MOTOROLA	RFP25N06L	H	MTP8P10	MOTOROLA	RFP8P10	D
MTP25N06	MOTOROLA	RFP25N06	H	MTP8P20	MOTOROLA	IRF9640	H
MTP25N06E	MOTOROLA	RFP25N06	H	MTP8P25	MOTOROLA	IRF9622	H
MTP25N06L	MOTOROLA	RFP25N06L	H	MTW14N50E	MOTOROLA	IRFP450	H
MTP25N10	MOTOROLA	BUZ21	H	MTW16N40E	MOTOROLA	IRFP350	H
MTP25N10E	MOTOROLA	IRF540	H	MTW20N50E	MOTOROLA	IRFP460	H
MTP2955	MOTOROLA	RFP8P05	H	MTW22N20E	MOTOROLA	IRFP252	H
MTP3N08L	MOTOROLA	RFP2N08L	H	MTW24N40E	MOTOROLA	IRFP360	H
MTP3N10L	MOTOROLA	RFP2N10L	H	MTW32N20E	MOTOROLA	IRFP250	H
MTP3N100E	MOTOROLA	RFP4N100	H	MTW32N25E	MOTOROLA	IRFP250	H
MTP3N12	MOTOROLA	RFP2N10	H	MTW33N10E	MOTOROLA	IRFP150	H
MTP3N40	MOTOROLA	IRF711	H	MTW45N10E	MOTOROLA	RFG40N10	H
MTP3N45	MOTOROLA	IRF821	H	MTW50N06E	MOTOROLA	RFG45N06	H
MTP3N50E	MOTOROLA	IRF820	H	MTW54N05E	MOTOROLA	RFG70N06	H
MTP3N55	MOTOROLA	BUZ42	H	MT8816AE	MITEL	CD22M3494E	D
MTP3N60	SGS	BUZ42	H	MT8816AP	MITEL	CD22M3494MQ	D
MTP3N60E	MOTOROLA	BUZ42	H	MT8816AP	MITEL	CD22M3494SQ	D
MTP3N95	MOTOROLA	RFP4N100	H	MUR3010PT	MOTOROLA	MUR3010PT	D
MTP30N05E	MOTOROLA	BUZ11	H	MUR3010WT	MOTOROLA	MUR3010PT	D
MTP30N06EL	MOTOROLA	RFP30N06LE	H	MUR3015PT	MOTOROLA	MUR3015PT	D
MTP3055E	MOTOROLA	RFP3055	H	MUR3015WT	MOTOROLA	MUR3015PT	D
MTP3055E	SGS	RFP3055	H	MUR3040PT	MOTOROLA	MUR3040PT	D
MUR3040WT	MOTOROLA	MUR3040PT	D	MX7520SQ/883	MAXIM	AD7520SD/883B	D
MUR3050PT	MOTOROLA	RURG1550CC	D	MX7520UD	MAXIM	AD7520UD	H
MUR3050WT	MOTOROLA	RURG1550CC	D	MX7520UQ/883	MAXIM	AD7520UD/883B	D
MUR3060PT	MOTOROLA	MUR3060PT	D	MX7521JN	MAXIM	AD7521JN	H
MUR3060PT	MOTOROLA	RURG1560CC	D	MX7521KN	MAXIM	AD7521KN	H
MUR3060WT	MOTOROLA	MUR3060PT	D	MX7521LN	MAXIM	AD7521LN	H
MUR3060WT	MOTOROLA	RURG1560CC	D	MX7523JN	MAXIM	AD7523JN	H
MV-808	DATEL	HI1-1818A-5	D	MX7523JN-2	MAXIM	AD7523JN	D
MV-808M	DATEL	HI1-1818A-2	D	MX7523KN	MAXIM	AD7523KN	H
MVD-409	DATEL	HI1-1828A-5	D	MX7523KN-2	MAXIM	AD7523KN	D
MVD-409M	DATEL	HI1-1828A-2	D	MX7523LN	MAXIM	AD7523LN	H
MX-1606	DATEL	HI1-0506A-5	D	MX7530JD	MAXIM	AD7530JN	H
MX-1606	DATEL	HI1-0546-5	D	MX7530JN	MAXIM	AD7530JN	H
MX-1606M	DATEL	HI1-0506A-2	D	MX7530KD	MAXIM	AD7530KN	H

NOTE: D = Direct Replacement, H = Harris Recommended Replacement.

Cross-Reference Guide

COMPETITOR #	COMPETITOR	HARRIS #	TYPE	COMPETITOR #	COMPETITOR	HARRIS #	TYPE
MX-1606M	DATEL	HI1-0546-2	D	MX7530KN	MAXIM	AD7530KN	H
MXD-409	DATEL	HI3-0509A-5	D	MX7530LD	MAXIM	AD7530LN	H
MXD-807	DATEL	HI1-0547-5	D	MX7530LN	MAXIM	AD7530LN	H
MXD-807M	DATEL	HI1-0547-2	D	MX7531JD	MAXIM	AD7531JN	H
MX565ADK	MAXIM	HI1-565AKD-5	H	MX7531JN	MAXIM	AD7531JN	H
MX565AJD	MAXIM	HI1-565AJD-5	H	MX7531KD	MAXIM	AD7531KN	H
MX565AJN	MAXIM	HI1-565AJD-5	H	MX7531KN	MAXIM	AD7531KN	H
MX565AJQ	MAXIM	HI1-565AJD-5	H	MX7531LD	MAXIM	AD7531LN	H
MX565AKD	MAXIM	HI1-565AKD-5	H	MX7531LN	MAXIM	AD7531LN	H
MX565AKN	MAXIM	HI1-565AKD-5	H	MX7533JN	MAXIM	AD7533JN	H
MX565AKQ	MAXIM	HI1-565AKD-5	H	MX7533KN	MAXIM	AD7533KN	H
MX565ASD	MAXIM	HI1-565ASD-2	H	MX7533LN	MAXIM	AD7533LN	H
MX565ASQ	MAXIM	HI1-565ASD-2	H	MX7541JN	MAXIM	AD7541JN	H
MX565ATD	MAXIM	HI1-565ATD-2	H	MX7541KN	MAXIM	AD7541KN	H
MX565ATQ	MAXIM	HI1-565ATD-2	H	MX7545JN	MAXIM	AD7545JN	H
MX574ADL	MAXIM	HI1-574ALD-5	H	MX7545KN	MAXIM	AD7545KN	H
MX574AJD	MAXIM	HI1-574AJD-5	H	M38510/05001BCA	MOTOROLA	JM38510/05001BCA	D
MX574AJN	MAXIM	HI3-574AJN-5	H	M38510/05001BCA	NATIONAL	JM38510/05001BCA	D
MX574AKD	MAXIM	HI1-574AKD-5	H	M38510/05001BCA	PER QPL	JM38510/05001BCA	D
MX574AKN	MAXIM	HI3-574AKN-5	H	M38510/05001BCA	SPRAGUE	JM38510/05001BCA	D
MX574ALD	MAXIM	HI1-574ALD-5	H	M38510/05001BCB	NATIONAL	JM38510/05001BCA	D
MX574ALN	MAXIM	HI3-574ALN-5	H	M38510/05001BCB	PER QPL	JM38510/05001BCA	D
MX574ASD	MAXIM	HI1-574ASD-2	H	M38510/05001BCB	SPRAGUE	JM38510/05001BCA	D
MX574ATD	MAXIM	HI1-574ATD-2	H	M38510/05001BCC	PER QPL	JM38510/05001BCA	D
MX574ATD/883	MAXIM	HI1-574ATD/883	H	M38510/05001BCC	SPRAGUE	JM38510/05001BCA	D
MX574UTD	MAXIM	HI1-574AUD-2	H	M38510/05001BCX	PER QPL	JM38510/05001BCA	D
MX674AJD	MAXIM	HI1-674AJD-5	H	M38510/05003BCA	NATIONAL	JM38510/05003BCA	D
MX674AJN	MAXIM	HI3-674AJN-5	H	M38510/05003BCA	PER QPL	JM38510/05003BCA	D
MX674AKD	MAXIM	HI1-674AKD-5	H	M38510/05003BCA	SPRAGUE	JM38510/05003BCA	D
MX674AKN	MAXIM	HI3-674AKN-5	H	M38510/05003BCB	NATIONAL	JM38510/05003BCA	D
MX674ALD	MAXIM	HI1-674ALD-5	H	M38510/05003BCB	PER QPL	JM38510/05003BCA	D
MX674ALN	MAXIM	HI3-674ALN-5	H	M38510/05003BCB	SPRAGUE	JM38510/05003BCA	D
MX674ASD	MAXIM	HI1-674ASD-2	H	M38510/05003BCC	PER QPL	JM38510/05003BCA	D
MX674ATD	MAXIM	HI1-674ATD-2	H	M38510/05003BCC	SPRAGUE	JM38510/05003BCA	D
MX7520JD	MAXIM	AD7520JD	H	M38510/05003BCX	PER QPL	JM38510/05003BCA	D
MX7520JN	MAXIM	AD7520JN	H	M38510/05051BCA	PER QPL	CD4011AFB	D
MX7520KD	MAXIM	AD7520KD	H	M38510/05051BCA	PER QPL	CD4011BFB	D
MX7520KN	MAXIM	AD7520KN	H	M38510/05051BCA	PER QPL	JM38510/05051BCA	D
MX7520LD	MAXIM	AD7520LD	H	M38510/05051BCA	SPRAGUE	CD4011AFB	D
MX7520LN	MAXIM	AD7520LN	H	M38510/05051BCA	SPRAGUE	CD4011BFB	D
MX7520SD	MAXIM	AD7520SD	H	M38510/05051BCA	SPRAGUE	JM38510/05051BCA	D
M38510/05051BCB	PER QPL	CD4011AFB	D	M38510/05102BEA	SPRAGUE	JM38510/05102BEA	D
M38510/05051BCB	PER QPL	CD4011BFB	D	M38510/05102BEB	NATIONAL	JM38510/05102BEA	D
M38510/05051BCB	PER QPL	JM38510/05051BCA	D	M38510/05102BEB	PER QPL	JM38510/05102BEA	D
M38510/05051BCB	SPRAGUE	CD4011AFB	D	M38510/05102BEB	SPRAGUE	JM38510/05102BEA	D
M38510/05051BCB	SPRAGUE	CD4011BFB	D	M38510/05102BEC	PER QPL	JM38510/05102BEA	D
M38510/05051BCB	SPRAGUE	JM38510/05051BCA	D	M38510/05102BEC	SPRAGUE	JM38510/05102BEA	D
M38510/05051BCC	PER QPL	CD4011AFB	D	M38510/05102BEX	PER QPL	JM38510/05102BEA	D
M38510/05051BCC	PER QPL	CD4011BFB	D	M38510/05151BCA	NATIONAL	JM38510/05151BCA	D
M38510/05051BCC	PER QPL	JM38510/05051BCA	D	M38510/05151BCA	PER QPL	JM38510/05151BCA	D
M38510/05051BCC	SPRAGUE	CD4011AFB	D	M38510/05151BCA	SPRAGUE	JM38510/05151BCA	D
M38510/05051BCC	SPRAGUE	CD4011BFB	D	M38510/05151BCB	NATIONAL	JM38510/05151BCA	D
M38510/05051BCC	SPRAGUE	JM38510/05051BCA	D	M38510/05151BCB	PER QPL	JM38510/05151BCA	D
M38510/05051BCX	PER QPL	CD4011AFB	D	M38510/05151BCB	SPRAGUE	JM38510/05151BCA	D
M38510/05051BCX	PER QPL	CD4011BFB	D	M38510/05151BCC	PER QPL	JM38510/05151BCA	D
M38510/05051BCX	PER QPL	JM38510/05051BCA	D	M38510/05151BCC	SPRAGUE	JM38510/05151BCA	D
M38510/05052BCA	PER QPL	CD4012BFB	D	M38510/05151BCX	PER QPL	JM38510/05151BCA	D
M38510/05052BCA	PER QPL	JM38510/05052BCA	D	M38510/05152BEA	PER QPL	CD4027BFB	D

3
DIRECT/HARRIS
REPLACEMENTS

NOTE: D = Direct Replacement, H = Harris Recommended Replacement.

Cross-Reference Guide

COMPETITOR #	COMPETITOR	HARRIS #	TYPE	COMPETITOR #	COMPETITOR	HARRIS #	TYPE
M38510/05052BCA	SPRAGUE	CD4012BFB	D	M38510/05152BEA	PER QPL	JM38510/05152BEA	D
M38510/05052BCA	SPRAGUE	JM38510/05052BCA	D	M38510/05152BEA	SPRAGUE	CD4027BFB	D
M38510/05052BCB	PER QPL	CD4012BFB	D	M38510/05152BEA	SPRAGUE	JM38510/05152BEA	D
M38510/05052BCB	PER QPL	JM38510/05052BCA	D	M38510/05152BEB	PER QPL	CD4027BFB	D
M38510/05052BCB	SPRAGUE	CD4012BFB	D	M38510/05152BEB	PER QPL	JM38510/05152BEA	D
M38510/05052BCB	SPRAGUE	JM38510/05052BCA	D	M38510/05152BEB	SPRAGUE	CD4027BFB	D
M38510/05052BCC	PER QPL	CD4012BFB	D	M38510/05152BEB	SPRAGUE	JM38510/05152BEA	D
M38510/05052BCC	PER QPL	JM38510/05052BCA	D	M38510/05152BEC	PER QPL	CD4027BFB	D
M38510/05052BCC	SPRAGUE	CD4012BFB	D	M38510/05152BEC	PER QPL	JM38510/05152BEA	D
M38510/05052BCC	SPRAGUE	JM38510/05052BCA	D	M38510/05152BEC	SPRAGUE	CD4027BFB	D
M38510/05052BCX	PER QPL	CD4012BFB	D	M38510/05152BEC	SPRAGUE	JM38510/05152BEA	D
M38510/05052BCX	PER QPL	JM38510/05052BCA	D	M38510/05152BEX	PER QPL	CD4027BFB	D
M38510/05053BCA	PER QPL	CD4023BFB	D	M38510/05152BEX	PER QPL	JM38510/05152BEA	D
M38510/05053BCA	PER QPL	JM38510/05053BCA	D	M38510/05201BCA	PER QPL	CD4000AFB	D
M38510/05053BCA	SPRAGUE	CD4023BFB	D	M38510/05201BCA	PER QPL	JM38510/05201BCA	D
M38510/05053BCA	SPRAGUE	JM38510/05053BCA	D	M38510/05201BCA	SPRAGUE	CD4000AFB	D
M38510/05053BCB	PER QPL	CD4023BFB	D	M38510/05201BCA	SPRAGUE	JM38510/05201BCA	D
M38510/05053BCB	PER QPL	JM38510/05053BCA	D	M38510/05201BCB	PER QPL	CD4000AFB	D
M38510/05053BCB	SPRAGUE	CD4023BFB	D	M38510/05201BCB	PER QPL	JM38510/05201BCA	D
M38510/05053BCB	SPRAGUE	JM38510/05053BCA	D	M38510/05201BCB	SPRAGUE	CD4000AFB	D
M38510/05053BCC	PER QPL	CD4023BFB	D	M38510/05201BCB	SPRAGUE	JM38510/05201BCA	D
M38510/05053BCC	PER QPL	JM38510/05053BCA	D	M38510/05201BCC	PER QPL	CD4000AFB	D
M38510/05053BCC	SPRAGUE	CD4023BFB	D	M38510/05201BCC	PER QPL	JM38510/05201BCA	D
M38510/05053BCC	SPRAGUE	JM38510/05053BCA	D	M38510/05201BCC	SPRAGUE	CD4000AFB	D
M38510/05053BCX	PER QPL	CD4023BFB	D	M38510/05201BCC	SPRAGUE	JM38510/05201BCA	D
M38510/05053BCX	PER QPL	JM38510/05053BCA	D	M38510/05201BCX	PER QPL	CD4000AFB	D
M38510/05101BCA	MOTOROLA	JM38510/05101BCA	D	M38510/05201BCX	PER QPL	JM38510/05201BCA	D
M38510/05101BCA	NATIONAL	JM38510/05101BCA	D	M38510/05202BCA	MOTOROLA	CD4001AFB	D
M38510/05101BCA	PER QPL	JM38510/05101BCA	D	M38510/05202BCA	MOTOROLA	JM38510/05202BCA	D
M38510/05101BCA	SPRAGUE	JM38510/05101BCA	D	M38510/05202BCA	NATIONAL	CD4001AFB	D
M38510/05101BCB	NATIONAL	JM38510/05101BCA	D	M38510/05202BCA	NATIONAL	JM38510/05202BCA	D
M38510/05101BCB	PER QPL	JM38510/05101BCA	D	M38510/05202BCA	PER QPL	CD4001AFB	D
M38510/05101BCB	SPRAGUE	JM38510/05101BCA	D	M38510/05202BCA	PER QPL	JM38510/05202BCA	D
M38510/05101BCC	PER QPL	JM38510/05101BCA	D	M38510/05202BCA	SPRAGUE	CD4001AFB	D
M38510/05101BCC	SPRAGUE	JM38510/05101BCA	D	M38510/05202BCA	SPRAGUE	JM38510/05202BCA	D
M38510/05101BCX	PER QPL	JM38510/05101BCA	D	M38510/05202BCB	NATIONAL	CD4001AFB	D
M38510/05102BEA	NATIONAL	JM38510/05102BEA	D	M38510/05202BCB	NATIONAL	JM38510/05202BCA	D
M38510/05102BEA	PER QPL	JM38510/05102BEA	D	M38510/05202BCB	PER QPL	CD4001AFB	D
M38510/05202BCB	PER QPL	JM38510/05202BCA	D	M38510/05254BCA	PER QPL	CD4025BFB	D
M38510/05202BCB	SPRAGUE	CD4001AFB	D	M38510/05254BCA	PER QPL	JM38510/05254BCA	D
M38510/05202BCB	SPRAGUE	JM38510/05202BCA	D	M38510/05254BCA	SPRAGUE	CD4025BFB	D
M38510/05202BCC	PER QPL	CD4001AFB	D	M38510/05254BCA	SPRAGUE	JM38510/05254BCA	D
M38510/05202BCC	PER QPL	JM38510/05202BCA	D	M38510/05254BCB	PER QPL	CD4025BFB	D
M38510/05202BCC	SPRAGUE	CD4001AFB	D	M38510/05254BCB	PER QPL	JM38510/05254BCA	D
M38510/05202BCC	SPRAGUE	JM38510/05202BCA	D	M38510/05254BCB	SPRAGUE	CD4025BFB	D
M38510/05202BCX	PER QPL	CD4001AFB	D	M38510/05254BCB	SPRAGUE	JM38510/05254BCA	D
M38510/05202BCX	PER QPL	JM38510/05202BCA	D	M38510/05254BCC	PER QPL	CD4025BFB	D
M38510/05202BCX	PER QPL	JM38510/05202BCA	D	M38510/05254BCC	PER QPL	JM38510/05254BCA	D
M38510/05204BCA	MOTOROLA	CD4025AFB	D	M38510/05254BCC	SPRAGUE	CD4025BFB	D
M38510/05204BCA	MOTOROLA	JM38510/05204BCA	D	M38510/05254BCC	SPRAGUE	JM38510/05254BCA	D
M38510/05204BCA	NATIONAL	CD4025AFB	D	M38510/05254BCC	SPRAGUE	CD4025BFB	D
M38510/05204BCA	NATIONAL	JM38510/05204BCA	D	M38510/05254BCC	SPRAGUE	JM38510/05254BCA	D
M38510/05204BCA	PER QPL	CD4025AFB	D	M38510/05254BCX	PER QPL	CD4025BFB	D
M38510/05204BCA	PER QPL	JM38510/05204BCA	D	M38510/05254BCX	PER QPL	JM38510/05254BCA	D
M38510/05204BCA	SPRAGUE	CD4025AFB	D	M38510/05302BEA	NATIONAL	CD4019AFB	D
M38510/05204BCA	SPRAGUE	JM38510/05204BCA	D	M38510/05302BEA	NATIONAL	JM38510/05302BEA	D
M38510/05204BCB	NATIONAL	CD4025AFB	D	M38510/05302BEA	PER QPL	CD4019AFB	D
M38510/05204BCB	NATIONAL	JM38510/05204BCA	D	M38510/05302BEA	PER QPL	JM38510/05302BEA	D
M38510/05204BCB	PER QPL	CD4025AFB	D	M38510/05302BEA	SPRAGUE	CD4019AFB	D
				M38510/05302BEA	SPRAGUE	JM38510/05302BEA	D

NOTE: D = Direct Replacement, H = Harris Recommended Replacement.

Cross-Reference Guide

COMPETITOR #	COMPETITOR	HARRIS #	TYPE	COMPETITOR #	COMPETITOR	HARRIS #	TYPE
M38510/05204BCB	PER QPL	JM38510/05204BCA	D	M38510/05302BEB	NATIONAL	CD4019AFB	D
M38510/05204BCB	SPRAGUE	CD4025AFB	D	M38510/05302BEB	NATIONAL	JM38510/05302BEA	D
M38510/05204BCB	SPRAGUE	JM38510/05204BCA	D	M38510/05302BEB	PER QPL	CD4019AFB	D
M38510/05204BCC	PER QPL	CD4025AFB	D	M38510/05302BEB	PER QPL	JM38510/05302BEA	D
M38510/05204BCC	PER QPL	JM38510/05204BCA	D	M38510/05302BEB	SPRAGUE	CD4019AFB	D
M38510/05204BCC	SPRAGUE	CD4025AFB	D	M38510/05302BEB	SPRAGUE	JM38510/05302BEA	D
M38510/05204BCC	SPRAGUE	JM38510/05204BCA	D	M38510/05302BEC	PER QPL	CD4019AFB	D
M38510/05204BCX	PER QPL	CD4025AFB	D	M38510/05302BEC	PER QPL	JM38510/05302BEA	D
M38510/05204BCX	PER QPL	JM38510/05204BCA	D	M38510/05302BEC	SPRAGUE	CD4019AFB	D
M38510/05251BCA	PER QPL	CD4000AFB	D	M38510/05302BEC	SPRAGUE	JM38510/05302BEA	D
M38510/05251BCA	PER QPL	JM38510/05201BCA	D	M38510/05302BEX	PER QPL	CD4019AFB	D
M38510/05251BCB	PER QPL	CD4000AFB	D	M38510/05302BEX	PER QPL	JM38510/05302BEA	D
M38510/05251BCB	PER QPL	JM38510/05201BCA	D	M38510/05303BCA	NATIONAL	CD4030BFB	D
M38510/05251BCC	PER QPL	CD4000AFB	D	M38510/05303BCA	NATIONAL	JM38510/05353BCA	D
M38510/05251BCC	PER QPL	JM38510/05201BCA	D	M38510/05303BCA	PER QPL	CD4030BFB	D
M38510/05251BCX	PER QPL	CD4000AFB	D	M38510/05303BCA	PER QPL	JM38510/05353BCA	D
M38510/05251BCX	PER QPL	JM38510/05201BCA	D	M38510/05303BCA	SPRAGUE	CD4030BFB	D
M38510/05252BCA	NATIONAL	CD4001BFB	D	M38510/05303BCA	SPRAGUE	JM38510/05353BCA	D
M38510/05252BCA	NATIONAL	JM38510/05252BCA	D	M38510/05303BCB	NATIONAL	CD4030BFB	D
M38510/05252BCA	PER QPL	CD4001BFB	D	M38510/05303BCB	NATIONAL	JM38510/05353BCA	D
M38510/05252BCA	PER QPL	JM38510/05252BCA	D	M38510/05303BCB	PER QPL	CD4030BFB	D
M38510/05252BCA	SPRAGUE	CD4001BFB	D	M38510/05303BCB	PER QPL	JM38510/05353BCA	D
M38510/05252BCA	SPRAGUE	JM38510/05252BCA	D	M38510/05303BCB	SPRAGUE	CD4030BFB	D
M38510/05252BCB	PER QPL	CD4001BFB	D	M38510/05303BCB	SPRAGUE	JM38510/05353BCA	D
M38510/05252BCB	PER QPL	JM38510/05252BCA	D	M38510/05303BCC	PER QPL	CD4030BFB	D
M38510/05252BCB	SPRAGUE	CD4001BFB	D	M38510/05303BCC	PER QPL	JM38510/05353BCA	D
M38510/05252BCB	SPRAGUE	JM38510/05252BCA	D	M38510/05303BCC	SPRAGUE	CD4030BFB	D
M38510/05252BCC	PER QPL	CD4001BFB	D	M38510/05303BCC	SPRAGUE	JM38510/05353BCA	D
M38510/05252BCC	PER QPL	JM38510/05252BCA	D	M38510/05303BCX	PER QPL	CD4030BFB	D
M38510/05252BCC	SPRAGUE	CD4001BFB	D	M38510/05303BCX	PER QPL	JM38510/05353BCA	D
M38510/05252BCC	SPRAGUE	JM38510/05252BCA	D	M38510/05352BEA	NATIONAL	CD4019BFB	D
M38510/05252BCX	PER QPL	CD4001BFB	D	M38510/05352BEA	NATIONAL	JM38510/05352BEA	D
M38510/05252BCX	PER QPL	JM38510/05252BCA	D	M38510/05352BEA	PER QPL	CD4019BFB	D
M38510/05254BCA	NATIONAL	CD4025BFB	D	M38510/05352BEA	PER QPL	JM38510/05352BEA	D
M38510/05254BCA	NATIONAL	JM38510/05254BCA	D	M38510/05352BEA	SPRAGUE	CD4019BFB	D
M38510/05352BEA	SPRAGUE	JM38510/05352BEA	D	M38510/05504BEB	NATIONAL	CD4050AFB	D
M38510/05352BEB	NATIONAL	CD4019BFB	D	M38510/05504BEB	NATIONAL	JM38510/05504BEA	D
M38510/05352BEB	NATIONAL	JM38510/05352BEA	D	M38510/05504BEB	PER QPL	CD4050AFB	D
M38510/05352BEB	PER QPL	CD4019BFB	D	M38510/05504BEB	PER QPL	JM38510/05504BEA	D
M38510/05352BEB	PER QPL	JM38510/05352BEA	D	M38510/05504BEB	SPRAGUE	CD4050AFB	D
M38510/05352BEB	SPRAGUE	CD4019BFB	D	M38510/05504BEB	SPRAGUE	JM38510/05504BEA	D
M38510/05352BEB	SPRAGUE	JM38510/05352BEA	D	M38510/05504BEC	PER QPL	CD4050AFB	D
M38510/05352BEC	PER QPL	CD4019BFB	D	M38510/05504BEC	PER QPL	JM38510/05504BEA	D
M38510/05352BEC	PER QPL	JM38510/05352BEA	D	M38510/05504BEC	SPRAGUE	CD4050AFB	D
M38510/05352BEC	SPRAGUE	CD4019BFB	D	M38510/05504BEC	SPRAGUE	JM38510/05504BEA	D
M38510/05352BEC	SPRAGUE	JM38510/05352BEA	D	M38510/05504BEX	PER QPL	CD4050AFB	D
M38510/05352BEX	PER QPL	CD4019BFB	D	M38510/05504BEX	PER QPL	JM38510/05504BEA	D
M38510/05352BEX	PER QPL	JM38510/05352BEA	D	M38510/05553BEA	PER QPL	CD4049UBFB	D
M38510/05353BCA	PER QPL	CD4030BFB	D	M38510/05553BEA	PER QPL	JM38510/05553BEA	D
M38510/05353BCA	PER QPL	JM38510/05353BCA	D	M38510/05553BEA	SPRAGUE	CD4049UBFB	D
M38510/05353BCA	SPRAGUE	CD4030BFB	D	M38510/05553BEA	SPRAGUE	JM38510/05553BEA	D
M38510/05353BCA	SPRAGUE	JM38510/05353BCA	D	M38510/05553BEB	PER QPL	CD4049UBFB	D
M38510/05353BCB	PER QPL	CD4030BFB	D	M38510/05553BEB	PER QPL	JM38510/05553BEA	D
M38510/05353BCB	PER QPL	JM38510/05353BCA	D	M38510/05553BEB	SPRAGUE	CD4049UBFB	D
M38510/05353BCB	SPRAGUE	CD4030BFB	D	M38510/05553BEB	SPRAGUE	JM38510/05553BEA	D
M38510/05353BCB	SPRAGUE	JM38510/05353BCA	D	M38510/05553BEC	PER QPL	CD4049UBFB	D
M38510/05353BCC	PER QPL	CD4030BFB	D	M38510/05553BEC	PER QPL	JM38510/05553BEA	D
M38510/05353BCC	PER QPL	JM38510/05353BCA	D	M38510/05553BEC	SPRAGUE	CD4049UBFB	D

NOTE: D = Direct Replacement, H = Harris Recommended Replacement.

3
DIRECT/HARRIS
REPLACEMENTS

Cross-Reference Guide

COMPETITOR #	COMPETITOR	HARRIS #	TYPE	COMPETITOR #	COMPETITOR	HARRIS #	TYPE
M38510/05353BCC	SPRAGUE	CD4030BFB	D	M38510/05553BEC	SPRAGUE	JM38510/05553BEA	D
M38510/05353BCC	SPRAGUE	JM38510/05353BCA	D	M38510/05553BEX	PER QPL	CD4049UBFB	D
M38510/05353BCX	PER QPL	CD4030BFB	D	M38510/05553BEX	PER QPL	JM38510/05553BEA	D
M38510/05353BCX	PER QPL	JM38510/05353BCA	D	M38510/05554BEA	SPRAGUE	CD4050BFB	D
M38510/05503BEA	MOTOROLA	CD4049AFB	D	M38510/05554BEA	SPRAGUE	JM38510/05554BEA	D
M38510/05503BEA	MOTOROLA	JM38510/05503BEA	D	M38510/05554BEB	SPRAGUE	CD4050BFB	D
M38510/05503BEA	NATIONAL	CD4049AFB	D	M38510/05554BEB	SPRAGUE	JM38510/05554BEA	D
M38510/05503BEA	NATIONAL	JM38510/05503BEA	D	M38510/05554BEC	SPRAGUE	CD4050BFB	D
M38510/05503BEA	PER QPL	CD4049AFB	D	M38510/05554BEC	SPRAGUE	JM38510/05554BEA	D
M38510/05503BEA	PER QPL	JM38510/05503BEA	D	M38510/05601BEA	NATIONAL	CD4017AFB	D
M38510/05503BEA	SPRAGUE	CD4049AFB	D	M38510/05601BEA	NATIONAL	JM38510/05601BEA	D
M38510/05503BEA	SPRAGUE	JM38510/05503BEA	D	M38510/05601BEA	PER QPL	CD4017AFB	D
M38510/05503BEB	NATIONAL	CD4049AFB	D	M38510/05601BEA	PER QPL	JM38510/05601BEA	D
M38510/05503BEB	NATIONAL	JM38510/05503BEA	D	M38510/05601BEA	SPRAGUE	CD4017AFB	D
M38510/05503BEB	PER QPL	CD4049AFB	D	M38510/05601BEA	SPRAGUE	JM38510/05601BEA	D
M38510/05503BEB	PER QPL	JM38510/05503BEA	D	M38510/05601BEB	NATIONAL	CD4017AFB	D
M38510/05503BEB	SPRAGUE	CD4049AFB	D	M38510/05601BEB	NATIONAL	JM38510/05601BEA	D
M38510/05503BEB	SPRAGUE	JM38510/05503BEA	D	M38510/05601BEB	PER QPL	CD4017AFB	D
M38510/05503BEC	PER QPL	CD4049AFB	D	M38510/05601BEB	PER QPL	JM38510/05601BEA	D
M38510/05503BEC	PER QPL	JM38510/05503BEA	D	M38510/05601BEB	SPRAGUE	CD4017AFB	D
M38510/05503BEC	SPRAGUE	CD4049AFB	D	M38510/05601BEB	SPRAGUE	JM38510/05601BEA	D
M38510/05503BEC	SPRAGUE	JM38510/05503BEA	D	M38510/05601BEC	PER QPL	CD4017AFB	D
M38510/05503BEX	PER QPL	CD4049AFB	D	M38510/05601BEC	PER QPL	JM38510/05601BEA	D
M38510/05503BEX	PER QPL	JM38510/05503BEA	D	M38510/05601BEC	SPRAGUE	CD4017AFB	D
M38510/05504BEA	MOTOROLA	CD4050AFB	D	M38510/05601BEC	SPRAGUE	JM38510/05601BEA	D
M38510/05504BEA	MOTOROLA	JM38510/05504BEA	D	M38510/05601BEX	PER QPL	CD4017AFB	D
M38510/05504BEA	NATIONAL	CD4050AFB	D	M38510/05601BEX	PER QPL	JM38510/05601BEA	D
M38510/05504BEA	NATIONAL	JM38510/05504BEA	D	M38510/05603BEA	MOTOROLA	CD4020AFB	D
M38510/05504BEA	PER QPL	CD4050AFB	D	M38510/05603BEA	MOTOROLA	JM38510/05603BEA	D
M38510/05504BEA	PER QPL	JM38510/05504BEA	D	M38510/05603BEA	NATIONAL	CD4020AFB	D
M38510/05504BEA	SPRAGUE	CD4050AFB	D	M38510/05603BEA	NATIONAL	JM38510/05603BEA	D
M38510/05504BEA	SPRAGUE	JM38510/05504BEA	D	M38510/05603BEA	PER QPL	CD4020AFB	D
M38510/05603BEA	PER QPL	JM38510/05603BEA	D	M38510/05652BEC	PER QPL	CD4018BFB	D
M38510/05603BEB	NATIONAL	CD4020AFB	D	M38510/05652BEC	PER QPL	JM38510/05652BEA	D
M38510/05603BEB	NATIONAL	JM38510/05603BEA	D	M38510/05652BEC	SPRAGUE	CD4018BFB	D
M38510/05603BEB	PER QPL	CD4020AFB	D	M38510/05652BEC	SPRAGUE	JM38510/05652BEA	D
M38510/05603BEB	PER QPL	JM38510/05603BEA	D	M38510/05652BEX	PER QPL	CD4018BFB	D
M38510/05603BEB	PER QPL	CD4020AFB	D	M38510/05652BEX	PER QPL	JM38510/05652BEA	D
M38510/05603BEB	PER QPL	JM38510/05603BEA	D	M38510/05653BEA	PER QPL	CD4020BFB	D
M38510/05603BEX	PER QPL	CD4020AFB	D	M38510/05653BEA	PER QPL	JM38510/05653BEA	D
M38510/05603BEX	PER QPL	JM38510/05603BEA	D	M38510/05653BEB	PER QPL	CD4020BFB	D
M38510/05605BCA	MOTOROLA	CD4024AFB	D	M38510/05653BEB	PER QPL	JM38510/05653BEA	D
M38510/05605BCA	MOTOROLA	JM38510/05605BCA	D	M38510/05653BEC	PER QPL	CD4020BFB	D
M38510/05605BCA	NATIONAL	CD4024AFB	D	M38510/05653BEC	PER QPL	JM38510/05653BEA	D
M38510/05605BCA	NATIONAL	JM38510/05605BCA	D	M38510/05653BEX	PER QPL	CD4020BFB	D
M38510/05605BCA	PER QPL	CD4024AFB	D	M38510/05653BEX	PER QPL	JM38510/05653BEA	D
M38510/05605BCA	PER QPL	JM38510/05605BCA	D	M38510/05655BCA	PER QPL	CD4024BFB	D
M38510/05605BCA	SPRAGUE	CD4024AFB	D	M38510/05655BCA	PER QPL	JM38510/05655BCA	D
M38510/05605BCA	SPRAGUE	JM38510/05605BCA	D	M38510/05655BCA	SPRAGUE	CD4024BFB	D
M38510/05605BCB	NATIONAL	CD4024AFB	D	M38510/05655BCA	SPRAGUE	JM38510/05655BCA	D
M38510/05605BCB	NATIONAL	JM38510/05605BCA	D	M38510/05655BCB	PER QPL	CD4024BFB	D
M38510/05605BCB	PER QPL	CD4024AFB	D	M38510/05655BCB	PER QPL	JM38510/05655BCA	D
M38510/05605BCB	PER QPL	JM38510/05605BCA	D	M38510/05655BCB	SPRAGUE	CD4024BFB	D
M38510/05605BCB	SPRAGUE	CD4024AFB	D	M38510/05655BCB	SPRAGUE	JM38510/05655BCA	D
M38510/05605BCB	SPRAGUE	JM38510/05605BCA	D	M38510/05655BCC	PER QPL	CD4024BFB	D
M38510/05605BCC	PER QPL	CD4024AFB	D	M38510/05655BCC	PER QPL	JM38510/05655BCA	D
M38510/05605BCC	PER QPL	JM38510/05605BCA	D	M38510/05655BCC	SPRAGUE	CD4024BFB	D
M38510/05605BCC	SPRAGUE	CD4024AFB	D	M38510/05655BCC	SPRAGUE	JM38510/05655BCA	D

NOTE: D = Direct Replacement, H = Harris Recommended Replacement.

Cross-Reference Guide

COMPETITOR #	COMPETITOR	HARRIS #	TYPE	COMPETITOR #	COMPETITOR	HARRIS #	TYPE
M38510/05605BCC	SPRAGUE	JM38510/05605BCA	D	M38510/05655BCX	PER QPL	CD4024BFB	D
M38510/05605BCX	PER QPL	CD4024AFB	D	M38510/05655BCX	PER QPL	JM38510/05655BCA	D
M38510/05605BCX	PER QPL	JM38510/05605BCA	D	M38510/05754BEA	PER QPL	CD4021BFB	D
M38510/05651BEA	PER QPL	CD4017BFB	D	M38510/05754BEA	PER QPL	JM38510/05754BEA	D
M38510/05651BEA	PER QPL	JM38510/05651BEA	D	M38510/05754BEA	SPRAGUE	CD4021BFB	D
M38510/05651BEA	SPRAGUE	CD4017BFB	D	M38510/05754BEA	SPRAGUE	JM38510/05754BEA	D
M38510/05651BEA	SPRAGUE	JM38510/05651BEA	D	M38510/05754BEB	PER QPL	CD4021BFB	D
M38510/05651BEB	PER QPL	CD4017BFB	D	M38510/05754BEB	PER QPL	JM38510/05754BEA	D
M38510/05651BEB	PER QPL	JM38510/05651BEA	D	M38510/05754BEB	SPRAGUE	CD4021BFB	D
M38510/05651BEB	SPRAGUE	CD4017BFB	D	M38510/05754BEB	SPRAGUE	JM38510/05754BEA	D
M38510/05651BEB	SPRAGUE	JM38510/05651BEA	D	M38510/05754BEC	PER QPL	CD4021BFB	D
M38510/05651BEC	PER QPL	CD4017BFB	D	M38510/05754BEC	PER QPL	JM38510/05754BEA	D
M38510/05651BEC	PER QPL	JM38510/05651BEA	D	M38510/05754BEC	SPRAGUE	CD4021BFB	D
M38510/05651BEC	SPRAGUE	CD4017BFB	D	M38510/05754BEC	SPRAGUE	JM38510/05754BEA	D
M38510/05651BEC	SPRAGUE	JM38510/05651BEA	D	M38510/05754BEX	PER QPL	CD4021BFB	D
M38510/05651BEX	PER QPL	CD4017BFB	D	M38510/05754BEX	PER QPL	JM38510/05754BEA	D
M38510/05651BEX	PER QPL	JM38510/05651BEA	D	M38510/05852BCA	PER QPL	CD4066BFB	D
M38510/05652BEA	NATIONAL	CD4018BFB	D	M38510/05852BCA	PER QPL	JM38510/05852BCA	D
M38510/05652BEA	NATIONAL	JM38510/05652BEA	D	M38510/05852BCA	SPRAGUE	CD4066BFB	D
M38510/05652BEA	PER QPL	CD4018BFB	D	M38510/05852BCA	SPRAGUE	JM38510/05852BCA	D
M38510/05652BEA	PER QPL	JM38510/05652BEA	D	M38510/05852BCB	PER QPL	CD4066BFB	D
M38510/05652BEA	SPRAGUE	CD4018BFB	D	M38510/05852BCB	PER QPL	JM38510/05852BCA	D
M38510/05652BEA	SPRAGUE	JM38510/05652BEA	D	M38510/05852BCB	SPRAGUE	CD4066BFB	D
M38510/05652BEB	NATIONAL	CD4018BFB	D	M38510/05852BCB	SPRAGUE	JM38510/05852BCA	D
M38510/05652BEB	NATIONAL	JM38510/05652BEA	D	M38510/05852BCC	PER QPL	CD4066BFB	D
M38510/05652BEB	PER QPL	CD4018BFB	D	M38510/05852BCC	PER QPL	JM38510/05852BCA	D
M38510/05652BEB	PER QPL	JM38510/05652BEA	D	M38510/05852BCC	SPRAGUE	CD4066BFB	D
M38510/05652BEB	SPRAGUE	CD4018BFB	D	M38510/05852BCC	SPRAGUE	JM38510/05852BCA	D
M38510/05652BEB	SPRAGUE	JM38510/05652BEA	D	M38510/05852BCX	PER QPL	CD4066BFB	D
M38510/05852BCX	PER QPL	JM38510/05852BCA	D	M38510/12601SEA	LINEAR TECH	CA1524FX	H
M38510/10505BEA	PER QPL	JM38510/10505BEA	D	M38510/12601SEA	PER QPL	CA1524FX	H
M38510/10505BEB	PER QPL	JM38510/10505BEA	D	M38510/12601SEB	PER QPL	CA1524FX	H
M38510/10505BEC	PER QPL	JM38510/10505BEA	D	M38510/12601SEC	PER QPL	CA1524FX	H
M38510/10506BEA	PER QPL	JM38510/10506BEA	D	M38510/12601SEX	PER QPL	CA1524FX	H
M38510/10506BEB	PER QPL	JM38510/10506BEA	D	M38510/17001BCA	MOTOROLA	CD4081BFB	D
M38510/10506BEC	PER QPL	JM38510/10506BEA	D	M38510/17001BCA	PER QPL	CD4081BFB	D
M38510/11601BCA	PER QPL	JM38510/11601BCA	D	M38510/17001BCA	SPRAGUE	CD4081BFB	D
M38510/11601BCA	SILICONIX	JM38510/11601BCA	D	M38510/17001BCB	PER QPL	CD4081BFB	D
M38510/11601BCB	PER QPL	JM38510/11601BCA	D	M38510/17001BCB	SPRAGUE	CD4081BFB	D
M38510/11601BCC	PER QPL	JM38510/11601BCA	D	M38510/17001BCC	PER QPL	CD4081BFB	D
M38510/11601BCC	SILICONIX	JM38510/11601BCA	D	M38510/17001BCC	SPRAGUE	CD4081BFB	D
M38510/11601BCX	PER QPL	JM38510/11601BCA	D	M38510/17001BCX	PER QPL	CD4081BFB	D
M38510/11602BCA	PER QPL	JM38510/11602BCA	D	M38510/17002BCA	MOTOROLA	CD4082BFB	D
M38510/11602BCA	SILICONIX	JM38510/11602BCA	D	M38510/17002BCA	PER QPL	CD4082BFB	D
M38510/11602BCB	PER QPL	JM38510/11602BCA	D	M38510/17002BCA	SPRAGUE	CD4082BFB	D
M38510/11602BCC	PER QPL	JM38510/11602BCA	D	M38510/17002BCB	PER QPL	CD4082BFB	D
M38510/11602BCC	SILICONIX	JM38510/11602BCA	D	M38510/17002BCB	SPRAGUE	CD4082BFB	D
M38510/11602BCX	PER QPL	JM38510/11602BCA	D	M38510/17002BCC	PER QPL	CD4082BFB	D
M38510/11603BCA	PER QPL	JM38510/11603BCA	D	M38510/17002BCX	PER QPL	CD4082BFB	D
M38510/11603BCA	SILICONIX	JM38510/11603BCA	D	M38510/17003BCA	MOTOROLA	CD4073BFB	D
M38510/11603BCB	PER QPL	JM38510/11603BCA	D	M38510/17003BCA	PER QPL	CD4073BFB	D
M38510/11603BCC	PER QPL	JM38510/11603BCA	D	M38510/17003BCA	SPRAGUE	CD4073BFB	D
M38510/11603BCC	SILICONIX	JM38510/11603BCA	D	M38510/17003BCB	MOTOROLA	CD4073BFB	D
M38510/11603BCX	PER QPL	JM38510/11603BCA	D	M38510/17003BCB	PER QPL	CD4073BFB	D
M38510/11604BCA	PER QPL	JM38510/11604BCA	D	M38510/17003BCB	SPRAGUE	CD4073BFB	D
M38510/11604BCA	SILICONIX	JM38510/11604BCA	D	M38510/17003BCC	PER QPL	CD4073BFB	D
M38510/11604BCB	PER QPL	JM38510/11604BCA	D	M38510/17003BCC	SPRAGUE	CD4073BFB	D
M38510/11604BCC	PER QPL	JM38510/11604BCA	D	M38510/17003BCX	PER QPL	CD4073BFB	D

NOTE: D = Direct Replacement, H = Harris Recommended Replacement.

3
DIRECT/HARRIS
REPLACEMENTS

Cross-Reference Guide

COMPETITOR #	COMPETITOR	HARRIS #	TYPE	COMPETITOR #	COMPETITOR	HARRIS #	TYPE
M38510/11604BCC	SILICONIX	JM38510/11604BCA	D	M38510/17101BCA	PER QPL	CD4071BFB	D
M38510/11604BCX	PER QPL	JM38510/11604BCA	D	M38510/17101BCA	SPRAGUE	CD4071BFB	D
M38510/12203BGA	PER QPL	JM38510/12203BGA	D	M38510/17101BCB	PER QPL	CD4071BFB	D
M38510/12203BGB	PER QPL	JM38510/12203BGA	D	M38510/17101BCB	SPRAGUE	CD4071BFB	D
M38510/12203BGC	PER QPL	JM38510/12203BGA	D	M38510/17101BCC	PER QPL	CD4071BFB	D
M38510/12203BGX	PER QPL	JM38510/12203BGA	D	M38510/17101BCC	SPRAGUE	CD4071BFB	D
M38510/12206BGA	PER QPL	JM38510/12206BGA	D	M38510/17101BCX	PER QPL	CD4071BFB	D
M38510/12206BGB	PER QPL	JM38510/12206BGA	D	M38510/17103BCA	PER QPL	CD4075BFB	D
M38510/12206BGC	PER QPL	JM38510/12206BGA	D	M38510/17103BCA	SPRAGUE	CD4075BFB	D
M38510/12206BGX	PER QPL	JM38510/12206BGA	D	M38510/17103BCB	PER QPL	CD4075BFB	D
M38510/12302BEA	PER QPL	JM38510/12302BEA	D	M38510/17103BCB	SPRAGUE	CD4075BFB	D
M38510/12302BEA	SILICONIX	JM38510/12302BEA	D	M38510/17103BCC	PER QPL	CD4075BFB	D
M38510/12302BEB	PER QPL	JM38510/12302BEA	D	M38510/17103BCX	SPRAGUE	CD4075BFB	D
M38510/12302BEC	PER QPL	JM38510/12302BEA	D	M38510/17103BCX	PER QPL	CD4075BFB	D
M38510/12302BEC	SILICONIX	JM38510/12302BEA	D	M38510/17203BCA	MOTOROLA	CD4070BFB	D
M38510/12601BEA	LINEAR TECH	CA1524FX	H	M38510/17203BCA	PER QPL	CD4070BFB	D
M38510/12601BEA	PER QPL	CA1524FX	H	M38510/17203BCA	SPRAGUE	CD4070BFB	D
M38510/12601BEA	SILICON GEN	CA1524FX	H	M38510/17203BCB	PER QPL	CD4070BFB	D
M38510/12601BEA	UNITRODE	CA1524FX	H	M38510/17203BCB	SPRAGUE	CD4070BFB	D
M38510/12601BEB	PER QPL	CA1524FX	H	M38510/17203BCC	PER QPL	CD4070BFB	D
M38510/12601BEC	PER QPL	CA1524FX	H	M38510/17203BCC	SPRAGUE	CD4070BFB	D
M38510/12601BEX	PER QPL	CA1524FX	H	M38510/17203BCX	PER QPL	CD4070BFB	D
M38510/12601CEA	PER QPL	CA1524FX	H	M38510/17203BCX	PER QPL	CD4070BFB	D
M38510/12601CEB	PER QPL	CA1524FX	H	M38510/17401BCA	PER QPL	CD4069UBFB	D
M38510/12601CEC	PER QPL	CA1524FX	H	M38510/17401BCA	SPRAGUE	CD4069UBFB	D
M38510/12601CEX	PER QPL	CA1524FX	H	M38510/17401BCB	PER QPL	CD4069UBFB	D
M38510/17401BCC	PER QPL	CD4069UBFB	D	M38510/17401BCB	SPRAGUE	CD4069UBFB	D
M38510/17401BCC	SPRAGUE	CD4069UBFB	D	M38510/24501BVC	PER QPL	24501BVA	D
M38510/17401BCX	PER QPL	CD4069UBFB	D	M38510/24501BVX	PER QPL	24501BVA	D
M38510/17504BEA	PER QPL	CD4098BFB	D	M38510/29102BJA	PER QPL	29102BJA	D
M38510/17504BEB	PER QPL	CD4098BFB	D	M38510/29102BJB	PER QPL	29102BJA	D
M38510/17504BEC	PER QPL	CD4098BFB	D	M38510/29102BJC	PER QPL	29102BJA	D
M38510/17504BEX	PER QPL	CD4098BFB	D	M38510/29102BJX	PER QPL	29102BJA	D
M38510/17601BEA	PER QPL	CD4099BFB	D	M5M82C37AP	MITSUBISHI	CP82C37A	H
M38510/17601BEB	PER QPL	CD4099BFB	D	M5M82C37AP-5	MITSUBISHI	CP82C37A-5	H
M38510/17601BEC	PER QPL	CD4099BFB	D	M5M82C54FP	MITSUBISHI	CM82C54	H
M38510/17601BEX	PER QPL	CD4099BFB	D	M5M82C54FP6	MITSUBISHI	CM82C54	H
M38510/17702BCA	PER QPL	CD4069UBFB	D	M5M82C54P	MITSUBISHI	CP82C54	H
M38510/17702BCB	PER QPL	CD4069UBFB	D	M5M82C55AP	MITSUBISHI	CP82C55A	H
M38510/17702BCC	PER QPL	CD4069UBFB	D	M5M82C59AP	MITSUBISHI	CP82C59A	H
M38510/17702BCX	PER QPL	CD4069UBFB	D	M54HCT08F1R	SGS	CD54HCT08F	D
M38510/19001BXA	PER QPL	JM38510/19001BXA	D	M54HCT244F1R	SGS	CD54HCT244F	D
M38510/19001BXB	PER QPL	JM38510/19001BXA	D	M54HCT32F1R	SGS	CD54HCT32F	D
M38510/19001BXC	PER QPL	JM38510/19001BXA	D	M54HCT373F1	SGS	CD54HCT373F	D
M38510/19001BXC	SILICONIX	JM38510/19001BXA	D	M54HCT373F1R	SGS	CD54HCT373F	D
M38510/19001BXX	PER QPL	JM38510/19001BXA	D	M54HC00F1	SGS	CD54HC00F	D
M38510/19002BXA	PER QPL	JM38510/19002BXA	D	M54HC08F1	SGS	CD54HC08F	D
M38510/19002BXB	PER QPL	JM38510/19002BXA	D	M54HC245F1	SGS-ATES	CD54HC245F	D
M38510/19002BXC	PER QPL	JM38510/19002BXA	D	M54HC245F1	SGS	CD54HC245F	D
M38510/19002BXX	PER QPL	JM38510/19002BXA	D	M54HC245F1R	SGS	CD54HC245F	D
M38510/19003BXA	PER QPL	JM38510/19003BXA	D	M54HC4040F1	SGS	CD54HC4040F	D
M38510/19003BXB	PER QPL	JM38510/19003BXA	D	M54HC4040F1R	SGS	CD54HC4040F	D
M38510/19003BXC	PER QPL	JM38510/19003BXA	D	M54HC4051F1R	SGS	CD54HC4051F	D
M38510/19003BXX	PER QPL	JM38510/19003BXA	D	M54HC4538F1	SGS-ATES	CD54HC4538F	D
M38510/19003BXC	SILICONIX	JM38510/19003BXA	D	M54HC4538F1R	SGS	CD54HC4538F	D
M38510/19003BXX	PER QPL	JM38510/19003BXA	D	M54HC573F1	SGS	CD54HC573F	D
M38510/19004BXA	PER QPL	JM38510/19004BXA	D	M74HCT04DP	MITSUBISHI	CD74HCT04M	D
M38510/19004BXB	PER QPL	JM38510/19004BXA	D	M74HCT04DP	MITSUBISHI	CD74HCT04M96	D
M38510/19004BXC	PER QPL	JM38510/19004BXA	D	M74HCT04P	MITSUBISHI	CD74HCT04E	D

NOTE: D = Direct Replacement, H = Harris Recommended Replacement.

Cross-Reference Guide

COMPETITOR #	COMPETITOR	HARRIS #	TYPE
M38510/19004BXX	PER QPL	JM38510/19004BXA	D
M38510/19005BEA	PER QPL	JM38510/19005BEA	D
M38510/19005BEB	PER QPL	JM38510/19005BEA	D
M38510/19005BEC	PER QPL	JM38510/19005BEA	D
M38510/19005BEX	PER QPL	JM38510/19005BEA	D
M38510/19006BEA	PER QPL	JM38510/19006BEA	D
M38510/19006BEB	PER QPL	JM38510/19006BEA	D
M38510/19006BEC	PER QPL	JM38510/19006BEA	D
M38510/19006BEX	PER QPL	JM38510/19006BEA	D
M38510/19007BEA	PER QPL	JM38510/19007BEA	D
M38510/19007BEA	SILICONIX	JM38510/19007BEA	D
M38510/19007BEB	PER QPL	JM38510/19007BEA	D
M38510/19007BEC	PER QPL	JM38510/19007BEA	D
M38510/19007BEC	SILICONIX	JM38510/19007BEA	D
M38510/19007BEX	PER QPL	JM38510/19007BEA	D
M38510/19008BEA	PER QPL	JM38510/19008BEA	D
M38510/19008BEA	SILICONIX	JM38510/19008BEA	D
M38510/19008BEB	PER QPL	JM38510/19008BEA	D
M38510/19008BEC	PER QPL	JM38510/19008BEA	D
M38510/19008BEC	SILICONIX	JM38510/19008BEA	D
M38510/19008BEX	PER QPL	JM38510/19008BEA	D
M38510/24501BVA	PER QPL	24501BVA	D
M38510/24501BVB	PER QPL	24501BVA	D
M74HCT373M1	SGS	CD74HCT373M	D
M74HCT373M1	SGS	CD74HCT373M96	D
M74HCT373M1R	SGS	CD74HCT373M	D
M74HCT373M1R	SGS	CD74HCT373M96	D
M74HCT374B1R	SGS	CD74HCT374E	D
M74HCT374M1R	SGS	CD74HCT374M	D
M74HCT374M1R	SGS	CD74HCT374M96	D
M74HCT533-1P	MITSUBISHI	CD74HCT533E	D
M74HCT533B1R	SGS	CD74HCT533E	D
M74HCT563B1R	SGS	CD74HCT563E	D
M74HCT563M1R	SGS	CD74HCT563M	D
M74HCT564B1N	SGS	CD74HCT564E	D
M74HCT564M1	SGS	CD74HCT564M	D
M74HCT573B1N	SGS	CD74HCT573E	D
M74HCT573M1	SGS	CD74HCT573M	D
M74HCT573M1	SGS	CD74HCT573M96	D
M74HCT574B1R	SGS	CD74HCT574E	D
M74HCT574M1R	SGS	CD74HCT574M	D
M74HCT574M1R	SGS	CD74HCT574M96	D
M74HCT640B1N	SGS-ATES	CD74HCT640E	H
M74HCT640B1R	SGS	CD74HCT640E	D
M74HCT640M1R	SGS	CD74HCT640M	D
M74HCT646M1R	SGS	CD74HCT646M96	D
M74HCT688B1R	SGS	CD74HCT688E	D
M74HCT688M1R	SGS	CD74HCT688M	D
M74HCT688M1R	SGS	CD74HCT688M96	D
M74HCT75B1R	SGS	CD74HCT75E	D
M74HCT75M1R	SGS	CD74HCT75M	D
M74HC00B1N	SGS	CD74HC00E	D
M74HC00DP	MITSUBISHI	CD74HC00M	D
M74HC00DP	MITSUBISHI	CD74HC00M96	D
M74HC00M1	SGS	CD74HC00M	D
M74HC00M1	SGS	CD74HC00M96	D
M74HC00P	MITSUBISHI	CD74HC00E	D
M74HC02B1N	SGS	CD74HC02E	D

COMPETITOR #	COMPETITOR	HARRIS #	TYPE
M74HCT08B1R	SGS	CD74HCT08E	D
M74HCT08M1R	SGS	CD74HCT08M	D
M74HCT08M1R	SGS	CD74HCT08M96	D
M74HCT10B1R	SGS	CD74HCT10E	D
M74HCT10M1R	SGS	CD74HCT10M	D
M74HCT10M1R	SGS	CD74HCT10M96	D
M74HCT125B1R	SGS	CD74HCT125E	D
M74HCT125M1R	SGS	CD74HCT125M	D
M74HCT125M1R	SGS	CD74HCT125M96	D
M74HCT126B1R	SGS	CD74HCT126E	D
M74HCT126M1R	SGS	CD74HCT126M	D
M74HCT126M1R	SGS	CD74HCT126M96	D
M74HCT27B1R	SGS	CD74HCT27E	D
M74HCT27M1R	SGS	CD74HCT27M	D
M74HCT27M1R	SGS	CD74HCT27M96	D
M74HCT30B1R	SGS	CD74HCT30E	D
M74HCT30M1R	SGS	CD74HCT30M	D
M74HCT30M1R	SGS	CD74HCT30M96	D
M74HCT32B1R	SGS	CD74HCT32E	D
M74HCT32M1R	SGS	CD74HCT32M	D
M74HCT32M1R	SGS	CD74HCT32M96	D
M74HCT373B1N	SGS	CD74HCT373E	D
M74HCT373B1R	SGS	CD74HCT373E	D
M74HC126M1	SGS	CD74HC126M96	D
M74HC132B1N	SGS	CD74HC132E	D
M74HC132M1	SGS	CD74HC132M	D
M74HC132M1	SGS	CD74HC132M96	D
M74HC14B1N	SGS	CD74HC14E	D
M74HC14M1	SGS	CD74HC14M	D
M74HC14M1	SGS	CD74HC14M96	D
M74HC153B1	SGS-ATES	CD74HC153E	D
M74HC154B1R	SGS	CD74HC154E	D
M74HC154M1R	SGS	CD74HC154M	D
M74HC154M1R	SGS	CD74HC154M96	D
M74HC158B1N	SGS	CD74HC158E	D
M74HC158M1	SGS	CD74HC158M	D
M74HC166B1R	SGS	CD74HC166E	D
M74HC166DP	MITSUBISHI	CD74HC166M	D
M74HC166DP	MITSUBISHI	CD74HC166M96	D
M74HC166M1R	SGS	CD74HC166M	D
M74HC166M1R	SGS	CD74HC166M96	D
M74HC166P	MITSUBISHI	CD74HC166E	D
M74HC173B1N	SGS	CD74HC173E	D
M74HC173M1	SGS	CD74HC173M	D
M74HC173M1	SGS	CD74HC173M96	D
M74HC175B1R	SGS	CD74HC175E	D
M74HC175M1R	SGS	CD74HC175M	D
M74HC175M1R	SGS	CD74HC175M96	D
M74HC193B1R	SGS	CD74HC193E	D
M74HC193M1R	SGS	CD74HC193M	D
M74HC193M1R	SGS	CD74HC193M96	D
M74HC194B1N	SGS	CD74HC194E	D
M74HC194DP	MITSUBISHI	CD74HC194M	D
M74HC194DP	MITSUBISHI	CD74HC194M96	D
M74HC194M1	SGS	CD74HC194M	D
M74HC194M1	SGS	CD74HC194M96	D
M74HC194P	MITSUBISHI	CD74HC194E	D
M74HC21B1N	SGS	CD74HC21E	D

3
DIRECT/HARRIS
REPLACEMENTS

NOTE: D = Direct Replacement, H = Harris Recommended Replacement.

Cross-Reference Guide

COMPETITOR #	COMPETITOR	HARRIS #	TYPE	COMPETITOR #	COMPETITOR	HARRIS #	TYPE
M74HC02DP	MITSUBISHI	CD74HC02M	D	M74HC21M1	SGS	CD74HC21M	D
M74HC02DP	MITSUBISHI	CD74HC02M96	D	M74HC21M1	SGS	CD74HC21M96	D
M74HC02M0	SGS	CD74HC02M	D	M74HC238B1R	SGS	CD74HC238E	D
M74HC02M0	SGS	CD74HC02M96	D	M74HC238M1R	SGS	CD74HC238M	D
M74HC02M1	SGS	CD74HC02M	D	M74HC238M1R	SGS	CD74HC238M96	D
M74HC02M1	SGS	CD74HC02M96	D	M74HC243B1	SGS-ATES	CD74HC243E	D
M74HC02P	MITSUBISHI	CD74HC02E	D	M74HC243B1N	SGS	CD74HC243E	D
M74HC08B1N	SGS	CD74HC08E	D	M74HC243B1R	SGS	CD74HC243E	D
M74HC08M1	SGS	CD74HC08M	D	M74HC243DP	MITSUBISHI	CD74HC243M	D
M74HC08M1	SGS	CD74HC08M96	D	M74HC243DP	MITSUBISHI	CD74HC243M96	D
M74HC109B1R	SGS	CD74HC109E	D	M74HC243M1	SGS	CD74HC243M	D
M74HC109M1R	SGS	CD74HC109M	D	M74HC243M1	SGS	CD74HC243M96	D
M74HC109M1R	SGS	CD74HC109M96	D	M74HC243M1R	SGS	CD74HC243M	D
M74HC125B1N	SGS	CD74HC125E	D	M74HC243M1R	SGS	CD74HC243M96	D
M74HC125M0	SGS	CD74HC125M	D	M74HC243P	MITSUBISHI	CD74HC243E	D
M74HC125M0	SGS	CD74HC125M96	D	M74HC245-1DWP	MITSUBISHI	CD74HC245M	D
M74HC125M1	SGS	CD74HC125M	D	M74HC245-1DWP	MITSUBISHI	CD74HC245M96	D
M74HC125M1	SGS	CD74HC125M96	D	M74HC245-1P	MITSUBISHI	CD74HC245E	D
M74HC126B1N	SGS	CD74HC126E	D	M74HC245B1	SGS-ATES	CD74HC245E	D
M74HC126M1	SGS	CD74HC126M	D	M74HC245B1N	SGS	CD74HC245E	D
M74HC245B1R	SGS	CD74HC245E	D	M74HC4060M1	SGS	CD74HC4060M	D
M74HC245DWP	MITSUBISHI	CD74HC245M	D	M74HC4060M1	SGS	CD74HC4060M96	D
M74HC245DWP	MITSUBISHI	CD74HC245M96	D	M74HC4060M1R	SGS	CD74HC4060M	D
M74HC245M1	SGS	CD74HC245M	D	M74HC4060M1R	SGS	CD74HC4060M96	D
M74HC245M1	SGS	CD74HC245M96	D	M74HC4075B1N	SGS	CD74HC4075E	D
M74HC245M1R	SGS	CD74HC245M	D	M74HC4075M1	SGS	CD74HC4075M	D
M74HC245M1R	SGS	CD74HC245M96	D	M74HC4075M1	SGS	CD74HC4075M96	D
M74HC245P	MITSUBISHI	CD74HC245E	D	M74HC42DP	MITSUBISHI	CD74HC42M	D
M74HC251B1N	SGS-ATES	CD74HC251E	H	M74HC42P	MITSUBISHI	CD74HC42E	D
M74HC259DP	MITSUBISHI	CD74HC259M	D	M74HC4518B1R	SGS	CD74HC4518E	D
M74HC259DP	MITSUBISHI	CD74HC259M96	D	M74HC4520B1R	SGS	CD74HC4520E	D
M74HC259P	MITSUBISHI	CD74HC259E	D	M74HC4520M1R	SGS	CD74HC4520M	D
M74HC280B1R	SGS	CD74HC280E	D	M74HC4520M1R	SGS	CD74HC4520M96	D
M74HC280M1R	SGS	CD74HC280M96	D	M74HC4538B1	SGS-ATES	CD74HC4538E	D
M74HC32B1N	SGS	CD74HC32E	D	M74HC4538B1R	SGS	CD74HC4538E	D
M74HC32M1	SGS	CD74HC32M	D	M74HC4538DP	MITSUBISHI	CD74HC4538M	D
M74HC32M1	SGS	CD74HC32M96	D	M74HC4538DP	MITSUBISHI	CD74HC4538M96	D
M74HC374B1R	SGS	CD74HC374E	D	M74HC4538M1R	SGS	CD74HC4538M	D
M74HC374M1R	SGS	CD74HC374M	D	M74HC4538M1R	SGS	CD74HC4538M96	D
M74HC374M1R	SGS	CD74HC374M96	D	M74HC4538P	MITSUBISHI	CD74HC4538E	D
M74HC4002B1R	SGS	CD74HC4002E	D	M74HC534B1R	SGS	CD74HC534E	D
M74HC4002M1R	SGS	CD74HC4002M	D	M74HC541B1N	SGS	CD74HC541E	D
M74HC4002M1R	SGS	CD74HC4002M96	D	M74HC541DWP	MITSUBISHI	CD74HC541M	D
M74HC4024B1N	SGS	CD74HC4024E	D	M74HC541DWP	MITSUBISHI	CD74HC541M96	D
M74HC4024M1	SGS	CD74HC4024M	D	M74HC541P	MITSUBISHI	CD74HC541E	D
M74HC4024M1	SGS	CD74HC4024M96	D	M74HC564B1R	SGS	CD74HC564E	D
M74HC4049B1N	SGS	CD74HC4049E	D	M74HC564M1R	SGS	CD74HC564M	D
M74HC4049M1	SGS	CD74HC4049M	D	M74HC573B1N	SGS	CD74HC573E	D
M74HC4049M1	SGS	CD74HC4049M96	D	M74HC573M1	SGS	CD74HC573M	D
M74HC4050B1N	SGS	CD74HC4050E	D	M74HC574B1R	SGS	CD74HC574E	D
M74HC4050M1	SGS	CD74HC4050M	D	M74HC574M1R	SGS	CD74HC574M	D
M74HC4050M1	SGS	CD74HC4050M96	D	M74HC574M1R	SGS	CD74HC574M96	D
M74HC4051B1	SGS-ATES	CD74HC4051E	D	M74HC640B1R	SGS	CD74HC640E	D
M74HC4051B1R	SGS	CD74HC4051E	D	M74HC640M1R	SGS	CD74HC640M	D
M74HC4051DP	MITSUBISHI	CD74HC4051M	D	M74HC7266B1N	SGS	CD74HC7266E	D
M74HC4051DP	MITSUBISHI	CD74HC4051M96	D	M74HC7266M1	SGS	CD74HC7266M	D
M74HC4051M1R	SGS	CD74HC4051M	D	M74HC7266M1	SGS	CD74HC7266M96	D
M74HC4051M1R	SGS	CD74HC4051M96	D	M74HC86B1N	SGS	CD74HC86E	D

NOTE: D = Direct Replacement, H = Harris Recommended Replacement.

Cross-Reference Guide

COMPETITOR #	COMPETITOR	HARRIS #	TYPE	COMPETITOR #	COMPETITOR	HARRIS #	TYPE
M74HC4051P	MITSUBISHI	CD74HC4051E	D	M74HC86DP	MITSUBISHI	CD74HC86M	D
M74HC4052B1	SGS-ATES	CD74HC4052E	D	M74HC86DP	MITSUBISHI	CD74HC86M96	D
M74HC4052B1R	SGS	CD74HC4052E	D	M74HC86M1	SGS	CD74HC86M	D
M74HC4052DP	MITSUBISHI	CD74HC4052M	D	M74HC86M1	SGS	CD74HC86M96	D
M74HC4052DP	MITSUBISHI	CD74HC4052M96	D	M74HC86P	MITSUBISHI	CD74HC86E	D
M74HC4052M1R	SGS	CD74HC4052M	D	NBP6060	FAIRCHILD	HUF75329S3S	H
M74HC4052M1R	SGS	CD74HC4052M96	D	NDB7050	FAIRCHILD	HUF75337S3S	H
M74HC4052P	MITSUBISHI	CD74HC4052E	D	NDB7061	FAIRCHILD	HUF75333S3S	H
M74HC4053B1	SGS-ATES	CD74HC4053E	D	NDP6050	FAIRCHILD	HUF75329P3	H
M74HC4053B1R	SGS	CD74HC4053E	D	NDP6060	FAIRCHILD	HUF75329P3	H
M74HC4053DP	MITSUBISHI	CD74HC4053M	D	NDP7050	FAIRCHILD	HUF75337P3	H
M74HC4053DP	MITSUBISHI	CD74HC4053M96	D	NDP7061	FAIRCHILD	HUF75333P3	H
M74HC4053M1R	SGS	CD74HC4053M	D	NE555D	SGS	CA0555CM	D
M74HC4053M1R	SGS	CD74HC4053M96	D	NE555D	SGS	CA0555CM96	D
M74HC4053P	MITSUBISHI	CD74HC4053E	D	NE555H	SIGNETICS	CA0555CT	D
M74HC4060B1N	SGS	CD74HC4060E	D	NE555N	SGS	CA0555CE	D
M74HC4060B1R	SGS	CD74HC4060E	D	NE555N	SGS	LM555CN	D
NE555N	SGS	NE555N	D	N80C86AL-2	INTEL	CS80C86-2	D
NE555T	TI	CA0555CT	D	N80C86AL-2 SX022	INTEL	CS80C86-2	D
NE555V	AMD	CA0555CE	D	N80286-12	INTEL	CS80C286-12	H
NE555V	AMD	LM555CN	D	N80286-16	INTEL	CS80C286-16	H
NE555V	AMD	NE555N	D	N8086	INTEL	CS80C86	H
NJM3524D	NJR	CA3524E	H	N8086-2	INTEL	CS80C86-2	H
NJM723D	NJR	CA0723E	H	N8088	INTEL	CS80C88	H
NJM723T	NJR	CA0723T	H	N8088-2	INTEL	CS80C88-2	H
NJU211D	NJR	DG211CJ	D	N82C37A	INTEL	CS82C37A	H
NJU211M	NJR	DG211CY	D	N82C37A-12	INTEL	CS82C37A-12	D
NJU4051BD	NJR	CD4051BE	D	N82C37A-5	INTEL	CS82C37A-5	H
NJU4052BD	NJR	CD4052BE	D	N82C54	AMD	CS82C54	D
NJU4053BD	NJR	CD4053BE	D	N82C54	INTEL	CS82C54	H
NJU4066BD	NJR	CD4066BE	D	N82C54-10	AMD	CS82C54-10	D
NJU7660D	NJR	ICL7660CPA	H	N82C54-12	INTEL	CS82C54-12	H
NJU7660M	NJR	ICL7660CBA	H	N82C54-2	AMD	CS82C54-10	D
NJU7662D	NJR	ICL7662CPA	H	N82C55A	INTEL	CS82C55A	D
NMC6504J-2/883	NATIONAL	HM1-6504/883	D	N82C55A-2	INTEL	CS82C55A	D
NMC6504J-2/883	NATIONAL	8102405VA	D	N82C55A-5	INTEL	CS82C55A-5	H
NMC6504J-2/883B	NATIONAL	HM1-6504/883	D	N82C55A2	INTEL	CS82C55A	D
NMC6504J-2/883B	NATIONAL	8102405VA	D	N82C59A	INTEL	CS82C59A	H
NMC6508BJ-2/883	NATIONAL	HM1-6508B/883	D	N82C59A-2	INTEL	CS82C59A	D
NMC6508BJ-2/883B	NATIONAL	HM1-6508B/883	D	N82C59A-5	INTEL	CS82C59A-5	H
NMC6508BJ-9	NATIONAL	HM1-6508B-9	D	N82C88	INTEL	CS82C88	D
NMC6508J-2/883	NATIONAL	HM1-6508/883	D	OPA445AP	ADI	HA7-2645-5	H
NMC6508J-2/883B	NATIONAL	HM1-6508/883	D	OPA445BM	ADI	HA2-2640-2	H
NMC6508J-9	NATIONAL	HM1-6508-9	D	OPA445SM	ADI	HA2-2640-2	H
NMC6514J-2/883	NATIONAL	HM1-6514/883	D	OPA623AU	BURR-BROWN	HFA1105IB	H
NMC6514J-2/883	NATIONAL	8102406VA	D	OPA633AH	BURR-BROWN	HA2-5033-2	H
NMC6514J-2/883B	NATIONAL	HM1-6514/883	D	OPA633KP	BURR-BROWN	HA3-5033-5	H
NMC6514J-2/883B	NATIONAL	8102406VA	D	OPA633SH	BURR-BROWN	HA2-5033-5	H
NMC6518BJ-9	NATIONAL	HM1-6518B-9	D	OPA644H	BURR-BROWN	HFA1100IJ	H
NMC6518J-2/883	NATIONAL	HM1-6518/883	D	OPA644HB	BURR-BROWN	HFA1100IJ	H
NMC6518J-2/883B	NATIONAL	HM1-6518/883	D	OPA644P	BURR-BROWN	HFA1100IP	H
NMC6518J-9	NATIONAL	HM1-6518-9	D	OPA644PB	BURR-BROWN	HFA1100IP	H
NMC6551BJ-2/883	NATIONAL	HM1-6551B/883	D	OPA644U	BURR-BROWN	HFA1100IB	H
NMC6551BJ-2/883B	NATIONAL	HM1-6551B/883	D	OPA644UB	BURR-BROWN	HFA1100IB	H
NMC6551BJ-9	NATIONAL	HM1-6551B-9	D	OPA648H	BURR-BROWN	HFA1100IJ	H
NMC6551J-2/883	NATIONAL	HM1-6551/883	D	OPA648P	BURR-BROWN	HFA1100IP	H
NMC6551J-2/883B	NATIONAL	HM1-6551/883	D	OPA648U	BURR-BROWN	HFA1100IB	H
NMC6551J-9	NATIONAL	HM1-6551-9	D	OPA658P	BURR-BROWN	HFA1100IP	H

3
DIRECT/HARRIS
REPLACEMENTS

NOTE: D = Direct Replacement, H = Harris Recommended Replacement.

Cross-Reference Guide

COMPETITOR #	COMPETITOR	HARRIS #	TYPE	COMPETITOR #	COMPETITOR	HARRIS #	TYPE
N80C286-12	AMD	CS80C286-12	D	OPA658P	BURR-BROWN	HFA1105IP	H
N80C286-12	AMD	CS80C286-1296	D	OPA658PB	BURR-BROWN	HFA1100IP	H
N80C286-12	INTEL	CS80C286-12	H	OPA658PB	BURR-BROWN	HFA1105IP	H
N80C286-16	AMD	CS80C286-16	D	OPA658U	BURR-BROWN	HFA1100IB	H
N80C286-16	AMD	CS80C286-1696	D	OPA658U	BURR-BROWN	HFA1105IB	H
N80C286-20	AMD	CS80C286-20	D	OPA658UB	BURR-BROWN	HFA1100IB	H
N80C286-20	AMD	CS80C286-2096	D	OPA658UB	BURR-BROWN	HFA1105IB	H
N80C286-25	AMD	CS80C286-25	D	OP02CZ	ADI	CA0741CE	H
N80C286-25	AMD	CS80C286-2596	D	OP02DJ	ADI	CA0741CT	H
N80C86	INTEL	CS80C86	D	OP02Z	ADI	CA0741E	H
N80C86 S40251	INTEL	CS80C86	D	OP07CP	ADI	HA3-5127A-5	H
N80C86-2	INTEL	CS80C86-2	D	OP07CP	MAXIM	HA3-5127A-5	H
N80C86AL	INTEL	CS80C86	D	OP07DP	ADI	HA3-5127A-5	H
N80C86AL SX020	INTEL	CS80C86	D	OP11ARC/883C	ADI	HA4-4741/883	H
OP11BIFY	ADI	HA1-4741-7	H	PC40N800SM	GI	IRF221	D
OP11BY	ADI	HA1-4741-2	H	PC74HCT03P	PHILIPS	CD74HCT03E	D
OP11BY/883C	ADI	HA1-4741/883	H	PC74HCT03T	PHILIPS	CD74HCT03M	D
OP11FY	ADI	HA1-4741-5	H	PC74HCT03T	PHILIPS	CD74HCT03M96	D
OP11GP	ADI	HA3-4741-5	H	PC74HCT03T-T	PHILIPS	CD74HCT03M	D
OP14CJ	ADI	CA1458T	H	PC74HCT03T-T	PHILIPS	CD74HCT03M96	D
OP14DP	ADI	CA1458E	H	PC74HCT04P	PHILIPS	CD74HCT04E	D
OP14J	ADI	CA1558T	H	PC74HCT04T	PHILIPS	CD74HCT04M	D
OP14Z	ADI	CA1558E	H	PC74HCT04T	PHILIPS	CD74HCT04M96	D
OP160GP	ADI	HA3-5020-9	H	PC74HCT04T-T	PHILIPS	CD74HCT04M	D
OP160GS	ADI	HA9P5020-5	H	PC74HCT04T-T	PHILIPS	CD74HCT04M96	D
OP177FZ	ADI	HA7-5130-5	H	PC74HCT08P	PHILIPS	CD74HCT08E	D
OP177GP	ADI	HA3-5177-5	H	PC74HCT08T	PHILIPS	CD74HCT08M	D
OP177GZ	ADI	HA7-5135-5	H	PC74HCT08T	PHILIPS	CD74HCT08M96	D
OP215BY	ADI	CA3240AE1	H	PC74HCT08T-T	PHILIPS	CD74HCT08M	D
OP215BZ	ADI	CA3240AE	H	PC74HCT08T-T	PHILIPS	CD74HCT08M96	D
OP215CY	ADI	CA3240E1	H	PC74HCT10P	PHILIPS	CD74HCT10E	D
OP215CZ	ADI	CA3240E	H	PC74HCT10T	PHILIPS	CD74HCT10M	D
OP215GZ	ADI	CA3240AE	H	PC74HCT10T	PHILIPS	CD74HCT10M96	D
OP221AZ	ADI	CA0158AE	H	PC74HCT10T-T	PHILIPS	CD74HCT10M	D
OP221CJ	ADI	CA0158AT	H	PC74HCT10T-T	PHILIPS	CD74HCT10M96	D
OP221GJ	ADI	CA0258AT	H	PC74HCT109P	PHILIPS	CD74HCT109E	D
OP221GP	ADI	CA0258AE	H	PC74HCT109T	PHILIPS	CD74HCT109M	D
OP221GP	ADI	CA0358AE	H	PC74HCT109T	PHILIPS	CD74HCT109M96	D
OP221GP	ADI	CA2904E	H	PC74HCT109T-T	PHILIPS	CD74HCT109M	D
OP27BRC/883C	ADI	HA4-5127/883	H	PC74HCT109T-T	PHILIPS	CD74HCT109M96	D
OP27BZ/883C	ADI	HA7-5127/883	H	PC74HCT125P	PHILIPS	CD74HCT125E	D
OP27EZ	ADI	HA7-5127A-2	H	PC74HCT125T	PHILIPS	CD74HCT125M	D
OP27GP	ADI	HA3-5127A-5	H	PC74HCT125T	PHILIPS	CD74HCT125M96	D
OP270AZ	ADI	HA7-5102-2	H	PC74HCT125T-T	PHILIPS	CD74HCT125M	D
OP270AZ/883C	ADI	HA7-5102/883	H	PC74HCT125T-T	PHILIPS	CD74HCT125M96	D
OP270GP	ADI	HA3-5102-5	H	PC74HCT126P	PHILIPS	CD74HCT126E	D
OP37B/883C	ADI	HA7-5137/883	H	PC74HCT126T	PHILIPS	CD74HCT126M	D
OP37BRC/883C	ADI	HA4-5137/883	H	PC74HCT126T	PHILIPS	CD74HCT126M96	D
OP37CJ/883C	ADI	HA2-5137/883	H	PC74HCT126T-T	PHILIPS	CD74HCT126M	D
OP400AY/883C	ADI	HA1-5134/883	H	PC74HCT126T-T	PHILIPS	CD74HCT126M96	D
OP400FY	ADI	HA1-5134-5	H	PC74HCT132P	PHILIPS	CD74HCT132E	D
OP470AY	ADI	HA1-5104-2	H	PC74HCT132T	PHILIPS	CD74HCT132M	D
OP470AY/883C	ADI	HA1-5104/883	H	PC74HCT132T	PHILIPS	CD74HCT132M96	D
OP470EY	ADI	HA1-5104-5	H	PC74HCT132T-T	PHILIPS	CD74HCT132M	D
OP470FY	ADI	HA1-5104-5	H	PC74HCT132T-T	PHILIPS	CD74HCT132M96	D
OP470GP	ADI	HA3-5104-5	H	PC74HCT139P	PHILIPS	CD74HCT139E	D
OP470GS	ADI	HA9P5104-5	H	PC74HCT139T	PHILIPS	CD74HCT139M	D
OP64ARC/883C	ADI	HA4-5190/883	H	PC74HCT139T	PHILIPS	CD74HCT139M96	D

NOTE: D = Direct Replacement, H = Harris Recommended Replacement.

Cross-Reference Guide

COMPETITOR #	COMPETITOR	HARRIS #	TYPE	COMPETITOR #	COMPETITOR	HARRIS #	TYPE
OP64AZ	ADI	HA7-2620-2	H	PC74HCT139T-T	PHILIPS	CD74HCT139M	D
OP64AZ	ADI	HA7-2622-2	H	PC74HCT139T-T	PHILIPS	CD74HCT139M96	D
OP64AZ/883C	ADI	HA7-2620/883	H	PC74HCT14P	PHILIPS	CD74HCT14E	D
OP64AZ/883C	ADI	HA7-2622/883	H	PC74HCT14T	PHILIPS	CD74HCT14M	D
OP64FZ	ADI	HA7-2625-5	H	PC74HCT14T	PHILIPS	CD74HCT14M96	D
OP64GP	ADI	HA3-2625-5	H	PC74HCT14T-T	PHILIPS	CD74HCT14M	D
OP77BJ/883C	ADI	HA2-5135/883	H	PC74HCT14T-T	PHILIPS	CD74HCT14M96	D
OP77BJ/883C	ADI	HA2-5177/883	H	PC74HCT147P	PHILIPS	CD74HCT147E	D
OP77BRC/883C	ADI	HA4-5177/883	H	PC74HCT151P	PHILIPS	CD74HCT151E	D
OP77FZ	ADI	HA7-5177-5	H	PC74HCT151T	PHILIPS	CD74HCT151M	D
PC40N800HM	GI	IRF221	D	PC74HCT151T	PHILIPS	CD74HCT151M96	D
PC74HCT151T-T	PHILIPS	CD74HCT151M	D	PC74HCT257T	PHILIPS	CD74HCT257M96	D
PC74HCT151T-T	PHILIPS	CD74HCT151M96	D	PC74HCT257T-T	PHILIPS	CD74HCT257M	D
PC74HCT153P	PHILIPS	CD74HCT153E	D	PC74HCT257T-T	PHILIPS	CD74HCT257M96	D
PC74HCT153T	PHILIPS	CD74HCT153M	D	PC74HCT258P	PHILIPS	CD74HCT258E	D
PC74HCT153T	PHILIPS	CD74HCT153M96	D	PC74HCT259P	PHILIPS	CD74HCT259E	D
PC74HCT153T-T	PHILIPS	CD74HCT153M	D	PC74HCT259T	PHILIPS	CD74HCT259M	D
PC74HCT153T-T	PHILIPS	CD74HCT153M96	D	PC74HCT259T	PHILIPS	CD74HCT259M96	D
PC74HCT154P	PHILIPS	CD74HCT154E	D	PC74HCT259T-T	PHILIPS	CD74HCT259M	D
PC74HCT154T	PHILIPS	CD74HCT154M	D	PC74HCT259T-T	PHILIPS	CD74HCT259M96	D
PC74HCT154T-T	PHILIPS	CD74HCT154M	D	PC74HCT27P	PHILIPS	CD74HCT27E	D
PC74HCT164P	PHILIPS	CD74HCT164E	D	PC74HCT27T	PHILIPS	CD74HCT27M	D
PC74HCT164T	PHILIPS	CD74HCT164M	D	PC74HCT27T	PHILIPS	CD74HCT27M96	D
PC74HCT164T	PHILIPS	CD74HCT164M96	D	PC74HCT27T-T	PHILIPS	CD74HCT27M	D
PC74HCT164T-T	PHILIPS	CD74HCT164M	D	PC74HCT27T-T	PHILIPS	CD74HCT27M96	D
PC74HCT164T-T	PHILIPS	CD74HCT164M96	D	PC74HCT280P	PHILIPS	CD74HCT280E	D
PC74HCT166P	PHILIPS	CD74HCT166E	D	PC74HCT297P	PHILIPS	CD74HCT297E	D
PC74HCT166T	PHILIPS	CD74HCT166M	D	PC74HCT299P	PHILIPS	CD74HCT299E	D
PC74HCT166T	PHILIPS	CD74HCT166M96	D	PC74HCT299T	PHILIPS	CD74HCT299M	D
PC74HCT166T-T	PHILIPS	CD74HCT166M	D	PC74HCT299T-T	PHILIPS	CD74HCT299M	D
PC74HCT166T-T	PHILIPS	CD74HCT166M96	D	PC74HCT30P	PHILIPS	CD74HCT30E	D
PC74HCT175P	PHILIPS	CD74HCT175E	D	PC74HCT30T	PHILIPS	CD74HCT30M	D
PC74HCT175T	PHILIPS	CD74HCT175M	D	PC74HCT30T	PHILIPS	CD74HCT30M96	D
PC74HCT175T	PHILIPS	CD74HCT175M96	D	PC74HCT30T-T	PHILIPS	CD74HCT30M	D
PC74HCT175T-T	PHILIPS	CD74HCT175M	D	PC74HCT30T-T	PHILIPS	CD74HCT30M96	D
PC74HCT175T-T	PHILIPS	CD74HCT175M96	D	PC74HCT32P	PHILIPS	CD74HCT32E	D
PC74HCT194P	PHILIPS	CD74HCT194E	D	PC74HCT32T	PHILIPS	CD74HCT32M	D
PC74HCT20P	PHILIPS	CD74HCT20E	D	PC74HCT32T	PHILIPS	CD74HCT32M96	D
PC74HCT20T	PHILIPS	CD74HCT20M	D	PC74HCT32T-T	PHILIPS	CD74HCT32M	D
PC74HCT20T	PHILIPS	CD74HCT20M96	D	PC74HCT32T-T	PHILIPS	CD74HCT32M96	D
PC74HCT20T-T	PHILIPS	CD74HCT20M	D	PC74HCT356P	PHILIPS	CD74HCT356E	D
PC74HCT20T-T	PHILIPS	CD74HCT20M96	D	PC74HCT356T	PHILIPS	CD74HCT356M96	D
PC74HCT21P	PHILIPS	CD74HCT21E	D	PC74HCT356T-T	PHILIPS	CD74HCT356M96	D
PC74HCT21T	PHILIPS	CD74HCT21M	D	PC74HCT365P	PHILIPS	CD74HCT365E	D
PC74HCT21T	PHILIPS	CD74HCT21M96	D	PC74HCT365T	PHILIPS	CD74HCT365M	D
PC74HCT21T-T	PHILIPS	CD74HCT21M	D	PC74HCT365T	PHILIPS	CD74HCT365M96	D
PC74HCT21T-T	PHILIPS	CD74HCT21M96	D	PC74HCT365T-T	PHILIPS	CD74HCT365M	D
PC74HCT237P	PHILIPS	CD74HCT237E	D	PC74HCT365T-T	PHILIPS	CD74HCT365M96	D
PC74HCT238P	PHILIPS	CD74HCT238E	D	PC74HCT373P	PHILIPS	CD74HCT373E	D
PC74HCT238T	PHILIPS	CD74HCT238M	D	PC74HCT373T	PHILIPS	CD74HCT373M	D
PC74HCT238T-T	PHILIPS	CD74HCT238M	D	PC74HCT373T	PHILIPS	CD74HCT373M96	D
PC74HCT243P	PHILIPS	CD74HCT243E	D	PC74HCT373T-T	PHILIPS	CD74HCT373M	D
PC74HCT243T	PHILIPS	CD74HCT243M	D	PC74HCT373T-T	PHILIPS	CD74HCT373M96	D
PC74HCT243T-T	PHILIPS	CD74HCT243M	D	PC74HCT377P	PHILIPS	CD74HCT377E	D
PC74HCT251P	PHILIPS	CD74HCT251E	D	PC74HCT377T	PHILIPS	CD74HCT377M	D
PC74HCT251T	PHILIPS	CD74HCT251M	D	PC74HCT377T	PHILIPS	CD74HCT377M96	D
PC74HCT251T	PHILIPS	CD74HCT251M96	D	PC74HCT377T-T	PHILIPS	CD74HCT377M	D
PC74HCT251T-T	PHILIPS	CD74HCT251M	D	PC74HCT377T-T	PHILIPS	CD74HCT377M96	D

3
**DIRECT/HARRIS
REPLACEMENTS**

NOTE: D = Direct Replacement, H = Harris Recommended Replacement.

Cross-Reference Guide

COMPETITOR #	COMPETITOR	HARRIS #	TYPE	COMPETITOR #	COMPETITOR	HARRIS #	TYPE
PC74HCT251T-T	PHILIPS	CD74HCT251M96	D	PC74HCT390P	PHILIPS	CD74HCT390E	D
PC74HCT253P	PHILIPS	CD74HCT253E	D	PC74HCT390T	PHILIPS	CD74HCT390M	D
PC74HCT253T	PHILIPS	CD74HCT253M	D	PC74HCT390T-T	PHILIPS	CD74HCT390M96	D
PC74HCT253T	PHILIPS	CD74HCT253M96	D	PC74HCT390T-T	PHILIPS	CD74HCT390M96	D
PC74HCT253T-T	PHILIPS	CD74HCT253M	D	PC74HCT393P	PHILIPS	CD74HCT393E	D
PC74HCT253T-T	PHILIPS	CD74HCT253M96	D	PC74HCT393T	PHILIPS	CD74HCT393M	D
PC74HCT257P	PHILIPS	CD74HCT257E	D	PC74HCT393T	PHILIPS	CD74HCT393M96	D
PC74HCT257T	PHILIPS	CD74HCT257M	D	PC74HC04T-T	PHILIPS	CD74HC04M96	D
PC74HCT393T-T	PHILIPS	CD74HCT393M	D	PC74HC08P	PHILIPS	CD74HC08E	D
PC74HCT393T-T	PHILIPS	CD74HCT393M96	D	PC74HC08T	PHILIPS	CD74HC08M	D
PC74HCT40103P	PHILIPS	CD74HCT40103E	D	PC74HC08T	PHILIPS	CD74HC08M96	D
PC74HCT40103T	PHILIPS	CD74HCT40103M	D	PC74HC08T-T	PHILIPS	CD74HC08M	D
PC74HCT40103T	PHILIPS	CD74HCT40103M96	D	PC74HC08T-T	PHILIPS	CD74HC08M96	D
PC74HCT40103T-T	PHILIPS	CD74HCT40103M	D	PC74HC11P	PHILIPS	CD74HC11E	D
PC74HCT40103T-T	PHILIPS	CD74HCT40103M96	D	PC74HC11T	PHILIPS	CD74HC11M	D
PC74HCT40105P	PHILIPS	CD74HCT40105E	D	PC74HC11T	PHILIPS	CD74HC11M96	D
PC74HCT40105T	PHILIPS	CD74HCT40105M	D	PC74HC11T-T	PHILIPS	CD74HC11M	D
PC74HCT40105T	PHILIPS	CD74HCT40105M96	D	PC74HC11T-T	PHILIPS	CD74HC11M96	D
PC74HCT40105T-T	PHILIPS	CD74HCT40105M	D	PC74HC132P	PHILIPS	CD74HC132E	D
PC74HCT40105T-T	PHILIPS	CD74HCT40105M96	D	PC74HC132T	PHILIPS	CD74HC132M	D
PC74HCT4060P	PHILIPS	CD74HCT4060E	D	PC74HC132T	PHILIPS	CD74HC132M96	D
PC74HCT4060T	PHILIPS	CD74HCT4060M	D	PC74HC132T-T	PHILIPS	CD74HC132M	D
PC74HCT4060T	PHILIPS	CD74HCT4060M96	D	PC74HC132T-T	PHILIPS	CD74HC132M96	D
PC74HCT4060T-T	PHILIPS	CD74HCT4060M	D	PC74HC138P	PHILIPS	CD74HC138E	D
PC74HCT4060T-T	PHILIPS	CD74HCT4060M96	D	PC74HC138T	PHILIPS	CD74HC138M	D
PC74HCT4094P	PHILIPS	CD74HCT4094E	D	PC74HC138T	PHILIPS	CD74HC138M96	D
PC74HCT4094T	PHILIPS	CD74HCT4094M	D	PC74HC138T-T	PHILIPS	CD74HC138M	D
PC74HCT4094T	PHILIPS	CD74HCT4094M96	D	PC74HC138T-T	PHILIPS	CD74HC138M96	D
PC74HCT4094T-T	PHILIPS	CD74HCT4094M	D	PC74HC139P	PHILIPS	CD74HC139E	D
PC74HCT4094T-T	PHILIPS	CD74HCT4094M96	D	PC74HC139T	PHILIPS	CD74HC139M	D
PC74HCT42P	PHILIPS	CD74HCT42E	D	PC74HC139T	PHILIPS	CD74HC139M96	D
PC74HCT423P	PHILIPS	CD74HCT423E	D	PC74HC139T-T	PHILIPS	CD74HC139M	D
PC74HCT423T	PHILIPS	CD74HCT423M96	D	PC74HC139T-T	PHILIPS	CD74HC139M96	D
PC74HCT423T-T	PHILIPS	CD74HCT423M96	D	PC74HC147P	PHILIPS	CD74HC147E	D
PC74HCT4316P	PHILIPS	CD74HCT4316E	D	PC74HC147T	PHILIPS	CD74HC147M	D
PC74HCT4316T	PHILIPS	CD74HCT4316M	D	PC74HC147T	PHILIPS	CD74HC147M96	D
PC74HCT4316T	PHILIPS	CD74HCT4316M96	D	PC74HC147T-T	PHILIPS	CD74HC147M	D
PC74HCT4316T-T	PHILIPS	CD74HCT4316M	D	PC74HC147T-T	PHILIPS	CD74HC147M96	D
PC74HCT4316T-T	PHILIPS	CD74HCT4316M96	D	PC74HC157P	PHILIPS	CD74HC157E	D
PC74HCT4351P	PHILIPS	CD74HCT4351E	D	PC74HC157T	PHILIPS	CD74HC157M	D
PC74HCT533P	PHILIPS	CD74HCT533E	D	PC74HC157T	PHILIPS	CD74HC157M96	D
PC74HCT597P	PHILIPS	CD74HCT597E	D	PC74HC157T-T	PHILIPS	CD74HC157M	D
PC74HCT597T	PHILIPS	CD74HCT597M	D	PC74HC157T-T	PHILIPS	CD74HC157M96	D
PC74HCT597T	PHILIPS	CD74HCT597M96	D	PC74HC164P	PHILIPS	CD74HC164E	D
PC74HCT597T-T	PHILIPS	CD74HCT597M	D	PC74HC164T	PHILIPS	CD74HC164M	D
PC74HCT597T-T	PHILIPS	CD74HCT597M96	D	PC74HC164T	PHILIPS	CD74HC164M96	D
PC74HCT75P	PHILIPS	CD74HCT75E	D	PC74HC164T-T	PHILIPS	CD74HC164M	D
PC74HCT75T	PHILIPS	CD74HCT75M	D	PC74HC164T-T	PHILIPS	CD74HC164M96	D
PC74HCT75T-T	PHILIPS	CD74HCT75M	D	PC74HC165P	PHILIPS	CD74HC165E	D
PC74HCT86P	PHILIPS	CD74HCT86E	D	PC74HC165T	PHILIPS	CD74HC165M	D
PC74HCT86T	PHILIPS	CD74HCT86M	D	PC74HC165T	PHILIPS	CD74HC165M96	D
PC74HCT86T	PHILIPS	CD74HCT86M96	D	PC74HC165T-T	PHILIPS	CD74HC165M	D
PC74HCT86T-T	PHILIPS	CD74HCT86M	D	PC74HC165T-T	PHILIPS	CD74HC165M96	D
PC74HCT86T-T	PHILIPS	CD74HCT86M96	D	PC74HC173P	PHILIPS	CD74HC173E	D
PC74HCT93P	PHILIPS	CD74HCT93E	D	PC74HC173T	PHILIPS	CD74HC173M	D
PC74HCU04P	PHILIPS	CD74HCU04E	D	PC74HC173T	PHILIPS	CD74HC173M96	D
PC74HCU04T	PHILIPS	CD74HCU04M	D	PC74HC173T-T	PHILIPS	CD74HC173M	D
PC74HCU04T	PHILIPS	CD74HCU04M96	D				

NOTE: D = Direct Replacement, H = Harris Recommended Replacement.

Cross-Reference Guide

COMPETITOR #	COMPETITOR	HARRIS #	TYPE	COMPETITOR #	COMPETITOR	HARRIS #	TYPE
PC74HC00P	PHILIPS	CD74HC00E	D	PC74HC173T-T	PHILIPS	CD74HC173M96	D
PC74HC04P	PHILIPS	CD74HC04E	D	PC74HC174P	PHILIPS	CD74HC174E	D
PC74HC04T	PHILIPS	CD74HC04M	D	PC74HC174T	PHILIPS	CD74HC174M	D
PC74HC04T	PHILIPS	CD74HC04M96	D	PC74HC174T	PHILIPS	CD74HC174M96	D
PC74HC04T-T	PHILIPS	CD74HC04M	D	PC74HC174T-T	PHILIPS	CD74HC174M	D
PC74HC174T-T	PHILIPS	CD74HC174M96	D	PC74HC393T	PHILIPS	CD74HC393M96	D
PC74HC194P	PHILIPS	CD74HC194E	D	PC74HC393T-T	PHILIPS	CD74HC393M	D
PC74HC194T	PHILIPS	CD74HC194M	D	PC74HC393T-T	PHILIPS	CD74HC393M96	D
PC74HC194T	PHILIPS	CD74HC194M96	D	PC74HC40103P	PHILIPS	CD74HC40103E	D
PC74HC194T-T	PHILIPS	CD74HC194M	D	PC74HC40103T	PHILIPS	CD74HC40103M	D
PC74HC194T-T	PHILIPS	CD74HC194M96	D	PC74HC40103T	PHILIPS	CD74HC40103M96	D
PC74HC21P	PHILIPS	CD74HC21E	D	PC74HC40103T-T	PHILIPS	CD74HC40103M	D
PC74HC21T	PHILIPS	CD74HC21M	D	PC74HC40103T-T	PHILIPS	CD74HC40103M96	D
PC74HC21T	PHILIPS	CD74HC21M96	D	PC74HC4051P	PHILIPS	CD74HC4051E	D
PC74HC21T-T	PHILIPS	CD74HC21M	D	PC74HC4051T	PHILIPS	CD74HC4051M	D
PC74HC21T-T	PHILIPS	CD74HC21M96	D	PC74HC4051T	PHILIPS	CD74HC4051M96	D
PC74HC243P	PHILIPS	CD74HC243E	D	PC74HC4051T-T	PHILIPS	CD74HC4051M	D
PC74HC243T	PHILIPS	CD74HC243M	D	PC74HC4051T-T	PHILIPS	CD74HC4051M96	D
PC74HC243T	PHILIPS	CD74HC243M96	D	PC74HC4052P	PHILIPS	CD74HC4052E	D
PC74HC243T-T	PHILIPS	CD74HC243M	D	PC74HC4052T	PHILIPS	CD74HC4052M	D
PC74HC243T-T	PHILIPS	CD74HC243M96	D	PC74HC4052T	PHILIPS	CD74HC4052M96	D
PC74HC245P	PHILIPS	CD74HC245E	D	PC74HC4052T-T	PHILIPS	CD74HC4052M	D
PC74HC245T	PHILIPS	CD74HC245M	D	PC74HC4052T-T	PHILIPS	CD74HC4052M96	D
PC74HC245T	PHILIPS	CD74HC245M96	D	PC74HC4053P	PHILIPS	CD74HC4053E	D
PC74HC245T-T	PHILIPS	CD74HC245M	D	PC74HC4053T	PHILIPS	CD74HC4053M	D
PC74HC245T-T	PHILIPS	CD74HC245M96	D	PC74HC4053T	PHILIPS	CD74HC4053M96	D
PC74HC253P	PHILIPS	CD74HC253E	D	PC74HC4053T-T	PHILIPS	CD74HC4053M	D
PC74HC253T	PHILIPS	CD74HC253M	D	PC74HC4053T-T	PHILIPS	CD74HC4053M96	D
PC74HC253T-T	PHILIPS	CD74HC253M	D	PC74HC4060P	PHILIPS	CD74HC4060E	D
PC74HC257P	PHILIPS	CD74HC257E	D	PC74HC4060T	PHILIPS	CD74HC4060M	D
PC74HC257T	PHILIPS	CD74HC257M	D	PC74HC4060T	PHILIPS	CD74HC4060M96	D
PC74HC257T	PHILIPS	CD74HC257M96	D	PC74HC4060T-T	PHILIPS	CD74HC4060M	D
PC74HC257T-T	PHILIPS	CD74HC257M	D	PC74HC4060T-T	PHILIPS	CD74HC4060M96	D
PC74HC257T-T	PHILIPS	CD74HC257M96	D	PC74HC42P	PHILIPS	CD74HC42E	D
PC74HC259P	PHILIPS	CD74HC259E	D	PC74HC42T	PHILIPS	CD74HC42M	D
PC74HC259T	PHILIPS	CD74HC259M	D	PC74HC42T-T	PHILIPS	CD74HC42M	D
PC74HC259T	PHILIPS	CD74HC259M96	D	PC74HC563P	PHILIPS	CD74HC563E	D
PC74HC259T-T	PHILIPS	CD74HC259M	D	PC74HC563T	PHILIPS	CD74HC563M	D
PC74HC259T-T	PHILIPS	CD74HC259M96	D	PC74HC563T-T	PHILIPS	CD74HC563M	D
PC74HC280P	PHILIPS	CD74HC280E	D	PC74HC7266P	PHILIPS	CD74HC7266E	D
PC74HC280T	PHILIPS	CD74HC280M96	D	PC74HC7266T	PHILIPS	CD74HC7266M	D
PC74HC280T-T	PHILIPS	CD74HC280M96	D	PC74HC7266T	PHILIPS	CD74HC7266M96	D
PC74HC297P	PHILIPS	CD74HC297E	D	PC74HC7266T-T	PHILIPS	CD74HC7266M	D
PC74HC30P	PHILIPS	CD74HC30E	D	PC74HC7266T-T	PHILIPS	CD74HC7266M96	D
PC74HC30T	PHILIPS	CD74HC30M	D	PC74HC86P	PHILIPS	CD74HC86E	D
PC74HC30T	PHILIPS	CD74HC30M96	D	PC74HC86T	PHILIPS	CD74HC86M	D
PC74HC30T-T	PHILIPS	CD74HC30M	D	PC74HC86T	PHILIPS	CD74HC86M96	D
PC74HC30T-T	PHILIPS	CD74HC30M96	D	PC74HC86T-T	PHILIPS	CD74HC86M	D
PC74HC32P	PHILIPS	CD74HC32E	D	PC74HC86T-T	PHILIPS	CD74HC86M96	D
PC74HC32T	PHILIPS	CD74HC32M	D	PC74HC93P	PHILIPS	CD74HC93E	D
PC74HC32T	PHILIPS	CD74HC32M96	D	PC74HC93T	PHILIPS	CD74HC93M	D
PC74HC32T-T	PHILIPS	CD74HC32M	D	PC74HC93T	PHILIPS	CD74HC93M96	D
PC74HC32T-T	PHILIPS	CD74HC32M96	D	PC74HC93T-T	PHILIPS	CD74HC93M	D
PC74HC390P	PHILIPS	CD74HC390E	D	PC74HC93T-T	PHILIPS	CD74HC93M96	D
PC74HC390T	PHILIPS	CD74HC390M	D	PHP5N20E	PHILIPS	IRF620	D
PC74HC390T	PHILIPS	CD74HC390M96	D	PI74FCT245ATS	PERICOM	CD74FCT245ATM	D
PC74HC390T-T	PHILIPS	CD74HC390M	D	PI74FCT273ATS	PERICOM	CD74FCT273ATM	D
PC74HC390T-T	PHILIPS	CD74HC390M96	D	PI74FCT373ATS	PERICOM	CD74FCT373ATM	D

3
DIRECT/HARRIS
REPLACEMENTS

NOTE: D = Direct Replacement, H = Harris Recommended Replacement.

Cross-Reference Guide

COMPETITOR #	COMPETITOR	HARRIS #	TYPE	COMPETITOR #	COMPETITOR	HARRIS #	TYPE
PC74HC393P	PHILIPS	CD74HC393E	D	PI74FCT374ATS	PERICOM	CD74FCT374ATM	D
PC74HC393T	PHILIPS	CD74HC393M	D	PI74FCT543ATS	PERICOM	CD74FCT543ATM	D
PI74FCT573ATS	PERICOM	CD74FCT573ATM	D	P74FCT245TSO	PERFORMANCE	CD74FCT245M96	D
PI74FCT574ATS	PERICOM	CD74FCT574ATM	D	P74FCT373TP	PERFORMANCE	CD74FCT373E	D
PI74FCT645ATS	PERICOM	CD74FCT245ATM	D	P74FCT373TSO	PERFORMANCE	CD74FCT373M	D
PM-139Y	ADI	CA0139F	D	P74FCT373TSO	PERFORMANCE	CD74FCT373M96	D
PM-139Y	PMI	CA0139F	D	P74FCT374ATSO	PERFORMANCE	CD74FCT374ATM96	D
PM-239Y	PMI	CA0239F	D	P74FCT374TP	PERFORMANCE	CD74FCT374E	D
PMADG202ATQ/883B	ADI	DG202AK/883B	D	P74FCT374TSO	PERFORMANCE	CD74FCT374M	D
PMAD231AR	ADI	HIN2311B	D	P74FCT374TSO	PERFORMANCE	CD74FCT374M96	D
PMAD231JR	ADI	HIN231CB	D	P74FCT540TP	PERFORMANCE	CD74FCT540E	D
PMAD232AN	ADI	HIN232IP	D	P74FCT540TSO	PERFORMANCE	CD74FCT540M	D
PMAD232AQ	ADI	HIN232IJ	D	P74FCT540TSO	PERFORMANCE	CD74FCT540M96	D
PMAD232AR	ADI	HIN232IB	D	P74FCT541TP	PERFORMANCE	CD74FCT541E	D
PMAD232AR	ADI	ICL232IBE	D	P74FCT541TSO	PERFORMANCE	CD74FCT541M	D
PMAD232AR	ADI	ICL232IBET	D	P74FCT541TSO	PERFORMANCE	CD74FCT541M96	D
PMAD232JN	ADI	HIN232CP	D	P74FCT543TP	PERFORMANCE	CD74FCT543EN	D
PMAD232JN	ADI	ICL232CPE	D	P74FCT543TSO	PERFORMANCE	CD74FCT543M	D
PMAD232JR	ADI	HIN232CB	D	P74FCT543TSO	PERFORMANCE	CD74FCT543M96	D
PMAD232JR	ADI	ICL232CBE	D	P74FCT564TP	PERFORMANCE	CD74FCT564E	D
PMAD232JR	ADI	ICL232CBET	D	P74FCT564TSO	PERFORMANCE	CD74FCT564M	D
PMAD232SQ	ADI	HIN232MJ	D	P74FCT573TP	PERFORMANCE	CD74FCT573E	D
PMAD232SQ	ADI	ICL232MJE	D	P74FCT573TSO	PERFORMANCE	CD74FCT573M	D
PMAD234AR	ADI	HIN2341B	H	P74FCT573TSO	PERFORMANCE	CD74FCT573M96	D
PMAD236AR	ADI	HIN2361B	H	P74FCT574TP	PERFORMANCE	CD74FCT574E	D
PMAD236JR	ADI	HIN236CB	H	P74FCT574TSO	PERFORMANCE	CD74FCT574M	D
PMAD237AR	ADI	HIN2371B	H	P74FCT574TSO	PERFORMANCE	CD74FCT574M96	D
PMAD238AR	ADI	HIN2381B	H	P74FCT646TP	PERFORMANCE	CD74FCT646EN	D
PMAD238JR	ADI	HIN238CB	H	P74FCT646TSO	PERFORMANCE	CD74FCT646M	D
PMAD239AR	ADI	HIN2391B	D	P74FCT646TSO	PERFORMANCE	CD74FCT646M96	D
PMAD239JR	ADI	HIN239CB	D	P74FCT651TP	PERFORMANCE	CD74FCT651EN	D
PMAD241AR	ADI	HIN2411B	D	P74FCT651TSO	PERFORMANCE	CD74FCT651M	D
PMAD241JR	ADI	HIN241CB	D	P74FCT651TSO	PERFORMANCE	CD74FCT651M96	D
PM139AY	ADI	CA0239F	H	P74FCT652TP	PERFORMANCE	CD74FCT652EN	D
PM139Y	ADI	CA0139F	D	P74FCT652TSO	PERFORMANCE	CD74FCT652M	D
PM139Y	PMI	CA0139F	D	P74FCT652TSO	PERFORMANCE	CD74FCT652M96	D
PM239P	ADI	CA0239E	H	P74PCT240ASC	PERFORMANCE	CD74FCT240ATM	D
PM239P	ADI	CA0339E	H	P80C86	INTEL	CP80C86	D
PM239Y	PMI	CA0239F	D	P80C86 S40330	INTEL	CP80C86	D
PM7521HP	ADI	AD7521JN	H	P80C86-2	INTEL	CP80C86-2	D
PM7533AQ	ADI	AD7520UD	H	P80C86A-2	INTEL	CP80C86-2	D
PM7533BQ	ADI	AD7520SD	H	P80C86AL	INTEL	CP80C86	D
PM7533EQ	ADI	AD7520KD	H	P80C86AL SX020	INTEL	CP80C86	D
PM7533FP	ADI	AD7520KN	H	P80C86AL-2	INTEL	CP80C86-2	D
PM7533FQ	ADI	AD7520JD	H	P80C86AL-2 SX022	INTEL	CP80C86-2	D
PM7533FQ	ADI	AD7520KD	H	P8086	INTEL	CP80C86	H
PM7533HP	ADI	AD7520JN	H	P8086-2	INTEL	CP80C86-2	H
PM7541FP	ADI	AD7521KN	H	P8088	INTEL	CP80C88	H
PM7541HP	ADI	AD7521JN	H	P8088-2	INTEL	CP80C88-2	H
PM7541HP	ADI	AD7521LN	H	P82C37A	INTEL	CP82C37A	H
P74FCT240ASO	PERFORMANCE	CD74FCT240ATM	D	P82C37A-12	INTEL	CP82C37A-12	H
P74FCT240TP	PERFORMANCE	CD74FCT240E	D	P82C37A-5	INTEL	CP82C37A-5	D
P74FCT240TSO	PERFORMANCE	CD74FCT240M	D	P82C37A-5 SX036	INTEL	CP82C37A-5	D
P74FCT240TSO	PERFORMANCE	CD74FCT240M96	D	P82C54	AMD	CP82C54	D
P74FCT244ASO	PERFORMANCE	CD74FCT244ATM	D	P82C54	INTEL	CP82C54	D
P74FCT245TP	PERFORMANCE	CD74FCT245E	D	P82C54-12	INTEL	CP82C54-12	D
P74FCT245TSO	PERFORMANCE	CD74FCT245M	D	P82C55A	INTEL	CP82C55A	D
P82C55A S52152	INTEL	CP82C55A	D	QS74FCT841ATP	QUALITY CON	CD74FCT841AEN	D

NOTE: D = Direct Replacement, H = Harris Recommended Replacement.

Cross-Reference Guide

COMPETITOR #	COMPETITOR	HARRIS #	TYPE	COMPETITOR #	COMPETITOR	HARRIS #	TYPE
P82C55A-2	INTEL	CP82C55A	D	QS74FCT843ATSO	QUALITY CON	CD74FCT843AM	D
P82C55A-5	INTEL	CP82C55A-5	H	QS74FCT843ATSO	QUALITY CON	CD74FCT843AM96	D
P82C55A2	INTEL	CP82C55A	D	QS74FCT861ATSO	QUALITY CON	CD74FCT861AM	D
P82C59A	INTEL	CP82C59A	H	QS74FCT861ATSO	QUALITY CON	CD74FCT861AM96	D
P82C59A-12	INTEL	CP82C59A-12	H	QS74FCT863ATSO	QUALITY CON	CD74FCT863AM	D
P82C59A-2	INTEL	CP82C59A	D	QS74FCT863ATSO	QUALITY CON	CD74FCT863AM96	D
P82C59A-5	INTEL	CP82C59A-5	H	RC3302DB	RAYTHEON	LM3302N	D
P82C59A2	INTEL	CP82C59A	D	RC555NB	RAYTHEON	CA0555CE	D
P82C88	INTEL	CP82C88	D	RC555NB	RAYTHEON	LM555CN	D
P82C88 S40308	INTEL	CP82C88	D	RC555NB	RAYTHEON	NE555N	D
P82C88-2	INTEL	CP82C88	D	RC723DB	RAYTHEON	CA0723CE	D
P82C88-2 S40374	INTEL	CP82C88	D	RC723DB	RAYTHEON	LM723CN	D
QS74FCT240TP	QUALITY CON	CD74FCT240E	D	RC723DC	RAYTHEON	CA0723CE	H
QS74FCT240TSO	QUALITY CON	CD74FCT240M	D	RC723T	RAYTHEON	CA0723CT	D
QS74FCT240TSO	QUALITY CON	CD74FCT240M96	D	RC723T	RAYTHEON	LM723CH	D
QS74FCT244A50	QUALITY CON	CD74FCT244ATM	D	RC741N	RAYTHEON	CA0741CE	D
QS74FCT244TP	QUALITY CON	CD74FCT244E	D	RC741N	RAYTHEON	LM741CN	D
QS74FCT244TSO	QUALITY CON	CD74FCT244M	D	RM555T	RAYTHEON	CA0555T	D
QS74FCT244TSO	QUALITY CON	CD74FCT244M96	D	RM723DC	RAYTHEON	CA0723CE	H
QS74FCT373TP	QUALITY CON	CD74FCT373E	D	RM723DC	RAYTHEON	LM723CN	H
QS74FCT373TSO	QUALITY CON	CD74FCT373M	D	RM723T	RAYTHEON	CA0723T	D
QS74FCT373TSO	QUALITY CON	CD74FCT373M96	D	RM723T	RAYTHEON	LM723H	D
QS74FCT374ATSO	QUALITY CON	CD74FCT374ATM96	D	SAB80286-12N	SIEMENS	CS80C286-12	H
QS74FCT374TP	QUALITY CON	CD74FCT374E	D	SAB80286-16N	SIEMENS	CS80C286-16	H
QS74FCT374TSO	QUALITY CON	CD74FCT374M	D	SAB82C37A-5-P	SIEMENS	CP82C37A-5	D
QS74FCT374TSO	QUALITY CON	CD74FCT374M96	D	SAB82C37A-5P	SIEMENS	CP82C37A-5	D
QS74FCT540TP	QUALITY CON	CD74FCT540E	D	SAB82C37A-8-P	SIEMENS	CP82C37A	D
QS74FCT540TSO	QUALITY CON	CD74FCT540M	D	SAB82C37A-8P	SIEMENS	CP82C37A	D
QS74FCT540TSO	QUALITY CON	CD74FCT540M96	D	SAB82C37B-5-P	SIEMENS	CP82C37A-5	D
QS74FCT541TP	QUALITY CON	CD74FCT541E	D	SAB82C37B-5P	SIEMENS	CP82C37A-5	D
QS74FCT541TSO	QUALITY CON	CD74FCT541M	D	SAB82C37B-8-P	SIEMENS	CP82C37A	D
QS74FCT541TSO	QUALITY CON	CD74FCT541M96	D	SAB82C37B-8P	SIEMENS	CP82C37A	D
QS74FCT543TP	QUALITY CON	CD74FCT543EN	D	SAB82C50N	SIEMENS	CS82C50A-5	H
QS74FCT543TSO	QUALITY CON	CD74FCT543M	D	SAB82C50P	SIEMENS	CP82C50A-5	H
QS74FCT543TSO	QUALITY CON	CD74FCT543M96	D	SAB82C54-P	SIEMENS	CP82C54	D
QS74FCT573TP	QUALITY CON	CD74FCT573E	D	SAB82C54P	SIEMENS	CP82C54	D
QS74FCT573TSO	QUALITY CON	CD74FCT573M	D	SAB82C55A-2P	SIEMENS	CP82C55A-5	H
QS74FCT573TSO	QUALITY CON	CD74FCT573M96	D	SAB82C59A-2-P	SIEMENS	CP82C59A	D
QS74FCT574TP	QUALITY CON	CD74FCT574E	D	SAB82C59A-2P	SIEMENS	CP82C59A	D
QS74FCT574TSO	QUALITY CON	CD74FCT574M	D	SA534D-T	PHILIPS	CA0224M	D
QS74FCT574TSO	QUALITY CON	CD74FCT574M96	D	SA534D-T	PHILIPS	CA0224M96	D
QS74FCT646TP	QUALITY CON	CD74FCT646EN	D	SA534D-T	SIGNETICS	CA0224M	D
QS74FCT646TSO	QUALITY CON	CD74FCT646M	D	SA534D-T	SIGNETICS	CA0224M96	D
QS74FCT646TSO	QUALITY CON	CD74FCT646M96	D	SA534N	PHILIPS	CA0224E	D
QS74FCT651TP	QUALITY CON	CD74FCT651EN	D	SA534N	SIGNETICS	CA0224E	D
QS74FCT651TSO	QUALITY CON	CD74FCT651M	D	SA723CN	PHILIPS	CA0723CE	H
QS74FCT651TSO	QUALITY CON	CD74FCT651M96	D	SA723CN	SIGNETICS	CA0723CE	H
QS74FCT652TP	QUALITY CON	CD74FCT652EN	D	SA723CN-B	PHILIPS	CA0723EX	H
QS74FCT652TSO	QUALITY CON	CD74FCT652M	D	SA723CN-B	SIGNETICS	CA0723CE	H
QS74FCT652TSO	QUALITY CON	CD74FCT652M96	D	SCI7660C	S-MOS SYS	ICL7662IPA	H
QS74FCT821ATP	QUALITY CON	CD74FCT821AEN	D	SCL4001BC	SLD STATE SCI	CD4001BF	D
QS74FCT821ATSO	QUALITY CON	CD74FCT821AM	D	SCL4001BD	SLD STATE SCI	CD4001BF	D
QS74FCT821ATSO	QUALITY CON	CD74FCT821AM96	D	SCL4001BE	SLD STATE SCI	CD4001BE	D
QS74FCT823ATP	QUALITY CON	CD74FCT823AEN	D	SCL4001BE	SLD STATE SCI	CD4001UBE	D
SCL4001UBC	SLD STATE SCI	CD4001BF	D	SCL4030BC	SLD STATE SCI	CD4030BF	D
SCL4001UBD	SLD STATE SCI	CD4001BF	D	SCL4030BD	SLD STATE SCI	CD4030BF	D
SCL4001UBE	SLD STATE SCI	CD4001BE	D	SCL4030BE	SLD STATE SCI	CD4030BE	D
SCL4001UBE	SLD STATE SCI	CD4001UBE	D	SCL4033ABE	SLD STATE SCI	CD4033BE	D

NOTE: D = Direct Replacement, H = Harris Recommended Replacement.

Cross-Reference Guide

COMPETITOR #	COMPETITOR	HARRIS #	TYPE	COMPETITOR #	COMPETITOR	HARRIS #	TYPE
SCL4002AE	SLD STATE SCI	CD4002BE	D	SCL4034ABE	SLD STATE SCI	CD4034BE	D
SCL4002BE	SLD STATE SCI	CD4002BE	D	SCL4034BE	SLD STATE SCI	CD4034BE	D
SCL4006ABE	SLD STATE SCI	CD4006BE	D	SCL4035BC	SLD STATE SCI	CD4035BF	D
SCL4006BE	SLD STATE SCI	CD4006BE	D	SCL4035BD	SLD STATE SCI	CD4035BF	D
SCL4007UBE	SLD STATE SCI	CD4007UBE	D	SCL4035BE	SLD STATE SCI	CD4035BE	D
SCL4009UBE	SLD STATE SCI	CD4009UBE	D	SCL4040ABC	SLD STATE SCI	CD4040BF	D
SCL4010BC	SLD STATE SCI	CD4010BF	D	SCL4040ABD	SLD STATE SCI	CD4040BF	D
SCL4010BD	SLD STATE SCI	CD4010BF	D	SCL4040ABE	SLD STATE SCI	CD4040BE	D
SCL4010BE	SLD STATE SCI	CD4010BE	D	SCL4040BC	SLD STATE SCI	CD4040BF	D
SCL4011BC	SLD STATE SCI	CD4011BF	D	SCL4040BD	SLD STATE SCI	CD4040BF	D
SCL4011BD	SLD STATE SCI	CD4011BF	D	SCL4040BE	SLD STATE SCI	CD4040BE	D
SCL4011BE	SLD STATE SCI	CD4011BE	D	SCL4041UBC	SLD STATE SCI	CD4041UBF	D
SCL4011BE	SLD STATE SCI	CD4011UBE	D	SCL4041UBD	SLD STATE SCI	CD4041UBF	D
SCL4011UBC	SLD STATE SCI	CD4011BF	D	SCL4041UBE	SLD STATE SCI	CD4041UBE	D
SCL4011UBD	SLD STATE SCI	CD4011BF	D	SCL4042BE	SLD STATE SCI	CD4042BE	D
SCL4011UBE	SLD STATE SCI	CD4011BE	D	SCL4043ABE	SLD STATE SCI	CD4043BE	D
SCL4011UBE	SLD STATE SCI	CD4011UBE	D	SCL4043BE	SLD STATE SCI	CD4043BE	D
SCL4012BE	SLD STATE SCI	CD4012BE	D	SCL4044ABE	SLD STATE SCI	CD4044BE	D
SCL4014BE	SLD STATE SCI	CD4014BE	D	SCL4044BE	SLD STATE SCI	CD4044BE	D
SCL4015BC	SLD STATE SCI	CD4015BF	D	SCL4046BE	SLD STATE SCI	CD4046BE	D
SCL4015BD	SLD STATE SCI	CD4015BF	D	SCL4047BC	SLD STATE SCI	CD4047BF	D
SCL4015BE	SLD STATE SCI	CD4015BE	D	SCL4047BE	SLD STATE SCI	CD4047BE	D
SCL4016BC	SLD STATE SCI	CD4016BF	D	SCL4049UBC	SLD STATE SCI	CD4049UBF	D
SCL4016BE	SLD STATE SCI	CD4016BE	D	SCL4049UBD	SLD STATE SCI	CD4049UBF	D
SCL4017ABE	SLD STATE SCI	CD4017BE	D	SCL4049UBE	SLD STATE SCI	CD4049UBE	D
SCL4017BE	SLD STATE SCI	CD4017BE	D	SCL4050BC	SLD STATE SCI	CD4050BF	D
SCL4018BE	SLD STATE SCI	CD4018BE	D	SCL4050BD	SLD STATE SCI	CD4050BF	D
SCL4019BC	SLD STATE SCI	CD4019BF	D	SCL4050BE	SLD STATE SCI	CD4050BE	D
SCL4019BD	SLD STATE SCI	CD4019BF	D	SCL4051BC	SLD STATE SCI	CD4051BF	D
SCL4019BE	SLD STATE SCI	CD4019BE	D	SCL4051BD	SLD STATE SCI	CD4051BF	D
SCL4020ABE	SLD STATE SCI	CD4020BE	D	SCL4051BE	SLD STATE SCI	CD4051BE	D
SCL4020BE	SLD STATE SCI	CD4020BE	D	SCL4052BC	SLD STATE SCI	CD4052BF	D
SCL4021BE	SLD STATE SCI	CD4021BE	D	SCL4052BD	SLD STATE SCI	CD4052BF	D
SCL4022ABE	SLD STATE SCI	CD4022BE	D	SCL4052BE	SLD STATE SCI	CD4052BE	D
SCL4022BE	SLD STATE SCI	CD4022BE	D	SCL4053BC	SLD STATE SCI	CD4053BF	D
SCL4023BC	SLD STATE SCI	CD4023BF	D	SCL4053BD	SLD STATE SCI	CD4053BF	D
SCL4023BC+	SLD STATE SCI	CD4023BF	D	SCL4053BE	SLD STATE SCI	CD4053BE	D
SCL4023BC++	SLD STATE SCI	CD4023BF	D	SCL4060ABC	SLD STATE SCI	CD4060BF	D
SCL4023BD	SLD STATE SCI	CD4023BF	D	SCL4060ABD	SLD STATE SCI	CD4060BF	D
SCL4023BE	SLD STATE SCI	CD4023BE	D	SCL4060ABE	SLD STATE SCI	CD4060BE	D
SCL4024ABE	SLD STATE SCI	CD4024BE	D	SCL4060BC	SLD STATE SCI	CD4060BF	D
SCL4024BE	SLD STATE SCI	CD4024BE	D	SCL4060BD	SLD STATE SCI	CD4060BF	D
SCL4026ABE	SLD STATE SCI	CD4026BE	D	SCL4060BE	SLD STATE SCI	CD4060BE	D
SCL4027BC	SLD STATE SCI	CD4027BF	D	SCL4066BC	SLD STATE SCI	CD4066BF	D
SCL4027BD	SLD STATE SCI	CD4027BF	D	SCL4066BD	SLD STATE SCI	CD4066BF	D
SCL4027BE	SLD STATE SCI	CD4027BE	D	SCL4066BE	SLD STATE SCI	CD4066BE	D
SCL4028BC	SLD STATE SCI	CD4028BF	D	SCL4066BE+	SLD STATE SCI	CD4066BEX	D
SCL4028BD	SLD STATE SCI	CD4028BF	D	SCL4066BE++	SLD STATE SCI	CD4066BEX	D
SCL4028BE	SLD STATE SCI	CD4028BE	D	SCL4069UBC	SLD STATE SCI	CD4069UBF	D
SCL4029BE	SLD STATE SCI	CD4029BE	D	SCL4069UBD	SLD STATE SCI	CD4069UBF	D
SCL4030AE	SLD STATE SCI	CD4030BE	D	SCL4069UBE	SLD STATE SCI	CD4069UBE	D
SCL4070BC	SLD STATE SCI	CD4070BF	D	SCL4527BE	SLD STATE SCI	CD4527BE	D
SCL4070BD	SLD STATE SCI	CD4070BF	D	SCL4528BC	SLD STATE SCI	CD4098BF	D
SCL4070BE	SLD STATE SCI	CD4070BE	D	SCL4528BD	SLD STATE SCI	CD4098BF	D
SCL4070BE+	SLD STATE SCI	CD4070BEX	D	SCL4528BE	SLD STATE SCI	CD4098BE	D
SCL4070BE++	SLD STATE SCI	CD4070BEX	D	SCL4532BE	SLD STATE SCI	CD4532BE	D
SCL4071BC	SLD STATE SCI	CD4071BF	D	SCL4543BE	SLD STATE SCI	CD4543BE	D
SCL4071BD	SLD STATE SCI	CD4071BF	D	SCL4555BE	SLD STATE SCI	CD4555BE	D

NOTE: D = Direct Replacement, H = Harris Recommended Replacement.

Cross-Reference Guide

COMPETITOR #	COMPETITOR	HARRIS #	TYPE	COMPETITOR #	COMPETITOR	HARRIS #	TYPE
SCL4071BE	SLD STATE SCI	CD4071BE	D	SCL4556BE	SLD STATE SCI	CD4556BE	D
SCL4072BE	SLD STATE SCI	CD4072BE	D	SCL4585BE	SLD STATE SCI	CD4585BE	D
SCL4073BC	SLD STATE SCI	CD4073BF	D	SCM5101E-1B	SPRAGUE	MWS5101AEL2	D
SCL4073BD	SLD STATE SCI	CD4073BF	D	SE532H	SIGNETICS	CA0158T	D
SCL4073BE	SLD STATE SCI	CD4073BE	D	SE555D	SGS	CA0555M	D
SCL4075BC	SLD STATE SCI	CD4075BF	D	SE555D	SGS	CA0555M96	D
SCL4075BD	SLD STATE SCI	CD4075BF	D	SE555H	SIGNETICS	CA0555T	D
SCL4075BE	SLD STATE SCI	CD4075BE	D	SE555N	PHILIPS	CA0555E	D
SCL4076BE	SLD STATE SCI	CD4076BE	D	SE555N	PHILIPS	LM555N	D
SCL4077BE	SLD STATE SCI	CD4077BE	D	SE555N	SGS	CA0555E	D
SCL4081BC	SLD STATE SCI	CD4081BF	D	SE555N	SGS	LM555N	D
SCL4081BD	SLD STATE SCI	CD4081BF	D	SE555N	SIGNETICS	CA0555E	D
SCL4081BE	SLD STATE SCI	CD4081BE	D	SE555N	SIGNETICS	LM555N	D
SCL4081BE+	SLD STATE SCI	CD4081BEX	D	SE555P	TI	CA0555E	D
SCL4081BE++	SLD STATE SCI	CD4081BEX	D	SE555P	TI	LM555N	D
SCL4082BC	SLD STATE SCI	CD4082BF	D	SE555T	AMD	CA0555T	D
SCL4082BD	SLD STATE SCI	CD4082BF	D	SGSP311	SGS	BUZ72A	H
SCL4082BE	SLD STATE SCI	CD4082BE	D	SGSP317	SGS	BUZ73A	H
SCL4085BE	SLD STATE SCI	CD4085BE	D	SGSP319	SGS	IRF712	H
SCL4086BE	SLD STATE SCI	CD4086BE	D	SGSP321	SGS	BUZ71A	H
SCL4093BC	SLD STATE SCI	CD4093BF	D	SGSP322	SGS	BUZ71A	H
SCL4093BD	SLD STATE SCI	CD4093BF	D	SGSP330	SGS	IRF821	H
SCL4093BE	SLD STATE SCI	CD4093BE	D	SGSP332	SGS	IRF723	H
SCL4094BC	SLD STATE SCI	CD4094BF	D	SGSP351	SGS	IRF510	H
SCL4094BD	SLD STATE SCI	CD4094BF	D	SGSP361	SGS	IRF530	H
SCL4094BE	SLD STATE SCI	CD4094BE	D	SGSP362	SGS	IRF543	H
SCL4099BE	SLD STATE SCI	CD4099BE	D	SGSP364	SGS	IRF831	H
SCL4161BE	SLD STATE SCI	CD40161BE	D	SGSP368	SGS	BUZ42	H
SCL4174BE	SLD STATE SCI	CD40174BE	D	SGSP369	SGS	BUZ41A	H
SCL4193BE	SLD STATE SCI	CD40193BE	D	SGSP381	SGS	RFP25N06	H
SCL4445BE	SLD STATE SCI	CD4045BE	D	SGSP382	SGS	RFP25N06	H
SCL4502BE	SLD STATE SCI	CD4502BE	D	SGSP474	SGS	RFH10N45	H
SCL4508BE	SLD STATE SCI	CD4508BE	D	SGSP475	SGS	RFH10N45	H
SCL4510BE	SLD STATE SCI	CD4510BE	D	SGSP479	SGS	RFH10N45	H
SCL4511BC	SLD STATE SCI	CD4511BF	D	SGSP574	SGS	BUZ45	H
SCL4511BD	SLD STATE SCI	CD4511BF	D	SGSP575	SGS	IRF340	H
SCL4511BE	SLD STATE SCI	CD4511BE	D	SGSP579	SGS	BUZ45	H
SCL4512BE	SLD STATE SCI	CD4512BE	D	SG1458CM	SILICON GEN	MC1458CP1	D
SCL4514BE	SLD STATE SCI	CD4514BE	D	SG1524CF	PHILIPS	CA1524F	H
SCL4515BE	SLD STATE SCI	CD4515BE	D	SG1524CF	SIGNETICS	CA1524F	H
SCL4516BE	SLD STATE SCI	CD4516BE	D	SG1524CF	SILICON GEN	CA1524F	H
SCL4518BC	SLD STATE SCI	CD4518BF	D	SG1524CN	PHILIPS	CA1524E	H
SCL4518BD	SLD STATE SCI	CD4518BF	D	SG1524CN	SIGNETICS	CA1524E	H
SCL4518BE	SLD STATE SCI	CD4518BE	D	SG1524CN	SILICON GEN	CA1524E	H
SCL4520BC	SLD STATE SCI	CD4520BF	D	SG1524F	SIGNETICS	CA1524F	H
SCL4520BD	SLD STATE SCI	CD4520BF	D	SG1524F-A	SIGNETICS	CA1524F	H
SCL4520BE	SLD STATE SCI	CD4520BE	D	SG1524F-B	SIGNETICS	CA1524F	H
SCL4522BE	SLD STATE SCI	CD4522BE	D	SG1524F/883B	SIGNETICS	CA1524FX	H
SG1524FSIIA	SIGNETICS	CA1524E	H	SG3524CN	SILICON GEN	CA3524E	H
SG1524FSIIB	SIGNETICS	CA1524EX	H	SG3524F	PHILIPS	CA3524F	H
SG1524J	LINEAR TECH	CA1524F	D	SG3524F	SIGNETICS	CA3524F	H
SG1524J	SGS	CA1524F	D	SG3524F-A	SIGNETICS	CA3524F	H
SG1524J	SILICON GEN	CA1524F	H	SG3524F-B	PHILIPS	CA3524FX	H
SG1524J	TI	CA1524F	D	SG3524F-BI	SIGNETICS	CA3524FX	H
SG1524J/883	LINEAR TECH	CA1524FX	H	SG3524FSIIA	SIGNETICS	CA3524F	H
SG1524J/883B	LINEAR TECH	CA1524FX	H	SG3524FSIIB	SIGNETICS	CA3524FX	H
SG1524J/883B	SILICON GEN	CA1524FX	H	SG3524J	LINEAR TECH	CA3524F	D
SG1524J/883B	TI	CA1524FX	H	SG3524J	SILICON GEN	CA3524F	H

3
DIRECT/HARRIS
REPLACEMENTS

NOTE: D = Direct Replacement, H = Harris Recommended Replacement.

Cross-Reference Guide

COMPETITOR #	COMPETITOR	HARRIS #	TYPE	COMPETITOR #	COMPETITOR	HARRIS #	TYPE
SG1524J/883C	SILICON GEN	CA1524FX	H	SG3524J	TI	CA3524F	D
SG2524BJ	SILICON GEN	CA2524F	H	SG3524JP4	TI	CA3524FX	H
SG2524BN	SILICON GEN	CA2524E	H	SG3524J4	TI	CA3524FX	H
SG2524CF	PHILIPS	CA2524F	H	SG3524N	LINEAR TECH	CA3524E	D
SG2524CF	SIGNETICS	CA2524F	H	SG3524N	PHILIPS	CA3524E	H
SG2524CF	SILICON GEN	CA2524F	H	SG3524N	SGS	CA3524E	D
SG2524CN	PHILIPS	CA2524E	H	SG3524N	SIGNETICS	CA3524E	H
SG2524CN	SIGNETICS	CA2524E	H	SG3524N	SILICON GEN	CA3524E	H
SG2524F	SIGNETICS	CA2524F	H	SG3524N	TI	CA3524E	D
SG2524F-A	SIGNETICS	CA2524F	H	SG3524N-A	SIGNETICS	CA3524E	H
SG2524F-B	SIGNETICS	CA2524FX	H	SG3524N-B	PHILIPS	CA3524EX	H
SG2524FSIA	SIGNETICS	CA2524F	H	SG3524N-B	SIGNETICS	CA3524EX	H
SG2524FSIIB	SIGNETICS	CA2524FX	H	SG3524NP1	TI	CA3524E	H
SG2524J	SGS	CA2524F	H	SG3524NP3	TI	CA3524EX	H
SG2524J	SIGNETICS	CA2524F	H	SG3524NSIIA	SIGNETICS	CA3524E	H
SG2524J	SILICON GEN	CA2524F	H	SG3524NSIIB	SIGNETICS	CA3524EX	H
SG2524J	TI	CA2524F	D	SG3524N1	TI	CA3524E	H
SG2524JP4	TI	CA2524FX	H	SG3524N3	TI	CA3524EX	H
SG2524J4	TI	CA2524FX	H	SG555CT	SILICON GEN	CA0555CT	D
SG2524N	SGS	CA2524E	H	SG555T	SILICON GEN	CA0555T	D
SG2524N	SIGNETICS	CA1524E	H	SG723CJ	SILICON GEN	CA0723CE	H
SG2524N	SILICON GEN	CA2524E	H	SG723CN	SILICON GEN	CA0723CE	D
SG2524N-A	SIGNETICS	CA2524E	H	SG723CN	SILICON GEN	LM723CN	D
SG2524N-B	SIGNETICS	CA2524EX	H	SG723CT	SILICON GEN	CA0723CT	D
SG2524NP1	TI	CA2524E	H	SG723CT	SILICON GEN	LM723CH	D
SG2524NP3	TI	CA2524EX	H	SG723J	SILICON GEN	CA0723E	H
SG2524NSIIA	SIGNETICS	CA2524E	H	SG723N	SILICON GEN	CA0723E	H
SG2524NSIIB	SIGNETICS	CA2524EX	H	SG723T	SILICON GEN	CA0723T	D
SG2524N1	TI	CA2524E	H	SG723T	SILICON GEN	LM723H	D
SG2524N3	TI	CA2524EX	H	SHC5320SH	BURR-BROWN	HA1-5320-2	H
SG3045J	SILICON GEN	CA3045F	H	SHC5320KH	BURR-BROWN	HA1-5320-5	H
SG3058J	SILICON GEN	CA3058	D	SHM-IC-1	DATEL	HA1-2425-5	H
SG3058J/883B	SILICON GEN	CA3058	H	SHM-IC-1M	DATEL	HA1-2420-2	H
SG3058J/883C	SILICON GEN	CA3058	H	SIL4511BE	MITEL	CD4511BE	D
SG3059J	SILICON GEN	CA3059	H	SIL4511BF	MITEL	CD4511BF	D
SG3059N	SILICON GEN	CA3059EX	H	SIOV-B32K130	SIEMENS	V131DA40	H
SG3079J	SILICON GEN	CA3079	H	SIOV-B32K150	SIEMENS	V151DA40	H
SG3079N	SILICON GEN	CA3079	D	SIOV-B32K250	SIEMENS	V251DA40	H
SG3079N	SILICON GEN	CA3079EX	H	SIOV-B32K275	SIEMENS	V271DA40	H
SG3083	SILICON GEN	CA3083	H	SIOV-B32K320	SIEMENS	V321DA40	H
SG3524CF	PHILIPS	CA3524F	H	SIOV-B32K420	SIEMENS	V421DA40	H
SG3524CF	SIGNETICS	CA3524F	H	SIOV-B32K550	SIEMENS	V571DA40	H
SG3524CF	SILICON GEN	CA3524F	H	SIOV-B32K680	SIEMENS	V661DA40	H
SG3524CN	PHILIPS	CA3524E	H	SIOV-B32K750	SIEMENS	V751DA40	H
SG3524CN	SIGNETICS	CA3524E	H	SIOV-B40K130	SIEMENS	V131DA40	H
SIOV-B40K150	SIEMENS	V151DA40	H	SIOV-S07K385	SIEMENS	V385LA7	D
SIOV-B40K250	SIEMENS	V251DA40	H	SIOV-S07K400	SIEMENS	V68ZA2	H
SIOV-B40K275	SIEMENS	V271DA40	H	SIOV-S07K420	SIEMENS	V420LA7	D
SIOV-B40K320	SIEMENS	V321DA40	H	SIOV-S07K440	SIEMENS	V440LA7	D
SIOV-B40K420	SIEMENS	V421DA40	H	SIOV-S07K460	SIEMENS	V460LA7	D
SIOV-B40K680	SIEMENS	V661DA40	H	SIOV-S07K500	SIEMENS	V82ZA2	H
SIOV-B40K750	SIEMENS	V751DA40	H	SIOV-S07K600	SIEMENS	V100ZA3	H
SIOV-B60K130	SIEMENS	V131BA60	H	SIOV-S07K750	SIEMENS	V120ZA1	H
SIOV-B60K150	SIEMENS	V151BA60	H	SIOV-S07K950	SIEMENS	V150ZA1	H
SIOV-B60K250	SIEMENS	V251BA60	H	SIOV-S10K110	SIEMENS	V18ZA2	H
SIOV-B60K275	SIEMENS	V271BA60	H	SIOV-S10K130	SIEMENS	V130LA5	H
SIOV-B60K320	SIEMENS	V321BA60	H	SIOV-S10K140	SIEMENS	V22ZA2	H
SIOV-B60K420	SIEMENS	V421BA60	H	SIOV-S10K110	SIEMENS	V140LA5	H

NOTE: D = Direct Replacement, H = Harris Recommended Replacement.

Cross-Reference Guide

COMPETITOR #	COMPETITOR	HARRIS #	TYPE	COMPETITOR #	COMPETITOR	HARRIS #	TYPE
SIOV-B60K750	SIEMENS	V751BA60	H	SIOV-S10K150	SIEMENS	V150LA5	H
SIOV-C40K130	SIEMENS	V131HA40	H	SIOV-S10K17	SIEMENS	V27ZA2	H
SIOV-C40K150	SIEMENS	V151HA40	H	SIOV-S10K175	SIEMENS	V175LA5	H
SIOV-C40K250	SIEMENS	V251HA40	H	SIOV-S10K20	SIEMENS	V33ZA2	H
SIOV-C40K275	SIEMENS	V271HA40	H	SIOV-S10K230	SIEMENS	V230LA10	H
SIOV-C40K420	SIEMENS	V421HA40	H	SIOV-S10K25	SIEMENS	V39ZA3	H
SIOV-C40K750	SIEMENS	V751HA40	H	SIOV-S10K250	SIEMENS	V250LA10	H
SIOV-S05K11	SIEMENS	V18ZA05	H	SIOV-S10K275	SIEMENS	V275LA10	H
SIOV-S05K115	SIEMENS	V180ZA05	H	SIOV-S10K30	SIEMENS	V47ZA3	H
SIOV-S05K14	SIEMENS	V22ZA05	H	SIOV-S10K300	SIEMENS	V300LA10	D
SIOV-S05K140	SIEMENS	V220ZA05	H	SIOV-S10K35	SIEMENS	V56ZA3	H
SIOV-S05K17	SIEMENS	V27ZA05	H	SIOV-S10K385	SIEMENS	V385LA10	D
SIOV-S05K175	SIEMENS	V270ZA05	H	SIOV-S10K40	SIEMENS	V68ZA3	H
SIOV-S05K20	SIEMENS	V33ZA05	H	SIOV-S10K420	SIEMENS	V420LA10	H
SIOV-S05K25	SIEMENS	V39ZA05	H	SIOV-S10K440	SIEMENS	V440LA10	D
SIOV-S05K250	SIEMENS	V390ZA05	H	SIOV-S10K460	SIEMENS	V460LA10	D
SIOV-S05K275	SIEMENS	V430ZA05	H	SIOV-S10K50	SIEMENS	V82ZA4	H
SIOV-S05K30	SIEMENS	V47ZA05	H	SIOV-S10K510	SIEMENS	V510LA10	D
SIOV-S05K300	SIEMENS	V470ZA05	H	SIOV-S10K60	SIEMENS	V100ZA4	H
SIOV-S05K35	SIEMENS	V56ZA05	H	SIOV-S10K625	SIEMENS	V625LA10	D
SIOV-S05K40	SIEMENS	V68ZA05	H	SIOV-S10K75	SIEMENS	V120ZA4	H
SIOV-S05K420	SIEMENS	V680ZA05	H	SIOV-S10K95	SIEMENS	V150ZA4	H
SIOV-S05K460	SIEMENS	V750ZA05	H	SIOV-S14K1000	SIEMENS	V1000LA80A	H
SIOV-S05K50	SIEMENS	V82ZA05	H	SIOV-S14K11	SIEMENS	V18ZA3	H
SIOV-S05K60	SIEMENS	V100ZA05	H	SIOV-S14K130	SIEMENS	V130LA10A	H
SIOV-S05K75	SIEMENS	V120ZA05	H	SIOV-S14K14	SIEMENS	V22ZA3	H
SIOV-S05K95	SIEMENS	V150ZA05	H	SIOV-S14K140	SIEMENS	V140LA10A	H
SIOV-S07K11	SIEMENS	V18ZA1	H	SIOV-S14K150	SIEMENS	V150LA10A	H
SIOV-S07K130	SIEMENS	V130LA2	H	SIOV-S14K17	SIEMENS	V27ZA4	H
SIOV-S07K14	SIEMENS	V22ZA1	H	SIOV-S14K175	SIEMENS	V175LA10A	H
SIOV-S07K140	SIEMENS	V140LA2	H	SIOV-S14K20	SIEMENS	V33ZA5	H
SIOV-S07K150	SIEMENS	V150LA2	H	SIOV-S14K230	SIEMENS	V230LA20A	H
SIOV-S07K17	SIEMENS	V27ZA1	H	SIOV-S14K25	SIEMENS	V39ZA6	H
SIOV-S07K175	SIEMENS	V175LA2	H	SIOV-S14K250	SIEMENS	V250LA20A	H
SIOV-S07K20	SIEMENS	V33ZA1	H	SIOV-S14K275	SIEMENS	V275LA20A	H
SIOV-S07K230	SIEMENS	V230LA4	H	SIOV-S14K30	SIEMENS	V47ZA7	H
SIOV-S07K25	SIEMENS	V39ZA1	H	SIOV-S14K300	SIEMENS	V300LA20A	D
SIOV-S07K275	SIEMENS	V275LA2	H	SIOV-S14K35	SIEMENS	V56ZA8	H
SIOV-S07K30	SIEMENS	V47ZA1	H	SIOV-S14K385	SIEMENS	V385LA20A	D
SIOV-S07K300	SIEMENS	V300LA4	H	SIOV-S14K40	SIEMENS	V68ZA10	H
SIOV-S07K320	SIEMENS	V320LA7	D	SIOV-S14K420	SIEMENS	V420LA20A	H
SIOV-S07K35	SIEMENS	V56ZA2	H	SIOV-S14K50	SIEMENS	V82ZA12	H
SIOV-S14K510	SIEMENS	V510LA40A	H	SJM302BCC	SILICONIX	JM38510/11603BCA	D
SIOV-S14K60	SIEMENS	V100ZA15	H	SJM303BCA	SILICONIX	JM38510/11604BCA	D
SIOV-S14K625	SIEMENS	V625LA40A	D	SJM303BCC	SILICONIX	JM38510/11604BCA	D
SIOV-S14K75	SIEMENS	V120ZA6	H	SJM506BXC	SILICONIX	JM38510/19001BXA	D
SIOV-S14K95	SIEMENS	V150ZA8	H	SJM507BXC	SILICONIX	JM38510/19003BXA	D
SIOV-S20K1000	SIEMENS	V1000LA160B	H	SJM508ABEC	SILICONIX	JM38510/19007BEA	D
SIOV-S20K11	SIEMENS	V18ZA40	H	SJM509ABEC	SILICONIX	JM38510/19008BEA	D
SIOV-S20K130	SIEMENS	V130LA20A	H	SL3045C-DG	GEC PLESSEY	CA3045F	H
SIOV-S20K14	SIEMENS	V24ZA50	H	SL3127C-DP	GEC PLESSEY	CA3127E	H
SIOV-S20K140	SIEMENS	V140LA20A	D	SMB50N06-25	TEMIC	HUF75329S3S	H
SIOV-S20K150	SIEMENS	V150LA20A	H	SMC82C37AC	S-MOS SYS	CP82C37A	H
SIOV-S20K17	SIEMENS	V27ZA60	H	SMC82C37AC-5	S-MOS SYS	CP82C37A-5	D
SIOV-S20K175	SIEMENS	V175LA20A	H	SMD15N05	SILICONIX	RFD14N05SM	H
SIOV-S20K20	SIEMENS	V33ZA70	H	SMD15N05	TEMIC	HUF75307D3S	H
SIOV-S20K230	SIEMENS	V230LA40A	D	SMD25N05-45L	SILICONIX	RFD16N05LSM	H
SIOV-S20K250	SIEMENS	V250LA40A	H	SMM11P20	SILICONIX	IRF9240	D

3
DIRECT/HARRIS
REPLACEMENTS

NOTE: D = Direct Replacement, H = Harris Recommended Replacement.

Cross-Reference Guide

COMPETITOR #	COMPETITOR	HARRIS #	TYPE	COMPETITOR #	COMPETITOR	HARRIS #	TYPE
SIOV-S20K275	SIEMENS	V275LA40A	H	SMM20N50	SILICONIX	2N6768	H
SIOV-S20K30	SIEMENS	V47ZA20	D	SMM9P15	SILICONIX	IRF9243	D
SIOV-S20K300	SIEMENS	V300LA40A	D	SMP15N05	TEMIC	HUF75307P3	H
SIOV-S20K35	SIEMENS	V56ZA20	D	SMP16P06	SILICONIX	RFP8P05	H
SIOV-S20K385	SIEMENS	V385LA40B	D	SMP20N20	SILICONIX	IRF640	H
SIOV-S20K40	SIEMENS	V68ZA20	D	SMP20P10	SILICONIX	IRF9540	H
SIOV-S20K420	SIEMENS	V420LA40B	H	SMP25N05	SILICONIX	RFP25N06	H
SIOV-S20K460	SIEMENS	V460LA40B	D	SMP25N05-45L	SILICONIX	RFP25N05L	H
SIOV-S20K50	SIEMENS	V82ZA20	D	SMP25N06	SILICONIX	RFP25N06	H
SIOV-S20K510	SIEMENS	V510LA80B	H	SMP3P10	SILICONIX	IRF9510	H
SIOV-S20K625	SIEMENS	V625LA80B	D	SMP30N10	SILICONIX	RFP40N10	H
SIOV-S20K75	SIEMENS	V120ZA20	D	SMP4N60	SILICONIX	BUZ42	H
SI7660AA	SILICONIX	ICL7660MTV	D	SMP40N10	SILICONIX	RFP40N10	H
SI7660AA	SILICONIX	ICL7660SMTV	H	SMP50N05	SILICONIX	RFP45N06	H
SI7660AA/883	SILICONIX	ICL7660MTV/883B	D	SMP50N06	SILICONIX	RFP45N06	H
SI7660AA/883	SILICONIX	ICL7660SMTV/883B	H	SMP50N06-25	SILICONIX	RFP45N06	H
SI7660BA	SILICONIX	ICL7660SITV	H	SMP50N06-25	TEMIC	HUF75329P3	H
SI7660CA	SILICONIX	ICL7660CTV	D	SMP60N05	SILICONIX	RFP50N05	H
SI7660CA	SILICONIX	ICL7660SCTV	H	SMP60N06	SILICONIX	RFP50N06	H
SI7660CJ	SILICONIX	ICL7660CPA	D	SMP60N06-14	SILICONIX	RFP70N06	H
SI7660CJ	SILICONIX	ICL7660SCPA	H	SMP7N60	SILICONIX	IRF842	H
SI7660CY	SILICONIX	ICL7660CBA	D	SMU10P05	SILICONIX	RFD8P05	H
SI7660DJ	SILICONIX	ICL7660SIPA	H	SMU15N05	SILICONIX	RFD14N05	H
SI7660DY	SILICONIX	ICL7660CBA	H	SMV1P10	SILICONIX	IRFD9110	H
SI7660DY	SILICONIX	ICL7660SCBA	H	SMW12P20	SILICONIX	IRFP9240	H
SI7660DY	SILICONIX	ICL7660SIBA	H	SMW20P10	SILICONIX	IRFP9140	H
SI7661AA	SILICONIX	ICL7662MTV	H	SMW45N10	SILICONIX	RFG40N10	H
SI7661AA/883B	SILICONIX	ICL7662MTV/883B	H	SMW70N06-14	SILICONIX	RFG70N06	H
SI7661BA	SILICONIX	ICL7662ITV	H	SNJ54ACT00J	TI	CD54ACT00F3A	D
SI7661CA	SILICONIX	ICL7662CTV	H	SNJ54ACT08J	TI	CD54ACT08F3A	D
SI7661CJ	SILICONIX	ICL7662CPA	H	SNJ54ACT240J	TI	CD54ACT240F3A	D
SI7661CY	SILICONIX	ICL7662CBD	H	SNJ54ACT245J	TI	CD54ACT245F3A	D
SJM201ABEA	SILICONIX	JM38510/12302BEA	D	SNJ54ACT32J	TI	CD54ACT32F3A	D
SJM201ABEC	SILICONIX	JM38510/12302BEA	D	SNJ54ACT373J	TI	CD54ACT373F3A	D
SJM300BCA	SILICONIX	JM38510/11601BCA	D	SNJ54ACT374J	TI	CD54ACT374F3A	D
SJM300BCC	SILICONIX	JM38510/11601BCA	D	SNJ54ACT533J	TI	CD54ACT533F3A	D
SJM301BCA	SILICONIX	JM38510/11602BCA	D	SNJ54ACT534J	TI	CD54ACT534F3A	D
SJM301BCC	SILICONIX	JM38510/11602BCA	D	SNJ54ACT573J	TI	CD54ACT573F3A	D
SJM302BCA	SILICONIX	JM38510/11603BCA	D	SNJ54ACT574J	TI	CD54ACT574F3A	D
SNJ54ACT74J	TI	CD54ACT74F3A	D	SNJ54HC257J	TI	8512401EA	D
SNJ54AC00J	TI	CD54AC00F3A	D	SNJ54HC273J	TI	8409901RA	D
SNJ54AC04J	TI	CD54AC04F3A	D	SNJ54HC280J	TI	8607701CA	D
SNJ54AC08J	TI	CD54AC08F3A	D	SNJ54HC30J	TI	8404001CA	D
SNJ54AC240J	TI	CD54AC240F3A	D	SNJ54HC366J	TI	5962-8682801EA	D
SNJ54AC244J	TI	CD54AC244F3A	D	SNJ54HC373J	TI	CD54HC373F3A	D
SNJ54AC245J	TI	CD54AC245F3A	D	SNJ54HC377J	TI	CD54HC377F3A	D
SNJ54AC32J	TI	CD54AC32F3A	D	SNJ54HC377J	TI	5962-8780701RA	D
SNJ54AC373J	TI	CD54AC373F3A	D	SNJ54HC4002J	TI	8404401CA	D
SNJ54AC374J	TI	CD54AC374F3A	D	SNJ54HC4017J	TI	8601101EA	D
SNJ54AC573J	TI	CD54AC573F3A	D	SNJ54HC4024J	TI	8601201CA	D
SNJ54AC574J	TI	CD54AC574F3A	D	SNJ54HC4051J	TI	CD54HC4051F3A	D
SNJ54AC74J	TI	CD54AC74F3A	D	SNJ54HC4052J	TI	CD54HC4052F3A	D
SNJ54HCT00J	TI	CD54HCT00F3A	D	SNJ54HC4052J	TI	5962-8855601EA	D
SNJ54HCT04J	TI	5962-8974701CA	D	SNJ54HC4053J	TI	CD54HC4053F3A	D
SNJ54HCT08J	TI	CD54HCT08F3A	D	SNJ54HC4053J	TI	5962-8775401EA	D
SNJ54HCT08J	TI	5962-8688301CA	D	SNJ54HC4060J	TI	CD54HC4060F3A	D
SNJ54HCT139J	TI	CD54HCT139F3A	D	SNJ54HC4075J	TI	5962-8772201CA	D
SNJ54HCT238J	TI	CD54HCT238F3A	D	SNJ54HC42J	TI	5962-8682101EA	D

NOTE: D = Direct Replacement, H = Harris Recommended Replacement.

Cross-Reference Guide

COMPETITOR #	COMPETITOR	HARRIS #	TYPE	COMPETITOR #	COMPETITOR	HARRIS #	TYPE
SNJ54HCT238J	TI	5962-8974501EA	D	SNJ54HC4538J	TI	CD54HC4538F3A	D
SNJ54HCT243J	TI	CD54HCT243F3A	D	SNJ54HC4538J	TI	5962-8688601EA	D
SNJ54HCT257J	TI	CD54HCT257F3A	D	SNJ54HC533J	TI	5962-8681301RA	D
SNJ54HCT257J	TI	5962-8970501EA	D	SNJ54HC564J	TI	5962-8681501RA	D
SNJ54HCT273J	TI	CD54HCT273F3A	D	SNJ54HC573AJ	TI	CD54HC573F3A	D
SNJ54HCT273J	TI	5962-8772501RA	D	SNJ54HC573J	TI	8512801RA	D
SNJ54HCT32J	TI	CD54HCT32F3A	D	SNJ54HC574J	TI	CD54HC574F3A	D
SNJ54HCT32J	TI	5962-8685201CA	D	SNJ54HC7266J	TI	8404302CA	D
SNJ54HCT373J	TI	CD54HCT373F3A	D	SNJ54HC73J	TI	5962-8515301CA	D
SNJ54HCT373J	TI	5962-8686701RA	D	SNJ54HC74J	TI	8405601CA	D
SNJ54HCT374J	TI	8550701RA	D	SNJ54HC75J	TI	8407001EA	D
SNJ54HCT377J	TI	CD54HCT377F3A	D	SNJ54HC85AJ	TI	8601301EA	D
SNJ54HCT533J	TI	CD54HCT533F3A	D	SNJ54HC85J	TI	8601301EA	D
SNJ54HCT573J	TI	CD54HCT573F3A	D	SN52555L	TI	CA0555T	D
SNJ54HCT574J	TI	CD54HCT574F3A	D	SN52723J	TI	CA0723E	H
SNJ54HC00J	TI	CD54HC00F3A	D	SN52723L	TI	CA0723T	D
SNJ54HC00J	TI	8403701CA	D	SN52723L	TI	LM723H	D
SNJ54HC02J	TI	CD54HC02F3A	D	SN54HCT00J	TI	CD54HCT00F	D
SNJ54HC04J	TI	8409801CA	D	SN54HCT08J	TI	CD54HCT08F	D
SNJ54HC109J	TI	8415001EA	D	SN54HCT125J	TI	CD54HCT125F3A	D
SNJ54HC11J	TI	CD54HC11F3A	D	SN54HCT273J	TI	CD54HCT273F	D
SNJ54HC125J	TI	5962-8772101CA	D	SN54HCT32J	TI	CD54HCT32F	D
SNJ54HC157J	TI	CD54HC157F3A	D	SN54HCT373J	TI	CD54HCT373F	D
SNJ54HC160J	TI	5962-8682401EA	D	SN54HC00J	TI	CD54HC00F	D
SNJ54HC162J	TI	8409401EA	D	SN54HC245J	TI	CD54HC245F	D
SNJ54HC164J	TI	8416201CA	D	SN54HC245N	TI	CD54HC245F	D
SNJ54HC165J	TI	8409501EA	D	SN54HC30J	TI	CD54HC30F	D
SNJ54HC173J	TI	5962-8682501EA	D	SN54HC4051J	TI	CD54HC4051F	D
SNJ54HC174J	TI	8407301EA	D	SN54HC4066N	TI	CD74HC4066E	H
SNJ54HC192J	TI	5962-8780801EA	D	SN54HC4538J	TI	CD54HC4538F	D
SNJ54HC195J	TI	5962-8682701EA	D	SN54HC573AJ	TI	CD54HC573F	D
SNJ54HC238J	TI	5962-8688401EA	D	SN54HC573J	TI	CD54HC573F	D
SNJ54HC240J	TI	CD54HC240F3A	D	SN72555L	TI	CA0555CT	D
SNJ54HC243J	TI	CD54HC243F3A	D	SN72723J	TI	CA0723E	H
SNJ54HC243J	TI	8409001CA	D	SN72723J	TI	LM723N	H
SNJ54HC245J	TI	CD54HC245F3A	D	SN72723L	TI	CA0723CT	D
SN72723L	TI	LM723CH	D	SN74ABT240DB	TI	CD74FCT240ATQM	H
SN72723N	TI	CA0723CE	D	SN74ABT240DW	TI	CD74FCT240ATM	H
SN72723N	TI	LM723CN	D	SN74ABT241ADB	TI	CD74FCT241CTQM	H
SN74ABT162244DGG	TI	CD74FCT162Q244DTMT	H	SN74ABT241ADW	TI	CD74FCT241CTM	H
SN74ABT162244DGG	TI	CD74FCT162244DTMT	H	SN74ABT241DB	TI	CD74FCT241CTQM	H
SN74ABT162244DL	TI	CD74FCT162Q244DTSM	H	SN74ABT241DW	TI	CD74FCT241CTM	H
SN74ABT162244DL	TI	CD74FCT162244DTSM	H	SN74ABT244ADB	TI	CD74FCT244CTQM	H
SN74ABT162245DGG	TI	CD74FCT162Q245CTMT	H	SN74ABT244ADW	TI	CD74FCT244CTM	H
SN74ABT162245DGG	TI	CD74FCT162245CTMT	H	SN74ABT244DB	TI	CD74FCT244CTQM	H
SN74ABT162245DL	TI	CD74FCT162Q245CTSM	H	SN74ABT244DW	TI	CD74FCT244CTM	H
SN74ABT162245DL	TI	CD74FCT162245CTSM	H	SN74ABT245ADB	TI	CD74FCT245DTQM	H
SN74ABT16240DL	TI	CD74FCT16240ATSM	H	SN74ABT245ADW	TI	CD74FCT245DTM	H
SN74ABT16244ADGG	TI	CD74FCT16244DTMT	H	SN74ABT273DB	TI	CD74FCT273CTQM	H
SN74ABT16244ADL	TI	CD74FCT16244DTSM	H	SN74ABT273DW	TI	CD74FCT273CTM	H
SN74ABT16245ADGG	TI	CD74FCT16245CTMT	H	SN74ABT373DB	TI	CD74FCT373CTQM	H
SN74ABT16245ADL	TI	CD74FCT16245CTSM	H	SN74ABT373DW	TI	CD74FCT373CTM	H
SN74ABT162500DGG	TI	CD74FCT162500CTMT	H	SN74ABT374ADB	TI	CD74FCT374ATQM	H
SN74ABT162500DL	TI	CD74FCT162500CTSM	H	SN74ABT374ADW	TI	CD74FCT374ATM	H
SN74ABT162501DGG	TI	CD74FCT162501CTMT	H	SN74ABT374DB	TI	CD74FCT374ATQM	H
SN74ABT162501DL	TI	CD74FCT162501CTSM	H	SN74ABT374DW	TI	CD74FCT374ATM	H
SN74ABT162823DL	TI	CD74FCT162823DTSM	H	SN74ABT377ADB	TI	CD74FCT377ATQM	H
SN74ABT162841DL	TI	CD74FCT162841DTSM	H	SN74ABT377ADW	TI	CD74FCT377ATM	H

3
DIRECT/HARRIS
REPLACEMENTS

NOTE: D = Direct Replacement, H = Harris Recommended Replacement.

Cross-Reference Guide

COMPETITOR #	COMPETITOR	HARRIS #	TYPE	COMPETITOR #	COMPETITOR	HARRIS #	TYPE
SN74ABT16373ADGG	TI	CD74FCT16373CTMT	H	SN74ABT377DB	TI	CD74FCT377ATQM	H
SN74ABT16373ADL	TI	CD74FCT16373CTSM	H	SN74ABT377DW	TI	CD74FCT377ATM	H
SN74ABT16374ADGG	TI	CD74FCT16374DTMT	H	SN74ABT533ADB	TI	CD74FCT533CTQM	H
SN74ABT16374ADL	TI	CD74FCT16374DTSM	H	SN74ABT533ADW	TI	CD74FCT533CTM	H
SN74ABT16500BDGG	TI	CD74FCT16500DTMT	H	SN74ABT533DB	TI	CD74FCT533CTQM	H
SN74ABT16500BDL	TI	CD74FCT16500DTSM	H	SN74ABT533DW	TI	CD74FCT533CTM	H
SN74ABT16501DGG	TI	CD74FCT16501DTMT	H	SN74ABT533ADB	TI	CD74FCT534CTQM	H
SN74ABT16501DL	TI	CD74FCT16501DTSM	H	SN74ABT534ADW	TI	CD74FCT534CTM	H
SN74ABT16540DGG	TI	CD74FCT16540CTMT	H	SN74ABT534DB	TI	CD74FCT534ATQM	H
SN74ABT16540DL	TI	CD74FCT16540CTSM	H	SN74ABT534DW	TI	CD74FCT534ATM	H
SN74ABT16541DGG	TI	CD74FCT16541CTMT	H	SN74ABT540DB	TI	CD74FCT540CTQM	H
SN74ABT16541DL	TI	CD74FCT16541CTSM	H	SN74ABT540DW	TI	CD74FCT540CTM	H
SN74ABT16543DGG	TI	CD74FCT16543DTMT	H	SN74ABT541DB	TI	CD74FCT541CTQM	H
SN74ABT16543DL	TI	CD74FCT16543DTSM	H	SN74ABT541DW	TI	CD74FCT541CTM	H
SN74ABT16646DL	TI	CD74FCT16646DTSM	H	SN74ABT543DB	TI	CD74FCT543CTQM	H
SN74ABT16652DL	TI	CD74FCT16652DTSM	H	SN74ABT543DW	TI	CD74FCT543CTM	H
SN74ABT16823DGG	TI	CD74FCT16823DTMT	H	SN74ABT573ADB	TI	CD74FCT573CTQM	H
SN74ABT16823DL	TI	CD74FCT16823DTSM	H	SN74ABT573ADW	TI	CD74FCT573CTM	H
SN74ABT16827DGG	TI	CD74FCT16827DTMT	H	SN74ABT573DB	TI	CD74FCT573CTQM	H
SN74ABT16827DL	TI	CD74FCT16827DTSM	H	SN74ABT573DW	TI	CD74FCT573CTM	H
SN74ABT16841DL	TI	CD74FCT16841DTSM	H	SN74ABT574ADB	TI	CD74FCT574ATQM	H
SN74ABT16952DGG	TI	CD74FCT16952DTMT	H	SN74ABT574ADW	TI	CD74FCT574ATM	H
SN74ABT16952DL	TI	CD74FCT16952DTSM	H	SN74ABT574DB	TI	CD74FCT574ATQM	H
SN74ABT2240DB	TI	CD74FCT2240ATQM	H	SN74ABT574DW	TI	CD74FCT574ATM	H
SN74ABT2240DW	TI	CD74FCT2240ATM	H	SN74ABT623DB	TI	CD74FCT623DTQM	H
SN74ABT2241DB	TI	CD74FCT2241ATQM	H	SN74ABT623DW	TI	CD74FCT623DTM	H
SN74ABT2241DW	TI	CD74FCT2241ATM	H	SN74ABT640DB	TI	CD74FCT640CTQM	H
SN74ABT2244ADB	TI	CD74FCT2244ATQM	H	SN74ABT640DW	TI	CD74FCT640CTM	H
SN74ABT2244ADW	TI	CD74FCT2244ATM	H	SN74ABT646ADB	TI	CD74FCT646DTQM	H
SN74ABT2245DB	TI	CD74FCT2245ATQM	H	SN74ABT646ADW	TI	CD74FCT646DTM	H
SN74ABT2245DW	TI	CD74FCT2245ATM	H	SN74ABT646DB	TI	CD74FCT646ATQM	H
SN74ABT240ADB	TI	CD74FCT240ATQM	H	SN74ABT646DW	TI	CD74FCT646ATM	H
SN74ABT240ADW	TI	CD74FCT240ATM	H	SN74ABT651DB	TI	CD74FCT651CTQM	H
SN74ABT651DW	TI	CD74FCT651CTM	H	SN74HCT139D	TI	CD74HCT139M	D
SN74ABT652ADB	TI	CD74FCT652DTQM	H	SN74HCT139D	TI	CD74HCT139M96	D
SN74ABT652ADW	TI	CD74FCT652DTM	H	SN74HCT139N	TI	CD74HCT139E	D
SN74ABT652DB	TI	CD74FCT652ATQM	H	SN74HCT157D	TI	CD74HCT157M	H
SN74ABT652DW	TI	CD74FCT652ATM	H	SN74HCT157D	TI	CD74HCT157M96	H
SN74ABT821ADB	TI	CD74FCT821CTQM	H	SN74HCT157N	TI	CD74HCT157E	H
SN74ABT821ADW	TI	CD74FCT821CTM	H	SN74HCT237N	TI	CD74HCT237E	D
SN74ABT821DB	TI	CD74FCT821CTQM	H	SN74HCT238D	TI	CD74HCT238M	D
SN74ABT821DW	TI	CD74FCT821CTM	H	SN74HCT238N	TI	CD74HCT238E	D
SN74ABT823DB	TI	CD74FCT823CTQM	H	SN74HCT240DW	TI	CD74HCT240M	H
SN74ABT823DW	TI	CD74FCT823CTM	H	SN74HCT240DW	TI	CD74HCT240M96	H
SN74ABT827DB	TI	CD74FCT827CTQM	H	SN74HCT240N	TI	CD74HCT240E	H
SN74ABT827DW	TI	CD74FCT827CTM	H	SN74HCT241DW	TI	CD74HCT241M96	H
SN74ABT841DB	TI	CD74FCT841CTQM	H	SN74HCT241N	TI	CD74HCT241E	H
SN74ABT841DW	TI	CD74FCT841CTM	H	SN74HCT243D	TI	CD74HCT243M	D
SN74ABT843DB	TI	CD74FCT843CTQM	H	SN74HCT243N	TI	CD74HCT243E	D
SN74ABT843DW	TI	CD74FCT843CTM	H	SN74HCT244DW	TI	CD74HCT244M	H
SN74ABT861DB	TI	CD74FCT861CTQM	H	SN74HCT244DW	TI	CD74HCT244M96	H
SN74ABT861DW	TI	CD74FCT861CTM	H	SN74HCT244N	TI	CD74HCT244E	H
SN74ABT863DB	TI	CD74FCT863CTQM	H	SN74HCT245DW	TI	CD74HCT245M	H
SN74ABT863DW	TI	CD74FCT863CTM	H	SN74HCT245DW	TI	CD74HCT245M96	H
SN74ACT240DW	TI	CD74ACT240M	D	SN74HCT245N	TI	CD74HCT245E	H
SN74ACT240N	TI	CD74ACT240E	D	SN74HCT257D	TI	CD74HCT257M	D
SN74ACT244DW	TI	CD74ACT244M	D	SN74HCT257D	TI	CD74HCT257M96	D
SN74ACT244N	TI	CD74ACT244E	D	SN74HCT257N	TI	CD74HCT257E	D

NOTE: D = Direct Replacement, H = Harris Recommended Replacement.

Cross-Reference Guide

COMPETITOR #	COMPETITOR	HARRIS #	TYPE	COMPETITOR #	COMPETITOR	HARRIS #	TYPE
SN74ACT245DW	TI	CD74ACT245M96	D	SN74HCT273DW	TI	CD74HCT273M	D
SN74AC240DW	TI	CD74AC240M	D	SN74HCT273DW	TI	CD74HCT273M96	D
SN74AC240N	TI	CD74AC240E	D	SN74HCT273N	TI	CD74HCT273E	D
SN74AC244DW	TI	CD74AC244M	D	SN74HCT32D	TI	CD74HCT32M	D
SN74AC244N	TI	CD74AC244E	D	SN74HCT32D	TI	CD74HCT32M96	D
SN74AC245DW	TI	CD74AC245M	D	SN74HCT32N	TI	CD74HCT32E	D
SN74AC245DW	TI	CD74AC245M96	D	SN74HCT373DW	TI	CD74HCT373M	D
SN74AC245N	TI	CD74AC245E	D	SN74HCT373DW	TI	CD74HCT373M96	D
SN74HCT00D	TI	CD74HCT00M	D	SN74HCT373DWR	TI	CD74HCT373M	D
SN74HCT00D	TI	CD74HCT00M96	D	SN74HCT373DWR	TI	CD74HCT373M96	D
SN74HCT00N	TI	CD74HCT00E	D	SN74HCT373N	TI	CD74HCT373E	D
SN74HCT02D	TI	CD74HCT02M	H	SN74HCT374DW	TI	CD74HCT374M	H
SN74HCT02D	TI	CD74HCT02M96	H	SN74HCT374DW	TI	CD74HCT374M96	H
SN74HCT02N	TI	CD74HCT02E	H	SN74HCT374N	TI	CD74HCT374E	H
SN74HCT04D	TI	CD74HCT04M	H	SN74HCT377DW	TI	CD74HCT377M	D
SN74HCT04D	TI	CD74HCT04M96	H	SN74HCT377DW	TI	CD74HCT377M96	D
SN74HCT04N	TI	CD74HCT04E	H	SN74HCT377N	TI	CD74HCT377E	D
SN74HCT08D	TI	CD74HCT08M	D	SN74HCT533N	TI	CD74HCT533E	D
SN74HCT08D	TI	CD74HCT08M96	D	SN74HCT534N	TI	CD74HCT534E	H
SN74HCT08N	TI	CD74HCT08E	D	SN74HCT540DW	TI	CD74HCT540M	H
SN74HCT125D	TI	CD74HCT125M	D	SN74HCT540DW	TI	CD74HCT540M96	H
SN74HCT125D	TI	CD74HCT125M96	D	SN74HCT540N	TI	CD74HCT540E	H
SN74HCT125N	TI	CD74HCT125E	D	SN74HCT541DW	TI	CD74HCT541M	H
SN74HCT126D	TI	CD74HCT126M	D	SN74HCT541DW	TI	CD74HCT541M96	H
SN74HCT126D	TI	CD74HCT126M96	D	SN74HCT541N	TI	CD74HCT541E	H
SN74HCT126N	TI	CD74HCT126E	D	SN74HCT563DW	TI	CD74HCT563M	H
SN74HCT137N	TI	CD74HCT137E	D	SN74HCT563N	TI	CD74HCT563E	H
SN74HCT138D	TI	CD74HCT138M	H	SN74HCT564DW	TI	CD74HCT564M	H
SN74HCT138D	TI	CD74HCT138M96	H	SN74HCT564N	TI	CD74HCT564E	H
SN74HCT138N	TI	CD74HCT138E	H	SN74HCT573ADW	TI	CD74HCT573M	D
SN74HCT573ADW	TI	CD74HCT573M96	D	SN74HC132N	TI	CD74HC132E	D
SN74HCT573AN	TI	CD74HCT573E	D	SN74HC137N	TI	CD74HC137E	H
SN74HCT573DW	TI	CD74HCT573M	D	SN74HC138D	TI	CD74HC138M	H
SN74HCT573DW	TI	CD74HCT573M96	D	SN74HC138D	TI	CD74HC138M96	H
SN74HCT573N	TI	CD74HCT573E	D	SN74HC138N	TI	CD74HC138E	H
SN74HCT574DW	TI	CD74HCT574M	H	SN74HC139D	TI	CD74HC139M	H
SN74HCT574DW	TI	CD74HCT574M96	H	SN74HC139D	TI	CD74HC139M96	H
SN74HCT574N	TI	CD74HCT574E	H	SN74HC139N	TI	CD74HC139E	H
SN74HCT640DW	TI	CD74HCT640M	H	SN74HC14D	TI	CD74HC14M	H
SN74HCT640N	TI	CD74HCT640E	H	SN74HC14D	TI	CD74HC14M96	H
SN74HCT646DW	TI	CD74HCT646M96	H	SN74HC14N	TI	CD74HC14E	H
SN74HCT74D	TI	CD74HCT74M	H	SN74HC145N	TI	CD74HC245E	D
SN74HCT74D	TI	CD74HCT74M96	H	SN74HC147N	TI	CD74HC147E	H
SN74HCT74N	TI	CD74HCT74E	H	SN74HC151D	TI	CD74HC151M	H
SN74HCU04D	TI	CD74HCU04M	H	SN74HC151D	TI	CD74HC151M96	H
SN74HCU04D	TI	CD74HCU04M96	H	SN74HC151N	TI	CD74HC151E	H
SN74HCU04N	TI	CD74HCU04E	H	SN74HC153D	TI	CD74HC153M	H
SN74HC00D	TI	CD74HC00M	D	SN74HC153D	TI	CD74HC153M96	H
SN74HC00D	TI	CD74HC00M96	D	SN74HC154DW	TI	CD74HC154M	H
SN74HC00N	TI	CD74HC00E	D	SN74HC154DW	TI	CD74HC154M96	H
SN74HC02D	TI	CD74HC02M	D	SN74HC157D	TI	CD74HC157M	H
SN74HC02D	TI	CD74HC02M96	D	SN74HC157D	TI	CD74HC157M96	H
SN74HC02N	TI	CD74HC02E	D	SN74HC157N	TI	CD74HC157E	H
SN74HC03D	TI	CD74HC03M	H	SN74HC158D	TI	CD74HC158M	H
SN74HC03D	TI	CD74HC03M96	H	SN74HC158N	TI	CD74HC158E	H
SN74HC03N	TI	CD74HC03E	H	SN74HC161D	TI	CD74HC161M	H
SN74HC04D	TI	CD74HC04M	H	SN74HC161D	TI	CD74HC161M96	H
SN74HC04D	TI	CD74HC04M96	H	SN74HC161N	TI	CD74HC161E	H

NOTE: D = Direct Replacement, H = Harris Recommended Replacement.

3
DIRECT/HARRIS
REPLACEMENTS

Cross-Reference Guide

COMPETITOR #	COMPETITOR	HARRIS #	TYPE	COMPETITOR #	COMPETITOR	HARRIS #	TYPE
SN74HC04N	TI	CD74HC04E	H	SN74HC163D	TI	CD74HC163M	H
SN74HC08D	TI	CD74HC08M	H	SN74HC163D	TI	CD74HC163M96	H
SN74HC08D	TI	CD74HC08M96	H	SN74HC163N	TI	CD74HC163E	H
SN74HC08N	TI	CD74HC08E	H	SN74HC164D	TI	CD74HC164M	H
SN74HC10D	TI	CD74HC10M	H	SN74HC164D	TI	CD74HC164M96	H
SN74HC10D	TI	CD74HC10M96	H	SN74HC164N	TI	CD74HC164E	H
SN74HC10N	TI	CD74HC10E	H	SN74HC165D	TI	CD74HC165M	H
SN74HC107D	TI	CD74HC107M	D	SN74HC165D	TI	CD74HC165M96	H
SN74HC107D	TI	CD74HC107M96	D	SN74HC165N	TI	CD74HC165E	H
SN74HC107N	TI	CD74HC107E	D	SN74HC166D	TI	CD74HC166M	D
SN74HC109D	TI	CD74HC109M	D	SN74HC166D	TI	CD74HC166M96	D
SN74HC109D	TI	CD74HC109M96	D	SN74HC166N	TI	CD74HC166E	D
SN74HC109N	TI	CD74HC109E	D	SN74HC173D	TI	CD74HC173M	H
SN74HC11D	TI	CD74HC11M	D	SN74HC173D	TI	CD74HC173M96	H
SN74HC11D	TI	CD74HC11M96	D	SN74HC173N	TI	CD74HC173E	H
SN74HC11N	TI	CD74HC11E	D	SN74HC174D	TI	CD74HC174M	H
SN74HC112D	TI	CD74HC112M96	H	SN74HC174D	TI	CD74HC174M96	H
SN74HC112N	TI	CD74HC112E	H	SN74HC174N	TI	CD74HC174E	H
SN74HC123N	TI	CD74HC123E	H	SN74HC175D	TI	CD74HC175M	D
SN74HC125D	TI	CD74HC125M	H	SN74HC175D	TI	CD74HC175M96	D
SN74HC125D	TI	CD74HC125M96	H	SN74HC175N	TI	CD74HC175E	D
SN74HC125N	TI	CD74HC125E	H	SN74HC190N	TI	CD74HC190E	H
SN74HC126D	TI	CD74HC126M	H	SN74HC191D	TI	CD74HC191M	H
SN74HC126D	TI	CD74HC126M96	H	SN74HC191D	TI	CD74HC191M96	H
SN74HC126N	TI	CD74HC126E	H	SN74HC191N	TI	CD74HC191E	H
SN74HC132D	TI	CD74HC132M	D	SN74HC192N	TI	CD74HC192E	H
SN74HC132D	TI	CD74HC132M96	D	SN74HC193D	TI	CD74HC193M	H
SN74HC193D	TI	CD74HC193M96	H	SN74HC299DW	TI	CD74HC299M	D
SN74HC193N	TI	CD74HC193E	H	SN74HC299DW	TI	CD74HC299M96	D
SN74HC194N	TI	CD74HC194E	H	SN74HC299N	TI	CD74HC299E	D
SN74HC195N	TI	CD74HC195E	D	SN74HC30D	TI	CD74HC30M	D
SN74HC20D	TI	CD74HC20M	H	SN74HC30D	TI	CD74HC30M96	D
SN74HC20D	TI	CD74HC20M96	H	SN74HC30N	TI	CD74HC30E	D
SN74HC20N	TI	CD74HC20E	H	SN74HC32D	TI	CD74HC32M	H
SN74HC21D	TI	CD74HC21M	D	SN74HC32D	TI	CD74HC32M96	H
SN74HC21D	TI	CD74HC21M96	D	SN74HC32N	TI	CD74HC32E	H
SN74HC21N	TI	CD74HC21E	D	SN74HC354N	TI	CD74HC354E	H
SN74HC221N	TI	CD74HC221E	H	SN74HC365D	TI	CD74HC365M	H
SN74HC237D	TI	CD74HC237M	H	SN74HC365D	TI	CD74HC365M96	H
SN74HC237D	TI	CD74HC237M96	H	SN74HC365N	TI	CD74HC365E	H
SN74HC237N	TI	CD74HC237E	H	SN74HC366N	TI	CD74HC366E	H
SN74HC238D	TI	CD74HC238M	H	SN74HC367N	TI	CD74HC367E	H
SN74HC238D	TI	CD74HC238M96	H	SN74HC368D	TI	CD74HC368M	H
SN74HC238N	TI	CD74HC238E	H	SN74HC368D	TI	CD74HC368M96	H
SN74HC240DW	TI	CD74HC240M	H	SN74HC368N	TI	CD74HC368E	H
SN74HC240DW	TI	CD74HC240M96	H	SN74HC373DW	TI	CD74HC373M	D
SN74HC240N	TI	CD74HC240E	H	SN74HC373DW	TI	CD74HC373M96	H
SN74HC241DW	TI	CD74HC241M	H	SN74HC373N	TI	CD74HC373E	D
SN74HC241DW	TI	CD74HC241M96	H	SN74HC374DW	TI	CD74HC374M	H
SN74HC241N	TI	CD74HC241E	H	SN74HC374DW	TI	CD74HC374M96	H
SN74HC243D	TI	CD74HC243M	D	SN74HC374N	TI	CD74HC374E	H
SN74HC243D	TI	CD74HC243M96	D	SN74HC377DW	TI	CD74HC377M	H
SN74HC243N	TI	CD74HC243E	D	SN74HC377DW	TI	CD74HC377M96	H
SN74HC244DW	TI	CD74HC244M	H	SN74HC377N	TI	CD74HC377E	H
SN74HC244DW	TI	CD74HC244M96	H	SN74HC390D	TI	CD74HC390M	H
SN74HC244N	TI	CD74HC244E	H	SN74HC390D	TI	CD74HC390M96	H
SN74HC245DW	TI	CD74HC245M	D	SN74HC390N	TI	CD74HC390E	H
SN74HC245DW	TI	CD74HC245M96	D	SN74HC393D	TI	CD74HC393M	H

NOTE: D = Direct Replacement, H = Harris Recommended Replacement.

Cross-Reference Guide

COMPETITOR #	COMPETITOR	HARRIS #	TYPE	COMPETITOR #	COMPETITOR	HARRIS #	TYPE
SN74HC245N	TI	CD74HC245E	D	SN74HC393D	TI	CD74HC393M96	H
SN74HC251D	TI	CD74HC251M	H	SN74HC393N	TI	CD74HC393E	H
SN74HC251D	TI	CD74HC251M96	H	SN74HC4002D	TI	CD74HC4002M	H
SN74HC251N	TI	CD74HC251E	H	SN74HC4002D	TI	CD74HC4002M96	H
SN74HC253D	TI	CD74HC253M	H	SN74HC4002N	TI	CD74HC4002E	H
SN74HC253N	TI	CD74HC253E	H	SN74HC4016N	TI	CD74HC4016E	H
SN74HC257D	TI	CD74HC257M	H	SN74HC4017N	TI	CD74HC4017E	H
SN74HC257D	TI	CD74HC257M96	H	SN74HC4020D	TI	CD74HC4020M	H
SN74HC257N	TI	CD74HC257E	H	SN74HC4020D	TI	CD74HC4020M96	H
SN74HC258D	TI	CD74HC258M	H	SN74HC4020N	TI	CD74HC4020E	H
SN74HC259D	TI	CD74HC259M	H	SN74HC4024D	TI	CD74HC4024M	H
SN74HC259D	TI	CD74HC259M96	H	SN74HC4024D	TI	CD74HC4024M96	H
SN74HC259N	TI	CD74HC259E	H	SN74HC4024N	TI	CD74HC4024E	H
SN74HC27D	TI	CD74HC27M	H	SN74HC4040D	TI	CD74HC4040M	H
SN74HC27D	TI	CD74HC27M96	H	SN74HC4040D	TI	CD74HC4040M96	H
SN74HC27N	TI	CD74HC27E	H	SN74HC4040N	TI	CD74HC4040E	H
SN74HC273DW	TI	CD74HC273M	H	SN74HC4049N	TI	CD74HC4049E	H
SN74HC273DW	TI	CD74HC273M96	H	SN74HC4050N	TI	CD74HC4050E	H
SN74HC273N	TI	CD74HC273E	H	SN74HC4051N	TI	CD74HC4051E	D
SN74HC280D	TI	CD74HC280M96	H	SN74HC4052N	TI	CD74HC4052E	D
SN74HC280N	TI	CD74HC280E	H	SN74HC4053N	TI	CD74HC4053E	D
SN74HC283D	TI	CD74HC283M	H	SN74HC4060D	TI	CD74HC4060M	D
SN74HC283D	TI	CD74HC283M96	H	SN74HC4060D	TI	CD74HC4060M96	D
SN74HC283N	TI	CD74HC283E	H	SN74HC4060N	TI	CD74HC4060E	D
SN74HC4075D	TI	CD74HC4075M	D	SN74HC86D	TI	CD74HC86M	H
SN74HC4075D	TI	CD74HC4075M96	D	SN74HC86D	TI	CD74HC86M96	H
SN74HC4075N	TI	CD74HC4075E	D	SN74HC86N	TI	CD74HC86E	H
SN74HC42D	TI	CD74HC42M	D	SN75437ANE	TI	CA3262AE	H
SN74HC42N	TI	CD74HC42E	D	SN75437NE	TI	CA3262E	H
SN74HC4316N	TI	CD74HC4316E	H	SPX4232P	SEPONIX	HIN232CP	D
SN74HC4511N	TI	CD74HC4511E	H	SPX4232P	SEPONIX	ICL232CPE	D
SN74HC4514DW	TI	CD74HC4514M	H	SP1-2541-2	SIPEX	HA1-2541-2	H
SN74HC4514DW	TI	CD74HC4514M96	H	SP1-2541-5	SIPEX	HA1-2541-5	H
SN74HC4515DW	TI	CD74HC4515M	H	SP1-2542-2	SIPEX	HA1-2542-2	H
SN74HC4515DW	TI	CD74HC4515M96	H	SP1-2542-5	SIPEX	HA1-2542-5	H
SN74HC4538N	TI	CD74HC4538E	D	SP1-5190-2	SIPEX	HA1-5190-2	D
SN74HC533N	TI	CD74HC533E	H	SP1-5195-5	SIPEX	HA1-5195-5	D
SN74HC534N	TI	CD74HC534E	D	SP1-5330-2	SIPEX	HA1-5330-2	H
SN74HC540DW	TI	CD74HC540M	H	SP1-5330-5	SIPEX	HA1-5330-5	H
SN74HC540DW	TI	CD74HC540M96	H	SP2-2500-2	SIPEX	HA2-2500-2	H
SN74HC540N	TI	CD74HC540E	H	SP2-2502-2	SIPEX	HA2-2502-2	H
SN74HC541DW	TI	CD74HC541M	D	SP2-2505-5	SIPEX	HA2-2505-5	H
SN74HC541DW	TI	CD74HC541M96	D	SP2-2510-2	SIPEX	HA2-2510-2	H
SN74HC541N	TI	CD74HC541E	D	SP2-2512-2	SIPEX	HA2-2512-2	H
SN74HC563DW	TI	CD74HC563M	H	SP2-2515-5	SIPEX	HA2-2515-5	H
SN74HC563N	TI	CD74HC563E	H	SP2-2520-2	SIPEX	HA2-2520-2	D
SN74HC564DW	TI	CD74HC564M	D	SP2-2522-2	SIPEX	HA2-2522-2	D
SN74HC564N	TI	CD74HC564E	D	SP2-2522/883	SIPEX	HA2-2522/883	D
SN74HC573ADW	TI	CD74HC573M	D	SP2-2525-5	SIPEX	HA2-2525-5	D
SN74HC573AN	TI	CD74HC573E	D	SP2-2541-2	SIPEX	HA2-2541-2	H
SN74HC573D	TI	CD74HC573M96	D	SP2-2541-5	SIPEX	HA2-2541-5	H
SN74HC573DW	TI	CD74HC573M	D	SP2-2542-2	SIPEX	HA2-2542-2	H
SN74HC573DWR	TI	CD74HC573M96	D	SP2-2542-5	SIPEX	HA2-2542-5	H
SN74HC573N	TI	CD74HC573E	D	SP2-2600-2	SIPEX	HA2-2600-2	D
SN74HC574DW	TI	CD74HC574M	H	SP2-2602-2	SIPEX	HA2-2602-2	D
SN74HC574DW	TI	CD74HC574M96	H	SP2-2605-5	SIPEX	HA2-2605-5	H
SN74HC574N	TI	CD74HC574E	H	SP2-2620-2	SIPEX	HA2-2620-2	H
SN74HC597N	TI	CD74HC597E	H	SP2-2622-2	SIPEX	HA2-2622-2	D

3
DIRECT/HARRIS
REPLACEMENTS

NOTE: D = Direct Replacement, H = Harris Recommended Replacement.

Cross-Reference Guide

COMPETITOR #	COMPETITOR	HARRIS #	TYPE	COMPETITOR #	COMPETITOR	HARRIS #	TYPE
SN74HC640DW	TI	CD74HC640M	H	SP2-2625-5	SIPEX	HA2-2625-5	D
SN74HC640N	TI	CD74HC640E	H	SP200CT	SIPEX	HIN200CB	H
SN74HC646DW	TI	CD74HC646M	H	SP200ET	SIPEX	HIN200IB	H
SN74HC670N	TI	CD74HC670E	H	SP204CT	SIPEX	HIN204CB	H
SN74HC688DW	TI	CD74HC688M	H	SP204ET	SIPEX	HIN204IB	H
SN74HC688DW	TI	CD74HC688M96	H	SP206CA	SIPEX	HIN206CA	H
SN74HC688N	TI	CD74HC688E	H	SP206CP	SIPEX	HIN206CP	H
SN74HC7266D	TI	CD74HC7266M	H	SP206CT	SIPEX	HIN206CB	H
SN74HC7266D	TI	CD74HC7266M96	H	SP206EA	SIPEX	HIN206IA	H
SN74HC7266N	TI	CD74HC7266E	H	SP206EP	SIPEX	HIN206IP	H
SN74HC73D	TI	CD74HC73M	D	SP206ET	SIPEX	HIN206IB	H
SN74HC73D	TI	CD74HC73M96	D	SP207CA	SIPEX	HIN207CA	H
SN74HC73N	TI	CD74HC73E	D	SP207CP	SIPEX	HIN207CP	H
SN74HC74D	TI	CD74HC74M	D	SP207CT	SIPEX	HIN207CB	H
SN74HC74D	TI	CD74HC74M96	D	SP207EA	SIPEX	HIN207IA	H
SN74HC75D	TI	CD74HC75M	H	SP207EP	SIPEX	HIN207IP	H
SN74HC75N	TI	CD74HC75E	H	SP207ET	SIPEX	HIN207IB	H
SN74HC85AD	TI	CD74HC85M	H	SP208CA	SIPEX	HIN208CA	H
SN74HC85AD	TI	CD74HC85M96	H	SP208CP	SIPEX	HIN208CP	H
SN74HC85AN	TI	CD74HC85E	H	SP208CT	SIPEX	HIN208CB	H
SN74HC85N	TI	CD74HC85E	H	SP208EA	SIPEX	HIN208IA	H
SP208EP	SIPEX	HIN208IP	H	SP239ACT	SIPEX	HIN239CB	H
SP208ET	SIPEX	HIN208IB	H	SP239AET	SIPEX	HIN239IB	H
SP211CA	SIPEX	HIN211CA	H	SP239CT	SIPEX	HIN239CB	D
SP211CT	SIPEX	HIN211CB	H	SP239CX	SIPEX	HIN239BY	D
SP211EA	SIPEX	HIN211IA	H	SP239ET	SIPEX	HIN239IB	D
SP211ET	SIPEX	HIN211IB	H	SP241ACT	SIPEX	HIN241CB	H
SP213EA	SIPEX	HIN213IA	H	SP241AET	SIPEX	HIN241IB	H
SP230ACT	SIPEX	HIN230CB	H	SP241CT	SIPEX	HIN241CB	D
SP230AET	SIPEX	HIN230IB	H	SP241ET	SIPEX	HIN241IB	D
SP231ACT	SIPEX	HIN231CB	H	SP3-2505-5	SIPEX	HA3-2505-5	H
SP231AET	SIPEX	HIN231IB	H	SP3-2515-5	SIPEX	HA3-2515-5	H
SP231CT	SIPEX	HIN231CB	D	SP3-2525-5	DATALINEAR	HA3-2525-5	D
SP231CX	SIPEX	HIN231BY	D	SP3-2525-5	SIPEX	HA3-2525-5	H
SP231ET	SIPEX	HIN231IB	D	SP3-2539-5	SIPEX	HA3-2539C-5	D
SP232ACP	SIPEX	HIN232CP	H	SP3-2540-5	SIPEX	HA3-2540-5	D
SP232ACT	SIPEX	HIN232CB	H	SP3-2540-5	SIPEX	HA3-2540C-5	D
SP232AED	SIPEX	HIN232IJ	H	SP3-2542-5	SIPEX	HA3B2842-5	H
SP232AEP	SIPEX	HIN232IP	H	SP3-2605-5	SIPEX	HA3-2605-5	H
SP232AET	SIPEX	HIN232IB	H	SP3-2625-5	DATALINEAR	HA3-2625-5	D
SP232AMD	SIPEX	HIN232MJ	H	SP3-2625-5	SIPEX	HA3-2625-5	H
SP232CP	SIPEX	HIN232CP	D	SP7-2500-2	SIPEX	HA7-2500-2	H
SP232CP	SIPEX	ICL232CPE	D	SP7-2505-5	SIPEX	HA7-2505-5	H
SP232CT	SIPEX	HIN232CB	D	SP7-2510-2	SIPEX	HA7-2510-2	H
SP232CT	SIPEX	ICL232CBE	D	SP7-2512-2	SIPEX	HA7-2512-2	H
SP232CT	SIPEX	ICL232CBET	D	SP7-2515-5	SIPEX	HA7-2515-5	H
SP232CX	SIPEX	HIN232BY	D	SP7-2520-2	DATALINEAR	HA7-2520-2	D
SP232ED	SIPEX	HIN232IJ	D	SP7-2520-2	SIPEX	HA7-2520-2	D
SP232EP	SIPEX	HIN232IP	D	SP7-2522-2	DATALINEAR	HA7-2522-2	D
SP232ET	SIPEX	HIN232IB	D	SP7-2522-2	SIPEX	HA7-2522-2	D
SP232ET	SIPEX	ICL232IBE	D	SP7-2522/883	SIPEX	HA7-2522/883	D
SP232ET	SIPEX	ICL232IBET	D	SP7-2525-5	DATALINEAR	HA7-2525-5	D
SP232MD	SIPEX	HIN232MJ	D	SP7-2525-5	SIPEX	HA7-2525-5	D
SP232MD	SIPEX	ICL232MJE	D	SP7-2600-2	SIPEX	HA7-2600-2	D
SP234ACT	SIPEX	HIN234CB	H	SP7-2602-2	SIPEX	HA7-2602-2	D
SP234AET	SIPEX	HIN234IB	H	SP7-2605-5	SIPEX	HA7-2605-5	H
SP234CT	SIPEX	HIN234CB	H	SP7-2620-2	SIPEX	HA7-2620-2	H
SP234ET	SIPEX	HIN234IB	H	SP7-2622-2	DATALINEAR	HA7-2622-2	D

NOTE: D = Direct Replacement, H = Harris Recommended Replacement.

Cross-Reference Guide

COMPETITOR #	COMPETITOR	HARRIS #	TYPE	COMPETITOR #	COMPETITOR	HARRIS #	TYPE
SP236ACP	SIPEX	HIN236CP	H	SP7-2622-2	SIPEX	HA7-2622-2	D
SP236ACT	SIPEX	HIN236CB	H	SP7-2625-5	DATALINEAR	HA7-2625-5	D
SP236AEP	SIPEX	HIN236IP	H	SP7-2625-5	SIPEX	HA7-2625-5	D
SP236AET	SIPEX	HIN236IB	H	SP74HCT373N	PROCESSES	CD74HCT373E	D
SP236CT	SIPEX	HIN236CB	H	SP74HCT670N	PROCESSES	CD74HCT670E	D
SP236ET	SIPEX	HIN236IB	H	SP74HC153N	PROCESSES	CD74HC153E	D
SP237ACP	SIPEX	HIN237CP	H	SSI22101IP	SILICON SYS	CD22101E	D
SP237ACT	SIPEX	HIN237CB	H	SSI22102IP	SILICON SYS	CD22102E	D
SP237AEP	SIPEX	HIN237IP	H	SSI75T204-IP	SILICON SYS	CD22204E	H
SP237AET	SIPEX	HIN237IB	H	STB50N06	SGS	HUF75329S3S	H
SP237CT	SIPEX	HIN237CB	H	STB60N06-14	SGS	HUF75337S3S	H
SP237ET	SIPEX	HIN237IB	H	STB80N05-09	SGS	HUF75343S3S	H
SP238ACP	SIPEX	HIN238CP	H	STLT19	SGS	BUZ71A	H
SP238ACT	SIPEX	HIN238CB	H	STLT20	SGS	RFP3055	H
SP238AEP	SIPEX	HIN238IP	H	STLT29	SGS	RFP25N06	H
SP238AET	SIPEX	HIN238IB	H	STLT30	SGS	RFP25N06	H
SP238CT	SIPEX	HIN238CB	H	STM-330	CONDUCTOR	IRF330	D
SP238ET	SIPEX	HIN238IB	H	STM330	CONDUCTOR	IRF330	D
STP20N06	SGS	HUF75307P3	H	TC4010BP	TOSHIBA	CD4010BE	D
STP25N06	SGS	RFP25N06	H	TC40102BP	TOSHIBA	CD40102BE	D
STP25N06	SGS	HUF75309P3	H	TC40103BP	TOSHIBA	CD40103BE	D
STP38N06	SGS	HUF75321P3	H	TC40107BP	TOSHIBA	CD40107BE	D
STP5NA80	SGS	RFP4N100	H	TC4011BP	TOSHIBA	CD4011BE	D
STP50N06	SGS	RFP45N06	H	TC4011BP	TOSHIBA	CD4011UBE	D
STP50N06	SGS	RFP50N06	H	TC4011UBP	TOSHIBA	CD4011BE	D
STP55N06	SGS	RFP50N05	H	TC4011UBP	TOSHIBA	CD4011UBE	D
STP55N06	SGS	HUF75329P3	H	TC40117BP	TOSHIBA	CD40117BE	D
STP60N06	SGS	RFP70N06	H	TC4012BP	TOSHIBA	CD4012BE	D
STP60N06-14	SGS	HUF75337P3	H	TC4013BP	TOSHIBA	CD4013BE	H
STP60N06-16	SGS	HUF75333P3	H	TC4014BP	TOSHIBA	CD4014BE	D
STP60N05-09	SGS	HUF75343P3	H	TC4015BP	TOSHIBA	CD4015BE	D
STVHD90	SGS	RFP50N05	H	TC4016BP	TOSHIBA	CD4016BE	D
SUB60N06-18	TEMIC	HUF75333S3S	H	TC40161BP	TOSHIBA	CD40161BE	D
SUB70N06-14	TEMIC	HUF75337S3S	H	TC4017BP	TOSHIBA	CD4017BE	D
SUB75N05-06	TEMIC	HUF75345S3S	H	TC40174BP	TOSHIBA	CD40174BE	D
SUB75N06-08	TEMIC	HRF3205S	H	TC40175BP	TOSHIBA	CD40175BE	D
SUP60N06-18	TEMIC	HUF75333P3	H	TC4018BP	TOSHIBA	CD4018BE	D
SUP70N06-14	TEMIC	HUF75337P3	H	TC4019BP	TOSHIBA	CD4019BE	D
SUP75N05-06	TEMIC	HUF75345P3	H	TC40192BP	TOSHIBA	CD40192BE	D
SUP75N06-08	TEMIC	HRF3205	H	TC40193BP	TOSHIBA	CD40193BE	D
TA76524P	TOSHIBA	CA3524E	H	TC40194BP	TOSHIBA	CD40194BE	D
TBA221B	SIEMENS	CA0741CE	D	TC4020BP	TOSHIBA	CD4020BE	D
TBA221B	SIEMENS	LM741CN	D	TC4021BP	TOSHIBA	CD4021BE	D
TBD0723	SGS	CA0723CT	H	TC4022BP	TOSHIBA	CD4022BE	D
TCA3089	SGS-ATES	CA3089E	H	TC4023BP	TOSHIBA	CD4023BE	D
TCA3089	SGS	CA3089E	H	TC4024BP	TOSHIBA	CD4024BE	D
TCA3089	SPRAGUE	CA3089E	H	TC4025BP	TOSHIBA	CD4025BE	H
TCA3189	SGS-ATES	CA3189E	H	TC4027BP	TOSHIBA	CD4027BE	D
TCA3189	SGS	CA3189E	H	TC4028BP	TOSHIBA	CD4028BE	D
TC232COE	TELEDYNE	HIN232CB	D	TC4029BP	TOSHIBA	CD4029BE	D
TC232COE	TELEDYNE	ICL232CBE	D	TC4030BP	TOSHIBA	CD4030BE	D
TC232COE	TELEDYNE	ICL232CBET	D	TC4034BP	TOSHIBA	CD4034BE	D
TC232CPE	TELEDYNE	HIN232CP	D	TC4035BP	TOSHIBA	CD4035BE	D
TC232CPE	TELEDYNE	ICL232CPE	D	TC4040BP	TOSHIBA	CD4040BE	D
TC232EJE	TELEDYNE	HIN232IJ	D	TC4042BP	TOSHIBA	CD4042BE	D
TC232EOE	TELEDYNE	HIN232IB	D	TC4043BP	TOSHIBA	CD4043BE	D
TC232EOE	TELEDYNE	ICL232IBE	D	TC4044BP	TOSHIBA	CD4044BE	D
TC232EOE	TELEDYNE	ICL232IBET	D	TC4047BP	TOSHIBA	CD4047BE	D

3
DIRECT/HARRIS
REPLACEMENTS

NOTE: D = Direct Replacement, H = Harris Recommended Replacement.

Cross-Reference Guide

COMPETITOR #	COMPETITOR	HARRIS #	TYPE	COMPETITOR #	COMPETITOR	HARRIS #	TYPE
TC232EPE	TELEDYNE	HIN232IP	D	TC4050BP	TOSHIBA	CD4050BE	D
TC232JE	TELEDYNE	ICL232JE	D	TC4051BP	TOSHIBA	CD4051BE	D
TC232IPE	TELEDYNE	ICL232IPE	D	TC4052BP	TOSHIBA	CD4052BE	D
TC232MJE	TELEDYNE	HIN232MJ	D	TC4053BP	TOSHIBA	CD4053BE	D
TC232MJE	TELEDYNE	ICL232MJE	D	TC4054BP	TOSHIBA	CD4054BE	D
TC40H000P	TOSHIBA	CD4011BE	D	TC4055BP	TOSHIBA	CD4055BE	D
TC40H000P	TOSHIBA	CD4011UBE	D	TC4056BP	TOSHIBA	CD4056BE	D
TC4001BP	TOSHIBA	CD4001BE	D	TC4063BP	TOSHIBA	CD4063BE	D
TC4001BP	TOSHIBA	CD4001UBE	D	TC4066BP	TOSHIBA	CD4066BE	D
TC4001UBP	TOSHIBA	CD4001BE	D	TC4068BP	TOSHIBA	CD4068BE	D
TC4001UBP	TOSHIBA	CD4001UBE	D	TC4069UBP	TOSHIBA	CD4069UBE	D
TC4002BP	TOSHIBA	CD4002BE	D	TC4071BP	TOSHIBA	CD4071BE	D
TC4006BP	TOSHIBA	CD4006BE	D	TC4072BP	TOSHIBA	CD4072BE	D
TC4007UBP	TOSHIBA	CD4007UBE	D	TC4073BP	TOSHIBA	CD4073BE	D
TC4009UBP	TOSHIBA	CD4009UBE	D	TC4075BP	TOSHIBA	CD4075BE	D
TC4076BP	TOSHIBA	CD4076BE	D	TC74ACT00P	TOSHIBA	CD74ACT00E	H
TC4077BP	TOSHIBA	CD4077BE	D	TC74ACT02P	TOSHIBA	CD74ACT02E	H
TC4081BP	TOSHIBA	CD4081BE	D	TC74ACT04P	TOSHIBA	CD74ACT04E	H
TC4082BP	TOSHIBA	CD4082BE	D	TC74ACT08P	TOSHIBA	CD74ACT08E	H
TC4085BP	TOSHIBA	CD4085BE	D	TC74ACT10P	TOSHIBA	CD74ACT10E	H
TC4086BP	TOSHIBA	CD4086BE	D	TC74ACT109P	TOSHIBA	CD74ACT109E	H
TC4093BP	TOSHIBA	CD4093BE	D	TC74ACT138P	TOSHIBA	CD74ACT138E	H
TC4094BP	TOSHIBA	CD4094BE	D	TC74ACT139P	TOSHIBA	CD74ACT139E	H
TC4099BP	TOSHIBA	CD4099BE	D	TC74ACT14P	TOSHIBA	CD74ACT14E	H
TC426COA	TELEDYNE	ICL7667CBA	H	TC74ACT153P	TOSHIBA	CD74ACT153E	H
TC426CPA	TELEDYNE	ICL7667CPA	H	TC74ACT157P	TOSHIBA	CD74ACT157E	H
TC426EOA	TELEDYNE	ICL7667CBA	H	TC74ACT161P	TOSHIBA	CD74ACT161E	H
TC426IJA	TELEDYNE	ICL7667MJA	H	TC74ACT163P	TOSHIBA	CD74ACT163E	H
TC426MJA	TELEDYNE	ICL7667MJA	H	TC74ACT164P	TOSHIBA	CD74ACT164E	H
TC4423CPA	TELEDYNE	ICL7667CPA	H	TC74ACT174P	TOSHIBA	CD74ACT174E	H
TC4423MJA	TELEDYNE	ICL7667MJA	H	TC74ACT175P	TOSHIBA	CD74ACT175E	H
TC4423MJA/883	TELEDYNE	ICL7667MJA/883B	H	TC74ACT240FW	TOSHIBA	CD74ACT240M	D
TC4502BP	TOSHIBA	CD4502BE	D	TC74ACT240P	TOSHIBA	CD74ACT240E	D
TC4503BP	TOSHIBA	CD4503BE	D	TC74ACT241P	TOSHIBA	CD74ACT241E	D
TC4508BP	TOSHIBA	CD4508BE	D	TC74ACT244FW	TOSHIBA	CD74ACT244M	D
TC4510BP	TOSHIBA	CD4510BE	D	TC74ACT244P	TOSHIBA	CD74ACT244E	D
TC4511BP	TOSHIBA	CD4511BE	D	TC74ACT245FW	TOSHIBA	CD74ACT245M96	D
TC4512BP	TOSHIBA	CD4512BE	D	TC74ACT245P	TOSHIBA	CD74ACT245E	H
TC4514BP	TOSHIBA	CD4514BE	D	TC74ACT253P	TOSHIBA	CD74ACT253E	H
TC4515BP	TOSHIBA	CD4515BE	D	TC74ACT257FN	TOSHIBA	CD74ACT257M	D
TC4516BP	TOSHIBA	CD4516BE	D	TC74ACT257FN	TOSHIBA	CD74ACT257M96	D
TC4518BP	TOSHIBA	CD4518BE	D	TC74ACT257P	TOSHIBA	CD74ACT257E	D
TC4520BP	TOSHIBA	CD4520BE	D	TC74ACT273FW	TOSHIBA	CD74ACT273M	D
TC4521BP	TOSHIBA	CD4521BE	D	TC74ACT273FW	TOSHIBA	CD74ACT273M96	D
TC4522BP	TOSHIBA	CD4522BE	D	TC74ACT273P	TOSHIBA	CD74ACT273E	D
TC4527BP	TOSHIBA	CD4527BE	D	TC74ACT280P	TOSHIBA	CD74ACT280E	H
TC4528BP	TOSHIBA	CD4098BE	D	TC74ACT283P	TOSHIBA	CD74ACT283E	H
TC4532BP	TOSHIBA	CD4532BE	D	TC74ACT32P	TOSHIBA	CD74ACT32E	H
TC4538BP	TOSHIBA	CD14538BE	D	TC74ACT373P	TOSHIBA	CD74ACT373E	H
TC4543BP	TOSHIBA	CD4543BE	D	TC74ACT374P	TOSHIBA	CD74ACT374E	H
TC4555BP	TOSHIBA	CD4555BE	D	TC74ACT540FW	TOSHIBA	CD74ACT540M	D
TC4556BP	TOSHIBA	CD4556BE	D	TC74ACT540FW	TOSHIBA	CD74ACT540M96	D
TC4585BP	TOSHIBA	CD4585BE	D	TC74ACT540P	TOSHIBA	CD74ACT540E	D
TC7106CKW	TELEDYNE	ICL7106CM44	D	TC74ACT541FW	TOSHIBA	CD74ACT541M	D
TC7106CPL	TELEDYNE	ICL7106CPL	D	TC74ACT541FW	TOSHIBA	CD74ACT541M96	D
TC7106CPL	TELEDYNE	ICL7106SCPL	D	TC74ACT541P	TOSHIBA	CD74ACT541E	D
TC7106RCPL	TELEDYNE	ICL7106RCPL	D	TC74ACT573P	TOSHIBA	CD74ACT573E	H
TC7107CKW	TELEDYNE	ICL7107CM44	D	TC74ACT574P	TOSHIBA	CD74ACT574E	H

NOTE: D = Direct Replacement, H = Harris Recommended Replacement.

Cross-Reference Guide

COMPETITOR #	COMPETITOR	HARRIS #	TYPE
TC7107CPL	TELEDYNE	ICL7107CPL	D
TC7107CPL	TELEDYNE	ICL7107SCPL	D
TC7107RCPL	TELEDYNE	ICL7107RCPL	D
TC7116CKW	TELEDYNE	ICL7116CM44	D
TC7116CPL	TELEDYNE	ICL7116CPL	D
TC7117CPL	TELEDYNE	ICL7117CPL	D
TC7126CPL	TELEDYNE	ICL7126CPL	D
TC7126RCPL	TELEDYNE	ICL7126RCPL	D
TC7129CKW	TELEDYNE	ICL7129CM44	D
TC7129CPL	TELEDYNE	ICL7129CPL	D
TC7129RCPL	TELEDYNE	ICL7129RCPL	D
TC7135CPI	TELEDYNE	ICL7135CPI	D
TC74AC153P	TOSHIBA	CD74AC153E	H
TC74AC157P	TOSHIBA	CD74AC157E	H
TC74AC163P	TOSHIBA	CD74AC163E	H
TC74AC164P	TOSHIBA	CD74AC164E	H
TC74AC174P	TOSHIBA	CD74AC174E	H
TC74AC191P	TOSHIBA	CD74AC191E	H
TC74AC20P	TOSHIBA	CD74AC20E	H
TC74AC240FW	TOSHIBA	CD74AC240M	D
TC74AC240P	TOSHIBA	CD74AC240E	D
TC74AC244FW	TOSHIBA	CD74AC244M	D
TC74AC244P	TOSHIBA	CD74AC244E	D
TC74AC245FW	TOSHIBA	CD74AC245M	D
TC74AC245FW	TOSHIBA	CD74AC245M96	D
TC74AC245P	TOSHIBA	CD74AC245E	D
TC74AC257FN	TOSHIBA	CD74AC257M	D
TC74AC257FN	TOSHIBA	CD74AC257M96	D
TC74AC257P	TOSHIBA	CD74AC257E	D
TC74AC273FW	TOSHIBA	CD74AC273M	D
TC74AC273FW	TOSHIBA	CD74AC273M96	D
TC74AC273P	TOSHIBA	CD74AC273E	D
TC74AC280P	TOSHIBA	CD74AC280E	H
TC74AC283P	TOSHIBA	CD74AC283E	H
TC74AC32P	TOSHIBA	CD74AC32E	H
TC74AC373P	TOSHIBA	CD74AC373E	H
TC74AC374P	TOSHIBA	CD74AC374E	H
TC74AC540FW	TOSHIBA	CD74AC540M	D
TC74AC541FW	TOSHIBA	CD74AC541M	D
TC74AC541FW	TOSHIBA	CD74AC541M96	D
TC74AC541P	TOSHIBA	CD74AC541E	D
TC74AC563P	TOSHIBA	CD74AC563E	H
TC74AC573P	TOSHIBA	CD74AC573E	H
TC74AC574P	TOSHIBA	CD74AC574E	H
TC74AC623P	TOSHIBA	CD74AC623E	H
TC74AC74P	TOSHIBA	CD74AC74E	H
TC74AC86P	TOSHIBA	CD74AC86E	H
TC74HCT00AP	TOSHIBA	CD74HCT00E	H
TC74HCT02AP	TOSHIBA	CD74HCT02E	H
TC74HCT04AP	TOSHIBA	CD74HCT04E	H
TC74HCT04P	TOSHIBA	CD74HCT04E	H
TC74HCT08AF	TOSHIBA	CD74HCT08M	D
TC74HCT08AF	TOSHIBA	CD74HCT08M96	D
TC74HCT08AP	TOSHIBA	CD74HCT08E	D
TC74HCT137P	TOSHIBA	CD74HCT137E	H
TC74HCT138AFN	TOSHIBA	CD74HCT138M	D
TC74HCT138AFN	TOSHIBA	CD74HCT138M96	D
TC74HCT138AP	TOSHIBA	CD74HCT138E	D

COMPETITOR #	COMPETITOR	HARRIS #	TYPE
TC74ACT74P	TOSHIBA	CD74ACT74E	H
TC74ACT86P	TOSHIBA	CD74ACT86E	H
TC74AC04P	TOSHIBA	CD74AC04E	H
TC74AC05P	TOSHIBA	CD74AC05E	H
TC74AC08P	TOSHIBA	CD74AC08E	H
TC74AC10P	TOSHIBA	CD74AC10E	H
TC74AC109P	TOSHIBA	CD74AC109E	H
TC74AC112P	TOSHIBA	CD74AC112E	H
TC74AC138P	TOSHIBA	CD74AC138E	H
TC74AC139P	TOSHIBA	CD74AC139E	H
TC74AC14P	TOSHIBA	CD74AC14E	H
TC74AC151P	TOSHIBA	CD74AC151E	H
TC74HCT244P	TOSHIBA	CD74HCT244E	H
TC74HCT245AP	TOSHIBA	CD74HCT245E	H
TC74HCT245P	TOSHIBA	CD74HCT245E	H
TC74HCT273AP	TOSHIBA	CD74HCT273E	H
TC74HCT32AP	TOSHIBA	CD74HCT32E	D
TC74HCT373AFW	TOSHIBA	CD74HCT373M	D
TC74HCT373AFW	TOSHIBA	CD74HCT373M96	D
TC74HCT373AP	TOSHIBA	CD74HCT373E	D
TC74HCT373P	TOSHIBA	CD74HCT373E	D
TC74HCT374AFW	TOSHIBA	CD74HCT374M	D
TC74HCT374AFW	TOSHIBA	CD74HCT374M96	D
TC74HCT374AP	TOSHIBA	CD74HCT374E	D
TC74HCT374P	TOSHIBA	CD74HCT374E	H
TC74HCT533AP	TOSHIBA	CD74HCT533E	D
TC74HCT534AP	TOSHIBA	CD74HCT534E	H
TC74HCT540AP	TOSHIBA	CD74HCT540E	H
TC74HCT540P	TOSHIBA	CD74HCT540E	H
TC74HCT541AP	TOSHIBA	CD74HCT541E	H
TC74HCT541P	TOSHIBA	CD74HCT541E	H
TC74HCT563AP	TOSHIBA	CD74HCT563E	H
TC74HCT563P	TOSHIBA	CD74HCT563E	H
TC74HCT564AP	TOSHIBA	CD74HCT564E	H
TC74HCT564P	TOSHIBA	CD74HCT564E	D
TC74HCT573AP	TOSHIBA	CD74HCT573E	H
TC74HCT573P	TOSHIBA	CD74HCT573E	H
TC74HCT574AP	TOSHIBA	CD74HCT574E	H
TC74HCT574P	TOSHIBA	CD74HCT574E	H
TC74HCT640AP	TOSHIBA	CD74HCT640E	H
TC74HCT640P	TOSHIBA	CD74HCT640E	H
TC74HCT688AP	TOSHIBA	CD74HCT688E	D
TC74HCT74AP	TOSHIBA	CD74HCT74E	H
TC74HCT86AP	TOSHIBA	CD74HCT86E	H
TC74HCU04AP	TOSHIBA	CD74HCU04E	H
TC74HCU04P	TOSHIBA	CD74HCU04E	H
TC74HC00AP	TOSHIBA	CD74HC00E	H
TC74HC00P	TOSHIBA	CD74HC00E	D
TC74HC02AP	TOSHIBA	CD74HC02E	H
TC74HC02P	TOSHIBA	CD74HC02E	D
TC74HC03AP	TOSHIBA	CD74HC03E	H
TC74HC03P	TOSHIBA	CD74HC03E	H
TC74HC04AP	TOSHIBA	CD74HC04E	H
TC74HC04P	TOSHIBA	CD74HC04E	H
TC74HC08AP	TOSHIBA	CD74HC08E	H
TC74HC08P	TOSHIBA	CD74HC08E	D
TC74HC10AP	TOSHIBA	CD74HC10E	H
TC74HC10P	TOSHIBA	CD74HC10E	H

3
DIRECT/HARRIS
REPLACEMENTS

NOTE: D = Direct Replacement, H = Harris Recommended Replacement.

Cross-Reference Guide

COMPETITOR #	COMPETITOR	HARRIS #	TYPE
TC74HCT138P	TOSHIBA	CD74HCT138E	H
TC74HCT139AP	TOSHIBA	CD74HCT139E	H
TC74HCT157AF	TOSHIBA	CD74HCT157M	H
TC74HCT157AP	TOSHIBA	CD74HCT157E	H
TC74HCT158AP	TOSHIBA	CD74HCT158E	H
TC74HCT164AP	TOSHIBA	CD74HCT164E	H
TC74HCT174AP	TOSHIBA	CD74HCT174E	H
TC74HCT240P	TOSHIBA	CD74HCT240E	H
TC74HCT241P	TOSHIBA	CD74HCT241E	H
TC74HC11P	TOSHIBA	CD74HC11E	H
TC74HC112AP	TOSHIBA	CD74HC112E	H
TC74HC112P	TOSHIBA	CD74HC112E	H
TC74HC123AP	TOSHIBA	CD74HC123E	H
TC74HC123P	TOSHIBA	CD74HC123E	H
TC74HC125AFN	TOSHIBA	CD74HC125M	D
TC74HC125AFN	TOSHIBA	CD74HC125M96	D
TC74HC125AP	TOSHIBA	CD74HC125E	D
TC74HC125P	TOSHIBA	CD74HC125E	H
TC74HC126AP	TOSHIBA	CD74HC126E	D
TC74HC126P	TOSHIBA	CD74HC126E	H
TC74HC132AP	TOSHIBA	CD74HC132E	H
TC74HC132P	TOSHIBA	CD74HC132E	D
TC74HC137AP	TOSHIBA	CD74HC137E	H
TC74HC137P	TOSHIBA	CD74HC137E	H
TC74HC138AFN	TOSHIBA	CD74HC138M	D
TC74HC138AFN	TOSHIBA	CD74HC138M96	D
TC74HC138AP	TOSHIBA	CD74HC138E	D
TC74HC138P	TOSHIBA	CD74HC138E	H
TC74HC139AP	TOSHIBA	CD74HC139E	H
TC74HC139P	TOSHIBA	CD74HC139E	H
TC74HC14AP	TOSHIBA	CD74HC14E	H
TC74HC14P	TOSHIBA	CD74HC14E	D
TC74HC147AP	TOSHIBA	CD74HC147E	H
TC74HC147P	TOSHIBA	CD74HC147E	H
TC74HC151AP	TOSHIBA	CD74HC151E	H
TC74HC151P	TOSHIBA	CD74HC151E	H
TC74HC153AP	TOSHIBA	CD74HC153E	H
TC74HC153P	TOSHIBA	CD74HC153E	H
TC74HC154AP	TOSHIBA	CD74HC154EN	D
TC74HC157AFN	TOSHIBA	CD74HC157M	D
TC74HC157AFN	TOSHIBA	CD74HC157M96	D
TC74HC157AP	TOSHIBA	CD74HC157E	D
TC74HC157P	TOSHIBA	CD74HC157E	H
TC74HC158AP	TOSHIBA	CD74HC158E	H
TC74HC158P	TOSHIBA	CD74HC158E	D
TC74HC161AP	TOSHIBA	CD74HC161E	H
TC74HC161P	TOSHIBA	CD74HC161E	H
TC74HC163AP	TOSHIBA	CD74HC163E	H
TC74HC163P	TOSHIBA	CD74HC163E	H
TC74HC164AF	TOSHIBA	CD74HC164M	H
TC74HC164AP	TOSHIBA	CD74HC164E	H
TC74HC164P	TOSHIBA	CD74HC164E	H
TC74HC165AFN	TOSHIBA	CD74HC165M	D
TC74HC165AFN	TOSHIBA	CD74HC165M96	D
TC74HC165AP	TOSHIBA	CD74HC165E	D
TC74HC165P	TOSHIBA	CD74HC165E	H
TC74HC166AFN	TOSHIBA	CD74HC166M	D
TC74HC166AFN	TOSHIBA	CD74HC166M96	D

COMPETITOR #	COMPETITOR	HARRIS #	TYPE
TC74HC107AFN	TOSHIBA	CD74HC107M	D
TC74HC107AFN	TOSHIBA	CD74HC107M96	D
TC74HC107AP	TOSHIBA	CD74HC107E	D
TC74HC107P	TOSHIBA	CD74HC107E	H
TC74HC109AFN	TOSHIBA	CD74HC109M	D
TC74HC109AFN	TOSHIBA	CD74HC109M96	D
TC74HC109AP	TOSHIBA	CD74HC109E	D
TC74HC109P	TOSHIBA	CD74HC109E	H
TC74HC11AP	TOSHIBA	CD74HC11E	H
TC74HC175AP	TOSHIBA	CD74HC175E	H
TC74HC175P	TOSHIBA	CD74HC175E	H
TC74HC190AP	TOSHIBA	CD74HC190E	H
TC74HC190P	TOSHIBA	CD74HC190E	H
TC74HC191AP	TOSHIBA	CD74HC191E	H
TC74HC191P	TOSHIBA	CD74HC191E	H
TC74HC192AP	TOSHIBA	CD74HC192E	H
TC74HC192P	TOSHIBA	CD74HC192E	H
TC74HC193AFN	TOSHIBA	CD74HC193M	D
TC74HC193AFN	TOSHIBA	CD74HC193M96	D
TC74HC193AP	TOSHIBA	CD74HC193E	D
TC74HC193P	TOSHIBA	CD74HC193E	H
TC74HC194AP	TOSHIBA	CD74HC194E	H
TC74HC194P	TOSHIBA	CD74HC194E	D
TC74HC195AP	TOSHIBA	CD74HC195E	H
TC74HC195P	TOSHIBA	CD74HC195E	H
TC74HC20AP	TOSHIBA	CD74HC20E	H
TC74HC20P	TOSHIBA	CD74HC20E	H
TC74HC21AP	TOSHIBA	CD74HC21E	H
TC74HC21P	TOSHIBA	CD74HC21E	D
TC74HC221P	TOSHIBA	CD74HC221E	H
TC74HC237AP	TOSHIBA	CD74HC237E	H
TC74HC237P	TOSHIBA	CD74HC237E	H
TC74HC238AP	TOSHIBA	CD74HC238E	D
TC74HC238P	TOSHIBA	CD74HC238E	H
TC74HC240AP	TOSHIBA	CD74HC240E	H
TC74HC240P	TOSHIBA	CD74HC240E	H
TC74HC241AP	TOSHIBA	CD74HC241E	H
TC74HC241P	TOSHIBA	CD74HC241E	H
TC74HC243AP	TOSHIBA	CD74HC243E	D
TC74HC243P	TOSHIBA	CD74HC243E	D
TC74HC244AP	TOSHIBA	CD74HC244E	H
TC74HC244P	TOSHIBA	CD74HC244E	H
TC74HC245AFW	TOSHIBA	CD74HC245M	D
TC74HC245AFW	TOSHIBA	CD74HC245M96	D
TC74HC245AP	TOSHIBA	CD74HC245E	D
TC74HC245P	TOSHIBA	CD74HC245E	D
TC74HC251AP	TOSHIBA	CD74HC251E	H
TC74HC251P	TOSHIBA	CD74HC251E	H
TC74HC253AP	TOSHIBA	CD74HC253E	H
TC74HC253P	TOSHIBA	CD74HC253E	H
TC74HC257AP	TOSHIBA	CD74HC257E	H
TC74HC257P	TOSHIBA	CD74HC257E	H
TC74HC259AFN	TOSHIBA	CD74HC259M	D
TC74HC259AFN	TOSHIBA	CD74HC259M96	D
TC74HC259AP	TOSHIBA	CD74HC259E	D
TC74HC259P	TOSHIBA	CD74HC259E	H
TC74HC266AP	TOSHIBA	CD74HC266E	H
TC74HC266P	TOSHIBA	CD74HC266E	H

NOTE: D = Direct Replacement, H = Harris Recommended Replacement.

Cross-Reference Guide

COMPETITOR #	COMPETITOR	HARRIS #	TYPE	COMPETITOR #	COMPETITOR	HARRIS #	TYPE
TC74HC166AP	TOSHIBA	CD74HC166E	D	TC74HC27AP	TOSHIBA	CD74HC27E	H
TC74HC166P	TOSHIBA	CD74HC166E	H	TC74HC27P	TOSHIBA	CD74HC27E	H
TC74HC173AP	TOSHIBA	CD74HC173E	H	TC74HC273AP	TOSHIBA	CD74HC273E	H
TC74HC173P	TOSHIBA	CD74HC173E	D	TC74HC273P	TOSHIBA	CD74HC273E	H
TC74HC174AP	TOSHIBA	CD74HC174E	H	TC74HC280AP	TOSHIBA	CD74HC280E	D
TC74HC174P	TOSHIBA	CD74HC174E	H	TC74HC280P	TOSHIBA	CD74HC280E	H
TC74HC283AP	TOSHIBA	CD74HC283E	H	TC74HC4066P	TOSHIBA	CD74HC4066E	H
TC74HC283P	TOSHIBA	CD74HC283E	H	TC74HC4075AP	TOSHIBA	CD74HC4075E	H
TC74HC299AP	TOSHIBA	CD74HC299E	H	TC74HC4075P	TOSHIBA	CD74HC4075E	D
TC74HC299P	TOSHIBA	CD74HC299E	H	TC74HC4094AP	TOSHIBA	CD74HC4094E	H
TC74HC30AP	TOSHIBA	CD74HC30E	H	TC74HC4094P	TOSHIBA	CD74HC4094E	H
TC74HC30P	TOSHIBA	CD74HC30E	H	TC74HC42AP	TOSHIBA	CD74HC42E	H
TC74HC32AP	TOSHIBA	CD74HC32E	H	TC74HC42P	TOSHIBA	CD74HC42E	H
TC74HC32P	TOSHIBA	CD74HC32E	D	TC74HC423AP	TOSHIBA	CD74HC423E	H
TC74HC354AP	TOSHIBA	CD74HC354E	D	TC74HC423P	TOSHIBA	CD74HC423E	H
TC74HC354P	TOSHIBA	CD74HC354E	H	TC74HC4316AP	TOSHIBA	CD74HC4316E	H
TC74HC365AP	TOSHIBA	CD74HC365E	H	TC74HC4351AP	TOSHIBA	CD74HC4351E	H
TC74HC365P	TOSHIBA	CD74HC365E	H	TC74HC4352AP	TOSHIBA	CD74HC4352E	H
TC74HC366P	TOSHIBA	CD74HC366E	H	TC74HC4511AP	TOSHIBA	CD74HC4511E	H
TC74HC367AP	TOSHIBA	CD74HC367E	H	TC74HC4511P	TOSHIBA	CD74HC4511E	H
TC74HC367P	TOSHIBA	CD74HC367E	H	TC74HC4518AP	TOSHIBA	CD74HC4518P	D
TC74HC368AP	TOSHIBA	CD74HC368E	H	TC74HC4518P	TOSHIBA	CD74HC4518E	H
TC74HC368P	TOSHIBA	CD74HC368E	H	TC74HC4520AP	TOSHIBA	CD74HC4520E	D
TC74HC373AP	TOSHIBA	CD74HC373E	H	TC74HC4520P	TOSHIBA	CD74HC4520E	H
TC74HC373P	TOSHIBA	CD74HC373E	H	TC74HC4538AFN	TOSHIBA	CD74HC4538M	D
TC74HC374AFW	TOSHIBA	CD74HC374M	D	TC74HC4538AFN	TOSHIBA	CD74HC4538M96	D
TC74HC374AFW	TOSHIBA	CD74HC374M96	D	TC74HC4538AP	TOSHIBA	CD74HC4538E	D
TC74HC374AP	TOSHIBA	CD74HC374E	D	TC74HC4538P	TOSHIBA	CD74HC4538E	D
TC74HC374P	TOSHIBA	CD74HC374E	H	TC74HC4543P	TOSHIBA	CD74HC4543E	H
TC74HC377AP	TOSHIBA	CD74HC377E	H	TC74HC533AP	TOSHIBA	CD74HC533E	H
TC74HC377P	TOSHIBA	CD74HC377E	H	TC74HC533P	TOSHIBA	CD74HC533E	H
TC74HC390AP	TOSHIBA	CD74HC390E	H	TC74HC534AP	TOSHIBA	CD74HC534E	D
TC74HC390P	TOSHIBA	CD74HC390E	H	TC74HC534P	TOSHIBA	CD74HC534E	H
TC74HC393AP	TOSHIBA	CD74HC393E	H	TC74HC540AP	TOSHIBA	CD74HC540E	H
TC74HC393P	TOSHIBA	CD74HC393E	H	TC74HC540P	TOSHIBA	CD74HC540E	H
TC74HC4002AP	TOSHIBA	CD74HC4002E	D	TC74HC541AP	TOSHIBA	CD74HC541E	H
TC74HC4002P	TOSHIBA	CD74HC4002E	H	TC74HC541P	TOSHIBA	CD74HC541E	H
TC74HC40103AP	TOSHIBA	CD74HC40103E	H	TC74HC563AP	TOSHIBA	CD74HC563E	H
TC74HC40103P	TOSHIBA	CD74HC40103E	H	TC74HC563P	TOSHIBA	CD74HC563E	H
TC74HC40105AP	TOSHIBA	CD74HC40105E	D	TC74HC564AP	TOSHIBA	CD74HC564E	H
TC74HC4016AP	TOSHIBA	CD74HC4016E	H	TC74HC564P	TOSHIBA	CD74HC564E	H
TC74HC4017AP	TOSHIBA	CD74HC4017E	H	TC74HC573AP	TOSHIBA	CD74HC573E	H
TC74HC4017P	TOSHIBA	CD74HC4017E	H	TC74HC573P	TOSHIBA	CD74HC573E	D
TC74HC4020AP	TOSHIBA	CD74HC4020E	H	TC74HC574AP	TOSHIBA	CD74HC574E	H
TC74HC4020P	TOSHIBA	CD74HC4020E	H	TC74HC574P	TOSHIBA	CD74HC574E	H
TC74HC4024AP	TOSHIBA	CD74HC4024E	H	TC74HC597AP	TOSHIBA	CD74HC597E	H
TC74HC4024P	TOSHIBA	CD74HC4024E	D	TC74HC597P	TOSHIBA	CD74HC597E	H
TC74HC4040AP	TOSHIBA	CD74HC4040E	H	TC74HC640AP	TOSHIBA	CD74HC640E	D
TC74HC4040P	TOSHIBA	CD74HC4040E	H	TC74HC640P	TOSHIBA	CD74HC640E	H
TC74HC4049AP	TOSHIBA	CD74HC4049E	H	TC74HC670AP	TOSHIBA	CD74HC670E	D
TC74HC4049P	TOSHIBA	CD74HC4049E	H	TC74HC670P	TOSHIBA	CD74HC670E	H
TC74HC4050AP	TOSHIBA	CD74HC4050E	H	TC74HC688AP	TOSHIBA	CD74HC688E	H
TC74HC4050P	TOSHIBA	CD74HC4050E	H	TC74HC688P	TOSHIBA	CD74HC688E	H
TC74HC4051AP	TOSHIBA	CD74HC4051E	D	TC74HC7240AP	TOSHIBA	CD74HC240E	H
TC74HC4052AP	TOSHIBA	CD74HC4052E	D	TC74HC7241AP	TOSHIBA	CD74HC241E	H
TC74HC4053AFN	TOSHIBA	CD74HC4053M	D	TC74HC7244AP	TOSHIBA	CD74HC244E	H
TC74HC4053AFN	TOSHIBA	CD74HC4053M96	D	TC74HC7266AP	TOSHIBA	CD74HC7266E	H
TC74HC4053AP	TOSHIBA	CD74HC4053E	D	TC74HC7266P	TOSHIBA	CD74HC7266E	H

3
DIRECT/HARRIS
REPLACEMENTS

NOTE: D = Direct Replacement, H = Harris Recommended Replacement.

Cross-Reference Guide

COMPETITOR #	COMPETITOR	HARRIS #	TYPE	COMPETITOR #	COMPETITOR	HARRIS #	TYPE
TC74HC4060AP	TOSHIBA	CD74HC4060E	H	TC74HC73AP	TOSHIBA	CD74HC73E	H
TC74HC4060P	TOSHIBA	CD74HC4060E	D	TC74HC73P	TOSHIBA	CD74HC73E	H
TC74HC4066AP	TOSHIBA	CD74HC4066E	H	TC74HC74AFN	TOSHIBA	CD74HC74M	D
TC74HC74AFN	TOSHIBA	CD74HC74M96	D	TF4507AJ	TI	CD4030BF	D
TC74HC74P	TOSHIBA	CD74HC74E	H	TLCT7135N	TI	ICL7135CPI	D
TC74HC75AP	TOSHIBA	CD74HC75E	H	TLCT7136CN	TI	ICL7136CPL	D
TC74HC75P	TOSHIBA	CD74HC75E	H	TL4066BDM	TLSI	CD4066BF	D
TC74HC7640AP	TOSHIBA	CD74HC640E	H	TL4066BM	TLSI	CD4066BF	D
TC74HC85AP	TOSHIBA	CD74HC85E	H	TMC216KR1C35	RAYTHEON	HMU16JC-35	D
TC74HC85P	TOSHIBA	CD74HC85E	H	TMC216KR1C35	TRW	HMU16JC-35	D
TC74HC86AP	TOSHIBA	CD74HC86E	H	TMC216KR1C45	RAYTHEON	HMU16JC-45	D
TC74HC86P	TOSHIBA	CD74HC86E	D	TMC216KR1C45	TRW	HMU16JC-45	D
TC7400BP	TOSHIBA	CD4011BE	D	TMC217KG8V45	RAYTHEON	HMU17GM-45/883	D
TC7400BP	TOSHIBA	CD4011UBE	D	TMC217KG8V45	TRW	HMU17GM-45/883	D
TC7660CPA	TELEDYNE	ICL7660CPA	H	TMC217KG8V60	RAYTHEON	HMU17GM-60/883	D
TC7660EOA	TELEDYNE	ICL7660CBA	H	TMC217KG8V60	TRW	HMU17GM-60/883	D
TC7660EPA	TELEDYNE	ICL7662IPA	H	TMC217KR1C35	RAYTHEON	HMU17JC-35	D
TC7660IJA	TELEDYNE	ICL7662IPA	H	TMC217KR1C35	TRW	HMU17JC-35	D
TC7662ACPA	TELEDYNE	ICL7662CPA	H	TMC217KR1C45	RAYTHEON	HMU17JC-45	D
TC7662AEPA	TELEDYNE	ICL7662IPA	H	TMC217KR1C45	TRW	HMU17JC-45	D
TC7662AIJA	TELEDYNE	ICL7660SIPA	H	TMP82C37AP-5	TOSHIBA	IP82C37A-5	D
TC835CPI	TELEDYNE	ICL7135CPI	D	TMP82C37AT-5	TOSHIBA	IS82C37A-5	D
TDA1200	SGS-ATES	CA3089E	H	TMP82C54M	TOSHIBA	CM82C54	H
TDA3189	SPRAGUE	CA3189E	H	TMP82C54M2	TOSHIBA	CM82C54-10	H
TDB0124FP	SGS	CA0324M	D	TMP82C54P	TOSHIBA	IP82C54	D
TDB0124FP	SGS	CA0324M96	D	TMP82C54P-2	TOSHIBA	IP82C54-10	D
TDB0139ADP	SGS	CA0339AE	D	TMP82C55AP-5	TOSHIBA	IP82C55A-5	D
TDB0139ADP	SGS	LM339AN	D	TMP82C59AM2	TOSHIBA	CM82C59A	H
TDB0139DP	SGS	CA0339E	D	TMP82C59AP-2	TOSHIBA	IP82C59A-5	D
TDB0139FP	SGS	CA0339M	D	TN82C55A	INTEL	IS82C55A	D
TDB0139FP	SGS	CA0339M96	D	TN82C55A-2	INTEL	IS82C55A	D
TDB0158DP	SGS	CA0358E	D	TPIC2801KV	TI	CA3282AS1	H
TDB0158FP	SGS	CA0358M	D	TPIC2801KV	TI	CA3282AS2	H
TDB0158FP	SGS	CA0358M96	D	TPM4072BN	TI	CD4072BE	D
TDB0723	SGS	LM723CH	H	TP4001BN	TI	CD4001BE	D
TDB0723A	SGS	CA0723CE	H	TP4001BN	TI	CD4001UBE	D
TDB0723A	SGS	LM723CN	H	TP4010BN	TI	CD4010BE	D
TDC0139DG	SGS	CA0139F	D	TP4011BN	TI	CD4011BE	D
TDC0158CM	SGS	CA0158T	D	TP4011BN	TI	CD4011UBE	D
TDC0723	TRW	CA0723T	H	TP4016BN	TI	CD4016BE	D
TDC0723	TRW	LM723H	H	TP4018BN	TI	CD4018BE	D
TDE0158CM	SGS	CA0258T	D	TP4029BN	TI	CD4029BE	D
TDF2901DP	SGS	LM2901N	D	TP4030AN	TI	CD4030BE	D
TDF3302DP	SGS	LM3302N	D	TP4030BN	TI	CD4030BE	D
TF4001BJ	TI	CD4001BF	D	TP4042BN	TI	CD4042BE	D
TF4010BJ	TI	CD4010BF	D	TP4043BN	TI	CD4043BE	D
TF4011BJ	TI	CD4011BF	D	TP4044AN	TI	CD4044BE	D
TF4016BJ	TI	CD4016BF	D	TP4044BN	TI	CD4044BE	D
TF4030AJ	TI	CD4030BF	D	TP4050BN	TI	CD4050BE	D
TF4030BJ	TI	CD4030BF	D	TP4051BN	TI	CD4051BE	D
TF4050BJ	TI	CD4050BF	D	TP4052AN	TI	CD4052BE	D
TF4051BJ	TI	CD4051BF	D	TP4053BN	TI	CD4053BE	D
TF4052AJ	TI	CD4052BF	D	TP4069BN	TI	CD4069UBE	D
TF4053BJ	TI	CD4053BF	D	TP4070BN	TI	CD4070BE	D
TF4069BJ	TI	CD4069UBF	D	TP4071BN	TI	CD4071BE	D
TF4070BJ	TI	CD4070BF	D	TP4072BN	TI	CD4072BE	D
TF4071BJ	TI	CD4071BF	D	TP4081BN	TI	CD4081BE	D
TF4081BJ	TI	CD4081BF	D	TP4507AN	TI	CD4030BE	D

NOTE: D = Direct Replacement, H = Harris Recommended Replacement.

Cross-Reference Guide

COMPETITOR #	COMPETITOR	HARRIS #	TYPE	COMPETITOR #	COMPETITOR	HARRIS #	TYPE
TP82C54	INTEL	IP82C54	D	TSC7662ACPA	TELEDYNE	ICL7662CPA	H
TP82C54-2	INTEL	IP82C54-10	D	TSC7662AIJA	TELEDYNE	ICL7662IPA	H
TP82C55A-2	INTEL	IP82C55A	D	TSC7662AMJA	TELEDYNE	ICL7662IPA	H
TP82C55A2	INTEL	IP82C55A	D	TT-590-I	DATEL	AD590IH	D
TSC232COE	TELEDYNE	HIN232CB	D	TT-590-J	DATEL	AD590JH	D
TSC232COE	TELEDYNE	ICL232CBE	D	UA139DM	FAIRCHILD	CA0139F	D
TSC232COE	TELEDYNE	ICL232CBET	D	UA139DM	ROCHESTER	CA0139F	D
TSC232CPE	TELEDYNE	HIN232CP	D	UA1391T	FAIRCHILD	CA1391E	H
TSC232CPE	TELEDYNE	ICL232CPE	D	UA1391TC	FAIRCHILD	CA1391E	H
TSC232EJE	TELEDYNE	HIN232IJ	D	UA1391TCQM	FAIRCHILD	CA1391E	H
TSC232EOE	TELEDYNE	HIN232IB	D	UA1391TCQR	FAIRCHILD	CA1391E	H
TSC232EOE	TELEDYNE	ICL232IBE	D	UA1394T	FAIRCHILD	CA1394E	H
TSC232EOE	TELEDYNE	ICL232IBET	D	UA1394TC	FAIRCHILD	CA1394E	H
TSC232EPE	TELEDYNE	HIN232IP	D	UA1394TCQM	FAIRCHILD	CA1394E	H
TSC232IJE	TELEDYNE	HIN232IJ	H	UA1394TCQR	FAIRCHILD	CA1394E	H
TSC232IPE	TELEDYNE	ICL232IPE	D	UA239ADC	FAIRCHILD	CA0239AF	D
TSC232MJE	TELEDYNE	HIN232MJ	D	UA239ADCQM	FAIRCHILD	CA0239AF	D
TSC232MJE	TELEDYNE	ICL232MJE	D	UA239APC	FAIRCHILD	CA0239AE	D
TSC426CBA	TELEDYNE	ICL7667CBA	H	UA239DC	FAIRCHILD	CA0239F	D
TSC426CPA	TELEDYNE	ICL7667CPA	H	UA239DCQM	FAIRCHILD	CA0239F	D
TSC426IJA	TELEDYNE	ICL7667CJA	H	UA239DV	FAIRCHILD	CA0239F	D
TSC426MJA	TELEDYNE	ICL7667MJA	H	UA239PV	FAIRCHILD	CA0239E	D
TSC4423CPA	TELEDYNE	ICL7667CPA	H	UA239PV	FAIRCHILD	CA0239E	D
TSC4423MJA	TELEDYNE	ICL7667MJA	H	UA239SV	FAIRCHILD	CA0239M	D
TSC7106CKW	TELEDYNE	ICL7106CM44	D	UA239SV	FAIRCHILD	CA0239M96	D
TSC7106CPL	TELEDYNE	ICL7106CPL	D	UA2901PC	FAIRCHILD	LM2901N	D
TSC7106CPL	TELEDYNE	ICL7106SCPL	D	UA2901PV	FAIRCHILD	LM2901N	D
TSC7106RCPL	TELEDYNE	ICL7106RCPL	D	UA3089DC	FAIRCHILD	CA3089E	H
TSC7107CKW	TELEDYNE	ICL7107CM44	D	UA3089DCQM	FAIRCHILD	CA3089E	H
TSC7107CPL	TELEDYNE	ICL7107CPL	D	UA3089DCQR	FAIRCHILD	CA3089F3W	H
TSC7107CPL	TELEDYNE	ICL7107SCPL	D	UA3089DM	FAIRCHILD	CA3089E	H
TSC7107RCPL	TELEDYNE	ICL7107RCPL	D	UA3089DMQB	FAIRCHILD	CA3089F3W	H
TSC7109AMJL/883	TELEDYNE	ICL7109MDL/883B	D	UA3089E	FAIRCHILD	CA3089E	H
TSC7109CPL	TELEDYNE	ICL7109CPL	D	UA3089PC	FAIRCHILD	CA3089E	H
TSC7109IJL	TELEDYNE	ICL7109IDL	D	UA3089PCQM	FAIRCHILD	CA3089F3W	H
TSC7109IJL	TELEDYNE	ICL7109IJL	D	UA3089PCQR	FAIRCHILD	CA3089F3W	H
TSC7109MJL/883	TELEDYNE	ICL7109MDL/883B	D	UA324PCQR	FAIRCHILD	CA0324EX	D
TSC7116CKW	TELEDYNE	ICL7116CM44	D	UA324SC	FAIRCHILD	CA0324M	D
TSC7116CPL	TELEDYNE	ICL7116CPL	D	UA324SC	FAIRCHILD	CA0324M96	D
TSC7117CPL	TELEDYNE	ICL7117CPL	D	UA3302PC	FAIRCHILD	LM3302N	D
TSC7126CPL	TELEDYNE	ICL7126CPL	D	UA3302PV	FAIRCHILD	LM3302N	D
TSC7126RCPL	TELEDYNE	ICL7126RCPL	D	UA3302SV	FAIRCHILD	LM3302M	D
TSC7129CKW	TELEDYNE	ICL7129CM44	D	UA3302SV	FAIRCHILD	LM3302M96	D
TSC7129CPL	TELEDYNE	ICL7129CPL	D	UA339APC	FAIRCHILD	CA0339AE	D
TSC7129RCPL	TELEDYNE	ICL7129RCPL	D	UA339APC	FAIRCHILD	LM339AN	D
TSC7135CPI	TELEDYNE	ICL7135CPI	D	UA339APCQR	FAIRCHILD	CA0339AEX	D
TSC7660CAA	TELEDYNE	ICL7660SCBA	H	UA339PC	FAIRCHILD	CA0339E	D
TSC7660COA	TELEDYNE	ICL7660CBA	H	UA339PCQR	FAIRCHILD	CA0339EX	D
TSC7660COA	TELEDYNE	ICL7660SCBA	H	UA339SC	FAIRCHILD	CA0339M	D
TSC7660CPA	TELEDYNE	ICL7660CPA	H	UA339SC	FAIRCHILD	CA0339M96	D
TSC7660CPA	TELEDYNE	ICL7660SCPA	H	UA555HM	FAIRCHILD	CA0555T	D
TSC7660CTV	TELEDYNE	ICL7660CTV	H	UA555SC	FAIRCHILD	CA0555CM	D
TSC7660CTV	TELEDYNE	ICL7660SCTV	H	UA555SC	FAIRCHILD	CA0555CM96	D
TSC7660IJA	TELEDYNE	ICL7662IPA	H	UA555TC	FAIRCHILD	CA0555CE	D
TSC7660MJA	TELEDYNE	ICL7662IPA	H	UA555TC	FAIRCHILD	LM555CN	D
UA555TC	FAIRCHILD	NE555N	D	UA723HCQM	FAIRCHILD	LM723CH	D
UA723CA	SIGNETICS	CA0723CE	D	UA723HM	FAIRCHILD	CA0723T	D
UA723CA	SIGNETICS	LM723CN	D	UA723HM	FAIRCHILD	LM723H	D

3
DIRECT/HARRIS
REPLACEMENTS

NOTE: D = Direct Replacement, H = Harris Recommended Replacement.

Cross-Reference Guide

COMPETITOR #	COMPETITOR	HARRIS #	TYPE	COMPETITOR #	COMPETITOR	HARRIS #	TYPE
UA723CDP	MULLARD	CA0723CE	H	UA723HMQB	FAIRCHILD	CA0723T	H
UA723CF	PHILIPS	CA0723CE	H	UA723HMQB	FAIRCHILD	LM723H	H
UA723CF	SIGNETICS	CA0723CE	H	UA723IDP	MULLARD	CA0723CE	H
UA723CF-A	SIGNETICS	CA0723CE	H	UA723IH	MULLARD	CA0723CT	H
UA723CF-B	PHILIPS	CA0723EX	H	UA723MDP	MULLARD	CA0723E	H
UA723CF-B	SIGNETICS	CA0723EX	H	UA723MH	MULLARD	CA0723T	H
UA723CFSIIA	SIGNETICS	CA0723CE	H	UA723MJ	TI	CA0723E	H
UA723CFSIIB	SIGNETICS	CA0723EX	H	UA723MJ	TI	LM723N	H
UA723CH	MULLARD	CA0723CT	H	UA723MJB	TI	CA0723E	H
UA723CH	SIGNETICS	CA0723CT	D	UA723MJB	TI	LM723N	H
UA723CH	SIGNETICS	LM723CH	D	UA723ML	FAIRCHILD	CA0723T	H
UA723CJ	TI	CA0723CE	H	UA723ML	TI	CA0723T	D
UA723CJP4	TI	CA0723EX	H	UA723ML	TI	LM723H	D
UA723CJ4	TI	CA0723EX	H	UA723MN	TI	CA0723E	H
UA723CL	TI	CA0723CT	D	UA723N	MULLARD	CA0723E	H
UA723CL	TI	LM723CH	D	UA723N	PHILIPS	CA0723E	D
UA723CN	MULLARD	CA0723CE	H	UA723N	PHILIPS	LM723N	D
UA723CN	PHILIPS	CA0723CE	D	UA723N	SIGNETICS	CA0723E	D
UA723CN	PHILIPS	LM723CN	D	UA723N	SIGNETICS	LM723N	D
UA723CN	SIGNETICS	CA0723CE	D	UA723N-B	PHILIPS	CA0723EX	H
UA723CN	SIGNETICS	LM723CN	D	UA723N-B	SIGNETICS	CA0723E	H
UA723CN	TI	CA0723CE	D	UA723N-B	SIGNETICS	LM723N	H
UA723CN	TI	LM723CN	D	UA723PC	FAIRCHILD	CA0723CE	D
UA723CN-A	SIGNETICS	CA0723CE	H	UA723PC	FAIRCHILD	LM723CN	D
UA723CN-B	PHILIPS	CA0723CE	H	UA723PC	MOTOROLA	CA0723CE	D
UA723CN-B	PHILIPS	LM723CN	H	UA723PC	MOTOROLA	LM723CN	D
UA723CN-B	SIGNETICS	CA0723EX	H	UA723PCQM	FAIRCHILD	CA0723CE	H
UA723CNP1	TI	CA0723CE	H	UA723PCQM	FAIRCHILD	LM723CN	H
UA723CNP3	TI	CA0723EX	H	UA741CN	PHILIPS	CA0741CE	D
UA723CNSIIA	SIGNETICS	CA0723CE	H	UA741CN	PHILIPS	LM741CN	D
UA723CNSIIB	SIGNETICS	CA0723EX	H	UA741CN	SIGNETICS	CA0741CE	D
UA723CN1	TI	CA0723CE	H	UA741CN	SIGNETICS	LM741CN	D
UA723CN3	TI	CA0723EX	H	UA741CP	TI	CA0741CE	D
UA723DC	FAIRCHILD	CA0723CE	H	UA741CP	TI	LM741CN	D
UA723DC	MOTOROLA	CA0723CE	H	UA741N	PHILIPS	CA0741E	D
UA723DCQM	FAIRCHILD	CA0723CE	H	UA741N	PHILIPS	LM741N	D
UA723DCQM	FAIRCHILD	LM723CN	H	UA741N	SIGNETICS	CA0741E	D
UA723DM	FAIRCHILD	LM723CN	H	UA741N	SIGNETICS	LM741N	D
UA723DMQB	FAIRCHILD	CA0723E	H	UA742DC	FAIRCHILD	CA3058	H
UA723DMQB	FAIRCHILD	LM723N	H	UA742PC	FAIRCHILD	CA3058	H
UA723F	PHILIPS	CA0723E	H	UA780PC	FAIRCHILD	CA3070	H
UA723F	SIGNETICS	CA0723E	H	UA787PC	FAIRCHILD	CA3126E	H
UA723F-B	PHILIPS	CA0723EX	H	UC1524AJ	UNITRODE	CA1524F	H
UA723F-B	SIGNETICS	CA0723EX	H	UC1524J	UNITRODE	CA1524F	D
UA723H	SIGNETICS	CA0723T	D	UC1524J/883B	UNITRODE	CA1524FX	H
UA723H	SIGNETICS	LM723H	D	UC1524J/883BC	UNITRODE	CA1524FX	H
UA723HC	AMD	CA0723CT	H	UC1524J883B	UNITRODE	CA1524FX	H
UA723HC	FAIRCHILD	CA0723CT	D	UC1524N	UNITRODE	CA1524E	D
UA723HC	FAIRCHILD	LM723CH	D	UC2524J	UNITRODE	CA2524F	H
UA723HC	MOTOROLA	CA0723CT	D	UC2524N	UNITRODE	CA2524E	H
UA723HC	MOTOROLA	LM723CH	D	UC3524J	UNITRODE	CA3524F	D
UA723HCQM	FAIRCHILD	CA0723CT	D	UC3524N	UNITRODE	CA3524E	D
UDN2541B	SPRAGUE	CA3262AE	H	UPD71054C	NEC	CP82C54	H
UDN2547B	SPRAGUE	CA3262AE	H	UPD71054C	NEC	IP82C54	D
UDN2547EB	SPRAGUE	CA3272Q	H	UPD71054C-10	NEC	IP82C54-10	D
UFN133	UNITRODE	2N6755	D	UPD71054C10	NEC	CP82C54-12	H
UFN150	UNITRODE	IRF 150	D	UPD71054C10	NEC	IP82C54-10	D
UFN151	UNITRODE	IRF 151	D	UPD71054L	NEC	CS82C54	H

NOTE: D = Direct Replacement, H = Harris Recommended Replacement.

Cross-Reference Guide

COMPETITOR #	COMPETITOR	HARRIS #	TYPE	COMPETITOR #	COMPETITOR	HARRIS #	TYPE
UFN152	UNITRODE	IRF152	D	UPD71054L	NEC	IS82C54	D
UFN153	UNITRODE	IRF153	D	UPD71054L-10	NEC	IS82C54-10	D
UFN220	UNITRODE	IRF220	D	UPD71054L10	NEC	CS82C54-12	H
UFN222	UNITRODE	IRF222	D	UPD71054L10	NEC	IS82C54-10	D
UFN223	UNITRODE	IRF223	D	UPD71055C	NEC	CP82C55A	H
UFN240	UNITRODE	IRF240	D	UPD71055L	NEC	CS82C55A	H
UFN241	UNITRODE	IRF241	D	UPD71059C	NEC	CP82C59A	H
UFN242	UNITRODE	IRF242	D	UPD71059C10	NEC	CP82C59A-12	H
UFN243	UNITRODE	IRF243	D	UPD71059L	NEC	CS82C59A	H
UFN250	UNITRODE	IRF250	D	UPD71059L10	NEC	CS82C59A-12	H
UFN251	UNITRODE	IRF251	D	UPD71084C	NEC	CP82C84A	H
UFN252	UNITRODE	IRF252	D	UPD71088C	NEC	CP82C88	H
UFN253	UNITRODE	IRF253	D	UPD71088C	NEC	IP82C88	D
UFN253	UNITRODE	2N6765	D	U5R7723312	FAIRCHILD	CA0723T	H
UFN330	UNITRODE	IRF330	D	U5R7723312	FAIRCHILD	LM723H	H
UFN331	UNITRODE	IRF331	D	U5R7723393	FAIRCHILD	CA0723CT	H
UFN333	UNITRODE	IRF333	D	U6A7723393	FAIRCHILD	CA0723CE	H
UFN333	UNITRODE	2N6759	D	U6A7723393	FAIRCHILD	LM723CN	H
UFN350	UNITRODE	IRF350	D	VC080503A100D	AVX	V3.5MLA0805LH23	H
UFN351	UNITRODE	IRF351	D	VC080503A100R	AVX	V3.5MLA0805LH23	H
UFN352	UNITRODE	IRF352	D	VC080503A100T	AVX	V3.5MLA0805LT23	H
UFN353	UNITRODE	IRF353	D	VC080503C100D	AVX	V3.5MLA0805H23	H
UFN430	UNITRODE	IRF430	D	VC080503C100R	AVX	V3.5MLA0805H23	H
UFN431	UNITRODE	IRF431	D	VC080503C100T	AVX	V3.5MLA0805T23	H
UFN432	UNITRODE	IRF432	D	VC080505A150D	AVX	V5.5MLA0805LH23	H
UFN433	UNITRODE	IRF433	D	VC080505A150R	AVX	V5.5MLA0805LH23	H
UFN433	UNITRODE	2N6761	D	VC080505A150T	AVX	V5.5MLA0805LT23	H
ULN-2111A	SPRAGUE	CA2111AE	H	VC080505C150D	AVX	V5.5MLA0805H23	H
ULN-2124A	SPRAGUE	CA3070	D	VC080505C150R	AVX	V5.5MLA0805H23	H
ULN-2287A	SPRAGUE	CA3088E	H	VC080505C150T	AVX	V5.5MLA0805T23	H
ULN-2289A	SPRAGUE	CA3089E	H	VC080514A300D	AVX	V14MLA0805LH23	H
ULN-2291M	SPRAGUE	CA1391E	H	VC080514A300R	AVX	V14MLA0805LH23	H
ULN-3889A	SPRAGUE	CA3189E	H	VC080514A300T	AVX	V14MLA0805LT23	H
ULN2046L-1	SPRAGUE	CA3146M	H	VC080514C300D	AVX	V14MLA0805H23	H
UM82C54	UNITED	CP82C54	D	VC080514C300R	AVX	V14MLA0805H23	H
UM82C59A-2	UNITED	CP82C59A	D	VC080514C300T	AVX	V14MLA0805T23	H
UM82C84AE	UNITED	CP82C84A	D	VC080518A400D	AVX	V18MLA0805LH23	H
UM82C88	UNITED	CP82C88	D	VC080518A400R	AVX	V18MLA0805LH23	H
UPA101G	NEC	HFA3101B	H	VC080518A400T	AVX	V18MLA0805LT23	H
UPA102G	NEC	HFA3102B	H	VC080518C400D	AVX	V18MLA0805H23	H
UPA103G	NEC	HFA3046B	H	VC080518C400R	AVX	V18MLA0805H23	H
UPD70108C-5	NEC	CP80C88	H	VC080518C400T	AVX	V18MLA0805T23	H
UPD70108C-8	NEC	CP80C88-2	H	VC120603D100T	AVX	V3.5MLA1206T23	H
UPD70108L-5	NEC	CS80C88	H	VC120605D150T	AVX	V5.5MLA1206T23	H
UPD70108L-8	NEC	CS80C88-2	H	VC120618D400T	AVX	V18MLA1206T23	H
UPD70116C-5	NEC	CP80C86	H	VC120626D850T	AVX	V26MLA1206T23	H
UPD70116C-8	NEC	CP80C86-2	H	VC121026H560T	AVX	V26MLA1210T23	H
UPD70116L-5	NEC	CS80C86	H	VI-7660-1	DATEL	ICL7660CPA	H
UPD70116L-8	NEC	CS80C86-2	H	VI-7660-2	DATEL	ICL7660CTV	H
VI-7660-2	DATEL	ICL7660SCTV	H	V220MA2A	GE	V220MT2A	D
VI-7660C	DATEL	ICL7662MTV	H	V250HE250	GE	V250HE250	D
VI-7660M	DATEL	ICL7660MTV	H	V27ZA1	GE	V27ZA1	D
VI-7660PC	DATEL	ICL7662IPA	H	V27ZA1	GE	V27ZS1	D
VJ54ACT240D	VTC	CD54ACT240F3A	D	V270MA2A	GE	V270MA2A	D
VJ54ACT241D	VTC	CD54ACT241F3A	D	V270MA2A	GE	V270MT2A	D
VJ54ACT244D	VTC	CD54ACT244F3A	D	V270MA4B	GE	V270MA4B	D
VJ54ACT245D	VTC	CD54ACT245F3A	D	V270MA4B	GE	V270MT4B	D
VJ54ACT373D	VTC	CD54ACT373F3A	D	V275HE250	GE	V275HE250	D

3
DIRECT/HARRIS
REPLACEMENTS

NOTE: D = Direct Replacement, H = Harris Recommended Replacement.

Cross-Reference Guide

COMPETITOR #	COMPETITOR	HARRIS #	TYPE	COMPETITOR #	COMPETITOR	HARRIS #	TYPE
VJ54ACT374D	VTC	CD54ACT374F3A	D	V320HE300	GE	V320HE300	D
VJ54ACT533D	VTC	CD54ACT533F3A	D	V33MA1A	GE	V33MA1A	D
VJ54ACT534D	VTC	CD54ACT534F3A	D	V33MA1A	GE	V33MT1A	D
VJ54ACT541D	VTC	CD54ACT541F3A	D	V330MA2A	GE	V330MA2A	D
VJ54ACT573D	VTC	CD54ACT573F3A	D	V330MA2A	GE	V330MT2A	D
VJ54ACT574D	VTC	CD54ACT574F3A	D	V36ZA80	GE	V36ZA80	D
VJ54ACT623D	VTC	CD54ACT623F3A	D	V39MA2A	GE	V39MA2A	D
VJ54ACT645D	VTC	CD54ACT245F3A	D	V39MA2A	GE	V39MT2A	D
VL82C37A-05CC	VLSI TECH	CD82C37A-5	D	V390MA3A	GE	V390MA3A	D
VL82C37A-05PC	VLSI TECH	CP82C37A-5	D	V390MA3A	GE	V390MT3A	D
VL82C37A-05QC	VLSI TECH	CS82C37A-5	D	V430MA3A	GE	V430MA3A	D
VL82C37A-08CC	VLSI TECH	CD82C37A	D	V430MA3A	GE	V430MT3A	D
VL82C37A-08PC	VLSI TECH	CP82C37A	D	V47MA2A	GE	V47MA2A	D
VL82C37A-08QC	VLSI TECH	CS82C37A	D	V47MA2A	GE	V47MT2A	D
VL82C54-08CC	VLSI TECH	CD82C54	D	V56MA2A	GE	V56MA2A	D
VL82C54-08PC	VLSI TECH	CP82C54	D	V56MA2A	GE	V56MT2A	D
VL82C54-10CC	VLSI TECH	CD82C54-10	D	V68MA3A	GE	V68MA3A	D
VL82C59-08QC	VLSI TECH	CS82C59A	D	V68MA3A	GE	V68MT3A	D
VL82C59A-08CC	VLSI TECH	CD82C59A	D	V74ACT240P	VTC	CD74ACT240E	D
VL82C59A-08PC	VLSI TECH	CP82C59A	D	V74ACT240PO	VTC	CD74ACT240M	D
VL82C59A-08QC	VLSI TECH	CS82C59A	D	V74ACT241P	VTC	CD74ACT241E	D
VL82C88-08CC	VLSI TECH	CD82C88	D	V74ACT244P	VTC	CD74ACT244E	D
VL82C88-08PC	VLSI TECH	CP82C88	D	V74ACT244PO	VTC	CD74ACT244M	D
VV0805K011	VITRAMON	V14MLA1206T23	H	V74ACT245PO	VTC	CD74ACT245M96	D
V100MA4A	GE	V100MA4A	D	V74ACT541P	VTC	CD74ACT541E	D
V100MA4A	GE	V100MT4A	D	V74ACT541PO	VTC	CD74ACT541M	D
V120MA1A	GE	V120MA1A	D	V74ACT541PO	VTC	CD74ACT541M96	D
V120MA1A	GE	V120MT1A	D	V74ACT645PO	VTC	CD74ACT245M96	D
V130LA1	GE	V130LA1	D	V74FCT842APO	VTC	CD74FCT842AM	D
V130LA1	GE	V130LS1	D	V74FCT842APO	VTC	CD74FCT842AM96	D
V130LA10A	GE	V130LA10A	D	V74FCT844APS	VTC	CD74FCT844AEN	D
V130LA10A	GE	V130LS10A	D	WG-8038-AC	DATEL	ICL8038ACJD	H
V130LA2	GE	V130LA2	D	WG-8038-AM	DATEL	ICL8038AMJD	H
V130LA2	GE	V130LS2	D	WG-8038-BC	DATEL	ICL8038BCJD	H
V130LA20A	GE	V130LA20A	D	WG-8038-BM	DATEL	ICL8038BMJD	H
V130LA20B	GE	V130LA20B	D	WG-8038-CC	DATEL	ICL8038CCJD	D
V150HE150	GE	V150HE150	D	WTL2516BGCD	WEITEK	HMU16GC-45	D
V150MA1A	GE	V150MA1A	D	WTL2517BGCD	WEITEK	HMU17GC-45	D
V150MA1A	GE	V150MT1A	D	XR-1524M	EXAR	CA1524F	H
V18ZA1	GE	V18ZA1	D	XR-2524N	EXAR	CA2524F	H
V18ZA1	GE	V18ZS1	D	XR-2524P	EXAR	CA2524E	H
V18ZA3	GE	V18ZA3	D	XR-3524CN	EXAR	CA3524F	D
V18ZA3	GE	V18ZS3	D	XR-3524CP	EXAR	CA3524E	D
V180MA1A	GE	V180MA1A	D	XR-3524N	EXAR	CA3524F	H
V180MA1A	GE	V180MT1A	D	XR-3524P	EXAR	CA3524E	H
V220MA2A	GE	V220MA2A	D	XR-8038ACN	EXAR	ICL8038ACJD	H
XR-8038ACP	EXAR	ICL8038ACJD	H	ZX74HCTLS423N	ZYTREX	CD74HCT423E	D
XR-8038AM	EXAR	ICL8038AMJD	H	ZX74HCTLS533N	ZYTREX	CD74HCT533E	D
XR-8038AN	EXAR	ICL8038ACJD	H	ZX74HCT533N-2	ZYTREX	CD74HCT533E	D
XR-8038AP	EXAR	ICL8038ACJD	H	10201BCA	FAIRCHILD	CA0723EX	H
XR-8038CN	EXAR	ICL8038CCJD	D	10201BCB	FAIRCHILD	CA0723EX	H
XR-8038CP	EXAR	ICL8038CCPD	D	10201BIA	FAIRCHILD	CA0723T	H
XR-8038M	EXAR	ICL8038AMJD	H	14001B/BCAJC	MOTOROLA	CD4001BF3A	D
XR-8038N	EXAR	ICL8038BCJD	H	14001B/BCAJC	MOTOROLA	CD4001UBF3A	D
XR-8038P	EXAR	ICL8038ACJD	H	14002A/BCAJC	MOTOROLA	CD4002BF3A	D
XR1524EA883C	EXAR	CA1524FX	H	14002B/BCAJC	MOTOROLA	CD4002BF3A	D
XR1524M	EXAR	CA1524F	H	14006B/BCAJC	MOTOROLA	CD4006BF3A	D
XR2524N	EXAR	CA2524F	H	14008B/BEAJC	MOTOROLA	CD4008BF3A	D

NOTE: D = Direct Replacement, H = Harris Recommended Replacement.

Cross-Reference Guide

COMPETITOR #	COMPETITOR	HARRIS #	TYPE	COMPETITOR #	COMPETITOR	HARRIS #	TYPE
XR2524P	EXAR	CA2524E	H	14011A/BCAJC	MOTOROLA	CD4011BF3A	D
XR3524CN	EXAR	CA3524F	D	14011B/BCAJC	MOTOROLA	CD4011BF3A	D
XR3524CP	EXAR	CA3524E	D	14012B/BCAJC	MOTOROLA	CD4012BF3A	D
XR8038ACN	EXAR	ICL8038ACJD	H	14014B/BEAJC	MOTOROLA	CD4014BF3A	D
XR8038ACP	EXAR	ICL8038ACJD	H	14015B/BEAJC	MOTOROLA	CD4015BF3A	D
XR8038AM	EXAR	ICL8038AMJD	H	14016B/BCAJC	MOTOROLA	CD4016BF3A	D
XR8038CA883C	EXAR	ICL8038AMJD/883B	H	14017B/BEAJC	MOTOROLA	CD4017BF3A	D
XR8038CN	EXAR	ICL8038CCJD	D	14018B/BEAJC	MOTOROLA	CD4018BF3A	D
XR8038CP	EXAR	ICL8038CCPD	D	14020B/BEAJC	MOTOROLA	CD4020BF3A	D
XR8038M	EXAR	ICL8038AMJD	H	14021B/BEAJC	MOTOROLA	CD4021BF3A	D
XR8038N	EXAR	ICL8038AMJD	H	14022B/BEAJC	MOTOROLA	CD4022BF3A	D
XR8038P	EXAR	ICL8038ACJD	H	14023B/BCAJC	MOTOROLA	CD4023BF3A	D
YTF150	TOSHIBA	IRF150	D	14024B/BCAJC	MOTOROLA	CD4024BF3A	D
YTF151	TOSHIBA	IRF151	D	14027B/BEAJC	MOTOROLA	CD4027BF3A	D
YTF152	TOSHIBA	IRF152	D	14028B/BEAJC	MOTOROLA	CD4028BF3A	D
YTF153	TOSHIBA	IRF153	D	14029B/BEAJC	MOTOROLA	CD4029BF3A	D
YTF220	TOSHIBA	IRF220	D	14034B/BJAJC	MOTOROLA	CD4034BF3A	D
YTF221	TOSHIBA	IRF221	D	14035B/BEAJC	MOTOROLA	CD4035BF3A	D
YTF222	TOSHIBA	IRF222	D	14040B/BEAJC	MOTOROLA	CD4040BF3A	D
YTF223	TOSHIBA	IRF223	D	14042B/BEAJC	MOTOROLA	CD4042BF3A	D
YTF240	TOSHIBA	IRF240	D	14043B/BEAJC	MOTOROLA	CD4043BF3A	D
YTF241	TOSHIBA	IRF241	D	14044B/BEAJC	MOTOROLA	CD4044BF3A	D
YTF242	TOSHIBA	IRF242	D	14046B/BEAJC	MOTOROLA	CD4046BF3A	D
YTF243	TOSHIBA	IRF243	D	14050B/BEAJC	MOTOROLA	CD4050BF3A	D
YTF250	TOSHIBA	IRF250	D	14051B/BEAJC	MOTOROLA	CD4051BF3A	D
YTF251	TOSHIBA	IRF251	D	14052B/BEAJC	MOTOROLA	CD4052BF3A	D
YTF252	TOSHIBA	IRF252	D	14053B/BEAJC	MOTOROLA	CD4053BF3A	D
YTF253	TOSHIBA	IRF253	D	14066B/BCAJC	MOTOROLA	CD4066BF3A	D
YTF253	TOSHIBA	2N6765	D	14070B/BCAJC	MOTOROLA	CD4070BF3A	D
YTF640	TOSHIBA	IRF640	D	14071B/BCAJC	MOTOROLA	CD4071BF3A	D
YTF642	TOSHIBA	IRF642	D	14072B/BCAJC	MOTOROLA	CD4072BF3A	D
ZX54HCTLS08J	ZYTREX	CD54HCT08F	D	14073B/BCAJC	MOTOROLA	CD4073BF3A	D
ZX54HCTLS14J	ZYTREX	CD54HCT14F	D	14075B/BCAJC	MOTOROLA	CD4075BF3A	D
ZX54HCTLS32J	ZYTREX	CD54HCT32F	D	14076B/BEAJC	MOTOROLA	CD4076BF3A	D
ZX74HCT/LS533N-2	ZYTREX	CD74HCT533E	D	14077B/BCAJC	MOTOROLA	CD4077BF3A	D
ZX74HCTLS08N	ZYTREX	CD74HCT08E	D	14081B/BCAJC	MOTOROLA	CD4081BF3A	D
ZX74HCTLS08N+	ZYTREX	CD74HCT08EX	D	14082B/BCAJC	MOTOROLA	CD4082BF3A	D
ZX74HCTLS10N	ZYTREX	CD74HCT10E	D	14093B/BCAJC	MOTOROLA	CD4093BF3A	D
ZX74HCTLS14N	ZYTREX	CD74HCT14E	D	14094B/BEAJC	MOTOROLA	CD4094BF3A	D
ZX74HCTLS259N	ZYTREX	CD74HCT259E	D	14160B/BEAJC	MOTOROLA	CD40160BF3A	D
ZX74HCTLS32N	ZYTREX	CD74HCT32E	D	14161B/BEAJC	MOTOROLA	CD40161BF3A	D
ZX74HCTLS32N+	ZYTREX	CD74HCT32EX	D	14163B/BEAJC	MOTOROLA	CD40163BF3A	D
ZX74HCTLS365AN	ZYTREX	CD74HCT365E	D	14174B/BEAJC	MOTOROLA	CD40174BF3A	D
14175B/BEAJC	MOTOROLA	CD40175BF3A	D	2N6758	NATIONAL	2N6758	D
14502B/BEAJC	MOTOROLA	CD4502BFB	D	2N6758	SEMELAB	2N6758	D
14502B/BEAJC	MOTOROLA	CD4502BF3A	D	2N6758	SILICONIX	2N6758	D
14503B/BEAJC	MOTOROLA	CD4503BF3A	D	2N6758	SPACE POWER	2N6758	D
14508B/BJAJC	MOTOROLA	CD4508BF3A	D	2N6758	UNITRODE	2N6758	D
14511B/BEAJC	MOTOROLA	CD4511BF3A	D	2N6758JANTX	SILICONIX	2N6758TX	D
14514B/BJAJC	MOTOROLA	CD4514BF3A	D	2N6758JANTXV	SILICONIX	2N6758TXV	D
14515B/BJAJC	MOTOROLA	CD4515BF3A	D	2N6758JTX	FAIRCHILD	2N6758TX	D
14515B/BJAJC	MOTOROLA	7703201JA	D	2N6758JTX	MOTOROLA	2N6758TX	D
14516B/BEAJC	MOTOROLA	CD4516BF3A	D	2N6758JTX	UNITRODE	2N6758TX	D
14517B/BEAJC	MOTOROLA	CD4517BF3A	D	2N6758JTXV	FAIRCHILD	2N6758TXV	D
14518B/BEAJC	MOTOROLA	CD4518BF3A	D	2N6758JTXV	MOTOROLA	2N6758TXV	D
14520B/BEAJC	MOTOROLA	CD4520BF3A	D	2N6758JTXV	UNITRODE	2N6758TXV	D
14520B/BEAJC	MOTOROLA	7702301EA	D	2N6759	IR	IRF333	D
14532B/BEAJC	MOTOROLA	CD4532BF3A	D	2N6759	IR	2N6759	D

3
**DIRECT/HARRIS
REPLACEMENTS**

NOTE: D = Direct Replacement, H = Harris Recommended Replacement.

Cross-Reference Guide

COMPETITOR #	COMPETITOR	HARRIS #	TYPE	COMPETITOR #	COMPETITOR	HARRIS #	TYPE
14536B/BEAJC	MOTOROLA	CD4536BF3A	D	2N6759	MOTOROLA	IRF333	D
14538B/BEAJC	MOTOROLA	CD14538BF3A	D	2N6759	MOTOROLA	2N6759	D
14541B/BCAJC	MOTOROLA	CD4541BF3A	D	2N6759	SEMELAB	IRF333	D
14555B/BEAJC	MOTOROLA	CD4555BF3A	D	2N6759	SEMELAB	2N6759	D
14556B/BEAJC	MOTOROLA	CD4556BF3A	D	2N6759	SILICONIX	IRF333	D
14585B/BEAJC	MOTOROLA	CD4585BF3A	D	2N6759	SILICONIX	2N6759	D
1723/BCAJC	MOTOROLA	CA0723E	H	2N6759	UNITRODE	IRF333	D
1723/BCAJC	MOTOROLA	LM723N	H	2N6759	UNITRODE	2N6759	D
1723/BCBJC	MOTOROLA	CA0723E	H	2N6760	IR	2N6760	H
1723/BCBJC	MOTOROLA	LM723CN	H	2N6760	MOTOROLA	2N6760	H
1723/BIAJC	MOTOROLA	CA0723T	H	2N6760	NATIONAL	IRF330	D
1723/BIAJC	MOTOROLA	LM723H	H	2N6760JANTX	SILICONIX	2N6760TX	D
1723/BIBJC	MOTOROLA	CA0723T	H	2N6760JANTXV	SILICONIX	2N6760TXV	D
1723/BIBJC	MOTOROLA	LM723H	H	2N6760JTX	FAIRCHILD	2N6760TX	D
2N6755	IR	2N6755	D	2N6760JTX	MOTOROLA	2N6760TX	D
2N6755	MOTOROLA	2N6755	D	2N6760JTX	UNITRODE	2N6760TX	D
2N6755	NATIONAL	2N6755	D	2N6760JTXV	FAIRCHILD	2N6760TXV	D
2N6755	SEMELAB	2N6755	D	2N6760JTXV	MOTOROLA	2N6760TXV	D
2N6755	SILICONIX	2N6755	D	2N6760JTXV	UNITRODE	2N6760TXV	D
2N6755	UNITRODE	2N6755	D	2N6761	CRIMSON	IRF433	D
2N6756	IR	2N6756	D	2N6761	CRIMSON	2N6761	D
2N6756	MOTOROLA	2N6756	D	2N6761	FAIRCHILD	IRF433	D
2N6756	NATIONAL	2N6756	D	2N6761	FAIRCHILD	2N6761	D
2N6756	SEMELAB	2N6756	D	2N6761	IR	IRF433	D
2N6756	SILICONIX	2N6756	D	2N6761	IR	2N6761	D
2N6756	UNITRODE	2N6756	D	2N6761	JEDEC	IRF433	D
2N6757	CRIMSON	2N6757	D	2N6761	JEDEC	2N6761	D
2N6757	FAIRCHILD	2N6757	D	2N6761	MOTOROLA	IRF433	D
2N6757	IR	2N6757	D	2N6761	MOTOROLA	2N6761	D
2N6757	MOTOROLA	2N6757	D	2N6761	NATIONAL	IRF433	D
2N6757	NATIONAL	2N6757	D	2N6761	NATIONAL	2N6761	D
2N6757	SEMELAB	2N6757	D	2N6761	SEMELAB	IRF433	D
2N6757	SILICONIX	2N6757	D	2N6761	SEMELAB	2N6761	D
2N6757	SPACE POWER	2N6757	D	2N6761	SILICONIX	IRF433	D
2N6757	UNITRODE	2N6757	D	2N6761	SILICONIX	2N6761	D
2N6758	CRIMSON	2N6758	D	2N6761	SPACE POWER	IRF433	D
2N6758	FAIRCHILD	2N6758	D	2N6761	SPACE POWER	2N6761	D
2N6758	IR	2N6758	D	2N6761	UNITRODE	IRF433	D
2N6758	JEDEC	2N6758	D	2N6761	UNITRODE	2N6761	D
2N6758	MOTOROLA	2N6758	D	2N6762	IR	2N6762	H
2N6762	MOTOROLA	2N6762	D	2N6769	UNITRODE	2N6769	D
2N6762	NATIONAL	2N6762	D	2N6770	IR	2N6770	H
2N6762	SEMELAB	2N6762	D	2N6770	MOTOROLA	2N6770	D
2N6762	SILICONIX	2N6762	D	2N6770	NATIONAL	2N6770	D
2N6762	UNITRODE	2N6762	D	2N6770	SEMELAB	2N6770	D
2N6762JANTX	SILICONIX	2N6762TX	D	2N6770	SILICONIX	2N6770	D
2N6762JANTXV	SILICONIX	2N6762TXV	D	2N6770	UNITRODE	2N6770	D
2N6762JTX	FAIRCHILD	2N6762TX	D	2N6770JANTX	SILICONIX	2N6770TX	D
2N6762JTX	UNITRODE	2N6762TX	D	2N6770JANTXV	SILICONIX	2N6770TXV	D
2N6762JTXV	FAIRCHILD	2N6762TXV	D	2N6770JTX	FAIRCHILD	2N6770TX	D
2N6762JTXV	UNITRODE	2N6762TXV	D	2N6770JTX	UNITRODE	2N6770TX	D
2N6765	IR	IRF253	D	2N6770JTXV	FAIRCHILD	2N6770TXV	D
2N6765	IR	2N6765	D	2N6770JTXV	UNITRODE	2N6770TXV	D
2N6765	MOTOROLA	IRF253	D	2N6782	IR	2N6782	D
2N6765	MOTOROLA	2N6765	D	2N6782	MOTOROLA	2N6782	D
2N6765	NATIONAL	IRF253	D	2N6782	SILICONIX	2N6782	D
2N6765	NATIONAL	2N6765	D	2N6782	TOPAZ	2N6782	D
2N6765	SEMELAB	IRF253	D	2N6782	UNITRODE	2N6782	D

NOTE: D = Direct Replacement, H = Harris Recommended Replacement.

Cross-Reference Guide

COMPETITOR #	COMPETITOR	HARRIS #	TYPE	COMPETITOR #	COMPETITOR	HARRIS #	TYPE
2N6765	SEMELAB	2N6765	D	2N6782JTX	UNITRODE	2N6782TX	D
2N6765	SILICONIX	1RF253	D	2N6782JTXV	UNITRODE	2N6782TXV	D
2N6765	SILICONIX	2N6765	D	2N6784	IR	2N6784	H
2N6766	IR	2N6766	H	2N6784JTX	UNITRODE	2N6784TX	D
2N6766	MOTOROLA	2N6766	D	2N6784JTXV	UNITRODE	2N6784TXV	D
2N6766	NATIONAL	2N6766	D	2N6786	IR	2N6786	H
2N6766	SEMELAB	2N6766	D	2N6786JTX	UNITRODE	2N6786TX	D
2N6766	SILICONIX	2N6766	D	2N6786JTXV	UNITRODE	2N6786TXV	D
2N6766JANTX	SILICONIX	2N6766TX	D	2N6788	IR	2N6788	H
2N6766JANTXV	SILICONIX	2N6766TXV	D	2N6788	MOTOROLA	2N6788	D
2N6766JTX	MOTOROLA	2N6766TX	D	2N6788	NATIONAL	2N6788	D
2N6766JTX	UNITRODE	2N6766TX	D	2N6788	SEMELAB	2N6788	D
2N6766JTXV	MOTOROLA	2N6766TXV	D	2N6788	SILICONIX	2N6788	D
2N6766JTXV	UNITRODE	2N6766TXV	D	2N6788JANTX	SILICONIX	2N6788TX	D
2N6767	IR	2N6767	D	2N6788JANTXV	SILICONIX	2N6788TXV	D
2N6767	MOTOROLA	2N6767	D	2N6788JTX	UNITRODE	2N6788TX	D
2N6767	NATIONAL	2N6767	D	2N6788JTXV	UNITRODE	2N6788TXV	D
2N6767	SEMELAB	2N6767	D	2N6790	IR	2N6790	H
2N6767	SILICONIX	2N6767	D	2N6790JANTX	SILICONIX	2N6790TX	D
2N6767	UNITRODE	2N6767	D	2N6790JANTXV	SILICONIX	2N6790TXV	D
2N6768	IR	2N6768	H	2N6790JTX	UNITRODE	2N6790TX	D
2N6768	MOTOROLA	2N6768	D	2N6790JTXV	UNITRODE	2N6790TXV	D
2N6768	SEMELAB	2N6768	D	2N6792	IR	2N6792	H
2N6768	SILICONIX	2N6768	D	2N6792JANTX	SILICONIX	2N6792TX	D
2N6768	UNITRODE	2N6768	D	2N6792JANTXV	SILICONIX	2N6792TXV	D
2N6768JANTX	SILICONIX	2N6768TX	D	2N6792JTX	UNITRODE	2N6792TX	D
2N6768JANTXV	SILICONIX	2N6768TXV	D	2N6792JTXV	UNITRODE	2N6792TXV	D
2N6768JTX	FAIRCHILD	2N6768TX	D	2N6794	IR	2N6794	H
2N6768JTX	MOTOROLA	2N6768TX	D	2N6794JANTX	SILICONIX	2N6794TX	D
2N6768JTX	UNITRODE	2N6768TX	D	2N6794JANTXV	SILICONIX	2N6794TXV	D
2N6768JTXV	FAIRCHILD	2N6768TXV	D	2N6794JTX	UNITRODE	2N6794TX	D
2N6768JTXV	MOTOROLA	2N6768TXV	D	2N6794JTXV	UNITRODE	2N6794TXV	D
2N6768JTXV	UNITRODE	2N6768TXV	D	2N6796	IR	2N6796	D
2N6769	MOTOROLA	2N6769	D	2N6796	MOTOROLA	2N6796	D
2N6769	NATIONAL	2N6769	D	2N6796	SEMELAB	2N6796	D
2N6769	SEMELAB	2N6769	D	2N6796	SILICONIX	2N6796	D
2N6769	SILICONIX	2N6769	D	2N6796	UNITRODE	2N6796	D
2N6796JANTX	SILICONIX	2N6796TX	D	4001BDMQB	FAIRCHILD	CD4001UBF3A	D
2N6796JANTXV	SILICONIX	2N6796TXV	D	4001BPC	FAIRCHILD	CD4001BE	D
2N6796JTX	UNITRODE	2N6796TX	D	4001BPC	FAIRCHILD	CD4001UBE	D
2N6796JTXV	UNITRODE	2N6796TXV	D	4001DM	FAIRCHILD	CD4001BF	D
2N6798	IR	1RFF230	H	4001DMQB	FAIRCHILD	CD4001BF3A	D
2N6798	MOTOROLA	2N6798	D	4001DMQB	FAIRCHILD	CD4001UBF3A	D
2N6798JANTX	SILICONIX	2N6798TX	D	4001PC	FAIRCHILD	CD4001BE	D
2N6798JANTXV	SILICONIX	2N6798TXV	D	4001PC	FAIRCHILD	CD4001UBE	D
2N6798JTX	UNITRODE	2N6798TX	D	40014BDM	FAIRCHILD	CD40106BF	D
2N6798JTXV	UNITRODE	2N6798TXV	D	40014BDM	ROCHESTER	CD40106BF	D
2N6800	IR	2N6800	H	40014BDMQB	FAIRCHILD	CD40106BF3A	D
2N6800JANTX	SILICONIX	2N6800TX	D	40014BFM	FAIRCHILD	CD40106BK	D
2N6800JANTXV	SILICONIX	2N6800TXV	D	40014BPC	FAIRCHILD	CD40106BE	D
2N6800JTX	UNITRODE	2N6800TX	D	40014BPCQR	FAIRCHILD	CD40106BEX	D
2N6800JTXV	UNITRODE	2N6800TXV	D	40014PC	FAIRCHILD	CD40106BE	D
2N6802	IR	2N6802	H	4002BDMQB	FAIRCHILD	CD4002BF3A	D
2N6802JANTX	SILICONIX	2N6802TX	D	4002BPC	FAIRCHILD	CD4002BE	D
2N6802JANTXV	SILICONIX	2N6802TXV	D	4002DMQB	FAIRCHILD	CD4002BF3A	D
2N6802JTX	UNITRODE	2N6802TX	D	4002PC	FAIRCHILD	CD4002BE	D
2N6802JTXV	UNITRODE	2N6802TXV	D	4006BDMQB	FAIRCHILD	CD4006BF3A	D
2N6804	IR	2N6804	H	4006BPC	FAIRCHILD	CD4006BE	D

3
DIRECT/HARRIS
REPLACEMENTS

NOTE: D = Direct Replacement, H = Harris Recommended Replacement.

Cross-Reference Guide

COMPETITOR #	COMPETITOR	HARRIS #	TYPE	COMPETITOR #	COMPETITOR	HARRIS #	TYPE
2N6806	IR	IRF9230	H	4007UBDMQB	FAIRCHILD	CD4007UBF3A	D
2N6845	IR	IRFF9120	H	4007UBPC	FAIRCHILD	CD4007UBE	D
2N6847	IR	IRFF9220	H	4008BDMQB	FAIRCHILD	CD4008BF3A	D
2N6849	IR	2N6849	H	40085BDMQB	FAIRCHILD	CD4585BF3A	D
2N6851	IR	2N6851	H	40085BPC	FAIRCHILD	CD4585BE	D
2N6896	JEDEC	2N6895	D	4011BDM	FAIRCHILD	CD4011BF	D
2N6897	JEDEC	2N6895	D	4011BDM	ROCHESTER	CD4011BF	D
2N6898	JEDEC	2N6895	D	4011BDMQB	FAIRCHILD	CD4011BF3A	D
2N6901	JEDEC	2N6901	D	4011BPC	FAIRCHILD	CD4011BE	D
2N6902	JEDEC	2N6902	D	4011BPC	FAIRCHILD	CD4011UBE	D
2N6903	JEDEC	2N6903	D	4011DM	FAIRCHILD	CD4011BF	D
2N6904	JEDEC	2N6904	D	4011DMQB	FAIRCHILD	CD4011BF3A	D
2SK2376	TOSHIBA	HUF75333P3	H	4011PC	FAIRCHILD	CD4011BE	D
2SK2385	TOSHIBA	HUF75321P3	H	4011PC	FAIRCHILD	CD4011UBE	D
2SK2657	TOSHIBA	HUF75345P3	H	4012BDMQB	FAIRCHILD	CD4012BF3A	D
2SK678	TOSHIBA	IRFP450	D	4012BPC	FAIRCHILD	CD4012BE	D
34015DM	FAIRCHILD	CD4015BF	D	4012DMQB	FAIRCHILD	CD4012BF3A	D
34015DMQB	FAIRCHILD	CD4015BF3A	D	4012PC	FAIRCHILD	CD4012BE	D
34015PC	FAIRCHILD	CD4015BE	D	4014BDMQB	FAIRCHILD	CD4014BF3A	D
340174DMQB	FAIRCHILD	CD40174BF3A	D	4014BPC	FAIRCHILD	CD4014BE	D
340174PC	FAIRCHILD	CD40174BE	D	4015BDM	FAIRCHILD	CD4015BF	D
34020DMQB	FAIRCHILD	CD4020BF3A	D	4015BDM	ROCHESTER	CD4015BF	D
34020PC	FAIRCHILD	CD4020BE	D	4015BDMQB	FAIRCHILD	CD4015BF3A	D
34028DM	FAIRCHILD	CD4028BF	D	4015BDMQB	ROCHESTER	CD4015BF3A	D
34028DMQB	FAIRCHILD	CD4028BF3A	D	4015BPC	FAIRCHILD	CD4015BE	D
34028PC	FAIRCHILD	CD4028BE	D	4016BDM	FAIRCHILD	CD4016BF	D
34512DMQB	FAIRCHILD	CD4512BF3A	D	4016BDM	ROCHESTER	CD4016BF	D
34512PC	FAIRCHILD	CD4512BE	D	4016BDMQB	FAIRCHILD	CD4016BF3A	D
3507J	BURR-BROWN	HA2-2525-5	D	4016BPC	FAIRCHILD	CD4016BE	D
3507JQ	BURR-BROWN	HA2-2525-7	D	4016DM	FAIRCHILD	CD4016BF	D
3508J	BURR-BROWN	HA2-2625-5	H	4016DMQB	FAIRCHILD	CD4016BF3A	D
4001BDM	FAIRCHILD	CD4001BF	D	4016PC	FAIRCHILD	CD4016BE	D
4001BDM	ROCHESTER	CD4001BF	D	40160BDMQB	FAIRCHILD	CD40160BF3A	D
4001BDMQB	FAIRCHILD	CD4001BF3A	D	40161BDMQB	FAIRCHILD	CD40161BF3A	D
40161BPC	FAIRCHILD	CD40161BE	D	4034BPC	FAIRCHILD	CD4034BE	D
40163BDMQB	FAIRCHILD	CD40163BF3A	D	4035BDM	FAIRCHILD	CD4035BF	D
4017BDMQB	FAIRCHILD	CD4017BF3A	D	4035BDM	ROCHESTER	CD4035BF	D
4017BPC	FAIRCHILD	CD4017BE	D	4035BDMQB	FAIRCHILD	CD4035BF3A	D
40174BDMQB	FAIRCHILD	CD40174BF3A	D	4035BPC	FAIRCHILD	CD4035BE	D
40174BDMQB	ROCHESTER	CD40174BF3A	D	4040BDM	FAIRCHILD	CD4040BF	D
40174BPC	FAIRCHILD	CD40174BE	D	4040BDM	ROCHESTER	CD4040BF	D
40175BDMQB	FAIRCHILD	CD40175BF3A	D	4040BDMQB	FAIRCHILD	CD4040BF3A	D
40175BPC	FAIRCHILD	CD40175BE	D	4040BPC	FAIRCHILD	CD4040BE	D
4018BDMQB	FAIRCHILD	CD4018BF3A	D	4040DM	FAIRCHILD	CD4040BF	D
4018BPC	FAIRCHILD	CD4018BE	D	4040DMQB	FAIRCHILD	CD4040BF3A	D
4019BDM	FAIRCHILD	CD4019BF	D	4040PC	FAIRCHILD	CD4040BE	D
4019BDM	ROCHESTER	CD4019BF	D	4042BDMQB	FAIRCHILD	CD4042BF3A	D
4019BDMQB	FAIRCHILD	CD4019BF3A	D	4042BPC	FAIRCHILD	CD4042BE	D
4019BPC	FAIRCHILD	CD4019BE	D	4043BDMQB	FAIRCHILD	CD4043BF3A	D
40192BDMQB	FAIRCHILD	CD40192BF3A	D	4043BPC	FAIRCHILD	CD4043BE	D
40192BPC	FAIRCHILD	CD40192BE	D	4044BDMQB	FAIRCHILD	CD4044BF3A	D
40193BDMQB	FAIRCHILD	CD40193BF3A	D	4044BPC	FAIRCHILD	CD4044BE	D
40193BPC	FAIRCHILD	CD40193BE	D	4045BPC	FAIRCHILD	CD4045BE	D
40194BPC	FAIRCHILD	CD40194BE	D	4046BDMQB	FAIRCHILD	CD4046BF3A	D
4020BDMQB	FAIRCHILD	CD4020BF3A	D	4046BPC	FAIRCHILD	CD4046BE	D
4020BDMQB	ROCHESTER	CD4020BF3A	D	4047BDM	FAIRCHILD	CD4047BF	D
4020BPC	FAIRCHILD	CD4020BE	D	4047BDM	ROCHESTER	CD4047BF	D
4021BDMQB	FAIRCHILD	CD4021BF3A	D	4047BPC	FAIRCHILD	CD4047BE	D

NOTE: D = Direct Replacement, H = Harris Recommended Replacement.

Cross-Reference Guide

COMPETITOR #	COMPETITOR	HARRIS #	TYPE	COMPETITOR #	COMPETITOR	HARRIS #	TYPE
4021BDMQB	ROCHESTER	CD4021BF3A	D	4050BDM	FAIRCHILD	CD4050BF	D
4021BPC	FAIRCHILD	CD4021BE	D	4050BDM	ROCHESTER	CD4050BF	D
4022BDMQB	FAIRCHILD	CD4022BF3A	D	4050BDMQB	FAIRCHILD	CD4050BF3A	D
4022BPC	FAIRCHILD	CD4022BE	D	4050BPC	FAIRCHILD	CD4050BE	D
4023BDM	FAIRCHILD	CD4023BF	D	4051BDM	FAIRCHILD	CD4051BF	D
4023BDM	ROCHESTER	CD4023BF	D	4051BDM	ROCHESTER	CD4051BF	D
4023BDMQB	FAIRCHILD	CD4023BF3A	D	4051BDMQB	FAIRCHILD	CD4051BF3A	D
4023BPC	FAIRCHILD	CD4023BE	D	4051BPC	FAIRCHILD	CD4051BE	D
4024BDMQB	FAIRCHILD	CD4024BF3A	D	4052BDM	FAIRCHILD	CD4052BF	D
4024BPC	FAIRCHILD	CD4024BE	D	4052BDM	ROCHESTER	CD4052BF	D
4027BDM	FAIRCHILD	CD4027BF	D	4052BDMQB	FAIRCHILD	CD4052BF3A	D
4027BDM	ROCHESTER	CD4027BF	D	4052BPC	FAIRCHILD	CD4052BE	D
4027BDMQB	FAIRCHILD	CD4027BF3A	D	4053BDM	FAIRCHILD	CD4053BF	D
4027BDMQB	ROCHESTER	CD4027BF3A	D	4053BDMQB	FAIRCHILD	CD4053BF3A	D
4027BPC	FAIRCHILD	CD4027BE	D	4053BPC	FAIRCHILD	CD4053BE	D
4027DM	FAIRCHILD	CD4027BF	D	4066BDM	FAIRCHILD	CD4066BF	D
4027DMQB	FAIRCHILD	CD4027BF3A	D	4066BDM	ROCHESTER	CD4066BF	D
4027PC	FAIRCHILD	CD4027BE	D	4066BDMQB	FAIRCHILD	CD4066BF3A	D
4028BDM	FAIRCHILD	CD4028BF	D	4066BPC	FAIRCHILD	CD4066BE	D
4028BDM	ROCHESTER	CD4028BF	D	4066BPCQR	FAIRCHILD	CD4066BEX	D
4028BDMQB	FAIRCHILD	CD4028BF3A	D	4067BDMQB	FAIRCHILD	CD4067BF3A	D
4028BPC	FAIRCHILD	CD4028BE	D	4067BPC	FAIRCHILD	CD4067BE	D
4029BDMQB	FAIRCHILD	CD4029BF3A	D	4069UBDM	FAIRCHILD	CD4069UBF	D
4029BPC	FAIRCHILD	CD4029BE	D	4069UBDMQB	FAIRCHILD	CD4069UBF3A	D
4030BDM	FAIRCHILD	CD4030BF	D	4069UBPC	FAIRCHILD	CD4069UBE	D
4030BDM	ROCHESTER	CD4030BF	D	4070BDM	FAIRCHILD	CD4070BF	D
4030BDMQB	FAIRCHILD	CD4030BF3A	D	4070BDM	ROCHESTER	CD4070BF	D
4030BPC	FAIRCHILD	CD4030BE	D	4070BDMQB	FAIRCHILD	CD4070BF3A	D
4031BDMQB	FAIRCHILD	CD4031BF3A	D	4070BPC	FAIRCHILD	CD4070BE	D
4031BPC	FAIRCHILD	CD4031BE	D	4070BPC	ROCHESTER	CD4070BE	D
4034BDMQB	FAIRCHILD	CD4034BF3A	D	4070BPCQR	FAIRCHILD	CD4070BEX	D
4071BDM	FAIRCHILD	CD4071BF	D	4518BPC	FAIRCHILD	CD4518BE	D
4071BDM	ROCHESTER	CD4071BF	D	4520BDM	FAIRCHILD	CD4520BF	D
4071BDMQB	FAIRCHILD	CD4071BF3A	D	4520BDM	ROCHESTER	CD4520BF	D
4071BPC	FAIRCHILD	CD4071BE	D	4520BDMQB	FAIRCHILD	CD4520BF3A	D
4072BDMQB	FAIRCHILD	CD4072BF3A	D	4520BDMQB	FAIRCHILD	7702301EA	D
4072BPC	FAIRCHILD	CD4072BE	D	4520BDMQB	ROCHESTER	CD4520BF3A	D
4073BDM	FAIRCHILD	CD4073BF	D	4520BDMQB	ROCHESTER	7702301EA	D
4073BDMQB	FAIRCHILD	CD4073BF3A	D	4520BPC	FAIRCHILD	CD4520BE	D
4073BPC	FAIRCHILD	CD4073BE	D	4521BPC	FAIRCHILD	CD4521BE	D
4075BDM	FAIRCHILD	CD4075BF	D	4522BPC	FAIRCHILD	CD4522BE	D
4075BDMQB	FAIRCHILD	CD4075BF3A	D	4527BPC	FAIRCHILD	CD4527BE	D
4075BPC	FAIRCHILD	CD4075BE	D	4528BDM	FAIRCHILD	CD4098BF	D
4076BDMQB	FAIRCHILD	CD4076BF3A	D	4528BDM	ROCHESTER	CD4098BF	D
4076BPC	FAIRCHILD	CD4076BE	D	4528BDMQB	FAIRCHILD	CD4098BF3A	D
4077BDMQB	FAIRCHILD	CD4077BF3A	D	4528BDMQB	ROCHESTER	CD4098BF3A	D
4077BPC	FAIRCHILD	CD4077BE	D	4528BPC	FAIRCHILD	CD4098BE	D
4077DMQB	FAIRCHILD	CD4077BF3A	D	4532BDMQB	FAIRCHILD	CD4532BF3A	D
4077PC	FAIRCHILD	CD4077BE	D	4532BPC	FAIRCHILD	CD4532BE	D
4081BDM	FAIRCHILD	CD4081BF	D	4538BDMQB	FAIRCHILD	CD14538BF3A	D
4081BDM	ROCHESTER	CD4081BF	D	4538BPC	FAIRCHILD	CD14538BE	D
4081BDMQB	FAIRCHILD	CD4081BF3A	D	4543BPC	FAIRCHILD	CD4543BE	D
4081BDMQB	ROCHESTER	CD4081BF3A	D	4555BDMQB	FAIRCHILD	CD4555BF3A	D
4081BPC	FAIRCHILD	CD4081BE	D	4555BPC	FAIRCHILD	CD4555BE	D
4081BPCQR	FAIRCHILD	CD4081BEX	D	4556BDMQB	FAIRCHILD	CD4556BF3A	D
4081DM	FAIRCHILD	CD4081BF	D	4556BPC	FAIRCHILD	CD4556BE	D
4081PC	FAIRCHILD	CD4081BE	D	4702BDC	FAIRCHILD	HD1-4702-9	D
				4702BDC	ROCHESTER	HD1-4702-9	D

3
**DIRECT/HARRIS
REPLACEMENTS**

NOTE: D = Direct Replacement, H = Harris Recommended Replacement.

Cross-Reference Guide

COMPETITOR #	COMPETITOR	HARRIS #	TYPE	COMPETITOR #	COMPETITOR	HARRIS #	TYPE
4082BDM	FAIRCHILD	CD4082BF	D	4702BDCQM	FAIRCHILD	HD1-4702-9	D
4082BDMQB	FAIRCHILD	CD4082BF3A	D	4702BDMQB	FAIRCHILD	HD1-4702/883	D
4082BPC	FAIRCHILD	CD4082BE	D	4702BPC	FAIRCHILD	HD3-4702-9	D
4085BDMQB	FAIRCHILD	CD4085BF3A	D	4702DC	FAIRCHILD	HD1-4702-9	D
4085BPC	FAIRCHILD	CD4085BE	D	4702DCQM	FAIRCHILD	HD1-4702-9	D
4086BDMQB	FAIRCHILD	CD4086BF3A	D	4702DMQB	FAIRCHILD	HD1-4702/883	D
4086BPC	FAIRCHILD	CD4086BE	D	4702PC	FAIRCHILD	HD3-4702-9	D
4093BDM	FAIRCHILD	CD4093BF	D	4724BDMQB	FAIRCHILD	CD4724BF3A	D
4093BDM	ROCHESTER	CD4093BF	D	54ACQ153DMQB	NATIONAL	CD54AC153F3A	D
4093BDMQB	FAIRCHILD	CD4093BF3A	D	54ACQ273DMQB	NATIONAL	CD54AC273F3A	D
4093BPC	FAIRCHILD	CD4093BE	D	54ACTQ153DMQB	NATIONAL	CD54ACT153F3A	D
4510BPC	FAIRCHILD	CD4510BE	D	54ACTQ533DMQB	NATIONAL	CD54ACT533F3A	D
4511BDM	FAIRCHILD	CD4511BF	D	54ACTQ534DMQB	NATIONAL	CD54ACT534F3A	D
4511BDM	ROCHESTER	CD4511BF	D	54ACT00DMQB	FAIRCHILD	CD54ACT00F3A	D
4511BDMQB	FAIRCHILD	CD4511BF3A	D	54ACT00DMQB	NATIONAL	CD54ACT00F3A	D
4511BPC	FAIRCHILD	CD4511BE	D	54ACT02DMQB	NATIONAL	CD54ACT02F3A	D
4512BDMQB	FAIRCHILD	CD4512BF3A	D	54ACT04DMQB	FAIRCHILD	CD54ACT04F3A	D
4512BPC	FAIRCHILD	CD4512BE	D	54ACT04DMQB	NATIONAL	CD54ACT04F3A	D
4514BDMQB	FAIRCHILD	CD4514BF3A	D	54ACT08DMQB	FAIRCHILD	CD54ACT08F3A	D
4514BPC	FAIRCHILD	CD4514BE	D	54ACT08DMQB	NATIONAL	CD54ACT08F3A	D
4515BDMQB	FAIRCHILD	CD4515BF3A	D	54ACT109DMQB	FAIRCHILD	CD54ACT109F3A	D
4515BDMQB	FAIRCHILD	7703201JA	D	54ACT109DMQB	NATIONAL	CD54ACT109F3A	D
4515BPC	FAIRCHILD	CD4515BE	D	54ACT138DMQB	FAIRCHILD	CD54ACT138F3A	D
4516BDMQB	FAIRCHILD	CD4516BF3A	D	54ACT138DMQB	NATIONAL	CD54ACT138F3A	D
4516BPC	FAIRCHILD	CD4516BE	D	54ACT151DMQB	FAIRCHILD	CD54ACT151F3A	D
4518BDM	FAIRCHILD	CD4518BF	D	54ACT151DMQB	NATIONAL	CD54ACT151F3A	D
4518BDM	ROCHESTER	CD4518BF	D	54ACT153DMQB	FAIRCHILD	CD54ACT153F3A	D
4518BDMQB	FAIRCHILD	CD4518BF3A	D	54ACT153DMQB	NATIONAL	CD54ACT153F3A	D
54ACT161DMQB	FAIRCHILD	CD54ACT161F3A	D	54ACT139DMQB	FAIRCHILD	CD54AC139F3A	D
54ACT161DMQB	NATIONAL	CD54ACT161F3A	D	54ACT139DMQB	NATIONAL	CD54AC139F3A	D
54ACT163DMQB	FAIRCHILD	CD54ACT163F3A	D	54ACT153DMQB	FAIRCHILD	CD54AC153F3A	D
54ACT163DMQB	NATIONAL	CD54ACT163F3A	D	54ACT153DMQB	NATIONAL	CD54AC153F3A	D
54ACT174DMQB	FAIRCHILD	CD54ACT174F3A	D	54ACT157DMQB	FAIRCHILD	CD54AC157F3A	D
54ACT174DMQB	NATIONAL	CD54ACT174F3A	D	54ACT157DMQB	NATIONAL	CD54AC157F3A	D
54ACT240DMQB	FAIRCHILD	CD54ACT240F3A	D	54AC161DMQB	FAIRCHILD	CD54AC161F3A	D
54ACT240DMQB	NATIONAL	CD54ACT240F3A	D	54AC161DMQB	NATIONAL	CD54AC161F3A	D
54ACT241DMQB	FAIRCHILD	CD54ACT241F3A	D	54AC163DMQB	FAIRCHILD	CD54AC163F3A	D
54ACT241DMQB	NATIONAL	CD54ACT241F3A	D	54AC163DMQB	NATIONAL	CD54AC163F3A	D
54ACT244DMQB	FAIRCHILD	CD54ACT244F3A	D	54AC191DMQB	FAIRCHILD	CD54AC191F3A	D
54ACT244DMQB	NATIONAL	CD54ACT244F3A	D	54AC191DMQB	NATIONAL	CD54AC191F3A	D
54ACT245DMQB	FAIRCHILD	CD54ACT245F3A	D	54AC193DMQB	FAIRCHILD	CD54AC193F3A	D
54ACT245DMQB	NATIONAL	CD54ACT245F3A	D	54AC193DMQB	NATIONAL	CD54AC193F3A	D
54ACT253DMQB	FAIRCHILD	CD54ACT253F3A	D	54AC240DMQB	FAIRCHILD	CD54AC240F3A	D
54ACT253DMQB	NATIONAL	CD54ACT253F3A	D	54AC240DMQB	NATIONAL	CD54AC240F3A	D
54ACT257DMQB	FAIRCHILD	CD54ACT257F3A	D	54AC244DMQB	FAIRCHILD	CD54AC244F3A	D
54ACT257DMQB	NATIONAL	CD54ACT257F3A	D	54AC244DMQB	NATIONAL	CD54AC244F3A	D
54ACT273DMQB	FAIRCHILD	CD54ACT273F3A	D	54AC245DMQB	FAIRCHILD	CD54AC245F3A	D
54ACT273DMQB	NATIONAL	CD54ACT273F3A	D	54AC245DMQB	NATIONAL	CD54AC245F3A	D
54ACT299DMQB	FAIRCHILD	CD54ACT299F3A	D	54AC257DMQB	FAIRCHILD	CD54AC257F3A	D
54ACT299DMQB	NATIONAL	CD54ACT299F3A	D	54AC257DMQB	NATIONAL	CD54AC257F3A	D
54ACT32DMQB	FAIRCHILD	CD54ACT32F3A	D	54AC273DMQB	FAIRCHILD	CD54AC273F3A	D
54ACT32DMQB	NATIONAL	CD54ACT32F3A	D	54AC273DMQB	NATIONAL	CD54AC273F3A	D
54ACT373DMQB	FAIRCHILD	CD54ACT373F3A	D	54AC280DMQB	NATIONAL	CD54AC280F3A	D
54ACT373DMQB	NATIONAL	CD54ACT373F3A	D	54AC299DMQB	FAIRCHILD	CD54AC299F3A	D
54ACT374DMQB	FAIRCHILD	CD54ACT374F3A	D	54AC299DMQB	NATIONAL	CD54AC299F3A	D
54ACT374DMQB	NATIONAL	CD54ACT374F3A	D	54AC32DMQB	FAIRCHILD	CD54AC32F3A	D
54ACT533DMQB	FAIRCHILD	CD54ACT533F3A	D	54AC32DMQB	NATIONAL	CD54AC32F3A	D
54ACT533DMQB	NATIONAL	CD54ACT533F3A	D	54AC373DMQB	FAIRCHILD	CD54AC373F3A	D

NOTE: D = Direct Replacement, H = Harris Recommended Replacement.

Cross-Reference Guide

COMPETITOR #	COMPETITOR	HARRIS #	TYPE
54ACT534DMQB	FAIRCHILD	CD54ACT534F3A	D
54ACT534DMQB	NATIONAL	CD54ACT534F3A	D
54ACT540DMQB	FAIRCHILD	CD54ACT540F3A	D
54ACT540DMQB	NATIONAL	CD54ACT540F3A	D
54ACT541DMQB	FAIRCHILD	CD54ACT541F3A	D
54ACT541DMQB	NATIONAL	CD54ACT541F3A	D
54ACT573DMQB	FAIRCHILD	CD54ACT573F3A	D
54ACT573DMQB	NATIONAL	CD54ACT573F3A	D
54ACT574DMQB	FAIRCHILD	CD54ACT574F3A	D
54ACT574DMQB	NATIONAL	CD54ACT574F3A	D
54ACT74DMQB	FAIRCHILD	CD54ACT74F3A	D
54ACT74DMQB	NATIONAL	CD54ACT74F3A	D
54AC00DMQB	FAIRCHILD	CD54AC00F3A	D
54AC00DMQB	NATIONAL	CD54AC00F3A	D
54AC02DMQB	FAIRCHILD	CD54AC02F3A	D
54AC02DMQB	NATIONAL	CD54AC02F3A	D
54AC04DMQB	FAIRCHILD	CD54AC04F3A	D
54AC04DMQB	NATIONAL	CD54AC04F3A	D
54AC05DMQB	NATIONAL	CD54AC05F3A	D
54AC08DMQB	FAIRCHILD	CD54AC08F3A	D
54AC08DMQB	NATIONAL	CD54AC08F3A	D
54AC109DMQB	FAIRCHILD	CD54AC109F3A	D
54AC109DMQB	NATIONAL	CD54AC109F3A	D
54AC138DMQB	FAIRCHILD	CD54AC138F3A	D
54AC138DMQB	NATIONAL	CD54AC138F3A	D
54HCT373/BRAJC	MOTOROLA	CD54HCT373F3A	D
54HCT373/BRAJC	MOTOROLA	5962-8686701RA	D
54HCT373C	SUPERTEX	CD54HCT373F	D
54HCT373D	SUPERTEX	CD54HCT373F	D
54HCT374/BRAJC	MOTOROLA	8550701RA	D
54HCT533/BRAJC	MOTOROLA	CD54HCT533F3A	D
54HCT533/BRBJC	MOTOROLA	CD54HCT533F3A	D
54HCT688/BRAJC	MOTOROLA	CD54HCT688F3A	D
54HCU04/BCAJC	MOTOROLA	8601001CA	D
54HC00/BCAJC	MOTOROLA	CD54HC00F3A	D
54HC00/BCAJC	MOTOROLA	8403701CA	D
54HC02/BCAJC	MOTOROLA	CD54HC02F3A	D
54HC04/BCAJC	MOTOROLA	8409801CA	D
54HC109/BEAJC	MOTOROLA	8415001EA	D
54HC11/BCAJC	MOTOROLA	8404801CA	D
54HC125/BCAJC	MOTOROLA	5962-8772101CA	D
54HC126/BCAJC	MOTOROLA	5962-8684801CA	D
54HC151/BEAJC	MOTOROLA	8412801EA	D
54HC153/BEAJC	MOTOROLA	8409301EA	D
54HC154/BJAJC	MOTOROLA	5962-8682201JA	D
54HC157/BEAJC	MOTOROLA	5962-8606101EA	D
54HC158/BEAJC	MOTOROLA	5962-8682301EA	D
54HC160/BEAJC	MOTOROLA	5962-8682401EA	D
54HC162/BEAJC	MOTOROLA	8409401EA	D
54HC163/BEAJC	MOTOROLA	8607601EA	D
54HC164/BCAJC	MOTOROLA	8416201CA	D
54HC165/BEAJC	MOTOROLA	8409501EA	D
54HC173/BEAJC	MOTOROLA	5962-8682501EA	D
54HC174/BEAJC	MOTOROLA	8407301EA	D
54HC191/BEAJC	MOTOROLA	5962-8689101EA	D
54HC192/BEAJC	MOTOROLA	5962-8780801EA	D
54HC193/BEAJC	MOTOROLA	5962-8772401EA	D
54HC195/BEAJC	MOTOROLA	5962-8682701EA	D

COMPETITOR #	COMPETITOR	HARRIS #	TYPE
54AC373DMQB	NATIONAL	CD54AC373F3A	D
54AC374DMQB	FAIRCHILD	CD54AC374F3A	D
54AC374DMQB	NATIONAL	CD54AC374F3A	D
54AC534DMQB	FAIRCHILD	CD54AC534F3A	D
54AC534DMQB	NATIONAL	CD54AC534F3A	D
54AC541DMQB	FAIRCHILD	CD54AC541F3A	D
54AC541DMQB	NATIONAL	CD54AC541F3A	D
54AC573DMQB	FAIRCHILD	CD54AC573F3A	D
54AC573DMQB	NATIONAL	CD54AC573F3A	D
54AC574DMQB	FAIRCHILD	CD54AC574F3A	D
54AC574DMQB	NATIONAL	CD54AC574F3A	D
54AC74DMQB	FAIRCHILD	CD54AC74F3A	D
54AC74DMQB	NATIONAL	CD54AC74F3A	D
54C04DM	FAIRCHILD	CD4069UBF	D
54C14DM	FAIRCHILD	CD40106BF	D
54C14DMQB	FAIRCHILD	CD40106BF3A	D
54C14FM	FAIRCHILD	CD40106BK	D
54C86DM	FAIRCHILD	CD4070BF	D
54HCTLS08J	ISI	CD54HCT08F	D
54HCTLS32J	ISI	CD54HCT32F	D
54HCT00/BCAJC	MOTOROLA	5962-8683101CA	D
54HCT04/BCAJC	MOTOROLA	5962-8974701CA	D
54HCT240/BRAJC	MOTOROLA	8550501RA	D
54HCT244/BRAJC	MOTOROLA	8513001RA	D
54HCT245/BRAJC	MOTOROLA	8550601RA	D
54HC4052/BEAJC	MOTOROLA	CD54HC4052F3A	D
54HC4052/BEAJC	MOTOROLA	5962-8855601EA	D
54HC4053/BEAJC	MOTOROLA	CD54HC4053F3A	D
54HC4053/BEAJC	MOTOROLA	5962-8775401EA	D
54HC4075/BCAJC	MOTOROLA	5962-8772201CA	D
54HC42/BEAJC	MOTOROLA	5962-8682101EA	D
54HC4538/BEAJC	MOTOROLA	CD54HC4538F3A	D
54HC4538/BEAJC	MOTOROLA	5962-8688601EA	D
54HC533/BRAJC	MOTOROLA	5962-8681301RA	D
54HC534/BRAJC	MOTOROLA	5962-8681401RA	D
54HC564/BRAJC	MOTOROLA	5962-8681501RA	D
54HC573/BRAJC	MOTOROLA	8512801RA	D
54HC73/BCAJC	MOTOROLA	5962-8515301CA	D
54HC74/BCAJC	MOTOROLA	8405601CA	D
54HC75/BEAJC	MOTOROLA	8407001EA	D
54HC85/BEAJC	MOTOROLA	8601301EA	D
54VHCT00J/883	NATIONAL	5962-8683101CA	D
54VHCT00J/883X	NATIONAL	5962-8683101CA	D
5962-3870701MGX	LINEAR TECH	ICL7660SMTV/883B	H
5962-3870701MGX	MAXIM	ICL7660SMTV/883B	H
5962-3870702MGX	MAXIM	ICL7660MTV/883B	H
5962-3870702MGX	MAXIM	ICL7662MTV/883B	H
5962-85131073X	MAXIM	HI4-0506/883	D
5962-85131083X	MAXIM	HI4-0507/883	D
5962-85131092X	MAXIM	HI4-0509/883	D
5962-8515301CA	MOTOROLA	5962-8515301CA	D
5962-8515301CX	MOTOROLA	5962-8515301CA	D
5962-8515301CX	NATIONAL	5962-8515301CA	D
5962-8550101CX	NATIONAL	CD40106BF3A	D
5962-8550101CX	NATIONAL	CD4069UBF3A	D
5962-8606101EA	MOTOROLA	5962-8606101EA	D
5962-8606101EA	TI	5962-8606101EA	D
5962-8606101EX	MOTOROLA	5962-8606101EA	D

3
DIRECT/HARRIS
REPLACEMENTS

NOTE: D = Direct Replacement, H = Harris Recommended Replacement.

Cross-Reference Guide

COMPETITOR #	COMPETITOR	HARRIS #	TYPE	COMPETITOR #	COMPETITOR	HARRIS #	TYPE
54HC20/BCAJC	MOTOROLA	8403901CA	D	5962-8606101EX	NATIONAL	5962-8606101EA	D
54HC243/BCAJC	MOTOROLA	CD54HC243F3A	D	5962-8606101EX	TI	5962-8606101EA	D
54HC243/BCAJC	MOTOROLA	8409001CA	D	5962-8606201RA	TI	5962-8606201RA	D
54HC245/BRAJC	MOTOROLA	CD54HC245F3A	D	5962-8606201RX	NATIONAL	5962-8606201RA	D
54HC251/BEAJC	MOTOROLA	8512501EA	D	5962-8606201RX	TI	5962-8606201RA	D
54HC257/BEAJC	MOTOROLA	8512401EA	D	5962-8671601EX	ADI	5962-8671601EA	D
54HC259/BEAJC	MOTOROLA	8551901EA	D	5962-86716012X	ADI	5962-86716012A	D
54HC27/BCAJC	MOTOROLA	8404201CA	D	5962-8681201EA	MOTOROLA	5962-8681201EA	D
54HC273/BRAJC	MOTOROLA	8409901RA	D	5962-8681201EA	TI	5962-8681201EA	D
54HC280/BCAJC	MOTOROLA	8607701CA	D	5962-8681201EX	MOTOROLA	5962-8681201EA	D
54HC30/BCAJC	MOTOROLA	8404001CA	D	5962-8681201EX	NATIONAL	5962-8681201EA	D
54HC366/BEAJC	MOTOROLA	5962-8682801EA	D	5962-8681201EX	TI	5962-8681201EA	D
54HC368/BEAJC	MOTOROLA	5962-8681201EA	D	5962-8681301RX	MOTOROLA	5962-8681301RA	D
54HC393/BCAJC	MOTOROLA	8410001CA	D	5962-8681301RX	NATIONAL	5962-8681301RA	D
54HC4002/BCAJC	MOTOROLA	8404401CA	D	5962-8681401RA	TI	5962-8681401RA	D
54HC4015/BEAJC	MOTOROLA	CD54HC4015F3A	D	5962-8681401RX	MOTOROLA	5962-8681401RA	D
54HC4017/BEAJC	MOTOROLA	8601101EA	D	5962-8681401RX	NATIONAL	5962-8681401RA	D
54HC4020/BEAJC	MOTOROLA	8500301EA	D	5962-8681401RX	TI	5962-8681401RA	D
54HC4024/BCAJC	MOTOROLA	8601201CA	D	5962-8681501RX	MOTOROLA	5962-8681501RA	D
54HC4040/BEAJC	MOTOROLA	8500401EA	D	5962-8681501RX	NATIONAL	5962-8681501RA	D
54HC4046/BEAJC	MOTOROLA	5962-8960901EA	D	5962-8681701EX	MOTOROLA	5962-8681701EA	D
54HC4051/BEAJC	MOTOROLA	CD54HC4051F3A	D	5962-8681701EX	NATIONAL	5962-8681701EA	D
5962-8681801RA	TI	5962-8681801RA	D	5962-8685701RX	NATIONAL	CD54HCT688F3A	D
5962-8681801RX	MOTOROLA	5962-8681801RA	D	5962-8686701RA	TI	CD54HCT373F3A	D
5962-8681801RX	NATIONAL	5962-8681801RA	D	5962-8686701RA	TI	5962-8686701RA	D
5962-8681801RX	TI	5962-8681801RA	D	5962-8686701RX	MOTOROLA	CD54HCT373F3A	D
5962-8681901EX	MOTOROLA	5962-8681901EA	D	5962-8686701RX	MOTOROLA	5962-8686701RA	D
5962-8681901EX	NATIONAL	5962-8681901EA	D	5962-8686701RX	NATIONAL	CD54HCT373F3A	D
5962-8682001EX	MOTOROLA	5962-8682001EA	D	5962-8686701RX	NATIONAL	5962-8686701RA	D
5962-8682001EX	NATIONAL	5962-8682001EA	D	5962-8686701RX	TI	CD54HCT373F3A	D
5962-8682101EA	MOTOROLA	5962-8682101EA	D	5962-8686701RX	TI	5962-8686701RA	D
5962-8682101EA	TI	5962-8682101EA	D	5962-8687901EX	RAYTHEON	5962-8687901EA	D
5962-8682101EX	MOTOROLA	5962-8682101EA	D	5962-86879013X	RAYTHEON	5962-86879013A	D
5962-8682101EX	NATIONAL	5962-8682101EA	D	5962-8688401EA	TI	5962-8688401EA	D
5962-8682101EX	TI	5962-8682101EA	D	5962-8688401EX	TI	5962-8688401EA	D
5962-8682201JX	MOTOROLA	5962-8682201JA	D	5962-8688501JX	MOTOROLA	5962-8688501JA	D
5962-8682201JX	NATIONAL	5962-8682201JA	D	5962-8688601EA	MOTOROLA	CD54HC4538F3A	D
5962-8682301EA	MOTOROLA	5962-8682301EA	D	5962-8688601EA	MOTOROLA	5962-8688601EA	D
5962-8682301EA	TI	5962-8682301EA	D	5962-8688601EX	MOTOROLA	CD54HC4538F3A	D
5962-8682301EX	MOTOROLA	5962-8682301EA	D	5962-8688601EX	MOTOROLA	5962-8688601EA	D
5962-8682301EX	NATIONAL	5962-8682301EA	D	5962-8688601EX	NATIONAL	CD54HC4538F3A	D
5962-8682301EX	SIGNETICS	5962-8682301EA	D	5962-8688601EX	NATIONAL	5962-8688601EA	D
5962-8682301EX	TI	5962-8682301EA	D	5962-8689001CX	SIGNETICS	CD54HCT14F3A	D
5962-8682401EA	MOTOROLA	5962-8682401EA	D	5962-8689001CX	SIGNETICS	5962-8689001CA	D
5962-8682401EA	TI	5962-8682401EA	D	5962-8689101EA	TI	5962-8689101EA	D
5962-8682401EX	MOTOROLA	5962-8682401EA	D	5962-8689101EX	TI	5962-8689101EA	D
5962-8682401EX	NATIONAL	5962-8682401EA	D	5962-8752501CX	FAIRCHILD	CD54ACT74F3A	D
5962-8682401EX	TI	5962-8682401EA	D	5962-8752501CX	NATIONAL	CD54ACT74F3A	D
5962-8682501EA	MOTOROLA	5962-8682501EA	D	5962-8754901CX	FAIRCHILD	CD54AC00F3A	D
5962-8682501EA	TI	5962-8682501EA	D	5962-8754901CX	MOTOROLA	CD54AC00F3A	D
5962-8682501EX	MOTOROLA	5962-8682501EA	D	5962-8754901CX	NATIONAL	CD54AC00F3A	D
5962-8682501EX	NATIONAL	5962-8682501EA	D	5962-8754901CX	TI	CD54AC00F3A	D
5962-8682501EX	TI	5962-8682501EA	D	5962-8755001RX	FAIRCHILD	CD54AC240F3A	D
5962-8682601EA	MOTOROLA	CD54HC194F3A	D	5962-8755001RX	NATIONAL	CD54AC240F3A	D
5962-8682601EA	MOTOROLA	5962-8682601EA	D	5962-8755201RX	FAIRCHILD	CD54AC244F3A	D
5962-8682601EA	TI	CD54HC194F3A	D	5962-8755201RX	MOTOROLA	CD54AC244F3A	D
5962-8682601EA	TI	5962-8682601EA	D	5962-8755201RX	NATIONAL	CD54AC244F3A	D
5962-8682601EX	MOTOROLA	CD54HC194F3A	D	5962-8755401EX	FAIRCHILD	CD54ACT138F3A	D

NOTE: D = Direct Replacement, H = Harris Recommended Replacement.

Cross-Reference Guide

COMPETITOR #	COMPETITOR	HARRIS #	TYPE
5962-8682601EX	MOTOROLA	5962-8682601EA	D
5962-8682601EX	NATIONAL	CD54HC194F3A	D
5962-8682601EX	NATIONAL	5962-8682601EA	D
5962-8682601EX	TI	CD54HC194F3A	D
5962-8682601EX	TI	5962-8682601EA	D
5962-8682701EA	MOTOROLA	5962-8682701EA	D
5962-8682701EA	TI	5962-8682701EA	D
5962-8682701EX	MOTOROLA	5962-8682701EA	D
5962-8682701EX	NATIONAL	5962-8682701EA	D
5962-8682701EX	TI	5962-8682701EA	D
5962-8682801EA	MOTOROLA	5962-8682801EA	D
5962-8682801EA	TI	5962-8682801EA	D
5962-8682801EX	MOTOROLA	5962-8682801EA	D
5962-8682801EX	NATIONAL	5962-8682801EA	D
5962-8682801EX	TI	5962-8682801EA	D
5962-8684801CA	TI	5962-8684801CA	D
5962-8684801CX	NATIONAL	5962-8684801CA	D
5962-8684801CX	TI	5962-8684801CA	D
5962-8685301CX	NATIONAL	5962-8685301CA	D
5962-8763101RX	NATIONAL	CD54ACT374F3A	D
5962-8764701CA	MOTOROLA	5962-8764701CA	D
5962-8764701CA	TI	5962-8764701CA	D
5962-8764701CX	MOTOROLA	5962-8764701CA	D
5962-8764701CX	NATIONAL	5962-8764701CA	D
5962-8766301MRX	NATIONAL	CD54ACT245F3A	D
5962-8766301MRX	TI	CD54ACT245F3A	D
5962-8766301RX	FAIRCHILD	CD54ACT245F3A	D
5962-8766301RX	NATIONAL	CD54ACT245F3A	D
5962-8766401RX	NATIONAL	CD54ACT573F3A	D
5962-8768001EA	MOTOROLA	CD54HC4060F3A	D
5962-8768001EA	MOTOROLA	5962-8768001EA	D
5962-8768001EX	MOTOROLA	CD54HC4060F3A	D
5962-8768001EX	MOTOROLA	5962-8768001EA	D
5962-8768001EX	NATIONAL	CD54HC4060F3A	D
5962-8768001EX	NATIONAL	5962-8768001EA	D
5962-8769401RX	FAIRCHILD	CD54AC374F3A	D
5962-8769401RX	NATIONAL	CD54AC374F3A	D
5962-8769801EX	NATIONAL	CD54ACT153F3A	D
5962-8769901CX	FAIRCHILD	CD54ACT00F3A	D
5962-8769901CX	NATIONAL	CD54ACT00F3A	D
5962-8769901MEX	NATIONAL	CD54ACT00F3A	D
5962-8772101CA	TI	5962-8772101CA	D
5962-8772101CX	NATIONAL	5962-8772101CA	D
5962-8772101CX	TI	5962-8772101CA	D
5962-8772201CA	MOTOROLA	5962-8772201CA	D
5962-8772201CA	TI	5962-8772201CA	D
5962-8772201CX	MOTOROLA	5962-8772201CA	D
5962-8772201CX	NATIONAL	5962-8772201CA	D
5962-8772201CX	TI	5962-8772201CA	D
5962-8772401EA	TI	5962-8772401EA	D
5962-8772401EX	NATIONAL	5962-8772401EA	D
5962-8772401EX	TI	5962-8772401EA	D
5962-8772501RX	NATIONAL	CD54HCT273F3A	D
5962-8772501RX	NATIONAL	5962-8772501RA	D
5962-8773401VA	INTEL	MD82C284-10/883	D
5962-8773401VX	INTEL	MD82C284-10/883	D
5962-8775601RX	FAIRCHILD	CD54AC273F3A	D
5962-8775601RX	NATIONAL	CD54AC273F3A	D

COMPETITOR #	COMPETITOR	HARRIS #	TYPE
5962-8755401EX	NATIONAL	CD54ACT138F3A	D
5962-8755401MEX	NATIONAL	CD54ACT138F3A	D
5962-8755501RX	FAIRCHILD	CD54AC373F3A	D
5962-8755501RX	NATIONAL	CD54AC373F3A	D
5962-8755601RX	FAIRCHILD	CD54ACT373F3A	D
5962-8755601RX	NATIONAL	CD54ACT373F3A	D
5962-8760901CX	FAIRCHILD	CD54AC04F3A	D
5962-8760901CX	NATIONAL	CD54AC04F3A	D
5962-8761201CX	FAIRCHILD	CD54AC02F3A	D
5962-8761201CX	NATIONAL	CD54AC02F3A	D
5962-8761401CX	FAIRCHILD	CD54AC32F3A	D
5962-8761501CX	FAIRCHILD	CD54AC08F3A	D
5962-8762201EX	FAIRCHILD	CD54AC138F3A	D
5962-8762201EX	NATIONAL	CD54AC138F3A	D
5962-8762301EX	FAIRCHILD	CD54AC139F3A	D
5962-8762301EX	NATIONAL	CD54AC139F3A	D
5962-8762501EX	FAIRCHILD	CD54AC153F3A	D
5962-8762501EX	NATIONAL	CD54AC153F3A	D
5962-8763101RX	FAIRCHILD	CD54ACT374F3A	D
5962-87784012X	ELANTEC	5962-87784012A	H
5962-8778402CX	ELANTEC	HA2-5190/883	H
5962-8778402XX	ELANTEC	HA1-5190/883	H
5962-87784022X	ELANTEC	HA4-5190/883	H
5962-8778701CX	ELANTEC	5962-8778701CA	H
5962-8780601RX	MOTOROLA	5962-8780601RA	D
5962-8780601RX	NATIONAL	5962-8780601RA	D
5962-8780701RX	TI	CD54HC377F3A	D
5962-8780801EX	NATIONAL	5962-8780801EA	D
5962-8780901RA	TI	5962-8780901RA	D
5962-8780901RX	NATIONAL	5962-8780901RA	D
5962-8780901RX	TI	5962-8780901RA	D
5962-8852001CX	FAIRCHILD	CD54AC74F3A	D
5962-8852001CX	NATIONAL	CD54AC74F3A	D
5962-8853401EX	FAIRCHILD	CD54ACT109F3A	D
5962-8853401EX	NATIONAL	CD54ACT109F3A	D
5962-8857601CA	TI	5962-8857601CA	D
5962-8857601CX	TI	5962-8857601CA	D
5962-8870301EX	NATIONAL	CD54AC257F3A	D
5962-8870601RX	NATIONAL	CD54AC541F3A	D
5962-8875401RX	NATIONAL	CD54AC299F3A	D
5962-8875601EX	NATIONAL	CD54ACT151F3A	D
5962-8875601MEX	MOTOROLA	CD54ACT151F3A	D
5962-8875601MEX	NATIONAL	CD54ACT151F3A	D
5962-8877101RX	NATIONAL	CD54ACT299F3A	D
5962-8953901EX	NATIONAL	CD54AC157F3A	D
5962-8955101EX	NATIONAL	CD54AC109F3A	D
5962-8956101EX	NATIONAL	CD54AC161F3A	D
5962-8958201EX	NATIONAL	CD54AC163F3A	D
5962-8960101MRX	NATIONAL	CD54ACT574F3A	D
5962-8960101RX	NATIONAL	CD54ACT574F3A	D
5962-8962001PX	ELANTEC	HA7-5020/883	H
5962-89620012X	ELANTEC	HA4-5020/883	H
5962-8962301GX	ELANTEC	HA2-5002/883	H
5962-8962301PX	ELANTEC	HA7-5002/883	H
5962-89623012X	ELANTEC	HA4-5002/883	H
5962-8962302PX	ELANTEC	HA7-5002/883	H
5962-8964801CX	ELANTEC	5962-8964801CA	D
5962-8964802CX	ELANTEC	5962-8964801CA	H

NOTE: D = Direct Replacement, H = Harris Recommended Replacement.

Cross-Reference Guide

COMPETITOR #	COMPETITOR	HARRIS #	TYPE	COMPETITOR #	COMPETITOR	HARRIS #	TYPE
5962-8775701EX	NATIONAL	CD54ACT174F3A	D	5962-8965801RX	NATIONAL	CD54ACT534F3A	D
5962-8775801RX	FAIRCHILD	CD54AC245F3A	D	5962-8968901EX	NATIONAL	CD54ACT257F3A	D
5962-8775801RX	NATIONAL	CD54AC245F3A	D	5962-8974501EA	TI	CD54HCT238F3A	D
5962-8775901MRX	NATIONAL	CD54ACT240F3A	D	5962-8974501EA	TI	5962-8974501EA	D
5962-8775901RX	NATIONAL	CD54ACT240F3A	D	5962-8974501EX	TI	CD54HCT238F3A	D
5962-8776001MRX	MOTOROLA	CD54ACT244F3A	D	5962-8974501EX	TI	5962-8974501EA	D
5962-8776001MRX	NATIONAL	CD54ACT244F3A	D	5962-8974701CA	TI	5962-8974701CA	D
5962-8776001RX	FAIRCHILD	CD54ACT244F3A	D	5962-8974701CX	TI	5962-8974701CA	D
5962-8776001RX	NATIONAL	CD54ACT244F3A	D	5962-8974901EX	NATIONAL	CD54AC191F3A	D
5962-8776101EX	FAIRCHILD	CD54ACT253F3A	D	5962-8976301MEX	MAXIM	DG403AK/883	D
5962-8776101EX	NATIONAL	CD54ACT253F3A	D	5962-8976301MEX	SILICONIX	DG403AK/883	D
5962-8778301EX	ELANTEC	5962-8778301EA	D	5962-8984701RX	NATIONAL	CD54ACT241F3A	D
5962-8778401CX	ELANTEC	HA1-5190/883	D	5962-9059001MCX	NATIONAL	CD54AC05F3A	D
5962-8778401CX	ELANTEC	5962-8778401CA	H	5962-9067801MXA	INTEL	MG80C286-10/883	D
5962-8778401XX	ELANTEC	HA2-5190/883	D	5962-9067801MXX	INTEL	MG80C286-10/883	D
5962-87784012X	ELANTEC	HA4-5190/883	D	5962-9081801M2X	ELANTEC	HA4-5020/883	H
5962-9209701MYX	DESC	HSP43891GM-20/883	H	74ACQ374SC	NATIONAL	CD74AC374M	H
5962-9209701MYX	LOGIC DEVICES	HSP43891GM-20/883	D	74ACQ374SCX	NATIONAL	CD74AC374M96	H
5962-9209702MYX	DESC	HSP43891GM-25/883	H	74ACQ563PC	NATIONAL	CD74AC563E	H
5962-9209702MYX	LOGIC DEVICES	HSP43891GM-25/883	D	74ACQ573PC	NATIONAL	CD74AC573E	H
5962-9220101MCX	NATIONAL	CD54AC280F3A	D	74ACQ573SC	NATIONAL	CD74AC573M	H
5962-9300701MXX	LOGIC DEVICES	HSP48908GM-20/883	D	74ACQ573SCX	NATIONAL	CD74AC573M96	H
5962-9300701MYX	LOGIC DEVICES	HSP48908GM-20/883	D	74ACQ574PC	NATIONAL	CD74AC574E	H
5962-9300702MXX	LOGIC DEVICES	HSP48908GM-27/883	D	74ACQ574SC	NATIONAL	CD74AC574M	H
5962-9300702MYX	LOGIC DEVICES	HSP48908GM-27/883	D	74ACQ574SCX	NATIONAL	CD74AC574M96	H
5962-9457301MXC	LOGIC DEVICES	HSP48410GM-25/883	H	74ACQ646SC	NATIONAL	CD74AC646M	H
5962-9457301MYX	LOGIC DEVICES	HSP48410GM-25/883	D	74ACQ646SCX	NATIONAL	CD74AC646M96	H
5962-9457302MXC	LOGIC DEVICES	HSP48410GM-33/883	H	74ACTQ00PC	NATIONAL	CD74ACT00E	H
5962-9457302MYX	LOGIC DEVICES	HSP48410GM-33/883	D	74ACTQ00SC	NATIONAL	CD74ACT00M	H
5962-9750402MXA	LOGIC DEVICES	HSP43168GM-33/883	D	74ACTQ00SCX	NATIONAL	CD74ACT00M96	H
5962-9750402MYX	LOGIC DEVICES	HSP43168GM-33/883	D	74ACTQ02PC	NATIONAL	CD74ACT02E	H
6508BDC	FAIRCHILD	HM1-6508-9	D	74ACTQ02SC	NATIONAL	CD74ACT02M	H
6508BPC	FAIRCHILD	HM3-6508-9	D	74ACTQ02SCX	NATIONAL	CD74ACT02M96	H
6518BDC	FAIRCHILD	HM1-6518-9	D	74ACTQ04PC	NATIONAL	CD74ACT04E	H
67C7016-45NL	MMI	HMU16JC-45	D	74ACTQ04SC	NATIONAL	CD74ACT04M	H
67C7017-45NL	MMI	HMU17JC-45	D	74ACTQ04SCX	NATIONAL	CD74ACT04M96	H
7106CPL	TELEDYNE	ICL7106CPL	D	74ACTQ08DMQB	NATIONAL	CD54ACT08F3A	D
7106CPL	TELEDYNE	ICL7106SCPL	D	74ACTQ08PC	NATIONAL	CD74ACT08E	H
7106RCPL	TELEDYNE	ICL7106RCPL	D	74ACTQ08SC	NATIONAL	CD74ACT08M	H
7107CPL	TELEDYNE	ICL7107CPL	D	74ACTQ08SCX	NATIONAL	CD74ACT08M96	H
7107CPL	TELEDYNE	ICL7107SCPL	D	74ACTQ10PC	NATIONAL	CD74ACT10E	H
7107RCPL	TELEDYNE	ICL7107RCPL	D	74ACTQ10SC	NATIONAL	CD74ACT10M	H
723DC	AMD	CA0723E	H	74ACTQ10SCX	NATIONAL	CD74ACT10M96	H
723DM	AMD	CA0723EX	H	74ACTQ14PC	NATIONAL	CD74ACT14E	H
723DM-B	AMD	CA0723EX	H	74ACTQ14SC	NATIONAL	CD74ACT14M	H
723DMB	AMD	CA0723EX	H	74ACTQ14SCX	NATIONAL	CD74ACT14M96	H
723HC	AMD	CA0723CT	D	74ACTQ153PC	NATIONAL	CD74ACT153E	H
723HC	AMD	LM723CH	D	74ACTQ153SC	NATIONAL	CD74ACT153M	H
723HM	AMD	CA0723T	H	74ACTQ153SCX	NATIONAL	CD74ACT153M96	H
723HM-B	AMD	CA0723T	H	74ACTQ240PC	NATIONAL	CD74ACT240E	H
723HMB	AMD	CA0723T	H	74ACTQ240SC	NATIONAL	CD74ACT240M	H
723PC	AMD	CA0723CE	D	74ACTQ240SCX	NATIONAL	CD74ACT240M96	H
723PC	AMD	LM723CN	D	74ACTQ241PC	NATIONAL	CD74ACT241E	H
74ACQ153PC	NATIONAL	CD74AC153E	H	74ACTQ241SCX	NATIONAL	CD74ACT241M96	H
74ACQ153SCX	NATIONAL	CD74AC153M96	H	74ACTQ244PC	NATIONAL	CD74ACT244E	H
74ACQ240PC	NATIONAL	CD74AC240E	H	74ACTQ244SC	NATIONAL	CD74ACT244M	H
74ACQ240SC	NATIONAL	CD74AC240M	H	74ACTQ244SCX	NATIONAL	CD74ACT244M96	H
74ACQ240SCX	NATIONAL	CD74AC240M96	H	74ACTQ245PC	NATIONAL	CD74ACT245E	H

NOTE: D = Direct Replacement, H = Harris Recommended Replacement.

Cross-Reference Guide

COMPETITOR #	COMPETITOR	HARRIS #	TYPE	COMPETITOR #	COMPETITOR	HARRIS #	TYPE
74ACQ244PC	NATIONAL	CD74AC244E	H	74ACTQ245SC	NATIONAL	CD74ACT245M	H
74ACQ244SC	NATIONAL	CD74AC244M	H	74ACTQ245SCX	NATIONAL	CD74ACT245M96	H
74ACQ244SCX	NATIONAL	CD74AC244M96	H	74ACTQ273PC	NATIONAL	CD74ACT273E	H
74ACQ245PC	NATIONAL	CD74AC245E	H	74ACTQ273SC	NATIONAL	CD74ACT273M	H
74ACQ245SC	NATIONAL	CD74AC245M	H	74ACTQ273SCX	NATIONAL	CD74ACT273M96	H
74ACQ245SCX	NATIONAL	CD74AC245M96	H	74ACTQ32PC	NATIONAL	CD74ACT32E	H
74ACQ273PC	NATIONAL	CD74AC273E	H	74ACTQ32SC	NATIONAL	CD74ACT32M	H
74ACQ273SC	NATIONAL	CD74AC273M	H	74ACTQ32SCX	NATIONAL	CD74ACT32M96	H
74ACQ273SCX	NATIONAL	CD74AC273M96	H	74ACTQ373PC	NATIONAL	CD74ACT373E	H
74ACQ373PC	NATIONAL	CD74AC373E	H	74ACTQ373SC	NATIONAL	CD74ACT373M	H
74ACQ373SC	NATIONAL	CD74AC373M	H	74ACTQ373SCX	NATIONAL	CD74ACT373M96	H
74ACQ373SCX	NATIONAL	CD74AC373M96	H	74ACTQ374PC	NATIONAL	CD74ACT374E	H
74ACQ374PC	NATIONAL	CD74AC374E	H	74ACTQ374SC	NATIONAL	CD74ACT374M	H
74ACTQ374SCX	NATIONAL	CD74ACT374M96	H	74ACT163SCX	NATIONAL	CD74ACT163M96	H
74ACTQ541PC	NATIONAL	CD74ACT541E	H	74ACT164PC	NATIONAL	CD74ACT164E	H
74ACTQ541SC	NATIONAL	CD74ACT541M	H	74ACT164SC	NATIONAL	CD74ACT164M	H
74ACTQ541SCX	NATIONAL	CD74ACT541M96	H	74ACT164SCX	NATIONAL	CD74ACT164M96	H
74ACTQ573PC	NATIONAL	CD74ACT573E	H	74ACT174PC	NATIONAL	CD74ACT174E	H
74ACTQ573SC	NATIONAL	CD74ACT573M	H	74ACT174SC	NATIONAL	CD74ACT174M	H
74ACTQ573SCX	NATIONAL	CD74ACT573M96	H	74ACT174SCX	NATIONAL	CD74ACT174M96	H
74ACTQ574PC	NATIONAL	CD74ACT574E	H	74ACT175PC	NATIONAL	CD74ACT175E	H
74ACTQ574SC	NATIONAL	CD74ACT574M	H	74ACT175SC	NATIONAL	CD74ACT175M	H
74ACTQ574SCX	NATIONAL	CD74ACT574M96	H	74ACT175SCX	NATIONAL	CD74ACT175M96	H
74ACTQ646SC	NATIONAL	CD74ACT646M	H	74ACT240B	SGS	CD74ACT240E	D
74ACTQ646SCX	NATIONAL	CD74ACT646M96	H	74ACT240M	SGS	CD74ACT240M	D
74ACTQ652SC	NATIONAL	CD74ACT652M	H	74ACT240PC	FAIRCHILD	CD74ACT240E	D
74ACTQ74PC	NATIONAL	CD74ACT74E	H	74ACT240PC	NATIONAL	CD74ACT240E	D
74ACTQ74SC	NATIONAL	CD74ACT74M	H	74ACT240SC	FAIRCHILD	CD74ACT240M	D
74ACTQ74SCX	NATIONAL	CD74ACT74M96	H	74ACT240SC	NATIONAL	CD74ACT240M	D
74ACT00PC	NATIONAL	CD74ACT00E	H	74ACT240SCX	NATIONAL	CD74ACT240M96	H
74ACT00SC	NATIONAL	CD74ACT00M	H	74ACT241PC	FAIRCHILD	CD74ACT241E	D
74ACT00SCX	NATIONAL	CD74ACT00M96	H	74ACT241PC	NATIONAL	CD74ACT241E	D
74ACT02PC	NATIONAL	CD74ACT02E	H	74ACT241SCX	NATIONAL	CD74ACT241M96	H
74ACT02SC	NATIONAL	CD74ACT02M	H	74ACT244B	SGS	CD74ACT244E	D
74ACT02SCX	NATIONAL	CD74ACT02M96	H	74ACT244D	PHILIPS	CD74ACT244M	D
74ACT04PC	NATIONAL	CD74ACT04E	H	74ACT244M	SGS	CD74ACT244M	D
74ACT04SC	NATIONAL	CD74ACT04M	H	74ACT244PC	FAIRCHILD	CD74ACT244E	D
74ACT04SCX	NATIONAL	CD74ACT04M96	H	74ACT244PC	NATIONAL	CD74ACT244E	D
74ACT08PC	NATIONAL	CD74ACT08E	H	74ACT244SC	FAIRCHILD	CD74ACT244M	D
74ACT08SC	NATIONAL	CD74ACT08M	H	74ACT244SC	NATIONAL	CD74ACT244M	D
74ACT08SCX	NATIONAL	CD74ACT08M96	H	74ACT244SCX	NATIONAL	CD74ACT244M	D
74ACT10PC	NATIONAL	CD74ACT10E	H	74ACT244SCX	NATIONAL	CD74ACT244M96	H
74ACT10SC	NATIONAL	CD74ACT10M	H	74ACT245D	PHILIPS	CD74ACT245M96	D
74ACT10SCX	NATIONAL	CD74ACT10M96	H	74ACT245M	SGS	CD74ACT245M96	D
74ACT109PC	NATIONAL	CD74ACT109E	H	74ACT245PC	NATIONAL	CD74ACT245E	H
74ACT109SC	NATIONAL	CD74ACT109M	H	74ACT245SC	FAIRCHILD	CD74ACT245M96	D
74ACT112SC	NATIONAL	CD74ACT112M	H	74ACT245SC	NATIONAL	CD74ACT245M	H
74ACT112SCX	NATIONAL	CD74ACT112M96	H	74ACT245SC	NATIONAL	CD74ACT245M96	D
74ACT138PC	NATIONAL	CD74ACT138E	H	74ACT245SCX	NATIONAL	CD74ACT245M96	D
74ACT138SC	NATIONAL	CD74ACT138M	H	74ACT253PC	NATIONAL	CD74ACT253E	H
74ACT138SCX	NATIONAL	CD74ACT138M96	H	74ACT253SC	NATIONAL	CD74ACT253M	H
74ACT139PC	NATIONAL	CD74ACT139E	H	74ACT253SCX	NATIONAL	CD74ACT253M96	H
74ACT139SC	NATIONAL	CD74ACT139M	H	74ACT257B	SGS	CD74ACT257E	D
74ACT139SCX	NATIONAL	CD74ACT139M96	H	74ACT257M	SGS	CD74ACT257M	D
74ACT14PC	NATIONAL	CD74ACT14E	H	74ACT257M	SGS	CD74ACT257M96	D
74ACT14SC	NATIONAL	CD74ACT14M	H	74ACT257PC	FAIRCHILD	CD74ACT257E	D
74ACT151SCX	NATIONAL	CD74ACT151M96	H	74ACT257PC	NATIONAL	CD74ACT257E	D
74ACT153PC	NATIONAL	CD74ACT153E	H	74ACT257SC	FAIRCHILD	CD74ACT257M	D

NOTE: D = Direct Replacement, H = Harris Recommended Replacement.

Cross-Reference Guide

COMPETITOR #	COMPETITOR	HARRIS #	TYPE	COMPETITOR #	COMPETITOR	HARRIS #	TYPE
74ACT153SC	NATIONAL	CD74ACT153M	H	74ACT257SC	FAIRCHILD	CD74ACT257M96	D
74ACT153SCX	NATIONAL	CD74ACT153M96	H	74ACT257SC	NATIONAL	CD74ACT257M	D
74ACT157PC	NATIONAL	CD74ACT157E	H	74ACT257SC	NATIONAL	CD74ACT257M96	D
74ACT157SC	NATIONAL	CD74ACT157M	H	74ACT257SCX	NATIONAL	CD74ACT257M	D
74ACT157SCX	NATIONAL	CD74ACT157M96	H	74ACT257SCX	NATIONAL	CD74ACT257M96	D
74ACT161PC	NATIONAL	CD74ACT161E	H	74ACT258SC	FAIRCHILD	CD74ACT258M	D
74ACT161SC	NATIONAL	CD74ACT161M	H	74ACT258SC	FAIRCHILD	CD74ACT258M96	D
74ACT161SCX	NATIONAL	CD74ACT161M96	H	74ACT258SC	NATIONAL	CD74ACT258M	D
74ACT163PC	NATIONAL	CD74ACT163E	H	74ACT258SC	NATIONAL	CD74ACT258M96	D
74ACT163SC	NATIONAL	CD74ACT163M	H	74ACT273PC	FAIRCHILD	CD74ACT273E	D
74ACT273PC	NATIONAL	CD74ACT273E	H	74AC109SCX	NATIONAL	CD74AC109M96	H
74ACT273SC	FAIRCHILD	CD74ACT273M	D	74AC112PC	NATIONAL	CD74AC112E	H
74ACT273SC	FAIRCHILD	CD74ACT273M96	D	74AC112SC	NATIONAL	CD74AC112M	H
74ACT273SC	NATIONAL	CD74ACT273M	H	74AC112SCX	NATIONAL	CD74AC112M96	H
74ACT280PC	NATIONAL	CD74ACT280E	H	74AC138PC	NATIONAL	CD74AC138E	H
74ACT280SC	NATIONAL	CD74ACT280M	H	74AC138SC	NATIONAL	CD74AC138M	H
74ACT299SC	NATIONAL	CD74ACT299M	H	74AC138SCX	NATIONAL	CD74AC138M96	H
74ACT299SCX	NATIONAL	CD74ACT299M96	H	74AC139PC	NATIONAL	CD74AC139E	H
74ACT32PC	NATIONAL	CD74ACT32E	H	74AC139SCX	NATIONAL	CD74AC139M96	H
74ACT32SC	NATIONAL	CD74ACT32M	H	74AC14PC	NATIONAL	CD74AC14E	H
74ACT32SCX	NATIONAL	CD74ACT32M96	H	74AC14SC	NATIONAL	CD74AC14M	H
74ACT373PC	NATIONAL	CD74ACT373E	H	74AC14SCX	NATIONAL	CD74AC14M96	H
74ACT373SC	NATIONAL	CD74ACT373M	H	74AC151PC	NATIONAL	CD74AC151E	H
74ACT373SCX	NATIONAL	CD74ACT373M96	H	74AC151SCX	NATIONAL	CD74AC151M96	H
74ACT374PC	NATIONAL	CD74ACT374E	H	74AC153PC	NATIONAL	CD74AC153E	H
74ACT374SC	NATIONAL	CD74ACT374M	H	74AC153SCX	NATIONAL	CD74AC153M96	H
74ACT374SCX	NATIONAL	CD74ACT374M96	H	74AC157PC	NATIONAL	CD74AC157E	H
74ACT540PC	FAIRCHILD	CD74ACT540E	D	74AC157SC	NATIONAL	CD74AC157M	H
74ACT540PC	NATIONAL	CD74ACT540E	D	74AC157SCX	NATIONAL	CD74AC157M96	H
74ACT540SC	FAIRCHILD	CD74ACT540M	D	74AC158SC	NATIONAL	CD74AC158M	H
74ACT540SC	FAIRCHILD	CD74ACT540M96	D	74AC161PC	NATIONAL	CD74AC161E	H
74ACT540SC	NATIONAL	CD74ACT540M	D	74AC161SC	NATIONAL	CD74AC161M	H
74ACT540SC	NATIONAL	CD74ACT540M96	D	74AC161SCX	NATIONAL	CD74AC161M96	H
74ACT541PC	FAIRCHILD	CD74ACT541E	D	74AC163PC	NATIONAL	CD74AC163E	H
74ACT541PC	NATIONAL	CD74ACT541E	D	74AC163SC	NATIONAL	CD74AC163M	H
74ACT541SC	FAIRCHILD	CD74ACT541M	D	74AC163SCX	NATIONAL	CD74AC163M96	H
74ACT541SC	FAIRCHILD	CD74ACT541M96	D	74AC174PC	NATIONAL	CD74AC174E	H
74ACT541SC	NATIONAL	CD74ACT541M	D	74AC174SC	NATIONAL	CD74AC174M	H
74ACT541SC	NATIONAL	CD74ACT541M96	D	74AC174SCX	NATIONAL	CD74AC174M96	H
74ACT573PC	NATIONAL	CD74ACT573E	H	74AC175SC	NATIONAL	CD74AC175M	H
74ACT573SC	NATIONAL	CD74ACT573M	H	74AC175SCX	NATIONAL	CD74AC175M96	H
74ACT573SCX	NATIONAL	CD74ACT573M96	H	74AC191PC	NATIONAL	CD74AC191E	H
74ACT574PC	NATIONAL	CD74ACT574E	H	74AC191SCX	NATIONAL	CD74AC191M96	H
74ACT574SC	NATIONAL	CD74ACT574M	H	74AC20PC	NATIONAL	CD74AC20E	H
74ACT574SCX	NATIONAL	CD74ACT574M96	H	74AC20SC	NATIONAL	CD74AC20M	H
74ACT646SC	NATIONAL	CD74ACT646M	H	74AC20SCX	NATIONAL	CD74AC20M96	H
74ACT74PC	NATIONAL	CD74ACT74E	H	74AC240B	SGS	CD74AC240E	D
74ACT74SC	NATIONAL	CD74ACT74M	H	74AC240M	SGS	CD74AC240M	D
74ACT74SCX	NATIONAL	CD74ACT74M96	H	74AC240PC	FAIRCHILD	CD74AC240E	D
74AC00PC	NATIONAL	CD74AC00E	H	74AC240PC	NATIONAL	CD74AC240E	D
74AC00SC	NATIONAL	CD74AC00M	H	74AC240SC	FAIRCHILD	CD74AC240M	D
74AC00SCX	NATIONAL	CD74AC00M96	H	74AC240SC	NATIONAL	CD74AC240M	D
74AC02PC	NATIONAL	CD74AC02E	H	74AC240SCX	NATIONAL	CD74AC240M	D
74AC02SC	NATIONAL	CD74AC02M	H	74AC240SCX	NATIONAL	CD74AC240M96	H
74AC02SCX	NATIONAL	CD74AC02M96	H	74AC244B	SGS	CD74AC244E	D
74AC04PC	NATIONAL	CD74AC04E	H	74AC244D	PHILIPS	CD74AC244M	D
74AC04SC	NATIONAL	CD74AC04M	H	74AC244M	SGS	CD74AC244M	D
74AC04SCX	NATIONAL	CD74AC04M96	H	74AC244PC	FAIRCHILD	CD74AC244E	D

NOTE: D = Direct Replacement, H = Harris Recommended Replacement.

Cross-Reference Guide

COMPETITOR #	COMPETITOR	HARRIS #	TYPE	COMPETITOR #	COMPETITOR	HARRIS #	TYPE
74AC08PC	NATIONAL	CD74AC08E	H	74AC244PC	NATIONAL	CD74AC244E	D
74AC08SC	NATIONAL	CD74AC08M	H	74AC244SC	FAIRCHILD	CD74AC244M	D
74AC08SCX	NATIONAL	CD74AC08M96	H	74AC244SC	NATIONAL	CD74AC244M	D
74AC10PC	NATIONAL	CD74AC10E	H	74AC244SCX	NATIONAL	CD74AC244M	D
74AC10SC	NATIONAL	CD74AC10M	H	74AC244SCX	NATIONAL	CD74AC244M96	H
74AC10SCX	NATIONAL	CD74AC10M96	H	74AC245B	SGS	CD74AC245E	D
74AC109PC	NATIONAL	CD74AC109E	H	74AC245D	PHILIPS	CD74AC245M	D
74AC245D	PHILIPS	CD74AC245M96	D	74AC541SC	NATIONAL	CD74AC541M96	D
74AC245M	SGS	CD74AC245M	D	74AC541SCX	NATIONAL	CD74AC541M	D
74AC245M	SGS	CD74AC245M96	D	74AC541SCX	NATIONAL	CD74AC541M96	D
74AC245PC	FAIRCHILD	CD74AC245E	D	74AC563PC	NATIONAL	CD74AC563E	H
74AC245PC	NATIONAL	CD74AC245E	D	74AC573PC	NATIONAL	CD74AC573E	H
74AC245SC	FAIRCHILD	CD74AC245M	D	74AC573SC	NATIONAL	CD74AC573M	H
74AC245SC	FAIRCHILD	CD74AC245M96	D	74AC574PC	NATIONAL	CD74AC574E	H
74AC245SC	NATIONAL	CD74AC245M	D	74AC574SC	NATIONAL	CD74AC574M	H
74AC245SC	NATIONAL	CD74AC245M96	D	74AC574SCX	NATIONAL	CD74AC574M96	H
74AC245SCX	NATIONAL	CD74AC245M	D	74AC646SC	NATIONAL	CD74AC646M	H
74AC245SCX	NATIONAL	CD74AC245M96	D	74AC646SCX	NATIONAL	CD74AC646M96	H
74AC251SC	NATIONAL	CD74AC251M	H	74AC74PC	NATIONAL	CD74AC74E	H
74AC251SCX	NATIONAL	CD74AC251M96	H	74AC74SC	NATIONAL	CD74AC74M	H
74AC253SC	NATIONAL	CD74AC253M	H	74AC74SCX	NATIONAL	CD74AC74M96	H
74AC253SCX	NATIONAL	CD74AC253M96	H	74AC86PC	NATIONAL	CD74AC86E	H
74AC257B	SGS	CD74AC257E	D	74AC86SC	NATIONAL	CD74AC86M	H
74AC257M	SGS	CD74AC257M	D	74AC86SCX	NATIONAL	CD74AC86M96	H
74AC257M	SGS	CD74AC257M96	D	74C04PC	FAIRCHILD	CD4069UBE	D
74AC257PC	FAIRCHILD	CD74AC257E	D	74C14PC	FAIRCHILD	CD40106BE	D
74AC257PC	NATIONAL	CD74AC257E	D	74C14PCQR	FAIRCHILD	CD40106BEX	D
74AC257SC	FAIRCHILD	CD74AC257M	D	74C161PC	FAIRCHILD	CD40161BE	D
74AC257SC	FAIRCHILD	CD74AC257M96	D	74C173PC	FAIRCHILD	CD4076BE	D
74AC257SC	NATIONAL	CD74AC257M	D	74C174PC	FAIRCHILD	CD40174BE	D
74AC257SC	NATIONAL	CD74AC257M96	D	74C175PC	FAIRCHILD	CD40175BE	D
74AC257SCX	NATIONAL	CD74AC257M	D	74C193PC	FAIRCHILD	CD40193BE	D
74AC257SCX	NATIONAL	CD74AC257M96	D	74C86PC	FAIRCHILD	CD4070BE	D
74AC273PC	FAIRCHILD	CD74AC273E	D	74FCT240ASC	NATIONAL	CD74FCT240ATM	D
74AC273PC	NATIONAL	CD74AC273E	D	74FCT240ASCX	NATIONAL	CD74FCT240ATM	D
74AC273SC	FAIRCHILD	CD74AC273M	D	74FCT244ASC	NATIONAL	CD74FCT244ATM	D
74AC273SC	FAIRCHILD	CD74AC273M96	D	74FCT244ASCX	NATIONAL	CD74FCT244ATM	D
74AC273SC	NATIONAL	CD74AC273M	D	74HCTLS03D	ISI	CD74HCT03M	D
74AC273SC	NATIONAL	CD74AC273M96	D	74HCTLS03D	ISI	CD74HCT03M96	D
74AC273SCX	NATIONAL	CD74AC273M	D	74HCTLS03DT	ISI	CD74HCT03M	D
74AC273SCX	NATIONAL	CD74AC273M96	D	74HCTLS03DT	ISI	CD74HCT03M96	D
74AC280PC	NATIONAL	CD74AC280E	H	74HCTLS03N	ISI	CD74HCT03E	D
74AC280SC	NATIONAL	CD74AC280M	H	74HCTLS08D	ISI	CD74HCT08M	D
74AC280SCX	NATIONAL	CD74AC280M96	H	74HCTLS08D	ISI	CD74HCT08M96	D
74AC299SCX	NATIONAL	CD74AC299M96	H	74HCTLS08DT	ISI	CD74HCT08M	D
74AC32PC	NATIONAL	CD74AC32E	H	74HCTLS08DT	ISI	CD74HCT08M96	D
74AC32SC	NATIONAL	CD74AC32M	H	74HCTLS08N	ISI	CD74HCT08E	D
74AC32SCX	NATIONAL	CD74AC32M96	H	74HCTLS10D	ISI	CD74HCT10M	D
74AC323SC	NATIONAL	CD74AC323M	H	74HCTLS10D	ISI	CD74HCT10M96	D
74AC373PC	NATIONAL	CD74AC373E	H	74HCTLS10DT	ISI	CD74HCT10M	D
74AC373SC	NATIONAL	CD74AC373M	H	74HCTLS10DT	ISI	CD74HCT10M96	D
74AC373SCX	NATIONAL	CD74AC373M96	H	74HCTLS10N	ISI	CD74HCT10E	D
74AC374PC	NATIONAL	CD74AC374E	H	74HCTLS112AN	ISI	CD74HCT112E	D
74AC374SC	NATIONAL	CD74AC374M	H	74HCTLS125D	ISI	CD74HCT125M	D
74AC374SCX	NATIONAL	CD74AC374M96	H	74HCTLS125D	ISI	CD74HCT125M96	D
74AC540SC	FAIRCHILD	CD74AC540M	D	74HCTLS125DT	ISI	CD74HCT125M	D
74AC540SC	NATIONAL	CD74AC540M	D	74HCTLS125DT	ISI	CD74HCT125M96	D
74AC541PC	FAIRCHILD	CD74AC541E	D	74HCTLS125N	ISI	CD74HCT125E	D

3
DIRECT/HARRIS
REPLACEMENTS

NOTE: D = Direct Replacement, H = Harris Recommended Replacement.

Cross-Reference Guide

COMPETITOR #	COMPETITOR	HARRIS #	TYPE	COMPETITOR #	COMPETITOR	HARRIS #	TYPE
74AC541PC	NATIONAL	CD74AC541E	D	74HCTLS126D	ISI	CD74HCT126M	D
74AC541SC	FAIRCHILD	CD74AC541M	D	74HCTLS126D	ISI	CD74HCT126M96	D
74AC541SC	FAIRCHILD	CD74AC541M96	D	74HCTLS126DT	ISI	CD74HCT126M	D
74AC541SC	NATIONAL	CD74AC541M	D	74HCTLS126DT	ISI	CD74HCT126M96	D
74HCTLS126N	ISI	CD74HCT126E	D	74HCTLS30DT	ISI	CD74HCT30M96	D
74HCTLS132D	ISI	CD74HCT132M	D	74HCTLS30N	ISI	CD74HCT30E	D
74HCTLS132D	ISI	CD74HCT132M96	D	74HCTLS32D	ISI	CD74HCT32M	D
74HCTLS132DT	ISI	CD74HCT132M	D	74HCTLS32D	ISI	CD74HCT32M96	D
74HCTLS132DT	ISI	CD74HCT132M96	D	74HCTLS32DT	ISI	CD74HCT32M	D
74HCTLS132N	ISI	CD74HCT132E	D	74HCTLS32DT	ISI	CD74HCT32M96	D
74HCTLS151D	ISI	CD74HCT151M	D	74HCTLS32N	ISI	CD74HCT32E	D
74HCTLS151D	ISI	CD74HCT151M96	D	74HCTLS365AD	ISI	CD74HCT365M	D
74HCTLS151DT	ISI	CD74HCT151M	D	74HCTLS365AD	ISI	CD74HCT365M96	D
74HCTLS151DT	ISI	CD74HCT151M96	D	74HCTLS365ADT	ISI	CD74HCT365M	D
74HCTLS151N	ISI	CD74HCT151E	D	74HCTLS365ADT	ISI	CD74HCT365M96	D
74HCTLS153D	ISI	CD74HCT153M	D	74HCTLS365AN	ISI	CD74HCT365E	D
74HCTLS153D	ISI	CD74HCT153M96	D	74HCTLS377D	ISI	CD74HCT377M	D
74HCTLS153DT	ISI	CD74HCT153M	D	74HCTLS377D	ISI	CD74HCT377M96	D
74HCTLS153DT	ISI	CD74HCT153M96	D	74HCTLS377DT	ISI	CD74HCT377M	D
74HCTLS153N	ISI	CD74HCT153E	D	74HCTLS377DT	ISI	CD74HCT377M96	D
74HCTLS154D	ISI	CD74HCT154M	D	74HCTLS377N	ISI	CD74HCT377E	D
74HCTLS154DT	ISI	CD74HCT154M	D	74HCTLS390D	ISI	CD74HCT390M	D
74HCTLS154N	ISI	CD74HCT154EN	D	74HCTLS390D	ISI	CD74HCT390M96	D
74HCTLS194N	ISI	CD74HCT194E	D	74HCTLS390DT	ISI	CD74HCT390M	D
74HCTLS21D	ISI	CD74HCT21M	D	74HCTLS390DT	ISI	CD74HCT390M96	D
74HCTLS21D	ISI	CD74HCT21M96	D	74HCTLS390N	ISI	CD74HCT390E	D
74HCTLS21DT	ISI	CD74HCT21M	D	74HCTLS42N	ISI	CD74HCT42E	D
74HCTLS21DT	ISI	CD74HCT21M96	D	74HCTLS423D	ISI	CD74HCT423M96	D
74HCTLS21N	ISI	CD74HCT21E	D	74HCTLS423DT	ISI	CD74HCT423M96	D
74HCTLS238D	ISI	CD74HCT238M	D	74HCTLS423N	ISI	CD74HCT423E	D
74HCTLS238DT	ISI	CD74HCT238M	D	74HCTLS533N	ISI	CD74HCT533E	D
74HCTLS238N	ISI	CD74HCT238E	D	74HCTLS597D	ISI	CD74HCT597M	D
74HCTLS243D	ISI	CD74HCT243M	D	74HCTLS597D	ISI	CD74HCT597M96	D
74HCTLS243DT	ISI	CD74HCT243M	D	74HCTLS597DT	ISI	CD74HCT597M	D
74HCTLS243N	ISI	CD74HCT243E	D	74HCTLS597DT	ISI	CD74HCT597M96	D
74HCTLS251D	ISI	CD74HCT251M	D	74HCTLS597N	ISI	CD74HCT597E	D
74HCTLS251D	ISI	CD74HCT251M96	D	74HCTLS73AD	ISI	CD74HCT73M	D
74HCTLS251DT	ISI	CD74HCT251M	D	74HCTLS73ADT	ISI	CD74HCT73M	D
74HCTLS251DT	ISI	CD74HCT251M96	D	74HCTLS73AN	ISI	CD74HCT73E	D
74HCTLS251N	ISI	CD74HCT251E	D	74HCTLS75D	ISI	CD74HCT75M	D
74HCTLS253D	ISI	CD74HCT253M	D	74HCTLS75DT	ISI	CD74HCT75M	D
74HCTLS253D	ISI	CD74HCT253M96	D	74HCTLS75N	ISI	CD74HCT75E	D
74HCTLS253DT	ISI	CD74HCT253M	D	74HCT00D	PHILIPS	CD74HCT00M	H
74HCTLS253DT	ISI	CD74HCT253M96	D	74HCT00D	SIGNETICS	CD74HCT00M	H
74HCTLS253N	ISI	CD74HCT253E	D	74HCT00D-T	SIGNETICS	CD74HCT00M96	H
74HCTLS259D	ISI	CD74HCT259M	D	74HCT00N	PHILIPS	CD74HCT00E	H
74HCTLS259D	ISI	CD74HCT259M96	D	74HCT00N	SIGNETICS	CD74HCT00E	H
74HCTLS259DT	ISI	CD74HCT259M	D	74HCT02D	PHILIPS	CD74HCT02M	H
74HCTLS259DT	ISI	CD74HCT259M96	D	74HCT02D	SIGNETICS	CD74HCT02M	H
74HCTLS259N	ISI	CD74HCT259E	D	74HCT02D-T	SIGNETICS	CD74HCT02M96	H
74HCTLS27D	ISI	CD74HCT27M	D	74HCT02N	PHILIPS	CD74HCT02E	H
74HCTLS27D	ISI	CD74HCT27M96	D	74HCT02N	SIGNETICS	CD74HCT02E	H
74HCTLS27DT	ISI	CD74HCT27M	D	74HCT03D	PHILIPS	CD74HCT03M	D
74HCTLS27DT	ISI	CD74HCT27M96	D	74HCT03D	PHILIPS	CD74HCT03M96	D
74HCTLS27N	ISI	CD74HCT27E	D	74HCT03D	SIGNETICS	CD74HCT03M	D
74HCTLS280N	ISI	CD74HCT280E	D	74HCT03D	SIGNETICS	CD74HCT03M96	D
74HCTLS30D	ISI	CD74HCT30M	D	74HCT03D-T	SIGNETICS	CD74HCT03M	D
74HCTLS30D	ISI	CD74HCT30M96	D	74HCT03D-T	SIGNETICS	CD74HCT03M96	D

NOTE: D = Direct Replacement, H = Harris Recommended Replacement.

Cross-Reference Guide

COMPETITOR #	COMPETITOR	HARRIS #	TYPE	COMPETITOR #	COMPETITOR	HARRIS #	TYPE
74HCTLS30DT	ISI	CD74HCT30M	D	74HCT03N	PHILIPS	CD74HCT03E	D
74HCT03N	SIGNETICS	CD74HCT03E	D	74HCT126D	PHILIPS	CD74HCT126M	D
74HCT04D	PHILIPS	CD74HCT04M	D	74HCT126D	PHILIPS	CD74HCT126M96	D
74HCT04D	PHILIPS	CD74HCT04M96	D	74HCT126D	SIGNETICS	CD74HCT126M	D
74HCT04D	SIGNETICS	CD74HCT04M	D	74HCT126D	SIGNETICS	CD74HCT126M96	D
74HCT04D	SIGNETICS	CD74HCT04M96	D	74HCT126D-T	SIGNETICS	CD74HCT126M	D
74HCT04D-T	SIGNETICS	CD74HCT04M	D	74HCT126D-T	SIGNETICS	CD74HCT126M96	D
74HCT04D-T	SIGNETICS	CD74HCT04M96	D	74HCT126N	PHILIPS	CD74HCT126E	D
74HCT04N	PHILIPS	CD74HCT04E	D	74HCT126N	SIGNETICS	CD74HCT126E	D
74HCT04N	SIGNETICS	CD74HCT04E	D	74HCT132D	PHILIPS	CD74HCT132M	D
74HCT08D	PHILIPS	CD74HCT08M	D	74HCT132D	PHILIPS	CD74HCT132M96	D
74HCT08D	PHILIPS	CD74HCT08M96	D	74HCT132D	SIGNETICS	CD74HCT132M	D
74HCT08D	SIGNETICS	CD74HCT08M	D	74HCT132D	SIGNETICS	CD74HCT132M96	D
74HCT08D	SIGNETICS	CD74HCT08M96	D	74HCT132D-T	SIGNETICS	CD74HCT132M	D
74HCT08D-T	SIGNETICS	CD74HCT08M	D	74HCT132D-T	SIGNETICS	CD74HCT132M96	D
74HCT08D-T	SIGNETICS	CD74HCT08M96	D	74HCT132N	PHILIPS	CD74HCT132E	D
74HCT08N	PHILIPS	CD74HCT08E	D	74HCT132N	SIGNETICS	CD74HCT132E	D
74HCT08N	SIGNETICS	CD74HCT08E	D	74HCT137D-T	SIGNETICS	CD74HCT137M96	H
74HCT10D	PHILIPS	CD74HCT10M	D	74HCT137N	PHILIPS	CD74HCT137E	H
74HCT10D	PHILIPS	CD74HCT10M96	D	74HCT137N	SIGNETICS	CD74HCT137E	H
74HCT10D	SIGNETICS	CD74HCT10M	D	74HCT138D	PHILIPS	CD74HCT138M	H
74HCT10D	SIGNETICS	CD74HCT10M96	D	74HCT138D	SIGNETICS	CD74HCT138M	H
74HCT10D-T	SIGNETICS	CD74HCT10M	D	74HCT138D-T	SIGNETICS	CD74HCT138M96	H
74HCT10D-T	SIGNETICS	CD74HCT10M96	D	74HCT138N	PHILIPS	CD74HCT138E	H
74HCT10N	PHILIPS	CD74HCT10E	D	74HCT138N	SIGNETICS	CD74HCT138E	H
74HCT10N	SIGNETICS	CD74HCT10E	D	74HCT139D	PHILIPS	CD74HCT139M	D
74HCT107N	PHILIPS	CD74HCT107E	H	74HCT139D	PHILIPS	CD74HCT139M96	D
74HCT107N	SIGNETICS	CD74HCT107E	H	74HCT139D	SIGNETICS	CD74HCT139M	D
74HCT109D	PHILIPS	CD74HCT109M	D	74HCT139D	SIGNETICS	CD74HCT139M96	D
74HCT109D	PHILIPS	CD74HCT109M96	D	74HCT139D-T	SIGNETICS	CD74HCT139M	D
74HCT109D	SIGNETICS	CD74HCT109M	D	74HCT139D-T	SIGNETICS	CD74HCT139M96	D
74HCT109D	SIGNETICS	CD74HCT109M96	D	74HCT139N	PHILIPS	CD74HCT139E	D
74HCT109D-T	SIGNETICS	CD74HCT109M	D	74HCT139N	SIGNETICS	CD74HCT139E	D
74HCT109D-T	SIGNETICS	CD74HCT109M96	D	74HCT14D	PHILIPS	CD74HCT14M	D
74HCT109N	PHILIPS	CD74HCT109E	D	74HCT14D	PHILIPS	CD74HCT14M96	D
74HCT109N	SIGNETICS	CD74HCT109E	D	74HCT14D	SIGNETICS	CD74HCT14M	D
74HCT11D	PHILIPS	CD74HCT11M	H	74HCT14D	SIGNETICS	CD74HCT14M96	D
74HCT11D	SIGNETICS	CD74HCT11M	H	74HCT14D-T	SIGNETICS	CD74HCT14M	D
74HCT11D-T	SIGNETICS	CD74HCT11M96	H	74HCT14D-T	SIGNETICS	CD74HCT14M96	D
74HCT11N	PHILIPS	CD74HCT11E	H	74HCT14N	PHILIPS	CD74HCT14E	D
74HCT11N	SIGNETICS	CD74HCT11E	H	74HCT14N	SIGNETICS	CD74HCT14E	D
74HCT112N	PHILIPS	CD74HCT112E	H	74HCT147N	PHILIPS	CD74HCT147E	D
74HCT112N	SIGNETICS	CD74HCT112E	H	74HCT147N	SIGNETICS	CD74HCT147E	D
74HCT123D	PHILIPS	CD74HCT123M	H	74HCT151D	PHILIPS	CD74HCT151M	D
74HCT123D	SIGNETICS	CD74HCT123M	H	74HCT151D	PHILIPS	CD74HCT151M96	D
74HCT123D-T	SIGNETICS	CD74HCT123M96	H	74HCT151D	SIGNETICS	CD74HCT151M	D
74HCT123N	PHILIPS	CD74HCT123E	H	74HCT151D	SIGNETICS	CD74HCT151M96	D
74HCT123N	SIGNETICS	CD74HCT123E	H	74HCT151D-T	SIGNETICS	CD74HCT151M	D
74HCT125D	PHILIPS	CD74HCT125M	D	74HCT151D-T	SIGNETICS	CD74HCT151M96	D
74HCT125D	PHILIPS	CD74HCT125M96	D	74HCT151N	PHILIPS	CD74HCT151E	D
74HCT125D	SIGNETICS	CD74HCT125M	D	74HCT151N	SIGNETICS	CD74HCT151E	D
74HCT125D	SIGNETICS	CD74HCT125M96	D	74HCT153D	PHILIPS	CD74HCT153M	D
74HCT125D-T	SIGNETICS	CD74HCT125M	D	74HCT153D	PHILIPS	CD74HCT153M96	D
74HCT125D-T	SIGNETICS	CD74HCT125M96	D	74HCT153D	SIGNETICS	CD74HCT153M	D
74HCT125N	PHILIPS	CD74HCT125E	D	74HCT153D	SIGNETICS	CD74HCT153M96	D
74HCT125N	SIGNETICS	CD74HCT125E	D	74HCT153D-T	SIGNETICS	CD74HCT153M	D
74HCT153D-T	SIGNETICS	CD74HCT153M96	D	74HCT174D	PHILIPS	CD74HCT174M	H
74HCT153N	PHILIPS	CD74HCT153E	D	74HCT174D	SIGNETICS	CD74HCT174M	H

3
DIRECT/HARRIS
REPLACEMENTS

NOTE: D = Direct Replacement, H = Harris Recommended Replacement.

Cross-Reference Guide

COMPETITOR #	COMPETITOR	HARRIS #	TYPE	COMPETITOR #	COMPETITOR	HARRIS #	TYPE
74HCT153N	SIGNETICS	CD74HCT153E	D	74HCT174D-T	SIGNETICS	CD74HCT174M96	H
74HCT153P	SIGNETICS	CD74HCT153E	D	74HCT174N	PHILIPS	CD74HCT174E	H
74HCT153T	SIGNETICS	CD74HCT153M	D	74HCT174N	SIGNETICS	CD74HCT174E	H
74HCT153T	SIGNETICS	CD74HCT153M96	D	74HCT175D	PHILIPS	CD74HCT175M	D
74HCT154D	PHILIPS	CD74HCT154M	D	74HCT175D	PHILIPS	CD74HCT175M96	D
74HCT154D	SIGNETICS	CD74HCT154M	D	74HCT175D	SIGNETICS	CD74HCT175M	D
74HCT154D-T	SIGNETICS	CD74HCT154M	D	74HCT175D	SIGNETICS	CD74HCT175M96	D
74HCT154N	PHILIPS	CD74HCT154E	D	74HCT175D-T	SIGNETICS	CD74HCT175M	D
74HCT154N	SIGNETICS	CD74HCT154E	D	74HCT175D-T	SIGNETICS	CD74HCT175M96	D
74HCT154N3	SIGNETICS	CD74HCT154EN	D	74HCT175N	PHILIPS	CD74HCT175E	D
74HCT157D	PHILIPS	CD74HCT157M	H	74HCT175N	SIGNETICS	CD74HCT175E	D
74HCT157D	SIGNETICS	CD74HCT157M	H	74HCT191D	PHILIPS	CD74HCT191M	H
74HCT157D-T	SIGNETICS	CD74HCT157M96	H	74HCT191D	SIGNETICS	CD74HCT191M	H
74HCT157N	PHILIPS	CD74HCT157E	H	74HCT191N	PHILIPS	CD74HCT191E	H
74HCT157N	SIGNETICS	CD74HCT157E	H	74HCT191N	SIGNETICS	CD74HCT191E	H
74HCT158N	PHILIPS	CD74HCT158E	H	74HCT193N	PHILIPS	CD74HCT193E	H
74HCT158N	SIGNETICS	CD74HCT158E	H	74HCT193N	SIGNETICS	CD74HCT193E	H
74HCT161D	PHILIPS	CD74HCT161M	H	74HCT194N	PHILIPS	CD74HCT194E	D
74HCT161D	SIGNETICS	CD74HCT161M	H	74HCT194N	SIGNETICS	CD74HCT194E	D
74HCT161D-T	SIGNETICS	CD74HCT161M96	H	74HCT20D	PHILIPS	CD74HCT20M	D
74HCT161N	PHILIPS	CD74HCT161E	H	74HCT20D	PHILIPS	CD74HCT20M96	D
74HCT161N	SIGNETICS	CD74HCT161E	H	74HCT20D	SIGNETICS	CD74HCT20M	D
74HCT163D	PHILIPS	CD74HCT163M	H	74HCT20D	SIGNETICS	CD74HCT20M96	D
74HCT163D	SIGNETICS	CD74HCT163M	H	74HCT20D-T	SIGNETICS	CD74HCT20M	D
74HCT163D-T	SIGNETICS	CD74HCT163M96	H	74HCT20D-T	SIGNETICS	CD74HCT20M96	D
74HCT163N	PHILIPS	CD74HCT163E	H	74HCT20N	PHILIPS	CD74HCT20E	D
74HCT163N	SIGNETICS	CD74HCT163E	H	74HCT20N	SIGNETICS	CD74HCT20E	D
74HCT164D	PHILIPS	CD74HCT164M	D	74HCT21D	PHILIPS	CD74HCT21M	D
74HCT164D	PHILIPS	CD74HCT164M96	D	74HCT21D	PHILIPS	CD74HCT21M96	D
74HCT164D	SIGNETICS	CD74HCT164M	D	74HCT21D	SIGNETICS	CD74HCT21M	D
74HCT164D	SIGNETICS	CD74HCT164M96	D	74HCT21D	SIGNETICS	CD74HCT21M96	D
74HCT164D-T	SIGNETICS	CD74HCT164M	D	74HCT21D-T	SIGNETICS	CD74HCT21M	D
74HCT164D-T	SIGNETICS	CD74HCT164M96	D	74HCT21D-T	SIGNETICS	CD74HCT21M96	D
74HCT164N	PHILIPS	CD74HCT164E	D	74HCT21N	PHILIPS	CD74HCT21E	D
74HCT164N	SIGNETICS	CD74HCT164E	D	74HCT21N	SIGNETICS	CD74HCT21E	D
74HCT165D	PHILIPS	CD74HCT165M	H	74HCT221D	PHILIPS	CD74HCT221M	H
74HCT165D	SIGNETICS	CD74HCT165M	H	74HCT221D	SIGNETICS	CD74HCT221M	H
74HCT165D-T	SIGNETICS	CD74HCT165M96	H	74HCT221D-T	SIGNETICS	CD74HCT221M96	H
74HCT165N	PHILIPS	CD74HCT165E	H	74HCT221N	PHILIPS	CD74HCT221E	H
74HCT165N	SIGNETICS	CD74HCT165E	H	74HCT221N	SIGNETICS	CD74HCT221E	H
74HCT166D	PHILIPS	CD74HCT166M	D	74HCT237N	PHILIPS	CD74HCT237E	D
74HCT166D	PHILIPS	CD74HCT166M96	D	74HCT237N	SIGNETICS	CD74HCT237E	D
74HCT166D	SIGNETICS	CD74HCT166M	D	74HCT237P	SUPERTEX	CD74HCT237E	D
74HCT166D	SIGNETICS	CD74HCT166M96	D	74HCT238D	PHILIPS	CD74HCT238M	D
74HCT166D-T	SIGNETICS	CD74HCT166M	D	74HCT238D	SIGNETICS	CD74HCT238M	D
74HCT166D-T	SIGNETICS	CD74HCT166M96	D	74HCT238D-T	SIGNETICS	CD74HCT238M	D
74HCT166N	PHILIPS	CD74HCT166E	D	74HCT238N	PHILIPS	CD74HCT238E	D
74HCT166N	SIGNETICS	CD74HCT166E	D	74HCT238N	SIGNETICS	CD74HCT238E	D
74HCT173D	PHILIPS	CD74HCT173M	H	74HCT238P	SUPERTEX	CD74HCT238E	D
74HCT173D	SIGNETICS	CD74HCT173M	H	74HCT240D	PHILIPS	CD74HCT240M	H
74HCT173D-T	SIGNETICS	CD74HCT173M96	H	74HCT240D	SIGNETICS	CD74HCT240M	H
74HCT173N	PHILIPS	CD74HCT173E	H	74HCT240D-T	SIGNETICS	CD74HCT240M96	H
74HCT173N	SIGNETICS	CD74HCT173E	H	74HCT240N	PHILIPS	CD74HCT240E	H
74HCT240N	SIGNETICS	CD74HCT240E	H	74HCT259N	PHILIPS	CD74HCT259E	D
74HCT241D-T	SIGNETICS	CD74HCT241M96	H	74HCT259N	SIGNETICS	CD74HCT259E	D
74HCT241N	PHILIPS	CD74HCT241E	H	74HCT27D	PHILIPS	CD74HCT27M	D
74HCT241N	SIGNETICS	CD74HCT241E	H	74HCT27D	PHILIPS	CD74HCT27M96	D
74HCT243D	PHILIPS	CD74HCT243M	D	74HCT27D	SIGNETICS	CD74HCT27M	D

NOTE: D = Direct Replacement, H = Harris Recommended Replacement.

Cross-Reference Guide

COMPETITOR #	COMPETITOR	HARRIS #	TYPE	COMPETITOR #	COMPETITOR	HARRIS #	TYPE
74HCT243D	SIGNETICS	CD74HCT243M	D	74HCT27D	SIGNETICS	CD74HCT27M96	D
74HCT243D-T	SIGNETICS	CD74HCT243M	D	74HCT27D-T	SIGNETICS	CD74HCT27M	D
74HCT243N	PHILIPS	CD74HCT243E	D	74HCT27D-T	SIGNETICS	CD74HCT27M96	D
74HCT243N	SIGNETICS	CD74HCT243E	D	74HCT27N	PHILIPS	CD74HCT27E	D
74HCT243P	SUPERTEX	CD74HCT243E	D	74HCT27N	SIGNETICS	CD74HCT27E	D
74HCT244D	PHILIPS	CD74HCT244M	H	74HCT273D	PHILIPS	CD74HCT273M	H
74HCT244D	SIGNETICS	CD74HCT244M	H	74HCT273D	SIGNETICS	CD74HCT273M	H
74HCT244D-T	SIGNETICS	CD74HCT244M96	H	74HCT273D-T	SIGNETICS	CD74HCT273M96	H
74HCT244N	PHILIPS	CD74HCT244E	H	74HCT273N	PHILIPS	CD74HCT273E	H
74HCT244N	SIGNETICS	CD74HCT244E	H	74HCT273N	SIGNETICS	CD74HCT273E	H
74HCT245D	PHILIPS	CD74HCT245M	H	74HCT280N	PHILIPS	CD74HCT280E	D
74HCT245D	SIGNETICS	CD74HCT245M	H	74HCT280N	SIGNETICS	CD74HCT280E	D
74HCT245D-T	SIGNETICS	CD74HCT245M96	H	74HCT283D	PHILIPS	CD74HCT283M	H
74HCT245N	PHILIPS	CD74HCT245E	H	74HCT283D	SIGNETICS	CD74HCT283M	H
74HCT245N	SIGNETICS	CD74HCT245E	H	74HCT283N	PHILIPS	CD74HCT283E	H
74HCT251D	PHILIPS	CD74HCT251M	D	74HCT283N	SIGNETICS	CD74HCT283E	H
74HCT251D	SIGNETICS	CD74HCT251M96	D	74HCT283N	SIGNETICS	CD74HCT283E	H
74HCT251D	SIGNETICS	CD74HCT251M	D	74HCT283N	SIGNETICS	CD74HCT283E	H
74HCT251D	SIGNETICS	CD74HCT251M96	D	74HCT283N	SIGNETICS	CD74HCT283E	H
74HCT251D-T	SIGNETICS	CD74HCT251M	D	74HCT283N	SIGNETICS	CD74HCT283E	H
74HCT251D-T	SIGNETICS	CD74HCT251M96	D	74HCT283N	SIGNETICS	CD74HCT283E	H
74HCT251N	PHILIPS	CD74HCT251E	D	74HCT283N	SIGNETICS	CD74HCT283E	H
74HCT251N	SIGNETICS	CD74HCT251E	D	74HCT283N	SIGNETICS	CD74HCT283E	H
74HCT253BD	SIGNETICS	CD74HCT253M	D	74HCT283N	SIGNETICS	CD74HCT283E	H
74HCT253BD	SIGNETICS	CD74HCT253M96	D	74HCT283N	SIGNETICS	CD74HCT283E	H
74HCT253BN	SIGNETICS	CD74HCT253E	D	74HCT283N	SIGNETICS	CD74HCT283E	H
74HCT253D	PHILIPS	CD74HCT253M	D	74HCT283N	SIGNETICS	CD74HCT283E	H
74HCT253D	PHILIPS	CD74HCT253M96	D	74HCT283N	SIGNETICS	CD74HCT283E	H
74HCT253D	SIGNETICS	CD74HCT253M	D	74HCT283N	SIGNETICS	CD74HCT283E	H
74HCT253D	SIGNETICS	CD74HCT253M96	D	74HCT283N	SIGNETICS	CD74HCT283E	H
74HCT253D-T	SIGNETICS	CD74HCT253M	D	74HCT283N	SIGNETICS	CD74HCT283E	H
74HCT253D-T	SIGNETICS	CD74HCT253M96	D	74HCT283N	SIGNETICS	CD74HCT283E	H
74HCT253N	PHILIPS	CD74HCT253E	D	74HCT283N	SIGNETICS	CD74HCT283E	H
74HCT253N	SIGNETICS	CD74HCT253E	D	74HCT283N	SIGNETICS	CD74HCT283E	H
74HCT257D	PHILIPS	CD74HCT257M	D	74HCT283N	SIGNETICS	CD74HCT283E	H
74HCT257D	PHILIPS	CD74HCT257M96	D	74HCT283N	SIGNETICS	CD74HCT283E	H
74HCT257D	SIGNETICS	CD74HCT257M	D	74HCT283N	SIGNETICS	CD74HCT283E	H
74HCT257D	SIGNETICS	CD74HCT257M96	D	74HCT283N	SIGNETICS	CD74HCT283E	H
74HCT257D-T	SIGNETICS	CD74HCT257M	D	74HCT283N	SIGNETICS	CD74HCT283E	H
74HCT257D-T	SIGNETICS	CD74HCT257M96	D	74HCT283N	SIGNETICS	CD74HCT283E	H
74HCT257N	PHILIPS	CD74HCT257E	D	74HCT283N	SIGNETICS	CD74HCT283E	H
74HCT257N	SIGNETICS	CD74HCT257E	D	74HCT283N	SIGNETICS	CD74HCT283E	H
74HCT258N	PHILIPS	CD74HCT258E	D	74HCT283N	SIGNETICS	CD74HCT283E	H
74HCT258N	SIGNETICS	CD74HCT258E	D	74HCT283N	SIGNETICS	CD74HCT283E	H
74HCT259D	PHILIPS	CD74HCT259M	D	74HCT283N	SIGNETICS	CD74HCT283E	H
74HCT259D	PHILIPS	CD74HCT259M96	D	74HCT283N	SIGNETICS	CD74HCT283E	H
74HCT259D	SIGNETICS	CD74HCT259M	D	74HCT283N	SIGNETICS	CD74HCT283E	H
74HCT259D	SIGNETICS	CD74HCT259M96	D	74HCT283N	SIGNETICS	CD74HCT283E	H
74HCT259D-T	SIGNETICS	CD74HCT259M	D	74HCT283N	SIGNETICS	CD74HCT283E	H
74HCT259D-T	SIGNETICS	CD74HCT259M96	D	74HCT283N	SIGNETICS	CD74HCT283E	H
74HCT365D-T	SIGNETICS	CD74HCT365M	D	74HCT283N	SIGNETICS	CD74HCT283E	H
74HCT365D-T	SIGNETICS	CD74HCT365M96	D	74HCT283N	SIGNETICS	CD74HCT283E	H
74HCT365N	PHILIPS	CD74HCT365E	D	74HCT283N	SIGNETICS	CD74HCT283E	H
74HCT365N	SIGNETICS	CD74HCT365E	D	74HCT283N	SIGNETICS	CD74HCT283E	H
74HCT367D	PHILIPS	CD74HCT367M	H	74HCT283N	SIGNETICS	CD74HCT283E	H
74HCT367D	SIGNETICS	CD74HCT367M	H	74HCT283N	SIGNETICS	CD74HCT283E	H
74HCT367D-T	SIGNETICS	CD74HCT367M96	H	74HCT283N	SIGNETICS	CD74HCT283E	H
74HCT367N	PHILIPS	CD74HCT367E	H	74HCT283N	SIGNETICS	CD74HCT283E	H
				74HCT297N	PHILIPS	CD74HCT297E	D
				74HCT297N	SIGNETICS	CD74HCT297E	D
				74HCT299D	PHILIPS	CD74HCT299M	D
				74HCT299D	SIGNETICS	CD74HCT299M	D
				74HCT299D-T	SIGNETICS	CD74HCT299M	D
				74HCT299N	PHILIPS	CD74HCT299E	D
				74HCT299N	SIGNETICS	CD74HCT299E	D
				74HCT300D	PHILIPS	CD74HCT300M96	D
				74HCT300D	PHILIPS	CD74HCT300M96	D
				74HCT300D	SIGNETICS	CD74HCT300M96	D
				74HCT300D-T	SIGNETICS	CD74HCT300M96	D
				74HCT300N	PHILIPS	CD74HCT300E	D
				74HCT300N	SIGNETICS	CD74HCT300E	D
				74HCT302D	PHILIPS	CD74HCT302M	D
				74HCT302D	PHILIPS	CD74HCT302M96	D
				74HCT302D	SIGNETICS	CD74HCT302M	D
				74HCT302D	SIGNETICS	CD74HCT302M96	D
				74HCT302D-T	SIGNETICS	CD74HCT302M	D
				74HCT302D-T	SIGNETICS	CD74HCT302M96	D
				74HCT302N	PHILIPS	CD74HCT302E	D
				74HCT302N	SIGNETICS	CD74HCT302E	D
				74HCT354N	PHILIPS	CD74HCT354E	H
				74HCT354N	SIGNETICS	CD74HCT354E	H
				74HCT356D	PHILIPS	CD74HCT356M96	D
				74HCT356D	SIGNETICS	CD74HCT356M96	D
				74HCT356D-T	SIGNETICS	CD74HCT356M96	D
				74HCT356N	PHILIPS	CD74HCT356E	D
				74HCT356N	SIGNETICS	CD74HCT356E	D
				74HCT365D	PHILIPS	CD74HCT365M	D
				74HCT365D	PHILIPS	CD74HCT365M96	D
				74HCT365D	SIGNETICS	CD74HCT365M	D
				74HCT365D	SIGNETICS	CD74HCT365M96	D
				74HCT40103D	SIGNETICS	CD74HCT40103M96	D
				74HCT40103D-T	SIGNETICS	CD74HCT40103M	D
				74HCT40103D-T	SIGNETICS	CD74HCT40103M96	D
				74HCT40103N	PHILIPS	CD74HCT40103E	D
				74HCT40103N	SIGNETICS	CD74HCT40103E	D
				74HCT40105D	PHILIPS	CD74HCT40105M	D
				74HCT40105D	PHILIPS	CD74HCT40105M96	D
				74HCT40105D	SIGNETICS	CD74HCT40105M	D

3
DIRECT/HARRIS
REPLACEMENTS

NOTE: D = Direct Replacement, H = Harris Recommended Replacement.

Cross-Reference Guide

COMPETITOR #	COMPETITOR	HARRIS #	TYPE
74HCT367N	SIGNETICS	CD74HCT367E	H
74HCT368D	PHILIPS	CD74HCT368M	H
74HCT368D	SIGNETICS	CD74HCT368M	H
74HCT368N	PHILIPS	CD74HCT368E	H
74HCT368N	SIGNETICS	CD74HCT368E	H
74HCT373D	PHILIPS	CD74HCT373M	D
74HCT373D	SIGNETICS	CD74HCT373M	D
74HCT373D	PHILIPS	CD74HCT373M96	D
74HCT373D	SIGNETICS	CD74HCT373M96	D
74HCT373D-T	SIGNETICS	CD74HCT373M	D
74HCT373D-T	SIGNETICS	CD74HCT373M96	D
74HCT373N	PHILIPS	CD74HCT373E	D
74HCT373N	SIGNETICS	CD74HCT373E	D
74HCT373P	SUPERTEX	CD74HCT373E	D
74HCT374D	PHILIPS	CD74HCT374M	H
74HCT374D	SIGNETICS	CD74HCT374M	H
74HCT374D-T	SIGNETICS	CD74HCT374M96	H
74HCT374N	PHILIPS	CD74HCT374E	H
74HCT374N	SIGNETICS	CD74HCT374E	H
74HCT377D	PHILIPS	CD74HCT377M	D
74HCT377D	SIGNETICS	CD74HCT377M	D
74HCT377D	PHILIPS	CD74HCT377M96	D
74HCT377D	SIGNETICS	CD74HCT377M96	D
74HCT377D-T	SIGNETICS	CD74HCT377M	D
74HCT377D-T	SIGNETICS	CD74HCT377M96	D
74HCT377N	PHILIPS	CD74HCT377E	D
74HCT377N	SIGNETICS	CD74HCT377E	D
74HCT390D	PHILIPS	CD74HCT390M	D
74HCT390D	PHILIPS	CD74HCT390M96	D
74HCT390D	SIGNETICS	CD74HCT390M	D
74HCT390D	SIGNETICS	CD74HCT390M96	D
74HCT390D-T	SIGNETICS	CD74HCT390M	D
74HCT390D-T	SIGNETICS	CD74HCT390M96	D
74HCT390N	PHILIPS	CD74HCT390E	D
74HCT390N	SIGNETICS	CD74HCT390E	D
74HCT390P	SUPERTEX	CD74HCT390E	D
74HCT393D	PHILIPS	CD74HCT393M	D
74HCT393D	PHILIPS	CD74HCT393M96	D
74HCT393D	SIGNETICS	CD74HCT393M	D
74HCT393D	SIGNETICS	CD74HCT393M96	D
74HCT393D-T	SIGNETICS	CD74HCT393M	D
74HCT393D-T	SIGNETICS	CD74HCT393M96	D
74HCT393N	PHILIPS	CD74HCT393E	D
74HCT393N	SIGNETICS	CD74HCT393E	D
74HCT40103D	PHILIPS	CD74HCT40103M	D
74HCT40103D	PHILIPS	CD74HCT40103M96	D
74HCT40103D	SIGNETICS	CD74HCT40103M	D
74HCT423D	PHILIPS	CD74HCT423M96	D
74HCT423D	SIGNETICS	CD74HCT423M96	D
74HCT423D-T	SIGNETICS	CD74HCT423M96	D
74HCT423N	PHILIPS	CD74HCT423E	D
74HCT423N	SIGNETICS	CD74HCT423E	D
74HCT4316D	PHILIPS	CD74HCT4316M	D
74HCT4316D	PHILIPS	CD74HCT4316M96	D
74HCT4316D	SIGNETICS	CD74HCT4316M	D
74HCT4316D	SIGNETICS	CD74HCT4316M96	D
74HCT4316D-T	SIGNETICS	CD74HCT4316M	D
74HCT4316D-T	SIGNETICS	CD74HCT4316M96	D

COMPETITOR #	COMPETITOR	HARRIS #	TYPE
74HCT40105D	SIGNETICS	CD74HCT40105M96	D
74HCT40105D-T	SIGNETICS	CD74HCT40105M	D
74HCT40105D-T	SIGNETICS	CD74HCT40105M96	D
74HCT40105N	PHILIPS	CD74HCT40105E	D
74HCT40105N	SIGNETICS	CD74HCT40105E	D
74HCT4020D	PHILIPS	CD74HCT4020M	H
74HCT4020D	SIGNETICS	CD74HCT4020M	H
74HCT4020D-T	SIGNETICS	CD74HCT4020M96	H
74HCT4020N	PHILIPS	CD74HCT4020E	H
74HCT4020N	SIGNETICS	CD74HCT4020E	H
74HCT4024D	PHILIPS	CD74HCT4024M	H
74HCT4024D	SIGNETICS	CD74HCT4024M	H
74HCT4040D	PHILIPS	CD74HCT4040M	H
74HCT4040D	SIGNETICS	CD74HCT4040M	H
74HCT4040D-T	SIGNETICS	CD74HCT4040M96	H
74HCT4040N	PHILIPS	CD74HCT4040E	H
74HCT4040N	SIGNETICS	CD74HCT4040E	H
74HCT4046AD	PHILIPS	CD74HCT4046AM	H
74HCT4046AD	SIGNETICS	CD74HCT4046AM	H
74HCT4046AD-T	SIGNETICS	CD74HCT4046AM96	H
74HCT4046AN	PHILIPS	CD74HCT4046AE	H
74HCT4046AN	SIGNETICS	CD74HCT4046AE	H
74HCT4060D	PHILIPS	CD74HCT4060M	D
74HCT4060D	PHILIPS	CD74HCT4060M96	D
74HCT4060D	SIGNETICS	CD74HCT4060M	D
74HCT4060D	SIGNETICS	CD74HCT4060M96	D
74HCT4060D-T	SIGNETICS	CD74HCT4060M	D
74HCT4060D-T	SIGNETICS	CD74HCT4060M96	D
74HCT4060N	PHILIPS	CD74HCT4060E	D
74HCT4060N	SIGNETICS	CD74HCT4060E	D
74HCT4066D	PHILIPS	CD74HCT4066M	H
74HCT4066D	SIGNETICS	CD74HCT4066M	H
74HCT4066D-T	SIGNETICS	CD74HCT4066M96	H
74HCT4066N	PHILIPS	CD74HCT4066E	H
74HCT4066N	SIGNETICS	CD74HCT4066E	H
74HCT4067D	PHILIPS	CD74HCT4067M	H
74HCT4067D	SIGNETICS	CD74HCT4067M	H
74HCT4094D	PHILIPS	CD74HCT4094M	D
74HCT4094D	PHILIPS	CD74HCT4094M96	D
74HCT4094D	SIGNETICS	CD74HCT4094M	D
74HCT4094D	SIGNETICS	CD74HCT4094M96	D
74HCT4094D-T	SIGNETICS	CD74HCT4094M	D
74HCT4094D-T	SIGNETICS	CD74HCT4094M96	D
74HCT4094N	PHILIPS	CD74HCT4094E	D
74HCT4094N	SIGNETICS	CD74HCT4094E	D
74HCT42N	PHILIPS	CD74HCT42E	D
74HCT42N	SIGNETICS	CD74HCT42E	D
74HCT573N	PHILIPS	CD74HCT573E	H
74HCT573N	SIGNETICS	CD74HCT573E	H
74HCT574D	PHILIPS	CD74HCT574M	H
74HCT574D	SIGNETICS	CD74HCT574M	H
74HCT574D-T	SIGNETICS	CD74HCT574M96	H
74HCT574N	PHILIPS	CD74HCT574E	H
74HCT574N	SIGNETICS	CD74HCT574E	H
74HCT597D	SIGNETICS	CD74HCT597M	D
74HCT597D	SIGNETICS	CD74HCT597M96	D
74HCT597D-T	SIGNETICS	CD74HCT597M	D
74HCT597D-T	SIGNETICS	CD74HCT597M96	D

NOTE: D = Direct Replacement, H = Harris Recommended Replacement.

Cross-Reference Guide

COMPETITOR #	COMPETITOR	HARRIS #	TYPE
74HCT4316N	PHILIPS	CD74HCT4316E	D
74HCT4316N	SIGNETICS	CD74HCT4316E	D
74HCT4351N	PHILIPS	CD74HCT4351E	D
74HCT4351N	SIGNETICS	CD74HCT4351E	D
74HCT4511N	PHILIPS	CD74HCT4511E	H
74HCT4511N	SIGNETICS	CD74HCT4511E	H
74HCT4514N	PHILIPS	CD74HCT4514E	H
74HCT4514N	SIGNETICS	CD74HCT4514E	H
74HCT4520D	PHILIPS	CD74HCT4520M	H
74HCT4520D	SIGNETICS	CD74HCT4520M	H
74HCT4520D-T	SIGNETICS	CD74HCT4520M96	H
74HCT4520N	PHILIPS	CD74HCT4520E	H
74HCT4520N	SIGNETICS	CD74HCT4520E	H
74HCT4538D	PHILIPS	CD74HCT4538M	H
74HCT4538D	SIGNETICS	CD74HCT4538M	H
74HCT4538D-T	SIGNETICS	CD74HCT4538M96	H
74HCT4538N	PHILIPS	CD74HCT4538E	H
74HCT4538N	SIGNETICS	CD74HCT4538E	H
74HCT533N	PHILIPS	CD74HCT533E	D
74HCT533N	SIGNETICS	CD74HCT533E	D
74HCT533P	SUPERTEX	CD74HCT533E	D
74HCT534N	PHILIPS	CD74HCT534E	H
74HCT534N	SIGNETICS	CD74HCT534E	H
74HCT540D	PHILIPS	CD74HCT540M	H
74HCT540D	SIGNETICS	CD74HCT540M	H
74HCT540D-T	SIGNETICS	CD74HCT540M96	H
74HCT540N	PHILIPS	CD74HCT540E	H
74HCT540N	SIGNETICS	CD74HCT540E	H
74HCT541D	PHILIPS	CD74HCT541M	H
74HCT541D	SIGNETICS	CD74HCT541M	H
74HCT541D-T	SIGNETICS	CD74HCT541M96	H
74HCT541N	PHILIPS	CD74HCT541E	H
74HCT541N	SIGNETICS	CD74HCT541E	H
74HCT563D	PHILIPS	CD74HCT563M	H
74HCT563D	SIGNETICS	CD74HCT563M	H
74HCT563N	PHILIPS	CD74HCT563E	H
74HCT563N	SIGNETICS	CD74HCT563E	H
74HCT564D	PHILIPS	CD74HCT564M	H
74HCT564D	SIGNETICS	CD74HCT564M	H
74HCT564N	PHILIPS	CD74HCT564E	H
74HCT564N	SIGNETICS	CD74HCT564E	H
74HCT573D	PHILIPS	CD74HCT573M	H
74HCT573D	SIGNETICS	CD74HCT573M	H
74HCT573D-T	SIGNETICS	CD74HCT573M96	H
74HCT86D	SIGNETICS	CD74HCT86M	D
74HCT86D	SIGNETICS	CD74HCT86M96	D
74HCT86D-T	SIGNETICS	CD74HCT86M	D
74HCT86D-T	SIGNETICS	CD74HCT86M96	D
74HCT86N	PHILIPS	CD74HCT86E	D
74HCT86N	SIGNETICS	CD74HCT86E	D
74HCT93N	PHILIPS	CD74HCT93E	D
74HCT93N	SIGNETICS	CD74HCT93E	D
74HCU04D	PHILIPS	CD74HCU04M	H
74HCU04D	SIGNETICS	CD74HCU04M	H
74HCU04D-T	PHILIPS	CD74HCU04M96	H
74HCU04D-T	SIGNETICS	CD74HCU04M96	H
74HCU04N	PHILIPS	CD74HCU04E	H
74HCU04N	SIGNETICS	CD74HCU04E	H

COMPETITOR #	COMPETITOR	HARRIS #	TYPE
74HCT597N	PHILIPS	CD74HCT597E	D
74HCT597N	SIGNETICS	CD74HCT597E	D
74HCT640D	PHILIPS	CD74HCT640M	H
74HCT640D	SIGNETICS	CD74HCT640M	H
74HCT640N	PHILIPS	CD74HCT640E	H
74HCT640N	SIGNETICS	CD74HCT640E	H
74HCT646D-T	SIGNETICS	CD74HCT646M96	H
74HCT670D	PHILIPS	CD74HCT670M	H
74HCT670D	SIGNETICS	CD74HCT670M96	H
74HCT670D-T	SIGNETICS	CD74HCT670M96	H
74HCT670N	PHILIPS	CD74HCT670E	H
74HCT670N	SIGNETICS	CD74HCT670E	H
74HCT688D	PHILIPS	CD74HCT688M	H
74HCT688D	SIGNETICS	CD74HCT688M	H
74HCT688D-T	SIGNETICS	CD74HCT688M96	H
74HCT688N	PHILIPS	CD74HCT688E	H
74HCT688N	SIGNETICS	CD74HCT688E	H
74HCT7046AD	PHILIPS	CD74HCT7046AM	H
74HCT7046AD	SIGNETICS	CD74HCT7046AM	H
74HCT7046AD-T	SIGNETICS	CD74HCT7046AM96	H
74HCT7046AN	PHILIPS	CD74HCT7046AE	H
74HCT7046AN	SIGNETICS	CD74HCT7046AE	H
74HCT7245N	PHILIPS	CD74HCT245E	H
74HCT7245N	SIGNETICS	CD74HCT245E	H
74HCT73D	PHILIPS	CD74HCT73M	H
74HCT73D	SIGNETICS	CD74HCT73M	H
74HCT73N	PHILIPS	CD74HCT73E	H
74HCT73N	SIGNETICS	CD74HCT73E	H
74HCT74D	PHILIPS	CD74HCT74M	H
74HCT74D	SIGNETICS	CD74HCT74M	H
74HCT74D-T	SIGNETICS	CD74HCT74M96	H
74HCT74N	PHILIPS	CD74HCT74E	H
74HCT74N	SIGNETICS	CD74HCT74E	H
74HCT75D	PHILIPS	CD74HCT75E	D
74HCT75D	SIGNETICS	CD74HCT75E	D
74HCT75D-T	SIGNETICS	CD74HCT75M	D
74HCT75N	PHILIPS	CD74HCT75E	D
74HCT75N	SIGNETICS	CD74HCT75E	D
74HCT85D	PHILIPS	CD74HCT85M	H
74HCT85D	SIGNETICS	CD74HCT85M	H
74HCT85N	PHILIPS	CD74HCT85E	H
74HCT85N	SIGNETICS	CD74HCT85E	H
74HCT86D	PHILIPS	CD74HCT86M	D
74HCT86D	SIGNETICS	CD74HCT86M96	D
74HC107D	SIGNETICS	CD74HC107M	H
74HC107D-T	SIGNETICS	CD74HC107M96	H
74HC107N	PHILIPS	CD74HC107E	H
74HC107N	SIGNETICS	CD74HC107E	H
74HC109D	PHILIPS	CD74HC109M	H
74HC109D	SIGNETICS	CD74HC109M	H
74HC109D-T	SIGNETICS	CD74HC109M96	H
74HC109N	PHILIPS	CD74HC109E	H
74HC109N	SIGNETICS	CD74HC109E	H
74HC11D	PHILIPS	CD74HC11M	D
74HC11D	PHILIPS	CD74HC11M96	D
74HC11D	SIGNETICS	CD74HC11M	D
74HC11D	SIGNETICS	CD74HC11M96	D
74HC11D-T	SIGNETICS	CD74HC11M	D

3
DIRECT/HARRIS
REPLACEMENTS

NOTE: D = Direct Replacement, H = Harris Recommended Replacement.

Cross-Reference Guide

COMPETITOR #	COMPETITOR	HARRIS #	TYPE	COMPETITOR #	COMPETITOR	HARRIS #	TYPE
74HC00D	PHILIPS	CD74HC00M	H	74HC11D-T	SIGNETICS	CD74HC11M96	D
74HC00D	SIGNETICS	CD74HC00M	H	74HC11N	PHILIPS	CD74HC11E	D
74HC00D-T	SIGNETICS	CD74HC00M	D	74HC11N	SIGNETICS	CD74HC11E	D
74HC00D-T	SIGNETICS	CD74HC00M96	D	74HC112D-T	SIGNETICS	CD74HC112M96	H
74HC00N	PHILIPS	CD74HC00E	D	74HC112N	PHILIPS	CD74HC112E	H
74HC00N	SIGNETICS	CD74HC00E	D	74HC112N	SIGNETICS	CD74HC112E	H
74HC02D	PHILIPS	CD74HC02M	D	74HC123D	PHILIPS	CD74HC123M	H
74HC02D	PHILIPS	CD74HC02M96	D	74HC123D	SIGNETICS	CD74HC123M	H
74HC02D	SIGNETICS	CD74HC02M	D	74HC123D-T	SIGNETICS	CD74HC123M96	H
74HC02D	SIGNETICS	CD74HC02M96	D	74HC123N	PHILIPS	CD74HC123E	H
74HC02D-T	SIGNETICS	CD74HC02M	D	74HC123N	SIGNETICS	CD74HC123E	H
74HC02D-T	SIGNETICS	CD74HC02M96	D	74HC125D	PHILIPS	CD74HC125M	H
74HC02N	PHILIPS	CD74HC02E	D	74HC125D	SIGNETICS	CD74HC125M	H
74HC02N	SIGNETICS	CD74HC02E	D	74HC125D-T	SIGNETICS	CD74HC125M96	H
74HC03D	PHILIPS	CD74HC03M	H	74HC125N	PHILIPS	CD74HC125E	H
74HC03D	SIGNETICS	CD74HC03M	H	74HC125N	SIGNETICS	CD74HC125E	H
74HC03D-T	SIGNETICS	CD74HC03M96	H	74HC126D	PHILIPS	CD74HC126M	H
74HC03N	PHILIPS	CD74HC03E	H	74HC126D	SIGNETICS	CD74HC126M	H
74HC03N	SIGNETICS	CD74HC03E	H	74HC126D-T	SIGNETICS	CD74HC126M96	H
74HC04D	PHILIPS	CD74HC04M	D	74HC126N	PHILIPS	CD74HC126E	H
74HC04D	PHILIPS	CD74HC04M96	D	74HC126N	SIGNETICS	CD74HC126E	H
74HC04D	SIGNETICS	CD74HC04M	D	74HC132D	PHILIPS	CD74HC132M	D
74HC04D	SIGNETICS	CD74HC04M96	D	74HC132D	PHILIPS	CD74HC132M96	D
74HC04D-T	SIGNETICS	CD74HC04M	D	74HC132D	SIGNETICS	CD74HC132M	D
74HC04D-T	SIGNETICS	CD74HC04M96	D	74HC132D-T	SIGNETICS	CD74HC132M	D
74HC04N	PHILIPS	CD74HC04E	D	74HC132D-T	SIGNETICS	CD74HC132M96	D
74HC04N	SIGNETICS	CD74HC04E	D	74HC132N	PHILIPS	CD74HC132E	D
74HC08D	PHILIPS	CD74HC08M	D	74HC132N	SIGNETICS	CD74HC132E	D
74HC08D	PHILIPS	CD74HC08M96	D	74HC137N	PHILIPS	CD74HC137E	H
74HC08D	SIGNETICS	CD74HC08M	D	74HC137N	SIGNETICS	CD74HC137E	H
74HC08D	SIGNETICS	CD74HC08M96	D	74HC138D	PHILIPS	CD74HC138M	D
74HC08D-T	SIGNETICS	CD74HC08M	D	74HC138D	PHILIPS	CD74HC138M96	D
74HC08D-T	SIGNETICS	CD74HC08M96	D	74HC138D	SIGNETICS	CD74HC138M96	D
74HC08N	PHILIPS	CD74HC08E	D	74HC138D-T	SIGNETICS	CD74HC138M	D
74HC08N	SIGNETICS	CD74HC08E	D	74HC138D-T	SIGNETICS	CD74HC138M96	D
74HC10D	PHILIPS	CD74HC10M	H	74HC138N	PHILIPS	CD74HC138E	D
74HC10D	SIGNETICS	CD74HC10M	H	74HC138N	SIGNETICS	CD74HC138E	D
74HC10D-T	SIGNETICS	CD74HC10M96	H	74HC139D	PHILIPS	CD74HC139M	D
74HC10N	PHILIPS	CD74HC10E	H	74HC139D	PHILIPS	CD74HC139M96	D
74HC10N	SIGNETICS	CD74HC10E	H	74HC163N	SIGNETICS	CD74HC163E	H
74HC107D	PHILIPS	CD74HC107M	H	74HC164D	PHILIPS	CD74HC164M	D
74HC139D	SIGNETICS	CD74HC139M	D	74HC164D	PHILIPS	CD74HC164M96	D
74HC139D	SIGNETICS	CD74HC139M96	D	74HC164D	SIGNETICS	CD74HC164M	D
74HC139D-T	SIGNETICS	CD74HC139M	D	74HC164D	SIGNETICS	CD74HC164M96	D
74HC139D-T	SIGNETICS	CD74HC139M96	D	74HC164D-T	SIGNETICS	CD74HC164M	D
74HC139N	PHILIPS	CD74HC139E	D	74HC164D-T	SIGNETICS	CD74HC164M96	D
74HC139N	SIGNETICS	CD74HC139E	D	74HC164N	PHILIPS	CD74HC164E	D
74HC14D	PHILIPS	CD74HC14M	H	74HC164N	SIGNETICS	CD74HC164E	D
74HC14D	SIGNETICS	CD74HC14M	H	74HC165D	PHILIPS	CD74HC165M	D
74HC14D-T	SIGNETICS	CD74HC14M96	H	74HC165D	PHILIPS	CD74HC165M96	D
74HC14N	PHILIPS	CD74HC14E	H	74HC165D	SIGNETICS	CD74HC165M	D
74HC14N	SIGNETICS	CD74HC14E	H	74HC165D	SIGNETICS	CD74HC165M96	D
74HC147D	PHILIPS	CD74HC147M	D	74HC165D-T	SIGNETICS	CD74HC165M	D
74HC147D	PHILIPS	CD74HC147M96	D	74HC165D-T	SIGNETICS	CD74HC165M96	D
74HC147D	SIGNETICS	CD74HC147M	D	74HC165N	PHILIPS	CD74HC165E	D
74HC147D	SIGNETICS	CD74HC147M96	D	74HC165N	SIGNETICS	CD74HC165E	D

NOTE: D = Direct Replacement, H = Harris Recommended Replacement.

Cross-Reference Guide

COMPETITOR #	COMPETITOR	HARRIS #	TYPE	COMPETITOR #	COMPETITOR	HARRIS #	TYPE
74HC147N	PHILIPS	CD74HC147E	D	74HC166D	PHILIPS	CD74HC166M	H
74HC147N	SIGNETICS	CD74HC147E	D	74HC166D	SIGNETICS	CD74HC166M	H
74HC151D	PHILIPS	CD74HC151M	H	74HC166D-T	SIGNETICS	CD74HC166M96	H
74HC151D	SIGNETICS	CD74HC151M	H	74HC166N	PHILIPS	CD74HC166E	H
74HC151D-T	SIGNETICS	CD74HC151M96	H	74HC166N	SIGNETICS	CD74HC166E	H
74HC151N	PHILIPS	CD74HC151E	H	74HC173D	PHILIPS	CD74HC173M	D
74HC151N	SIGNETICS	CD74HC151E	H	74HC173D	PHILIPS	CD74HC173M96	D
74HC153D	PHILIPS	CD74HC153M	H	74HC173D	SIGNETICS	CD74HC173M	D
74HC153D	SIGNETICS	CD74HC153M	H	74HC173D	SIGNETICS	CD74HC173M96	D
74HC153D-T	SIGNETICS	CD74HC153M96	H	74HC173D-T	SIGNETICS	CD74HC173M	D
74HC153N	PHILIPS	CD74HC153E	H	74HC173D-T	SIGNETICS	CD74HC173M96	D
74HC153N	SIGNETICS	CD74HC153E	H	74HC173N	PHILIPS	CD74HC173E	D
74HC154D	PHILIPS	CD74HC154M	H	74HC173N	SIGNETICS	CD74HC173E	D
74HC154D	SIGNETICS	CD74HC154M	H	74HC174D	PHILIPS	CD74HC174M	D
74HC154D-T	SIGNETICS	CD74HC154M96	H	74HC174D	PHILIPS	CD74HC174M96	D
74HC154N	PHILIPS	CD74HC154E	H	74HC174D	SIGNETICS	CD74HC174M	D
74HC154N	SIGNETICS	CD74HC154E	H	74HC174D	SIGNETICS	CD74HC174M96	D
74HC157D	PHILIPS	CD74HC157M	D	74HC174D-T	SIGNETICS	CD74HC174M	D
74HC157D	PHILIPS	CD74HC157M96	D	74HC174D-T	SIGNETICS	CD74HC174M96	D
74HC157D	SIGNETICS	CD74HC157M	D	74HC174N	PHILIPS	CD74HC174E	D
74HC157D	SIGNETICS	CD74HC157M96	D	74HC174N	SIGNETICS	CD74HC174E	D
74HC157D-T	SIGNETICS	CD74HC157M	D	74HC174N	SIGNETICS	CD74HC174E	D
74HC157D-T	SIGNETICS	CD74HC157M96	D	74HC175D	PHILIPS	CD74HC175M	H
74HC157N	PHILIPS	CD74HC157E	D	74HC175D	SIGNETICS	CD74HC175M	H
74HC157N	SIGNETICS	CD74HC157E	D	74HC175D-T	SIGNETICS	CD74HC175M96	H
74HC158D	PHILIPS	CD74HC158M	H	74HC175N	PHILIPS	CD74HC175E	H
74HC158D	SIGNETICS	CD74HC158M	H	74HC175N	SIGNETICS	CD74HC175E	H
74HC158N	PHILIPS	CD74HC158E	H	74HC190N	PHILIPS	CD74HC190E	H
74HC158N	SIGNETICS	CD74HC158E	H	74HC190N	SIGNETICS	CD74HC190E	H
74HC161D	PHILIPS	CD74HC161M	H	74HC191D	PHILIPS	CD74HC191M	H
74HC161D	SIGNETICS	CD74HC161M	H	74HC191D	SIGNETICS	CD74HC191M	H
74HC161D-T	SIGNETICS	CD74HC161M96	H	74HC191D-T	SIGNETICS	CD74HC191M96	H
74HC161N	PHILIPS	CD74HC161E	H	74HC191N	PHILIPS	CD74HC191E	H
74HC161N	SIGNETICS	CD74HC161E	H	74HC191N	SIGNETICS	CD74HC191E	H
74HC163D	PHILIPS	CD74HC163M	H	74HC192N	PHILIPS	CD74HC192E	H
74HC163D	SIGNETICS	CD74HC163M	H	74HC192N	SIGNETICS	CD74HC192E	H
74HC163D-T	SIGNETICS	CD74HC163M96	H	74HC193D	PHILIPS	CD74HC193M	H
74HC163N	PHILIPS	CD74HC163E	H	74HC193D	SIGNETICS	CD74HC193M	H
74HC193N	PHILIPS	CD74HC192E	H	74HC193D-T	SIGNETICS	CD74HC193M96	H
74HC193N	SIGNETICS	CD74HC193E	H	74HC243D	SIGNETICS	CD74HC243M96	D
74HC194D	PHILIPS	CD74HC194M	D	74HC243D-T	SIGNETICS	CD74HC243M	D
74HC194D	PHILIPS	CD74HC194M96	D	74HC243D-T	SIGNETICS	CD74HC243M96	D
74HC194D	SIGNETICS	CD74HC194M	D	74HC243N	PHILIPS	CD74HC243E	D
74HC194D	SIGNETICS	CD74HC194M96	D	74HC243N	SIGNETICS	CD74HC243E	D
74HC194D-T	SIGNETICS	CD74HC194M	D	74HC244D	PHILIPS	CD74HC244M	H
74HC194D-T	SIGNETICS	CD74HC194M96	D	74HC244D	SIGNETICS	CD74HC244M	H
74HC194N	PHILIPS	CD74HC194E	D	74HC244D-T	SIGNETICS	CD74HC244M96	H
74HC194N	SIGNETICS	CD74HC194E	D	74HC244N	PHILIPS	CD74HC244E	H
74HC195D	PHILIPS	CD74HC195M	H	74HC244N	SIGNETICS	CD74HC244E	H
74HC195D	SIGNETICS	CD74HC195M	H	74HC245D	PHILIPS	CD74HC245M	D
74HC195N	PHILIPS	CD74HC195E	H	74HC245D	PHILIPS	CD74HC245M96	D
74HC195N	SIGNETICS	CD74HC195E	H	74HC245D	SIGNETICS	CD74HC245M	D
74HC20D	PHILIPS	CD74HC20M	H	74HC245D	SIGNETICS	CD74HC245M96	D
74HC20D	SIGNETICS	CD74HC20M	H	74HC245D-T	SIGNETICS	CD74HC245M96	D
74HC20D-T	SIGNETICS	CD74HC20M96	H	74HC245N	PHILIPS	CD74HC245E	D
74HC20N	PHILIPS	CD74HC20E	H	74HC245N	SIGNETICS	CD74HC245E	D
74HC20N	SIGNETICS	CD74HC20E	H	74HC251D	PHILIPS	CD74HC251M	H
74HC21D	PHILIPS	CD74HC21M	D	74HC251D	SIGNETICS	CD74HC251M	H

NOTE: D = Direct Replacement, H = Harris Recommended Replacement.

3
DIRECT/HARRIS
REPLACEMENTS

Cross-Reference Guide

COMPETITOR #	COMPETITOR	HARRIS #	TYPE	COMPETITOR #	COMPETITOR	HARRIS #	TYPE
74HC21D	PHILIPS	CD74HC21M96	D	74HC251D-T	SIGNETICS	CD74HC251M96	H
74HC21D	SIGNETICS	CD74HC21M	D	74HC251N	PHILIPS	CD74HC251E	H
74HC21D	SIGNETICS	CD74HC21M96	D	74HC251N	SIGNETICS	CD74HC251E	H
74HC21D-T	SIGNETICS	CD74HC21M	D	74HC253BD	SIGNETICS	CD74HC253M	H
74HC21D-T	SIGNETICS	CD74HC21M96	D	74HC253BN	SIGNETICS	CD74HC253E	H
74HC21N	PHILIPS	CD74HC21E	D	74HC253D	PHILIPS	CD74HC253M	D
74HC21N	SIGNETICS	CD74HC21E	D	74HC253D	SIGNETICS	CD74HC253M	D
74HC221D	PHILIPS	CD74HC221M	H	74HC253D-T	SIGNETICS	CD74HC253M	D
74HC221D	SIGNETICS	CD74HC221M	H	74HC253N	PHILIPS	CD74HC253E	D
74HC221D-T	SIGNETICS	CD74HC221M96	H	74HC253N	SIGNETICS	CD74HC253E	D
74HC221N	PHILIPS	CD74HC221E	H	74HC257D	PHILIPS	CD74HC257M	D
74HC221N	SIGNETICS	CD74HC221E	H	74HC257D	PHILIPS	CD74HC257M96	D
74HC237D	PHILIPS	CD74HC237M	H	74HC257D	SIGNETICS	CD74HC257M	D
74HC237D	SIGNETICS	CD74HC237M	H	74HC257D	SIGNETICS	CD74HC257M96	D
74HC237D-T	SIGNETICS	CD74HC237M96	H	74HC257D-T	SIGNETICS	CD74HC257M	D
74HC237N	PHILIPS	CD74HC237E	H	74HC257D-T	SIGNETICS	CD74HC257M96	D
74HC237N	SIGNETICS	CD74HC237E	H	74HC257N	PHILIPS	CD74HC257E	D
74HC238D	PHILIPS	CD74HC238M	H	74HC257N	SIGNETICS	CD74HC257E	D
74HC238D	SIGNETICS	CD74HC238M	H	74HC258D	PHILIPS	CD74HC258M	H
74HC238D-T	SIGNETICS	CD74HC238M96	H	74HC258D	SIGNETICS	CD74HC258M	H
74HC238N	PHILIPS	CD74HC238E	H	74HC259D	PHILIPS	CD74HC259M	D
74HC238N	SIGNETICS	CD74HC238E	H	74HC259D	PHILIPS	CD74HC259M96	D
74HC240D	PHILIPS	CD74HC240M	H	74HC259D	SIGNETICS	CD74HC259M	D
74HC240D	SIGNETICS	CD74HC240M	H	74HC259D	SIGNETICS	CD74HC259M96	D
74HC240D-T	SIGNETICS	CD74HC240M96	H	74HC259D-T	SIGNETICS	CD74HC259M	D
74HC240N	PHILIPS	CD74HC240E	H	74HC259D-T	SIGNETICS	CD74HC259M96	D
74HC240N	SIGNETICS	CD74HC240E	H	74HC259N	PHILIPS	CD74HC259E	D
74HC241D	PHILIPS	CD74HC241M	H	74HC259N	SIGNETICS	CD74HC259E	D
74HC241D	SIGNETICS	CD74HC241M	H	74HC27D	PHILIPS	CD74HC27M	H
74HC241D-T	SIGNETICS	CD74HC241M96	H	74HC27D	SIGNETICS	CD74HC27M	H
74HC241N	PHILIPS	CD74HC241E	H	74HC27D-T	SIGNETICS	CD74HC27M96	H
74HC241N	SIGNETICS	CD74HC241E	H	74HC27N	PHILIPS	CD74HC27E	H
74HC243D	PHILIPS	CD74HC243M	D	74HC27N	SIGNETICS	CD74HC27E	H
74HC243D	PHILIPS	CD74HC243M96	D	74HC273D	PHILIPS	CD74HC273M	H
74HC243D	SIGNETICS	CD74HC243M	D	74HC273D	SIGNETICS	CD74HC273M	H
74HC273D-T	SIGNETICS	CD74HC273M96	H	74HC368N	PHILIPS	CD74HC368E	H
74HC273N	PHILIPS	CD74HC273E	H	74HC368N	SIGNETICS	CD74HC368E	H
74HC273N	SIGNETICS	CD74HC273E	H	74HC373D	PHILIPS	CD74HC373M	H
74HC280D	PHILIPS	CD74HC280M96	D	74HC373D	SIGNETICS	CD74HC373M	H
74HC280D	SIGNETICS	CD74HC280M96	D	74HC373D-T	SIGNETICS	CD74HC373M96	H
74HC280D-T	SIGNETICS	CD74HC280M96	D	74HC373N	PHILIPS	CD74HC373E	H
74HC280N	PHILIPS	CD74HC280E	D	74HC373N	SIGNETICS	CD74HC373E	H
74HC280N	SIGNETICS	CD74HC280E	D	74HC374D	PHILIPS	CD74HC374M	H
74HC283D	PHILIPS	CD74HC283M	H	74HC374D	SIGNETICS	CD74HC374M	H
74HC283D	SIGNETICS	CD74HC283M	H	74HC374D-T	SIGNETICS	CD74HC374M96	H
74HC283D-T	SIGNETICS	CD74HC283M96	H	74HC374N	PHILIPS	CD74HC374E	H
74HC283N	PHILIPS	CD74HC283E	H	74HC374N	SIGNETICS	CD74HC374E	H
74HC283N	SIGNETICS	CD74HC283E	H	74HC377D	PHILIPS	CD74HC377M	H
74HC297N	PHILIPS	CD74HC297E	D	74HC377D	SIGNETICS	CD74HC377M	H
74HC297N	SIGNETICS	CD74HC297E	D	74HC377D-T	SIGNETICS	CD74HC377M96	H
74HC299D	PHILIPS	CD74HC299M	H	74HC377N	PHILIPS	CD74HC377E	H
74HC299D	SIGNETICS	CD74HC299M	H	74HC377N	SIGNETICS	CD74HC377E	H
74HC299D-T	SIGNETICS	CD74HC299M96	H	74HC390D	PHILIPS	CD74HC390M	D
74HC299N	PHILIPS	CD74HC299E	H	74HC390D	PHILIPS	CD74HC390M96	D
74HC299N	SIGNETICS	CD74HC299E	H	74HC390D	SIGNETICS	CD74HC390M	D
74HC300D	PHILIPS	CD74HC300M	D	74HC390D	SIGNETICS	CD74HC390M96	D
74HC300D	PHILIPS	CD74HC300M96	D	74HC390D-T	SIGNETICS	CD74HC390M	D
74HC300D	SIGNETICS	CD74HC300M	D	74HC390D-T	SIGNETICS	CD74HC390M96	D

NOTE: D = Direct Replacement, H = Harris Recommended Replacement.

Cross-Reference Guide

COMPETITOR #	COMPETITOR	HARRIS #	TYPE	COMPETITOR #	COMPETITOR	HARRIS #	TYPE
74HC30D	SIGNETICS	CD74HC30M96	D	74HC390N	PHILIPS	CD74HC390E	D
74HC30D-T	SIGNETICS	CD74HC30M	D	74HC390N	SIGNETICS	CD74HC390E	D
74HC30D-T	SIGNETICS	CD74HC30M96	D	74HC393D	PHILIPS	CD74HC393M	D
74HC30N	PHILIPS	CD74HC30E	D	74HC393D	PHILIPS	CD74HC393M96	D
74HC30N	SIGNETICS	CD74HC30E	D	74HC393D	SIGNETICS	CD74HC393M	D
74HC32D	PHILIPS	CD74HC32M	D	74HC393D	SIGNETICS	CD74HC393M96	D
74HC32D	PHILIPS	CD74HC32M96	D	74HC393D-T	SIGNETICS	CD74HC393M	D
74HC32D	SIGNETICS	CD74HC32M	D	74HC393D-T	SIGNETICS	CD74HC393M96	D
74HC32D	SIGNETICS	CD74HC32M96	D	74HC393N	PHILIPS	CD74HC393E	D
74HC32D-T	SIGNETICS	CD74HC32M	D	74HC393N	SIGNETICS	CD74HC393E	D
74HC32D-T	SIGNETICS	CD74HC32M96	D	74HC4002D	PHILIPS	CD74HC4002M	H
74HC32N	PHILIPS	CD74HC32E	D	74HC4002D	SIGNETICS	CD74HC4002M	H
74HC32N	SIGNETICS	CD74HC32E	D	74HC4002D-T	SIGNETICS	CD74HC4002M96	H
74HC354N	PHILIPS	CD74HC354E	H	74HC4002N	PHILIPS	CD74HC4002E	H
74HC354N	SIGNETICS	CD74HC354E	H	74HC4002N	SIGNETICS	CD74HC4002E	H
74HC365D	PHILIPS	CD74HC365M	H	74HC40103D	PHILIPS	CD74HC40103M	D
74HC365D	SIGNETICS	CD74HC365M	H	74HC40103D	PHILIPS	CD74HC40103M96	D
74HC365D-T	SIGNETICS	CD74HC365M96	H	74HC40103D	SIGNETICS	CD74HC40103M	D
74HC365N	PHILIPS	CD74HC365E	H	74HC40103D	SIGNETICS	CD74HC40103M96	D
74HC365N	SIGNETICS	CD74HC365E	H	74HC40103D-T	SIGNETICS	CD74HC40103M	D
74HC366D	PHILIPS	CD74HC366M	H	74HC40103D-T	SIGNETICS	CD74HC40103M96	D
74HC366D	SIGNETICS	CD74HC366M	H	74HC40103N	PHILIPS	CD74HC40103E	D
74HC366N	PHILIPS	CD74HC366E	H	74HC40103N	SIGNETICS	CD74HC40103E	D
74HC366N	SIGNETICS	CD74HC366E	H	74HC40105D	PHILIPS	CD74HC40105M	H
74HC367D	PHILIPS	CD74HC367M	H	74HC40105D	SIGNETICS	CD74HC40105M	H
74HC367D	SIGNETICS	CD74HC367M	H	74HC40105D-T	SIGNETICS	CD74HC40105M96	H
74HC367D-T	SIGNETICS	CD74HC367M96	H	74HC40105N	PHILIPS	CD74HC40105E	H
74HC367N	PHILIPS	CD74HC367E	H	74HC40105N	SIGNETICS	CD74HC40105E	H
74HC367N	SIGNETICS	CD74HC367E	H	74HC4015D	PHILIPS	CD74HC4015M	H
74HC368D	PHILIPS	CD74HC368M	H	74HC4015D	SIGNETICS	CD74HC4015M	H
74HC368D	SIGNETICS	CD74HC368M	H	74HC4015N	PHILIPS	CD74HC4015E	H
74HC368D-T	SIGNETICS	CD74HC368M96	H	74HC4015N	SIGNETICS	CD74HC4015E	H
74HC4016D-T	SIGNETICS	CD74HC4016M96	H	74HC4053D	PHILIPS	CD74HC4053M96	D
74HC4016N	PHILIPS	CD74HC4016E	H	74HC4053D	SIGNETICS	CD74HC4053M	D
74HC4016N	SIGNETICS	CD74HC4016E	H	74HC4053D	SIGNETICS	CD74HC4053M96	D
74HC4017D	PHILIPS	CD74HC4017M	H	74HC4053D-T	SIGNETICS	CD74HC4053M	D
74HC4017D	SIGNETICS	CD74HC4017M	H	74HC4053D-T	SIGNETICS	CD74HC4053M96	D
74HC4017D-T	SIGNETICS	CD74HC4017M96	H	74HC4053N	PHILIPS	CD74HC4053E	D
74HC4017N	PHILIPS	CD74HC4017E	H	74HC4053N	SIGNETICS	CD74HC4053E	D
74HC4017N	SIGNETICS	CD74HC4017E	H	74HC4059D-T	SIGNETICS	CD74HC4059M96	H
74HC4020D	PHILIPS	CD74HC4020M	H	74HC4059N	PHILIPS	CD74HC4059E	H
74HC4020D	SIGNETICS	CD74HC4020M	H	74HC4059N	SIGNETICS	CD74HC4059E	H
74HC4020D-T	SIGNETICS	CD74HC4020M96	H	74HC4060D	PHILIPS	CD74HC4060M	D
74HC4020N	PHILIPS	CD74HC4020E	H	74HC4060D	PHILIPS	CD74HC4060M96	D
74HC4020N	SIGNETICS	CD74HC4020E	H	74HC4060D	SIGNETICS	CD74HC4060M	D
74HC4024D	PHILIPS	CD74HC4024M	H	74HC4060D	SIGNETICS	CD74HC4060M96	D
74HC4024D	SIGNETICS	CD74HC4024M	H	74HC4060D-T	SIGNETICS	CD74HC4060M	D
74HC4024D-T	SIGNETICS	CD74HC4024M96	H	74HC4060D-T	SIGNETICS	CD74HC4060M96	D
74HC4024N	PHILIPS	CD74HC4024E	H	74HC4060N	PHILIPS	CD74HC4060E	D
74HC4024N	SIGNETICS	CD74HC4024E	H	74HC4060N	SIGNETICS	CD74HC4060E	D
74HC4040D	PHILIPS	CD74HC4040M	H	74HC4066D	PHILIPS	CD74HC4066M	H
74HC4040D	SIGNETICS	CD74HC4040M	H	74HC4066D	SIGNETICS	CD74HC4066M	H
74HC4040D-T	SIGNETICS	CD74HC4040M96	H	74HC4066D-T	SIGNETICS	CD74HC4066M96	H
74HC4040N	PHILIPS	CD74HC4040E	H	74HC4066N	PHILIPS	CD74HC4066E	H
74HC4040N	SIGNETICS	CD74HC4040E	H	74HC4066N	SIGNETICS	CD74HC4066E	H
74HC4046AD	PHILIPS	CD74HC4046AM	H	74HC4067D	PHILIPS	CD74HC4067M	H
74HC4046AD	SIGNETICS	CD74HC4046AM	H	74HC4067D	SIGNETICS	CD74HC4067M	H
74HC4046AD-T	SIGNETICS	CD74HC4046AM96	H	74HC4067D-T	SIGNETICS	CD74HC4067M96	H

3
**DIRECT/HARRIS
REPLACEMENTS**

NOTE: D = Direct Replacement, H = Harris Recommended Replacement.

Cross-Reference Guide

COMPETITOR #	COMPETITOR	HARRIS #	TYPE
74HC4046AN	PHILIPS	CD74HC4046AE	H
74HC4046AN	SIGNETICS	CD74HC4046AE	H
74HC4049D	PHILIPS	CD74HC4049M	H
74HC4049D	SIGNETICS	CD74HC4049M	H
74HC4049D-T	SIGNETICS	CD74HC4049M96	H
74HC4049N	PHILIPS	CD74HC4049E	H
74HC4049N	SIGNETICS	CD74HC4049E	H
74HC4050D	PHILIPS	CD74HC4050M	H
74HC4050D	SIGNETICS	CD74HC4050M	H
74HC4050D-T	SIGNETICS	CD74HC4050M96	H
74HC4050N	PHILIPS	CD74HC4050E	H
74HC4050N	SIGNETICS	CD74HC4050E	H
74HC4051D	PHILIPS	CD74HC4051M	D
74HC4051D	PHILIPS	CD74HC4051M96	D
74HC4051D	SIGNETICS	CD74HC4051M	D
74HC4051D	SIGNETICS	CD74HC4051M96	D
74HC4051D-T	SIGNETICS	CD74HC4051M	D
74HC4051D-T	SIGNETICS	CD74HC4051M96	D
74HC4051N	PHILIPS	CD74HC4051E	D
74HC4051N	SIGNETICS	CD74HC4051E	D
74HC4052D	PHILIPS	CD74HC4052M	D
74HC4052D	PHILIPS	CD74HC4052M96	D
74HC4052D	SIGNETICS	CD74HC4052M	D
74HC4052D	SIGNETICS	CD74HC4052M96	D
74HC4052D-T	SIGNETICS	CD74HC4052M	D
74HC4052D-T	SIGNETICS	CD74HC4052M96	D
74HC4052N	PHILIPS	CD74HC4052E	D
74HC4052N	SIGNETICS	CD74HC4052E	D
74HC4053D	PHILIPS	CD74HC4053M	D
74HC4351N	SIGNETICS	CD74HC4351E	H
74HC4352N	PHILIPS	CD74HC4352E	H
74HC4352N	SIGNETICS	CD74HC4352E	H
74HC4511D	PHILIPS	CD74HC4511M	H
74HC4511D	SIGNETICS	CD74HC4511M	H
74HC4511N	PHILIPS	CD74HC4511E	H
74HC4511N	SIGNETICS	CD74HC4511E	H
74HC4514D	PHILIPS	CD74HC4514M	H
74HC4514D	SIGNETICS	CD74HC4514M	H
74HC4514D-T	SIGNETICS	CD74HC4514M96	H
74HC4514N	PHILIPS	CD74HC4514E	H
74HC4514N	SIGNETICS	CD74HC4514E	H
74HC4515D	PHILIPS	CD74HC4515M	H
74HC4515D	SIGNETICS	CD74HC4515M	H
74HC4515D-T	SIGNETICS	CD74HC4515M96	H
74HC4515N	PHILIPS	CD74HC4515E	H
74HC4515N	SIGNETICS	CD74HC4515E	H
74HC4518N	PHILIPS	CD74HC4518E	H
74HC4518N	SIGNETICS	CD74HC4518E	H
74HC4520D	PHILIPS	CD74HC4520M	H
74HC4520D	SIGNETICS	CD74HC4520M	H
74HC4520D-T	SIGNETICS	CD74HC4520M96	H
74HC4520N	PHILIPS	CD74HC4520E	H
74HC4520N	SIGNETICS	CD74HC4520E	H
74HC4538D	PHILIPS	CD74HC4538M	H
74HC4538D	SIGNETICS	CD74HC4538M	H
74HC4538D-T	SIGNETICS	CD74HC4538M96	H
74HC4538N	PHILIPS	CD74HC4538E	H
74HC4538N	SIGNETICS	CD74HC4538E	H

COMPETITOR #	COMPETITOR	HARRIS #	TYPE
74HC4067N	PHILIPS	CD74HC4067E	H
74HC4067N	SIGNETICS	CD74HC4067E	H
74HC4075D	PHILIPS	CD74HC4075M	H
74HC4075D	SIGNETICS	CD74HC4075M	H
74HC4075D-T	SIGNETICS	CD74HC4075M96	H
74HC4075N	PHILIPS	CD74HC4075E	H
74HC4075N	SIGNETICS	CD74HC4075E	H
74HC4094D	PHILIPS	CD74HC4094M	H
74HC4094D	SIGNETICS	CD74HC4094M	H
74HC4094D-T	SIGNETICS	CD74HC4094M96	H
74HC4094N	PHILIPS	CD74HC4094E	H
74HC4094N	SIGNETICS	CD74HC4094E	H
74HC42D	PHILIPS	CD74HC42M	D
74HC42D	SIGNETICS	CD74HC42M	D
74HC42D-T	SIGNETICS	CD74HC42M	D
74HC42N	PHILIPS	CD74HC42E	D
74HC42N	SIGNETICS	CD74HC42E	D
74HC423D	PHILIPS	CD74HC423M	H
74HC423D	SIGNETICS	CD74HC423M	H
74HC423N	PHILIPS	CD74HC423E	H
74HC423N	SIGNETICS	CD74HC423E	H
74HC4316D	PHILIPS	CD74HC4316M	H
74HC4316D	SIGNETICS	CD74HC4316M	H
74HC4316D-T	SIGNETICS	CD74HC4316M96	H
74HC4316N	PHILIPS	CD74HC4316E	H
74HC4316N	SIGNETICS	CD74HC4316E	H
74HC4351D	PHILIPS	CD74HC4351M	H
74HC4351D	SIGNETICS	CD74HC4351M	H
74HC4351N	PHILIPS	CD74HC4351E	H
74HC573D	SIGNETICS	CD74HC573M	H
74HC573D-T	SIGNETICS	CD74HC573M96	H
74HC573N	PHILIPS	CD74HC573E	H
74HC573N	SIGNETICS	CD74HC573E	H
74HC574D	PHILIPS	CD74HC574M	H
74HC574D	SIGNETICS	CD74HC574M	H
74HC574D-T	SIGNETICS	CD74HC574M96	H
74HC574N	PHILIPS	CD74HC574E	H
74HC574N	SIGNETICS	CD74HC574E	H
74HC597D	PHILIPS	CD74HC597M	H
74HC597D	SIGNETICS	CD74HC597M	H
74HC597D-T	SIGNETICS	CD74HC597M96	H
74HC597N	PHILIPS	CD74HC597E	H
74HC597N	SIGNETICS	CD74HC597E	H
74HC640D	PHILIPS	CD74HC640M	H
74HC640D	SIGNETICS	CD74HC640M	H
74HC640N	PHILIPS	CD74HC640E	H
74HC640N	SIGNETICS	CD74HC640E	H
74HC646D	PHILIPS	CD74HC646M	H
74HC646D	SIGNETICS	CD74HC646M	H
74HC670D	PHILIPS	CD74HC670M	H
74HC670D	SIGNETICS	CD74HC670M	H
74HC670D-T	SIGNETICS	CD74HC670M96	H
74HC670N	PHILIPS	CD74HC670E	H
74HC670N	SIGNETICS	CD74HC670E	H
74HC688D	PHILIPS	CD74HC688M	H
74HC688D	SIGNETICS	CD74HC688M	H
74HC688D-T	SIGNETICS	CD74HC688M96	H
74HC688N	PHILIPS	CD74HC688E	H

NOTE: D = Direct Replacement, H = Harris Recommended Replacement.

Cross-Reference Guide

COMPETITOR #	COMPETITOR	HARRIS #	TYPE	COMPETITOR #	COMPETITOR	HARRIS #	TYPE
74HC4543N	PHILIPS	CD74HC4543E	H	74HC688N	SIGNETICS	CD74HC688E	H
74HC4543N	SIGNETICS	CD74HC4543E	H	74HC7046AD	PHILIPS	CD74HC7046AM	H
74HC533N	PHILIPS	CD74HC533E	H	74HC7046AD	SIGNETICS	CD74HC7046AM	H
74HC533N	SIGNETICS	CD74HC533E	H	74HC7046AD-T	SIGNETICS	CD74HC7046AM96	H
74HC534N	PHILIPS	CD74HC534E	H	74HC7046AN	PHILIPS	CD74HC7046AE	H
74HC534N	SIGNETICS	CD74HC534E	H	74HC7046AN	SIGNETICS	CD74HC7046AE	H
74HC540D	PHILIPS	CD74HC540M	H	74HC7266D	PHILIPS	CD74HC7266M	H
74HC540D	SIGNETICS	CD74HC540M	H	74HC7266D	SIGNETICS	CD74HC7266M	H
74HC540D-T	SIGNETICS	CD74HC540M96	H	74HC7266D-T	SIGNETICS	CD74HC7266M96	H
74HC540N	PHILIPS	CD74HC540E	H	74HC7266N	PHILIPS	CD74HC7266E	H
74HC540N	SIGNETICS	CD74HC540E	H	74HC7266N	SIGNETICS	CD74HC7266E	H
74HC541D	PHILIPS	CD74HC541M	H	74HC73D	PHILIPS	CD74HC73M	H
74HC541D	SIGNETICS	CD74HC541M	H	74HC73D	SIGNETICS	CD74HC73M	H
74HC541D-T	SIGNETICS	CD74HC541M96	H	74HC73N	PHILIPS	CD74HC73E	H
74HC541N	PHILIPS	CD74HC541E	H	74HC73N	SIGNETICS	CD74HC73E	H
74HC541N	SIGNETICS	CD74HC541E	H	74HC74D	PHILIPS	CD74HC74M	H
74HC563D	PHILIPS	CD74HC563M	D	74HC74D	SIGNETICS	CD74HC74M	H
74HC563D	SIGNETICS	CD74HC563M	D	74HC74D-T	SIGNETICS	CD74HC74M96	H
74HC563D-T	SIGNETICS	CD74HC563M	D	74HC74N	PHILIPS	CD74HC74E	H
74HC563N	PHILIPS	CD74HC563E	D	74HC74N	SIGNETICS	CD74HC74E	H
74HC563N	SIGNETICS	CD74HC563E	D	74HC75D	PHILIPS	CD74HC75M	H
74HC564D	PHILIPS	CD74HC564M	H	74HC75D	SIGNETICS	CD74HC75M	H
74HC564D	SIGNETICS	CD74HC564M	H	74HC75N	PHILIPS	CD74HC75E	H
74HC564N	PHILIPS	CD74HC564E	H	74HC75N	SIGNETICS	CD74HC75E	H
74HC564N	SIGNETICS	CD74HC564E	H	74HC85D	PHILIPS	CD74HC85M	H
74HC573D	PHILIPS	CD74HC573M	H	74HC85D	SIGNETICS	CD74HC85M	H
74HC85D-T	SIGNETICS	CD74HC85M96	H	7702401CA	MOTOROLA	CD4081BF3A	D
74HC85N	PHILIPS	CD74HC85E	H	7702401CX	FAIRCHILD	CD4081BF3A	D
74HC85N	SIGNETICS	CD74HC85E	H	7702401CX	MOTOROLA	CD4081BF3A	D
74HC86D	PHILIPS	CD74HC86M	D	7702401CX	NATIONAL	CD4081BF3A	D
74HC86D	SIGNETICS	CD74HC86M	D	7702401CX	TI	CD4081BF3A	D
74HC86D	SIGNETICS	CD74HC86M96	D	7702501EX	NATIONAL	CD4094BF3A	D
74HC86D-T	SIGNETICS	CD74HC86M	D	7702501EX	SOLID STATE	CD4094BF3A	D
74HC86D-T	SIGNETICS	CD74HC86M96	D	7702601EX	SOLID STATE	CD4044BF3A	D
74HC86N	PHILIPS	CD74HC86E	D	7702701CX	FAIRCHILD	CD4069UBF3A	D
74HC86N	SIGNETICS	CD74HC86E	D	7702701CX	MOTOROLA	CD4069UBF3A	D
74HC93D	PHILIPS	CD74HC93M	D	7702701CX	NATIONAL	CD4069UBF3A	D
74HC93D	SIGNETICS	CD74HC93M	D	7702701CX	TI	CD4069UBF3A	D
74HC93D	SIGNETICS	CD74HC93M96	D	7703201JX	SOLID STATE	CD4515BF3A	D
74HC93D-T	SIGNETICS	CD74HC93M	D	7703201JX	SOLID STATE	7703201JA	D
74HC93D-T	SIGNETICS	CD74HC93M96	D	7703501JA	MOTOROLA	CD4514BF3A	D
74HC93N	PHILIPS	CD74HC93E	D	7703501JX	MOTOROLA	CD4514BF3A	D
74HC93N	SIGNETICS	CD74HC93E	D	7703702EX	SPRAGUE	CD4585BF3A	D
74LCX16240MEA	NATIONAL	CD74LPT16240ASM	H	7704401CX	SPRAGUE	CD4078BF3A	D
74LCX16240MTD	NATIONAL	CD74LPT16240AMT	H	7704501EX	SOLID STATE	CD4098BF3A	D
74LCX16244MEA	NATIONAL	CD74LPT16244ASM	H	7704502EX	NATIONAL	CD4098BF3A	D
74LCX16244MTD	NATIONAL	CD74LPT16244AMT	H	7704601CX	FAIRCHILD	CD4093BF3A	D
74LCX16245MEA	NATIONAL	CD74LPT16245ASM	H	7704601CX	NATIONAL	CD4093BF3A	D
74LCX16245MTD	NATIONAL	CD74LPT16245AMT	H	7704601CX	SOLID STATE	CD4093BF3A	D
74LCX16373MEA	NATIONAL	CD74LPT16373ASM	H	7704701EX	FAIRCHILD	CD4555BF3A	D
74LCX16373MTD	NATIONAL	CD74LPT16373AMT	H	7704701EX	SOLID STATE	CD4555BF3A	D
74LCX16374MEA	NATIONAL	CD74LPT16374ASM	H	7704701EX	SPRAGUE	CD4555BF3A	D
74LCX16374MTD	NATIONAL	CD74LPT16374AMT	H	7704801EX	SPRAGUE	CD4556BF3A	D
74LCX16501MEA	NATIONAL	CD74LPT16501ASM	H	7705101CA	MOTOROLA	CD4073BF3A	D
74LCX16501MTD	NATIONAL	CD74LPT16501AMT	H	7705101CX	FAIRCHILD	CD4073BF3A	D
74LCX16543MEA	NATIONAL	CD74LPT16543CSM	H	7705101CX	MOTOROLA	CD4073BF3A	D
				7705101CX	NATIONAL	CD4073BF3A	D
				7705101CX	TI	CD4073BF3A	D

3
DIRECT/HARRIS
REPLACEMENTS

NOTE: D = Direct Replacement, H = Harris Recommended Replacement.

Cross-Reference Guide

COMPETITOR #	COMPETITOR	HARRIS #	TYPE	COMPETITOR #	COMPETITOR	HARRIS #	TYPE
74LCX16543MTD	NATIONAL	CD74LPT16543CMT	H	7705201EA	SILICONIX	7705201EC	D
74LCX16646MEA	NATIONAL	CD74LPT16646ASM	H	7705201EC	SILICONIX	7705201EC	D
74LCX16646MTD	NATIONAL	CD74LPT16646AMT	H	7705201EX	ADI	7705201EC	D
74LCX16652MEA	NATIONAL	CD74LPT16652ASM	H	7705201EX	SILICONIX	7705201EC	D
74LCX16652MTD	NATIONAL	CD74LPT16652AMT	H	7705801EX	NATIONAL	CD4040BF3A	D
74LCX244WWM	NATIONAL	CD74LPT244CM	H	7705801EX	SPRAGUE	CD4040BF3A	D
74LCX245WWM	NATIONAL	CD74LPT245CM	H	7705901CA	MOTOROLA	CD4082BF3A	D
74LCX373WWM	NATIONAL	CD74LPT373CM	H	7705901CX	FAIRCHILD	CD4082BF3A	D
74VHCT08M	NATIONAL	CD74HCT08M	D	7705901CX	MOTOROLA	CD4082BF3A	D
74VHCT08M	NATIONAL	CD74HCT08M96	D	7706001CX	FAIRCHILD	CD4072BF3A	D
74VHC4051M	NATIONAL	CD74HC4051M	D	7802801EA	LINEAR TECH	CA1524FX	H
74VHC4051M	NATIONAL	CD74HC4051M96	D	7802801EX	INT POWER	CA1524FX	H
74VHC4051N	NATIONAL	CD74HC4051E	D	7802801EX	LINEAR TECH	CA1524FX	H
74VHC4052M	NATIONAL	CD74HC4052M	D	7802801EX	SEAGATE	CA1524FX	H
74VHC4052M	NATIONAL	CD74HC4052M96	D	7802801EX	SIGNETICS	CA1524FX	H
74VHC4052N	NATIONAL	CD74HC4052E	D	7802801EX	SILICON GEN	CA1524FX	H
74VHC4053M	NATIONAL	CD74HC4053M	D	7802801EX	UNITRODE	CA1524FX	H
74VHC4053M	NATIONAL	CD74HC4053M96	D	7901201EX	SPRAGUE	CD4021BF3A	D
74VHC4053N	NATIONAL	CD74HC4053E	D	7901301CX	SPRAGUE	CD4023BF3A	D
7702301EX	NATIONAL	CD4520BF3A	D	7901401EX	SPRAGUE	CD4049UBF3A	D
7702301EX	NATIONAL	7702301EA	D	7901501EB	FAIRCHILD	CD4052BF3A	D
7702301EX	SOLID STATE	CD4520BF3A	D	7901501EX	FAIRCHILD	CD4052BF3A	D
7702301EX	SOLID STATE	7702301EA	D	8100604EA	SILICONIX	8100604EA	D
8101601EX	NATIONAL	CD4029BF3A	D	8404801CX	TI	8404801CA	D
8101601EX	SPRAGUE	CD4029BF3A	D	8405201QA	INTEL	MD80C86/883	D
8101701EX	SOLID STATE	CD4035BF3A	D	8405201QA	INTEL	8405201QA	D
8101702EX	MOTOROLA	CD4035BF3A	D	8405201QX	INTEL	MD80C86/883	D
8101801EX	SOLID STATE	CD4053BF3A	D	8405201QX	INTEL	8405201QA	D
8101802EX	MOTOROLA	CD4053BF3A	D	8405202QA	INTEL	MD80C86-2/B	D
8101803EX	NATIONAL	CD4053BF3A	D	8405202QX	INTEL	MD80C86-2/B	D
8101901EX	SOLID STATE	CD4042BF3A	D	8405601CA	MOTOROLA	8405601CA	D
8102001CX	NATIONAL	8102001CA	D	8405601CA	TI	8405601CA	D
8102001CX	SPRAGUE	8102001CA	D	8405601CX	MOTOROLA	8405601CA	D
8102002CX	NATIONAL	CD4047BF3A	D	8405601CX	NATIONAL	8405601CA	D
82C54/BJA	AMD	8406501JA	D	8405601CX	TI	8405601CA	D
82C82CJ	MMI	ID82C82	D	8406501JA	INTEL	8406501JA	D
82C82CN	MMI	IP82C82	D	8406501JX	INTEL	8406501JA	D
82C82MJB	MMI	MD82C82/B	D	8406601QX	INTEL	8406601QA	D
82C82MJ883B	MMI	8406701RA	D	8406602QA	INTEL	8406602QA	D
82C82MLB	MMI	MR82C82/B	D	8406602QX	INTEL	8406602QA	D
82C82ML883B	MMI	84067012A	D	84068012X	INTEL	84068012A	D
8202201EX	NATIONAL	CD40174BF3A	D	8407001EA	MOTOROLA	8407001EA	D
8403901CA	MOTOROLA	8403901CA	D	8407001EA	TI	8407001EA	D
8403901CA	TI	8403901CA	D	8407001EX	MOTOROLA	8407001EA	D
8403901CX	MOTOROLA	8403901CA	D	8407001EX	NATIONAL	8407001EA	D
8403901CX	NATIONAL	8403901CA	D	8407001EX	TI	8407001EA	D
8403901CX	TI	8403901CA	D	8407301EA	MOTOROLA	8407301EA	D
8404001CA	MOTOROLA	8404001CA	D	8407301EA	TI	8407301EA	D
8404001CA	TI	8404001CA	D	8407301EX	MOTOROLA	8407301EA	D
8404001CX	MOTOROLA	8404001CA	D	8407301EX	NATIONAL	8407301EA	D
8404001CX	NATIONAL	8404001CA	D	8407301EX	TI	8407301EA	D
8404001CX	TI	8404001CA	D	8408501RA	TI	CD54HC245F3A	D
8404101CA	MOTOROLA	8404101CA	D	8408501RX	NATIONAL	CD54HC245F3A	D
8404101CA	TI	8404101CA	D	8408501RX	SPRAGUE	CD54HC245F3A	D
8404101CX	MOTOROLA	8404101CA	D	8408501RX	TI	CD54HC245F3A	D
8404101CX	NATIONAL	8404101CA	D	8409001CA	MOTOROLA	CD54HC243F3A	D
8404101CX	TI	8404101CA	D	8409001CA	MOTOROLA	8409001CA	D
8404201CA	MOTOROLA	8404201CA	D	8409001CA	TI	CD54HC243F3A	D

NOTE: D = Direct Replacement, H = Harris Recommended Replacement.

Cross-Reference Guide

COMPETITOR #	COMPETITOR	HARRIS #	TYPE	COMPETITOR #	COMPETITOR	HARRIS #	TYPE
8404201CA	TI	8404201CA	D	8409001CA	TI	8409001CA	D
8404201CX	MOTOROLA	8404201CA	D	8409001CX	MOTOROLA	CD54HC243F3A	D
8404201CA	NATIONAL	8404201CA	D	8409001CX	MOTOROLA	8409001CA	D
8404201CX	TI	8404201CA	D	8409001CX	NATIONAL	CD54HC243F3A	D
8404302CX	MOTOROLA	8404302CA	D	8409001CX	NATIONAL	8409001CA	D
8404302CX	NATIONAL	8404302CA	D	8409001CX	TI	CD54HC243F3A	D
8404401CA	MOTOROLA	8404401CA	D	8409001CX	TI	8409001CA	D
8404401CA	TI	8404401CA	D	8409301EA	MOTOROLA	8409301EA	D
8404401CX	MOTOROLA	8404401CA	D	8409301EA	TI	8409301EA	D
8404401CX	NATIONAL	8404401CA	D	8409301EX	MOTOROLA	8409301EA	D
8404401CX	TI	8404401CA	D	8409301EX	NATIONAL	8409301EA	D
8404601CA	MOTOROLA	CD54HC86F3A	D	8409301EX	SPRAGUE	8409301EA	D
8404601CA	TI	CD54HC86F3A	D	8409301EX	TI	8409301EA	D
8404601CX	MOTOROLA	CD54HC86F3A	D	8409401EA	MOTOROLA	8409401EA	D
8404601CX	NATIONAL	CD54HC86F3A	D	8409401EX	MOTOROLA	8409401EA	D
8404601CX	TI	CD54HC86F3A	D	8409401EX	NATIONAL	8409401EA	D
8404801CA	MOTOROLA	8404801CA	D	8409401EX	TI	8409401EA	D
8404801CA	TI	8404801CA	D	8409501EA	MOTOROLA	8409501EA	D
8404801CX	MOTOROLA	8404801CA	D	8409501EA	TI	8409501EA	D
8404801CX	NATIONAL	8404801CA	D	8409501EX	MOTOROLA	8409501EA	D
8409501EX	NATIONAL	8409501EA	D	8512501EX	TI	8512501EA	D
8409501EX	TI	8409501EA	D	8512801RA	MOTOROLA	8512801RA	D
8409801CA	MOTOROLA	8409801CA	D	8512801RA	TI	8512801RA	D
8409801CA	TI	8409801CA	D	8512801RX	MOTOROLA	8512801RA	D
8409801CX	MOTOROLA	8409801CA	D	8512801RX	NATIONAL	8512801RA	D
8409801CX	NATIONAL	8409801CA	D	8512801RX	TI	8512801RA	D
8409801CX	SIGNETICS	8409801CA	D	8513001RA	MOTOROLA	8513001RA	D
8409801CX	TI	8409801CA	D	8513001RA	TI	8513001RA	D
8409901RA	MOTOROLA	8409901RA	D	8513001RX	MOTOROLA	8513001RA	D
8409901RA	TI	8409901RA	D	8513001RX	TI	8513001RA	D
8409901RX	MOTOROLA	8409901RA	D	8550401EA	TI	8550401EA	D
8409901RX	NATIONAL	8409901RA	D	8550401EX	NATIONAL	8550401EA	D
8409901RX	SIGNETICS	8409901RA	D	8550401EX	TI	8550401EA	D
8409901RX	TI	8409901RA	D	8550501RA	MOTOROLA	8550501RA	D
8410001CA	MOTOROLA	8410001CA	D	8550501RA	TI	8550501RA	D
8410001CA	TI	8410001CA	D	8550501RX	MOTOROLA	8550501RA	D
8410001CX	MOTOROLA	8410001CA	D	8550501RX	TI	8550501RA	D
8410001CX	NATIONAL	8410001CA	D	8550601RA	TI	8550601RA	D
8410001CX	SIGNETICS	8410001CA	D	8550601RX	NATIONAL	8550601RA	D
8410001CX	TI	8410001CA	D	8550701RA	MOTOROLA	8550701RA	D
8412801EA	MOTOROLA	8412801EA	D	8550701RA	TI	8550701RA	D
8412801EA	TI	8412801EA	D	8550701RX	MOTOROLA	8550701RA	D
8412801EX	MOTOROLA	8412801EA	D	8550701RX	NATIONAL	8550701RA	D
8412801EX	NATIONAL	8412801EA	D	8550701RX	TI	8550701RA	D
8412801EX	TI	8412801EA	D	8551901EA	MOTOROLA	8551901EA	D
8415001EA	MOTOROLA	8415001EA	D	8551901EA	TI	8551901EA	D
8415001EA	TI	8415001EA	D	8551901EX	MOTOROLA	8551901EA	D
8415001EX	MOTOROLA	8415001EA	D	8551901EX	NATIONAL	8551901EA	D
8415001EX	NATIONAL	8415001EA	D	8551901EX	TI	8551901EA	D
8415001EX	TI	8415001EA	D	8601001CA	MOTOROLA	8601001CA	D
8416201CA	MOTOROLA	8416201CA	D	8601001CA	NATIONAL	8601001CA	D
8416201CA	TI	8416201CA	D	8601001CA	TI	8601001CA	D
8416201CX	MOTOROLA	8416201CA	D	8601001CX	MOTOROLA	8601001CA	D
8416201CX	NATIONAL	8416201CA	D	8601001CX	NATIONAL	8601001CA	D
8416201CX	TI	8416201CA	D	8601001CX	TI	8601001CA	D
8500301EA	MOTOROLA	8500301EA	D	8601101EA	MOTOROLA	8601101EA	D
8500301EA	TI	8500301EA	D	8601101EX	MOTOROLA	8601101EA	D
8500301EX	MOTOROLA	8500301EA	D	8601101EX	NATIONAL	8601101EA	D

3
DIRECT/HARRIS
REPLACEMENTS

NOTE: D = Direct Replacement, H = Harris Recommended Replacement.

Cross-Reference Guide

COMPETITOR #	COMPETITOR	HARRIS #	TYPE	COMPETITOR #	COMPETITOR	HARRIS #	TYPE
8500301EX	NATIONAL	8500301EA	D	8601201CA	MOTOROLA	8601201CA	D
8500301EX	TI	8500301EA	D	8601201CX	MOTOROLA	8601201CA	D
8500401EA	MOTOROLA	8500401EA	D	8601201CX	TI	8601201CA	D
8500401EA	TI	8500401EA	D	8601301EA	MOTOROLA	8601301EA	D
8500401EX	MOTOROLA	8500401EA	D	8601301EA	NATIONAL	8601301EA	D
8500401EX	NATIONAL	8500401EA	D	8601301EX	MOTOROLA	8601301EA	D
8500401EX	TI	8500401EA	D	8601301EX	NATIONAL	8601301EA	D
8512401EA	MOTOROLA	8512401EA	D	8606101EA	TI	5962-8606101EA	D
8512401EA	TI	8512401EA	D	8607601EA	MOTOROLA	8607601EA	D
8512401EX	MOTOROLA	8512401EA	D	8607601EA	TI	8607601EA	D
8512401EX	NATIONAL	8512401EA	D	8607601EX	MOTOROLA	8607601EA	D
8512401EX	SIGNETICS	8512401EA	D	8607601EX	NATIONAL	8607601EA	D
8512401EX	TI	8512401EA	D	8607601EX	SIGNETICS	8607601EA	D
8512501EA	MOTOROLA	8512501EA	D	8607601EX	TI	8607601EA	D
8512501EA	TI	8512501EA	D	8607701CA	MOTOROLA	8607701CA	D
8512501EX	MOTOROLA	8512501EA	D	8607701CA	NATIONAL	8607701CA	D
8512501EX	NATIONAL	8512501EA	D	8607701CA	TI	8607701CA	D
8607701CX	MOTOROLA	8607701CA	D	883/4015BD	SOLID STATE	CD4015BF3A	D
8607701CX	NATIONAL	8607701CA	D	883/4016BC	SOLID STATE	CD4016BF3A	D
8607701CX	TI	8607701CA	D	883/4016BD	SOLID STATE	CD4016BF3A	D
8681401RA	TI	5962-8681401RA	D	883/4017BC	SOLID STATE	CD4017BF3A	D
8752501CA	NATIONAL	CD54ACT74F3A	D	883/4017BD	SOLID STATE	CD4017BF3A	D
8754901CA	NATIONAL	CD54AC00F3A	D	883/4018BC	SOLID STATE	CD4018BF3A	D
8755001RA	NATIONAL	CD54AC240F3A	D	883/4018BD	SOLID STATE	CD4018BF3A	D
8755201RA	NATIONAL	CD54AC244F3A	D	883/4019BC	SOLID STATE	CD4019BF3A	D
8755401EA	NATIONAL	CD54ACT138F3A	D	883/4019BD	SOLID STATE	CD4019BF3A	D
8755501RA	NATIONAL	CD54AC373F3A	D	883/4020BC	SOLID STATE	CD4020BF3A	D
8755601RA	NATIONAL	CD54ACT373F3A	D	883/4020BD	SOLID STATE	CD4020BF3A	D
8760901CA	NATIONAL	CD54AC04F3A	D	883/4021BC	SOLID STATE	CD4021BF3A	D
8761201CA	NATIONAL	CD54AC02F3A	D	883/4021BD	SOLID STATE	CD4021BF3A	D
8762201EA	NATIONAL	CD54AC138F3A	D	883/4022BC	SOLID STATE	CD4022BF3A	D
8762301EA	NATIONAL	CD54AC139F3A	D	883/4022BD	SOLID STATE	CD4022BF3A	D
8762501EA	NATIONAL	CD54AC153F3A	D	883/4023BC	SOLID STATE	CD4023BF3A	D
8763101RA	NATIONAL	CD54ACT374F3A	D	883/4023BD	SOLID STATE	CD4023BF3A	D
8769401RA	NATIONAL	CD54AC374F3A	D	883/4024BC	SOLID STATE	CD4024BF3A	D
8769801EA	NATIONAL	CD54ACT153F3A	D	883/4024BD	SOLID STATE	CD4024BF3A	D
8769901CA	NATIONAL	CD54ACT00F3A	D	883/4027BC	SOLID STATE	CD4027BF3A	D
8775601RA	NATIONAL	CD54AC273F3A	D	883/4027BD	SOLID STATE	CD4027BF3A	D
8775701EA	NATIONAL	CD54ACT174F3A	D	883/4028BC	SOLID STATE	CD4028BF3A	D
8775801RA	NATIONAL	CD54AC245F3A	D	883/4028BD	SOLID STATE	CD4028BF3A	D
8775901RA	NATIONAL	CD54ACT240F3A	D	883/4029BC	SOLID STATE	CD4029BF3A	D
8776101EA	NATIONAL	CD54ACT253F3A	D	883/4029BD	SOLID STATE	CD4029BF3A	D
8778301EA	ELANTEC	5962-8778301EA	D	883/4030BC	SOLID STATE	CD4030BF3A	D
883/4001BC	SOLID STATE	CD4001BF3A	D	883/4030BD	SOLID STATE	CD4030BF3A	D
883/4001BC	SOLID STATE	CD4001UBF3A	D	883/4034ABC	SOLID STATE	CD4034BF3A	D
883/4001BD	SOLID STATE	CD4001BF3A	D	883/4034ABD	SOLID STATE	CD4034BF3A	D
883/4001BD	SOLID STATE	CD4001UBF3A	D	883/4034BD	SOLID STATE	CD4034BF3A	D
883/4001UBC	SOLID STATE	CD4001BF3A	D	883/4035BC	SOLID STATE	CD4035BF3A	D
883/4001UBC	SOLID STATE	CD4001UBF3A	D	883/4035BD	SOLID STATE	CD4035BF3A	D
883/4001UBD	SOLID STATE	CD4001BF3A	D	883/4040BC	SOLID STATE	CD4040BF3A	D
883/4001UBD	SOLID STATE	CD4001UBF3A	D	883/4040BD	SOLID STATE	CD4040BF3A	D
883/4002BC	SOLID STATE	CD4002BF3A	D	883/4041UBC	SOLID STATE	CD4041UBF3A	D
883/4002BD	SOLID STATE	CD4002BF3A	D	883/4041UBD	SOLID STATE	CD4041UBF3A	D
883/4006BC	SOLID STATE	CD4006BF3A	D	883/4042BC	SOLID STATE	CD4042BF3A	D
883/4006BD	SOLID STATE	CD4006BF3A	D	883/4042BD	SOLID STATE	CD4042BF3A	D
883/4007UBC	SOLID STATE	CD4007UBF3A	D	883/4043BC	SOLID STATE	CD4043BF3A	D
883/4007UBD	SOLID STATE	CD4007UBF3A	D	883/4043BD	SOLID STATE	CD4043BF3A	D
883/4008BC	SOLID STATE	CD4008BF3A	D	883/4044BC	SOLID STATE	CD4044BF3A	D

NOTE: D = Direct Replacement, H = Harris Recommended Replacement.

Cross-Reference Guide

COMPETITOR #	COMPETITOR	HARRIS #	TYPE	COMPETITOR #	COMPETITOR	HARRIS #	TYPE
883/4008BD	SOLID STATE	CD4008BF3A	D	883/4044BD	SOLID STATE	CD4044BF3A	D
883/4009UBC	SOLID STATE	CD4009UBF3A	D	883/4046BC	SOLID STATE	CD4046BF3A	D
883/4009UBD	SOLID STATE	CD4009UBF3A	D	883/4046BD	SOLID STATE	CD4046BF3A	D
883/4010BC	SOLID STATE	CD4010BF3A	D	883/4047BC	SOLID STATE	CD4047BF3A	D
883/4010BD	SOLID STATE	CD4010BF3A	D	883/4047BD	SOLID STATE	CD4047BF3A	D
883/4011BC	SOLID STATE	CD4011BF3A	D	883/4049UBC	SOLID STATE	CD4049UBF3A	D
883/4011BD	SOLID STATE	CD4011BF3A	D	883/4049UBD	SOLID STATE	CD4049UBF3A	D
883/4011UBC	SOLID STATE	CD4011BF3A	D	883/4050BC	SOLID STATE	CD4050BF3A	D
883/4011UBD	SOLID STATE	CD4011BF3A	D	883/4050BD	SOLID STATE	CD4050BF3A	D
883/4012BC	SOLID STATE	CD4012BF3A	D	883/4051BC	SOLID STATE	CD4051BF3A	D
883/4012BD	SOLID STATE	CD4012BF3A	D	883/4051BD	SOLID STATE	CD4051BF3A	D
883/4014BC	SOLID STATE	CD4014BF3A	D	883/4052BC	SOLID STATE	CD4052BF3A	D
883/4014BD	SOLID STATE	CD4014BF3A	D	883/4052BD	SOLID STATE	CD4052BF3A	D
883/4015BC	SOLID STATE	CD4015BF3A	D	883/4053BC	SOLID STATE	CD4053BF3A	D
883/4053BD	SOLID STATE	CD4053BF3A	D	883/4512BC	SOLID STATE	CD4512BF3A	D
883/4060ABC	SOLID STATE	CD4060BF3A	D	883/4512BD	SOLID STATE	CD4512BF3A	D
883/4060ABD	SOLID STATE	CD4060BF3A	D	883/4514BC	SOLID STATE	CD4514BF3A	D
883/4060BC	SOLID STATE	CD4060BF3A	D	883/4514BD	SOLID STATE	CD4514BF3A	D
883/4060BD	SOLID STATE	CD4060BF3A	D	883/4515BC	SOLID STATE	CD4515BF3A	D
883/4066BC	SOLID STATE	CD4066BF3A	D	883/4515BC	SOLID STATE	7703201JA	D
883/4066BD	SOLID STATE	CD4066BF3A	D	883/4515BD	SOLID STATE	CD4515BF3A	D
883/4069UBC	SOLID STATE	CD4069UBF3A	D	883/4515BD	SOLID STATE	7703201JA	D
883/4069UBD	SOLID STATE	CD4069UBF3A	D	883/4516BC	SOLID STATE	CD4516BF3A	D
883/4070BC	SOLID STATE	CD4070BF3A	D	883/4516BD	SOLID STATE	CD4516BF3A	D
883/4070BD	SOLID STATE	CD4070BF3A	D	883/4517BC	SOLID STATE	CD4517BF3A	D
883/4071BC	SOLID STATE	CD4071BF3A	D	883/4517BD	SOLID STATE	CD4517BF3A	D
883/4071BD	SOLID STATE	CD4071BF3A	D	883/4518BC	SOLID STATE	CD4518BF3A	D
883/4072BC	SOLID STATE	CD4072BF3A	D	883/4518BD	SOLID STATE	CD4518BF3A	D
883/4072BD	SOLID STATE	CD4072BF3A	D	883/4520BC	SOLID STATE	CD4520BF3A	D
883/4073BC	SOLID STATE	CD4073BF3A	D	883/4520BC	SOLID STATE	7702301EA	D
883/4073BD	SOLID STATE	CD4073BF3A	D	883/4520BD	SOLID STATE	CD4520BF3A	D
883/4075BC	SOLID STATE	CD4075BF3A	D	883/4520BD	SOLID STATE	7702301EA	D
883/4075BD	SOLID STATE	CD4075BF3A	D	883/4528BC	SOLID STATE	CD4098BF3A	D
883/4076BC	SOLID STATE	CD4076BF3A	D	883/4528BD	SOLID STATE	CD4098BF3A	D
883/4076BD	SOLID STATE	CD4076BF3A	D	883/4532BC	SOLID STATE	CD4532BF3A	D
883/4077BC	SOLID STATE	CD4077BF3A	D	883/4532BD	SOLID STATE	CD4532BF3A	D
883/4077BD	SOLID STATE	CD4077BF3A	D	883/4555BC	SOLID STATE	CD4555BF3A	D
883/4081BC	SOLID STATE	CD4081BF3A	D	883/4555BD	SOLID STATE	CD4555BF3A	D
883/4081BD	SOLID STATE	CD4081BF3A	D	883/4556BC	SOLID STATE	CD4556BF3A	D
883/4082BC	SOLID STATE	CD4082BF3A	D	883/4556BD	SOLID STATE	CD4556BF3A	D
883/4082BD	SOLID STATE	CD4082BF3A	D	883/4585BC	SOLID STATE	CD4585BF3A	D
883/4085BC	SOLID STATE	CD4085BF3A	D	883/4585BD	SOLID STATE	CD4585BF3A	D
883/4085BD	SOLID STATE	CD4085BF3A	D	883C4001BC	SPRAGUE	CD4001BF3A	D
883/4086BC	SOLID STATE	CD4086BF3A	D	883C4001BC	SPRAGUE	CD4001UBF3A	D
883/4086BD	SOLID STATE	CD4086BF3A	D	883C4001UBC	SPRAGUE	CD4001BF3A	D
883/4093BC	SOLID STATE	CD4093BF3A	D	883C4001UBC	SPRAGUE	CD4001UBF3A	D
883/4093BD	SOLID STATE	CD4093BF3A	D	883C4002BC	SPRAGUE	CD4002BF3A	D
883/4094BC	SOLID STATE	CD4094BF3A	D	883C4006BC	SPRAGUE	CD4006BF3A	D
883/4094BD	SOLID STATE	CD4094BF3A	D	883C4007UBC	SPRAGUE	CD4007UBF3A	D
883/4099BC	SOLID STATE	CD4099BF3A	D	883C4008BC	SPRAGUE	CD4008BF3A	D
883/4099BD	SOLID STATE	CD4099BF3A	D	883C4009UBC	SPRAGUE	CD4009UBF3A	D
883/4160BC	SOLID STATE	CD40160BF3A	D	883C4010BC	SPRAGUE	CD4010BF3A	D
883/4160BD	SOLID STATE	CD40160BF3A	D	883C4011BC	SPRAGUE	CD4011BF3A	D
883/4161BC	SOLID STATE	CD40161BF3A	D	883C4011UBC	SPRAGUE	CD4011BF3A	D
883/4161BD	SOLID STATE	CD40161BF3A	D	883C4012BC	SPRAGUE	CD4012BF3A	D
883/4163BC	SOLID STATE	CD40163BF3A	D	883C4014BC	SPRAGUE	CD4014BF3A	D
883/4163BD	SOLID STATE	CD40163BF3A	D	883C4015BC	SPRAGUE	CD4015BF3A	D
883/4174BC	SOLID STATE	CD40174BF3A	D	883C4016BC	SPRAGUE	CD4016BF3A	D

3
DIRECT/HARRIS
REPLACEMENTS

NOTE: D = Direct Replacement, H = Harris Recommended Replacement.

Cross-Reference Guide

COMPETITOR #	COMPETITOR	HARRIS #	TYPE	COMPETITOR #	COMPETITOR	HARRIS #	TYPE
883/4174BD	SOLID STATE	CD40174BF3A	D	883C4017BC	SPRAGUE	CD4017BF3A	D
883/4193BC	SOLID STATE	CD40193BF3A	D	883C4018BC	SPRAGUE	CD4018BF3A	D
883/4193BD	SOLID STATE	CD40193BF3A	D	883C4019BC	SPRAGUE	CD4019BF3A	D
883/4502BC	SOLID STATE	CD4502BFB	D	883C4020BC	SPRAGUE	CD4020BF3A	D
883/4502BC	SOLID STATE	CD4502BF3A	D	883C4021BC	SPRAGUE	CD4021BF3A	D
883/4502BD	SOLID STATE	CD4502BFB	D	883C4022BC	SPRAGUE	CD4022BF3A	D
883/4502BD	SOLID STATE	CD4502BF3A	D	883C4023BC	SPRAGUE	CD4023BF3A	D
883/4508BC	SOLID STATE	CD4508BF3A	D	883C4024BC	SPRAGUE	CD4024BF3A	D
883/4508BD	SOLID STATE	CD4508BF3A	D	883C4027BC	SPRAGUE	CD4027BF3A	D
883/4511BC	SOLID STATE	CD4511BF3A	D	883C4028BC	SPRAGUE	CD4028BF3A	D
883/4511BD	SOLID STATE	CD4511BF3A	D	883C4029BC	SPRAGUE	CD4029BF3A	D
883C4030BC	SPRAGUE	CD4030BF3A	D	8853401EA	NATIONAL	CD54ACT109F3A	D
883C4035BC	SPRAGUE	CD4035BF3A	D	8870301EA	NATIONAL	CD54AC257F3A	D
883C4040BC	SPRAGUE	CD4040BF3A	D	8870601RA	NATIONAL	CD54AC541F3A	D
883C4041UBC	SPRAGUE	CD4041UBF3A	D	8875401RA	NATIONAL	CD54AC299F3A	D
883C4042BC	SPRAGUE	CD4042BF3A	D	8875601EA	NATIONAL	CD54ACT151F3A	D
883C4043BC	SPRAGUE	CD4043BF3A	D	8877101RA	NATIONAL	CD54ACT299F3A	D
883C4044BC	SPRAGUE	CD4044BF3A	D	89007-2N7123TX	APT	89007-2N7123TX	D
883C4046BC	SPRAGUE	CD4046BF3A	D	89007-2N7123TX	IR	89007-2N7123TX	D
883C4047BC	SPRAGUE	CD4047BF3A	D	89007-2N7123TX	MOTOROLA	89007-2N7123TX	D
883C4049UBC	SPRAGUE	CD4049UBF3A	D	89007-2N7123TX	SILICONIX	89007-2N7123TX	D
883C4050BC	SPRAGUE	CD4050BF3A	D	89007-2N7124TX	APT	89007-2N7124TX	D
883C4051BC	SPRAGUE	CD4051BF3A	D	89007-2N7124TX	IR	89007-2N7124TX	D
883C4052BC	SPRAGUE	CD4052BF3A	D	89007-2N7124TX	MOTOROLA	89007-2N7124TX	D
883C4053BC	SPRAGUE	CD4053BF3A	D	89007-2N7124TX	SILICONIX	89007-2N7124TX	D
883C4060BC	SPRAGUE	CD4060BF3A	D	89007-2N7125TX	APT	89007-2N7125TX	D
883C4066BC	SPRAGUE	CD4066BF3A	D	89007-2N7125TX	IR	89007-2N7125TX	D
883C4069UBC	SPRAGUE	CD4069UBF3A	D	89007-2N7125TX	MOTOROLA	89007-2N7125TX	D
883C4070BC	SPRAGUE	CD4070BF3A	D	89007-2N7125TX	SILICONIX	89007-2N7125TX	D
883C4071BC	SPRAGUE	CD4071BF3A	D	89007-2N7126TX	APT	89007-2N7126TX	D
883C4072BC	SPRAGUE	CD4072BF3A	D	89007-2N7126TX	IR	89007-2N7126TX	D
883C4073BC	SPRAGUE	CD4073BF3A	D	89007-2N7126TX	MOTOROLA	89007-2N7126TX	D
883C4075BC	SPRAGUE	CD4075BF3A	D	89007-2N7126TX	SILICONIX	89007-2N7126TX	D
883C4076BC	SPRAGUE	CD4076BF3A	D	89009-2N7119TX	APT	89009-2N7119TX	D
883C4077BC	SPRAGUE	CD4077BF3A	D	89009-2N7119TX	IR	89009-2N7119TX	D
883C4081BC	SPRAGUE	CD4081BF3A	D	89009-2N7119TX	MOTOROLA	89009-2N7119TX	D
883C4082BC	SPRAGUE	CD4082BF3A	D	89009-2N7119TX	SILICONIX	89009-2N7119TX	D
883C4085BC	SPRAGUE	CD4085BF3A	D	89009-2N7120TX	APT	89009-2N7120TX	D
883C4086BC	SPRAGUE	CD4086BF3A	D	89009-2N7120TX	IR	89009-2N7120TX	D
883C4093BC	SPRAGUE	CD4093BF3A	D	89009-2N7120TX	MOTOROLA	89009-2N7120TX	D
883C4094BC	SPRAGUE	CD4094BF3A	D	89009-2N7120TX	SILICONIX	89009-2N7120TX	D
883C4099BC	SPRAGUE	CD4099BF3A	D	89009-2N7121TX	APT	89009-2N7121TX	D
883C4160BC	SPRAGUE	CD40160BF3A	D	89009-2N7121TX	IR	89009-2N7121TX	D
883C4161BC	SPRAGUE	CD40161BF3A	D	89009-2N7121TX	MOTOROLA	89009-2N7121TX	D
883C4163BC	SPRAGUE	CD40163BF3A	D	89009-2N7121TX	SILICONIX	89009-2N7121TX	D
883C4174BC	SPRAGUE	CD40174BF3A	D	89009-2N7122TX	APT	89009-2N7122TX	D
883C4193BC	SPRAGUE	CD40193BF3A	D	89009-2N7122TX	IR	89009-2N7122TX	D
883C4502BC	SPRAGUE	CD4502BFB	D	89009-2N7122TX	MOTOROLA	89009-2N7122TX	D
883C4502BC	SPRAGUE	CD4502BF3A	D	89009-2N7122TX	SILICONIX	89009-2N7122TX	D
883C4508BC	SPRAGUE	CD4508BF3A	D	89025-2N7241TX	APT	89025-2N7241TX	D
883C4511BC	SPRAGUE	CD4511BF3A	D	89025-2N7241TX	IR	89025-2N7241TX	D
883C4512BC	SPRAGUE	CD4512BF3A	D	89025-2N7241TX	MOTOROLA	89025-2N7241TX	D
883C4514BC	SPRAGUE	CD4514BF3A	D	89025-2N7241TX	SILICONIX	89025-2N7241TX	D
883C4515BC	SPRAGUE	CD4515BF3A	D	89025-2N7242TX	APT	89025-2N7242TX	D
883C4515BC	SPRAGUE	7703201JA	D	89025-2N7242TX	IR	89025-2N7242TX	D
883C4517BC	SPRAGUE	CD4517BF3A	D	89025-2N7242TX	MOTOROLA	89025-2N7242TX	D
883C4520BC	SPRAGUE	CD4520BF3A	D	89025-2N7242TX	SILICONIX	89025-2N7242TX	D
883C4520BC	SPRAGUE	7702301EA	D	89025-2N7243TX	APT	89025-2N7243TX	D

NOTE: D = Direct Replacement, H = Harris Recommended Replacement.

Cross-Reference Guide

COMPETITOR #	COMPETITOR	HARRIS #	TYPE
883C4528BC	SPRAGUE	CD4098BF3A	D
883C4532BC	SPRAGUE	CD4532BF3A	D
883C4555BC	SPRAGUE	CD4555BF3A	D
883C4556BC	SPRAGUE	CD4556BF3A	D
883C4585BC	SPRAGUE	CD4585BF3A	D
8852001CA	NATIONAL	CD54AC74F3A	D
8852001DA	NATIONAL	CD54AC74F3A	D
8852001DX	NATIONAL	CD54AC74F3A	D
8956101EA	NATIONAL	CD54AC161F3A	D

COMPETITOR #	COMPETITOR	HARRIS #	TYPE
89025-2N7243TX	IR	89025-2N7243TX	D
89025-2N7243TX	MOTOROLA	89025-2N7243TX	D
89025-2N7243TX	SILICONIX	89025-2N7243TX	D
89025-2N7244TX	APT	89025-2N7244TX	D
89025-2N7244TX	IR	89025-2N7244TX	D
89025-2N7244TX	MOTOROLA	89025-2N7244TX	D
89025-2N7244TX	SILICONIX	89025-2N7244TX	D
8955101EA	NATIONAL	CD54AC109F3A	D

NOTE: D = Direct Replacement, H = Harris Recommended Replacement.

CROSS-REFERENCE GUIDE

4

MILITARY AND SPACE

Military and Space Cross-Reference Part Number Listing Information

The cross-reference listing on the following pages, in Harris marketing/order entry part number sequence, contains all line items of the standard High-Reliability/Military (-55°C to 125°C temperature range) and Rad Hard products offered by Harris Semiconductor. The contents of this listing are described below.

Column 1. Compliant/Non-Compliant

C = Compliant

The Harris product in column two is fully compliant to the appropriate military specifications.

N = Non-Compliant

The Harris product in column two is non-compliant to appropriate military specifications, for some reason. The product is processed to "equivalent" flows and is tested and/or guaranteed for -55°C to 125°C temperature range operation.

These products normally do not automatically receive QCI Groups B, C, and/or D testing, and generic data may not be maintained.

Column 2. Harris Marketing/Order Entry Part Number

This entire list is in sequence by this number. All part numbers listed are Harris Semiconductor marketing and order entry part numbers assigned to sell a compliant or non-compliant military temperature range part. Occasionally a base/generic Harris part number is entered to cross-reference a QML-JAN or QML-DESC/SMD part number given in the next column.

The break-down of these marketing part numbers can be obtained by using the nomenclature guides located in the ordering information pages of this section.

Column 3. Reference Number

This number cross-references the Harris part number in Column 2 to another version/offering of this device type. The referenced number may, or may not be identical (electrical limits, testing, processing) to the Column 2 part number. However, a review of the specific data sheets and processing flows will allow necessary comparison.

QML-JAN and QML-DESC/SMD part numbers are crossed to Harris generic part numbers, and Harris part numbers are crossed to QML-JAN and QML-DESC/SMD part numbers. Also, non-compliant part numbers will be crossed to a compliant version, where one is available.

Column 4. Description

This column provides a very basic description of the part number given in Column 2.

Column 5. Data Sheet Reference

This column provides the data sheet file number for the marketing part number given in column two; also known as the document number. JAN, SMD and DESC data sheets must be obtained from DESC.

NOTE: Data sheets for parts referencing JM38510 or Standard Microcircuit Drawing (SMD) can be ordered through DESC.

See Section 5 for complete selection guide, page number reference, and file number listing.

Military and Space Cross-Reference

PART NUMBER LISTING

COMPLIANT OR NON-COMPLIANT	MARKETING PART NUMBER	REFERENCE NUMBER	DESCRIPTION	FILE NO.
C	24501BVA	HM1-6504	RAM, Synchronous, 4K x 1, JAN (JM38510)	-
C	24502BVA	HM1-6514	RAM, Synchronous, 4K x 1, JAN (JM38510)	-
C	29102BJA	HM1-6516	RAM, Synchronous, 2K x 8, JAN (JM38510)	-
C	29103BRA	HM1-65262	RAM, Asynchronous, 16K x 1, JAN (JM38510)	-
C	29104BJA	HM1-65162	RAM, Asynchronous, 2K x 8, JAN (JM38510)	-
C	29109BRA	HM1-65262B	RAM, Asynchronous, 16K x 1, JAN (JM38510)	-
C	29110BJA	HM1-65162B	RAM, Asynchronous, 2K x 8, JAN (JM38510)	-
C	29205BXA	HM1-65642B	RAM, Asynchronous, 8K x 8, JAN (JM38510)	-
C	2N6756TX	MIL-S-19500/542A	Power JANTX MOSFET 14.0A, 100V N-Channel TO-3	1586
C	2N6756TXV	MIL-S-19500/542A	Power JANTXV MOSFET 14.0A, 100V N-Channel	1586
C	2N6758TX	MIL-S-19500/542A	Power JANTX MOSFET 9.0A, 200V N-Channel	1587
C	2N6758TXV	MIL-S-19500/542A	Power JANTXV MOSFET 9.0A, 200V N-Channel	1587
C	2N6760TX	MIL-S-19500/542A	Power JANTX MOSFET 5A, 400V N-Channel	1588
C	2N6760TXV	MIL-S-19500/542A	Power JANTXV MOSFET 5A, 400V N-Channel	1588
C	2N6762TX	MIL-S-19500/542A	Power JANTX MOSFET 4A, 500V N-Channel	1589
C	2N6762TXV	MIL-S-19500/542A	Power JANTXV MOSFET 4A, 500V N-Channel	1589
C	2N6764TX	MIL-S-19500/543A	Power JANTX MOSFET 38A, 100V N-Channel	1590
C	2N6764TXV	MIL-S-19500/543A	Power JANTXV MOSFET 38A, 100V N-Channel	1590
C	2N6766TX	MIL-S-19500/543A	Power JANTX MOSFET 30A, 200V N-Channel	1591
C	2N6766TXV	MIL-S-19500/543A	Power JANTXV MOSFET 30A, 200V N-Channel	1591
C	2N6768TX	MIL-S-19500/543A	Power JANTX MOSFET 14A, 400V N-Channel	1898
C	2N6768TXV	MIL-S-19500/543A	Power JANTXV MOSFET 14A, 400V N-Channel	1898
C	2N6770TX	MIL-S-19500/543A	Power JANTX MOSFET 12A, 500V N-Channel	1899
C	2N6770TXV	MIL-S-19500/543A	Power JANTXV MOSFET 12A, 500V N-Channel	1899
C	2N6782TX	MIL-S-19500/556	Power JANTX MOSFET 3A, 100V N-Channel	1592
C	2N6782TXV	MIL-S-19500/556	Power JANTX V MOSFET 3A, 100V N-Channel	1592
C	2N6784TX	MIL-S-19500/556	Power JANTX MOSFET 25A, 200V N-Channel	1906
C	2N6784TXV	MIL-S-19500/556	Power JANTXV MOSFET 25A, 200V N-Channel	1906
C	2N6786TX	MIL-S-19500/556	Power JANTX MOSFET 15A, 400V N-Channel	2207
C	2N6786TXV	MIL-S-19500/556	Power JANTXV MOSFET 15A, 400V N-Channel	2207
C	2N6788TX	MIL-S-19500/555	Power JANTX MOSFET 6.0A, 100V N-Channel	1593
C	2N6788TXV	MIL-S-19500/555	Power JANTXV MOSFET 6.0A, 100V N-Channel	1593
C	2N6790TX	MIL-S-19500/555	Power JANTX MOSFET 3A, 200V N-Channel	1900
C	2N6790TXV	MIL-S-19500/555	Power JANTXV MOSFET 3A, 200V N-Channel	1900
C	2N6792TX	MIL-S-19500/555	Power JANTX MOSFET 2A, 400V N-Channel	1901
C	2N6792TXV	MIL-S-19500/555	Power JANTXV MOSFET 2A, 400V N-Channel	1901
C	2N6794TX	MIL-S-19500/555	Power JANTX MOSFET 1A, 500V N-Channel	1902
C	2N6794TXV	MIL-S-19500/555	Power JANTXV MOSFET 1A, 500V N-Channel	1902
C	2N6796TX	MIL-S-19500/557	Power JANTX MOSFET 8.0A, 100V N-Channel	1594
C	2N6796TXV	MIL-S-19500/557	Power JANTXV MOSFET 8.0A, 10V N-Channel	1594
C	2N6798TX	MIL-S-19500/557	Power JANTX MOSFET 5A, 200V N-Channel	1903
C	2N6798TXV	MIL-S-19500/557	Power JANTXV MOSFET 5A, 200V N-Channel	1903
C	2N6800TX	MIL-S-19500/557	Power JANTX MOSFET 3A, 400V N-Channel	1904
C	2N6800TXV	MIL-S-19500/557	Power JANTXV MOSFET 3A, 400V N-Channel	1904
C	2N6802TX	MIL-S-19500/557	Power JANTX MOSFET 2A, 500V N-Channel	1905
C	2N6802TXV	MIL-S-19500/557	Power JANTXV MOSFET 2.5A, 500V, N-Channel, TO-205AF	-
C	2N6849TX	MIL-S-19500/564	Power JANTX MOSFET 6A, 100V, P-Channel	2219
C	2N6849TXV	MIL-S-19500/564	Power JANTXV MOSFET 6A, 100V, P-Channel	2219
C	2N6851TX	MIL-S-19500/563	Power JANTX MOSFET 4A, 200V P-Channel	2218

Military and Space Cross-Reference

PART NUMBER LISTING (Continued)

COMPLIANT OR NON-COMPLIANT	MARKETING PART NUMBER	REFERENCE NUMBER	DESCRIPTION	FILE NO.
C	2N6851TXV	MIL-S-19500/563	Power JANTX MOSFET 4A, 200V P-Channel	2218
C	2N6895TX	MIL-S-19500/565	Power JANTX MOSFET 16A, 100V P-Channel	1873
C	2N6895TXV	MIL-S-19500/565	Power JANTX MOSFET 16A, 100V P-Channel	1873
C	2N6896TX	MIL-S-19500/565	Power JANTX MOSFET 6A, 100V P-Channel	1874
C	2N6896TXV	MIL-S-19500/565	Power JANTXV MOSFET 6A, 100V P-Channel	1874
C	2N6897TX	MIL-S-19500/565	Power JANTX MOSFET 12A, 30W, 100W P-Channel	1875
C	2N6897TXV	MIL-S-19500/565	Power JANTXV MOSFET 12A, 100V P-Channel	1875
C	2N6898TX	MIL-S-19500/565	Power JANTX MOSFET 25A, 100V P-Channel	1876
C	2N6898TXV	MIL-S-19500/565	Power JANTXV MOSFET 25A, 100V P-Channel	1876
C	2N6901TX	MIL-S-19500/566	Power JANTX MOSFET Logic-Level FET 1.69A	1877
C	2N6901TXV	MIL-S-19500/566	Power JANTXV MOSFET Logic-Level FET 1.69A	1877
C	2N6902TX	MIL-S-19500/566	Power JANTX MOSFET Logic-Level FET 12A, 100 N-Channel	1878
C	2N6902TXV	MIL-S-19500/566	Power JANTXV MOSFET Logic-Level FET 12A, 100V N-Channel	1878
C	2N6903TX	MIL-S-19500/566	Power JANTX MOSFET Logic-Level FET 0.98A	1879
C	2N6903TXV	MIL-S-19500/566	Power JANTXV MOSFET Logic-Level FET 0.98A	1879
C	2N6904TX	MIL-S-19500/566	Power JANTX MOSFET Logic-Level FET 8A, 200V, N-Channel	1880
C	2N6904TXV	MIL-S-19500/566	Power JANTXV MOSFET Logic-Level FET 8A, 200V N-Channel	1880
	2N7119	89009-2N7119TX & TXV	See Ref P/N	-
	2N7120	89009-2N7120TX & TXV	See Ref P/N	-
	2N7121	89009-2N7121TX & TXV	See Ref P/N	-
	2N7122	89009-2N7122TX & TXV	See Ref P/N	-
	2N7123	89007-2N7123TX & TXV	See Ref P/N	-
	2N7124	89007-2N7124TX & TXV	See Ref P/N	-
	2N7125	89007-2N7125TX & TXV	See Ref P/N	-
	2N7126	89007-2N7126TX & TXV	See Ref P/N	-
C	2N7224TX	MIL-S-19500/592	Power MOSFET JANTX 100V, 34A N-Channel TO-254AA	-
C	2N7224TXV	MIL-S-19500/592	Power MOSFET JANTXV 100V, 34A N-Channel TO-254AA	-
C	2N7225TX	MIL-S-19500/592	Power MOSFET JANTX 200V, 27A N-Channel TO-254AA	-
C	2N7225TXV	MIL-S-19500/592	Power MOSFET JANTXV 200V, 27A N-Channel TO-254AA	-
C	2N7227TX	MIL-S-19500/592	Power MOSFET JANTX 400V, 14A N-Channel TO-254AA	-
C	2N7227TXV	MIL-S-19500/592	Power MOSFET JANTXV 400V, 14A N-Channel TO-254AA	-
C	2N7228TX	MIL-S-19500/592	Power MOSFET JANTX 500V, 12A N-Channel TO-254AA	-
C	2N7228TXV	MIL-S-19500/592	Power MOSFET JANTXV 500V, 12A N-Channel TO-254AA	-
	2N7241	89025-2N7241TX & TXV	See Ref P/N	-
	2N7242	89025-2N7242TX & TXV	See Ref P/N	-
	2N7243	89025-2N7243TX & TXV	See Ref P/N	-
	2N7244	89025-2N7244TX & TXV	See Ref P/N	-
	2N7271	FRM130	See Ref P/N	3217
	2N7272	FRL130	See Ref P/N	3218
	2N7273	FRS130	See Ref P/N	3219
	2N7274	FRM230	See Ref P/N	3249
	2N7275	FRL230	See Ref P/N	3223
	2N7276	FRS230	See Ref P/N	3224
	2N7277	FRM234	See Ref P/N	3250
	2N7278	FRL234	See Ref P/N	3229
	2N7279	FRS234	See Ref P/N	3251
	2N7280	FRM430	See Ref P/N	3252
	2N7281	FRL430	See Ref P/N	3234

Military and Space Cross-Reference

PART NUMBER LISTING (Continued)

COMPLIANT OR NON-COMPLIANT	MARKETING PART NUMBER	REFERENCE NUMBER	DESCRIPTION	FILE NO.
	2N7282	FRS430	See Ref P/N	3253
	2N7283	FRM140	See Ref P/N	3220
	2N7284	FRS140	See Ref P/N	3254
	2N7285	FRM240	See Ref P/N	3225
	2N7286	FRS240	See Ref P/N	3255
	2N7287	FRM244	See Ref P/N	3230
	2N7288	FRS244	See Ref P/N	3256
	2N7289	FRM440	See Ref P/N	3235
	2N7290	FRS440	See Ref P/N	3257
	2N7291	FRK150	See Ref P/N	3221
	2N7292	FRF150	See Ref P/N. Also see SEGR Rad Hard P/N FSF150	3215
	2N7293	FRK250	See Ref P/N	3226
	2N7294	FRF250	See Ref P/N	3227
	2N7295	FRK254	See Ref P/N	3231
	2N7296	FRF254	See Ref P/N. Also see SEGR Rad Hard P/N FSF254	3232
	2N7297	FRM450	See Ref P/N	3236
	2N7298	FRF450	See Ref P/N. Also see SEGR Rad Hard P/N FSF450	3237
	2N7299	FRK160	See Ref P/N	3222
	2N7300	FRE160	See Ref P/N	3258
	2N7301	FRK260	See Ref P/N	3228
	2N7302	FRE260	See Ref P/N	3259
	2N7303	FRK264	See Ref P/N	3233
	2N7304	FRE264	See Ref P/N	3260
	2N7305	FRK460	See Ref P/N	3238
	2N7306	FRE460	See Ref P/N	3261
	2N7307	FRM9130	See Ref P/N	3262
	2N7308	FRL9130	See Ref P/N	3239
	2N7309	FRS9130	See Ref P/N	3240
	2N7310	FRM9230	See Ref P/N	3263
	2N7311	FRL9230	See Ref P/N	3245
	2N7312	FRS9230	See Ref P/N	3246
	2N7316	FRM9140	See Ref P/N	3241
	2N7317	FRS9140	See Ref P/N	3264
	2N7318	FRM9240	See Ref P/N	3242
	2N7319	FRS9240	See Ref P/N	3265
	2N7322	FRK9150	See Ref P/N	3266
	2N7323	FRF9150	See Ref P/N	3243
	2N7324	FRM9250	See Ref P/N	3267
	2N7325	FRF9250	See Ref P/N	3247
	2N7328	FRK9160	See Ref P/N	3244
	2N7329	FRE9160	See Ref P/N	3268
	2N7330	FRK9260	See Ref P/N	3248
	2N7331	FRE9260	See Ref P/N	3269
	2N7395	FSL130	See Ref P/N	4031
	2N7396	FSL230	See Ref P/N	4032
	2N7397	FSL234	See Ref P/N	4030
	2N7398	FSL430	See Ref P/N	4010
	2N7399	FSS130	See Ref P/N	4059
	2N7400	FSS230	See Ref P/N	4054
	2N7401	FSS234	See Ref P/N	4053

Military and Space Cross-Reference

PART NUMBER LISTING (Continued)

COMPLIANT OR NON-COMPLIANT	MARKETING PART NUMBER	REFERENCE NUMBER	DESCRIPTION	FILE NO.
	2N7402	FSS430	See Ref P/N	4060
	2N7403	FSF9150	See Ref P/N	4089
	2N7404	FSF9250	See Ref P/N	4090
	2N7405	FSF150	See Ref P/N	3971
	2N7406	FSF250	See Ref P/N	4046
	2N7407	FSF254	See Ref P/N	3972
	2N7408	FSF450	See Ref P/N	3970
C	5962-85016013A	MR82C59A-5	SMD - Interrupt Controller-5MHz-28 Lead LCC	-
C	5962-8501601YA	MD82C59A-5	SMD - Interrupt Controller-5MHz-28 Lead CERDIP	-
C	5962-85016023A	MR82C59A	SMD - Interrupt Controller-8 MHz-28 Lead LCC	-
C	5962-8501602YA	MD82C59A	SMD - Interrupt Controller-8MHz-28 Lead CERDIP	-
C	5962-8512703XA	HI1-574AUD	SMD - 12-Bit A to D Controller	-
C	5962-8512703YA	HI4-574AUE	SMD - 12-Bit A to D Controller	-
C	5962-8512704XA	HI1-574ATD	SMD - 12-Bit A to D Controller	-
C	5962-8512704YA	HI4-574ATE	SMD - 12-Bit A to D Controller	-
C	5962-85131013A	HI4-0546/883	SMD - 16-Channel Over-Voltage Protected MUX	-
C	5962-8513101XA	HI1-0546/883	SMD - 16-Channel Over-Voltage Protected MUX	-
C	5962-85131023A	HI4-0547/883	SMD - 8-Channel Differential O-V Protected MUX	-
C	5962-8513102XA	HI1-0547/883	SMD - 8-Channel Differential O-V Protected MUX	-
C	5962-85131032A	HI4-0549/883	SMD - 4-Channel Differential O-V Protected MUX	-
C	5962-8513103EA	HI1-0549/883	SMD - 4-Channel Differential O-V Protected MUX	-
C	5962-85131073A	HI4-0506/883	SMD - 16-Channel Differential CMOS Analog MUX	-
C	5962-8513107XA	HI1-0506/883	SMD - 16-Channel Differential CMOS Analog MUX	-
C	5962-85131083A	HI4-0507/883	SMD - 8-Channel Differential CMOS Analog MUX	-
C	5962-8513108XA	HI1-0507/883	SMD - 8-Channel Differential CMOS Analog MUX	-
C	5962-85131092A	HI4-0509/883	SMD - 4-Channel Differential CMOS Analog MUX	-
C	5962-8513109EA	HI1-0509/883	SMD - 4-Channel Differential CMOS Analog MUX	-
C	5962-8515301CA	CD54HC73F3A	SMD - Dual Brand CD54HC73F3A	-
C	5962-8515401CA	CD54HC107F3A	SMD - Dual Brand CD54HC107F3A	-
C	5962-85528012A	MR82C89	SMD - Bus Arbiter, 8MHz, 20 Lead LCC	-
C	5962-8552801RA	MD82C89	SMD - Bus Arbiter, 8MHz, 20 Lead CERDIP	-
C	5962-8601601QA	MD80C88	SMD - 8/16-Bit CPU 5MHz, 40 Lead CERDIP	-
C	5962-8601601XA	MR80C88	SMD - 8/16-Bit CPU 5MHz, 44 Lead LCC	-
C	5962-8606101EA	CD54HC157F3A	SMD - Dual Brand CD54HC157F3A	-
C	5962-8606201RA	CD54HC563F3A	SMD - Dual Brand CD54HC563F3A	-
C	5962-8670101JA	CD54HCT154F3A	SMD - Dual Brand CD54HCT154F3A	-
C	5962-86716012A	HI4-0201HS/883	SMD - Hi-Speed Quad SPST CMOS Switch	-
C	5962-8671601EA	HI1-0201HS/883	SMD - Hi-Speed Quad SPST CMOS Switch	-
C	5962-8681201EA	CD54HC368F3A	SMD - Dual Brand CD54HC368F3A	-
C	5962-8681301RA	CD54HC533F3A	SMD - Dual Brand CD54HC533F3A	-
C	5962-8681401RA	CD54HC534F3A	SMD - Dual Brand CD54HC534F3A	-
C	5962-8681501RA	CD54HC564F3A	SMD - Dual Brand CD54HC564F3A	-
C	5962-8681701EA	CD54HC597F3A	SMD - Dual Brand CD54HC597F3A	-
C	5962-8681801RA	CD54HC688F3A	SMD - Dual Brand CD54HC688F3A	-
C	5962-8681901EA	CD54HC4049F3A	SMD - Dual Brand CD54HC4049F3A	-
C	5962-8682001EA	CD54HC4050F3A	SMD - Dual Brand CD54HC4050F3A	-
C	5962-8682101EA	CD54HC42F3A	SMD - Dual Brand CD54HC42F3A	-
C	5962-8682201JA	CD54HC154F3A	SMD - Dual Brand CD54HC154F3A	-
C	5962-8682301EA	CD54HC158F3A	SMD - Dual Brand CD54HC158F3A	-
C	5962-8682401EA	CD54HC160F3A	SMD - Dual Brand CD54HC160F3A	-

4
HARRIS MILITARY/
RAD HARD

Military and Space Cross-Reference

PART NUMBER LISTING (Continued)

COMPLIANT OR NON-COMPLIANT	MARKETING PART NUMBER	REFERENCE NUMBER	DESCRIPTION	FILE NO.
C	5962-8682501EA	CD54HC172F3A	SMD - Dual Brand CD54HC173F3A	-
C	5962-8682601EA	CD54HC194F3A	SMD - Dual Brand CD54HC194F3A	-
C	5962-8682701EA	CD54HC195F3A	SMD - Dual Brand CD54HC195F3A	-
C	5962-8682801EA	CD54HC366F3A	SMD - Dual Brand CD54HC366F3A	-
C	5962-8683101CA	CD54HCT00F3A	SMD - Dual Brand CD54HCT00F3A	-
C	5962-8684701EA	CD54HC123F3A	SMD - Dual Brand CD54HC123F3A	-
C	5962-8684801CA	CD54HC126F3A	SMD - Dual Brand CD54HC126F3A	-
C	5962-8685201CA	CD54HC32F3A	SMD - Dual Brand CD54HCT32F3A	-
C	5962-8685301CA	CD54HCT74F3A	SMD - Dual Brand CD54HCT74F3A	-
C	5962-8685401EA	CD54HCT161F3A	SMD - Dual Brand CD54HCT161F3AF3A	-
C	5962-8685501EA	CD54HCT165F3A	SMD - Dual Brand CD54HCT165F3A	-
C	5962-8685601RA	CD54HCT573F3A	SMD - Dual Brand CD54HCT573F3A	-
C	5962-8685701RA	CD54HCT688F3A	SMD - Dual Brand CD54HCT688F3A	-
C	5962-86860012A	HA4-4902/883	SMD - Quad Comparator	-
C	5962-8686001EA	HA1-4902/883	SMD - Quad Comparator	-
C	5962-8686701RA	CD54HCT373F3A	SMD - Dual Brand CD54HCT373F3A	-
C	5962-86879013A	HS4-3182	SMD-ARINC Bus Interface Line Driver-LCC	-
C	5962-8687901EA	HS1-3182	SMD-ARINC Bus Interface Line Driver-16 Lead CERDIP	-
C	5962-8688001QA	HS1-3282	SMD-ARINC Bus Interface Circuit, 40 Lead CERDIP	-
C	5962-8688001XA	HS4-3282	SMD-ARINC Bus Interface Circuit, 44 Lead LCC	-
C	5962-8688301CA	CD54HCT08F3A	SMD - Dual Brand CD54HCT08F3A	-
C	5962-8688401EA	CD54HC238F3A	SMD - Dual Brand CD54HC238F3A	-
C	5962-8688501JA	CD54HC646F3A	SMD - Dual Brand CD54HC646F3A	-
C	5962-8688601EA	CD54HC4538F3A	SMD - Dual Brand CD54HC4538F3A	-
C	5962-8689001CA	CD54HCT14F3A	SMD - Dual Brand CD54HCT14F3A	-
C	5962-8689101EA	CD54HC191F3A	SMD - Dual Brand CD54HC191F3A	-
C	5962-87577012A	MR82C86H-5	SMD - Octal Inverting XCVR, 5MHz, 20 Lead LCC	-
C	5962-8757701RA	MD82C86H-5	SMD - Octal Inverting XCVR, 5MHz, 20 Lead CERDIP	-
C	5962-87577022A	MR82C87H-5	SMD - Octal Inverting XCVR 5MHz, 20 Lead LCC	-
C	5962-8757702RA	MD82C87H-5	SMD - Octal Inverting XCVR 5MHz, 20 Lead CERDIP	-
C	5962-8764701CA	CD54HC03F3A	SMD - Dual Brand CD54HC03F3A	-
C	5962-8765301JA	ICM7170MDG/883B	SMD - Real-Time Clock	-
C	5962-8766001G	ICL7667MTV/883B	SMD - Driver, Power MOSFET	-
C	5962-8766001PA	ICL7667MJA/883B	SMD - Driver, Power MOSFET	-
C	5962-87677012A	HA4-5330/883	SMD - High Speed Sample and Hold, 500ns	-
C	5962-8767701CA	HA1-5330/883	SMD - High Speed Sample and Hold, 500ns	-
C	5962-8768001EA	CD54HC4060F3A	SMD - Dual Brand CD54HC4060F3A	-
C	5962-8772101CA	CD54HC125F3A	SMD - Dual Brand CD54HC125F3A	-
C	5962-8772201CA	CD54HC4075F3A	SMD - Dual Brand CD54HC4075F3A	-
C	5962-8772401EA	CD54HC193F3A	SMD - Dual Brand CD54HC193F3A	-
C	5962-8772501RA	CD54HCT273F3A	SMD - Dual Brand CD54HCT273F3A	-
C	5962-8773301EA	CD54HC4511F3A	SMD - Dual Brand CD54HC4511F3A	-
C	5962-8775401EA	CD54HC4053F3A	SMD - Dual Brand CD54HC4053F3A	-
C	5962-87783012A	HA4-2400/883	SMD - 4-Channel Programmable Op Amp	-
C	5962-8778301EA	HA1-2400/883	SMD - 4-Channel Programmable Op Amp	-
C	5962-87784012A	HA4-5190/883	SMD - Fast Settling Op Amp 20 TER	-
C	5962-8778401CA	HA1-5190/883	SMD - Fast Settling Op Amp 14 Lead	-
C	5962-8778401X	HA2-5190/883	SMD - Fast Settling Op Amp 12 Lead	-
C	5962-8778501XA	HA2-2541/883	SMD - High Slew Rate Op Amp	-
C	5962-8778503CA	HA1-2841/883	SMD - Wide Band, Fast Settling Op Amp	-

Military and Space Cross-Reference

PART NUMBER LISTING (Continued)

COMPLIANT OR NON-COMPLIANT	MARKETING PART NUMBER	REFERENCE NUMBER	DESCRIPTION	FILE NO.
C	5962-8778503PA	HA7-2841/883	SMD - Wide Band, Fast Settling Op Amp	-
C	5962-87787012A	HA4-2539/883	SMD - High Slew Rate Op Amp	-
C	5962-8778701CA	HA1-2539/883	SMD - High Slew Rate Op Amp	-
C	5962-8780501EA	CD54HC221F3A	SMD - Dual Brand CD54HC221F3A	-
C	5962-8780601RA	CD54HC299F3A	SMD - Dual Brand CD54HC299F3A	-
C	5962-8780701RA	CD54HC377F3A	SMD - Dual Brand CD54HC377F3A	-
C	5962-8780801EA	CD54HC192F3A	SMD - Dual Brand CD54HC192F3A	-
C	5962-8780901RA	CD54HC640F3A	SMD - Dual Brand CD54HC640F3A	-
C	5962-88502012A	HA4-5104/883	SMD - Quad High Performance Op Amp	-
C	5962-8850201CA	HA1-5104/883	SMD - Quad High Performance Op Amp	-
C	5962-8855601EA	CD54HC4052F3A	SMD - Dual Brand CD54HC4052F3A	-
C	5962-8857601CA	CD54HC21F3A	SMD - Dual Brand CD54HC21F3A	-
C	5962-8860601EA	CD54HC237F3A	SMD - Dual Brand CD54HC237F3A	-
C	5962-8862401JA	CD54HCT4059F3A	SMD - Dual Brand CD54HCT4059F3A	-
C	5962-8867101EA	CD54HCT191F3A	SMD - Dual Brand CD54HCT191F3A	-
C	5962-8867201EA	CD54HCT85F3A	SMD - Dual Brand CD54HCT85F3A	-
C	5962-88690013A	HM4-6642/883	SMD - 512 x 8 CMOS PROM LCC	-
C	5962-8869001JA	HM1-6642/883	SMD - 512 x 8 CMOS PROM DIP	-
C	5962-8869001LA	HM6-6642/883	SMD - 512 x 8 CMOS PROM Slim CERDIP	-
C	5962-88690023A	HM4-6642B/883	SMD - 512 x 8 CMOS PROM6642B LCC	-
C	5962-8869002JA	HM1-6642B/883	SMD - 512 x 8 CMOS PROM6642B DIP	-
C	5962-8869002LA	HM6-6642B/883	SMD - 512 x 8 CMOS PROM6642B Slim CERDIP	-
C	5962-88699013A	HI4-0516/883	SMD - 16-Channel/Differential 8-Channel CMOS MUX	-
C	5962-8869901XA	HI1-0516/883	SMD - 16-Channel/Differential 8-Channel CMOS MUX	-
C	5962-8875001EA	IH5352MJE/883B	SMD - Quad SPST RF/Video Switch	-
C	5962-8875701EA	CD54HCT4046AF3A	SMD - Dual Brand CD54HCT4046AF3A	-
C	5962-8875901EA	CD54HCT173F3A	SMD - Dual Brand CD54HCT173F3A	-
C	5962-8877201CA	ICL8038MJD/883B	SMD - Waveform Generator 250pp	-
C	5962-8943601MRA	CD54HCT299F3A	SMD - Dual Brand CD54HCT299F3A	-
C	5962-8944501JA	CD54HC4059F3A	SMD - Dual Brand CD54HC4059F3A	-
C	5962-8945801EA	CD54HCT4020F3A	SMD - Dual Brand CD54HCT4020F3A	-
C	5962-89502012A	HA4-2544/883	SMD - High Slew Rate Video Op Amp	-
C	5962-8950201G	HA2-2544/883	SMD - High Slew Rate Video Op Amp	-
C	5962-8950201PA	HA7-2544/883	SMD - High Slew Rate Video Op Amp	-
C	5962-8950303G	ICM7555MTV/883B	SMD - CMOS 555 General Purpose Timer	-
C	5962-8950304CA	ICM7556MJD/883B	SMD - CMOS Dual General Purpose Timer	-
C	5962-8954001JA	HM1-6617/883	SMD - 2K x 8 CMOS PROM DIP	-
C	5962-8954001LA	HM6-6617/883	SMD - 2K x 8 CMOS PROM Slim CERDIP	-
C	5962-8954001XA	HM4-6617/883	SMD - 2K x 8 CMOS PROM LCC	-
C	5962-8954002JA	HM1-6617B/883	SMD - 2K x 8 CMOS PROM DIP	-
C	5962-8954002LA	HM6-6617B/883	SMD - 2K x 8 CMOS PROM Slim CERDIP	-
C	5962-8954002XA	HM4-6617B/883	SMD - 2K x 8 CMOS PROM LCC	-
C	5962-89548012A	HA4-5102/883	SMD - Dual High Performance Op Amp	-
C	5962-8954801G	HA2-5102/883	SMD - Dual High Performance Op Amp	-
C	5962-8954801PA	HA7-5102/883	SMD - Dual High Performance Op Amp	-
C	5962-8960901EA	CD54HC4046AF3A	SMD - Dual Brand CD54HC4046AF3A	-
C	5962-89620012A	HA4-5020/883	SMD - Sample and Hold Op Amp	-
C	5962-8962001PA	HA7-5020/883	SMD - Sample and Hold Op Amp	-
C	5962-89627012A	HA4-5127/883	SMD - Precision Op Amp (OP27)	-
C	5962-8962701G	HA2-5127/883	SMD - Precision Op Amp (OP27)	-

4
HARRIS MILITARY/
RAD HARD

Military and Space Cross-Reference

PART NUMBER LISTING (Continued)

COMPLIANT OR NON-COMPLIANT	MARKETING PART NUMBER	REFERENCE NUMBER	DESCRIPTION	FILE NO.
C	5962-8962701PA	HA7-5127/883	SMD - Precision Op Amp (OP27)	-
C	5962-89627022A	HA4-5137/883	SMD - Precision Op Amp (OP27) Ultra Low Noise	-
C	5962-8962702G	HA2-5137/883	SMD - Precision Op Amp (OP27) Ultra Low Noise	-
C	5962-8962702PA	HA7-5137/883	SMD - Precision Op Amp (OP27) Ultra Low Noise	-
C	5962-89627032A	HA4-5147/883	SMD - Precision Op Amp LCC	-
C	5962-8962703G	HA2-5147/883	SMD - Precision Op Amp 8 Pin Can	-
C	5962-8962703PA	HA7-5147/883	SMD - Precision Op Amp 8 Lead CERDIP	-
C	5962-89631012A	HA4-5111/883	SMD - Low Noise Op Amp 20 TER LCC	-
C	5962-8963101G	HA2-5111/883	SMD - Low Noise Op Amp 8 Pin Can	-
C	5962-8963101PA	HA7-5111/883	SMD - Low Noise Op Amp 8 Lead CERDIP	-
C	5962-89632012A	HA4-5112/883	SMD - Dual Low Noise Op Amp 20 TER LCC	-
C	5962-8963201G	HA2-5112/883	SMD - Dual Low Noise Op Amp 8 Lead	-
C	5962-8963201PA	HA7-5112/883	SMD - Dual Low Noise Op Amp 8 Lead	-
C	5962-8963301X	HA2-5033/883	SMD - Video Buffer (TO-8) 12 Pin Can	-
C	5962-89634012A	HA4-5144/883	SMD - Quad Low Noise, High Performance Op Amp	-
C	5962-8963401CA	HA1-5114/883	SMD - Quad Low Noise Op Amp, CERDIP	-
C	5962-89635012A	HA4-5101/883	SMD - Low Noise Op Amp LCC	-
C	5962-8963501PA	HA7-5101/883	SMD - Low Noise Op Amp, CERDIP	-
C	5962-89636012A	HA4-5002/883	SMD - High Slew Rate Buffer	-
C	5962-8963601G	HA2-5002/883	SMD - High Slew Rate Buffer	-
C	5962-8963601PA	HA7-5002/883	SMD - High Slew Rate Buffer	-
C	5962-8964301X	HA2-2542/883	SMD - Wideband High Output Current Op Amp	-
C	5962-89648012A	HA2-2540/883	SMD - High Slew Rate Op Amp, 400V	-
C	5962-8964801CA	HA1-2540/883	SMD - High Slew Rate Op Amp, 400V	-
C	5962-89656022A	HA4-5142/883	SMD - Dual Ultra Low Power Op Amp	-
C	5962-8965602G	HA2-5142/883	SMD - Dual Ultra Low Power Op Amp	-
C	5962-8965602PA	HA7-5142/883	SMD - Dual Ultra Low Power Op Amp	-
C	5962-89656032A	HA4-5144/883	SMD - Quad Ultra Low Power Op Amp	-
C	5962-8965603CA	HA1-5144/883	SMD - Quad Ultra Low Power Op Amp	-
C	5962-8970001EA	CD54HCT123F3A	SMD - Dual Brand CD54HCT123F3A	-
C	5962-8970101EA	CD54HCT175F3A	SMD - Dual Brand CD54HCT175F3A	-
C	5962-8970201EA	CD54HCT112F3A	SMD - Dual Brand CD54HCT112F3A	-
C	5962-8970301CA	CD54HCT27F3A	SMD - Dual Brand CD54HCT27F3A	-
C	5962-8970401CA	CD54HCT164F3A	SMD - Dual Brand CD54HCT164F3A	-
C	5962-8970501EA	CD54HCT257F3A	SMD - Dual Brand CD54HCT257F3A	-
C	5962-8970701EA	CD54HCT257F3A	SMD - Dual Brand CD54HCT162F3A	-
C	5962-8970801EA	CD54HCT258F3A	SMD - Dual Brand CD54HCT258F3A	-
C	5962-8970901CA	CD54HCT11F3A	SMD - Dual Brand CD54HCT11F3A	-
C	5962-89721012A	HA4-2529/883	SMD - Op Amp, High Slew Rate	-
C	5962-8972101G	HA2-2529/883	SMD - Op Amp, High Slew Rate	-
C	5962-8972101PA	HA7-2529/883	SMD - Op Amp, High Slew Rate	-
C	5962-8974001RA	CD54HCT640F3A	SMD - Dual Brand CD54HCT640F3A	-
C	5962-8974201RA	CD54HCT574F3A	SMD - Dual Brand CD54HCT574F3A	-
C	5962-8974301EA	CD54HCT174F3A	SMD - Dual Brand CD54HCT174F3A	-
C	5962-8974501EA	CD54HCT238F3A	SMD - Dual Brand CD54HCT238F3A	-
C	5962-8974601CA	CD54HCT30F3A	SMD - Dual Brand CD54HCT30F3A	-
C	5962-8974701CA	CD54HCT04F3A	SMD - Dual Brand CD54HCT04F3A	-
C	5962-8975101CA	CD54HCT02F3A	SMD - Dual Brand CD54HCT02F3A	-
C	5962-8976301MEA	DG403AK/883	SMD - Dual Brand DG403AK Switch	-
C	5962-8976501EA	CD54HC283F3A	SMD - Dual Brand CD54HC283F3A	-

Military and Space Cross-Reference

PART NUMBER LISTING (Continued)

COMPLIANT OR NON-COMPLIANT	MARKETING PART NUMBER	REFERENCE NUMBER	DESCRIPTION	FILE NO.
C	5962-8976901RA	CD54HCT377F3A	SMD - Dual Brand CD54HCT377F3A	-
C	5962-8977101EA	CD54HCT4060F3A	SMD - Dual Brand CD54HCT4060F3A	-
C	5962-8984201G	ICL8211MTY/883B	SMD - Voltage Ref/Indicator	-
C	5962-8984202G	ICL8212MTY/883B	SMD - Voltage Ref/Indicator	-
C	5962-8984301CA	CD54HCT10F3A	SMD - Dual Brand CD54HCT10F3A	-
C	5962-8984401CA	CD54HCT86F3A	SMD - Dual Brand CD54HCT86F3A	-
C	5962-8984501CA	CD54HCT132F3A	SMD - Dual Brand CD54HCT132F3A	-
C	5962-8984901RA	CD54HCT534F3A	SMD - Dual Brand CD54HCT534F3A	-
C	5962-8985201EA	CD54HCT259F3A	SMD - Dual Brand CD54HCT259F3A	-
C	5962-89880012A	HA4-2522/883	SMD - High Slew Rate Op Amp	-
C	5962-8988001G	HA2-2522/883	SMD - High Slew Rate Op Amp	-
C	5962-8988001PA	HA7-2522/883	SMD - High Slew Rate Op Amp	-
C	5962-8988002G	HA2-2520/883	SMD - High Slew Rate Op Amp	-
C	5962-8988002PA	HA7-2520/883	SMD - High Slew Rate Op Amp	-
C	5962-8989001CA	CD54HCT393F3A	SMD - Dual Brand CD54HCT393F3A	-
C	5962-8994601EA	CD54HC190F3A	SMD - Dual Brand CD54HC190F3A	-
C	5962-8994701MEA	CD54HCT4040F3A	SMD - Dual Brand CD54HCT4040F3A	-
C	5962-8995301EA	CD54HC4015F3A	SMD - Dual Brand CD54HC4015F3A	-
C	5962-8995401EA	CD54HC4520F3A	SMD - Dual Brand CD54HC4520F3A	-
C	5962-8996101EA	DG405AK/883	SMD - Dual Brand G405AK Switch	-
C	5962-8999001EA	CD54HC297F3A	SMD - Dual Brand CD54HC297F3A	-
C	5962-9050501MEA	CD54HCT153F3A	SMD - Dual Brand CD54HCT153F3A	-
C	5962-9052401MEA	CD54HCT251F3A	SMD - Dual Brand CD54HCT251F3A	-
C	5962-9052501MQA	HD1-6402R/883	SMD - UART, 2MHz, 40 Lead CERDIP	-
C	5962-9052502MQA	HD1-6402B/883	SMD - UART, 8MHz, 40 Lead CERDIP	-
C	5962-9054301MQA	MD82C37A-5	SMD - Programmable DMA Controller	-
C	5962-9054301MXA	MR82C37A-5	SMD - Programmable DMA Controller	-
C	5962-9054302MQA	MD32C37A	SMD - Programmable DMA Controller	-
C	5962-9054302MXA	MR82C37A	SMD - Programmable DMA Controller	-
C	5962-9054303MQA	MD82C37A-12	SMD - Programmable DMA Controller	-
C	5962-9054303MXA	MR82C37A-12	SMD - Programmable DMA Controller	-
C	5962-9054304MQA	MD82C237	SMD - Programmable DMA Controller	-
C	5962-9054304MXA	MR82C237	SMD - Programmable DMA Controller	-
C	5962-9054305MQA	MD82C237-12	SMD - Programmable DMA Controller	-
C	5962-9054305MXA	MR82C237-12	SMD - Programmable DMA Controller	-
C	5962-9055301EA	CD54HC40103F3A	SMD - Dual Brand CD54HC40103F3A	-
C	5962-9055701EA	CD14538BF3A	SMD - Dual Brand CD14538BF3A	-
C	5962-9056901EA	DG401AK/883	SMD - Dual Brand DG401AK Switch	-
C	5962-9057401EA	CD54HCT40102F3A	SMD - Dual Brand CD54HCT40102F3A	-
C	5962-9059701MEA	CD54HCT4017F3A	SMD - Dual Brand CD54HCT4017F3A	-
C	5962-9064001CA	CD4016BF3A	SMD - Dual Brand CD4016BF3A	-
C	5962-9065101MCA	CD54HCT126F3A	SMD - Dual Brand CD54HCT126F3A	-
C	5962-9065201MEA	CD54HCT151F3A	SMD - Dual Brand CD54HCT151F3A	-
C	5962-9065401MEA	CD54HCT4051F3A	SMD - Dual Brand CD54HCT4051F3A	-
C	5962-9067801MX	MG80C286-10/883	SMD - 16-Bit CPU 10MHz, 68 Lead PGA	-
C	5962-9067802MX	MG80C286-12/883	SMD - 16-Bit CPU 12MHz, 68 Lead PGA	-
C	5962-9070101MEA	CD54HCT109F3A	SMD - Dual Brand CD54HCT109F3A	-
C	5962-9070201MEA	CD54HCT157F3A	SMD - Dual Brand CD54HCT157F3A	-
C	5962-9070301MEA	CD54HCT158F3A	SMD - Dual Brand CD54HCT158F3A	-
C	5962-9070501MEA	CD54HCT160F3A	SMD - Dual Brand CD54HCT160F3A	-

4
HARRIS MILITARY/
RAD HARD

Military and Space Cross-Reference

PART NUMBER LISTING (Continued)

COMPLIANT OR NON-COMPLIANT	MARKETING PART NUMBER	REFERENCE NUMBER	DESCRIPTION	FILE NO.
C	5962-9070601MEA	CD54HCT367F3A	SMD - Dual Brand CD54HCT367F3A	-
C	5962-9073101MEA	DG411AK/883	SMD - Dual Brand DG411AK Switch	-
C	5962-9073102MEA	DG412AK/883	SMD - Dual Brand DG412AK Switch	-
C	5962-9073103MEA	DG413AK/883	SMD - Dual Brand DG413AK Switch	-
C	5962-9075801MEA	CD54HCT75F3A	SMD - Dual Brand CD54HCT75F3A	-
C	5962-9084801MEA	CD54HCT193F3A	SMD - Dual Brand CD54HCT193F3A	-
C	5962-9084901MCA	CD54HCT107F3A	SMD - Dual Brand CD54HCT107F3A	-
C	5962-9088801M2A	HD4-6409/883	SMD - CMOS Manchester Encoder Decoder	-
C	5962-9088801MRA	HD1-6409/883	SMD - CMOS Manchester Encoder Decoder	-
C	5962-9098401MEA	CD54HCT390F3A	SMD - Dual Brand CD54HCT390F3A	-
C	5962-9163001MEA	CD54HCT4052F3A	SMD - Dual Brand CD54HCT4052F3A	-
C	5962-9163401M2A	HA4-5221/883	SMD - Op Amp - High Performance Wide Band	-
C	5962-9163401MPA	HA7-5221/883	SMD - Op Amp - High Performance Wide Band	-
C	5962-9163402M2A	HA4-5222/883	SMD - Op Amp - Dual, High Performance Wide Band	-
C	5962-9163402MPA	HA7-5222/883	SMD - Op Amp - Dual, High Performance Wide Band	-
C	5962-9204101MEA	DG441AK/883	SMD - Dual Brand SMD DG441AK Switch	-
C	5962-9204102MEA	DG442AK/883	SMD - Dual Brand SMD DG442AK Switch	-
C	5962-9204201MEA	DG408AK/883	SMD - Dual Brand DG408AK MUX	-
C	5962-9204202MEA	DG409AK/883	SMD - Dual Brand DG409AK MUX	-
C	5962-9209701MX	HSP43891GM-20/883	SMD - FIR Filter, 8 Tap, 9-Bit, Dual Brand	-
C	5962-9209702MX	HSP43890GM-25/883	SMD - FIR Filter, 8 Tap, 9-Bit, Dual Brand	-
C	5962-9300701MX	HSP48908GM-20/883	SMD - 2 D Convolver, Dual Brand	-
C	5962-9300702MX	HSP48908GM-27/883	SMD - 2 S Convolver, Dual Brand	-
C	5962-9306301M2A	HA4-5340/883	SMD - Op Amp - High Speed Sample/Hold	-
C	5962-9306301MCA	HA1-5340/883	SMD - Op Amp - High Speed Sample/Hold	-
C	5962-9306302M2A	HA4-5320/883	SMD - Op Amp - Sample/Hold	-
C	5962-9306302MCA	HA1-5320/883	SMD - Op Amp - Sample/Hold	-
C	5962-9309501MEA	HA1-2444/883	SMD - Op Amp, 4-Channel, MUXED Output	-
C	5962-9325101M2A	HA4-2546/883	SMD - Multiplier, 2 Quad, Voltage Output	-
C	5962-9325101MEA	HA1-2546/883	SMD - Multiplier, 2 Quad, Voltage Output	-
C	5962-9455301M2A	HA4-5134/883	SMD - Op Amp - Quad Precision	-
C	5962-9455301MCA	HA1-5134/883	SMD - Op Amp - Quad Precision	-
C	5962-9456201M2A	HI4-0222/883	SMD - Dual SPST Video Switch	-
C	5962-9456201MCA	HI1-0222/883	SMD - Dual SPST Video Switch	-
C	5962-9457301MX	HSP48410GM-25/883	SMD - Histogrammer, Dual Brand	-
C	5962-9457302MX	HSP48410GM-33/883	SMD - Histogrammer, Dual Brand	-
C	5962-9467601MPA	HFA1100MJ/883	SMD - Current Feedback Amp, Ultra High Speed	-
C	5962-9467801MXA	HI1-5700S/883	SMD - Flash A/D Converter, 8-Bit, 20 MSPS	-
C	5962-9467901MPA	HA7-2840/883	SMD - Op Amp, Wide Band, High Slew Rate	-
C	5962-9468201M2A	HFA1113ML/883	SMD - Buffer Amp, Ultra High Speed, Programmable Gain	-
C	5962-9468201MPA	HFA1113MJ/883	SMD - Buffer Amp, Ultra High Speed, Programmable Gain	-
C	5962-9468301MPA	HFA1110MJ/883	SMD - Buffer Amp, Closed Loop, 750MHz	-
C	5962-9468501MPA	HFA1120MJ/883	SMD - Current Feedback Amp	-
C	5962-9469401MPA	HA7-2842/883	SMD - Op Amp - Video	-
C	5962D9567001VCA	HS1-2700RH-Q	Rad Hard Low Power Op Amp, DIP	-
C	5962D9567001VGA	HS2-2700RH-Q	Rad Hard Low Power Op Amp, TO Can	-
C	5962D9567101VPA	HS7-2600RH-Q	Rad Hard Wideband Hi Impedance Op Amp, DIP	-
C	5962F9563101VEC	HS1-26CT32RH-Q	SMD - Rad Hard RS422 Transmitter, DIP	-
C	5962F9563101VXC	HS9-26CT32RH-Q	SMD - Rad Hard RS422 Receiver, Flatpack	-
C	5962F9563101QEC	HS1-26CT32RH-8	SMD - Rad Hard RS422 Receiver, DIP	-

Military and Space Cross-Reference

PART NUMBER LISTING (Continued)

COMPLIANT OR NON-COMPLIANT	MARKETING PART NUMBER	REFERENCE NUMBER	DESCRIPTION	FILE NO.
C	5962F9563101QXC	HS9-26CT32RH-8	SMD - Rad Hard RS422 Receiver, Flatpack	-
C	5962F9563201VEC	HS1-26CT31RH-Q	SMD - Rad Hard RS422 Transmitter, DIP	-
C	5962F9563201VXC	HS9-26CT31RH-Q	SMD - Rad Hard RS422 Transmitter, Flatpack	-
C	5962F9563201QEC	HS1-26CT31RH-8	SMD - Rad Hard RS422 Transmitter, DIP	-
C	5962F9563201QXC	HS9-26CT31RH-8	SMD - Rad Hard RS422 Transmitter, Flatpack	-
C	5962H9215301QXC		SMD - Rad Hard, 32K x 8 SRAM	-
C	5962R9563701VCC	HCTS00DMSR	SMD - Rad Hard Quad 2 Input NAND Gate (TTL), DIP	-
C	5962R9563701VXC	HCTS00KMSR	SMD - Rad Hard Quad 2 Input NAND Gate (TTL), Flatpack	-
C	5962R9566301VCC	HCTS164DMSR	SMD - Rad Hard Serial-In/Parallel-Out Register (TTL), DIP	-
C	5962R9566301VXC	HCTS164KMSR	SMD - Rad Hard Serial-In/Parallel-Out Register (TTL), Flatpack	-
C	5962R9567001VCA	HS1-2700RH-Q	SMD - Rad Hard Low Power Op Amp, DIP	-
C	5962R9567001VGA	HS2-2700RH-Q	SMD - Rad Hard Low Power Op Amp, TO Can	-
C	5962R9567101VPA	HS7-2600RH-Q	SMD - Rad Hard Wideband Hi Impedance Op Amp, DIP	-
C	5962R9567901VCC	HCTS02DMSR	SMD - Rad Hard 2 Input NAND Gate (TTL), DIP	-
C	5962R9567901VXC	HCTS02KMSR	SMD - Rad Hard 2 Input NAND Gate (TTL), Flatpack	-
C	5962R9568001VCC	HCS08DMSR	SMD - Rad Hard Quad 2 Input AND Gate, DIP	-
C	5962R9568001VXC	HCS08KMSR	SMD - Rad Hard Quad 2 Input AND Gate, Flatpack	-
C	5962R9568101VCC	HCS14DMSR	SMD - Rad Hard Hex Inverting Schmitt Trigger, DIP	-
C	5962R9568101VXC	HCS14KMSR	SMD - Rad Hard Hex Inverting Schmitt Trigger, Flatpack	-
C	5962R9568201VCC	HCS02DMSR	SMD - Rad Hard 2 Input NAND Gate, DIP	-
C	5962R9568201VXC	HCS02KMSR	SMD - Rad Hard 2 Input NAND Gate, Flatpack	-
C	5962R9568301VCC	HCTS08DMSR	SMD - Rad Hard Quad 2 Input AND Gate (TTL), DIP	-
C	5962R9568301VXC	HCTS08KMSR	SMD - Rad Hard Quad 2 Input AND Gate (TTL), Flatpack	-
C	5962R9571901VCC	HCTS14DMSR	SMD - Rad Hard Hex Inverting Schmitt Trigger (TTL), DIP	-
C	5962R9571901VXC	HCTS14KMSR	SMD - Rad Hard Hex Inverting Schmitt Trigger (TTL), Flatpack	-
C	5962R9572001VCC	HCS11DMSR	SMD - Rad Hard Triple 3 Input AND Gate, DIP	-
C	5962R9572001VXC	HCS11KMSR	SMD - Rad Hard Triple 3 Input AND Gate, Flatpack	-
C	5962R9572101VCC	HCTS11DMSR	SMD - Rad Hard Triple 3 Input AND Gate (TTL), DIP	-
C	5962R9572101VXC	HCTS11KMSR	SMD - Rad Hard Triple 3 Input AND Gate (TTL), Flatpack	-
C	5962R9572401VCC	HCS00DMSR	SMD - Rad Hard Quad 2 Input NAND Gate, DIP	-
C	5962R9572401VXC	HCS00KMSR	SMD - Rad Hard Quad 2 Input NAND Gate, Flatpack	-
C	5962R9572501VCC	HCS04DMSR	SMD - Rad Hard Hex Inverter, DIP	-
C	5962R9572501VXC	HCS04KMSR	SMD - Rad Hard Hex Inverter, Flatpack	-
C	5962R9573101VCC	HCS244DMSR	SMD - Rad Hard Octal Buffer/Line Drive, Three-State, DIP	-
C	5962R9573101VXC	HCS244KMSR	SMD - Rad Hard Octal Buffer/Line Drive, Three-State, Flatpack	-
C	5962R9573201VCC	HCTS04DMSR	SMD - Rad Hard Hex Inverter (TTL), DIP	-
C	5962R9573201VXC	HCTS04KMSR	SMD - Rad Hard Hex Inverter (TTL), Flatpack	-
C	5962R9573301VCC	HCTS20DMSR	SMD - Rad Hard Dual 4 Input NAND Gate (TTL), DIP	-
C	5962R9573301VXC	HCTS20KMSR	SMD - Rad Hard Dual 4 Input NAND Gate (TTL), Flatpack	-
C	5962R9573401VCC	HCTS27DMSR	SMD - Rad Hard Triple 3 Input NOR Gate (TTL), DIP	-
C	5962R9573401VXC	HCTS27KMSR	SMD - Rad Hard Triple 3 Input NOR Gate (TTL), Flatpack	-
C	5962R9573501VCC	HCTS30DMSR	SMD - Rad Hard 8 Input NAND Gate (TTL), DIP	-
C	5962R9573501VXC	HCTS30KMSR	SMD - Rad Hard 8 Input NAND Gate (TTL), Flatpack	-
C	5962R9573601VCC	HCTS32DMSR	SMD - Rad Hard Quad 2 Input NAND Gate (TTL), DIP	-
C	5962R9573601VXC	HCTS32KMSR	SMD - Rad Hard Quad 2 Input NAND Gate (TTL), Flatpack	-
C	5962R9573901VCC	HCTS132DMSR	SMD - Rad Hard Quad 2 Input NAND Gate - Schmitt Trigger (TTL), DIP	-
C	5962R9573901VXC	HCTS132KMSR	SMD - Rad Hard Quad 2 Input NAND Gate - Schmitt Trigger (TTL), Flatpack	-

Military and Space Cross-Reference

PART NUMBER LISTING (Continued)

COMPLIANT OR NON-COMPLIANT	MARKETING PART NUMBER	REFERENCE NUMBER	DESCRIPTION	FILE NO.
C	5962R9575201VCC	HCTS7266DMSR	SMD - Rad Hard Quad 2 Input Exclusive NOR Gate (TTL), DIP	-
C	5962R9575201VXC	HCTS7266KMSR	SMD - Rad Hard Quad 2 Input Exclusive NOR Gate (TTL), Flatpack	-
C	5962R9576301VCC	HCTS74DMSR	SMD - Rad Hard Dual-D Flip-Flop w/Dual Reset (TTL), DIP	-
C	5962R9576301VXC	HCTS74KMSR	SMD - Rad Hard Dual-D Flip-Flop w/Dual Reset (TTL), Flatpack	-
C	5962R9576501VCC	HCTS10DMSR	SMD - Rad Hard Triple 3-Input NAND Gate (TTL), DIP	-
C	5962R9576501VXC	HCTS10KMSR	SMD - Rad Hard Triple 3-Input NAND Gate (TTL), Flatpack	-
C	5962R9576601VCC	HCTS21DMSR	SMD - Rad Hard Dual 4 Input AND Gate (TTL), DIP	-
C	5962R9576601VXC	HCTS21KMSR	SMD - Rad Hard Dual 4 Input AND Gate (TTL), Flatpack	-
C	5962R9577701VCC	HCS10DMSR	SMD - Rad Hard Triple 3 Input NAND Gate, DIP	-
C	5962R9577701VXC	HCS10KMSR	SMD - Rad Hard Triple 3 Input NAND Gate, Flatpack	-
C	5962R9577801VCC	HCS20DMSR	SMD - Rad Hard Dual 4 Input NAND Gate, DIP	-
C	5962R9577801VXC	HCS20KMSR	SMD - Rad Hard Dual 4 Input NAND Gate, Flatpack	-
C	5962R9577901VCC	HCS21DMSR	SMD - Rad Hard Dual 4 Input AND Gate, DIP	-
C	5962R9577901VXC	HCS21KMSR	SMD - Rad Hard Dual 4 Input AND Gate, Flatpack	-
C	5962R9578001VCC	HCS27DMSR	SMD - Rad Hard Triple 3 Input NOR Gate, DIP	-
C	5962R9578001VXC	HCS27KMSR	SMD - Rad Hard Triple 3 Input NOR Gate, Flatpack	-
C	5962R9578101VCC	HCS32DMSR	SMD - Rad Hard Quad 2 Input NAND Gate, DIP	-
C	5962R9578101VXC	HCS32KMSR	SMD - Rad Hard Quad 2 Input NAND Gate, Flatpack	-
C	5962R9578301VCC	HCS86DMSR	SMD - Rad Hard Quad 2 Input Exclusive OR Gate, DIP	-
C	5962R9578301VXC	HCS86KMSR	SMD - Rad Hard Quad 2 Input Exclusive OR Gate, Flatpack	-
C	5962R9581401VCC	HCTS86DMSR	SMD - Rad Hard Quad 2 Input Exclusive OR Gate (TTL), DIP	-
C	5962R9581401VXC	HCTS86KMSR	SMD - Rad Hard Quad 2 Input Exclusive OR Gate (TTL), Flatpack	-
C	7702002EA	CD4502BF3A	SMD - Dual Brand CD4502BF3A	-
C	7702301EA	CD4520BF3A	SMD - Dual Brand CD4520BF3A	-
C	7702402CA	CD4081BF3A	SMD - Dual Brand CD4081BF3A	-
C	7702501EA	CD4094BF3A	SMD - Dual Brand CD4094BF3A	-
C	7703201JA	CD4515BF3A	SMD - Dual Brand CD4515BF3A	-
C	7703702EA	CD4585BF3A	SMD - Dual Brand CD4585BF3A	-
C	7704402CA	CD4078BF3A	SMD - Dual Brand CD4078BF3A	-
C	7704403CA	CD4002BF3A	SMD - Dual Brand CD4002BF3A	-
C	7704602CA	CD4093BF3A	SMD - Dual Brand CD4093BF3A	-
C	7704701EA	CD4555BF3A	SMD - Dual Brand CD4555BF3A	-
C	7704801EA	CD4556BF3A	SMD - Dual Brand CD4556BF3A	-
C	7705102CA	CD4073BF3A	SMD - Dual-Brand CD4073BF3A	-
C	77052012A	HI4-0508	SMD - 8-Channel CMOS Analog MUX	-
C	7705201E	HI1-0508	SMD - 8-Channel CMOS Analog MUX	-
C	77052022A	HI4-0548/883	SMD - 8-Channel Over-Voltage Protected	-
C	7705202EA	HI1-0548/883	SMD - 8-Channel Over-Voltage Protected	-
C	7705301EA	DG201AAK/883B	SMD - Quad SPST CMOS Analog Switch	-
C	77053022A	HI4-0201/883	SMD - Quad SPST CMOS Analog Switch	-
C	7705302EA	HI1-0201/883	SMD - Quad SPST CMOS Analog Switch	-
C	7705902CA	CD4082BF3A	SMD - Dual Brand CD4082BF3A	-
C	7706002CA	CD4072BF3A	SMD - Dual Brand CD4072BF3A	-
C	78003022A	HA4-2640/883	SMD - High Voltage Op Amp(xb1 40V, USEC)	-
C	7800302G	HA7-2640/883	SMD - High Voltage Op Amp(xb1 40V, USEC)	-
C	7800302PA	HA2-2640/883	SMD - High Voltage Op Amp(xb1 40V, USEC)	-
C	78029013A	HD4-15530	SMD - Manchester Encoder/Decoder, 28 Lead LCC	-
C	7802901JA	HD1-15530	SMD - Manchester Encoder/Decoder, 24 Lead CERDIP	-

Military and Space Cross-Reference

PART NUMBER LISTING (Continued)

COMPLIANT OR NON-COMPLIANT	MARKETING PART NUMBER	REFERENCE NUMBER	DESCRIPTION	FILE NO.
C	7901502EA	CD4052BF3A	SMD - Dual Brand CD4052BF3A	-
C	80016012A	HA4-2420/883	SMD - Sample/Hold Amp, LCC	-
C	8001601CA	HA1-2420/883	SMD - Sample/Hold Amp, CERDIP	-
C	8100604EA	IH5043MJE/883B	SMD - Dual SPDT CMOS Analog Switch	-
C	8100609EA/INT	IH5140MJE/883B	SMD - SPST CMOS Analog Switch	-
C	8100609EA/MLB	HI1-5040/883	SMD - SPST CMOS Analog Switch	-
C	8100610EA/INT	IH5141MJE/883B	SMD - Dual SPST CMOS Analog Switch	-
C	8100610EA/MLB	HI1-5041/883	SMD - Dual SPST CMOS Analog Switch	-
C	8100611EA/INT	IH5142MJE/883B	SMD - SPDT CMOS Analog Switch	-
C	8100611EA/MLB	HI1-5042/883	SMD - SPDT CMOS Analog Switch	-
C	81006122A	HI4-5043/883	SMD - Dual SPDT CMOS Analog Switch	-
C	8100612EA/INT	IH5143MJE/883	SMD - Dual SPDT CMOS Analog Switch	-
C	8100612EA/MLB	HI1-5043/883	SMD - Dual SPDT CMOS Analog Switch	-
C	8100613EA/INT	IH5144MJE/883B	SMD - DPST CMOS Analog Switch	-
C	8100613EA/MLB	HI1-5044/883	SMD - DPST CMOS Analog Switch	-
C	81006142A	HI4-5045/883	SMD - Dual SPDT CMOS Analog Switch	-
C	8100614EA/INT	IH5145MJE/883B	SMD - Dual DPST CMOS Analog Switch	-
C	8100614EA/MLB	HI1-5045/883	SMD - Dual DPST CMOS Analog Switch	-
C	8100615EA/MLB	HI1-5046/883	SMD - DPDT CMOS Analog Switch	-
C	8100616EA/MLB	HI1-5047/883	SMD - 4PST CMOS Analog Switch	-
C	8100617EA/MLB	HI1-5046A/883	SMD - DPDT CMOS Analog Switch	-
C	8100618EA/MLB	HI1-5047A/883	SMD - 4PST CMOS Analog Switch	-
C	8100619EA/MLB	HI1-5048/883	SMD - Dual SPST CMOS Analog Switch	-
C	81006202A	HI4-5049/883	SMD - Dual DPST CMOS Analog Switch	-
C	8100620EA/MLB	HI1-5049/883	SMD - Dual DPST CMOS Analog Switch	-
C	8100621EA/MLB	HI1-5050/883	SMD - SPDT CMOS Analog Switch	-
C	81006222A	HI4-5051/883	SMD - Dual SPDT CMOS Analog Switch	-
C	8100622EA/INT	IH5151MJE/883B	SMD - Dual SPDT CMOS Analog Switch	-
C	8100622EA/MLB	HI1-5051/883	SMD - Dual SPDT CMOS Analog Switch	-
C	8101602EA	CD4029BF3A	SMD - Dual Brand CD4029BF3A	-
C	8101701EA	CD4035BF3A	SMD - Dual Brand CD4035BF3A	-
C	8101801EA	CD4053BF3A	SMD - Dual Brand CD4053BF3A	-
C	8102001CA	CD4047BF3A	SMD - Dual Brand CD4047BF3A	-
C	8102401VA	HM1-6504S	SMD - 4096 x 1 RAM DIP Package	-
C	8102402VA	HM4-6504	SMD - 4096 x 1 RAM LCC Package	-
C	8102403VA	HM1-6504B/883	SMD - 4096 x 1 RAM DIP Package	-
C	8102404VA	HM4-6504B	SMD - 4096 x 1 RAM LCC Package	-
C	8102405VA	HM1-6504	SMD - 4096 x 1 RAM DIP Package	-
C	8102406VA	HM1-6514/883	SMD - 1024 x 4 RAM DIP Package	-
C	8403601JA	HM1-6516/883	SMD - 2048 x 8 RAM DIP Package	-
C	8403601ZA	HM4-6516	SMD - 2048 x 8 RAM LCC Package	-
C	8403602JA	HM1-65162/883	SMD - 2048 x 8 RAM DIP Package	-
C	8403602ZA	HM4-65162/883	SMD - 2048 x 8 RAM LCC Package	-
C	8403603JA	HM1-65162C/883	SMD - 2048 x 8 RAM DIP Package	-
C	8403603ZA	HM4-65162	SMD - 2048 x 8 RAM LCC Package	-
C	8403606JA	HM1-65162B/883	SMD - 2048 x 8 RAM DIP Package	-
C	8403606ZA	HM4-65162B/883	SMD - 2048 x 8 RAM LCC Package	-
C	8403607JA	HM1-6516B/883	SMD - 2048 x 8 RAM DIP Package	-
C	8403607ZA	HM4-6516B/883	SMD - 2048 x 8 RAM LCC Package	-
C	8403701CA	CD54HC00F3A	SMD - Dual Brand CD54HC00F3A	-

4
HARRIS MILITARY/
RAD HARD

Military and Space Cross-Reference

PART NUMBER LISTING (Continued)

COMPLIANT OR NON-COMPLIANT	MARKETING PART NUMBER	REFERENCE NUMBER	DESCRIPTION	FILE NO.
C	8403801CA	CD54HC10F3A	SMD - Dual Brand CD54HC10F3A	-
C	8403901CA	CD54HC20F3A	SMD - Dual Brand CD54HC20F3A	-
C	8404001CA	CD54HC30F3A	SMD - Dual Brand CD54HC30F3A	-
C	8404101CA	CD54HC02F3A	SMD - Dual Brand CD54HC02F3A	-
C	8404201CA	CD54HC27F3A	SMD - Dual Brand CD54HC27F3A	-
C	8404302CA	CD54HC7266F3A	SMD - Dual Brand CD54HC7266F3A	-
C	8404401CA	CD54HC4002F3A	SMD - Dual Brand CD54HC4002F3A	-
C	8404501CA	CD54HC32F3A	SMD - Dual Brand CD54HC32F3A	-
C	8404601CA	CD54HC86F3A	SMD - Dual Brand CD54HC86F3A	-
C	8404701CA	CD54HC08F3A	SMD - Dual Brand CD54HC08F3A	-
C	8404801CA	CD54HC11F3A	SMD - Dual Brand CD54HC11F3A	-
C	8405201QA	MD80C86	SMD - 16-Bit CPU, 5MHz, 40 Lead Cerdip	-
C	8405201XA	MR80C86	SMD - 16-Bit CPU, 5MHz, 44 Lead LCC	-
C	8405202QA	MD80C86-2	SMD - 16-Bit CPU, 8MHz, 40 Lead Cerdip	-
C	8405202XA	MR80C86-2	SMD - 16-Bit CPU, 8MHz, 44 Lead LCC	-
C	8405601CA	CD54HC74F3A	SMD - Dual Brand CD54HC74F3A	-
C	8406201EA	CD54HC138F3A	SMD - Dual Brand CD54HC138F3A	-
C	8406401EA	CD54HC147F3A	SMD - Dual Brand CD54HC147F3A	-
C	84065013A	MR82C54	SMD - Programmable Interval Timer, 8MHz, 28 Lead LCC	-
C	8406501JA	MD82C54	SMD - Programmable Interval Timer, 8MHz, 24 Lead Cerdip	-
C	84065023A	MR82C54-5	SMD - Programmable Interval Timer, 12MHz, 28 Lead LCC	-
C	8406502JA	MD82C54-5	SMD - Programmable Interval Timer, 12MHz, 24 Lead Cerdip	-
C	8406601QA	MD82C55A-5	SMD - Programmable Peripheral, 5MHz, 40 Lead Cerdip	-
C	8406601XA	MR82C55A-5	SMD - Programmable Peripheral, 5MHz, 44 Lead LCC	-
C	8406602QA	MD82C55A	SMD - Programmable Peripheral, 8MHz, 40 Lead Cerdip	-
C	8406602XA	MR82C55A	SMD - Programmable Peripheral, 8MHz, 44 Lead LCC	-
C	84067012A	MR82C82	SMD - Octal Latch Bus Driver, 20 Lead LCC	-
C	8406701RA	MD82C82	SMD - Octal Latch Bus Driver, 20 Lead Cerdip	-
C	84067022A	MR82C83H	SMD - Inverting Octal Latch Driver, 20 Lead LCC	-
C	8406702RA	MD82C83H	SMD - Inverting Octal Latch Driver, 20 Lead Cerdip	-
C	84068012A	MR82C84A	SMD - Clock Generator, 8MHz, 20 Lead LCC	-
C	8406801VA	MD82C84A	SMD - Clock Generator, 8MHz, 20 Lead Cerdip	-
C	84069012A	MR82C88	SMD - Bus Controller, 8MHz, 20 Lead LCC	-
C	8406901RA	MD82C88	SMD - Bus Controller, 8MHz, 20 Lead Cerdip	-
C	8407001EA	CD54HC75F3A	SMD - Dual Brand CD54HC75F3A	-
C	8407101RA	CD54HC374F3A	SMD - Dual Brand CD54HC374F3A	-
C	8407201RA	CD54HC373F3A	SMD - Dual Brand CD54HC373F3A	-
C	8407301EA	CD54HC174F3A	SMD - Dual Brand CD54HC174F3A	-
C	8407401RA	CD54HC240F3A	SMD - Dual Brand CD54HC240F3A	-
C	8407501EA	CD54HC161F3A	SMD - Dual Brand CD54HC161F3A	-
C	8408501RA	CD54HC245F3A	SMD - Dual Brand CD54HC245F3A	-
C	8408801EA	CD54HC112F3A	SMD - Dual Brand CD54HC112F3A	-
C	8408901EA	CD54HC175F3A	SMD - Dual Brand CD54HC175F3A	-
C	8409001CA	CD54HC243F3A	SMD - Dual Brand CD54HC243F3A	-
C	8409101CA	CD54HC14F3A	SMD - Dual Brand CD54HC14F3A	-
C	8409201EA	CD54HC139F3A	SMD - Dual Brand CD54HC139F3A	-
C	8409301EA	CD54HC153F3A	SMD - Dual Brand CD54HC153F3A	-
C	8409401EA	CD54HC162F3A	SMD - Dual Brand CD54HC162F3A	-
C	8409501EA	CD54HC165F3A	SMD - Dual Brand CD54HC165F3A	-
C	8409601RA	CD54HC244F3A	SMD - Dual Brand CD54HC244F3A	-

Military and Space Cross-Reference

PART NUMBER LISTING (Continued)

COMPLIANT OR NON-COMPLIANT	MARKETING PART NUMBER	REFERENCE NUMBER	DESCRIPTION	FILE NO.
C	8409801CA	CD54HC04F3A	SMD - Dual Brand CD54HC04F3A	-
C	8409901RA	CD54HC273F3A	SMD - Dual Brand CD54HC273F3A	-
C	8410001CA	CD54HC393F3A	SMD - Dual Brand CD54HC393F3A	-
C	8412801EA	CD54HC151F3A	SMD - Dual Brand CD54HC151F3A	-
C	8413201RA	HM1-65262/883	SMD - 16384 x 1 RAM DIP Package	-
C	8413201YA	HM4-65262/883	SMD - 16384 x 1 RAM LCC Package	-
C	8413203RA	HM1-65262B	SMD - 16384 x 1 RAM DIP Package	-
C	8413203YA	HM4-65262B/883	SMD - 16384 x 1 RAM LCC Package	-
C	8415001EA	CD54HC109F3A	SMD - Dual Brand CD54HC109F3A	-
C	8416201CA	CD54HC164F3A	SMD - Dual Brand CD54HC164F3A	-
C	8500101EA	CD54HC365F3A	SMD - Dual Brand CD54HC365F3A	-
C	8500201EA	CD54HC367F3A	SMD - Dual Brand CD54HC367F3A	-
C	8500301EA	CD54HC4020F3A	SMD - Dual Brand CD54HC4020F3A	-
C	8500401EA	CD54HC4040F3A	SMD - Dual Brand CD54HC4040F3A	-
C	85015013A	MR82C52	SMD - Serial Comm I/F-28 Lead LCC	-
C	8501501XA	MD82C52	SMD - Serial Comm I/F-20 Lead CERDIP	-
C	8512401EA	CD54HC251F3A	SMD - Dual Brand CD54HC251F3A	-
C	8512501EA	CD54HC251F3A	SMD - Dual Brand CD54HC251F3A	-
C	8512801RA	CD54HC573F3A	SMD - Dual Brand CD54HC573F3A	-
C	8513001RA	CD54HCT244F3A	SMD - Dual Brand CD54HCT244F3A	-
C	8550401EA	CD54HCT138F3A	SMD - Dual Brand CD54HCT138F3A	-
C	8550501RA	CD54HCT240F3A	SMD - Dual Brand CD54HCT240F3A	-
C	8550601RA	CD54HCT245F3A	SMD - Dual Brand CD54HCT245F3A	-
C	8550701RA	CD54HCT374F3A	SMD - Dual Brand CD54HCT374F3A	-
C	8551901EA	CD54HC259F3A	SMD - Dual Brand CD54HC259F3A	-
C	8601001CA	CD54HCU04F3A	SMD - Dual Brand CD54HCU04F3A	-
C	8601101EA	CD54HC4017F3A	SMD - Dual Brand CD54HC4017F3A	-
C	8601201CA	CD54HC4024F3A	SMD - Dual Brand CD54HC4024F3A	-
C	8601301EA	CD54HC85F3A	SMD - Dual Brand CD54HC85F3A	-
C	8607601EA	CD54HC163F3A	SMD - Dual Brand CD54HC163F3A	-
C	8607701CA	CD54HC280F3A	SMD - Dual Brand CD54HC280F3A	-
C	87063-001	V22Z05	DESC MOV 22V	-
C	87063-002	V22ZA1	DESC MOV 22V	-
C	87063-003	V22ZA2	DESC MOV 22V	-
C	87063-004	V22ZA3	DESC MOV 22V	-
C	87063-005	V24ZA50	DESC MOV 24V	-
C	87063-006	V27ZA05	DESC MOV 27V	-
C	87063-007	V27ZA1	DESC MOV 27V	-
C	87063-008	V27ZA2	DESC MOV 27V	-
C	87063-009	V27ZA4	DESC MOV 27V	-
C	87063-010	V27ZA60	DESC MOV 27V	-
C	87063-011	V33ZA05	DESC MOV 33V	-
C	87063-012	V33ZA1	DESC MOV 33V	-
C	87063-013	V33ZA2	DESC MOV 33V	-
C	87063-014	V33ZA5	DESC MOV 33V	-
C	87063-015	V33ZA70	DESC MOV 33V	-
C	87063-016	V36ZA80	DESC MOV 36V	-
C	87063-017	V39ZA05	DESC MOV 39V	-
C	87063-018	V39ZA1	DESC MOV 39V	-
C	87063-019	V39ZA3	DESC MOV 39V	-

4
**HARRIS MILITARY/
 RAD HARD**

Military and Space Cross-Reference

PART NUMBER LISTING (Continued)

COMPLIANT OR NON-COMPLIANT	MARKETING PART NUMBER	REFERENCE NUMBER	DESCRIPTION	FILE NO.
C	87063-020	V39ZA6	DESC MOV 39V	-
C	87063-021	V47ZA05	DESC MOV 47V	-
C	87063-022	V47ZA1	DESC MOV 47V	-
C	87063-023	V47ZA3	DESC MOV 47V	-
C	87063-024	V47ZA7	DESC MOV 47V	-
C	87063-025	V56ZA05	DESC MOV 56V	-
C	87063-026	V56ZA2	DESC MOV 56V	-
C	87063-027	V56ZA3	DESC MOV 56V	-
C	87063-028	V56ZA8	DESC MOV 56V	-
C	87063-029	V68ZA05	DESC MOV 68V	-
C	87063-030	V68ZA2	DESC MOV 68V	-
C	87063-031	V68ZA3	DESC MOV 68V	-
C	87063-032	V68ZA10	DESC MOV 68V	-
C	87063-033	V82ZA05	DESC MOV 82V	-
C	87063-034	V82ZA2	DESC MOV 82V	-
C	87063-035	V82ZA4	DESC MOV 82V	-
C	87063-036	V82ZA12	DESC MOV 82V	-
C	87063-037	V100ZA05	DESC MOV 100V	-
C	87063-038	V100ZA3	DESC MOV 100V	-
C	87063-039	V100ZA4	DESC MOV 100V	-
C	87063-040	V100ZA15	DESC MOV 100V	-
C	87063-041	V120ZA05	DESC MOV 120V	-
C	87063-042	V120ZA1	DESC MOV 120V	-
C	87063-043	V120ZA4	DESC MOV 120V	-
C	87063-044	V120ZA6	DESC MOV 120V	-
C	87063-045	V150ZA05	DESC MOV 150V	-
C	87063-046	V150ZA1	DESC MOV 150V	-
C	87063-047	V150ZA4	DESC MOV 150V	-
C	87063-048	V150ZA8	DESC MOV 150V	-
C	87063-049	V180ZA05	DESC MOV 180V	-
C	87063-050	V180ZA1	DESC MOV 180V	-
C	87063-051	V180ZA5	DESC MOV 180V	-
C	87063-052	V180ZA10	DESC MOV 180V	-
C	89007-2N7123TX		Power MOS 100V, 38A, 0.055Ω, 150W TO-204AE	-
C	89007-2N7123TXV		Power MOS 100V, 38A, 0.055Ω, 150W TO-204AE	-
C	89007-2N7124TX		Power MOS 200V, 30A, 0.085Ω, 150W, TO-204AE	-
C	89007-2N7124TXV		Power MOS 200V, 30A, 0.085Ω, 150W TO-204AE	-
C	89007-2N7125TX		Power MOS 400V, 14A, 00Ω, 150W TO-204AA	-
C	89007-2N7125TXV		Power MOS 400V, 14A, 00Ω, 150W TO-204AA	-
C	89007-2N7126TX		Power MOS 500V, 12A, 0.40Ω, 150W TO-204AA	-
C	89007-2N7126TXV		Power MOS 500V, 12A, 0.40Ω, 150W TO-204AA	-
C	89009-2N7119TX		Power MOS 100V, 14A, 08Ω, 75W TO-24AA	-
C	89009-2N7119TXV		Power MOS 100V, 14A, 08Ω, 75W TO-204AA	-
C	89009-2N7120TX		Power MOS 200V, 9A, 0.40Ω, 75W TO-204AA	-
C	89009-2N7120TXV		Power MOS 200V, 9A, 0.40Ω, 75W TO-204AA	-
C	89009-2N7121TX		Power MOS 400V, 5A, 1.0Ω, 75W TO-204AA	-
C	89009-2N7121TXV		Power MOS 400V, 5A, 1.0Ω, 75W TO-204AA	-
C	89009-2N7122TX		Power MOS 500V, 4A, 1Ω, 75W TO-204AA	-
C	89009-2N7122TXV		Power MOS 500V, 4A, 1Ω, 75W TO-204AA	-
C	89025-2N7241TX		Power MOS 100V, 14A, 095Ω, 75W TO-254AA	-

Military and Space Cross-Reference

PART NUMBER LISTING (Continued)

COMPLIANT OR NON-COMPLIANT	MARKETING PART NUMBER	REFERENCE NUMBER	DESCRIPTION	FILE NO.
C	89025-2N7241TXV		Power MOS 100V, 14A, 095Ω, 75W TO-254AA	-
C	89025-2N7242TX		Power MOS 200V, 9A, 0.415Ω, 75W TO-254AA	-
C	89025-2N7242TXV		Power MOS 200V, 9A, 0.415Ω, 75W TO-254AA	-
C	89025-2N7243TX		Power MOS 400V, 5A, 1.0Ω, 75W TO-254AA	-
C	89025-2N7243TXV		Power MOS 400V, 5A, 1.0Ω, 75W TO-254AA	-
C	89025-2N7244TX		Power MOS 500V, 4A, 1Ω, 75W TO-254AA	-
C	89025-2N7244TXV		Power MOS 500V, 4A, 1Ω, 75W TO-254AA	-
C	90065-012	V131DB40	DESC MOV 40mm DA/DB	-
C	90065-013	V151DB40	DESC MOV 40mm DA/DB	-
C	90065-014	V251DB40	DESC MOV 40mm DA/DB	-
C	90065-015	V271DB40	DESC MOV 40mm DA/DB	-
C	90065-016	V321DB40	DESC MOV 40mm DA/DB	-
C	90065-017	V421DB40	DESC MOV 40mm DA/DB	-
C	90065-018	V481DB40	DESC MOV 40mm DA/DB	-
C	90065-019	V511DB40	DESC MOV 40mm DA/DB	-
C	90065-020	V571DB40	DESC MOV 40mm DA/DB	-
C	90065-021	V661DB40	DESC MOV 40mm DA/DB	-
C	90065-022	V751DB40	DESC MOV 40mm DA/DB	-
C	ACS00DMSR	5962F9565001VCC	Rad Hard Quad 2-Input NAND Gate	3563
C	ACS00KMSR	5962F9565001VXC	Rad Hard Quad 2-Input NAND Gate	3563
C	ACS03DMSR	5962F9670301VCC	Rad Hard Quad 2-Input NAND Gate with Open Drain	3064
C	ACS03KMSR	5962F9670301VXC	Rad Hard Quad 2-Input NAND Gate with Open Drain	3064
C	ACS08DMSR	5962F9565101VCC	Rad Hard Quad 2-Input AND Gate	3993
C	ACS08KMSR	5962F9565101VXC	Rad Hard Quad 2-Input AND Gate	3993
C	ACS10DMSR	5962F9565201VCC	Rad Hard Triple 3-Input NAND Gate	3630
C	ACS10KMSR	5962F9565201VXC	Rad Hard Triple 3-Input NAND Gate	3630
C	ACS112DMSR	5962F9670401VCC	Rad Hard Dual J-K Flip-Flop w/Set & Reset, Negative Edge Trigger	3571
C	ACS112KMSR	5962F9670401VXC	Rad Hard Dual J-K Flip-Flop w/Set & Reset, Negative Edge Trigger	3571
C	ACS125DMSR	5962F9670501VCC	Rad Hard Quad Buffer, Three-State	3565
C	ACS125KMSR	5962F9670501VXC	Rad Hard Quad Buffer, Three-State	3565
C	ACS161DMSR	5962F9670601VCC	Rad Hard Synchronous 4-Bit Binary Counter, Asynchronous Reset	3600
C	ACS161KMSR	5962F9670601VXC	Rad Hard Synchronous 4-Bit Binary Counter, Asynchronous Reset	3600
C	ACS20DMSR	5962F9565301VCC	Rad Hard Dual 4-Input NAND Gate	3616
C	ACS20KMSR	5962F9565301VXC	Rad Hard Dual 4-Input NAND Gate	3616
C	ACS245DMSR	5962F9670702VCC	Rad Hard Octal Bus Transceiver, Three-State	3198
C	ACS245KMSR	5962F9670702VXC	Rad Hard Octal Bus Transceiver, Three-State	3198
C	ACS280DMSR	5962F9670801VCC	Rad Hard 9-Bit Odd/Even Parity Generator Checker	3568
C	ACS280KMSR	5962F9670801VXC	Rad Hard 9-Bit Odd/Even Parity Generator Checker	3568
C	ACS373DMSR	5962F9565501VCC	Rad Hard Octal Transparent Latch, Three-State	3999
C	ACS373KMSR	5962F9565501VXC	Rad Hard Octal Transparent Latch, Three-State	3999
C	ACS374DMSR	5962F9565601VCC	Rad Hard Octal D Flip-Flop, Positive Edge Trigger	3997
C	ACS374KMSR	5962F9565601VXC	Rad Hard Octal D Flip-Flop, Positive Edge Trigger	3997
C	ACS521DMSR	5962F9670901VCC	Rad Hard 8-Bit Identity Comparator	3111
C	ACS521KMSR	5962F9670901VXC	Rad Hard 8-Bit Identity Comparator	3111
C	ACS541DMSR	5962F9671001VCC	Rad Hard Octal Three-State Buffer/Line Driver	4085
C	ACS541KMSR	5962F9671001VXC	Rad Hard Octal Three-State Buffer/Line Driver	4085
C	ACS573DMSR	5962F9672401VCC	Rad Hard Octal Transparent Latch, Three-State	4093
C	ACS573KMSR	5962F9672401VXC	Rad Hard Octal Transparent Latch, Three-State	4093
C	ACS630DMSR	5962F9671101VCC	Rad Hard 16-Bit Parallel EDAC	3199
C	ACS630KMSR	5962F9671101VXC	Rad Hard 16-Bit Parallel EDAC	3199

4
HARRIS MILITARY/
RAD HARD

Military and Space Cross-Reference

PART NUMBER LISTING (Continued)

COMPLIANT OR NON-COMPLIANT	MARKETING PART NUMBER	REFERENCE NUMBER	DESCRIPTION	FILE NO.
C	ACS74DMSR	5962F9679901VCC	Rad Hard Dual-D Flip-Flop w/Set & Reset, Positive Edge Trigger	-
C	ACS74KMSR	5962F9679901VXC	Rad Hard Dual-D Flip-Flop w/Set & Reset, Positive Edge Trigger	-
C	ACS86DMSR	5962F9565401VCC	Rad Hard Quad 2-Input Exclusive OR Gate	3995
C	ACS86KMSR	5962F9565401VXC	Rad Hard Quad 2-Input Exclusive OR Gate	3995
C	ACTS00DMSR	5962F9563601VCC	Rad Hard Quad 2-Input NAND Gate	3564
C	ACTS00KMSR	5962F9563601VXC	Rad Hard Quad 2-Input NAND Gate	3564
C	ACTS04DMSR	5962F9671201VCC	Rad Hard Hex Inverter	3383
C	ACTS04KMSR	5962F9671201VXC	Rad Hard Hex Inverter	3383
C	ACTS08DMSR	5962F9565701VCC	Rad Hard Quad 2-Input AND Gate	3994
C	ACTS08KMSR	5962F9565701VXC	Rad Hard Quad 2-Input AND Gate	3994
C	ACTS10DMSR	5962F9565801VCC	Rad Hard Triple 3-Input NAND Gate	3631
C	ACTS10KMSR	5962F9565801VXC	Rad Hard Triple 3-Input NAND Gate	3631
C	ACTS112DMSR	5962F9671401VCC	Rad Hard J-K Flip-Flop	3570
C	ACTS112KMSR	5962F9671401VXC	Rad Hard J-K Flip-Flop	3570
C	ACTS125DMSR	5962F9671501VCC	Rad Hard Quad Buffer, Three-State	3566
C	ACTS125KMSR	5962F9671501VXC	Rad Hard Quad Buffer, Three-State	3566
C	ACTS161DMSR	5962F9671601VCC	Rad Hard Synchronous 4-Bit Binary Counter, Asynchronous Reset	4095
C	ACTS161KMSR	5962F9671601VXC	Rad Hard Synchronous 4-Bit Binary Counter, Asynchronous Reset	4095
C	ACTS20DMSR	5962F9565901VCC	Rad Hard Dual 4-Input NAND Gate	3611
C	ACTS20KMSR	5962F9565901VXC	Rad Hard Dual 4-Input NAND Gate	3611
C	ACTS240DMSR	5962F9671701VCC	Rad Hard Octal Buffer/Line Driver, Three-State, Inverting	3186
C	ACTS240KMSR	5962F9671701VXC	Rad Hard Octal Buffer/Line Driver, Three-State, Inverting	3186
C	ACTS244DMSR	5962F9671801VCC	Rad Hard Octal Buffer/Line Driver, Three-State	3187
C	ACTS244KMSR	5962F9671801VXC	Rad Hard Octal Buffer/Line Driver, Three-State	3187
C	ACTS245DMSR	5962F9671901VCC	Rad Hard Octal Bus Transceiver, Three-State	3188
C	ACTS245KMSR	5962F9671901VXC	Rad Hard Octal Bus Transceiver, Three-State	3188
C	ACTS280DMSR	5962F9672001VCC	Rad Hard 9-Bit Odd/Even Parity Generator Checker	3569
C	ACTS280KMSR	5962F9672001VXC	Rad Hard 9-Bit Odd/Even Parity Generator Checker	3569
C	ACTS373DMSR	5962F9566101VCC	Rad Hard Octal Transparent Latch, Three-State	4000
C	ACTS373KMSR	5962F9566101VXC	Rad Hard Octal Transparent Latch, Three-State	4000
C	ACTS374DMSR	5962F9566201VCC	Rad Hard Octal D Flip-Flop, Positive Edge Trigger	3998
C	ACTS374KMSR	5962F9566201VXC	Rad Hard Octal D Flip-Flop, Positive Edge Trigger	3998
C	ACTS541DMSR	5962F9672601VCC	Rad Hard Octal Three-State Buffer/Line Driver	4094
C	ACTS541KMSR	5962F9672601VXC	Rad Hard Octal Three-State Buffer/Line Driver	4094
C	ACTS573DMSR	5962F9672501VCC	Rad Hard Octal Transparent Latch, Three-State	4092
C	ACTS573KMSR	5962F9672501VXC	Rad Hard Octal Transparent Latch, Three-State	4092
C	ACTS630DMSR	5962F9672101VCC	Rad Hard 16-Bit Parallel EDAC	3204
C	ACTS630KMSR	5962F9672101VXC	Rad Hard 16-Bit Parallel EDAC	3204
C	ACTS74DMSR	5962F9671301VCC	Rad Hard Dual-D Flip-Flop w/Set and Reset, Positive Edge Trigger	3382
C	ACTS74KMSR	5962F9671301VXC	Rad Hard Dual-D Flip-Flop w/Set and Reset, Positive Edge Trigger	3382
C	ACTS86DMSR	5962F9566001VCC	Rad Hard Quad 2-Input Exclusive OR Gate	3996
C	ACTS86KMSR	5962F9566001VXC	Rad Hard Quad 2-Input Exclusive OR Gate	3996
C	AD7520SD/883B		M-DAC, 10-Bit I-Out, 8-Bit Lin, 16 Lead CERDIP	3104
C	AD7520UD/883B		M-DAC, 10-Bit I-Out, 10-Bit Lin, 6 Lead CERDIP	3104
N	CA0741T3		Op Amp, Single, Internal Compensation	531
N	CA3018A3		Transistor Array, General Purpose	762
N	CA30263		Differential Amp, Dual Independent	706
N	CA3028A3		Differential Amp, Differential/Cascade	382
N	CA3028B3		Differential Amp, Differential/Cascade	711
N	CA30393		Diode Array - 6 Ultra Fast	704

Military and Space Cross-Reference

PART NUMBER LISTING (Continued)

COMPLIANT OR NON-COMPLIANT	MARKETING PART NUMBER	REFERENCE NUMBER	DESCRIPTION	FILE NO.
N	CA30453		Transistor Array, General Purpose	710
N	CA3045F3		Transistor Array, General Purpose	341
N	CA3049T3		Differential Amp, Dual High Frequency	611
N	CA3080A3		OTA Gateable Gain Blocks	709
N	CA3080AS3		OTA Gateable Gain Blocks, Formed Leads	709
N	CA3081F3		Transistor Array, High Current NPN	1331
N	CA3083F3W		Transistor Array, NPN	481
N	CA3085A3		Positive Voltage Regulator	708
N	CA3085AS3		Positive Voltage Regulator, Formed Leads	708
N	CA3085BS3		Positive Voltage Regulator, Formed Leads	708
N	CA3085BT3		Positive Voltage Regulator	708
N	CA3089F3W		FM IF System	561
N	CA3094AS3		Programmable Power/Switch Amp, Formed Leads	598
N	CA3094AT3		Programmable Power/Switch Amp	598
N	CA3094S3		Programmable Power/Switch Amp, Formed Leads	598
N	CA3094T3		Programmable Power/Switch Amp	598
N	CA3100T3		Wide Band Op Amp	825
N	CA3130AS3		BiMOS Op Amp, Formed Leads	817
N	CA3130AT3		BiMOS Op Amp, CMOS Output	817
N	CA3130S3		BiMOS Op Amp, Formed Leads	817
N	CA3130T3		BiMOS Op Amp, CMOS Output	817
N	CA3140AS3		BiMOS Op Amp, Formed Leads	957
N	CA3140AT3		Op Amp, General Purpose, Single	957
N	CA3140S3		Op Amp, General Purpose, Single, Formed Leads	957
N	CA3140T3		Op Amp, General Purpose, Single, BiMOS	957
N	CA3160AS3		Op Amp, General Purpose, Formed Leads	976
N	CA3160AT3		Op Amp, General Purpose, Single	976
N	CA3160T3		Op Amp, General Purpose, Single, BiMOS	976
N	CA3260AT3		Op Amp, Wideband, Dual, High Slew Rate	1724
N	CA3260T3		Op Amp, Wideband, Dual, High Slew Rate	1724
N	CA3280AF3		Op Amp, Wideband, Dual, High Slew Rate	1174
N	CA3290AT3		Comparator, Dual Voltage, General Purpose	1049
N	CA3306CJ3		Flash A/D - 20 LCC 6-Bit 10 MSPS	3102
N	CA3306D3		Flash A/D - 18 Side Brazed DIP 6-Bit 15 MSPS	3102
N	CA3306J3		Flash A/D - 20 LCC 6-Bit 15 MSPS	3102
C	CD14538BDMSR	5962R9670201VEC	Rad Hard Dual Precision Monostable Multivibrator	3192
C	CD14538BF3A	5962-9055701EA	Dual Precision Monostable Multivibrator	7012
C	CD14538BKMSR	5962R9670201VXC	Rad Hard Dual Precision Monostable Multivibrator	3192
C	CD4000AFB	JM38510/05201BCA	Dual 3-Input NOR Gate Plus Inverter	-
C	CD4000BDMSR	5962R9582601VCC	Dual 3-Input NOR Gate Plus Inverter, Rad Hard	3289
C	CD4000BKMSR	5962R9582601VXC	Dual 3-Input NOR Gate Plus Inverter, Rad Hard	3289
C	CD4001AFB	JM38510/05202BCA	Quad 2-Input NOR Gate	-
C	CD4001BDMSR	5962R9582602VCC	Quad 2-Input NOR Gate, Rad Hard	3289
C	CD4001BF3A		Quad 2-Input NOR Gate	7012
C	CD4001BFB	JM38510/05252BCA	Quad 2-Input NOR Gate	-
N	CD4001BK3		Quad 2-Input NOR Gate, Weldseal Field Programmable	7012
C	CD4001BKMSR	5962R9582602VXC	Quad 2-Input NOR Gate, Rad Hard	3289
C	CD4001UBF3A		Quad 2-Input NOR Gate, Unbuffered	7012
C	CD4002BDMSR	5962R9582603VCC	Dual 4-Input NOR Gate, Rad Hard	3289
C	CD4002BDNSR	5962R9582606VCC	Dual 4-Input NOR Gate, Rad Hard, w/Neutron	3289

4
HARRIS MILITARY/
RAD HARD

Military and Space Cross-Reference

PART NUMBER LISTING (Continued)

COMPLIANT OR NON-COMPLIANT	MARKETING PART NUMBER	REFERENCE NUMBER	DESCRIPTION	FILE NO.
C	CD4002BF3A	7704403CA	Dual 4-Input NOR Gate, Dual Brand	7012
N	CD4002BK3		Dual 4-Input NOR Gate, Weldseal Field Programmable	7012
C	CD4002BKMSR	5962R9582603VXC	Dual 4-Input NOR Gate, Rad Hard	3289
C	CD4006BDMSR	5962R9661701VCC	18-Stage Static Shift Register, Rad Hard	3290
C	CD4006BF3A		18-Stage Static Shift Register	7012
C	CD4006BKMSR	5962R9661701VXC	18-Stage Static Shift Register, Rad Hard	3290
C	CD4007UBDMSR	5962R9661801VCC	Dual Complementary Pair Plus Inverter, Rad Hard	3291
C	CD4007UBF3A		Dual Complementary Pair Plus Inverter, Unbuffered	7012
C	CD4007UBKMSR	5962R9661801VXC	Dual Complementary Pair Plus Inverter, Rad Hard	3291
C	CD4008BDMSR	5962R9661901VEC	4-Bit Full Adder with Parallel Carry-Out, Rad Hard	3292
C	CD4008BF3A		4-Bit Full Adder with Parallel Carry-Out	7012
C	CD4008BKMSR	5962R9661901VXC	4-Bit Full Adder with Parallel Carry-Out, Rad Hard	3292
C	CD4009UBDMSR	5962R9662001VEC	Hex Buffer/Converter, Inverting, Rad Hard	3293
C	CD4009UBF3A		Hex Buffer/Converter, Unbuffered	7012
C	CD4009UBKMSR	5962R9662001VXC	Hex Buffer/Converter, Inverting, Rad Hard	3293
C	CD40100BDMSR	5962R9659801VEC	9-Bit Parity Generator/Checker, Rad Hard	3349
C	CD40100BKMSR	5962R9659801VXC	9-Bit Parity Generator/Checker, Rad Hard	3349
C	CD40101BDMSR	5962R9659901VCC	9-Bit Parity Generator/Checker, Rad Hard	3350
C	CD40101BF3A		9-Bit Parity Generator/Checker	7012
C	CD40101BKMSR	5962R9659901VXC	9-Bit Parity Generator/Checker, Rad Hard	3350
C	CD40102BDMSR	5962R9660001VEC	Presetable 2-Decade BCD Down Counter, Rad Hard	3351
C	CD40102BKMSR	5962R9660001VXC	Presetable 2-Decade BCD Down Counter, Rad Hard	3351
C	CD40103BDMSR	5962R9660002VEC	Presetable 8-Bit Binary Down Counter, Rad Hard	3351
C	CD40103BF3A		Presetable 8-Bit Binary Down Counter	7012
C	CD40103BKMSR	5962R9660002VXC	Presetable 8-Bit Binary Down Counter, Rad Hard	3351
C	CD40104BDMSR	5962R9660101VEC	4-Bit Bidirectional Universal Shift Register, Rad Hard	3352
C	CD40104BKMSR	5962R9660101VXC	4-Bit Bidirectional Universal Shift Register, Rad Hard	3352
C	CD40105BDMSR	5962R9660201VEC	4-Bit x 16 Word FIFO Buffer Register, Rad Hard	3353
C	CD40105BF3A		4-Bit x 16 Word FIFO Buffer Register	7012
C	CD40105BKMSR	5962R9660201VXC	4-Bit x 16 Word FIFO Buffer Register, Rad Hard	3353
C	CD40106BDMSR	5962R9660301VCC	Hex Schmitt Trigger, Rad Hard	3354
C	CD40106BF3A		Hex Schmitt Trigger	7012
C	CD40106BKMSR	5962R9660301VXC	Hex Schmitt Trigger, Rad Hard	3354
C	CD40107BDMSR	5962R9664401VCC	Dual 2-Input NAND Buffer/Driver, Rad Hard	3355
C	CD40107BF3A		Dual 2-Input NAND Buffer/Driver	7012
C	CD40107BKMSR	5962R9664401VXC	Dual 2-Input NAND Buffer/Driver, Rad Hard	3355
N	CD40108BD3		4 x 4 Multiport Register, Weldseal DIC	7012
C	CD40108BDMSR	5962R9668201VJC	4 x 4 Multiport Register, Rad Hard	3356
C	CD40108BKMSR	5962R9668201VXC	4 x 4 Multiport Register, Rad Hard	3356
C	CD40109BDMSR	5962R9664501VEC	Quad Low-to-High Voltage Interface, Rad Hard	3196
C	CD40109BF3A		Quad Low-to-High Voltage Interface	7012
N	CD40109BK3		Quad Low-to-High Voltage Interface Field Programmable	7012
C	CD40109BKMSR	5962R9664501VXC	Quad Low-to-High Voltage Interface, Rad Hard	3196
C	CD4010BDMSR	5962R9582901VEC	Hex Buffer/Converter, Non-Inverting, Rad Hard	3078
C	CD4010BF3A		Hex Buffer/Converter, Non-Inverting	7012
C	CD4010BKMSR	5962R9582901VXC	Hex Buffer/Converter, Non-Inverting, Rad Hard	3078
C	CD40110BDMSR	5962R9 TBD	Decade Up/Down Counter/Decoder/Latch Display Driver Rad Hard	-
C	CD40110BKMSR	5962R9 TBD	Decade Up/Down Counter/Decoder/Latch Display Driver Rad Hard	-

Military and Space Cross-Reference

PART NUMBER LISTING (Continued)

COMPLIANT OR NON-COMPLIANT	MARKETING PART NUMBER	REFERENCE NUMBER	DESCRIPTION	FILE NO.
N	CD40116D3		8-Bit Bidirectional CMOS To TTL Level Interface	7012
N	CD4011AD3		Quad 2-Input NAND Gate, Weldseal DIC	7012
C	CD4011AFB	JM38510/05001BCA	Quad 2-Input NAND Gate	-
C	CD4011BDMSR	5962R9662101VCC	Quad 2-Input NAND Gate, Rad Hard	3079
C	CD4011BF3A		Quad 2-Input NAND Gate	7012
C	CD4011BFB	JM38510/05051BCA	Quad 2-Input NAND Gate	-
N	CD4011BK3		Quad 2-Input NAND Gate, Weldseal Flatpack	7012
C	CD4011BKMSR	5962R9662101VXC	Quad 2-Input NAND Gate, Rad Hard	3079
C	CD4011UBF3A		Quad 2-Input NAND Gate	7012
C	CD4012BDMSR	5962R9662102VCC	Dual 4-Input NAND Gate, Rad Hard	3079
C	CD4012BF3A		Dual 4-Input NAND Gate	7012
C	CD4012BFB	JM38510/05052BCA	Dual 4-Input NAND Gate	-
C	CD4012BKMSR	5962R9662102VXC	Dual 4-Input NAND Gate, Rad Hard	3079
C	CD4013AFB	JM38510/05101BCA	Dual D Flip-Flop with Set/Reset Capability	-
C	CD4013BDMSR	5962R9662201VCC	Dual D Flip-Flop with Set/Reset Capability, Rad Hard	3080
C	CD4013BF3A		Dual D Flip-Flop with Set/Reset Capability	7012
C	CD4013BFB	JM38510/05151BCA	Dual D Flip-Flop with Set/Reset Capability	-
N	CD4013BK3		Dual D Flip-Flop with Set/Reset Capability	7012
C	CD4013BKMSR	5962R9662201VXC	Dual D Flip-Flop with Set/Reset Capability, Rad Hard	3080
C	CD40147BDMSR	5962R9660401VEC	10-Line To 4-Line BCD Priority Encoder, Rad Hard	3357
C	CD40147BKMSR	5962R9660401VXC	10-Line To 4-Line BCD Priority Encoder, Rad Hard	3357
C	CD4014BDMSR	5962R9662301VEC	8-Stage Static Shift Register, Rad Hard	3294
C	CD4014BF3A		8-Stage Static Shift Register	7012
C	CD4014BKMSR	5962R9662301VXC	8-Stage Static Shift Register, Rad Hard	3294
C	CD4015BDMSR	5962R9662401VEC	Dual 4-Stage Static Shift Register, Rad Hard	3295
C	CD4015BF3A		Dual 4-Stage Static Shift Register	7012
C	CD4015BKMSR	5962R9662401VXC	Dual 4-Stage Static Shift Register, Rad Hard	3295
C	CD40160BDMSR	5962R9667601VEC	4-Bit Decade Counter with Asynchronous Clear, Rad Hard	3358
C	CD40160BF3A		4-Bit Decade Counter with Asynchronous Clear	7012
C	CD40160BKMSR	5962R9667601VXC	4-Bit Decade Counter with Asynchronous Clear, Rad Hard	3358
C	CD40161BDMSR	5962R9667602VEC	4-Bit Binary Counter with Asynchronous Clear, Rad Hard	3358
C	CD40161BF3A		4-Bit Binary Counter with Asynchronous Clear	7012
C	CD40161BKMSR	5962R9667602VXC	4-Bit Binary Counter with Asynchronous Clear, Rad Hard	3358
C	CD40162BDMSR	5962R9667603VEC	4-Bit Decade Counter with Synchronous Clear, Rad Hard	3358
C	CD40162BKMSR	5962R9667603VXC	4-Bit Decade Counter with Synchronous Clear, Rad Hard	3358
C	CD40163BDMSR	5962R9667604VEC	4-Bit Binary Counter with Synchronous Clear, Rad Hard	3358
C	CD40163BF3A		4-Bit Binary Counter with Synchronous Clear	7012
C	CD40163BKMSR	5962R9667604VXC	4-Bit Binary Counter with Synchronous Clear, Rad Hard	3358
C	CD4016BDMSR	5962R9670101VCC	Quad Bilateral Switch, Rad Hard	3296
C	CD4016BF3A	5962-9064001CA	Quad Bilateral Switch, Dual Brand	7012
C	CD4016BKMSR	5962R9670101VXC	Quad Bilateral Switch, Rad Hard	3296
C	CD40174BDMSR	5962R9660501VEC	4-Bit Binary Counter with Synchronous Clear, Rad Hard	3359
C	CD40174BF3A		4-Bit Binary Counter with Synchronous Clear	7012
C	CD40174BKMSR	5962R9660501VXC	4-Bit Binary Counter with Synchronous Clear, Rad Hard	3359
C	CD40175BDMSR	5962R9660601VEC	Quad D-Type Flip-Flop, Rad Hard	3360
C	CD40175BF3A		Quad D-Type Flip-Flop	7012
C	CD40175BKMSR	5962R9660601VXC	Quad D-Type Flip-Flop, Rad Hard	3360
C	CD4017AFB	JM38510/05601BEA	Decade Counter/Divider	-
C	CD4017BDMSR	5962R9662501VEC	Decade Counter/Divider, Rad Hard	3297
C	CD4017BF3A		Decade Counter/Divider	7012

Military and Space Cross-Reference

PART NUMBER LISTING (Continued)

COMPLIANT OR NON-COMPLIANT	MARKETING PART NUMBER	REFERENCE NUMBER	DESCRIPTION	FILE NO.
C	CD4017BFB	JM38510/05651BEA	Decade Counter/Divider	-
C	CD4017BKMSR	5962R9662501VXC	Decade Counter/Divider, Rad Hard	3297
C	CD40181BDMSR	5962R9668301VJC	4-Bit Arithmetic Logic Unit, Rad Hard	3361
C	CD40181BKMSR	5962R9668301VXC	4-Bit Arithmetic Logic Unit, Rad Hard	3361
C	CD40182BDMSR	5962R9660701VEC	Look-Ahead Carry Generator, Rad Hard	3362
C	CD40182BKMSR	5962R9660701VXC	Look-Ahead Carry Generator, Rad Hard	3362
C	CD4018BDMSR	5962R9662602VEC	Presetable Divide-By N Counter, Rad Hard	3298
C	CD4018BF3A		Presetable Divide-By N Counter	7012
C	CD4018BFB	JM38510/05652BEA	Presetable Divide-By N Counter	-
C	CD4018BK3		Presetable Divide-By N Counter, Field Programmable	7012
C	CD4018BKMSR	5962R9662602VXC	Presetable Divide-By N Counter, Rad Hard	3298
C	CD40192BDMSR	5962R9660801VEC	Look-Ahead Carry Generator, Rad Hard	3363
C	CD40192BF3A		Look-Ahead Carry Generator	7012
C	CD40192BKMSR	5962R9660801VXC	Look-Ahead Carry Generator, Rad Hard	3363
C	CD40193BDMSR	5962R9660802VEC	Presetable Up/Down Counter, Rad Hard	3363
C	CD40193BF3A		Presetable Up/Down Counter	7012
C	CD40193BKMSR	5962R9660802VXC	Presetable Up/Down Counter, Rad Hard	3363
C	CD40194BDMSR	5962R9660102VEC	4-Bit Bidirectional Universal Shift Register, Rad Hard	3352
C	CD40194BKMSR	5962R9660102VXC	4-Bit Bidirectional Universal Shift Register, Rad Hard	3352
C	CD4019AFB	JM38510/05302BEA	Quad AND/OR Select Gate	-
C	CD4019BDMSR	5962R9662701VEC	Quad AND/OR Select Gate, Rad Hard	3299
C	CD4019BF3A		Quad AND/OR Select Gate	7012
C	CD4019BFB	JM38510/05352BEA	Quad AND/OR Select Gate	-
C	CD4019BKMSR	5962R9662701VXC	Quad AND/OR Select Gate, Rad Hard	3299
C	CD40208BDMSR	5962R9668401VLC	4 x 4 Multiport Register, Rad Hard	3396
C	CD40208BKMSR	5962R9668401VXC	4 x 4 Multiport Register, Rad Hard	3396
C	CD4020AFB	JM38510/05603BEA	14-Stage Binary Ripple Counter	7012
C	CD4020BDMSR	5962R9662801VEC	14-Stage Binary Ripple Counter, Rad Hard	3300
C	CD4020BF3A		14-Stage Binary Ripple Counter	7012
C	CD4020BFB	JM38510/05653BEA	14-Stage Binary Ripple Counter	-
C	CD4020BKMSR	5962R9662801VYC	14-Stage Binary Ripple Counter, Rad Hard	3300
C	CD4021BDMSR	5962R9662302VEC	8-Stage Static Shift Register, Rad Hard	3294
C	CD4021BF3A		8-Stage Static Shift Register	7012
C	CD4021BFB	JM38510/05754BEA	8-Stage Static Shift Register	-
C	CD4021BKMSR	5962R9662302VXC	8-Stage Static Shift Register, Rad Hard	3294
C	CD4022BDMSR	5962R9662502VEC	Divide-By-8 Counter/Divider, Rad Hard	3297
C	CD4022BF3A		Divide-By-8 Counter/Divider	7012
C	CD4022BKMSR	5962R9662502VXC	Divide-By-8 Counter/Divider, Rad Hard	3297
C	CD4023AFB	JM38510/05003BCA	Triple 3-Input NAND Gate	-
C	CD4023BDMSR	5962R9662103VCC	Triple 3-Input NAND Gate, Rad Hard	3079
C	CD4023BF3A		Triple 3-Input NAND Gate	7012
C	CD4023BFB	JM38510/05053BCA	Triple 3-Input NAND Gate	-
N	CD4023BK3		Triple 3-Input NAND Gate, Field Programmable	7012
C	CD4023BKMSR	5962R9662103VXC	Triple 3-Input NAND Gate, Rad Hard	3079
C	CD4024AFB	JM38510/05605BCA	7-Stage Binary Ripple Counter	-
C	CD4024BDMSR	5962R9662803VCC	7-Stage Binary Ripple Counter, Rad Hard	3300
C	CD4024BF3A		7-Stage Binary Ripple Counter	7012
C	CD4024BFB	JM38510/05655BCA	7-Stage Binary Ripple Counter	-
C	CD4024BKMSR	5962R9662803VXC	7-Stage Binary Ripple Counter, Rad Hard	3300
C	CD40257BDMSR	5962R9667701VCC	Quad 2-Line to 1-Line Data Selector/MUX, Rad Hard	3364

Military and Space Cross-Reference

PART NUMBER LISTING (Continued)

COMPLIANT OR NON-COMPLIANT	MARKETING PART NUMBER	REFERENCE NUMBER	DESCRIPTION	FILE NO.
C	CD40257BF3A		Quad 2-Line to 1-Line Data Selector/MUX	7012
C	CD40257BKMSR	5962R9667701VXC	Quad 2-Line to 1-Line Data Selector/MUX, Rad Hard	3364
C	CD4025AFB	JM38510/05204BCA	Triple 3-Input NOR Gate	-
C	CD4025BDMSR	5962R9582604VCC	Triple 3-Input NOR Gate, Rad Hard	3289
C	CD4025BF3A		Triple 3-Input NOR Gate	7012
C	CD4025BFB	JM38510/05254BCA	Triple 3-Input NOR Gate	-
C	CD4025BKMSR	5962R9582604VCC	Triple 3-Input NOR Gate, Rad Hard	3289
C	CD4027AFB	JM38510/05102BEA	Dual J-K Flip-Flop with Set/Reset Capability	-
C	CD4027BDMSR	5962R9662901VEC	Dual J-K Flip-Flop with Set/Reset Capability, Rad Hard	3302
C	CD4027BF3A		Dual J-K Flip-Flop with Set/Reset Capability	7012
C	CD4027BFB	JM38510/05152BEA	Dual J-K Flip-Flop with Set/Reset Capability	-
N	CD4027BK3		Dual J-K Flip-Flop with Set/Reset Capability	7012
C	CD4027BKMSR	5962R9662901VXC	Dual J-K Flip-Flop with Set/Reset Capability, Rad Hard	3302
C	CD4028BDMSR	5962R9663001VEC	BCD-to-Decimal Decoder, Rad Hard	3303
C	CD4028BF3A		BCD-to-Decimal Decoder	7012
C	CD4028BKMSR	5962R9663001VXC	BCD-to-Decimal Decoder, Rad Hard	3303
C	CD4029BDMSR	5962R9562101VEC	Presetable Up/Down Counter, Rad Hard	3304
C	CD4029BF3A	8101602EA	Presetable Up/Down Counter, Dual Brand	7012
C	CD4029BKMSR	5962R9562101VXC	Presetable Up/Down Counter, Rad Hard	3304
C	CD4030BDMSR	5962R9664601VCC	Quad Exclusive OR Gate, Rad Hard	3305
C	CD4030BF3A		Quad Exclusive-OR Gate	7012
C	CD4030BFB	JM38510/05353BCA	Quad Exclusive-OR Gate	-
C	CD4030BKMSR	5962R9664601VXC	Quad Exclusive OR Gate, Rad Hard	3305
C	CD4031BDMSR	5962R9664701VEC	64-Stage Static Shift Register, Rad Hard	3306
C	CD4031BF3A		64-Stage Static Shift Register	7012
C	CD4031BKMSR	5962R9664701VXC	64-Stage Static Shift Register, Rad Hard	3306
C	CD4033BDMSR	5962R9664801VEC	Decade Counter/Divider, Rad Hard	3301
C	CD4033BKMSR	5962R9664801VXC	Decade Counter/Divider, Rad Hard	3301
C	CD4034BDMSR	5962R9667801VJC	8-Stage Static Shift Register, Rad Hard	3307
C	CD4034BF3A		8-Stage Static Shift Register	7012
C	CD4034BKMSR	5962R9667801VXC	8-Stage Static Shift Register, Rad Hard	3307
C	CD4035BDMSR	5962R9664901VEC	4-Stage Parallel-In/Parallel-Out Shift Register, Rad Hard	3308
C	CD4035BF3A	8101701EA	4-Stage Parallel-In/Parallel-Out Shift Register	7012
C	CD4035BKMSR	5962R9664901VXC	4-Stage Parallel-In/Parallel-Out Shift Register, Rad Hard	3308
C	CD4040BDMSR	5962R9662805VEC	12-Stage Binary Ripple Counter, Rad Hard	3300
C	CD4040BF3A		12-Stage Binary Ripple Counter	7012
C	CD4040BKMSR	5962R9662805VXC	12-Stage Binary Ripple Counter, Rad Hard	3300
C	CD4041UBDMSR	5962R9663201VCC	Quad True/Complement Buffer, Rad Hard	3309
C	CD4041UBF3A	5962R9	Quad True/Complement Buffer	7012
C	CD4041UBKMSR	5962R9663201VXC	Quad True/Complement Buffer, Rad Hard	3309
C	CD4042BDMSR	5962R9663301VEC	Quad Clocked D-Latch, Rad Hard	3310
C	CD4042BF3A		Quad Clocked D Latch	7012
N	CD4042BK3		Quad Clocked D Latch, Weldseal Flatpack	7012
C	CD4042BKMSR	5962R9663301VXC	Quad Clocked D Latch, Rad Hard	3310
C	CD4043BDMSR	5962R9663401VEC	Quad NOR R/S Latch, Three-State Outputs, Rad Hard	3311
C	CD4043BF3A		Quad NOR R/S Latch, Three-State Outputs	7012
C	CD4043BKMSR	5962R9663401VXC	Quad NOR R/S Latch, Three-State Outputs, Rad Hard	3311
C	CD4044BDMSR	5962R9663402VEC	Quad NAND R/S Latch, Three-State Outputs, Rad Hard	3311
C	CD4044BF3A		Quad NAND R/S Latch, Three-State Outputs	7012
C	CD4044BKMSR	5962R9663402VXC	Quad NAND R/S Latch, Three-State Outputs, Rad Hard	3311

4
HARRIS MILITARY/
RAD HARD

Military and Space Cross-Reference

PART NUMBER LISTING (Continued)

COMPLIANT OR NON-COMPLIANT	MARKETING PART NUMBER	REFERENCE NUMBER	DESCRIPTION	FILE NO.
C	CD4046BDMSR	5962R9666401VEC	Micropower Phase-Locked Loop, Rad Hard	3312
C	CD4046BF3A		Micropower Phase-Locked Loop	7012
C	CD4046BKMSR	5962R9666401VXC	Micropower Phase-Locked Loop, Rad Hard	3312
N	CD4047BD3		Monostable/Astable Multivibrator, Weldseal DIC	7012
C	CD4047BDMSR	5962R9663501VCC	Monostable/Astable Multivibrator, Rad Hard	3313
C	CD4047BF3A	8102001CA	Monostable/Astable Multivibrator, Dual Brand	7012
C	CD4047BKMSR	5962R9663501VXC	Monostable/Astable Multivibrator, Rad Hard	3313
C	CD4048BDMSR	5962R9665001VEC	Multifunctional Expandable 8-Input Gate, Three-State Output Rad Hard	3314
C	CD4048BF3A		Multifunctional Expandable 8-Input Gate, Three-State Output	7012
C	CD4048BKMSR	5962R9665001VXC	Multifunctional Expandable 8-Input Gate, Three-State Output Rad Hard	3314
C	CD4049AFB	JM38510/05503BEA	Hex Buffer/Converter, Inverting	-
C	CD4049UBDMSR	5962R9663601VEC	Hex Buffer/Converter, Inverting, Rad Hard	3315
C	CD4049UBF3A		Hex Buffer/Converter, Inverting	7012
C	CD4049UBFB	JM38510/05553BEA	Hex Buffer/Converter, Inverting,	-
N	CD4049UBK3		Hex Buffer/Converter, Inverting, Weldseal Field Programmable	7012
C	CD4049UBKMSR	5962R9663601VXC	Hex Buffer/Converter, Inverting, Rad Hard	3315
C	CD4050AFB	JM38510/05504BEA	Hex Buffer/Converter, Non-Inverting	-
C	CD4050BDMSR	5962R9663701VEC	Hex Buffer/Converter, Non-Inverting, Rad Hard	3193
C	CD4050BF3A		Hex Buffer/Converter, Non-Inverting	7012
C	CD4050BFB	JM38510/05554BEA	Hex Buffer/Converter, Non-Inverting	-
C	CD4050BKMSR	5962R9663701VXC	Hex Buffer/Converter, Non-Inverting, Rad Hard	3193
C	CD4051BDMSR	5962R9665101VEC	8-Channel Analog MUX/DeMUX, Rad Hard	3316
C	CD4051BF3A		8-Channel Analog MUX/DeMUX	7012
C	CD4051BKMSR	5962R9665101VXC	8-Channel Analog MUX/DeMUX, Rad Hard	3316
C	CD4052BDMSR	5962R9665102VEC	4-Channel Analog MUX/DeMUX, Rad Hard	3316
C	CD4052BF3A	7901502EA	4-Channel Analog MUX/DeMUX, Dual Brand	7012
C	CD4052BKMSR	5962R9665102VXC	4-Channel Analog MUX/DeMUX, Rad Hard	3316
C	CD4053BDMSR	5962R9665103VEC	Triple 2-Channel Analog MUX/DeMUX, Rad Hard	3316
C	CD4053BF3A	8101801EA	Triple 2-Channel Analog MUX/DeMUX, Dual Brand	7012
C	CD4053BKMSR	5962R9665103VXC	Triple 2-Channel Analog MUX/DeMUX, Rad Hard	3316
C	CD4054BF3A		4-Segment Display Coder Driver	7012
C	CD4056BF3A		BCD To 7-Segment Driver Strobe Latch	7012
N	CD4059AD3		Programmable Divide-By-N Counter, Weldseal DIC	7012
C	CD4060BDMSR	5962R9660901VEC	14-Stage Binary Ripple Counter/Divider, Rad Hard	3317
C	CD4060BF3A		14-Stage Binary Ripple Counter/Divider	7012
C	CD4060BKMSR	5962R9660901VXC	14-Stage Binary Ripple Counter/Divider, Rad Hard	3317
C	CD4063BDMSR	5962R9675701VEC	4-Bit Magnitude Comparator, Rad Hard	3318
C	CD4063BF3A		4-Bit Magnitude Comparator	7012
C	CD4063BKMSR	5962R9675701VXC	4-Bit Magnitude Comparator, Rad Hard	3318
C	CD4066BDMSR	5962R9665201VEC	Quad Bilateral Switch, Rad Hard	3319
C	CD4066BF3A		Quad Bilateral Switch	7012
C	CD4066BFB	JM38510/05852BCA	Quad Bilateral Switch	-
N	CD4066BK3		Quad Bilateral Switch, Weldseal Flatpack	7012
C	CD4066BKMSR	5962R9665201VXC	Quad Bilateral Switch, Rad Hard	3319
C	CD4067BDMSR	5962R9667901VLC	16-Channel Analog MUX/DeMUX, Rad Hard	3190
C	CD4067BF3A		16-Channel Analog MUX/DeMUX	7012
C	CD4067BKMSR	5962R9667901VXC	16-Channel Analog MUX/DeMUX, Rad Hard	3190
C	CD4068BDMSR	5962R9661001VCC	8-Input NAND/AND Gate, Rad Hard	3320

Military and Space Cross-Reference

PART NUMBER LISTING (Continued)

COMPLIANT OR NON- COMPLIANT	MARKETING PART NUMBER	REFERENCE NUMBER	DESCRIPTION	FILE NO.
C	CD4068BF3A		8-Input NAND/AND Gate	7012
C	CD4068BKMSR	5962R9661001VXC	8-Input NAND/AND Gate, Rad Hard	3320
C	CD4069UBDMSR	5962R9665301VCC	Hex Inverter, Rad Hard	3321
C	CD4069UBF3A		Hex Inverter	7012
C	CD4069UBFB	JM38510/17401BCA	Hex Inverter	-
C	CD4069UBKMSR	5962R9665301VXC	Hex Inverter, Rad Hard	3321
C	CD4070BDMSR	5962R9661101VCC	Quad Exclusive-OR Gate, Rad Hard	3322
C	CD4070BF3A		Quad Exclusive-OR Gate	7012
C	CD4070BFB	JM38510/17203BCA	Quad Exclusive-OR Gate	-
C	CD4070BKMSR	5962R9661101VXC	Quad Exclusive-OR Gate, Rad Hard	3322
C	CD4071BDMSR	5962R9665401VCC	Quad 2-Input OR Gate, Rad Hard	3323
C	CD4071BF3A		Quad 2-Input OR Gate	7012
C	CD4071BFB	JM38510/17101BCA	Quad 2-Input OR Gate	-
C	CD4071BKMSR	5962R9665401VXC	Quad 2-Input OR Gate, Rad Hard	3323
C	CD4072BDMSR	5962R9665403VCC	Dual 4-Input OR Gate, Rad Hard	3323
C	CD4072BF3A	7706002CA	Dual 4-Input OR Gate, Dual Brand	7012
C	CD4072BKMSR	5962R9665403VXC	Dual 4-Input OR Gate, Rad Hard	3323
C	CD4073BDMSR	5962R9665501VCC	Triple 3-Input AND Gate, Rad Hard	3324
C	CD4073BF3A		Triple 3-Input AND Gate	7012
C	CD4073BFB	JM38510/17003BCA	Triple 3-Input AND Gate	-
C	CD4073BKMSR	5962R9665501VXC	Triple 3-Input AND Gate, Rad Hard	3324
C	CD4075BDMSR	5962R9665405VCC	Triple 3-Input OR Gate, Rad Hard	3323
C	CD4075BF3A		Triple 3-Input OR Gate	7012
C	CD4075BFB	JM38510/17103BCA	Triple 3-Input OR Gate	-
C	CD4075BKMSR	5962R9665405VXC	Triple 3-Input OR Gate, Rad Hard	3323
C	CD4076BDMSR	5962R9665601VEC	4-Bit D Flip-Flop, Three-State Outputs, Rad Hard	3325
C	CD4076BF3A		4-Bit D Flip-Flop, Three-State Outputs	7012
C	CD4076BKMSR	5962R9665601VXC	4-Bit D Flip-Flop, Three-State Outputs, Rad Hard	3325
C	CD4077BDMSR	5962R9661102VCC	Quad Exclusive NOR Gate, Rad Hard	3322
C	CD4077BF3A		Quad Exclusive NOR Gate	7012
C	CD4077BKMSR	5962R9661102VXC	Quad Exclusive NOR Gate, Rad Hard	3322
C	CD4078BDMSR	5962R9663801VCC	8-Bit NOR/OR Gate, Rad Hard	3326
C	CD4078BF3A	7704402CA	8-Bit NOR/OR Gate, Dual Brand	7012
C	CD4078BKMSR	5962R9663801VXC	8-Bit NOR/OR Gate, Rad Hard	3326
C	CD4081BDMSR	5962R9665502VCC	Quad 2-Input AND Gate, Rad Hard	3324
C	CD4081BF3A	7702402CA	Quad 2-Input AND Gate, Dual Brand	7012
C	CD4081BFB	JM38510/17001BCA	Quad 2-Input AND Gate	-
C	CD4081BKMSR	5962R9665502VXC	Quad 2-Input AND Gate, Rad Hard	3324
C	CD4082BDMSR	5962R9665503VCC	Dual 4-Input AND Gate, Rad Hard	3324
C	CD4082BF3A	7705902CA	Dual 4-Input AND Gate, Dual Brand	7012
C	CD4082BFB	JM38510/17002BCA	Dual 4-Input AND Gate	-
C	CD4082BKMSR	5962R9665503VXC	Dual 4-Input AND Gate, Rad Hard	3324
C	CD4085BDMSR	5962R9663901VCC	Dual 2-Wide 2-Input AND/OR/Invert (AOI) Gate, Rad Hard	3327
C	CD4085BF3A		Dual 2-Wide 2-Input AND/OR/Invert (AOI) Gate	7012
C	CD4085BKMSR	5962R9663901VXC	Dual 2-Wide 2-Input AND/OR/Invert (AOI) Gate, Rad Hard	3327
C	CD4086BDMSR	5962R9664001VCC	4-Wide 2-Input AND/OR/Invert Gate, Rad Hard	3328
C	CD4086BF3A		4-Wide 2-Input AND/OR/Invert Gate	7012
C	CD4086BKMSR	5962R9664001VXC	4-Wide 2-Input AND/OR/Invert Gate, Rad Hard	3328
C	CD4089BDMSR	5962R9661201VEC	Binary Rate Multiplier, Rad Hard	3329
C	CD4089BF3A		Binary Rate Multiplier	7012

4
**HARRIS MILITARY/
RAD HARD**

Military and Space Cross-Reference

PART NUMBER LISTING (Continued)

COMPLIANT OR NON-COMPLIANT	MARKETING PART NUMBER	REFERENCE NUMBER	DESCRIPTION	FILE NO.
C	CD4089BKMSR	5962R9661201VXC	Binary Rate Multiplier, Rad Hard	3329
C	CD4093BDMSR	5962R9664101VCC	Quad 2-Input NAND Schmitt Trigger, Rad Hard	3330
C	CD4093BF3A	7704602CA	Quad 2-Input NAND Schmitt Trigger, Dual Brand	7012
C	CD4093BKMSR	5962R9664101VXC	Quad 2-Input NAND Schmitt Trigger, Rad Hard	3330
C	CD4094BDMSR	5962R9664201VEC	8-Stage Shift-and-Store Bus Register, Rad Hard	3194
C	CD4094BF3A	7702501EA	8-Stage Shift-and-Store Bus Register, Dual Brand	7012
C	CD4094BKMSR	5962R9664201VXC	8-Stage Shift-and-Store Bus Register, Rad Hard	3194
C	CD4095BDMSR	5962R9661301VCC	Gated J-K Flip-Flop, Non-Inverting, Rad Hard	3331
C	CD4095BF3A		Gated J-K Flip-Flop, Non-Inverting	7012
C	CD4095BKMSR	5962R9661301VXC	Gated J-K Flip-Flop, Non-Inverting, Rad Hard	3331
C	CD4096BDMSR	5962R9661302VCC	Gated J-K Flip-Flop, Inverting and Non-Inverting, Rad Hard	3331
C	CD4096BKMSR	5962R9661302VXC	Gated J-K Flip-Flop, Inverting and Non-Inverting, Rad Hard	3331
C	CD4097BDMSR	5962R9667902VLC	8-Channel Analog MUX/DeMUX, Rad Hard	3190
C	CD4097BKMSR	5962R9667902VXC	8-Channel Analog MUX/DeMUX, Rad Hard	3190
C	CD4098BDMSR	5962R9661402VEC	Dual Monostable Multivibrator, Rad Hard	3332
C	CD4098BF3A		Dual Monostable Multivibrator	7012
C	CD4098BFB	JM38510/17504BEA	Dual Monostable Multivibrator	-
C	CD4098BKMSR	5962R9661402VXC	Dual Monostable Multivibrator, Rad Hard	3332
C	CD4099BDMSR	5962R9661501VEC	8-Bit Addressable Latch, Rad Hard	3333
C	CD4099BF3A		8-Bit Addressable Latch	7012
C	CD4099BFB	JM38510/17601BEA	8-Bit Addressable Latch	-
C	CD4099BKMSR	5962R9661501VXC	8-Bit Addressable Latch, Rad Hard	3333
C	CD4502BDMSR	5962R9661601VEC	Strobed Hex Inverter/Buffer, Rad Hard	3334
C	CD4502BF3A	7702002EA	Strobed Hex Inverter/Buffer, Dual Brand	7012
C	CD4502BFB	JM38510/17403BEA	Strobed Hex Inverter/Buffer	-
C	CD4502BKMSR	5962R9661601VXC	Strobed Hex Inverter/Buffer, Rad Hard	3334
C	CD4503BDMSR	5962R9664301VEC	Hex Buffer, Non-Inverting, Rad Hard	3335
C	CD4503BF3A		Hex Buffer, Non-Inverting	7012
C	CD4503BKMSR	5962R9664301VXC	Hex Buffer, Non-Inverting, Rad Hard	3335
C	CD4504BDMSR	5962R9666501VEC	Hex Voltage-Level Shifter For TTL-to-CMOS or CMOS-to-CMOS, Rad Hard	3336
C	CD4504BF3A		Hex Voltage-Level Shifter For TTL-to-CMOS or CMOS-to-CMOS	7012
C	CD4504BKMSR	5962R9666501VXC	Hex Voltage-Level Shifter For TTL-to-CMOS or CMOS-to-CMOS, Rad Hard	3336
N	CD4508BD3		Dual 4-Bit Latch, Weldseal DIC	7012
C	CD4508BDMSR	5962R9668001VLC	Dual 4-Bit Latch, Rad Hard	3337
C	CD4508BF3A		Dual 4-Bit Latch	7012
C	CD4508BKMSR	5962R9668001VXC	Dual 4-Bit Latch, Rad Hard	3337
C	CD4510BDMSR	5962R9665701VEC	Presetable 4-Bit BCD Up/Down Counter, Rad Hard	3338
C	CD4510BF3A		Presetable Up/Down Counter	7012
C	CD4510BKMSR	5962R9665701VXC	Presetable 4-Bit BCD Up/Down Counter, Rad Hard	3338
C	CD4511BDMSR	5962R9666601VEC	BCD-to-7 Segment Latch Decoder/Driver, Rad Hard	3339
C	CD4511BF3A		BCD-to-7 Segment Latch Decoder/Driver	7012
N	CD4511BK3		BCD-to-7 Segment Latch Decoder/Driver, Field Programmable	7012
C	CD4511BKMSR	5962R9666601VXC	BCD-to-7 Segment Latch Decoder/Driver, Rad Hard	3339
C	CD4512BDMSR	5962R9666701VEC	8-Channel Data Selector, Three-State Output, Rad Hard	3340
C	CD4512BF3A		8-Channel Data Selector, Three-State Output	7012
C	CD4512BKMSR	5962R9666701VXC	8-Channel Data Selector, Three-State Output, Rad Hard	3340
C	CD4514BDMSR	5962R9668101VJC	4-Bit Latch/4-to-16 Line Decoder, Outputs Low, Rad Hard	3195

Military and Space Cross-Reference

PART NUMBER LISTING (Continued)

COMPLIANT OR NON-COMPLIANT	MARKETING PART NUMBER	REFERENCE NUMBER	DESCRIPTION	FILE NO.
C	CD4514BF3A		4-Bit Latch/4-to-16 Line Decoder, Outputs Low	7012
C	CD4514BKMSR	5962R9668101VXC	4-Bit Latch/4-to-16 Line Decoder, Outputs Low, Rad Hard	3195
C	CD4515BDMSR	5962R9668102VJC	4-Bit Latch/4-to-16 Line Decoder, Outputs Low, Rad Hard	3195
C	CD4515BF3A	7703201JA	4-Bit Latch/4-to-16 Line Decoder, Outputs Low	7012
C	CD4515BKMSR	5962R9668102VXC	4-Bit Latch/4-to-16 Line Decoder, Outputs Low, Rad Hard	3195
C	CD4516BDMSR	5962R9665702VEC	Presetable 4-Bit Binary Up/Down Counter, Rad Hard	3338
C	CD4516BF3A		Presetable 4-Bit Binary Up/Down Counter	7012
C	CD4516BKMSR	5962R9665702VXC	Presetable 4-Bit Binary Up/Down Counter, Rad Hard	3338
C	CD4517BDMSR	5962R9666801VEC	Rad Hard Dual 64-Bit Shift Register	3341
C	CD4517BF3A		Dual 64-Bit Shift Register	7012
C	CD4517BKMSR	5962R9666801VXC	Rad Hard Dual 64-Bit Shift Register	3341
C	CD4518BDMSR	5962R9666901VEC	Rad Hard Dual BCD Up Counter	3342
C	CD4518BF3A		Dual BCD Up Counter	7012
C	CD4518BKMSR	5962R9666901VXC	Rad Hard Dual BCD Up Counter	3342
C	CD4520BDMSR	5962R9666903VEC	Rad Hard Dual Binary Up Counter	3342
C	CD4520BF3A	7702301EA	Dual Binary Up Counter, Dual Brand	7012
C	CD4520BKMSR	5962R9666903VXC	Rad Hard Dual Binary Up Counter	3342
C	CD4527BDMSR	5962R9667001VEC	Rad Hard BCD Rate Multiplier	3343
C	CD4527BKMSR	5962R9667001VXC	Rad Hard BCD Rate Multiplier	3343
C	CD4532BDMSR	5962R9667101VEC	Rad Hard 8-Input Priority Encoder	3344
C	CD4532BF3A		8-Input Priority Encoder	7012
C	CD4532BKMSR	5962R9667101VXC	Rad Hard 8-Input Priority Encoder	3344
C	CD4536BDMSR	5962R9667201VEC	Rad Hard Programmable Timer	3345
C	CD4536BF3A		Programmable Timer	7012
C	CD4536BKMSR	5962R9667201VXC	Rad Hard Programmable Time	3345
C	CD4541BF3A		Programmable Timer	7012
C	CD4555BDMSR	5962R9667301VEC	Rad Hard Dual 1-of-4 Decoder/DeMUX, Outputs High	3346
C	CD4555BF3A	7704701EA	Rad Hard Dual 1-of-4 Decoder/DeMUX, Outputs High	7012
C	CD4555BKMSR	5962R9667301VXC	Rad Hard Dual 1-of-4 Decoder/DeMUX, Outputs High	3346
C	CD4556BDMSR	5962R9667302VEC	Rad Hard Dual 1-of-4 Decoder/DeMUX, Outputs Low	3346
C	CD4556BF3A	7704801EA	Dual 1-of-4 Decoder/DeMUX, Outputs Low, Dual Brand	7012
C	CD4556BKMSR	5962R9667302VXC	Rad Hard Dual 1-of-4 Decoder/DeMUX, Outputs Low	3346
C	CD4585BDMSR	5962R9667401VEC	Rad Hard 4-Bit Magnitude Comparator	3347
C	CD4585BF3A	7703702EA	Rad Hard 4-Bit Magnitude Comparator	7012
C	CD4585BKMSR	5962R9667401VXC	Rad Hard 4-Bit Magnitude Comparator	3347
C	CD4724BDMSR	5962R9667501VEC	Rad Hard 8-Bit Addressable Latch	3348
C	CD4724BF3A		8-Bit Addressable Latch	7012
C	CD4724BKMSR	5962R9667501VXC	Rad Hard 8-Bit Addressable Latch	3348
C	CD4001BDNSR	5962R9582605VCC	Quad 2-Input NOR Gate, Rad Hard, w/Neutron	3289
C	CD4001BKNSR	5962R9582605VXC	Quad 2-Input NOR Gate, Rad Hard, w/Neutron	3289
C	CD4002BKNSR	5962R9582606VXC	Dual 4-Input NOR Gate, Rad Hard, w/Neutron	3289
C	CD4006BDNSR	5692R9661702VCC	18-Stage Static Shift Register, Rad Hard, w/Neutron	3290
C	CD4006BKNSR	5692R9661702VXC	18-Stage Static Shift Register, Rad Hard, w/Neutron	3290
C	CD4008BKNSR	5962R9661902VXC	4-Bit Full Adder w/Parallel Carry Out, Rad Hard, w/Neutron	3292
C	CD4008BDNSR	5962R9661902VEC	4-Bit Full Adder w/Parallel Carry Out, Rad Hard, w/Neutron	3292
C	CD40105BDNSR	5962R9660202VEC	FIFO Register, Rad Hard, w/Neutron	3353
C	CD40105BKNSR	5962R9660202VXC	FIFO Register, Rad Hard, w/Neutron	3353
C	CD40106BDNSR	5962R9660302VCC	Hex Schmitt Trigger, Rad Hard, w/Neutron	3354
C	CD40106BKNSR	5962R9660302VXC	Hex Schmitt Trigger, Rad Hard, w/Neutron	3354
C	CD40107BDNSR	5962R9664402VCC	Dual 2-Input NAND Buffer/Driver, Rad Hard, w/Neutron	3355

4

HARRIS MILITARY/
RAD HARD

Military and Space Cross-Reference

PART NUMBER LISTING (Continued)

COMPLIANT OR NON-COMPLIANT	MARKETING PART NUMBER	REFERENCE NUMBER	DESCRIPTION	FILE NO.
C	CD40107BKNSR	5962R9664402VXC	Dual 2-Input NAND Buffer/Driver, Rad Hard, w/Neutron	3355
C	CD40109BKNSR	5962R9664502VXC	Quad Low-to-High Voltage Shifter, Rad Hard, w/Neutron	3196
C	CD40109BDNSR	5962R9664502VEC	Quad Low-to-High Voltage Shifter, Rad Hard, w/Neutron	3196
C	CD4011BKNSR	5962R9662104VXC	NAND Gates, Rad Hard, w/Neutron	3079
C	CD4011BDNSR	5962R9662104VCC	NAND Gates, Rad Hard, w/Neutron	3079
C	CD4012BDNSR	5962R9662105VCC	NAND Gates, Rad Hard, w/Neutron	3079
C	CD4012BKNSR	5962R9662105VXC	NAND Gates, Rad Hard, w/Neutron	3079
C	CD4013BDNSR	5962R9662202VCC	Dual D-Type Flip Flop, Rad Hard, w/Neutron	3080
C	CD4013BKNSR	5962R9662202VXC	Dual D-Type Flip Flop, Rad Hard, w/Neutron	3080
C	CD4014BDNSR	5962R9662303VEC	8-Stage Static Shift Register, Rad Hard, w/Neutron	3294
C	CD4014BKNSR	5962R9662303VXC	8-Stage Static Shift Register, Rad Hard, w/Neutron	3294
C	CD4015BKNSR	5962R9662402VXC	Dual 4-Stage Static Shift Reg. Ser.In/Par.Out, Rad Hard, w/Neu.	3295
C	CD4015BDNSR	5962R9662402VEC	Dual 4-Stage Static Shift Reg. Ser.In/Par.Out, Rad Hard, w/Neu.	3295
C	CD40161BKNSR	5962R9667605VXC	Synchronous Prog. 4-Bit Counter, Rad Hard, w/Neutron	3358
C	CD40161BDNSR	5962R9667605VEC	Synchronous Prog. 4-Bit Counter, Rad Hard, w/Neutron	3358
C	CD40174BDNSR	5962R9660502VEC	Hex D-Type Flip Flop, Rad Hard, w/Neutron	3359
C	CD40174BKNSR	5962R9660502VXC	Hex D-Type Flip Flop, Rad Hard, w/Neutron	3359
C	CD4017BKNSR	5962R9662503VXC	Counter/Dividers, Rad Hard, w/Neutron	3297
C	CD4017BDNSR	5962R9662503VEC	Counter/Dividers, Rad Hard, w/Neutron	3297
C	CD4019BKNSR	5962R9662702VXC	Quad AND/OR Select Gate, Rad Hard, w/Neutron	3299
C	CD4019BDNSR	5962R9662702VEC	Quad AND/OR Select Gate, Rad Hard, w/Neutron	3299
C	CD4020BDNSR	5962R9662802VEC	Ripple Carry Binary Counter/Dividers, Rad Hard, w/Neutron	3300
C	CD4020BKNSR	5962R9662802VXC	Ripple Carry Binary Counter/Dividers, Rad Hard, w/Neutron	3300
C	CD4021BDNSR	5962R9662304VEC	8-Stage Static Shift Register, Rad Hard, w/Neutron	3294
C	CD4021BKNSR	5962R9662304VXC	8-Stage Static Shift Register, Rad Hard, w/Neutron	3294
C	CD4022BDNSR	5962R9662504VEC	Counter/Dividers, Rad Hard, w/Neutron	3297
C	CD4022BKNSR	5962R9662504VXC	Counter/Dividers, Rad Hard, w/Neutron	3297
C	CD4023BDNSR	5962R9662106VCC	NAND Gates, rad Hard, w/Neutron	3079
C	CD4023BKNSR	5962R9662106VXC	NAND Gates, rad Hard, w/Neutron	3079
C	CD4024BDNSR	5962R9662804VCC	Ripple Carry Binary Counter/Dividers, Rad Hard, w/Neutron	3300
C	CD4024BKNSR	5962R9662804VXC	Ripple Carry Binary Counter/Dividers, Rad Hard, w/Neutron	3300
C	CD40257BKNSR	5962R9667702VXC	Quad 2 Line to 1 Line Data Selector/Mux, Rad Hard, w/Neutron	3364
C	CD40257BDNSR	5962R9667702VEC	Quad 2 Line to 1 Line Data Selector/Mux, Rad Hard, w/Neutron	3364
C	CD4025BKNSR	5962R9582607VXC	NOR Gates, rad Hard, w/Neutron	3289
C	CD4025BDNSR	5962R9582607VCC	NOR Gates, rad Hard, w/Neutron	3289
C	CD4027BKNSR	5962R9662902VXC	Dual J-K Master Slave Flip Flop, Rad Hard, w/Neutron	3302
C	CD4027BDNSR	5962R9662902VEC	Dual J-K Master Slave Flip Flop, Rad Hard, w/Neutron	3302
C	CD4028BKNSR	5962R9663002VXC	BCD-to-Decimal Decoder, Rad Hard, w/Neutron	3303
C	CD4028BDNSR	5962R9663002VEC	BCD-to-Decimal Decoder, Rad Hard, w/Neutron	3303
C	CD4029BKNSR	5962R9562102VXC	Presetable Up/Down Counter, Rad Hard, w/Neutron	3304
C	CD4029BDNSR	5962R9562102VCC	Presetable Up/Down Counter, Rad Hard, w/Neutron	3304
C	CD4030BDNSR	5962R9664602VCC	Quad Exclusive OR Gate, Rad Hard, w/Neutron	3305
C	CD4030BKNSR	5962R9664602VXC	Quad Exclusive OR Gate, Rad Hard, w/Neutron	3305
C	CD4031BKNSR	5962R9664702VXC	64-Stage Shift Register, Rad Hard, w/Neutron	3306
C	CD4031BDNSR	5962R9664702VEC	64-Stage Shift Register, Rad Hard, w/Neutron	3306
C	CD4034BKNSR	5962R9667802VXC	8-Stage Static Bi-direct. Par./Ser I/O Bus Reg, RH, w/Neutron	3307
C	CD4034BDNSR	5962R9667802VJC	8-Stage Static Bi-direct. Par./Ser I/O Bus Reg, RH, w/Neutron	3307
C	CD4035BKNSR	5962R9664902VXC	4-Stage Parallel I/O Shift Register, Rad Hard, w/Neutron	3308
C	CD4035BDNSR	5962R9664902VEC	4-Stage Parallel I/O Shift Register, Rad Hard, w/Neutron	3308
C	CD4040BKNSR	5962R9662806VYC	Ripple Carry Binary Counter/Dividers, Rad Hard, w/Neutron	3300

Military and Space Cross-Reference

PART NUMBER LISTING (Continued)

COMPLIANT OR NON- COMPLIANT	MARKETING PART NUMBER	REFERENCE NUMBER	DESCRIPTION	FILE NO.
C	CD4040BDNSR	5962R9662806VEC	Ripple Carry Binary Counter/Dividers, Rad Hard, w/Neutron	3300
C	CD4041UBKNSR	5962R9663202VXC	Quad True/Compliment Buffer, Rad Hard, w/Neutron	3309
C	CD4041UBDNSR	5962R9663202VCC	Quad True/Compliment Buffer, Rad Hard, w/Neutron	3309
C	CD4042BKNSR	5962R9663302VXC	Quad Clocked D Latch, Rad Hard, w/Neutron	3310
C	CD4042BDNSR	5962R9663302VEC	Quad Clocked D Latch, Rad Hard, w/Neutron	3310
C	CD4043BDNSR	5962R9663403VEC	Quad 3-State R/S Latches, Rad Hard, w/Neutron	3311
C	CD4043BKNSR	5962R9663403VXC	Quad 3-State R/S Latches, Rad Hard, w/Neutron	3311
C	CD4046BDNSR	5962R9666402VEC	Micropower Phase Locked Loop, Rad Hard, w/Neutron	3312
C	CD4046BKNSR	5962R9666402VXC	Micropower Phase Locked Loop, Rad Hard, w/Neutron	3312
C	CD4047BDNSR	5962R9663502VCC	Low Power Monostable/Astable Multivibrator, RH, w/Neutron	3313
C	CD4047BKNSR	5962R9663502VXC	Low Power Monostable/Astable Multivibrator, RH, w/Neutron	3313
C	CD4049UBDNSR	5962R9663602VEC	Inverting Hex Buffer/Converter, Rad Hard, w/Neutron	3315
C	CD4049UBKNSR	5962R9663602VXC	Inverting Hex Buffer/Converter, Rad Hard, w/Neutron	3315
C	CD4050BKNSR	5962R9663702VXC	Non-Inverting Hex Buffer/Converter, Rad Hard, w/Neutron	3193
C	CD4050BDNSR	5962R9663702VEC	Non-Inverting Hex Buffer/Converter, Rad Hard, w/Neutron	3193
C	CD4051BKNSR	5962R9665104VXC	Analog Multiplexers/Demultiplexers, Rad Hard, w/Neutron	3316
C	CD4051BDNSR	5962R9665104VEC	Analog Multiplexers/Demultiplexers, Rad Hard, w/Neutron	3316
C	CD4052BDNSR	5962R9665105VEC	Analog Multiplexers/Demultiplexers, Rad Hard, w/Neutron	3316
C	CD4052BKNSR	5962R9665105VXC	Analog Multiplexers/Demultiplexers, Rad Hard, w/Neutron	3316
C	CD4053BKNSR	5962R9665106VXC	Analog Multiplexers/Demultiplexers, Rad Hard, w/Neutron	3316
C	CD4053BDNSR	5962R9665106VEC	Analog Multiplexers/Demultiplexers, Rad Hard, w/Neutron	3316
C	CD4066BKNSR	5962R9665202VXC	Quad Bilateral Switch, Rad Hard, w/Neutron	3319
C	CD4066BDNSR	5962R9665202VCC	Quad Bilateral Switch, Rad Hard, w/Neutron	3319
C	CD4068BDNSR	5962R9661002VCC	8-Input NAND/AND Gate, Rad Hard, w/Neutron	3320
C	CD4068BKNSR	5962R9661002VXC	8-Input NAND/AND Gate, Rad Hard, w/Neutron	3320
C	CD4069UBKNSR	5962R9665302VXC	Hex Inverter, Rad Hard, w/Neutron	3321
C	CD4069UBDNSR	5962R9665302VCC	Hex Inverter, Rad Hard, w/Neutron	3321
C	CD4070BDNSR	5962R9661103VCC	Quad Exclusive OR and Exclusive NOR Gates, RH, w/Neutron	3322
C	CD4070BKNSR	5962R9661103VXC	Quad Exclusive OR and Exclusive NOR Gates, RH, w/Neutron	3322
C	CD4071BDNSR	5962R9665402VCC	OR Gates, Rad Hard, w/Neutron	3323
C	CD4071BKNSR	5962R9665402VXC	OR Gates, Rad Hard, w/Neutron	3323
C	CD4072BDNSR	5962R9665404VCC	OR Gates, Rad Hard, w/Neutron	3323
C	CD4072BKNSR	5962R9665404VXC	OR Gates, Rad Hard, w/Neutron	3323
C	CD4073BKNSR	5962R9665504VXC	AND Gates, Rad Hard, w/Neutron	3324
C	CD4073BDNSR	5962R9665504VCC	AND Gates, Rad Hard, w/Neutron	3324
C	CD4075BDNSR	5962R9665406VCC	OR Gates, Rad Hard, w/Neutron	3323
C	CD4075BKNSR	5962R9665406VXC	OR Gates, Rad Hard, w/Neutron	3323
C	CD4076BDNSR	5962R9665602VEC	4-Bit D-Type Registers, Rad Hard, w/Neutron	3325
C	CD4076BKNSR	5962R9665602VXC	4-Bit D-Type Registers, Rad Hard, w/Neutron	3325
C	CD4077BKNSR	5962R9661104VXC	Quad Exclusive OR and Exclusive NOR Gates, RH, w/Neutron	3322
C	CD4077BDNSR	5962R9661104VCC	Quad Exclusive OR and Exclusive NOR Gates, RH, w/Neutron	3322
C	CD4078BKNSR	5962R9663802VXC	8 Input NOR/OR Gate, Rad Hard, w/Neutron	3326
C	CD4078BDNSR	5962R9663802VCC	8 Input NOR/OR Gate, Rad Hard, w/Neutron	3326
C	CD4081BDNSR	5962R9665505VCC	AND Gates, Rad Hard, w/Neutron	3324
C	CD4081BKNSR	5962R9665505VXC	AND Gates, Rad Hard, w/Neutron	3324
C	CD4082BDNSR	5962R9665506VCC	AND Gates, Rad Hard, w/Neutron	3324
C	CD4082BKNSR	5962R9665506VXC	AND Gates, Rad Hard, w/Neutron	3324
C	CD4093BKNSR	5962R9664102VXC	Quad 2-Input NAND Schmitt Triggers, Rad Hard, w/Neutron	3330
C	CD4093BDNSR	5962R9664102VCC	Quad 2-Input NAND Schmitt Triggers, Rad Hard, w/Neutron	3330
C	CD4094BDNSR	5962R9664202VEC	8-Stage Shift and Store Bus Register, Rad Hard, w/Neutron	3194

4
HARRIS MILITARY/
RAD HARD

Military and Space Cross-Reference

PART NUMBER LISTING (Continued)

COMPLIANT OR NON-COMPLIANT	MARKETING PART NUMBER	REFERENCE NUMBER	DESCRIPTION	FILE NO.
C	CD4094BKNSR	5962R9664202VXC	8-Stage Shift and Store Bus Register, Rad Hard, w/Neutron	3194
C	CD4098BKNSR	5962R9661402VXC	Dual Monostable Multivibrator, Rad Hard, w/Neutron	3332
C	CD4098BDNSR	5962R9661402VEC	Dual Monostable Multivibrator, Rad Hard, w/Neutron	3332
C	CD4502BDNSR	5962R9661602VEC	Strobed Hex Inverter, Rad Hard, w/Neutron	3334
C	CD4502BKNSR	5962R9661602VXC	Strobed Hex Inverter, Rad Hard, w/Neutron	3334
C	CD4503BDNSR	5962R9664301VEC	Hex Buffer, Rad Hard, w/Neutron	3335
C	CD4503BKNSR	5962R9664301VXC	Hex Buffer, Rad Hard, w/Neutron	3335
C	CD4508BKNSR	5962R9668002VXC	Dual 4-Bit Latch, Rad Hard, w/Neutron	3337
C	CD4508BDNSR	5962R9668002VLC	Dual 4-Bit Latch, Rad Hard, w/Neutron	3337
C	CD4512BDNSR	5962R9666702VEC	8-Channel Data Selector, Three-State Outputs, RH, w/Neutron	3340
C	CD4512BKNSR	5962R9666702VXC	8-Channel Data Selector, Three-State Outputs, RH, w/Neutron	3340
C	CD4514BDNSR	5962R9668103VJC	4-Bit Latch/4-to-16 Line Decoder, Rad Hard, w/Neutron	3195
C	CD4514BKNSR	5962R9668103VXC	4-Bit Latch/4-to-16 Line Decoder, Rad Hard, w/Neutron	3195
C	CD4515BKNSR	5962R9668104VXC	4-Bit Latch/4-to-16 Line Decoder, Rad Hard, w/Neutron	3195
C	CD4515BDNSR	5962R9668104VJC	4-Bit Latch/4-to-16 Line Decoder, Rad Hard, w/Neutron	3195
C	CD4516BDNSR	5962R9665703VEC	Presettable Up/Down Counters, Rad Hard, w/Neutron	3338
C	CD4516BKNSR	5962R9665703VXC	Presettable Up/Down Counters, Rad Hard, w/Neutron	3338
C	CD4520BDNSR	5962R9666903VEC	Dual Up Counters, Rad Hard, w/Neutron	3342
C	CD4520BKNSR	5962R9666903VXC	Dual Up Counters, Rad Hard, w/Neutron	3342
C	CD4532BDNSR	5962R9667102VEC	8-Bit Priority Encoder, Rad Hard, w/Neutron	3344
C	CD4532BKNSR	5962R9667102VXC	8-Bit Priority Encoder, Rad Hard, w/Neutron	3344
C	CD4555BDNSR	5962R9667303VEC	Dual Binary to 1 of 4 Decoder/Demultiplexer, RH, w/Neutron	3346
C	CD4555BKNSR	5962R9667303VXC	Dual Binary to 1 of 4 Decoder/Demultiplexer, RH, w/Neutron	3346
C	CD4556BDNSR	5962R9667304VEC	Dual Binary to 1 of 4 Decoder/Demultiplexer, RH, w/Neutron	3346
C	CD4556BKNSR	5962R9667304VXC	Dual Binary to 1 of 4 Decoder/Demultiplexer, RH, w/Neutron	3346
C	CD54AC00F3A		Quad 2-Input NAND Gate	3876
C	CD54AC02F3A		Quad 2-Input NOR Gate	3877
C	CD54AC04F3A		Hex Inverter/Buffer	3878
C	CD54AC05F3A		Hex Inverter/Buffer with Open Drain	3879
C	CD54AC08F3A		Quad 2-Input AND Gate	3880
C	CD54AC109F3A		Dual J-K Flip-Flop with Set and Reset +Trigger	3885
C	CD54AC112F3A		Dual J-K Flip-Flop with Set and Reset -Trigger	3886
C	CD54AC138F3A		3-to-8 Decoder/DeMUX, Inverting	3887
C	CD54AC139F3A		Dual 2-to-4 Line Decoder/DeMUX	3888
C	CD54AC153F3A		Dual 4-Input MUX	3890
C	CD54AC157F3A		Quad 2-Input MUX	3891
C	CD54AC161F3A		Presettable Synchronous 4-Bit Counter, Asynchronous Reset	3892
C	CD54AC163F3A		Presettable Synchronous 4-Bit Counter, Synchronous Reset	3893
C	CD54AC164F3A		8-Bit Serial In/Parallel Out Shift Register	3894
C	CD54AC191F3A		Presettable Synchronous 4-Bit Up/Down Counter	3896
C	CD54AC193F3A		Presettable Synchronous 4-Bit Up/Down Counter	3897
C	CD54AC240F3A		Octal Buffer/Line Driver, Three-State Inverting	3898
C	CD54AC244F3A		Octal Buffer/Line Driver, Three-State	3900
C	CD54AC245F3A		Octal Transceiver, Three-State	3901
C	CD54AC257F3A		Quad 2-Input MUX, Three-State, Non-Inverting	3903
C	CD54AC273F3A		Octal D Flip-Flop with Reset, +Trigger	3904
C	CD54AC280F3A		9-Bit Odd/Even Parity Generator Checker	3905
C	CD54AC283F3A		4-Bit Full Adder with Fast Carry	3906
C	CD54AC299F3A		8-Bit Shift/Storage Register Three-State, Asynchronous Reset	3907
C	CD54AC32F3A		Quad 2-Input OR Gate	3882

Military and Space Cross-Reference

PART NUMBER LISTING (Continued)

COMPLIANT OR NON-COMPLIANT	MARKETING PART NUMBER	REFERENCE NUMBER	DESCRIPTION	FILE NO.
C	CD54AC373F3A		Octal Transparent Latch, Three-State	3909
C	CD54AC374F3A		Octal D Type Flip-Flop, with +Trigger	3910
C	CD54AC534F3A		Octal D Type Flip-Flop, with +Trigger Inverting	3912
C	CD54AC541F3A		Octal Buffer/Line Driver, Three-State	3914
C	CD54AC573F3A		Octal Transparent Latch, Three-State	3915
C	CD54AC574F3A		Octal D Type Flip-Flop, with +Trigger	3916
C	CD54AC74F3A		Dual D Flip-Flop, with S and R, +Trigger	3883
C	CD54ACT00F3A		Quad 2-Input NAND Gate	3876
C	CD54ACT02F3A		Quad 2-Input NOR Gate	3877
C	CD54ACT04F3A		Hex Inverter/Buffer	3878
C	CD54ACT05F3A		Hex Inverter/Buffer with Open Drain	3879
C	CD54ACT08F3A		Quad 2-Input AND Gate	3880
C	CD54ACT109F3A		Dual J-K Flip-Flop with Set and Reset +Trigger	3885
C	CD54ACT112F3A		Dual J-K Flip-Flop with Set and Reset -Trigger	3886
C	CD54ACT138F3A		3-to-8 Decoder/DeMUX, Inverting	3887
C	CD54ACT139F3A		Dual 2-to-4 Line Decoder/DeMUX	3888
C	CD54ACT151F3A		8 Input MUX	3889
C	CD54ACT153F3A		Dual 4-Input MUX	3890
C	CD54ACT161F3A		Presettable Synchronous 4-Bit Counter, Asynchronous Reset	3892
C	CD54ACT163F3A		Presettable Synchronous 4-Bit Counter, Synchronous Reset	3893
C	CD54ACT164F3A		8-Bit Serial In/Parallel Out Shift Register	3894
C	CD54ACT174F3A		Hex D Type Flip-Flop, with Reset +Trigger	3895
C	CD54ACT191F3A		Presettable Synchronous 4-Bit Up/Down Counter	3896
C	CD54ACT193F3A		Presettable Synchronous 4-Bit Up/Down Counter	3897
C	CD54ACT20F3A		Dual 4-Input NAND Gate	3881
C	CD54ACT240F3A		Octal Buffer/Line Driver, Three-State Inverting	3898
C	CD54ACT241F3A		Octal Buffer/Line Driver, Three-State	3899
C	CD54ACT244F3A		Octal Buffer/Line Driver, Three-State	3900
C	CD54ACT245F3A		Octal Transceiver, Three-State	3901
C	CD54ACT253F3A		Dual 4-Input MUX, Three-State	3902
C	CD54ACT257F3A		Quad 2-Input MUX, Three-State, Non-Inverting	3903
C	CD54ACT273F3A		Octal D Flip-Flop with Reset, +Trigger	3904
C	CD54ACT280F3A		9-Bit Odd/Even Parity Generator Checker	3905
C	CD54ACT283F3A		4-Bit Full Adder with Fast Carry	3906
C	CD54ACT299F3A		8-Bit Shift/Storage Register Three-State, Asynchronous Reset	3907
C	CD54ACT323F3A		8-Bit Shift/Storage Register Three-State, Synchronous Reset	3908
C	CD54ACT32F3A		Quad 2-Input OR Gate	3882
C	CD54ACT373F3A		Octal Transparent Latch, Three-State	3909
C	CD54ACT374F3A		Octal D Type Flip-Flop, with +Trigger	3910
C	CD54ACT533F3A		Octal Transparent Latch, Three-State, Inverting	3911
C	CD54ACT534F3A		Octal D Type Flip-Flop, with +Trigger Inverting	3912
C	CD54ACT540F3A		Octal Buffer/Line Driver, Three-State	3913
C	CD54ACT541F3A		Octal Buffer/Line Driver, Three-State	3914
C	CD54ACT573F3A		Octal Transparent Latch, Three-State	3915
C	CD54ACT574F3A		Octal D Type Flip-Flop, with +Trigger	3916
C	CD54ACT623F3A		Octal Bus Transceiver, Three-State	3917
C	CD54ACT74F3A		Dual D Flip-Flop, with S and R, +Trigger	3883
C	CD54ACT86F3A		Quad 2-Input Exclusive OR Gate	3884
C	CD54HC00F3A	8403701CA	Quad 2-Input NAND Gate, Dual Brand	3753
C	CD54HC02F3A	8404101CA	Quad 2-Input NOR Gate, Dual Brand	3754

4
HARRIS MILITARY/
RAD HARD

Military and Space Cross-Reference

PART NUMBER LISTING (Continued)

COMPLIANT OR NON-COMPLIANT	MARKETING PART NUMBER	REFERENCE NUMBER	DESCRIPTION	FILE NO.
C	CD54HC03F3A	8409801CA	Quad 2-Input NAND Gate, Open Co, Dual Brand	3755
C	CD54HC04F3A	8409301CA	Hex Inverter/Buffer, Dual Brand	3756
C	CD54HC08F3A	8404701CA	Quad 2-Input AND Gate, Dual Brand	3757
C	CD54HC107F3A	5962-8515401CA	Dual J-K Flip-Flop with Reset, Dual Brand	3772
C	CD54HC109F3A	8415001EA	Dual J-K Flip-Flop with Set Reset, Dual Brand	3773
C	CD54HC10F3A	8403801CA	Triple 3-Input NAND Gate, Dual Brand	3758
C	CD54HC11F3A	8404801CA	Triple 3-Input AND Gate, Dual Brand	3759
C	CD54HC123F3A	5962-8684701EA	Dual Retriggerable Monostable. Multivibrator, Dual Brand	3775
C	CD54HC125F3A	5962-8772101CA	Quad Three-State Buffer, Dual Brand	3776
C	CD54HC126F3A	5962-8684801CA	Quad Three-State Buffer, Dual Brand	3777
C	CD54HC132F3A		Quad 2-Input NAND Schmitt Trigger	3778
C	CD54HC138F3A	8406201EA	3-to-8 Line Decoder/DeMUX, Inverting, Dual Brand	3779
C	CD54HC147F3A	8406401EA	10-to-4 Line Priority Encoder, Dual Brand	3781
C	CD54HC14F3A	8409101CA	Hex Inverting Schmitt Trigger, Dual Brand	3760
C	CD54HC154F3A	5962-8682201JA	4-to-16 Line Decoder, Dual Brand	3784
C	CD54HC157F3A	5962-8606101EA	Quad 2-Input MUX, Dual Brand	3785
C	CD54HC158F3A	5962-8682301EA	Quad 2-Input MUX, Inverting, Dual Brand	3786
C	CD54HC160F3A	5962-8682401EA	Synchronous BCD Decade Counter, Dual Brand	3787
C	CD54HC161F3A	8407501EA	Synchronous Presettable 4-Bit Counter, Dual Brand	3788
C	CD54HC162F3A	8409401EA	Synchronous BCD Decade Counter, Dual Brand	3789
C	CD54HC163F3A	8604601EA	Synchronous Presettable 4-Bit Counter, Dual Brand	3790
C	CD54HC164F3A	8416201CA	8-Bit Serial In/Parallel Out Shift Register, Dual Brand	3791
C	CD54HC165F3A	8409501EA	8-Bit Parallel In/Serial Out Shift Register, Dual Brand	3792
C	CD54HC166F3A		8-Bit Parallel Shift Register	3793
C	CD54HC173F3A	5962-8682501EA	Quad D-Type Flip-Flop, Dual Brand	3794
C	CD54HC190F3A	5962-8994601EA	Presettable Synchronous BCD Up/Down Counter, Dual Brand	3797
C	CD54HC191F3A	5962-8689101EA	Synchronous 4-Bit Binary Up/Down Counter, Dual Brand	3798
C	CD54HC192F3A	5962-8780801EA	Synchronous BCD Decade U/D Counter, Dual Brand	3799
C	CD54HC193F3A	5962-8772401EA	Synchronous 4-Bit Binary U/D Counter, Dual Brand	3800
C	CD54HC194F3A	5962-8682601EA	4-Bit Bidirectional Universal Shift Register, Dual Brand	3801
C	CD54HC21F3A	5962-8857601CA	Dual 4-Input AND Gate, Dual Brand	3762
C	CD54HC221F3A	5962-8780501EA	Dual Monostable Multivibrator with Reset, Dual Brand	3803
C	CD54HC238F3A	5962-8688401EA	3-to-8 Line Decoder/DeMUX, Dual Brand	3805
C	CD54HC240F3A	8407401RA	Octal Buffer/Line Driver Three-State, Dual Brand	3806
C	CD54HC243F3A	8409001CA	Quad Bus Transceiver, Three-State, Dual Brand	3808
C	CD54HC244F3A	8409001CA	Octal Buffer/Line Driver, Three-State, Dual Brand	3809
C	CD54HC245F3A	8408501RA	Octal Bus Transceiver, Three-State, Dual Brand	3810
C	CD54HC251F3A	8512501EA	8-Input MUX, Three-State, Dual Brand	3811
C	CD54HC253F3A		Dual 4-Input MUX, Three-State	3812
C	CD54HC257F3A	8512401EA	Quad 2-Input MUX, Three-State, Dual Brand	3813
C	CD54HC259F3A	8551901EA	8-Bit Addressable Hatch, Dual Brand	3815
C	CD54HC273F3A	8409901RA	Octal D-Type Flip-Flop with Reset, Dual Brand	3816
C	CD54HC27F3A	8404201CA	Triple 3-Input NOR Gate, Dual Brand	3763
C	CD54HC280F3A	8607701CA	9-Bit Odd/Even Parity Generator Checker, Dual Brand	3817
C	CD54HC283F3A	5962-8976501EA	4-Bit Binary Full Adder with Fast C., Dual Brand	3818
C	CD54HC299F3A	5962-8780601RA	8-Bit Universal Shift Register, Three-State, Dual Brand	3820
C	CD54HC30F3A	8404001CA	8-Input NAND Gate, Dual Brand	3764
C	CD54HC32F3A	8404501CA	Quad 2-Input OR Gate, Dual Brand	3765
C	CD54HC354F3A		8-Input MUX, Latched-Data, Three-State	3821
C	CD54HC356F3A		8-Input MUX, Clock-Latched-Data, Three-State	3822

Military and Space Cross-Reference

PART NUMBER LISTING (Continued)

COMPLIANT OR NON-COMPLIANT	MARKETING PART NUMBER	REFERENCE NUMBER	DESCRIPTION	FILE NO.
C	CD54HC365F3A	8500101EA	Hex Buffer/Line Driver, Three-State, Dual Brand	3823
C	CD54HC366F3A	5962-8682801EA	Hex Buffer/Line Driver, Three-State, Inverting, Dual Brand	3824
C	CD54HC367F3A	8500201EA	Hex Buffer/Line Driver, Three-State, Dual Brand	3825
C	CD54HC368F3A	5962-8681201EA	Hex Buffer/Line Driver, Three-State, Inverting, Dual Brand	3826
C	CD54HC373F3A	8407201RA	Octal Transparent Latch, Three-State, Dual Brand	3827
C	CD54HC374F3A	8407101RA	Octal D-Type Flip-Flop, Three-State, Dual Brand	3828
C	CD54HC377F3A	5962-8780701RA	Octal D-Type Flip-Flop with Data Enable, Dual Brand	3829
C	CD54HC393F3A	8410001CA	Dual 4-Bit Binary Ripple Counter, Dual Brand	3831
C	CD54HC40103F3A	5962-9055301EA	8-Bit Binary Down Counter, Dual Brand	3873
C	CD54HC40105F3A		4-Bit Binary 16 Word FIFO Register	3874
C	CD54HC4015F3A	5962-8995301EA	Dual Brand DESC	3847
C	CD54HC4017F3A	8601101EA	Johnson Decade Counter, with 10 Outputs, Dual Brand	3848
C	CD54HC4020F3A	8500301EA	14-Stage Binary Ripple Counter, Dual Brand	3849
C	CD54HC4024F3A	8601201CA	7-Stage Binary Ripple Counter, Dual Brand	3850
C	CD54HC4040F3A	8500401EA	12-Bit Binary Ripple Counter, Dual Brand	3851
C	CD54HC4046AF3A	5962-8960901EA	Phase-Locked Loop with VCO, Dual Brand	3852
C	CD54HC4049F3A	5962-8681901EA	Hex Inverting High-to-Low Level Shift, Dual Brand	3853
C	CD54HC4050F3A	5962-8682001EA	Hex High-to-Low Level Shifter, Dual Brand	3854
C	CD54HC4051F3A		8-Channel Analog MUX/DeMUX	3855
C	CD54HC4052F3A	5962-8855601EA	Dual 4-Channel Analog MUX/DeMUX, Dual Brand	3856
C	CD54HC4053F3A	5962-8775401EA	Triple 2-Channel Analog MUX/DeMUX, Dual Brand	3857
C	CD54HC4060F3A	5962-8768001EA	14-Stage Binary Ripple Counter, Dual Brand	3859
C	CD54HC4066F3A		Quad Bilateral Switch	3860
C	CD54HC4094F3A		8-Stage Shift-and-Store Bus Register	3862
C	CD54HC4316F3A		Quad Analog Switch	3863
C	CD54HC4351F3A		Analog MUX with Latch	3864
C	CD54HC4511F3A	5962-8773301EA	BCD-To-7 Segment Latch/Decoder/Driver, Dual Brand	3865
C	CD54HC4514F3A		4-to-16 Line Decoder/DeMUX with Input Latch	3866
C	CD54HC4515F3A		4-to-16 Line Decoder with Input Latch	3867
C	CD54HC4516F3A		Up/Down Binary Counter	3868
C	CD54HC4520F3A	5962-8995401EA	Dual Up-Counter, Dual Brand	3869
C	CD54HC4538F3A	5962-8688601EA	Dual Retriggerable Precision Mono.Multivibrator, Dual Brand	3870
C	CD54HC533F3A	5962-8681301RA	Octal Transparent Latch, Three-State, Dual Brand	3833
C	CD54HC534F3A	5962-8681401RA	Octal D-Type Flip-Flop, Three-State, Dual Brand	3834
C	CD54HC540F3A		Octal Buffer/Line Driver Three-State, Inverting	3835
C	CD54HC541F3A		Octal Buffer/Line Driver, Three-State	3836
C	CD54HC563F3A	5962-8606201RA	Octal Transparent Latch, Three-State, Dual Brand	3837
C	CD54HC564F3A	5962-8681501RA	Octal D-Type Flip-Flop, Three-State, Dual Brand	3838
C	CD54HC573F3A	8512801RA	Octal Transparent Latch, Three-State, Dual Brand	3839
C	CD54HC574F3A		Octal D Flip-Flop, Three-State	3840
C	CD54HC597F3A	5962-8681701EA	8-Bit Shift Ref. with I/P Latch, Dual Brand	3841
C	CD54HC640F3A	5962-8780901RA	Octal Bus Transceiver, Three-State Inverting, Dual Brand	3842
C	CD54HC646F3A	5962-8688501JA	Octal Bus Transceiver/Register, Three-State, Dual Brand	3843
C	CD54HC670F3A		4 x 4 Register File, Three-State	3844
C	CD54HC688F3A	5962-8681801RA	8-Bit Magnitude Comparator, Dual Brand	3845
C	CD54HC7266F3A	8404302CA	Quad Exclusive NOR, Dual Brand	3871
C	CD54HC73F3A	5962-8515301CA	Dual J-K Flip-Flop with Reset, Dual Brand	3767
C	CD54HC74F3A	8405601CA	Dual D Flip-Flop with Set and Reset, Dual Brand	3768
C	CD54HC75F3A	8407001EA	Quad Bistable Transparent Latch, Dual Brand	3769
C	CD54HC85F3A	8601301EA	4-Bit Magnitude Comparator, Dual Brand	3770

4
 HARRIS MILITARY/
 RAD HARD

Military and Space Cross-Reference

PART NUMBER LISTING (Continued)

COMPLIANT OR NON-COMPLIANT	MARKETING PART NUMBER	REFERENCE NUMBER	DESCRIPTION	FILE NO.
C	CD54HC86F3A	8404601CA	Quad 2-Input Exclusive OR Gate, Dual Brand	3771
C	CD54HCT00F3A	5962-8683101CA	Quad 2-Input NAND Gate, Dual Brand	3753
C	CD54HCT02F3A	5962-8975101CA	Quad 2-Input NAND Gate, Dual Brand	3754
C	CD54HCT03F3A		Quad 2-Input NAND, Open Collector	3755
C	CD54HCT04F3A	5962-8974701CA	Hex Inverter, Dual Brand	3756
C	CD54HCT08F3A	5962-8688301CA	Quad 2-Input AND Gate, Dual Brand	3757
C	CD54HCT109F3A	5962-9070101MEA	Dual J-K Flip-Flop with Set and Reset, Dual Brand	3773
C	CD54HCT10F3A	5962-8984301CA	Triple 3-Input NAND Gate, Dual Brand	3758
C	CD54HCT112F3A	5962-8970201EA	Dual J-K Flip-Flop with Set and Reset, Dual Brand	3774
C	CD54HCT11F3A	5962-8970901CA	Triple 3-Input AND Gate, Dual Brand	3759
C	CD54HCT123F3A	5962-8970001EA	Dual Retriggerable Monostable Multivibrator, Dual Brand	3775
C	CD54HCT125F3A		Quad Three-State Buffer	3776
C	CD54HCT126F3A	5962-9065101MCA	Quad Three-State Buffer, Dual Brand	3777
C	CD54HCT132F3A	5962-8984501CA	Quad 2-Input NAND Schmitt Trigger, Dual Brand	3778
C	CD54HCT138F3A	8550401EA	3-to-8-Line Decoder/DeMUX, Inverter, Dual Brand	3779
C	CD54HCT139F3A		Dual 1 of 4 Decoder/MUX	3780
C	CD54HCT14F3A	5962-8689001CA	Hex Inverting Schmitt Trigger, Dual Brand	3760
C	CD54HCT151F3A	5962-9065201MEA	8-Input MUX, Dual Brand	3782
C	CD54HCT153F3A	5962-9050501MEA	Dual 4-Input MUX, Dual Brand	3783
C	CD54HCT154F3A	5962-8670101JA	4-to-16-Line Decoder/DeMUX, Dual Brand	3784
C	CD54HCT157F3A	5962-9070201MEA	Quad 2-Input MUX, Dual Brand	3785
C	CD54HCT161F3A	5962-8685401EA	Synchronous 4-Bit Binary Counter, Dual Brand	3788
C	CD54HCT162F3A		Synchronous 4-Bit Binary Counter, Synchronous Reset	3789
C	CD54HCT163F3A	5962-8970401CA	8-Bit Serial-In/Parallel-Out Shift Register, Dual Brand	3790
C	CD54HCT164F3A	5962-8685501EA	8-Bit Parallel-In/Serial-Out Shift Register, Dual Brand	3791
C	CD54HCT165F3A		8-Bit Parallel-In/Serial-Out Shift Register	3792
C	CD54HCT166F3A	5962-8875901EA	Quad D-Type Flip-Flop, Three-State, Dual Brand	3793
C	CD54HCT173F3A	5962-8974301EA	Hex D-Type Flip-Flop, Three-State, Dual Brand	3794
C	CD54HCT174F3A	5962-8970101EA	Quad D-Type Flip-Flop with Reset, Dual Brand	3795
C	CD54HCT191F3A	5962-8867101EA	Synchronous 4-Bit Binary Up/Down Counter, Dual Brand	3798
C	CD54HCT193F3A	5962-9084801MEA	Synchronous 4-Bit Binary Up/Down Counter, Dual Brand	3800
C	CD54HCT20F3A		Dual 4-Input NAND Gate	3761
C	CD54HCT238F3A	5962-8974501EA	3-to-8-Line Decoder/DeMUX, Dual Brand	3805
C	CD54HCT240F3A	8550501RA	Octal Buffer Line Driver, Three-State, Inverter, Dual Brand	3806
C	CD54HCT241F3A		Octal Buffer Line Driver, Three-State	3807
C	CD54HCT243F3A		Quad Bus Transceiver, Three-State	3808
C	CD54HCT244F3A	8513001RA	Octal Buffer Line Driver, Three-State, Dual Brand	3809
C	CD54HCT245F3A	8550601RA	Octal Buffer Transceiver, Three-State, Dual Brand	3810
C	CD54HCT251F3A	5962-9052401MEA	8-Input MUX, Three-State, Dual Brand	3811
C	CD54HCT257F3A	5962-8970501EA	Quad 2-Input MUX, Three-State, Dual Brand	3813
C	CD54HCT258F3A	5962-8970801EA	Quad 2-Line-to-4-Line Data Selector, Dual Brand	3814
C	CD54HCT259F3A	5962-8985201EA	8-Bit Addressable Latch, Dual Brand	3815
C	CD54HCT273F3A	5962-8772501RA	8-Input NAND, Dual Brand	3816
C	CD54HCT27F3A	5962-8970301CA	Triple 3-Input NOR Gate, Dual Brand	3763
C	CD54HCT280F3A		8-Bit Odd/Even Parity Generator Checker	3817
C	CD54HCT283F3A		4-Bit Full Adder with Fast Carry	3818
C	CD54HCT299F3A	5962-8943601MRA	8-Bit Universal Shift Register, Three-State, Dual Brand	3820
C	CD54HCT30F3A	5962-8974601MRA	8-Input NAND, Dual Brand	3764
C	CD54HCT32F3A	5962-8685201CA	Quad 2-Input OR Gate, Dual Brand	3765
C	CD54HCT365F3A		Hex Buffer/Line Driver, Three-State	3823

Military and Space Cross-Reference

PART NUMBER LISTING (Continued)

COMPLIANT OR NON-COMPLIANT	MARKETING PART NUMBER	REFERENCE NUMBER	DESCRIPTION	FILE NO.
C	CD54HCT367F3A	5962-9070601MEA	Hex Buffer/Line Drive, Three-State, Dual Brand	3825
C	CD54HCT373F3A	5962-8686701RA	Octal Transparent Latch, Three-State, Dual Brand	3827
C	CD54HCT374F3A	8550701RA	Octal D-Type Flip-Flop, Three-State, Dual Brand	3828
C	CD54HCT377F3A	5962-8976901RA	Octal D-Type Flip-Flop with Data Enable, Dual Brand	3829
C	CD54HCT390F3A	5962-9098401MEA	Dual Decade Ripple Counter, Dual Brand	3830
C	CD54HCT393F3A	5962-8989001CA	Dual 4-Bit Binary Ripple Counter, Dual Brand	3831
C	CD54HCT40105F3A		4-Bit By 16 Word FIFO Register	3874
C	CD54HCT4017F3A	5962-9059701MEA	14-Stage Binary Ripple Counter, Dual Brand	3848
C	CD54HCT4020F3A	5962-8945801EA	12-Bit Binary Ripple Counter, Dual Brand	3849
C	CD54HCT4024F3A		7-Stage Binary Ripple Counter	3850
C	CD54HCT4040F3A	5962-8994701MEA	12-Bit Binary Ripple Counter, Dual Brand	3851
C	CD54HCT4046AF3A	5962-8875701EA	Phased Locked-Loop with VCO, Dual Brand	3852
C	CD54HCT4051F3A	5962-9065401MEA	8-Channel Analog MUX/DeMUX, Dual Brand	3855
C	CD54HCT4053F3A		Triple 2-Channel Analog MUX/DeMUX	3857
C	CD54HCT4059F3A	5962-8862401JA	Programmable Divided-by-N Counter, Dual Brand	3858
C	CD54HCT4060F3A	5962-8977101EA	14-Stage Binary Ripple Counter with Oscillator, Dual Brand	3859
C	CD54HCT4075F3A		Triple 3-Input OR Gate	3861
C	CD54HCT423F3A		Dual Retriggerable Monostable Multivibrator with Reset	3832
C	CD54HCT4520F3A		Dual 4-Bit Synchronous Binary Counter	3869
C	CD54HCT4538F3A		Dual Precision Monostable Multivibrator	3870
C	CD54HCT533F3A		Octal Transparent Latch, Three-State	3833
C	CD54HCT534F3A	5962-8984901RA	Octal D Flip-Flop Three-State, Inverter, Dual Brand	3834
C	CD54HCT541F3A		Octal Buffer/Line Driver, Three-State	3836
C	CD54HCT564F3A		Octal D Flip-Flop Three-State, Inverter	3838
C	CD54HCT573F3A	5962-8685601RA	Octal Transparent Latch, Three-State, Dual Brand	3839
C	CD54HCT574F3A	5962-8974201RA	Octal D-Type Flip-Flop, Three-State, Dual Brand	3840
C	CD54HCT640F3A	5962-8974001RA	Octal Bus Transceiver, Three-State, Inverter, Dual Brand	3842
C	CD54HCT646F3A		Octal Bus Transceiver	3843
C	CD54HCT688F3A	5962-8685701RA	8-Bit Magnitude Comparator, Dual Brand	3845
C	CD54HCT74F3A	5962-8685301CA	Dual 3 Flip-Flop with Set and Reset, Dual Brand	3768
C	CD54HCT75F3A	5962-9075801MEA	Quad Bistable Transparent Latch, Dual Brand	3769
C	CD54HCT85F3A	5962-8867201EA	4-Bit Magnitude Comparator, Dual Brand	3770
C	CD54HCT86F3A	5962-8984401CA	Quad 2-Input Exclusive OR Gate, Dual Brand	3771
C	CD54HCU04F3A	8601001CA	Hex Inverter, Unbuffered, Dual Brand	3875
N	CDP1802ACD3		MPU - 40 Lead SBDIP	1441
N	CDP1821CD3		RAM - 16 Lead CERDIP 5.0V 255ns 1024 x 1	2983
N	CDP1822CD3		RAM - 22 Lead CERDIP 5.0V 500ns 256 x 4	2981
N	CDP1823CD3		RAM - 24 Lead CERDIP 5.0V 505ns 128 x 8	2982
N	CDP1824CD3		RAM - 18 Lead CERDIP 5.0V 825ns 32 x 8	1717
N	CDP1824D3		RAM - 18 Lead CERDIP 10.0V 375ns 32 x 8	1717
N	CDP1852CD3		I/O Port	1694
N	CDP1852D3		I/O Port	1694
N	CDP1853CD3		I/O Decoder	1713
N	CDP1854ACD3		I/O UART	1715
C	CMM5104D3	5962-9669401QVC	Rad Hard CMOS/SOS 4K x 1 Static RAM	3406
C	CMM5104D1DZ	5962D9669401VVC	Rad Hard CMOS/SOS 4K x 1 Static RAM	3406
C	CMM5104K3	5962-9669401QXC	Rad Hard CMOS/SOS 4K x 1 Static RAM	3406
C	CMM5104K1DZ	5962D9669401VXC	Rad Hard CMOS/SOS 4K x 1 Static RAM	3406
C	CMM5114AD1DZ	5962D9669501VVC	Rad Hard CMOS/SOS 1K x 4 Static RAM	2081
C	CMM5114AK3	5962-9669501QXC	Rad Hard CMOS/SOS 1K x 4 Static RAM	2081

4

HARRIS MILITARY/
RAD HARD

Military and Space Cross-Reference

PART NUMBER LISTING (Continued)

COMPLIANT OR NON-COMPLIANT	MARKETING PART NUMBER	REFERENCE NUMBER	DESCRIPTION	FILE NO.
C	CMM5114AD3	5962-9669501QVC	Rad Hard CMOS/SOS 1K x 4 Static RAM	2081
C	CMM5114AK1DZ	5962D9669501VXC	Rad Hard CMOS/SOS 1K x 4 Static RAM	2081
C	DG181AA/883B		Analog Switch Channel 10 Pin Can 15V Dual SPST JFET	3114
C	DG181AL/883B		Analog Switch Channel 14 Lead Flatpack 15V Dual SPST JFET	3114
C	DG181AP/883B		Analog Switch Channel 14 Lead CDIP 15V Dual SPST JFET	3114
C	DG182AA/883B		Analog Switch Channel 10 Pin Can 15V Dual SPST JFET	3114
C	DG182AP/883B		Analog Switch Channel 14 Lead CDIP 15V Dual SPST JFET	3114
C	DG184AL/883B		Analog Switch Channel 14 Lead Flatpack 15V Dual DPST JFET	3114
C	DG184AP/883B		Analog Switch Channel 16 Lead CDIP 15V Dual DPST JFET	3114
C	DG185AP/883B		Analog Switch Channel 16 Lead CDIP 15V Dual DPST JFET	3114
C	DG187AA/883B		Analog Switch Channel 10 Pin Can 15V SPDT JFET	3114
C	DG187AL/883B		Analog Switch Channel 14 Lead Flatpack 15V SPDT JFET	3114
C	DG187AP/883B		Analog Switch Channel 14 Lead Cerdip 15V SPDT JFET	3114
C	DG188AA/883B		Analog Switch Channel 10 Pin Can 15V SPDT JFET	3114
C	DG188AP/883B		Analog Switch Channel 14 Lead Cerdip 15V SPDT JFET	3114
C	DG190AL/883B		Analog Switch Channel 14 Lead Flatpack 15V Dual SPDT JFET	3114
C	DG190AP/883B		Analog Switch Channel 16 Lead CDIP 15V Dual SPDT JFET	3114
C	DG191AL/883B		Analog Switch Channel 14 Lead Flatpack 15V Dual SPDT JFET	3114
C	DG191AP/883B		Analog Switch Channel 16 Lead CDIP 15V Dual SPDT JFET	3114
C	DG200AA/883B		Analog Switch Channel 10 Pin Can 15V Dual SPST CMOS	3115
C	DG200AK/883B		Analog Switch Channel 14 Lead CDIP 15V Dual SPST CMOS	3115
C	DG201AAK/883B	7705301EA	Analog Switch Channel 16 Lead CDIP 15V Quad SPST CMOS	3117
	DG201AAP	JM38510/12302BEA	See Ref P/N	3117
C	DG201AK/883B		Analog Switch Channel 16 Lead CDIP 15V Quad SPST CMOS	3115
C	DG202AK/883B		Analog Switch Channel 16 Lead CDIP 15V Quad SPST CMOS	3117
C	DG300AAA/883B		Analog Switch Channel 10 Pin Can 15V Dual SPST CMOS	3119
C	DG300AAK/883B		Analog Switch Channel 14 Lead CDIP 15V Dual SPST CMOS	3119
	DG300AAP	JM38510/11601BCA	See Ref P/N	3119
C	DG301AAA/883B		Analog Switch Channel 10 Pin Can 15V SPDT CMOS	3119
C	DG301AAK/883B		Analog Switch Channel 14 Lead CDIP 15V SPDT CMOS	3119
	DG301AAP	JM38510/11602BCA	See Ref P/N	3119
C	DG302AAK/883B		Analog Switch Channel 14 Lead CDIP 15V Dual DPST CMOS	3119
	DG302AAP	JM38510/11603BCA	See Ref P/N	3119
C	DG303AAK/883B		Analog Switch Channel 14 Lead CDIP 15V Dual SPDT CMOS	3119
	DG303AAP	JM38510/11604BCA	See Ref P/N	3119
C	DG308AAK/883B		Analog Switch Channel 16 Lead CDIP 15V Quad SPST CMOS	3120
C	DG309AK/883B		Analog Switch, 16 Lead Cerdip 15V Quad SPST CMOS	3120
C	DG401AK/883	5962-9056901EA	Analog Switch, Two SPST, Dual Brand	3703
N	DG401EJ		Switch, Two SPST, Extended Processing, -40/+85, w/BI, PDIP	3284
N	DG401EY		Switch, Two SPST, Extended Processing, -40/+85, w/BI, SOIC	3284
N	DG401EY-T		Switch, Two SPST, Extended Process, -40/+85, w/BI, T&R, SOIC	3284
C	DG403AK/883	5962-8976301MEA	Analog Switch, Two SPDT, Dual Brand	3703
N	DG403EJ		Switch, Two SPDT, Extended Processing, -40/+85 w/BI, PDIP	3284
N	DG403EY		Switch, Two SPDT, Extended Processing, -40/+85 w/BI, SOIC	3284
N	DG403EY-T		Switch, Two SPDT, Extended Process, -40/+85 w/BI, T&R SOIC	3284
C	DG405AK/883	5962-8996101EA	Analog Switch, Two DPST, Dual Brand	3703
N	DG405EJ		Switch, Two DPST, Extended Processing, -40/+85 w/BI, PDIP	3284
N	DG405EY		Switch, Two DPST, Extended Processing, -40/+85 w/BI, SOIC	3284
N	DG405EY-T		Switch, Two DPST, Extended Process, -40/+85 w/BI, T&R SOIC	3284
C	DG406AK/883		MUX, Single 16-Channel	3720

Military and Space Cross-Reference

PART NUMBER LISTING (Continued)

COMPLIANT OR NON-COMPLIANT	MARKETING PART NUMBER	REFERENCE NUMBER	DESCRIPTION	FILE NO.
C	DG407AK/883		MUX, Differential 8-Channel	3720
C	DG408AK/883	5962-9204201MEA	Analog MUX, Single 8-Channel, Dual Brand	3688
N	DG408EJ		MUX, Single 8-Channel, Extended Process, -40/+85 w/BI, PDIP	3283
N	DG408EY		MUX, Single 8-Channel, Extended Process, -40/+85 w/BI, SOIC	3283
N	DG408EY-T		MUX, Single 8-Channel, Extended Process, -40/+85 w/BI, T&R	3283
C	DG409AK/883	5962-9204202MEA	Analog MUX, Differential 4-Channel, Dual Brand	3688
N	DG409EJ		MUX, Differential 4-Channel, Extended Process, -40/+85, w/BI	3283
N	DG409EY		MUX, Differential 4-Channel, Extended Process, -40/+85 w/BI, SOIC	3283
N	DG409EY-T		MUX, Differential 4-Channel, Extended Process, -40/+85 w/BI, T&R SOIC	3283
C	DG411AK/883	5962-9073101MEA	Analog Switch, Quad SPST, Dual Brand	3681
N	DG411EJ		Switch, Quad SPST, Extended Processing, -40/+85 w/BI, PDIP	3282
N	DG411EY		Switch, Quad SPST, Extended Processing, -40/+85 w/BI, SOIC	3282
N	DG411EY-T		Switch, Quad SPST, Extended Process, -40/+85 w/BI, T&R SOIC	3282
C	DG412AK/883	5962-9073102MEA	Analog Switch, Quad SPST, Dual Brand	3681
N	DG412EJ		Switch, Quad SPST, Extended Processing, -40/+85 w/BI, PDIP	3282
N	DG412EY		Switch, Quad SPST, Extended Processing, -40/+85 w/BI, SOIC	3282
N	DG412EY-T		Switch, Quad SPST, Extended Process, -40/+85 w/BI, T&R SOIC	3282
C	DG413AK/883	5962-9073103MEA	Analog Switch, Quad SPST, Dual Brand	3681
N	DG413EJ		Switch, Quad SPST, Extended Processing, -40/+85 w/BI, PDIP	3282
N	DG413EY		Switch, Quad SPST, Extended Processing, -40/+85 w/BI, SOIC	3282
N	DG413EY-T		Switch, Quad SPST, Extended Process, -40/+85 w/BI, T&R SOIC	3282
C	DG441AK/883	5962-9204101MEA	Analog Switch, Quad SPST, Dual Brand	3687
N	DG441EJ		Switch, Quad SPST, Extended Processing, -40/+85 w/BI, PDIP	3281
N	DG441EY		Switch, Quad SPST, Extended Processing, -40/+85 w/BI, SOIC	3281
N	DG441EY-T		Switch, Quad SPST, Extended Process, -40/+85 w/BI, T&R SOIC	3281
C	DG442AK/883	5962-9204102MEA	Analog Switch, Quad SPST, Dual Brand	3687
N	DG442EJ		Switch, Quad SPST, Extended Processing -40/+85, w/BI, PDIP	3281
N	DG442EY		Switch, Quad SPST, Extended Processing, -40/+85 w/BI, SOIC	3281
N	DG442EY-T		Switch, Quad SPST, Extended Process, -40/+85 w/BI, T&R	3281
C	DG458AK/883B		MUX, 16 Lead CDIP, 15V, 8-Channel, Over-Voltage Protected	3708
C	DG459AK/883B		MUX, 16 Lead CDIP, 15V, 8-Channel, Over-Voltage Protected	3708
C	DG506AAK/883B		Analog MUX, 28 Lead CERDIP, 15V, 16-Channel	3137
C	DG507AAK/883B		Analog MUX, 28 Lead CERDIP, 15V Differential 8-Channel	3137
C	DG508AAK/883B		Analog MUX, 16 Lead CERDIP, 15V 8-Channel	3137
C	DG509AAK/883B		Analog MUX, 16 Lead CERDIP, 15V Differential 4-Channel	3137
C	DG526AK/883B		Analog MUX, 28 Lead CERDIP, 15V 16-Channel Latchable	3139
C	DG527AK/883B		Analog MUX, 28 Lead CDIP, 15V Dual 8-Channel Latchable	3139
C	DG528AK/883B		Analog MUX, 18 Lead CERDIP, 15V 8-Channel Latchable	3139
C	DG529AK/883B		Analog MUX, 18 Lead CDIP 15V Dual 4-Channel Latchable	3139
N	FRE160D1	2N7300D	Rad Hard Power NMOS 100V, 41A, 0.050Ω 10K, TO-258AA	3258
N	FRE160H4	2N7300H	Rad Hard Power NMOS 100V, 41A, 0.050Ω 1M, TO-258AA	3258
N	FRE160R1	2N7300R	Rad Hard Power NMOS 100V, 41A, 0.050Ω 100K, TO-258AA	3258
N	FRE160R4	2N7300R	Rad Hard Power NMOS 100V, 41A, 0.050Ω 100K, TO-258AA	3258
N	FRE260D1	2N7302D	Rad Hard Power NMOS 200V, 31A, 0.080Ω 10K, TO-258AA	3259
N	FRE260H4	2N7302H	Rad Hard Power NMOS 200V, 31A, 0.080Ω 1M, TO-258AA	3259

4

**HARRIS MILITARY/
RAD HARD**

Military and Space Cross-Reference

PART NUMBER LISTING (Continued)

COMPLIANT OR NON-COMPLIANT	MARKETING PART NUMBER	REFERENCE NUMBER	DESCRIPTION	FILE NO.
N	FRE260R1	2N7302R	Rad Hard Power NMOS 200V, 31A, 0.080Ω 100K, TO-258AA	3259
N	FRE260R4	2N7302R	Rad Hard Power NMOS 200V, 31A, 0.080Ω 100K, TO-258AA	3259
N	FRE264D1	2N7304D	Rad Hard Power NMOS 250V, 23A, 0.130Ω 10K, TO-258AA	3260
N	FRE264H4	2N7304H	Rad Hard Power NMOS 250V, 23A, 0.130Ω 1M, TO-258AA	3260
N	FRE264R1	2N7304R	Rad Hard Power NMOS 250V, 23A, 0.130Ω 100K, TO-258AA	3260
N	FRE264R4	2N7304R	Rad Hard Power NMOS 250V, 23A, 0.130Ω 100K, TO-258AA	3260
N	FRE460D1	2N7306D	Rad Hard Power NMOS 500V, 12A, 0.410Ω 10K, TO-258AA	3261
N	FRE460H4	2N7306H	Rad Hard Power NMOS 500V, 12A, 0.410Ω 1M, TO-258AA	3261
N	FRE460R1	2N7306R	Rad Hard Power NMOS 500V, 12A, 0.410Ω 100K, TO-258AA	3261
N	FRE460R4	2N7306R	Rad Hard Power NMOS 500V, 12A, 0.410Ω 100K, TO-258AA	3261
N	FRE9160D1	2N7329D	Rad Hard Power PMOS 100V, 30A, 0.095Ω 10K, TO-258AA	3268
N	FRE9160H4	2N7329H	Rad Hard Power PMOS 100V, 30A, 0.095Ω 1M, TO-258AA	3268
N	FRE9160R1	2N7329R	Rad Hard Power PMOS 100V, 30A, 0.095Ω 100K, TO-258AA	3268
N	FRE9160R4	2N7329R	Rad Hard Power PMOS 100V, 30A, 0.095Ω 100K, TO-258AA	3268
N	FRE9260D1	2N7331D	Rad Hard Power PMOS 200V, 19A, 0.210Ω 10K, TO-258AA	3269
N	FRE9260H4	2N7331H	Rad Hard Power PMOS 200V, 19A, 0.210Ω 1M, TO-258AA	3269
N	FRE9260R1	2N7331R	Rad Hard Power PMOS 200V, 19A, 0.210Ω 100K, TO-258AA	3269
C	FRE9260R3	2N7331R	Rad Hard Power PMOS 200V, 19A, 0.210Ω 100K, TO-258AA	3269
N	FRE9260R4	2N7331R	Rad Hard Power PMOS 200V, 19A, 0.210Ω 100K, TO-258AA	3269
N	FRF150D1	2N7292D	Rad Hard Power NMOS 100V, 25A, 0.07Ω 10K, TO-254AA	3215
C	FRF150D3	2N7292D	Rad Hard Power NMOS 100V, 25A, 0.07Ω 10K, TO-254AA	3215
N	FRF150H1	2N7292H	Rad Hard Power NMOS 100V, 25A, 0.07Ω 1M, TO-254AA	3215
N	FRF150H4	2N7292H	Rad Hard Power NMOS 100V, 25A, 0.07Ω 1M, TO-254AA	3215
N	FRF150R1	2N7292R	Rad Hard Power NMOS 100V, 25A, 0.07Ω 100K, TO-254AA	3215
C	FRF150R2	2N7292R	Rad Hard Power NMOS 100V, 25A, 0.07Ω 100K, TO-254AA	3215
C	FRF150R3	2N7292R	Rad Hard Power NMOS 100V, 25A, 0.07Ω 100K, TO-254AA	3215
N	FRF150R4	2N7292R	Rad Hard Power NMOS 100V, 25A, 0.07Ω 100K, TO-254AA	3215
N	FRF250D1	2N7294D	Rad Hard Power NMOS 200V, 23A, 0.115Ω 10K, TO-254AA	3227
C	FRF250D2	2N7294D	Rad Hard Power NMOS 200V, 23A, 0.115Ω 10K, TO-254AA	3227
N	FRF250H4	2N7294H	Rad Hard Power NMOS 200V, 23A, 0.115Ω 1M, TO-254AA	3227
N	FRF250R1	2N7294R	Rad Hard Power NMOS 200V, 23A, 0.115Ω 100K, TO-254AA	3227
C	FRF250R3	2N7294R	Rad Hard Power NMOS 200V, 23A, 0.115Ω 100K, TO-254AA	3227
N	FRF250R4	2N7294R	Rad Hard Power NMOS 200V, 23A, 0.115Ω 100K, TO-254AA	3227
N	FRF254D1	2N7296D	Rad Hard Power NMOS 250V, 17A, 0.185Ω 10K, TO-254AA	3232
N	FRF254H4	2N7296H	Rad Hard Power NMOS 250V, 17A, 0.185Ω 1M, TO-254AA	3232
N	FRF254R1	2N7296R	Rad Hard Power NMOS 250V, 17A, 0.185Ω 100K, TO-254AA	3232
N	FRF254R4	2N7296R	Rad Hard Power NMOS 250V, 17A, 0.185Ω 100K, TO-254AA	3232
N	FRF450D1	2N7298D	Rad Hard Power NMOS 500V, 9A, 0.615Ω 10K, TO-254AA	3237
C	FRF450D3	2N7298D	Rad Hard Power NMOS 500V, 9A, 0.615Ω 10K, TO-254AA	3237
N	FRF450H4	2N7298H	Rad Hard Power NMOS 500V, 9A, 0.615Ω 1M, TO-254AA	3237
N	FRF450R1	2N7298R	Rad Hard Power NMOS 500V, 9A, 0.615Ω 100K, TO-254AA	3237
N	FRF450R4	2N7298R	Rad Hard Power NMOS 500V, 9A, 0.615Ω 100K, TO-254AA	3237
N	FRF9150D1	2N7323D	Rad Hard Power PMOS 100V, 23A, 0.140Ω 10K, TO-254AA	3243
N	FRF9150H1	2N7323H	Rad Hard Power PMOS 100V, 23A, 0.140Ω 1M, TO-254AA	3243
N	FRF9150H4	2N7323H	Rad Hard Power PMOS 100V, 23A, 0.140Ω 1M, TO-254AA	3243
N	FRF9150R1	2N7323R	Rad Hard Power PMOS 100V, 23A, 0.140Ω 100K, TO-254AA	3243
C	FRF9150R3	2N7323R	Rad Hard Power PMOS 100V, 23A, 0.140Ω 100K, TO-254AA	3243
N	FRF9150R4	2N7323R	Rad Hard Power PMOS 100V, 23A, 0.140Ω 100K, TO-254AA	3243
N	FRF9250D1	2N7325D	Rad Hard Power PMOS 200V, 14A, 0.315Ω 10K, TO-254AA	3247
C	FRF9250D3	2N7325D	Rad Hard Power PMOS 200V, 14A, 0.315Ω 10K, TO-254AA	3247

Military and Space Cross-Reference

PART NUMBER LISTING (Continued)

COMPLIANT OR NON-COMPLIANT	MARKETING PART NUMBER	REFERENCE NUMBER	DESCRIPTION	FILE NO.
N	FRF9250H4	2N7325H	Rad Hard Power PMOS 200V, 14A, 0.315Ω 1M, TO-254AA	3247
N	FRF9250R1	2N7325R	Rad Hard Power PMOS 200V, 14A, 0.315Ω 100K, TO-254AA	3247
C	FRF9250R3	2N7325R	Rad Hard Power PMOS 200V, 14A, 0.315Ω 100K, TO-254AA	3247
N	FRF9250R4	2N7325R	Rad Hard Power PMOS 200V, 14A, 0.315Ω 100K, TO-254AA	3247
N	FRK150D1	2N7291D	Rad Hard Power NMOS 100V, 40A, 0.055Ω 10K, TO-204AE	3221
C	FRK150D3	2N7291D	Rad Hard Power NMOS 100V, 40A, 0.055Ω 10K, TO-204AE	3221
N	FRK150H4	2N7291H	Rad Hard Power NMOS 100V, 40A, 0.055Ω 1M, TO-204AE	3221
N	FRK150R1	2N7291R	Rad Hard Power NMOS 100V, 40A, 0.055Ω 100K, TO-204AE	3221
C	FRK150R2	2N7291R	Rad Hard Power NMOS 100V, 40A, 0.055Ω 100K, TO-204AE	3221
N	FRK150R4	2N7291R	Rad Hard Power NMOS 100V, 40A, 0.055Ω 100K, TO-204AE	3221
N	FRK250D1	2N7293D	Rad Hard Power NMOS 200V, 27A, 0.100Ω 10K, TO-204AE	3226
N	FRK250H4	2N7293H	Rad Hard Power NMOS 200V, 27A, 0.100Ω 1M, TO-204AE	3226
N	FRK250R1	2N7293R	Rad Hard Power NMOS 200V, 27A, 0.100Ω 100K, TO-204AE	3226
N	FRK250R4	2N7293R	Rad Hard Power NMOS 200V, 27A, 0.100Ω 100K, TO-204AE	3226
N	FRK254D1	2N7295D	Rad Hard Power NMOS 250V, 20A, 0.170Ω 10K, TO-204AE	3231
N	FRK254H4	2N7295H	Rad Hard Power NMOS 250V, 20A, 0.170Ω 1M, TO-204AE	3231
N	FRK254R1	2N7295R	Rad Hard Power NMOS 250V, 20A, 0.170Ω 100K, TO-204AE	3231
N	FRK254R4	2N7295R	Rad Hard Power NMOS 250V, 20A, 0.170Ω 100K, TO-204AE	3231
N	FRK160D1	2N7299D	Rad Hard Power NMOS 100V, 50A, 0.040Ω 10K, TO-204AE	3222
C	FRK160D3	2N7299D	Rad Hard Power NMOS 100V, 50A, 0.040Ω 10K, TO-204AE	3222
N	FRK160H4	2N7299H	Rad Hard Power NMOS 100V, 50A, 0.040Ω 1M, TO-204AE	3222
N	FRK160R1	2N7299R	Rad Hard Power NMOS 100V, 50A, 0.040Ω 100K, TO-204AE	3222
C	FRK160R2	2N7299R	Rad Hard Power NMOS 100V, 50A, 0.040Ω 100K, TO-204AE	3222
N	FRK160R4	2N7299R	Rad Hard Power NMOS 100V, 50A, 0.040Ω 100K, TO-204AE	3222
N	FRK260D1	2N7301D	Rad Hard Power NMOS 200V, 46A, 0.07Ω 10K, TO-204AE	3228
N	FRK260H4	2N7301H	Rad Hard Power NMOS 200V, 46A, 0.07Ω 1M, TO-204AE	3228
N	FRK260R1	2N7301R	Rad Hard Power NMOS 200V, 46A, 0.07Ω 100K, TO-204AE	3228
C	FRK260R3	2N7301R	Rad Hard Power NMOS 200V, 46A, 0.07Ω 100K, TO-204AE	3228
N	FRK260R4	2N7301R	Rad Hard Power NMOS 200V, 46A, 0.07Ω 100K, TO-204AE	3228
N	FRK264D1	2N7303D	Rad Hard Power NMOS 250V, 34A, 0.120Ω 10K, TO-204AE	3233
N	FRK264H4	2N7303H	Rad Hard Power NMOS 250V, 34A, 0.120Ω 1M, TO-204AE	3233
N	FRK264R1	2N7303R	Rad Hard Power NMOS 250V, 34A, 0.120Ω 100K, TO-204AE	3233
N	FRK264R4	2N7303R	Rad Hard Power NMOS 250V, 34A, 0.120Ω 100K, TO-204AE	3233
N	FRK460D1	2N7305D	Rad Hard Power NMOS 500V, 17A, 0.40Ω 10K, TO-204AE	3238
N	FRK460H4	2N7305H	Rad Hard Power NMOS 500V, 17A, 0.40Ω 1M, TO-204AE	3238
N	FRK460R1	2N7305R	Rad Hard Power NMOS 500V, 17A, 0.40Ω 100K, TO-204AE	3238
N	FRK460R4	2N7305R	Rad Hard Power NMOS 500V, 17A, 0.40Ω 100K, TO-204AE	3238
N	FRK9150D1	2N7322D	Rad Hard Power PMOS 100V, 26A, 0.125Ω 10K, TO-204AE	3266
N	FRK9150H4	2N7322H	Rad Hard Power PMOS 100V, 26A, 0.125Ω 1M, TO-204AE	3266
N	FRK9150R1	2N7322R	Rad Hard Power PMOS 100V, 26A, 0.125Ω 100K, TO-204AE	3266
C	FRK9150R3	2N7322R	Rad Hard Power PMOS 100V, 26A, 0.125Ω 100K, TO-204AE	3266
N	FRK9150R4	2N7322R	Rad Hard Power PMOS 100V, 26A, 0.125Ω 100K, TO-204AE	3266
N	FRK9160D1	2N7328D	Rad Hard Power PMOS 100V, 40A, 0.085Ω 10K, TO-204AE	3244
C	FRK9160D2	2N7328D	Rad Hard Power PMOS 100V, 40A, 0.085Ω 10K, TO-204AE	3244
C	FRK9160D3	2N7328D	Rad Hard Power PMOS 100V, 40A, 0.085Ω 10K, TO-204AE	3244
N	FRK9160H4	2N7328H	Rad Hard Power PMOS 100V, 40A, 0.085Ω 1M, TO-204AE	3244
N	FRK9160R1	2N7328R	Rad Hard Power PMOS 100V, 40A, 0.085Ω 100K, TO-204AE	3244
C	FRK9160R3	2N7328R	Rad Hard Power PMOS 100V, 40A, 0.085Ω 100K, TO-204AE	3244
N	FRK9160R4	2N7328R	Rad Hard Power PMOS 100V, 40A, 0.085Ω 100K, TO-204AE	3244
N	FRK9260D1	2N7330D	Rad Hard Power PMOS 200V, 26A, 0.200Ω 10K, TO-204AE	3248

4
HARRIS MILITARY/
RAD HARD

Military and Space Cross-Reference

PART NUMBER LISTING (Continued)

COMPLIANT OR NON-COMPLIANT	MARKETING PART NUMBER	REFERENCE NUMBER	DESCRIPTION	FILE NO.
N	FRK9260H4	2N7330H	Rad Hard Power PMOS 200V, 26A, 0.200Ω 1M, TO-204AE	3248
N	FRK9260R1	2N7330R	Rad Hard Power PMOS 200V, 26A, 0.200Ω 100K, TO-204AE	3248
N	FRK9260R4	2N7330R	Rad Hard Power PMOS 200V, 26A, 0.200Ω 100K, TO-204AE	3248
N	FRL130D1	2N7272D	Rad Hard Power NMOS 100V, 8A, 0.180Ω 10K, TO-205AF	3218
C	FRL130D2	2N7272D	Rad Hard Power NMOS 100V, 8A, 0.180Ω 10K, TO-205AF	3218
C	FRL130H3	2N7272H	Rad Hard Power NMOS 100V, 8A, 0.180Ω 1M, TO-205AF	3218
N	FRL130H4	2N7272H	Rad Hard Power NMOS 100V, 8A, 0.180Ω 1M, TO-205AF	3218
N	FRL130R1	2N7272R	Rad Hard Power NMOS 100V, 8A, 0.180Ω 100K, TO-205AF	3218
C	FRL130R2	2N7272R	Rad Hard Power NMOS 100V, 8A, 0.180Ω 100K, TO-205AF	3218
C	FRL130R3	2N7272R	Rad Hard Power NMOS 100V, 8A, 0.180Ω 100K, TO-205AF	3218
N	FRL130R4	2N7272R	Rad Hard Power NMOS 100V, 8A, 0.180Ω 100K, TO-205AF	3218
N	FRL230D1	2N7275D	Rad Hard Power NMOS 200V, 5A, 0.500Ω 10K TO-205AF	3223
C	FRL230D3	2N7275D	Rad Hard Power NMOS 200V, 5A, 0.500Ω 10K, TO-205AF	3223
N	FRL230H1	2N7275H	Rad Hard Power NMOS 200V, 5A, 0.500Ω 1M, TO-205AF	3223
N	FRL230H4	2N7275H	Rad Hard Power NMOS 200V, 5A, 0.500Ω 1M, TO-205AF	3223
N	FRL230R1	2N7275R	Rad Hard Power NMOS 200V, 5A, 0.500Ω 100K, TO-205AF	3223
C	FRL230R3	2N7275R	Rad Hard Power NMOS 200V, 5A, 0.500Ω 100K, TO-205AF	3223
N	FRL230R4	2N7275R	Rad Hard Power NMOS 200V, 5A, 0.500Ω 100K, TO-205AF	3223
N	FRL234D1	2N7278D	Rad Hard Power NMOS 250V, 4A, 0.70Ω 10K, TO-205AF	3229
C	FRL234D3	2N7278D	Rad Hard Power NMOS 250V, 4A, 0.70Ω 10K, TO-205AF	3229
N	FRL234H4	2N7278H	Rad Hard Power NMOS 250V, 4A, 0.70Ω 1M, TO-205AF	3229
N	FRL234R1	2N7278R	Rad Hard Power NMOS 250V, 4A, 0.70Ω 100K, TO-205AF	3229
C	FRL234R3	2N7278R	Rad Hard Power NMOS 250V, 4A, 0.70Ω 100K, TO-205AF	3229
N	FRL234R4	2N7278R	Rad Hard Power NMOS 250V, 4A, 0.70Ω 100K, TO-205AF	3229
N	FRL430D1	2N7281D	Rad Hard Power NMOS 500V, 2A, 2.50Ω 10K, TO-205AF	3234
C	FRL430D3	2N7281D	Rad Hard Power NMOS 500V, 2A, 2.50Ω 10K, TO-205AF	3234
N	FRL430H4	2N7281H	Rad Hard Power NMOS 500V, 2A, 2.50Ω 1M, TO-205AF	3234
N	FRL430R1	2N7281R	Rad Hard Power NMOS 500V, 2A, 2.50Ω 100K, TO-205AF	3234
N	FRL430R4	2N7281R	Rad Hard Power NMOS 500V, 2A, 2.50Ω 100K, TO-205AF	3234
N	FRL9130D1	2N7308D	Rad Hard Power PMOS 100V, 5A, 0.550Ω 10K, TO-205AF	3239
C	FRL9130D2	2N7308D	Rad Hard Power PMOS 100V, 5A, 0.550Ω 10K, TO-205AF	3239
C	FRL9130D3	2N7308D	Rad Hard Power PMOS 100V, 5A, 0.550Ω 10K, TO-205AF	3239
N	FRL9130H4	2N7308H	Rad Hard Power PMOS 100V, 5A, 0.550Ω 1M, TO-205AF	3239
N	FRL9130R1	2N7308R	Rad Hard Power PMOS 100V, 5A, 0.550Ω 100K, TO-205AF	3239
C	FRL9130R2	2N7308R	Rad Hard Power PMOS 100V, 5A, 0.550Ω 100K, TO-205AF	3239
C	FRL9130R3	2N7308R	Rad Hard Power PMOS 100V, 5A, 0.550Ω 100K, TO-205AF	3239
N	FRL9130R4	2N7308R	Rad Hard Power PMOS 100V, 5A, 0.550Ω 100K, TO-205AF	3239
N	FRL9230D1	2N7311D	Rad Hard Power PMOS 200V, 3A, 1.30Ω 10K, TO-205AF	3245
N	FRL9230H4	2N7311H	Rad Hard Power PMOS 200V, 3A, 1.30Ω 1M, TO-205AF	3245
N	FRL9230R1	2N7311R	Rad Hard Power PMOS 200V, 3A, 1.30Ω 100K, TO-205AF	3245
N	FRL9230R4	2N7311R	Rad Hard Power PMOS 200V, 3A, 1.30Ω 100K, TO-205AF	3245
N	FRM130D1	2N7271D	Rad Hard Power NMOS 100V, 14A, 0.180Ω 10K, TO-204AA	3217
N	FRM130H1	2N7271H	Rad Hard Power NMOS 100V, 14A, 0.180Ω 1M, TO-204AA	3217
N	FRM130H4	2N7271H	Rad Hard Power NMOS 100V, 14A, 0.180Ω 1M, TO-204AA	3217
N	FRM130R1	2N7271R	Rad Hard Power NMOS 100V, 14A, 0.180Ω 100K, TO-204AA	3217
N	FRM130R4	2N7271R	Rad Hard Power NMOS 100V, 14A, 0.180Ω 100K, TO-204AA	3217
N	FRM140D1	2N7283D	Rad Hard Power NMOS 100V, 23A, 0.130Ω 10K, TO-204AA	3220
N	FRM140H4	2N7283H	Rad Hard Power NMOS 100V, 23A, 0.130Ω 1M, TO-204AA	3220
N	FRM140R1	2N7283R	Rad Hard Power NMOS 100V, 23A, 0.130Ω 100K, TO-204AA	3220
N	FRM140R4	2N7283R	Rad Hard Power NMOS 100V, 23A, 0.130Ω 100K, TO-204AA	3220

Military and Space Cross-Reference

PART NUMBER LISTING (Continued)

COMPLIANT OR NON-COMPLIANT	MARKETING PART NUMBER	REFERENCE NUMBER	DESCRIPTION	FILE NO.
N	FRM230D1	2N7274D	Rad Hard Power NMOS 200V, 8A, 0.500Ω 10K, TO-204AA	3249
N	FRM230H4	2N7274H	Rad Hard Power NMOS 200V, 8A, 0.500Ω 1M, TO-204AA	3249
N	FRM230R1	2N7274R	Rad Hard Power NMOS 200V, 8A, 0.500Ω 100K, TO-204AA	3249
N	FRM230R4	2N7274R	Rad Hard Power NMOS 200V, 8A, 0.500Ω 100K, TO-204AA	3249
N	FRM234D1	2N7277D	Rad Hard Power NMOS 250V, 7A, 0.700Ω 10K, TO-204AA	3250
N	FRM234H4	2N7277H	Rad Hard Power NMOS 250V, 7A, 0.700Ω 1M, TO-204AA	3250
N	FRM234R1	2N7277R	Rad Hard Power NMOS 250V, 7A, 0.700Ω 100K, TO-204AA	3250
N	FRM234R4	2N7277R	Rad Hard Power NMOS 250V, 7A, 0.700Ω 100K, TO-204AA	3250
N	FRM240D1	2N7285D	Rad Hard Power NMOS 200V, 16A, 0.240Ω 10K, TO-204AA	3225
N	FRM240H4	2N7285H	Rad Hard Power NMOS 200V, 16A, 0.240Ω 1M, TO-204AA	3225
N	FRM240R1	2N7285R	Rad Hard Power NMOS 200V, 16A, 0.240Ω 100K, TO-204AA	3225
N	FRM240R4	2N7285R	Rad Hard Power NMOS 200V, 16A, 0.240Ω 100K, TO-204AA	3225
N	FRM244D1	2N7287D	Rad Hard Power NMOS 250V, 12A, 0.400Ω 10K, TO-204AA	3230
N	FRM244H4	2N7287H	Rad Hard Power NMOS 250V, 12A, 0.400Ω 1M, TO-204AA	3230
N	FRM244R1	2N7287R	Rad Hard Power NMOS 250V, 12A, 0.400Ω 100K, TO-204AA	3230
N	FRM244R4	2N7287R	Rad Hard Power NMOS 250V, 12A, 0.400Ω 100K, TO-204AA	3230
N	FRM430D1	2N7280D	Rad Hard Power NMOS 500V, 3A, 2.50Ω 10K, TO-204AA	3252
N	FRM430H4	2N7280H	Rad Hard Power NMOS 500V, 3A, 2.50Ω 1M, TO-204AA	3252
N	FRM430R1	2N7280R	Rad Hard Power NMOS 500V, 3A, 2.50Ω 100K, TO-204AA	3252
N	FRM430R4	2N7280R	Rad Hard Power NMOS 500V, 3A, 2.50Ω 100K, TO-204AA	3252
N	FRM440D1	2N7289D	Rad Hard Power NMOS 500V, 6A, 1.40Ω 10K, TO-204AA	3235
N	FRM440H4	2N7289H	Rad Hard Power NMOS 500V, 6A, 1.40Ω 1M, TO-204AA	3235
N	FRM440R1	2N7289R	Rad Hard Power NMOS 500V, 6A, 1.40Ω 100K, TO-204AA	3235
N	FRM440R4	2N7289R	Rad Hard Power NMOS 500V, 6A, 1.40Ω 100K, TO-204AA	3235
N	FRM450D1	2N7297D	Rad Hard Power NMOS 500V, 10A, 0.60Ω 10K, TO-204AA	3236
C	FRM450D2	2N7297D	Rad Hard Power NMOS 500V, 10A, 0.60Ω 10K, TO-204AA	3236
N	FRM450H1	2N7297H	Rad Hard Power NMOS 500V, 10A, 0.60Ω 1M, TO-204AA	3236
N	FRM450H4	2N7297H	Rad Hard Power NMOS 500V, 10A, 0.60Ω 1M, TO-204AA	3236
N	FRM450R1	2N7297R	Rad Hard Power NMOS 500V, 10A, 0.60Ω 100K, TO-204AA	3236
N	FRM450R4	2N7297R	Rad Hard Power NMOS 500V, 10A, 0.60Ω 100K, TO-204AA	3236
N	FRM9130D1	2N7307D	Rad Hard Power PMOS 100V, 6A, 0.550Ω 10K, TO-204AA	3262
N	FRM9130H4	2N7307H	Rad Hard Power PMOS 100V, 6A, 0.550Ω 1M, TO-204AA	3262
N	FRM9130R1	2N7307R	Rad Hard Power PMOS 100V, 6A, 0.550Ω 100K, TO-204AA	3262
N	FRM9130R4	2N7307R	Rad Hard Power PMOS 100V, 6A, 0.550Ω 100K, TO-204AA	3262
N	FRM9140D1	2N7316D	Rad Hard Power PMOS 100V, 11A, 0.300Ω 10K, TO-204AA	3241
N	FRM9140H1	2N7316H	Rad Hard Power PMOS 100V, 11A, 0.300Ω 1M, TO-204AA	3241
N	FRM9140H4	2N7316H	Rad Hard Power PMOS 100V, 11A, 0.300Ω 1M, TO-204AA	3241
N	FRM9140R1	2N7316R	Rad Hard Power PMOS 100V, 11A, 0.300Ω 100K, TO-204AA	3241
N	FRM9140R4	2N7316R	Rad Hard Power PMOS 100V, 11A, 0.300Ω 100K, TO-204AA	3241
N	FRM9230D1	2N7310D	Rad Hard Power PMOS 200V, 4A, 1.30Ω 10K, TO-204AA	3263
N	FRM9230H4	2N7310H	Rad Hard Power PMOS 200V, 4A, 1.30Ω 1M, TO-204AA	3263
N	FRM9230R1	2N7310R	Rad Hard Power PMOS 200V, 4A, 1.30Ω 100K, TO-204AA	3263
N	FRM9230R4	2N7310R	Rad Hard Power PMOS 200V, 4A, 1.30Ω 100K, TO-204AA	3263
N	FRM9240D1	2N7318D	Rad Hard Power PMOS 200V, 7A, 0.72Ω 10K, TO-204AA	3242
N	FRM9240H4	2N7318H	Rad Hard Power PMOS 200V, 7A, 0.72Ω 1M, TO-204AA	3242
N	FRM9240R1	2N7318R	Rad Hard Power PMOS 200V, 7A, 0.72Ω 100K, TO-204AA	3242
N	FRM9240R4	2N7318R	Rad Hard Power PMOS 200V, 7A, 0.72Ω 100K, TO-204AA	3242
N	FRM9250D1	2N7324D	Rad Hard Power PMOS 200V, 16A, 0.30Ω 10K, TO-204AA	3267
N	FRM9250H4	2N7324H	Rad Hard Power PMOS 200V, 16A, 0.30Ω 1M, TO-204AA	3267
N	FRM9250R1	2N7324R	Rad Hard Power PMOS 200V, 16A, 0.30Ω 100K, TO-204AA	3267

Military and Space Cross-Reference

PART NUMBER LISTING (Continued)

COMPLIANT OR NON-COMPLIANT	MARKETING PART NUMBER	REFERENCE NUMBER	DESCRIPTION	FILE NO.
N	FRM9250R4	2N7324R	Rad Hard Power PMOS 200V, 16A, 0.30Ω 100K TO-204AA	3267
N	FRS130D1	2N7273D	Rad Hard Power NMOS 100V, 12A, 0.195Ω 10K, TO-257AA	3219
N	FRS130H4	2N7273H	Rad Hard Power NMOS 100V, 12A, 0.195Ω 1M, TO-257AA	3219
N	FRS130R1	2N7273R	Rad Hard Power NMOS 100V, 12A, 0.195Ω 100K, TO-257AA	3219
C	FRS130R2	2N7273R	Rad Hard Power NMOS 100V, 12A, 0.195Ω 100K, TO-257AA	3219
C	FRS130R3	2N7273R	Rad Hard Power NMOS 100V, 12A, 0.195Ω 100K, TO-257AA	3219
N	FRS130R4	2N7273R	Rad Hard Power NMOS 100V, 12A, 0.195Ω 100K, TO-257AA	3219
N	FRS140D1	2N7284D	Rad Hard Power NMOS 100V, 17A, 0.145Ω 10K, TO-257AA	3254
N	FRS140H4	2N7284H	Rad Hard Power NMOS 100V, 17A, 0.145Ω 1M, TO-257AA	3254
N	FRS140R1	2N7284R	Rad Hard Power NMOS 100V, 17A, 0.145Ω 100K, TO-257AA	3254
C	FRS140R3	2N7284R	Rad Hard Power NMOS 100V, 17A, 0.145Ω 100K, TO-257AA	3254
N	FRS140R4	2N7284R	Rad Hard Power NMOS 100V, 17A, 0.145Ω 100K, TO-257AA	3254
N	FRS230D1	2N7276D	Rad Hard Power NMOS 200V, 7A, 0.515Ω 10K, TO-257AA	3224
N	FRS230H4	2N7276H	Rad Hard Power NMOS 200V, 7A, 0.515Ω 1M, TO-257AA	3224
N	FRS230R1	2N7276R	Rad Hard Power NMOS 200V, 7A, 0.515Ω 100K, TO-257AA	3224
N	FRS230R4	2N7276R	Rad Hard Power NMOS 200V, 7A, 0.515Ω 100K, TO-257AA	3224
N	FRS234D1	2N7279D	Rad Hard Power NMOS 250V, 5A, 0.715Ω 10K, TO-257AA	3251
N	FRS234H4	2N7279H	Rad Hard Power NMOS 250V, 5A, 0.715Ω 1M, TO-257AA	3251
N	FRS234R1	2N7279R	Rad Hard Power NMOS 250V, 5A, 0.715Ω 100K, TO-257AA	3251
N	FRS234R4	2N7279R	Rad Hard Power NMOS 250V, 5A, 0.715Ω 100K, TO-257AA	3251
N	FRS240D1	2N7286D	Rad Hard Power NMOS 200V, 12A, 0.255Ω 10K, TO-257AA	3255
N	FRS240H4	2N7286H	Rad Hard Power NMOS 200V, 12A, 0.255Ω 1M, TO-257AA	3255
N	FRS240R1	2N7286R	Rad Hard Power NMOS 200V, 12A, 0.255Ω 100K, TO-257AA	3255
N	FRS240R4	2N7286R	Rad Hard Power NMOS 200V, 12A, 0.255Ω 100K, TO-257AA	3255
N	FRS244D1	2N7288D	Rad Hard Power NMOS 250V, 9A, 0.415Ω 10K, TO-257AA	3256
N	FRS244H4	2N7288H	Rad Hard Power NMOS 250V, 9A, 0.415Ω 1M, TO-257AA	3256
N	FRS244R1	2N7288R	Rad Hard Power NMOS 250V, 9A, 0.415Ω 100K, TO-257AA	3256
N	FRS244R4	2N7288R	Rad Hard Power NMOS 250V, 9A, 0.415Ω 100K, TO-257AA	3256
N	FRS430D1	2N7282D	Rad Hard Power NMOS 500V, 3A, 2.52Ω 10K, TO-257AA	3253
N	FRS430H4	2N7282H	Rad Hard Power NMOS 500V, 3A, 2.52Ω 1M, TO-257AA	3253
N	FRS430R1	2N7282R	Rad Hard Power NMOS 500V, 3A, 2.52Ω 100K, TO-257AA	3253
N	FRS430R4	2N7282R	Rad Hard Power NMOS 500V, 3A, 2.52Ω 100K, TO-257AA	3253
N	FRS440D1	2N7290D	Rad Hard Power NMOS 500V, 5A, 1.42Ω 10K, TO-257AA	3257
C	FRS440D2	2N7290D	Rad Hard Power NMOS 500V, 5A, 1.42Ω 10K, TO-257AA	3257
N	FRS440H4	2N7290H	Rad Hard Power NMOS 500V, 5A, 1.42Ω 1M, TO-257AA	3257
N	FRS440R1	2N7290R	Rad Hard Power NMOS 500V, 5A, 1.42Ω 100K, TO-257AA	3257
C	FRS440R3	2N7290R	Rad Hard Power NMOS 500V, 5A, 1.42Ω 100K, TO-257AA	3257
N	FRS440R4	2N7290R	Rad Hard Power NMOS 500V, 5A, 1.42Ω 100K, TO-257AA	3257
N	FRS9130D1	2N7309D	Rad Hard Power PMOS 100V, 6A, 0.565Ω 10K, TO-257AA	3240
N	FRS9130H4	2N7309H	Rad Hard Power PMOS 100V, 6A, 0.565Ω 1M, TO-257AA	3240
N	FRS9130R1	2N7309R	Rad Hard Power PMOS 100V, 6A, 0.565Ω 100K, TO-257AA	3240
N	FRS9130R4	2N7309R	Rad Hard Power PMOS 100V, 6A, 0.565Ω 100K, TO-257AA	3240
N	FRS9140D1	2N7317D	Rad Hard Power PMOS 100V, 11A, 0.315Ω 10K, TO-257AA	3264
N	FRS9140H4	2N7317H	Rad Hard Power PMOS 100V, 11A, 0.315Ω 1M, TO-257AA	3264
N	FRS9140R1	2N7317R	Rad Hard Power PMOS 100V, 11A, 0.315Ω 100K, TO-257AA	3264
C	FRS9140R3	2N7317R	Rad Hard Power PMOS 100V, 11A, 0.315Ω 100K, TO-257AA	3264
N	FRS9140R4	2N7317R	Rad Hard Power PMOS 100V, 11A, 0.315Ω 100K, TO-257AA	3264
N	FRS9230D1	2N7312D	Rad Hard Power PMOS 200V, 4A, 1.32Ω 10K, TO-257AA	3246
N	FRS9230H4	2N7312H	Rad Hard Power PMOS 200V, 4A, 1.32Ω 1M, TO-257AA	3246
N	FRS9230R1	2N7312R	Rad Hard Power PMOS 200V, 4A, 1.32Ω 100K, TO-257AA	3246

Military and Space Cross-Reference

PART NUMBER LISTING (Continued)

COMPLIANT OR NON-COMPLIANT	MARKETING PART NUMBER	REFERENCE NUMBER	DESCRIPTION	FILE NO.
N	FRS9230R4	2N7312R	Rad Hard Power PMOS 200V, 4A, 1.32Ω 100K, TO-257AA	3246
N	FRS9240D1	2N7319D	Rad Hard Power PMOS 200V, 7A, 0.735Ω 10K, TO-257AA	3265
N	FRS9240H4	2N7319H	Rad Hard Power PMOS 200V, 7A, 0.735Ω 1M, TO-257AA	3265
N	FRS9240R1	2N7319R	Rad Hard Power PMOS 200V, 7A, 0.735Ω 100K, TO-257AA	3265
N	FRS9240R4	2N7319R	Rad Hard Power PMOS 200V, 7A, 0.735Ω 100K, TO-257AA	3265
N	FSF055D1		SEGR Rad Hard Power NMOS 60V, 25A, 0.02Ω TO-254AA	4052
N	FSF055R1		SEGR Rad Hard Power NMOS 60V, 25A, 0.02Ω TO-254AA	4052
C	FSF055R3		SEGR Rad Hard Power NMOS 60V, 25A, 0.02Ω TO-254AA	4052
N	FSF055R4		SEGR Rad Hard Power NMOS 60V, 25A, 0.02Ω TO-254AA	4052
N	FSF150D1	2N7405D	SEGR Rad Hard Power NMOS 100V, 25A, 0.07Ω TO-254AA	3971
N	FSF150R1	2N7405R	SEGR Rad Hard Power NMOS 100V, 25A, 0.07Ω TO-254AA	3971
C	FSF150R3	2N7405R	SEGR Rad Hard Power NMOS 100V, 25A, 0.07Ω TO-254AA	3971
N	FSF150R4	2N7405R	SEGR Rad Hard Power NMOS 100V, 25A, 0.07Ω TO-254AA	3971
N	FSF250D1	2N7406D	SEGR Rad Hard Power NMOS 200V, 24A, 0.11Ω TO-254AA	4046
N	FSF250R1	2N7406R	SEGR Rad Hard Power NMOS 200V, 24A, 0.11Ω TO-254AA	4046
C	FSF250R3	2N7406R	SEGR Rad Hard Power NMOS 200V, 24A, 0.11Ω TO-254AA	4046
N	FSF250R4	2N7406R	SEGR Rad Hard Power NMOS 200V, 24A, 0.11Ω TO-254AA	4046
N	FSF254D1	2N7407D	SEGR Rad Hard Power NMOS 250V, 18A, 0.17Ω TO-254AA	3972
N	FSF254R1	2N7407R	SEGR Rad Hard Power NMOS 250V, 18A, 0.17Ω TO-254AA	3972
C	FSF254R3	2N7407R	SEGR Rad Hard Power NMOS 250V, 18A, 0.17Ω TO-254AA	3972
N	FSF254R4	2N7407R	SEGR Rad Hard Power NMOS 250V, 18A, 0.17Ω TO-254AA	3972
N	FSF450D1	2N7408D	SEGR Rad Hard Power NMOS 500V, 9A, 0.60Ω TO-254AA	3970
N	FSF450R1	2N7408R	SEGR Rad Hard Power NMOS 500V, 9A, 0.60Ω TO-254AA	3970
C	FSF450R3	2N7408R	SEGR Rad Hard Power NMOS 500V, 9A, 0.60Ω TO-254AA	3970
N	FSF450R4	2N7408R	SEGR Rad Hard Power NMOS 500V, 9A, 0.60Ω TO-254AA	3970
N	FSF9150D1	2N7403D	SEGR Rad Hard Power PMOS 100V, 22A, 0.14Ω TO-254AA	4089
N	FSF9150R1	2N7403R	SEGR Rad Hard Power PMOS 100V, 22A, 0.14Ω TO-254AA	4089
C	FSF9150R3	2N7403R	SEGR Rad Hard Power PMOS 100V, 22A, 0.14Ω TO-254AA	4089
N	FSF9150R4	2N7403R	SEGR Rad Hard Power PMOS 100V, 22A, 0.14Ω TO-254AA	4089
N	FSF9250D1	2N7403D	SEGR Rad Hard Power PMOS 200V, 15A, 0.29Ω TO-254AA	4090
N	FSF9250R1	2N7403R	SEGR Rad Hard Power PMOS 200V, 15A, 0.29Ω TO-254AA	4090
C	FSF9250R3	2N7403R	SEGR Rad Hard Power PMOS 200V, 15A, 0.29Ω TO-254AA	4090
N	FSF9250R4	2N7403R	SEGR Rad Hard Power PMOS 200V, 15A, 0.29Ω TO-254AA	4090
N	FSL130D1	2N7395D	SEGR Rad Hard Power NMOS 100V, 8A, 0.23Ω TO-205AF	4031
N	FSL130R1	2N7395R	SEGR Rad Hard Power NMOS 100V, 8A, 0.23Ω TO-205AF	4031
C	FSL130R3	2N7395R	SEGR Rad Hard Power NMOS 100V, 8A, 0.23Ω TO-205AF	4031
N	FSL130R4	2N7395R	SEGR Rad Hard Power NMOS 100V, 8A, 0.23Ω TO-205AF	4031
N	FSL230D1	2N7396D	SEGR Rad Hard Power NMOS 200V, 5A, 0.46Ω TO-205AF	4032
N	FSL230R1	2N7396R	SEGR Rad Hard Power NMOS 200V, 5A, 0.46Ω TO-205AF	4032
C	FSL230R3	2N7396R	SEGR Rad Hard Power NMOS 200V, 5A, 0.46Ω TO-205AF	4032
N	FSL230R4	2N7396R	SEGR Rad Hard Power NMOS 200V, 5A, 0.46Ω TO-205AF	4032
N	FSL234D1	2N7397D	SEGR Rad Hard Power NMOS 250V, 4A, 0.61Ω TO-205AF	4030
N	FSL234R1	2N7397R	SEGR Rad Hard Power NMOS 250V, 4A, 0.61Ω TO-205AF	4030
C	FSL234R3	2N7397R	SEGR Rad Hard Power NMOS 250V, 4A, 0.61Ω TO-205AF	4030
N	FSL234R4	2N7397R	SEGR Rad Hard Power NMOS 250V, 4A, 0.61Ω TO-205AF	4030
N	FSL430D1	2N7398D	SEGR Rad Hard Power NMOS 500V, 2A, 2.50Ω TO-205AF	4010
N	FSL430R1	2N7398R	SEGR Rad Hard Power NMOS 500V, 2A, 2.50Ω TO-205AF	4010
C	FSL430R3	2N7398R	SEGR Rad Hard Power NMOS 500V, 2A, 2.50Ω TO-205AF	4010
N	FSL430R4	2N7398R	SEGR Rad Hard Power NMOS 500V, 2A, 2.50Ω TO-205AF	4010
N	FSL9130D1		SEGR Rad Hard Power PMOS 100V, 5A, 0.68Ω TO-205AF	4083

4
HARRIS MILITARY/
RAD HARD

Military and Space Cross-Reference

PART NUMBER LISTING (Continued)

COMPLIANT OR NON-COMPLIANT	MARKETING PART NUMBER	REFERENCE NUMBER	DESCRIPTION	FILE NO.
N	FSL9130R1		SEGR Rad Hard Power PMOS 100V, 5A, 0.68Ω TO-205AF	4083
C	FSL9130R3		SEGR Rad Hard Power PMOS 100V, 5A, 0.68Ω TO-205AF	4083
N	FSL9130R4		SEGR Rad Hard Power PMOS 100V, 5A, 0.68Ω TO-205AF	4083
N	FSL9230D1		SEGR Rad Hard Power PMOS 200V, 3A, 1.50Ω TO-205AF	4084
N	FSL9230R1		SEGR Rad Hard Power PMOS 200V, 3A, 1.50Ω TO-205AF	4084
C	FSL9230R3		SEGR Rad Hard Power PMOS 200V, 3A, 1.50Ω TO-205AF	4084
N	FSL9230R4		SEGR Rad Hard Power PMOS 200V, 3A, 1.50Ω TO-205AF	4084
N	FSS130D1	2N7399D	SEGR Rad Hard Power NMOS 100V, 11A, 0.21Ω TO-257AA	4059
N	FSS130R1	2N7399R	SEGR Rad Hard Power NMOS 100V, 11A, 0.21Ω TO-257AA	4059
C	FSS130R3	2N7399R	SEGR Rad Hard Power NMOS 100V, 11A, 0.21Ω TO-257AA	4059
N	FSS130R4	2N7399R	SEGR Rad Hard Power NMOS 100V, 11A, 0.21Ω TO-257AA	4059
N	FSS230D1	2N7400D	SEGR Rad Hard Power NMOS 200V, 8A, 0.44Ω TO-257AA	4054
N	FSS230R1	2N7400R	SEGR Rad Hard Power NMOS 200V, 8A, 0.44Ω TO-257AA	4054
C	FSS230R3	2N7400R	SEGR Rad Hard Power NMOS 200V, 8A, 0.44Ω TO-257AA	4054
N	FSS230R4	2N7400R	SEGR Rad Hard Power NMOS 200V, 8A, 0.44Ω TO-257AA	4054
N	FSS234D1	2N7401D	SEGR Rad Hard Power NMOS 250V, 6A, 0.60Ω TO-257AA	4053
N	FSS234R1	2N7401R	SEGR Rad Hard Power NMOS 250V, 6A, 0.60Ω TO-257AA	4053
C	FSS234R3	2N7401R	SEGR Rad Hard Power NMOS 250V, 6A, 0.60Ω TO-257AA	4053
N	FSS234R4	2N7401R	SEGR Rad Hard Power NMOS 250V, 6A, 0.60Ω TO-257AA	4053
N	FSS430D1	2N7401D	SEGR Rad Hard Power NMOS 500V, 3A, 2.70Ω TO-257AA	4060
N	FSS430R1	2N7401R	SEGR Rad Hard Power NMOS 500V, 3A, 2.70Ω TO-257AA	4060
C	FSS430R3	2N7402R	SEGR Rad Hard Power NMOS 500V, 3A, 2.70Ω TO-257AA	4060
N	FSS430R4	2N7402R	SEGR Rad Hard Power NMOS 500V, 3A, 2.70Ω TO-257AA	4060
N	FSS9130D1		SEGR Rad Hard Power PMOS 100V, 6A, 0.66Ω TO-257AA	4082
N	FSS9130R1		SEGR Rad Hard Power PMOS 100V, 6A, 0.66Ω TO-257AA	4082
C	FSS9130R3		SEGR Rad Hard Power PMOS 100V, 6A, 0.66Ω TO-257AA	4082
N	FSS9130R4		SEGR Rad Hard Power PMOS 100V, 6A, 0.66Ω TO-257AA	4082
N	FSS9230D1		SEGR Rad Hard Power PMOS 200V, 4A, 1.60Ω TO-257AA	4081
N	FSS9230R1		SEGR Rad Hard Power PMOS 200V, 4A, 1.60Ω TO-257AA	4081
C	FSS9230R3		SEGR Rad Hard Power PMOS 200V, 4A, 1.60Ω TO-257AA	4081
N	FSS9230R4		SEGR Rad Hard Power PMOS 200V, 4A, 1.60Ω TO-257AA	4081
C	GP511K1RZ	5962R9673601VXC	Rad Hard CMOS 8-Bit Bidirectional CMOS/TTL Converter	4128
N	HA1-2400-8	5962-8778301EA	Programmable Op Amp 4-Channel, 16 Lead CERDIP	2891
C	HA1-2400/883	5962-8778301EA	Programmable Op Amp 4-Channel, 16 Lead CERDIP	3926
N	HA1-2420-8	8001601CA	Fast Sample/Hold Amplifier, 14 Lead CERDIP	2856
C	HA1-2420/883	8001601CA	Fast Sample/Hold Amplifier, 14 Lead CERDIP	-
C	HA1-2444/883	5962-9309501MEA	Selectable, 4-Channel Video Op Amp	3608
N	HA1-2539-8	5962-8778701CA	High Slew Rate Op Amp (600V/ms), 14 Lead CERDIP	2896
C	HA1-2539/883	5962-8778701CA	High Slew Rate Op Amp (600V/ms), 14 Lead CERDIP	3927
N	HA1-2540-8	5962-8964801CA	High Slew Rate Fast Setting Op Amp (400V/μs)	2897
C	HA1-2540/883	5962-8964801CA	High Slew Rate Fast Setting Op Amp (400V/μs)	-
N	HA1-2541-8	5962-8778501CA	High Slew Rate Unity Gain Stable Op Amp	2898
N	HA1-2542-8		High Slew Rate High Output Current Op Amp	2899
C	HA1-2546/883	5962-9325101MEA	Wideband, Two Quadrant Analog Multiplier	2444
C	HA1-2556/883		Wideband 4-Quadrant Voltage Output Analog MUX	3619
C	HA1-2557/883		Wideband 4-Quadrant Current Output Analog MUX	3638
N	HA1-2700-8		General Purpose Op Amp	-
C	HA1-2839/883		High Slew Rate Op Amp (600V/μs), 14 Lead CERDIP	3593
C	HA1-2840/883	5962-9467901CA	High Slew Rate Fast Settling (400V/μs)	3594
C	HA1-2841/883	5962-8778503CA	Wideband, Fast Settling, Unity Gain Stable	3621

Military and Space Cross-Reference

PART NUMBER LISTING (Continued)

COMPLIANT OR NON-COMPLIANT	MARKETING PART NUMBER	REFERENCE NUMBER	DESCRIPTION	FILE NO.
C	HA1-2842/883		Wideband High Output Current Video Op Amp	3622
C	HA1-2850/883		High Slew Rate Fast Settling (340V/μs)	3595
C	HA1-4741/883		Quad General Purpose Op Amp	3704
N	HA1-4900-8		Precision Quad Comparator, 16 Lead CERDIP	2855
N	HA1-4902-8	5962-8686001EA	Precision Quad Comparator, 16 Lead CERDIP	2855
C	HA1-4902/883	5962-8686001EA	Precision Quad Comparator, 16 Lead CERDIP	3929
C	HA1-5004/883		Current Feedback Amplifier, 14 Lead CERDIP	3706
C	HA1-5104/883	5962-8850201CA	Quad Low Noise Op Amp, 14 Lead CERDIP	3710
C	HA1-5114/883	5962-8963401CA	Quad Low Noise Op Amp, 14 Lead CERDIP	3712
C	HA1-5134/883	5962-9455301MCA	Precision Quad Op Amp, 14 Lead CERDIP	3713
C	HA1-5144/883	5962-8965603CA	Quad Ultra Low Power Op Amp	3934
N	HA1-5190-8	5962-88778401CA	Fast Settling Op Amp, 14 Lead CERDIP	2914
C	HA1-5190/883	5962-88778401CA	Fast Settling Op Amp, 14 Lead CERDIP	2914
N	HA1-5320-8	5962-9306302MCA	High Speed Precision Sample/Hold, 14 Lead CERDIP	2857
C	HA1-5320/883	5962-9306302MCA	High Speed Precision Sample/Hold, 14 Lead CERDIP	2927
C	HA1-5330/883	5962-8767701CA	High Speed Sample/Hold Amplifier, 14 Lead CERDIP	3935
C	HA1-5340/883	5962-9306301MCA	High Speed Low Distortion Sample/Hold	2452
C	HA2-2500	JM38510/12204BGA	Ref Only	2890
N	HA2-2500-8	HA2-2500/883	Withdraw Date 9/30/95; See Ref P/N.	2890
C	HA2-2500/883		Precision High Slew Rate Op Amp 30V/μs	3734
N	HA2-2502-8	HA2-2502/883	Precision High Slew Rate Op Amp 8/(TO-99)	2890
C	HA2-2502/883		Precision High Slew Rate Op Amp 8/(TO-99)	3734
C	HA2-2510	JM38510/12205BGA	Ref Only	2893
N	HA2-2510-8	HA2-2510/883	High Slew Rate Op Amp (60V/μs) 8/(TO-99)	2893
C	HA2-2510/883		High Slew Rate Op Amp (60V/μs) 8/(TO-99)	3697
C	HA2-2512/883		High Slew Rate Op Amp (60V/μs) 8/(TO-99)	3697
C	HA2-2520	JM38510/12206BGA	Ref Only	2894
N	HA2-2520-8	5962-8988001G	High Slew Rate Op Amp (120V/μs) 8/(TO-99)	2894
C	HA2-2520/883	5962-8988002G	High Slew Rate Op Amp (120V/μs) 8/(TO-99)	3735
N	HA2-2522-8	5962-8988001G	Uncompensated High Slew Rate Op Amp, 120V	2894
C	HA2-2522/883	5962-8988001G	Uncompensated High Slew Rate Op Amp, 120V	3735
C	HA2-2529/883	5962-8972101G	Uncompensated High Slew Rate Op Amp, 160V	3736
N	HA2-2541-8	5962-8778501XA	Withdraw Date 9/30/95; See Ref P/N.	2898
C	HA2-2541/883	5962-8778501XA	Wideband Unity Gain Stable Op Amp, 280V/ms	3698
C	HA2-2542/883	5962-8964301XA	Wideband High Output Current Op Amp 12/(TO-99)	3928
C	HA2-2544/883	5962-8950201G	Video Operational Amp 8/(TO-99)Can	3699
C	HA2-2548/883		Precision High Speed Op Amp 8 (TO-99)Can	2472
C	HA2-2600	JM38510/12202BGA	Ref Only	2902
N	HA2-2600-8	HA2-2600/883	High Slew Rate Op Amp (30V/μs), 8 Pin	2902
C	HA2-2600/883		High Slew Rate Op Amp (30V/μs), 8 Pin	3700
N	HA2-2602-8	HA2-2602/883	High Slew Rate Op Amp (30V/μs), 8 Pin	2902
C	HA2-2602/883		High Slew Rate Op Amp (30V/μs), 8 Pin	3700
C	HA2-2620	JM38510/12203BGA	Ref Only	2903
N	HA2-2620-8	HA2-2620/883	Wideband Uncompensated Amp, 8/(TO-99) Can	2903
C	HA2-2620/883		Wideband Uncompensated Amp, 8/(TO-99) Can	3701
N	HA2-2622-8	HA2-2622/883	Wideband Uncompensated Amp, 8/(TO-99) Can	2903
C	HA2-2622/883		Wideband Uncompensated Amp, 8/(TO-99) Can	3701
C	HA2-2640/883	7800302G	High Voltage Op Amp (±40V/μs)	3702
N	HA2-5002-8	5962-8963601G	Wideband High Slew Rate Buffer 8/(TO-99)	2921
C	HA2-5002/883	5962-8963601G	Wideband High Slew Rate Buffer 8/(TO-99)	3705

4
HARRIS MILITARY/
RAD HARD

Military and Space Cross-Reference

PART NUMBER LISTING (Continued)

COMPLIANT OR NON-COMPLIANT	MARKETING PART NUMBER	REFERENCE NUMBER	DESCRIPTION	FILE NO.
N	HA2-5033-8	5962-8963301X	Video Buffer 12/(TO-8)Can	2924
C	HA2-5033/883	5962-8963301X	Video Buffer 12/(TO-8)Can	3930
C	HA2-5101/883	5962-8963501G	Single Low Noise High Performance Op Amp	3931
C	HA2-5102/883	5962-8954801G	Dual Low Noise High Performance Op Amp	3709
C	HA2-5111	5962-8963101G	Single Low Noise High Performance 8/(TO-8)	3932
C	HA2-5112/883	5962-8963201G	Dual Low Noise High Performance Op Amp	3711
C	HA2-5127/883	5962-8962701G	Precision Op Amp (OP27)	3751
N	HA2-5130-8		Precision Op Amp	2907
C	HA2-5135/883		Precision Op Amp	3731
C	HA2-5137/883	5962-8962702G	Low Noise Precision Op Amp 8/(TO-99) Can	3714
C	HA2-5142/883	5962-8965602G	Dual Ultra Low Power Op Amp	3732
N	HA2-5160-8		Wideband JFET Input Op Amp, 8/(TO-99) Can	2911
C	HA2-5177/883		Precision Op Amp	3733
N	HA2-5190-8	5962-8778401X	Wideband Fast Settling Op Amp, 12/(TO-8)	2914
C	HA2-5190/883	5962-8778401X	Wideband Fast Settling Op Amp, 12/(TO-8)	-
C	HA4-2400/883	5962-87783012A	Programmable Op Amp 4-Channel Dig, 20 Lead LCC	3926
C	HA4-2420/883	80016012A	Fast Sample/Hold Amplifier, 20 Lead LCC	-
C	HA4-2522/883	5962-89880012A	High Slew Rate Op Amp (120V/μs), 20 Lead LCC	3735
C	HA4-2529	5962-89721012A	Ref Only	2895
C	HA4-2539/883	5962-87787012A	High Slew Rate Op Amp (600V/μs), 20 Lead LCC	3927
C	HA4-2540/883	5962-89648012A	High Slew Rate Op Amp (400V/μs), 20 Lead LCC	-
C	HA4-2544/883	5962-89502012A	High Slew Rate Op Amp (160V/μs), 20 Lead LCC	3699
C	HA4-2546/883	5962-9325101M2A	High Speed Analog Multiplier, 20 Lead LCC	2444
C	HA4-2640/883	78003022A	High Voltage Op Amp	3702
C	HA4-4741/883		Quad General Purpose Op Amp	3704
C	HA4-4902/883	5962-86860012A	Quad Comparator, 20 Lead LCC	3929
C	HA4-5002/883	5962-89636012A	High Slew Rate Buffer, 20 Lead LCC	3705
C	HA4-5020/883	5962-89620012A	Current Feedback Op Amp, 20 Lead LCC	3541
C	HA4-5101/883	5962-89635012A	Low Noise Op Amp, 20 Lead LCC	3931
C	HA4-5102/883	5962-89548012A	Dual Low Noise Op Amp, 20 Lead LCC	3709
C	HA4-5104/883	5962-88502012A	Quad Low Noise Op Amp, 20 Lead LCC	3710
C	HA4-5111/883	5962-89631012A	Low Noise Op Amp, 20 Lead LCC	3932
C	HA4-5112/883	5962-89632012A	Dual Low Noise Op Amp, 20 Lead LCC	3711
C	HA4-5114/883	5962-89634012A	Quad Low Noise Op Amp, 20 Lead LCC	3712
C	HA4-5127/883	5962-89627012A	Precision Op Amp (OP27)	3751
C	HA4-5134/883	5962-9455301M2A	Quad Precision Op Amp	3713
C	HA4-5135/883		Precision Op Amp	3731
C	HA4-5137/883	5962-89627002A	Precision Op Amp (OP37), 20 Lead LCC	3714
C	HA4-5142/883	5962-89656022A	Dual Ultra Low Power Op Amp	3732
C	HA4-5144/883	5962-89656032A	Quad Ultra Low Power Op Amp	3934
C	HA4-5147/883	5962-89627032A	Precision Op Amp (OP47), 20 Lead LCC	3715
C	HA4-5177/883		Precision Op Amp	3733
C	HA4-5190/883	5962-87784012A	Fast Settling Op Amp, 20 Lead LCC	-
C	HA4-5221/883	5962-9163401M2A	High Performance Wideband Op Amp, 20 Lead LCC	3716
C	HA4-5222/883	5962-9163402M2A	Withdraw Date 9/30/95; See Ref P/N.	3717
N	HA4-5320-8	5962-9306302M2A	High Speed Sample/Hold Amplifier, 20 Lead LCC	2857
C	HA4-5320/883	5962-9306302M2A	High Speed Sample/Hold Amplifier	2927
C	HA4-5330/883	5962-87677012A	500ns Sample/Hold Amp, 20 Lead LCC	3935
C	HA4-5340/883	5962-9306301M2A	High Speed Sample/Hold, 20 Lead LCC	2452
C	HA5022MJ/883		Dual 100MHz Op Amp, With Disable	3729

Military and Space Cross-Reference

PART NUMBER LISTING (Continued)

COMPLIANT OR NON-COMPLIANT	MARKETING PART NUMBER	REFERENCE NUMBER	DESCRIPTION	FILE NO.
C	HA5023MJ/883		Dual 100MHz Op Amp, 8 Lead CERDIP	3730
C	HA7-2500	JM38510/12204BPA	Ref Only	2890
C	HA7-2500/883		Precision High Slew Rate Op Amp (30V/μs)	3734
C	HA7-2510	JM38510/12205BPA	Ref Only	2893
N	HA7-2510-8	HA7-2510/883	High Slew Rate Op Amp (60V/ms) 8 Lead CERDIP	2893
C	HA7-2510/883		High Slew Rate Op Amp (60V/ms) 8 Lead CERDIP	3697
C	HA7-2512/883	HA7-2510/883	Withdraw Date 9/30/95; See Ref Substitute P/N.	3697
C	HA7-2520	JM38510/12206BPA	Ref Only	2894
N	HA7-2520-8	5962-8988002PA	Uncompensated High Slew Rate Op Amp (120V/μs)	2894
C	HA7-2520/883	5962-8988002PA	Uncompensated High Slew Rate Op Amp (120V/μs)	3735
N	HA7-2522-8	5962-8988001PA	Uncompensated High Slew Rate Op Amp (120V/μs)	2894
C	HA7-2522/883	5962-8988001PA	Uncompensated High Slew Rate Op Amp (120V/μs)	3735
C	HA7-2529/883	5962-8972101PA	Uncompensated High Slew Rate Op Amp (160V/μs)	3736
C	HA7-2544/883	5962-8950201PA	High Slew Rate Op Amp (160V/μs), 8 Lead CERDIP	3699
C	HA7-2548/883		Precision High Speed Op Amp, 8 Lead CERDIP	2472
C	HA7-2600	JM38510/12202BPA	Ref Only	2902
C	HA7-2600/883		Wideband High Impedance Op Amp (30V/μs)	3700
C	HA7-2620	JM38510/12203BPA	Ref Only	2903
N	HA7-2620-8	HA7-2620/883	Wideband Uncompensated Op Amp (60V/μs)	2903
C	HA7-2620/883		Wideband Uncompensated Op Amp (60V/μs)	3701
N	HA7-2622-8	HA7-2622/883	Wideband Uncompensated Op Amp (60V/μs)	2903
C	HA7-2622/883		Wideband Uncompensated Op Amp (60V/μs)	3701
C	HA7-2640/883	7800302PA	High Voltage Op Amp (±40V/μs)	3702
C	HA7-2840/883	5962-9467901MPA	High Slew Rate Op Amp (400V/μs), 8 Lead CERDIP	3594
C	HA7-2841/883	5962-8778503PA	Wideband Fast Setting Unity Gain Stable Op Amp	3621
C	HA7-2842/883	5962-9469401MPA	Wideband High Output Current Video Op Amp	3622
C	HA7-2850/883		Wideband Op Amp, 8 Lead CERDIP	3595
C	HA7-5002-8	5962-8963601PA	High Slew Rate Buffer, 8 Lead CERDIP	2921
C	HA7-5002/883	5962-8963601PA	High Slew Rate Buffer, 8 Lead CERDIP	3705
C	HA7-5020/883	5962-8962001PA	100MHz Current Feedback Amp, 8 Lead CERDIP	3541
C	HA7-5101/883	5962-8963501PA	Single Low Noise High Performance Op Amp	3931
C	HA7-5102/883	5962-8954801PA	Dual Low Noise High Performance Op Amp	3709
C	HA7-5111/883	5962-8963101PA	Withdraw Date 9/30/95; See Ref P/N.	3932
C	HA7-5112/883	5962-8963201PA	Dual Low Noise High Performance Op Amp	3711
C	HA7-5127/883	5962-8962701PA	Precision Op Amp (OP27)	3751
C	HA7-5135/883		Precision Op Amp	3731
C	HA7-5137/883	5962-8962702PA	Low Noise Precision Op Amp, 8 Lead CERDIP	3714
C	HA7-5142/883	5962-8965602PA	Dual Ultra Low Power Op Amp	3732
C	HA7-5147/883	5962-8962703PA	Ultra Low Noise Wideband Amp, 8 Lead CERDIP	3715
N	HA7-5170-8		Low Bias JFET Input Op Amp	2912
C	HA7-5177/883		Precision Op Amp	3733
C	HA7-5221/883	5962-9163401MPA	High Performance Wideband Op Amp, 8 Lead CERDIP	3716
C	HA7-5222/883	5962-9163402MPA	Dual Wide Band Operational Amp, 8 Lead CERDIP	3717
C	HCS00DMSR	5962R9572401VCC	Rad Hard Quad 2-Input NAND Gate	2138
C	HCS00KMSR	5962R9572401VXC	Rad Hard Quad 2-Input NAND Gate	2138
C	HCS02DMSR	5962R9568201VCC	Rad Hard Quad 2-Input NOR Gate	2433
C	HCS02KMSR	5962R9568201VXC	Rad Hard Quad 2-Input NOR Gate	2433
C	HCS04DMSR	5962R9572501VCC	Rad Hard Hex Inverter	3046
C	HCS04KMSR	5962R9572501VXC	Rad Hard Hex Inverter	3046
C	HCS05DMSR	5962R9580101VCC	Rad Hard Hex Inverter, Open Drain Outputs	3557

4
**HARRIS MILITARY/
RAD HARD**

Military and Space Cross-Reference

PART NUMBER LISTING (Continued)

COMPLIANT OR NON-COMPLIANT	MARKETING PART NUMBER	REFERENCE NUMBER	DESCRIPTION	FILE NO.
C	HCS05KMSR	5962R9580101VXC	Rad Hard Hex Inverter, Open Drain Outputs	3557
C	HCS08DMSR	5962R9568001VCC	Rad Hard Quad 2-Input AND Gate	3047
C	HCS08KMSR	5962R9568001VXC	Rad Hard Quad 2-Input AND Gate	3047
C	HCS109DMSR	5962R9578401VEC	Rad Hard Dual J-K Flip-Flop	2466
C	HCS109KMSR	5962R9578401VXC	Rad Hard Dual J-K Flip-Flop	2466
C	HCS10DMSR	5962R9577701VCC	Rad Hard Triple 3-Input NAND Gate	2435
C	HCS10KMSR	5962R9577701VXC	Rad Hard Triple 3-Input NAND Gate	2435
C	HCS112DMSR	5962R9580201VEC	Rad Hard Dual J-K Flip-Flop With Set and Reset	3558
C	HCS112KMSR	5962R9580201VXC	Rad Hard Dual J-K Flip-Flop With Set and Reset	3558
C	HCS11DMSR	5962R9572001VCC	Rad Hard Triple 3-Input AND Gate	3048
C	HCS11KMSR	5962R9572001VXC	Rad Hard Triple 3-Input AND Gate	3048
C	HCS125DMSR	5962R9580301VCC	Rad Hard Quad Buffer, Three-State	3559
C	HCS125KMSR	5962R9580301VXC	Rad Hard Quad Buffer, Three-State	3559
C	HCS132DMSR	5962R9572601VEC	Rad Hard Quad 2-Input NAND Schmitt Trigger	3061
C	HCS132KMSR	5962R9572601VXC	Rad Hard Quad 2-Input NAND Schmitt Trigger	3061
C	HCS138DMSR	5962R9572701VEC	Rad Hard Inverting 3-to-8-Line Decoder/DeMUX	2473
C	HCS138KMSR	5962R9572701VXC	Rad Hard Inverting 3-to-8-Line Decoder/DeMUX	2473
C	HCS139DMSR	5962R9580401VEC	Rad Hard Dual 2-to-4-Line Decoder/DeMUX	3560
C	HCS139KMSR	5962R9580401VXC	Rad Hard Dual 2-to-4-Line Decoder/DeMUX	3560
C	HCS14DMSR	5962R9568101VCC	Rad Hard Hex Inverting Schmitt Trigger	3049
C	HCS14KMSR	5962R9568101VXC	Rad Hard Hex Inverting Schmitt Trigger	3049
C	HCS151DMSR	5962R9572801VEC	Rad Hard 8-Input MUX	3077
C	HCS151KMSR	5962R9572801VXC	Rad Hard 8-Input MUX	3077
C	HCS154DMSR	5962R9572901VJC	Rad Hard 4-to-16-Line Decoder/DeMUX	2479
C	HCS154KMSR	5962R9572901VXC	Rad Hard 4-to-16-Line Decoder/DeMUX	2479
C	HCS157DMSR	5962R9580501VEC	Rad Hard Quad 2-Input MUX	3561
C	HCS157KMSR	5962R9580501VXC	Rad Hard Quad 2-Input MUX	3561
C	HCS160DMSR	5962R9580601VEC	Rad Hard Sync. BCD Decade Counter, Async. Channel Reset	2296
C	HCS160KMSR	5962R9580601VXC	Rad Hard Sync. BCD Decade Counter, Async. Channel Reset	2296
C	HCS161DMSR	5962R9573001VEC	Rad Hard Synchronous 4-Bit Binary Counter	2469
C	HCS161KMSR	5962R9573001VXC	Rad Hard Synchronous 4-Bit Binary Counter	2469
C	HCS163DMSR	5962R9580701VEC	Rad Hard Synchronous 4-Bit Binary Counter, Synchronous Reset	3087
C	HCS163KMSR	5962R9580701VXC	Rad Hard Synchronous 4-Bit Binary Counter, Synchronous Reset	3087
C	HCS164DMSR	5962R9578501VCC	Rad Hard 8-Bit Serial-In/Parallel-Out Shift Register	2465
C	HCS164KMSR	5962R9578501VXC	Rad Hard 8-Bit Serial-In/Parallel-Out Shift Register	2465
C	HCS165DMSR	5962R9578601VEC	Rad Hard 8-Bit Parallel-In/Serial-Out Shift Register	2481
C	HCS165KMSR	5962R9578601VXC	Rad Hard 8-Bit Parallel-In/Serial-Out Shift Register	2481
C	HCS166DMSR	5962R9578701VEC	Rad Hard 8-Bit Parallel-In/Serial-Out Shift Register	2482
C	HCS166KMSR	5962R9578701VXC	Rad Hard 8-Bit Parallel-In/Serial-Out Shift Register	2482
C	HCS190DMSR	5962R9580801VEC	Rad Hard Synchronous 4-Bit Up/Down BCD Counter	2251
C	HCS190KMSR	5962R9580801VXC	Rad Hard Synchronous 4-Bit Up/Down BCD Counter	2251
C	HCS193DMSR	5962R9578801VEC	Rad Hard Synchronous 4-Bit Up/Down BCD Counter	3065
C	HCS193KMSR	5962R9578801VXC	Rad Hard Synchronous 4-Bit Up/Down BCD Counter	3065
C	HCS195DMSR	5962R9578901VEC	Rad Hard 4-Bit Parallel Access Shift Register	3385
C	HCS195KMSR	5962R9578901VXC	Rad Hard 4-Bit Parallel Access Shift Register	3385
C	HCS20DMSR	5962R9577801VCC	Rad Hard Dual 4-Input NAND Gate	3050
C	HCS20KMSR	5962R9577801VXC	Rad Hard Dual 4-Input NAND Gate	3050
C	HCS21DMSR	5962R9577901VCC	Rad Hard Dual 4-Input AND Gate	3052
C	HCS21KMSR	5962R9577901VXC	Rad Hard Dual 4-Input AND Gate	3052
C	HCS240DMSR	5962R9580901VRC	Rad Hard Octal Buffer/Line Driver, Three-State, Inverting	3562

Military and Space Cross-Reference

PART NUMBER LISTING (Continued)

COMPLIANT OR NON-COMPLIANT	MARKETING PART NUMBER	REFERENCE NUMBER	DESCRIPTION	FILE NO.
C	HCS240KMSR	5962R9580901VXC	Rad Hard Octal Buffer/Line Driver, Three-State, Inverting	3562
C	HCS241DMSR	5962R9581001VRC	Rad Hard Octal Buffer/Line Driver, Three-State	3122
C	HCS241KMSR	5962R9581001VXC	Rad Hard Octal Buffer/Line Driver, Three-State	3122
C	HCS244DMSR	5962R9573101VCC	Rad Hard Octal Buffer/Line Driver	2132
C	HCS244KMSR	5962R9573101VXC	Rad Hard Octal Buffer/Line Driver	2132
C	HCS245DMSR	5962R9679701VRC	Rad Hard Octal Bus Transceiver, Three-State	2468
C	HCS245KMSR	5962R9679701VXC	Rad Hard Octal Bus Transceiver, Three-State	2468
C	HCS253DMSR	5962R9579001VEC	Rad Hard Dual 4-Input MUX, Three-State	3068
C	HCS253KMSR	5962R9579001VXC	Rad Hard Dual 4-Input MUX, Three-State	3068
C	HCS273DMSR	5962R9579101VRC	Rad Hard Octal D-Type Flip-Flop With Reset	2475
C	HCS273KMSR	5962R9579101VXC	Rad Hard Octal D-Type Flip-Flop With Reset	2475
C	HCS27DMSR	5962R9578001VCC	Rad Hard Triple 3-Input NOR Gate	3054
C	HCS27KMSR	5962R9578001VXC	Rad Hard Triple 3-Input NOR Gate	3054
C	HCS283DMSR	5962R9581101VEC	Rad Hard 4-Bit Full Adder	-
C	HCS283KMSR	5962R9581101VXC	Rad Hard 4-Bit Full Adder	-
C	HCS32DMSR	5962R9578101VCC	Rad Hard Quad 2-Input OR Gate	3057
C	HCS32KMSR	5962R9578101VXC	Rad Hard Quad 2-Input OR Gate	3057
C	HCS373DMSR	5962R9579201VRC	Rad Hard Transparent Latch, Three-State	2135
C	HCS373KMSR	5962R9579201VXC	Rad Hard Transparent Latch, Three-State	2135
C	HCS374DMSR	5962R9579301VRC	Rad Hard Octal D-Type Flip-Flop, Positive Edge Trigger	2470
C	HCS374KMSR	5962R9579301VXC	Rad Hard Octal D-Type Flip-Flop, Positive Edge Trigger	2470
C	HCS573DMSR	5962R9579401VRC	Rad Hard Octal Transparent Latch, Three-State	4056
C	HCS573KMSR	5962R9579401VXC	Rad Hard Octal Transparent Latch, Three-State	4056
C	HCS74DMSR	5962R9578201VCC	Rad Hard Dual-D Flip-Flop w/ Set/Reset, Positive Edge Trigger	2142
C	HCS74KMSR	5962R9578201VXC	Rad Hard Dual-D Flip-Flop w/ Set/Reset, Positive Edge Trigger	2142
C	HCS86DMSR	5962R9578301VCC	Rad Hard Quad 2-Input Exclusive OR Gate	3058
C	HCS86KMSR	5962R9578301VXC	Rad Hard Quad 2-Input Exclusive OR Gate	3058
C	HCTS00DMSR	5962R9563701VCC	Rad Hard Quad 2-Input NAND Gate	2139
C	HCTS00KMSR	5962R9563701VXC	Rad Hard Quad 2-Input NAND Gate	2139
C	HCTS02DMSR	5962R9567901VCC	Rad Hard Quad 2-Input NOR Gate	2137
C	HCTS02KMSR	5962R9567901VXC	Rad Hard Quad 2-Input NOR Gate	2137
C	HCTS04DMSR	5962R9573201VCC	Rad Hard Hex Inverter	2140
C	HCTS04KMSR	5962R9573201VXC	Rad Hard Hex Inverter	2140
C	HCTS08DMSR	5962R9568301VCC	Rad Hard Quad 2-Input AND Gate	2136
C	HCTS08KMSR	5962R9568301VXC	Rad Hard Quad 2-Input AND Gate	2136
C	HCTS109DMSR	5962R9576901VEC	Rad Hard J-K Flip-Flop With Set and Reset	2141
C	HCTS109KMSR	5962R9576901VXC	Rad Hard J-K Flip-Flop With Set and Reset	2141
C	HCTS10DMSR	5962R9576501VCC	Rad Hard Triple 3-Input NAND Gate	2434
C	HCTS10KMSR	5962R9576501VXC	Rad Hard Triple 3-Input NAND Gate	2434
C	HCTS112DMSR	5962R9573801VEC	Rad Hard Dual J-K Flip-Flop With Set and Reset	2467
C	HCTS112KMSR	5962R9573801VXC	Rad Hard Dual J-K Flip-Flop With Set and Reset	2467
C	HCTS11DMSR	5962R9572101VCC	Rad Hard Triple 3-Input AND Gate	2409
C	HCTS11KMSR	5962R9572101VXC	Rad Hard Triple 3-Input AND Gate	2409
C	HCTS132DMSR	5962R9573901VCC	Rad Hard Quad 2-Input NAND Schmitt Trigger	3062
C	HCTS132KMSR	5962R9573901VXC	Rad Hard Quad 2-Input NAND Schmitt Trigger	3062
C	HCTS138DMSR	5962R9574001VEC	Rad Hard Inverting 3-to-8-Line Decoder/DeMUX	2462
C	HCTS138KMSR	5962R9574001VXC	Rad Hard Inverting 3-to-8-Line Decoder/DeMUX	2462
C	HCTS139DMSR	5962R9575301VEC	Rad Hard Dual 2-to-4-Line Decoder/DeMUX	2231
C	HCTS139KMSR	5962R9575301VXC	Rad Hard Dual 2-to-4-Line Decoder/DeMUX	2231
C	HCTS147DMSR	5962R9574101VEC	Rad Hard 10-to-4 Line Priority Encoder	3063

4
HARRIS MILITARY/
RAD HARD

Military and Space Cross-Reference

PART NUMBER LISTING (Continued)

COMPLIANT OR NON-COMPLIANT	MARKETING PART NUMBER	REFERENCE NUMBER	DESCRIPTION	FILE NO.
C	HCTS147KMSR	5962R9574101VXC	Rad Hard 10-to-4 Line Priority Encoder	3063
C	HCTS14DMSR	5962R9571901VCC	Rad Hard Hex Inverter Schmitt Trigger	3205
C	HCTS14KMSR	5962R9571901VXC	Rad Hard Hex Inverter Schmitt Trigger	3205
C	HCTS153DMSR	5962R9575401VEC	Rad Hard Dual 4-Input MUX	2463
C	HCTS153KMSR	5962R9575401VXC	Rad Hard Dual 4-Input MUX	2463
C	HCTS157DMSR	5962R9575501VEC	Rad Hard Quad 2-Input MUX	2464
C	HCTS157KMSR	5962R9575501VXC	Rad Hard Quad 2-Input MUX	2464
C	HCTS160DMSR	5962R9574201VEC	Rad Hard Synchronous BCD Decade Counter	2484
C	HCTS160KMSR	5962R9574201VXC	Rad Hard Synchronous BCD Decade Counter	2484
C	HCTS161ADMSR	5962R9577001VEC	Rad Hard Synchronous 4-Bit Binary Counter	2144
C	HCTS161AKMSR	5962R9577001VXC	Rad Hard Synchronous 4-Bit Binary Counter	2144
C	HCTS163DMSR	5962R9574301VEC	Rad Hard Synchronous 4-Bit Binary Counter, Synchronous Reset	2480
C	HCTS163KMSR	5962R9574301VXC	Rad Hard Synchronous 4-Bit Binary Counter, Synchronous Reset	2480
C	HCTS164DMSR	5962R9566301VCC	Rad Hard 8-Bit Serial-In/Parallel-Out Shift Register	3386
C	HCTS164KMSR	5962R9566301VXC	Rad Hard 8-Bit Serial-In/Parallel-Out Shift Register	3386
C	HCTS190DMSR	5962R9577101VEC	Rad Hard Synchronous 4-Bit Up/Down BCD Counter	2474
C	HCTS190KMSR	5962R9577101VXC	Rad Hard Synchronous 4-Bit Up/Down BCD Counter	2474
C	HCTS191DMSR	5962R9575601VEC	Rad Hard Synchronous 4-Bit Binary Up/Down Counter	2250
C	HCTS191KMSR	5962R9575601VXC	Rad Hard Synchronous 4-Bit Binary Up/Down Counter	2250
C	HCTS193DMSR	5962R9575701VEC	Rad Hard Synchronous 4-Bit Binary Up/Down Counter	3066
C	HCTS193KMSR	5962R9575701VXC	Rad Hard Synchronous 4-Bit Binary Up/Down Counter	3066
C	HCTS20DMSR	5962R9573301VCC	Rad Hard Dual 4-Input NAND Gate	3051
C	HCTS20KMSR	5962R9573301VXC	Rad Hard Dual 4-Input NAND Gate	3051
C	HCTS21DMSR	5962R9576601VCC	Rad Hard Dual 4-Input AND Gate	3053
C	HCTS21KMSR	5962R9576601VXC	Rad Hard Dual 4-Input AND Gate	3053
C	HCTS240ADMSR	5962R9577201VRC	Rad Hard Octal Buffer/Line Driver, Three-State, Inverting	2105
C	HCTS240AKMSR	5962R9577201VXC	Rad Hard Octal Buffer/Line Driver, Three-State, Inverting	2105
C	HCTS244DMSR	5962R9574401VRC	Rad Hard Octal Buffer/Line Driver, Three-State	2133
C	HCTS244KMSR	5962R9574401VXC	Rad Hard Octal Buffer/Line Driver, Three-State	2133
C	HCTS245DMSR	5962R9574501VRC	Rad Hard Octal Bus Transceiver, Three-State	2360
C	HCTS245KMSR	5962R9574501VXC	Rad Hard Octal Bus Transceiver, Three-State	2360
C	HCTS273DMSR	5962R9576401VCC	Rad Hard Octal D Flip-Flop with Reset	2274
C	HCTS273KMSR	5962R9576401VXC	Rad Hard Octal D Flip-Flop with Reset	2274
C	HCTS27DMSR	5962R9573401VCC	Rad Hard Triple 3-Input NOR Gate	3055
C	HCTS27KMSR	5962R9573401VXC	Rad Hard Triple 3-Input NOR Gate	3055
C	HCTS283DMSR	5962R9577401VEC	Rad Hard 4-Bit Full Adder With Fast Carry	3381
C	HCTS283KMSR	5962R9577401VXC	Rad Hard 4-Bit Full Adder With Fast Carry	3381
C	HCTS299DMSR	5962R9574601VRC	Rad Hard 8-Bit Universal Shift Register, Three-State	3069
C	HCTS299KMSR	5962R9574601VXC	Rad Hard 8-Bit Universal Shift Register, Three-State	3069
C	HCTS30DMSR	5962R9573501VCC	Rad Hard 8-Input NAND Gate	3056
C	HCTS30KMSR	5962R9573501VXC	Rad Hard 8-Input NAND Gate	3056
C	HCTS32DMSR	5962R9573601VCC	Rad Hard Quad 2-Input OR Gate	2248
C	HCTS32KMSR	5962R9573601VXC	Rad Hard Quad 2-Input OR Gate	2248
C	HCTS365DMSR	5962R9577501VEC	Rad Hard Hex Buffer/Line Driver, Three-State	3070
C	HCTS365KMSR	5962R9577501VXC	Rad Hard Hex Buffer/Line Driver, Three-State	3070
C	HCTS373DMSR	5962R9574701VRC	Rad Hard Octal Transparent Latch, Three-State	2131
C	HCTS373KMSR	5962R9574701VXC	Rad Hard Octal Transparent Latch, Three-State	2131
C	HCTS374DMSR	5962R9574801VRC	Rad Hard Octal D-Type Flip-Flop, Positive Edge Trigger	2134
C	HCTS374KMSR	5962R9574801VXC	Rad Hard Octal D-Type Flip-Flop, Positive Edge Trigger	2134
C	HCTS390DMSR	5962R9574901VEC	Rad Hard Dual Decade Ripple Counter	2476

Military and Space Cross-Reference

PART NUMBER LISTING (Continued)

COMPLIANT OR NON-COMPLIANT	MARKETING PART NUMBER	REFERENCE NUMBER	DESCRIPTION	FILE NO.
C	HCTS390KMSR	5962R9574901VXC	Rad Hard Dual Decade Ripple Counter	2476
C	HCTS393DMSR	5962R9575001VCC	Rad Hard Dual 4-State Binary Counter	3071
C	HCTS393KMSR	5962R9575001VXC	Rad Hard Dual 4-State Binary Counter	3071
C	HCTS4002DMSR	5962R9576001VCC	Rad Hard Dual 4-Input NOR Gate	3075
C	HCTS4002KMSR	5962R9576001VXC	Rad Hard Dual 4-Input NOR Gate	3075
C	HCTS540DMSR	5962R9577601VRC	Rad Hard Octal Buffer/Line Driver, Three-State	2232
C	HCTS540KMSR	5962R9577601VXC	Rad Hard Octal Buffer/Line Driver, Three-State	2232
C	HCTS541DMSR	5962R9575101VRC	Rad Hard Octal Buffer/Line Driver, Three-State	3073
C	HCTS541KMSR	5962R9575101VXC	Rad Hard Octal Buffer/Line Driver, Three-State	3073
C	HCTS574DMSR	5962R9575801VRC	Rad Hard Octal D-Type Flip-Flop, Positive Edge Trigger	2359
C	HCTS574KMSR	5962R9575801VXC	Rad Hard Octal D-Type Flip-Flop, Positive Edge Trigger	2359
C	HCTS646DMSR	5962R9575901VJC	Rad Hard Octal Bus Transceiver/Register, Three-State	3074
C	HCTS646KMSR	5962R9575901VXC	Rad Hard Octal Bus Transceiver/Register, Three-State	3074
C	HCTS7266DMSR	5962R9575201VCC	Rad Hard Quad 2-Input Exclusive NOR Gate	3384
C	HCTS7266KMSR	5962R9575201VXC	Rad Hard Quad 2-Input Exclusive NOR Gate	3384
C	HCTS74DMSR	5962R9576301VCC	Rad Hard Dual-D Flip-Flop with Set and Reset	2143
C	HCTS74KMSR	5962R9576301VXC	Rad Hard Dual-D Flip-Flop with Set and Reset	2143
C	HCTS75DMSR	5962R9576701VEC	Rad Hard Dual 2-Bit Bistable Transparent Latchable	3189
C	HCTS75KMSR	5962R9576701VXC	Rad Hard Dual 2-Bit Bistable Transparent Latchable	3189
C	HCTS85DMSR	5962R9576801VEC	Rad Hard 4-Bit Magnitude Comparator	3059
C	HCTS85KMSR	5962R9576801VXC	Rad Hard 4-Bit Magnitude Comparator	3059
C	HCTS86DMSR	5962R9581401VCC	Rad Hard Quad 2-Input Exclusive OR Gate	2249
C	HCTS86KMSR	5962R9581401VXC	Rad Hard Quad 2-Input Exclusive OR Gate	2249
C	HCTS93DMSR	5962R9573701VCC	Rad Hard 4-Bit Binary Ripple Counter	3060
C	HCTS93KMSR	5962R9573701VXC	Rad Hard 4-Bit Binary Ripple Counter	3060
C	HD1-15530-8	7802901JA	Manchester Encoder/Decoder, 24 Pin	2960
C	HD1-15531-8	5962-9054901MQA	Manchester Encoder/Decoder, 40 Lead CERDIP	2961
C	HD1-15531/883	5962-9054901MQA	Manchester Encoder/Decoder, 40 Lead CERDIP	2962
C	HD1-15531B-8	5962-9054902MQA	Manchester Encoder/Decoder 2m Bit, 40 Lead CERDIP	2961
C	HD1-15531B/883	5962-9054902MQA	Manchester Encoder/Decoder, 40 Lead CERDIP	2962
C	HD1-4702/883	5962-90518801MEA	Bit Rate Generator - 16 Lead CERDIP	2955
C	HD1-6402B/883	5962-9052502MQA	UART- 40 Lead CERDIP 8MHz	2953
C	HD1-6402R/883	5962-9052501MQA	UART- 40 Lead CERDIP 2MHz	2953
C	HD1-6409/883	5962-9088801MRA	Manchester Encoder/Decoder - 2MHz, 20 Lead CERDIP	2959
C	HD4-15530-8	78029013A	Manchester Encoder/Decoder, 28 Lead LCC	2960
C	HD4-6409/883	5962-9088801M2A	Manchester Encoder/Decoder - 2MHz, 20 Lead LCC	2959
C	HFA1100MJ/883	5962-9467601MPA	Op Amp - 850MHz, 8 Lead CERDIP	3615
C	HFA1102MJ/883		Op Amp - 850MHz, w/ Comp. Pin, 8 Lead CERDIP	-
C	HFA1110MJ/883	5962-9468301MPA	Unity Gain Buffer, 850MHz, 8 Lead CERDIP	3620
C	HFA1112MJ/883		Ultra High Speed Current Feedback Buffer	3610
C	HFA1113MJ/883	5962-9468201MPA	Clamped Output Buffer, 850MHz, Programmable Gain	3618
C	HFA1113ML/883	5962-9468201M2A	Clamped Output Buffer, 850MHz, 20 Lead CLCC	3618
C	HFA1115MJ/883		Programmable Gain Buffer With Clamps, 8 Lead CERDIP	3724
C	HFA1120MJ/883	5962-9468501MPA	Ultra High Speed Current Feedback Op Amp	3617
C	HFA1130MJ/883	5962-9467701MPA	Clamped Output Op Amp, 850MHz, 8 Lead CERDIP	3625
C	HFA1130ML/883	5962-9467701M2A	Clamped Op Amp, 850MHz, 20 Lead LCC	3625
C	HFA1135MJ/883		Low Power Op Amp, with Clamp, 8 Lead CERDIP	3725
C	HFA1135ML/883		Low Power Op Amp, with Clamp, 20 Lead CLCC	3725
C	HFA1145MJ/883		Low Power, High Speed Op Amp, with Disable	3726
C	HFA1212MJ/883		Dual Programmable Gain Buffer, 8 Lead CERDIP	3742

4
HARRIS MILITARY/
RAD HARD

Military and Space Cross-Reference

PART NUMBER LISTING (Continued)

COMPLIANT OR NON-COMPLIANT	MARKETING PART NUMBER	REFERENCE NUMBER	DESCRIPTION	FILE NO.
C	HFA1245MJ/883		Dual Low Power, High Speed Op Amp, with Disable	3743
C	HFA1412MJ/883		Quad Programmable Gain Buffer, 14 Lead CERDIP	3744
C	HFA3127MJ/883	5962-9474901MEA	High Speed NPN Transistor Array	3967
C	HI1-0200/883		Switch, 14 Lead CERDIP, 15V Dual SPST CMOS	-
C	HI1-0201-8	7705302EA	Switch, 16 Lead CERDIP, 15V Quad SPST CMOS	3121
C	HI1-0201/883	7705302EA	Switch, 16 Lead CERDIP, 15V Quad SPST CMOS	-
C	HI1-0201HS-8	5962-8671601EA	Switch, 16 Lead CERDIP, 15V Quad SPST High Speed	3123
C	HI1-0201HS/883	5962-8671601EA	Switch, 16 Lead CERDIP, 15V Quad SPST High Speed	-
C	HI1-0222/883	5962-9456201MCA	Switch, 14 Lead CERDIP, 15V 200MHz Dual SPST	-
C	HI1-0301/883		Switch, 14 Lead CERDIP, 15V SPDT CMOS Analog	-
C	HI1-0302/883		Switch, 14 Lead CERDIP, 15V Dual DPST CMOS Analog	-
C	HI1-0306/883		Switch, 14 Lead CERDIP, 15V Dual DPST CMOS Analog	-
C	HI1-0307/883		Switch, 14 Lead CERDIP, 15V Dual SPDT CMOS Analog	-
C	HI1-0384/883		Switch, 16 Lead CERDIP, 15V Dual DPST CMOS Analog	-
C	HI1-0390/883		Switch, 16 Lead CERDIP, 15V Dual SPDT CMOS Analog	-
C	HI1-0506	JM38510/19001BXA	See Ref P/N	3142
N	HI1-0506-8	5962-8513107XA	MUX, 28 Lead CERDIP, 15V 16-Channel CMOS Analog	3142
C	HI1-0506/883	5962-8513107XA	MUX, 28 Lead CERDIP, 15V 16-Channel CMOS Analog	-
N	HI1-0506A-8	HI1-0546/883	MUX, 28 Lead CERDIP, 15V 16-Channel Over-Voltage Protected Analog	3143
C	HI1-0507	JM38510/19003BXA	See Ref P/N	3142
N	HI1-0507-8	5962-8513108XA	MUX, 28 Lead CERDIP, 15V Differential 8-Channel CMOS	3142
C	HI1-0507/883	5962-8513108XA	MUX, 28 Lead CERDIP, 15V Differential 8-Channel CMOS	-
N	HI1-0507A-8	HI1-0547/883	MUX, 28 Lead CERDIP, 15V Differential Over-Voltage Protected Analog	3143
C	HI1-0508	JM38510/19007BEA	See Ref P/N	3142
N	HI1-0508-8	7705201EC	MUX, 16 Lead CERDIP, 15V 8-Channel CMOS Analog	3142
C	HI1-0508/883	7705201EC	MUX, 16 Lead CERDIP, 15V 8-Channel CMOS Analog	-
N	HI1-0508A-8	HI1-0548/883	MUX, 16 Lead CERDIP, 15V 8-Channel Over-Voltage Protected Analog	3143
C	HI1-0509	JM38510/19008BEA	See Ref P/N	3142
N	HI1-0509-8	5962-8513109EA	MUX, 16 Lead CERDIP, 15V Differential 4-Channel CMOS	3142
C	HI1-0509/883	5962-8513109EA	MUX, 16 Lead CERDIP, 15V Differential 4-Channel CMOS	-
N	HI1-0509A-8	HI1-0549/883	MUX, 16 Lead CERDIP, 15V Differential 4-Channel, Over-Voltage Protected	3143
N	HI1-0516-8	5962-8869901XA	MUX, 28 Lead CDIP, 15V 16-Channel/Differential 8-Channel	3146
C	HI1-0516/883	5962-8869901XA	MUX, 28 Lead CDIP, 15V 16-Channel/Differential 8-Channel	-
N	HI1-0518-8		MUX, 18 Lead CDIP, 15V 8-Channel/Differential 4-Channel	3147
N	HI1-0524-8	5962-8761801VA	MUX, 16 Lead CERDIP, 15V 4-Channel Wideband/Video	3148
C	HI1-0524/883	5962-8761801VA	MUX, 16 Lead CERDIP, 15V 4-Channel Wideband/Video	-
N	HI1-0539-8		MUX, 16 Lead CDIP, 15V 4-Channel Low Level, Differential	3149
C	HI1-0546	JM38510/19002BXA	See Ref P/N	3150
C	HI1-0546/883	5962-8513101XA	MUX, 28 Lead CDIP, 15V 16-Channel Over-Voltage Protected	-
C	HI1-0547	JM38510/19004BXA	See Ref P/N	3150
C	HI1-0547/883	5962-8513102XA	MUX, 28 Lead CERDIP, 15V Differential 8-Channel Over-Voltage Protected	-
C	HI1-0548	JM38510/19005BEA	See Ref P/N	3150
C	HI1-0548/883	7705202EA	MUX, 16 Lead CDIP, 15V 8-Channel Over-Voltage Protected	-
C	HI1-0549	JM38510/19006BEA	See Ref P/N	3150
C	HI1-0549/883	5962-8513103XA	MUX, 16 Lead CERDIP, 15V Differential 4-Channel Over Voltage Protected	-

Military and Space Cross-Reference

PART NUMBER LISTING (Continued)

COMPLIANT OR NON-COMPLIANT	MARKETING PART NUMBER	REFERENCE NUMBER	DESCRIPTION	FILE NO.
C	HI1-1818A/883		MUX, 16 Lead Cerdip, 15V 8-Channel CMOS Analog	3141
C	HI1-1828A/883		MUX, 16 Lead Cerdip, 15V Differential 4-Channel CMOS	3141
C	HI1-5040/883	8100609EA/MLB	Switch, 16 Lead Cerdip, 15V SPST CMOS Analog	-
N	HI1-5041-8	8100610EA/MLB	Switch, 16 Lead Cerdip, 15V Dual SPST CMOS Analog	3127
C	HI1-5041/883	8100610EA/MLB	Switch, 16 Lead Cerdip, 15V Dual SPST CMOS Analog	-
C	HI1-5042/883	8100611EA/MLB	Switch, 16 Lead Cerdip, 15V SPDT CMOS Analog	-
N	HI1-5043-8	8100612EA/MLB	Switch, 16 Lead Cerdip, 15V Dual SPDT CMOS Analog	3127
C	HI1-5043/883	8100612EA/MLB	Switch, 16 Lead Cerdip, 15V Dual SPDT CMOS Analog	-
C	HI1-5044/883	8100613EA/MLB	Switch, 16 Lead Cerdip, 15V DPST CMOS Analog	-
C	HI1-5045/883	8100614EA/MLB	Switch, 16 Lead Cerdip, 15V Dual DPST CMOS Analog	-
C	HI1-5046/883	8100615EA/MLB	Switch, 16 Lead Cerdip, 15V DPDT CMOS Analog	-
C	HI1-5046A/883	8100616EA/MLB	Switch, 16 Lead Cerdip, 15V DPDT CMOS Analog	-
C	HI1-5047/883	8100617EA/MLB	Switch, 16 Lead Cerdip, 15V 4PST CMOS Analog	-
C	HI1-5047A/883	8100618EA/MLB	Switch, 16 Lead Cerdip, 15V 4PST CMOS Analog	-
C	HI1-5048/883	8100619EA/MLB	Switch, 16 Lead Cerdip, 15V Dual SPST CMOS Analog	-
C	HI1-5049/883	8100620EA/MLB	Switch, 16 Lead Cerdip, 15V Dual DPST CMOS Analog	-
C	HI1-5050/883	8100621EA/MLB	Switch, 16 Lead Cerdip, 15V SPDT CMOS Analog	-
N	HI1-5051-8	8100622EA/MLB	Switch, 16 Lead Cerdip, 15V Dual SPDT CMOS Analog	3127
C	HI1-5051/883	8100622EA/MLB	Switch, 16 Lead Cerdip 15V Dual SPDT CMOS Analog	-
C	HI1-565ASD/883		D/A Converter, 12-Bit, 20 Lead Cerdip	-
C	HI1-565ATD/883		D/A Converter, 12-Bit, 20 Lead Cerdip	-
C	HI1-5700S/883	5962-9467801MXA	Flash A/D, 28 Lead Cerdip, 8-Bit, 20 MSPS	3286
C	HI1-5701T/883		Flash A/D, 18 Lead Cerdip, 6-Bit, 30 MSPS	3378
C	HI1-574ASD/883		A/D Converter, 28 Lead SBDIP, 12-Bit	-
C	HI1-574ATD/883	5962-8512704XA	A/D Converter, 28 Lead SBDIP, 12-Bit	-
C	HI1-574AUD/883	5962-8512703XA	A/D Converter, 28 Lead SBDIP, 12-Bit, 1/2 LSB	-
C	HI1-674ASD/883		A/D Converter, 28 Lead SBDIP, 12-Bit, 12ms	-
C	HI1-674ATD/883		A/D Converter, 28 Lead SBDIP, 12-Bit, 12ms	-
C	HI1-674AUD/883		A/D Converter, 28 Lead SBDIP, 12-Bit, 12ms	-
C	HI1-774T/883		A/D Converter, 28 Lead SBDIP, 12-Bit	-
C	HI2-0200/883		Switch, 10 Pin Can, 15V Dual SPST CMOS	-
C	HI2-0300/883		Switch, 10 Pin Can, 15V Dual SPST CMOS	-
C	HI2-0301/883		Switch, 10 Pin Can, 15V SPDT CMOS Analog	-
C	HI2-0304/883		Switch, 10 Pin Can, 15V Dual SPST CMOS	-
C	HI2-0305/883		Switch, 10 Pin Can, 15V SPST CMOS Analog	-
C	HI2-0381/883		Switch, 10 Pin Can, 15V Dual SPST CMOS	-
C	HI2-0387/883		Switch, 10 Pin Can, 15V SPDT CMOS Analog	-
C	HI4-0201/883	77053022A	Switch, 20 Lead LCC, 15V Quad SPST CMOS	-
C	HI4-0201HS/883	5962-86716012A	Switch, 20 Lead LCC, 15V Quad SPST High Speed	-
C	HI4-0222	5962-9456201M2A	See Ref P/N	3124
C	HI4-0506/883	5962-85131073A	MUX, 28 Lead LCC, 15V 16-Channel CMOS	-
N	HI4-0506A-8	HI4-0546/883	MUX, 28 Lead LCC, 15V 16-Channel Over-Voltage Protected	3143
C	HI4-0507/883	5962-85131083A	MUX, 28 Lead LCC, 15V Differential 8-Channel CMOS	-
N	HI4-0507A-8	HI4-0547/883	MUX, 28 Lead LCC, 15V Differential 8-Channel Over-Voltage Protected	3143
C	HI4-0508/883	77052012A	MUX, 20 Lead LCC, 15V 8-Channel CMOS	-
N	HI4-0508A-8	HI4-0548/883	MUX, 20 Lead LCC, 15V 8-Channel Over-Voltage Protected	3143
C	HI4-0509/883	5962-85131092A	MUX, 20 Lead LCC, 15V Differential 4-Channel CMOS	-
N	HI4-0509A-8	HI4-0549/883	MUX, 20 Lead LCC, 15V Differential 4-Channel Over-Voltage Protected	3143

4
**HARRIS MILITARY/
 RAD HARD**

Military and Space Cross-Reference

PART NUMBER LISTING (Continued)

COMPLIANT OR NON-COMPLIANT	MARKETING PART NUMBER	REFERENCE NUMBER	DESCRIPTION	FILE NO.
N	HI4-0516-8	5962-88699013A	MUX, 28 Lead LCC, 15V 16-Channel/Differential 8-Channel	3146
N	HI4-0518-8		MUX, 20 Lead LCC, 15V 8-Channel/Differential 4-Channel	3147
N	HI4-0524-8		MUX, 20 Lead LCC, 15V 4-Channel Wideband/Video	3148
C	HI4-0546/883	5962-85131013A	MUX, 28 Lead LCC, 15V 16-Channel Over-Voltage Protected	-
C	HI4-0547/883	5962-85131023A	MUX, 28 Lead LCC, 15V Differential 8-Channel Over-Voltage Protected	-
C	HI4-0548/883	77052022A	MUX, 20 Lead LCC 15V 8-Channel Over-Voltage Protected	-
C	HI4-0549/883	5962-85131032A	MUX, 20 Lead LCC 15V Differential 4-Channel Over-Voltage Protected	-
N	HI4-1828A-8		MUX, 20 Lead LCC 15V Differential 4-Channel	3141
C	HI4-5043/883	81006122A	Switch, 20 Lead LCC, 15V Dual SPDT CMOS	-
C	HI4-5045/883	81006142A	Switch, 20 Lead LCC, 15V Dual SPDT CMOS	-
C	HI4-5051/883	81006222A	Switch, 20 Lead LCC, 15V Dual SPDT CMOS	-
C	HI4-574ASE/883		A/D Converter, 44 Lead LCC, 12-Bit 25ms	-
C	HI4-574ATE/883	5962-8512704YA	A/D Converter, 44 Lead LCC, 12-Bit 25ms	-
C	HI4-574AUE/883	5962-8512703YA	A/D Converter, 44 Lead LCC, 12-Bit 25ms	-
C	HI4-674ASE/883		A/D Converter, 44 Lead LCC, 12-Bit 12ms	-
C	HI4-674ATE/883		A/D Converter, 44 Lead LCC, 12-Bit 12ms	-
C	HI4-674AUE/883		A/D Converter, 44 Lead LCC, 12-Bit 12ms	-
C	HI4-774S/883		A/D Converter, 44 Lead LCC, 12-Bit 8ms	-
C	HI4-774T/883		A/D Converter, 44 Lead LCC, 12-Bit 8ms	-
C	HI4-774U/883		A/D Converter, 44 Lead LCC, 12-Bit 8ms	-
C	HI5800SMF/883		A/D Converter, 12-Bit, 3 MSPS, 2 LSB, 44 Lead CQFP	2938
C	HI5800TMF/883		A/D Converter, 2-Bit, 3 MSPS, 1 LSB, 33 Lead CQFP	2938
C	HM1-6504	24501BVA	(JM38510/) See Ref P/N	2994
C	HM1-6504/883	8102405VA	4096 x 1 CMOS RAM, 300ns, 18 Lead CERDIP	2993
C	HM1-6504B/883	8102403VA	4096 x 1 CMOS RAM, 200ns, 18 Lead CERDIP	2993
C	HM1-6508/883		1024 x 1 CMOS RAM, 250ns, 16 Lead CERDIP	2985
C	HM1-6508B/883		1024 x 4 CMOS RAM, 180ns, 16 Lead CERDIP	2985
C	HM1-6514	24502BVA	(JM38510/) See Ref P/N	2995
C	HM1-6514/883	8102406VA	1024 x 4 CMOS RAM, 300ns, 18 Lead CERDIP	2996
C	HM1-6514B/883	8102404VA	1024 x 1 CMOS RAM, 200ns 18 Lead CERDIP	2996
C	HM1-6514S/883	8102402VA	1024 x 4 CMOS RAM, 120ns Access Time	2996
C	HM1-6516	29102BJA	(JM38510/) See Ref P/N	2998
C	HM1-6516/883	8403601JA	2048 x 8 CMOS RAM, 200ns Access Time	2999
C	HM1-65162	29104BJA	(JM38510/) See Ref P/N	3000
C	HM1-65162/883	8403602JA	2048 x 8 CMOS RAM, 90ns Access Time	3001
C	HM1-65162B	29110BJA	(JM38510/) See Ref P/N	3000
C	HM1-65162B/883	8403606JA	2048 x 8 CMOS RAM, 70ns Access Time	3001
C	HM1-65162C/883	8403603ZA	2048 x 8 CMOS RAM, 90ns Access Time	3001
C	HM1-6516B/883	8403607JA	2048 x 8 CMOS RAM, 120ns Access Time	2999
C	HM1-6518/883		1024 x 4 CMOS RAM, 250ns, 18 Lead CERDIP	2986
C	HM1-65262	29103BRA	(JM38510/) See Ref P/N	3002
C	HM1-65262/883	8413201RA	6K x 1 CMOS RAM, 85ns Access Time	3003
C	HM1-6551/883		256 x 4 CMOS RAM, 300ns, 22 Lead CERDIP	2988
C	HM1-6551B/883		256 x 4 CMOS RAM, 220n, 22 Lead CERDIP	2988
C	HM1-6561/883		256 x 4 CMOS RAM, 300ns, 18 Lead CERDIP	2990
C	HM1-6561B/883		256 x 4 CMOS RAM, 220ns, 18 Lead CERDIP	2990
C	HM1-65642/883		8192 x 8 CMOS RAM, 150ns, Access Time	3004
C	HM1-65642B	29205BXA	(JM38510/) See Ref P/N	3005

Military and Space Cross-Reference

PART NUMBER LISTING (Continued)

COMPLIANT OR NON-COMPLIANT	MARKETING PART NUMBER	REFERENCE NUMBER	DESCRIPTION	FILE NO.
C	HM1-65642B/883		8192 x 8 CMOS RAM, 150ns Access Time	3004
C	HM1-65642C/883		8192 x 8 CMOS RAM, 200ns Access Time	3004
C	HM1-6617/883	5962-8954001JA	2K x 8 CMOS PROM, 120ns Access Time	3016
C	HM1-6617B/883	5962-8954002JA	2K x 8 CMOS PROM, 90ns Access Time	3016
C	HM1-6642/883	5962-8869001JA	512 x 8 CMOS PROM, 200ns Access Time	3013
C	HM1-6642B/883	5962-8869002JA	512 x 8 CMOS PROM, 120ns Access Time	3013
N	HM4-6504-8		4096 x 1 CMOS RAM, 300ns Access Time	2994
N	HM4-6504B-8		4096 x 1 CMOS RAM, 200ns Access Time	2994
N	HM4-6514-8		1024 x 4 CMOS RAM, 300ns Access Time	2995
C	HM4-65162	8403603ZA	Ref Only, See Ref SMD P/N.	3000
C	HM4-65162/883	8403602ZA	2048 x 8 CMOS RAM 90ns Access Time	3001
C	HM4-65162B/883	8403606ZA	2048 x 8 CMOS RAM, 70ns Access Time	3001
C	HM4-6516B/883	8403607ZA	2048 x 8 CMOS RAM, 120ns Access Time	2999
C	HM4-65262/883	8413201YA	16K x 1 CMOS RAM, 85ns Access Time	3003
C	HM4-65262B/883	8413203YA	16K x 1 CMOS RAM, 70ns Access Time	3003
C	HM4-65642/883		8192 x 8 CMOS RAM, 150ns Access Time	3004
C	HM4-65642B/883		8192 x 8 CMOS RAM, 150ns Access Time	3004
C	HM4-6617/883	5962-8954001XA	2K x 8 CMOS PROM, 120ns Access Time	3016
C	HM4-6617B/883	5962-8954002XA	2K x 8 CMOS PROM, 90ns Access Time	3016
C	HM4-6642/883	5962-88690013A	512 x 8 CMOS PROM, 200ns Access Time	3013
C	HM6-6617/883	5962-8954001LA	2K x 8 CMOS PROM, 120ns Access Time	3016
C	HM6-6617B/883	5962-8954002LA	2K x 8 CMOS PROM, 90ns Access Time	3016
C	HM6-6642/883	5962-8869001LA	512 x 8 CMOS PROM, 200ns Access Time	3013
C	HM6-6642B/883	5962-8869002LA	512 x 8 CMOS PROM, 120ns Access Time	3013
C	HM9-6516/883		2048 x 8 CMOS RAM, 200ns Access Time	2999
C	HM9-6516B/883		2048 x 8 CMOS RAM, 120ns Access Time	2999
C	HMA510GM-55/883		16 x 16 Digital Multiplier-Accumulator	2807
C	HMA510GM-65/883		16 x 16 Digital Multiplier-Accumulator	2807
C	HMA510GM-75/883		16 x 16 Digital Multiplier-Accumulator	2807
C	HMU16GM-45/883		16 x 16 Digital Multiplier, 68 Lead PGA, 45ns	2804
C	HMU16GM-60/883		16 x 16 Digital Multiplier, 68 Lead PGA, 60ns	2804
C	HMU17GM-45/883		16 x 16 Digital Multiplier, 68 Lead PGA, 45ns	2805
C	HMU17GM-60/883		16 x 16 Digital Multiplier, 68 Lead PGA, 60ns	2805
C	HS1-0506RH-Q	5962D9569101VXC	Rad Hard 16-Channel Analog MUX	4028
C	HS1-0507RH-Q	5962D9569102VXC	Rad Hard Differential 8-Channel Analog MUX	4028
C	HS1-0508RH-Q	5962D9569201VEA	Rad Hard Single 8-Channel MUX	3977
C	HS1-0509RH-Q	5962D9569202VEA	Rad Hard Differential 4-Channel Analog MUX	3977
C	HS1-0546RH-Q	5962D9569301VXA	Rad Hard 16-Channel Analog MUX	3544
C	HS1-0547RH-Q	5962D9569302VXA	Rad Hard Differential 8-Channel Analog MUX	3544
C	HS1-0548RH-Q	5962D9569401VEA	Rad Hard 8-Channel Analog MUX	3543
C	HS1-0549RH-Q	5962D9569402VEA	Rad Hard 8-Channel Analog MUX	3543
C	HS7-1100RH-Q	5962F9467602VPA	Rad Hard Linear Current Feedback Amp, Ultra Hi-Speed	4100
C	HS7-1115RH-Q	5962F9678501VPA	Rad Hard Hi-Speed, Low Power CL Buffer, w/Output Limiting	4098
C	HS7-1120RH-Q	5962F9675601VPA	Rad Hard Ultra Hi-Speed Current Feedback Amp, w/Offset Adj.	4101
C	HS7-1135RH-Q	5962F9676701VPA	Rad Hard Hi-Speed, Low Power CF Amp, w/Output Limiting	4099
C	HS7-1145RH-Q	5962F9683001VPA	Rad Hard Low Power, CF Amp, w/Output Disable	4227
C	HS7-1212RH-Q	5962F9683101VPA	Rad Hard Dual Hi-Speed, Low Power Closed-Loop Buffer	4228
C	HS1-1245RH-Q	5962F9683201VCA	Rad Hard Dual Hi-Speed, Low Power Current Feedback Amp	4229
C	HS7-1412RH-Q	5962F9683401VCA	Rad Hard Quad Hi-Speed, Low Power Closed Loop Buffer	4230
C	HS1-1840ARH-8	5962F9563002QYC	Rad Hard 16-Channel CMOS Analog MUX, w/ Overvoltage Prot.	-

Military and Space Cross-Reference

PART NUMBER LISTING (Continued)

COMPLIANT OR NON-COMPLIANT	MARKETING PART NUMBER	REFERENCE NUMBER	DESCRIPTION	FILE NO.
C	HS1-1840ARH-Q	5962F9563002VXC	Rad Hard 16-Channel CMOS Analog MUX, w/ Overvoltage Prot.	-
C	HS1-2400RH-Q	5962D9568401VEA	Rad Hard Four-Channel Programmable Op Amp	4027
C	HS1-2420RH-Q	5962R9566901VCA	Rad Hard Fast Sample/Hold Amplifier	3554
C	HS1-245RH-8	5962R9672201QCC	Rad Hard Triple Line Transmitter	3034
C	HS1-245RH-Q	5962R9672201VCC	Rad Hard Triple Line Transmitter	3034
C	HS1-246RH-8	5962R9672301QCC	Rad Hard Triple Line Receiver	3034
C	HS1-246RH-Q	5962R9672301VCC	Rad Hard Triple Line Receiver	3034
C	HS1-248RH-8	5962R9672302QCC	Rad Hard Triple Party Line Receiver	3034
C	HS1-248RH-Q	5962R9672302VCC	Rad Hard Triple Party Line Receiver	3034
C	HS9-2510RH-Q	5962D9568601VXA	Rad Hard Internally Compensated, High Slew Rate Op Amp	3592
C	HS7-2510RH-Q	5962D9568601VPA	Rad Hard Internally Compensated, High Slew Rate Op Amp	3592
C	HS2-2520RH-Q	5962D9568501VGA	Rad Hard Uncompensated, High Slew Rate Op Amp	3599
C	HS7-2520RH-Q	5962D9568501VPA	Rad Hard Uncompensated, High Slew Rate Op Amp	3599
C	HS7-2600RH-Q	5962D9567101VPA	Rad Hard Wideband, High Impedance Op Amp	3650
C	HS2-2620RH-Q	5962D9568801VGA	Rad Hard Wideband, High Impedance Op Amp	4014
C	HS7-2620RH-Q	5962D9568801VPA	Rad Hard Wideband, High Impedance Op Amp	4014
C	HS7-2622RH-Q	5962D9568802VPA	Rad Hard Wideband, High Impedance Op Amp	4014
C	HS2-2622RH-Q	5962D9568802VGA	Rad Hard Wideband, High Impedance Op Amp	4014
C	HS1-26C31RH-8	5962F9666301QEC	Rad Hard RS422 CMOS Line Transmitter	3401
C	HS1-26C31RH-Q	5962F9666301VEC	Rad Hard RS422 CMOS Line Transmitter	3401
C	HS1-26C32RH-8	5962F9668901QEC	Rad Hard RS422 CMOS Line Receiver	3402
C	HS1-26C32RH-Q	5962F9668901VEC	Rad Hard RS422 CMOS Line Receiver	3402
C	HS1-26CT31RH-8	5962F9563201QEC	Rad Hard RS422 TTL Line Transmitter	2929
C	HS1-26CT31RH-Q	5962F9563201VEC	Rad Hard RS422 TTL Line Transmitter	2929
C	HS1-26CT32RH-8	5962F9563101QEC	Rad Hard RS422 TTL Line Receiver	2930
C	HS1-26CT32RH-Q	5962F9563101VEC	Rad Hard RS422 TTL Line Receiver	2930
C	HS1-2700RH-Q	5962R9567002VCA	Rad Hard Low Power, High Performance Op Amp	3624
C	HS2-2700RH-Q	5962R9567002VGA	Rad Hard Low Power, High Performance Op Amp	3624
C	HS1-302RH-8	5962R9581201QCC	Rad Hard Dual CMOS Analog Switch	3067
C	HS1-302RH-Q	5962R9581201VCC	Rad Hard Dual CMOS Analog Switch	3067
C	HS1-303RH-8	5962R9581301QCC	Rad Hard CMOS Analog Switch	3067
C	HS1-303RH-Q	5962R9581301VCC	Rad Hard CMOS Analog Switch	3067
C	HS1-307RH-8	5962R9581302QCC	Rad Hard Dual SPDT CMOS Analog Switch	3067
C	HS1-307RH-Q	5962R9581302VCC	Rad Hard Dual SPDT CMOS Analog Switch	3067
N	HS1-3182-8		Non-Rad Hard, ARINC Bus Interface Line Driver	2963
C	HS1-3282-8	5962-8688001XA	Non-Rad Hard, ARINC Bus Interface Circuit	2964
C	HS1-3374RH-8	5962R9678601QWC	Rad Hard 8-Bit Bidirectional CMOS/TTL Level Converter	3038
C	HS1-3374RH-Q	5962R9678601VWC	Rad Hard 8-Bit Bidirectional CMOS/TTL Level Converter	3038
C	HS1-390RH-8	5962R9581303QEC	Rad Hard Dual SPDT CMOS Analog Switch	3067
C	HS1-390RH-Q	5962R9581303VEC	Rad Hard Dual SPDT CMOS Analog Switch	3067
C	HS1-508ARH-8	5962R9674201QEC	Rad Hard 8-Channel CMOS Analog MUX, w/ Overvoltage Prot.	4097
C	HS1-508ARH-Q	5962R9674201VEC	Rad Hard 8-Channel CMOS Analog MUX, w/ Overvoltage Prot.	4097
C	HS1-5104ARH-Q	5962R9569001VCC	Rad Hard Quad Low Noise Op Amp	3025
C	HS1-54C138RH-8	5962R9582501QEC	Rad Hard 3-Line To 8-Line Decoder/DeMUX	3037
C	HS1-54C138RH-Q	5962R9582501VEC	Rad Hard 3-Line To 8-Line Decoder/DeMUX	3037
C	HS1-565ARH-Q	5962R9675501VJC	Rad Hard 12-Bit D/A Converter	3278
C	HS1-65647RH-8	5962F9582301QXC	Rad Hard 8K x 8 SOS SRAM	2928
C	HS1-65647RH-Q	5962F9582301VXC	Rad Hard 8K x 8 SOS SRAM	2928
C	HS1-6617RH-8	5962R9570801QJC	Rad Hard 2K x 8 CMOS PROM	3033
C	HS1-6617RH-Q	5962R9570801VJC	Rad Hard 2K x 8 CMOS PROM	3033

Military and Space Cross-Reference

PART NUMBER LISTING (Continued)

COMPLIANT OR NON-COMPLIANT	MARKETING PART NUMBER	REFERENCE NUMBER	DESCRIPTION	FILE NO.
C	HS1-6664RH-8	5962F9562601QXC	Rad Hard 8K x 8 CMOS PROM	3197
C	HS1-6664RH-Q	5962F9562601VXC	Rad Hard 8K x 8 CMOS PROM	3197
C	HS1-80C85RH-8	5962R9582401QQC	Rad Hard 8-Bit CMOS Microprocessor	3036
C	HS1-80C85RH-Q	5962R9582401VQC	Rad Hard 8-Bit CMOS Microprocessor	3036
C	HS1-80C86RH-8	5962R9572201QQC	Rad Hard 16-Bit CMOS Microprocessor	3035
C	HS1-80C86RH-Q	5962R9572201VQC	Rad Hard 16-Bit CMOS Microprocessor	3035
C	HS1-81C55RH-8	5962R9676601QXC	Rad Hard 256 x 8 CMOS RAM	3039
C	HS1-81C55RH-Q	5962R9676601VXC	Rad Hard 256 x 8 CMOS RAM	3039
C	HS1-81C56RH-8	5962R9676602QXC	Rad Hard 256 x 8 CMOS RAM	3039
C	HS1-81C56RH-Q	5962R9676602VXC	Rad Hard 256 x 8 CMOS RAM	3039
C	HS1-82C08RH-8	5962R9571401QRC	Rad Hard 8-Bit Bus Transceiver	3040
C	HS1-82C08RH-Q	5962R9571401VRC	Rad Hard 8-Bit Bus Transceiver	3040
C	HS1-82C12RH-8	5962R9581801QJC	Rad Hard 8-Bit Input/Output Port	3041
C	HS1-82C12RH-Q	5962R9581801VJC	Rad Hard 8-Bit Input/Output Port	3041
C	HS1-82C37ARH-8	5962R9582101QQC	Rad Hard CMOS High Performance Prog. DMA Controller	3042
C	HS1-82C37ARH-Q	5962R9582101VQC	Rad Hard CMOS High Performance Prog. Controller	3042
C	HS1-82C54RH-8	5962R9571301QJC	Rad Hard CMOS Programmable Interval Timer	3043
C	HS1-82C54RH-Q	5962R9571301VJC	Rad Hard CMOS Programmable Interval Timer	3043
C	HS1-82C55ARH-8	5962R9581901QQC	Rad Hard CMOS Programmable Peripheral Interface	3191
C	HS1-82C55ARH-Q	5962R9581901VQC	Rad Hard CMOS Programmable Peripheral Interface	3191
C	HS1-82C85RH-8	5962R9582001QJC	Rad Hard CMOS Static Clock Controller/Generator	3044
C	HS1-82C85RH-Q	5962R9582001VJC	Rad Hard CMOS Static Clock Controller/Generator	3044
C	HS1-9008RH-8	5962R9669601QXC	Rad Hard 8-Bit Flash A/D Converter	3279
C	HS1-9008RH-Q	5962R9669601VXC	Rad Hard 8-Bit Flash A/D Converter	3279
C	HS2-2700RH-Q	5962D9567001VGA	SMD-Rad Hard Low Power Op Amp	3624
C	HS4-6617RH-8		Rad Hard 2K x 8 CMOS PROM	3033
C	HS8-RTX2010RH-8	5962F9563501QXC	Rad Hard 16-Bit Microcontroller	3961
C	HS8-RTX2010RH-Q	5962F9563501VXC	Rad Hard 16-Bit Microcontroller	3961
C	HS9-1840ARH-8	5962F9563002QYC	Rad Hard 16-Channel CMOS Analog MUX, w/ Overvoltage Prot.	4355
C	HS9-1840ARH-Q	5962F9563002VYC	Rad Hard 16-Channel CMOS Analog MUX, w/ Overvoltage Prot.	4355
C	HS9-245RH-8	5962R9672201QXC	Rad Hard Triple Line Transmitter	3034
C	HS9-245RH-Q	5962R9672201VXC	Rad Hard Triple Line Transmitter	3034
C	HS9-246RH-8	5962R9672301QXC	Rad Hard Triple Line Receiver	3034
C	HS9-246RH-Q	5962R9672301VXC	Rad Hard Triple Line Receiver	3034
C	HS9-248RH-8	5962R9672302QXC	Rad Hard Triple Party Line Receiver	3034
C	HS9-248RH-Q	5962R9672302VXC	Rad Hard Triple Party Line Receiver	3034
C	HS9-26C31RH-8	5962F9666301QXC	Rad Hard RS422 CMOS Line Transmitter	3401
C	HS9-26C31RH-Q	5962F9666301VXC	Rad Hard RS422 CMOS Line Transmitter	3401
C	HS9-26C32RH-8	5962F9668901QXC	Rad Hard RS422 CMOS Line Receiver	3402
C	HS9-26C32RH-Q	5962F9668901VXC	Rad Hard RS422 CMOS Line Receiver	3402
C	HS9-26CT31RH-8	5962F9563201QXC	Rad Hard RS422 TTL Line Transmitter	2929
C	HS9-26CT31RH-Q	5962F9563201VXC	Rad Hard RS422 TTL Line Transmitter	2929
C	HS9-26CT32RH-8	5962F9563101QXC	Rad Hard RS422 TTL Line Receiver	2930
C	HS9-26CT32RH-Q	5962F9563101VXC	Rad Hard RS422 TTL Line Receiver	2930
C	HS9-302RH-8	5962R9581201QXC	Rad Hard Dual DPST CMOS Analog Switch	3067
C	HS9-302RH-Q	5962R9581201VXC	Rad Hard Dual DPST CMOS Analog Switch	3067
C	HS9-303RH-8	5962R9581301QXC	Rad Hard Dual SPDT CMOS Analog Switch	3067
C	HS9-303RH-Q	5962R9581301VXC	Rad Hard Dual SPDT CMOS Analog Switch	3067
C	HS9-307RH-8	5962R9581302QXC	Rad Hard Dual SPDT CMOS Analog Switch	3067
C	HS9-307RH-Q	5962R9581302VXC	Rad Hard Dual SPDT CMOS Analog Switch	3067

4
HARRIS MILITARY/
RAD HARD

Military and Space Cross-Reference

PART NUMBER LISTING (Continued)

COMPLIANT OR NON-COMPLIANT	MARKETING PART NUMBER	REFERENCE NUMBER	DESCRIPTION	FILE NO.
C	HS9-390RH-8	5962R9581303QYC	Rad Hard Dual SPDT CMOS Analog Switch	3067
C	HS9-390RH-Q	5962R9581303VYC	Rad Hard Dual SPDT CMOS Analog Switch	3067
C	HS9-508ARH-8	5962R9674201QXC	Rad Hard 8-Channel CMOS Analog MUX, w/ Overvoltage Prot.	4097
C	HS9-508ARH-Q	5962R9674201VXC	Rad Hard 8-Channel CMOS Analog MUX, w/ Overvoltage Prot.	4097
C	HS9-54C138RH-8	5962R9582501QXC	Rad Hard 3-Line To 8-Line Decoder/DeMUX	3037
C	HS9-54C138RH-Q	5962R9582501VXC	Rad Hard 3-Line To 8-Line Decoder/DeMUX	3037
C	HS9-565ARH-Q	5962R9675501VXC	Rad Hard 12-Bit D/A Converter	3278
C	HS9-65647RH-8	5962F9582301QYC	Rad Hard 8K x 8 SOS SRAM	2928
C	HS9-65647RH-Q	5962F9582301VYC	Rad Hard 8K x 8 SOS SRAM	2928
C	HS9-6617RH-8	5962R9570801QXC	Rad Hard 2K x 8 CMOS PROM	3033
C	HS9-6617RH-Q	5962R9570801VXC	Rad Hard 2K x 8 CMOS PROM	3033
C	HS9-6664RH-8	5962F9562601QYC	Rad Hard 8K x 8 CMOS PROM	3197
C	HS9-6664RH-Q	5962F9562601VYC	Rad Hard 8K x 8 CMOS PROM	3197
C	HS9-80C85RH-8	5962R9582401QXC	Rad Hard 8-Bit CMOS Microprocessor	3036
C	HS9-80C85RH-Q	5962R9582401VXC	Rad Hard 8-Bit CMOS Microprocessor	3036
C	HS9-80C86RH-8	5962R9572201QXC	Rad Hard 16-Bit CMOS Microprocessor	3035
C	HS9-80C86RH-Q	5962R9572201VXC	Rad Hard 16-Bit CMOS Microprocessor	3035
C	HS9-81C55RH-8	5962R9676601QYC	Rad Hard 256 x 8 CMOS RAM	3039
C	HS9-81C55RH-Q	5962R9676601VYC	Rad Hard 256 x 8 CMOS RAM	3039
C	HS9-81C56RH-8	5962R9676602QYC	Rad Hard 256 x 8 CMOS RAM	3039
C	HS9-81C56RH-Q	5962R9676602VYC	Rad Hard 256 x 8 CMOS RAM	3039
C	HS9-82C08RH-8	5962R9571401QXC	Rad Hard 8-Bit Bus Transceiver	3040
C	HS9-82C08RH-Q	5962R9571401VXC	Rad Hard 8-Bit Bus Transceiver	3040
C	HS9-82C12RH-8	5962R9581801QXC	Rad Hard 8-Bit Input/Output Port	3041
C	HS9-82C12RH-Q	5962R9581801VXC	Rad Hard 8-Bit Input/Output Port	3041
C	HS9-82C37ARH-8	5962R9582101QXC	Rad Hard CMOS High Performance Prog. DMA Controller	3042
C	HS9-82C37ARH-Q	5962R9582101VXC	Rad Hard CMOS High Performance Prog. DMA Controller	3042
C	HS9-82C54RH-8	5962R9571301QXC	Rad Hard CMOS Programmable Interval Timer	3043
C	HS9-82C54RH-Q	5962R9571301VXC	Rad Hard CMOS Programmable Interval Timer	3043
C	HS9-82C85RH-8	5962R9582001QXC	Rad Hard CMOS Static Clock Controller/Generator	3044
C	HS9-82C85RH-Q	5962R9582001VXC	Rad Hard CMOS Static Clock Controller/Generator	3044
C	HS9-9008RH-8	5962R9669601QYC	Rad Hard 8-Bit Flash A/D Converter	3279
C	HS9-9008RH-Q	5962R9669601VYC	Rad Hard 8-Bit Flash A/D Converter	3279
C	HS9-RTX2010RH-8	5962F9563501QYC	Rad Hard 16-Bit Microcontroller	3961
C	HS9-RTX2010RH-Q	5962F9563501VYC	Rad Hard 16-Bit Microcontroller	3961
C	HSP43168GM-25/883		Dual Digital Filter 85 Lead PGA, 25MHz	3177
C	HSP43168GM-33/883		Dual Digital Filter 85 Lead PGA, 33MHz	3177
C	HSP43220GM-15/883		Decimating Digital Filter 84 Lead PGA, 15MHz	2802
C	HSP43220GM-25/883		Decimating Digital Filter 84 Lead PGA, 25MHz	2802
N	HSP43220TM-15		Decimating Digital Filter 84 Lead Tab, 15MHz	2486
N	HSP43220TM-25		Decimating Digital Filter 84 Lead Tab, 25MHz	2486
C	HSP43481GM-20/883		4 Tap, FIR Filter (8-Bit) 20MHz, 68 Lead PGA	2450
C	HSP43481GM-25/883		4 Tap, FIR Filter (8-Bit) 25.6MHz, 68 Lead PGA	2450
C	HSP43881GM-20/883		8 Tap, FIR Filter (8-Bit) 20MHz, 85 Lead PGA	2449
C	HSP43881GM-25/883		8 Tap, FIR Filter (8-Bit) 25.6MHz, 85 Lead PGA	2449
C	HSP43891GM-20/883	5962-9209701MX	8 Tap, 9-Bit FIR Filter, 85 Lead PGA, Dual Brand	2451
C	HSP43891GM-25/883	5962-9209702MX	8 Tap, 9-Bit FIR Filter, 85 Lead PGA, Dual Brand	2451
C	HSP45106GM-25/883		16-Bit Numerically Controlled Oscillator, 85 Lead PGA	2815
C	HSP45106GM-30/883		16-Bit Numerically Controlled Oscillator, 85 Lead PGA	2815
C	HSP45116GM-15/883		16-Bit Numerically Controlled Oscillator/Modulator, 144 Lead PGA	2813

Military and Space Cross-Reference

PART NUMBER LISTING (Continued)

COMPLIANT OR NON-COMPLIANT	MARKETING PART NUMBER	REFERENCE NUMBER	DESCRIPTION	FILE NO.
C	HSP45116GM-25/883		16-Bit Numerically Controlled Oscillator/Modulator, 144 Lead PGA	2813
N	HSP45116TM-15		Numerically Controlled Oscillator, 156 Lead TAB Tape	2485
N	HSP45116TM-25		Numerically Controlled Oscillator, 156 Lead TAB Tape	2485
C	HSP45240GM-25/883		Address Sequencer, 68 Lead PGA, 25.6MHz	2816
C	HSP45240GM-33/883		Address Sequencer, 68 Lead PGA, 33MHz	2816
C	HSP45240GM-40/883		Address Sequencer, 68 Lead PGA, 40MHz	2816
C	HSP45256GM-20/883		Binary Correlator, 20MHz, 85 Lead PGA	2997
C	HSP45256GM-25/883		Binary Correlator, 25.6MHz, 85 Lead PGA	2997
C	HSP48410GM-25/883	5962-9457301MX	Histogrammer, 33MHz, 25 Lead PGA, Dual Brand	3542
C	HSP48410GM-33/883	5962-9457302MX	Histogrammer, 33MHz, 84 Lead PGA, Dual Brand	3542
C	HSP48908GM-20/883	5962-9300701MX	2-Dimensional Convolver, 20MHz, 84 Lead PGA, Dual Brand	2783
C	HSP48908GM-27/883		3 x 3 2-Dimensional Convolver, 27MHz, 84 Lead PGA	2783
C	HV400MJ/883		High Current MOSFET Driver, 8 Lead SBDIP	3584
C	ICL232MJE/883B		Dual Transmitter Receiver, +5V, 16 Lead CERDIP	3020
C	ICL7109MDL/883B		A/D Microprocessor, 12-Bit, 40 Lead SBDIP	3092
N	ICL7650SMJD/HR		Precision Op Amp, 20mV	2920
N	ICL7650SMTV1HR		Precision Op Amp, 20mV, 8 Lead Can	2920
C	ICL7660MTV/883B		Voltage Converter, 8 Lead Can	3072
C	ICL7660SMTV/883B		Voltage Converter, 8 Lead Can	3179
C	ICL7662MTV/883B		CMOS 20V Voltage Converter, 8 Pin Can	3181
C	ICL7667MJA/883B	5962-8766001PA	Dual Power MOS Driver, 8 Lead CERDIP	2853
C	ICL7667MTV/883B	5962-8766001G	Dual Power MOS Driver, 8 Lead Can	2853
N	ICL8013BMTX/HR		Multiplier, 1.0%, 10 Lead Can	2863
N	ICL8013CMTX/HR		Multiplier, 2.0%, 10 Lead Can	2863
C	ICL8038AMJD/883B	5962-8877201CA	Waveform Generator, 250ppm (Max), 14 Lead CERDIP	2864
C	ICL8038BMJD/883B		Waveform Generator, 350ppm (Max), 14 Lead CERDIP	2864
N	ICL8038CCJD/BI		Waveform Generator, 350ppm (Typ), 14 Lead CERDIP	2864
C	ICL8069CMSQ/883B		Voltage Reference, 50ppm Band-Gap, 2 Lead Can (TO-52)	3172
C	ICL8069DMSQ/883B		Voltage Reference, 100ppm Band-Gap, 2 Lead Can (TO-52)	3172
C	ICL8211MTY/883B	5962-8984201G	Voltage Reference, Indicator, 8 Lead Can	3184
C	ICL8212MTY/883B	5962-8984202G	Voltage Reference, Indicator, 8 Lead Can	3184
C	ICM7170AMDG/883B	5962-8765301JA	Real Time Clock, μ P, 20 Lead SBDIP	3019
C	ICM7170MDG/883B		Real Time Clock, μ P, 20 Lead SBDIP	3019
C	ICM7228AMJI883B		Universal LED Driver Compatible A, 28 Lead CDIP, 8-Digit	3160
C	ICM7228BMJI883B		Universal LED Driver Compatible C, 28 Lead CDIP, 8-Digit	3160
C	ICM7228CMJI883B		Universal LED Driver Compatible A, 28 Lead CDIP, 8-Digit	3160
C	ICM7228DMJI883B		Universal LED Driver Compatible C, 28 Lead CDIP, 8-Digit	3160
C	ICM7555MTV/883B	5962-8950303G	CMOS 555 Timer, 8 Lead Can	2867
C	ICM7556MJD/883B	5962-8950304CA	CMOS 556 Dual Timer, 14 Lead CERDIP	2867
C	IH5012MDE/883B		Analog Switch, 16 Lead CERDIP, 5.0V Quad	3129
C	IH5040MDE	JM38510/10501BEA	See Ref P/N	-
C	IH5041MDE	JM38510/10502BEA	See Ref P/N	-
C	IH5042MDE	JM38510/10503BEA	See Ref P/N	-
C	IH5043MDE	JM38510/10504BEA	See Ref P/N	3130
C	IH5043MJE/883B	8100604EA	Analog Switch, 16 Lead CERDIP, 15V Dual SPDT CMOS	3130
C	IH5044MDE	JM38510/10505BEA	See Ref P/N	-
C	IH5045MDE	JM38510/10506BEA	See Ref P/N	-
C	IH5140MJE/883B	8100609EA/INT	Analog Switch, 16 Lead CERDIP, 15V SPST CMOS	3132
C	IH5141MJE/883B	8100610EA/INT	Analog Switch, 16 Lead CERDIP, 15V Dual SPST CMOS	3132
C	IH5142MJE/883B	8100611EA/INT	Analog Switch, 16 Lead CERDIP, 15V SPDT CMOS	3132

4
HARRIS MILITARY/
RAD HARD

Military and Space Cross-Reference

PART NUMBER LISTING (Continued)

COMPLIANT OR NON-COMPLIANT	MARKETING PART NUMBER	REFERENCE NUMBER	DESCRIPTION	FILE NO.
C	IH5143MJE/883B	8100612EA/INT	Analog Switch, 16 Lead Cerdip, 15V Dual SPDT CMOS	3132
C	IH5144MJE/883B	8100613EA/INT	Analog Switch, 16 Lead Cerdip, 15V DPST CMOS	3132
C	IH5145MJE/883B	8100614EA/INT	Analog Switch, 16 Lead Cerdip, 15V Dual DPST CMOS	3132
C	IH5151MJE/883B	8100622EA/INT	Analog Switch, 16 Lead Cerdip, 15V Dual SPDT CMOS	3133
C	IH5341MTW/883B		RF/Video Switch, 10 Pin Can, 15V Dual SPST	3134
C	IH5352MJE/883B	5962-8875001EA	RF/Video Switch, 16 Lead Cerdip, 15V Quad SPST CMOS	3134
C	IH6108MJE/883B		Analog MUX, 16 Lead Cerdip, 15V 8-Channel CMOS	3156
C	IH6201MJE/883B		Driver/Translator, 16 Lead Cerdip, 15V Dual CMOS	3136
C	IH6208MJE/883B		Analog MUX, 16 Lead CDIP, 15V Differential 4-Channel CMOS	3157
C	JM38510/05001BCA	CD4011AFB	Quad 2-Input NAND Gate	-
C	JM38510/05003BCA	CD4011BFB	Quad 2-Input NAND Gate	-
C	JM38510/05051BCA	CD4011BFB	Quad 2-Input NAND Gate	-
C	JM38510/05052BCA	CD4012BFB	Dual 4-Input NAND Gate	-
C	JM38510/05053BCA	CD4023BFB	Triple 3-Input NAND Gate	-
C	JM38510/05101BCA	CD4013AFB	Dual D-Type Flip-Flop with Set/Reset Capabilities	-
C	JM38510/05102BEA	CD4027AFB	Dual J-K Flip-Flop with Set/Reset Capabilities	-
C	JM38510/05151BCA	CD4013BFB	Dual D-Type Flip-Flop with Set/Reset Capabilities	-
C	JM38510/05152BEA	CD4027BFB	Dual J-K Flip-Flop with Set/Reset Capabilities	-
C	JM38510/05201BCA	CD4000AFB	Dual 3-Input NOR Gate Plus Inverter	-
C	JM38510/05202BCA	CD4001AFB	Quad 2-Input NOR Gate	-
C	JM38510/05204BCA	CD4025AFB	Triple 3-Input NOR Gate	-
C	JM38510/05252BCA	CD4001BFB	Quad 2-Input NOR Gate	-
C	JM38510/05254BCA	CD4025BFB	Triple 3-Input NOR Gate	-
C	JM38510/05301BCA	CD4007AFB	Dual Complementary Pair Plus Inverter	-
C	JM38510/05302BEA	CD4019AFB	Quad AND/OR Select Gate	-
C	JM38510/05352BEA	CD4019BFB	Quad AND/OR Select Gate	-
C	JM38510/05353BCA	CD4030BFB	Presetable Up/Down Counter	-
C	JM38510/05503BEA	CD4049AFB	Hex Buffer/Converter, Inverting	-
C	JM38510/05504BEA	CD4050AFB	Hex Buffer/Converter, Non-Inverting	-
C	JM38510/05553BEA	CD4049UBFB	Hex Buffer/Converter, Inverting	-
C	JM38510/05554BEA	CD4050BFB	Hex Buffer/Converter, Inverting	-
C	JM38510/05601BEA	CD4017AFB	Decade Counter/Divider	-
C	JM38510/05603BEA	CD4020AFB	14-Stage Binary Ripple Counter	-
C	JM38510/05605BCA	CD4024AFB	7-Stage Binary Ripple Counter	-
C	JM38510/05651BEA	CD4017BFB	Decade Counter/Divider	-
C	JM38510/05652BEA	CD4018BFB	Presetable Divide-by-N Counter	-
C	JM38510/05653BEA	CD4020BFB	14-Stage Binary Ripple Counter	-
C	JM38510/05655BCA	CD4024BFB	7-Stage Binary Ripple Counter	-
C	JM38510/05754BEA	CD4021BFB	8-Stage Static Shift Register	-
C	JM38510/05852BCA	CD4066BFB	Quad Bilateral Switch	-
C	JM38510/10501BEA	IH5040MDE	SPST CMOS Analog Switch	-
C	JM38510/10502BEA	IH5041MDE	Dual SPST CMOS Analog Switch	-
C	JM38510/10503BEA	IH5042MDE	SPDT CMOS Analog Switch	-
C	JM38510/10504BEA	IH5043MDE	Dual SPDT CMOS Analog Switch	-
C	JM38510/10505BEA	IH5044MDE	DPST CMOS Analog Switch	-
C	JM38510/10506BEA	IH5045MDE	Dual DPST CMOS Analog Switch	-
C	JM38510/11601BCA	DG300AAP	Dual SPST CMOS Analog Switch	-
C	JM38510/11602BCA	DG301AAP	SPDT CMOS Analog Switch	-
C	JM38510/11603BCA	DG302AAP	Dual DPST CMOS Analog Switch	-
C	JM38510/11604BCA	DG303AAP	Dual SPDT CMOS Analog Switch	-

Military and Space Cross-Reference

PART NUMBER LISTING (Continued)

COMPLIANT OR NON-COMPLIANT	MARKETING PART NUMBER	REFERENCE NUMBER	DESCRIPTION	FILE NO.
C	JM38510/12202BGA	HA2-2600	High Slew Rate Op Amp	-
C	JM38510/12202BPA	HA7-2600	High Slew Rate Op Amp	-
C	JM38510/12203BGA	HA2-2620	High Slew Rate Op Amp	-
C	JM38510/12203BPA	HA7-2620	High Slew Rate Op Amp	-
C	JM38510/12204BGA	HA2-2500	High Slew Rate Op Amp	-
C	JM38510/12204BPA	HA7-2500	High Slew Rate Op Amp	-
C	JM38510/12205BGA	HA2-2510	High Slew Rate Op Amp	-
C	JM38510/12205BPA	HA7-2510	High Slew Rate Op Amp	-
C	JM38510/12206BGA	HA2-2520	High Slew Rate Op Amp	-
C	JM38510/12206BPA	HA7-2520	High Slew Rate Op Amp	-
C	JM38510/12302BEA	DG201AAP	Quad SPST CMOS Analog Switch	-
C	JM38510/17001BCA	CD4081BFB	Quad 2-Input AND Gate	-
C	JM38510/17002BCA	CD4082BFB	Dual 4-Input AND Gate	-
C	JM38510/17003BCA	CD4073BFB	Triple 3-Input AND Gate	-
C	JM38510/17101BCA	CD4071BFB	Quad 2-Input OR Gate	-
C	JM38510/17103BCA	CD4075BFB	Triple 3-Input OR Gate	-
C	JM38510/17203BCA	CD4070BFB	Quad Exclusive-OR Gate	-
C	JM38510/17401BCA	CD4069UBFB	Hex Inverter	-
C	JM38510/17403BEA	CD4502BFB	Strobed Hex Inverter/Buffer	-
C	JM38510/17504BEA	CD4098BFB	Dual Monostable Multivibrator	-
C	JM38510/17601BEA	CD4099BFB	8-Bit Addressable Latch	-
C	JM38510/19001BXA	HI1-0506	16-Channel CMOS Analog MUX	-
C	JM38510/19002BXA	HI1-0546	16-Channel Over-Voltage Protected CMOS Analog MUX	-
C	JM38510/19003BXA	HI1-0507	8-Channel Differential CMOS Analog MUX	-
C	JM38510/19004BXA	HI1-0547	8-Channel Differential Over-Voltage Protected CMOS MUX	-
C	JM38510/19005BEA	HI1-0548	8-Channel Over-Voltage Protected CMOS MUX	-
C	JM38510/19006BEA	HI1-0549	4-Channel Differential Over-Voltage Protected CMOS MUX	-
C	JM38510/19007BEA	HI1-0508	8-Channel CMOS Analog MUX	-
C	JM38510/19008BEA	HI1-0509	4-Channel Differential CMOS Analog MUX	-
C	M83530/1-2000B		MIL MOV 200V	-
C	M83530/1-2200D		MIL MOV 220V	-
C	M83530/1-4300E		MIL MOV 430V	-
C	M83530/1-5100E		MIL MOV 510V	-
C	MD80C86-2	8405202QA	CMOS 16-Bit CPU - 8MHz, 40 Lead CERDIP	2957
N	MD80C86-2/B		CMOS 16-Bit CPU - 8MHz, 40 Lead CERDIP	2957
C	MD80C86/7	5962-9672801VQC	CMOS 16-Bit CPU - 5MHz, 40 Lead CDIP, w/ Class Q Screen	2957
C	MD80C86	8405201XA	CMOS 16-Bit CPU - 5MHz, 40 Lead CERDIP	2957
N	MD80C86/B		CMOS 16-Bit CPU - 5MHz, 40 Lead CERDIP	2957
C	MD80C88-2		CMOS 8/16-Bit CPU - 8MHz, 40 Pin CERDIP	2949
N	MD80C88-2/B		CMOS 8/16-Bit CPU - 8MHz, 40 Lead CERDIP	2949
C	MD80C88	5962-8601601QA	CMOS 8/16-Bit CPU - 5MHz, 40 Lead CERDIP	2949
N	MD80C88/B		CMOS 8/16-Bit CPU - 5MHz, 40 Lead CERDIP	2949
C	MD82C237-12/B	5962-9053404MQA	CMOS DMA Controller - 12MHz, 5.0V, 40 CERDIP	2965
N	MD82C237/B		CMOS DMA Controller - 8MHz, 5.0V, 40 CERDIP	2965
C	MD82C284-10/883		CMOS Clock Generator/Driver - 10MHz, 5.0V, 18 Lead CDIP	2968
C	MD82C284-12/883		CMOS Clock Generator/Driver - 12MHz, 5.0V, 18 Lead CDIP	2968
C	MD82C37A-12/B	5962-9054303MQA	CMOS DMA Controller - 12MHz, 5.0V, 40 Lead CERDIP	2967

4
HARRIS MILITARY/
RAD HARD

Military and Space Cross-Reference

PART NUMBER LISTING (Continued)

COMPLIANT OR NON-COMPLIANT	MARKETING PART NUMBER	REFERENCE NUMBER	DESCRIPTION	FILE NO.
N	MD82C37A-5/B		CMOS DMA Controller - 5MHz, 40 Lead CERDIP	2967
C	MD82C37A/B	5962-9054302MQA	CMOS DMA Controller - 8MHz, 40 Lead CERDIP	2967
N	MD82C50A-5/B		CMOS Asynchronous Comm Elem - 5MHz, 40 Lead CERDIP	2958
C	MD82C52/7	5962-9581701VXC	CMOS Serial Controller Interface w/ Class V - 28 Lead CDIP	2950
C	MD82C52/B	8501501XA	CMOS Serial Controller Interface - 28 Lead CERDIP	2950
N	MD82C54-10/B		CMOS Programmable Interval Timer - 10MHz, 24 Lead CDIP	2970
N	MD82C54-12/B		CMOS Programmable Interval Timer - 12MHz, 24 Lead CDIP	2970
C	MD82C54/B	8406501JA	CMOS Programmable Interval Timer - 8MHz, 24 Lead CDIP	2970
C	MD82C55A-5/B	8406601QA	CMOS Programmable Peripheral I/F - 5MHz, 40 Lead CDIP	2969
C	MD82C55A/B	8406602QA	CMOS Programmable Peripheral I/F - 8MHz, 40 Lead CDIP	2969
N	MD82C59A-12/B		CMOS Interrupt Controller - 12MHz, 28 Lead CERDIP	2784
C	MD82C59A-5/B	5962-8501601YA	CMOS Interrupt Controller - 5MHz, 28 Lead CERDIP	2784
C	MD82C59A/7	5962-9571801VXC	CMOS Interrupt Controller, w/ Class V, 28 Lead CERDIP	2784
C	MD82C59A/B	5962-8501602YA	CMOS Interrupt Controller - 8MHz, 28 Lead CERDIP	2784
C	MD82C82/7	5962-9571601VRC	CMOS Octal Latching Channel Bus Driver, w/ Class V	2975
C	MD82C82/B	8406701RA	CMOS Octal Latching Channel Bus Driver - 20 Lead CERDIP	2975
C	MD82C83H/B	8406702RA	CMOS Inverting Octal Latching Channel Driver - 20 Lead CDIP	2971
C	MD82C84A/7	5962-9571501VVC	CMOS Clock Generator - 8MHz, w/ Class V - 20 Lead CDIP	2974
C	MD82C84A/B	8406801VA	CMOS Clock Generator - 8MHz, 20 Lead CERDIP	2974
N	MD82C85/B		CMOS Static Clock Controller - 8MHz, 24 Lead CERDIP	2976
C	MD82C86H/7	5962-9571701VRC	CMOS Octal Transceiver - 5MHz, w/ Class V - 20 Lead CDIP	2977
C	MD82C86H-5/B	5962-8757701RA	CMOS Octal Transceiver - 5MHz, 20 Lead CERDIP	2977
C	MD82C87H-5/B	5962-8757702RA	CMOS Octal Transceiver - 5MHz, 20 Lead CERDIP	2978
C	MD82C88/7	5962-9672701VRC	CMOS Bus Controller - 8MHz, w/ Class V - 20 Lead CERDIP	2979
C	MD82C88/B	8406901RA	CMOS Bus Controller - 8MHz, 20 Lead CERDIP	2979
C	MD82C89/B	5962-8552801RA	CMOS Bus Arbiter - 8MHz, 20 Lead CERDIP	2980
C	MG80C286-10/883	5962-9067801MX	CMOS 16-Bit CPU - 10MHz, 5.0V, 68 Lead PGA	2948
C	MG80C286-12/883	5962-9067802MX	CMOS 16-Bit CPU - 12MHz, 5.0V, 68 Lead PGA	2948
C	MR80C86-2/883	8405202XA	CMOS 16-Bit CPU - 8MHz, 44 Lead LCC	2957
N	MR80C86-2/B		CMOS 16-Bit CPU - 8MHz, 44 Lead LCC	2957
C	MR80C86/883	8405201XA	CMOS 16-Bit CPU - 5MHz, 44 Lead LCC	2957
N	MR80C86/B		CMOS 16-Bit CPU - 5MHz, 44 Lead LCC	2957
C	MR80C88-2/883		CMOS 8/16-Bit CPU - 8MHz, 44 Lead LCC	2949
N	MR80C88-2/B		CMOS 8/16-Bit CPU - 8MHz, 44 Lead LCC	2949
C	MR80C88/883	5962-8601601XA	CMOS 8/16-Bit CPU - 5MHz, 44 Lead LCC	2949
N	MR80C88/B		CMOS 8/16-Bit CPU - 5MHz, 44 Lead LCC	2949
N	MR82C237-12/B		CMOS DMA Controller - 12MHz, 5.0V, 44 Lead LCC	2965
C	MR82C237/B	5962-9054302MXA	CMOS DMA Controller - 8MHz, 5.0V, 44 Lead LCC	2965
N	MR82C37A-12/B		CMOS DMA Controller - 12MHz, 5.0V, 44 Lead LCC	2967
C	MR82C37A-5/B	5962-9054301MXA	CMOS DMA Controller - 5MHz, 44 Lead LCC	2967
N	MR82C37A/B		CMOS DMA Controller - 8MHz, 44 Lead LCC	2967
C	MR82C52/B	85015013A	CMOS Serial Comm I/F - 28 Lead LCC	2950
N	MR82C54-10/B		CMOS Programmable Interval Timer - 10MHz, 28 Lead LCC	2970
N	MR82C54-12/B		CMOS Programmable Interval Timer - 12MHz, 28 Lead LCC	2970

Military and Space Cross-Reference

PART NUMBER LISTING (Continued)

COMPLIANT OR NON-COMPLIANT	MARKETING PART NUMBER	REFERENCE NUMBER	DESCRIPTION	FILE NO.
C	MR82C54/B	84065013A	CMOS Programmable Interval Timer - 8MHz, 28 Lead LCC	2970
N	MR82C55A-5/B		CMOS Programmable Peripheral I/F - 5MHz, 44 Lead LCC	2969
C	MR82C55A/B	8406602XA	CMOS Programmable Peripheral I/F - 8MHz, 44 Lead LCC	2969
N	MR82C59A-12/B		CMOS Interrupt Controller - 8MHz, 28 Lead LCC	2784
C	MR82C59A-5/B	8406601XA	CMOS Interrupt Controller - 5MHz, 28 Lead LCC	2784
C	MR82C59A/B	5962-85016023A	CMOS Interrupt Controller - 8MHz, 28 Lead LCC	2784
C	MR82C82/B	84067012A	CMOS Octal Latchable Bus Driver - 20 Lead LCC	2975
C	MR82C83H/B	84067022A	CMOS Inverting Octal Latchable Driver - 20 Lead LCC	2971
C	MR82C84A/B	84068012A	CMOS Clock Generator - 8MHz, 20 Lead LCC	2974
N	MR82C85/B		CMOS Static Clock Controller - 8MHz, 28 Lead LCC	2976
C	MR82C86H-5/B	5962-87577012A	CMOS Octal Inverting Transceiver - 5MHz, 20 Lead LCC	2977
C	MR82C87H-5/B	5962-87577022A	CMOS Octal Inverting Transceiver - 5MHz, 20 Lead LCC	2978
C	MR82C88/B	84069012A	CMOS Bus Controller - 8MHz, 20 Lead LCC	2979
C	MR82C89/B	5962-85528012A	CMOS Bus Arbiter- 8MHz, 20 Lead LCC	2980
C	RTX2000GM-8/883		Microcontroller - 8MHz, 84 pin CPGA	2447
N	SP720MD		ESD Protection Array - 16 Lead CERDIP	3683
N	SP720MD-8		ESD Protection Array - 16 Lead CERDIP	3683
N	SM720MM		ESD Protection Array - 28 Lead LCC	3683
N	SP720MM-8		ESD Protection Array - 28 Lead LCC	3683
C	V12ZTX1		TX MIL MOV	-
C	V12ZTX2		TX MIL MOV	-
C	V130LTX10A		TX MIL MOV	-
C	V130LTX2		TX MIL MOV	-
C	V130LTX20B		TX MIL MOV	-
C	V150LTX10A		TX MIL MOV	-
C	V150LTX2		TX MIL MOV	-
C	V150LTX20B		TX MIL MOV	-
C	V22ZTX1		TX MIL MOV	-
C	V22ZTX3		TX MIL MOV	-
C	V24ZTX50		TX MIL MOV	-
C	V250LTX20A		TX MIL MOV	-
C	V250LTX4		TX MIL MOV	-
C	V250LTX40B		TX MIL MOV	-
C	V33ZTX1		TX MIL MOV	-
C	V33ZTX5		TX MIL MOV	-
C	V33ZTX70		TX MIL MOV	-
C	V420LTX20A		TX MIL MOV	-
C	V420LTX40B		TX MIL MOV	-
C	V480LTX40A		TX MIL MOV	-
C	V480LTX80B		TX MIL MOV	-
C	V510LTX40A		TX MIL MOV	-
C	V510LTX80B		TX MIL MOV	-
C	V68ZTX10		TX MIL MOV	-
C	V68ZTX2		TX MIL MOV	-
C	V82ZTX12		TX MIL MOV	-

Military and Space Cross-Reference

PART NUMBER LISTING (Continued)

COMPLIANT OR NON- COMPLIANT	MARKETING PART NUMBER	REFERENCE NUMBER	DESCRIPTION	FILE NO.
C	V82ZTX2		TX MIL MOV	-
C	V8ZTX1		TX MIL MOV	-
C	V8ZTX2		TX MIL MOV	-

CROSS-REFERENCE GUIDE

5

PRODUCT NUMBER LISTING

This alpha numeric product listing contains all of Harris Semiconductor's base part numbers.

Column 1. Base Part Number

This column contains the base part number for Harris products in alpha numeric order.

Column 2. Data Book

For convenience in locating a Harris data sheet, this column indicates the number of the data book which contains this Harris product. At the bottom of each spread is a legend showing the title for each data book number.

Column 3. File #

This column displays the actual data sheet file number. This is the document number used to order a data sheet through AnswerFAX (407 724-7800). To receive a data sheet by mail call 1-800-4Harris and request this file number. Many data sheets and appnotes are available on the Harris web site, <http://www.semi.harris.com>. To find product information search based upon part number or description.

5

HARRIS
PRODUCT LISTING

Alpha Numeric Product Number Listing

PART NUMBER	DATA BOOK	FILE#
24501BVA	-	-
24502BVA	-	-
29102BJA	-	-
29103BRA	-	-
29104BJA	-	-
29109BRA	-	-
29110BJA	-	-
29205BXA	-	-
2N6755	DB223	1586
2N6756	DB223	1586
2N6757	DB223	1587
2N6758	DB223	1587
2N6759	DB223	1588
2N6760	DB223	1588
2N6761	DB223	1589
2N6762	DB223	1589
2N6764	DB223	1590
2N6765	DB223	1591
2N6766	DB223	1591
2N6767	DB223	1898
2N6768	DB223	1898
2N6769	DB223	1899
2N6770	DB223	1899
2N6782	DB223	1592
2N6784	DB223	1906
2N6786	DB223	2207
2N6788	DB223	1593
2N6790	DB223	1900
2N6792	DB223	1901
2N6794	DB223	1902
2N6796	DB223	1594
2N6798	DB223	1903
2N6800	DB223	1904
2N6802	DB223	1905
2N6804	DB223	2217
2N6849	DB223	2219
2N6851	DB223	2218
2N6895	DB223	1873
2N6896	DB223	1874
2N6897	DB223	1875
2N6898	DB223	1876
2N6901	DB223	1877
2N6902	DB223	1878
2N6903	DB223	1879
2N6904	DB223	1880
2N7119	-	-

PART NUMBER	DATA BOOK	FILE#
2N7120	-	-
2N7121	-	-
2N7122	-	-
2N7123	-	-
2N7124	-	-
2N7125	-	-
2N7126	-	-
2N7224	-	-
2N7225	-	-
2N7227	-	-
2N7228	-	-
2N7241	-	-
2N7242	-	-
2N7243	-	-
2N7244	-	-
2N7271	DB235	3217
2N7272	DB235	3218
2N7273	DB235	3219
2N7274	DB235	3249
2N7275	DB235	3223
2N7276	DB235	3224
2N7277	DB235	3250
2N7278	DB235	3229
2N7279	DB235	3251
2N7280	DB235	3252
2N7281	DB235	3234
2N7282	DB235	3253
2N7283	DB235	3220
2N7284	DB235	3254
2N7285	DB235	3225
2N7286	DB235	3255
2N7287	DB235	3230
2N7288	DB235	3256
2N7289	DB235	3235
2N7290	DB235	3257
2N7291	DB235	3221
2N7292	DB235	3215
2N7293	DB235	3226
2N7294	DB235	3227
2N7295	DB235	3231
2N7296	DB235	3232
2N7297	DB235	3236
2N7298	DB235	3237
2N7299	DB235	3222
2N7300	DB235	3258
2N7301	DB235	3228

Alpha Numeric Product Number Listing

PART NUMBER	DATA BOOK	FILE#
2N7302	DB235	3259
2N7303	DB235	3233
2N7304	DB235	3260
2N7305	DB235	3238
2N7306	DB235	3261
2N7307	DB235	3262
2N7308	DB235	3239
2N7309	DB235	3240
2N7310	DB235	3263
2N7311	DB235	3245
2N7312	DB235	3246
2N7316	DB235	3241
2N7317	DB235	3264
2N7318	DB235	3242
2N7319	DB235	3265
2N7322	DB235	3266
2N7323	DB235	3243
2N7324	DB235	3267
2N7325	DB235	3247
2N7328	DB235	3244
2N7329	DB235	3268
2N7330	DB235	3248
2N7331	DB235	3269
5962-85016013A	-	-
5962-8501601YA	-	-
5962-85016023A	-	-
5962-8501602YA	-	-
5962-8512703XA	-	-
5962-8512703YA	-	-
5962-8512704XA	-	-
5962-8512704YA	-	-
5962-85131013A	-	-
5962-8513101XA	-	-
5962-85131023A	-	-
5962-8513102XA	-	-
5962-85131032A	-	-
5962-8513103EA	-	-
5962-85131073A	-	-
5962-8513107XA	-	-
5962-85131083A	-	-
5962-8513108XA	-	-

PART NUMBER	DATA BOOK	FILE#
5962-85131092A	-	-
5962-8513109EA	-	-
5962-8515301CA	-	-
5962-8515401CA	-	-
5962-85528012A	-	-
5962-8552801RA	-	-
5962-8601601QA	-	-
5962-8601601XA	-	-
5962-8606101EA	-	-
5962-8606201RA	-	-
5962-8670101JA	-	-
5962-86716012A	-	-
5962-8671601EA	-	-
5962-8681201EA	-	-
5962-8681301RA	-	-
5962-8681401RA	-	-
5962-8681501RA	-	-
5962-8681701EA	-	-
5962-8681801RA	-	-
5962-8681901EA	-	-
5962-8682001EA	-	-
5962-8682101EA	-	-
5962-8682201JA	-	-
5962-8682301EA	-	-
5962-8682401EA	-	-
5962-8682501EA	-	-
5962-8682601EA	-	-
5962-8682701EA	-	-
5962-8682801EA	-	-
5962-8683101CA	-	-
5962-8684701EA	-	-
5962-8684801CA	-	-
5962-8685201CA	-	-
5962-8685301CA	-	-
5962-8685401EA	-	-
5962-8685501EA	-	-
5962-8685601RA	-	-
5962-8685701RA	-	-
5962-86860012A	-	-
5962-8686001EA	-	-
5962-8686701RA	-	-

DATA BOOK LEGEND

DATA BOOK #	DATA BOOK TITLE
DB220	Bipolar Power
DB223	Power MOSFETs
DB235	Rad Hard/Hi Rel
DB260	CDP6805 & Peripheral
DB301	Data Acquisition
DB302	Digital Signal Processing
DB303	Microprocessors Products

DATA BOOK #	DATA BOOK TITLE
DB304	Intelligent Power
DB309	MCT/IGBTs/Diodes
DB312	Analog Military Supplement
DB314	Signal Processing New Releases
DB316	Power MOSFET Supplement
DB317	Communications

DATA BOOK #	DATA BOOK TITLE
DB318	LPT/FCT CMOS Logic
DB319	IGBT UFS Series Supplement
DB450	Transient Voltage Suppression
DB500	Linear and Telecom
'89 Ana Mil	1989 Analog Military
SG103	CMOS Logic Selection Guide

Alpha Numeric Product Number Listing

PART NUMBER	DATA BOOK	FILE#
5962-86879013A	-	-
5962-8687901EA	-	-
5962-8688001QA	-	-
5962-8688001XA	-	-
5962-8688301CA	-	-
5962-8688401EA	-	-
5962-8688501JA	-	-
5962-8688601EA	-	-
5962-8689001CA	-	-
5962-8689101EA	-	-
5962-87577012A	-	-
5962-8757701RA	-	-
5962-87577022A	-	-
5962-8757702RA	-	-
5962-8764701CA	-	-
5962-8765301JA	-	-
5962-8766001G	-	-
5962-8766001PA	-	-
5962-87677012A	-	-
5962-8767701CA	-	-
5962-8768001EA	-	-
5962-8772101CA	-	-
5962-8772201CA	-	-
5962-8772401EA	-	-
5962-8772501RA	-	-
5962-8773301EA	-	-
5962-8775401EA	-	-
5962-87783012A	-	-
5962-8778301EA	-	-
5962-87784012A	-	-
5962-8778401CA	-	-
5962-8778401X	-	-
5962-8778501XA	-	-
5962-8778503CA	-	-
5962-8778503PA	-	-
5962-87787012A	-	-
5962-8778701CA	-	-
5962-8780501EA	-	-
5962-8780601RA	-	-
5962-8780701RA	-	-
5962-8780801EA	-	-
5962-8780901RA	-	-
5962-88502012A	-	-
5962-8850201CA	-	-
5962-8855601EA	-	-
5962-8857601CA	-	-

PART NUMBER	DATA BOOK	FILE#
5962-8860601EA	-	-
5962-8862401JA	-	-
5962-8867101EA	-	-
5962-8867201EA	-	-
5962-88690013A	-	-
5962-8869001JA	-	-
5962-8869001LA	-	-
5962-88690023A	-	-
5962-8869002JA	-	-
5962-8869002LA	-	-
5962-88699013A	-	-
5962-8869901XA	-	-
5962-8875001EA	-	-
5962-8875701EA	-	-
5962-8875901EA	-	-
5962-8877201CA	-	-
5962-8943601MRA	-	-
5962-8944501JA	-	-
5962-8945801EA	-	-
5962-89502012A	-	-
5962-8950201G	-	-
5962-8950201PA	-	-
5962-8950303G	-	-
5962-8950304CA	-	-
5962-8954001JA	-	-
5962-8954001LA	-	-
5962-8954001XA	-	-
5962-8954002JA	-	-
5962-8954002LA	-	-
5962-8954002XA	-	-
5962-89548012A	-	-
5962-8954801G	-	-
5962-8954801PA	-	-
5962-8960901EA	-	-
5962-89620012A	-	-
5962-8962001PA	-	-
5962-89627012A	-	-
5962-8962701G	-	-
5962-8962701PA	-	-
5962-89627022A	-	-
5962-8962702G	-	-
5962-8962702PA	-	-
5962-89627032A	-	-
5962-8962703G	-	-
5962-8962703PA	-	-
5962-89631012A	-	-

Alpha Numeric Product Number Listing

PART NUMBER	DATA BOOK	FILE#
5962-8963101G	-	-
5962-8963101PA	-	-
5962-89632012A	-	-
5962-8963201G	-	-
5962-8963201PA	-	-
5962-8963301X	-	-
5962-89634012A	-	-
5962-8963401CA	-	-
5962-89635012A	-	-
5962-8963501PA	-	-
5962-89636012A	-	-
5962-8963601G	-	-
5962-8963601PA	-	-
5962-8964301X	-	-
5962-89648012A	-	-
5962-8964801CA	-	-
5962-89656022A	-	-
5962-8965602G	-	-
5962-8965602PA	-	-
5962-89656032A	-	-
5962-8965603CA	-	-
5962-8970001EA	-	-
5962-8970101EA	-	-
5962-8970201EA	-	-
5962-8970301CA	-	-
5962-8970401CA	-	-
5962-8970501EA	-	-
5962-8970701EA	-	-
5962-8970801EA	-	-
5962-8970901CA	-	-
5962-89721012A	-	-
5962-8972101G	-	-
5962-8972101PA	-	-
5962-8974001RA	-	-
5962-8974201RA	-	-
5962-8974301EA	-	-
5962-8974501EA	-	-
5962-8974601CA	-	-
5962-8974701CA	-	-
5962-8975101CA	-	-
5962-8976301MEA	-	-

PART NUMBER	DATA BOOK	FILE#
5962-8976501EA	-	-
5962-8976901RA	-	-
5962-8977101EA	-	-
5962-8984201G	-	-
5962-8984202G	-	-
5962-8984301CA	-	-
5962-8984401CA	-	-
5962-8984501CA	-	-
5962-8984901RA	-	-
5962-8985201EA	-	-
5962-89880012A	-	-
5962-8988001G	-	-
5962-8988001PA	-	-
5962-8988002G	-	-
5962-8988002PA	-	-
5962-8989001CA	-	-
5962-8994601EA	-	-
5962-8994701MEA	-	-
5962-8995301EA	-	-
5962-8995401EA	-	-
5962-8996101EA	-	-
5962-8999001EA	-	-
5962-9050501MEA	-	-
5962-9052401MEA	-	-
5962-9052501MQA	-	-
5962-9052502MQA	-	-
5962-9054301MQA	-	-
5962-9054301MXA	-	-
5962-9054302MQA	-	-
5962-9054302MXA	-	-
5962-9054303MQA	-	-
5962-9054303MXA	-	-
5962-9054304MQA	-	-
5962-9054304MXA	-	-
5962-9054305MQA	-	-
5962-9054305MXA	-	-
5962-9055301EA	-	-
5962-9055701EA	-	-
5962-9056901EA	-	-
5962-9057401EA	-	-
5962-9059701MEA	-	-

DATA BOOK LEGEND

DATA BOOK #	DATA BOOK TITLE
DB220	Bipolar Power
DB223	Power MOSFETs
DB235	Rad Hard/Hi Rel
DB260	CDP6805 & Peripheral
DB301	Data Acquisition
DB302	Digital Signal Processing
DB303	Microprocessors Products

DATA BOOK #	DATA BOOK TITLE
DB304	Intelligent Power
DB309	MCT/IGBTs/Diodes
DB312	Analog Military Supplement
DB314	Signal Processing New Releases
DB316	Power MOSFET Supplement
DB317	Communications

DATA BOOK #	DATA BOOK TITLE
DB318	LPT/FCT CMOS Logic
DB319	IGBT UFS Series Supplement
DB450	Transient Voltage Suppression
DB500	Linear and Telecom
'89 Ana Mil	1989 Analog Military
SG103	CMOS Logic Selection Guide

Alpha Numeric Product Number Listing

PART NUMBER	DATA BOOK	FILE#
5962-9064001CA	-	-
5962-9065101MCA	-	-
5962-9065201MEA	-	-
5962-9065401MEA	-	-
5962-9067801MX	-	-
5962-9067802MX	-	-
5962-9070101MEA	-	-
5962-9070201MEA	-	-
5962-9070301MEA	-	-
5962-9070501MEA	-	-
5962-9070601MEA	-	-
5962-9073101MEA	-	-
5962-9073102MEA	-	-
5962-9073103MEA	-	-
5962-9075801MEA	-	-
5962-9084801MEA	-	-
5962-9084901MCA	-	-
5962-9088801M2A	-	-
5962-9088801MRA	-	-
5962-9098401MEA	-	-
5962-9163001MEA	-	-
5962-9163401M2A	-	-
5962-9163401MPA	-	-
5962-9163402M2A	-	-
5962-9163402MPA	-	-
5962-9204101MEA	-	-
5962-9204102MEA	-	-
5962-9204201MEA	-	-
5962-9204202MEA	-	-
5962-9209701MX	-	-
5962-9209702MX	-	-
5962-9300701MX	-	-
5962-9300702MX	-	-
5962-9306301M2A	-	-
5962-9306301MCA	-	-
5962-9306302M2A	-	-
5962-9306302MCA	-	-
5962-9309501MEA	-	-
5962-9325101M2A	-	-
5962-9325101MEA	-	-
5962-9455301M2A	-	-
5962-9455301MCA	-	-
5962-9456201M2A	-	-
5962-9456201MCA	-	-
5962-9457301MX	-	-
5962-9457302MX	-	-

PART NUMBER	DATA BOOK	FILE#
5962-9467601MPA	-	-
5962-9467801MXA	-	-
5962-9467901MPA	-	-
5962-9468201M2A	-	-
5962-9468201MPA	-	-
5962-9468301MPA	-	-
5962-9468501MPA	-	-
5962-9469401MPA	-	-
5962D9567001VCA	-	-
5962D9567001VGA	-	-
5962D9567101VPA	-	-
5962F9563101QEC	-	-
5962F9563101QXC	-	-
5962F9563101VEC	-	-
5962F9563101VXC	-	-
5962F9563201QEC	-	-
5962F9563201QXC	-	-
5962F9563201VEC	-	-
5962F9563201VXC	-	-
5962H9215301QXC	-	-
5962R9563701VCC	-	-
5962R9563701VXC	-	-
5962R9566301VCC	-	-
5962R9566301VXC	-	-
5962R9567001VCA	-	-
5962R9567001VGA	-	-
5962R9567101VPA	-	-
5962R9567901VCC	-	-
5962R9567901VXC	-	-
5962R9568001VCC	-	-
5962R9568001VXC	-	-
5962R9568101VCC	-	-
5962R9568101VXC	-	-
5962R9568201VCC	-	-
5962R9568201VXC	-	-
5962R9568301VCC	-	-
5962R9568301VXC	-	-
5962R9571901VCC	-	-
5962R9571901VXC	-	-
5962R9572001VCC	-	-
5962R9572001VXC	-	-
5962R9572101VCC	-	-
5962R9572101VXC	-	-
5962R9572401VCC	-	-
5962R9572401VXC	-	-
5962R9572501VCC	-	-

Alpha Numeric Product Number Listing

PART NUMBER	DATA BOOK	FILE#
5962R9572501VXC	-	-
5962R9573101VCC	-	-
5962R9573101VXC	-	-
5962R9573201VCC	-	-
5962R9573201VXC	-	-
5962R9573301VCC	-	-
5962R9573301VXC	-	-
5962R9573401VCC	-	-
5962R9573401VXC	-	-
5962R9573501VCC	-	-
5962R9573501VXC	-	-
5962R9573601VCC	-	-
5962R9573601VXC	-	-
5962R9573901VCC	-	-
5962R9573901VXC	-	-
5962R9575201VCC	-	-
5962R9575201VXC	-	-
5962R9576301VCC	-	-
5962R9576301VXC	-	-
5962R9576501VCC	-	-
5962R9576501VXC	-	-
5962R9576601VCC	-	-
5962R9576601VXC	-	-
5962R9577701VCC	-	-
5962R9577701VXC	-	-
5962R9577801VCC	-	-
5962R9577801VXC	-	-
5962R9577901VCC	-	-
5962R9577901VXC	-	-
5962R9578001VCC	-	-
5962R9578001VXC	-	-
5962R9578101VCC	-	-
5962R9578101VXC	-	-
5962R9578301VCC	-	-
5962R9578301VXC	-	-
5962R9581401VCC	-	-
5962R9581401VXC	-	-
6805	DB260	7025
6805	DB260	7026
68HC05	DB260	7026
7702002EA	-	-

PART NUMBER	DATA BOOK	FILE#
7702301EA	-	-
7702402CA	-	-
7702501EA	-	-
7703201JA	-	-
7703702EA	-	-
7704402CA	-	-
7704403CA	-	-
7704602CA	-	-
7704701EA	-	-
7704801EA	-	-
7705102CA	-	-
77052012A	-	-
7705201E	-	-
77052022A	-	-
7705202EA	-	-
7705301EA	-	-
77053022A	-	-
7705302EA	-	-
7705902CA	-	-
7706002CA	-	-
78003022A	-	-
7800302G	-	-
7800302PA	-	-
78029013A	-	-
7802901JA	-	-
7901502EA	-	-
80016012A	-	-
8001601CA	-	-
80C286	DB303	2947
80C286	DB303	2947
80C86	DB303	2957
80C86	DB303	2957
80C88	DB303	2949
8100604EA	-	-
8100609EA/INT	-	-
8100609EA/MLB	-	-
8100610EA/INT	-	-
8100610EA/MLB	-	-
8100611EA/INT	-	-
8100611EA/MLB	-	-
81006122A	-	-

DATA BOOK LEGEND

DATA BOOK #	DATA BOOK TITLE
DB220	Bipolar Power
DB223	Power MOSFETs
DB235	Rad Hard/Hi Rel
DB260	CDP6805 & Peripheral
DB301	Data Acquisition
DB302	Digital Signal Processing
DB303	Microprocessors Products

DATA BOOK #	DATA BOOK TITLE
DB304	Intelligent Power
DB309	MCT/IGBTs/Diodes
DB312	Analog Military Supplement
DB314	Signal Processing New Releases
DB316	Power MOSFET Supplement
DB317	Communications

DATA BOOK #	DATA BOOK TITLE
DB318	LPT/FCT CMOS Logic
DB319	IGBT UFS Series Supplement
DB450	Transient Voltage Suppression
DB500	Linear and Telecom
'89 Ana Mil	1989 Analog Military
SG103	CMOS Logic Selection Guide

Alpha Numeric Product Number Listing

PART NUMBER	DATA BOOK	FILE#
8100612EA/INT	-	-
8100612EA/MLB	-	-
8100613EA/INT	-	-
8100613EA/MLB	-	-
81006142A	-	-
8100614EA/INT	-	-
8100614EA/MLB	-	-
8100615EA/MLB	-	-
8100616EA/MLB	-	-
8100617EA/MLB	-	-
8100618EA/MLB	-	-
8100619EA/MLB	-	-
81006202A	-	-
8100620EA/MLB	-	-
8100621EA/MLB	-	-
81006222A	-	-
8100622EA/INT	-	-
8100622EA/MLB	-	-
8101602EA	-	-
8101701EA	-	-
8101801EA	-	-
8102001CA	-	-
8102401VA	-	-
8102402VA	-	-
8102403VA	-	-
8102404VA	-	-
8102405VA	-	-
8102406VA	-	-
82C237	DB303	2965
82C284	DB303	2966
82C37	DB303	2965
82C37A	DB303	2967
82C50A	DB303	2958
82C52	DB303	2950
82C54	DB303	2970
82C55A	DB303	2969
82C59	DB303	2784
82C82	DB303	2975
82C83H	DB303	2971
82C84A	DB303	2974
82C85	DB303	2976
82C86H	DB303	2977
82C87H	DB303	2977
82C87H	DB303	2978
82C88	DB303	2979
82C89	DB303	2980

PART NUMBER	DATA BOOK	FILE#
8403601JA	-	-
8403601ZA	-	-
8403602JA	-	-
8403602ZA	-	-
8403603JA	-	-
8403603ZA	-	-
8403606JA	-	-
8403606ZA	-	-
8403607JA	-	-
8403607ZA	-	-
8403701CA	-	-
8403801CA	-	-
8403901CA	-	-
8404001CA	-	-
8404101CA	-	-
8404201CA	-	-
8404302CA	-	-
8404401CA	-	-
8404501CA	-	-
8404601CA	-	-
8404701CA	-	-
8404801CA	-	-
8405201QA	-	-
8405201XA	-	-
8405202QA	-	-
8405202XA	-	-
8405601CA	-	-
8406201EA	-	-
8406401EA	-	-
84065013A	-	-
8406501JA	-	-
84065023A	-	-
8406502JA	-	-
8406601QA	-	-
8406601XA	-	-
8406602QA	-	-
8406602XA	-	-
84067012A	-	-
8406701RA	-	-
84067022A	-	-
8406702RA	-	-
84068012A	-	-
8406801VA	-	-
84069012A	-	-
8406901RA	-	-
8407001EA	-	-

Alpha Numeric Product Number Listing

PART NUMBER	DATA BOOK	FILE#	PART NUMBER	DATA BOOK	FILE#
8407101RA	-	-	8601101EA	-	-
8407201RA	-	-	8601201CA	-	-
8407301EA	-	-	8601301EA	-	-
8407401RA	-	-	8607601EA	-	-
8407501EA	-	-	8607701CA	-	-
8408501RA	-	-	87063-001	-	-
8408801EA	-	-	87063-002	-	-
8408901EA	-	-	87063-003	-	-
8409001CA	-	-	87063-004	-	-
8409101CA	-	-	87063-005	-	-
8409201EA	-	-	87063-006	-	-
8409301EA	-	-	87063-007	-	-
8409401EA	-	-	87063-008	-	-
8409501EA	-	-	87063-009	-	-
8409601RA	-	-	87063-010	-	-
8409801CA	-	-	87063-011	-	-
8409901RA	-	-	87063-012	-	-
8410001CA	-	-	87063-013	-	-
8412801EA	-	-	87063-014	-	-
8413201RA	-	-	87063-015	-	-
8413201YA	-	-	87063-016	-	-
8413203RA	-	-	87063-017	-	-
8413203YA	-	-	87063-018	-	-
8415001EA	-	-	87063-019	-	-
8416201CA	-	-	87063-020	-	-
8500101EA	-	-	87063-021	-	-
8500201EA	-	-	87063-022	-	-
8500301EA	-	-	87063-023	-	-
8500401EA	-	-	87063-024	-	-
85015013A	-	-	87063-025	-	-
8501501XA	-	-	87063-026	-	-
8512401EA	-	-	87063-027	-	-
8512501EA	-	-	87063-028	-	-
8512801RA	-	-	87063-029	-	-
8513001RA	-	-	87063-030	-	-
8550401EA	-	-	87063-031	-	-
8550501RA	-	-	87063-032	-	-
8550601RA	-	-	87063-033	-	-
8550701RA	-	-	87063-034	-	-
8551901EA	-	-	87063-035	-	-
8601001CA	-	-	87063-036	-	-

DATA BOOK LEGEND

DATA BOOK #	DATA BOOK TITLE
DB220	Bipolar Power
DB223	Power MOSFETs
DB235	Rad Hard/Hi Rel
DB260	CDP6805 & Peripheral
DB301	Data Acquisition
DB302	Digital Signal Processing
DB303	Microprocessors Products

DATA BOOK #	DATA BOOK TITLE
DB304	Intelligent Power
DB309	MCT/GBTs/Diodes
DB312	Analog Military Supplement
DB314	Signal Processing New Releases
DB316	Power MOSFET Supplement
DB317	Communications

DATA BOOK #	DATA BOOK TITLE
DB318	LPT/FCT CMOS Logic
DB319	IGBT UFS Series Supplement
DB450	Transient Voltage Suppression
DB500	Linear and Telecom
'89 Ana Mil	1989 Analog Military
SG103	CMOS Logic Selection Guide

Alpha Numeric Product Number Listing

PART NUMBER	DATA BOOK	FILE#
87063-037	-	-
87063-038	-	-
87063-039	-	-
87063-040	-	-
87063-041	-	-
87063-042	-	-
87063-043	-	-
87063-044	-	-
87063-045	-	-
87063-046	-	-
87063-047	-	-
87063-048	-	-
87063-049	-	-
87063-050	-	-
87063-051	-	-
87063-052	-	-
89007-2N7123TX	-	-
89007-2N7123TXV	-	-
89007-2N7124TX	-	-
89007-2N7124TXV	-	-
89007-2N7125TX	-	-
89007-2N7125TXV	-	-
89007-2N7126TX	-	-
89007-2N7126TXV	-	-
89009-2N7119TX	-	-
89009-2N7119TXV	-	-
89009-2N7120TX	-	-
89009-2N7120TXV	-	-
89009-2N7121TX	-	-
89009-2N7121TXV	-	-
89009-2N7122TX	-	-
89009-2N7122TXV	-	-
89025-2N7241TX	-	-
89025-2N7241TXV	-	-
89025-2N7242TX	-	-
89025-2N7242TXV	-	-
89025-2N7243TX	-	-
89025-2N7243TXV	-	-
89025-2N7244TX	-	-
89025-2N7244TXV	-	-
90065-012	-	-
90065-013	-	-
90065-014	-	-
90065-015	-	-
90065-016	-	-
90065-017	-	-

PART NUMBER	DATA BOOK	FILE#
90065-018	-	-
90065-019	-	-
90065-020	-	-
90065-021	-	-
90065-022	-	-
ACS00MS	-	3563
ACS03MS	DB235	3064
ACS08MS	-	3993
ACS10MS	-	3630
ACS112MS	-	3570
ACS112MS	-	3571
ACS125MS	-	3565
ACS161MS	-	3600
ACS20MS	-	3616
ACS245MS	DB235	3198
ACS280MS	-	3568
ACS373MS	-	3999
ACS374MS	-	3997
ACS521MS	-	3111
ACS541MS	-	-
ACS573MS	-	-
ACS630MS	DB235	3199
ACS74MS	-	-
ACS86MS	-	3995
ACT646	-	-
ACTS00MS	-	3564
ACTS04MS	DB235	3383
ACTS04MS	DB235	3385
ACTS08MS	-	3994
ACTS10MS	-	3631
ACTS125MS	-	3566
ACTS161MS	-	4095
ACTS20MS	-	3611
ACTS240MS	DB235	3186
ACTS244MS	DB235	3187
ACTS245MS	DB235	3188
ACTS280MS	-	3569
ACTS373MS	-	4000
ACTS374MS	-	3998
ACTS541MS	-	4094
ACTS573MS	-	4092
ACTS630MS	DB235	3204
ACTS74MS	DB235	3382
ACTS86MS	-	3996
AD590	DB301	3171
AD7520/883	-	3104

Alpha Numeric Product Number Listing

PART NUMBER	DATA BOOK	FILE#
AD7520	DB301	3104
AD7521	DB301	3104
AD7523	DB301	3105
AD7530	DB301	3104
AD7531	DB301	3104
AD7533	DB301	3105
AD7541	DB301	3107
AD7545	DB301	3108
ADC0802	DB301	3094
ADC0803	DB301	3094
ADC0804	DB301	3094
BUZ11	DB223	2253
BUZ20	DB223	2254
BUZ21	DB223	2420
BUZ32	DB223	2416
BUZ351	DB223	2266
BUZ41A	DB223	2256
BUZ42	DB223	2417
BUZ45	DB223	2257
BUZ45A	DB223	2258
BUZ45B	DB223	2259
BUZ60	DB223	2260
BUZ60B	DB223	2261
BUZ71	DB223	2418
BUZ71A	DB223	2419
BUZ72A	DB223	2262
BUZ73A	DB223	2263
BUZ76	DB223	2264
BUZ76A	DB223	2265
BYW51100	DB309	1412
BYW51150	DB309	1412
BYW51200	DB309	1412
CA0741T3	-	531
CA124	DB500	796
CA139	DB500	795
CA1391	DB304, DB500	981
CA1391	DB500	981
CA1394	DB304, DB500	981
CA1394	DB500	981
CA139A	DB500	795
CA1458	DB500	531

PART NUMBER	DATA BOOK	FILE#
CA1524	DB304	1239
CA1558	DB500	531
CA158	DB500	1019
CA158A	DB500	1019
CA2111A	DB500	612
CA224	DB500	796
CA239	DB500	795
CA239A	DB500	795
CA2524	DB304	1239
CA258	DB500	1019
CA258A	DB500	1019
CA2904	DB500	1019
CA3012	DB500	128
CA3014	-	129
CA3018	DB500	338
CA3018A3	-	762
CA3020	DB304, DB500	339
CA3020	DB500	339
CA30263	-	706
CA3028A	DB500	382
CA3028A3	-	382
CA3028B	DB500	382
CA3028B3	-	711
CA3039	DB500	343
CA30393	-	704
CA3045	DB317, DB500	341
CA30453	-	710
CA3045F3	-	341
CA3046	DB317, DB500	341
CA3049	DB500	611
CA3049T3	-	341
CA3053	DB500	382
CA3054	DB500	388
CA3059	DB304	490
CA3060	DB500	537
CA3070	-	468
CA3078	DB500	535
CA3078A	DB500	535
CA3079	DB304	490
CA3080	DB500	475
CA3080A3	-	709

DATA BOOK LEGEND

DATA BOOK #	DATA BOOK TITLE
DB220	Bipolar Power
DB223	Power MOSFETs
DB235	Rad Hard/Hi Rel
DB260	CDP6805 & Peripheral
DB301	Data Acquisition
DB302	Digital Signal Processing
DB303	Microprocessors Products

DATA BOOK #	DATA BOOK TITLE
DB304	Intelligent Power
DB309	MCT/IGBTs/Diodes
DB312	Analog Military Supplement
DB314	Signal Processing New Releases
DB316	Power MOSFET Supplement
DB317	Communications

DATA BOOK #	DATA BOOK TITLE
DB318	LPT/FCT CMOS Logic
DB319	IGBT UFS Series Supplement
DB450	Transient Voltage Suppression
DB500	Linear and Telecom
'89 Ana Mil	1989 Analog Military
SG103	CMOS Logic Selection Guide

Alpha Numeric Product Number Listing

PART NUMBER	DATA BOOK	FILE#
CA3080AS3	-	709
CA3081	DB317, DB500	480
CA3081F3	-	1331
CA3082	DB317, DB500	480
CA3083	DB317, DB500	481
CA3083F3W	-	481
CA3085	DB304	491
CA3085A3	-	708
CA3085AS3	-	708
CA3085BS3	-	708
CA3085BT3	-	708
CA3086	DB317, DB500	483
CA3088	DB500	560
CA3088E	DB500	560
CA3089	DB500	561
CA3089F3W	-	561
CA3094	DB304, DB500	598
CA3094	DB500	598
CA3094AS3	-	598
CA3094AT3	-	598
CA3094S3	-	598
CA3094T3	-	598
CA3096	DB314, DB317, DB500	595
CA3096	DB317, DB500	595
CA3096A	DB317, DB500	595
CA3096C	DB317, DB500	595
CA3098	DB500	896
CA3100	DB500	625
CA3100T3	-	825
CA3102	DB500	611
CA3126	DB500	860
CA3127	DB317, DB500	662
CA3128E	-	1161
CA3128Q	-	1161
CA3130	DB500	817
CA3130A	DB500	817
CA3130AS3	-	817
CA3130AT3	-	817
CA3130S3	-	817
CA3130T3	-	817
CA3140	DB500	957
CA3140A	DB500	957
CA3140AS3	-	957
CA3140AT3	-	957
CA3140S3	-	957
CA3140T3	-	957

PART NUMBER	DATA BOOK	FILE#
CA3141	DB500	906
CA3146	DB317, DB500	532
CA3146A	DB317, DB500	532
CA3154	DB500	1183
CA3160	DB500	976
CA3160A	DB500	976
CA3160AS3	-	976
CA3160AT3	-	976
CA3160T3	-	976
CA3161	DB301	1079
CA3162	DB301	1080
CA3163E	-	1092
CA3165	DB304	1278
CA3179	-	1176
CA3179E	-	1176
CA3183	DB317, DB500	532
CA3183A	DB317, DB500	532
CA3189	DB500	1046
CA3193	DB500	1249
CA3224	DB500	1553
CA3224E	DB500	1553
CA3227	DB317, DB500	1345
CA3232	-	1506
CA3238E	-	1468
CA324	DB500	796
CA3240	DB500	1050
CA3240A	DB500	1050
CA3242	DB304	1561
CA3246	DB317, DB500	1345
CA3247	-	2110
CA3252	-	1542
CA3252E	-	1542
CA3252M	-	1542
CA3253	-	1847
CA3254	-	1705
CA3255	-	1705
CA3256	DB500	1769
CA3260	DB500	1266
CA3260A	DB500	1266
CA3260AT3	-	1724
CA3260T3	-	1724
CA3262	DB304	1836
CA3263	-	1922
CA3272A	DB304	2223
CA3273	DB304	2113
CA3274	DB304	2222

Alpha Numeric Product Number Listing

PART NUMBER	DATA BOOK	FILE#
CA3274E	DB304	2222
CA3275E	DB304	2159
CA3277	DB304	2792
CA3280	DB500	1174
CA3280AF3	DB500	1174
CA3282	DB304	2767
CA3290	DB500	1049
CA3290A	DB500	1049
CA3290AT3		1049
CA3292A	DB304	2223
CA3304	DB301	1790
CA3306	DB301	3102
CA3306	DB500	3102
CA3310	DB301	3095
CA3310A	DB301	3095
CA3318C	DB301	3103
CA3338	DB301	1850
CA339	DB500	795
CA339A	DB500	795
CA3420	DB500	1320
CA3440	DB500	1318
CA3450	DB500	1732
CA3524	DB304	1239
CA358	DB500	1019
CA358A	DB500	1019
CA5130	DB500	1923
CA5160	DB500	1924
CA5260	DB500	1929
CA5260A	DB500	1929
CA5420	DB500	1925
CA5420A	DB500	1925
CA5470	DB500	1946
CA555	DB500	834
CA723	DB304	788
CA741	DB500	531
CD14538B		3737
CD14538BF3A	SG103	7012
CD14538BMS	DB235	3192
CD22100	DB317	1076
CD22101	DB317	2871
CD22102	DB317	2871

DATA BOOK LEGEND

DATA BOOK #	DATA BOOK TITLE
DB220	Bipolar Power
DB223	Power MOSFETs
DB235	Rad Hard/Hi Rel
DB260	CDP6805 & Peripheral
DB301	Data Acquisition
DB302	Digital Signal Processing
DB303	Microprocessors Products

DATA BOOK #	DATA BOOK TITLE
DB304	Intelligent Power
DB309	MCT/IGBTs/Diodes
DB312	Analog Military Supplement
DB314	Signal Processing New Releases
DB316	Power MOSFET Supplement
DB317	Communications

DATA BOOK #	DATA BOOK TITLE
DB318	LPT/FCT CMOS Logic
DB319	IGBT UFS Series Supplement
DB450	Transient Voltage Suppression
DB500	Linear and Telecom
'89 Ana Mil	1989 Analog Military
SG103	CMOS Logic Selection Guide

PART NUMBER	DATA BOOK	FILE#
CD22103A	DB317	1310
CD22202	DB317	1695
CD22203	DB317	1695
CD22204	DB317	1696
CD22301	DB317	1368
CD22354A	DB317	1682
CD22357A	DB317	1682
CD22402	DB500	1686
CD22777		1869
CD22859	DB317	1257
CD22M3493	DB317, DB500	2491
CD22M3493	DB500	2491
CD22M3494	DB317, DB500	2793
CD22M3494	DB500	2793
CD29FCT520T	DB318	4164
CD29FCT52T	DB318	4163
CD4000AFB	-	-
CD4000B	-	-
CD4000BMS	DB235	3289
CD4001AFB	-	-
CD4001B	SG103	985
CD4001BF3A	SG103	7012
CD4001BFB	-	-
CD4001BK3	SG103	7012
CD4001BKNSR	DB235	3289
CD4001BMS	DB235	3289
CD4001UB	SG103	945
CD4001UBF3A	SG103	7012
CD4002B	SG103	985
CD4002BDNSR	DB235	3289
CD4002BF3A	SG103	7012
CD4002BK3	SG103	7012
CD4002BMS	DB235	3289
CD4006B	SG103	1033
CD4006BDNSR	DB235	3290
CD4006BF3A	SG103	7012
CD4006BKNSH	DB235	3290
CD4006BMS	DB235	3290
CD4007UB	SG103	977
CD4007UBF3A	SG103	7012
CD4007UBMS	DB235	3291

5
HARRIS
PRODUCT LISTING

Alpha Numeric Product Number Listing

PART NUMBER	DATA BOOK	FILE#
CD4008B	SG103	951
CD4008BDNSR	DB235	3292
CD4008BF3A	SG103	7012
CD4008BKNSR	DB235	3292
CD4008BMS	DB235	3292
CD4009UB	SG103	940
CD4009UBF3A	SG103	7012
CD4009UBMS	DB235	3293
CD40100B	SG103	980
CD40100BMS	DB235	3349
CD40101B	-	1000
CD40101BF3A	SG103	7012
CD40101BMS	DB235	3350
CD40102B	SG103	984
CD40102BMS	DB235	3351
CD40103B	SG103	984
CD40103BF3A	SG103	7012
CD40103BMS	DB235	3351
CD40104BMS	DB235	3352
CD40105B	SG103	1044
CD40105BDNSR	DB235	3353
CD40105BF3A	SG103	7012
CD40105BKNSR	DB235	3353
CD40105BMS	DB235	3353
CD40106B	SG103	1017
CD40106BDNSR	DB235	3354
CD40106BF3A	SG103	7012
CD40106BKNSR	DB235	3354
CD40106BMS	DB235	3354
CD40107B	SG103	1015
CD40107BDNSR	DB235	3355
CD40107BF3A	SG103	7012
CD40107BKNSR	DB235	3355
CD40107BMS	DB235	3355
CD40108B	SG103	1011
CD40108BD3	SG103	7012
CD40108BMS	DB235	3356
CD40109B	SG103	3722
CD40109BDNSR	DB235	3196
CD40109BF3A	SG103	7012
CD40109BK3	SG103	7012
CD40109BKNSR	DB235	3196
CD40109BMS	DB235	3196
CD4010B	SG103	940
CD4010BF3A	SG103	7012
CD4010BMS	DB235	3078

PART NUMBER	DATA BOOK	FILE#
CD40110B	SG103	1125
CD40110BMS	-	-
CD40116	SG103	1234
CD40116D3	SG103	7012
CD40117B	SG103	1333
CD4011AD3	SG103	7012
CD4011AFB	-	-
CD4011B	SG103	3718
CD4011BDNSR	DB235	3079
CD4011BF3A	SG103	7012
CD4011BFB	-	-
CD4011BK3	SG103	7012
CD4011BKNSR	DB235	3079
CD4011BMS	DB235	3079
CD4011UB	SG103	947
CD4011UBF3A	SG103	7012
CD4012B	SG103	3718
CD4012BDNSR	DB235	3079
CD4012BF3A	SG103	7012
CD4012BFB	-	-
CD4012BKNSR	DB235	3079
CD4012BMS	DB235	3079
CD4013AFB	-	-
CD4013B	SG103	936
CD4013BDNSR	DB235	3080
CD4013BF3A	SG103	7012
CD4013BFB	-	-
CD4013BK3	SG103	7012
CD4013BKNSR	DB235	3080
CD4013BMS	DB235	3080
CD40147B	SG103	1117
CD40147BMS	DB235	3357
CD4014B	SG103	1043
CD4014BDMS	DB235	3294
CD4014BDNSR	DB235	3294
CD4014BF3A	SG103	7012
CD4014BKNSR	DB235	3294
CD4014BMS	DB235	3294
CD4015B	-	1024
CD4015BDMS	DB235	3295
CD4015BDNSR	DB235	3295
CD4015BF3A	SG103	7012
CD4015BKNSR	DB235	3295
CD4015BMS	DB235	3295
CD40160B	SG103	1047
CD40160BF3A	SG103	7012

Alpha Numeric Product Number Listing

PART NUMBER	DATA BOOK	FILE#
CD40160BMS	DB235	3358
CD40161B	SG103	1047
CD40161BDNSR	DB235	3358
CD40161BF3A	SG103	7012
CD40161BKNSR	DB235	3358
CD40161BMS	DB235	3358
CD40162BMS	DB235	3358
CD40163B	SG103	1047
CD40163BF3A	SG103	7012
CD40163BMS	DB235	3358
CD4016B	SG103	953
CD4016BF3A	SG103	7012
CD4016BMS	DB235	3296
CD40174B	SG103	1031
CD40174BDNSR	DB235	3359
CD40174BF3A	SG103	7012
CD40174BKNSR	DB235	3359
CD40174BMS	DB235	3359
CD40175B	-	1326
CD40175BF3A	SG103	7012
CD40175BMS	DB235	3360
CD4017AFB	-	-
CD4017B	SG103	1113
CD4017BDNSR	DB235	3297
CD4017BF3A	SG103	7012
CD4017BFB	-	-
CD4017BKNSR	DB235	3297
CD4017BMS	DB235	3297
CD40181BMS	DB235	3361
CD40182BMS	DB235	3362
CD4018B	SG103	1034
CD4018BF3A	SG103	7012
CD4018BFB	-	-
CD4018BK3	SG103	7012
CD4018BMS	DB235	3298
CD40192B	SG103	993
CD40192BF3A	SG103	7012
CD40192BMS	DB235	3363
CD40193B	SG103	993
CD40193BF3A	SG103	7012
CD40193BMS	DB235	3363

PART NUMBER	DATA BOOK	FILE#
CD40194B	SG103	1220
CD40194BMS	-	3352
CD4019AFB	-	-
CD4019B	SG103	1045
CD4019BDNSR	DB235	3299
CD4019BF3A	SG103	7012
CD4019BFB	-	-
CD4019BKNSR	DB235	3299
CD4019BMS	DB235	3299
CD40208BMS	DB235	3396
CD4020AFB	SG103	7012
CD4020B	SG103	1063
CD4020BDNSR	DB235	3300
CD4020BF3A	SG103	7012
CD4020BFB	-	-
CD4020BKNSR	DB235	3300
CD4020BMS	DB235	3300
CD4021B	-	1043
CD4021BDNSR	DB235	3294
CD4021BF3A	SG103	7012
CD4021BFB	-	-
CD4021BKNSR	DB235	3294
CD4021BMS	-	3294
CD4021BMS	DB235	3294
CD4022B	SG103	1113
CD4022BDNSR	DB235	3297
CD4022BF3A	SG103	7012
CD4022BKNSR	DB235	3297
CD4022BMS	DB235	3297
CD4023AFB	-	-
CD4023B	SG103	3718
CD4023BDNSR	DB235	3079
CD4023BF3A	SG103	7012
CD4023BFB	-	-
CD4023BK3	SG103	7012
CD4023BKNSR	DB235	3079
CD4023BMS	DB235	3079
CD4024AFB	-	-
CD4024B	SG103	1063
CD4024BDNSR	DB235	3300
CD4024BF3A	SG103	7012

DATA BOOK LEGEND

DATA BOOK #	DATA BOOK TITLE
DB220	Bipolar Power
DB223	Power MOSFETs
DB235	Rad Hard/Hi Rel
DB260	CDP6805 & Peripheral
DB301	Data Acquisition
DB302	Digital Signal Processing
DB303	Microprocessors Products

DATA BOOK #	DATA BOOK TITLE
DB304	Intelligent Power
DB309	MCT/IGBTs/Diodes
DB312	Analog Military Supplement
DB314	Signal Processing New Releases
DB316	Power MOSFET Supplement
DB317	Communications

DATA BOOK #	DATA BOOK TITLE
DB318	LPT/FCT CMOS Logic
DB319	IGBT UFS Series Supplement
DB450	Transient Voltage Suppression
DB500	Linear and Telecom
'89 Ana Mil	1989 Analog Military
SG103	CMOS Logic Selection Guide

Alpha Numeric Product Number Listing

PART NUMBER	DATA BOOK	FILE#
CD4024BFB	-	-
CD4024BKNSR	DB235	3300
CD4024BMS	DB235	3300
CD40257B	SG103	982
CD40257BDNSR	DB235	3364
CD40257BF3A	SG103	7012
CD40257BKNSR	DB235	3364
CD40257BMS	DB235	3364
CD4025AFB	-	-
CD4025B	SG103	985
CD4025BDNSR	DB235	3289
CD4025BF3A	SG103	7012
CD4025BFB	-	-
CD4025BKNSR	DB235	3289
CD4025BMS	DB235	3289
CD4026B	SG103	1118
CD4027AFB	-	-
CD4027B	SG103	942
CD4027BDNSR	DB235	3302
CD4027BF3A	SG103	7012
CD4027BFB	-	-
CD4027BK3	SG103	7012
CD4027BKMSR	DB235	3302
CD4027BKNSR	DB235	3302
CD4027BMS	DB235	3302
CD4028B	SG103	1016
CD4028BDNSR	DB235	3303
CD4028BF3A	SG103	7012
CD4028BKNSR	DB235	3303
CD4028BMS	DB235	3303
CD4029B	SG103	1028
CD4029BDNSR	DB235	3304
CD4029BF3A	SG103	7012
CD4029BKNSR	DB235	3304
CD4029BMS	DB235	3304
CD4030B	SG103	1055
CD4030BDNSR	DB235	3305
CD4030BF3A	SG103	7012
CD4030BFB	-	-
CD4030BKNSR	DB235	3305
CD4030BMS	DB235	3305
CD4031B	SG103	1073
CD4031BDNSR	DB235	3306
CD4031BF3A	SG103	7012
CD4031BKNSR	DB235	3306
CD4031BMS	DB235	3306

PART NUMBER	DATA BOOK	FILE#
CD4033B	SG103	1118
CD4033BMS	DB235	3301
CD4034B	SG103	1062
CD4034BDNSR	DB235	3307
CD4034BF3A	SG103	7012
CD4034BKNSR	DB235	3307
CD4034BMS	DB235	3307
CD4035B	SG103	1101
CD4035BDNSR	DB235	3308
CD4035BF3A	SG103	7012
CD4035BKNSR	DB235	3308
CD4035BMS	-	3308
CD4040B	-	1063
CD4040BDNSR	DB235	3300
CD4040BF3A	SG103	7012
CD4040BKNSR	DB235	3300
CD4040BMS	DB235	3300
CD4041UB	SG103	934
CD4041UBDNSR	DB235	3309
CD4041UBF3A	SG103	7012
CD4041UBKNSR	DB235	3309
CD4041UBMS	DB235	3309
CD4042B	SG103	954
CD4042BDNSR	DB235	3310
CD4042BF3A	SG103	7012
CD4042BK3	SG103	7012
CD4042BKNSR	DB235	3310
CD4042BMS	DB235	3310
CD4043B	SG103	956
CD4043BDNSR	DB235	3311
CD4043BF3A	SG103	7012
CD4043BKNSR	DB235	3311
CD4043BMS	DB235	3311
CD4044B	SG103	956
CD4044BF3A	SG103	7012
CD4044BMS	DB235	3311
CD4045B	SG103	1119
CD4046B	SG103	1099
CD4046BDNSR	DB235	3312
CD4046BF3A	SG103	7012
CD4046BKNSR	DB235	3312
CD4046BMS	DB235	3312
CD4047B	SG103	1123
CD4047BD3	SG103	7012
CD4047BDNSR	DB235	3313
CD4047BF3A	SG103	7012

Alpha Numeric Product Number Listing

PART NUMBER	DATA BOOK	FILE#
CD4047BKNSR	DB235	3313
CD4047BMS	DB235	3313
CD4048B	SG103	1124
CD4048BF3A	SG103	7012
CD4048BMS	DB235	3314
CD4049AFB	-	-
CD4049UB	SG103	926
CD4049UBDNSR	DB235	3315
CD4049UBF3A	SG103	7012
CD4049UBFB	-	-
CD4049UBK3	SG103	7012
CD4049UBKNSR	DB235	3315
CD4049UBMS	DB235	3315
CD4050AFB	-	-
CD4050B	SG103	926
CD4050BDNSR	DB235	3193
CD4050BF3A	SG103	7012
CD4050BFB	-	-
CD4050BKNSR	DB235	3193
CD4050BMS	DB235	3193
CD4051B	SG103	902
CD4051BDNSR	DB235	3316
CD4051BF3A	SG103	7012
CD4051BKNSR	DB235	3316
CD4051BMS	DB235	3316
CD4052B	SG103	902
CD4052BDNSR	DB235	3316
CD4052BF3A	SG103	7012
CD4052BKNSR	DB235	3316
CD4052BMS	DB235	3316
CD4053B	SG103	902
CD4053BDNSR	DB235	3316
CD4053BF3A	SG103	7012
CD4053BKNSR	DB235	3316
CD4054B	SG103	634
CD4054BF3A	SG103	7012
CD4055B	SG103	634
CD4056B	SG103	634
CD4056BF3A	SG103	7012
CD4059A	SG103	898
CD4059AD3	SG103	7012

PART NUMBER	DATA BOOK	FILE#
CD4060B	SG103	1120
CD4060BF3A	SG103	7012
CD4060BMS	DB235	3317
CD4063B	SG103	805
CD4063BF3A	SG103	7012
CD4063BMS	DB235	3318
CD4066B	SG103	1114
CD4066BDNSR	DB235	3319
CD4066BF3A	SG103	7012
CD4066BFB	-	-
CD4066BK3	SG103	7012
CD4066BKNSR	DB235	3319
CD4066BMS	DB235	3319
CD4067B	SG103	3719
CD4067BF3A	SG103	7012
CD4067BMS	DB235	3190
CD4068B	SG103	809
CD4068BDNSR	DB235	3320
CD4068BF3A	SG103	7012
CD4068BKNSR	DB235	3320
CD4068BMS	DB235	3320
CD4069UB	SG103	804
CD4069UBDNSR	DB235	3321
CD4069UBF3A	SG103	7012
CD4069UBFB	-	-
CD4069UBKNSR	DB235	3321
CD4069UBMS	DB235	3321
CD4070B	SG103	910
CD4070BDNSR	DB235	3322
CD4070BFB	-	-
CD4070BKNSR	DB235	3322
CD4070BMS	DB235	3322
CD4071B	SG103	807
CD4071BDNSR	DB235	3323
CD4071BF3A	SG103	7012
CD4071BFB	-	-
CD4071BKNSR	DB235	3323
CD4071BMS	DB235	3323
CD4072B	SG103	807
CD4072BDNSR	DB235	3323
CD4072BF3A	SG103	7012

DATA BOOK LEGEND

DATA BOOK #	DATA BOOK TITLE
DB220	Bipolar Power
DB223	Power MOSFETs
DB235	Rad Hard/Hi Rel
DB260	CDP6805 & Peripheral
DB301	Data Acquisition
DB302	Digital Signal Processing
DB303	Microprocessors Products

DATA BOOK #	DATA BOOK TITLE
DB304	Intelligent Power
DB309	MCT/IGBTs/Diodes
DB312	Analog Military Supplement
DB314	Signal Processing New Releases
DB316	Power MOSFET Supplement
DB317	Communications

DATA BOOK #	DATA BOOK TITLE
DB318	LPT/FCT CMOS Logic
DB319	IGBT UFS Series Supplement
DB450	Transient Voltage Suppression
DB500	Linear and Telecom
'89 Ana Mil	1989 Analog Military
SG103	CMOS Logic Selection Guide

Alpha Numeric Product Number Listing

PART NUMBER	DATA BOOK	FILE#
CD4072BKNSR	DB235	3323
CD4072BMS	DB235	3323
CD4073B	SG103	806
CD4073BDNSR	DB235	3324
CD4073BF3A	SG103	7012
CD4073BFB	-	-
CD4073BKNSR	DB235	3324
CD4073BMS	DB235	3324
CD4075B	SG103	807
CD4075BDNSR	DB235	3323
CD4075BF3A	SG103	7012
CD4075BFB	-	-
CD4075BKNSR	DB235	3323
CD4075BMS	DB235	3323
CD4076B	SG103	903
CD4076BDNSR	DB235	3325
CD4076BF3A	SG103	7012
CD4076BKNSR	DB235	3325
CD4076BMS	DB235	3325
CD4077B	SG103	910
CD4077BDNSR	DB235	3322
CD4077BF3A	SG103	7012
CD4077BKNSR	DB235	3322
CD4077BMS	DB235	3322
CD4078B	SG103	810
CD4078BDNSR	DB235	3326
CD4078BF3A	SG103	7012
CD4078BKNSR	DB235	3326
CD4078BMS	DB235	3326
CD4081B	SG103	806
CD4081BDNSR	DB235	3324
CD4081BF3A	SG103	7012
CD4081BFB	-	-
CD4081BKNSR	DB235	3324
CD4081BMS	DB235	3324
CD4082B	SG103	806
CD4082BDNSR	DB235	3324
CD4082BF3A	SG103	7012
CD4082BFB	-	-
CD4082BKNSR	DB235	3324
CD4082BMS	DB235	3324
CD4085B	SG103	811
CD4085BF3A	SG103	7012
CD4085BMS	DB235	3327
CD4086B	SG103	812
CD4086BF3A	SG103	7012

PART NUMBER	DATA BOOK	FILE#
CD4086BMS	DB235	3328
CD4089B	SG103	1003
CD4089BF3A	SG103	7012
CD4089BMS	DB235	3329
CD4093B	SG103	836
CD4093BDNSR	DB235	3330
CD4093BF3A	SG103	7012
CD4093BKNSR	DB235	3330
CD4093BMS	DB235	3330
CD4094B	SG103	3707
CD4094BDNSR	DB235	3194
CD4094BF3A	SG103	7012
CD4094BKNSR	DB235	3194
CD4094BMS	DB235	3194
CD4095B	SG103	879
CD4095BF3A	SG103	7012
CD4095BMS	DB235	3331
CD4096B	SG103	879
CD4096BMS	DB235	3331
CD4097B	SG103	3719
CD4097BMS	DB235	3190
CD4098B	SG103	979
CD4098BDNSR	DB235	3332
CD4098BF3A	SG103	7012
CD4098BFB	-	-
CD4098BKNSR	DB235	3332
CD4098BMS	DB235	3332
CD4099B	SG103	948
CD4099BF3A	SG103	7012
CD4099BFB	-	-
CD4099BMS	DB235	3333
CD4502B	SG103	1002
CD4502BDNSR	DB235	3334
CD4502BF3A	SG103	7012
CD4502BFB	-	-
CD4502BKNSR	DB235	3334
CD4502BMS	DB235	3334
CD4503B	SG103	1224
CD4503BDNSR	DB235	3335
CD4503BF3A	SG103	7012
CD4503BKNSR	DB235	3335
CD4503BMS	DB235	3335
CD4504B	SG103	1846
CD4504BF3A	SG103	7012
CD4504BMS	DB235	3336
CD4508B	SG103	1009

Alpha Numeric Product Number Listing

PART NUMBER	DATA BOOK	FILE#
CD4508BD3	SG103	7012
CD4508BDNSR	DB235	3337
CD4508BF3A	SG103	7012
CD4508BKNSR	DB235	3337
CD4508BMS	DB235	3337
CD4510B	SG103	899
CD4510BF3A	SG103	7012
CD4510BMS	DB235	3338
CD4511B	SG103	901
CD4511BF3A	SG103	7012
CD4511BK3	SG103	7012
CD4511BMS	DB235	3339
CD4512B	SG103	1032
CD4512BDNSR	DB235	3340
CD4512BF3A	SG103	7012
CD4512BKNSR	DB235	3340
CD4512BMS	DB235	3340
CD4514B	SG103	3721
CD4514BDNSR	DB235	3195
CD4514BF3A	SG103	7012
CD4514BKNSR	DB235	3196
CD4514BMS	DB235	3195
CD4515B	SG103	3721
CD4515BDNSR	DB235	3195
CD4515BF3A	SG103	7012
CD4515BKNSR	DB235	3195
CD4515BMS	DB235	3195
CD4516B	SG103	899
CD4516BDNSR	DB235	3338
CD4516BF3A	SG103	7012
CD4516BKNSR	DB235	3338
CD4516BMS	DB235	3338
CD4517B	SG103	1148
CD4517BF3A	SG103	7012
CD4517BMS	DB235	3341
CD4518B	SG103	808
CD4518BF3A	SG103	7012
CD4518BMS	DB235	3342
CD4519B	SG103	1723
CD4520B	SG103	808
CD4520BDNSR	DB235	3342

PART NUMBER	DATA BOOK	FILE#
CD4520BF3A	SG103	7012
CD4520BKNSR	DB235	3342
CD4520BMS	DB235	3342
CD4521B	SG103	1735
CD4522B	SG103	1710
CD4527B	SG103	1006
CD4527BMS	DB235	3343
CD4529B	SG103	1720
CD4532B	SG103	876
CD4532BDNSR	DB235	3344
CD4532BF3A	SG103	7012
CD4532BKNSR	DB235	3344
CD4532BMS	DB235	3344
CD4536B	SG103	1186
CD4536BF3A	SG103	7012
CD4536BMS	DB235	3345
CD4541B	SG103	1378
CD4541BF3A	SG103	7012
CD4543B	SG103	1327
CD4555B	SG103	858
CD4555BDNSR	DB235	3346
CD4555BF3A	SG103	7012
CD4555BKNSR	DB235	3346
CD4555BMS	DB235	3346
CD4556B	SG103	858
CD4556BDMSR	DB235	3346
CD4556BDNSR	DB235	3346
CD4556BF3A	SG103	7012
CD4556BKNSR	DB235	3346
CD4556BMS	DB235	3346
CD4560B	SG103	1711
CD4566B	SG103	1728
CD4572UB	SG103	1704
CD4585B	SG103	1146
CD4585BF3A	SG103	7012
CD4585BMS	DB235	3347
CD4724B	SG103	1111
CD4724BF3A	SG103	7012
CD4724BMS	DB235	3348
CD54AC/ACT7060	SG103	2062
CD54AC/ACT7623	SG103	1969

DATA BOOK LEGEND

DATA BOOK #	DATA BOOK TITLE
DB220	Bipolar Power
DB223	Power MOSFETs
DB235	Rad Hard/Hi Rel
DB260	CDP6805 & Peripheral
DB301	Data Acquisition
DB302	Digital Signal Processing
DB303	Microprocessors Products

DATA BOOK #	DATA BOOK TITLE
DB304	Intelligent Power
DB309	MCT/IGBTs/Diodes
DB312	Analog Military Supplement
DB314	Signal Processing New Releases
DB316	Power MOSFET Supplement
DB317	Communications

DATA BOOK #	DATA BOOK TITLE
DB318	LPT/FCT CMOS Logic
DB319	IGBT UFS Series Supplement
DB450	Transient Voltage Suppression
DB500	Linear and Telecom
'89 Ana Mil	1989 Analog Military
SG103	CMOS Logic Selection Guide

Alpha Numeric Product Number Listing

PART NUMBER	DATA BOOK	FILE#
CD54AC00	SG103	1855
CD54AC00F3A	SG103	3876
CD54AC02	SG103	1978
CD54AC02F3A	SG103	3877
CD54AC04	SG103	1945
CD54AC04F3A	SG103	3878
CD54AC05	SG103	1945
CD54AC05F3A	SG103	3879
CD54AC08	SG103	1950
CD54AC08F3A	SG103	3880
CD54AC10	SG103	1977
CD54AC109	SG103	1967
CD54AC109F3A	SG103	3885
CD54AC112	SG103	1967
CD54AC112F3A	SG103	3886
CD54AC138	SG103	1909
CD54AC138F3A	SG103	3887
CD54AC139	SG103	1953
CD54AC139F3A	SG103	3888
CD54AC14	SG103	1984
CD54AC151	SG103	1980
CD54AC153	SG103	1966
CD54AC153F3A	SG103	3890
CD54AC157	SG103	1910
CD54AC157F3A	SG103	3891
CD54AC158	SG103	1910
CD54AC161	SG103	1959
CD54AC161F3A	SG103	3892
CD54AC163	SG103	1959
CD54AC163F3A	SG103	3893
CD54AC164	SG103	1954
CD54AC164F3A	SG103	3894
CD54AC174	SG103	1973
CD54AC175	SG103	1964
CD54AC191	SG103	1911
CD54AC191F3A	SG103	3896
CD54AC193	SG103	1947
CD54AC193F3A	SG103	3897
CD54AC20	SG103	1976
CD54AC238	SG103	1909
CD54AC240	SG103	1856
CD54AC240F3A	SG103	3898
CD54AC241	SG103	1856
CD54AC244	SG103	1856
CD54AC244F3A	SG103	3900
CD54AC245	SG103	1907

PART NUMBER	DATA BOOK	FILE#
CD54AC245F3A	SG103	3901
CD54AC251	SG103	1981
CD54AC253	SG103	1985
CD54AC257	SG103	1955
CD54AC257F3A	SG103	3903
CD54AC258	SG103	1955
CD54AC273	SG103	1979
CD54AC273F3A	SG103	3904
CD54AC280	SG103	1957
CD54AC280F3A	SG103	3905
CD54AC283	SG103	1912
CD54AC283F3A	SG103	3906
CD54AC297	SG103	2195
CD54AC299	SG103	1958
CD54AC299F3A	SG103	3907
CD54AC32	SG103	1951
CD54AC323	SG103	1958
CD54AC323F3A	SG103	3882
CD54AC373	SG103	1882
CD54AC373F3A	SG103	3909
CD54AC374	SG103	1883
CD54AC374F3A	SG103	3910
CD54AC533	SG103	1882
CD54AC534	SG103	1883
CD54AC534F3A	SG103	3912
CD54AC540	SG103	1857
CD54AC541	SG103	1857
CD54AC541F3A	SG103	3914
CD54AC563	SG103	1956
CD54AC564	SG103	1948
CD54AC573	SG103	1956
CD54AC573F3A	SG103	3915
CD54AC574	SG103	1948
CD54AC574F3A	SG103	3916
CD54AC623	SG103	1968
CD54AC646	SG103	1970
CD54AC647	SG103	1982
CD54AC648	SG103	1970
CD54AC651	SG103	1974
CD54AC652	SG103	1974
CD54AC653	SG103	1975
CD54AC654	SG103	1975
CD54AC74	SG103	1881
CD54AC74F3A	SG103	3883
CD54AC86	SG103	1952
CD54ACT00	SG103	1855

Alpha Numeric Product Number Listing

PART NUMBER	DATA BOOK	FILE#
CD54ACT00F3A	SG103	3876
CD54ACT02	SG103	1978
CD54ACT02F3A	SG103	3877
CD54ACT04	SG103	1945
CD54ACT04F3A	SG103	3878
CD54ACT05	SG103	1945
CD54ACT05F3A	SG103	3879
CD54ACT08	SG103	1950
CD54ACT08F3A	SG103	3880
CD54ACT10	SG103	1977
CD54ACT109	SG103	1967
CD54ACT109F3A	SG103	3885
CD54ACT112	SG103	1967
CD54ACT112F3A	SG103	3886
CD54ACT138	SG103	1909
CD54ACT138F3A	SG103	3887
CD54ACT139	SG103	1953
CD54ACT139F3A	SG103	3888
CD54ACT14	SG103	1984
CD54ACT151	SG103	1980
CD54ACT151F3A	SG103	3889
CD54ACT153	SG103	1966
CD54ACT153F3A	SG103	3890
CD54ACT157	SG103	1910
CD54ACT158	SG103	1910
CD54ACT161	SG103	1959
CD54ACT161F3A	SG103	3892
CD54ACT163	SG103	1959
CD54ACT163F3A	SG103	3893
CD54ACT164	SG103	1954
CD54ACT164F3A	SG103	3894
CD54ACT174	SG103	1973
CD54ACT174F3A	SG103	3895
CD54ACT175	SG103	1964
CD54ACT191	SG103	1911
CD54ACT191F3A	SG103	3896
CD54ACT193	SG103	1947
CD54ACT193F3A	SG103	3897
CD54ACT20	SG103	1976
CD54ACT20F3A	SG103	3881
CD54ACT238	SG103	1909

PART NUMBER	DATA BOOK	FILE#
CD54ACT240	SG103	1856
CD54ACT240F3A	SG103	3898
CD54ACT241	SG103	1856
CD54ACT241F3A	SG103	3899
CD54ACT244	SG103	1856
CD54ACT244F3A	SG103	3900
CD54ACT245	SG103	1907
CD54ACT245F3A	SG103	3901
CD54ACT251	SG103	1981
CD54ACT253	SG103	1985
CD54ACT253F3A	SG103	3902
CD54ACT257	SG103	1955
CD54ACT257F3A	SG103	3903
CD54ACT258	SG103	1955
CD54ACT273	SG103	1979
CD54ACT273F3A	SG103	3904
CD54ACT280	SG103	1957
CD54ACT280F3A	SG103	3905
CD54ACT283	SG103	1912
CD54ACT283F3A	SG103	3906
CD54ACT297	SG103	2195
CD54ACT299	SG103	1958
CD54ACT299F3A	SG103	3907
CD54ACT32	SG103	1951
CD54ACT323	SG103	1958
CD54ACT323F3A	SG103	3908
CD54ACT32F3A	SG103	3882
CD54ACT373	SG103	1882
CD54ACT373F3A	SG103	3909
CD54ACT374	SG103	1883
CD54ACT374F3A	SG103	3910
CD54ACT533	SG103	1882
CD54ACT533F3A	SG103	3911
CD54ACT534	SG103	1883
CD54ACT534F3A	SG103	3912
CD54ACT540	SG103	1857
CD54ACT540F3A	SG103	3913
CD54ACT541	SG103	1857
CD54ACT541F3A	SG103	3914
CD54ACT563	SG103	1956
CD54ACT564	SG103	1948

DATA BOOK LEGEND

DATA BOOK #	DATA BOOK TITLE
DB220	Bipolar Power
DB223	Power MOSFETs
DB235	Rad Hard/Hi Rel
DB260	CDP6805 & Peripheral
DB301	Data Acquisition
DB302	Digital Signal Processing
DB303	Microprocessors Products

DATA BOOK #	DATA BOOK TITLE
DB304	Intelligent Power
DB309	MCT/IGBTs/Diodes
DB312	Analog Military Supplement
DB314	Signal Processing New Releases
DB316	Power MOSFET Supplement
DB317	Communications

DATA BOOK #	DATA BOOK TITLE
DB318	LPT/FCT CMOS Logic
DB319	IGBT UFS Series Supplement
DB450	Transient Voltage Suppression
DB500	Linear and Telecom
'89 Ana Mil	1989 Analog Military
SG103	CMOS Logic Selection Guide

5
HARRIS
PRODUCT LISTING

Alpha Numeric Product Number Listing

PART NUMBER	DATA BOOK	FILE#
CD54ACT573	SG103	1956
CD54ACT573F3A	SG103	3915
CD54ACT574	SG103	1948
CD54ACT574F3A	SG103	3916
CD54ACT623	SG103	1968
CD54ACT623F3A	SG103	3917
CD54ACT646	SG103	1970
CD54ACT647	SG103	1982
CD54ACT648	SG103	1970
CD54ACT651	SG103	1974
CD54ACT652	SG103	1974
CD54ACT653	SG103	1975
CD54ACT654	SG103	1975
CD54ACT74	SG103	1881
CD54ACT74F3A	SG103	3883
CD54ACT86	SG103	1952
CD54ACT86F3A	SG103	3884
CD54FCT245	DB318	2301
CD54HC00	SG103	1464
CD54HC00F3A	SG103	3753
CD54HC02	SG103	1647
CD54HC02F3A	SG103	3754
CD54HC03	SG103	1832
CD54HC03F3A	SG103	3755
CD54HC04	SG103	1471
CD54HC04F3A	SG103	3756
CD54HC08	SG103	1549
CD54HC08F3A	SG103	3757
CD54HC10	SG103	1551
CD54HC107	SG103	1722
CD54HC107F3A	SG103	3772
CD54HC109	SG103	1667
CD54HC109F3A	SG103	3773
CD54HC10F3A	SG103	3758
CD54HC11	SG103	1475
CD54HC112	SG103	1843
CD54HC11F3A	SG103	3759
CD54HC123	SG103	1708
CD54HC123F3A	SG103	3775
CD54HC125	SG103	1771
CD54HC125F3A	SG103	3776
CD54HC126	SG103	1772
CD54HC126F3A	SG103	3777
CD54HC132	SG103	1649
CD54HC132F3A	SG103	3778
CD54HC137	SG103	1886

PART NUMBER	DATA BOOK	FILE#
CD54HC138	SG103	1477
CD54HC138F3A	SG103	3779
CD54HC139	SG103	1545
CD54HC14	SG103	1781
CD54HC147	SG103	1773
CD54HC147F3A	SG103	3781
CD54HC14F3A	SG103	3760
CD54HC151	SG103	1645
CD54HC153	SG103	1774
CD54HC154	SG103	1657
CD54HC154F3A	SG103	3784
CD54HC157	SG103	1642
CD54HC157F3A	SG103	3785
CD54HC158	SG103	1642
CD54HC158F3A	SG103	3786
CD54HC160	SG103	1550
CD54HC160F3A	SG103	3787
CD54HC161	SG103	1550
CD54HC161F3A	SG103	3788
CD54HC162	SG103	1550
CD54HC162F3A	SG103	3789
CD54HC163	SG103	1550
CD54HC163F3A	SG103	3790
CD54HC164	SG103	1658
CD54HC164F3A	SG103	3791
CD54HC165	SG103	1672
CD54HC165F3A	SG103	3792
CD54HC166	SG103	1501
CD54HC166F3A	SG103	3793
CD54HC173	SG103	1641
CD54HC173F3A	SG103	3794
CD54HC174	SG103	1608
CD54HC175	SG103	1474
CD54HC181	SG103	1829
CD54HC190	SG103	1662
CD54HC190F3A	SG103	3797
CD54HC191	SG103	1662
CD54HC191F3A	SG103	3798
CD54HC192	SG103	1674
CD54HC192F3A	SG103	3799
CD54HC193	SG103	1674
CD54HC193F3A	SG103	3800
CD54HC194	SG103	1668
CD54HC194F3A	SG103	3801
CD54HC195	SG103	1482
CD54HC20	SG103	1601

Alpha Numeric Product Number Listing

PART NUMBER	DATA BOOK	FILE#
CD54HC21	SG103	1782
CD54HC21F3A	SG103	3762
CD54HC221	SG103	1670
CD54HC221F3A	SG103	3803
CD54HC237	SG103	1886
CD54HC238	SG103	1477
CD54HC238F3A	SG103	3805
CD54HC240	SG103	1656
CD54HC240F3A	SG103	3806
CD54HC241	SG103	1656
CD54HC242	SG103	1488
CD54HC243	SG103	1488
CD54HC243F3A	SG103	3808
CD54HC244	SG103	1656
CD54HC244F3A	SG103	3809
CD54HC245	SG103	1651
CD54HC245F3A	SG103	3810
CD54HC251	SG103	1489
CD54HC251F3A	SG103	3811
CD54HC253	SG103	1673
CD54HC253F3A	SG103	3812
CD54HC257	SG103	1650
CD54HC257F3A	SG103	3813
CD54HC258	SG103	1775
CD54HC259	SG103	1727
CD54HC259F3A	SG103	3815
CD54HC27	SG103	1648
CD54HC273	SG103	1479
CD54HC273F3A	SG103	3816
CD54HC27F3A	SG103	3763
CD54HC280	SG103	1669
CD54HC280F3A	SG103	3817
CD54HC283	SG103	1848
CD54HC283F3A	SG103	3818
CD54HC297	SG103	1852
CD54HC299	SG103	1485
CD54HC299F3A	SG103	3820
CD54HC30	SG103	1652
CD54HC30F3A	SG103	3764
CD54HC32	SG103	1643
CD54HC32F3A	SG103	3765

PART NUMBER	DATA BOOK	FILE#
CD54HC354	SG103	1690
CD54HC354F3A	SG103	3821
CD54HC356	SG103	1690
CD54HC356F3A	SG103	3822
CD54HC365	SG103	1539
CD54HC365F3A	SG103	3823
CD54HC366	SG103	1539
CD54HC366F3A	SG103	3824
CD54HC367	SG103	1538
CD54HC367F3A	SG103	3825
CD54HC368	SG103	1538
CD54HC368F3A	SG103	2826
CD54HC373	SG103	1679
CD54HC373F3A	SG103	3827
CD54HC374	SG103	1663
CD54HC374F3A	SG103	3828
CD54HC377	SG103	1675
CD54HC377F3A	SG103	3829
CD54HC390	SG103	1838
CD54HC393	SG103	1653
CD54HC393F3A	SG103	3831
CD54HC4002	SG103	1776
CD54HC40102	SG103	1596
CD54HC40103	SG103	1596
CD54HC40103F3A	SG103	3873
CD54HC40104	SG103	1661
CD54HC40105	SG103	1834
CD54HC40105F3A	SG103	3874
CD54HC4015	SG103	1678
CD54HC4015F3A	SG103	3847
CD54HC4016	SG103	1917
CD54HC4017	SG103	1639
CD54HC4017F3A	SG103	3848
CD54HC4020	SG103	1484
CD54HC4020F3A	SG103	3849
CD54HC4024	SG103	1683
CD54HC4024F3A	SG103	3850
CD54HC4040	SG103	1483
CD54HC4040F3A	SG103	3851
CD54HC4046A	SG103	1854
CD54HC4046AF3A	SG103	3852

DATA BOOK LEGEND

DATA BOOK #	DATA BOOK TITLE
DB220	Bipolar Power
DB223	Power MOSFETs
DB235	Rad Hard/Hi Rel
DB260	CDP6805 & Peripheral
DB301	Data Acquisition
DB302	Digital Signal Processing
DB303	Microprocessors Products

DATA BOOK #	DATA BOOK TITLE
DB304	Intelligent Power
DB309	MCT/IGBTs/Diodes
DB312	Analog Military Supplement
DB314	Signal Processing New Releases
DB316	Power MOSFET Supplement
DB317	Communications

DATA BOOK #	DATA BOOK TITLE
DB318	LPT/FCT CMOS Logic
DB319	IGBT UFS Series Supplement
DB450	Transient Voltage Suppression
DB500	Linear and Telecom
'89 Ana Mil	1989 Analog Military
SG103	CMOS Logic Selection Guide

Alpha Numeric Product Number Listing

PART NUMBER	DATA BOOK	FILE#
CD54HC4049	SG103	1543
CD54HC4049F3A	SG103	3853
CD54HC4050	SG103	1543
CD54HC4050F3A	SG103	3854
CD54HC4051	SG103	1676
CD54HC4051F3A	SG103	3855
CD54HC4052	SG103	1676
CD54HC4052F3A	SG103	3856
CD54HC4053	SG103	1676
CD54HC4053F3A	SG103	3857
CD54HC4059	SG103	1853
CD54HC4060	SG103	1654
CD54HC4060F3A	SG103	3859
CD54HC4066	SG103	1777
CD54HC4066F3A	SG103	3860
CD54HC4067	SG103	1783
CD54HC4075	SG103	1778
CD54HC4094	SG103	1779
CD54HC4094F3A	SG103	3862
CD54HC42	SG103	1689
CD54HC423	SG103	1708
CD54HC4316	SG103	1916
CD54HC4316F3A	SG103	3863
CD54HC4351	SG103	2145
CD54HC4351F3A	SG103	3864
CD54HC4352	SG103	2145
CD54HC4353	SG103	2145
CD54HC4510	SG103	1823
CD54HC4511	SG103	1786
CD54HC4511F3A	SG103	3865
CD54HC4514	SG103	1597
CD54HC4514F3A	SG103	3866
CD54HC4515	SG103	1597
CD54HC4515F3A	SG103	3867
CD54HC4516	SG103	1823
CD54HC4516F3A	SG103	3868
CD54HC4518	SG103	1665
CD54HC4520	SG103	1665
CD54HC4520F3A	SG103	3869
CD54HC4538	SG103	1671
CD54HC4538F3A	SG103	3870
CD54HC4543	SG103	1822
CD54HC533	SG103	1599
CD54HC533F3A	SG103	3833
CD54HC534	SG103	1640
CD54HC534F3A	SG103	3834

PART NUMBER	DATA BOOK	FILE#
CD54HC540	SG103	1659
CD54HC540F3A	SG103	3835
CD54HC541	SG103	1659
CD54HC541F3A	SG103	3836
CD54HC563	SG103	1599
CD54HC563F3A	SG103	3837
CD54HC564	SG103	1640
CD54HC564F3A	SG103	3838
CD54HC573	SG103	1679
CD54HC573F3A	SG103	3839
CD54HC574	SG103	1663
CD54HC574F3A	SG103	3840
CD54HC583	SG103	1828
CD54HC597	SG103	1915
CD54HC597F3A	SG103	3841
CD54HC640	SG103	1677
CD54HC640F3A	SG103	3842
CD54HC643	SG103	1677
CD54HC646	SG103	1664
CD54HC646F3A	SG103	3843
CD54HC648	SG103	1664
CD54HC651	SG103	2229
CD54HC652	SG103	2229
CD54HC670	SG103	1660
CD54HC670F3A	SG103	3844
CD54HC688	SG103	1646
CD54HC688F3A	SG103	3845
CD54HC7030	SG103	2122
CD54HC7046A	SG103	1920
CD54HC7266	SG103	1780
CD54HC7266F3A	SG103	3871
CD54HC73	SG103	1721
CD54HC73F3A	SG103	3767
CD54HC74	SG103	1476
CD54HC74F3A	SG103	3768
CD54HC75	SG103	1666
CD54HC75F3A	SG103	3769
CD54HC85	SG103	1770
CD54HC85F3A	SG103	3770
CD54HC86	SG103	1644
CD54HC86F3A	SG103	3771
CD54HC93	SG103	1849
CD54HCT00	SG103	1464
CD54HCT00F3A	SG103	3753
CD54HCT02	SG103	1647
CD54HCT02F3A	SG103	3754

Alpha Numeric Product Number Listing

PART NUMBER	DATA BOOK	FILE#
CD54HCT03	SG103	1832
CD54HCT03F3A	SG103	3755
CD54HCT04	SG103	1471
CD54HCT04F3A	SG103	3756
CD54HCT08	SG103	1549
CD54HCT08F3A	SG103	3757
CD54HCT10	SG103	1551
CD54HCT107	SG103	1722
CD54HCT109	SG103	1667
CD54HCT109F3A	SG103	3773
CD54HCT10F3A	SG103	3758
CD54HCT11	SG103	1475
CD54HCT112	SG103	1843
CD54HCT112F3A	SG103	3774
CD54HCT11F3A	SG103	3759
CD54HCT123	SG103	1708
CD54HCT123F3A	SG103	3775
CD54HCT125	SG103	1771
CD54HCT125F3A	SG103	3776
CD54HCT126	SG103	1772
CD54HCT126F3A	SG103	3777
CD54HCT132	SG103	1649
CD54HCT132F3A	SG103	3778
CD54HCT137	SG103	1886
CD54HCT138	SG103	1477
CD54HCT138F3A	SG103	3779
CD54HCT139	SG103	1545
CD54HCT139F3A	SG103	3780
CD54HCT14	SG103	1781
CD54HCT147	SG103	1773
CD54HCT14F3A	SG103	3760
CD54HCT151	SG103	1645
CD54HCT151F3A	SG103	3782
CD54HCT153	SG103	1774
CD54HCT153F3A	SG103	3783
CD54HCT154	SG103	1657
CD54HCT154F3A	SG103	3784
CD54HCT157	SG103	1642
CD54HCT157F3A	SG103	3785
CD54HCT158	SG103	1642
CD54HCT160	SG103	1550

PART NUMBER	DATA BOOK	FILE#
CD54HCT161	SG103	1550
CD54HCT161F3A	SG103	3788
CD54HCT162	SG103	1550
CD54HCT162F3A	SG103	3789
CD54HCT163	SG103	1550
CD54HCT163F3A	SG103	3790
CD54HCT164	SG103	1658
CD54HCT164F3A	SG103	3791
CD54HCT165	SG103	1672
CD54HCT165F3A	SG103	3792
CD54HCT166	SG103	1501
CD54HCT166F3A	SG103	3793
CD54HCT173	SG103	1641
CD54HCT173F3A	SG103	3794
CD54HCT174	SG103	1608
CD54HCT174F3A	SG103	3795
CD54HCT175	SG103	1474
CD54HCT181	SG103	1829
CD54HCT190	SG103	1662
CD54HCT191	SG103	1662
CD54HCT191F3A	SG103	3798
CD54HCT192	SG103	1674
CD54HCT193	SG103	1674
CD54HCT193F3A	SG103	3800
CD54HCT194	SG103	1668
CD54HCT195	SG103	1482
CD54HCT20	SG103	1601
CD54HCT20F3A	SG103	3761
CD54HCT21	SG103	1782
CD54HCT221	SG103	1670
CD54HCT237	SG103	1886
CD54HCT238	SG103	1477
CD54HCT238F3A	SG103	3805
CD54HCT240	SG103	1656
CD54HCT240F3A	SG103	3806
CD54HCT241	SG103	1656
CD54HCT241F3A	SG103	3807
CD54HCT242	SG103	1488
CD54HCT243	SG103	1488
CD54HCT243F3A	SG103	3808
CD54HCT244	SG103	1656

DATA BOOK LEGEND

DATA BOOK #	DATA BOOK TITLE
DB220	Bipolar Power
DB223	Power MOSFETs
DB235	Rad Hard/Hi Rel
DB260	CDP6805 & Peripheral
DB301	Data Acquisition
DB302	Digital Signal Processing
DB303	Microprocessors Products

DATA BOOK #	DATA BOOK TITLE
DB304	Intelligent Power
DB309	MCT/IGBTs/Diodes
DB312	Analog Military Supplement
DB314	Signal Processing New Releases
DB316	Power MOSFET Supplement
DB317	Communications

DATA BOOK #	DATA BOOK TITLE
DB318	LPT/FCT CMOS Logic
DB319	IGBT UFS Series Supplement
DB450	Transient Voltage Suppression
DB500	Linear and Telecom
'89 Ana Mil	1989 Analog Military
SG103	CMOS Logic Selection Guide

Alpha Numeric Product Number Listing

PART NUMBER	DATA BOOK	FILE#
CD54HCT244F3A	SG103	3809
CD54HCT245	SG103	1651
CD54HCT245F3A	SG103	3810
CD54HCT251	SG103	1489
CD54HCT251F3A	SG103	3811
CD54HCT253	SG103	1673
CD54HCT257	SG103	1650
CD54HCT257F3A	SG103	3813
CD54HCT258	SG103	1775
CD54HCT258F3A	SG103	3814
CD54HCT259	SG103	1727
CD54HCT259F3A	SG103	3815
CD54HCT27	SG103	1648
CD54HCT273	SG103	1479
CD54HCT273F3A	SG103	3816
CD54HCT27F3A	SG103	3763
CD54HCT280	SG103	1669
CD54HCT280F3A	SG103	3817
CD54HCT283	SG103	1848
CD54HCT283F3A	SG103	3818
CD54HCT297	SG103	1852
CD54HCT299	SG103	1485
CD54HCT299F3A	SG103	3820
CD54HCT30	SG103	1652
CD54HCT30F3A	SG103	3764
CD54HCT32	SG103	1643
CD54HCT32F3A	SG103	3765
CD54HCT354	SG103	1690
CD54HCT356	SG103	1690
CD54HCT365	SG103	1539
CD54HCT365F3A	SG103	3823
CD54HCT366	SG103	1539
CD54HCT367	SG103	1538
CD54HCT367F3A	SG103	3825
CD54HCT368	SG103	1538
CD54HCT373	SG103	1679
CD54HCT373F3A	SG103	3827
CD54HCT374	SG103	1663
CD54HCT374F3A	SG103	3828
CD54HCT377	SG103	1675
CD54HCT377F3A	SG103	3829
CD54HCT390	SG103	1838
CD54HCT390F3A	SG103	3830
CD54HCT393	SG103	1653
CD54HCT393F3A	SG103	3831
CD54HCT4002	SG103	1776

PART NUMBER	DATA BOOK	FILE#
CD54HCT40102	SG103	1596
CD54HCT40103	SG103	1596
CD54HCT40104	SG103	1661
CD54HCT40105	SG103	1834
CD54HCT40105F3A	SG103	3874
CD54HCT4015	SG103	1678
CD54HCT4016	SG103	1917
CD54HCT4017	SG103	1639
CD54HCT4017F3A	SG103	3848
CD54HCT4020	SG103	1484
CD54HCT4020F3A	SG103	3849
CD54HCT4024	SG103	1683
CD54HCT4024F3A	SG103	3850
CD54HCT4040	SG103	1483
CD54HCT4040F3A	SG103	3851
CD54HCT4046A	SG103	1854
CD54HCT4046AF3A	SG103	3852
CD54HCT4051	SG103	1676
CD54HCT4051F3A	SG103	3855
CD54HCT4052	SG103	1676
CD54HCT4053	SG103	1676
CD54HCT4053F3A	SG103	3857
CD54HCT4059	SG103	1853
CD54HCT4059F3A	SG103	3858
CD54HCT4060	SG103	1654
CD54HCT4060F3A	SG103	3859
CD54HCT4066	SG103	1777
CD54HCT4067	SG103	1783
CD54HCT4075	SG103	1778
CD54HCT4075F3A	SG103	3861
CD54HCT4094	SG103	1779
CD54HCT42	SG103	1689
CD54HCT423	SG103	1708
CD54HCT423F3A	SG103	3832
CD54HCT4316	SG103	1916
CD54HCT4351	SG103	2145
CD54HCT4352	SG103	2145
CD54HCT4353	SG103	2145
CD54HCT4510	SG103	1823
CD54HCT4511	SG103	1786
CD54HCT4514	SG103	1597
CD54HCT4515	SG103	1597
CD54HCT4516	SG103	1823
CD54HCT4518	SG103	1665
CD54HCT4520	SG103	1665
CD54HCT4520F3A	SG103	3869

Alpha Numeric Product Number Listing

PART NUMBER	DATA BOOK	FILE#	PART NUMBER	DATA BOOK	FILE#
CD54HCT4538	SG103	1671	CD54HCT93	SG103	1849
CD54HCT4538F3A	SG103	3870	CD54HCU04	SG103	1655
CD54HCT4543	SG103	1822	CD54HCU04F3A	SG103	3875
CD54HCT533	SG103	1599	CD7211	SG103	1725
CD54HCT533F3A	SG103	3833	CD7211	SG103	1726
CD54HCT534	SG103	1640	CD74AC/ACT297	SG103	2195
CD54HCT534F3A	SG103	3834	CD74AC/ACT7060	SG103	2062
CD54HCT540	SG103	1659	CD74AC/ACT7623	SG103	1969
CD54HCT541	SG103	1659	CD74AC00	SG103	1855
CD54HCT541F3A	SG103	3836	CD74AC02	SG103	1978
CD54HCT563	SG103	1599	CD74AC04	SG103	1945
CD54HCT564	SG103	1640	CD74AC05	SG103	1945
CD54HCT564F3A	SG103	3838	CD74AC08	SG103	1950
CD54HCT573	SG103	1679	CD74AC10	SG103	1977
CD54HCT573F3A	SG103	3839	CD74AC109	SG103	1967
CD54HCT574	SG103	1663	CD74AC112	SG103	1967
CD54HCT574F3A	SG103	3840	CD74AC138	SG103	1909
CD54HCT583	SG103	1828	CD74AC139	SG103	1953
CD54HCT597	SG103	1915	CD74AC14	SG103	1984
CD54HCT640	SG103	1677	CD74AC151	SG103	1980
CD54HCT640F3A	SG103	3842	CD74AC153	SG103	1966
CD54HCT643	SG103	1677	CD74AC157	SG103	1910
CD54HCT646	SG103	1664	CD74AC158	SG103	1910
CD54HCT646F3A	SG103	3843	CD74AC161	SG103	1959
CD54HCT648	SG103	1664	CD74AC163	SG103	1959
CD54HCT651	SG103	2229	CD74AC164	SG103	1954
CD54HCT652	SG103	2229	CD74AC174	SG103	1973
CD54HCT670	SG103	1660	CD74AC175	SG103	1964
CD54HCT688	SG103	1646	CD74AC191	SG103	1911
CD54HCT688F3A	SG103	3845	CD74AC193	SG103	1947
CD54HCT7030	SG103	2122	CD74AC20	SG103	1976
CD54HCT7046A	SG103	1920	CD74AC238	SG103	1909
CD54HCT73	SG103	1721	CD74AC240	SG103	1856
CD54HCT74	SG103	1476	CD74AC241	SG103	1856
CD54HCT74F3A	SG103	3768	CD74AC244	SG103	1856
CD54HCT75	SG103	1666	CD74AC245	SG103	1907
CD54HCT75F3A	SG103	3769	CD74AC251	SG103	1981
CD54HCT85	SG103	1770	CD74AC253	SG103	1985
CD54HCT85F3A	SG103	3770	CD74AC257	SG103	1955
CD54HCT86	SG103	1644	CD74AC258	SG103	1955
CD54HCT86F3A	SG103	3771	CD74AC273	SG103	1979

DATA BOOK LEGEND

DATA BOOK #	DATA BOOK TITLE
DB220	Bipolar Power
DB223	Power MOSFETs
DB235	Rad Hard/Hi Rel
DB260	CDP6805 & Peripheral
DB301	Data Acquisition
DB302	Digital Signal Processing
DB303	Microprocessors Products

DATA BOOK #	DATA BOOK TITLE
DB304	Intelligent Power
DB309	MCT/GBTs/Diodes
DB312	Analog Military Supplement
DB314	Signal Processing New Releases
DB316	Power MOSFET Supplement
DB317	Communications

DATA BOOK #	DATA BOOK TITLE
DB318	LPT/FCT CMOS Logic
DB319	IGBT UFS Series Supplement
DB450	Transient Voltage Suppression
DB500	Linear and Telecom
'89 Ana Mil	1989 Analog Military
SG103	CMOS Logic Selection Guide

Alpha Numeric Product Number Listing

PART NUMBER	DATA BOOK	FILE#
CD74AC280	SG103	1957
CD74AC283	SG103	1912
CD74AC297	SG103	2195
CD74AC299	SG103	1958
CD74AC32	SG103	1951
CD74AC323	SG103	1958
CD74AC373	SG103	1882
CD74AC374	SG103	1883
CD74AC533	SG103	1882
CD74AC534	SG103	1883
CD74AC540	SG103	1857
CD74AC541	SG103	1857
CD74AC563	SG103	1956
CD74AC564	SG103	1948
CD74AC573	SG103	1956
CD74AC574	SG103	1948
CD74AC623	SG103	1968
CD74AC646	SG103	1970
CD74AC647	SG103	1982
CD74AC648	SG103	1970
CD74AC651	SG103	1974
CD74AC652	SG103	1974
CD74AC653	SG103	1975
CD74AC654	SG103	1975
CD74AC7060	SG103	2062
CD74AC74	SG103	1881
CD74AC7623	SG103	1969
CD74AC86	SG103	1952
CD74ACT00	SG103	1855
CD74ACT02	SG103	1978
CD74ACT04	SG103	1945
CD74ACT05	SG103	1945
CD74ACT08	SG103	1950
CD74ACT10	SG103	1977
CD74ACT109	SG103	1967
CD74ACT112	SG103	1967
CD74ACT138	SG103	1909
CD74ACT139	SG103	1953
CD74ACT14	SG103	1984
CD74ACT151	SG103	1980
CD74ACT153	SG103	1966
CD74ACT157	SG103	1910
CD74ACT158	SG103	1910
CD74ACT161	SG103	1959
CD74ACT163	SG103	1959
CD74ACT164	SG103	1954

PART NUMBER	DATA BOOK	FILE#
CD74ACT174	SG103	1973
CD74ACT175	SG103	1964
CD74ACT191	SG103	1911
CD74ACT193	SG103	1947
CD74ACT20	SG103	1976
CD74ACT238	SG103	1909
CD74ACT240	SG103	1856
CD74ACT241	SG103	1856
CD74ACT244	SG103	1856
CD74ACT245	SG103	1907
CD74ACT251	SG103	1981
CD74ACT253	SG103	1985
CD74ACT257	SG103	1955
CD74ACT258	SG103	1955
CD74ACT273	SG103	1979
CD74ACT280	SG103	1957
CD74ACT283	SG103	1912
CD74ACT297	SG103	2195
CD74ACT299	SG103	1958
CD74ACT32	SG103	1951
CD74ACT323	SG103	1958
CD74ACT373	SG103	1882
CD74ACT374	SG103	1883
CD74ACT533	SG103	1882
CD74ACT534	SG103	1883
CD74ACT540	SG103	1857
CD74ACT541	SG103	1857
CD74ACT563	SG103	1956
CD74ACT564	SG103	1948
CD74ACT573	SG103	1956
CD74ACT574	SG103	1948
CD74ACT623	SG103	1968
CD74ACT646	SG103	1970
CD74ACT647	SG103	1982
CD74ACT648	SG103	1970
CD74ACT651	SG103	1974
CD74ACT652	SG103	1974
CD74ACT653	SG103	1975
CD74ACT654	SG103	1975
CD74ACT7060	SG103	2062
CD74ACT74	SG103	1881
CD74ACT7623	SG103	1969
CD74ACT86	SG103	1952
CD74FCT138T	DB318	4158
CD74FCT139T	DB318	4159
CD74FCT151T	DB318	4160

Alpha Numeric Product Number Listing

PART NUMBER	DATA BOOK	FILE#
CD74FCT153T	DB318	4161
CD74FCT157T	DB318	4166
CD74FCT162240T	DB318	4180
CD74FCT162244T	DB318	4181
CD74FCT162245T	DB318	4217
CD74FCT162373T	DB318	4182
CD74FCT162374T	DB318	4183
CD74FCT16240T	DB318	4180
CD74FCT16244T	DB318	4181
CD74FCT16245T	DB318	4217
CD74FCT162500T	DB318	4202
CD74FCT162501T	DB318	4184
CD74FCT162511T	DB318	4218
CD74FCT162540T	DB318	4185
CD74FCT162541T	DB318	4186
CD74FCT162543T	DB318	4187
CD74FCT162646T	DB318	4188
CD74FCT162652T	DB318	4203
CD74FCT162823T	DB318	4189
CD74FCT162827T	DB318	4190
CD74FCT162841T	DB318	4204
CD74FCT162952T	DB318	4191
CD74FCT162Q244T	DB318	4280
CD74FCT162Q245T	DB318	4277
CD74FCT162Q373T	DB318	4278
CD74FCT162Q374T	DB318	4279
CD74FCT163240	DB318	4255
CD74FCT163244	DB318	4192
CD74FCT163245	DB318	4193
CD74FCT163373	DB318	4194
CD74FCT163374	DB318	4195
CD74FCT16373T	DB318	4182
CD74FCT16374T	DB318	4183
CD74FCT16500T	DB318	4202
CD74FCT16501T	DB318	4184
CD74FCT16511T	DB318	4218
CD74FCT16540T	DB318	4185
CD74FCT16541T	DB318	4186
CD74FCT16543T	DB318	4187
CD74FCT16646T	DB318	4188
CD74FCT16652T	DB318	4203

PART NUMBER	DATA BOOK	FILE#
CD74FCT16823T	DB318	4189
CD74FCT16827T	DB318	4190
CD74FCT16841T	DB318	4204
CD74FCT16952T	DB318	4191
CD74FCT2151T	DB318	4160
CD74FCT2153T	DB318	4161
CD74FCT2157T	DB318	4166
CD74FCT2240T	DB318	4167
CD74FCT2241T	DB318	4167
CD74FCT2244T	DB318	4167
CD74FCT2245T	DB318	4168
CD74FCT2253T	DB318	4161
CD74FCT2257T	DB318	4166
CD74FCT2273T	DB318	4169
CD74FCT2373T	DB318	4170
CD74FCT2374T	DB318	4171
CD74FCT238T	DB318	4158
CD74FCT239T	DB318	4159
CD74FCT240	DB318	2227
CD74FCT240AT	DB318	2227
CD74FCT240T	DB318	4167
CD74FCT241T	DB318	4167
CD74FCT244	DB318	2227
CD74FCT244AT	DB318	2227
CD74FCT244T	DB318	4167
CD74FCT245	DB318	2301
CD74FCT245T	DB318	4168
CD74FCT251T	DB318	4160
CD74FCT253T	DB318	4161
CD74FCT2541T	DB318	4167
CD74FCT2543T		4173
CD74FCT2543T	DB318	4173
CD74FCT2573T	DB318	4170
CD74FCT2574T	DB318	4171
CD74FCT257T	DB318	4166
CD74FCT2646T	DB318	4175
CD74FCT2646T	DB318	4176
CD74FCT2652T	DB318	4175
CD74FCT273	DB318	2303
CD74FCT273T	DB318	4169
CD74FCT2821T	DB318	4176

DATA BOOK LEGEND

DATA BOOK #	DATA BOOK TITLE
DB220	Bipolar Power
DB223	Power MOSFETs
DB235	Rad Hard/Hi Rel
DB260	CDP6805 & Peripheral
DB301	Data Acquisition
DB302	Digital Signal Processing
DB303	Microprocessors Products

DATA BOOK #	DATA BOOK TITLE
DB304	Intelligent Power
DB309	MCT/IGBTs/Diodes
DB312	Analog Military Supplement
DB314	Signal Processing New Releases
DB316	Power MOSFET Supplement
DB317	Communications

DATA BOOK #	DATA BOOK TITLE
DB318	LPT/FCT CMOS Logic
DB319	IGBT UFS Series Supplement
DB450	Transient Voltage Suppression
DB500	Linear and Telecom
'89 Ana Mil	1989 Analog Military
SG103	CMOS Logic Selection Guide

Alpha Numeric Product Number Listing

PART NUMBER	DATA BOOK	FILE#
CD74FCT2823T	DB318	4176
CD74FCT2827T	DB318	4179
CD74FCT2828T	DB318	4179
CD74FCT2841T	DB318	4177
CD74FCT373	DB318	2230
CD74FCT373AT	DB318	2230
CD74FCT373T	DB318	4170
CD74FCT374	DB318	2305
CD74FCT374T	DB318	4171
CD74FCT377T	DB318	4172
CD74FCT399T	DB318	4252
CD74FCT521T	DB318	4214
CD74FCT533T	DB318	4170
CD74FCT534T	DB318	4171
CD74FCT540	DB318	2283
CD74FCT540T	DB318	4167
CD74FCT541	DB318	2283
CD74FCT541T	DB318	4167
CD74FCT543	DB318	2397
CD74FCT543	DB318	2399
CD74FCT543T	DB318	4173
CD74FCT544T	DB318	4173
CD74FCT564	DB318	2295
CD74FCT573	DB318	2304
CD74FCT573AT	DB318	2304
CD74FCT573T	DB318	4170
CD74FCT574	DB318	2245
CD74FCT574	DB318	2295
CD74FCT574T	DB318	4171
CD74FCT623T	DB318	4174
CD74FCT640T	DB318	4168
CD74FCT646	DB318	2393
CD74FCT646T	DB318	4175
CD74FCT648T	DB318	4175
CD74FCT651	DB318	2374
CD74FCT651	DB318	2394
CD74FCT651T	DB318	4175
CD74FCT652	DB318	2394
CD74FCT652T	DB318	4175
CD74FCT653	DB318	2403
CD74FCT654	DB318	2403
CD74FCT821A	DB318	2390
CD74FCT821T	DB318	4176
CD74FCT822A	DB318	2390
CD74FCT823	DB318	2389
CD74FCT823A	DB318	2389

PART NUMBER	DATA BOOK	FILE#
CD74FCT823T	DB318	4176
CD74FCT824A	DB318	2389
CD74FCT825T	DB318	4176
CD74FCT827T	DB318	4179
CD74FCT828T	DB318	4179
CD74FCT841A	DB318	2397
CD74FCT841T	DB318	4177
CD74FCT842A	DB318	2397
CD74FCT843A	DB318	2396
CD74FCT843T	DB318	4177
CD74FCT844A	DB318	2396
CD74FCT845T	DB318	4177
CD74FCT861A	DB318	2392
CD74FCT861T	DB318	4178
CD74FCT863A	DB318	2391
CD74FCT863A	DB318	4178
CD74FCT863T	DB318	4178
CD74FCT864T	DB318	4178
CD74HC00	SG103	1464
CD74HC02	SG103	1647
CD74HC03	SG103	1832
CD74HC04	SG103	1471
CD74HC08	SG103	1549
CD74HC10	SG103	1551
CD74HC107	SG103	1722
CD74HC109	SG103	1667
CD74HC11	SG103	1475
CD74HC112	SG103	1843
CD74HC123	SG103	1708
CD74HC125	SG103	1771
CD74HC126	SG103	1772
CD74HC132	SG103	1649
CD74HC137	SG103	1886
CD74HC138	SG103	1477
CD74HC139	SG103	1545
CD74HC14	SG103	1781
CD74HC147	SG103	1773
CD74HC151	SG103	1645
CD74HC153	SG103	1774
CD74HC154	SG103	1657
CD74HC157	SG103	1642
CD74HC158	SG103	1642
CD74HC160	SG103	1550
CD74HC161	SG103	1550
CD74HC162	SG103	1550
CD74HC163	SG103	1550

Alpha Numeric Product Number Listing

PART NUMBER	DATA BOOK	FILE#
CD74HC164	SG103	1658
CD74HC165	SG103	1672
CD74HC166	SG103	1501
CD74HC173	SG103	1641
CD74HC174	SG103	1608
CD74HC175	SG103	1474
CD74HC181	SG103	1829
CD74HC190	SG103	1662
CD74HC191	SG103	1662
CD74HC192	SG103	1674
CD74HC193	SG103	1674
CD74HC194	SG103	1668
CD74HC195	SG103	1482
CD74HC20	SG103	1601
CD74HC21	SG103	1782
CD74HC221	SG103	1670
CD74HC22106	DB317	1719
CD74HC237	SG103	1886
CD74HC238	SG103	1477
CD74HC240	SG103	1656
CD74HC241	SG103	1656
CD74HC242	SG103	1488
CD74HC243	SG103	1488
CD74HC244	SG103	1656
CD74HC245	SG103	1651
CD74HC251	SG103	1489
CD74HC253	SG103	1673
CD74HC257	SG103	1650
CD74HC258	SG103	1775
CD74HC259	SG103	1727
CD74HC27	SG103	1648
CD74HC273	SG103	1479
CD74HC280	SG103	1669
CD74HC283	SG103	1848
CD74HC297	SG103	1852
CD74HC299	SG103	1485
CD74HC30	SG103	1652
CD74HC32	SG103	1643
CD74HC354	SG103	1690
CD74HC356	SG103	1690
CD74HC365	SG103	1539

PART NUMBER	DATA BOOK	FILE#
CD74HC366	SG103	1539
CD74HC367	SG103	1538
CD74HC368	SG103	1538
CD74HC373	SG103	1679
CD74HC374	SG103	1663
CD74HC377	SG103	1675
CD74HC390	SG103	1838
CD74HC393	SG103	1653
CD74HC4002	SG103	1776
CD74HC40102	SG103	1596
CD74HC40103	SG103	1596
CD74HC40104	SG103	1661
CD74HC40105	SG103	1834
CD74HC4015	SG103	1678
CD74HC4016	SG103	1917
CD74HC4017	SG103	1639
CD74HC4020	SG103	1484
CD74HC4024	SG103	1683
CD74HC4040	SG103	1483
CD74HC4046A	SG103	1854
CD74HC4049	SG103	1543
CD74HC4050	SG103	1543
CD74HC4051	SG103	1676
CD74HC4052	SG103	1676
CD74HC4053	SG103	1676
CD74HC4059	SG103	1853
CD74HC4060	SG103	1654
CD74HC4066	SG103	1777
CD74HC4067	SG103	1783
CD74HC4075	SG103	1778
CD74HC4094	SG103	1779
CD74HC42	SG103	1689
CD74HC423	SG103	1708
CD74HC4316	SG103	1916
CD74HC4351	SG103	2145
CD74HC4352	SG103	2145
CD74HC4353	SG103	2145
CD74HC4510	SG103	1823
CD74HC4511	SG103	1786
CD74HC4514	SG103	1597
CD74HC4515	SG103	1597

DATA BOOK LEGEND

DATA BOOK #	DATA BOOK TITLE
DB220	Bipolar Power
DB223	Power MOSFETs
DB235	Rad Hard/Hi Rel
DB260	CDP6805 & Peripheral
DB301	Data Acquisition
DB302	Digital Signal Processing
DB303	Microprocessors Products

DATA BOOK #	DATA BOOK TITLE
DB304	Intelligent Power
DB309	MCT/IGBTs/Diodes
DB312	Analog Military Supplement
DB314	Signal Processing New Releases
DB316	Power MOSFET Supplement
DB317	Communications

DATA BOOK #	DATA BOOK TITLE
DB318	LPT/FCT CMOS Logic
DB319	IGBT UFS Series Supplement
DB450	Transient Voltage Suppression
DB500	Linear and Telecom
'89 Ana Mil	1989 Analog Military
SG103	CMOS Logic Selection Guide

Alpha Numeric Product Number Listing

PART NUMBER	DATA BOOK	FILE#
CD74HC4516	SG103	1823
CD74HC4518	SG103	1665
CD74HC4520	SG103	1665
CD74HC4538	SG103	1671
CD74HC4543	SG103	1822
CD74HC533	SG103	1599
CD74HC534	SG103	1640
CD74HC540	SG103	1659
CD74HC541	SG103	1659
CD74HC563	SG103	1599
CD74HC564	SG103	1640
CD74HC573	SG103	1679
CD74HC574	SG103	1663
CD74HC583	SG103	1828
CD74HC597	SG103	1915
CD74HC640	SG103	1677
CD74HC643	SG103	1677
CD74HC646	SG103	1664
CD74HC648	SG103	1664
CD74HC651	SG103	2229
CD74HC652	SG103	2229
CD74HC670	SG103	1660
CD74HC688	SG103	1646
CD74HC7030	SG103	2122
CD74HC7046A	SG103	1920
CD74HC7266	SG103	1780
CD74HC73	SG103	1721
CD74HC74	SG103	1476
CD74HC85	SG103	1770
CD74HC86	SG103	1644
CD74HC93	SG103	1849
CD74HCT00	SG103	1464
CD74HCT02	SG103	1647
CD74HCT03	SG103	1832
CD74HCT04	SG103	1471
CD74HCT08	SG103	1549
CD74HCT10	SG103	1551
CD74HCT107	SG103	1722
CD74HCT109	SG103	1667
CD74HCT11	SG103	1475
CD74HCT112	SG103	1843
CD74HCT123	SG103	1708
CD74HCT125	SG103	1771
CD74HCT126	SG103	1772
CD74HCT132	SG103	1649
CD74HCT137	SG103	1886

PART NUMBER	DATA BOOK	FILE#
CD74HCT138	SG103	1477
CD74HCT139	SG103	1545
CD74HCT14	SG103	1781
CD74HCT147	SG103	1773
CD74HCT151	SG103	1645
CD74HCT153	SG103	1774
CD74HCT154	SG103	1657
CD74HCT157	SG103	1642
CD74HCT158	SG103	1642
CD74HCT160	SG103	1550
CD74HCT161	SG103	1550
CD74HCT162	SG103	1550
CD74HCT163	SG103	1550
CD74HCT164	SG103	1658
CD74HCT165	SG103	1672
CD74HCT166	SG103	1501
CD74HCT173	SG103	1641
CD74HCT174	SG103	1608
CD74HCT175	SG103	1474
CD74HCT181	SG103	1829
CD74HCT190	SG103	1662
CD74HCT191	SG103	1662
CD74HCT192	SG103	1674
CD74HCT193	SG103	1674
CD74HCT194	SG103	1668
CD74HCT195	SG103	1482
CD74HCT20	SG103	1601
CD74HCT21	SG103	1782
CD74HCT221	SG103	1670
CD74HCT22106	DB317	1719
CD74HCT237	SG103	1886
CD74HCT238	SG103	1477
CD74HCT240	SG103	1656
CD74HCT241	SG103	1656
CD74HCT242	SG103	1488
CD74HCT243	SG103	1488
CD74HCT244	SG103	1656
CD74HCT245	SG103	1651
CD74HCT251	SG103	1489
CD74HCT253	SG103	1673
CD74HCT257	SG103	1650
CD74HCT258	SG103	1775
CD74HCT259	SG103	1727
CD74HCT27	SG103	1648
CD74HCT273	SG103	1479
CD74HCT280	SG103	1669

Alpha Numeric Product Number Listing

PART NUMBER	DATA BOOK	FILE#
CD74HCT283	SG103	1848
CD74HCT297	SG103	1852
CD74HCT299	SG103	1485
CD74HCT30	SG103	1652
CD74HCT32	SG103	1643
CD74HCT354	SG103	1690
CD74HCT356	SG103	1690
CD74HCT365	SG103	1539
CD74HCT366	SG103	1539
CD74HCT367	SG103	1538
CD74HCT368	SG103	1538
CD74HCT373	SG103	1679
CD74HCT374	SG103	1663
CD74HCT377	SG103	1675
CD74HCT390	SG103	1838
CD74HCT393	SG103	1653
CD74HCT4002	SG103	1776
CD74HCT40102	SG103	1596
CD74HCT40103	SG103	1596
CD74HCT40104	SG103	1661
CD74HCT40105	SG103	1834
CD74HCT4015	SG103	1678
CD74HCT4016	SG103	1917
CD74HCT4017	SG103	1639
CD74HCT4020	SG103	1484
CD74HCT4024	SG103	1683
CD74HCT4040	SG103	1483
CD74HCT4046A	SG103	1854
CD74HCT4051	SG103	1676
CD74HCT4052	SG103	1676
CD74HCT4053	SG103	1676
CD74HCT4059	SG103	1853
CD74HCT4060	SG103	1654
CD74HCT4066	SG103	1777
CD74HCT4067	SG103	1783
CD74HCT4075	SG103	1778
CD74HCT4094	SG103	1779
CD74HCT42	SG103	1689
CD74HCT423	SG103	1708
CD74HCT4316	SG103	1916
CD74HCT4351	SG103	2145

PART NUMBER	DATA BOOK	FILE#
CD74HCT4352	SG103	2145
CD74HCT4353	SG103	2145
CD74HCT4510	SG103	1823
CD74HCT4511	SG103	1786
CD74HCT4514	SG103	1597
CD74HCT4515	SG103	1597
CD74HCT4516	SG103	1823
CD74HCT4518	SG103	1665
CD74HCT4520	SG103	1665
CD74HCT4538	SG103	1671
CD74HCT4543	SG103	1822
CD74HCT533	SG103	1599
CD74HCT534	SG103	1640
CD74HCT540	SG103	1659
CD74HCT541	SG103	1659
CD74HCT563	SG103	1599
CD74HCT564	SG103	1640
CD74HCT573	SG103	1679
CD74HCT574	SG103	1663
CD74HCT583	SG103	1828
CD74HCT597	SG103	1915
CD74HCT640	SG103	1677
CD74HCT643	SG103	1677
CD74HCT646	SG103	1664
CD74HCT648	SG103	1664
CD74HCT651	SG103	2229
CD74HCT652	SG103	2229
CD74HCT670	SG103	1660
CD74HCT688	SG103	1646
CD74HCT7030	SG103	2122
CD74HCT7046A	SG103	1920
CD74HCT73	SG103	1721
CD74HCT74	SG103	1476
CD74HCT75	SG103	1666
CD74HCT85	SG103	1770
CD74HCT86	SG103	1644
CD74HCT93	SG103	1849
CD74HCU04	SG103	1655
CD74LPT16240	DB318	4215
CD74LPT16244	DB318	4216
CD74LPT16245	DB318	4205

DATA BOOK LEGEND

DATA BOOK #	DATA BOOK TITLE
DB220	Bipolar Power
DB223	Power MOSFETs
DB235	Rad Hard/Hi Rel
DB260	CDP6805 & Peripheral
DB301	Data Acquisition
DB302	Digital Signal Processing
DB303	Microprocessors Products

DATA BOOK #	DATA BOOK TITLE
DB304	Intelligent Power
DB309	MCT/IGBTs/Diodes
DB312	Analog Military Supplement
DB314	Signal Processing New Releases
DB316	Power MOSFET Supplement
DB317	Communications

DATA BOOK #	DATA BOOK TITLE
DB318	LPT/FCT CMOS Logic
DB319	IGBT UFS Series Supplement
DB450	Transient Voltage Suppression
DB500	Linear and Telecom
'89 Ana Mil	1989 Analog Military
SG103	CMOS Logic Selection Guide

5
HARRIS
PRODUCT LISTING

Alpha Numeric Product Number Listing

PART NUMBER	DATA BOOK	FILE#
CD74LPT16373	DB318	4206
CD74LPT16374	DB318	4207
CD74LPT16501	DB318	4208
CD74LPT16543	DB318	4209
CD74LPT16646	DB318	4210
CD74LPT16652	DB318	4211
CD74LPT16827	DB318	4212
CD74LPT16952	DB318	4213
CD74LPT241	DB318	4196
CD74LPT244	DB318	4197
CD74LPT245	DB318	4198
CD74LPT373	DB318	4199
CD74LPT541	DB318	4200
CD74LPT543	DB318	4256
CD74LPT573	DB318	4201
CD74LPT646	DB318	4257
CD74LPT652	DB318	4257
CD74LPT827	DB318	4258
CDP1802	DB303	1305
CDP1802A	DB303	1305
CDP1802ACD3	DB303	1441
CDP1802B	DB303	1305
CDP1804AC	-	-
CDP1805	DB303	1370
CDP1806	DB303	1370
CDP1806AC	-	-
CDP1806AC	DB303	1370
CDP1821	DB303	1200
CDP1821CD3	DB303	2983
CDP1822	DB303	1074
CDP1822C	DB303	1074
CDP1822CD3	DB303	2981
CDP1823	DB303	1198
CDP1823CD3	DB303	2982
CDP1824	DB303	1103
CDP1824CD3	DB303	1717
CDP1824D3	DB303	1717
CDP1826C	DB303	1311
CDP1851	DB303	1056
CDP1852	DB303	1166
CDP1852CD3	DB303	1694
CDP1852D3	DB303	1694
CDP1853	DB303	1189
CDP1853CD3	DB303	1713
CDP1854	DB303	1193
CDP1854AC	DB303	1193

PART NUMBER	DATA BOOK	FILE#
CDP1854ACD3	DB303	1715
CDP1855	DB303	1053
CDP1857	DB303	1192
CDP1866	-	-
CDP1867	-	-
CDP1871A	DB303	1374
CDP1872	DB303	1255
CDP1874	DB303	1255
CDP1875	DB303	1255
CDP1877	DB303	1319
CDP1878	DB303	1341
CDP1879	DB303	1360
CDP1881	DB303	1367
CDP1882	DB303	1367
CDP1883	DB303	1507
CDP6402	DB303	1328
CDP65C51	DB260	2747
CDP6805	DB260	2746
CDP6805E	DB260	2746
CDP6805E2	DB260	2746
CDP6805E2C	DB260	2746
CDP6805E3C	DB260	1503
CDP6818	DB260	1375
CDP6818A	DB260	2041
CDP6823	DB260	1377
CDP6853	DB260	1487
CDP68HC/HCL/ HSC05C4	DB260	2748
CDP68HC/HCL/ HSC05C8	DB260	2748
CDP68HC05	DB260	2757
CDP68HC05C16B	-	4249
CDP68HC05D2	DB260	1557
CDP68HC05J3	DB260	2757
CDP68HC05J4	-	-
CDP68HC05J4B	-	4248
CDP68HC05P4B	-	-
CDP68HC68A2	DB260	1963
CDP68HC68P1	DB260	1858
CDP68HC68R	DB260	1544
CDP68HC68S	DB304, DB314	1918
CDP68HC68S1	DB260, DB304	1918
CDP68HC68T	DB260	1547
CDP68HC68T1	DB260	1547
CDP68HC68W	DB260	1919
CDP68HC68W1	DB260	1919

Alpha Numeric Product Number Listing

PART NUMBER	DATA BOOK	FILE#
CDP68HCL05C16B	-	4249
CDP68HCL05J3	-	-
CDP68HCL05J4B	-	4248
CDP68HCL05P4B	-	-
CDP68HSC05C16B	-	4249
CDP68HSC05C4	DB260	2748
CDP68HSC05J3	-	-
CDP68HSC05J4B	-	4248
CDP68HSC05P4B	-	-
CMM5104D1DZ	DB235	3406
CMM5104D3	DB235	3406
CMM5104K1DZ	DB235	3406
CMM5104K3	DB235	3406
CMM5114AD1DZ	DB235	2081
CMM5114AD3	DB235	2081
CMM5114AK1DZ	DB235	2081
CMM5114AK3	DB235	2081
DG181/883	-	3114
DG182/883	-	3114
DG184/883	-	3114
DG185/883	-	3114
DG187/883	-	3114
DG188/883	-	3114
DG190/883	-	3114
DG191/883	-	3114
DG200/883	DB301	3115
DG200	DB301	3115
DG201	DB301	3115
DG201A/883	DB301	3115
DG201A	DB301	3117
DG202/883	DB301	3117
DG202	DB301	3117
DG211	DB301	3118
DG212	DB301	3118
DG300A/883	DB301	3119
DG300A	DB301	3119
DG301A/883	DB301	3119
DG301A	DB301	3119
DG302A/883	DB301	3119
DG302A	DB301	3119
DG303A/883	DB301	3119

PART NUMBER	DATA BOOK	FILE#
DG303A	DB301	3119
DG308A/883	DB301	3120
DG308A	DB301	3120
DG309	DB301	3120
DG309A/883	DB301	3120
DG401/883	DB312	3703
DG401	DB301, DB314	3284
DG401	DB314	3284
DG403/883	DB312	3703
DG403	DB301, DB314	3284
DG403	DB314, DB301	3284
DG403	DB314	3284
DG405/883	DB312	3703
DG405	DB301, DB314	3284
DG405	DB312	3284
DG405	DB314, DB301	3284
DG405	DB314	3284
DG406	DB301	3116
DG406AK/883	DB312	3720
DG407	DB301	3116
DG407AK/883	DB312	3720
DG408/883	DB312	3688
DG408	DB301	3283
DG409/883	DB312	3688
DG409	DB301	3282
DG409	DB301	3283
DG411/883	DB312	3681
DG411	DB301	3282
DG412/883	DB312	3681
DG412	DB301	3282
DG413/883	DB312	3681
DG413	DB301	3282
DG441/883	DB312	3687
DG441	DB301	3281
DG442/883	DB312	3687
DG442	DB301	3281
DG444	DB301	3586
DG445	DB301	3586
DG458/883	DB312	3708
DG459/883	DB312	3708
DG506A/883B	DB301	3137

DATA BOOK LEGEND

DATA BOOK #	DATA BOOK TITLE
DB220	Bipolar Power
DB223	Power MOSFETs
DB235	Rad Hard/Hi Rel
DB260	CDP6805 & Peripheral
DB301	Data Acquisition
DB302	Digital Signal Processing
DB303	Microprocessors Products

DATA BOOK #	DATA BOOK TITLE
DB304	Intelligent Power
DB309	MCT/IGBTs/Diodes
DB312	Analog Military Supplement
DB314	Signal Processing New Releases
DB316	Power MOSFET Supplement
DB317	Communications

DATA BOOK #	DATA BOOK TITLE
DB318	LPT/FCT CMOS Logic
DB319	IGBT UFS Series Supplement
DB450	Transient Voltage Suppression
DB500	Linear and Telecom
'89 Ana Mil	1989 Analog Military
SG103	CMOS Logic Selection Guide

Alpha Numeric Product Number Listing

PART NUMBER	DATA BOOK	FILE#
DG506A	DB301	3137
DG507A/883B	DB301	3137
DG507A	DB301	3137
DG508A/883B	DB301	3137
DG508A	DB301	3137
DG509A/883B	DB301	3137
DG509A	DB301	3137
DG526/883B	DB301	3139
DG527/883B	DB301	3139
DG527	DB301	3139
DG528/883B	DB301	3139
DG528	DB301	3139
DG529/883B	DB301	3139
DG529	DB301	3139
FRE160	DB235	3258
FRE260	DB235	3259
FRE264D1	-	3260
FRE264H4	-	3260
FRE264R1	-	3260
FRE264R4	-	3260
FRE460	DB235	3261
FRE9160	DB235	3268
FRE9260D1	-	3269
FRE9260H4	-	3269
FRE9260R1	-	3269
FRE9260R3	-	3269
FRE9260R4	-	3269
FRF150	DB235	3215
FRF250	DB235	3227
FRF254	DB235	3232
FRF450	DB235	3237
FRF9150	DB235	3243
FRF9250	DB235	3247
FRK150	DB235	3221
FRK160D1	-	3222
FRK160D3	-	3222
FRK160H4	-	3222
FRK160R1	-	3222
FRK160R2	-	3222
FRK160R4	-	3222
FRK250	DB235	3222
FRK250	DB235	3226
FRK254	DB235	3231
FRK260	DB235	3228
FRK264	DB235	3233
FRK460	DB235	3238

PART NUMBER	DATA BOOK	FILE#
FRK9150	DB235	3266
FRK9160	DB235	3244
FRK9260	DB235	3248
FRL130	DB235	3218
FRL230	DB235	3223
FRL234	DB235	3229
FRL430	DB235	3234
FRL9130	DB235	3239
FRL9230	DB235	3245
FRM130	DB235	3217
FRM140	DB235	3220
FRM230	DB235	3249
FRM234	DB235	3250
FRM240	DB235	3225
FRM244	DB235	3230
FRM430	DB235	3252
FRM440	DB235	3235
FRM450	DB235	3236
FRM9130	DB235	3262
FRM9140	DB235	3241
FRM9230	DB235	3263
FRM9240	DB235	3242
FRM9250	DB235	3267
FRS130	DB235	3219
FRS140	DB235	3254
FRS230	DB235	3224
FRS234	DB235	3251
FRS240	DB235	3255
FRS244	DB235	3256
FRS430	DB235	3253
FRS440	DB235	3257
FRS9130	DB235	3240
FRS9140	DB235	3264
FRS9230	DB235	3246
FRS9240	DB235	3265
FSF055D1	-	4052
FSF055R1	-	4052
FSF055R3	-	4052
FSF055R4	-	4052
FSF150	-	3971
FSF250	-	4046
FSF250D1	-	4046
FSF250R1	-	4046
FSF250R3	-	4046
FSF250R4	-	4046
FSF254	-	3972

Alpha Numeric Product Number Listing

PART NUMBER	DATA BOOK	FILE#
FSF254R4	-	3972
FSF450	-	3970
FSF9150	-	4090
FSF9250	-	4089
FSF9250D1	-	4089
FSL130	-	4031
FSL230	-	4032
FSL234	-	4030
FSL430	-	4010
FSL9130D1	-	4083
FSL9130R1	-	4083
FSL9130R3	-	4083
FSL9130R4	-	4083
FSL9230D1	-	4084
FSL9230R1	-	4084
FSL9230R3	-	4084
FSL9230R4	-	4084
FSS130	-	4059
FSS230	-	4054
FSS234	-	4053
FSS430	-	4060
FSS9130D1	-	4082
FSS9130R1	-	4082
FSS9130R3	-	4082
FSS9130R4	-	4082
FSS9230D1	-	4081
FSS9230R1	-	4081
FSS9230R3	-	4081
FSS9230R4	-	4081
GP511K1RZ	-	4128
HA-2400/883	DB312	3926
HA-2400	DB500	2891
HA-2400-8	-	2891
HA-2404	DB500	2891
HA-2405	DB500	2891
HA-2406	DB500	2892
HA-2420/883	-	-
HA-2420	DB500	2856
HA-2420-8	-	2894
HA-2425	DB500	2856
HA-2444/883	DB312	3608

PART NUMBER	DATA BOOK	FILE#
HA-2444	DB500	2490
HA-2500/883	DB312	3734
HA-2500	DB500	2890
HA-2500-8	-	2890
HA-2502/883	DB312	3734
HA-2502	DB500	2890
HA-2502-8	-	2890
HA-2505	DB500	2890
HA-2510/883	DB312	3697
HA-2510	DB500	2893
HA-2510-8	-	-
HA-2510-8	-	2893
HA-2512/883	DB312	3697
HA-2512	DB500	2893
HA-2515	DB500	2893
HA-2520/883	DB312	3735
HA-2520	DB500	2894
HA-2520-8	-	-
HA-2520-8	-	2894
HA-2522/883	DB312	3735
HA-2522	DB500	2894
HA-2522-8	-	-
HA-2522-8	-	2894
HA-2525	DB500	2894
HA-2529/883	-	3736
HA-2529/883	DB312	3736
HA-2529	DB500	2895
HA-2539/883	-	3927
HA-2539	DB500	2896
HA-2539-8	-	2896
HA-2540/883	-	-
HA-2540	DB500	2897
HA-2540-8	-	2897
HA-2541/883	DB312	3698
HA-2541	DB500	2898
HA-2541-8	-	2898
HA-2542/883	-	3928
HA-2542	DB500	2899
HA-2542-8	-	2899
HA-2544/883	DB312	3699
HA-2544	DB500	2900

DATA BOOK LEGEND

DATA BOOK #	DATA BOOK TITLE
DB220	Bipolar Power
DB223	Power MOSFETs
DB235	Rad Hard/Hi Rel
DB260	CDP6805 & Peripheral
DB301	Data Acquisition
DB302	Digital Signal Processing
DB303	Microprocessors Products

DATA BOOK #	DATA BOOK TITLE
DB304	Intelligent Power
DB309	MCT/IGBTs/Diodes
DB312	Analog Military Supplement
DB314	Signal Processing New Releases
DB316	Power MOSFET Supplement
DB317	Communications

DATA BOOK #	DATA BOOK TITLE
DB318	LPT/FCT CMOS Logic
DB319	IGBT UFS Series Supplement
DB450	Transient Voltage Suppression
DB500	Linear and Telecom
'89 Ana Mil	1989 Analog Military
SG103	CMOS Logic Selection Guide

Alpha Numeric Product Number Listing

PART NUMBER	DATA BOOK	FILE#
HA-2546/883	DB312	2444
HA-2546	DB500	2861
HA-2547	DB500	2862
HA-2548/883	DB312	2472
HA-2548	DB500	2901
HA-2556/883	DB312	3619
HA-2556	DB500	2477
HA-2557/883	DB314	3638
HA-2557	DB500	2478
HA-2600/883	DB312	3700
HA-2600	DB500	2902
HA-2600-8	-	2902
HA-2602/883	DB312	3700
HA-2602	DB500	2902
HA-2602-8	DB500	2902
HA-2605	DB500	2902
HA-2620/883	'89 Ana Mil	3701
HA-2620	DB500	2903
HA-2620-8	-	-
HA-2620-8	DB500	2903
HA-2622/883	'89 Ana Mil	3701
HA-2622	DB500	2903
HA-2622-8	-	-
HA-2622-8	DB500	2903
HA-2625	DB500	2903
HA-2640/883	DB312	3702
HA-2640	DB500	2904
HA-2645	DB500	2904
HA-2700-8	-	2909
HA-2839/883	DB312	3593
HA-2839	DB500	2841
HA-2840/883	DB312	3594
HA-2840	DB500	2842
HA-2841/883	DB312	3621
HA-2841	DB500	2843
HA-2842/883	DB312	3622
HA-2842	DB500	2766
HA-2842C	DB500	2766
HA-2850/883	DB312	3595
HA-2850	DB500	2844
HA4201	DB500	3680
HA4244	DB500	4078
HA4314B	DB500	3679
HA4344B	DB500	3956
HA4404B	DB500	3678
HA455	DB500	4264

PART NUMBER	DATA BOOK	FILE#
HA456	DB500	4153
HA457	DB500	4231
HA4600	DB500	3990
HA-4741/883	DB312	3704
HA-4741	DB500	2922
HA-4900	DB500	2855
HA-4900-8	-	2855
HA-4902/883	-	3929
HA-4902	DB500	2855
HA-4902-8	-	2855
HA-4905	DB500	2855
HA-5002/883	DB312	3705
HA-5002	DB500	2921
HA-5002-8	-	-
HA-5002-8	-	2921
HA-5004/883	DB312	3706
HA-5004	DB500	2923
HA5013	DB500	3654
HA-5020/883	DB312	3541
HA-5020	DB500	2845
HA5022/883	DB312	3729
HA5022	DB500	3392
HA5022EVAL	-	-
HA5023/883	DB312	3730
HA5023	DB500	3393
HA5023EVAL	-	-
HA5024	DB500	3550
HA5024EVAL	-	-
HA5025	DB500	3591
HA5025EVAL	-	-
HA-5033/883	'89 Ana Mil	3930
HA-5033	DB500	2924
HA-5033-8	-	2924
HA-5101/883	'89 Ana Mil	3931
HA-5101	DB500	2905
HA-5102/883	DB312	3709
HA-5102	DB500	2925
HA-5104/883	DB312	3710
HA-5104	DB500	2925
HA-5111/883	'89 Ana Mil	3932
HA-5111	DB500	2905
HA-5112/883	DB312	3711
HA-5112	DB500	2925
HA-5114/883	DB312	3712
HA-5114	DB500	2925
HA-5127/883	DB312	3751

Alpha Numeric Product Number Listing

PART NUMBER	DATA BOOK	FILE#
HA-5127	DB500	2906
HA-5127A	DB500	2906
HA-5130	DB500	2907
HA-5130-8	-	2907
HA-5134/883	DB312	3713
HA-5134	DB500	2926
HA-5135/883	DB312	3731
HA-5135	DB500	2907
HA-5137/883	DB312	3714
HA-5137	DB500	2908
HA-5137A	DB500	2908
HA-5142/883	DB312	3732
HA-5142	DB500	2909
HA-5144/883	'89 Ana Mil	3934
HA-5144	DB500	2909
HA-5147/883	DB312	3715
HA-5147	DB500	2910
HA-5147A	DB500	2910
HA-5160	DB500	2911
HA-5160-8	-	2911
HA-5162	DB500	2911
HA-5170	DB500	2912
HA-5170-8	-	-
HA-5177/883	DB312	3733
HA-5177	DB500	2913
HA-5190/883	-	-
HA-5190/883	-	2914
HA-5190	DB500	2914
HA-5190-8	-	2914
HA-5195	DB500	2914
HA-5221/883	DB312	3716
HA-5221	DB500	2915
HA-5222/883	DB312	3717
HA-5222	DB500	2915
HA-5320/883	DB312	2927
HA-5320	DB500	2857
HA-5320-8	-	2857
HA-5330/883	-	3935
HA-5330	DB500	2858
HA-5340/883	DB312	2452
HA-5340	DB500	2859

DATA BOOK LEGEND

DATA BOOK #	DATA BOOK TITLE
DB220	Bipolar Power
DB223	Power MOSFETs
DB235	Rad Hard/Hi Rel
DB260	CDP6805 & Peripheral
DB301	Data Acquisition
DB302	Digital Signal Processing
DB303	Microprocessors Products

DATA BOOK #	DATA BOOK TITLE
DB304	Intelligent Power
DB309	MCT/IGBTs/Diodes
DB312	Analog Military Supplement
DB314	Signal Processing New Releases
DB316	Power MOSFET Supplement
DB317	Communications

DATA BOOK #	DATA BOOK TITLE
DB318	LPT/FCT CMOS Logic
DB319	IGBT UFS Series Supplement
DB450	Transient Voltage Suppression
DB500	Linear and Telecom
'89 Ana Mil	1989 Analog Military
SG103	CMOS Logic Selection Guide

PART NUMBER	DATA BOOK	FILE#
HA5351	DB500	3690
HA7210	DB301, DB314, DB500	3389
HA7211	DB314, DB500	3389
HC-5502B	DB317	2884
HC-5502B1	DB317	4127
HC-5504B	DB317	2886
HC-5504B1	DB317	4125
HC-5509	DB317	2799
HC5509AR3060	DB317	3675
HC-5509B	DB317	2799
HC5513	DB317	3963
HC5513B	DB317	3963
HC5515	DB317	4235
HC5517	DB317	4147
HC5519CQ	DB317	4232
HC5520	DB317	4148
HC5521	DB317	4265
HC5523	DB317	4144
HC-5524	DB317	2798
HC5526	DB317	4151
HC-55564	DB317	2889
HC-5560	DB317	2887
HCS00MS	DB235	2138
HCS02MS	DB235	2433
HCS04MS	DB235	3046
HCS05MS	-	3557
HCS08MS	DB235	3047
HCS109MS	DB235	2466
HCS10MS	DB235	2435
HCS112MS	-	3558
HCS11MS	-	3558
HCS11MS	DB235	3048
HCS125MS	-	3559
HCS132MS	DB235	3061
HCS138MS	-	3560
HCS138MS	DB235	2473
HCS139MS	-	3560
HCS14MS	DB235	3049
HCS151MS	DB235	3077
HCS154MS	-	2479
HCS154MS	DB235	2479

5
HARRIS
PRODUCT LISTING

Alpha Numeric Product Number Listing

PART NUMBER	DATA BOOK	FILE#
HCS157MS	-	3561
HCS160MS	-	2296
HCS161MS	-	2469
HCS161MS	DB235	2469
HCS163MS	-	3087
HCS164MS	DB235	2465
HCS165	DB235	2481
HCS166	DB235	2482
HCS190	DB235	2251
HCS193	DB235	3065
HCS195	DB235	3385
HCS20MS	DB235	3050
HCS21MS	DB235	3052
HCS240MS	DB235	3562
HCS241MS	-	3122
HCS244MS	DB235	2131
HCS244MS	DB235	2132
HCS245MS	DB235	2468
HCS24MS	-	3122
HCS253MS	DB235	3068
HCS273MS	DB235	2475
HCS27MS	DB235	3054
HCS283MS	-	-
HCS32MS	DB235	3057
HCS373MS	DB235	2135
HCS374MS	DB235	2470
HCS573MS	-	4056
HCS573MS	DB235	2135
HCS74MS	DB235	2142
HCS86MS	DB235	3058
HCTS00MS	DB235	2139
HCTS02MS	DB235	2137
HCTS04MS	DB235	2140
HCTS08MS	DB235	2136
HCTS109MS	DB235	2141
HCTS10MS	DB235	2434
HCTS112MS	DB235	2467
HCTS11MS	DB235	2409
HCTS132MS	DB235	3062
HCTS138MS	DB235	2462
HCTS139MS	DB235	2231
HCTS147MS	DB235	3063
HCTS14MS	DB234	3205
HCTS14MS	DB235	3205
HCTS153MS	DB235	2463
HCTS157MS	DB235	2464

PART NUMBER	DATA BOOK	FILE#
HCTS160MS	DB235	2484
HCTS161AMS	DB235	2144
HCTS163MS	DB235	2480
HCTS164MS	DB235	3386
HCTS190MS	DB235	2474
HCTS191MS	DB235	2250
HCTS193MS	DB235	3066
HCTS20MS	DB235	3051
HCTS21MS	DB235	3053
HCTS240AMS	DB235	2105
HCTS244MS	DB235	2133
HCTS245MS	DB235	2360
HCTS273MS	DB235	2274
HCTS27MS	DB235	3055
HCTS283MS	DB235	3381
HCTS299MS	DB235	3069
HCTS30MS	DB235	3056
HCTS32MS	DB235	2248
HCTS365MS	DB235	3070
HCTS373MS	DB235	2131
HCTS374MS	DB235	2134
HCTS390MS	DB235	2476
HCTS393MS	DB235	3071
HCTS4002MS	DB235	3075
HCTS540MS	DB235	2232
HCTS541MS	DB235	3073
HCTS574MS	DB235	2359
HCTS646MS	DB235	3074
HCTS7266MS	DB235	3384
HCTS74MS	DB235	2143
HCTS75MS	DB235	3189
HCTS85MS	DB235	3059
HCTS86MS	DB235	2249
HCTS93MS	DB235	3060
HD-15530	DB303	2960
HD-15531/883	DB303	2962
HD-15531	DB303	2961
HD-4702/883	DB303	2955
HD-4702	DB303	2954
HD-6402/883	DB303	2953
HD-6402	DB303	2956
HD6406	-	-
HD-6408	DB303	2952
HD-6409/883	DB303	2959
HD-6409	DB303	2951
HFA1100/883	-	3615

Alpha Numeric Product Number Listing

PART NUMBER	DATA BOOK	FILE#
HFA1100	DB317, DB500	2945
HFA1102	DB317, DB500	3597
HFA1102MJ/883	-	-
HFA1103	DB500	3957
HFA1105	DB500	3395
HFA1106	DB500	3922
HFA1109	DB500	4019
HFA1110/883	DB312	3620
HFA1110	DB317, DB500	2944
HFA1110EVAL	-	-
HFA1112/883	DB312	3610
HFA1112	DB317, DB500	2992
HFA1113/883	DB312	3618
HFA1113	DB317, DB500	1342
HFA1114	DB317, DB500	3151
HFA1115/883	DB312	3724
HFA1115	DB500	3606
HFA1118	DB500	4020
HFA1119	DB500	4020
HFA1120/883	DB312	3617
HFA1120	DB317, DB500	2945
HFA1130MJ/883	-	3625
HFA1130ML/883	DB312	3625
HFA1130	DB317, DB500	3369
HFA1135/883	-	3725
HFA1135/883	DB312	3725
HFA1135	DB500	3653
HFA1145/883	DB312	3726
HFA1145	DB500	3955
HFA1149	DB500	4019
HFA11XXEVAL	-	AN9202
HFA1205	DB500	3605
HFA1212/883	DB312	3742
HFA1212	DB500	3607
HFA1245/883	DB312	3743
HFA1245	DB500	3682
HFA1405	DB500	3604
HFA1412/883	DB312	3744
HFA1412	DB500	4152
HFA3046	DB317, DB500	3076
HFA3096	DB314, DB317, DB500	3076

PART NUMBER	DATA BOOK	FILE#
HFA3101	DB317, DB500	3663
HFA3102	DB317, DB500	3635
HFA3127	DB317, DB500	3076
HFA3127MJ/883	-	3967
HFA3128	DB317, DB500	3076
HFA3421	-	4288
HFA3424	DB317	4131
HFA3424EVAL	-	AN9627
HFA3524	DB317	4062
HFA3524EVAL	-	-
HFA3600	DB317	3655
HFA3600EVAL	-	3655
HFA3624	DB317	4066
HFA3624EVAL	-	AN9618
HFA3661	-	4240
HFA3663	-	4241
HFA3664	-	4242
HFA3724	DB317	4067
HFA3724EVAL	-	-
HFA3726	-	4310
HFA3761	-	4236
HFA3763	-	4237
HFA3824	-	4308
HFA3924	-	4065
HFA3925	DB317	4132
HFA3925EVAL	-	-
HFA3926	-	4282
HFA5251	DB500	3689
HFA5253	DB500	4003
HGT1S14N36G3VL	DB309	4008
HGT1S14N36G3VLS	DB309	4008
HGT1S20N35G3VL	DB309	4006
HGT1S20N35G3VLS	DB309	4006
HGTA32N60E2	DB309	2833
HGTB12N60D1C	DB309	2326
HGTD10N40F1	DB309	2425
HGTD10N40F1S	DB309	2425
HGTD10N50F1	DB309	2425
HGTD10N50F1S	DB309	2425
HGTD6N40E1	DB309	2413
HGTD6N40E1S	DB309	2413

DATA BOOK LEGEND

DATA BOOK #	DATA BOOK TITLE
DB220	Bipolar Power
DB223	Power MOSFETs
DB235	Rad Hard/Hi Rel
DB260	CDP6805 & Peripheral
DB301	Data Acquisition
DB302	Digital Signal Processing
DB303	Microprocessors Products

DATA BOOK #	DATA BOOK TITLE
DB304	Intelligent Power
DB309	MCT/IGBTs/Diodes
DB312	Analog Military Supplement
DB314	Signal Processing New Releases
DB316	Power MOSFET Supplement
DB317	Communications

DATA BOOK #	DATA BOOK TITLE
DB318	LPT/FCT CMOS Logic
DB319	IGBT UFS Series Supplement
DB450	Transient Voltage Suppression
DB500	Linear and Telecom
'89 Ana Mil	1989 Analog Military
SG103	CMOS Logic Selection Guide

Alpha Numeric Product Number Listing

PART NUMBER	DATA BOOK	FILE#
HGTD6N50E1	DB309	2413
HGTD6N50E1S	DB309	2413
HGTG12N60D1D	DB309	2800
HGTG20N100D2	DB309	2826
HGTG20N50C1D	DB309	2796
HGTG24N60D1D	DB309	2797
HGTG32N60E2	DB309	2828
HGTG34N100E2	DB309	2827
HGTH12N40C1	DB309	1697
HGTH12N40C1D	DB309	2273
HGTH12N40E1	DB309	1697
HGTH12N40E1D	DB309	2273
HGTH12N50C1	DB309	1697
HGTH12N50C1D	DB309	2273
HGTH12N50E1	DB309	1697
HGTH12N50E1D	DB309	2273
HGTH20N40C1	DB309	2174
HGTH20N40C1D	DB309	2271
HGTH20N40E1	DB309	2174
HGTH20N40E1D	DB309	2271
HGTH20N50C1	DB309	2174
HGTH20N50C1D	DB309	2271
HGTH20N50E1	DB309	2174
HGTH20N50E1D	DB309	2271
HGTP10N40C1	DB309	1697
HGTP10N40C1D	DB309	2405
HGTP10N40E1	DB309	1697
HGTP10N40E1D	DB309	2405
HGTP10N40F1D	DB309	2751
HGTP10N50C1	DB309	1697
HGTP10N50C1D	DB309	2405
HGTP10N50E1	DB309	1697
HGTP10N50E1D	DB309	2405
HGTP10N50F1D	DB309	2751
HGTP12N60D1	DB309	2830
HGTP14N36G3VL	DB309	4008
HGTP14N40F3VL	DB309	3407
HGTP15N50C1	DB309	2174
HGTP15N50E1	DB309	2174
HGTP20N35G3VL	DB309	4006
HGTP6N40E1D	DB309	2795
HGTP6N50E1D	DB309	2795
HI-0549/883	'89 Ana Mil	-
HI1106	DB301	4113
HI1166	DB301	3579
HI1166-EV	-	AN9328

PART NUMBER	DATA BOOK	FILE#
HI1171	DB301	3662
HI1171-EV	-	AN9411
HI1172	DB301	4102
HI1172JCP	DB301	4102
HI1175	DB301	3577
HI1175-EV	-	AN9331
HI1176	DB301	3582
HI1176-EV	-	AN9407
HI1177	DB301	4114
HI1178	DB301	4115
HI1179	DB301, DB314	3666
HI1179-EV	-	AN9407
HI1260	DB301	4112
HI1276	DB301	3578
HI1386	DB301	3583
HI1396	DB301	3576
HI-1818A/883	'89 Ana Mil	-
HI-1818A	DB301	3141
HI1826	DB301	4107
HI1826JCQ	DB301	4107
HI-1828A/883	'89 Ana Mil	-
HI-1828A	DB301	3141
HI-1828A-8	DB301	3141
HI1866	DB301	4108
HI1866JCQ	DB301	4108
HI-200/883	'89 Ana Mil	-
HI-200	DB301	3121
HI-201/883	'89 Ana Mil	-
HI-201	DB301	3121
HI-201-8	-	-
HI-201HS/883	'89 Ana Mil	-
HI-201HS	DB301	3123
HI-201HS-8	-	-
HI20201	DB301, DB317	3581
HI20201-EV	-	AN9406
HI20203	DB301	4096
HI-222/883	'89 Ana Mil	-
HI-222	DB301	3124
HI2300	DB301	4103
HI2300JCQ	DB301	4103
HI2301	DB301	4104
HI2301JCQ	DB301	4104
HI2302	DB301	4105
HI2302JCQ	-	4105
HI2303	-	4106
HI2304	DB301	4116

Alpha Numeric Product Number Listing

PART NUMBER	DATA BOOK	FILE#
HI2307	DB301	4117
HI2309	DB301	4118
HI2315	DB301	4119
HI-300/883	'89 Ana Mil	-
HI-300	DB301	3125
HI-301/883	'89 Ana Mil	-
HI-301	DB301	3125
HI-302/883	'89 Ana Mil	-
HI-302	DB301	3125
HI3026	DB301	4109
HI3026A	DB301	4246
HI3026ACJQ	DB301	4246
HI3026EVAL	-	-
HI3026EVAL	-	AN9652
HI3026JCQ	DB301	4109
HI-303	DB301	3125
HI-304/883	'89 Ana Mil	-
HI-304	DB301	3125
HI-305/883	'89 Ana Mil	-
HI-305	DB301	3125
HI3050	DB314	3936
HI-306/883	'89 Ana Mil	-
HI-306	DB301	3125
HI-307/883	'89 Ana Mil	-
HI-307	DB301	3125
HI3086	DB301	4110
HI3086EVAL	-	-
HI3086JCQ	DB301	4110
HI3197	-	4356
HI3306	DB301	4136
HI3318JIP	DB301	4135
HI3338	DB301	4134
HI-381/883	'89 Ana Mil	-
HI-381	DB301	3126
HI-384/883	'89 Ana Mil	-
HI-384	DB301	3126
HI-387/883	'89 Ana Mil	-
HI-387	DB301	3126
HI-390/883	'89 Ana Mil	-
HI-390	DB301	3126
HI-5040/883	'89 Ana Mil	-

PART NUMBER	DATA BOOK	FILE#
HI-5040	DB301	3127
HI-5041/883	'89 Ana Mil	-
HI-5041	DB301	3127
HI-5041-8	-	-
HI-5042/883	'89 Ana Mil	-
HI-5042	DB301	3127
HI-5043/883	'89 Ana Mil	-
HI-5043	-	-
HI-5043	DB301	3127
HI-5044/883	'89 Ana Mil	-
HI-5044	DB301	3127
HI-5045/883	'89 Ana Mil	-
HI-5045	DB301	3127
HI-5046/883	'89 Ana Mil	-
HI-5046	DB301	3127
HI-5046A/883	'89 Ana Mil	-
HI-5046A	DB301	3127
HI-5047/883	'89 Ana Mil	-
HI-5047	DB301	3127
HI-5047A/883	'89 Ana Mil	-
HI-5047A	DB301	3127
HI-5048/883	'89 Ana Mil	-
HI-5048	DB301	3127
HI-5049/883	'89 Ana Mil	-
HI-5049	DB301	3127
HI-5050/883	'89 Ana Mil	-
HI-5050	DB301	3127
HI-5051/883	'89 Ana Mil	-
HI-5051	DB301	3127
HI-506/883	'89 Ana Mil	-
HI-506	DB301	3142
HI-506A	DB301	3143
HI-506A-8	-	-
HI-507/883	'89 Ana Mil	-
HI-507	DB301	3142
HI-507A	DB301	3143
HI-508/883	'89 Ana Mil	-
HI-508	DB301	3142
HI-508A	DB301	3143
HI-509/883	'89 Ana Mil	-
HI-509	DB301	3142

DATA BOOK LEGEND

DATA BOOK #	DATA BOOK TITLE
DB220	Bipolar Power
DB223	Power MOSFETs
DB235	Rad Hard/Hi Rel
DB260	CDP6805 & Peripheral
DB301	Data Acquisition
DB302	Digital Signal Processing
DB303	Microprocessors Products

DATA BOOK #	DATA BOOK TITLE
DB304	Intelligent Power
DB309	MCT/IGBTs/Diodes
DB312	Analog Military Supplement
DB314	Signal Processing New Releases
DB316	Power MOSFET Supplement
DB317	Communications

DATA BOOK #	DATA BOOK TITLE
DB318	LPT/FCT CMOS Logic
DB319	IGBT UFS Series Supplement
DB450	Transient Voltage Suppression
DB500	Linear and Telecom
'89 Ana Mil	1989 Analog Military
SG103	CMOS Logic Selection Guide

Alpha Numeric Product Number Listing

PART NUMBER	DATA BOOK	FILE#
HI-509A	DB301	3143
HI-516/883	'89 Ana Mil	-
HI-516	DB301	3146
HI-518	DB301	3147
HI-524/883	'89 Ana Mil	-
HI-524	DB301	3148
HI-539	DB301	3149
HI-546/883	'89 Ana Mil	-
HI-546	DB301	3150
HI-547/883	'89 Ana Mil	-
HI-547	DB301	3150
HI-548/883	'89 Ana Mil	-
HI-548	DB301	3150
HI-549/883	'89 Ana Mil	-
HI-549	DB301	3150
HI-565A/883	'89 Ana Mil	-
HI-565A	DB301	3109
HI5662	DB301	4317
HI5662EVAL1	-	-
HI-5700/883	DB312	3286
HI-5701/883	DB312	3378
HI-5701	DB301, DB306	2937
HI5701-EV	-	AN9216
HI5702	DB301, DB314	3745
HI5703	DB301, DB314, DB317	3950
HI5703EVAL	-	AN9534
HI5710	DB301DB314, DB317	3921
HI5710A	-	-
HI5710EVAL	-	AN9511
HI5714	DB301	3973
HI5714EVAL	-	AN9517
HI5721	DB301, DB314, DB317	3949
HI5721-EVP	-	AN9410
HI5721-EVS	-	AN9410
HI5728	DB301	4321
HI5728EVAL1	-	-
HI5731	DB301, DB317	4070
HI5731-EVS	-	AN9602
HI5735	DB301	4133
HI5741	DB301, DB317	4071
HI5741-EVS	-	AN9626
HI5746	DB301 DB317	4129
HI5746EVAL1	-	AN9625
HI-574A/883	'89 Ana Mil	-
HI-574A/883	DB301	3096
HI-574A	DB301	3096

PART NUMBER	DATA BOOK	FILE#
HI5760	DB301	4320
HI5760EVAL1	-	-
HI5762	DB301	4318
HI5762EVAL1	-	-
HI5766	DB301, DB317	4130
HI5766EVAL1	-	AN9726
HI5767	DB301	4319
HI5767EVAL1	-	-
HI5780	DB301, DB314, DB317	4024
HI5780-EV	-	AN9530
HI5800/883	DB314	2938
HI5800	DB301, DB314	2938
HI5800-EV	-	AN9203
HI5804	DB301, DB317	4026
HI5804EVAL	-	AN9647
HI5805	DB301, DB314, DB317	3984
HI5805EVAL1	-	AN9707
HI5808	DB301, DB317	4233
HI5808EVAL1	-	AN9724
HI5810	DB301	3633
HI5812	DB301	3214
HI5813	DB301	3634
HI5905	DB317	4259
HI5905EVAL1	-	-
HI-674	DB301	3096
HI-674A/883	'89 Ana Mil	-
HI-674A/883	DB301	3096
HI7131	DB301	3373
HI7133	DB301	3373
HI-7159A	DB301	2936
HI7188	DB301, DB314	4016
HI7188EVAL	-	AN9518
HI7188IP	DB301	4016
HI7190	DB301, DB314	3612
HI7190EVAL	-	AN9505
HI7191	-	4138
HI-774/883	'89 Ana Mil	-
HI-774/883	DB301	3096
HI-774	DB301	3096
HI-DAC80V	DB301	3110
HI-DAC85V	DB301	3110
HIN200	DB301, DB303, DB314	3980
HIN201	DB301, DB303, DB314	4104
HIN202	DB301, DB303, DB314	3980
HIN203	DB301, DB303, DB314	3980
HIN204	DB301, DB303, DB314	3980

Alpha Numeric Product Number Listing

PART NUMBER	DATA BOOK	FILE#
HIN205	DB301, DB303, DB314	3980
HIN206	DB301, DB303, DB314	3980
HIN207	DB301, DB303, DB314	3980
HIN208	DB301, DB303, DB314	3980
HIN209	DB301, DB303, DB314	3980
HIN211	DB301, DB303, DB314	3980
HIN213	DB301, DB303, DB314	3980
HIN230	DB301, DB303, DB314	3138
HIN231	DB301, DB303, DB314	3138
HIN232	DB301, DB303, DB314	3138
HIN233	DB301, DB303, DB314	3138
HIN234	DB301	3138
HIN235	DB301, DB303, DB314	3138
HIN236	DB301	3138
HIN237	DB301	3138
HIN238	DB301	3138
HIN239	DB301	3138
HIN240	DB301	3138
HIN241	DB301	3138
HIP0045	-	4047
HIP0045AB	-	4047
HIP0050	-	4034
HIP0050IB	-	4034
HIP0050IP	-	4034
HIP0051	-	4155
HIP0051IB	-	4155
HIP0060	-	4045
HIP0060AB	-	4045
HIP0080	DB223, DB304	3018
HIP0081	DB223, DB304	3018
HIP0082	DB304	3643
HIP1030	DB223, DB304	2788
HIP1031	DB304	3596
HIP1090	DB304, DB450	3398
HIP2030	DB304, DB309	3691
HIP2030EVAL	-	3918
HIP2100	-	4022
HIP2100EVAL	-	-
HIP2100EVAL2	-	-
HIP2100IB	-	4022
HIP2500	DB304	2801

PART NUMBER	DATA BOOK	FILE#
HIP4020	DB304	3976
HIP4080	DB223, DB304	3178
HIP4080A	DB304	3658
HIP4080AEVAL	-	-
HIP4080AEVAL2	-	4018
HIP4081	DB304	3556
HIP4081A	DB304	3659
HIP4082	DB304	3676
HIP4082AEVAL2	-	-
HIP4082EVAL	-	-
HIP4083	-	4223
HIP4083AB	-	4223
HIP4083AP	-	4223
HIP4083EVAL	-	-
HIP4086	-	4220
HIP4086AB	-	4220
HIP4086AP	-	4220
HIP4086EVAL	-	-
HIP5010	-	4029
HIP5010IB	-	4029
HIP5010IS	-	4029
HIP5010IS1	-	4029
HIP5011	-	4029
HIP5011EVAL	-	-
HIP5011IS	-	4029
HIP5011IS1	-	4029
HIP5015	-	4142
HIP5015EVAL2	-	-
HIP5015IS1	-	4142
HIP5016	-	4142
HIP5016IS1	-	4142
HIP5020	-	4243
HIP5020EVAL1	-	-
HIP5020EVAL2	-	-
HIP5061	DB304	3390
HIP5500	DB304	3210
HIP5600	DB304	3270
HIP5600EVAL1	-	3747
HIP5600EVAL2	-	3748
HIP5600EVAL3	-	3749
HIP6002	-	4270

DATA BOOK LEGEND

DATA BOOK #	DATA BOOK TITLE
DB220	Bipolar Power
DB223	Power MOSFETs
DB235	Rad Hard/Hi Rel
DB260	CDP6805 & Peripheral
DB301	Data Acquisition
DB302	Digital Signal Processing
DB303	Microprocessors Products

DATA BOOK #	DATA BOOK TITLE
DB304	Intelligent Power
DB309	MCT/IGBTs/Diodes
DB312	Analog Military Supplement
DB314	Signal Processing New Releases
DB316	Power MOSFET Supplement
DB317	Communications

DATA BOOK #	DATA BOOK TITLE
DB318	LPT/FCT CMOS Logic
DB319	IGBT UFS Series Supplement
DB450	Transient Voltage Suppression
DB500	Linear and Telecom
'89 Ana Mil	1989 Analog Military
SG103	CMOS Logic Selection Guide

Alpha Numeric Product Number Listing

PART NUMBER	DATA BOOK	FILE#
HIP6002CB	-	4270
HIP6002EVAL1	-	-
HIP6003	-	4274
HIP6003CB	-	4274
HIP6003EVAL1	-	-
HIP6004	-	4275
HIP6004CB	-	4275
HIP6004EVAL1	-	-
HIP6004EVAL3	-	-
HIP6005	-	4276
HIP6005CB	-	4276
HIP6005EVAL3	-	-
HIP6006	-	AN9722, 4306
HIP6006CB	-	4306
HIP6006EVAL1	-	-
HIP6007	-	AN9722
HIP6007CB	-	4307
HIP6007EVAL1	-	4307
HIP7010	DB304	3644
HIP7020	DB304	3642
HIP7030A0	DB304	3645
HIP7030A2	DB304	3646
HIP7030AEV	-	-
HIP7038A8	DB304	3647
HIP7038AEV	-	-
HIP9010	DB304	3601
HIP9020	DB304	2790
HIP9021	-	4055
HM-6504/883	DB303	2993
HM-6504	DB303	2994
HM-6504B	DB303	2994
HM-6508/883	DB303	2985
HM-6508	DB303	2984
HM-6514/883	DB303	2996
HM-6514	DB303	2995
HM-6516/883	DB303	2999
HM-6516	DB303	2998
HM-65162/883	DB303	3001
HM-65162	DB303	3000
HM-6516B/883	DB303	2999
HM-6518/883	DB303	2986
HM-6518	DB303	2987
HM-65262/883	DB303	3003
HM-65262	DB303	3002
HM-6551/883	DB303	2988
HM-6551	DB303	2989

PART NUMBER	DATA BOOK	FILE#
HM-6561/883	DB303	2990
HM-6561	DB303	2991
HM-65642/883	DB303	3004
HM-65642	DB303	3005
HM-65642B/883	DB303	3004
HM-65642B	DB303	3012
HM-6617/883	DB303	3016
HM-6617	DB303	3017
HM-6617B/883	DB303	3016
HM-6642/883	DB303	3013
HM-6642	DB303	3012
HM-6642B/883	DB303	3013
HMA510/883	DB302	2807
HMA510	DB302	2806
HMA510GM/883	DB302	2807
HMP8112CN	-	4221
HMP8156CN	-	4269
HMU16/883	DB302	2804
HMU16	DB302	2803
HMU16GM/883	DB302	2804
HMU17/883	DB302	2805
HMU17	DB302	2803
HMU17GM/883	DB302	2805
HS-0506RH	-	4028
HS-0507RH	-	4028
HS-0508RH	-	3977
HS-0509RH	-	3977
HS-0546RH	-	3544
HS-0547RH	-	3544
HS-0548RH-Q	-	3543
HS-0549RH-Q	-	3543
HS1-1245RH-Q	-	4229
HS-1840RH	-	3992
HS2-2520RH-Q	-	3599
HS2-2620RH-Q	-	4014
HS2-2622RH-Q	-	4014
HS2-2700RH-Q	-	3624
HS-2400RH-Q	-	-
HS-2420RH	-	3554
HS-245RH	DB235	3034
HS-246RH	DB235	3034
HS-248RH	DB235	3034
HS-26C31RH	-	3401
HS-26C31RH	DB235	3401
HS-26C31RH-8	DB235	3401
HS-26C31RH-Q	DB235	3401

Alpha Numeric Product Number Listing

PART NUMBER	DATA BOOK	FILE#
HS-26C32RH	DB235	3402
HS-26CT31RH	DB235	2929
HS-26CT32RH	DB235	2930
HS-2700RH	-	3624
HS-2700RH-Q	-	3624
HS-302RH	-	-
HS-303RH	-	-
HS-307RH	-	-
HS-3182	DB303	2963
HS-3282	DB303	2964
HS-3374RH	DB235	3038
HS-390RH	-	-
HS-508ARH	-	-
HS-5104ARH	DB235	3025
HS-54C138RH	DB235	3037
HS-565ARH	DB235	3278
HS-65647RH	DB235	2928
HS-6617RH	DB235	3033
HS-6664RH	DB235	3197
HS7-1100RH-Q	-	4100
HS7-1115RH-Q	-	4098
HS7-1120RH-Q	-	4101
HS7-1135RH-Q	-	4099
HS7-1145RH-Q	-	4227
HS7-1212RH-Q	-	4228
HS7-1412RH-Q	-	4230
HS7-2510RH-Q	-	3592
HS7-2520RH-Q	-	3599
HS7-2600RH-Q	-	3650
HS7-2620RH-Q	-	4014
HS7-2622RH-Q	-	4014
HS-80C85RH	DB235	3036
HS-80C86RH	DB235	3035
HS-81C55RH	DB235	3039
HS-81C56RH	DB235	3039
HS-82C08RH	DB235	3040
HS-82C12RH	DB235	3041
HS-82C37ARH	DB235	3042
HS-82C54RH	DB235	3043
HS-82C55ARH	DB235	3191
HS-82C85RH	DB235	3044

DATA BOOK LEGEND

DATA BOOK #	DATA BOOK TITLE
DB220	Bipolar Power
DB223	Power MOSFETs
DB235	Rad Hard/Hi Rel
DB260	CDP6805 & Peripheral
DB301	Data Acquisition
DB302	Digital Signal Processing
DB303	Microprocessors Products

DATA BOOK #	DATA BOOK TITLE
DB304	Intelligent Power
DB309	MCT/IGBTs/Diodes
DB312	Analog Military Supplement
DB314	Signal Processing New Releases
DB316	Power MOSFET Supplement
DB317	Communications

DATA BOOK #	DATA BOOK TITLE
DB318	LPT/FCT CMOS Logic
DB319	IGBT UFS Series Supplement
DB450	Transient Voltage Suppression
DB500	Linear and Telecom
'89 Ana Mil	1989 Analog Military
SG103	CMOS Logic Selection Guide

PART NUMBER	DATA BOOK	FILE#
HS-9008RH	DB235	3279
HS9-2510RH-Q	-	3592
HSP3824	DB317	4064
HSP3824EVAL	-	AN9615
HSP43124	DB317	3555
HSP43168/883	DB302, DB314	3177
HSP43168/883	DB314	3177
HSP43168	DB317	2808
HSP43216	DB317	3365
HSP43220/883	DB302	2802
HSP43220	DB302, DB317	2486
HSP43481/883	DB302	2450
HSP43881/883	DB302	2449
HSP43881	DB302	2758
HSP43891/883	DB302	2451
HSP43891	DB302	2785
HSP45102	DB317	2810
HSP45106/883	DB302	2815
HSP45106	DB317	2809
HSP45116/883	DB302	2813
HSP45116	DB302, DB317	2485
HSP45116A	DB317	4156
HSP45116-DB	DB302	3367
HSP45240/883	DB302	2816
HSP45240	DB302	2489
HSP45240GM	DB302	2816
HSP45256/883	DB302	2997
HSP45256	DB302	2814
HSP48212	DB302	3627
HSP48410/883	DB302	3542
HSP48410	DB302	3185
HSP48901	DB302	2459
HSP48908/883	DB302	2783
HSP48908	DB302	2456
HSP50016	DB317	3288
HSP50016-EV	DB302	3637
HSP50110/210EVAL	DB317	4149
HSP50110	DB317	3651
HSP50210	DB317	3652
HSP50306	DB317	4162
HSP50307	DB317	4219

Alpha Numeric Product Number Listing

PART NUMBER	DATA BOOK	FILE#
HSP9501	DB302	2786
HSP9520	DB302	2811
HSP9521	DB302	2811
HSP-EVAL	DB302	3366
HS-RTX2010RH	-	3961
HUF75307D3/D3S	-	4357
HUF75307P3	-	4357
HUF75307T3ST	-	-
HUF75309D3/D3S	-	4358
HUF75309P3	-	4358
HUF75309T3ST	-	-
HUF75321D3/D3S	-	4351
HUF75321P3	-	4360
HUF75321S3/S3S	-	4360
HUF75329D3/D3S	-	-
HUF75329G3	-	4361
HUF75329P3	-	4361
HUF75329S3/S3S	-	4361
HUF75339G3	-	4362
HUF75339P3	-	4362
HUF75339S3/S3S	-	4362
HUF75337P3	-	-
HUF75337S3/S3S	-	-
HUF75339G3	-	4363
HUF75339P3	-	4363
HUF75339S3/S3S	-	4363
HUF75343G3	-	4364
HUF75343P3	-	4364
HUF75343S3/S3S	-	4364
HUF75345G3	-	4365
HUF75345P3	-	4365
HUF75345S3/S3S	-	4365
HUG75337G3	-	-
HV-2405E	DB304, DB500	2487
HV400/883	DB304	3584
HV400	DB223, DB304	2850
HV400MJ/883	DB304	3584
ICL232/883	-	-
ICL232	DB301, DB303	3020
ICL7106	DB301	3082
ICL7107	DB301	3082
ICL7109/883	-	-
ICL7109	DB301	3092
ICL7116	DB301	3083
ICL7117	DB301	3083
ICL7126	DB301	3084

PART NUMBER	DATA BOOK	FILE#
ICL7126R	DB301	3084
ICL7129	DB301	3085
ICL7135	DB301	3093
ICL7136	DB301	3086
ICL7137	DB301	3086
ICL7139	DB301	3088
ICL7149	DB301	3088
ICL71C03	-	3081
ICL7611	DB500	2919
ICL7611A	DB500	2919
ICL7611D	DB500	2919
ICL7612	DB500	2919
ICL7612A	DB500	2919
ICL7612D	DB500	2919
ICL7621	DB500	3403
ICL7621A	DB500	3403
ICL7621D	DB500	3403
ICL7641	DB500	3403
ICL7641C	DB500	3403
ICL7641E	DB500	3403
ICL7642	DB500	3403
ICL7642C	DB500	3403
ICL7642E	DB500	3403
ICL7650/HR	DB500	2920
ICL7650HR	DB500	2920
ICL7650S	DB500	2920
ICL7660/883	-	-
ICL7660	DB304	3072
ICL7660S	DB304	3179
ICL7660AC	DB304	3072
ICL7660AT	DB304	3072
ICL7660C	-	3072
ICL7660M	DB304	3072
ICL7660S	DB304	3179
ICL7660SM	DB304	3179
ICL7662/883	DB304	3181
ICL7662	DB304	3181
ICL7663S	DB304	3180
ICL7665S	DB304	3182
ICL7667/883	-	-
ICL7667	DB304	2853
ICL7673	DB304	3183
ICL8013/HR	-	2863
ICL8013	DB500	2863
ICL8038/883	-	-
ICL8038/BI	DB500	2864

Alpha Numeric Product Number Listing

PART NUMBER	DATA BOOK	FILE#
ICL8038	DB500	2864
ICL8052	-	3081
ICL8068	-	3081
ICL8069/883	-	-
ICL8069	DB301	3172
ICL8211/883	-	-
ICL8211	DB304	3184
ICL8212/883	-	-
ICL8212	DB304	3184
ICM7170/883	-	-
ICM7170	DB301, DB303	3019
ICM7170A/883	-	-
ICM7202A	-	-
ICM7207	-	3163
ICM7207A	-	3163
ICM7208	-	3164
ICM7209	-	3175
ICM7211	DB301	3158
ICM7212	DB301	3158
ICM7213	DB301	3165
ICM7216	DB301	3166
ICM7216A	DB301	3166
ICM7216B	DB301	3166
ICM7216D	DB301	3166
ICM7217	DB301	3167
ICM7218	-	3159
ICM7224	DB301	3168
ICM7225	-	-
ICM7226A	DB301	3169
ICM7226B	DB301	3169
ICM7228	DB301	3160
ICM7228MJ883B	-	-
ICM7231	DB301	3161
ICM7232	DB301	3161
ICM7242	DB500	2866
ICM7243	DB301	3162
ICM7249	DB301	3170
ICM7555/883	-	-
ICM7555	DB500	2867
ICM7556/883	-	-
ICM7556	DB312, DB500	2867

PART NUMBER	DATA BOOK	FILE#
IH5012/883	-	-
IH5040	-	-
IH5041	-	-
IH5042	-	-
IH5043/883	DB301	3130
IH5043	-	3130
IH5043	DB301	3130
IH5044	-	-
IH5045	-	-
IH5052	DB301	3131
IH5053	DB301	3131
IH5140/883	DB301	3132
IH5140	DB301	3132
IH5141/883	DB301	3132
IH5141	DB301	3132
IH5142/883	DB301	3132
IH5142	DB301	3132
IH5143/883	DB301	3132
IH5144/883	DB301	3132
IH5145/883	DB301	3132
IH5151/883	DB301	3133
IH5151	DB301	3133
IH5341/883	DB301	3134
IH5341	DB301	3134
IH5352/883	DB301	3134
IH5352	DB301	3134
IH6108/883	-	3156
IH6201/883	-	3136
IH6208/883	-	3157
IM6654	DB303	3015
IRF120	DB223	1565
IRF121	DB223	1565
IRF122	DB223	1565
IRF123	DB223	1565
IRF130	DB223	1566
IRF131	DB223	1566
IRF132	DB223	1566
IRF133	DB223	1566
IRF140	DB223	2306
IRF141	DB223	2306
IRF142	DB223	2306

DATA BOOK LEGEND

DATA BOOK #	DATA BOOK TITLE
DB220	Bipolar Power
DB223	Power MOSFETs
DB235	Rad Hard/Hi Rel
DB260	CDP6805 & Peripheral
DB301	Data Acquisition
DB302	Digital Signal Processing
DB303	Microprocessors Products

DATA BOOK #	DATA BOOK TITLE
DB304	Intelligent Power
DB309	MCT/IGBTs/Diodes
DB312	Analog Military Supplement
DB314	Signal Processing New Releases
DB316	Power MOSFET Supplement
DB317	Communications

DATA BOOK #	DATA BOOK TITLE
DB318	LPT/FCT CMOS Logic
DB319	IGBT UFS Series Supplement
DB450	Transient Voltage Suppression
DB500	Linear and Telecom
'89 Ana Mil	1989 Analog Military
SG103	CMOS Logic Selection Guide

Alpha Numeric Product Number Listing

PART NUMBER	DATA BOOK	FILE#
IRF143	DB223	2306
IRF150	DB223	1824
IRF151	DB223	1824
IRF152	DB223	1824
IRF153	DB223	1824
IRF220	DB223	1567
IRF221	DB223	1567
IRF222	DB223	1567
IRF223	DB223	1567
IRF230	DB223	1568
IRF231	DB223	1568
IRF232	DB223	1568
IRF233	DB223	1568
IRF240	DB223	1584
IRF241	DB223	1584
IRF242	DB223	1584
IRF243	DB223	1584
IRF244	DB223	2209
IRF245	DB223	2209
IRF246	DB223	2209
IRF247	DB223	2209
IRF250	DB223	1825
IRF251	DB223	1825
IRF252	DB223	1825
IRF253	DB223	1825
IRF320	DB223	1569
IRF321	DB223	1569
IRF322	DB223	1569
IRF323	DB223	1569
IRF330	DB223	1570
IRF331	DB223	1570
IRF332	DB223	1570
IRF333	DB223	1570
IRF340	DB223	2307
IRF341	DB223	2307
IRF342	DB223	2307
IRF343	DB223	2307
IRF350	DB223	1826
IRF351	DB223	1826
IRF352	DB223	1826
IRF353	DB223	1826
IRF420	DB223	1571
IRF421	DB223	1571
IRF422	DB223	1571
IRF423	DB223	1571
IRF430	DB223	1572

PART NUMBER	DATA BOOK	FILE#
IRF431	DB223	1572
IRF432	DB223	1572
IRF433	DB223	1572
IRF440	DB223	2308
IRF441	DB223	2308
IRF442	DB223	2308
IRF443	DB223	2308
IRF450	DB223	1827
IRF451	DB223	1827
IRF452	DB223	1827
IRF453	DB223	1827
IRF510	DB223	1573
IRF511	DB223	1573
IRF512	DB223	1573
IRF513	DB223	1573
IRF520	DB223	1574
IRF521	DB223	1574
IRF522	DB223	1574
IRF523	DB223	1574
IRF530	DB223	1575
IRF531	DB223	1575
IRF532	DB223	1575
IRF533	DB223	1575
IRF540	DB223	2309
IRF541	DB223	2309
IRF542	DB223	2309
IRF543	DB223	2309
IRF610	DB223	1576
IRF611	DB223	1576
IRF612	DB223	1576
IRF613	DB223	1576
IRF614	DB223	3273
IRF620	DB223	1577
IRF621	DB223	1577
IRF622	DB223	1577
IRF623	DB223	1577
IRF630	DB223	1578
IRF631	DB223	1578
IRF632	DB223	1578
IRF633	DB223	1578
IRF640	DB223	1585
IRF641	DB223	1585
IRF642	DB223	1585
IRF643	DB223	1585
IRF644	DB223	2169
IRF645	DB223	2169

Alpha Numeric Product Number Listing

PART NUMBER	DATA BOOK	FILE#
IRF646	DB223	2169
IRF647	DB223	2169
IRF710	DB223	2310
IRF711	DB223	2310
IRF712	DB223	2310
IRF713	DB223	2310
IRF720	DB223	1579
IRF721	DB223	1579
IRF722	DB223	1579
IRF723	DB223	1579
IRF730	DB223	1580
IRF731	DB223	1580
IRF732	DB223	1580
IRF733	DB223	1580
IRF740	DB223	2311
IRF741	DB223	2311
IRF742	DB223	2311
IRF743	DB223	2311
IRF820	DB223	1581
IRF821	DB223	1581
IRF822	DB223	1581
IRF823	DB223	1581
IRF830	DB223	1582
IRF831	DB223	1582
IRF832	DB223	1582
IRF833	DB223	1582
IRF840	DB223	2312
IRF841	DB223	2312
IRF842	DB223	2312
IRF843	DB223	2312
IRF9130	DB223	2220
IRF9131	DB223	2220
IRF9132	DB223	2220
IRF9133	DB223	2220
IRF9140	DB223	2278
IRF9141	DB223	2278
IRF9142	DB223	2278
IRF9143	DB223	2278
IRF9150	DB223	2280
IRF9151	DB223	2280
IRF9230	DB223	2226

PART NUMBER	DATA BOOK	FILE#
IRF9231	DB223	2226
IRF9232	DB223	2226
IRF9233	DB223	2226
IRF9240	DB223	2279
IRF9241	DB223	2279
IRF9242	DB223	2279
IRF9243	DB223	2279
IRF9510	DB223	2214
IRF9511	DB223	2214
IRF9512	DB223	2214
IRF9513	DB223	2214
IRF9520	DB223	2281
IRF9521	DB223	2281
IRF9522	DB223	2281
IRF9523	DB223	2281
IRF9530	DB223	2221
IRF9531	DB223	2221
IRF9532	DB223	2221
IRF9533	DB223	2221
IRF9540	DB223	2282
IRF9541	DB223	2282
IRF9542	DB223	2282
IRF9543	DB223	2282
IRF9620	DB223	2283
IRF9621	DB223	2283
IRF9622	DB223	2283
IRF9623	DB223	2283
IRF9630	DB223	2224
IRF9631	DB223	2224
IRF9632	DB223	2224
IRF9633	DB223	2224
IRF9640	DB223	2284
IRF9643	DB223	2284
IRFAC40	DB223	2156
IRFAC42	DB223	2156
IRFBC40	DB223	2157
IRFBC42	DB223	2157
IRFD110	DB223	2314
IRFD111	DB223	2314
IRFD112	DB223	2314
IRFD113	DB223	2314

DATA BOOK LEGEND

DATA BOOK #	DATA BOOK TITLE
DB220	Bipolar Power
DB223	Power MOSFETs
DB235	Rad Hard/Hi Rel
DB260	CDP6805 & Peripheral
DB301	Data Acquisition
DB302	Digital Signal Processing
DB303	Microprocessors Products

DATA BOOK #	DATA BOOK TITLE
DB304	Intelligent Power
DB309	MCT/IGBTs/Diodes
DB312	Analog Military Supplement
DB314	Signal Processing New Releases
DB316	Power MOSFET Supplement
DB317	Communications

DATA BOOK #	DATA BOOK TITLE
DB318	LPT/FCT CMOS Logic
DB319	IGBT UFS Series Supplement
DB450	Transient Voltage Suppression
DB500	Linear and Telecom
'89 Ana Mil	1989 Analog Military
SG103	CMOS Logic Selection Guide

Alpha Numeric Product Number Listing

PART NUMBER	DATA BOOK	FILE#
IRFD120	DB223	2315
IRFD121	DB223	2315
IRFD122	DB223	2315
IRFD123	DB223	2315
IRFD1Z0	DB223	2313
IRFD1Z1	DB223	2313
IRFD1Z2	DB223	2313
IRFD1Z3	DB223	2213
IRFD210	DB223	2316
IRFD211	DB223	2316
IRFD212	DB223	2316
IRFD213	DB223	2316
IRFD220	DB223	2317
IRFD221	DB223	2317
IRFD222	DB223	2317
IRFD223	DB223	2317
IRFD310	DB223	2324
IRFD311	DB223	2324
IRFD312	DB223	2324
IRFD313	DB223	2324
IRFD320	DB223	2325
IRFD321	DB223	2325
IRFD322	DB223	2325
IRFD323	DB223	2325
IRFD9110	DB223	2215
IRFD9113	DB223	2215
IRFD9120	DB223	2285
IRFD9123	DB223	2285
IRFD9220	DB223	2286
IRFD9223	DB223	2286
IRFF110	DB223	1562
IRFF111	DB223	1562
IRFF112	DB223	1562
IRFF113	DB223	1562
IRFF120	DB223	1563
IRFF121	DB223	1563
IRFF122	DB223	1563
IRFF123	DB223	1653
IRFF130	DB223	1564
IRFF131	DB223	1564
IRFF132	DB223	1564
IRFF133	DB223	1564
IRFF210	DB223	1887
IRFF211	DB223	1887
IRFF212	DB223	1887
IRFF213	DB223	1887

PART NUMBER	DATA BOOK	FILE#
IRFF220	DB223	1889
IRFF221	DB223	1889
IRFF222	DB223	1889
IRFF223	DB223	1889
IRFF230	DB223	1892
IRFF231	DB223	1892
IRFF232	DB223	1892
IRFF233	DB223	1892
IRFF310	DB223	1888
IRFF311	DB223	1888
IRFF312	DB223	1888
IRFF313	DB223	1888
IRFF320	DB223	1890
IRFF321	DB223	1890
IRFF322	DB223	1890
IRFF323	DB223	1890
IRFF330	DB223	1893
IRFF331	DB223	1893
IRFF332	DB223	1893
IRFF333	DB223	1893
IRFF420	DB223	1891
IRFF421	DB223	1891
IRFF422	DB223	1891
IRFF423	DB223	1891
IRFF430	DB223	1894
IRFF431	DB223	1894
IRFF432	DB223	1894
IRFF433	DB223	1894
IRFF9120	DB223	2287
IRFF9121	DB223	2287
IRFF9122	DB223	2287
IRFF9123	DB223	2287
IRFF9130	DB223	2216
IRFF9131	DB223	2216
IRFF9132	DB223	2216
IRFF9133	DB223	2216
IRFF9220	DB223	2288
IRFF9221	DB223	2288
IRFF9222	DB223	2288
IRFF9223	DB223	2288
IRFF9230	DB223	2225
IRFF9231	DB223	2225
IRFF9232	DB223	2225
IRFF9233	DB223	2225
IRFP140	DB223	2086
IRFP141	DB223	2086

Alpha Numeric Product Number Listing

PART NUMBER	DATA BOOK	FILE#
IRFP142	DB223	2086
IRFP143	DB223	2086
IRFP150	DB223	2318
IRFP151	DB223	2318
IRFP152	DB223	2318
IRFP153	DB223	2318
IRFP240	DB223	2087
IRFP241	DB223	2087
IRFP242	DB223	2087
IRFP243	DB223	2087
IRFP244	DB223	2211
IRFP245	DB223	2211
IRFP246	DB223	2211
IRFP247	DB223	2211
IRFP250	DB223	2330
IRFP251	DB223	2330
IRFP252	DB223	2330
IRFP253	DB223	2330
IRFP340	DB223	2088
IRFP341	DB223	2088
IRFP342	DB223	2088
IRFP343	DB223	2088
IRFP350	DB223	2319
IRFP351	DB223	2319
IRFP352	DB223	2319
IRFP353	DB223	2319
IRFP360	DB223	2290
IRFP362	DB223	2290
IRFP440	DB223	2089
IRFP441	DB223	2089
IRFP442	DB223	2089
IRFP443	DB223	2089
IRFP450	DB223	2331
IRFP451	DB223	2331
IRFP452	DB223	2331
IRFP453	DB223	2331
IRFP9140	DB223	2292
IRFP9141	DB223	2292
IRFP9142	DB223	2292
IRFP9143	DB223	2292
IRFP9150	DB223	2293

PART NUMBER	DATA BOOK	FILE#
IRFP9151	DB223	2293
IRFP9240	DB223	2294
IRFP9241	DB223	2294
IRFP9242	DB223	2294
IRFP9243	DB223	2294
IRFPC40	DB223	2158
IRFPC42	DB223	2158
IRFPG40	DB223	2879
IRFPG42	DB223	2879
IRFR/U9110	-	4001
IRFR/U9120	-	3987
IRFR/U9220	-	4015
IRFR110	DB223	3275
IRFR120	DB223	2414
IRFR121	DB223	2414
IRFR214	DB223	3274
IRFR220	DB223	2410
IRFR221	DB223	2410
IRFR222	DB223	2410
IRFR320	DB223	2412
IRFR321	DB223	2412
IRFR322	DB223	2412
IRFR410	DB223	3372
IRFR420	DB223	2411
IRFR421	DB223	2411
IRFR422	DB223	2411
IRFR9110	-	4001
IRFR9120	-	3987
IRFR9220	-	4015
IRFU110	DB223	3275
IRFU120	DB223	2414
IRFU121	DB223	2414
IRFU214	DB223	3274
IRFU220	DB223	2410
IRFU221	DB223	2410
IRFU222	DB223	2410
IRFU320	DB223	2412
IRFU321	DB223	2412
IRFU322	DB223	2412
IRFU410	DB223	3372
IRFU420	DB223	2411

DATA BOOK LEGEND

DATA BOOK #	DATA BOOK TITLE
DB220	Bipolar Power
DB223	Power MOSFETs
DB235	Rad Hard/Hi Rel
DB260	CDP6805 & Peripheral
DB301	Data Acquisition
DB302	Digital Signal Processing
DB303	Microprocessors Products

DATA BOOK #	DATA BOOK TITLE
DB304	Intelligent Power
DB309	MCT/IGBTs/Diodes
DB312	Analog Military Supplement
DB314	Signal Processing New Releases
DB316	Power MOSFET Supplement
DB317	Communications

DATA BOOK #	DATA BOOK TITLE
DB318	LPT/FCT CMOS Logic
DB319	IGBT UFS Series Supplement
DB450	Transient Voltage Suppression
DB500	Linear and Telecom
'89 Ana Mil	1989 Analog Military
SG103	CMOS Logic Selection Guide

Alpha Numeric Product Number Listing

PART NUMBER	DATA BOOK	FILE#
IRFU421	DB223	2411
IRFU422	DB223	2411
IRFU9110	-	4001
IRFU9120	-	3987
IRFU9220	-	4015
JM38510/05001BCA	-	-
JM38510/05003BCA	-	-
JM38510/05051BCA	-	-
JM38510/05052BCA	-	-
JM38510/05053BCA	-	-
JM38510/05101BCA	-	-
JM38510/05102BEA	-	-
JM38510/05151BCA	-	-
JM38510/05152BEA	-	-
JM38510/05201BCA	-	-
JM38510/05202BCA	-	-
JM38510/05204BCA	-	-
JM38510/05252BCA	-	-
JM38510/05254BCA	-	-
JM38510/05301BCA	-	-
JM38510/05302BEA	-	-
JM38510/05352BEA	-	-
JM38510/05353BCA	-	-
JM38510/05503BEA	-	-
JM38510/05504BEA	-	-
JM38510/05553BEA	-	-
JM38510/05554BEA	-	-
JM38510/05601BEA	-	-
JM38510/05603BEA	-	-
JM38510/05605BCA	-	-
JM38510/05651BEA	-	-
JM38510/05652BEA	-	-
JM38510/05653BEA	-	-
JM38510/05655BCA	-	-
JM38510/05754BEA	-	-
JM38510/05852BCA	-	-
JM38510/10501BEA	-	-
JM38510/10502BEA	-	-
JM38510/10503BEA	-	-
JM38510/10504BEA	-	-
JM38510/10505BEA	-	-
JM38510/10506BEA	-	-
JM38510/11601BCA	-	-
JM38510/11602BCA	-	-
JM38510/11603BCA	-	-
JM38510/11604BCA	-	-

PART NUMBER	DATA BOOK	FILE#
JM38510/12202BGA	-	-
JM38510/12202BPA	-	-
JM38510/12203BGA	-	-
JM38510/12203BPA	-	-
JM38510/12204BGA	-	-
JM38510/12204BPA	-	-
JM38510/12205BGA	-	-
JM38510/12205BPA	-	-
JM38510/12206BGA	-	-
JM38510/12206BPA	-	-
JM38510/12302BEA	-	-
JM38510/17001BCA	-	-
JM38510/17002BCA	-	-
JM38510/17003BCA	-	-
JM38510/17101BCA	-	-
JM38510/17103BCA	-	-
JM38510/17203BCA	-	-
JM38510/17401BCA	-	-
JM38510/17403BEA	-	-
JM38510/17504BEA	-	-
JM38510/17601BEA	-	-
JM38510/19001BXA	-	-
JM38510/19002BXA	-	-
JM38510/19003BXA	-	-
JM38510/19004BXA	-	-
JM38510/19005BEA	-	-
JM38510/19006BEA	-	-
JM38510/19007BEA	-	-
JM38510/19008BEA	-	-
LM1458	DB500	531
LM2901	DB500	795
LM2902	DB500	796
LM2904	DB500	1019
LM324	DB500	796
LM3302	DB500	795
LM339	DB500	795
LM339A	DB500	795
LM358	DB500	1019
LM555	DB500	834
LM741	DB500	531
M83530/1-2000B	-	-
M83530/1-2200D	-	-
M83530/1-4300E	-	-
M83530/1-5100E	-	-
MCTA65P100E1	DB309	3516
MCTA75P60E1	DB309	3374

Alpha Numeric Product Number Listing

PART NUMBER	DATA BOOK	FILE#
MCTG35P60F1	DB309	3602
MCTV35P60F1D	DB309	3694
MCTV75P100E1	-	-
MCTV75P60E1	DB309	3374
MD80C86/7	DB303	2957
MD80C86/883	-	-
MD80C86/B	DB303	2957
MD80C86-2/883	-	-
MD80C88/883	-	-
MD80C88/B	DB303	2949
MD82C237/B	DB303	2965
MD82C284/883	DB303	2968
MD82C37A/B	DB303	2967
MD82C50A/B	DB303	2958
MD82C52/7	-	2950
MD82C52/B	DB303	2950
MD82C54/B	-	-
MD82C54/B	DB303	2970
MD82C55A/B	DB303	2969
MD82C59	DB303	2784
MD82C59A/B	-	-
MD82C59A/B	DB303	2784
MD82C82/7	DB303	2975
MD82C82/B	DB303	2975
MD82C83H/B	DB303	2971
MD82C84A/7	DB303	2974
MD82C84A/B	DB303	2974
MD82C85/B	DB303	2976
MD82C86H-5/B	DB303	2977
MD82C87H-5/B	DB303	2978
MD82C88/7	DB303	2979
MD82C88/B	DB303	2979
MD82C89/B	DB303	2980
MG80C286/883	DB303	2948
MR80C86/883	-	-
MR80C86/B	DB303	2957
MR80C88/883	-	-
MR80C88/B	DB303	2949
MR82C237/B	DB303	2965
MR82C37A/B	DB303	2967
MR82C52/B	DB303	2950

PART NUMBER	DATA BOOK	FILE#
MR82C54/B	-	-
MR82C54/B	DB303	2970
MR82C55A/B	DB303	2969
MR82C59A/B	-	-
MR82C59A/B	DB303	2784
MR82C82/B	DB303	2975
MR82C83H/B	DB303	2971
MR82C84A/B	DB303	2974
MR82C85/B	DB303	2976
MR82C86H/B	DB303	2977
MR82C87H/B	DB303	2978
MR82C88/B	DB303	2979
MR82C89/B	DB303	2980
MUR1510	DB309	2779
MUR1515	DB309	2779
MUR1520	DB309	2779
MUR1540	DB309	2778
MUR1550	DB309	2778
MUR1560	DB309	2778
MUR1610CT	DB309	1885
MUR1615CT	DB309	1885
MUR1620CT	DB309	1885
MUR3010	DB309	2775
MUR3015	DB309	2775
MUR3020	DB309	2775
MUR3040	DB309	2774
MUR3050	DB309	2774
MUR3060	DB309	2774
MUR810	DB309	1355
MUR8100	DB309	2780
MUR815	DB309	1355
MUR820	DB309	1355
MUR840	DB309	2091
MUR850	DB309	2091
MUR860	DB309	2091
MUR870	DB309	2780
MUR880	DB309	2780
MUR890	DB309	2780
MWS5101	DB303	1106
MWS5101A	DB303	1106
MWS5114	DB303	1325

DATA BOOK LEGEND

DATA BOOK #	DATA BOOK TITLE
DB220	Bipolar Power
DB223	Power MOSFETs
DB235	Rad Hard/Hi Rel
DB260	CDP6805 & Peripheral
DB301	Data Acquisition
DB302	Digital Signal Processing
DB303	Microprocessors Products

DATA BOOK #	DATA BOOK TITLE
DB304	Intelligent Power
DB309	MCT/IGBTs/Diodes
DB312	Analog Military Supplement
DB314	Signal Processing New Releases
DB316	Power MOSFET Supplement
DB317	Communications

DATA BOOK #	DATA BOOK TITLE
DB318	LPT/FCT CMOS Logic
DB319	IGBT UFS Series Supplement
DB450	Transient Voltage Suppression
DB500	Linear and Telecom
'89 Ana Mil	1989 Analog Military
SG103	CMOS Logic Selection Guide

Alpha Numeric Product Number Listing

PART NUMBER	DATA BOOK	FILE#
PRISM™ 2.4GHz Chip Set	DB317	4063
PRISM™ Full Duplex Radio Chip Set	DB317	4238
RF1K49086	DB223, DB317	3986
RF1K49088	DB223, DB317	3952
RF1K49090	DB223, DB317	3985
RF1K49092	DB223, DB317	3968
RF1K49093	DB223, DB317	3969
RF1K49154	DB317	4143
RF1K49156	DB223, DB317	4011
RF1K49157	DB223, DB317	4012
RF1K49157	DB316, DB317	4012
RF1K49211	-	4303
RF1K49221	-	4314
RF1S23N06LE	DB316	4077
RF1S23N06LESM	DB316	4077
RF1S25N06	DB316	1492
RF1S25N06SM	DB316	1492
RF1S30N06LE	DB316	3629
RF1S30N06LESM	DB316	3629
RF1S30P05	-	2436
RF1S30P05SM	-	2436
RF1S30P06	-	2437
RF1S30P06SM	-	2437
RF1S40N10LE	-	4061
RF1S40N10LESM	-	4061
RF1S40N60LE	-	4061
RF1S40N60LESM	-	-
RF1S42N03L	-	4302
RF1S42N03LSM	-	4302
RF1S45N03L	-	4005
RF1S45N06	-	3574
RF1S45N06LE	DB316	4076
RF1S45N06LESM	DB316	4076
RF1S45N06SM	-	3574
RF1S50N06	-	3575
RF1S50N06LE	DB316	4072
RF1S50N06LESM	DB316	4072
RF1S50N06SM	-	3575
RF1S530	-	1575
RF1S530SM	-	1575
RF1S540	-	2309
RF1S540SM	-	2309
RF1S60P03	-	3951
RF1S60P03SM	-	3951

PART NUMBER	DATA BOOK	FILE#
RF1S630	-	1578
RF1S630SM	-	1578
RF1S640	-	1585
RF1S640SM	-	1585
RF1S70N03	-	3404
RF1S70N03SM	-	3404
RF1S70N06	-	3206
RF1S70N06SM	-	3206
RF1S9530	DB223	2221
RF1S9530SM	DB223	2221
RF1S9540	DB223	2221
RF1S9540SM	DB223	2221
RF1S9630	DB223	2224
RF1S9630SM	DB223	2224
RF1S9640	DB223	2284
RF1S9640SM	DB223	2284
RFA100N05E	DB223	2869
RFB18N10CS	DB223	2430
RFD10P03L	DB223	3515
RFD10P03LSM	DB223	3515
RFD12N06RLE	DB223	2407
RFD12N06RLESM	DB223	2407
RFD14N05	DB223	2268
RFD14N05L	DB223, DB316	2246
RFD14N05LSM	DB223, DB316	2246
RFD14N05SM	-	2268
RFD14N06	-	4002
RFD14N06L	DB316	4088
RFD14N06LSM	DB316	4088
RFD14N06SM	-	4002
RFD15N06LE	-	4079
RFD15N06LESM	-	4079
RFD15P05	DB223	2387
RFD15P05SM	DB223	2387
RFD15P06	-	3988
RFD15P06SM	-	3988
RFD16N03L	-	4013
RFD16N03LSM	-	4013
RFD16N05	DB223	2267
RFD16N05L	DB223	2269
RFD16N05LSM	DB223	2267
RFD16N05SM	DB223	2267
RFD16N06	DB316	4087
RFD16N06LE	DB223	3628
RFD16N06LESM	DB223	3628
RFD16N06SM	DB316	4087

Alpha Numeric Product Number Listing

PART NUMBER	DATA BOOK	FILE#
RFD3055	DB223	3648
RFD3055LE	DB223	4044
RFD3055LESM	DB223	4044
RFD3055SM	DB223	3648
RFD3N08L	DB223	2836
RFD3N08LSM	DB223	2836
RFD4N06L	DB223	2837
RFD4N06LSM	DB223	2837
RFD7N10LE	DB223	3598
RFD7N10LESM	DB223	3598
RFD8P05	DB223	2384
RFD8P05SM	DB223	2384
RFD8P06E	-	3937
RFD8P06ESM	-	3937
RFD8P06LE	-	4273
RFD8P06LESM	-	4273
RFF60P06	-	3975
RFF70N06	DB316	4073
RFG30P05	DB223	2436
RFG40N10	DB223	2431
RFG40N10LE	-	4061
RFG45N06	DB223	3574
RFG45N06LE	DB316	4076
RFG50N05	DB223	2873
RFG50N05L	DB223	2424
RFG50N06	DB223	3575
RFG50N06LE	DB316	4072
RFG60P03	DB316	3951
RFG60P05E	DB223, DB316	2745
RFG60P06E	DB223	3989
RFG70N06	DB223, DB316	3206
RFG75N05E	DB223	2275
RFH10N45	DB223	1629
RFH10N50	DB223	1629
RFH12N35	DB223	1630
RFH12N40	DB223	1630
RFH25N18	DB223	1631
RFH25N20	DB223	1631
RFH25P08	DB223	1632
RFH25P10	DB223	1632
RFH75N05E	DB223	2275

PART NUMBER	DATA BOOK	FILE#
RFK25P08	DB223	1632
RFK25P10	DB223	1632
RFL1N08	DB223	1385
RFL1N08L	DB223	1510
RFL1N10	DB223	1385
RFL1N10L	DB223	1510
RFL1N12	DB223	1444
RFL1N12L	DB223	1513
RFL1N15	DB223	1444
RFL1N15L	DB223	1513
RFL1N18	DB223	1442
RFL1N18L	DB223	1511
RFL1N20	DB223	1442
RFL1N20L	DB223	1511
RFL1P08	DB223	1535
RFL1P10	DB223	1535
RFL2N05	DB223	1497
RFL2N05L	DB223	1560
RFL2N06	DB223	1497
RFL2N06L	DB223	1560
RFL4N12	DB223	1462
RFL4N15	DB223	1462
RFM10N12	DB223	1445
RFM10N12L	DB223	1559
RFM10N15	DB223	1445
RFM10N15L	DB223	1559
RFM10N45	DB223	1788
RFM10N50	DB223	1788
RFM10P12	DB223	1595
RFM10P15	DB223	1595
RFM12N08	DB223	1386
RFM12N08L	DB223	1512
RFM12N10	DB223	1386
RFM12N10L	DB223	1512
RFM12N18	DB223	1461
RFM12N20	DB223	1461
RFM12N35	DB223	1787
RFM12N40	DB223	1787
RFM12P08	DB223	1495
RFM12P10	DB223	1495
RFM15N05	DB223	1478

DATA BOOK LEGEND

DATA BOOK #	DATA BOOK TITLE
DB220	Bipolar Power
DB223	Power MOSFETs
DB235	Rad Hard/Hi Rel
DB260	CDP6805 & Peripheral
DB301	Data Acquisition
DB302	Digital Signal Processing
DB303	Microprocessors Products

DATA BOOK #	DATA BOOK TITLE
DB304	Intelligent Power
DB309	MCT/GBTs/Diodes
DB312	Analog Military Supplement
DB314	Signal Processing New Releases
DB316	Power MOSFET Supplement
DB317	Communications

DATA BOOK #	DATA BOOK TITLE
DB318	LPT/FCT CMOS Logic
DB319	IGBT UFS Series Supplement
DB450	Transient Voltage Suppression
DB500	Linear and Telecom
'89 Ana Mil	1989 Analog Military
SG103	CMOS Logic Selection Guide

Alpha Numeric Product Number Listing

PART NUMBER	DATA BOOK	FILE#
RFM15N05L	DB223	1558
RFM15N06	DB223	1478
RFM15N06L	DB223	1558
RFM15N12	DB223	1443
RFM15N15	DB223	1443
RFM18N08	DB223	1446
RFM18N10	DB223	1446
RFM3N45	DB223	1384
RFM3N50	DB223	1384
RFM4N35	DB223	1491
RFM4N40	DB223	1491
RFM6N45	DB223	1494
RFM6P08	DB223	1490
RFM7N35	DB223	1536
RFM7N40	DB223	1536
RFM8N18L	DB223	1514
RFM8N20L	DB223	1514
RFM8P08	DB223	1496
RFM8P10	DB223	1496
RFP10N12	DB223	1445
RFP10N12L	DB223	1559
RFP10N15	DB223	1445
RFP10N15L	DB223	1559
RFP10P03L	DB223	3515
RFP10P12	DB223	1595
RFP12N06RLE	DB223	2407
RFP12N08	DB223	1386
RFP12N08L	DB223	1512
RFP12N10	DB223	1386
RFP12N10L	DB223	1512
RFP12N18	DB223	1461
RFP12N20	DB223	1461
RFP12P08	DB223	1495
RFP12P10	DB223	1495
RFP14N05	DB223, DB316	2268
RFP14N05L	DB223, DB316	2246
RFP14N06	DB316	4002
RFP14N06L	DB316	4088
RFP15N05	DB223	1478
RFP15N05L	DB223	1558
RFP15N06	DB223	1478
RFP15N08L	DB223	2840
RFP15N12	DB223	1443
RFP15N15	DB223	1443
RFP15P05	DB223	2387
RFP15P06	-	3988

PART NUMBER	DATA BOOK	FILE#
RFP17N06L	DB223	2272
RFP18N08	DB223	1446
RFP18N10	DB223	1446
RFP22N10	DB223	2385
RFP23N06LE	DB316	4077
RFP25N05	DB223	2112
RFP25N05L	DB223	2270
RFP25N06	DB223	1492
RFP25N06L	DB223	2044
RFP2N08	DB223	2883
RFP2N08L	DB223	2872
RFP2N10	DB223	2883
RFP2N10L	DB223	2872
RFP2N12	DB223	2882
RFP2N12L	DB223	2874
RFP2N15	DB223	2882
RFP2N15L	DB223	2874
RFP2N18	DB223	2881
RFP2N18L	DB223	2875
RFP2N20	DB223	2881
RFP2N20L	DB223	2875
RFP2P08	DB223	2870
RFP2P10	DB223	2870
RFP3055	DB223	3648
RFP3055LE	DB223	4044
RFP30N06LE	DB223	3629
RFP30P05	DB223	2436
RFP30P06	DB223	2437
RFP3N45	DB223	1384
RFP3N50	DB223	1384
RFP40N10	DB223	2431
RFP40N10LE	-	4061
RFP42N03L	-	4302
RFP45N03L	-	4005
RFP45N06	DB223	3574
RFP45N06LE	DB316	4076
RFP4N05	DB223	2880
RFP4N06	DB223	2880
RFP4N06L	DB223	2876
RFP4N100	DB223	2457
RFP4N35	DB223	1491
RFP4N40	DB223	1491
RFP50N05	DB223	2873
RFP50N05L	DB223	2424
RFP50N06	DB223	3575
RFP50N06LE	DB316	4072

Alpha Numeric Product Number Listing

PART NUMBER	DATA BOOK	FILE#
RFP60P03	-	3951
RFP6N45	DB223	1494
RFP6N50	DB223	1494
RFP6P08	DB223	1490
RFP6P10	DB223	1490
RFP70N03	DB223	3404
RFP70N06	DB223	3206
RFP7N10LE	DB223	3598
RFP7N35	DB223	1536
RFP7N40	DB223	1536
RFP8N10L	-	-
RFP8N18L	DB223	1514
RFP8P05	DB223	2384
RFP8P06E	DB223	3937
RFP8P06LE	DB316	4273
RFP8P08	DB223	1496
RFP8P10	DB223	1496
RFV10N50BE	DB223	3377
RFW2N06RLE	DB223	2838
RHRD4120	DB309	3626
RHRD4120S	DB309	3626
RHRD440	DB309	3613
RHRD440CC	-	-
RHRD440CCS	-	-
RHRD440S	DB309	3613
RHRD450	DB309	3613
RHRD450CC	-	-
RHRD450CCS	-	-
RHRD450S	DB309	3613
RHRD460	DB309	3613
RHRD460CC	-	-
RHRD460CCS	-	-
RHRD460S	DB309	3613
RHRD6120	DB309	3981
RHRD6120S	DB309	3981
RHRD640	DB309	3746
RHRD640S	DB309	3746
RHRD650	DB309	3746
RHRD650S	DB309	3746
RHRD660	DB309	3746
RHRD660S	DB309	3746

DATA BOOK LEGEND

DATA BOOK #	DATA BOOK TITLE
DB220	Bipolar Power
DB223	Power MOSFETs
DB235	Rad Hard/Hi Rel
DB260	CDP6805 & Peripheral
DB301	Data Acquisition
DB302	Digital Signal Processing
DB303	Microprocessors Products

DATA BOOK #	DATA BOOK TITLE
DB304	Intelligent Power
DB309	MCT/IGBTs/Diodes
DB312	Analog Military Supplement
DB314	Signal Processing New Releases
DB316	Power MOSFET Supplement
DB317	Communications

DATA BOOK #	DATA BOOK TITLE
DB318	LPT/FCT CMOS Logic
DB319	IGBT UFS Series Supplement
DB450	Transient Voltage Suppression
DB500	Linear and Telecom
'89 Ana Mil	1989 Analog Military
SG103	CMOS Logic Selection Guide

PART NUMBER	DATA BOOK	FILE#
RHRG15100CC	DB309	3693
RHRG15120CC	DB309	3686
RHRG1540CC	DB309	3684
RHRG1550CC	DB309	3684
RHRG1560CC	DB309	3684
RHRG1570CC	DB309	3693
RHRG1580CC	DB309	3693
RHRG1590CC	DB309	3693
RHRG30100	DB309	3941
RHRG30100CC	DB309	3942
RHRG30120	DB309	3410
RHRG30120CC	DB309	3411
RHRG3040	DB309	3938
RHRG3040CC	DB309	3939
RHRG3050	DB309	3938
RHRG3050CC	DB309	3939
RHRG3060	DB309	3938
RHRG3060CC	DB309	3939
RHRG3070	DB309	3941
RHRG3070CC	DB309	3942
RHRG3080	DB309	3941
RHRG3080CC	DB309	3942
RHRG3090	DB309	3941
RHRG3090CC	DB309	3942
RHRG50100	DB309	3106
RHRG50120	DB309	3947
RHRG5040	DB309	3920
RHRG5050	DB309	3920
RHRG5060	DB309	3920
RHRG5070	DB309	3106
RHRG5080	DB309	3106
RHRG5090	DB309	3106
RHRG75100	DB309	3923
RHRG75120	DB309	3414
RHRG7540	DB309	3944
RHRG7550	DB309	3944
RHRG7560	DB309	3944
RHRG7570	DB309	3923
RHRG7580	DB309	3923
RHRG7590	DB309	3923
RHRP15100	DB309	3692

Alpha Numeric Product Number Listing

PART NUMBER	DATA BOOK	FILE#
RHRP15120	DB309	3677
RHRP1540	DB309	3685
RHRP1550	DB309	3685
RHRP1560	DB309	3685
RHRP1570	DB309	3692
RHRP1580	DB309	3692
RHRP1590	DB309	3692
RHRP30100	DB309	3940
RHRP30120	DB309	3409
RHRP3040	DB309	3933
RHRP3050	DB309	3933
RHRP3060	DB309	3933
RHRP3070	DB309	3940
RHRP3090	DB309	3940
RHRP4120CC	-	-
RHRP6120CC	-	4091
RHRP640CC	-	-
RHRP650CC	-	-
RHRP660CC	-	-
RHRP8100	DB309	3667
RHRP8100CC	DB309	3965
RHRP8120	DB309	3660
RHRP8120CC	DB309	3966
RHRP840	DB309	3668
RHRP840CC	DB309	3964
RHRP850	DB309	3668
RHRP850CC	DB309	3964
RHRP860	DB309	3668
RHRP860CC	DB309	3964
RHRP870	DB309	3667
RHRP870CC	DB309	3965
RHRP880	DB309	3667
RHRP880CC	DB309	3965
RHRP890	DB309	3667
RHRP890CC	DB309	3965
RHRU100120	DB309	3145
RHRU10040	DB309	3572
RHRU10050	DB309	3572
RHRU10060	DB309	3572
RHRU150100	DB309	3589
RHRU150120	-	4049
RHRU15040	DB309	3089
RHRU15050	DB309	3089
RHRU15060	DB309	3089
RHRU15090	DB309	3589
RHRU50100	DB309	3665

PART NUMBER	DATA BOOK	FILE#
RHRU50120	DB309	3946
RHRU5040	DB309	3919
RHRU5050	DB309	3919
RHRU5060	DB309	3919
RHRU5070	DB309	3665
RHRU5080	DB309	3665
RHRU5090	DB309	3665
RHRU75100	DB309	3925
RHRU75120	DB309	3408
RHRU7540	DB309	3945
RHRU7550	DB309	3945
RHRU7560	DB309	3945
RHRU7570	DB309	3925
RHRU7580	DB309	3925
RHRU7590	DB309	3925
RLD03N06CLE	DB316	3948
RLD03N06CLESM	DB316	3948
RLP03N06CLE	DB316	3948
RLP1N06CLE	DB223	2839
RLP1N08LE	DB223	2252
RLP5N08LE	DB223	2493
RTX2000GM/883	-	-
RURD410	DB309	3614
RURD410CC	-	-
RURD410CCS	-	-
RURD410S	DB309	3614
RURD4120	DB309	3641
RURD4120S	DB309	3641
RURD415	DB309	3614
RURD415CC	-	3614
RURD415CCS	-	3614
RURD415S	DB309	3614
RURD420	DB309	3614
RURD420CC	-	-
RURD420CCS	-	-
RURD440	DB309	3140
RURD440CC	-	-
RURD440CCS	-	-
RURD440S	DB309	3140
RURD450	DB309	3140
RURD450CC	-	-
RURD450CCS	-	-
RURD450S	DB309	3140
RURD460	DB309	3140
RURD460CC	-	-
RURD460CCS	-	-

Alpha Numeric Product Number Listing

PART NUMBER	DATA BOOK	FILE#
RURD460S	DB309	3140
RURD610	DB309	3640
RURD610CC	-	4075
RURD610CCS	-	4075
RURD610S	DB309	3640
RURD6120	DB309	3962
RURD6120S	DB309	3962
RURD615	DB309	3640
RURD615CC	-	4075
RURD615CCS	-	4075
RURD615S	DB309	3640
RURD620	DB309	3640
RURD620CC	-	4075
RURD620CCS	-	4075
RURD620S	DB309	3640
RURD640	DB309	3750
RURD640S	DB309	3750
RURD650	DB309	3750
RURD650S	DB309	3750
RURD660	DB309	3750
RURD660S	DB309	3750
RURD840	-	4033
RURD840S	-	4033
RURD850	-	4033
RURD850S	-	4033
RURD860	-	4033
RURD860S	-	4033
RURG15100CC	DB309	2933
RURG1510CC	DB309	3551
RURG15120CC	DB309	3695
RURG1515CC	DB309	3551
RURG1520CC	DB309	3551
RURG1540CC	DB309	3548
RURG1550CC	DB309	3548
RURG1560CC	DB309	3548
RURG1570CC	DB309	2933
RURG1580CC	DB309	2933
RURG1590CC	DB309	2933
RURG3010	DB309	3277
RURG30100	DB309	3213
RURG30100CC	DB309	2935
RURG3010CC	DB309	3552
RURG30120	DB309	3399
RURG30120CC	DB309	3400
RURG3015	DB309	3277
RURG3015CC	DB309	3552

PART NUMBER	DATA BOOK	FILE#
RURG3020	DB309	3277
RURG3020CC	DB309	3552
RURG3040	DB309	3212
RURG3040CC	DB309	3549
RURG3050	DB309	3212
RURG3050CC	DB309	3549
RURG3060	DB309	3212
RURG3060CC	DB309	3549
RURG3070	DB309	3213
RURG3070CC	DB309	2935
RURG3080	DB309	3213
RURG3080CC	DB309	2935
RURG3090	DB309	3213
RURG3090CC	DB309	2935
RURG50100	DB309	3276
RURG50120	DB309	3740
RURG5040	DB309	3211
RURG5050	DB309	3211
RURG5060	DB309	3211
RURG5070	DB309	3276
RURG5080	DB309	3276
RURG5090	DB309	3276
RURG75120	DB309	3412
RURG80100	DB309	3371
RURG8040	DB309	3388
RURG8050	DB309	3388
RURG8060	DB309	3388
RURG8070	DB309	3371
RURG8080	DB309	3371
RURG8090	DB309	3371
RURH15100CC	DB309	2934
RURH1510CC	DB309	2775
RURH1515CC	DB309	2775
RURH1520CC	DB309	2775
RURH1540CC	DB309	2774
RURH1550CC	DB309	2774
RURH1560CC	DB309	2774
RURH1570CC	DB309	2934
RURH1580CC	DB309	2934
RURH1590CC	DB309	2934
RURH30100CC	DB309	2932
RURH3010CC	DB309	2773
RURH3015CC	DB309	2773
RURH3020CC	DB309	2773
RURH3040CC	DB309	2772
RURH3050CC	DB309	2772

5
HARRIS
PRODUCT LISTING

Alpha Numeric Product Number Listing

PART NUMBER	DATA BOOK	FILE#
RURH3060CC	DB309	2772
RURH3070CC	DB309	2932
RURH3080CC	DB309	2932
RURH3090CC	DB309	2932
RURP1510	DB309	2779
RURP15100	DB309	2878
RURP15120	DB309	3696
RURP1515	DB309	2779
RURP1520	DB309	2779
RURP1540	DB309	2778
RURP1550	DB309	2778
RURP1560	DB309	2778
RURP1570	DB309	2878
RURP1580	DB309	2878
RURP1590	DB309	2878
RURP3010	DB309	2777
RURP30100	DB309	2877
RURP30120	DB309	3397
RURP3015	DB309	2777
RURP3020	DB309	2777
RURP3040	DB309	2776
RURP3050	DB309	2776
RURP3060	DB309	2776
RURP3070	DB309	2877
RURP3080	DB309	2877
RURP3090	DB309	2877
RURP4120CC	-	4050
RURP6120CC	-	4051
RURP640CC	DB309	4007
RURP650CC	DB309	4007
RURP660CC	DB309	4007
RURP810	DB309	1355
RURP8100	DB309	2780
RURP8100CC	-	4021
RURP810CC	DB309	1885
RURP8120	DB309	3661
RURP8120CC	-	-
RURP815	DB309	1355
RURP815CC	DB309	1885
RURP820	DB309	1355
RURP820CC	DB309	1885
RURP840	DB309	2091
RURP840CC	-	3974
RURP850	DB309	2091
RURP850CC	-	3974
RURP860	DB309	2091

PART NUMBER	DATA BOOK	FILE#
RURP860CC	-	3974
RURP870	DB309	2780
RURP870CC	-	4021
RURP880	DB309	2780
RURP880CC	-	4021
RURP890	DB309	2780
RURP890CC	-	4021
RURU100120	DB309	3545
RURU10040	DB309	3546
RURU10050	DB309	3546
RURU10060	DB309	3546
RURU150100	DB309	3202
RURU150120	-	4146
RURU15040	DB309	3201
RURU15050	DB309	3201
RURU15060	DB309	3201
RURU15070	DB309	3202
RURU15080	DB309	3202
RURU15090	DB309	3202
RURU50100	DB309	3376
RURU50120	DB309	3741
RURU5040	DB309	2940
RURU5050	DB309	2940
RURU5060	DB309	2940
RURU5070	DB309	3376
RURU5080	DB309	3376
RURU5090	DB309	3376
RURU75120	DB309	3413
RURU80100	DB309	3375
RURU8040	DB309	3380
RURU8050	DB309	3380
RURU8060	DB309	3380
RURU8070	DB309	3375
RURU8080	DB309	3375
RURU8090	DB309	3375
SGT03U13	DB450	1692
SGT06U13	DB450	1692
SGT10S10	DB450	1691
SGT21B13	DB450	1895
SGT21B13A	DB450	1895
SGT22B13	DB450	1895
SGT22B13A	DB450	1895
SGT23B13	DB450	1895
SGT23B13A	DB450	1895
SGT23B27A	DB450	3603
SGT23U13	DB450	1692

Alpha Numeric Product Number Listing

PART NUMBER	DATA BOOK	FILE#
SGT27B13	DB450	1895
SGT27B13A	DB450	1895
SGT27B13B	DB450	1895
SGT27B27	DB450	3603
SGT27B27A	DB450	3603
SGT27B27B	DB450	3603
SGT27S10	DB450	1691
SGT27S23	DB450	2762
SM720MM	DB304, DB450	3683
SP600	DB223, DB304	2428
SP601	DB223, DB304	2429
SP710	DB304, DB450	2789
SP720	DB304, DB450	2791
SP720MD	DB304, DB450	3683
SP720MM	DB304, DB450	3683
SP721	DB304, DB450	3590
SP723	-	4145
SP723AB	-	4145
SP723AP	-	4145
V1000LA160B	DB450	2190
V1000LA80A	DB450	2190
V100CH8	DB450	2186
V100MA4A	DB450	2191
V100MA4B	DB450	2191
V100MA4S	DB450	2191
V100RA16	DB450	2193
V100RA8	DB450	2193
V100ZA05	DB450	2184
V100ZA15	DB450	2184
V100ZA3	DB450	2184
V100ZA4	DB450	2184
V112BB60	DB450	2183
V112CA60	DB450	2187
V120CH8	DB450	2186
V120MA1A	DB450	2191
V120MA2B	DB450	2191
V120MA2S	DB450	2191
V120MA4S	DB450	2191
V120RA16	DB450	2193
V120RA8	DB450	2193
V120ZA05	DB450	2184
V120ZA1	DB450	2184
V120ZA20	DB450	2184
V120ZA4	DB450	2184
V120ZA6	DB450	2184
V12RA8	DB450	2193

PART NUMBER	DATA BOOK	FILE#
V12ZA05	DB450	2184
V12ZA1	DB450	2184
V12ZA2	DB450	2184
V12ZTX1	-	-
V12ZTX2	-	-
V130CP16	DB450	2188
V130CP20	DB450	2188
V130CP22	DB450	2188
V130LA1	DB450	2190
V130LA10A	DB450	2190
V130LA10C	DB450	2190
V130LA2	DB450	2190
V130LA20A	DB450	2190
V130LA20B	DB450	2190
V130LA20C	DB450	3540
V130LA20CX325	DB450	3540
V130LA5	DB450	2190
V130LTX10A	-	-
V130LTX2	-	-
V130LTX20B	-	-
V130PA20A	DB450	2192
V130PA20C	DB450	2192
V131BA60	DB450	2183
V131CA32	DB450	2187
V131CA40	DB450	2187
V131DA40	DB450	2189
V131DB40	DB450	2189
V131HA32	DB450	2973
V131HA40	DB450	2973
V131NA34	DB450	2825
V140LA10A	DB450	2190
V140LA10C	DB450	2190
V140LA2	DB450	2190
V140LA20A	DB450	2190
V140LA20C	DB450	3540
V140LA20CX340	DB450	3540
V140LA5	DB450	2190
V142BB60	DB450	2183
V142CA60	DB450	2187
V14CP22	DB450	2188
V14CS22	DB450	2972
V14MLA0603	DB450	2461
V14MLA0805	DB450	2461
V14MLA0805L	DB450	2461
V14MLA1206	DB450	2461
V150CH8	DB450	2186

5
HARRIS
PRODUCT LISTING

Alpha Numeric Product Number Listing

PART NUMBER	DATA BOOK	FILE#
V150CP16	DB450	2188
V150CP20	DB450	2188
V150CP22	DB450	2188
V150LA1	DB450	2190
V150LA10A	DB450	2190
V150LA10C	DB450	3540
V150LA2	DB450	2190
V150LA20A	DB450	2190
V150LA20B	DB450	2190
V150LA20C	DB450	3540
V150LA20CX360	DB450	3540
V150LA5	DB450	2190
V150LTX10A	-	-
V150LTX2	-	-
V150LTX20B	-	-
V150MA1A	DB450	2191
V150MA2B	DB450	2191
V150PA20A	DB450	2192
V150PA20C	DB450	2192
V150RA16	DB450	2193
V150RA8	DB450	2193
V150ZA05	DB450	2184
V150ZA1	DB450	2184
V150ZA20	DB450	2184
V150ZA4	DB450	2184
V150ZA8	DB450	2184
V151BA60	DB450	2183
V151CA32	DB450	2187
V151CA40	DB450	2187
V151DA40	DB450	2189
V151DB40	DB450	2189
V151HA32	DB450	2973
V151HA40	DB450	2973
V151NA34	DB450	2825
V172BB60	DB450	2183
V172CA60	DB450	2187
V175LA10A	DB450	2190
V175LA10C	DB450	3540
V175LA2	DB450	2190
V175LA20A	DB450	2190
V175LA20C	DB450	3540
V175LA20CX425	DB450	3540
V175LA5	DB450	2190
V180CH8	DB450	2186
V180MA1A	DB450	2191
V180MA3B	DB450	2191

PART NUMBER	DATA BOOK	FILE#
V180RA16	DB450	2193
V180RA8	DB450	2193
V180ZA05	DB450	2184
V180ZA1	DB450	2184
V180ZA10	DB450	2184
V180ZA20	DB450	2184
V180ZA5	DB450	2184
V18AUMLA1210	DB450	3387
V18AUMLA1812	DB450	3387
V18AUMLA2220	DB450	3387
V18CS22	DB450	2972
V18MA1A	DB450	2191
V18MA1B	DB450	2191
V18MA1S	DB450	2191
V18MLA0603	DB450	2461
V18MLA0805	DB450	2461
V18MLA0805L	DB450	2461
V18MLA1206	DB450	2461
V18MLA1210	DB450	2461
V18MLE0603	-	4263
V18MLE0805	-	4263
V18MLE1206	-	4263
V18RA16	DB450	2193
V18RA8	DB450	2193
V18ZA05	DB450	2184
V18ZA1	DB450	2184
V18ZA2	DB450	2184
V18ZA3	DB450	2184
V18ZA40	DB450	2184
V200CH8	DB450	2186
V200RA16	DB450	2193
V200RA22	DB450	2193
V200RA8	DB450	2193
V202BB60	DB450	2183
V202CA60	DB450	2187
V205ZA05	DB450	2184
V220CH8	DB450	2186
V220MA2A	DB450	2191
V220MA4B	DB450	2191
V220RA16	DB450	2193
V220RA8	DB450	2193
V220ZA05	DB450	2184
V22CH8	DB450	2186
V22CS22	DB450	2972
V22MA1A	DB450	2191
V22MA1B	DB450	2191

Alpha Numeric Product Number Listing

PART NUMBER	DATA BOOK	FILE#
V22MA1S	DB450	2191
V22RA16	DB450	2193
V22RA8	DB450	2193
V22ZA05	DB450	2184
V22ZA1	DB450	2184
V22ZA2	DB450	2184
V22ZA3	DB450	2184
V22ZTX1	-	-
V22ZTX3	-	-
V230LA10	DB450	2190
V230LA20A	DB450	2190
V230LA20C	DB450	3540
V230LA4	DB450	2190
V230LA40A	DB450	2190
V230LA40C	DB450	3540
V230LA40CX570	DB450	3540
V240CH8	DB450	2186
V240RA16	DB450	2193
V240RA22	DB450	2193
V240RA8	DB450	2193
V240ZA05	DB450	2184
V242BB60	DB450	2183
V242CA60	DB450	2187
V24RA22	DB450	2193
V24ZA50	DB450	2184
V24ZTX50	-	-
V250LA10	DB450	2190
V250LA2	DB450	2190
V250LA20A	DB450	2190
V250LA20C	DB450	3540
V250LA4	DB450	2190
V250LA40A	DB450	2190
V250LA40B	DB450	2190
V250LA40C	DB450	3540
V250LA40CX620	DB450	3540
V250LTX20A	DB450	7062
V250LTX4	DB450	7062
V250LTX40B	DB450	7062
V250PA40A	DB450	2192
V250PA40C	DB450	2192
V251BA60	DB450	2183
V251CA32	DB450	2187
V251CA40	DB450	2187
V251CA60	DB450	2187
V251DA40	DB450	2189
V251DB40	DB450	2189

PART NUMBER	DATA BOOK	FILE#
V251HA32	DB450	2973
V251HA40	DB450	2973
V251NA34	DB450	2825
V26CS22	DB450	2972
V26MLA1206	DB450	2461
V26MLA1210	DB450	2461
V270MA2A	DB450	2191
V270MA4B	DB450	2191
V270RA16	DB450	2193
V270RA22	DB450	2193
V270RA8	DB450	2193
V270ZA05	DB450	2184
V271BA60	DB450	2183
V271CA32	DB450	2187
V271CA40	DB450	2187
V271CA60	DB450	2187
V271DA40	DB450	2189
V271DB40	DB450	2189
V271HA32	DB450	2973
V271HA40	DB450	2973
V271NA34	DB450	2825
V274LA4	-	-
V275LA10	DB450	2190
V275LA2	DB450	2190
V275LA20A	DB450	2190
V275LA20C	DB450	3540
V275LA4	DB450	2190
V275LA40A	DB450	2190
V275LA40B	DB450	2190
V275LA40C	DB450	3540
V275LA40CX680	DB450	3540
V275PA40A	DB450	2192
V275PA40C	DB450	2192
V27CH8	DB450	2186
V27MA1A	DB450	2191
V27MA1B	DB450	2191
V27MA1S	DB450	2191
V27RA16	DB450	2193
V27RA8	DB450	2193
V27ZA05	DB450	2184
V27ZA1	DB450	2184
V27ZA2	DB450	2184
V27ZA4	DB450	2184
V27ZA60	DB450	2184
V282BB60	DB450	2183
V282CA60	DB450	2187

Alpha Numeric Product Number Listing

PART NUMBER	DATA BOOK	FILE#
V3.5MLA0603	DB450	2461
V3.5MLA0805	DB450	2461
V3.5MLA0805L	DB450	2461
V3.5MLA1206	DB450	2461
V300LA10	DB450	2190
V300LA2	DB450	2190
V300LA20A	DB450	2190
V300LA20C	DB450	3540
V300LA4	DB450	2190
V300LA40A	DB450	2190
V300LA40C	DB450	3540
V300LA40CX745	DB450	3540
V302AS32	DB450	2492
V302AS42	DB450	2492
V31CP20	DB450	2188
V31CP22	DB450	2188
V31CS22	DB450	2972
V320LA10	DB450	2190
V320LA20A	DB450	2190
V320LA20C	DB450	3540
V320LA40B	DB450	2190
V320LA40C	DB450	3540
V320LA7	DB450	2190
V320PA40A	DB450	2192
V320PA40C	DB450	2192
V321BA60	DB450	2183
V321CA32	DB450	2187
V321CA40	DB450	2187
V321CA60	DB450	2187
V321DA40	DB450	2189
V321DB40	DB450	2189
V321HA32	DB450	2973
V321HA40	DB450	2973
V321NA34	DB450	2825
V330MA2A	DB450	2191
V330MA5B	DB450	2191
V330ZA05	DB450	2184
V33CH8	DB450	2186
V33MA1A	DB450	2191
V33MA1B	DB450	2191
V33MA1S	DB450	2191
V33MLA1206	DB450	2461
V33RA16	DB450	2193
V33RA8	DB450	2193
V33ZA05	DB450	2184
V33ZA1	DB450	2184

PART NUMBER	DATA BOOK	FILE#
V33ZA2	DB450	2184
V33ZA5	DB450	2184
V33ZA70	DB450	2184
V33ZTX1	DB450	7062
V33ZTX5	DB450	7062
V33ZTX70	DB450	7062
V360CH8	DB450	2186
V360RA16	DB450	2193
V360RA8	DB450	2193
V360ZA05	DB450	2194
V36RA22	DB450	2193
V36ZA80	DB450	2184
V385LA10	DB450	2190
V385LA20A	DB450	2190
V385LA40B	DB450	2190
V385LA7	DB450	2190
V38CP16	DB450	2188
V38CP20	DB450	2188
V38CP22	DB450	2188
V38CS22	DB450	2972
V390CH8	DB450	2186
V390MA3A	DB450	2191
V390MA6B	DB450	2191
V390RA16	DB450	2193
V390RA22	DB450	2193
V390RA8	DB450	2193
V390ZA05	DB450	2184
V39CH8	DB450	2186
V39MA2A	DB450	2191
V39MA2B	DB450	2191
V39MA2S	DB450	2191
V39RA16	DB450	2193
V39RA8	DB450	2193
V39ZA05	DB450	2184
V39ZA1	DB450	2184
V39ZA20	DB450	2184
V39ZA3	DB450	2184
V39ZA6	DB450	2184
V402AS32	DB450	2492
V402AS42	DB450	2492
V402AS60	DB450	2492
V420LA10	DB450	2190
V420LA20A	DB450	2190
V420LA40B	DB450	2190
V420LA7	DB450	2190
V420LTX20A	DB450	7062

Alpha Numeric Product Number Listing

PART NUMBER	DATA BOOK	FILE#
V420LTX40B	DB450	7062
V420PA40A	DB450	2192
V420PA40C	DB450	2192
V421BA60	DB450	2183
V421CA32	DB450	2187
V421CA40	DB450	2187
V421CA60	DB450	2187
V421DA40	DB450	2189
V421DB40	DB450	2189
V421HA32	DB450	2973
V421HA40	DB450	2973
V421NA34	DB450	2825
V42MLA1206	DB450	2461
V430CH8	DB450	2186
V430MA3A	DB450	2191
V430MA7B	DB450	2191
V430RA16	DB450	2193
V430RA22	DB450	2193
V430RA8	DB450	2193
V430ZA05	DB450	2184
V460LA7	DB450	2190
V46Z17	-	-
V470ZA05	DB450	2184
V47CH8	DB450	2186
V47MA2A	DB450	2191
V47MA2B	DB450	2191
V47MA2S	DB450	2191
V47RA16	DB450	2193
V47RA8	DB450	2193
V47ZA05	DB450	2184
V47ZA1	DB450	2184
V47ZA20	DB450	2184
V47ZA3	DB450	2184
V47ZA7	DB450	2184
V480LA10	DB450	2190
V480LA40A	DB450	2190
V480LA7	DB450	2190
V480LA80B	DB450	2190
V480LTX40A	DB450	7062
V480LTX80B	DB450	7062
V480PA80A	DB450	2192
V480PA80C	DB450	2192
V481BA60	DB450	2183
V481CA32	DB450	2187
V481CA40	DB450	2187
V481CA60	DB450	2187
V481CA60	DB450	2187
V481CA60	DB450	2187

PART NUMBER	DATA BOOK	FILE#
V481DA40	DB450	2189
V481DB40	DB450	2189
V481HA32	DB450	2973
V481HA40	DB450	2973
V481NA34	DB450	2825
V5.5MLA0805	DB450	2461
V5.5MLA0805L	DB450	2461
V5.5MLA1206	DB450	2461
V502AS32	DB450	2492
V502AS42	DB450	2492
V510LA10	DB450	2190
V510LA40A	DB450	2190
V510LA80B	DB450	2190
V510LTX40A	DB450	7062
V510LTX80B	DB450	7062
V510PA80A	DB450	2192
V510PA80C	DB450	2192
V511BA60	DB450	2183
V511CA32	DB450	2187
V511CA40	DB450	2187
V511CA60	DB450	2187
V511DA40	DB450	2189
V511DB40	DB450	2189
V511HA32	DB450	2973
V511HA40	DB450	2973
V511NA34	DB450	2825
V56CH8	DB450	2186
V56MA2A	DB450	2191
V56MA2B	DB450	2191
V56MA2S	DB450	2191
V56MLA1206	DB450	2461
V56RA16	DB450	2193
V56RA8	DB450	2193
V56ZA05	DB450	2184
V56ZA2	DB450	2184
V56ZA20	DB450	2184
V56ZA20	DB450	2193
V56ZA3	DB450	2184
V56ZA8	DB450	2184
V571BA60	DB450	2183
V571CA32	DB450	2187
V571CA40	DB450	2187
V571CA60	DB450	2187
V571DA40	DB450	2189
V571DB40	DB450	2189
V571HA32	DB450	2973

5
HARRIS
PRODUCT LISTING

Alpha Numeric Product Number Listing

PART NUMBER	DATA BOOK	FILE#
V571HA40	DB450	2973
V571NA34	DB450	2825
V575LA10	DB450	2190
V575LA40A	DB450	2190
V575LA80B	DB450	2190
V575PA80A	DB450	2192
V575PA80C	DB450	2192
V602AS32	DB450	2492
V620ZA05	DB450	2184
V625LA10	DB450	2190
V625LA40A	DB450	2190
V625LA80B	DB450	2190
V660LA10	DB450	2190
V660LA100B	DB450	2190
V660LA50A	DB450	2190
V660PA100A	DB450	2192
V660PA100C	DB450	2192
V661BA60	DB450	2183
V661CA32	DB450	2187
V661CA40	DB450	2187
V661CA60	DB450	2187
V661DA40	DB450	2189
V661DB40	DB450	2189
V661HA32	DB450	2973
V661HA40	DB450	2973
V661NA34	DB450	2825
V680ZA05	DB450	2184
V68MA2S	DB450	2191
V68MA3A	DB450	2191
V68MA3B	DB450	2191
V68MA3S	DB450	2191
V68MLA1206	DB450	2461
V68RA16	DB450	2193
V68RA8	DB450	2193
V68ZA05	DB450	2184
V68ZA10	DB450	2184
V68ZA2	DB450	2184
V68ZA20	DB450	2184

PART NUMBER	DATA BOOK	FILE#
V68ZA3	DB450	2184
V68ZTX10	DB450	7062
V68ZTX2	DB450	7062
V715ZA05	DB450	2184
V750ZA05	DB450	2184
V751BA60	DB450	2183
V751CA32	DB450	2187
V751CA40	DB450	2187
V751CA60	DB450	2187
V751DA40	DB450	2189
V751DB40	DB450	2189
V751HA32	DB450	2973
V751HA40	DB450	2973
V751NA34	DB450	2825
V82MA3A	DB450	2191
V82MA3B	DB450	2191
V82MA3S	DB450	2191
V82RA16	DB450	2193
V82RA8	DB450	2193
V82ZA05	DB450	2184
V82ZA12	DB450	2184
V82ZA2	DB450	2184
V82ZA4	DB450	2184
V82ZTX12	DB450	7062
V82ZTX2	DB450	7062
V881BA60	DB450	2183
V881CA60	DB450	2187
V8CP22	DB450	2188
V8CS22	DB450	2972
V8RA8	DB450	2193
V8ZA05	DB450	2184
V8ZA1	DB450	2184
V8ZA2	DB450	2184
V8ZTX1	DB450	7062
V8ZTX2	DB450	7062
V9MLA0603	DB450	2461
V9MLA1206	DB450	2461
VA275PA40C	DB450	2192

CROSS-REFERENCE GUIDE

6

HARRIS' ON-LINE SERVICES

	PAGE
See Us on the NET!	6-3
How to Use Harris AnswerFAX	6-4
Your Map to Harris AnswerFAX.....	6-5
Harris AnswerFAX Data Book Request Form - Document #199.....	6-6

See Us on the NET!

<http://www.semi.harris.com/>



WHAT'S NEW

- Press Releases
- New Services
- New Web Material

PRODUCT INFORMATION

- Organized by Device Function
- Product Information Page Links to:
 - Data Sheets
- >2500 Data Sheets and Application Notes

SEARCH

- Search Based Upon Part Number or Description

DESIGN SUPPORT

- Application Note Listing
- Tech Brief Listing
- Downloadable Design Software
- Evaluation Boards Listing
- Lexicon
- E-mail To Central Applications Group for Technical Help

OTHER LINKS

- Sales Office and Distributor Listing
- Target Application Sites
- Quality/Reliability
- Webmaster E-mail for Site Comments

How to Use Harris AnswerFAX

What is AnswerFAX?

AnswerFAX is Harris' automated fax response system. It gives you on-demand access to a full library of the latest data sheets, application notes, and other information on Harris products.



What do I need to use AnswerFAX?

Just a fax machine and a touch-tone phone. You can access it 24 hours a day, 7 days a week.



How does it work?

You call the AnswerFAX number, touch-tone your way through a series of recorded questions, enter the order numbers of the documents you want, and give AnswerFAX a fax number to send them to. You'll have the information you need in minutes. The chart on the next page shows you how.



How do I find out the order number for the publications I want?

The first time you call AnswerFAX, you should order one or more on-line catalogs of product line information. There are nine catalogs:

- New Products
- Digital Signal Processing (DSP) Products
- Rad Hard Products
- Linear/Telecom Products
- Discrete & Intelligent Power Products
- CMOS Logic Products
- Data Acquisition Products
- Microprocessor Products
- Application Notes

Once they're faxed to you, you can call back and order the publications themselves by number.



How do I start?

Dial 407-724-7800. That's it.



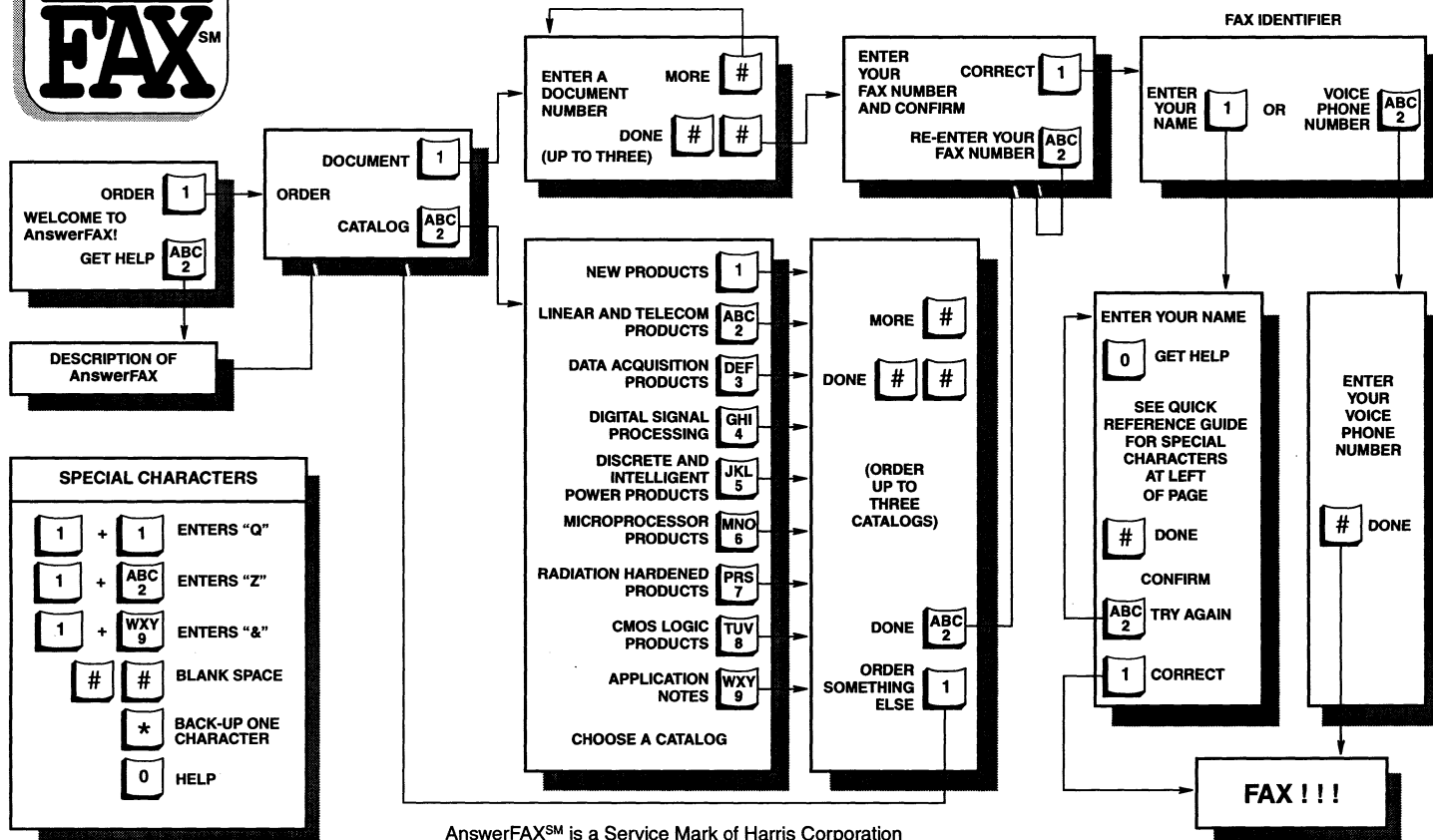
Please refer to next page for a map to AnswerFAX.



Your Map to Harris AnswerFAX



A complete AnswerFAX catalog listing is available.
Please call 1-800-442-7747 and request extension number 7367.



AnswerFAXSM is a Service Mark of Harris Corporation



Harris AnswerFAX Data Book Request Form - Document #199

Data Books Available Now

✓ PUB. NUMBER	DATA BOOK/DESCRIPTION
7004	Complete Set of Commercial Harris Data Books
7005	Complete Set of Commercial and Military Harris Data Books
DB223B	POWER MOSFETs (1994: 1,328pp) This data book contains detailed technical information including standard power MOSFETs (the popular RF-series types, the IRF-series of industry replacement types, and JEDEC types), MegaFETs, logic-level power MOSFETs (L2FETs), ruggedized power MOSFETs, advanced discrete, high-reliability and radiation-hardened power MOSFETs.
DB316	POWER MOSFET DATA BOOK SUPPLEMENT (1996: 380pp) This data book contains the data sheets of recently introduced products and also updates some of the data sheets in the Power MOSFET Data Book DB223B. These data sheets contain the detailed specification for these products.
DB235B	RADIATION HARDENED (1993: 2,232pp) The Harris radiation-hardened products include the CD4000, HCS/HCTS and ACS/ACTS logic families, SRAMs, PROMs, op amps, analog multiplexers, the 80C85/80C86 microprocessor family, analog switches, gate arrays, standard cells and custom devices.
DB260.2	CDP6805 CMOS MICROCONTROLLERS & PERIPHERALS (1995: 436pp) This data book represents the full line of Harris Semiconductor CDP6805 products for commercial applications and supersedes previously published CDP6805 data books under the Harris, GE, RCA or Intersil names.
DB301.3	DATA ACQUISITION (1997: 1,318pp) Product specifications on A/D converters (display, integrating, successive approximation, flash); D/A converters, switches, multiplexers, and other products.
DB302B	DIGITAL SIGNAL PROCESSING (1994: 528pp) Product specifications on one-dimensional and two-dimensional filters, signal synthesizers, multipliers, special function devices (such as address sequencers, binary correlators, histogrammer).
DB303.1	MICROPROCESSOR PRODUCTS (1997: 1,260pp) In the ever-changing IC marketplace, Harris Semiconductor has made a strong business commitment to continue servicing mature CMOS products and technologies. As always, we will supply mature, standard architecture microprocessor families for markets including cellular communications, PABX, networking systems, EDP peripherals, medical and avionics instrumentation.
DB304.1	INTELLIGENT POWER ICs (1994: 946pp) This data book includes a complete set of data sheets for product specifications, application notes with design details for specific applications of Harris products, and a description of the Harris quality and high reliability program.
DB309.1	MCT/IGBT/DIODES (1995: 706pp) This MCT/IGBT/Diodes data book represents the full line of these products made by Harris Semiconductor Discrete Power Products for commercial applications.
DB319	HARRIS IGBT UFS SERIES SUPPLEMENT (1997: 164pp) The UFS series IGBT (Insulated Gate Bipolar Transistor) Data Book Supplement represents a new generation of IGBT products from Harris Semiconductor Discrete Power Products for commercial applications. This data book supplement describes Harris Semiconductor's line of UFS (Ultra Fast Switching) IGBTs.
DB314	SIGNAL PROCESSING NEW RELEASES (1995: 690pp) This data book represents the newest products made by Harris Semiconductor Data Acquisition Products, Linear Products, Telecom Products and Digital Signal Processing Products for commercial applications.
DB315.1	CROSS-REFERENCE GUIDE (1997: 368pp) Listing of semiconductor products that are second-sourced by Harris Semiconductor.
DB317	COMMUNICATIONS DATA BOOK (1997: 708pp) Technical information including data sheets and application notes for a variety of Harris Integrated Circuits targeted for the communications industry. These products include the PRISM 2.4GHz DSSS Wireless Transceiver Chip Set, the new HC5517 Ringing SLIC as well as Standard Linear, Data Acquisition, DSP and Power products.
DB321	APPLICATIONS FOR COMMUNICATION ICs (1997: 392pp) Application Notes and Tech Briefs for Harris communication products that range from wireless PRISM™ 2.4GHz WLAN chip set to Telecom HC5517 ringing SLIC. Also Data Acquisition and Digital Signal Processing.
DB318	LPT/FCT CMOS LOGIC EXPANSION (1997: 620pp) This data book fully describes Harris Semiconductor's LPT and FCT CMOS Logic ICs. It includes a complete set of data sheets for product specifications, application notes and techbriefs with design details for specific applications of Harris products, and a description of the Harris Quality and Reliability program.
DB450.4	TRANSIENT VOLTAGE SUPPRESSION DEVICES (1995: 400pp) Product specifications of Harris varistors and surge protectors. Also, general informational chapters such as: "Voltage Transients - An Overview," "Transient Suppression - Devices and Principles," "Suppression - Automotive Transients."
DB500.3	LINEAR ICs (1996/97: 1446pp) Harris offers an extensive line of Linear components including: High Speed and General Purpose Op Amps, Comparators, Sample/Hold Amps, Video Crosspoint Switches, Special Analog Circuits and Transistor Arrays.
Analog Military	ANALOG MILITARY (1989: 1,264pp) This data book describes Harris' military line of Linear, Data Acquisition, and Telecommunications circuits.
DB312	ANALOG MILITARY DATA BOOK SUPPLEMENT (1994: 432pp) The 1994 Military Data Book Supplement, combined with the 1989 Analog Military Product Data Book, contain detailed technical information on the extensive line of Harris Semiconductor Linear and Data Acquisition products for Military (MIL-STD-883, DESC SMD and JAN) applications and supersedes all previously published Linear and Data Acquisition Military data books. For applications requiring Radiation Hardened products, please refer to the 1993 Harris Radiation Hardened Product Data Book (document #DB235B)
PSG201.24	PRODUCT SELECTION GUIDE (1997: 640pp) Key product information on all Harris Semiconductor devices. Includes an alphanumeric part number index, new products, nomenclature guides, selection trees and complete selection guides. Military/Space cross reference guide.
SG103	CMOS LOGIC SELECTION GUIDE (1994: 288pp) This product selection guide contains technical information on Harris Semiconductor High Speed 54/74 CMOS Logic Integrated Circuits for commercial, industrial and military applications. It covers Harris' High Speed CMOS Logic HC/HCT Series, AC/ACT Series, BiCMOS Interface Logic FCT Series and CMOS Logic CD4000B Series.
BR-057.3	AnswerFAX CATALOG (Fall 1996: 112pp) A Complete AnswerFAX Catalog listing.

NAME: _____ COMPANY: _____
 PHONE: _____ ADDRESS: _____ MAIL STOP _____
 FAX: _____ CITY, STATE: _____ ZIP: _____

LITERATURE REQUESTS SHOULD BE DIRECTED TO: **HARRIS FULFILLMENT** FAX #: 610-265-2520

CROSS-REFERENCE GUIDE

7

SALES OFFICES

North American Sales Offices, Representatives and Authorized Distributors

October 6, 1997

ALABAMA

Harris Semiconductor
600 Boulevard South
Suite 103
Huntsville, AL 35802
TEL: (205) 883-2791
FAX: 205 883 2861

Giesting & Associates
+ Suite 15
4835 University Square
Huntsville, AL 35816
TEL: (205) 830-4554
FAX: 205 830 4699

Allied Electronics
Huntsville
TEL: (205) 721-3500

Mobile
TEL: (334) 476-1875

Arrow/Schweber
Huntsville
TEL: (205) 837-6955

Future Electronics
Huntsville
TEL: (205) 971-2010

FAI - Future Active Industrial
Huntsville
TEL: (205) 971-1324

Hamilton Hallmark
Huntsville
TEL: (205) 837-8700

Newark Electronics
Birmingham
TEL: (205) 979-7003

Huntsville
TEL: (205) 837-9091

Mobile
TEL: (205) 471-6500

Wyle Electronics
Huntsville
TEL: (205) 830-1119

Zeus, An Arrow Company
Huntsville
TEL: (407) 333-3055
TEL: (800) 52-HI-REL

ALASKA

Newark Electronics
Bellevue
TEL: 800-321-8984

ARIZONA

Compass Mktg. & Sales, Inc.
+ 11801 N. Tatum Blvd. #101
Phoenix, AZ 85028
TEL: (602) 996-0635
FAX: 602 996 0586

2480 W. Ruthrauff, Suite #140
Tucson, AZ 85705
TEL: (520) 292-0222
FAX: 520 292 1008

Alliance Electronics, Inc.
Scottsdale
TEL: (602) 483-9400

Allied Electronics
Tempe
TEL: (602) 831-2002

Arrow/Schweber
Tempe
TEL: (602) 431-0030

Future Electronics
Phoenix
TEL: (602) 968-7140

FAI - Future Active Industrial
Phoenix
TEL: (602) 731-4661

Hamilton Hallmark
Phoenix
TEL: (602) 437-1200

Newark Electronics
Tempe
TEL: (602) 966-6340

Wyle Electronics
Phoenix
TEL: (602) 804-7000

Zeus, An Arrow Company
Tempe
TEL: (408) 629-4789
TEL: (800) 52-HI-REL

ARKANSAS

Newark Electronics
Little Rock
TEL: (501) 225-8130

CALIFORNIA

Harris Semiconductor
* 1503 So. Coast Drive
Suite 320
Costa Mesa, CA 92626
TEL: (714) 433-0600
FAX: 714 433 0682

Harris Semiconductor
* 3031 Tisch Way
Suite 800
San Jose, CA 95128
TEL: (408) 985-7322
FAX: 408 985 7455

Ewing Foley, Inc.
+ 185 Linden Avenue
Auburn, CA 95603
TEL: (916) 885-6591
FAX: 916 885 6594

10495 Bandley Avenue
Cupertino, CA 95014-1972
TEL: (408) 342-1220
FAX: 408 342 1221

Mesa Components, Inc.
+ 5520 Ruffin Road
Suite 208
San Diego, CA 92123
TEL: (619) 278-8021
FAX: (619) 576-0964

Vision Technical Sales, Inc.
*+ 26010 Mureau Road
Suite 140
Calabasas, CA 91302
TEL: (818) 878-7955
FAX: 818 878 7965

16257 Laguna Canyon Road
Suite 150
Irvine, CA 92618
TEL: (714) 450-9050
FAX: (714) 450-9061

Allied Electronics
Irvine
TEL: (714) 727-3010

Rancho Cucamonga
TEL: (909) 980-6522

Rocklin
TEL: (916) 632-3104

San Diego
TEL: (619) 279-2550

San Jose
TEL: (408) 383-0366

Torrance
TEL: (310) 540-0039

Woodland Hills
TEL: (818) 598-0130

Arrow/Schweber
Calabasas
TEL: (818) 880-9686

Fremont
TEL: (408) 432-7171

Irvine
TEL: (714) 587-0404

San Diego
TEL: (619) 565-4800

San Jose
TEL: (408) 441-9700

Bell Microproducts
Irvine
TEL: 714-470-2900

San Diego
TEL: 619-597-3010

San Jose
TEL: 408-451-9400

Westlake Village
TEL: 805-496-2606

Future Electronics
Irvine
TEL: (714) 453-1515

Los Angeles
TEL: (818) 865-0040

Sacramento
TEL: (916) 783-7877

San Diego
TEL: (619) 625-2800

San Jose
TEL: (408) 434-1122

FAI - Future Active Industrial
Irvine
TEL: (714) 753-4778

Los Angeles
TEL: (818) 879-1234



HARRIS
SEMICONDUCTOR

North American Sales Offices, Representatives and Authorized Distributors (Continued)

Sacramento
TEL: (916) 782-7882

San Diego
TEL: (619) 623-2888

San Jose
TEL: (408) 434-0369

Hamilton Hallmark
Costa Mesa
TEL: (714) 789-4100

Los Angeles
TEL: (818) 594-0404

Sacramento
TEL: (916) 632-4500

San Diego
TEL: (619) 571-7540

San Jose
TEL: (408) 435-3500

Newark Electronics
Garden Grove
TEL: (714) 893-4909

Riverside
TEL: (909) 784-1101

Santa Fe Springs
TEL: (310) 929-9722

Sacramento
TEL: (916) 565-1760

Chula Vista
TEL: (619) 691-0141

San Diego
TEL: (619) 453-8211

Palo Alto
TEL: (415) 812-6300

Santa Clara
TEL: (408) 988-7300

Thousand Oaks
TEL: (805) 499-1480

Wyle Electronics
Los Angeles
TEL: (818) 880-9000

Irvine
TEL: (714) 789-9953

Sacramento
TEL: (916) 638-5282

San Diego
TEL: (619) 558-6600

Santa Clara
TEL: (408) 727-2500
1-800-866-9953

Zeus, An Arrow Company
San Jose
TEL: (408) 629-4789
TEL: (800) 52-HI-REL

Irvine
TEL: (714) 581-4622
TEL: (800) 52-HI-REL

CANADA

Blakewood Associates
+ #201 - 7382 Winston Street
Burnaby, BC Canada V5A 2G9
TEL: (604) 444-3344
FAX: 604 444 3303

Cee-Jay Microsystems LTD.
+ 5925 Airport Road, Suite 614
Mississauga, Ontario L4V 1W1
TEL: 905-678-3188
FAX: 905-678-3166

308 Palladium Drive
Suite 200 Kanata, Ontario
Canada K2V 1A1
TEL: (613) 599-5626
FAX: 613 599 5707

78 Donegani, Suite 200
Pointe Claire, Quebec
Canada H9R 2V4
TEL: (514) 426-0453
FAX: 514 426 0455

Allied Electronics
Burnaby, BC
TEL: (604) 420-9691
Nepean, Ontario
TEL: (613) 228-1964

Arrow/Schweber
Burnaby, British Columbia
TEL: (604) 421-2333
Dorval, Quebec
TEL: (514) 421-7411

Nepean, Ontario
TEL: (613) 226-6903
Mississauga, Ontario
TEL: (905) 670-7769

Anthem Canada
Burnaby, British Columbia
TEL: (604) 606-8950

Calgary, Alberta
TEL: (403) 273-2780
Concord, Ontario
TEL: (416) 798-4884

Nepean, Ontario
TEL: (613) 596-6980
Pointe Claire, Quebec
TEL: (514) 697-8149

Winnipeg, Manitoba
TEL: (204) 786-2589

Future Electronics
Montreal
TEL: (514) 457-3004

Ottawa, Ontario
TEL: (613) 727-1800
Quebec
TEL: (418) 877-6666

Mississauga, Ontario
TEL: (905) 612-9200
Vancouver, B.C.
TEL: (604) 294-1166

FAI - Future Active Industrial

Calgary, Alberta
TEL: (403) 250-5550
Edmonton, Alberta
TEL: (403) 438-5888
Montreal

TEL: (514) 457-3004
Ottawa, Ontario
TEL: (613) 727-8622

Quebec
TEL: (418) 682-5775
Mississauga, Ontario
TEL: (905) 612-9888
Vancouver, B.C.
TEL: (604) 654-1050

Winnipeg, Manitoba
TEL: (204) 944-1446

Hamilton Hallmark
Mississauga, Ontario
TEL: (905) 564-6060
Montreal
TEL: (514) 335-1000

Ottawa
TEL: (613) 226-1700
Vancouver, B.C.
TEL: (604) 420-4101

Toronto
TEL: (905) 564-6060

Newark Electronics
London, Ontario
TEL: (519) 685-4280

Mississauga, Ontario
TEL: (905) 670-2888
Mount Royal, Quebec
TEL: (514) 738-4488

COLORADO

Compass Mktg. & Sales, Inc.
+ 14142 Denver West Pkwy
#200
Golden, CO 80401
TEL: (303) 277-0456
FAX: 303 277-0429

Allied Electronics
Englewood
TEL: (303) 790-1664

Arrow/Schweber
Englewood
TEL: (303) 799-0258

Future Electronics
Denver
TEL: (303) 232-2008

FAI - Future Active Industrial
Denver
TEL: (303) 237-1400

Hamilton Hallmark
Denver
TEL: (303) 790-1662
Colorado Springs
TEL: (719) 637-0055

Newark Electronics

Denver
TEL: (303) 373-4540

Wyle Electronics
Denver
TEL: (303) 457-9953

Zeus, An Arrow Company
TEL: (408) 629-4789
TEL: (800) 52-HI-REL

CONNECTICUT

Advanced Tech. Sales, Inc.
+ Westview Office Park
Bldg. 2, Suite 1C
850 N. Main Street Extension
Wallingford, CT 06492
TEL: (508) 664-0888
FAX: 203 284 8232

Alliance Electronics, Inc.
Milford
TEL: (203) 874-2001

Allied Electronics
Cheshire
TEL: (203) 272-7730

Arrow/Schweber
Wallingford
TEL: (203) 265-7741

Future Electronics
Cheshire
TEL: (203) 250-1319

FAI - Future Active Industrial
Cheshire
TEL: (203) 250-0083

Hamilton Hallmark
Danbury
TEL: (203) 271-5700

Newark Electronics
Bloomfield
TEL: (203) 243-1731

Wyle Electronics
Wallingford
TEL: (203) 269-8077

Zeus, An Arrow Company
TEL: (914) 937-7400
TEL: (800) 52-HI-REL

FLORIDA

Harris Semiconductor
1025 W. Nasa Blvd.
Bldg. F
Melbourne, FL 32919
TEL: (407) 724-3748
FAX: (407) 724-3276

Sun Marketing Group
+ 1956 Dairy Rd.
West Melbourne, FL 32904
TEL: (407) 723-0501
FAX: 407 723 3845

4175 East Bay Drive, Suite 128
Clearwater, FL 33764
TEL: (813) 536-5771
FAX: 813 536 6933

North American Sales Offices, Representatives and Authorized Distributors (Continued)

123 N.W. 13th Avenue,
Suite 212
Boca Raton, FL 33432
TEL: (561) 347-3044
FAX: 561 347 3045

Allied Electronics
Ft. Lauderdale
TEL: (954) 733-3144
Jacksonville
TEL: (904) 739-5920
Maitland
TEL: (407) 539-0055
Miami Lakes
TEL: (305) 558-2511

St. Petersburg
TEL: (813) 579-4660

Arrow/Schweber
Deerfield Beach
TEL: (954) 429-8200

Lake Mary
TEL: (954) 333-9300

Bell Microproducts
Altamonte Springs
TEL: 407-682-1199
TEL: 800-542-3083

Deerfield Beach
TEL: 305-429-1001

Future Electronics
Clearwater
TEL: (813) 530-1222
Deerfield Beach
TEL: (954) 426-4043

Orlando
TEL: (407) 865-7900

FAI - Future Active Industrial
Clearwater
TEL: (813) 530-1665

Deerfield Beach
TEL: (954) 428-9494

Orlando
TEL: (407) 865-9555

Tallahassee
TEL: (904) 668-7772

Hamilton Hallmark
Clearwater
TEL: (813) 507-5000

Orlando
TEL: (407) 657-3300

Miami
TEL: (954) 484-5482

Newark Electronics
Orlando
TEL: (407) 896-8350

Ft. Lauderdale
TEL: (305) 486-1151

Tampa
TEL: (813) 287-1578

Jacksonville
TEL: (904) 399-5041

Mobile
TEL: (205) 471-6500

Wyle Electronics
Deerfield Beach
TEL: (954) 420-0500

Maitland
TEL: (407) 740-7450

St. Petersburg
TEL: (813) 576-3004

Zeus, An Arrow Company
Lake Mary
TEL: (407) 333-3055
TEL: (800) 52-HI-REL

GEORGIA

Giesting & Associates
+ 2434 Hwy. 120, Suite 108
Duluth, GA 30097
TEL: (770) 476-0025
FAX: 770 476 2405

Allied Electronics
Duluth
TEL: (770) 497-9544

Arrow/Schweber
Duluth
TEL: (770) 497-1300

Future Electronics
Norcross
TEL: (770) 441-7676

FAI - Future Active Industrial
Norcross
TEL: (770) 447-4767

Hamilton Hallmark
Atlanta
TEL: (770) 623-4400

Newark Electronics
Norcross
TEL: (770) 448-1300

Wyle Electronics
Atlanta
TEL: (770) 441-9045

Zeus, An Arrow Company
TEL: (407) 333-3055
TEL: (800) 52-HI-REL

IDAHO

Allied Electronics
Boise
TEL: (208) 331-1414

FAI - Future Active Industrial
Boise
TEL: 1-800-767-8139

Newark Electronics
Boise
TEL: (208) 342-4311

ILLINOIS

Harris Semiconductor
* 1101 Perimeter Dr., Suite 600
Schaumburg, IL 60173
TEL: (847) 240-3480
FAX: 847 619 1511

L-TECH Marketing, Inc.
+ 2414 Hwy. 94 South Outer Rd.
Suite A
St. Charles, MO 63303
TEL: (314) 936-2007
FAX: 314-936-1991

Oasis Sales
+ 1101 Tonne Road
Elk Grove Village, IL 60007
TEL: (847) 640-1850
FAX: 847 640 9432

Allied Electronics
Bensenville
TEL: (630) 860-0007

Grayslake
TEL: (847) 548-9330

Loves Park
TEL: (815) 636-1010

Oak Forest
TEL: (708) 535-0038

Arrow/Schweber
Itasca
TEL: (630) 250-0500

Bell Microproducts
Schaumburg
TEL: 847-413-8530

Future Electronics
Chicago
TEL: (847) 882-1255

FAI - Future Active Industrial
Chicago
TEL: (847) 843-0034

Hamilton Hallmark
Chicago
TEL: (847) 797-7300

Newark Electronics
Rockford
TEL: (815) 229-0225

Springfield
TEL: (217) 787-9972

Schaumburg
TEL: (708) 310-8980

Willowbrook
TEL: (708) 789-4780

Wyle Electronics
Addison
TEL: (630) 620-0969

Zeus, An Arrow Company
Itasca
TEL: (708) 250-0500
TEL: (800) 52-HI-REL

INDIANA

Harris Semiconductor
* 11590 N. Meridian St.
Suite 100
Carmel, IN 46032
TEL: (317) 843-5180
FAX: 317 843 5191

Giesting & Associates
+ 370 Ridgepoint Dr.
Carmel, IN 46032
TEL: (317) 844-5222
FAX: 317 844 5861

Allied Electronics
Carmel
TEL: (317) 571-1880

Arrow/Schweber
Indianapolis
TEL: (317) 299-2071

EMC/Kent Electronics
Indianapolis
TEL: (317) 484-3050

Future Electronics
Indianapolis
TEL: (317) 469-0447

FAI - Future Active Industrial
Indianapolis
TEL: (317) 469-0441

Hamilton Hallmark
Carmel
TEL: (317) 575-3500

Newark Electronics
Fort Wayne
TEL: (219) 484-0766

Indianapolis
TEL: (317) 844-0047

Wyle Electronics
Indianapolis
TEL: (317) 581-6152

Zeus, An Arrow Company
TEL: (708) 250-0500
TEL: (800) 52-HI-REL

IOWA

Oasis Sales
+ 4905 Lakeside Dr., NE
Suite 203
Cedar Rapids, IA 52402
TEL: (319) 377-8738
FAX: 319 377 8803

Allied Electronics
Cedar Rapids
TEL: (319) 390-5730

Newark Electronics
Cedar Rapids
TEL: (319) 393-3800

West Des Moines
TEL: (515) 222-0700

Bettendorf
TEL: (319) 359-3711

Zeus, An Arrow Company
TEL: (214) 380-4330
TEL: (800) 52-HI-REL

KANSAS

L-TECH Marketing, Inc.
+ 1 Kings Court, Suite 115
New Century, KS 66031
TEL: (913) 829-7884
FAX: 913-829-7611

7
SALES OFFICES

North American Sales Offices, Representatives and Authorized Distributors (Continued)

Allied Electronics
Overland Park
TEL: (913) 338-4372

Arrow/Schweber
Lenexa
TEL: (913) 541-9542

Future Electronics
Overland Park
TEL: (913) 649-1531

FAI - Future Active Industrial
Overland Park
TEL: (913) 338-4400

Hamilton Hallmark
Kansas City
TEL: (913) 663-7900

Newark Electronics
Overland Park
TEL: (913) 677-0727

Zeus, An Arrow Company
TEL: (214) 380-4330
TEL: (800) 52-HI-REL

KENTUCKY

Giesting & Associates
+ 339 Arrowhead Springs Lane
Versailles, KY 40383
TEL: (606) 873-2330
FAX: 606 873 6233

Newark Electronics
Louisville
TEL: (502) 423-0280

LOUISIANA

Allied Electronics
St. Rose
TEL: (504) 466-7575

Newark Electronics
Metairie
TEL: (504) 838-9771

MARYLAND

New Era Sales, Inc.
+ 890 Airport Pk. Rd, Suite 103
Glen Burnie, MD 21061
TEL: (410) 761-4100
FAX: 410 761-2981

Allied Electronics
Columbia
TEL: (410) 312-0810

Arrow/Schweber
Columbia
TEL: (410) 309-0686

Bell Microproducts
Columbia
TEL: 410-720-5100

Future Electronics
Columbia
TEL: (410) 290-0600

FAI - Future Active Industrial
Columbia
TEL: (410) 312-0833

Hamilton Hallmark
Columbia
TEL: (410) 720-3400

Newark Electronics
Hanover
TEL: (410) 712-6922

Wyle Electronics
Columbia
TEL: (410) 312-4844

Zeus, An Arrow Company
TEL: (914) 937-7400
TEL: (800) 52-HI-REL

Columbia
TEL: (410) 309-1541
TEL: (800) 52-HI-REL

MASSACHUSETTS

Harris Semiconductor
* Six New England Executive Pk.
Burlington, MA 01803
TEL: (617) 221-1850
FAX: 617 221 1866

Advanced Tech Sales, Inc.
+ 352 Park Street, Suite 102
Park Place West
N. Reading, MA 01864
TEL: (508) 664-0888
FAX: 508 664 5503

Allied Electronics
Norwood
TEL: (617) 255-0361

Peabody
TEL: (508) 538-2401

Arrow/Schweber
Wilmington
TEL: (508) 658-0900

Bell Microproducts
Billerica
TEL: 508-667-2400
TEL: 800-552-4305

Future Electronics
Boston
TEL: (508) 779-3000

FAI - Future Active Industrial
Boston
TEL: (508) 779-3111

Gerber Electronics
Norwood
TEL: (617) 769-6000

Hamilton Hallmark
Peabody
TEL: (508) 532-9893

Newark Electronics
Marlborough
TEL: (508) 229-2200

Woburn
TEL: (617) 935-8350

Wyle Electronics
Bedford
(617) 271-9953

Zeus, An Arrow Company
Wilmington, MA
TEL: (508) 658-4776
TEL: (800) HI-REL

Obsolete/Discontinued Products:

Rochester Electronics
10 Malcom Hoyt Drive
Newburyport, MA 01950
TEL: (508) 462-9332
FAX: 508 462 9512

MICHIGAN

Harris Semiconductor
* 27777 Franklin Rd., Suite 460
Southfield, MI 48034
TEL: (248) 746-0800
FAX: 248 746 0516

Giesting & Associates
+ 34441 Eight Mile Rd., Suite 113
Livonia, MI 48152
TEL: (248) 478-8106
FAX: 248 477 6908

Allied Electronics
Grand Rapids
TEL: (616) 365-9960
Plymouth
TEL: (313) 416-9300

Arrow/Schweber
Livonia
TEL: (313) 462-2290

Future Electronics
Detroit
TEL: (313) 261-5270
Grand Rapids
TEL: (616) 698-6800

FAI - Future Active Industrial
Detroit
TEL: (313) 513-0015

Hamilton Hallmark
Plymouth
TEL: (313) 416-5800

Newark Electronics
Grand Rapids
TEL: (616) 954-6700

Saginaw
TEL: (517) 799-0480

Oak Park
TEL: (248) 967-0600

Troy
TEL: (248) 583-2899
Zeus, An Arrow Company
TEL: (708) 250-0500
TEL: (800) 52-HI-REL

MINNESOTA

Oasis Sales
+ Suite 100
4620 West 77th Street
Edina, MN 55435
TEL: (612) 841-1088
FAX: 612 841 1103

Allied Electronics
Minnetonka
TEL: (612) 938-5633

Bell Microproducts
Eden Prairiae
TEL: 612-943-1122

Future Electronics
Minneapolis
TEL: (612) 944-2200

FAI - Future Active Industrial
Minneapolis
TEL: (612) 947-0909

Hamilton Hallmark
Minneapolis
TEL: (612) 881-2600

Newark Electronics
Minneapolis
TEL: (612) 331-6350

St. Paul
TEL: (612) 631-2683

Wyle Electronics
Minneapolis
TEL: (612) 853-2280

Zeus, An Arrow Company
TEL: (214) 380-4330
TEL: (800) 52-HI-REL

MISSISSIPPI

Newark Electronics
Ridgeland
TEL: (601) 956-3834

MISSOURI

L-TECH Marketing, Inc.
+ 2414 Hwy. 94 South Outer Rd.
Suite A
St. Charles, MO 63303
TEL: (314) 936-2007
FAX: 314-936-1991

Allied Electronics
Earth City
TEL: (314) 291-7031

Arrow/Schweber
St. Louis
TEL: (314) 567-6888

Future Electronics
St. Louis
TEL: (314) 469-6805

FAI - Future Active Industrial
St. Louis
TEL: (314) 542-9922

Hamilton Hallmark
St. Louis
TEL: (314) 291-5350

Newark Electronics
St. Louis
TEL: (314) 453-9400

Zeus, An Arrow Company
TEL: (214) 380-4330
TEL: (800) 52-HI-REL

NEBRASKA

L-TECH Marketing, Inc.
+ 1 Kings Court, Suite 115
New Century, KS 66031
TEL: (913) 829-7884
FAX: 913-829-7611

North American Sales Offices, Representatives and Authorized Distributors (Continued)

Allied Electronics
Omaha
TEL: (402) 697-0038

Newark Electronics
Omaha
TEL: (402) 592-2423

NEVADA

Allied Electronics
Las Vegas
TEL: (702) 258-1087

Wyle Electronics
Las Vegas
TEL: (702) 898-6888

NEW HAMPSHIRE

Newark Electronics
Nashua
TEL: (603) 888-5790

NEW JERSEY

Harris Semiconductor
* Plaza 1000 at Main Street
Suite 104
Voorhees, NJ 08043
TEL: (609) 751-3425
FAX: 609 751 5911

Harris Semiconductor
* 724 Route 202
P.O. Box 591
Somerville, NJ 08876
TEL: (908) 685-6150
FAX: 908 685-6140

Tritek Sales, Inc.
+ One Mall Dr., Suite 410
Cherry Hill, NJ 08002
TEL: (609) 667-0200
FAX: 609 667 8741

Allied Electronics
E. Brunswick
TEL: (908) 613-0828
Mt. Laurel
TEL: (609) 234-7769

Parsippany
TEL: (201) 428-3350

Arrow/Schweber
Marlton
TEL: (609) 596-8000

Pinebrook
TEL: (201) 227-7880

Bell Microproducts
Clifton
TEL: 201-777-4100

Future Electronics
Fairfield
TEL: (201) 299-0400
Marlton
TEL: (609) 596-4080

FAI - Future Active Industrial
Fairfield
TEL: (201) 331-1133
Marlton
TEL: (609) 596-4080

Hamilton Hallmark
Mt. Laurel
TEL: (609) 222-6400
Parsippany
TEL: (201) 515-1641

Newark Electronics
East Brunswick
TEL: (908) 937-6600

Wyle Electronics
Pine Brook
TEL: (201) 882-8358
Mt. Laurel
TEL: (609) 439-9110

Zeus, An Arrow Company
TEL: (914) 937-7400
TEL: (800) 52-HI-REL

NEW MEXICO

Compass Mktg. & Sales, Inc.
+ 4100 Osuna Rd., NE,
Suite 109
Albuquerque, NM 87109
TEL: (505) 344-9990
FAX: 505 345 4848

Alliance Electronics, Inc.
Albuquerque
TEL: (505) 837-2801

Allied Electronics
Albuquerque
TEL: (505) 266-7565

Hamilton Hallmark
Albuquerque
TEL: (505) 293-5119

Newark Electronics
Albuquerque
TEL: (505) 828-1878

Zeus, An Arrow Company
TEL: (408) 629-4789
TEL: (800) 52-HI-REL

NEW YORK

Harris Semiconductor
* Hampton Business Center
1611 Rt. 9, Suite U3
Wappingers Falls, NY 12590
TEL: (914) 298-0413
FAX: 914 298 0425

Harris Semiconductor
* 490 Wheeler Rd, Suite 165B
Hauppauge, NY 11788-4365
TEL: (516) 342-0291 Analog
TEL: (516) 342-0292 Digital
FAX: 516 342 0295

Foster & Wager, Inc.
+ 300 Main Street
Vestal, NY 13850
TEL: (607) 748-5963
FAX: 607 748 5965

2511 Browncroft Blvd.
Rochester, NY 14625
TEL: (716) 385-7744
FAX: 716 586 1359

7696 Mountain Ash
Liverpool, NY 13090
TEL: (315) 457-7954
FAX: 315 457 7076

Parallax, Inc.
+ 734 Walt Whitman Rd.
Melville, NY 11747
TEL: (516) 351-1000
FAX: 516-351-1606

Alliance Electronics, Inc.
Huntington
TEL: (516) 673-1930

Allied Electronics
Amherst
TEL: (716) 831-8101
Great Neck
TEL: (516) 487-5211

Hauppauge
TEL: (516) 234-0485
Lagrangeville
TEL: (914) 452-1470

Rochester
TEL: (716) 292-1670

Syracuse
TEL: (315) 446-7411

Arrow/Schweber
Farmingdale
TEL: (516) 293-6363

Hauppauge
TEL: (516) 231-1000
Melville

TEL: (516) 391-1276
TEL: (516) 391-1300
TEL: (516) 391-1633

Rochester
TEL: (716) 427-0300

Bell Microproducts
Smithtown
TEL: 516-543-2000

Future Electronics
Hauppauge
TEL: (516) 234-4000

Rochester
TEL: (716) 387-9550
Syracuse

TEL: (315) 451-2371

FAI - Future Active Industrial
Hauppauge
TEL: (516) 348-3700

Rochester
TEL: (716) 387-9600
Syracuse

TEL: (315) 451-4405
Hamilton Hallmark
Long Island

TEL: (516) 434-7400
Hauppauge
TEL: (516) 434-7470

Rochester
TEL: (716) 272-2740

Newark Electronics
Wappingers Falls
TEL: (914) 298-2810

Latham
TEL: (518) 783-0983

Bohemia
TEL: (516) 567-4200
Williamsville

TEL: (716) 631-2311
Pittsford

TEL: (716) 381-4244
Liverpool

TEL: (315) 457-4873
Wyle Electronics

Long Island
TEL: (516) 231-7850

Rochester
TEL: (716) 334-5970

Zeus, An Arrow Company
Pt. Chester
TEL: (914) 937-7400
TEL: (800) 52-HI-REL

NORTH CAROLINA

New Era Sales
+ 1215 Jones Franklin Road
Suite 201
Raleigh, NC 27606
TEL: (919) 859-4400
FAX: 919 859 6167

Allied Electronics
Charlotte
TEL: (704) 525-0300

Raleigh
TEL: (919) 876-5845

Arrow/Schweber
Raleigh
TEL: (919) 876-3132

EMC/Kent Electronics
Charlotte
TEL: (704) 394-6195

Future Electronics
Charlotte
TEL: (704) 547-1107

Raleigh
TEL: (919) 790-7111

FAI - Future Active Industrial
Charlotte
TEL: (704) 548-9503

Raleigh
TEL: (919) 876-0088

Hamilton Hallmark
Raleigh
TEL: (919) 872-0712

Newark Electronics
Charlotte
TEL: (704) 535-5650

Greensboro
TEL: (910) 294-2142

North American Sales Offices, Representatives and Authorized Distributors (Continued)

Raleigh
TEL: (919) 781-7677

Wyle Electronics
Morrisville
TEL: (919) 469-1502

Raleigh
TEL: (919) 481-3737
TEL: 800-950-9953

Zeus, An Arrow Company
TEL: (407) 333-3055
TEL: (800) 52-HI-REL

OHIO

Giesting & Associates
+ P.O. Box 39398
2854 Blue Rock Rd.
Cincinnati, OH 45239
TEL: (513) 385-1105
FAX: 513 385 5069
6324 Tamworth Ct.
Columbus, OH 43017
TEL: (614) 792-5900
FAX: 614 792 6601
6200 SOM Center Rd.
Suite D-20
Solon, OH 44139
TEL: (216) 498-4644
FAX: 216 498 4554

Alliance Electronics, Inc.
Dayton
TEL: (937) 433-7700

Allied Electronics
Beachwood
TEL: (216) 831-4900

Cincinnati
TEL: (513) 771-6990
Worthington
TEL: (614) 785-1270

Arrow/Schweber
Solon
TEL: (216) 248-3990

Centerville
TEL: (937) 435-5563

EMC/Kent Electronics
Columbus
TEL: (614) 299-4161

Cleveland
TEL: (216) 360-4646

Future Electronics
Cleveland
TEL: (216) 449-6996

Dayton
TEL: (937) 426-0090

FAI - Future Active Industrial
Cleveland
TEL: (216) 446-0061

Dayton
TEL: (937) 427-6090

Hamilton Hallmark
Cleveland
TEL: (216) 498-1100

Columbus
TEL: (614) 888-3313

Dayton
TEL: (937) 439-6735

Newark Electronics
Cincinnati
TEL: (513) 772-8181

Columbus
TEL: (614) 326-0352

Dayton
TEL: (513) 294-8980

Toledo
TEL: (419) 866-0404

Youngstown
TEL: (216) 793-6134

Cleveland
TEL: (216) 391-9330

Wyle Electronics
Cleveland
TEL: (216) 248-9996

Miamisburg
TEL: (937) 436-9953

Zeus, An Arrow Company
TEL: (708) 595-9730
TEL: (800) 52-HI-REL

OKLAHOMA

Nova Marketing
+ 8421 East 61st Street, Suite P
Tulsa, OK 74133-1928
TEL: (800) 826-8557
TEL: (918) 660-5105
FAX: 918 357 1091

Allied Electronics
Tulsa
TEL: (918) 250-4505

Arrow/Schweber
Tulsa
TEL: (918) 252-7537

FAI - Future Active Industrial
Tulsa
TEL: (918) 492-1500

Hamilton Hallmark
Tulsa
TEL: (918) 459-6000

Newark Electronics
Oklahoma City
TEL: (405) 843-3301

Tulsa
TEL: (918) 252-5070

Zeus, An Arrow Company
TEL: (214) 380-4330
TEL: (800) 52-HI-REL

OREGON

Northwest Marketing Assoc.
+ 4905 SW Griffith Drive
Suite 106
Beaverton, OR 97005
TEL: (503) 644-4840
FAX: 503 644-9519

Allied Electronics
Beaverton
TEL: (503) 626-9921

Almac/Arrow
Beaverton
TEL: (503) 629-8090

Future Electronics
Portland
TEL: (503) 603-0956

FAI - Future Active Industrial
Portland
TEL: (503) 603-0866

Hamilton Hallmark
Portland
TEL: (503) 526-6200

Newark Electronics
Portland
TEL: (503) 297-1984

Wyle Electronics
Portland
TEL: (503) 598-9953

Zeus, An Arrow Company
TEL: (408) 629-4789
TEL: (800) 52-HI-REL

PENNSYLVANIA

Giesting & Associates
+ 471 Walnut Street
Pittsburgh, PA 15238
TEL: (412) 828-3553
FAX: 412 828 6160

Allied Electronics
Chadds Ford
TEL: (610) 388-8455

Harrisburg
TEL: (717) 540-7101

Pittsburgh
TEL: (412) 931-2774

Arrow/Schweber
Pittsburgh
TEL: (412) 327-1130
800-529-0895

Future Electronics
Pittsburgh
TEL: (412) 935-1113

FAI - Future Active Industrial
Pittsburgh
TEL: (412) 935-9600

Hamilton Hallmark
Pittsburgh
TEL: (800) 332-8638

Newark Electronics
Allentown
TEL: (610) 434-7171

Ft. Washington
TEL: (215) 654-1434

Pittsburgh
TEL: (412) 788-4790

Wyle Electronics
Philadelphia
TEL: (609) 439-9110

Zeus, An Arrow Company
TEL: (914) 937-7400
TEL: (800) 52-HI-REL

SOUTH CAROLINA

Allied Electronics
Greenville
TEL: (864) 288-8835

Newark Electronics
Greenville
TEL: (803) 288-9610

TENNESSEE

Newark Electronics
Knoxville
TEL: (615) 588-6493

Memphis
TEL: (901) 396-7970

Brentwood
TEL: (615) 371-1341

TEXAS

Harris Semiconductor
* 17000 Dallas Parkway,
Suite 205
Dallas, TX 76248
TEL: (972) 733-0800
FAX: 972 733 0819

Nova Marketing
+ 8310 Capital of Texas Hwy.
Suite 180
Austin, TX 78731
TEL: (512) 343-2321
FAX: 512 343-2487

8350 Meadow Rd., Suite 174
Dallas, TX 75231
TEL: (214) 265-4600
FAX: 214 265 4668

Corporate Atrium II, Suite 140
10701 Corporate Dr.
Stafford, TX 77477
TEL: (281) 240-6082
FAX: 281 240 6094

Allied Electronics
Austin
TEL: (512) 219-7171

Brownsville
TEL: (210) 548-1129

Dallas
TEL: (214) 341-8444

El Paso
(915) 779-6294

Fort Worth
(817) 595-3500

Forth Worth
(817) 595-6455

Humble
(713) 446-8005

Arrow/Schweber
Austin
TEL: (512) 835-4180

Dallas
TEL: (972) 380-6464

North American Sales Offices, Representatives and Authorized Distributors (Continued)

Houston
TEL: (713) 647-6868

Bell Microproducts
Austin
TEL: 512-258-0725

Richardson
TEL: 214-783-4191

Future Electronics
Austin
TEL: (512) 502-0991

Dallas
TEL: (972) 437-2437

Houston
TEL: (713) 785-1155

FAI - Future Active Industrial
Austin
TEL: (512) 346-6426

Dallas
TEL: (972) 231-7195

El Paso
TEL: (915) 595-1000

Houston
TEL: (713) 952-7088

San Antonio
TEL: 1-800-767-2133

Hamilton Hallmark
Austin
TEL: (512) 258-8848

Dallas
TEL: (214) 553-4300

Houston
TEL: (713) 781-6100

Newark Electronics
Austin
TEL: (512) 338-0287

Corpus Christi
TEL: (512) 857-5621

El Paso
TEL: (915) 772-6367

Houston
TEL: (713) 894-9334

San Antonio
TEL: (210) 734-7960

Dallas
TEL: (214) 458-2528

Wyle Electronics
Austin
TEL: (512) 833-9953

Houston
TEL: (713) 784-9953

Richardson
TEL: (972) 235-9953

Zeus, An Arrow Company
Carrollton
TEL: (214) 380-4330
TEL: (800) 52-HI-REL

UTAH

Compass Mktg. & Sales, Inc.
+ 5 Triad Center, Suite 320
Salt Lake City, UT 84180
TEL: (801) 322-0391
FAX: 801 322-0392

Allied Electronics
Salt Lake City
TEL: (801) 261-5244

Arrow/Schweber
Salt Lake City
TEL: (801) 973-6913

Bell Microproducts
Centerville
TEL: 801-295-3900

Future Electronics
Salt Lake City
TEL: (801) 467-4448

FAI - Future Active Industrial
Salt Lake City
TEL: (801) 467-9696

Hamilton Hallmark
Salt Lake City
TEL: (801) 266-2022

Newark Electronics
Salt Lake City
TEL: (801) 261-5660

Wyle Electronics
Draper (Telesales)
TEL: (801) 523-2335
Salt Lake City
TEL: (801) 974-9953

Zeus, An Arrow Company
TEL: (408) 629-4789
TEL: (800) 52-HI-REL

VIRGINIA

Allied Electronics
Springfield
TEL: (703) 644-9515

Virginia Beach
TEL: (804) 363-8662

FAI - Future Active Industrial
Charlottesville
TEL: (804) 984-5022

Newark Electronics
Richmond
TEL: (804) 282-5671

Herndon
TEL: (703) 707-9010

WASHINGTON

Northwest Marketing Assoc.
+ 12835 Bel-Red Road
Suite 330N
Bellevue, WA 98005
TEL: (206) 455-5846
FAX: 206 451 1130

Allied Electronics
Renton
TEL: (206) 251-0240

Almac/Arrow

Bellevue
TEL: (206) 643-9992

Future Electronics
Seattle
TEL: (206) 489-3400

FAI - Future Active Industrial
Seattle
TEL: (206) 485-6616

Hamilton Hallmark
Seattle
TEL: (206) 882-7000

Newark Electronics
Bellevue
TEL: (206) 641-9800

Spokane
TEL: (509) 327-1935

Wyle Electronics
Seattle
TEL: (206) 881-1150

Zeus, An Arrow Company
TEL: (408) 629-4789
TEL: (800) 52-HI-REL

WEST VIRGINIA

Allied Electronics
Charleston
TEL: (304) 925-2487

Newark Electronics
Charleston
TEL: (304) 345-3086

WISCONSIN

Oasis Sales
+ 1305 N. Barker Rd.
Brookfield, WI 53005
TEL: (414) 782-6660
FAX: 414 782 7921

Allied Electronics
New Berlin
TEL: (414) 796-1280

Arrow/Schweber
Brookfield
TEL: (414) 792-0150

Future Electronics
Milwaukee
TEL: (414) 879-0244

FAI - Future Active Industrial
Milwaukee
TEL: (414) 792-9778

Hamilton Hallmark
Milwaukee
TEL: (414) 513-1500

Newark Electronics
Madison
TEL: (608) 278-0177

Milwaukee
TEL: (414) 453-9100

Wyle Electronics
Milwaukee
TEL: (414) 879-0434

Zeus, An Arrow Company
TEL: (708) 250-0500
TEL: (800) 52-HI-REL

**Harris Semiconductor
Chip Distributors**

Chip Supply, Inc.
7725 N. Orange Blossom Trail
Orlando, FL 32810-2696
TEL: (407) 298-7100
FAX: (407) 290-0164

Elmo Semiconductor Corp.
7590 North Glenoaks Blvd.
Burbank, CA 91504-1052
TEL: (818) 768-7400
FAX: (818) 767-7038

Minco Technology Labs, Inc.
1805 Rutherford Lane
Austin, TX 78754
TEL: (512) 834-2022
FAX: (512) 837-6285

Mexico

Authorized Distributor

Future Electronics De Mexico
S.A. de C.V.
Prol. Americas 1600
Chimalhuacan 3369 5TO
PISCO-8, C.D. Del Sol
Zapopan, Jalisco 45050
TEL: (913) 678-9281
FAX: 913 678-9271

Puerto Rican

Authorized Distributor

Hamilton Hallmark
Suite 318
S1 Mariolga Luis Munoz-Marin
Caguas, Puerto Rico 00725
TEL: (800) 327-8950
Future Electronics
Urb. Belmonte, Galicia #45
Mayaguez, Puerto Rico 00680
TEL: (787) 833-6267
FAX: (787) 833-6267

South American

Authorized Distributor

Graftec Electronic Sales Inc.
One Boca Place, Suite 305 East
2255 Glades Road
Boca Raton, Florida 33431
TEL: (561) 994-0933
FAX: 561 994-5518

BRAZIL

Future Electronics DO
Brasil LTDA
Rua Luzitani
740 10 Andar cj 013-104
13-015-121 Campinas SP
Brazil
TEL: 55-19-232-7052
FAX: 55-19-236-9834

Graftec Brasil Ltda.
Rua Baronesa de Itu,
336 cj. 51/52 Sao Paulo - SP
CEP: 01231-000
TEL: 55-11-826-1666
FAX: 55-11-826-6526

North American Authorized Distributors and Corporate Offices

Hamilton Hallmark and Zeus are the only authorized North American distributors for stocking and sale of Harris Rad Hard Space products.

Alliance Electronics
(SDB Status)
7550 E. Redfield Rd.
Scottsdale, AZ 85260
TEL: (602) 483-9400
(800) 608-9494
FAX: (602) 443-3898

Allied Electronics
7410 Pebble Dr.
Ft. Worth, TX 76118
TEL: (800) 433-5700

Anthem Canada
300 North Rivermede Rd.
Concord, Ontario
Canada L4K 3N6
TEL: (416) 798-4884
FAX: 416 798 4889

Arrow/Schweber Electronics
25 Hub Dr.
Melville, NY 11747
TEL: (800) 777-2776

Bell Microproducts
1941 Ringwood Avenue
San Jose, CA 95131
TEL: (408) 451-9400
TEL: (800) 995-1999
FAX: (408) 451-1600

EMC/Kent Electronics
7433 Harwin Drive
Houston, TX 77036
TEL: (713) 780-7770
FAX: (713) 978-5864

Future Electronics
237 Hymus Blvd.
Pointe Claire, Quebec
Canada, H9R 5C7
TEL: (514) 694-7710
TEL: (800) FUTURE-1 x2255
FAX: (514) 695-3707

FAI - Future Active Industrial
237 Hymus Blvd.
Pointe Claire, Quebec
Canada, H9R 5C7
TEL: (800) RING-FAI

Gerber Electronics
128 Carnegie Row
Norwood, MA 02062
TEL: (617) 769-6000, x156
FAX: 617 762 8931

Hamilton Hallmark Avnet OMG
9800 La Cienega Blvd.
Inglewood, CA 90301-4417
TEL: (310) 665-2600
FAX: (310) 665-2609 (Military)
FAX: (602) 736-7979 (Commercial)

Newark Electronics
4801 N. Ravenswood
Chicago, IL 60640
TEL: (773) 784-5100
(800) 463-9275
FAX: 773 275-9596

Wyle Electronics
15370 Barranca Parkway
Irvine, CA 92618
TEL: (714) 753-9953
Wyle Direct: (800) 414-4144
Other Sales: (800) 283-9953

Zeus Electronics, An Arrow Company
2900 Westchester Avenue
Purchase, NY 10577
TEL: (800) 524-4735

Obsolete/Discontinued Products:

Rochester Electronics
10 Malcom Hoyt Drive
Newburyport, MA 01950
TEL: (508) 462-9332
FAX: 508 462 9512

European Sales Offices, Representatives and Authorized Distributors

European Sales Headquarters

Harris Semiconductor
Mercure Center
Rue de la Fussee 100
B-1130 Brussels
Belgium
TEL: 32 2 724 21 11
FAX: 32 2 724 2205/...09

AUSTRIA

Avnet EMG
Waidhausenstrasse 19
A - 1140 Vienna
TEL: 43 1 911 28 47
FAX: 43 1 911 38 53

EBV Elektronik
* Diefenbachgasse 35
A - 1150 Vienna
TEL: 43 1 89 41 774
FAX: 43 1 89 41 775

Spoerle Electronic
Heiligenstädterasse 50-52
A - 1190 Vienna
TEL: 43 1 360 46-0
FAX: 43 1 369 22 73

BELGIUM

ACAL
Lozenberg 4
B - 1932 Zaventem
TEL: 32 2 720 59 83
FAX: 32 2 725 10 14

EBV Elektronik
* Excelsiorlaan 35B
B - 1930 Zaventem
TEL: 32 2 716 00 10
FAX: 32 2 720 81 52

Spoerle Electronic
* Keiberg II
Minervastraat, 14/B2
B-1930 Zaventem
TEL: 32 2 725 46 60
FAX: 32 2 725 45 11

DENMARK

Arrow
Borgergade 43
DK - 9620 Aalestrup
TEL: 45 98 64 11 11
FAX: 45 98 64 21 11

Arrow

Mileparken 20E
DK-2740 Skovlunde
TEL: 45 4492 7000
FAX: 45 4492 6020

Avnet Nortec
Transformervej, 17
DK - 2730 Herlev
TEL: 45 4488 0800
FAX: 45 4488 0888

EBV Elektronik
Ved Lunden 9
DK - 8230 Abyhøj
TEL: 45 86 25 04 66
FAX: 45 86 25 06 60

EBV Elektronik
Gladaxevej 370
DK - 2860 Soborg
TEL: 45 39 69 05 11
FAX: 45 39 69 05 04

Independent Electronic Components

Bernhard Bangs Alle 39
DK-2000 Frederiksberg
TEL: 45 38 10 2925
FAX: 45 38 10 2926

EASTERN COUNTRIES

GRADER Friedhelm
Richard-Reitzner-Allee 4
G-85540 Haar
Germany
TEL: 49 89 462 63 110
FAX: 49 89 462 63 149

EBV Elektronik
V Holesovickach 29
CZ - 182 00 Praha 8
Czechoslovakia
TEL: 42 2 900 22 101
42 2 900 22 102
FAX: 42 2 688 90 78

EBV Elektronik
Ul. Odrzanska 24-29 / 11
PL - 50-114 Woclaw
Poland
TEL: 48 71 34 229 44
FAX: 48 71 34 229 10



EBV Elektronik

Dunajska c.22
SI - 1511 Ljubljana
TEL: 386 61 133 02 16
FAX: 386 61 133 04 57

Spoerle Electronic

Charkovska 24
CZ-10100 Praha 10
Czechoslovakia
TEL: 42 2 73 13 54
FAX: 42 2 73 13 55

Spoerle Electronic

ul. Domaniewska 41
PL-02672 Warszawa
Poland
TEL: 48 22 60 60 447
FAX: 48 22 60 60 348

FINLAND

Arrow

Niitylantie 5
FIN-00620 Helsinki
TEL: 358 9 777 571
FAX: 358 9 798 853

Avnet Nortec

Italahdenkatu, 18
FIN-00210 Helsinki
TEL: 358 9 61 31 81
FAX: 358 9 69 22 32 6

EBV Elektronik

Pihatorma 1A
FIN - 02240, Espoo
TEL: 358 9 855 7730
FAX: 358 9 855 0450

Harcomp Electronics

Syvalahdentie 79
SF - 51200 Kangasniemi
TEL: 358 59 432031
FAX: 358 59 432367

FRANCE

Harris Semiconducteurs

* 2-4, Avenue de l'Europe
F - 78941 Velizy Cedex
TEL: 33 1 34 65 40 80 (Disty)
TEL: 33 1 34 65 40 00 (Sales)
FAX: 33 1 39 46 40 54 (Sales, Finan)
FAX: 33 1 34 65 09 78 (Sales)

Arrow Electronique

73 - 79, Rue des Solets
Sillic 585
F - 94663 Rungis Cedex
TEL: 33 1 49 78 49 78
FAX: 33 1 49 78 06 99

Avnet EMG

* 79, Rue Pierre Semard
P.B. 90
F-92322 Chatillon Sous Bagneux
TEL: 33 1 49 65 27 00
FAX: 33 1 49 65 25 39

CCI Electronique

* 12, Allee de la Vierge
Sillic 577
F - 94653 Rungis
TEL: 33 1 41 80 70 00
FAX: 33 1 46 75 32 07

EBV Elektronik

3 rue del la Renaissance
92184 Antony cedex
TEL: (33) 1 40 96 30 00
FAX: (33) 1 40 96 30 30

SEI France

Z.I. des Glaises
6/8 Rue Ambroise Croizat
F - 91127 Palaiseau
TEL: 33 1 64 47 29 29
FAX: 33 1 64 47 00 84

GERMANY

Harris Semiconductor

* Richard-Reitzner-Allee 4
D-85540 Haar
TEL: 49 89 462 63 0
FAX: 49 89 462 63 133

Harris Semiconductor

Kieler Strasse 55-59
D-25451 Quickborn
TEL: 49 4106 50 02-04
FAX: 49 4106 6 88 50

Harris Semiconductor

Kolumbusstrasse 35/1
D - 71063 Sindelfingen
TEL: 49 7031 8 69 40
FAX: 49 7031 87 38 49

Ecker Michelstadt

In den Dorfwiesen 2A
Postfach 33 44
D - 64720 Michelstadt
TEL: 49 6061 22 33
FAX: 49 6061 50 39

Erwin W. Hildebrandt

Nieresch 32
D - 48301 Nottuln-Darup
TEL: 49 2502 2300 30
FAX: 49 2502 2300 18
GSM: 49 71 644 89 45

FINK Handelsvertretung

Laurinweg, 1
D - 85521 Ottobrunn
TEL: 49 89 609 7004
FAX: 49 89 609 8170

Hans FLOGEL

Kielerstrasse 31b
D-25451 Quickborn
TEL: 49 4106 50502 07
TEL: 49 4106 4258
FAX: 49 4106 68850

Hartmut Welte

* Traubenweg 7
D - 88048 Friedrichshafen
TEL: 49 7544 72555
FAX: 49 7544 72559

Avnet EMG

* Stahlgruberring, 12
D - 81829 München
TEL: 49 89 4511001
FAX: 49 89 45110129

EBV Elektronik

* Ammerthalstrasse 28
D-85551 Kirchheim-
Heimstetten
TEL: 49 89 99 11 40
FAX: 49 89 99 11 44 22

Indeg Industrie Elektronik

Emil Kömmerling Strasse 5
D - 66954 Pirmasens
Postfach 1563
D - 66924 Pirmasens
TEL: 49 6331 51700
FAX: 49 6331 9 40 64

Sasco Semiconductor

* Hermann-Oberth Strasse 16
D - 85640 Putzbrunn
TEL: 49 89 46 11-0
FAX: 49 89 46 11-270

Spoerle Electronic

* Max-Planck Strasse 1-3
D - 63303 Dreieich-bei-
Frankfurt
TEL: 49 6103 304-8
FAX: 49 6103 3044 55

GREECE

EBV Elektronik

Anaxagora Street 1
GR-17778 Travros (Athens)
TEL: 30 1 34 14 300
FAX: 30 1 34 14 304

Semicon

104 Aeolou Street
GR - 10564 Athens
TEL: 30 1 32 53 626
FAX: 30 1 32 16 063

ISRAEL

Aviv Electronics

Hayetzira Street, 4 Ind. Zone
IS - 43651 Ra'anana
PO Box 2433
IS - 43100 Ra'anana
TEL: 972 9 748 3232
FAX: 972 9 741 6510

ITALY

Harris Semiconductor

* Viale Fulvio Testi, 126
I-20092 Cinisello Balsamo,
(Milan)
TEL: 39 2 262 22 21 31 (Italy)
TEL: 39 2 262 07 61 (Rose)
FAX: 39 2 262 22 158 (Rose)

Avnet EMG

Centro Direzionale
Via Novara, 570
I - 20153 Milano
TEL: 39 2 38 19 01
FAX: 39 2 38 00 29 88

Claित्रon

Viale Fulvio Testi, 280
I - 20092 Cinisello Balsamo
TEL: 39 2 661 491
FAX: 39 2 661 046 66

EBV Elektronik

* Via C. Frova, 34
I - 20092 Cinisello Balsamo
TEL: 39 2 660 96 290
FAX: 39 2 660 170 20

FG Microdesign

Via A. Simoni 5
I-4001 Anzola Dell'Emilia
TEL: 39 51 73 20 95
FAX: 39 51 73 24 91

Lasi Elettronica

Viale Fulvio Testi 280
I - 20126 Milano
TEL: 39 2 661 431
FAX: 39 2 661 01385

Silverstar CELDIS

Viale Fulvio Testi 280
I - 20126 Milano
TEL: 39 2 661 251
FAX: 39 2 661 013 59

NETHERLANDS

Acal

* Beatrix de Rijkweg, 8
NL - 5657 EG Eindhoven
TEL: 31 40 250 2602
FAX: 31 40 251 0255

EBV Elektronik

* Planetenbaan, 116
NL - 3606 AK
Maarssebroek
TEL: 31 346 58 30 10
FAX: 31 346 58 30 25

Spoerle Electronic

* Coltbaan 17
NL - 3439 NG
Nieuwegein (Utrecht)
TEL: 31 30 609 1234
FAX: 31 30 603 5924
Spoerle Electronic
Postbus 7139
De Run 1120
NL - 5605 JC Eindhoven
TEL: 31 40 230 99 99
FAX: 31 40 253 5540

NORWAY

Arrow

Sagveien 17
P.O. Box 4554
Torshov
N-0404 Oslo
TEL: 47 22 37 84 40
FAX: 47 22 37 07 20

Avnet Nortec

Box 123
N - 1364 Hvalstad
TEL: 47 66 84 62 10
FAX: 47 66 84 65 45

EBV Elektronik

Ryensvingen 3B
N - 0680 Oslo
TEL: 47 22 67 17 80
FAX: 47 22 67 17 89

European Sales Offices, Representatives and Authorized Distributors (Continued)

PORTUGAL

Amitron-Arrow
Quinta Grande, Lote 20
Alfragide
P - 2700 Amadora
TEL: 351.1.471 48 06
FAX: 351.1.471 08 02

SOUTH AFRICA

Allied Electronic Components
10, Skietlood Street
Isando, Ext. 3, 1600
P.O. Box 69
Isando, 1600
Transvaal
TEL: 27 11 392 3804/...19
FAX: 27 11 974 9625
FAX: 27 11 974 9683

SPAIN

Amitron-Arrow
Albasanz, 75
SP - 28037 Madrid
TEL: 34 1 304 30 40
FAX: 34 1 327 24 72

EBV Elektronik
* Centro Empresarial Euronova
Ronda de Poniente,
4 Ala Derecha
1A Planta, Oficina A
SP - 28760 Tres Cantos
Madrid
TEL: 34 1 8 04 32 56
FAX: 34 1 8 04 41 03

Eicos
c/Avda Europa, 30 1 B-A
SP 28224 Pozuelo de
Alarcon/Madrid
TEL: 34 1 352 3052
FAX: 34 1 352 1147

SWEDEN

Harris Semiconductor
Dalvagen 12
S - 169 56 Solna
TEL: 46 8270 660
FAX: 46 8270 656

Arrow

Box 3027
Arrendevagen 36
S - 16303 Spanga
TEL: 46 8 36 29 70
FAX: 46 8 761 30 65

Avnet Nortec

Englundavagen 7
P.O. Box 1830
S - 171 27 Solna
TEL: 46 8 629 1400
FAX: 46 8 627 0280

EBV Elektronik

Derbyvägen 20
S - 21235 Malmö
TEL: 46 40 59 21 00
FAX: 46 40 59 21 01

SWITZERLAND

Avnet EMG
Boehrainstrasse 11
CH - 8801 Thalwil
TEL: 41 1 7221330
FAX: 41 1 7221340

Basix

Hardturmstrasse 181
CH - 8010 Zürich
TEL: 41 1 2 76 11 11
FAX: 41 1 2761234

EBV Elektronik

* Bernstrasse 394
CH - 8953 Dietikon
TEL: 41 1 745 61 61
FAX: 41 1 745 61 00

Spoerle Electronic

Cherstrasse 4
CH-8152 Opfikon-Glattbrugg
TEL: 41 1 874 6262
FAX: 41 1 874 6200

TURKEY

EBV Elektronik

Bayar Cad. Gulbahar Sok No 17
Perdemsac Plaza D:131-132
TK-81090 Kazyatagi/Istanbul
TEL: 90 216 463 1352/3
FAX: 90 216 463 1355

EMPA

Besyol Londra Asfalti
TK - 34630 Sefakoy/Istanbul
TEL: 90 212 599 3050
FAX: 90 212 599 3059

UNITED KINGDOM

Harris Semiconductor

* Riverside Way
Watchmoor Park
Camberley
Surrey GU15 3YQ
TEL: 44 1276 686 886
FAX: 44 1276 682 323

Complementary Technologies

Comtech House
28 Manchester Road
Westhoughton
Bolton
Lancs, BL5 3QJ
TEL: 44 1942 851 800
FAX: 44 1942 851 808

Laser Electronics

Ballynamoney
Greenore
Co. Louth, Ireland
TEL: 353 4273165
FAX: 353 4273518
GSM: 353 88 55 12 67

Stuart Electronics

Phoenix House
Bothwell Road
Castlehill, Carlisle
Lanarkshire ML8 5UF
TEL: 44 1555 751572
FAX: 44 1555 750028

Arrow Jermyn

St Martins Business Centre
Cambridge Road
Bedford MK42 0LF
TEL: 44 1234 270027
FAX: 44 1234 214674

Avnet Access

Jubilee House
Jubilee Road
Letchworth
Hertfordshire SG6 1QH
TEL: 44 1462 480888
FAX: 44 1462 488567

EBV Elektronik

EBV House
7 Frascati Way, Maidenhead
Berkshire SL6 4UJ
TEL: 44 1628 783 688
FAX: 44 1628 783 811

Electronic Services

Edinburgh Way., Harlow
Essex CM20 2DF
TEL: 44 1279 626777
FAX: 44 1279 441687

Farnell Components

Sales, Mktg & Admin Center
Canal Road, Armley
Leeds LS12 2TU
TEL: 44 1132 790101
FAX: 44 1132 311706

IEC Micromark Electronics

Boyn Valley Road
Maidenhead
Berkshire SL6 4DT
TEL: 44 1628 76176
FAX: 44 1628 783799

**Harris Semiconductor
Chip Distributors**

Die Technology

Corbrook Rd., Chadderton
Lancashire OL9 9SD
TEL: 44 161 626 3827
FAX: 44 161 627 4321
TWX: 668570

Rood Technology

Test House Mill Lane, Alton
Hampshire GU34 2QG
TEL: 44 1420 88022
FAX: 44 1420 87259
TWX: 21137

Asian Pacific Sales Offices, Representatives and Authorized Distributors

AUSTRALIA

Avnet VSI Electronics Pty Ltd.
Unit C 6-8 Lyon Park Road
North Ryde NSW 2113
TEL: (612) 9 878-1299
FAX: (612) 9 878-1266

BBS Electronics Australia
Unit 24, 5-7 Anella Avenue,
Castle Hill, NSW, 2154
PO Box 6686
Baulkham Hills, NSW, 2153
TEL: 612-9-8945244
FAX: 612-9-8945266

CHINA/HONG KONG

**Harris Semiconductor
China Ltd**

* Room 3005 88 Tong Ren Road
Shanghai, 20040 China
TEL: 86-21-6247-7923
FAX: 86-21-6247-7926

**Harris Semiconductor
China Limited-Beijing Office**
Room 4C, Fourth Floor,
Guo Men Building
1 Zuo Jia Zhuang, Chao Yang
District
Beijing, P.R. China
Zip Code 100028
TEL: 86-10-6460-6850
FAX: 86-10-6460-9262

**Harris Semiconductor
China Ltd.**

* Unit 1801-2, 18th Floor
83 Austin Road
Tsimshatsui, Kowloon
TEL: (852) 2723-6339
FAX: (852) 2724-4369

Edal Electronics Co., Ltd.
Room 911-913, Chevalier
Commercial Centre,
8, Wang Hoi Road,
Kowloon Bay, Kowloon
TEL: (852) 2305-3863
FAX: (852) 2759-8225

**Golden Way Electronics
(HK) Ltd.**

Unit 11, 33/F
Wharf Cable Towers
9 Hoi Shing Road,
N.T. Hong Kong
TEL: (852) 2499-3109
FAX: (852) 2417-0961

Lucas Trading

Unit A, 8F
88 Hung To Road, Kwun Tong
Kowloon, Hong Kong
TEL: 852-3044023
FAX: 852-3040065

Means Come Ltd.

Room 1007, Harbour Centre
8 Hok Cheung Street
Hung Hom, Kowloon
TEL: (852) 2334-8188
FAX: (852) 2334-8649

Sunnice Electronics Co., Ltd.

Flat F, 5/F, Everest Ind. Cir.
396 Kwun Tong Road
Kowloon
TEL: (852) 2790-8073
FAX: (852) 2763-5477

Array Electronics Limited

24/F Wyler Centre, Phase 2
200 Tai Lin Pai Road
Kwai Chung
New Territories, Hong Kong
TEL: (852) 2418-3700
FAX: (852) 2481-5872

Inchcape Industrial

10/F, Tower 2, Metroplaza
223 Hing Fong Road,
Kwai Fong
New Territories, Hong Kong
TEL: 852-2410-6555
FAX: 852-2401-2497

INDIA

Intersil Private Limited

Plot 54, SEEPZ
Marol Industrial Area
Andheri (E) Bombay 400 096
TEL: (91) 22-832-3097
FAX: (91) 22-836-6682

Graftec Elec

49 J.C. Road
Bangalore 560002
TEL: (91) 80 223 3346
FAX: (91) 80 222 6490

Graftec India

No 143 Lakshmi Building
R.V. Road, V.V. Puram
Bangalore 560004
Karnataka
TEL: (91) 80-661 1095
FAX: (91) 80-222 6490

BBS Electronics (India) Pvt Ltd

309 Richmond Tower
No 12, Richmond Road
Bangalore 560025
TEL: (91) 80-221-7912
FAX: (91) 80-227 8043

S M Creative Electronics Ltd

10 Electronic City
Sector 18, Gurgaon 122015
Haryana
TEL: 91 124 342 137/237/1551
FAX: 91 124 236 or
91 11 622 8474

INDONESIA

P.T. Silicontama Jaya

Jalan A.M. Sangaji No 15 B4
Jakarta Pusat
TEL: (62) 21-345 4050
FAX: (62) 21-345 4427

SELC Sumber Elektronik

JL. Jend A Yani #298,
Bandung 40271
TEL: (62) 22-706-056
FAX: (62) 22-703-622

JAPAN

Harris K.K.

* Kojimachi-Nakata Bldg. 4F
5-3-5 Kojimachi
Chiyoda-ku, Tokyo, 102 Japan
TEL: (81) 3-3265-7571
FAX: (81) 3-3265-7575

Hakuto Co., Ltd.

1-1-13 Shinjuku Shinjuku-ku
Tokyo 160
TEL: 81 3-3355-7615
FAX: 81-3-3355-7680

Jepico Corp.

Shinjuku Daiichi Seimei Bldg.
2-7-1, Nishi-Shinjuku
Shinjuku-ku, Tokyo 163
TEL: 81 3-3348-0611
FAX: 81 3-3348-0623

Macnica Inc.

Hakusan High Tech Park
1-22-2, Hakusan
Midori-ku, Yokohama-shi,
Kanagawa 226
TEL: 81 45-939-6116
FAX: 81 45-939-6117

Micron, Inc.

DJK Kouenji Bldg. 5F
4-26-16, Kouenji-Minami
Suginami-Ku, Tokyo 166
TEL: 81-3-3317-9911
FAX: 81-3-3317-9917

Okura Electronics Co., Ltd.

Okura Shoji Bldg.
2-3-6, Ginza Chuo-ku,
Tokyo 104
TEL: 81 3-3564-6822
FAX: 81 3-3564-6870

Takachiho

2-8, 1 Chrome, Yotsuya
Shinjuku-Ku, Tokyo
160 Japan
TEL: 81 3-3355-6695
FAX: 81 3-3357-5071

Takumi Shoji Co

3 Maruzen Bld, 6F
6-16-6 Nishi Shinjuku,
Shinjuku-Ku, Tokyo 160
TEL: 813-3343-9605
FAX: 813-3343-9624

AUTOMOTIVE REP/DISTRI

Continental Far East Inc.
3-1-5 Azabudai
Minatoki, Tokyo 106
TEL: 81-3-3584-0339
FAX: 81-3-3588-0930

Mitsuiwa Shoji Co., Ltd.

Namikibashi Bldg.
3-15-8 Shibuya
Shibuya-Ku, Tokyo 150
TEL: 81 3-3407-2181
FAX: 81 3-3407-1472

Nissei Electronics Ltd.

Hitachi Atago Bldg.
2-15-12 Nishi-Shimbashi
Minato-Ku, Tokyo 105
TEL: 81 3-3504-7921
FAX: 81 3-3504-7900

KOREA

Harris Semiconductor YH

* RM #419-1
Korea Air Terminal Bldg.
159-6, Sam Sung-Dong,
Kang Nam-ku, Seoul
135-728, Korea
TEL: 82-2-551-0931
FAX: 82-2-551-0930

H.B. Corporation

Rm #1409,
Seocho World Officetel,
1355-3, Seocho-Dong,
Seocho-Ku, Seoul 137-020
TEL: 82-2-3472-3450
FAX: 82-2-3472-3458

Graftec Korea

Room #611, Yongsan
Electronic Officetel, 16-548
3-Ga Hankang-Ro,
Yongsan-Gu, Seoul
TEL: 822-715-8857
FAX: 822-715-8859

Inhwa Company, Ltd.

Room #305, Daegyo Bldg., 56-4,
Wonhyoro 3GA,
Young San-Ku, Seoul 140-113
TEL: 822-703-7231
FAX: 822-703-8711

Kumoh Electric Co., Ltd.

203-1, Yoido-Dong,
Young Duing Po-Ku, Seoul
TEL: 822-782-9393
FAX: 822-782-9388

Segyung Techcell Co., Ltd.

Dansan Nonhyun Bldg., 270-45
Nonhyun-Dong,
Kangnam-Ku, Seoul 135-010
TEL: 822-515-7477
FAX: 822-515-8889

MALAYSIA

BBS Electronics (M) Sdn Bhd

Lot 2-01, Wisma Denko
41, Lorong Adu Siti
10400 Penang
TEL: (604) 228 0433
FAX: (604) 228 1710



Asian Pacific Sales Offices, Representatives and Authorized Distributors (Continued)

NEW ZEALAND

Arrow Components (NZ) Limited
19 Pretoria Street
PO Box 31186
Lower Hut
TEL: (64) 4 570 2260
FAX: (64) 4 566 2111

PHILIPPINES

Uraco Technologies Philippines Inc.
Unit 310 Project Condo Bldg.,
12 J.P. Rizal St., Proj. 4
Quezon City, Philippines
TEL: (632) 913-8830
TEL: (623) 913-8847
TEL: (623) 913-8843
FAX: (632) 913-8838

SINGAPORE

Harris Semiconductor Pte Ltd.
* #1, Tannery Road 09-01
Cencen 1, Singapore 347719
TEL: 65-748-4200
FAX: 65-748-0400

BBS Electronics Pte, Ltd.
1 Genting Link
#05-03 Perfect Indust. Bldg.
Singapore 1334
TEL: (65) 748-8400
FAX: (65) 748-8466

TAIWAN

Harris Semiconductor
* 7F-6, No. 101 Fu Hsing North Road
Taipei, Taiwan
TEL: 886-2-716-9310
TEL: 886-2-545-4677
FAX: 886-2-715-3029

Applied Component Tech. Corp.
8F No. 233-1, Pao-Chia Road
Hsin Tien City, Taipei Hsien,
Taiwan, R.O.C.
TEL: (886) 2 9170858
FAX: (886) 2 9171895

Galaxy Far East Corporation

8F-6, No. 390, Sec. 1
Fu Hsing South Road
Taipei, Taiwan
TEL: (886) 2-705-7266
FAX: (886) 2-708-7901

TECO Enterprise Co., Ltd.
10FL., No. 292, Min-Sheng W.
Rd.
Taipei, Taiwan
TEL: (886) 2-555-9676
FAX: (886) 2-558-6006

THAILAND

Electronics Source Co., Ltd.
138 Banmoh Rd.
Pranakorn, Bangkok 10200
TEL: 66-2-2264145
FAX: 66-2-2254985

**Have you tried Harris' AnswerFAX 24-Hour On-Demand Product Information Service?
(407) 724-7800**

GIVE US A CALL . . . Harris' toll-free number is 1-800-4-HARRIS (1-800-442-7747). You can request literature, get information on sales locations, or be connected to our Central Applications Group.

SEE US ON THE NET . . . Harris' home page is <http://www.semi.harris.com> or E-mail our Central Applications Group at centapp@harris.com for Technical Assistance. You'll find product information, design software, information on what's new and much, much more. There are over 1,000 documents (datasheets, application notes, etc.) loaded with an easy-to-use search engine.



For complete, current and detailed technical specifications on any Harris devices, please contact the nearest Harris sales, representative or distributor office. Literature requests may also be directed to:

Harris Semiconductor Data Services Department
P.O. Box 883, MS 53-204
Melbourne, FL 32902
TEL: 1-800-442-7747 FAX: 407-724-7240

We're Backing You Up with Products, Support, and Solutions!

Signal Processing

Linear/RF
Data Converters
DSP Functions
Operational Amplifiers
Multiplexers/Switches
Sample and Hold Amplifiers

Digital CMOS

Microprocessors and
Peripherals
Microcontrollers
Logic

- CD4000
- HC/HCT
- AC/ACT
- LPT
- FCT

Memories

Communications

Telecom Line Card ICs
PRISM™ Radio Chip Set
Software Radio ICs
Communication ICs

Multimedia

Video Decoders
Video Encoders
Audio Codecs
Audio Processors
Video Processors

Power Products

Power MOSFETs
IGBTs
Protection Products

- MOVs
- MLVs
- Surgectors
- Diode Arrays
- Gas Discharge Tubes

Rectifiers
Intelligent Discretes
MOSFET Drivers
Power Drivers
DC to DC Converters
AC to DC Converters
Multiplex
Communication
Class D Audio
Motor Control
Power Management ICs

Hi-Rel & Space Rad Hard Products

Logic

- CD4000
- HCS/HCTS
- ACS/ACTS

Signal Processing

- Multiplexers
- Sample and Hold
- Communications
- Switches
- Data Converters
- Amplifiers

Memories

- SRAMs
- PROMs

Microprocessors and
Peripherals
Microcontrollers
Discrete Power

- Bipolar
- MOSFETs

PRISM™ is a trademark of Harris Corporation

