



# Memory Databook

- *BiCMOS ECL I/O SRAMs*
- *CMOS EPROMs*
- *CMOS/NMOS EEPROMs*
- *TTL I/O SRAMs*
- *Bipolar PROMs*





## **A Corporate Dedication to Quality and Reliability**

National Semiconductor is an industry leader in the manufacture of high quality, high reliability integrated circuits. We have been the leading proponent of driving down IC defects and extending product lifetimes. From raw material through product design, manufacturing and shipping, our quality and reliability is second to none.

We are proud of our success . . . it sets a standard for others to achieve. Yet, our quest for perfection is ongoing so that you, our customer, can continue to rely on National Semiconductor Corporation to produce high quality products for your design systems.

A handwritten signature in black ink that reads "Charles E. Sporck". The signature is fluid and cursive, with a large, sweeping initial 'C'.

Charles E. Sporck  
President, Chief Executive Officer  
National Semiconductor Corporation

## **Wir fühlen uns zu Qualität und Zuverlässigkeit verpflichtet**

National Semiconductor Corporation ist führend bei der Herstellung von integrierten Schaltungen hoher Qualität und hoher Zuverlässigkeit. National Semiconductor war schon immer Vorreiter, wenn es galt, die Zahl von IC Ausfällen zu verringern und die Lebensdauern von Produkten zu verbessern. Vom Rohmaterial über Entwurf und Herstellung bis zur Auslieferung, die Qualität und die Zuverlässigkeit der Produkte von National Semiconductor sind unübertroffen.

Wir sind stolz auf unseren Erfolg, der Standards setzt, die für andere erstrebenswert sind. Auch ihre Ansprüche steigen ständig. Sie als unser Kunde können sich auch weiterhin auf National Semiconductor verlassen.

## **La Qualité et La Fiabilité: Une Vocation Commune Chez National Semiconductor Corporation**

National Semiconductor Corporation est un des leaders industriels qui fabrique des circuits intégrés d'une très grande qualité et d'une fiabilité exceptionnelle. National a été le premier à vouloir faire chuter le nombre de circuits intégrés défectueux et à augmenter la durée de vie des produits. Depuis les matières premières, en passant par la conception du produit sa fabrication et son expédition, partout la qualité et la fiabilité chez National sont sans équivalents.

Nous sommes fiers de notre succès et le standard ainsi défini devrait devenir l'objectif à atteindre par les autres sociétés. Et nous continuons à vouloir faire progresser notre recherche de la perfection; il en résulte que vous, qui êtes notre client, pouvez toujours faire confiance à National Semiconductor Corporation, en produisant des systèmes d'une très grande qualité standard.

## **Un Impegno Societario di Qualità e Affidabilità**

National Semiconductor Corporation è un'industria al vertice nella costruzione di circuiti integrati di alta qualità ed affidabilità. National è stata il principale promotore per l'abbattimento della difettosità dei circuiti integrati e per l'allungamento della vita dei prodotti. Dal materiale grezzo attraverso tutte le fasi di progettazione, costruzione e spedizione, la qualità e affidabilità National non è seconda a nessuno.

Noi siamo orgogliosi del nostro successo che fissa per gli altri un traguardo da raggiungere. Il nostro desiderio di perfezione è d'altra parte illimitato e pertanto tu, nostro cliente, puoi continuare ad affidarti a National Semiconductor Corporation per la produzione dei tuoi sistemi con elevati livelli di qualità.



Charles E. Sporck  
President, Chief Executive Officer  
National Semiconductor Corporation

# **MEMORY DATABOOK**

---

**1990 Edition**

**CMOS EPROMs**

**EEPROMs**

**PROMs**

**ECL I/O Static RAMs**

**TTL I/O Static RAMs**

**Appendices/Physical Dimensions**



## TRADEMARKS

Following is the most current list of National Semiconductor Corporation's trademarks and registered trademarks.

Abuseable™	FAIRCAD™	MST™	SERIES/800™
Anadig™	Fairtech™	Naked-8™	Series 900™
ANS-R-TRAN™	FAST®	National®	Series 3000™
APPSTM	5-Star Service™	National Semiconductor®	Series 32000®
ASPECT™	GENIX™	National Semiconductor	Shelf/Chek™
Auto-Chem Deflasher™	GNXTM	Corp.®	SofChek™
BCPTM	HAMRTM	NAX 800™	SONIC™
BI-FET™	HandiScan™	Nitride Plus™	SPIRE™
BI-FET II™	HEX 3000™	Nitride Plus Oxide™	Staggered Refresh™
BI-LINETM	HPCTM	NML™	STARTM
BIPLANTM	I <sup>3</sup> L®	NOBUSTM	Starlink™
BLCTM	ICM™	NSC800™	STARPLEXTM
BLXTM	INFOCHEXTM	NSCISE™	Super-Block™
Brite-Lite™	Integral ISETM	NSX-16™	SuperChip™
BTL™	Intelisplay™	NS-XC-16™	SuperScript™
CheckTrack™	ISETM	NTERCOM™	SYS32™
CIM™	ISE/06™	NURAM™	TapePak®
CIMBUSTM	ISE/08™	OXIS™	TDSTM
CLASICTM	ISE/16™	P <sup>2</sup> CMOSTM	TeleGate™
Clock/Chek™	ISE32™	PC Master™	The National Anthem®
COMBOTM	ISOPLANAR™	Perfect Watch™	Time/Chek™
COMBO I™	ISOPLANAR-Z™	Pharma/Chek™	TINATM
COMBO II™	KeyScan™	PLANTM	TLCTM
COPSTM microcontrollers	LCMOSTM	PLANAR™	Trapezoidal™
Datachecker®	M <sup>2</sup> CMOSTM	Plus-2™	TRI-CODE™
DENSPAK™	Macrobus™	Polycraft™	TRI-POLY™
DIB™	Macrocomponent™	POSilink™	TRI-SAFETM
Digitalker®	MAXI-ROM®	POSItalker™	TRI-STATE®
DISCERN™	Meat/Chek™	Power + Control™	TURBOTRANSCEIVER™
DISTILL™	MenuMaster™	POWERplanar™	VIPTM
DNR®	Microbus™ data bus	QUAD3000™	VR32™
DPVMTM	MICRO-DAC™	QUIKLOOK™	WATCHDOG™
ELSTART™	μtalker™	RAT™	XMOSTM
Embedded System	Microtalker™	RTX16™	XPUTM
Processor™	MICROWIRE™	SABR™	Z START™
E-Z-LINK™	MICROWIRE/PLUSTM	Script/Chek™	883B/RETSTM
FACT™	MOLE™	SCXTM	883S/RETSTM

ABEL® is a registered trademark of Data I/O Corporation.

CUPL® is a registered trademark of Assisted Technology, Inc.

PAL® is a registered trademark of and used under license from Monolithic Memories, Inc.

Z80® is a registered trademark of Zilog Corporation.

TouchTone™ is a trademark of Western Electric Co., Inc.

## LIFE SUPPORT POLICY

NATIONAL'S PRODUCTS ARE NOT AUTHORIZED FOR USE AS CRITICAL COMPONENTS IN LIFE SUPPORT DEVICES OR SYSTEMS WITHOUT THE EXPRESS WRITTEN APPROVAL OF THE PRESIDENT OF NATIONAL SEMICONDUCTOR CORPORATION. As used herein:

1. Life support devices or systems are devices or systems which, (a) are intended for surgical implant into the body, or (b) support or sustain life, and whose failure to perform, when properly used in accordance with instructions for use provided in the labeling, can be reasonably expected to result in a significant injury to the user.
2. A critical component is any component of a life support device or system whose failure to perform can be reasonably expected to cause the failure of the life support device or system, or to affect its safety or effectiveness.

**National Semiconductor Corporation** 2900 Semiconductor Drive, P.O. Box 58090, Santa Clara, California 95052-8090 (408) 721-5000 TWX (910) 339-9240

National does not assume any responsibility for use of any circuitry described, no circuit patent licenses are implied, and National reserves the right, at any time without notice, to change said circuitry or specifications.



## Memory Databook Introduction

National Semiconductor's Memory Databook is a comprehensive collection of information on advanced memory products intended to meet the needs of virtually every electronic system being designed today. National Semiconductor is committed to designing and supplying high performance memory products ranging from state-of-the-art static RAMs to programmable non-volatile EPROMs and EEPROMs.

National Semiconductor has an array of advanced technology processes to apply to memory design and development. These range from our unparalleled BiCMOS process used for the industry's most advanced line of high density ECL I/O SRAMs, to our small geometry, silicon gate, oxide isolated CMOS technology which is now producing unsurpassed, high performance EPROM and EEPROM non-volatile memory devices.

National Semiconductor is committed to excellence in design, manufacturing, reliability, and service to our customers through the continuing development of new products and technologies. As new information and devices become available, individual new data sheets will be issued. For the most current information, please contact your local National Semiconductor sales office or Distributor.



## Product Status Definitions

### Definition of Terms

Data Sheet Identification	Product Status	Definition
<b>Advance Information</b>	Formative or In Design	This data sheet contains the design specifications for product development. Specifications may change in any manner without notice.
<b>Preliminary</b>	First Production	This data sheet contains preliminary data, and supplementary data will be published at a later date. National Semiconductor Corporation reserves the right to make changes at any time without notice in order to improve design and supply the best possible product.
<b>No Identification Noted</b>	Full Production	This data sheet contains final specifications. National Semiconductor Corporation reserves the right to make changes at any time without notice in order to improve design and supply the best possible product.

National Semiconductor Corporation reserves the right to make changes without further notice to any products herein to improve reliability, function or design. National does not assume any liability arising out of the application or use of any product or circuit described herein; neither does it convey any license under its patent rights, nor the rights of others.



# Table of Contents

Alphanumeric Index .....	x
<b>Section 1 CMOS EPROMS</b>	
CMOS EPROM Selection Guide .....	1-3
ONE TIME PROGRAMMABLE EPROMS AND SURFACE MOUNT PACKAGING—INTRODUCTION .....	1-4
NMC27C16 16,384-Bit (2048 x 8) UV Erasable CMOS PROM .....	1-5
NMC27C32 32,768-Bit (4096 x 8) UV Erasable CMOS PROM .....	1-12
NMC27C32B 32,768-Bit (4k x 8) High Speed Version UV Erasable CMOS PROM .....	1-19
NMC27C64 65,536-Bit (8k x 8) UV Erasable CMOS PROM .....	1-28
NMC27C64N 65,536-Bit (8k x 8) One-Time Programmable CMOS PROM .....	1-37
NMC27C128B High Speed Version 131,072 (16k x 8) CMOS PROM .....	1-46
NMC27C128BN High Speed Version 131,072-Bit (16k x 8) One-Time Programmable CMOS PROM .....	1-56
NMC27C256 262,144-Bit (32k x 8) UV Erasable CMOS PROM .....	1-67
NMC27C256B High Speed Version 262,144-Bit (32k x 8) UV Erasable CMOS PROM ..	1-76
NMC27C256BN High Speed Version 262,144-Bit (32k x 8) One-Time Programmable CMOS PROM .....	1-86
NMC27C512A 524,288-Bit High Speed Version (64k x 8) UV Erasable CMOS PROM ..	1-97
NMC27C512AN 524,288-Bit (64k x 8) One-Time Programmable CMOS PROM .....	1-107
NMC27C010 1,048,576-Bit (128k x 8) UV Erasable CMOS PROM .....	1-116
NMC27C1024 1,048,576-Bit (64k x 16) UV Erasable CMOS PROM .....	1-127
<b>Section 2 EEPROMS</b>	
Electrically Erasable Programmable Memory Selection Guide .....	2-3
<b>SERIAL ELECTRICALLY ERASABLE PROGRAMMABLE MEMORY</b>	
NMC9306 256-Bit Serial Electrically Erasable Programmable Memory .....	2-4
NMC93C06/C46 256-Bit/1024-Bit Serial Electrically Erasable Programmable Memory ..	2-11
NMC93CS06/CS46 256-Bit/1024-Bit Serial Electrically Erasable Programmable Memory .....	2-19
NMC9307 256-Bit Serial Electrically Erasable Programmable Memory .....	2-30
NMC9313B 256-Bit Serial Electrically Erasable Programmable Memory .....	2-36
NMC9346 1024-Bit Serial Electrically Erasable Programmable Memory .....	2-41
NMC9314B 1024-Bit Serial Electrically Erasable Programmable Memory .....	2-48
NMC93C56/C66 2048-Bit/4096-Bit Serial Electrically Erasable Programmable Memory .....	2-53
NMC93CS56/CS66 2048-Bit/4096-Bit Serial Electrically Erasable Programmable Memory .....	2-61
NMC93CS06x3/CS46x3/CS56x3/CS66x3 Extended Voltage Serial EEPROM .....	2-72
NMC93C06x3/C46x3/C56x3/C66x3 Extended Voltage Serial EEPROM .....	2-83
<b>APPLICATION SPECIFIC EEPROM</b>	
NMC95C12 1024-Bit CMOS EEPROM with DIP Switches .....	2-91
<b>APPLICATIONS NOTES</b>	
AB-15 Protecting Data in Serial Electrically Erasable Programmable Memory .....	2-100
AB-18 Electronic Compass Calibration Made Easy with Electrically Erasable Programmable Memory .....	2-102
AB-22 Automatic Low Cost Thermostat .....	2-103
AN-338 Designing with the NMC9306 .....	2-105
AN-423 NMC9346—An Amazing Device .....	2-111
AN-431 An Easy/Low Cost Serial Electrically Erasable Programmable Memory Interface .....	2-114
AN-433 Using the NMC9306 for Configuration and Production Information .....	2-117
AN-481 Common I/O Applications for the NMC9306 and NMC9346 .....	2-120

# Table of Contents (Continued)

## Section 2 EEPROMS (Continued)

AN-482 Error Detection and Correction Techniques .....	2-123
AN-507 Using the NMC93CSXX Family of Electrically Erasable Programmable Memory .....	2-128
Reliability of National Semiconductor's Electrically Erasable Programmable Memory Products .....	2-142

## Section 3 PROMS

Bipolar PROM Selection Guide .....	3-3
------------------------------------	-----

### NON-REGISTERED BIPOLAR PROMS

PL77/87X288B (32 x 8) 256-Bit TTL Logic PROMs .....	3-6
DM54/74S188 (32 x 8) 256-Bit TTL PROM .....	3-10
DM54/74S288 (32 x 8) 256-Bit TTL PROM .....	3-14
DM54/74S287 (256 x 4) 1024-Bit TTL PROM .....	3-18
DM54/74S387 (256 x 4) 1024-Bit TTL PROM .....	3-22
DM54/74LS471 (256 x 8) 2048-Bit TTL PROM .....	3-26
DM54/74S472 (512 x 8) 4096-Bit TTL PROM .....	3-30
DM54/74S473 (512 x 8) 4096-Bit TTL PROM .....	3-34
DM54/74S474 (512 x 8) 4096-Bit TTL PROM .....	3-38
DM54/74S475 (512 x 8) 4096-Bit TTL PROM .....	3-42
DM54/74S570 (512 x 4) 2048-Bit TTL PROM .....	3-46
DM54/74S571 (512 x 4) 2048-Bit TTL PROM .....	3-50
DM54/74S572 (1024 x 4) 4096-Bit TTL PROM .....	3-54
DM54/74S573 (1024 x 4) 4096-Bit TTL PROM .....	3-58
DM77/87S180, DM77/87S280 (1024 x 8) 8192-Bit TTL PROMs .....	3-62
DM77/87S181, DM77/87S281 (1024 x 8) 8192-Bit TTL PROMs .....	3-66
DM77/87S184 (2048 x 4) 8192-Bit TTL PROM .....	3-70
DM77/87S185 (2048 x 4) 8192-Bit TTL PROM .....	3-74

### REGISTERED BIPOLAR PROMS

DM77/87SR474 (512 x 8) 4k-Bit Registered TTL PROM .....	3-78
DM77/87SR476 (512 x 8) 4k-Bit Registered TTL PROM .....	3-82
DM77/87SR27 (512 x 8) 4k-Bit Registered TTL PROM .....	3-86
DM77/87SR181 (1024 x 8) 8k-Bit Registered TTL PROM .....	3-91

### APPLICATIONS INFORMATION

Bipolar PROM Devices in Plastic Leaded Chip Carriers .....	3-95
Non-Registered PROM Programming Procedure .....	3-99
Registered PROM Programming Procedure .....	3-101
Standard Test Load .....	3-103
Switching Time Waveforms .....	3-103
Approved Programmers/Quality Enhancement .....	3-105

## Section 4 ECL I/O STATIC RAMS

BiCMOS ECL I/O SRAM Selection Guide .....	4-3
<b>BICMOS SRAMS (ECL I/O)</b>	
NM5100/NM100500 ECL I/O 256k BiCMOS SRAM 262,144 x 1-Bit .....	4-4
NM100504/NM5104 256k BiCMOS SRAM 64k x 4 Bit .....	4-11
NM100494 64k BiCMOS SRAM 16k x 4 Bit .....	4-18
NM10494 64k BiCMOS SRAM 16k x 4 Bit .....	4-25
NM100492/NM4492 2k x 9 Advanced Self-Timed SRAM .....	4-32
NM10E149 256 x 4-Bit ECL EPROM .....	4-45
NM100E149 256 x 4-Bit ECL EPROM .....	4-53

# Table of Contents (Continued)

## Section 4 ECL I/O STATIC RAMS (Continued)

### APPLICATION NOTES

AN-565 Memory System Efficiency and How National Semiconductor's 256k x 1 BiCMOS SRAM Helps . . . . .	4-62
AN-566 National Semiconductor's BiCMOS III Process Is Latch-Up Immune . . . . .	4-64
AN-567 Hot Carrier and Gate Oxide Reliability Characterization of National Semiconductor's BiCMOS III Technology . . . . .	4-67
AN-568 The Reliability of National Semiconductor's 256k x 1 BiCMOS SRAM (NM5100/NM100500) . . . . .	4-69
AN-569 256k x 1 BiCMOS ECL SRAM Memory Cell Characterization and Alpha Sensitivity Testing . . . . .	4-72
AN-572 Understanding Advanced Self-Timed SRAMs . . . . .	4-73
AN-573 Design Considerations for High Speed Architectures . . . . .	4-80

## Section 5 TTL I/O STATIC RAMS

TTL I/O—MOS SRAM Selection Guide . . . . .	5-3
--	-----

### BIPOLAR STATIC RAMS

DM54S189/DM74S189 64-Bit (16 x 4) TRI-STATE RAM . . . . .	5-4
DM54S189A/DM74S189A High Speed 64-Bit TRI-STATE RAM . . . . .	5-4
DM74S289 64-Bit (16 x 4) Open Collector RAM . . . . .	5-11
93L415A 1024 x 1-Bit Static Random Access Memory . . . . .	5-15
93L422A 256 x 4-Bit Static Random Access Memory . . . . .	5-20
93L425A 1024 x 1-Bit Static Random Access Memory . . . . .	5-26
93479 256 x 9-Bit Static Random Access Memory . . . . .	5-32

### MOS STATIC RAMS

MM54/74C89 65-Bit TRI-STATE Random Access Read/Write Memory . . . . .	5-39
MM54/74C200 256-Bit TRI-STATE Random Access Read/Write Memory . . . . .	5-44
MM54/74C910 256-Bit TRI-STATE Random Access Read/Write Memory . . . . .	5-48
MM54/74C989 64-Bit (16 x 4) TRI-STATE Random Access Memory . . . . .	5-53
NMC2147H 4096 x 1-Bit Static RAM . . . . .	5-57
NMC2148H 1024 x 4-Bit Static RAM . . . . .	5-62

### EDGE TRIGGERED REGISTERS

DM75S68/68A/85S68/68A 16 x 4 Edge Triggered Registers . . . . .	5-67
---	------

## Section 6 Appendices/Physical Dimensions

START <sup>TM</sup> Surface Mount Tape-and-Reel Specification . . . . .	6-3
Physical Dimensions . . . . .	6-31
Bookshelf	
Distributors	

# Alpha-Numeric Index

93L415A 1024 x 1-Bit Static Random Access Memory .....	5-15
93L422A 256 x 4-Bit Static Random Access Memory .....	5-20
93L425A 1024 x 1-Bit Static Random Access Memory .....	5-26
93479 256 x 9-Bit Static Random Access Memory .....	5-32
AN-388 Designing with the NMC9306 .....	2-105
AN-423 NMC9346—An Amazing Device .....	2-111
AN-433 Using the NMC9306 for Configuration and Production Information .....	2-117
AN-481 Common I/O Applications for the NMC9306 .....	2-120
AN-481 Common I/O Applications for the NMC9346 .....	2-120
AN-507 Using the NMC93CSXX Family of Electrically Erasable Programmable Memory .....	2-128
AN-565 Memory System Efficiency and How National Semiconductor's 256k x 1 BiCMOS SRAM Helps .....	4-62
AN-566 National Semiconductor's BiCMOS III Process Is Latch-Up Immune .....	4-64
AN-567 Hot Carrier and Gate Oxide Reliability Characterization of National Semiconductor's BiCMOS III Technology .....	4-67
AN-568 The Reliability of National Semiconductor's 256k x 1 BiCMOS SRAM (NM5100/NM100500) .....	4-69
AN-569 256k x 1 BiCMOS ECL SRAM Memory Cell Characterization and Alpha Sensitivity Testing ..	4-72
AN-572 Understanding Advanced Self-Timed SRAMs .....	4-73
AN-573 Design Considerations for High Speed Architectures .....	4-80
DM54LS471 (256 x 8) 2048-Bit TTL PROM .....	3-26
DM54S188 (32 x 8) 256-Bit TTL PROM .....	3-10
DM54S189 64-Bit (16 x 4) TRI-STATE RAM .....	5-4
DM54S189A High Speed 64-Bit TRI-STATE RAM .....	5-4
DM54S287 (256 x 4) 1024-Bit TTL PROM .....	3-18
DM54S288 (32 x 8) 256-Bit TTL PROM .....	3-14
DM54S387 (256 x 4) 1024-Bit TTL PROM .....	3-22
DM54S472 (512 x 8) 4096-Bit TTL PROM .....	3-30
DM54S473 (512 x 8) 4096-Bit TTL PROM .....	3-34
DM54S474 (512 x 8) 4096-Bit TTL PROM .....	3-38
DM54S475 (512 x 8) 4096-Bit TTL PROM .....	3-42
DM54S570 (512 x 4) 2048-Bit TTL PROM .....	3-46
DM54S571 (512 x 4) 2048-Bit TTL PROM .....	3-50
DM54S572 (1024 x 4) 4096-Bit TTL PROM .....	3-54
DM54S573 (1024 x 4) 4096-Bit TTL PROM .....	3-58
DM74LS471 (256 x 8) 2048-Bit TTL PROM .....	3-26
DM74S188 (32 x 8) 256-Bit TTL PROM .....	3-10
DM74S189 64-Bit (16 x 4) TRI-STATE RAM .....	5-4
DM74S189A High Speed 64-Bit TRI-STATE RAM .....	5-4
DM74S287 (256 x 4) 1024-Bit TTL PROM .....	3-18
DM74S288 (32 x 8) 256-Bit TTL PROM .....	3-14
DM74S289 64-Bit (16 x 4) Open Collector RAM .....	5-11
DM74S387 (256 x 4) 1024-Bit TTL PROM .....	3-22
DM74S472 (512 x 8) 4096-Bit TTL PROM .....	3-30
DM74S473 (512 x 8) 4096-Bit TTL PROM .....	3-34
DM74S474 (512 x 8) 4096-Bit TTL PROM .....	3-38
DM74S475 (512 x 8) 4096-Bit TTL PROM .....	3-42
DM74S570 (512 x 4) 2048-Bit TTL PROM .....	3-46
DM74S571 (512 x 4) 2048-Bit TTL PROM .....	3-50
DM74S572 (1024 x 4) 4096-Bit TTL PROM .....	3-54
DM74S573 (1024 x 4) 4096-Bit TTL PROM .....	3-58

# Alpha-Numeric Index (Continued)

DM75S68 16 x 4 Edge Triggered Registers .....	5-67
DM75S68A 16 x 4 Edge Triggered Registers .....	5-67
DM77S180 (1024 x 8) 8192-Bit TTL PROM .....	3-62
DM77S181 (1024 x 8) 8192-Bit TTL PROM .....	3-66
DM77S184 (2048 x 4) 8192-Bit TTL PROM .....	3-70
DM77S185 (2048 x 4) 8192-Bit TTL PROM .....	3-74
DM77S280 (1024 x 8) 8192-Bit TTL PROM .....	3-62
DM77S281 (1024 x 8) 8192-Bit TTL PROM .....	3-66
DM77SR27 (512 x 8) 4k-Bit Registered TTL PROM .....	3-86
DM77SR181 (1024 x 8) 8k-Bit Registered TTL PROM .....	3-91
DM77SR474 (512 x 8) 4k-Bit Registered TTL PROM .....	3-78
DM77SR476 (512 x 8) 4k-Bit Registered TTL PROM .....	3-82
DM85S68 16 x 4 Edge Triggered Registers .....	5-67
DM85S68A 16 x 4 Edge Triggered Registers .....	5-67
DM87S180 (1024 x 8) 8192-Bit TTL PROM .....	3-62
DM87S181 (1024 x 8) 8192-Bit TTL PROM .....	3-66
DM87S184 (2048 x 4) 8192-Bit TTL PROM .....	3-70
DM87S185 (2048 x 4) 8192-Bit TTL PROM .....	3-74
DM87S280 (1024 x 8) 8192-Bit TTL PROM .....	3-62
DM87S281 (1024 x 8) 8192-Bit TTL PROM .....	3-66
DM87SR27 (512 x 8) 4k-Bit Registered TTL PROM .....	3-86
DM87SR181 (1024 x 8) 8k-Bit Registered TTL PROM .....	3-91
DM87SR474 (512 x 8) 4k-Bit Registered TTL PROM .....	3-78
DM87SR476 (512 x 8) 4k-Bit Registered TTL PROM .....	3-82
MM54C89 65-Bit TRI-STATE Random Access Read/Write Memory .....	5-39
MM54C200 256-Bit TRI-STATE Random Access Read/Write Memory .....	5-44
MM54C910 256-Bit TRI-STATE Random Access Read/Write Memory .....	5-48
MM54C989 64-Bit (16 x 4) TRI-STATE Random Access Memory .....	5-53
MM74C89 65-Bit TRI-STATE Random Access Read/Write Memory .....	5-39
MM74C200 256-Bit TRI-STATE Random Access Read/Write Memory .....	5-44
MM74C910 256-Bit TRI-STATE Random Access Read/Write Memory .....	5-48
MM74C989 64-Bit (16 x 4) TRI-STATE Random Access Memory .....	5-53
NM10E149 256 x 4-Bit ECL EPROM .....	4-45
NM100E149 256 x 4-Bit ECL EPROM .....	4-53
NM4492 2k x 9 Advanced Self-Timed SRAM .....	4-32
NM5100 ECL I/O 256k BiCMOS SRAM 262,144 x 1-Bit .....	4-4
NM5104 256k BiCMOS SRAM 64k x 4 Bit .....	4-11
NM100492 2k x 9 Advanced Self-Timed SRAM .....	4-32
NM10494 64k BiCMOS SRAM 16k x 4 Bit .....	4-25
NM100494 64k BiCMOS SRAM 16k x 4 Bit .....	4-18
NM100500 ECL I/O 256k BiCMOS SRAM 262,144 x 1-Bit .....	4-4
NM100504 256k BiCMOS SRAM 64k x 4 Bit .....	4-11
NMC27C010 1,048,576-Bit (128k x 8) UV Erasable CMOS PROM .....	1-116
NMC27C16 16,384-Bit (2048 x 8) UV Erasable CMOS PROM .....	1-5
NMC27C32 32,768-Bit (4096 x 8) UV Erasable CMOS PROM .....	1-12
NMC27C32B 32,768-Bit (4k x 8) High Speed Version UV Erasable CMOS PROM .....	1-19
NMC27C64 65,536-Bit (8k x 8) UV Erasable CMOS PROM .....	1-28
NMC27C64N 65,536-Bit (8k x 8) One-Time Programmable CMOS PROM .....	1-37
NMC27C128B High Speed Version 131,072 (16k x 8) CMOS PROM .....	1-46
NMC27C128BN High Speed Version 131,072-Bit (16k x 8) One-Time Programmable CMOS PROM ..	1-56
NMC27C256 262,144-Bit (32k x 8) UV Erasable CMOS PROM .....	1-67

# Alpha-Numeric Index (Continued)

NMC27C256B High Speed Version 262,144-Bit (32k x 8) UV Erasable CMOS PROM .....	1-76
NMC27C256BN High Speed Version 262,144-Bit (32k x 8) One-Time Programmable CMOS PROM .	1-86
NMC27C512A 524,288-Bit High Speed Version (64k x 8) UV Erasable CMOS PROM .....	1-97
NMC27C512AN 524,288-Bit (64k x 8) One-Time Programmable CMOS PROM .....	1-107
NMC27C1024 1,048,576-Bit (64k x 16) UV Erasable CMOS PROM .....	1-127
NMC93C06 256-Bit Serial Electrically Erasable Programmable Memory .....	2-11
NMC93C06x3 Extended Voltage Serial EEPROM .....	2-83
NMC93C46 1024-Bit Serial Electrically Erasable Programmable Memory .....	2-11
NMC93C46x3 Extended Voltage Serial EEPROM .....	2-83
NMC93C56 2048-Bit Serial Electrically Erasable Programmable Memory .....	2-53
NMC93C56x3 Extended Voltage Serial EEPROM .....	2-83
NMC93C66 4096-Bit Serial Electrically Erasable Programmable Memory .....	2-53
NMC93C66x3 Extended Voltage Serial EEPROM .....	2-83
NMC93CS06 256-Bit Serial Electrically Erasable Programmable Memory .....	2-19
NMC93CS06x3 Extended Voltage Serial EEPROM .....	2-72
NMC93CS46 1024-Bit Serial Electrically Erasable Programmable Memory .....	2-19
NMC93CS46x3 Extended Voltage Serial EEPROM .....	2-72
NMC93CS56 2048-Bit Serial Electrically Erasable Programmable Memory .....	2-61
NMC93CS56x3 Extended Voltage Serial EEPROM .....	2-72
NMC93CS66 4096-Bit Serial Electrically Erasable Programmable Memory .....	2-61
NMC93CS66x3 Extended Voltage Serial EEPROM .....	2-72
NMC95C12 1024-Bit CMOS EEPROM with DIP Switches .....	2-91
NMC2147H 4096 x 1-Bit Static RAM .....	5-57
NMC2148H 1024 x 4-Bit Static RAM .....	5-62
NMC9306 256-Bit Serial Electrically Erasable Programmable Memory .....	2-4
NMC9307 256-Bit Serial Electrically Erasable Programmable Memory .....	2-30
NMC9313B 256-Bit Serial Electrically Erasable Programmable Memory .....	2-36
NMC9314B 1024-Bit Serial Electrically Erasable Programmable Memory .....	2-48
NMC9346 1024-Bit Serial Electrically Erasable Programmable Memory .....	2-41
PL77X288B (32 x 8) 256-Bit TTL Logic PROM .....	3-6
PL87X288B (32 x 8) 256-Bit TTL Logic PROM .....	3-6



Section 1  
**CMOS EPROMs**



## Section 1 Contents

CMOS EPROM Selection Guide .....	1-3
ONE TIME PROGRAMMABLE EPROMS AND SURFACE MOUNT	
PACKAGING—INTRODUCTION .....	1-4
NMC27C16 16,384-Bit (2048 x 8) UV Erasable CMOS PROM .....	1-5
NMC27C32 32,768-Bit (4096 x 8) UV Erasable CMOS PROM .....	1-12
NMC27C32B 32,768-Bit (4k x 8) High Speed Version UV Erasable CMOS PROM .....	1-19
NMC27C64 65,536-Bit (8k x 8) UV Erasable CMOS PROM .....	1-28
NMC27C64N 65,536-Bit (8k x 8) One-Time Programmable CMOS PROM .....	1-37
NMC27C128B High Speed Version 131,072 (16k x 8) CMOS PROM .....	1-46
NMC27C128BN High Speed Version 131,072-Bit (16k x 8) One-Time Programmable CMOS PROM .....	1-56
NMC27C256 262,144-Bit (32k x 8) UV Erasable CMOS PROM .....	1-67
NMC27C256B High Speed Version 262,144-Bit (32k x 8) UV Erasable CMOS PROM .....	1-76
NMC27C256BN High Speed Version 262,144-Bit (32k x 8) One-Time Programmable CMOS PROM .....	1-86
NMC27C512A 524,288-Bit High Speed Version (64k x 8) UV Erasable CMOS PROM .....	1-97
NMC27C512AN 524,288-Bit (64k x 8) One-Time Programmable CMOS PROM .....	1-107
NMC27C010 1,048,576-Bit (128k x 8) UV Erasable CMOS PROM .....	1-116
NMC27C1024 1,048,576-Bit (64k x 16) UV Erasable CMOS PROM .....	1-127



## CMOS EPROMs Non-Volatile Memory Selection Guide

### CMOS EPROMs and OTP PROMs

Part No.	Org.	Size	No. of Pins	Access Time	Prog. Volt.	PS Tol.	Temp. Range
NMC27C16Q	2k x 8	16k	24	300, 350, 450, 550	25	5%	0°C to +70°C
NMC27C16QE	2k x 8	16k	24	450	25	5%	-40°C to +85°C
NMC27C32Q	4k x 8	32k	24	300, 350, 450, 550	25	5%	0°C to +70°C
NMC27C32QE	4k x 8	32k	24	450	25	5%	-40°C to +85°C
NMC27C32BQ	4k x 8	32k	24	150, 200, 250	13	5%, 10%	0°C to +70°C
NMC27C32BQE	4k x 8	32k	24	200, 250	13	10%	-40°C to +85°C
NMC27C64Q	8k x 8	64k	28	150	13	5%	0°C to +70°C
NMC27C64Q/N	8k x 8	64k	28	150, 200, 250	13	10%	0°C to +70°C
NMC27C64QE	8k x 8	64k	28	150, 200	13	10%	-40°C to +85°C
NMC27C64QM	8k x 8	64k	28	200, 250	13	10%	-55°C to +125°C
NMC27C128BQ/BN	16k x 8	128k	28	150, 200, 250	13	5%, 10%	0°C to +70°C
NMC27C128BQE	16k x 8	128k	28	150, 200	13	10%	-40°C to +85°C
NMC27C128QM	16k x 8	128k	28	150, 200	13	10%	-55°C to +125°C
NMC27C256Q	32k x 8	256k	28	170, 200, 250	13	5%	0°C to +70°C
NMC27C256Q	32k x 8	256k	28	200, 250, 300	13	10%	0°C to +70°C
NMC27C256QE	32k x 8	256k	28	200, 250	13	10%	-40°C to +85°C
NMC27C256QM	32k x 8	256k	28	250, 350	13	10%	-55°C to +125°C
NMC27C256BQ/BN	32k x 8	256k	28	150, 200, 250	13	5%, 10%	0°C to +70°C
NMC27C256BQE	32k x 8	256k	28	150, 200	13	10%	-40°C to +85°C
NMC27C256BQM	32k x 8	256k	28	150, 200	13	10%	-55°C to +125°C
NMC27C512AQ/AN	64k x 8	512k	28	150, 170, 200, 250	13	5%, 10%	0°C to +70°C
NMC27C512AQE	64k x 8	512k	28	150, 170, 200, 250	13	10%	-40°C to +85°C
NMC27C512ANE	64k x 8	512k	28	150, 170, 200, 250	13	10%	-40°C to +85°C
NMC27C512AQM	64k x 8	512k	28	150, 170, 200, 250	13	10%	-55°C to +125°C
NMC27C010Q	128k x 8	1024k	32	150, 170, 200, 250	13	5%, 10%	0°C to +70°C
NMC27C010QE	128k x 8	1024k	32	150, 170, 200, 250	13	10%	-40°C to +85°C
NMC27C010QM	128k x 8	1024k	32	170, 200, 250	13	10%	-55°C to +125°C
NMC27C1024Q	64k x 16	1024k	40	120, 150, 170, 200, 250	13	5%, 10%	0°C to +70°C
NMC27C1024QE	64k x 16	1024k	40	150, 170, 200	13	10%	-40°C to +85°C
NMC27C1024QM	64k x 16	1024k	40	170, 200	13	10%	-55°C to +125°C



## ONE TIME PROGRAMMABLE EPROMs

One Time Programmable is the term coined for EPROMs encapsulated in packages without a quartz window. The absence of the quartz window prevents erasure as the EPROM die is no longer capable of being exposed to any source of UV light. Thus the user can program the device only once, thereby giving rise to the term One Time Programmable or OTP.

One Time Programmable EPROMs are frequently packaged in Dual-In-Line Packages (DIP) or surface mount Plastic Leaded Chip Carriers (PLCC).

### Dual-In-Line Package

The plastic DIP has lead spacing of 0.100 inch and is particularly advantageous for users of EPROMs that are in high volume production. Plastic being less brittle than ceramic, the PDIPs can be used with auto insertion equipment, thereby offering an additional advantage to high volume users by reducing manufacturing throughput time.

Density	Product Nomenclature
64 kbit	NMC27C64N
128 kbit	NMC27C128BN
256 kbit	NMC27C256BN
512 kbit	NMC27C512AN

### Surface Mount Package

Plastic Leaded Chip Carriers (PLCC) allow for a three to one improvement in surface mounting density over the plastic DIP, due to the tighter lead spacings of 0.050 inch. As the leads bond to the surface of the board (vs. through hole mounting for DIPs), system design engineers can optimize their PC board density by placing components on both sides of the PC board.

These packages are advantageous for cost sensitive, high volume users that are board space constrained and want to increase their manufacturing throughput with the aid of auto insertion equipment.

National Semiconductor's scheduled introduction of a broad range of high density EPROMs in PLCC through early 1990 include:

Density	Product Nomenclature
128 kbit	NMC27C128BV
256 kbit	NMC27C256BV
512 kbit	NMC27C512AV
1 Mbit (×8)	NMC27C010V
1 Mbit (×16)	NMC27C1024V

National Semiconductor has had many years of experience building surface mount packages. The company has an excellent reputation in the industry for product reliability. EPROMs in both the Plastic Dual-In-Line Package and the Plastic Leaded Chip Carrier will be built with the same stringent reliability standards as other National products.

# NMC27C16

## 16,384-Bit (2048 x 8) UV Erasable CMOS PROM

### General Description

The NMC27C16 is a high speed 16k UV erasable and electrically reprogrammable CMOS EPROM, ideally suited for applications where fast turnaround, pattern experimentation and low power consumption are important requirements.

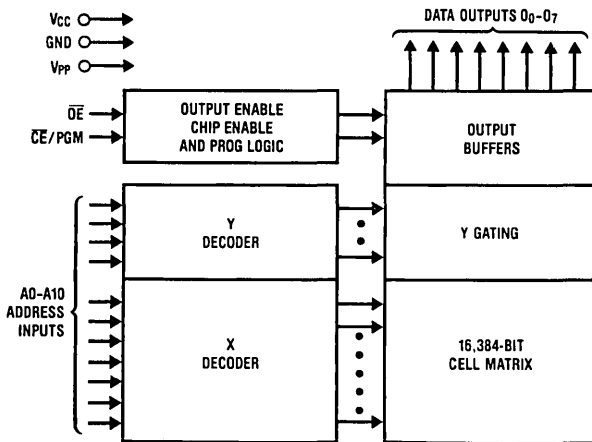
The NMC27C16 is packaged in a 24-pin dual-in-line package with transparent lid. The transparent lid allows the user to expose the chip to ultraviolet light to erase the bit pattern. A new pattern can then be written into the device by following the programming procedure.

This EPROM is fabricated with the reliable, high volume, time proven, P<sup>2</sup>CMOSTM silicon gate technology.

### Features

- Access time down to 300 ns
- Low CMOS power consumption
  - Active Power: 26.25 mW max
  - Standby Power: 0.53 mW max (98% savings)
- Performance compatible to NSC800TM CMOS microprocessor
- Single 5V power supply
- Extended temperature range available (NMC27C16E-45), -40°C to +85°C, 450 ns ±5% power supply
- Pin compatible to MM2716 and higher density EPROMs
- Static—no clocks required
- TTL compatible inputs/outputs
- TRI-STATE® output

### Block Diagram



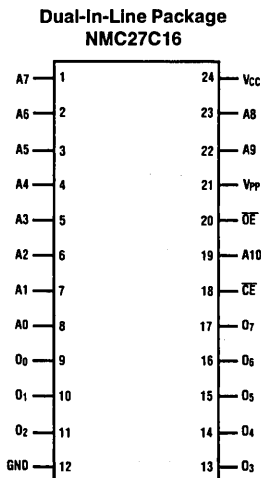
TL/D/5275-1

Pin Names

A0-A10	Addresses
$\overline{CE}$	Chip Enable
$\overline{OE}$	Output Enable
O <sub>0</sub> -O <sub>7</sub>	Outputs
PGM	Program
NC	No Connect

### Connection Diagram

27C256	27C128	27C64	27C32
27256	27128	2764	2732
V <sub>PP</sub>	V <sub>PP</sub>	V <sub>PP</sub>	
A12	A12	A12	
A7	A7	A7	A7
A6	A6	A6	A6
A5	A5	A5	A5
A4	A4	A4	A4
A3	A3	A3	A3
A2	A2	A2	A2
A1	A1	A1	A1
A0	A0	A0	A0
O <sub>0</sub>	O <sub>0</sub>	O <sub>0</sub>	O <sub>0</sub>
O <sub>1</sub>	O <sub>1</sub>	O <sub>1</sub>	O <sub>1</sub>
O <sub>2</sub>	O <sub>2</sub>	O <sub>2</sub>	O <sub>2</sub>
GND	GND	GND	GND



TL/D/5275-2

27C32	27C64	27C128	27C256
2732	2764	27128	27256
	V <sub>CC</sub>	V <sub>CC</sub>	V <sub>CC</sub>
	PGM	PGM	A14
V <sub>CC</sub>	NC	A13	A13
A8	A8	A8	A8
A9	A9	A9	A9
A11	A11	A11	A11
$\overline{OE}/V_{PP}$	$\overline{OE}$	$\overline{OE}$	$\overline{OE}$
A10	A10	A10	A10
$\overline{CE}$	$\overline{CE}$	$\overline{CE}$	$\overline{CE}$
O <sub>7</sub>	O <sub>7</sub>	O <sub>7</sub>	O <sub>7</sub>
O <sub>6</sub>	O <sub>6</sub>	O <sub>6</sub>	O <sub>6</sub>
O <sub>5</sub>	O <sub>5</sub>	O <sub>5</sub>	O <sub>5</sub>
O <sub>4</sub>	O <sub>4</sub>	O <sub>4</sub>	O <sub>4</sub>
O <sub>3</sub>	O <sub>3</sub>	O <sub>3</sub>	O <sub>3</sub>

**Top View**

Note: Socket compatible EPROM pin configurations are shown in the blocks adjacent to the NMC27C16 pins.

**Order Number NMC27C16**  
**See NS Package Number J24AQ**

Commercial Temp Range (0°C to +70°C) V<sub>CC</sub> = 5V ±5%

Parameter/Order Number	Access Time (ns)
NMC27C16-30	300
NMC27C16-35	350
NMC27C16-45	450
NMC27C16-55	550

**Absolute Maximum Ratings** (Note 1)

If Military/Aerospace specified devices are required, please contact the National Semiconductor Sales Office/Distributors for availability and specifications.

Temperature Under Bias	-10°C to +80°C
Storage Temperature	-65°C to +125°C
All Input Voltages with Respect to Ground	+6.5V to -0.3V
All Output Voltages with Respect to Ground (Note 11)	$V_{CC} + 0.3V$ to GND - 0.3V
$V_{PP}$ Supply Voltage with Respect to Ground During Programming	+26.5V to -0.3V

Power Dissipation	1.0W
Lead Temperature (Soldering, 10 seconds)	300°C

**Operating Conditions** (Note 9)

Temperature Range	0°C to +70°C
NMC27C16-30, -35, -45, -55	-40°C to +85°C
NMC27C16E-45	
$V_{CC}$ Power Supply (Notes 2 and 3)	5V ±5%
$V_{PP}$ Power Supply (Note 3)	$V_{CC}$

**READ OPERATION****DC Electrical Characteristics**

Symbol	Parameter	Conditions	Min	Typ (Note 4)	Max	Units
$I_{LI}$	Input Load Current	$V_{IN} = V_{CC}$ or GND			10	$\mu A$
$I_{LO}$	Output Leakage Current	$V_{OUT} = V_{CC}$ or GND, $\overline{CE} = V_{IH}$			10	$\mu A$
$I_{CC1}$ (Note 3)	$V_{CC}$ Current (Active) TTL Inputs	$\overline{OE} = \overline{CE} = V_{IL}$ , $f = 1$ MHz Inputs = $V_{IH}$ or $V_{IL}$ , I/O = 0 mA		2	10	mA
$I_{CC2}$ (Note 3)	$V_{CC}$ Current (Active) CMOS Inputs	$\overline{OE} = \overline{CE} = V_{IL}$ , $f = 1$ MHz Inputs = $V_{CC}$ or GND, I/O = 0 mA		1	5	mA
$I_{CCSB1}$	$V_{CC}$ Current (Standby) TTL Inputs	$\overline{CE} = V_{IH}$		0.1	1	mA
$I_{CCSB2}$	$V_{CC}$ Current (Standby) CMOS Inputs	$\overline{CE} = V_{CC}$		0.01	0.1	mA
$V_{IL}$	Input Low Voltage		-0.1		0.8	V
$V_{IH}$	Input High Voltage		2.0		$V_{CC} + 1$	V
$V_{OL1}$	Output Low Voltage	$I_{OL} = 2.1$ mA			0.45	V
$V_{OH1}$	Output High Voltage	$I_{OH} = -400$ $\mu A$	2.4			V
$V_{OL2}$	Output Low Voltage	$I_{OL} = 0$ $\mu A$			0.1	V
$V_{OH2}$	Output High Voltage	$I_{OH} = 0$ $\mu A$	$V_{CC} - 0.1$			V

**AC Electrical Characteristics**

Symbol	Parameter	Conditions	NMC27C16								Units
			-30		-35		E-45, -45		-55		
			Min	Max	Min	Max	Min	Max	Min	Max	
$t_{ACC}$	Address to Output Delay	$\overline{CE} = \overline{OE} = V_{IL}$		300		350		450		550	ns
$t_{CE}$	$\overline{CE}$ to Output Delay	$\overline{OE} = V_{IL}$		300		350		450		550	ns
$t_{OE}$	$\overline{OE}$ to Output Delay	$\overline{CE} = V_{IL}$		120		120		120		160	ns
$t_{DF}$	$\overline{OE}$ High to Output Float	$\overline{CE} = V_{IL}$	0	100	0	100	0	100	0	100	ns
$t_{OH}$ (Note 5)	Output Hold from Addresses, $\overline{CE}$ or $\overline{OE}$ , Whichever Occurred First	$\overline{CE} = \overline{OE} = V_{IL}$	0		0		0		0		ns

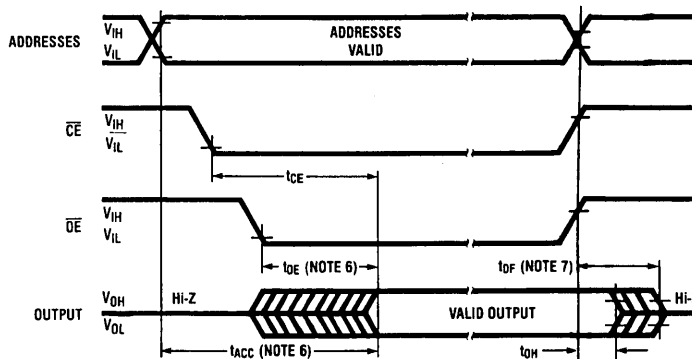
**Capacitance**  $T_A = +25^\circ\text{C}$ ,  $f = 1\text{ MHz}$  (Note 5)

Symbol	Parameter	Conditions	Typ	Max	Units
$C_{IN}$	Input Capacitance	$V_{IN} = 0V$	4	6	pF
$C_{OUT}$	Output Capacitance	$V_{OUT} = 0V$	8	12	pF

**AC Test Conditions**

Output Load	1 TTL Gate and $C_L = 100\text{ pF}$	Timing Measurement Reference Level	
Input Rise and Fall Times	$\leq 20\text{ ns}$	Inputs	1V and 2V
Input Pulse Levels	0.8V to 2.2V	Outputs	0.8V and 2V

**AC Waveforms** (Notes 2, 8, 9, 10)



TL/D/5275-3

**Note 1:** Stresses above those listed under "Absolute Maximum Ratings" may cause permanent damage to the device. This is a stress rating only and functional operation of the device at these or any other conditions above those indicated in the operational sections of this specification is not implied. Exposure to absolute maximum rating conditions for extended periods may affect device reliability.

**Note 2:**  $V_{CC}$  must be applied simultaneously or before  $V_{PP}$  and removed simultaneously or after  $V_{PP}$ .

**Note 3:**  $V_{PP}$  may be connected to  $V_{CC}$  except during programming.  $I_{CC1} \leq$  the sum of the  $I_{CC}$  active and  $I_{PP}$  read currents.

**Note 4:** Typical values are for  $T_A = +25^\circ\text{C}$  and nominal supply voltages.

**Note 5:** This parameter is only sampled and is not 100% tested.

**Note 6:**  $\overline{OE}$  may be delayed up to  $t_{ACC} - t_{OE}$  after the falling edge of  $\overline{CE}$  without impact on  $t_{ACC}$ .

**Note 7:** The  $t_{OF}$  compare level is determined as follows:

- High to TRI-STATE, the measured  $V_{OH1}$  (DC) - 0.10V
- Low to TRI-STATE, the measured  $V_{OL1}$  (DC) + 0.10V

**Note 8:** TRI-STATE may be attained using  $\overline{OE}$  or  $\overline{CE}$ .

**Note 9:** The power switching characteristics of EPROMs require careful device decoupling. It is recommended that a 0.1  $\mu\text{F}$  ceramic capacitor be used on every device between  $V_{CC}$  and GND.

**Note 10:** The NMC27C16 requires one address transition after initial power-up to reset the outputs.

**Note 11:** The outputs must be restricted to  $V_{CC} + 0.3V$  to avoid latch-up and device damage.

## PROGRAMMING CHARACTERISTICS (Note 1)

### DC Programming Characteristics (Notes 2 & 3)

( $T_A = +25^\circ\text{C} \pm 5^\circ\text{C}$ ,  $V_{CC} = 5\text{V} \pm 5\%$ ,  $V_{PP} = 25\text{V} \pm 1\text{V}$ )

Symbol	Parameter	Conditions	Min	Typ	Max	Units
$I_{LI}$	Input Current (for Any Input)	$V_{IN} = V_{CC}$ or GND			10	$\mu\text{A}$
$I_{PP}$	$V_{PP}$ Supply Current During Programming Pulse	$\overline{CE}/\text{PGM} = V_{IH}$			30	mA
$I_{CC}$	$V_{CC}$ Supply Current				10	mA
$V_{IL}$	Input Low Level		-0.1		0.8	V
$V_{IH}$	Input High Level		2.0		$V_{CC} + 1$	V

### AC Programming Characteristics (Notes 2 & 3)

( $T_A = +25^\circ\text{C} \pm 5^\circ\text{C}$ ,  $V_{CC} = 5\text{V} \pm 5\%$ ,  $V_{PP} = 25\text{V} \pm 1\text{V}$ )

Symbol	Parameter	Conditions	Min	Typ	Max	Units
$t_{AS}$	Address Setup Time		2			$\mu\text{s}$
$t_{OES}$	$\overline{OE}$ Setup Time		2			$\mu\text{s}$
$t_{DS}$	Data Setup Time		2			$\mu\text{s}$
$t_{AH}$	Address Hold Time		2			$\mu\text{s}$
$t_{OEH}$	$\overline{OE}$ Hold Time		2			$\mu\text{s}$
$t_{DH}$	Data Hold Time		2			$\mu\text{s}$
$t_{DF}$	Output Enable to Output Float Delay	$\overline{CE}/\text{PGM} = V_{IL}$	0		160	ns
$t_{OE}$	Output Enable to Output Delay	$\overline{CE}/\text{PGM} = V_{IL}$			160	ns
$t_{PW}$	Program Pulse Width		45	50	55	ms
$t_{PRT}$	Program Pulse Rise Time		5			ns
$t_{PFT}$	Program Pulse Fall Time		5			ns

### AC Test Conditions

$V_{CC}$	5V $\pm$ 5%	Timing Measurement Reference Level	
$V_{PP}$	25V $\pm$ 1V	Inputs	1V and 2V
Input Rise and Fall Times	$\leq 20$ ns	Outputs	0.8V and 2V
Input Pulse Levels	0.8V to 2.2V		





## Functional Description (Continued)

Programming multiple NMC27C16s in parallel with the same data can be easily accomplished due to the simplicity of the programming requirements. Like inputs of the paralleled NMC27C16s may be connected together when they are programmed with the same data. A high level TTL pulse applied to the  $\overline{CE}/PGM$  input programs the paralleled NMC27C16s.

### Program Inhibit

Programming multiple NMC27C16s in parallel with different data is also easily accomplished. Except for  $\overline{CE}/PGM$ , all like inputs (including  $\overline{OE}$ ) of the parallel NMC27C16s may be common. A TTL level program pulse applied to an NMC27C16's  $\overline{CE}/PGM$  input with  $V_{PP}$  at 25V will program that NMC27C16. A low level  $\overline{CE}/PGM$  input inhibits the other NMC27C16 from being programmed.

### Program Verify

A verify should be performed on the programmed bits to determine whether they were correctly programmed. The verify may be performed with  $V_{PP}$  at 25V.  $V_{PP}$  must be at  $V_{CC}$ , except during programming and program verify.

### ERASURE CHARACTERISTICS

The erasure characteristics of the NMC27C16 are such that erasure begins to occur when exposed to light with wavelengths shorter than approximately 4000 Angstroms ( $\text{\AA}$ ). It should be noted that sunlight and certain types of fluorescent lamps have wavelengths in the 3000 $\text{\AA}$ –4000 $\text{\AA}$  range. Opaque labels should be placed over the NMC27C16 window to prevent unintentional erasure. Covering the window will also prevent temporary functional failure due to the generation of photo currents.

The recommended erasure procedure for the NMC27C16 is exposure to short wave ultraviolet light which has a wavelength of 2537 Angstroms ( $\text{\AA}$ ). The integrated dose (i.e., UV intensity  $\times$  exposure time) for erasure should be a minimum of 15W-sec/cm<sup>2</sup>. The erasure time with this dosage is approximately 21 minutes using an ultraviolet lamp with a

12,000  $\mu\text{W}/\text{cm}^2$  power rating. The NMC27C16 should be placed within 1 inch of the lamp tubes during erasure. Some lamps have a filter on their tubes which should be removed before erasure.

**Note:** The NMC27C16-55 may take up to 60 minutes for complete erasure to occur.

An erasure system should be calibrated periodically. The distance from lamp to unit should be maintained at one inch. The erasure time increases as the square of the distance. (If distance is doubled the erasure time increases by a factor of 4.) Lamps lose intensity as they age. When a lamp is changed, the distance has changed, or the lamp has aged, the system should be checked to make certain full erasure is occurring. Incomplete erasure will cause symptoms that can be misleading. Programmers, components, and even system designs have been erroneously suspected when incomplete erasure was the problem.

### SYSTEM CONSIDERATION

The power switching characteristics of EPROMs require careful decoupling of the devices. The supply current,  $I_{CC}$ , has three segments that are of interest to the system designer—the standby current level, the active current level, and the transient current peaks that are produced on the falling and rising edges of chip enable. The magnitude of these transient current peaks is dependent on the output capacitance loading of the device. The associated transient voltage peaks can be suppressed by properly selected decoupling capacitors. It is recommended that a 0.1  $\mu\text{F}$  ceramic capacitor be used on every device between  $V_{CC}$  and GND. This should be a high frequency capacitor of low inherent inductance. In addition, a 4.7  $\mu\text{F}$  bulk electrolytic capacitor should be used between  $V_{CC}$  and GND for each eight devices. The bulk capacitor should be located near where the power supply is connected to the array. The purpose of the bulk capacitor is to overcome the voltage drop caused by the inductive effects of the PC board traces.

TABLE I. Mode Selection

Mode	Pins	$\overline{CE}/PGM$ (18)	$\overline{OE}$ (20)	$V_P$ (21)	$V_{CC}$ (24)	Outputs (9–11, 13–17)
Read		$V_{IL}$	$V_{IL}$	$V_{CC}$	5	$D_{OUT}$
Standby		$V_{IH}$	Don't Care	$V_{CC}$	5	Hi-Z
Program		Pulsed $V_{IL}$ to $V_{IH}$	$V_{IH}$	25	5	$D_{IN}$
Program Verify		$V_{IL}$	$V_{IL}$	25	5	$D_{OUT}$
Program Inhibit		$V_{IL}$	$V_{IH}$	25	5	Hi-Z
Output Disable		X	$V_{IH}$	$V_{CC}$	5	Hi-Z



# NMC27C32

## 32,768-Bit (4096 x 8) UV Erasable CMOS PROM

### General Description

The NMC27C32 is a high speed 32k UV erasable and electrically reprogrammable CMOS EPROM, ideally suited for applications where fast turnaround, pattern experimentation and low power consumption are important requirements.

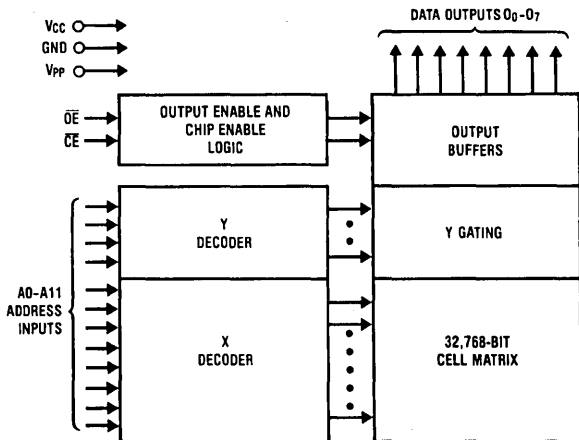
The NMC27C32 is packaged in a 24-pin dual-in-line package with transparent lid. The transparent lid allows the user to expose the chip to ultraviolet light to erase the bit pattern. A new pattern can then be written into the device by following the programming procedure.

This EPROM is fabricated with the reliable, high volume, time proven, p<sup>2</sup>CMOSTM silicon gate technology.

### Features

- Access time down to 300 ns
- Low CMOS power consumption
  - Active power: 26.25 mW max
  - Standby power: 0.53 mW max (98% savings)
- Extended temperature range available (NMC27C32E-45 and NMC27C32HE-45), -40°C to +85°C, 450 ns ±5% power supply
- 10 ms programming available (NMC27C32H), an 80% time savings
- Pin compatible to NMC2732 and higher density EPROMs
- Static-no clocks required
- TTL compatible inputs/ outputs
- Two-line control
- TRI-STATE® output

### Block Diagram

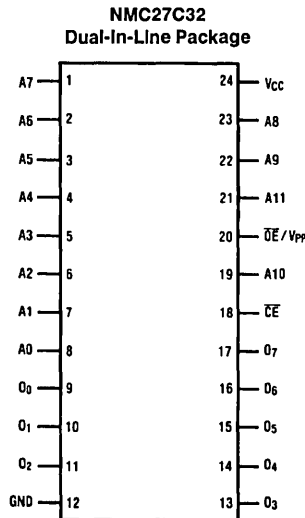


Pin Names	
A0-A11	Addresses
$\overline{CE}$	Chip Enable
$\overline{OE}$	Output Enable
O <sub>0</sub> -O <sub>7</sub>	Outputs

TL/D/5274-1

## Connection Diagram

27C256	27C128	27C64	27C16
27256	27128	2764	2716
V <sub>PP</sub>	V <sub>PP</sub>	V <sub>PP</sub>	
A12	A12	A12	
A7	A7	A7	A7
A6	A6	A6	A6
A5	A5	A5	A5
A4	A4	A4	A4
A3	A3	A3	A3
A2	A2	A2	A2
A1	A1	A1	A1
A0	A0	A0	A0
O <sub>0</sub>	O <sub>0</sub>	O <sub>0</sub>	O <sub>0</sub>
O <sub>1</sub>	O <sub>1</sub>	O <sub>1</sub>	O <sub>1</sub>
O <sub>2</sub>	O <sub>2</sub>	O <sub>2</sub>	O <sub>2</sub>
GND	GND	GND	GND



27C216	27C64	27C128	27C256
27216	2764	27128	27256
	V <sub>CC</sub>	V <sub>CC</sub>	V <sub>CC</sub>
	$\overline{\text{PGM}}$	$\overline{\text{PGM}}$	A14
V <sub>CC</sub>	NC	A13	A13
A8	A8	A8	A8
A9	A9	A9	A9
V <sub>PP</sub>	A11	A11	A11
$\overline{\text{OE}}$	$\overline{\text{OE}}$	$\overline{\text{OE}}$	$\overline{\text{OE}}$
A10	A10	A10	A10
$\overline{\text{CE}}$	$\overline{\text{CE}}$	$\overline{\text{CE}}$	$\overline{\text{CE}}$
O <sub>7</sub>	O <sub>7</sub>	O <sub>7</sub>	O <sub>7</sub>
O <sub>6</sub>	O <sub>6</sub>	O <sub>6</sub>	O <sub>6</sub>
O <sub>5</sub>	O <sub>5</sub>	O <sub>5</sub>	O <sub>5</sub>
O <sub>4</sub>	O <sub>4</sub>	O <sub>4</sub>	O <sub>4</sub>
O <sub>3</sub>	O <sub>3</sub>	O <sub>3</sub>	O <sub>3</sub>

TL/D/5274-2

Top View

Order Number **NMC27C32**  
See NS Package Number **J24AQ**

Note: Socket compatible EPROM pin configurations are shown in the blocks adjacent to the NMC27C32 pins.

Commercial Temp Range (0°C to +70°C) V<sub>CC</sub> = 5V ± 5%

Parameter/Order Number	Access Time (ns)
NMC27C32-30, NMC27C32H-30	300
NMC27C32-35, NMC27C32H-35	350
NMC27C32-45, NMC27C32H-45	450
NMC27C32-55, NMC27C32H-55	550

Extended Temp Range (-40°C to +85°C) V<sub>CC</sub> = 5V ± 5%

Parameter/Order Number	Access Time (ns)
NMC27C32E-45, NMC27C32EH-45	450

### Absolute Maximum Ratings (Note 1)

If Military/Aerospace specified devices are required, please contact the National Semiconductor Sales Office/Distributors for availability and specifications.

Temperature under Bias	-10°C to +80°C
Storage Temperature	-65°C to +125°C
All Input Voltages with Respect to Ground	+6.5V to -0.3V
All Output Voltages with Respect to Ground	$V_{CC} + 0.3V$ to GND -0.3V
$V_{PP}$ Supply Voltage with Respect to Ground during Programming	+26.5V to -0.3V

Power Dissipation	1.0W
Lead Temperature (Soldering, 10 seconds)	300°C

### Operating Conditions (Note 7)

Temperature Range	
NMC27C32-30, NMC27C32-35, NMC27C32-45, NMC27C32-55, NMC27C32H-30, NMC27C32H-35, NMC27C32H-45, NMC27C32H-55	0°C to +70°C
NMC27C32HE-45, NMC27C32E-45	-40°C to +85°C
$V_{CC}$ Power Supply	5V ±5%

## READ OPERATION

### DC Electrical Characteristics

Symbol	Parameter	Conditions	Min	Typ (Note 2)	Max	Units
$I_{LI}$	Input Load Current	$V_{IH} = V_{CC}$ or GND			10	$\mu A$
$I_{LO}$	Output Leakage Current	$V_{OUT} = V_{CC}$ or GND, $\overline{CE} = V_{IH}$			10	$\mu A$
$I_{CC1}$	$V_{CC}$ Current (Active) TTL Inputs	$\overline{OE} = \overline{CE} = V_{IL}$ Inputs = $V_{IH}$ or $V_{IL}$ , $f = 1$ MHz $I/O = 0$ mA		2	10	mA
$I_{CC2}$	$V_{CC}$ Current (Active) CMOS Inputs	$\overline{OE} = \overline{CE} = V_{IL}$ Inputs = $V_{CC}$ or GND, $f = 1$ MHz $I/O = 0$ mA		1	5	mA
$I_{CCSB1}$	$V_{CC}$ Current (Standby) TTL Inputs	$\overline{CE} = V_{IH}$		0.1	1	mA
$I_{CCSB2}$	$V_{CC}$ Current (Standby) CMOS Inputs	$\overline{CE} = V_{CC}$		0.01	0.1	mA
$V_{IL}$	Input Low Voltage		-0.1		0.8	V
$V_{IH}$	Input High Voltage		2.0		$V_{CC} + 1$	V
$V_{OL1}$	Output Low Voltage	$I_{OL} = 2.1$ mA			0.45	V
$V_{OH1}$	Output High Voltage	$I_{OH} = -400$ $\mu A$	2.4			V
$V_{OL2}$	Output Low Voltage	$I_{OL} = 0$ $\mu A$			0.1	V
$V_{OH2}$	Output High Voltage	$I_{OH} = 0$ $\mu A$	$V_{CC} - 0.1$			V

### AC Electrical Characteristics

Symbol	Parameter	Conditions	NMC27C32								Units
			-30, H-30		-35, H-35		-45, H-45 E-45; HE-45		-55, H-55		
			Min	Max	Min	Max	Min	Max	Min	Max	
$t_{ACC}$	Address to Output Delay	$\overline{CE} = \overline{OE} = V_{IL}$		300		350		450		550	ns
$t_{CE}$	$\overline{CE}$ to Output Delay	$\overline{OE} = V_{IL}$		300		350		450		550	ns
$t_{OE}$	$\overline{OE}$ to Output Delay	$\overline{CE} = V_{IL}$		150		150		150		150	ns
$t_{DF}$	$\overline{OE}$ High to Output Float	$\overline{CE} = V_{IL}$	0	130	0	130	0	130	0	130	ns
$t_{OH}$ (Note 3)	Output Hold from Addresses, $\overline{CE}$ or $\overline{OE}$ , Whichever Occurred First	$\overline{CE} = \overline{OE} = V_{IL}$	0		0		0		0		ns

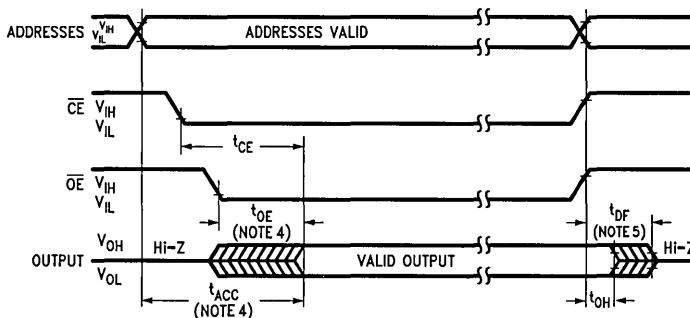
**Capacitance**  $T_A = +25^\circ\text{C}$ ,  $f = 1\text{ MHz}$  (Note 3)

Symbol	Parameter	Conditions	Typ	Max	Units
$C_{IN1}$	Input Capacitance Except $\overline{OE}/V_{PP}$	$V_{IN} = 0\text{V}$	4	6	pF
$C_{IN2}$	$\overline{OE}/V_{PP}$ Input Capacitance	$V_{IN} = 0\text{V}$		20	pF
$C_{OUT}$	Output Capacitance	$V_{OUT} = 0\text{V}$	8	12	pF

**AC Test Conditions**

Output Load	1 TTL Gate and $C_L = 100\text{ pF}$	Timing Measurement Reference Level	
Input Rise and Fall Times	$\leq 20\text{ ns}$	Inputs	1V and 2V
Input Pulse Levels	0.45V to 2.4V	Outputs	0.8V and 2V

**AC Waveforms** (Notes 6 & 8)



TL/D/5274-3

**Note 1:** Stresses above those listed under "Absolute Maximum Ratings" may cause permanent damage to the device. This is a stress rating only and functional operation of the device at these or any other conditions above those indicated in the operational sections of this specification is not implied. Exposure to absolute maximum rating conditions for extended periods may affect device reliability.

**Note 2:** Typical values are for  $T_A = +25^\circ\text{C}$  and nominal supply voltages.

**Note 3:** This parameter is only sampled and is not 100% tested.

**Note 4:**  $\overline{OE}$  may be delayed up to  $t_{ACC} - t_{OE}$  after the falling edge of  $\overline{CE}$  without impacting  $t_{ACC}$ .

**Note 5:** The  $t_{DF}$  compare level is determined as follows:  
High to TRI-STATE, the measured  $V_{OH1}$  (DC) - 0.10V;  
Low to TRI-STATE, the measured  $V_{OL1}$  (DC) + 0.10V.

**Note 6:** TRI-STATE may be attained using  $\overline{OE}$  or  $\overline{CE}$ .

**Note 7:** The power switching characteristics of EPROMs require careful device decoupling. It is recommended that a 0.1  $\mu\text{F}$  ceramic capacitor be used on every device between  $V_{CC}$  and GND.

**Note 8:** The outputs must be restricted to  $V_{CC} + 0.3\text{V}$  to avoid latch-up and device damage.

**PROGRAMMING** (Note 1)**DC Programming Characteristics** $T_A = +25^\circ\text{C} \pm 5^\circ\text{C}$ ,  $V_{CC} = 5\text{V} \pm 5\%$ ,  $V_{PP} = 25\text{V} \pm 1\text{V}$  (Notes 2 and 3)

Symbol	Parameter	Conditions	Min	Typ	Max	Units
$I_{LI}$	Input Current (All Inputs)	$V_{IN} = V_{CC}$ or GND			10	$\mu\text{A}$
$V_{OL}$	Output Low Voltage During Verify	$I_{OL} = 2.1\text{ mA}$			0.45	V
$V_{OH}$	Output High Voltage During Verify	$I_{OH} = -400\ \mu\text{A}$	2.4			V
$I_{CC}$	$V_{CC}$ Supply Current			2	10	mA
$V_{IL}$	Input Low Level (All Inputs)		-0.1		0.8	V
$V_{IH}$	Input High Level (All Inputs except $\overline{OE}/V_{PP}$ )		2.0		$V_{CC} + 1$	V
$I_{PP}$	$V_{PP}$ Supply Current	$\overline{CE} = V_{IL}$ , $\overline{OE} = V_{PP}$			30	mA

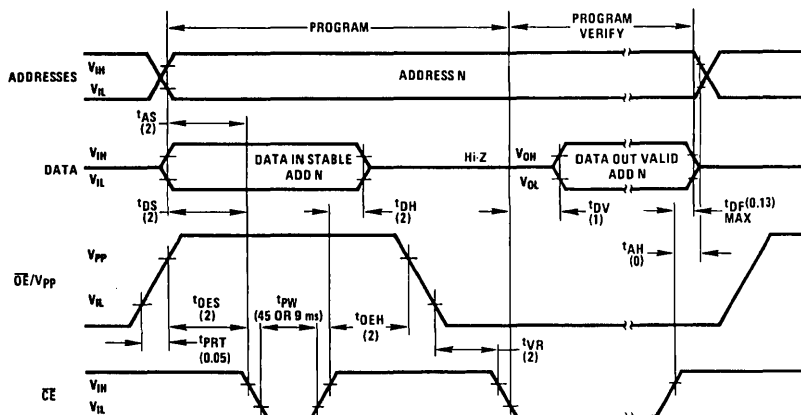
**AC Programming Characteristics**  $T_A = +25^\circ\text{C} \pm 5^\circ\text{C}$ ,  $V_{CC} = 5\text{V} \pm 5\%$ ,  $V_{PP} = 25\text{V} \pm 1\text{V}$ 

Symbol	Parameter	Conditions	NMC27C32			NMC27C32H			Units
			Min	Typ	Max	Min	Typ	Max	
$t_{AS}$	Address Setup Time		2			2			$\mu\text{s}$
$t_{OES}$	$\overline{OE}$ Setup Time		2			2			$\mu\text{s}$
$t_{DS}$	Data Setup Time		2			2			$\mu\text{s}$
$t_{AH}$	Address Hold Time		0			0			$\mu\text{s}$
$t_{OEH}$	$\overline{OE}$ Hold Time		2			2			$\mu\text{s}$
$t_{DH}$	Data Hold Time		2			2			$\mu\text{s}$
$t_{DF}$	Chip Enable to Output Float Delay		0		130	0		130	ns
$t_{DV}$	Data Valid from $\overline{CE}$	$\overline{CE} = V_{IL}$ , $\overline{OE} = V_{IL}$			1			1	$\mu\text{s}$
$t_{PW}$	$\overline{CE}$ Pulse Width during Programming		45	50	55	9	10	11	ms
$t_{PRT}$	$\overline{OE}$ Pulse Rise Time during Programming		50			50			ns
$t_{VR}$	$V_{PP}$ Recovery Time		2			2			$\mu\text{s}$

## AC Test Conditions

$V_{CC}$	$5V \pm 5\%$	Timing Measurement Reference Level	
$V_{PP}$	$25V \pm 1V$	Inputs	1V and 2V
Input Rise and Fall Times	$\leq 20$ ns	Outputs	0.8V and 2V
Input Pulse Levels	0.45V to 2.4V		

## Programming Waveforms (Note 3)



TL/D/5274-4

Note: All times shown in parentheses are minimum and in  $\mu$ s unless otherwise specified..

The input timing reference level is 1V for a  $V_{IL}$  and 2V for a  $V_{IH}$ .

Note 1: National's standard product warranty applies only to devices programmed to specifications described herein.

Note 2:  $V_{CC}$  must not be applied simultaneously or before  $V_{PP}$  and removed simultaneously or after  $V_{PP}$ . The NMC27C32 must not be inserted into or removed from a board with  $V_{PP}$  at  $25V \pm 1V$  to prevent damage to the device.

Note 3: The maximum allowable voltage which may be applied to the  $V_{PP}$  pin during programming is 26V. Care must be taken when switching the  $V_{PP}$  supply to prevent overshoot exceeding this 26V maximum specification. A 0.1  $\mu$ F capacitor is required across  $V_{CC}$  to GND to suppress spurious voltage transients which may damage the device.

## Functional Description (Continued)

### DEVICE OPERATION

The 6 modes of operation of the NMC27C32 are listed in Table I. A single 5V power supply is required in the read mode. All inputs are TTL levels except for  $\overline{OE}/V_{PP}$  during programming. In the program mode the  $\overline{OE}/V_{PP}$  input is pulsed from a TTL level to 25V.

### Read Mode

The NMC27C32 has two control functions, both of which must be logically active in order to obtain data at the outputs. Chip Enable ( $\overline{CE}$ ) is the power control and should be used for device selection. Output Enable ( $\overline{OE}$ ) is the output control and should be used to gate data to the output pins, independent of device selection. Assuming that addresses are stable, address access time ( $t_{ACC}$ ) is equal to the delay from  $\overline{CE}$  to output ( $t_{CE}$ ). Data is available at the outputs after the falling edge of  $\overline{OE}$ , assuming that  $\overline{CE}$  has been low and addresses have been stable for at least  $t_{ACC} - t_{OE}$ .

### Standby Mode

The NMC27C32 has a standby mode which reduces the active power dissipation by 98%, from 26.25 mW to 0.53 mW. The NMC27C32 is placed in the standby mode by applying a TTL high signal to the  $\overline{CE}$  input. When in standby mode, the outputs are in a high impedance state, independent of the  $\overline{OE}$  input.

### Output OR-Tying

Because EPROMs are usually used in larger memory arrays, National has provided a 2-line control function that accommodates this use of multiple memory connection. The 2-line control function allows for:

- the lowest possible memory power dissipation, and
- complete assurance that output bus contention will not occur.

To most efficiently use these two control lines, it is recommended that  $\overline{CE}$  (pin 18) be decoded and used as the primary device selecting function, while  $\overline{OE}$  (pin 20) be made a common connection to all devices in the array and connected to the READ line from the system control bus. This assures that all deselected memory devices are in their low power standby modes and that the output pins are active only when data is desired from a particular memory device.

### Programming

CAUTION: Exceeding 26.5V on pin 20 ( $V_{PP}$ ) will damage the NMC27C32.

Initially, and after each erasure, all bits of the NMC27C32 are in the "1" state. Data is introduced by selectively programming "0s" into the desired bit locations. Although only "0s" will be programmed, both "1s" and "0s" can be presented in the data word. The only way to change a "0" to a "1" is by ultraviolet light erasure.

## Functional Description (Continued)

The NMC27C32 is in the programming mode when the  $\overline{OE}/V_{PP}$  input is at 25V. It is required that a 0.1  $\mu$ F capacitor be placed across  $\overline{OE}/V_{PP}$ ,  $V_{CC}$ , and ground to suppress spurious voltage transients which may damage the device. The data to be programmed is applied 8 bits in parallel to the data output pins. The levels required for the address and data inputs are TTL.

When the address and data are stable, a 50 ms (10 ms for the NMC27C32H devices) active low TTL program pulse is applied to the  $\overline{CE}$  input. A program pulse must be applied at each address location to be programmed. You can program any location at any time—either individually, sequentially, or at random. The program pulse has a maximum width of 55 ms (11 ms for the NMC27C32H devices). The NMC27C32 must not be programmed with a DC signal applied to the  $\overline{CE}$  input.

Programming of multiple NMC27C32s in parallel with the same data can easily be accomplished due to the simplicity of the programming requirements. Like inputs of the paralleled NMC27C32s may be connected together when they are programmed with the same data. A low level TTL pulse applied to the  $\overline{CE}$  input programs the paralleled NMC27C32s.

### Program Inhibit

Programming multiple NMC27C32s in parallel with different data is also easily accomplished. Except for  $\overline{CE}$ , all like inputs (including  $\overline{OE}$ ) of the parallel NMC27C32s may be common. A TTL level program pulse applied to an NMC27C32's  $\overline{CE}$  input with  $\overline{OE}/V_{PP}$  at 25V will program that NMC27C32. A high level  $\overline{CE}$  input inhibits the other NMC27C32s from being programmed.

### Program Verify

A verify should be performed on the programmed bits to determine whether they were correctly programmed. The verify is accomplished with  $\overline{OE}/V_{PP}$  and  $\overline{CE}$  at  $V_{IL}$ . Data should be verified  $t_{DV}$  after the falling edge of  $\overline{CE}$ .

### ERASURE CHARACTERISTICS

The erasure characteristics of the NMC27C32 are such that erasure begins to occur when exposed to light with wavelengths shorter than approximately 4000 Angstroms ( $\text{\AA}$ ). It should be noted that sunlight and certain types of fluorescent lamps have wavelengths in the 3000 $\text{\AA}$ –4000 $\text{\AA}$  range. After programming, opaque labels should be placed over

the NMC27C32 window to prevent unintentional erasure. Covering the window will also prevent temporary functional failure due to the generation of photo currents.

The recommended erasure procedure for the NMC27C32 is exposure to shortwave ultraviolet light which has a wavelength of 2537 Angstroms ( $\text{\AA}$ ). The integrated dose (i.e., UV intensity x exposure time) for erasure should be a minimum of 15W-sec/cm<sup>2</sup>. The erasure time with this dosage is approximately 21 minutes using an ultraviolet lamp with a 12,000  $\mu$ W/cm<sup>2</sup> power rating. The NMC27C32 should be placed within 1 inch of the lamp tubes during erasure. Some lamps have a filter on their tubes which should be removed before erasure.

**Note:** The NMC27C32-55 and NMC27C32H-55 may take up to 60 minutes for complete erasure to occur.

An erasure system should be calibrated periodically. The distance from lamp to unit should be maintained at one inch. The erasure time increases as the square of the distance. (If distance is doubled the erasure time increases by a factor of 4.) Lamps lose intensity as they age. When a lamp is changed, the distance has changed or the lamp has aged, the system should be checked to make certain full erasure is occurring. Incomplete erasure will cause symptoms that can be misleading. Programmers, components, and even system designs have been erroneously suspected when incomplete erasure was the problem.

### SYSTEM CONSIDERATION

The power switching characteristics of EPROMs require careful decoupling of the devices. The supply current,  $I_{CC}$ , has three segments that are of interest to the system designer—the standby current level, the active current level, and the transient current peaks that are produced on the falling and rising edges of chip enable. The magnitude of these transient current peaks is dependent on the output capacitance loading of the device. The associated transient voltage peaks can be suppressed by properly selected decoupling capacitors. It is recommended that a 0.1  $\mu$ F ceramic capacitor be used on every device between  $V_{CC}$  and GND. This should be a high frequency capacitor of low inherent inductance. In addition, a 4.7  $\mu$ F bulk electrolytic capacitor should be used between  $V_{CC}$  and GND for each eight devices. The bulk capacitor should be located near where the power supply is connected to the array. The purpose of the bulk capacitor is to overcome the voltage drop caused by the inductive effects of the PC board traces.

TABLE I. Mode Selection

Pins	$\overline{CE}$ (18)	$\overline{OE}/V_{PP}$ (20)	$V_{CC}$ (24)	Outputs (9–11, 13–17)
Mode				
Read	$V_{IL}$	$V_{IL}$	5	$D_{OUT}$
Standby	$V_{IH}$	Don't Care	5	Hi-Z
Output Disable	Don't Care	$V_{IH}$	5	Hi-Z
Program	$V_{IL}$	$V_{PP}$	5	$D_{IN}$
Program Verify	$V_{IL}$	$V_{IL}$	5	$D_{OUT}$
Program Inhibit	$V_{IH}$	$V_{PP}$	5	Hi-Z



# NMC27C32B 32,768-Bit (4k x 8) High Speed Version UV Erasable CMOS PROM

## General Description

The NMC27C32B is a high-speed 32k UV erasable and electrically reprogrammable CMOS EPROM, ideally suited for applications where fast turnaround, pattern experimentation and low power consumption are important requirements.

The NMC27C32B is designed to operate with a single +5V power supply with  $\pm 10\%$  tolerance. The CMOS design allows the part to operate over the Extended Temperature Range.

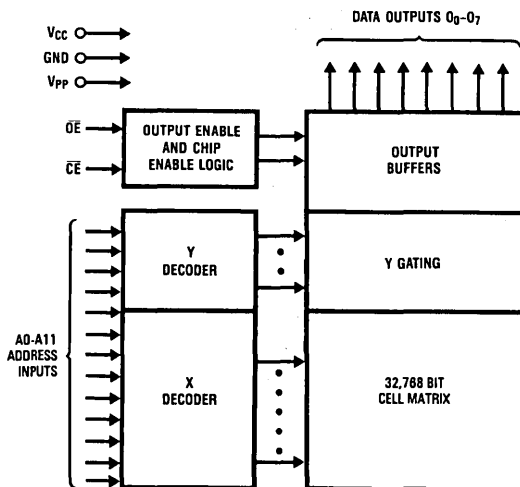
The NMC27C32B is packaged in a 24-pin dual-in-line package with transparent lid. The transparent lid allows the user to expose the chip to ultraviolet light to erase the bit pattern. A new pattern can then be written electrically into the device by following the programming procedure.

This EPROM is fabricated with National's proprietary, time proven CMOS double-poly silicon gate technology which combines high performance and high density with low power consumption and excellent reliability.

## Features

- Clocked sense amps for fast access time down to 150 ns
- Low CMOS power consumption
  - Active Power 55 mW Max
  - Standby Power 0.55 mW Max
- Optimal EPROM for total CMOS systems
- Single 5V power supply
- Extended temperature range (NMC27C32BQE),  $-40^{\circ}\text{C}$  to  $+85^{\circ}\text{C}$ , available
- Pin compatible with NMOS 32k EPROMs
- Fast and reliable programming—100  $\mu\text{s}$  typical/byte
- Static operation—no clocks required
- TTL, CMOS compatible inputs/outputs
- TRI-STATE® output
- Manufacturer's identification code for automatic programming control
- High current CMOS level output drivers

## Block Diagram



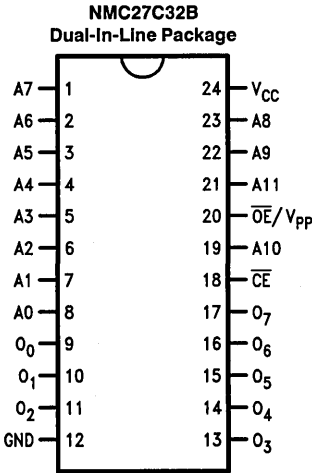
**Pin Names**

A0-A11	Addresses
$\overline{\text{CE}}$	Chip Enable
$\overline{\text{OE}}/\text{Vpp}$	Output Enable/ Programming Voltage
O0-O7	Outputs

TL/D/8827-1

# Connection Diagram

27C256 27256	27C128 27128	27C64 2764	27C16 2716
V <sub>PP</sub>	V <sub>PP</sub>	V <sub>PP</sub>	
A12	A12	A12	
A7	A7	A7	A7
A6	A6	A6	A6
A5	A5	A5	A5
A4	A4	A4	A4
A3	A3	A3	A3
A2	A2	A2	A2
A1	A1	A1	A1
A0	A0	A0	A0
O <sub>0</sub>	O <sub>0</sub>	O <sub>0</sub>	O <sub>0</sub>
O <sub>1</sub>	O <sub>1</sub>	O <sub>1</sub>	O <sub>1</sub>
O <sub>2</sub>	O <sub>2</sub>	O <sub>2</sub>	O <sub>2</sub>
GND	GND	GND	GND



27C16 2716	27C64 2764	27C128 27128	27C256 27256
	V <sub>CC</sub>	V <sub>CC</sub>	V <sub>CC</sub>
	PGM	PGM	A14
V <sub>CC</sub>	NC	A13	A13
A8	A8	A8	A8
A9	A9	A9	A9
V <sub>PP</sub>	A11	A11	A11
OE	OE	OE	OE
A10	A10	A10	A10
CE	CE	CE	CE
O <sub>7</sub>	O <sub>7</sub>	O <sub>7</sub>	O <sub>7</sub>
O <sub>6</sub>	O <sub>6</sub>	O <sub>6</sub>	O <sub>6</sub>
O <sub>5</sub>	O <sub>5</sub>	O <sub>5</sub>	O <sub>5</sub>
O <sub>4</sub>	O <sub>4</sub>	O <sub>4</sub>	O <sub>4</sub>
O <sub>3</sub>	O <sub>3</sub>	O <sub>3</sub>	O <sub>3</sub>

TL/D/8827-2

Note: Socket compatible EPROM pin configurations are shown in the blocks adjacent to the NMC27C32B pins.

**Order Number NMC27C32BQ**  
See NS Package Number J24AQ

**Commercial Temp Range (0°C to +70°C) V<sub>CC</sub> = 5V ± 5%**

Parameter/Order Number	Access Time (ns)
NMC27C32BQ15	150

**Commercial Temp Range (0°C to +70°C) V<sub>CC</sub> = 5V ± 10%**

Parameter/Order Number	Access Time (ns)
NMC27C32BQ150	150
NMC27C32BQ200	200
NMC27C32BQ250	250

**Extended Temp Range (-40°C to +85°C) V<sub>CC</sub> = 5V ± 10%**

Parameter/Order Number	Access Time (ns)
NMC27C32BQE200	200
NMC27C32BQE250	250

## COMMERCIAL TEMPERATURE RANGE

### Absolute Maximum Ratings (Note 1)

If Military/Aerospace specified devices are required, please contact the National Semiconductor Sales Office/Distributors for availability and specifications.

Temperature Under Bias	-10°C to +80°C
Extended Temp Parts	Operating Temp
Storage Temperature	-65°C to +150°C
V <sub>CC</sub> Supply Voltage with Respect to Ground	+7.0V to -0.6V
All Input Voltages except A9 and $\overline{OE}/V_{PP}$ with Respect to Ground (Note 9)	+6.5V to -0.6V
All Output Voltages with Respect to Ground (Note 9)	V <sub>CC</sub> + 1.0V to GND - 0.6V

$\overline{OE}$ V <sub>PP</sub> Supply and A9 Voltage with Respect to Ground	+14.0V to -0.6V
Power Dissipation	1.0W
Lead Temperature (Soldering, 10 sec.)	300°C
ESD Rating (Mil Spec 883C, Method 3015.2)	2000V

### Operating Conditions (Note 6)

Temperature Range	0°C to +70°C
NMC27C32BQ150, 200, 250	-40°C to +85°C
NMC27C32BQE200, 250	
V <sub>CC</sub> Power Supply except NMC27C32BQ15	+5V ±10%
	+5V ±5%

## READ OPERATION

### DC Electrical Characteristics

Symbol	Parameter	Conditions	Min	Typ	Max	Units
I <sub>LI</sub>	Input Load Current	V <sub>IN</sub> = V <sub>CC</sub> or GND		0.01	1	μA
I <sub>PP</sub>	$\overline{OE}/V_{PP}$ Load Current	$\overline{OE}/V_{PP}$ = V <sub>CC</sub> or GND			10	μA
I <sub>LO</sub>	Output Leakage Current	V <sub>OUT</sub> = V <sub>CC</sub> or GND, $\overline{CE}$ = V <sub>IH</sub>		0.01	1	μA
I <sub>CC1</sub>	V <sub>CC</sub> Current (Active) TTL Inputs	$\overline{CE}$ = V <sub>IL</sub> , f = 1 MHz Inputs = V <sub>IH</sub> or V <sub>IL</sub> , I/O = 0 mA		8	20	mA
I <sub>CC2</sub>	V <sub>CC</sub> Current (Active) CMOS Inputs	$\overline{CE}$ = GND, f = 1 MHz Inputs = V <sub>CC</sub> or GND, I/O = 0 mA		3	10	mA
I <sub>CCSB1</sub>	V <sub>CC</sub> Current (Standby) TTL Inputs	$\overline{CE}$ = V <sub>IH</sub>		0.1	1	mA
I <sub>CCSB2</sub>	V <sub>CC</sub> Current (Standby) CMOS Inputs	$\overline{CE}$ = V <sub>CC</sub>		0.5	100	μA
V <sub>IL</sub>	Input Low Voltage		-0.2		0.8	V
V <sub>IH</sub>	Input High Voltage		2.0		V <sub>CC</sub> + 1	V
V <sub>OL1</sub>	Output Low Voltage	I <sub>OL</sub> = 2.1 mA			0.45	V
V <sub>OH1</sub>	Output High Voltage	I <sub>OH</sub> = -400 μA	2.4			V
V <sub>OL2</sub>	Output Low Voltage	I <sub>OL</sub> = 10 μA			0.1	V
V <sub>OH2</sub>	Output High Voltage	I <sub>OH</sub> = -10 μA	V <sub>CC</sub> - 0.1			V

### AC Electrical Characteristics

Symbol	Parameter	Conditions	NMC27C32B						Units
			Q15, Q150		Q200, QE200		Q250, QE250		
			Min	Max	Min	Max	Min	Max	
t <sub>ACC</sub>	Address to Output Delay	$\overline{CE}$ = $\overline{OE}$ = V <sub>IL</sub>		150		200		250	ns
t <sub>CE</sub>	$\overline{CE}$ to Output Delay	$\overline{OE}$ = V <sub>IL</sub>		150		200		250	ns
t <sub>OE</sub>	$\overline{OE}$ to Output Delay	$\overline{CE}$ = V <sub>IL</sub>		60		60		70	ns
t <sub>DF</sub>	$\overline{OE}$ High to Output Float	$\overline{CE}$ = V <sub>IL</sub>	0	50	0	60	0	60	ns
t <sub>CF</sub>	$\overline{CE}$ High to Output Float	$\overline{OE}$ = V <sub>IL</sub>	0	50	0	60	0	60	ns
t <sub>OH</sub>	Output Hold from Addresses, $\overline{CE}$ or $\overline{OE}$ , Whichever Occurred First	$\overline{CE}$ = $\overline{OE}$ = V <sub>IL</sub>	0		0		0		ns

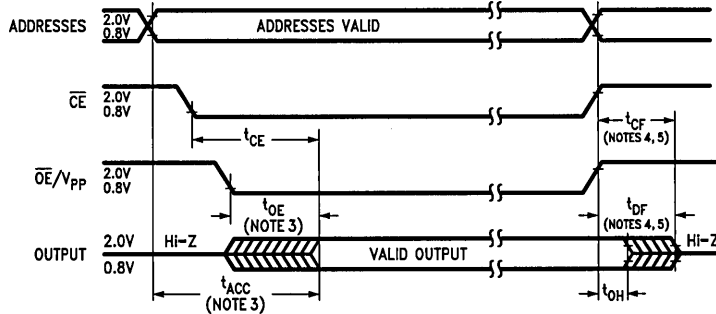
## Capacitance $T_A = +25^\circ\text{C}$ , $f = 1\text{ MHz}$ (Note 2)

Symbol	Parameter	Conditions	Typ	Max	Units
$C_{IN1}$	Input Capacitance except $\overline{OE}/V_{PP}$	$V_{IN} = 0\text{V}$	6	8	pF
$C_{IN2}$	$\overline{OE}/V_{PP}$ Input Capacitance	$V_{IN} = 0\text{V}$	25	28	pF
$C_{OUT}$	Output Capacitance	$V_{OUT} = 0\text{V}$	9	12	pF

## AC Test Conditions

Output Load	1 TTL Gate and $C_L = 100\text{ pF}$ (Note 8)	Timing Measurement Reference Level	
Input Rise and Fall Times	$\leq 5\text{ ns}$	Inputs	0.8V and 2V
Input Pulse Levels	0.45V to 2.4V	Outputs	0.8V and 2V

## AC Waveforms (Note 7)



TL/D/8827-3

**Note 1:** Stresses above those listed under "Absolute Maximum Ratings" may cause permanent damage to the device. This is a stress rating only and functional operation of the device at these or any other conditions above those indicated in the operational sections of this specification is not implied. Exposure to absolute maximum rating conditions for extended periods may affect device reliability.

**Note 2:** This parameter is only sampled and is not 100% tested.

**Note 3:**  $\overline{OE}$  may be delayed up to  $t_{ACC} - t_{OE}$  after the falling edge of  $\overline{CE}$  without impacting  $t_{ACC}$ .

**Note 4:** The  $t_{DF}$  and  $t_{CF}$  compare level is determined as follows:

- High to TRI-STATE, the measured  $V_{OH1}$  (DC) - 0.10V;
- Low to TRI-STATE, the measured  $V_{OL1}$  (DC) + 0.10V.

**Note 5:** TRI-STATE may be attained using  $\overline{OE}$  or  $\overline{CE}$ .

**Note 6:** The power switching characteristics of EPROMs require careful device decoupling. It is recommended that at least a 0.1  $\mu\text{F}$  ceramic capacitor be used on every device between  $V_{CC}$  and GND.

**Note 7:** The outputs must be restricted to  $V_{CC} + 1.0\text{V}$  to avoid latch-up and device damage.

**Note 8:** 1 TTL Gate:  $I_{OL} = 1.6\text{ mA}$ ,  $I_{OH} = -400\ \mu\text{A}$ .

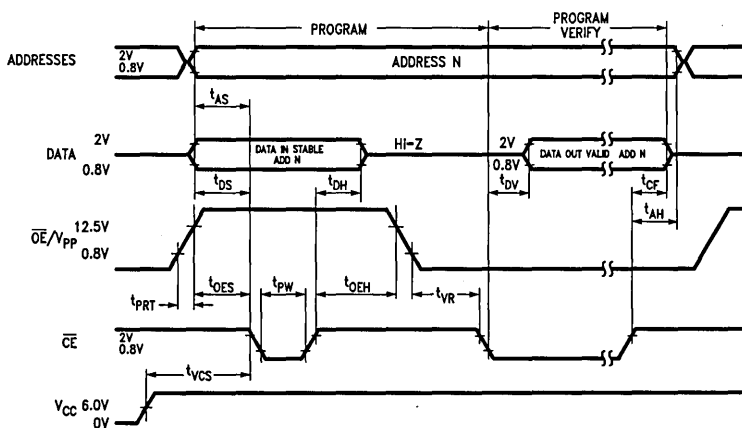
$C_L$ : 100 pF includes fixture capacitance.

**Note 9:** Inputs and outputs can undershoot to  $-2.0\text{V}$  for 20 ns Max, except for  $\overline{OE}/V_{PP}$  which cannot exceed  $-0.2\text{V}$ .

## Programming Characteristics (Notes 1, 2, 3 & 4)

Symbol	Parameter	Conditions	Min	Typ	Max	Units
$t_{AS}$	Address Setup Time		1			$\mu\text{s}$
$t_{OES}$	$\overline{OE}$ Setup Time		1			$\mu\text{s}$
$t_{DS}$	Data Setup Time		1			$\mu\text{s}$
$t_{VCS}$	$V_{CC}$ Setup Time		1			$\mu\text{s}$
$t_{AH}$	Address Hold Time		0			$\mu\text{s}$
$t_{DH}$	Data Hold Time		1			$\mu\text{s}$
$t_{CF}$	Chip Enable to Output Float Delay	$\overline{OE} = V_{IL}$	0		60	ns
$t_{PW}$	Program Pulse Width		95	100	105	$\mu\text{s}$
$t_{OEH}$	$\overline{OE}$ Hold Time		1			ns
$t_{DV}$	Data Valid from $\overline{CE}$	$\overline{OE} = V_{IL}$			250	ns
$t_{PRT}$	$\overline{OE}$ Pulse Rise Time During Programming		50			ns
$t_{VR}$	$V_{PP}$ Recovery Time		1			$\mu\text{s}$
$I_{PP}$	$V_{PP}$ Supply Current During Programming Pulse	$\overline{CE} = V_{IL}$ , $\overline{OE} = V_{PP}$			30	mA
$I_{CC}$	$V_{CC}$ Supply Current				10	mA
$T_A$	Temperature Ambient		20	25	30	$^{\circ}\text{C}$
$V_{CC}$	Power Supply Voltage		6.0	6.25	6.5	V
$V_{PP}$	Programming Supply Voltage		12.5	12.75	13.0	V
$t_{FR}$	Input Rise, Fall Time		5			ns
$V_{IL}$	Input Low Voltage			0.0	0.45	V
$V_{IH}$	Input High Voltage		2.4	4.0		V
$t_{IN}$	Input Timing Reference Voltage		0.8	1.5	2.0	V
$t_{OUT}$	Output Timing Reference Voltage		0.8	1.5	2.0	V

## Programming Waveforms



TL/D/8827-4

**Note 1:** National's standard product warranty applies only to devices programmed to specifications described herein.

**Note 2:**  $V_{CC}$  must be applied simultaneously or before  $V_{PP}$  and removed simultaneously or after  $V_{PP}$ . The EPROM must not be inserted into or removed from a board with voltage applied to  $V_{PP}$  or  $V_{CC}$ .

**Note 3:** The maximum absolute allowable voltage which may be applied to the  $V_{PP}$  pin during programming is 14V. Care must be taken when switching the  $V_{PP}$  supply to prevent any overshoot from exceeding this 14V maximum specification. At least a 0.1  $\mu\text{F}$  capacitor is required across  $V_{CC}$  to GND to suppress spurious voltage transients which may damage the device.

**Note 4:** Programming and program verify are tested with the fast Program Algorithm, at typical power supply voltages and timings.

# Fast Programming Algorithm Flow Chart (Note 4)

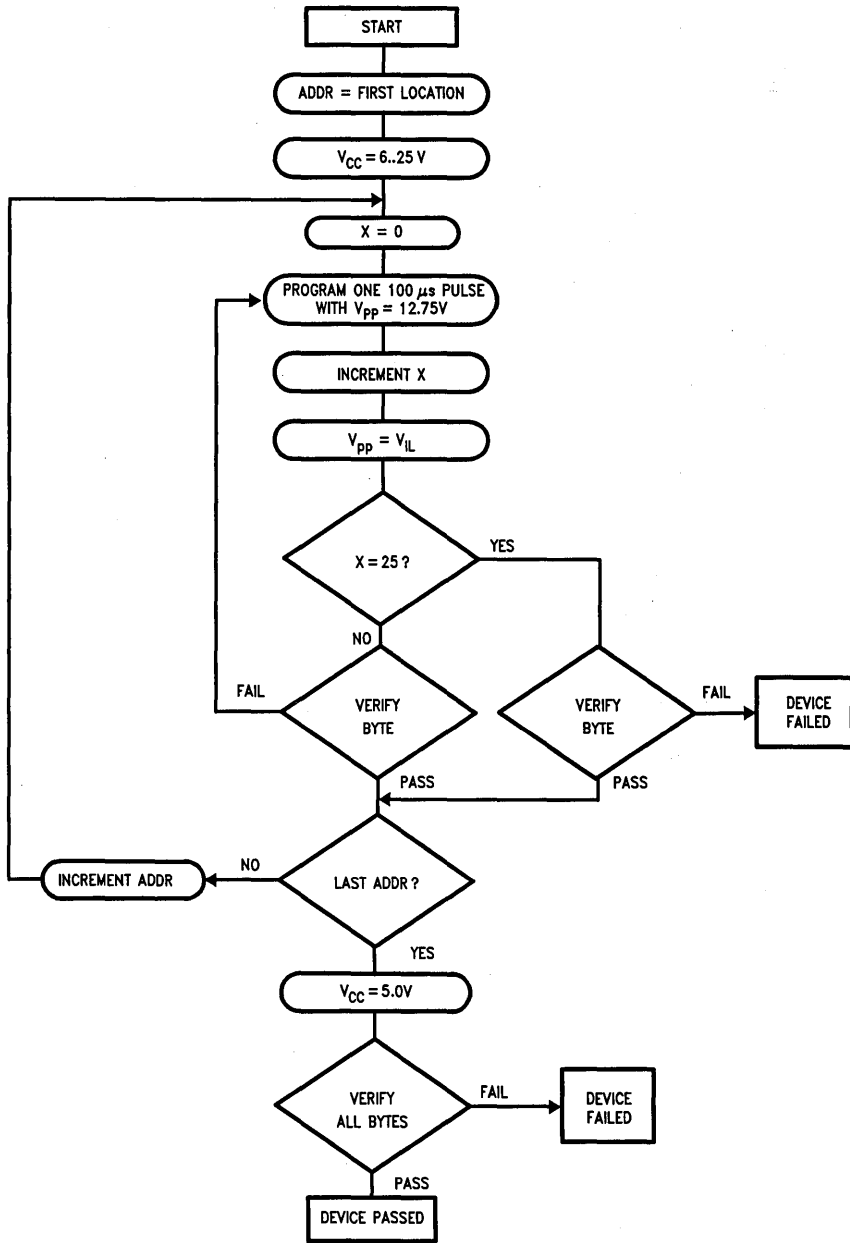


FIGURE 1

Interactive Programming Algorithm Flow Chart (Note 4)

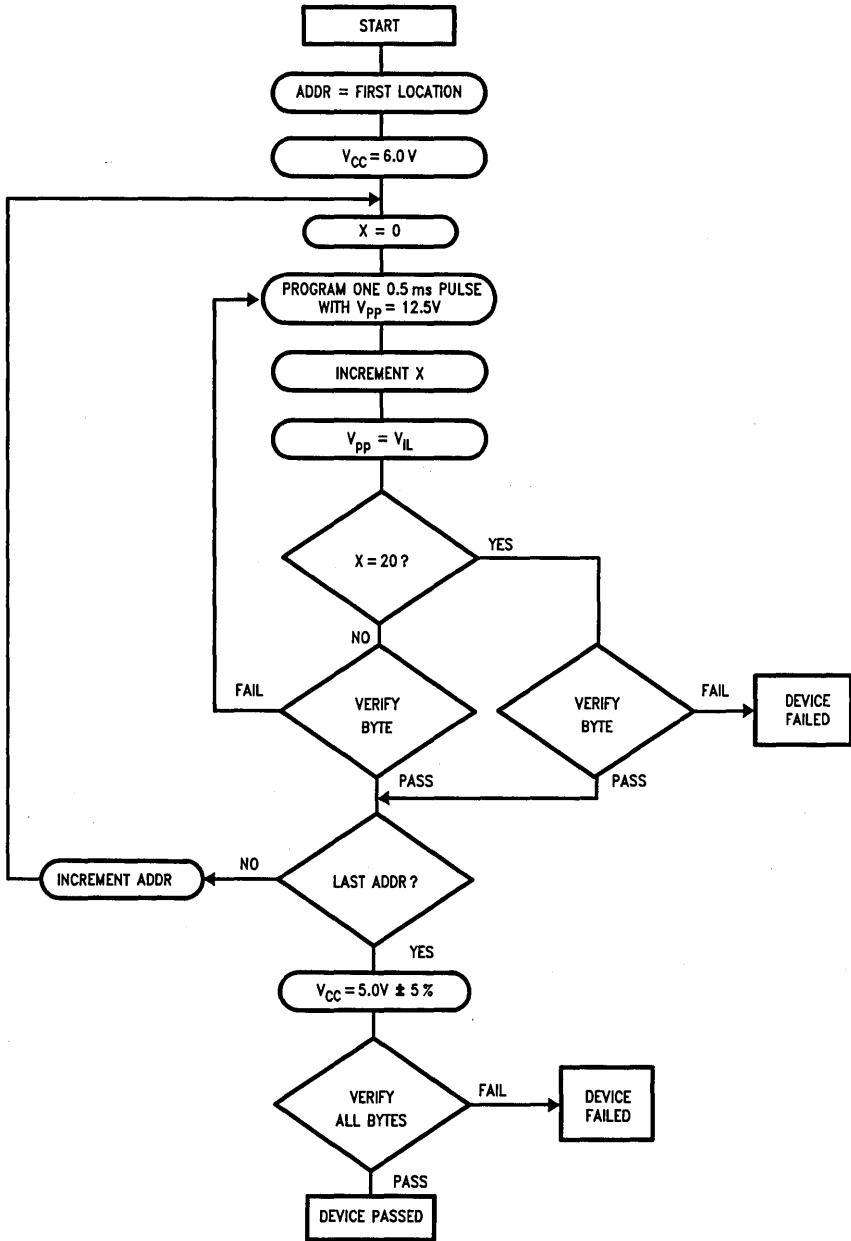


FIGURE 2

TL/D/8827-6

## Functional Description

### DEVICE OPERATION

The six modes of operation of the NMC27C32B are listed in Table I. A single 5V power supply is required in the read mode. All inputs are TTL levels except for  $\overline{OE}/V_{PP}$  during programming. In the program mode the  $\overline{OE}/V_{PP}$  input is pulsed from a TTL low level to 12.75V.

#### Read Mode

The NMC27C32B has two control functions, both of which must be logically active in order to obtain data at the outputs. Chip Enable ( $\overline{CE}$ ) is the power control and should be used for device selection. Output Enable ( $\overline{OE}$ ) is the output control and should be used to gate data to the output pins, independent of device selection. Assuming that addresses are stable, address access time ( $t_{ACC}$ ) is equal to the delay from  $\overline{CE}$  to output ( $t_{CE}$ ). Data is available at the outputs  $t_{OE}$  after the falling edge of  $\overline{OE}$ , assuming that  $\overline{CE}$  has been low and addresses have been stable for at least  $t_{ACC}-t_{OE}$ .

The sense amps are clocked for fast access time.  $V_{CC}$  should therefore be maintained at operating voltage during read and verify. If  $V_{CC}$  temporarily drops below the spec. voltage (but not to ground) an address transition must be performed after the drop to ensure proper output data.

#### Standby Mode

The NMC27C32B has a standby mode which reduces the active power dissipation by 99%, from 55 mW to 0.55 mW. The NMC27C32B is placed in the standby mode by applying a CMOS high signal to the  $\overline{CE}$  input. When in standby mode, the outputs are in a high impedance state, independent of the  $\overline{OE}$  input.

#### Output OR-Tying

Because EPROMs are usually used in larger memory arrays, National has provided a 2-line control function that accommodates this use of multiple memory connection. The 2-line control function allows for:

- The lowest possible memory power dissipation, and
- complete assurance that output bus contention will not occur.

To most efficiently use these two control lines, it is recommended that  $\overline{CE}$  (pin 18) be decoded and used as the primary device selecting function, while  $\overline{OE}$  (pin 20) be made a

common connection to all devices in the array and connected to the READ line from the system control bus. This assures that all deselected memory devices are in their low power standby modes and that the output pins are active only when data is desired from a particular memory device.

#### Programming

CAUTION: Exceeding 14V on pin 20  $\overline{OE}/V_{PP}$  will damage the NMC27C32B.

Initially, and after each erasure, all bits of the NMC27C32B are in the "1" state. Data is introduced by selectively programming "0s" into the desired bit locations. Although only "0s" will be programmed, both "1s" and "0s" can be presented in the data word. The only way to change a "0" to a "1" is by ultraviolet light erasure.

The NMC27C32B is in the programming mode when  $\overline{OE}/V_{PP}$  is at 12.75V. It is required that at least a 0.1  $\mu$ F capacitor be placed across  $V_{CC}$  and ground to suppress spurious voltage transients which may damage the device. The data to be programmed is applied 8 bits in parallel to the data output pins. The levels required for the address and data inputs are TTL.

When the address and data are stable, an active low, TTL program pulse is applied to the  $\overline{CE}$  input. A program pulse must be applied at each address location to be programmed. The NMC27C32B is programmed with the Fast Programming Algorithm shown in Figure 1. Each Address is programmed with a series of 100  $\mu$ s pulses until it verifies good, up to a maximum of 25 pulses. Most memory cells will Program with a single 100  $\mu$ s pulse.

Note: Some programmer manufactures due to equipment limitation may offer interactive program Algorithm (Shown in Figure 2).

The NMC27C32B must not be programmed with a DC signal applied to the  $\overline{CE}$  input.

Programming multiple NMC27C32Bs in parallel with the same data can be easily accomplished due to the simplicity of the programming requirements. Like inputs of the paralleled NMC27C32B may be connected together when they are programmed with the same data. A low level TTL pulse applied to the  $\overline{CE}$  input programs the paralleled NMC27C32B.

TABLE I. Mode Selection

Pins	$\overline{CE}$ (18)	$\overline{OE}/V_{PP}$ (20)	$V_{CC}$ (24)	Outputs (9-11, 13-17)
Read	$V_{IL}$	$V_{IL}$	5V	$D_{OUT}$
Standby	$V_{IH}$	Don't Care	5V	Hi-Z
Program	$V_{IL}$	12.75V	6.25V	$D_{IN}$
Program Verify	$V_{IL}$	$V_{IL}$	6.25V	$D_{OUT}$
Program Inhibit	$V_{IH}$	12.75V	6.25V	Hi-Z
Output Disable	Don't Care	$V_{IH}$	5V	Hi-Z



## Functional Description (Continued)

### Program Inhibit

Programming multiple NMC27C32B in parallel with different data is also easily accomplished. Except for  $\overline{CE}$  all like inputs (including  $\overline{OE}$ ) of the parallel NMC27C32B may be common. A TTL low level program pulse applied to an NMC27C32B's  $\overline{CE}$  input with  $\overline{OE}/V_{PP}$  at 12.75V will program that NMC27C32B. A TTL high level  $\overline{CE}$  input inhibits the other NMC27C32B from being programmed.

### Program Verify

A verify should be performed on the programmed bit to determine whether they were correctly programmed. The verify is accomplished with  $\overline{OE}/V_{PP}$  and  $\overline{CE}$  at  $V_{IL}$ . Data should be verified  $t_{DV}$  after the falling edge of  $\overline{CE}$ .

### MANUFACTURER'S IDENTIFICATION CODE

The NMC27C32B has a manufacturer's identification code to aid in programming. The code, shown in Table II, is two bytes wide and is stored in a ROM configuration on the chip. It identifies the manufacturer and the device type. The code for the NMC27C32B is, "8F01", where "8F" designates that it is made by National Semiconductor, and "01" designates a 32k part.

The code is accessed by applying 12.0V  $\pm$  0.5V to address pin A9. Addresses A1–A8, A10–A11,  $\overline{CE}$ , and  $\overline{OE}$  are held at  $V_{IL}$ . Address A0 is held at  $V_{IL}$  for the manufacturer's code, and at  $V_{IH}$  for the device code. The code is read out on the 8 data pins. Proper code access is only guaranteed at 25°C  $\pm$  5°C.

The primary purpose of the manufacturer's identification code is automatic programming control. When the device is inserted in an EPROM programmer socket, the programmer reads the code and then automatically calls up the specific programming algorithm for the part. This automatic programming control is only possible with programmers which have the capability of reading the code.

### ERASURE CHARACTERISTICS

The erasure characteristics of the NMC27C32B are such that erasure begins to occur when exposed to light with wavelengths shorter than approximately 4000 Angstroms ( $\text{\AA}$ ). It should be noted that sunlight and certain types of fluorescent lamps have wavelengths in the 3000 $\text{\AA}$ –4000 $\text{\AA}$  range. After programming, opaque labels should be placed over the NMC27C32B's window to prevent unintentional

erasure. Covering the window will also prevent temporary functional failure due to the generation of photo currents.

The recommended erasure procedure for the NMC27C32B is exposure to short wave ultraviolet light which has a wavelength of 2537 $\text{\AA}$ . The integrated dose (i.e., UV intensity  $\times$  exposure time) for erasure should be a minimum of 15 W-sec/cm<sup>2</sup>.

The NMC27C32B should be placed within 1 inch of the lamp tubes during erasure. Some lamps have a filter on their tubes which should be removed before erasure. Table III shows the minimum NMC27C32B erasure time for various light intensities.

An erasure system should be calibrated periodically. The distance from lamp to unit should be maintained at one inch. The erasure time increases as the square of the distance. (If distance is doubled the erasure time increases by a factor of 4.) Lamps lose intensity as they age. When a lamp is changed, the distance has changed or the lamp has aged, the system should be checked to make certain full erasure is occurring. Incomplete erasure will cause symptoms that can be misleading. Programmers, components, and even system designs have been erroneously suspected when incomplete erasure was the problem.

### SYSTEM CONSIDERATION

The power switching characteristics of EPROMs require careful decoupling of the devices. The supply current,  $I_{CC}$ , has three segments that are of interest to the system designer—the standby current level, the active current level, and the transient current peaks that are produced by voltage transitions on input pins. The magnitude of these transient current peaks is dependent on the output capacitance loading of the device. The associated  $V_{CC}$  transient voltage peaks can be suppressed by properly selected decoupling capacitors. It is recommended that at least a 0.1  $\mu$ F ceramic capacitor be used on every device between  $V_{CC}$  and GND. This should be a high frequency capacitor of low inherent inductance. In addition, at least a 4.7  $\mu$ F bulk electrolytic capacitor should be used between  $V_{CC}$  and GND for each eight devices. The bulk capacitor should be located near where the power supply is connected to the array. The purpose of the bulk capacitor is to overcome the voltage drop caused by the inductive effects of the PC board traces.

TABLE II. Manufacturer's Identification Code

Pins	A0 (8)	O <sub>7</sub> (17)	O <sub>6</sub> (16)	O <sub>5</sub> (15)	O <sub>4</sub> (14)	O <sub>3</sub> (13)	O <sub>2</sub> (11)	O <sub>1</sub> (10)	O <sub>0</sub> (9)	Hex Data
Manufacturer Code	$V_{IL}$	1	0	0	0	1	1	1	1	8F
Device Code	$V_{IH}$	0	0	0	0	0	0	0	1	01

TABLE III. Minimum NMC27C32B Erasure Time

Light Intensity ( $\mu$ W/cm <sup>2</sup> )	Erasure Time (Minutes)
15,000	20
10,000	25
5,000	50



# NMC27C64 65,536-Bit (8k x 8) UV Erasable CMOS PROM

## General Description

The NMC27C64 is a high-speed 64k UV erasable and electrically reprogrammable CMOS EPROM, ideally suited for applications where fast turnaround, pattern experimentation and low power consumption are important requirements.

The NMC27C64 is designed to operate with a single +5V power supply with  $\pm 5\%$  or  $\pm 10\%$  tolerance. The CMOS design allows the part to operate over extended and military temperature ranges.

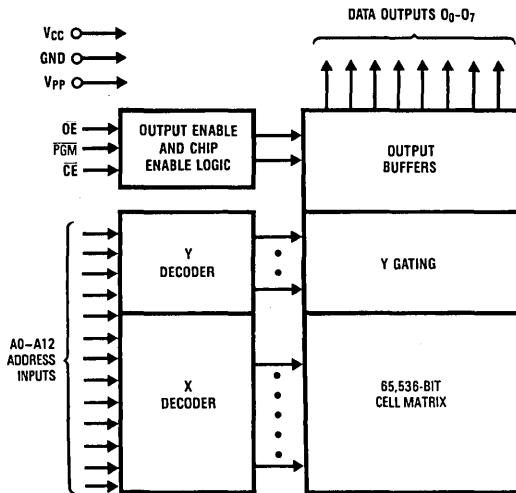
The NMC27C64 is packaged in a 28-pin dual-in-line package with transparent lid. The transparent lid allows the user to expose the chip to ultraviolet light to erase the bit pattern. A new pattern can then be written electrically into the device by following the programming procedure.

This EPROM is fabricated with National's proprietary, time proven CMOS double-poly silicon gate technology which combines high performance and high density with low power consumption and excellent reliability.

## Features

- Clocked sense amps for fast access time down to 150 ns
- Low CMOS power consumption
  - Active Power: 55 mW max
  - Standby Power: 0.55 mW max
- Performance compatible to NSC800™ CMOS microprocessor
- Single 5V power supply
- Extended temperature range (NMC27C64QE),  $-40^{\circ}\text{C}$  to  $+85^{\circ}\text{C}$ , and military temperature range (NMC27C64QM),  $-55^{\circ}\text{C}$  to  $+125^{\circ}\text{C}$ , available
- Pin compatible with NMOS 64k EPROMs
- Fast and reliable programming
- Static operation—no clocks required
- TTL, CMOS compatible inputs/outputs
- TRI-STATE® output
- Optimum EPROM for total CMOS systems
- Manufacturer's identification code for automatic programming control

## Block Diagram

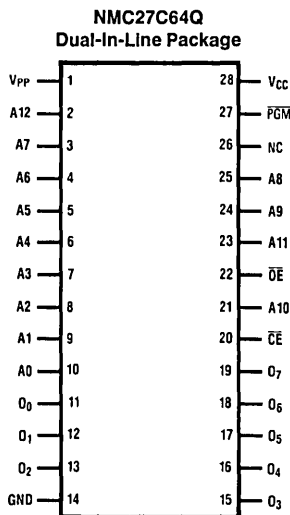


Pin Names	
A0-A12	Addresses
CE	Chip Enable
OE	Output Enable
O0-O7	Outputs
PGM	Program
NC	No Connect

TL/D/8634-1

## Connection Diagram

27C512	27C256	27C128	27C32	27C16
27512	27256	27128	2732	2716
A15	V <sub>PP</sub>	V <sub>PP</sub>		
A12	A12	A12		
A7	A7	A7	A7	A7
A6	A6	A6	A6	A6
A5	A5	A5	A5	A5
A4	A4	A4	A4	A4
A3	A3	A3	A3	A3
A2	A2	A2	A2	A2
A1	A1	A1	A1	A1
A0	A0	A0	A0	A0
O <sub>0</sub>	O <sub>0</sub>	O <sub>0</sub>	O <sub>0</sub>	O <sub>0</sub>
O <sub>1</sub>	O <sub>1</sub>	O <sub>1</sub>	O <sub>1</sub>	O <sub>1</sub>
O <sub>2</sub>	O <sub>2</sub>	O <sub>2</sub>	O <sub>2</sub>	O <sub>2</sub>
GND	GND	GND	GND	GND



27C16	27C32	27C128	27C256	27C512
2716	2732	27128	27256	27512
		V <sub>CC</sub>	V <sub>CC</sub>	V <sub>CC</sub>
		PGM	A14	A14
V <sub>CC</sub>	V <sub>CC</sub>	A13	A13	A13
A8	A8	A8	A8	A8
A9	A9	A9	A9	A9
V <sub>PP</sub>	A11	A11	A11	A11
OE	OE/V <sub>PP</sub>	OE	OE	OE/V <sub>PP</sub>
A10	A10	A10	A10	A10
CE/PGM	CE	CE	CE/PGM	CE
O <sub>7</sub>	O <sub>7</sub>	O <sub>7</sub>	O <sub>7</sub>	O <sub>7</sub>
O <sub>6</sub>	O <sub>6</sub>	O <sub>6</sub>	O <sub>6</sub>	O <sub>6</sub>
O <sub>5</sub>	O <sub>5</sub>	O <sub>5</sub>	O <sub>5</sub>	O <sub>5</sub>
O <sub>4</sub>	O <sub>4</sub>	O <sub>4</sub>	O <sub>4</sub>	O <sub>4</sub>
O <sub>3</sub>	O <sub>3</sub>	O <sub>3</sub>	O <sub>3</sub>	O <sub>3</sub>

TL/D/8634-2

Note: Socket compatible EPROM pin configurations are shown in the blocks adjacent to the NMC27C64 pins.

**Order Number NMC27C64Q**  
See NS Package Number J28AQ

**Commercial Temp Range (0°C to +70°C)**  
V<sub>CC</sub> = 5V ± 5%

Parameter/Order Number	Access Time (ns)
NMC27C64Q15	150

V<sub>CC</sub> = 5V ± 10%

Parameter/Order Number	Access Time (ns)
NMC27C64Q150	150
NMC27C64Q200	200
NMC27C64Q250	250
NMC27C64Q300	300

**Extended Temp Range (-40°C to +85°C)**  
V<sub>CC</sub> = 5V ± 10%

Parameter/Order Number	Access Time (ns)
NMC27C64QE150	150
NMC27C64QE200	200

**Military Temp Range (-55°C to +125°C)**  
V<sub>CC</sub> = 5V ± 10%

Parameter/Order Number	Access Time (ns)
NMC27C64QM200	200
NMC27C64QM250	250

**NOTE:** For plastic DIP requirements please refer to NMC27C64N data sheet.

### Absolute Maximum Ratings (Note 1)

If Military/Aerospace specified devices are required, please contact the National Semiconductor Sales Office/Distributors for availability and specifications.

Temperature Under Bias	
Commercial	-10°C to +80°C
Military and Extended	Operating Temp. Range
Storage Temperature	-65°C to +150°C
All Input Voltages except A9 with Respect to Ground (Note 10)	+6.5V to -0.6V
All Output Voltages with Respect to Ground (Note 10)	$V_{CC} + 1.0V$ to $GND - 0.6V$
$V_{PP}$ Supply Voltage and A9 with Respect to Ground During Programming	+14.0V to -0.6V

$V_{CC}$ Supply Voltage with Respect to Ground	+7.0V to -0.6V
Power Dissipation	1.0W
Lead Temperature (Soldering, 10 sec.)	300°C
ESD Rating (Mil Spec 883C, Method 3015.2)	2000V

### Operating Conditions (Note 7)

Temperature Range	
NMC27C64Q15, Q150, 200, 250	0°C to +70°C
NMC27C64QE150, 200	-40°C to +85°C
NMC27C64QM200, M250	-55°C to +125°C
$V_{CC}$ Power Supply	+5V ±10%
except NMC27C64Q15	+5V ±5%

## READ OPERATION

### DC Electrical Characteristics

Symbol	Parameter	Conditions	Min	Typ	Max	Units
$I_{LI}$	Input Load Current	$V_{IN} = V_{CC}$ or GND			10	$\mu A$
$I_{LO}$	Output Leakage Current	$V_{OUT} = V_{CC}$ or GND, $\overline{CE} = V_{IH}$			10	$\mu A$
$I_{CC1}$ (Note 9)	$V_{CC}$ Current (Active) TTL Inputs	$\overline{CE} = V_{IL}$ , $f = 5$ MHz Inputs = $V_{IH}$ or $V_{IL}$ , I/O = 0 mA		5	20	mA
$I_{CC2}$ (Note 9)	$V_{CC}$ Current (Active) CMOS Inputs	$\overline{CE} = GND$ , $f = 5$ MHz Inputs = $V_{CC}$ or GND, I/O = 0 mA		3	10	mA
$I_{CCSB1}$	$V_{CC}$ Current (Standby) TTL Inputs	$\overline{CE} = V_{IH}$		0.1	1	mA
$I_{CCSB2}$	$V_{CC}$ Current (Standby) CMOS Inputs	$\overline{CE} = V_{CC}$		0.5	100	$\mu A$
$I_{PP}$	$V_{PP}$ Load Current	$V_{PP} = V_{CC}$			10	$\mu A$
$V_{IL}$	Input Low Voltage		-0.1		0.8	V
$V_{IH}$	Input High Voltage		2.0		$V_{CC} + 1$	V
$V_{OL1}$	Output Low Voltage	$I_{OL} = 2.1$ mA			0.45	V
$V_{OH1}$	Output High Voltage	$I_{OH} = -400$ $\mu A$	2.4			V
$V_{OL2}$	Output Low Voltage	$I_{OL} = 0$ $\mu A$			0.1	V
$V_{OH2}$	Output High Voltage	$I_{OH} = 0$ $\mu A$	$V_{CC} - 0.1$			V

### AC Electrical Characteristics

Symbol	Parameter	Conditions	NMC27C64Q						Units
			15, 150, E150		200, E200, M200		250, M250		
			Min	Max	Min	Max	Min	Max	
$t_{ACC}$	Address to Output Delay	$\overline{CE} = \overline{OE} = V_{IL}$ $\overline{PGM} = V_{IH}$		150		200		250	ns
$t_{CE}$	$\overline{CE}$ to Output Delay	$\overline{OE} = V_{IL}$ , $\overline{PGM} = V_{IH}$		150		200		250	ns
$t_{OE}$	$\overline{OE}$ to Output Delay	$\overline{CE} = V_{IL}$ , $\overline{PGM} = V_{IH}$		60		60		70	ns
$t_{DF}$	$\overline{OE}$ High to Output Float	$\overline{CE} = V_{IL}$ , $\overline{PGM} = V_{IH}$	0	60	0	60	0	60	ns
$t_{CF}$	$\overline{CE}$ High to Output Float	$\overline{OE} = V_{IL}$ , $\overline{PGM} = V_{IH}$	0	60	0	60	0	60	ns
$t_{OH}$	Output Hold from Addresses, $\overline{CE}$ or $\overline{OE}$ , Whichever Occurred First	$\overline{CE} = \overline{OE} = V_{IL}$ $\overline{PGM} = V_{IH}$	0		0		0		ns

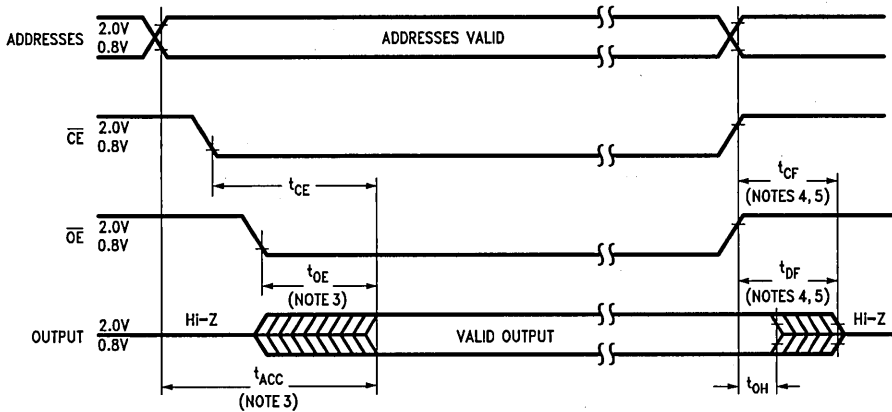
**Capacitance**  $T_A = +25^\circ\text{C}$ ,  $f = 1\text{ MHz}$  (Note 2)

Symbol	Parameter	Conditions	Typ	Max	Units
$C_{IN}$	Input Capacitance	$V_{IN} = 0\text{V}$	6	8	pF
$C_{OUT}$	Output Capacitance	$V_{OUT} = 0\text{V}$	9	12	pF

**AC Test Conditions**

Output Load	1 TTL Gate and $C_L = 100\text{ pF}$ (Note 8)	Timing Measurement Reference Level	0.8V and 2V
Input Rise and Fall Times	$\leq 5\text{ ns}$	Inputs	0.8V and 2V
Input Pulse Levels	0.45V to 2.4V	Outputs	0.8V and 2V

**AC Waveforms** (Notes 6 & 9)



TL/D/8634-3

**Note 1:** Stresses above those listed under "Absolute Maximum Ratings" may cause permanent damage to the device. This is a stress rating only and functional operation of the device at these or any other conditions above those indicated in the operational sections of this specification is not implied. Exposure to absolute maximum rating conditions for extended periods may affect device reliability.

**Note 2:** This parameter is only sampled and is not 100% tested.

**Note 3:**  $\overline{OE}$  may be delayed up to  $t_{ACC} - t_{OE}$  after the falling edge of  $\overline{CE}$  without impacting  $t_{ACC}$ .

**Note 4:** The  $t_{DF}$  and  $t_{CF}$  compare level is determined as follows:

- High to TRI-STATE, the measured  $V_{OH1}$  (DC) - 0.10V;
- Low to TRI-STATE, the measured  $V_{OL1}$  (DC) + 0.10V.

**Note 5:** TRI-STATE may be attained using  $\overline{OE}$  or  $\overline{CE}$ .

**Note 6:** The power switching characteristics of EPROMs require careful device decoupling. It is recommended that at least a 0.1  $\mu\text{F}$  ceramic capacitor be used on every device between  $V_{CC}$  and GND.

**Note 7:** The outputs must be restricted to  $V_{CC} + 1.0\text{V}$  to avoid latch-up and device damage.

**Note 8:** 1 TTL Gate:  $I_{OL} = 1.6\text{ mA}$ ,  $I_{OH} = -400\text{ }\mu\text{A}$ .  
 $C_L$ : 100 pF includes fixture capacitance.

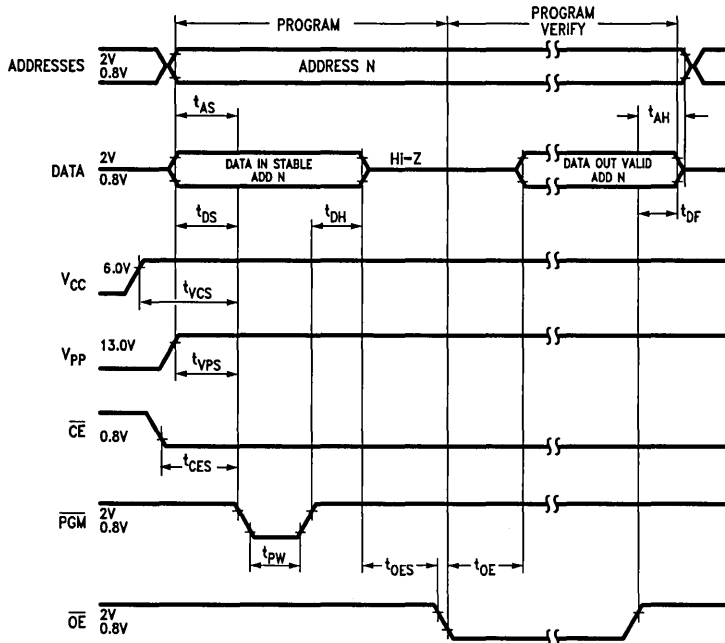
**Note 9:**  $V_{PP}$  may be connected to  $V_{CC}$  except during programming.

**Note 10:** Inputs and outputs can undershoot to  $-2.0\text{V}$  for 20 ns Max.

## Programming Characteristics (Notes 1, 2, 3 & 4)

Symbol	Parameter	Conditions	Min	Typ	Max	Units
$t_{AS}$	Address Setup Time		2			$\mu\text{s}$
$t_{OES}$	$\overline{OE}$ Setup Time		2			$\mu\text{s}$
$t_{CES}$	$\overline{CE}$ Setup Time		2			$\mu\text{s}$
$t_{DS}$	Data Setup Time		2			$\mu\text{s}$
$t_{VPS}$	$V_{PP}$ Setup Time		2			$\mu\text{s}$
$t_{VCS}$	$V_{CC}$ Setup Time		2			$\mu\text{s}$
$t_{AH}$	Address Hold Time		0			$\mu\text{s}$
$t_{DH}$	Data Hold Time		2			$\mu\text{s}$
$t_{DF}$	Output Enable to Output Float Delay	$\overline{CE} = V_{IL}$	0		130	ns
$t_{PW}$	Program Pulse Width		0.45	0.5	0.55	ms
$t_{OE}$	Data Valid from $\overline{OE}$	$\overline{CE} = V_{IL}$			150	ns
$I_{PP}$	$V_{PP}$ Supply Current During Programming Pulse	$\overline{CE} = V_{IL}$ $\overline{PGM} = V_{IL}$			30	mA
$I_{CC}$	$V_{CC}$ Supply Current				10	mA
$T_A$	Temperature Ambient		20	25	30	$^{\circ}\text{C}$
$V_{CC}$	Power Supply Voltage		5.75	6.0	6.25	V
$V_{PP}$	Programming Supply Voltage		12.2	13.0	13.3	V
$t_{FR}$	Input Rise, Fall Time		5			ns
$V_{IL}$	Input Low Voltage			0.0	0.45	V
$V_{IH}$	Input High Voltage		2.4	4.0		V
$t_{IN}$	Input Timing Reference Voltage		0.8	1.5	2.0	V
$t_{OUT}$	Output Timing Reference Voltage		0.8	1.5	2.0	V

### Programming Waveforms (Note 3)



TL/D/8634-6

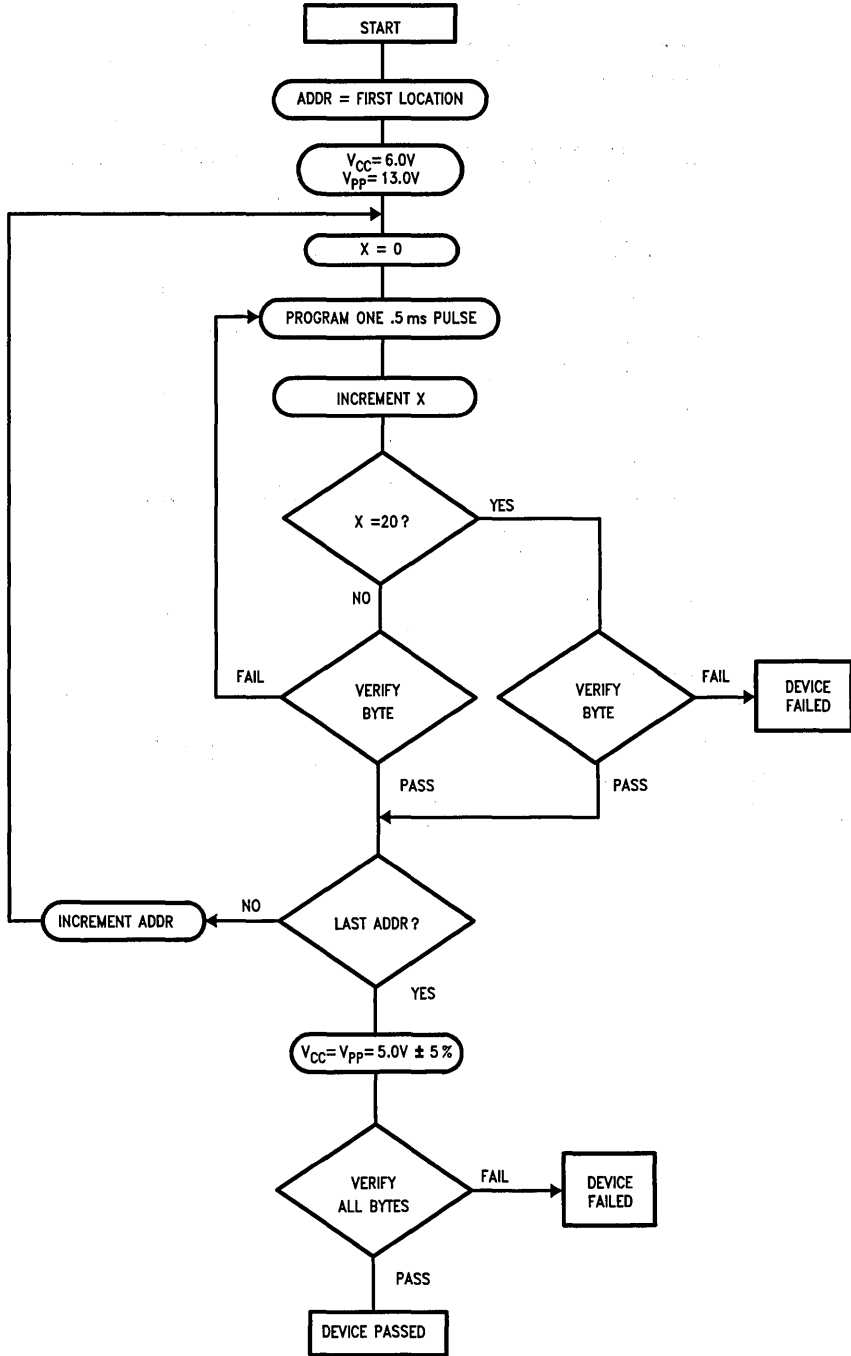
**Note 1:** National's standard product warranty applies to devices programmed to specifications described herein.

**Note 2:** V<sub>CC</sub> must be applied simultaneously or before V<sub>PP</sub> and removed simultaneously or after V<sub>PP</sub>. The EPROM must not be inserted into or removed from a board with voltage applied to V<sub>PP</sub> or V<sub>CC</sub>.

**Note 3:** The maximum absolute allowable voltage which may be applied to the V<sub>PP</sub> pin during programming is 14V. Care must be taken when switching the V<sub>PP</sub> supply to prevent any overshoot from exceeding this 14V maximum specification. At least a 0.1 μF capacitor is required across V<sub>PP</sub>, V<sub>CC</sub> to GND to suppress spurious voltage transients which may damage the device.

**Note 4:** Programming and program verify are tested with the interactive Program Algorithm, at typical power supply voltages and timings.

# Interactive Programming Algorithm Flow Chart





## Functional Description

### DEVICE OPERATION

The six modes of operation of the NMC27C64 are listed in Table I. It should be noted that all inputs for the six modes are at TTL levels. The power supplies required are  $V_{CC}$  and  $V_{PP}$ . The  $V_{PP}$  power supply must be at 13.0V during the three programming modes, and must be at 5V in the other three modes. The  $V_{CC}$  power supply must be at 6V during the three programming modes, and at 5V in the other three modes.

#### Read Mode

The NMC27C64 has two control functions, both of which must be logically active in order to obtain data at the outputs. Chip Enable ( $\overline{CE}$ ) is the power control and should be used for device selection. Output Enable ( $\overline{OE}$ ) is the output control and should be used to gate data to the output pins, independent of device selection. The programming pin ( $\overline{PGM}$ ) should be at  $V_{IH}$  except during programming. Assuming that addresses are stable, address access time ( $t_{ACC}$ ) is equal to the delay from  $\overline{CE}$  to output ( $t_{CE}$ ). Data is available at the outputs  $t_{OE}$  after the falling edge of  $\overline{OE}$ , assuming that  $\overline{CE}$  has been low and addresses have been stable for at least  $t_{ACC}-t_{OE}$ .

The sense amps are clocked for fast access time.  $V_{CC}$  should therefore be maintained at operating voltage during read and verify. If  $V_{CC}$  temporarily drops below the spec. voltage (but not to ground) an address transition must be performed after the drop to insure proper output data.

#### Standby Mode

The NMC27C64 has a standby mode which reduces the active power dissipation by 99%, from 55 mW to 0.55 mW. The NMC27C64 is placed in the standby mode by applying a CMOS high signal to the  $\overline{CE}$  input. When in standby mode, the outputs are in a high impedance state, independent of the  $\overline{OE}$  input.

#### Output OR-Tying

Because NMC27C64s are usually used in larger memory arrays, National has provided a 2-line control function that accommodates this use of multiple memory connections. The 2-line control function allows for:

- the lowest possible memory power dissipation, and
- complete assurance that output bus contention will not occur.

To most efficiently use these two control lines, it is recommended that  $\overline{CE}$  (pin 20) be decoded and used as the primary device selecting function, while  $\overline{OE}$  (pin 22) be made a common connection to all devices in the array and connected to the READ line from the system control bus. This assures that all deselected memory devices are in their low power standby modes and that the output pins are active only when data is desired from a particular memory device.

#### Programming

CAUTION: Exceeding 14V on pin 1 ( $V_{PP}$ ) will damage the NMC27C64.

Initially, all bits of the NMC27C64 are in the "1" state. Data is introduced by selectively programming "0s" into the desired bit locations. Although only "0s" will be programmed, both "1s" and "0s" can be presented in the data word. A "0" cannot be changed to a "1" once the bit has been programmed.

The NMC27C64 is in the programming mode when the  $V_{PP}$  power supply is at 13.0V and  $\overline{OE}$  is at  $V_{IH}$ . It is required that at least a 0.1  $\mu$ F capacitor be placed across  $V_{PP}$ ,  $V_{CC}$  to ground to suppress spurious voltage transients which may damage the device. The data to be programmed is applied 8 bits in parallel to the data output pins. The levels required for the address and data inputs are TTL.

For programming,  $\overline{CE}$  should be kept TTL low at all times while  $V_{PP}$  is kept at 13.0V.

When the address and data are stable, an active low, TTL program pulse is applied to the  $\overline{PGM}$  input. A program pulse must be applied at each address location to be programmed. The NMC27C64 is designed to be programmed with interactive programming, where each address is programmed with a series of 0.5 ms pulses until it verifies (up to a maximum of 20 pulses or 10 ms). The NMC27C64 must not be programmed with a DC signal applied to the  $\overline{PGM}$  input.

Programming multiple NMC27C64s in parallel with the same data can be easily accomplished due to the simplicity of the programming requirements. Like inputs of the paralleled NMC27C64s may be connected together when they are programmed with the same data. A low level TTL pulse applied to the  $\overline{PGM}$  input programs the paralleled NMC27C64s.

TABLE I. Mode Selection

Mode	Pins	$\overline{CE}$ (20)	$\overline{OE}$ (22)	$\overline{PGM}$ (27)	$V_{PP}$ (1)	$V_{CC}$ (28)	Outputs (11-13, 15-19)
Read		$V_{IL}$	$V_{IL}$	$V_{IH}$	5V	5V	$D_{OUT}$
Standby		$V_{IH}$	Don't Care	Don't Care	5V	5V	Hi-Z
Output Disable		Don't Care	$V_{IH}$	$V_{IH}$	5V	5V	Hi-Z
Program		$V_{IL}$	$V_{IH}$		13V	6V	$D_{IN}$
Program Verify		$V_{IL}$	$V_{IL}$	$V_{IH}$	13V	6V	$D_{OUT}$
Program Inhibit		$V_{IH}$	Don't Care	Don't Care	13V	6V	Hi-Z

## Functional Description (Continued)

### Program Inhibit

Programming multiple NMC27C64s in parallel with different data is also easily accomplished. Except for  $\overline{CE}$  like inputs (including  $\overline{OE}$  and PGM) of the parallel NMC27C64 may be common. A TTL low level program pulse applied to an NMC27C64's PGM input with  $\overline{CE}$  at  $V_{IL}$  and  $V_{PP}$  at 13.0V will program that NMC27C64. A TTL high level  $\overline{CE}$  input inhibits the other NMC27C64s from being programmed.

### Program Verify

A verify should be performed on the programmed bits to determine whether they were correctly programmed. The verify may be performed with  $V_{PP}$  at 13.0V.  $V_{PP}$  must be at  $V_{CC}$ , except during programming and program verify.

### MANUFACTURER'S IDENTIFICATION CODE

The NMC27C64 has a manufacturer's identification code to aid in programming. The code, shown in Table II, is two bytes wide and is stored in a ROM configuration on the chip. It identifies the manufacturer and the device type. The code for the NMC27C64 is "8FC2", where "8F" designates that it is made by National Semiconductor, and "C2" designates a 64k part.

The code is accessed by applying  $12V \pm 0.5V$  to address pin A9. Addresses A1-A8, A10-A12,  $\overline{CE}$ , and  $\overline{OE}$  are held at  $V_{IL}$ . Address A0 is held at  $V_{IL}$  for the manufacturer's code, and at  $V_{IH}$  for the device code. The code is read out on the 8 data pins. Proper code access is only guaranteed at  $25^\circ C \pm 5^\circ C$ .

The primary purpose of the manufacturer's identification code is automatic programming control. When the device is inserted in a EPROM programmer socket, the programmer reads the code and then automatically calls up the specific programming algorithm for the part. This automatic programming control is only possible with programmers which have the capability of reading the code.

### ERASURE CHARACTERISTICS

The erasure characteristics of the NMC27C64 are such that erasure begins to occur when exposed to light with wavelengths shorter than approximately 4000 Angstroms ( $\text{\AA}$ ). It should be noted that sunlight and certain types of fluorescent lamps have wavelengths in the 3000 $\text{\AA}$ -4000 $\text{\AA}$  range.

After programming, opaque labels should be placed over the NMC27C64's window to prevent unintentional erasure. Covering the window will also prevent temporary functional failure due to the generation of photo currents.

The recommended erasure procedure for the NMC27C64 is exposure to short wave ultraviolet light which has a wavelength of 2537 Angstroms ( $\text{\AA}$ ). The integrated dose (i.e., UV intensity x exposure time) for erasure should be a minimum of 15W-sec/cm<sup>2</sup>.

The NMC27C64 should be placed within 1 inch of the lamp tubes during erasure. Some lamps have a filter on their tubes which should be removed before erasure. Table III shows the minimum NMC27C64 erasure time for various light intensities.

An erasure system should be calibrated periodically. The distance from lamp to unit should be maintained at one inch. The erasure time increases as the square of the distance. (If distance is doubled the erasure time increases by a factor of 4.) Lamps lose intensity as they age. When a lamp is changed, the distance has changed or the lamp has aged, the system should be checked to make certain full erasure is occurring. Incomplete erasure will cause symptoms that can be misleading. Programmers, components, and even system designs have been erroneously suspected when incomplete erasure was the problem.

### SYSTEM CONSIDERATION

The power switching characteristics of EPROMs require careful decoupling of the devices. The supply current,  $I_{CC}$ , has three segments that are of interest to the system designer—the standby current level, the active current level, and the transient current peaks that are produced by voltage transitions on input pins. The magnitude of these transient current peaks is dependent on the output capacitance loading of the device. The associated  $V_{CC}$  transient voltage peaks can be suppressed by properly selected decoupling capacitors. It is recommended that at least a 0.1  $\mu F$  ceramic capacitor be used on every device between  $V_{CC}$  and GND. This should be a high frequency capacitor of low inherent inductance. In addition, at least a 4.7  $\mu F$  bulk electrolytic capacitor should be used between  $V_{CC}$  and GND for each eight devices. The bulk capacitor should be located near where the power supply is connected to the array. The purpose of the bulk capacitor is to overcome the voltage drop caused by the inductive effects of the PC board traces.

TABLE II. Manufacturer's Identification Code

Pins	A <sub>0</sub> (10)	O <sub>7</sub> (19)	O <sub>6</sub> (18)	O <sub>5</sub> (17)	O <sub>4</sub> (16)	O <sub>3</sub> (15)	O <sub>2</sub> (13)	O <sub>1</sub> (12)	O <sub>0</sub> (11)	Hex Data
Manufacturer Code	$V_{IL}$	1	0	0	0	1	1	1	1	8F
Device Code	$V_{IH}$	1	1	0	0	0	0	1	0	C2

TABLE III. Minimum NMC27C64 Erasure Time

Light Intensity (Micro-Watts/cm <sup>2</sup> )	Erasure Time (Minutes)
15,000	20
10,000	25
5,000	50

# NMC27C64N 65,536-Bit (8k x 8) One-Time Programmable CMOS PROM

## General Description

The NMC27C64N is a high-speed 64k one-time programmable CMOS PROM. It is ideally suited for high volume production applications where low cost, fast turnaround, and low power consumption are important factors and reprogramming is not required.

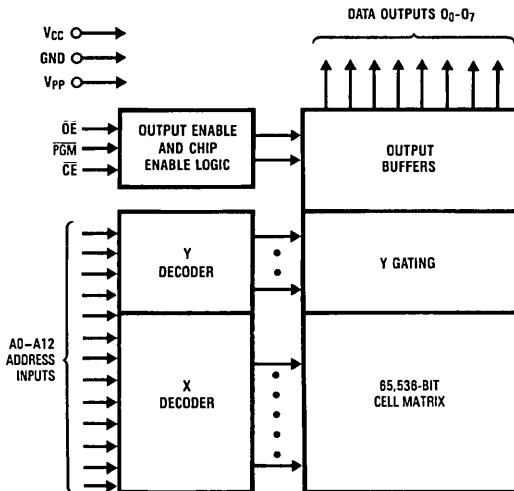
The NMC27C64N is designed to operate with a single +5V power supply with  $\pm 10\%$  tolerance. The NMC27C64N is packaged in a 28-pin dual-in-line plastic molded package without a transparent lid. This part is ideally suited for high volume production applications where cost is an important factor and programming only needs to be done once. Also the plastic molded package works well in auto insertion equipment used in automated assembly lines.

This device is fabricated with National's proprietary, time proven CMOS double-poly silicon gate technology which combines high performance and high density with low power consumption and excellent reliability.

## Features

- Clocked sense amps for fast access time down to 150 ns, CMOS technology
- Low CMOS power consumption
  - Active Power: 55 mW max
  - Standby Power: 0.55 mW max
- Pin compatible with all 64k EPROMs
- Fast and reliable programming
- Static operation—no clocks required
- TTL, CMOS compatible inputs/outputs
- TRI-STATE® output
- Optimum PROM for total CMOS systems
- Manufacturer's identification code for automatic programming control

## Block Diagram



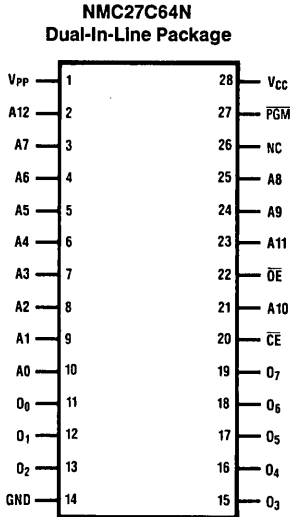
TL/D/9686-1

**Pin Names**

A0-A12	Addresses
$\overline{CE}$	Chip Enable
$\overline{OE}$	Output Enable
O <sub>0</sub> -O <sub>7</sub>	Outputs
PGM	Program
NC	No Connect

## Connection Diagram

27C512	27C256	27C128	27C32	27C16
27512	27256	27128	2732	2716
A15	V <sub>PP</sub>	V <sub>PP</sub>		
A12	A12	A12		
A7	A7	A7	A7	A7
A6	A6	A6	A6	A6
A5	A5	A5	A5	A5
A4	A4	A4	A4	A4
A3	A3	A3	A3	A3
A2	A2	A2	A2	A2
A1	A1	A1	A1	A1
A0	A0	A0	A0	A0
O <sub>0</sub>	O <sub>0</sub>	O <sub>0</sub>	O <sub>0</sub>	O <sub>0</sub>
O <sub>1</sub>	O <sub>1</sub>	O <sub>1</sub>	O <sub>1</sub>	O <sub>1</sub>
O <sub>2</sub>	O <sub>2</sub>	O <sub>2</sub>	O <sub>2</sub>	O <sub>2</sub>
GND	GND	GND	GND	GND



27C16	27C32	27C128	27C256	27C512
2716	2732	27128	27256	27512
		V <sub>CC</sub>	V <sub>CC</sub>	V <sub>CC</sub>
		$\overline{\text{PGM}}$	A14	A14
V <sub>CC</sub>	V <sub>CC</sub>	A13	A13	A13
A8	A8	A8	A8	A8
A9	A9	A9	A9	A9
V <sub>PP</sub>	A11	A11	A11	A11
$\overline{\text{OE}}$	$\overline{\text{OE/V}}_{PP}$	$\overline{\text{OE}}$	$\overline{\text{OE}}$	$\overline{\text{OE/V}}_{PP}$
A10	A10	A10	A10	A10
$\overline{\text{CE/PGM}}$	$\overline{\text{CE}}$	$\overline{\text{CE}}$	$\overline{\text{CE/PGM}}$	$\overline{\text{CE}}$
O <sub>7</sub>	O <sub>7</sub>	O <sub>7</sub>	O <sub>7</sub>	O <sub>7</sub>
O <sub>6</sub>	O <sub>6</sub>	O <sub>6</sub>	O <sub>6</sub>	O <sub>6</sub>
O <sub>5</sub>	O <sub>5</sub>	O <sub>5</sub>	O <sub>5</sub>	O <sub>5</sub>
O <sub>4</sub>	O <sub>4</sub>	O <sub>4</sub>	O <sub>4</sub>	O <sub>4</sub>
O <sub>3</sub>	O <sub>3</sub>	O <sub>3</sub>	O <sub>3</sub>	O <sub>3</sub>

TL/D/9686-2

Note: Socket compatible EPROM pin configurations are shown in the blocks adjacent to the NMC27C64N pins.

**Order Number NMC27C64N**  
**See NS Package Number N28B**

**Commercial Temp Range (0°C to +70°C)**

**V<sub>CC</sub> = 5V ± 10%**

Parameter/Order Number	Access Time (ns)
NMC27C64N150	150
NMC27C64N200	200
NMC27C64N250	250

(For Non Commercial Temp. Range Parts, Call Factory)

### Absolute Maximum Ratings (Note 1)

If Military/Aerospace specified devices are required, please contact the National Semiconductor Sales Office/Distributors for availability and specifications.

Temperature Under Bias	-10°C to +80°C
Storage Temperature	-65°C to +150°C
All Input Voltages except A9 with Respect to Ground (Note 10)	+6.5V to -0.6V
All Output Voltages with Respect to Ground (Note 10)	V <sub>CC</sub> + 1.0V to GND - 0.6V
V <sub>PP</sub> Supply Voltage and A9 with Respect to Ground During Programming	+14.0V to -0.6V

V <sub>CC</sub> Supply Voltage with Respect to Ground	+7.0V to -0.6V
Power Dissipation	1.0W
Lead Temperature (Soldering, 10 sec.)	300°C
ESD Rating (Mil Spec 883C, Method 3015.2)	2000V

### Operating Conditions (Note 7)

Temperature Range	0°C to +70°C
V <sub>CC</sub> Power Supply NMC27C64N150, 200, 250	+5V ± 10%

## READ OPERATION

### DC Electrical Characteristics

Symbol	Parameter	Conditions	Min	Typ	Max	Units
I <sub>LI</sub>	Input Load Current	V <sub>IN</sub> = V <sub>CC</sub> or GND			10	μA
I <sub>LO</sub>	Output Leakage Current	V <sub>OUT</sub> = V <sub>CC</sub> or GND, $\overline{CE} = V_{IH}$			10	μA
I <sub>CC1</sub> (Note 9)	V <sub>CC</sub> Current (Active) TTL Inputs	$\overline{CE} = V_{IL}$ , f = 5 MHz Inputs = V <sub>IH</sub> or V <sub>IL</sub> , I/O = 0 mA		6	20	mA
I <sub>CC2</sub> (Note 9)	V <sub>CC</sub> Current (Active) CMOS Inputs	$\overline{CE} = GND$ , f = 5 MHz Inputs = V <sub>CC</sub> or GND, I/O = 0 mA		3	10	mA
I <sub>CCSB1</sub>	V <sub>CC</sub> Current (Standby) TTL Inputs	$\overline{CE} = V_{IH}$		0.1	1	mA
I <sub>CCSB2</sub>	V <sub>CC</sub> Current (Standby) CMOS Inputs	$\overline{CE} = V_{CC}$		0.5	100	μA
I <sub>PP</sub>	V <sub>PP</sub> Load Current	V <sub>PP</sub> = V <sub>CC</sub>			10	μA
V <sub>IL</sub>	Input Low Voltage		-0.1		0.8	V
V <sub>IH</sub>	Input High Voltage		2.0		V <sub>CC</sub> + 1	V
V <sub>OL1</sub>	Output Low Voltage	I <sub>OL</sub> = 2.1 mA			0.45	V
V <sub>OH1</sub>	Output High Voltage	I <sub>OH</sub> = -400 mA	2.4			V
V <sub>OL2</sub>	Output Low Voltage	I <sub>OL</sub> = 0 μA			0.1	V
V <sub>OH2</sub>	Output High Voltage	I <sub>OH</sub> = 0 μA	V <sub>CC</sub> - 0.1			V

### AC Electrical Characteristics

Symbol	Parameter	Conditions	NMC27C64N						Units
			150		200		250		
			Min	Max	Min	Max	Min	Max	
t <sub>ACC</sub>	Address to Output Delay	$\overline{CE} = \overline{OE} = V_{IL}$ PGM = V <sub>IH</sub>		150		200		250	ns
t <sub>CE</sub>	$\overline{CE}$ to Output Delay	$\overline{OE} = V_{IL}$ , PGM = V <sub>IH</sub>		150		200		250	ns
t <sub>OE</sub>	$\overline{OE}$ to Output Delay	$\overline{CE} = V_{IL}$ , PGM = V <sub>IH</sub>		60		60		70	ns
t <sub>DF</sub>	$\overline{OE}$ High to Output Float	$\overline{CE} = V_{IL}$ , PGM = V <sub>IH</sub>	0	60	0	60	0	60	ns
t <sub>CF</sub>	$\overline{CE}$ High to Output Float	$\overline{OE} = V_{IL}$ , PGM = V <sub>IH</sub>	0	60	0	60	0	60	ns
t <sub>OH</sub>	Output Hold from Addresses, $\overline{CE}$ or $\overline{OE}$ , Whichever Occurred First	$\overline{CE} = \overline{OE} = V_{IL}$ PGM = V <sub>IH</sub>	0		0		0		ns

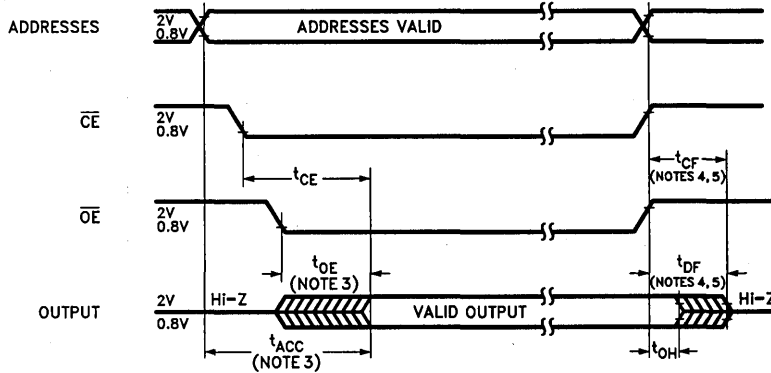
**Capacitance**  $T_A = +25^\circ\text{C}, f = 1 \text{ MHz}$  (Note 2)

Symbol	Parameter	Conditions	Typ	Max	Units
$C_{IN}$	Input Capacitance	$V_{IN} = 0\text{V}$	5	10	pF
$C_{OUT}$	Output Capacitance	$V_{OUT} = 0\text{V}$	8	10	pF

**AC Test Conditions**

Output Load	1 TTL Gate and $C_L = 100 \text{ pF}$ (Note 8)	Timing Measurement Reference Level	0.8V and 2V
Input Rise and Fall Times	$\leq 5 \text{ ns}$	Inputs	0.8V and 2V
Input Pulse Levels	0.45V to 2.4V	Outputs	

**AC Waveforms** (Notes 6, 7 & 9)



TL/D/9686-3

**Note 1:** Stresses above those listed under "Absolute Maximum Ratings" may cause permanent damage to the device. This is a stress rating only and functional operation of the device at these or any other conditions above those indicated in the operational sections of this specification is not implied. Exposure to absolute maximum rating conditions for extended periods may affect device reliability.

**Note 2:** This parameter is only sampled and is not 100% tested.

**Note 3:** OE may be delayed up to  $t_{ACC} - t_{OE}$  after the falling edge of CE without impacting  $t_{ACC}$ .

**Note 4:** The  $t_{DF}$  and  $t_{CF}$  compare level is determined as follows:  
 High to TRI-STATE, the measured  $V_{OH1}$  (DC) - 0.10V;  
 Low to TRI-STATE, the measured  $V_{OL1}$  (DC) + 0.10V.

**Note 5:** TRI-STATE may be attained using OE or CE.

**Note 6:** The power switching characteristics of EPROMs require careful device decoupling. It is recommended that at least a 0.1  $\mu\text{F}$  ceramic capacitor be used on every device between  $V_{CC}$  and GND.

**Note 7:** The outputs must be restricted to  $V_{CC} + 1.0\text{V}$  to avoid latch-up and device damage.

**Note 8:** 1 TTL Gate:  $I_{OL} = 1.6 \text{ mA}$ ,  $I_{OH} = -400 \mu\text{A}$ .  
 $C_L$ : 100 pF includes fixture capacitance.

**Note 9:**  $V_{PP}$  may be connected to  $V_{CC}$  except during programming.

**Note 10:** Inputs and outputs can undershoot to -0.2V for 20 ns Max.

## Programming Characteristics (Notes 1, 2, 3 & 4)

Symbol	Parameter	Conditions	Min	Typ	Max	Units
$t_{AS}$	Address Setup Time		2			$\mu\text{s}$
$t_{OES}$	$\overline{OE}$ Setup Time		2			$\mu\text{s}$
$t_{CES}$	$\overline{CE}$ Setup Time		2			$\mu\text{s}$
$t_{DS}$	Data Setup Time		2			$\mu\text{s}$
$t_{VPS}$	$V_{PP}$ Setup Time		2			$\mu\text{s}$
$t_{VCS}$	$V_{CC}$ Setup Time		2			$\mu\text{s}$
$t_{AH}$	Address Hold Time		0			$\mu\text{s}$
$t_{DH}$	Data Hold Time		2			$\mu\text{s}$
$t_{DF}$	Output Enable to Output Float Delay	$\overline{CE} = V_{IL}$	0		130	ns
$t_{PW}$	Program Pulse Width		0.45	0.5	0.55	ms
$t_{OE}$	Data Valid from $\overline{OE}$	$\overline{CE} = V_{IL}$			150	ns
$I_{PP}$	$V_{PP}$ Supply Current During Programming Pulse	$\overline{CE} = V_{IL}$ $\overline{PGM} = V_{IL}$			30	mA
$I_{CC}$	$V_{CC}$ Supply Current				10	mA
$T_A$	Temperature Ambient		20	25	30	$^{\circ}\text{C}$
$V_{CC}$	Power Supply Voltage		5.75	6.0	6.25	V
$V_{PP}$	Programming Supply Voltage		12.2	13.0	13.3	V
$t_{FR}$	Input Rise, Fall Time		5			ns
$V_{IL}$	Input Low Voltage			0.0	0.45	V
$V_{IH}$	Input High Voltage		2.4	4.0		V
$t_{IN}$	Input Timing Reference Voltage		0.8	1.5	2.0	V
$t_{OUT}$	Output Timing Reference Voltage		0.8	1.5	2.0	V

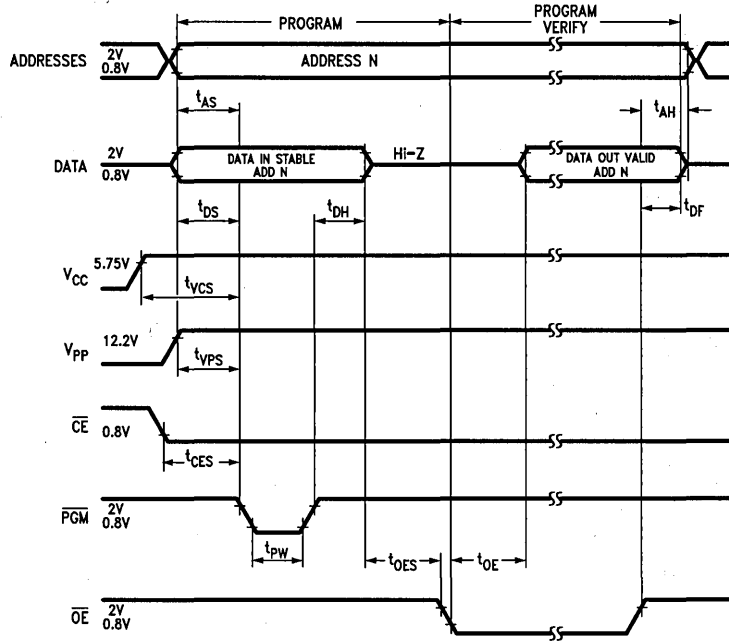
**Note 1:** National's standard product warranty applies to devices programmed to specifications described herein.

**Note 2:**  $V_{CC}$  must be applied simultaneously or before  $V_{PP}$  and removed simultaneously or after  $V_{PP}$ . The EPROM must not be inserted into or removed from a board with voltage applied to  $V_{PP}$  or  $V_{CC}$ .

**Note 3:** The maximum absolute allowable voltage which may be applied to the  $V_{PP}$  pin during programming is 14V. Care must be taken when switching the  $V_{PP}$  supply to prevent any overshoot from exceeding this 14V maximum specification. At least 0.1  $\mu\text{F}$  capacitor is required across  $V_{PP}$ ,  $V_{CC}$  to GND to suppress spurious voltage transients which may damage the device.

**Note 4:** Programming and program verify are tested with the Interactive Program Algorithm, at typical power supply voltages and timings.

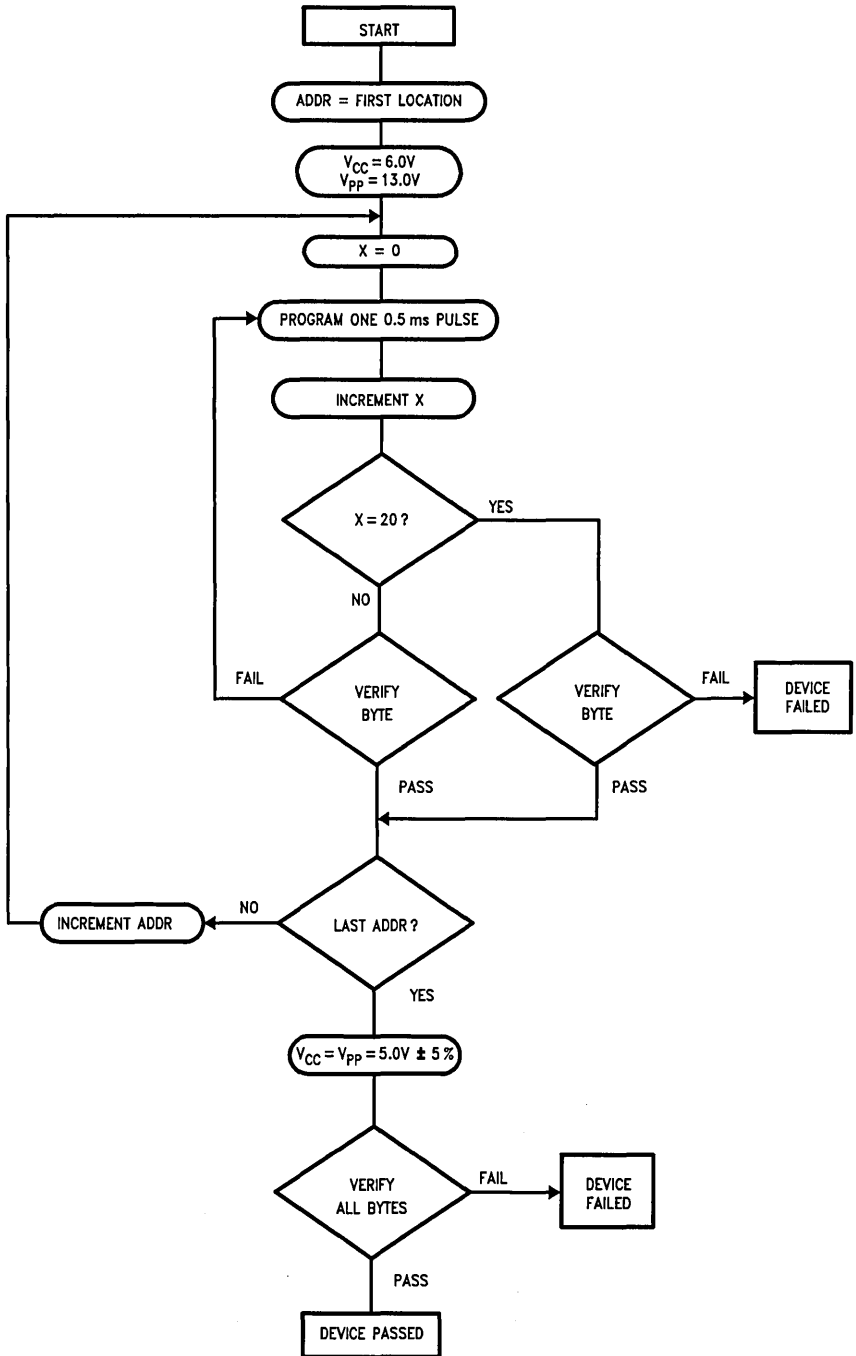
Programming Waveforms (Note 3)



TL/D/9686-4



# Interactive Programming Algorithm Flow Chart



## Functional Description

### DEVICE OPERATION

The six modes of operation of the NMC27C64N are listed in Table I. It should be noted that all inputs for the six modes are at TTL levels. The power supplies required are  $V_{CC}$  and  $V_{PP}$ . The  $V_{PP}$  power supply must be at 13.0V during the three programming modes, and must be at 5V in the other three modes. The  $V_{CC}$  power supply must be at 6V during the three programming modes, and at 5V in the other three modes.

#### Read Mode

The NMC27C64N has two control functions, both of which must be logically active in order to obtain data at the outputs. Chip Enable ( $\overline{CE}$ ) is the power control and should be used for device selection. Output Enable ( $\overline{OE}$ ) is the output control and should be used to gate data to the output pins, independent of device selection. The programming pin ( $\overline{PGM}$ ) should be at  $V_{IH}$  except during programming. Assuming that addresses are stable, address access time ( $t_{ACC}$ ) is equal to the delay from  $\overline{CE}$  to output ( $t_{CE}$ ). Data is available at the outputs  $t_{OE}$  after the falling edge of  $\overline{OE}$ , assuming that  $\overline{CE}$  has been low and addresses have been stable for at least  $t_{ACC} - t_{OE}$ .

The sense amps are clocked for fast access time.  $V_{CC}$  should therefore be maintained at operating voltage during read and verify. If  $V_{CC}$  temporarily drops below the spec. voltage (but not to ground) an address transition must be performed after the drop to insure proper output data.

#### Standby Mode

The NMC27C64N has a standby mode which reduces the active power dissipation by 99%, from 55 mW to 0.55 mW. The NMC27C64N is placed in the standby mode by applying a CMOS high signal to the  $\overline{CE}$  input. When in standby mode, the outputs are in a high impedance state, independent of the  $\overline{OE}$  input.

#### Output OR-Tying

Because NMC27C64Ns are usually used in larger memory arrays, National has provided a 2-line control function that accommodates this use of multiple memory connections. The 2-line control function allows for:

- the lowest possible memory power dissipation, and
- complete assurance that output bus contention will not occur.

To most efficiently use these two control lines, it is recommended that  $\overline{CE}$  (pin 20) be decoded and used as the primary device selecting function, while  $\overline{OE}$  (pin 22) be made a common connection to all devices in the array and connected to the READ line from the system control bus. This as-

sure that all deselected memory devices are in their low power standby modes and that the output pins are active only when data is desired from a particular memory device.

#### Programming

**CAUTION:** Exceeding 14V on pin 1 ( $V_{PP}$ ) will damage the NMC27C64N.

Initially, all bits of the NMC27C64N are in the "1" state. Data is introduced by selectively programming "0s" into the desired bit locations. Although only "0s" will be programmed, both "1s" and "0s" can be presented in the data word. A "0" cannot be changed to a "1" once the bit has been programmed. Due to package constraints programmability of the device is only tested in wafer form.

The NMC27C64N is in the programming mode when the  $V_{PP}$  power supply is at 13.0V and  $\overline{OE}$  is at  $V_{IH}$ . It is required that at least a 0.1  $\mu$ F capacitor be placed across  $V_{PP}$ ,  $V_{CC}$  to ground to suppress spurious voltage transients which may damage the device. The data to be programmed is applied 8 bits in parallel to the data outputs pins. The levels required for the address and data inputs are TTL.

For programming,  $\overline{CE}$  should be kept TTL low at all times while  $V_{PP}$  is kept at 13.0V.

When the address and data are stable, an active low, TTL program pulse is applied to the  $\overline{PGM}$  input. A program pulse must be applied at each address location to be programmed. The NMC27C64N is designed to be programmed with interactive programming, where each address is programmed with a series of 0.5 ms pulses until it verifies (up to a maximum of 20 pulses or 10 ms). The NMC27C64N must not be programmed with a DC signal applied to the  $\overline{PGM}$  input.

Programming multiple NMC27C64Ns in parallel with the same data can be easily accomplished due to the simplicity of the programming requirements. Like inputs of the paralleled NMC27C64Ns may be connected together when they are programmed with the same data. A low level TTL pulse applied to the  $\overline{PGM}$  input programs the paralleled NMC27C64Ns.

The NMC27C64N is packaged in a plastic molded package which does not have a transparent lid. Therefore the memory cannot be erased. This means that after a user has programmed a memory cell to a "0" it cannot be changed back to a "1".

If an application requires erasing and reprogramming, the NMC27C64Q UV erasable PROM in a windowed package should be used.

TABLE I. Mode Select

Pins	$\overline{CE}$ (20)	$\overline{OE}$ (22)	$\overline{PGM}$ (27)	$V_{PP}$ (1)	$V_{CC}$ (28)	Outputs (11-13, 15-19)
Read	$V_{IL}$	$V_{IL}$	$V_{IH}$	5V	5V	$D_{OUT}$
Standby	$V_{IH}$	Don't Care	Don't Care	5V	5V	Hi-Z
Program	$V_{IL}$	$V_{IH}$	$V_{IL}$	13.0V	6V	$D_{IN}$
Program Verify	$V_{IL}$	$V_{IL}$	$V_{IH}$	13.0V	6V	$D_{OUT}$
Program Inhibit	$V_{IH}$	Don't Care	Don't Care	13.0V	6V	Hi-Z
Output Disable	Don't Care	$V_{IH}$	$V_{IH}$	5V	5V	Hi-Z

## Functional Description (Continued)

### Program Inhibit

Programming multiple NMC27C64Ns in parallel with different data is also easily accomplished. Except for  $\overline{CE}$  all like inputs (including  $\overline{OE}$  and PGM) of the parallel NMC27C64N may be common. A TTL low level program pulse applied to an NMC27C64Ns PGM input with  $\overline{CE}$  at  $V_{IL}$  and  $V_{PP}$  at 13.0V will program that NMC27C64N. A TTL high level  $\overline{CE}$  input inhibits the other NMC27C64Ns from being programmed.

### Program Verify

A verify should be performed on the programmed bits to determine whether they were correctly programmed. The verify may be performed with  $V_{PP}$  at 13.0V.  $V_{PP}$  must be at  $V_{CC}$ , except during programming and program verify.

### MANUFACTURER'S IDENTIFICATION CODE

The NMC27C64N has a manufacturer's identification code to aid in programming. The code, shown in Table II, is two bytes wide and is stored in a ROM configuration on the chip. It identifies the manufacturer and the device type. The code for the NMC27C64N is "8FC2", where "8F" designates that it is made by National Semiconductor, and "C2" designates a 64k part.

The code is accessed by applying  $12V \pm 0.5V$  to address pin A9. Addresses A1–A8, A10–A12,  $\overline{CE}$  and  $\overline{OE}$  are held at  $V_{IL}$ . Address A0 is held at  $V_{IL}$  for the manufacturer's code, and at  $V_{IH}$  for the device code. The code is read out on the 8 data pins. Proper code access is only guaranteed at  $25^{\circ}C \pm 5^{\circ}C$ .

The primary purpose of the manufacturer's identification code is automatic programming control. When the device is inserted in an EPROM programmer socket, the programmer reads the code and then automatically calls up the specific programming algorithm for the part. This automatic programming control is only possible with programmers which have the capability of reading the code.

### SYSTEM CONSIDERATION

The power switching characteristics of this device require careful decoupling. The supply current,  $I_{CC}$ , has three segments that are of interest to the system designer—the standby current level, the active current level, and the transient current peaks that are produced by voltage transitions on input pins. The magnitude of these transient current peaks is dependent on the output capacitance loading of the device. The associated  $V_{CC}$  transient voltage peaks can be suppressed by properly selected decoupling capacitors. It is recommended that at least a  $0.1 \mu F$  ceramic capacitor be used on every device between  $V_{CC}$  and GND. This should be a high frequency capacitor of low inherent inductance. In addition, at least a  $4.7 \mu F$  bulk electrolytic capacitor should be used between  $V_{CC}$  and GND for each eight devices. The bulk capacitor should be located near where the power supply is connected to the array. The purpose of the bulk capacitor is to overcome the voltage drop caused by the inductive effects of the PC board traces.

TABLE II. Manufacturer's Identification Code

Pins	A <sub>0</sub> (10)	O <sub>7</sub> (19)	O <sub>6</sub> (18)	O <sub>5</sub> (17)	O <sub>4</sub> (16)	O <sub>3</sub> (15)	O <sub>2</sub> (13)	O <sub>1</sub> (12)	O <sub>0</sub> (11)	Hex Data
Manufacturer Code	$V_{IL}$	1	0	0	0	1	1	1	1	8F
Device Code	$V_{IH}$	1	1	0	0	0	0	1	0	C2

## NMC27C128B High Speed Version 131,072-Bit (16k x 8) UV Erasable CMOS PROM

### General Description

The NMC27C128B is a high-speed 128k UV erasable and electrically reprogrammable CMOS EPROM, ideally suited for applications where fast turnaround, pattern experimentation and low power consumption are important requirements.

The NMC27C128B is designed to operate with a single +5V power supply with  $\pm 5\%$  or  $\pm 10\%$  tolerance. The CMOS design allows the part to operate over extended and military temperature ranges.

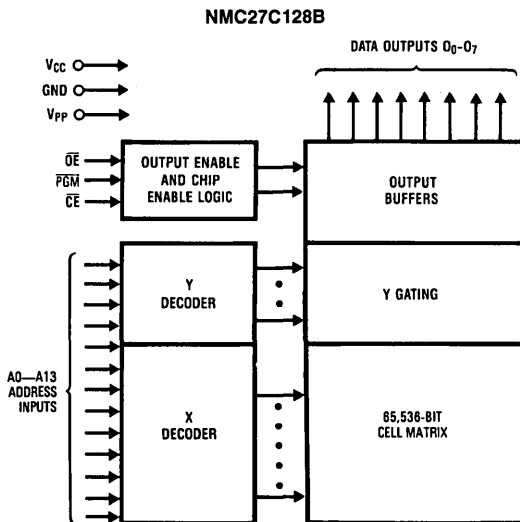
The NMC27C128B is packaged in a 28-pin dual-in-line package with transparent lid. The transparent lid allows the user to expose the chip to ultraviolet light to erase the bit pattern. A new pattern can then be written electrically into the device by following the programming procedure.

This EPROM is fabricated with National's proprietary, time proven CMOS double-poly silicon gate technology which combines high performance and high density with low power consumption and excellent reliability.

### Features

- Clock sense amps for fast access time down to 150 ns
- Low CMOS power consumption
  - Active Power: 110 mW max
  - Standby Power: 0.55 mW max
- Extended temperature range (NMC27C128BQE),  $-40^{\circ}\text{C}$  to  $+85^{\circ}\text{C}$ , and military temperature range (NMC27C128BQM),  $-55^{\circ}\text{C}$  to  $+125^{\circ}\text{C}$  available
- Pin compatible with NMOS 128k EPROMs
- Fast and reliable programming—100  $\mu\text{s}$  typical/byte
- Static operation—no clocks required
- TTL, CMOS compatible inputs/outputs
- TRI-STATE<sup>®</sup> output
- Optimum EPROM for total CMOS systems
- Manufacturer's identification code for automatic programming control
- High current CMOS level output drivers

### Block Diagram



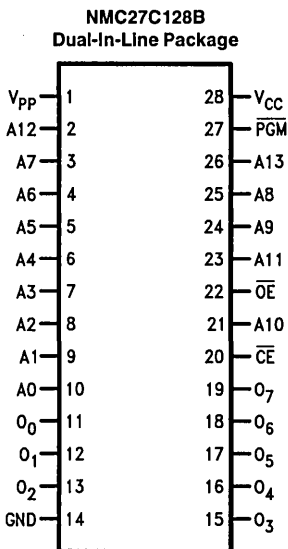
**Pin Names**

A0-A13	Addresses
$\overline{\text{CE}}$	Chip Enable
$\overline{\text{OE}}$	Output Enable
O <sub>0</sub> -O <sub>7</sub>	Outputs
PGM	Program
NC	No Connect

TL/D/9689-1

## Connection Diagrams

27C512	27C256	27C64	27C32	27C16
27512	27256	2764	2732	2716
A15	V <sub>PP</sub>	V <sub>PP</sub>		
A12	A12	A12		
A7	A7	A7	A7	A7
A6	A6	A6	A6	A6
A5	A5	A5	A5	A5
A4	A4	A4	A4	A4
A3	A3	A3	A3	A3
A2	A2	A2	A2	A2
A1	A1	A1	A1	A1
A0	A0	A0	A0	A0
O <sub>0</sub>	O <sub>0</sub>	O <sub>0</sub>	O <sub>0</sub>	O <sub>0</sub>
O <sub>1</sub>	O <sub>1</sub>	O <sub>1</sub>	O <sub>1</sub>	O <sub>1</sub>
O <sub>2</sub>	O <sub>2</sub>	O <sub>2</sub>	O <sub>2</sub>	O <sub>2</sub>
GND	GND	GND	GND	GND



27C16	27C32	27C64	27C256	27C512
2716	2732	2764	27256	27512
		V <sub>CC</sub>	V <sub>CC</sub>	V <sub>CC</sub>
		PGM	A14	A14
V <sub>CC</sub>	V <sub>CC</sub>	NC	A13	A13
A8	A8	A8	A8	A8
A9	A9	A9	A9	A9
V <sub>PP</sub>	A11	A11	A11	A11
OE	OE/V <sub>PP</sub>	OE	OE	OE/V <sub>PP</sub>
A10	A10	A10	A10	A10
CE/PGM	CE	CE	CE/PGM	CE
O <sub>7</sub>	O <sub>7</sub>	O <sub>7</sub>	O <sub>7</sub>	O <sub>7</sub>
O <sub>6</sub>	O <sub>6</sub>	O <sub>6</sub>	O <sub>6</sub>	O <sub>6</sub>
O <sub>5</sub>	O <sub>5</sub>	O <sub>5</sub>	O <sub>5</sub>	O <sub>5</sub>
O <sub>4</sub>	O <sub>4</sub>	O <sub>4</sub>	O <sub>4</sub>	O <sub>4</sub>
O <sub>3</sub>	O <sub>3</sub>	O <sub>3</sub>	O <sub>3</sub>	O <sub>3</sub>

TL/D/9689-2

Note: Socket compatible EPROM pin configurations are shown in the blocks adjacent to the NMC27C128B pins.

**Order Number NMC27C128BQ**  
See NS Package Number J28AQ

**Commercial Temp Range (0°C to +70°C)**  
V<sub>CC</sub> = 5V ± 10%

Parameter/Order Number	Access Time (ns)
NMC27C128BQ150	150
NMC27C128BQ200	200
NMC27C128BQ250	250

**Commercial Temp Range (0°C to +70°C)**  
V<sub>CC</sub> = 5V ± 5%

Parameter/Order Number	Access Time (ns)
NMC27C128BQ15	150
NMC27C128BQ20	200
NMC27C128BQ25	250

**Extended Temp Range (-40°C to +85°C)**  
V<sub>CC</sub> = 5V ± 10%

Parameter/Order Number	Access Time (ns)
NMC27C128BQE150	150
NMC27C128BQE200	200

**Military Temp Range (-55°C to +125°C)**  
V<sub>CC</sub> = 5V ± 10%

Parameter/Order Number	Access Time (ns)
NMC27C128BQM150	150
NMC27C128BQM200	200

**NOTE:** For plastic DIP and surface mount PLCC package requirements please refer to NMC27C128BN datasheet.

## COMMERCIAL TEMPERATURE RANGE

### Absolute Maximum Ratings (Note 1)

Temperature Under Bias	-10°C to +80°C	Power Dissipation	1.0W
Storage Temperature	-65°C to +150°C	Lead Temperature (Soldering, 10 sec.)	300°C
All Input Voltages except A9 with Respect to Ground (Note 10)	+6.5V to -0.6V	ESD Rating (Mil Spec 883C, Method 3015.2)	2000V
All Output Voltages with Respect to Ground (Note 10)	$V_{CC} + 1.0V$ to $GND - 0.6V$	<b>Operating Conditions (Note 7)</b>	
$V_{PP}$ Supply Voltage and A9 with Respect to Ground During Programming	+14.0V to -0.6V	Temperature Range	0°C to +70°C
$V_{CC}$ Supply Voltage with Respect to Ground	+7.0V to -0.6V	$V_{CC}$ Power Supply	
		NMC27C128BQ150, 200, 250	+5V ±10%
		NMC27C128BQ15, 20, 25	±5V ±5%

## READ OPERATION

### DC Electrical Characteristics

Symbol	Parameter	Conditions	Min	Typ	Max	Units
$I_{LI}$	Input Load Current	$V_{IN} = V_{CC}$ or GND		0.01	1	$\mu A$
$I_{LO}$	Output Leakage Current	$V_{OUT} = V_{CC}$ or GND, $\overline{CE} = V_{IH}$		0.01	1	$\mu A$
$I_{CC1}$ (Note 9)	$V_{CC}$ Current (Active) TTL Inputs	$\overline{CE} = V_{IL}$ , $f = 5$ MHz Inputs = $V_{IH}$ or $V_{IL}$ , $I/O = 0$ mA		10	30	mA
$I_{CC2}$ (Note 9)	$V_{CC}$ Current (Active) CMOS Inputs	$\overline{CE} = GND$ , $f = 5$ MHz Inputs = $V_{CC}$ or GND, $I/O = 0$ mA		8	20	mA
$I_{CCSB1}$	$V_{CC}$ Current (Standby) TTL Inputs	$\overline{CE} = V_{IH}$		0.1	1	mA
$I_{CCSB2}$	$V_{CC}$ Current (Standby) CMOS Inputs	$\overline{CE} = V_{CC}$		0.5	100	$\mu A$
$I_{PP}$	$V_{PP}$ Load Current	$V_{PP} = V_{CC}$			10	$\mu A$
$V_{IL}$	Input Low Voltage		-0.2		0.8	V
$V_{IH}$	Input High Voltage		2.0		$V_{CC} + 1$	V
$V_{OL1}$	Output Low Voltage	$I_{OL} = 2.1$ mA			0.40	V
$V_{OH1}$	Output High Voltage	$I_{OH} = -2.5$ mA	3.5			V
$V_{OL2}$	Output Low Voltage	$I_{OL} = 10$ $\mu A$			0.1	V
$V_{OH2}$	Output High Voltage	$I_{OH} = -10$ $\mu A$	$V_{CC} - 0.1$			V

### AC Electrical Characteristics

Symbol	Parameter	Conditions	NMC27C128B						Units
			Q15, Q150		Q20, Q200		Q25, Q250		
			Min	Max	Min	Max	Min	Max	
$t_{ACC}$	Address to Output Delay	$\overline{CE} = \overline{OE} = V_{IL}$ $PGM = V_{IH}$		150		200		250	ns
$t_{CE}$	$\overline{CE}$ to Output Delay	$\overline{OE} = V_{IL}$ , $PGM = V_{IH}$		150		200		250	ns
$t_{OE}$	$\overline{OE}$ to Output Delay	$\overline{CE} = V_{IL}$ , $PGM = V_{IH}$		60		75		100	ns
$t_{DF}$	$\overline{OE}$ High to Output Float	$\overline{CE} = V_{IL}$ , $PGM = V_{IH}$	0	50	0	55	0	60	ns
$t_{CF}$	$\overline{CE}$ High to Output Float	$\overline{OE} = V_{IL}$ , $PGM = V_{IH}$	0	50	0	55	0	60	ns
$t_{OH}$	Output Hold from Addresses, $\overline{CE}$ or $\overline{OE}$ , Whichever Occurred First	$\overline{CE} = \overline{OE} = V_{IL}$ $PGM = V_{IH}$	0		0		0		ns

## MILITARY AND EXTENDED TEMPERATURE RANGE

### Absolute Maximum Ratings (Note 1)

If Military/Aerospace specified devices are required, please contact the National Semiconductor Sales Office/Distributors for availability and specifications.

Temperature Under Bias	Operating Temp. Range	
Storage Temperature	-65°C to +150°C	
All Input Voltages except A9 with Respect to Ground (Note 10)	+6.5V to -0.6V	
All Output Voltages with Respect to Ground (Note 10)	$V_{CC} + 1.0V$ to $GND - 0.6V$	
$V_{PP}$ Supply Voltage and A9 with Respect to Ground During Programming	+14.0V to -0.6V	

$V_{CC}$ Supply Voltage with Respect to Ground	+7.0V to -0.6V
Power Dissipation	1.0W
Lead Temperature (Soldering, 10 sec.)	300°C
ESD Rating (Mil Spec 883C, Method 3015.2)	2000V

### Operating Conditions (Note 7)

Temperature Range	-40°C to +85°C
NMC27C128BQE150, 200	-55°C to +125°C
NMC27C128BQM150, 200	
$V_{CC}$ Power Supply	+5V $\pm$ 10%

## READ OPERATION

### DC Electrical Characteristics

Symbol	Parameter	Conditions	Min	Typ	Max	Units
$I_{LI}$	Input Load Current	$V_{IN} = V_{CC}$ or GND			10	$\mu A$
$I_{LO}$	Output Leakage Current	$V_{OUT} = V_{CC}$ or GND, $\overline{CE} = V_{IH}$			10	$\mu A$
$I_{CC1}$ (Note 9)	$V_{CC}$ Current (Active) TTL Inputs	$\overline{CE} = V_{IL}$ , $f = 5$ MHz Inputs = $V_{IH}$ or $V_{IL}$ , I/O = 0 mA		10	30	mA
$I_{CC2}$ (Note 9)	$V_{CC}$ Current (Active) CMOS Inputs	$\overline{CE} = GND$ , $f = 5$ MHz Inputs = $V_{CC}$ or GND, I/O = 0 mA		8	20	mA
$I_{CCSB1}$	$V_{CC}$ Current (Standby) TTL Inputs	$\overline{CE} = V_{IH}$		0.1	1	mA
$I_{CCSB2}$	$V_{CC}$ Current (Standby) CMOS Inputs	$\overline{CE} = V_{CC}$		0.5	100	$\mu A$
$I_{PP}$	$V_{PP}$ Load Current	$V_{PP} = V_{CC}$			10	$\mu A$
$V_{IL}$	Input Low Voltage		-0.2		0.8	V
$V_{IH}$	Input High Voltage		2.0		$V_{CC} + 1$	V
$V_{OL1}$	Output Low Voltage	$I_{OL} = 2.1$ mA			0.40	V
$V_{OH1}$	Output High Voltage	$I_{OH} = -1.6$ mA	3.5			V
$V_{OL2}$	Output Low Voltage	$I_{OL} = 10$ $\mu A$			0.1	V
$V_{OH2}$	Output High Voltage	$I_{OH} = -10$ $\mu A$	$V_{CC} - 0.1$			V

### AC Electrical Characteristics

Symbol	Parameter	Conditions	NMC27C128BQ				Units
			E150, M150		E200, M200		
			Min	Max	Min	Max	
$t_{ACC}$	Address to Output Delay	$\overline{CE} = \overline{OE} = V_{IL}$ $PGM = V_{IH}$		150		200	ns
$t_{CE}$	$\overline{CE}$ to Output Delay	$\overline{OE} = V_{IL}$ , $PGM = V_{IH}$		150		200	ns
$t_{OE}$	$\overline{OE}$ to Output Delay	$\overline{CE} = V_{IL}$ , $PGM = V_{IH}$		60		75	ns
$t_{DF}$	$\overline{OE}$ High to Output Float	$\overline{CE} = V_{IL}$ , $PGM = V_{IH}$	0	50	0	55	ns
$t_{CF}$	$\overline{CE}$ High to Output Float	$\overline{OE} = V_{IL}$ , $PGM = V_{IH}$	0	50	0	55	ns
$t_{OH}$	Output Hold from Addresses, $\overline{CE}$ or $\overline{OE}$ , Whichever Occurred First	$\overline{CE} = \overline{OE} = V_{IL}$ $PGM = V_{IH}$	0		0		ns

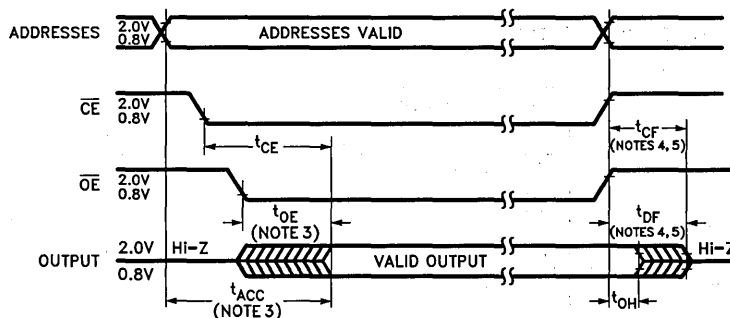
**Capacitance**  $T_A = +25^\circ\text{C}$ ,  $f = 1\text{ MHz}$  (Note 2)

Symbol	Parameter	Conditions	Typ	Max	Units
$C_{IN}$	Input Capacitance	$V_{IN} = 0\text{V}$	6	12	pF
$C_{OUT}$	Output Capacitance	$V_{OUT} = 0\text{V}$	9	12	pF

**AC Test Conditions**

Output Load	1 TTL Gate and $C_L = 100\text{ pF}$ (Note 8)	Timing Measurement Reference Level	
Input Rise and Fall Times	$\leq 5\text{ ns}$	Inputs	0.8V and 2V
Input Pulse Levels	0.45V to 2.4V	Outputs	0.8V and 2V

**AC Waveforms** (Notes 6, 7 & 9)



TL/D/9689-3

**Note 1:** Stresses above those listed under "Absolute Maximum Ratings" may cause permanent damage to the device. This is a stress rating only and functional operation of the device at these or any other conditions above those indicated in the operational sections of this specification is not implied. Exposure to absolute maximum rating conditions for extended periods may affect device reliability.

**Note 2:** This parameter is only sampled and is not 100% tested.

**Note 3:**  $\overline{OE}$  may be delayed up to  $t_{ACC} - t_{OE}$  after the falling edge of  $\overline{CE}$  without impacting  $t_{ACC}$ .

**Note 4:** The  $t_{DF}$  and  $t_{CF}$  compare level is determined as follows:

High to TRI-STATE, the measured  $V_{OH1}$  (DC)  $-0.10\text{V}$ ;

Low to TRI-STATE, the measured  $V_{OL1}$  (DC)  $+0.10\text{V}$ .

**Note 5:** TRI-STATE may be attained using  $\overline{OE}$  or  $\overline{CE}$ .

**Note 6:** The power switching characteristics of EPROMs require careful device decoupling. It is recommended that at least a  $0.1\text{ }\mu\text{F}$  ceramic capacitor be used on every device between  $V_{CC}$  and GND.

**Note 7:** The outputs must be restricted to  $V_{CC} + 1.0\text{V}$  to avoid latch-up and device damage.

**Note 8:** 1 TTL Gate:  $I_{OL} = 1.6\text{ mA}$ ,  $I_{OH} = -400\text{ }\mu\text{A}$ .

$C_L$ : 100 pF includes fixture capacitance.

**Note 9:**  $V_{PP}$  may be connected to  $V_{CC}$  except during programming.

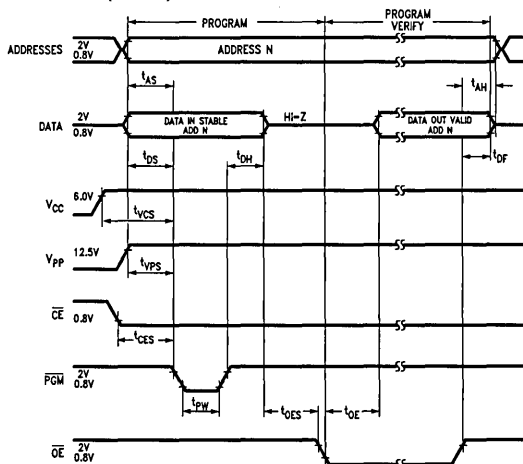
**Note 10:** Inputs and outputs can undershoot to  $-2.0\text{V}$  for 20 ns Max.



## Programming Characteristics (Notes 1, 2, 3 & 4)

Symbol	Parameter	Conditions	Min	Typ	Max	Units
$t_{AS}$	Address Setup Time		1			$\mu\text{s}$
$t_{OES}$	$\overline{OE}$ Setup Time		1			$\mu\text{s}$
$t_{CES}$	$\overline{CE}$ Setup Time	$\overline{OE} = V_{IH}$	1			$\mu\text{s}$
$t_{DS}$	Data Setup Time		1			$\mu\text{s}$
$t_{VPS}$	$V_{PP}$ Setup Time		1			$\mu\text{s}$
$t_{VCS}$	$V_{CC}$ Setup Time		1			$\mu\text{s}$
$t_{AH}$	Address Hold Time		0			$\mu\text{s}$
$t_{DH}$	Data Hold Time		1			$\mu\text{s}$
$t_{DF}$	Output Enable to Output Float Delay	$\overline{CE} = V_{IL}$	0		60	ns
$t_{PW}$	Program Pulse Width		95	100	105	$\mu\text{s}$
$t_{OE}$	Data Valid from $\overline{OE}$	$\overline{CE} = V_{IL}$			100	ns
$I_{PP}$	$V_{PP}$ Supply Current During Programming Pulse	$\overline{CE} = V_{IL}$ $\overline{PGM} = V_{IL}$			30	mA
$I_{CC}$	$V_{CC}$ Supply Current				10	mA
$T_A$	Temperature Ambient		20	25	30	$^{\circ}\text{C}$
$V_{CC}$	Power Supply Voltage		6.0	6.25	6.5	V
$V_{PP}$	Programming Supply Voltage		12.5	12.75	13.0	V
$t_{FR}$	Input Rise, Fall Time		5			ns
$V_{IL}$	Input Low Voltage			0.0	0.45	V
$V_{IH}$	Input High Voltage		2.4	4.0		V
$t_{IN}$	Input Timing Reference Voltage		0.8	1.5	2.0	V
$t_{OUT}$	Output Timing Reference Voltage		0.8	1.5	2.0	V

## Programming Waveforms (Note 3)



TL/D/9689-4

**Note 1:** National's standard product warranty applies to devices programmed to specifications described herein.

**Note 2:**  $V_{CC}$  must be applied simultaneously or before  $V_{PP}$  and removed simultaneously or after  $V_{PP}$ . The EPROM must not be inserted into or removed from a board with voltage applied to  $V_{PP}$  or  $V_{CC}$ .

**Note 3:** The maximum absolute allowable voltage which may be applied to the  $V_{PP}$  pin during programming is 14V. Care must be taken when switching the  $V_{PP}$  supply to prevent any overshoot from exceeding this 14V maximum specification. At least a 0.1  $\mu\text{F}$  capacitor is required across  $V_{PP}$ ,  $V_{CC}$  to GND to suppress spurious voltage transients which may damage the device.

**Note 4:** Programming and program verify are tested with the fast Program Algorithm, at typical power supply voltages and timings.

# Fast Programming Algorithm Flow Chart (Note 4)

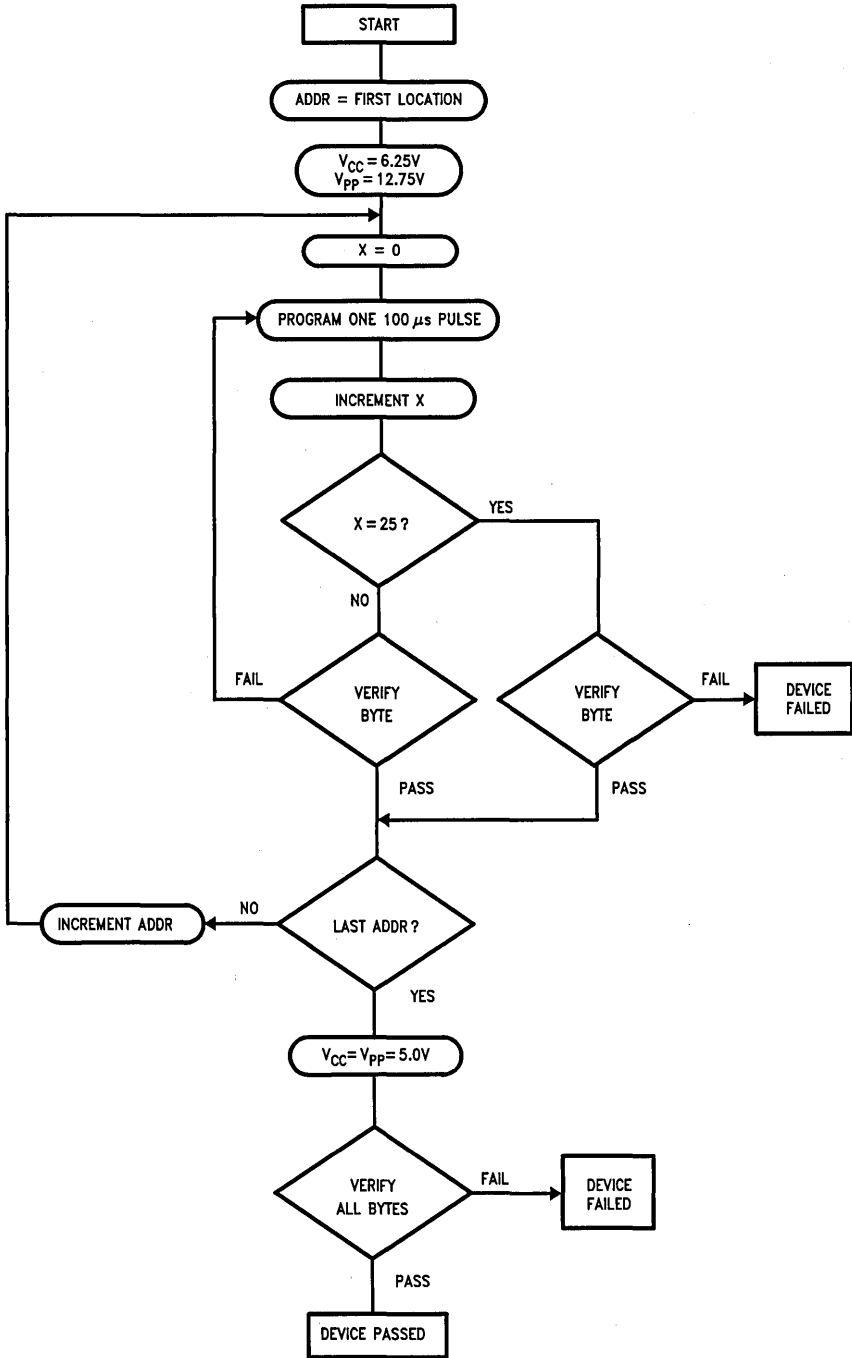


FIGURE 1

Interactive Programming Algorithm Flow Chart (Note 4)

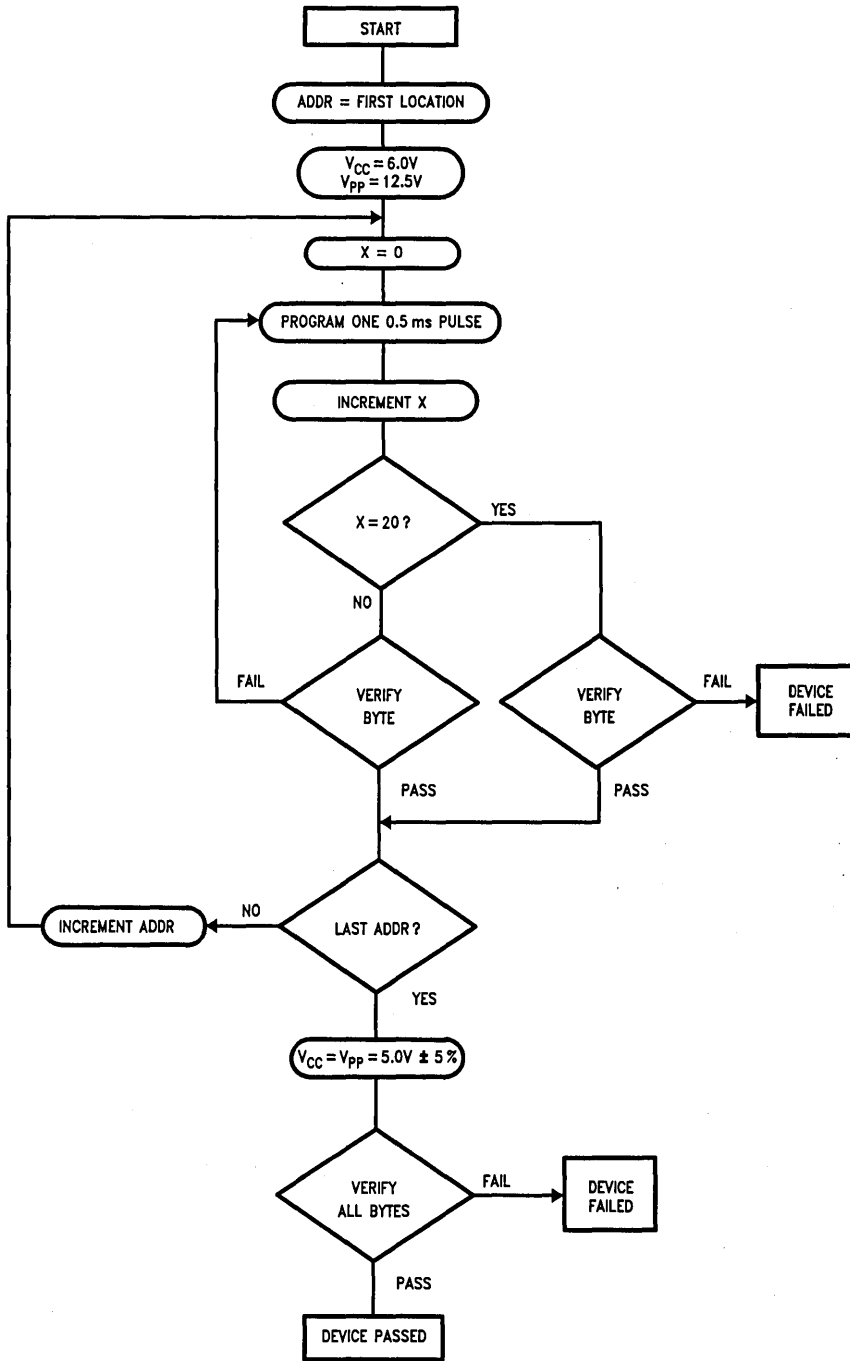


FIGURE 2

TL/D/9689-6

## Functional Description

### DEVICE OPERATION

The six modes of operation of the NMC27C128B are listed in Table I. It should be noted that all inputs for the six modes are at TTL levels. The power supplies required are  $V_{CC}$  and  $V_{PP}$ . The  $V_{PP}$  power supply must be at 12.75V during the three programming modes, and must be at  $V_{CC}$  in the other three modes. The  $V_{CC}$  power supply must be at 6.25V during the three programming modes, and at 5V in the other three modes.

#### Read Mode

The NMC27C128B has two control functions, both of which must be logically active in order to obtain data at the outputs. Chip Enable ( $\overline{CE}$ ) is the power control and should be used for device selection. Output Enable ( $\overline{OE}$ ) is the output control and should be used to gate data to the output pins, independent of device selection. The programming pin (PGM) should be at  $V_{IH}$  except during programming. Assuming that addresses are stable, address access time ( $t_{ACC}$ ) is equal to the delay from  $\overline{CE}$  to output ( $t_{CE}$ ). Data is available at the outputs  $t_{OE}$  after the falling edge of  $\overline{OE}$ , assuming that  $\overline{CE}$  has been low and addresses have been stable for at least  $t_{ACC}-t_{OE}$ .

The sense amps are clocked for fast access time.  $V_{CC}$  should therefore be maintained at operating voltage during read and verify. If  $V_{CC}$  temporarily drops below the spec. voltage (but not to ground) an address transition must be performed after the drop to insure proper output data.

#### Standby Mode

The NMC27C128B has a standby mode which reduces the active power dissipation by over 99%, from 110 mW to 0.55 mW. The NMC27C128B is placed in the standby mode by applying a CMOS high signal to the  $\overline{CE}$  input. When in standby mode, the outputs are in a high impedance state, independent of the  $\overline{OE}$  input.

#### Output OR-Tying

Because NMC27C128Bs are usually used in larger memory arrays, National has provided a 2-line control function that accommodates this use of multiple memory connections. The 2-line control function allows for:

- the lowest possible memory power dissipation, and
- complete assurance that output bus contention will not occur.

To most efficiently use these two control lines, it is recommended that  $\overline{CE}$  (pin 20) be decoded and used as the pri-

mary device selecting function, while  $\overline{OE}$  (pin 22) be made a common connection to all devices in the array and connected to the READ line from the system control bus. This assures that all deselected memory devices are in their low power standby modes and that the output pins are active only when data is desired from a particular memory device.

#### Programming

**CAUTION:** Exceeding 14V on pin 1 ( $V_{PP}$ ) will damage the NMC27C128B.

Initially, and after each erasure, all bits of the NMC27C128B are in the "1" state. Data is introduced by selectively programming "0s" into the desired bit locations. Although only "0s" will be programmed, both "1s" and "0s" can be presented in the data word. The only way to change a "0" to a "1" is by ultraviolet light erasure.

The NMC27C128B is in the programming mode when the  $V_{PP}$  power supply is at 12.75V and  $\overline{OE}$  is at  $V_{IH}$ . It is required that at least a 0.1  $\mu$ F capacitor be placed across  $V_{PP}$ ,  $V_{CC}$  to ground to suppress spurious voltage transients which may damage the device. The data to be programmed is applied 8 bits in parallel to the data output pins. The levels required for the address and data inputs are TTL.

For programming,  $\overline{CE}$  should be kept TTL low at all times while  $V_{PP}$  is kept at 12.75V

When the address and data are stable, an active low, TTL program pulse is applied to the PGM input. A program pulse must be applied at each address location to be programmed. The NMC27C128B is programmed with the Fast Programming Algorithm shown in Figure 1. Each Address is programmed with a series of 100  $\mu$ s pulses until it verifies good, up to a maximum of 25 pulses. Most memory cells will program with a single 100  $\mu$ s pulse.

**Note:** Some programmer manufacturers due to equipment limitation may offer interactive program Algorithm (shown in Figure 2).

The NMC27C128B must not be programmed with a DC signal applied to the PGM input.

Programming multiple NMC27C128Bs in parallel with the same data can be easily accomplished due to the simplicity of the programming requirements. Like inputs of the paralleled NMC27C128Bs may be connected together when they are programmed with the same data. A low level TTL pulse applied to the PGM input programs the paralleled NMC27C128Bs.

TABLE I. Mode Selection

Mode	Pins	$\overline{CE}$ (20)	$\overline{OE}$ (22)	PGM (27)	$V_{PP}$ (1)	$V_{CC}$ (28)	Outputs (11-13, 15-19)
Read		$V_{IL}$	$V_{IL}$	$V_{IH}$	$V_{CC}$	5V	$D_{OUT}$
Standby		$V_{IH}$	Don't Care	Don't Care	$V_{CC}$	5V	Hi-Z
Output Disable		Don't Care	$V_{IH}$	$V_{IH}$	$V_{CC}$	5V	Hi-Z
Program		$V_{IL}$	$V_{IH}$	$V_{IL}$	12.75V	6.25V	$D_{IN}$
Program Verify		$V_{IL}$	$V_{IL}$	$V_{IH}$	12.75V	6.25V	$D_{OUT}$
Program Inhibit		$V_{IH}$	Don't Care	Don't Care	12.75V	6.25V	Hi-Z

## Functional Description (Continued)

### Program Inhibit

Programming multiple NMC27C128s in parallel with different data is also easily accomplished. Except for  $\overline{CE}$  all like inputs (including  $\overline{OE}$  and PGM) of the parallel NMC27C128Bs may be common. A TTL low level program pulse applied to an NMC27C128B's PGM input with  $\overline{CE}$  at  $V_{IL}$  and  $V_{PP}$  at 12.75V will program that NMC27C128B. A TTL high level  $\overline{CE}$  input inhibits the other NMC27C128Bs from being programmed.

### Program Verify

A verify should be performed on the programmed bits to determine whether they were correctly programmed. The verify may be performed with  $V_{PP}$  at 12.75V.  $V_{PP}$  must be at  $V_{CC}$  except during programming and program verify.

### MANUFACTURER'S IDENTIFICATION CODE

The NMC27C128B has a manufacturer's identification code to aid in programming. The code, shown in Table II, is two bytes wide and is stored in a ROM configuration on the chip. It identifies the manufacturer and the device type. The code for the NMC27C128B is "8F83", where "8F" designates that it is made by National Semiconductor, and "83" designates a 128k part.

The code is accessed by applying 12.0V  $\pm$  0.5V to address pin A9. Addresses A1-A8, A10-A13,  $\overline{CE}$ , and  $\overline{OE}$  are held at  $V_{IL}$ . Address A0 is held at  $V_{IL}$  for the manufacturer's code, and at  $V_{IH}$  for the device code. The code is read out on the 8 data pins. Proper code access is only guaranteed at 25°C  $\pm$  5°C.

The primary purpose of the manufacturer's identification code is automatic programming control. When the device is inserted in an EPROM programmer socket, the programmer reads the code and then automatically calls up the specific programming algorithm for the part. This automatic programming control is only possible with programmers which have the capability of reading the code.

### ERASURE CHARACTERISTICS

The erasure characteristics of the NMC27C128B are such that erasure begins to occur when exposed to light with wavelengths shorter than approximately 4000 Angstroms ( $\text{\AA}$ ). It should be noted that sunlight and certain types of fluorescent lamps have wavelengths in the 3000 $\text{\AA}$ -4000 $\text{\AA}$  range.

After programming opaque labels should be placed over the NMC27C128B's window to prevent unintentional erasure. Covering the window will also prevent temporary functional failure due to the generation of photo currents.

The recommended erasure procedure for the NMC27C128B is exposure to short wave ultraviolet light which has a wavelength of 2537 Angstroms ( $\text{\AA}$ ). The integrated dose (i.e., UV intensity  $\times$  exposure time) for erasure should be a minimum of 15W-sec/cm<sup>2</sup>.

The NMC27C128B should be placed within 1 inch of the lamp tubes during erasure. Some lamps have a filter on their tubes which should be removed before erasure. Table III shows the minimum NMC27C128B erasure time for various light intensities.

An erasure system should be calibrated periodically. The distance from lamp to unit should be maintained at one inch. The erasure time increases as the square of the distance. (If distance is doubled the erasure time increases by a factor of 4.) Lamps lose intensity as they age. When a lamp is changed, the distance has changed or the lamp has aged, the system should be checked to make certain full erasure is occurring. Incomplete erasure will cause symptoms that can be misleading. Programmers, components, and even system designs have been erroneously suspected when incomplete erasure was the problem.

### SYSTEM CONSIDERATION

The power switching characteristics of this device require careful decoupling of the devices. The supply current,  $I_{CC}$ , has three segments that are of interest to the system designer—the standby current level, the active current level, and the transient current peaks that are produced by voltage transitions on input pins. The magnitude of these transient current peaks is dependent on the output capacitance loading of the device. The associated  $V_{CC}$  transient voltage peaks can be suppressed by properly selected decoupling capacitors. It is recommended that at least a 0.1  $\mu$ F ceramic capacitor be used on every device between  $V_{CC}$  and GND. This should be a high frequency capacitor of low inherent inductance. In addition, at least a 4.7  $\mu$ F bulk electrolytic capacitor should be used between  $V_{CC}$  and GND for each eight devices. The bulk capacitor should be located near where the power supply is connected to the array. The purpose of the bulk capacitor is to overcome the voltage drop caused by the inductive effects of the PC board traces.

TABLE II. Manufacturer's Identification Code

Pins	A0 (10)	O <sub>7</sub> (19)	O <sub>6</sub> (18)	O <sub>5</sub> (17)	O <sub>4</sub> (16)	O <sub>3</sub> (15)	O <sub>2</sub> (13)	O <sub>1</sub> (12)	O <sub>0</sub> (11)	Hex Data
Manufacturer Code	$V_{IL}$	1	0	0	0	1	1	1	1	8F
Device Code	$V_{IH}$	1	0	0	0	0	0	1	1	83

TABLE III. Minimum NMC27C128B Erasure Time

Light Intensity ( $\mu$ W/cm <sup>2</sup> )	Erasure Time (Minutes)
15,000	20
10,000	25
5,000	50

# NMC27C128BN

## High Speed Version 131,072-Bit (16k x 8) One Time Programmable CMOS PROM

### General Description

The NMC27C128BN is a high-speed 128k one time programmable CMOS PROM, ideally suited for applications where fast turnaround and low power consumption are important requirements.

The NMC27C128BN is designed to operate with a single +5V power supply with  $\pm 5\%$  or  $\pm 10\%$  tolerance.

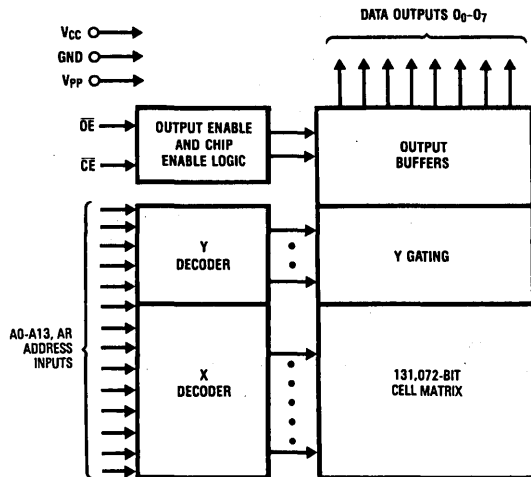
The NMC27C128BN is packaged in a 28-pin dual-in-line plastic molded package without a transparent lid. This part is ideally suited for high volume production applications where cost is an important factor and programming only needs to be done once. Also the plastic molded package works well in auto insertion equipment used in automated assembly lines.

This EPROM is fabricated with National's proprietary, time proven CMOS double-poly silicon gate technology which combines high performance and high density with low power consumption and excellent reliability.

### Features

- Clocked sense amps for fast access time down to 150 ns
- Low CMOS power consumption
  - Active Power: 11.0 mW max
  - Standby Power: 0.55 mW max
- Optimum EPROM for total CMOS systems
- Pin compatible with NMOS 128k EPROMs
- Fast and reliable programming—100  $\mu$ s typical/byte
- Static operation—no clocks required
- TTL, CMOS compatible inputs/outputs
- TRI-STATE® output
- Manufacturer's identification code for automatic programming control
- High current CMOS level output drivers

### Block Diagram



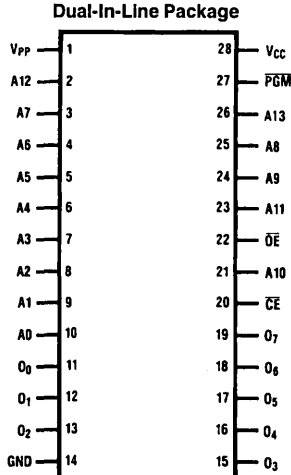
**Pin Names**

A0-A13	Addresses
$\overline{CE}$	Chip Enable
$\overline{OE}$	Output Enable
O <sub>0</sub> -O <sub>7</sub>	Outputs
PGM	Program

TL/D/9690-1

## Connection Diagram

27C512	27C256	27C64	27C32	27C16
27512	27256	2764	2732	2716
A15	V <sub>PP</sub>	V <sub>PP</sub>		
A12	A12	A12		
A7	A7	A7	A7	A7
A6	A6	A6	A6	A6
A5	A5	A5	A5	A5
A4	A4	A4	A4	A4
A3	A3	A3	A3	A3
A2	A2	A2	A2	A2
A1	A1	A1	A1	A1
A0	A0	A0	A0	A0
O <sub>0</sub>	O <sub>0</sub>	O <sub>0</sub>	O <sub>0</sub>	O <sub>0</sub>
O <sub>1</sub>	O <sub>1</sub>	O <sub>1</sub>	O <sub>1</sub>	O <sub>1</sub>
O <sub>2</sub>	O <sub>2</sub>	O <sub>2</sub>	O <sub>2</sub>	O <sub>2</sub>
GND	GND	GND	GND	GND



27C16	27C32	27C64	27C256	27C512
2716	2732	2764	27256	27512
		V <sub>CC</sub>	V <sub>CC</sub>	V <sub>CC</sub>
		$\overline{\text{PGM}}$	A14	A14
V <sub>CC</sub>	V <sub>CC</sub>	NC	A13	A13
A8	A8	A8	A8	A8
A9	A9	A9	A9	A9
V <sub>PP</sub>	A11	A11	A11	A11
$\overline{\text{OE}}$	$\overline{\text{OE/V}}_{\text{PP}}$	$\overline{\text{OE}}$	$\overline{\text{OE}}$	$\overline{\text{OE/V}}_{\text{PP}}$
A10	A10	A10	A10	A10
$\overline{\text{CE/PGM}}$	$\overline{\text{CE}}$	$\overline{\text{CE}}$	$\overline{\text{CE/PGM}}$	$\overline{\text{CE}}$
O <sub>7</sub>	O <sub>7</sub>	O <sub>7</sub>	O <sub>7</sub>	O <sub>7</sub>
O <sub>6</sub>	O <sub>6</sub>	O <sub>6</sub>	O <sub>6</sub>	O <sub>6</sub>
O <sub>5</sub>	O <sub>5</sub>	O <sub>5</sub>	O <sub>5</sub>	O <sub>5</sub>
O <sub>4</sub>	O <sub>4</sub>	O <sub>4</sub>	O <sub>4</sub>	O <sub>4</sub>
O <sub>3</sub>	O <sub>3</sub>	O <sub>3</sub>	O <sub>3</sub>	O <sub>3</sub>

TL/D/9690-2

Note: Socket compatible EPROM pin configurations are shown in the blocks adjacent to the NMC27C128BN pins.

**Order Number NMC27C128BN**  
See NS Package Number N28B

**Commercial Temp Range (0°C to +70°C)**  
 $V_{CC} = 5V \pm 5\%$

Parameter/Order Number	Access Time (ns)
NMC27C128BN15	150
NMC27C128BN20	200
NMC27C128BN25	250

**Commercial Temp Range (0°C to +70°C)**  
 $V_{CC} = 5V \pm 10\%$

Parameter/Order Number	Access Time (ns)
NMC27C128BN150	150
NMC27C128BN200	200
NMC27C128BN250	250

For non-commercial temperature range parts, call the factory.

## Absolute Maximum Ratings (Note 1)

If Military/Aerospace specified devices are required, please contact the National Semiconductor Sales Office/Distributors for availability and specifications.

Temperature Under Bias	-10°C to +80°C
Storage Temperature	-65°C to +150°C
All Input Voltages except A9 with Respect to Ground (Note 10)	+6.5V to -0.6V
All Output Voltages with Respect to Ground (Note 10)	V <sub>CC</sub> +1.0V to GND-0.6V
V <sub>PP</sub> Supply Voltage and A9 with Respect to Ground During Programming	+14.0V to -0.6V

V <sub>CC</sub> Supply Voltage with Respect to Ground	+7.0V to -6.0V
Power Dissipation	1.0W
Lead Temperature (Soldering, 10 sec.)	300°C
ESD Rating (Mil Spec 883C, Method 3015.2)	2000V

## Operating Conditions (Note 7)

Temperature Range	0°C to +70°C
V <sub>CC</sub> Power Supply	
NMC27C128BN150, 200, 250	+5V ±10%
NMC27C128BN15, 20, 25	+5V ±5%

## READ OPERATION

### DC Electrical Characteristics

Symbol	Parameter	Conditions	Min	Typ	Max	Units
I <sub>LI</sub>	Input Load Current	V <sub>IN</sub> = V <sub>CC</sub> or GND		0.01	1	μA
I <sub>LO</sub>	Output Leakage Current	V <sub>OUT</sub> = V <sub>CC</sub> or GND, $\overline{CE} = V_{IH}$		0.01	1	μA
I <sub>CC1</sub> (Note 9)	V <sub>CC</sub> Current (Active) TTL Inputs	$\overline{CE} = V_{IL}$ , f = 5 MHz Inputs = V <sub>IH</sub> or V <sub>IL</sub> , I/O = 0 mA		10	30	mA
I <sub>CC2</sub> (Note 9)	V <sub>CC</sub> Current (Active) CMOS Inputs	$\overline{CE} = GND$ , f = 5 MHz Inputs = V <sub>CC</sub> or GND, I/O = 0 mA		8	20	mA
I <sub>CCSB1</sub>	V <sub>CC</sub> Current (Standby) TTL Inputs	$\overline{CE} = V_{IH}$		0.1	1	mA
I <sub>CCSB2</sub>	V <sub>CC</sub> Current (Standby) CMOS Inputs	$\overline{CE} = V_{CC}$		0.5	100	μA
I <sub>PP</sub>	V <sub>PP</sub> Load Current	V <sub>PP</sub> = V <sub>CC</sub>			10	μA
V <sub>IL</sub>	Input Low Voltage		-0.2		0.8	V
V <sub>IH</sub>	Input High Voltage		2.0		V <sub>CC</sub> + 1	V
V <sub>OL1</sub>	Output Low Voltage	I <sub>OL</sub> = 2.1 mA			0.40	V
V <sub>OH1</sub>	Output High Voltage	I <sub>OH</sub> = -2.5 mA	3.5			V
V <sub>OL2</sub>	Output Low Voltage	I <sub>OL</sub> = 10 μA			0.1	V
V <sub>OH2</sub>	Output High Voltage	I <sub>OH</sub> = -10 μA	V <sub>CC</sub> - 0.1			V

### AC Electrical Characteristics

Symbol	Parameter	Conditions	NMC27C128B						Units
			N15, N150		N20, N200		N25, N250		
			Min	Max	Min	Max	Min	Max	
t <sub>ACC</sub>	Address to Output Delay	$\overline{CE} = \overline{OE} = V_{IL}$ PGM = V <sub>IH</sub>		150		200		250	ns
t <sub>CE</sub>	$\overline{CE}$ to Output Delay	$\overline{OE} = V_{IL}$ , PGM = V <sub>IH</sub>		150		200		250	ns
t <sub>OE</sub>	$\overline{OE}$ to Output Delay	$\overline{CE} = V_{IL}$ , PGM = V <sub>IH</sub>		60		75		100	ns
t <sub>DF</sub>	$\overline{OE}$ High to Output Float	$\overline{CE} = V_{IL}$ , PGM = V <sub>IH</sub>	0	50	0	55	0	60	ns
t <sub>CF</sub>	$\overline{CE}$ High to Output Float	$\overline{OE} = V_{IL}$ , PGM = V <sub>IH</sub>	0	50	0	55	0	60	ns
t <sub>OH</sub>	Output Hold from Addresses, $\overline{CE}$ or $\overline{OE}$ , Whichever Occurred First	$\overline{CE} = \overline{OE} = V_{IL}$ PGM = V <sub>IH</sub>	0		0		0		ns



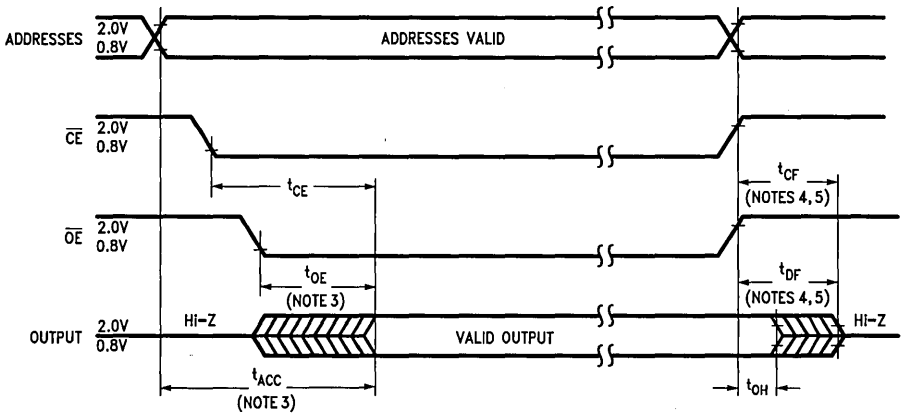
### Capacitance $T_A = +25^\circ\text{C}, f = 1\text{ MHz}$ (Note 2)

Symbol	Parameter	Conditions	Typ	Max	Units
$C_{IN}$	Input Capacitance	$V_{IN} = 0\text{V}$	5	10	pF
$C_{OUT}$	Output Capacitance	$V_{OUT} = 0\text{V}$	8	10	pF

### AC Test Conditions

Output Load	1 TTL Gate and $C_L = 100\text{ pF}$ (Note 8)	Timing Measurement Reference Level	Inputs: 0.8V and 2V Outputs: 0.8V and 2V
Input Rise and Fall Times	$\leq 5\text{ ns}$		
Input Pulse Levels	0.45V to 2.4V		

### AC Waveforms (Notes 6, 7 & 9)



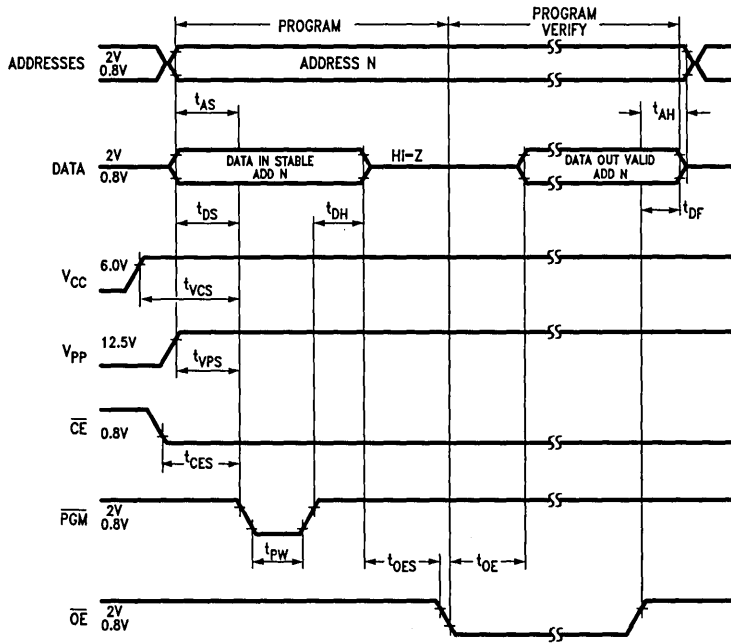
TL/D/9690-3

- Note 1:** Stresses above those listed under "Absolute Maximum Ratings" may cause permanent damage to the device. This is a stress rating only and functional operation of the device at these or any other conditions above those indicated in the operational sections of this specification is not implied. Exposure to absolute maximum rating conditions for extended periods may affect device reliability.
- Note 2:** This parameter is only sampled and is not 100% tested.
- Note 3:**  $\overline{OE}$  may be delayed up to  $t_{ACC} - t_{OE}$  after the falling edge of  $\overline{CE}$  without impacting  $t_{ACC}$ .
- Note 4:** The  $t_{DF}$  and  $t_{CF}$  compare level is determined as follows:  
High to TRI-STATE, the measured  $V_{OH1}$  (DC) - 0.10V;  
Low to TRI-STATE, the measured  $V_{OL1}$  (DC) + 0.10V.
- Note 5:** TRI-STATE may be attained using  $\overline{OE}$  or  $\overline{CE}$ .
- Note 6:** The power switching characteristics of EPROMs require careful device decoupling. It is recommended that at least a 0.1  $\mu\text{F}$  ceramic capacitor be used on every device between  $V_{CC}$  and GND.
- Note 7:** The outputs must be restricted to  $V_{CC} + 1.0\text{V}$  to avoid latch-up and device damage.
- Note 8:** 1 TTL Gate:  $I_{OL} = 1.6\text{ mA}$ ,  $I_{OH} = -400\ \mu\text{A}$ .  
 $C_L$ : 100 pF includes fixture capacitance.
- Note 9:**  $V_{PP}$  may be connected to  $V_{CC}$  except during programming.
- Note 10:** Inputs and outputs can undershoot to  $-2.0\text{V}$  for 20 ns max.

## Programming Characteristics (Notes 1, 2, 3 & 4)

Symbol	Parameter	Conditions	Min	Typ	Max	Units
$t_{AS}$	Address Setup Time		1			$\mu s$
$t_{OES}$	$\overline{OE}$ Setup Time		1			$\mu s$
$t_{CES}$	$\overline{CE}$ Setup Time	$\overline{OE} = V_{IH}$	1			$\mu s$
$t_{DS}$	Data Setup Time		1			$\mu s$
$t_{VPS}$	$V_{PP}$ Setup Time		1			$\mu s$
$t_{VCS}$	$V_{CC}$ Setup Time		1			$\mu s$
$t_{AH}$	Address Hold Time		0			$\mu s$
$t_{DH}$	Data Hold Time		1			$\mu s$
$t_{DF}$	Output Enable to Output Float Delay	$\overline{OE} = V_{IL}$	0		60	ns
$t_{PW}$	Program Pulse Width		95	100	105	$\mu s$
$t_{OE}$	Data Valid from $\overline{OE}$	$\overline{OE} = V_{IL}$			100	ns
$I_{PP}$	$V_{PP}$ Supply Current During Programming Pulse	$\overline{OE} = V_{IL}$ $\overline{PGM} = V_{IL}$			30	mA
$I_{CC}$	$V_{CC}$ Supply Current				10	mA
$T_A$	Temperature Ambient		20	25	30	$^{\circ}C$
$V_{CC}$	Power Supply Voltage		6.0	6.25	6.5	V
$V_{PP}$	Programming Supply Voltage		12.5	12.75	13.0	V
$t_{FR}$	Input Rise, Fall Time		5			ns
$V_{IL}$	Input Low Voltage			0.0	0.45	V
$V_{IH}$	Input High Voltage		2.4	4.0		V
$t_{IN}$	Input Timing Reference Voltage		0.8	1.5	2.0	V
$t_{OUT}$	Output Timing Reference Voltage		0.8	1.5	2.0	V

# Programming Waveforms (Note 3)



TL/D/9690-4

**Note 1:** National's standard product warranty applies only to devices programmed to specifications described herein.

**Note 2:** V<sub>CC</sub> must be applied simultaneously or before V<sub>PP</sub> and removed simultaneously or after V<sub>PP</sub>. The EPROM must not be inserted into or removed from a board with voltage applied to V<sub>PP</sub> or V<sub>CC</sub>.

**Note 3:** The maximum absolute allowable voltage which may be applied to the V<sub>PP</sub> pin during programming is 14V. Care must be taken when switching the V<sub>PP</sub> supply to prevent any overshoot from exceeding this 14V maximum specification. At least a 0.1 μF capacitor is required across V<sub>PP</sub>, V<sub>CC</sub> to GND to suppress spurious voltage transients which may damage the device.

**Note 4:** Programming and program verify are tested with the fast Program Algorithm, at typical power supply voltages and timings.

# Fast Programming Algorithm Flow Chart (Note 4)

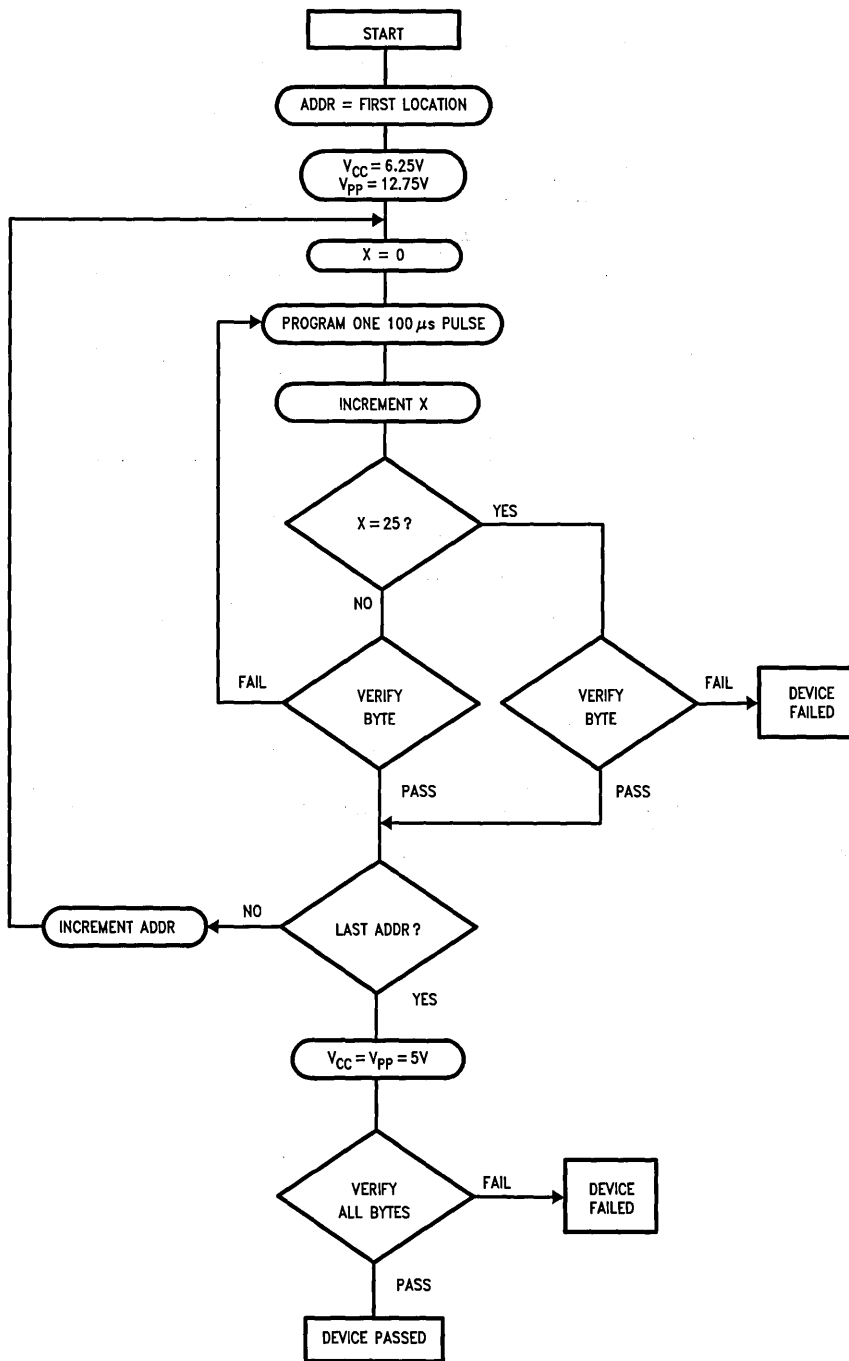


FIGURE 1

# Interactive Programming Algorithm Flow Chart (Note 4)

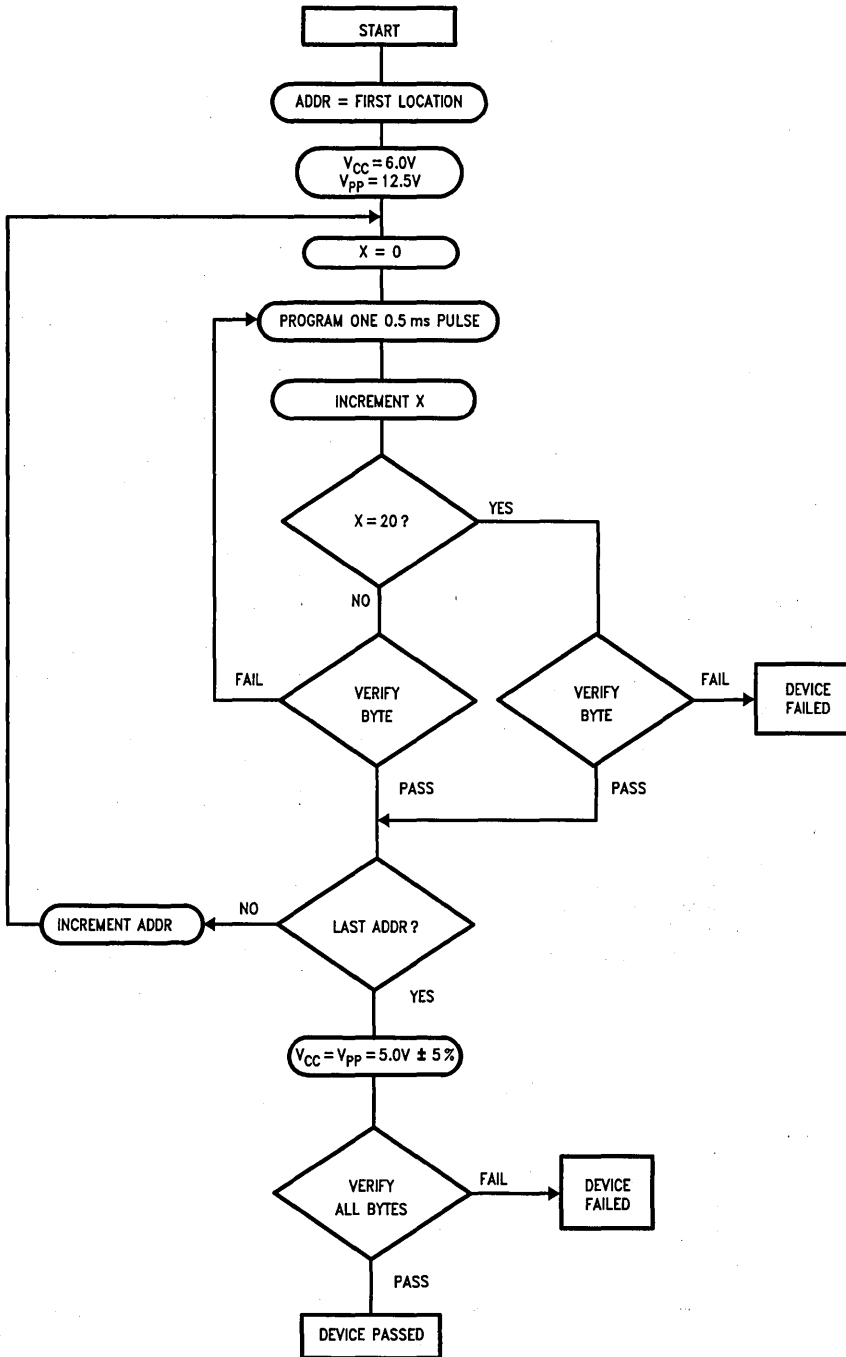


FIGURE 2

TL/D/9690-6

## Functional Description

### DEVICE OPERATION

The six modes of operation of the NMC27C128BN are listed in Table I. It should be noted that all inputs for the six modes are at TTL levels. The power supplies required are  $V_{CC}$  and  $V_{PP}$ . The  $V_{PP}$  power supply must be at 12.75V during the three programming modes, and must be at  $V_{CC}$  in the other three modes. The  $V_{CC}$  power supply must be at 6.25V during the three programming modes, and at 5V in the other three modes.

#### Read Mode

The NMC27C128BN has two control functions, both of which must be logically active in order to obtain data at the outputs. Chip Enable ( $\overline{CE}$ ) is the power control and should be used for device selection. Output Enable ( $\overline{OE}$ ) is the output control and should be used to gate data to the output pins, independent of device selection. The programming pin ( $\overline{PGM}$ ) should be at  $V_{IH}$  except during programming. Assuming that addresses are stable, address access time ( $t_{ACC}$ ) is equal to the delay from  $\overline{CE}$  to output ( $t_{CE}$ ). Data is available at the outputs  $t_{OE}$  after the falling edge of  $\overline{OE}$ , assuming that  $\overline{CE}$  has been low and addresses have been stable for at least  $t_{ACC}-t_{OE}$ .

The sense amps are clocked for fast access time.  $V_{CC}$  should therefore be maintained at operating voltage during read and verify. If  $V_{CC}$  temporarily drops below the spec. voltage (but not to ground) an address transition must be performed after the drop to insure proper output data.

#### Standby Mode

The NMC27C128BN has a standby mode which reduces the active power dissipation over 99%, from 110 mW to 0.55 mW. The NMC27C128BN is placed in the standby mode by applying a CMOS high signal to the  $\overline{CE}$  input. When in standby mode, the outputs are in a high impedance state, independent of the  $\overline{OE}$  input.

#### Output OR-Tying

Because NMC27C128BNs are usually used in larger memory arrays, National has provided a 2-line control function that accommodates this use of multiple memory connections. The 2-line control function allows for:

- the lowest possible memory power dissipation, and
- complete assurance that output bus contention will not occur.

To most efficiently use these two control lines, it is recommended that  $\overline{CE}$  (pin 20) be decoded and used as the primary device selecting function, while  $\overline{OE}$  (pin 22) be made a common connection to all devices in the array and connected to the READ line from the system control bus. This assures that all deselected memory devices are in their low power standby modes and that the output pins are active only when data is desired from a particular memory device.

#### Programming

CAUTION: Exceeding 14V on pin 1 ( $V_{PP}$ ) will damage the NMC27C128BN.

Initially, and after each erasure, all bits of the NMC27C128BN are in the "1" state. Data is introduced by selectively programming "0s" into the desired bit locations. Although only "0s" will be programmed, both "1s" and "0s" can be presented in the data word.

The NMC27C128BN is in the programming mode when the  $V_{PP}$  power supply is at 12.75V and  $\overline{OE}$  is at  $V_{IH}$ . It is required that at least a 0.1  $\mu$ F capacitor be placed across  $V_{PP}$ ,  $V_{CC}$  to ground to suppress spurious voltage transients which may damage the device. The data to be programmed is applied 8 bits in parallel to the data output pins. The levels required for the address and data inputs are TTL.

For programming,  $\overline{CE}$  should be kept TTL low at all times while  $V_{PP}$  is kept at 12.75V.

When the address and data are stable, an active low TTL program pulse is applied to the  $\overline{PGM}$  input. A program pulse must be applied at each address location to be programmed. The NMC27C128BN is programmed with the Fast Programming Algorithm shown in Figure 1. Each Address is programmed with a series of 100  $\mu$ s pulses until it verifies good, up to a maximum of 25 pulses. Most memory cells will Program with a single 100  $\mu$ s pulse.

Note: Some programmer manufacturers due to equipment limitation may offer interactive program Algorithm (Shown in Figure 2).

The NMC27C128BN must not be programmed with a DC signal applied to the  $\overline{PGM}$  input.

Programming multiple NMC27C128BNs in parallel with the same data can be easily accomplished due to the simplicity of the programming requirements. Like inputs of the paralleled NMC27C128BNs may be connected together when they are programmed with the same data. A low level TTL pulse applied to the  $\overline{PGM}$  input programs the paralleled NMC27C128BNs.

TABLE I. Mode Selection

Mode	Pins	$\overline{CE}$ (20)	$\overline{OE}$ (22)	$\overline{PGM}$ (27)	$V_{PP}$ (1)	$V_{CC}$ (28)	Outputs (11-13, 15-19)
Read		$V_{IL}$	$V_{IL}$	$V_{IH}$	$V_{CC}$	5V	$D_{OUT}$
Standby		$V_{IH}$	Don't Care	Don't Care	$V_{CC}$	5V	Hi-Z
Output Disable		Don't Care	$V_{IH}$	$V_{IH}$	$V_{CC}$	5V	Hi-Z
Program		$V_{IL}$	$V_{IH}$	$V_{IL}$	12.75V	6.25V	$D_{IN}$
Program Verify		$V_{IL}$	$V_{IL}$	$V_{IH}$	12.75V	6.25V	$D_{OUT}$
Program Inhibit		$V_{IH}$	Don't Care	Don't Care	12.75V	6.25V	Hi-Z

## Functional Description (Continued)

The NMC27C128BN is packaged in a plastic molded package which does not have a transparent lid. Therefore the memory cannot be erased. This means that after a user has programmed a memory cell to a "0" it cannot be changed back to a "1".

If an application requires erasing and reprogramming, the NMC27C128BQ UV Erasable PROM in a windowed package should be used.

### Program Inhibit

Programming multiple NMC27C128BNs in parallel with different data is also easily accomplished. Except for  $\overline{CE}$  all like inputs (including  $\overline{OE}$  and PGM) of the parallel NMC27C128BNs may be common. A TTL low level program pulse applied to an NMC27C128BNs PGM input with  $\overline{CE}$  at  $V_{IL}$  and  $V_{PP}$  at 12.75V will program that NMC27C128BN. A TTL high level  $\overline{CE}$  input inhibits the other NMC27C128BNs from being programmed.

### Program Verify

A verify should be performed on the programmed bits to determine whether they were correctly programmed. The verify may be performed with  $V_{PP}$  at 12.75V ( $V_{PP}$  must be at  $V_{CC}$ ) except during programming and program verify.

### MANUFACTURER'S IDENTIFICATION CODE

The NMC27C128BN has a manufacturer's identification code to aid in programming. The code, shown in Table II, is two bytes wide and is stored in a ROM configuration on the chip. It identifies the manufacturer and the device type. The code for the NMC27C128BN is "8F83", where "8F" designates that it is made by National Semiconductor, and "83" designates a 128k part.

The code is accessed by applying 12.0V  $\pm$  0.5V to address pin A9. Addresses A1–A8, A10–A13,  $\overline{CE}$ , and  $\overline{OE}$  are held at  $V_{IL}$ . Address A0 is held at  $V_{IL}$  for the manufacturer's code, and at  $V_{IH}$  for the device code. The code is read out on the 8 data pins. Proper code access is only guaranteed at 25°C  $\pm$  5°C.

The primary purpose of the manufacturer's identification code is automatic programming control. When the device is inserted in a EPROM programmer socket, the programmer reads the code and then automatically calls up the specific programming algorithm for the part. This automatic programming control is only possible with programmers which have the capability of reading the code.

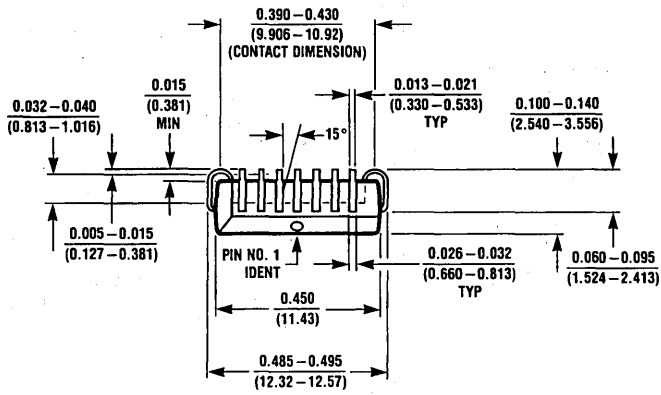
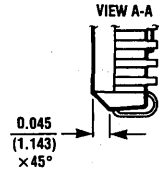
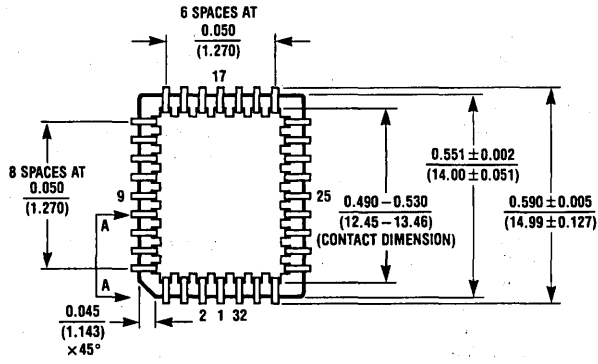
### SYSTEM CONSIDERATION

The power switching characteristics of EPROMs require careful decoupling of the devices. The supply current,  $I_{CC}$ , has three segments that are of interest to the system designer—the standby current level, the active current level, and the transient current peaks that are produced by voltage transitions on input pins. The magnitude of these transient current peaks is dependent on the output capacitance loading of the device. The associated  $V_{CC}$  transient voltage peaks can be suppressed by properly selected decoupling capacitors. It is recommended that at least a 0.1  $\mu$ F ceramic capacitor be used on every device between  $V_{CC}$  and GND. This should be a high frequency capacitor of low inherent inductance. In addition, at least a 4.7  $\mu$ F bulk electrolytic capacitor should be used between  $V_{CC}$  and GND for each eight devices. The bulk capacitor should be located near where the power supply is connected to the array. The purpose of the bulk capacitor is to overcome the voltage drop caused by the inductive effects of the PC board traces.

TABLE II. Manufacturer's Identification Code

Pins	A <sub>0</sub> (10)	0 <sub>7</sub> (19)	0 <sub>6</sub> (18)	0 <sub>5</sub> (17)	0 <sub>4</sub> (16)	0 <sub>3</sub> (15)	0 <sub>2</sub> (13)	0 <sub>1</sub> (12)	0 <sub>0</sub> (11)	Hex Data
Manufacturer Code	$V_{IL}$	1	0	0	0	1	1	1	1	8F
Device Code	$V_{IH}$	1	0	0	0	0	0	1	1	83

Package Information



32-Lead PLCC Package  
Order Number NMC27C128BV

TL/D/9690-7



## NMC27C256

### 262,144-Bit (32k x 8) UV Erasable CMOS PROM

#### General Description

The NMC27C256 is a high-speed 256k UV erasable and electrically reprogrammable CMOS EPROM, ideally suited for applications where fast turnaround, pattern experimentation and low power consumption are important requirements.

The NMC27C256 is designed to operate with a single +5V power supply with  $\pm 5\%$  or  $\pm 10\%$  tolerance. The CMOS design allows the part to operate over extended and military temperature ranges.

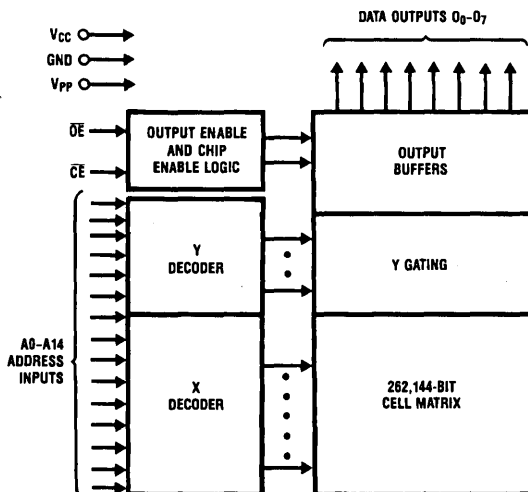
The NMC27C256 is packaged in a 28-pin dual in-line package with transparent lid. The transparent lid allows the user to expose the chip to ultraviolet light to erase the bit pattern. A new pattern can then be written electrically into the device by following the programming procedure.

This EPROM is fabricated with National's proprietary, time proven CMOS double-poly silicon gate technology which combines high performance and high density with low power consumption and excellent reliability.

#### Features

- Clocked sense amps for fast access time down to 170 ns
- Low CMOS power consumption
  - Active power: 55 mW max
  - Standby power: 0.55 mW max
- Performance compatible to NSC800™ CMOS micro-processor
- Single 5V power supply
- Extended temperature range (NMC27C256QE),  $-40^{\circ}\text{C}$  to  $+85^{\circ}\text{C}$ , and military temperature range (NMC27C256QM),  $-55^{\circ}\text{C}$  to  $+125^{\circ}\text{C}$ , available
- Pin compatible with NMOS 256k EPROMs
- Fast and reliable programming (0.5 ms for most bytes)
- Static operation—no clocks required
- TTL, CMOS compatible inputs/outputs
- TRI-STATE® output
- Optimum EPROM for total CMOS systems

#### Block Diagram



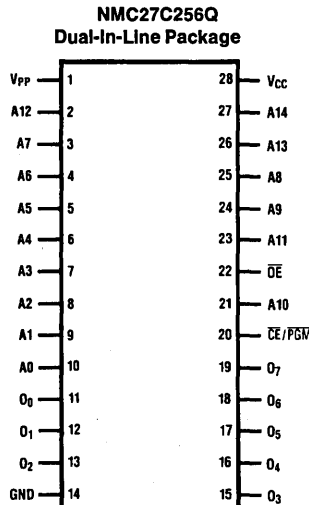
Pin Names

A0-A14	Addresses
$\overline{\text{CE}}$	Chip Enable
$\overline{\text{OE}}$	Output Enable
O <sub>0</sub> -O <sub>7</sub>	Outputs
PGM	Program
NC	No Connect

1

# Connection Diagram

27C512 27512	27C128 27128	27C64 2764	27C32 2732	27C16 2716
A15	V <sub>PP</sub>	V <sub>PP</sub>		
A12	A12	A12		
A7	A7	A7	A7	A7
A6	A6	A6	A6	A6
A5	A5	A5	A5	A5
A4	A4	A4	A4	A4
A3	A3	A3	A3	A3
A2	A2	A2	A2	A2
A1	A1	A1	A1	A1
A0	A0	A0	A0	A0
O <sub>0</sub>	O <sub>0</sub>	O <sub>0</sub>	O <sub>0</sub>	O <sub>0</sub>
O <sub>1</sub>	O <sub>1</sub>	O <sub>1</sub>	O <sub>1</sub>	O <sub>1</sub>
O <sub>2</sub>	O <sub>2</sub>	O <sub>2</sub>	O <sub>2</sub>	O <sub>2</sub>
GND	GND	GND	GND	GND



27C16 2716	27C32 2732	27C64 2764	27C128 27128	27C512 27512
		V <sub>CC</sub>	V <sub>CC</sub>	V <sub>CC</sub>
		PGM	PGM	A14
V <sub>CC</sub>	V <sub>CC</sub>	NC	A13	A13
A8	A8	A8	A8	A8
A9	A9	A9	A9	A9
V <sub>PP</sub>	A11	A11	A11	A11
OE	OE/V <sub>PP</sub>	OE	OE	OE/V <sub>PP</sub>
A10	A10	A10	A10	A10
CE/PGM	CE	CE	CE	CE
O <sub>7</sub>	O <sub>7</sub>	O <sub>7</sub>	O <sub>7</sub>	O <sub>7</sub>
O <sub>6</sub>	O <sub>6</sub>	O <sub>6</sub>	O <sub>6</sub>	O <sub>6</sub>
O <sub>5</sub>	O <sub>5</sub>	O <sub>5</sub>	O <sub>5</sub>	O <sub>5</sub>
O <sub>4</sub>	O <sub>4</sub>	O <sub>4</sub>	O <sub>4</sub>	O <sub>4</sub>
O <sub>3</sub>	O <sub>3</sub>	O <sub>3</sub>	O <sub>3</sub>	O <sub>3</sub>

TL/D/7512-2

Note: Socket compatible EPROM pin configurations are shown in the blocks adjacent to the NMC27C256 pins.

**Order Number NMC27C256Q**  
See NS Package Number J28AQ

**Commercial Temp Range (0°C to +70°C)**  
V<sub>CC</sub> = 5V ± 5%

Parameter/Order Number	Access Time
NMC27C256Q17	170
NMC27C256Q20	200
NMC27C256Q25	250

**Commercial Temp Range (0°C to +70°C)**  
V<sub>CC</sub> = 5V ± 10%

Parameter/Order Number	Access Time
NMC27C256Q200	200
NMC27C256Q250	250
NMC27C256Q300	300

**Extended Temp Range (-40°C to +85°C)**  
V<sub>CC</sub> = 5V ± 10%

Parameter/Order Number	Access Time
NMC27C256QE200	200
NMC27C256QE250	250

**Military Temp Range (-55°C to +125°C)**  
V<sub>CC</sub> = 5V ± 10%

Parameter/Order Number	Access Time
NMC27C256QM250	250
NMC27C256QM350	350

**NOTE:** For plastic DIP and surface mount PLCC package requirements please refer to NMC27C256BN data sheet.

## COMMERCIAL TEMPERATURE RANGE

### Absolute Maximum Ratings (Note 1)

Temperature Under Bias	-10°C to +80°C
Storage Temperature	-65°C to +150°C
All Input Voltages with Respect to Ground (Note 10)	+6.5V to -0.6V
All Output Voltages with Respect to Ground (Note 10)	$V_{CC} + 1.0V$ to $GND - 0.6V$
$V_{PP}$ Supply Voltage with Respect to Ground During Programming	+14.0V to -0.6V

Power Dissipation	1.0W
Lead Temperature (Soldering, 10 sec.)	300°C
$V_{CC}$ Supply Voltage with Respect to Ground	+7.0V to -0.6V

### Operating Conditions (Note 7)

Temperature Range	0°C to +70°C
$V_{CC}$ Power Supply	
NMC27C256Q17, 20, 25	5V ±5%
NMC27C256Q200, 250, 300	5V ±10%

## READ OPERATION

### DC Electrical Characteristics

Symbol	Parameter	Conditions	Min	Typ	Max	Units
$I_{LI}$	Input Load Current	$V_{IN} = V_{CC}$ or GND			10	$\mu A$
$I_{LO}$	Output Leakage Current	$V_{OUT} = V_{CC}$ or GND, $\overline{CE} = V_{IH}$			10	$\mu A$
$I_{CC1}$ (Note 9)	$V_{CC}$ Current (Active) TTL Inputs	$\overline{CE} = V_{IL}$ , $f = 5$ MHz Inputs = $V_{IH}$ or $V_{IL}$ , I/O = 0 mA		6	20	mA
$I_{CC2}$ (Note 9)	$V_{CC}$ Current (Active) CMOS Inputs	$\overline{CE} = GND$ , $f = 5$ MHz Inputs = $V_{CC}$ or GND, I/O = 0 mA		3	10	mA
$I_{CCSB1}$	$V_{CC}$ Current (Standby) TTL Inputs	$\overline{CE} = V_{IH}$		0.1	1	mA
$I_{CCSB2}$	$V_{CC}$ Current (Standby) CMOS Inputs	$\overline{CE} = V_{CC}$		0.5	100	$\mu A$
$I_{PP}$	$V_{PP}$ Load Current	$V_{PP} = V_{CC}$			10	$\mu A$
$V_{IL}$	Input Low Voltage		-0.1		0.8	V
$V_{IH}$	Input High Voltage		2.0		$V_{CC} + 1$	V
$V_{OL1}$	Output Low Voltage	$I_{OL} = 2.1$ mA			0.45	V
$V_{OH1}$	Output High Voltage	$I_{OH} = -400$ $\mu A$	2.4			V
$V_{OL2}$	Output Low Voltage	$I_{OL} = 0$ $\mu A$			0.1	V
$V_{OH2}$	Output High Voltage	$I_{OH} = 0$ $\mu A$	$V_{CC} - 0.1$			V

### AC Electrical Characteristics

Symbol	Parameter	Conditions	NMC27C256								Units
			Q17		Q20, Q200		Q25, Q250		Q300		
			Min	Max	Min	Max	Min	Max	Min	Max	
$t_{ACC}$	Address to Output Delay	$\overline{CE} = \overline{OE} = V_{IL}$		170		200		250		300	ns
$t_{CE}$	$\overline{CE}$ to Output Delay	$\overline{OE} = V_{IL}$		170		200		250		300	ns
$t_{OE}$	$\overline{OE}$ to Output Delay	$\overline{CE} = V_{IL}$		75		75		100		120	ns
$t_{DF}$	$\overline{OE}$ High to Output Float	$\overline{CE} = V_{IL}$	0	60	0	60	0	60	0	105	ns
$t_{CF}$	$\overline{CE}$ High to Output Float	$\overline{OE} = V_{IL}$	0	60	0	60	0	60	0	105	ns
$t_{OH}$	Output Hold from Addresses, $\overline{CE}$ or $\overline{OE}$ , Whichever Occurred First	$\overline{CE} = \overline{OE} = V_{IL}$	0		0		0		0		ns

## MILITARY AND EXTENDED TEMPERATURE RANGE

### Absolute Maximum Ratings (Note 1)

If Military/Aerospace specified devices are required, please contact the National Semiconductor Sales Office/Distributors for availability and specifications.

Temperature Under Bias	Operating Temp Range	
Storage Temperature	-65°C to +150°C	
All Input Voltages with Respect to Ground (Note 10)	+6.5V to -0.6V	
All Output Voltages with Respect to Ground (Note 10)	$V_{CC} + 1.0V$ to $GND - 0.6V$	
$V_{PP}$ Supply Voltage with Respect to Ground During Programming	+14.0V to -0.6V	

Power Dissipation	1.0W
Lead Temperature (Soldering, 10 sec.)	300°C
$V_{CC}$ Supply Voltage with Respect to Ground	+7.0V to -0.6V

### Operating Conditions (Note 7)

Temperature Range	
NMC27C256QE200, 250	-40°C to +85°C
NMC27C256QM250, M350	-55°C to +125°C
$V_{CC}$ Power Supply	5V $\pm$ 10%

## READ OPERATION

### DC Electrical Characteristics

Symbol	Parameter	Conditions	Min	Typ	Max	Units
$I_{LI}$	Input Load Current	$V_{IN} = V_{CC}$ or GND			10	$\mu A$
$I_{LO}$	Output Leakage Current	$V_{OUT} = V_{CC}$ or GND, $\overline{CE} = V_{IH}$			10	$\mu A$
$I_{CC1}$ (Note 9)	$V_{CC}$ Current (Active) TTL Inputs	$\overline{CE} = V_{IL}$ , $f = 5$ MHz Inputs = $V_{IH}$ or $V_{IL}$ , I/O = 0 mA		6	20	mA
$I_{CC2}$ (Note 9)	$V_{CC}$ Current (Active) CMOS Inputs	$\overline{CE} = GND$ , $f = 5$ MHz Inputs = $V_{CC}$ or GND, I/O = 0 mA		3	10	mA
$I_{CCSB1}$	$V_{CC}$ Current (Standby) TTL Inputs	$\overline{CE} = V_{IH}$		0.1	1	mA
$I_{CCSB2}$	$V_{CC}$ Current (Standby) CMOS Inputs	$\overline{CE} = V_{CC}$		0.5	100	$\mu A$
$I_{PP}$	$V_{PP}$ Load Current	$V_{PP} = V_{CC}$			10	$\mu A$
$V_{IL}$	Input Low Voltage		-0.1		0.8	V
$V_{IH}$	Input High Voltage		2.0		$V_{CC} + 1$	V
$V_{OL1}$	Output Low Voltage	$I_{OH} = 2.1$ mA			0.45	V
$V_{OH1}$	Output High Voltage	$I_{OH} = -400$ $\mu A$	2.4			V
$V_{OL2}$	Output Low Voltage	$I_{OH} = 0$ $\mu A$			0.1	V
$V_{OH2}$	Output High Voltage	$I_{OH} = 0$ $\mu A$	$V_{CC} - 0.1$			V

### AC Electrical Characteristics

Symbol	Parameter	Conditions	NMC27C256Q						Units
			E200		E250 M250		M350		
			Min	Max	Min	Max	Min	Max	
$t_{ACC}$	Address to Output Delay	$\overline{CE} = \overline{OE} = V_{IL}$		200		250		350	ns
$t_{CE}$	$\overline{CE}$ to Output Delay	$\overline{OE} = V_{IL}$		200		250		350	ns
$t_{OE}$	$\overline{OE}$ to Output Delay	$\overline{CE} = V_{IL}$		75		100		120	ns
$t_{DF}$	$\overline{OE}$ High to Output Float	$\overline{CE} = V_{IL}$	0	60	0	60	0	105	ns
$t_{OH}$	Output Hold from Addresses, $\overline{CE}$ or $\overline{OE}$ Whichever Occurred First	$\overline{CE} = \overline{OE} = V_{IL}$	0		0		0		ns
$t_{CF}$	$\overline{CE}$ High to Output Float	$\overline{OE} = V_{IL}$	0	60	0	60	0	105	ns

**Capacitance**  $T_A = +25^\circ\text{C}$ ,  $f = 1\text{ MHz}$  (Note 2)

Symbol	Parameter	Conditions	Typ	Max	Units
$C_{IN}$	Input Capacitance	$V_{IN} = 0\text{V}$	6	12	pF
$C_{OUT}$	Output Capacitance	$V_{OUT} = 0\text{V}$	9	12	pF

**AC Test Conditions**

Output Load

1 TTL Gate and  
 $C_L = 100\text{ pF}$  (Note 8)

Timing Measurement Reference Level

Inputs  
 Outputs

0.8V and 2V  
 0.8V and 2V

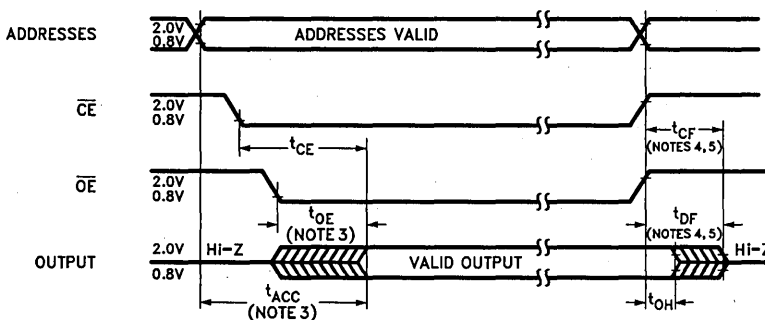
Input Rise and Fall Times

$\leq 5\text{ ns}$

Input Pulse Levels

0.45V to 2.4V

**AC Waveforms** (Notes 6, 7 & 9)



TL/D/7512-3

**Note 1:** Stresses above those listed under "Absolute Maximum Ratings" may cause permanent damage to the device. This is a stress rating only and functional operation of the device at these or any other conditions above those indicated in the operational sections of this specification is not implied. Exposure to absolute maximum rating conditions for extended periods may affect device reliability.

**Note 2:** This parameter is only sampled and is not 100% tested.

**Note 3:**  $\overline{OE}$  may be delayed up to  $t_{ACC} - t_{OE}$  after the falling edge of  $\overline{CE}$  without impacting  $t_{ACC}$ .

**Note 4:** The  $t_{DF}$  and  $t_{CF}$  compare level is determined as follows:

- High to TRI-STATE, the measured  $V_{OH1}$  (DC) - 0.10V;
- Low to TRI-STATE, the measured  $V_{OL1}$  (DC) + 0.10V.

**Note 5:** TRI-STATE may be attained using  $\overline{OE}$  or  $\overline{CE}$ .

**Note 6:** The power switching characteristics of EPROMs require careful device decoupling. It is recommended that at least a 0.1  $\mu\text{F}$  ceramic capacitor be used on every device between  $V_{CC}$  and GND.

**Note 7:** The outputs must be restricted to  $V_{CC} + 1.0\text{V}$  to avoid latch-up and device damage.

**Note 8:** 1 TTL Gate:  $I_{OL} = 1.6\text{ mA}$ ,  $I_{OH} = -400\text{ }\mu\text{A}$ .

$C_L$ : 100 pF includes fixture capacitance.

**Note 9:**  $V_{PP}$  may be connected to  $V_{CC}$  except during programming.

**Note 10:** Inputs and outputs can undershoot to  $-2.0\text{V}$  for 20 ns Max.

## Programming Characteristics (Notes 1, 2, 3 & 4)

Symbol	Parameter	Conditions	Min	Typ	Max	Units
$t_{AS}$	Address Setup Time		2			$\mu\text{s}$
$t_{OES}$	$\overline{OE}$ Setup Time		2			$\mu\text{s}$
$t_{VPS}$	$V_{PP}$ Setup Time		2			$\mu\text{s}$
$t_{VCS}$	$V_{CC}$ Setup Time		2			$\mu\text{s}$
$t_{DS}$	Data Setup Time		2			$\mu\text{s}$
$t_{AH}$	Address Hold Time		0			$\mu\text{s}$
$t_{DH}$	Data Hold Time		2			$\mu\text{s}$
$t_{DF}$	Output Enable to Output Float Delay	$\overline{CE} = V_{IL}$	0		130	ns
$t_{PW}$	Program Pulse Width		0.5	0.5	10	ms
$t_{OE}$	Data Valid from $\overline{OE}$	$\overline{CE} = V_{IL}$			150	ns
$I_{PP}$	$V_{PP}$ Supply Current During Programming Pulse	$\overline{CE} = V_{IL}$ $\text{PGM} = V_{IL}$			30	mA
$I_{CC}$	$V_{CC}$ Supply Current				10	mA
$T_A$	Temperature Ambient		20	25	30	$^{\circ}\text{C}$
$V_{CC}$	Power Supply Voltage		5.75	6.0	6.25	V
$V_{PP}$	Programming Supply Voltage		12.2	13.0	13.3	V
$t_{FR}$	Input Rise, Fall Time		5			ns
$V_{IL}$	Input Low Voltage			0.0	0.45	V
$V_{IH}$	Input High Voltage		2.4	4.0		V
$t_{IN}$	Input Timing Reference Voltage		0.8	1.5	2.0	V
$t_{OUT}$	Output Timing Reference Voltage		0.8	1.5	2.0	V

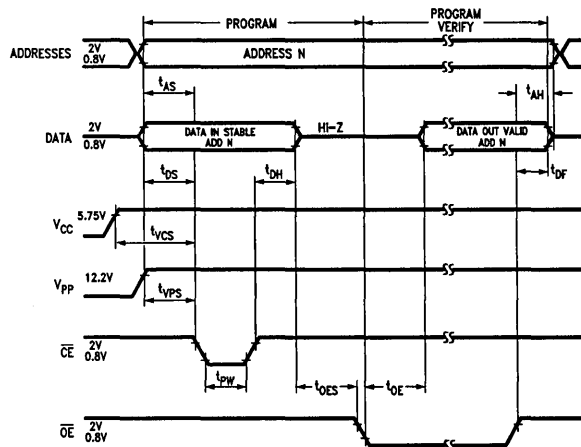
**Note 1:** National's standard product warranty applies only to devices programmed to specifications described herein.

**Note 2:**  $V_{CC}$  must be applied simultaneously or before  $V_{PP}$  and removed simultaneously or after  $V_{PP}$ . The EPROM must not be inserted into or removed from a board with voltage applied to  $V_{PP}$  or  $V_{CC}$ .

**Note 3:** The maximum absolute allowable voltage which may be applied to the  $V_{PP}$  pin during programming is 14V. Care must be taken when switching the  $V_{PP}$  supply to prevent any overshoot from exceeding this 14V maximum specification. At least a 0.1  $\mu\text{F}$  capacitor is required across  $V_{PP}$ ,  $V_{CC}$  to GND to suppress spurious voltage transients which may damage the device.

**Note 4:** Programming and program verify are tested with the Interactive Program Algorithm, at typical power supply voltages and timings.

## Programming Waveforms (Note 3)



TL/D/7512-4

# Interactive Programming Algorithm Flow Chart

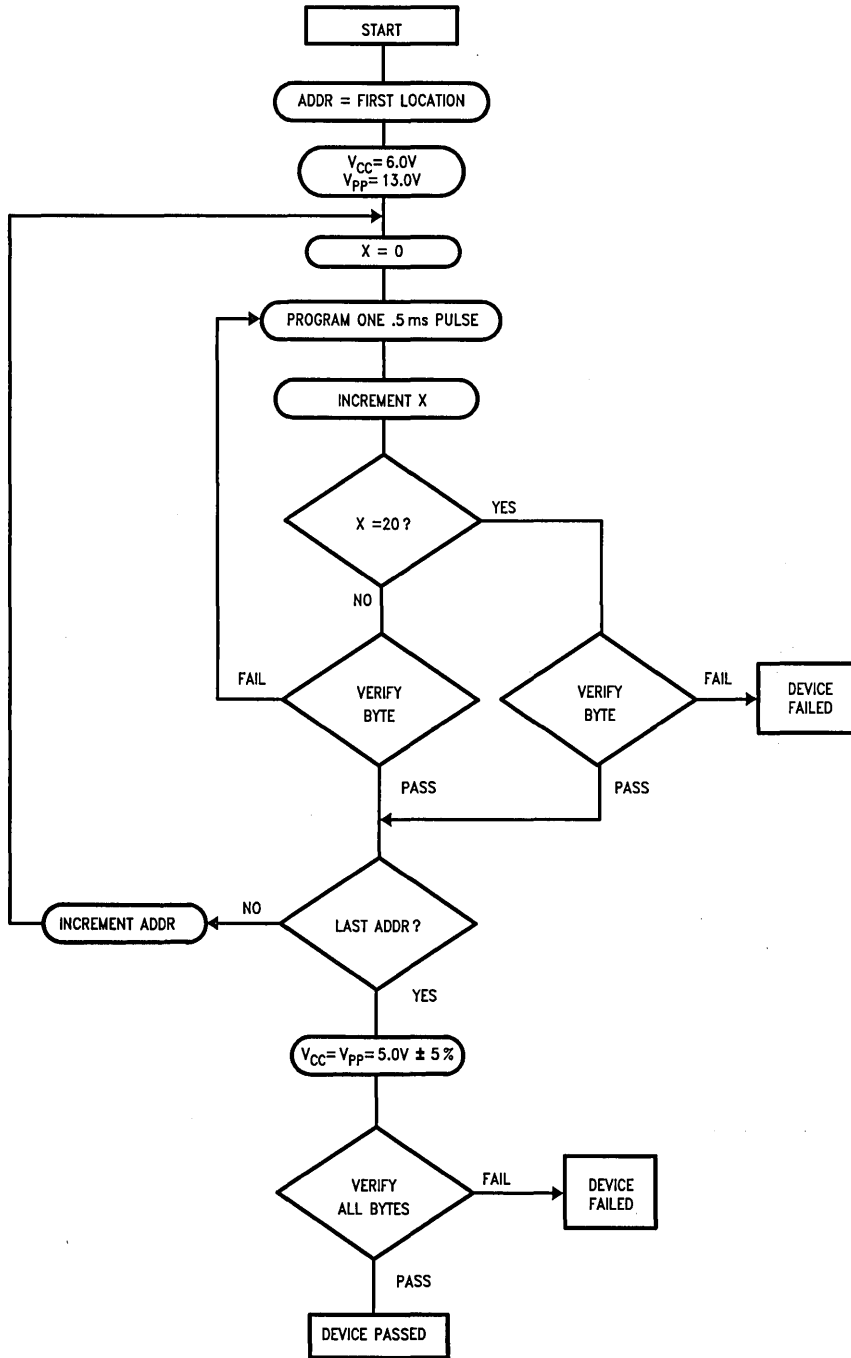


FIGURE 1

TL/D/7512-5

## Functional Description

### DEVICE OPERATION

The six modes of operation of the NMC27C256 are listed in Table I. It should be noted that all inputs for the six modes are at TTL levels. The power supplies required are  $V_{CC}$  and  $V_{PP}$ . The  $V_{PP}$  power supply must be at 13.0V during the three programming modes, and must be at 5V in the other three modes. The  $V_{CC}$  power supply must be at 6V during the three programming modes, and at 5V in the other three modes.

#### Read Mode

The NMC27C256 has two control functions, both of which must be logically active in order to obtain data at the outputs. Chip Enable ( $\overline{CE}$ ) is the power control and should be used for device selection. Output Enable ( $\overline{OE}$ ) is the output control and should be used to gate data to the output pins, independent of device selection. Assuming that addresses are stable, address access time ( $t_{ACC}$ ) is equal to the delay from  $\overline{CE}$  to output ( $t_{CE}$ ). Data is available at the outputs  $t_{OE}$  after the falling edge of  $\overline{OE}$ , assuming that  $\overline{CE}$  has been low and addresses have been stable for at least  $t_{ACC} - t_{OE}$ .

The sense amps are clocked for fast access time.  $V_{CC}$  should therefore be maintained at operating voltage during read and verify. If  $V_{CC}$  temporarily drops below the spec. voltage (but not to ground) an address transition must be performed after the drop to ensure proper output data.

#### Standby Mode

The NMC27C256 has a standby mode which reduces the active power dissipation by 99%, from 55 mW to 0.55 mW. The NMC27C256 is placed in the standby mode by applying a CMOS high signal to the  $\overline{CE}$  input. When in standby mode, the outputs are in a high impedance state, independent of the  $\overline{OE}$  input.

#### Output OR-Tying

Because NMC27C256s are usually used in larger memory arrays, National has provided a 2-line control function that accommodates this use of multiple memory connections. The 2-line control function allows for:

- the lowest possible memory power dissipation, and
- complete assurance that output bus contention will not occur.

To most efficiently use these two control lines, it is recommended that  $\overline{CE}$  (pin 20) be decoded and used as the primary device selecting function, while  $\overline{OE}$  (pin 22) be made a common connection to all devices in the array and connected to the READ line from the system control bus. This assures that all deselected memory devices are in their low power standby modes and that the output pins are active only when data is desired from a particular memory device.

#### Programming

CAUTION: Exceeding 14V on pin 1 ( $V_{PP}$ ) will damage the NMC27C256.

Initially, and after each erasure, all bits of the NMC27C256 are in the "1" state. Data is introduced by selectively programming "0s" into the desired bit locations. Although only "0s" will be programmed, both "1s" and "0s" can be presented in the data word. The only way to change a "0" to a "1" is by ultraviolet light erasure.

The NMC27C256 is in the programming mode when the  $V_{PP}$  power supply is at 13.0V and  $\overline{OE}$  is at  $V_{IH}$ . It is required that at least a 0.1  $\mu$ F capacitor be placed across  $V_{PP}$ ,  $V_{CC}$  to ground to suppress spurious voltage transients which may damage the device. The data to be programmed is applied 8 bits in parallel to the data output pins. The levels required for the address and data inputs are TTL.

When the address and data are stable, an active low TTL program pulse is applied to the  $\overline{CE}/\overline{PGM}$  input. A program pulse must be applied at each address location to be programmed. Any location may be programmed at any time—either individually, sequentially, or at random. The NMC27C256 is designed to be programmed with interactive programming, where each address is programmed with a series of 0.5 ms pulses until it verifies (up to a maximum of 20 pulses or 10 ms). The NMC27C256 must not be programmed with a DC signal applied to the  $\overline{CE}/\overline{PGM}$  input.

Programming multiple NMC27C256s in parallel with the same data can be easily accomplished due to the simplicity of the programming requirements. Like inputs of the paralleled NMC27C256s may be connected together when they are programmed with the same data. A low level TTL pulse applied to the  $\overline{CE}/\overline{PGM}$  input programs the paralleled NMC27C256s.

TABLE I. Mode Selection

Mode	Pins	$\overline{CE}/\overline{PGM}$ (20)	$\overline{OE}$ (22)	$V_{PP}$ (1)	$V_{CC}$ (28)	Outputs (11–13, 15–19)
Read		$V_{IL}$	$V_{IL}$	5V	5V	$D_{OUT}$
Standby		$V_{IH}$	Don't Care	5V	5V	Hi-Z
Program		$V_{IL}$	$V_{IH}$	13.0V	6V	$D_{IN}$
Program Verify		$V_{IH}$	$V_{IL}$	13.0V	6V	$D_{OUT}$
Program Inhibit		$V_{IH}$	$V_{IH}$	13.0V	6V	Hi-Z
Output Disable		Don't Care	$V_{IH}$	5V	5V	Hi-Z



## Functional Description (Continued)

### Program Inhibit

Programming multiple NMC27C256s in parallel with different data is also easily accomplished. Except for  $\overline{CE}$  all like inputs (including  $\overline{OE}$ ) of the parallel NMC27C256s may be common. A TTL low level program pulse applied to an NMC27C256's  $\overline{CE}/\overline{PGM}$  input with  $V_{PP}$  at 13.0V will program that NMC27C256. A TTL high level  $\overline{CE}$  input inhibits the other NMC27C256s from being programmed.

### Program Verify

A verify should be performed on the programmed bits to determine whether they were correctly programmed. The verify may be performed with  $V_{PP}$  at 13.0V.  $V_{PP}$  must be at  $V_{CC}$ , except during programming and program verify.

### ERASURE CHARACTERISTICS

The erasure characteristics of the NMC27C256 are such that erasure begins to occur when exposed to light with wavelengths shorter than approximately 4000 Angstroms ( $\text{\AA}$ ). It should be noted that sunlight and certain types of fluorescent lamps have wavelengths in the 3000 $\text{\AA}$ –4000 $\text{\AA}$  range.

After programming, opaque labels should be placed over the NMC27C256's window to prevent unintentional erasure. Covering the window will also prevent temporary functional failure due to the generation of photo currents.

The recommended erasure procedure for the NMC27C256 is exposure to short wave ultraviolet light which has a wavelength of 2537 Angstroms ( $\text{\AA}$ ). The integrated dose (i.e., UV intensity  $\times$  exposure time) for erasure should be a minimum of 15W-sec/cm<sup>2</sup>.

The NMC27C256 should be placed within 1 inch of the lamp tubes during erasure. Some lamps have a filter on their tubes which should be removed before erasure. Table II

shows the minimum NMC27C256 erasure time for various light intensities.

An erasure system should be calibrated periodically. The distance from lamp to unit should be maintained at one inch. The erasure time increases as the square of the distance. (If distance is doubled the erasure time increases by a factor of 4.) Lamps lose intensity as they age. When a lamp is changed, the distance has changed or the lamp has aged, the system should be checked to make certain full erasure is occurring. Incomplete erasure will cause symptoms that can be misleading. Programmers, components, and even system designs have been erroneously suspected when incomplete erasure was the problem.

### SYSTEM CONSIDERATION

The power switching characteristics of EPROMs require careful decoupling of the devices. The supply current,  $I_{CC}$ , has three segments that are of interest to the system designer—the standby current level, the active current level, and the transient current peaks that are produced by voltage transitions on input pins. The magnitude of these transient current peaks is dependent on the output capacitance loading of the device. The associated  $V_{CC}$  transient voltage peaks can be suppressed by properly selected decoupling capacitors. It is recommended that at least a 0.1  $\mu\text{F}$  ceramic capacitor be used on every device between  $V_{CC}$  and GND. This should be a high frequency capacitor of low inherent inductance. In addition, at least a 4.7  $\mu\text{F}$  bulk electrolytic capacitor should be used between  $V_{CC}$  and GND for each eight devices. The bulk capacitor should be located near where the power supply is connected to the array. The purpose of the bulk capacitor is to overcome the voltage drop caused by the inductive effects of the PC board traces.

TABLE II. Minimum NMC27C256 Erasure Time

Light Intensity (Micro-Watts/cm <sup>2</sup> )	Erasure Time (Minutes)
15,000	20
10,000	25
5,000	50

## NMC27C256B High Speed Version 262,144-Bit (32k x 8) UV Erasable CMOS PROM

### General Description

The NMC27C256B is a high-speed 256k UV erasable and electrically reprogrammable CMOS EPROM, ideally suited for applications where fast turnaround, pattern experimentation and low power consumption are important requirements.

The NMC27C256B is designed to operate with a single +5V power supply with  $\pm 5\%$  or  $\pm 10\%$  tolerance. The CMOS design allows the part to operate over extended and military temperature ranges.

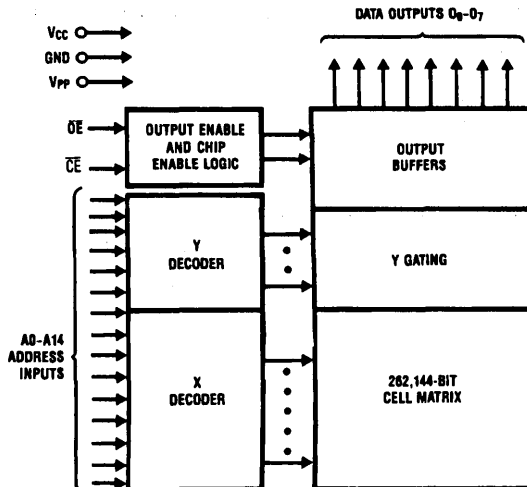
The NMC27C256B is packaged in a 28-pin dual-in-line package with transparent lid. The transparent lid allows the user to expose the chip to ultraviolet light to erase the bit pattern. A new pattern can then be written electrically into the device by following the programming procedure.

This EPROM is fabricated with National's proprietary, time proven CMOS double-poly silicon gate technology which combines high performance and high density with low power consumption and excellent reliability.

### Features

- Clocked sense amps for fast access time down to 150 ns
- Low CMOS power consumption
  - Active power: 110 mW max
  - Standby power: 0.55 mW max
- Optimal EPROM for total CMOS systems
- Extended temperature range (NMC27C256BQE),  $-40^{\circ}\text{C}$  to  $+85^{\circ}\text{C}$ , and military temperature range (NMC27C256BQM),  $-55^{\circ}\text{C}$  to  $+125^{\circ}\text{C}$  available
- Pin compatible with NMOS 256k EPROMs
- Fast and reliable programming—100  $\mu\text{s}$  typical/byte
- Static operation—no clocks required
- TTL, CMOS compatible inputs/outputs
- TRI-STATE<sup>®</sup> output
- Manufacturer's identification code for automatic programming control
- High current CMOS level output drivers

### Block Diagram



TL/D/9125-1

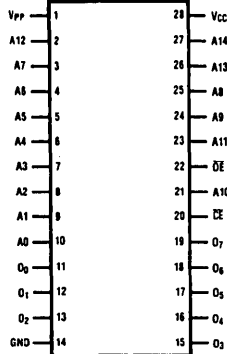
Pin Names

A0-A14	Addresses
$\overline{\text{CE}}$	Chip Enable
$\overline{\text{OE}}$	Output Enable
O <sub>0</sub> -O <sub>7</sub>	Outputs
PGM	Program
NC	No Connect

## Connection Diagram

27C512 27512	27C128 27128	27C64 2764	27C32 2732	27C16 2716
A15	V <sub>PP</sub>	V <sub>PP</sub>		
A12	A12	A12		
A7	A7	A7	A7	A7
A6	A6	A6	A6	A6
A5	A5	A5	A5	A5
A4	A4	A4	A4	A4
A3	A3	A3	A3	A3
A2	A2	A2	A2	A2
A1	A1	A1	A1	A1
A0	A0	A0	A0	A0
O <sub>0</sub>	O <sub>0</sub>	O <sub>0</sub>	O <sub>0</sub>	O <sub>0</sub>
O <sub>1</sub>	O <sub>1</sub>	O <sub>1</sub>	O <sub>1</sub>	O <sub>1</sub>
O <sub>2</sub>	O <sub>2</sub>	O <sub>2</sub>	O <sub>2</sub>	O <sub>2</sub>
GND	GND	GND	GND	GND

**NMC27C256BQ**  
Dual-In-Line Package



27C16 2716	27C32 2732	27C64 2764	27C128 27128	27C512 27512
		V <sub>CC</sub> PGM	V <sub>CC</sub> PGM	V <sub>CC</sub> A14
V <sub>CC</sub>	V <sub>CC</sub>	NC	A13	A13
A8	A8	A8	A8	A8
A9	A9	A9	A9	A9
V <sub>PP</sub>	A11	A11	A11	A11
OE	OE/V <sub>PP</sub>	OE	OE	OE/V <sub>PP</sub>
A10	A10	A10	A10	A10
CE/PGM	CE	CE	CE	CE
O <sub>7</sub>	O <sub>7</sub>	O <sub>7</sub>	O <sub>7</sub>	O <sub>7</sub>
O <sub>6</sub>	O <sub>6</sub>	O <sub>6</sub>	O <sub>6</sub>	O <sub>6</sub>
O <sub>5</sub>	O <sub>5</sub>	O <sub>5</sub>	O <sub>5</sub>	O <sub>5</sub>
O <sub>4</sub>	O <sub>4</sub>	O <sub>4</sub>	O <sub>4</sub>	O <sub>4</sub>
O <sub>3</sub>	O <sub>3</sub>	O <sub>3</sub>	O <sub>3</sub>	O <sub>3</sub>

TL/D/9125-2

Note: Socket compatible EPROM pin configurations are shown in the blocks adjacent to the NMC27C256B pins.

**Order Number NMC27C256BQ**  
See NS Package Number J28AQ

**Commercial Temp Range (0°C to +70°C)**  
V<sub>CC</sub> = 5V ± 5%

Parameter/Order Number	Access Time (ns)
NMC27C256BQ15	150
NMC27C256BQ20	200
NMC27C256BQ25	250

**Commercial Temp Range (0°C to +70°C)**  
V<sub>CC</sub> = 5V ± 10%

Parameter/Order Number	Access Time (ns)
NMC27C256BQ150	150
NMC27C256BQ200	200
NMC27C256BQ250	250

**Extended Temp Range (-40°C to +85°C)**  
V<sub>CC</sub> = 5V ± 10%

Parameter/Order Number	Access Time (ns)
NMC27C256BQE150	150
NMC27C256BQE200	200

**Military Temp Range (-55°C to +125°C)**  
V<sub>CC</sub> = 5V ± 10%

Parameter/Order Number	Access Time (ns)
NMC27C256BQM150	150
NMC27C256BQM200	200

**NOTE:** For plastic DIP and surface mount PLCC package requirements please refer to NMC27C256BN data sheet.

## COMMERCIAL TEMPERATURE RANGE

### Absolute Maximum Ratings (Note 1)

If Military/Aerospace specified devices are required, please contact the National Semiconductor Sales Office/Distributors for availability and specifications.

Temperature Under Bias	-10°C to +80°C
Storage Temperature	-65°C to +150°C
V <sub>CC</sub> Supply Voltages with Respect to Ground	+7.0V to -0.6V
All Input Voltages except A9 with Respect to Ground (Note 10)	+6.5V to -0.6V
All Output Voltages with Respect to Ground (Note 10)	V <sub>CC</sub> + 1.0V to GND - 0.6V

V <sub>PP</sub> Supply Voltage and A9 with Respect to Ground	+14.0V to -0.6V
Power Dissipation	1.0W
Lead Temperature (Soldering, 10 sec.)	300°C
ESD Rating (Mil Spec 883C, Method 3015.2)	2000V

### Operating Conditions (Note 6)

Temperature Range	0°C to +70°C
V <sub>CC</sub> Power Supply	
NMC 27C256BQ15, 20, 25	+5V ±5%
NMC 27C256BQ150, 200, 250	+5V ±10%

## READ OPERATION

### DC Electrical Characteristics

Symbol	Parameter	Conditions	Min	Typ	Max	Units
I <sub>LI</sub>	Input Load Current	V <sub>IN</sub> = V <sub>CC</sub> or GND			1.0	μA
I <sub>LO</sub>	Output Leakage Current	V <sub>OUT</sub> = V <sub>CC</sub> or GND, $\overline{CE} = V_{IH}$			1.0	μA
I <sub>CC1</sub> (Note 9)	V <sub>CC</sub> Current (Active) TTL Inputs	$\overline{CE} = V_{IL}$ , f = 5 MHz All Inputs = V <sub>IH</sub> or V <sub>IL</sub> , I/O = 0 mA		15	30	mA
I <sub>CC2</sub> (Note 9)	V <sub>CC</sub> Current (Active) CMOS Inputs	$\overline{CE} = GND$ , f = 5 MHz All Inputs = V <sub>CC</sub> or GND, I/O = 0 mA		10	20	mA
I <sub>CCSB1</sub>	V <sub>CC</sub> Current (Standby) TTL Inputs	$\overline{CE} = V_{IH}$		0.1	1	mA
I <sub>CCSB2</sub>	V <sub>CC</sub> Current (Standby) CMOS Inputs	$\overline{CE} = V_{CC}$		0.5	100	μA
I <sub>PP</sub>	V <sub>PP</sub> Load Current	V <sub>PP</sub> = V <sub>CC</sub>			10	μA
V <sub>IL</sub>	Input Low Voltage		-0.2		0.8	V
V <sub>IH</sub>	Input High Voltage		2.0		V <sub>CC</sub> + 1	V
V <sub>OL1</sub>	Output Low Voltage	I <sub>OL</sub> = 2.1 mA			0.40	V
V <sub>OH1</sub>	Output High Voltage	I <sub>OH</sub> = -2.5 mA	3.5			V
V <sub>OL2</sub>	Output Low Voltage	I <sub>OL</sub> = 10 μA			0.1	V
V <sub>OH2</sub>	Output High Voltage	I <sub>OH</sub> = -10 μA	V <sub>CC</sub> - 0.1			V

### AC Electrical Characteristics

Symbol	Parameter	Conditions	NMC27C256B						Units
			Q15, Q150		Q20, Q200		Q25, Q250		
			Min	Max	Min	Max	Min	Max	
t <sub>ACC</sub>	Address to Output Delay	$\overline{CE} = \overline{OE} = V_{IL}$		150		200		250	ns
t <sub>CE</sub>	$\overline{CE}$ to Output Delay	$\overline{OE} = V_{IL}$		150		200		250	ns
t <sub>OE</sub>	$\overline{OE}$ to Output Delay	$\overline{CE} = V_{IL}$		60		75		100	ns
t <sub>DF</sub>	$\overline{OE}$ High to Output Float	$\overline{CE} = V_{IL}$	0	50	0	55		60	ns
t <sub>CF</sub>	$\overline{CE}$ High to Output Float	$\overline{OE} = V_{IL}$	0	50	0	55	0	60	ns
t <sub>OH</sub>	Output Hold from Addresses, $\overline{CE}$ or $\overline{OE}$ , Whichever Occurred First	$\overline{CE} = \overline{OE} = V_{IL}$	0		0		0		ns

## MILITARY AND EXTENDED TEMPERATURE RANGE

### Absolute Maximum Ratings (Note 1)

If Military/Aerospace specified devices are required, please contact the National Semiconductor Sales Office/Distributors for availability and specifications.

Temperature Under Bias	Operating Temp. Range
Storage Temperature	-65°C to +150°C
V <sub>CC</sub> Supply Voltages with Respect to Ground	+7.0V to -0.6V
All Input Voltages except A9 with Respect to Ground (Note 10)	+6.5V to -0.6V
All Output Voltages with Respect to Ground (Note 10)	V <sub>CC</sub> + 1.0V to GND - 0.6V

V <sub>PP</sub> Supply Voltage and A9 with Respect to Ground	+14.0V to -0.6V
Power Dissipation	1.0W
Lead Temperature (Soldering, 10 sec.)	300°C
ESD Rating (Mil Spec 883C, Method 3015.2)	2000V

### Operating Conditions (Note 6)

V <sub>CC</sub> Power Supply	5V ± 10%
Temperature Range	
NMC27C256BQE150, 200	-40°C to +85°C
NMC27C256BQM150, 200	-55°C to +125°C

## READ OPERATION

### DC Electrical Characteristics

Symbol	Parameter	Conditions	Min	Typ	Max	Units
I <sub>LI</sub>	Input Load Current	V <sub>IN</sub> = V <sub>CC</sub> or GND			10	μA
I <sub>LO</sub>	Output Leakage Current	V <sub>OUT</sub> = V <sub>CC</sub> or GND, $\overline{CE} = V_{IH}$			10	μA
I <sub>CC1</sub> (Note 9)	V <sub>CC</sub> Current (Active) TTL Inputs	$\overline{CE} = V_{IL}$ , f = 5 MHz All Inputs = V <sub>IH</sub> or V <sub>IL</sub> , I/O = 0 mA		15	30	mA
I <sub>CC2</sub> (Note 9)	V <sub>CC</sub> Current (Active) CMOS Inputs	$\overline{CE} = GND$ , f = 5 MHz All Inputs = V <sub>CC</sub> or GND, I/O = 0 mA		10	20	mA
I <sub>CCSB1</sub>	V <sub>CC</sub> Current (Standby) TTL Inputs	$\overline{CE} = V_{IH}$		0.1	1	mA
I <sub>CCSB2</sub>	V <sub>CC</sub> Current (Standby) CMOS Inputs	$\overline{CE} = V_{CC}$		0.5	100	μA
I <sub>PP</sub>	V <sub>PP</sub> Load Current	V <sub>PP</sub> = V <sub>CC</sub>			10	μA
V <sub>IL</sub>	Input Low Voltage		-0.2		0.8	V
V <sub>IH</sub>	Input High Voltage		2.0		V <sub>CC</sub> + 1	V
V <sub>OL1</sub>	Output Low Voltage	I <sub>OL</sub> = 2.1 mA			0.40	V
V <sub>OH1</sub>	Output High Voltage	I <sub>OH</sub> = -1.6 mA	3.5			V
V <sub>OL2</sub>	Output Low Voltage	I <sub>OL</sub> = 10 μA			0.1	V
V <sub>OH2</sub>	Output High Voltage	I <sub>OH</sub> = -10 μA	V <sub>CC</sub> - 0.1			V

### AC Electrical Characteristics

Symbol	Parameter	Conditions	NMC27C256B				Units
			QE150, QM150		QE200, QM200		
			Min	Max	Min	Max	
t <sub>ACC</sub>	Address to Output Delay	$\overline{CE} = \overline{OE} = V_{IL}$		150		200	ns
t <sub>CE</sub>	$\overline{CE}$ to Output Delay	$\overline{OE} = V_{IL}$		150		200	ns
t <sub>OE</sub>	$\overline{OE}$ to Output Delay	$\overline{CE} = V_{IL}$		60		75	ns
t <sub>DF</sub>	$\overline{OE}$ High to Output Float	$\overline{CE} = V_{IL}$	0	50	0	55	ns
t <sub>CF</sub>	$\overline{CE}$ High to Output Float	$\overline{OE} = V_{IL}$	0	50	0	55	ns
t <sub>OH</sub>	Output Hold from Addresses, $\overline{CE}$ or $\overline{OE}$ , Whichever Occurred First	$\overline{CE} = \overline{OE} = V_{IL}$	0		0		ns

**Capacitance**  $T_A = +25^\circ\text{C}$ ,  $f = 1\text{ MHz}$  (Note 2)

Symbol	Parameter	Conditions	Typ	Max	Units
$C_{IN}$	Input Capacitance	$V_{IN} = 0\text{V}$	6	12	pF
$C_{OUT}$	Output Capacitance	$V_{OUT} = 0\text{V}$	9	12	pF

**AC Test Conditions**

Output Load

1 TTL Gate and  
 $C_L = 100\text{ pF}$  (Note 8)

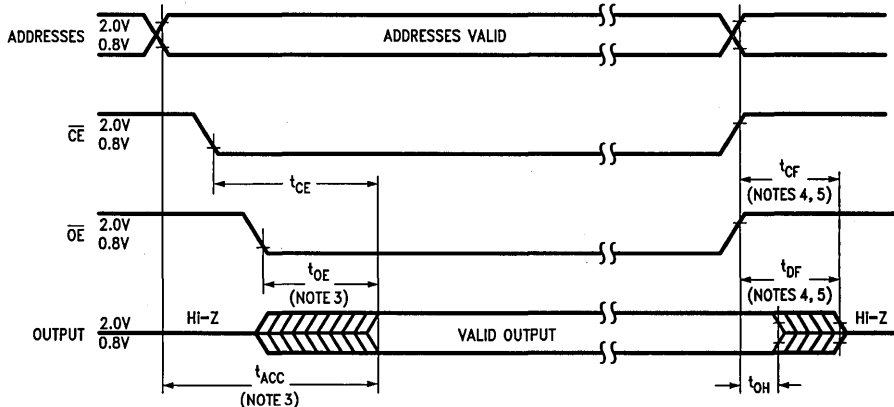
Timing Measurement Reference Level

Input Rise and Fall Times

 $\leq 5\text{ ns}$ Inputs  
Outputs0.8V and 2V  
0.8V and 2V

Input Pulse Levels

0.45V to 2.4V

**AC Waveforms** (Notes 6, 7 & 9)

TL/D/9125-3

**Note 1:** Stresses above those listed under "Absolute Maximum Ratings" may cause permanent damage to the device. This is a stress rating only and functional operation of the device at these or any other conditions above those indicated in the operational sections of this specification is not implied. Exposure to absolute maximum rating conditions for extended periods may affect device reliability.

**Note 2:** This parameter is only sampled and is not 100% tested.

**Note 3:**  $\overline{OE}$  may be delayed up to  $t_{ACC} - t_{OE}$  after the falling edge of  $\overline{CE}$  without impacting  $t_{ACC}$ .

**Note 4:** The  $t_{DF}$  and  $t_{CF}$  compare level is determined as follows:

High to TRI-STATE, the measured  $V_{OH1}$  (DC) - 0.10V;

Low to TRI-STATE, the measured  $V_{OL1}$  (DC) + 0.10V.

**Note 5:** TRI-STATE may be attained using  $\overline{OE}$  or  $\overline{CE}$ .

**Note 6:** The power switching characteristics of EPROMs require careful device decoupling. It is recommended that at least a 0.1  $\mu\text{F}$  ceramic capacitor be used on every device between  $V_{CC}$  and GND.

**Note 7:** The outputs must be restricted to  $V_{CC} + 1.0\text{V}$  to avoid latch-up and device damage.

**Note 8:** 1 TTL Gate:  $I_{OL} = 1.6\text{ mA}$ ,  $I_{OH} = -400\ \mu\text{A}$ .

$C_L$ : 100 pF includes fixture capacitance.

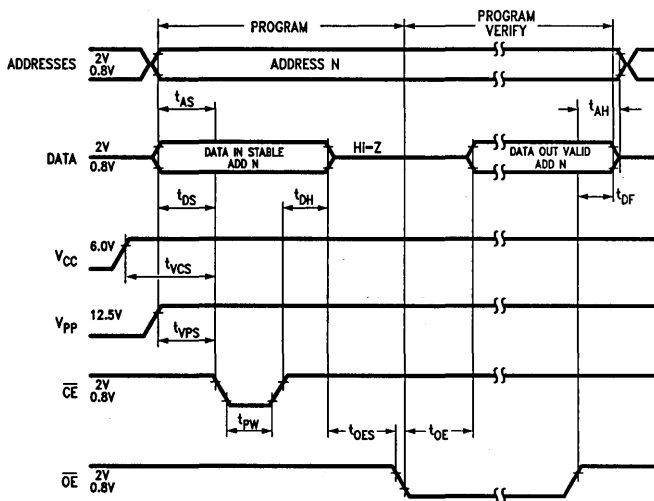
**Note 9:**  $V_{PP}$  may be connected to  $V_{CC}$  except during programming.

**Note 10:** Inputs and outputs can undershoot to  $-2.0\text{V}$  for 20 ns Max.

## Programming Characteristics (Notes 1, 2, 3 & 4)

Symbol	Parameter	Conditions	Min	Typ	Max	Units
$t_{AS}$	Address Setup Time		1			$\mu\text{s}$
$t_{OES}$	$\overline{OE}$ Setup Time		1			$\mu\text{s}$
$t_{DS}$	Data Setup Time		1			$\mu\text{s}$
$t_{VPS}$	$V_{PP}$ Setup Time		1			$\mu\text{s}$
$t_{VCS}$	$V_{CC}$ Setup Time		1			$\mu\text{s}$
$t_{AH}$	Address Hold Time		0			$\mu\text{s}$
$t_{DH}$	Data Hold Time		1			$\mu\text{s}$
$t_{DF}$	Output Enable to Output Float Delay		0		60	ns
$t_{PW}$	Program Pulse Width		95	100	105	$\mu\text{s}$
$t_{OE}$	Data Valid from $\overline{OE}$	$\overline{OE} = V_{IL}$			100	ns
$I_{PP}$	$V_{PP}$ Supply Current During Programming Pulse	$\overline{CE} = V_{IL}$ $\overline{OE} = V_{IH}$			30	mA
$I_{CC}$	$V_{CC}$ Supply Current				10	mA
$T_A$	Temperature Ambient		20	25	30	$^{\circ}\text{C}$
$V_{CC}$	Power Supply Voltage		6.0	6.25	6.5	V
$V_{PP}$	Programming Supply Voltage		12.5	12.75	13.0	V
$t_{FR}$	Input Rise, Fall Time		5			ns
$V_{IL}$	Input Low Voltage			0.0	0.45	V
$V_{IH}$	Input High Voltage		2.4	4.0		V
$t_{IN}$	Input Timing Reference Voltage		0.8	1.5	2.0	V
$t_{OUT}$	Output Timing Reference Voltage		0.8	1.5	2.0	V

## Programming Waveforms



TL/D/9125-5

**Note 1:** National's standard product warranty applies only to devices programmed to specifications described herein.

**Note 2:**  $V_{CC}$  must be applied simultaneously or before  $V_{PP}$  and removed simultaneously or after  $V_{PP}$ . The EPROM must not be inserted into or removed from a board with voltage applied to  $V_{PP}$  or  $V_{CC}$ .

**Note 3:** The maximum absolute allowable voltage which may be applied to the  $V_{PP}$  pin during programming is 14V. Care must be taken when switching the  $V_{PP}$  supply to prevent any overshoot from exceeding this 14V maximum specification. At least a 0.1  $\mu\text{F}$  capacitor is required across  $V_{PP}$ ,  $V_{CC}$  to GND to suppress spurious voltage transients which may damage the device.

**Note 4:** Programming and program verify are tested with the fast Program Algorithm, at typical power supply voltages and timings.

# Fast Programming Algorithm Flow Chart (Note 4)

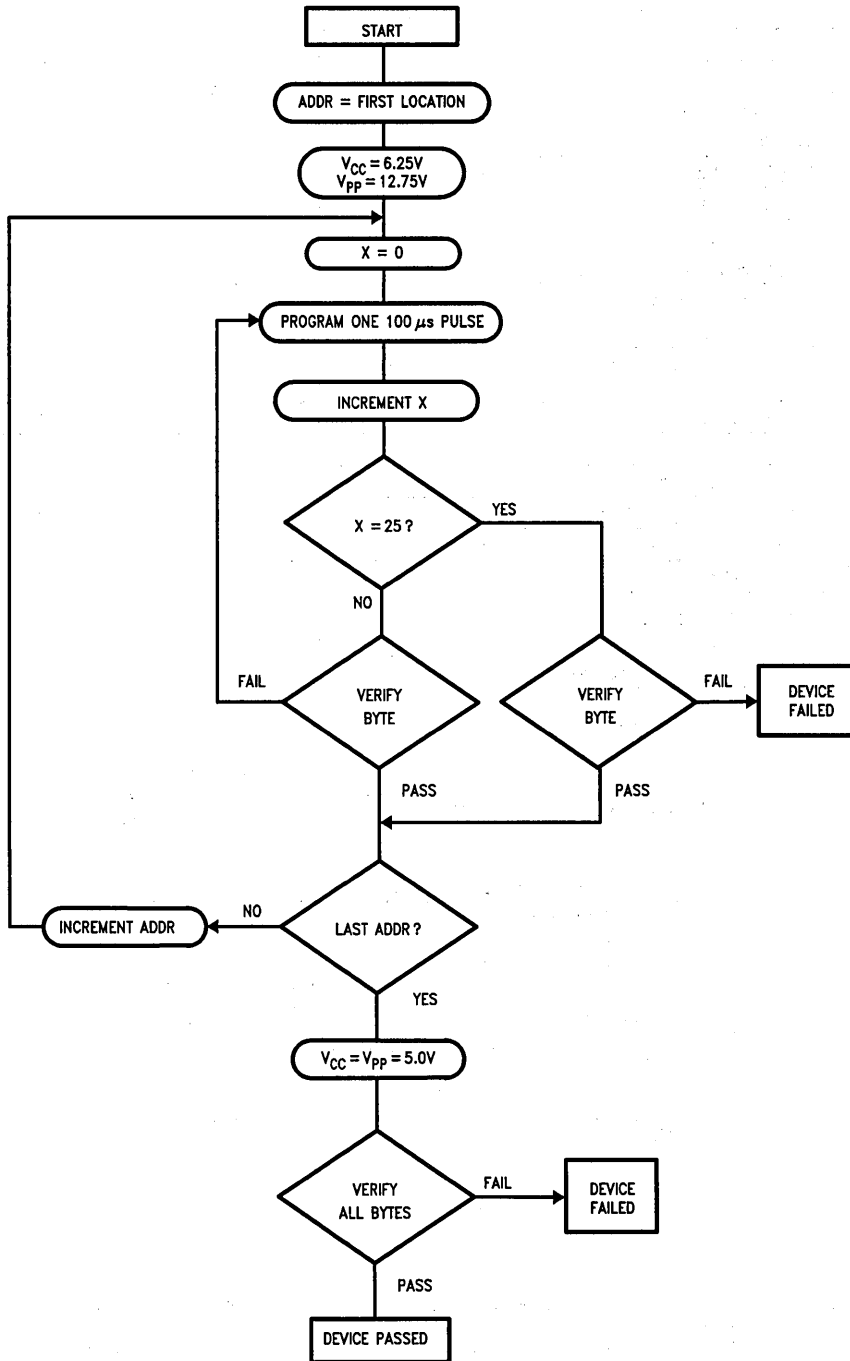


FIGURE 1



Interactive Programming Flow Chart (Note 4)

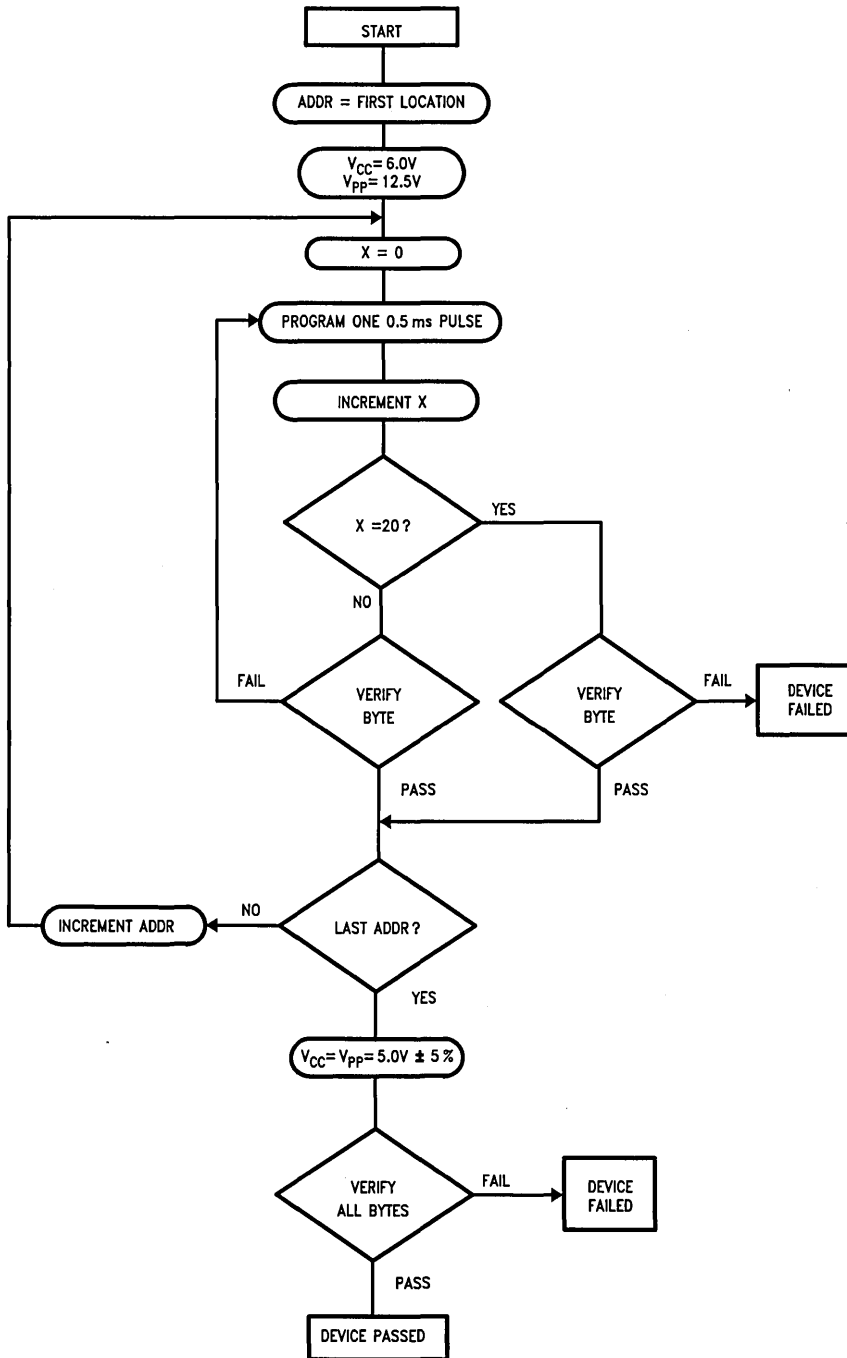


FIGURE 2

TL/D/9125-6

## Functional Description

### DEVICE OPERATION

The six modes of operation of the NMC27C256B are listed in Table I. It should be noted that all inputs for the six modes are at TTL levels. The power supplies required are  $V_{CC}$  and  $V_{PP}$ . The  $V_{PP}$  power supply must be at 12.75V during the three programming modes, and must be at 5V in the other three modes. The  $V_{CC}$  power supply must be at 6.25V during the three programming modes, and at 5V in the other three modes.

### Read Mode

The NMC27C256B has two control functions, both of which must be logically active in order to obtain data at the outputs. Chip Enable ( $\overline{CE}$ ) is the power control and should be used for device selection. Output Enable ( $\overline{OE}$ ) is the output control and should be used to gate data to the output pins, independent of device selection. Assuming that addresses are stable, address access time ( $t_{ACC}$ ) is equal to the delay from  $\overline{CE}$  to output ( $t_{OE}$ ). Data is available at the outputs  $t_{OE}$  after the falling edge of  $\overline{OE}$ , assuming that  $\overline{CE}$  has been low and addresses have been stable for at least  $t_{ACC} - t_{OE}$ .

The sense amps are clocked for fast access time.  $V_{CC}$  should therefore be maintained at operating voltage during read and verify. If  $V_{CC}$  temporarily drops below the spec. voltage (but not to ground) an address transition must be performed after the drop to insure proper output data.

### Standby Mode

The NMC27C256B has a standby mode which reduces the active power dissipation by over 99%, from 110 mW to 0.55 mW. The NMC27C256B is placed in the standby mode by applying a CMOS high signal to the  $\overline{CE}$  input. When in standby mode, the outputs are in a high impedance state, independent of the  $\overline{OE}$  input.

### Output OR-Tying

Because NMC27C256Bs are usually used in larger memory arrays, National has provided a 2-line control function that accommodates this use of multiple memory connections. The 2-line control function allows for:

a) the lowest possible memory power dissipation, and

b) complete assurance that output bus contention will not occur.

To most efficiently use these two control lines, it is recommended that  $\overline{CE}$  (pin 20) be decoded and used as the primary device selecting function, while  $\overline{OE}$  (pin 22) be made a common connection to all devices in the array and connected to the READ line from the system control bus. This assures that all deselected memory devices are in their low power standby modes and that the output pins are active only when data is desired from a particular memory device.

### Programming

**CAUTION:** Exceeding 14V on pin 1 ( $V_{PP}$ ) will damage the NMC27C256B.

Initially, and after each erasure, all bits of the NMC27C256B are in the "1" state. Data is introduced by selectively programming "0s" into the desired bit locations. Although only "0s" will be programmed, both "1s" and "0s" can be present in the data word. The only way to change a "0" to a "1" is by ultraviolet light erasure.

The NMC27C256B is in the programming mode when the  $V_{PP}$  power supply is at 12.75V and  $\overline{OE}$  is at  $V_{IH}$ . It is required that at least a 0.1  $\mu$ F capacitor be placed across  $V_{PP}$ ,  $V_{CC}$  to ground to suppress spurious voltage transients which may damage the device. The data to be programmed is applied 8 bits in parallel to the data output pins. The levels required for the address and data inputs are TTL.

When the address and data are stable, an active low, TTL program pulse is applied to the  $\overline{CE}$  input. A program pulse must be applied at each address location to be programmed. The NMC27C256B is programmed with the Fast Programming Algorithm shown in *Figure 1*. Each Address is programmed with a series of 100  $\mu$ s pulses until it verifies good, up to a maximum of 25 pulses. Most memory cells will program with a single 100  $\mu$ s pulse. The NMC27C256B must not be programmed with a DC signal applied to the  $\overline{CE}$  input.

**Note:** Some programmer manufacturers due to equipment limitation may offer interactive program Algorithm (shown in *Figure 2*).

TABLE I. Mode Selection

Mode	Pins $\overline{CE}$ (20)	$\overline{OE}$ (22)	$V_P$ (1)	$V_{CC}$ (28)	Outputs (11-13, 15-19)
Read	$V_{IL}$	$V_{IL}$	5V	5V	$D_{OUT}$
Standby	$V_{IH}$	Don't Care	5V	5V	Hi-Z
Output Disable	Don't Care	$V_{IH}$	5V	5V	Hi-Z
Program	$V_{IL}$	$V_{IH}$	12.75V	6.25V	$D_{IN}$
Program Verify	$V_{IH}$	$V_{IL}$	12.75V	6.25V	$D_{OUT}$
Program Inhibit	$V_{IH}$	$V_{IH}$	12.75V	6.25V	Hi-Z

## Functional Description (Continued)

Programming multiple NMC27C256Bs in parallel with the same data can be easily accomplished due to the simplicity of the programming requirements. Like inputs of the paralleled NMC27C256B may be connected together when they are programmed with the same data. A low level TTL pulse applied to the  $\overline{CE}$  input programs the paralleled NMC27C256B.

### Program Inhibit

Programming multiple NMC27C256Bs in parallel with different data is also easily accomplished. Except  $\overline{CE}$ , all like inputs (including  $\overline{OE}$ ) of the parallel NMC27C256Bs may be common. A TTL low level program pulse applied to an NMC27C256B  $\overline{CE}$  input with  $V_{PP}$  at 12.75V will program that NMC27C256B. A TTL high level  $\overline{CE}$  input inhibits the other NMC27C256Bs from being programmed.

### Program Verify

A verify should be performed on the programmed bits to determine whether they were correctly programmed. The verify may be performed with  $V_{PP}$  at 12.75V.  $V_{PP}$  must be at  $V_{CC}$  except during programming and program verify.

### Manufacturer's Identification Code

The NMC27C256B has a manufacturer's identification code to aid in programming. When the device is inserted in an EPROM programmer socket, the programmer reads the code and then automatically calls up the specific programming algorithm for the part. This automatic programming control is only possible with programmers which have the capability of reading the code.

The Manufacturer's Identification code, shown in Table II, specifically identifies the manufacturer and the device type. The code for NMC27C256B is "8F04", where "8F" designates that it is made by National Semiconductor, and "04" designates a 256k part.

The code is accessed by applying 12.0V  $\pm$  0.5V to address pin A9. Addresses A1–A8, A10–A14, and all control pins are held at  $V_{IL}$ . Address pin A0 is held at  $V_{IL}$  for the manufacturer's code, and held at  $V_{IH}$  for the device code. The code is read on the eight data pins, O<sub>0</sub>–O<sub>7</sub>. Proper code access is only guaranteed at 25°C  $\pm$  5°C.

### ERASURE CHARACTERISTICS

The erasure characteristics of the NMC27C256B are such that erasure begins to occur when exposed to light with wavelengths shorter than approximately 4000 Angstroms

(Å). It should be noted that sunlight and certain types of fluorescent lamps have wavelengths in the 3000Å–4000Å range. After programming, opaque labels should be placed over the NMC27C256B window to prevent unintentional erasure. Covering the window will also prevent temporary functional failure due to the generation of photo currents.

The recommended erasure procedure for the NMC27C256B is exposure to short wave ultraviolet light which has a wavelength of 2537 Angstroms (Å). The integrated dose (i.e., UV intensity  $\times$  exposure time) for erasure should be a minimum of 15W-sec/cm<sup>2</sup>.

The NMC27C256B should be placed within 1 inch of the lamp tubes during erasure. Some lamps have a filter on their tubes which should be removed before erasure. Table III shows the minimum NMC27C256B erasure time for various light intensities.

An erasure system should be calibrated periodically. The distance from lamp to unit should be maintained at one inch. The erasure time increases as the square of the distance. (If distance is doubled the erasure time increases by a factor of 4.) Lamps lose intensity as they age. When a lamp is changed, the distance has changed, or the lamp has aged, the system should be checked to make certain full erasure is occurring. Incomplete erasure will cause symptoms that can be misleading. Programmers, components, and even system designs have been erroneously suspected when incomplete erasure was the problem.

### SYSTEM CONSIDERATION

The power switching characteristics of EPROMs require careful decoupling of the devices. The supply current,  $I_{CC}$ , has three segments that are of interest to the system designer—the standby current level, the active current level, and the transient current peaks that are produced by voltage transitions on input pins. The magnitude of these transient current peaks is dependent on the output capacitance loading of the device. The associated  $V_{CC}$  transient voltage peaks can be suppressed by properly selected decoupling capacitors. It is recommended that at least a 0.1  $\mu$ F ceramic capacitor be used on every device between  $V_{CC}$  and GND. This should be a high frequency capacitor of low inherent inductance. In addition, at least a 4.7  $\mu$ F bulk electrolytic capacitor should be used between  $V_{CC}$  and GND for each eight devices. The bulk capacitor should be located near where the power supply is connected to the array. The purpose of the bulk capacitor is to overcome the voltage drop caused by the inductive effects of the PC board traces.

TABLE II. Manufacturer's Identification Code

Pins	A0 (10)	O <sub>7</sub> (19)	O <sub>6</sub> (18)	O <sub>5</sub> (17)	O <sub>4</sub> (16)	O <sub>3</sub> (15)	O <sub>2</sub> (13)	O <sub>1</sub> (12)	O <sub>0</sub> (11)	Hex Data
Manufacturer Code	$V_{IL}$	1	0	0	0	1	1	1	1	8F
Device Code	$V_{IH}$	0	0	0	0	0	1	0	0	04

TABLE III. Minimum NMC27C256B Erasure Time

Light Intensity (Micro-Watts/cm <sup>2</sup> )	Erasure Time (Minutes)
15,000	20
10,000	25
5,000	50



# NMC27C256BN

## High Speed Version 262,144-Bit (32k x 8)

### One-Time Programmable CMOS PROM

#### General Description

The NMC27C256BN is a high-speed 256k one-time programmable CMOS PROM, ideally suited for applications where fast turnaround and low power consumption are important requirements.

The NMC27C256BN is designed to operate with a single +5V power supply with  $\pm 5\%$  or  $\pm 10\%$  tolerance.

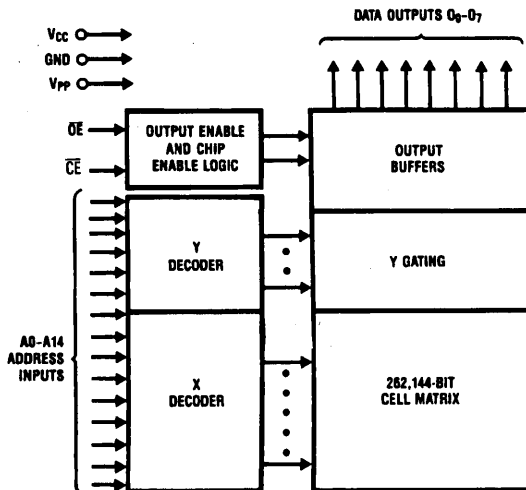
The NMC27C256BN is packaged in a 28-pin dual-in-line plastic molded package without a transparent lid. This part is ideally suited for high volume production applications where cost is an important factor and programming only needs to be done once. Also the plastic molded package works well in auto insertion equipment used in automated assembly lines.

This EPROM is fabricated with National's proprietary, time proven CMOS double-poly silicon gate technology which combines high performance and high density with low power consumption and excellent reliability.

#### Features

- Clocked sense amps for fast access time down to 150 ns
- Low CMOS power consumption
  - Active power: 110 mW max
  - Standby power: 0.55 mW max
- Pin compatible with NMOS 256k EPROMs
- Fast and reliable programming—100  $\mu$ s typical/byte
- Static operation—no clocks required
- TTL, CMOS compatible inputs/outputs
- TRI-STATE® output
- Optimum EPROM for total CMOS systems
- Manufacturer's identification code for automatic programming control
- High current CMOS level output drivers

#### Block Diagram



Pin Names

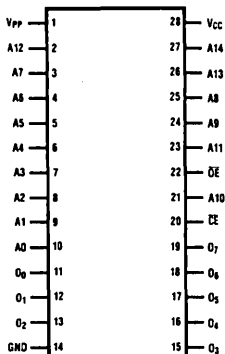
A0-A14	Addresses
$\overline{CE}$	Chip Enable
$\overline{OE}$	Output Enable
O0-O7	Outputs
PGM	Program
NC	No Connect

TL/D/9691-1

## Connection Diagram

27C512 27512	27C128 27128	27C64 2764	27C32 2732	27C16 2716
A15	V <sub>PP</sub>	V <sub>PP</sub>		
A12	A12	A12		
A7	A7	A7	A7	A7
A6	A6	A6	A6	A6
A5	A5	A5	A5	A5
A4	A4	A4	A4	A4
A3	A3	A3	A3	A3
A2	A2	A2	A2	A2
A1	A1	A1	A1	A1
A0	A0	A0	A0	A0
O <sub>0</sub>	O <sub>0</sub>	O <sub>0</sub>	O <sub>0</sub>	O <sub>0</sub>
O <sub>1</sub>	O <sub>1</sub>	O <sub>1</sub>	O <sub>1</sub>	O <sub>1</sub>
O <sub>2</sub>	O <sub>2</sub>	O <sub>2</sub>	O <sub>2</sub>	O <sub>2</sub>
GND	GND	GND	GND	GND

**NMC27C256BN**  
Dual-In-Line Package



27C16 2716	27C32 2732	27C64 2764	27C128 27128	27C512 27512
		V <sub>CC</sub> PGM	V <sub>CC</sub> PGM	V <sub>CC</sub> A14
V <sub>CC</sub>	V <sub>CC</sub>	NC	A13	A13
A8	A8	A8	A8	A8
A9	A9	A9	A9	A9
V <sub>PP</sub>	A11	A11	A11	A11
$\overline{OE}$	$\overline{OE}/V_{PP}$	$\overline{OE}$	$\overline{OE}$	$\overline{OE}/V_{PP}$
A10	A10	A10	A10	A10
$\overline{CE}/PGM$	$\overline{CE}$	$\overline{CE}$	$\overline{CE}$	$\overline{CE}$
O <sub>7</sub>	O <sub>7</sub>	O <sub>7</sub>	O <sub>7</sub>	O <sub>7</sub>
O <sub>6</sub>	O <sub>6</sub>	O <sub>6</sub>	O <sub>6</sub>	O <sub>6</sub>
O <sub>5</sub>	O <sub>5</sub>	O <sub>5</sub>	O <sub>5</sub>	O <sub>5</sub>
O <sub>4</sub>	O <sub>4</sub>	O <sub>4</sub>	O <sub>4</sub>	O <sub>4</sub>
O <sub>3</sub>	O <sub>3</sub>	O <sub>3</sub>	O <sub>3</sub>	O <sub>3</sub>

TL/D/9691-2

Note: Socket compatible EPROM pin configurations are shown in the blocks adjacent to the NMC27C256BN pins.

**Order Number NMC27C256BN**  
See NS Package Number N28B

**Commercial Temp Range (0°C to +70°C)**  
V<sub>CC</sub> = 5V ± 5%

Parameter/Order Number	Access Time (ns)
NMC27C256BN15	150
NMC27C256BN20	200
NMC27C256BN25	250

**Commercial Temp Range (0°C to +70°C)**  
V<sub>CC</sub> = 5V ± 10%

Parameter/Order Number	Access Time (ns)
NMC27C256BN150	150
NMC27C256BN200	200
NMC27C256BN250	250

Note: For non-commercial temperature range parts, call factory.

**Extended Temp. Range (-40°C to +85°C)**  
V<sub>CC</sub> = 5V ± 5%

Parameter/Order Number	Access Time (ns)
NMC27C256BNE15	150
NMC27C256BNE20	200
NMC27C256BNE25	250

**Extended Temp Range (-40°C to +85°C)**  
V<sub>CC</sub> = 5V ± 10%

Parameter/Order Number	Access Time (ns)
NMC27C256BNE150	150
NMC27C256BNE200	200
NMC27C256BNE250	250

**Absolute Maximum Ratings** (Note 1)

Temperature Under Bias	-10°C to +80°C
Storage Temperature	-65°C to +150°C
All Input Voltages except A9 with Respect to Ground (Note 10)	+6.5V to -0.6V
All Output Voltages with Respect to Ground (Note 10)	$V_{CC} + 1.0V$ to $GND - 0.6V$
$V_{PP}$ Supply Voltage and A9 with Respect to Ground	+14.0V to -0.6V
Power Dissipation	1.0W

$V_{CC}$ Supply Voltage with Respect to Ground	+7.0V to -0.6V
Lead Temperature (Soldering, 10 sec.)	300°C
ESD Rating (Mil Spec 883C, Method 3015.2)	2000V

**Operating Conditions** (Note 6)

Temperature Range	0°C to +70°C
$V_{CC}$ Power Supply	
NMC27C256BN15, 20, 25	+5V ±5%
NMC27C256BN150, 200, 250	+5V ±10%

**READ OPERATION****DC Electrical Characteristics**

Symbol	Parameter	Conditions	Min	Typ	Max	Units
$I_{LI}$	Input Load Current	$V_{IN} = V_{CC}$ or GND			1	$\mu A$
$I_{LO}$	Output Leakage Current	$V_{OUT} = V_{CC}$ or GND, $\overline{CE} = V_{IH}$			1	$\mu A$
$I_{CC1}$ (Note 9)	$V_{CC}$ Current (Active) TTL Inputs	$\overline{CE} = V_{IL}$ , $f = 5$ MHz Inputs = $V_{IH}$ or $V_{IL}$ , I/O = 0 mA		15	30	mA
$I_{CC2}$ (Note 9)	$V_{CC}$ Current (Active) CMOS Inputs	$\overline{CE} = GND$ , $f = 5$ MHz Inputs = $V_{CC}$ or GND, I/O = 0 mA		10	20	mA
$I_{CCSB1}$	$V_{CC}$ Current (Standby) TTL Inputs	$\overline{CE} = V_{IH}$		0.1	1	mA
$I_{CCSB2}$	$V_{CC}$ Current (Standby) CMOS Inputs	$\overline{CE} = V_{CC}$		0.5	100	$\mu A$
$I_{PP}$	$V_{PP}$ Load Current	$V_{PP} = V_{CC}$			10	$\mu A$
$V_{IL}$	Input Low Voltage		-0.2		0.8	V
$V_{IH}$	Input High Voltage		2.0		$V_{CC} + 1$	V
$V_{OL1}$	Output Low Voltage	$I_{OL} = 2.1$ mA			0.40	V
$V_{OH1}$	Output High Voltage	$I_{OH} = -2.5$ mA	3.5			V
$V_{OL2}$	Output Low Voltage	$I_{OL} = 10$ $\mu A$			0.1	V
$V_{OH2}$	Output High Voltage	$I_{OH} = -10$ $\mu A$	$V_{CC} - 0.1$			V

**AC Electrical Characteristics**

Symbol	Parameter	Conditions	NMC27C256B						Units
			N15, N150		N20, N200		N25, N250		
			Min	Max	Min	Max	Min	Max	
$t_{ACC}$	Address to Output Delay	$\overline{CE} = \overline{OE} = V_{IL}$		150		200		250	ns
$t_{CE}$	$\overline{CE}$ to Output Delay	$\overline{OE} = V_{IL}$		150		200		250	ns
$t_{OE}$	$\overline{OE}$ to Output Delay	$\overline{CE} = V_{IL}$		60		75		100	ns
$t_{DF}$	$\overline{OE}$ High to Output Float	$\overline{CE} = V_{IL}$	0	50	0	55	0	60	ns
$t_{CF}$	$\overline{CE}$ High to Output Float	$\overline{OE} = V_{IL}$	0	50	0	55	0	60	ns
$t_{OH}$	Output Hold from Addresses, $\overline{CE}$ or $\overline{OE}$ , Whichever Occurred First	$\overline{CE} = \overline{OE} = V_{IL}$	0		0		0		ns

## EXTENDED TEMPERATURE RANGE

### Absolute Maximum Ratings (Note 1)

Temperature Under Bias	Operating Temp. Range	Lead Temperature (Soldering, 10 sec.)	300°C
Storage Temperature	-65°C to +150°C	ESD Rating	
V <sub>CC</sub> Supply Voltages with Respect to Ground	+7.0V to -0.6V	(Mil Spec 883C, Method 3015.2)	2000V
All Input Voltages except A9 with Respect to Ground (Note 10)	+6.5V to -0.6V	<b>Operating Conditions (Note 6)</b>	
All Output Voltages with Respect to Ground (Note 10)	V <sub>CC</sub> +1.0V to GND-0.6V	Temperature Range	-40°C to +85°C
V <sub>PP</sub> Supply Voltage and A9 with Respect to Ground	+14.0V to -0.6V	V <sub>CC</sub> Power Supply	
Power Dissipation	1.0W	NMC27C256BNE15, 20, 25	+5V ±5%
		NMC27C256BNE150, 200, 250	+5V ±10%

## READ OPERATION

### DC Electrical Characteristics

Symbol	Parameter	Conditions	Min	Typ	Max	Units
I <sub>LI</sub>	Input Load Current	V <sub>IN</sub> = V <sub>CC</sub> or GND			10	μA
I <sub>LO</sub>	Output Leakage Current	V <sub>OUT</sub> = V <sub>CC</sub> or GND, $\overline{CE} = V_{IH}$			10	μA
I <sub>CC1</sub> (Note 9)	V <sub>CC</sub> Current (Active) TTL Inputs	$\overline{CE} = V_{IL}$ , f = 5 MHz All Inputs = V <sub>IH</sub> or V <sub>IL</sub> , I/O = 0 mA		15	30	mA
I <sub>CC2</sub> (Note 9)	V <sub>CC</sub> Current (Active) CMOS Inputs	$\overline{CE} = GND$ , f = 5 MHz All Inputs = V <sub>CC</sub> or GND, I/O = 0 mA		10	20	mA
I <sub>CCSB1</sub>	V <sub>CC</sub> Current (Standby) TTL Inputs	$\overline{CE} = V_{IH}$		0.1	1	mA
I <sub>CCSB2</sub>	V <sub>CC</sub> Current (Standby) CMOS Inputs	$\overline{CE} = V_{CC}$		0.5	100	μA
I <sub>PP</sub>	V <sub>PP</sub> Load Current	V <sub>PP</sub> = V <sub>CC</sub>			10	μA
V <sub>IL</sub>	Input Low Voltage		-0.2		0.8	V
V <sub>IH</sub>	Input High Voltage		2.0		V <sub>CC</sub> + 1	V
V <sub>OL1</sub>	Output Low Voltage	I <sub>OL</sub> = 2.1 mA			0.40	V
V <sub>OH1</sub>	Output High Voltage	I <sub>OH</sub> = -1.6 mA	3.5			V
V <sub>OL2</sub>	Output Low Voltage	I <sub>OL</sub> = 10 μA			0.1	V
V <sub>OH2</sub>	Output High Voltage	I <sub>OH</sub> = -10 μA	V <sub>CC</sub> - 0.1			V

### AC Electrical Characteristics

Symbol	Parameter	Conditions	NMC27C256B						Units
			NE15, NE150		NE20, NE200		NE25, NE250		
			Min	Max	Min	Max	Min	Max	
t <sub>ACC</sub>	Address to Output Delay	$\overline{CE} = \overline{OE} = V_{IL}$		150		200		250	ns
t <sub>CE</sub>	$\overline{CE}$ to Output Delay	$\overline{OE} = V_{IL}$		150		200		250	ns
t <sub>OE</sub>	$\overline{OE}$ to Output Delay	$\overline{CE} = V_{IL}$		60		75		100	ns
t <sub>DF</sub>	$\overline{OE}$ High to Output Float	$\overline{CE} = V_{IL}$	0	50	0	55	0	60	ns
t <sub>CF</sub>	$\overline{CE}$ High to Output Float	$\overline{OE} = V_{IL}$	0	50	0	55	0	60	ns
t <sub>OH</sub>	Output Hold from Addresses, $\overline{CE}$ or $\overline{OE}$ , Whichever Occurred First	$\overline{CE} = \overline{OE} = V_{IL}$	0		0		0		ns

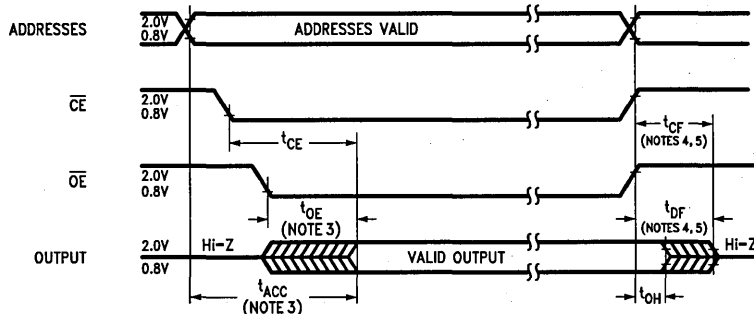
## Capacitance $T_A = +25^\circ\text{C}$ , $f = 1\text{ MHz}$ (Note 2)

Symbol	Parameter	Conditions	Typ	Max	Units
$C_{IN}$	Input Capacitance	$V_{IN} = 0\text{V}$	5	10	pF
$C_{OUT}$	Output Capacitance	$V_{OUT} = 0\text{V}$	8	10	pF

## AC Test Conditions

Output Load	1 TTL Gate and $C_L = 100\text{ pF}$ (Note 8)	Timing Measurement Reference Level Inputs Outputs	0.8V and 2V 0.8V and 2V
Input Rise and Fall Times	$\leq 5\text{ ns}$		
Input Pulse Levels	0.45V to 2.4V		

## AC Waveforms (Notes 6, 7 & 9)



TL/D/9691-3

**Note 1:** Stresses above those listed under "Absolute Maximum Ratings" may cause permanent damage to the device. This is a stress rating only and functional operation of the device at these or any other conditions above those indicated in the operational sections of this specification is not implied. Exposure to absolute maximum rating conditions for extended periods may affect device reliability.

**Note 2:** This parameter is only sampled and is not 100% tested.

**Note 3:**  $\overline{OE}$  may be delayed up to  $t_{ACC} - t_{OE}$  after the falling edge of  $\overline{CE}$  without impacting  $t_{ACC}$ .

**Note 4:** The  $t_{DF}$  and  $t_{CF}$  compare level is determined as follows:

- High to TRI-STATE, the measured  $V_{OH1}$  (DC) - 0.10V;
- Low to TRI-STATE, the measured  $V_{OL1}$  (DC) + 0.10V.

**Note 5:** TRI-STATE may be attained using  $\overline{OE}$  or  $\overline{CE}$ .

**Note 6:** The power switching characteristics of EPROMs require careful device decoupling. It is recommended that at least a 0.1  $\mu\text{F}$  ceramic capacitor be used on every device between  $V_{CC}$  and GND.

**Note 7:** The outputs must be restricted to  $V_{CC} + 1.0\text{V}$  to avoid latch-up and device damage.

**Note 8:** 1 TTL Gate:  $I_{OL} = 1.6\text{ mA}$ ,  $I_{OH} = -400\text{ }\mu\text{A}$ .  
 $C_L$ : 100 pF includes fixture capacitance.

**Note 9:**  $V_{PP}$  may be connected to  $V_{CC}$  except during programming.

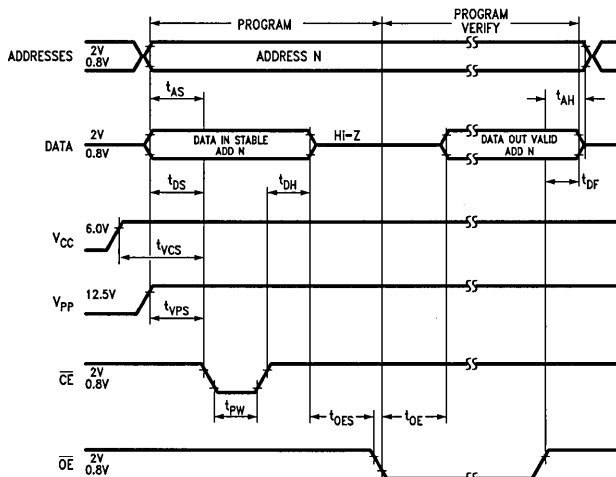
**Note 10:** Inputs and outputs can undershoot to  $-2.0\text{V}$  for 20 ns Max.



## Programming Characteristics (Notes 1, 2, 3 & 4)

Symbol	Parameter	Conditions	Min	Typ	Max	Units
$t_{AS}$	Address Setup Time		1			$\mu\text{s}$
$t_{OES}$	$\overline{OE}$ Setup Time		1			$\mu\text{s}$
$t_{DS}$	Data Setup Time		1			$\mu\text{s}$
$t_{VPS}$	$V_{PP}$ Setup Time		1			$\mu\text{s}$
$t_{VCS}$	$V_{CC}$ Setup Time		1			$\mu\text{s}$
$t_{AH}$	Address Hold Time		0			$\mu\text{s}$
$t_{DH}$	Data Hold Time		1			$\mu\text{s}$
$t_{DF}$	Output Enable to Output Float Delay		0		60	ns
$t_{PW}$	Program Pulse Width		95	100	105	$\mu\text{s}$
$t_{OE}$	Data Valid from $\overline{OE}$	$\overline{OE} = V_{IL}$			100	ns
$I_{PP}$	$V_{PP}$ Supply Current During Programming Pulse	$\overline{CE} = V_{IL}$ $\overline{OE} = V_{IH}$			30	mA
$I_{CC}$	$V_{CC}$ Supply Current				10	mA
$T_A$	Temperature Ambient		20	25	30	$^{\circ}\text{C}$
$V_{CC}$	Power Supply Voltage		6.0	6.25	6.5	V
$V_{PP}$	Programming Supply Voltage		12.5	12.75	13.0	V
$t_{FR}$	Input Rise, Fall Time		5			ns
$V_{IL}$	Input Low Voltage			0.0	0.45	V
$V_{IH}$	Input High Voltage		2.4	4.0		V
$t_{IN}$	Input Timing Reference Voltage		0.8	1.5	2.0	ns
$t_{OUT}$	Output Timing Reference Voltage		0.8	1.5	2.0	ns

## Programming Waveforms



TL/D/9691-4

**Note 1:** National's standard product warranty applies only to devices programmed to specifications described herein.

**Note 2:**  $V_{CC}$  must be applied simultaneously or before  $V_{PP}$  and removed simultaneously or after  $V_{PP}$ . The EPROM must not be inserted into or removed from a board with voltage applied to  $V_{PP}$  or  $V_{CC}$ .

**Note 3:** The maximum absolute allowable voltage which may be applied to the  $V_{PP}$  pin during programming is 14V. Care must be taken when switching the  $V_{PP}$  supply to prevent any overshoot from exceeding this 14V maximum specification. At least a 0.1  $\mu\text{F}$  capacitor is required across  $V_{PP}$ ,  $V_{CC}$  to GND to suppress spurious voltage transients which may damage the device.

**Note 4:** Programming and program verify are tested with the fast Program Algorithm, at typical power supply voltages and timings.

# Fast Programming Algorithm Flow Chart (Note 4)

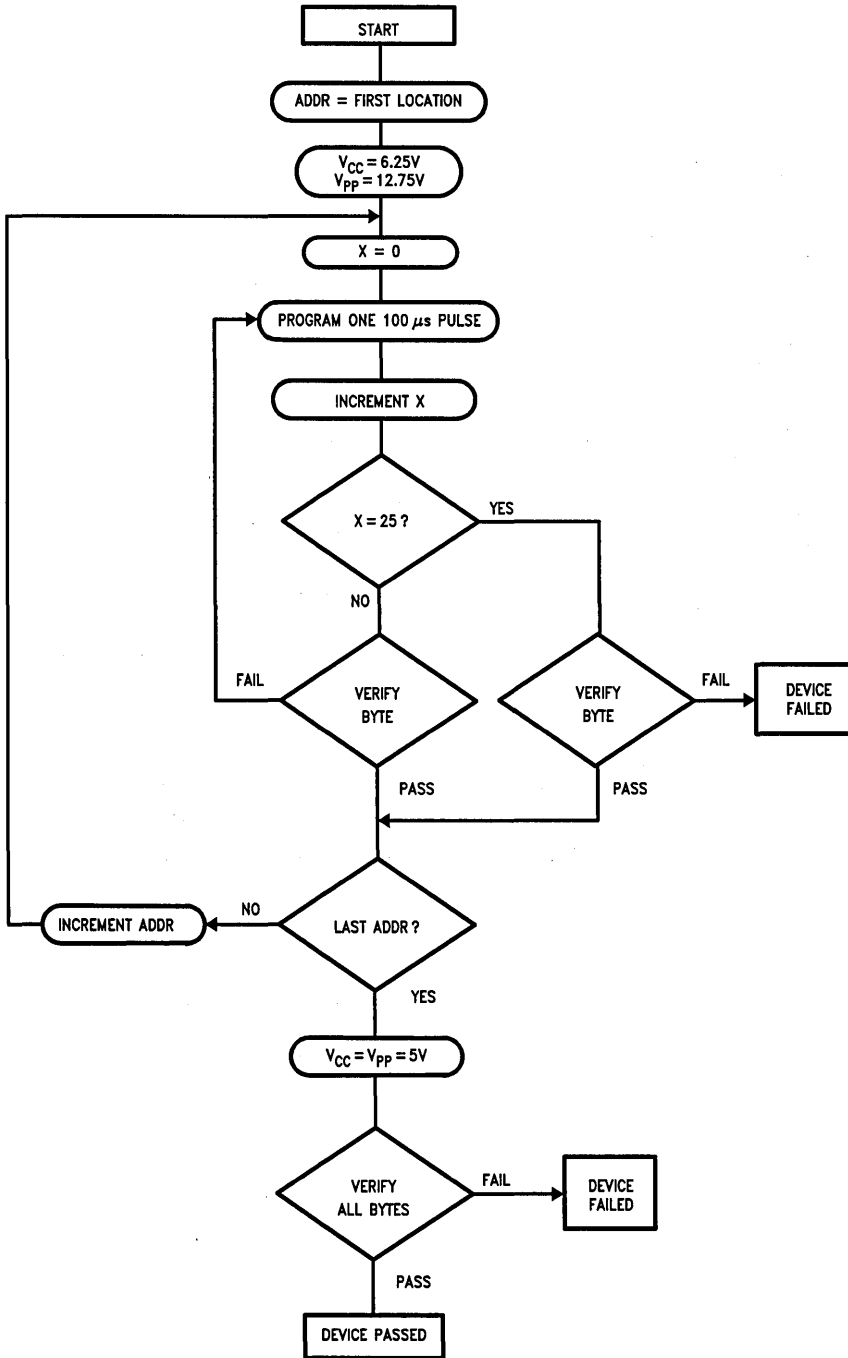


FIGURE 1

Interactive Programming Algorithm Flow Chart (Note 4)

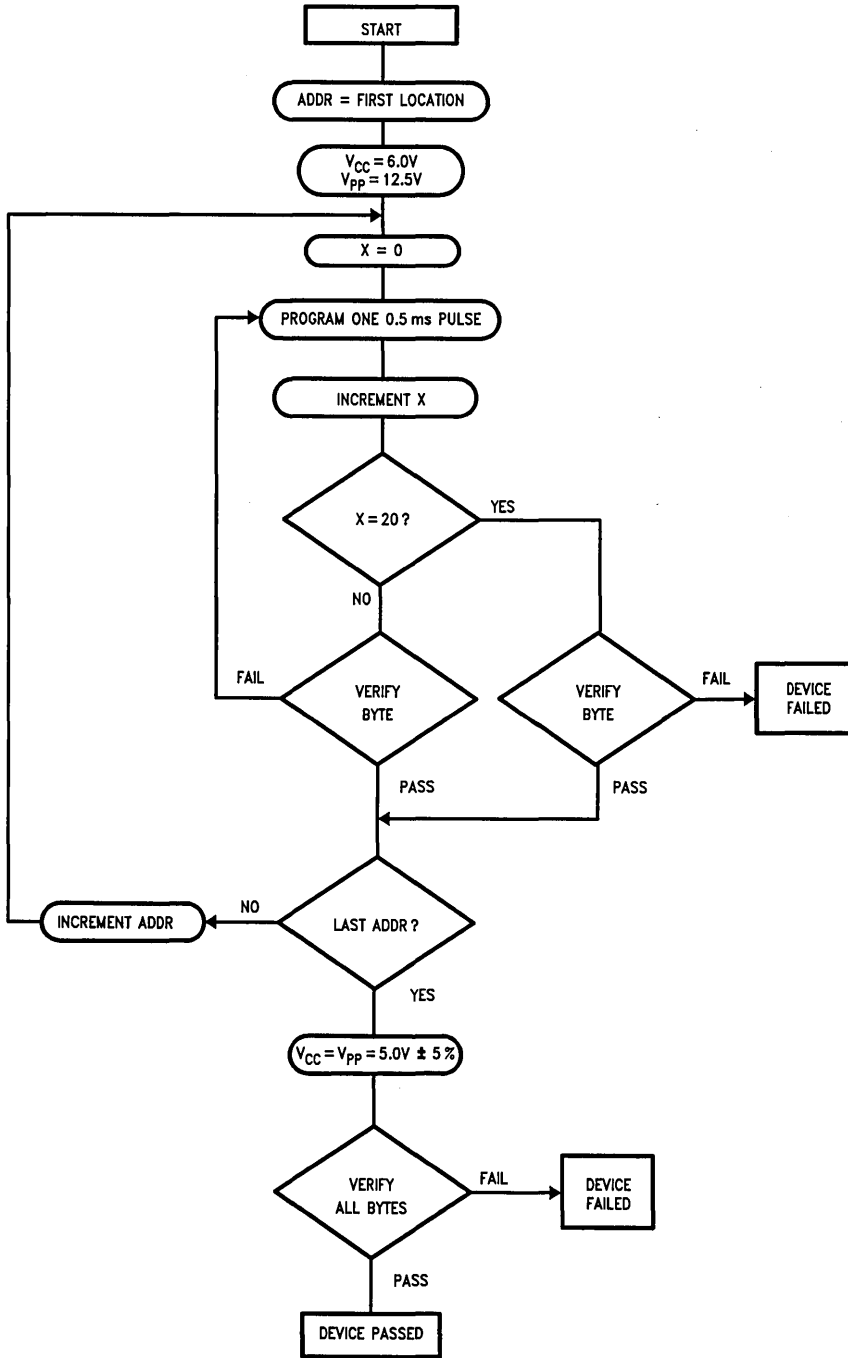


FIGURE 2

TL/D/9691-6

## Functional Description

### DEVICE OPERATION

The six modes of operation of the NMC27C256BN are listed in Table I. It should be noted that all inputs for the six modes are at TTL levels. The power supplies required are  $V_{CC}$  and  $V_{PP}$ . The  $V_{PP}$  power supply must be at 12.75V during the three programming modes, and must be at 5V in the other three modes. The  $V_{CC}$  power supply must be at 6.25V during the three programming modes, and at 5V in the other three modes.

#### Read Mode

The NMC27C256BN has two control functions, both of which must be logically active in order to obtain data at the outputs. Chip Enable ( $\overline{CE}$ ) is the power control and should be used for device selection. Output Enable ( $\overline{OE}$ ) is the output control and should be used to gate data to the output pins, independent of device selection. Assuming that addresses are stable, address access time ( $t_{ACC}$ ) is equal to the delay from  $\overline{CE}$  to output ( $t_{CE}$ ). Data is available at the outputs  $t_{OE}$  after the falling edge of  $\overline{OE}$ , assuming that  $\overline{CE}$  has been low and addresses have been stable for at least  $t_{ACC} - t_{OE}$ .

The sense amps are clocked for fast access time.  $V_{CC}$  should therefore be maintained at operating voltage during read and verify. If  $V_{CC}$  temporarily drops below the spec. voltage (but not to ground) an address transition must be performed after the drop to insure proper output data.

#### Standby Mode

The NMC27C256BN has a standby mode which reduces the active power dissipation by over 99%, from 110 mW to 0.55 mW. The NMC27C256BN is placed in the standby mode by applying a CMOS high signal to the  $\overline{CE}$  input. When in standby mode, the outputs are in a high impedance state, independent of the  $\overline{OE}$  input.

#### Output OR-Tying

Because NMC27C256BN are usually used in larger memory arrays, National has provided a 2-line control function that accommodates this use of multiple memory connections. The 2-line control function allows for:

- the lowest possible memory power dissipation, and
- complete assurance that output bus contention will not occur.

To most efficiently use these two control lines, it is recommended that  $\overline{CE}$  (pin 20) be decoded and used as the primary device selecting function, while  $\overline{OE}$  (pin 22) be made a common connection to all devices in the array and connected to the READ line from the system control bus. This assures that all deselected memory devices are in their low power standby modes and that the output pins are active only when data is desired from a particular memory device.

#### Programming

CAUTION: Exceeding 14V on pin 1 ( $V_{PP}$ ) will damage the NMC27C256BN.

Initially, and after each erasure, all bits of the NMC27C256BN are in the "1" state. Data is introduced by selectively programming "0s" into the desired bit locations. Although only "0s" will be programmed, both "1s" and "0s" can be presented in the data word. The only way to change a "0" to a "1" is by ultraviolet light erasure.

The NMC27C256BN is in the programming mode when the  $V_{PP}$  power supply is at 12.75V and  $\overline{OE}$  is at  $V_{IH}$ . It is required that at least a 0.1  $\mu$ F capacitor be placed across  $V_{PP}$ ,  $V_{CC}$  to ground to suppress spurious voltage transients which may damage the device. The data to be programmed is applied 8 bits in parallel to the data output pins. The levels required for the address and data inputs are TTL.

When the address and data are stable, an active low TTL program pulse is applied to the  $\overline{CE}$  input. A program pulse must be applied at each address location to be programmed. The NMC27C256BN is programmed with the Fast Programming Algorithm shown in Figure 1. Each Address is programmed with a series of 100  $\mu$ s pulses until it verifies good, up to a maximum of 25 pulses. Most memory cells will program with a single 100  $\mu$ s pulse. The NMC27C256BN must not be programmed with a DC signal applied to the  $\overline{CE}$  input.

Note: Some program manufacturers due to equipment limitation may offer interactive program Algorithm (shown in Figure 2).

Programming multiple NMC27C256BNs in parallel with the same data can be easily accomplished due to the simplicity of the programming requirements. Like inputs of the paralleled NMC27C256BNs may be connected together when they are programmed with the same data. A low level

TABLE I. Mode Selection

Mode	Pins	$\overline{CE}$ (20)	$\overline{OE}$ (22)	$V_P$ (1)	$V_{CC}$ (28)	Outputs (11-13, 15-19)
Read		$V_{IL}$	$V_{IL}$	5V	5V	$D_{OUT}$
Standby		$V_{IH}$	Don't Care	5V	5V	Hi-Z
Output Disable		Don't Care	$V_{IH}$	5V	5V	Hi-Z
Program		$V_{IL}$	$V_{IH}$	12.75V	6.25V	$D_{IN}$
Program Verify		$V_{IH}$	$V_{IL}$	12.75V	6.25V	$D_{OUT}$
Program Inhibit		$V_{IH}$	$V_{IH}$	12.75V	6.25V	Hi-Z

## Functional Description (Continued)

TTL pulse applied to the  $\overline{CE}$  input programs the paralleled NMC27C256BNs.

The NMC27C256BN is packaged in a plastic molded package which does not have a transparent lid. Therefore the memory cannot be erased. This means that after a user has programmed a memory cell to a "0" it cannot be changed back to a "1".

If an application requires erasing and reprogramming, the NMC27C256BQ UV erasable PROM in a windowed package should be used.

### Program Inhibit

Programming multiple NMC27C256BNs in parallel with different data is also easily accomplished. Except  $\overline{CE}$ , all like inputs (including  $\overline{OE}$ ) of the parallel NMC27C256BNs may be common. A TTL low level program pulse applied to an NMC27C256BNs  $\overline{CE}$  input with  $V_{PP}$  at 12.75V will program that NMC27C256BN. A TTL high level  $\overline{CE}$  input inhibits the other NMC27C256BNs from being programmed.

### Program Verify

A verify should be performed on the programmed bits to determine whether they were correctly programmed. The verify may be performed with  $V_{PP}$  at 12.75V.  $V_{PP}$  must be at  $V_{CC}$  except during programming and program verify.

### Manufacturer's Identification Code

The NMC27C256BN has a manufacturer's identification code to aid in programming. When the device is inserted in an EPROM programmer socket, the programmer reads the code and then automatically calls up the specific programming algorithm for the part. This automatic programming control is only possible with programmers which have the capability of reading the code.

The Manufacturer's Identification code, shown in Table II, specifically identifies the manufacturer and the device type. The code for NMC27C256BN is "8F04", where "8F" designates that it is made by National Semiconductor, and "04" designates a 256k part.

The code is accessed by applying 12.0V  $\pm$  0.5V to address pin A9. Addresses A1–A8, A10–A14, and all control pins are held at  $V_{IL}$ . Address pin A0 is held at  $V_{IL}$  for the manufacturer's code, and held at  $V_{IH}$  for the device code. The code is read on the eight data pins, O<sub>0</sub>–O<sub>7</sub>. Proper code access is only guaranteed at 25°C  $\pm$  5°C.

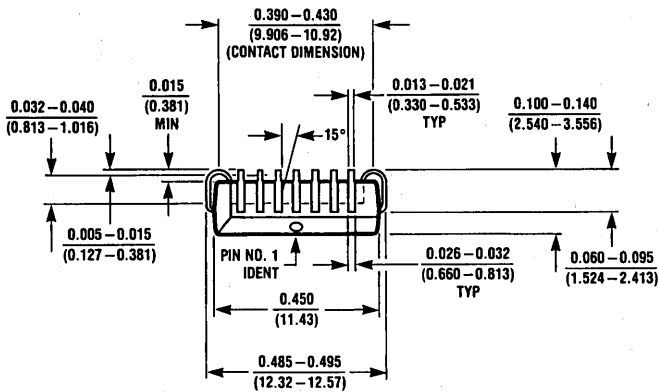
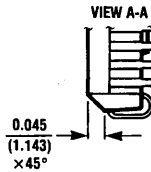
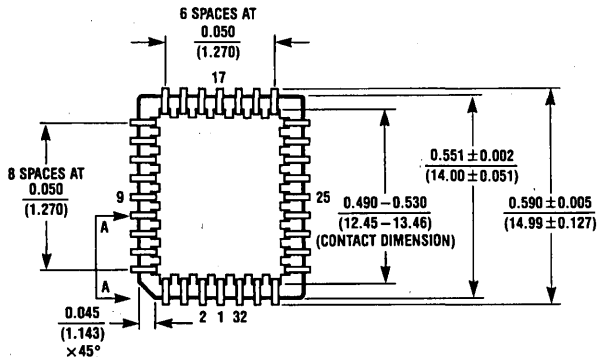
### SYSTEM CONSIDERATION

The power switching characteristics of EPROMs require careful decoupling of the devices. The supply current,  $I_{CC}$ , has three segments that are of interest to the system designer—the standby current level, the active current level, and the transient current peaks that are produced by voltage transitions on input pins. The magnitude of these transient current peaks is dependent on the output capacitance loading of the device. The associated  $V_{CC}$  transient voltage peaks can be suppressed by properly selected decoupling capacitors. It is recommended that at least a 0.1  $\mu$ F ceramic capacitor be used on every device between  $V_{CC}$  and GND. This should be a high frequency capacitor of low inherent inductance. In addition, at least a 4.7  $\mu$ F bulk electrolytic capacitor should be used between  $V_{CC}$  and GND for each eight devices. The bulk capacitor should be located near where the power supply is connected to the array. The purpose of the bulk capacitor is to overcome the voltage drop caused by the inductive effects of the PC board traces.

TABLE II. Manufacturer's Identification Code

Pins	A <sub>0</sub> (10)	O <sub>7</sub> (19)	O <sub>6</sub> (18)	O <sub>5</sub> (17)	O <sub>4</sub> (16)	O <sub>3</sub> (15)	O <sub>2</sub> (13)	O <sub>1</sub> (12)	O <sub>0</sub> (11)	Hex Data
Manufacturer Code	$V_{IL}$	1	0	0	0	1	1	1	1	8F
Device Code	$V_{IH}$	0	0	0	0	0	1	0	0	04

# Packaging Information



**32-Lead PLCC Package**  
**Order Number NMC27C256**

TL/D/9691-7

# NMC27C512A

## 524,288-Bit (64k x 8) UV Erasable CMOS PROM

### General Description

The NMC27C512A is a high-speed 512k UV erasable and electrically reprogrammable CMOS EPROM, ideally suited for applications where fast turnaround, pattern experimentation and low power consumption are important requirements.

The NMC27C512A is designed to operate with a single +5V power supply with  $\pm 5\%$  or  $\pm 10\%$  tolerance. The CMOS design allows the part to operate over extended and military temperature ranges.

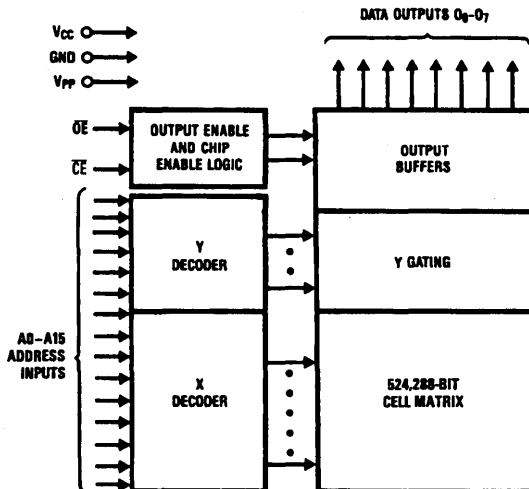
The NMC27C512A is packaged in a 28-pin dual in-line package with transparent lid. The transparent lid allows the user to expose the chip to ultraviolet light to erase the bit pattern. A new pattern can then be written electrically into the device by following the programming procedure.

This EPROM is fabricated with National's proprietary, time proven CMOS double-poly silicon gate technology which combines high performance and high density with low power consumption and excellent reliability.

### Features

- Clocked sense amps for fast access time down to 150 ns
- Low CMOS power consumption
  - Active Power: 110 mW max
  - Standby Power: 0.55 mW max
- Optimum EPROM for total CMOS system
- Extended temperature range (NMC27C512AQE),  $-40^{\circ}\text{C}$  to  $85^{\circ}\text{C}$ , and military temperature range (NMC27C512AQM),  $-55^{\circ}\text{C}$  to  $125^{\circ}\text{C}$ , available
- Pin compatible with NMOS 512k EPROM
- Fast and reliable programming—100  $\mu\text{s}$  typical/byte
- Static operation—no clocks required
- TTL, CMOS compatible inputs/outputs
- TRI-STATE<sup>®</sup> output
- Manufacturer's identification code for automatic programming control.
- High current CMOS level output drivers

### Block Diagram

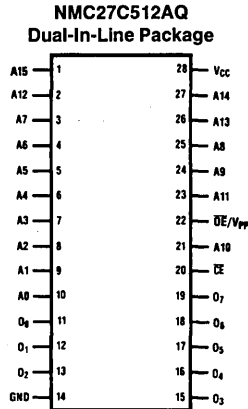


Pin Names

A0-A15	Addresses
CE	Chip Enable
$\overline{\text{OE}}/V_{\text{PP}}$	Output Enable/Programming Voltage
O <sub>0</sub> -O <sub>7</sub>	Outputs
PGM	Program

## Connection Diagram

27C256 27256	27C128 27128	27C64 2764	27C32 2732	27C16 2716
V <sub>PP</sub>	V <sub>PP</sub>	V <sub>PP</sub>		
A12	A12	A12		
A7	A7	A7	A7	A7
A6	A6	A6	A6	A6
A5	A5	A5	A5	A5
A4	A4	A4	A4	A4
A3	A3	A3	A3	A3
A2	A2	A2	A2	A2
A1	A1	A1	A1	A1
A0	A0	A0	A0	A0
O <sub>0</sub>	O <sub>0</sub>	O <sub>0</sub>	O <sub>0</sub>	O <sub>0</sub>
O <sub>1</sub>	O <sub>1</sub>	O <sub>1</sub>	O <sub>1</sub>	O <sub>1</sub>
O <sub>2</sub>	O <sub>2</sub>	O <sub>2</sub>	O <sub>2</sub>	O <sub>2</sub>
GND	GND	GND	GND	GND



27C16 2716	27C32 2732	27C64 2764	27C128 27128	27C256 27256
		V <sub>CC</sub>	V <sub>CC</sub>	V <sub>CC</sub>
		PGM	PGM	A14
V <sub>CC</sub>	V <sub>CC</sub>	NC	A13	A13
A8	A8	A8	A8	A8
A9	A9	A9	A9	A9
V <sub>PP</sub>	A11	A11	A11	A11
OE	OE/V <sub>PP</sub>	OE	OE	OE
A10	A10	A10	A10	A10
CE/V <sub>PP</sub>	CE	CE	CE	CE
O <sub>7</sub>	O <sub>7</sub>	O <sub>7</sub>	O <sub>7</sub>	O <sub>7</sub>
O <sub>6</sub>	O <sub>6</sub>	O <sub>6</sub>	O <sub>6</sub>	O <sub>6</sub>
O <sub>5</sub>	O <sub>5</sub>	O <sub>5</sub>	O <sub>5</sub>	O <sub>5</sub>
O <sub>4</sub>	O <sub>4</sub>	O <sub>4</sub>	O <sub>4</sub>	O <sub>4</sub>
O <sub>3</sub>	O <sub>3</sub>	O <sub>3</sub>	O <sub>3</sub>	O <sub>3</sub>

TL/D/9181-2

**Order Part Number NMC27C512AQ**  
**See NS Package Number J28AQ**

Note: Socket compatible EPROM pin configurations are shown in the blocks adjacent to the NMC27C512A pins.

**Commercial Temp Range (0°C to +70°C)**  
V<sub>CC</sub> = 5V ± 5%

Parameter/Order Number	Access Time (ns)
NMC27C512AQ15	150
NMC27C512AQ17	170
NMC27C512AQ20	200
NMC27C512AQ25	250

**Commercial Temp Range (0°C to +70°C)**  
V<sub>CC</sub> = 5V ± 10%

Parameter/Order Number	Access Time (ns)
NMC27C512AQ150	150
NMC27C512AQ170	170
NMC27C512AQ200	200
NMC27C512AQ250	250

**Extended Temp Range (-40°C to +85°C)**  
V<sub>CC</sub> = 5V ± 10%

Parameter/Order Number	Access Time (ns)
NMC27C512AQE150	150
NMC27C512AQE170	170
NMC27C512AQE200	200
NMC27C512AQE250	250

**Military Temp Range (-55°C to +125°C)**  
V<sub>CC</sub> = 5V ± 10%

Parameter/Order Number	Access Time (ns)
NMC27C512AQM150	150
NMC27C512AQM170	170
NMC27C512AQM200	200
NMC27C512AQM250	250

**NOTE:** For plastic DIP and surface mount PLCC package requirements please refer to NMC27C512AN data sheet.



## COMMERCIAL TEMPERATURE RANGE

### Absolute Maximum Ratings (Note 1)

Temperature Under Bias	-10°C to +80°C
Storage Temperature	-65°C to +150°C
All Input Voltages except A9 & $\overline{OE}/V_{PP}$ with Respect to Ground (Note 9)	+6.5V to -0.6V
$V_{CC}$ Supply Voltage with Respect to Ground	+7.0V to -0.6V
ESD Rating (Mil. Std. 883C, Method 3015.2)	2000V
All Output Voltages with Respect to Ground (Note 9)	$V_{CC} + 1.0V$ to $GND - 0.6V$

$\overline{OE}/V_{PP}$ Supply Voltage & A9 with Respect to Ground	+14.0V to -0.6V
Power Dissipation	1.0W
Lead Temperature (Soldering, 10 sec.)	300°C

### Operating Conditions (Note 6)

Temperature Range	0°C to +70°C
$V_{CC}$ Power Supply	
NMC27C512AQ15, 17, 20, 25	5V ±5%
NMC27C512AQ150, 170, 200, 250	5V ±10%

## READ OPERATION

### DC Electrical Characteristics

Symbol	Parameter	Conditions	Min	Typ	Max	Units
$I_{LI}$	Input Load Current	$V_{IN} = V_{CC}$ or GND		0.01	1	$\mu A$
$I_{LO}$	Output Leakage Current	$V_{OUT} = V_{CC}$ or GND, $\overline{CE} = V_{IH}$		0.01	1	$\mu A$
$I_{PP}$	$V_{PP}$ Load Current	$\overline{OE}/V_{PP} = V_{CC}$ or GND			10	$\mu A$
$I_{CC1}$	$V_{CC}$ Current (Active) TTL Inputs	$\overline{CE} = V_{IL}$ , $f = 5$ MHz Inputs = $V_{IH}$ or $V_{IL}$ , I/O = 0 mA		15	30	mA
$I_{CC2}$	$V_{CC}$ Current (Active) CMOS Inputs	$\overline{CE} = GND$ , $f = 5$ MHz Inputs = $V_{CC}$ or GND, I/O = 0 mA		10	20	mA
$I_{CCSB1}$	$V_{CC}$ Current (Standby) TTL Inputs	$\overline{CE} = V_{IH}$		0.1	1	mA
$I_{CCSB2}$	$V_{CC}$ Current (Standby) CMOS Inputs	$\overline{CE} = V_{CC}$		0.5	100	$\mu A$
$V_{IL}$	Input Low Voltage		-0.2		0.8	V
$V_{IH}$	Input High Voltage		2.0		$V_{CC} + 1$	V
$V_{OL1}$	Output Low Voltage	$I_{OL} = 2.1$ mA			0.40	V
$V_{OH1}$	Output High Voltage	$I_{OH} = -2.5$ mA	3.5			V
$V_{OL2}$	Output Low Voltage	$I_{OL} = 10$ $\mu A$			0.1	V
$V_{OH2}$	Output High Voltage	$I_{OH} = -10$ $\mu A$	$V_{CC} - 0.1$			V

### AC Electrical Characteristics

Symbol	Parameter	Conditions	NMC27C512A								Units
			Q15, Q150		Q17, Q170		Q20, Q200		Q25, Q250		
			Min	Max	Min	Max	Min	Max	Min	Max	
$t_{ACC}$	Address to Output Delay	$\overline{CE} = \overline{OE} = V_{IL}$		150		170		200		250	ns
$t_{CE}$	$\overline{CE}$ to Output Delay	$\overline{OE} = V_{IL}$		150		170		200		250	ns
$t_{OE}$	$\overline{OE}$ to Output Delay	$\overline{CE} = V_{IL}$		60		75		75		100	ns
$t_{DF}$	$\overline{OE}$ High to Output Float	$\overline{CE} = V_{IL}$	0	50	0	55	0	55	0	60	ns
$t_{CF}$	$\overline{CE}$ High to Output Float	$\overline{OE} = V_{IL}$	0	50	0	55	0	55	0	60	ns
$t_{OH}$	Output Hold from Addresses, $\overline{CE}$ or $\overline{OE}$ , Whichever Occurred First	$\overline{CE} = \overline{OE} = V_{IL}$	0		0		0		0		ns



## MILITARY AND EXTENDED TEMPERATURE RANGE

### Absolute Maximum Ratings (Note 1)

If Military/Aerospace specified devices are required, please contact the National Semiconductor Sales Office/Distributors for availability and specifications.

Temperature Under Bias	Operating Temp. Range	
Storage Temperature	-65°C to +150°C	
All Input Voltages except A9 & $\overline{OE}/V_{PP}$ with Respect to Ground (Note 9)	+6.5V to -0.6V	
All Output Voltages with Respect to Ground (Note 9)	$V_{CC} + 1.0V$ to GND - 0.6V	
$\overline{OE}/V_{PP}$ Supply Voltage & A9 with Respect to Ground	+14.0V to -0.6V	
Power Dissipation	1.0W	

Lead Temperature (Soldering, 10 sec.)	300°C
$V_{CC}$ Supply Voltage with Respect to Ground	+7.0V to -0.6V
ESD Rating (Mil. Std. 883C, Method 3015.2)	2000V

### Operating Conditions (Note 6)

Temperature Range	
NMC27C256BQE150, 170, 200, 250	-40°C to +85°C
NMC27C256BQM150, 170, 200, 250	-55°C to +125°C
$V_{CC}$ Power Supply	+5V ±10%

## READ OPERATION

### DC Electrical Characteristics

Symbol	Parameter	Conditions	Min	Typ	Max	Units
$I_{LI}$	Input Load Current	$V_{IN} = V_{CC}$ or GND			10	$\mu A$
$I_{LO}$	Output Leakage Current	$V_{OUT} = V_{CC}$ or GND, $\overline{CE} = V_{IH}$			10	$\mu A$
$I_{CC1}$	$V_{CC}$ Current (Active) TTL Inputs	$\overline{CE} = V_{IL}$ , $f = 5$ MHz Inputs = $V_{IH}$ or $V_{IL}$ , I/O = 0 mA		15	30	mA
$I_{CC2}$	$V_{CC}$ Current (Active) CMOS Inputs	$\overline{CE} = GND$ , $f = 5$ MHz Inputs = $V_{CC}$ or GND, I/O = 0 mA		10	20	mA
$I_{CCSB1}$	$V_{CC}$ Current (Standby) TTL Inputs	$\overline{CE} = V_{IH}$		0.1	1	mA
$I_{CCSB2}$	$V_{CC}$ Current (Standby) CMOS Inputs	$\overline{CE} = V_{CC}$		0.5	100	$\mu A$
$I_{PP}$	$V_{PP}$ Load Current	$\overline{OE}/V_{PP} = V_{CC}$ or GND			10	$\mu A$
$V_{IL}$	Input Low Voltage		-0.2		0.8	V
$V_{IH}$	Input High Voltage		2.0		$V_{CC} + 1$	V
$V_{OL1}$	Output Low Voltage	$I_{OL} = 2.1$ mA			0.4	V
$V_{OH1}$	Output High Voltage	$I_{OH} = -1.6$ mA	3.5			V
$V_{OL2}$	Output Low Voltage	$I_{OL} = 10$ $\mu A$			0.1	V
$V_{OH2}$	Output High Voltage	$I_{OH} = -10$ $\mu A$	$V_{CC} - 0.1$			V

### AC Electrical Characteristics

Symbol	Parameter	Conditions	NMC27C512A								Units
			QE150, QM150		QE170, QM170		QE200, QM200		QE250, QM250		
			Min	Max	Min	Max	Min	Max	Min	Max	
$t_{ACC}$	Address to Output Delay	$\overline{CE} = \overline{OE} = V_{IL}$		150		170		200		250	ns
$t_{CE}$	$\overline{CE}$ to Output Delay	$\overline{OE} = V_{IL}$		150		170		200		250	ns
$t_{OE}$	$\overline{OE}$ to Output Delay	$\overline{CE} = V_{IL}$		60		75		75		100	ns
$t_{DF}$	$\overline{OE}$ High to Output Float	$\overline{CE} = V_{IL}$	0	50	0	55	0	55	0	60	ns
$t_{CF}$	$\overline{CE}$ High to Output Float	$\overline{OE} = V_{IL}$	0	50	0	55	0	55	0	60	ns
$t_{OH}$	Output Hold from Addresses, $\overline{CE}$ or $\overline{OE}$ , Whichever Occurred First	$\overline{CE} = \overline{OE} = V_{IL}$	0		0		0		0		ns

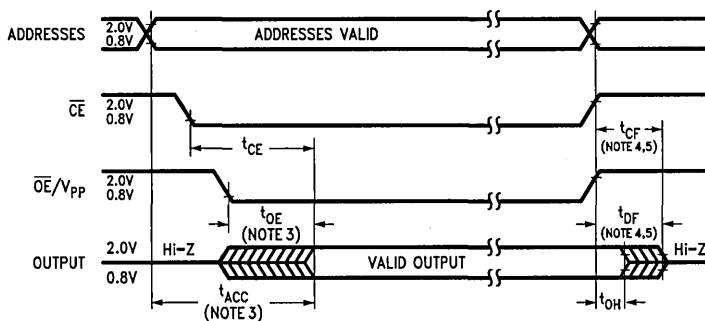
## Capacitance $T_A = +25^\circ\text{C}$ , $f = 1\text{ MHz}$ (Note 2)

Symbol	Parameter	Conditions	Typ	Max	Units
$C_{IN1}$	Input Capacitance except $\overline{OE}/V_{PP}$	$V_{IN} = 0\text{V}$	6	12	pF
$C_{OUT}$	Output Capacitance	$V_{OUT} = 0\text{V}$	9	12	pF
$C_{IN2}$	$\overline{OE}/V_{PP}$ Input Capacitance	$V_{IN} = 0\text{V}$	20	25	pF

## AC Test Conditions

Output Load	1 TTL Gate and $C_L = 100\text{ pF}$ (Note 8)	Timing Measurement Reference Level	
Input Rise and Fall Times	$\leq 5\text{ ns}$	Inputs	0.8V and 2V
Input Pulse Levels	0.45V to 2.4V	Outputs	0.8V and 2V

## AC Waveforms (Notes 6, 7)



TL/D/9181-3

**Note 1:** Stresses above those listed under "Absolute Maximum Ratings" may cause permanent damage to the device. This is a stress rating only and functional operation of the device at these or any other conditions above those indicated in the operational sections of this specification is not implied. Exposure to absolute maximum rating conditions for extended periods may affect device reliability.

**Note 2:** This parameter is only sampled and is not 100% tested.

**Note 3:**  $\overline{OE}$  may be delayed up to  $t_{ACC} - t_{OE}$  after the falling edge of  $\overline{CE}$  without impacting  $t_{ACC}$ .

**Note 4:** The  $t_{DF}$  and  $t_{CF}$  compare level is determined as follows:

High to TRI-STATE, the measured  $V_{OH1}$  (DC) - 0.10V;

Low to TRI-STATE, the measured  $V_{OL1}$  (DC) + 0.10V.

**Note 5:** TRI-STATE may be attained using  $\overline{OE}$  or  $\overline{CE}$ .

**Note 6:** The power switching characteristics of EPROMs require careful device decoupling. It is recommended that at least a 0.1  $\mu\text{F}$  ceramic capacitor be used on every device between  $V_{CC}$  and GND.

**Note 7:** The outputs must be restricted to  $V_{CC} + 1.0\text{V}$  to avoid latch-up and device damage.

**Note 8:** 1 TTL Gate:  $I_{OL} = 1.6\text{ mA}$ ,  $I_{OH} = -400\text{ }\mu\text{A}$ .

$C_L$ : 100 pF includes fixture capacitance.

**Note 9:** Inputs and outputs can undershoot to  $-2.0\text{V}$  for 20 ns Max.

## Programming Characteristics (Notes 1, 2, 3 and 4)

Symbol	Parameter	Conditions	Min	Typ	Max	Units
$t_{AS}$	Address Setup Time		1			$\mu\text{s}$
$t_{OES}$	$\overline{OE}$ Setup Time		1			$\mu\text{s}$
$t_{DS}$	Data Setup Time		1			$\mu\text{s}$
$t_{VCS}$	$V_{CC}$ Setup Time		1			$\mu\text{s}$
$t_{AH}$	Address Hold Time		0			$\mu\text{s}$
$t_{DH}$	Data Hold Time		1			$\mu\text{s}$
$t_{cf}$	Chip Enable to Output Float Delay	$\overline{OE} = V_{IL}$	0		60	ns
$t_{PW}$	Program Pulse Width		95	100	105	$\mu\text{s}$
$t_{OEH}$	$\overline{OE}$ Hold Time		1			$\mu\text{s}$
$t_{DV}$	Data Valid from $\overline{CE}$	$\overline{OE} = V_{IL}$			250	ns
$t_{PRT}$	$\overline{OE}$ Pulse Rise Time During Programming		50			ns
$t_{VR}$	$V_{PP}$ Recovery Time		1			$\mu\text{s}$
$I_{PP}$	$V_{PP}$ Supply Current During Programming Pulse	$\overline{CE} = V_{IL}$ $\overline{OE} = V_{PP}$			30	mA
$I_{CC}$	$V_{CC}$ Supply Current				10	mA
$T_R$	Temperature Ambient		20	25	30	$^{\circ}\text{C}$
$V_{CC}$	Power Supply Voltage		6	6.25	6.5	V
$V_{PP}$	Programming Supply Voltage		12.5	12.75	13	V
$T_{FR}$	Input Rise, Fall Time		5			ns
$V_{IL}$	Input Low Voltage			0	0.45	V
$V_{IH}$	Input High Voltage		2.4	4		V
$t_{IN}$	Input Timing Reference Voltage		0.8	1.5	2	V
$t_{OUT}$	Output Timing Reference Voltage		0.8	1.5	2	V

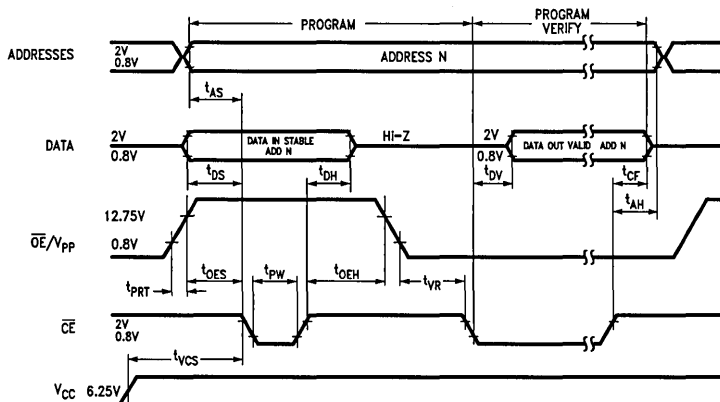
**Note 1:** National's standard product warranty applies to devices programmed to specifications described herein.

**Note 2:**  $V_{CC}$  must be applied simultaneously or before  $V_{PP}$  and removed simultaneously or after  $V_{PP}$ . The EPROM must not be inserted into or removed from a board with voltage applied to  $V_{PP}$  or  $V_{CC}$ .

**Note 3:** The maximum absolute allowable voltage which may be applied to the  $V_{PP}$  pin during programming is 14V. Care must be taken when switching the  $V_{PP}$  supply to prevent any overshoot from exceeding this 14V maximum specification. At least 0.1  $\mu\text{F}$  capacitor is required across  $V_{CC}$  to GND to suppress spurious voltage transients which may damage the device.

**Note 4:** Programming and program verify are tested with the fast Program Algorithm, at typical power supply voltages and timings.

## Programming Waveforms



TL/D/9181-5

Fast Programming Algorithm Flow Chart (Note 4)

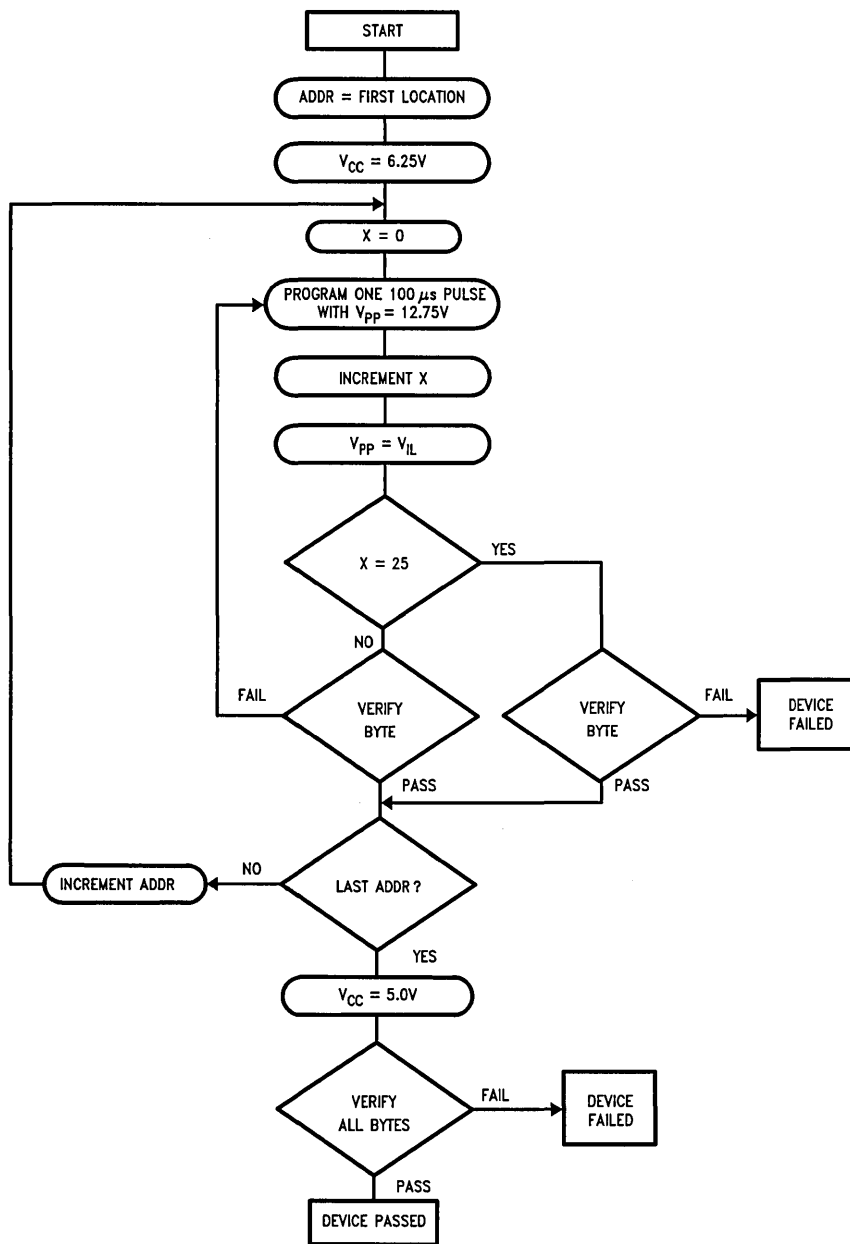


FIGURE 1

TL/D/9181-7

Interactive Programming Algorithm Flow Chart (Note 4)

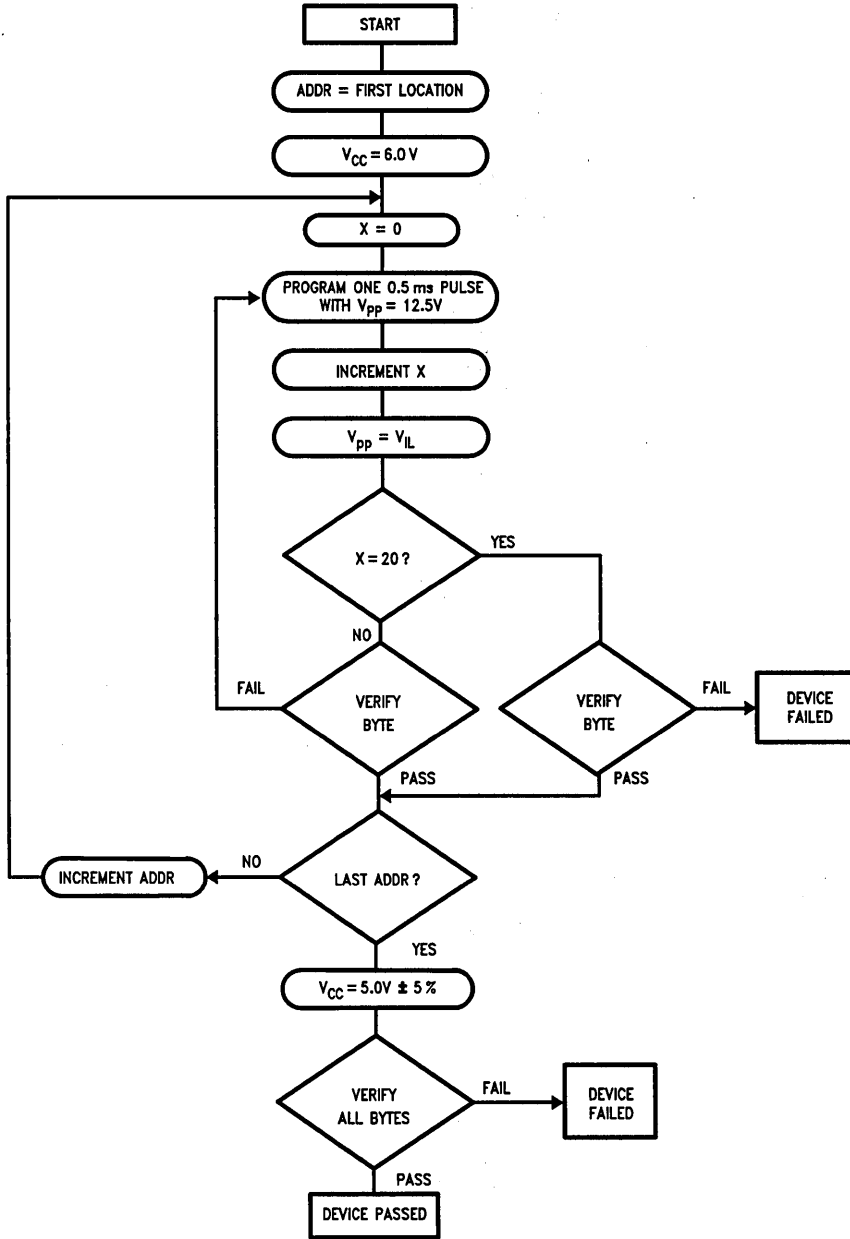


FIGURE 2

TL/D/9181-6

## Functional Description

### DEVICE OPERATION

The six modes of operation of the NMC27C512A are listed in Table I. A single 5V power supply is required in the read mode. All inputs are TTL levels except for  $\overline{OE}/V_{PP}$  during programming. In the program mode the  $\overline{OE}/V_{PP}$  input is pulsed from a TTL low level to 12.75V.

#### Read Mode

The NMC27C512A has two control functions, both of which must be logically active in order to obtain data at the outputs. Chip Enable ( $\overline{CE}$ ) is the power control and should be used for device selection. Output Enable ( $\overline{OE}$ ) is the output control and should be used to gate data to the output pins, independent of device selection. Assuming that addresses are stable, address access time ( $t_{ACC}$ ) is equal to the delay from  $\overline{CE}$  to output ( $t_{CE}$ ). Data is available at the outputs after the falling edge of  $\overline{OE}$ , assuming that  $\overline{CE}$  has been low and addresses have been stable for at least  $t_{ACC}-t_{OE}$ .

The sense amps are clocked for fast access time.  $V_{CC}$  should therefore be maintained at operating voltage during read and verify. If  $V_{CC}$  temporarily drops below the spec. voltage (but not to ground) an address transition must be performed after the drop to insure proper output data.

#### Standby Mode

The NMC27C512A has a standby mode which reduces the active power dissipation by over 99%, from 110 mW to 0.55 mW. The NMC27C512A is placed in the standby mode by applying a CMOS high signal to the  $\overline{CE}$  input. When in standby mode, the outputs are in a high impedance state, independent of the  $\overline{OE}$  input.

#### Output OR-Tying

Because NMC27C512A are usually used in larger memory arrays, National has provided a 2-line control function that accommodates this use of multiple memory connections. The 2-line control function allows for:

- the lowest possible memory power dissipation, and
- complete assurance that output bus contention will not occur.

To most efficiently use these two control lines, it is recommended that  $\overline{CE}$  (pin 20) be decoded and used as the primary device selecting function, while  $\overline{OE}/V_{PP}$  (pin 22) be made a common connection to all devices in the array and connected to the READ line from the system control bus.

This assures that all deselected memory devices are in their low power standby modes and that the output pins are active only when data is desired from a particular memory device.

#### Programming

CAUTION: Exceeding 14V on pin 22 ( $\overline{OE}/V_{PP}$ ) will damage the NMC27C512A.

Initially, and after each erasure, all bits of the NMC27C512A are in the "1" state. Data is introduced by selectively programming "0s" into the desired bit locations. Although only "0s" will be programmed, both "1s" and "0s" can be presented in the data word. The only way to change a "0" to a "1" is by ultraviolet light erasure.

The NMC27C512A is in the programming mode when the  $\overline{OE}/V_{PP}$  is at 12.75V. It is required that at least a 0.1  $\mu$ F capacitor be placed across  $V_{CC}$  and ground to suppress spurious voltage transients which may damage the device. The data to be programmed is applied 8 bits in parallel to the data output pins. The levels required for the address and data inputs are TTL.

When the address and data are stable, an active low, TTL program pulse is applied to the  $\overline{CE}$  input. A program pulse must be applied at each address location to be programmed.

The NMC27C512A is programmed with the Fast Programming Algorithm shown in *Figure 1*. Each Address is programmed with a series of 100  $\mu$ s pulses until it verifies good, up to a maximum of 25 pulses. Most memory cells will Program with a single 100  $\mu$ s pulse.

The NMC27C512A must not be programmed with a DC signal applied to the  $\overline{CE}$  input.

Programming multiple NMC27C512AS in parallel with the same data can be easily accomplished due to the simplicity of the programming requirements. Like inputs of the paralleled NMC27C512A may be connected together when they are programmed with the same data. A low level TTL pulse applied to the  $\overline{CE}$  input programs the paralleled NMC27C512A.

Note: Some programmer manufacturers due to equipment limitation may offer interactive program Algorithm (Shown in *Figure 2*).

TABLE I. Mode Selection

Mode	Pins	$\overline{CE}$ (20)	$\overline{OE}/V_{PP}$ (22)	$V_{CC}$ (28)	Outputs (11-13, 15-19)
Read		$V_{IL}$	$V_{IL}$	5.0V	$D_{OUT}$
Standby		$V_{IH}$	Don't Care	5.0V	Hi-Z
Program		$V_{IL}$	12.75V	6.25V	$D_{IN}$
Program Verify		$V_{IL}$	$V_{IL}$	6.25V	$D_{OUT}$
Program Inhibit		$V_{IH}$	12.75V	6.25V	Hi-Z
Output Disable		Don't Care	$V_{IH}$	5.0V	Hi-Z

## Functional Description (Continued)

### Program Inhibit

Programming multiple NMC27C512A in parallel with different data is also easily accomplished. Except  $\overline{CE}$  all like inputs (including  $\overline{OE}$ ) of the parallel NMC27C512A may be common. A TTL low level program pulse applied to an NMC27C512A's  $\overline{CE}$  input with  $\overline{OE}/V_{PP}$  at 12.75V will program that NMC27C512A. A TTL high level  $\overline{CE}$  input inhibits the other NMC27C512A from being programmed.

### Program Verify

A verify should be performed on the programmed bits to determine whether they were correctly programmed. The verify is accomplished with  $\overline{OE}/V_{PP}$  and  $\overline{CE}$  at  $V_{IL}$ . data should be verified  $t_{DV}$  after the falling edge of  $\overline{CE}$ .

### Manufacturer's Identification Code

The NMC27C512A has a manufacturer's identification code to aid in programming. The code, shown in Table II, is two bytes wide and is stored in a ROM configuration on the chip. It identifies the manufacturer and the device type. The code for the NMC27C512A is, "8F 85", where "8F" designates that it is made by National Semiconductor, and "85" designates a 512k part.

The code is accessed by applying  $12V \pm 0.5V$  to address pin A9. Addresses A1–A8, A10–A15,  $\overline{CE}$ , and  $\overline{OE}$  are held at  $V_{IL}$ . Address A0 is held at  $V_{IL}$  for the manufacturer's code, and at  $V_{IH}$  for the device code. The code is read on the 8 data pins. Proper code access is only guaranteed at  $25^{\circ}C \pm 5^{\circ}C$ .

The primary purpose of the manufacturer's identification code is automatic programming control. When the device is inserted in an EPROM programmer socket, the programmer reads the code and then automatically calls up the specific programming algorithm for the part. This automatic programming control is only possible with programmers which have the capability of reading the code.

### ERASURE CHARACTERISTICS

The erasure characteristics of the NMC27C512A are such that erasure begins to occur when exposed to light with wavelengths shorter than approximately 4000 Angstroms ( $\text{\AA}$ ). It should be noted that sunlight and certain types of fluorescent lamps have wavelengths in the 3000 $\text{\AA}$ –4000 $\text{\AA}$  range.

After programming opaque labels should be placed over the NMC27C512A's window to prevent unintentional erasure. Covering the window will also prevent temporary functional failure due to the generation of photo currents.

The recommended erasure procedure for the NMC27C512A is exposure to short wave ultraviolet light which has a wavelength of 2537 Angstroms ( $\text{\AA}$ ). The integrated dose (i.e., UV intensity x exposure time) for erasure should be a minimum of 15W-sec/cm<sup>2</sup>.

The NMC27C512A should be placed within 1 inch of the lamp tubes during erasure. Some lamps have a filter on their tubes which should be removed before erasure. Table III shows the minimum NMC27C512A erasure time for various light intensities.

An erasure system should be calibrated periodically. The distance from lamp to unit should be maintained at one inch. The erasure time increases as the square of the distance. (If distance is doubled the erasure time increases by a factor of 4.) Lamps lose intensity as they age. When a lamp is changed, the distance has changed, or the lamp has aged, the system should be checked to make certain full erasure is occurring. Incomplete erasure will cause symptoms that can be misleading. Programmers, components, and even system designs have been erroneously suspected when incomplete erasure was the problem.

### SYSTEM CONSIDERATION

The power switching characteristics of EPROMs require careful decoupling of the devices. The supply current,  $I_{CC}$ , has three segments that are of interest to the system designer—the standby current level, the active current level, and the transient current peaks that are produced by voltage transitions on input pins. The magnitude of these transient current peaks is dependent on the output capacitance loading of the device. The associated  $V_{CC}$  transient voltage peaks can be suppressed by properly selected decoupling capacitors. It is recommended that at least a 0.1  $\mu$ F ceramic capacitor be used on every device between  $V_{CC}$  and GND. This should be a high frequency capacitor of low inherent inductance. In addition, at least a 4.7  $\mu$ F bulk electrolytic capacitor should be used between  $V_{CC}$  and GND for each eight devices. The bulk capacitor should be located near where the power supply is connected to the array. The purpose of the bulk capacitor is to overcome the voltage drop caused by the inductive effects of the PC board traces.

TABLE II. Manufacturer's Identification Code

Pins	A <sub>0</sub> (10)	0 <sub>7</sub> (19)	0 <sub>6</sub> (18)	0 <sub>5</sub> (17)	0 <sub>4</sub> (16)	0 <sub>3</sub> (15)	0 <sub>2</sub> (13)	0 <sub>1</sub> (12)	0 <sub>0</sub> (11)	Hex Data
Manufacturer Code	$V_{IL}$	1	0	0	0	1	1	1	1	8F
Device Code	$V_{IH}$	1	0	0	0	0	1	0	1	85

TABLE III. Minimum NMC27C512A Erasure Time

Light Intensity (Micro-Watts/cm <sup>2</sup> )	Erasure Time (Minutes)
15,000	20
10,000	25
5,000	50



## NMC27C512AN 524,288-Bit (64k x 8) One Time Programmable CMOS PROM

### General Description

The NMC27C512AN is a high-speed 512k UV one time programmable CMOS EPROM, ideally suited for applications where fast turnaround and low power consumption are important requirements.

The NMC27C512AN is designed to operate with a single +5V power supply with  $\pm 5\%$  or  $\pm 10\%$  tolerance. The CMOS design allows the part to operate over extended and military temperature ranges.

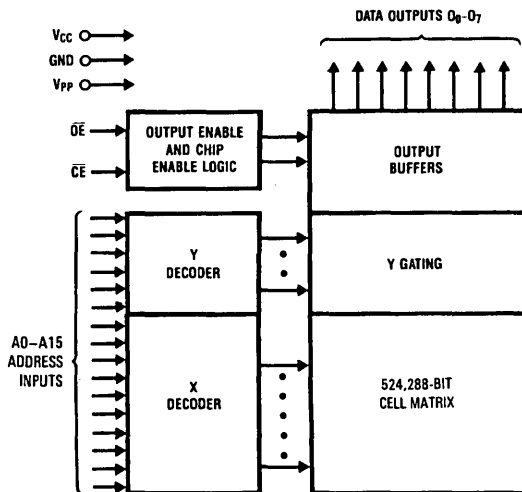
The NMC27C512AN is packaged in a 28-pin dual-in-line plastic molded package without a transparent lid. This part is ideally suited for high volume production applications where cost is an important factor and programming only needs to be done once. Also the plastic molded package works well in auto insertion equipment used in automated assembly lines.

This EPROM is fabricated with National's proprietary, time proven CMOS double-poly silicon gate technology which combines high performance and high density with low power consumption and excellent reliability.

### Features

- Clocked sense amps for fast access time down to 150 ns
- Low CMOS power consumption
  - Active Power: 110 mW max
  - Standby Power: 0.55 mW max
- Optimum EPROM for total CMOS systems
- Pin compatible with NMOS 512k EPROMs
- Fast and reliable programming —100  $\mu$ s typical/byte
- Static operation—no clocks required
- TTL, CMOS compatible inputs/outputs
- TRI-STATE® output
- Manufacturer's identification code for automatic programming control
- High current CMOS level output drivers

### Block Diagram



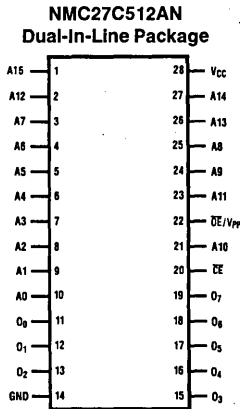
TL/D/8754-1

#### Pin Names

A0-A15	Addresses
$\overline{CE}$	Chip Enable
$\overline{OE}/V_{PP}$	Output Enable/Programming Voltage
O <sub>0</sub> -O <sub>7</sub>	Outputs
$\overline{PGM}$	Program
NC	No Connect

### Connection Diagram

27C256 27256	27C128 27128	27C64 2764	27C32 2732	27C16 2716
V <sub>PP</sub>	V <sub>PP</sub>	V <sub>PP</sub>		
A12	A12	A12		
A7	A7	A7	A7	A7
A6	A6	A6	A6	A6
A5	A5	A5	A5	A5
A4	A4	A4	A4	A4
A3	A3	A3	A3	A3
A2	A2	A2	A2	A2
A1	A1	A1	A1	A1
A0	A0	A0	A0	A0
O <sub>0</sub>	O <sub>0</sub>	O <sub>0</sub>	O <sub>0</sub>	O <sub>0</sub>
O <sub>1</sub>	O <sub>1</sub>	O <sub>1</sub>	O <sub>1</sub>	O <sub>1</sub>
O <sub>2</sub>	O <sub>2</sub>	O <sub>2</sub>	O <sub>2</sub>	O <sub>2</sub>
GND	GND	GND	GND	GND



27C16 2716	27C32 2732	27C64 2764	27C128 27128	27C256 27256
		V <sub>CC</sub>	V <sub>CC</sub>	V <sub>CC</sub>
		PGM	PGM	A14
V <sub>CC</sub>	V <sub>CC</sub>	NC	A13	A13
A8	A8	A8	A8	A8
A9	A9	A9	A9	A9
V <sub>PP</sub>	A11	A11	A11	A11
OE	OE/V <sub>PP</sub>	OE	OE	OE
A10	A10	A10	A10	A10
CE/V <sub>PP</sub>	CE	CE	CE	CE
O <sub>7</sub>	O <sub>7</sub>	O <sub>7</sub>	O <sub>7</sub>	O <sub>7</sub>
O <sub>6</sub>	O <sub>6</sub>	O <sub>6</sub>	O <sub>6</sub>	O <sub>6</sub>
O <sub>5</sub>	O <sub>5</sub>	O <sub>5</sub>	O <sub>5</sub>	O <sub>5</sub>
O <sub>4</sub>	O <sub>4</sub>	O <sub>4</sub>	O <sub>4</sub>	O <sub>4</sub>
O <sub>3</sub>	O <sub>3</sub>	O <sub>3</sub>	O <sub>3</sub>	O <sub>3</sub>

TL/D/8754-2

**Order Number NMC27C512AN**  
**See NS Package Number N28B**

Note: Socket compatible EPROM pin configurations are shown in the blocks adjacent to the NMC27C512AN pins.

#### Commercial Temp Range (0°C to +70°C)

V<sub>CC</sub> = 5V ±5%

Parameter/Order Number	Access Time (ns)
NMC27C512AN15	150
NMC27C512AN17	170
NMC27C512AN20	200
NMC27C512AN25	250

V<sub>CC</sub> = 5V ±10%

Parameter/Order Number	Access Time (ns)
NMC27C512AN150	150
NMC27C512AN170	170
NMC27C512AN200	200
NMC27C512AN250	250

#### Extended Temp Range (-40°C to +85°C)

V<sub>CC</sub> = 5V ±5%

Parameter/Order Number	Access Time (ns)
NMC27C512ANE15	150
NMC27C512ANE17	170
NMC27C512ANE20	200
NMC27C512ANE25	250

V<sub>CC</sub> = 5V ±10%

Parameter/Order Number	Access Time (ns)
NMC27C512ANE150	150
NMC27C512ANE170	170
NMC27C512ANE200	200
NMC27C512ANE250	250

**Absolute Maximum Ratings** (Note 1)

If Military/Aerospace specified devices are required, please contact the National Semiconductor Sales Office/Distributors for availability and specifications.

Temperature Under Bias	-10°C to +80°C
Storage Temperature	-65°C to +150°C

All Input Voltages except A9 and $\overline{OE}/V_{PP}$ with Respect to Ground (Note 9)	+6.5V to -0.6V
---	----------------

$V_{CC}$ Supply Voltage with respect to Ground	+7.0V to -0.6V
--	----------------

All Output Voltages with respect to Ground (Note 9)	$V_{CC} + 1$ to GND -0.6V
---	---------------------------

$\overline{OE}/V_{PP}$ Supply Voltage and A9 with respect to Ground	+14.0V to -0.6V
---	-----------------

Power Dissipation	1.0W
Lead Temperature (Soldering, 10 sec.)	300°C
ESD Rating (Mil Std. 883C, Method 3015.2)	2000V

**Operating Conditions** (Note 6)

Temperature Range	0°C to +70°C
-------------------	--------------

$V_{CC}$ Power Supply	NMC27C512AN15, 17, 20, 25	+5V ±5%
	NMC27C512AN150, 170, 200, 250	+5V ±10%

Temperature Range	-40°C to +85°C
-------------------	----------------

$V_{CC}$ Power Supply	NMC27C512ANE15, 17, 20, 25	+5V ±5%
	NMC27C512ANE150, 170, 200, 250	+5V ±10%

**READ OPERATION****DC Electrical Characteristics**

Symbol	Parameter	Conditions	Min	Typ	Max	Units
$I_{LI}$	Input Load Current	$V_{IN} = V_{CC}$ or GND		0.01	1	$\mu$ A
$I_{LO}$	Output Leakage Current	$V_{OUT} = V_{CC}$ or GND $\overline{CE} = V_{IH}$		0.01	1	$\mu$ A
$I_{CC1}$	$V_{CC}$ Current (Active) TTL Inputs	$\overline{CE} = V_{IL}$ , f = 5 MHz Inputs = $V_{IH}$ or $V_{IL}$ , I/O = 0 mA		10	30	mA
$I_{CC2}$	$V_{CC}$ Current (Active) CMOS Inputs	$\overline{CE} = \text{GND}$ , f = 5 MHz Inputs = $V_{CC}$ or GND, I/O = 0 mA		8	20	mA
$I_{CCSB1}$	$V_{CC}$ Current (Standby) TTL Inputs	$\overline{CE} = V_{IH}$		0.1	1	mA
$I_{CCSB2}$	$V_{CC}$ Current (Standby) CMOS Inputs	$\overline{CE} = V_{CC}$		0.5	100	$\mu$ A
$I_{PP}$	$V_{PP}$ Load Current	$V_{PP} = V_{CC}$			10	$\mu$ A
$V_{IL}$	Input Low Voltage		-0.2		0.8	V
$V_{IH}$	Input High Voltage		2.0		$V_{CC} + 1$	V
$V_{OL1}$	Output Low Voltage	$I_{OL} = 2.1$ mA			0.4	V
$V_{OH1}$	Output High Voltage	$I_{OH} = -2.5$ mA	3.5			V
$V_{OL2}$	Output Low Voltage	$I_{OL} = 10$ $\mu$ A			0.1	V
$V_{OH2}$	Output High Voltage	$I_{OH} = -10$ $\mu$ A	$V_{CC} - 0.1$			V

**AC Electrical Characteristics**

Symbol	Parameter	Conditions	NMC27C512AN/ANE								Units
			15, 150		17, 170		20, 200		25, 250		
			Min	Max	Min	Max	Min	Max	Min	Max	
$t_{ACC}$	Address to Output Delay	$\overline{CE} = \overline{OE} = V_{IL}$		150		170		200		250	ns
$t_{CE}$	$\overline{CE}$ to Output Delay	$\overline{OE} = V_{IL}$		150		170		200		250	ns
$t_{OE}$	$\overline{OE}$ to Output Delay	$\overline{CE} = V_{IL}$		60		75		75		100	ns
$t_{DF}$	$\overline{OE}$ High to Output Float	$\overline{CE} = V_{IL}$	0	50	0	55	0	55	0	60	ns
$t_{CF}$	$\overline{CE}$ High to Output Float	$\overline{OE} = V_{IL}$	0	50	0	55	0	55	0	60	ns
$t_{OH}$	Output Hold from Addresses, $\overline{CE}$ or $\overline{OE}$ , Whichever Occurred First	$\overline{CE} = \overline{OE} = V_{IL}$	0		0		0		0		ns

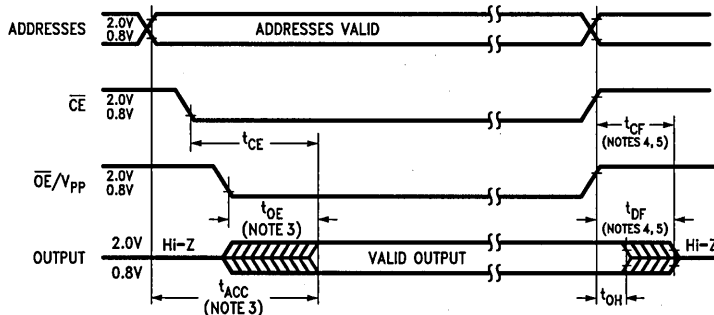
## Capacitance $T_A = +25^\circ\text{C}$ , $f = 1\text{ MHz}$ (Note 2)

Symbol	Parameter	Conditions	Typ	Max	Units
$C_{IN}$	Input Capacitance Except $\overline{OE}/V_{PP}$	$V_{IN} = 0\text{V}$	5	10	pF
$C_{OUT}$	Output Capacitance	$V_{OUT} = 0\text{V}$	8	10	pF
$C_{IN2}$	$\overline{OE}/V_{PP}$ Input Capacitance	$V_{IN} = 0\text{V}$	16	20	pF

## AC Test Conditions

Output Load	1 TTL Gate and $C_L = 100\text{ pF}$ (Note 8)	Timing Measurement Reference Level Inputs Outputs	0.8V and 2V 0.8V and 2V
Input Rise and Fall Times	$\leq 5\text{ ns}$		
Input Pulse Levels	0.45V to 2.4V		

## AC Waveforms (Notes 6, 7)



TL/D/8754-3

**Note 1:** Stresses above those listed under "Absolute Maximum Ratings" may cause permanent damage to the device. This is a stress rating only and functional operation of the device at these or any other conditions above those indicated in the operational sections of this specification is not implied. Exposure to absolute maximum rating conditions for extended periods may affect device reliability.

**Note 2:** This parameter is only sampled and is not 100% tested.

**Note 3:**  $\overline{OE}$  may be delayed up to  $t_{ACC} - t_{OE}$  after the falling edge of  $\overline{CE}$  without impacting  $t_{ACC}$ .

**Note 4:** The  $t_{DF}$  and  $t_{CF}$  compare level is determined as follows:

High to TRI-STATE, the measured  $V_{OH1}$  (DC)  $-0.10\text{V}$ .

Low to TRI-STATE, the measured  $V_{OL1}$  (DC)  $+0.10\text{V}$ .

**Note 5:** TRI-STATE may be attained using  $\overline{OE}$  or  $\overline{CE}$ .

**Note 6:** The power switching characteristics of EPROMs require careful device decoupling. It is recommended that at least a  $0.1\text{ }\mu\text{F}$  ceramic capacitor be used on every device between  $V_{CC}$  and GND.

**Note 7:** The outputs must be restricted to  $V_{CC} + 1.0\text{V}$  to avoid latch-up and device damage.

**Note 8:** 1 TTL Gate:  $I_{OL} = 1.6\text{ mA}$ ,  $I_{OH} = -400\text{ }\mu\text{A}$ .

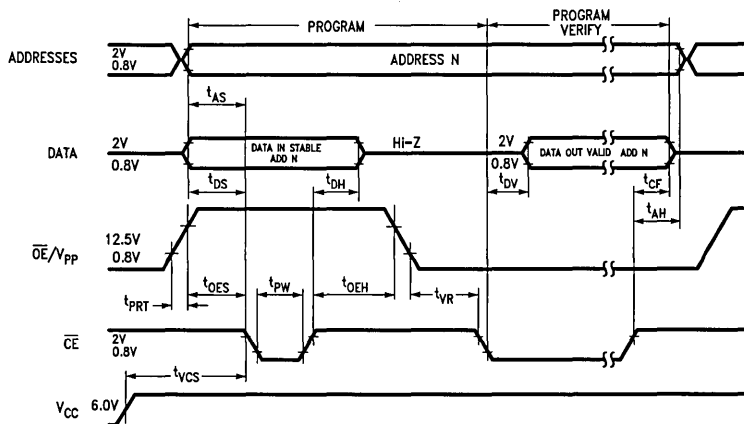
CL:  $100\text{ pF}$  includes fixture capacitance.

**Note 9:** Inputs and outputs can undershoot to  $-2.0\text{V}$  for 20 ns Max.

## Programming Characteristics (Notes 1, 2, 3 and 4)

Symbol	Parameter	Conditions	Min	Typ	Max	Units
$t_{AS}$	Address Setup Time		1			$\mu\text{s}$
$t_{OES}$	$\overline{OE}$ Setup Time		1			$\mu\text{s}$
$t_{DS}$	Data Setup Time		1			$\mu\text{s}$
$t_{AH}$	Address Hold Time		0			$\mu\text{s}$
$t_{DH}$	Data Hold Time		1			$\mu\text{s}$
$t_{CF}$	Chip Enable to Output Float Delay	$\overline{OE} = V_{IL}$	0		60	ns
$t_{PW}$	Program Pulse Width		95	100	105	$\mu\text{s}$
$t_{OEH}$	$\overline{OE}$ Hold Time		1			$\mu\text{s}$
$t_{DV}$	Data Valid from $\overline{CE}$	$\overline{OE} = V_{IL}$			250	ns
$t_{PRT}$	$\overline{OE}$ Pulse Rise Time During Programming		50			ns
$t_{VR}$	$V_{PP}$ Recovery Time		1			$\mu\text{s}$
$I_{PP}$	$V_{PP}$ Supply Current During Programming Pulse	$\overline{CE} = V_{IL}$ $\overline{OE} = V_{PP}$			30	mA
$I_{CC}$	$V_{CC}$ Supply Current				10	mA
$T_A$	Temperature Ambient		20	25	30	$^{\circ}\text{C}$
$V_{CC}$	Power Supply Voltage		6.0	6.25	6.5	V
$V_{PP}$	Programming Supply Voltage		12.5	12.75	13.0	V
$t_{FR}$	Input Rise, Fall Time		5			ns
$V_{IL}$	Input Low Voltage			0.0	0.45	V
$V_{IH}$	Input High Voltage		2.4	4.0		V
$t_{IN}$	Input Timing Reference Voltage		0.8	1.5	2.0	V
$t_{OUT}$	Output Timing Reference Voltage		0.8	1.5	2.0	V
$t_{VCS}$	$V_{CC}$ Setup Time		1			$\mu\text{s}$

## Programming Waveforms



TL/D/8754-4

**Note 1:** National's standard product warranty applies only to devices programmed to specifications described herein.

**Note 2:**  $V_{CC}$  must be applied simultaneously or before  $V_{PP}$  and removed simultaneously or after  $V_{PP}$ . The EPROM must not be inserted into or removed from a board with voltage applied to  $V_{PP}$  or  $V_{CC}$ .

**Note 3:** The maximum absolute allowable voltage which may be applied to the  $V_{PP}$  pin during programming is 14V. Care must be taken when switching the  $V_{PP}$  supply to prevent any overshoot from exceeding this 14V maximum specification. At least a 0.1  $\mu\text{F}$  capacitor is required across  $V_{CC}$  to GND to suppress spurious voltage transients which may damage the device.

**Note 4:** Programming and program verify are tested with the fast Program Algorithm at typical power supply voltages and timings.

# Fast Programming Algorithm Flow Chart (Note 4)

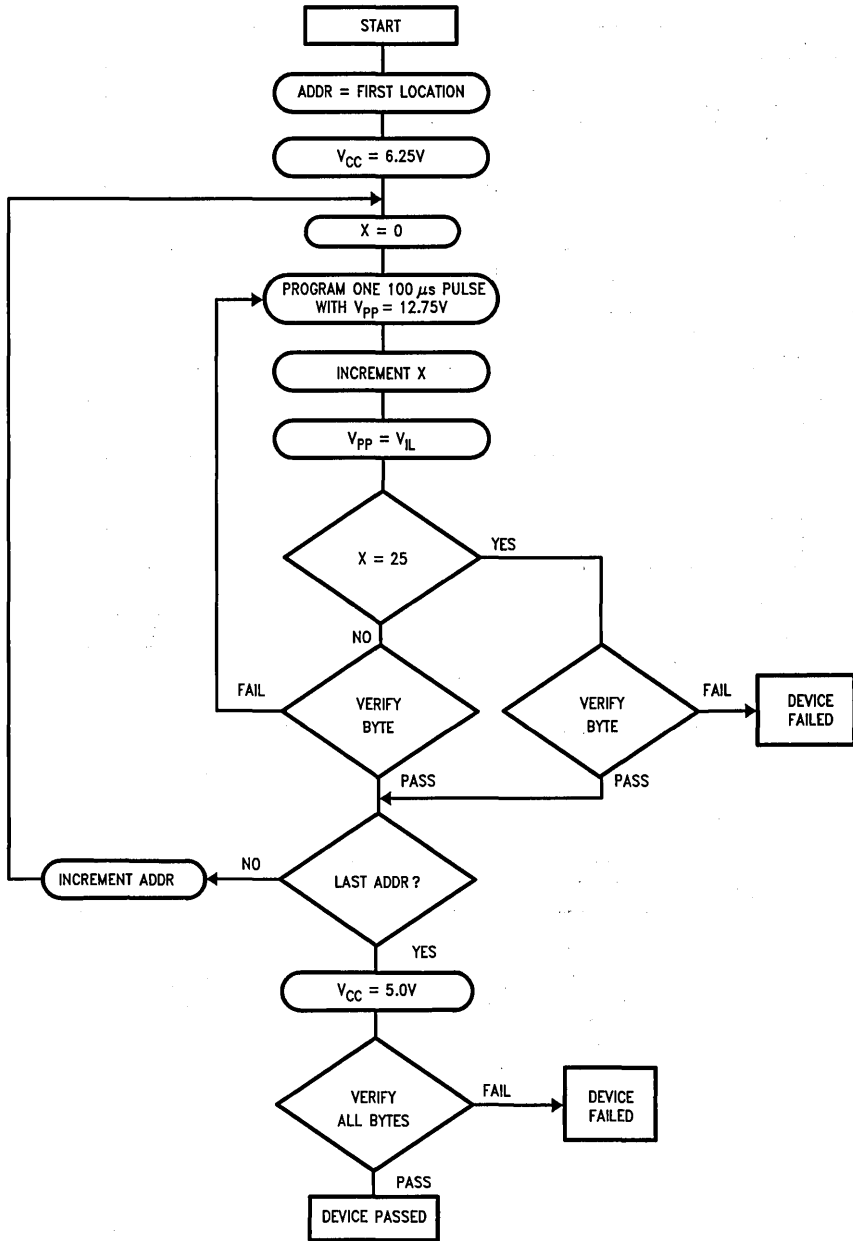


FIGURE 1

TL/D/8754-5

Interactive Programming Algorithm Flow Chart (Note 4)

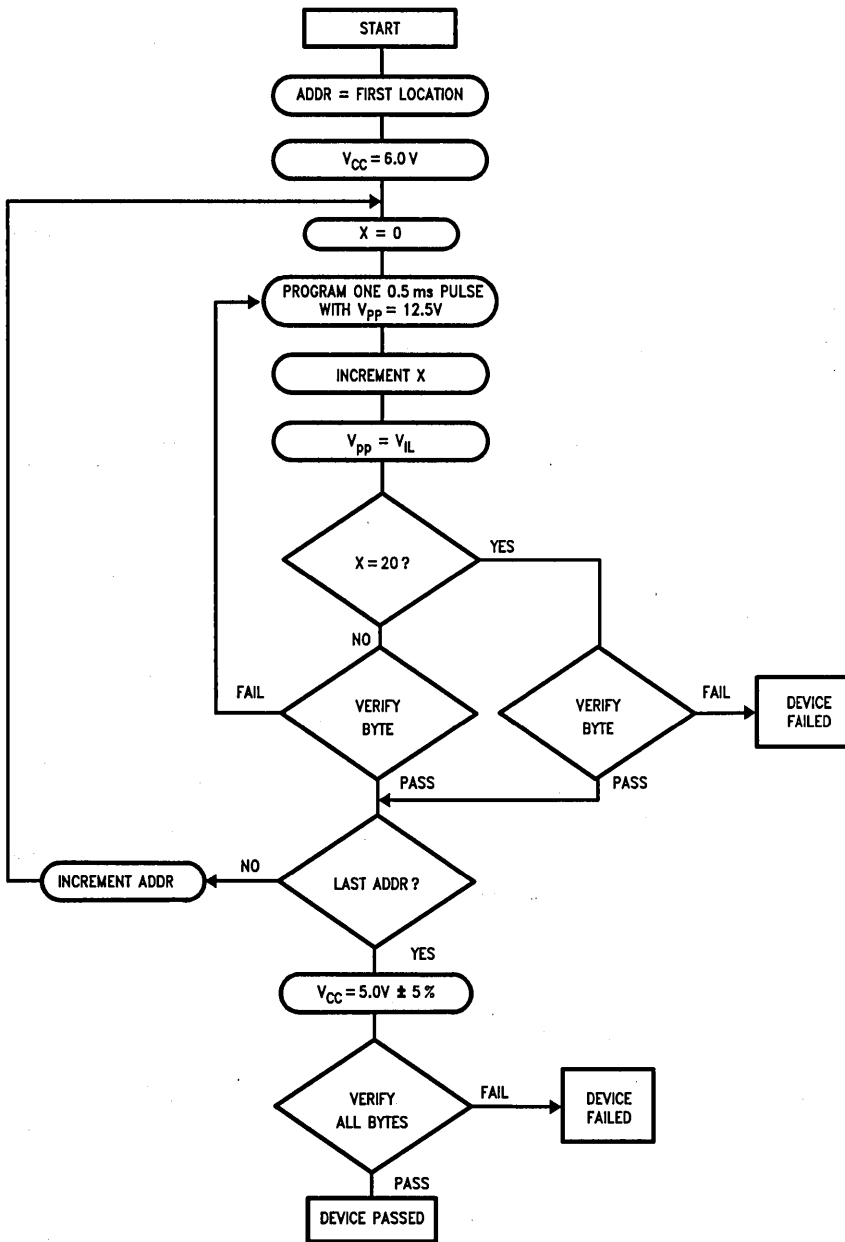


FIGURE 2

TL/D/8754-6

## Functional Description

### DEVICE OPERATION

The six modes of operation of the NMC27C512AN are listed in Table I. A single 5V power supply is required in the read mode. All inputs are TTL levels except for  $\overline{OE}/V_{PP}$  during programming. In the program mode the  $\overline{OE}/V_{PP}$  input is pulsed from a TTL low level to 12.75V.

#### Read Mode

The NMC27C512AN has two control functions, both of which must be logically active in order to obtain data at the outputs. Chip Enable ( $\overline{CE}$ ) is the power control and should be used for device selection. Output Enable ( $\overline{OE}$ ) is the output control and should be used to gate data to the output pins, independent of device selection. Assuming that addresses are stable, address access time ( $t_{ACC}$ ) is equal to the delay from  $\overline{CE}$  to output ( $t_{CE}$ ). Data is available at the outputs after the falling edge of  $\overline{OE}$ , assuming that  $\overline{CE}$  has been low and addresses have been stable for at least  $t_{ACC-t_{OE}}$ .

The sense amps are clocked for fast access time.  $V_{CC}$  should therefore be maintained at operating voltage during read and verify. If  $V_{CC}$  temporarily drops below the spec. voltage (but not to ground) an address transition must be performed after the drop to ensure proper output data.

#### Standby Mode

The NMC27C512AN has a standby mode which reduces the active power dissipation by over 99%, from 110 mW to 0.55 mW. The NMC27C512AN is placed in the standby mode by applying a CMOS high signal to the  $\overline{CE}$  input. When in standby mode, the outputs are in a high impedance state, independent of the  $\overline{OE}$  input.

#### Output OR-Tying

Because EPROMs are usually used in larger memory arrays, National has provided a 2-line control function that accommodates this use of multiple memory connection. The 2-line control function allows for:

- the lowest possible memory power dissipation, and
- complete assurance that output bus contention will not occur.

To most efficiently use these two control lines, it is recommended that  $\overline{CE}$  (pin 20) be decoded and used as the primary device selecting function, while  $\overline{OE}/V_{PP}$  (pin 22) be made a common connection to all devices in the array and connected to the READ line from the system control bus. This assures that all deselected memory devices are in their low power standby modes and that the output pins are active only when data is desired from a particular memory device.

### Programming

CAUTION: Exceeding 14V on pin 22 ( $\overline{OE}/V_{PP}$ ) will damage the NMC27C512AN.

Initially, and after each erasure, all bits of the NMC27C512AN are in the "1" state. Data is introduced by selectively programming "0s" into the desired bit locations. Although only "0s" will be programmed, both "1s" and "0s" can be presented in the data word. The only way to change a "0" to a "1" is by ultraviolet light erasure.

The NMC27C512AN is in the programming mode when  $\overline{OE}/V_{PP}$  is at 12.75V. It is required that at least a 0.1  $\mu$ F capacitor be placed across  $V_{CC}$  and ground to suppress spurious voltage transients which may damage the device. The data to be programmed is applied 8 bits in parallel to the data output pins. The levels required for the address and data inputs are TTL.

When the address and data are stable, an active low, TTL program pulse is applied to the  $\overline{CE}$  input. A program pulse must be applied at each address location to be programmed. The NMC is programmed with the Fast Programming Algorithm shown in *Figure 1*. Each Address is programmed with a series of 100  $\mu$ s pulses until it verifies good, up to a maximum of 25 pulses. Most memory cells will program with a single 100  $\mu$  pulse.

**Note:** Some programmer manufacturers due to equipment limitation may offer interactive program Algorithm (shown in *Figure 2*).

The NMC27C512AN must not be programmed with a DC signal applied to the  $\overline{CE}$  input.

Programming multiple NMC27C512As in parallel with the same data can be easily accomplished due to the simplicity of the programming requirements. Like inputs of the paralleled NMC27C512AN may be connected together when they are programmed with the same data. A low level TTL pulse applied to the  $\overline{CE}$  input programs the paralleled NMC27C512AN.

The NMC27C512AN is packaged in a plastic molded package which does not have a transparent lid. Therefore the memory cannot be erased. This means that after a user has programmed a memory cell to a "0" it cannot be changed back to a "1".

If an application requires erasing and reprogramming, the NMC27C512AQ UV Erasable PROM in a windowed package should be used.

### PROGRAM INHIBIT

Programming multiple NMC27C512ANs in parallel with different data is also easily accomplished. Except for  $\overline{CE}$  all like inputs (including  $\overline{OE}$ ) of the parallel NMC27C512AN may be common. A TTL low level program pulse applied to

TABLE I. Mode Selection

Mode	Pins $\overline{CE}$ (20)	$\overline{OE}/V_{PP}$ (22)	$V_{CC}$ (28)	Outputs (11-13, 15-19)
Read	$V_{IL}$	$V_{IL}$	5.0V	$D_{OUT}$
Standby	$V_{IH}$	Don't Care	5.0V	Hi-Z
Output Disable	Don't Care	$V_{IH}$	5.0V	Hi-Z
Program	$V_{IL}$	12.75V	6.25V	$D_{IN}$
Program Verify	$V_{IL}$	$V_{IL}$	6.25V	$D_{OUT}$
Program Inhibit	$V_{IH}$	12.75V	6.25V	Hi-Z



## Functional Description (Continued)

an NMC27C512A's  $\overline{CE}$  input with  $\overline{OE}/V_{PP}$  at 12.75V will program that NMC27C512AN. A TTL high level  $\overline{CE}$  input inhibits the other NMC27C512A from being programmed.

### PROGRAM VERIFY

A verify should be performed on the programmed bits to determine whether they were correctly programmed. The verify is accomplished with  $\overline{OE}/V_{PP}$  and  $\overline{CE}$  at  $V_{IL}$ . Data should be verified  $t_{DV}$  after the falling edge of  $\overline{CE}$ .

### MANUFACTURER'S IDENTIFICATION CODE

The NMC27C512AN has a manufacturer's identification code to aid in programming. The code, shown in Table II, is two bytes wide and is stored in a ROM configuration on the chip. It identifies the manufacturer and the device type. The code for NMC27C512AN is "8F 85", where "8F" designates that it is made by National Semiconductor, and "85" designates a 512k part.

The code is accessed by applying  $12V \pm 0.5V$  to address pin A9. Addresses A1–A8, A10–A15,  $\overline{CE}$  and  $\overline{OE}$  are held at  $V_{IL}$ . Address A0 is held at  $V_{IL}$  for the manufacturer's code, and at  $V_{IH}$  for the device code. The code is read out on the eight data pins. Proper code access is only guaranteed at  $25^{\circ}C \pm 5^{\circ}C$ .

The primary purpose of the manufacturer's identification code is automatic programming control. When the device is

inserted in an EPROM programmer socket, the programmer reads the code and then automatically calls up the specific programming algorithm for the part. This automatic programming control is only possible with programmers which have the capability of reading the code.

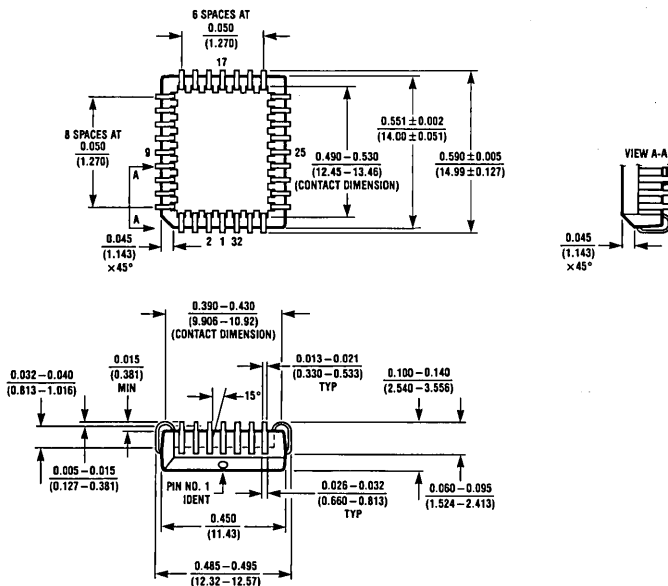
### SYSTEM CONSIDERATION

The power switching characteristics of EPROMs require careful decoupling of the devices. The supply current,  $I_{CC}$ , has three segments that are of interest to the system designer—the standby current level, the active current level, and the transient current peaks that are produced by voltage transitions on input pins. The magnitude of these transient current peaks is dependent on the output capacitance loading of the device. The associated  $V_{CC}$  transient voltage peaks can be suppressed by properly selected decoupling capacitors. It is recommended that at least a  $0.1 \mu F$  ceramic capacitor be used on every device between  $V_{CC}$  and GND. This should be a high frequency capacitor of low inherent inductance. In addition, at least a  $4.7 \mu F$  bulk electrolytic capacitor should be used between  $V_{CC}$  and GND for each eight devices. The bulk capacitor should be located near where the power supply is connected to the array. The purpose of the bulk capacitor is to overcome the voltage drop caused by the inductive effects of the PC board traces.

TABLE II. Manufacturer's Identification Code

Pins	A <sub>0</sub> (10)	O <sub>7</sub> (19)	O <sub>6</sub> (18)	O <sub>5</sub> (17)	O <sub>4</sub> (16)	O <sub>3</sub> (15)	O <sub>2</sub> (13)	O <sub>1</sub> (12)	O <sub>0</sub> (11)	Hex Data
Manufacturer Code	V <sub>IL</sub>	1	0	0	0	1	1	1	1	8F
Device Code	V <sub>IH</sub>	1	0	0	0	0	1	0	1	85

## Package Information



32-Lead PLCC Package  
Order Number NMC27C512AV

TL/D/8754-7

## NMC27C010 (Former NMC27C1023)\* 1,048,576-Bit (128k x 8) UV Erasable CMOS PROM

### General Description

The NMC27C010 is a high-speed 1024k UV erasable and electrically reprogrammable CMOS EPROM, ideally suited for applications where fast turnaround, pattern experimentation and low power consumption are important requirements.

The NMC27C010 is designed to operate with a single +5V power supply with  $\pm 5\%$  or  $\pm 10\%$  tolerance. The CMOS design allows the part to operate over extended and military temperature ranges.

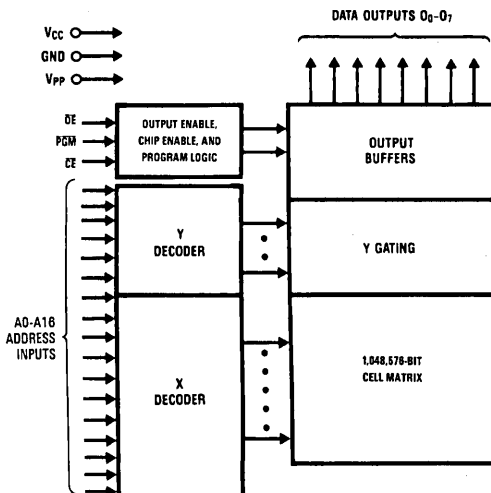
The NMC27C010 is packaged in a 32-pin dual-in-line package with transparent lid. The transparent lid allows the user to expose the chip to ultraviolet light to erase the bit pattern. A new pattern can then be written electrically into the device by following the programming procedure.

This EPROM is fabricated with National's proprietary, time proven CMOS double-poly silicon gate technology which combines high performance and high density with low power consumption and excellent reliability.

### Features

- Clocked sense amps for fast access time down to 150 ns
- Low CMOS power consumption
  - Active power: 110 mW max
  - Standby power: 0.55 mW max
- Extended temperature range (NMC27C010QE),  $-40^{\circ}\text{C}$  to  $+85^{\circ}\text{C}$  and military temperature range (NMC27C010QM),  $-55^{\circ}\text{C}$  to  $+125^{\circ}\text{C}$ , available
- Pin compatible with NMOS byte-wide 1024k EPROMs
- Fast and reliable programming—100  $\mu\text{s}$  typical/byte
- Static operation—no clocks required
- TTL, CMOS compatible inputs/outputs
- TRI-STATE<sup>®</sup> output
- Optimum EPROM for total CMOS systems
- Manufacturer's identification code for automatic programming control
- High current CMOS level output drivers

### Block Diagram



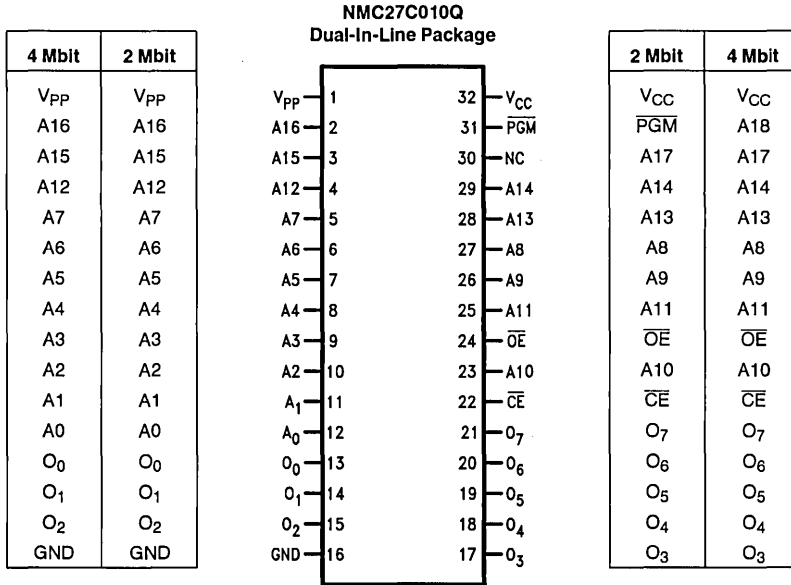
Pin Names

A0-A16	Addresses
$\overline{\text{CE}}$	Chip Enable
$\overline{\text{OE}}$	Output Enable
O <sub>0</sub> -O <sub>7</sub>	Outputs
PGM	Program
NC	No Connect

\*Some programmer manufacturers will call this device NMC27C1023.

TL/D/9182-1

# Connection Diagram



TL/D/9182-2

Note: Socket compatible EPROM pin configurations are shown in the blocks adjacent to the NMC27C010 pins.

**Order Number NMC27C010Q**  
See NS Package Number J32AQ

**Commercial Temperature Range (0°C to +70°C)**  
V<sub>CC</sub> = 5V ± 5%

Parameter/Order Number	Access Time (ns)
NMC27C010Q15	150
NMC27C010Q17	170
NMC27C010Q20	200
NMC27C010Q25	250

**Commercial Temperature Range (0°C to +70°C)**  
V<sub>CC</sub> = 5V ± 10%

Parameter/Order Number	Access Time (ns)
NMC27C010Q150	150
NMC27C010Q170	170
NMC27C010Q200	200
NMC27C010Q250	250

**Extended Temperature Range (-40°C to +85°C)**  
V<sub>CC</sub> = 5V ± 10%

Parameter/Order Number	Access Time (ns)
NMC27C010QE170	170
NMC27C010QE200	200
NMC27C010QE250	250

**Military Temperature Range (-55°C to +125°C)**  
V<sub>CC</sub> = 5V ± 10%

Parameter/Order Number	Access Time (ns)
NMC27C010QM170	170
NMC27C010QM200	200
NMC27C010QM250	250

**NOTE:** Surface mount PLCC package available for commercial and extended temperature ranges only.

## COMMERCIAL TEMPERATURE RANGE

### Absolute Maximum Ratings (Note 1)

Temperature Under Bias	-10°C to +80°C
Storage Temperature	-65°C to +150°C
All Input Voltages except A9 with Respect to Ground (Note 10)	+6.5V to -0.6V
All Output Voltages with Respect to Ground (Note 10)	$V_{CC} + 1.0V$ to $GND - 0.6V$
$V_{PP}$ Supply Voltage and A9 with Respect to Ground During Programming	+14.0V to -0.6V
$V_{CC}$ Supply Voltage with Respect to Ground	+7.0V to -0.6V

Power Dissipation	1.0W
Lead Temperature (Soldering, 10 sec.)	300°C
ESD Rating (Mil Spec 883C, Method 3015.2)	2000V

### Operating Conditions (Note 7)

Temperature Range	0°C to +70°C
$V_{CC}$ Power Supply	
NMC27C010Q15, 17, 20, 25	+5V ±5%
NMC27C010Q150, 170, 200, 250	+5V ±10%

## READ OPERATION

### DC Electrical Characteristics

Symbol	Parameter	Conditions	Min	Typ	Max	Units
$I_{LI}$	Input Load Current	$V_{IN} = V_{CC}$ or GND			1	$\mu A$
$I_{LO}$	Output Leakage Current	$V_{OUT} = V_{CC}$ or GND, $\overline{CE} = V_{IH}$			1	$\mu A$
$I_{CC1}$ (Note 9)	$V_{CC}$ Current (Active) TTL Inputs	$\overline{CE} = V_{IL}$ , $f = 5$ MHz Inputs = $V_{IH}$ or $V_{IL}$ , I/O = 0 mA		15	30	mA
$I_{CC2}$ (Note 9)	$V_{CC}$ Current (Active) CMOS Inputs	$\overline{CE} = GND$ , $f = 5$ MHz Inputs = $V_{CC}$ or GND, I/O = 0 mA		10	20	mA
$I_{CCSB1}$	$V_{CC}$ Current (Standby) TTL Inputs	$\overline{CE} = V_{IH}$		0.1	1	mA
$I_{CCSB2}$	$V_{CC}$ Current (Standby) CMOS Inputs	$\overline{CE} = V_{CC}$		0.5	100	$\mu A$
$I_{PP}$	$V_{PP}$ Load Current	$V_{PP} = V_{CC}$			10	$\mu A$
$V_{IL}$	Input Low Voltage		-0.2		0.8	V
$V_{IH}$	Input High Voltage		2.0		$V_{CC} + 1$	V
$V_{OL1}$	Output Low Voltage	$I_{OL} = 2.1$ mA			0.40	V
$V_{OH1}$	Output High Voltage	$I_{OH} = -2.5$ mA	3.5			V
$V_{OL2}$	Output Low Voltage	$I_{OL} = 10$ $\mu A$			0.1	V
$V_{OH2}$	Output High Voltage	$I_{OH} = -10$ $\mu A$	$V_{CC} - 0.1$			V

### AC Electrical Characteristics

Symbol	Parameter	Conditions	NMC27C010								Units
			Q15, Q150		Q17, Q170		Q20, Q200		Q25, Q250		
			Min	Max	Min	Max	Min	Max	Min	Max	
$t_{ACC}$	Address to Output Delay	$\overline{CE} = \overline{OE} = V_{IL}$ $PGM = V_{IH}$		150		170		200		250	ns
$t_{CE}$	$\overline{CE}$ to Output Delay	$\overline{OE} = V_{IL}$ , $PGM = V_{IH}$		150		170		200		250	ns
$t_{OE}$	$\overline{OE}$ to Output Delay	$\overline{CE} = V_{IL}$ , $PGM = V_{IH}$		60		75		75		100	ns
$t_{DF}$	$\overline{OE}$ High to Output Float	$\overline{CE} = V_{IL}$ , $PGM = V_{IH}$	0	50	0	55	0	55	0	60	ns
$t_{CF}$	$\overline{CE}$ High to Output Float	$\overline{OE} = V_{IL}$ , $PGM = V_{IH}$	0	50	0	55	0	55	0	60	ns
$t_{OH}$	Output Hold from Addresses, $\overline{CE}$ or $\overline{OE}$ , Whichever Occurred First	$\overline{CE} = \overline{OE} = V_{IL}$ $PGM = V_{IH}$	0		0		0		0		ns

## MILITARY AND EXTENDED TEMPERATURE RANGE

### Absolute Maximum Ratings (Note 1)

If Military/Aerospace specified devices are required, please contact the National Semiconductor Sales Office/Distributors for availability and specifications.

Temperature Under Bias	Operating Temp. Range	
Storage Temperature		-65°C to +150°C
All Input Voltages except A9 with Respect to Ground (Note 10)		+6.5V to -0.6V
All Output Voltages with Respect to Ground (Note 10)	$V_{CC} + 1.0V$ to $GND - 0.6V$	
$V_{PP}$ Supply Voltage and A9 with Respect to Ground During Programming		+14.0V to -0.6V

$V_{CC}$ Supply Voltage with Respect to Ground	+7.0V to -0.6V
Power Dissipation	1.0W
Lead Temperature (Soldering, 10 sec.)	300°C
ESD Rating (Mil Spec 883C, Method 3015.2)	2000V

### Operating Conditions (Note 7)

Temperature Range	
NMC27C010QE150, 170, 200, 250	-40°C to +85°C
NMC27C010QM170, 200, 250	-55°C to +125°C
$V_{CC}$ Power Supply	+5V $\pm$ 10%

## READ OPERATION

### DC Electrical Characteristics

Symbol	Parameter	Conditions	Min	Typ	Max	Units
$I_{LI}$	Input Load Current	$V_{IN} = V_{CC}$ or GND			10	$\mu A$
$I_{LO}$	Output Leakage Current	$V_{OUT} = V_{CC}$ or GND, $\overline{CE} = V_{IH}$			10	$\mu A$
$I_{CC1}$ (Note 9)	$V_{CC}$ Current (Active) TTL Inputs	$\overline{CE} = V_{IL}$ , $f = 5$ MHz Inputs = $V_{IH}$ or $V_{IL}$ , I/O = 0 mA		15	30	mA
$I_{CC2}$ (Note 9)	$V_{CC}$ Current (Active) CMOS Inputs	$\overline{CE} = GND$ , $f = 5$ MHz Inputs = $V_{CC}$ or GND, I/O = 0 mA		10	20	mA
$I_{CCSB1}$	$V_{CC}$ Current (Standby) TTL Inputs	$\overline{CE} = V_{IH}$		0.1	1	mA
$I_{CCSB2}$	$V_{CC}$ Current (Standby) CMOS Inputs	$\overline{CE} = V_{CC}$		0.5	100	$\mu A$
$I_{PP}$	$V_{PP}$ Load Current	$V_{PP} = V_{CC}$			10	$\mu A$
$V_{IL}$	Input Low Voltage		-0.2		0.8	V
$V_{IH}$	Input High Voltage		2.0		$V_{CC} + 1$	V
$V_{OL1}$	Output Low Voltage	$I_{OL} = 2.1$ mA			0.40	V
$V_{OH1}$	Output High Voltage	$I_{OH} = -1.6$ mA	3.5			V
$V_{OL2}$	Output Low Voltage	$I_{OL} = 10$ $\mu A$			0.1	V
$V_{OH2}$	Output High Voltage	$I_{OH} = -10$ $\mu A$	$V_{CC} - 0.1$			V

### AC Electrical Characteristics

Symbol	Parameter	Conditions	NMC27C010Q								Units
			E150		E170, M170		E200, M200		E250, M250		
			Min	Max	Min	Max	Min	Max	Min	Max	
$t_{ACC}$	Address to Output Delay	$\overline{CE} = \overline{OE} = V_{IL}$ PGM = $V_{IH}$		150		170		200		250	ns
$t_{CE}$	$\overline{CE}$ to Output Delay	$\overline{OE} = V_{IL}$ , PGM = $V_{IH}$		150		170		200		250	ns
$t_{OE}$	$\overline{OE}$ to Output Delay	$\overline{CE} = V_{IL}$ , PGM = $V_{IH}$		60		75		75		100	ns
$t_{DF}$	$\overline{OE}$ High to Output Float	$\overline{CE} = V_{IL}$ , PGM = $V_{IH}$	0	50	0	55	0	55	0	60	ns
$t_{CF}$	$\overline{CE}$ High to Output Float	$\overline{OE} = V_{IL}$ , PGM = $V_{IH}$	0	50	0	55	0	55	0	60	ns
$t_{OH}$	Output Hold from Addresses, $\overline{CE}$ or $\overline{OE}$ , Whichever Occurred First	$\overline{CE} = \overline{OE} = V_{IL}$ PGM = $V_{IH}$	0		0		0		0		ns

**Capacitance**  $T_A = +25^\circ\text{C}$ ,  $f = 1\text{ MHz}$  (Note 2)

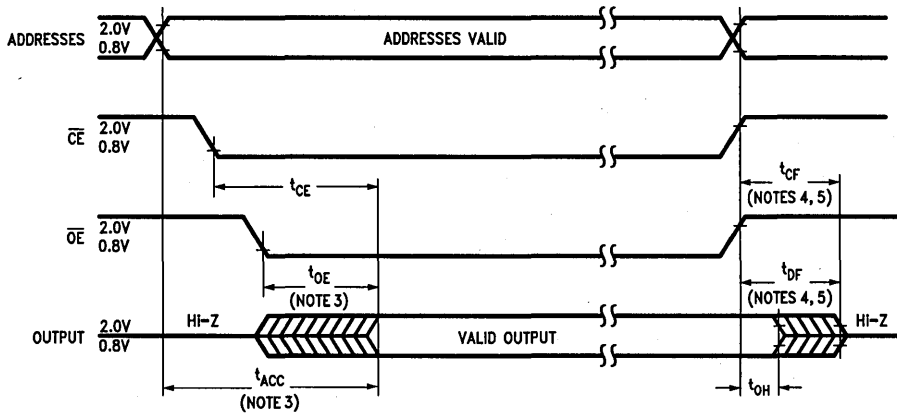
Symbol	Parameter	Conditions	Typ	Max	Units
$C_{IN}$	Input Capacitance	$V_{IN} = 0\text{V}$	9	15	pF
$C_{OUT}$	Output Capacitance	$V_{OUT} = 0\text{V}$	12	15	pF

**AC Test Conditions**

Output Load  $C_L = 100\text{ pF}$  (Note 8) Timing Measurement Reference Level  
 Inputs 0.8V and 2V  
 Outputs 0.8V and 2V

Input Rise and Fall Times  $\leq 5\text{ ns}$   
 Input Pulse Levels 0.45V to 2.4V

**AC Waveforms** (Notes 6, 7, & 9)



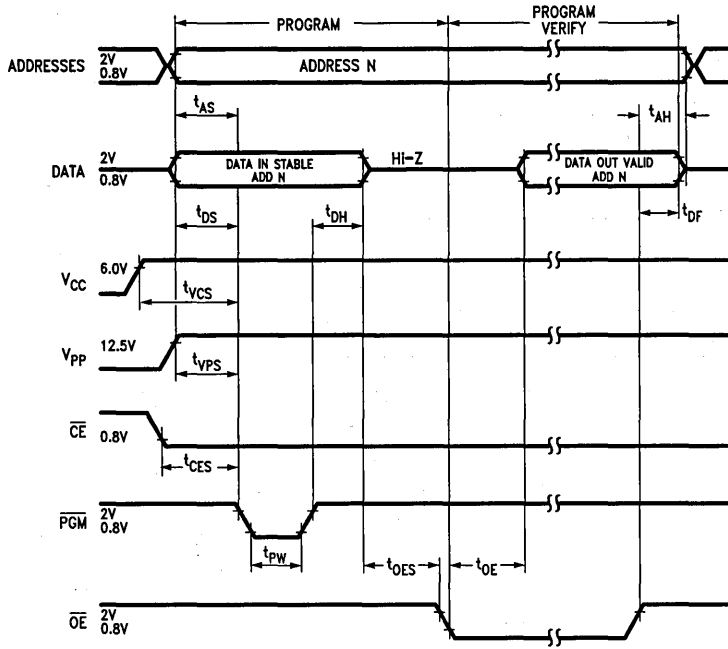
TL/D/9182-3

- Note 1:** Stresses above those listed under "Absolute Maximum Ratings" may cause permanent damage to the device. This is a stress rating only and functional operation of the device at these or any other conditions above those indicated in the operational sections of this specification is not implied. Exposure to absolute maximum rating conditions for extended periods may affect device reliability.
- Note 2:** This parameter is only sampled and is not 100% tested.
- Note 3:** OE may be delayed up to  $t_{ACC} - t_{OE}$  after the falling edge of CE without impacting  $t_{ACC}$ .
- Note 4:** The  $t_{DF}$  and  $t_{CF}$  compare level is determined as follows:  
 High to TRI-STATE, the measured  $V_{OH1}(\text{DC}) - 0.10\text{V}$ ;  
 Low to TRI-STATE, the measured  $V_{OL1}(\text{DC}) + 0.10\text{V}$ .
- Note 5:** TRI-STATE may be attained using OE or CE.
- Note 6:** The power switching characteristics of EPROMs require careful device decoupling. It is recommended that at least a  $0.1\text{ }\mu\text{F}$  ceramic capacitor be used on every device between  $V_{CC}$  and GND.
- Note 7:** The outputs must be restricted to  $V_{CC} + 1.0\text{V}$  to avoid latch-up and device damage.
- Note 8:** 1 TTL Gate:  $I_{OL} = 1.6\text{ mA}$ ,  $I_{OH} = -400\text{ }\mu\text{A}$ .  
 $C_L$ : 100 pF includes fixture capacitance.
- Note 9:**  $V_{PP}$  may be connected to  $V_{CC}$  except during programming.
- Note 10:** Inputs and outputs can undershoot to  $-2.0\text{V}$  for 20 ns Max.

## Programming Characteristics (Notes 1, 2, 3 & 4)

Symbol	Parameter	Conditions	Min	Typ	Max	Units
t <sub>AS</sub>	Address Setup Time		1			μs
t <sub>OES</sub>	$\overline{OE}$ Setup Time		1			μs
t <sub>CES</sub>	$\overline{CE}$ Setup Time	$\overline{OE} = V_{IH}$	1			μs
t <sub>DS</sub>	Data Setup Time		1			μs
t <sub>VPS</sub>	V <sub>PP</sub> Setup Time		1			μs
t <sub>VCS</sub>	V <sub>CC</sub> Setup Time		1			μs
t <sub>AH</sub>	Address Hold Time		0			μs
t <sub>DH</sub>	Data Hold Time		1			μs
t <sub>DF</sub>	Output Enable to Output Float Delay	$\overline{CE} = V_{IL}$	0		60	ns
t <sub>PW</sub>	Program Pulse Width		95	100	105	μs
t <sub>OE</sub>	Data Valid from $\overline{OE}$	$\overline{CE} = V_{IL}$			100	ns
I <sub>PP</sub>	V <sub>PP</sub> Supply Current During Programming Pulse	$\overline{CE} = V_{IL}$ PGM = V <sub>IL</sub>			30	mA
I <sub>CC</sub>	V <sub>CC</sub> Supply Current				10	mA
T <sub>A</sub>	Temperature Ambient		20	25	30	°C
V <sub>CC</sub>	Power Supply Voltage		6.0	6.25	6.5	V
V <sub>PP</sub>	Programming Supply Voltage		12.5	12.75	13.0	V
t <sub>FR</sub>	Input Rise, Fall Time		5			ns
V <sub>IL</sub>	Input Low Voltage			0.0	0.45	V
V <sub>IH</sub>	Input High Voltage		2.4	4.0		V
t <sub>IN</sub>	Input Timing Reference Voltage		0.8	1.5	2.0	V
t <sub>OUT</sub>	Output Timing Reference Voltage		0.8	1.5	2.0	V

# Programming Waveforms (Note 3)



TL/D/9182-5

**Note 1:** National's standard product warranty applies only to devices programmed to specifications described herein.

**Note 2:** V<sub>CC</sub> must be applied simultaneously or before V<sub>PP</sub> and removed simultaneously or after V<sub>PP</sub>. The EPROM must not be inserted into or removed from a board with voltage applied to V<sub>PP</sub> or V<sub>CC</sub>.

**Note 3:** The maximum absolute allowable voltage which may be applied to the V<sub>PP</sub> pin during programming is 14V. Care must be taken when switching the V<sub>PP</sub> supply to prevent any overshoot from exceeding this 14V maximum specification. At least a 0.1 μF capacitor is required across V<sub>PP</sub>, V<sub>CC</sub> to GND to suppress spurious voltage transients which may damage the device.

**Note 4:** Programming and program verify are tested with the fast Program Algorithm, at typical power supply voltages and timings.



# Fast Programming Algorithm Flow Chart

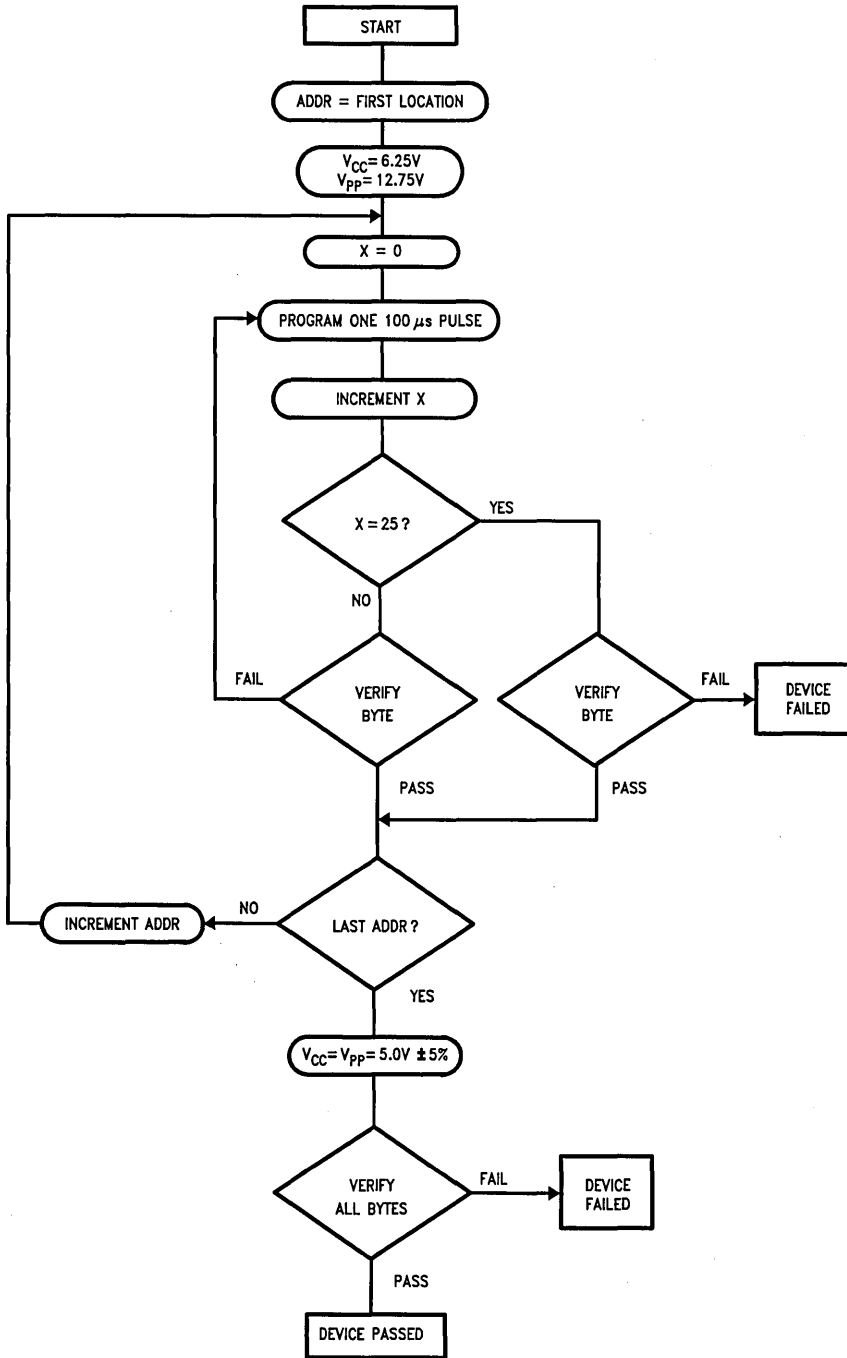


FIGURE 1

TL/D/9182-6

## Functional Description

### DEVICE OPERATION

The six modes of operation of the NMC27C010 are listed in Table I. It should be noted that all inputs for the six modes are at TTL levels. The power supplies required are  $V_{CC}$  and  $V_{PP}$ . The  $V_{PP}$  power supply must be at 12.75V during the three programming modes, and must be at 5V in the other three modes. The  $V_{CC}$  power supply must be at 6.25V during the three programming modes, and at 5V in the other three modes.

#### Read Mode

The NMC27C010 has two control functions, both of which must be logically active in order to obtain data at the outputs. Chip Enable ( $\overline{CE}$ ) is the power control and should be used for device selection. Output Enable ( $\overline{OE}$ ) is the output control and should be used to gate data to the output pins, independent of device selection. Assuming that addresses are stable, address access time ( $t_{ACC}$ ) is equal to the delay from  $\overline{CE}$  to output ( $t_{CE}$ ). Data is available at the outputs  $t_{OE}$  after the falling edge of  $\overline{OE}$ , assuming that  $\overline{CE}$  has been low and addresses have been stable for at least  $t_{ACC}-t_{OE}$ .

The sense amps are clocked for fast access time.  $V_{CC}$  should therefore be maintained at operating voltage during read and verify. If  $V_{CC}$  temporarily drops below the specified voltage (but not to ground) an address transition must be performed after the drop to insure proper output data.

#### Standby Mode

The NMC27C010 has a standby mode which reduces the active power dissipation by over 99%, from 110 mW to 0.55 mW. The NMC27C010 is placed in the standby mode by applying a CMOS high signal to the  $\overline{CE}$  input. When in standby mode, the outputs are in a high impedance state, independent of the  $\overline{OE}$  input.

#### Output OR-Tying

Because the NMC27C010 is usually used in larger memory arrays, National has provided a 2-line control function that accommodates this use of multiple memory connections. The 2-line control function allows for:

- the lowest possible memory power dissipation, and
- complete assurance that output bus contention will not occur.

To most efficiently use these two control lines, it is recommended that  $\overline{CE}$  be decoded and used as the primary device selecting function, while  $\overline{OE}$  be made a common connection to all devices in the array and connected to the READ line from the system control bus. This assures that all deselected memory devices are in their low power standby modes and that the output pins are active only when data is desired from a particular memory device.

#### Programming

CAUTION: Exceeding 14V on the  $V_{PP}$  or A9 pin will damage the NMC27C010.

Initially, and after each erasure, all bits of the NMC27C010 are in the "1" state. Data is introduced by selectively pro-

gramming "0's" into the desired bit locations. Although only "0's" will be programmed, both "1's" and "0's" can be presented in the data word. The only way to change a "0" to a "1" is by ultraviolet light erasure.

The NMC27C010 is in the programming mode when the  $V_{PP}$  power supply is at 12.75V and  $\overline{OE}$  is at  $V_{IH}$ . It is required that at least a 0.1  $\mu$ F capacitor be placed across  $V_{PP}$ ,  $V_{CC}$  to ground to suppress spurious voltage transients which may damage the device. The data to be programmed is applied 8 bits in parallel to the data output pins. The levels required for the address and data inputs are TTL.

When the address and data are stable, an active low, TTL program pulse is applied to the  $\overline{PGM}$  input. A program pulse must be applied at each address location to be programmed. The NMC27C010 is programmed with the Fast Programming Algorithm shown in Figure 1. Each Address is programmed with a series of 100  $\mu$ s pulses until it verifies good, up to a maximum of 25 pulses. Most memory cells will program with a single 100  $\mu$ s pulse. The NMC27C010 must not be programmed with a DC signal applied to the  $\overline{PGM}$  input.

Programming multiple NMC27C010 in parallel with the same data can be easily accomplished due to the simplicity of the programming requirements. Like inputs of the parallel NMC27C010 may be connected together when they are programmed with the same data. A low level TTL pulse applied to the  $\overline{PGM}$  input programs the paralleled NMC27C010.

#### Program Inhibit

Programming multiple NMC27C010's in parallel with different data is also easily accomplished. Except for  $\overline{CE}$  all like inputs (including  $\overline{OE}$  and  $\overline{PGM}$ ) of the parallel NMC27C010 may be common. A TTL low level program pulse applied to an NMC27C010's  $\overline{PGM}$  input with  $\overline{CE}$  at  $V_{IL}$  and  $V_{PP}$  at 12.75V will program that NMC27C010. A TTL high level  $\overline{CE}$  input inhibits the other NMC27C010's from being programmed.

#### Program Verify

A verify should be performed on the programmed bits to determine whether they were correctly programmed. The verify may be performed with  $V_{PP}$  at 12.75V.  $V_{PP}$  must be at  $V_{CC}$ , except during programming and program verify.

#### Manufacturer's Identification Code

The NMC27C010 has a manufacturer's identification code to aid in programming. When the device is inserted in an EPROM programmer socket, the programmer reads the code and then automatically calls up the specific programming algorithm for the part. This automatic programming control is only possible with programmers which have the capability of reading the code.

The Manufacturer's Identification code, shown in Table II, specifically identifies the manufacturer and the device type. The code for the NMC27C010 is "8F86", where "8F" designates that it is made by National Semiconductor, and "86" designates a 1Megabit byte-wide part.

## Functional Description (Continued)

**TABLE I. Mode Selection**

Pins	$\overline{CE}$ (22)	$\overline{OE}$ (24)	$\overline{PGM}$ (31)	$V_{PP}$ (1)	$V_{CC}$ (32)	Outputs (13–15, 17–21)
Mode						
Read	$V_{IL}$	$V_{IL}$	$V_{IH}$	$V_{CC}$	5V	$D_{OUT}$
Standby	$V_{IH}$	Don't Care	Don't Care	$V_{CC}$	5V	Hi-Z
Output Disable	Don't Care	$V_{IH}$	$V_{IH}$	$V_{CC}$	5V	Hi-Z
Program	$V_{IL}$	$V_{IH}$	$V_{IL}$	12.75V	6.25V	$D_{IN}$
Program Verify	$V_{IL}$	$V_{IL}$	$V_{IH}$	12.75V	6.25V	$D_{OUT}$
Program Inhibit	$V_{IH}$	Don't Care	Don't Care	12.75V	6.25V	Hi-Z

**TABLE II. Manufacturer's Identification Code**

Pins	$A_0$ (12)	$O_7$ (21)	$O_6$ (20)	$O_5$ (19)	$O_4$ (18)	$O_3$ (17)	$O_2$ (15)	$O_1$ (14)	$O_0$ (13)	Hex Data
Manufacturer Code	$V_{IL}$	1	0	0	0	1	1	1	1	8F
Device Code	$V_{IH}$	1	0	0	0	0	1	1	0	86

The code is accessed by applying 12V  $\pm$ 0.5V to address pin A9. Addresses A1–A8, A10–A16, and all control pins are held at  $V_{IL}$ . Address pin A0 is held at  $V_{IL}$  for the manufacturer's code, and held at  $V_{IH}$  for the device code. The code is read on the eight data pins,  $O_0$ – $O_7$ . Proper code access is only guaranteed at 25°C  $\pm$ 5°C.

### ERASURE CHARACTERISTICS

The erasure characteristics of the NMC27C010 are such that erasure begins to occur when exposed to light with wavelengths shorter than approximately 4000 Angstroms (Å). It should be noted that sunlight and certain types of fluorescent lamps have wavelengths in the 3000Å–4000Å range.

### AFTER PROGRAMMING

Opaque labels should be placed over the NMC27C010 window to prevent unintentional erasure. Covering the window will also prevent temporary functional failure due to the generation of photo currents.

The recommended erasure procedure for the NMC27C010 is exposure to short wave ultraviolet light which has a wavelength of 2537 Angstroms (Å). The integrated dose (i.e., UV intensity  $\times$  exposure time) for erasure should be a minimum of 15 W-sec/cm<sup>2</sup>.

The NMC27C010 should be placed within 1 inch of the lamp tubes during erasure. Some lamps have a filter on their tubes which should be removed before erasure. Table III shows the minimum NMC27C010 erasure time for various light intensities.

An erasure system should be calibrated periodically. The distance from lamp to unit should be maintained at one inch. The erasure time increases as the square of the distance. (If distance is doubled the erasure time increases by a factor of 4.) Lamps lose intensity as they age. When a lamp is

changed, the distance has changed, or the lamp has aged, the system should be checked to make certain full erasure is occurring. Incomplete erasure will cause symptoms that can be misleading. Programmers, components, and even system designs have been erroneously suspected when incomplete erasure was the problem.

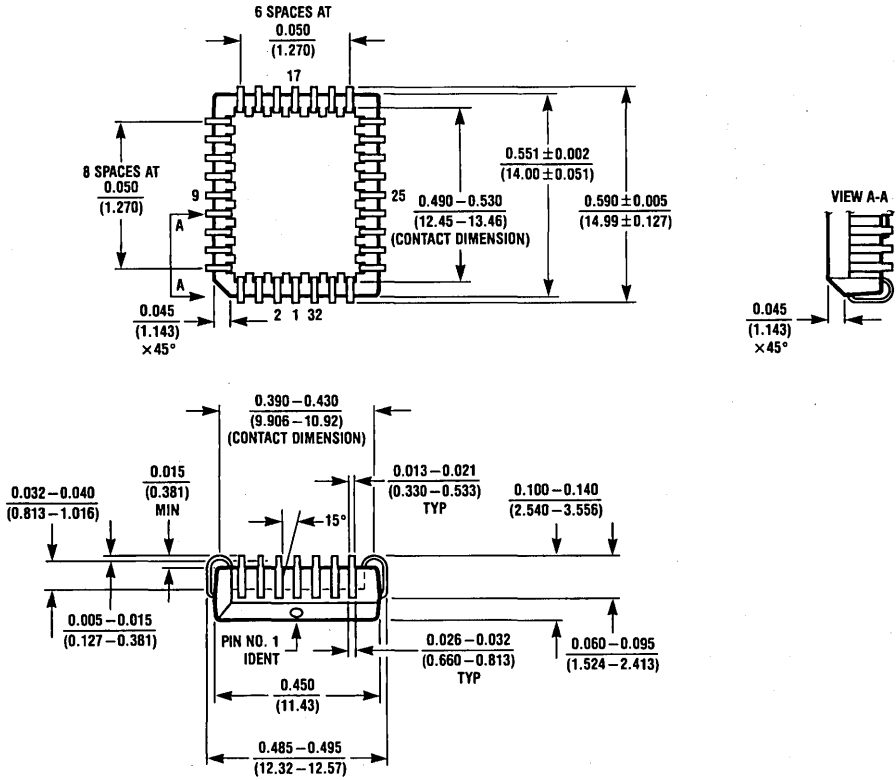
### SYSTEM CONSIDERATION

The power switching characteristics of EPROMs require careful decoupling of the devices. The supply current,  $I_{CC}$ , has three segments that are of interest to the system design—the standby current level, the active current level, and the transient current peaks that are produced by voltage transitions on input pins. The magnitude of these transient current peaks is dependent on the output capacitance loading the device. The associated  $V_{CC}$  transient voltage peaks can be suppressed by properly selected decoupling capacitors. It is recommended that at least a 0.1  $\mu$ F ceramic capacitor be used on every device between  $V_{CC}$  and GND. This should be a high frequency capacitor of low inherent inductance. In addition, at least a 4.7  $\mu$ F bulk electrolytic capacitor should be used between  $V_{CC}$  and GND for each eight devices. The bulk capacitor should be located near where the power supply is connected to the array. The purpose of the bulk capacitor is to overcome the voltage drop caused by the inductive effects of the PC board traces.

**TABLE III. NMC27C010  
Minimum Erasure Time**

Light Intensity ( $\mu$ Watts/cm <sup>2</sup> )	Erasure Time (Minutes)
15,000	20
10,000	25
5,000	50

Package Information



32-Lead PLCC Package  
Order Number NMC27C010V

TL/D/9182-10

# NMC27C1024

## 1,048,576-Bit (64k x 16) UV Erasable CMOS PROM

### General Description

The NMC27C1024 is a high-speed 1024k UV erasable and electrically reprogrammable CMOS EPROM, ideally suited for applications where fast turnaround, pattern experimentation and low power consumption are important requirements.

The NMC27C1024 is designed to operate with a single +5V power supply with  $\pm 5\%$  or  $\pm 10\%$  tolerance. The CMOS design allows the part to operate over extended and military temperature ranges.

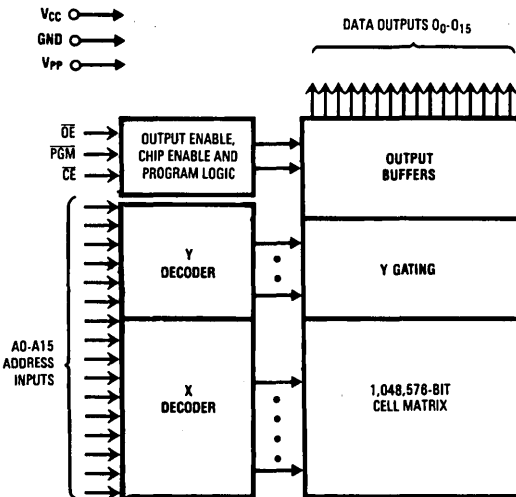
The NMC27C1024 is packaged in a 40-pin dual in-line package with transparent lid. The transparent lid allows the user to expose the chip to ultraviolet light to erase the bit pattern. A new pattern can then be written electrically into the device by following the programming procedure.

This EPROM is fabricated with National's proprietary, time proven CMOS double-poly silicon gate technology which combines high performance and high density with low power consumption and excellent reliability.

### Features

- Clocked sense amps for fast access time down to 120 ns
- Low CMOS power consumption
  - Active Power: 110 mW max
  - Standby Power: 550  $\mu$ W max
- Performance compatible to 16-bit and 32-bit microprocessors
- Extended temperature range (NMC27C1024QE),  $-40^{\circ}\text{C}$  to  $+85^{\circ}\text{C}$ , and military temperature range (NMC27C1024QM),  $-55^{\circ}\text{C}$  to  $+125^{\circ}\text{C}$ , available
- Pin compatible with NMOS worldwide 1024k EPROMs
- Fast and reliable programming—100  $\mu$ s typical/byte
- Static operation—no clocks required
- TTL, CMOS compatible inputs/outputs
- TRI-STATE<sup>®</sup> output
- Optimum EPROM for total CMOS systems
- Manufacturer's Identification Code for automatic programming control
- High current CMOS level output drivers

### Block Diagram

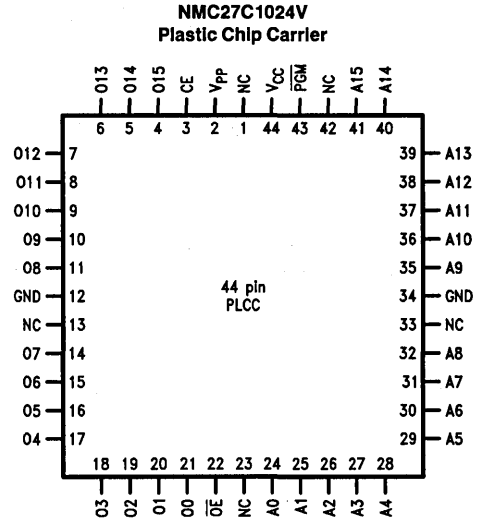
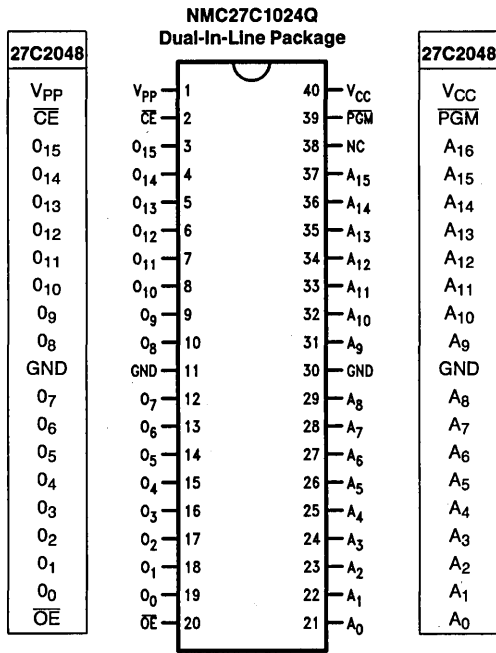


TL/D/8806-1

**Pin Names**

A0-A15	Addresses
$\overline{\text{CE}}$	Chip Enable
$\overline{\text{OE}}$	Output Enable
O <sub>0</sub> -O <sub>15</sub>	Outputs
PGM	Program
NC	No Connect

# Connection Diagram



TL/D/8806-2

**Order Number NMC27C1024Q**  
See NS Package Number J40AQ

Note: National's socket compatible EPROM pin configurations are shown in the blocks adjacent to the NMC27C1024 pins.

**Commercial Temperature Range (0°C to +70°C)**  
V<sub>CC</sub> = 5V ± 5%

Parameter/Order Number	Access Time (ns)
NMC27C1024Q12	120
NMC27C1024Q15	150
NMC27C1024Q17	170
NMC27C1024Q20	200
NMC27C1024Q25	250

**Commercial Temperature Range (0°C to +70°C)**  
V<sub>CC</sub> = 5V ± 10%

Parameter/Order Number	Access Time (ns)
NMC27C1024Q120	120
NMC27C1024Q150	150
NMC27C1024Q170	170
NMC27C1024Q200	200
NMC27C1024Q250	250

**Extended Temperature (-40°C to +85°C)**  
V<sub>CC</sub> = 5V ± 10%

Parameter/Order Number	Access Time (ns)
NMC27C1024QE150	150
NMC27C1024QE170	170
NMC27C1024QE200	200

**Military Temperature Range (-55°C to +125°C)**  
V<sub>CC</sub> = 5V ± 10%

Parameter/Order Number	Access Time (ns)
NMC27C1024QM170	170
NMC27C1024QM200	200

Note: Surface mount PLCC package available for commercial and extended temperature ranges only.

TL/D/8806-11

## COMMERCIAL TEMPERATURE RANGE

### Absolute Maximum Ratings (Note 1)

Temperature Under Bias	-10°C to +80°C
Storage Temperature	-65°C to +150°C
All Input Voltages except A9 with Respect to Ground (Note 10)	+6.5V to -0.6V
All Output Voltages with Respect to Ground (Note 10)	$V_{CC} + 1.0$ to $GND - 0.6V$
$V_{PP}$ Supply Voltage and A9 with Respect to Ground During Programming	+14.0V to -0.6V
$V_{CC}$ Supply Voltage with Respect to Ground	+7.0V to -0.6V

Power Dissipation	1.0W
Lead Temperature (Soldering, 10 sec.)	300°C
ESD rating (MiL Spec 883C Method 3015.2)	2000V

### Operating Conditions (Note 7)

Temperature Range	0°C to +70°C
$V_{CC}$ Power Supply	
NMC27C1024Q12, 15, 17, 20, 25	+5V ±5%
NMC27C1024Q120, 150, 170, 200, 250	+5V ±10%

## READ OPERATION

### DC Electrical Characteristics

Symbol	Parameter	Conditions	Min	Typ	Max	Units
$I_{LI}$	Input Load Current	$V_{IN} = V_{CC}$ or GND			1	$\mu A$
$I_{LO}$	Output Leakage Current	$V_{OUT} = V_{CC}$ or GND, $\overline{CE} = V_{IH}$			1	$\mu A$
$I_{CC1}$ (Note 9)	$V_{CC}$ Current (Active) TTL Inputs	$\overline{CE} = V_{IL}$ , $f = 5$ MHz Inputs = $V_{IH}$ or $V_{IL}$ I/O = 0 mA		15	30	mA
$I_{CC2}$ (Note 9)	$V_{CC}$ Current (Active) CMOS Inputs	$\overline{CE} = GND$ , $f = 5$ MHz Inputs = $V_{CC}$ or GND, I/O = 0 mA		13	20	mA
$I_{CCSB1}$	$V_{CC}$ Current (Standby) TTL Inputs	$\overline{CE} = V_{IH}$		0.1	1	mA
$I_{CCSB2}$	$V_{CC}$ Current (Standby) CMOS Inputs	$\overline{CE} = V_{CC}$		0.5	100	$\mu A$
$I_{PP}$	$V_{PP}$ Load Current	$V_{PP} = V_{CC}$			10	$\mu A$
$V_{IL}$	Input Low Voltage		-0.2		0.8	V
$V_{IH}$	Input High Voltage		2.0		$V_{CC} + 1$	V
$V_{OL1}$	Output Low Voltage	$I_{OL} = 2.1$ mA			0.40	V
$V_{OH1}$	Output High Voltage	$I_{OH} = -2.5$ mA	3.5			V
$V_{OL2}$	Output Low Voltage	$I_{OL} = 10$ $\mu A$			0.1	V
$V_{OH2}$	Output High Voltage	$I_{OH} = -10$ $\mu A$	$V_{CC} - 0.1$			V

### AC Electrical Characteristics

Symbol	Parameter	Conditions	Q12, Q120		Q15, Q150		Q17, Q170		Q20, Q200		Q25, Q250		Units
			Min	Max	Min	Max	Min	Max	Min	Max	Min	Max	
$t_{ACC}$	Address to Output Delay	$\overline{CE} = \overline{OE} = V_{IL}$ $PGM = V_{IH}$		120		150		170		200		250	ns
$t_{CE}$	$\overline{CE}$ to Output Delay	$\overline{OE} = V_{IL}$ $PGM = V_{IH}$		120		150		170		200		250	ns
$t_{OE}$	$\overline{OE}$ to Output Delay	$\overline{CE} = V_{IL}$ $PGM = V_{IH}$		50		60		75		75		100	ns
$t_{DF}$	$\overline{OE}$ High to Output Float	$\overline{CE} = V_{IL}$ $PGM = V_{IH}$	0	40	0	50	0	55	0	55	0	60	ns
$t_{CF}$	$\overline{CE}$ High to Output Float	$\overline{OE} = V_{IL}$ $PGM = V_{IH}$	0	40	0	50	0	55	0	55	0	60	ns
$t_{OH}$	Output Hold from Addresses, $\overline{CE}$ or $\overline{OE}$ , Whichever Occurred First	$\overline{CE} = \overline{OE} = V_{IL}$ $PGM = V_{IH}$	0		0		0		0		0		ns

## MILITARY AND EXTENDED TEMPERATURE RANGE

### Absolute Maximum Ratings (Note 1)

If Military/Aerospace specified devices are required, please contact the National Semiconductor Sales Office/Distributors for availability and specifications.

Temperature Under Bias	Operating Temp. Range	
Storage Temperature		-65°C to +150°C
All Input Voltages except A9 with Respect to Ground (Note 10)		+6.5V to -0.6V
All Output Voltages with Respect to Ground (Note 10)	$V_{CC} + 1.0V$ to GND - 0.6V	
$V_{PP}$ Supply Voltage and A9 with Respect to Ground During Programming		+14.0V to -0.6V

$V_{CC}$ Supply Voltage with Respect to Ground	+7.0V to -0.6V
Power Dissipation	1.0W
Lead Temperature (Soldering, 10 sec.)	300°C
ESD Rating (Mil Spec 883C, Method 3015.2)	2000V

### Operating Conditions (Note 7)

Temperature Range	
NMC27C1024QE150, 170, 200	-40°C to +85°C
NMC27C1024QM170, 200	-55°C to +125°C
$V_{CC}$ Power Supply	+5V $\pm$ 10%

## READ OPERATION

### DC Electrical Characteristics

Symbol	Parameter	Conditions	Min	Typ	Max	Units
$I_{LI}$	Input Load Current	$V_{IN} = V_{CC}$ or GND			10	$\mu A$
$I_{LO}$	Output Leakage Current	$V_{OUT} = V_{CC}$ or GND, $\overline{CE} = V_{IH}$			10	$\mu A$
$I_{CC1}$ (Note 9)	$V_{CC}$ Current (Active) TTL Inputs	$\overline{CE} = V_{IL}$ , $f = 5$ MHz Inputs = $V_{IH}$ or $V_{IL}$ , $I/O = 0$ mA		15	30	mA
$I_{CC2}$ (Note 9)	$V_{CC}$ Current (Active) CMOS Inputs	$\overline{CE} = GND$ , $f = 5$ MHz Inputs = $V_{CC}$ or GND, $I/O = 0$ mA		13	20	mA
$I_{CCSB1}$	$V_{CC}$ Current (Standby) TTL Inputs	$\overline{CE} = V_{IH}$		0.1	1	mA
$I_{CCSB2}$	$V_{CC}$ Current (Standby) CMOS Inputs	$\overline{CE} = V_{CC}$		0.5	100	$\mu A$
$I_{PP}$	$V_{PP}$ Load Current	$V_{PP} = V_{CC}$			10	$\mu A$
$V_{IL}$	Input Low Voltage		-0.2		0.8	V
$V_{IH}$	Input High Voltage		2.0		$V_{CC} + 1$	V
$V_{OL1}$	Output Low Voltage	$I_{OL} = 2.1$ mA			0.40	V
$V_{OH1}$	Output High Voltage	$I_{OH} = -1.6$ mA	3.5			V
$V_{OL2}$	Output Low Voltage	$I_{OL} = 10$ $\mu A$			0.1	V
$V_{OH2}$	Output High Voltage	$I_{OH} = -10$ $\mu A$	$V_{CC} - 0.1$			V

### AC Electrical Characteristics

Symbol	Parameter	Conditions	NMC27C1024Q						Units
			E150		E170, M170		E200, M200		
			Min	Max	Min	Max	Min	Max	
$t_{ACC}$	Address to Output Delay	$\overline{CE} = \overline{OE} = V_{IL}$ $PGM = V_{IH}$		150		170		200	ns
$t_{CE}$	$\overline{CE}$ to Output Delay	$\overline{OE} = V_{IL}$ , $PGM = V_{IH}$		150		170		200	ns
$t_{OE}$	$\overline{OE}$ to Output Delay	$\overline{CE} = V_{IL}$ , $PGM = V_{IH}$		60		75		75	ns
$t_{DF}$	$\overline{OE}$ High to Output Float	$\overline{CE} = V_{IL}$ , $PGM = V_{IH}$	0	50	0	55	0	55	ns
$t_{CF}$	$\overline{CE}$ High to Output Float	$\overline{OE} = V_{IL}$ , $PGM = V_{IH}$	0	50	0	55	0	55	ns
$t_{OH}$	Output Hold from Addresses, $\overline{CE}$ or $\overline{OE}$ , Whichever Occurred First	$\overline{CE} = \overline{OE} = V_{IL}$ $PGM = V_{IH}$	0		0		0		ns



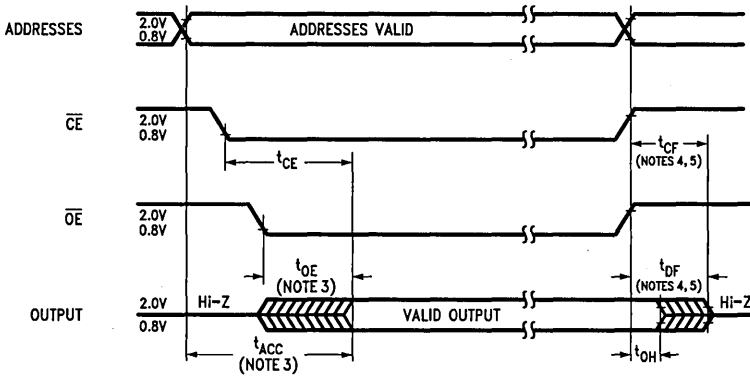
**Capacitance**  $T_A = +25^\circ\text{C}, f = 1 \text{ MHz}$  (Note 2)

Symbol	Parameter	Conditions	Typ	Max	Units
$C_{IN}$	Input Capacitance	$V_{IN} = 0\text{V}$	12	20	pF
$C_{OUT}$	Output Capacitance	$V_{OUT} = 0\text{V}$	13	20	pF

**AC Test Conditions**

Output Load	1 TTL Gate and $C_L = 100 \text{ pF}$ (Note 8)	Timing Measurement Reference Level	
Input Rise and Fall Times	$\leq 5 \text{ ns}$	Inputs	0.8V and 2V
Input Pulse Levels	0.45V to 2.4V	Outputs	0.8V and 2V

**AC Waveforms** (Notes 6, 7, & 9)



TL/D/8806-3

**Note 1:** Stresses above those listed under "Absolute Maximum Ratings" may cause permanent damage to the device. This is a stress rating only and functional operation of the device at these or any other conditions above those indicated in the operational sections of this specification is not implied. Exposure to absolute maximum rating conditions for extended periods may affect device reliability.

**Note 2:** This parameter is only sampled and is not 100% tested.

**Note 3:** OE may be delayed up to  $t_{ACC} - t_{OE}$  after the falling edge of CE without impacting  $t_{ACC}$ .

**Note 4:** The  $t_{DF}$  and  $t_{CF}$  compare level is determined as follows:

- High to TRI-STATE, the measured  $V_{OH1}$  (DC) - 0.10V
- Low to TRI-STATE, the measured  $V_{OL1}$  (DC) + 0.10V

**Note 5:** TRI-STATE may be attained using OE or CE.

**Note 6:** The power switching characteristics of EPROMs require careful device decoupling. It is recommended that at least a 0.1  $\mu\text{F}$  ceramic capacitor be used on every device between  $V_{CC}$  and GND.

**Note 7:** The outputs must be restricted to  $V_{CC} + 1.0\text{V}$  to avoid latch-up and device damage.

**Note 8:** 1 TTL Gate:  $I_{OL} = 1.6 \text{ mA}$ ,  $I_{OH} = -400 \mu\text{A}$ .  
CL: 100 pF includes fixture capacitance.

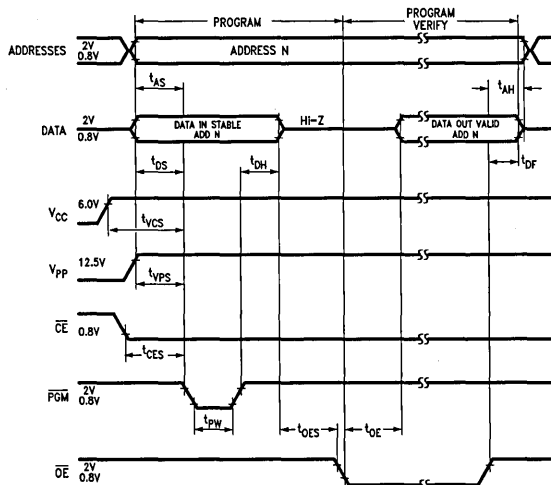
**Note 9:**  $V_{PP}$  may be connected to  $V_{CC}$  except during programming.

**Note 10:** Inputs and outputs can undershoot to  $-2.0\text{V}$  for 20 ns max.

## Programming Characteristics (Notes 1, 2, 3 & 4)

Symbol	Parameter	Conditions	Min	Typ	Max	Units
$t_{AS}$	Address Set-Up Time		1			$\mu\text{s}$
$t_{OES}$	$\overline{OE}$ Set-Up Time		1			$\mu\text{s}$
$t_{CES}$	$\overline{CE}$ Set-Up Time		1			$\mu\text{s}$
$t_{DS}$	Data Set-Up Time		1			$\mu\text{s}$
$t_{VPS}$	$V_{PP}$ Set-Up Time		1			$\mu\text{s}$
$t_{VCS}$	$V_{CC}$ Set-Up Time		1			$\mu\text{s}$
$t_{AH}$	Address Hold Time		0			$\mu\text{s}$
$t_{DH}$	Data Hold Time		1			$\mu\text{s}$
$t_{DF}$	Output Enable to Output Float Delay	$\overline{CE} = V_{IL}$	0		60	ns
$t_{PW}$	Program Pulse Width		95	100	105	$\mu\text{s}$
$t_{OE}$	Data Valid From $\overline{OE}$	$\overline{CE} = V_{IL}$			100	ns
$I_{PP}$	$V_{PP}$ Supply Current during Programming Pulse	$\overline{CE} = V_{IL}$ $\text{PGM} = V_{IL}$			60	mA
$I_{CC}$	$V_{CC}$ Supply Current				10	mA
$t_R$	Temp Ambient		20	25	30	$^{\circ}\text{C}$
$V_{CC}$	Power Supply Voltage		6.0	6.25	6.5	V
$V_{PP}$	Programming Supply Voltage		12.5	12.75	13.0	V
$T_{CR}$	Input Rise, Fall Time		5			ns
$V_{IL}$	Input Low Voltage			0.0	0.45	V
$V_{IH}$	Input High Voltage		2.4	4.0		V
$t_{IN}$	Input Timing Reference Voltage		0.8	1.5	2.0	V
$t_{OUT}$	Output Timing Reference Voltage		0.8	1.5	2.0	V

## Programming Waveforms (Note 3)



TL/D/8806-10

- Note 1:** National's standard product warranty applies only to devices programmed to specifications described herein.
- Note 2:**  $V_{CC}$  must be applied simultaneously or before  $V_{PP}$  and removed simultaneously or after  $V_{PP}$ . The EPROM must not be inserted into or removed from a board with voltage applied to  $V_{PP}$  or  $V_{CC}$ .
- Note 3:** The maximum absolute allowable voltage which may be applied to the  $V_{PP}$  pin during programming is 14V. Care must be taken when switching the  $V_{PP}$  supply to prevent any overshoot from exceeding this 14V maximum specification. At least a 0.1  $\mu\text{F}$  capacitor is required across  $V_{PP}$ ,  $V_{CC}$  to GND to suppress spurious voltage transients which may damage the device.
- Note 4:** Programming and program verify are tested with the Fast Program Algorithm, at typical power supply voltages and timings.

# Fast Programming Algorithm Flow Chart

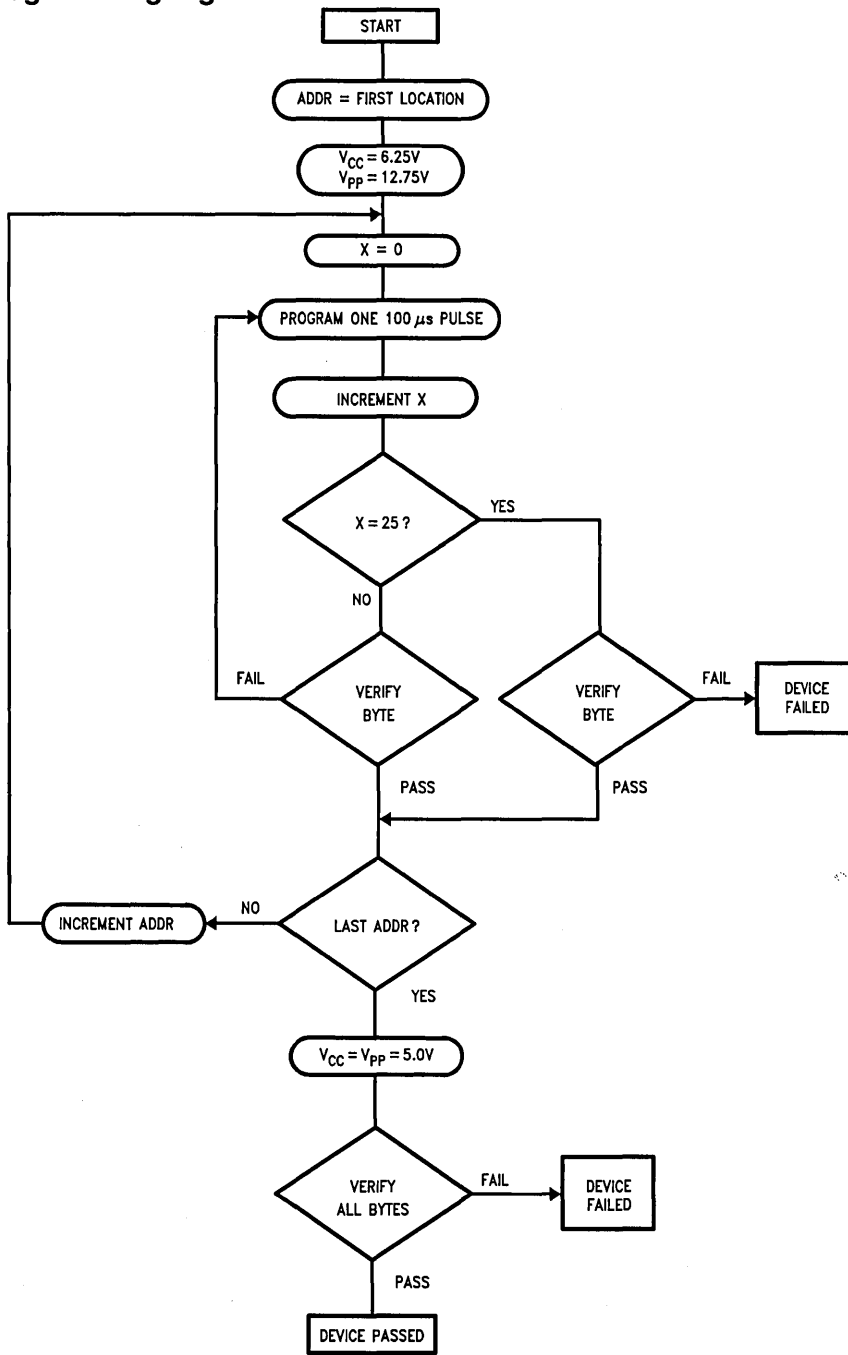


FIGURE 1

TL/D/8806-5

## Functional Description

### DEVICE OPERATION

The six modes of operation of the NMC27C1024 are listed in Table I. It should be noted that all inputs for the six modes are at TTL levels. The power supplies required are  $V_{CC}$  and  $V_{PP}$ . The  $V_{PP}$  power supply must be at 12.75V during the three programming modes, and must be at 5V in the other three modes. The  $V_{CC}$  power supply must be at 6.25V during the three programming modes, and at 5V in the other three modes.

### Read Mode

The NMC27C1024 has two control functions, both of which must be logically active in order to obtain data at the outputs. Chip Enable ( $\overline{CE}$ ) is the power control and should be used for device selection. Output Enable ( $\overline{OE}$ ) is the output control and should be used to gate data to the output pins, independent of device selection. Assuming that addresses are stable, address access time ( $t_{ACC}$ ) is equal to the delay from  $\overline{CE}$  to output ( $t_{CE}$ ). Data is available at the outputs  $t_{OE}$  after the falling edge of  $\overline{OE}$ , assuming that  $\overline{CE}$  has been low and addresses have been stable for at least  $t_{ACC}-t_{OE}$ .

The sense amps are clocked for fast access time.  $V_{CC}$  should therefore be maintained at operating voltage during read and verify. If  $V_{CC}$  temporarily drops below the spec. voltage (but not to ground) an address transition must be performed after the drop to ensure proper output data.

### Standby Mode

The NMC27C1024 has a standby mode which reduces the active power dissipation by over 99%, from 110 mW to 0.55 mW. The NMC27C1024 is placed in the standby mode by applying a CMOS high signal to the  $\overline{CE}$  input. When in standby mode, the outputs are in a high impedance state, independent of the  $\overline{OE}$  input.

### Output OR-Tying

Because NMC27C1024s are usually used in larger memory arrays, National has provided a 2-line control function that accommodates this use of multiple memory connections. The 2-line control function allows for:

- the lowest possible memory power dissipation, and
- complete assurance that output bus contention will not occur.

To most efficiently use these two control lines, it is recommended that  $\overline{CE}$  (pin 2) be decoded and used as the primary device selecting function, while  $\overline{OE}$  (pin 20) be made a common connection to all devices in the array and connected to the READ line from the system control bus. This assures that all deselected memory devices are in their low power standby modes and that the output pins are active only when data is desired from a particular memory device.

### Programming

**CAUTION:** Exceeding 14V on the  $V_{PP}$  or A9 pin will damage the NMC27C1024.

Initially, and after each erasure, all bits of the NMC27C1024 are in the "1" state. Data is introduced by selectively programming "0's" into the desired bit locations. Although only "0's" will be programmed, both "1's" and "0's" can be presented in the data word. The only way to change a "0" to a "1" is by ultraviolet light erasure.

The NMC27C1024 is in the programming mode when the  $V_{PP}$  power supply is at 12.75V and  $\overline{OE}$  is at  $V_{IH}$ . It is required that at least a 0.1  $\mu$ F capacitor be placed across  $V_{PP}$ ,  $V_{CC}$  to ground to suppress spurious voltage transients which may damage the device. The data to be programmed is applied 16 bits in parallel to the data output pins. The levels required for the address and data inputs are TTL.

When the address and data are stable, an active low, TTL program pulse is applied to the PGM input. A program pulse must be applied at each address location to be programmed. The NMC27C1024 is programmed with the Fast Programming Algorithm shown in *Figure 1*. Each Address is programmed with a series of 100  $\mu$ s pulses until it verifies good, up to a maximum of 25 pulses. Most memory cells will program with a single 100  $\mu$ s pulse. The NMC27C1024 must not be programmed with a DC signal applied to the PGM input.

Programming multiple NMC27C1024s in parallel with the same data can be easily accomplished due to the simplicity of the programming requirements. Like inputs of the parallel NMC27C1024s may be connected together when they are programmed with the same data. A low level TTL pulse applied to the PGM input programs the paralleled NMC27C1024s.

TABLE I. Mode Selection

Pins	$\overline{CE}$ (2)	$\overline{OE}$ (20)	PGM (39)	$V_{PP}$ (1)	$V_{CC}$ (40)	Outputs (3-10, 12-19)
Mode						
Read	$V_{IL}$	$V_{IL}$	$V_{IH}$	$V_{CC}$	5V	$D_{OUT}$
Standby	$V_{IH}$	Don't Care	Don't Care	$V_{CC}$	5V	Hi-Z
Output Disable	Don't Care	$V_{IH}$	$V_{IH}$	$V_{CC}$	5V	Hi-Z
Program	$V_{IL}$	$V_{IH}$	$V_{IL}$	12.75V	6.25V	$D_{IN}$
Program Verify	$V_{IL}$	$V_{IL}$	$V_{IH}$	12.75V	6.25V	$D_{OUT}$
Program Inhibit	$V_{IH}$	Don't Care	Don't Care	12.75V	6.25V	Hi-Z

## Functional Description (Continued)

### Program Inhibit

Programming multiple NMC27C1024s in parallel with different data is also easily accomplished. Except for  $\overline{CE}$ , all like inputs (including  $\overline{OE}$  and PGM) of the parallel NMC27C1024 may be common. A TTL low level program pulse applied to an NMC27C1024  $\overline{PGM}$  input with  $\overline{CE}$  at  $V_{IL}$  and  $V_{PP}$  at 12.5V will program that NMC27C1024. A TTL high level  $\overline{CE}$  input inhibits the other NMC27C1024s from being programmed.

### Program Verify

A verify should be performed on the programmed bits to determine whether they were correctly programmed. The verify may be performed with  $V_{PP}$  at 12.5V.  $V_{PP}$  must be at  $V_{CC}$  except during programming and program verify.

### Manufacturer's Identification Code

The NMC27C1024 has a manufacturer's identification code to aid in programming. When the device is inserted in an EPROM programmer socket, the programmer reads the code and then automatically calls up the specific programming algorithm for the part. This automatic programming control is only possible with programmers which have the capability of reading the code.

The Manufacturer's Identification code, shown in Table II, specifically identifies the manufacturer and the device type. The code for the NMC27C1024 is "8FD6", where "8F" designates that it is made by National Semiconductor, and "D6" designates a 1 Meg part.

The code is accessed by applying  $12 \pm 0.5V$  to address pin A9. Addresses A1-A8, A10-A15, and all control pins are held at  $V_{IL}$ . Address pin A0 is held at  $V_{IL}$  for the manufacturer's code, and held at  $V_{IH}$  for the device code. The code is read on the lower eight data pins, O<sub>0</sub>-O<sub>7</sub>. Proper code access is only guaranteed at  $25^\circ C \pm 5^\circ C$ .

### ERASURE CHARACTERISTICS

The erasure characteristics of the NMC27C1024 are such that erasure begins to occur when exposed to light with wavelengths shorter than approximately 4000 Angstroms ( $\text{\AA}$ ). It should be noted that sunlight and certain types of fluorescent lamps have wavelengths in the 3000 $\text{\AA}$ -4000 $\text{\AA}$  range. After programming opaque labels should be placed

over the NMC27C1024 window to prevent unintentional erasure. Covering the window will also prevent temporary functional failure due to the generation of photo currents.

The recommended erasure procedure for the NMC27C1024 is exposure to short wave ultraviolet light which has a wavelength of 2537 Angstroms ( $\text{\AA}$ ). The integrated dose (i.e., UV intensity x exposure time) for erasure should be a minimum of 15W-sec/cm<sup>2</sup>.

The NMC27C1024 should be placed within 1 inch of the lamp tubes during erasure. Some lamps have a filter on their tubes which should be removed before erasure. Table III shows the minimum NMC27C1024 erasure time for various light intensities.

An erasure system should be calibrated periodically. The distance from lamp to unit should be maintained at one inch. The erasure time increases as the square of the distance. (If distance is doubled the erasure time increases by a factor of 4.) Lamps lose intensity as they age. When a lamp is changed, the distance has changed, or the lamp has aged, the system should be checked to make certain full erasure is occurring. Incomplete erasure will cause symptoms that can be misleading. Programmers, components, and even system designs have been erroneously suspected when incomplete erasure was the problem.

### SYSTEM CONSIDERATION

The power switching characteristics of EPROMs require careful decoupling of the devices. The supply current,  $I_{CC}$ , has three segments that are of interest to the system designer—the standby current level, the active current level, and the transient current peaks that are produced by voltage transitions on input pins. The magnitude of these transient current peaks is dependent on the output capacitance loading of the device. The associated  $V_{CC}$  transient voltage peaks can be suppressed by properly selected decoupling capacitors. It is recommended that at least a 0.1  $\mu F$  ceramic capacitor be used on every device between  $V_{CC}$  and GND. This should be a high frequency capacitor of low inherent inductance. In addition, at least a 4.7  $\mu F$  bulk electrolytic capacitor should be used between  $V_{CC}$  and GND for each eight devices. The bulk capacitor should be located near where the power supply is connected to the array. The purpose of the bulk capacitor is to overcome the voltage drop caused by the inductive effects of the PC board traces.

TABLE II. Manufacturer's Identification Code

Pins	A <sub>0</sub> (21)	O <sub>7</sub> (12)	O <sub>6</sub> (13)	O <sub>5</sub> (14)	O <sub>4</sub> (15)	O <sub>3</sub> (16)	O <sub>2</sub> (17)	O <sub>1</sub> (18)	O <sub>0</sub> (19)	Hex Data
Manufacturer Code	$V_{IL}$	1	0	0	0	1	1	1	1	8F
Device Code	$V_{IH}$	1	1	0	1	0	1	1	0	D6

TABLE III. Minimum NMC27C1024 Erasure Time

Light Intensity (Micro-Watts/cm <sup>2</sup> )	Erasure Time (Minutes)
15,000	20
10,000	25
5,000	50





Section 2  
**EEPROMs**



## Section 2 Contents

Electrically Erasable Programmable Memory Selection Guide .....	2-3
<b>SERIAL ELECTRICALLY ERASABLE PROGRAMMABLE MEMORY</b>	
NMC9306 256-Bit Serial Electrically Erasable Programmable Memory .....	2-4
NMC93C06/C46 256-Bit/1024-Bit Serial Electrically Erasable Programmable Memory .....	2-11
NMC93CS06/CS46 256-Bit/1024-Bit Serial Electrically Erasable Programmable Memory .....	2-19
NMC9307 256-Bit Serial Electrically Erasable Programmable Memory .....	2-30
NMC9313B 256-Bit Serial Electrically Erasable Programmable Memory .....	2-36
NMC9346 1024-Bit Serial Electrically Erasable Programmable Memory .....	2-41
NMC9314B 1024-Bit Serial Electrically Erasable Programmable Memory .....	2-48
NMC93C56/C66 2048-Bit/4096-Bit Serial Electrically Erasable Programmable Memory .....	2-53
NMC93CS56/CS66 2048-Bit/4096-Bit Serial Electrically Erasable Programmable Memory .....	2-61
NMC93CS06x3/CS46x3/CS56x3/CS66x3 Extended Voltage Serial EEPROM .....	2-72
NMC93C06x3/C46x3/C56x3/C66x3 Extended Voltage Serial EEPROM .....	2-83
<b>APPLICATION SPECIFIC EEPROM</b>	
NMC95C12 1024-Bit CMOS EEPROM with DIP Switches .....	2-91
<b>APPLICATIONS NOTES</b>	
AB-15 Protecting Data in Serial Electrically Erasable Programmable Memory .....	2-100
AB-18 Electronic Compass Calibration Made Easy with Electrically Erasable Programmable Memory .....	2-102
AB-22 Automatic Low Cost Thermostat .....	2-103
AN-388 Designing with the NMC9306 .....	2-105
AN-423 NMC9346—An Amazing Device .....	2-111
AN-431 An Easy/Low Cost Serial Electrically Erasable Programmable Memory Interface .....	2-114
AN-433 Using the NMC9306 for Configuration and Production Information .....	2-117
AN-481 Common I/O Applications for the NMC9306 and NMC9346 .....	2-120
AN-482 Error Detection and Correction Techniques .....	2-123
AN-507 Using the NMC93CSXX Family of Electrically Erasable Programmable Memory .....	2-128
Reliability of National Semiconductor's Electrically Erasable Programmable Memory Products .....	2-142





**EEPROM Selection Guide**

Capacity	Organization	Part Number	Access Time (ns)	Cycle Time (ns)	Power Supply (V)	Power Dissipation		Packaging		Operating Temperature
						Active (mA)	Standby (μA)	DIP	SO	
<b>CMOS EEPROM</b>										
256-Bit	16 x 16 Serial	NMC93C06 NMC93CS06*	500	500	+5	2	50	8	14	
1024-Bit	64 x 16 Serial	NMC93C46 NMC93CS46*	500	500	+5	2	50	8	14	
2048-Bit	128 x 16 Serial	NMC93C56 NMC93CS56*	500	500	+5	2	50	8	14	
4096-Bit	256 x 16 Serial	NMC93C66 NMC93CS66*	500	500	+5	2	50	8	14	
<b>NMOS EEPROM</b>										
256-Bit	16 x 16	NMC9306	2	4	+5	10	3	8	14, 8	C, E, M
		NMC9307	2	4		10	3	8		
		NMC9313B	2	5		15	5	8		C
1024-Bit	64 x 16	NMC9346	2	4	+5	12	3	8	14, 8	C, E, M
		NMC9314B	2	5		17	5	8		C

\*On chip write protection circuitry

Temperature Ranges

C = 0°C to +70°C

E = -40°C to +85°C

M = -55°C to +125°C



# NMC9306 256-Bit Serial Electrically Erasable Programmable Memory

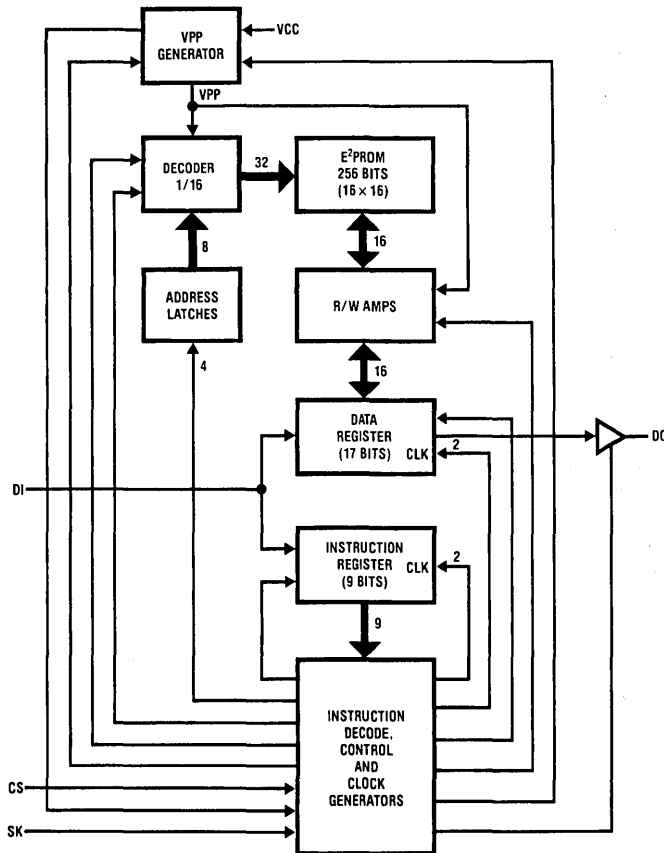
## General Description

The NMC9306 is a 256-bit non-volatile sequential access memory fabricated using advanced floating gate N-channel E<sup>2</sup>PROM technology. It is accessed via the simple MICROWIRE™ serial interface and is designed for data storage and/or timing applications. The device contains 256 bits of read/write memory divided into 16 registers of 16 bits each. Each register can be serially read or written by a COP400 series controller. Written information is stored in a floating gate cell with at least 10 years data retention and can be updated by an erase-write cycle. The NMC9306 has been designed to meet applications requiring up to  $4 \times 10^4$  erase/write cycles per register. A power down mode reduces power consumption by 70 percent.

## Features

- Low cost
- Single supply operation ( $5V \pm 10\%$ )
- TTL compatible
- $16 \times 16$  serial read/write memory
- MICROWIRE compatible serial I/O
- Compatible with COP400 processors
- Low standby power
- Non-volatile erase and write
- Reliable floating gate technology
- Designed for 40,000 erase/write cycles

## Block Diagram

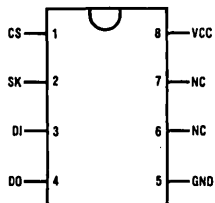


Pin Names	
CS	Chip Select
SK	Serial Data Clock
DI	Serial Data Input
DO	Serial Data Output
V <sub>CC</sub>	Power Supply
GND	Ground

TL/D/5029-1

## Connection Diagram

Dual-In-Line Package (N)

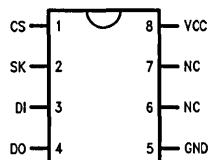


Top View

See NS Package Number N08E

TL/D/5029-10

8-Pin  
SO Package (M8)



Top View

See NS Package Number M08A

TL/D/5029-11

## Ordering Information

Commercial Temperature Range (0°C to +70°C)

$V_{CC} = 5V \pm 10\%$

Order Number	Device Marking
NMC9306N	NMC9306N
NMC9306M8	9306

Extended Temperature Range (-40°C to +85°C)

$V_{CC} = 5V \pm 10\%$

Order Number	Device Marking
NMC9306EN	NMC9306EN
NMC9306EM8	9306E

**Absolute Maximum Ratings**

Voltage Relative to GND	+6V to -0.3V
Ambient Storage Temperature	-65°C to +125°C
Lead Temperature (Soldering, 10 seconds)	300°C
ESD rating	2000V

**Operating Conditions**

Ambient Operating Temperature	0°C to +70°C
NMC9306/COP494	-40°C to +85°C
NMC9306E	
Positive Supply Voltage	4.5V to 5.5V

Note: Stresses above those listed under "Absolute Maximum Ratings" may cause permanent damage to the device. This is a stress rating only and functional operation of the device at these or any other conditions above those indicated in the operational sections of this specification is not implied. Exposure to absolute maximum rating conditions for extended periods may affect device reliability.

**Electrical Characteristics**  $V_{CC} = 5V \pm 10\%$  unless otherwise specified

Parameter	Part Number	Conditions	Min	Typ	Max	Units
Operating Voltage ( $V_{CC}$ )	NMC9306, NMC9306E		4.5		5.5	V
Operating Current ( $I_{CC1}$ )	NMC9306	$V_{CC} = 5.5V, CS = 1$			10	mA
	NMC9306E	$V_{CC} = 5.5V, CS = 1$			12	mA
Standby Current ( $I_{CC2}$ )	NMC9306	$V_{CC} = 5.5V, CS = 0$			3	mA
	NMC9306E	$V_{CC} = 5.5V, CS = 0$			4	mA
Input Voltage Levels $V_{IL}$ $V_{IH}$	NMC9306		-0.1		0.8	V
			2.0		$V_{CC} + 1$	V
$V_{IL}$ $V_{IH}$	NMC9306E		-0.1		0.8	V
			2.0		$V_{CC} + 1$	V
Output Voltage Levels $V_{OL}$ $V_{OH}$	NMC9306, NMC9306E	$I_{OL} = 2.1\text{ mA}$			0.4	V
		$I_{OH} = -400\ \mu\text{A}$	2.4			V
Input Leakage Current	NMC9306, NMC9306E	$V_{IN} = 5.5V$			10	$\mu\text{A}$
Output Leakage Current	NMC9306, NMC9306E	$V_{OUT} = 5.5V, CS = 0$			10	$\mu\text{A}$
SK Frequency SK HIGH TIME $t_{SKH}$ (Note 2) SK LOW TIME $t_{SKL}$ (Note 2)	NMC9306		0		250	kHz
			1			$\mu\text{s}$
			1			$\mu\text{s}$
SK Frequency SK HIGH TIME $t_{SKH}$ (Note 2) SK LOW TIME $t_{SKL}$ (Note 2)	NMC9306E		0		250	kHz
			1			$\mu\text{s}$
			1			$\mu\text{s}$
Input Set-up and Hold Times CS $t_{CSS}$ $t_{CSH}$ DI $t_{DIS}$ $t_{DIH}$	NMC9306, NMC9306E		0.2			$\mu\text{s}$
			0			$\mu\text{s}$
			0.4			$\mu\text{s}$
			0.4			$\mu\text{s}$
						$\mu\text{s}$
Output Delay DO $t_{PD1}$ $t_{PD0}$	NMC9306, NMC9306E	$C_L = 100\text{ pF}$			2	$\mu\text{s}$
		$V_{OL} = 0.8V, V_{OH} = 2.0V$			2	$\mu\text{s}$
		$V_{IL} = 0.45V, V_{IH} = 2.4V$				$\mu\text{s}$
Erase/Write Pulse Width ( $t_{E/W}$ ) (Note 1)	NMC9306, NMC9306E		10		30	ms
CS Low Time ( $t_{CS}$ ) (Note 3)	NMC9306, NMC9306E		1			$\mu\text{s}$

Note 1:  $t_{E/W}$  measured to rising edge of SK or CS, whichever occurs last.

Note 2: The SK frequency spec. specifies a minimum SK clock period of 4  $\mu\text{s}$ , therefore in an SK clock cycle,  $t_{SKH} + t_{SKL}$  must be greater than or equal to 4  $\mu\text{s}$ . e.g. if  $t_{SKL} = 1\ \mu\text{s}$  then the minimum  $t_{SKH} = 3\ \mu\text{s}$  in order to meet the SK frequency specification.

Note 3: CS must be brought low for a minimum of 1  $\mu\text{s}$  ( $t_{CS}$ ) between consecutive instruction cycles.

## Functional Description

The NMC9306 is a small peripheral memory intended for use with COPST<sup>™</sup> controllers and other non-volatile memory applications. Its organization is sixteen registers and each register is sixteen bits wide. The input and output pins are controlled by separate serial formats. Seven 10-bit instructions can be executed. The instruction format has a logical 0 as a start bit, followed by a logical 1, four bits as an op code, and four bits of address. An SK clock cycle is necessary after CS equals logical 0 followed by a logical 1 before the instruction can be loaded. The on-chip programming-voltage generator allows the user to use a single power supply (V<sub>CC</sub>). Only during the read mode is the serial output (DO) pin valid. During all other modes the DO pin is in TRI-STATE<sup>®</sup>, eliminating bus contention.

### READ

The read instruction is the only instruction which outputs serial data on the DO pin. After a READ instruction is received, the instruction and address are decoded, followed by data transfer from the memory register into a 16-bit serial-out shift register. A dummy bit (logical '0') precedes the 16-bit data output string. Output data changes are initiated by a low to high transition of the SK clock.

### ERASE/WRITE ENABLE AND DISABLE

Programming must be preceded once by a programming enable (EWEN) instruction. Programming remains enabled until a programming disable (EWDS) instruction is executed. The programming enable instruction (EWEN) is needed to keep the part in the enable state if the power supply (V<sub>CC</sub>) noise falls below operating range. The programming disable instruction is provided to protect against accidental data disturb. Execution of a READ instruction is independent of both EWEN and EWDS instructions.

### ERASE (Note 4)

Like most E<sup>2</sup>PROMS, the register must first be erased (all bits set to 1's) before the register can be written (certain bits

set to 0's). After an ERASE instruction is input, CS is dropped low. This falling edge of CS determines the start of programming. The register at the address specified in the instruction is then set entirely to 1's. When the erase/write programming time (t<sub>E/W</sub>) constraint has been satisfied, CS is brought up for at least one SK period. A new instruction may then be input, or a low-power standby state may be achieved by dropping CS low.

### WRITE (Note 4)

The WRITE instruction is followed by 16 bits of data which are written into the specified address. This register must have been previously erased. Like any programming mode, erase/write time is determined by the low state of CS following the instruction. The on-chip high voltage section only generates high voltage during these programming modes, which prevents spurious programming during other modes. When CS rises to V<sub>IH</sub>, the programming cycle ends. All programming modes should be ended with CS high for one SK period, or followed by another instruction.

### CHIP ERASE (Note 4)

Entire chip erasing is provided for ease of programming. Erasing the chip means that all registers in the memory array have each bit set to a 1. Each register is then ready for a WRITE instruction.

### CHIP WRITE (Note 4)

All registers must be erased before a chip write operation. The chip write cycle is identical to the write cycle, except for the different op code. All registers are simultaneously written with the data pattern specified in the instruction.

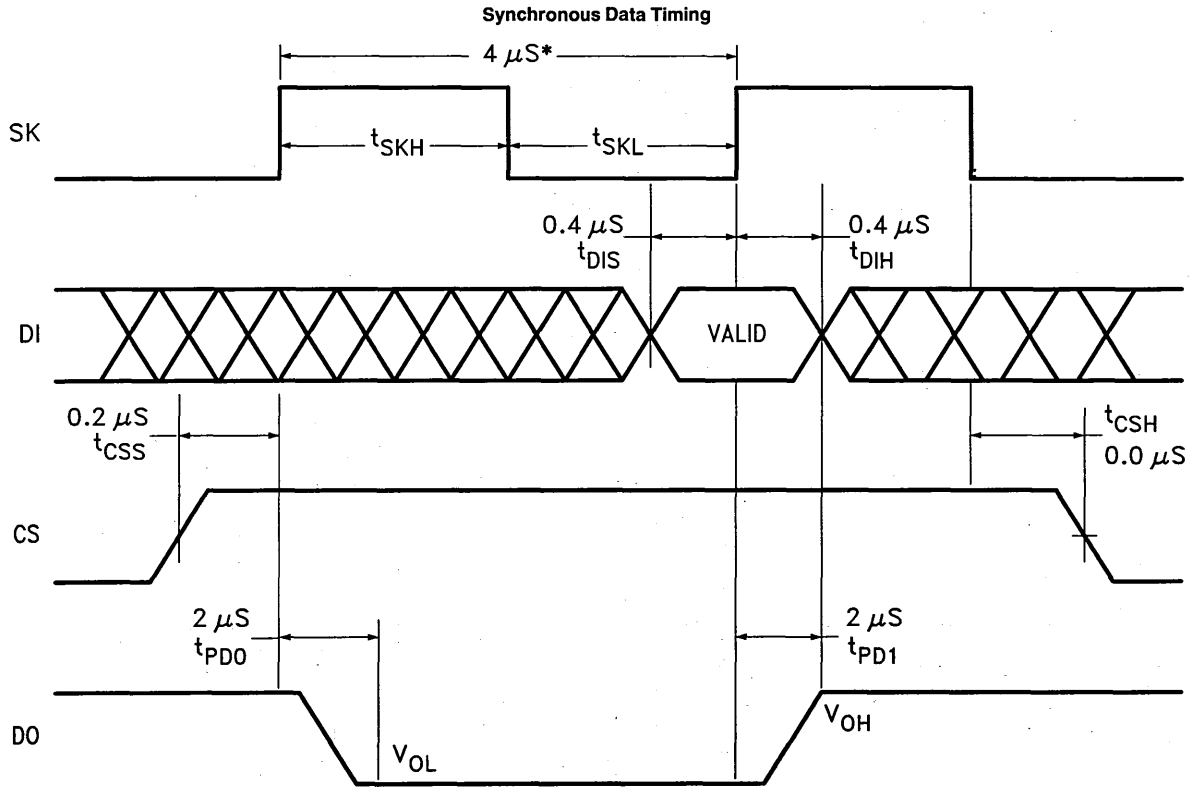
**Note 4:** During a programming mode (write, erase, chip erase, chip write), SK clock is only needed while the actual instruction, i.e., start bit, op code, address and data, is being input. It can remain deactivated during the Erase/Write pulse width (t<sub>E/W</sub>).

## Instruction Set

Instruction	SB	Op Code	Address	Data	Comments
READ	01	10xx	A3A2A1A0		Read Register A3A2A1A0
WRITE	01	01xx	A3A2A1A0	D15—D0	Write Register A3A2A1A0
ERASE	01	11xx	A3A2A1A0		Erase Register A3A2A1A0
EWEN	01	0011	XXXX		Erase/Write Enable
EWDS	01	0000	XXXX		Erase/Write Disable
ERAL	01	0010	XXXX		Erase All Registers
WRAL	01	0001	XXXX	D15—D0	Write All Registers

NMC9306 has 7 instructions as shown. Note that MSB of any given instruction is a "1" and is viewed as a start bit in the interface sequence. The next 8 bits carry the op code and the 4-bit address for 1 of 16, 16-bit registers.

X is a don't care state.

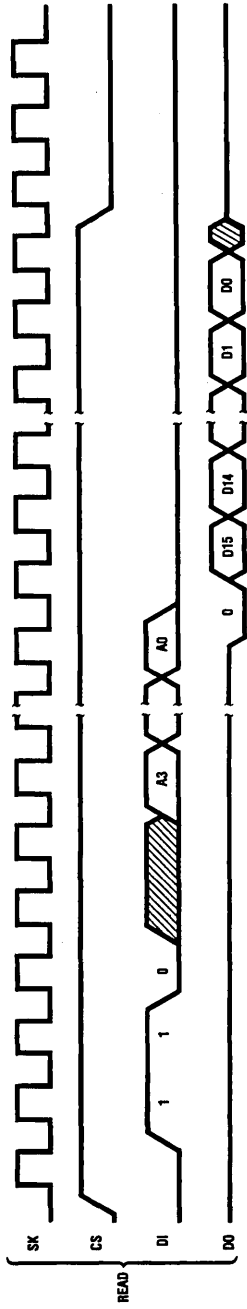


2-8

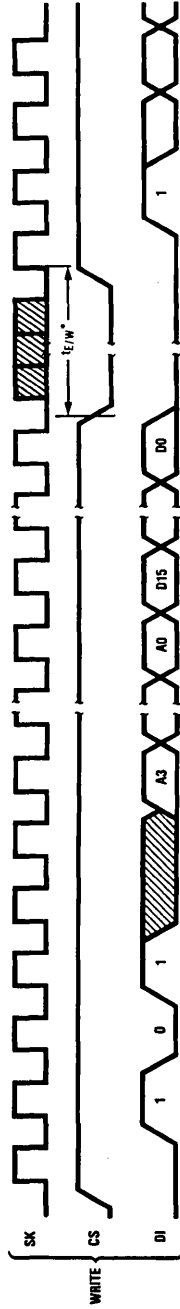
\*This is the minimum SK period and is  $5 \mu$  for NMC9306M

# Timing Diagrams (Continued)

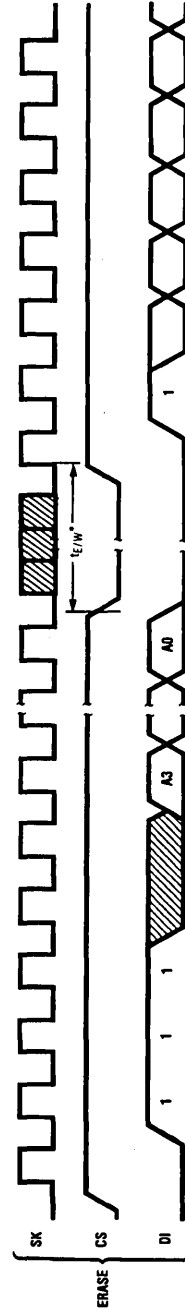
## Instruction Timing



TL/D/5029-14



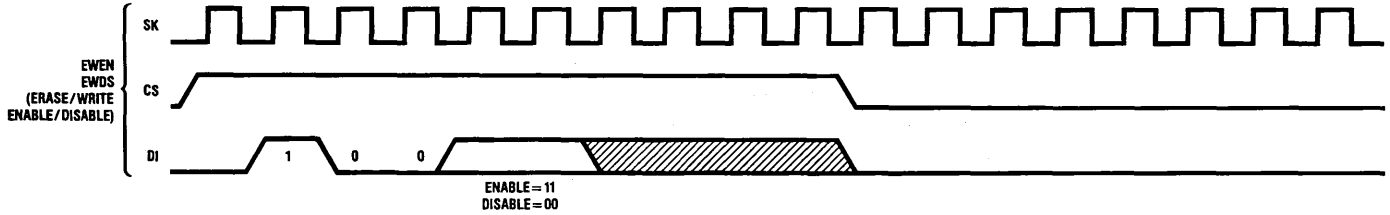
TL/D/5029-15



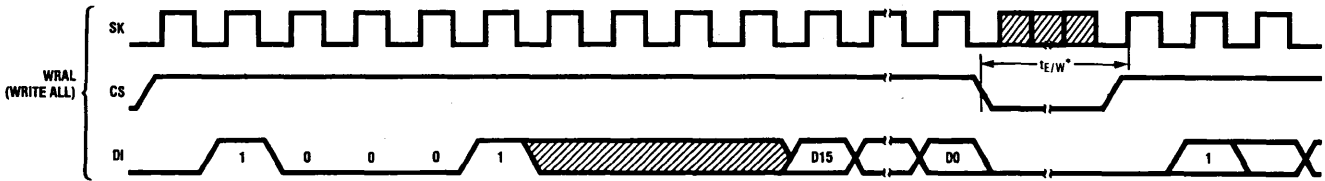
TL/D/5029-16

\* $t_{E/W}$  measured to rising edge of SK or CS, whichever occurs last.

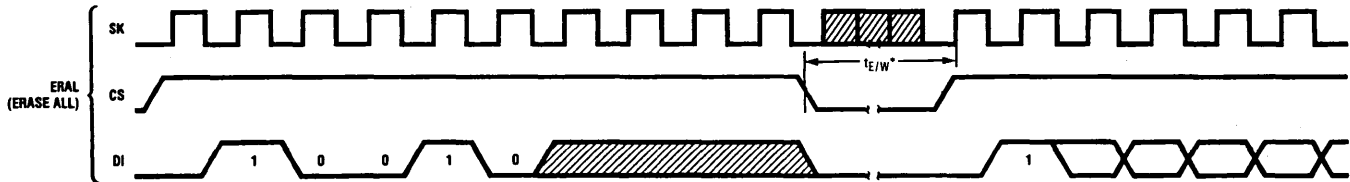
Instruction Timing (Continued)



TL/D/5029-17



TL/D/5029-18



TL/D/5029-19

\* $t_{E/W}$  measured to rising edge of SK or CS, whichever occurs last.



## NMC93C06/C46 256-Bit/1024-Bit Serial Electrically Erasable Programmable Memory

### General Description

The NMC93C06/NMC93C46 are 256/1024 bits of CMOS electrically erasable memory divided into 16-bit registers. They are fabricated using National Semiconductor's floating-gate CMOS process for high speed and low power. They operate from a single 5V supply since  $V_{PP}$  is generated on-board. The serial organization allows the NMC93C06/NMC93C46 to be packaged in an 8-pin DIP or 8-pin SO package to save board space.

The memories feature a serial interface with the instruction, address, and write data, input on the Data-In (DI) pin. All read data and device status is output on the Data-Out (DO) pin. A low-to-high transition of shift clock (SK) shifts all data in and out. This serial interface is MICROWIRE™ compatible for simple interface to standard microcontrollers and microprocessors. There are 7 instructions: Read, Erase/Write Enable, Erase, Erase All, Write, Write All, Erase/Write Disable. The NMC93C06/NMC93C46 do not require an erase cycle prior to the Write and Write All instructions. The Erase and Erase All instructions are available to maintain complete read and programming compatibility with the NMOS NMC9346. All programming cycles are completely self-timed for simplified operation. The busy status is available on the DO pin to indicate the completion of a programming cycle. EEPROMs are shipped in the erased state where all bits are logical 1's.

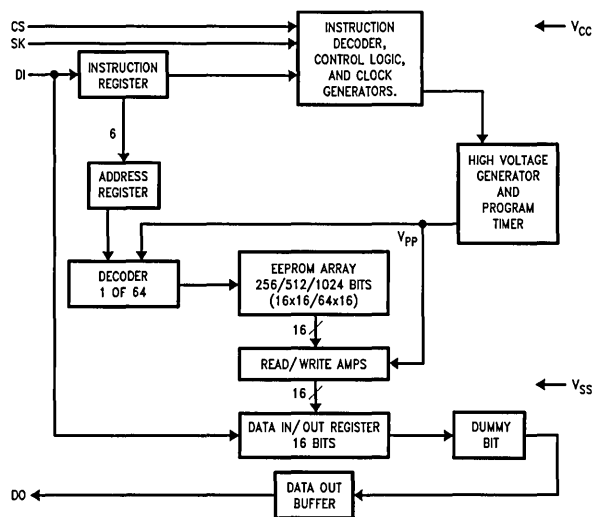
### Compatibility with Other Devices

These memories are pin compatible to National Semiconductor's NMOS EEPROMs, NMC9306 and NMC9346. The NMC93C06/NMC93C46 are both pin and function compatible with the NMC93C56 2048-bit EEPROM and the NMC93C66 4096-bit EEPROM with the one exception that both of these larger devices require two additional address bits.

### Features

- Typical active current 400  $\mu$ A; Typical standby current 25  $\mu$ A
- Reliable CMOS floating gate technology
- 5V only operation in all modes
- MICROWIRE compatible serial I/O
- Self-timed programming cycle
- Device status signal during programming mode
- Over 40 years data retention
- Designed for 100,000 write cycles

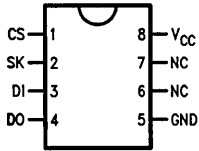
### Block Diagram



TL/D/8790-3

## Connection Diagrams

### Dual-In-Line Package (N)



TL/D/8790-1

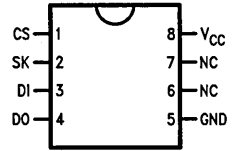
Top View

See NS Package Number N08E

### Pin Names

- CS Chip Select
- SK Serial Data Clock
- DI Serial Data Input
- DO Serial Data Output
- GND Ground
- VCC Power Supply

### SO Package (M8)



TL/D/8790-2

Top View

See NS Package Number M08A

## Ordering Information

### Commercial Temp. Range (0°C to +70°C)

VCC = 5V ± 10%

Order Number
NMC93C06N/NMC93C46N
NMC93C06M8/NMC93C46M8

### Extended Temp. Range (-40°C to +85°C)

VCC = 5V ± 10%

Order Number
NMC93C06EN/NMC93C46EN
NMC93C06EM8/NMC93C46EM8

### Military Temp. Range (-55°C to +125°C)

Order Number
NMC93C06MN/NMC93C46MN
NMC93C06MM8/NMC93C46MM8

**Absolute Maximum Ratings** (Note 1)

If Military/Aerospace specified devices are required, please contact the National Semiconductor Sales Office/Distributors for availability and specifications.

All Input or Output Voltages with Respect to Ground	+ 6.5V to -0.3V
Ambient Storage Temperature	-65°C to +150°C
Lead Temperature (Soldering, 10 seconds)	+300°C
ESD rating	2000V

**Operating Conditions**

Ambient Operating Temperature	0°C to +70°C
NMC93C06/46	-40°C to +85°C
NMC93C06/46E	-55°C to +125°C
NMC93C06/46M	
Positive Supply Voltage	4.5V to 5.5V

**DC and AC Electrical Characteristics**  $V_{CC} = 5V \pm 10\%$  unless otherwise specified

Symbol	Parameter	Part Number	Conditions	Min	Max	Units
$I_{CC1}$	Operating Current CMOS Input Levels	NMC93C06/46	CS = $V_{IH}$ , SK = 1 MHz		2	mA
		NMC93C06/46E	SK = 0.5 MHz		2	
		NMC93C06/46M*	SK = 0.5 MHz		2	
$I_{CC2}$	Operating Current TTL Input Levels	NMC93C06/46	CS = $V_{IH}$ , SK = 1 MHz		3	mA
		NMC93C06/46E	SK = 0.5 MHz		3	
		NMC93C06/46M	SK = 0.5 MHz		4	
$I_{CC3}$	Standby Current	NMC93C06/46	CS = 0V		50	$\mu$ A
		NMC93C06/46E			100	
		NMC93C06/46M			100	
$I_{IL}$	Input Leakage	NMC93C06/46	$V_{IN} = 0V$ to $V_{CC}$	-2.5	2.5	$\mu$ A
		NMC93C06/46E		-10	10	
		NMC93C06/46M		-10	10	
$I_{OL}$	Output Leakage	NMC93C06/46	$V_{OUT} = 0V$ to $V_{CC}$	-2.5	2.5	$\mu$ A
		NMC93C06/46E		-10	10	
		NMC93C06/46M		-10	10	
$V_{IL}$ $V_{IH}$	Input Low Voltage Input High Voltage			-0.1	0.8	V
				2	$V_{CC} + 1$	
$V_{OL1}$	Output Low Voltage	NMC93C06/46	$I_{OL} = 2.1$ mA		0.4	V
		NMC93C06/46E	$I_{OL} = 2.1$ mA		0.4	
		NMC93C06/46M	$I_{OL} = 1.8$ mA		0.4	
$V_{OH1}$	Output High Voltage		$I_{OH} = -400$ $\mu$ A	2.4		
$V_{OL2}$ $V_{OH2}$	Output Low Voltage Output High Voltage		$I_{OL} = 10$ $\mu$ A	$V_{CC} - 0.2$	0.2	V
			$I_{OH} = -10$ $\mu$ A			
$f_{SK}$	SK Clock Frequency	NMC93C06/46		0	1	MHz
		NMC93C06/46E		0	0.5	
		NMC93C06/46M		0	0.5	
$t_{SKH}$	SK High Time	NMC93C06/46	(Note 2)	250		ns
		NMC93C06/46E	(Note 3)	500		
		NMC93C06/46M	(Note 3)	500		
$t_{SKL}$	SK Low Time	NMC93C06/46	(Note 2)	250		ns
		NMC93C06/46E	(Note 3)	500		
		NMC93C06/46M	(Note 3)	500		
$t_{CS}$	Minimum CS Low Time	NMC93C06/46	(Note 4)	250		ns
		NMC93C06/46E	(Note 5)	500		
		NMC93C06/46M	(Note 5)	500		
$t_{CSS}$	CS Setup Time	NMC93C06/46	Relative to SK	50		ns
		NMC93C06/46E		100		
		NMC93C06/46M		100		

\*Note: Thruout this table "M" refers to temperature range (-55°C to +125°C), not package.

**DC and AC Electrical Characteristics**  $V_{CC} = 5V \pm 10\%$  (Continued)

Symbol	Parameter	Part Number	Conditions	Min	Max	Units
$t_{DIS}$	DI Setup Time	NMC93C06/46 NMC93C06/46E NMC93C06/46M	Relative to SK	100 200 200		ns
$t_{CSH}$	CS Hold Time		Relative to SK	0		ns
$t_{DIH}$	DI Hold Time	NMC93C06/46 NMC93C06/46E NMC93C06/46M	Relative to SK	100 200 200		ns
$t_{PD1}$	Output Delay to "1"	NMC93C06/46 NMC93C06/46E NMC93C06/46M	AC Test		500 1000 1000	ns
$t_{PD0}$	Output Delay to "0"	NMC93C06/46 NMC93C06/46E NMC93C06/46M	AC Test		500 1000 1000	ns
$t_{SV}$	CS to Status Valid	NMC93C06/46 NMC93C06/46E NMC93C06/46M	AC Test		500 1000 1000	ns
$t_{DF}$	CS to DO in TRI-STATE®	NMC93C06/46 NMC93C06/46E NMC93C06/46M	CS = $V_{IL}$ AC Test		100 200 200	ns
$t_{WP}$	Write Cycle Time				10	ms

**Note 1:** Stress above those listed under "Absolute Maximum Ratings" may cause permanent damage to the device. This is a stress rating only and functional operation of the device at these or any other conditions above those indicated in operational sections of the specification is not implied. Exposure to absolute maximum rating conditions for extended periods may affect device reliability.

**Note 2:** The SK frequency specification for Commercial parts specifies a minimum SK clock period of 1  $\mu$ s, therefore in an SK clock cycle  $t_{SKH} + t_{SKL}$  must be greater than or equal to 1  $\mu$ s. For example if  $t_{SKL} = 250$  ns then the minimum  $t_{SKH} = 750$  ns in order to meet the SK frequency specification.

**Note 3:** The SK frequency specification for Extended Temperature and Military parts specifies a minimum SK clock period of 2  $\mu$ s, therefore in an SK clock cycle  $t_{SKH} + t_{SKL}$  must be greater than or equal to 2  $\mu$ s. For example, if  $t_{SKL} = 500$  ns then the minimum  $t_{SKH} = 1.5$   $\mu$ s in order to meet the SK frequency specification.

**Note 4:** For Commercial parts CS must be brought low for a minimum of 250 ns ( $t_{CS}$ ) between consecutive instruction cycles.

**Note 5:** For Extended Temperature and Military parts CS must be brought low for a minimum of 500 ns ( $t_{CS}$ ) between consecutive instruction cycles.

**Note 6:** This parameter is periodically sampled and not 100% tested.

**Capacitance** (Note 6)
 $T_A = 25^\circ\text{C}, f = 1 \text{ MHz}$ 

Symbol	Test	Typ	Max	Units
$C_{OUT}$	Output Capacitance		5	pF
$C_{IN}$	Input Capacitance		5	pF

**AC Test Conditions**

Output Load

1 TTL Gate and  $C_L = 100$  pF

Input Pulse Levels

0.4V to 2.4V

Timing Measurement Reference Level

Input

1V and 2V

Output

0.8V and 2V

## Functional Description

The NMC93C06/NMC93C46 has 7 instructions as described below. Note that the MSB of any instruction is a "1" and is viewed as a start bit in the interface sequence. The next 8 bits carry the op code and the 6-bit address for selection of 1 of 16 or 64 16-bit registers.

### Read (READ):

The Read (READ) instruction outputs serial data on the DO pin. After a READ instruction is received, the instruction and address are decoded, followed by data transfer from the selected memory register into a 16-bit serial-out shift register. A dummy bit (logical "0") precedes the 16-bit data output string. Output data changes are initiated by a low-to-high transition of the SK clock.

### Erase/Write Enable (EWEN):

When  $V_{CC}$  is applied to the part, it "powers up" in the Erase/Write Disable (EWDS) state. Therefore, all programming modes must be preceded by an Erase/Write Enable (EWEN) instruction. Once an Erase/Write Enable instruction is executed, programming remains enabled until an Erase/Write Disable (EWDS) instruction is executed or  $V_{CC}$  is removed from the part.

### Erase (ERASE):

The ERASE instruction will program all bits in the specified register to the logical "1" state. CS is brought low following the loading of the last address bit. This falling edge of the CS pin initiates the self-timed programming cycle.

The DO pin indicates the READY/BUSY status of the chip if CS is brought high after a minimum of 250 ns ( $t_{CS}$ ). DO = logical "0" indicates that programming is still in progress. DO = logical "1" indicates that the register, at the address specified in the instruction, has been erased, and the part is ready for another instruction.

### Write (WRITE)

The Write (WRITE) instruction is followed by 16 bits of data to be written into the specified address. After the last bit of data is clocked in on the data-in (DI) pin, CS must be brought low before the next rising edge of the SK clock. This falling edge of the CS initiates the self-timed programming cycle. The DO pin indicates the READY/BUSY status of the chip if CS is brought high after a minimum of 250 ns ( $t_{CS}$ ). DO = logical "0" indicates that programming is still in progress. DO = logical "1" indicates that the register at the address specified in the instruction and the part is ready for another instruction.

### Erase All (ERAL)

The ERAL instruction will simultaneously program all registers in the memory array and set each bit to the logical "1" state. The Erase All cycle is identical to the ERASE cycle except for the different op-code.

As in the ERASE mode, the DO pin indicates the READY/BUSY status of the chip if CS is brought high after a minimum of 250 ns ( $t_{CS}$ ).

### Write All (WRAL):

The WRAL instruction will simultaneously program all registers with the data pattern specified in the instruction. As in the WRITE mode, the DO pin indicates the READY/BUSY status of the chip if CS is brought high after a minimum of 50 ns ( $t_{CS}$ ).

### Erase/Write Disable (EWDS):

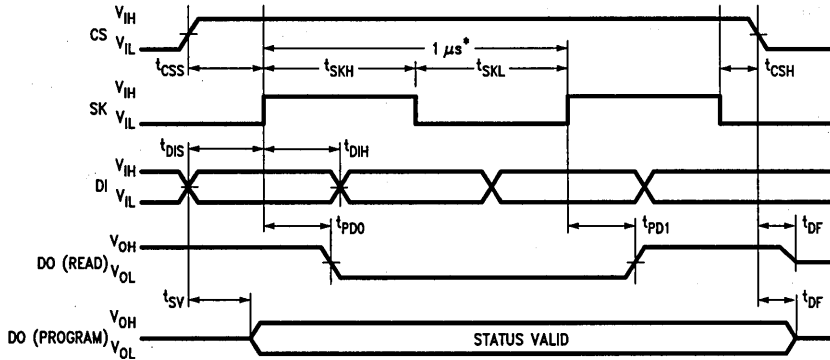
To protect against accidental data disturb, the Erase/Write Disable (EWDS) instruction disables all programming modes and should follow all programming operations. Execution of a READ instruction is independent of both the EWEN and EWDS instructions.

## Instruction Set for the NMC93C06/46

Instruction	SB	Op Code	Address	Data	Comments
READ	1	10	A5-A0		Reads data stored in memory.
EWEN	1	00	11XXXX		Write enable must precede all programming modes.
ERASE	1	11	A5-A0		Erase register A5A4A3A2A1A0.
WRITE	1	01	A5-A0	D15-D0	Writes register.
ERAL	1	00	10XXXX		Erase all registers.
WRAL	1	00	01XXXX	D15-D0	Writes all registers.
EWDS	1	00	00XXXX		Disables all programming instructions.

# Timing Diagrams

## Synchronous Data Timing

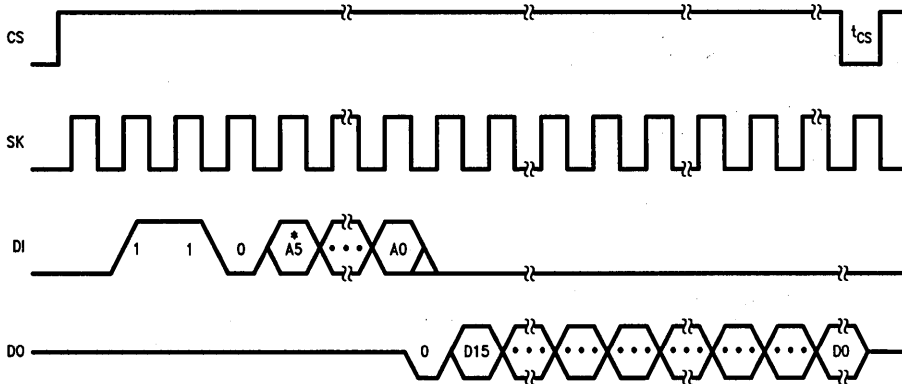


\*This is the minimum SK period (Note 2).

TL/D/8790-4

**Note 2:** The SK frequency specification for Commercial parts specifies a minimum SK clock period of  $1 \mu s$ , therefore in an SK clock cycle  $t_{SKH} + t_{SKL}$  must be greater than or equal to  $1 \mu s$ . For example if  $t_{SKL} = 250 ns$  then the minimum  $t_{SKH} = 750 ns$  in order to meet the SK frequency specification.

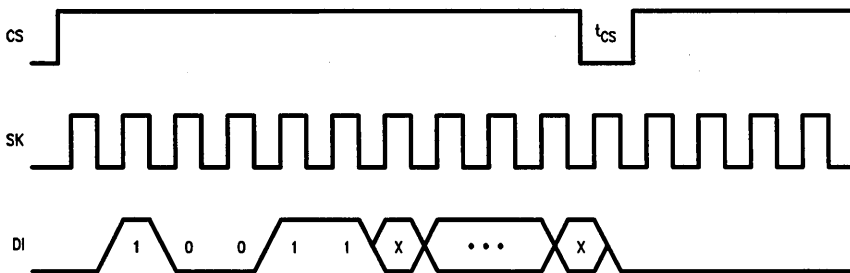
### READ:



TL/D/8790-5

\*Address bits A5 and A4 become "don't care" for NMC93C06.

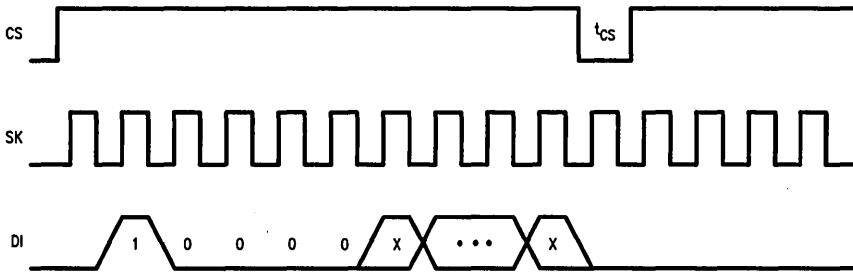
### WEN: DO = TRI-STATE



TL/D/8790-6

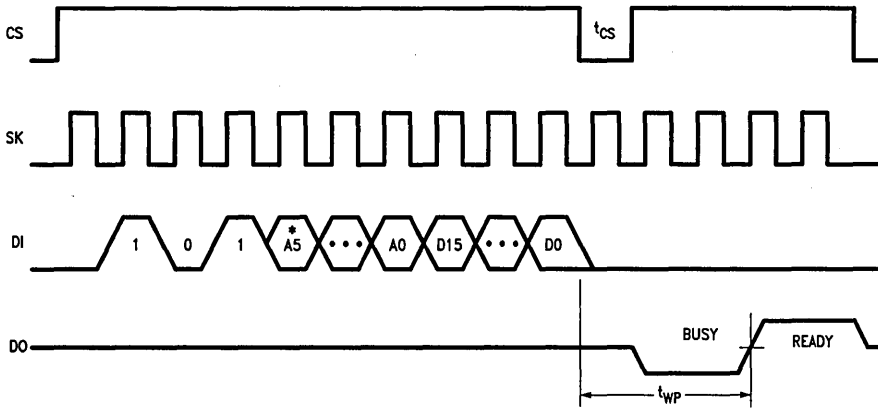
Timing Diagrams (Continued)

EWDS:  
DO = TRI-STATE



TL/D/8790-7

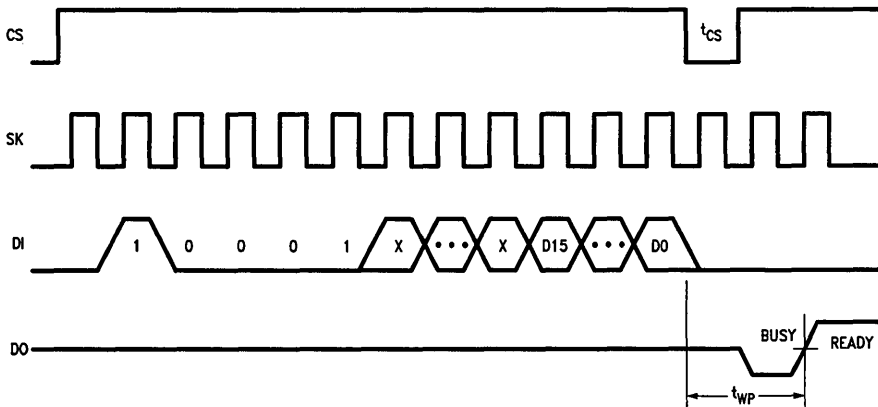
WRITE:



TL/D/8790-8

\*Address bits A5 and A4 become "don't care" for NMC93C06.

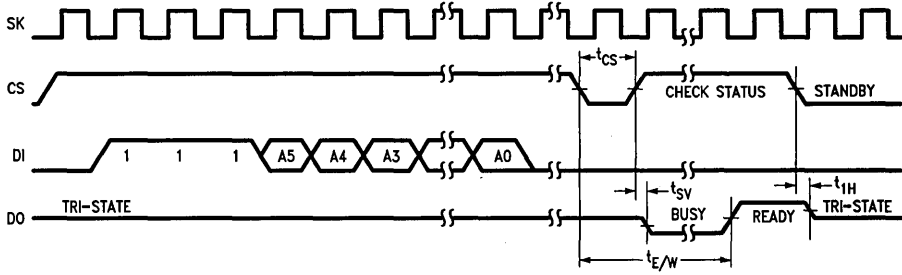
WRAL:



TL/D/8790-9

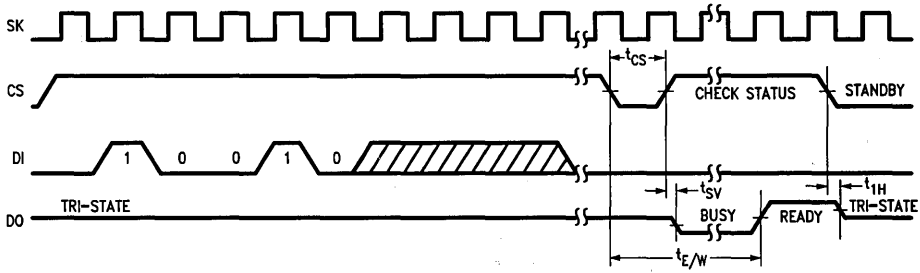
Timing Diagrams (Continued)

ERASE:



TL/D/8790-10

ERASE:



TL/D/8790-11



## NMC93CS06/CS46 256-Bit/1024-Bit Serial Electrically Erasable Programmable Memories

### General Description

The NMC93CS06/NMC93CS46 are 256/1024 bits of read/write memory divided into 16/64 registers of 16 bits each. N registers ( $N \leq 16$  or  $N \leq 64$ ) can be protected against data modification by programming into a special on-chip register called the memory protect register the address of the first register to be protected. This address can be locked into the device, so that these registers can be permanently protected. Thereafter, all attempts to alter data in a register whose address is equal to or greater than the address stored in the protect register will be aborted.

The read instruction loads the address of the first register to be read into a 6-bit address pointer. Then the data is clocked out serially on the D0 pin and automatically cycles to the next register to produce a serial data stream. In this way the entire memory can be read in one continuous data stream or as registers of varying length from 16 to 256/1024 bits. Thus, the NMC93CS06/NMC93CS46 can be viewed as a non-volatile shift register.

The write cycle is completely self-timed. No separate erase cycle is required before write. The write cycle is only enabled when pin 6 (program enable) is held high. If the address of the register to be written is less than the address

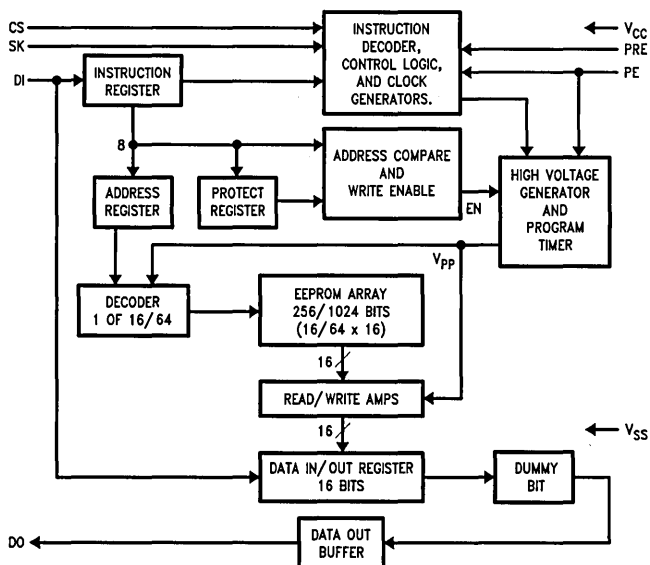
in the protect register then the data is written 16 bits at a time into one of the 16/64 data registers. If CS is brought high following the initiation of a write cycle the D0 pin indicates the ready/busy status of the chip.

National Semiconductor's EEPROMs are designed and tested for applications requiring extended endurance. Refer to device operation for further endurance information. Data retention is specified to be greater than 40 years.

### Features

- Write protection in user defined section of memory
- Typical active current 400  $\mu$ A; Typical standby current 25  $\mu$ A
- Reliable CMOS floating gate technology
- 5 volt only operation in all modes
- Microwire compatible serial I/O
- Self-timed programming cycle
- Device status signal during programming mode
- Sequential register read
- Over 40 years data retention
- Designed for 100,000 write cycles

### Block Diagram

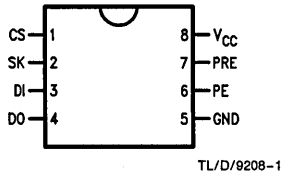


TL/D/9208-3

## Connection Diagrams

**PIN OUT:**

**Dual-In-Line Package (N)**



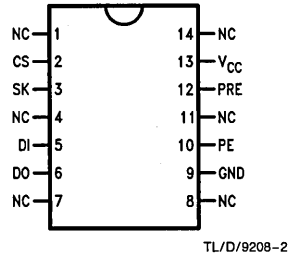
**Top View**

See NS Package Number N08E

Pin Names	
CS	Chip Select
SK	Serial Data Clock
DI	Serial Data Input
DO	Serial Data Output
GND	Ground
PE	Program Enable
PRE	Protect Register Enable
VCC	Power Supply

**PIN OUT:**

**SO Package (M)**



**Top View**

See NS Package Number M14A

## Ordering Information

**Commercial Temp. Range (0°C to +70°C)**  
 $V_{CC} = 5V \pm 10\%$

Order Number
NMC93CS06N/NMC93CS46N
NMC93CS06M/NMC93CS46M

**Extended Temp. Range (-40°C to +85°C)**  
 $V_{CC} = 5V \pm 10\%$

Order Number
NMC93CS06EN/NMC93CS46EN
NMC93CS06EM/NMC93CS46EM

**Military Temp. Range (-55°C to +125°C)**

Order Number
NMC93CS06MN/NMC93CS46MN
NMC93CS06MM/NMC93CS46MM

## Absolute Maximum Ratings

If Military/Aerospace specified devices are required, please contact the National Semiconductor Sales Office/Distributors for availability and specifications.

Ambient Storage Temperature	-65°C to +150°C
All Input or Output Voltages with Respect to Ground	+6.5V to -0.3V
Lead Temperature (Soldering, 10 sec.)	+300°C
ESD rating	2000V

## Operating Conditions

Ambient Operating Temperature	0°C to +70°C
NMC93CS06/NMC93CS46	-40°C to +85°C
NMC93CS06E/NMC93CS46E	-55°C to +125°C
NMC93CS06M/NMC93CS46M (Mil. Temp.)	
Positive Power Supply	4.5V to 5.5V

## DC and AC Electrical Characteristics $V_{CC} = 5V \pm 10\%$ unless otherwise specified

Symbol	Parameter	Part Number	Conditions	Min	Max	Units
$I_{CC1}$	Operating Current CMOS Input Levels	NMC93CS06/NMC93CS46 NMC93CS06E/NMC93CS46E NMC93CS06M/NMC93CS46M*	CS = $V_{IH}$ , SK = 1 MHz SK = 0.5 MHz SK = 0.5 MHz		2 2 2	mA
$I_{CC2}$	Operating Current TTL Input Levels	NMC93CS06/NMC93CS46 NMC93CS06E/NMC93CS46E NMC93CS06M/NMC93CS46M	CS = $V_{IH}$ , SK = 1 MHz SK = 0.5 MHz SK = 0.5 MHz		3 3 4	mA
$I_{CC3}$	Standby Current	NMC93CS06/NMC93CS46 NMC93CS06E/NMC93CS46E NMC93CS06M/NMC93CS46M	CS = 0V		50 100 100	$\mu$ A
$I_{IL}$	Input Leakage	NMC93CS06/NMC93CS46 NMC93CS06E/NMC93CS46E NMC93CS06M/NMC93CS46M	$V_{IN} = 0V$ to $V_{CC}$	-2.5 -10 -10	2.5 10 10	$\mu$ A
$I_{OL}$	Output Leakage	NMC93CS06/NMC93CS46 NMC93CS06E/NMC93CS46E NMC93CS06M/NMC93CS46M	$V_{OUT} = 0V$ to $V_{CC}$	-2.5 -10 -10	2.5 10 10	$\mu$ A
$V_{IL}$ $V_{IH}$	Input Low Voltage Input High Voltage			-0.1 2	0.8 $V_{CC} + 1$	V
$V_{OL1}$	Output Low Voltage	NMC93CS06/NMC93CS46 NMC93CS06E/NMC93CS46E NMC93CS06M/NMC93CS46M	$I_{OL} = 2.1$ mA $I_{OL} = 2.1$ mA $I_{OL} = 1.8$ mA		0.4 0.4 0.4	V
$V_{OH1}$	Output High Voltage		$I_{OH} = -400$ $\mu$ A	2.4		
$V_{OL2}$ $V_{OH2}$	Output Low Voltage Output High Voltage		$I_{OL} = 10$ $\mu$ A $I_{OH} = -10$ $\mu$ A	$V_{CC} - 0.2$	0.2	V
$f_{SK}$	SK Clock Frequency	NMC93CS06/NMC93CS46 NMC93CS06E/NMC93CS46E NMC93CS06M/NMC93CS46M		0 0 0	1 0.5 0.5	MHz
$t_{SKH}$	SK High Time	NMC93CS06/NMC93CS46 NMC93CS06E/NMC93CS46E NMC93CS06M/NMC93CS46M	(Note 2) (Note 3) (Note 3)	250 500 500		ns
$t_{SKL}$	SK Low Time	NMC93CS06/NMC93CS46 NMC93CS06E/NMC93CS46E NMC93CS06M/NMC93CS46M	(Note 2) (Note 3) (Note 3)	250 500 500		ns
$t_{CS}$	Minimum CS Low Time	NMC93CS06/NMC93CS46 NMC93CS06E/NMC93CS46E NMC93CS06M/NMC93CS46M	(Note 4) (Note 5) (Note 5)	250 500 500		ns
$t_{CSS}$	CS Setup Time	NMC93CS06/NMC93CS46 NMC93CS06E/NMC93CS46E NMC93CS06M/NMC93CS46M	Relative to SK	50 100 100		ns
$t_{PRES}$	PRE Setup Time	NMC93CS06/NMC93CS46 NMC93CS06E/NMC93CS46E NMC93CS06M/NMC93CS46M	Relative to SK	50 100 100		ns

\*Throughout this table "M" refers to temperature range (-55°C to +125°C), not package.

## DC and AC Electrical Characteristics $V_{CC} = 5V \pm 10\%$ unless otherwise specified (Continued)

Symbol	Parameter	Part Number	Conditions	Min	Max	Units
$t_{PEs}$	PE Setup Time	NMC93CS06/NMC93CS46 NMC93CS06E/NMC93CS46E NMC93CS06M/NMC93CS46M	Relative to SK	50 100 100		ns
$t_{DIS}$	DI Setup Time	NMC93CS06/NMC93CS46 NMC93CS06E/NMC93CS46E NMC93CS06M/NMC93CS46M	Relative to SK	100 200 200		ns
$t_{CSH}$	CS Hold Time		Relative to SK	0		ns
$t_{PEH}$	PE Hold Time	NMC93CS06/NMC93CS46 NMC93CS06E/NMC93CS46E NMC93CS06M/NMC93CS46M	Relative to CS Relative to CS Relative to CS	250 500 500		ns
$t_{PREH}$	PRE Hold Time		Relative to SK	0		ns
$t_{DIH}$	DI Hold Time	NMC93CS06/NMC93CS46 NMC93CS06E/NMC93CS46E NMC93CS06M/NMC93CS46M	Relative to SK	100 200 200		ns
$t_{PD1}$	Output Delay to "1"	NMC93CS06/NMC93CS46 NMC93CS06E/NMC93CS46E NMC93CS06M/NMC93CS46M	AC Test		500 1000 1000	ns
$t_{PD0}$	Output Delay to "0"	NMC93CS06/NMC93CS46 NMC93CS06E/NMC93CS46E NMC93CS06M/NMC93CS46M	AC Test		500 1000 1000	ns
$t_{SV}$	CS to Status Valid	NMC93CS06/NMC93CS46 NMC93CS06E/NMC93CS46E NMC93CS06M/NMC93CS46M	AC Test		500 1000 1000	ns
$t_{DF}$	CS to DO in TRI-STATE®	NMC93CS06/NMC93CS46 NMC93CS06E/NMC93CS46E NMC93CS06M/NMC93CS46M	CS = $V_{LL}$ AC Test		100 200 200	ns
$t_{WP}$	Write Cycle Time				10	ms

**Note 1:** Stress above those listed under "Absolute Maximum Ratings" may cause permanent damage to the device. This is a stress rating only and functional operation of the device at these or any other conditions above those indicated in the operational sections of the specification is not implied. Exposure to absolute maximum rating conditions for extended periods may affect device reliability.

**Note 2:** The SK frequency specification for Commercial parts specifies a minimum SK clock period of 1 microsecond, therefore in an SK clock cycle  $t_{SKH} + t_{SKL}$  must be greater than or equal to 1 microsecond. For example if  $t_{SKL} = 250$  ns then the minimum  $t_{SKH} = 750$  ns in order to meet the SK frequency specification.

**Note 3:** The SK frequency specification for Extended Temperature and Military parts specifies a minimum SK clock period of 2 microseconds, therefore in an SK clock cycle  $t_{SKH} + t_{SKL}$  must be greater than or equal to 2 microseconds. For example, if  $t_{SKL} = 500$  ns then the minimum  $t_{SKH} = 1.5$  microseconds in order to meet the SK frequency specification.

**Note 4:** For Commercial parts CS must be brought low for a minimum of 250 ns ( $t_{CS}$ ) between consecutive instruction cycles.

**Note 5:** For Extended Temperature and Military parts CS must be brought low for a minimum of 500 ns ( $t_{CS}$ ) between consecutive instruction cycles.

**Note 6:** This parameter is periodically sampled and not 100% tested.

### Capacitance (Note 6)

$T_A = 25^\circ\text{C}$ ,  $f = 1\text{MHz}$

Symbol	Test	Typ	Max	Units
$C_{OUT}$	Output Capacitance		5	pF
$C_{IN}$	Input Capacitance		5	pF

### AC Test Conditions

Output Load	1 TTL Gate and $C_L = 100$ pF
Input Pulse Levels	0.4V to 2.4V
Timing Measurement Reference Level	
Input	1V and 2V
Output	0.8V and 2V

## Functional Description

The NMC93CS06 and NMC93CS46 have 10 instructions as described below. Note that the MSB of any instruction is a "1" and is viewed as a start bit in the interface sequence. The next 8-bits carry the op code and the 6-bit address for selection of 1 of 16 or 64 16-bit registers.

### Read (READ):

The Read (READ) instruction outputs serial data on the DO pin. After a READ instruction is received, the instruction and address are decoded, followed by data transfer from the selected memory register into a 16-bit serial-out shift register. A dummy bit (logical 0) precedes the 16-bit data output string. Output data changes are initiated by a low to high transition of the SK clock. In the NONVOLATILE SHIFT-REGISTER mode of operation, the memory automatically cycles to the next register after each 16 data bits are clocked out. The dummy-bit is suppressed in this mode and a continuous string of data is obtained.

### Write Enable (WEN):

When  $V_{CC}$  is applied to the part, it "powers up" in the Write Disable (WDS) state. Therefore, all programming modes must be preceded by a Write Enable (WEN) instruction. Once a Write Enable instruction is executed programming remains enabled until a Write Disable (WDS) instruction is executed or  $V_{CC}$  is removed from the part.

### Write (WRITE):

The Write (WRITE) instruction is followed by 16 bits of data to be written into the specified address. After the last bit of data (D0) is put on the data-in (DI) pin, CS must be brought low before the next rising edge of the SK clock. This falling edge of the CS initiates the self-timed programming cycle. The PE pin **MUST** be held high while loading the WRITE instruction, however, after loading the WRITE instruction the PE pin becomes a "don't care". The D0 pin indicates the READY/BUSY status of the chip if CS is brought high after a minimum of 250 ns ( $t_{CS}$ ). D0 = logical 0 indicates that programming is still in progress. D0 = logical 1 indicates

that the register at the address specified in the instruction has been written with the data pattern specified in the instruction and the part is ready for another instruction.

### Write All (WRALL):

The Write All (WRALL) instruction is valid only when the Protect Register has been cleared by executing a PRCLEAR instruction. The WRALL instruction will simultaneously program all registers with the data pattern specified in the instruction. Like the WRITE instruction, the PE pin **MUST** be held high while loading the WRALL instruction, however, after loading the WRITE instruction the PE pin becomes a "don't care". As in the WRITE mode, the DO pin indicates the READY/BUSY status of the chip if CS is brought high after a minimum of 250 ns ( $t_{CS}$ ).

### Write Disable (WDS):

To protect against accidental data disturb, the Write Disable (WDS) instruction disables all programming modes and should follow all programming operations. Execution of a READ instruction is independent of both the WEN and WDS instructions.

### Protect Register Read (PRREAD):

The Protect Register Read (PRREAD) instruction outputs the address stored in the Protect Register on the DO pin. The PRE pin **MUST** be held high while loading the instruction. Following the PRREAD instruction the 6-bit address stored in the memory protect register is transferred to the serial out shift register. As in the READ mode, a dummy bit (logical 0) precedes the 6-bit address string.

### Protect Register Enable (PREN):

The Protect Register Enable (PREN) instruction is used to enable the PRCLEAR, PRWRITE, and PRDS modes. Before the PREN mode can be entered, the part must be in the Write Enable (WEN) mode. Both the PRE and PE pins **MUST** be held high while loading the instruction.

Note that a PREN instruction must **immediately** precede a PRCLEAR, PRWRITE, or PRDS instruction.

## Instruction Set for the NMC93CS06 and NMC93CS46

Instruction	SB	Op Code	Address	Data	PRE	PE	Comments
READ	1	10	A5-A0		0	X	Reads data stored in memory, starting at specified address.
WEN	1	00	11XXXX		0	1	Write enable must precede all programming modes.
WRITE	1	01	A5-A0	D15-D0	0	1	Writes register if address is unprotected.
WRALL	1	00	01XXXX	D15-D0	0	1	Writes all registers. Valid only when Protect Register is cleared.
WDS	1	00	00XXXX		0	X	Disables all programming instructions.
PRREAD	1	10	XXXXXX		1	X	Reads address stored in Protect Register.
PREN	1	00	11XXXX		1	1	Must immediately precede PRCLEAR, PRWRITE, and PRDS instructions.
PRCLEAR	1	11	111111		1	1	Clears the Protect Register so that no registers are protected from WRITE.
PRWRITE	1	01	A5-A0		1	1	Programs address into Protect Register. Thereafter, memory addresses $\geq$ the address in Protect Register are protected from WRITE.
PRDS	1	00	000000		1	1	One time only instruction after which the address in the Protect Register cannot be altered.

## Functional Description (Continued)

### Protect Register Clear (PRCLEAR):

The Protect Register Clear (PRCLEAR) instruction clears the address stored in the Protect Register and, therefore, enables all registers for the WRITE and WRALL instruction. The PRE and PE pins **must** be held high while loading the instruction, however, after loading the PRCLEAR instruction the PRE and PE pins become "don't care". Note that a PREN instruction must **immediately** precede a PRCLEAR instruction.

### Protect Register Write (PRWRITE):

The Protect Register Write (PRWRITE) instruction is used to write into the Protect Register the address of the first register to be protected. After the PRWRITE instruction is executed, all memory registers whose addresses are greater than or equal to the address specified in the Protect Register are protected from the WRITE operation. Note that before executing a PRWRITE instruction the Protect Register

must first be cleared by executing a PRCLEAR operation and that the PRE and PE pins **must** be held high while loading the instruction, however, after loading the PRWRITE instruction the PRE and PE pins become 'don't care'. Note that a PREN instruction must **immediately** precede a PRWRITE instruction.

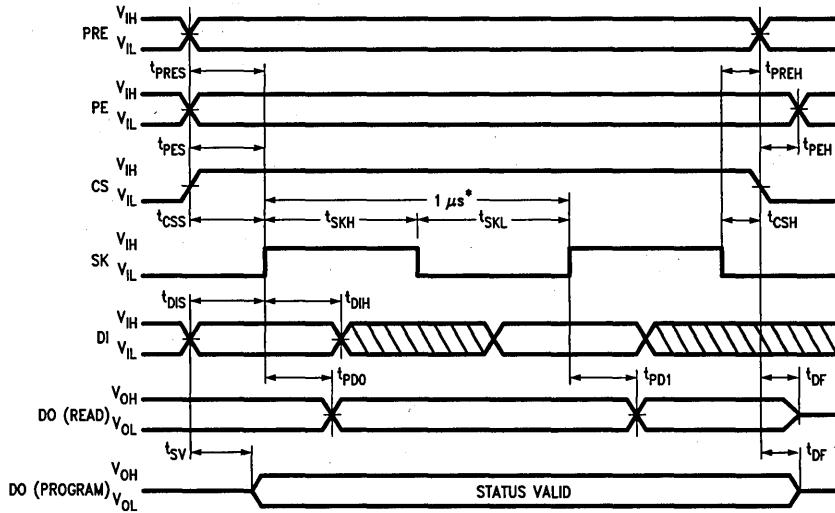
### Protect Register Disable (PRDS):

The Protect Register Disable (PRDS) instruction is a **one** time only instruction which renders the Protect Register unalterable in the future. Therefore, the specified registers become **PERMANENTLY** protected against data changes. As in the PRWRITE instruction the PRE and PE pins **must** be held high while loading the instruction, and after loading the PRDS instruction the PRE and PE pins become "don't care".

Note that a PREN instruction must **immediately** precede a PRDS instruction.

## Timing Diagrams

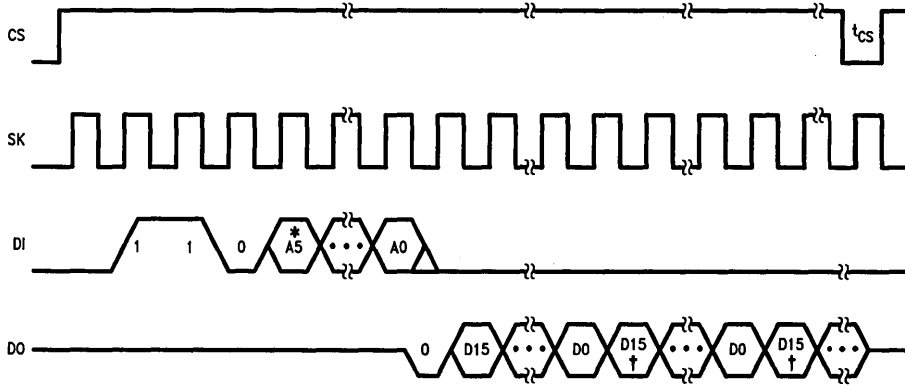
Synchronous Data Timing



\*This is the minimum SK period (See Note 2).

Timing Diagrams (Continued)

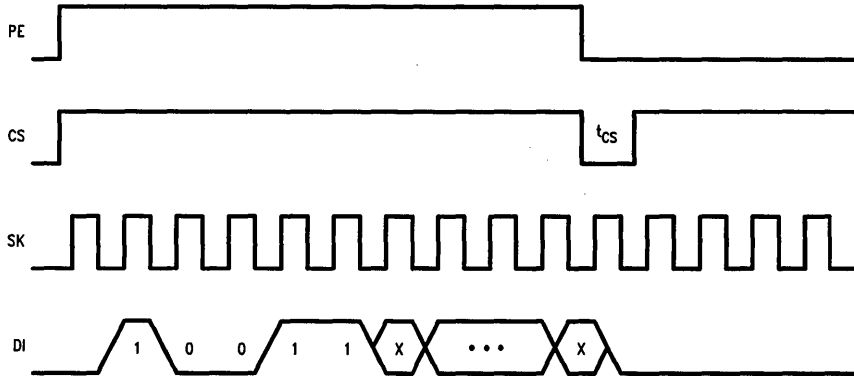
READ:  
PRE = 0, PE = X



\*Address bits A5 and A4 become "don't cares" for NMC93CS06  
†The memory automatically cycles to the next register.

TL/D/9208-5

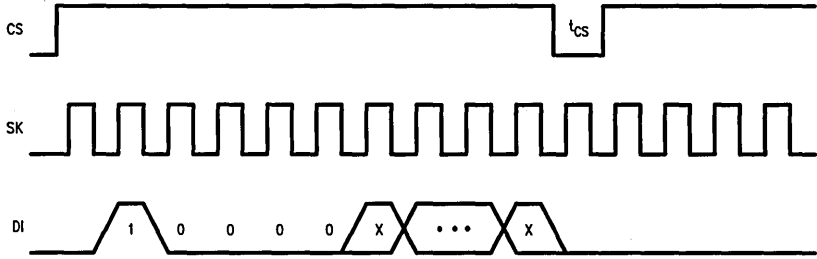
WEN:  
PRE = 0, DO = TRI-STATE



TL/D/9208-6

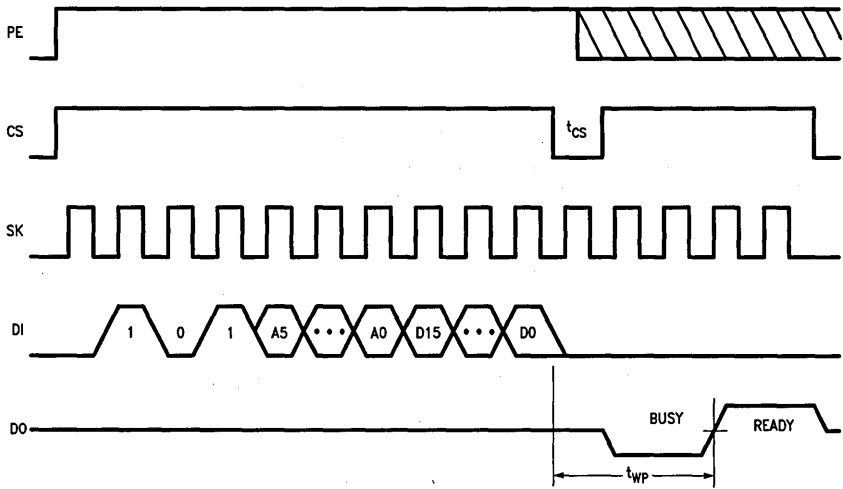
Timing Diagrams (Continued)

WDS:  
 PRE = 0, PE = X, DO = TRI-STATE



TL/D/9208-7

WRITE:  
 PRE = 0



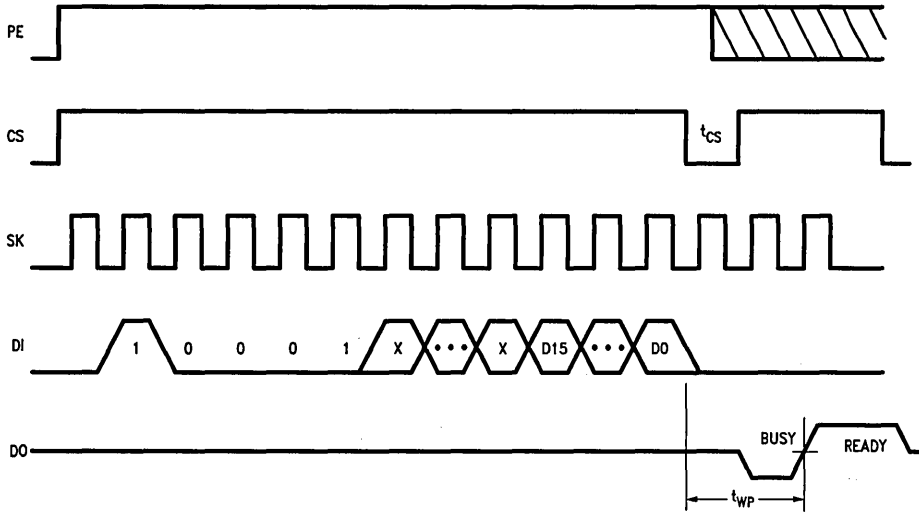
TL/D/9208-8

- Address bits A5 and A4 become "don't cares" for NMC93CS06



Timing Diagrams (Continued)

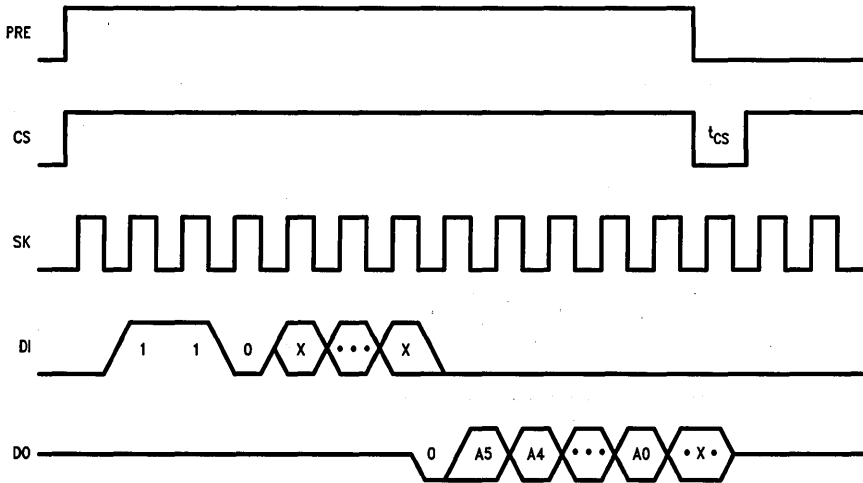
WRALL:  
PRE = 0



\*Protect Register **MUST** be cleared.

TL/D/9208-9

PRREAD:  
PE = X

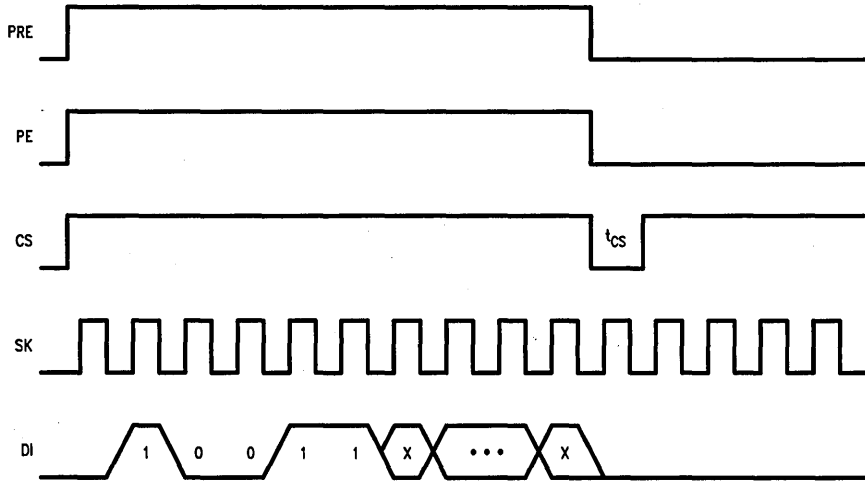


•Address bits A5 and A4 become "don't cares" for NMC93CS06

TL/D/9208-10

Timing Diagrams (Continued)

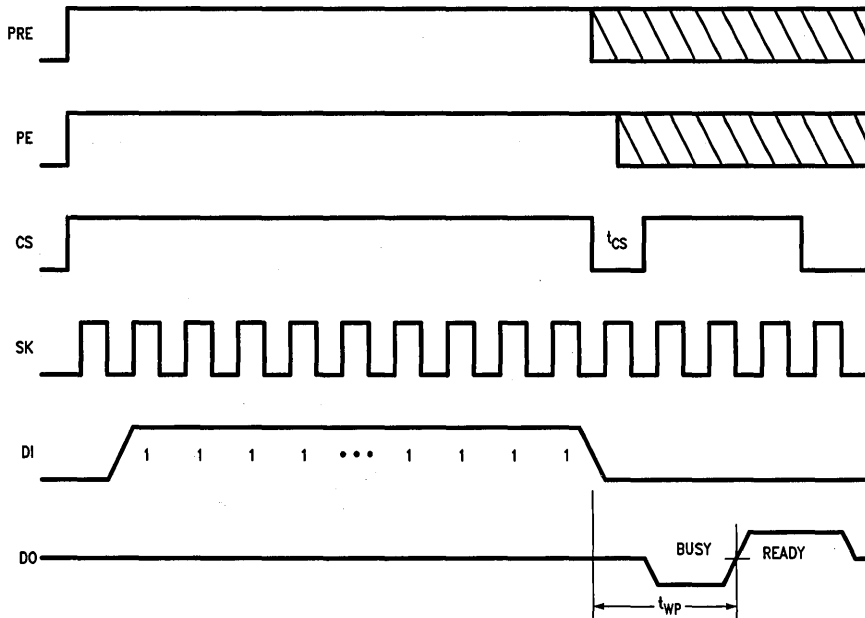
PREN\*:  
DO = TRI-STATE



TL/D/9208-11

\*A WEN cycle must precede a PREN cycle.

PRCLEAR\*:

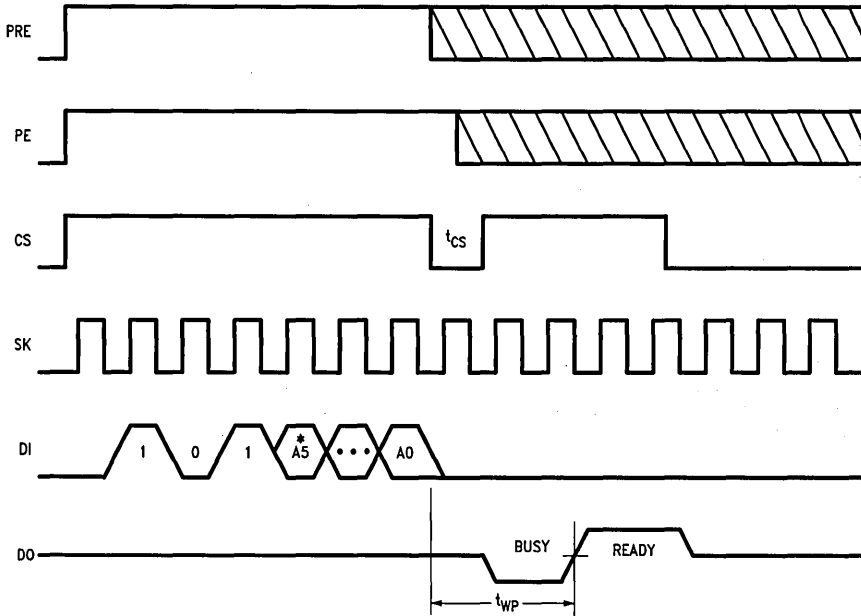


TL/D/9208-12

\*A PREN cycle must immediately precede a PRCLEAR cycle.

Timing Diagrams (Continued)

PRWRITE†:

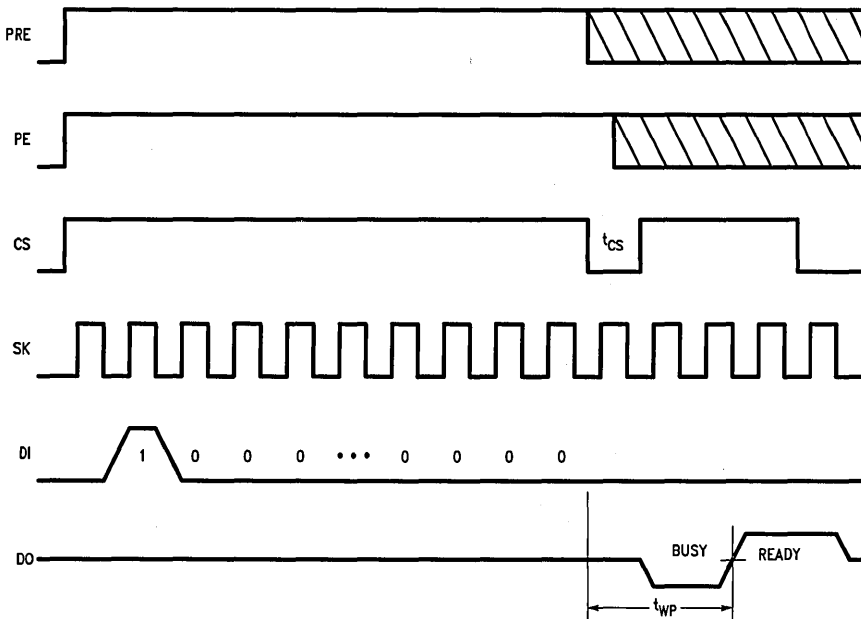


TL/D/9208-13

\*Address bits A5 and A4 become "don't cares" for NMC93CS06

†Protect Register **MUST** be cleared before a PRWRITE cycle. A PREN cycle must **immediately** precede a PRWRITE cycle.

PRDS\*:



TL/D/9208-14

\***ONE TIME ONLY** instruction. A PREN cycle must **immediately** precede a PRDS cycle.



# NMC9307 256-Bit Serial Electrically Erasable Programmable Memory

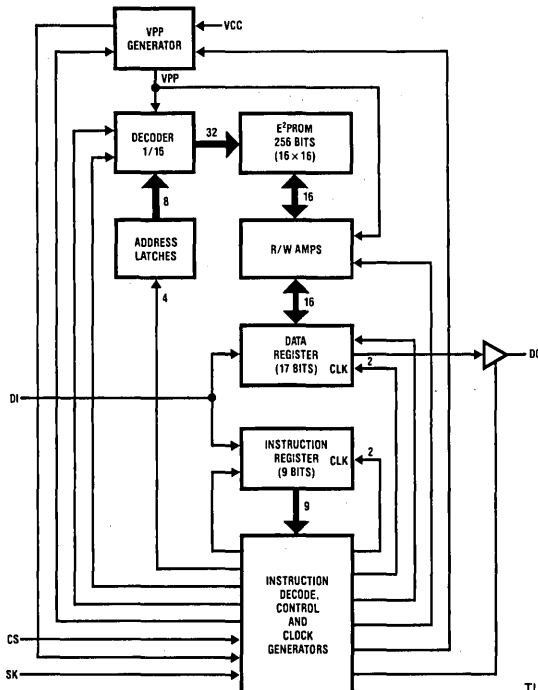
## General Description

The NMC9307 is a 256-bit non-volatile sequential access memory fabricated using advanced floating gate N-channel E<sup>2</sup>PROM technology. It is a peripheral memory designed for data storage and/or timing and is accessed via the simple MICROWIRE™ serial interface. The device contains 256 bits of read/write memory divided into 16 registers of 16 bits each. Each register can be serially read or written by a COP400 series controller. Bulk programming instructions (chip erase, chip write) can be enabled or disabled by the user for enhanced data protection. Written information is stored in a floating gate cell with at least 10 years data retention and can be updated by an erase-write cycle. The NMC9307 has been designed to meet applications requiring up to 40,000 erase/write cycles per register. A power down mode reduces power consumption by 70 percent.

## Features

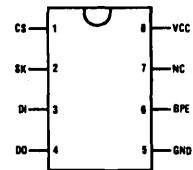
- 40,000 erase/write cycles
- 10 year data retention
- Low cost
- Single supply operation (5V ± 10%)
- TTL compatible
- 16 × 16 serial read/write memory
- MICROWIRE compatible serial I/O
- Compatible with COP400 processors
- Low standby power
- Non-volatile erase and write
- Reliable floating gate technology

## Block and Connection Diagrams



TL/D/9204-1

### Dual-In-Line Package (N)

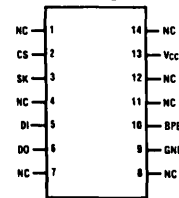


TL/D/9204-2

### Top View

See NS Package Number N08E

### SO Package (M)



TL/D/9204-3

### Top View

See NS Package Number M14B

Note: Contact factory for SO8 availability.

### Pin Names

- CS Chip Select
- SK Serial Data Clock
- DI Serial Data Input
- DO Serial Data Output
- VCC Power Supply
- GND Ground

## Absolute Maximum Ratings

If Military/Aerospace specified devices are required, please contact the National Semiconductor Sales Office/Distributors for availability and specifications.

Voltage Relative to GND	+6V to -0.3V
Ambient Operating Temperature	
NMC9307	0°C to +70°C
NMC9307E	-40°C to +85°C
Ambient Storage Temperature	-65°C to +125°C

Lead Temperature (Soldering, 10 sec.)	300°C
ESD Rating	2000V

**Note:** Stresses above those listed under "Absolute Maximum Ratings" may cause permanent damage to the device. This is a stress rating only and functional operation of the device at these or any other conditions above those indicated in the operational sections of this specification is not implied. Exposure to absolute maximum rating conditions for extended periods may affect device reliability.

## Electrical Characteristics

Parameter	Conditions	Part No	Min	Max	Units	
Operating Voltage (V <sub>CC</sub> )			4.5	5.5	V	
Operating Current (I <sub>CC1</sub> )	V <sub>CC</sub> = 5.5V, CS = 1	9307		10	mA	
		9307E		12		
Standby Current (I <sub>CC2</sub> )	V <sub>CC</sub> = 5.5V, CS = 0	9307		3	mA	
		9307E		4		
Input Voltage Levels			V <sub>IL</sub>	0.8	V	
			V <sub>IH</sub>	2.0	V <sub>CC</sub> + 1	V
Output Voltage Levels	I <sub>OL</sub> = 2.1 mA I <sub>OH</sub> = -400 μA		V <sub>OL</sub>	0.4	V	
			V <sub>OH</sub>	2.4		V
Input Leakage Current	V <sub>IN</sub> = 5.5V			10	μA	
Input Leakage Current PINS 1, 2, 3 PIN 6	V <sub>IN</sub> = 0 to 5.5V			±10	μA	
				±50	μA	
Output Leakage Current	V <sub>OUT</sub> = 5.5V, CS = 0			10	μA	
SK Frequency			0	250	kHz	
SK HIGH TIME t <sub>SKH</sub> (Note 2)			1		μs	
SK LOW TIME t <sub>SKL</sub> (Note 2)			1		μs	
Input Set-Up and Hold Times			CS	t <sub>CSS</sub>	0.2	μs
				t <sub>CSH</sub>	0	μs
			DI	t <sub>DIS</sub>	0.4	μs
				t <sub>DIH</sub>	0.4	μs
Output Delay	CL = 100 pF V <sub>OL</sub> = 0.8V, V <sub>OH</sub> = 2.0V V <sub>IL</sub> = 0.45V, V <sub>IH</sub> = 2.40V		DO	t <sub>PD1</sub>	2	μs
				t <sub>PD0</sub>	2	μs
Erase/Write Pulse Width (t <sub>E/W</sub> ) (Note 1)			10	30	ms	
CS Low Time (t <sub>CS</sub> ) (Note 3)			1		μs	
Endurance	Number of Data Changes per Bit		40,000 Typical			

**Note 1:** t<sub>E/W</sub> measured to rising edge of SK or CS, whichever occurs last.

**Note 2:** The SK frequency spec. specifies a minimum SK clock period of 4 μs, therefore in an SK clock cycle, t<sub>SKH</sub> + t<sub>SKL</sub> must be greater than or equal to 4 μs. e.g. if t<sub>SKL</sub> = 1 μs then the minimum t<sub>SKH</sub> = 3 μs in order to meet the SK frequency specification.

**Note 3:** CS must be brought low for a minimum of 1 μs (t<sub>CS</sub>) between consecutive instruction cycles.

## Instruction Set

Instruction	SB	Op Code	Address	Data	Comments
READ	0, 1	10xx	A3A2A1A0		Read register A3A2A1A0
WRITE	0, 1	01xx	A3A2A1A0	D15—D0	Write register A3A2A1A0
ERASE	0, 1	11xx	A3A2A1A0		Erase register A3A2A1A0
EWEN	0, 1	0011	xxxx		Erase/write enable
EWDS	0, 1	0000	xxxx		Erase/write disable
ERAL	0, 1	0010	xxxx		Erase all registers
WRAL	0, 1	0001	xxxx	D15—D0	Write all registers

The NMC9307 has 7 instructions as shown. Note that MSB of any given instruction is a "1" and is viewed as a start bit in the interface sequence. The next 8 bits carry the op code and the 4-bit address for 1 of 16, 16-bit registers.

X is a don't care state.

## Functional Description

The NMC9307 is a small peripheral memory intended for use with COPSTM controllers and other non-volatile memory applications. The NMC9307 is organized as sixteen registers and each register is sixteen bits wide. The input and output pins are controlled by separate serial formats. Seven 9-bit instructions can be executed. The instruction format has a logical '1' as a start bit, four bits as an op code, and four bits of address. SK clock cycle is necessary after CS equals logical "1" before the instruction can be loaded. The on-chip programming-voltage generator allows the user to use a single power supply ( $V_{CC}$ ). Only during the read mode is the serial output (DO) pin valid. During all other modes the DO pin is in TRI-STATE®, eliminating bus contention.

### READ

The read instruction is the only instruction which outputs serial data on the DO pin. After a READ instruction is received, the instruction and address are decoded, followed by data transfer from the memory register into a 16-bit serial-out shift register. A dummy bit (logical '0') precedes the 16-bit data output string. Output data changes are initiated by a low to high transition of the SK clock.

### ERASE/WRITE ENABLE AND DISABLE

Programming must be preceded once by a programming enable (EWEN) instruction. Programming remains enabled until a programming disable (EWDS) instruction is executed. The programming disable instruction is provided to protect against accidental data disturb. Execution of a READ instruction is independent of both EWEN and EWDS instructions.

### ERASE (Note 4)

Like most E<sup>2</sup>PROMS, the register must first be erased (all bits set to 1s) before the register can be written (certain bits set to 0s). After an ERASE instruction is input, CS is dropped low. This falling edge of CS determines the start of programming. The register at the address specified in the

instruction is then set entirely to 1s. When the erase/write programming time ( $t_{E/W}$ ) constraint has been satisfied, CS is brought up for at least one SK period. A new instruction may then be input, or a low-power standby state may be achieved by dropping CS low.

### WRITE (Note 4)

The WRITE instruction is followed by 16 bits of data which are written into the specified address. This register must have been previously erased. Like any programming mode, erase/write time is determined by the low state of CS following the instruction. The on-chip high voltage section only generates high voltage during these programming modes, which prevents spurious programming during other modes. When CS rises to  $V_{IH}$ , the programming cycle ends. All programming modes should be ended with CS high for one SK period, or followed by another instruction.

### CHIP ERASE (Note 4)

Entire chip erasing is provided for ease of programming. Erasing the chip means that all registers in the memory array have each bit set to a 1. Each register is then ready for a WRITE instruction. The chip erase (ERAL) instruction is ignored if the BPE pin is at  $V_{IL}$ , i.e., data is not changed.

### CHIP WRITE (Note 4)

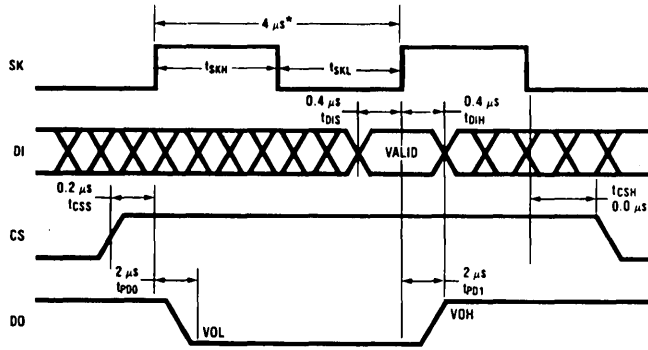
All registers must be erased before a chip write operation. The chip write cycle is identical to the write cycle, except for the different op code. All registers are simultaneously written with the data pattern specified in the instruction.

The chip write (WRAL) instruction is ignored if the BPE pin is at  $V_{IL}$ , i.e., the array data is not changed.

**Note 4:** During a programming mode (write, erase, chip erase, chip write), SK clock is only needed while the actual instruction, i.e., start bit, op code, address and data, is being input. It can remain deactivated during the Erase/Write pulse width ( $t_{E/W}$ ).

# Timing Diagrams

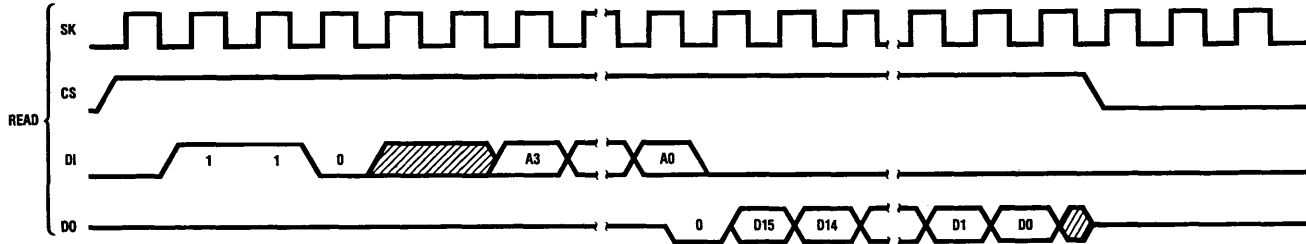
Synchronous Data Timing



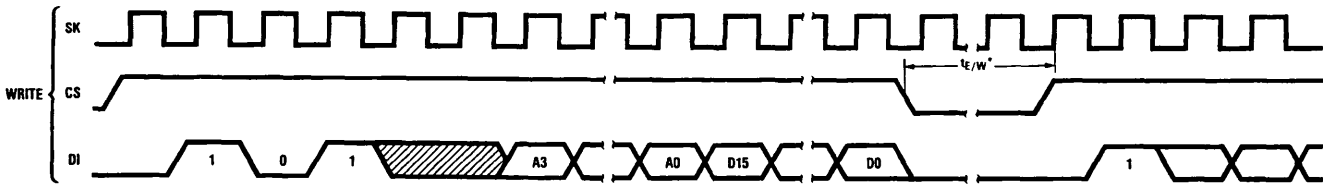
\*This is the minimum SK period

TL/D/9204-4

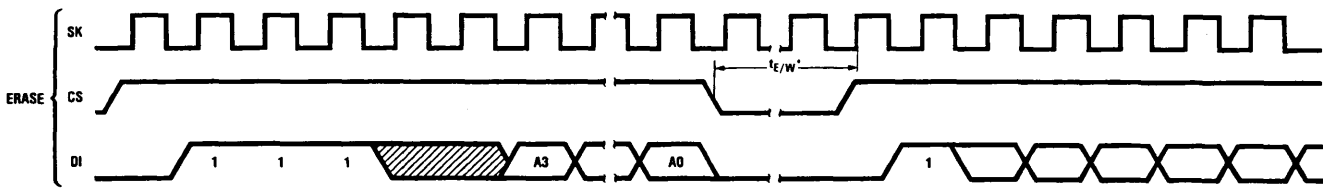
Instruction Timing



TL/D/9204-5



TL/D/9204-6

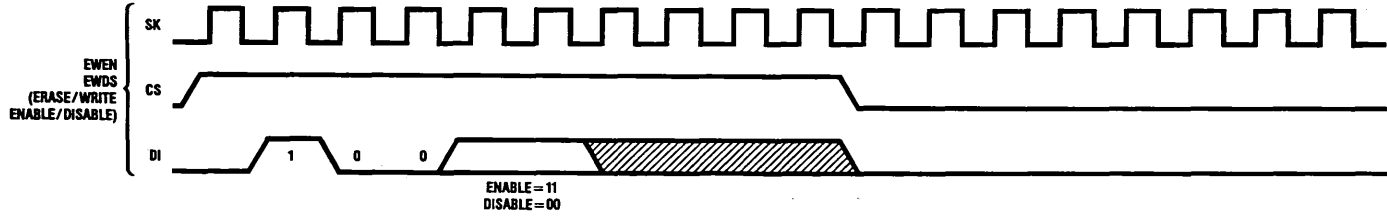


TL/D/9204-7

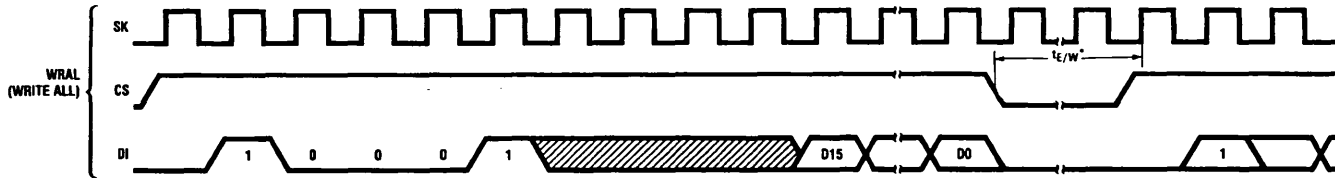
\* $t_{E/W}$  measured to rising edge of SK or CS, whichever occurs last.



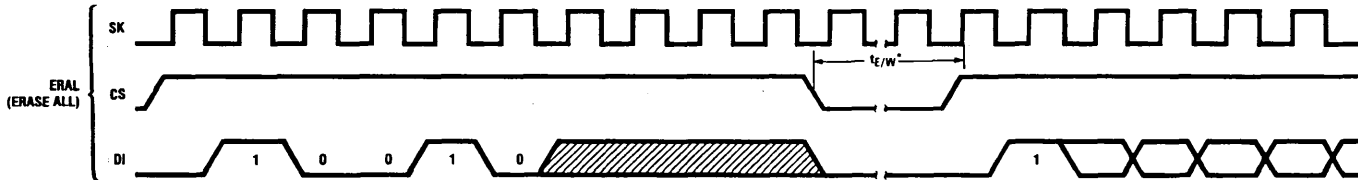
Instruction Timing (Continued)



TL/D/9204-8



TL/D/9204-9



TL/D/9204-10

\* $t_{E/W}$  measured to rising edge of SK or CS, whichever occurs last.



# NMC9313B 256-Bit Serial Electrically Erasable Programmable Memory

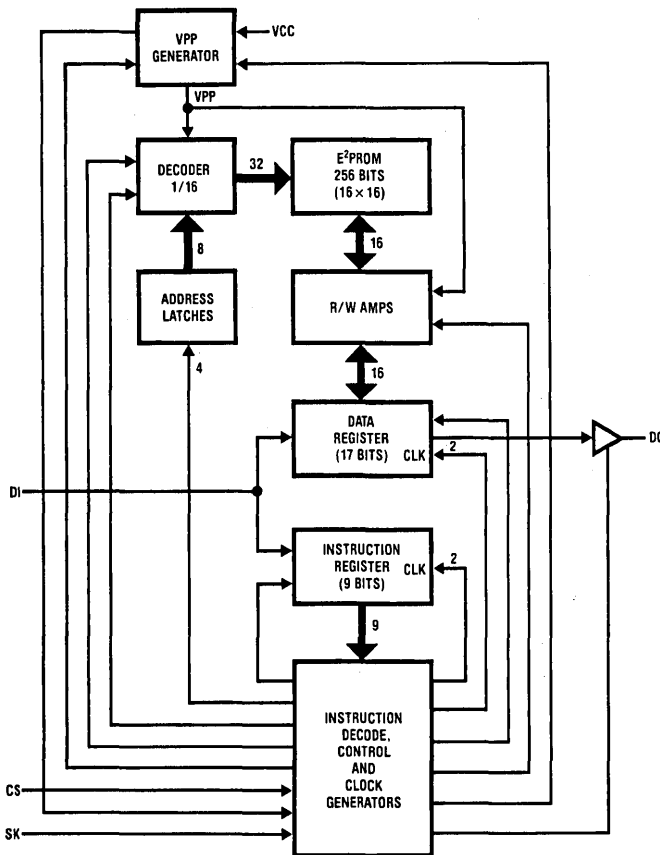
## General Description

The NMC9313B is a 256-bit non-volatile sequential access memory fabricated using advanced floating gate N-channel E<sup>2</sup>PROM technology. It is a peripheral memory designed for data storage and/or timing and is accessed via the simple MICROWIRE™ serial interface. The device contains 256 bits of read/write memory divided into 16 registers of 16 bits each. Each register can be serially read or written by a COP400 series controller. Written information is stored in a floating gate cell with at least 10 years data retention and can be updated by an erase-write cycle. The NMC9313B has been designed to meet applications requiring up to  $1 \times 10^4$  erase/write cycles per register. A power down mode reduces power consumption by 67 percent.

## Features

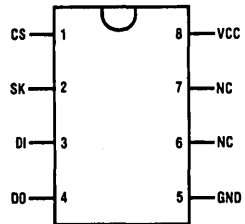
- Low cost
- Single supply operation ( $5V \pm 10\%$ )
- TTL compatible
- $16 \times 16$  serial read/write memory
- MICROWIRE™ compatible serial I/O
- Compatible with COP400 processors
- Low standby power
- Non-volatile erase and write
- Reliable floating gate technology

## Block and Connection Diagrams



TL/D/9145-1

## Dual-In-Line Package (N)



TL/D/9145-2

## Top View

Order Number NMC9313B  
See NS Package Number N08E

## Pin Names

- CS Chip Select
- SK Serial Data Clock
- DI Serial Data Input
- DO Serial Data Output
- VCC Power Supply
- GND Ground

## Absolute Maximum Ratings

If Military/Aerospace specified devices are required, please contact the National Semiconductor Sales Office/Distributors for availability and specifications.

Voltage Relative to GND	+6V to -0.3V
Ambient Operating Temperature	0°C to +70°C
NMC9313B/COP494	
Ambient Storage Temperature with Data Retention	-65°C to +125°C

Lead Temperature (Soldering, 10 seconds)	300°C
ESD Rating	2000V

Note: Stresses above those listed under "Absolute Maximum Ratings" may cause permanent damage to the device. This is a stress rating only and functional operation of the device at these or any other conditions above those indicated in the operational sections of this specification is not implied. Exposure to absolute maximum rating conditions for extended periods may affect device reliability.

## Electrical Characteristics 0°C ≤ TA ≤ 70°C, V<sub>CC</sub> = 5V ± 10% unless otherwise specified

Parameter	Conditions	Min	Typ	Max	Units
Operating Voltage (V <sub>CC</sub> )		4.5		5.5	V
Operating Current (I <sub>CC1</sub> )	V <sub>CC</sub> = 5.5V, CS = 1			15	mA
Standby Current (I <sub>CC2</sub> )	V <sub>CC</sub> = 5.5V, CS = 0			5	mA
Input Voltage Levels					
V <sub>IL</sub>		-0.1		0.8	V
V <sub>IH</sub>		2.0		V <sub>CC</sub> + 0.5	V
Output Voltage Levels					
V <sub>OL</sub>	I <sub>OL</sub> = 2.1 mA			0.4	V
V <sub>OH</sub>	I <sub>OH</sub> = -400 μA	2.4			V
Input Leakage Current	V <sub>IN</sub> = 5.5V			10	μA
Output Leakage Current	V <sub>OUT</sub> = 5.5V, CS = 0			10	μA
SK Frequency		0		200	kHz
SK HIGH TIME t <sub>SKH</sub> (Note 2)		3			μs
SK LOW TIME t <sub>SKL</sub> (Note 2)		2			μs
Input Set-Up and Hold Times					
CS	t <sub>CSS</sub>	0.2			μs
	t <sub>CSH</sub>	0			μs
DI	t <sub>DIS</sub>	0.4			μs
	t <sub>DIH</sub>	0.4			μs
Output Delay					
DO	t <sub>PD1</sub>			2	μs
	t <sub>PD0</sub>			2	μs
Erase/Write Pulse Width (t <sub>E/W</sub> ) (Note 1)	CL = 100 pF V <sub>OL</sub> = 0.8V, V <sub>OH</sub> = 2.0V V <sub>IL</sub> = 0.45V, V <sub>IH</sub> = 2.40V	10		30	ms
CS Low Time (t <sub>CS</sub> ) (Note 3)		1			μs

Note 1: t<sub>E/W</sub> measured to rising edge of SK or CS, whichever occurs last.

Note 2: The SK frequency spec. specifies a minimum SK clock period of 5 μs, therefore in an SK clock cycle, t<sub>SKH</sub> + t<sub>SKL</sub> must be greater than or equal to 5 μs. e.g. if t<sub>SKL</sub> = 2 μs then the minimum t<sub>SKH</sub> = 3 μs in order to meet the SK frequency specification.

Note 3: CS must be brought low for a minimum of 1 μs (t<sub>CS</sub>) between consecutive instruction cycles.

## Instruction Set

Instruction	SB	Op Code	Address	Data	Comments
READ	01	10xx	A3A2A1A0		Read register A3A2A1A0
WRITE	01	01xx	A3A2A1A0	D15-D0	Write register A3A2A1A0
ERASE	01	11xx	A3A2A1A0		Erase register A3A2A1A0
EWEN	01	0011	xxxx		Erase/write enable
EWDS	01	0000	xxxx		Erase/write disable
ERAL	01	0010	xxxx		Erase all registers
WRAL	01	0001	xxxx	D15-D0	Write all registers

NMC9313B has 7 instructions as shown. Note that MSB of any given instruction is a "1" and is viewed as a start bit in the interface sequence. The next 8 bits carry the op code and the 4-bit address for 1 of 16, 16-bit registers.

X is a don't care state.

## Functional Description

The NMC9313B is a small peripheral memory intended for use with COPST<sup>™</sup> controllers and other non-volatile memory applications. Its organization is sixteen registers and each register is sixteen bits wide. The input and output pins are controlled by separate serial formats. Seven 10-bit instructions can be executed. The instruction format has a logical 0, 1 as start bits, four bits as an op code, and four bits of address. The on-chip programming-voltage generator allows the user to use a single power supply ( $V_{CC}$ ). Only during the read mode is the serial output (DO) pin valid. During all other modes the DO pin is in TRI-STATE<sup>®</sup>, eliminating bus contention.

### READ

The read instruction is the only instruction which outputs serial data on the DO pin. After a READ instruction is received, the instruction and address are decoded, followed by data transfer from the memory register into a 16-bit serial-out shift register. A dummy bit (logical '0') precedes the 16-bit data output string. Output data changes are initiated by a low to high transition of the SK clock.

### ERASE/WRITE ENABLE AND DISABLE

Programming must be preceded once by a programming enable (EWEN) instruction. Programming remains enabled until a programming disable (EWDS) instruction is executed. The programming disable instruction is provided to protect against accidental data disturb. Execution of a READ instruction is independent of both EWEN and EWDS instructions.

### ERASE (Note 4)

Like most E<sup>2</sup>PROMS, the register must first be erased (all bits set to 1s) before the register can be written (certain bits

set to 0s). After an ERASE instruction is input, CS is dropped low. This falling edge of CS determines the start of programming. The register at the address specified in the instruction is then set entirely to 1s. When the erase/write programming time ( $t_{E/W}$ ) constraint has been satisfied, CS is brought up for at least one SK period. A new instruction may then be input, or a low-power standby state may be achieved by dropping CS low.

### WRITE (Note 4)

The WRITE instruction is followed by 16 bits of data which are written into the specified address. This register must have been previously erased. Like any programming mode, erase/write time is determined by the low state of CS following the instruction. The on-chip high voltage section only generates high voltage during these programming modes, which prevents spurious programming during other modes. When CS rises to  $V_{IH}$ , the programming cycle ends. All programming modes should be ended with CS high for one SK period, or followed by another instruction.

### CHIP ERASE (Note 4)

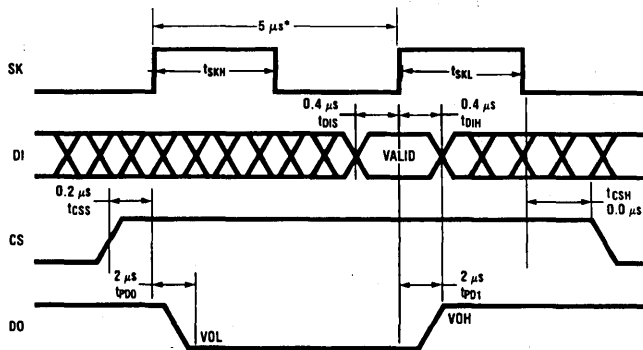
Entire chip erasing is provided for ease of programming. Erasing the chip means that all registers in the memory array have each bit set to a 1. Each register is then ready for a WRITE instruction.

### CHIP WRITE (Note 4)

All registers must be erased before a chip write operation. The chip write cycle is identical to the write cycle, except for the different op code. All registers are simultaneously written with the data pattern specified in the instruction.

**Note 4:** During a programming mode (write, erase, chip erase, chip write), SK clock is only needed while the actual instruction, i.e., start bit, op code, address and data, is being input. It can remain deactivated during the Erase/Write pulse width ( $t_{E/W}$ ).

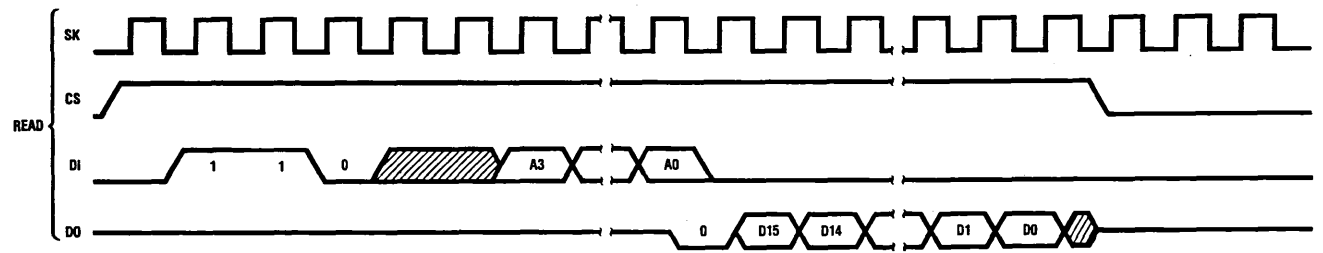
## Timing Diagrams



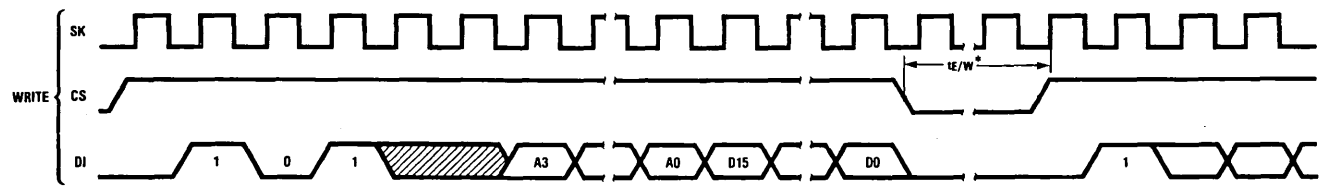
\*This is the minimum SK period

TL/D/9145-3

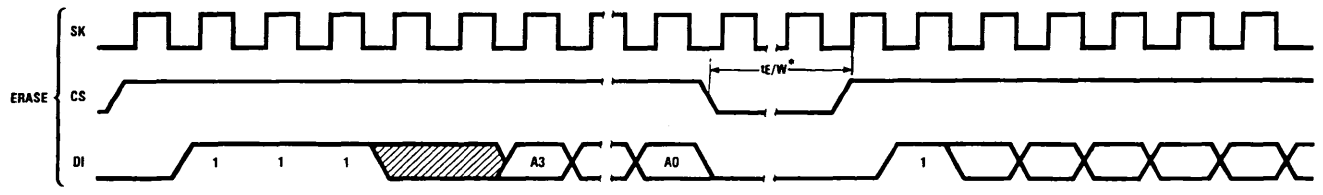
Synchronous Data Timing



TL/D/9145-4



TL/D/9145-5

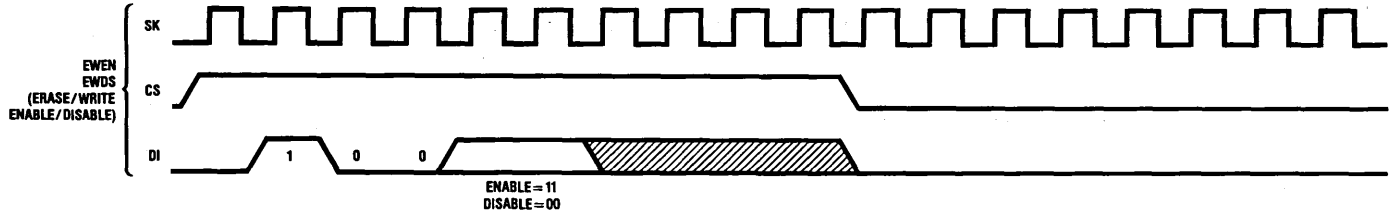


TL/D/9145-6

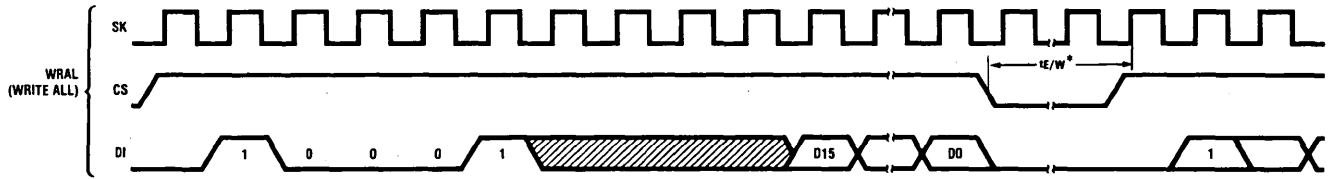
\* $t_{E/W}$  measured to rising edge of SK or CS, whichever occurs last.

Instruction Timing

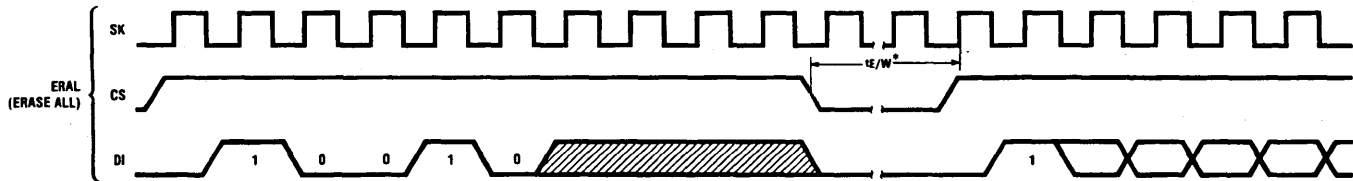
2-39



TL/D/9145-7



TL/D/9145-8



TL/D/9145-9

\* $t_{E/W}$  measured to rising edge of SK or CS, whichever occurs last.

Instruction Timing (Continued)

## NMC9346 1024-Bit Serial Electrically Erasable Programmable Memory

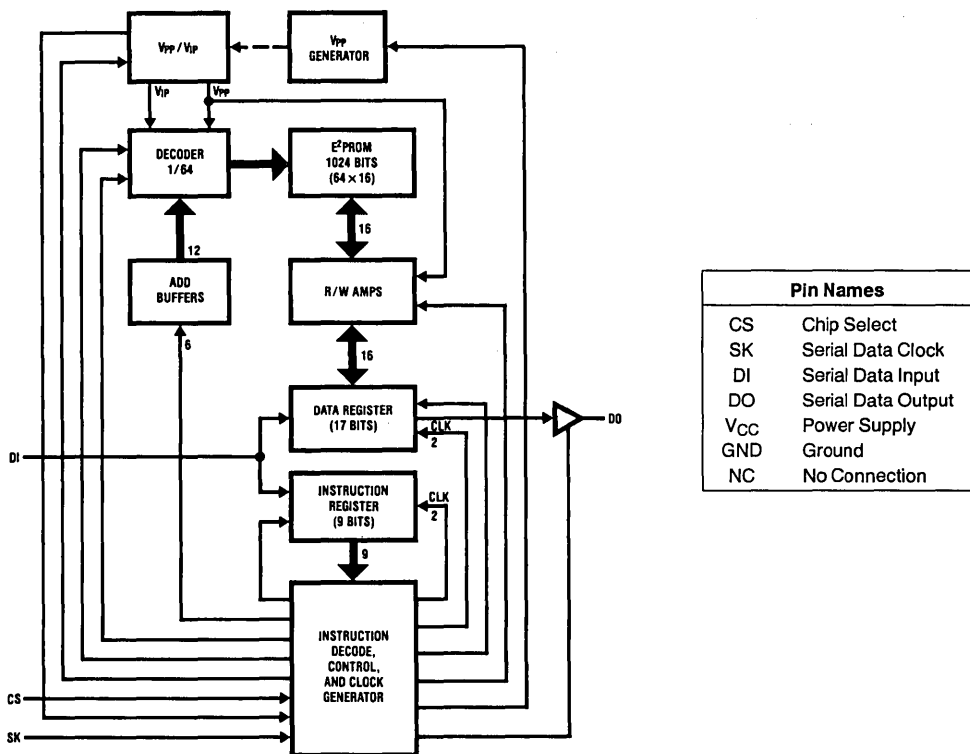
### General Description

The NMC9346 is a 1024-bit non-volatile, sequential E<sup>2</sup>PROM, fabricated using advanced N-channel E<sup>2</sup>PROM technology. It is an external memory with the 1024 bits of read/write memory divided into 64 registers of 16 bits each. Each register can be serially read or written by a COP400 controller, or a standard microprocessor. Written information is stored in a floating gate cell until updated by an erase and write cycle. The NMC9346 has been designed for applications requiring up to  $4 \times 10^4$  erase/write cycles per register. A power-down mode is provided by CS to reduce power consumption by 75 percent.

### Features

- Designed for 40,000 erase/write cycles
- 10 year data retention
- Low cost
- Single supply read/write/erase operations ( $5V \pm 10\%$ )
- TTL compatible
- 64 x 16 serial read/write memory
- MICROWIRE™ compatible serial I/O
- Simple interfacing
- Low standby power
- Non-volatile erase and write
- Reliable floating gate technology
- Self-timed programming cycle
- Device status signal during programming

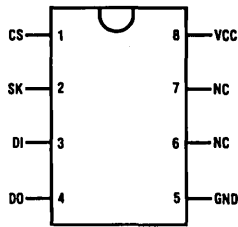
### Block Diagram



TL/D/9205-1

## Connection Diagrams

Dual-In-Line Package (N)

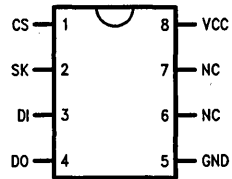


Top View

See NS Package Number N08E

TL/D/9205-2

8-Pin SO Package (M8)



Top View

See NS Package Number M08A  
Device Marking: 9346, 9346E

TL/D/9205-7

## Ordering Information

Commercial Temp. Range  
(0°C to +70°C)

Order Number
NMC9346N
NMC9346M8

Extended Temp. Range  
(-40°C to +85°C)

Order Number
NMC9346EN
NMC9346EM8

## Absolute Maximum Ratings

If Military/Aerospace specified devices are required, please contact the National Semiconductor Sales Office/Distributors for availability and specifications.

Voltage Relative to GND	+6V to -0.3V
Ambient Storage Temperature	-65°C to +125°C
Lead Temperature (Soldering, 10 seconds)	300°C
ESD rating.	2000V

## Operating Conditions

Ambient Storage Temperatures	NMC9346	0°C to +70°C
	NMC9346E	-40°C to +85°C
Positive Supply Voltage		4.5V to 5.5V

## DC and AC Electrical Characteristics $V_{CC} = 5V \pm 10\%$ unless otherwise specified

Symbol	Parameter	Part Number	Conditions	Min	Max	Units
$V_{CC}$	Operating Voltage	NMC9346, NMC9346E		4.5	5.5	V
$I_{CC1}$	Operating Current	NMC9346	$V_{CC} = 5.5V, CS = 1, SK = 1$		12	mA
	Erase/Write Operating Current		$V_{CC} = 5.5V$		12	mA
$I_{CC1}$	Operating Current	NMC9346E	$V_{CC} = 5.5V, CS = 1, SK = 1$		14	mA
	Erase/Write Operating Current		$V_{CC} = 5.5V$		14	mA



**DC and AC Electrical Characteristics**  $V_{CC} = 5V \pm 10\%$  unless otherwise specified (Continued)

Symbol	Parameter	Part Number	Conditions	Min	Max	Units
$I_{CC2}$	Standby Current	NMC9346	$V_{CC} = 5.5V, CS = 0$		3	mA
	Standby Current	NMC9346E	$V_{CC} = 5.5V, CS = 0$		4	mA
$V_{IL}$ $V_{IH}$	Input Voltage Levels	NMC9346, NMC9346E		-0.1	0.8	V
				2.0	$V_{CC} + 1$	V
$V_{OL}$ $V_{OH}$	Output Voltage Levels	NMC9346, NMC9346E	$I_{OL} = 2.1\text{ mA}$ $I_{OH} = -400\ \mu\text{A}$		0.4	V
				2.4		V
$I_{LI}$	Input Leakage Current	NMC9346, NMC9346E	$V_{IN} = 5.5V$		10	$\mu\text{A}$
$I_{LO}$	Output Leakage Current	NMC9346, NMC9346E	$V_{OUT} = 5.5V, CS = 0$		10	$\mu\text{A}$
$t_{SKH}$ $t_{SKL}$	SK Frequency	MMC9346		0	250	kHz
	SK High Time (Note 2)			1		$\mu\text{s}$
	SK Low Time (Note 2)			1		$\mu\text{s}$
	SK Frequency	MMC9346E		0	250	kHz
	SK High Time (Note 2)			1		$\mu\text{s}$
	SK Low Time (Note 2)			1		$\mu\text{s}$
$t_{CSS}$ $t_{CSH}$ $t_{DIS}$ $t_{DIH}$	Inputs	NMC9346, NMC9346E				
	CS			0.2		$\mu\text{s}$
				0		$\mu\text{s}$
	DI			0.4		$\mu\text{s}$
				0.4		$\mu\text{s}$
$t_{pd1}$ $t_{pd0}$	Output	NMC9346, NMC9346E	$C_L = 100\text{ pF}$ $V_{OL} = 0.8V, V_{OH} = 2.0V$		2	$\mu\text{s}$
	DO					
$t_{E/W}$	Self-Timed Program Cycle	NMC9346			10	ms
	Self-Timed Program Cycle	NMC9346E			10	ms
$t_{CS}$	Min CS Low Time (Note 3)	NMC9346, NMC9346E		1		$\mu\text{s}$
$t_{SV}$	Rising Edge of CS to Status Valid	NMC9346, NMC9346E	$C_L = 100\text{ pF}$		1	$\mu\text{s}$
$t_{OH}, t_{IH}$	Falling Edge of CS to DO TRI-STATE®	NMC9346, NMC9346E			0.4	$\mu\text{s}$

**Note 1:** Stress above those listed under "Absolute Maximum Ratings" may cause permanent damage to the device. This is a stress rating only and functional operation of the device at these or any other conditions above those indicated in the operational sections of the specification is not implied. Exposure to absolute maximum rating conditions for extended periods may affect device reliability.

**Note 2:** The SK frequency spec. specifies a minimum SK clock period of 4  $\mu\text{s}$ , therefore in an SK clock cycle  $t_{SKH} + t_{SKL}$  must be greater than or equal to 4  $\mu\text{s}$ . e.g., if  $t_{SKL} = 1\ \mu\text{s}$  then the minimum  $t_{SKH} = 3\ \mu\text{s}$  in order to meet the SK frequency specification.

**Note 3:** CS must be brought low for a minimum of 1  $\mu\text{s}$  ( $t_{CS}$ ) between consecutive instruction cycles.

\*Thruout this table "M" refers to temperature range (-55°C to +125°C), not package.

## Functional Description

The NMC9346 is a small peripheral memory intended for use with COPS™ controllers and other nonvolatile memory applications. The NMC9346 is organized as sixty-four registers and each register is sixteen bits wide. The input and output pins are controlled by separate serial formats. Seven 9-bit instructions can be executed. The instruction format has a logical '1' as a start bit, two bits as an op code, and six bits of address. The programming cycle is self-timed, with the data out (DO) pin indicating the ready/busy status of the chip. The on-chip programming voltage generator allows the user to use a single power supply ( $V_{CC}$ ). It only generates high voltage during the programming modes (write, erase, chip erase, chip write) to prevent spurious programming during other modes. The DO pin is valid as data out during the read mode, and if initiated, as a ready/busy status indicator during a programming cycle. During all other modes the DO pin is in TRI-STATE, eliminating bus contention.

### READ

The read instruction is the only instruction which outputs serial data on the DO pin. After a read instruction is received, the instruction and address are decoded, followed by data transfer from the memory register into a 16-bit serial-out shift register. A dummy bit (logical '0') precedes the 16-bit data output string. Output data changes are initiated by a low to high transition of the SK clock.

### ERASE/WRITE ENABLE AND DISABLE

When  $V_{CC}$  is applied to the part it powers up in the programming disable (EWDS) state, programming must be preceded by a programming enable (EWEN) instruction. Programming remains enabled until a programming disable (EWDS) instruction is executed or  $V_{CC}$  is removed from the part. The programming enable instruction (EWEN) is needed to keep the part in the enable state if the power supply ( $V_{CC}$ ) noise falls below operating range. The programming disable instruction is provided to protect against accidental data disturb. Execution of a read instruction is independent of both EWEN and EWDS instructions.

### ERASE (Note 4)

Like most E2PROMs, the register must first be erased (all bits set to logical '1') before the register can be written (cer-

tain bits set to logical '0'). After an erase instruction is input, CS is dropped low. This falling edge of CS determines the start of the self-timed programming cycle. If CS is brought high subsequently (after observing the  $t_{CS}$  specification), the DO pin will indicate the ready/busy status of the chip. The DO pin will go low if the chip is still programming. The DO pin will go high when all bits of the register at the address specified in the instruction have been set to a logical '1'. The part is now ready for the next instruction sequence.

### WRITE (Note 4)

The write instruction is followed by 16 bits of data to be written into the specified address. After the last bit of data (DO) is put on the data in (DI) pin CS must be brought low before the next rising edge of the SK clock. This falling edge of CS initiates the self-timed programming cycle. Like all programming modes, DO indicates the ready/busy status of the chip if CS is brought high after a minimum of  $1 \mu\text{S}$  ( $t_{CS}$ ). DO=logical '0' indicates that programming is still in progress. DO=logical '1' indicates that the register at the address specified in the instruction has been written with the data pattern specified in the instruction and the part is ready for another instruction. The register to be written into must have been previously erased.

### CHIP ERASE (Note 4)

Entire chip erasing is provided for ease of programming. Erasing the chip means that all registers in the memory array have each bit set to a logical '1'. Each register is then ready for a write instruction. The chip erase cycle is identical to the erase cycle except for the different op code.

### CHIP WRITE (Note 4)

All registers must be erased before a chip write operation. The chip write cycle is identical to the write cycle except for the different op code. All registers are simultaneously written with the data pattern specified in the instruction.

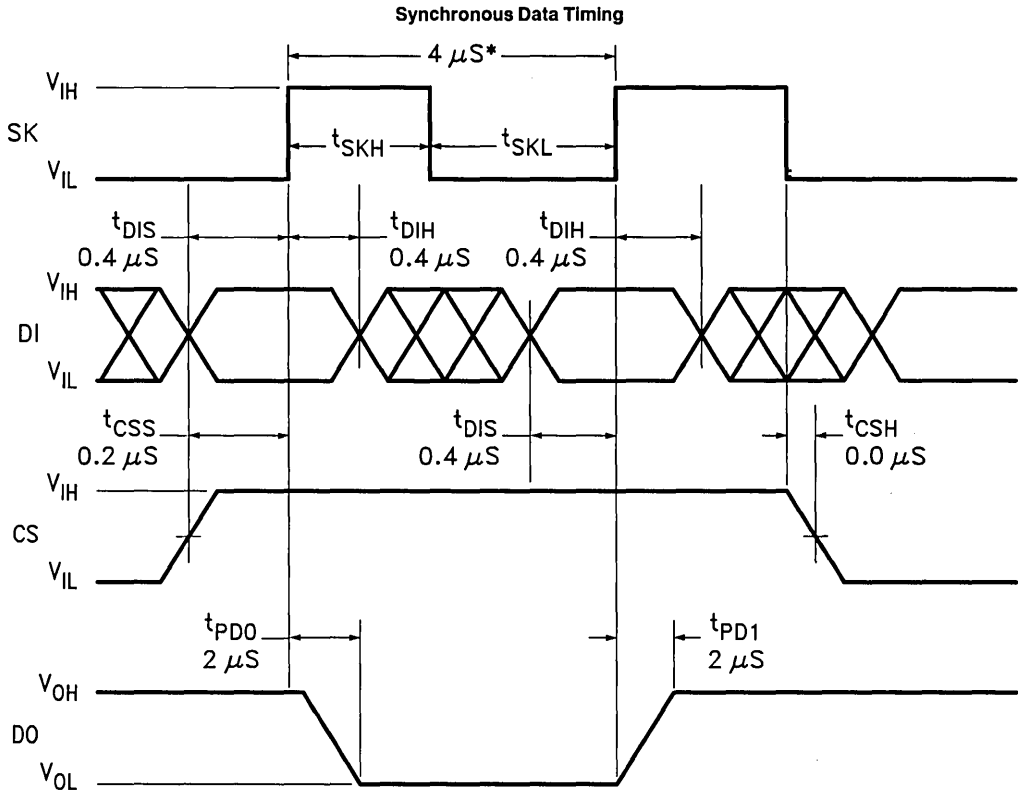
**Note 4:** During a programming mode (write, erase, chip erase, chip write), SK clock is only needed while the actual instruction, i.e., start bit, op code, address and data, is being input. It can remain deactivated during the self-timed programming cycle and status check.

## Instruction Set for NMC9346

Instruction	SB	Op Code	Address	Data	Comments
READ	1	10	A5A4A3A2A1A0		Read Register A5A4A3A2A1A0
WRITE	1	01	A5A4A3A2A1A0	D15-D0	Write Register A5A4A3A2A1A0
ERASE	1	11	A5A4A3A2A1A0		Erase Register A5A4A3A2A1A0
EWEN	1	00	11xxxx		Erase/Write Enable
EWDS	1	00	00xxxx		Erase/Write Disable
ERAL	1	00	10xxxx		Erase All Registers
WRAL	1	00	01xxxx	D15-D0	Write All Registers

NMC9346 has 7 instructions as shown. Note that the MSB of any given instruction is a "1" and is viewed as a start bit in the interface sequence. The next 8 bits carry the op code and the 6-bit address for 1 of 64, 16-bit registers.

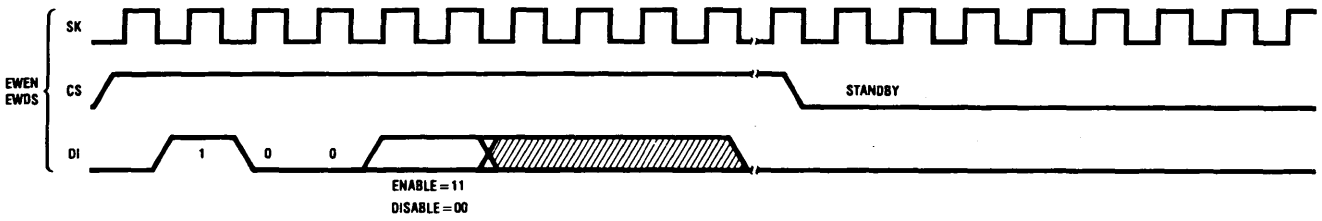
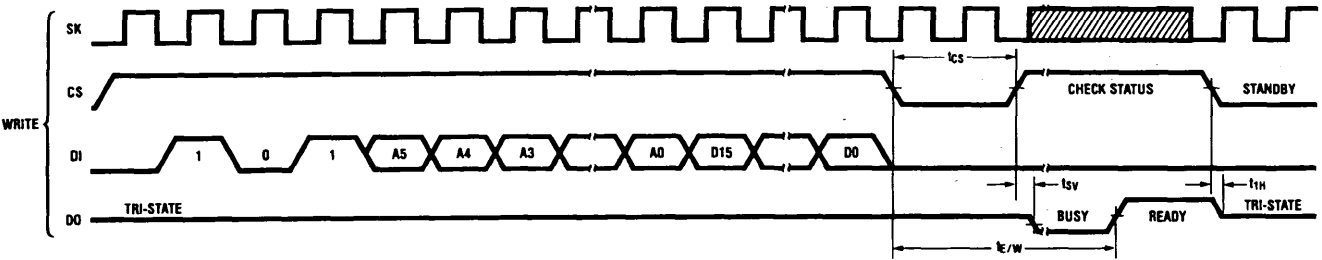
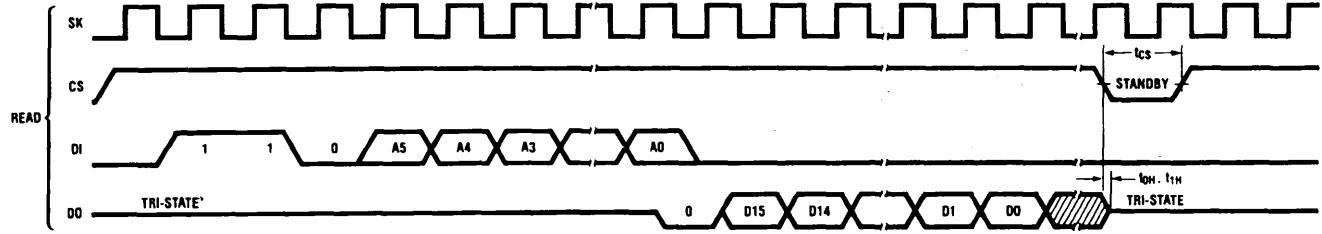
# Timing Diagrams



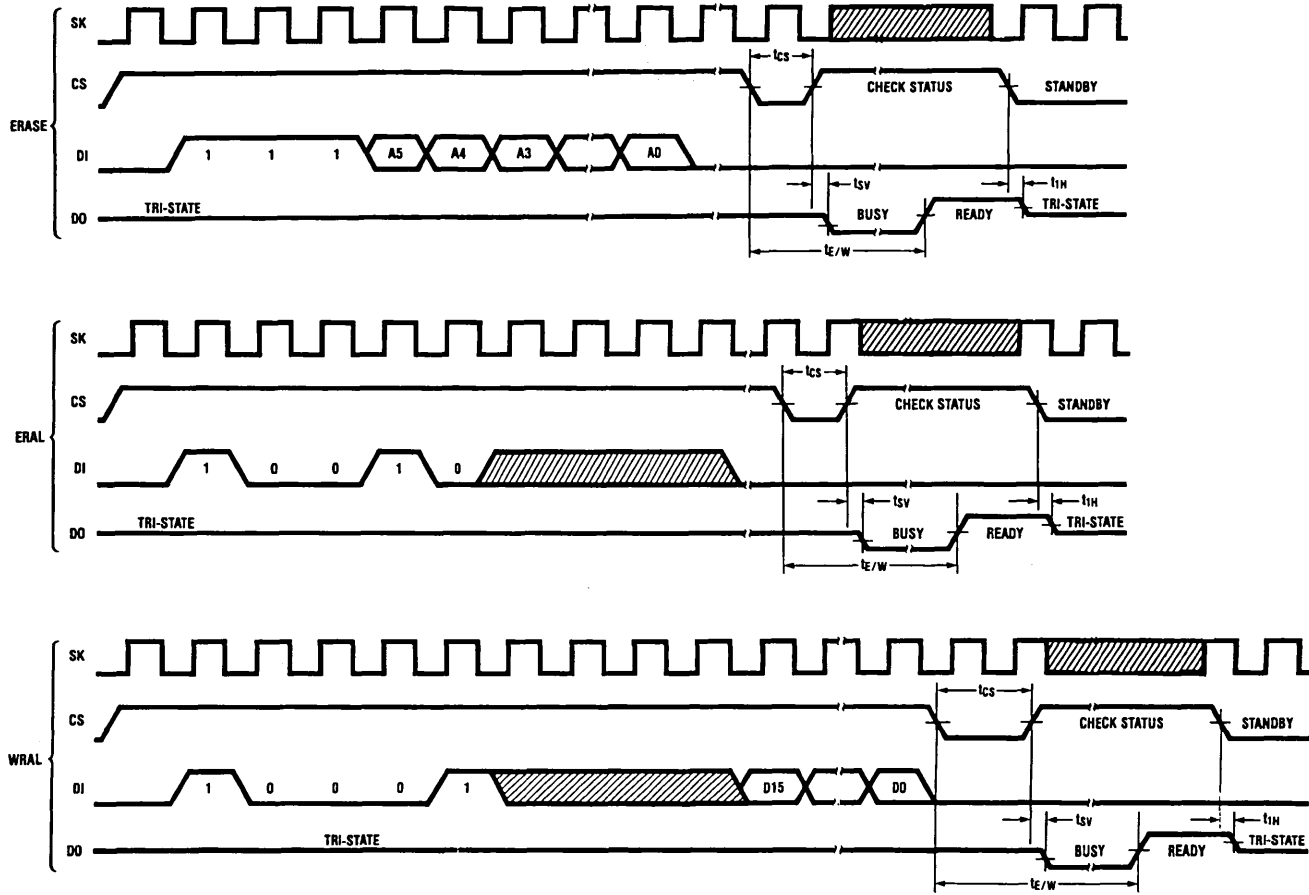
TL/D/9205-4

\*This is the minimum SK period (5 μs for NMC9306M)

Instruction Timing



Instruction Timing



TL/D/9205-6

2-47



# NMC9314B 1024-Bit Serial Electrically Erasable Programmable Memory

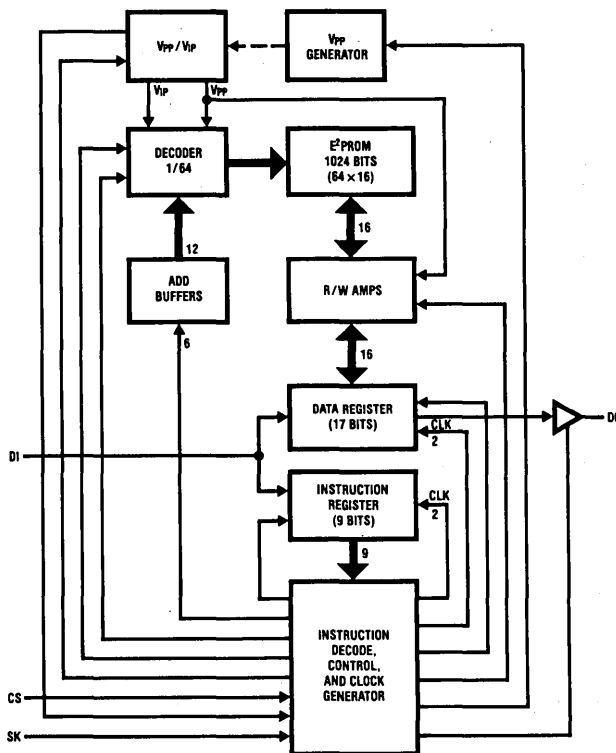
## General Description

The NMC9314B is a 1024-bit non-volatile, sequential E<sup>2</sup>PROM, fabricated using advanced N-channel E<sup>2</sup>PROM technology. It is an external memory with the 1024 bits of read/write memory divided into 64 registers of 16 bits each. Each register can be serially read or written by a COP400 controller, or a standard microprocessor. Written information is stored in a floating gate cell until updated by an erase and write cycle. The NMC9314B has been designed for applications requiring up to 10<sup>4</sup> erase/write cycles per register. A power-down mode is provided by CS to reduce power consumption by 75 percent.

## Features

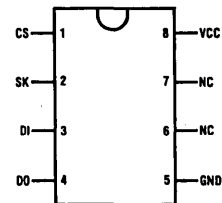
- 10,000 erase/write cycles
- 10 year data retention
- Low cost
- Single supply read/write/erase operations (5V ± 10%)
- TTL compatible
- 64 x 16 serial read/write memory
- MICROWIRE™ compatible serial I/O
- Simple interfacing
- Low standby power
- Non-volatile erase and write
- Reliable floating gate technology
- Self-timed programming cycle
- Device status signal during programming

## Block and Connection Diagrams



TL/D/9144-1

## Dual-In-Line Package (N)



TL/D/9144-2

## Top View

Order Number NMC9314N  
See NS Package N08E

## Pin Names

- CS Chip Select
- SK Serial Data Clock
- DI Serial Data Input
- DO Serial Data Output
- V<sub>CC</sub> Power Supply
- GND Ground
- NC Not Connected

**Absolute Maximum Ratings** (Note 1)

If Military/Aerospace specified devices are required, please contact the National Semiconductor Sales Office/Distributors for availability and specifications.

Voltage Relative to GND +6V to -0.3V  
Ambient Operating Temperature 0°C to +70°C

Ambient Storage Temp. -65°C to +125°C  
Lead Temperature (Soldering, 10 seconds) 300°C  
ESD Rating >2000V

**DC and AC Electrical Characteristics** 0°C ≤ T<sub>A</sub> ≤ 70°C, V<sub>CC</sub> = 5V ± 10% unless specified

Symbol	Parameter	Conditions	Min	Max	Units
V <sub>CC</sub>	Operating Voltage		4.5	5.5	V
I <sub>CC1</sub>	Operating Current	V <sub>CC</sub> = 5.5V, CS = 1, SK = 1		17	mA
	Erase/Write Operating Current	V <sub>CC</sub> = 5.5V		17	mA
I <sub>CC2</sub>	Standby Current	V <sub>CC</sub> = 5.5V, CS = 0		5	mA
V <sub>IL</sub>	Input Voltage Levels		-0.1	0.8	V
V <sub>IH</sub>			2.0	V <sub>CC</sub> + 0.5	V
V <sub>OL</sub>	Output Voltage Levels	I <sub>OL</sub> = 2.1 mA I <sub>OH</sub> = -400 μA	2.4	0.4	V
V <sub>OH</sub>					V
I <sub>LI</sub>	Input Leakage Current	V <sub>IN</sub> = 5.5V		10	μA
I <sub>LO</sub>	Output Leakage Current	V <sub>OUT</sub> = 5.5V, CS = 0		10	μA
t <sub>SKH</sub>	SK Frequency		0	200	kHz
	SK High Time (Note 2)		3		μs
t <sub>SKL</sub>	SK Low Time (Note 2)		2		μs
t <sub>CSS</sub>	Inputs		0.2		μs
	CS		0		μs
t <sub>CSH</sub>	DI		0.4		μs
t <sub>DIS</sub>			0.4		μs
t <sub>DIH</sub>			0.4		μs
t <sub>pd1</sub>	Output	C <sub>L</sub> = 100 pF V <sub>OL</sub> = 0.8V, V <sub>OH</sub> = 2.0V V <sub>IL</sub> = 0.45V, V <sub>IH</sub> = 2.40V		2	μs
t <sub>pd0</sub>				2	μs
t <sub>E/W</sub>	Self-Timed Program Cycle			15	ms
t <sub>CS</sub>	Min CS Low Time (Note 3)		1		μs
t <sub>SV</sub>	Rising Edge of CS to Status Valid	C <sub>L</sub> = 100 pF		1	μs
t <sub>0H</sub> , t <sub>1H</sub>	Falling Edge of CS to DO TRI-STATE®			0.4	μs

**Note 1:** Stress above those listed under "Absolute Maximum Ratings" may cause permanent damage to the device. This is a stress rating only and functional operation of the device at these or any other conditions above those indicated in the operational sections of the specification is not implied. Exposure to absolute maximum rating conditions for extended periods may affect device reliability.

**Note 2:** The SK frequency spec. specifies a minimum SK clock period of 5 μs, therefore in an SK clock cycle t<sub>SKH</sub> + t<sub>SKL</sub> must be greater than or equal to 5 μs. e.g., if t<sub>SKL</sub> = 2 μs then the minimum t<sub>SKH</sub> = 3 μs in order to meet the SK frequency specification.

**Note 3:** CS must be brought low for a minimum of 1 μs (t<sub>CS</sub>) between consecutive instruction cycles.

**Instruction Set for NMC9314B**

Instruction	SB	Op Code	Address	Data	Comments
READ	1	10	A5A4A3A2A1A0		Read register A5A4A3A2A1A0
WRITE	1	01	A5A4A3A2A1A0	D15-D0	Write register A5A4A3A2A1A0
ERASE	1	11	A5A4A3A2A1A0		Erase register A5A4A3A2A1A0
EWEN	1	00	11xxxx		Erase/write enable
EWDS	1	00	00xxxx		Erase/write disable
ERAL	1	00	10xxxx		Erase all registers
WRAL	1	00	01xxxx	D15-D0	Write all registers

NMC9314B has 7 instructions as shown. Note that the MSB of any given instruction is a "1" and is viewed as a start bit in the interface sequence. The next 8 bits carry the op code and the 6-bit address for 1 of 64, 16-bit registers.

## Functional Description

The NMC9314B is a small peripheral memory intended for use with COPST<sup>™</sup> controllers and other nonvolatile memory applications. Its organization is sixty-four registers and each register is sixteen bits wide. The input and output pins are controlled by separate serial formats. Seven 9-bit instructions can be executed. The instruction format has a logical '1' as a start bit, two bits as an op code, and six bits of address. The programming cycle is self-timed, with the data out (DO) pin indicating the ready/busy status of the chip. The on-chip programming voltage generator allows the user to use a single power supply ( $V_{CC}$ ). It only generates high voltage during the programming modes (write, erase, chip erase, chip write). The DO pin is valid as data out during the read mode, and if initiated, as a ready/busy status indicator during a programming cycle. During all other modes the DO pin is in TRI-STATE, eliminating bus contention.

### READ

The read instruction is the only instruction which outputs serial data on the DO pin. After a read instruction is received, the instruction and address are decoded, followed by data transfer from the memory register into a 16-bit serial-out shift register. A dummy bit (logical '0') precedes the 16-bit data output string. Output data changes are initiated by a low to high transition of the SK clock.

### ERASE/WRITE ENABLE AND DISABLE

When  $V_{CC}$  is applied to the part it powers up in the programming disable (EWDS) state, programming must be preceded by a programming enable (EWEN) instruction. Programming remains enabled until a programming disable (EWDS) instruction is executed or  $V_{CC}$  is removed from the part. The programming disable instruction is provided to protect against accidental data disturb. Execution of a read instruction is independent of both EWEN and EWDS instructions.

### ERASE (Note 4)

Like most E<sup>2</sup>PROMs, the register must first be erased (all bits set to logical '1') before the register can be written (certain bits set to logical '0'). After an erase instruction is input, CS is dropped low. This falling edge of CS determines

the start of the self-timed programming cycle. If CS is brought high subsequently (after observing the  $t_{CS}$  specification), the DO pin will indicate the ready/busy status of the chip. The DO pin will go low if the chip is still programming. The DO pin will go high when all bits of the register at the address specified in the instruction have been set to a logical '1'. The part is now ready for the next instruction sequence.

### WRITE (Note 4)

The write instruction is followed by 16 bits of data to be written into the specified address. After the last bit of data (DO) is put on the data in (DI) pin CS must be brought low before the next rising edge of the SK clock. This falling edge of CS initiates the self-timed programming cycle. Like all programming modes, DO indicates the ready/busy status of the chip if CS is brought high after a minimum of  $1 \mu\text{s}$  ( $t_{CS}$ ). DO = logical '0' indicates that programming is still in progress. DO = logical '1' indicates that the register at the address specified in the instruction has been written with the data pattern specified in the instruction and the part is ready for another instruction. The register to be written into must have been previously erased.

### CHIP ERASE (Note 4)

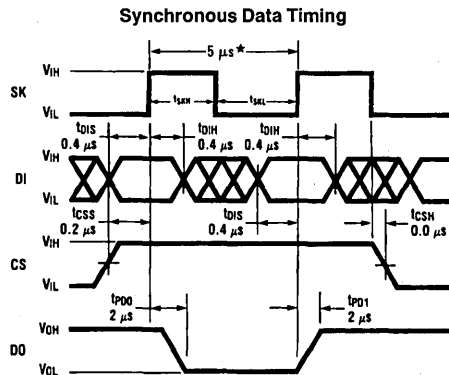
Entire chip erasing is provided for ease of programming. Erasing the chip means that all registers in the memory array have each bit set to a logical '1'. Each register is then ready for a write instruction. The chip erase cycle is identical to the erase cycle except for the different op code.

### CHIP WRITE (Note 4)

All registers must be erased before a chip write operation. The chip write cycle is identical to the write cycle except for the different op code. All registers are simultaneously written with the data pattern specified in the instruction.

**Note 4:** During a programming mode (write, erase, chip erase, chip write), SK clock is only needed while the actual instruction, i.e., start bit, op code, address and data, is being input. It can remain deactivated during the self-timed programming cycle and status check.

## Timing Diagrams

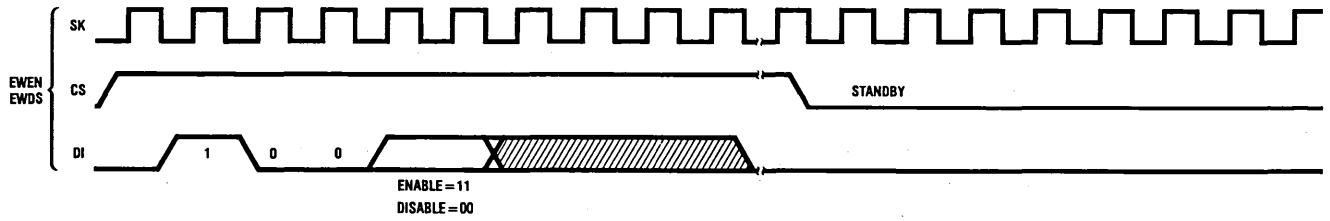
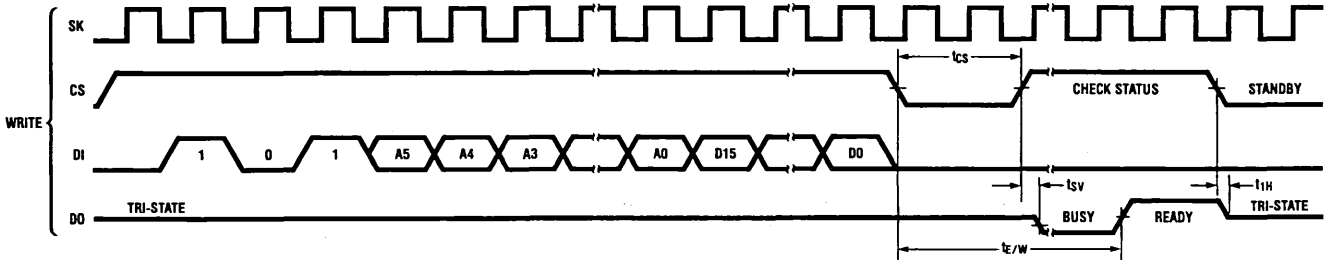
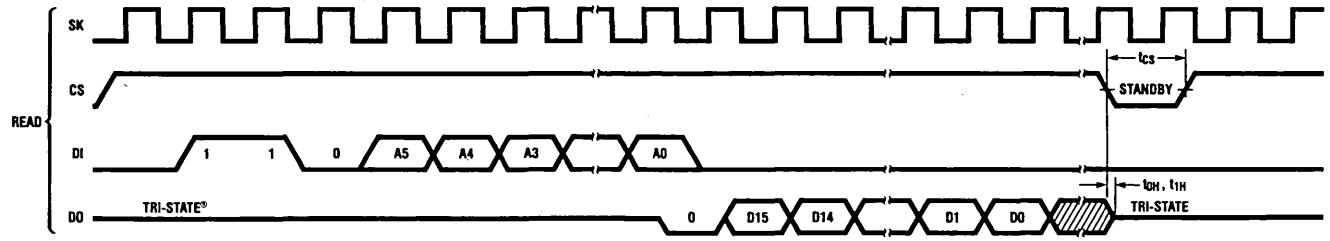


\*This is the minimum SK period.

TL/D/9144-3



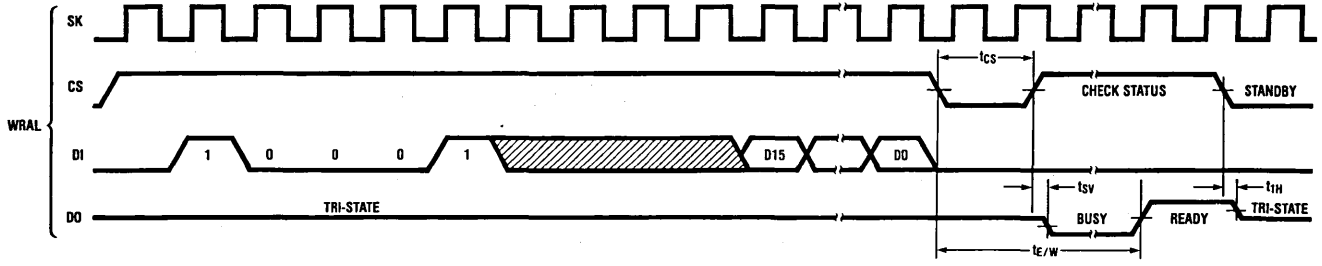
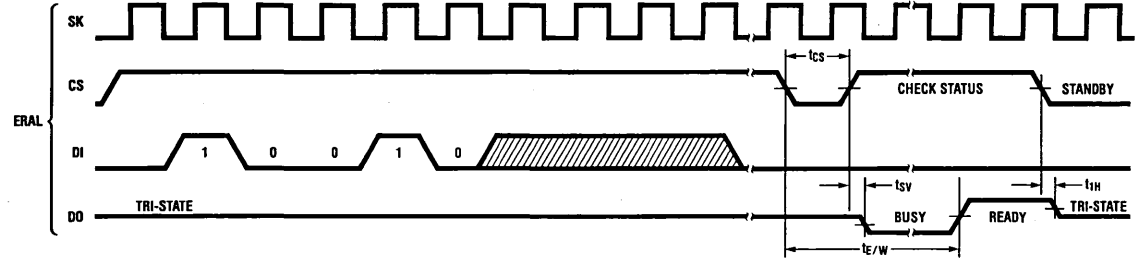
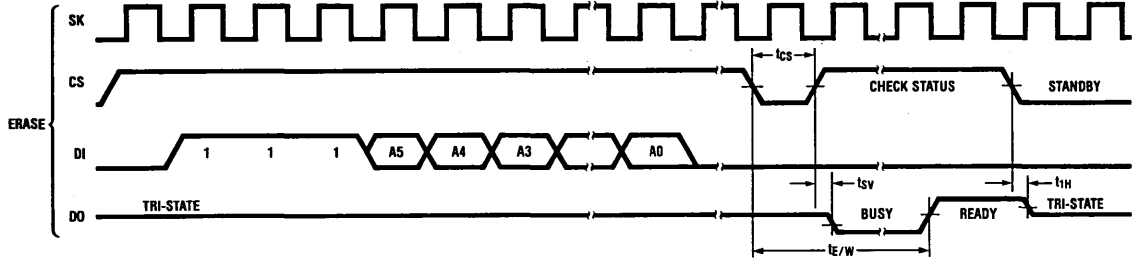
Instruction Timing



TL/D/9144-4

2-51

Instruction Timing



# NMC93C56/C66 2048-Bit/4096-Bit Serial Electrically Erasable Programmable Memories

## General Description

The NMC93C56/NMC93C66 are 2048/4096 bits of CMOS electrically erasable memory divided into 128/256 16-bit registers. They are fabricated using National Semiconductor's floating-gate CMOS process for high speed and low power. They operate from a single 5V supply since  $V_{PP}$  is generated on-board. The serial organization allow the NMC93C56/66 to be packaged in an 8-pin DIP or 14-pin SO package to save board space.

The memories feature a serial interface with the instruction, address, and write data, input on the Data-In (DI) pin. All read data and device status come out on the Data-Out (DO) pin. A low-to-high transition of shift clock (SK) shifts all data in and out. This serial interface is MICROWIRE™ compatible for simple interface to standard microcontrollers and microprocessors. There are 7 instructions: Read, Erase/Write Enable, Erase, Erase All, Write, Write All, and Erase/Write Disable. The NMC93C56/66 do not require an erase cycle prior to the Write and Write All instructions. The Erase and Erase All instructions are available to maintain complete read and programming capability with the NMOS NMC9346. All programming cycles are completely self-timed for simplified operation. The busy status is available on the DO pin to indicate the completion of a programming cycle. EEPROMs are shipped in the erased state where all bits are logical 1's.

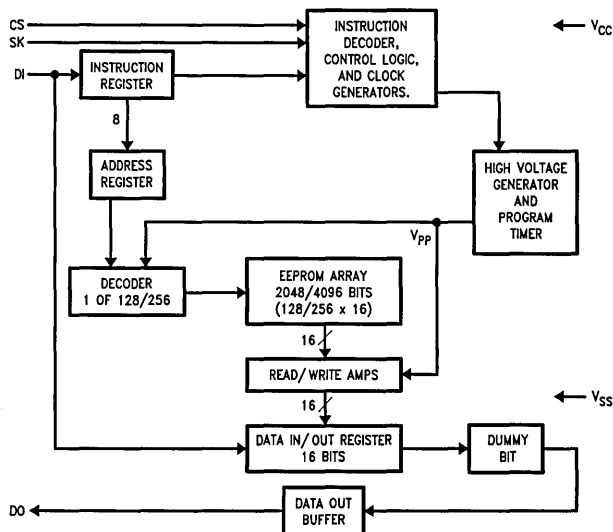
## Compatibility with Other Devices

These memories are pin compatible to National Semiconductor's NMOS EEPROMs, NMC9306 and NMC9346 and CMOS EEPROMs NMC93C06/46. The NMC93C56/66 are both pin and function compatible with the NMC93C06/46, 256/1024-bit EEPROM with the one exception that the NMC93C56/66 require 2 additional address bits.

## Features

- Typical active current 400  $\mu$ A; Typical standby current 25  $\mu$ A
- Reliable CMOS floating gate technology
- 5V only operation in all modes
- MICROWIRE compatible serial I/O
- Self-timed programming cycle
- Device status signal during programming mode
- Sequential register read
- Over 40 years data retention
- Designed for 100,000 write cycles

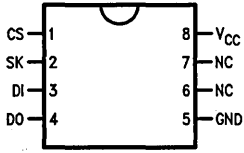
## Block Diagram



TL/D/9617-1

## Connection Diagrams

Dual-In-Line Package (N)



TL/D/9617-2

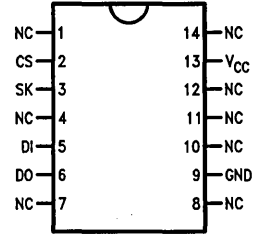
Top View

See NS Package Number N08E

Pin Names

CS	Chip Select
SK	Serial Data Clock
DI	Serial Data Input
DO	Serial Data Output
GND	Ground
VCC	Power Supply

SO Package (M)



TL/D/9617-3

Top View

See NS Package Number M14A

## Ordering Information

### Commercial Temp. Range (0°C to +70°C)

Order Number
NMC93C56N/NMC93C66N
NMC93C56M/NMC93C66M

### Extended Temp. Range (-40°C to +85°C)

Order Number
NMC93C56EN/NMC93C66EN
NMC93C56EM/NMC93C66EM

### Military Temp. Range (-55°C to +125°C)

Order Number
NMC93C56MN/NMC93C66MN
NMC93C56MM/NMC93C66MM

### Absolute Maximum Ratings (Note 1)

If Military/Aerospace specified devices are required, please contact the National Semiconductor Sales Office/Distributors for availability and specifications.

Ambient Storage Temperature	-65°C to +150°C
All Input or Output Voltages with Respect to Ground	+6.5V to -0.3V
Lead Temp. (Soldering, 10 sec.)	+300°C
ESD Rating	2000V

### Operating Conditions

Ambient Operating Temperature	0°C to +10°C
NMC93C56/NMC93C66	-40°C to +85°C
NMC93C56E/NMC93C66E	
NMC93C56M/NMC93C66M	-55°C to +125°C
(Mil. Temp.)	
Positive Power Supply	4.5V to 5.5V

### DC and AC Electrical Characteristics $V_{CC} = 5V \pm 10\%$ (unless otherwise specified)

Symbol	Parameter	Part Number	Conditions	Min	Max	Units
$I_{CC1}$	Operating Current CMOS Input Levels	NMC93C56/NMC93C66	CS = $V_{IH}$ , SK = 1 MHz		2	mA
		NMC93C56E/NMC93C66E	SK = 0.5 MHz		2	
		NMC93C56M/NMC93C66M*	SK = 0.5 MHz		2	
$I_{CC2}$	Operating Current TTL Input Levels	NMC93C56/NMC93C66	CS = $V_{IH}$ , SK = 1 MHz		3	mA
		NMC93C56E/NMC93C66E	SK = 0.5 MHz		3	
		NMC93C56M/NMC93C66M	SK = 0.5 MHz		4	
$I_{CC3}$	Standby Current	NMC93C56/NMC93C66	CS = 0V		50	$\mu$ A
		NMC93C56E/NMC93C66E			100	
		NMC93C56M/NMC93C66M			100	
$I_{IL}$	Input Leakage	NMC93C56/NMC93C66	$V_{IN} = 0V$ to $V_{CC}$	-2.5	2.5	$\mu$ A
		NMC93C56E/NMC93C66E		-10	10	
		NMC93C56M/NMC93C66M		-10	10	
$I_{OL}$	Output Leakage	NMC93C56/NMC93C66	$V_{IN} = 0V$ to $V_{CC}$	-2.5	2.5	$\mu$ A
		NMC93C56E/NMC93C66E		-10	10	
		NMC93C56M/NMC93C66M		-10	10	
$V_{IL}$ $V_{IH}$	Input Low Voltage Input High Voltage			-0.1	0.8	V
				2	$V_{CC} + 1$	V
$V_{OL1}$	Output Low Voltage	NMC93CS56/NMC93C566	$I_{OL} = 2.1$ mA		0.4	V
		NMC93CS56E/NMC93C566E	$I_{OL} = 2.1$ mA		0.4	
		NMC93CS56M/NMC93C566M	$I_{OL} = 1.8$ mA		0.4	
$V_{OH1}$	Output High Voltage		$I_{OH} = 400$ $\mu$ A	2.4		V
$V_{OL2}$ $V_{OH2}$	Output Low Voltage Output High Voltage		$I_{OL} = 10$ $\mu$ A		0.2	V
			$I_{OH} = -10$ $\mu$ A	$V_{CC} - 0.2$		V
$f_{SK}$	SK Clock Frequency	NMC93C56/NMC93C66		0	1	MHz
		NMC93C56E/NMC93C66E		0	0.5	
		NMC93C56M/NMC93C66M		0	0.5	
$t_{SKH}$	SK High Time	NMC93C56/NMC93C66	(Note 2)	250		ns
		NMC93C56E/NMC93C66E	(Note 3)	500		
		NMC93C56M/NMC93C66M	(Note 3)	500		
$t_{SKL}$	SK Low Time	NMC93C56/NMC93C66	(Note 2)	250		ns
		NMC93C56E/NMC93C66E	(Note 3)	500		
		NMC93C56M/NMC93C66M	(Note 3)	500		
$t_{CS}$	Minimum CS Low Time	NMC93C56/NMC93C66	(Note 4)	250		ns
		NMC93C56E/NMC93C66E	(Note 5)	500		
		NMC93C56M/NMC93C66M	(Note 5)	500		
$t_{CSS}$	CS Setup Time	NMC93C56/NMC93C66	Relative to SK	50		ns
		NMC93C56E/NMC93C66E		100		
		NMC93C56M/NMC93C66M		100		

\*Note: Throughout this table "M" refers to temperature range (-55°C to +125°C), not package type.

**DC and AC Electrical Characteristics**  $V_{CC} = 5V \pm 10\%$  (unless otherwise specified) (Continued)

Symbol	Parameter	Part Number	Conditions	Min	Max	Units
$t_{DIS}$	DI Setup Time	NMC93C56/NMC93C66 NMC93C56E/NMC93C66E NMC93C56M/NMC93C66M	Relative to SK	100 200 200		ns
$t_{CSH}$	CS Hold Time		Relative to SK	0		ns
$t_{DIH}$	DI Hold Time	NMC93C56/NMC93C66 NMC93C56E/NMC93C66E NMC93C56M/NMC93C66M	Relative to SK	100 200 200		ns
$t_{PD1}$	Output Delay to "1"	NMC93C56/NMC93C66 NMC93C56E/NMC93C66E NMC93C56M/NMC93C66M	AC Test		500 1000 1000	ns
$t_{PD0}$	Output Delay to "0"	NMC93C56/NMC93C66 NMC93C56E/NMC93C66E NMC93C56M/NMC93C66M	AC Test		500 1000 1000	ns
$t_{SV}$	CS to Status Valid	NMC93C56/NMC93C66 NMC93C56E/NMC93C66E NMC93C56M/NMC93C66M	AC Test		500 1000 1000	ns
$t_{DF}$	CS to DO in TRI-STATE®	NMC93C56/NMC93C66 NMC93C56E/NMC93C66E NMC93C56M/NMC93C66M	AC Test CS = $V_{IL}$		100 200 200	ns
$t_{WP}$	Write Cycle Time				10	ms

**Note 1:** Stress above those listed under "Absolute Maximum Ratings" may cause permanent damage to the device. This is a stress rating only and functional operation of the device at these or any other conditions above those indicated in the operational sections of the specification is not implied. Exposure to absolute maximum rating conditions for extended periods may affect device reliability.

**Note 2:** The SK frequency specification for Commercial parts specifies a minimum SK clock period of 1  $\mu$ s, therefore in an SK clock cycle  $t_{SKH} + t_{SKL}$  must be greater than or equal to 1  $\mu$ s. For example if  $t_{SKL} = 250$  ns then the minimum  $t_{SKH} = 750$  ns in order to meet the SK frequency specification.

**Note 3:** The SK frequency specification for Extended Temperature and Military parts specifies a minimum SK clock period of 2  $\mu$ s, therefore in an SK clock cycle  $t_{SKH} + t_{SKL}$  must be greater than or equal to 2  $\mu$ s. For example, if the  $t_{SKL} = 500$  ns then the minimum  $t_{SKH} = 1.5$   $\mu$ s in order to meet the SK frequency specification.

**Note 4:** For Commercial parts CS must be brought low for a minimum of 250 ns ( $t_{CS}$ ) between consecutive instruction cycles.

**Note 5:** For Extended Temperature and Military parts CS must be brought low for a minimum of 500 ns ( $t_{CS}$ ) between consecutive instruction cycles.

**Note 6:** This parameter is periodically sampled and not 100% tested.

**Capacitance** (Note 6)
 $T_A = 25^\circ\text{C}$   $f = 1$  MHz

Symbol	Test	Typ	Max	Units
$C_{OUT}$	Output Capacitance		5	pF
$C_{IN}$	Input Capacitance		5	pF

**AC Test Conditions**

Output Load	1 TTL Gate and $C_L = 100$ pF
Input Pulse Levels	0.4V to 2.4V
Timing Measurement Reference Level	
Input	1V and 2V
Output	0.8V and 2V

## Functional Description

The NMC93C56 and NMC93C66 have 7 instructions as described below. Note that the MSB of any instruction is a "1" and is viewed as a start bit in the interface sequence. The next 10-bits carry the op code and the 8-bit address for register selection.

### Read (READ):

The Read (READ) instruction outputs serial data on the DO pin. After a READ instruction is received, the instruction and address are decoded, followed by data transfer from the selected memory register into a 16-bit serial-out shift register. A dummy bit (logical 0) precedes the 16-bit data output string. Output data changes are initiated by a low to high transition of the SK clock.

### Erase/Write Enable (EWEN):

When  $V_{CC}$  is applied to the part, it powers up in the Erase/Write Disable (EWDS) state. Therefore, all programming modes must be preceded by an Erase/Write Enable (EWEN) instruction. Once an Erase/Write Enable instruction is executed, programming remains enabled until an Erase/Write Disable (EWDS) instruction is executed or  $V_{CC}$  is removed from the part.

### Erase (ERASE):

The ERASE instruction will program all bits in the specified register to the logical '1' state. CS is brought low following the loading of the last address bit. This falling edge of the CS pin initiates the self-timed programming cycle.

The DO pin indicates the READY/BUSY status of the chip if CS is brought high after a minimum of 250 ns ( $t_{CS}$ ). DO = logical '0' indicates that programming is still in progress. DO = logical '1' indicates that the register, at the address specified in the instruction, has been erased, and the part is ready for another instruction.

### Write (WRITE):

The Write (WRITE) instruction is followed by 16 bits of data to be written into the specified address. After the last bit of data is put on the data-in (DI) pin, CS must be brought low before the next rising edge of the SK clock. This falling edge of CS initiates the self-timed programming cycle. The DO pin indicates the READY/BUSY status of the chip if CS is brought high after a minimum of 250 ns ( $t_{CS}$ ). DO = logical 0 indicates that programming is still in progress. DO = logical 1 indicates that the register at the address specified in the instruction has been written with the data pattern specified in the instruction and the part is ready for another instruction.

### Erase All (ERAL):

The ERAL instruction will simultaneously program all registers in the memory array and set each bit to the logical '1' state. The Erase All cycle is identical to the ERASE cycle except for the different op-code. As in the ERASE mode, the DO pin indicates the READY/BUSY status of the chip if CS is brought high after a minimum of 250 ns ( $t_{CS}$ ).

### Write All (WRAL):

The (WRAL) instruction will simultaneously program all registers with the data pattern specified in the instruction. As in the WRITE mode, the DO pin indicates the READY/BUSY status of the chip if CS is brought high after a minimum of 250 ns ( $t_{CS}$ ).

### Erase/Write Disable (EWDS):

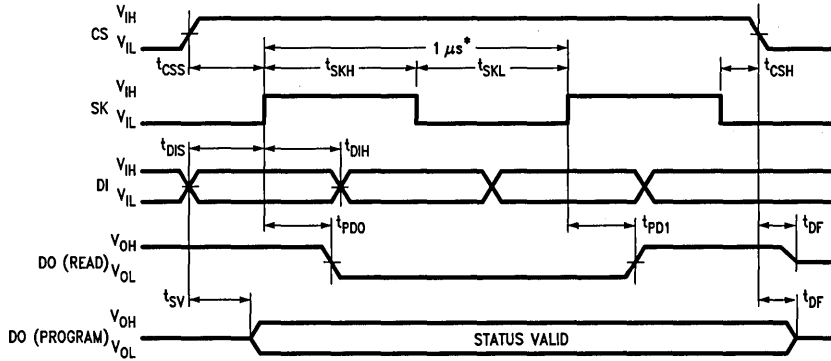
To protect against accidental data disturb, the Erase/Write Disable (EWDS) instruction disables all programming modes and should follow all programming operations. Execution of a READ instruction is independent of both the EWEN and EWDS instructions.

## Instruction Set for the NMC93C56 and NMC93C66

Instruction	SB	Op Code	Address	Data	Comments
READ	1	10	A7-A0		Reads data stored in memory.
EWEN	1	00	11XXXXXX		Write enable must precede all programming modes.
ERASE	1	11	A7-A0		Erase register A7A6A5A4A3A2A1A0.
ERAL	1	00	10XXXXXX		Erases all registers.
WRITE	1	01	A7-A0	D15-D0	Writes register if address is unprotected.
WRAL	1	00	01XXXXXX	D15-D0	Writes all registers. Valid only when Protect Register is cleared.
EWDS	1	00	00XXXXXX		Disables all programming instructions.

# Timing Diagrams

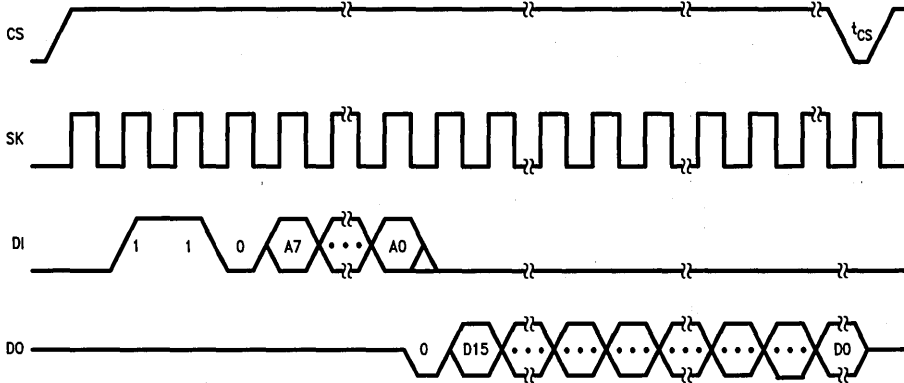
## Synchronous Data Timing



TL/D/9617-4

\*This is the minimum SK period (Note 2).

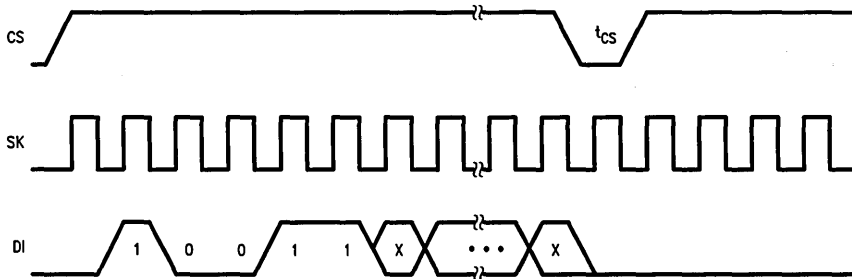
### READ:



TL/D/9617-5

\*Address bit A7 becomes a "don't care" for NMC93C56.

### EWEN:

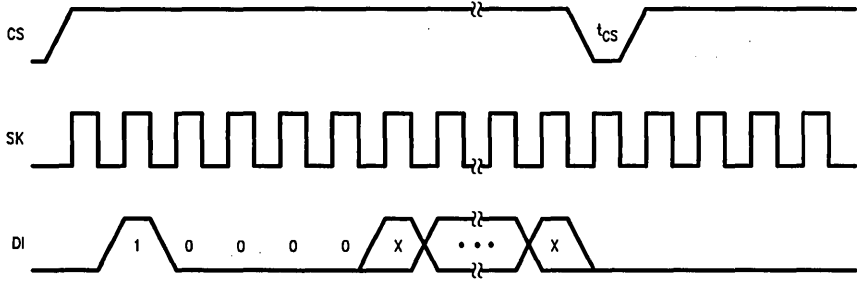


TL/D/9617-6



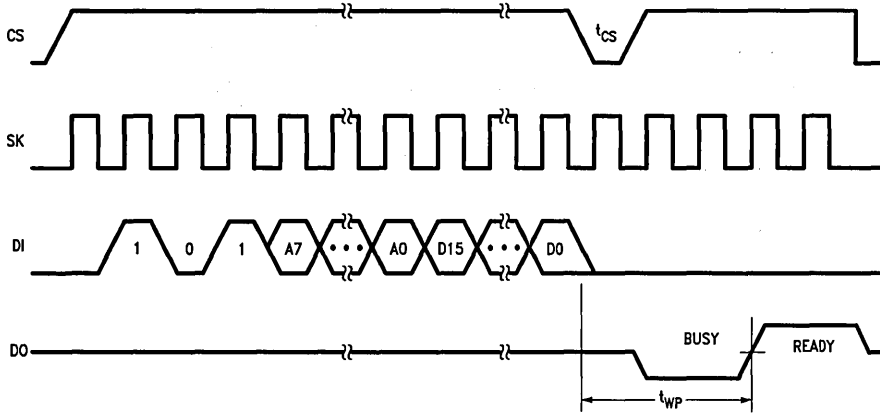
Timing Diagrams (Continued)

EWDS:



TL/D/9617-7

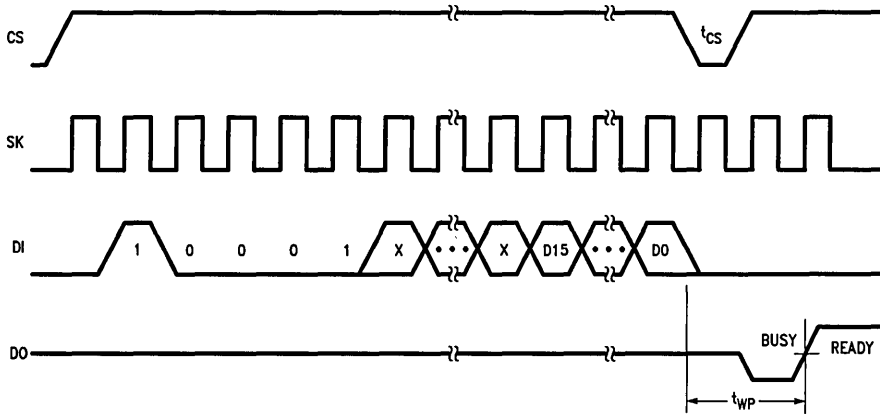
WRITE:



TL/D/9617-8

\*Address bit A<sub>7</sub> becomes a "don't care" for NMC93C56.

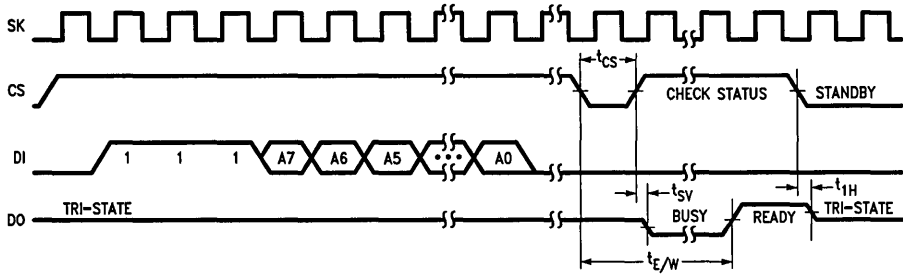
WRAL:



TL/D/9617-9

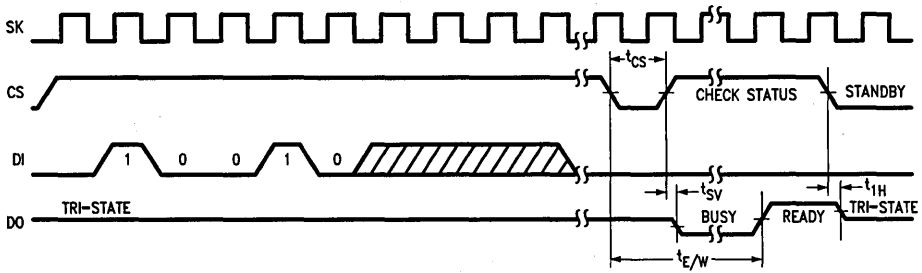
Timing Diagrams (Continued)

ERASE:



TL/D/9617-10

ERAL:



TL/D/9617-11

# NMC93CS56/CS66 2048-Bit/4096-Bit Serial Electrically Erasable Programmable Memories

## General Description

The NMC93CS56/NMC93CS66 are 2048/4096 bits of read/write memory divided into 128/256 registers of 16 bits each. N registers ( $N \leq 128$  or  $N \leq 256$ ) can be protected against data modification by programming into a special on-chip register, called the memory "protect register", the address of the first register to be protected. This address can be "locked" into the device, so that these registers can be permanently protected. Thereafter, all attempts to alter data in a register whose address is equal to or greater than the address stored in the "protect register" will be aborted.

The "read" instruction loads the address of the first register to be read into an 8-bit address pointer. Then the data is clocked out serially on the "DO" pin and automatically cycles to the next register to produce a serial data stream. In this way the entire memory can be read in one continuous data stream or as registers of varying length from 16 to 2048/4096 bits. Thus, the NMC93CS56/NMC93CS66 can be viewed as a non-volatile shift register.

The "write" cycle is completely self-timed. No separate erase cycle is required before write. The "write" cycle is only enabled when pin 6 (program enable) is held "high". If the address of the register to be written is less than the ad-

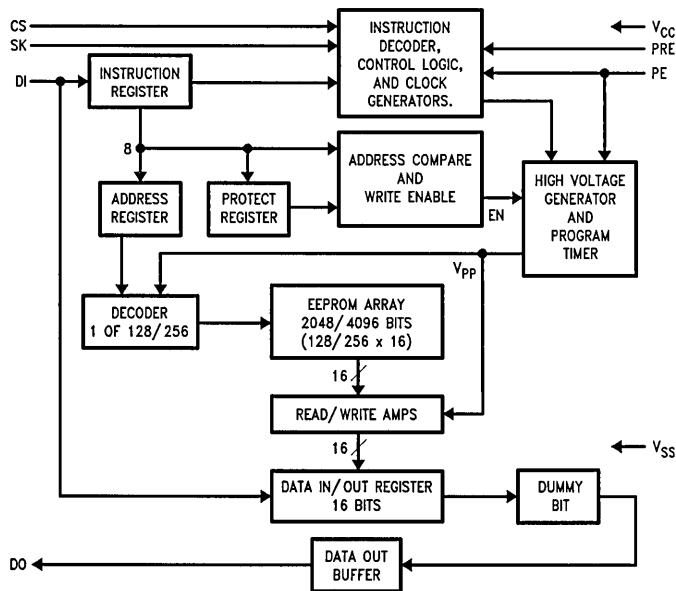
dress in the "protect register" then the data is written 16 bits at a time into one of the 128/256 data registers. If "CS" is brought "high" following the initiation of a "write" cycle, the "DO" pin indicates the ready/busy status of the chip.

National Semiconductor's EEPROMs are designed and tested for applications requiring extended endurance. Refer to device operation for further endurance information. Data retention is specified to be greater than 40 years.

## Features

- Write protection in user defined section of memory
- Typical active current 400  $\mu$ A; Typical standby current 25  $\mu$ A
- Reliable CMOS floating gate technology
- 5 volt only operation in all modes
- MICROWIRE compatible serial I/O
- Self-timed programming cycle
- Device status signal during programming mode
- Sequential register read
- Over 40 years data retention
- Designed for 100,000 write cycles

## Block Diagram

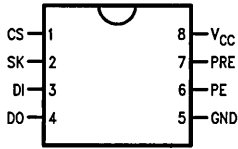


TL/D/9209-3

## Connection Diagrams

PIN OUT:

Dual-In-Line Package (N)



Top View

See NS Package Number N08E

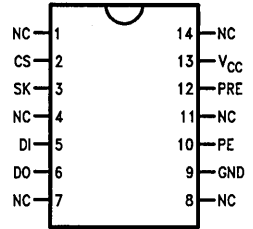
TL/D/9209-1

### Pin Names

CS	Chip Select
SK	Serial Data Clock
DI	Serial Data Input
DO	Serial Data Output
GND	Ground
PE	Program Enable
PRE	Protect Register Enable
VCC	Power Supply

PIN OUT:

SO Package (M)



Top View

See NS Package Number M14A

TL/D/9209-2

## Ordering Information

Commercial Temp. Range (0°C to +70°C)

Order Number

NMC93CS56N/NMC93CS66N

NMC93CS56M/NMC93CS66M

Extended Temp. Range (-40°C to +85°C)

Order Number

NMC93CS56EN/NMC93CS66EN

NMC93CS56EM/NMC93CS66EM

Military Temp. Range (-55°C to +125°C)

Order Number

NMC93CS56MN/NMC93CS66MN

NMC93CS56MM/NMC93CS66MM

### Absolute Maximum Ratings (Note 1)

If Military/Aerospace specified devices are required, please contact the National Semiconductor Sales Office/Distributors for availability and specifications.

Ambient Storage Temperature	-65°C to +150°C
All Input or Output Voltages with Respect to Ground	+6.5V to -0.3V
Lead Temp. (Soldering, 10 sec.)	+300°C
ESD rating	2000V

### Operating Conditions

Ambient Storage Temperature	0°C to +70°C
NMC93CS56/MNC93CS66	-40°C to +85°C
NMC93CS56E/NMC93CS66E	
NMC93CS56M/NMC93CS66M	
(Mil. Temp.)	-55°C to +125°C
Positive Power Supply	4.5V to 5.5V

### DC and AC Electrical Characteristics $V_{CC} = 5V \pm 10\%$ (unless otherwise specified)

Symbol	Parameter	Part Number	Conditions	Min	Max	Units
I <sub>CC1</sub>	Operating Current CMOS Input Levels	NMC93CS56/NMC93CS66	CS = V <sub>IH</sub> , SK = 1 MHz		2	mA
		NMC93CS56E/NMC93CS66E	SK = 0.5 MHz		2	
		NMC93CS56M/NMC93CS66M*	SK = 0.5 MHz		2	
I <sub>CC2</sub>	Operating Current TTL Input Levels	NMC93CS56/NMC93CS66	CS = V <sub>IH</sub> , SK = 1 MHz		3	mA
		NMC93CS56E/NMC93CS66E	SK = 0.5 MHz		3	
		NMC93CS56M/NMC93CS66M	SK = 0.5 MHz		4	
I <sub>CC3</sub>	Standby Current	NMC93CS56/NMC93CS66	CS = 0V		50	μA
		NMC93CS56E/NMC93CS66E			100	
		NMC93CS56M/NMC93CS66M			100	
I <sub>IL</sub>	Input Leakage	NMC93CS56/NMC93CS66	V <sub>IN</sub> = 0V to V <sub>CC</sub>	-2.5	2.5	μA
		NMC93CS56E/NMC93CS66E		-10	10	
		NMC93CS56M/NMC93CS66M		-10	10	
I <sub>OL</sub>	Output Leakage	NMC93CS56/NMC93CS66	V <sub>OUT</sub> = 0V to V <sub>CC</sub>	-2.5	2.5	μA
		NMC93CS56E/NMC93CS66E		-10	10	
		NMC93CS56M/NMC93CS66M		-10	10	
V <sub>IL</sub> V <sub>IH</sub>	Input Low Voltage Input High Voltage			-0.1	0.8	V
				2	V <sub>CC</sub> + 1	V
V <sub>OL1</sub>	Output Low Voltage	NMC93CS56/NMC93CS66	I <sub>OL</sub> = 2.1 mA		0.4	V
		NMC93CS56E/NMC93CS66E	I <sub>OL</sub> = 2.1 mA		0.4	
		NMC93CS56M/NMC93CS66M	I <sub>OL</sub> = 1.8 mA		0.4	
V <sub>OH1</sub>	Output High Voltage		I <sub>OH</sub> = -400 μA	2.4		V
V <sub>OL2</sub> V <sub>OH2</sub>	Output Low Voltage Output High Voltage		I <sub>OL</sub> = 10 μA		0.2	V
			I <sub>OH</sub> = -10 μA	V <sub>CC</sub> - 0.2		V
f <sub>SK</sub>	SK Clock Frequency	NMC93CS56/NMC93CS66		0	1	MHz
		NMC93CS56E/NMC93CS66E		0	0.5	
		NMC93CS56M/NMC93CS66M		0	0.5	
t <sub>SKH</sub>	SK High Time	NMC93CS56/NMC93CS66	(Note 2)	250		ns
		NMC93CS56E/NMC93CS66E	(Note 3)	500		
		NMC93CS56M/NMC93CS66M	(Note 3)	500		
t <sub>SKL</sub>	SK Low Time	NMC93CS56/NMC93CS66	(Note 2)	250		ns
		NMC93CS56E/NMC93CS66E	(Note 3)	500		
		NMC93CS56M/NMC93CS66M	(Note 3)	500		
t <sub>CS</sub>	Minimum CS Low Time	NMC93CS56/NMC93CS66	(Note 4)	250		ns
		NMC93CS56E/NMC93CS66E	(Note 5)	500		
		NMC93CS56M/NMC93CS66M	(Note 5)	500		
t <sub>CSS</sub>	CS Setup Time	NMC93CS56/NMC93CS66	Relative to SK	50		ns
		NMC93CS56E/NMC93CS66E		100		
		NMC93CS56M/NMC93CS66M		100		
t <sub>PRES</sub>	PRE Setup Time	NMC93CS56/NMC93CS66	Relative to SK	50		ns
		NMC93CS56E/NMC93CS66E		100		
		NMC93CS56M/NMC93CS66M		100		

\*Thruout this table "M" refers to temperature range (-55°C to +125°C) not package.

## DC and AC Electrical Characteristics

$V_{CC} = 5V \pm 10\%$  (unless otherwise specified) (Continued)

Symbol	Parameter	Part Number	Conditions	Min	Max	Units
$t_{PEs}$	PE Setup Time	NMC93CS56/NMC93CS66 NMC93CS56E/NMC93CS66E NMC93CS56M/NMC93CS66M	Relative to SK	50 100 100		ns
$t_{DIS}$	DI Setup Time	NMC93CS56/NMC93CS66 NMC93CS56E/NMC93CS66E NMC93CS56M/NMC93CS66M	Relative to SK	100 200 200		ns
$t_{CSH}$	CS Hold Time		Relative to SK	0		ns
$t_{PEH}$	PE Hold Time	NMC93CS56/NMC93CS66 NMC93CS56E/NMC93CS66E NMC93CS56M/NMC93CS66M	Relative to CS Relative to CS Relative to CS	250 500 500		ns
$t_{PREH}$	PRE Hold Time		Relative to SK	0		ns
$t_{DIH}$	DI Hold Time	NMC93CS56/NMC93CS66 NMC93CS56E/NMC93CS66E NMC93CS56M/NMC93CS66M	Relative to SK	100 200 200		ns
$t_{PD1}$	Output Delay to "1"	NMC93CS56/NMC93CS66 NMC93CS56E/NMC93CS66E NMC93CS56M/NMC93CS66M	AC Test		500 1000 1000	ns
$t_{PD0}$	Output Delay to "0"	NMC93CS56/NMC93CS66 NMC93CS56E/NMC93CS66E NMC93CS56M/NMC93CS66M	AC Test		500 1000 1000	ns
$t_{SV}$	CS to Status Valid	NMC93CS56/NMC93CS66 NMC93CS56E/NMC93CS66E NMC93CS56M/NMC93CS66M	AC Test		500 1000 1000	ns
$t_{DF}$	CS to DO in TRI-STATE®	NMC93CS56/NMC93CS66 NMC93CS56E/NMC93CS66E NMC93CS56M/NMC93CS66M	AC Test CS = $V_{IL}$		100 200 200	ns
$t_{WP}$	Write Cycle Time				10	ms

**Note 1:** Stress above those listed under "Absolute Maximum Ratings" may cause permanent damage to the device. This is a stress rating only and functional operation of the device at these or any other conditions above those indicated in the operational sections of the specification is not implied. Exposure to absolute maximum rating conditions for extended periods may affect device reliability.

**Note 2:** The SK frequency specification for Commercial parts specifies a minimum SK clock period of 1 microsecond, therefore in an SK clock cycle  $t_{SKH} + t_{SKL}$  must be greater than or equal to 1 microsecond. For example if  $t_{SKL} = 250$  ns then the minimum  $t_{SKH} = 750$  ns in order to meet the SK frequency specification.

**Note 3:** The SK frequency specification for Extended Temperature and Military parts specifies a minimum SK clock period of 2 microseconds, therefore in an SK clock cycle  $t_{SKH} + t_{SKL}$  must be greater than or equal to 2 microseconds. For example, if  $t_{SKL} = 500$  ns then the minimum  $t_{SKH} = 1.5$  microseconds in order to meet the SK frequency specification.

**Note 4:** For Commercial parts CS must be brought low for a minimum of 250 ns ( $t_{CS}$ ) between consecutive instruction cycles.

**Note 5:** For Extended Temperature and Military parts CS must be brought low for a minimum of 500 ns ( $t_{CS}$ ) between consecutive instruction cycles.

**Note 6:** This parameter is periodically sampled and not 100% tested.

### Capacitance (Note 6)

$T_A = 25^\circ\text{C}$ ,  $f = 1\text{MHz}$

Symbol	Test	Typ	Max	Units
$C_{OUT}$	Output Capacitance		5	pF
$C_{IN}$	Input Capacitance		5	pF

### AC Test Conditions

Output Load 1 TTL Gate and  $C_L = 100$  pF

Input Pulse Levels 0.4V to 2.4V

Timing Measurement Reference Level

Input 1V and 2V

Output 0.8V and 2V

## Functional Description

The NMC93CS56 and NMC93CS66 have 10 instructions as described below. Note that the MSB of any instruction is a "1" and is viewed as a start bit in the interface sequence. The next 10-bits carry the op code and the 8-bit address for register selection.

### Read (READ):

The Read (READ) instruction outputs serial data on the DO pin. After a READ instruction is received, the instruction and address are decoded, followed by data transfer from the selected memory register into a 16-bit serial-out shift register. A dummy bit (logical 0) precedes the 16-bit data output string. Output data changes are initiated by a low to high transition of the SK clock. In the NONVOLATILE SHIFT-REGISTER mode of operation, the memory automatically cycles to the next register after each 16 data bits are clocked out. The dummy-bit is suppressed in this mode and a continuous string of data is obtained.

### Write Enable (WEN):

When V<sub>CC</sub> is applied to the part, it powers up in the Write Disable (WDS) state. Therefore, all programming modes must be preceded by a Write Enable (WEN) instruction. Once a Write Enable instruction is executed programming remains enabled until a Write Disable (WDS) instruction is executed or V<sub>CC</sub> is removed from the part.

### Write (WRITE):

The Write (WRITE) instruction is followed by 16 bits of data to be written into the specified address. After the last bit of data is put on the data-in (DI) pin, CS must be brought low before the next rising edge of the SK clock. This falling edge of CS initiates the self-timed programming cycle. The PE pin **MUST** be held "high" while loading the WRITE instruction, however, after loading the WRITE instruction the PE pin becomes a "don't care". The DO pin indicates the READY/BUSY status of the chip if CS is brought high after a mini-

mum of 250 ns (t<sub>CS</sub>). DO = logical 0 indicates that programming is still in progress. DO = logical 1 indicates that the register at the address specified in the instruction has been written with the data pattern specified in the instruction and the part is ready for another instruction.

### Write All (WRALL):

The Write All (WRALL) instruction is valid only when the "protect register" has been cleared by executing a PRCLEAR instruction. The WRALL instruction will simultaneously program all registers with the data pattern specified in the instruction. Like the WRITE instruction, the PE pin **MUST** be held "high" while loading the WRALL instruction, however, after loading the WRITE instruction the PE pin becomes a "don't care". As in the WRITE mode, the DO pin indicates the READY/BUSY status of the chip if CS is brought high after a minimum of 250 ns (t<sub>CS</sub>).

### Write Disable (WDS):

To protect against accidental data disturb, the Write Disable (WDS) instruction disables all programming modes and should follow all programming operations. Execution of a READ instruction is independent of both the WEN and WDS instructions.

### Protect Register Read (PRREAD):

The Protect Register Read (PRREAD) instruction outputs the address stored in the "protect register" on the DO pin. The PRE pin **MUST** be held "high" while loading the instruction. Following the PRREAD instruction the 8-bit address stored in the memory Protect Register is transferred to the serial out shift register. As in the READ mode, a dummy bit (logical 0) precedes the 8-bit address string.

### Protect Register Enable (PREN):

The Protect Register Enable (PREN) instruction is used to enable the PRCLEAR, PRWRITE, and PRDS modes. Before

## Instruction Set for the NMC93CS56 and NMC93CS66

Instruction	SB	Op Code	Address	Data	PRE	PE	Comments
READ	1	10	A7-A0		0	X	Reads data stored in memory, starting at specified address.
WEN	1	00	11XXXXXX		0	1	Write enable must precede all programming modes.
WRITE	1	01	A7-A0	D15-D0	0	1	Writes register if address is unprotected.
WRALL	1	00	01XXXXXX	D15-D0	0	1	Writes all registers. Valid only when Protect Register is cleared.
WDS	1	00	00XXXXXX		0	X	Disables all programming instructions.
PRREAD	1	10	XXXXXXXX		1	X	Reads address stored in Protect Register.
PREN	1	00	11XXXXXX		1	1	Must immediately precede PRCLEAR, PRWRITE, and PRDS instructions.
PRCLEAR	1	11	11111111		1	1	Clears the "protect register" so that no registers are protected from WRITE.
PRWRITE	1	01	A7-A0		1	1	Programs address into Protect Register. Thereafter, memory addresses ≥ the address in Protect Register are protected from WRITE.
PRDS	1	00	00000000		1	1	One time only instruction after which the address in the Protect Register cannot be altered.

## Functional Description (Continued)

the PREN mode can be entered, the part must be in the Write Enable (WEN) mode. Both the PRE and PE pins **MUST** be held "high" while loading the instruction.

Note that a PREN instruction must **immediately** precede a PRCLEAR, PRWRITE, or PRDS instruction.

### Protect Register Clear (PRCLEAR):

The Protect Register Clear (PRCLEAR) instruction clears the address stored in the Protect Register and, therefore, enables all registers for the WRITE and WRALL instruction. The PRE and PE pins **must** be held "high" while loading the instruction, however, after loading the PRCLEAR instruction the PRE and PE pins become "don't care". Note that a PREN instruction must **immediately** precede a PRCLEAR instruction.

### Protect Register Write (PRWRITE):

The Protect Register Write (PRWRITE) instruction is used to write into the Protect Register the address of the first register to be protected. After the PRWRITE instruction is executed, all memory registers whose addresses are greater

than or equal to the address specified in the Protect Register are protected from the WRITE operation. Note that before executing a PRWRITE instruction the Protect Register must first be cleared by executing a PRCLEAR operation and that the PRE and PE pins **must** be held "high" while loading the instruction, however, after loading the PRWRITE instruction the PRE and PE pins become 'don't care'. Note that a PREN instruction must *immediately* precede a PRWRITE instruction.

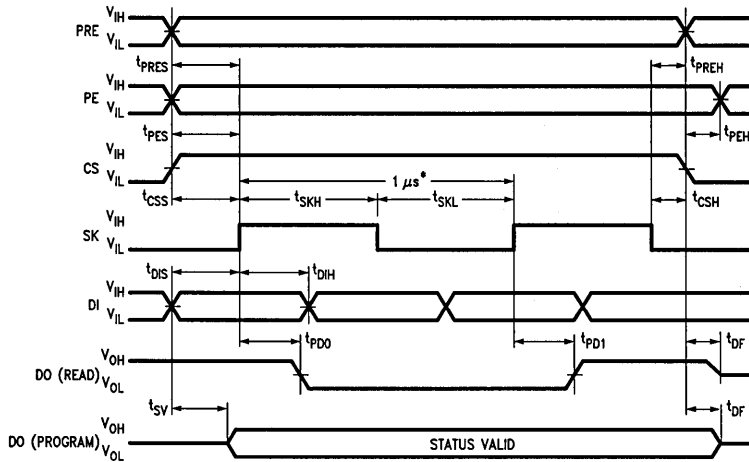
### Protect Register Disable (PRDS):

The Protect Register Disable (PRDS) instruction is a **one time only** instruction which renders the Protect Register unalterable in the future. Therefore, the specified registers become **PERMANENTLY** protected against data changes. As in the PRWRITE instruction the PRE and PE pins **must** be held "high" while loading the instruction, and after loading the PRDS instruction the PRE and PE pins become "don't care".

Note that a PREN instruction must **immediately** precede a PRDS instruction.

## Timing Diagrams

Synchronous Data Timing

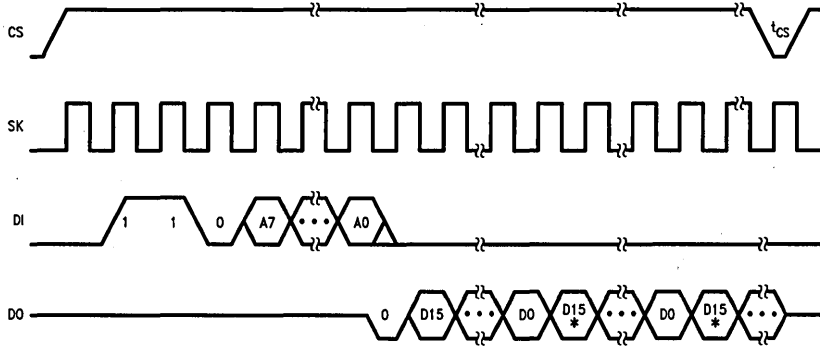


\*This is the minimum SK period (See Note 2).



**Timing Diagrams** (Continued)

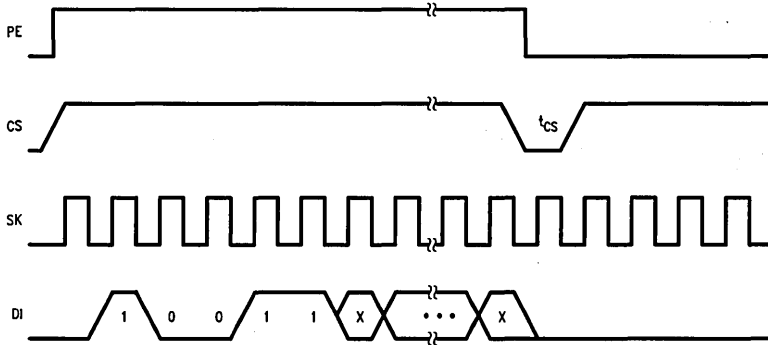
**READ:\***  
**PRE = 0, PE = X**



TL/D/9209-5

- \*Address bit A<sub>7</sub> becomes a "don't care" for NMC93CS56.
- \*The memory automatically cycles to the next register.

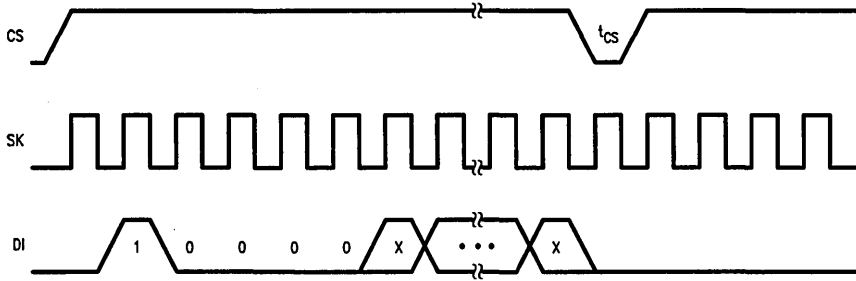
**WEN:**  
**PRE = 0, D0 = TRI-STATE**



TL/D/9209-6

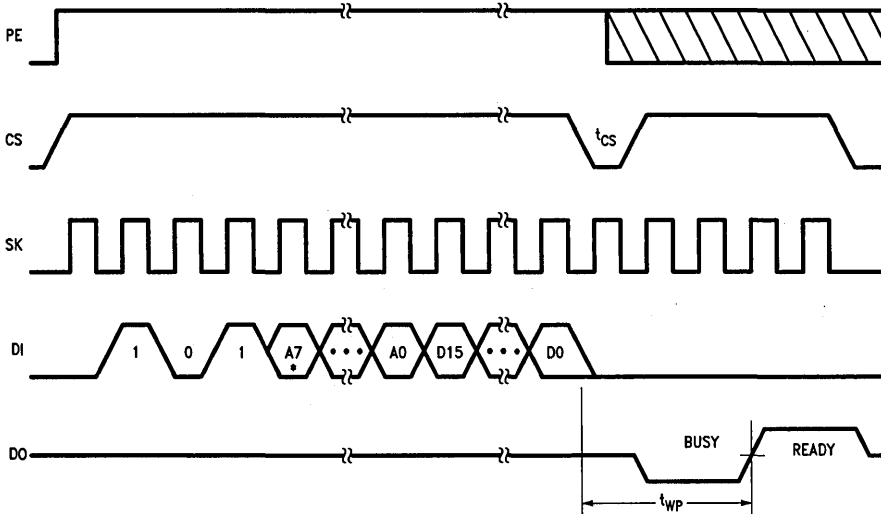
Timing Diagrams (Continued)

WDS:  
 PRE = 0, PE = X, DO = TRI-STATE



TL/D/9209-7

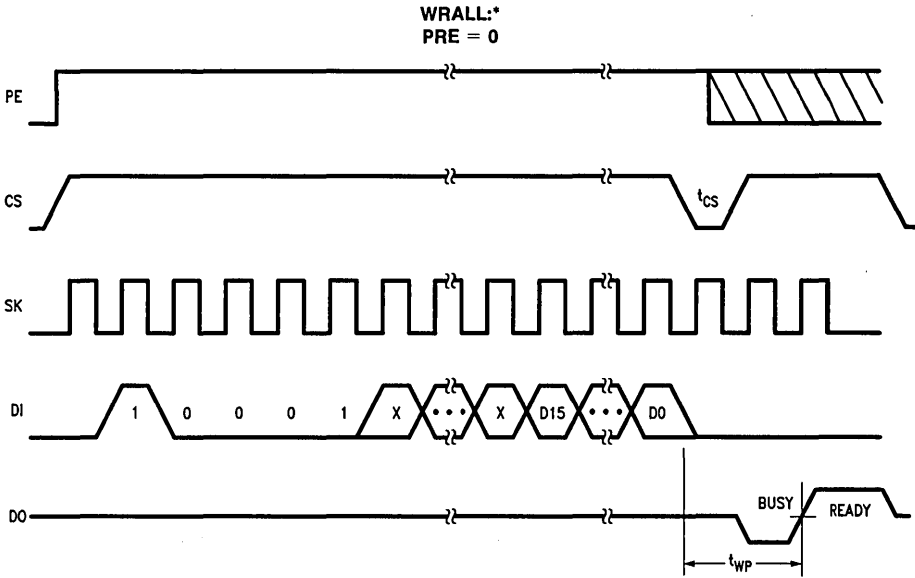
WRITE:\*  
 PRE = 0



TL/D/9209-8

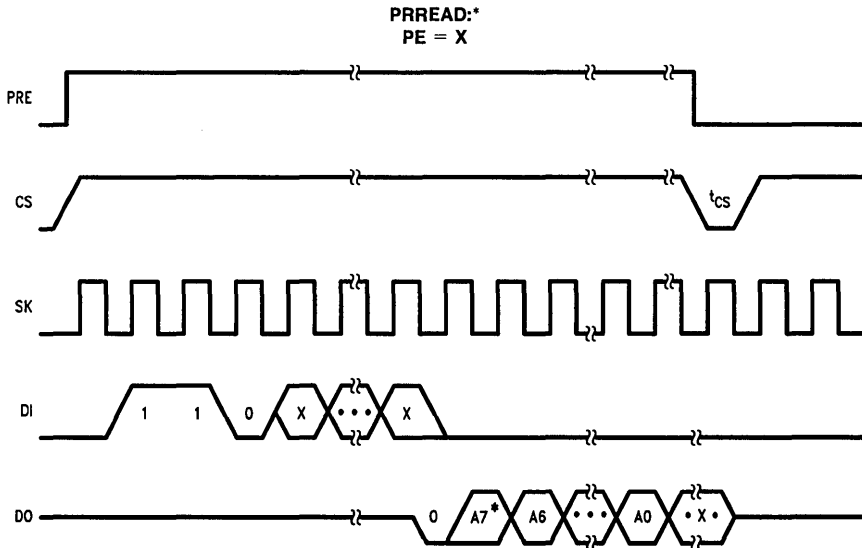
\*Address bit A<sub>7</sub> becomes a "don't care" for NMC93CS56.

Timing Diagrams (Continued)



TL/D/9209-9

\*Protect Register **MUST** be cleared.

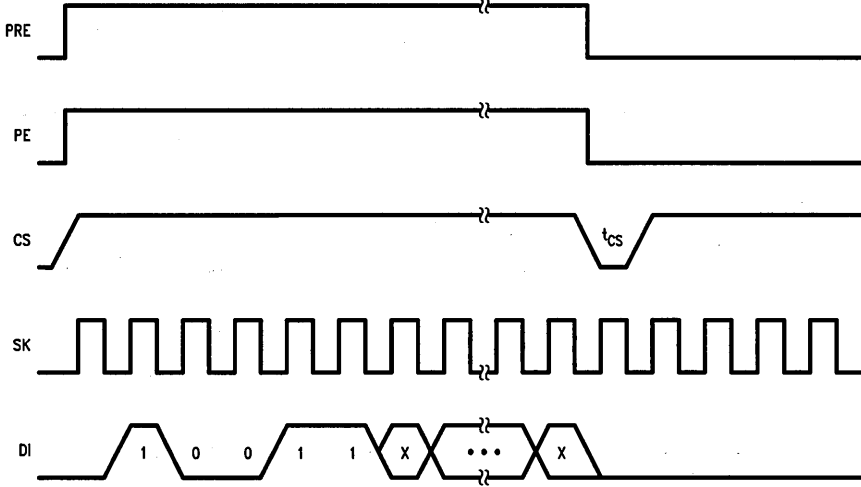


TL/D/9209-10

\*Address bit A<sub>7</sub> becomes a "don't care" for NMC93CS56.

Timing Diagrams (Continued)

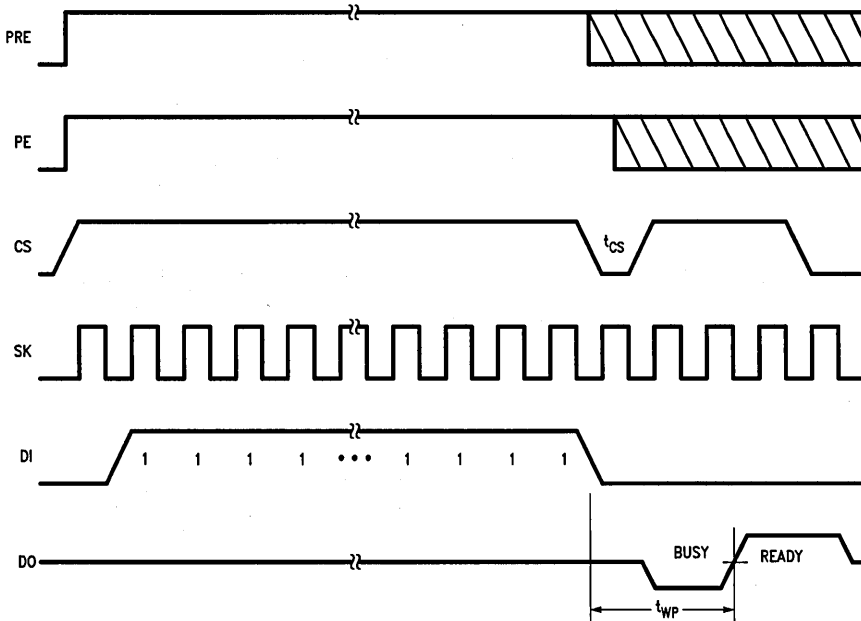
**PREN:\***  
DO = TRI-STATE



TL/D/9209-11

\*A WEN cycle must precede a PREN cycle.

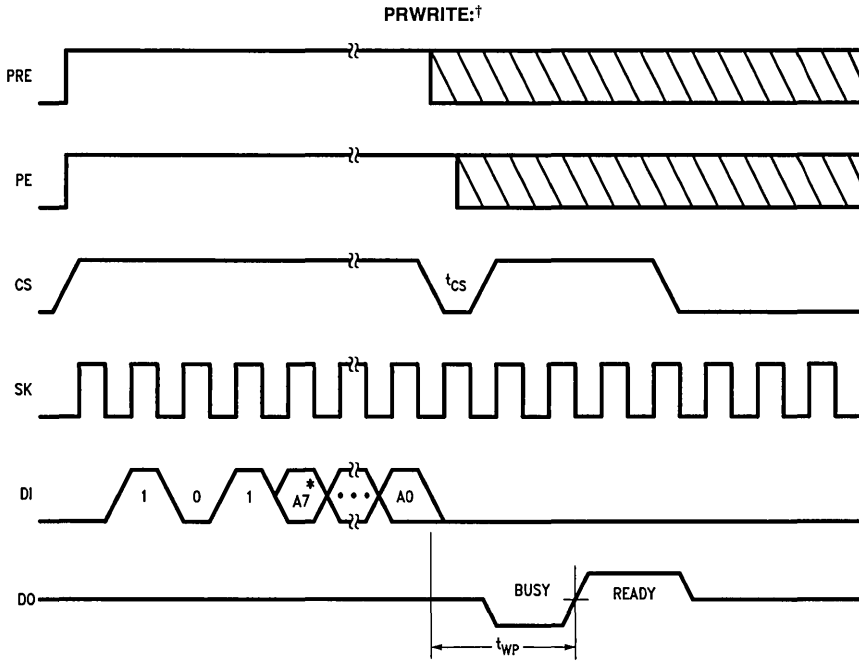
**PRCLEAR:\***



TL/D/9209-12

\*A PREN cycle must immediately precede a PRCLEAR cycle.

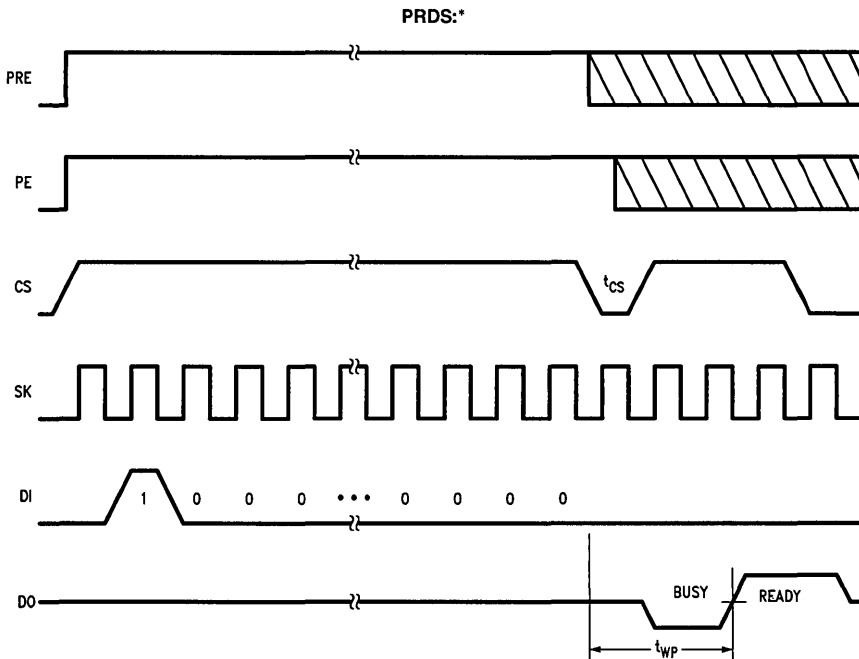
Timing Diagrams (Continued)



TL/D/9209-13

\*Address bit A<sub>7</sub> becomes a "don't care" for NMC93CS56.

†Protect Register **MUST** be cleared before a PRWRITE cycle. A PREN cycle must **Immediately** precede a PRWRITE cycle.



TL/D/9209-14

\***ONE TIME ONLY** instruction. A PREN cycle must **Immediately** precede a PRDS cycle.



# NMC93CS06x3/CS46x3/CS56x3/CS66x3

## Extended Voltage 256-/1024-/2048-/4096-Bit

### Serial EEPROM with Protect Register

#### General Description

The NMC93CS family of extended operating voltage serial EEPROM are 256/1024/2048/4096 bits of read/write memory divided into 16/64/128/256 registers of 16 bits each. N registers ( $N \leq 16$ ,  $N \leq 64$ ,  $N \leq 128$ ,  $N \leq 256$ ) can be protected against data modification by programming a special on-chip register called the Protect Register with the address of the first register to be protected against data modification. Additionally, this address can be "locked" into the device, making all future attempts to change data impossible.

These memories feature a serial interface with the instruction, address, and write data input on the Data-In pin. All data-out, and device status are available on the Data-Out pin. A low to high transition of Serial Data Clock (SK) shifts all data in or out of the memory. This serial interface is MICROWIRE™ compatible providing simple interfacing to standard microcontrollers and microprocessors. There are a total of 10 instructions, 5 which operate on the EEPROM memory, and 5 which operate on the Protect Register. The memory instructions are READ, WRITE, WRITE ALL,\* WRITE ENABLE, and WRITE DISABLE. To perform any of the memory instructions, the input PRE must be low. The instructions to the Protect Register are similar, except the

input PRE must be high. The Protect register instructions are PRREAD, PRWRITE, PREN, PRCLEAR, and PRDS.

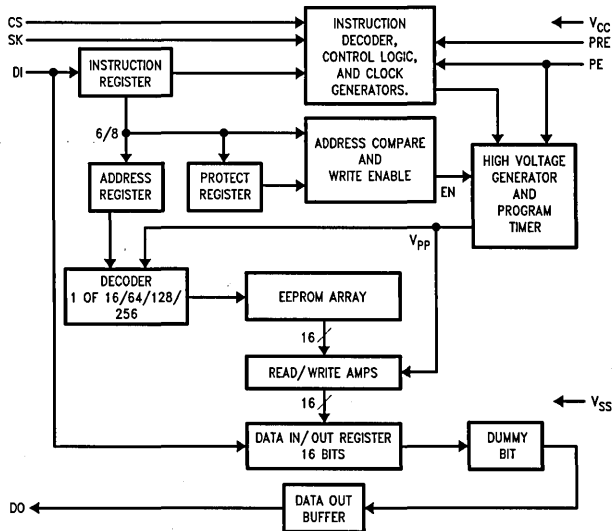
These memories feature a unique EEPROM memory cell which does not require erasing prior to writing, therefore reduces the total number of programming cycles, thus increasing the endurance of the device in actual application. These EEPROM memories are designed for applications requiring 40 years data retention and 100,000 data changes per bit. They are ideal for battery operated applications due to the wide operating voltage range. They are fully functional in all modes of operation across a guaranteed range of 3.0V–5.5V.

#### Features

- 3.0V to 5.5V guaranteed operating range
- Typical active current 400  $\mu$ A; typical standby current 25  $\mu$ A
- Write protection in a user defined section of memory
- Reliable CMOS floating gate technology
- MICROWIRE compatible serial I/O
- Self timed write cycle
- Device status during write mode
- 40 year data retention
- 100,000 data changes per bit

\*The WRITE ALL instruction is only functional from 4.5V to 5.5V  $V_{CC}$ . Its primary purpose is as a test mode.

#### Block Diagram

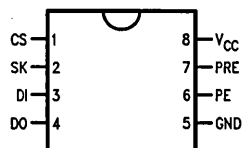


TL/D/10044-1

## Connection Diagrams

### PIN OUT:

#### Dual-In-Line Package (N)



TL/D/10044-2

Top View

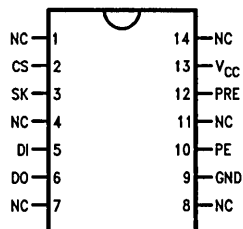
See NS Package Number N08E

### Pin Names

CS	Chip Select
SK	Serial Data Clock
DI	Serial Data Input
DO	Serial Data Output
GND	Ground
PE	Program Enable
PRE	Protect Register Enable
VCC	Power Supply

### PIN OUT:

#### SO Package (M)



TL/D/10044-3

Top View

See NS Package Number M14A

## Ordering Information

### Commercial Temp. Range (0°C to +70°C)

Order Number
NMC93CS06N3/ NMC93CS46N3/NMC93CS56N3/NMC93CS66N3
NMC93CS06M3/ NMC93CS46M3/NMC93CS56M3/NMC93CS66M3

### Extended Temp. Range (-40°C to +85°C)

Order Number
NMC93CS06EN3/ NMC93CS46EN3/NMC93CS56EN3/NMC93CS66EN3
NMC93CS06EM3/ NMC93CS46EM3/NMC93CS56EM3/NMC93CS66EM3

### Absolute Maximum Ratings

If Military/Aerospace specified devices are required, please contact the National Semiconductor Sales Office/Distributors for availability and specifications.

Ambient Storage Temperature	-65°C to +150°C
All Input or Output Voltages with Respect to Ground	+6.5V to -0.3V
Lead Temperature (Soldering, 10 sec.)	+300°C
ESD rating	2000V

### Operating Conditions

Ambient Operating Temperature	0°C to +70°C
NMC93CSxx	-40°C to +85°C
NMC93CSxxE	
Positive Power Supply	3.0V to 5.5V

### DC and AC Electrical Characteristics $V_{CC} = 3.0V$ to $5.5V$ unless otherwise specified

Symbol	Parameter	Part Number	Conditions	Min	Max	Units
$V_{RPP}$	Power Supply Ripple		Peak-to-Peak (Note 7)		$0.1 V_{CC}$	V
$I_{CC1}$	Operating Current CMOS Input Levels	NMC93CS06-NMC93CS66 NMC93CS06E-NMC93CS66E	$CS = V_{IH}$ , $SK = 1.0$ MHz		2 2	mA
$I_{CC2}$	Operating Current TTL Input Levels	NMC93CS06-NMC93CS66 NMC93CS06E-NMC93CS66E	$CS = V_{IH}$ , $SK = 1.0$ MHz $4.5V \leq V_{CC} \leq 5.5V$		3 3	mA
$I_{CC3}$	Standby Current	NMC93CS06-NMC93CS66 NMC93CS06E-NMC93CS66E	$CS = 0V$		50 100	$\mu A$
$I_{IL}$	Input Leakage	NMC93CS06-NMC93CS66 NMC93CS06E-NMC93CS66E	$V_{IN} = 0V$ to $V_{CC}$	-2.5 -10	2.5 10	$\mu A$
$I_{OL}$	Output Leakage	NMC93CS06-NMC93CS66 NMC93CS06E-NMC93CS66E	$V_{OUT} = 0V$ to $V_{CC}$	-2.5 -10	2.5 10	$\mu A$
$V_{IL1}$ $V_{IH1}$	Input Low Voltage Input High Voltage		$4.5V \leq V_{CC} \leq 5.5V$		0.8	V
$V_{IL2}$ $V_{IH2}$	Input Low Voltage Input High Voltage		$3V \leq V_{CC} \leq 4.5V$	-0.1 2	0.6 $V_{CC} + 1$	V
$V_{OL1}$ $V_{OH1}$	Output Low Voltage Output High Voltage		$4.5V \leq V_{CC} \leq 5.5V$ $I_{OL} = 2.1$ mA $I_{OH} = -400$ $\mu A$	2.4	0.4	V
$V_{OL2}$ $V_{OH2}$	Output Low Voltage Output High Voltage		$3V \leq V_{CC} \leq 4.5V$ $I_{OL} = 10$ $\mu A$ $I_{OH} = -10$ $\mu A$	$V_{CC} - 0.2$	0.2	V
$f_{SK}$	SK Clock Frequency	NMC93CS06-NMC93CS66 NMC93CS06E-NMC93CS66E		0 0	1 0.5	MHz
$t_{SKH}$	SK High Time	NMC93CS06-NMC93CS66 NMC93CS06E-NMC93CS66E	(Note 2) (Note 3)	500 500		ns
$t_{SKL}$	SK Low Time	NMC93CS06-NMC93CS66 NMC93CS06E-NMC93CS66E	(Note 2) (Note 3)	250 500		ns
$t_{CS}$	Minimum CS Low Time	NMC93CS06-NMC93CS66 NMC93CS06E-NMC93CS66E	(Note 4) (Note 5)	250 500		ns
$t_{CSS}$	CS Setup Time	NMC93CS06-NMC93CS66 NMC93CS06E-NMC93CS66E	Relative to SK	50 100		ns
$t_{PRES}$	PRE Setup Time	NMC93CS06-NMC93CS66 NMC93CS06E-NMC93CS66E	Relative to SK	50 100		ns
$t_{PES}$	PE Setup Time	NMC93CS06-NMC93CS66 NMC93CS06E-NMC93CS66E	Relative to SK	50 100		ns
$t_{DIS}$	DI Setup Time	NMC93CS06-NMC93CS66 NMC93CS06E-NMC93CS66E	Relative to SK	100 200		ns



**DC and AC Electrical Characteristics**  $V_{CC} = 3.0V$  to  $5.5V$  unless otherwise specified (Continued)

Symbol	Parameter	Part Number	Conditions	Min	Max	Units
$t_{CSH}$	CS Hold Time		Relative to SK	0		ns
$t_{PEH}$	PE Hold Time	NMC93CS06–NMC93CS66 NMC93CS06E–NMC93CS66E	Relative to CS Relative to CS	250 500		ns
$t_{PREH}$	PRE Hold Time		Relative to SK	0		ns
$t_{DIH}$	DI Hold Time	NMC93CS06–NMC93CS66 NMC93CS06E–NMC93CS66E	Relative to SK	100 200		ns
$t_{PD1}$	Output Delay to "1"	NMC93CS06–NMC93CS66 NMC93CS06E–NMC93CS66E	AC Test		500 1000	ns
$t_{PD0}$	Output Delay to "0"	NMC93CS06–NMC93CS66 NMC93CS06E–NMC93CS66E	AC Test		500 1000	ns
$t_{SV}$	CS to Status Valid	NMC93CS06–NMC93CS66 NMC93CS06E–NMC93CS66E	AC Test		500 1000	ns
$t_{DF}$	CS to DO in TRI-STATE®	NMC93CS06–NMC93CS66 NMC93CS06E–NMC93CS66E	CS = $V_{IL}$ AC Test		100 200	ns
$t_{WP}$	Write Cycle Time				15	ms
	Endurance		Number of Data Changes per Bit	Typical 100,000		Cycles

**Note 1:** Stress above those listed under "Absolute Maximum Ratings" may cause permanent damage to the device. This is a stress rating only and functional operation of the device at these or any other conditions above those indicated in the operational sections of the specification is not implied. Exposure to absolute maximum rating conditions for extended periods may affect device reliability.

**Note 2:** The SK frequency specification for Commercial parts specifies a minimum SK clock period of 1 microsecond, therefore in an SK clock cycle  $t_{SKH} + t_{SKL}$  must be greater than or equal to 1 microsecond. For example if  $t_{SKL} = 250$  ns then the minimum  $t_{SKH} = 750$  ns in order to meet the SK frequency specification.

**Note 3:** The SK frequency specification for Extended Temperature parts specifies a minimum SK clock period of 2 microseconds, therefore in an SK clock cycle  $t_{SKH} + t_{SKL}$  must be greater than or equal to 2 microseconds. For example, if  $t_{SKL} = 500$  ns then the minimum  $t_{SKH} = 1.5$  microseconds in order to meet the SK frequency specification.

**Note 4:** For Commercial parts CS must be brought low for a minimum of 250 ns ( $t_{CS}$ ) between consecutive instruction cycles.

**Note 5:** For Extended Temperature parts CS must be brought low for a minimum of 500 ns ( $t_{CS}$ ) between consecutive instruction cycles.

**Note 6:** This parameter is periodically sampled and not 100% tested.

**Note 7:** Rate of voltage change must be less than 0.5 V/ms.

**Capacitance** (Note 6)
 $T_A = 25^\circ C, f = 1MHz$ 

Symbol	Test	Typ	Max	Units
$C_{OUT}$	Output Capacitance		5	pF
$C_{IN}$	Input Capacitance		5	pF

**AC Test Conditions**

Output Load	1 TTL Gate and $C_L = 100$ pF
Input Pulse Levels	0.4V to 2.4V
Timing Measurement Reference Level	
Input	1V and 2V
Output	0.8V and 2V

## Functional Description

The NMC93CSxx family of extended voltage EEPROM have 10 instructions as described below. Note that there is a difference in the length of the instruction for the NMC93CS06 and NMC93CS46 vs. the NMC93CS56 and NMC93CS66. This is due to the fact that the two larger devices require 2 additional address bits which are not required for the smaller devices. Within the two groups of devices the number of address bits remain constant even though in some cases the most significant bit(s) are not used. In every instruction, the first bit is always a "1" and is viewed as a start bit. The next 8 or 10 bits (depending on device size) carry the op code and address. The address is either 6 or 8 bits depending on the device size.

### Read (READ):

The Read (READ) instruction outputs serial data on the D0 pin. After a READ instruction is received, the instruction and address are decoded, followed by data transfer from the selected memory register into a 16-bit serial-out shift register. A dummy bit (logical 0) precedes the 16-bit data output string. Output data changes are initiated by a low to high transition of the SK clock. In the NONVOLATILE SHIFT-REGISTER mode of operation, the memory automatically cycles to the next register after each 16 data bits are clocked out. The dummy-bit is suppressed in this mode and a continuous string of data is obtained.

### Write Enable (WEN):

When  $V_{CC}$  is applied to the part, it "powers up" in the Write Disable (WDS) state. Therefore, all programming modes must be preceded by a Write Enable (WEN) instruction. Once a Write Enable instruction is executed programming remains enabled until a Write Disable (WDS) instruction is executed or  $V_{CC}$  is removed from the part.

### Write (WRITE):

The Write (WRITE) instruction is followed by 16 bits of data to be written into the specified address. After the last bit of data is put on the data-in (DI) pin, CS must be brought low before the next rising edge of the SK clock. This falling edge of the CS initiates the self-timed programming cycle. The PE pin **MUST** be held high while loading the WRITE instruction, however, after loading the WRITE instruction the PE pin becomes a "don't care". The D0 pin indicates the READY/BUSY status of the chip if CS is brought high after a minimum of 250 ns ( $t_{CS}$ ). D0 = logical 0 indicates that programming is still in progress. D0 = logical 1 indicates that the register at the address specified in the instruction has been written with the data pattern specified in the instruction and the part is ready for another instruction.

### Write All (WRALL):

The Write All (WRALL) instruction is valid only when the Protect Register has been cleared by executing a PRCLEAR instruction. Additionally, it is only guaranteed at  $V_{CC} = 5.0V \pm 10\%$ . The WRALL instruction will simultaneously program all registers with the data pattern specified in the instruction. Like the WRITE instruction, the PE pin **MUST** be held high while loading the WRALL instruction, however, after loading the WRITE instruction the PE pin becomes a "don't care". As in the WRITE mode, the D0 pin indicates the READY/BUSY status of the chip if CS is brought high after a minimum of 250 ns ( $t_{CS}$ ).

### Write Disable (WDS):

To protect against accidental data disturb, the Write Disable (WDS) instruction disables all programming modes and should follow all programming operations. Execution of a READ instruction is independent of both the WEN and WDS instructions.

### Protect Register Read (PREAD):

The Protect Register Read (PREAD) instruction outputs the address stored in the Protect Register on the DO pin. The PRE pin **MUST** be held high while loading the instruction. Following the PREAD instruction the 6- or 8-bit address stored in the memory protect register is transferred to the serial out shift register. As in the READ mode, a dummy bit (logical 0) precedes the 6- or 8-bit address string.

### Protect Register Enable (PREN):

The Protect Register Enable (PREN) instruction is used to enable the PRCLEAR, PRWRITE, and PRDS modes. Before the PREN mode can be entered, the part must be in the Write Enable (WEN) mode. Both the PRE and PE pins **MUST** be held high while loading the instruction.

Note that a PREN instruction must **immediately** precede a PRCLEAR, PRWRITE, or PRDS instruction.

### Protect Register Clear (PRCLEAR):

The Protect Register Clear (PRCLEAR) instruction clears the address stored in the Protect Register and, therefore, enables all registers for the WRITE and WRALL instruction. The PRE and PE pins **must** be held high while loading the instruction, however, after loading the PRCLEAR instruction the PRE and PE pins become "don't care". Note that a PREN instruction must **immediately** precede a PRCLEAR instruction.

### Protect Register Write (PRWRITE):

The Protect Register Write (PRWRITE) instruction is used to write into the Protect Register the address of the first register to be protected. After the PRWRITE instruction is executed, all memory registers whose addresses are greater than or equal to the address specified in the Protect Register are protected from the WRITE operation. Note that before executing a PRWRITE instruction the Protect Register must first be cleared by executing a PRCLEAR operation and that the PRE and PE pins **must** be held high while loading the instruction, however, after loading the PRWRITE instruction the PRE and PE pins become "don't care". Note that a PREN instruction must **immediately** precede a PRWRITE instruction.

### Protect Register Disable (PRDS):

The Protect Register Disable (PRDS) instruction is a one time only instruction which renders the Protect Register unalterable in the future. Therefore, the specified registers become **PERMANENTLY** protected against data changes. As in the PRWRITE instruction the PRE and PE pins **must** be held high while loading the instruction, and after loading the PRDS instruction the PRE and PE pins become "don't care".

Note that a PREN instruction must **immediately** precede a PRDS instruction.

### Instruction Set for the NMC93CS06x3 and NMC93CS46x3

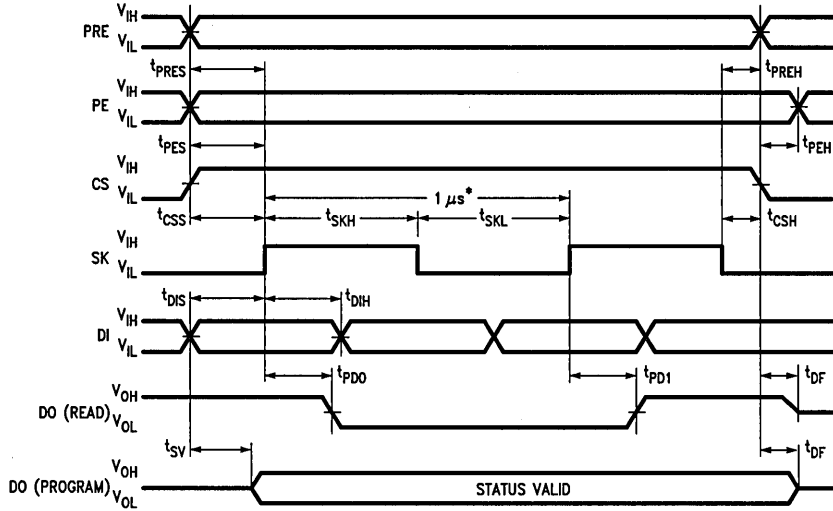
Instruction	SB	Op Code	Address	Data	PRE	PE	Comments
READ	1	10	A5-A0		0	X	Reads data stored in memory, starting at specified address.
WEN	1	00	11XXXX		0	1	Write enable must precede all programming modes.
WRITE	1	01	A5-A0	D15-D0	0	1	Writes register if address is unprotected.
WRALL	1	00	01XXXX	D15-D0	0	1	Writes all registers. Valid only when Protect Register is cleared. Valid only at $V_{CC} = 4.5V$ to $5.5V$ .
WDS	1	00	00XXXX		0	X	Disables all programming instructions.
PRREAD	1	10	XXXXXX		1	X	Reads address stored in Protect Register.
PREN	1	00	11XXXX		1	1	Must immediately precede PRCLEAR, PRWRITE, and PRDS instructions.
PRCLEAR	1	11	111111		1	1	Clears the Protect Register so that no registers are protected from WRITE.
PRWRITE	1	01	A5-A0		1	1	Programs address into Protect Register. Thereafter, memory addresses $\geq$ the address in Protect Register are protected from WRITE.
PRDS	1	00	000000		1	1	One time only instruction after which the address in the Protect Register cannot be altered.

### Instruction Set for the NMC93CS56x3 and NMC93CS66x3

Instruction	SB	Op Code	Address	Data	PRE	PE	Comments
READ	1	10	A7-A0		0	X	Reads data stored in memory, starting at specified address.
WEN	1	00	11XXXXXX		0	1	Write enable must precede all programming modes.
WRITE	1	01	A7-A0	D15-D0	0	1	Writes register if address is unprotected.
WRALL	1	00	01XXXXXX	D15-D0	0	1	Writes all registers. Valid only when Protect Register is cleared. Valid only at $V_{CC} = 4.5V$ to $5.5V$ .
WDS	1	00	00XXXXXX		0	X	Disables all programming instructions.
PRREAD	1	10	XXXXXXXX		1	X	Reads address stored in Protect Register.
PREN	1	00	11XXXXXX		1	1	Must immediately precede PRCLEAR, PRWRITE, and PRDS instructions.
PRCLEAR	1	11	11111111		1	1	Clears the "protect register" so that no registers are protected from WRITE.
PRWRITE	1	01	A7-A0		1	1	Programs address into Protect Register. Thereafter, memory addresses $\geq$ the address in Protect Register are protected from WRITE.
PRDS	1	00	00000000		1	1	One time only instruction after which the address in the Protect Register cannot be altered.

# Timing Diagrams

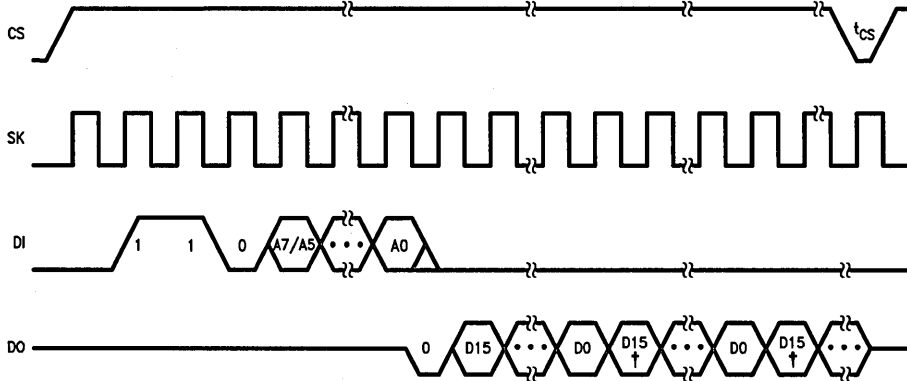
## Synchronous Data Timing



TL/D/10044-4

\*This is the minimum SK period (See Note 2).

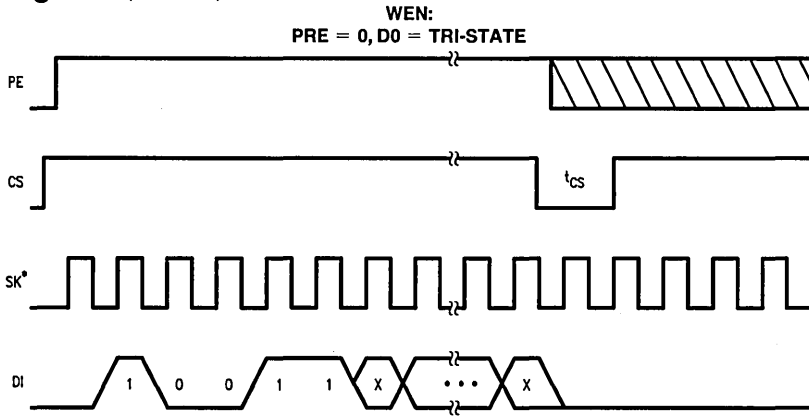
**READ:**  
PRE = 0, PE = X



\*Address bit A7 becomes "don't care" for NMC93CS56  
 \*Address bits A5 and A4 become "don't cares" for NMC93CS06  
 †The memory automatically cycles to the next register.

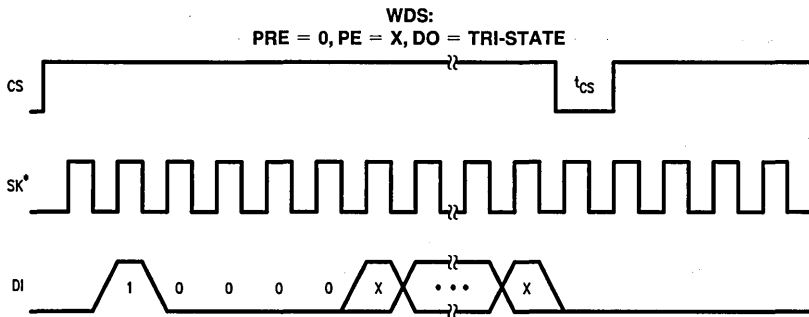
TL/D/10044-5

Timing Diagrams (Continued)



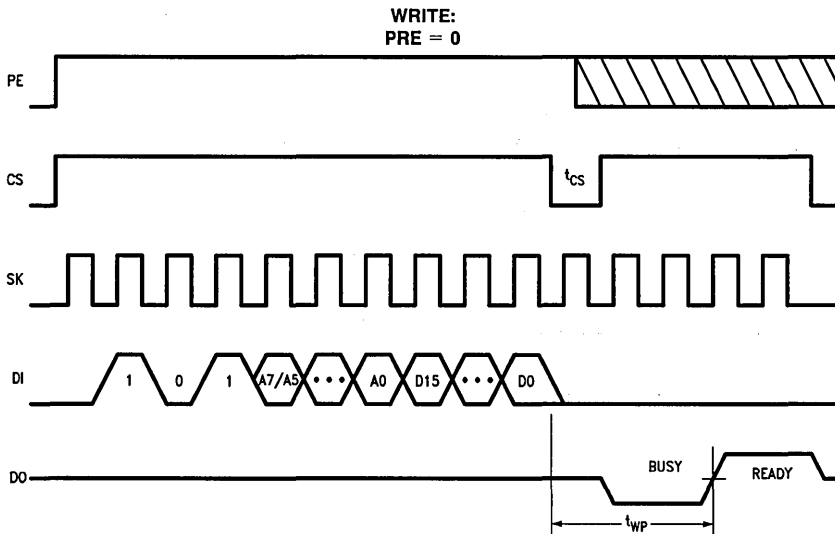
TL/D/10044-6

\*The NMC93CS56 and NMC93CS66 require a minimum of 11 clocks. The NMC93CS06 and NMC93CS46 require a minimum of 9 clock cycles.



TL/D/10044-7

\*The NMC93CS56 and NMC93CS66 require a minimum of 11 clocks. The NMC93CS06 and NMC93CS46 require a minimum of 9 clock cycles.

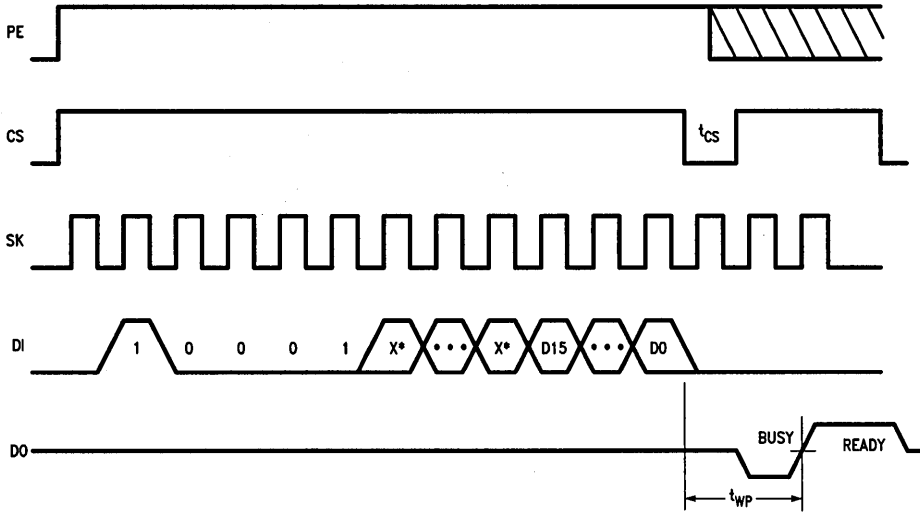


TL/D/10044-8

- Address bit A7 becomes a "don't care" for NMC93CS56
- Address bits A5 and A4 become "don't cares" for NMC93CS06

## Timing Diagrams (Continued)

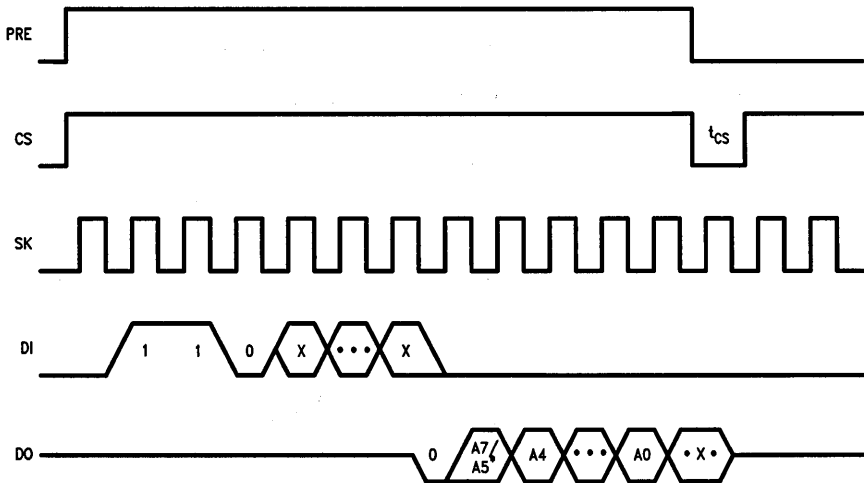
**WRALL†:**  
**PRE = 0**



\*Don't care  
†Protect Register **MUST** be cleared.  
†Valid only at  $V_{CC} = 4.5V$  to  $5.5V$ .

TL/D/10044-9

**PRREAD:**  
**PE = X**

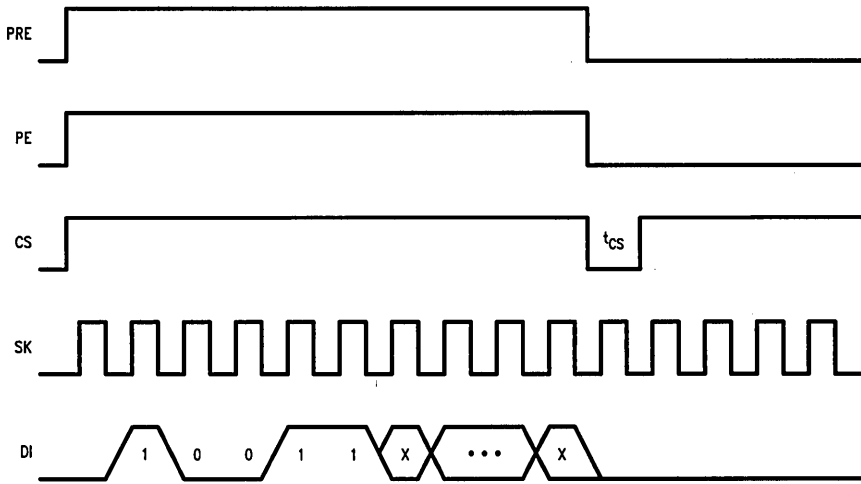


•Address bits  $A_5$  and  $A_4$  become "don't cares" for NMC93CS06  
•Address bit  $A_7$  becomes "don't care" for NMC93CS56

TL/D/10044-10

**Timing Diagrams** (Continued)

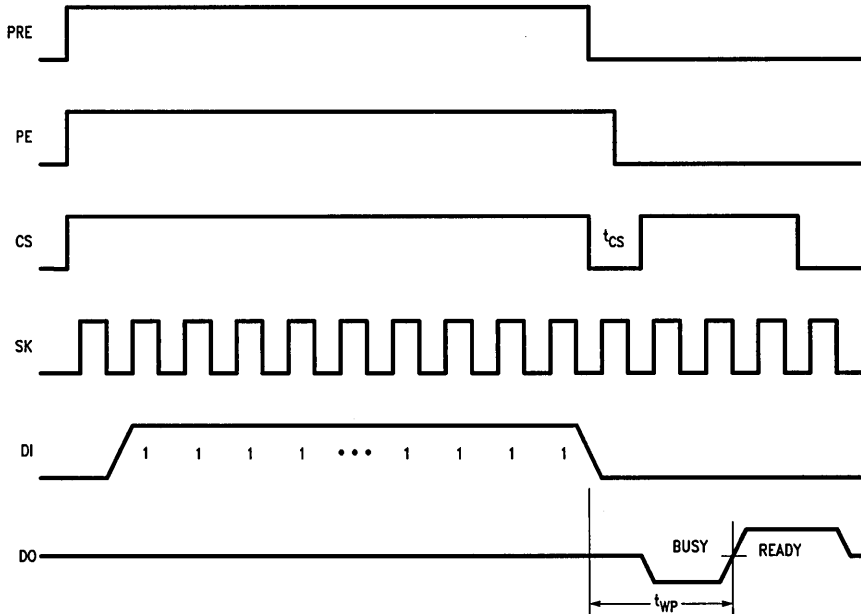
**PREN\*:**  
D0 = TRI-STATE



TL/D/10044-11

\*A WEN cycle must precede a PREN cycle.

**PRCLEAR\*:**

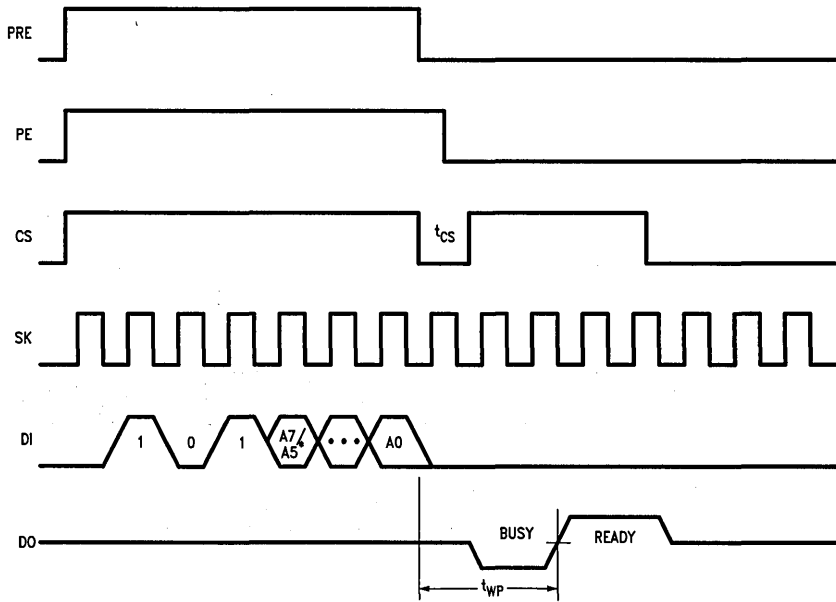


TL/D/10044-12

\*A PREN cycle must **immediately** precede a PRCLEAR cycle.

Timing Diagrams (Continued)

PRWRITE†:

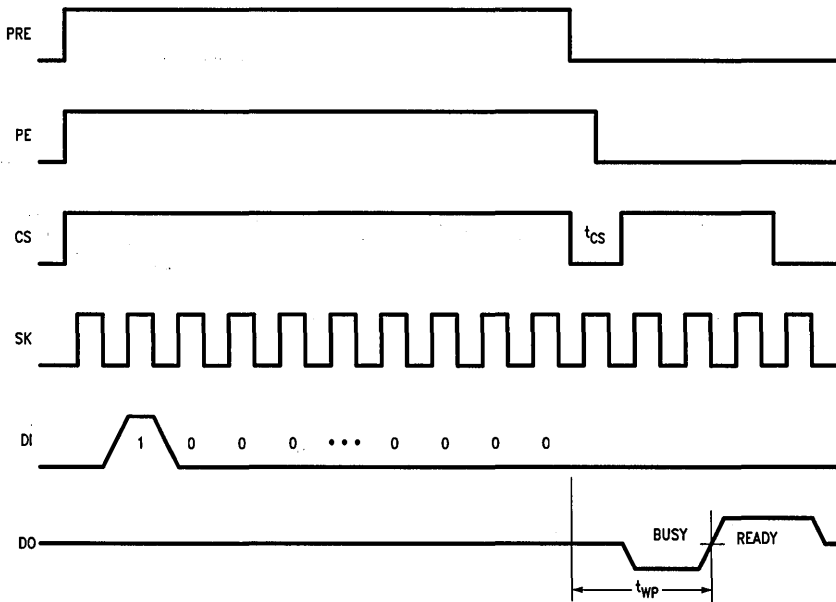


TL/D/10044-13

\*Address bit A7 becomes a "don't care" for NMC93CS56  
 \*Address bits A5 and A4 become "don't cares" for NMC93CS06

†Protect Register **MUST** be cleared before a PRWRITE cycle. A PREN cycle must **Immediately** precede a PRWRITE cycle.

PRDS\*:



TL/D/10044-14

\***ONE TIME ONLY** instruction. A PREN cycle must **Immediately** precede a PRDS cycle.



# NMC93C06x3/C46x3/C56x3/C66x3

## Extended Voltage 256-/1024/2048/4096-Bit Serial EEPROM

### General Description

The NMC93C06x3/C46x3/C56x3/C66x3 are 256/1024/2048/4096 bits of CMOS electrically erasable memory divided into 16/64/128/256 16-bit registers. They are fabricated using National Semiconductor's floating-gate CMOS process for high speed and low power. They operate from a single 3.0V to 5.5V supply since  $V_{PP}$  is generated on-board. The serial organization allow the NMC93C06x3/C46x3/C56x3/C66x3 to be packaged in an 8-pin DIP or 14-pin SO package to save board space.

The memories feature a serial interface with the instruction, address, and write data, input on the Data-In (DI) pin. All read data and device status come out on the Data-Out (DO) pin. A low-to-high transition of shift clock (SK) shifts all data in and out. This serial interface is MICROWIRE™ compatible for simple interface to standard microcontrollers and microprocessors. There are 7 instructions: Read, Erase/Write Enable, Erase, Erase All\*, Write, Write All\*, and Erase/Write Disable. The NMC93C06x3/C46x3/C56x3/C66x3 do not require an erase cycle prior to the Write and Write All instructions. The Erase and Erase All instructions are available to maintain complete read and programming capability with the NMOS NMC9346. All programming cycles are completely self-timed for simplified operation. The busy status is

available on the DO pin to indicate the completion of a programming cycle. EEPROMs are shipped in the erased state where all bits are logical 1's.

### Compatibility with Other Devices

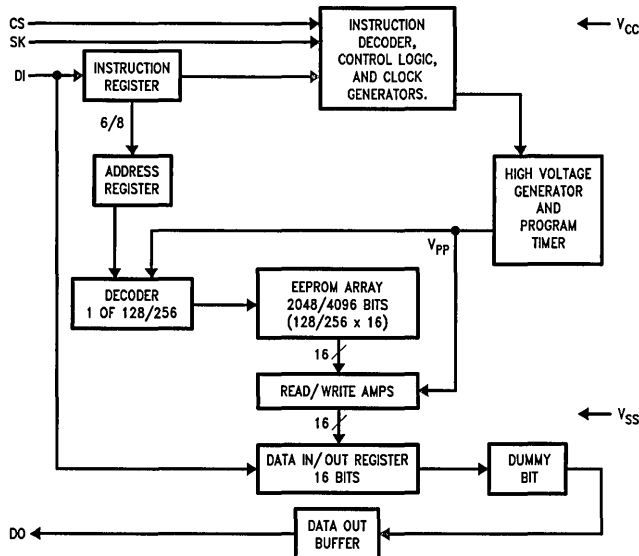
These memories are pin compatible to National Semiconductor's NMOS EEPROMs, NMC9306 and NMC9346 and CMOS EEPROMs NMC93C06x3/C46x3/C56x3/C66x3.

### Features

- Typical active current 400  $\mu$ A; Typical standby current 25  $\mu$ A
- Reliable CMOS floating gate technology
- 3.0V to 5.5V operation in all modes
- MICROWIRE compatible serial I/O
- Self-timed programming cycle
- Device status signal during programming mode
- Sequential register read
- 40 years data retention
- 100,000 write cycles

\*The instructions Erase All and Write All are functional only from  $V_{CC}$  = 4.5V to 5.5V. Their primary purpose is as test modes.

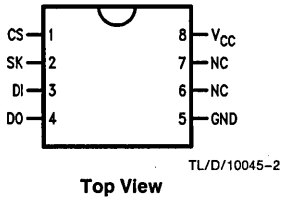
### Block Diagram



TL/D/10045-1

## Connection Diagrams

**Dual-In-Line Package (N)  
and 8-Pin SO (M8)**



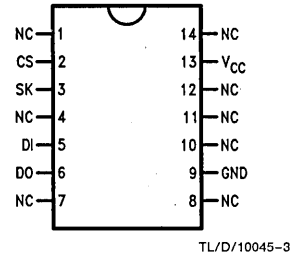
**Top View**

See NS Package Number N08E

**Pin Names**

CS	Chip Select
SK	Serial Data Clock
DI	Serial Data Input
DO	Serial Data Output
GND	Ground
V <sub>CC</sub>	Power Supply

**14-Pin SO Package (M)**



**Top View**

See NS Package Number M14A

## Ordering Information

**Commercial Temp. Range (0°C to +70°C)**

Order Number
NMC93C06N3
NMC93C46N3/NMC93C56N3/NMC93C66N3
NMC93C46M3/NMC93C56M3/NMC93C66M3
NMC93C06M83/NMC93C46M83

**Extended Temp. Range (-40°C to +85°C)**

Order Number
NMC93C06EN3
NMC93C46EN3/NMC93C56EN3/NMC93C66EN3
NMC93C46EM3/NMC93C56EM3/NMC93C66EM3
NMC93C06EM83/NMC93C46EM83

### Absolute Maximum Ratings (Note 1)

If Military/Aerospace specified devices are required, please contact the National Semiconductor Sales Office/Distributors for availability and specifications.

Ambient Storage Temperature	-65°C to +150°C
All Input or Output Voltages with Respect to Ground	+6.5V to -0.3V
Lead Temp. (Soldering, 10 sec.)	+300°C
ESD Rating	2000V

### Operating Conditions

Ambient Operating Temperature	0°C to +10°C
NMC93C56-NMC93C66	-40°C to +85°C
NMC93C56E-NMC93C66E	
Positive Power Supply	3.0V to 5.5V

### DC and AC Electrical Characteristics $V_{CC} = 3.0V$ to $5.5V$ (unless otherwise specified)

Symbol	Parameter	Part Number	Conditions	Min	Max	Units
$I_{CC1}$	Operating Current CMOS Input Levels	NMC93C06-NMC93C66 NMC93C06E-NMC93C66E	$CS = V_{IH}$ , $SK = 0.5$ MHz		2 2	mA
$I_{CC2}$	Operating Current TTL Input Levels	NMC93C06-NMC93C66 NMC93C06E-NMC93C66E	$CS = V_{IH}$ , $SK = 0.5$ MHz		3 3	mA
$I_{CC3}$	Standby Current	NMC93C06-NMC93C66 NMC93C06E-NMC93C66E	$CS = 0V$		50 100	$\mu A$
$I_{IL}$	Input Leakage	NMC93C06-NMC93C66 NMC93C06E-NMC93C66E	$V_{IN} = 0V$ to $V_{CC}$	-2.5 -10	2.5 10	$\mu A$
$I_{OL}$	Output Leakage	NMC93C06-NMC93C66 NMC93C06E-NMC93C66E	$V_{IN} = 0V$ to $V_{CC}$	-2.5 -10	2.5 10	$\mu A$
$V_{IL1}$ $V_{IH1}$	Input Low Voltage Input High Voltage		$4.5V \leq V_{CC} \leq 5.5V$		0.8 2	V
$V_{IL2}$ $V_{IH2}$	Input Low Voltage Input High Voltage		$3V \leq V_{CC} \leq 4.5V$	-0.1 2	0.6 $V_{CC} + 1$	V
$V_{OL1}$ $V_{OH1}$	Output Low Voltage Output High Voltage		$4.5V \leq V_{CC} \leq 5.5V$ $I_{OL} = 2.1$ mA $I_{OH} = -400$ $\mu A$		0.4 2.4	V V
$V_{OL2}$ $V_{OH2}$	Output Low Voltage Output High Voltage		$3V \leq V_{CC} \leq 4.5V$ $I_{OL} = 10$ $\mu A$ $I_{OH} = -10$ $\mu A$		0.2 $V_{CC} - 0.2$	V V
$f_{SK}$	SK Clock Frequency	NMC93C06-NMC93C66 NMC93C06E-NMC93C66E		0 0	1 0.5	MHz
$t_{SKH}$	SK High Time	NMC93C06-NMC93C66 NMC93C06E-NMC93C66E	(Note 2) (Note 3)	500 500		ns
$t_{SKL}$	SK Low Time	NMC93C06-NMC93C66 NMC93C06E-NMC93C66E	(Note 2) (Note 3)	250 500		ns
$t_{CS}$	Minimum CS Low Time	NMC93C06-NMC93C66 NMC93C06E-NMC93C66E	(Note 4) (Note 5)	250 500		ns
$t_{CSS}$	CS Setup Time	NMC93C06-NMC93C66 NMC93C06E-NMC93C66E	Relative to SK	50 100		ns
$t_{PRES}$	PRE Setup Time	NMC93CS06-NMC93CS66 NMC93CS06E-NMC93CS66E	Relative to SK	50 100		ns
$t_{PES}$	PE Setup Time	NMC93CS06-NMC93CS66 NMC93CS06E-NMC93CS66E	Relative to SK	50 100		ns

## DC and AC Electrical Characteristics $V_{CC} = 3.0V$ to $5.5V$ (unless otherwise specified) (Continued)

Symbol	Parameter	Part Number	Conditions	Min	Max	Units
$t_{DIS}$	DI Setup Time	NMC93C06-NMC93C66 NMC93C06E-NMC93C66E	Relative to SK	100 200		ns
$t_{CSH}$	CS Hold Time		Relative to SK	0		ns
$t_{DIH}$	DI Hold Time	NMC93C06-NMC93C66 NMC93C06E-NMC93C66E	Relative to SK	100 200		ns
$t_{PD1}$	Output Delay to "1"	NMC93C06-NMC93C66 NMC93C06E-NMC93C66E	AC Test		500 1000	ns
$t_{PD0}$	Output Delay to "0"	NMC93C06-NMC93C66 NMC93C06E-NMC93C66E	AC Test		500 1000	ns
$t_{SV}$	CS to Status Valid	NMC93C06-NMC93C66 NMC93C06E-NMC93C66E	AC Test		500 1000	ns
$t_{DF}$	CS to DO in TRI-STATE®	NMC93C06-NMC93C66 NMC93C06E-NMC93C66E	AC Test CS = $V_{IL}$		100 200	ns
$t_{WP}$	Write Cycle Time				15	ms
	Endurance		Number of Data Changes per Bit	Typical 100,000		Cycles

**Note 1:** Stress above those listed under "Absolute Maximum Ratings" may cause permanent damage to the device. This is a stress rating only and functional operation of the device at these or any other conditions above those indicated in the operational sections of the specification is not implied. Exposure to absolute maximum rating conditions for extended periods may affect device reliability.

**Note 2:** The SK frequency specification for Commercial parts specifies a minimum SK clock period of  $2 \mu s$ , therefore in an SK clock cycle  $t_{SKH} + t_{SKL}$  must be greater than or equal to  $2 \mu s$ . For example if  $t_{SKL} = 250$  ns then the minimum  $t_{SKH} = 1750$  ns in order to meet the SK frequency specification.

**Note 3:** The SK frequency specification for Extended Temperature parts specifies a minimum SK clock period of  $2 \mu s$ , therefore in an SK clock cycle  $t_{SKH} + t_{SKL}$  must be greater than or equal to  $2 \mu s$ . For example, if the  $t_{SKL} = 500$  ns then the minimum  $t_{SKH} = 1.5 \mu s$  in order to meet the SK frequency specification.

**Note 4:** For Commercial parts CS must be brought low for a minimum of 250 ns ( $t_{CS}$ ) between consecutive instruction cycles.

**Note 5:** For Extended Temperature parts CS must be brought low for a minimum of 500 ns ( $t_{CS}$ ) between consecutive instruction cycles.

**Note 6:** This parameter is periodically sampled and not 100% tested.

### Capacitance (Note 6)

$T_A = 25^\circ C$   $f = 1$  MHz

Symbol	Test	Typ	Max	Units
$C_{OUT}$	Output Capacitance		5	pF
$C_{IN}$	Input Capacitance		5	pF

### AC Test Conditions

Output Load	1 TTL Gate and $C_L = 100$ pF
Input Pulse Levels	0.4V to 2.4V
Timing Measurement Reference Level	
Input	1V and 2V
Output	0.8V and 2V

## Functional Description

The NMC93C06/C46/C56/C66 have 7 instructions as described below. Note that the MSB of any instruction is a "1" and is viewed as a start bit in the interface sequence. The next 10-bits carry the op code and the 8-bit address for register selection.

### Read (READ):

The Read (READ) instruction outputs serial data on the DO pin. After a READ instruction is received, the instruction and address are decoded, followed by data transfer from the selected memory register into a 16-bit serial-out shift register. A dummy bit (logical 0) precedes the 16-bit data output string. Output data changes are initiated by a low to high transition of the SK clock.

### Erase/Write Enable (EWEN):

When  $V_{CC}$  is applied to the part, it powers up in the Erase/Write Disable (EWDS) state. Therefore, all programming modes must be preceded by an Erase/Write Enable (EWEN) instruction. Once an Erase/Write Enable instruction is executed, programming remains enabled until an Erase/Write Disable (EWDS) instruction is executed or  $V_{CC}$  is removed from the part.

### Erase (ERASE):

The ERASE instruction will program all bits in the specified register to the logical '1' state. CS is brought low following the loading of the last address bit. This falling edge of the CS pin initiates the self-timed programming cycle.

The DO pin indicates the READY/BUSY status of the chip if CS is brought high after a minimum of 250 ns ( $t_{CS}$ ). DO = logical '0' indicates that programming is still in progress. DO = logical '1' indicates that the register, at the address specified in the instruction, has been erased, and the part is ready for another instruction.

### Write (WRITE):

The Write (WRITE) instruction is followed by 16 bits of data to be written into the specified address. After the last bit of data is put on the data-in (DI) pin, CS must be brought low before the next rising edge of the SK clock. This falling edge of CS initiates the self-timed programming cycle. The DO pin indicates the READY/BUSY status of the chip if CS is brought high after a minimum of 250 ns ( $t_{CS}$ ). DO = logical 0 indicates that programming is still in progress. DO = logical 1 indicates that the register at the address specified in the instruction has been written with the data pattern specified in the instruction and the part is ready for another instruction.

### Erase All (ERAL):

The ERAL instruction will simultaneously program all registers in the memory array and set each bit to the logical '1' state. The Erase All cycle is identical to the ERASE cycle except for the different op-code. As in the ERASE mode, the DO pin indicates the READY/BUSY status of the chip if CS is brought high after a minimum of 250 ns ( $t_{CS}$ ). The ERAL instruction is valid only at  $V_{CC} = 5.0V \pm 10\%$ .

### Write All (WRAL):

The WRAL instruction will simultaneously program all registers with the data pattern specified in the instruction. As in the WRITE mode, the DO pin indicates the READY/BUSY status of the chip if CS is brought high after a minimum of 250 ns ( $t_{CS}$ ). The WRAL instruction is valid only at  $V_{CC} = 5.0V \pm 10\%$ .

### Erase/Write Disable (EWDS):

To protect against accidental data disturb, the Erase/Write Disable (EWDS) instruction disables all programming modes and should follow all programming operations. Execution of a READ instruction is independent of both the EWEN and EWDS instructions.

## Instruction Set for the NMC93C06 and NMC93C46

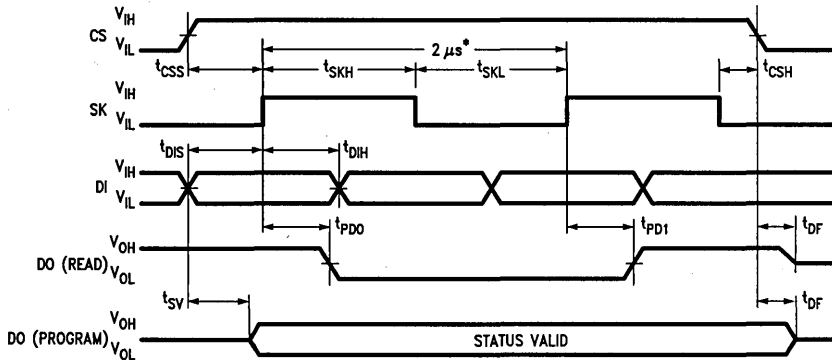
Instruction	SB	Op Code	Address	Data	Comments
READ	1	10	A5-A0		Reads data stored in memory, at specified address.
EWEN	1	00	11XXXX		Write enable must precede all programming modes.
ERASE	1	11	A5-A0		Erase register A5A4A3A2A1A0.
WRITE	1	01	A5-A0	D15-D0	Writes register.
ERAL	1	00	10XXXX		Erases all registers. Valid only at $V_{CC} = 4.5V$ to $5.5V$ .
WRAL	1	00	01XXXX	D15-D0	Writes all registers. Valid only at $V_{CC} = 4.5V$ to $5.5V$ .
EWDS	1	00	00XXXX		Disables all programming instructions.

## Instruction Set for the NMC93C56 and NMC93C66

Instruction	SB	Op Code	Address	Data	Comments
READ	1	10	A7-A0		Reads data stored in memory, at specified address.
EWEN	1	00	11XXXXXX		Write enable must precede all programming modes.
ERASE	1	11	A7-A0		Erase register A7A6A5A4A3A2A1A0.
ERAL	1	00	10XXXXXX		Erases all registers. Valid only at $V_{CC} = 4.5V$ to $5.5V$ .
WRITE	1	01	A7-A0	D15-D0	Writes register if address is unprotected.
WRAL	1	00	01XXXXXX	D15-D0	Writes all registers. Valid only when Protect Register is cleared. Valid only at $V_{CC} = 4.5V$ to $5.5V$ .
EWDS	1	00	00XXXXXX		Disables all programming instructions.

# Timing Diagrams

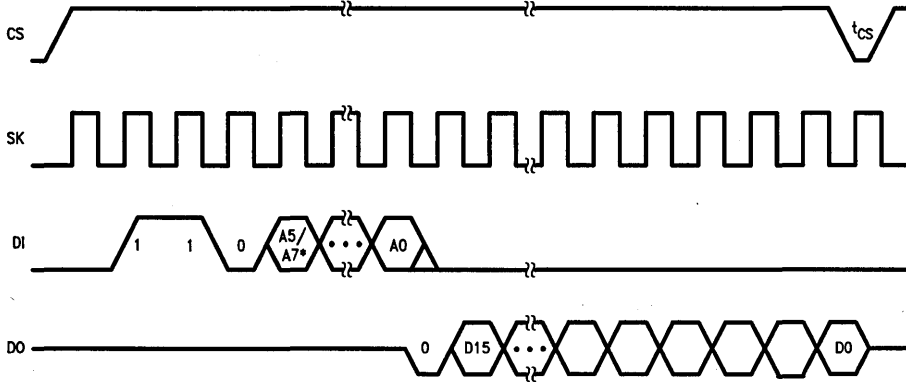
## Synchronous Data Timing



TL/D/10045-4

\*This is the minimum SK period (Note 2).

### READ:

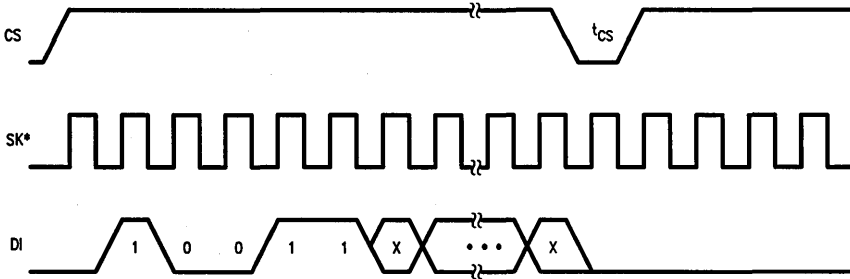


TL/D/10045-5

\*Address bits A<sub>5</sub> and A<sub>4</sub> become "don't care" for NMC93C06.

\*Address bit A<sub>7</sub> becomes a "don't care" for NMC93C56.

### EWEN:

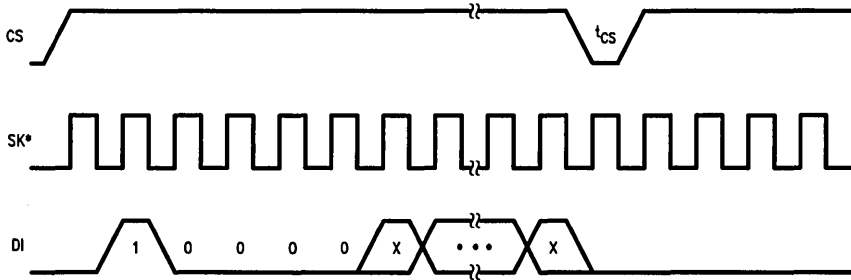


TL/D/10045-6

\*The NMC93C56 and NMC93C66 require a minimum of 11 clocks. The NMC93C06 and NMC93C46 require a minimum of 9 clock cycles.

## Timing Diagrams (Continued)

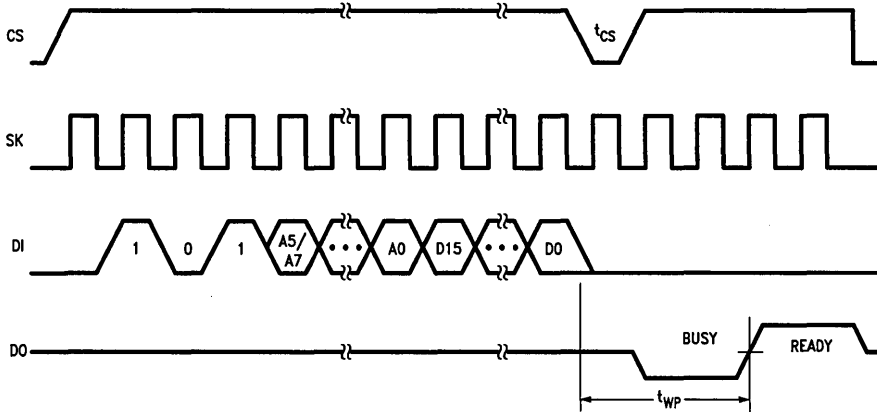
**EWDS:**



TL/D/10045-7

\*The NMC93C56 and NMC93C66 require a minimum of 11 clocks. The NMC93C06 and NMC93C46 require a minimum of 9 clock cycles.

**WRITE:**

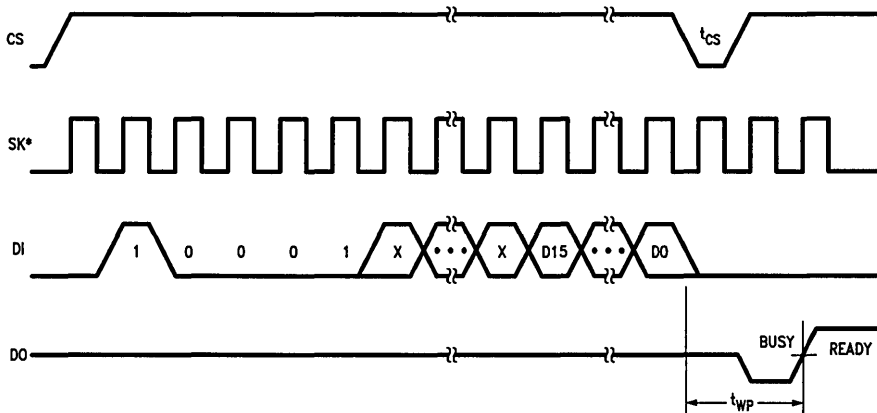


TL/D/10045-8

\*Address bit A<sub>5</sub> and A<sub>4</sub> become "don't care" for NMC93C06.

\*Address bit A<sub>7</sub> becomes a "don't care" for NMC93C56.

**WRAL:†**



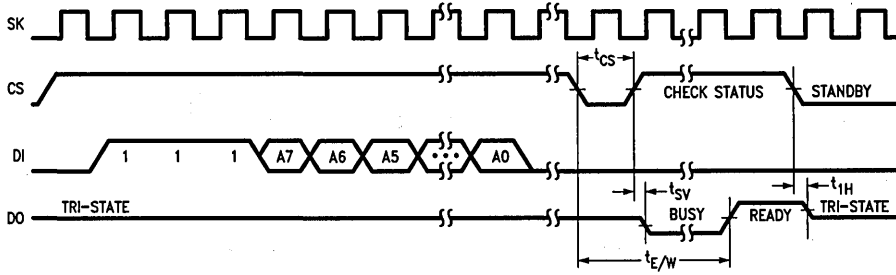
TL/D/10045-9

\*The NMC93C56 and NMC93C66 require a minimum of 11 clocks. The NMC93C06 and NMC93C46 require a minimum of 9 clock cycles.

†Valid only at  $V_{CC} = 4.5V$  to  $5.5V$ .

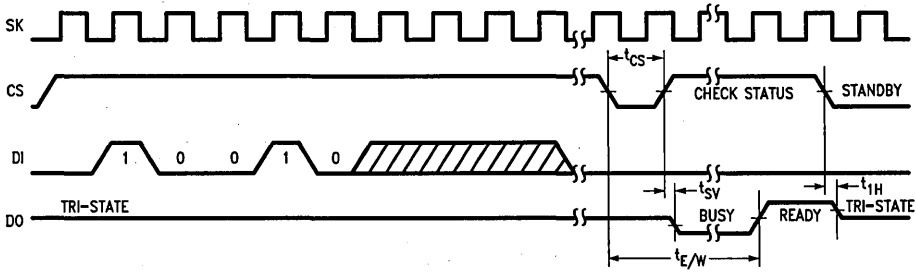
Timing Diagrams (Continued)

ERASE:



TL/D/10045-10

ERASE†



TL/D/10045-11

†Valid only at  $V_{CC} = 4.5V$  to  $5.5V$ .



# NMC95C12 1024-Bit CMOS EEPROM with DIP Switches

## General Description

The NMC95C12 is a 1024-bit, CMOS EEPROM with 8 programmable outputs that can be used as DIP switches. The 1024 bits of memory are divided into 64 registers of 16 bits each and each register can be individually accessed. Registers 61–63 are dedicated to storing the switch settings.

In addition to the 1024 bits of EEPROM memory, the NMC95C12 contains eight individually programmable outputs which can be used as DIP switches. Each output may be programmed to provide either a High or Low level. These outputs may also be programmed to form four individual pairs of SPST switches.

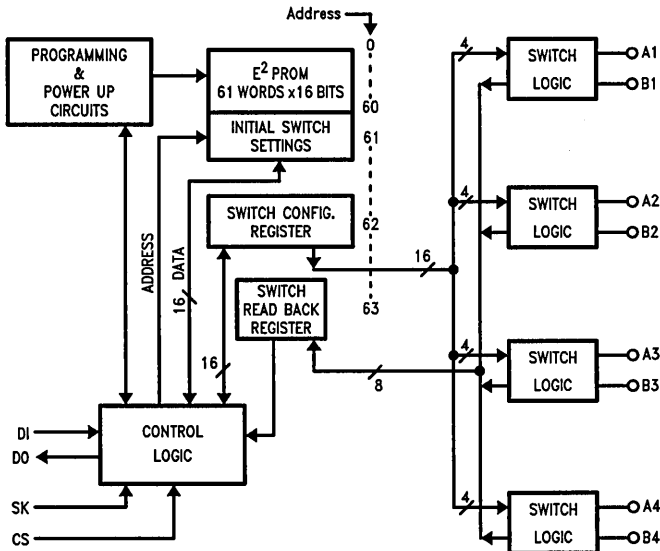
The switch configuration information is obtained from a non volatile register whenever power is first applied to the device. This ensures the switches will always have a user determined state upon power-up.

The NMC95C12 is designed to meet applications requiring 40,000 write cycles per register and at least 10 year data retention.

## Features

- 1024 bits of CMOS EEPROM memory
- 8 DIP switch positions or 4 SPST switch positions
- 4 mA (max) operating current, 50  $\mu$ A (max) standby current
- Software write protection
- Serial I/O interface fully MICROWIRE compatible
- Single +5V  $\pm$  10% operation
- 14-pin DIP or SO package availability
- 40,000 write operations
- 10 year data retention
- Reliable floating gate technology
- Sequential register read
- Self-timed write cycle
- Erase cycles not necessary
- Compatible with COPST<sup>TM</sup> microcontrollers

## Block Diagram



**FIGURE 1. Block Diagram**

TL/D/9632-1

**Absolute Maximum Ratings** (Note 1)

If Military/Aerospace specified devices are required, please contact the National Semiconductor Sales Office/Distributors for availability and specifications.

Supply Voltage $V_{CC}$	6.5V
Voltage at Any Pin	-0.3 to +6.5V
Storage Temperature Range	-65°C to +150°C
Maximum Power Dissipation @25°C	500 mW
Lead Temperature (Soldering, 10 seconds)	300°C
ESD Rating	2000V

**Operating Conditions**

Ambient Operating Temperature	0°C to +70°C
NMC95C12	-40°C to +85°C
NMC95C12E	-55°C to +125°C
NMC95C12M*	
Power Supply Voltage	4.5V to 5.5V
*Contact factory for availability	

**DC Electrical Characteristics**  $V_{CC} = 5V \pm 10\%$ 

Symbol	Parameter	Conditions	Min	Max	Units
$I_{CC1}$	Operating Current CMOS Input Levels	$C_S = V_{IH}$ , SK = 1 MHz		4	mA
$I_{CC2}$	Operating Current TTL Input Levels	$C_S = V_{IH}$ , SK = 1 MHz		6	mA
$I_{CC3}$	Standby Current CMOS Input Levels on Switches	$C_S = 0V$		50	$\mu A$
$I_{CC4}$	Standby Current TTL Input Levels on Switches	$C_S = 0V$		800	$\mu A$
$I_{IL}$	Input Leakage	$V_{IN} = 0V$ to $V_{CC}$	-2.5	+2.5	$\mu A$
$I_{OL}$	Output Leakage	$V_{OUT} = 0V$ to $V_{CC}$	-2.5	2.5	$\mu A$
$V_{IL}$	Input Low Voltage		-0.1	0.8	V
$V_{IH}$	Input High Voltage		2.0	$V_{CC} + 1$	V
$V_{OL}$	Output Low Voltage	$I_{OL} = 2.1$ mA		0.4	V
$V_{OH}$	Output High Voltage	$I_{OH} = -400$ $\mu A$	2.4		V
$R_{ON}$	Switch On Resistance			200	$\Omega$
$R_{OFF}$	Switch Off Resistance		10		M $\Omega$
$V_S$	Maximum Voltage Allowed on any Switch Terminal			$V_{CC} + 1$	V

**AC Electrical Characteristics**  $V_{CC} = 5V \pm 10\%$  unless otherwise specified

Symbol	Parameter	Part Number	Conditions	Min	Max	Units
$f_{SK}$	SK Clock Frequency	NMC95C12 NMC95C12E NMC95C12M		0 0 0	1 0.5 0.5	MHz
$t_{SKH}$	SK High Time	NMC95C12 NMC95C12E NMC95C12M	(Note 2) (Note 3) (Note 3)	250 500 500		ns
$t_{SKL}$	SK Low Time	NMC95C12 NMC95C12E NMC95C12M	(Note 2) (Note 3) (Note 3)	250 500 500		ns
$t_{CS}$	Minimum CS Low Time	NMC95C12 NMC95C12E NMC95C12M	(Note 4) (Note 5) (Note 5)	250 500 500		ns
$t_{CSS}$	CS Setup Time	NMC95C12 NMC95C12E NMC95C12M	Relative to SK	50 100 100		ns

## AC Electrical Characteristics $V_{CC} = 5V \pm 10\%$ unless otherwise specified (Continued)

Symbol	Parameter	Part Number	Conditions	Min	Max	Units
$t_{DIS}$	DI Setup Time	NMC95C12 NMC95C12E NMC95C12M	Relative to SK	100 200 200		ns
$t_{CSH}$	CS Hold Time		Relative to SK	0		ns
$t_{DIH}$	DI Hold Time	NMC95C12 NMC95C12E NMC95C12M	Relative to SK	100 200 200		ns
$t_{PD1}$	Output Delay to "1"	NMC95C12 NMC95C12E NMC95C12M	AC Test		500 1000 1000	ns
$t_{PD0}$	Output Delay to "0"	NMC95C12 NMC95C12E NMC95C12M	AC Test		500 1000 1000	ns
$t_{SV}$	CS to Status Valid	NMC95C12 NMC95C12E NMC95C12M	AC Test		500 1000 1000	ns
$t_{DF}$	CS to DO in TRI-STATE®	NMC95C12 NMC95C12E NMC95C12M	CS = $V_{IL}$ AC Test		100 200 200	ns
$t_{SWD}$	Switch Delay from Switch Input	NMC95C12 NMC95C12E NMC95C12M	AC Test		250 500 500	ns
$t_{SWPD0}$	Switch Delay to 0 from Config. Change	NMC95C12 NMC95C12E NMC95C12M	AC Test		500 1000 1000	ns
$t_{SWPD1}$	Switch Delay to 1 from Config. Change	NMC95C12 NMC95C12E NMC95C12M	AC Test		500 1000 1000	ns
$t_{SWS}$	A1–A4, B1–B4 Setup Time	NMC95C12 NMC95C12E NMC95C12M		100 200 200		ns
$t_{SWH}$	A1–A4, B1–B4 Hold Time	NMC95C12 NMC95C12E NMC95C12M		100 200 200		ns
$t_{WP}$	Write Cycle Time				10	ms
	Endurance		Number of Data Changes per Bit	Typical 40,000		Cycles

**Note 1:** "Absolute Maximum Ratings" are those values beyond which the safety of the device cannot be guaranteed. Except for "Operating Temperature Range", the device should not be operated at these limits. The table of "Electrical Characteristics" provides actual operating limits.

**Note 2:** The SK frequency specification for Commercial parts specifies a minimum SK clock period of 1  $\mu$ s, therefore in an SK clock cycle  $t_{SKH} + t_{SKL}$  must be greater than or equal to 1  $\mu$ s. For example if  $t_{SKL} = 250$  ns then the minimum  $t_{SKH} = 750$  ns in order to meet the SK frequency specification.

**Note 3:** The SK frequency specification for Extended Temperature and Military parts specifies a minimum SK clock period of 2  $\mu$ s, therefore in an SK clock cycle  $t_{SKH} + t_{SKL}$  must be greater than or equal to 2  $\mu$ s. For example, if  $t_{SKL} = 500$  ns then the minimum  $t_{SKH} = 1.5$   $\mu$ s in order to meet the SK frequency specification.

**Note 4:** For Commercial parts CS must be brought low for a minimum of 250 ns ( $t_{CS}$ ) between consecutive instruction cycles.

**Note 5:** For Extended Temperature and Military parts CS must be brought low for a minimum of 500 ns ( $t_{CS}$ ) between consecutive instruction cycles.

**Note 6:** This parameter is periodically sampled and not 100% tested.

**Note 7:** Power dissipation temperature derating—plastic "N" package:  $-12$  mW/°C from  $+65^{\circ}\text{C}$  to  $+85^{\circ}\text{C}$ .

### Capacitance (Note 6)

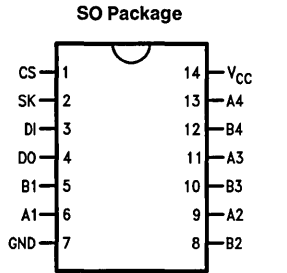
$T_A = 25^{\circ}\text{C}$ ,  $f = 1$  MHz

Symbol	Test	Typ	Max	Units
$C_{OUT}$	Output Capacitance		5	pF
$C_{IN}$	Input Capacitance		5	pF

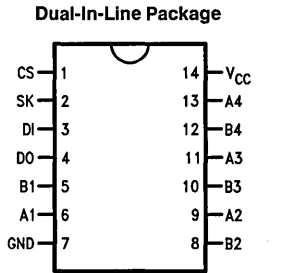
### AC Test Conditions

Output Load	1 TTL Gate and $C_L = 100$ pF
Input Pulse Levels	0.4V to 2.4V
Timing Measurement Reference Level	
Input	1V and 2V
Output	0.8V and 2V

## Connection Diagrams



TL/D/9632-3



TL/D/9632-2

### Pin Names

CS	Chip Select
SK	Serial Clock
DI	Serial Data In
DO	Serial Data Out
A1-A4	Switch Terminals
B1-B4	Switch Terminals

**Top View**  
 Order Number NMC95C12M,  
 NMC95C12EM and NMC95C12MM  
 See NS Package M14A

**Top View**  
 Order Number NMC95C12N,  
 NMC95C12EN and NMC95C12MN  
 See NS Package N14A

## Pin Descriptions

Pin Name	Description
CS	Chip Select, Input—This input must be high while communicating with the NMC95C12. When this input is LOW, the chip is powered down into the standby mode. It should be noted that the CS does not control the A1 through A4 and B1 through B4 outputs and hence has no effect on them. The CS input must be made LOW after completing an instruction to prepare the control logic to accept the next instruction. If the CS input becomes LOW prematurely, the operation in progress is aborted. If programming the E <sup>2</sup> memory is in progress and the CS goes LOW, the programming is not aborted but will proceed to its normal completion.
SK	Serial Clock, Input—This input is used for clocking the serial I/O. The CS input must be high for clocking to have any effect. Information presented on the DI input will be shifted into the device on the LOW to HIGH transition of the clock. Information from the device will be available on the DO output serially, in response to the LOW to HIGH transition of the clock.
DI	Serial Data In, Input—All information needed for the operation of the device is entered serially from this input. HIGH represents logic '1' and LOW represents logic '0'. The entry order is most significant bit first and least significant bit last.
DO	Serial Data Out, Output, 3-state—When data is read, data from the addressed location will be available on this output serially, in sync with the LOW to HIGH transitions on the SK input. Normally the DO pin is in high impedance state. During a read instruction, when the last bit of the address is shifted in, the DO will go LOW indicating that data will follow. The data will follow in response to the clock transitions. The data will come out most significant bit first and least significant bit last. During E <sup>2</sup> programming operations, this output is also used as the status indicator. During programming operations, LOW indicates Busy (programming in progress) and HIGH indicates Ready. The DO output will be in the high impedance state if the CS input is LOW unconditionally.
A1-A4 B1-B4	Switch Terminals—These pins provide the simulated DIP switch features and hence are called terminals. The behavior of these pins is determined by the settings in the Switch Configuration Register and are independent of the CS input.
V <sub>CC</sub>	+ 5V Power Supply.
GND	Ground.

## Functional Description

Figure 1 is a block diagram of the NMC95C12. It consists of a 62-word X 16-bit E<sup>2</sup>PROM array, a 16-bit Switch Configuration Register (SCR), a 16-bit Switch Readback Register (SRR), four identical blocks of switch logic, programming and power-up circuits and the necessary control logic. It may be noted that only eight bit positions of the SRR are used in the NMC95C12.

### ADDRESS SPACE

Registers 0–60 of the E<sup>2</sup>PROM are available to the user as general purpose non-volatile memory. Data may be read or programmed into this memory using the appropriate instructions. Address location 61 is an E<sup>2</sup> location which also can be read or programmed like any other E<sup>2</sup> location. However,

address 61 is used in the NMC95C12 to provide the initial switch configuration information automatically on power-up. The SCR is located at address 62. The SCR is not an E<sup>2</sup> location and hence is volatile. It does not have endurance limits or programming time requirements associated with it, allowing the switches to be reconfigured an unlimited number of times.

The SCR is automatically loaded from address 61 on power-up. The SCR controls the switch logic and hence the behavior of the terminals A1 through A4 and B1 through B4.

Located at address 63 is the Switch Readback Register (SRR). This is a read only register.

TABLE I. Switch Configurations

MODE*	Z	Y	X	W	SWITCH CONFIGURATION	COMMENTS
0	0	0	0	0		A = 0, B = 0
1	0	0	0	1		A = 0, B = 1
2	0	0	1	0		A = 1, B = 0
3	0	0	1	1		A = 1, B = 1
4	0	1	0	0		A = 0, B = Tristate
5	0	1	0	1		A = B
6	0	1	1	0		A = $\bar{B}$
7	0	1	1	1		A = 1, B = Tristate
8	1	0	0	0		A = Tristate, B = 0
9	1	0	0	1		B = A
10	1	0	1	0		B = $\bar{A}$
11	1	0	1	1		A = Tristate, B = 1
12	1	1	0	X		Analog Switch Open
13	1	1	1	X		Analog Switch Closed

\*Modes 0 thru 11 are logic level functions. Modes 12 and 13 are Analog switch functions.

## Functional Description (Continued)

### SWITCH CONFIGURATIONS

The 16-bit SCR format is shown in *Figure 2*. It consists of four 4-bit fields. Each field controls its corresponding switch control logic. The individual bits in each field are labelled W, X, Y, and Z. Table I shows the relationship between these bit values and the resulting behavior of the terminals. It should be remembered that the CS input has no effect on the behavior of the terminals.

### SWITCH READBACK REGISTER

The SRR allows the current logic level present at the switch terminals to be read back via the Microwire bus. The SRR is loaded by the rising edge of SK immediately after the last instruction bit is clocked in (The same clock edge that loads A0). The SRR is loaded on this clock edge only when register 63 (Switch Readback Register) is being read. In the case of switch mode 13 (Analog switch mode), the SRR will not report the actual levels present at the terminals due to this mode being analog levels. In mode 13, bits 15-8 of the SRR will be all 0's to indicate a closed analog switch. This is done to avoid ambiguous logic levels which could exist when the device is used in the analog switch mode.

The bit assignments and conceptual function of the SRR is shown in *Figure 3*. As shown, only bits 15 thru 8 are used, and bits 7 thru 0 are always read as logical 0. The SRR is a Read-Only register and if it is written, the device will not perform a write or generate a Ready/Busy status. The SRR is not implemented in EEPROM, allowing an infinite number of cycles in the register.

### INSTRUCTION SET

The NMC95C12 instruction set contains five instructions, and each instruction is nine bits long. One SK clock cycle is necessary, after CS equals logical "1", before an instruction can be loaded. The first bit of the instruction is the start bit (SB) and is always a logical "1", followed by the op code (2 bits) and the address field (6 bits). The WRITE and WRALL instructions are followed by sixteen bits of data (D15-D0) which is written into the memory. Table II is a list of the instructions and their format.

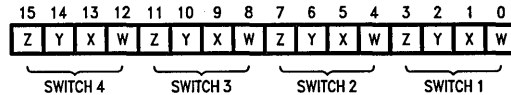


FIGURE 2. Switch Configuration Register (SCR)

TL/D/9632-4

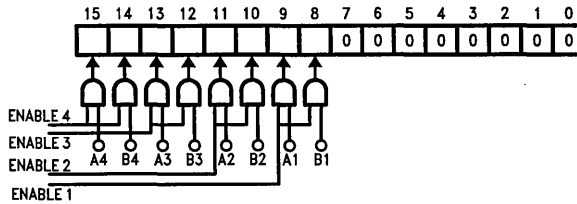


FIGURE 3. Switch Readback Register (SRR)

TL/D/9632-5

TABLE II. NMC95C12 Instructions

Instruction	SB	Op Code	Address	Data	Comments
READ	1	10	A5-A0		Reads data stored in memory, starting at specified address.
WEN	1	00	11XXXX		Write enable must precede all programming modes.
WRITE	1	01	A5-A0	D15-D0	Writes register.
WRALL	1	00	01XXXX	D15-D0	Writes all registers.
WDS	1	00	00XXXX		Disables all programming instructions.

## Functional Description (Continued)

**WDS (Write Disable):** When this instruction is issued, all subsequent writing into the NMC95C12 is locked out. Any attempt to write into a locked device is ignored. The NMC95C12 powers up in the locked state. The WEN is the only instruction that unlocks the device. The write disable operation has no effect on read operations. Thus reading will occur normally even from a locked device.

**WRALL (Write All):** When this instruction is executed, the NMC95C12 bulk-programs the same 16-bit data pattern into all of its E<sup>2</sup> memory locations (address 0 through 61). The SCR is unaffected since it is not an E<sup>2</sup> location. The data pattern must follow immediately after the last bit of this instruction. The chip enters into the self-timed program mode after CS is brought low, before the next rising edge of SK.

**WEN (Write Enable):** This instruction is used to unlock the write circuits. The circuits will remain unlocked until the WDS instruction locks them. The NMC95C12 powers up in the locked state and hence WEN must be executed prior to any programming instructions.

**WRITE (Write/Program):** This instruction writes a 16-bit data word into the address location specified by the A<sub>0</sub>-A<sub>5</sub> bits of the instruction. The 16 data bits must follow the last bit of the instruction. After loading the WRITE instruction and the 16-bit data, the chip enters into the self-timed program mode when CS is brought low before the next rising edge of the SK clock. If the addressed location is the SCR, then the chip does not enter into the self-timed E<sup>2</sup> programming mode (the SCR is not an E<sup>2</sup> location) but loads the switch configuration data into the SCR. The WRITE instruction can only be aborted by deselecting the chip (CS LOW) before entering all the instruction bits. The NMC95C12 does not require erasing prior to writing.

**READ (Read):** This instruction reads the data from the addressed location. As before, the instruction also contains

the address. The data will come out serially on the D0 output on the rising edge of the clock. A logical '0' precedes the 16-bit data (dummy bit).

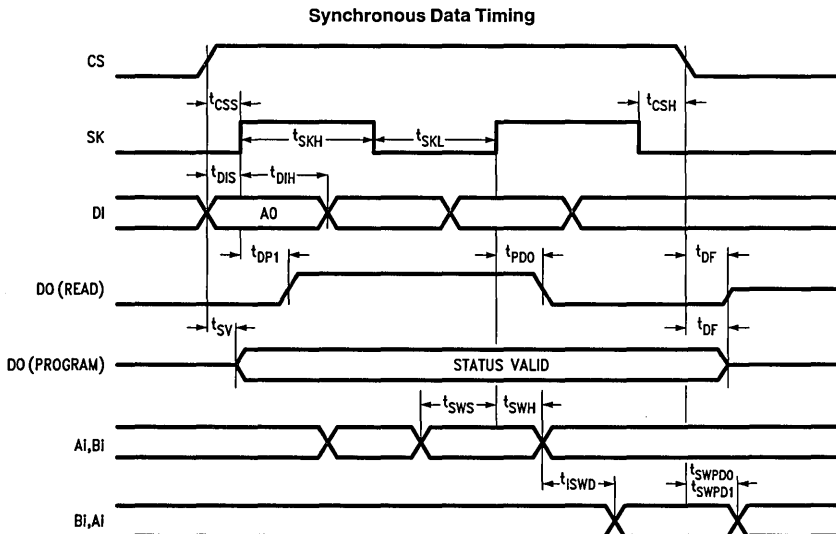
The NMC95C12 has a convenient feature called sequential register read. Normally, the CS input is made LOW after the last data bit is shifted out. However, if the CS input is left HIGH and clocking continues, data from the next address location will be delivered on the D0 pin. This sequential read can continue indefinitely whereby the address is automatically incremented after delivering 16 bits of data. It should be noted that in the sequential register read mode, address wrap-around will occur.

During a sequential register read there will be a dummy bit preceding the first word read, after which, the bit stream will be continuous without any dummy bits separating the data words.

## Ready/Busy Indication

Programming an E<sup>2</sup> memory takes several milliseconds. Unlike some devices which require the user to keep track of the elapsed time to ensure completion of the programming cycle, the NMC95C12 contains an on-chip timer. The timer starts when the CS input goes LOW after the last data bit is entered. After entering a programming cycle (CS forced LOW), the timer status may be observed by forcing the CS input back HIGH. The timer status is available on the D0 pin if the CS input is forced HIGH within one ms of starting the programming cycle. LOW on the D0 pin indicates that the programming is still in progress while HIGH indicates the device is READY for the next instruction. It should be noted that if the CS input is made HIGH for status observation, it must be made LOW when READY is indicated before loading the next instruction.

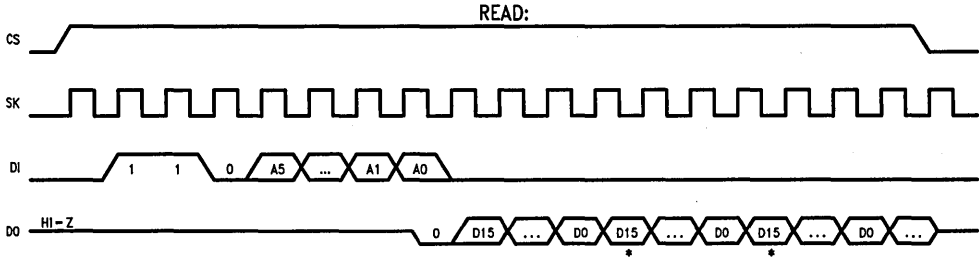
## Timing Diagrams



TL/D/9632-7

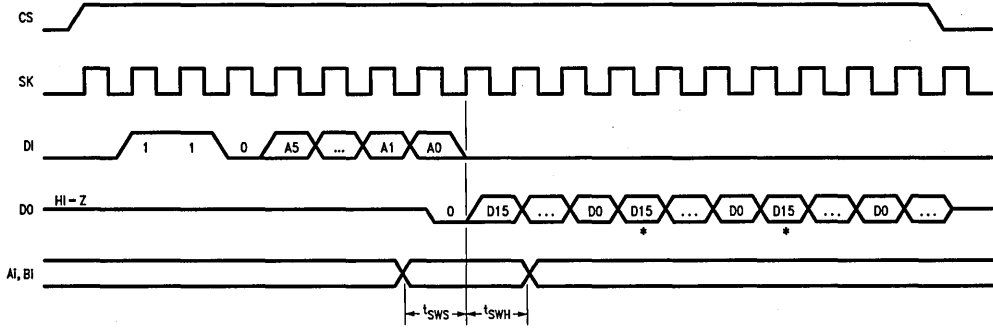
Timing Diagrams (Continued)

Instruction Sequence



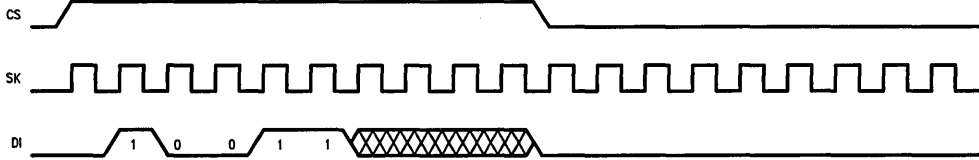
TL/D/9632-8

SRR READ:



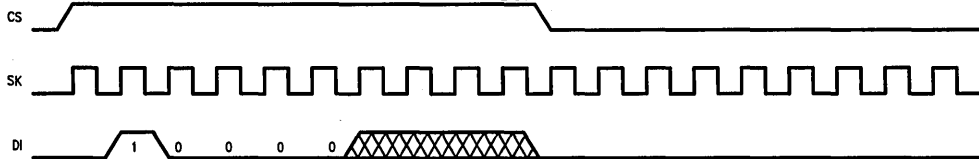
TL/D/9632-14

WEN:



TL/D/9632-9

WDS:



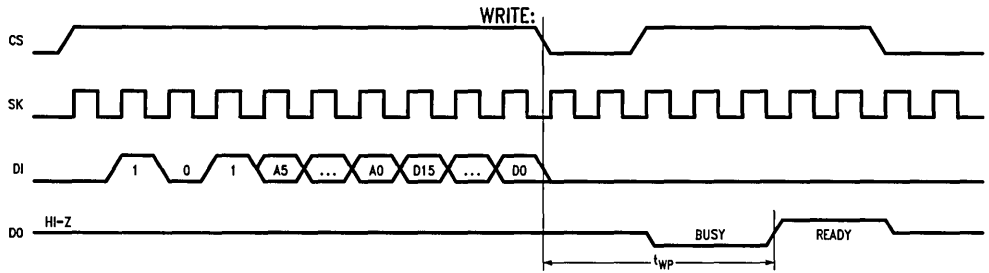
TL/D/9632-10

\*The memory automatically cycles to the next register.

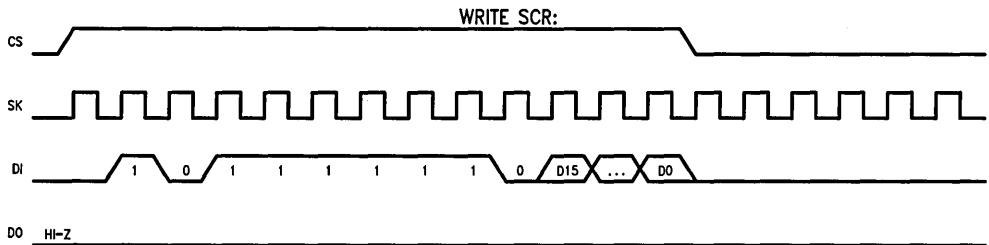


Timing Diagrams (Continued)

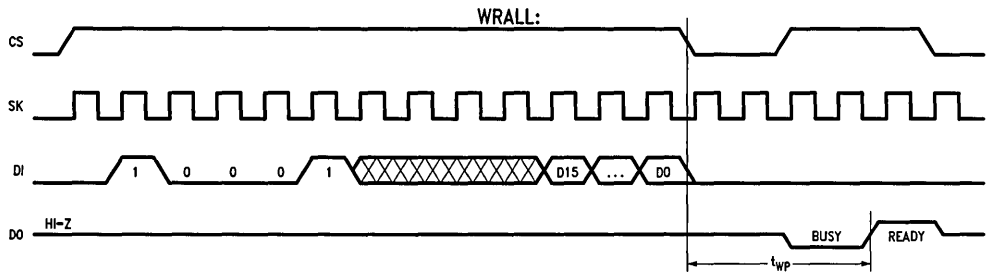
Instruction Sequence (Continued)



TL/D/9632-11



TL/D/9632-12



TL/D/9632-13

# Protecting Data in Serial EEPROMs

National Semiconductor  
 Application Brief 15  
 Paul Lubeck



National offers a broad line of serial interface EEPROMs which share a common set of features:

- Low cost
- Single supply in all modes (+5V ± 10%)
- TTL compatible interface
- MICROWIRE™ compatible interface
- Read-Only mode or read-write mode

This Application Brief will address protecting data in any of National's Serial Interface EEPROMs by using read-only mode.

Whereas EEPROM is non-volatile and does not require V<sub>CC</sub> to retain data, the problem exists that stored data can be destroyed during power transitions. This is due to either uncontrolled interface signals during power transitions or noise on the power supply lines. There are various hardware design considerations which can help eliminate the problem although the simplest most effective method may be the following programming method.

All National Serial EEPROMs, when initially powered up are in the Program Disable Mode\*. In this mode it will abort any requested Erase or Write cycles. Prior to Erasing or Writing

it is necessary to place the device in the Program Enable Mode†. Following placing the device in the Program Enable Mode, Erase and Write will remain enabled until either executing the Disable instruction or removing V<sub>CC</sub>. Having V<sub>CC</sub> unexpectedly removed often results in uncontrolled interface signals which could result in the EEPROM interpreting a programming instruction causing data to be destroyed.

Upon power up the EEPROM will automatically enter the Program Disable Mode. Subsequently the design should incorporate the following to achieve protection of stored data.

- 1) The device powers up in the read-only mode. However, as a backup, the EWDS instruction should be executed as soon as possible after V<sub>CC</sub> to the EEPROM is powered up to ensure that it is in the read-only mode.
- 2) Immediately preceding a programming instruction (ERASE, WRITE, ERAL or WRAL), the EWEN instruction should be executed to enable the device for programming; the EWDS instruction should be executed immediately following the programming instruction to return

\*EWDS or WDS, depending on exact device.

†EWEN or WEN, depending on exact device.

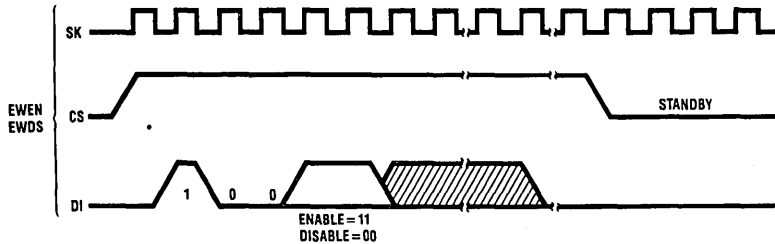
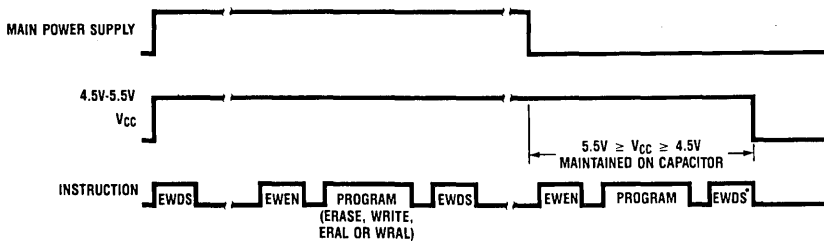


FIGURE 1. EWEN, EWDS Instruction Timing

TL/D/7085-1



TL/D/7085-2

\*EWDS must be executed before V<sub>CC</sub> drops below 4.5V to prevent accidental data loss during subsequent power down and/or power up transients.

FIGURE 2. Typical Instruction Flow for Maximum Data Protection

the device to the read-only mode and protect the stored data from accidental disturb during subsequent power transients or noise.

- 3) Special care must be taken in designs in which programming instructions are initiated to store data in the EEPROM after the main power supply has gone down. This is usually accomplished by maintaining  $V_{CC}$  for the EEPROM and its controller on a capacitor for a sufficient amount of time (approximately 50 ms, depending on the clock rate) to complete these operations. This capacitor

must be large enough to maintain  $V_{CC}$  between 4.5 and 5.5 volts for the total duration of the store operation, INCLUDING the execution of the EWDS instruction immediately following the last programming instruction. FAILURE TO EXECUTE THE LAST EWDS INSTRUCTION BEFORE  $V_{CC}$  DROPS BELOW 4.5 VOLTS MAY CAUSE INADVERTENT DATA DISTURB DURING SUBSEQUENT POWER DOWN AND/OR POWER UP TRANSIENTS.

# Electronic Compass Calibration Made Easy With E<sup>2</sup> Memory, NMC9306

National Semiconductor  
Application Brief 18  
Doug Zrebski



When a compass is first installed in a vehicle, or when new equipment, such as car speakers, are added to a vehicle with a compass, the compass must be compensated for stray magnetic fields. With a magnetic compass, it must be pointed towards magnetic north and then adjusted. This procedure is repeated at all four main points of the compass until the compass is calibrated. This procedure is lengthy and also requires another calibrated compass to point the vehicle in the correct direction.

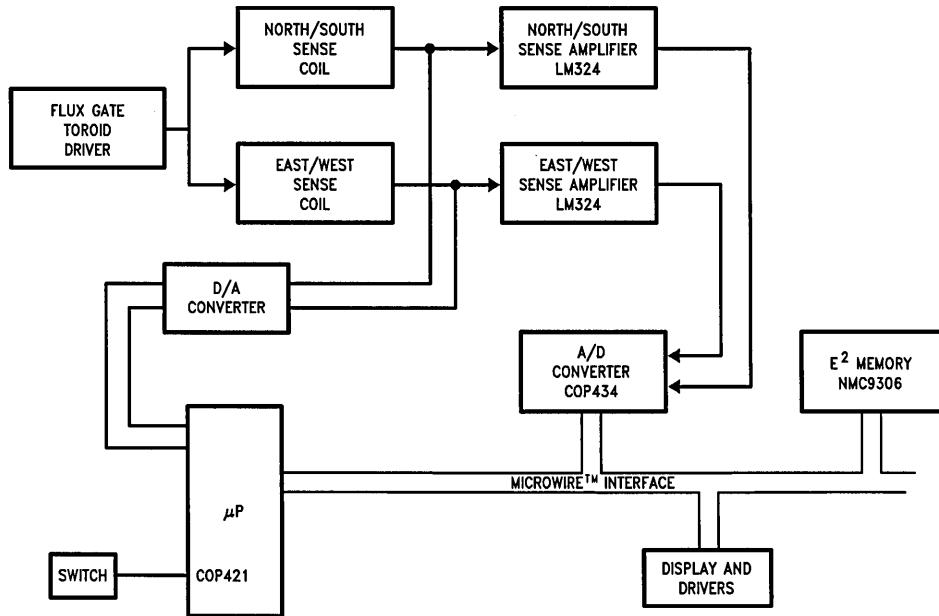
The block diagram illustrates an electronic compass that, with the aid of an E<sup>2</sup> memory, makes adjusting a compass as easy as pushing a button, and also eliminates the need for another compass. In addition it gives you the ability to adjust for variation between magnetic and true north. This is a major advantage because it is something that even the most expensive magnetic compass cannot do.

The brain of the electronic compass is the COP421 microcontroller. There are two sense coils, one for north/south and one for east/west. The output of each of the sense amplifiers is an analog voltage which is fed into the A to D converter. These voltages are read by the COP421 over the microwire interface. From these voltages, the microcontroller determines the direction and displays the results

once again over the microwire interface. To compensate the compass in a new environment the procedure is very simple. Start by pointing the car in any direction and push the switch. The CPU at this time will measure the voltage at the sense amplifiers and store this information in the E<sup>2</sup> memory over the microwire interface. Now the vehicle is turned 180°, and the button is pushed again. The same procedure will be followed internally. The compensation procedures are now complete. During operation the CPU will compensate for stray fields by adding an analog voltage back into the sense amplifiers. This value is stored in E<sup>2</sup> memory and not lost when the power is turned off, but is readjustable if its environment is modified.

Compass variation is the difference between true and magnetic north. This variation differs all over the world and is something that must be taken into consideration when navigating by compass. With the E<sup>2</sup> memory device, a variance can be programmed in for any given location. In California this is approximately 17°, in Michigan approximately 1°. Once again, this cannot be accomplished by a magnetic compass, and would have been impossible to accomplish without an E<sup>2</sup> memory device.

Electronic Compass Block Diagram



TL/D/8613-1

# Automatic Low Cost Thermostat

National Semiconductor  
Application Brief 22  
Kent Brooten



AB-22

This application brief describes the use of the NMC9346 (64 x 16) serial EEPROM. With the advent of the inexpensive COPS™ family from National Semiconductor, heretofore "expensive" applications can now be realized inexpensively. Such an application is a low cost thermostat. Typical features of such a device are:

- 1) Ability to interface to local and remote temperature sensors,
- 2) Ability to hold changeable settings,
- 3) Digital display of present temperature,
- 4) Inexpensive in high volume.

## CIRCUIT DESCRIPTION

The basis of the thermostat is the COP410 microcontroller. This, with the addition of 2 ADC0854 A/D converters, an NMC9346 EEPROM and some logic for LED display, comprise an extremely versatile, yet low cost, system. The ADC0854 allows 4 channels of temperature sensors, 1 local and 3 remote. Temperature sensors used are LM34 (for readings in °F) or LM35 (for readings in °C).

While there are several possible choices for A/D converters that are MICROWIRE™ compatible, the ADC0854 was chosen because of its "settability". By presetting the "cold" temperature (i.e., when the cooling unit should come on—say 80°F) all the microcomputer has to do is to multiplex the inputs and read the data in line. Similarly, the "hot" A/D can be preset to the temperature where the furnace should come on (e.g., 60°F) and scanned in a like manner. Since the microcomputer is also keeping time of day, selecting an A/D with more "smarts" (as in the ADC0854) the software can be kept manageable and an external real time clock chip is not needed.

The EEPROM (NMC9346) holds the presettable temperature ranges (high and low settings) by day of the week. Since data is in EEPROM rather than in mask ROM, it can be changed.

The LED display is multiplexed by the microcomputer. Depending on the type of display selected, external drivers may be necessary.

Input power is typically 24 VAC. Using a linear regulator would cause too much heat to be dissipated, which would upset the local temperature sensors. Thus, a switch mode regulator must be used. Fortunately, National Semiconductor has provided a solution to the problem with the LM3578, a switching regulator in an 8-pin mini-DIP, providing more than enough current for the application, using only a minimum of external components.

## SOFTWARE DESCRIPTION

Since a real time clock is implemented in software, all routines must execute the same number of cycles independent of the input. Because of the flexibility of the COPS family instruction set, this is not as difficult a problem as it first appears. Since the EEPROM contains the settings that are periodically sent to the A/D converters, the COPS program merely fetches data from one source and dumps it to another while monitoring the output. Even the SET and MODE keys can be acted upon in a predictable manner IF the software designer carefully plans the program flow BEFORE writing code.

Note: Also see App Brief 15.

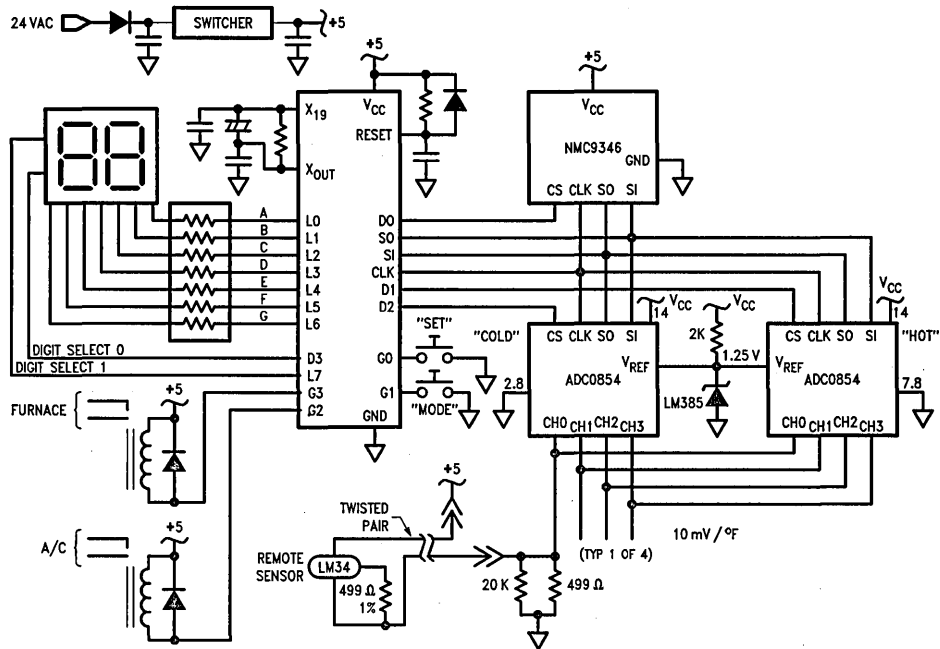


FIGURE 1

TL/D/8647-1

# Designing with the NMC9306/COP494 a Versatile Simple to Use E<sup>2</sup> PROM

National Semiconductor  
Application Note 338  
Masood Alavi



This application note outlines various methods of interfacing an NMC9306/COP494 with the COPST<sup>™</sup> family of micro-controllers and other microprocessors. Figures 1-6 show pin connections involved in such interfaces. Figure 7 shows how parallel data can be converted into a serial format to be inputted to the NMC9306; as well as how serial data outputted from an NMC9306 can be converted to a parallel-format.

The second part of the application note summarizes the key points covering the critical electrical specifications to be kept in mind when using the NMC9306/COP494.

The third part of the application note shows a list of various applications that can use a NMC9306/COP494.

## GENERIC CONSIDERATIONS

A typical application should meet the following generic criteria:

1. Allow for no more than 10,000 E/W cycles for optimum and reliable performance.
2. Allow for any number of read cycles.
3. Allow for an erase or write cycle that operates in the 10-30 ms range, and not in the tens or hundreds of ns range as used in writing RAMs. (Read vs write speeds are distinctly different by orders of magnitude in E<sup>2</sup>PROM, not so in RAMs.)

4. No battery back-up required for data-retention, which is fully non-volatile for at least 10 years at room-ambient.

## SYSTEM CONSIDERATIONS

When the control processor is turned on and off, power supply transitions between ground and operating voltage may cause undesired pulses to occur on data, address and control lines. By using WEEN and WEDS instructions in conjunction with a LO-HI transition on CS, accidental erasing or writing into the memory is prevented.

The duty cycle in conjunction with the maximum frequency translates into having a minimum HI-time on the SK clock. If the minimum SK clock high time is greater than 1  $\mu$ s, the duty cycle is not a critical factor as long as the frequency does not exceed the 250 kHz max. On the low side no limit exists on the minimum frequency. This makes it superior to the COP499 CMOS-RAM. The rise and fall times on the SK clock can also be slow enough not to require termination up to reasonable cable-lengths.

Since the device operates off of a simple 5V supply, the signal levels on the inputs are non-critical and may be operated anywhere within the specified input range.

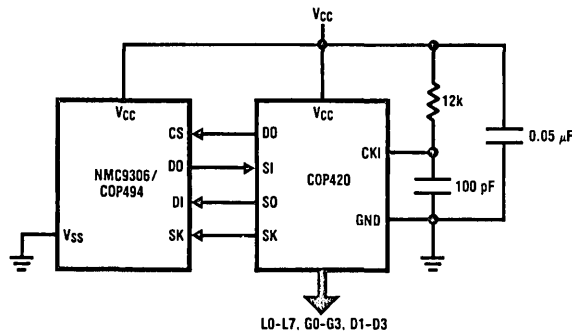
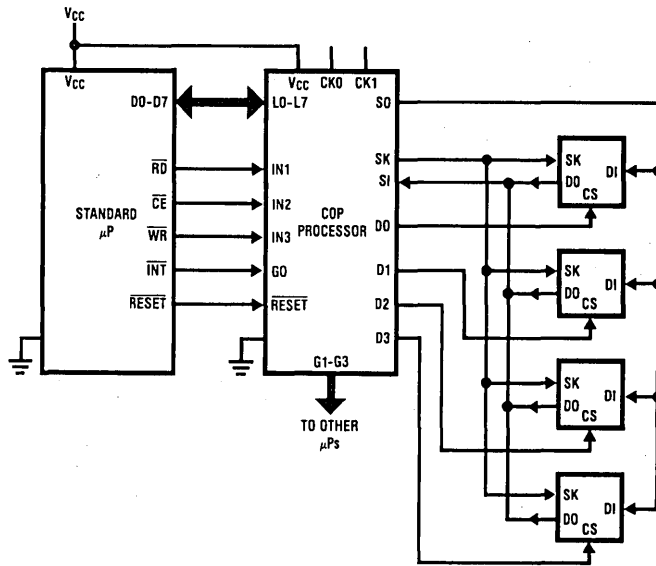


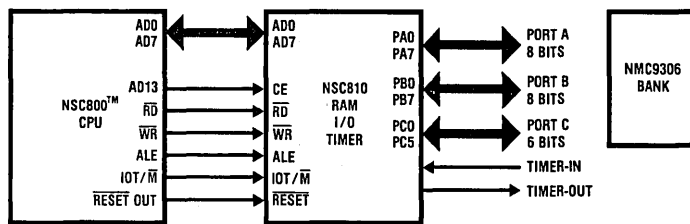
FIGURE 1. NMC9306/COP494 — COP420 Interface

TL/D/5286-1



TL/D/5286-2

FIGURE 2. NMC9306 — Standard  $\mu$ P Interface Via COP Processor



TL/D/5286-3

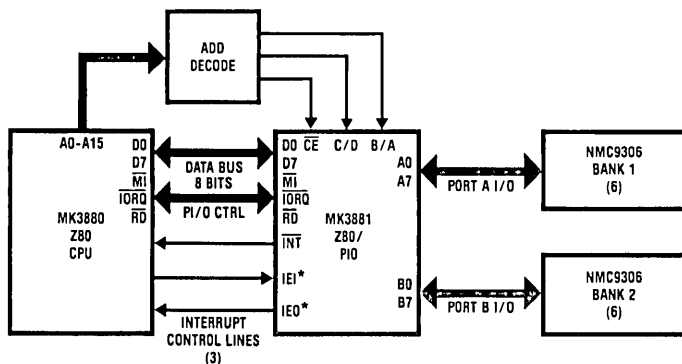
PA0 → SK  
 PA1 → DI/DO  
 PA2-7 → 6CS for 6-9306's

} Common to all 9306's

- \* SK is generated on port pins by bit-set and bit-clear operations in software. A symmetrical duty cycle is not critical.
- \* CS is set in software. To generate 10-30 ms write/erase the timer/counter is used. During write/erase SK may be turned off.

FIGURE 3. NSC800™ to NMC9306 Interface (also Valid for 8085/8085A and 8156)

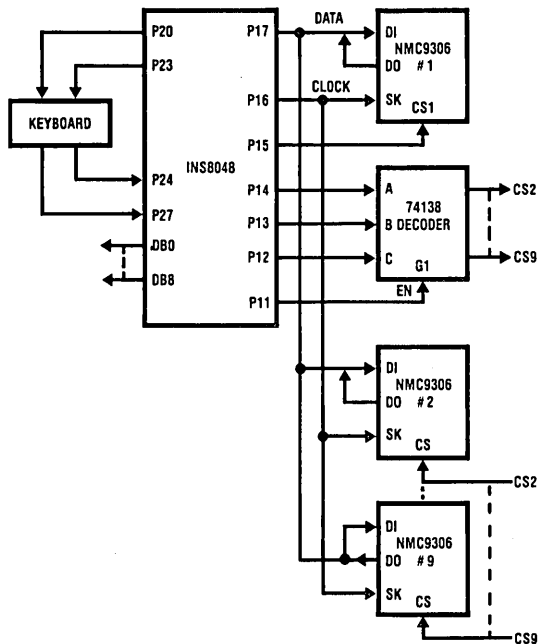




TL/D/5286-4

Z80-P10 9306  
 A0 SK } Common to all 9306's (Bank 1)  
 A1 DI/DO }  
 A2-A7 CS1-CS6  
 \* Only used if priority Interrupt daisy chain is desired  
 \* Identical connection for Port B

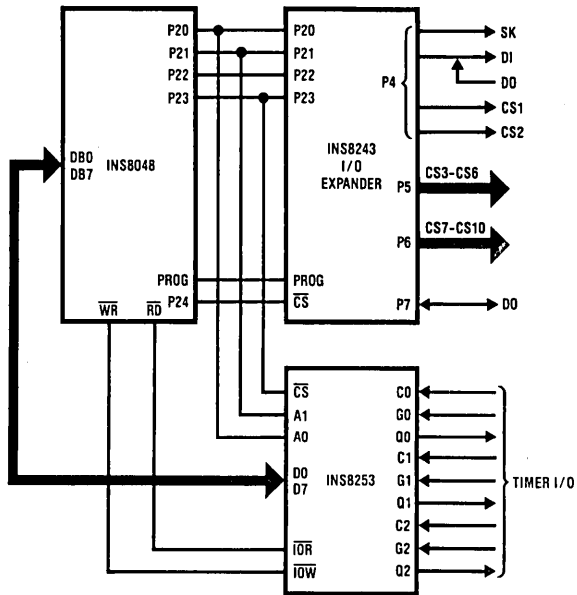
FIGURE 4. Z80 — NMC9306 Interface Using Z80-PIO Chip



TL/D/5286-5

\* SK and DI are generated by software. It should be noted that at 2.72  $\mu$ s/instruction. The minimum SK period achievable will be 10.88  $\mu$ s or 92 kHz, well within the NMC9306 frequency range.  
 \* DO may be brought out on a separate port pin if desired.

FIGURE 5. 48 Series  $\mu$ P — NMC9306 Interface

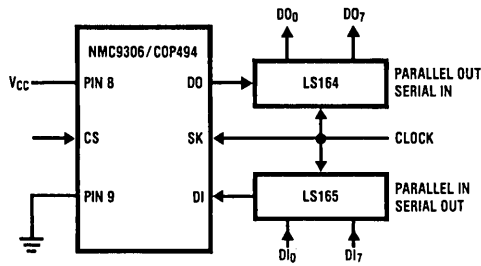


TL/D/5286-6

Expander outputs

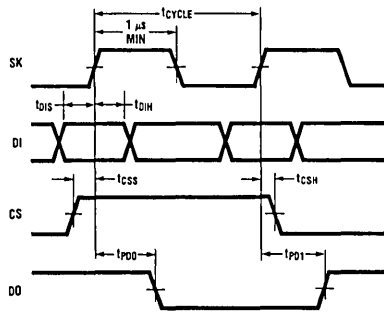
- DI } (COMMON)
- SK } (COMMON)
- Port 4 CS1
- CS2
- Port 5-6 CS3-CS10
- Port 7 DO (COMMON)

FIGURE 6. 8048 I/O Expansion



TL/D/5286-7

FIGURE 7. Converting Parallel Data into Serial Input for NMC9306/COP494



TL/D/5286-8

FIGURE 8. NMC9306/COP494 Timing

Min	Max
$t_{\text{CYCLE}}$ 0	250 kHz
$t_{\text{DIS}}$ 400	ns
$t_{\text{D1H}}$ 400	ns
$t_{\text{CSS}}$ 200	ns
$t_{\text{CSH}}$ 0	ns
$t_{\text{PD0}}$	2 $\mu$ s
$t_{\text{PD1}}$	2 $\mu$ s

### THE NMC9306/COP494

Extremely simple to interface with any  $\mu$ P or hardware logic. The device has six pins for the following functions:

Pin 1	CS*	HI enabled
Pin 2	SK	Serial Clock input
Pin 3	DI	For instruction or data input
Pin 4	DO**	For data read, TRI-STATE® otherwise
Pin 5	GND	
Pin 8	V <sub>CC</sub>	For 5V power
Pins 6-7	No Connect	No termination required

\*Following an E/W instruction feed, CS is also toggled low for 10 ms (typical) for an E/W operation. This internally turns the VPP generator on (HI-LO on CS) and off (LO-HI on CS).

\*\*DI and DO can be on a common line since DO is TRI-STATED when unselected DO is only on in the read mode.

### USING THE NMC9306/COP494

#### The following points are worth noting:

- SK clock frequency should be in the 0-250 kHz range. With most  $\mu$ Ps this is easily achieved when implemented in software by bit-set and bit-clear instructions, which take 4 instructions to execute a clock or a frequency in the 100 kHz range for standard  $\mu$ P speeds. Symmetrical duty cycle is irrelevant if SK HI time is  $\geq 2 \mu$ s.
- CS low period following an E/W instruction must not exceed the 30 ms max. It should best be set at typical or minimum spec of 10 ms. This is easily done by timer or a software connect. The reason is that it minimizes the 'on time' for the high V<sub>PP</sub> internal voltage, and so maximizes endurance. SK-clock during this period may be turned off if desired.
- All E/W instructions must be preceded by EWEN and should be followed by an EWDS. This is to secure the stored data and avoid inadvertent erase or write.
- A continuously 'on' SK clock does not hurt the stored data. Proper sequencing of instructions and data on DI is essential to proper operation.

- Stored data is fully non-volatile for a minimum of ten years independent of V<sub>CC</sub>, which may be on or off. Read cycles have no adverse effects on data retention.
- Up to 10,000 E/W cycles/register are possible. Under typical conditions, this number may actually approach 1 million. For applications requiring a large number of cycles, redundant use of internal registers beyond 10,000 cycles is recommended.
- Data shows a fairly constant E/W Programming behavior over temperature. In this sense E<sup>2</sup>PROMs supersede EPROMs which are restricted to room temperature programming.
- As shown in the timing diagrams, the start bit on DI must be set by a ZERO - ONE transition following a CS enable (ZERO - ONE), when executing any instruction. ONE CS enable transition can only execute ONE instruction.
- In the read mode, following an instruction and data train, the DI can be a don't care, while the data is being outputted i.e., for next 17 bits or clocks. The same is true for other instructions after the instruction and data has been fed in.
- The data-out train starts with a dummy bit 0 and is terminated by chip deselect. Any extra SK cycle after 16 bits is not essential. If CS is held on after all 16 of the data bits have been outputted, the DO will output the state of DI till another CS LO-HI transition starts a new instruction cycle.
- When a common line is used for DI and DO, a probable overlap occurs between the last bit on DI and start bit on DO.
- After a read cycle, the CS must be brought low for 1 SK clock cycle before another instruction cycle can start.

All commands, data in, and data out are shifted in/out on rising edge of SK clock.

Write/erase is then done by pulsing CS low for 10 ms.

All instructions are initiated by a LO-HI transition on CS followed by a LO-HI transition on DI.

**READ** — After read command is shifted in DI becomes don't care and data can be read out on data out, starting with dummy bit zero.

**WRITE** — Write command shifted in followed by data in (16 bits) then CS pulsed low for 10 ms minimum.

## INSTRUCTION SET

Instruction	SB	Opcode	Address	Data	Comments
READ	01	10xx	A3A2A1A0		Read Register A3A2A1A0
WRITE	01	01xx	A3A2A1A0	D15-D0	Write Register A3A2A1A0
ERASE	01	11xx	A3A2A1A0		Erase Register A3A2A1A0
EWEN	01	0011	XXXX		Erase/Write Enable
EWDS	01	0000	XXXX		Erase/Write Disable
ERAL	01	0010	XXXX		Erase All Registers
WRAL	01	0001	XXXX	D15-D0	Write All Registers

NMC9306 has 7 instructions as shown. Note that MSB of any given instruction is a "1" and is viewed as a start bit in the interface sequence. The next 8 bits carry the op code and the 4-bit address for 1 of 16, 16-bit registers.

X is a don't care state.

The following is a list of various systems that could use a

NMC9306/COP494

- |  |  |
|--|--|
| <p>A. Airline terminal<br/>Alarm system<br/>Analog switch network<br/>Auto calibration system<br/>Automobile odometer<br/>Auto engine control<br/>Avionics fire control</p> <p>B. Bathroom scale<br/>Blood analyzer<br/>Bus interface</p> <p>C. Cable T.V. tuner<br/>CAD graphics<br/>Calibration device<br/>Calculator—user programmable<br/>Camera system<br/>Code identifier<br/>Communications controller<br/>Computer terminal<br/>Control panel<br/>Crystal oscillator</p> <p>D. Data acquisition system<br/>Data terminal</p> <p>E. Electronic circuit breaker<br/>Electronic DIP switch<br/>Electronic potentiometer<br/>Emissions analyzer<br/>Encryption system<br/>Energy management system</p> <p>F. Flow computer<br/>Frequency synthesizer<br/>Fuel computer</p> <p>G. Gas analyzer<br/>Gasoline pump</p> <p>H. Home energy management<br/>Hotel lock</p> <p>I. Industrial control<br/>Instrumentation</p> <p>J. Joulemeter</p> <p>K. Keyboard -softkey</p> <p>L. Laser machine tool</p> <p>M. Machine control<br/>Machine process control<br/>Medical imaging<br/>Memory bank selection<br/>Message center control<br/>Mobile telephone</p> | <p>Modem<br/>Motion picture projector</p> <p>N. Navigation receiver<br/>Network system<br/>Number comparison</p> <p>O. Oilfield equipment</p> <p>P. PABX<br/>Patient monitoring<br/>Plasma display driver<br/>Postal scale<br/>Process control<br/>Programmable communications<br/>Protocol converter</p> <p>Q. Quiescent current meter</p> <p>R. Radio tuner<br/>Radar dectector<br/>Refinery controller<br/>Repeater<br/>Repertory dialer</p> <p>S. Secure communications system<br/>Self diagnostic test equipment<br/>Sona-Bouy<br/>Spectral scanner<br/>Spectrum analyzer</p> <p>T. Telecommunications switching system<br/>Teleconferencing system<br/>Telephone dialing system<br/>T.V. tuner<br/>Terminal<br/>Test equipment<br/>Test system<br/>TouchTone dialers<br/>Traffic signal controller</p> <p>U. Ultrasound diagnostics<br/>Utility telemetering</p> <p>V. Video games<br/>Video tape system<br/>Voice/data phone switch</p> <p>W. Winchester disk controller</p> <p>X. X-ray machine<br/>Xenon lamp system</p> <p>Y. YAG—laser controller</p> <p>Z. Zone/perimeter alarm system</p> |
|--|--|

# The NMC9346—An Amazing Device

National Semiconductor  
 Application Note 423  
 Stacy Deming



Question: What has 8 pins, runs on 5V and can store any one of more than 10<sup>300</sup> unique bit patterns?

Answer: The NMC9346—a 1024-bit serial EEPROM.

Surprised? It is easy to check:

$$2^{1024} = \text{number of possible combinations}$$

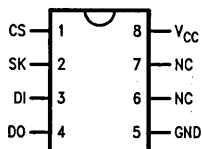
$$2^{10} = 10^3$$

$$2^{1024} \approx (2^{10})^{102} = (10^3)^{102} = 10^{306}$$

10<sup>306</sup> combinations are more than enough for any conceivable security application, serial number, or station I.D. many times over. Although the NMC9346 is a small part both physically and in memory size, its capacity to store unique codes is boundless.

Figure 1 shows the pin assignments and pin names for the NMC9346. Pins 6 and 7 are not connected, leaving only 6 active pins on the device. The DO pin is not active while data is being loaded through the DI pin. DI and DO can be tied together, creating a 5-wire interface. This interface may be useful in security applications. The EEPROM could be built into a module that could be used as a "smart key" in electronic security systems. The key would be read whenever it was inserted into a 5-contact keyhole and access would be granted or denied as determined by the stored code. If only 256 bits of the EEPROM were to be used to store the code, this would still provide 10<sup>77</sup> possible combinations. The remainder of the memory in the key could be used for data collection or to keep a record of where the key had been. It should be noted that ability to write data into the key allows the key to be immediately erased if it is misused.

### Dual-In-Line Package



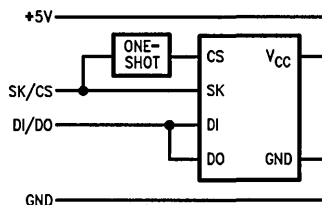
TL/D/8611-1

### Pin Names

CS	Chip Select
SK	Serial Clock
DI	Data Input
DO	Data Output
V <sub>CC</sub>	+5V
GND	Ground
NC	No Connection

FIGURE 1

The 5-contact key is nice, but a 4-contact key is at least 20% better. Figure 2 shows how the addition of a retriggerable one-shot can achieve this reduction. This circuit puts some timing constraints on the serial clock signal, but these are easily met. The output pulse of the one-shot should remain high for a period that is slightly longer than one serial clock cycle to prevent the NMC9346 from being reset. (The falling edge of CS must occur before the rising edge of the serial clock after the last bit of a write command is transmitted.)



TL/D/8611-2

One-shot is retriggerable MM74HC123

FIGURE 2

A circuit for a 3-contact key is shown in Figure 3. A filter capacitor, diode and one-shot have been added. Both one-shots are triggered whenever a pulse to ground occurs on the power supply contact. The capacitor and diode provide power to the NMC9346 and the one-shots during this brief power interruption. An operational amplifier can be used as the power source and can easily generate the required waveform. Both the serial clock and chip select signals are recovered from this waveform.

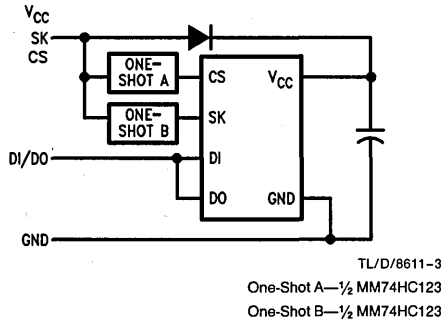


FIGURE 3

By adding more circuitry to the key, it is possible to achieve a 2-contact interface. A circuit for this interface is shown in Figure 4.

Commands and data are transmitted to the key by superimposing a pulse-width-modulated code on the power supply contact. The voltage swings between 8V and 16V at point 1. A regulated 5V is supplied to the circuits in the key by a local regulator. Resistors R1 and R2 form a divider to create a 3V reference for the operational amplifier. R3 and R4 are used as a divider that converts the 8V to 16V signal at point 1 to a signal at point 2 that swings between 2V and 4V. The output of the operational amplifier now follows the signal at point 1 but swings from 0V to 5V. This signal is used to trigger the one-shots as in the 3-contact circuit, and appears

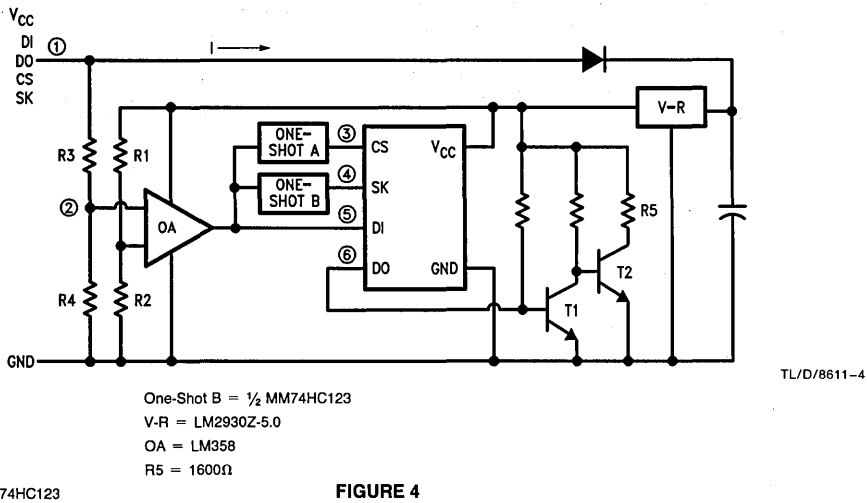
at the DI pin as a pulse-width-modulated signal. Command and data signals may now be entered. Data is read from the key by monitoring the power supply current. When the DO pin is in TRI-STATE<sup>®</sup> or outputs a one, transistor T2 is turned off. When DO outputs a zero, T2 is turned on and current flows through R5. The value of R5 may be chosen to create whatever current change is needed to detect the state of DO. The current should be tested when the voltage at point 1 is 16V. The resistor in this example will produce a 10 mA change.

Figure 5 shows a typical read sequence for the circuit shown in Figure 4.

## Conclusion

This application note describes a number of circuits that are useful in security and data collection systems. These circuits should be considered only the beginning. It no longer makes sense to install DIP switches to select access codes in garage door openers, cordless and mobile phones, or any other microcontroller-based system. "Smart keys" can be used to gain access to databases and can be invalidated over normal communication lines if they are abused. It boggles the mind to consider what can be done with so many unique codes.

**Note:** The circuits in this application note feature the NMC9346. The NMC9306 is a pin-compatible part that stores 256 bits. The NMC9346 was used because it has a self-timing write cycle and the NMC9306 does not. Additional circuitry is not required to use the NMC9306, but an additional chip select signal must occur at the CS pin to terminate a write cycle.



R1 = 20K  
R2 = 30K  
R3 = 15K  
R4 = 5K  
One-Shot A =  $\frac{1}{2}$  MM74HC123

One-Shot B =  $\frac{1}{2}$  MM74HC123  
V-R = LM2930Z-5.0  
OA = LM358  
R5 = 1600 $\Omega$

FIGURE 4

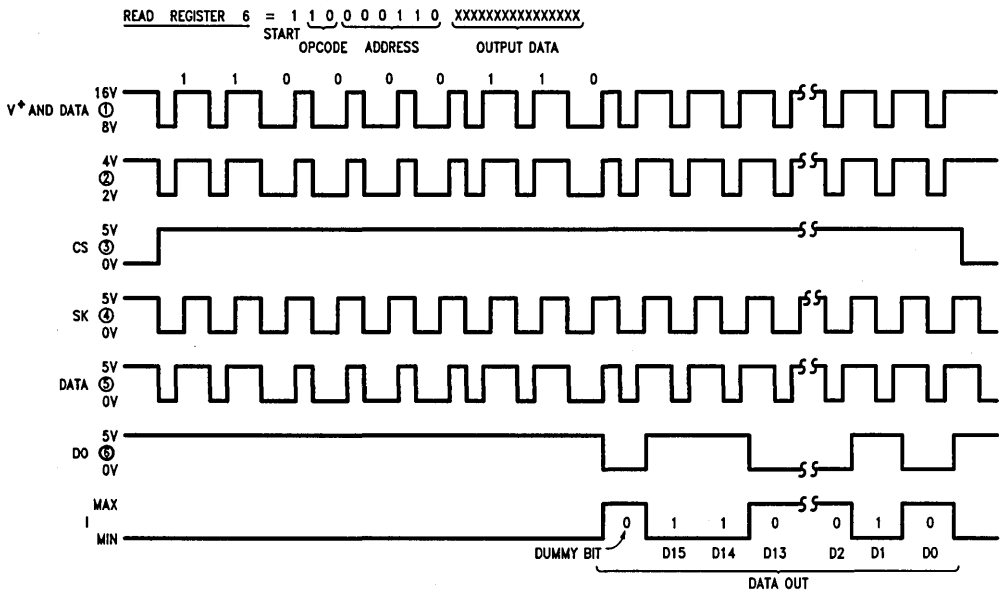


FIGURE 5

TL/D/8611-5

# An Easy/Low Cost Serial EEPROM Interface

National Semiconductor  
Application Note 431  
Pat Webster



## INTRODUCTION

Designers have resisted using a low cost serial EEPROM because of the uncommon interface required. The added components and circuitry have caused many engineers to resort to a larger parallel EEPROM, even when only a few bytes of non-volatile memory were required.

National Semiconductor has a design that is low in support components and takes advantage of a UART with a  $1 \times$  external clock. This circuit is useful for DIP switch replacement as well as for a permanent record of the UART's communications activity. It can also be used as a security lock. Ease of interface offers the engineer a low cost solution.

## THEORY OF OPERATION

Ordinarily small EEPROMs have been used to replace the DIP switch commonly found in microprocessor circuits. Just as common in such designs are UARTs, and the given application takes advantage of this for ease of interface. Because address decoding and microprocessor bus interfacing have already been accomplished, the UART is an ideal support interface for a serial EEPROM. The only true requirements for a serial EEPROM are the serial data path, clock timing, and chip select signal. All of these signals are derived from a UART in this application.

The Data In for the EEPROM is the transmitted data of the UART. Data Out of the EEPROM is directed to the receive data line of the UART. The chip select required by the EEPROM is a modem control line whose level is used to select either the modem device or the EEPROM. Finally, the serial clock required by the EEPROM can be a  $1 \times$  clock provided by the UART.

## THE WRITE CYCLE

When a write cycle is desired, the UART must be set up for an external  $1 \times$  clock, 8 data bits, 1 stop bit, no parity and RTS must be programmed for a high output prior to data

transmissions. It is also necessary to insure that the transmit buffer has been completely emptied of all prior bytes.

Before data can be written, an erase cycle to the desired address must first take place. This can be accomplished by loading the UART transmit register with an A0, A1, A2, A3, XX11 (e.g., an 03H would result in location 0 being erased). After the transmit shift register has emptied, RTS should be returned to a low state and an erase/write programming time of 30 ms must elapse.

To write data requires that an address-op byte and two data bytes be loaded in the transmit holding register as soon as the holding register becomes empty. Table I shows the relationship of bits as they travel from the micro to the UART and finally to the EEPROM. The MSB 4 bits of the last byte written will not be saved by the EEPROM due to the 16-bit storage ability of the part. As the UART inserts start and stop bits, a total of 4 bits is saved in the EEPROM that are not usable by the microprocessor but are required by the UART.

## THE READ CYCLE

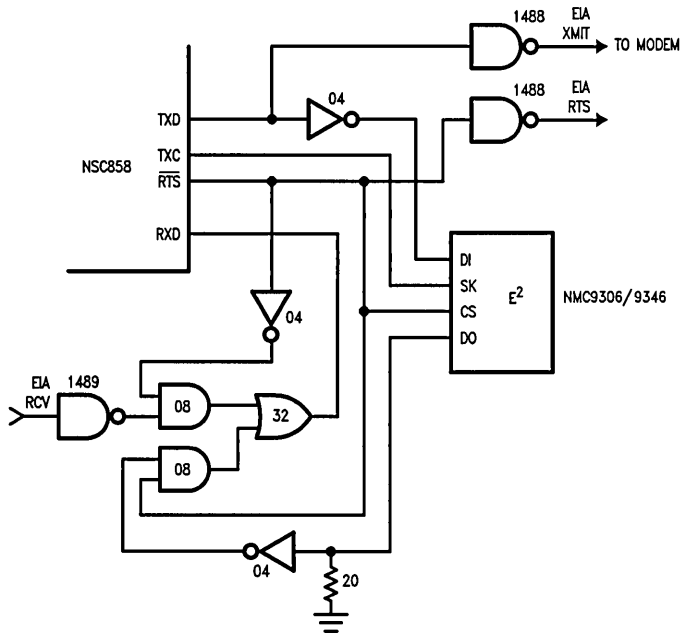
As was true for the write cycle, the UART must be set up for 8 data bits, 1 stop bit, and an external  $1 \times$  clock. To start the read cycle, a byte with read op and address must be written to the UART. An example of read location 0 would be 01H. After the transmit shift register has emptied, the receiver shift register will begin to accumulate the data that was written and two reads will be required before the operation can be considered complete.

## CONCLUSION

For a further understanding of this interface, refer to the NMC9306/9346 and the NSC858 data sheets. Parity could be added for data integrity with further sacrifice of usable data bits in the EEPROM and the possibility of the second byte read being in parity error.



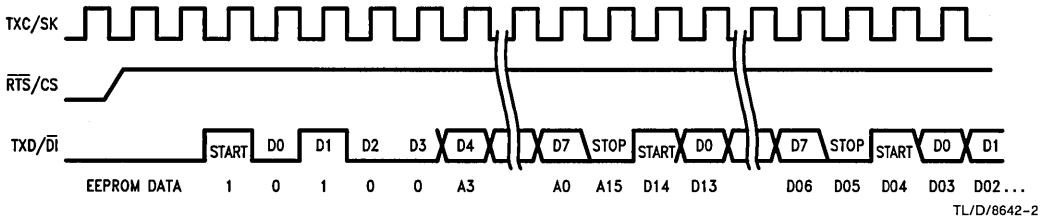
UART/EEPROM Interface



TL/D/8642-1

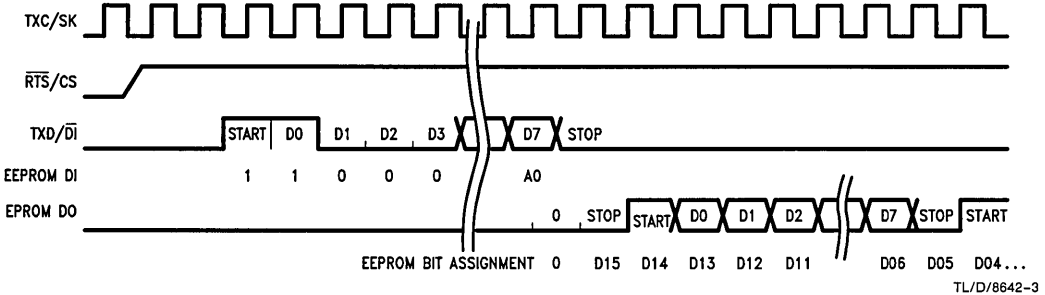
UART/EEPROM Timing

Write Cycle (9306)



TL/D/8642-2

Read Cycle



TL/D/8642-3

Table I

	Micro Data	UART XMIT Data	EEPROM	
	—	Start-Bit	1	
1st Byte	D0	0	0	
	D1	1	1	
	D2	0	0	
	D3	0	0	
	D4	A3	A3	
	D5	A2	A2	
	D6	A1	A1	
	D7	A0	A0	
	—	Stop-Bit	D15	
	—	Start-Bit	D14	
2nd Byte	D0	*ED0	D13	
	D1	ED1	D12	
	D2	ED2	D11	
	D3	ED3	D10	
	D4	ED4	D09	
	D5	ED5	D08	
	D6	ED6	D07	
	D7	ED7	D06	
		—	Stop-Bit	D05
		—	Start-Bit	D04
		D0	ED8	D03
	D1	ED9	D02	
	D2	ED10	D01	
	D3	ED11	D00	
	D4	N/A	N/A	
	D5	N/A	N/A	
	D6	N/A	N/A	
	D7	N/A	N/A	
	—	Stop-Bit	N/A	

\*EDXX = Usable EEPROM Data

# Using the NMC9306 for Configuration and Production Information in a TMP Based Terminal System

National Semiconductor  
Application Note 433  
Richard Zarr



AN-433

## ABSTRACT

This application note gives a detailed description of the use of the NMC9306 E<sup>2</sup>PROM in a TMP based environment. The function of the E<sup>2</sup>PROM is to contain all the configuration data for the terminal (i.e., baud rate, auto dial numbers, function selects, etc.) and also production information (i.e., serial number, date of manufacture, etc.)

## INTRODUCTION

In a computer terminal environment, there are many user selectable options that need to be strapped into the terminal before it can be used. Some terminals have modems built into them that can automatically dial numbers for you. Some terminals can even emulate several different industry standard terminals, all in one. This configuration information is usually programmed into the terminal by using DIP switches accessed through some access cover or by removing a certain panel. A major drawback to this type of configuring is that the terminal must be opened by the user if they are to change the strapping. Another disadvantage is the terminal usually cannot be changed dynamically. Enter NON-VOLATILE RAM or battery-backed-up RAM. This creates another problem in that the system cost is increased, reliability suffers, and board space may not be available. Enter NMC9306 serial E<sup>2</sup>PROM in an 8-pin Mini-DIP. This device is not only non-volatile, but is small, inexpensive, and simple to use.

## HARDWARE MAIN DESCRIPTION

Since the NS455 Terminal Management Processor (TMP) does not have a MICROWIRE™ interface, another method of interfacing must be devised. The TMP has provisions for an external output port attached to the ROM bus which can be used to simulate the MICROWIRE interface. This is done by using three free data bits of a 74LS273 as shown in *Figure 1*. These three bits will be the CHIP SELECT, CLOCK, and the DATA IN inputs to the NMC9306. The TMP also has an input port enable pin that can be used to read a set of buffers such as a 74LS244. A single pin can be used for the DATA OUT signal from the NMC9306 as shown in *Figure 2*. If no input port is required, the DATA OUT signal can be driven directly onto the ROM expansion bus through a 4.7k resistor as shown in *Figure 1*. This is all the hardware that is required to interface the part.

## SOFTWARE MAIN DESCRIPTION

This is where things get a bit tricky. Routines must be written to communicate with the NMC9306. These routines must read, write, erase, and enable erase/write in the NMC9306 by simulating the MICROWIRE interface. This is done by turning the output ports pins on and off with the correct timing to simulate the interface without interfering with the other pins. Also, the input data must be converted to usable form as well as converting the outgoing data to serial form. Simple.

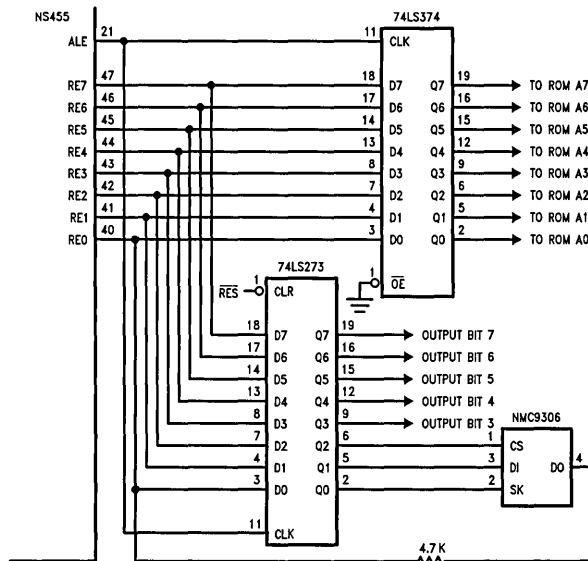


FIGURE 1

TL/D/8644-1

To start, there are a few things to be mentioned. The TMP has a modified 8048 processor for its controller. This controller has a 16-bit accumulator, addressed as two 8-bit registers, which are ACC and HACC. The high accumulator (HACC) is accessed through the low accumulator (ACC). This is important since the NMC9306 is arranged in 16 words of 16 bits each. Also, to allow the port to be modified without changing any unwanted bits, a PORT MASK must be defined in the memory of the TMP. Any change to the port should be done by updating the mask, and then sending the mask data to the port. This will also make testing the data on the port possible. The codes for communicating with the NMC9306 can be obtained from the *National Semiconductor 1984 MOS Memory Databook* in Section 7. Also, all critical timing parameters are described therein.

In a typical TMP system, there are large amounts of configuration data that must be set up before the terminal can communicate properly. If the system is really complex, it may need more yet. A typical configuration map is shown below. Along with the configuration data, production information should be included. This may be entered by some code at power-up that is not documented in the end user guide. This set-up screen may ask for the date of assembly, the assembly location code, the serial number, the customer code, the options enabled (tricky sales pitch—“for only \$50 more . . .”), the number of times the unit was returned to the factory for service, and any other data that must be tracked for production. If the NMC9306 does not have enough room, the NMC9346 is 4 times larger, and has the same hardware requirements. Only slight software changes are required.

#### CONCLUSION

It can be seen that the NMC9306 is simple, yet functional in replacing strapping switches and enhancing the product. The NMC9306/NMC9346 components in this application, replace more costly and larger parts, and are easily integrated into a TMP or other terminal design. The end product will be more versatile through enhanced user interface and tracking of important production data.

Typical Configuration Map

Location (Hex)		Description
0	Bit 0 Bit 1 Bit 2 Bit 3 Bit 4 Bit 5 Bits 6–F	Cursor Blink Enable Cursor Underline/Block Cursor Inverts Video On Screen Norm/Inverse Vid Local Mode On/Off Status Line Enable (Spare)
1	Bits 0–3 Bit 4 Bit 5 Bit 6 Bit 7 Bits 8–F	Baud Rate 1 or 2 Stop Bits 7 or 8 Data Bits Parity On/Off Odd or Even Parity (Spare)
2	Bits 0–F	(Spare)
3	Bits 0–F	Month and Year of Assem.
4	Bits 0–7 Bits 8–F	Day of Assembly Assembly Location
5	Bits 0–7 Bits 8–F	Inspector Code No. of Returns
6	Bits 0–F	Serial Number (MSW)
7	Bits 0–F	Serial Number
8	Bits 0–F	Serial Number (LSW)
9	Bits 0–7 Bits 8–F	Failure Code 1 Failure Code 2
A	Bits 0–F	Check Sum
B–F		(Spare)

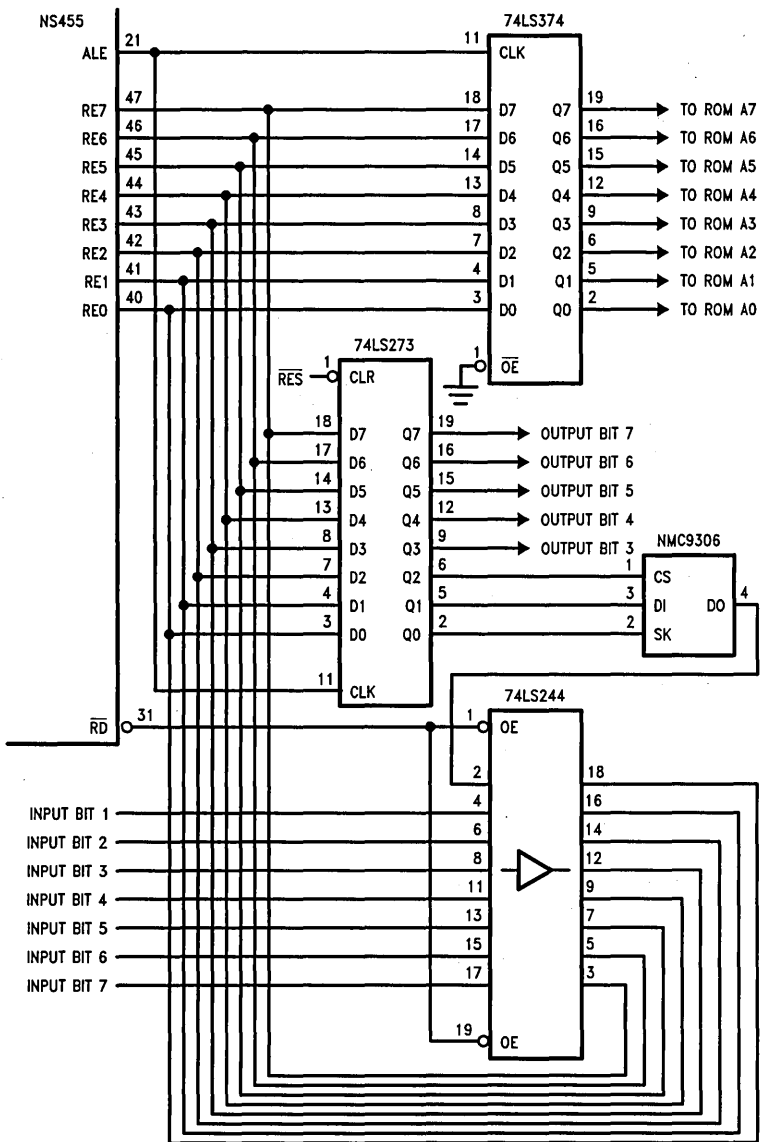


FIGURE 2

TL/D/8644-2

# Common I/O Applications of NMC9306/COP494 and NMC9346/COP495 Non-Volatile Serial Access Memories

National Semiconductor  
Application Note 481



NMC9306/COP494 and NMC9346/COP495 are serial access non-volatile memories designed for a 4-wire (MICROWIRE™) interface; Chip Select (CS) input, clock (SK) input, serial data input (DI), and serial data output (DO). Since DO is in TRI-STATE® while instructions, address and data are being shifted into the chip on the DI signal line, DI and DO can be tied together as a common I/O to further simplify the interface. However, the following potentially troublesome situations should be kept in mind and dealt with according to these recommendations:

#### NMC9306/COP494

While clocking in a READ instruction, approximately 500 ns (typical) after the least significant bit (A0) of the register

address is clocked into the chip by the rising edge of SK, DO comes out of TRI-STATE and goes low (logical '0') as a dummy bit to signal the start of the data output string (Figure 1). In a common I/O application, if A0 is a logical '1' and is still driving DI when the dummy bit becomes valid, a low impedance path between the power supply and ground is created through the DI driver and the on-chip DO buffer (Figure 2). If measures are taken to minimize the short circuit current, e.g., by inserting a current limiting resistor between the DI driver and the chip (Figure 2), the part will continue to work normally since A0 is clocked onto the chip before this potential disturb condition occurs.

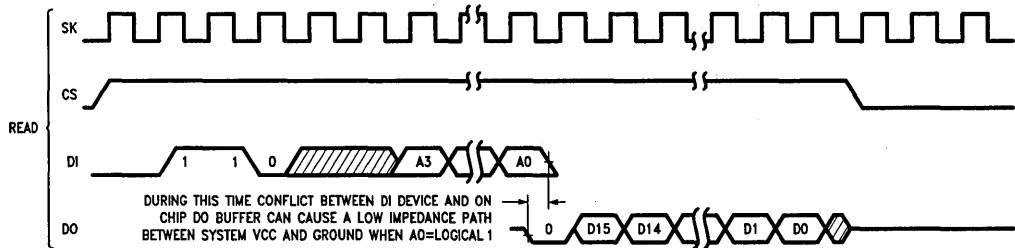
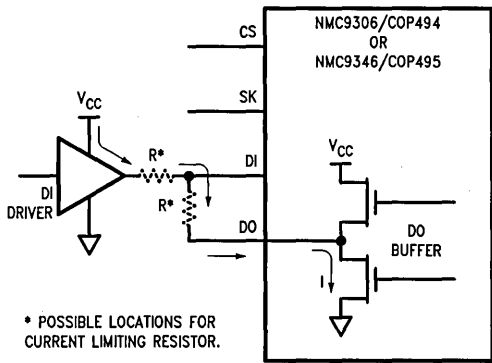


FIGURE 1. Read Instruction in Common I/O Configuration

TL/D/9213-1



TL/D/9213-2

**FIGURE 2. Current Path during DI Driver and DO Buffer Conflict during Read Instruction**

**NMC9346/COP495**

The NMC9346/COP495 has a self-timed programming cycle which uses DO to indicate the ready/busy status of the chip. Therefore, in addition to the potential problem in the READ mode similar to NMC9306/COP494 described above, another pitfall may be encountered at the end of a programming cycle in common I/O applications.

The self-timed programming cycle is initiated by the falling edge of CS after a programming instruction (ERASE, WRITE, ERAL, WRAL) is shifted in. If CS is brought high subsequently, after a minimum of 1  $\mu$ s (tcs), DO indicates the ready/busy status of the chip. DO = logical '0' indicates

that programming is still in progress. DO = logical '1' signals the end of the programming cycle. This 'status check' function of DO is cancelled (i.e., DO returns to TRI-STATE) when a logical '1' on DI is clocked into the chip by SK with CS high. With separate input and output this is automatically accomplished by the start bit of the next instruction (Figure 3).

In a common I/O application, the following clocking sequence is recommended to avoid premature cancellation of the 'ready' status and/or interference of the 'ready' status with the serial input sequence for the next instruction (Figure 4):

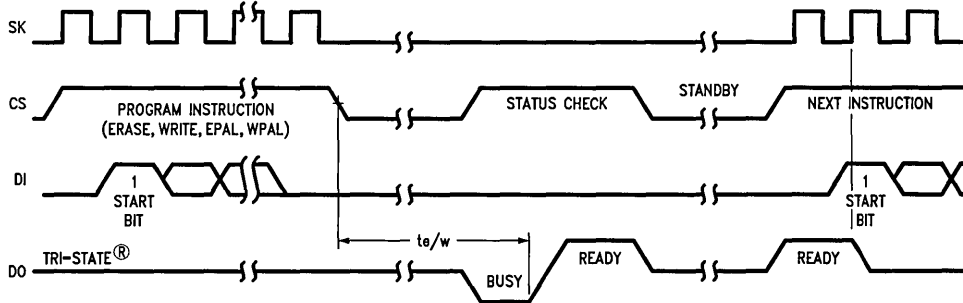
- 1) Inhibit the SK clock after clocking in the programming instruction.
- 2) After acknowledging the 'ready' status, clock SK once while the common I/O is still high to cancel the ready/busy status function of DO.
- 3) Bring CS low for a minimum of 1  $\mu$ s (tcs) to clear the instruction register before initiating the next instruction.

DO is now reset back to TRI-STATE, and the chip is ready to accept the next instruction.

The chip may enter the 'ready' status mode under certain conditions of VCC power-up. This occurs due to the VCC power-up conditions setting the status mode logic on the chip, and is not an indication of a spurious programming cycle on VCC power-up. The following clocking sequence is recommended to ensure cancellation of this status signal after VCC power-up (Figure 5):

- 1) Bring CS high.
- 2) Clock SK once to ensure cancellation of the 'ready' status.
- 3) Bring CS low for a minimum of 1  $\mu$ s (tcs) to clear the instruction register before initiating the first instruction.

**NMC9346 Timing Diagrams**

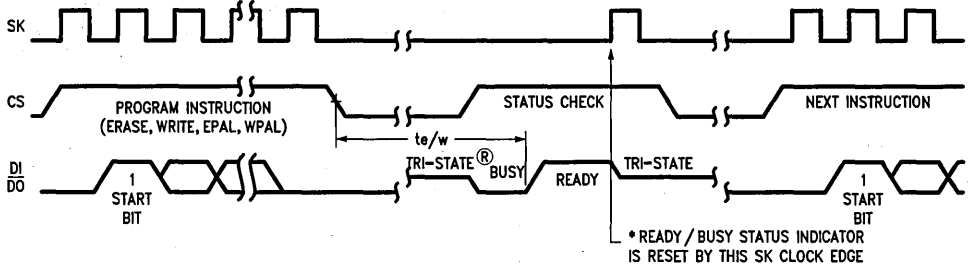


TL/D/9213-3

\*The Ready/Busy Status Indicator for a program Instruction (ERASE, WRITE, ERAL, WRAL) is reset when the Start bit for the following instruction is clocked in.

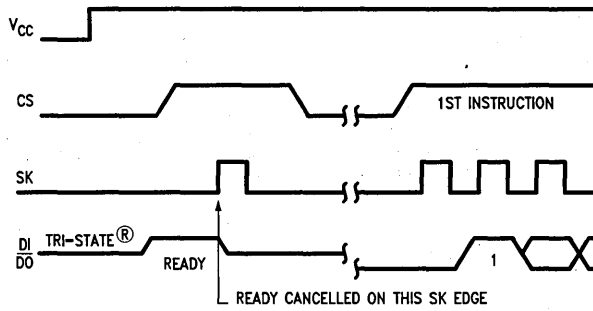
**FIGURE 3. Programming Cycle with 4-Wire Interface**

**NMC9346 Timing Diagrams** (Continued)



TL/D/9213-4

**FIGURE 4. Recommended Programming Cycle in Common I/O Configuration**



TL/D/9213-5

**FIGURE 5. Recommended Clocking Sequence on V<sub>CC</sub> Power-Up in Common I/O Configuration**



# Error Detection and Correction Techniques for National Semiconductor's EEPROM Products



This application note provides the non-volatile memory system designer who cannot tolerate the very low failure rate associated with National Semiconductor's EEPROMs, with a method to assure data integrity and extend the life span of the product.

With a minimum additional parts cost, the following error detection and correction techniques allow the designer to extend the usable life of an EEPROM device. The technique is applicable for applications requiring 100,000 or more erase/write cycles per register.

All EEPROMs fail with extended erase/write cycling. National Semiconductor EEPROMs fail in a statistically predictable and well behaved fashion as the number of erase/write cycles increase. The failure of one bit cell does not influence the operation of adjacent bit cells. Since bit failure is a gradual wearout phenomenon which only affects discrete cell locations one at a time, it is possible to apply simple encoding techniques which can determine the locations of cell failures so that faltering memory addresses can be avoided in the future.

Single parity checking is the simplest way to check for errors in a binary code. In a parity checking system an extra-parity-bit is chosen so that the number of 1s in the block of data, including the parity bit, is even. In practice this is accomplished using modulo 2 addition (i.e.,  $0 + 0 = 0$ ;  $0 + 1 = 1$ ;  $1 + 0 = 1$ ;  $1 + 1 = 0$ ;  $0 + 0 + 1 = 1$ ; etc.). Modulo 2 addition is quickly accomplished through an exclusive OR gate. When the data is read back, the number of ones are counted and the sum is checked to see if it is odd or even. An odd sum is an indication that an error occurred in the data. This method of single parity checking can detect the occurrence of an error in a block but it cannot be used to determine the exact location of the error to correct the bad data.

A natural extension of single parity checking is the Hamming code. A Hamming code uses several parity checks, instead of just one. This allows errors to be corrected as well as detected. Using bits in blocks of 7, where 4 of the bits are

information and 3 are parity allows for error detection and correction of any single bit within the block, including the parity bits themselves.

The initial parity is calculated as shown in Figure 1. The parity bits are in columns 4, 5 and 6, while the actual information bits are in columns 0, 1, 2, and 3. The contents of each parity bit comes from summing the contents of a unique combination of three of the four information bits. The parity bit is chosen so that this sum will be an even number when added to the parity bit itself. Notice that each one of the parity bits calculates its contents by using different combinations of the data bits. Every data bit in the block has its information read at least twice. Using this overlapping scheme is what allows the code to correct errors.

Since there are only 4 bits of information there can be only  $2^4 = 16$  possible combinations of 1s and 0s. These 16 possible correct combinations are listed on the code word table in Table I. When the encoded block is read back from memory, the same parity coding scheme is used again on the information bits and compared to the original parity bits. This forms what is called a syndrome. If any errors have occurred in the 7-bit block their locations can be determined and the errors corrected. Table II shows the decoding matrix which is used on the syndromes to determine the location of an error. If no errors occurred the syndrome will be 000. Table III shows all the combinations of the 7-bit block. Note that there are only 128 possible variations of 1s and 0s in the block: (7 mistake combinations per block + 1 correct combination per block)  $\times$  (16 possible block combinations). All these combinations can be stored in a table and called up quickly to check for possible data errors without the need to even create a syndrome upon reading a word. For example, suppose we want to store the data 1000. From Table I we see that the 7-bit block would be 1111000 after the Hamming code had been applied. If information bit 3 for example goes bad, then the new block would read 1110000. This is case number 112 in Table III, and we see that the correct information is 1000. With Table III available in the computer memory, the received codeword can be corrected automatically. An array of 128 bytes can provide both the corrected information and the syndrome information.

The 7-bit codeword works nicely with National Semiconductor's serial EEPROMs because they are organized as arrays of 16-bit registers. Each 16 bit register is modified or accessed with a simple-serial protocol. The 16-bit unit can be partitioned two eight-bit bytes. Each byte can contain a seven-bit codeword and one-bit flag that indicates whether an error has been previously detected in the byte. This scheme provides one byte of error corrected information per 16-bit register. Slightly more elaborate systems can be used which will detect and correct more errors if additional parity bits are added to the data.

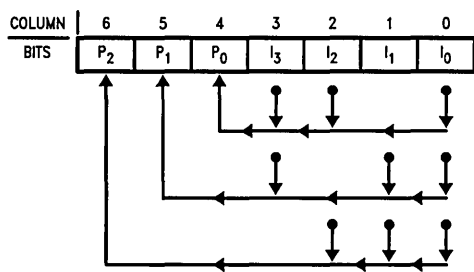


FIGURE 1. Computation Scheme for Parity Bits Using Hamming Code

TABLE I. Encoding Table for Hamming Code

Sixteen Code Words							
	Parity Bits			Information Bits			
	P 2	P 1	P 0	I 3	I 2	I 1	I 0
0	0	0	0	0	0	0	0
1	1	1	0	0	0	0	1
2	1	0	1	0	0	1	0
3	0	1	1	0	0	1	1
4	0	1	1	0	1	0	0
5	1	0	1	0	1	0	1
6	1	1	0	0	1	1	0
7	0	0	0	0	1	1	1
8	1	1	1	1	0	0	0
9	0	0	1	1	0	0	1
10	0	1	0	1	0	1	0
11	1	0	0	1	0	1	1
12	1	0	0	1	1	0	0
13	0	1	0	1	1	0	1
14	0	0	1	1	1	1	0
15	1	1	1	1	1	1	1

TABLE II. Syndrome Decoding Table for Hamming Code

Syndrome			Meaning
0	0	0	No error detected
0	0	1	Check bit 0 in error
0	1	0	Check bit 1 in error
0	1	1	Information bit 2 corrected
1	0	0	Check bit 2 in error
1	0	1	Information bit 1 corrected
1	1	0	Information bit 0 corrected
1	1	1	Information bit 3 corrected

With this added data protection the reliability of EEPROMs can be extended because the probability of two or more cells failing on the same codeword is low. To illustrate the Hamming code, an experiment on 16 devices with 1k bits each was conducted. The experiment results are shown in Table IV. While the first bit failure was detected somewhere between 12,589 and 15,849 cycles, the Hamming code just described would have protected against the loss of data until somewhere between 79,433 and 100,000 erase/write cycles. Notice that 55 bit failures were indicated when the first Hamming code failure was detected. This is to be expected because a Hamming failure will not occur until two or more bits within a particular group of seven bits have failed.

TABLE III. Information Retrieval Table for All Possible Combinations of Single-Bit-Correct Hamming Code

	Received Codeword							Syndrome Bits			Corrected Information				
0	0	0	0	0	0	0	0	0	0	0	0	0	0	0	0
1	0	0	0	0	0	0	1	1	1	0	0	0	0	0	0
2	0	0	0	0	0	1	0	1	0	1	0	0	0	0	0
3	0	0	0	0	0	1	1	0	1	1	0	1	1	1	1
4	0	0	0	0	1	0	0	0	1	1	0	0	0	0	0
5	0	0	0	0	1	0	1	1	0	1	0	1	1	1	1
6	0	0	0	0	1	1	0	1	1	0	0	1	1	1	1
7	0	0	0	0	1	1	1	0	0	0	0	1	1	1	1
8	0	0	0	1	0	0	0	1	1	1	0	0	0	0	0
9	0	0	0	1	0	0	1	0	0	1	1	0	0	0	1
10	0	0	0	1	0	1	0	0	1	0	1	0	1	0	0
11	0	0	0	1	0	1	1	1	0	0	1	0	1	1	1
12	0	0	0	1	1	0	0	1	0	0	1	1	0	0	0
13	0	0	0	1	1	0	1	0	1	0	1	1	0	0	1
14	0	0	0	1	1	1	0	0	0	1	1	1	1	0	0
15	0	0	0	1	1	1	1	1	1	1	0	1	1	1	1
16	0	0	1	0	0	0	0	0	0	1	0	0	0	0	0
17	0	0	1	0	0	0	1	1	1	1	1	0	0	0	1
18	0	0	1	0	0	1	0	1	0	0	0	0	1	0	0
19	0	0	1	0	0	1	1	0	1	0	0	0	0	1	1
20	0	0	1	0	1	0	0	0	1	0	0	1	0	0	0
21	0	0	1	0	1	0	1	1	0	0	0	1	0	0	1
22	0	0	1	0	1	1	0	1	1	1	1	1	1	0	0
23	0	0	1	0	1	1	1	0	0	1	0	1	1	1	1
24	0	0	1	1	0	0	0	1	1	0	1	0	0	0	1
25	0	0	1	1	0	0	1	0	0	0	1	0	0	0	1
26	0	0	1	1	0	1	0	0	1	1	1	1	1	0	0
27	0	0	1	1	0	1	1	1	0	1	1	0	0	0	1
28	0	0	1	1	1	0	0	1	0	1	1	1	1	0	0
29	0	0	1	1	1	0	1	0	1	1	1	0	0	0	1
30	0	0	1	1	1	1	0	0	0	0	1	1	1	0	0
31	0	0	1	1	1	1	1	1	1	0	1	1	1	0	0

TABLE III. Information Retrieval Table for All Possible Combinations of Single-Bit-Correct Hamming Code (Continued)

	Received Codeword								Syndrome Bits			Corrected Information			
32	0	1	0	0	0	0	0	0	0	1	0	0	0	0	0
33	0	1	0	0	0	0	0	1	1	0	0	0	0	0	1
34	0	1	0	0	0	0	1	0	1	1	1	1	0	1	0
35	0	1	0	0	0	0	1	1	0	0	1	0	0	1	1
36	0	1	0	0	1	0	0	0	0	0	1	0	1	0	0
37	0	1	0	0	1	0	1	1	1	1	1	1	1	0	1
38	0	1	0	0	1	1	0	1	1	0	0	0	1	1	0
39	0	1	0	0	1	1	1	1	0	1	0	0	1	1	1
40	0	1	0	1	0	0	0	0	1	0	1	1	0	1	0
41	0	1	0	1	0	0	1	1	0	1	1	1	1	0	1
42	0	1	0	1	0	1	0	0	0	0	0	1	0	1	0
43	0	1	0	1	0	1	1	1	1	1	0	1	0	1	0
44	0	1	0	1	1	0	0	0	1	1	0	1	1	0	1
45	0	1	0	1	1	0	1	1	0	0	0	1	1	0	1
46	0	1	0	1	1	1	0	0	0	1	1	1	0	1	0
47	0	1	0	1	1	1	1	1	1	0	1	1	1	0	1
48	0	1	1	0	0	0	0	0	0	1	1	0	1	0	0
49	0	1	1	0	0	0	1	1	1	0	1	0	0	1	1
50	0	1	1	0	0	1	0	1	1	1	0	0	0	1	1
51	0	1	1	0	0	1	1	1	0	0	0	0	0	1	1
52	0	1	1	0	1	0	0	0	0	0	0	0	1	0	0
53	0	1	1	0	1	0	1	0	1	1	1	0	0	1	0
54	0	1	1	0	1	1	0	0	1	0	1	0	1	0	0
55	0	1	1	0	1	1	1	1	0	1	1	0	0	1	1
56	0	1	1	1	0	0	0	0	1	0	0	1	0	0	0
57	0	1	1	1	0	0	1	1	0	1	0	1	0	0	1
58	0	1	1	1	0	1	0	0	0	0	1	1	0	1	0
59	0	1	1	1	0	1	1	1	1	1	1	0	0	1	1
60	0	1	1	1	1	0	0	0	1	1	1	0	1	0	0
61	0	1	1	1	1	0	1	0	0	0	1	1	1	0	1
62	0	1	1	1	1	1	0	0	0	1	0	1	1	1	0
63	0	1	1	1	1	1	1	1	1	0	0	1	1	1	1
64	1	0	0	0	0	0	0	0	1	0	0	0	0	0	0
65	1	0	0	0	0	0	1	1	0	1	0	0	0	0	1
66	1	0	0	0	0	1	0	0	0	0	1	0	0	1	0
67	1	0	0	0	0	1	1	1	1	1	1	1	0	1	1
68	1	0	0	0	1	0	0	0	1	1	1	1	1	0	0
69	1	0	0	0	1	0	1	1	0	0	1	0	1	0	1
70	1	0	0	0	1	1	0	0	0	1	0	0	1	1	0
71	1	0	0	0	1	1	1	1	1	0	0	0	1	1	1
72	1	0	0	1	0	0	0	0	0	1	1	1	1	0	0
73	1	0	0	1	0	0	1	1	1	0	1	1	0	1	1
74	1	0	0	1	0	1	0	0	1	1	0	1	0	1	1
75	1	0	0	1	0	1	1	1	0	0	0	1	0	1	1
76	1	0	0	1	1	0	0	0	0	0	0	1	1	0	0
77	1	0	0	1	1	0	1	1	1	1	0	1	1	0	0
78	1	0	0	1	1	1	0	0	1	0	1	1	1	0	0
79	1	0	0	1	1	1	1	1	0	1	1	1	0	1	1

TABLE III. Information Retrieval Table for All Possible Combinations of Single-Bit-Correct Hamming Code (Continued)

	Received Codeword							Syndrome Bits			Corrected Information			
80	1	0	1	0	0	0	0	1	0	1	0	0	1	0
81	1	0	1	0	0	0	1	0	1	1	0	1	0	1
82	1	0	1	0	0	1	0	0	0	0	0	0	1	0
83	1	0	1	0	0	1	1	1	1	0	0	0	1	0
84	1	0	1	0	1	0	0	1	1	0	0	1	0	1
85	1	0	1	0	1	0	1	0	0	0	0	1	0	1
86	1	0	1	0	1	1	0	0	1	1	0	0	1	0
87	1	0	1	0	1	1	1	1	0	1	0	1	0	1
88	1	0	1	1	0	0	0	0	1	0	1	0	0	0
89	1	0	1	1	0	0	1	1	0	0	1	0	0	1
90	1	0	1	1	0	1	0	1	1	1	0	0	1	0
91	1	0	1	1	0	1	1	0	0	1	1	0	1	1
92	1	0	1	1	1	0	0	0	0	1	1	1	0	0
93	1	0	1	1	1	0	1	1	1	1	0	1	0	1
94	1	0	1	1	1	1	0	1	0	0	1	1	1	0
95	1	0	1	1	1	1	1	0	1	0	1	1	1	1
96	1	1	0	0	0	0	0	1	1	0	0	0	0	1
97	1	1	0	0	0	0	1	0	0	0	0	0	0	1
98	1	1	0	0	0	1	0	0	1	1	0	1	1	0
99	1	1	0	0	0	1	1	1	0	1	0	0	0	1
100	1	1	0	0	1	0	0	1	0	1	0	1	1	0
101	1	1	0	0	1	0	1	0	1	1	0	0	0	1
102	1	1	0	0	1	1	0	0	0	0	0	1	1	0
103	1	1	0	0	1	1	1	1	1	0	0	1	1	0
104	1	1	0	1	0	0	0	0	0	1	1	0	0	0
105	1	1	0	1	0	0	1	1	1	1	0	0	0	1
106	1	1	0	1	0	1	0	1	0	0	1	0	1	0
107	1	1	0	1	0	1	1	0	1	0	1	0	1	1
108	1	1	0	1	1	0	0	0	1	0	1	1	0	0
109	1	1	0	1	1	0	1	1	0	0	1	1	0	1
110	1	1	0	1	1	1	0	1	1	1	0	1	1	0
111	1	1	0	1	1	1	1	0	0	1	1	1	1	1
112	1	1	1	0	0	0	0	1	1	1	1	0	0	0
113	1	1	1	0	0	0	1	0	0	1	0	0	0	1
114	1	1	1	0	0	1	0	0	1	0	0	0	1	0
115	1	1	1	0	0	1	1	1	0	0	0	0	1	1
116	1	1	1	0	1	0	0	1	0	0	0	1	0	0
117	1	1	1	0	1	0	1	0	1	0	0	1	0	1
118	1	1	1	0	1	1	0	0	0	1	0	1	1	0
119	1	1	1	0	1	1	1	1	1	1	1	1	1	1
120	1	1	1	1	0	0	0	0	0	0	1	0	0	0
121	1	1	1	1	0	0	1	1	1	0	1	0	0	0
122	1	1	1	1	0	1	0	1	0	1	1	0	0	0
123	1	1	1	1	0	1	1	0	1	1	1	1	1	1
124	1	1	1	1	1	0	0	0	1	1	1	0	0	0
125	1	1	1	1	1	0	1	1	0	1	1	1	1	1
126	1	1	1	1	1	1	0	1	1	0	1	1	1	1
127	1	1	1	1	1	1	1	0	0	0	1	1	1	1

TABLE IV. Hamming Code Experimental Demonstration on 16 Devices of 1k Bits Each

Erase/Write Cycles	Total Bit Failures	Total Codeword Failures	Percent Bit Failures	Percent Codeword Failures
1000	0	0	0.00%	0.00%
1259	0	0	0.00%	0.00%
1585	0	0	0.00%	0.00%
1995	0	0	0.00%	0.00%
2512	0	0	0.00%	0.00%
3162	0	0	0.00%	0.00%
3981	0	0	0.00%	0.00%
5012	0	0	0.00%	0.00%
6310	0	0	0.00%	0.00%
7943	0	0	0.00%	0.00%
10000	0	0	0.00%	0.00%
12589	1	0	0.01%	0.00%
15849	1	0	0.01%	0.00%
19953	1	0	0.01%	0.00%
25119	1	0	0.01%	0.00%
31623	3	0	0.02%	0.00%
39811	4	0	0.02%	0.00%
50119	10	0	0.06%	0.00%
63096	16	0	0.10%	0.00%
79433	55	1	0.34%	0.05%
100000	103	3	0.63%	0.15%

# Using the NMC93CSxx Family

National Semiconductor  
Application Note 507



## INTRODUCTION

This application note is intended for system designers interested in using the NMC93CSxx family of CMOS serial EEPROM devices. These devices are well-suited for applications that call for non-volatile, writeable memory. The NMC93CSxx devices offer the additional benefit of selective write-protection by use of an on-chip protect register. This allows the device to perform both read-only memory (ROM) and EEPROM functions on the same chip.

EEPROMs are useful in a wide variety of applications because of their non-volatile, writeable characteristics. The devices can be used for applications that store configuration values, such as feature telephones, station presets on radios, and PC boards with configuration DIP switches and jumpers. Adaptive, closed-loop systems, such as environment controllers and motor controllers, can use EEPROMs to store loop control variables. Data logging is another of the many application areas of EEPROMs.

The NMC93CSxx family can support a new set of applications because of their additional capability to perform selective ROM functions. ROM is a requirement when the integrity of data stored in a device must be guaranteed. Applications can make use of this feature while at the same time allocating other locations in the device to operate as EEPROM.

The NMC93CSxx family devices exhibit extremely low power consumption due to the low drive requirements of their serial interface and the use of CMOS technology. The serial interface also provides the designer with a flexible interface mechanism allowing the devices to be easily designed into microcontroller and microprocessor systems. In microcontroller systems, or those with a serial bus, the devices can be connected with little or no support logic. The serial interface allows the device to fit in a smaller package, resulting in minimal board space requirements.

TABLE I. NMC93CSxx Family

Device	Memory Size
NMC93CS06	16 x 16
NMC93CS26	32 x 16
NMC93CS46	64 x 16
NMC93CS56	128 x 16
NMC93CS66	256 x 16

## NMC93CSxx FAMILY DESCRIPTION

The NMC93CSxx family is a set of 5 CMOS serial EEPROM devices with on-chip write-protection logic. The members of the family are differentiated by their memory array size, which ranges from 256 to 4096 bits organized 16 bits wide (see Table I). Because the devices use a serial interface, the pinout for each family member is identical. The devices conform to the MICROWIRE interface and are backwards compatible with previous National serial EEPROM devices (see *Figure 1*).

A set of 10 instructions are provided to control device operation. The general format of the instructions is a start bit (logic 1) followed by opcode, register address and data fields. The register address for the NMC93CS06/26/46 is 6 bits, while the register address for the NMC93CS56/66 is 8 bits. Data is shifted into the device on the D1 pin, and out on the DO pin following a low to high transition of SK. CS must be high to access the device (see Table 2).

A read operation is performed by issuing the start bit, the appropriate opcode (10), and the desired register address. The device responds by shifting out a dummy bit (logic 0) followed by the data in the selected register. The device will continue to shift data from subsequent registers as long as SK is active (non-volatile shift register mode). Write operations are performed by issuing the start bit, opcode (01), register address, and 16 bits of data. CS must be brought low to initiate the self-timed programming cycle, which includes an automatic erase cycle. CS can then be brought high to monitor DO (low to high transition) for completion of the cycle.

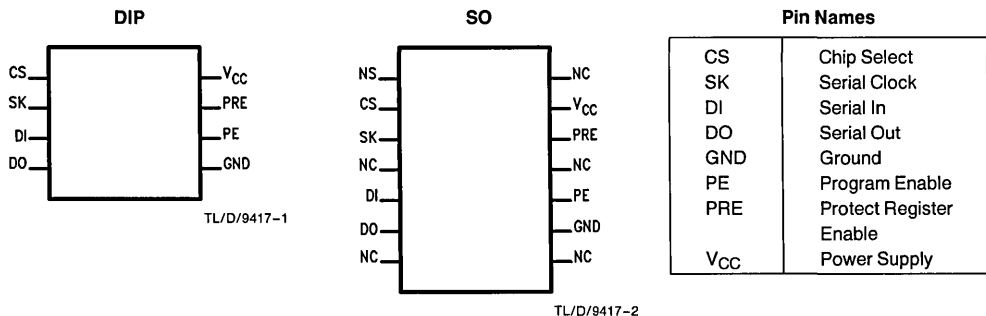


FIGURE 1. NMC93CSxx Device Pinout

TABLE II. NMC93CSxx Instruction Set

Instruction	SB	Op Code	Address	Data	PRE	PR	Comments
READ	1	10	A <sub>X</sub> -A <sub>0</sub>		0	X	Reads data stored in memory, starting at specified address.
WEN	1	00	11XXXX		0	1	Write enable must precede all programming modes.
WRITE	1	01	A <sub>X</sub> -A <sub>0</sub>	D15-D0	0	1	Write register if address is unprotected.
WRALL	1	00	01XXXX	D15-D0	0	1	Write all register. Valid only when "protect register" is cleared.
WDS	1	00	00XXXX		0	X	Disables all programming instructions.
PRREAD	1	10	XXXXXX		1	X	Reads address stored in "protect register".
PREN	1	00	11XXXX		1	1	Must immediately precede PRCLEAR, PRWRITE, and PRDS instructions.
PRCLEAR	1	11	111111		1	1	Clears the "protect register" so that no registers are protected from WRITE.
PRWRITE	1	01	A <sub>X</sub> -A <sub>0</sub>		1	1	Programs address into "protect register". Thereafter, memory address < the address in "protect register" are protected from WRITE.
PRDS	1	00	000000		1	1	One time only instruction after which the address in the "protect register" cannot be altered.

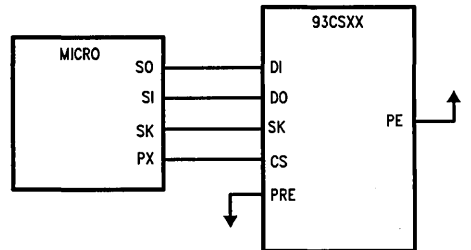
The protect register is used to write protect a segment of registers. The value contained in the protect register designates the first address of the protected segment. All subsequent register locations are write-protected.

#### USING THE PROTECT REGISTER

The incorporation of the protect register in NMC93CSxx devices sets the family apart from other CMOS serial EEPROMs. Including a protect register allows the devices to function as EEPROM and ROM simultaneously. The distribution of EEPROM and ROM in a device is determined by the value in the protect register. The distribution of EEPROM and ROM can be changed in the system by changing the protect register value.

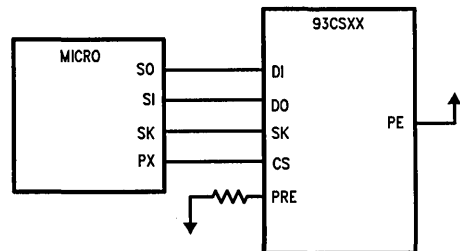
ROM applications typically require that data storage be non-volatile so that no changes will occur when power is turned off and read-only so that changes won't occur under any other circumstances. EEPROMs are non-volatile, but aren't read-only. An EEPROM will function as a ROM if write operations are never attempted or if any attempted write fails.

The protect register is valuable when an application requires a mix of EEPROM and ROM. A NMC93CSxx device can be made less susceptible to write problems without using the protect register. The entire device may be made read-only by grounding PE. System software can be implemented to avoid writing to read-only locations and limit when write instructions may be performed by making use of the write enable (WEN) and disable (WDS) instructions. The device would only be susceptible to a write problem if a system failure caused an illegal write or some external source with access to the device abused its write privileges. Use of the protect register under system control would be somewhat safer, but the device would still be subject to the above-mentioned problems. Write access to the protect register must be inhibited for the protected locations to be truly read-only.



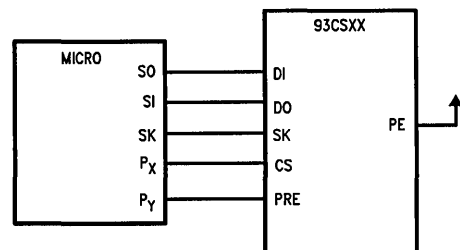
TL/D/9417-3

FIGURE 2a. Protect Register Disabled



TL/D/9417-4

FIGURE 2b. Protect Register Enabled with Pulldown



TL/D/9417-5

FIGURE 2c. Protect Register Enabled

ROM devices are most often programmed with data before insertion into a PC board. This approach is applicable to NMC93CSxx devices. In a microcontroller system, program code or data could be off-loaded from the internal ROM of the microcontroller into a ROM section in an NMC93CSxx device. An EEPROM section could be allocated for any writeable data, such as configuration data values. ROM is desirable in this application because any spurious writes that could corrupt the program will be prevented, a smaller internal microcontroller ROM is possible and if ROM code or data needed alteration, it would be much easier and cheaper to reprogram a NMC93CSxx device than the internal ROM of the microcontroller. In manufacturing, the ROM data and the protect register value would be programmed into the device, and the protect register enabled before PC board insertion. The PRE pin would be tied low on the board to prevent write access to the protect register (see *Figure 2a*).

Another application for these devices is in systems that support automated production. Production information, such as date codes and status, would be programmed into the NSC93CSxx on a board as it progressed through each step of the production process. Board identification (serial number) and fixed configuration information could also be programmed into the device as a last step. The PRE pin would be pulled low with a resistor to allow production test equipment to drive it high to write data into the device and set the protect register, but prevent any writes to the protected locations during normal operations. The EEPROM section could be used to allow the application to support automated system configuration. Once all boards are placed in the system, any system configuration dependent variables could be programmed (see *Figure 2b*).

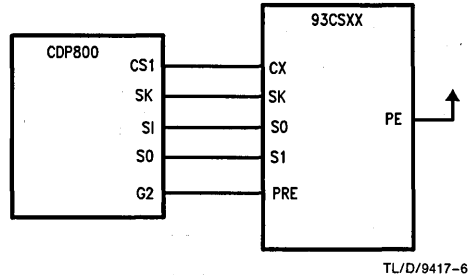
In data logging applications, the protect register is programmed as the data is gathered to reduce the likelihood of modification. When the protect register is accessed regularly by the software, PRE must be accorded an interface line, usually a port pin that is controlled by software. The protect register disable (PRDS) instruction must be used upon completion of logging to fully protect the data. PRDS will prevent any further writing to the protect register, even if the device is removed from the board. Extreme care should be exercised when considering use of PRDS. Data should be written into the device from high locations to low to protect the

data as it is read in. In addition, the protect register then serves the dual purpose of being a pointer to the last location written, simplifying software and saving a variable location (see *Figure 2c*).

## INTERFACING TO THE NMC93CSxx FAMILY

### COP800 Interface

The COP800 family is a set of 8-bit CMOS microcontrollers. The family members differ by program and data memory, on-chip peripherals, and package size. Some members have on-chip EEPROM for program or data memory. The devices with EEPROM for program memory are only intended for development purposes. All members of the family have an on-chip MICROWIRE™ interface.



**FIGURE 3. MICROWIRE Interface**

The COP800 family provides three options when interfacing to a NMC93CSxx device. The interface could be designed by using the COP800 device parallel port pins under software control, on-chip UART if available, or the MICROWIRE interface port. The most attractive option for the interface is the MICROWIRE because NMC93CSxx devices connect directly to it.

The MICROWIRE port provides a serial clock (SK), serial input (SI), and serial output (SO). These lines are directly connected to SK, DO and DI of the EEPROM. COP800 parallel port pins can be used for providing CS, PE and PRE. If PE or PRE are static in the application, they can be tied low or high. No other hardware is required for the interface (see *Figure 3*). In a system with multiple devices on the MICROWIRE, additional logic may be required to perform chip selection. If available, parallel port pins could be used for additional chip selects. Otherwise, a PAL device could be designed so that chip selects are set serially preceding any serial device operations.



```

;WREEPROM-WRITE DATA TO EEPROM
;
;THIS ROUTINE WILL WRITE A SPECIFIED NUMBER OF BYTES
;TO THE EEPROM USING THE MICROWIRE INTERFACE. THIS CODE
;ASSUMES THE SHIFT CLOCK RATE IS 1/2 THE XTAL FREQUENCY.
;THE ARGUMENT STRING CONSISTS OF A BYTE COUNT, OPCODE,
;REGISTER ADDRESS, FOLLOWED BY A DATA STREAM.
;
WREEPROM: LD    A,[B+] ;COPY BYTE COUNT
          X    A,x'FO ;
          SBIT 1,x'D4 ;CHIP SELECT
          SBIT 7,x'E9 ;SEND START BIT
          SBIT 2,x'EF ;
          RBIT 2,x'EF ;
SLOOP:   LD    A,[B+] ;SEND DATA BYTES
          X    A,x'E9 ;
          SBIT 2,x'EF ;
BIT_TST: IFBIT 2,x'EF ;STILL BUSY?
          JMP  BIT_TST ;
          DRSZ x'FO ;DONE SENDING?
          JMP  SLOOP ;
          RBIT 1,x'D4 ;DROP CS
          RET

```

FIGURE 4. COP800 MICROWIRE Write Routine

```

;RDEEPROM-READ DATA FROM EEPROM
;
;THIS ROUTINE WILL READ A SPECIFIED NUMBER OF BYTES FROM
;THE EEPROM USING THE MICROWIRE. THE CODE ASSUMES THAT THE
;SHIFT CLOCK IS PROGRAMMED AT 1/2 THE INSTRUCTION CLOCK RATE.
;THE ARGUMENTS PASSED TO THIS ROUTINE ARE A BYTE COUNT, OPCODE,
;AND REGISTER ADDRESS, POINTED TO BY B.
;THE BYTE COUNT AND DATA READ ARE POINTED AT BY B ON RETURN.
;
RDEEPROM: LD   A,x'FE       ;SAVE POINTER
          X   A,x'F1       ;
          LD   A,[B+]      ;COPY BYTE COUNT
          X   A,x'FO       ;
          SBIT 1,x'D4      ;CHIP SELECT
          SBIT 7,x'E9      ;SEND START BIT
          SBIT 2,x'EF      ;
          RBIT 2,x'EF      ;
          LD   A,[B]       ;SEND INSTRUCTION
          X   A,x'E9       ;
          SBIT 2,x'EF      ;
TST1:    IFBIT 2,x'EF      ;BUSY?
          JMP  TST1        ;
          SBIT 2,x'EF      ;GET DUMMY BIT?
          RBIT 2,x'EF      ;
RLOOP:   CLRA              ;GET DATA BYTES
          SBIT 2,x'EF      ;
TST2:    IFBIT 2,x'EF      ;BUSY?
          JMP  TST2        ;
          X   A,x'E9       ;
          X   A,[B+]       ;
          DRSZ x'FO        ;DONE GETTING?
          JMP  RLOOP        ;
          LD   A,x'F1      ;RESTORE POINTER
          X   A,x'FE       ;
          RBIT 1,x'D4      ;DROP CHIP SELECT
          RET

```

FIGURE 5. COP800 MICROWIRE Read Routine

Inside a COP800 device the MICROWIRE hardware consists of an 8-bit shift register (SIO), a control bit (BUSY) in the program status word (PSW), and a control register (CNTRL). BUSY is set by the control program to initiate a shift operation and is automatically reset when eight bits have been shifted. BUSY can be reset by the program for shift operations of less than eight bits. CNTRL is used to set the MICROWIRE mode and rate of SK. SK can be set to a divide by 2, 4, or 8 of the instruction clock rate. The MSEL bit of CNTRL sets the MICROWIRE to Master mode or Slave mode. In Master mode, a device will generate SK and in Slave mode it will receive SK. Master mode is used to interface to an NMC93CSxx device.

In addition to initializing the interface, software routines are required to control data transfers to and from the EEPROM through the MICROWIRE port. The same routines used to read and write to the EEPROM can be used to execute the NMC93CSxx instructions, including accessing the protect register. The only extra step required to access the protect register is that PRE must be set high.

A routine must access SIO to perform an NMC93CSxx instruction. Since the MICROWIRE shift register is only eight bits wide, multiple accesses are required to complete an instruction. In addition, instructions aren't byte-aligned; routines must align the operation. Instructions can be byte-aligned by sending a single start bit followed by a byte of opcode and address. A start bit can be sent by using the set

bit (SBIT) instruction to set BUSY, followed by the rest bit (RBIT) instruction when SK is being divided by two, or by sending a byte with seven leading zeros as dummy bits and a single one for the start bit. The NMC83CS56/66 devices require two more bits to be sent for alignment because of their larger address space. In this case it is easier to send the byte with leading zeros.

The write routine, WREEPROM, sets CS to select the device, then writes a single start bit, followed by a byte of opcode and address, and two bytes of data. The bytes sent are stored as a string preceeded by a byte-count. The byte count must, obviously, be three for a write. This routine can be used to perform the other write-only NMC93CSxx instructions by setting the byte-count and data string appropriately. CS is brought low to initiate the automatic erase/write cycle. The routine doesn't bring CS back high to check for completion of the cycle. This allows the routine to be used to perform the other NMC93CSxx instructions and the control program to perform other tasks during the cycle. If the program is unsure of cycle completion, DO should be checked before initiating another instruction (see *Figure 4*).

The read routine, RDEEPROM, sets CS and sends the start bit, opcode and address in the same manner as the write routine. The routine then reads a dummy bit (logic 0) from

the EEPROM and the number of bytes of data specified by the byte-count. The dummy bit is read in exactly the same way as a start bit is sent (see *Figure 5*).

#### HPC Interface

The HPC family is a set of high performance 16-bit microcontrollers. Like the COPS microcontrollers, the HPC devices are MICROWIRE compatible, providing an excellent means of interfacing to NMC93CSxx devices. Though, a software controlled interface using parallel port pins could be used, as well as an on-chip UART.

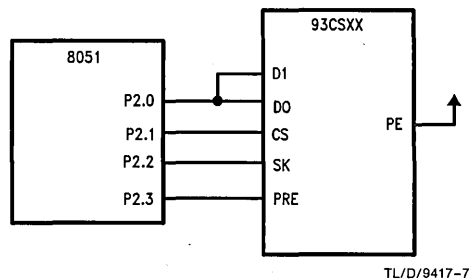


FIGURE 7. 8051 Interface

```

#define SET_CS   *_iporta|=0x40   /* set chip select*/
#define DROP_CS *_iporta &= 0xFB /* lower chip select*/
#define SIO     0xD6              /* SIO register location*/
#define PORTA   0xC8              /* PORT A location*/
#define IRPD    0xD2              /* IRPD register location*/
#define NOT_DONE I(*_Irpd & 0x04) /* DONE flag set if true*/
#define BFUN    0xF4              /* BFUN register*/
#define SK      \
    *_bfun &= 0xBF              \
    *_bfun |= 0x40;
#define WR_EE (bytes, data)      \
{                                  \
    int i;                          \
                                    \
    SK;                              \
    for(I=0; I < bytes; I++) \
    {                                  \
        *_sio = *data++;            \
        while(NOT_DONE);           \
        *_irpd &= 0xFB;             \
    }                                  \
}

/* Global Definitions*/
char *_sio = SIO;
char *_iporta = PORTA;
char *_irpd = IRPD;
char *_bufn = BFUN;

wr_eeeprom(bytes,data)
int bytes; /* byte count*/
char *data; /* data buffer*/
{
    SET_CS;
    WR_EE;
    DROP_CS;
}

rd_eeeprom(bytes, data)
int bytes; /* byte count*/
char *data; /* buffer pointer*/
{
    SET_CS;
    WR_EE (1, data);
    SK; /* get dummy bit*/
    for (i = 0; i < bytes; i++){
        *data ++ = *_sio;
        while(NOT_DONE);
        *_irpd &= 0xFB;
    }
    DROP_CS;
}

```

FIGURE 6. HPC C Language Interface Routine

```

;
;SNDBYT - SHIFTS 8 BITS OF DATA TO EEPROM
;
;THIS ROUTINE SHIFTS A BYTE POINTED AT BY RO
;ASSUMES CHIP SELECT ALREADY ACTIVE (HIGH)
;
SNDBYT   MOV   B,#8      ;LOAD SHIFT COUNT
         MOV   A,@RO     ;GET BYTE
S_LOOP:  RLC   A         ;SHIFT
         MOV   P2.0,C    ;SEND BIT
         CLR   P2.2      ;SK
         SETB  P2.2      ;
         DJNZ  B,S_LOOP;DONE?
         RET

;
;WREEPROM - WRITE DATA TO EEPROM
;
;THIS ROUTINE WRITES A SPECIFIED NUMBER OF BYTES TO THE
;EEPROM USING SNDBYT UTILITY ROUTINE. THE DATA IS POINTED AT
;BY THE RO REGISTER AND CONSISTS OF BYTE COUNT, OPCODE/REG ADDR
;AND DATA BYTES. DO IS SET HIGH TO AVOID CONTENTION.
;
WREEPROM: MOV  R2,@RO    ;COPY BYTE COUNT
         INC  RO         ;
         SETB P2.1      ;CHIP SELECT
         CLR  P2.2      ;START BIT
         SETB P2.2      ;
WR_LOOP: LCALL SNDBYT   ;WRITE DATA BYTES
         INC  RO         ;
         DJNZ R2,WR_LOOP;
         SETB P2.0      ;DEFAULT DO HIGH
         CLR  P.21      ;DESELECT/PROGRAM
         RET

```

**FIGURE 8. 8051 Parallel Port Pin Interface—Write Routines**

The MICROWIRE interface provides signals for SK, SI and SO. CS, PE and PRE signals can be provided by using parallel port pins. Port A on the HPC is allocated for general use and is ideal for this function. When used in Master mode, the clock rate for the MICROWIRE is set by programming the appropriate value into the DIVBY register. The 8-bit SIO register is used as a buffer for serial operations.

Unlike the COP800 microcontrollers, the HPC does not use a BUSY bit to control shifting. The DONE flag in the IRPD register is polled to determine completion of a shift operation. A single bit can be transferred by changing the mode of the SK pin back to a general purpose port pin (B.6). This is accomplished by clearing bit six of the port B function register (BFUN). If port B bit six is high, the pin will go high immediately clocking the EEPROM.

```

;RCVBYT - READ A BYTE OF SERIAL DATA
;
;THIS ROUTINE WILL SERIALY READ 8 BITS OF DATA FROM THE PORT PIN
;AND STORE THE DATA IN THE LOCATION POINTED AT BY RO
;
RCVBYT:  MOV  B,#8      ;LOAD SHIFT COUNT
R_LOOP:  CLR  P2.2      ;SK
         SETB P2.2      ;
         MOV  C,P2.0    ;GET BIT
         RLC  A         ;SHIFT
         DJNZ B,R_LOOP  ;DONE?
         MOV  @RO,A     ;STORE DATA
         RET

;RDEEPROM - READ DATA FROM EEPROM
;
;THIS ROUTINE WILL READ A SPECIFIED NUMBER OF BYTES FROM
;THE EEPROM USING THE RCVBYT ROUTINE. INPUT ARGUMENT STRING IS
;A BYTE COUNT, AND OPCODE/REGISTER ADDRESS. ON RETURN, RO POINTS
;TO A STRING CONTAINING THE BYTE COUNT FOLLOWED BY DATA BYTES
;
RDEEPROM: MOV  R2,@RO   ;COPY BYTE COUNT
          PUSH RO      ;SAVE POINTER
          INC  RO       ;
          SETB P2.1     ;CHIP SELECT
          CLR  P2.2     ;START BIT
          SETB P2.2     ;
          LCALL SNDBYT  ;SEND INSTRUCTION
          SETB P2.0     ;DEFAULT DO HIGH
          CLR  P2.2     ;DUMMY BIT
          SETB P2.2     ;
RD_LOOP  LCALL RCVBYT  ;GET DATA BYTES
          INC  RO       ;
          DJNZ R2,RD_LOOP ;DONE?
          POP  RO       ;RESTORE POINTER
          CLR  P2.1     ;DESELECT
          RET

```

**FIGURE 9. 8051 Parallel Port Pin Interface Read Routines**

The HPC supports program development in the C language. The software routines to support an HPC interface are similar to those for the COP800, except that they are written in C (see *Figure 6*). The main difference is how the start bit and dummy read bit are handled. Since the HPC supports the C language, core routines are written utilizing macros, eliminating the overhead of an extra level of subroutine calls.

#### 8051 Interface

The 8051 offers two interface alternatives for the NMC93CSxx family; the first uses parallel port pins under software control and the second is based on using the on-chip serial port. Both interfaces require a minimum number of device pins and no support logic. The main differences are that the serial port is faster and requires less software. The first choice for discussion is the use of the port pins. The 8051 has four 8-bit bidirectional I/O ports. The ports

are accessed through a special function register. The port registers are bit addressable which facilitates their use in this application. The minimum interface requires the use of only three port pins. A pin for CS, SK, and one connected to both DI and DO (see *Figure 7*). A two wire interface is possible by tying CS active, but this leaves the device in the active (high power) state and prevents the device programming cycle from being executed.

It is not necessary to have separate lines for DI and DO because DO is placed in a high-Z condition during write operations. During a read operation the DI pin is driven to send the instruction to the EEPROM and DO outputs the dummy bit (0) and data. To prevent contention DI has to stop driving a high before DO can output the dummy bit. The 8051 doesn't drive a high, it uses internal pull-ups to obtain a high, so there is no contention problem. This may be a con-

cern in other designs. The DO pin is driven when CS is brought high following a write operation to time completion of programming. Contention will occur on the operation following a write if programming completion isn't checked. A dummy check can be used.

When using the port pins, one must consider that some of the port pins have alternate functions. For example, Port 3 pins 0 and 1 are also allocated for the serial port. Similarly, if the program being executed on the 8051 resides in external memory, then Ports 0 and 2 will serve as the system bus during external memory access.

The software support routines are primarily concerned with controlling the flow of data to/from the EEPROM. Because

the 8051 is an 8-bit machine, two utility routines, SNDBYT and RCVBYT, are used to shift a byte of data to and from the NMC93CSxx.

The write routine, WREEPROM, raises CS to access the device, shifts out a start bit, then calls SNDBYT to shift out the opcode/register address byte, and other data bytes, as specified by the byte-count (see *Figure 8*).

The read routine, RDEEPROM, starts out by raising CS, sending a start bit, and using SNDBYT for the opcode/register address byte. The dummy bit is then shifted from the device and RCVBYT is called to shift in the number of bytes of data specified by the byte-count (see *Figure 9*).

```

;RDEEPROM - READS DATA FROM NMC93CSXX DEVICE
;
;THE ROUTINE READS A SPECIFIED NUMBER OF BYTES FROM
;THE EEPROM USING THE SERIAL PORT. RO POINTS TO AN ARGUMENT STRING
;CONTAINING THE BYTE COUNT AND THE OPCODE/REGISTER BYTE
;A STRING IS RETURNED CONTAINING THE BYTE COUNT FOLLOWED BY DATA.

```

```

RDEEPROM:
    PUSH    RO        ;SAVE POINTER
    MOV     R2,@RO    ;COPY BYTE COUNT
    INC     RO        ;
    SETB   P2.1      ;CHIP SELECT
    CLR     P3.1      ;SEND START BIT
    SETB   P3.1      ;
    MOV     SBUF      ;SEND INSTRUCTION
    JBC    TI,$      ;DONE?
    CLR     TI        ;
    CLR     P3.1      ;GET DUMMY BIT
    SETB   P3.1      ;
    SETB   REN        ;GET DATA BYTES
RLOOP:   JBC    RI,$  ;DONE?
    CLR     RI        ;
    MOV     @RO,SBUF  ;
    INC     RO        ;
    DJNZ   R2,RLOOP  ;
    CLR     REN        ;
    CLR     P2.1      ;DESELECT
    POP    RO        ;RESTORE POINTER
    RET

```

```

;WREEPROM - WRITE DATA TO EEPROM
;
;THE ROUTINE WRITES A SPECIFIED NUMBER OF BYTES TO EEPROM
;POINTED AT BY RO. ARGUMENTS INCLUDE BYTE COUNT AND OPCODE/ADDRESS
;

```

```

WREEPROM:  MOV     R2,@RO  ;COPY BYTE COUNT
           INC     RO      ;
           SETB   P2.1    ;CHIP SELECT
           SETB   P3.0    ;START BIT
           CLR     P3.1    ;
           SETB   P3.1    ;
SLOOP:    MOV     SBUF,@RO ;SEND DATA BYTES
           INC     RO      ;
           JBC    TI,$    ;DONE?
           DJNZ   R2,SLOOP ;
           CLR     P2.1    ;DESELECT
           RET

```

FIGURE 10. 8051 Serial Port Read and Write Routines



### 8051 INTERFACE—SERIAL PORT

The 8051 serial port operates in one of four modes: 8-bit shift register, 8-bit UART and two different 9 bit UART modes. The 8-bit shift register mode (Mode 0) is preferred because it operates with no protocol, as opposed to the UART modes which send and receive packeted data. When in Mode 0, the 8051 RxD pin is used as a serial in/out pin and the shift clock is provided on the TxD pin. The TxD pin would be connected to SK and RxD would be connected to DI and DO on the NMC93CSxx device. CS, PE and PFE would be connected the same way as in the port pin interface.

When using the serial port in Mode 0, the serial port control register (SCON) must be programmed by setting the SM0 and SM1 bits (bits 7 and 6) to 0. The serial clock runs at a fixed rate of  $\frac{1}{12}$  of the oscillator frequency. The maximum frequency for the serial clock on NMC93CSxx devices is 1 MHz. This means the 8051 can run with an oscillator frequency up to 12 MHz. After every eighth bit is received or transmitted the 8051 hardware will set either the receive interrupt (RI) or transmit interrupt (TI) bit in SCON. These bits may be polled, or used to generate interrupts.

The software routines for the serial port interface are virtually the same as those for the previous example. The only differences are that the 8051 serial port performs the same functions as the SNDBYT and RCVBYT routines. Instead of calling these routines, the REN bit is enabled to initiate reception and the data is read from the serial buffer (SBUF). For writing, the data is written into SBUF to perform the transfer. The routines poll the RI or TI bits. Because data transactions are synchronous, interrupts are not applicable (see *Figure 10*).

### 8096 INTERFACE

The 8096 is a 16-bit microcontroller. Like other microcontrollers, it interfaces easily to the NMC93CSxx devices. The use of parallel port pins or the on-chip serial port provide two interface options.

When implementing the parallel port pin interface, the choice of the port pins used is more critical because more of these pins have alternate functions. If the 8096 must perform external memory accesses, the use of Ports 3 and 4 becomes a problem because these two 8-bit ports make up the address/data bus. Port 0 pins are used for the analog input channels. Port 2 pins have alternate functions such as the serial port. Port 1 pins do not have alternate functions and may be preferred for use.

The 8096 provides an on-chip serial port which may be used for interfacing the NMC93CSxx devices. The serial port has 4 modes of operation. The mode of interest for this application is the shift register mode (Mode 0). The 8096 shift register mode serial clock rate is not a fixed rate. It is therefore the responsibility of the support software to program the baud rate appropriately.

### INTERFACING NMC93CSxx WITH HIGH PERFORMANCE MICROPROCESSORS

High performance microprocessors like the NS32000, iAPX386 and the MC680x0 are usually implemented as central processor in computers and aren't directly involved with peripheral devices. Rather, these machines communicate over a backplane bus. These processors are designed for high speed, parallel data transfers. The NMC93CSxx devices could be used with these processors if a serial bus is implemented as part of the backplane bus. Typically, a serial bus would be used for system configuration or diagnostic purposes. Both the VME bus and Multibus II supply serial communication signals that may be used to interface NMC93CSxx devices to a high performance processor.

### SUMMARY

The NMC93CSxx family can be used in a wide variety of applications. The devices provide a non-volatile, writeable memory that requires the least amount of board space, support logic and power. The protect register allows for a flexible mix of RAM and ROM. The previous examples illustrate that the NMC93CSxx family easily interfaces to microcontrollers and systems with a serial bus.

```

;RCVBYT - READ UTILITY ROUTINE
;
;THIS ROUTINE WILL READ 8 BITS OF DATA FROM THE SERIAL PORT
;THE DATA IS STORED IN THE LOCATION POINTED AT BY THE DX REGISTER.
;
RCVBYT:  LDB  AH,#8      ;LOAD SHIFT COUNT
BOP_SK:  ANDB P2,#FBH    ;STROBE SK
         ORB  P2,#04H    ;
         JBS  P2,3,BIT_1 ;READ BIT
         ANDB AL,#FEH    ;
         SJMP R_SHIFT   ;
BIT_1:   ORB  AL,#01H    ;
R_SHIFT: SHLB AL,1      ;
         DECB AH        ;DONE?
         JNE  BOP_SK    ;
         LDB  (DX),AL   ;SAVE DATA
         RET

;RDEEPROM - READ DATA FROM EEPROM
;
;SI, SK, CS, SO = P2[3 . . . 0]
;THIS ROUTINE WILL READ A SPECIFIED NUMBER OF BYTES FROM THE
;EEPROM AND STORE THE DATA. ARGUMENTS SUPPLIED TO THIS ROUTINE
;ARE A BYTE COUNT, OPCODE/REGISTER ADDRESS, AND ADDRESS FOR
;STORING THE DATA.
;
RDEEPROM: PUSH DX      ;SAVE POINTER
         LDB  BL,(DX)+  ;COPY BYTE COUNT
         ANDB P2,#FOH   ;CHIP SELECT,START BIT
         ORB  P2,#03    ;
         ORB  P2,#04    ;
         LCALL SNDBYT   ;SEND INSTRUCTION
         ANDB P2,#FBH   ;GET DUMMY BIT
         ORB  P2, #04H  ;
RD_LOOP: LCALL RCVBYT  ;GET DATA BYTES
         INC  DX        ;
         DECB BL        ;DONE?
         JNE  RD_LOOP   ;
         ANDB P2,#FDH   ;DESELECT
         POP  DX        ;RESTORE POINTER
         RET

```

FIGURE 11. 8096 Port Pin Interface Read Routines

```

;SNDBYT - WRITE 8 BITS OF DATA TO PORT PIN
;
;THIS ROUTINE WILL WRITE 8 BITS OF DATA TO THE PORT PIN. THE
;DATA BYTE IS POINTED AT BY THE DX REGISTER.
;
SNDBYT:  LDB  AH,#8      ;LOAD SHIFT COUNT
         LDB  AL,(DX)   ;GET DATA BYTE
SLOOP:   JBS  AL,7,BIT_1 ;SEND BIT
         ANDB P2,#FEH   ;
         SJMP TOG_SK    ;
BIT1:    ORB  P2,#01H   ;
TOG_SK:  ANDB P2,#FBH   ;
         ORB  P2,#04H   ;
         SHLB AL        ;
         DECB AH        ;DONE?
         JNE  SLOOP
         RET

;WREEPROM - WRITE DATA TO EEPROM
;
;SI, SK, CS, SO = P2[3..0]
;THIS ROUTINE WILL WRITE A SPECIFIED AMOUNT OF BYTES TO THE
;EEPROM. THE DATA TO BE WRITTEN IS POINTED AT BY THE DX REGISTER.
;THE ARGUMENTS INCLUDE THE BYTE COUNT, OPCODE/REGISTER ADDRESS,
;AND 1 OR MORE DATA BYTES.
;
WREEPROM: LDB  BL,(DX)+ ;COPY BYTE COUNT
          ANDB P2,#FOH  ;CHIP SELECT, START BIT
          ORB  P2,#03H  ;
          ORB  P2,#04H  ;
WR_LOOP:  LCALL SNDBYT  ;SEND DATA BYTES
          INC  DX        ;
          DECB BL        ;DONE?
          JNE  WR_LOOP   ;
WR_EXIT:  ANDB P2#FDH   ;DESELECT/PROGRAM
          RET

```

FIGURE 12. 8096 Parallel Port Pin Interface Write Routines

# The Reliability of National Semiconductor's EEPROM Products



This applications note provides the non-volatile memory system designer with the necessary information to design reliable non-volatile memory subsystems. The first section is an introduction to EEPROM technology. Next, is a description of the intrinsic failure mechanisms common to all EEPROM devices. The third section is a description of the reliability aspects of National Semiconductor's manufacturing process.

## INTRODUCTION TO EEPROM TECHNOLOGY

### EEPROM Background

The Electrically Erasable Programmable Read Only Memory (EEPROM) is a non-volatile, fully static data storage device which is also electrically erasable. It can be erased and written rapidly without removing the chip from the end application system or using a PROM programmer. The technology allows for both byte- and chip-clear operations. These advantages are in contrast to UVPROMs which require removal from the system and total erasure of all the bits on the chip.

### Technology Description

National Semiconductor's NMOS EEPROM devices utilize a 2.5 micron process. This technology was developed from the basic NMOS double poly process, which National Semiconductor's Memory Division has been using for about 10 years.

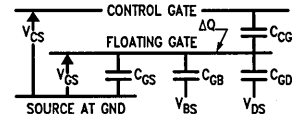
The new family of CMOS devices is based on National's 2 micron M<sup>2</sup>CMOS process, which is the process National Semiconductor uses most widely for such diverse products as: Gate Arrays, Telecom, Microprocessing and many others. It is presently fabricated in one of the most modern, state-of-the-art, 6 inch wafer fab facilities in the world.

### Device Description

National Semiconductor EEPROM devices utilize a double poly silicon gate process. *Figure 1* depicts the basic memory element in cross section. It is comprised of an N-channel transistor with an additional floating polysilicon gate sandwiched between the control gate and the transistor channel region. The gate structures are separated from each other and from the transistor channel and drain regions by silicon dioxide (SiO<sub>2</sub>). A tunnel oxide which is less than 120 Ang-

stroms thick is used in the region between the floating polysilicon gate and the N<sup>+</sup> drain region. National's E<sup>2</sup> Cell allows individual bit erasing and writing.

EEPROM technology relies upon stored charge on the floating gate to retain information. Floating and control gate voltages are referenced to the source which is grounded. A mode of the equivalent capacitances and voltages for an EEPROM is shown in *Figure 2*. V<sub>GS</sub> is the voltage on the floating gate, and delta Q is the charge stored on the floating gate. The charge remains on the floating gate even when power is not applied because the surrounding silicon dioxide serves as an excellent insulating material. Electrons are transferred to and from the floating gate and the underlying MOS device through a process known as Fowler-Nordheim tunneling.



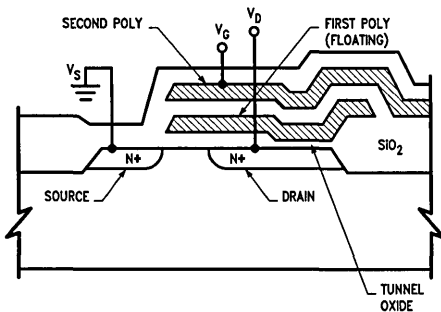
TL/X/0006-2

$$V_{GS} = \frac{V_{CS} C_{CG} + V_{DS} C_{GD} + V_{BS} C_{GB} + \Delta Q}{C_{GS} + C_{GB} + C_{GD} + C_{CG}}$$

FIGURE 2. Equivalent Capacitances and Voltages

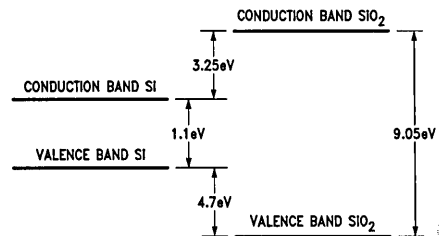
### Tunneling Physics

The non-volatile memory storage in EEPROMs takes advantage of a quantum mechanical phenomenon known as Fowler-Nordheim tunneling. This tunneling process is a function of the energy levels of the materials involved. A schematic of the energy configuration for an EEPROM is illustrated in *Figure 3*. The energy difference between the valence and conduction bands in silicon dioxide (SiO<sub>2</sub>) is about 9.05 eV. The energy difference between the same two bands for silicon (Si) is approximately 1.1 eV. When the SiO<sub>2</sub> and the Si are joined together the conduction band of the SiO<sub>2</sub> is 3.25 eV above the conduction band of the Si, while the valence band of the SiO<sub>2</sub> lies about 4.7 eV below the valence band of the Si. Since the thermal energy of an electron at room temperature (23°C) is only 0.025 eV the likelihood of an electron jumping from the valence band of the SiO<sub>2</sub> to the conduction band of the SiO<sub>2</sub> is very slight.



TL/X/0006-1

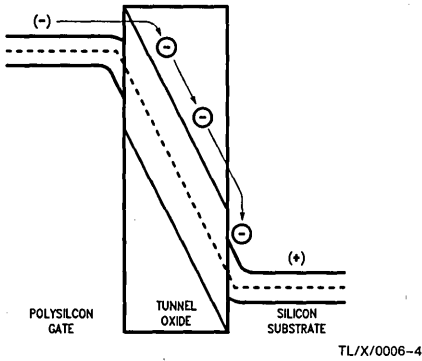
FIGURE 1. Cross Section of MOS Floating Gate EEPROM



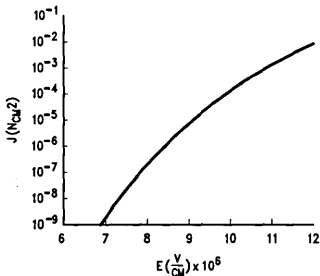
TL/X/0006-3

FIGURE 3. Energy Band Diagram of the Si and SiO<sub>2</sub> System In Its Neutral State

Fowler-Nordheim tunneling predicts that these energy bands can be distorted in the presence of an electric field. This process is depicted in *Figure 4*. In EEPROMs, tunneling of electrons occurs between the drain and floating gate through the SiO<sub>2</sub> tunneling region. The direction of Fowler-Nordheim tunneling of electrons through the tunneling region depends on the polarity of the voltages between the control gate and the drain. Tunneling physics predicts that when the electric fields across a thin insulator, such as SiO<sub>2</sub>, are high enough, electrons from the negative electrode can acquire enough energy to pass or tunnel through the forbidden gap and enter the conduction band. The resulting current flux (J) is approximately proportional to an exponential function of the applied voltage (V) as illustrated in *Figure 5*. In order to obtain fields strengths large enough to initiate tunneling ( $V > 7 \times 10^6$  eV/cm), at reasonable voltages (20V), the SiO<sub>2</sub> layer must be limited to a thickness less than 120 Angstroms.



**FIGURE 4. Distortion of Energy Bands in the Presence of a Strong Electric Field**

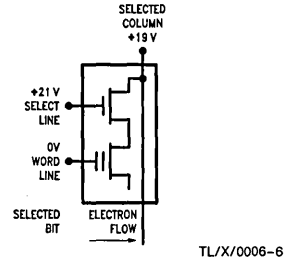


**FIGURE 5. Fowler-Nordheim Tunneling I-V Characteristic**

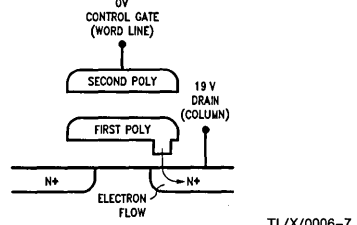
**Device Operation**

To write the cell to logic "0" the control gate is set to ground potential, and a high voltage (19V) is applied to the drain, while the source is left floating. The write operation is shown in *Figure 6*. This causes electrons on the floating gate to tunnel through the SiO<sub>2</sub> into the drain. In this configuration the transistor will allow current to flow. The electric field strength is highest in the region between the floating gate and the drain. Hence tunneling occurs in this thin SiO<sub>2</sub> re-

gion. The electric field intensity across the tunneling SiO<sub>2</sub> region is determined by the capacitive coupling ratio of the cell.

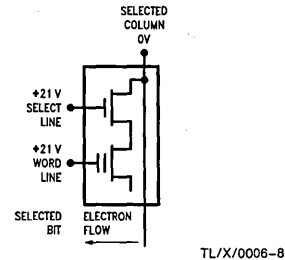


**E<sup>2</sup>PROM Transistor Write**

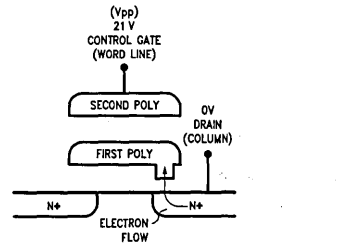


**FIGURE 6. Write Operation**

During the erase operation the drain is set to ground potential while the control gate is pulled up to 21V, as shown in *Figure 7*. This charging of the control gate causes the floating gate to become capacitively coupled with a positive bias and electrons then tunnel from the drain into the floating gate. The transfer of electrons shifts the cell threshold positive forcing the transistor to pinch-off current flow, which is then interpreted as a logic "1" state at its output.

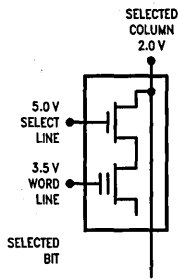


**E<sup>2</sup>PROM Transistor**

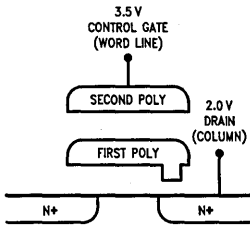


**FIGURE 7. Erase Operation**

**E<sup>2</sup>PROM Transistor**



TL/X/0006-10

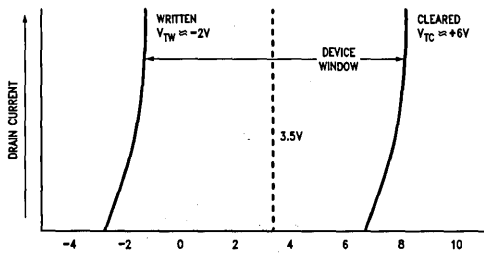


TL/X/0006-11

**FIGURE 8. Read Operation**

The read operation is illustrated in *Figure 8*. To read the bit, 3.5V is applied to the gate of the transistor (word line). The charge stored on the floating gate influences the transistor characteristics. When the floating gate has a net negative charge, the transistor will not conduct current, and while positively charged it will pass current. Distinguishing between current flow and non-current flow allows logical states to be represented by the transistor. *Figure 9* illustrates the situation. When written to, the threshold voltage of the transistor ( $V_{th}$ ) is equal to  $-2V$  and the transistor is turned on. This is subsequently read as a logical 0 on the memory pins. While the bit is erased the threshold voltage will be  $6V$ , the transistor remains off, and the logic is interpreted at the output as a logical 1. This difference between high and low voltage states is known as the cell margin, logic margin, or device window.

**Gate Voltage ( $V_{GS}$ )  
(Word Line Voltage)**



TL/X/0006-12

**FIGURE 9. I-V Characteristics of Floating Gate EEPROM**

**INTRINSIC FAILURE MECHANISMS**

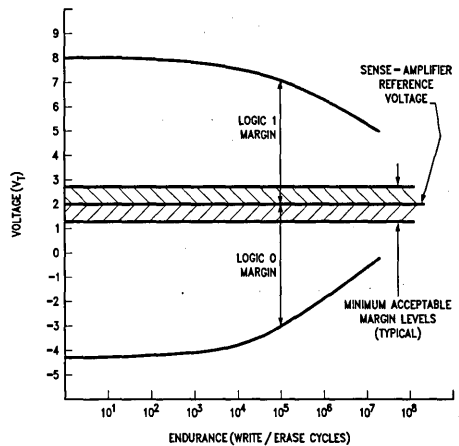
EEPROMs and light emitting diodes differ from many other semiconductor devices in that they wear out with use. However, with a basic understanding of the intrinsic wear out

and failure mechanisms associated with EEPROMs, the designer can construct systems which successfully account for these limitations. The three primary failure mechanisms which affect all EEPROMs are charge trapping and tunnel oxide breakdown which are endurance related, and charge leakage which is data retention related.

**Endurance**

An EEPROM's endurance—that is, the number of write and erase operations through which each bit can be cycled reliably—is based largely on the degradation of cell margin. The amount of charge that can be stored and removed from an EEPROM cell decreases as the cumulative number of programming cycles rises.

Charge trapping is an intrinsic failure mechanism associated with EEPROMs which tends to narrow the difference between negatively and positively charged threshold voltages (device window) as a function of erase/write cycles. Eventually, after several million cycles, the window is collapsed completely. *Figure 10* illustrates the situation. This charge trapping is cumulative, and increases proportionally with the magnitude and duration of the programming current.



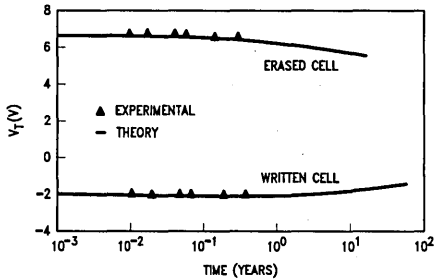
TL/X/0006-13

**FIGURE 10. Logic Margin vs Endurance for Floating Gate EEPROM**

Tunnel oxide breakdown is the primary intrinsic failure mechanism limiting the endurance of EEPROMs. Tiny defects in the tunneling oxide, caused by imperfections in the manufacturing process, can distort the electric field and cause large localized gradients. Excessive amounts of current flow through the regions where the electric field is tightly concentrated leading to high localized mechanical stresses. As write cycles continue, the probability that some imperfection in the oxide will break down increases. Given enough time, the cell will fail to operate correctly because the silicon dioxide which insulates the floating memory cell from the underlying voltage drain will become shorted. The rate of failures due to tunnel oxide breakdown can be reduced by minimizing particulate contaminants, decreasing the cross sectional area as much as is photo-lithographically possible, and controlling the ramp rate of the programming voltage so as to decrease the peak electric field which is created across the tunneling oxide.

### Data Retention

Data retention in an EEPROM specification refers to the device's ability to retain a charge on its floating gate with or without an applied bias to the control gate, over extended periods of time. A floating gate on an EEPROM cell requires between one to five million electrons as stored charge. In order to store this amount of charge a current of approximately  $10^{-10}$ A is required for a period of 10 ms. To insure that a wide enough logic margin exists on the cell, the designed floating gate leakage is limited to 10% of the initial charge ( $1.0 \cdot 10^6$ e) over a period of 10 years. This means that for continuous reading or storage operations over this period, the leakage must be kept below  $10^{-21}$ A per cycle. *Figure 11* shows a typical plot of logic margin vs. time for EEPROMs.



TL/X/0006-14

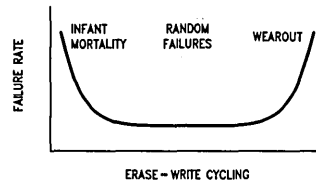
**FIGURE 11. Logic Margin vs Data Retention of MOS Floating Gate EEPROM**

Fowler-Nordheim tunneling, the process responsible for charging the floating cell, is also the means by which charge is leaked from the storage cell. This failure mechanism falls into a very broad class of failures which are proportional to  $\exp(-E_a/kT)$  where  $E_a$  is the activation energy of the process,  $k$  is Boltzmann's constant, and  $T$  is the absolute temperature. This is very useful because if the activation energy is known for a given process, then tests can be conducted at elevated temperatures, reducing testing time, and the data can be extrapolated to lower operating temperatures using the relationship above.

### Combined Effects

The total failure rate of an EEPROM is the sum of the combined rates from all the failure mechanisms involved. *Figure 12* shows the observed failure rate vs. erase/write cycling for EEPROMs. The distribution is a bathtub-shaped curve. The infant mortality region is characterized by an initially high, but rapidly decreasing failure rate. This period is dominated by failures which arise from manufacturing defects. Burn in reliability measures taken during National Semiconductor's manufacturing process are designed to eliminate these devices before they can be shipped to customers. The middle region is dominated by random failures and the rate is approximately level until the wearout region is

reached. The wearout region is characterized by an increasing failure rate as the device reaches the end of its useful life.



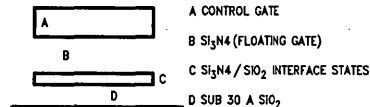
TL/X/0006-15

**FIGURE 12. Typical Failure Curve for MOS Floating Gate EEPROM**

### Comparison to Other Technologies

CMOS static RAM devices with battery backup are often used for non-volatile memory storage. While the CMOS device does not exhibit the wearout mechanisms associated with EEPROM technology, the batteries associated with them do. Nickel Cadmium batteries have a wearout mechanism. Typically, they are good for only a couple of years before they must be replaced. Lithium batteries wear out with use and they display another liability in the fact that when shorted they can become very hot. Cost is another consideration when comparing battery backed up memory vs. EEPROM technology for small sized memory applications. Batteries and their associated mounting hardware can be quite expensive.

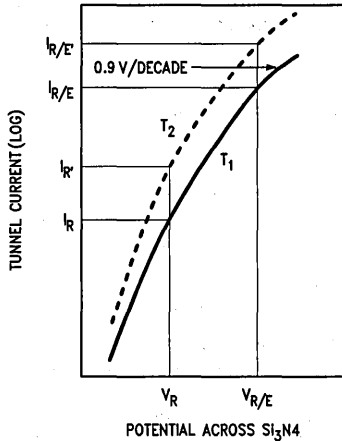
### MNOS



TL/X/0006-16

**FIGURE 13. Cross Section of Nitride EEPROM**

Some semiconductor manufacturers use nitrides in the production of their EEPROMs, resulting in two similar classes of memories known as SNOS and MNOS devices. A cross section of one of these nitride EEPROMs is illustrated in *Figure 13*. Its operation is similar to a MOS EEPROM. The nitride layer is analogous to the floating gate on the MOS devices. One of the problems encountered with the nitride technology is its temperature dependence on the current/voltage curve. This effect is shown in *Figure 14*. As the temperature increases the curve shifts up and to the left. The higher temperature causes a large increase in current for the same read voltage. This leads to poor data retention because Fowler-Nordheim tunneling is enhanced at these higher current levels and thus large amounts of charge can leak with each read cycle. Transistor voltages on nitride structures are also adversely affected by even small voltage stresses. The final problem associated with this technology is that the oxide-nitride interface is degraded by silicon-gate processing.



TL/X/0006-17

**FIGURE 14. Current Increase from Increased Temperature Leading to Loss of Data Retention for Nitride EEPROM**

On the other hand, MOS EEPROMs which use a polysilicon floating gate structure, tend to have better endurance characteristics and superior data retention under voltage and/or temperature stress. Polysilicon floating gate devices also have a longer history in processing, which accounts for their reproducibility and slow wear out as compared to nitride systems.

**RELIABILITY ASPECTS OF EEPROMS IN MANUFACTURING**

All of the inherent failure mechanisms associated with EEPROM technology can be reduced by applying quality control techniques during the manufacturing process. Quality control measures the component's conformance to specification. Careful monitoring of both the process and the individual devices assures the customer of the highest possible reliability.

**Quality Control**

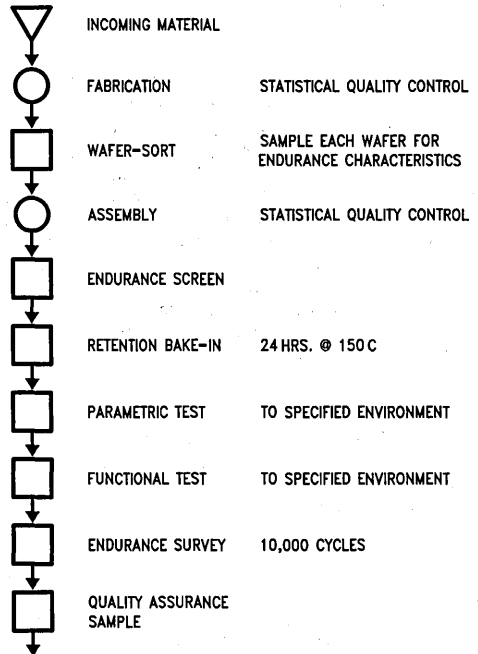
The introduction of any new part into the National Semiconductor product line requires first that the product must pass strict design and manufacturing requirements. A table of the reliability qualification procedure which National Semiconductor follows for the introduction of a new EEPROM product appears in Table I.

**TABLE I. Reliability Qualification Procedure for All National Semiconductor EEPROM Products**

	Test	Sample	Allowed Fail.
J Pkg.	Operating Life 125°C 1000 Hrs.	3 x 105	2/Lot 5% LTPD (0.78 AQL)
	Dynamic B-I at 5.5. All inputs exercised. (Read, Disable, Read, Disable . . .)		

**TABLE I. Reliability Qualification Procedure for All National Semiconductor EEPROM Products (Continued)**

	Test	Sample	Allowed Fail.
N Pkg.	1) Operating Life 125°C 1008 Hrs.	3 x 105	2/Lot 5% LTPD (1.3 AQL)
	2) 85/85 1008 Hrs.	3 x 105	2/Lot 5% LTPD (1.3 AQL)
	3) Autoclave 168 Hrs. (No Bias)	3 x 105	2/Lot 5% LTPD (1.3 AQL)
	4) Bias Pressure Cooker 96 Hrs. (Static B-I)	3 x 105	2/Lot 5% LTPD (1.3 AQL)



TL/X/0006-18

**FIGURE 15. Quality Control Steps for National Semiconductor EEPROMs**



For EEPROMs which are in the manufacturing phase, statistical quality control and testing are used to evaluate product compliance to specification. *Figure 15* shows a flow chart of the various quality control steps which National Semiconductor puts their EEPROM chips through.

**Burn In**

In addition to strict qualifying requirements of products prior to manufacture and tight quality control procedures, National Semiconductor also implements burn-in tests, which weed out the weaker chips, and ensure an even higher level of reliability for the surviving EEPROMs. *Figure 16* is an illustration of typical improvements in product reliability resulting from burning in chips, and removing the ones which would normally fail in the infant mortality region.

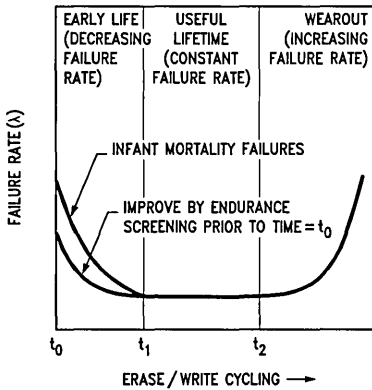
**RELIABILITY ASPECTS OF EEPROMS IN APPLICATIONS**

**Reliability Testing and Results**

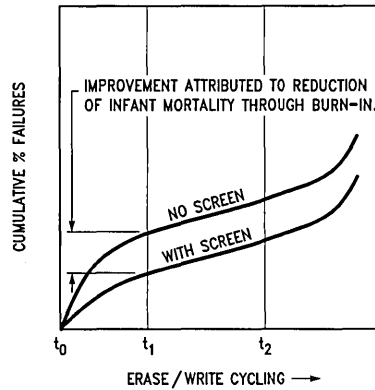
Endurance failure in EEPROM testing is often defined in very different ways. One of the more lenient methods of

describing failures on an EEPROM is to simply say that every non-operative cell in a memory device constitutes one failure. National Semiconductor, however, chooses to use a fundamentally more rigorous definition, in which a failure is indicated the first time any single memory bit on the entire chip fails. Depending on memory size and specific devices, one can typically expect a failure rate over 10,000 erase/write cycles of about 3% or less. Of this small percentage of chips which fail after ten-thousand cycles, seldom will any have more than a single-bit error.

It is important to note that the two modes of EEPROM failure, endurance and data retention, are fundamentally orthogonal in applications. That is, a cell that is to be written 10,000 times does not require data retention of 10 years between writes, unless of course you require that the product operate for 100,000 years. Further, even adjacent cells in an EEPROM memory device operate independently from each other, so that any given memory location that is updated only upon rare occasions can be expected to retain its information for long periods, even though adjacent cells are being worn out through extended cycling.



TL/X/0006-19



TL/X/0006-20

**FIGURE 16. Improvements Attributed to National Semiconductor's Endurance Screen**





Section 3  
**PROMs**



## Section 3 Contents

Bipolar PROM Selection Guide .....	3-3
<b>NON-REGISTERED BIPOLAR PROMS</b>	
PL77/87X288B (32 x 8) 256-Bit TTL Logic PROMs .....	3-6
DM54/74S188 (32 x 8) 256-Bit TTL PROM .....	3-10
DM54/74S288 (32 x 8) 256-Bit TTL PROM .....	3-14
DM54S287 (256 x 4) 1024-Bit TTL PROM .....	3-18
DM54/74S387 (256 x 4) 1024-Bit TTL PROM .....	3-22
DM54/74LS471 (256 x 8) 2048-Bit TTL PROM .....	3-26
DM54/74S472 (512 x 8) 4096-Bit TTL PROM .....	3-30
DM54/74S473 (512 x 8) 4096-Bit TTL PROM .....	3-34
DM54/74S474 (512 x 8) 4096-Bit TTL PROM .....	3-38
DM54/74S475 (512 x 8) 4096-Bit TTL PROM .....	3-42
DM54/74S570 (512 x 4) 2048-Bit TTL PROM .....	3-46
DM54/74S571 (512 x 4) 2048-Bit TTL PROM .....	3-50
DM54/74S572 (1024 x 4) 4096-Bit TTL PROM .....	3-54
DM54/74S573 (1024 x 4) 4096-Bit TTL PROM .....	3-58
DM77/87S180, DM77/87S280 (1024 x 8) 8192-Bit TTL PROMs .....	3-62
DM77/87S181, DM77/87S281 (1024 x 8) 8192-Bit TTL PROMs .....	3-66
DM77/87S184 (2048 x 4) 8192-Bit TTL PROM .....	3-70
DM77/87S185 (2048 x 4) 8192-Bit TTL PROM .....	3-74
<b>REGISTERED BIPOLAR PROMS</b>	
DM77/87SR474 (512 x 8) 4k-Bit Registered TTL PROM .....	3-78
DM77/87SR476 (512 x 8) 4k-Bit Registered TTL PROM .....	3-82
DM77/87SR27 (512 x 8) 4k-Bit Registered TTL PROM .....	3-86
DM77/87SR181 (1024 x 8) 8k-Bit Registered TTL PROM .....	3-91
<b>APPLICATIONS INFORMATION</b>	
Bipolar PROM Devices in Plastic Leaded Chip Carriers .....	3-95
Non-Registered PROM Programming Procedure .....	3-99
Registered PROM Programming Procedure .....	3-101
Standard Test Load .....	3-103
Switching Time Waveforms .....	3-103
Approved Programmers/Quality Enhancement .....	3-105

# Bipolar PROM Selection Guide



## Non-Registered PROMs

Size (Bits)	Organization	Pins (DIP)	Part Number	t <sub>AA</sub> (Max) In ns	t <sub>EA</sub> (Max) In ns	I <sub>CC</sub> (Max) In mA	Temperature Celsius	
256	32 x 8 OC	16	DM54S188	45	30	110	-55°C to +125°C	
	32 x 8 OC	16	DM74S188	35	20	110	0°C to +70°C	
	32 x 8 TS	16	DM54S288	45	30	110	-55°C to +125°C	
	32 x 8 TS	16	DM74S288	35	20	110	0°C to +70°C	
	32 x 8 OC	16	DM54S188A	35	30	110	-55°C to +125°C	
	32 x 8 OC	16	DM74S188A	25	20	110	0°C to +70°C	
	32 x 8 TS	16	DM54S288A	35	30	110	-55°C to +125°C	
	32 x 8 TS	16	DM74S288A	25	20	110	0°C to +70°C	
	32 x 8 TS	16	PL87X288B	15	12	140	0°C to +70°C	
	1024	256 x 4 OC	16	DM54S387	60	30	130	-55°C to +125°C
256 x 4 OC		16	DM74S387	50	25	130	0°C to +70°C	
256 x 4 TS		16	DM54S287	60	30	130	-55°C to +125°C	
256 x 4 TS		16	DM74S287	50	25	130	0°C to +70°C	
256 x 4 OC		16	DM54S387A	40	30	130	-55°C to +125°C	
256 x 4 OC		16	DM74S387A	30	20	130	0°C to +70°C	
256 x 4 TS		16	DM54S287A	40	30	130	-55°C to +125°C	
256 x 4 TS		16	DM74S287A	30	20	130	0°C to +70°C	
2048	512 x 4 OC	16	DM54S570	65	35	130	-55°C to +125°C	
	512 x 4 OC	16	DM74S570	55	30	130	0°C to +70°C	
	512 x 4 TS	16	DM54S571	65	35	130	-55°C to +125°C	
	512 x 4 TS	16	DM74S571	55	30	130	0°C to +70°C	
	512 x 4 OC	16	DM54S570A	60	35	130	-55°C to +125°C	
	512 x 4 OC	16	DM74S570A	45	25	130	0°C to +70°C	
	512 x 4 TS	16	DM54S571A	60	35	130	-55°C to +125°C	
	512 x 4 TS	16	DM74S571A	45	25	130	0°C to +70°C	
	512 x 4 TS	16	DM54S571B	50	35	130	-55°C to +125°C	
	512 x 4 TS	16	DM74S571B	35	25	130	0°C to +70°C	
	256 x 8 TS	20	DM54LS471	70	35	100	-55°C to +125°C	
	256 x 8 TS	20	DM74LS471	60	30	100	0°C to +70°C	
	4096	512 x 8 OC	20	DM54S473	75	35	155	-55°C to +125°C
		512 x 8 OC	20	DM74S473	60	30	155	0°C to +70°C
512 x 8 TS		20	DM54S472	75	35	155	-55°C to +125°C	
512 x 8 TS		20	DM74S472	60	30	155	0°C to +70°C	
512 x 8 OC		20	DM54S473A	60	35	155	-55°C to +125°C	
512 x 8 OC		20	DM74S473A	45	30	155	0°C to +70°C	
512 x 8 TS		20	DM54S472A	60	35	155	-55°C to +125°C	
512 x 8 TS		20	DM74S472A	45	30	155	0°C to +70°C	
512 x 8 TS		20	DM54S472B	50	35	155	-55°C to +125°C	
512 x 8 TS		20	DM74S472B	35	25	155	0°C to +70°C	
512 x 8 OC		24	DM54S475	75	40	170	-55°C to +125°C	
512 x 8 OC		24	DM74S475	65	35	170	0°C to +70°C	
512 x 8 TS		24	DM54S474	75	40	170	-55°C to +125°C	
512 x 8 TS		24	DM74S474	65	35	170	0°C to +70°C	
512 x 8 OC		24	DM54S475A	60	35	170	-55°C to +125°C	
512 x 8 OC		24	DM74S475A	45	25	170	0°C to +70°C	
512 x 8 TS		24	DM54S474A	60	35	170	-55°C to +125°C	
512 x 8 TS		24	DM74S474A	45	25	170	0°C to +70°C	
512 x 8 TS		24	DM54S474B	50	35	170	-55°C to +125°C	
512 x 8 TS		24	DM74S474B	35	25	170	0°C to +70°C	
1024 x 4 OC		18	DM54S572	75	45	140	-55°C to +125°C	
1024 x 4 OC		18	DM74S572	60	35	140	0°C to +70°C	
1024 x 4 TS		18	DM54S573	75	45	140	-55°C to +125°C	
1024 x 4 TS		18	DM74S573	60	35	140	0°C to +70°C	
1024 x 4 OC		18	DM54S572A	60	35	140	-55°C to +125°C	
1024 x 4 OC		18	DM74S572A	45	25	140	0°C to +70°C	
1024 x 4 TS		18	DM54S573A	60	35	140	-55°C to +125°C	
1024 x 4 TS		18	DM74S573A	45	25	140	0°C to +70°C	
1024 x 4 TS		18	DM54S573B	50	35	140	-55°C to +125°C	
1024 x 4 TS		18	DM74S573B	35	25	140	0°C to +70°C	

Non-Registered PROMs (Continued)

Size (Bits)	Organization	Pins (DIP)	Part Number	t <sub>AA</sub> (Max) in ns	t <sub>EA</sub> (Max) in ns	I <sub>CC</sub> (Max) in mA	Temperature Celsius
8192	1024 x 8 OC	24	DM77S180	75	35	170	-55°C to +125°C
	1024 x 8 OC	24*	DM77S280	75	35	170	-55°C to +125°C
	1024 x 8 OC	24	DM87S180	55	30	170	0°C to +70°C
	1024 x 8 OC	24*	DM87S280	55	30	170	0°C to +70°C
	1024 x 8 TS	24	DM77S181	75	35	170	-55°C to +125°C
	1024 x 8 TS	24*	DM77S281	75	35	170	-55°C to +70°C
	1024 x 8 TS	24	DM87S181	55	30	170	0°C to +70°C
	1024 x 8 TS	24*	DM87S281	55	30	170	0°C to +70°C
	1024 x 8 TS	24	DM77S181A	65	35	170	-55°C to +125°C
	1024 x 8 TS	24	DM87S181A	45	30	170	0°C to +70°C
	2048 x 4 OC	18	DM77S184	70	30	140	-55°C to +125°C
	2048 x 4 OC	18	DM87S184	55	25	140	0°C to +70°C
	2048 x 4 TS	18	DM77S185	70	30	140	-55°C to +125°C
	2048 x 4 TS	18	DM87S185	55	25	140	0°C to +70°C
	2048 x 4 TS	18	DM77S185A	60	30	140	-55°C to +125°C
	2048 x 4 TS	18	DM87S185A	45	25	140	0°C to +70°C
	2048 x 4 TS	18	DM77S185B	50	30	140	-55°C to +125°C
	2048 x 4 TS	18	DM87S185B	35	25	140	0°C to +70°C

\*24-Pin Narrow Dual-In-Line Package

**Registered PROMs**

Size (Bits)	Organization	Pins (DIP)	Part Number	t <sub>SA</sub> (Min) in ns	t <sub>PLH</sub> (CLK) t <sub>PHL</sub> (CLK) (Max) in ns	I <sub>CC</sub> (Max) in mA	Temperature Celsius
4096	512 x 8 REG	24*	DM77SR474	55	30	185	-55°C to +125°C
	512 x 8 REG	24*	DM77SR474B	40	25	185	-55°C to +125°C
	512 x 8 REG	24*	DM87SR474	50	27	185	0°C to +70°C
	512 x 8 REG	24*	DM87SR474B	35	20	185	0°C to +70°C
	512 x 8 REG	24*	DM77SR476	55	30	185	-55°C to +125°C
	512 x 8 REG	24*	DM77SR476B	40	25	185	-55°C to +125°C
	512 x 8 REG	24*	DM77SR27	55	30	185	-55°C to +125°C
	512 x 8 REG	24*	DM77SR27B	40	25	185	-55°C to +125°C
	512 x 8 REG	24*	DM87SR476	50	27	185	0°C to +70°C
	512 x 8 REG	24*	DM87SR476B	35	20	185	0°C to +70°C
	512 x 8 REG	24*	DM87SR27	50	27	185	0°C to +70°C
	512 x 8 REG	24*	DM87SR27B	35	20	185	0°C to +70°C
8192	1024 x 8 REG	24*	DM77SR181	50	30	175	-55°C to +125°C
	1024 x 8 REG	24*	DM87SR181	40	20	175	0°C to +70°C

\*24-Pin Narrow Dual-In-Line Package



# PL87X288B (32 x 8) 256-Bit TTL Logic PROMs

## General Description

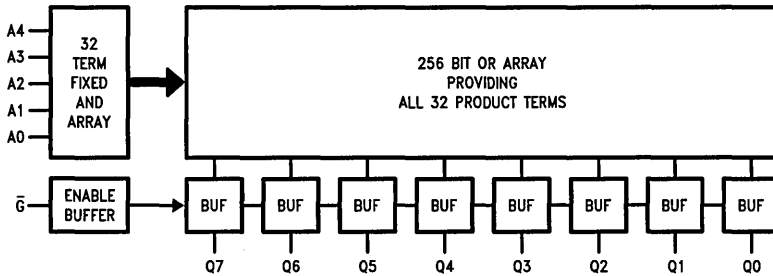
These Schottky programmable logic devices are organized in the popular 32 words by 8-bit configuration. An enable input is provided to control the output states. When the device is enabled, the outputs represent the contents of the selected word. When disabled, the 8 outputs go to the OFF or high impedance state. The memories are available in the TRI-STATE® version only.

PROMs are shipped from the factory with lows in all locations. A high may be programmed into any selected location by following the programming instructions.

## Features

- Advanced titanium-tungsten (Ti-W) fuses
- Schottky-clamped for high speed
  - Address access—15 ns max
  - Enable access—12 ns max
  - Enable recovery—12 ns max
- PNP inputs for reduced input loading
- All DC and AC parameters guaranteed over temperature
- Low voltage TRI-SAFETM programming
- >2000V input protection for electrostatic discharge
- TRI-STATE outputs

## Block Diagram



TL/D/6747-1

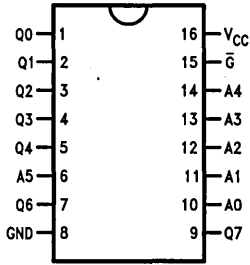
### Pin Names

A0-A4	Addresses
$\bar{G}$	Output Enable
GND	Ground
Q0-Q7	Outputs
VCC	Power Supply



## Connection Diagrams

Dual-In-Line Package

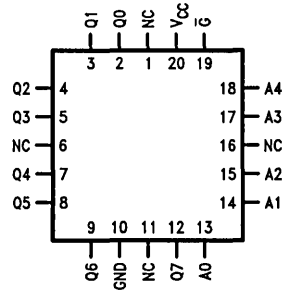


Top View

Order Number PL87X288BJ or PL87X288BN  
See NS Package Number J16A or N16A

TL/D/6747-2

Plastic Leaded Chip Carrier (PLCC)



Top View

Order Number PL87X288BV  
See NS Package Number V20A

TL/D/6747-9

## Ordering Information

Commercial Temperature Range  
0°C to +70°C

Parameter/Order Number	Max Access Time (ns)
PL87X288BN	15
PL87X288BJ	15
PL87X288BV	15

### Absolute Maximum Ratings

If Military/Aerospace specified devices are required, please contact the National Semiconductor Sales Office/Distributors for availability and specifications.

Supply Voltage (Note 2)	-0.5 to +7.0V
Input Voltage (Note 2)	-1.2 to +5.5V
Output Voltage (Note 2)	-0.5 to +5.5V
Storage Temperature	-65 to +150°C
Lead Temperature (Soldering, 10 seconds)	300°C
ESD Rating	>2000V

### Operating Conditions

	Min	Max	Units
Supply Voltage ( $V_{CC}$ ) PL87X288B	4.75	5.25	V
Ambient Temperature ( $T_A$ ) PL87X288B	0	+70	°C
Logical "0" Input Voltage	0	0.8	V
Logical "1" Input Voltage	2.0	5.5	V

### DC Electrical Characteristics (Note 3)

Symbol	Parameter	Conditions	PL87X288B			Units
			Min	Typ	Max	
$I_{IL}$	Input Load Current	$V_{CC} = \text{Max}, V_{IN} = 0.4V$		-80	-250	$\mu A$
$I_{IH}$	Input Leakage Current	$V_{CC} = \text{Max}, V_{IN} = 2.7V$			25	$\mu A$
		$V_{CC} = \text{Max}, V_{IN} = 5.5V$			1.0	mA
$V_{OL}$	Low Level Output Voltage	$V_{CC} = \text{Min}, I_{OL} = 24 \text{ mA}$		0.35	0.50	V
$V_{IL}$	Low Level Input Voltage	(Note 7)			0.80	V
$V_{IH}$	High Level Input Voltage	(Note 7)	2.0			V
$V_C$	Input Clamp Voltage	$V_{CC} = \text{Min}, I_{IN} = -18 \text{ mA}$		-0.8	-1.5	V
$C_I$	Input Capacitance	$V_{CC} = 5.0V, V_{IN} = 2.0V$ $T_A = 25^\circ C, 1 \text{ MHz}$		4.0		pF
$C_O$	Output Capacitance	$V_{CC} = 5.0V, V_O = 2.0V$ $T_A = 25^\circ C, 1 \text{ MHz}, \text{Outputs Off}$		6.0		pF
$I_{CC}$	Power Supply Current	$V_{CC} = \text{Max}, \text{Input Grounded}$ All Outputs Open		110	140	mA
$I_{OS}$	Short Circuit Output Current	$V_O = 0V, V_{CC} = \text{Max}$ (Note 4)	-30		-130	mA
$I_{OZ}$	Output Leakage (TRI-STATE)	$V_{CC} = \text{Max}, V_O = 0.4V \text{ to } 2.4V$ Chip Disabled			100 -100	$\mu A$
$V_{OH}$	Output Voltage High	$I_{OH} = -3.2 \text{ mA}$	2.4	3.2		V

**Note 1:** Absolute maximum ratings are those values beyond which the device may be permanently damaged. They do not mean that the device may be operated at these values.

**Note 2:** These limits do not apply during programming. For the programming ratings, refer to the programming instructions.

**Note 3:** These limits apply over the entire operating range unless stated otherwise. All typical values are for  $V_{CC} = 5.0V$  and  $T_A = 25^\circ C$ .

**Note 4:** During  $I_{OS}$  measurement, only one output at a time should be grounded. Permanent damage may otherwise result.

**Note 5:**  $C_L = 50 \text{ pF}$ .

**Note 6:**  $C_L = 5 \text{ pF}$ .

**Note 7:** These are absolute voltages with respect to the ground pin on the device and includes all overshoots due to system and/or tester noise. Do not attempt to test these values without suitable equipment.

**AC Electrical Characteristics** with standard load and operating conditions

Symbol	Parameter	JEDEC Symbol	PL87X288B			Units
			Min	Typ	Max	
t <sub>AA</sub>	Address Access Time (Note 5)	TAVQV		10	15	ns
t <sub>EA</sub>	Enable Access Time (Note 5)	TEVQV		8	12	ns
t <sub>ER</sub>	Enable Recovery Time (Note 6)	TEXQX		8	12	ns
t <sub>ZX</sub>	Output Enable Time (Note 5)	TEVQX		8	12	ns
t <sub>ZZ</sub>	Output Disable Time (Note 6)	TEXQZ		8	12	ns

**Functional Description****TESTABILITY**

The Schottky PROM die includes extra rows and columns of fusible links for testing the programmability of each chip. These test fuses are placed at the worst-case chip locations to provide the highest possible confidence in the programming tests in the final product. A ROM pattern is also permanently fixed in the additional circuitry and coded to provide a parity check of input address levels. These and other test circuits are used to test for correct operation of the row and column-select circuits and functionality of input and enable gates. All test circuits are available at both wafer and assembled device levels to allow 100% functional and parametric testing at every stage of the test flow.

**RELIABILITY**

As with all National products, the Ti-W PROMs are subjected to an on-going reliability evaluation by the Reliability Assurance Department. These evaluations employ accelerated life tests, including dynamic high-temperature operating life, temperature-humidity life, temperature cycling, and thermal shock. To date, nearly 7.4 million Schottky Ti-W PROM device hours have been logged, with samples in Epoxy B molded DIP (N-package), PLCC (V-package) and CERDIP

(J-package). Device performance in all package configurations is excellent.

**TITANIUM-TUNGSTEN FUSES**

National's Programmable Read-Only Memories (PROMs) feature titanium-tungsten (Ti-W) fuse links designed to program efficiently with only 10.5V applied. The high performance and reliability of these PROMs are the result of fabrication by a Schottky bipolar process, of which the titanium-tungsten metalization is an integral part, and the use of an on-chip programming circuit.

A major advantage of the titanium-tungsten fuse technology is the low programming voltage of the fuse links. At 10.5V, this virtually eliminates the need for guard-ring devices and wide spacings required for other fuse technologies. Care is taken, however, to minimize voltage drops across the die and to reduce parasitics. The device is designed to ensure that worst-case fuse operating current is low enough for reliable long-term operation. The Darlington programming circuit is liberally designed to insure adequate power density for blowing the fuse links. The complete circuit design is optimized to provide high performance over the entire operating ranges of V<sub>CC</sub> and temperature.



## DM54/74S188 (32 x 8) 256-Bit TTL PROM

### General Description

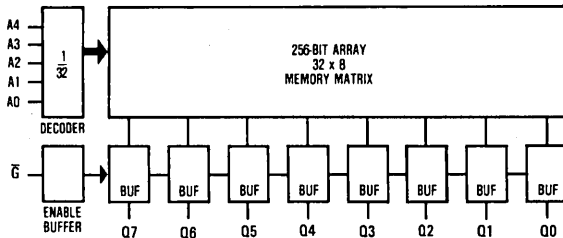
This Schottky memory is organized in the popular 32 words by 8 bits configuration. A memory enable input is provided to control the output states. When the device is enabled, the outputs represent the contents of the selected word. When disabled, the 8 outputs go to the "OFF" or high impedance state.

PROMs are shipped from the factory with lows in all locations. A high may be programmed into any selected location by following the programming instructions.

### Features

- Advanced titanium-tungsten (Ti-W) fuses
- Schottky-clamped for high speed
  - Address access down to—25 ns max
  - Enable access—20 ns max
  - Enable recovery—20 ns max
- PNP inputs for reduced input loading
- All DC and AC parameters guaranteed over temperature
- Low voltage TRI-SAFETM programming
- Open-collector outputs

### Block Diagram



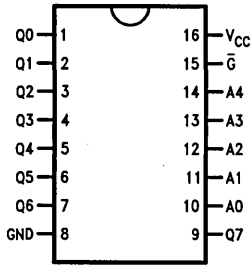
TL/D/9187-1

#### Pin Names

A0-A4	Addresses
$\bar{G}$	Output Enable
GND	Ground
Q0-Q7	Outputs
V <sub>CC</sub>	Power Supply

## Connection Diagrams

Dual-In-Line Package

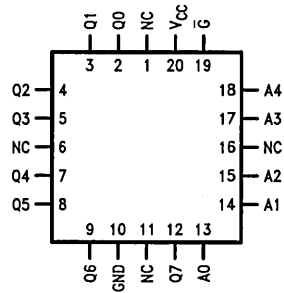


Top View

TL/D/9187-2

Order Number DM54/74S188J, 188AJ,  
DM74S188N or 188AN  
See NS Package Number J16A or N16A

Plastic Leaded Chip Carrier (PLCC)



Top View

TL/D/9187-3

Order Number DM74S188V or 188AV  
See NS Package Number V20A

## Ordering Information

Commercial Temp Range (0°C to +70°C)

Parameter/Order Number	Max Access Time (ns)
DM74S188N	35
DM74S188J	35
DM74S188V	35
DM74S188AN	25
DM74S188AJ	25
DM74S188AV	25

Military Temp Range (-55°C to +125°C)

Parameter/Order Number	Max Access Time (ns)
DM54S188J	45
DM54S188AJ	35

**Absolute Maximum Ratings** (Note 1)

If Military/Aerospace specified devices are required, please contact the National Semiconductor Sales Office/Distributors for availability and specifications.

Supply Voltage (Note 2)	-0.5V to +7.0V
Input Voltage (Note 2)	-1.2V to +5.5V
Output Voltage (Note 2)	-0.5V to +5.5V
Storage Temperature	-65°C to +150°C
Lead Temp. (Soldering, 10 seconds)	300°C
ESD to be determined	

**Operating Conditions**

	Min	Max	Units
Supply Voltage ( $V_{CC}$ )			
Military	4.50	5.50	V
Commercial	4.75	5.25	V
Ambient Temperature ( $T_A$ )			
Military	-55	+125	°C
Commercial	0	+70	°C
Logical "0" Input Voltage	0	0.8	V
Logical "1" Input Voltage	2.0	5.5	V

**DC Electrical Characteristics** (Note 3)

Symbol	Parameter	Conditions	DM54S188			DM74S188			Units
			Min	Typ	Max	Min	Typ	Max	
$I_{IL}$	Input Load Current	$V_{CC} = \text{Max}, V_{IN} = 0.45V$		-80	-250		-80	-250	$\mu A$
$I_{IH}$	Input Leakage Current	$V_{CC} = \text{Max}, V_{IN} = 2.7V$			25			25	$\mu A$
		$V_{CC} = \text{Max}, V_{IN} = 5.5V$			1.0			1.0	mA
$V_{OL}$	Low Level Output Voltage	$V_{CC} = \text{Min}, I_{OL} = 16 \text{ mA}$		0.35	0.50		0.35	0.45	V
$V_{IL}$ (Note 4)	Low Level Input Voltage				0.80			0.80	V
$V_{IH}$ (Note 4)	High Level Input Voltage		2.0			2.0			V
$I_{OZ}$	Output Leakage Current (Open-Collector Only)	$V_{CC} = \text{Max}, V_{CEX} = 2.4V$			50			50	$\mu A$
		$V_{CC} = \text{Max}, V_{CEX} = 5.5V$			100			100	$\mu A$
$V_C$	Input Clamp Voltage	$V_{CC} = \text{Min}, I_{IN} = -18 \text{ mA}$		-0.8	-1.2		-0.8	-1.2	V
$C_i$	Input Capacitance	$V_{CC} = 5.0V, V_{IN} = 2.0V$ $T_A = 25^\circ C, 1 \text{ MHz}$		4.0			4.0		pF
$C_O$	Output Capacitance	$V_{CC} = 5.0V, V_O = 2.0V$ $T_A = 25^\circ C, 1 \text{ MHz}, \text{Outputs Off}$		6.0			6.0		pF
$I_{CC}$	Power Supply Current	$V_{CC} = \text{Max}, \text{Input Grounded}$ All Outputs Open		70	110		70	110	mA

**Note 1:** Absolute Maximum Ratings are those values beyond which the device may be permanently damaged. They do not mean that the device may be operated at these values.

**Note 2:** These limits do not apply during programming. For the programming ratings, refer to the programming instructions.

**Note 3:** These limits apply over the entire operating range unless stated otherwise. All typical values are for  $V_{CC} = 5.0V$  and  $T_A = 25^\circ C$ .

**Note 4:** These are absolute voltages with respect to pin 8 on the device and include all overshoots due to system and/or tester noise. Do not attempt to test these values without suitable equipment.

**AC Electrical Characteristics** with Standard Load and Operating Conditions

COMMERCIAL TEMP RANGE (0°C to +70°C)

Symbol	JEDEC Symbol	Parameter	DM74S188			DM74S188A			Units
			Min	Typ	Max	Min	Typ	Max	
TAA	TAVQV	Address Access Time		22	35		17	25	ns
TEA	TEVQV	Enable Access Time		15	20		15	20	ns
TER	TEXQX	Enable Recovery Time		15	25		15	20	ns
TZX	TEVQX	Output Enable Time		15	20		15	20	ns
TXZ	TEXQZ	Output Disable Time		15	25		15	20	ns

**AC Electrical Characteristics** with Standard Load and Operating Conditions (Continued)**MILITARY TEMP RANGE** (–55°C to +125°C)

Symbol	JEDEC Symbol	Parameter	DM54S188			DM54S188A			Units
			Min	Typ	Max	Min	Typ	Max	
TAA	TAVQV	Address Access Time		22	45		17	35	ns
TEA	TEVQV	Enable Access Time		15	30		15	30	ns
TER	TEXQX	Enable Recovery Time		15	35		15	30	ns
TZX	TEVQX	Output Enable Time		15	30		15	30	ns
TXZ	TEXQZ	Output Disable Time		15	35		15	30	ns

**Functional Description****TESTABILITY**

The Schottky PROM die includes extra rows and columns of fusable links for testing the programmability of each chip. These test fuses are placed at the worst-case chip locations to provide the highest possible confidence in the programming tests in the final product. A ROM pattern is also permanently fixed in the additional circuitry and coded to provide a parity check of input address levels. These and other test circuits are used to test for correct operation of the row and column-select circuits and functionality of input and enable gates. All test circuits are available at both wafer and assembled device levels to allow 100% functional and parametric testing at every stage of the test flow.

**RELIABILITY**

As with all National products, the Ti-W PROMs are subjected to an on-going reliability evaluation by the Reliability Assurance Department. These evaluations employ accelerated life tests, including dynamic high-temperature operating life, temperature-humidity life, temperature cycling, and thermal shock. To date, nearly 7.4 million Schottky Ti-W PROM device hours have been logged, with samples in Epoxy B molded DIP (N-package), PLCC (V-package) and CERDIP (J-package). Device performance in all package configurations is excellent.

**TITANIUM-TUNGSTEN FUSES**

National's Programmable Read-Only Memories (PROMs) feature titanium-tungsten (Ti-W) fuse links designed to program efficiently with only 10.5V applied. The high performance and reliability of these PROMs are the result of fabrication by a Schottky bipolar process, of which the titanium-tungsten metallization is an integral part, and the use of an on-chip programming circuit.

A major advantage of the titanium-tungsten fuse technology is the low programming voltage of the fuse links. At 10.5V, this virtually eliminates the need for guard-ring devices and wide spacings required for other fuse technologies. Care is taken, however, to minimize voltage drops across the die and to reduce parasitics. The device is designed to ensure that worst-case fuse operating current is low enough for reliable long-term operation. The Darlington programming circuit is liberally designed to insure adequate power density for blowing the fuse links. The complete circuit design is optimized to provide high performance over the entire operating ranges of  $V_{CC}$  and temperature.



## DM54/74S288 (32 x 8) 256-Bit TTL PROM

### General Description

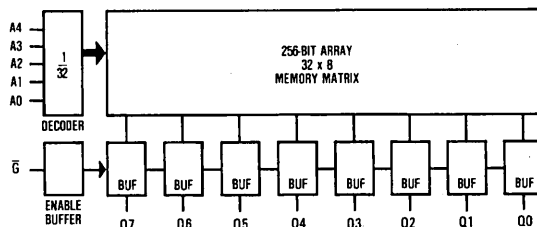
This Schottky memory is organized in the popular 32 words by 8 bits configuration. A memory enable input is provided to control the output states. When the device is enabled, the outputs represent the contents of the selected word. When disabled, the 8 outputs go to the "OFF" or high impedance state.

PROMs are shipped from the factory with lows in all locations. A high may be programmed into any selected location by following the programming instructions.

### Features

- Advanced titanium-tungsten (Ti-W) fuses
- Schottky-clamped for high speed
  - Address access down to—25 ns max
  - Enable access—20 ns max
  - Enable recovery—20 ns max
- PNP inputs for reduced input loading
- All DC and AC parameters guaranteed over temperature
- Low voltage TRI-SAFETM programming
- TRI-STATE® Outputs

### Block Diagram



TL/D/8360-1

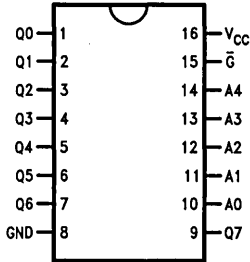
#### Pin Names

A0-A4	Addresses
$\bar{G}$	Enable
GND	Ground
Q0-Q7	Outputs
V <sub>CC</sub>	Power Supply



## Connection Diagrams

Dual-In-Line Package

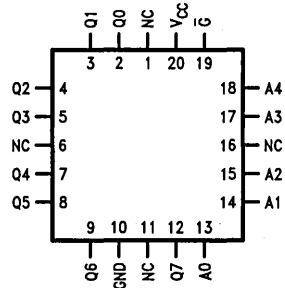


Top View

Order Number DM54/74S288J, 288AJ or  
DM74S288N, 288AN  
See NS Package Number J16A or N16A

TL/D/8360-2

Plastic Leaded Chip Carrier (PLCC)



Top View

Order Number DM74S288V or 288AV  
See NS Package Number V20A

TL/D/8360-7

## Ordering Information

### Commercial Temp Range (0°C to +70°C)

Parameter/Order Number	Max Access Time (ns)
DM74S288N	35
DM74S288J	35
DM74S288V	35
DM74S288AN	25
DM74S288AJ	25
DM74S288AV	25

### Military Temp Range (-55°C to +125°C)

Parameter/Order Number	Max Access Time (ns)
DM54S288J	45
DM54S288AJ	35

**Absolute Maximum Ratings** (Note 1)

If Military/Aerospace specified devices are required, please contact the National Semiconductor Sales Office/Distributors for availability and specifications.

Supply Voltage (Note 2)	-0.5V to +7.0V
Input Voltage (Note 2)	-1.2V to +5.5V
Output Voltage (Note 2)	-0.5V to +5.5V
Storage Temperature	-65°C to +150°C
Lead Temperature (Soldering, 10 sec.)	300°C
ESD rating to be determined	

**Operating Conditions**

	Min	Max	Units
Supply Voltage ( $V_{CC}$ )			
Military	4.50	5.50	V
Commercial	4.75	5.25	V
Ambient Temperature ( $T_A$ )			
Military	-55	+125	°C
Commercial	0	+70	°C
Logical "0" Input Voltage	0	0.8	V
Logical "1" Input Voltage	2.0	5.5	V

**DC Electrical Characteristics** (Note 3)

Symbol	Parameter	Conditions	DM54S288			DM74S288			Units
			Min	Typ	Max	Min	Typ	Max	
$I_{IL}$	Input Load Current	$V_{CC} = \text{Max}, V_{IN} = 0.45V$		-80	-250		-80	-250	$\mu A$
$I_{IH}$	Input Leakage Current	$V_{CC} = \text{Max}, V_{IN} = 2.7V$			25			25	$\mu A$
		$V_{CC} = \text{Max}, V_{IN} = 5.5V$			1.0			1.0	mA
$V_{OL}$	Low Level Output Voltage	$V_{CC} = \text{Min}, I_{OL} = 16 \text{ mA}$		0.35	0.50		0.35	0.45	V
$V_{IL}$ (Note 4)	Low Level Input Voltage				0.80			0.80	V
$V_{IH}$ (Note 4)	High Level Input Voltage		2.0			2.0			V
$V_C$	Input Clamp Voltage	$V_{CC} = \text{Min}, I_{IN} = -18 \text{ mA}$		-0.8	-1.2		-0.8	-1.2	V
$C_I$	Input Capacitance	$V_{CC} = 5.0V, V_{IN} = 2.0V$ $T_A = 25^\circ C, 1 \text{ MHz}$		4.0			4.0		pF
$C_O$	Output Capacitance	$V_{CC} = 5.0V, V_O = 2.0V$ $T_A = 25^\circ C, 1 \text{ MHz}, \text{Outputs Off}$		6.0			6.0		pF
$I_{CC}$	Power Supply Current	$V_{CC} = \text{Max}, \text{Input Grounded}$ All Outputs Open		70	110		70	110	mA
$I_{OS}$	Short Circuit Output Current	$V_O = 0V, V_{CC} = \text{Max}$ (Note 5)	-20		-70	-20		-70	mA
$I_{OZ}$	Output Leakage (TRI-STATE)	$V_{CC} = \text{Max}, V_O = 0.45V \text{ to } 2.4V$ Chip Disabled			+50			+50	$\mu A$
					-50			-50	$\mu A$
$V_{OH}$	Output Voltage High	$I_{OH} = -2.0 \text{ mA}$	2.4	3.2					V
		$I_{OH} = -6.5 \text{ mA}$				2.4	3.2		V

**Note 1:** Absolute maximum ratings are those values beyond which the device may be permanently damaged. They do not mean that the device may be operated at these values.

**Note 2:** These limits do not apply during programming. For the programming ratings, refer to the programming instructions.

**Note 3:** These limits apply over the entire operating range unless stated otherwise. All typical values are for  $V_{CC} = 5.0V$  and  $T_A = 25^\circ C$ .

**Note 4:** These are absolute voltages with respect to pin 8 on the device and include all overshoots due to system and/or tester noise. Do not attempt to test these values without suitable equipment.

**Note 5:** During  $I_{OS}$  measurement, only one output at a time should be grounded. Permanent damage may otherwise result.

**AC Electrical Characteristics** with Standard Load and Operating Conditions**COMMERCIAL TEMPERATURE RANGE (0°C to +70°C)**

Symbol	Parameter	JEDEC Symbol	DM74S288			DM74S288A			Units
			Min	Typ	Max	Min	Typ	Max	
TAA	Address Access Time	TAVQV		22	35		17	25	ns
TEA	Enable Access Time	TEVQV		15	20		15	20	ns
TER	Enable Recovery Time	TEXQX		15	25		15	20	ns
TZX	Output Enable Time	TEVQX		15	25		15	20	ns
TXZ	Output Disable Time	TEXQZ		15	25		15	20	ns

**MILITARY TEMPERATURE RANGE (-55°C to +125°C)**

Symbol	JEDEC Symbol	Parameter	DM54S288			DM54S288A			Units
			Min	Typ	Max	Min	Typ	Max	
TAA	TAVQV	Address Access Time		22	45		17	35	ns
TEA	TEVQV	Enable Access Time		15	30		15	30	ns
TER	TEXQX	Enable Recovery Time		15	35		15	30	ns
TZX	TEVQZ	Output Enable Time		15	30		15	30	ns
TXZ	TEXQZ	Output Disable Time		15	35		15	30	ns

**Functional Description****TESTABILITY**

The Schottky PROM die includes extra rows and columns of fusible links for testing the programmability of each chip. These test fuses are placed at the worst-case chip locations to provide the highest possible confidence in the programming tests in the final product. A ROM pattern is also permanently fixed in the additional circuitry and coded to provide a parity check of input address levels. These and other test circuits are used to test for correct operation of the row and column-select circuits and functionality of input and enable gates. All test circuits are available at both wafer and assembled device levels to allow 100% functional and parametric testing at every stage of the test flow.

**RELIABILITY**

As with all National products, the Ti-W PROMs are subjected to an on-going reliability evaluation by the Reliability Assurance Department. These evaluations employ accelerated life tests, including dynamic high-temperature operating life, temperature-humidity life, temperature cycling, and thermal shock. To date, nearly 7.4 million Schottky Ti-W PROM device hours have been logged, with samples in Epoxy B molded DIP (N-package), PLCC (V-package) and Cerdip (J-package). Device performance in all package configurations is excellent.

**TITANIUM-TUNGSTEN FUSES**

National's Programmable Read-Only Memories (PROMs) feature titanium-tungsten (Ti-W) fuse links designed to program efficiently with only 10.5V applied. The high performance and reliability of these PROMs are the result of fabrication by a Schottky bipolar process, of which the titanium-tungsten metalization is an integral part, and the use of an on-chip programming circuit.

A major advantage of the titanium-tungsten fuse technology is the low programming voltage of the fuse links. At 10.5V, this virtually eliminates the need for guard-ring devices and wide spacings required for other fuse technologies. Care is taken, however, to minimize voltage drops across the die and to reduce parasitics. The device is designed to ensure that worst-case fuse operating current is low enough for reliable long-term operation. The Darlington programming circuit is liberally designed to insure adequate power density for blowing the fuse links. The complete circuit design is optimized to provide high performance over the entire operating ranges of  $V_{CC}$  and temperature.



## DM54/74S287 (256 x 4) 1024-Bit TTL PROM

### General Description

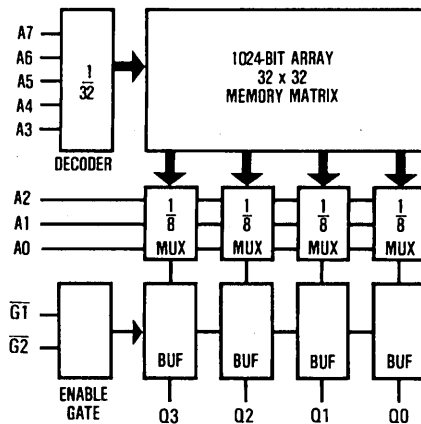
This Schottky memory is organized in the popular 256 words by 4 bits configuration. Memory enable inputs are provided to control the output states. When the device is enabled, the outputs represent the contents of the selected word. When disabled, the 4 outputs go to the "OFF" or high impedance state.

PROMs are shipped from the factory with lows in all locations. A high may be programmed into any selected location by following the programming instructions.

### Features

- Advanced titanium-tungsten (Ti-W) fuses
- Schottky-clamped for high speed
  - Address access—down to 30 ns max
  - Enable access—20 ns max
  - Enable recovery—20 ns max
- PNP inputs for reduced input loading
- All DC and AC parameters guaranteed over temperature
- Low voltage TRI-SAFET<sup>™</sup> programming
- >2000V input protection for electrostatic discharge
- TRI-STATE<sup>®</sup> outputs

### Block Diagram



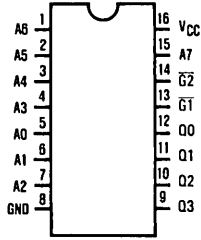
Pin Names

A0–A7	Addresses
$\overline{G1}, \overline{G2}$	Output Enables
GND	Ground
Q0–Q3	Outputs
V <sub>CC</sub>	Power Supply

TL/D/8359-1

## Connection Diagrams

Dual-In-Line-Package

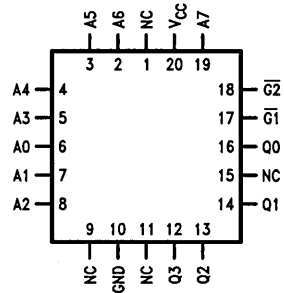


Top View

Order Number DM54/74S287J, 287AJ,  
DM74S287N or 287AN  
See NS Package Number J16A or N16A

TL/D/8359-2

Plastic Leaded Chip Carrier (PLCC)



Top View

Order Number DM74S287V or 287AV  
See NS Package Number V20A

TL/D/8359-7

## Ordering Information

### Commercial Temp Range (0°C to +70°C)

Parameter/Order Number	Max Access Time (ns)
DM74S287AJ	30
DM74S287J	50
DM74S287AN	30
DM74S287N	50
DM74S287AV	30
DM74S287V	50

### Military Temp Range (-55°C to +125°C)

Parameter/Order Number	Max Access Time (ns)
DM54S287AJ	40
DM54S287J	60

**Absolute Maximum Ratings** (Note 1)

If Military/Aerospace specified devices are required, please contact the National Semiconductor Sales Office/Distributors for availability and specifications.

Supply Voltage (Note 2)	-0.5 to +7.0V
Input Voltage (Note 2)	-1.2V to +5.5V
Output Voltage (Note 2)	-0.5V to +5.5V
Storage Temperature	-65°C to +150°C
Lead Temp. (Soldering, 10 seconds)	300°C
ESD	>2000V

**Operating Conditions**

	Min	Max	Units
Supply Voltage ( $V_{CC}$ )			
Military	4.50	5.50	V
Commercial	4.75	5.25	V
Ambient Temperature ( $T_A$ )			
Military	-55	+125	°C
Commercial	0	70	°C
Logical "0" Input Voltage	0	0.8	V
Logical "1" Input Voltage	2.0	5.5	V

**DC Electrical Characteristics** (Note 3)

Symbol	Parameter	Conditions	DM54S287			DM74S287			Units
			Min	Typ	Max	Min	Typ	Max	
$I_{IL}$	Input Load Current	$V_{CC} = \text{Max}, V_{IN} = 0.45V$		-80	-250		-80	-250	$\mu A$
$I_{IH}$	Input Leakage Current	$V_{CC} = \text{Max}, V_{IN} = 2.7V$			25			25	$\mu A$
		$V_{CC} = \text{Max}, V_{IN} = 5.5V$			1.0			1.0	mA
$V_{OL}$	Low Level Output Voltage	$V_{CC} = \text{Min}, I_{OL} = 16 \text{ mA}$		0.35	0.50		0.35	0.45	V
$V_{IL}$ (Note 4)	Low Level Input Voltage				0.80			0.80	V
$V_{IH}$ (Note 4)	High Level Input Voltage		2.0			2.0			V
$V_C$	Input Clamp Voltage	$V_{CC} = \text{Min}, I_{IN} = -18 \text{ mA}$		-0.8	-1.2		-0.8	-1.2	V
$C_I$	Input Capacitance	$V_{CC} = 5.0V, V_{IN} = 2.0V$ $T_A = 25^\circ C, 1 \text{ MHz}$		4.0			4.0		pF
$C_O$	Output Capacitance	$V_{CC} = 5.0V, V_O = 2.0V$ $T_A = 25^\circ C, 1 \text{ MHz}, \text{Outputs Off}$		6.0			6.0		pF
$I_{CC}$	Power Supply Current	$V_{CC} = \text{Max}, \text{Inputs Grounded}$ All Outputs Open		80	130		80	130	mA
$I_{OS}$	Short Circuit Output Current	$V_O = 0V, V_{CC} = \text{Max}$ (Note 5)	-20		-70	-20		-70	mA
$I_{OZ}$	Output Leakage (TRI-STATE)	$V_{CC} = \text{Max}, V_O = 0.45V \text{ to } 2.4V$ Chip Disabled			+50			+50	$\mu A$
					-50			-50	$\mu A$
$V_{OH}$	Output Voltage High	$I_{OH} = -2.0 \text{ mA}$	2.4	3.2					V
		$I_{OH} = -6.5 \text{ mA}$				2.4	3.2		V

**Note 1:** Absolute maximum ratings are those values beyond which the device may be permanently damaged. They do not mean that the device may be operated at these values.

**Note 2:** These limits do not apply during programming. For the programming ratings, refer to the programming instructions.

**Note 3:** These limits apply over the entire operating range unless stated otherwise. All typical values are for  $V_{CC} = 5.0V$  and  $T_A = +25^\circ C$ .

**Note 4:** These are absolute voltages with respect to pin 8 on the device and include all overshoots due to system and/or tester noise. Do not attempt to test these values without suitable equipment.

**Note 5:** During  $I_{OS}$  measurement, only one output at a time should be grounded. Permanent damage may otherwise result.

**AC Electrical Characteristics** with Standard Load and Operating Conditions**COMMERCIAL TEMP RANGE (0°C to +70°C)**

Symbol	JEDEC Symbol	Parameter	DM74S287			DM74S287A			Units
			Min	Typ	Max	Min	Typ	Max	
TAA	TAVQV	Address Access Time		35	50		20	30	ns
TEA	TEVQV	Enable Access Time		15	25		15	20	ns
TER	TEXQX	Enable Recovery Time		15	25		15	20	ns
TZX	TEVQX	Output Enable Time		15	25		15	20	ns
TXZ	TEXQZ	Output Disable Time		15	25		15	20	ns

**MILITARY TEMP RANGE (-55°C to +125°C)**

Symbol	JEDEC Symbol	Parameter	DM54S287			DM54S287A			Units
			Min	Typ	Max	Min	Typ	Max	
TAA	TAVQV	Address Access Time		35	60		20	40	ns
TEA	TEVQV	Enable Access Time		15	30		15	30	ns
TER	TEXQX	Enable Recovery Time		15	30		15	30	ns
TZX	TEVQX	Output Enable Time		15	30		15	30	ns
TXZ	TEXQZ	Output Disable Time		15	30		15	30	ns

**Functional Description****TESTABILITY**

The Schottky PROM die includes extra rows and columns of fusible links for testing the programmability of each chip. These test fuses are placed at the worst-case chip locations to provide the highest possible confidence in the programming tests in the final product. A ROM pattern is also permanently fixed in the additional circuitry and coded to provide a parity check of input address levels. These and other test circuits are used to test for correct operation of the row and column-select circuits and functionality of input and enable gates. All test circuits are available at both wafer and assembled device levels to allow 100% functional and parametric testing at every stage of the test flow.

**RELIABILITY**

As with all National products, the Ti-W PROMs are subjected to an on-going reliability evaluation by the Reliability Assurance Department. These evaluations employ accelerated life tests, including dynamic high-temperature operating life, temperature-humidity life, temperature cycling, and thermal shock. To date, nearly 7.4 million Schottky Ti-W PROM device hours have been logged, with samples in Epoxy B molded DIP (N-package), PLCC (V-package) and Cerdip (J-package). Device performance in all package configurations is excellent.

**TITANIUM-TUNGSTEN FUSES**

National's Programmable Read-Only Memories (PROMs) feature titanium-tungsten (Ti-W) fuse links designed to program efficiently with only 10.5V applied. The high performance and reliability of these PROMs are the result of fabrication by a Schottky bipolar process, of which the titanium-tungsten metallization is an integral part, and the use of an on-chip programming circuit.

A major advantage of the titanium-tungsten fuse technology is the low programming voltage of the fuse links. At 10.5V, this virtually eliminates the need for guard-ring devices and wide spacings required for other fuse technologies. Care is taken, however, to minimize voltage drops across the die and to reduce parasitics. The device is designed to ensure that worst-case fuse operating current is low enough for reliable long-term operation. The Darlington programming circuit is liberally designed to insure adequate power density for blowing the fuse links. The complete circuit design is optimized to provide high performance over the entire operating ranges of  $V_{CC}$  and temperature.



## DM54/74S387 (256 x 4) 1024-Bit TTL PROM

### General Description

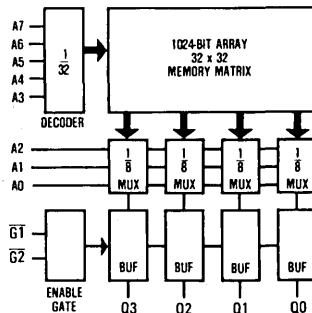
This Schottky memory is organized in the popular 256 words by 4 bits configuration. Memory enable inputs are provided to control the output states. When the device is enabled, the outputs represent the contents of the selected word. When disabled, the 4 outputs go to the "OFF" or high impedance state.

PROMs are shipped from the factory with lows in all locations. A high may be programmed into any selected location by following the programming instructions.

### Features

- Advanced titanium-tungsten (Ti-W) fuses
- Schottky-clamped for high speed
  - Address access—down to 30 ns max
  - Enable access—20 ns max
  - Enable recovery—20 ns max
- PNP inputs for reduced input loading
- All DC and AC parameters guaranteed over temperature
- Low voltage TRI-SAFET™ programming
- Open-collector outputs

### Block Diagram



TL/D/9188-1

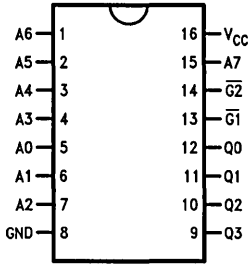
### Pin Names

A0–A7	Addresses
G1–G2	Output Enables
GND	Ground
Q0–Q3	Outputs
V <sub>CC</sub>	Power Supply



## Connection Diagrams

Dual-In-Line Package

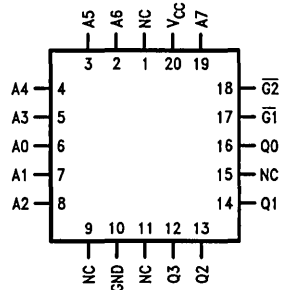


Top View

Order Number DM54/74S387J, 387AJ,  
DM74S387N, 387AN  
See NS Package Number J16A or N16A

TL/D/9188-2

Plastic Leaded Chip Carrier (PLCC)



Top View

Order Number DM74S387V, 387AV  
See NS Package Number V20A

TL/D/9188-3

## Ordering Information

### Commercial Temp Range (0°C to +70°C)

Parameter/Order Number	Max Access Time (ns)
DM74S387AJ	30
DM74S387J	50
DM74S387AN	30
DM74S387N	50
DM74S387AV	30
DM74S387V	50

### Military Temp Range (-55°C to +125°C)

Parameter/Order Number	Max Access Time (ns)
DM54S387AJ	40
DM54S387J	60

**Absolute Maximum Ratings** (Note 1)

If Military/Aerospace specified devices are required, please contact the National Semiconductor Sales Office/Distributors for availability and specifications.

Supply Voltage (Note 2)	-0.5V to + 7.0V
Input Voltage (Note 2)	-1.2V to +5.5V
Output Voltage (Note 2)	-0.5V to +5.5V
Storage Temperature	-65°C to +150°C
Lead Temp. (Soldering, 10 seconds)	300°C
ESD	>2000V

**Operating Conditions**

	Min	Max	Units
Supply Voltage ( $V_{CC}$ )			
Military	4.50	5.50	V
Commercial	4.75	5.25	V
Ambient Temperature ( $T_A$ )			
Military	-55	+125	°C
Commercial	0	70	°C
Logical "0" Input Voltage	0	0.8	V
Logical "1" Input Voltage	2.0	5.5	V

**DC Electrical Characteristics** (Note 3)

Symbol	Parameter	Conditions	DM54S387			DM74S387			Units
			Min	Typ	Max	Min	Typ	Max	
$I_{IL}$	Input Load Current	$V_{CC} = \text{Max}, V_{IN} = 0.45V$		-80	-250		-80	-250	$\mu A$
$I_{IH}$	Input Leakage Current	$V_{CC} = \text{Max}, V_{IN} = 2.7V$			25			25	$\mu A$
		$V_{CC} = \text{Max}, V_{IN} = 5.5V$			1.0			1.0	mA
$V_{OL}$	Low Level Output Voltage	$V_{CC} = \text{Min}, I_{OL} = 16 \text{ mA}$		0.35	0.50		0.35	0.45	V
$V_{IL}$ (Note 4)	Low Level Input Voltage				0.80			0.80	V
$V_{IH}$ (Note 4)	High Level Input Voltage		2.0			2.0			V
$I_{OZ}$	Output Leakage Current (Open-Collector Only)	$V_{CC} = \text{Max}, V_{CEX} = 2.4V$			50			50	$\mu A$
		$V_{CC} = \text{Max}, V_{CEX} = 5.5V$			100			100	$\mu A$
$V_C$	Input Clamp Voltage	$V_{CC} = \text{Min}, I_{IN} = -18 \text{ mA}$		-0.8	-1.2		-0.8	-1.2	V
$C_I$	Input Capacitance	$V_{CC} = 5.0V, V_{IN} = 2.0V$ $T_A = 25^\circ C, 1 \text{ MHz}$		4.0			4.0		pF
$C_O$	Output Capacitance	$V_{CC} = 5.0V, V_O = 2.0V$ $T_A = 25^\circ C, 1 \text{ MHz}, \text{Outputs Off}$		6.0			6.0		pF
$I_{CC}$	Power Supply Current	$V_{CC} = \text{Max}, \text{Inputs Grounded}$ All Outputs Open		80	130		80	130	mA

**Note 1:** Absolute maximum ratings are those values beyond which the device may be permanently damaged. They do not mean that the device may be operated at these values.

**Note 2:** These limits do not apply during programming. For the programming ratings, refer to the programming instructions.

**Note 3:** These limits apply over the entire operating range unless stated otherwise. All typical values are for  $V_{CC} = 5.0V$  and  $T_A = +25^\circ C$ .

**Note 4:** These are absolute voltages with respect to pin 8 on the device and include all overshoots due to system and/or tester noise. Do not attempt to test these values without suitable equipment.

**AC Electrical Characteristics** with Standard Load and Operating Conditions**COMMERCIAL TEMP RANGE (0°C to +70°C)**

Symbol	Parameter	JEDEC Symbol	DM74S387			DM74S387A			Units
			Min	Typ	Max	Min	Typ	Max	
TAA	Address Access Time	TAVQV		35	50		20	30	ns
TEA	Enable Access Time	TEVQV		15	25		15	20	ns
TER	Enable Recovery Time	TEXQX		15	25		15	20	ns
TZX	Output Enable Time	TEVQX		15	25		15	20	ns
TXZ	Output Disable Time	TEXQZ		15	25		15	20	ns

**MILITARY TEMP RANGE (-55°C to +125°C)**

Symbol	Parameter	JEDEC Symbol	DM54S387			DM54S387A			Units
			Min	Typ	Max	Min	Typ	Max	
TAA	Address Access Time	TAVQV		35	60		20	40	ns
TEA	Enable Access Time	TEVQV		15	30		15	30	ns
TER	Enable Recovery Time	TEXQX		15	30		15	30	ns
TZX	Output Enable Time	TEVQX		15	30		15	30	ns
TXZ	Output Disable Time	TEXQZ		15	30		15	30	ns

**Functional Description****TESTABILITY**

The Schottky PROM die includes extra rows and columns of fusible links for testing the programmability of each chip. These test fuses are placed at the worst-case chip locations to provide the highest possible confidence in the programming tests in the final product. A ROM pattern is also permanently fixed in the additional circuitry and coded to provide a parity check of input address levels. These and other test circuits are used to test for correct operation of the row and column-select circuits and functionality of input and enable gates. All test circuits are available at both wafer and assembled device levels to allow 100% functional and parametric testing at every stage of the test flow.

**RELIABILITY**

As with all National products, the Ti-W PROMs are subjected to an on-going reliability evaluation by the Reliability Assurance Department. These evaluations employ accelerated life tests, including dynamic high-temperature operating life, temperature-humidity life, temperature cycling, and thermal shock. To date, nearly 7.4 million Schottky Ti-W PROM device hours have been logged, with samples in Epoxy B molded DIP (N-package), PLCC (V-package) and CERDIP (J-package). Device performance in all package configurations is excellent.

**TITANIUM-TUNGSTEN FUSES**

National's Programmable Read-Only Memories (PROMs) feature titanium-tungsten (Ti-W) fuse links designed to program efficiently with only 10.5V applied. The high performance and reliability of these PROMs are the result of fabrication by a Schottky bipolar process, of which the titanium-tungsten metallization is an integral part, and the use of an on-chip programming circuit.

A major advantage of the titanium-tungsten fuse technology is the low programming voltage of the fuse links. At 10.5V, this virtually eliminates the need for guard-ring devices and wide spacings required for other fuse technologies. Care is taken, however, to minimize voltage drops across the die and to reduce parasitics. The device is designed to ensure that worst-case fuse operating current is low enough for reliable long-term operation. The Darlington programming circuit is liberally designed to insure adequate power density for blowing the fuse links. The complete circuit design is optimized to provide high performance over the entire operating ranges of  $V_{CC}$  and temperature.



# DM54/74LS471 (256 x 8) 2048-Bit TTL PROM

## General Description

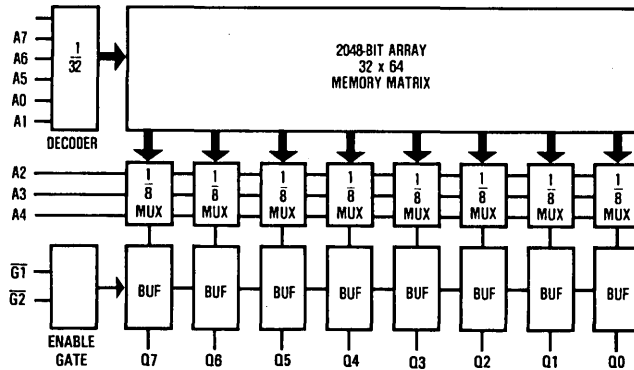
These Schottky memories are organized in the popular 256 words by 8 bits configuration. Memory enable inputs are provided to control the output states. When the device is enabled, the outputs represent the contents of the selected word. When disabled, the 8 outputs go to the "OFF" or high impedance state.

PROMs are shipped from the factory with lows in all locations. A high may be programmed into any selected location by following the programming instructions.

## Features

- Advanced titanium-tungsten (Ti-W) fuses
- Schottky-clamped for high speed
  - Address access down to—60 ns max
  - Enable access—30 ns max
  - Enable recovery—30 ns max
- PNP inputs for reduced input loading
- All DC and AC parameters guaranteed over temperature
- Low voltage TRI-SAFE™ programming
- TRI-STATE® outputs

## Block Diagram



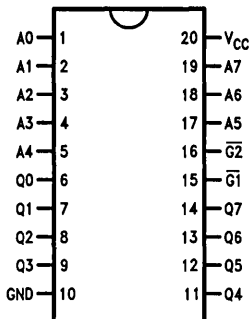
TL/D/9190-1

### Pin Names

A0-A7	Addresses
$\overline{G1-G2}$	Output Enables
GND	Ground
Q0-Q7	Outputs
V <sub>CC</sub>	Power Supply

## Connection Diagrams

Dual-In-Line Package

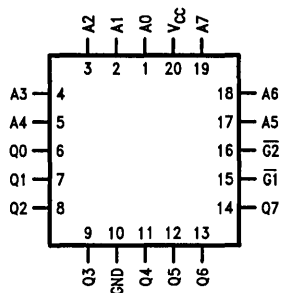


Top View

TL/D/9190-2

Order Number DM54/74LS471J or DM74LS471N  
See NS Package Number J20A or N20A

Plastic Leaded Chip Carrier (PLCC)



Top View

TL/D/9190-3

Order Number DM74LS471V  
See NS Package Number V20A

## Ordering Information

### Commercial Temp Range (0°C to +70°C)

Parameter/Order Number	Max Access Time (ns)
DM74LS471N	60
DM74LS471J	60
DM74LS471V	60

### Military Temp Range (-55°C to +125°C)

Parameter/Order Number	Max Access Time (ns)
DM54LS471J	70

**Absolute Maximum Ratings** (Note 1)

If Military/Aerospace specified devices are required, please contact the National Semiconductor Sales Office/Distributors for availability and specifications.

Supply Voltage (Note 2)	-0.5V to +7.0V
Input Voltage (Note 2)	-1.2V to +5.5V
Output Voltage (Note 2)	-0.5V to +5.5V
Storage Temperature	-65°C to +150°C
Lead Temp. (Soldering, 10 seconds)	300°C

ESD to be determined

**Note 1:** Absolute maximum ratings are those values beyond which the device may be permanently damaged. They do not mean that the device may be operated at these values.

**Note 2:** These limits do not apply during programming ratings, refer to the programming instructions.

**Operating Conditions**

	Min	Max	Units
Supply Voltage ( $V_{CC}$ )			
Military	4.50	5.50	V
Commercial	4.75	5.25	V
Ambient Temperature ( $T_A$ )			
Military	-55	+125	°C
Commercial	0	+70	°C
Logical "0" Input Voltage	0	0.8	V
Logical "1" Input Voltage	2.0	5.5	V

**DC Electrical Characteristics** (Note 1)

Symbol	Parameter	Conditions	DM54LS471			DM74LS471			Units
			Min	Typ	Max	Min	Typ	Max	
$I_{IL}$	Input Load Current	$V_{CC} = \text{Max}, V_{IN} = 0.45V$		-80	-250		-80	-250	$\mu A$
$I_{IH}$	Input Leakage Current	$V_{CC} = \text{Max}, V_{IN} = 2.7V$			25			25	$\mu A$
		$V_{CC} = \text{Max}, V_{IN} = 5.5V$			1.0			1.0	mA
$V_{OL}$	Low Level Output Voltage	$V_{CC} = \text{Min}, I_{OL} = 16 \text{ mA}$		0.35	0.50		0.35	0.45	V
$V_{IL}$	Low Level Input Voltage				0.80			0.80	V
$V_{IH}$	High Level Input Voltage		2.0			2.0			V
$V_C$	Input Clamp Voltage	$V_{CC} = \text{Min}, I_{IN} = -18 \text{ mA}$		-0.8	-1.2		-0.8	-1.2	V
$C_i$	Input Capacitance	$V_{CC} = 5.0V, V_{IN} = 2.0V$ $T_A = 25^\circ C, 1 \text{ MHz}$		4.0			4.0		pF
$C_O$	Output Capacitance	$V_{CC} = 5.0V, V_O = 2.0V$ $T_A = 25^\circ C, 1 \text{ MHz}, \text{Outputs Off}$		6.0			6.0		pF
$I_{CC}$	Power Supply Current	$V_{CC} = \text{Max}, \text{Inputs Grounded}$ All Outputs Open		75	100		75	100	mA
$I_{OS}$	Short Circuit Output Current	$V_O = 0V, V_{CC} = \text{Max}$ (Note 2)	-20		-70	-20		-70	mA
$I_{OZ}$	Output Leakage (TRI-STATE)	$V_{CC} = \text{Max}, V_O = 0.45V \text{ to } 2.4V$ Chip Disabled			+50			+50	$\mu A$
					-50			-50	$\mu A$
$V_{OH}$	Output Voltage High	$I_{OH} = -2.0 \text{ mA}$	2.4	3.2					V
		$I_{OH} = -6.5 \text{ mA}$				2.4	3.2		V

**Note 1:** These limits apply over the entire operating range unless stated otherwise. All typical values are for  $V_{CC} = 5.0V$  and  $T_A = 25^\circ C$ .

**Note 2:** During  $I_{OS}$  measurement, only one output at a time should be grounded. Permanent damage may otherwise result.

**AC Electrical Characteristics** with Standard Load and Operating Conditions

Symbol	JEDEC Symbol	Parameter	DM54LS471			DM74LS471			Units
			Min	Typ	Max	Min	Typ	Max	
TAA	TAVQV	Address Access Time		45	70		40	60	ns
TEA	TEVQV	Enable Access Time		15	35		15	30	ns
TER	TEXQX	Enable Recovery Time		15	35		15	30	ns
TZX	TEVQX	Output Enable Time		15	35		15	30	ns
TXZ	TEXQZ	Output Disable Time		15	35		15	30	ns

## Functional Description

### TESTABILITY

The Schottky PROM die includes extra rows and columns of fusible links for testing the programmability of each chip. These test fuses are placed at the worst-case chip locations to provide the highest possible confidence in the programming tests in the final product. A ROM pattern is also permanently fixed in the additional circuitry and coded to provide a parity check of input address levels. These and other test circuits are used to test for correct operation of the row and column-select circuits and functionality of input and enable gates. All test circuits are available at both wafer and assembled device levels to allow 100% functional and parametric testing at every stage of the test flow.

### RELIABILITY

As with all National products, the Ti-W PROMs are subjected to an on-going reliability evaluation by the Reliability Assurance Department. These evaluations employ accelerated life tests, including dynamic high-temperature operating life, temperature-humidity life, temperature cycling, and thermal shock. To date, nearly 7.4 million Schottky Ti-W PROM device hours have been logged, with samples in Epoxy B molded DIP (N-package), PLCC (V-package) and CERDIP (J-package). Device performance in all package configurations is excellent.

### TITANIUM-TUNGSTEN FUSES

National's Programmable Read-Only Memories (PROMs) feature titanium-tungsten (Ti-W) fuse links designed to program efficiently with only 10.5V applied. The high performance and reliability of these PROMs are the result of fabrication by a Schottky bipolar process, of which the titanium-tungsten metallization is an integral part, and the use of an on-chip programming circuit.

A major advantage of the titanium-tungsten fuse technology is the low programming voltage of the fuse links. At 10.5V, this virtually eliminates the need for guard-ring devices and wide spacings required for other fuse technologies. Care is taken, however, to minimize voltage drops across the die and to reduce parasitics. The device is designed to ensure that worst-case fuse operating current is low enough for reliable long-term operation. The Darlington programming circuit is liberally designed to insure adequate power density for blowing the fuse links. The complete circuit design is optimized to provide high performance over the entire operating ranges of  $V_{CC}$  and temperature.



## DM54/74S472 (512 x 8) 4096-Bit TTL PROM

### General Description

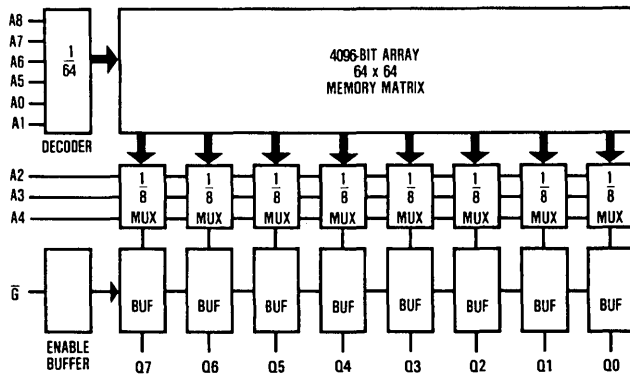
This Schottky memory is organized in the popular 512 words by 8 bits configuration. A memory enable input is provided to control the output states. When the device is enabled, the outputs represent the contents of the selected word. When disabled, the 8 outputs go to the "OFF" or high impedance state.

PROMs are shipped from the factory with lows in all locations. A high may be programmed into any selected location by following the programming instructions.

### Features

- Advanced titanium-tungsten (Ti-W) fuses
- Schottky-clamped for high speed
  - Address access—down to—35 ns max
  - Enable access—25 ns max
  - Enable recovery—25 ns max
- PNP inputs for reduced input loading
- All DC and AC parameters guaranteed over temperature
- Low voltage TRI-SAFETM programming
- TRI-STATE® outputs

### Block Diagram



Pin Names

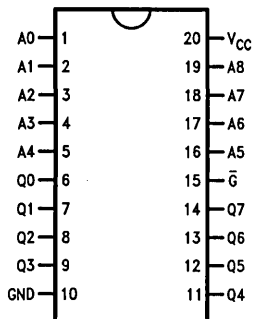
A0–A8	Addresses
$\bar{G}$	Output Enable
GND	Ground
Q0–Q7	Outputs
VCC	Power Supply

TL/D/9191–1



## Connection Diagrams

Dual-In-Line Package

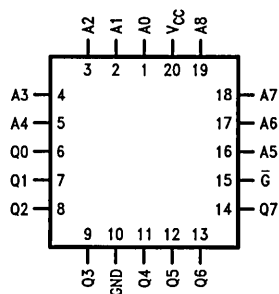


Top View

Order Number DM54/74S472J, 472AJ, 472BJ  
DM74S472N, 472AN, 472BN  
See NS Package Number J20A or N20A

TL/D/9191-2

Plastic Leaded Chip Carrier (PLCC)



Top View

Order Number DM74S472V, 472AV, 472BV  
See NS Package Number V20A

TL/D/9191-3

## Ordering Information

Commercial Temp Range (0°C to +70°C)

Parameter/Order Number	Max Access Time (ns)
DM74S472AN	45
DM74S472BN	35
DM74S472N	60
DM74S472AJ	45
DM74S472BJ	35
DM74S472J	60
DM74S472AV	45
DM74S472BV	35
DM74S472V	60

Military Temp Range (-55°C to +125°C)

Parameter/Order Number	Max Access Time (ns)
DM54S472AJ	60
DM54S472BJ	50
DM54S472J	75

**Absolute Maximum Ratings** (Note 1)

If Military/Aerospace specified devices are required, please contact the National Semiconductor Sales Office/Distributors for availability and specifications.

Supply Voltage (Note 2)	-0.5V to +7.0V
Input Voltage (Note 2)	-1.2V to +5.5V
Output Voltage (Note 2)	-0.5V to +5.5V
Storage Temperature	-65°C to +150°C
Lead Temp. (Soldering, 10 seconds)	300°C

ESD to be determined

**Note 1:** Absolute maximum ratings are those values beyond which the device may be permanently damaged. They do not mean that the device may be operated at these values.

**Note 2:** These limits do not apply during programming. For the programming ratings, refer to the programming instructions.

**Operating Conditions**

	Min	Max	Units
Supply Voltage ( $V_{CC}$ )			
Military	4.50	5.50	V
Commercial	4.75	5.25	V
Ambient Temperature ( $T_A$ )			
Military	-55	+125	°C
Commercial	0	+70	°C
Logical "0" Input Voltage	0	0.8	V
Logical "1" Input Voltage	2.0	5.5	V

**DC Electrical Characteristics** (Note 1)

Symbol	Parameter	Conditions	DM54S472			DM74S472			Units
			Min	Typ	Max	Min	Typ	Max	
$I_{IL}$	Input Load Current	$V_{CC} = \text{Max}, V_{IN} = 0.45V$		-80	-250		-80	-250	$\mu A$
$I_{IH}$	Input Leakage Current	$V_{CC} = \text{Max}, V_{IN} = 2.7V$			25			25	$\mu A$
		$V_{CC} = \text{Max}, V_{IN} = 5.5V$			1.0			1.0	mA
$V_{OL}$	Low Level Output Voltage	$V_{CC} = \text{Min}, I_{OL} = 16 \text{ mA}$		0.35	0.50		0.35	0.45	V
$V_{IL}$	Low Level Input Voltage				0.80			0.80	V
$V_{IH}$	High Level Input Voltage		2.0			2.0			V
$V_C$	Input Clamp Voltage	$V_{CC} = \text{Min}, I_{IN} = -18 \text{ mA}$		-0.8	-1.2		-0.8	-1.2	V
$C_I$	Input Capacitance	$V_{CC} = 5.0V, V_{IN} = 2.0V$ $T_A = 25^\circ C, 1 \text{ MHz}$		4.0			4.0		pF
$C_O$	Output Capacitance	$V_{CC} = 5.0V, V_O = 2.0V$ $T_A = 25^\circ C, 1 \text{ MHz}, \text{Outputs Off}$		6.0			6.0		pF
$I_{CC}$	Power Supply Current	$V_{CC} = \text{Max}, \text{Input Grounded}$ All Outputs Open		110	155		110	155	mA
$I_{OS}$	Short Circuit Output Current	$V_O = 0V, V_{CC} = \text{Max}$ (Note 2)	-20		-70	-20		-70	mA
$I_{OZ}$	Output Leakage (TRI-STATE)	$V_{CC} = \text{Max}, V_O = 0.45V \text{ to } 2.4V$ Chip Disabled			+50			+50	$\mu A$
					-50			-50	$\mu A$
$V_{OH}$	Output Voltage High	$I_{OH} = -2.0 \text{ mA}$	2.4	3.2					V
		$I_{OH} = -6.5 \text{ mA}$				2.4	3.2		V

**Note 1:** These limits apply over the entire operating range unless stated otherwise. All typical values are for  $V_{CC} = 5.0V$  and  $T_A = 25^\circ C$ .

**Note 2:** During  $I_{OS}$  measurement, only one output at a time should be grounded. Permanent damage may otherwise result.

## AC Electrical Characteristics with Standard Load and Operating Conditions

### COMMERCIAL TEMP RANGE (0°C to +70°C)

Symbol	JEDEC Symbol	Parameter	DM74S472			DM74S472A			DM74S472B			Units
			Min	Typ	Max	Min	Typ	Max	Min	Typ	Max	
TAA	TAVQV	Address Access Time		40	60		25	45		25	35	ns
TEA	TEVQV	Enable Access Time		15	30		15	30		15	25	ns
TER	TEXQX	Enable Recovery Time		15	30		15	30		15	25	ns
TZX	TEVQX	Output Enable Time		15	30		15	30		15	25	ns
TXZ	TEXQZ	Output Disable Time		15	30		15	30		15	25	ns

### MILITARY TEMP RANGE (-55°C to +125°C)

Symbol	JEDEC Symbol	Parameter	DM54S472			DM54S472A			DM54S472B			Units
			Min	Typ	Max	Min	Typ	Max	Min	Typ	Max	
TAA	TAVQV	Address Access Time		40	75		25	60		25	50	ns
TEA	TEVQV	Enable Access Time		15	35		15	35		15	35	ns
TER	TEXQX	Enable Recovery Time		15	35		15	35		15	35	ns
TZX	TEVQX	Output Enable Time		15	35		15	35		15	35	ns
TXZ	TEXQZ	Output Disable Time		15	35		15	35		15	35	ns

## Functional Description

### TESTABILITY

The Schottky PROM die includes extra rows and columns of fusible links for testing the programmability of each chip. These test fuses are placed at the worst-case chip locations to provide the highest possible confidence in the programming tests in the final product. A ROM pattern is also permanently fixed in the additional circuitry and coded to provide a parity check of input address levels. These and other test circuits are used to test for correct operation of the row and column-select circuits and functionality of input and enable gates. All test circuits are available at both wafer and assembled device levels to allow 100% functional and parametric testing at every stage of the test flow.

### RELIABILITY

As with all National products, the Ti-W PROMs are subjected to an on-going reliability evaluation by the Reliability Assurance Department. These evaluations employ accelerated life tests, including dynamic high-temperature operating life, temperature-humidity life, temperature cycling, and thermal shock. To date, nearly 7.4 million Schottky Ti-W PROM device hours have been logged, with samples in Epoxy B molded DIP (N-package), PLCC (V-package) and Cerdip (J-package). Device performance in all package configurations is excellent.

### TITANIUM-TUNGSTEN FUSES

National's Programmable Read-Only Memories (PROMs) feature titanium-tungsten (Ti-W) fuse links designed to program efficiently with only 10.5V applied. The high performance and reliability of these PROMs are the result of fabrication by a Schottky bipolar process, of which the titanium-tungsten metallization is an integral part, and the use of an on-chip programming circuit.

A major advantage of the titanium-tungsten fuse technology is the low programming voltage of the fuse links. At 10.5V, this virtually eliminates the need for guard-ring devices and wide spacings required for other fuse technologies. Care is taken, however, to minimize voltage drops across the die and to reduce parasitics. The device is designed to ensure that worst-case fuse operating current is low enough for reliable long-term operation. The Darlington programming circuit is liberally designed to insure adequate power density for blowing the fuse links. The complete circuit design is optimized to provide high performance over the entire operating ranges of  $V_{CC}$  and temperature.



## DM54S473/DM74S473 (512 x 8) 4096-Bit TTL PROM

### General Description

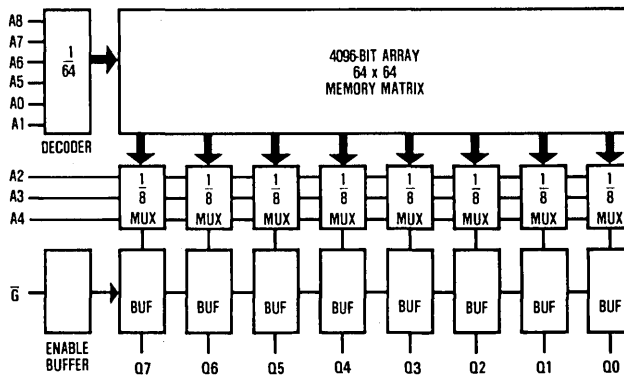
This Schottky memory is organized in the popular 512 words by 8 bits configuration. A memory enable input is provided to control the output states. When the device is enabled, the outputs represent the contents of the selected word. When disabled, the 8 outputs go to the "OFF" or high impedance state.

PROMs are shipped from the factory with lows in all locations. A high may be programmed into any selected location by following the programming instructions.

### Features

- Advanced titanium-tungsten (Ti-W) fuses
- Schottky-clamped for high speed
  - Address access—45 ns max
  - Enable access—30 ns max
  - Enable recovery—30 ns max
- PNP inputs for reduced input loading
- All DC and AC parameters guaranteed over temperature
- Low voltage TRI-SAFETM programming
- Open-collector outputs

### Block Diagram



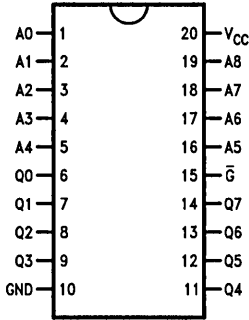
TL/D/9715-1

#### Pin Names

A0-A8	Addresses
$\bar{G}$	Output Enable
GND	Ground
Q0-Q7	Outputs
V <sub>CC</sub>	Power Supply

## Connection Diagrams

**Dual-In-Line Package**

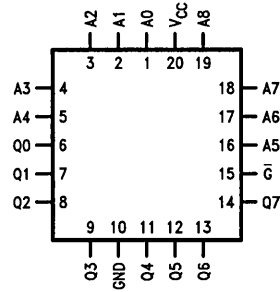


**Top View**

Order Number DM54/74S473J, 473AJ,  
DM74S473N or 473AN  
See NS Package Number J20A or N20A

TL/D/9715-2

**Plastic Leaded Chip Carrier (PLCC)**



**Top View**

Order Number DM74S473V or 473AV  
See NS Package Number V20A

TL/D/9715-3

## Ordering Information

**Commercial Temp. Range (0°C to +70°C)**

Parameter/Order Number	Max Access Time (ns)
DM74S473AN	45
DM74S473N	60
DM74S473AJ	45
DM74S473J	60
DM74S473AV	45
DM74S473V	60

**Military Temp. Range (-55°C to +125°C)**

Parameter/Order Number	Max Access Time (ns)
DM54S473AJ	60
DM54S473J	75

**Absolute Maximum Ratings** (Note 1)

Supply Voltage (Note 2)	-0.5V to +7.0V
Input Voltage (Note 2)	-1.2V to +5.5V
Output Voltage (Note 2)	-0.5V to +5.5V
Storage Temperature	-65°C to +150°C
Lead Temp. (Soldering, 10 seconds)	300°C
ESD to be determined	

**Note 1:** Absolute maximum ratings are those values beyond which the device may be permanently damaged. They do not mean that the device may be operated at these values.

**Note 2:** These limits do not apply during programming. For the programming ratings, refer to the programming instructions.

**Operating Conditions**

	Min	Max	Units
Supply Voltage ( $V_{CC}$ )			
Military	4.50	5.50	V
Commercial	4.75	5.25	V
Ambient Temperature ( $T_A$ )			
Military	-55	+125	°C
Commercial	0	+70	°C
Logical "0" Input Voltage	0	0.8	V
Logical "1" Input Voltage	2.0	5.5	V

**DC Electrical Characteristics** (Note 1)

Symbol	Parameter	Conditions	DM54S473			DM74S473			Units
			Min	Typ	Max	Min	Typ	Max	
$I_{IL}$	Input Load Current	$V_{CC} = \text{Max}, V_{IN} = 0.45V$		-80	-250		-80	-250	$\mu A$
$I_{IH}$	Input Leakage Current	$V_{CC} = \text{Max}, V_{IN} = 2.7V$			25			25	$\mu A$
		$V_{CC} = \text{Max}, V_{IN} = 5.5V$			1.0			1.0	mA
$V_{OL}$	Low Level Output Voltage	$V_{CC} = \text{Min}, I_{OL} = 16 \text{ mA}$		0.35	0.50		0.35	0.45	V
$V_{IL}$	Low Level Input Voltage				0.80			0.80	V
$V_{IH}$	High Level Input Voltage		2.0			2.0			V
$I_{OZ}$	Output Leakage Current (Open-Collector Only)	$V_{CC} = \text{Max}, V_{CEX} = 2.4V$			50			50	$\mu A$
		$V_{CC} = \text{Max}, V_{CEX} = 5.5V$			100			100	$\mu A$
$V_C$	Input Clamp Voltage	$V_{CC} = \text{Min}, I_{IN} = -18 \text{ mA}$		-0.8	-1.2		-0.8	-1.2	V
$C_i$	Input Capacitance	$V_{CC} = 5.0V, V_{IN} = 2.0V$ $T_A = 25^\circ C, 1 \text{ MHz}$		4.0			4.0		pF
$C_o$	Output Capacitance	$V_{CC} = 5.0V, V_O = 2.0V$ $T_A = 25^\circ C, 1 \text{ MHz}, \text{Outputs Off}$		6.0			6.0		pF
$I_{CC}$	Power Supply Current	$V_{CC} = \text{Max}, \text{Input Grounded}$ All Outputs Open		110	155		110	155	mA

**Note 1:** These limits apply over the entire operating range unless stated otherwise. All typical values are for  $V_{CC} = 5.0V$  and  $T_A = 25^\circ C$ .

**AC Electrical Characteristics** with Standard Load and Operating Conditions**COMMERCIAL TEMP. RANGE** (0°C to +70°C)

Symbol	JEDEC Symbol	Parameter	DM74S473			DM74S473A			Units
			Min	Typ	Max	Min	Typ	Max	
TAA	TAVQV	Address Access Time		40	60		25	45	ns
TEA	TEVQV	Enable Access Time		15	30		15	30	ns
TER	TEXQX	Enable Recovery Time		15	30		15	30	ns
TZX	TEVQX	Output Enable Time		15	30		15	30	ns
TXZ	TEXQZ	Output Disable Time		15	30		15	30	ns

**MILITARY TEMP. RANGE** (-55°C to +125°C)

Symbol	JEDEC Symbol	Parameter	DM54S473			DM54S473A			Units
			Min	Typ	Max	Min	Typ	Max	
TAA	TAVQV	Address Access Time		40	75		25	60	ns
TEA	TEVQV	Enable Access Time		15	35		15	35	ns
TER	TEXQX	Enable Recovery Time		15	35		15	35	ns
TZX	TEVQX	Output Enable Time		15	35		15	35	ns
TXZ	TEXQZ	Output Disable Time		15	35		15	35	ns

**Functional Description****TESTABILITY**

The Schottky PROM die includes extra rows and columns of fusible links for testing the programmability of each chip. These test fuses are placed at the worst-case chip locations to provide the highest possible confidence in the programming tests in the final product. A ROM pattern is also permanently fixed in the additional circuitry and coded to provide a parity check of input address levels. These and other test circuits are used to test for correct operation of the row and column-select circuits and functionality of input and enable gates. All test circuits are available at both wafer and assembled device levels to allow 100% functional and parametric testing at every stage of the test flow.

**RELIABILITY**

As with all National products, the Ti-W PROMs are subjected to an on-going reliability evaluation by the Reliability Assurance Department. These evaluations employ accelerated life tests, including dynamic high-temperature operating life, temperature-humidity life, temperature cycling, and thermal shock. To date, nearly 7.4 million Schottky Ti-W PROM device hours have been logged, with samples in Epoxy B molded DIP (N-package), PLCC (V-package) and CERIP (J-package). Device performance in all package configurations is excellent.

**TITANIUM-TUNGSTEN FUSES**

National's Programmable Read-Only Memories (PROMs) feature titanium-tungsten (Ti-W) fuse links designed to program efficiently with only 10.5V applied. The high performance and reliability of these PROMs are the result of fabrication by a Schottky bipolar process, of which the titanium-tungsten metallization is an integral part, and the use of an on-chip programming circuit.

A major advantage of the titanium-tungsten fuse technology is the low programming voltage of the fuse links. At 10.5V, this virtually eliminates the need for guard-ring devices and wide spacings required for other fuse technologies. Care is taken, however, to minimize voltage drops across the die and to reduce parasitics. The device is designed to ensure that worst-case fuse operating current is low enough for reliable long-term operation. The Darlington programming circuit is liberally designed to insure adequate power density for blowing the fuse links. The complete circuit design is optimized to provide high performance over the entire operating ranges of  $V_{CC}$  and temperature.



## DM54/74S474 (512 x 8) 4096-Bit TTL PROM

### General Description

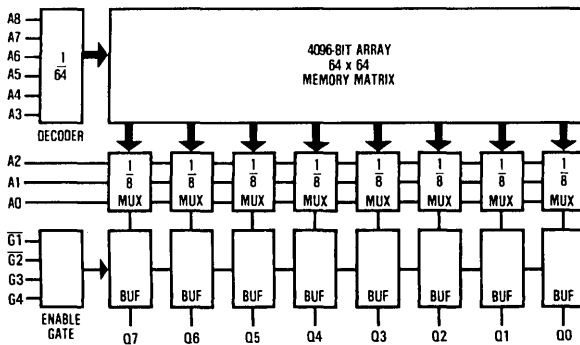
This Schottky memory is organized in the popular 512 words by 8 bits configuration. Memory enable inputs are provided to control the output states. When the device is enabled, the outputs represent the contents of the selected word. When disabled, the 8 outputs go to the "OFF" or high impedance state.

PROMs are shipped from the factory with lows in all locations. A high may be programmed into any selected location by following the programming instructions.

### Features

- Advanced titanium-tungsten (Ti-W) fuses
- Schottky-clamped for high speed
  - Address access—35 ns max
  - Enable access—25 ns max
  - Enable recovery—25 ns max
- PNP inputs for reduced input loading
- All DC and AC parameters guaranteed over temperature
- Low voltage TRI-SAFE™ programming
- TRI-STATE® outputs

### Block Diagram



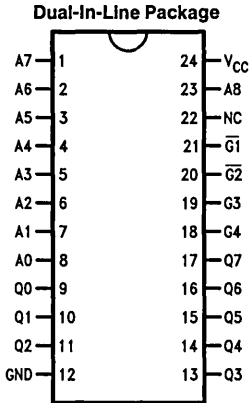
TL/D/9714-1

#### Pin Names

A0-A8	Addresses
$\overline{G1}, \overline{G2}, G3, G4$	Output Enables
GND	Ground
NC	No Connection
Q0-Q7	Outputs
V <sub>CC</sub>	Power Supply



## Connection Diagrams

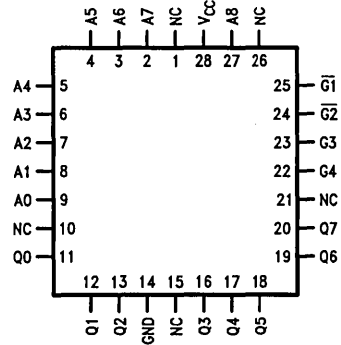


Top View

TL/D/9714-2

Order Number DM54/74S474J, 474AJ, 474BJ,  
DM74S474N, 474AN, 474BN  
See NS Package Number J24A or N24A

**Plastic Leaded Chip Carrier (PLCC)**



Top View

TL/D/9714-3

Order Number DM74S474V, 474AV, 474BV  
See NS Package Number V28A

## Ordering Information

**Commercial Temp Range (0°C to +70°C)**

Parameter/Order Number	Max Access Time (ns)
DM74S474AJ	45
DM74S474BJ	35
DM74S474J	65
DM74S474AN	45
DM74S474BN	35
DM74S474N	65
DM74S474AV	45
DM74S474BV	35
DM74S474V	65

**Military Temp Range (-55°C to +125°C)**

Parameter/Order Number	Max Access Time (ns)
DM54S474AJ	60
DM54S474BJ	50
DM54S474J	75

**Absolute Maximum Ratings** (Note 1)

If Military/Aerospace specified devices are required, please contact the National Semiconductor Sales Office/Distributors for availability and specifications.

Supply Voltage (Note 2)	-0.5V to +7.0V
Input Voltage (Note 2)	-1.2V to +5.5V
Output Voltage (Note 2)	-0.5V to +5.5V
Storage Temperature	-65°C to +150°C
Lead Temp. (Soldering, 10 seconds)	300°C
ESD to be determined	

**Note 1:** Absolute maximum ratings are those values beyond which the device may be permanently damaged. They do not mean that the device may be operated at these values.

**Note 2:** These limits do not apply during programming. For the programming ratings, refer to the programming instructions.

**Operating Conditions**

	Min	Max	Units
Supply Voltage ( $V_{CC}$ )			
Military	4.50	5.50	V
Commercial	4.75	5.25	V
Ambient Temperature ( $T_A$ )			
Military	-55	+125	°C
Commercial	0	+70	°C
Logical "0" Input Voltage	0	0.8	V
Logical "1" Input Voltage	2.0	5.5	V

**DC Electrical Characteristics** (Note 1)

Symbol	Parameter	Conditions	DM54S474			DM74S474			Units
			Min	Typ	Max	Min	Typ	Max	
$I_{IL}$	Input Load Current	$V_{CC} = \text{Max}, V_{IN} = 0.45V$		-80	-250		-80	-250	$\mu A$
$I_{IH}$	Input Leakage Current	$V_{CC} = \text{Max}, V_{IN} = 2.7V$			25			25	$\mu A$
		$V_{CC} = \text{Max}, V_{IN} = 5.5V$			1.0			1.0	mA
$V_{OL}$	Low Level Output Voltage	$V_{CC} = \text{Min}, I_{OL} = 16 \text{ mA}$		0.35	0.50		0.35	0.45	V
$V_{IL}$	Low Level Input Voltage				0.80			0.80	V
$V_{IH}$	High Level Input Voltage		2.0			2.0			V
$V_C$	Input Clamp Voltage	$V_{CC} = \text{Min}, I_{IN} = -18 \text{ mA}$		-0.8	-1.2		-0.8	-1.2	V
$C_I$	Input Capacitance	$V_{CC} = 5.0V, V_{IN} = 2.0V$ $T_A = 25^\circ C, 1 \text{ MHz}$		4.0			4.0		pF
$C_O$	Output Capacitance	$V_{CC} = 5.0V, V_O = 2.0V$ $T_A = 25^\circ C, 1 \text{ MHz}, \text{Outputs off}$		6.0			6.0		pF
$I_{CC}$	Power Supply Current	$V_{CC} = \text{Max}, \text{Inputs Grounded}$ All Outputs Open		115	170		115	170	mA
$I_{OS}$	Short Circuit Output Current	$V_O = 0V, V_{CC} = \text{Max}$ (Note 2)	-20		-70	-20		-70	mA
$I_{OZ}$	Output Leakage (TRI-STATE)	$V_{CC} = \text{Max}, V_O = 0.45V \text{ to } 2.4V$ Chip Disabled			+50			+50	$\mu A$
					-50			-50	$\mu A$
$V_{OH}$	Output Voltage High	$I_{OH} = -2.0 \text{ mA}$	2.4	3.2					V
		$I_{OH} = -6.5 \text{ mA}$				2.4	3.2		V

**Note 1:** These limits apply over the entire operating range unless stated otherwise. All typical values are for  $V_{CC} = 5.0V$  and  $T_A = 25^\circ C$ .

**Note 2:** During  $I_{OS}$  measurement, only one output at a time should be grounded. Permanent damage may otherwise result.

**AC Electrical Characteristics** with Standard Load and Operating Conditions

COMMERCIAL TEMP RANGE (0°C to +70°C)

Symbol	JEDEC Symbol	Parameter	DM74S474			DM74S474A			DM74S474B			Units
			Min	Typ	Max	Min	Typ	Max	Min	Typ	Max	
TAA	TAVQV	Address Access Time		40	65		25	45		25	35	ns
TEA	TEVQV	Enable Access Time		20	35		15	25		15	25	ns
TER	TEXQX	Enable Recovery Time		20	35		15	25		15	25	ns
TZX	TEVQX	Output Enable Time		20	35		15	25		15	25	ns
TXZ	TEXQZ	Output Disable Time		20	35		15	25		15	25	ns

MILITARY TEMP RANGE (-55°C to +125°C)

Symbol	JEDEC Symbol	Parameter	DM54S474			DM54S474A			DM54S474B			Units
			Min	Typ	Max	Min	Typ	Max	Min	Typ	Max	
TAA	TAVQV	Address Access Time		40	70		25	60		25	50	ns
TEA	TEVQV	Enable Access Time		20	40		15	35		15	35	ns
TER	TEXQX	Enable Recovery Time		20	40		15	35		15	35	ns
TZX	TEVQX	Output Enable Time		20	40		15	35		15	35	ns
TXZ	TEXQZ	Output Disable Time		20	40		15	35		15	35	ns

**Functional Description****TESTABILITY**

The Schottky PROM die includes extra rows and columns of fusible links for testing the programmability of each chip. These test fuses are placed at the worst-case chip locations to provide the highest possible confidence in the programming tests in the final product. A ROM pattern is also permanently fixed in the additional circuitry and coded to provide a parity check of input address levels. These and other test circuits are used to test for correct operation of the row and column-select circuits and functionality of input and enable gates. All test circuits are available at both wafer and assembled device levels to allow 100% functional and parametric testing at every stage of the test flow.

**RELIABILITY**

As with all National products, the Ti-W PROMs are subjected to an on-going reliability evaluation by the Reliability Assurance Department. These evaluations employ accelerated life tests, including dynamic high-temperature operating life, temperature-humidity life, temperature cycling, and thermal shock. To date, nearly 7.4 million Schottky Ti-W PROM device hours have been logged, with samples in Epoxy B molded DIP (N-package), PLCC (V-package) and CERDIP (J-package). Device performance in all package configurations is excellent.

**TITANIUM-TUNGSTEN FUSES**

National's Programmable Read-Only Memories (PROMs) feature titanium-tungsten (Ti-W) fuse links designed to program efficiently with only 10.5V applied. The high performance and reliability of these PROMs are the result of fabrication by a Schottky bipolar process, of which the titanium-tungsten metallization is an integral part, and the use of an on-chip programming circuit.

A major advantage of the titanium-tungsten fuse technology is the low programming voltage of the fuse links. At 10.5V, this virtually eliminates the need for guard-ring devices and wide spacings required for other fuse technologies. Care is taken, however, to minimize voltage drops across the die and to reduce parasitics. The device is designed to ensure that worst-case fuse operating current is low enough for reliable long-term operation. The Darlington programming circuit is liberally designed to insure adequate power density for blowing the fuse links. The complete circuit design is optimized to provide high performance over the entire operating ranges of  $V_{CC}$  and temperature.



## DM54/74S475 (512 x 8) 4096-Bit TTL PROM

### General Description

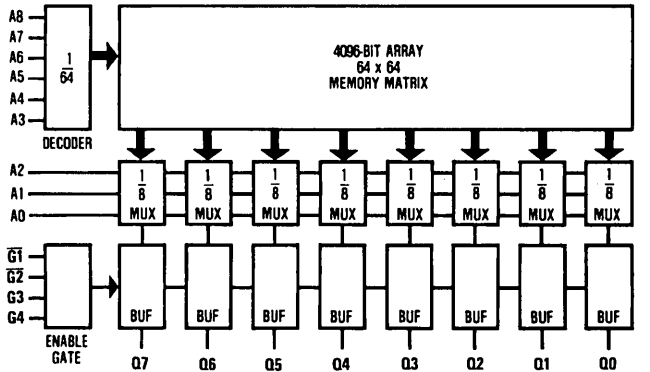
This Schottky memory is organized in the popular 512 words by 8 bits configuration. Memory enable inputs are provided to control the output states. When the device is enabled, the outputs represent the contents of the selected word. When disabled, the 8 outputs go to the "OFF" or high impedance state.

PROMs are shipped from the factory with lows in all locations. A high may be programmed into any selected location by following the programming instructions.

### Features

- Advanced titanium-tungsten (Ti-W) fuses
- Schottky-clamped for high speed
  - Address access—down to 45 ns max
  - Enable access—25 ns max
  - Enable recovery—25 ns max
- PNP inputs for reduced input loading
- All DC and AC parameters guaranteed over temperature
- Low voltage TRI-SAFETM programming
- Open-collector outputs

### Block Diagram



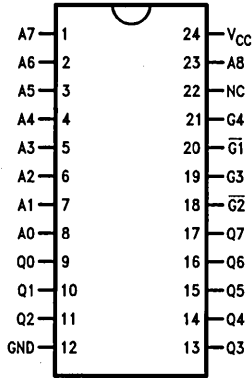
TL/D/9192-1

#### Pin Names

A0–A8	Addresses
$\overline{G1}$ , $\overline{G2}$ , G3, G4	Output Enables
GND	Ground
NC	No Connection
Q0–Q7	Outputs
VCC	Power Supply

## Connection Diagrams

Dual-In-Line-Package

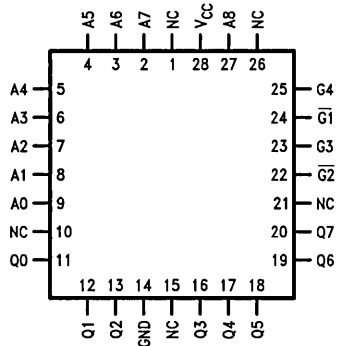


Top View

TL/D/9192-2

Order Number DM54/74S475J, 475AJ,  
DM74S475N or 475AN  
See NS Package Number J24A or N24A

Plastic Leaded Chip Carrier (PLCC)



Top View

TL/D/9192-3

Order Number DM74S475V or 475AV  
See NS Package Number V28A

## Ordering Information

Commercial Temp Range (0°C to +70°C)

Parameter/Order Number	Max Access Time (ns)
DM74S475AJ	45
DM74S475J	65
DM74S475AN	45
DM74S475N	65
DM74S475AV	45
DM74S475V	65

Military Temp Range (-55°C to +125°C)

Parameter/Order Number	Max Access Time (ns)
DM54S475AJ	60
DM54S475J	75

**Absolute Maximum Ratings** (Note 1)

If Military/Aerospace specified devices are required, please contact the National Semiconductor Sales Office/Distributors for availability and specifications.

Supply Voltage (Note 2)	-0.5V to +7.0V
Input Voltage (Note 2)	-1.2V to +5.5V
Output Voltage (Note 2)	-0.5V to +5.5V
Storage Temperature	-65°C to +150°C
Lead Temperature (Soldering, 10 sec.)	300°C

ESD rating to be determined.

**Note 1:** Absolute maximum ratings are those values beyond which the device may be permanently damaged. They do not mean that the device may be operated at these values.

**Note 2:** These limits do not apply during programming. For the programming ratings, refer to the programming instructions.

**Operating Conditions**

	Min	Max	Units
Supply Voltage ( $V_{CC}$ )			
Military	4.50	5.50	V
Commercial	4.75	5.25	V
Ambient Temperature ( $T_A$ )			
Military	-55	+125	°C
Commercial	0	+70	°C
Logical "0" Input Voltage	0	0.8	V
Logic "1" Input Voltage	2.0	5.5	V

**DC Electrical Characteristics** (Note 1)

Symbol	Parameter	Conditions	DM54S475			DM74S475			Units
			Min	Typ	Max	Min	Typ	Max	
$I_{IL}$	Input Load Current	$V_{CC} = \text{Max}, V_{IN} = 0.45V$		-80	-250		-80	-250	$\mu A$
$I_{IH}$	Input Leakage Current	$V_{CC} = \text{Max}, V_{IN} = 2.7V$			25			25	$\mu A$
		$V_{CC} = \text{Max}, V_{IN} = 5.5V$			1.0			1.0	mA
$V_{OL}$	Low Level Output Voltage	$V_{CC} = \text{Min}, I_{OL} = 16 \text{ mA}$		0.35	0.50		0.35	0.45	V
$V_{IL}$	Low Level Input Voltage				0.80			0.80	V
$V_{IH}$	High Level Input Voltage		2.0			2.0			V
$I_{OZ}$	Output Leakage Current (Open-Collector Only)	$V_{CC} = \text{Max}, V_{CEX} = 2.4V$			50			50	$\mu A$
		$V_{CC} = \text{Max}, V_{CEX} = 5.5V$			100			100	$\mu A$
$V_C$	Input Clamp Voltage	$V_{CC} = \text{Min}, I_{IN} = -18 \text{ mA}$		-0.8	-1.2		-0.8	-1.2	V
$C_i$	Input Capacitance	$V_{CC} = 5.0V, V_{IN} = 2.0V$ $T_A = 25^\circ C, 1 \text{ MHz}$		4.0			4.0		pF
$C_O$	Output Capacitance	$V_{CC} = 5.0V, V_O = 2.0V$ $T_A = 25^\circ C, 1 \text{ MHz}, \text{Outputs Off}$		6.0			6.0		pF
$I_{CC}$	Power Supply Current	$V_{CC} = \text{Max}, \text{Inputs Grounded}$ All Outputs Open		115	170		115	170	mA

**Note 1:** These limits apply over the entire operating range unless stated otherwise. All typical values are for  $V_{CC} = 5.0V$  and  $T_A = 25^\circ C$ .

## AC Electrical Characteristics (With Standard Load and Operating Conditions)

### COMMERCIAL TEMP RANGE (0°C to +70°C)

Symbol	JEDEC Symbol	Parameter	DM74S475			DM74S475A			Units
			Min	Typ	Max	Min	Typ	Max	
T <sub>AA</sub>	TAVQV	Address Access Time		40	65		25	45	ns
T <sub>EA</sub>	TEVQV	Enable Access Time		20	35		15	25	ns
T <sub>ER</sub>	TEXQX	Enable Recovery Time		20	35		15	25	ns
T <sub>ZX</sub>	TEVQX	Output Enable Time		20	35		15	25	ns
T <sub>XZ</sub>	TEXQZ	Output Disable Time		20	35		15	25	ns

### MILITARY TEMP RANGE (-55°C to +125°C)

Symbol	JEDEC Symbol	Parameter	DM54S475			DM54S475A			Units
			Min	Typ	Max	Min	Typ	Max	
T <sub>AA</sub>	TAVQV	Address Access Time		40	75		25	60	ns
T <sub>EA</sub>	TEVQV	Enable Access Time		20	40		15	35	ns
T <sub>ER</sub>	TEXQX	Enable Recovery Time		20	40		15	35	ns
T <sub>ZX</sub>	TEVQX	Output Enable Time		20	40		15	35	ns
T <sub>XZ</sub>	TEXQZ	Output Disable Time		20	40		15	35	ns

## Functional Description

### TESTABILITY

The Schottky PROM die includes extra rows and columns of fusible links for testing the programmability of each chip. These test fuses are placed at the worst-case chip locations to provide the highest possible confidence in the programming tests in the final product. A ROM pattern is also permanently fixed in the additional circuitry and coded to provide a parity check of input address levels. These and other test circuits are used to test for correct operation of the row and column-select circuits and functionality of input and enable gates. All test circuits are available at both wafer and assembled device levels to allow 100% functional and parametric testing at every stage of the test flow.

### RELIABILITY

As with all National products, the Ti:W PROMs are subjected to an on-going reliability evaluation by the Reliability Assurance Department. These evaluations employ accelerated life tests, including dynamic high-temperature operating life, temperature-humidity life, temperature cycling, and thermal shock. To date, nearly 7.4 million Schottky Ti:W PROM device hours have been logged, with samples in Epoxy B molded DIP (N-package), PLCC (V-package) and CERDIP (J-package). Device performance in all package configurations is excellent.

### TITANIUM-TUNGSTEN FUSES

National's Programmable Read-Only Memories (PROMs) feature titanium-tungsten (Ti:W) fuse links designed to program efficiently with only 10.5V applied. The high performance and reliability of these PROMs are the result of fabrication by a Schottky bipolar process, of which the titanium-tungsten metallization is an integral part, and the use of an on-chip programming circuit.

A major advantage of the titanium-tungsten fuse technology is the low programming voltage of the fuse links. At 10.5V, this virtually eliminates the need for guard-ring devices and wide spacings required for other fuse technologies. Care is taken, however, to minimize voltage drops across the die and to reduce parasitics. The device is designed to ensure that worst-case fuse operating current is low enough for reliable long-term operation. The Darlington programming circuit is liberally designed to insure adequate power density for blowing the fuse links. The complete circuit design is optimized to provide high performance over the entire operating ranges of V<sub>CC</sub> and temperature.



## DM54/74S570 (512 x 4) 2048-Bit TTL PROM

### General Description

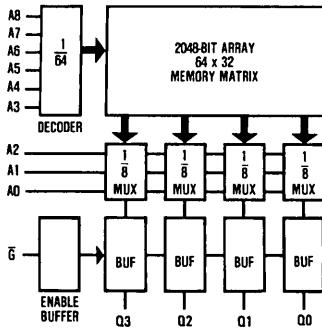
This Schottky memory is organized in the popular 512 words by 4 bits configuration. A memory enable input is provided to control the output states. When the device is enabled, the outputs represent the contents of the selected word. When disabled, the 4 outputs go to the "OFF" or high impedance state.

PROMs are shipped from the factory with lows in all locations. A high may be programmed into any selected location by following the programming instructions.

### Features

- Advanced titanium-tungsten (Ti-W) fuses
- Schottky-clamped for high speed
  - Address access down to—45 ns max
  - Enable access—25 ns max
  - Enable recovery—25 ns max
- PNP inputs for reduced input loading
- All DC and AC parameters guaranteed over temperature
- Low voltage TRI-SAFETM programming
- Open-collector outputs

### Block Diagram



TL/D/9189-1

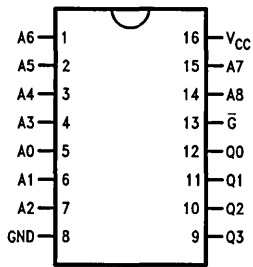
#### Pin Names

A0–A8	Addresses
$\bar{G}$	Enable
GND	Ground
Q0–Q3	Outputs
V <sub>CC</sub>	Power Supply



## Connection Diagrams

Dual-In-Line Package

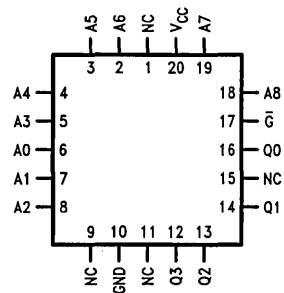


Top View

Order Number DM54/74S570J, 570AJ  
DM74S570N, 570AN  
See NS Package Number J16A or N16A

TL/D/9189-2

Plastic Leaded Chip Carrier (PLCC)



Top View

Order Number DM74S570V, 570AV  
See NS Package Number V20A

TL/D/9189-3

## Ordering Information

Commercial Temp Range (0°C to +70°C)

Parameter/Order Number	Max Access Time (ns)
DM74S570AN	45
DM74S570N	55
DM74S570AJ	45
DM74S570J	55
DM74S570AV	45
DM74S570V	55

Military Temp Range (-55°C to +125°C)

Parameter/Order Number	Max Access Time (ns)
DM54S570AJ	60
DM54S570J	65

**Absolute Maximum Ratings** (Note 1)

If Military/Aerospace specified devices are required, please contact the National Semiconductor Sales Office/Distributors for availability and specifications.

Supply Voltage (Note 2)	-0.5V to +7.0V
Input Voltage (Note 2)	-1.2V to +5.5V
Output Voltage (Note 2)	-0.5V to +5.5V
Storage Temperature	-65°C to +150°C
Lead Temp. (Soldering, 10 seconds)	300°C

ESD to be determined

**Note 1:** Absolute Maximum Ratings are those values beyond which the device may be permanently damaged. They do not mean that the device may be operated at these values.

**Note 2:** These limits do not apply during programming. For the programming ratings, refer to the programming instructions.

**Operating Conditions**

	Min	Max	Units
Supply Voltage ( $V_{CC}$ )			
Military	4.50	5.50	V
Commercial	4.75	5.25	V
Ambient Temperature ( $T_A$ )			
Military	-55	+125	°C
Commercial	0	+70	°C
Logical "0" Input Voltage	0	0.8	V
Logical "1" Input Voltage	2.0	5.5	V

**DC Electrical Characteristics** (Note 1)

Symbol	Parameter	Conditions	DM54S570			DM74S570			Units
			Min	Typ	Max	Min	Typ	Max	
$I_{IL}$	Input Load Current	$V_{CC} = \text{Max}, V_{IN} = 0.45V$		-80	-250				$\mu A$
$I_{IH}$	Input Leakage Current	$V_{CC} = \text{Max}, V_{IN} = 2.7V$			25			25	$\mu A$
		$V_{CC} = \text{Max}, V_{IN} = 5.5V$			1.0			1.0	mA
$V_{OL}$	Low Level Output Voltage	$V_{CC} = \text{Min}, I_{OL} = 16 \text{ mA}$		0.35	0.50		0.35	0.45	V
$V_{IL}$	Low Level Input Voltage				0.80			0.80	V
$V_{IH}$	High Level Input Voltage		2.0			2.0			V
$I_{OZ}$	Output Leakage Current (Open-Collector Only)	$V_{CC} = \text{Max}, V_{CEX} = 2.4V$			50			50	$\mu A$
		$V_{CC} = \text{Max}, V_{CEX} = 5.5V$			100			100	$\mu A$
$V_C$	Input Clamp Voltage	$V_{CC} = \text{Min}, I_{IN} = -18 \text{ mA}$		-0.8	-1.2		-0.8	-1.2	V
$C_i$	Input Capacitance	$V_{CC} = 5.0V, V_{IN} = 2.0V$ $T_A = 25^\circ C, 1 \text{ MHz}$		4.0			4.0		pF
$C_o$	Output Capacitance	$V_{CC} = 5.0V, V_O = 2.0V$ $T_A = 25^\circ C, 1 \text{ MHz}, \text{Outputs Off}$		6.0			6.0		pF
$I_{CC}$	Power Supply Current	$V_{CC} = \text{Max}, \text{Input Grounded}$ All Outputs Open		90	130		90	130	mA

**Note 1:** These limits apply over the entire operating range unless otherwise noted. All typical values are for  $V_{CC} = 5.0V$  and  $T_A = 25^\circ C$ .

**AC Electrical Characteristics** with Standard Load and Operating Conditions**COMMERCIAL TEMP RANGE** (0°C to +70°C)

Symbol	JEDEC Symbol	Parameter	DM74S570			DM74S570A			Units
			Min	Typ	Max	Min	Typ	Max	
TAA	TAVQV	Address Access Time		40	55		30	45	ns
TEA	TEVQV	Enable Access Time		20	30		15	25	ns
TER	TEXQX	Enable Recovery Time		20	30		15	25	ns
TZX	TEVQX	Output Enable Time		20	30		15	25	ns
TXZ	TEXQZ	Output Disable Time		20	30		15	25	ns

**MILITARY TEMP RANGE** (-55°C to +125°C)

Symbol	JEDEC Symbol	Parameter	DM54S570			DM54S570A			Units
			Min	Typ	Max	Min	Typ	Max	
TAA	TAVQV	Address Access Time		40	65		30	60	ns
TEA	TEVQV	Enable Access Time		20	35		15	35	ns
TER	TEXQX	Enable Recovery Time		20	35		15	35	ns
TZX	TEVQX	Output Enable Time		20	35		15	35	ns
TXZ	TEXQZ	Output Disable Time		20	35		15	35	ns

## Functional Description

### TESTABILITY

The Schottky PROM die includes extra rows and columns of fusible links for testing the programmability of each chip. These test fuses are placed at the worst-case chip locations to provide the highest possible confidence in the programming tests in the final product. A ROM pattern is also permanently fixed in the additional circuitry and coded to provide a parity check of input address levels. These and other test circuits are used to test for correct operation of the row and column-select circuits and functionality of input and enable gates. All test circuits are available at both wafer and assembled device levels to allow 100% functional and parametric testing at every stage of the test flow.

### RELIABILITY

As with all National products, the Ti-W PROMs are subjected to an on-going reliability evaluation by the Reliability Assurance Department. These evaluations employ accelerated life tests, including dynamic high-temperature operating life, temperature-humidity life, temperature cycling, and thermal shock. To date, nearly 7.4 million Schottky Ti-W PROM device hours have been logged, with samples in Epoxy B molded DIP (N-package), PLCC (V-package) and CERDIP (J-package). Device performance in all package configurations is excellent.

### TITANIUM-TUNGSTEN FUSES

National's Programmable Read-Only Memories (PROMs) feature titanium-tungsten (Ti-W) fuse links designed to program efficiently with only 10.5V applied. The high performance and reliability of these PROMs are the result of fabrication by a Schottky bipolar process, of which the titanium-tungsten metallization is an integral part, and the use of an on-chip programming circuit.

A major advantage of the titanium-tungsten fuse technology is the low programming voltage of the fuse links. At 10.5V, this virtually eliminates the need for guard-ring devices and wide spacings required for other fuse technologies. Care is taken, however, to minimize voltage drops across the die and to reduce parasitics. The device is designed to ensure that worst-case fuse operating current is low enough for reliable long-term operation. The Darlington programming circuit is liberally designed to insure adequate power density for blowing the fuse links. The complete circuit design is optimized to provide high performance over the entire operating ranges of  $V_{CC}$  and temperature.



## DM54/74S571 (512 x 4) 2048-Bit TTL PROM

### General Description

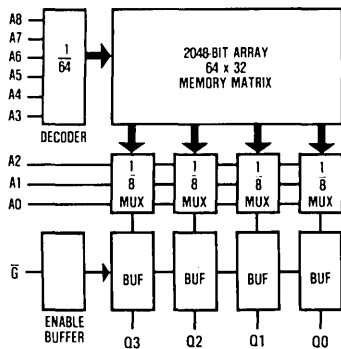
This Schottky memory is organized in the popular 512 words by 4 bits configuration. A memory enable input is provided to control the output states. When the device is enabled, the outputs represent the contents of the selected word. When disabled, the 4 outputs go to the "OFF" or high impedance state.

PROMs are shipped from the factory with lows in all locations. A high may be programmed into any selected location by following the programming instructions.

### Features

- Advanced titanium-tungsten (Ti-W) fuses
- Schottky-clamped for high speed
  - Address access down to—35 ns max
  - Enable access—25 ns max
  - Enable recovery—25 ns max
- PNP inputs for reduced input loading
- All DC and AC parameters guaranteed over temperature
- Low voltage TRI-SAFE™ programming
- TRI-STATE® outputs

### Block Diagram



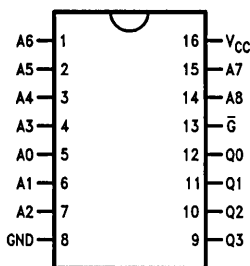
TL/D/9713-1

### Pin Names

A0–A8	Address
$\bar{G}$	Output Enable
GND	Ground
Q0–Q3	Outputs
V <sub>CC</sub>	Power Supply

## Connection Diagrams

### Dual-In-Line Package

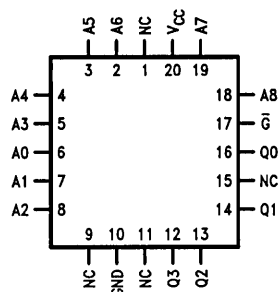


TL/D/9713-2

### Top View

Order Number  
 DM54/74S571J, 571AJ, 571BJ  
 DM74S571N, 571AN, 571BN  
 See NS Package Number J16A or N16A

### Plastic Leaded Chip Carrier (PLCC)



TL/D/9713-3

### Top View

Order Number  
 DM74S571V, 571AV, 571BV  
 See NS Package Number V20A

## Ordering Information

### Commercial Temperature Range (0°C to +70°C)

Parameter/Order Number	Max Access Time (ns)
DM74S571AN	45
DM74S571BN	35
DM74S571N	55
DM74S571AJ	45
DM74S571BJ	35
DM74S571J	55
DM74S571AV	45
DM74S571BV	35
DM74S571V	55

### Military Temp. Range (-55°C to +125°C)

Parameter/Order Number	Max Access Time (ns)
DM54S571AJ	60
DM54S571BJ	50
DM54S571J	65

**Absolute Maximum Ratings** (Note 1)

If Military/Aerospace specified devices are required, please contact the National Semiconductor Sales Office/Distributors for availability and specifications.

Supply Voltage (Note 2)	-0.5V to +7.0V
Input Voltage (Note 2)	-1.2V to +5.5V
Output Voltage (Note 2)	-0.5V to +5.5V
Storage Temperature	-65°C to +150°C
Lead Temp. (Soldering 10 sec.)	300°C

ESD to be determined

**Note 1:** Absolute maximum ratings are those values beyond which the device may be permanently damaged. They do not mean that the device may be operated at these values.

**Note 2:** These limits do not apply during programming. For the programming ratings, refer to the programming instructions.

**Operating Conditions**

	Min	Max	Units
Supply Voltage ( $V_{CC}$ )			
Military	4.50	5.50	V
Commercial	4.75	5.25	V
Ambient Temperature ( $T_A$ )			
Military	-55	+125	°C
Commercial	0	+70	°C
Logical "0" Input Voltage	0	0.8	V
Logical "1" Input Voltage	2.0	5.5	V

**DC Electrical Characteristics** (Note 1)

Symbol	Parameter	Conditions	DM54S571			DM74S571			Units
			Min	Typ	Max	Min	Typ	Max	
$I_{IL}$	Input Load Current	$V_{CC} = \text{Max}, V_{IN} = 0.45V$		-80	-250		-80	-250	$\mu A$
$I_{IH}$	Input Leakage Current	$V_{CC} = \text{Max}, V_{IN} = 2.7V$			25			25	$\mu A$
		$V_{CC} = \text{Max}, V_{IN} = 5.5V$			1.0			1.0	mA
$V_{OL}$	Low Level Output Voltage	$V_{CC} = \text{Min}, I_{OL} = 16 \text{ mA}$		0.35	0.50		0.35	0.45	V
$V_{IL}$	Low Level Input Voltage				0.80			0.80	V
$V_{IH}$	High Level Input Voltage		2.0			2.0			V
$V_C$	Input Clamp Voltage	$V_{CC} = \text{Min}, I_{IN} = -18 \text{ mA}$		-0.8	-1.2		-0.8	-1.2	V
$C_I$	Input Capacitance	$V_{CC} = 5.0V, V_{IN} = 2.0V$ $T_A = 25^\circ C, 1 \text{ MHz}$		4.0			4.0		pF
$C_O$	Output Capacitance	$V_{CC} = 5.0V, V_O = 2.0V$ $T_A = 25^\circ C, 1 \text{ MHz}, \text{Outputs Off}$		6.0			6.0		pF
$I_{CC}$	Power Supply Current	$V_{CC} = \text{Max}, \text{Input Grounded}$ All Outputs Open		90	130		90	130	mA
$I_{OS}$	Short Circuit Output Current	$V_O = 0V, V_{CC} = \text{Max}$ (Note 2)	-20		-70	-20		-70	mA
$I_{OZ}$	Output Leakage (TRI-STATE)	$V_{CC} = \text{Max}, V_O = 0.45V \text{ to } 2.4V$ Chip Disabled			+50			+50	$\mu A$
					-50			-50	$\mu A$
$V_{OH}$	Output Voltage High	$I_{OH} = -2.0 \text{ mA}$	2.4	3.2					V
		$I_{OH} = -6.5 \text{ mA}$				2.4	3.2		V

**Note 1:** These limits apply over the entire operating range unless stated otherwise. All typical values are for  $V_{CC} = 5.0V$  and  $T_A = 25^\circ C$ .

**Note 2:** During  $I_{OS}$  measurement, only one output at a time should be grounded. Permanent damage may otherwise result.

## AC Electrical Characteristics

COMMERCIAL TEMP RANGE (0°C to +70°C)

Symbol	JEDEC Symbol	Parameter	DM74S571			DM74S571A			DM74S571B			Unit
			Min	Typ	Max	Min	Typ	Max	Min	Typ	Max	
TAA	TAVQV	Address Access Time		40	55		30	45		30	35	ns
TEA	TEVQV	Enable Access Time		20	30		15	25		15	25	ns
TER	TEXQX	Enable Recovery Time		20	30		15	25		15	25	ns
TZX	TEVQX	Output Enable Time		20	30		15	25		15	25	ns
TXZ	TEXQZ	Output Disable Time		20	30		15	25		15	25	ns

MILITARY TEMP RANGE (-55°C to +125°C)

Symbol	JEDEC Symbol	Parameter	DM54S571			DM54S571A			DM54S571B			Unit
			Min	Typ	Max	Min	Typ	Max	Min	Typ	Max	
TAA	TAVQV	Address Access Time		40	65		30	60		30	50	ns
TEA	TEVQV	Enable Access Time		20	35		15	35		15	35	ns
TER	TEXQX	Enable Recovery Time		20	35		15	35		15	35	ns
TZX	TEVQX	Output Enable Time		20	35		15	35		15	35	ns
TXZ	TEXQZ	Output Disable Time		20	35		15	35		15	35	ns

## Functional Description

### TESTABILITY

The Schottky PROM die includes extra rows and columns of fusible links for testing the programmability of each chip. These test fuses are placed at the worst-case chip locations to provide the highest possible confidence in the programming tests in the final product. A ROM pattern is also permanently fixed in the additional circuitry and coded to provide a parity check of input address levels. These and other test circuits are used to test for correct operation of the row and column-select circuits and functionality of input and enable gates. All test circuits are available at both wafer and assembled device levels to allow 100% functional and parametric testing at every stage of the test flow.

### RELIABILITY

As with all National products, the Ti-W PROMs are subjected to an on-going reliability evaluation by the Reliability Assurance Department. These evaluations employ accelerated life tests, including dynamic high-temperature operating life, temperature-humidity life, temperature cycling, and thermal shock. To date, nearly 7.4 million Schottky Ti-W PROM device hours have been logged, with samples in Epoxy B molded DIP (N-package), PLCC (V-package) and CERDIP (J-package). Device performance in all package configurations is excellent.

### TITANIUM-TUNGSTEN FUSES

National's Programmable Read-Only Memories (PROMs) feature titanium-tungsten (Ti-W) fuse links designed to program efficiently with only 10.5V applied. The high performance and reliability of these PROMs are the result of fabrication by a Schottky bipolar process, of which the titanium-tungsten metallization is an integral part, and the use of an on-chip programming circuit.

A major advantage of the titanium-tungsten fuse technology is the low programming voltage of the fuse links. At 10.5V, this virtually eliminates the need for guard-ring devices and wide spacings required for other fuse technologies. Care is taken, however, to minimize voltage drops across the die and to reduce parasitics. The device is designed to ensure that worst-case fuse operating current is low enough for reliable long-term operation. The Darlington programming circuit is liberally designed to insure adequate power density for blowing the fuse links. The complete circuit design is optimized to provide high performance over the entire operating ranges of  $V_{CC}$  and temperature.



## DM54/74S572 (1024 x 4) 4096-Bit TTL PROM

### General Description

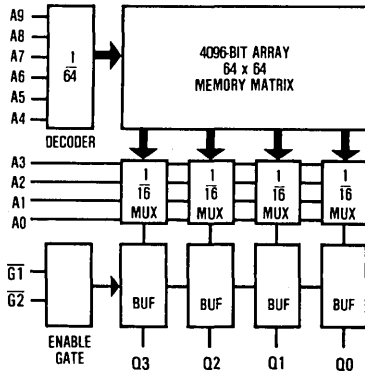
This Schottky memory is organized in the popular 1024 words by 4 bits configuration. Memory enable inputs are provided to control the output states. When the device is enabled, the outputs represent the contents of the selected word. When disabled, the 4 outputs go to the "OFF" or high impedance state.

PROMs are shipped from the factory with lows in all locations. A high may be programmed into any selected location by following the programming instructions.

### Features

- Advanced titanium-tungsten (Ti-W) fuses
- Schottky-clamped for high speed
  - Address access—45 ns max
  - Enable access—25 ns max
  - Enable recovery—25 ns max
- PNP inputs for reduced input loading
- All DC and AC parameters guaranteed over temperature
- Low voltage TRI-SAFE™ programming
- Open collector outputs

### Block Diagram



Pin Names

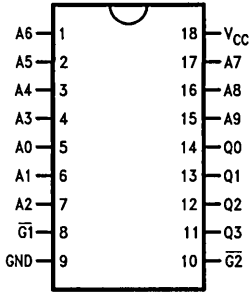
A0–A9	Addresses
$\overline{G1}$ , $\overline{G2}$	Output Enables
GND	Ground
Q0–Q3	Outputs
V <sub>CC</sub>	Power Supply

TL/D/9712-1



## Connection Diagrams

Dual-In-Line-Package

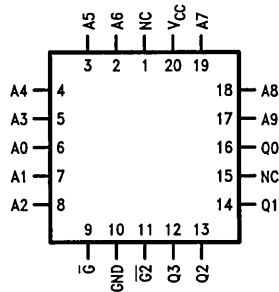


Top View

TL/D/9712-2

Order Number DM54/74S572J, 572AJ,  
DM74S572N, 572AN  
See NS Package Number J18A or N18A

Plastic Leaded Chip Carrier (PLCC)



Top View

TL/D/9712-3

Order Number DM74S572V, 572AV  
See NS Package Number V20A

## Ordering Information

Commercial Temp Range (0°C to +70°C)

Parameter/Order Number	Max Access Time (ns)
DM74S572AJ	45
DM74S572J	60
DM74S572AN	45
DM74S572N	60
DM74S572AV	45
DM74S572V	60

Military Temp Range (-55°C to +125°C)

Parameter/Order Number	Max Access Time (ns)
DM54S572AJ	60
DM54S572J	75

**Absolute Maximum Ratings** (Note 1)

If Military/Aerospace specified devices are required, please contact the National Semiconductor Sales Office/Distributors for availability and specifications.

Supply Voltage (Note 2)	-0.5 to +7.0V
Input Voltage (Note 2)	-1.2V to +5.5V
Output Voltage (Note 2)	-0.5V to +5.5V
Storage Temperature	-65°C to +150°C
Lead Temp. (Soldering, 10 sec.)	300°C
ESD to be determined	

**Note 1:** Absolute maximum ratings are those values beyond which the device may be permanently damaged. They do not mean that the device may be operated at these values.

**Note 2:** These limits do not apply during programming. For the programming ratings, refer to the programming instructions.

**Operating Conditions**

	Min	Max	Units
Supply Voltage ( $V_{CC}$ )			
Military	4.50	5.50	V
Commercial	4.75	5.25	V
Ambient Temperature ( $T_A$ )			
Military	-55	+125	°C
Commercial	0	+70	°C
Logical "0" Input Voltage	0	0.8	V
Logic "1" Input Voltage	2.0	5.5	V

**DC Electrical Characteristics** (Note 1)

Symbol	Parameter	Conditions	DM54S572			DM74S572			Units
			Min	Typ	Max	Min	Typ	Max	
$I_{IL}$	Input Load Current	$V_{CC} = \text{Max}, V_{IN} = 0.45V$		-80	-250		-80	-250	$\mu A$
$I_{IH}$	Input Leakage Current	$V_{CC} = \text{Max}, V_{IN} = 2.7V$			25			25	$\mu A$
		$V_{CC} = \text{Max}, V_{IN} = 5.5V$			1.0			1.0	mA
$V_{OL}$	Low Level Output Voltage	$V_{CC} = \text{Min}, I_{OL} = 16 \text{ mA}$		0.35	0.50		0.35	0.45	V
$V_{IL}$	Low Level Input Voltage				0.80			0.80	V
$V_{IH}$	High Level Input Voltage		2.0			2.0			V
$I_{OZ}$	Output Leakage Current (Open-Collector Only)	$V_{CC} = \text{Max}, V_{CEX} = 2.4V$			50			50	$\mu A$
		$V_{CC} = \text{Max}, V_{CEX} = 5.5V$			100			100	$\mu A$
$V_C$	Input Clamp Voltage	$V_{CC} = \text{Min}, I_{IN} = -18 \text{ mA}$		-0.8	-1.2		-0.8	-1.2	V
$C_i$	Input Capacitance	$V_{CC} = 5.0V, V_{IN} = 2.0V$ $T_A = 25^\circ C, 1 \text{ MHz}$		4.0			4.0		pF
$C_o$	Output Capacitance	$V_{CC} = 5.0V, V_O = 2.0V$ $T_A = 25^\circ C, 1 \text{ MHz}, \text{Outputs Off}$		6.0			6.0		pF
$I_{CC}$	Power Supply Current	$V_{CC} = \text{Max}, \text{Input Grounded}$ All Outputs Open		100	140		100	140	mA

**Note 1:** These limits apply over the entire operating range unless stated otherwise. All typical values are for  $V_{CC} = 5.0V$  and  $T_A = +25^\circ C$ .

**AC Electrical Characteristics** (With Standard Load and Operating Conditions)**COMMERCIAL TEMP RANGE** (0°C to +70°C)

Symbol	JEDEC Symbol	Parameter	DM74S572			DM74S572A			Units
			Min	Typ	Max	Min	Typ	Max	
T <sub>AA</sub>	TAVQV	Address Access Time		40	60		25	45	ns
T <sub>EA</sub>	TEVQV	Enable Access Time		20	35		15	25	ns
T <sub>ER</sub>	TEXQX	Enable Recovery Time		20	35		15	25	ns

**MILITARY TEMP RANGE** (-55°C to +125°C)

Symbol	JEDEC Symbol	Parameter	DM54S572			DM54S572A			Units
			Min	Typ	Max	Min	Typ	Max	
T <sub>AA</sub>	TAVQV	Address Access Time		40	75		25	60	ns
T <sub>EA</sub>	TEVQV	Enable Access Time		20	45		15	35	ns
T <sub>ER</sub>	TEXQX	Enable Recovery Time		20	45		15	35	ns

**Functional Description****TESTABILITY**

The Schottky PROM die includes extra rows and columns of fusable links for testing the programmability of each chip. These test fuses are placed at the worst-case chip locations to provide the highest possible confidence in the programming tests in the final product. A ROM pattern is also permanently fixed in the additional circuitry and coded to provide a parity check of input address levels. These and other test circuits are used to test for correct operation of the row and column-select circuits and functionality of input and enable gates. All test circuits are available at both wafer and assembled device levels to allow 100% functional and parametric testing at every stage of the test flow.

**RELIABILITY**

As with all National products, the Ti-W PROMs are subjected to an on-going reliability evaluation by the Reliability Assurance Department. These evaluations employ accelerated life tests, including dynamic high-temperature operating life, temperature-humidity life, temperature cycling, and thermal shock. To date, nearly 7.4 million Schottky Ti-W PROM device hours have been logged, with samples in Epoxy B molded DIP (N-package), PLCC (V-package) and CERDIP (J-package). Device performance in all package configurations is excellent.

**TITANIUM-TUNGSTEN FUSES**

National's Programmable Read-Only Memories (PROMs) feature titanium-tungsten (Ti-W) fuse links designed to program efficiently with only 10.5V applied. The high performance and reliability of these PROMs are the result of fabrication by a Schottky bipolar process, of which the titanium-tungsten metallization is an integral part, and the use of an on-chip programming circuit.

A major advantage of the titanium-tungsten fuse technology is the low programming voltage of the fuse links. At 10.5V, this virtually eliminates the need for guard-ring devices and wide spacings required for other fuse technologies. Care is taken, however, to minimize voltage drops across the die and to reduce parasitics. The device is designed to ensure that worst-case fuse operating current is low enough for reliable long-term operation. The Darlington programming circuit is liberally designed to insure adequate power density for blowing the fuse links. The complete circuit design is optimized to provide high performance over the entire operating ranges of V<sub>CC</sub> and temperature.



## DM54/74S573 (1024 x 4) 4096-Bit TTL PROM

### General Description

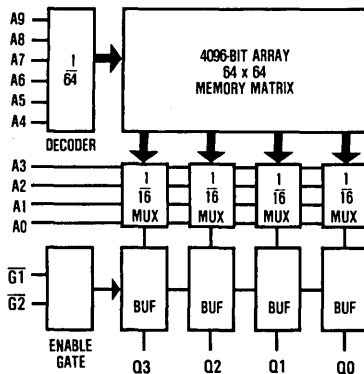
This Schottky memory is organized in the popular 1024 words by 4 bits configuration. Memory enable inputs are provided to control the output states. When the device is enabled, the outputs represent the contents of the selected word. When disabled, the 4 outputs go to the "OFF" or high impedance state.

PROMs are shipped from the factory with lows in all locations. A high may be programmed into any selected location by following the programming instructions.

### Features

- Advanced titanium-tungsten (Ti-W) fuses
- Schottky-clamped for high speed
  - Address access—down to 35 ns max
  - Enable access—25 ns max
  - Enable recovery—25 ns max
- PNP inputs for reduced input loading
- All DC and AC parameters guaranteed over temperature
- Low voltage TRI-SAFE™ programming
- TRI-STATE® Outputs

### Block Diagram

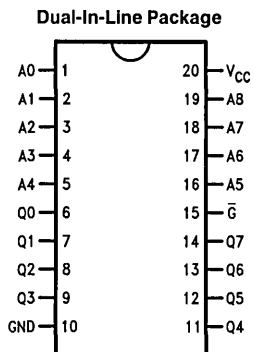


Pin Names

A0-A9	Addresses
$\overline{G1}$ - $\overline{G2}$	Output Enables
GND	Ground
Q0-Q3	Outputs
VCC	Power Supply

TL/D/9193-1

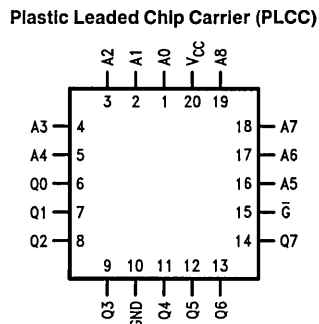
## Connection Diagrams



**Top View**

**Order Number**  
 DM54/74S573J, 573AJ, 573BJ  
 DM74S573N, 573AN, 573BN  
 See NS Package Number J18A or N18A

TL/D/9193-2



**Top View**

**Order Number**  
 DM74S573V, 573AV, 573BV  
 See NS Package Number V20A

TL/D/9193-3

## Ordering Information

### Commercial Temp Range (0°C to +70°C)

Parameter/Order Number	Max Access Time (ns)
DM74S573AJ	45
DM74S573BJ	35
DM74S573J	60
DM74S573AN	45
DM74S573BN	35
DM74S573N	60
DM74S573AV	45
DM74S573BV	35
DM74S573V	60

### Military Temp Range (-55°C to +125°C)

Parameter/Order Number	Max Access Time (ns)
DM54S573AJ	60
DM54S573BJ	50
DM54S573J	75

**Absolute Maximum Ratings** (Note 1)

If Military/Aerospace specified devices are required, please contact the National Semiconductor Sales Office/Distributors for availability and specifications.

Supply Voltage (Note 2)	-0.5V to +7.0V
Input Voltage (Note 2)	-1.2V to +5.5V
Output Voltage (Note 2)	-0.5V to +5.5V
Storage Temperature	-65°C to +150°C
Lead Temp. (Soldering, 10 seconds)	300°C

**Note 1:** Absolute maximum ratings are those values beyond which the device may be permanently damaged. They do not mean that the device may be operated at these values.

**Note 2:** These limits do not apply during programming. For the programming ratings, refer to the programming instructions.

**Operating Conditions**

	Min	Max	Units
Supply Voltage ( $V_{CC}$ )			
Military	4.50	5.50	V
Commercial	4.75	5.25	V
Ambient Temperature ( $T_A$ )			
Military	-55	+125	°C
Commercial	0	+70	°C
Logical "0" Input Voltage	0	0.8	V
Logical "1" Input Voltage	2.0	5.5	V

**DC Electrical Characteristics** (Note 1)

Symbol	Parameter	Conditions	DM54S573			DM74S573			Units
			Min	Typ	Max	Min	Typ	Max	
$I_{IL}$	Input Load Current	$V_{CC} = \text{Max}, V_{IN} = 0.45V$		-80	-250		-80	-250	$\mu A$
$I_{IH}$	Input Leakage Current	$V_{CC} = \text{Max}, V_{IN} = 2.7V$			25			25	$\mu A$
		$V_{CC} = \text{Max}, V_{IN} = 5.5V$			1.0			1.0	mA
$V_{OL}$	Low Level Output Voltage	$V_{CC} = \text{Min}, I_{OL} = 16 \text{ mA}$		0.35	0.50		0.35	0.45	V
$V_{IL}$	Low Level Input Voltage				0.80			0.80	V
$V_{IH}$	High Level Input Voltage		2.0			2.0			V
$V_C$	Input Clamp Voltage	$V_{CC} = \text{Min}, I_{IN} = -18 \text{ mA}$		-0.8	-1.2		-0.8	-1.2	V
$C_I$	Input Capacitance	$V_{CC} = 5.0V, V_{IN} = 2.0V$ $T_A = 25^\circ C, 1 \text{ MHz}$		4.0			4.0		pF
$C_O$	Output Capacitance	$V_{CC} = 5.0V, V_O = 2.0V$ $T_A = 25^\circ C, 1 \text{ MHz}, \text{Outputs Off}$		6.0			6.0		pF
$I_{CC}$	Power Supply Current	$V_{CC} = \text{Max}, \text{Input Grounded}$ All Outputs Open		100	140		100	140	mA
$I_{OS}$	Short Circuit Output Current	$V_O = 0V, V_{CC} = \text{Max}$ (Note 2)	-20		-70	-20		-70	mA
$I_{OZ}$	Output Leakage (TRI-STATE)	$V_{CC} = \text{Max}, V_O = 0.45V \text{ to } 2.4V$ Chip Disabled			+50			+50	$\mu A$
					-50			-50	$\mu A$
$V_{OH}$	Output Voltage High	$I_{OH} = -2.0 \text{ mA}$	2.4	3.2					V
		$I_{OH} = -6.5 \text{ mA}$				2.4	3.2		V

**Note 1:** These limits apply over the entire operating range unless stated otherwise. All typical values are for  $V_{CC} = 5.0V$  and  $T_A = 25^\circ C$ .

**Note 2:** During  $I_{OS}$  measurement, only one output at a time should be grounded. Permanent damage may otherwise result.

**AC Electrical Characteristics** with Standard Load and Operating Conditions**COMMERCIAL TEMP RANGE** (0°C to +70°C)

Symbol	JEDEC Symbol	Parameter	DM74S573			DM74S573A			DM74S573B			Units
			Min	Typ	Max	Min	Typ	Max	Min	Typ	Max	
TAA	TAVQV	Address Access Time		40	60		25	45		25	35	ns
TEA	TEVQV	Enable Access Time		20	35		15	25		15	25	ns
TER	TEXQX	Enable Recovery Time		20	35		15	25		15	25	ns
TZX	TEVQX	Output Enable Time		20	35		15	25		15	25	ns
TXZ	TEXQZ	Output Disable Time		20	35		15	25		15	25	ns

**MILITARY TEMP RANGE** (-55°C to +125°C)

Symbol	JEDEC Symbol	Parameter	DM54S573			DM54S573A			DM54S573B			Units
			Min	Typ	Max	Min	Typ	Max	Min	Typ	Max	
TAA	TAVQV	Address Access Time		40	75		25	60		25	50	ns
TEA	TEVQV	Enable Access Time		20	45		15	35		15	35	ns
TER	TEXQX	Enable Recovery Time		20	45		15	35		15	35	ns
TZX	TEVQX	Output Enable Time		20	45		15	35		15	35	ns
TXZ	TEXQZ	Output Disable Time		20	45		15	35		15	35	ns

**Functional Description****TESTABILITY**

The Schottky PROM die includes extra rows and columns of fusible links for testing the programmability of each chip. These test fuses are placed at the worst-case chip locations to provide the highest possible confidence in the programming tests in the final product. A ROM pattern is also permanently fixed in the additional circuitry and coded to provide a parity check of input address levels. These and other test circuits are used to test for correct operation of the row and column-select circuits and functionality of input and enable gates. All test circuits are available at both wafer and assembled device levels to allow 100% functional and parametric testing at every stage of the test flow.

**RELIABILITY**

As with all National products, the Ti-W PROMs are subjected to an on-going reliability evaluation by the Reliability Assurance Department. These evaluations employ accelerated life tests, including dynamic high-temperature operating life, temperature-humidity life, temperature cycling, and thermal shock. To date, nearly 7.4 million Schottky Ti-W PROM device hours have been logged, with samples in Epoxy B molded DIP (N-package), PLCC (V-package) and Cerdip (J-package). Device performance in all package configurations is excellent.

**TITANIUM-TUNGSTEN FUSES**

National's Programmable Read-Only Memories (PROMs) feature titanium-tungsten (Ti-W) fuse links designed to program efficiently with only 10.5V applied. The high performance and reliability of these PROMs are the result of fabrication by a Schottky bipolar process, of which the titanium-tungsten metallization is an integral part, and the use of an on-chip programming circuit.

A major advantage of the titanium-tungsten fuse technology is the low programming voltage of the fuse links. At 10.5V, this virtually eliminates the need for guard-ring devices and wide spacings required for other fuse technologies. Care is taken, however, to minimize voltage drops across the die and to reduce parasitics. The device is designed to ensure that worst-case fuse operating current is low enough for reliable long-term operation. The Darlington programming circuit is liberally designed to insure adequate power density for blowing the fuse links. The complete circuit design is optimized to provide high performance over the entire operating ranges of  $V_{CC}$  and temperature.



# DM77/87S180, DM77/87S280 (1024 x 8) 8192-Bit TTL PROMs

## General Description

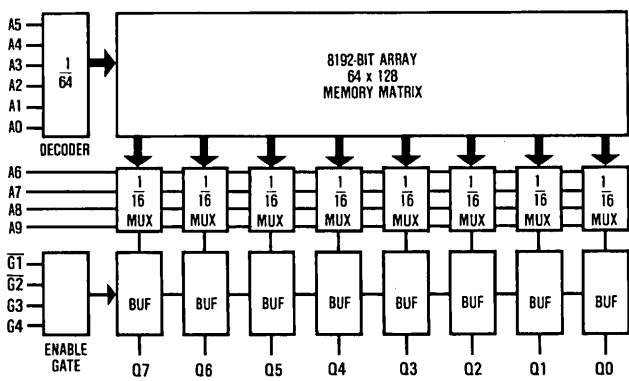
These Schottky memories are organized in the popular 1024 words by 8 bits configuration. Memory enable inputs are provided to control the output states. When the device is enabled, the outputs represent the contents of the selected word. When disabled, the 8 outputs go to the "OFF" or high impedance state.

PROMs are shipped from the factory with lows in all locations. A high may be programmed into any selected location by following the programming instructions.

## Features

- Advanced titanium-tungsten (Ti-W) fuses
- Schottky-clamped for high speed
  - Address access—55 ns max
  - Enable access—30 ns max
  - Enable recovery—30 ns max
- PNP inputs for reduced input loading
- All DC and AC parameters guaranteed over temperature
- Low voltage TRI-SAFET™ programming
- Open-collector outputs

## Block Diagram



Pin Names

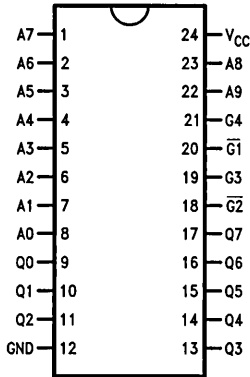
A0-A9	Addresses
G1, G2, G3, G4	Output Enables
GND	Ground
Q0-Q7	Outputs
V <sub>CC</sub>	Power Supply

TL/D/9716-1



# Connection Diagrams

Dual-In-Line-Package



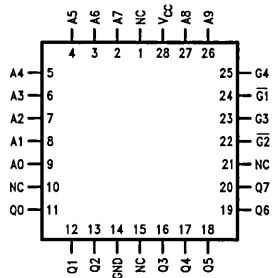
Top View

TL/D/9716-2

Order Number DM77/87S180J, 280J  
DM87S180N, 280N

See NS Package Number J24A, J24F, N24A or N24C

Plastic Leaded Chip Carrier (PLCC)



Top View

TL/D/9716-3

Order Number DM87S180V  
See NS Package Number V28A

## Ordering Information

Commercial Temp Range (0°C to +70°C)

Parameter/Order Number	24-Pin Standard DIP	24-Pin Narrow DIP	Max Access Time (ns)
DM87S180J	X		55
DM87S180N	X		55
DM87S180V	X		55
DM87S280J		X	55
DM87S280N		X	55

Military Temp Range (-55°C to +125°C)

Parameter/Order Number	24-Pin Standard DIP	24-Pin Narrow DIP	Max Access Time (ns)
DM77S180J	X		75
DM77S280J		X	75

**Absolute Maximum Ratings** (Note 1)

If Military/Aerospace specified devices are required, please contact the National Semiconductor Sales Office/Distributors for availability and specifications.

Supply Voltage (Note 2)	-0.5V to +7.0V
Input Voltage (Note 2)	-1.2V to +5.5V
Output Voltage (Note 2)	-0.5V to +5.5V
Storage Temperature	-65°C to +150°C
Lead Temp. (Soldering, 10 seconds)	300°C

ESD to be determined

**Note 1:** Absolute maximum ratings are those values beyond which the device may be permanently damaged. They do not mean that the device may be operated at these values.

**Note 2:** These limits do not apply during programming. For the programming ratings, refer to the programming instructions.

**Operating Conditions**

	Min	Max	Units
Supply Voltage ( $V_{CC}$ )			
Military	4.50	5.50	V
Commercial	4.75	5.25	V
Ambient Temperature ( $T_A$ )			
Military	-55	+125	°C
Commercial	0	+70	°C
Logical "0" Input Voltage	0	0.8	V
Logical "1" Input Voltage	2.0	5.5	V

**DC Electrical Characteristics** (Note 1)

Symbol	Parameter	Conditions	DM77S180 DM77S280			DM87S180 DM87S280			Units
			Min	Typ	Max	Min	Typ	Max	
$I_{IL}$	Input Load Current	$V_{CC} = \text{Max}, V_{IN} = 0.45V$		-80	-250		-80	-250	$\mu A$
$I_{IH}$	Input Leakage Current	$V_{CC} = \text{Max}, V_{IN} = 2.7V$			25			25	$\mu A$
		$V_{CC} = \text{Max}, V_{IN} = 5.5V$			1.0			1.0	mA
$V_{OL}$	Low Level Output Voltage	$V_{CC} = \text{Min}, I_{OL} = 16 \text{ mA}$		0.35	0.50		0.35	0.45	V
$V_{IL}$	Low Level Input Voltage				0.80			0.80	V
$V_{IH}$	High Level Input Voltage		2.0			2.0			V
$I_{OZ}$	Output Leakage Current (Open-Collector Only)	$V_{CC} = \text{Max}, V_{CEX} = 2.4V$			50			50	$\mu A$
		$V_{CC} = \text{Max}, V_{CEX} = 5.5V$			100			100	$\mu A$
$V_C$	Input Clamp Voltage	$V_{CC} = \text{Min}, I_{IN} = -18 \text{ mA}$		-0.8	-1.2		-0.8	-1.2	V
$C_i$	Input Capacitance	$V_{CC} = 5.0V, V_{IN} = 2.0V$ $T_A = 25^\circ C, 1 \text{ MHz}$		4.0			4.0		pF
$C_o$	Output Capacitance	$V_{CC} = 5.0V, V_O = 2.0V$ $T_A = 25^\circ C, 1 \text{ MHz}, \text{Outputs Off}$		6.0			6.0		pF
$I_{CC}$	Power Supply Current	$V_{CC} = \text{Max}, \text{Input Grounded}$ All Outputs Open		115	170		115	170	mA

**Note 1:** These limits apply over the entire operating range unless stated otherwise. All typical values are for  $V_{CC} = 5.0V$  and  $T_A = 25^\circ C$ .

**AC Electrical Characteristics** with Standard Load and Operating Conditions

COMMERCIAL TEMP RANGE (0°C to +70°C)

Symbol	JEDEC Symbol	Parameter	DM87S180 DM87S280			Units
			Min	Typ	Max	
TAA	TAVQV	Address Access Time		40	55	ns
TEA	TEVQV	Enable Access Time		15	30	ns
TER	TEXQX	Enable Recovery Time		15	30	ns

MILITARY TEMP RANGE (-55°C to +125°C)

Symbol	JEDEC Symbol	Parameter	DM77S180 DM77S280			Units
			Min	Typ	Max	
TAA	TAVQV	Address Access Time		40	75	ns
TEA	TEVQV	Enable Access Time		15	35	ns
TER	TEXQX	Enable Recovery Time		15	35	ns

**Functional Description****TESTABILITY**

The Schottky PROM die includes extra rows and columns of fusible links for testing the programmability of each chip. These test fuses are placed at the worst-case chip locations to provide the highest possible confidence in the programming tests in the final product. A ROM pattern is also permanently fixed in the additional circuitry and coded to provide a parity check of input address levels. These and other test circuits are used to test for correct operation of the row and column-select circuits and functionality of input and enable gates. All test circuits are available at both wafer and assembled device levels to allow 100% functional and parametric testing at every stage of the test flow.

**RELIABILITY**

As with all National products, the Ti-W PROMs are subjected to an on-going reliability evaluation by the Reliability Assurance Department. These evaluations employ accelerated life tests, including dynamic high-temperature operating life, temperature-humidity life, temperature cycling, and thermal shock. To date, nearly 7.4 million Schottky Ti-W PROM device hours have been logged, with samples in Epoxy B molded DIP (N-package), PLCC (V-package) and CERDIP (J-package). Device performance in all package configurations is excellent.

**TITANIUM-TUNGSTEN FUSES**

National's Programmable Read-Only Memories (PROMs) feature titanium-tungsten (Ti-W) fuse links designed to program efficiently with only 10.5V applied. The high performance and reliability of these PROMs are the result of fabrication by a Schottky bipolar process, of which the titanium-tungsten metallization is an integral part, and the use of an on-chip programming circuit.

A major advantage of the titanium-tungsten fuse technology is the low programming voltage of the fuse links. At 10.5V, this virtually eliminates the need for guard-ring devices and wide spacings required for other fuse technologies. Care is taken, however, to minimize voltage drops across the die and to reduce parasitics. The device is designed to ensure that worst-case fuse operating current is low enough for reliable long-term operation. The Darlington programming circuit is liberally designed to insure adequate power density for blowing the fuse links. The complete circuit design is optimized to provide high performance over the entire operating ranges of  $V_{CC}$  and temperature.



## DM77/87S181, DM77/87S281 (1024 x 8) 8192-Bit TTL PROMs

### General Description

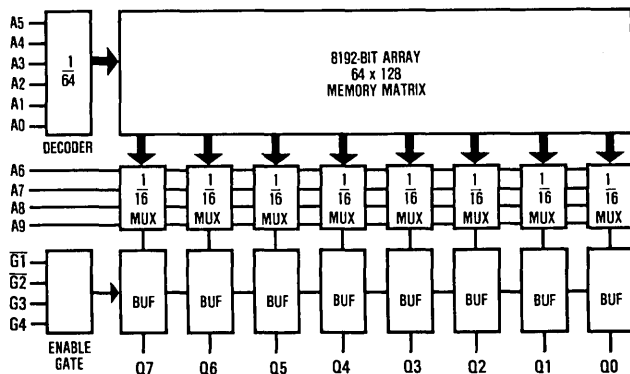
These Schottky memories are organized in the popular 1024 words by 8 bits configuration. Memory enable inputs are provided to control the output states. When the device is enabled, the outputs represent the contents of the selected word. When disabled, the 8 outputs go to the "OFF" or high impedance state.

PROMs are shipped from the factory with lows in all locations. A high may be programmed into any selected location by following the programming instructions.

### Features

- Advanced titanium-tungsten (Ti-W) fuses
- Schottky-clamped for high speed
  - Address access—45 ns max
  - Enable access—30 ns max
  - Enable recovery—30 ns max
- PNP inputs for reduced input loading
- All DC and AC parameters guaranteed over temperature
- Low voltage TRI-SAFETM programming
- TRI-STATE® outputs

### Block Diagram



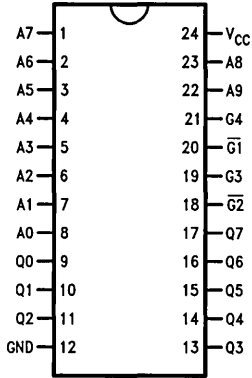
TL/D/9194-1

#### Pin Names

A0-A9	Addresses
$\overline{G1}$ , $\overline{G2}$ , G3, G4	Output Enables
GND	Ground
Q0-Q7	Outputs
Vcc	Power Supply

## Connection Diagrams

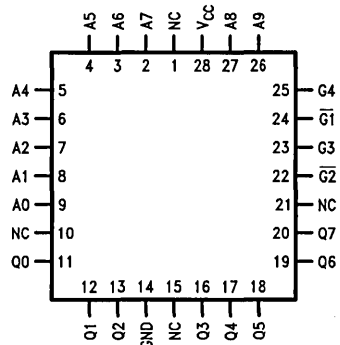
Dual-In-Line Package



Top View

TL/D/9194-2

Plastic Leaded Chip Carrier (PLCC)



Top View

TL/D/9194-3

Order Number DM77/87S181J, 281J, 181AJ, 281AJ,  
DM87S181N, 281N, 181AN, 281AN  
See NS Package Number J24A, J24F, N24A or N24C

Order Number DM87S181V  
See NS Package Number V28A

## Ordering Information

Commercial Temp Range (0°C to +70°C)

Parameter/Order Number	24-Pin Standard DIP	24-Pin Narrow DIP	Max Access Time (ns)
DM87S181AJ	X		45
DM87S181J	X		55
DM87S181AN	X		45
DM87S181N	X		55
DM87S181V	X		55
DM87S281AJ		X	45
DM87S281J		X	55
DM87S281AN		X	45
DM87S281N		X	55

Military Temp Range (-55°C to +125°C)

Parameter/Order Number	24-Pin Standard DIP	24-Pin Narrow DIP	Max Access Time (ns)
DM77S181AJ	X		65
DM77S181J	X		75
DM77S281AJ		X	65
DM77S281J		X	75

### Absolute Maximum Ratings (Note 1)

If Military/Aerospace specified devices are required, please contact the National Semiconductor Sales Office/Distributors for availability and specifications.

Supply Voltage (Note 2)	-0.5V to +7.0V
Input Voltage (Note 2)	-1.2V to +5.5V
Output Voltage (Note 2)	-0.5V to +5.5V
Storage Temperature	-65°C to +150°C
Lead Temp. (Soldering, 10 seconds)	300°C

ESD to be determined.

**Note 1:** Absolute maximum ratings are those values beyond which the device may be permanently damaged. They do not mean that the device may be operated at these values.

**Note 2:** These limits do not apply during programming. For the programming ratings, refer to the programming instructions.

### Operating Conditions

	Min	Max	Units
Supply Voltage ( $V_{CC}$ )			
Military	4.50	5.50	V
Commercial	4.75	5.25	V
Ambient Temperature ( $T_A$ )			
Military	-55	+125	°C
Commercial	0	+70	°C
Logical "0" Input Voltage	0	0.8	V
Logical "1" Input Voltage	2.0	5.5	V

### DC Electrical Characteristics (Note 1)

Symbol	Parameter	Conditions	DM77S181 DM77S281			DM87S181 DM87S281			Units
			Min	Typ	Max	Min	Typ	Max	
$I_{IL}$	Input Load Current	$V_{CC} = \text{Max}, V_{IN} = 0.45V$		-80	-250		-80	-250	$\mu A$
$I_{IH}$	Input Leakage Current	$V_{CC} = \text{Max}, V_{IN} = 2.7V$			25			25	$\mu A$
		$V_{CC} = \text{Max}, V_{IN} = 5.5V$			1.0			1.0	mA
$V_{OL}$	Low Level Output Voltage	$V_{CC} = \text{Min}, I_{OL} = 16 \text{ mA}$		0.35	0.50		0.35	0.45	V
$V_{IL}$	Low Level Input Voltage				0.80			0.80	V
$V_{IH}$	High Level Input Voltage		2.0			2.0			V
$V_C$	Input Clamp Voltage	$V_{CC} = \text{Min}, I_{IN} = -18 \text{ mA}$		-0.8	-1.2		-0.8	-1.2	V
$C_I$	Input Capacitance	$V_{CC} = 5.0V, V_{IN} = 2.0V$ $T_A = 25^\circ C, 1 \text{ MHz}$		4.0			4.0		pF
$C_O$	Output Capacitance	$V_{CC} = 5.0V, V_O = 2.0V$ $T_A = 25^\circ C, 1 \text{ MHz}, \text{Outputs Off}$		6.0			6.0		pF
$I_{CC}$	Power Supply Current	$V_{CC} = \text{Max}, \text{Input Grounded}$ All Outputs Open		115	170		115	170	mA
$I_{OS}$	Short Circuit Output Current	$V_O = 0V, V_{CC} = \text{Max}$ (Note 2)	-20		-70	-20		-70	mA
$I_{OZ}$	Output Leakage (TRI-STATE)	$V_{CC} = \text{Max}, V_O = 0.45V \text{ to } 2.4V$ Chip Disabled			+50			+50	$\mu A$
					-50			-50	$\mu A$
$V_{OH}$	Output Voltage High	$I_{OH} = -2.0 \text{ mA}$	2.4	3.2					V
		$I_{OH} = -6.5 \text{ mA}$				2.4	3.2		V

**Note 1:** These limits apply over the entire operating range unless stated otherwise. All typical values are for  $V_{CC} = 5.0V$  and  $T_A = 25^\circ C$ .

**Note 2:** During  $I_{OS}$  measurement, only one output at a time should be grounded. Permanent damage may otherwise result.

**AC Electrical Characteristics** with Standard Load and Operating Conditions

COMMERCIAL TEMP RANGE (0°C to +70°C)

Symbol	JEDEC Symbol	Parameter	DM87S181 DM87S281			DM87S181A DM87S281A			Units
			Min	Typ	Max	Min	Typ	Max	
TAA	TAVQV	Address Access Time		40	55		35	45	ns
TEA	TEVQV	Enable Access Time		15	30		15	30	ns
TER	TEXQX	Enable Recovery Time		15	30		15	30	ns
TZX	TEVQX	Output Enable Time		15	30		15	30	ns
TXZ	TEXQZ	Output Disable Time		15	30		15	30	ns

MILITARY TEMP RANGE (-55°C to +125°C)

Symbol	JEDEC Symbol	Parameter	DM77S181 DM77S281			DM77S181A DM77S281A			Units
			Min	Typ	Max	Min	Typ	Max	
TAA	TAVQV	Address Access Time		40	75		35	65	ns
TEA	TEVQV	Enable Access Time		15	35		15	35	ns
TER	TEXQX	Enable Recovery Time		15	35		15	35	ns
TZX	TEVQX	Output Enable Time		15	35		15	35	ns
TXZ	TEXQZ	Output Disable Time		15	35		15	35	ns

**Functional Description****TESTABILITY**

The Schottky PROM die includes extra rows and columns of fusible links for testing the programmability of each chip. These test fuses are placed at the worst-case chip locations to provide the highest possible confidence in the programming tests in the final product. A ROM pattern is also permanently fixed in the additional circuitry and coded to provide a parity check of input address levels. These and other test circuits are used to test for correct operation of the row and column-select circuits and functionality of input and enable gates. All test circuits are available at both wafer and assembled device levels to allow 100% functional and parametric testing at every stage of the test flow.

**RELIABILITY**

As with all National products, the Ti-W PROMs are subjected to an on-going reliability evaluation by the Reliability Assurance Department. These evaluations employ accelerated life tests, including dynamic high-temperature operating life, temperature-humidity life, temperature cycling, and thermal shock. To date, nearly 7.4 million Schottky Ti-W PROM device hours have been logged, with samples in Epoxy B molded DIP (N-package), PLCC (V-package) and CERDIP (J-package). Device performance in all package configurations is excellent.

**TITANIUM-TUNGSTEN FUSES**

National's Programmable Read-Only Memories (PROMs) feature titanium-tungsten (Ti-W) fuse links designed to program efficiently with only 10.5V applied. The high performance and reliability of these PROMs are the result of fabrication by a Schottky bipolar process, of which the titanium-tungsten metallization is an integral part, and the use of an on-chip programming circuit.

A major advantage of the titanium-tungsten fuse technology is the low programming voltage of the fuse links. At 10.5V, this virtually eliminates the need for guard-ring devices and wide spacings required for other fuse technologies. Care is taken, however, to minimize voltage drops across the die and to reduce parasitics. The device is designed to ensure that worst-case fuse operating current is low enough for reliable long-term operation. The Darlington programming circuit is liberally designed to insure adequate power density for blowing the fuse links. The complete circuit design is optimized to provide high performance over the entire operating ranges of  $V_{CC}$  and temperature.



## DM77/87S184 (2048 x 4) 8192-Bit TTL PROM

### General Description

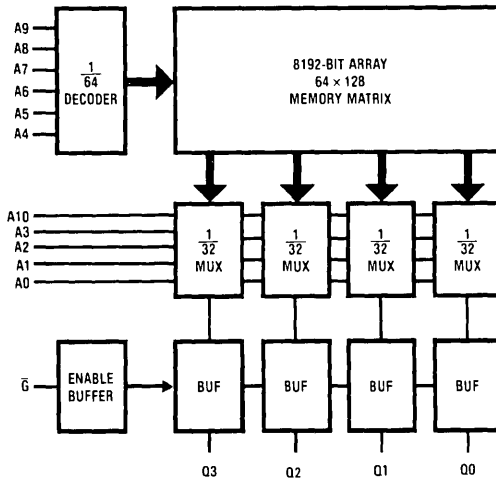
This Schottky memory is organized in the popular 2048 words by 4 bits configuration. A memory enable input is provided to control the output states. When the device is enabled, the outputs represent the contents of the selected word. When disabled, the 4 outputs go to the "OFF" or high impedance state.

PROMs are shipped from the factory with lows in all locations. A high may be programmed into any selected location by following the programming instructions.

### Features

- Advanced titanium-tungsten (Ti-W) fuses
- Schottky-clamped for high speed
  - Address access—55 ns max
  - Enable access—25 ns max
  - Enable recovery—25 ns max
- PNP inputs for reduced input loading
- All DC and AC parameters guaranteed over temperature
- Low voltage TRI-SAFETM programming
- Open-collector outputs

### Block Diagram



Pin Names

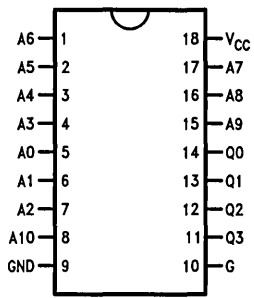
A0–A10	Addresses
$\bar{G}$	Output Enable
GND	Ground
Q0–Q3	Outputs
V <sub>CC</sub>	Power Supply

TL/D/9717-1



## Connection Diagrams

**Dual-In-Line Package**

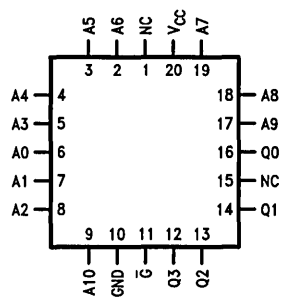


**Top View**

Order Number DM77/87S184J,  
184AJ or DM87S184N, 184AN  
See NS Package Number J18A or N18A

TL/D/9717-2

**Plastic Leaded Chip Carrier (PLCC)**



**Top View**

Order Number DM87S184V, 184AV  
See NS Package Number V20A

TL/D/9717-3

## Ordering Information

**Commercial Temp Range (0°C to +70°C)**

Parameter/Order Number	Max Acces Time (ns)
DM87S184AN	45
DM87S184N	55
DM87S184AJ	45
DM87S184J	55
DM87S184AV	45
DM87S184V	55

**Military Temp Range (-55°C to +125°C)**

Parameter/Order Number	Max Acces Time (ns)
DM77S184J	70
DM77S184AJ	60

**Absolute Maximum Ratings** (Note 1)

If Military/Aerospace specified devices are required, please contact the National Semiconductor Sales Office/Distributors for availability and specifications.

Supply Voltage (Note 2)	-0.5V to +7.0V
Input Voltage (Note 2)	-1.2V to +5.5V
Output Voltage (Note 2)	-0.5V to +5.5V
Storage Temperature	-65°C to +150°C
Lead Temp. (Soldering, 10 seconds)	300°C

ESD to be determined.

**Note 1:** Absolute maximum ratings are those values beyond which the device may be permanently damaged. They do not mean that the device may be operated at these values.

**Note 2:** These limits do not apply during programming. For the programming ratings, refer to the programming instructions.

**Operating Conditions**

	Min	Max	Units
Supply Voltage ( $V_{CC}$ )			
Military	4.50	5.50	V
Commercial	4.75	5.25	V
Ambient Temperature ( $T_A$ )			
Military	-55	+125	°C
Commercial	0	+70	°C
Logical "0" Input Voltage	0	0.8	V
Logical "1" Input Voltage	2.0	5.5	V

**DC Electrical Characteristics** (Note 1)

Symbol	Parameter	Conditions	DM77S184			DM87S184			Units
			Min	Typ	Max	Min	Typ	Max	
$I_{IL}$	Input Load Current	$V_{CC} = \text{Max}, V_{IN} = 0.45V$		-80	-250		-80	-250	$\mu A$
$I_{IH}$	Input Leakage Current	$V_{CC} = \text{Max}, V_{IN} = 2.7V$			26			25	$\mu A$
		$V_{CC} = \text{Max}, V_{IN} = 5.5V$			1.0			1.0	mA
$V_{OL}$	Low Level Output Voltage	$V_{CC} = \text{Min}, I_{OL} = 16 \text{ mA}$		0.35	0.50		0.35	0.45	V
$V_{IL}$	Low Level Input Voltage				0.80			0.80	V
$V_{IH}$	High Level Input Voltage		2.0			2.0			V
$I_{OZ}$	Output Leakage Current (Open-Collector Only)	$V_{CC} = \text{Max}, V_{CEX} = 2.4V$			50			50	$\mu A$
		$V_{CC} = \text{Max}, V_{CEX} = 5.5V$			100			100	$\mu A$
$V_C$	Input Clamp Voltage	$V_{CC} = \text{Min}, I_{IN} = -18 \text{ mA}$		-0.8	-1.2		-0.8	-1.2	V
$C_i$	Input Capacitance	$V_{CC} = 5.0V, V_{IN} = 2.0V$ $T_A = 25^\circ C, 1 \text{ MHz}$		4.0			4.0		pF
$C_O$	Output Capacitance	$V_{CC} = 5.0V, V_O = 2.0V$ $T_A = 25^\circ C, 1 \text{ MHz}, \text{Outputs Off}$		6.0			6.0		pF
$I_{CC}$	Power Supply Current	$V_{CC} = \text{Max}, \text{Input Grounded}$ All Outputs Open		100	140		100	140	mA

**Note 1:** These limits apply over the entire operating range unless otherwise noted. All typical values are for  $V_{CC} = 5.0V$  and  $T_A = 25^\circ C$ .

**AC Electrical Characteristics** with Standard Load and Operating Conditions**COMMERCIAL TEMP RANGE (0°C to +70°C)**

Symbol	JEDEC Symbol	Parameter	DM87S184			DM87S184A			Units
			Min	Typ	Max	Min	Typ	Max	
TAA	TAVQV	Address Access Time		40	55		30	45	ns
TEA	TEVQV	Enable Access Time		15	25		15	25	ns
TER	TEXQX	Enable Recovery Time		15	25		15	25	ns

**MILITARY TEMP RANGE (-55°C to +125°C)**

Symbol	JEDEC Symbol	Parameter	DM77S184			DM77S184A			Units
			Min	Typ	Max	Min	Typ	Max	
TAA	TAVQV	Address Access Time		40	70		30	60	ns
TEA	TEVQV	Enable Access Time		15	30		15	30	ns
TER	TEXQX	Enable Recovery Time		15	30		15	30	ns

**Functional Description****TESTABILITY**

The Schottky PROM die includes extra rows and columns of fusible links for testing the programmability of each chip. These test fuses are placed at the worst-case chip locations to provide the highest possible confidence in the programming tests in the final product. A ROM pattern is also permanently fixed in the additional circuitry and coded to provide a parity check of input address levels. These and other test circuits are used to test for correct operation of the row and column-select circuits and functionality of input and enable gates. All test circuits are available at both wafer and assembled device levels to allow 100% functional and parametric testing at every stage of the test flow.

**RELIABILITY**

As with all National products, the Ti-W PROMs are subjected to an on-going reliability evaluation by the Reliability Assurance Department. These evaluations employ accelerated life tests, including dynamic high-temperature operating life, temperature-humidity life, temperature cycling, and thermal shock. To date, nearly 7.4 million Schottky Ti-W PROM device hours have been logged, with samples in Epoxy B molded DIP (N-package), PLCC (V-package) and CERDIP (J-package). Device performance in all package configurations is excellent.

**TITANIUM-TUNGSTEN FUSES**

National's Programmable Read-Only Memories (PROMs) feature titanium-tungsten (Ti-W) fuse links designed to program efficiently with only 10.5V applied. The high performance and reliability of these PROMs are the result of fabrication by a Schottky bipolar process, of which the titanium-tungsten metallization is an integral part, and the use of an on-chip programming circuit.

A major advantage of the titanium-tungsten fuse technology is the low programming voltage of the fuse links. At 10.5V, this virtually eliminates the need for guard-ring devices and wide spacings required for other fuse technologies. Care is taken, however, to minimize voltage drops across the die and to reduce parasitics. The device is designed to ensure that worst-case fuse operating current is low enough for reliable long-term operation. The Darlington programming circuit is liberally designed to insure adequate power density for blowing the fuse links. The complete circuit design is optimized to provide high performance over the entire operating ranges of  $V_{CC}$  and temperature.



## DM77/87S185 (2048 x 4) 8192-Bit TTL PROM

### General Description

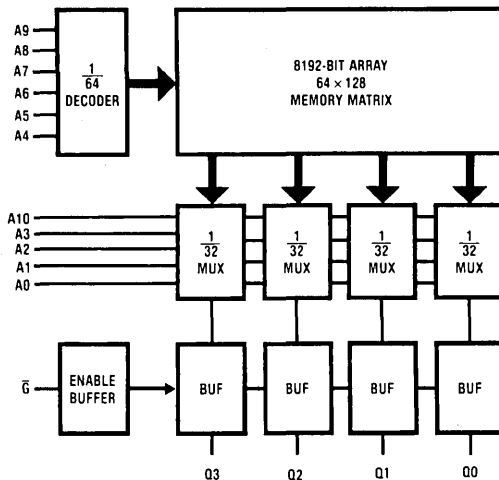
This Schottky memory is organized in the popular 2048 words by 4 bits configuration. A memory enable input is provided to control the output states. When the device is enabled, the outputs represent the contents of the selected word. When disabled, the 4 outputs go to the "OFF" or high impedance state.

PROMs are shipped from the factory with lows in all locations. A high may be programmed into any selected location by following the programming instructions.

### Features

- Advanced titanium-tungsten (Ti-W) fuses
- Schottky-clamped for high speed
  - Address access—35 ns max
  - Enable access—25 ns max
  - Enable recovery—25 ns max
- PNP inputs for reduced input loading
- All DC and AC parameters guaranteed over temperature
- Low voltage TRI-SAFE™ programming
- TRI-STATE® outputs

### Block Diagram



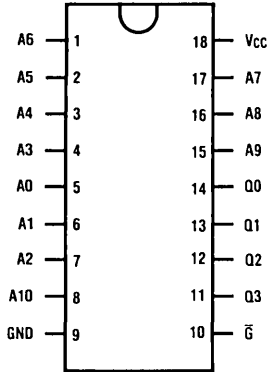
Pin Names

A0–A10	Addresses
$\bar{G}$	Output Enable
GND	Ground
Q0–Q3	Outputs
V <sub>CC</sub>	Power Supply

TL/D/9197-1

## Connection Diagrams

Dual-In-Line-Package

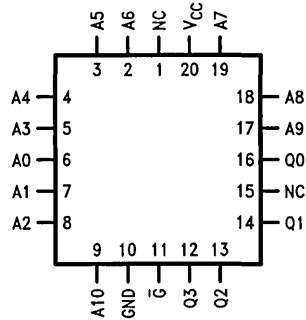


Top View

TL/D/9197-2

Order Number DM77/87S185J, 185AJ, 185BJ  
 DM87S185N, 185AN, 185BN  
 See NS Package Number J18A or N18A

Plastic Leaded Chip Carrier (PLCC)



Top View

TL/D/9197-3

Order Number DM87S185V, 185AV, 185BV  
 See NS Package Number V20A

## Ordering Information

Commercial Temp Range (0°C to +70°C)

Parameter/Order Number	Max Access Time (ns)
DM87S185AJ	45
DM87S185BJ	35
DM87S185J	55
DM87S185AN	45
DM87S185BN	35
DM87S185N	55
DM87S185AV	45
DM87S185BV	35
DM87S185V	55

Military Temp Range (-55°C to +125°C)

Parameter/Order Number	Max Access Time (ns)
DM77S185AJ	60
DM77S185BJ	50
DM77S185J	70

**Absolute Maximum Ratings** (Note 1)

If Military/Aerospace specified devices are required, please contact the National Semiconductor Sales Office/Distributors for availability and specifications.

Supply Voltage (Note 2)	-0.5V to +7.0V
Input Voltage (Note 2)	-1.2V to +5.5V
Output Voltage (Note 2)	-0.5V to +5.5V
Storage Temperature	-65°C to +150°C
Lead Temp. (Soldering, 10 seconds)	300°C

ESD to be determined

**Note 1:** Absolute maximum ratings are those values beyond which the device may be permanently damaged. They do not mean that the device may be operated at these values.

**Note 2:** These limits do not apply during programming. For the programming ratings, refer to the programming instructions.

**Operating Conditions**

	Min	Max	Units
Supply Voltage ( $V_{CC}$ )			
Military	4.50	5.50	V
Commercial	4.75	5.25	V
Ambient Temperature ( $T_A$ )			
Military	-55	+125	°C
Commercial	0	+70	°C
Logical "0" Input Voltage	0	0.8	V
Logical "1" Input Voltage	2.0	5.5	V

**DC Electrical Characteristics** (Note 1)

Symbol	Parameter	Conditions	DM77S185			DM87S185			Units
			Min	Typ	Max	Min	Typ	Max	
$I_{IL}$	Input Load Current	$V_{CC} = \text{Max}, V_{IN} = 0.45V$		-80	-250		-80	-250	$\mu A$
$I_{IH}$	Input Leakage Current	$V_{CC} = \text{Max}, V_{IN} = 2.7V$			25			25	$\mu A$
		$V_{CC} = \text{Max}, V_{IN} = 5.5V$			1.0			1.0	mA
$V_{OL}$	Low Level Output Voltage	$V_{CC} = \text{Min}, I_{OL} = 16 \text{ mA}$		0.35	0.50		0.35	0.45	V
$V_{IL}$	Low Level Input Voltage				0.80			0.80	V
$V_{IH}$	High Level Input Voltage		2.0			2.0			V
$V_C$	Input Clamp Voltage	$V_{CC} = \text{Min}, I_{IN} = -18 \text{ mA}$		-0.8	-1.2		-0.8	-1.2	V
$C_I$	Input Capacitance	$V_{CC} = 5.0V, V_{IN} = 2.0V$ $T_A = 25^\circ C, 1 \text{ MHz}$		4.0			4.0		pF
$C_O$	Output Capacitance	$V_{CC} = 5.0V, V_O = 2.0V$ $T_A = 25^\circ C, 1 \text{ MHz}, \text{Outputs Off}$		6.0			6.0		pF
$I_{CC}$	Power Supply Current	$V_{CC} = \text{Max}, \text{Input Grounded}$ All Outputs Open		100	140		100	140	mA
$I_{OS}$	Short Circuit Output Current	$V_O = 0V, V_{CC} = \text{Max}$ (Note 2)	-20		-70	-20		-70	mA
$I_{OZ}$	Output Leakage (TRI-STATE)	$V_{CC} = \text{Max}, V_O = 0.45V \text{ to } 2.4V$ Chip Disabled	-50		+50	-50		+50	$\mu A$
$V_{OH}$	Output Voltage High	$I_{OH} = -2.0 \text{ mA}$	2.4	3.2					V
		$I_{OH} = -6.5 \text{ mA}$				2.4	3.2		V

**Note 1:** These limits apply over the entire operating range unless otherwise noted. All typical values are for  $V_{CC} = 5.0V$  and  $T_A = 25^\circ C$ .

**Note 2:** During  $I_{OS}$  measurement, only one output at a time should be grounded. Permanent damage may otherwise result.

**AC Electrical Characteristics** with Standard Load and Operating Conditions**COMMERCIAL TEMP RANGE (0°C to +70°C)**

Symbol	JEDEC Symbol	Parameter	DM87S185			DM87S185A			DM87S185B			Units
			Min	Typ	Max	Min	Typ	Max	Min	Typ	Max	
TAA	TAVQV	Address Access Time		40	55		30	45		25	35	ns
TEA	TEVQV	Enable Access Time		15	25		15	25		15	25	ns
TER	TEXQX	Enable Recovery Time		15	25		15	25		15	25	ns
TZX	TEVQX	Output Enable Time		15	25		15	25		15	25	ns
TXZ	TEXQZ	Output Disable Time		15	25		15	25		15	25	ns

**MILITARY TEMP RANGE (-55°C to +125°C)**

Symbol	JEDEC Symbol	Parameter	DM77S185			DM77S185A			DM77S185B			Units
			Min	Typ	Max	Min	Typ	Max	Min	Typ	Max	
TAA	TAVQV	Address Access Time		40	70		30	60		25	50	ns
TEA	TEVQV	Enable Access Time		15	30		15	30		15	30	ns
TER	TEXQX	Enable Recovery Time		15	30		15	30		15	30	ns
TZX	TEVQX	Output Enable Time		15	30		15	30		15	30	ns
TXZ	TEXQZ	Output Disable Time		15	30		15	30		15	30	ns

**Functional Description****TESTABILITY**

The Schottky PROM die includes extra rows and columns of fusible links for testing the programmability of each chip. These test fuses are placed at the worst-case chip locations to provide the highest possible confidence in the programming tests in the final product. A ROM pattern is also permanently fixed in the additional circuitry and coded to provide a parity check of input address levels. These and other test circuits are used to test for correct operation of the row and column-select circuits and functionality of input and enable gates. All test circuits are available at both wafer and assembled device levels to allow 100% functional and parametric testing at every stage of the test flow.

**RELIABILITY**

As with all National products, the Ti-W PROMs are subjected to an on-going reliability evaluation by the Reliability Assurance Department. These evaluations employ accelerated life tests, including dynamic high-temperature operating life, temperature-humidity life, temperature cycling, and thermal shock. To date, nearly 7.4 million Schottky Ti-W PROM device hours have been logged, with samples in Epoxy B molded DIP (N-package), PLCC (V-package) and CERDIP (J-package). Device performance in all package configurations is excellent.

**TITANIUM-TUNGSTEN FUSES**

National's Programmable Read-Only Memories (PROMs) feature titanium-tungsten (Ti-W) fuse links designed to program efficiently with only 10.5V applied. The high performance and reliability of these PROMs are the result of fabrication by a Schottky bipolar process, of which the titanium-tungsten metallization is an integral part, and the use of an on-chip programming circuit.

A major advantage of the titanium-tungsten fuse technology is the low programming voltage of the fuse links. At 10.5V, this virtually eliminates the need for guard-ring devices and wide spacings required for other fuse technologies. Care is taken, however, to minimize voltage drops across the die and to reduce parasitics. The device is designed to ensure that worst-case fuse operating current is low enough for reliable long-term operation. The Darlington programming circuit is liberally designed to insure adequate power density for blowing the fuse links. The complete circuit design is optimized to provide high performance over the entire operating ranges of  $V_{CC}$  and temperature.



## DM77/87SR474 (512 x 8) 4k-Bit Registered TTL PROM

### General Description

The DM77/87SR474 is an electrically programmable Schottky TTL read-only memory with D-type, master-slave registers on-chip. This device is organized as 512 words by 8-bits and is available in the TRI-STATE® output version. Designed to optimize system performance, this device also substantially reduces the cost and size of pipelined micro-programmed systems and other designs wherein accessed PROM data is temporarily stored in a register. The DM77/87SR474 also offers maximal flexibility for memory expansion and data bus control by providing both synchronous and asynchronous output enables. All outputs will go into the "OFF" state if the synchronous chip enable ( $\overline{CS}$ ) is high before the rising edge of the clock, or if the asynchronous chip enable ( $\overline{G}$ ) is held high. The outputs are enabled when  $\overline{CS}$  is brought low before the rising edge of the clock and  $\overline{G}$  is held low. The  $\overline{CS}$  flip-flop is designed to power up to the "OFF" state with the application of  $V_{CC}$ .

Data is read from the PROM by first applying an address to inputs A0–A8. During the setup time the output of the array is loaded into the master flip-flop of the data register. During the rising edge (low to high transition) of the clock, the data is then transferred to the slave of the flip-flop and will appear on the output if the output is enabled. Following the rising edge clock transition the addresses and synchronous chip enable can be removed and the output data will remain stable.

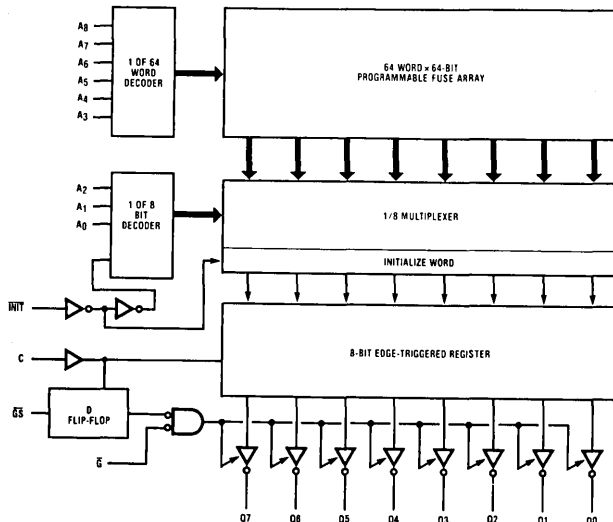
The DM77/87SR474 also features an initialize function,  $\overline{INIT}$ . The initialize function provides the user with an extra word of programmable memory which is accessed with single pin control by applying a low on  $\overline{INIT}$ . The initialize function is synchronous and is loaded into the output register on the next rising edge of the clock. The unprogrammed state of the  $\overline{INIT}$  is all lows, providing a CLEAR function when not programmed.

PROMs are shipped from the factory with lows in all locations. A high may be programmed into any selected location by following the programming instructions. Once programmed, it is impossible to go back to a low.

### Features

- On-chip, edge-triggered registers
- Synchronous and asynchronous enables for word expansion
- Programmable synchronous register INITIALIZE
- 24-pin, 300 mil thin-DIP package
- 35 ns address setup and 20 ns clock to output for maximum system speed
- Highly reliable, titanium tungsten fuses
- TRI-STATE outputs
- Low voltage TRI-SAFETM programming
- All parameters guaranteed over temperature
- Pinout compatible with DM77SR181 (1k x 8) Registered PROM for future expansion

### Block Diagram



Pin Names

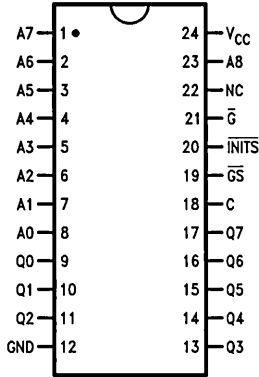
Pin Name	Function
A0–A8	Addresses
C	Clock
$\overline{G}$	Output Enable
GND	Ground
$\overline{CS}$	Synchronous Output Enable
$\overline{INIT}$	Initialize
NC	No Connection
Q0–Q7	Outputs
$V_{CC}$	Power Supply

TL/D/9201-1



## Connection Diagrams

Dual-In-Line-Package

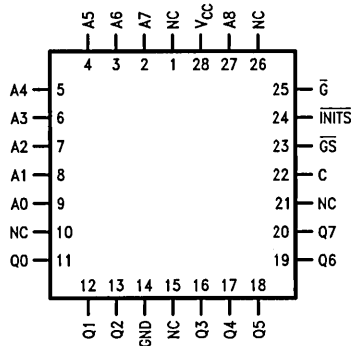


Top View

Order Number DM77/87SR474J, 474BJ  
 DM87SR474N, 474BN  
 See NS Package Number J24A or N24A

TL/D/9201-2

Plastic Chip Carrier (PLCC)



Top View

Order Number DM87SR474V, 474BV  
 See NS Package Number V28A

TL/D/9201-3

## Ordering Information

Commercial Temp Range (0°C to +70°C)

Parameter/Order Number	Min Address to CLK Setup Time (ns)
DM87SR474BJ	35
DM87SR474J	50
DM87SR474BN	35
DM87SR474N	50
DM87SR474BV	35
DM87SR474V	50

Military Temp Range (-55°C to +125°C)

Parameter/Order Number	Min Address to CLK Setup Time (ns)
DM77SR474BJ	40
DM77SR474J	55

**Absolute Maximum Ratings** (Note 1)

If Military/Aerospace specified devices are required, please contact the National Semiconductor Sales Office/Distributors for availability and specifications.

Supply Voltage (Note 2)	-0.5V to +7.0V
Input Voltage (Note 2)	-1.2V to +5.5V
Output Voltage (Note 2)	-0.5V to +5.5V
Storage Temperature	-65°C to +150°C
Lead Temp. (Soldering, 10 seconds)	300°C

ESD to be determined.

**Note 1:** Absolute maximum ratings are those values beyond which the device may be permanently damaged. They do not mean that the device may be operated at these values.

**Note 2:** These limits do not apply during programming. For the programming ratings, refer to the programming instructions.

**Operating Conditions**

	Min	Max	Units
Supply Voltage ( $V_{CC}$ )			
Military	4.50	5.50	V
Commercial	4.75	5.25	V
Ambient Temperature ( $T_A$ )			
Military	-55	+125	°C
Commercial	0	+70	°C
Logical "0" Input Voltage	0	0.8	V
Logical "1" Input Voltage	2.0	5.5	V

**DC Electrical Characteristics** (Note 1)

Symbol	Parameter	Conditions	DM77SR474			DM87SR474			Units
			Min	Typ	Max	Min	Typ	Max	
$I_{IL}$	Input Load Current	$V_{CC} = \text{Max}, V_{IN} = 0.45V$		-80	-250		-80	-250	$\mu A$
$I_{IH}$	Input Leakage Current	$V_{CC} = \text{Max}, V_{IN} = 2.7V$			25			25	$\mu A$
		$V_{CC} = \text{Max}, V_{IN} = 5.5V$			1.0			1.0	mA
$V_{OL}$	Low Level Output Voltage	$V_{CC} = \text{Min}, I_{OL} = 16 \text{ mA}$		0.35	0.50		0.35	0.45	V
$V_{IL}$	Low Level Input Voltage				0.80			0.80	V
$V_{IH}$	High Level Input Voltage		2.0			2.0			V
$V_C$	Input Clamp Voltage	$V_{CC} = \text{Min}, I_{IN} = -18 \text{ mA}$		-0.8	-1.2		-0.8	-1.2	V
$C_i$	Input Capacitance	$V_{CC} = 5.0V, V_{IN} = 2.0V$ $T_A = 25^\circ C, 1 \text{ MHz}$		4.0			4.0		pF
$C_o$	Output Capacitance	$V_{CC} = 5.0V, V_O = 2.0V$ $T_A = 25^\circ C, 1 \text{ MHz}, \text{Outputs Off}$		6.0			6.0		pF
$I_{CC}$	Power Supply Current	$V_{CC} = \text{Max}, \text{Inputs Grounded}$ All Outputs Open		135	185		135	185	mA
$I_{OS}$	Short Circuit Output Current	$V_O = 0V, V_{CC} = \text{Max}$ (Note 2)	-20		-70	-20		-70	mA
$I_{OZ}$	Output Leakage (TRI-STATE)	$V_{CC} = \text{Max}, V_O = 0.45V \text{ to } 2.4V$ Chip Disabled	-50		+50	-50		+50	$\mu A$
$V_{OH}$	Output Voltage High	$I_{OH} = -2.0 \text{ mA}$	2.4	3.2					V
		$I_{OH} = -6.5 \text{ mA}$				2.4	3.2		V

**Note 1:** These limits apply over the entire operating range unless stated otherwise. All typical values are for  $V_{CC} = 5.0V$  and  $T_A = 25^\circ C$ .

**Note 2:** During  $I_{OS}$  measurement, only one output at a time should be grounded. Permanent damage may otherwise result.

## Switching Characteristics

Symbol	Parameter		DM77SR474			DM87SR474			Units
			Min	Typ	Max	Min	Typ	Max	
$t_{S(A)}$	Address to C (High) Setup Time	SR474	55	20		50	20		ns
		SR474B	40	20		35	20		
$t_{H(A)}$	Address to C (High) Hold Time		0	-5		0	-5		ns
$t_{S(\overline{INITS})}$	$\overline{INITS}$ to C (High) Setup Time		30	20		25	20		ns
$t_{H(\overline{INITS})}$	$\overline{INITS}$ to C (High) Hold Time		0	-5		0	-5		ns
$t_{PHL(C)}$ $t_{PLH(C)}$	Delay from C (High) to Output (High or Low)	SR474		15	30		15	27	ns
		SR474B		15	25		15	20	
$t_{WH(C)}$ $t_{WL(C)}$	C Width (High or Low)		25	13		20	13		ns
$t_{S(\overline{GS})}$	$\overline{GS}$ to C (High) Setup Time		10	0		10	0		ns
$t_{H(\overline{GS})}$	$\overline{GS}$ to C (High) Hold Time		5	0		5	0		ns
$t_{PZL(C)}$ $t_{PZH(C)}$	Delay from C (High) to Output Active (High or Low)			20	35		20	30	ns
$t_{PZL(\overline{G})}$ $t_{PZH(\overline{G})}$	Delay from $\overline{G}$ (Low) to Output Active (High or Low)			15	30		15	25	ns
$t_{PLZ(C)}$ $t_{PHZ(C)}$	Delay from C (High) to Output Inactive (TRI-STATE)			20	35		20	30	ns
$t_{PLZ(\overline{G})}$ $t_{PHZ(\overline{G})}$	Delay from $\overline{G}$ (Low) to Output Inactive (TRI-STATE)			15	30		15	25	ns

## Functional Description

### TESTABILITY

The Schottky PROM die includes extra rows and columns of fusible links for testing the programmability of each chip. These test fuses are placed at the worst-case chip locations to provide the highest possible confidence in the programming tests in the final product. A ROM pattern is also permanently fixed in the additional circuitry and coded to provide a parity check of input address levels. These and other test circuits are used to test for correct operation of the row and column-select circuits and functionality of input and enable gates. All test circuits are available at both wafer and assembled device levels to allow 100% functional and parametric testing at every stage of the test flow.

### RELIABILITY

As with all National products, the Ti-W PROMs are subjected to an on-going reliability evaluation by the Reliability Assurance Department. These evaluations employ accelerated life tests, including dynamic high-temperature operating life, temperature-humidity life, temperature cycling, and thermal shock. To date, nearly 7.4 million Schottky Ti-W PROM device hours have been logged, with samples in Epoxy B molded DIP (N-package), PLCC (V-package) and Cerdip (J-package). Device performance in all package configurations is excellent.

### TITANIUM-TUNGSTEN FUSES

National's Programmable Read-Only Memories (PROMs) feature titanium-tungsten (Ti-W) fuse links designed to program efficiently with only 10.5V applied. The high performance and reliability of these PROMs are the result of fabrication by a Schottky bipolar process, of which the titanium-tungsten metallization is an integral part, and the use of an on-chip programming circuit.

A major advantage of the titanium-tungsten fuse technology is the low programming voltage of the fuse links. At 10.5V, this virtually eliminates the need for guard-ring devices and wide spacings required for other fuse technologies. Care is taken, however, to minimize voltage drops across the die and to reduce parasitics. The device is designed to ensure that worst-case fuse operating current is low enough for reliable long-term operation. The Darlington programming circuit is liberally designed to insure adequate power density for blowing the fuse links. The complete circuit design is optimized to provide high performance over the entire operating ranges of  $V_{CC}$  and temperature.



## DM77/87SR476 (512 x 8) 4k-Bit Registered TTL PROM

### General Description

The DM77/87SR476 is an electrically programmable Schottky TTL read-only memory with D-type, master-slave registers on-chip. This device is organized as 512 words by 8-bits and is available in the TRI-STATE® output version. Designed to optimize system performance, this device also substantially reduces the cost and size of pipelined micro-programmed systems and other designs wherein accessed PROM data is temporarily stored in a register. The DM77/87SR476 also offers maximal flexibility for memory expansion and data bus control by providing both synchronous and asynchronous output enables. All outputs will go into the "OFF" state if the synchronous chip enable ( $\overline{CS}$ ) is high before the rising edge of the clock, or if the asynchronous chip enable ( $\overline{G}$ ) is held high. The outputs are enabled when  $\overline{CS}$  is brought low before the rising edge of the clock and  $\overline{G}$  is held low. The  $\overline{CS}$  flip-flop is designed to power up to the "OFF" state with the application of  $V_{CC}$ .

Data is read from the PROM by first applying an address to inputs A0–A8. During the setup time the output of the array is loaded into the master flip-flop of the data register. During the rising edge (low to high transition) of the clock, the data is then transferred to the slave of the flip-flop and will appear on the output if the output is enabled. Following the rising edge clock transition the addresses and synchronous chip enable can be removed and the output data will remain stable.

The DM77SR476 also features an initialize function,  $\overline{INIT}$ . The initialize function provides the user with an extra word

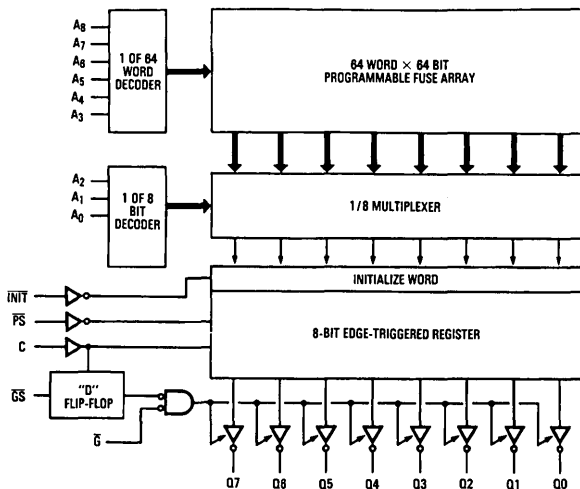
of programmable memory which is accessed with single pin control by applying a low on  $\overline{INIT}$ . The initialize function is asynchronous and is loaded into the output register when  $\overline{INIT}$  is brought low. The unprogrammed state of the  $\overline{INIT}$  is all lows  $\overline{PS}$  loads ones into the output registers when brought low.

PROMs are shipped from the factory with lows in all locations. A high may be programmed into any selected location by following the programming instructions. Once programmed, it is impossible to go back to a low.

### Features

- Functionally compatible with AM27S25
- On-chip, edge-triggered registers
- Synchronous and asynchronous enables for word expansion
- Programmable asynchronous INITIALIZE
- 24-pin, 300 mil thin-dip package
- 35 ns address setup and 20 ns clock to output for maximum system speed
- Highly reliable, titanium tungsten fuses
- TRI-STATE outputs
- Low voltage TRI-SAFE™ programming
- All parameter's guaranteed over temperature
- Preset input

### Block Diagram



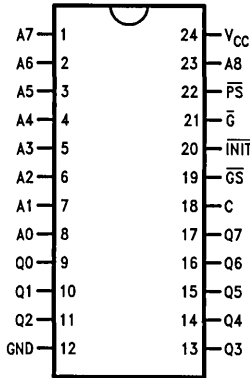
Pin Names

A0–A8	Addresses
C	Clock
$\overline{G}$	Output Enable
$\overline{CS}$	Synchronous Output Enable
$\overline{INIT}$	Initialize
$\overline{PS}$	Preset
Q0–Q7	Outputs
$V_{CC}$	Power Supply

TL/D/9202-1

## Connection Diagrams

Dual-In-Line Package

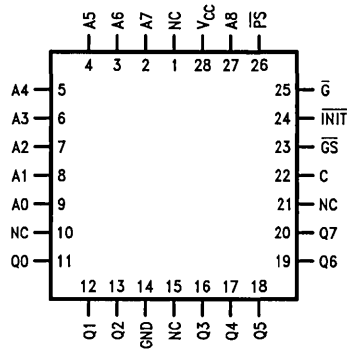


Top View

TL/D/9202-2

Order Number DM77/87SR476J, 476BJ,  
DM87SR476N or 476BN  
See NS Package Number J24A or N24A

Plastic Chip Carrier (PLCC)



Top View

TL/D/9202-3

Order Number DM87SR476V or 476BV  
See NS Package Number V28A

## Ordering Information

### Commercial Temp Range (0°C to +70°C)

Parameter/Order Number	Min Address to CLK Setup Time
DM87SR476BJ	35
DM87SR476J	50
DM87SR476BN	35
DM87SR476N	50
DM87SR476BV	35
DM87SR476V	50

### Military Temp Range (-55°C to +125°C)

Parameter/Order Number	Min Address to CLK Setup Time
DM77SR476BJ	40
DM77SR476J	55

**Absolute Maximum Ratings** (Note 1)

If Military/Aerospace specified devices are required, please contact the National Semiconductor Sales Office/Distributors for availability and specifications.

Supply Voltage (Note 2)	-0.5V to +7.0V
Input Voltage (Note 2)	-1.2V to +5.5V
Output Voltage (Note 2)	-0.5V to +5.5V
Storage Temperature	-65°C to +150°C
Lead Temperature (Soldering, 10 sec.)	300°C
ESD to be determined	

**Note 1:** Absolute Maximum Ratings are those values beyond which the device may be permanently damaged. They do not mean that the device may be operated at these values.

**Note 2:** These limits do not apply during programming. For the programming ratings, refer to the programming instructions.

**Operating Conditions**

	Min	Max	Units
Supply Voltage ( $V_{CC}$ )			
Military	4.50	5.50	V
Commercial	4.75	5.25	V
Ambient Temperature ( $T_A$ )			
Military	-55	+125	°C
Commercial	0	+70	°C
Logical "0" Input Voltage	0	0.8	V
Logical "1" Input Voltage	2.0	5.5	V

**DC Electrical Characteristics** (Note 1)

Symbol	Parameter	Conditions	DM77SR476, 476B			DM87SR476, 476B			Units
			Min	Typ	Max	Min	Typ	Max	
$I_{IL}$	Input Load Current	$V_{CC} = \text{Max}, V_{IN} = 0.45V$		-80	-250		-80	-250	$\mu A$
$I_{IH}$	Input Leakage Current	$V_{CC} = \text{Max}, V_{IN} = 2.7V$			25			25	$\mu A$
		$V_{CC} = \text{Max}, V_{IN} = 5.5V$			1.0			1.0	mA
$V_{OL}$	Low Level Output Voltage	$V_{CC} = \text{Min}, I_{OL} = 16 \text{ mA}$		0.35	0.50		0.35	0.45	V
$V_{IL}$	Low Level Input Voltage				0.80			0.80	V
$V_{IH}$	High Level Input Voltage		2.0			2.0			V
$V_C$	Input Clamp Voltage	$V_{CC} = \text{Min}, I_{IN} = -18 \text{ mA}$		-0.8	-1.2		-0.8	-1.2	V
$C_I$	Input Capacitance	$V_{CC} = 5.0, V_{IN} = 2.0V$ $T_A = 25^\circ C, 1 \text{ MHz}$		4.0			4.0		pF
$C_O$	Output Capacitance	$V_{CC} = 5.0V, V_O = 2.0V$ $T_A = 25^\circ C, 1 \text{ MHz}, \text{Outputs Off}$		6.0			6.0		pF
$I_{CC}$	Power Supply Current	$V_{CC} = \text{Max}, \text{Input Grounded}$ All Outputs Open		135	185		135	185	mA
$I_{OS}$	Short Circuit Output Current	$V_O = 0V, V_{CC} = \text{Max}$ (Note 2)	-20		-70	-20		-70	mA
$I_{OZ}$	Output Leakage (TRI-STATE)	$V_{CC} = \text{Max}, V_O = 0.45V \text{ to } 2.4V$ Chip Disabled	-50		+50	-50		+50	$\mu A$
$V_{OH}$	Output Voltage High	$I_{OH} = -2.0 \text{ mA}$	2.4	3.2					V
		$I_{OH} = -6.5 \text{ mA}$				2.4	3.2		V

**Note 1:** These limits apply over the entire operating range unless stated otherwise. All typical values are for  $V_{CC} = 5.0V$  and  $T_A = 25^\circ C$ .

**Note 2:** During  $I_{OS}$  measurements, only one output at a time should be grounded. Permanent damage may otherwise result.

## Switching Characteristics

Symbol	Parameter		DM77SR476, 476B			DM87SR476, 476B			Units
			Min	Typ	Max	Min	Typ	Max	
t <sub>SA</sub>	Address to C (High) Setup Time	SR476	55	20		50	20		ns
		SR476B	40	20		35	20		
t <sub>HA</sub>	Address to C (High) Hold Time		0	-5		0	-5		ns
t <sub>PHL(C)</sub> t <sub>PLH(C)</sub>	Delay from C (High) to Output (High or Low)	SR476		15	30		15	27	ns
		SR476B		15	25		15	20	
t <sub>WH(C)</sub> t <sub>WL(C)</sub>	C Width (High or Low)		25	13		20	13		ns
t <sub>S(<math>\overline{GS}</math>)</sub>	$\overline{GS}$ to C (High) Setup Time		10	0		10	0		ns
t <sub>H(<math>\overline{GS}</math>)</sub>	$\overline{GS}$ to C (High) Hold Time		5	0		5	0		ns
t <sub>PLH(<math>\overline{PS}</math>)</sub>	Delay from $\overline{PS}$ (Low) to Output (High)			20	40		20	30	ns
t <sub>PLH(<math>\overline{INIT}</math>)</sub> t <sub>PHL(<math>\overline{INIT}</math>)</sub>	Delay from $\overline{INIT}$ (Low) to Output (Low or High)			20	40		20	30	ns
t <sub>WL(<math>\overline{PS}</math>)</sub>	$\overline{PS}$ Pulse Width (Low)		15	10		15	10		ns
t <sub>WL(<math>\overline{INIT}</math>)</sub>	$\overline{INIT}$ Pulse Width (Low)		15	10		15	10		ns
t <sub>S(<math>\overline{PS}</math>)</sub>	$\overline{PS}$ Recovery (High) to C (High)		25	10		20	10		ns
t <sub>S(<math>\overline{INIT}</math>)</sub>	$\overline{INIT}$ Recovery (High) to C (High)		25	10		20	10		ns
t <sub>PZL(C)</sub> t <sub>PZH(C)</sub>	Delay from C (High) to Active Output (High or Low)			20	35		20	30	ns
t <sub>PZL(<math>\overline{G}</math>)</sub> t <sub>PZH(<math>\overline{G}</math>)</sub>	Delay from $\overline{G}$ (Low) to Active Output (High or Low)			15	30		15	25	ns
t <sub>PZL(C)</sub> t <sub>PHZ(C)</sub>	Delay from C (High) to Inactive Output (TRI-STATE)			20	35		20	30	ns
t <sub>PZL(<math>\overline{G}</math>)</sub> t <sub>PHZ(<math>\overline{G}</math>)</sub>	Delay from $\overline{G}$ (High) to Inactive Output (TRI-STATE)			15	30		15	25	ns

## Functional Description

### TESTABILITY

The Schottky PROM die includes extra rows and columns of fusible links for testing the programmability of each chip. These test fuses are placed at the worst-case chip locations to provide the highest possible confidence in the programming tests in the final product. A ROM pattern is also permanently fixed in the additional circuitry and coded to provide a parity check of input address levels. These and other test circuits are used to test for correct operation of the row and column-select circuits and functionality of input and enable gates. All test circuits are available at both wafer and assembled device levels to allow 100% functional and parametric testing at every stage of the test flow.

### RELIABILITY

As with all National products, the Ti-W PROMs are subjected to an on-going reliability evaluation by the Reliability Assurance Department. These evaluations employ accelerated life tests, including dynamic high-temperature operating life, temperature-humidity life, temperature cycling, and thermal shock. To date, nearly 7.4 million Schottky Ti-W PROM device hours have been logged, with samples in Epoxy B molded DIP (N-package), PLCC (V-package) and Cerdip (J-package). Device performance in all package configurations is excellent.

### TITANIUM-TUNGSTEN FUSES

National's Programmable Read-Only Memories (PROMs) feature titanium-tungsten (Ti-W) fuse links designed to program efficiently with only 10.5V applied. The high performance and reliability of these PROMs are the result of fabrication by a Schottky bipolar process, of which the titanium-tungsten metallization is an integral part, and the use of an on-chip programming circuit.

A major advantage of the titanium-tungsten fuse technology is the low programming voltage of the fuse links. At 10.5V, this virtually eliminates the need for guard-ring devices and wide spacings required for other fuse technologies. Care is taken, however, to minimize voltage drops across the die and to reduce parasitics. The device is designed to ensure that worst-case fuse operating current is low enough for reliable long-term operation. The Darlington programming circuit is liberally designed to insure adequate power density for blowing the fuse links. The complete circuit design is optimized to provide high performance over the entire operating ranges of V<sub>CC</sub> and temperature.



## DM77/87SR27 (512 x 8) 4k-Bit Registered TTL PROM

### General Description

The DM77/87SR27 is an electrically programmable Schottky TTL read-only memory with D-type, master-slave registers on-chip. This device is organized as 512 words by 8 bits and is available in the TRI-STATE® output version. Designed to optimize system performance, this device also substantially reduces the cost and size of pipelined micro-programmed systems and other designs wherein accessed PROM data is temporarily stored in a register. The DM77/87SR27 also offers maximal flexibility for memory expansion and data bus control by providing both synchronous and asynchronous output enables. All outputs will go into the "OFF" state if the synchronous chip enable ( $\overline{GS}$ ) is high before the rising edge of the clock, or if the asynchronous chip enable ( $\overline{G}$ ) is held high. The outputs are enabled when  $\overline{GS}$  is brought low before the rising edge of the clock and  $\overline{G}$  is held low. The  $\overline{GS}$  flip-flop is designed to power up to the "OFF" state with the application of  $V_{CC}$ .

Data is read from the PROM by first applying an address to inputs A0–A8. During the setup time the output of the array is loaded into the master flip-flop of the data register. During the rising edge (low to high transition) of the clock, the data is then transferred to the slave of the flip-flop and will appear on the output if the output is enabled. Following the

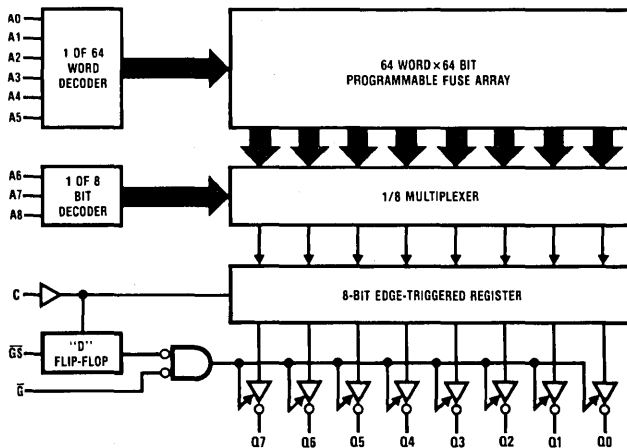
rising edge clock transition the addresses and synchronous chip enable can be removed and the output data will remain stable.

PROMs are shipped from the factory with lows in all locations. A high may be programmed into any selected location by following the programming instructions. Once programmed, it is impossible to go back to a low.

### Features

- Functionally compatible with Am27S27
- On-chip, edge-triggered registers
- Synchronous and asynchronous enables for word expansion
- 22-pin 400-mil thin-DIP package
- 35 ns address setup and 20 ns clock to output for maximum system speed
- Highly reliable, titanium tungsten fuses
- TRI-STATE outputs
- Low voltage TRI-SAFETM programming
- All parameters guaranteed over temperature

### Block Diagram



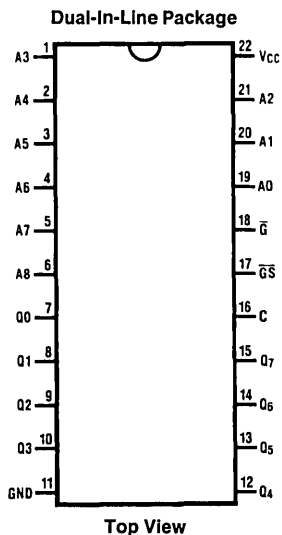
TL/D/6686-1

### Pin Names

A0–A8	Addresses
C	Clock
$\overline{G}$	Output Enable
GND	Ground
$\overline{GS}$	Synchronous Output Enable
Q0–Q7	Outputs
$V_{CC}$	Power Supply



## Connection Diagram



Order Number DM77/87SR27J, DM77/87SR27BJ,  
DM87SR27N or DM87SR27BN  
See NS Package Number J22A or N22A

## Ordering Information

**Commercial Temp Range (0°C to +70°C)**

Parameter/Order Number	Min Address to C Setup Time (ns)
DM87SR27BJ	35
DM87SR27J	50
DM87SR27BN	35
DM87SR27N	50

**Military Temp Range (-55°C to +125°C)**

Parameter/Order Number	Min Address to C Setup Time (ns)
DM77SR27BJ	40
DM77SR27J	55

## Absolute Maximum Ratings

If Military/Aerospace specified devices are required, please contact the National Semiconductor Sales Office/Distributors for availability and specifications.

Supply Voltage (Note 1)	-0.5V to +7.0V
Input Voltage (Note 1)	-1.2V to +5.5V
Output Voltage (Note 1)	-0.5V to +5.5V
Storage Temperature	-65°C to +150°C
Lead Temp. (Soldering, 10 sec.)	300°C
ESD rating to be determined.	

**Note:** Absolute maximum ratings indicate limits beyond which permanent damage may occur. Continuous operation at these limits is not intended; operations should be limited to those conditions specified under DC Electrical Characteristics.

## Operating Conditions

Supply Voltage ( $V_{CC}$ )	Military	4.5V to 5.5V
	Commercial	4.75V to 5.25V
Ambient Temperature ( $T_A$ )	Military	-55°C to +125°C
	Commercial	0°C to +70°C
Logical "0" Input Voltage		0V to 0.8V
Logical "1" Input Voltage		2.0V to 5.5V

## DC Electrical Characteristics $T_A = 25^\circ\text{C}$ , $V_{CC} = 5.0\text{V}$ unless otherwise specified

Symbol	Parameter	Test Conditions	DM77SR27			DM87SR27			Units
			Min	Typ	Max	Min	Typ	Max	
$I_{IL}$	Input Load Current	$V_{CC} = \text{Max}$ , $V_{IN} = 0.45\text{V}$		-80	-250		-80	-250	$\mu\text{A}$
$I_{IH}$	Input Leakage Current	$V_{CC} = \text{Max}$ , $V_{IN} = 2.7\text{V}$			25			25	$\mu\text{A}$
		$V_{CC} = \text{Max}$ , $V_{IN} = 5.5\text{V}$			1.0			1.0	$\text{mA}$
$V_{OL}$	Low Level Output Voltage	$V_{CC} = \text{Min}$ , $I_{OL} = 16\text{mA}$		0.35	0.50		0.35	0.45	V
$V_{IL}$	Low Level Input Voltage				0.80			0.80	V
$V_{IH}$	High Level Input Voltage		2.0			2.0			V
$V_C$	Input Clamp Voltage	$V_{CC} = \text{Min}$ , $I_{IN} = -18\text{mA}$		-0.8	-1.2		-0.8	-1.2	V
$C_I$	Input Capacitance	$V_{CC} = 5.0\text{V}$ , $V_{IN} = 2.0\text{V}$ $T_A = 25^\circ\text{C}$ , 1 MHz		4.0			4.0		$\text{pF}$
$C_O$	Output Capacitance	$V_{CC} = 5.0\text{V}$ , $V_O = 2.0\text{V}$ $T_A = 25^\circ\text{C}$ , 1 MHz, Outputs Off		6.0			6.0		$\text{pF}$
$I_{CC}$	Power Supply Current	$V_{CC} = \text{Max}$ , Inputs Grounded All Outputs Open		135	185		135	185	$\text{mA}$
$I_{OS}$	Short Circuit Output Current	$V_O = 0\text{V}$ , $V_{CC} = \text{Max}$ (Note 2)	-20		-70	-20		-70	$\text{mA}$
$I_{OZ}$	Output Leakage (TRI-STATE)	$V_{CC} = \text{Max}$ , $V_O = 0.45\text{V}$ to $2.4\text{V}$ Chip Disabled			+50			+50	$\mu\text{A}$
					-50			-50	$\mu\text{A}$
$V_{OH}$	Output Voltage High	$I_{OH} = -2.0\text{mA}$	2.4	3.2					V
		$I_{OH} = -6.5\text{mA}$				2.4	3.2		V

**Note 1:** These limits do not apply during programming. For the programming ratings, refer to the programming instructions.

**Note 2:** During  $I_{OS}$  measurement, only one output at a time should be grounded. Permanent damage may otherwise result.

## Switching Characteristics

Symbol	Parameter	DM77SR27			DM87SR27			Units	
		Min	Typ	Max	Min	Typ	Max		
$t_{S(A)}$	Address to C (High) Setup Time	SR27	55	20		50	20	ns	
		SR27B	40	20		35	20		
$t_{H(A)}$	Address to C (High) Hold Time		0	-5		0	-5	ns	
$t_{PHL(C)}$ $t_{PLH(C)}$	Delay from C (High) to Output (High or Low)	SR27		15	30		15	27	ns
		SR27B		15	25		15	20	
$t_{WH(C)}$ $t_{WL(C)}$	C Width (High or Low)		25	13		25	13	ns	
$t_{S(\overline{GS})}$	$\overline{GS}$ to C (High) Setup Time		10	0		10	0	ns	
$t_{H(\overline{GS})}$	$\overline{GS}$ to C (High) Hold Time		5	0		5	0	ns	
$t_{PZL(C)}$ $t_{PHZ(C)}$	Delay from C (High) to Active Output (High or Low)			20	35		20	30	ns
$t_{PZL(\overline{G})}$ $t_{PHZ(\overline{G})}$	Delay from $\overline{G}$ (Low) to Active Output (Low or High)			15	30		15	25	ns
$t_{PLZ(C)}$ $t_{PHZ(C)}$	Delay from C (High) to Inactive Output (TRI-STATE)			20	35		20	30	ns
$t_{PLZ(\overline{G})}$ $t_{PHZ(\overline{G})}$	Delay from $\overline{G}$ (High) to Inactive Output (TRI-STATE)			15	30		15	25	ns

## Programming Parameters

 Do not test or you may program the device

Symbol	Parameter	Test Conditions	Min	Recommended Value	Max	Units
$V_{CCP}$	Required $V_{CC}$ for Programming		10	10.5	11	V
$I_{CCP}$	$I_{CC}$ During Programming	$V_{CC} = 11V$			750	mA
$V_{OP}$	Required Output Voltage for Programming		10	10.5	11	V
$I_{OP}$	Output Current While Programming	$V_{OUT} = 11V$			20	mA
$I_{RR}$	Rate of Voltage Change of $V_{CC}$ or Output		1		10	V/ $\mu s$
$P_{WE}$	Programming Pulse Width (Enabled)		9	10	11	$\mu s$
$V_{CCVL}$	Required Low $V_{CC}$ for Verification		3.8	4	4.2	V
$V_{CCVH}$	Required High $V_{CC}$ for Verification		5.8	6	6.2	V
$M_{DC}$	Maximum Duty Cycle for $V_{CC}$ at $V_{CCP}$			25	25	%

## Functional Description

### TITANIUM-TUNGSTEN FUSES

National's Programmable Read-Only Memories (PROMs) feature titanium-tungsten (Ti-W) fuse links designed to program efficiently with only 10.5V applied. The high performance and reliability of these PROMs are the result of fabrication by a Schottky bipolar process, of which the titanium-tungsten metallization is an integral part, and the use of an on-chip programming circuit.

A major advantage of the titanium-tungsten fuse technology is the low programming voltage of the fuse links. At 10.5V, this virtually eliminates the need for guarding devices and

wide spacings required for other fuse technologies. Care is taken, however, to minimize voltage drops across the die and to reduce parasitics. The device is designed to ensure that worst-case fuse operating current is low enough for reliable long-term operation. The Darlington programming circuit is liberally designed to insure adequate power density for blowing the fuse links. The complete circuit design is optimized to provide high performance over the entire operating ranges of  $V_{CC}$  and temperature.

## Functional Description (Continued)

### TESTABILITY

The Schottky PROM die includes extra rows and columns of fusible links for testing the programmability of each chip. These test fuses are placed at the worst-case chip locations to provide the highest possible confidence in the programming tests in the final product. A ROM pattern is also permanently fixed in the additional circuitry and coded to provide a parity check of input address levels. These and other test circuits are used to test for correct operation of the row and column-select circuits and functionality of input and enable gates. All test circuits are available at both wafer and assembled device levels to allow 100% functional and parametric testing at every stage of the test flow.

### RELIABILITY

As with all National products, the Ti-W PROMs are subjected to an on-going reliability evaluation by the Reliability Assurance Department. These evaluations employ accelerated life tests, including dynamic high-temperature operating life, temperature-humidity life, temperature cycling, and thermal shock. To date, nearly 7.4 million Schottky Ti-W PROM device hours have been logged, with samples in Epoxy B molded DIP (N-package), PLCC (V-package) and CERPDP (J-package). Device performance in all package configurations is excellent.

## DM77/87SR27 Programming Procedure

National Schottky PROMs are shipped from the factory with all fuses intact. As a result, the outputs will be low (logical "0") for all addresses. To generate high (logical "1") levels at the outputs, the device must be programmed. Information regarding commercially available programming equipment may be obtained from National. If it is desired to build your own programmer, the following conditions must be observed.

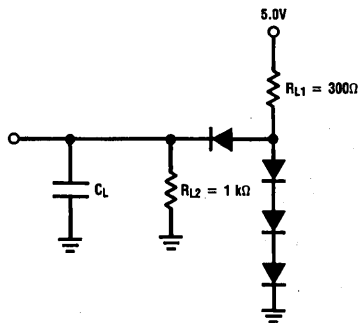
1. Programming should be attempted only at ambient temperatures between 15 and 30 degrees Celsius.
2. Address and Enable inputs must be driven with TTL logic levels during programming and verification.
3. Programming will occur at the selected address when  $V_{CC}$  is at 10.5V, and at the selected bit location when the output pin, representing that bit, is at 10.5V, and the device is subsequently enabled. To achieve these conditions in the appropriate sequence, the following procedures must be followed:

- a) Select the desired word by applying high or low levels to the appropriate address inputs. Disable the device by applying a high level to asynchronous chip Enable input  $\bar{G}$ . Synchronous chip Enable  $\bar{G}_S$  should be held low throughout the entire programming procedure.
- b) Increase  $V_{CC}$  from nominal 10.5V ( $\pm 0.5V$ ) with a slew rate between 1.0 V/ $\mu$ s and 10 V/ $\mu$ s. Since  $V_{CC}$  is the source of the current required to program the fuse as well as the  $I_{CC}$  for the device at the programming voltage, it must be capable of supplying 750 mA at 11V.

- c) Select the output where a logical high is desired by raising that output voltage to 10.5V ( $\pm 0.5V$ ). Limit the slew rate from 1.0 V/ $\mu$ s to 10 V/ $\mu$ s. This voltage may occur simultaneously with the increase in  $V_{CC}$ , but must not precede it. It is critical that only one output at a time be programmed since the internal circuits can only supply programming current to one bit at a time. Outputs not being programmed must be left open or connected to a high impedance source of 20 k $\Omega$  minimum. (Remember that the outputs of the device are disabled at this time.)
- d) Enable the device by taking the chip Enable  $\bar{G}$  to a low level. This is done with a pulse of 10  $\mu$ s. The 10  $\mu$ s duration refers to the time that the circuit (device) is enabled. Normal input levels are used and rise and fall times are not critical.
- e) Verify that the bit has been programmed by first removing the programming voltage from the output and then reducing  $V_{CC}$  to 4.0V ( $\pm 0.2V$ ) for one verification and to 6.0V ( $\pm 0.2V$ ) for a second verification. Verification at  $V_{CC}$  levels of 4.0V and 6.0V will guarantee proper output states over the  $V_{CC}$  and temperature range of the programmed part. Each data verification must be preceded by a positive going (low to high) clock edge to load the data from the array into the output register. The device must be Enabled to sense the state of the outputs. During verification, the loading of the output must be within specified  $I_{OL}$  and  $I_{OH}$  limits. Steps b, c, and d must be repeated up to 10 times or until verification that the bit has been programmed.
- f) Following verification, apply five additional programming pulses to the bit being programmed. The programming procedure is now complete for the selected bit.
- g) Repeat steps a through e for each bit to be programmed to a high level. If the procedure is performed on an automatic programmer, the duty cycle of  $V_{CC}$  at the programming voltage must be limited to a maximum of 25%. This is necessary to minimize device junction temperatures. After all selected bits are programmed, the entire contents of the memory should be verified.

**Note:** Since only an enable device is programmed, it is possible to program these parts at the board level if all programming parameters are complied with.

## AC Test Load



TL/D/6686-3

# DM77/87SR181 (1024 x 8) 8k-Bit Registered TTL PROM

## General Description

The DM77/87SR181 is an electrically programmable Schottky TTL read-only memory with D-type, master-slave registers on chip. This device is organized as 1024-words by 8-bits and is available in the TRI-STATE® output version. Designed to optimize system performance, this device also substantially reduces the cost and size of pipelined micro-programmed systems and other designs wherein accessed PROM data is temporarily stored in a register. The DM77/87SR181 also offers maximal flexibility for memory expansion and data bus control by providing both synchronous and asynchronous output enables. All outputs will go into the "OFF" state if the synchronous chip enable ( $\overline{GS}$ ) is high before the rising edge of the clock, or if the asynchronous chip enable ( $\overline{G}$ ) is held high. The outputs are enabled when  $\overline{GS}$  is brought low before the rising edge of the clock and  $\overline{G}$  is held low. The  $\overline{GS}$  flip-flop is designed to power up to the "OFF" state with the application of  $V_{CC}$ .

Data is read from the PROM by first applying an address to inputs A0-A9. During the setup time the output of the array is loaded into the master flip-flop of the data register. During the rising edge (low to high transition) of the clock, the data is then transferred to the slave of the flip-flop and will appear on the output if the output is enabled. Following the rising edge clock transition the addresses and synchronous chip enable can be removed and the output data will remain stable.

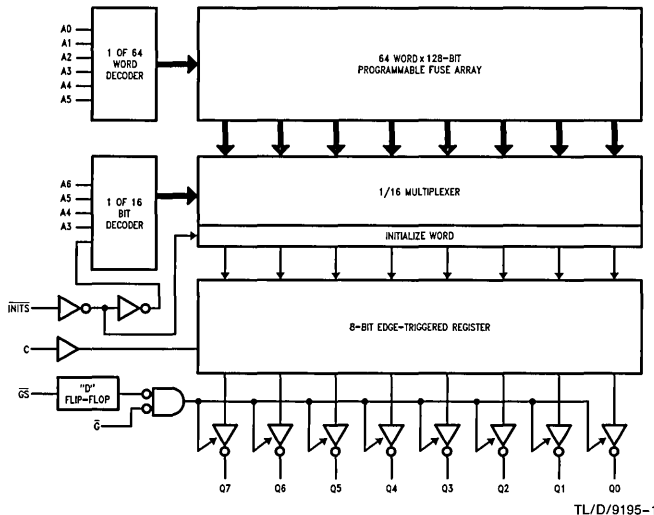
The DM77/87SR181 also features an initialize function  $\overline{INIT}$ . The initialize function provides the user with an extra word of programmable memory which is accessed with single pin control by applying a low on  $\overline{INIT}$ . The initialize function is synchronous and is loaded into the output register on the next rising edge of the clock. The unprogrammed state of the  $\overline{INIT}$  is all lows.

PROMs are shipped from the factory with lows in all locations. A high may be programmed into any selected location by following the programming instructions. Once programmed, it is impossible to go back to a low.

## Features

- On-chip, edge-triggered registers
- Synchronous and asynchronous enables for word expansion
- Programmable register initialize
- 24-pin, 300 mil package
- 40 ns address setup and 20 ns clock to output for maximum system speed
- Highly reliable, titanium tungsten fuses
- TRI-STATE outputs
- Low voltage TRI-SAFE™ programming
- All parameters guaranteed over temperature

## Block Diagram



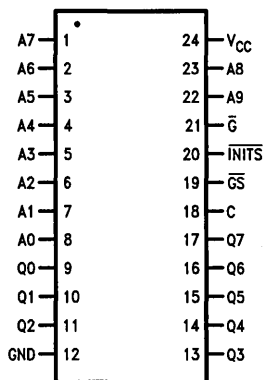
Pin Names

A0-A9	Addresses
C	Clock
$\overline{G}$	Output Enable
GND	Ground
$\overline{GS}$	Synchronous Output Enable
$\overline{INIT}$	Initialize
Q0-Q7	Outputs
$V_{CC}$	Power Supply

TL/D/9195-1

# Connection Diagrams

Dual-In-Line Package

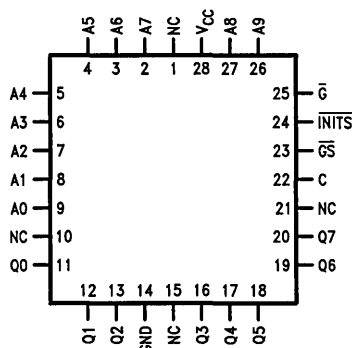


Top View

TL/D/9195-2

Order Number DM77/87SR181J or DM87SR181N  
See NS Package Number J24A or N24A

Plastic Leaded Chip Carrier (PLCC)



Top View

TL/D/9195-3

Order Number DM87SR181V  
See NS Package Number V28A

## Ordering Information

Commercial Temp Range (0°C to +70°C)

Parameter/Order Number
DM87SR181J
DM87SR181N
DM87SR181V

Military Temp Range (-55°C to +125°C)

Parameter/Order Number
DM77SR181J

### Absolute Maximum Ratings (Note 1)

If Military/Aerospace specified devices are required, please contact the National Semiconductor Sales Office/Distributors for availability and specifications.

Supply Voltage (Note 2)	-0.5V to +7.0V
Input Voltage (Note 2)	-1.2V to +5.5V
Output Voltage (Note 2)	-0.5V to +5.5V
Storage Temperature	-65°C to +150°C
Lead Temp. (Soldering, 10 seconds)	300°C

ESD rating to be determined.

**Note 1:** Absolute maximum ratings are those values beyond which the device may be permanently damaged. They do not mean that the device may be operated at those values.

**Note 2:** These limits do not apply during programming. For the programming settings, refer to the programming instructions.

### Operating Conditions

	Min	Max	Units
Supply Voltage (V <sub>CC</sub> )			
Military	4.50	5.50	V
Commercial	4.75	5.25	V
Ambient Temperature (T <sub>A</sub> )			
Military	-55	+125	°C
Commercial	0	+70	°C
Logical "0" Input Voltage	0	0.8	V
Logical "1" Input Voltage	2.0	5.5	V

### DC Electrical Characteristics (Note 1)

Symbol	Parameter	Conditions	DM77SR181			DM87SR181			Units
			Min	Typ	Max	Min	Typ	Max	
I <sub>IL</sub>	Input Load Current	V <sub>CC</sub> = Max, V <sub>IN</sub> = 0.45V		-80	-250		-80	-250	μA
I <sub>IH</sub>	Input Leakage Current	V <sub>CC</sub> = Max, V <sub>IN</sub> = 2.7V			25			25	μA
		V <sub>CC</sub> = Max, V <sub>IN</sub> = 5.5V			1.0			1.0	mA
V <sub>OL</sub>	Low Level Output Voltage	V <sub>CC</sub> = Min, I <sub>OL</sub> = 16 mA		0.35	0.50		0.35	0.45	V
V <sub>IL</sub>	Low Level Input Voltage				0.80			0.80	V
V <sub>IH</sub>	High Level Input Voltage		2.0			2.0			V
V <sub>C</sub>	Input Clamp Voltage	V <sub>CC</sub> = Min, I <sub>IN</sub> = -18 mA		-0.8	-1.2		-0.8	-1.2	V
C <sub>I</sub>	Input Capacitance	V <sub>CC</sub> = 5.0V, V <sub>IN</sub> = 2.0V T <sub>A</sub> = 25°C, 1 MHz		4.0			4.0		pF
C <sub>O</sub>	Output Capacitance	V <sub>CC</sub> = 5.0V, V <sub>O</sub> = 2.0V T <sub>A</sub> = 25°C, 1 MHz, Outputs Off		6.0			6.0		pF
I <sub>CC</sub>	Power Supply Current	V <sub>CC</sub> = Max, Inputs Grounded All Outputs Open		115	175		115	175	mA
I <sub>OS</sub>	Short Circuit Output Current	V <sub>O</sub> = 0V, V <sub>CC</sub> = Max (Note 2)	-20		-70	-20		-70	mA
I <sub>OZ</sub>	Output Leakage (TRI-STATE)	V <sub>CC</sub> = Max, V <sub>O</sub> = 0.45V to 2.4V Chip Disabled	-50		+50	-50		+50	μA
V <sub>OH</sub>	Output Voltage High	I <sub>OH</sub> = -2.0 mA	2.4	3.2					V
		I <sub>OH</sub> = -6.5 mA				2.4	3.2		V

**Note 1:** These limits apply over the entire operating range unless otherwise noted. All typical values are for V<sub>CC</sub> = 5.0V and T<sub>A</sub> = 25°C.

**Note 2:** During I<sub>OS</sub> measurement, only one output at a time should be grounded. Permanent damage may otherwise result.

## Switching Characteristics

Symbol	Parameter	Conditions	DM77SR181			DM87SR181			Units
			Min	Typ	Max	Min	Typ	Max	
$t_{S(A)}$	Address to C (High) Setup Time	$C_L = 30 \text{ pF}$	50	20		40	20		ns
$t_{H(A)}$	Address to C (High) Hold Time		0	-5		0	-5		ns
$t_{S(\overline{INITS})}$	$\overline{INITS}$ to C (High) Setup Time		35	20		30	20		ns
$t_{H(\overline{INITS})}$	$\overline{INITS}$ to C (High) Hold Time		0	-5		0	-5		ns
$t_{PHL(C)}$ $t_{PLH(C)}$	Delay from C (High) to Output (High or Low)		15	30		15	20		ns
$t_{WH(C)}$ $t_{WL(C)}$	C Width (High or Low)		25	13		20	13		ns
$t_{S(\overline{GS})}$	$\overline{GS}$ to C (High) Setup Time		15	0		15	0		ns
$t_{H(\overline{GS})}$	$\overline{GS}$ to C (High) Hold Time		5	0		5	0		ns
$t_{PZL(C)}$ $t_{PZH(C)}$	Delay from C (High) to Active Output (High or Low)	$C_L = 30 \text{ pF}$		20	30		20	25	ns
$t_{PZL(\overline{G})}$ $t_{PZH(\overline{G})}$	Delay from $\overline{G}$ (Low) to Active Output (Low or High)			15	30		15	25	ns
$t_{PLZ(C)}$ $t_{PHZ(C)}$	Delay from C (High) to Inactive Output (TRI-STATE)	$C_L = 5 \text{ pF (Note 1)}$		20	30		20	25	ns
$t_{PLZ(\overline{G})}$ $t_{PHZ(\overline{G})}$	Delay from $\overline{G}$ (High) to Inactive Output (TRI-STATE)			15	30		15	25	ns

Note: All typical values are for  $V_{CC} = 5V$ ,  $T_A = 25^\circ C$ .

## Functional Description

### TESTABILITY

The Schottky PROM die includes extra rows and columns of fusible links for testing the programmability of each chip. These test fuses are placed at the worst-case chip locations to provide the highest possible confidence in the programming tests in the final product. A ROM pattern is also permanently fixed in the additional circuitry and coded to provide a parity check of input address levels. These and other test circuits are used to test for correct operation of the row and column-select circuits and functionality of input and enable gates. All test circuits are available at both wafer and assembled device levels to allow 100% functional and parametric testing at every stage of the test flow.

### RELIABILITY

As with all National products, the Ti-W PROMs are subjected to an on-going reliability evaluation by the Reliability Assurance Department. These evaluations employ accelerated life tests, including dynamic high-temperature operating life, temperature-humidity life, temperature cycling, and thermal shock. To date, nearly 7.4 million Schottky Ti-W PROM device hours have been logged, with samples in Epoxy B molded DIP (N-package), PLCC (V-package) and CERDIP (J-package). Device performance in all package configurations is excellent.

### TITANIUM-TUNGSTEN FUSES

National's Programmable Read-Only Memories (PROMs) feature titanium-tungsten (Ti-W) fuse links designed to program efficiently with only 10.5V applied. The high performance and reliability of these PROMs are the result of fabrication by a Schottky bipolar process, of which the titanium-tungsten metallization is an integral part, and the use of an on-chip programming circuit.

A major advantage of the titanium-tungsten fuse technology is the low programming voltage of the fuse links. At 10.5V, this virtually eliminates the need for guard-ring devices and wide spacings required for other fuse technologies. Care is taken, however, to minimize voltage drops across the die and to reduce parasitics. The device is designed to ensure that worst-case fuse operating current is low enough for reliable long-term operation. The Darlington programming circuit is liberally designed to insure adequate power density for blowing the fuse links. The complete circuit design is optimized to provide high performance over the entire operating ranges of  $V_{CC}$  and temperature.



## Bipolar PROM Devices in Plastic Leaded Chip Carriers (PLCC)

### Introduction of Surface Mount Technology

Recent years have seen rapid advances in microcircuit technology. The integrated circuits of the 1980's are more complex than the circuit boards of the 1960's. It is evident that the next decade will bring demands for packages with higher lead counts and closer lead spacing, both to support the greater system density sought by designers.

National Semiconductor Corporation is committed to surface mount devices, for they provide the most practical solution to these needs. Geared to development of high-complexity semiconductor chips National has placed great emphasis on package development and introducing plastic leaded chip carriers with various number of leads as surface mounted components.

### Features of Surface Mount Devices

Surface mount devices have additional features compared to molded Dual-In-Line Packages (DIP):

1. Compact design that saves space during assembly.
2. Mounting on both sides of the substrate.
3. Easier handling and excellent reliability.
4. Automation of the assembly process.
5. Lower board manufacturing costs.
6. Improved operating speed.
7. Increased board density and reduced weight.

### Applications

Surface mount devices can be used where substrate size, as well as weight and thickness are limited. The surface mount device can also be used in areas where conventional packages cannot be used. Areas of application include; portable video cassette recorders, video cameras, hand-held computers, personal computers, electronic toys, car electronics, cameras, telephones, and various telecommunication equipment.

### Products in PLCC

National Semiconductor has a broad Family of high performance PROMs. All the PAL and PROM products presently offered in DIP packages will now be available in the PLCC (plastic leaded chip carrier) package including the 15 ns industries fastest PAL.

### Advantages of PLCC

1. Permits automated assembly.
2. Lower manufacturing costs.
3. Smaller PLCC size, reduces board density and weight.
4. Lower noise and improved frequency response resulting from shorter circuit paths. Automated assembly ensures accurate component placement which improves reliability and provides more consistent product quality.

### Additional Information

National Semiconductor offers a variety of technical briefs covering surface mount topics. These include:

STAR™ Tape-and-Reel Shipping System  
Order Number 113635

Getting Started in Surface Mount (Equipment Suppliers)  
Order Number 570435

A Basic Guide to Surface Mounting of Electronic Components  
Order Number 113615

Reliability Report: Small Outline Packages  
Order Number 570430

Reliability Report: Plastic Chip Carrier  
Order Number 980040

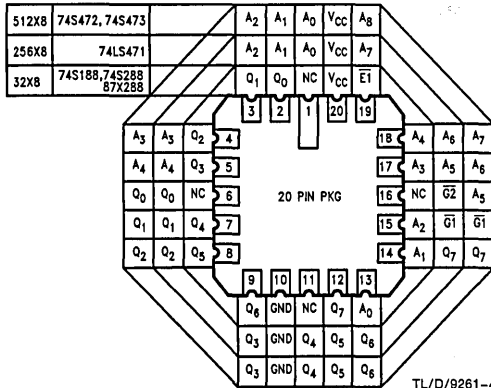
Surface Mount Technology Notebook  
Order Number 980020

Plastic Chip Carrier Technology  
Order Number 113295

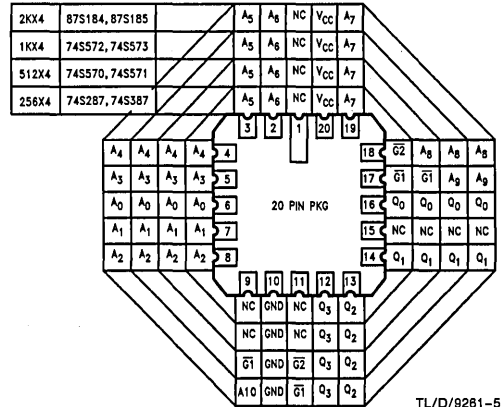
# PROM

## Series-20 Selection Chart

Device	Size (Bits)	Configuration	TAA (max) in ns			ICC max in mA	DIP pins	PLCC pins
			STD	A-Series	B-Series			
DM74S188 OC DM74S288 TS	256	32 × 8	35	25	—	110	16	20
PL87X288 TS	256	32 × 8	—	—	15	140	16	
DM74S287 TS DM74S387 OC	1K	256 × 4	50	30	—	130	16	
DM74S570 OC DM74S571 TS	2K	512 × 4	55 55	45 45	— 35	130	16	
DM74LS471 TS	2K	256 × 8	60	—	—	100	20	
DM74S572 OC DM74S573 TS	4K	1,024 × 4	60 60	45 45	— 35	140 140	18 18	
DM74S472 TS DM74S473 OC	4K	512 × 8	60 55	45 45	35 —	155 155	20 20	
DM87S184 OC DM87S185 TS	8K	2048 × 4	55 55	45 45	— 35	140 140	18 18	



TL/D/9261-4



TL/D/9261-5

Top View

## Series-24 Selection Chart

Device	Size (Bits)	Configuration	TAA (max) in ns			ICC max in mA	DIP pins	PLCC pins
			STD	A-Series	B-Series			
DM74S474 TS DM74S475 OC	4K	512 × 8	65	45	35	170	24	28
DM87SR474 REG DM87SR476 REG	4K	512 × 8	50*	—	35*	170	24	
DM87S180 OC DM87S181 TS DM87SR181 REG	8K	1024 × 8	55 55 40*	— 45 —	— — —	170	24	

\*setup time

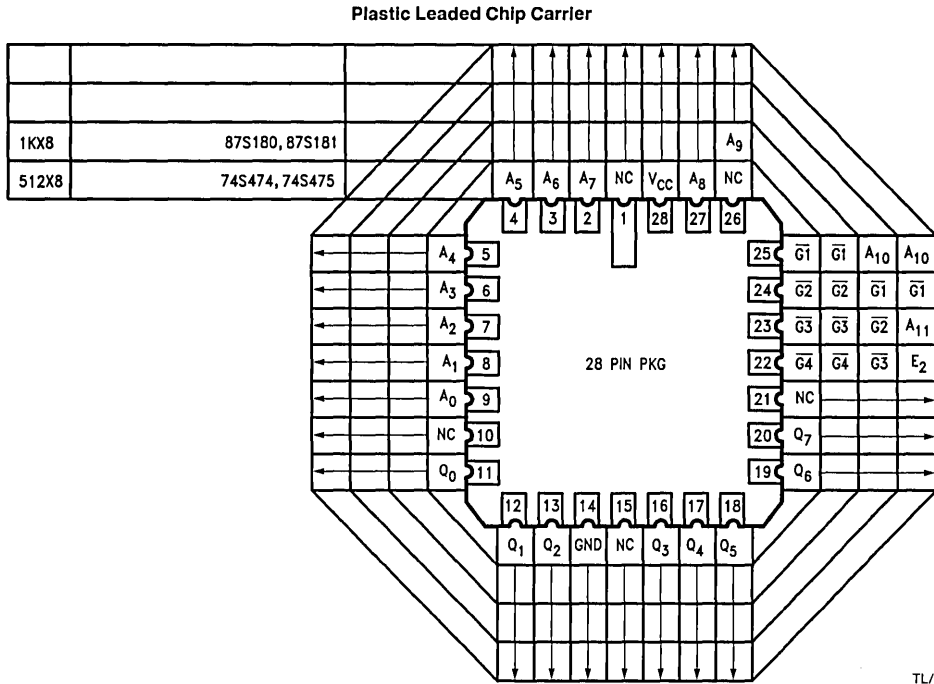
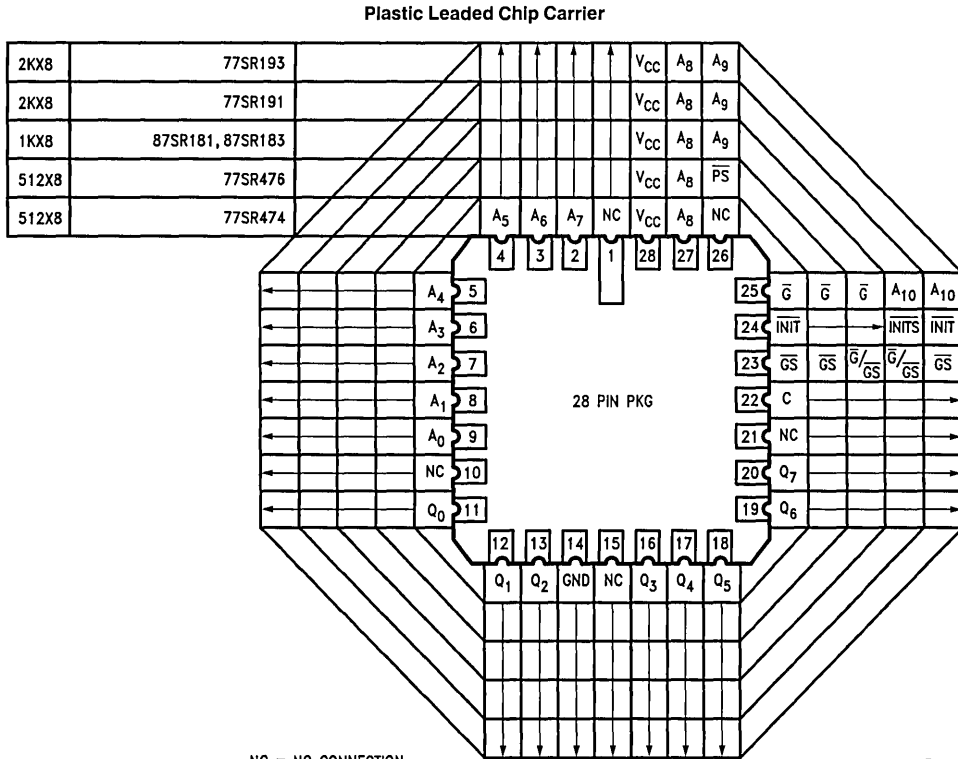


FIGURE 5. Bipolar PROM Pinout

TL/D/9261-6



NC = NO CONNECTION

FIGURE 6. Bipolar Registered PROM Pinout

TL/D/9261-7

### **Programming Support**

PROM devices may be programmed with hardware and software readily available in the market. Most programmer manufacturers will offer a PLCC adapter which will fit in existing equipment. For the availability of PLCC adapter please check with your programmer manufacturer.

### **Programming Equipment**

1. Data I/O
2. Structured Design
3. Stag
4. Dig Elec
5. Kontron
6. Prolog
7. Citel

# Non-Registered PROM Programming Procedure



National Schottky PROMs are shipped from the factory with all fuses intact. As a result, the outputs will be low (logical "0") for all addresses. To generate high (logical "1") levels at the outputs, the device must be programmed. Information regarding commercially available programming equipment may be obtained from National. If it is desired to build your own programmer, the following conditions must be observed:

1. Programming should be attempted only at ambient temperatures between 15°C and 30°C.
2. Address and Enable inputs must be driven with TTL logic levels during programming and verification.
3. Programming will occur at the selected address when  $V_{CC}$  is at 10.5V, and at the selected bit location when the output pin, representing that bit, is at 10.5V, and the device is subsequently enabled. To achieve these conditions in the appropriate sequence, the following procedure must be followed:
  - a) Select the desired word by applying high or low levels to the appropriate address inputs. Disable the device by applying a high level to one or more "active low" chip enable inputs.
  - b) Increase  $V_{CC}$  from nominal to 10.5V ( $\pm 0.5V$ ) with a slew rate between 1.0 and 10.0 V/ $\mu$ s. Since  $V_{CC}$  is the source of the current required to program the fuse as well as the  $I_{CC}$  for the device at the programming voltage, it must be capable of supplying 750 mA at 11.0V.
  - c) Select the output where a logical high is desired by raising that output voltage to 10.5V ( $\pm 0.5V$ ). Limit the slew rate from 1.0 to 10.0 V/ $\mu$ s. This voltage change may occur simultaneously with the increase in  $V_{CC}$ , but must not precede it. It is critical that only one output at a time be programmed since the internal circuits can only supply programming current to one bit at a time. Outputs not being programmed must be left open or connected to a high impedance source of 20 k $\Omega$  minimum. (Remember that the outputs of the device are disabled at this time).

- d) Enable the device by taking the chip enable(s) to a low level. This is done with a pulse of 10  $\mu$ s. The 10  $\mu$ s duration refers to the time that the circuit (device) is enabled. Normal input levels are used and rise and fall times are not critical.
- e) Verify that the bit has been programmed by first removing the programming voltage from the output and then reducing  $V_{CC}$  to 4.0V ( $\pm 0.2V$ ) for one verification and to 6.0V ( $\pm 0.2V$ ) for a second verification. Verification at  $V_{CC}$  levels of 4.0V and 6.0V will guarantee proper output states over the  $V_{CC}$  and temperature range of the programmed part. The device must be Enabled to sense the state of the outputs. During verification, the loading of the output must be within specified  $I_{OL}$  and  $I_{OH}$  limits. Steps b, c, and d must be repeated up to 10 times or until verification that the bit has been programmed.
- f) Following verification, apply five additional programming pulses to the bit being programmed. The programming procedure is now complete for the selected bit.
- g) Repeat steps a through f for each bit to be programmed to a high level. If the procedure is performed on an automatic programmer, the duty cycle of  $V_{CC}$  at the programming voltage must be limited to a maximum of 25%. This is necessary to minimize device junction temperatures. After all selected bits are programmed, the entire contents of the memory should be verified.

**Note:** Since only an enabled device is programmed, it is possible to program these parts at the board level if all programming parameters are complied with.

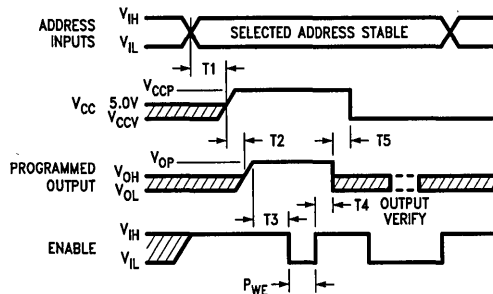
## Programming Parameters Do not test or you may program the device

Symbol	Parameters	Conditions	Min	Recommended Value	Max	Units
V <sub>CCP</sub>	Required V <sub>CC</sub> for Programming		10.0	10.5	11.0	V
I <sub>CCP</sub>	I <sub>CC</sub> during Programming	V <sub>CC</sub> = 11V			750	mA
V <sub>OP</sub>	Required Output Voltage for Programming		10.0	10.5	11.0	V
I <sub>OP</sub>	Output Current while Programming	V <sub>OUT</sub> = 11V			20	mA
I <sub>RR</sub>	Rate of Voltage Change of V <sub>CC</sub> or Output		1.0		10.0	V/μs
P <sub>WE</sub>	Programming Pulse Width (Enabled)		9	10	11	μs
V <sub>CCV</sub>	Required V <sub>CC</sub> for Verification		5.8	6.0	6.2	V
V <sub>CCV</sub>	Required V <sub>CC</sub> for Verification		3.8	4.0	4.2	V
M <sub>DC</sub>	Maximum Duty Cycle for V <sub>CC</sub> at V <sub>CCP</sub>			25	25	%

## Programming Waveforms Non-Registered PROM

- T<sub>1</sub> = 100 ns Min.
- T<sub>2</sub> = 5 μs Min. T<sub>2</sub> may be > 0 if V<sub>CCP</sub> rises at the same rate or faster than (V<sub>OP</sub>)
- T<sub>3</sub> = 100 ns Min.
- T<sub>4</sub> = 100 ns Min.
- T<sub>5</sub> = 100 ns Min.

P<sub>WE</sub> is repeated for 5 additional pulses after verification of V<sub>OH</sub> indicates a bit has been programmed.



NOTE: ENABLE WAVEFORM FOR AN ACTIVE LOW ENABLE. SOME PROMS HAVE MORE THAN ONE CHIP ENABLE. HOLD ALL OTHER ENABLE(S) TO ACTIVE STATE(S).

TL/00/2506-1

## Registered PROM Programming Procedure

National Schottky PROMs are shipped from the factory with all fuses intact. As a result, the outputs will be low (logical "0") for all addresses. To generate high (logical "1") levels at the outputs, the device must be programmed. Information regarding commercially available programming equipment may be obtained from National. If it is desired to build your own programmer, the following conditions must be observed:

1. Programming should be attempted only at ambient temperatures between 15°C and 30°C.
2. Address and Enable inputs must be driven with TTL logic levels during programming and verification.
3. Programming will occur at the selected address when  $V_{CC}$  is at 10.5V, and at the selected bit location when the output pin, representing that bit, is at 10.5V, and the device is subsequently enabled. To achieve these conditions in the appropriate sequence, the following procedure must be followed:
  - a) Select the desired word by applying high or low levels to the appropriate address inputs. Disable the device by applying a high level to asynchronous chip Enable input  $\bar{G}$ .  $\bar{G}$  is held low during the entire programming time.
  - b) Increase  $V_{CC}$  from nominal to 10.5V ( $\pm 0.5V$ ) with a slew rate between 1.0 and 10.0 V/ $\mu$ s. Since  $V_{CC}$  is the source of the current required to program the fuse as well as the  $I_{CC}$  for the device at the programming voltage, it must be capable of supplying 750 mA at 11V.
  - c) Select the output where a logical high is desired by raising that output voltage to 10.5V ( $\pm 0.5V$ ). Limit the slew rate from 1.0 to 10.0 V/ $\mu$ s. This voltage change may occur simultaneously with the increase in  $V_{CC}$ , but must not precede it. It is critical that only one output at a time be programmed since the internal circuits can only supply programming current to one bit at a time. Outputs not being programmed must be left open or connected to a high impedance source of 20 k $\Omega$  minimum. (Remember that the outputs of the device are disabled at this time).
  - d) Enable the device by taking the chip enable ( $\bar{G}$ ) to a low level. This is done with a pulse of 10  $\mu$ s. The 10  $\mu$ s duration refers to the time that the circuit (device) is enabled. Normal input levels are used and rise and fall times are not critical.
  - e) Verify that the bit has been programmed by first removing the programming voltage from the output and then reducing  $V_{CC}$  to 4.0V ( $\pm 0.2V$ ) for one verification and to 6.0V ( $\pm 0.2V$ ) for a second verification. Verification at  $V_{CC}$  levels of 4.0V and 6.0V will guarantee proper output states over the  $V_{CC}$  and temperature range of the programmed part. Each data verification must be preceded by a positive going (low to high) clock edge to load the data from the array into the output register. The device must be Enabled to sense the state of the outputs. During verification, the loading of the output must be within specified  $I_{OL}$  and  $I_{OH}$  limits. Steps b, c, and d must be repeated up to 10 times or until verification that the bit has been programmed.
  - f) The initialize word is programmed by setting  $\bar{INIT}$  input to a logic low and programming the initialize word output by output in the same manner as any other address. This can be accomplished by inverting the highest order address input from the PROM programmer and applying it to the  $\bar{INIT}$  input.
  - g) Following verification, apply five additional programming pulses to the bit being programmed. The programming procedure is now complete for the selected bit.
  - h) Repeat steps a through f for each bit to be programmed to a high level. If the procedure is performed on an automatic programmer, the duty cycle of  $V_{CC}$  at the programming voltage must be limited to a maximum of 25%. This is necessary to minimize device junction temperatures. After all selected bits are programmed, the entire contents of the memory should be verified.

## Programming Parameters

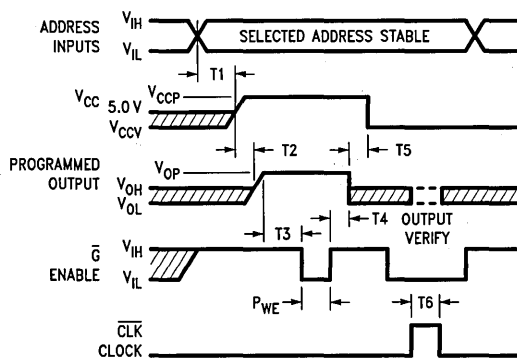
Do not test or you may program the device

Symbol	Parameters	Conditions	Min	Recommended Value	Max	Units
$V_{CCP}$	Required $V_{CC}$ for Programming		10.0	10.5	11.0	V
$I_{CCP}$	$I_{CC}$ during Programming	$V_{CC} = 11V$			750	mA
$V_{OP}$	Required Output Voltage for Programming		10.0	10.5	11.0	V
$I_{OP}$	Output Current while Programming	$V_{OUT} = 11V$			20	mA
$I_{RR}$	Rate of Voltage Change of $V_{CC}$ or Output		1.0		10.0	V/ $\mu$ s
$P_{WE}$	Programming Pulse Width (Enabled)		9	10	11	$\mu$ s
$V_{CCVH}$	Required High $V_{CC}$ for Verification		5.8	6.0	6.2	V
$V_{CCVL}$	Required Low $V_{CC}$ for Verification*		3.8	4.0	4.2	V
$M_{DC}$	Maximum Duty Cycle for $V_{CC}$ at $V_{CCP}$			25	25	%

\*See DM87SR191/193 and DM77SR191/193 for correct voltage.

## Programming Waveforms

Registered PROM



TL/00/2506-2

$T_1 = 100$  ns Min.

$T_2 = 5$   $\mu$ s Min. ( $T_2$  may be  $> 0$  if  $V_{CCP}$  rises at the same rate or faster than  $V_{OP}$ .)

$T_3 = 100$  ns Min.

$T_4 = 100$  ns Min.

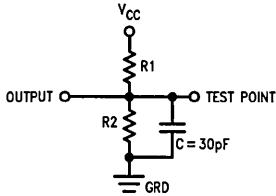
$T_5 = 100$  ns Min.

$T_6 = 50$  ns Min.



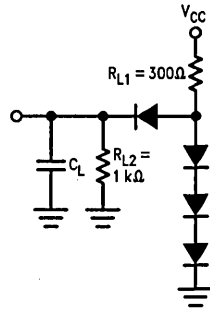
### Standard Test Loads

Non-Registered PROMs



TL/00/2506-3

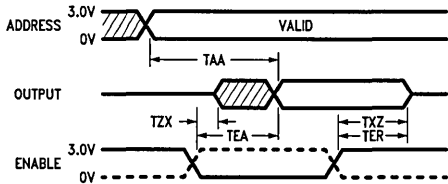
Registered PROMs



TL/00/2506-8

### Switching Time Waveforms

Non-Registered PROM



TL/00/2506-4

\*Device input waveform characteristics are:  
 Repetition rate = 1 MHz  
 Source impedance = 50Ω  
 Rise and Fall times = 2.5 ns max.  
 (1.0 to 2.0 volt levels)

\*TAA is measured with stable enable inputs.

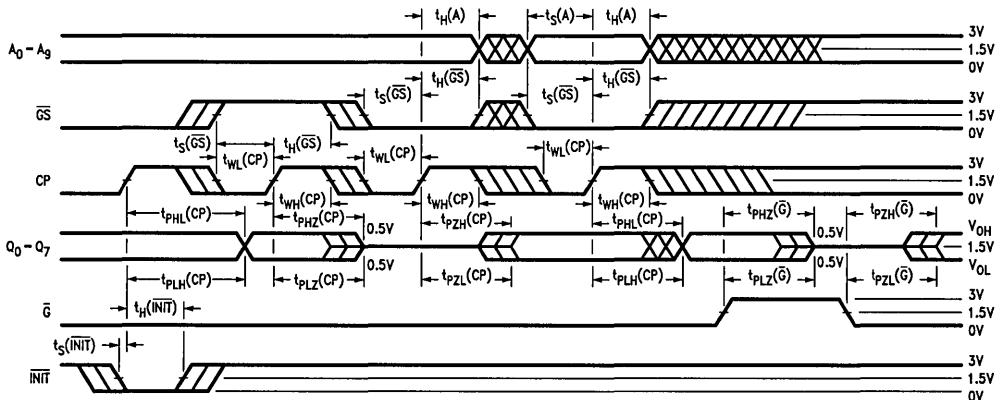
\*TEA and TER are measured from the 1.5 volt level on inputs and outputs with all address and enable inputs stable at applicable levels.

\*For  $I_{OL} = 16$  mA,  $R_1 = 300\Omega$  and  $R_2 = 600\Omega$

\*for  $I_{OL} = 12$  mA,  $R_1 = 400\Omega$  and  $R_2 = 800\Omega$ .

\*\*"C" includes scope and jig capacitance.

### Switching Waveforms Registered PROM



TL/00/2506-5

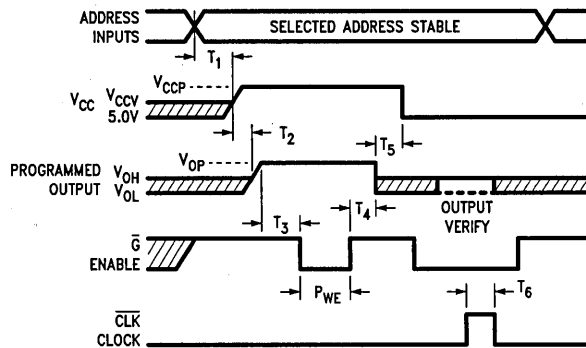
### Key To Timing Diagram

Waveform	Inputs	Outputs	Waveform	Inputs	Outputs
	Must Be Steady	Will Be Steady		Don't Care: Any Change Permitted	Changing: State Unknown
	May Change from H to L	Will Be Changing from H to L		Does Not Apply	Center Line Is High Impedance "OFF" State
	May Change from L to H	Will Be Changing from L to H			

## Programming Parameters Do not test or you may program the device

Symbol	Parameters	Conditions	Min	Recommended Value	Max	Units
$V_{CCP}$	Required $V_{CC}$ for Programming		10.0	10.5	11.0	V
$I_{CCP}$	$I_{CC}$ during Programming	$V_{CC} = 11V$			750	mA
$V_{OP}$	Required Output Voltage for Programming		10.0	10.5	11.0	V
$I_{OP}$	Output Current while Programming	$V_{OUT} = 11V$			20	mA
$I_{RR}$	Rate of Voltage Change of $V_{CC}$ or Output		1.0		10.0	V/ $\mu$ s
PWE	Programming Pulse Width (Enabled)		9	10	11	$\mu$ s
$V_{CCV}$	Required $V_{CC}$ for Verification		3.8 5.8	4.0 6.0	4.2 6.2	V
$M_{DC}$	Maximum Duty Cycle for $V_{CC}$ at $V_{CCP}$			25	25	%

## Programming Waveforms Registered PROM



TL/00/2506-9

- $T_1 = 100$  ns Min.
- $T_2 = 5$   $\mu$ s Min. ( $T_2$  may be  $> 0$  if  $V_{CCP}$  rises at the same rate or faster than  $V_{OP}$ .)
- $T_3 = 100$  ns Min.
- $T_4 = 100$  ns Min.
- $T_5 = 100$  ns Min.
- $T_6 = 50$  ns Min.

## Approved Programmers for NSC PROMs

<b>Manufacturer</b>	<b>System #</b>
DATA I/O	5/17/19/29A
PRO-LOG	M910,M980
KONTRON	MPP80S
STAG	PPX
AIM	RP400
DIGELEC	UP803
STARPLEX™	

## Quality Enhancement Programs For Bipolar Memory

A+ PROGRAM*			B+ PROGRAM		
Test	Condition	Guaranteed LOT AQL 5	Test	Condition	Guaranteed LOT AQL 5
D.C Parametric and Functionality	25°C	0.05	D.C Parametric and Functionality	25°C	0.05
	Each Temperature Extreme	0.05		Each Temperature Extreme	0.05
A.C. Parametric	25°C	0.4	A.C Parametric	25°C	0.4
Mechanical	Critical	0.01	Mechanical	Critical	0.01
	Major	0.28		Major	0.28
Seal Tests Hermetic	Fine Leak ( $5 \times 10^{-8}$ )	0.4	Seal Tests Hermetic	Fine Leak ( $5 \times 10^{-8}$ )	0.4
	Gross	0.4		Gross	0.4

\*Includes 160 hours of burn-in at 125°C.





Section 4  
**ECL I/O Static RAMs**



## Section 4 Contents

BiCMOS ECL I/O SRAM Selection Guide .....	4-3
<b>BICMOS SRAMS (ECL I/O)</b>	
NM5100/NM100500 ECL I/O 256k BiCMOS SRAM 262,144 x 1-Bit .....	4-4
NM100504/NM5104 256k BiCMOS SRAM 64k x 4 Bit .....	4-11
NM100494 64k BiCMOS SRAM 16k x 4 Bit .....	4-18
NM10494 64k BiCMOS SRAM 16k x 4 Bit .....	4-25
NM100492/NM4492 2k x 9 Advanced Self-Timed SRAM .....	4-32
NM10E149 256 x 4-Bit ECL EPROM .....	4-45
NM100E149 256 x 4-Bit ECL EPROM .....	4-53
<b>APPLICATION NOTES</b>	
AN-565 Memory System Efficiency and How National Semiconductor's 256k x 1 BiCMOS SRAM Helps .....	4-62
AN-566 National Semiconductor's BiCMOS III Process Is Latch-Up Immune .....	4-64
AN-567 Hot Carrier and Gate Oxide Reliability Characterization of National Semiconductor's BiCMOS III Technology .....	4-67
AN-568 The Reliability of National Semiconductor's 256k x 1 BiCMOS SRAM (NM5100/NM100500) .....	4-69
AN-569 256k x 1 BiCMOS ECL SRAM Memory Cell Characterization and Alpha Sensitivity Testing .....	4-72
AN-572 Understanding Advanced Self-Timed SRAMS .....	4-73
AN-573 Design Considerations for High Speed Architectures .....	4-80

## BiCMOS ECL I/O SRAM Selection Guide

Part Number	Organization	I/O Level	V <sub>EE</sub>	Access (ns)	Pins	Temperature Range
NM5100	256k x 1	100K	-5.2V ±5%	15	24	0°C to +85°C
NM100500	256k x 1	100K	-4.2V to -4.8V	15	24	0°C to +85°C
NM5104	64k x 4	100K	-5.2V ±5%	12, 15	28	0°C to +85°C
NM100504	64k x 4	100K	-4.2V to -4.8V	15	28	0°C to +85°C
NM100494	16k x 4	10K	-4.2V to -4.8V	15, 18	28	0°C to +85°C
NM10494	16k x 4	100K	-5.2V ±5%	10, 12, 15	28	0°C to +75°C
NM100492	2k x 9	100K	-4.2V to -4.8V	7, 10	64	0°C to +75°C
NM4492	2k x 9	100K	-5.2V ±5%	5, 7, 10	64	0°C to +75°C

## BiCMOS ECL I/O UV EPROM Selection Guide

Part Number	Organization	I/O Level	V <sub>EE</sub>	Access (ns)	Pins	Temperature Range
NM10E149	256 x 4	10K	-5.2V ±5%	5, 7, 10	16	0°C to +75°C
NM100E149	256 x 4	100K	-4.2V to -4.8V	5, 7, 10	16	0°C to +75°C



# NM5100/NM100500 ECL I/O 256k BiCMOS SRAM 262,144 x 1 Bit

## General Description

The NM5100 and NM100500 are a 262,144-bit fully static, asynchronous, random access memories organized as 262,144 words by 1 bit. The devices are based on National's advanced one micron BiCMOS III process. This process utilizes advanced lithography and processing techniques with double polysilicon and double metal bringing high density CMOS to performance driven ECL designs. National's combination of high performance technology and speed optimized circuit designs results in a very high speed memory device.

The NM5100 operates with a supply voltage of  $-5.2V \pm 5\%$ , yet the input and output voltage levels are temperature compensated 100k ECL compatible. The NM100500 operates with a  $-4.2V$  to  $-4.8V$  supply voltage.

Reading the memory is accomplished by pulling the chip select ( $\bar{S}$ ) pin LOW while the write enable ( $\bar{W}$ ) pin remains HIGH allowing the memory contents to be displayed on the output pin (Q). The output pin will remain inactive (LOW) if either the chip select ( $\bar{S}$ ) pin is HIGH or the write enable ( $\bar{W}$ ) pin is LOW.

Writing to the device is accomplished by having the chip select ( $\bar{S}$ ) and the write enable ( $\bar{W}$ ) pins LOW. Data on the

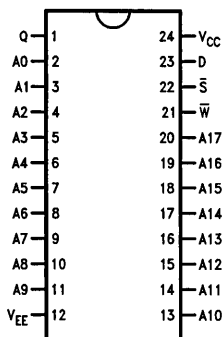
input pin will then be written into the memory address specified on the address pins (A0-A17).

## Features

- 15 ns/18 ns speed grades over the commercial temperature range
- Balanced read and write cycle times
- Write cycle timing allows 33% of cycle time for system skews
- Temperature compensated F100k ECL I/O
- Power supply  $-5.2V \pm 5\%$  (NM5100)
- Power supply  $-4.2V$  to  $-4.8V$  (NM100500)
- Low power dissipation  $< 1.1W$
- Soft error rate less than 100 FIT
- Over 2000V ESD protection
- One micron BiCMOS III process technology
- Over 200 mA latch-up immunity
- Low inductance, high density 24-pin flatpack

## Connection Diagrams

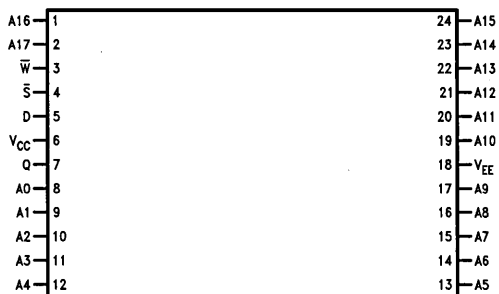
400 Mil Ceramic DIP



Top View

TL/D/9451-1

365 x 535 Ceramic Flatpack  
(30 Mil Lead Pitch)



TL/D/9451-2

Top View

Pin Names

A0-A17	Address Inputs
$\bar{S}$	Chip Select
$\bar{W}$	Write Enable
Q	Data Out
D	Data In
V <sub>CC</sub>	Ground
V <sub>EE</sub>	Power



## Absolute Maximum Ratings

Above which useful life may be impaired

**If Military/Aerospace specified devices are required, please contact the National Semiconductor Sales Office/Distributors for availability and specifications.**

Storage Temperature	-65°C to +150°C
V <sub>EE</sub> Pin Potential to Ground Pin	-7.0V to +0.5V
Input Voltage (DC)	V <sub>EE</sub> to +0.5V
Static Discharge Voltage (Per MIL-STD 883)	>2001V
Maximum Junction Temperature (T <sub>J</sub> )	+150°C
Output Current (DC Output HIGH)	-50 mA
Latch-Up Current	>200 mA

These devices contain circuitry to protect the inputs against damage due to high static voltages or electric fields however, it is advised that normal precautions be taken to avoid applications of any voltage higher than maximum rated voltages to this high-impedance circuit.

## AC Test Conditions

Input Pulse Levels	Figure 1
Input Rise and Fall Times	0.7 ns
Output Timing Reference Levels	50% of Input
AC Test Circuit	Figure 2

## Capacitance

Tested by Sample Basis

Symbol	Parameter	Max	Units
C <sub>IN</sub>	Input Pin Capacitance	5.0	pF
C <sub>OUT</sub>	Output Pin Capacitance	8.0	pF

## Operating Voltage

Device	Voltage
NM5100	V <sub>EE</sub> = -5.2V ±5%
NM100500	V <sub>EE</sub> = -4.2V to -4.8V

## DC Electrical Characteristics

V<sub>CC</sub> = Ground, T<sub>C</sub> = 0°C to +85°C

Symbol	Parameter	Conditions	Min	Max	Units
V <sub>OH</sub>	Output HIGH Voltage	V <sub>IN</sub> = V <sub>IH(Max)</sub> or V <sub>IL(Min)</sub> , Loading with 50Ω to -2.0V	-1025	-880	mV
V <sub>OL</sub>	Output LOW Voltage		-1810	-1620	mV
V <sub>OHC</sub>	Output HIGH Voltage	V <sub>IN</sub> = V <sub>IH(Min)</sub> or V <sub>IL(Max)</sub> , Loading with 50Ω to -2.0V	-1025		mV
V <sub>OLC</sub>	Output LOW Voltage			-1620	mV
V <sub>IH</sub>	Input HIGH Voltage		-1165	-880	mV
V <sub>IL</sub>	Input LOW Voltage		-1810	-1475	mV
I <sub>IH</sub>	Input HIGH Current	V <sub>IN</sub> = V <sub>IH(Min)</sub>		220	μA
I <sub>IL</sub>	Input LOW Current	V <sub>IN</sub> = V <sub>IL(Max)</sub>	-50	170	μA
I <sub>EE</sub>	Power Supply Current	f <sub>o</sub> = 50 MHz	-200		mA

All voltages are referenced to V<sub>CC</sub> pin = 0V.

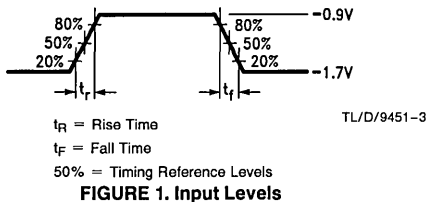


FIGURE 1. Input Levels

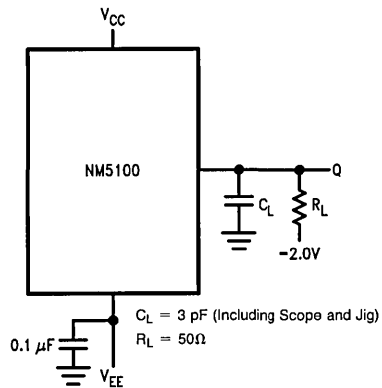


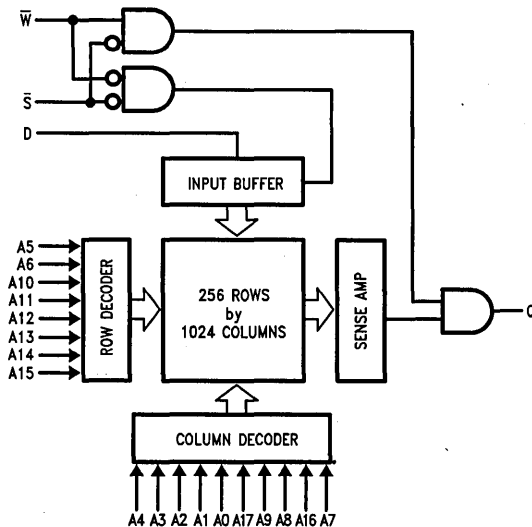
FIGURE 2. AC Test Circuit

TL/D/9451-4

### Truth Table

$\bar{S}$	$\bar{W}$	D	Q	Mode
H	X	X	L	Not Selected
L	L	L	L	Write "0"
L	L	H	L	Write "1"
L	H	X	Q	Read

### Logic Diagram



Note: A5 = MSB  
A4 = MSB

TL/D/9451-5

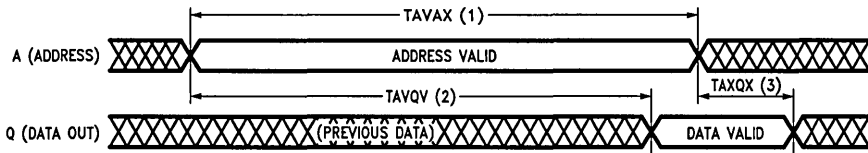
# Read Cycles

## AC Timing Characteristics $V_{CC} = \text{Ground}, T_C = 0^\circ\text{C to } +85^\circ\text{C}$

No.	Symbol		Parameter	15 ns Device		18 ns Device		Units
	Std.	Alt.		Min	Max	Min	Max	
1	TAVAX	TRC	Address Valid to Address Invalid	15		18		ns
2	TAVQV	TAA	Address Valid to Output Valid		15		18	ns
3	TAXQX	TOH	Address Invalid to Output Invalid	3		3		ns
4	TSLSH	TRC	Chip Select LOW to Chip Select HIGH	7		7		ns
5	TSLQV	TACS	Chip Select LOW to Output Valid		5		5	ns
6	TSHQL	TRCS	Chip Select HIGH to Output LOW		4		4	ns

### Read Cycle 1

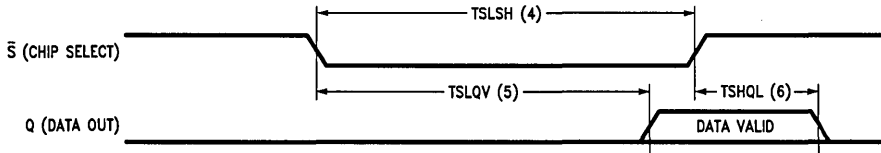
Where  $\bar{S}$  is active prior to or within TAVQV-TSLQV after address valid.



TL/D/9451-6

### Read Cycle 2

Where address is valid a minimum of TAVQV-TSLQV prior to  $\bar{S}$  becoming active.



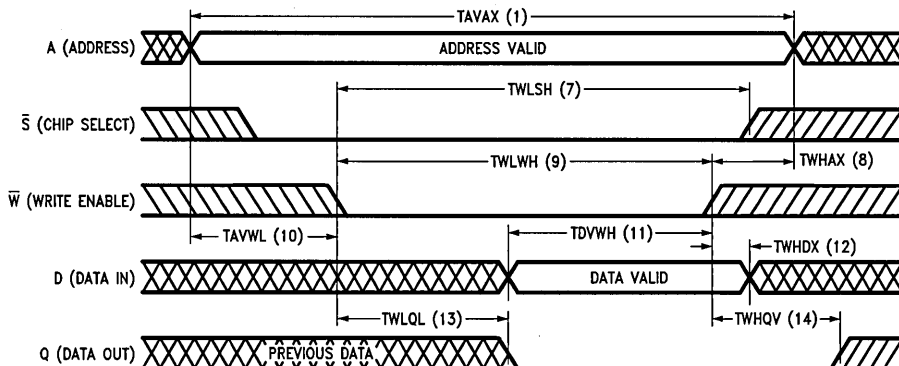
TL/D/9451-7

## Write Cycle 1

This write cycle is  $\bar{W}$  controlled, where  $\bar{S}$  is active (LOW) prior to  $\bar{W}$  becoming active (LOW). In this write cycle the data out (Q) may become active and requires observance of TWLQL to avoid data bus contention in common I/O applications. At the end of the write cycle the data out may become active if  $\bar{W}$  becomes inactive (HIGH) prior to  $\bar{S}$  becoming inactive (HIGH).

### AC Timing Characteristics $V_{CC} = \text{Ground}, T_C = 0^\circ\text{C to } +85^\circ\text{C}$

No.	Symbol		Parameter	15 ns Device		18 ns Device		Units
	Std.	Alt.		Min	Max	Min	Max	
1	TAVAX	TWC	Address Valid to Address Invalid	15		18		ns
7	TWLSH		Write Enable LOW to Chip Select HIGH	10		12		ns
8	TWHAX	TWHA	Write HIGH to Address Don't Care	0		3		ns
9	TWLWH	TW	Write LOW to Write HIGH	10		12		ns
10	TAVWL	TWSA	Address Valid to Write LOW	0		2		ns
11	TDVWH		Data Valid to Write HIGH	10		14		ns
12	TWHDX	TWHD	Write HIGH to Data Don't Care	0		3		ns
13	TWLQL	TWS	Write LOW to Output LOW		5		5	ns
14	TWHQV	TWR	Write HIGH to Output Valid		15		18	ns



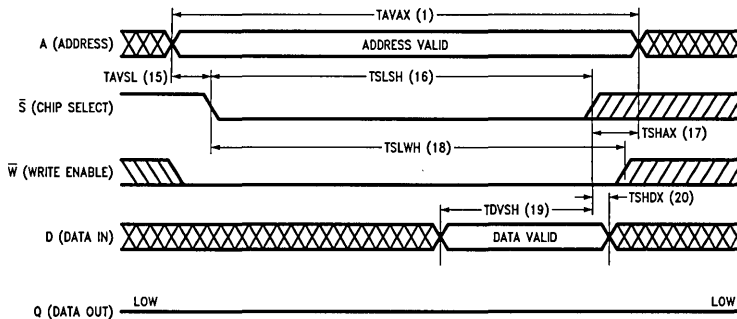
TL/D/9451-8

## Write Cycle 2

This write cycle is  $\bar{S}$  controlled, where  $\bar{W}$  is active prior to, or coincident with,  $\bar{S}$  becoming active (LOW). Write cycle 2 has identical specifications to write cycle 1 with the exceptions of  $\bar{W}$  and  $\bar{S}$  being interchanged. This write cycle may be more convenient for common I/O applications because data bus restrictions are alleviated.

### AC Timing Characteristics $V_{CC} = \text{Ground}, T_C = 0^\circ\text{C to } +85^\circ\text{C}$

No.	Symbol		Parameter	15 ns Device		18 ns Device		Units
	Std.	Alt.		Min	Max	Min	Max	
15	TAVSL	TWSA	Address Valid to Chip Select LOW	0		2		ns
16	TSLSH		Chip Select LOW to Chip Select HIGH	10		12		ns
17	TSHAX	TWHA	Chip Select HIGH to Address Don't Care	0		3		ns
18	TSLWH		Chip Select LOW to Write Enable HIGH	10		12		ns
19	TDVSH		Data Valid to Chip Select HIGH	10		14		ns
20	TSHDX	TWHD	Chip Select HIGH to Data Don't Care	0		3		ns

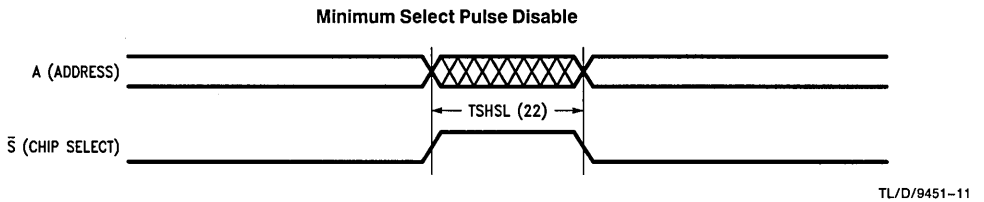
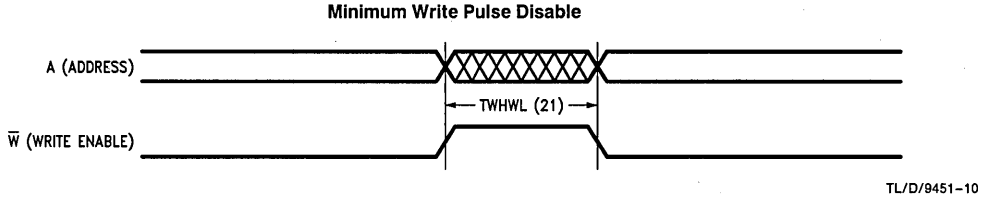


TL/D/9451-9

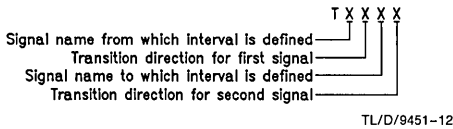
# Consecutive Write Cycles

## AC Timing Characteristics $V_{CC} = \text{Ground}, T_C = 0^\circ\text{C to } +85^\circ\text{C}$

No.	Symbol		Parameter	15 ns Device		18 ns Device		Units
	Std.	Alt.		Min	Max	Min	Max	
21	TWHWL	/TWP	Write Enable HIGH to Write Enable LOW	4		4		ns
22	TSHSL	/TSP	Chip Select HIGH to Chip Select LOW	4		4		ns



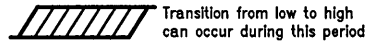
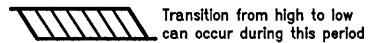
### Standard Timing Parameter Abbreviations



- The transition definitions used in this data sheet are:
- H = Transition to HIGH State
  - L = Transition to LOW State
  - V = Transition to Valid State
  - X = Transition to Invalid or Don't Care Condition

### TIMING EXPLANATIONS

The AC Operating Conditions and Characteristics tables typically show either a minimum or maximum limit for a device parameter. Those timing parameters which show a minimum value do so because the system must supply at least that much time, even though most devices do not need the full amount. Thus, input requirements are specified from the external point of view. In contrast, responses from the memory devices (i.e., access times) are specified as a maximum time because the device will never provide the data later than this stated value, and usually, much sooner.



TL/D/9451-13

## Ordering Information

Part Number	Temperature Range	Package Type	Ordering Code
NM5100	0°C to +85°C	24 Pin Ceramic DIP	NM5100D15/18
NM5100	0°C to +85°C	24 Pin Flatpack	NM5100F15/18
NM100500	0°C to +85°C	24 Pin Ceramic DIP	NM100500D15/18
NM100500	0°C to +85°C	24 Pin Flatpack	NM100500F15/18

## NM100504/NM5104 256k BiCMOS SRAM 64k x 4

### General Description

The NM5104 and NM100504 are 262,144-bit fully static, asynchronous, random access memories organized as 65,536 words by 4 bits. The devices are based on National's advanced one micron BiCMOS III process. This process utilizes advanced lithography and processing techniques with double polysilicon and double metal bringing high density CMOS to performance driven ECL designs. National's combination of high performance technology and speed optimized circuit designs results in a very high speed memory device.

The NM5104 operates with a supply voltage of  $-5.2V \pm 5\%$ , yet the input and output voltage levels are temperature compensated 100K ECL compatible. The NM100504 operates with a  $-4.2V$  to  $-4.8V$  supply voltage.

Reading the memory is accomplished by pulling the chip select ( $\bar{S}$ ) pin LOW while the write enable ( $\bar{W}$ ) pin remains HIGH allowing the memory contents to be displayed on the output pins (Q0-Q3). The output pins will remain inactive (LOW) if either the chip select ( $\bar{S}$ ) pin is HIGH or the write enable ( $\bar{W}$ ) pin is LOW.

Writing to the device is accomplished by having the chip select ( $\bar{S}$ ) and the write enable ( $\bar{W}$ ) pins LOW. Data on the

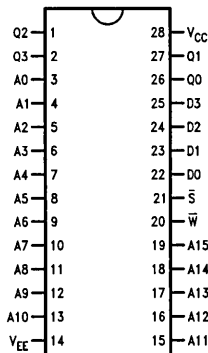
input pins will then be written into the memory address specified on the address pins (A0-A15).

### Features

- Speed Grades: 12 ns/15 ns (NM5104)
- Speed Grades: 15 ns/18 ns (NM100504)
- Balanced read and write cycle times
- Write cycle timing allows 33% of cycle time for system skew
- Temperature compensated F100K ECL I/O
- Power supply  $-5.2V$  to  $\pm 5\%$  (NM5104)
- Power supply  $-4.2V$  to  $-4.8V$  (NM100504)
- Low power dissipation  $< 1.4W$  @ 50 MHz
- Soft error rate less than 100 FIT
- Over 2000V ESD protection
- One micron BiCMOS III process technology
- Over 200 mA latch-up immunity
- Low inductance, high density 28-pin flatpak and 28-pin ceramic DIP

### Connection Diagrams

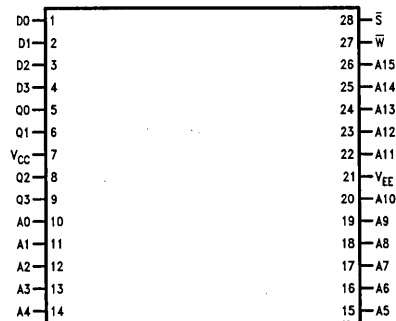
**28-Pin Ceramic DIP**



**Top View**

TL/D/10390-1

**28-Pin Ceramic Flatpak  
(30 Mil Lead Pitch)**



**Top View**

TL/D/10390-2

**Pin Names**

A0-A15	Address Inputs
$\bar{S}$	Chip Select
$\bar{W}$	Write Enable
Q0-Q3	Data Out
D0-D3	Data In
V <sub>CC</sub>	Ground
V <sub>EE</sub>	Power

### Absolute Maximum Ratings

above which useful life may be impaired

**If Military/Aerospace specified devices are required, please contact the National Semiconductor Sales Office/Distributors for availability and specifications.**

Storage Temperature	-65°C to +150°C
V <sub>EE</sub> Pin Potential to Ground Pin	-7.0V to +0.5V
Input Voltage (DC)	V <sub>EE</sub> to +0.5V
Static Discharge Voltage (Per MIL-STD 883)	> 2001V
Maximum Junction Temperature (T <sub>J</sub> )	+150°C
Output Current (DC Output HIGH)	-50 mA
Latch-Up Current	> 200 mA

These devices contain circuitry to protect the inputs against damage to due to high static voltages or electric fields however, it is advised that normal precautions be taken to avoid applications of any voltage higher than maximum rated voltages to this high-impedance circuit.

### AC Test Conditions

Input Pulse Levels	<i>Figure 1</i>
Input Rise and Fall times	0.7 ns
Output Timing Reference Levels	50% of Input
AC Test Circuit	<i>Figure 2</i>

### Capacitance Tested by Sample Basis

Symbol	Parameter	Max	Units
C <sub>IN</sub>	Input Pin Capacitance	5.0	pF
C <sub>OUT</sub>	Output Pin Capacitance	8.0	pF

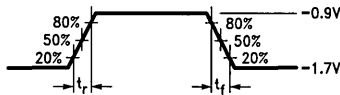
### Operating Voltage

Device	Voltage
NM5104	V <sub>EE</sub> = -5.2V ± 5%
NM100504	V <sub>EE</sub> = -4.2V to -4.8V

### DC Electrical Characteristics V<sub>CC</sub> = Ground, T<sub>C</sub> = 0°C to +85°C

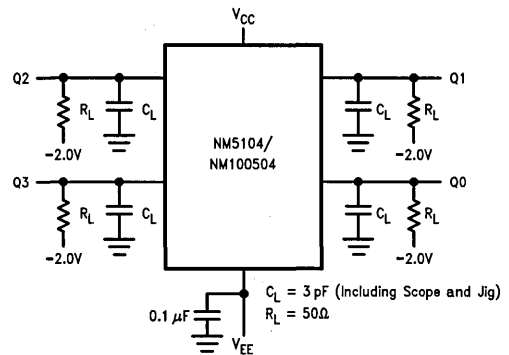
Symbol	Parameter	Conditions	Min	Max	Units
V <sub>OH</sub>	Output HIGH Voltage	Loading with 50Ω to -2.0V	-1025	-880	mV
V <sub>OL</sub>	Output LOW Voltage		-1810	-1620	mV
V <sub>IH</sub>	Input HIGH Voltage		-1165	-880	mV
V <sub>IL</sub>	Input LOW Voltage		-1810	-1475	mV
I <sub>IH</sub>	Input HIGH Current	V <sub>IN</sub> = V <sub>IH</sub> (Min)		50	μA
I <sub>IL</sub>	Input LOW Current	V <sub>IN</sub> = V <sub>IL</sub> (Max)	-50	50	μA
I <sub>EE</sub>	Power Supply Current	f <sub>o</sub> = 50 MHz	-250		mA

All voltages are referenced to V<sub>CC</sub> pin = 0V.



t<sub>R</sub> = Rise Time  
t<sub>F</sub> = Fall Time  
50% = Timing Reference Levels

**FIGURE 1. Input Levels**



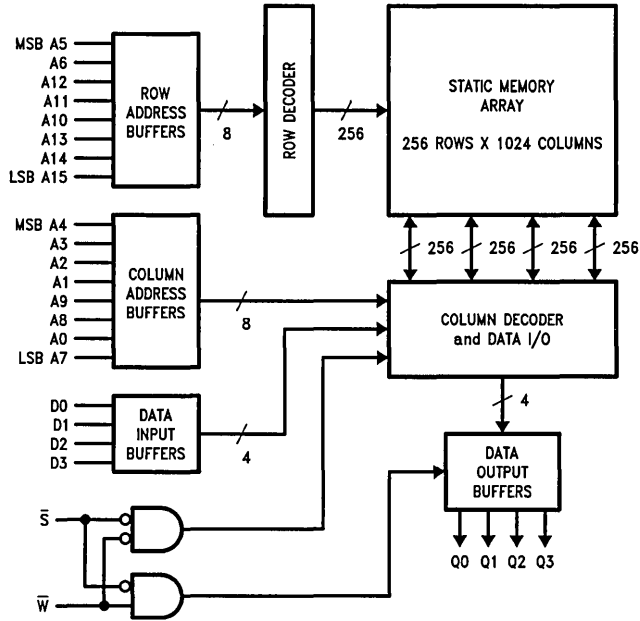
**FIGURE 2. AC Test Circuit**



**Truth Table**

$\bar{S}$	$\bar{W}$	D	Q	Mode
H	X	X	L	Not Selected
L	L	L	L	Write "0"
L	L	H	L	Write "1"
L	H	X	Q	Read

**Logic Diagram**



TL/D/10390-5

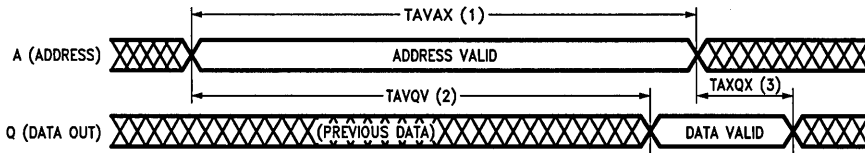
# Read Cycles

## AC Timing Characteristics $V_{CC} = \text{Ground}, T_C = 0^\circ\text{C to } +85^\circ\text{C}$

No.	Symbol		Parameter	12 ns Device		15 ns Device		18 ns Device		Units
	Std.	Alt.		Min	Max	Min	Max	Min	Max	
1	TAVAX	TRC	Address Valid to Address Invalid	12		15		18		ns
2	TAVQV	TAA	Address Valid to Output Valid		12		15		18	ns
3	TAXQX	TOH	Address Invalid to Output Invalid	3		3		3		ns
4	TSLSH	TRC	Chip Select LOW to Chip Select HIGH	7		7		7		ns
5	TSLQV	TACS	Chip Select LOW to Output Valid		5		5		5	ns
6	TSHQL	TRCS	Chip Select HIGH to Output LOW		4		4		4	ns

### Read Cycle 1

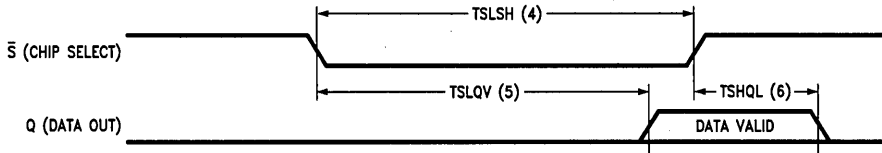
Where  $\bar{S}$  is active prior to within TAVQV-TSLQV after address valid.



TL/D/10390-6

### Read Cycle 2

Where address is valid a minimum of TAVQV-TSLQV prior to  $\bar{S}$  becoming active.



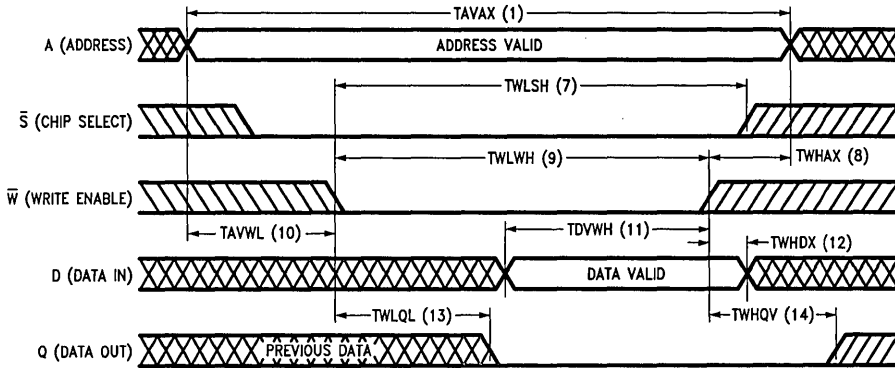
TL/D/10390-7

## Write Cycle 1

This write cycle is  $\bar{W}$  controlled, where  $\bar{S}$  is active (LOW) prior to  $\bar{W}$  becoming active (LOW). In this write cycle the data out (Q) may become active and requires observance of TWLQL to avoid data bus contention in common I/O applications. At the end of the write cycle the data out may become active if  $\bar{W}$  becomes inactive (HIGH) prior to  $\bar{S}$  becoming inactive (HIGH).

### AC Timing Characteristics $V_{CC} = \text{Ground}, T_C = 0^\circ\text{C to } +85^\circ\text{C}$

No.	Symbol		Parameter	12 ns Device		15 ns Device		18 ns Device		Units
	Std.	Alt.		Min	Max	Min	Max	Min	Max	
1	TAVAX	TWC	Address Valid to Address Invalid	12		15		18		ns
7	TWLSH		Write Enable LOW to Chip Select HIGH	9		10		12		ns
8	TWHAX	TWHA	Write HIGH to Address Don't Care	0		0		3		ns
9	TWLWH	TW	Write LOW to Write HIGH	9		10		12		ns
10	TAVWL	TWSA	Address Valid to Write LOW	0		0		2		ns
11	TDVWH		Data Valid to Write HIGH	9		10		14		ns
12	TWHDX	TWHD	Write HIGH to Data Don't Care	0		0		3		ns
13	TWLQL	TWS	Write LOW to Output LOW		5		5		5	ns
14	TWHQV	TWR	Write HIGH to Output Valid		12		15		18	ns



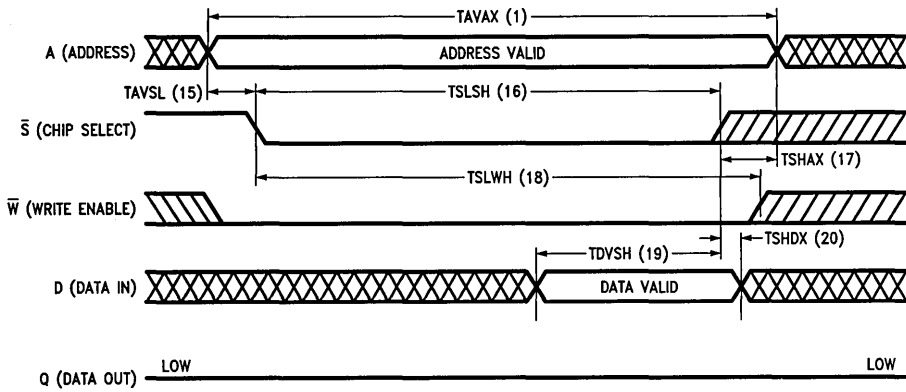
TL/D/10390-8

## Write Cycle 2

This write cycle is  $\bar{S}$  controlled, where  $\bar{W}$  is active prior to, or coincident with,  $\bar{S}$  becoming active (LOW). Write cycle 2 has identical specifications to write cycle 1 with the exceptions of  $\bar{W}$  and  $\bar{S}$  being interchanged. This write cycle may be more convenient for common I/O applications because data bus restrictions are alleviated.

### AC Timing Characteristics $V_{CC} = \text{Ground}, T_C = 0^\circ\text{C to } +85^\circ\text{C}$

No.	Symbol		Parameter	12 ns Device		15 ns Device		18 ns Device		Units
	Std.	Alt.		Min	Max	Min	Max	Min	Max	
15	TAVSL	TWSA	Address Valid to Chip Select LOW	0		0		2		ns
16	TLSLH		Chip Select LOW to Chip Select HIGH	9		10		12		ns
17	TSHAX	TWHA	Chip Select HIGH to Address Don't Care	0		0		3		ns
18	TSLWH		Chip Select LOW to Write Enable HIGH	9		10		12		ns
19	TDVSH		Data Valid to Chip Select HIGH	9		10		14		ns
20	TSHDX	TWHD	Chip Select HIGH to Data Don't Care	0		0		3		ns



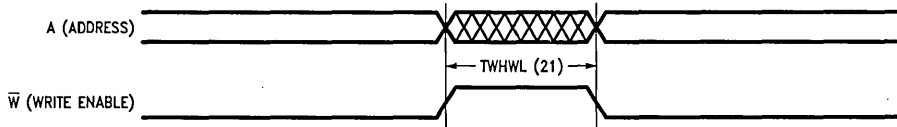
TL/D/10390-9

# Consecutive Write Cycles

## AC Timing Characteristics $V_{CC} = \text{Ground}, T_C = 0^\circ\text{C to } +85^\circ\text{C}$

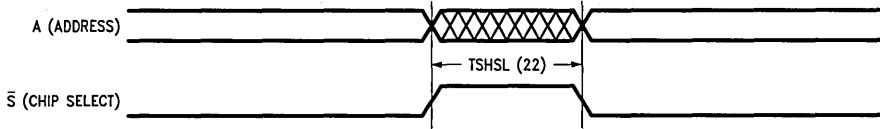
No.	Symbol		Parameter	12 ns Device		15 ns Device		18 ns Device		Units
	Std.	Alt.		Min	Max	Min	Max	Min	Max	
21	TWHWL	TWP	Write Enable HIGH to Write Enable LOW	3		4		4		ns
22	TSHSL	TSP	Chip Select HIGH to Chip Select LOW	3		4		4		ns

Minimum Write Pulse Disable



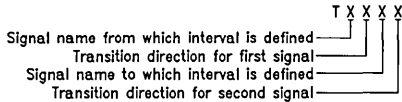
TL/D/10390-10

Minimum Select Pulse Disable



TL/D/10390-11

### Standard Timing Parameter Abbreviations



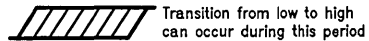
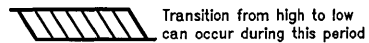
TL/D/10390-12

The transition definitions used in this data sheet are:

- H = Transition to HIGH State
- L = Transition to LOW State
- V = Transition to Valid State
- X = Transition to Invalid or Don't Care Condition

### TIMING EXPLANATIONS

The AC Operating Conditions and Characteristics tables typically show either a minimum or maximum limit for a device parameter. Those timing parameters which show a minimum value do so because the system must supply at least that much time, even though most devices do not need the full amount. Thus, input requirements are specified from the external point of view. In contrast, responses from the memory devices (i.e., access times) are specified as a maximum time because the device will never provide the data later than this stated value, and usually, much sooner.



TL/D/10390-13

## Ordering Information

Part Number	Temperature Range	Package Type	Ordering Code
NM5104	0°C to +85°C	28-Pin Ceramic DIP	NM5104D12/15
NM5104	0°C to +85°C	28-Pin Flatpak	NM5104F12/15
NM100504	0°C to +85°C	28-Pin Ceramic DIP	NM100504D15/18
NM100504	0°C to +85°C	28-Pin Flatpak	NM100504F15/18



# NM100494 64k BiCMOS SRAM 16k x 4 Bit

## General Description

The NM100494 is a 65,536-bit fully static, asynchronous, random access memory organized as 16,384 words by 4 bits. The device is based on National's advanced one micron BiCMOS III process. This process utilizes advanced lithography and processing techniques with double polysilicon and double metal bringing high density CMOS to performance driven ECL designs. National's combination of high performance technology and speed optimized circuit designs results in a very high speed memory device.

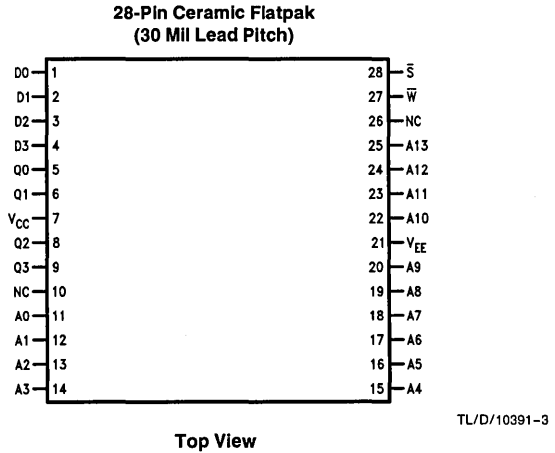
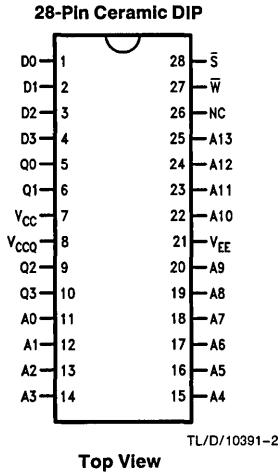
The NM100494 operates with a  $-4.2V$  to  $-4.8V$  supply voltage. Reading the memory is accomplished by pulling the chip select ( $\bar{S}$ ) pin LOW while the write enable ( $\bar{W}$ ) pin remains HIGH allowing the memory contents to be displayed on the output pins (Q0-Q3). The output pins will remain inactive (LOW) if either the chip select ( $\bar{S}$ ) pin is HIGH or the write enable ( $\bar{W}$ ) pin is LOW.

Writing to the device is accomplished by having the chip select ( $\bar{S}$ ) and the write enable ( $\bar{W}$ ) pins LOW. Data on the input pins will then be written into the memory address specified on the address pins (A0-A13).

## Features

- 15 ns/18 ns speed grades over the commercial temperature range
- Balanced read and write cycle times
- Write cycle timing allows 33% of cycle time for system skews
- Temperature compensated F100K ECL I/O
- Power supply  $-4.2V$  to  $-4.8V$
- Low power dissipation  $<1.3W$  @ 50 MHz
- Soft error rate less than 100 FIT
- Over 2000V ESD protection
- One micron BiCMOS III process technology
- Over 200 mA latch-up immunity
- Low inductance, high density 28-pin flatpak and 28-pin ceramic DIP

## Connection Diagrams



### Pin Names

A0-A13	Address Inputs
$\bar{S}$	Chip Select
$\bar{W}$	Write Enable
Q0-Q3	Data Out
D0-D3	Data In
$V_{CC}$	Ground
$V_{EE}$	Power

### Absolute Maximum Ratings

above which useful life may be impaired

If Military/Aerospace specified devices are required, please contact the National Semiconductor Sales Office/Distributors for availability and specifications.

Storage Temperature	-65°C to +150°C
V <sub>EE</sub> Pin Potential to Ground Pin	-7.0V to +0.5V
Input Voltage (DC)	V <sub>EE</sub> to +0.5V
Static Discharge Voltage (Per MIL-STD 883)	>2001V
Maximum Junction Temperature (T <sub>J</sub> )	+150°C
Output Current (DC Output HIGH)	-50 mA
Latch-Up Current	>200 mA

This device contains circuitry to protect the inputs against damage due to high static voltages or electric fields however, it is advised that normal precautions be taken to avoid applications of any voltage higher than maximum rated voltages to this high-impedance circuit.

### AC Test Conditions

Input Pulse Levels	Figure 1
Input Rise and Fall Times	0.7 ns
Output Timing Reference Levels	50% of Input
AC Test Circuit	Figure 2

### Capacitance Tested by Sample Basis

Symbol	Parameter	Max	Units
C <sub>IN</sub>	Input Pin Capacitance	5.0	pF
C <sub>OUT</sub>	Output Pin Capacitance	8.0	pF

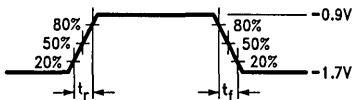
### Operating Voltage

Device	Voltage
NM100494	V <sub>EE</sub> = -4.2V to -4.8V

### DC Electrical Characteristics V<sub>CC</sub> = Ground, T<sub>C</sub> = 0°C to +85°C

Symbol	Parameter	Conditions	Min	Max	Units
V <sub>OH</sub>	Output HIGH Voltage	Loading with 50Ω to -2.0V	-1025	-880	mV
V <sub>OL</sub>	Output LOW Voltage		-1810	-1620	mV
V <sub>IH</sub>	Input HIGH Voltage		-1165	-880	mV
V <sub>IL</sub>	Input LOW Voltage		-1810	-1475	mV
I <sub>IH</sub>	Input HIGH Current	V <sub>IN</sub> = V <sub>IH</sub> (Min)		50	μA
I <sub>IL</sub>	Input LOW Current	V <sub>IN</sub> = V <sub>IL</sub> (Max)	-50	50	μA
I <sub>EE</sub>	Power Supply Current	f <sub>o</sub> = 50 MHz	-240		mA

All voltages are referenced to V<sub>CC</sub> pin = 0V.



t<sub>R</sub> = Rise Time  
t<sub>F</sub> = Fall Time  
50% = Timing Reference Levels

FIGURE 1. Input Levels

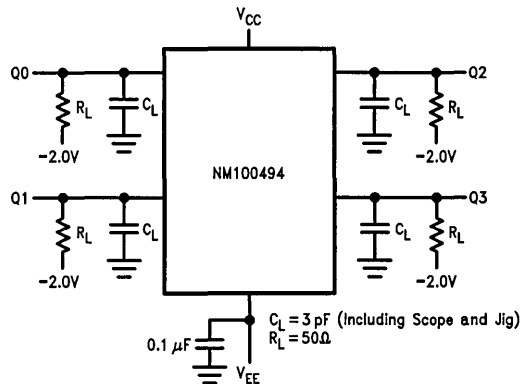
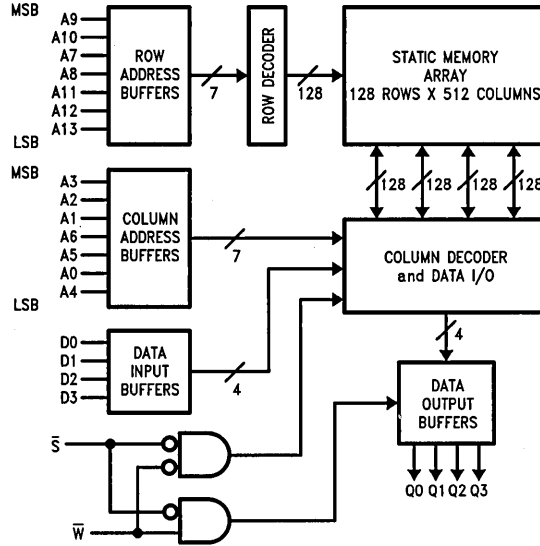


FIGURE 2. AC Test Circuit

### Truth Table

$\bar{S}$	$\bar{W}$	D	Q	Mode
H	X	X	L	Not Selected
L	L	L	L	Write "0"
L	L	H	L	Write "1"
L	H	X	Q	Read

### Logic Diagram



TL/D/10391-6



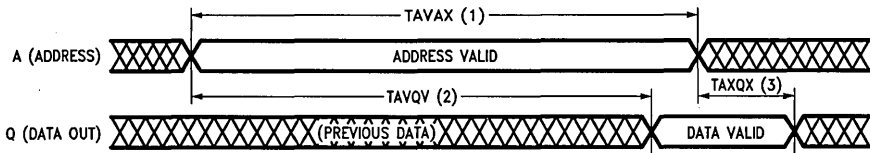
# Read Cycles

## AC Timing Characteristics $V_{CC} = \text{Ground}, T_C = 0^\circ\text{C to } +85^\circ\text{C}$

No.	Symbol		Parameter	15 ns Device		18 ns Device		Units
	Std.	Alt.		Min	Max	Min	Max	
1	TAVAX	TRC	Address Valid to Address Invalid	15		18		ns
2	TAVQV	TAA	Address Valid to Output Valid		15		18	ns
3	TAXQX	TOH	Address Invalid to Output Invalid	3		3		ns
4	TSLSH	TRC	Chip Select LOW to Chip Select HIGH	7		7		ns
5	TSLQV	TACS	Chip Select LOW to Output Valid		5		5	ns
6	TSHQL	TRCS	Chip Select HIGH to Output LOW		4		4	ns

### Read Cycle 1

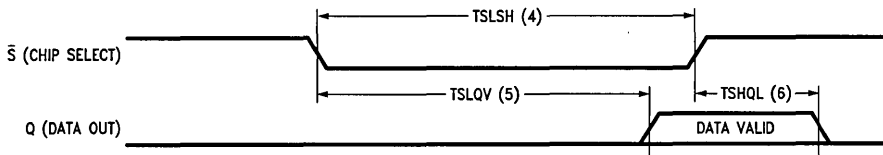
Where  $\bar{S}$  is active prior to or within TAVQV-TSLQV after address valid.



TL/D/10391-7

### Read Cycle 2

Where address is valid a minimum of TAVQV-TSLQV prior to  $\bar{S}$  becoming active.



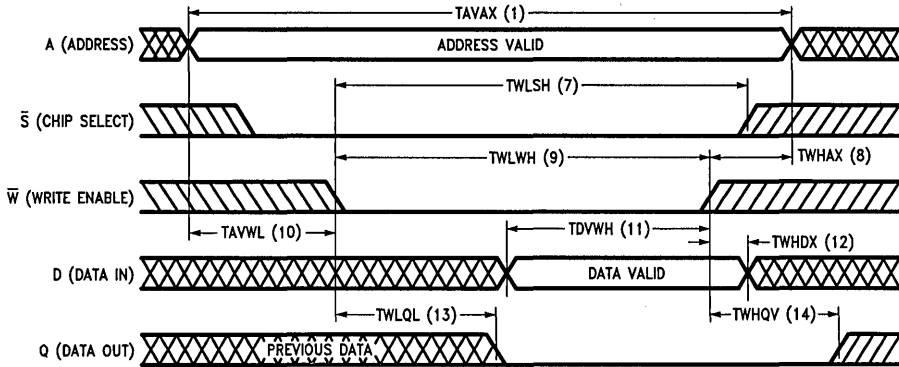
TL/D/10391-8

## Write Cycle 1

This write cycle is  $\bar{W}$  controlled, where  $\bar{S}$  is active (LOW) prior to  $\bar{W}$  becoming active (LOW). In this write cycle the data out (Q) may become active and requires observance of TWLQL to avoid data bus contention in common I/O applications. At the end of the write cycle the data out may become active if  $\bar{W}$  becomes inactive (HIGH) prior to  $\bar{S}$  becoming inactive (HIGH).

### AC Timing Characteristics $V_{CC} = \text{Ground}, T_C = 0^\circ\text{C to } +85^\circ\text{C}$

No.	Symbol		Parameter	15 ns Device		18 ns Device		Units
	Std.	Alt.		Min	Max	Min	Max	
1	TAVAX	TWC	Address Valid to Address Invalid	15		18		ns
7	TWLSH		Write Enable LOW to Chip Select HIGH	10		12		ns
8	TWHAX	TWHA	Write HIGH to Address Don't Care	0		3		ns
9	TWLWH	TW	Write LOW to Write HIGH	10		12		ns
10	TAVWL	TWSA	Address Valid to Write LOW	0		2		ns
11	TDVWH		Data Valid to Write HIGH	10		14		ns
12	TWHDX	TWHD	Write HIGH to Data Don't Care	0		3		ns
13	TWLQL	TWS	Write LOW to Output LOW		5		5	ns
14	TWHQV	TWR	Write HIGH to Output Valid		15		18	ns



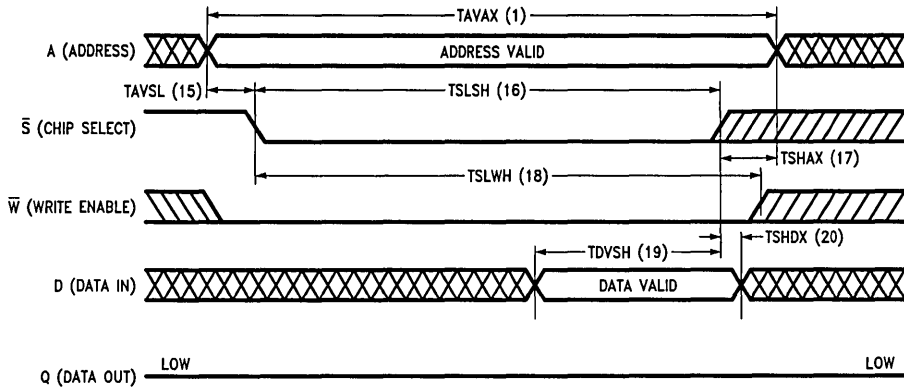
TL/D/10391-9

## Write Cycle 2

This write cycle is  $\bar{S}$  controlled, where  $\bar{W}$  is active prior to, or coincident with,  $\bar{S}$  becoming active (LOW). Write cycle 2 has identical specifications to write cycle 1 with the exceptions of  $\bar{W}$  and  $\bar{S}$  being interchanged. This write cycle may be more convenient for common I/O applications because data bus restrictions are alleviated.

### AC Timing Characteristics $V_{CC} = \text{Ground}, T_C = 0^\circ\text{C to } +85^\circ\text{C}$

No.	Symbol		Parameter	15 ns Device		18 ns Device		Units
	Std.	Alt.		Min	Max	Min	Max	
15	TAVSL	TWSA	Address Valid to Chip Select LOW	0		2		ns
16	TSLSH		Chip Select LOW to Chip Select HIGH	10		12		ns
17	TSHAX	TWHA	Chip Select HIGH to Address Don't Care	0		3		ns
18	TSLWH		Chip Select LOW to Write Enable HIGH	10		12		ns
19	TDVSH		Data Valid to Chip Select HIGH	10		14		ns
20	TSHDX	TWHD	Chip Select HIGH to Data Don't Care	0		3		ns



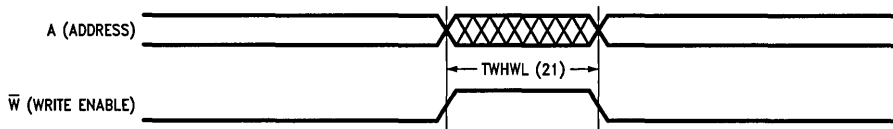
TL/D/10391-10

# Consecutive Write Cycles

## AC Timing Characteristics $V_{CC} = \text{Ground}, T_C = 0^\circ\text{C to } +85^\circ\text{C}$

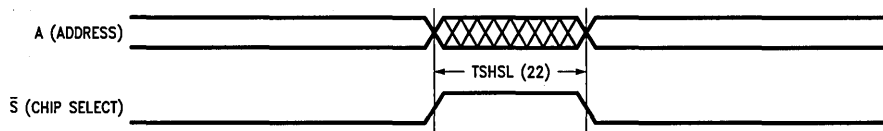
No.	Symbol		Parameter	15 ns Device		18 ns Device		Units
	Std.	Alt.		Min	Max	Min	Max	
21	TWHWL	$\overline{\text{TWP}}$	Write Enable HIGH to Write Enable LOW	4		4		ns
22	TSHSL	$\overline{\text{TSP}}$	Chip Select HIGH to Chip Select LOW	4		4		ns

Minimum Write Pulse Disable



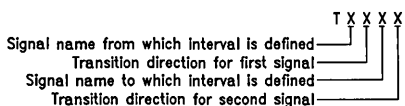
TL/D/10391-11

Minimum Select Pulse Disable



TL/D/10391-12

### Standard Timing Parameter Abbreviations



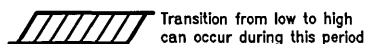
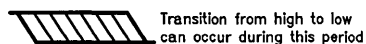
TL/D/10391-13

The transition definitions used in this data sheet are:

- H = Transition to HIGH State
- L = Transition to LOW State
- V = Transition to Valid State
- X = Transition to Invalid or Don't Care Condition

### TIMING EXPLANATIONS

The AC Operating Conditions and Characteristics tables typically show either a minimum or maximum limit for a device parameter. Those timing parameters which show a minimum value do so because the system must supply at least that much time, even though most devices do not need the full amount. Thus, input requirements are specified from the external point of view. In contrast, responses from the memory devices (i.e., access times) are specified as a maximum time because the device will never provide the data later than this stated value, and usually, much sooner.



TL/D/10391-14

## Ordering Information

Part Number	Temperature Range	Package Type	Ordering Code
NM100494	0°C to +85°C	28-Pin Ceramic DIP	NM100494D15/18
NM100494	0°C to +85°C	28-Pin Flatpak	NM100494F15/18

## NM10494 64k BiCMOS SRAM 16k x 4 Bit

### General Description

The NM10494 is a 65,536-bit fully static, asynchronous, random access memory organized as 16,384 words by 4 bits. The device is based on National's advanced one micron BiCMOS III process. This process utilizes advanced lithography and processing techniques with double polysilicon and double metal bringing high density CMOS to performance driven ECL designs. National's combination of high performance technology and speed optimized circuit designs results in a very high speed memory device.

The NM10494 operates with a supply voltage of  $-5.2V \pm 5\%$ , and the input and output voltage levels are 10k ECL I/O compatible.

Reading the memory is accomplished by pulling the chip select ( $\bar{S}$ ) pin LOW while the write enable ( $\bar{W}$ ) pin remains HIGH allowing the memory contents to be displayed on the output pins (Q0-Q3). The output pins will remain inactive (LOW) if either the chip select ( $\bar{S}$ ) pin is HIGH or the write enable ( $\bar{W}$ ) pin is LOW.

Writing to the device is accomplished by having the chip select ( $\bar{S}$ ) and the write enable ( $\bar{W}$ ) pins LOW. Data on

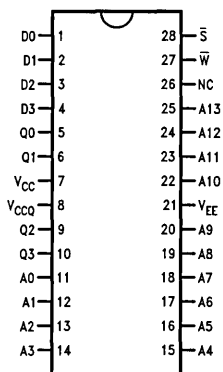
the input pins will then be written into the memory address specified on the address pins (A0-A13).

### Features

- 10 ns/12 ns/15 ns speed grades over the commercial temperature range
- Balanced read and write cycle times
- Write cycle timing allows 33% of cycle time for system skew
- 10k ECL I/O
- Power supply  $-5.2V \pm 5\%$
- Low power dissipation  $< 1.3W$  @ 50 MHz
- Soft error rate less than 100 FIT
- Over 2000V ESD protection
- One micron BiCMOS III process technology
- Over 200 mA latch-up immunity
- Low inductance, high density 28-pin flatpak and 28-pin ceramic DIP

### Connection Diagrams

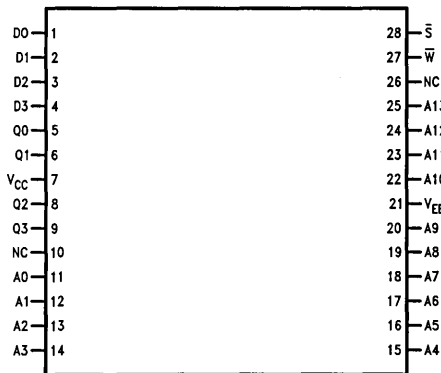
28-Pin Ceramic DIP



TL/D/10393-2

Top View

28-Pin Ceramic Flatpak  
(30 Mil Lead Pitch)



TL/D/10393-3

Top View

Pin Names

A0-A13	Address Inputs
$\bar{S}$	Chip Select
$\bar{W}$	Write Enable
Q0-Q3	Data Out
D0-D3	Data In
$V_{CC}$	Ground
$V_{EE}$	Power

### Absolute Maximum Ratings

Above which useful life may be impaired

If Military/Aerospace specified devices are required, please contact the National Semiconductor Sales Office/Distributors for availability and specifications.

Storage Temperature	-65°C to +150°C
V <sub>EE</sub> Pin Potential to Ground Pin	-7.0V to +0.5V
Input Voltage (DC)	V <sub>EE</sub> to +0.5V
Static Discharge Voltage (Per MIL-STD 883)	> 2001V
Maximum Junction Temperature (T <sub>J</sub> )	+150°C
Output Current (DC Output HIGH)	-50 mA
Latch-Up Current	>200 mA

These devices contain circuitry to protect the inputs against damage due to high static voltages or electric fields however, it is advised that normal precautions be taken to avoid applications of any voltage higher than maximum rated voltages to this high-impedance circuit.

### AC Test Conditions

Input Pulse Levels	Figure 1
Input Rise and Fall Times	0.7 ns
Output Timing Reference Levels	50% of Input
AC Test Circuit	Figure 2

### Capacitance Tested by Sample Basis

Symbol	Parameter	Max	Units
C <sub>IN</sub>	Input Pin Capacitance	5.0	pF
C <sub>OUT</sub>	Output Pin Capacitance	8.0	pF

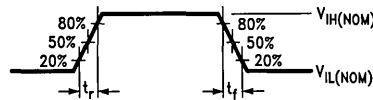
### Operating Voltage

Device	Voltage
NM10494	V <sub>EE</sub> = -5.2V ± 5%

### DC Electrical Characteristics V<sub>EE</sub> = -5.2V, V<sub>CC</sub> = V<sub>CCQ</sub> = GND, T<sub>C</sub> = 0°C to +75°C (Note)

Symbol	Parameter	Conditions	Min	Max	Units	T <sub>C</sub>
V <sub>OH</sub>	Output HIGH Voltage	Loading is 50Ω to -2.0V	-1000	-840	mV	0°C
			-960	-810		+25°C
			-900	-720		+75°C
V <sub>OL</sub>	Output LOW Voltage		-1870	-1665	mV	0°C
			-1850	-1650		+25°C
			-1830	-1625		+75°C
V <sub>IH</sub>	Input HIGH Voltage	Guaranteed Input Voltage HIGH for All Inputs	-1145	-840	mV	0°C
			-1105	-810		+25°C
			-1045	-720		+75°C
V <sub>IL</sub>	Input LOW Voltage	Guaranteed Input Voltage LOW for All Inputs	-1870	-1490	mV	0°C
			-1850	-1475		+25°C
			-1830	-1450		+75°C
I <sub>IL</sub>	Input LOW Current	V <sub>IN</sub> = V <sub>IL(max)</sub>	-50	50	μA	
I <sub>IH</sub>	Input HIGH Current	V <sub>IN</sub> = V <sub>IH(min)</sub>		50	μA	
I <sub>EE</sub>	Power Supply Current	f <sub>O</sub> = 50 MHz	-240		mA	

Note: The specified limits represent the "worst case" value for the parameter. Since these "worst case" values normally occur at the temperature extremes, additional noise immunity and guard banding can be achieved by decreasing the allowable system operating ranges.

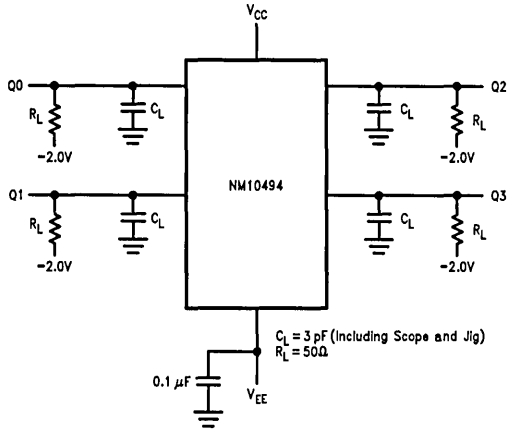


t<sub>R</sub> = Rise Time  
 t<sub>F</sub> = Fall Time  
 50% = Timing Reference Levels  
 $V_{IH(NOM)} = (V_{IH(MIN)} + V_{IH(MAX)})/2$   
 $V_{IL(NOM)} = (V_{IL(MIN)} + V_{IL(MAX)})/2$

TL/D/10393-4

FIGURE 1. Input Levels

DC Electrical Characteristics (Continued)



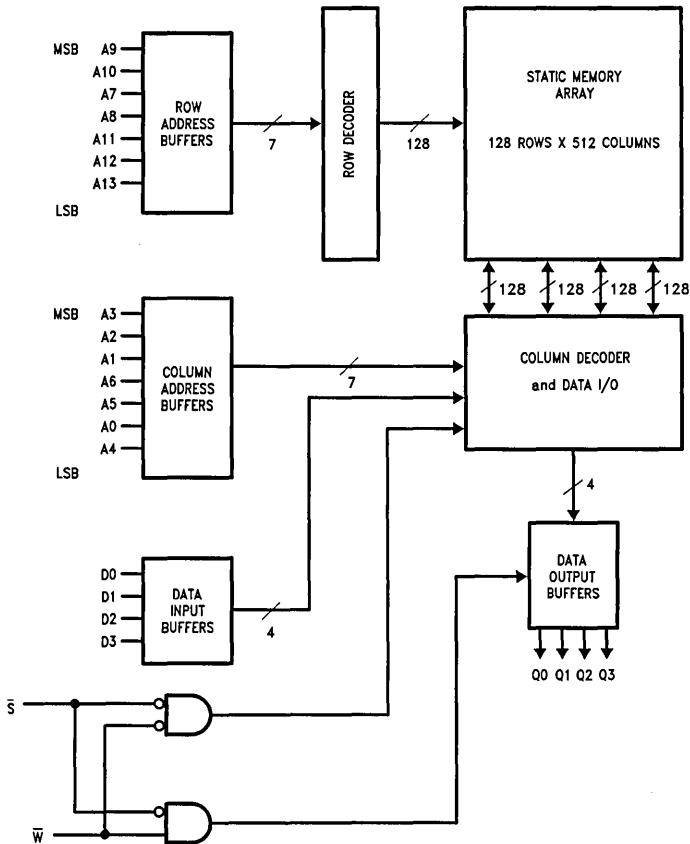
Truth Table

$\bar{S}$	$\bar{W}$	D	Q	Mode
H	X	X	L	Not Selected
L	L	L	L	Write "0"
L	L	H	L	Write "1"
L	H	X	Q	Read

FIGURE 2. AC Test Circuit

TL/D/10393-5

Logic Diagram



TL/D/10393-6

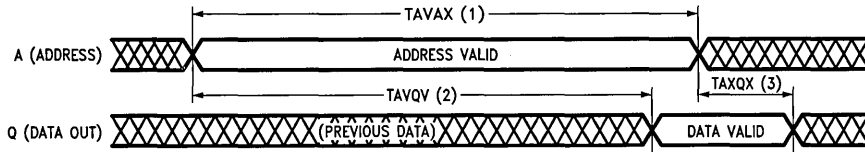
# Read Cycles

## AC Timing Characteristics $V_{CC} = \text{Ground}, T_C = 0^\circ\text{C to } +75^\circ\text{C}$

No.	Symbol		Parameter	10 ns Device		12 ns Device		15 ns Device		Units
	Std.	Alt.		Min	Max	Min	Max	Min	Max	
1	TAVAX	TRC	Address Valid to Address Invalid	10		12		15		ns
2	TAVQV	TAA	Address Valid to Output Valid		10		12		15	ns
3	TAXQX	TOH	Address Invalid to Output Invalid	3		3		3		ns
4	TSLSH	TRC	Chip Select LOW to Chip Select HIGH	7		7		7		ns
5	TSLQV	TACS	Chip Select LOW to Output Valid		5		5		5	ns
6	TSHQL	TRCS	Chip Select HIGH to Output LOW		4		4		4	ns

### Read Cycle 1

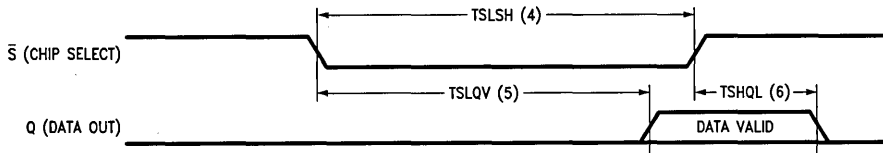
Where  $\bar{S}$  is active prior to or within TAVQV-TSLQV after address valid.



TL/D/10393-7

### Read Cycle 2

Where address is valid a minimum of TAVQV-TSLQV prior to  $\bar{S}$  becoming active.



TL/D/10393-8

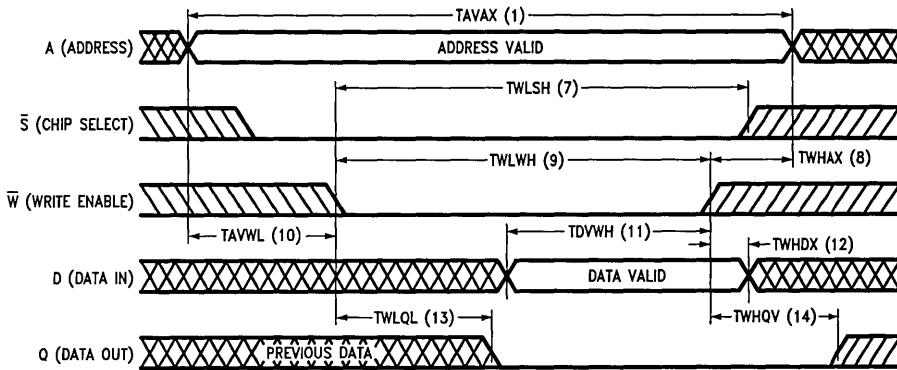


## Write Cycle 1

This write cycle is  $\bar{W}$  controlled, where  $\bar{S}$  is active (LOW) prior to  $\bar{W}$  becoming active (LOW). In this write cycle the data out (Q) may become active and requires observance of TWLQL to avoid data bus contention in common I/O applications. At the end of the write cycle the data may become active if  $\bar{W}$  becomes inactive (HIGH) prior to  $\bar{S}$  becoming inactive (HIGH).

### AC Timing Characteristics $V_{CC} = \text{Ground}, T_C = 0^\circ\text{C to } +75^\circ\text{C}$

No.	Symbol		Parameter	10 ns Device		12 ns Device		15 ns Device		Units
	Std.	Alt.		Min	Max	Min	Max	Min	Max	
1	TAVAX	TWC	Address Valid to Address Invalid	10		12		15		ns
7	TWLSH		Write Enable LOW to Chip Select HIGH	7		8		10		ns
8	TWHAX	TWHA	Write HIGH to Address Don't Care	0		0		0		ns
9	TWLWH	TW	Write LOW to Write HIGH	7		8		10		ns
10	TAVWL	TWSA	Address Valid to Write LOW	0		0		0		ns
11	TDVWH		Data Valid to Write HIGH	7		8		10		ns
12	TWHDX	TWHD	Write HIGH to Data Don't Care	0		0		0		ns
13	TWLQL	TWS	Write LOW to Output LOW		5		5		5	ns
14	TWHQV	TWR	Write HIGH to Output Valid		10		12		15	ns



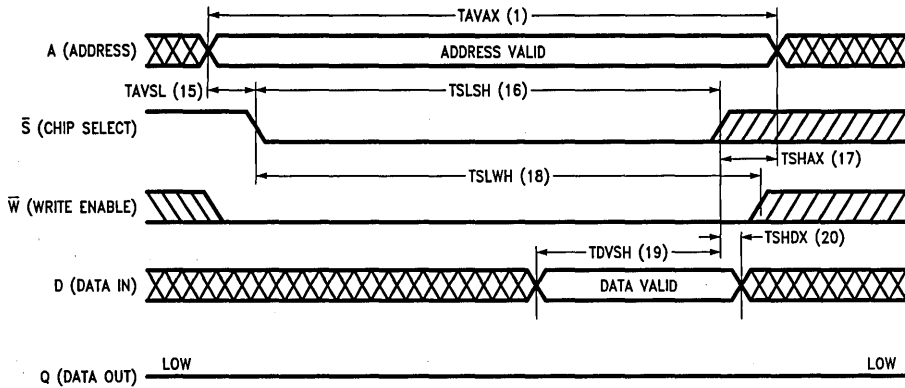
TL/D/10393-9

## Write Cycle 2

This write cycle is  $\bar{S}$  controlled, where  $\bar{W}$  is active prior to, or coincident with,  $\bar{S}$  becoming active (LOW). Write cycle 2 has identical specifications to write cycle 1 with the exceptions of  $\bar{W}$  and  $S$  being interchanged. This write cycle may be more convenient for common I/O applications because data bus restrictions are alleviated.

### AC Timing Characteristics $V_{CC} = \text{Ground}, T_C = 0^\circ\text{C to } +75^\circ\text{C}$

No.	Symbol		Parameter	10 ns Device		12 ns Device		15 ns Device		Units
	Std.	Alt.		Min	Max	Min	Max	Min	Max	
15	TAVSL	TWSA	Address Valid to Chip Select LOW	0		0		0		ns
16	TSLSH		Chip Select LOW to Chip Select HIGH	7		8		10		ns
17	TSHAX	TWHA	Chip Select HIGH to Address Don't Care	0		0		0		ns
18	TSLWH		Chip Select LOW to Write Enable HIGH	7		8		10		ns
19	TDVSH		Data Valid to Chip Select HIGH	7		8		10		ns
20	TSHDX	TWHD	Chip Select HIGH to Data Don't Care	0		0		0		ns

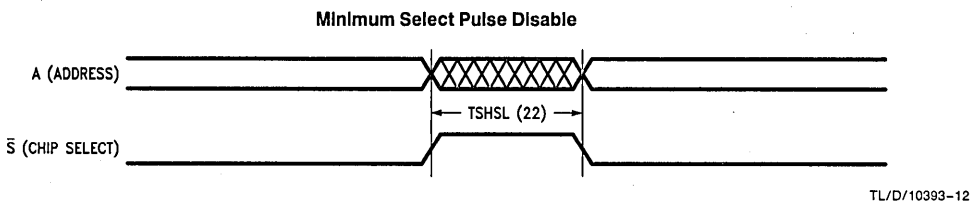
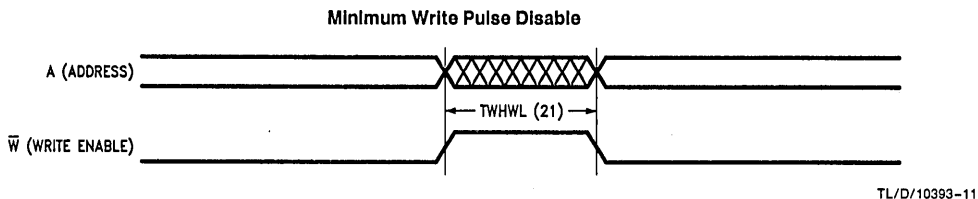


TL/D/10393-10

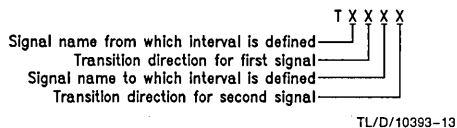
## Consecutive Write Cycles

### AC Timing Characteristics $V_{CC} = \text{Ground}, T_C = 0^\circ\text{C to } +75^\circ\text{C}$

No.	Symbol		Parameter	10 ns Device		12 ns Device		15 ns Device		Units
	Std.	Alt.		Min	Max	Min	Max	Min	Max	
21	TWHWL	$\overline{\text{TWP}}$	Write Enable HIGH to Write Enable LOW	2		3	4			ns
22	TSHSL	$\overline{\text{TSP}}$	Chip Select HIGH to Chip Select LOW	2		3		4		ns



#### Standard Timing Parameter Abbreviations

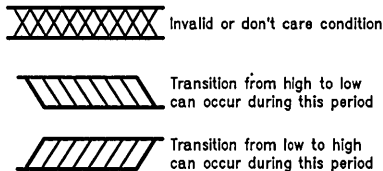


The transition definitions used in this data sheet are.

- H = Transition to HIGH State
- L = Transition to LOW State
- V = Transition to Valid State
- X = Transition to Invalid or Don't Care Condition

#### TIMING EXPLANATIONS

The AC Operating Conditions and Characteristics tables typically show either a minimum or maximum limit for a device parameter. Those timing parameters which show a minimum value do so because the system must supply at least that much time, even though most devices do not need the full amount. Thus, input requirements are specified from the external point of view. In contrast, responses from the memory devices (i.e., access times) are specified as a maximum time because the device will never provide the data later than this stated value, and usually, much sooner.



TL/D/10393-14

## Ordering Information

Part Number	Temperature Range	Package Type	Ordering Code
NM10494	0°C to +75°C	28-Pin Ceramic DIP	NM10494D10/D12/D15
NM10494	0°C to +75°C	28-Pin Flatpak	NM10494F10/F12/F15



## NM100492/NM4492 2k x 9 Advanced Self-Timed SRAM

### Features

- Extremely fast access time
  - 5 ns Max (NM4492)
  - 7 ns Max (NM100492)
- Power supply:  $-5.2V \pm 5\%$  (NM4492)
- Power supply:  $-4.2V$  to  $-4.8V$  (NM100492)
- Completely self-timed read and write cycle
- On-chip input and output registers
- Modest power consumption—2W at 7 ns, <1.5W at 100 MHz
- On-chip parity checking—with odd address parity mode pin
- Clock enable input simplifies pipeline control
- Scan diagnostics supported by on-chip scan registers
- High speed ceramic flatpak
- High speed TapePak™ package under development
- I/O compatible with F100k standard

### General Description

The NM100492/NM4492 is an extremely high performance 2k x 9 SRAM. It is the first of a family of similar 9-bit wide SRAMs designed specifically for very high speed ECL computer applications such as register files, writable control stores, cache RAMs, cache tag RAMs, and address translation lookaside buffers. The NM100492/NM4492 offers several features which are very desirable in such applications.

#### ADVANCED SELF-TIMED ARCHITECTURE

This advanced self-timed RAM simplifies the system design of extremely fast memory arrays by minimizing the impact of timing skews on the cycle time of the memory array. All input signals (address, data and control signals) are registered on-chip by a transition of the clock. By registering all inputs with minimal setup and hold times (setup + hold = 2 ns) the troublesome skews inherent with traditional static RAM timing requirements are significantly reduced. With skew problems minimized, very short cycle times become practical. Output registers (self-timed on-chip) hold output data valid for an extended portion of the cycle easing system read timing requirements.

#### HIDDEN WRITE CYCLE MODE

The hidden write cycle timing allows relaxed data bus timing. This will often ease system setup and hold requirements for the data output bus. Hidden write timing is essentially a technique for interleaving reads and writes. This advanced self-timed SRAM supports hidden write timing more conveniently in the system than first generation self-timed SRAM's, due to the unique control signal functions defined for write enable ( $\bar{W}$ ) and chip select ( $\bar{S}$ ). By keeping the output register active (with the last read data) during a write cycle, this device greatly simplifies the timing of interleaved memory architectures. This mode may be very useful in cache and register file applications, where multiple sources and/or destinations may be interleaved within each machine cycle.

#### PARITY CHECKING

The device also offers several convenient features which may be useful in specific applications. One such feature is the on-chip parity checking function. For systems where parity checking is desirable this device will check for odd parity on the 9-bit data input field, and will check for either even or odd parity (depending on the polarity of the parity mode pin —PM) on the 11-bit address field combined with the address parity input. Odd parity is met when the number of highs in the field is odd. Address parity checking can be conveniently disabled if desired, allowing data field only parity checking. If either the data or address demonstrates a parity error, then the parity error output flag is set. The polarity of the error output flag facilitates emitter dot ORing several error outputs for minimal delay. The parity checking feature is benign in the sense that if parity checking is not desired, the output can simply be ignored without detrimental effects to normal operation.

#### SERIAL SCAN DIAGNOSTICS REGISTERS

Another convenient feature provided on-chip is the scan diagnostics register. For system designs where scan diagnostics are included, this device allows observing the state of the input registers (scan out) and forcing the state of the input and output registers (scan in). For writable control store applications the control store can be loaded via the serial channel (scan in), simplifying circuit board layout by eliminating the wide parallel data input bus structure. For systems where scan diagnostics are not desired, the scan enable input can simply be left open allowing the on-chip pulldown device to disable scan functions and provide normal SRAM functionality.

#### PIPELINE CONTROL

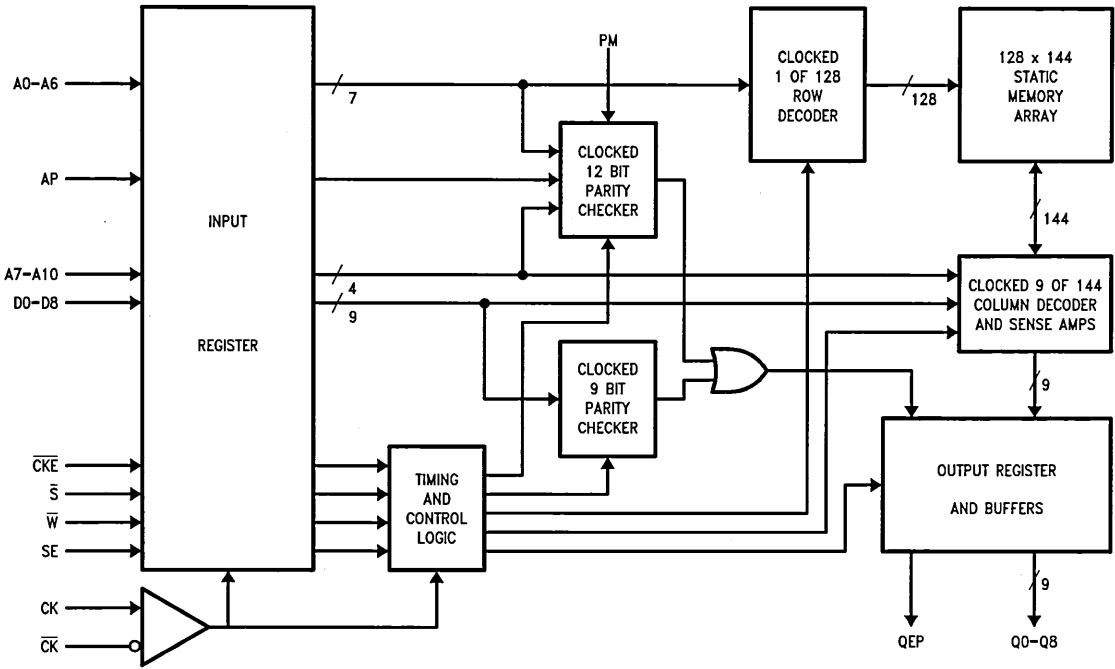
Yet a third convenient feature is the clock enable input. This control simplifies starting and stopping pipeline operations in pipelined systems. It reduces, and may eliminate, the need to gate the clock signal external to the RAM. This feature is also benign since the on-chip pulldown device will ensure normal operation if the clock enable is not used.

#### MODEST POWER CONSUMPTION

Modest power consumption is achieved without compromising device speed through very unique and innovative circuit design techniques (patents applied for). Power consumption is predominately dependent on clock frequency (1/cycle time) allowing a reduction in power at lower operating frequency.

#### F100K COMPATIBLE I/O

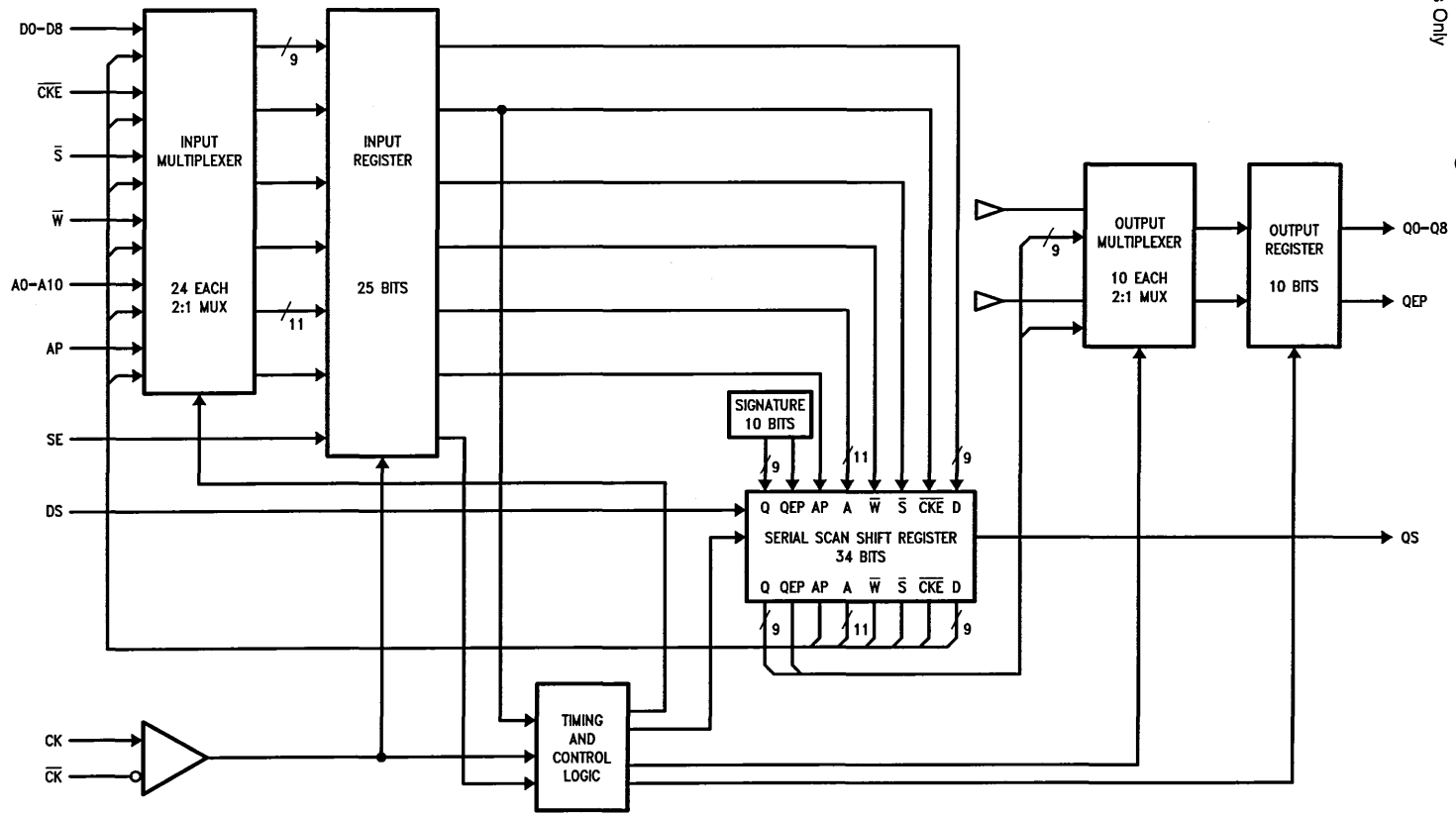
The device is I/O compatible with standard temperature compensated F100K ECL logic, allowing trouble free interfacing in high performance ECL systems.



TL/D/9748-1

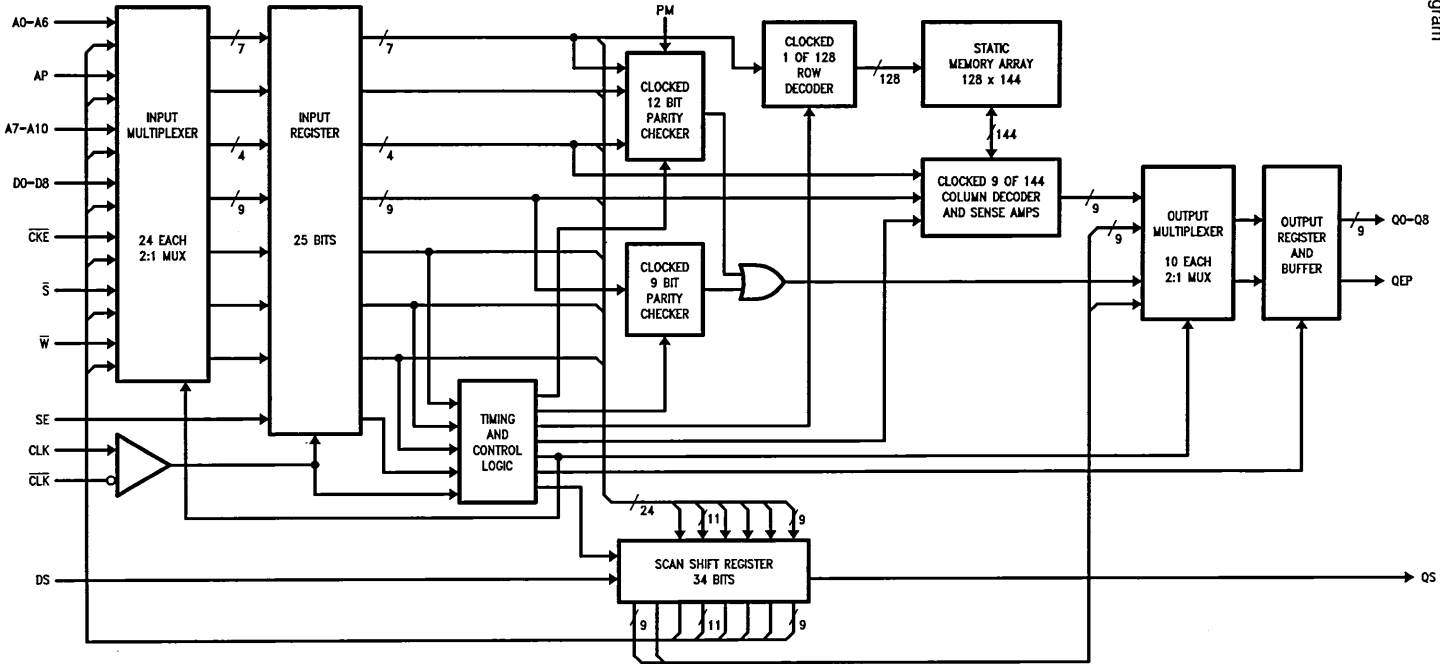
4-33

**Functional Block Diagram (Continued)**  
Scan Functions Only



4-34

**Functional Block Diagram (Continued)**  
Complete Functional Diagram



TL/D/9748-3

## Advanced Self-Timed RAM Pin Descriptions

### INPUTS

All input signals are registered by the rising edge of the clock, and the falling edge of the clock bar. Address, data in, and control lines are all registered in exactly the same manner, and are all specified for exactly the same input setup and hold requirements.

#### Pin Description

**A0–A10 Address Inputs:** Used to select the memory location for storing or retrieving data.

**AP Address Parity Input:** Should be set/reset to ensure parity when combined with A0–10. May also be tied to  $V_{EE}$  to disable parity checking of the address field. An internal pulldown is included to disable address parity checking when this input is not connected.

**D0–D8 Data Inputs:** During a write operation the data inputs are stored in the specified address location.

**$\overline{CKE}$  Clock Enable Input:** When active (low), this input allows the device to function normally with each rising edge of the clock. When inactive, this input will force the device to do nothing on each rising clock edge, thereby providing a convenient means for controlling the clock input to the device. Although this input functions as if it gates the clock on an off, this input actually is registered by the clock exactly as all other inputs and as such has the same input setup and hold requirements as all other inputs. A natural assumption is that gating off the clock with the clock enable control will reduce the device power consumption substantially; but this assumption is in fact false. The state of the clock enable pin has very little effect on power consumption. An internal pulldown device is included to permit normal operation even when not connected.

**$\overline{S}$  Chip Select Input:** Can be used to inhibit a write operation or to force the device outputs to a deselected (low) state when not writing. When active (low), each rising clock edge allows a write or read operation to occur. When inactive, a write operation is precluded. When inactive, and when Write Enable is also inactive, a deselect read operation will force the outputs to the inactive (low) state. An internal pulldown device is included to permit normal operation even when not connected.

**$\overline{W}$  Write Enable Input:** When active (low), each rising clock edge allows a write operation to occur, but when active the write function has no effect on the state of the data output pins. When inactive, each rising clock edge allows either a read operation or a deselect read operation to occur.

**PM Parity Mode Input:** When tied to  $V_{EE}$  device will check for Odd parity on the address field. When tied to  $V_{CC}$  device will check for Even parity on the address field.

#### Pin Description

**CK Differential Clock Input:** The “true” side of the differential clock input.

**$\overline{CK}$  Differential Clock Input:** The “complement” side of the differential clock input.

**Note:** Halting the clock does substantially reduce power consumption.

**SE Scan Enable Input:** Enables the serial scan diagnostics mode. With Scan Enable active (high), the contents of the scan shift register is shifted one position on each rising clock edge. The bit shifted out will appear on the QS pin and the bit shifted in will come from the DS pin. Information serially scanned into the device can be loaded into either the input register or the output register. An internal pulldown device is included to permit normal operation even when not connected.

**DS Serial Data Input:** When in scan diagnostics mode this input allows serial shifting external data into the scan shift register.

### OUTPUTS

**QS Serial Data Output:** When in scan diagnostics mode this output allows reading internal data directly from the scan shift register. In normal mode, QS will output the same logic level as the last registered value of D8.

**Q0–Q8 Data Outputs:** These represent the contents of the addressed memory location during a read cycle. The outputs will not change unless another read cycle occurs, or unless the outputs are forced inactive (low) by a deselect read operation.

**QEP Parity Error Output:** Normally low, it goes high when the registered inputs have a parity error. For a read cycle it indicates the address input has a parity error, since data input parity is only checked during write cycles. The parity error output delay approximates access time, appearing close to the time the data word appears in a read cycle. The parity error output signal will remain active (high) for a duration of the one cycle time, after which it may change back to inactive (low) if the next set of inputs contains no parity errors.

### POWER SUPPLIES

$V_{EE}$  Negative Supply

$V_{CC}$  Positive Supply (Ground)

$V_{CCQ}$  Positive Supply (Ground) for output buffers only

### SHIELD

Used to shield the input pins that are adjacent to  $V_{CC}$  and  $V_{EE}$  power pins from mutually coupled inductive noise. These pins should be connected to a DC power level or left floating dependent on board layout convenience. Note that the pin marked PM is actually a shield pin but must be connected to the appropriate level to facilitate parity.

**$V_{CCREF}$   $V_{CC}$  Reference:** Positive supply reference for input buffers.



## Truth Tables

Recall that all inputs are registered by a rising clock edge. The following truth tables illustrate device operation if the inputs shown are registered; the outputs shown will appear at access time.

### NORMAL OPERATIONS

Normal operations are defined by SE = low for prior and current cycle.

Inputs								Outputs		Type of Operation
$\overline{\text{CKE}}$	$\overline{\text{S}}$	$\overline{\text{W}}$	A	AP	PM	D	Data Parity	Q	QEP	
H	X	X	X	X	X	X	(X)	NC	NC	No Operation
L	L	H	V	O	L	X	(X)	V	L	Read
L	L	H	V	E	H	X	(X)	V	L	Read
L	H	H	X	X	X	X	(X)	L	L	Deselect
L	L	H	V	E	L	X	(X)	V	H	Read, A Parity Error
L	L	H	V	O	H	X	(X)	V	H	Read, A Parity Error
L	L	L	V	O	L	V	(O)	NC	L	Write
L	L	L	V	E	H	V	(O)	NC	L	Write
L	H	L	X	X	X	X	(X)	NC	L	Write Inhibit
L	L	L	V	E	L	V	(O)	NC	H	Write, A Parity Error
L	L	L	V	O	H	V	(O)	NC	H	Write, A Parity Error
L	L	L	V	O	L	V	(E)	NC	H	Write, D Parity Error
L	L	L	V	E	H	V	(E)	NC	H	Write, D Parity Error

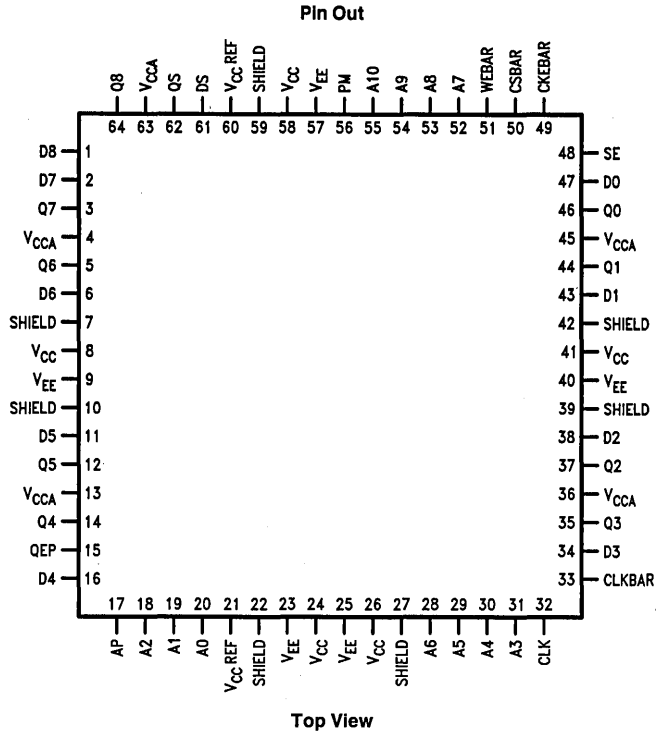
Special Characters: O = Odd, E = Even, NC = No Change

### SCAN MODE OPERATION

Scan operation depends on current and prior states of SE (as registered by the rising edge of the clock), and on the state of the  $\overline{\text{CKE}}$  bit after scan is completed (as scanned in serially):

Inputs				Outputs			Type of Operation
Prior SE	Current SE	Scanned $\overline{\text{CKE}}$	DS	QS	Q	QEP	
L	L	X	X	D8	X	X	Normal Operation
L	H	X	X	D7	NC	NC	Enter scan mode and do first shift
H	H	X	V	V	NC	NC	Serial shift on each clock
H	L	L	X	V	V/NC	V/NC	Exit scan mode; do last shift and then execute instruction scanned into input register; if read or deselect Q and QEP will update, else no change
H	L	H	X	V	V	V	Exit scan mode; do last shift and then copy scan register into Q and QEP; do not execute input instruction

# Connection Diagram



TL/D/9748-4

**Note:** Pin 26 is reserved for (A11).  
Pin 57 is reserved for (A12).

**Absolute Maximum Ratings** Above which the useful life may be impaired

If Military/Aerospace specified devices are required, please contact the National Semiconductor Sales Office/Distributors for availability and specifications.

Storage Temperature	-65°C to +150°C
Junction Temperature	+150°C Max
Case Temperature under Bias	0°C to +75°C
V <sub>EE</sub> Potential (to Ground)	-7.0V to +0.5V

Input Voltage (DC) V<sub>EE</sub> = -0.5V to +0.5V  
 Output Current (DC, High) -50 mA Max  
 Power consumption of the device is primarily a function of the clock frequency. Linear derating of the operating current specified less the quiescent current specified by 1.25 mA/MHz will result in a reasonable approximation at the frequency of interest (lower frequency results in lower power).

**Operating Voltage**

Device	Voltage
NM4492	V <sub>EE</sub> = -5.2V ±5%
NM100492	V <sub>EE</sub> = -4.2V to -4.8V

**DC Characteristics** T<sub>C</sub> = 0°C to +75°C

Symbol	Parameter	Conditions	Min	Max	Units
I <sub>EE0</sub>	Operating Current (-5)	T <sub>CHCH</sub> = 5 ns	-500		mA
I <sub>EE0</sub>	Operating Current (-7)	T <sub>CHCH</sub> = 7 ns	-400		mA
I <sub>EE0</sub>	Operating Current (-10)	T <sub>CHCH</sub> = 10 ns	-330		mA
I <sub>EEQ</sub>	Quiescent Current	Clock = V <sub>IL</sub> /V <sub>IH</sub>	-120		mA
I <sub>IL</sub>	Input Low Current		-50	+170	μA
I <sub>IH</sub>	Input High Current			+220	μA
V <sub>OH</sub>	Output HIGH Voltage	50Ω to -2V	-1025	-880	mV
V <sub>OL</sub>	Output LOW Voltage	50Ω to -2V	-1810	-1620	mV
V <sub>OHC</sub>	Output HIGH Corner V	50Ω to -2V	-1025		mV
V <sub>OLC</sub>	Output LOW Corner V	50Ω to -2V		-1620	mV
V <sub>IH</sub>	Input HIGH Voltage		-1165	-880	mV
V <sub>IL</sub>	Input LOW Voltage		-1810	-1475	mV

## Read Cycle

### DESCRIPTION

A read cycle is performed when the following conditions are present at the time the clock rising edge registers the inputs:  $\overline{CKE} = \text{Low}$ ,  $\overline{S} = \text{Low}$ ,  $\overline{W} = \text{High}$ ,  $SE = \text{Low}$  and was low for the previous cycle also. At access time the outputs become valid, making a single glitch free transition from the previous state to the new state. A deselect read cycle is very similar to a read cycle except that  $\overline{S} = \text{High}$ , and the outputs all go inactive (low) at access time. The minimum

read cycle time realized in an application is largely a function of the system skews between inputs, and of setup and hold requirements of the device to which the RAM provides data. If the address field and address parity bit combine to parity then the parity error output will not assert, remaining low. The parity error output timing closely approximates access time and meets the same specifications.

### AC Characteristics

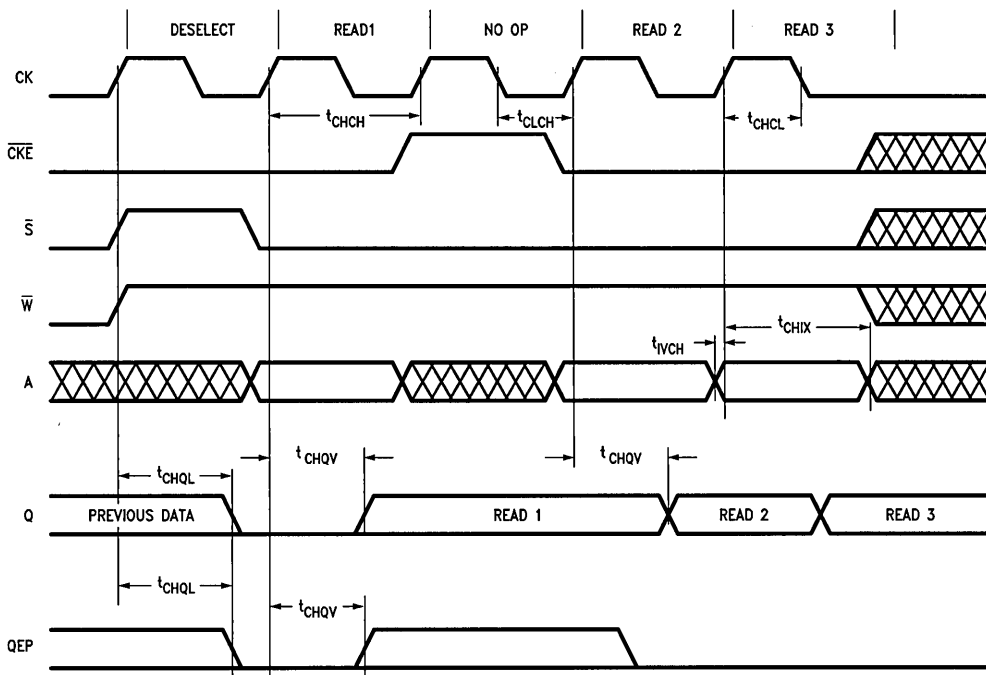
$T_C = 0^\circ\text{C}$  to  $+75^\circ\text{C}$ . Input levels are  $-0.9\text{V}$  and  $-1.7\text{V}$ . Timing References are  $-1.3\text{V}$  (Note 1).

Symbol	Parameter	5 ns (Prelim)		7 ns Device		10 ns Device		Units
		Min	Max	Min	Max	Min	Max	
$t_{CHCH}$	Cycle Time	5		7		10		ns
$t_{CHQV}$	Access Time (Note 2)	2.5	5	2.5	7	2.5	10	ns
$t_{CHQL}$	Disable Time	2.5	5	2.5	7	2.5	10	ns
$t_{VCH}$	Input Setup Time	0		0		0		ns
$t_{CHIX}$	Input Hold Time	2		2.5		3		ns
$t_{CHCL}$	Clock High Pulse Width	1.5		1.5		2		ns
$t_{CLCH}$	Clock Low Pulse Width	1.5		1.5		2		ns
$t_{CHQEPV}$	Parity Access (Note 2)	2.5	5	2.5	7	2.5	10	ns

Output Load: 3.0 pF and 50Ω to  $-2.0\text{V}$

**Note 1:** All maximum timing specs are referenced to the latter of CLK and  $\overline{CLK}$ , whichever occurs later. All minimum timing specs are referenced to the earlier of CLK and  $\overline{CLK}$ . CLK and  $\overline{CLK}$  must cross each other between 10% and 90% of AC input levels.

**Note 2:** Maximum access time is guaranteed to be the worst case bit in the memory using a pseudorandom testing pattern.



## Write Cycle

### DESCRIPTION

A write cycle is performed when the following conditions are present at the time the clock rising edge registers the inputs:  $\overline{CKE} = \text{Low}$ ,  $\overline{S} = \text{Low}$ ,  $\overline{W} = \text{Low}$ ,  $\overline{SE} = \text{Low}$  and was low for the previous cycle also. The minimum write cycle time realized in an application is largely a function of the system skews on the inputs. Notice that a write cycle will

not cause a change in any output except the parity error output; data outputs remain unchanged in any case. During writes parity is checked on both the address field (combined with the address parity input) and the data field. The parity error output will not assert if both fields show parity. The parity error output timing closely approximates access time and meets the same access time specifications.

### AC Characteristics

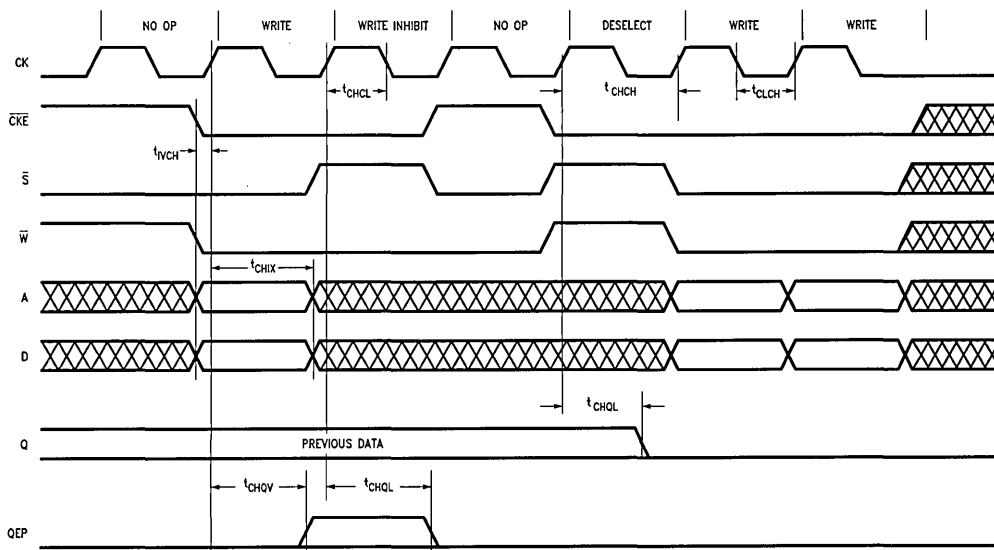
$T_C = 0^\circ\text{C}$  to  $+75^\circ\text{C}$ . Input levels are  $-0.9\text{V}$  and  $-1.7\text{V}$ . Timing References are  $-1.3\text{V}$  (Note 1).

Symbol	Parameter	5 ns (Prelim)		7 ns Device		10 ns Device		Units
		Min	Max	Min	Max	Min	Max	
$t_{CHCH}$	Cycle Time	5		7		10		ns
$t_{IVCH}$	Input Setup Time	0		0		0		ns
$t_{CHIX}$	Input Hold Time	2		2.5		3		ns
$t_{CHCL}$	Clock High Pulse Width	1.5		1.5		2		ns
$t_{CLCH}$	Clock Low Pulse Width	1.5		1.5		2		ns
$t_{CHQV}$	Parity Access Time	2.5	5	2.5	7	2.5	10	ns
$t_{CHQL}$	Disable Time	2.5	5	2.5	7	2.5	10	ns

Output Load:  $3.0\text{ pF}$  and  $50\Omega$  to  $-2.0\text{V}$

**Note 1:** All maximum timing specs are referenced to the latter of CLK and  $\overline{CLK}$ , whichever occurs later. All minimum timing specs are referenced to the earlier of CLK and  $\overline{CLK}$ . CLK and  $\overline{CLK}$  must cross each other between 10% and 90% of AC input levels.

**Note 2:** Maximum access time is guaranteed to be the worst case bit in the memory using a pseudorandom testing pattern.



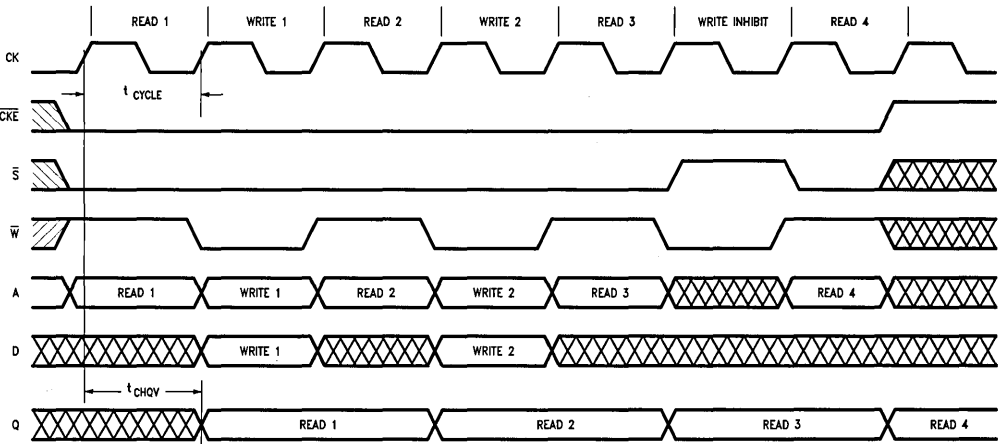
TL/D/9748-6

## Hidden Write Cycle

The hidden write cycle allows the SRAM to be operated at twice the bandwidth of the data output bus. With relaxed data bus timing (relative to the SRAM address & control input timing) system constraints of setup and hold times may be much more easily met. Hidden write is a technique for interleaving read and write cycles in such a way that the write cycle timing has no effect on the data output bus (read timing). To allow hidden write operation the definition of the functions performed by select ( $\bar{S}$ ) and write ( $\bar{W}$ ) are subtly but importantly different than implemented on common SRAMs.

With hidden write timing there are no unusual restrictions. Consecutive read and write cycles may be at different or at the same address location. If a read is not desired at any given moment a read deselect or a no op may be executed instead. Similarly, if a write is unnecessary a write inhibit or no op may be substituted.

Hidden write can provide throughput enhancement in certain cases. If, for example, the RAM is utilized as a register file, and provides data to a pipelined ALU implemented in a gate array. If the ALU data input register requires 3 ns setup and 3 ns hold, the total data input window required is 4 ns wide. The SRAM maximum access is 7 ns, and the minimum access time is 2.5 ns; the difference is the guaranteed data output valid window. In this example the SRAM must be operated at greater than 9 ns cycle time to allow room for data and clock skews. Depending on system details maybe 10 or 11 ns cycle could be practical. In contrast, using hidden write timing the memory could be run at 7 ns cycles with the data output bus cycle times of 14 ns, easing the ALU setup and hold times while allowing a store and a fetch every 14 ns.



TL/D/9748-7

## Scan Mode

### DESCRIPTION

The scan mode allows serial input and output for diagnostics or for loading RAM (e.g., in a writable control store application). In overview:

1. The first clock cycle with scan active (SE = High) causes the device to enter scan mode and serially shift.
2. Succeeding clock cycles with scan active cause serial shifting, and
3. The first clock cycle with scan inactive (SE = Low) causes the device to shift and then execute (conditionally) either the scanned in instruction or to force the outputs to a scanned in test vector (see truth table).

Several devices can be linked serially in a scan chain. A detailed description follows:

1. Scan bits are transferred from the input register to the scan serial register at the end of every regular read or write cycle. The device also transfers a fixed scan signature into the remaining bits of the serial scan register in preparation to also shift this data out (the remaining bits are those bits of the serial shift register which correspond with the output register).
2. On the first and each succeeding clock rising edge with scan active (SE = High) the device will shift the serial shift register one bit.
  - A. The state of DS is shifted into the chain.
  - B. The last bit of the chain is shifted out on QS.
  - C. The other outputs remain unchanged. The rest of the RAM executes a no operation. It will not write regardless of the state of the bit in the WE location of the input register.
  - D. Any number of shifts can occur in scan mode; two to infinite shifts are possible.

3. The first rising clock edge with scan inactive (SE = Low) causes the device to shift the scan chain and exit scan mode and to conditionally either:
  - A. Execute the scanned in instruction (e.g., read, write, deselect) with normal timing response (access, cycle) only if the scanned in bit in the  $\overline{CKE}$  location of the input register is active ( $\overline{CKE} = \text{Low}$ ). The output may be affected, according to the instruction executed. The contents of the scan register bits corresponding to the output register are ignored.

Or:

- B. Transfer the contents of the scan register into the output buffer, and ignore the contents of the input register, only if the scanned in bit in the  $\overline{CKE}$  location of the input register is inactive ( $\overline{CKE} = \text{High}$ ).
4. The second and succeeding clock cycles after scan is inactive (SE = Low) are defined as normal mode operations and do not cause any scan functions.

The scan sequence is:

Input DS

to Q0, Q1, Q2, Q3, Q4, Q5, Q6, Q7, Q8, QEP,  
 to AP, A2, A1, A0, A6, A5, A4, A3, A10, A9, A8, A7,  
 to  $\overline{WE}$ ,  $\overline{CS}$ ,  $\overline{CKE}$ ,  
 to D0, D1, D2, D3, D4, D5, D6, D7, D8,  
 to QS Output

The scan logic is designed to output a sequence of bits recognizable as a scan signature, intended as an aid in fault detection in those cases where the fault causes a malfunction in the serial scan chain. This bit sequence can be easily recognized by the scan diagnostics processor as it is shifted out, providing a reasonably sure method of determining where and/or if the serial scan chain is defective. The scan signature bit sequence corresponds to the outputs:

Q0	Q1	Q2	Q3	Q4	Q5	Q6	Q7	Q8	QEP
H	L	L	H	L	H	L	H	H	L

## AC Characteristics

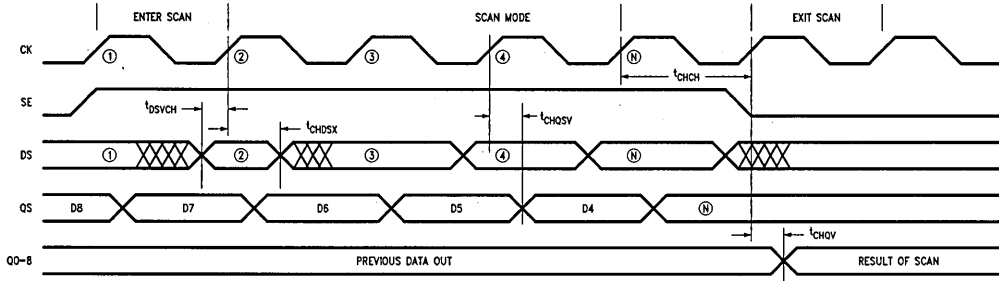
$T_C = 0^\circ\text{C}$  to  $+75^\circ\text{C}$ . Input levels are  $-0.9\text{V}$  and  $-1.7\text{V}$ . Timing References are  $-1.3\text{V}$  (Note 1).

Symbol	Parameter	5 ns (Prelim)		7 ns Device		10 ns Device		Units
		Min	Max	Min	Max	Min	Max	
$t_{\text{CHCH}}$	Serial Scan Mode Cycle Time	5		7		10		ns
$t_{\text{DSVCH}}$	Serial Data Setup Time	0		0		0		ns
$t_{\text{CHDSX}}$	Serial Data Hold Time	2.0		2.5		3		ns
$t_{\text{CHQSV}}$	Serial Output Delay Time (Note 2)	2.5	5	2.5	7	2.5	10	ns

Output Load:  $3.0\text{ pF}$  and  $50\Omega$  to  $-2.0\text{V}$

**Note 1:** All maximum timing specs are referenced to the latter of  $\text{CLK}$  and  $\overline{\text{CLK}}$ , whichever occurs later. All minimum timing specs are referenced to the earlier of  $\text{CLK}$  and  $\overline{\text{CLK}}$ .  $\text{CLK}$  and  $\overline{\text{CLK}}$  must cross each other between 10% and 90% of AC input levels.

**Note 2:** Maximum access time is guaranteed to be the worst case bit in the memory using a pseudorandom testing pattern.



TL/D/9748-8



## NM10E149 256 x 4-Bit ECL EPROM

### General Description

The NM10E149 is a fully decoded high-speed 1024-bit ultra-violet Erasable and electrically Programmable Read Only Memory (EPROM) device, organized 256 words by four bits. This device is well suited for ECL logic replacement applications such as programmable decoders and arbitrary function elements. It is also very useful as high speed fixed control store memory for microcoded machines. The NM10E149 is voltage compensated and compatible with the 10K family. This device is enabled when  $\overline{CS}$  is LOW. Prior to programming, all outputs are active HIGH in the enabled state. Programmed bits will furnish LOW levels at corresponding outputs. When the device is disabled ( $\overline{CS}$  is HIGH) all outputs are LOW.

The NM10E149 has easy TTL compatible programming and verify modes. Programming occurs when  $V_{PP}$  is at 12.5V and  $\overline{CS}$  is at a TTL LOW. Verify occurs when  $V_{PP}$  and  $\overline{CS}$  are at a TTL LOW.

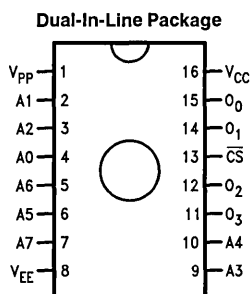
The enhanced testability provided by the erasable technology of the NM10E149 ensures that only the highest quality product leaves the factory. Users, as a result, save significantly in cost and time relative to currently available bipolar fuse link PROM alternatives. These conventional one-time-programmable devices must rely on special test bits outside the main memory array to verify programmability and adherence to parametric specifications. Consequently, users must bear the burden of yield loss at programming due to

untested bad bits and then must employ expensive and time consuming parametric tests (and again suffer yield loss) after programming. Instead, with the NM10E149, the entire memory array is tested at the factory for programmability, followed by complete DC and AC parametric tests performed using data stored in the actual memory array, which is especially critical for these speed sensitive ECL devices. This way, users are assured optimum programming yield and can minimize post-programming parametric tests. The NM10E149's advanced technology and innovative design present a clear choice for high performance with low cost of ownership.

### Features

- BiCMOS III process
- Fast address access time 5 ns, 7 ns, 10 ns max
- Operating power: 730 mW max, 500 mW typ
- Compatible with 10K ECL
- U.V. erasable
- Erasable cell technology allows complete testing—ensuring superior quality
- Open-emitter outputs for memory expansion
- Standard 16-pin dual-in-line package
- Full address decoding on chip
- CMOS EPROM compatible programming
- NM10E149 power supply =  $-5.2V \pm 5\%$

### Connection Diagram

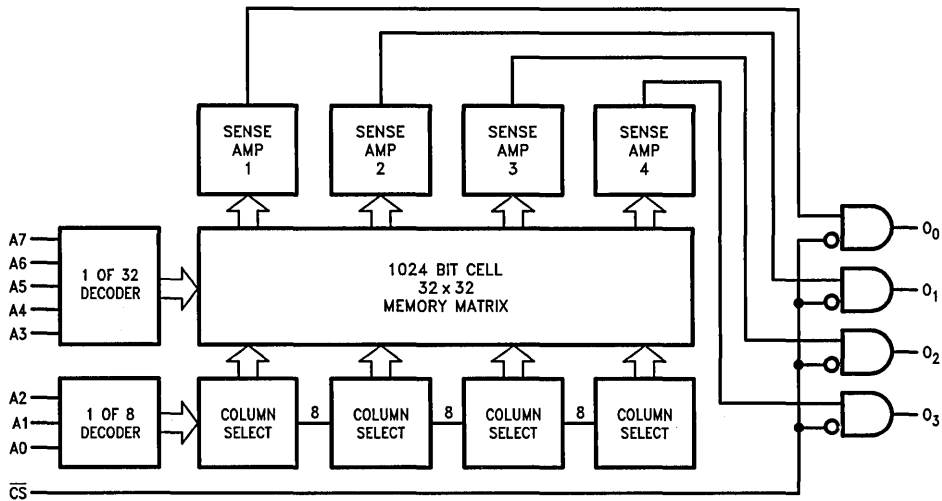


TL/D/10433-1

#### Pin Names

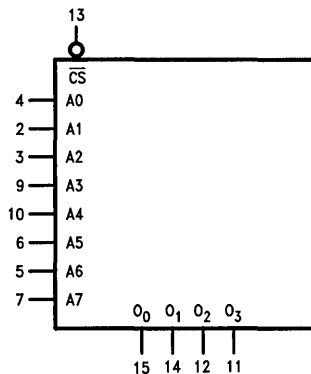
$\overline{CS}$	Chip Select Input
A <sub>0</sub> -A <sub>7</sub>	Address Inputs
O <sub>0</sub> -O <sub>3</sub>	Data Outputs

### Logic Diagram



TL/D/10433-3

### Logic Symbol



TL/D/10433-2

### Functional Description

The NM10E149 is a fully decoded BiCMOS erasable programmable read only memory organized 256 words by four bits per word. Word selection is achieved by means of an 8-bit address, A0 through A7. As in conventional ROM operation, the chip is selected, a binary address is applied to A0 through A7, and data is valid at the outputs after TAVQV.

### DEVICE OPERATION

The six modes of operation of the NM10E149 are listed in Table I. For the read mode with 10K ECL levels,  $V_{CC}$  and  $V_{PP}$  are grounded and  $V_{EE}$  is supplied at a nominal  $-5.2V$ . In the programming and verify modes with TTL I/O levels,  $V_{EE}$  is tied to ground,  $V_{CC}$  is supplied at 6.0V, and  $V_{PP}$  swings from a TTL LOW to 12.5V.

TABLE I. Mode Selection

Mode	Pin				
	$V_{EE}$	$V_{CC}$	$V_{PP}$	CS	Outputs
ECL Read	$-5.2V$	GND	GND	ECL $-V_{IL}$	ECL Data Out
ECL Deselect	$-5.2V$	GND	GND	ECL $-V_{IH}$	ECL $-V_{OL}$
TTL Verify	GND	6V	TTL $-V_{IL}$	TTL $-V_{IL}$	TTL Data Out
TTL Deselect	GND	6V	TTL $-V_{IL}$	TTL $-V_{IH}$	TRI-STATE
Program	GND	6V	12.5V	TTL $-V_{IL}$	TTL Data In
Program Inhibit	GND	6V	12.5V	TTL $-V_{IH}$	TRI-STATE

## Functional Description (Continued)

### ECL Read Mode

In the ECL read mode, the device's outputs are enabled when  $\overline{CS}$  is LOW. When disabled ( $\overline{CS}$  HIGH), all outputs are forced LOW.

An unterminated emitter-follower output is provided to allow maximum flexibility in output connection. In many applications, such as memory expansion, the outputs of many NM10E149 devices can be tied together in a wired-OR. For large memories using this arrangement, the fast chip select access time permits the decoding of  $\overline{CS}$  from the address without increasing address access time.

Regardless of the output configuration, an external 50 $\Omega$  termination resistor to  $-2V$ , or an equivalent network, must be used to provide a LOW at the output.

### TTL PROGRAMMING

**CAUTION:** Exceeding 13V on pin 1 ( $V_{PP}$ ) will damage the NM10E149.

Initially and after each erasure, all bits of the NM10E149 are in the "1" state. Data is introduced by selectively programming "0's" into the desired bit locations. Although only "0's" will be programmed, both "1's" and "0's" can be presented in the data word. The only way to change a "0" to a "1" is by ultraviolet light erasure.

The NM10E149 is in the programming mode when the  $V_{PP}$  power supply is at 12.5V. To prevent damage to the device,  $V_{CC}$  should be stable at 6V before applying the 12.5V, and  $V_{PP}$  should have a maximum of 0.25V of overshoot when switching. Before  $V_{PP}$  is supplied with the high voltage, the data output bus must be in a high impedance mode. This requirement prevents bus driver conflicts when, during  $V_{PP}$ 's ramp to 12.5V, the device momentarily passes through the ECL read mode with outputs enabled. After  $V_{PP}$  has reached 12.5V and is stable, the data to be programmed is applied four bits in parallel to the data output pins.

When the address and data are at stable TTL levels, an active LOW TTL program pulse is applied to the  $\overline{CS}$  input. A program pulse must be applied to each address location to be programmed. Any location may be programmed at any time—either individually, sequentially, or at random. The NM10E149 is designed to be programmed interactively, where each address programs with a series of 1.0 ms pulses until it verifies. The NM10E149 must not be programmed with a DC signal applied to the  $\overline{CS}$  input.

Programming multiple NM10E149's in parallel with the same data can easily be accomplished due to the simplicity of the programming requirements. Like inputs of the paralleled NM10E149's may be connected together when they are programmed with the same data. A LOW level TTL pulse applied to the  $\overline{CS}$  input programs the paralleled devices.

### TTL Program Verify

A verify should be performed on the programmed bits to determine whether they were correctly programmed. The verify mode is attained when  $V_{PP}$  is at a TTL LOW and the outputs are enabled by  $\overline{CS}$  being at a TTL LOW level.

### ERASURE CHARACTERISTICS

The erasure characteristics of the NM10E149 are such that erasure begins to occur when the device is exposed to light with wavelengths shorter than approximately 4000 Angstroms ( $\text{\AA}$ ). It should be noted that sunlight and certain types of fluorescent lamps have wavelengths in the (3000 $\text{\AA}$ –4000 $\text{\AA}$ ) range.

After programming, opaque labels should be placed over the NM10E149 window to prevent unintentional erasure. Covering the window will also prevent temporary functional failure due to the generation of photo currents.

The recommended erasure procedure for the NM10E149 is exposure to short wave ultraviolet light which has a wavelength of 2537 Angstroms ( $\text{\AA}$ ). The integrated dose (i.e., UV intensity  $\times$  exposure time) for erasure should be a minimum of 15 W-sec/cm<sup>2</sup>.

The NM10E149 should be placed within 1 inch of the lamp tubes during erasure. Some lamps have a filter on their tubes which should be removed before erasure. Table II shows the minimum NM10E149 erasure time for various light intensities.

TABLE II. Minimum NM10E149 Erasure Time

Light Intensity (Micro-Watts/cm <sup>2</sup> )	Erasure Time (Minutes)
15,000	20
10,000	25
5,000	50

An erasure system should be calibrated periodically. The distance from lamp to unit should be maintained at one inch. The erasure time increases as the square of the distance. (If distance is doubled the erasure time increases by a factor of 4.) Lamps lose intensity as they age. When a lamp is changed, the distance has changed, or the lamp has aged, the system should be checked to make certain full erasure is occurring. Incomplete erasure will cause symptoms that can be misleading. Programmers, components, and even system designs have been erroneously suspected when incomplete erasure was the problem.

### SYSTEM CONSIDERATION

The power switching characteristics of EPROMs require careful decoupling of the devices. The supply current has three segments that are of interest to the system designer—the standby current level, the active current level, and the transient current peaks that are produced by voltage transitions on input pins. The magnitude of these transient current peaks is dependent on the output capacitance loading of the device. The associated supply transient voltage peaks can be suppressed by properly selected decoupling capacitors. It is recommended that at least a 0.1  $\mu\text{F}$  ceramic capacitor be used on every device between supply and GND. This should be a high frequency capacitor of low inherent inductance. In addition, at least a 4.7  $\mu\text{F}$  bulk electrolytic capacitor should be used between supply and GND for each eight devices. The bulk capacitor should be located near where the power supply is connected to the array. The purpose of the bulk capacitor is to overcome the voltage drop caused by the inductive effects of the PC board traces.

### Absolute Maximum Ratings

If Military/Aerospace specified devices are required, please contact the National Semiconductor Sales Office/Distributors for availability and specifications.

Storage Temperature	-65°C to +125°C
Maximum Junction Temperature	+125°C Max
Case Temperature under Bias	0°C to +85°C
Supply Voltage Range (V <sub>CC</sub> -V <sub>EE</sub> )	-0.5V to +7V
V <sub>PP</sub> w.r.t. V <sub>EE</sub> (4.2V ≤ V <sub>CC</sub> ≤ 6.25V)	-0.5V to +13.0V

Input Voltage	V <sub>EE</sub> - 0.5V to V <sub>CC</sub> + 0.5V
Output Current (ECL Mode)	-50 mA Max
Output Current (TTL Mode)	±60 mA

### Operating Conditions

ECL Operating Range	V <sub>EE</sub> = -5.46V to -4.94V
ECL Temperature Range	T <sub>C</sub> = 0°C to +75°C
TTL Operating Range	V <sub>CC</sub> = 4.2V to 6.25V
TTL Temperature Range	T <sub>C</sub> = 20°C to 30°C

### ECL Read Operation

### DC Electrical Characteristics V<sub>EE</sub> = -5.2V, V<sub>CC</sub> = V<sub>PP</sub> = GND, T<sub>C</sub> = 0°C to +75°C

Symbol	Parameter	Conditions	T <sub>C</sub>	Min	Max	Units	
V <sub>OH</sub>	Output HIGH Voltage	V <sub>IN</sub> = V <sub>IH(Max)</sub> or V <sub>IL(Min)</sub>	Loading is 50Ω to -2V	0°C	-1000	-840	mV
V <sub>OL</sub>	Output LOW Voltage			+25°C	-960	-810	
V <sub>OHc</sub>	Output HIGH Voltage	V <sub>IN</sub> = V <sub>IH(Min)</sub> or V <sub>IL(Max)</sub>		0°C	-1020		mV
V <sub>OLc</sub>	Output LOW Voltage			+25°C	-980		
				+75°C	-920		
V <sub>IH</sub>	Input HIGH Voltage	Guaranteed Input Voltage HIGH for All Inputs		0°C	-1145	-840	mV
				+25°C	-1105	-810	
				+75°C	-1045	-720	
V <sub>IL</sub>	Input LOW Voltage	Guaranteed Input Voltage LOW for All Inputs		0°C	-1870	-1490	mV
				+25°C	-1850	-1475	
				+75°C	-1830	-1450	
I <sub>IL</sub>	Input LOW Current	V <sub>IN</sub> = V <sub>IL(Min)</sub>			-50	170	μA
I <sub>IH</sub>	Input HIGH Current All Inputs	V <sub>IN</sub> = V <sub>IH(Max)</sub>				220	μA
I <sub>EE</sub>	Power Supply Current	Inputs and Outputs Open			-140		mA

### AC Electrical Characteristics V<sub>EE</sub> -5.2V ±5%, V<sub>CC</sub> = V<sub>PP</sub> = GND, T<sub>C</sub> = 0°C to +75°C

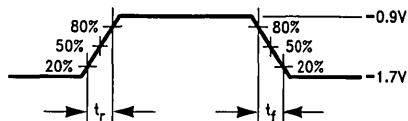
Symbol	Parameter	-5		-7		-10		Units
		Min	Max	Min	Max	Min	Max	
TAVQV	Address Access Time		5		7		10	ns
TAXQX	Address Change to Output Change	1.0		1.0		1.0		ns
TSLQV	Chip Select Access		4		5		6	ns
TSHQL	$\overline{CS}$ to Output Disable		3		4		5	ns
TSHQX	$\overline{CS}$ High to Output Change	0		0		0		ns

**ECL Read Operation** (Continued)

**AC Test Conditions**

- Input Pulse Levels
- Input Rise and Fall Times
- Output Timing Reference Levels
- AC Test Circuit

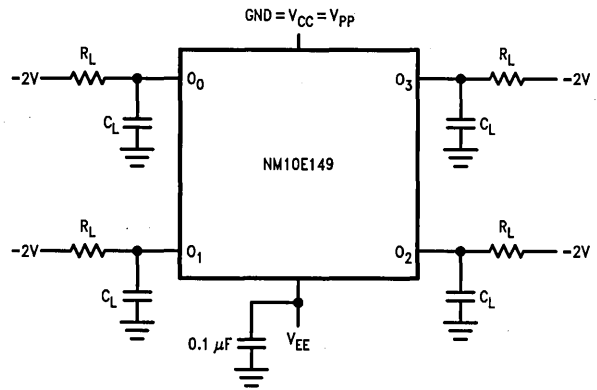
Figure 1  
0.7 ns  
50% of Input  
Figure 2



TL/D/10433-6

$t_r$  = Rise Time  
 $t_f$  = Fall Time  
50% = Timing Reference Levels

**FIGURE 1. Input Levels**

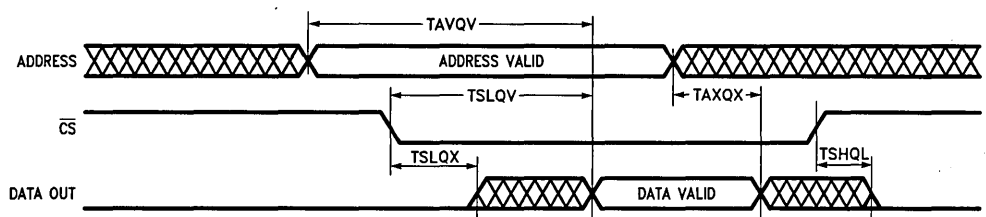


TL/D/10433-7

**Notes:**

$C_L \leq 5$  pF including Fixture and Stray Capacitance  
 $R_L = 50 \Omega$  to  $-2.0V$

**FIGURE 2. AC Test Circuit**



TL/D/10433-5

**FIGURE 3. ECL Read Cycle**

## TTL Programming/Verify Operation (Notes 1, 2, 3)

### DC Characteristics $T_A = +25^\circ\text{C}$ , $V_{CC} = 4.2\text{V}-6.25\text{V}$ , $V_{EE} = \text{GND}$

Symbol	Parameter	Conditions	Min	Max	Units
$I_{LI}$	Input Leakage	$V_{EE} \leq V_{IN} \leq V_{CC}$		$\pm 100$	$\mu\text{A}$
$I_{LO}$	Output Leakage	$CS = V_{IH}$ , $V_{EE} \leq V_{IN} \leq V_{CC}$		$\pm 100$	$\mu\text{A}$
$I_{CC}$	$V_{CC}$ Supply Current	Outputs Open		140	mA
$I_{PP}$	$V_{PP}$ Supply Current			30	mA
$V_{OL}$	Output Low Voltage	$I_{OL} = 2.1 \text{ mA}$ (Note 4)		0.45	V
$V_{OH}$	Output High Voltage	$I_{OH} = -400 \mu\text{A}$ (Note 4)	2.4		V
$V_{IL}$	Input Low Level	(Note 4)	-0.1	0.8	V
$V_{IH}$	Input High Level	(Note 4)	2.0	$V_{CC}$	V
$V_{PP}$	Programming Supply Voltage	Program Mode	12.25	12.75	V
		TTL Verify Mode	-0.1	0.8	
$V_{PPOS}$	$V_{PP}$ Overshoot	Figure 6		0.25	V
$V_{CC}$	Power Supply Voltage	Program Mode	5.75	6.25	V
		TTL Verify Mode	4.2	6.25	

### AC Electrical Characteristics $T_A = +25^\circ\text{C}$ , $V_{CC} = 4.2\text{V}-6.25\text{V}$ , $V_{EE} = \text{GND}$ (Notes 1,2,3,4)

Symbol	Parameter	Min	Max	Units
TAVSL	Address Setup	2		$\mu\text{s}$
TPHSL	$V_{PP}$ Setup	4		$\mu\text{s}$
TPHDV	TRI-STATE® Hold	2		$\mu\text{s}$
TDVSL	Data Setup	2		$\mu\text{s}$
TSHAX	Address Hold	0		$\mu\text{s}$
TSHPL	$V_{PP}$ Hold	4		$\mu\text{s}$
TSHDX	Data Hold	2		$\mu\text{s}$
TLSH	$\overline{CS}$ Pulse Width	0.8	1.05	ms
TDZPL	TRI-STATE Setup	2		$\mu\text{s}$
TPLSL	$V_{PP}$ Recovery	2		$\mu\text{s}$
TAVQV	Address Access		1	$\mu\text{s}$
TSLQV	$\overline{CS}$ Access		1	$\mu\text{s}$
TSHQZ	$\overline{CS}$ to TRI-STATE		1	$\mu\text{s}$

**Note 1:** National's standard product warranty applies only to devices programmed to specifications described herein.

**Note 2:**  $V_{CC}$  must be applied before  $V_{PP}$  and removed after  $V_{PP}$ . The device must not be inserted into or removed from a socket with voltage applied to  $V_{PP}$  or  $V_{CC}$ .

**Note 3:** The absolute maximum voltage which may be applied to the  $V_{PP}$  pin during programming is 13V. Care must be taken when switching the  $V_{PP}$  supply to prevent any overshoot from exceeding the 13V maximum specification. At least a 0.1  $\mu\text{F}$  capacitor is required to decouple  $V_{PP}$  and  $V_{CC}$  to GND to suppress spurious voltage transients which may damage the device.

**Note 4:** These parameters are sampled only, and are not 100% tested.

# TTL Programming/Verify Operation (Continued)

## AC Test Conditions

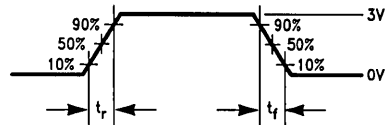
Input Pulse Levels

Input Rise and Fall Times

Output Timing Reference Levels

AC Test Circuit

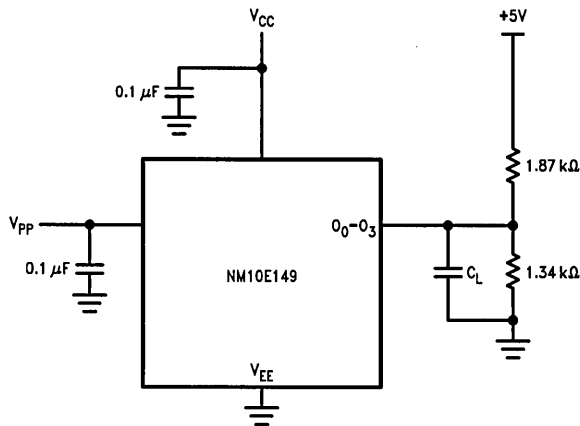
Figure 4  
3 ns  
50% of Input  
Figure 5



TL/D/10433-9

$t_r$  = Rise Time  
 $t_f$  = Fall Time  
50% = Timing Reference Levels

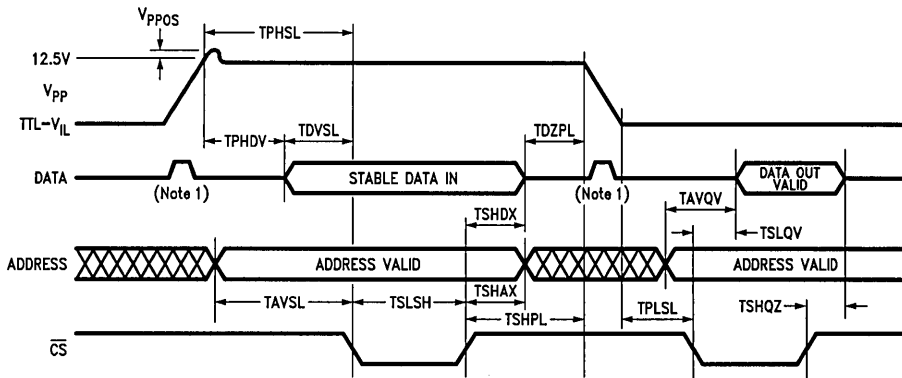
FIGURE 4. Input Levels



TL/D/10433-10

Notes:  $C_L$  = 30 pF including fixture and stray capacitance

FIGURE 5. AC Test Circuit

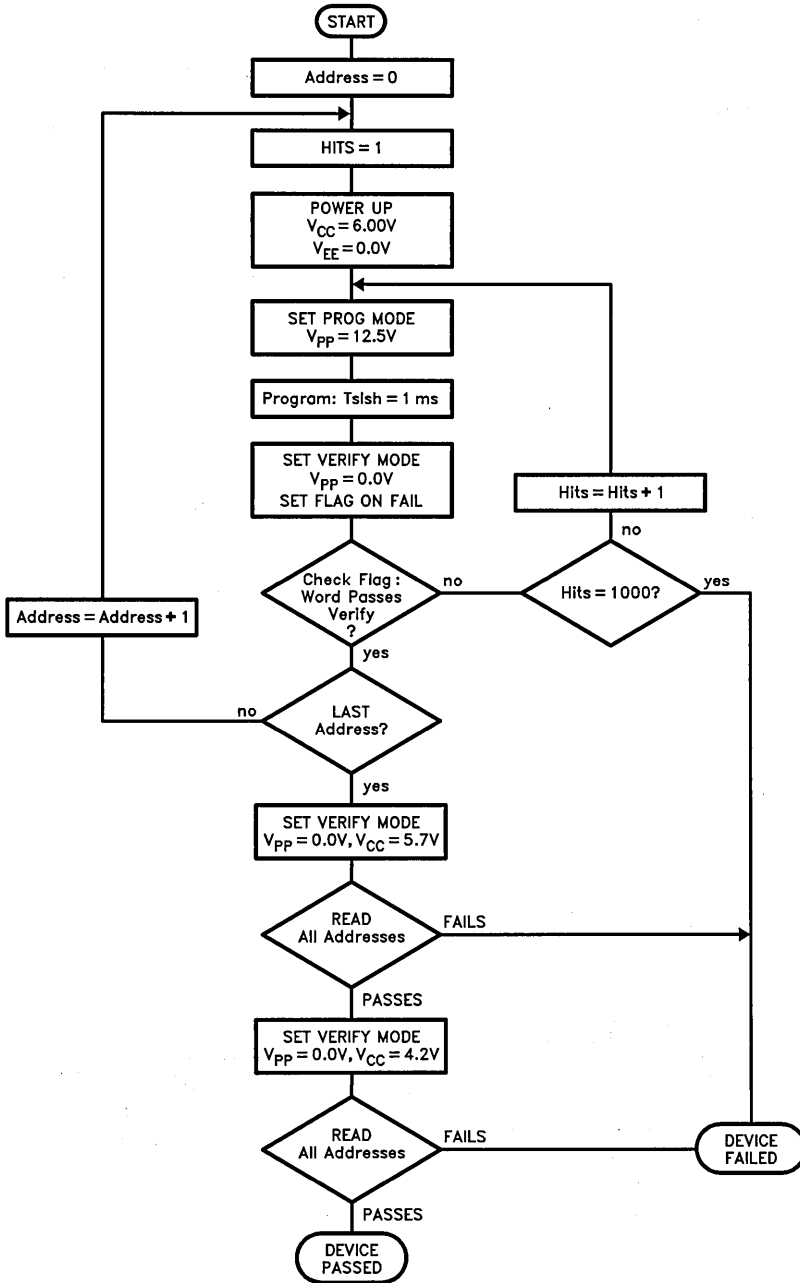


TL/D/10433-8

Note 1: When  $V_{PP}$  is transitioning between its low and high voltage, the device passes through the ECL read mode, with the ECL outputs enabled and driving the equivalent of a TTL HIGH.

FIGURE 6. TTL Programming/Verify Cycle

# Programming/Verify Algorithm



TL/D/10433-4



## NM100E149 256 x 4-Bit ECL EPROM

### General Description

The NM100E149 is a fully decoded high-speed 1024-bit ultraviolet Erasable and electrically Programmable Read Only Memory (EPROM) device, organized 256 words by four bits. This device is well suited for ECL logic replacement applications such as programmable decoders and arbitrary function elements. It is also very useful as high speed fixed control store memory for microcoded machines. The NM100E149 is voltage and temperature compensated and compatible with the 100K family. This device is enabled when  $\overline{CS}$  is LOW. Prior to programming, all outputs are active HIGH in the enabled state. Programmed bits will furnish LOW levels at corresponding outputs. When the device is disabled ( $\overline{CS}$  is HIGH) all outputs are LOW.

The NM100E149 has easy TTL compatible programming and verify modes. Programming occurs when  $V_{PP}$  is at 12.5V and  $\overline{CS}$  is at a TTL LOW. Verify occurs when  $V_{PP}$  and  $\overline{CS}$  are at a TTL LOW.

The enhanced testability provided by the erasable technology of the NM100E149 ensures that only the highest quality product leaves the factory. Users, as a result, save significantly in cost and time relative to currently available bipolar fuse link PROM alternatives. These conventional one-time-programmable devices must rely on special test bits outside the main memory array to verify programmability and adherence to parametric specifications. Consequently, users must bear the burden of yield loss at programming due to

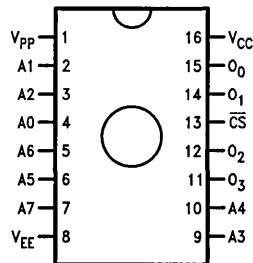
untested bad bits and then must employ expensive and time consuming parametric tests (and again suffer yield loss) after programming. Instead, with the NM100E149, the entire memory array is tested at the factory for programmability, followed by complete DC and AC parametric tests performed using data stored in the actual memory array, which is especially critical for these speed sensitive ECL devices. This way, users are assured optimum programming yield and can minimize post-programming parametric tests. The NM100E149's advanced technology and innovative design present a clear choice for high performance with low cost of ownership.

### Features

- BiCMOS III process
- Fast address access time 5 ns, 7 ns, 10 ns max
- Operating power: 730 mW max, 500 mW typ
- Compatible with 100K ECL
- U.V. erasable
- Erasable cell technology allows complete testing—ensuring superior quality
- Open-emitter outputs for memory expansion
- Standard 16-pin dual-in-line package
- Full address decoding on chip
- CMOS EPROM compatible programming
- NM100E149 power supply =  $-4.2V$  to  $-4.8V$

### Connection Diagram

Dual-In-Line Package

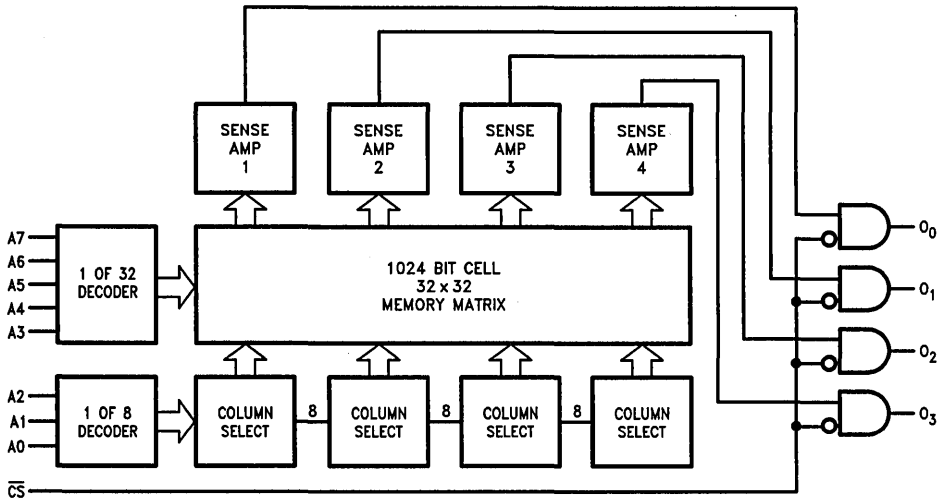


TL/D/9747-1

Pin Names

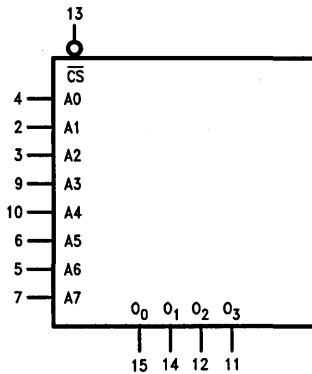
$\overline{CS}$	Chip Select Input
$A_0-A_7$	Address Inputs
$O_0-O_3$	Data Outputs

### Logic Diagram



TL/D/9747-2

### Logic Symbol



TL/D/9747-3

### Functional Description

The NM100E149 is a fully decoded BiCMOS erasable programmable read only memory organized 256 words by four bits per word. Word selection is achieved by means of an 8-bit address, A0 through A7. As in conventional ROM operation, the chip is selected, a binary address is applied to A0 through A7, and data is valid at the outputs after TAVQV.

#### DEVICE OPERATION

The six modes of operation of the NM100E149 are listed in Table I. For the read mode with 100K ECL levels, VCC and VPP are grounded and VEE is supplied at a nominal -4.5V. In the programming and verify modes with TTL I/O levels, VEE is tied to ground, VCC is supplied at 6.0V, and VPP swings from a TTL LOW to 12.5V.

TABLE I. Mode Selection

Mode	Pin				
	VEE	VCC	VPP	CS	Outputs
ECL Read	-4.5V	GND	GND	ECL - VIL	ECL Data Out
ECL Deselect	-4.5V	GND	GND	ECL - VIH	ECL - VOL
TTL Verify	GND	6V	TTL - VIL	TTL - VIL	TTL Data Out
TTL Deselect	GND	6V	TTL - VIL	TTL - VIH	TRI-STATE
Program	GND	6V	12.5V	TTL - VIL	TTL Data In
Program Inhibit	GND	6V	12.5V	TTL - VIH	TRI-STATE

## Functional Description (Continued)

### ECL Read Mode

In the ECL read mode, the device's outputs are enabled when  $\overline{CS}$  is LOW. When disabled ( $\overline{CS}$  HIGH), all outputs are forced LOW.

An unterminated emitter-follower output is provided to allow maximum flexibility in output connection. In many applications, such as memory expansion, the outputs of many NM100E149 devices can be tied together in a wired-OR. For large memories using this arrangement, the fast chip select access time permits the decoding of  $\overline{CS}$  from the address without increasing address access time.

Regardless of the output configuration, an external 50 $\Omega$  termination resistor to -2V, or an equivalent network, must be used to provide a LOW at the output.

### TTL PROGRAMMING

**CAUTION:** Exceeding 13V on pin 1 ( $V_{PP}$ ) will damage the NM100E149.

Initially and after each erasure, all bits of the NM100E149 are in the "1" state. Data is introduced by selectively programming "0's" into the desired bit locations. Although only "0's" will be programmed, both "1's" and "0's" can be presented in the data word. The only way to change a "0" to a "1" is by ultraviolet light erasure.

The NM100E149 is in the programming mode when the  $V_{PP}$  power supply is at 12.5V. To prevent damage to the device,  $V_{CC}$  should be stable at 6V before applying the 12.5V, and  $V_{PP}$  should have a maximum of 0.25V of overshoot when switching. Before  $V_{PP}$  is supplied with the high voltage, the data output bus must be in a high impedance mode. This requirement prevents bus driver conflicts when, during  $V_{PP}$ 's ramp to 12.5V, the device momentarily passes through the ECL read mode with outputs enabled. After  $V_{PP}$  has reached 12.5V and is stable, the data to be programmed is applied four bits in parallel to the data output pins.

When the address and data are at stable TTL levels, an active LOW TTL program pulse is applied to the  $\overline{CS}$  input. A program pulse must be applied to each address location to be programmed. Any location may be programmed at any time—either individually, sequentially, or at random. The NM100E149 is designed to be programmed interactively, where each address programs with a series of 1.0 ms pulses until it verifies. The NM100E149 must not be programmed with a DC signal applied to the  $\overline{CS}$  input.

Programming multiple NM100E149's in parallel with the same data can easily be accomplished due to the simplicity of the programming requirements. Like inputs of the paralleled NM100E149's may be connected together when they are programmed with the same data. A LOW level TTL pulse applied to the  $\overline{CS}$  inputs programs the paralleled devices.

### TTL Program Verify

A verify should be performed on the programmed bits to determine whether they were correctly programmed. The verify mode is attained when  $V_{PP}$  is at a TTL low and the outputs are enabled by  $\overline{CS}$  being at a TTL low level.

### ERASURE CHARACTERISTICS

The erasure characteristics of the NM100E149 are such that erasure begins to occur when the device is exposed to light with wavelengths shorter than approximately 4000 Angstroms ( $\text{\AA}$ ). It should be noted that sunlight and certain types of fluorescent lamps have wavelengths in the (3000 $\text{\AA}$ –4000 $\text{\AA}$ ) range.

After programming, opaque labels should be placed over the NM100E149 window to prevent unintentional erasure. Covering the window will also prevent temporary functional failure due to the generation of photo currents.

The recommended erasure procedure for the NM100E149 is exposure to short wave ultraviolet light which has a wavelength of 2537 Angstroms ( $\text{\AA}$ ). The integrated dose (i.e., UV intensity  $\times$  exposure time) for erasure should be a minimum of 15 W-sec/cm<sup>2</sup>.

The NM100E149 should be placed within 1 inch of the lamp tubes during erasure. Some lamps have a filter on their tubes which should be removed before erasure. Table II shows the minimum NM100E149 erasure time for various light intensities.

TABLE II. Minimum NM100E149 Erasure Time

Light Intensity (Micro-Watts/cm <sup>2</sup> )	Erasure Time (Minutes)
15,000	20
10,000	25
5,000	50

An erasure system should be calibrated periodically. The distance from lamp to unit should be maintained at one inch. The erasure time increases as the square of the distance. (If distance is doubled the erasure time increases by a factor of 4.) Lamps lose intensity as they age. When a lamp is changed, the distance has changed, or the lamp has aged, the system should be checked to make certain full erasure is occurring. Incomplete erasure will cause symptoms that can be misleading. Programmers, components, and even system designs have been erroneously suspected when incomplete erasure was the problem.

### SYSTEM CONSIDERATION

The power switching characteristics of EPROMs require careful decoupling of the devices. The supply current has three segments that are of interest to the system designer—the standby current level, the active current level, and the transient current peaks that are produced by voltage transitions on input pins. The magnitude of these transient current peaks is dependent on the output capacitance loading of the device. The associated supply transient voltage peaks can be suppressed by properly selected decoupling capacitors. It is recommended that at least a 0.1  $\mu\text{F}$  ceramic capacitor be used on every device between supply and GND. This should be a high frequency capacitor of low inherent inductance. In addition, at least a 4.7  $\mu\text{F}$  bulk electrolytic capacitor should be used between supply and GND for each eight devices. The bulk capacitor should be located near where the power supply is connected to the array. The purpose of the bulk capacitor is to overcome the voltage drop caused by the inductive effects of the PC board traces.

### Absolute Maximum Ratings

If Military/Aerospace specified devices are required, please contact the National Semiconductor Sales Office/Distributors for availability and specifications.

Storage Temperature	-65°C to +125°C
Maximum Junction Temperature	+125°C Max
Case Temperature under Bias	0°C to +95°C
Supply Voltage Range (V <sub>CC</sub> -V <sub>EE</sub> )	-0.5V to +7V
V <sub>PP</sub> w.r.t. V <sub>EE</sub> (4.2V ≤ V <sub>CC</sub> ≤ 6.25V)	-0.5V to +13.0V

Input Voltage	V <sub>EE</sub> - 0.5V to V <sub>CC</sub> + 0.5V
Output Current (ECL Mode)	-50 mA Max
Output Current (TTL Mode)	±60 mA

### Operating Conditions

ECL Operating Range	V <sub>EE</sub> = -4.8V to -4.2V
ECL Temperature Range	T <sub>C</sub> = 0°C to +85°C
TTL Operating Range	V <sub>CC</sub> = 4.2V to 6.25V
TTL Temperature Range	T <sub>C</sub> = 20°C to 30°C

### ECL Read Operation

**DC Electrical Characteristics:** V<sub>EE</sub> = -4.8V to -4.2V, V<sub>CC</sub> = V<sub>PP</sub> = GND, T<sub>C</sub> = 0°C to +85°C, Note 3

Symbol	Parameter	Min	Typ	Max	Unit	Conditions (Note 4)	
V <sub>OH</sub>	Output HIGH Voltage	-1020		-870	mV	V <sub>IN</sub> = V <sub>IH</sub> (max) or V <sub>IL</sub> (min)	Loading with 50Ω to -2.0V
V <sub>OL</sub>	Output LOW Voltage	-1810		-1605	mV		
V <sub>OHC</sub>	Output HIGH Voltage	-1030			mV	V <sub>IN</sub> = V <sub>IH</sub> (min)	
V <sub>OLC</sub>	Output LOW Voltage			-1595	mV	or V <sub>IL</sub> (max)	
V <sub>IH</sub>	Input HIGH Voltage	-1150		-870	mV	Guaranteed HIGH Signal for All Inputs	
V <sub>IL</sub>	Input LOW Voltage	-1810		-1475	mV	Guaranteed LOW Signal for All Inputs	
I <sub>IL</sub>	Input LOW Current	-50		170	μA	V <sub>IN</sub> = V <sub>IL</sub> (min)	
I <sub>IH</sub>	Input HIGH Current All Inputs			220	μA	V <sub>IN</sub> = V <sub>IH</sub> (max)	
I <sub>EE</sub>	Inputs and Outputs Open	-140			mA		

**DC Characteristics:** V<sub>EE</sub> = -4.5V, V<sub>CC</sub> = V<sub>PP</sub> = GND, T<sub>C</sub> = 0°C to +85°C, Note 3

Symbol	Parameter	Min	Typ	Max	Unit	Conditions (Note 4)	
V <sub>OH</sub>	Output HIGH Voltage	-1025		-880	mV	V <sub>IN</sub> = V <sub>IH</sub> (max) or V <sub>IL</sub> (min)	Loading with 50Ω to -2.0V
V <sub>OL</sub>	Output LOW Voltage	-1810		-1620	mV		
V <sub>OHC</sub>	Output HIGH Voltage	-1035			mV	V <sub>IN</sub> = V <sub>IH</sub> (min)	
V <sub>OLC</sub>	Output LOW Voltage			-1610	mV	or V <sub>IL</sub> (max)	
V <sub>IH</sub>	Input HIGH Voltage	-1165		-880	mV	Guaranteed HIGH Signal for All Inputs	
V <sub>IL</sub>	Input LOW Voltage	-1810		-1475	mV	Guaranteed LOW Signal for All Inputs	
I <sub>IL</sub>	Input LOW Current	-50		170	μA	V <sub>IN</sub> = V <sub>IL</sub> (min)	
I <sub>IH</sub>	Input HIGH Current All Inputs			220	μA	V <sub>IN</sub> = V <sub>IH</sub> (max)	
I <sub>EE</sub>	Inputs and Outputs Open	-140			mA		

**DC Characteristics:**  $V_{EE} = -4.8V$ ,  $V_{CC} = V_{PP} = GND$ ,  $T_C = 0^\circ C$  to  $+85^\circ C$ , Note 3

Symbol	Parameter	Min	Typ	Max	Unit	Conditions (Note 4)	
$V_{OH}$	Output HIGH Voltage	-1035		-880	mV	$V_{IN} = V_{IH} (max)$ or $V_{IL} (min)$	Loading with 50Ω to -2.0V
$V_{OL}$	Output LOW Voltage	-1830		-1620	mV		
$V_{OHC}$	Output HIGH Voltage	-1045			mV	$V_{IN} = V_{IH} (min)$ or $V_{IL} (max)$	
$V_{OLC}$	Output LOW Voltage			-1610	mV		
$V_{IH}$	Input HIGH Voltage	-1165		-880	mV	Guaranteed HIGH Signal for All Inputs	
$I_{IL}$	Input LOW Voltage	-1830		-1490	mV	Guaranteed LOW Signal for All Inputs	
$I_{IL}$	Input LOW Current	-50		170	μA	$V_{IN} = V_{IL} (min)$	
$I_{IH}$	Input HIGH Current All Inputs			220	μA	$V_{IN} = V_{IH} (max)$	
$I_{EE}$	Inputs and Outputs Open	-140			mA		

**Note 1:** Unless specified otherwise on individual data sheet.

**Note 2:** Parametric values specified at -4.2V to -4.8V

**Note 3:** The specified limits represent the "worst case" value for the parameter since these "worst case" values normally occur at the temperature extremes additional noise immunity and guard banding can be achieved by decreasing the allowable system operating ranges.

**Note 4:** Conditions for testing shown in the tables are chosen to guarantee operation under "worst case" conditions.

**AC Electrical Characteristics**  $V_{EE} = -4.8V$  to  $-4.2V$ ,  $V_{CC} = V_{PP} = GND$ ,  $T_C = 0^\circ C$  to  $+85^\circ C$

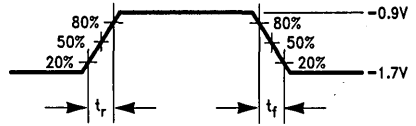
Symbol	Parameter	-5		-7		-10		Units
		Min	Max	Min	Max	Min	Max	
TAVQV	Address Access Time		5		7		10	ns
TAXQX	Address Change to Output Change	1.0		1.0		1.0		ns
TSLQV	Chip Select Access		4		5		6	ns
TSHQL	$\overline{CS}$ to Output Disable		3		4		5	ns
TSHQX	$\overline{CS}$ High to Output Change	0		0		0		ns

# ECL Read Operation (Continued)

## AC Test Conditions

- Input Pulse Levels
- Input Rise and Fall Times
- Output Timing Reference Levels
- AC Test Circuit

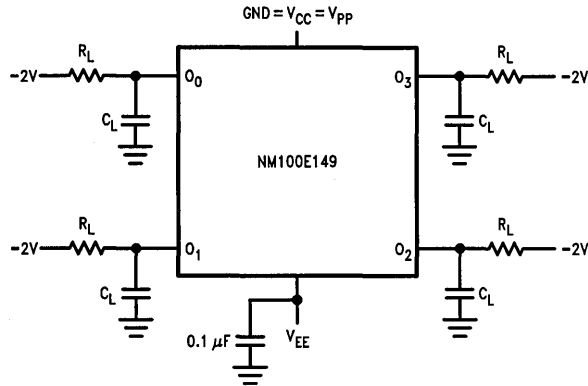
Figure 1  
0.7 ns  
50% of Input  
Figure 2



TL/D/9747-4

$t_r$  = Rise Time  
 $t_f$  = Fall Time  
 50% = Timing Reference Levels

FIGURE 1. Input Levels

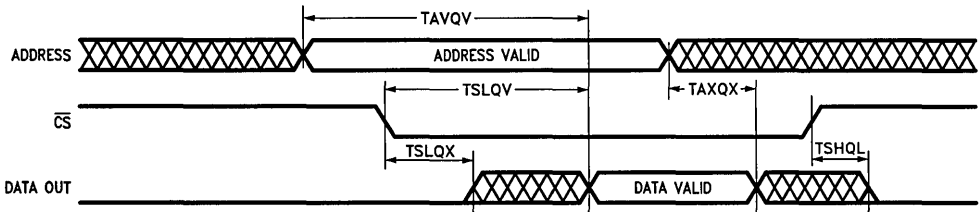


TL/D/9747-5

**Notes:**

- $C_L \leq 5$  pF including Fixture and Stray Capacitance
- $R_L = 50\Omega$  to -2.0V

FIGURE 2. AC Test Circuit



TL/D/9747-6

FIGURE 3. ECL Read Cycle

**TTL Programming/Verify Operation** (Notes 1, 2, and 3)

**DC Characteristics**  $T_A = +25^\circ\text{C}$ ,  $V_{CC} = 4.2\text{V}-6.25\text{V}$ ,  $V_{EE} = \text{GND}$ 

Symbol	Parameter	Conditions	Min	Max	Units
$I_{LI}$	Input Leakage	$V_{EE} \leq V_{IN} \leq V_{CC}$		$\pm 100$	$\mu\text{A}$
$I_{LO}$	Output Leakage	$CS = V_{IH}$ , $V_{EE} \leq V_{IN} \leq V_{CC}$		$\pm 100$	$\mu\text{A}$
$I_{CC}$	$V_{CC}$ Supply Current	Outputs Open		140	mA
$I_{PP}$	$V_{PP}$ Supply Current			30	mA
$V_{OL}$	Output Low Voltage	$I_{OL} = 2.1 \text{ mA}$ (Note 4)		0.45	V
$V_{OH}$	Output High Voltage	$I_{OH} = -400 \mu\text{A}$ (Note 4)	2.4		V
$V_{IL}$	Input Low Level	(Note 4)	-0.1	0.8	V
$V_{IH}$	Input High Level	(Note 4)	2.0	$V_{CC}$	V
$V_{PP}$	Programming Supply Voltage	Program Mode	12.25	12.75	V
		TTL Verify Mode	-0.1	0.8	
$V_{PPOS}$	$V_{PP}$ Overshoot	Figure 6		0.25	V
$V_{CC}$	Power Supply Voltage	Program Mode	5.75	6.25	V
		TTL Verify Mode	4.2	6.25	

**AC Electrical Characteristics**  $T_A = +25^\circ\text{C}$ ,  $V_{CC} = 4.2\text{V}-6.25\text{V}$ ,  $V_{EE} = \text{GND}$  (Notes 1, 2, 3, and 4)

Symbol	Parameter	Min	Max	Units
TAVSL	Address Setup	2		$\mu\text{s}$
TPHSL	$V_{PP}$ Setup	4		$\mu\text{s}$
TPHDV	TRI-STATE® Hold	2		$\mu\text{s}$
TDVSL	Data Setup	2		$\mu\text{s}$
TSHAX	Address Hold	0		$\mu\text{s}$
TSHPL	$V_{PP}$ Hold	4		$\mu\text{s}$
TSHDX	Data Hold	2		$\mu\text{s}$
TSLSH	$\overline{CS}$ Pulse Width	0.8	1.05	ms
TDZPL	TRI-STATE Setup	2		$\mu\text{s}$
TPLSL	$V_{PP}$ Recovery	2		$\mu\text{s}$
TAVQV	Address Access		1	$\mu\text{s}$
TSLQV	$\overline{CS}$ Access		1	$\mu\text{s}$
TSHQZ	$\overline{CS}$ to TRI-STATE		1	$\mu\text{s}$

**Note 1:** National's standard product warranty applies only to devices programmed to specifications described herein.

**Note 2:**  $V_{CC}$  must be applied before  $V_{PP}$  and removed after  $V_{PP}$ . The device must not be inserted into or removed from a socket with voltage applied to  $V_{PP}$  or  $V_{CC}$ .

**Note 3:** The absolute maximum voltage which may be applied to the  $V_{PP}$  pin during programming is 13V. Care must be taken when switching the  $V_{PP}$  supply to prevent any overshoot from exceeding the 13V maximum specification. At least a 0.1  $\mu\text{F}$  capacitor is required to decouple  $V_{PP}$  and  $V_{CC}$  to GND to suppress spurious voltage transients which may damage the device.

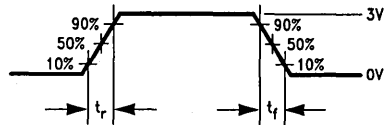
**Note 4:** These parameters are sampled only, and are not 100% tested.

# TTL Programming/Verify Operation (Continued)

## AC Test Conditions

- Input Pulse Levels
- Input Rise and Fall Times
- Output Timing Reference Levels
- AC Test Circuit

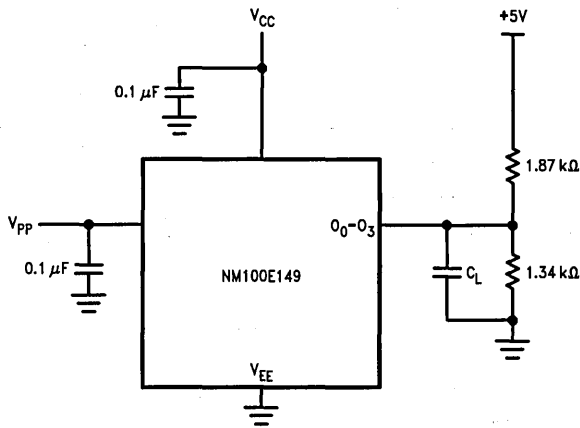
Figure 4  
3 ns  
50% of Input  
Figure 5



TL/D/9747-7

$t_r$  = Rise Time  
 $t_f$  = Fall Time  
50% = Timing Reference Levels

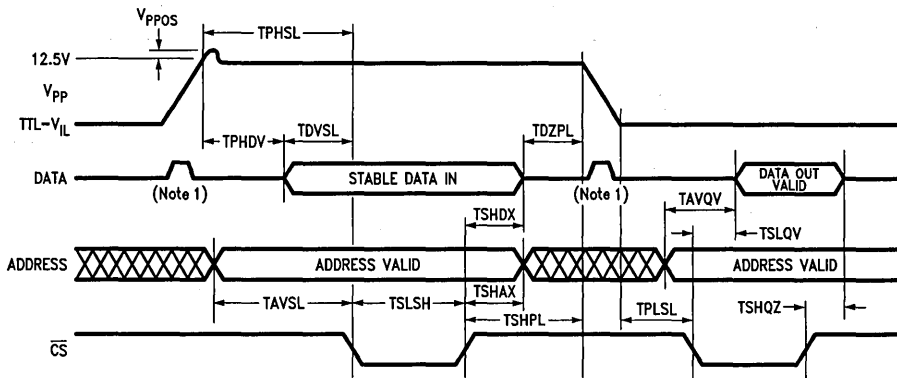
FIGURE 4. Input Levels



TL/D/9747-8

Notes:  $C_L$  = 30 pF including fixture and stray capacitance

FIGURE 5. AC Test Circuit



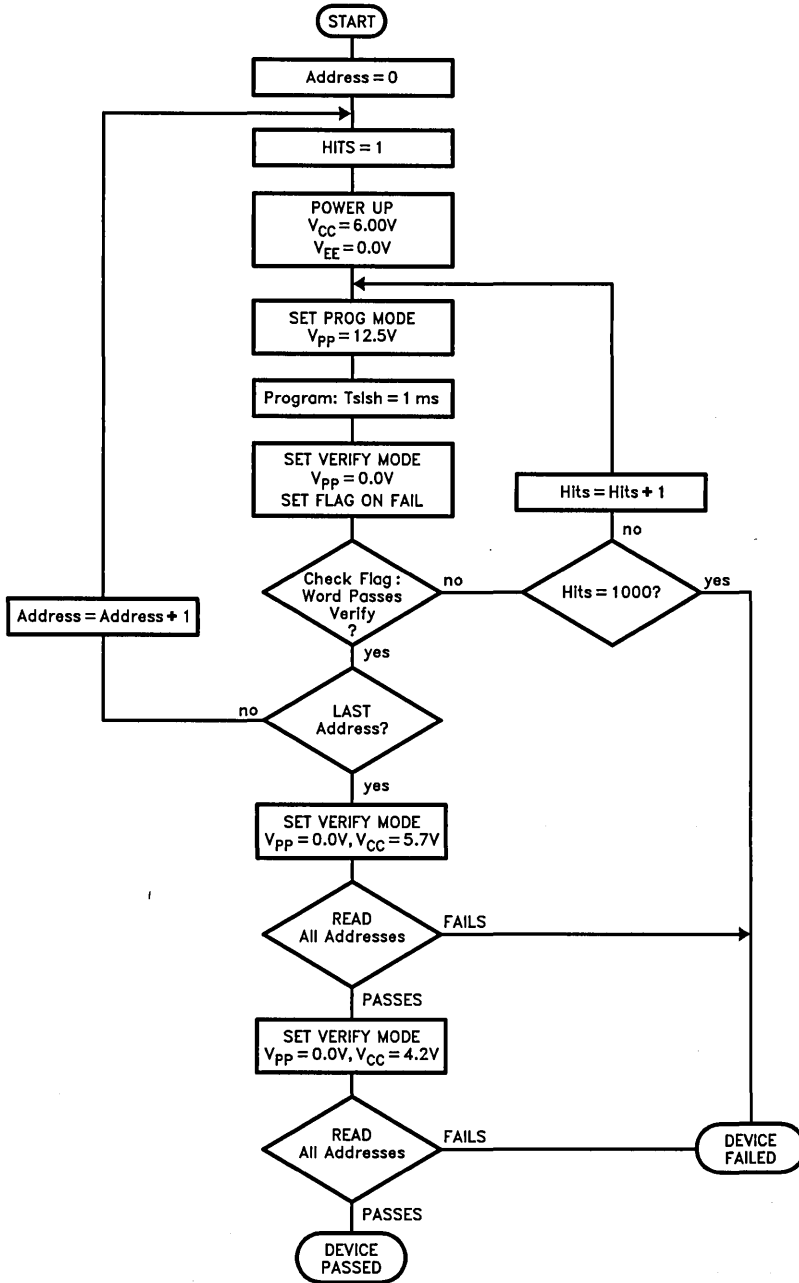
TL/D/9747-9

Note 1: When  $V_{PP}$  is transitioning between its low and high voltage, the device passes through the ECL read mode, with the ECL outputs enabled and driving the equivalent of a TTL HIGH.

FIGURE 6. TTL Programming/Verify Cycle



# Programming/Verify Algorithm



# Memory System Efficiency and How National Semiconductor's 256k x 1 BiCMOS SRAM Helps

National Semiconductor  
Application Note 565  
Fred Jaccard



## INTRODUCTION

System efficiency is a function of many factors. In high speed memory systems, signal skews mandate the lengthening of the system write cycle time beyond that of the memory devices utilized in the system. Of the read and write cycle time, the write cycle time is usually what limits the system cycle time.

The NM5100 is a 256k x 1 BiCMOS static RAM with ECL input/output levels that addresses this issue. With careful attention to the circuit design and utilization of BiCMOS wafer fabrication technology, the write cycle timing allows 33% of the cycle time for system timing skews.

## SYSTEM EFFICIENCY

In high speed memory systems, the address to address and address to  $\overline{WE}$  timing has necessitated setting the system address cycle time to between 150% and 250% of the minimum address cycle time indicated in the data sheet of the SRAM devices used in the system.

$$SE = tdc/tsc$$

Where

tdc = device minimum address cycle time

tsc = system address cycle time

SE = system efficiency

System efficiency is maximized when the system cycle time equals the minimum device address cycle time. The device cycle time is a fixed value, guaranteed by the data sheet. The system cycle time is determined by the memory device timing parameters and the signal skew.

## SYSTEM SKEW

System signal skew is caused by a number of factors, some of which are:

1. Unequal PCB trace length.
2. Dissimilar logic paths.
3. Bus driver and control logic IC  $t_{PD}$  variation.
4. System temperature variation.

Typical PCB signal propagation is 150 ps/inch. Skews from 0 to several nanoseconds can be attributed to PCB trace length.

Dissimilar logic paths for address or  $\overline{WE}$  generation can be from 0.5 ns to 1.5 ns per gate different.

Signal logic paths may be identical but the delay will vary as much as 50% from one IC of the same part number to the next.

If  $t_{PD}$  through an IC is used for pulse width or address to  $\overline{WE}$  timing, the temperature effect will cause as much as 50% variation in  $t_{PD}$ .

For high speed memory system design, careful attention must be given to these factors to minimize the signal skew seen at each memory device in the system.

## TYPICAL SRAM WRITE TIMING SPECIFICATIONS

Typical SRAM write timing specifications show the address cycle time equal to the address setup time plus the write pulse width plus the address hold time.  $TAVAX = TAVWL + TWLWH + TWHAX$ . Typical values for these parameters are:

Symbol	Parameter	Min
TAVAX	Write Cycle Time	15
TAVWL	Address Setup Time	3
TWLWH	Write Pulse Width	10
TWHAX	Address Hold Time	2

The only way that the system address cycle time can equal the device cycle time is if system skew is equal to zero. Clearly this is an impossible solution.

## THE NM5100 SOLUTION

The NM5100 data sheet shows the following write timing specifications:

Symbol	Parameter	Min
TAVAX	Write Cycle Time	15
TAVWL	Address Setup Time	0
TWLWH	Write Pulse Width	10
TWHAX	Address Hold Time	0

Figures 1 and 2 show an example of actual device performance. Notice that with setup and hold times of 0 ns, the system designer is allowed 5 ns for signal skew. As an example of the difference this makes when compared to typical timings, assume a realistic signal skew for a high speed memory system is a maximum of 10 ns. With the typical timing, the system efficiency will be  $[15/(10+15)]*100 = 60\%$ . The NM5100 timing will allow an efficiency of  $15/(10+10)*100 = 75\%$ . This is a 25% increase in memory system efficiency!

## CONCLUSION

National Semiconductor's NM5100 write timing specification allows system designers to attain much higher system efficiencies than devices with typical SRAM timing specifications. In addition to higher system timing efficiency, the NM5100 allows for a fourfold density increase over conventional 64 kBit Bipolar ECL RAMs, with less power consumption! The NM5100 finally allows designers to go all out for system performance without being forced to use low-density SRAMs.

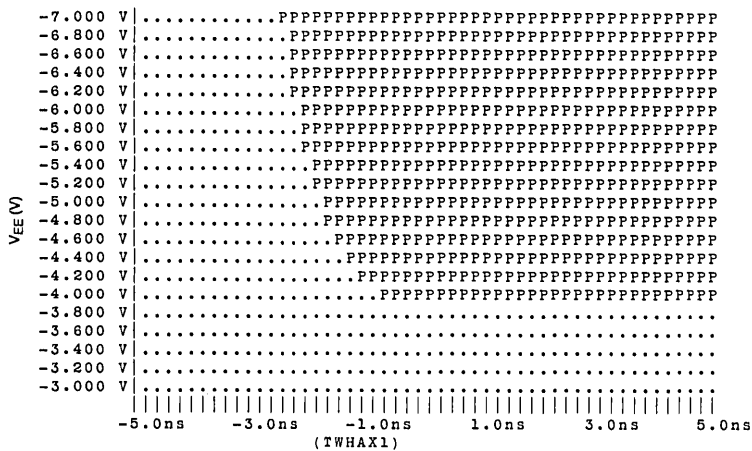


FIGURE 1. Address Hold Time vs Operating Supply Voltage

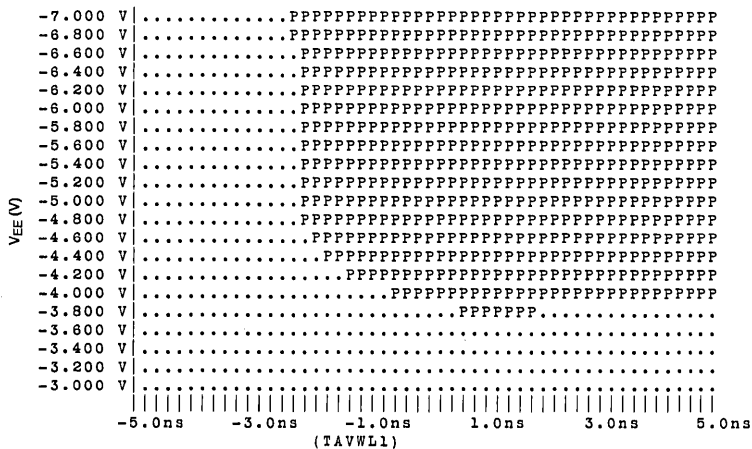


FIGURE 2. Address Setup Time vs Operating Supply Voltage

# National Semiconductor's BiCMOS III Process Is Latch-Up Immune

National Semiconductor  
Application Note 566  
Dave DiMarco



## LATCH-UP AND CMOS

Latch-up is a well known and documented phenomena in CMOS technology.<sup>1</sup> It occurs when parasitic pnpn (or SCR) devices inherent in CMOS processes are turned on, and results in a high current, low impedance path between  $V_{DD}$  and  $V_{SS}$ . This can lead to permanent device damage or temporary nonfunctionality until the device is powered down.

In N-well CMOS the pnpn path is the result of a parasitic lateral npn and a parasitic pnp transistor as shown in *Figures 1 and 2*. This structure has two stable states. In the first or the "blocking state" the emitter/base junctions are reverse biased and a high impedance path is maintained be-

tween  $V_{DD}$  and  $V_{SS}$ . In the second state, both emitter base junctions are forward biased, and a high current path between  $V_{DD}$  and  $V_{SS}$  is turned on.

In normal CMOS operation, this pnpn path is in its "blocking" state. It can, however, be switched into its "on" state if the lateral current  $I_{PS}$  and  $I_{NW}$  become large enough to forward bias the parasitic emitter base junctions. This can occur from: radiation currents,  $c\ dv/dt$  current resulting from voltage spikes across the n-well/substrate junction, avalanche multiplication currents at the n-well/substrate junction, or input over voltage conditions.<sup>2</sup>

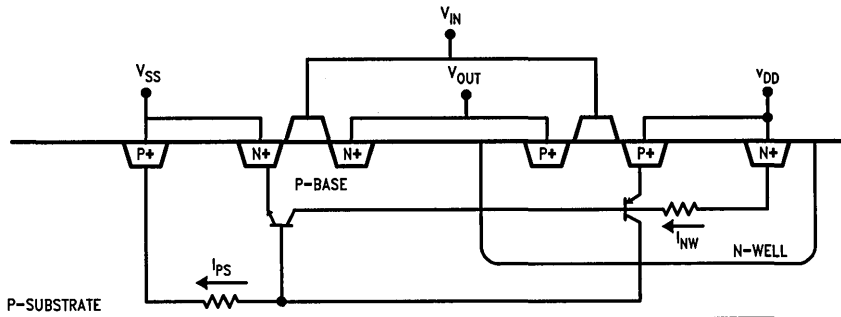


FIGURE 1. Standard CMOS Process

TL/D/10091-1

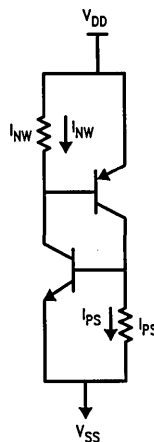


FIGURE 2. Parasitic Bipolar Schematic

TL/D/10091-2

In order for latch-up to occur, three conditions must be met.<sup>1</sup> First, there must be high enough lateral substrate current to forward bias both emitter/base junctions. Second, the current gain product of the parasitic pnp and npn must be > 1. And third, the power supply must be capable of supplying the "holding current" required to sustain latch-up. In order to minimize the effects of latch-up, these conditions must be controlled through intelligent process and design.

**LATCH-UP AND BiCMOS**

National's BiCMOS III process has inherent advantages over standard CMOS processes. These advantages eliminate latch-up problems and design/layout dependence. As part of BiCMOS III, N+ and P buried layers are present under all n-well and p-well areas respectively. A representative cross section is shown in Figure 3. As a result, the lateral n-well and p-well resistance are reduced to ohms from k-ohms. Hence, higher lateral currents can be tolerat-

ed without forward biasing the parasitic npn and pnp transistors. Additionally, inclusion of a buried layer results in a significantly lower current gain for the parasitic devices. The use of buried layers for latch-up control has previously been described by Estreich et al.<sup>2</sup>

Unique to BiCMOS processes is a latch-up condition created by the standard npn transistors in combination with the parasitic npn and parasitic pnp as shown in Figure 4. If the standard npn is allowed to saturate, forward biasing the base-collector junction, majority carrier holes are injected into the substrate. These carriers then form the base current for the parasitic npn transistors, and potentially, could trip the pnpn latch from its blocking state, to its on state.<sup>3</sup> Again, the N+ and P+ buried layers used in the BiCMOS III process reduce the lateral resistances to the point where this will not forward bias the parasitic transistors and latch-up is avoided.

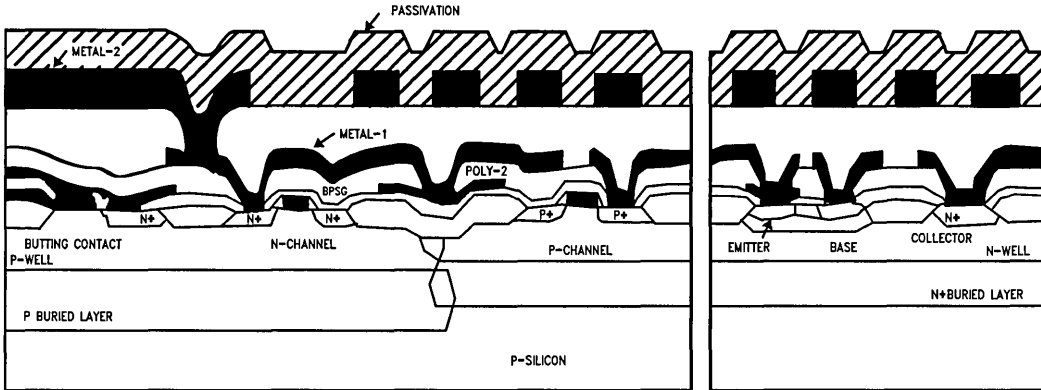


FIGURE 3. BiCMOS III Process Cross Section

TL/D/10091-3

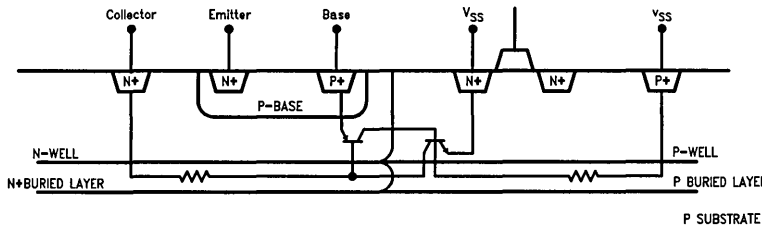


FIGURE 4. BiCMOS Latch-Up Circuit

TL/D/10091-4

**TEST RESULTS**

Latch-up testing has been performed at temperature extremes for National's 256k x 1 ECL BiCMOS SRAM (NM5100) and no latch-up was observed. In all cases, latch-up could not be induced. Testing was performed under the following conditions:

Temp. =  $-60^{\circ}\text{C}$  and  $130^{\circ}\text{C}$

$V_{EE} = -5.0\text{V}$ ;  $V_{CC} = 0\text{V}$

Each device pin ramped from 0 mA to 500 mA.

(Only one pin tested at a time.)

The following cases were tested:

1. Float all pins except supply pins and pin under test.
2. Pins adjacent to pin under test =  $V_{CC}$ , all other pins floating except supply and pin under test.
3. Same as #2 except adjacent pins =  $-1.9\text{V}$  ( $V_{IL}$ ).

**CONCLUSION**

National's BiCMOS III process has proven to be immune to latch-up in extensive characterization and testing. It has inherent process advantages over standard CMOS processes with respect to latch-up. Today, these advantages insure latch-up immunity in the NM5100. In the future, they will also insure latch-up immunity in all of National's BiCMOS static RAMs.

**REFERENCES**

1. D.B. Estreich, "The Physics and Modeling of Latch-Up and CMOS Integrated Circuits," Stanford Univ., Stanford, CA, *Tech. Rep. G-201-9*, 1980.
2. D.B. Estreich, "An Analysis of Latch-Up Prevention in CMOS IC's Using an Epitaxial-Buried Layer Process" *IEDM Digest*, pp. 230-234, 1978.
3. A.R. Alvarez, "BiCMOS Technology," *IEDM Short Course*, Dec. 1987.

# Hot Carrier and Gate Oxide Reliability Characterization of National Semiconductor's BiCMOS III Technology

National Semiconductor  
Application Note 567  
Eric Hall  
Marshall Davis



## INTRODUCTION

Gate oxide quality and the susceptibility of MOSFETs to hot carrier degradation are two concerns which are of prime importance in the reliability of a MOS process. Detection of weak devices that can lead to field reliability failures is critical. Thus, major emphasis has been placed on end of line monitors and identifying processing steps which have improved the reliability of the BiCMOS III process.

## HOT CARRIER DEGRADATION

With decreasing MOSFET channel lengths, such as with National's BiCMOS III one micron technology and 256k SRAM, localized fields at the drain region continue to increase. This results in highly accelerated electrons which may collide with the silicon lattice and create electron hole pairs (impact ionization). Some of the "hot" carriers may be trapped in the gate oxide or at the oxide interface. Trapped carriers, or charge generation as a result of carrier injection, result in parametric shifts, which can lead to decreased performance and system non-functionality.

Device degradation is often measured in terms of percent shift in transconductance,  $G_m$ , which is the change in drain current with respect to the change in gate voltage at a constant drain voltage. In the BiCMOS III technology,  $G_m$  degradation has been characterized by accelerated DC and AC testing of N-channel MOSFETs. In DC stressing, the drain is held above 5.5V with the gate voltage set to achieve maximum impact ionization current, which is measured using substrate hole current. The time for 10%  $G_m$  degradation is used as a standard benchmark to show process stability and to study process effects on degradation. For AC stressing, several test modes are used to simulate different circuit conditions. Inverter and SRAM pass gate circuits are the two most used stress conditions. AC frequencies have been used up to 10 MHz, with rise and fall times from 100 ns down to 4.5 ns. AC testing shows degradation mechanisms not seen in DC stressing, and is, therefore, a better indicator of circuit lifetime<sup>(1)</sup>. For both AC and DC stressing, the lifetime data is extrapolated back to a drain voltage of

5.0V and 5.5V to give the life under normal operating conditions as seen in *Figure 1* below.

From CMOS ring oscillator simulations on BiCMOS III, the time required for the gate to pass through the region which creates the highest impact ionization current was found to be about 1% of the total switching period. Taking into account that the CMOS circuitry constitutes approximately 50% of the total access time for the 256k SRAM, a  $4E+6$  second time to 10%  $G_m$  degradation, obtained from *Figure 1*, would equate to  $8E+8$  seconds [ $4E+6 / (0.01 \times 0.5)$ ], or about 25 years at worst case operating conditions. AC stress data for inverter operation also shows much longer lifetimes than DC stress data. For pass gate circuits,  $G_m$  degradation is not important, but rather the drain current in the saturation region. This has been studied using AC stressing and has also shown very satisfactory lifetimes. Actual circuit degradation will be additionally determined by the switching frequency in the application of the MOSFET. System level failure will be determined by the application of the SRAM in terms of timing tolerances or power levels.

An additional processing concern is that the introduction of hydrogen during the Silicon Nitride plasma deposition for the second passivation, plasma bond pad etching, and the final forming gas anneal, also contribute to hot carrier injection. Introduced hydrogen ions form weak Si-H bonds at the oxide interface, and can be easily broken by hot carrier injection. Plasma radiation may enhance this process. Research is ongoing to optimize a final passivation process with minimal degradation effect. A final phosphorous doped silicon glass (PSG) passivation for devices in hermetic packages is also being considered.

To better understand total circuit effects, access time degradation is being characterized on 256k devices through both static and dynamic burn-in at  $-55^\circ\text{C}$  and  $V_{EE} = -6\text{V}$ . In a static burn-in, no parametric shifts were seen through 1000 hours. Dynamic burn-in is currently underway. To date, the DC stressing results and the static burn-in results show that BiCMOS III has good tolerance against hot carrier degradation.

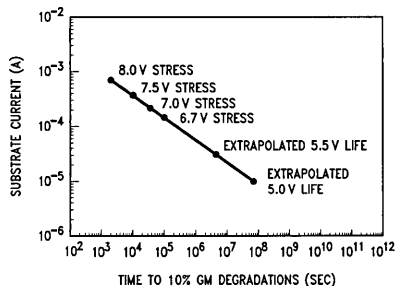


FIGURE 1. Accelerated AC and DC Stressing of Drain Voltage to Determine 10%  $G_m$  Degradation under Normal Operating Conditions

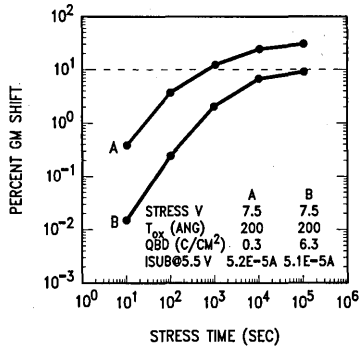
TL/D/10092-1

## GATE OXIDE INTEGRITY

Wafer Level Reliability (WLR) monitors in the BiCMOS III process are used to identify possibly unreliable lots. Two such measurements that are used for monitoring gate oxide integrity and possible hot carrier degradation are the Charge-to-Breakdown ( $Q_{bd}$ ) and Fowler-Nordheim tunneling calculations to determine minimum oxide thickness. These measurements are taken on test structures that lie in the scribe line in between the 256k die. The test structures used are poly edge intensive capacitors, with N+ junction regions, which best simulate actual transistor gates. The WLR gate oxide monitors have been very successful in detecting processing problems which result in both yield failures and decreased reliability.

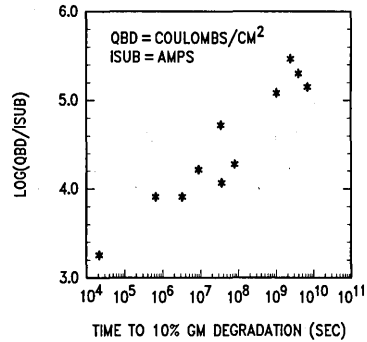
The Fowler-Nordheim minimum oxide thickness is determined from current measurements taken during V-ramp testing. This test shows the oxide thickness at the thinnest, or weakest, point in the structure, unlike capacitance measurements which give an average thickness of the gate oxide. This measurement is particularly useful in detecting point defects or oxide thinning at the field edges, which create localized high field regions.

In the Charge-to-Breakdown measurement, a constant current density is forced ( $J = 0.1 \text{ A/cm}^2$ ) while the gate voltage is monitored. This is done until avalanche breakdown occurs, which is defined as a 50% reduction in the gate voltage in a one second interval.  $Q_{bd}$  is calculated as being  $J \times \text{time to fail}$ , in units of Coulombs/cm<sup>2</sup>.  $Q_{bd}$ , and not just substrate current alone, has also been found to correlate well with hot electron degradation in the BiCMOS III process (Figures 2 and 3) (2).



TL/D/10092-2

**FIGURE 2.  $G_m$  Degradation over Time for Devices with the Same Substrate Current and Stress Voltage, but Different  $Q_{bd}$**



TL/D/10092-3

**FIGURE 3. Relationship between  $Q_{bd}/I_{sub}$  and the Time to 10-Percent  $G_m$  Degradation during Hot-Electron Stressing**

## SUMMARY

With reliability monitors and continued development, the effects of hot carrier and gate oxide degradation can be minimized and controlled. BiCMOS III also has incorporated in-line and end-of-line WLR monitors to ensure high reliability. Fowler-Nordheim thickness and  $Q_{bd}$  measurements are good indicators of weak or thin gate oxides with susceptibility to hot carrier degradation. All of these enhancements and WLR monitors help to provide for excellent process stability.

## REFERENCES

1. H. Wang, M. Davis, R. Lahri, "Transient Substate Current on N-Channel MOSFET Device Lifetime", (to be presented at IEDM 1988).
2. M. Davis and R. Lahri, "Gate Oxide Charge-to-Breakdown Correlation to MOSFET Hot-Electron Degradation", *IEEE Elect. Dev. Let.*, vol. EDL-9, No. 4, pp. 183-185, April 1988.



# The Reliability of National Semiconductor's 256k x 1 BiCMOS SRAM (NM5100/NM100500)

National Semiconductor  
Application Note 568  
Eric Hall



## INTRODUCTION

Since the beginning of the development of National Semiconductor's one micron BiCMOS III process one third of the BiCMOS process development team has been dedicated to reliability assurance. Long before first silicon of the 256k SRAM arrived, many test structures which contained devices similar to those on the 256k were available for characterization and enhancement of the reliability of the process. Once 256k die were available, extensive dynamic high temperature operational life (HTOL) testing began in a real-time monitored burn-in system.

## PROCESS RELIABILITY TESTING AND RESULTS

Before the 256k die arrived in silicon, test vehicles allowed BiCMOS process engineers to characterize the process for such reliability concerns as gate oxide quality, electromigration in metals and the integrity of passivation layers.

With the thin gate oxide (200Å) in the BiCMOS III process, the high quality of the oxide is critical. Such tests as breakdown voltage measurements, thickness measurements and current stressing were performed. Normal breakdown voltages of the dielectric in excess of 24V were measured, where target values are 20V-22V for this thickness. Thickness measurements were developed to give a thickness at the thinnest point in the oxide and not just an overall average. Constant current stressing allowed for a method of monitoring hot carrier degradation. These three tests allowed for detecting weak points in the oxide and correcting them with process enhancements.

As well, electromigration was tested in the BiCMOS TiW/Al-CuSi/Ti metal sandwich, contacts and vias. From the results, all structures have expected lifetimes in excess of 100 years with small variance. This is independent of whether the failure mode was an open circuit, intralayer short or interlayer short.

Another reliability monitor which was performed on unlidded, packaged test structures was a high temperature (85°C) and high humidity (85% RH) stress test. Two groups of units were tested; one group having just a single layer of phosphorous doped silicon glass (PSG) passivation and the other with an additional layer of silicon nitride passivation (normal BiCMOS process). After 2000 hours, only two parts from sixteen with PSG alone showed any signs of corrosion. Later BiCMOS SRAMs were subjected to HAST (highly accelerated stress testing; 145°C, 85% RH). Through 48 hours, equivalent to over 2500 hours of 85°C/85% RH, five of 26 parts had corroded bond wires. However, no sign of metal corrosion of the die was observed, even under SEM analysis. Again these parts were tested in unlidded packages with full passivation.

These monitors and testing of the BiCMOS III process are just a sample of the total number that have been performed. Furthermore, the areas of reliability concern, such as breakdown energy of metal and gate oxide quality are continually monitored on each 256k fab lot with wafer level end of line testing.

## NM5100 DIE RELIABILITY TESTING AND RESULTS

HTOL testing is used to accelerate failure mechanisms that may occur during the lifetime of the device. This is achieved by stressing the devices at elevated temperatures and voltage. Some of the typical failure modes stressed by HTOL are ionic contamination, electromigration and oxide time dependent dielectric breakdown (TDDB). The first two failure modes are accelerated by temperature when a bias voltage is applied. The temperature increase will allow contaminating ions enough energy to become mobile and getter at the device surface causing threshold shifts. Electromigration occurs in high current density areas of metal. Aluminum atoms are transported along the grain boundaries of the metal in the direction of the electron flow. This creates voids in the metal at one end and a build up of aluminum atoms (hillocks) at the other. Often the failure mode results in an open circuit.

TDDB is also accelerated by voltage stressing. Over time when a constant voltage is applied across the gate of a MOS transistor, trapped charge will accumulate in the gate oxide. This will continue until the effective potential across the gate oxide equals the breakdown voltage of the dielectric (hence the name TDDB), at which time failure occurs.

The activation energies for these three failure mechanisms are given in Table I below where a higher energy corresponds to a larger acceleration factor from operating temperature to stress temperature. The temperature acceleration factor is given by equation 1 where  $E_a$  is the activation energy.

$$AF(Temp) = \exp[E_a/k(1/T_{st} - 1/T_{op})] \quad \text{Eq. 1}$$

The voltage acceleration factor for TDDB is

$$AF(Vtg) = \exp[B(1/E_{op} - 1/Est)] \quad \text{Eq. 2}$$

where  $E_{op}$  is the operating voltage divided by the gate oxide thickness (200Å),  $Est$  is the stress energy and  $B$  is an empirical constant of the process.  $B$  has been measured to be 112 MV/cm for BiCMOS III.

BiCMOS 256k and 16k SRAMs (the 16k is identical in its periphery circuitry to the 256k but has a smaller memory) have been stressed in a monitored dynamic burn-in system at a voltage supply of -6.25V and a temperature of 150°C. The acceleration factors and stressed hour to operational year equivalents for the 256k are summarized in Table I. The monitored burn-in system allows for functionally exercising each part to test patterns such as march and checkboard. The burn-in tester will log the time and board location of any failure. In addition all devices were individually serialized and tested for parametric shifts at 0, 24, 48, 72, 144, 288, 576, and 1152 hour readpoints. In all, 24 parameters were monitored across the commercial temperature range of 0°C to 85°C. Excellent results were attained; none of the parameters shifted significantly from 0 to 1152 hours. A sample of these parameters is summarized in Table II below.

**TABLE I**  
**NM5100 BICMOS 256k x 1 SRAM Acceleration Factors**

Fall Mechanism	Ea	Temp AF	VTG AF	TOT AF	10 YR	1152 HR
Electromigration	0.7 eV	160	N/A	160	547 HR	21 YR
Oxide TDDDB	0.3 eV	8.8	133	1174	74 HR	156 YR
Ionic Contamination	1.0 eV	1412	N/A	1412	62 HR	186 YR

$V_{OP} = -5.5V$ ,  $V_{ST} = -6.25V$ ,  $T_{OP} = 75^{\circ}C$ ,  $T_{ST} = 172^{\circ}C$

**TABLE II**  
**NM5100 BICMOS 256k x 1 SRAM HTOL Parametric Data**

Parameter	0°C 0 HR	0°C 1152 HR	85°C 0 HR	85°C 1152 HR	Units
$I_{EE}$	-143.58	-144.36	-137.31	-138.49	mA
$V_{OH}$	-0.97	-0.97	-0.98	-0.98	V
$V_{OL}$	-1.70	-1.71	-1.72	-1.73	V
$T_{AA}$ (TAVQV)	11.50	11.36	13.24	13.10	ns
$T_W$ (TWLWH)	8.22	7.99	10.01	10.01	ns
$T_{WSA}$ (TAVWL)	-5.96	-5.96	-6.64	-6.87	ns
$T_{WHA}$ (TWHAX)	-4.51	-4.41	-5.62	-5.82	ns

Parametric Shifts in AC values < 200 ps are not significant due to tester resolution.

**TABLE III**  
**BICMOS SRAM Burn-In Results**

Lot #	Device	Test	# IN	# HRS	# Falls	Shift	Comment
1	16k	Static HTOL	30	3456	0	No	
2	16k	Static HTOL	28	1728	0	No	
3	16k	Dynamic HTOL	33	1152	0	No	
4	16k	Dynamic HTOL	58	1152	0	No	
5	256k	Dynamic HTOL	40	1728	1 @ 96 Hrs	No	Single Bit
6	256k	Dynamic HTOL	114	1152	0	No	
7	256k	Dynamic HTOL	125	1152	0	No	
8	256k	Dynamic HTOL	75	1152	1 @ 24 Hrs	No	Minirow
9	256k	Dynamic HTOL	12	1152	0	No	PtSi/As+ EVAL
10	16k	Static LTOL	29	1000	0	No	HOT e- EVAL

Oven Temp = 150°C for HTOL, -55°C for LTOL.

Supply  $V_{EE} = -6.25V$  for dynamic, -6.0V for static burn-in.

Out of all the 16k and 256k devices, only two units failed functionally during the burn-in stress testing (Table III). One unit failed at the 96 hour readpoint with a "stuck" single bit. The second failed at the 24 hour readpoint with a minirow fail. These failures are currently being analyzed. For 256k devices alone, this would equate to 32 FIT (1 Failure In Time equals  $1E+9$  device hours). Since a production burn-in equal to 48 hours is performed on all devices, this implies that the 24 hour failure would have been screened out as a failing unit. This brings the FIT rate down to 16 FIT. For example, with 1000 units, it would be over 7 years of operation at constant worst case operating conditions before 1 device fails. One other remarkable point to note is that all of the 16k SRAMs used for HTOL and also Lot 5 of the 256k devices were from only the second BiCMOS SRAM lot ever produced in the fab.

As part of the functional testing that each device receives, a gate oxide stress is applied with a  $-6.5V$  supply. This stress will screen devices with very weak oxides for TDDB failures. Further evaluations include a low temperature op life study for hot carrier degradation and a HTOL look ahead for possible process enhancements. At low temperatures the silicon lattice is more stable and an electron has a greater probability of colliding with it and creating an electron hole pair (impact ionization). The "hot" carriers may then become trapped in the gate oxide causing threshold shifts. A static burn-in at a supply of  $-6.0V$  and stress temperature of  $-55^{\circ}C$  was performed on 29 units for 1000 hours. In this

study no fails or parametric shifts were observed. A dynamic test under the same conditions is under way.

Upcoming process changes involve conversion from phosphorus to arsenic doped emitters for speed enhancement and adding a platinum silicide layer under first metal to reduce P+ contact resistance. Twelve units have been burned in to 1152 hours, once again with no fails or parametric shifts.

#### SUMMARY

As indicated by the "upfront" commitment from the BiCMOS process development group to their wafer level testing and end of line monitors, followed by the burn-in studies with actual 256k SRAMs, the reliability of the BiCMOS III process has been fully characterized and enhanced. To further insure the reliability, each fab wafer lot will continue to be monitored and samples will be periodically placed on HTOL. Additionally, each device receives, and will continue to receive, a 48 hour burn-in and gate oxide stress test in order to eliminate infant mortality failures before they are shipped to the customer. Reliability was designed into the process and will continue to be a major factor in manufacturing of BiCMOS III products.

#### REFERENCES

1. D.L. Crook, "Method of Determining Reliability Screens for Time Dependent Dielectric Breakdown," *ibid.*, 17,1, 1979.
2. Technology Associates, *Accelerated Testing Handbook*, 1987.

# 256k x 1 BiCMOS ECL SRAM Memory Cell Characterization and Alpha Sensitivity Testing

National Semiconductor  
Application Note 569  
Paul Berndt  
Dave DiMarco



## INTRODUCTION

National Semiconductor's 256k x 1 BiCMOS ECL SRAM (NM5100) has undergone extensive characterization to ensure its reliable performance in a system. Part of the characterization entailed an extensive analysis of the stability and alpha sensitivity of the memory cell. The stability and alpha sensitivity are major attributes of the memory cell. These attributes will affect the reliability and performance of the memory in a system environment from a "soft error" standpoint. A "soft error" is a fail which occurs when the memory cell loses data and flips state but can then successfully be rewritten with data.

## CELL STABILITY

The stability of the memory cell will determine the memory's immunity to system level disturbances. One such disturbance of special interest is address skew. Address skew is a common phenomena in systems which can cause "soft error" problems. An unstable memory cell will be highly sensitive to this condition. When addresses are skewed on a static RAM, memory cells can be partially selected. This can degrade the internal voltage margin in the memory cell to the point where it may flip states, resulting in a "soft error". The NM5100 has been extensively characterized from both a DC and an AC point of view to verify immunity to this phenomena. Additionally, all die are tested to a simulated address skew condition at wafer level to insure device integrity.

## ALPHA SENSITIVITY

The alpha sensitivity of the memory cell is a major factor in determining a memory's Soft Error Rate (SER). Alpha particle hits are a well documented cause of "soft errors" in semiconductor memories.<sup>(1)</sup> The package material used in semiconductor devices emits alpha particles due to contaminants which are present in the package material. These contaminants are present in plastic and ceramic packages. When an alpha particle strikes the internal node of a memory cell, it can cause the cell to change states. This results in a soft error. Even though low alpha flux package material is used, alpha induced soft errors can still cause system problems if proper memory design techniques are not followed. In order to determine what the alpha SER of a memory will be, accelerated alpha testing must be conducted. Accelerated alpha testing is done with sources which have alpha fluxes that are orders of magnitude higher than that of packages.

These high flux alpha sources make it possible to assess the alpha sensitivity of the device in a short period of time. Alpha performance is measured in FITs. One FIT equals one fail in  $10E^9$  device hours. The FIT Rate is calculated by taking the flux of the alpha source and the flux of the device package and calculating an acceleration factor.

For the NM5100, alpha sensitivity testing was done with Radium-226 sources. These sources match the energy distribution found in packaging materials. A Takeda 3331 Memory Tester was used to test devices and log errors. A check-board pattern was written into the memory and read in 5 minute intervals to check for errors for a total of 30 minutes. Alpha testing was conducted over the following supply voltages:  $-4.00V$ ,  $-4.20V$ ,  $-4.50V$ ,  $-4.80V$  and  $-5.50V$ . Figure 1 shows the NM5100's FIT rate vs supply voltage. FIT rates below 100 have been achieved for  $V_{EE}$  less than  $-4.50V$ !

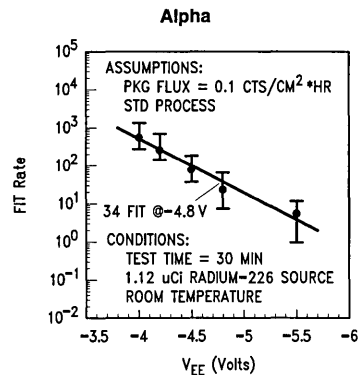


FIGURE 1

TL/D/10094-1

## CONCLUSION

Cell stability and alpha immunity are two major components required for system reliability. These components have been thoroughly characterized to insure the NM5100's reliable performance in a system. Cell stability is tested on all devices and alpha induced soft error rates of less than 100 FIT have been demonstrated (without die coat)!

## REFERENCES

1. Tim May, Murry Woods, "A New Failure Mechanism for Soft Errors in Dynamic Memories", Proceedings 1978, Reliability Physics Symposium, April 1978, pp. 33-40.

# Understanding Advanced Self-Timed SRAMs

National Semiconductor  
Application Note 572  
Charlie Hochstedler



AN-572

## INTRODUCTION

The Advanced Self-Timed SRAM devices are designed to relieve several system design difficulties usually encountered when designing memory arrays associated with high speed ECL data processors. These unique and innovative devices are intended for applications demanding high memory bandwidth. The design of arrays for cycle times of 5 ns to 10 ns is much easier with these AST SRAMs than with generic ECL SRAMs. Speed critical applications such as caches, address translation buffers, writable control stores, and large register files all may greatly benefit from the use of these new memory devices.

This brief explains the differences between conventional SRAMs, self-timed SRAMs, and these new Advanced Self-Timed SRAMs. Particular emphasis is given to the timing differences, which profoundly influence the system design. This brief does not include a complete discussion of all the features and functions of an AST SRAM. Device data sheets contain additional and very important information, and should be reviewed along with this brief.

## LIMITATIONS OF GENERIC SRAMs

High speed ECL SRAMs are certainly available. They offer fast read access. Careful system design can result in good access performance, but high bandwidth is very often a significant challenge or even an elusive goal. Memory bandwidth is commonly defined as the reciprocal of the cycle time. Access time is the delay you encounter while waiting for a memory response, and cycle time is the rate at which

you can repetitively access memory. Generic SRAM data sheets would lead you to believe that cycle time is equal to access time. A more realistic view might be to consider access time the lower limit of cycle time; seldom achieved in practice. The reason for this difference between access time and cycle time will become clear through a quick review of the timing of a generic ECL high speed SRAM.

Read cycle timing is shown in *Figure 1*, first as it is found in the typical data sheet, and then again with a few practical system level constraints included. Notice that there is only a very short window of time where data outputs are valid if the cycle time is set equal to the access time. This time is usually specified as output hold or data hold from address change; and is often only a few nanoseconds for fast ECL SRAMs. One system design problem is how to use a very brief data output valid interval. The normal solution is to latch or register the data into the next logic element. The design must allow enough time for the data register or latch setup and hold time. Also added to the setup and hold times is some allowance for the variations expected in the signal which clocks the data register or latch. These factors will invariably sum to a value greater than the SRAM specification for output hold from address change; resulting in the necessity of increasing the cycle time beyond the data sheet minimum.

Address bus skew is another speed robbing effect which must be accounted for. In a practical system, addresses can not be guaranteed to change from the previous state to the

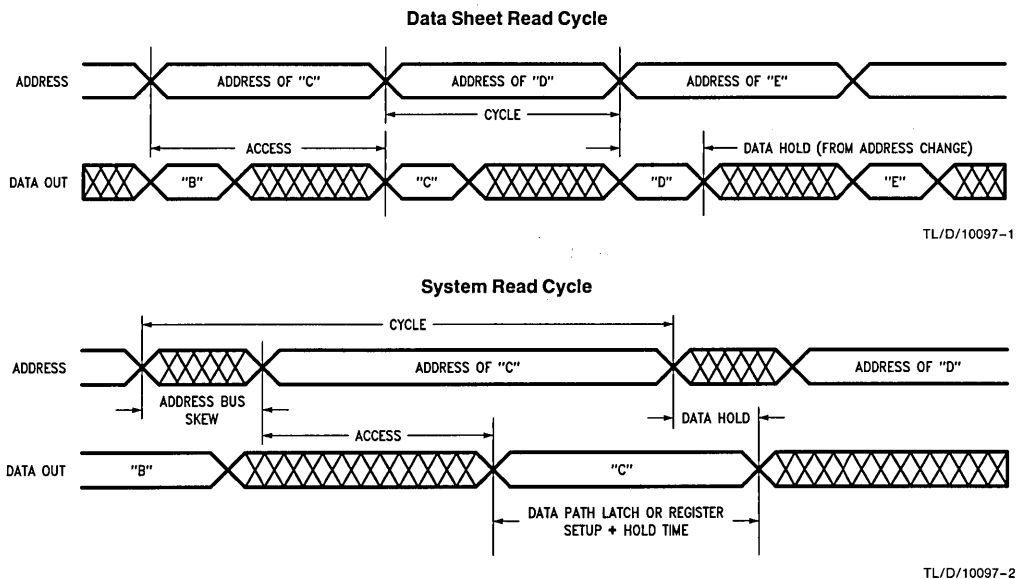
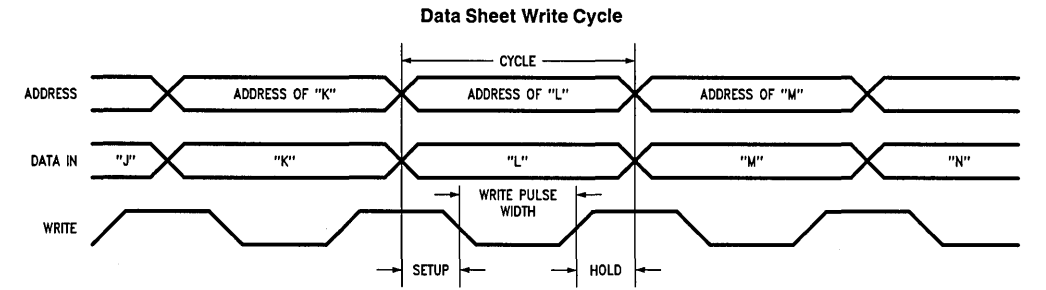


FIGURE 1. Generic SRAM Read Timing

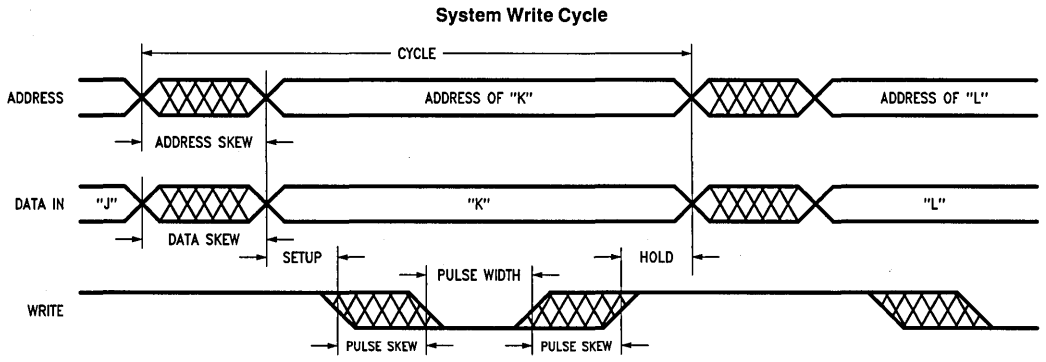
new state all at exactly the same time. There is, in reality, a window of time during which the addresses may be changing. Address bus skew, defined for the purposes of this brief, is from the instant that the quickest address may begin its transition until the slowest address can be guaranteed to have completed its transition. Address bus skew and data path setup and hold times are normally the most significant factors which cause read cycle time to be slower than read access time.

The write cycle is almost always the bandwidth limiting factor in systems designed with generic ECL SRAMs. It is uncommon for a designer to design for different read and write cycle times because most systems must accommodate reads and writes at random. Writable control stores are a notable exception; caches are a good example of memories usually requiring random reads and writes. *Figure 2* illus-

trates the differences between a data sheet write cycle and the timing a system designer contends with. For most ECL high speed SRAMs the sum of write pulse width, data setup, and data hold times equals the data sheet write cycle time specification. The write pulse skew (the soonest it may fall, until the time is guaranteed to have risen) adds directly to the write cycle time. Also the effects of address and data bus skew need to be considered to determine which is actually the design limitation. These skews often sum to large values relative to the data sheet speed. It is common for system design constraints to result in practical cycle times of 15 ns to 20 ns for 7 ns SRAMs. If fast access is all that is required, then these effects are not deleterious. In many applications cycle time is as critical as access time, creating a strong desire for relief from these speed degrading effects.



TL/D/10097-3



TL/D/10097-4

FIGURE 2. Generic SRAM Write Timing

To maximize throughput system designers have often used latches or registers to hold all the inputs going into, and the outputs coming from the memory array. Most ECL processors designed today utilize ECL gate array or standard cell ASICs for the logic elements in the design. This approach makes the inclusion of memory support registers or latches relatively easy and practical. A write pulse generator is generally implemented locally, very near the SRAMs to minimize the write pulse skews. The write pulse generator can be a straightforward monostable utilizing gate delays to set the pulse width; triggered by a write command generated elsewhere in the system logic. As timing demands tighten,

the need to time the write pulse from a system clock increases, so more exacting design alternatives are used. *Figure 3* illustrates these functions usually found supporting common ECL fast SRAMs.

Self-Timed SRAMs include on chip registers and/or latches for inputs and outputs, and also include an on chip write pulse timing generator. A basic self-timed SRAM block diagram is given in *Figure 4*. Several variations are appearing today, offering a choice of latches or registers, and a few different types of clock and control functions. These differences are relatively minor and not significant in the understanding of the operation of this new class of memory.

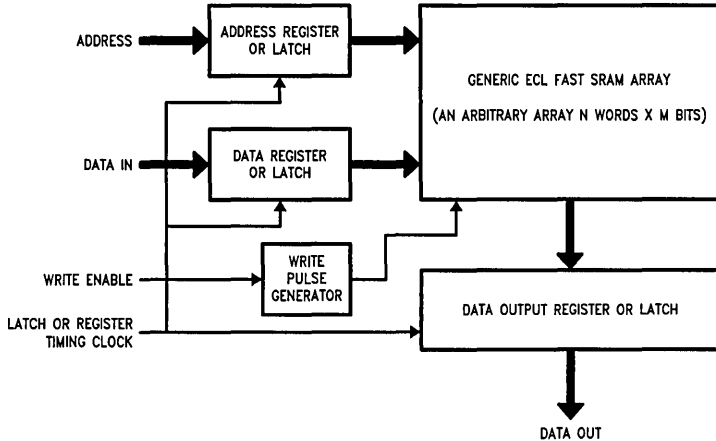


FIGURE 3. A Typical ECL SRAM Implementation

TL/D/10097-5

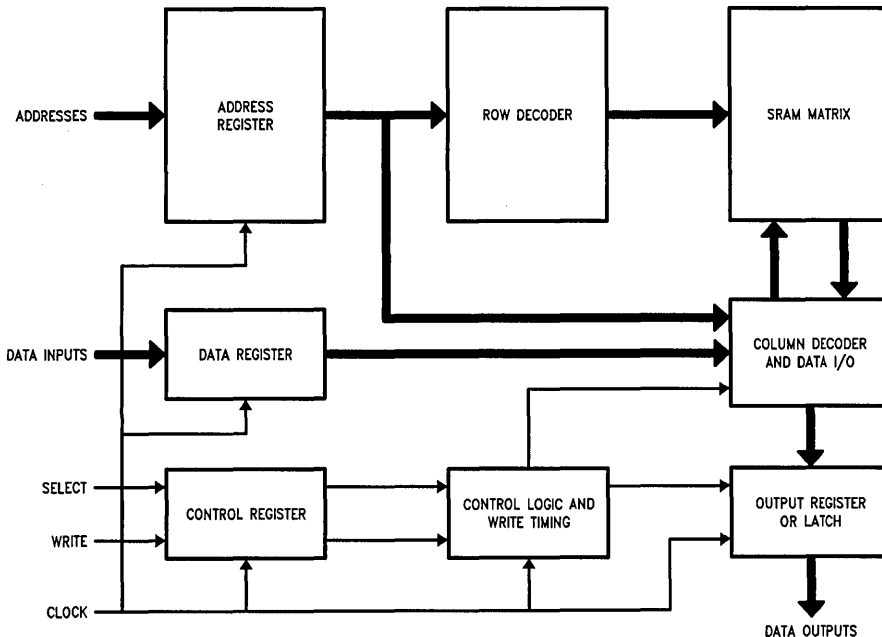
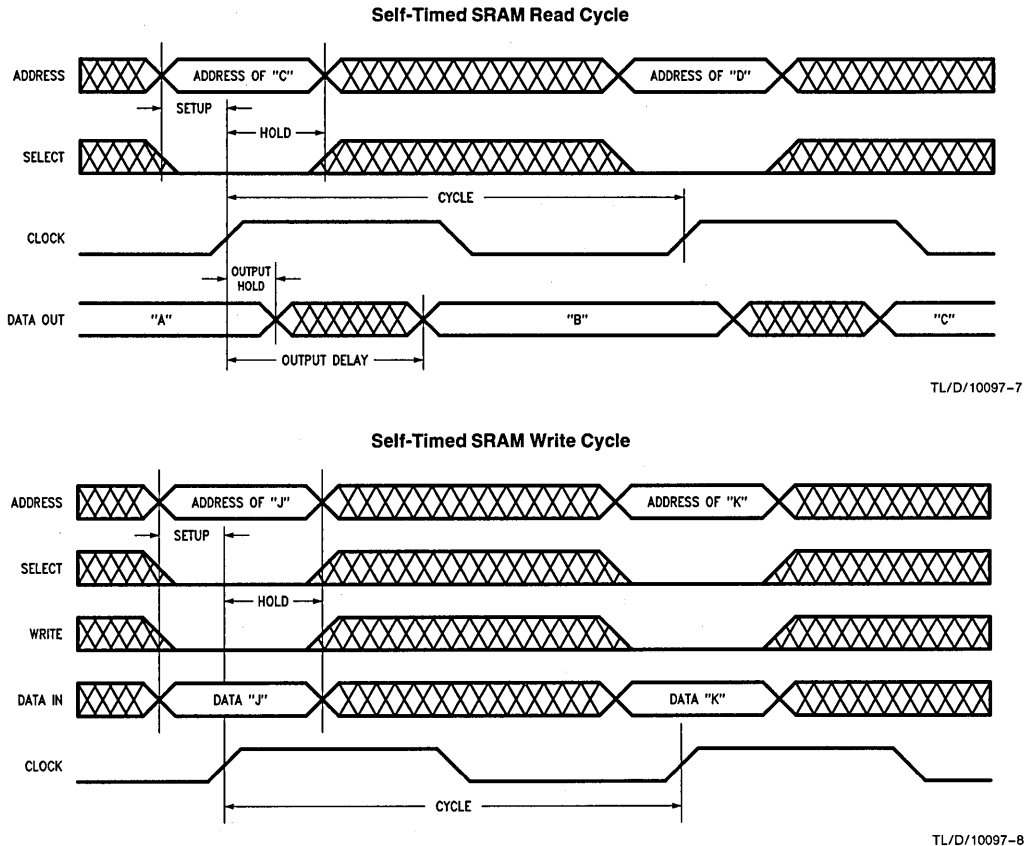


FIGURE 4. Basic Self-Timed SRAM Block Diagram

TL/D/10097-6

The key to understanding the self-timed SRAM is the timing waveforms of *Figure 5*. Notice that all inputs are registered (or latched in some devices) by the clock edge, in both the read cycle and in the write cycle. Also notice that in a read cycle the data output is registered (or latched in some devices) by the same clock edge. The device now contains the functions which were often included in the memory support logic ASICs. But something more than just different partitioning is happening. Now the registered data output is held for much of a cycle, alleviating the data path setup and hold constraints even with cycle times similar to access time. Also, the data input and address busses are registered,

trading off bus skew problems for setup and hold times on the inputs. The control line registers result in the most important difference. With write and select registered, the write timing is all completed internally. This eliminates the need for the system designer to be concerned with the tricky write pulse width, setup and hold time constraints. Control signals are often specified with the same characteristics as the address and data input signals. The ability to easily design for cycle time about the same as access time, especially for write cycles, is the fundamental benefit of self-timed devices.



**FIGURE 5**



Different styles of self-timed SRAMs bring slightly different issues to light. The devices with registered inputs and registered outputs are usually defined in such a way as to force the system designer to treat them as a "1 deep" pipeline stage. The data output is always clocked out at the same time as the next set of inputs are clocked in, giving rise to the notion of 1 clock period latency. For many system architectures this may not be a detriment, and the advantages of a shorter cycle time usually outweigh the negatives.

In devices with latched inputs and outputs the data output is available a little sooner (at least theoretically) but the clock usually requires much more critical timing. Now one level of the clock is used to latch the outputs. This places demands on the clock generation and distribution which complicate it more than edge triggered registered style devices.

For complete timing flexibility, separate clocks (i.e., an input clock separate from an output clock) are possible. Generally, the flexibility and performance advantages this can provide are overshadowed by the additional complexity of generating and distributing two carefully controlled clocks instead of one.

#### ADVANCED SELF-TIMED SRAMs

Advanced Self-Timed SRAMs (AST SRAMs) expand on the concepts of the basic self-timed devices (ST SRAMs) already reviewed. The most important difference is that the AST devices are register based and include an on chip timing generator for the output register. A simplified block diagram for the AST SRAM is given in *Figure 6*.

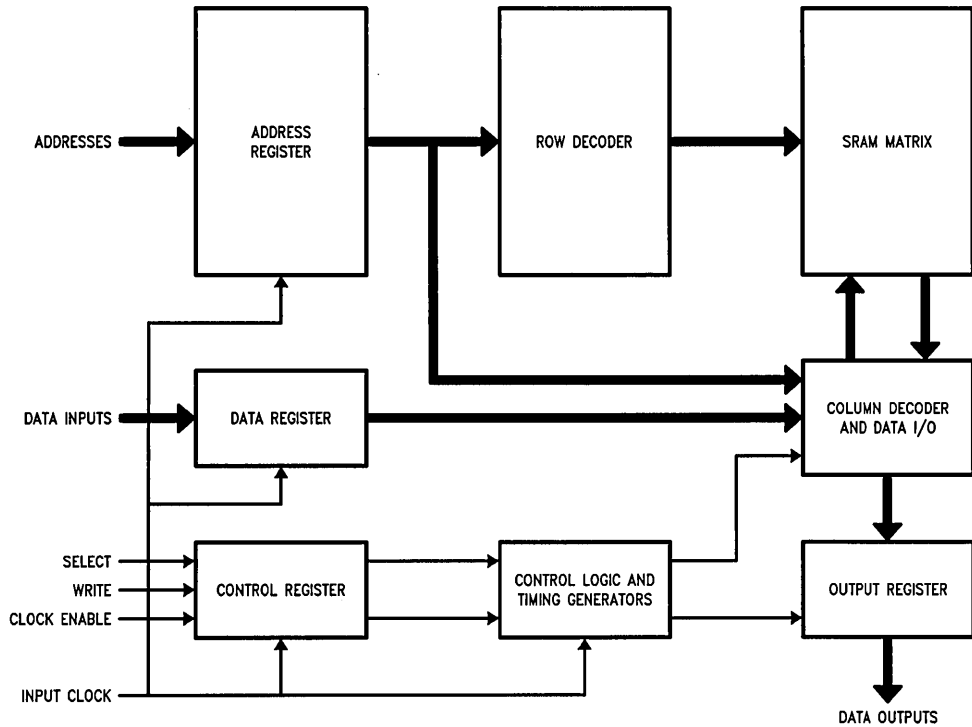


FIGURE 6. Advanced Self-Timed SRAM Simplified Block Diagram

TL/D/10097-9

Fundamentally, what is achieved is similar to a registered ST SRAM with separate clocks, with the output clock adjusted for minimum access time. All the other benefits of the basic ST SRAM are retained, but some interesting additional benefits of timing flexibility also are found in the AST SRAM. *Figure 7* illustrates both read and write cycles of the AST SRAM, drawn for the case where the cycle time is set equal to the access time. The key differences to notice are that there is an input clock, and that access occurs a fixed

time delay later. Also note that both minimum and maximum access times are given, allowing the designer to properly design to preclude either short path or long path problems. If a system is designed with cycle time longer than access time, the AST SRAM is still quite useful. In this case the device will still internally self-time the read data output register clock (at access time), simply providing earlier access or longer setup for the logic block downstream from the device.

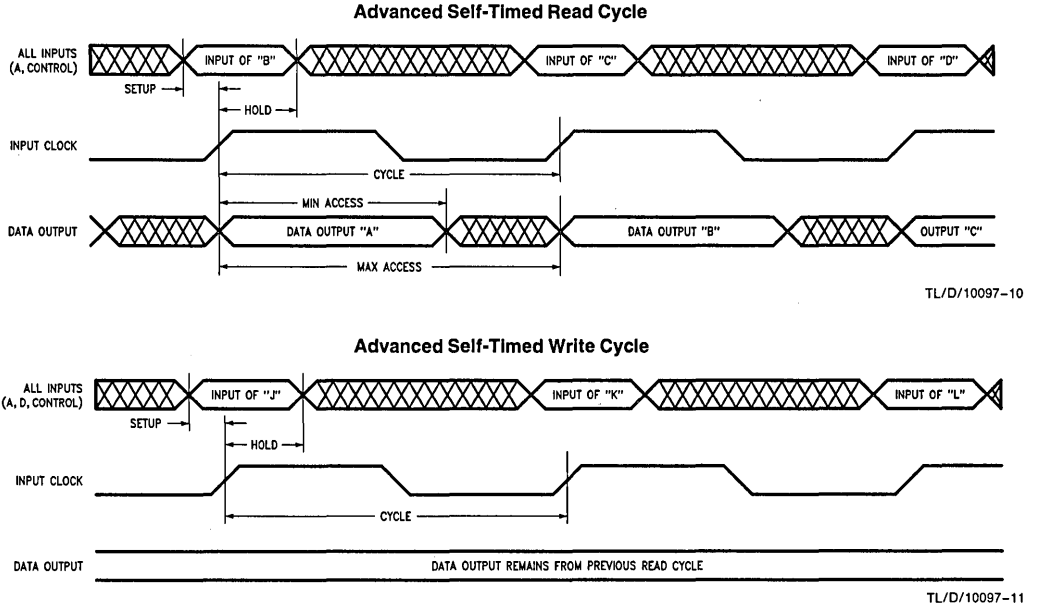


FIGURE 7. Advanced Self-Timed SRAM Timing

Another important difference is that the write cycle has no effect on the state of the data outputs. This allows the benefit of a "hidden write cycle" mode which is described in some detail in the device data sheet. The idea behind the hidden write mode is the following: First, since the output register is unaffected by write cycles, and second, since whatever logic needing the read output data will require it for some finite and significant time interval, then it could be an advantage to improve bandwidth by allowing write cycles to occur during the time that the downstream logic needs the read data.

There are several other features and functions provided on the AST SRAM which are not found on ST SRAMs. One particularly worth mention is the benefit of the on chip clock gating control input. Since many of these types of devices are being designed into high speed ECL processors, and since most such systems are pipelined architectures, the designer must contend with the subtle timing nuances which can occur when starting and stopping the pipeline. The on chip clock gating input provides very convenient control without concern over clock "slivers" (i.e., narrow partial clock pulses which can cause unpredictable responses).

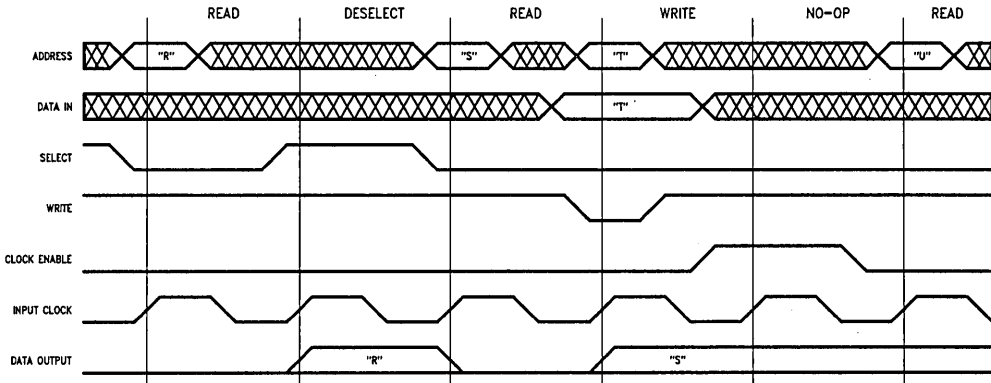
To best illustrate the operation of an AST SRAM, *Figure 8* shows an arbitrary sequence of memory cycles. Also shown is the functionality of the clock enable input, which causes the AST device to do nothing for the cycle(s) where it is asserted. Because the device outputs are designed to remain valid with the last read data, there is a deselect cycle which can be executed whenever desired. This does not mean that a wasted dummy cycle is needed to disable the device. In the case where, for example, there are two (or more) AST SRAMs deep in an array with the outputs bussed

together, the higher order address decode logic will select the proper device using the select lines; only one of which can be active at the start of each cycle. For the one that is inactive a deselect cycle occurs. For the active one, the result is a read cycle. If, however, the next cycle where a write to any address in the array, the outputs would not disable because that would preclude the benefit of the hidden write mode for arrays more than one device deep. The data sheet provides significant detail on the subtleties of the control functions of an AST device.

Other benefits of the AST SRAM include on chip parity checking, and scan path diagnostics features, all designed in such a way that the designer can ignore them if that particular function is not desired in a given application.

**CONCLUSION**

Timing skews encountered in practical system designs degrade cycle time significantly from the ideal case for generic ECL high speed SRAMs. Recently a new style of device, the self-timed SRAM, has begun to emerge. These ST SRAMs alleviate several timing constraints and make it easier to design high speed systems, especially when bandwidth is the issue (not just access time). The Advanced Self-Timed SRAM goes a step further in several areas. The AST SRAM offers more flexibility in timing modes, more flexibility in control input functions, and just more speed, too. It makes it rather easy to design for cycle times as short as access time, which is something that no previous SRAM could do nearly as well. For applications in high speed pipelined ECL processors this new style of device is certainly worth serious consideration.



**FIGURE 8. A Sequence of AST SRAM Cycles**

TL/D/10097-12

# Design Considerations for High Speed Architectures

National Semiconductor  
Application Note 573  
Mike Arden



## INTRODUCTION

Users and software developers are placing increasing demands on the systems manufacturer to improve the performance of his products. Quite often, these demands can be reduced to two fundamental characteristics of the system, memory array size and system speed. Larger and larger memory arrays are required to support the memory intensive demands of new software applications. Furthermore, as software complexity increases, the system is burdened with more and more software overhead. Greater operating speeds are demanded out of a system in order to support the enlarged software demands without burdening the user with a less responsive system.

Historically, memory array sizes could be improved with the implementation of larger TTL memory devices. The improved density and availability of semiconductor memory devices over the past twenty years is well known. Memory density has improved at roughly a geometric growth rate. To some extent, the memory device could be treated as an ever increasing, self contained black box. The techniques used to integrate a 256k DRAM are virtually identically to those required of a 1k DRAM. It was up to the semiconductor manufacturer (and in his best interest) to maintain a logical progression from one device generation to the next. During this same period of time, small to mid-level systems (personal computers, workstations, graphic display stations, etc.) were in their infancy. Eventhough, processors were fairly low in speed and performance, software sophistication was low. Not long ago, systems operating at eight MHz with 32k of memory were highly respected workhorses. Now, systems are moving into 25 MHz speeds with multi megabyte memories and are pushing into the dual digit MIP ranges.

To satisfy these demands, systems manufacturers are finding themselves more and more involved with ECL device families. ECL devices have always provided improved speeds over TTL devices. In the past, the improved speed was always at the cost of lower memory density, increase power demands, and greater difficulty in system design and integration. For the manufacturer with low power or high density applications, ECL devices were not an acceptable solution. While a large memory array could be constructed out of ECL 256-bit or 1k memories, the array typically became so large and power hungry that it became cost prohibitive. Furthermore, processor engines were typically not available to make use of this high speed memory.

With the advent of the National Semiconductor's BiCMOS ECL memory products, the traditional shortcomings related to density and power consumption have been eliminated. ECL memories rival their TTL counterparts in density and power consumption. In addition, these memories retain the traditional ECL speed advantage over their TTL cousins. Furthermore, ECL system environments offer distinct advantages over TTL environments which can enhance system performance.

## System Environments (ECL vs TTL)

As mentioned previously, for low speed/performance systems, ECL devices are more difficult to integrate into a system than TTL devices. This is due to the particular electrical requirements for ECL devices. Correctly implementing an ECL device is more than simply connecting an output of one device to an input of another. The system environment that an ECL device is placed in is defined (loading, network terminations, line impedances, etc.) and the device is designed specifically for this environment. A TTL device on the other hand is not designed for any particular system environment. While this aids the TTL device in fitting into general use applications, it is a major stumbling block for high speed applications.

For example, TTL device outputs are designed for load conditions related to TTL input conditions. *Figure 1a* shows a common (databook) TTL test load configuration. This load is an approximation of multiple TTL input loads. When the output is in the HIGH state ( $\geq 2.4V$ ), the load will sink a minimum of 4.0 mA. Conversely, when the output is in the LOW state ( $\leq 0.4V$ ), the load will source a minimum of 8.0 mA. These are common  $V_{OH}/I_{OH}$  and  $V_{OL}/I_{OL}$  DC conditions. The device is designed and tested to this set of conditions. As long as the device is placed in an environment such that signal paths are relatively short, the TTL output will behave as expected. However, if the device is placed into a transmission line environment the output characteristics will change depending on the characteristics of the signal line. (A transmission line environment exists if the overall length of the signal path is a significant (0.25) fraction of the rise/fall time of the device output. The greater the fraction, the more the environmental effects.) If the transmission line network is designed for this type of loading, then there is a clean signal transmission; unfortunately, it is very difficult to obtain such a network for TTL devices. If the network is not characteristic of this load, then signal reflections and distortions result. These can delay signal propagation speeds through the system and affect overall system performance.

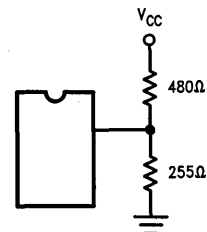


FIGURE 1a. Databook

TL/D/10098-1

Theoretically, a transmission line network can be designed for a TTL load. *Figure 1b* shows the Thevenin equivalent of the TTL load. This equivalent load has the same loading properties as the original load. From this Thevenin load, a transmission line matching load can be derived (see *Figure 1c*). The transmission line load is equivalent to the databook load with the exception of the physical propagation delay of the transmission line. A device output will behave exactly the same with this load as it would with the databook load. The signal itself would be delayed by the transmission line, but not distorted. A device input at the other end of the line would see an undistorted TTL output waveform.

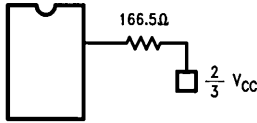


FIGURE 1b. Equivalent Loading

TL/D/10098-2

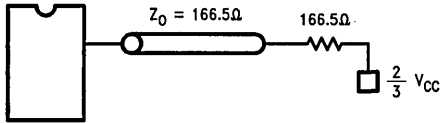


FIGURE 1c. Transmission Line Match

TL/D/10098-3

Unfortunately, TTL systems are not designed with this type of loading scheme. *Figure 2* shows a more commonly found environment. Note that the signal line impedances are lower than the ideal. High impedances in printed circuit boards are difficult to manufacture and are not commonly found. Quite often  $75\Omega$ – $100\Omega$  is an upper limit. Also, the transmission line is unterminated. The ideal transmission line load used a  $166.5\Omega$  resistor terminated to  $3.33V$ . Terminated lines would require an additional power supply and many discrete resistors to implement. These differences equate to reflections on the signal paths. These reflections can result in delays in data transmission.

*Figure 3a* shows IV curves of TTL inputs and outputs in the HIGH state. These curves can be equated to time domain reflection diagrams illustrating the signal integrity. For the example of a  $100\Omega$  environment, *Figure 3b* shows the resulting waveforms. For this example, any input at the far end of the line will receive a relatively clean signal. The signal is above the  $V_{IH}$  level at  $t = T$  and data can be properly identified. The slight bump at  $t = 3T$  only cleans up the signal further. The problem arises if another input is placed near the device output. Due to the reflection from the far end of the line, the input at A (device 2) has to wait until  $t = 2T$  before it receives clear identifiable data! Furthermore, any input placed somewhere between the output and the end of the transmission line will see some distorted signal which may not provide a valid data transition until  $t = 1.5T$ . This example is relatively simple; even still, such a reflected delay can amount to a significant percentage of the overall cycle rate and can cause a marked degradation in system speed. Depending on the type of routing scheme used, and the actual impedances of the PCB, even greater delays can occur.

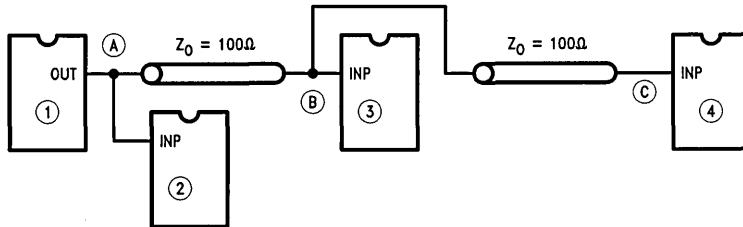


FIGURE 2. "Typical" Application

TL/D/10098-4

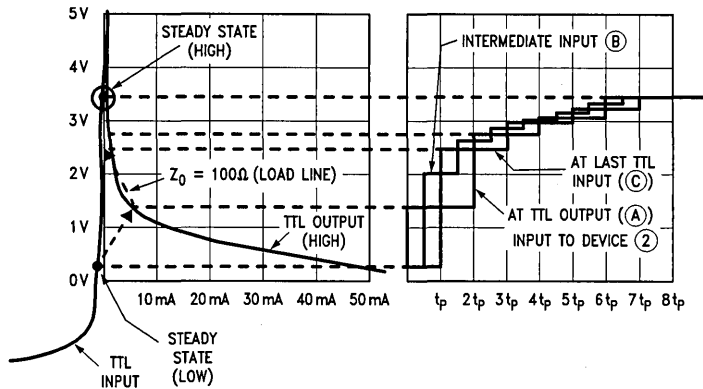


FIGURE 3a. TTL Transition to High State

FIGURE 3b. Reflection Diagram for Transition to High State

TL/D/10098-5

For ECL devices placed into their specified environment, reflections are not a concern. ECL devices are designed specifically for (50Ω) transmission line networks. Figure 4a shows the databook load for ECL devices. This load is not only the test load for the device, it is also the specified load for the system environment. This load is a Thevenin equivalent and can be easily translated into an equivalent transmission line load (see Figure 4b). As was the case with the idealized TTL transmission line load (Figure 1c), this load will transmit data cleanly with only the physical delay of the transmission line being a factor in propagation speeds.

Unlike the typical TTL application, the typical ECL application utilizes this loading scheme (see Figure 4c). Consequently, there are no reflections or distortions of the signal transitions. Figure 5a shows the IV curves of ECL output LOW and HIGH conditions. Figure 5b shows the resulting time domain reflection diagram. This signal is cleanly propagated along the network until it arrives at the end of the line. Due to the fact that it is a properly terminated transmission line, there is no reflection. Any input placed along the line will see a clean signal transition delayed by the propagation delay of the line to that point! The worst case delay for the signal is  $t = T!$

ECL Load Matching

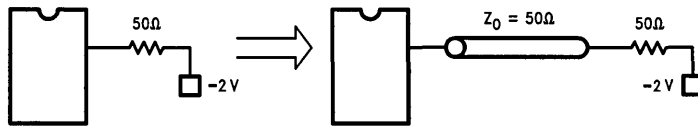


FIGURE 4a. Databook Load

FIGURE 4b. Transmission Line Match

TL/D/10098-6

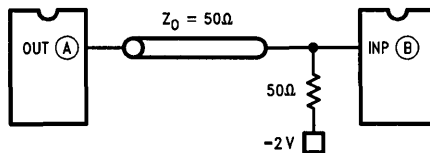


FIGURE 4c. "Typical" Application

TL/D/10098-7

Data Transmission on ECL Systems

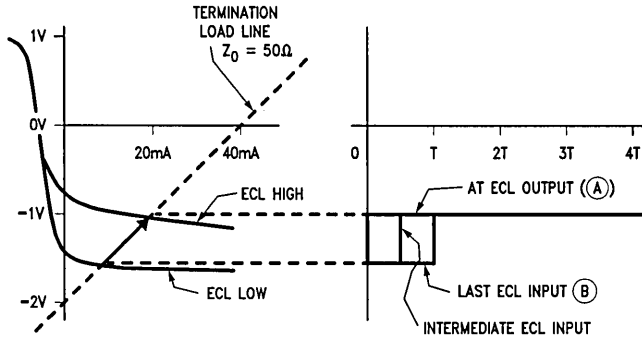


FIGURE 5a. ECL Transition to High State

FIGURE 5b. Reflection Diagram for Transition to High State

TL/D/10098-8

ECL System Design Considerations

Due to the terminated impedance environment required by ECL devices, there are a few basic routing rules which must be followed. Before designing an ECL system, an understanding of these basic routing conditions should be understood. Some of the basic considerations are discussed here; a more comprehensive discussion can be found in the National F100K ECL User's Handbook.

The most straight forward connection method was shown in Figure 4c. This method simply places a 50Ω resistor at the input to the next device to provide a series terminated load.

In some cases, it is desirable to connect several outputs to a common bus. This is particularly desirable for ECL devices

since they have open emitter outputs and are specifically designed to be used in wired-or bus configurations. Figure 6a shows a typical "party line" connection. In this case, care must be taken to minimize the physical distance between the two outputs. If the distance is large enough, the signal line between the two outputs will act as a transmission line (Figure 6b). For the output in device 1 this doesn't cause a problem, because it is at one end of the transmission line. However, device 2 is in the middle of the transmission line. The output in device 2 sees two transmission lines in parallel. The result is that the output sees the equivalent of a 25Ω transmission line for some length of time. This causes impedance mismatches at the terminated load and results in signal reflections.

Party Lines

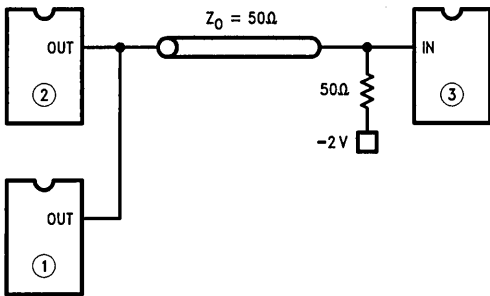


FIGURE 6a

TL/D/10098-9

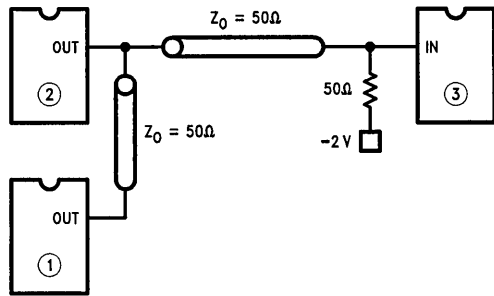
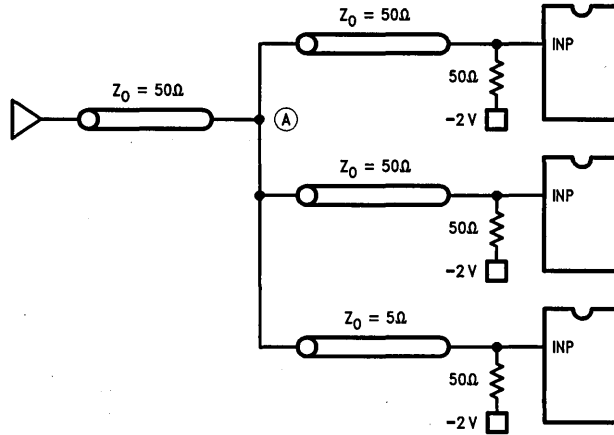


FIGURE 6b

TL/D/10098-10

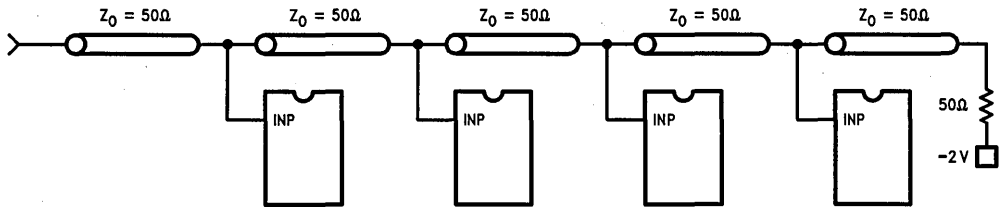
Figure 7a shows an incorrect signal termination method. The parallel terminations cause the impedance that the device output sees to drop to 16.7Ω. An impedance mismatch occurs at node A where the transmission lines split. Reflec-

tions and disturbed signal integrity can result. A correct termination method for bus configurations is shown in Figure 7b. This configuration has only one terminated load and maintains a 50Ω environment throughout.



TL/D/10098-11

FIGURE 7a. Incorrect (For High Speed Applications)



TL/D/10098-12

FIGURE 7b. ECL Bussing Terminations



**ECL PCB Design Considerations**

In order to design a printed circuit board for an ECL system, many factors have to be considered. The ultimate goal is to develop a PCB with transmission line impedances as close to 50Ω as possible. In order to accomplish this, the geometry of the board itself and the properties of the ECL device must be considered.

Figure 8 shows a PCB cross-section of several μstrip transmission lines. The factors affecting the overall impedance of the board are the metal thicknesses, widths, heights, and spacings; and the dielectric constants and thicknesses of the dielectric materials. For example, the impedance of a microstrip line can be found from:

$$Z_0 = [87/\sqrt{\epsilon_r + 1.41}] * \ln [4.98h/(0.8w + t)]$$

where h = dielectric thickness, w = trace width, t = trace thickness, ε<sub>r</sub> = dielectric constant of board material relative to air.

This formula can be used to calculate the undisturbed or "unloaded" impedance of the PCB. Packaged devices have

inherent capacitive and inductive characteristics which can load a PCB transmission line. What is desired from the system point of view is that the final or "loaded" impedance of the board is equal to 50Ω. The capacitance of the device affects the final impedance of the PCB. Figure 9 shows a discrete RLCM model of the transmission line network shown in Figure 8 and Figure 10 shows the effect of adding a device to this network. Capacitors CD1, CD2 are the capacitances of two device inputs. These capacitors are parallel to the capacitors of the transmission line and thus increase the overall capacitance of the transmission line. The inductors (LD1, LD2) are the inductances of two device inputs. Though these inductors are parallel to the transmission line, they do not affect the overall characteristics of the transmission line because they lead into an open circuit (they device itself). Consequently, the dominant effect of adding devices to a PCB is the increased capacitance of the PCB.

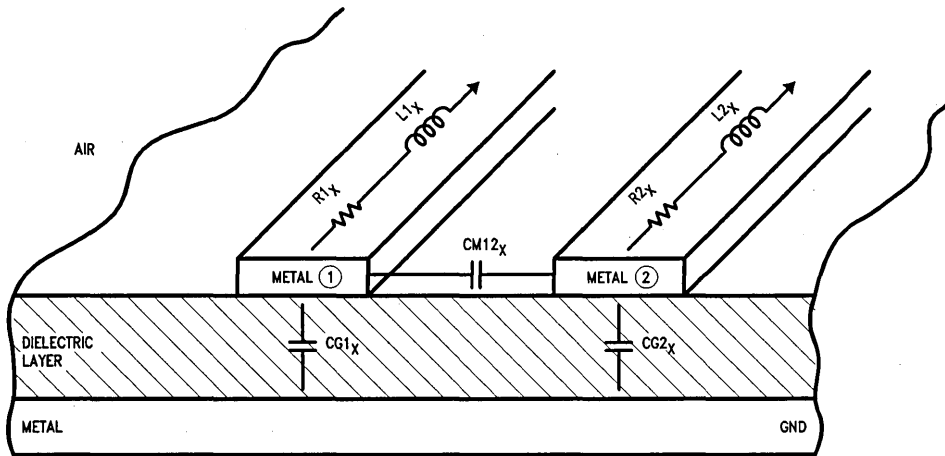


FIGURE 8. Geometric Model of PCB

TL/D/10098-13

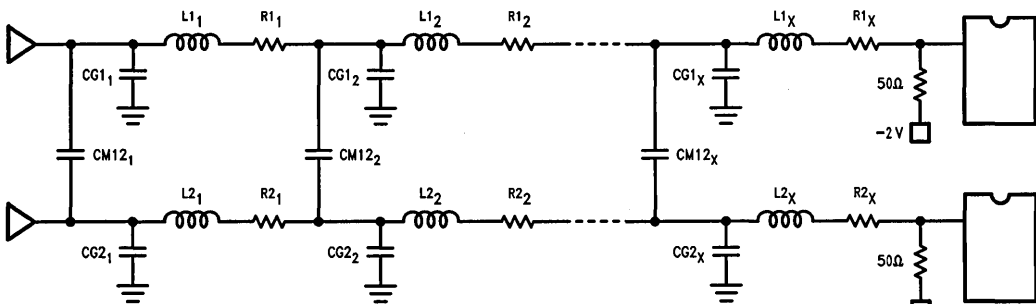


FIGURE 9. RLCM Network Model for PCB (Unloaded)

TL/D/10098-14

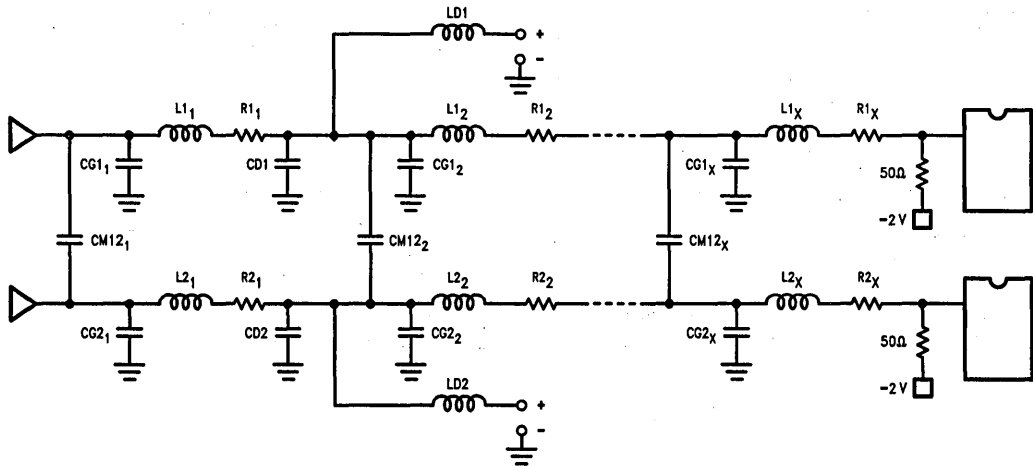


FIGURE 10. RLCM Network Model for PCB (Unloaded)

TL/D/10098-15

For example, an unloaded PCB transmission line could have the following properties:

$$C_0 \text{ (characteristic capacitance)} \approx 1.44 \text{ pF/cm}$$

$$L_0 \text{ (characteristic inductance)} \approx 3.61 \text{ nH/cm}$$

Since the impedance of a transmission line is equal to the square root of inductance divided by the capacitance,

$$Z_0 \text{ (characteristic impedance)} \approx 50.1 \Omega \text{ [unloaded].}$$

If we want to place 5 devices along this line (10 cm in length) and each device has an input capacitance  $C_{dut} = 2 \text{ pF}$ , the resulting impedance of the transmission line would be:

$$Z_0' \text{ (loaded)} = \sqrt{L_0} / \sqrt{C_0 + C_{dut}}$$

$$= \sqrt{3.61 \text{ nH/cm}} / \sqrt{1.44 \text{ pF/cm} + (2 \text{ pF/device} * 5 \text{ devices}/10 \text{ cm})}$$

$$\approx 38.5 \Omega$$

This impedance is significantly lower than the  $50 \Omega$  impedance which is needed. Consequently, the designer must design his unloaded board to a sufficiently high impedance so that after the board is populated it will measure  $50 \Omega$ .

### Modeling of Loaded Transmission Lines

Using the RLCM model shown in Figure 10, a SPICE model can be constructed to evaluate the effects of increased device capacitance on the PCB.

Figures 11-13 show the output from such a SPICE model; the transition modeled is a low to high transition at nominal ECL levels. The transmission line model was tuned to a specific capacitance value for the device. As expected, the SPICE output predicts an underdamped condition for the unpopulated board (Figure 11). The transition first overshoots and then undershoots the nominal  $V_{IH}$  level. As capacitance is added, the transition gets closer and closer to the ideal matched condition. Figure 12 shows the effects of an "overloaded" line. In this case, the capacitance of the device is not totally compensated by the PCB. Consequently, the signal undershoots and then overshoots the nominal  $V_{IH}$  level.

Figure 13 shows the resulting signal of a tuned "loaded" transmission line. Due to the design of the transmission line, the added capacitance of the device is compensated by the intentional addition of increased line inductance.

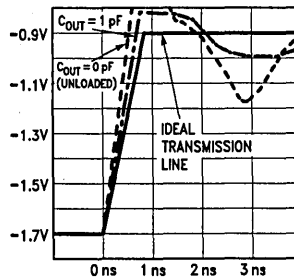


FIGURE 11

TL/D/10098-16

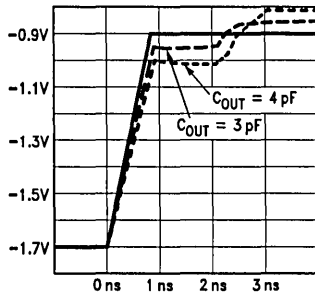


FIGURE 12

TL/D/10098-17

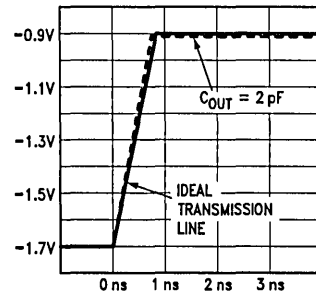


FIGURE 13

TL/D/10098-18

### Summary

For maximum performance, layout and construction requirements on printed circuit boards for next generation systems must become more demanding. While at first glance, designing with ECL devices poses more difficulties for a system designer than TTL devices, if the goal is to obtain high system performance then ECL devices offer significant ad-

vantages. Because of the fact that they are designed specifically for high speed environments, the ECL device is easier to integrate into a high speed system. With the geometries and characteristics of the printed circuit board and the device considered as a unit, a network can be designed to produce a clean controlled impedance environment for an ECL device much easier than for a comparable TTL device.





Section 5  
**TTL I/O Static RAMs**



## Section 5 Contents

TTL I/O—MOS SRAM Selection Guide .....	5-3
<b>BIPOLAR STATIC RAMS</b>	
DM54S189/DM74S189 64-Bit (16 x 4) TRI-STATE RAM .....	5-4
DM54S189A/DM74S189A High Speed 64-Bit TRI-STATE RAM .....	5-4
DM74S289 64-Bit (16 x 4) Open Collector RAM .....	5-11
93L415A 1024 x 1-Bit Static Random Access Memory .....	5-15
93L422A 256 x 4-Bit Static Random Access Memory .....	5-20
93L425A 1024 x 1-Bit Static Random Access Memory .....	5-26
93479 256 x 9-Bit Static Random Access Memory .....	5-32
<b>MOS STATIC RAMS</b>	
MM54/74C89 65-Bit TRI-STATE Random Access Read/Write Memory .....	5-39
MM54/74C200 256-Bit TRI-STATE Random Access Read/Write Memory .....	5-44
MM54/74C910 256-Bit TRI-STATE Random Access Read/Write Memory .....	5-48
MM54/74C989 64-Bit (16 x 4) TRI-STATE Random Access Memory .....	5-53
NMC2147H 4096 x 1-Bit Static RAM .....	5-57
NMC2148H 1024 x 4-Bit Static RAM .....	5-62
<b>EDGE TRIGGERED REGISTERS</b>	
DM75S68/68A/85S68/68A 16 x 4 Edge Triggered Registers .....	5-67

## TTL I/O-MOS Static RAM Selection Guide

Part Number	Organization	Outputs	Plns	Access Time	Temperature Range
<b>TTL I/O STATIC RAMS</b>					
DM54S189	16 x 4	TS	16	50	-55°C to +125°C
DM54S189A	16 x 4	TS	16	30	-55°C to +125°C
DM74S189	16 x 4	TS	16	35	0°C to +70°C
DM74S189A	16 x 4	TS	16	25	0°C to +70°C
DM74S289	16 x 4	OC	16	35	0°C to +70°C
93L415A	1k x 1	OC	16	25 ns	0°C to +70°C
93L422A	256 x 4	TS	22	25 ns	0°C to +70°C
93L425A	1k x 1	TS	16	25 ns	0°C to +70°C
93479	256 x 9	TS	22	25 ns	0°C to +70°C
<b>MOS STATIC RAMS</b>					
NMC2147H	4k x 1	TS	18	70	0°C to +70°C
NMC2147H-3	4k x 1	TS	18	55	0°C to +70°C
NMC2147H-2	4k x 1	TS	18	45	0°C to +70°C
NMC2147H-1	4k x 1	TS	18	35	0°C to +70°C
NMC2147H-3L	4k x 1	TS	18	55	0°C to +70°C
NMC2148H	1k x 4	TS	18	70	0°C to +70°C
NMC2148H-3	1k x 4	TS	18	55	0°C to +70°C
NMC2148H-2	1k x 4	TS	18	45	0°C to +70°C
NMC2148H-1	1k x 4	TS	18	70	0°C to +70°C
NMC2148H-3L	1k x 4	TS	18	55	0°C to +70°C
<b>EDGE-TRIGGERED REGISTERS</b>					
DM75S68	16k x 4	TS	16	55	-55°C to +125°C
DM75S68A	16k x 4	TS	16	45	-55°C to +125°C
DM85S68	16k x 4	TS	16	40	0°C to +70°C
DM85S68A	16k x 4	TS	16	24	0°C to +70°C



## DM54S189/DM74S189 64-Bit (16 x 4) TRI-STATE® RAM DM54S189A/DM74S189A High Speed 64-Bit TRI-STATE RAM

### General Description

These 64-bit active-element memories are monolithic Schottky-clamped transistor-transistor logic (TTL) arrays organized as 16 words of 4 bits each. They are fully decoded and feature a chip-enable input to simplify decoding required to achieve the desired system organization. The memories feature PNP input transistors that reduce the low level input current requirement to a maximum of  $-0.25$  mA, only one-eighth that of a DM74S standard load factor. The chip-enable circuitry is implemented with minimal delay times to compensate for added system decoding.

The TRI-STATE output combines the convenience of an open-collector with the speed of a totem-pole output; it can be bus-connected to other similar outputs; yet it retains the fast rise time characteristics of the TTL totem-pole output. Systems utilizing data bus lines with a defined pull-up impedance can employ the open-collector DM74S289.

**Write Cycle:** The complement of the information at the data input is written into the selected location when both the chip-enable input and the read/write input are low. While the read/write input is low, the outputs are in the high-impedance state. When a number of the DM74S189 outputs are bus connected, this high-impedance state will neither load nor drive the bus line, but it will allow the bus line to be driven by another active output or a passive pull-up if desired.

**Read Cycle:** The stored information (complement of information applied at the data inputs during the write cycle) is

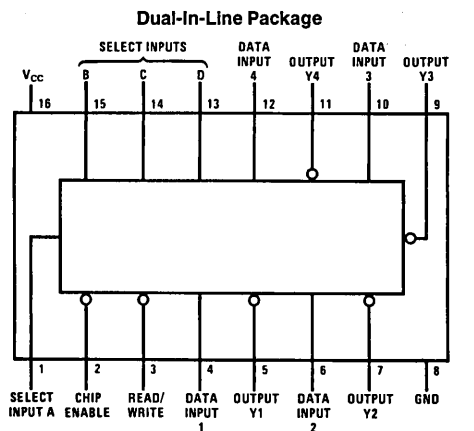
available at the outputs when the read/write input is high and the chip-enable is low. When the chip-enable is high, the outputs will be in the high-impedance state.

The fast access time of the DM74S189A makes it particularly attractive for implementing high-performance memory functions requiring access times less than 25 ns. The high capacitive drive capability of the outputs permits expansion without additional output buffering. The unique functional capability of the DM74S189A outputs being at a high-impedance during writing, combined with the data inputs being inhibited during reading, means that both data inputs and outputs can be connected to the data lines of a bus-organized system without the need for interface circuits.

### Features

- Schottky-clamped for high speed applications (S189A)
  - Access from chip-enable input 17 ns max
  - Access from address inputs 25 ns max
- TRI-STATE outputs drive bus-organized systems and/or high capacitive loads (S189, S189A)
- DM74S289 are functionally equivalent and have open-collector outputs
- DM54SXXX is guaranteed for operation over the full military temperature range of  $-55^{\circ}\text{C}$  to  $+125^{\circ}\text{C}$
- Compatible with most TTL circuits
- Chip-enable input simplifies system decoding

### Connection Diagram



### Truth Table

Function	Inputs		Output
	Chip-Enable	Read/Write	
Write (Store Complement of Data)	L	L	High-Impedance
Read	L	H	Stored Data
Inhibit	H	X	High-Impedance

H = High Level, L = Low Level, X = Don't Care

Order Number DM54S189J, DM54S189AJ,  
DM74S189J, DM74S189AJ,  
DM74S189N or DM74S189AN  
See NS Package Number J16A or N16E



### Absolute Maximum Ratings (Note 1)

If Military/Aerospace specified devices are required, please contact the National Semiconductor Sales Office/Distributors for availability and specifications.

Supply Voltage, $V_{CC}$	7.0V
Input Voltage	5.5V
Output Voltage	5.5V
Storage Temperature Range	-65°C to +150°C
Lead Temperature (Soldering, 10 sec.)	+300°C

### Operating Conditions

	Min	Max	Units
Supply Voltage ( $V_{CC}$ )			
DM54S189	4.5	5.5	V
DM74S189	4.75	5.25	V
Temperature ( $T_A$ )			
DM54S189	-55	+125	°C
DM74S189	0	+70	°C

### DM54S189, DM74S189 Electrical Characteristics

over recommended operating free-air temperature range unless otherwise noted (Notes 2 and 3)

Symbol	Parameter	Conditions	Min	Typ	Max	Units	
$V_{IH}$	High Level Input Voltage		2			V	
$V_{IL}$	Low Level Input Voltage				0.8	V	
$V_{OH}$	High Level Output Voltage	$V_{CC} = \text{Min}$	$I_{OH} = -2.0 \text{ mA}$ , DM54S189	2.4	3.4		V
			$I_{OH} = -6.5 \text{ mA}$ , DM74S189	2.4	3.2		V
$I_{CEX}$	High Level Output Current Open Collector Only	$V_{CC} = \text{Min}$	$V_{OH} = 2.4V$			40	$\mu\text{A}$
			$V_{OH} = 5.5V$			100	
$V_{OL}$	Low Level Output Voltage	$V_{CC} = \text{Min}$ , $I_{OL} = 16 \text{ mA}$	DM54S189			0.5	V
			DM74S189			0.45	V
$I_{IH}$	High Level Input Current	$V_{CC} = \text{Max}$ , $V_I = 2.7V$			25	$\mu\text{A}$	
$I_I$	High Level Input Current at Maximum Voltage	$V_{CC} = \text{Max}$ , $V_I = 5.5V$			1.0	mA	
$I_{IL}$	Low Level Input Current	$V_{CC} = \text{Max}$ , $V_I = 0.45V$			-250	$\mu\text{A}$	
$I_{OS}$	Short Circuit Output Current (Note 4)	$V_{CC} = \text{Max}$ , $V_O = 0V$	DM54S189, DM74S189	-30		-100	mA
$I_{CC}$	Supply Current (Note 5)	$V_{CC} = \text{Max}$		75	110	mA	
$V_{IC}$	Input Clamp Voltage	$V_{CC} = \text{Min}$ , $I_I = -18 \text{ mA}$			-1.2	V	
$I_{OZH}$	TRI-STATE Output Current, High Level Voltage Applied	$V_{CC} = \text{Max}$ , $V_O = 2.4V$	DM54S189, DM74S189			50	$\mu\text{A}$
$I_{OZL}$	TRI-STATE Output Current, Low Level Voltage Applied	$V_{CC} = \text{Max}$ , $V_O = 0.45V$	DM54S189, DM74S189	-50			$\mu\text{A}$
$C_{IN}$	Input Capacitance	$V_{CC} = 5V$ , $V_{IN} = 2V$ , $T_A = 25^\circ\text{C}$ , 1 MHz		4.0			pF
$C_O$	Output Capacitance	$V_{CC} = 5V$ , $V_O = 2V$ , $T_A = 25^\circ\text{C}$ , 1 MHz, Output "Off"		6.0			pF

## DM74S189 Switching Characteristics

over recommended operating ranges of  $T_A$  and  $V_{CC}$  unless otherwise noted

Symbol	Parameter		Conditions	DM54S189			DM74S189			Units
				Min	Typ (Note 2)	Max	Min	Typ (Note 2)	Max	
$t_{AA}$	Access Times from Address		$C_L = 30 \text{ pF}$ , $R_L = 280 \Omega$ (Figure 4)		25	50		25	35	ns
$t_{CZH}$	Output Enable Time to High Level	Access Times from Chip-Enable			12	25		12	17	ns
$t_{CZL}$	Output Enable Time to Low Level				12	25		12	17	ns
$t_{WZH}$	Output Enable Time to High Level	Sense Recovery Times from Read/Write			13	35		13	25	ns
$t_{WZL}$	Output Enable Time to Low Level				13	35		13	25	ns
$t_{CHZ}$	Output Disable Time from High Level	Disable Times from Chip-Enable	$C_L = 5 \text{ pF}$ , $R_L = 280 \Omega$ (Figure 4)		12	25		12	17	ns
$t_{CLZ}$	Output Disable Time from Low Level				12	25		12	17	ns
$t_{WHZ}$	Output Disable Time from High Level	Disable Times from Read/Write			15	35		15	25	ns
$t_{WLZ}$	Output Disable Time from Low Level				15	35		15	25	ns
$t_{WP}$	Width of Write Enable Pulse (Read/Write Low)				25			25		ns
$t_{ASW}$	Set-Up Time (Figure 1)	Address to Read/Write		0			0		ns	
$t_{DSW}$		Data to Read/Write		25			25		ns	
$t_{CSW}$		Chip-Enable to Read/Write		0			0		ns	
$t_{AHW}$	Hold Time (Figure 1)	Address from Read/Write		0			0		ns	
$t_{DHW}$		Data from Read/Write		0			0		ns	
$t_{CHW}$		Chip-Enable from Read/Write		0			0		ns	

### Absolute Maximum Ratings (Note 1)

If Military/Aerospace specified devices are required, please contact the National Semiconductor Sales Office/Distributors for availability and specifications.

Supply Voltage, $V_{CC}$	7.0V
Input Voltage	5.5V
Output Voltage	5.5V
Storage Temperature Range	-65°C to +150°C
Lead Temperature (Soldering, 10 sec)	+300°C

### Operating Conditions

	Min	Max	Units
Supply Voltage ( $V_{CC}$ )			
DM54S189(A)	4.5	5.5	V
DM74S189(A)	4.75	5.25	V
Temperature ( $T_A$ )			
DM54S189(A)	-55	+125	°C
DM74S189(A)	0	+70	°C

### DM54S189A, DM74S189A Electrical Characteristics

over recommended operating free-air temperature range unless otherwise noted (Notes 2 and 3)

Symbol	Parameter	Conditions	Min	Typ	Max	Units	
$V_{IH}$	High Level Input Voltage		2			V	
$V_{IL}$	Low Level Input Voltage				0.8	V	
$V_{OH}$	High Level Output Voltage	$V_{CC} = \text{Min}$	$I_{OH} = -2.0 \text{ mA}$ , DM54S189A	2.4	3.4		V
			$I_{OH} = -6.5 \text{ mA}$ , DM74S189A	2.4	3.2		V
$V_{OL}$	Low Level Output Voltage	$V_{CC} = \text{Min}$	$I_{OL} = 16 \text{ mA}$			0.45	V
			$I_{OL} = 20 \text{ mA}$			0.5	
$I_{IH}$	High Level Input Current	$V_{CC} = \text{Max}$ , $V_I = 2.4\text{V}$			10	$\mu\text{A}$	
$I_I$	High Level Input Current at Maximum Voltage	$V_{CC} = \text{Max}$ , $V_I = 5.5\text{V}$			1.0	mA	
$I_{IL}$	Low Level Input Current	$V_{CC} = \text{Max}$ , $V_I = 0.40\text{V}$			-250	$\mu\text{A}$	
$I_{OS}$	Short Circuit Output Current (Note 4)	$V_{CC} = \text{Max}$ , $V_O = 0\text{V}$	-20		-90	mA	
$I_{CC}$	Supply Current (Note 5)	$V_{CC} = \text{Max}$		75	100	mA	
$V_{IC}$	Input Clamp Voltage	$V_{CC} = \text{Min}$ , $I_I = -18 \text{ mA}$			-1.2	V	
$I_{OZH}$	TRI-STATE Output Current, High Level Voltage Applied	$V_{CC} = \text{Max}$ , $V_O = 2.4\text{V}$			40	$\mu\text{A}$	
$I_{OZL}$	TRI-STATE Output Current, Low Level Voltage Applied	$V_{CC} = \text{Max}$ , $V_O = 0.4\text{V}$	-40			$\mu\text{A}$	
$C_{IN}$	Input Capacitance	$V_{CC} = 5\text{V}$ , $V_{IN} = 2\text{V}$ , $T_A = 25^\circ\text{C}$ , 1 MHz		4.0		pF	
$C_O$	Output Capacitance	$V_{CC} = 5\text{V}$ , $V_O = 2\text{V}$ , $T_A = 25^\circ\text{C}$ , 1 MHz, Output "Off"		6.0		pF	

## DM54S189A, DM74S189A Switching Characteristics

over recommended operating ranges of  $T_A$  and  $V_{CC}$  unless otherwise noted

Symbol	Parameter		Conditions	DM54S189A			DM74S189A			Units
				Min	Typ (Note 2)	Max	Min	Typ (Note 2)	Max	
$t_{AA}$	Access Time from Address		$C_L = 30 \text{ pF}$ , $R_L = 280 \Omega$ (Figure 4)		20	30		20	25	ns
$t_{CZH}$	Output Enable Time to High Level	Access Times from Chip-Enable			11	25		11	17	ns
$t_{CZL}$	Output Enable Time to Low Level				11	25		11	17	ns
$t_{WZH}$	Output Enable Time to High Level	Sense Recovery Times from Read/Write			13	35		13	25	ns
$t_{WZL}$	Output Enable Time to Low Level			13	35		13	25	ns	
$t_{CHZ}$	Output Disable Time from High Level	Disable Times from Chip-Enable	$C_L = 5 \text{ pF}$ , $R_L = 280 \Omega$ (Figure 4)		12	25		12	17	ns
$t_{CLZ}$	Output Disable Time from Low Level				12	25		12	17	ns
$t_{WHZ}$	Output Disable Time from High Level	Disable Times from Read/Write			15	35		15	25	ns
$t_{WLZ}$	Output Disable Time from Low Level				15	35		15	25	ns
$t_{WP}$	Width of Write Enable Pulse (Read/Write Low)			25			20		ns	
$t_{ASW}$	Set-Up Time (Figure 1)	Address to Read/Write		0			0		ns	
$t_{DSW}$		Data to Read/Write		25			20		ns	
$t_{CSW}$		Chip-Enable to Read/Write		0			0		ns	
$t_{AHW}$	Hold Time (Figure 1)	Address from Read/Write		0			0		ns	
$t_{DHW}$		Data from Read/Write		0			0		ns	
$t_{CHW}$		Chip-Enable from Read/Write		0			0		ns	

**Note 1:** "Absolute Maximum Ratings" are those values beyond which the safety of the device cannot be guaranteed. Except for "Operating Temperature Range" they are not meant to imply that the devices should be operated at these limits. The table of "Electrical Characteristics" provides conditions for actual device operation.

**Note 2:** Unless otherwise specified min/max limits apply across the  $-55^\circ\text{C}$  to  $+125^\circ\text{C}$  temperature range for the DM54S189(A) and across the  $0^\circ\text{C}$  to  $+70^\circ\text{C}$  range for the DM74S189(A). All typicals are given for  $V_{CC} = 5.0\text{V}$  and  $T_A = 25^\circ\text{C}$ .

**Note 3:** All currents into device pins shown as positive, out of device pins as negative, all voltages referenced to ground unless otherwise noted. All values shown as max or min on absolute value basis.

**Note 4:** Only one output at a time should be shorted.

**Note 5:**  $I_{CC}$  is measured with all inputs grounded; and the outputs open.

## DM54S189(A), DM74S189(A) Switching Time Waveforms

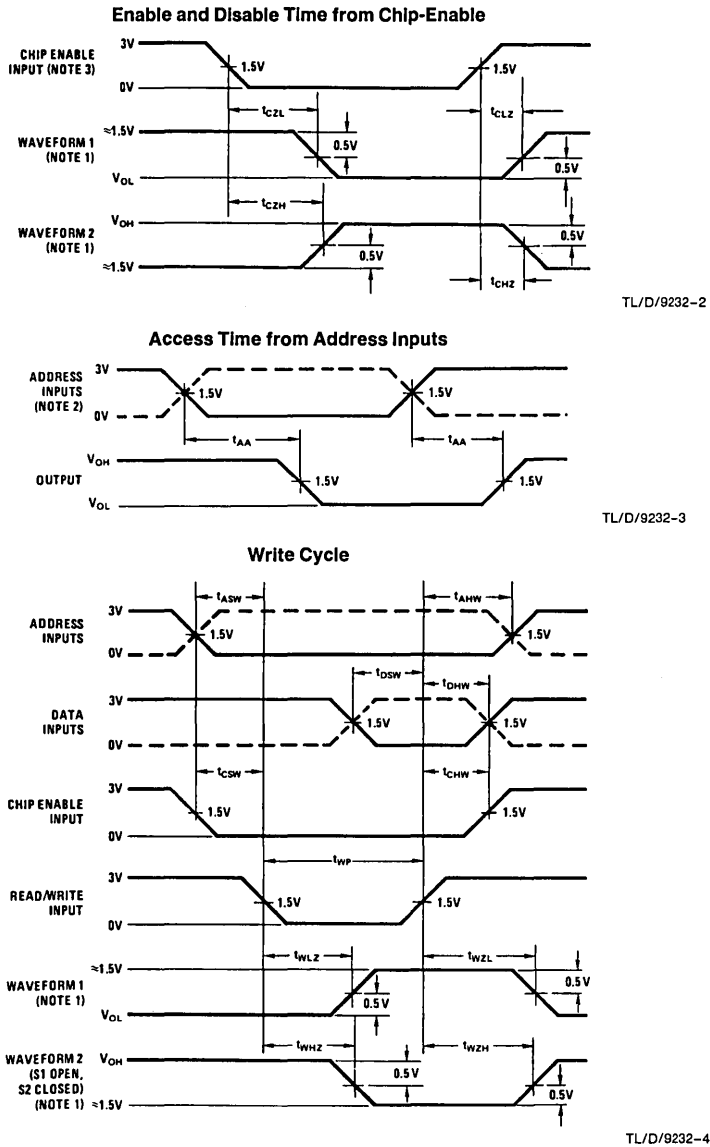


FIGURE 1

**Note 1:** Waveform 1 is for the output with internal conditions such that the output is low except when disabled. Waveform 2 is for the output with internal conditions such that the output is high except when disabled.

**Note 2:** When measuring delay times from address inputs, the chip-enable input is low and the read/write input is high.

**Note 3:** When measuring delay times from chip-enable input, the address inputs are steady-state and the read/write input is high.

**Note 4:** Input waveforms are supplied by pulse generators having the following characteristics:  $t_r \leq 2.5$  ns,  $t_f \leq 2.5$  ns, PRR  $\leq 1$  MHz and  $Z_{OUT} = \approx 50\Omega$ .

### Block Diagram

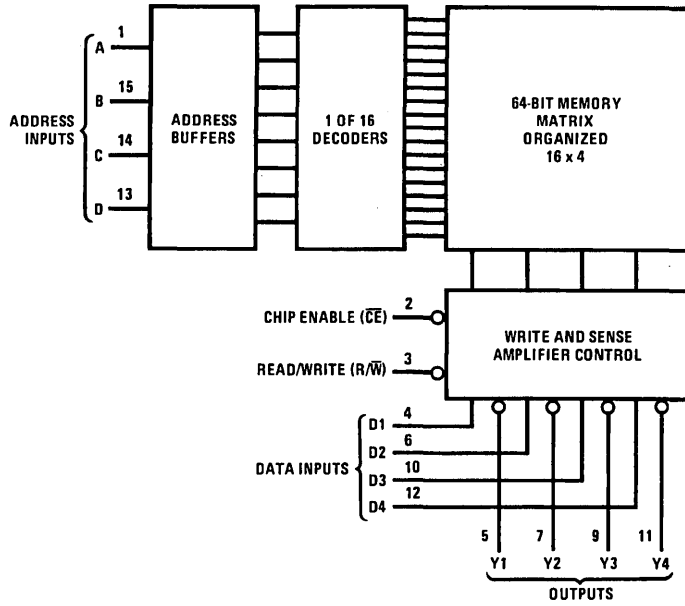
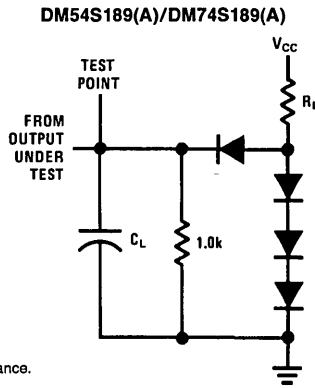


FIGURE 3

TL/D/9232-5

### AC Test Circuits



$C_L$  includes probe and jig capacitance.  
All diodes are 1N3064.

FIGURE 4

TL/D/9232-6

## DM74S289 64-Bit (16 x 4) Open-Collector RAM TRI-STATE® RAM

### General Description

These 64-bit active-element memories are monolithic Schottky-clamped transistor-transistor logic (TTL) arrays organized as 16 words of 4 bits each. They are fully decoded and feature a chip-enable input to simplify decoding required to achieve the desired system organization. The memories feature PNP input transistors that reduce the low level input current requirement to a maximum of  $-25$  mA, only one-eighth that of a DM74S standard load factor. The chip-enable circuitry is implemented with minimal delay times to compensate for added system decoding.

**Write Cycle:** The complement of the information at the data input is written into the selected location when both the chip-enable input and the read/write input are low. While the read/write input is low, the outputs are in the high-impedance state. When a number of the DM74S289

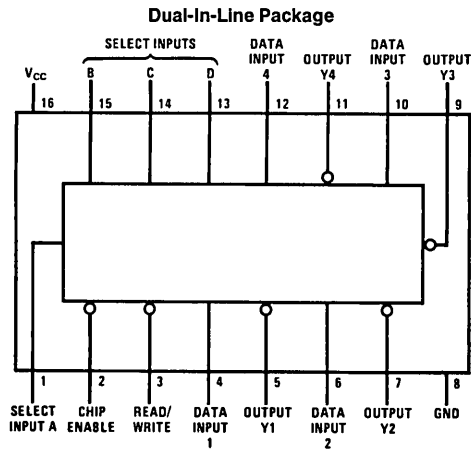
outputs are bus connected, this high-impedance state will neither load nor drive the bus line, but it will allow the bus line to be driven by another active output or a passive pull-up if desired.

**Read Cycle:** The stored information (complement of information applied at the data inputs during the write cycle) is available at the outputs when the read/write input is high and the chip-enable is low. When the chip-enable is high, the outputs will be in the high-impedance state.

### Features

- Commercial address access time 25 ns
- Features open-collector output
- Compatible with most TTL circuits
- Chip-enable input simplifies system decoding

### Connection Diagram



TL/D/9693-1

#### Top View

Order Number DM74S289J or DM74S289N  
See NS Package Number J16A or N16E

### Truth Table

Function	Inputs		Output
	Chip-Enable	Read/Write	
Write (Store Complement of Data)	L	L	High-Impedance
Read	L	H	Stored Data
Inhibit	H	X	High-Impedance

H = High Level, L = Low Level, X = Don't Care

**Absolute Maximum Ratings** (Note 1)

If Military/Aerospace specified devices are required, please contact the National Semiconductor Sales Office/Distributors for availability and specifications.

Supply Voltage, $V_{CC}$	7.0V
Input Voltage	5.5V
Output Voltage	5.5V
Storage Temperature Range	-65°C to +150°C
Lead Temperature (Soldering 10 Sec.)	+300°C

**Operating Conditions**

	Min	Max	Units
Supply Voltage ( $V_{CC}$ ) DM74S289	4.75	5.25	V
Temperature ( $T_A$ ) DM74S289	0	+70	°C

**DM74S289 Electrical Characteristics**

Over recommended operating free-air temperature range unless otherwise noted (Notes 2 and 3)

Symbol	Parameter	Conditions	Min	Typ	Max	Units
$V_{IH}$	High Level Input Voltage		2			V
$V_{IL}$	Low Level Input Voltage				0.8	V
$V_{OH}$	High Level Output Voltage	$V_{CC} = \text{Min}$ , $I_{OH} = -6.5 \text{ mA}$	2.4	3.2		V
$I_{CEX}$	High Level Output Current	$V_{CC} = \text{Min}$			40	$\mu\text{A}$
		$V_{OH} = 2.4\text{V}$ $V_{OH} = 5.5\text{V}$			100	
$V_{OL}$	Low Level Output Voltage	$V_{CC} = \text{Min}$ , $I_{OL} = 16 \text{ mA}$			0.45	V
$I_{IH}$	High Level Input Current	$V_{CC} = \text{Max}$ , $V_I = 2.7\text{V}$			25	$\mu\text{A}$
$I_I$	High Level Input Current at Maximum Voltage	$V_{CC} = \text{Max}$ , $V_I = 5.5\text{V}$			1.0	mA
$I_{IL}$	Low Level Input Current	$V_{CC} = \text{Max}$ , $V_I = 0.45\text{V}$			-250	$\mu\text{A}$
$I_{CC}$	Supply Current (Note 4)	$V_{CC} = \text{Max}$		75	110	mA
$V_{IC}$	Input Clamp Voltage	$V_{CC} = \text{Min}$ , $I_I = -18 \text{ mA}$			-1.2	V
$C_{IN}$	Input Capacitance	$V_{CC} = 5\text{V}$ , $V_{IN} = 2\text{V}$ , $T_A = 25^\circ\text{C}$ , 1 MHz		4.0		pF
$C_O$	Output Capacitance	$V_{CC} = 5\text{V}$ , $V_O = 2\text{V}$ , $T_A = 25^\circ\text{C}$ , 1 MHz, Output "Off"		6.0		pF

**DM74S289 Switching Characteristics**

Over recommended operating ranges of  $T_A$  and  $V_{CC}$  unless otherwise noted

Symbol	Parameter		Conditions	DM74S289			Units
				Min	Typ (Note 2)	Max	
$t_{AA}$	Access Time from Address		$C_L = 30 \text{ pF}$ , $R_{L1} = 300\Omega$ , $R_{L2} = 600\Omega$ (Figure 4)		25	35	ns
$t_{CHL}$	Enable Time from Chip-Enable				12	17	ns
$t_{WHL}$	Enable Time from Read/Write	Sense Recovery Time from Read/Write			12	25	ns
$t_{CLH}$	Disable Time from Chip-Enable				12	20	ns
$t_{WLH}$	Disable Time from Read/Write				13	25	ns
$t_{WP}$	Width of Enable Pulse (Read/Write Low)				25		ns
$t_{ASW}$	Setup Time (Figure 2)	Address to Read/Write		0		ns	
$t_{DSW}$		Data to Read/Write		25		ns	
$t_{CSW}$		Chip-Enable to Read/Write		0		ns	
$t_{AHW}$	Hold Time (Figure 2)	Address from Read/Write		0		ns	
$t_{DHW}$		Data from Read/Write		0		ns	
$t_{CHW}$		Chip-Enable from Read/Write		0		ns	

**Note 1:** "Absolute Maximum Ratings" are those values beyond which the safety of the device cannot be guaranteed except for "Operating Temperature Range" they are not meant to imply that the devices should be operated at these limits. The table of "Electrical Characteristics" provides conditions for actual device operation.

**Note 2:** Unless otherwise specified min/max limits apply across the -55°C to +125°C temperature range for the DM54S189 and across the 0°C to -70°C range for the DM74S189/289. All typicals are given for  $V_{CC} = 5.0\text{V}$  and  $T_A = 25^\circ\text{C}$ .

**Note 3:** All currents into device pins shown as positive, out of device pins as negative, all voltages referenced to ground unless otherwise noted. All values shown as max or min on absolute value basis.

**Note 4:**  $I_{CC}$  is measured with all inputs grounded, and the outputs open.



## DM74S289 Switching Time Waveforms

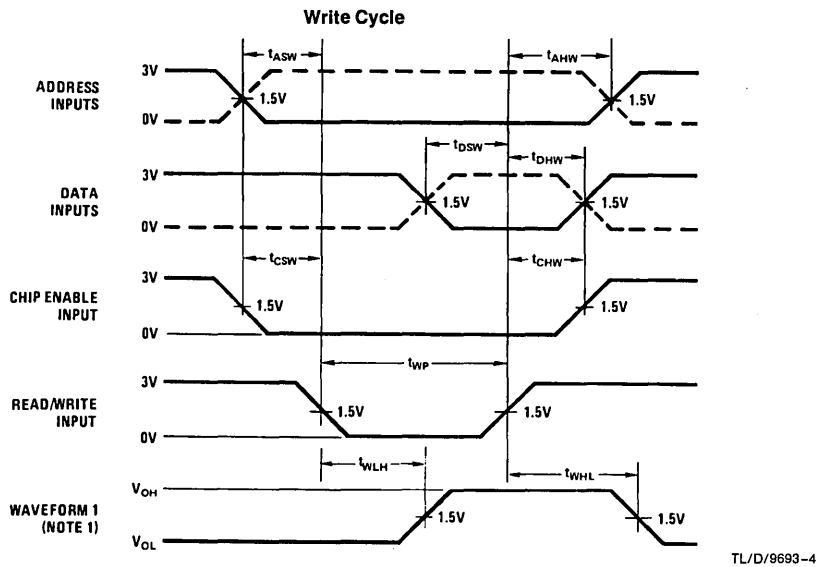
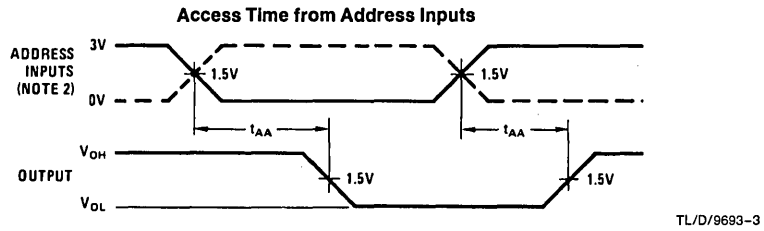
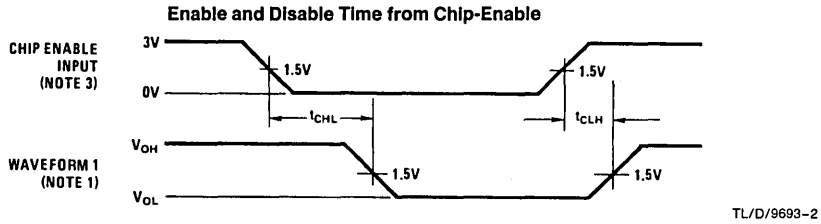


FIGURE 2

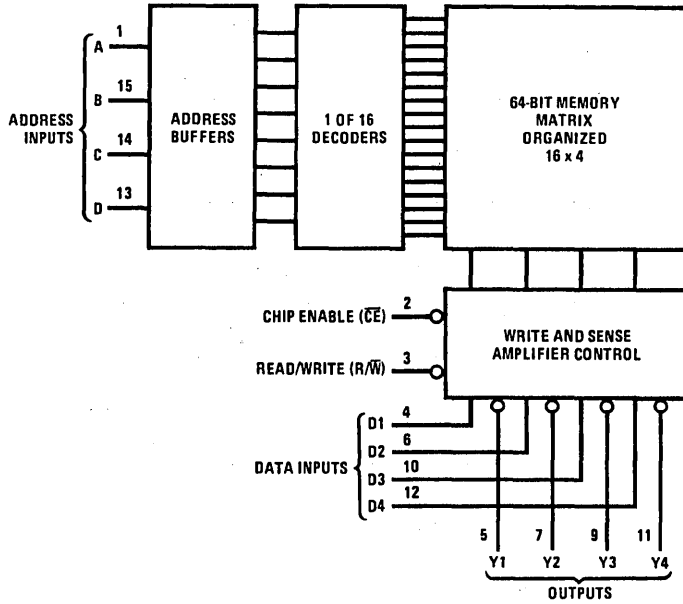
**Note 1:** Waveform 1 is for the output with internal conditions such that the output is low except when disabled.

**Note 2:** When measuring delay times from address inputs, the chip-enable is low and the read/write input is high.

**Note 3:** When measuring delay times from chip-enable input, the address inputs are steady-state and the read/write input is high.

**Note 4:** Input waveforms are supplied by pulse generators having the following characteristics  $t_r \leq 2.5$  ns,  $t_f \leq 2.5$  ns,  $PRR \leq 1$  MHz and  $Z_{OUT} = 50\Omega$ .

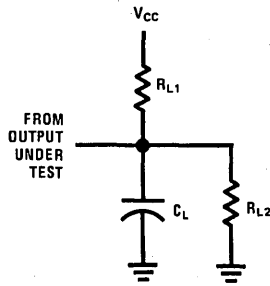
### Block Diagram



TL/D/9693-5

FIGURE 3

### AC Test Circuit



TL/D/9693-6

## 93L415A 1024 x 1-Bit Static Random Access Memory

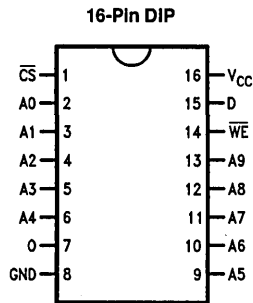
### General Description

The 93L415A is a 1024-bit read write Random Access Memory (RAM), organized 1024 words by one bit. It is designed for high speed cache, control and buffer storage applications. The device includes full on-chip decoding, separate Data input and non-inverting Data output, as well as an active LOW Chip Select line.

### Features

- New design to replace old 93415/93L415
- Improved ESD thresholds
- Alpha hard without die coat
- Commercial address access time 93L415A 25 ns max
- Features open collector output
- Power dissipation decreases with increasing temperature

### Connection Diagram



TL/D/10003-1

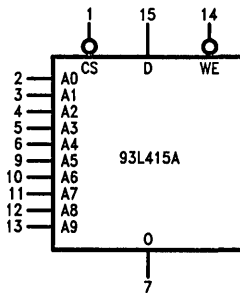
#### Top View

**Order Number 93L415ADC or 93L415APC**  
**See NS Package Number J16A\* and N16E\***

Optional Processing QR = Burn-In

\*For most current package information, contact product marketing.

### Logic Symbol



#### Pin Names

$\overline{CS}$	Chip Select Input Active LOW
A0-A9	Address Inputs
$\overline{WE}$	Write Enable Input Active LOW
D	Data Input
O	Data Output

V<sub>CC</sub> = Pin 16  
 GND = Pin 8

TL/D/10003-3

## Absolute Maximum Ratings

If Military/Aerospace specified devices are required, please contact the National Semiconductor Sales Office/Distributors for availability and specifications.

Above which the useful life may be impaired

Storage Temperature	-65°C to +150°C
Supply Voltage Range	-0.5V to +7.0V
Input Voltage (DC) (Note 1)	-0.5V to $V_{CC}$
Input Current (DC)	-12 mA to +5.0 mA
Voltage Applied to Outputs (Note 2)	-0.5V to 5.5V
Lead Temperature (Soldering, 10 sec.)	300°C
Maximum Junction Temperature ( $T_J$ )	+175°C
Output Current	+20 mA

## Guaranteed Operating Ranges

Supply Voltage ( $V_{CC}$ )	Commercial	5.0V $\pm$ 5%
Case Temperature ( $T_C$ )	Commercial	0°C to +75°C

## DC Characteristics over operating temperature ranges (Note 3)

Symbol	Parameter	Conditions	Min	Typ	Max	Units
$V_{OL}$	Output LOW Voltage	$V_{CC} = \text{Min}, I_{OL} = 16 \text{ mA}$			0.45	V
$V_{IH}$	Input HIGH Voltage	Guaranteed Input HIGH Voltage for All Inputs (Notes 4, 5, & 6)	2.1			
$V_{IL}$	Input LOW Voltage	Guaranteed Input LOW Voltage for All Inputs (Notes 4, 5, & 6)			0.8	V
$I_{IL}$	Input LOW Current	$V_{CC} = \text{Max}, V_{IN} = 0.4V$		-180	-300	$\mu\text{A}$
$I_{IH}$	Input HIGH Current	$V_{CC} = \text{Max}, V_{IN} = 4.5V$		1.0	40	$\mu\text{A}$
$I_{IHB}$	Input Breakdown Current	$V_{CC} = \text{Max}, V_{IN} = V_{CC}$			1.0	mA
$V_{IC}$	Input Diode Clamp Voltage	$V_{CC} = \text{Max}, I_{IN} = -10 \text{ mA}$		-1.0	-1.5	V
$I_{CEX}$	Output Leakage Current	$V_{CC} = \text{Max}, V_{OUT} = 4.5V$		1.0	100	$\mu\text{A}$
$I_{CC}$	Power Supply Current	$V_{CC} = \text{Max}, \text{All Inputs} = \text{GND}$ Output is Open			65	mA

## AC Electrical Characteristics (Note 6) $V_{CC} = 5.0 \pm 5\%$ , $GND = 0V$ , $T_C = 0^\circ C$ to $+75^\circ C$

Symbol	Parameter	Conditions	Min	Max	Units
<b>READ TIMING</b>					
$t_{ACS}$	Chip Select Access Time	<i>Figures 3a, 3b</i>		15	ns
$t_{RCS}$	Chip Select Recovery Time			15	ns
$t_{AA}$	Address Access Time (Note 7)			25	ns
<b>WRITE TIMING</b>					
$t_W$	Write Pulse Width to Guarantee Writing (Note 8)	<i>Figure 4</i>	20		ns
$t_{WSD}$	Data Setup Time Prior to Write		5		ns
$t_{WHD}$	Data Hold Time after Write		5		ns
$t_{WSA}$	Address Setup Time Prior to Write (Note 8)		5		ns
$t_{WHA}$	Address Hold Time after Write		5		ns
$t_{WSCS}$	Chip Select Setup Time Prior to Write		5		ns
$t_{WHCS}$	Chip Select Hold Time after Write		5		ns
$t_{WS}$	Write Enable to Output Disable			15	ns
$t_{WR}$	Write Recovery Time			15	ns

**Note 1:** Either input voltage limit or input current limit sufficient to protect the inputs.

**Note 2:** Output current limit required.

**Note 3:** Typical values are at  $V_{CC} = 5.0V$ ,  $T_C = +25^\circ C$  and maximum loading.

**Note 4:** Tested under static condition only.

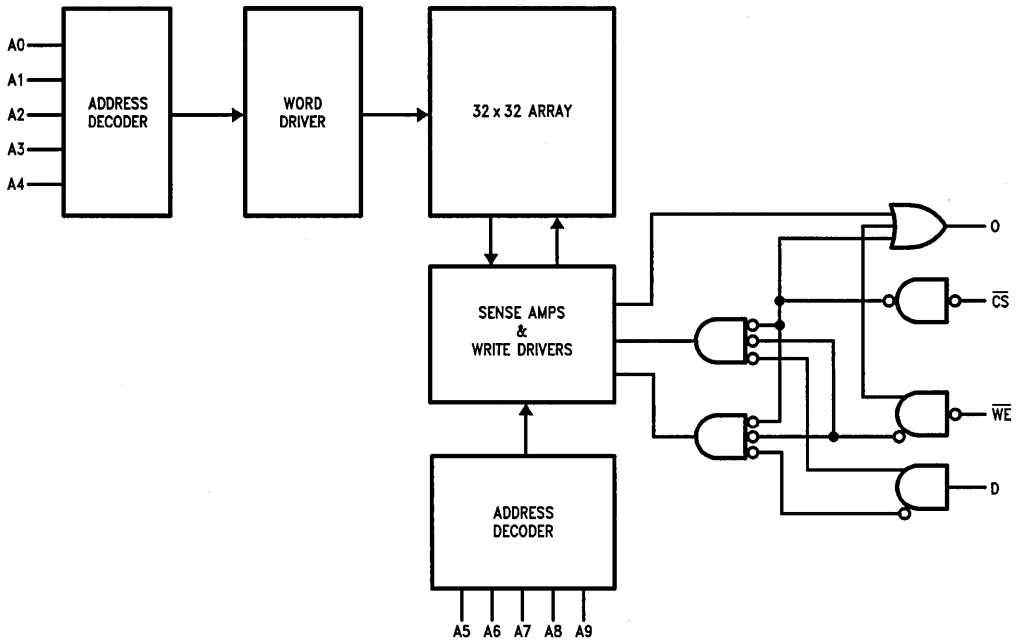
**Note 5:** Functional testing done at input levels  $V_{IL} = 0.45V$  ( $V_{OL}$  Max) and  $V_{IH} = 2.4V$  ( $V_{OH}$  Min).

**Note 6:** AC testing done at input levels  $V_{IH} = 3V$ ,  $V_{IL} = 0V$ .

**Note 7:** The maximum address access time is guaranteed to be the worst case bit in the memory using a pseudorandom testing pattern.

**Note 8:**  $t_W$  measured at  $t_{WSA} = \text{Min}$ .  $t_{WSA}$  measured at  $t_W = \text{Min}$ .

## Logic Diagram



TL/D/10003-2

## Truth Table

Inputs			Outputs	Mode
$\overline{CS}$	$\overline{WE}$	D	O	
H	X	X	H	Not Selected
L	L	L	H	Write "0"
L	L	H	H	Write "1"
L	H	X	$D_{OUT}$	Read

H = HIGH Voltage Level: 2.4V  
 L = LOW Voltage Level: 0.45V  
 X = Don't Care (HIGH or LOW)

## Functional Description

The 93L415A is a fully decoded 1024-bit read/write Random Access Memory organized 1024 words by one bit. Bit selection is achieved by means of a 10-bit address A0 through A9.

One Chip Select input is provided for easy memory array expansion of up to 2048 bits without the need for external decoding. For larger memories, the fast chip select access time permits direct address decoding without an increase in overall memory access time.

The read and write functions of the 93L415A are controlled by the state of the active low chip select ( $\overline{CS}$ ) input. The write function is controlled by the active low write enable ( $\overline{WE}$ ) input. With  $\overline{CS}$  held low and  $\overline{WE}$  held low, the data (D) is written into the memory location specified by addresses

(A0 through A9). To assure a valid write, data setup ( $t_{WSD}$ ), address setup ( $t_{WSA}$ ), data hold ( $t_{WHD}$ ), and address hold ( $t_{WHA}$ ) times must be met. When  $\overline{WE}$  is held HIGH and the chip selected, data is read from the addressed location and presented at the output O.

An open collector output is provided to allow maximum flexibility in output connection. In many applications such as memory expansion, the outputs of many 93L415As can be tied together. In other applications the wired-OR is not used. In either case an external pull-up resistor of  $R_L$  value must be used to provide a HIGH at the output when the chip is deselected. Any  $R_L$  value within the range specified below may be used.

$$\frac{V_{CC}(\text{Max})}{I_{OL} - FO(1.6)} \leq R_L \leq \frac{V_{CC}(\text{Min}) - V_{OH}}{n(I_{CEX}) + FO(0.04)}$$

$R_L$  is in  $k\Omega$

$n$  = number of wired-OR outputs tied together

$FO$  = number of TTL Unit Loads (UL) driven

$I_{CEX}$  = Memory Output Leakage Current

$V_{OH}$  = Required Output HIGH Level at Output Node

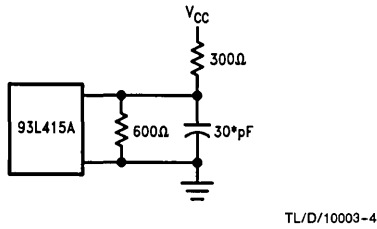
$I_{OL}$  = Output LOW Current

The minimum  $R_L$  value is limited by the output current sinking ability. The maximum  $R_L$  value is determined by the output and input leakage current which must be supplied to hold the output at  $V_{OH}$ .

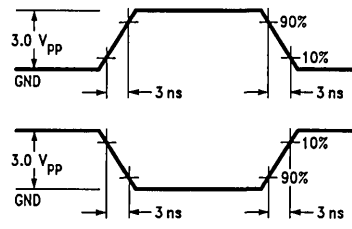
One Unit Load = 40  $\mu A$  HIGH/1.6 mA LOW.

$FO_{MAX} = 5 \text{ UL}$ .

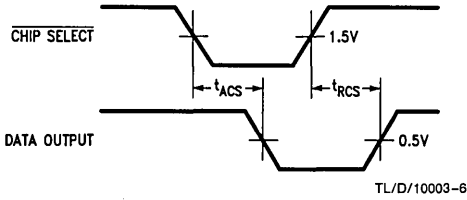
**Functional Description** (Continued)



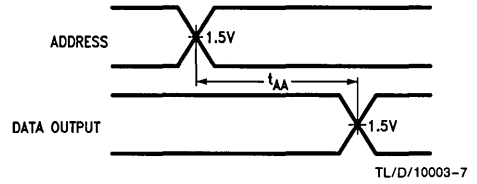
\*Includes jig and probe capacitance  
**FIGURE 1. AC Test Circuit**



**FIGURE 2. AC Test Input Levels**

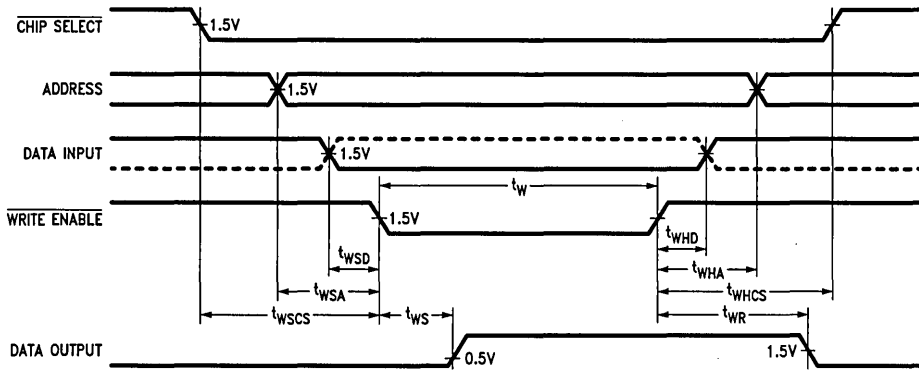


**a. Read Mode Propagation Delay from Chip Select**



**b. Read Mode Propagation Delay from Address Valid**

**FIGURE 3. Read Mode Timing**



**FIGURE 4. Write Mode Timing**

**Note 1:** Timing Diagram represents one solution which results in an optimum cycle time. Timing may be changed to fit various applications as long as the worst case limits are not violated.

**Note 2:** Input voltage levels for worst case AC test are 3.0V/DV.



## 93L422A 256 x 4-Bit Static Random Access Memory

### General Description

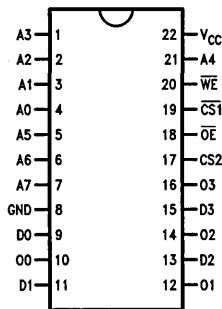
The 93L422A is a 1024-bit read/write Random Access Memory (RAM) organized 256 words by four bits. It is designed for high speed cache, control and buffer storage applications. The device includes full on-chip decoding, separate Data input and non-inverting Data output, as well as two Chip Select Lines.

### Features

- New design to replace old 93422/93L422
- Improved ESD thresholds
- Alpha hard without die coat
- Commercial address access time  
93L422A 25 ns
- Fully TTL compatible
- Features TRI-STATE® outputs
- Power dissipation decreases with increasing temperature

### Connection Diagram

22-Pin DIP



TL/D/9996-1

Top View

Order Number 93L422ADC or 93L422APC  
See NS Package Number J22A\* or N22A\*

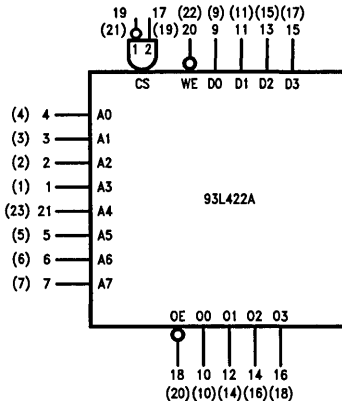
Optional Processing QR = Burn-In

\*For most current package information, contact product marketing

Pin Names

A0–A7	Address Inputs
D0–D3	Data Inputs
$\overline{CS1}$	Chip Select Input (Active LOW)
CS2	Chip Select Input (Active HIGH)
$\overline{WE}$	Write Enable Input (Active LOW)
$\overline{OE}$	Output Enable Input (Active LOW)
O0–O3	Data Outputs

### Logic Symbol



TL/D/9996-3



**Absolute Maximum Ratings**

Above which the useful life may be impaired

If Military/Aerospace specified devices are required, please contact the National Semiconductor Sales Office/Distributors for availability and specifications.

Storage Temperature	-65°C to +150°C
Supply Voltage Range	-0.5V to +7.0V
Input Voltage (DC) (Note 1)	-0.5V to $V_{CC}$
Input Current (DC)	-12 mA to +5.0 mA
Voltage Applied to Outputs (Note 2)	-0.5V to +5.5V
Lead Temperature (Soldering, 10 sec.)	300°C
Maximum Junction Temperature ( $T_J$ )	+175°C
Output Current	+20 mA

**Guaranteed Operating Ranges**

Supply Voltage ( $V_{CC}$ )	5.0V $\pm$ 5%
Case Temperature ( $T_C$ )	0°C to +75°C

**DC Characteristics** over operating temperature ranges (Note 3)

Symbol	Parameter	Conditions	Min	Typ	Max	Units
$V_{OL}$	Output LOW Voltage	$V_{CC} = \text{Min}, I_{OL} = 8 \text{ mA}$		0.3	0.45	V
$V_{IH}$	Input HIGH Voltage	Guaranteed Input HIGH Voltage for All Inputs (Notes 4, 5 & 6)	2.1			
$V_{IL}$	Input LOW Voltage	Guaranteed Input LOW Voltage for All Inputs (Notes 4, 5 & 6)			0.8	
$V_{OH}$	Output HIGH Voltage	$V_{CC} = \text{Min}, I_{OH} = -5.2\text{V}$	2.4			V
$I_{IL}$	Input LOW Current	$V_{CC} = \text{Max}, V_{IN} = 0.4\text{V}$		-150	-300	$\mu\text{A}$
$I_{IH}$	Input HIGH Current	$V_{CC} = \text{Max}, V_{IN} = 4.5\text{V}$		1.0	40	$\mu\text{A}$
$I_{IHB}$	Input Breakdown Current	$V_{CC} = \text{Max}, V_{IN} = V_{CC}$			1.0	mA
$V_{IC}$	Input Diode Clamp Voltage	$V_{CC} = \text{Max}, I_{IN} = -10 \text{ mA}$		-1.0	-1.5	V
$I_{OZH}$	Output Current (HIGH Z)	$V_{CC} = \text{Max}, V_{OUT} = 2.4\text{V}$			50	$\mu\text{A}$
$I_{OZL}$		$V_{CC} = \text{Max}, V_{OUT} = 0.5\text{V}$			-50	$\mu\text{A}$
$I_{OS}$	Output Current Short Circuit to Ground	$V_{CC} = \text{Max}$ (Note 7)	-10		-70	mA
$I_{CC}$	Power Supply Current	$V_{CC} = \text{Max}$ , All Outputs Open, All Inputs = GND			80	mA

## AC Electrical Characteristics (Note 6) $V_{CC} = 5.0V \pm 5\%$ , $GND = 0V$ , $T_C = 0^\circ C$ to $+75^\circ C$

Symbol	Parameter	Conditions	Min	Max	Units
<b>READ TIMING</b>					
$t_{ACS}$	Chip Select Access Time	<i>Figures 3a, 3b, 3c</i>		20	ns
$t_{ZRCS}$	Chip Select to High Z			20	ns
$t_{AOS}$	Output Enable Access Time			20	ns
$t_{ZROS}$	Output Enable to HIGH Z			20	ns
$t_{AA}$	Address Access Time (Note 8)			25	ns
<b>WRITE TIMING</b>					
$t_W$	Write Pulse Width to Guarantee Writing (Note 9)	<i>Figure 4</i>	20		ns
$t_{WSD}$	Data Setup Time prior to Write		5		ns
$t_{WHD}$	Data Hold Time after Write		5		ns
$t_{WSA}$	Address Setup Time prior to Write (Note 9)		5		ns
$t_{WHA}$	Address Hold Time after Write		5		ns
$t_{WSCS}$	Chip Select Setup Time prior to Write		5		ns
$t_{WHCS}$	Chip Select Hold Time after Write		5		ns
$t_{ZWS}$	Write Enable to Output Disable			20	ns
$t_{WR}$	Write Recovery Time			20	ns

**Note 1:** Either input voltage limit or input current limit sufficient to protecting inputs.

**Note 2:** Output current limit required.

**Note 3:** Typical values are at  $V_{CC} = 5.0V$ ,  $t_C = +25^\circ C$  and maximum loading.

**Note 4:** Static condition only.

**Note 5:** Functional testing done at input levels  $V_{IL} = 0.45V$  ( $V_{OL}$  Max) and  $V_{IH} = 2.4V$  ( $V_{OH}$  Min).

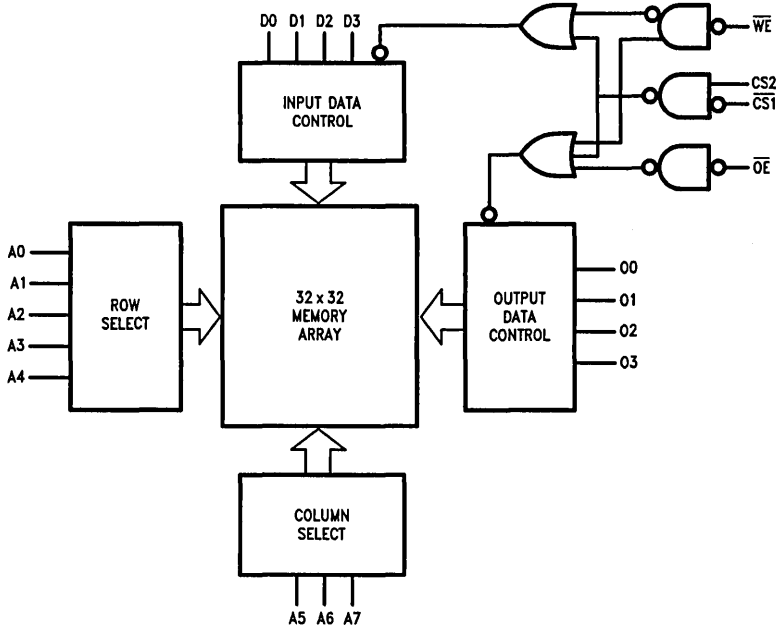
**Note 6:** AC testing done at input levels  $V_{IH} = 3V$ ,  $V_{IL} = 0V$ .

**Note 7:** Short circuit to ground not to exceed one second; ground only one output at a time.

**Note 8:** The maximum address access time is guaranteed to be the worst case bit in the memory using a pseudorandom testing pattern.

**Note 9:**  $t_W$  measured at  $t_{WSA} = \text{Min}$ .  $t_{WSA}$  measured at  $t_W = \text{Min}$ .

**Logic Diagram**



TL/D/9996-2

**Truth Table**

Inputs				Outputs	
$\overline{OE}$	$\overline{CS1}$	CS2	$\overline{WE}$	TRI-STATE	Mode
X	H	X	X	HIGH Z	Not Selected
X	X	L	X	HIGH Z	Not Selected
L	L	H	H	D <sub>OUT</sub>	READ
X	L	H	L	HIGH Z	WRITE
H	X	X	X	HIGH Z	Output Disabled

H = HIGH Voltage Level 2.4V  
 L = LOW Voltage Level 0.45V  
 X = Don't Care HIGH or LOW  
 HIGH Z = High-Impedance

**Functional Description**

The 93L422A is a fully decoded 1024-bit Random Access Memory organized 256 words by four bits. Word selection is achieved by means of an 8-bit address A0-A7.

Two Chip Select Inputs, inverting and non-inverting, are provided for logic flexibility. For larger memories, the fast chip select access time permits the decoding of the chip selects from the address without increasing address access time.

The read and write operations are controlled by the state of the active LOW Write Enable  $\overline{WE}$  input. When  $\overline{WE}$  is held

LOW and the chip is selected, the data at D0-D3 is written into the address location. Since the write function is level-triggered, data must be held stable for at least  $t_{WSD} (Min)$  plus  $t_W (Min)$  plus  $t_{WHD} (Min)$  to insure a valid write. To read,  $\overline{WE}$  is held high, the chip is selected, and the data is transferred to the outputs (O0-O3).

The 93L422A has TRI-STATE outputs which provide active pull-ups when enabled and high output impedance when disabled. This allows optimization of word expansion in bus organized systems.

Functional Description (Continued)



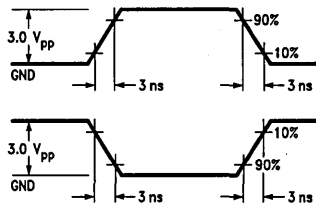
TL/D/9996-4

TL/D/9996-5

\*Includes jig and probe capacitance

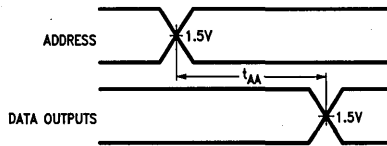
Note: Load A is used for all production testing.

FIGURE 1. AC Test Output Load



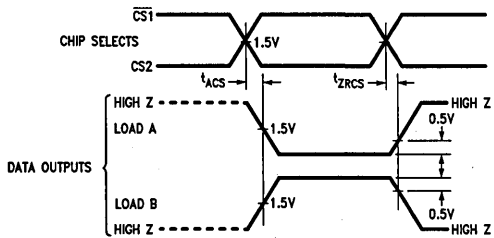
TL/D/9996-6

FIGURE 2. AC Test Input Levels



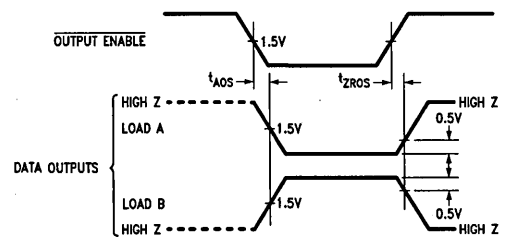
TL/D/9996-7

3a. Read Mode Propagation Delay from Address



TL/D/9996-8

3b. Read Mode Propagation Delay from Chip Select



TL/D/9996-9

3c. Read Mode Propagation Delay from Output Enable

FIGURE 3. Read Mode Testing





## 93L425A 1024 x 1-Bit Static Random Access Memory

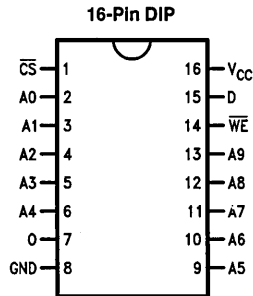
### General Description

The 93L425A is a 1024-bit read write Random Access Memory (RAM), organized 1024 words by one bit. It is designed for high speed cache control and buffer storage applications. The device includes full on-chip decoding, separate Data input and non-inverting Data output, as well as an active LOW Chip Select line.

### Features

- New design to replace old 93425/93L425
- Improved ESD thresholds
- Alpha hard without die coat
- Commercial address access time 93L425A 25 ns max
- Features TRI-STATE® output
- Power dissipation decreases with increasing temperature

### Connection Diagram



TL/D/10004-1

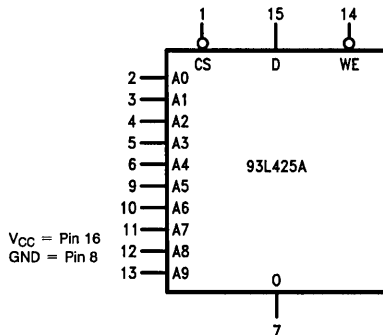
Top View

Order Number 93L425ADC or 93L425APC  
See NS Package Number J16A\* or N16E\*

Optional Processing QR = Burn-In

\*For most current package information, contact product marketing.

### Logic Symbol



TL/D/10004-3

#### Pin Names

$\overline{CS}$	Chip Select (Active LOW)
A0-A9	Address Inputs
$\overline{WE}$	Write Enable Input (Active LOW)
D	Data Input
O	Data Output

## Absolute Maximum Ratings

Above which the useful life may be impaired

**If Military/Aerospace specified devices are required, please contact the National Semiconductor Sales Office/Distributors for availability and specifications.**

Storage Temperature	-65°C to +150°C
Supply Voltage Range	-0.5V to +7.0V
Input Voltage (DC) (Note 1)	-0.5V to $V_{CC}$
Input Current (DC)	-12 mA to +5.0 mA
Voltage Applied to Outputs (Note 2)	-0.5V to 5.5V
Lead Temperature (Soldering, 10 sec.)	300°C
Maximum Junction Temperature ( $T_J$ )	+175°C
Output Current	+20 mA

## Guaranteed Operating Ranges

Supply Voltage ( $V_{CC}$ )	Commercial	5.0V $\pm$ 5%
Case Temperature ( $T_C$ )	Commercial	0°C to +75°C

## DC Characteristics over operating temperature ranges (Note 3)

Symbol	Parameter	Conditions	Min	Typ	Max	Units
$V_{OH}$	Output HIGH Voltage	$V_{CC} = \text{Min}, I_{OH} = -5.2 \text{ mA}$	2.4			V
$V_{OL}$	Output LOW Voltage	$V_{CC} = \text{Min}, I_{OL} = 16 \text{ mA}$			0.45	V
$V_{IH}$	Input HIGH Voltage	Guaranteed Input HIGH Voltage for All Inputs (Notes 4, 5, & 6)	2.1			V
$V_{IL}$	Input LOW Voltage	Guaranteed Input LOW Voltage for All Inputs (Notes 4, 5, & 6)			0.8	V
$I_{IL}$	Input LOW Current	$V_{CC} = \text{Max}, V_{IN} = 0.4V$		-180	-300	$\mu\text{A}$
$I_{IH}$	Input HIGH Current	$V_{CC} = \text{Max}, V_{IN} = 4.5V$		1.0	40	$\mu\text{A}$
$I_{IHB}$	Input Breakdown Current	$V_{CC} = \text{Max}, V_{IN} = V_{CC}$			1.0	mA
$V_{IC}$	Input Diode Clamp Voltage	$V_{CC} = \text{Max}, I_{IN} = -10 \text{ mA}$		-1.0	-1.5	V
$I_{OZH}$	Output Current (HIGH Z)	$V_{CC} = \text{Max}, V_{OUT} = 2.4V$			50	$\mu\text{A}$
$I_{OZL}$		$V_{CC} = \text{Max}, V_{OUT} = 0.5V$			-50	$\mu\text{A}$
$I_{OS}$	Output Current Short Circuit to Ground (Note 7)	$V_{CC} = \text{Max}$ (Note 7)			-100	mA
$I_{CC}$	Power Supply Current	$V_{CC} = \text{Max}, \text{All Inputs} = \text{GND}, \text{Output Open}$			65	mA

## AC Electrical Characteristics (Note 6) $V_{CC} = 5.0 \pm 5\%$ , $GND = 0V$ , $T_C = 0^\circ C$ to $+75^\circ C$

Symbol	Parameter	Conditions	Min	Max	Units
<b>READ TIMING</b>					
$t_{ACS}$	Chip Select Access Time	<i>Figures 3a, 3b</i>		15	ns
$t_{ZRCS}$	Chip Select to HIGH Z			15	ns
$t_{AA}$	Address Access Time (Note 8)			25	ns
<b>WRITE TIMING</b>					
$t_W$	Write Pulse Width to Guarantee Writing (Note 9)	<i>Figure 4</i>	20		ns
$t_{WSD}$	Data Setup Time Prior to Write		5		ns
$t_{WHD}$	Data Hold Time after Write		5		ns
$t_{WSA}$	Address Setup Time Prior to Write (Note 9)		5		ns
$t_{WHA}$	Address Hold Time after Write		5		ns
$t_{WSCS}$	Chip Select Setup Time Prior to Write		5		ns
$t_{WHCS}$	Chip Select Hold Time after Write		5		ns
$t_{ZWS}$	Write Enable to Output Disable			15	ns
$t_{WR}$	Write Recovery Time			15	ns

**Note 1:** Either input voltage limit or input current limit is sufficient to protect the inputs.

**Note 2:** Output current limit required.

**Note 3:** Typical values are at  $V_{CC} = 5.0V$ ,  $T_C = +25^\circ C$  and maximum loading.

**Note 4:** Static condition only.

**Note 5:** Functional testing done at input levels  $V_{IH} = 0.45V$  ( $V_{OL}$  Max) and  $V_{IH} = 2.4V$  ( $V_{OH}$  Min).

**Note 6:** AC testing done at input levels  $V_{IH} = 3V$ ,  $V_{IL} = 0V$ .

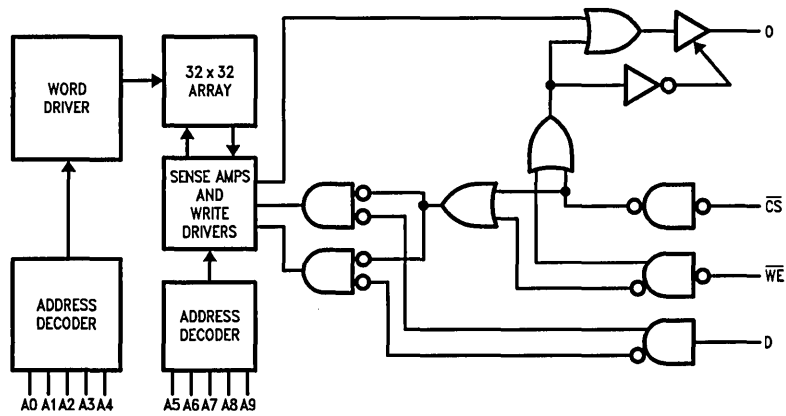
**Note 7:** Short circuit to ground not to exceed one second.

**Note 8:** The maximum address access time is guaranteed to be the worst case bit in the memory using a pseudorandom testing pattern.

**Note 9:**  $t_W$  measured at  $t_{WSA} = \text{Min}$ .  $t_{WSA}$  measured at  $t_W = \text{Min}$ .



### Logic Diagram



TL/D/10004-2

### Functional Description

The 93L425A is a fully decoded 1024-bit read write Random Access Memory organized 1024 words by one bit. Bit selection is achieved by means of a 10-bit address A0-A9.

One Chip Select ( $\overline{CS}$ ) input is provided for easy memory array expansion of up to 2048 bits without the need for external decoding. For larger memories the fast chip select access time permits direct address decoding without an increase in overall memory access time.

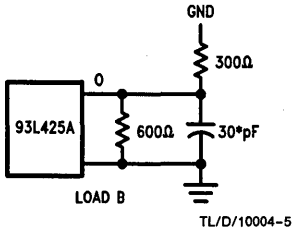
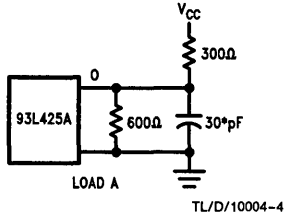
The read and write functions of the 93L425A are controlled by the state of the active LOW Write Enable  $\overline{WE}$  input. When  $\overline{WE}$  is held LOW and the chip is selected, the data at D is written into the location specified by the binary address present at A0 through A9. Since the write function is level triggered, data must be held stable at the data input for at least  $t_{WSD(min)}$  plus  $t_{W(min)}$  plus  $t_{WHD(min)}$  to insure a valid write. When  $\overline{WE}$  is held HIGH and the chip selected, data is read from the addressed location and presented at the output O.

The 93L425A has a three-state output which provides an active pull-up or pull-down when enabled and a high impedance (HIGH Z) state when disabled. The active pull-up provides drive capability for high capacitive loads while the high impedance state allows optimization of word expansion in bus organized systems.

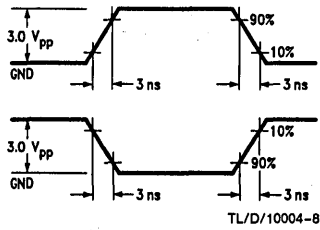
### Truth Table

Inputs			Outputs	Mode
$\overline{CS}$	$\overline{WE}$	D	O	
H	H	X	HIGH Z	Not Selected
L	L	L	HIGH Z	Write 0
L	L	H	HIGH Z	Write 1
L	H	X	D <sub>OUT</sub>	Read

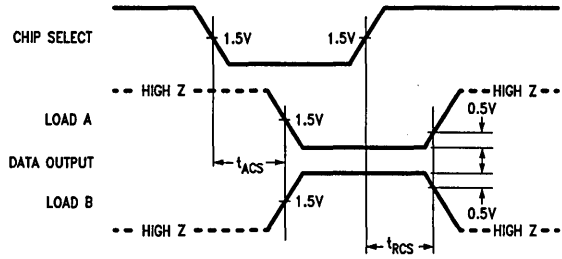
H = HIGH Voltage Level: 2.4V  
 L = LOW Voltage Level: 0.45V  
 X = Don't Care HIGH or LOW  
 HIGH Z = High-Impedance



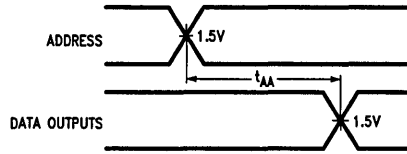
**Note:** Load A is used for all production testing.  
 \*Includes jig and probe capacitance.  
**FIGURE 1. AC Test Output Load**



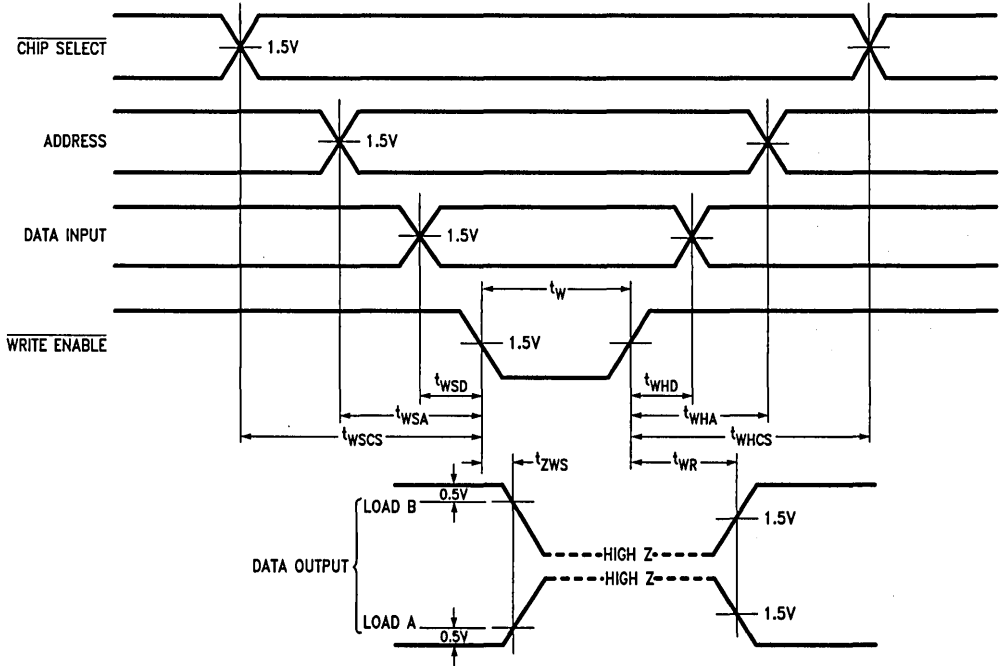
**FIGURE 2. AC Test Input Levels**



**3a. Read Mode Propagation Delay from Chip Select**



**3b. Read Mode Propagation Delay from Address**  
**FIGURE 3. Read Mode Timing**



TL/D/10004-9

**Note 1:** Timing Diagram represents one solution which results in an optimum cycle time. Timing may be changed to fit various applications as long as the worst case limits are not violated.

**Note 2:** Input voltage levels for worst case AC test are 3.0V-0V.

**FIGURE 4. Write Mode Timing**



# 93479

## 256 x 9-Bit Static Random Access Memory

### General Description

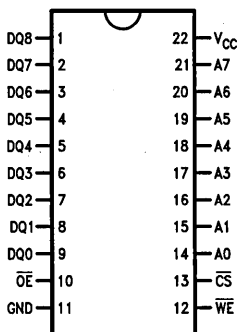
The 93479 is a 2304-bit read/write Random Access Memory (RAM), organized as 256 words by nine bits per word. It is ideally suited for scratchpad, small buffer and other applications where the number of required words is small and where the number of required bits per word is relatively large. The ninth bit can be used to provide parity for 8-bit word systems.

### Features

- Commercial address time  
93479—45 ns max  
93479A—35 ns max
- Military address access time  
93479—60 ns max  
93479A—45 ns max
- Common data input/output
- Features TRI-STATE® output

### Connection Diagrams

22-Pin Ceramic DIP



TL/D/9675-1

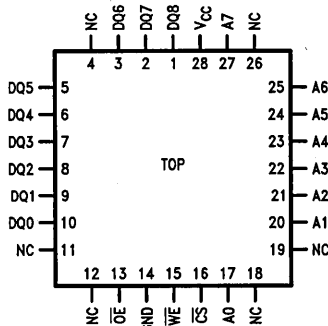
Top View

Order Number 93479DC, 93479ADC,  
93479DMQB or 93479ADMQB  
See NS Package Number J22A\*

\*For most current package information, contact product marketing.

Optional Processing QR = Burn In

28-Pin LCC



TL/D/9675-3

Top View

Order Number 93479LMQB or 93479ALMQB  
See NS Package Number E28A\*

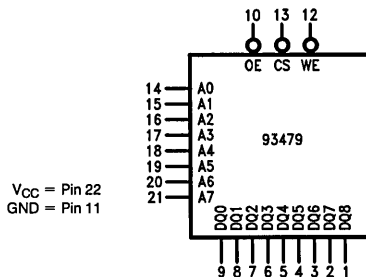
\*For most current package information, contact product marketing.

Optional Processing QR = Burn In

Pin Names

A0-A7	Address Inputs
DQ0-DQ8	Data Input Outputs
OE	Output Enable Input (Active LOW)
WE	Write Enable Input (Active LOW)
CS	Chip Select Input (Active LOW)
NC	No Connect

### Logic Symbol



TL/D/9675-2

## Absolute Maximum Ratings

Above which the useful life may be impaired

Storage Temperature	-65°C to +150°C
Supply Voltage Range	-0.5V to +7.0V
Input Voltage (DC) (Notes 1, 2)	-0.5V to $V_{CC}$ (RAMs) -1.5V to $V_{CC}$ (PROMs)
Voltage Applied to Outputs (Notes 2, 3) (Output HIGH)	-0.5V to +5.5V (RAMs) -1.5V to +5.5V (PROMs)
Lead Temperature (Soldering, 10 seconds)	300°C
Maximum Junction Temperature ( $T_J$ )	+175°C
Output Current	+20 mA
Input Current (DC)	-12 mA to +5.0 mA

**Note 1:** Either Input Voltage limit or Input Current limit is sufficient to protect the inputs.

**Note 2:** Output current limit required.

**Note 3:** Typical values are at  $V_{CC} = 5.0V$ ,  $T_C = +25^\circ C$  and maximum loading.

**Note 4:** Static condition only.

**Note 5:** Functional testing done at input levels  $V_{IL} = V_{OL (Max)}$  (0.45V),  $V_{IH} = V_{OH (Min)}$  (2.4V).

**Note 6:** AC testing done at input levels  $V_{IH} = 3V$ ,  $V_{IL} = 0V$ .

**Note 7:** Short circuit to ground not to exceed one second.

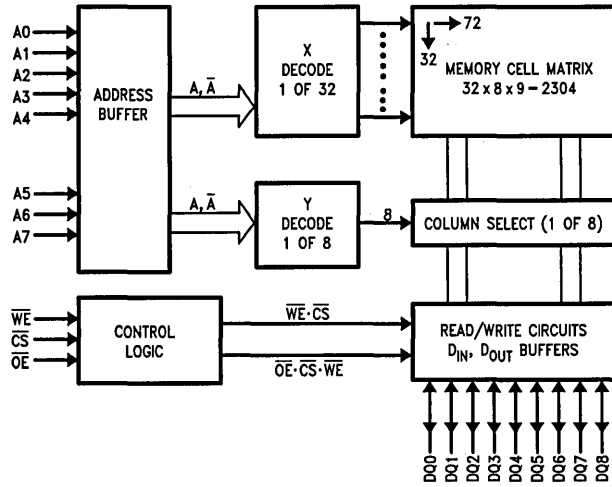
**Note 8:** The maximum address access time is guaranteed to be the worst case bit in the memory using a pseudorandom testing pattern.

**Note 9:**  $t_W$  measured at  $t_{WSA} = \text{Min}$ ,  $t_{WSA}$  measured at  $t_W = \text{Min}$ .

## Guaranteed Operating Ranges

Supply Voltage ( $V_{CC}$ )	
Commercial	5.0V $\pm$ 5%
Military	5.0V $\pm$ 10%
Case Temperature ( $T_C$ )	
Commercial	0°C to +75°C
Military	-55°C to +125°C

## Logic Diagram



TL/D/9675-4

## Functional Description

The 93479 is a fully decoded 2304-bit random access memory organized 256 words by nine bits. Word selection is achieved by means of an 8-bit address A0-A7.

The Chip Select input provides for memory array expansion. For larger memories the fast chip select access time permits decoding without an increase in overall memory access time.

The read and write operations are controlled by the state of the active LOW Write Enable ( $\overline{WE}$ ) input. With  $\overline{WE}$  held LOW, the chip selected and the output disabled, the data at DQ0-DQ8 is written into the addressed location. Since the write function is level triggered, data must be held stable for at least  $t_{WSD(\min)}$  plus  $t_{WHD(\min)}$  to insure a valid write. To read,  $\overline{WE}$  is held HIGH, the chip selected and the output enabled. Non-inverted data is then presented at the outputs DQ0-DQ8.

The 93479 has TRI-STATE outputs which provide an active pull-up or pull-down when enabled and a high impedance (HIGH Z) state when disabled. The active pull-ups provide drive capability for high capacitive loads while the high impedance state allows optimization of word expansion in bus organized systems.

## Truth Table

Inputs			Data In/Out DQ0-DQ8	Mode
$\overline{CS}$	$\overline{OE}$	$\overline{WE}$		
X	H	X	HIGH Z	Output Disabled
H	X	X	HIGH Z	R W Disabled
L	L	H	Data Out	Read
L	H	L	Data In	Write

H = HIGH Voltage Level 2.4V  
 L = LOW Voltage Level 0.5V  
 X = Don't Care HIGH or LOW  
 HIGH Z = High Impedance State

**DC Electrical Characteristics** Over operating temperature ranges (Note 3)

Symbol	Parameter	Conditions		Min	Typ	Max	Units
$V_{OL}$	Output LOW Voltage	$V_{CC} = \text{Min}, I_{OL} = 8.0 \text{ mA}$				0.5	V
$V_{OH}$	Output HIGH Voltage	$V_{CC} = \text{Min}, I_{OH} = -5.2 \text{ mA}$		2.4			V
$V_{IH}$	Input HIGH Voltage	Guaranteed Input HIGH Voltage for All Inputs (Notes 4, 5 & 6)		2.1			V
$V_{IL}$	Input LOW Voltage	Guaranteed Input LOW Voltage for All Inputs (Notes 4, 5 & 6)				0.8	V
$I_{IL}$	Input LOW Current	$V_{CC} = \text{Max}, V_{IN} = 0.4V$			-250	-400	$\mu\text{A}$
$I_{IH}$	Input HIGH Current	$V_{CC} = \text{Max}, V_{IN} = 4.5V$			1.0	40	$\mu\text{A}$
$I_{IHB}$	Input Breakdown Current	$V_{CC} = \text{Max}, V_{IN} = V_{CC}$				1.0	mA
$I_{OZH}$ $I_{OZL}$	Output Current (HIGH Z)	$V_{CC} = \text{Max}, V_{OUT} = 2.4V$ $V_{CC} = \text{Max}, V_{OUT} = 0.5V$			-50	50 -400	$\mu\text{A}$ $\mu\text{A}$
$V_C$	Input Diode Clamp Voltage	$V_{CC} = \text{Max}, V_{IN} = -10 \text{ mA}$			-1.0	-1.5	V
$I_{OS}$	Output Current Short Circuit to Ground	$V_{CC} = \text{Max}, (\text{Note 7})$				-70	mA
$I_{CC}$	Power Supply Current	Commercial Military	$V_{CC} = \text{Max}$ All Inputs GND			185 200	mA

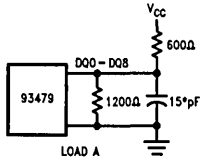
**Commercial****AC Electrical Characteristics** (Note 6)  $V_{CC} = 5.0V \pm 5\%$ ,  $GND = 0V$ ,  $T_C = 0^\circ C$  to  $+75^\circ C$ 

Symbol	Parameter	Conditions	A		Std		Units
			Min	Max	Min	Max	
<b>READ TIMING</b>							
$t_{ACS}$	Chip Select Access Time	<i>(Figures 3a, 3b, 3d)</i>		25		25	ns
$t_{ZRCS}$	Chip Select to HIGH Z			25		25	ns
$t_{AOS}$	Output Enable Access Time			25		25	ns
$t_{ZROS}$	Output Enable to HIGH Z			25		25	ns
$t_{AA}$	Address Access Time (Note 8)			35		45	ns
<b>WRITE TIMING</b>							
$t_W$	Write Pulse Width to Guarantee Writing (Note 9)	<i>(Figure 4)</i>	25		25		ns
$t_{SO}$	Output Enable Setup Time		5		5		ns
$t_{HO}$	Data Enable Hold Time		5		5		ns
$t_{WSD}$	Data Setup Time Prior to Write		25		25		ns
$t_{WHD}$	Data Hold Time after Write		5		5		ns
$t_{WSA}$	Address Setup Time Prior to Write (Note 9)		5		5		ns
$t_{WHA}$	Address Hold Time after Write		5		5		ns
$t_{WSCS}$	Chip Select Setup Time Prior to Write		5		5		ns
$t_{WHCS}$	Chip Select Hold Time after Write		5		5		ns

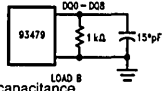
**Military****AC Electrical Characteristics** (Note 6)  $V_{CC} = 5.0V \pm 10\%$ ,  $GND = 0V$ ,  $T_C = -55^\circ C$  to  $+125^\circ C$ 

Symbol	Parameter	Conditions	A		Std		Units
			Min	Max	Min	Max	
<b>READ TIMING</b>							
$t_{ACS}$	Chip Select Access Time	<i>(Figures 3a, 3b, 3d)</i>		30		40	ns
$t_{ZRCS}$	Chip Select to HIGH Z			30		40	ns
$t_{AOS}$	Output Enable Access Time			30		40	ns
$t_{ZROS}$	Output Enable to HIGH Z			30		40	ns
$t_{AA}$	Address Access Time (Note 8)			45		60	ns
<b>WRITE TIMING</b>							
$t_W$	Write Pulse Width to Guarantee Writing (Note 9)	<i>(Figure 4)</i>	40		40		ns
$t_{SO}$	Output Enable Setup Time		5		5		ns
$t_{HO}$	Data Enable Hold Time		5		5		ns
$t_{WSD}$	Data Setup Time Prior to Write		50		50		ns
$t_{WHD}$	Data Hold Time after Write		10		10		ns
$t_{WSA}$	Address Setup Time Prior to Write (Note 9)		10		10		ns
$t_{WHA}$	Address Hold Time after Write		10		10		ns
$t_{WSCS}$	Chip Select Setup Time Prior to Write		10		10		ns
$t_{WHCS}$	Chip Select Hold Time after Write		10		10		ns





TL/D/9675-5

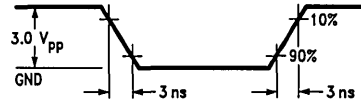
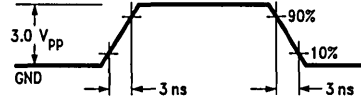


TL/D/9675-6

\*Includes jig and probe capacitance

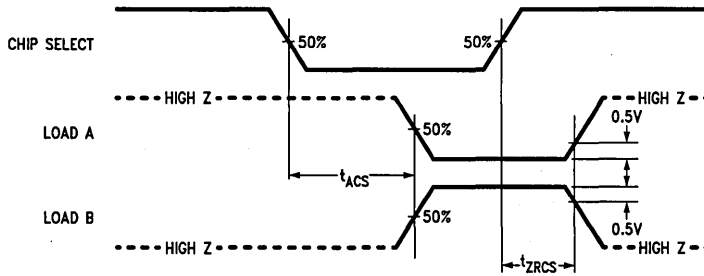
Note: Load A is used for all production testing.

FIGURE 1. AC Test Load Output Load



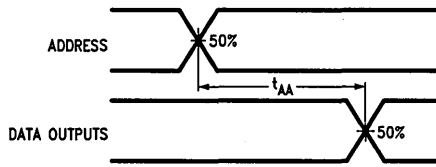
TL/D/9675-7

FIGURE 2. AC Test Input Levels



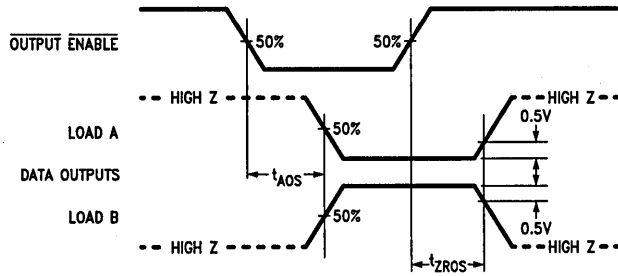
TL/D/9675-8

a. Read Mode Propagation Delay from Chip Select to Output



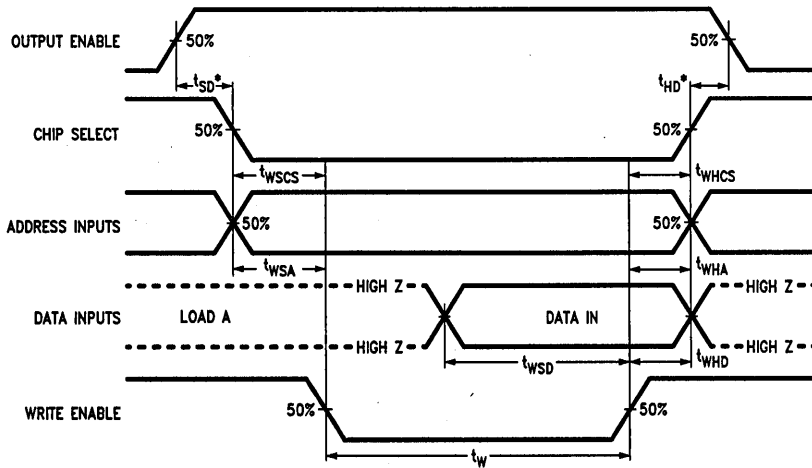
TL/D/9675-9

b. Read Mode Propagation Delay from Address to Output  
FIGURE 3. Read Mode Timing



TL/D/9675-10

**c. Read Mode Propagation Delay from Output Enable**  
**FIGURE 3. Read Mode Timing (Continued)**



TL/D/9675-11

\*These timing parameters are only necessary to guarantee High Z state during the entire write cycle.

**FIGURE 4. Write Mode Timing**

**Note 1:** Timing Diagram represents one solution which results in an optimum cycle time. Timing may be changed to fit various applications as long as the worst case limits are not violated.

**Note 2:** Input voltage levels for worst case AC test are 3.0/0.0V.

# MM54C89/MM74C89 64-Bit TRI-STATE® Random Access Read/Write Memory

## General Description

The MM54C89/MM74C89 is a 16-word by 4-bit random access read/write memory. Inputs to the memory consist of four address lines, four data input lines, a write enable line and a memory enable line. The four binary address inputs are decoded internally to select each of the 16 possible word locations. An internal address register latches the address information on the positive to negative transition of the memory enable input. The four TRI-STATE data output lines working in conjunction with the memory enable input provide for easy memory expansion.

**Address Operation:** Address inputs must be stable  $t_{SA}$  prior to the positive to negative transition of memory enable. It is thus not necessary to hold address information stable for more than  $t_{HA}$  after the memory is enabled (positive to negative transition of memory enable).

**Note:** The timing is different than the DM7489 in that a positive to negative transition of the memory enable must occur for the memory to be selected.

**Write Operation:** Information present at the data inputs is written into the memory at the selected address by bringing write enable and memory enable low.

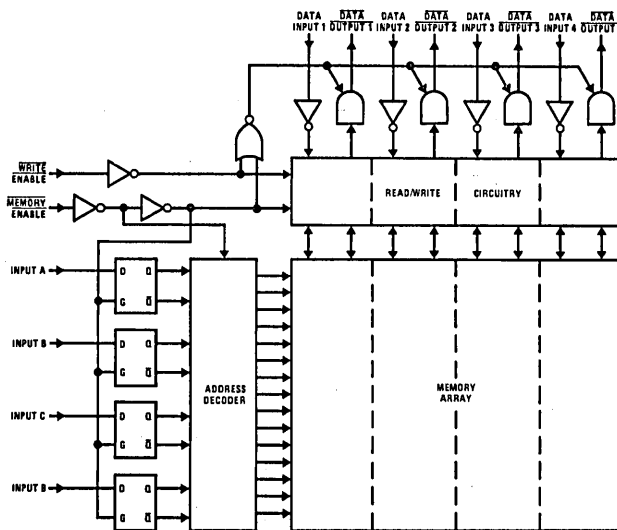
**Read Operation:** The complement of the information which was written into the memory is non-destructively read out at the four outputs. This is accomplished by selecting the desired address and bringing memory enable low and write enable high.

When the device is writing or disabled the output assumes a TRI-STATE (Hi-z) condition.

## Features

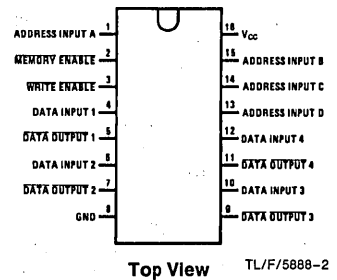
- Wide supply voltage range 3.0V to 15V
- Guaranteed noise margin 1.0V
- High noise immunity 0.45  $V_{CC}$  (typ.)
- Low power fan out of 2
- TTL compatibility driving 74L
- Low power consumption 100 nW/package (typ.)
- Fast access time 130 ns (typ.) at  $V_{CC} = 10V$
- TRI-STATE output

## Logic and Connection Diagrams



TL/F/5888-1

## Dual-In-Line Package



Order Number MM54C89  
or MM74C89

**Absolute Maximum Ratings** (Note 1)

If Military/Aerospace specified devices are required, please contact the National Semiconductor Sales Office/Distributors for availability and specifications.

Voltage at any Pin	-0.3V to $V_{CC} + 0.3V$
Operating Temperature Range	
MM54C89	-55°C to +125°C
MM74C89	-40°C to +85°C
Storage Temperature Range ( $T_S$ )	-65°C to +150°C

Power Dissipation ( $P_D$ )	
Dual-In-Line	700 mW
Small Outline	500 mW
Operating $V_{CC}$ Range	3.0V to 15V
Absolute Maximum $V_{CC}$	18V
Lead Temperature ( $T_L$ )	
(Soldering, 10 seconds)	260°C

**DC Electrical Characteristics** Min/Max limits apply across temperature range, unless otherwise noted

Symbol	Parameter	Conditions	Min	Typ	Max	Units
<b>CMOS TO CMOS</b>						
$V_{IN(1)}$	Logical "1" Input Voltage	$V_{CC} = 5.0V$ $V_{CC} = 10V$	3.5 8.0			V V
$V_{IN(0)}$	Logical "0" Input Voltage	$V_{CC} = 5.0V$ $V_{CC} = 10V$			1.5 2.0	V V
$V_{OUT(1)}$	Logical "1" Output Voltage	$V_{CC} = 5.0V, I_O = -10 \mu A$ $V_{CC} = 10V, I_O = -10 \mu A$	4.5 9.0			V V
$V_{OUT(0)}$	Logical "0" Output Voltage	$V_{CC} = 5.0V, I_O = +10 \mu A$ $V_{CC} = 10V, I_O = +10 \mu A$			0.5 1.0	V V
$I_{IN(1)}$	Logical "1" Input Current	$V_{CC} = 15V, V_{IN} = 15V$		-0.005	1.0	$\mu A$
$I_{IN(0)}$	Logical "0" Input Current	$V_{CC} = 15V, V_{IN} = 0V$	-1.0	-0.005		$\mu A$
$I_{OZ}$	Output Current in High Impedance State	$V_{CC} = 15V, V = 15V$ $V_{CC} = 15V, V_O = 0V$	-1.0	0.005 -0.005	1.0	$\mu A$ $\mu A$
$I_{CC}$	Supply Current	$V_{CC} = 15V$		0.05	300	$\mu A$

**CMOS/LPTTL INTERFACE**

$V_{IN(1)}$	Logical "1" Input Voltage	54C, $V_{CC} = 4.5V$ 74C, $V_{CC} = 4.75V$	$V_{CC} - 1.5$ $V_{CC} - 1.5$			V V
$V_{IN(0)}$	Logical "0" Input Voltage	54C, $V_{CC} = 4.5V$ 74C, $V_{CC} = 4.75V$			0.8 0.8	V V
$V_{OUT(1)}$	Logical "1" Output Voltage	54C, $V_{CC} = 4.5V, I_O = -360 \mu A$ 74C, $V_{CC} = 4.75V, I_O = -360 \mu A$	2.4 2.4			V V
$V_{OUT(0)}$	Logical "0" Output Voltage	54C, $V_{CC} = 4.5V, I_O = +360 \mu A$ 74C, $V_{CC} = 4.75V, I_O = +360 \mu A$			0.4 0.4	V V

**OUTPUT DRIVE (See 54C/74C Family Characteristics Data Sheet) (Short Circuit Current)**

$I_{SOURCE}$	Output Source Current (P-Channel)	$V_{CC} = 5.0V, V_{OUT} = 0V$ $T_A = 25^\circ C$	-1.75	-3.3		mA
$I_{SOURCE}$	Output Source Current (P-Channel)	$V_{CC} = 10V, V_{OUT} = 0V$ $T_A = 25^\circ C$	-8.0	-15		mA
$I_{SINK}$	Output Sink Current (N-Channel)	$V_{CC} = 5.0V, V_{OUT} = V_{CC}$ $T_A = 25^\circ C$	1.75	3.6		mA
$I_{SINK}$	Output Sink Current (N-Channel)	$V_{CC} = 10V, V_{OUT} = V_{CC}$ $T_A = 25^\circ C$	8.0	16		mA

Note 1: "Absolute Maximum Ratings" are those values beyond which the safety of the device cannot be guaranteed. Except for "Operating Range" they are not meant to imply that the devices should be operated at these limits. The table of "Electrical Characteristics" provides conditions for actual device operation.

**AC Electrical Characteristics\***  $T_A = 25^\circ C, C_L = 50 \text{ pF}$ , unless otherwise noted

Symbol	Parameter	Conditions	Min	Typ	Max	Units
$t_{pd}$	Propagation Delay from Memory Enable	$V_{CC} = 5V$ $V_{CC} = 10V$		270 100	500 220	ns ns
$t_{ACC}$	Access Time from Address Input	$V_{CC} = 5V$ $V_{CC} = 10V$		350 130	650 280	ns ns
$t_{SA}$	Address Setup Time	$V_{CC} = 5V$ $V_{CC} = 10V$	150 60			ns ns
$t_{HA}$	Address Hold Time	$V_{CC} = 5V$ $V_{CC} = 10V$	60 40			ns ns
$t_{ME}$	Memory Enable Pulse Width	$V_{CC} = 5V$ $V_{CC} = 10V$	400 150	250 90		ns ns

**AC Electrical Characteristics\***  $T_A = 25^\circ\text{C}$ ,  $C_L = 50\text{ pF}$ , unless otherwise noted (Continued)

Symbol	Parameter	Conditions	Min	Typ	Max	Units
$t_{SR}$	Write Enable Setup Time for a Read	$V_{CC} = 5\text{V}$	0			ns
		$V_{CC} = 10\text{V}$	0			ns
$t_{WS}$	Write Enable Setup Time for a Write	$V_{CC} = 5\text{V}$			$t_{ME}$	ns
		$V_{CC} = 10\text{V}$			$t_{ME}$	ns
$t_{WE}$	Write Enable Pulse Width	$V_{CC} = 5\text{V}$ , $t_{WS} = 0$	300	160		ns
		$V_{CC} = 10\text{V}$ , $t_{WS} = 0$	100	60		ns
$t_{HD}$	Data Input Hold Time	$V_{CC} = 5\text{V}$	50			ns
		$V_{CC} = 10\text{V}$	25			ns
$t_{SD}$	Data Input Setup	$V_{CC} = 5\text{V}$	50			ns
		$V_{CC} = 10\text{V}$	25			ns
$t_{1H}$ , $t_{0H}$	Propagation Delay from a Logical "1" or Logical "0" to the High Impedance State from Memory Enable	$V_{CC} = 5\text{V}$ , $C_L = 5\text{ pF}$ , $R_L = 10\text{ k}$		180	300	ns
		$V_{CC} = 10\text{V}$ , $C_L = 5\text{ pF}$ , $R_L = 10\text{ k}$		-85	120	ns
$t_{1H}$ , $t_{0H}$	Propagation Delay from a Logical "1" or Logical "0" to the High Impedance State from Write Enable	$V_{CC} = 50\text{V}$ , $C_L = 5\text{ pF}$ , $R_L = 10\text{ k}$		180	300	ns
		$V_{CC} = 10\text{V}$ , $C_L = 5\text{ pF}$ , $R_L = 10\text{ k}$		85	120	ns
$C_{IN}$	Input Capacity	Any Input (Note 2)		5		pF
$C_{OUT}$	Output Capacity	Any Output (Note 2)		6.5		pF
$C_{PD}$	Power Dissipation Capacity	(Note 3)		230		pF

\*AC Parameters are guaranteed by DC correlated testing.

Note 2: Capacitance is guaranteed by periodic testing.

Note 3:  $C_{PD}$  determines the no load AC power consumption of any CMOS device. For complete explanation see 54C/74C Family Characteristics application note, AN-90.**AC Electrical Characteristics\*** Guaranteed across the specified temperature range,  $C_L = 50\text{ pF}$ 

Parameter	Conditions	MM54C89		MM74C89		Units
		$T_A = -55^\circ\text{C to } +125^\circ\text{C}$		$T_A = -40^\circ\text{C to } +85^\circ\text{C}$		
		Min	Max	Min	Max	
$t_{PD}$	$V_{CC} = 5\text{V}$		700		600	ns
	$V_{CC} = 10\text{V}$		310		265	ns
	$V_{CC} = 15\text{V}$		250		210	ns
$t_{ACC}$	$V_{CC} = 5\text{V}$		910		780	ns
	$V_{CC} = 10\text{V}$		400		345	ns
	$V_{CC} = 15\text{V}$		320		270	ns
$t_{SA}$	$V_{CC} = 5\text{V}$	210		180		ns
	$V_{CC} = 10\text{V}$	90		80		ns
	$V_{CC} = 15\text{V}$	70		60		ns
$t_{HA}$	$V_{CC} = 5\text{V}$	80		70		ns
	$V_{CC} = 10\text{V}$	55		50		ns
	$V_{CC} = 15\text{V}$	45		40		ns
$t_{ME}$	$V_{CC} = 5\text{V}$	560		480		ns
	$V_{CC} = 10\text{V}$	210		180		ns
	$V_{CC} = 15\text{V}$	170		150		ns
$t_{WE}$	$V_{CC} = 5\text{V}$	420		360		ns
	$V_{CC} = 10\text{V}$	140		120		ns
	$V_{CC} = 15\text{V}$	110		100		ns
$t_{HD}$	$V_{CC} = 5\text{V}$	70		60		ns
	$V_{CC} = 10\text{V}$	35		30		ns
	$V_{CC} = 15\text{V}$	30		25		ns

\*AC Parameters are guaranteed by DC correlated testing.

## AC Electrical Characteristics\*

Guaranteed across the specified temperature range,  $C_L = 50 \text{ pF}$  (Continued)

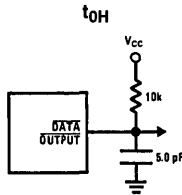
Parameter	Conditions	MM54C89		MM74C89		Units
		$T_A = -55^\circ\text{C to } +125^\circ\text{C}$		$T_A = -40^\circ\text{C to } +85^\circ\text{C}$		
		Min	Max	Min	Max	
$t_{SD}$	$V_{CC} = 5\text{V}$	70		60		ns
	$V_{CC} = 10\text{V}$	35		30		ns
	$V_{CC} = 15\text{V}$	30		25		ns
$t_{1H}, t_{0H}$	$V_{CC} = 5\text{V}$		420		360	ns
	$V_{CC} = 10\text{V}, C_L = 5 \text{ pF}$		170		145	ns
	$V_{CC} = 15\text{V}, R_L = 10 \text{ k}\Omega$		135		115	ns

\*AC Parameters are guaranteed by DC correlated testing.

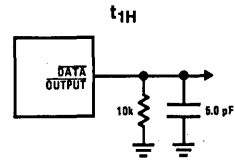
## Truth Table

ME	WE	Operation	Condition of Outputs
L	L	Write	TRI-STATE
L	H	Read	Complement of Selected Word
H	L	Inhibit, Storage	TRI-STATE
H	H	Inhibit, Storage	TRI-STATE

## AC Test Circuits

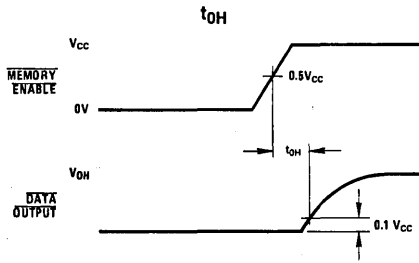


TL/F/5888-4

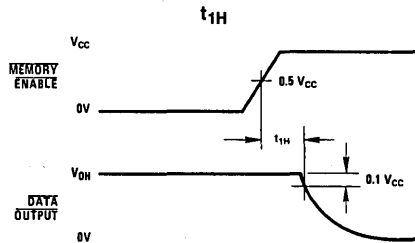


TL/F/5888-3

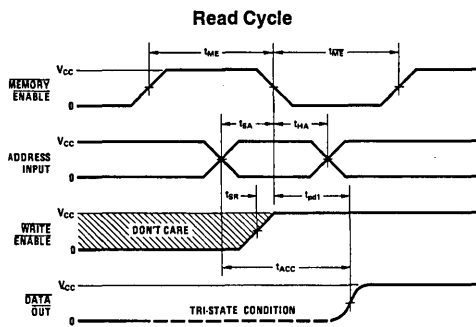
## Switching Time Waveforms



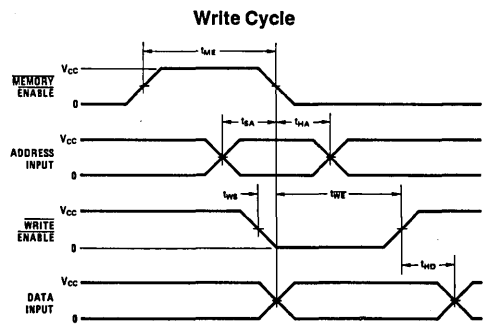
TL/F/5888-5



TL/F/5888-6



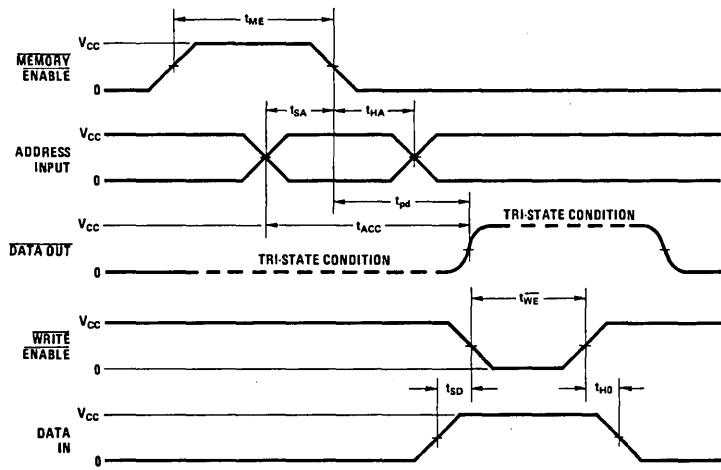
TL/F/5888-7



TL/F/5888-8

# Switching Time Waveforms (Continued)

## Read Modify Write Cycle



TL/F/5888-9

Note:  $t_r = 60$  ns  
 $t_f = 10$  ns



# MM54C200/MM74C200 256-Bit TRI-STATE® Random Access Read/Write Memory

## General Description

The MM54C200/MM74C200 is a 256-bit random access read/write memory. Inputs consist of eight address lines and three chip enables. The eight binary address inputs are decoded internally to select each of the 256 locations. The internal address register, latches, and address information are on the positive to negative edge of  $\overline{CE}_3$ . The TRI-STATE data output line, working in conjunction with  $\overline{CE}_1$  or  $\overline{CE}_2$  inputs, provides for easy memory expansion.

**Address Operation:** Address inputs must be stable  $t_{SA}$  prior to the positive to negative transition of  $\overline{CE}_3$ . It is therefore unnecessary to hold address information stable for more than  $t_{HA}$  after the memory is enabled (positive to negative transition).

**Note:** The timing is different from the DM74200 in that a positive to negative transition of the  $\overline{CE}_3$  must occur for the memory to be selected.

**Read Operation:** The data is read out by selecting the proper address and bringing  $\overline{CE}_3$  low and  $\overline{WE}$  high.

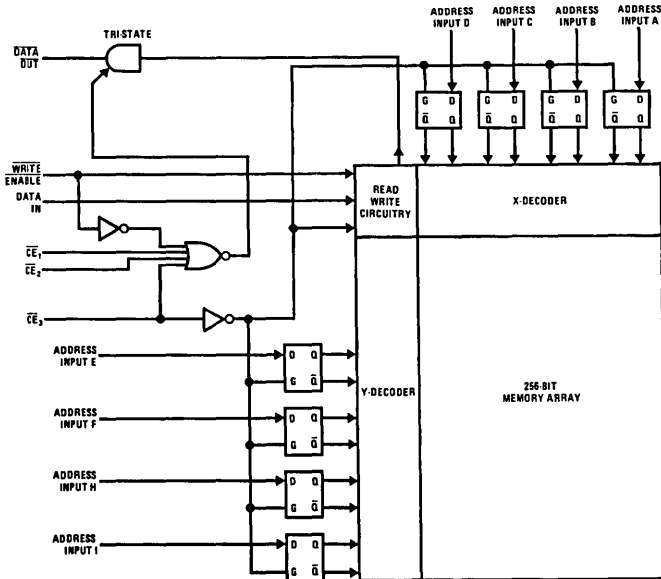
Holding either  $\overline{CE}_1$ ,  $\overline{CE}_2$ , or  $\overline{CE}_3$  at a high level forces the output into TRI-STATE. When used in bus-organized systems,  $\overline{CE}_1$ , or  $\overline{CE}_2$ , a TRI-STATE control provides for fast access times by not totally disabling the chip.

**Write Operation:** Data is written into the memory with  $\overline{CE}_3$  low and  $\overline{WE}$  low. The state of  $\overline{CE}_1$  or  $\overline{CE}_2$  has no effect on the write cycle. The output assumes TRI-STATE with  $\overline{WE}$  low.

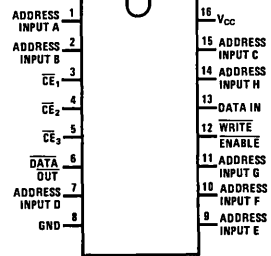
## Features

- Wide supply voltage range 3V to 15V
- Guaranteed noise margin 1V
- High noise immunity 0.45  $V_{CC}$  (typ.)
- TTL compatibility Fan out of 1
- Low power driving standard TTL
- Internal address register 500 nW (typ.)

## Logic and Connection Diagrams



Dual-In-Line Package



Top View

Order Number MM54C200 or  
MM74C200



**Absolute Maximum Ratings** (Note 1)

If Military/Aerospace specified devices are required, please contact the National Semiconductor Sales Office/Distributors for availability and specifications.

Voltage at Any Pin	-0.3V to $V_{CC} + 0.3V$
Operating Temperature Range ( $T_A$ )	
MM54C200	-55°C to +125°C
MM74C200	-40°C to +85°C
Storage Temperature Range ( $T_S$ )	-65°C to +150°C

Power Dissipation ( $P_D$ )	
Dual-In-Line	700 mW
Small Outline	500 mW
Operating $V_{CC}$ Range	3V to 15V
Absolute Maximum $V_{CC}$	18V
Lead Temperature ( $T_L$ )	
(Soldering, 10 seconds)	260°C

**DC Electrical Characteristics** Min/Max limits apply across temperature range unless otherwise noted

Symbol	Parameter	Conditions	Min	Typ	Max	Units
<b>CMOS TO CMOS</b>						
$V_{IN(1)}$	Logical "1" Input Voltage	$V_{CC} = 5V$ $V_{CC} = 10V$	3.5 8			V V
$V_{IN(0)}$	Logical "0" Input Voltage	$V_{CC} = 5V$ $V_{CC} = 10V$			1.5 2	V V
$V_{OUT(1)}$	Logical "1" Output Voltage	$V_{CC} = 5V, I_O = -10 \mu A$ $V_{CC} = 10V, I_O = -10 \mu A$	4.5 9			V V
$V_{OUT(0)}$	Logical "0" Output Voltage	$V_{CC} = 5V, I_O = +10 \mu A$ $V_{CC} = 10V, I_O = +10 \mu A$			0.5 1	V V
$I_{IN(1)}$	Logical "1" Input Current	$V_{CC} = 15V, V_{IN} = 15V$		0.005	1	$\mu A$
$I_{IN(0)}$	Logical "0" Input Current	$V_{CC} = 15V, V_{IN} = 0V$	-1	-0.005		$\mu A$
$I_{CC}$	Supply Current	$V_{CC} = 15V$		0.1	600	$\mu A$
<b>CMOS/TTL INTERFACE</b>						
$V_{IN(1)}$	Logical "1" Input Voltage	54C $V_{CC} = 4.5V$ 74C $V_{CC} = 4.75V$	$V_{CC} - 1.5$ $V_{CC} - 1.5$			V V
$V_{IN(0)}$	Logical "0" Input Voltage	54C $V_{CC} = 4.5V$ 74C $V_{CC} = 4.75V$			0.8 0.8	V V
$V_{OUT(1)}$	Logical "1" Output Voltage	54C $V_{CC} = 4.5V, I_O = -1.6 mA$ 74C $V_{CC} = 4.75V, I_O = -1.6 mA$	2.4 2.4			V V
$V_{OUT(0)}$	Logical "0" Output Voltage	54C $V_{CC} = 4.5V, I_O = 1.6 mA$ 74C $V_{CC} = 4.75V, I_O = 1.6 mA$			0.4	V
<b>OUTPUT DRIVE (See 54C/74C Family Characteristics Data Sheet) (Short Circuit Current)</b>						
$I_{SOURCE}$	Output Source Current (P-Channel)	$V_{CC} = 5V, V_{OUT} = 0V$ $T_A = 25^\circ C$	-4 -1.8	-6		mA mA
$I_{SOURCE}$	Output Source Current (P-Channel)	$V_{CC} = 10V, V_{OUT} = 0V$ $T_A = 25^\circ C$	-16 -1.5	-25		mA mA
$I_{SINK}$	Output Sink Current (N-Channel)	$V_{CC} = 5V, V_{OUT} = V_{CC}$ $T_A = 25^\circ C$	5	8		mA
$I_{SINK}$	Output Sink Current (N-Channel)	$V_{CC} = 10V, V_{OUT} = V_{CC}$ $T_A = 25^\circ C$	20	30		mA

**Note 1:** "Absolute Maximum Ratings" are those values beyond which the safety of the device cannot be guaranteed. Except for "Operating Temperature Range" they are not meant to imply that the devices should be operated at these limits. The table of "Electrical Characteristics" provides conditions for actual device operation.

**AC Electrical Characteristics\***  $T_A = 25^\circ\text{C}$ ,  $C_L = 50\text{ pF}$ , unless otherwise specified

Symbol	Parameter	Conditions	Min	Typ	Max	Units
$t_{\text{ACC}}$	Access Time from Address	$V_{\text{CC}} = 5\text{V}$		450	900	ns
		$V_{\text{CC}} = 10\text{V}$		200	400	ns
$t_{\text{pd}}$	Propagation Delay from $\overline{\text{CE}}_3$	$V_{\text{CC}} = 5\text{V}$		360	700	ns
		$V_{\text{CC}} = 10\text{V}$		120	300	ns
$t_{\text{pCE1}}$	Propagation Delay from $\overline{\text{CE}}_1$ or $\overline{\text{CE}}_2$	$V_{\text{CC}} = 5\text{V}$		250	700	ns
		$V_{\text{CC}} = 10\text{V}$		85	200	ns
$t_{\text{SA}}$	Address Setup Time	$V_{\text{CC}} = 5\text{V}$	200	80		ns
		$V_{\text{CC}} = 10\text{V}$	100	30		ns
$t_{\text{HA}}$	Address Hold Time	$V_{\text{CC}} = 5\text{V}$	50	15		ns
		$V_{\text{CC}} = 10\text{V}$	25	5.0		ns
$t_{\text{WE}}$	Write Enable Pulse Width	$V_{\text{CC}} = 5\text{V}$	300	160		ns
		$V_{\text{CC}} = 10\text{V}$	150	70		ns
$t_{\text{CE}}$	$\overline{\text{CE}}_3$ Pulse Widths	$V_{\text{CC}} = 5\text{V}$	400	200		ns
		$V_{\text{CC}} = 10\text{V}$	160	80		ns
$C_{\text{IN}}$	Input Capacity	Any Input (Note 2)		5.0		pF
$C_{\text{OUT}}$	Output Capacity in TRI-STATE	(Note 2)		9.0		pF
$C_{\text{PD}}$	Power Dissipation Capacity	(Note 3)		400		pF

**AC Electrical Characteristics\***  $C_L = 50\text{ pF}$ 

Symbol	Parameter	Conditions	MM54C200		MM74C200		Units
			$T_A = -55^\circ\text{C to } +125^\circ\text{C}$		$T_A = -40^\circ\text{C to } +85^\circ\text{C}$		
			Min	Max	Min	Max	
$t_{\text{ACC}}$	Access Time from Address	$V_{\text{CC}} = 5\text{V}$		1200		1100	ns
		$V_{\text{CC}} = 10\text{V}$		520		480	ns
$t_{\text{pd}}$	Propagation Delay from $\overline{\text{CE}}_3$	$V_{\text{CC}} = 5\text{V}$		950		850	ns
		$V_{\text{CC}} = 10\text{V}$		400		360	ns
$t_{\text{pdCE1}}$	Propagation Delay from $\overline{\text{CE}}_1$ or $\overline{\text{CE}}_2$	$V_{\text{CC}} = 5\text{V}$		650		600	ns
		$V_{\text{CC}} = 10\text{V}$		300		275	ns
$t_{\text{SA}}$	Address Setup Time	$V_{\text{CC}} = 5\text{V}$	250		250		ns
		$V_{\text{CC}} = 10\text{V}$	120		120		ns
$t_{\text{HA}}$	Address Hold Time	$V_{\text{CC}} = 5\text{V}$	100		100		ns
		$V_{\text{CC}} = 10\text{V}$	50		50		ns
$t_{\text{WE}}$	Write Enable Pulse Width	$V_{\text{CC}} = 5\text{V}$	450		400		ns
		$V_{\text{CC}} = 10\text{V}$	225		200		ns
$t_{\text{CE}}$	Disable Pulse Width	$V_{\text{CC}} = 5\text{V}$	500		460		ns
		$V_{\text{CC}} = 10\text{V}$	250		230		ns
$t_{\text{HD}}$	Data Hold Time	$V_{\text{CC}} = 5\text{V}$	50		50		ns
		$V_{\text{CC}} = 10\text{V}$	25		25		ns

\*AC Parameters are guaranteed by DC correlated testing.

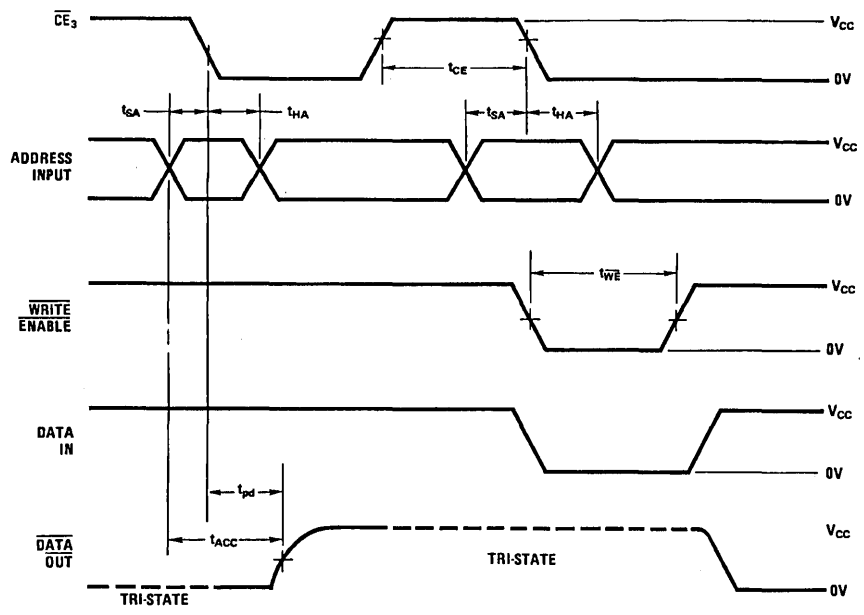
**Note 1:** "Absolute Maximum Ratings" are those values beyond which the safety of the device cannot be guaranteed. Except for "Operating Temperature Range" they are not meant to imply that the devices should be operated at these limits. The table of "Electrical Characteristics" provides conditions for actual device operation.

**Note 2:** Capacitance is guaranteed by periodic testing.

**Note 3:**  $C_{\text{PD}}$  determines the no load AC power consumption of any CMOS device. For complete explanation see 54C/74C Family Characteristics application note, AN-90.

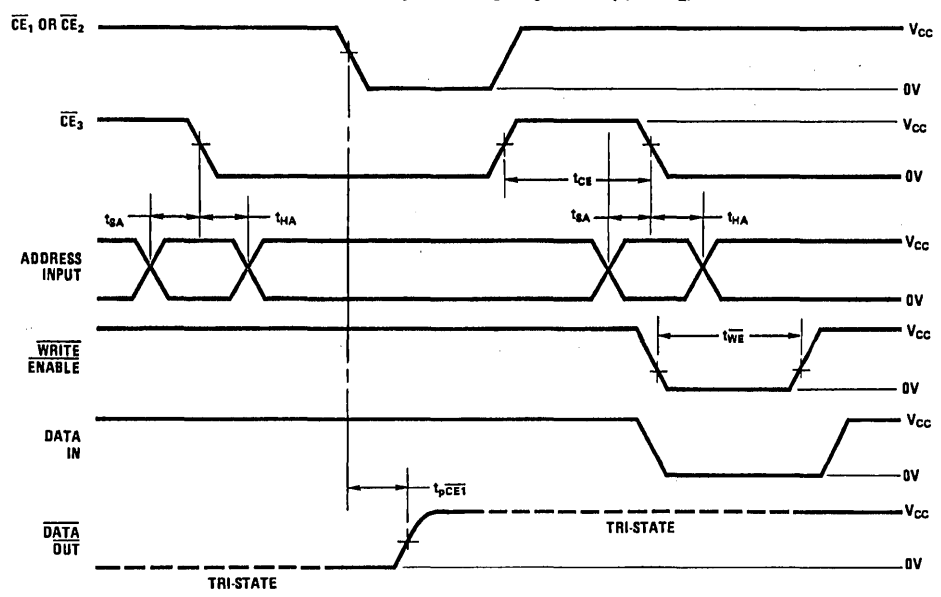
# Switching Time Waveforms

Read and Write Cycles Using  $\overline{CE}_3$  ( $\overline{CE}_1 = \overline{CE}_2 = \text{logic 0}$ )



TL/F/5903-3

Read and Write Cycles Using  $\overline{CE}_3$  and  $\overline{CE}_1$  (or  $\overline{CE}_2$ )



TL/F/5903-4

Note: Used for fast access time in bused systems.



## MM54C910/MM74C910 256 Bit TRI-STATE® Random Access Read/Write Memory

### General Description

The MM54C910/MM74C910 is a 64 word by 4-bit random access memory. Inputs consist of six address lines, four data input lines, a  $\overline{WE}$ , and a  $\overline{ME}$  line. The six address lines are internally decoded to select one of the 64 word locations. An internal address register latches the address information on the positive to negative transition of  $\overline{ME}$ . The TRI-STATE outputs allow for easy memory expansion.

**Address Operation:** Address inputs must be stable ( $t_{SA}$ ) prior to the positive to negative transition of  $\overline{ME}$ , and ( $t_{HA}$ ) after the positive to negative transition of  $\overline{ME}$ . The address register holds the information and stable address inputs are not needed at any other time.

**Write Operation:** Data is written into memory at the selected address if  $\overline{WE}$  goes low while  $\overline{ME}$  is low.  $\overline{WE}$  must be held low for  $t_{\overline{WE}}$  and data must remain stable  $t_{HD}$  after  $\overline{WE}$  returns high.

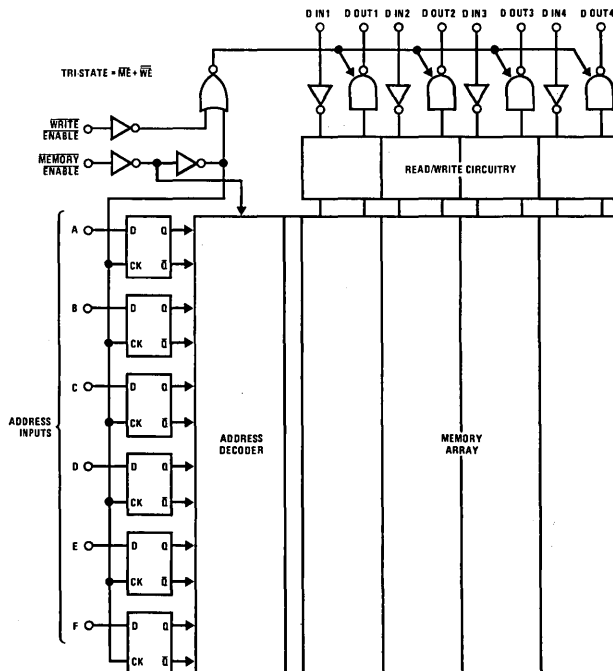
**Read Operation:** Data is nondestructively read from a memory location by an address operation with  $\overline{WE}$  held high.

Outputs are in the TRI-STATE (Hi-Z) condition when the device is writing or disabled.

### Features

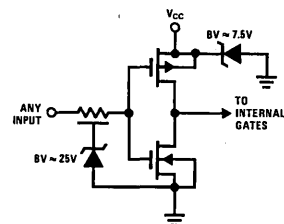
- Supply voltage range 3.0V to 5.5V
- High noise immunity 0.45V<sub>CC</sub> (typ.)
- TTL compatible fan out 1 TTL load
- Input address register
- Low power consumption 250 nW/package (typ.) (chip enabled or disabled)
- Fast access time 250 ns (typ.) at 5.0V
- TRI-STATE outputs
- High voltage inputs

### Logic Diagrams



TL/F/5914-1

### Input Protection



TL/F/5914-2

**Absolute Maximum Ratings** (Note 1)

If Military/Aerospace specified devices are required, please contact the National Semiconductor Sales Office/Distributors for availability and specifications.

Voltage at Any Output Pin	-0.3V to $V_{CC} + 0.3V$
Voltage at Any Input Pin	-0.3V to +15V
Power Dissipation	
Dual-In-Line	700 mW
Small Outline	500 mW
Operating $V_{CC}$ Range	3.0V to 5.5V
Standby $V_{CC}$ Range	1.5V to 5.5V
Absolute Maximum ( $V_{CC}$ )	6.0V
Lead Temperature ( $T_L$ )	
(Soldering, 10 sec.)	260°C

**Operating Conditions**

	Min	Max	Units
Supply Voltage ( $V_{CC}$ )			
MM54C910	4.5	5.5	V
MM74C910	4.75	5.25	V
Temperature ( $T_A$ )			
MM54C910	-55	+125	°C
MM74C910	-40	+85	°C

**DC Electrical Characteristics**

Min/Max limits apply across the temperature and power supply range indicated

Symbol	Parameter	Conditions	Min	Typ	Max	Units
$V_{IN(1)}$	Logical "1" Input Voltage	Full Range	$V_{CC} - 1.5$			V
$V_{IN(0)}$	Logical "0" Input Voltage	Full Range			0.8	V
$I_{IN(1)}$	Logical "1" Input Current	$V_{IN} = 15V$ $V_{IN} = 5V$		0.005 0.005	2.0 1.0	$\mu A$ $\mu A$
$I_{IN(0)}$	Logical "0" Input Current	$V_{IN} = 0V$	-1.0	-0.005		$\mu A$
$V_{OUT(1)}$	Logical "1" Output Voltage	$I_O = -150 \mu A$ $I_O = -400 \mu A$	$V_{CC} - 0.5$ 2.4			V V
$V_{OUT(0)}$	Logical "0" Output Voltage	$I_O = 1.6 mA$			0.4	V
$I_{OZ}$	Output Current in High Impedance State	$V_O = 5V$ $V_O = 0V$	-1.0	0.005 -0.005	1.0	$\mu A$ $\mu A$
$I_{CC}$	Supply Current	$V_{CC} = 5V$		5.0	300	$\mu A$

**AC Electrical Characteristics\***  $T_A = 25^\circ C$ ,  $V_{CC} = 5.0V$ ,  $C_L = 50 pF$ 

Symbol	Parameter	Min	Typ	Max	Units
$t_{ACC}$	Access Time from Address		250	500	ns
$t_{pd}$	Propagation Delay from $\overline{ME}$		180	360	ns
$t_{SA}$	Address Input Set-Up Time	140	70		ns
$t_{HA}$	Address Input Hold Time	20	10		ns
$t_{\overline{ME}}$	Memory Enable Pulse Width	200	100		ns
$t_{\overline{WE}}$	Memory Enable Pulse Width	400	200		ns
$t_{SD}$	Data Input Set-Up Time	0			ns
$t_{HD}$	Data Input Hold Time	30	15		ns
$t_{\overline{WE}}$	Write Enable Pulse Width	140	70		ns
$t_{1H}, t_{0H}$	Delay to TRI-STATE (Note 4)		100	200	ns

**CAPACITANCE**

Symbol	Parameter	Min	Typ	Max	Units
$C_{IN}$	Input Capacity Any Input (Note 2)		5.0		pF
$C_{OUT}$	Output Capacity Any Output (Note 2)		9.0		pF
$C_{PD}$	Power Dissipation Capacity (Note 3)		350		pF

## AC Electrical Characteristics\* (Continued) $T_A = 25^\circ\text{C}$ , $V_{CC} = 5.0\text{V}$ , $C_L = 50\text{pF}$

Symbol	Parameter	MM54C910 $T_A = -55^\circ\text{C to } +125^\circ\text{C}$ $V_{CC} = 4.5\text{V to } 5.5\text{V}$		MM74C910 $T_A = -40^\circ\text{C to } +85^\circ\text{C}$ $V_{CC} = 4.75\text{V to } 5.25\text{V}$		Units
		Min	Max	Min	Max	
		$t_{ACC}$	Access Time from Address		860	
$t_{pd1}$ , $t_{pd0}$	Propagation Delay from $\overline{ME}$		660		540	ns
$t_{SA}$	Address Input Set-Up Time	200		160		ns
$t_{HA}$	Address Input Hold Time	20		20		ns
$t_{ME}$	$\overline{Memory\ Enable}$ Pulse Width	280		260		ns
$t_{ME}$	$\overline{Memory\ Enable}$ Pulse Width	750		600		ns
$t_{SD}$	Data Input Set-Up Time	0		0		ns
$t_{HD}$	Data Input Hold Time	50		50		ns
$t_{WE}$	$\overline{Write\ Enable}$ Pulse Width	200		180		ns
$t_{1H}$ , $t_{0H}$	Delay to TRI-STATE (Note 4)		200		200	ns

\*AC Parameters are guaranteed by DC correlated testing.

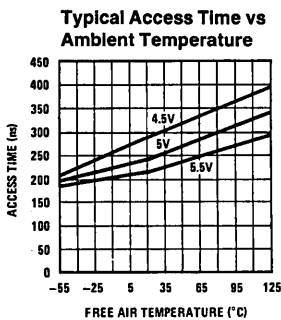
**Note 1:** "Absolute Maximum Ratings" are those values beyond which the safety of the device cannot be guaranteed. Except for "Operating Temperature Range" they are not meant to imply that the devices should be operated at these limits. The table of "Electrical Characteristics" provides conditions for actual device operation.

**Note 2:** Capacitance is guaranteed by periodic testing.

**Note 3:**  $C_{PD}$  determines the no load AC power consumption for any CMOS device. For complete explanation see 54C/74C Family Characteristics application note AN-90.

**Note 4:** See AC test circuits for  $t_{1H}$ ,  $t_{0H}$ .

## Typical Performance Characteristics

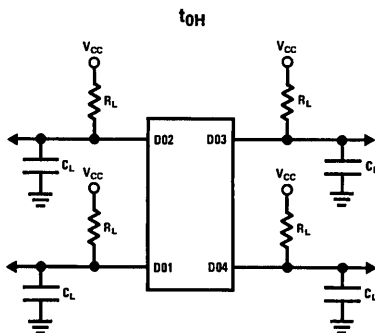


TL/F/5914-4

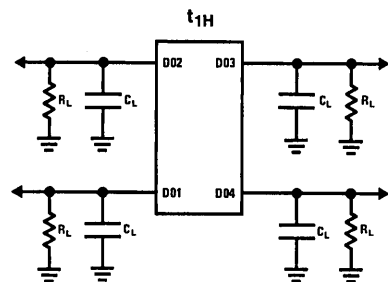
## Truth Table

ME	WE	Operation	Outputs
L	L	Write	TRI-STATE
L	H	Read	Data
H	L	Inhibit, Store	TRI-STATE
H	H	Inhibit, Store	TRI-STATE

## AC Test Circuits



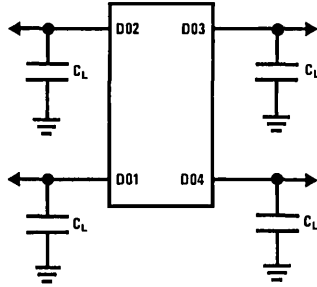
TL/F/5914-5



TL/F/5914-6

AC Test Circuits (Continued)

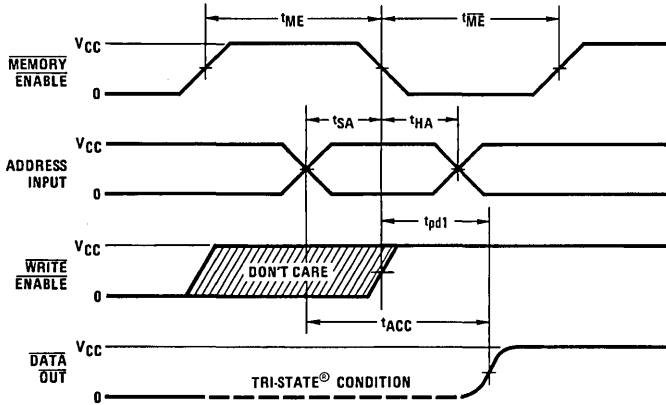
All Other AC Tests



TL/F/5914-7

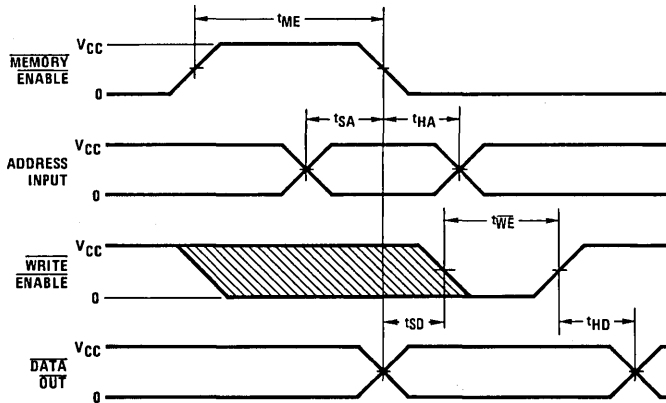
Switching Time Waveforms

Read Cycle  
(See Note 1)



TL/F/5914-8

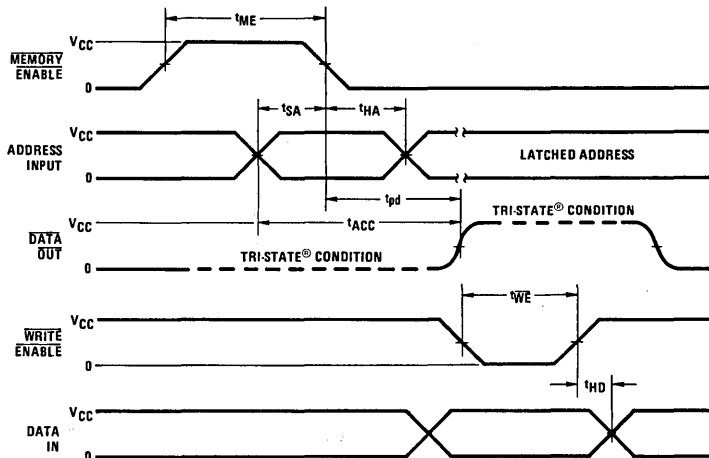
Write Cycle  
(See Note 1)



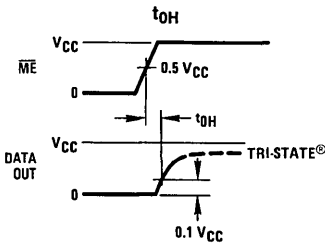
TL/F/5914-9

# Switching Time Waveforms (Continued)

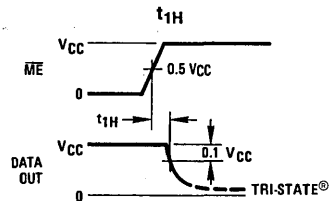
## Read Modify Write Cycle (See Note 1)



TL/F/5914-10



TL/F/5914-11



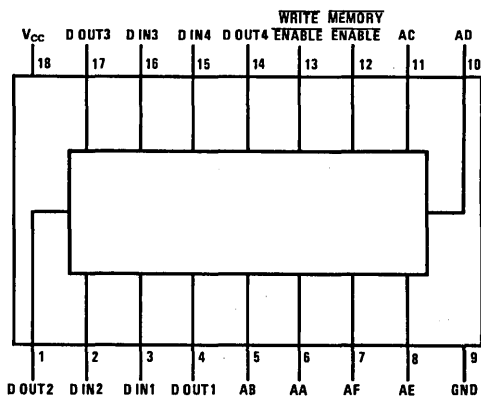
TL/F/5914-12

Note 1: MEMORY ENABLE must be brought high for  $t_{ME}$  nanoseconds between every address change.

Note 2:  $t_r = t_f = 20$  ns for all inputs.

## Connection Diagram

### Dual-In-Line Package



TL/F/5914-3

Top View

Order Number MM54C910 or MM74C910



# MM54C989/MM74C989

## 64-Bit (16 x 4) TRI-STATE® RAM

### General Description

The MM54C989/MM74C989 is a 16-word by 4-bit random access read/write memory. Inputs to the memory consist of 4 address lines, 4 data input lines, a  $\overline{\text{write enable}}$  line and a memory enable line. The 4 binary address inputs are decoded internally to select each of the 16 possible word locations. An internal address register latches the address information on the positive to negative transition of the memory enable input. The 4 TRI-STATE data output lines working in conjunction with the memory enable input provides for easy memory expansion.

**Address Operation:** Address inputs must be stable  $t_{SA}$  prior to the positive to negative transition of memory enable. It is thus not necessary to hold address information stable for more than  $t_{HA}$  after the memory is enabled (positive to negative transition of memory enable).

**Note:** The timing is different than the DM7489 in that a positive to negative transition of the memory enable must occur for the memory to be selected.

**Write Operation:** Information present at the data inputs is written into the memory at the selected address by bringing write enable and memory enable low.

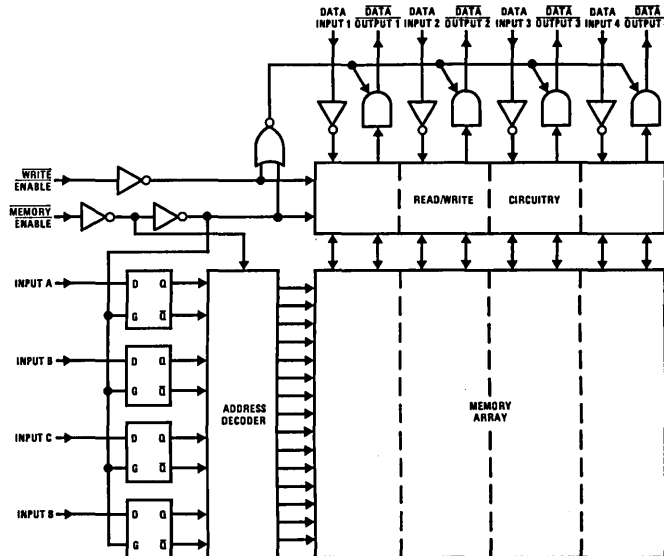
**Read Operation:** The complement of the information which was written into the memory is non-destructively read out at the 4 outputs. This is accomplished by selecting the desired address and bringing memory enable low and write enable high.

When the device is writing or disabled the output assumes a TRI-STATE (Hi-Z) condition.

### Features

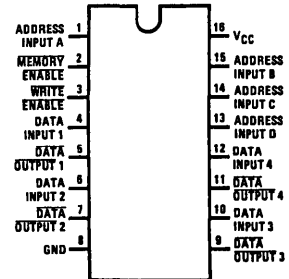
- Wide supply voltage range 3.0V to 5.5V
- Guaranteed noise margin 1.0V
- High noise immunity 0.45  $V_{CC}$  (typ.)
- Low power TTL compatibility Fan out of 2 driving 74L
- Input address register
- Low power consumption 250 nW/package (typ.) @  $V_{CC} = 5V$
- Fast access time 140 ns (typ.) at  $V_{CC} = 5V$
- TRI-STATE output

### Logic and Connection Diagrams



TL/F/5925-1

### Dual-In-Line Package



TL/F/5925-2

### Top View

Order Number  
MM54C989 or MM74C989

**Absolute Maximum Ratings** (Note 1)

If Military/Aerospace specified devices are required, please contact the National Semiconductor Sales Office/Distributors for availability and specifications.

Voltage at Any Pin	-0.3V to $V_{CC} + 0.3V$
Power Dissipation	
Dual-In-Line	700 mW
Small Outline	500 mW
Absolute Maximum $V_{CC}$	7.0V
Lead Temperature ( $T_L$ ) (Soldering, 10 seconds)	260°C

**Operating Conditions**

	Min	Max	Units
Supply Voltage ( $V_{CC}$ )			
MM54C989	4.7	5.5	V
MM74C989	4.75	5.25	V
Temperature ( $T_A$ )			
MM54C989	-55	+125	°C
MM74C989	-40	+85	°C
Operating $V_{CC}$ Range		3.0V to 5.5V	
Standby $V_{CC}$ Range		1.5V to 5.5V	

**DC Electrical Characteristics** MM54C989/MM74C989

Min/Max limits apply across the temperature and power supply range indicated

Symbol	Parameter	Conditions	Min	Typ	Max	Units
$V_{IN(1)}$	Logical "1" Input Voltage		$V_{CC} - 1.5$			V
$V_{IN(0)}$	Logical "0" Input Voltage				0.8	V
$I_{IN(1)}$	Logical "1" Input Current	$V_{IN} = 5V$		0.005	1	$\mu A$
$I_{IN(0)}$	Logical "0" Input Current	$V_{IN} = 0V$	-1	-0.005		$\mu A$
$V_{OUT(1)}$	Logical "1" Output Voltage	$I_O = -360 \mu A$ $I_O = -150 \mu A$	2.4 $V_{CC} - 0.5$			V V
$V_{OUT(0)}$	Logical "0" Output Voltage	$I_O = 360 \mu A$			0.4	V
$I_{OZ}$	Output Current in High Impedance State	$V_O = 5V$ $V_O = 0V$	-1	0.005 -0.005	1	$\mu A$ $\mu A$
$I_{CC}$	Supply Current Active (Note 1)*	$\overline{ME} = 0V$ , $V_{CC} = 5V$		0.05	150	$\mu A$
$I_{CC}$	Supply Current (Stand-By)	$\overline{ME} = 5V$			3	$\mu A$

Note 1: MEMORY ENABLE must be brought high for  $t_{ME}$  ns between every address change.

**AC Electrical Characteristics\*** MM54C989/MM74C989

$T_A = 25^\circ C$ ,  $V_{CC} = 5V$ ,  $C_L = 50$  pF

Symbol	Parameter	Min	Typ	Max	Units
$t_{ACC}$	Access Time from Address		140	500	ns
$t_{PD}$	Propagation Delay from $\overline{ME}$		110	360	ns
$t_{SA}$	Address Input Set-Up Time	140	30		ns
$t_{HA}$	Address Input Hold Time	20	15		ns
$t_{ME}$	Memory Enable Pulse Width	200	80		ns
$t_{\overline{ME}}$	Memory Enable Pulse Width	400	100		ns
$t_{SD}$	Data Input Set-Up Time	0			ns
$t_{HD}$	Data Input Hold Time	30	20		ns
$t_{WE}$	Write Enable Pulse Width	140	70		ns
$t_{1H}, t_{0H}$	Delay to TRI-STATE, $C_L = 5$ pF, $R_L = 10k$ , (Note 4)		100	200	ns

**CAPACITANCE**

Symbol	Parameter	Min	Typ	Max	Units
$C_{IN}$	Input Capacity, Any Input, (Note 2)		5		pF
$C_{OUT}$	Output Capacity, Any Output, (Note 2)		8		pF
$C_{PD}$	Power Dissipation Capacity, (Note 3)		350		pF

Note 1: "Absolute Maximum Ratings" are those values beyond which the safety of the device cannot be guaranteed. Except for "Operating Temperature Range" they are not meant to imply that the devices should be operated at these limits. The table of "Electrical Characteristics" provides conditions for actual device operation.

Note 2: Capacitance is guaranteed by periodic testing.

Note 3:  $C_{PD}$  determines the no load AC power consumption for any CMOS device. For complete explanation see 54C/74C Family Characteristics Application Note, AN-90.

**AC Electrical Characteristics\*** (Continued)MM54C989:  $T_A = -55^\circ\text{C}$  to  $+125^\circ\text{C}$ ,  $V_{CC} = 4.5\text{V}$  to  $5.5\text{V}$ ,  $C_L = 50\text{ pF}$ MM74C989:  $T_A = -40^\circ\text{C}$  to  $+85^\circ\text{C}$ ,  $V_{CC} = 4.75\text{V}$  to  $5.5\text{V}$ ,  $C_L = 50\text{ pF}$ 

Symbol	Parameter	MM54C989		MM74C989		Units
		Min	Max	Min	Max	
$t_{ACC}$	Access Time from Address		500		620	ns
$t_{PD1}, t_{PD0}$	Propagation Delay from $\overline{ME}$		350		430	ns
$t_{SA}$	Address Input Set-Up Time	150		140		ns
$t_{HA}$	Address Input Hold Time	50		60		ns
$t_{ME}$	$\overline{\text{Memory Enable}}$ Pulse Width	250		310		ns
$t_{\overline{ME}}$	$\overline{\text{Memory Enable}}$ Pulse Width	520		400		ns
$t_{SD}$	Data Input Set-Up Time	0		0		ns
$t_{HD}$	Data Input Hold Time	60		50		ns
$t_{WE}$	$\overline{\text{Write Enable}}$ Pulse Width	220		180		ns
$t_{1H}, t_{0H}$	Delay to TRI-STATE, (Note 4)		200		200	ns

\*AC Parameters are guaranteed by DC correlated testing.

**Note 1:** "Absolute Maximum Ratings" are those values beyond which the safety of the device cannot be guaranteed. Except for "Operating Temperature Range" they are not meant to imply that the devices should be operated at these limits. The table of "Electrical Characteristics" provides conditions for actual device operation.

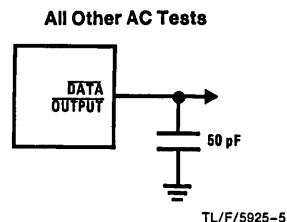
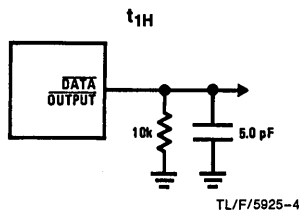
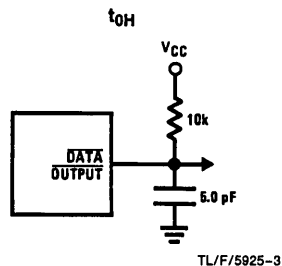
**Note 2:** Capacitance is guaranteed by periodic testing.

**Note 3:**  $C_{PD}$  determines the no load AC power consumption for any CMOS device. For complete explanation see 54C/74C Family Characteristics Application Note, AN-90.

**Note 4:** See AC test circuit for  $t_{1H}, t_{0H}$ .

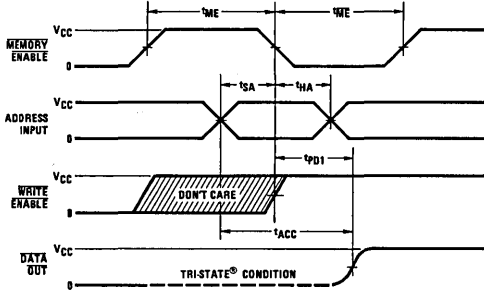
**Truth Table**

$\overline{ME}$	$\overline{WE}$	Operation	Condition of Outputs
L	L	Write	TRI-STATE
L	H	Read	Complement of Selected Word
H	L	Inhibit, Storage	TRI-STATE
H	H	Inhibit, Storage	TRI-STATE

**AC Test Circuits**

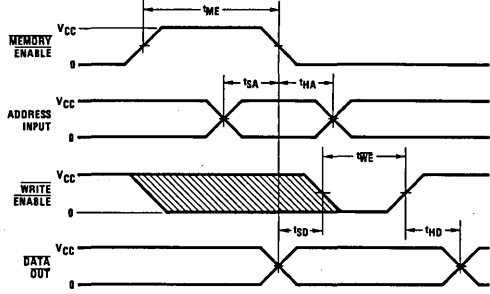
# Switching Time Waveforms

Read Cycle (Note 1)\*



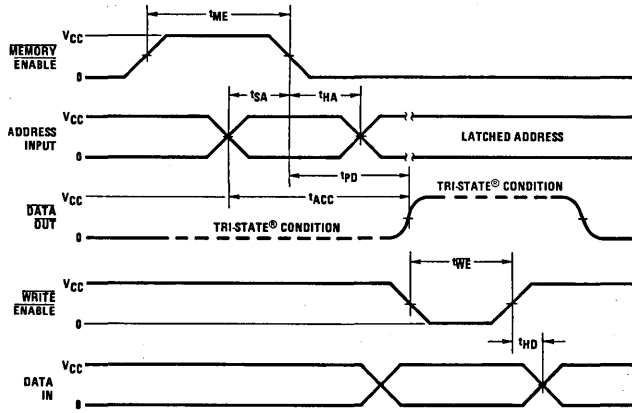
TL/F/5925-6

Write Cycle (Note 1)\*

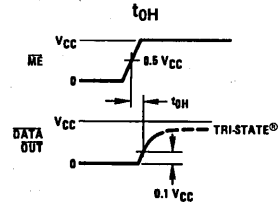


TL/F/5925-7

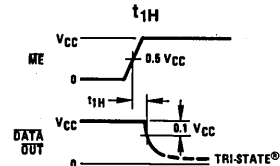
Read-Modify-Write Cycle (Note 1)\*



TL/F/5925-8



TL/F/5925-9



TL/F/5925-10

Note 1\*: MEMORY ENABLE must be brought high for  $t_{ME}$  ns between every address change.

Note 2:  $t_r = t_f = 20$  ns for all inputs.

# NMC2147H 4096 x 1-Bit Static RAM

## General Description

The NMC2147H is a 4096-word by 1-bit static random access memory fabricated using N-channel silicon-gate technology. All internal circuits are fully static and therefore require no clocks or refreshing for operation. The data is read out nondestructively and has the same polarity as the input data.

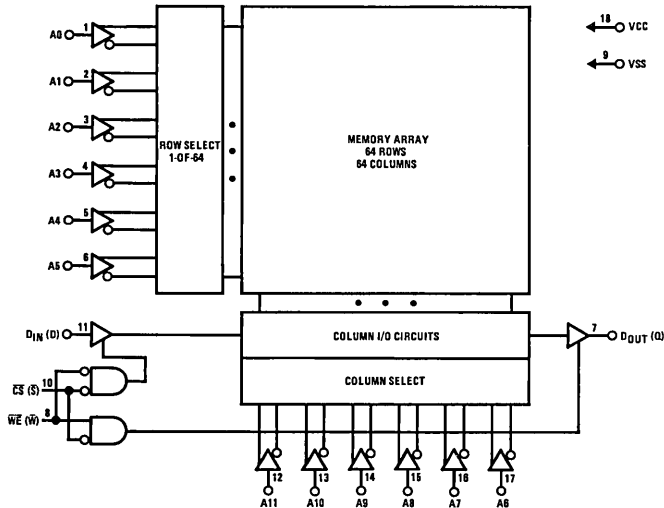
The separate chip select input automatically switches the part to its low power standby mode when it goes high.

The output is held in a high impedance state during write to simplify common I/O applications.

## Features

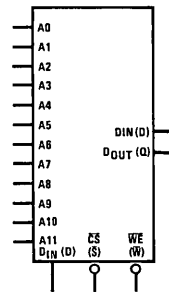
- All inputs and outputs directly TTL compatible
- Static operation—no clocks or refreshing required
- Automatic power-down
- High-speed—down to 35 ns access time
- TRI-STATE® output for bus interface
- Separate Data In and Data Out pins
- Single +5V supply
- Standard 18-pin dual-in-line package
- Available in MIL-STD-883 class B screening

## Block Diagram\*



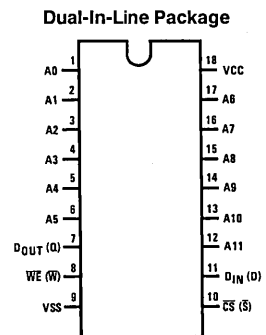
TL/D/5257-1

## Logic Symbol\*



TL/D/5257-2

## Connection Diagram\*



TL/D/5257-3

### Pin Names\*

A0-A11	Address Inputs
$\overline{WE}$ (W)	Write Enable
$\overline{CS}$ (S)	Chip Select
D <sub>IN</sub> (D)	Data In
D <sub>OUT</sub> (Q)	Data Out
V <sub>CC</sub>	Power (5V)
V <sub>SS</sub>	Ground

**Order Number NMC2147HJ-1,  
NMC2147HJ-2, NMC2147HJ-3,  
or NMC2147HJ-3L  
See NS Package Number J18A**

### Top View

\*The symbols in parentheses are proposed industry standard.

### Absolute Maximum Ratings

If Military/Aerospace specified devices are required, please contact the National Semiconductor Sales Office/Distributors for availability and specifications.

Voltage on Any Pin Relative to VSS	-3.5V to +7V
Storage Temperature Range	-65°C to +150°C
Power Dissipation	1.2W
DC Output Current	20 mA
Bias Temperature Range	-65°C to +135°C
Lead Temperature (Soldering, 10 sec.)	300°C

### Truth Table\*

$\overline{CS}$ (S)	$\overline{WE}$ (W)	DIN (D)	DOOUT (Q)	Mode	Power
H	X	X	Hi-Z	Not Selected	Standby
L	L	H	Hi-Z	Write 1	Active
L	L	L	Hi-Z	Write 0	Active
L	H	X	DOOUT	Read	Active

### DC Electrical Characteristics TA = 0°C to +70°C, VCC = 5V ± 10% (Notes 1 and 2)

Symbol	Parameter	Conditions	NMC2147H-3L		NMC2147H-1 NMC2147H-2 NMC2147H-3		NMC2147H		Units
			Min	Max	Min	Max	Min	Max	
I <sub>L</sub>	Input Load Current (All Input Pins)	V <sub>IN</sub> = 0V to 5.5V, V <sub>CC</sub> = Max		10		10		10	μA
I <sub>LO</sub>	Output Leakage Current	$\overline{CS}$ = V <sub>IH</sub> , V <sub>OUT</sub> = GND to 4.5V, V <sub>CC</sub> = Max		50		50		50	μA
V <sub>IL</sub>	Input Low Voltage		-3.0	0.8	-3.0	0.8	-3.0	0.8	V
V <sub>IH</sub>	Input High Voltage		2.0	6.0	2.0	6.0	2.0	6.0	V
V <sub>OL</sub>	Output Low Voltage	I <sub>OL</sub> = 8.0 mA		0.4		0.4		0.4	V
V <sub>OH</sub>	Output High Voltage	I <sub>OH</sub> = -4.0 mA	2.4		2.4		2.4		V
I <sub>CC</sub>	Power Supply Current	V <sub>IN</sub> = 5.5V, TA = 0°C, Output Open		125		180		160	mA
I <sub>SB</sub>	Standby Current	V <sub>CC</sub> = Min to Max, $\overline{CS}$ = V <sub>IH</sub>		20		30		20	mA
I <sub>PO</sub>	Peak Power-On Current	V <sub>CC</sub> = V <sub>SS</sub> to V <sub>CC</sub> Min, $\overline{CS}$ = Lower of V <sub>CC</sub> or V <sub>IH</sub> Min		30		40		30	mA

### Capacitance TA = 25°C, f = 1 MHz (Note 3)

Symbol	Parameter	Conditions	Min	Max	Units
C <sub>IN</sub>	Address/Control Capacitance	V <sub>IN</sub> = 0V		5	pF
C <sub>OUT</sub>	Output Capacitance	V <sub>OUT</sub> = 0V		6	pF

**Note 1:** The operating ambient temperature range is guaranteed with transverse air flow exceeding 400 linear feet per minute.

**Note 2:** These circuits require 500 μs time delay after VCC reaches the specified minimum limit to ensure proper orientation after power-on. This allows the internally generated substrate bias to reach its functional level.

**Note 3:** This parameter is guaranteed by periodic testing.

### AC Test Conditions

Input Test Levels	GND to 3.0V
Input Rise and Fall Times	5 ns
Input Timing Reference Level	1.5V
Output Timing Reference Level (H-1)	1.5V
Output Timing Reference Level (H-2, H-3, H-3L)	0.8V and 2.0V
Output Load	See Figure 1

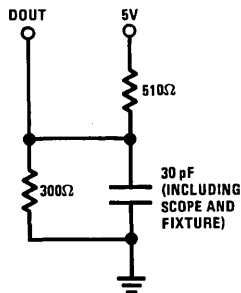


FIGURE 1. Output Load

TL/D/5257-4

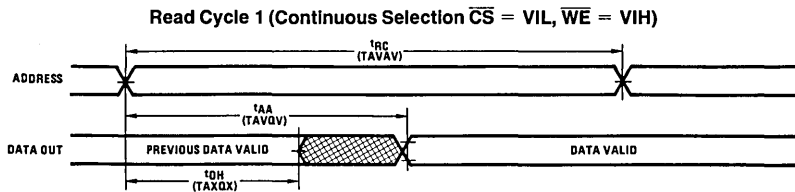
\*Symbols in parentheses are proposed industry standard.

## Read Cycle AC Electrical Characteristics TA = 0°C to 70°C, VCC = 5V ± 10% (Note 1)

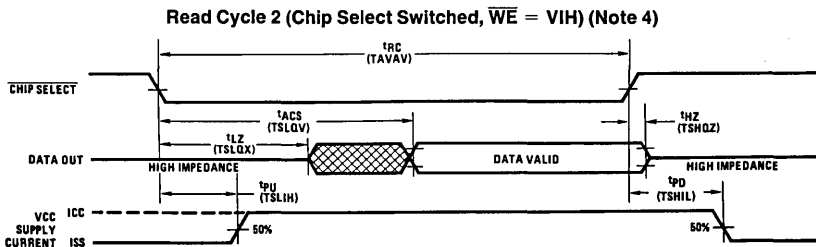
Symbol		Parameter	NMC2147H-1		NMC2147H-2		NMC2147H-3 NMC2147H-3L		NMC2147H		Units
Alternate	Standard		Min	Max	Min	Max	Min	Max	Min	Max	
t <sub>RC</sub>	TAVAV	Read Cycle Time	35		45		55		70		ns
t <sub>AA</sub>	TAVQV	Address Access Time		35		45		55		70	ns
t <sub>ACS</sub>	TSLQV	Chip Select Access Time (Notes 4)		35		45		55		70	ns
t <sub>LZ</sub>	TSLQX	Chip Select to Output Active (Note 5)	5		5		10		10		ns
t <sub>HZ</sub>	TSHQZ	Chip Deselect to Output TRI-STATE (Note 5)	0	30	0	30	0	30	0	30	ns
t <sub>OH</sub>	TAXQX	Output Hold from Address Change	5		5		5		5		ns
t <sub>PU</sub>	TSLIH	Chip Select to Power-Up	0		0		0		0		ns
t <sub>PD</sub>	TSHIL	Chip Deselect to Power-Down		20		20		20		30	ns

Max Access/Current	NMC2147H-1	NMC2147H-2	NMC2147H-3	NMC2147H-3L	NMC2147H
Access (TAVQV—ns)	35	45	55	55	70
Active Current (ICC—mA)	180	180	180	125	160
Standby Current (ISB—mA)	30	30	30	20	20

### Read Cycle Waveforms\*



TL/D/5257-5



TL/D/5257-6

**Note 4:** Addresses must be valid coincident with or prior to the chip select transition from high to low.

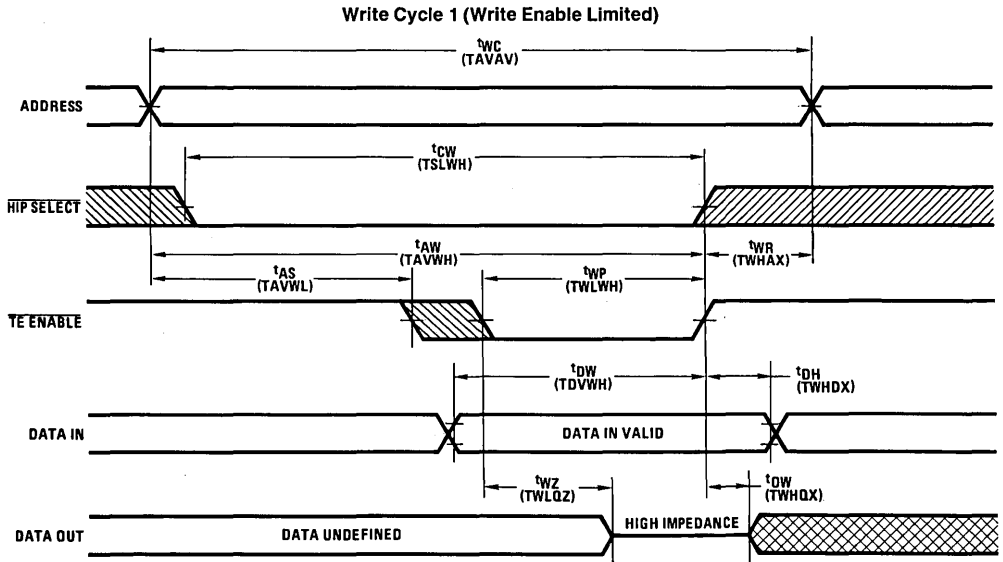
**Note 5:** Measured ± 50 mV from steady state voltage. This parameter is sampled and not 100% tested.

\*The symbols in parentheses are proposed industry standard.

## Write Cycle AC Electrical Characteristics TA = 0°C to 70°C, VCC = 5V ± 10% (Note 1)

Symbol		Parameter	NMC2147H-1		NMC2147H-2		NMC2147H-3 NMC2147H-3L		NMC2147H		Units
Alternate	Standard		Min	Max	Min	Max	Min	Max	Min	Max	
t <sub>WC</sub>	TAVAV	Write Cycle Time	35		45		55		70		ns
t <sub>CW</sub>	TSLWH	Chip Select to End of Write	35		45		45		55		ns
t <sub>AW</sub>	TAVWH	Address Valid to End of Write	35		45		45		55		ns
t <sub>AS</sub>	TAVSL TAVWL	Address Set-Up Time	0		0		0		0		ns
t <sub>WP</sub>	TWLWH	Write Pulse Width	20		25		25		40		ns
t <sub>WR</sub>	TWHAX	Write Recovery Time	0		0		10		15		ns
t <sub>DW</sub>	TDVWH	Data Set-Up Time	20		25		25		30		ns
t <sub>DH</sub>	TWHDX	Data Hold Time	10		10		10		10		ns
t <sub>WZ</sub>	TWLQZ	Write Enable to Output TRI-STATE (Note 5)	0	20	0	25	0	25	0	35	ns
t <sub>OW</sub>	TWHQX	Output Active from End of Write (Note 5)	0		0		0		0		ns

### Write Cycle Waveforms\* (Note 6)

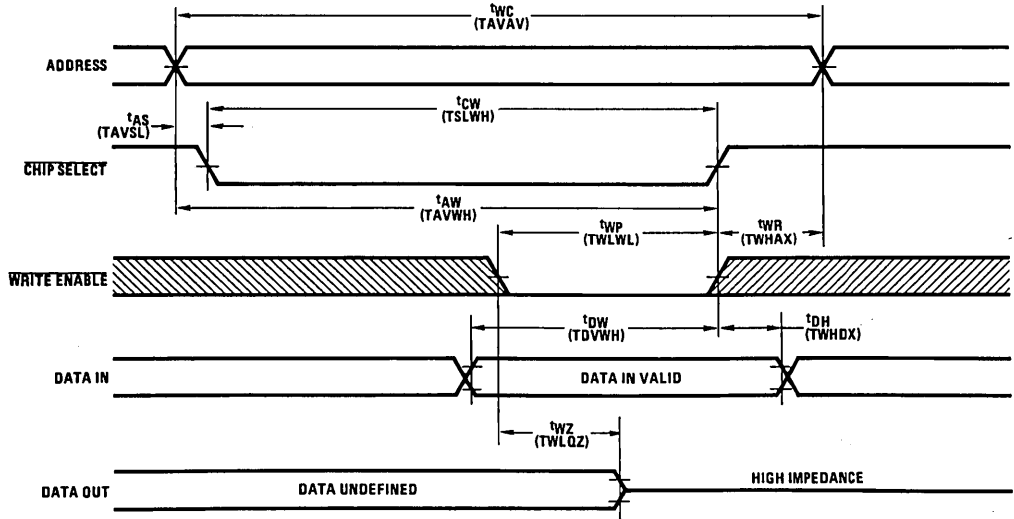


TL/D/5257-7



# Write Cycle Waveforms\* (Note 6)

Write Cycle 2 (Chip Select Limited)



TL/D/5257-8

**Note 6:** The output remains TRI-STATE if the  $\overline{CS}$  and  $\overline{WE}$  go high simultaneously.  $\overline{WE}$  or  $\overline{CS}$  or both must be high during the address transitions to prevent an erroneous write.

\*The symbols in parentheses are proposed industry standard.



# NMC2148H 1024 x 4-Bit Static RAM

## General Description

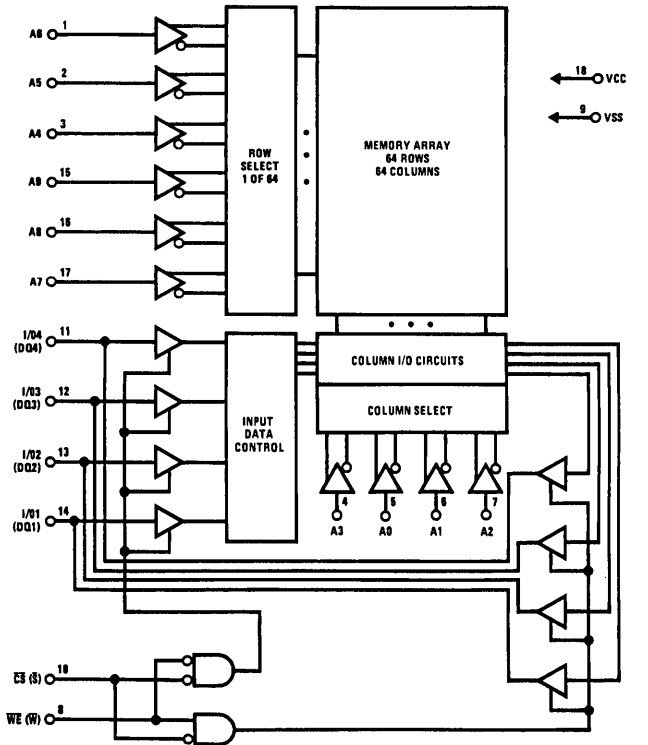
The NMC2148H is a 1024-word by 4-bit static random access memory fabricated using N-channel silicon-gate technology. All internal circuits are fully static and therefore require no clocks or refreshing for operation. The data is read out nondestructively and has the same polarity as the input data.

The separate chip select input automatically switches the part to its low power standby mode when it goes high. Common input/output pins are provided.

## Features

- All inputs and outputs directly TTL compatible
- Static operation—no clocks or refreshing required
- Automatic power-down
- High-speed—down to 45 ns access time
- TRI-STATE® output for bus interface
- Common data I/O pins
- Single +5V supply
- Standard 18-pin dual-in-line package

## Block Diagram\*



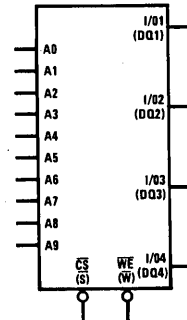
TL/D/7404-1

### Pin Names\*

- A0-A9 Address Inputs
- WE (W) Write Enable
- CS (S) Chip Select
- I/O1-I/O4 Data Input/Output (DQ1-DQ4)
- VCC Power (5V)
- VSS Ground

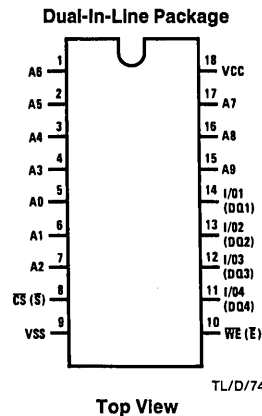
Order Number NMC2148HJ-L,  
NMC2148HJ-3L, NMC2148HJ,  
NMC2148HJ-2 or NMC2148HJ-3  
See NS Package Number J18A

## Logic Symbol\*



TL/D/7404-3

## Connection Diagram\*



TL/D/7404-2

### Top View

\*Symbols in parentheses are proposed industry standard.

### Absolute Maximum Ratings

If Military/Aerospace specified devices are required, please contact the National Semiconductor Sales Office/Distributors for availability and specifications.

Voltage at Any Pin with Respect to VSS	-3.5V to +7V
Storage Temperature	-65°C to +150°C
Temperature with Bias	-10°C to +85°C
DC Output Current	20 mA
Power Dissipation	1.2W
Lead Temperature (Soldering, 10 sec.)	300°C

### Truth Table

$\overline{CS}$	$\overline{WE}$	I/O	Mode	Power
H	X	Hi-Z	Standby	Standby
L	L	H	Write 1	Active
L	L	L	Write 0	Active
L	H	DOU <sub>T</sub>	Read	Active

### DC Electrical Characteristics TA = 0°C to +70°C, VCC = 5V ± 10% (Notes 1 and 2)

Symbol	Parameter	Conditions	NMC2148H-L NMC2148H-3L		NMC2148H NMC2148H-2 NMC2148H-3		Units
			Min	Max	Min	Max	
ILI	Input Load Current (All Input Pins)	VIN = 0V to 5.5V, VCC = Max		10		10	μA
ILO	Output Leakage Current	$\overline{CS}$ = VIH, VOUT = GND to 4.5V, VCC = Max		50		50	μA
VIL	Input Low Voltage		-2.5	0.8	-2.5	0.8	V
VIH	Input High Voltage		2.1	6.0	2.1	6.0	V
VOL	Output Low Voltage	IOL = 8.0 mA		0.4		0.4	V
VOH	Output High Voltage	IOH = -4.0 mA	2.4		2.4		V
ICC	Power Supply Current	VIN = 5.5V, TA = 0°C, Output Open		125		180	mA
ISB	Standby Current	VCC = Min to Max, $\overline{CS}$ = VIH		20		30	mA
IPO	Peak Power-On Current	VCC = VSS to VCC Min, $\overline{CS}$ = Lower of VCC or VIH Min		30		40	mA
IOS	Output Short Circuit Current	VOUT = GND to VCC		250		250	mA

### Capacitance TA = 25°C, f = 1.0 MHz (Note 3)

Symbol	Parameter	Conditions	Min	Max	Units
CIN	Address/Control Capacitance	VIN = 0V		5	pF
CI/O	Input/Output Capacitance	VI/O = 0V		7	pF

**Note 1:** The operating ambient temperature range is guaranteed with transverse air flow exceeding 400 linear feet per minute.

**Note 2:** These circuits require 500 μs time delay after VCC reaches the specified minimum limit to ensure proper operation after power-on. This allows the internally generated substrate bias to reach its functional level.

**Note 3:** This parameter is guaranteed by periodic testing.

### AC Test Conditions

Input Test Levels	GND to 3.0V
Input Rise and Fall Times	5 ns
Input Timing Reference Level	1.5V
Output Timing Reference Levels	0.8V and 2.0V
Output Load	See Figure 1

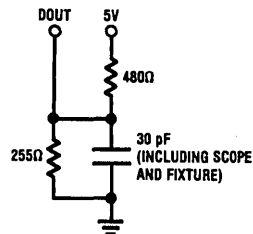


FIGURE 1. Output Load

TL/D/7404-4

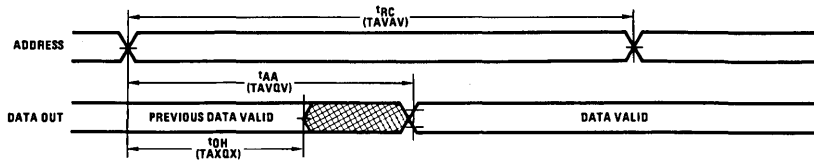
## Read Cycle AC Electrical Characteristics TA = 0°C to +70°C, VCC = 5V ± 10% (Note 1)

Symbol		Parameter	NMC2148H-2		NMC2148H-3 NMC2148H-3L		NMC2148H NMC2148H-L		Units
Alternate	Standard		Min	Max	Min	Max	Min	Max	
t <sub>RC</sub>	TAVAV	Read Cycle Time	45		55		70		ns
t <sub>AA</sub>	TAVQV	Address Access Time		45		55		70	ns
t <sub>ACS1</sub>	TSLQV1	Chip Select Access Time (Notes 4 and 5)		45		55		70	ns
t <sub>ACS2</sub>	TLSQV2	Chip Select Access Time (Notes 4 and 6)		55		65		80	ns
t <sub>LZ</sub>	TSLQX	Chip Select to Output Active (Note 7)	20		20		20		ns
t <sub>HZ</sub>	TSHQZ	Chip Deselect to Output TRI-STATE (Note 7)	0	20	0	20	0	20	ns
t <sub>OH</sub>	TAXQX	Output Hold from Address Change	5		5		5		ns
t <sub>PU</sub>	TSLIH	Chip Select to Power-Up	0		0		0		ns
t <sub>PD</sub>	TSHIL	Chip Deselect to Power-Down		30		30		30	ns

Max Access/Current	NMC2148H-2	NMC2148H-3	NMC2148H	NMC2148H-3L	NMC2148H-L
Access (TAVQV—ns)	45	55	70	55	70
Active Current (ICC—mA)	180	180	180	125	125
Standby Current (ISB—mA)	30	30	30	20	20

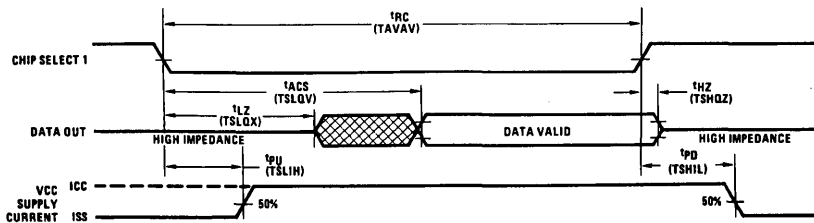
### Read Cycle Waveforms\*

Read Cycle 1 (Continuous Selection  $\overline{CS} = \text{VIL}, \overline{WE} = \text{VIH}$ )



TL/D/7404-5

Read Cycle 2 (Chip Select Switched,  $\overline{WE} = \text{VIH}$ ) (Note 4)



TL/D/7404-6

**Note 4:** Addresses must be valid coincident with or prior to the chip select transition from high to low.

**Note 5:** Chip deselected longer than 55 ns.

**Note 6:** Chip deselected less than 55 ns.

**Note 7:** Measured ± 50 mV from steady state voltage. This parameter is sampled and not 100% tested.

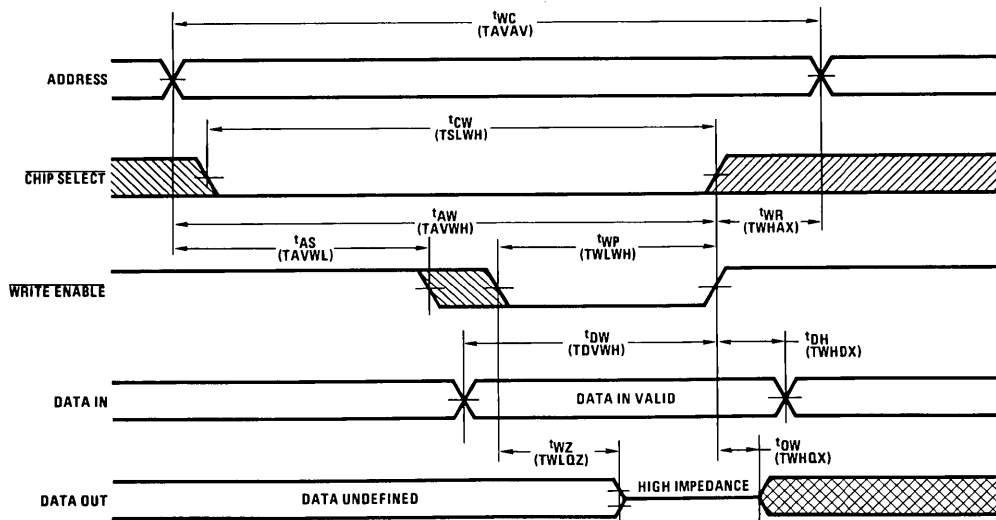
\*The symbols in parentheses are proposed industry standard.

## Write Cycle AC Electrical Characteristics TA = 0°C to +70°C, VCC = 5V ± 10% (Note 1)

Symbol		Parameter	NMC2148H-2		NMC2148H-3 NMC2148H-3L		NMC2148H NMC2148H-L		Units
			Min	Max	Min	Max	Min	Max	
Alternate	Standard								
t <sub>WC</sub>	TAVAV	Write Cycle Time	45		55		70		ns
t <sub>CW</sub>	TSLWH	Chip Select to End of Write	40		50		65		ns
t <sub>AW</sub>	TAVWH	Address Valid to End of Write	40		50		65		ns
t <sub>AS</sub>	TAVSL TAVWL	Address Set-Up Time	0		0		0		ns
t <sub>WP</sub>	TWLWH	Write Pulse Width	35		40		50		ns
t <sub>WR</sub>	TWHAX	Write Recovery Time	5		5		5		ns
t <sub>DW</sub>	TDVWH	Data Set-Up Time	20		20		25		ns
t <sub>DH</sub>	TWHDX	Data Hold Time	0		0		0		ns
t <sub>WZ</sub>	TWLQZ	Write Enable to Output TRI-STATE (Note 7)	0	15	0	20	0	25	ns
t <sub>OW</sub>	TWHQX	Output Active from End of Write (Note 7)	0		0		0		ns

### Write Cycle Waveforms\* (Note 8)

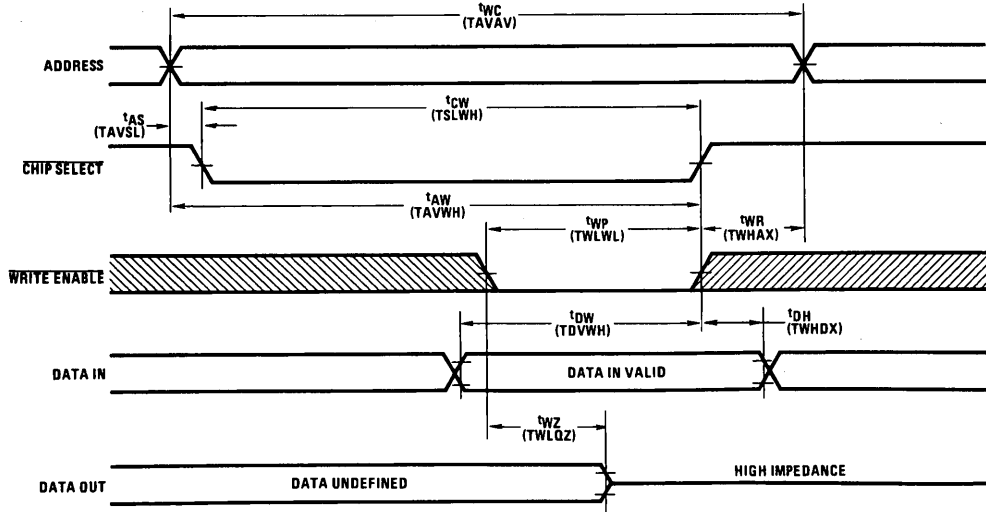
Write Cycle 1 (Write Enable Limited)



TL/D/7404-7

**Write Cycle Waveforms\*** (Note 8) (Continued)

**Write Cycle 2 (Chip Select Limited)**



TL/D/7404-8

**Note 8:** The output remains TRI-STATE if the  $\overline{CS}$  and  $\overline{WE}$  go high simultaneously.  $\overline{WE}$  or  $\overline{CS}$  or both must be high during the address transitions to prevent an erroneous write.

\*Symbols in parentheses are proposed industry standard.

# DM75S68/DM85S68/DM75S68A/DM85S68A

## 16 x 4 Edge Triggered Registers

### General Description

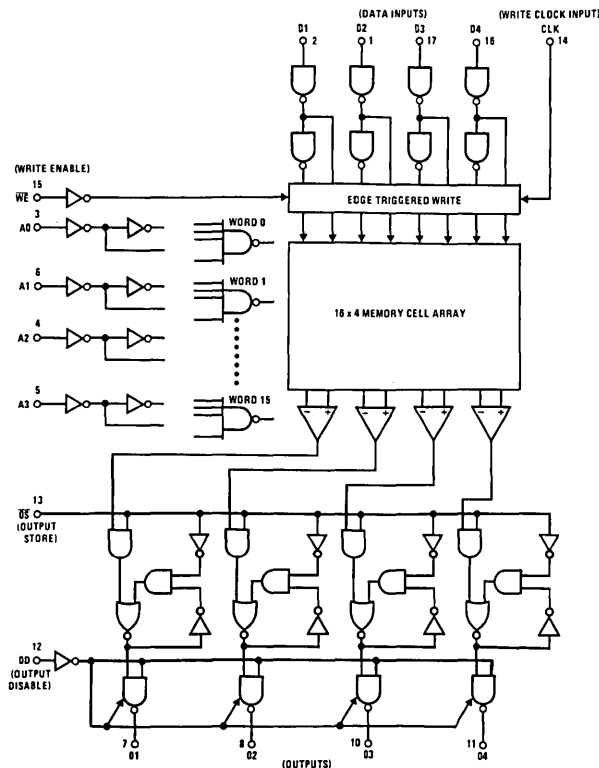
These Schottky memories are addressable "D" register files. Any of its 16 four-bit words may be asynchronously read or may be written into on the next clock transition. An input terminal is provided to enable or disable the synchronous writing of the input data into the location specified by the address terminals. An output disable terminal operates only as a TRI-STATE® output control terminal. The addressable register data may be latched at the outputs and retained as long as the output store terminal is held in a low state. This memory storage condition is independent of the state of the output disable terminal.

All input terminals are high impedance at all times, and all outputs have low impedance active drive logic states and the high impedance TRI-STATE condition.

### Features

- On-chip output register
- PNP inputs reduce input loading
- Edge triggered write
- High speed—20 ns typ
- All parameters guaranteed over temperature
- TRI-STATE output
- Schottky-clamped for high speed
- Optimized for register stack applications
- Typical power dissipation—350 mW

### Logic and Block Diagram



#### Pin Names

A <sub>0</sub> -A <sub>3</sub>	Address Inputs
D <sub>1</sub> -D <sub>4</sub>	Data Inputs
O <sub>1</sub> -O <sub>4</sub>	Data Outputs
$\overline{WE}$	Write Enable
CLK	Write Clock Input
$\overline{OS}$	Output Store
OD	Output Disable

O <sub>D</sub>	$\overline{WE}$	CLK	$\overline{OS}$	MODE	OUTPUTS
0	X	X	0	Output Store	Data From Last Addressed Location
X	0	—	X	Write Data	Dependent on State of OD and $\overline{OS}$
0	X	X	1	Read Data	Data Stored in Addressed Location
1	X	X	0	Output Store	High Impedance State
1	X	X	1	Output Disable	High Impedance State

0 = Low Level  
1 = High Level  
X = Don't Care

TL/F/9233-1

### Absolute Maximum Ratings (Note 1)

If Military/Aerospace specified devices are required, please contact the National Semiconductor Sales Office/Distributors for availability and specifications.

Supply Voltage	7.0V
Input Voltage	5.5V
Output Voltage	5.5V
Storage Temperature Range	-65°C to +150°C
Temperature (Soldering, 10 sec.)	300°C

### Operating Conditions

	Min	Max	Units
Supply Voltage, $V_{CC}$			
DM85S68/DM85S68A	4.75	5.25	V
DM75S68/DM75S68A	4.5	5.5	V
Temperature, $T_A$			
DM85S68/DM85S68A	0	70	°C
DM75S68/DM75S68A	-55	+125	°C

### Electrical Characteristics

over recommended operating free-air temperature range unless otherwise noted (Notes 2 and 3)

Symbol	Parameter	Conditions	Min	Typ	Max	Units
$V_{IH}$	High Level Input Voltage		2			V
$V_{IL}$	Low Level Input Voltage				0.8	V
$V_{OH}$	High Level Output Voltage	$V_{CC} = \text{Min}$	$I_{OH} = -2.0 \text{ mA}$ , DM75S68/DM75S68A	2.4		V
			$I_{OH} = -5.2 \text{ mA}$ , DM85S68/DM85S68A	2.4		V
$V_{OL}$	Low Level Output Voltage	$V_{CC} = \text{Min}$ , $I_{OL} = 16 \text{ mA}$	DM75S68/DM75S68A		0.5	V
			DM85S68/DM85S68A		0.45	V
$I_{IH}$	High Level Input Current	$V_{CC} = \text{Max}$ , $V_{IH} = 2.4\text{V}$			25	$\mu\text{A}$
$I_I$	High Level Input Current at Maximum Voltage	$V_{CC} = \text{Max}$ , $V_{IH} = 5.5\text{V}$			50	$\mu\text{A}$
$I_{IL}$	Low Level Input Current	$V_{CC} = \text{Max}$ , $V_{IL} = 0.5\text{V}$	Clock Input		-500	$\mu\text{A}$
			All Others		-250	$\mu\text{A}$
$I_{OS}$	Short Circuit Output Current (Note 4)	$V_{CC} = \text{Max}$ , $V_{OL} = 0\text{V}$	-20		-55	mA
$I_{CC}$	Supply Current	$V_{CC} = \text{Max}$		70	100	mA
$V_{IC}$	Input Clamp Voltage	$V_{CC} = \text{Min}$ , $I_{IN} = -18 \text{ mA}$			-1.2	V
$I_{OZ}$	TRI-STATE Output Current	$V_{CC} = \text{Max}$	$V_O = 2.4\text{V}$		+40	$\mu\text{A}$
			$V_O = 0.5\text{V}$		-40	$\mu\text{A}$

**Note 1:** "Absolute Maximum Ratings" are those values beyond which the safety of the device cannot be guaranteed. Except for "Operating Temperature Range" they are not meant to imply that the devices should be operated at these limits. The table of "Electrical Characteristics" provides conditions for actual device operation.

**Note 2:** Unless otherwise specified min/max limits apply across the -55°C to +125°C temperature range for the DM75S68/DM75S68A and across the 0°C to +70°C range for the DM85S68/DM85S68A. All typicals are given for  $V_{CC} = 5.0\text{V}$  and  $T_A = 25^\circ\text{C}$ .

**Note 3:** All currents into device pins shown as positive, out of device pins as negative, all voltages referenced to ground unless otherwise noted. All values shown as max or min on absolute value basis.

**Note 4:** Only one output at a time should be shorted.

### Switching Characteristics over recommended operating range of $T_A$ and $V_{CC}$ unless otherwise noted

Symbol	Parameter	DM75S68		DM85S68		DM75S68A		DM85S68A		Units
		Min	Max	Min	Max	Min	Max	Min	Max	
$t_{ZH}$	Output Enable to High Level		40		35		40		35	ns
$t_{ZL}$	Output Enable to Low Level		30		24		30		24	ns
$t_{HZ}$	Output Disable Time from High Level		35		15		35		15	ns
$t_{LZ}$	Output Disable Time from Low Level		35		18		35		18	ns
$t_{AA}$	Access Time	Address to Output		55	40	45	24			ns
		Output Store to Output		35	30	35	20			ns
		Clock to Output		50	40	50	35			ns



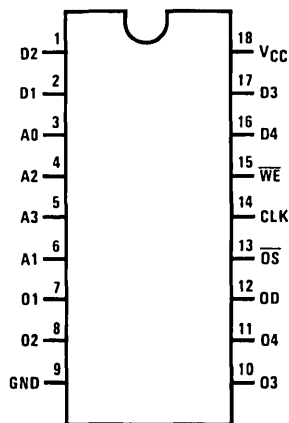
## Switching Characteristics

over recommended operating range of  $T_A$  and  $V_{CC}$  unless otherwise noted (Continued)

Symbol	Parameter		DM75S68		DM85S68		DM75S68A		DM85S68A		Units
			Min	Max	Min	Max	Min	Max	Min	Max	
$t_{ASC}$	Set-Up Time	Address to Clock	25		15		25		15		ns
$t_{DSC}$		Data to Clock	15		5		15		5		ns
$t_{ASOS}$		Address to Output Store	40		30		40		10		ns
$t_{WESC}$		Write Enable Set-Up Time	10		5		10		5		ns
$t_{OSSC}$		Store before Write	15		10		15		10		ns
$t_{AHC}$	Hold Time	Address from Clock	15		10		15		10		ns
$t_{DHC}$		Data from Clock	20		15		20		15		ns
$t_{AHOS}$		Address from Output Store	10		5		10		2		ns
$t_{WEHC}$		Write Enable Hold Time	20		15		20		10		ns

## Connection Diagram

Dual-In-Line Package

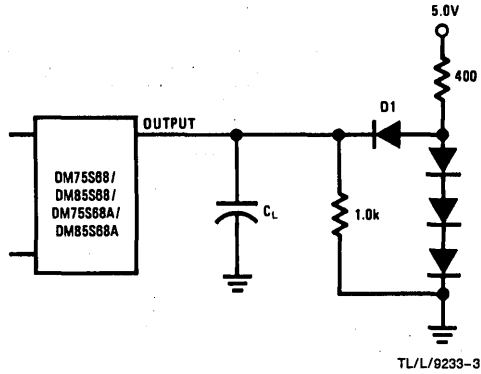


TL/F/9233-2

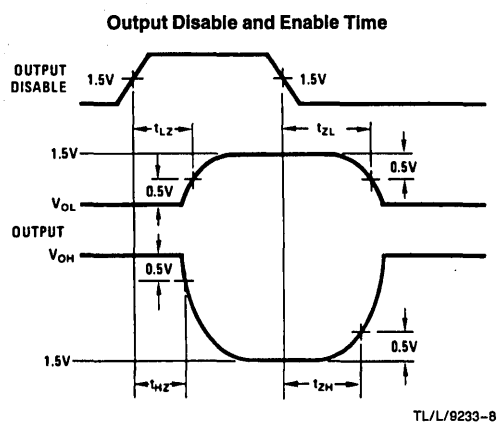
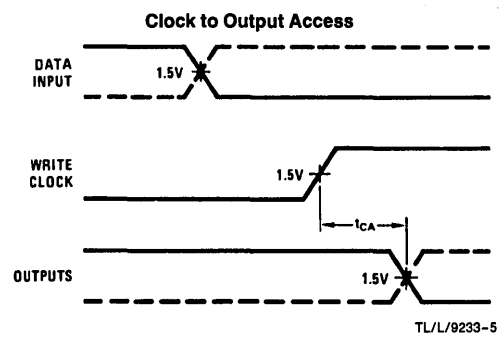
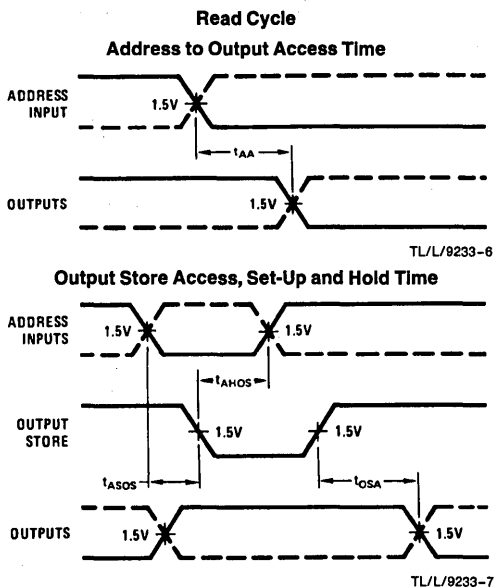
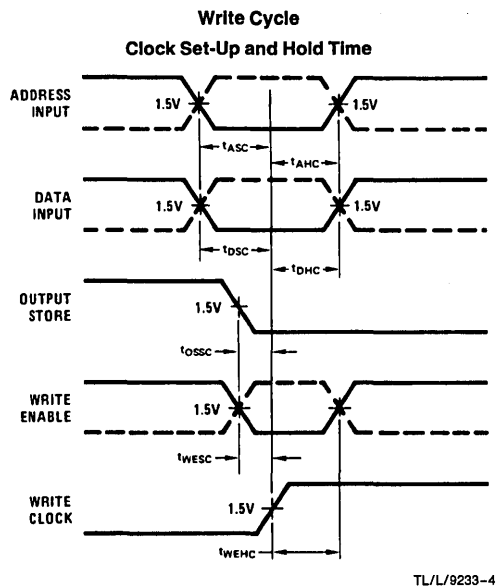
Top View

Order Number DM75S68J, DM85S68J,  
DM85S68N, DM75S68AJ,  
DM85S68AJ or DM85S68AN  
See NS Package  
Number J18A or N18A

# AC Test Circuit and Switching Time Waveforms



$C_L = 5.0 \text{ pF}$  for  $t_{HZ}$ ,  $t_{LZ}$   
 $C_L = 30 \text{ pF}$  for all others  
 $C_L$  includes probe and jig capacitance  
 All diodes are 1N3064



Note: Input waveforms supplied by pulse generator having the following characteristics:  $V = 3.0V$ ,  $t_R \leq 2.5 \text{ ns}$ ,  $PRR \leq 1.0 \text{ MHz}$  and  $Z_{OUT} = 50M$ .



**Section 6**  
**Appendices/**  
**Physical Dimensions**



## **Section 6 Contents**

START™ Surface Mount Tape-and-Reel Specification .....	6-3
Physical Dimensions .....	6-31
Bookshelf	
Distributors	

# STAR™ Surface Mount Tape-and-Reel Specification

## General Description

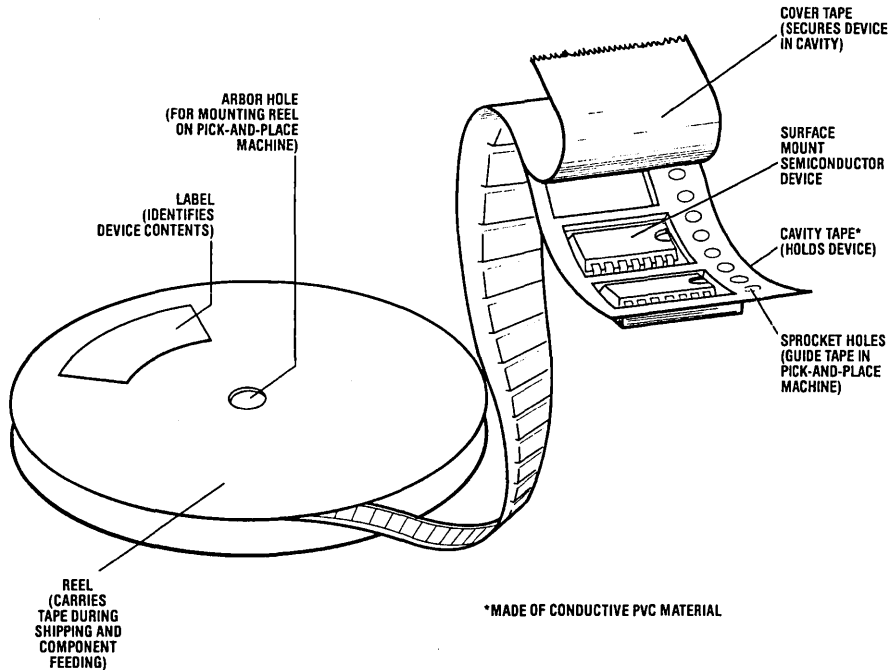
Tape-and-Reel is a new method for shipment of surface mount devices. This approach simplifies the handling of semiconductors for automated circuit board assembly systems. A Tape-and-Reel holds hundreds-to-thousands of surface mount devices (as compared with less than 100 devices in a rail), so that pick-and-place machines have to be reloaded less frequently. This savings in labor will further reduce manufacturing costs for automated circuit board assembly.

## Features

- Conductive PVC material reduces static charge build-up
- Fully meets proposed EIA standard RS-481A (taping of surface-mounted components for automatic placing)

- Fully compatible with National's surface mount package types
- Variable code density code 39 bar code label for Automated Inventory Management availability
- Mechanical samples of surface mount packages available in Tape-and-Reel for automated assembly process development
- Single Tape-and-Reel holds hundreds-to-thousands of surface mount semiconductors for additional labor savings
- Conductive cover Tape-and-Reel availability
- Reels individually packed

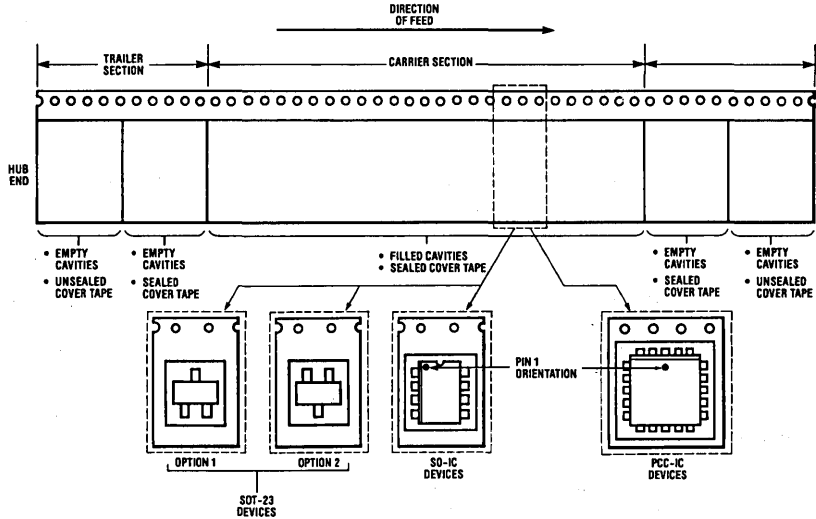
## Tape-and-Reel Diagram



TL/HH/8352-1

# Tape-and-Reel Overview

## TAPE FORMAT AND DEVICE ORIENTATION



TL/HH/8352-2

		Page			Page
<b>Small Outline Transistor</b>	SOT-23 (High Profile)	3	<b>Plastic Chip Carrier IC (PLCC-IC)</b>	PLCC-20	11
	SOT-23 (Low Profile)	3		PLCC-28	12
<b>Small Outline IC (SO-IC)</b>	SO-8 (Narrow)	4		PLCC-44	13
	SO-14 (Narrow)	5		PLCC-68	14
	SO-14 (Wide)	6		PLCC-84	15
	SO-16 (Narrow)	7			
	SO-16 (Wide)	8			
	SO-20 (Wide)	9			
	SO-24 (Wide)	10			

### MATERIALS

- Cavity Tape: Conductive PVC (less than  $10^5 \Omega/Sq$ )
- Cover Tape: Polyester
  1. Conductive Cover available
- Reel: 1. Solid 80 pt. Fibreboard (standard)
  2. Conductive Fibreboard available
  3. Conductive Plastic (PVC) available

### LABEL

Human and machine readable label is provided on reel. A variable (C.P.I.) density code 39 is available. NSC STD Label (7.6 C.P.I.).

#### Field

- Lot Number
- Date Code
- Revision Level
- National Part No. I.D.
- Quantity

Fields are separated by at least one blank space.

Future Tape-and-Reel packs will also include a smaller-size bar code label (high-density code 39) at the beginning of the tape. (This tape label is not available on current production.)

National Semiconductor will also offer additional labels containing information per your specific specification.

#### Example:

LOT: EP639363K027      D/C: M8644      R:   
 NATIONAL SEMICONDUCTOR PART NUMBER      QTY: 2500

TL/HH/8352-3



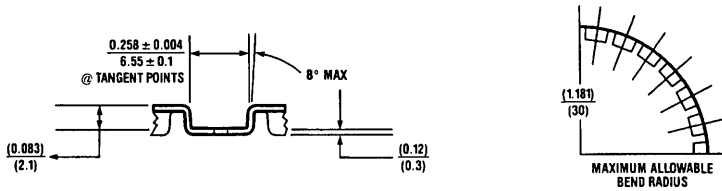
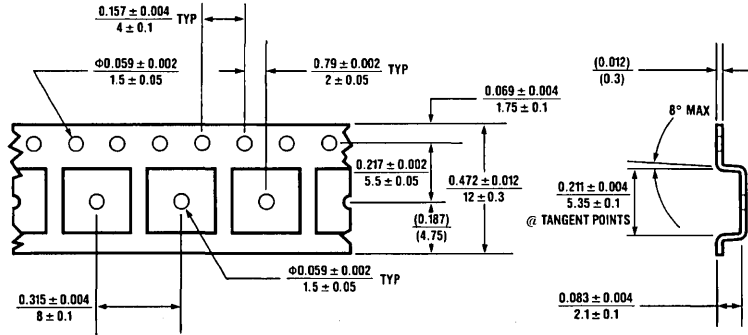
# SO-8 (Narrow)

## TAPE FORMAT

Direction of Feed ↑

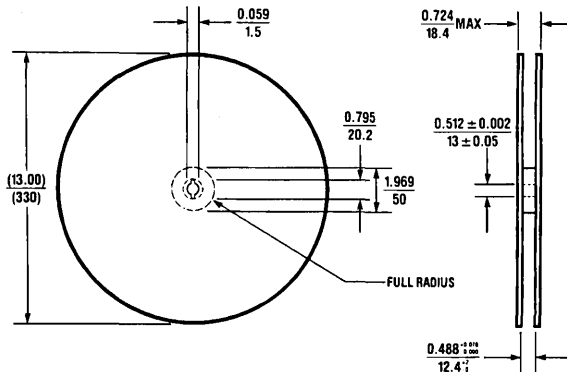
Tape Section	# Cavities	Cavity Status	Cover Tape Status
Leader (Start End)	5 (min)	Empty	Unsealed
	5 (min)	Empty	Sealed
Carrier	2500	Filled	Sealed
Trailer (Hub End)	2 (min)	Empty	Sealed
	2 (min)	Empty	Unsealed

## TAPE DIMENSIONS



TL/HH/8352-6

## REEL DIMENSIONS



TL/HH/8352-7



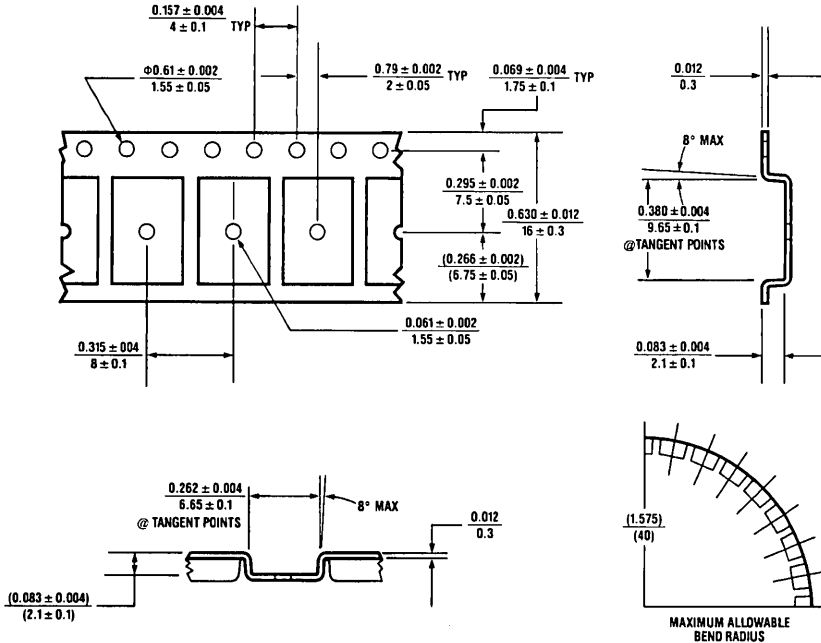
# SO-14 (Narrow)

## TAPE FORMAT

Direction of Feed ↑

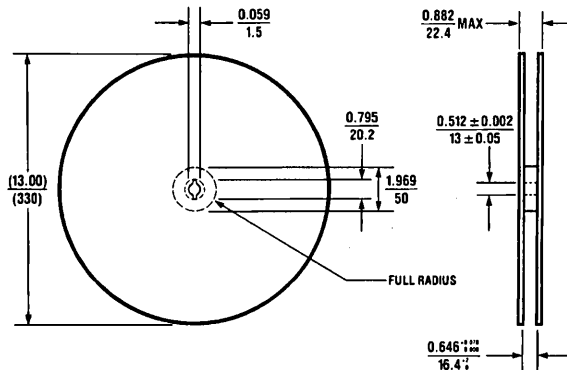
Tape Section	# Cavities	Cavity Status	Cover Tape Status
Leader (Start End)	5 (min)	Empty	Unsealed
	5 (min)	Empty	Sealed
Carrier	2500	Filled	Sealed
Trailer (Hub End)	2 (min)	Empty	Sealed
	2 (min)	Empty	Unsealed

## TAPE DIMENSIONS



TL/HH/8352-8

## REEL DIMENSIONS



TL/HH/8352-9

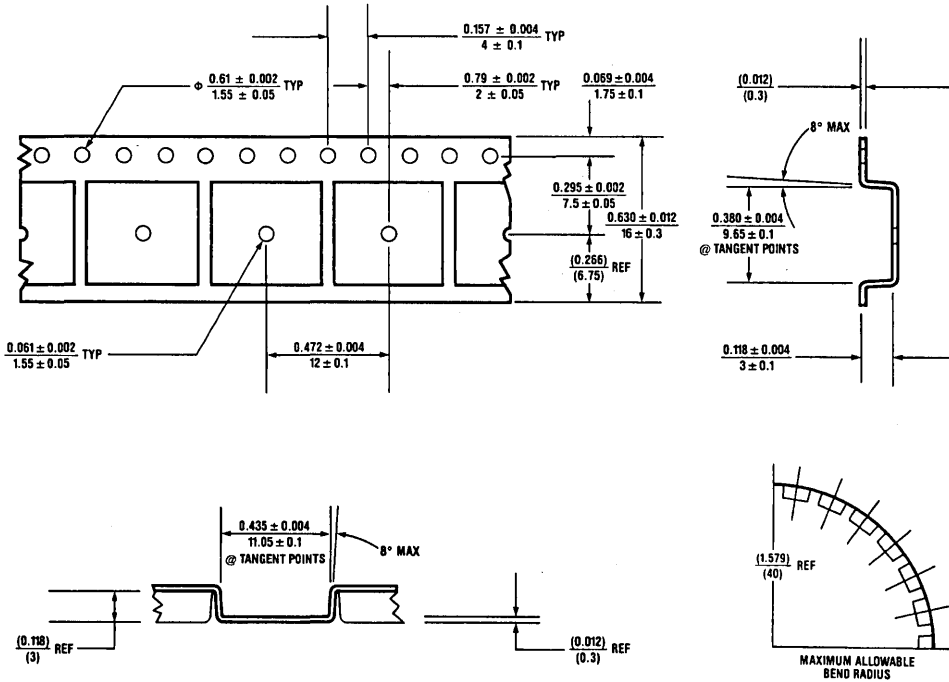
# SO-14 (Wide)

## TAPE FORMAT

Direction of Feed ↑

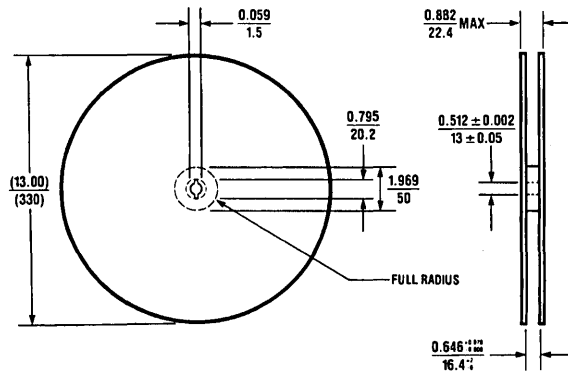
Tape Section	# Cavities	Cavity Status	Cover Tape Status
Leader (Start End)	5 (min)	Empty	Unsealed
	5 (min)	Empty	Sealed
Carrier	1000	Filled	Sealed
Trailer (Hub End)	2 (min)	Empty	Sealed
	2 (min)	Empty	Unsealed

## TAPE DIMENSIONS



TL/HH/8352-10

## REEL DIMENSIONS



TL/HH/8352-11

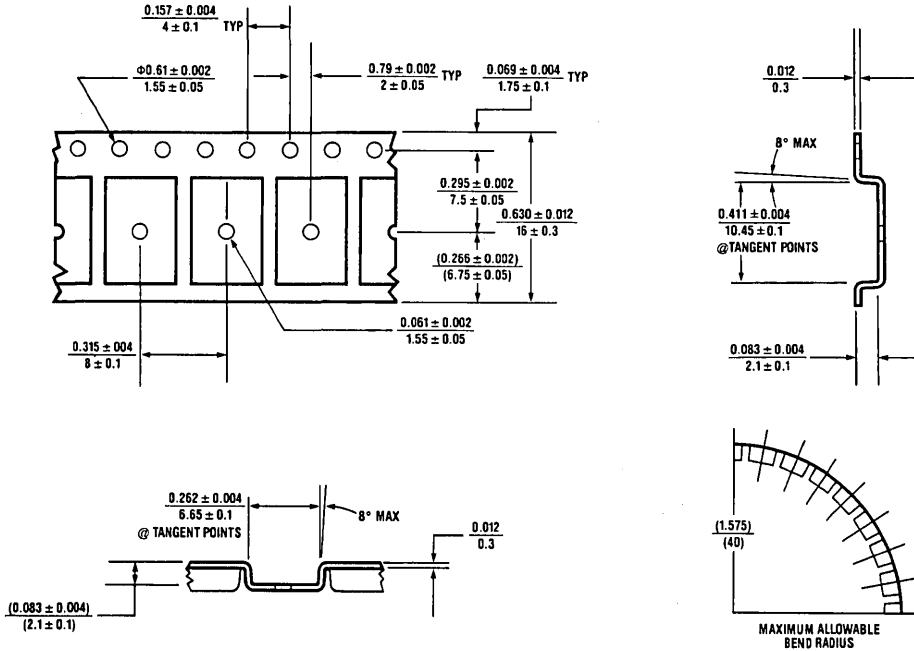
# SO-16 (Narrow)

## TAPE FORMAT

Direction of Feed ↑

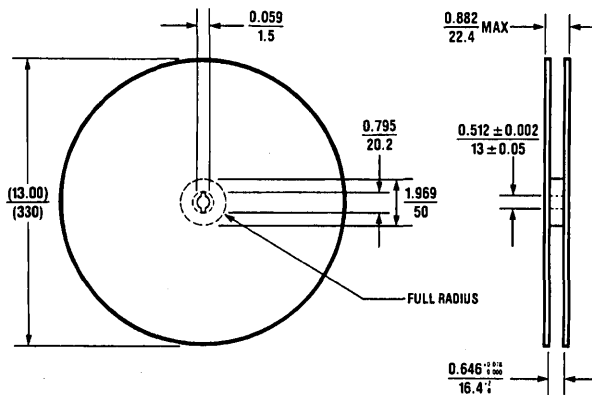
Tape Section	# Cavities	Cavity Status	Cover Tape Status
Leader (Start End)	5 (min)	Empty	Unsealed
	5 (min)	Empty	Sealed
Carrier	2500	Filled	Sealed
Trailer (Hub End)	2 (min)	Empty	Sealed
	2 (min)	Empty	Unsealed

## TAPE DIMENSIONS



TL/HH/8352-12

## REEL DIMENSIONS



TL/HH/8352-13

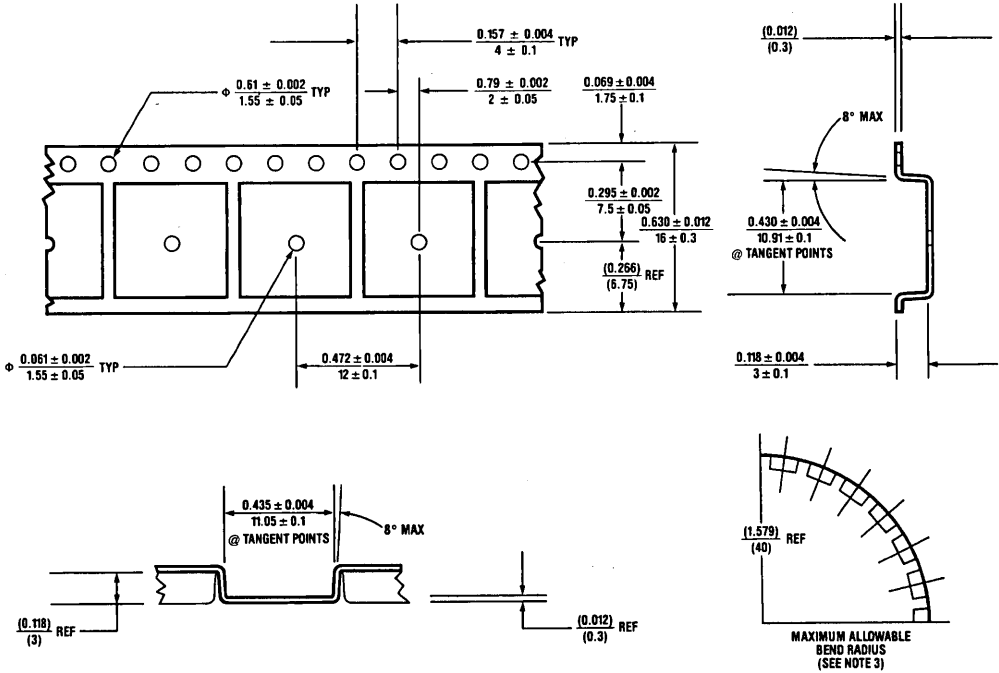
# SO-16 (Wide)

## TAPE FORMAT

Direction of Feed ↑

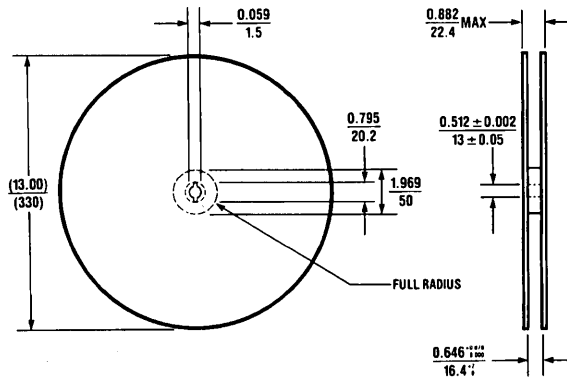
Tape Section	# Cavities	Cavity Status	Cover Tape Status
Leader (Start End)	5 (min)	Empty	Unsealed
	5 (min)	Empty	Sealed
Carrier	1000	Filled	Sealed
Trailer (Hub End)	2 (min)	Empty	Sealed
	2 (min)	Empty	Unsealed

## TAPE DIMENSIONS



TL/HH/8352-14

## REEL DIMENSIONS



TL/HH/8352-15



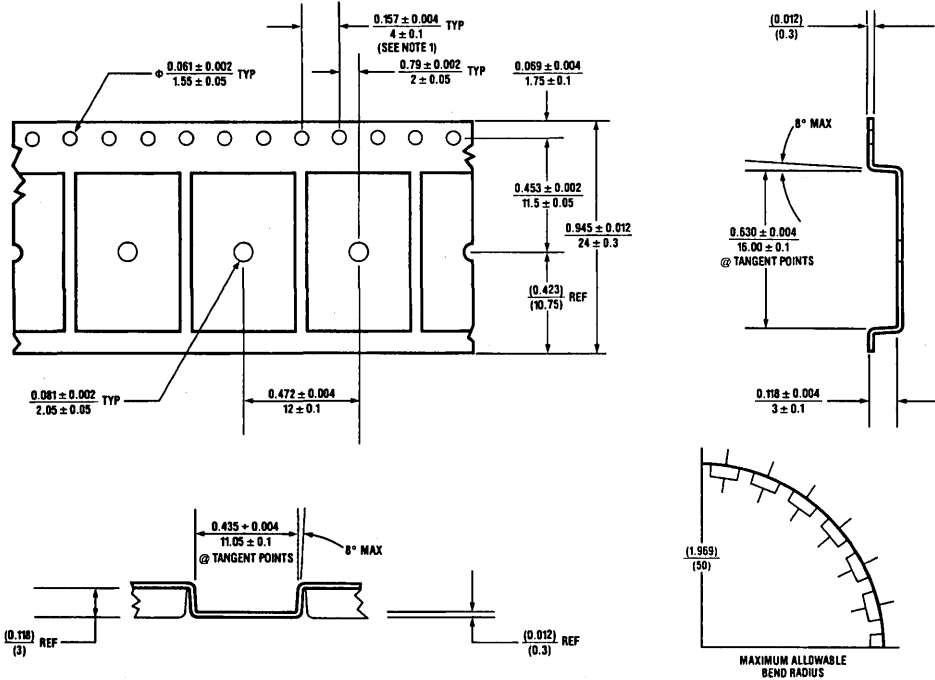
# SO-24 (Wide)

## TAPE FORMAT

Direction of Feed ↑

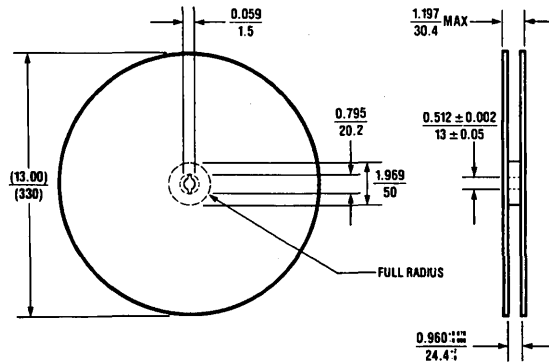
Tape Section	# Cavities	Cavity Status	Cover Tape Status
Leader (Start End)	5 (min)	Empty	Unsealed
	5 (min)	Empty	Sealed
Carrier	1000	Filled	Sealed
Trailer (Hub End)	2 (min)	Empty	Sealed
	2 (min)	Empty	Unsealed

## TAPE DIMENSIONS



TL/HH/8352-18

## REEL DIMENSIONS



TL/HH/8352-19

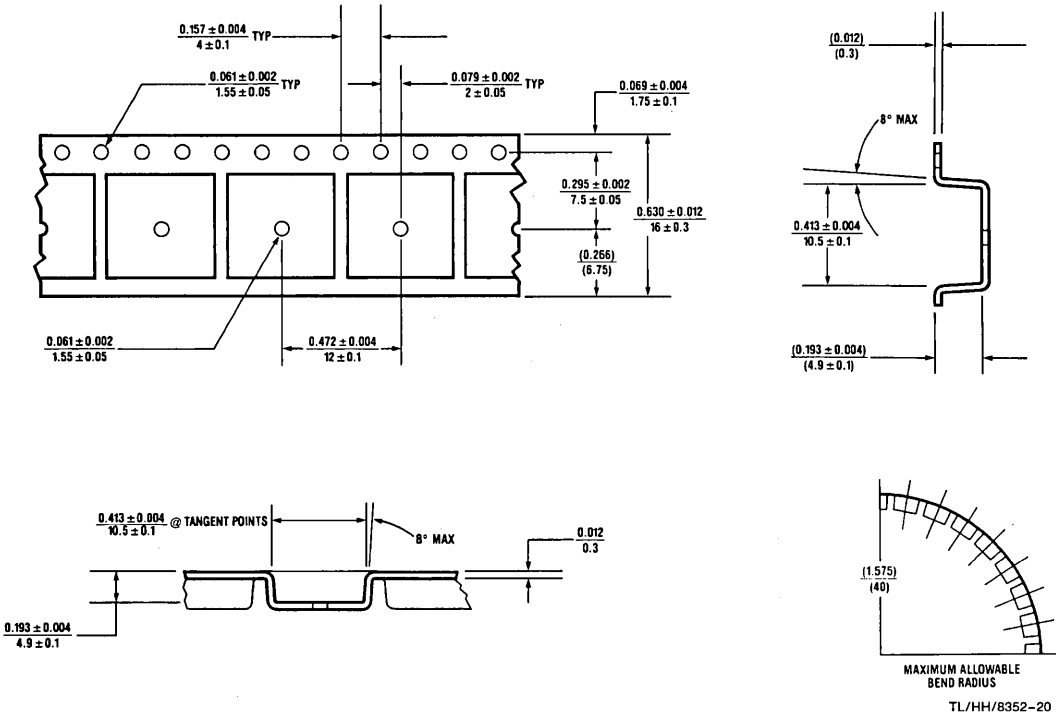
# PLCC-20

## TAPE FORMAT

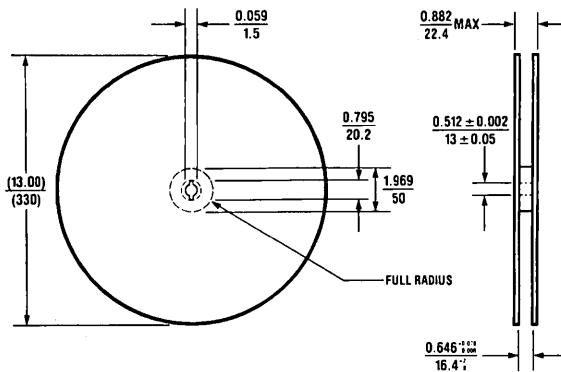
Direction of Feed ↑

Tape Section	# Cavities	Cavity Status	Cover Tape Status
Leader (Start End)	5 (min)	Empty	Unsealed
	5 (min)	Empty	Sealed
Carrier	1000	Filled	Sealed
Trailer (Hub End)	2 (min)	Empty	Sealed
	2 (min)	Empty	Unsealed

## TAPE DIMENSIONS



## REEL DIMENSIONS



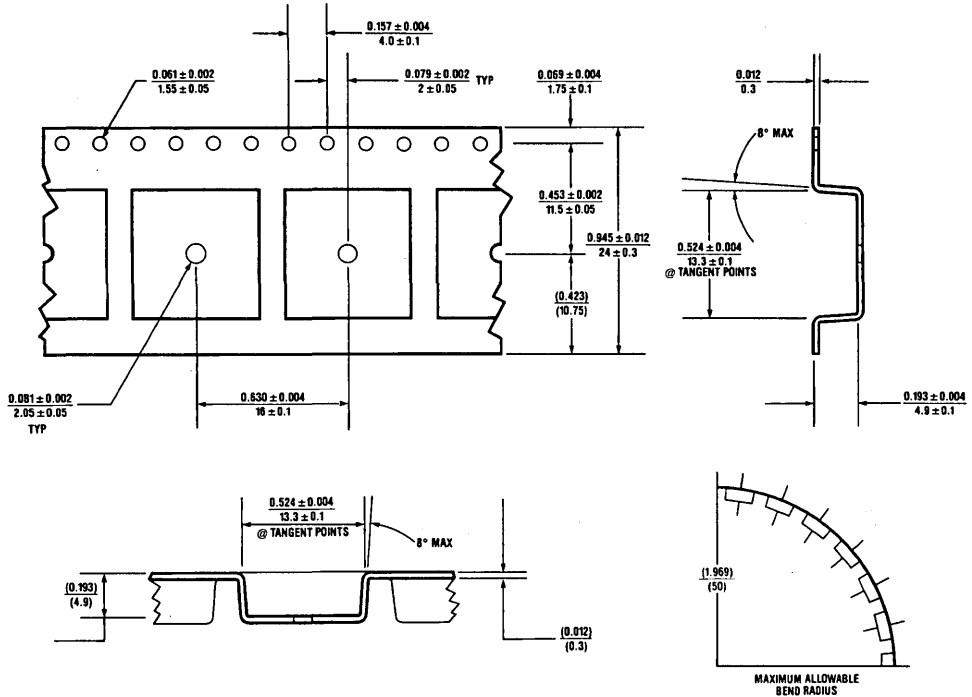
# PLCC-28

## TAPE FORMAT

Direction of Feed ↑

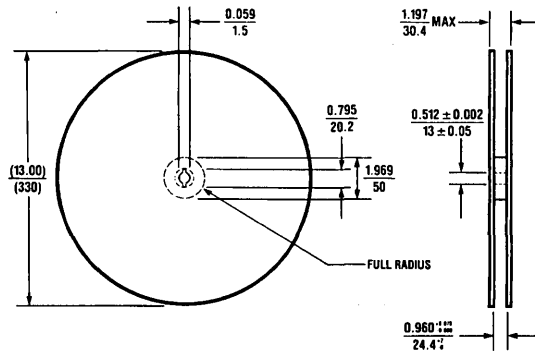
Tape Section	# Cavities	Cavity Status	Cover Tape Status
Leader (Start End)	5 (min)	Empty	Unsealed
	5 (min)	Empty	Sealed
Carrier	750	Filled	Sealed
Trailer (Hub End)	2 (min)	Empty	Sealed
	2 (min)	Empty	Unsealed

## TAPE DIMENSIONS



TL/HH/8352-22

## REEL DIMENSIONS



TL/HH/8352-23

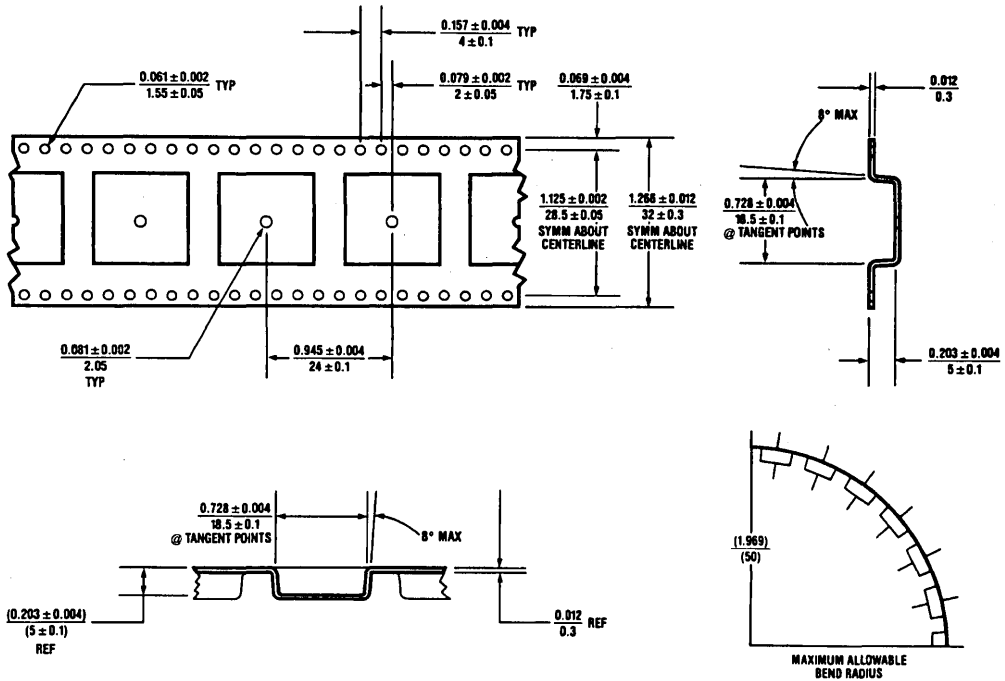


PLCC-44

Direction of Feed ↑

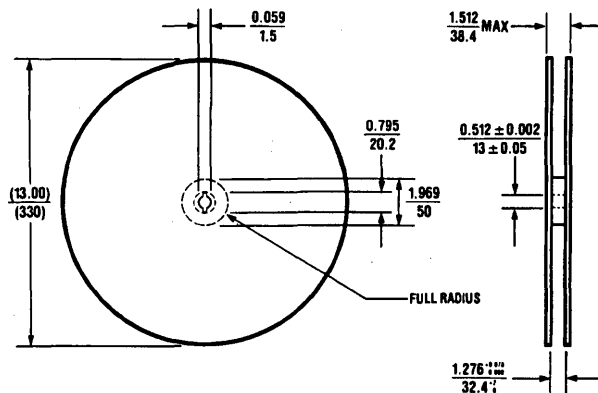
Tape Section	# Cavities	Cavity Status	Cover Tape Status
Leader (Start End)	5 (min)	Empty	Unsealed
	5 (min)	Empty	Sealed
Carrier	500	Filled	Sealed
Trailer (Hub End)	2 (min)	Empty	Sealed
	2 (min)	Empty	Unsealed

TAPE DIMENSIONS



TL/HH/8352-24

REEL DIMENSIONS



TL/HH/8352-25

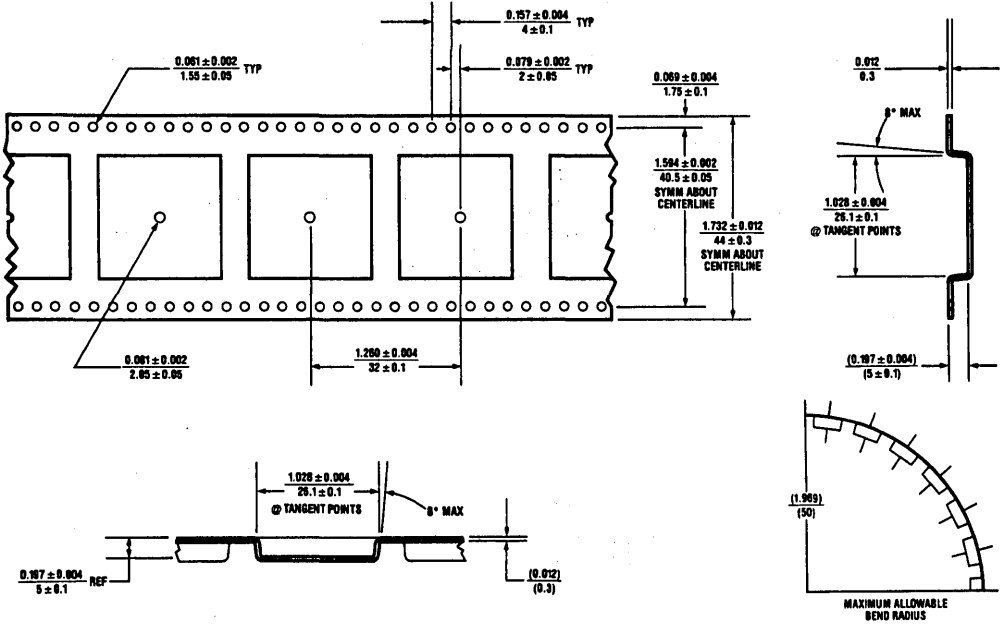
PLCC-68

TAPE FORMAT

Direction of Feed ↑

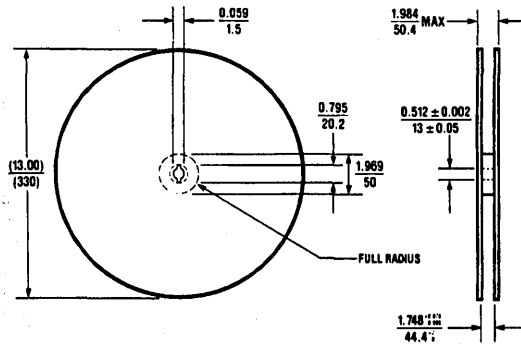
Tape Section	# Cavities	Cavity Status	Cover Tape Status
Leader (Start End)	5 (min)	Empty	Unsealed
	5 (min)	Empty	Sealed
Carrier	250	Filled	Sealed
Trailer (Hub End)	2 (min)	Empty	Sealed
	2 (min)	Empty	Unsealed

TAPE DIMENSIONS



TL/HH/8352-26

REEL DIMENSIONS



TL/HH/8352-27

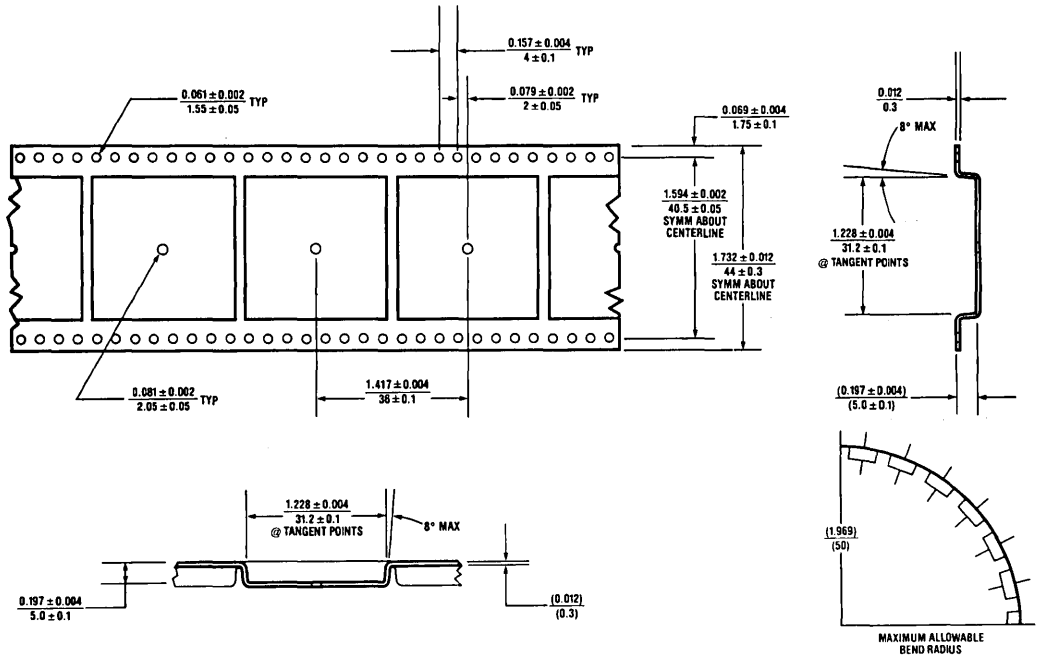
# PLCC-84

## TAPE FORMAT

Direction of Feed ↑

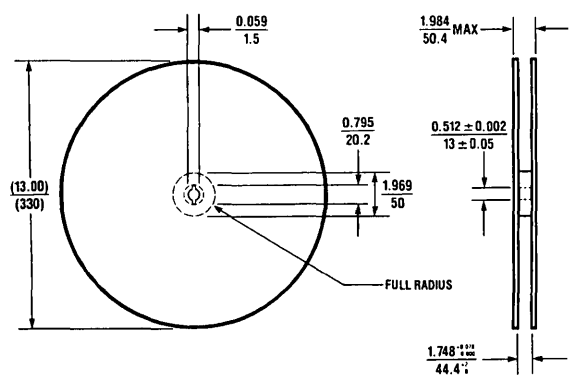
Tape Section	# Cavities	Cavity Status	Cover Tape Status
Leader (Start End)	5 (min)	Empty	Unsealed
	5 (min)	Empty	Sealed
Carrier	250	Filled	Sealed
Trailer (Hub End)	2 (min)	Empty	Sealed
	2 (min)	Empty	Unsealed

## TAPE DIMENSIONS



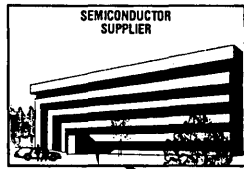
TL/HH/8352-28

## REEL DIMENSIONS



TL/HH/8352-29

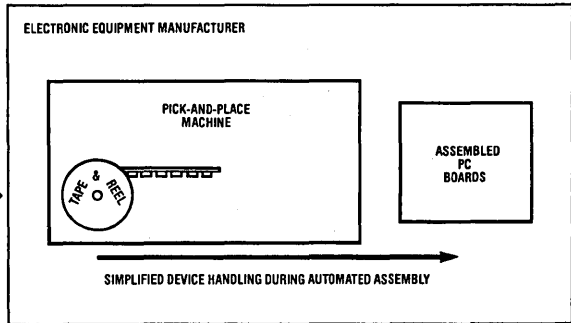
## Application—Total System Saving



SIMPLIFIED  
DEVICE  
HANDLING  
DURING  
SHIPMENT



TAPE-AND-REEL IMPROVES THE COST SAVINGS OF AUTOMATED ASSEMBLY BY REDUCING THE LABOR INVOLVED WITH DEVICE HANDLING.



TL/HH/8352-32

Cost pressures today are forcing many electronics manufacturers to automate their production lines. Surface mount technology plays a key role in this cost-savings trend because:

1. The mounting of devices on the PC board surface eliminates the expense of drilling holes;
2. The use of pick-and-place machines to assemble the PC boards greatly reduces labor costs;
3. The lighter and more compact assembled products resulting from the smaller dimensions of surface mount packages mean lower material costs.

Production processes now permit both surface mount and insertion mount components to be assembled on the same PC board.

Automated manufacturers can improve their cost savings by using Tape-and-Reel for surface mount devices. Simplified handling results because hundreds-to-thousands of semiconductors are carried on a single Tape-and-Reel pack (see the "Ordering Information" section for the exact quantities). With this higher device count per reel (when compared with less than 100 devices per rail), pick-and-place machines have to be re-loaded less frequently and lower labor costs result.

With Tape-and-Reel, manufacturers save twice—once from using surface mount technology for automated PC board assembly and again from less device handling during shipment and machine set-up.

## Ordering Information

When you order a surface mount semiconductor, it will be in one of the 15 available surface mount package types (see Appendix II for the physical dimensions of the surface

mount packages). Specifying the Tape-and-Reel method of shipment (Note 1) means that you will receive your devices in the following quantities per Tape-and-Reel pack:

		Device Quantity	
Small Outline Transistor	SOT-23 (High Profile) (Note 2)	10000	2500*
	SOT-23 (Low Profile) (Note 2)	10000	3000*
Small Outline IC	SO-8 (Narrow)	2500	
	SO-14 (Narrow)	2500	
	SO-14 (Wide)	1000	
	SO-16 (Narrow)	2500	
	SO-16 (Wide)	1000	
	SO-20 (Wide)	1000	
	SO-24 (Wide)	1000	
Plastic Chip Carrier IC	PLCC-20	1000	
	PLCC-28	750	
	PLCC-44	500	
	PLCC-68	250	
	PLCC-84	250	

\*This denotes 7" reel quantity availability.

**Note 1:** For small outline transistors, your order will automatically be shipped in Tape-and-Reel unless you indicate otherwise. For surface mount integrated circuits, your order will automatically be shipped in conductive rails unless you indicate "Tape-and-Reel" after the device description on your purchase order.

**Note 2:** Your SOT-23 devices will automatically have Option 1 orientation unless you indicate "Option 2 Orientation" after the device description on your purchase order (see "Tape-and-Reel Overview" for definition of SOT-23 orientations). In addition, your SOT-23 devices will automatically have the high-profile outline unless you indicate "Low-Profile Outline" after the device description on your purchase order (see "Appendix II—Physical Dimensions of Surface Mount Package" for definition of SOT-23 outlines).

Example: You order 5,000 LM324M ICs shipped in Tape-and-Reel.

- All 5,000 devices have the same date code
- You receive 2 SO-14 (Narrow) Tape-and-Reel packs, each having 2500 LM324M ICs

## Appendix I—Short-Form Procurement Specification

### TAPE FORMAT

→ Direction of Feed

Trailer (Hub End)		Carrier		Leader (Start End)	
Empty Cavities, min (Unsealed Cover Tape)	Empty Cavities, min (Sealed Cover Tape)	Filled Cavities (Sealed Cover Tape)		Empty Cavities, min Sealed Cover Tape)	Empty Cavities, min (Unsealed Cover Tape)

#### SMALL OUTLINE TRANSISTOR

SOT-23 (High Profile)	2	2	10000	2500*	5	5
SOT-23 (Low Profile)	2	2	10000	3000*	5	5

#### SMALL OUTLINE IC

SO-8 (Narrow)	2	2	2500		5	5
SO-14 (Narrow)	2	2	2500		5	5
SO-14 (Wide)	2	2	1000		5	5
SO-16 (Narrow)	2	2	2500		5	5
SO-16 (Wide)	2	2	1000		5	5
SO-20 (Wide)	2	2	1000		5	5
SO-24 (Wide)	2	2	1000		5	5

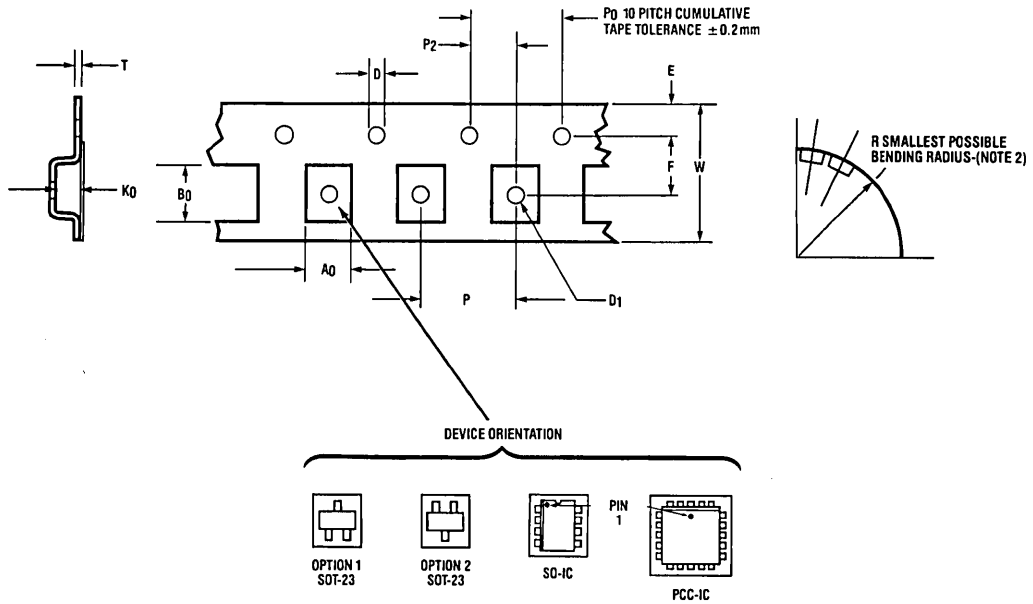
#### PLASTIC CHIP CARRIER IC

PLCC-20	2	2	1000		5	5
PLCC-28	2	2	750		5	5
PLCC-44	2	2	500		5	5
PLCC-68	2	2	250		5	5
PLCC-84	2	2	250		5	5

\*This denotes 7" reel quantity availability.

# Appendix I—Short-Form Procurement Specification (Continued)

## TAPE DIMENSIONS (24 Millimeter Tape or Less)



TL/HH/8352-33

	W	P	F	E	P <sub>2</sub>	P <sub>0</sub>	D	T	A <sub>0</sub>	B <sub>0</sub>	K <sub>0</sub>	D <sub>1</sub>	R
<b>SMALL OUTLINE TRANSISTOR</b>													
SOT-23 (High Profile)	8 ± .30	4.0 ± .10	3.5 ± .05	1.75 ± .10	2.0 ± .05	4.0 ± .10	1.55 ± .05	.30 ± .10	3.15 ± .05	2.55 ± .05	1.20 ± .05	1.05 ± .05	25
SOT-23 (Low Profile)	8 ± .30	4.0 ± .10	3.5 ± .05	1.75 ± .10	2.0 ± .05	4.0 ± .10	1.55 ± .05	.30 ± .10	3.15 ± .05	2.55 ± .05	1.20 ± .05	1.05 ± .05	25
<b>SMALL OUTLINE IC</b>													
SO-8 (Narrow)	12 ± .30	8.0 ± .10	5.5 ± .05	1.75 ± .10	2.0 ± .05	4.0 ± .10	1.55 ± .05	.30 ± .10	6.4 ± .10	5.2 ± .10	2.1 ± .10	1.55 ± .05	30
SO-14 (Narrow)	16 ± .30	8.0 ± .10	7.5 ± .10	1.75 ± .10	2.0 ± .05	4.0 ± .10	1.55 ± .05	.30 ± .10	6.5 ± .10	9.0 ± .10	2.1 ± .10	1.55 ± .05	40
SO-14 (Wide)	16 ± .30	12.0 ± .10	7.5 ± .10	1.75 ± .10	2.0 ± .05	4.0 ± .10	1.55 ± .05	.30 ± .10	10.9 ± .10	9.5 ± .10	3.0 ± .10	1.55 ± .05	40
SO-16 (Narrow)	16 ± .30	8.0 ± .10	7.5 ± .10	1.75 ± .10	2.0 ± .05	4.0 ± .10	1.55 ± .05	.30 ± .10	6.5 ± .10	10.3 ± .10	2.1 ± .10	1.55 ± .05	40
SO-16 (Wide)	16 ± .30	12.0 ± .10	5.5 ± .10	1.75 ± .10	2.0 ± .05	4.0 ± .10	1.55 ± .05	.30 ± .10	10.9 ± .10	10.76 ± .10	3.0 ± .10	1.55 ± .05	40
SO-20 (Wide)	24 ± .30	12.0 ± .10	11.5 ± .10	1.75 ± .10	2.0 ± .05	4.0 ± .10	1.55 ± .05	.30 ± .10	10.9 ± .10	13.3 ± .10	3.0 ± .10	2.05 ± .05	50
SO-24 (Wide)	24 ± .30	12.0 ± .10	11.5 ± .10	1.75 ± .10	2.0 ± .05	4.0 ± .10	1.55 ± .05	.30 ± .10	10.9 ± .10	15.85 ± .10	3.0 ± .10	2.05 ± .05	50
<b>PLASTIC CHIP CARRIER IC</b>													
PLCC-20	16 ± .30	12.0 ± .10	7.5 ± .10	1.75 ± .10	2.0 ± .05	4.0 ± .10	1.55 ± .05	.30 ± .10	9.3 ± .10	9.3 ± .10	4.9 ± .10	1.55 ± .05	40
PLCC-28	24 ± .30	16.0 ± .10	11.5 ± .10	1.75 ± .10	2.0 ± .05	4.0 ± .10	1.55 ± .05	.30 ± .10	13.0 ± .10	13.0 ± .10	4.9 ± .10	2.05 ± .05	50

**Note 1:** A<sub>0</sub>, B<sub>0</sub> and K<sub>0</sub> dimensions are measured 0.3 mm above the inside wall of the cavity bottom.

**Note 2:** Tape with components shall pass around a mandril radius R without damage.

**Note 3:** Cavity tape material shall be PVC conductive (less than 10<sup>5</sup> Ω/Sq).

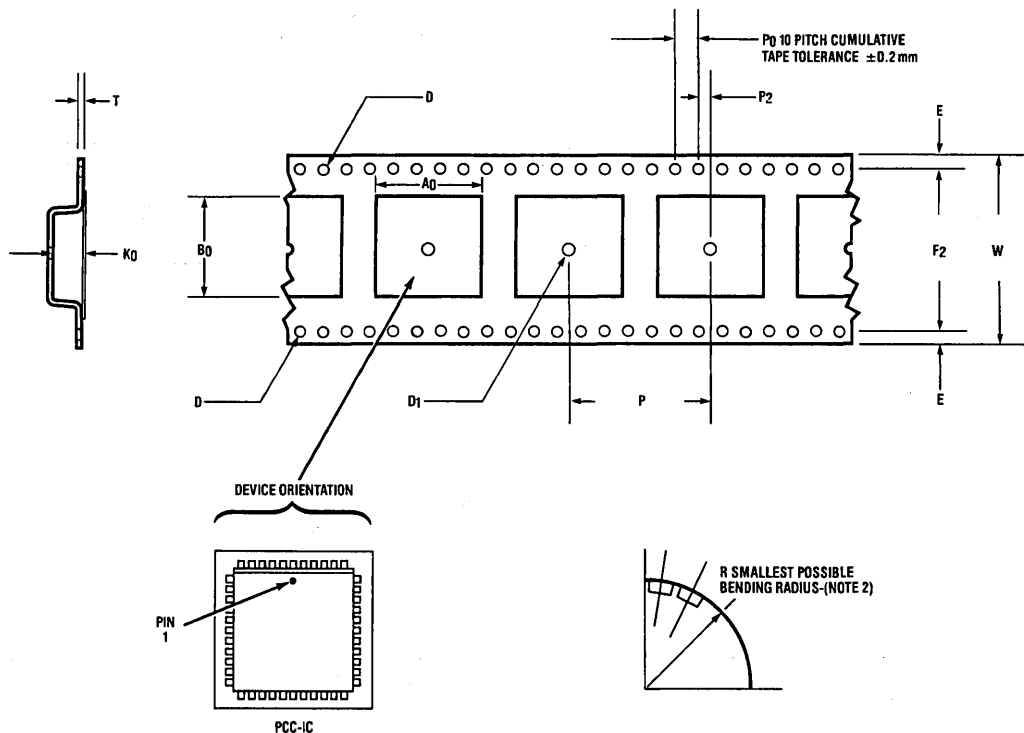
**Note 4:** Cover tape material shall be polyester (30–65 grams peel-back force).

**Note 5:** D<sub>1</sub> Dimension is centered within cavity.

**Note 6:** All dimensions are in millimeters.

# Appendix I—Short-Form Procurement Specification (Continued)

## TAPE DIMENSIONS (32 Millimeter Tape or Greater)



TL/HH/8352-34

	W	P	F <sub>2</sub>	E	P <sub>2</sub>	P <sub>0</sub>	D	T	A <sub>0</sub>	B <sub>0</sub>	K <sub>0</sub>	D <sub>1</sub>	R
<b>PLCC-44</b>	32 ± .3	24.0 ± .1	14.25 ± .1	1.75 ± .1	2.0 ± .05	4.0 ± .1	1.55 ± .05	.30 ± .1	18.0 ± .1	18.0 ± .1	5.0 ± .1	2.05 ± .05	50
<b>PLCC-68</b>	44.3 ± .3	32.0 ± .1	20.25 ± .1	1.75 ± .1	2.0 ± .05	4.0 ± .1	1.55 ± .05	.30 ± .1	25.6 ± .1	25.6 ± .1	5.0 ± .1	2.05 ± .05	50
<b>PLCC-84</b>	44.3 ± .3	36.0 ± .1	20.25 ± .1	1.75 ± .1	2.0 ± .05	4.0 ± .1	1.55 ± .05	.30 ± .1	30.7 ± .1	30.7 ± .1	5.0 ± .1	2.05 ± .05	50

**Note 1:** A<sub>0</sub>, B<sub>0</sub> and K<sub>0</sub> dimensions are measured 0.3 mm above the inside wall of the cavity bottom.

**Note 2:** Tape with components shall pass around a mandril radius R without damage.

**Note 3:** Cavity tape material shall be PVC conductive (less than 10<sup>5</sup> Ω/Sq).

**Note 4:** Cover tape material shall be polyester (30–65 grams peel-back force).

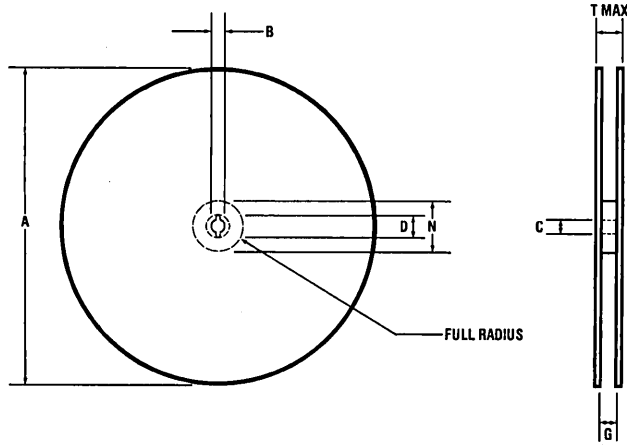
**Note 5:** D<sub>1</sub> Dimension is centered within cavity.

**Note 6:** All dimensions are in millimeters.



# Appendix I—Short-Form Procurement Specification (Continued)

## REEL DIMENSIONS



TL/HH/8352-35

		A (Max)	B (Min)	C	D (Min)	N (Min)	G	T (Max)
8 mm Tape	SOT-23 (High Profile)	<u>(13.00)</u>	<u>0.059</u>	<u>0.512±0.002</u>	<u>0.795</u>	<u>1.969</u>	<u>0.331<sup>+0.059</sup><sub>-0.000</sub></u>	<u>0.567</u>
	SOT-23 (Low Profile)	<u>(330)</u>	<u>1.5</u>	<u>13±0.05</u>	<u>20.2</u>	<u>50</u>	<u>8.4<sup>+1.5</sup><sub>-0</sub></u>	<u>14.4</u>
12 mm Tape	SO-8 (Narrow)	<u>(13.00)</u>	<u>0.059</u>	<u>0.512±0.002</u>	<u>0.795</u>	<u>1.969</u>	<u>0.488<sup>+0.078</sup><sub>-0.000</sub></u>	<u>0.724</u>
		<u>(330)</u>	<u>1.5</u>	<u>13±0.05</u>	<u>20.2</u>	<u>50</u>	<u>12.4<sup>+2</sup><sub>-0</sub></u>	<u>18.4</u>
16 mm Tape	SO-14 (Narrow)	<u>(13.00)</u>	<u>0.059</u>	<u>0.512±0.002</u>	<u>0.795</u>	<u>1.969</u>	<u>0.646<sup>+0.078</sup><sub>-0.000</sub></u>	<u>0.882</u>
	SO-14 (Wide)						<u>16.4<sup>+2</sup><sub>-0</sub></u>	<u>22.4</u>
	SO-16 (Narrow)							
	SO-16 (Wide) PLCC-20							
24 mm Tape	SO-20 (Wide)	<u>(13.00)</u>	<u>0.059</u>	<u>0.512±0.002</u>	<u>0.795</u>	<u>1.969</u>	<u>0.960<sup>+0.078</sup><sub>-0.000</sub></u>	<u>1.197</u>
	SO-24 (Wide) PLCC-28						<u>24.4<sup>+2</sup><sub>-0</sub></u>	<u>30.4</u>
32 mm Tape	PLCC-44	<u>(13.00)</u>	<u>0.059</u>	<u>0.512±0.002</u>	<u>0.795</u>	<u>1.969</u>	<u>1.276<sup>+0.078</sup><sub>-0.000</sub></u>	<u>1.512</u>
							<u>32.4<sup>+2</sup><sub>-0</sub></u>	<u>38.4</u>
44 mm Tape	PLCC-68 PLCC-84	<u>(13.00)</u>	<u>0.059</u>	<u>0.512±0.002</u>	<u>0.795</u>	<u>1.969</u>	<u>1.748<sup>+0.078</sup><sub>-0.000</sub></u>	<u>1.984</u>
							<u>44.4<sup>+2</sup><sub>-0</sub></u>	<u>50.4</u>

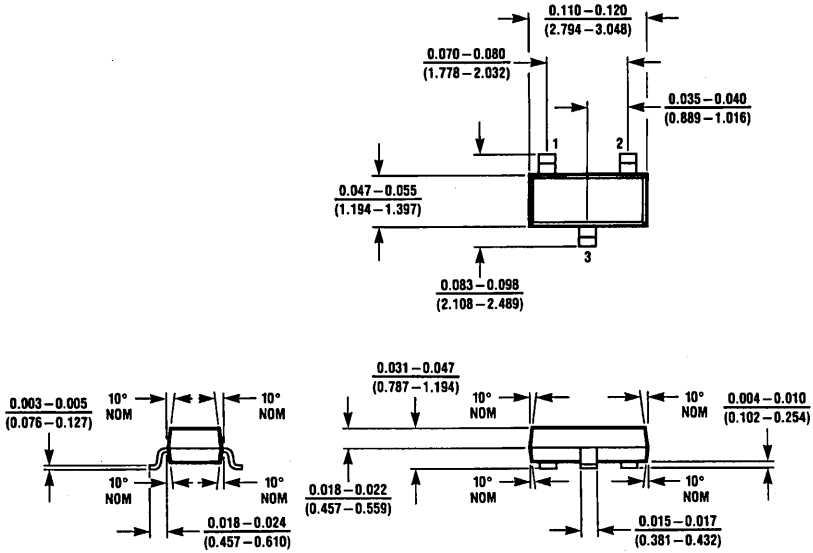
Units:  $\frac{\text{Inches}}{\text{Millimeters}}$

Material: Paperboard (Non-Flaking)

# Appendix II—Physical Dimensions of Surface Mount Packages

## SOT-23 (High Profile)

(Generally used for Top-of-Board Mounting)

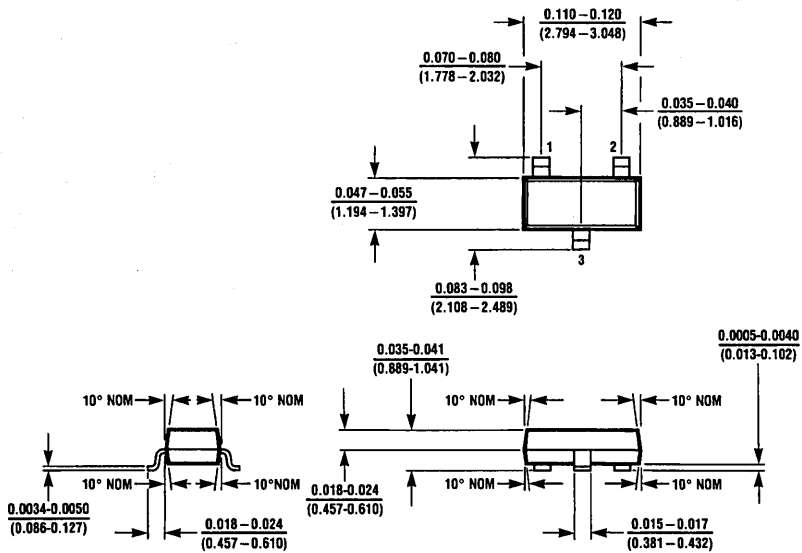


NOTE: NOT TO SCALE

MO3A (REV C)

## SOT-23 (Low Profile)

(Generally used for Underside-of-Board Mounting)

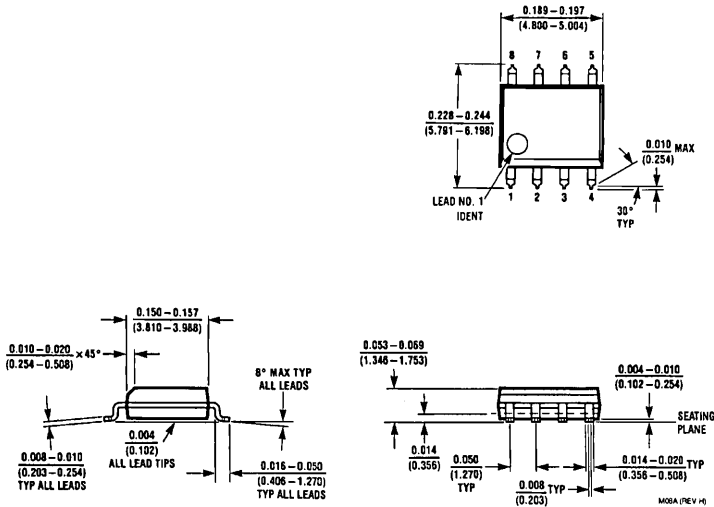


NOTE: NOT TO SCALE

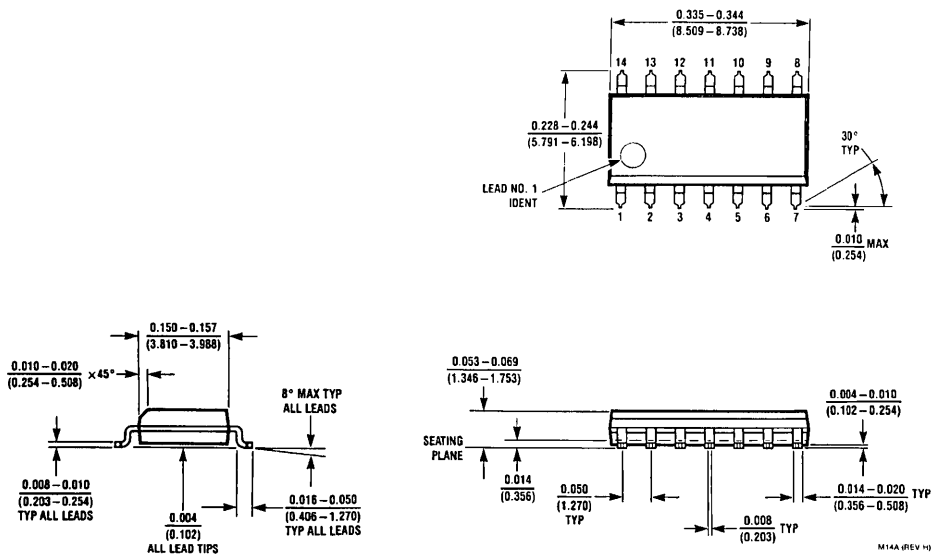
MO3B (REV D)

Appendix II—Physical Dimensions of Surface Mount Packages (Continued)

SO-8 (Narrow)

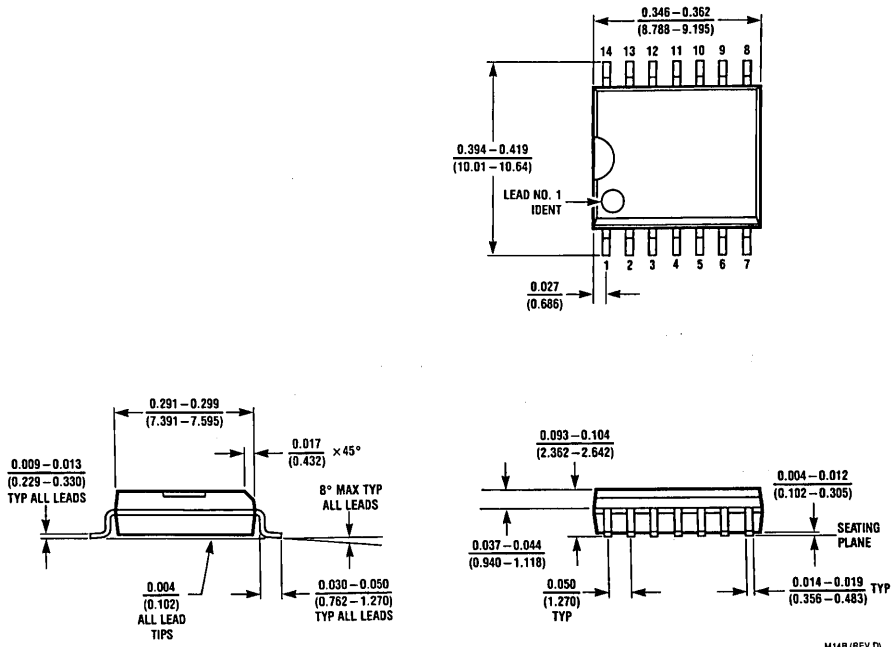


SO-14 (Narrow)

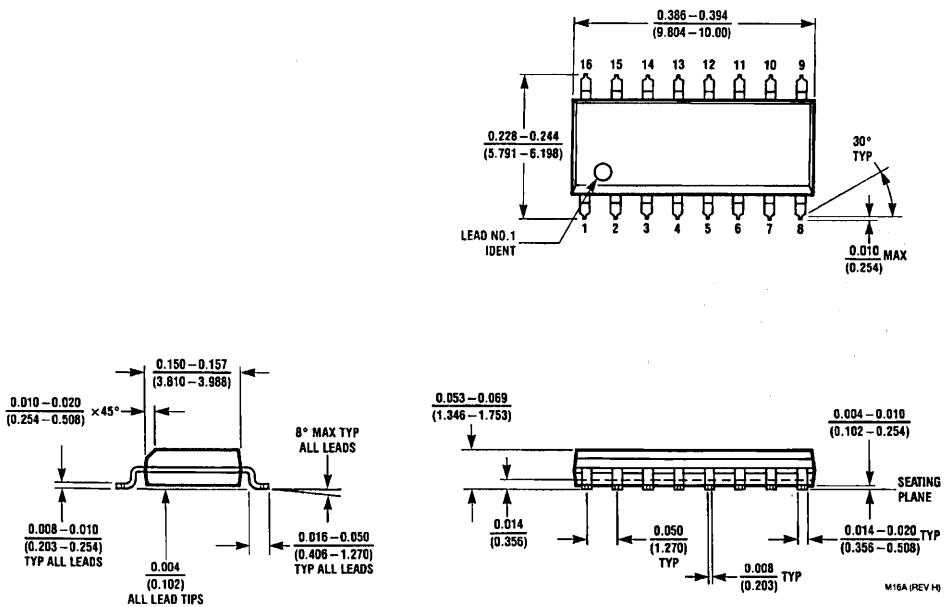


Appendix II—Physical Dimensions of Surface Mount Packages (Continued)

SO-14 (Wide)

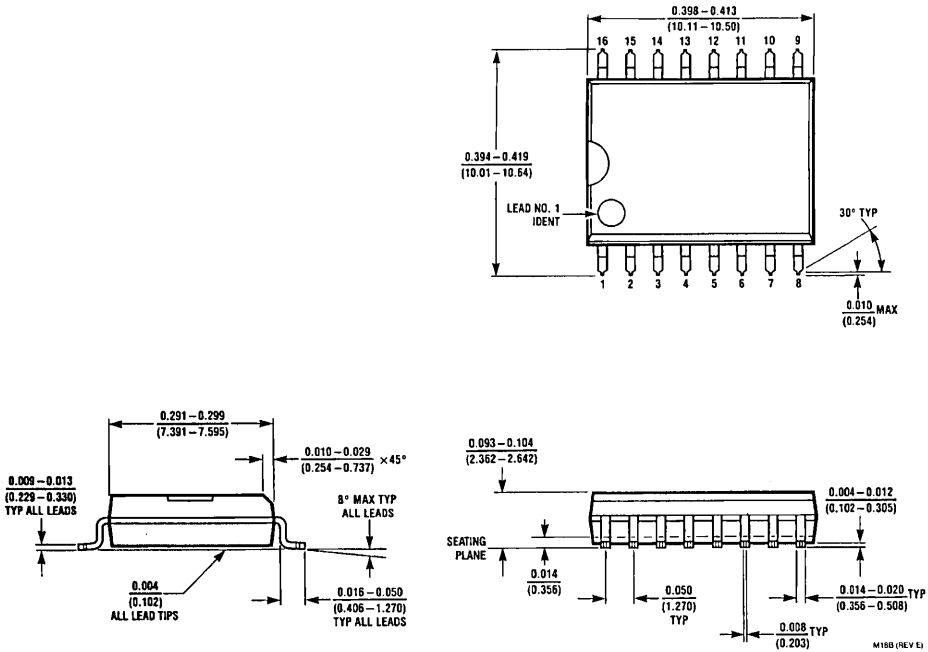


SO-16 (Narrow)

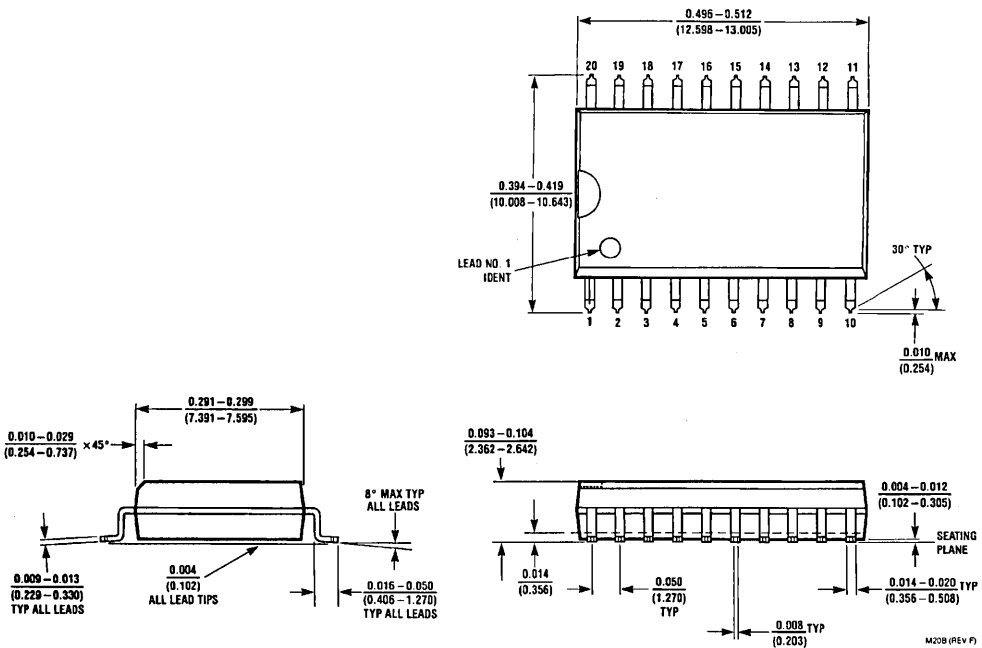


# Appendix II—Physical Dimensions of Surface Mount Packages (Continued)

## SO-16 (Wide)

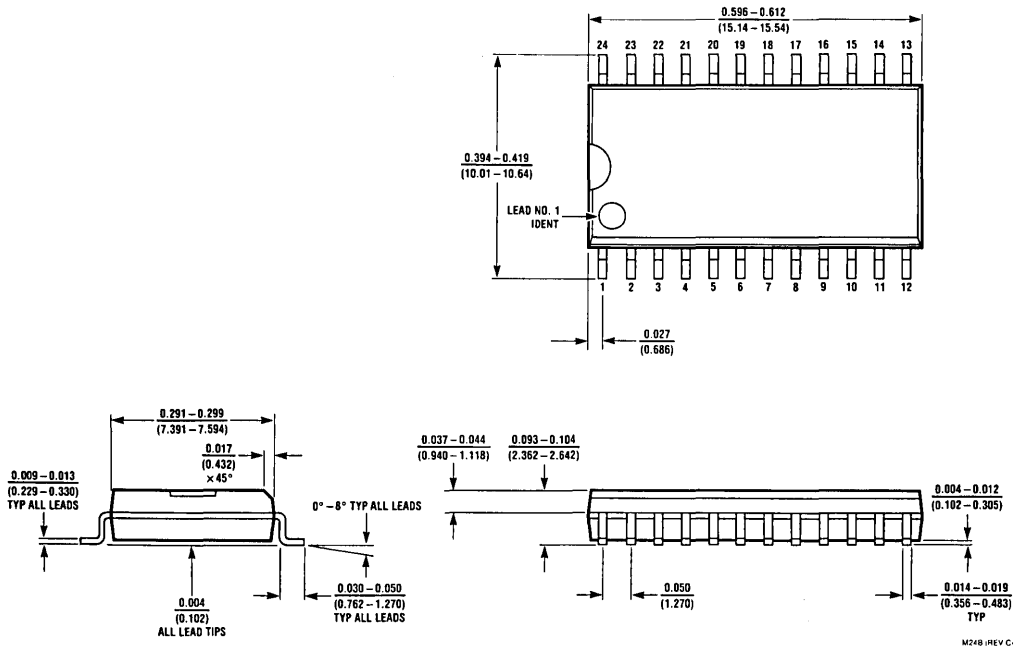


## SO-20 (Wide)

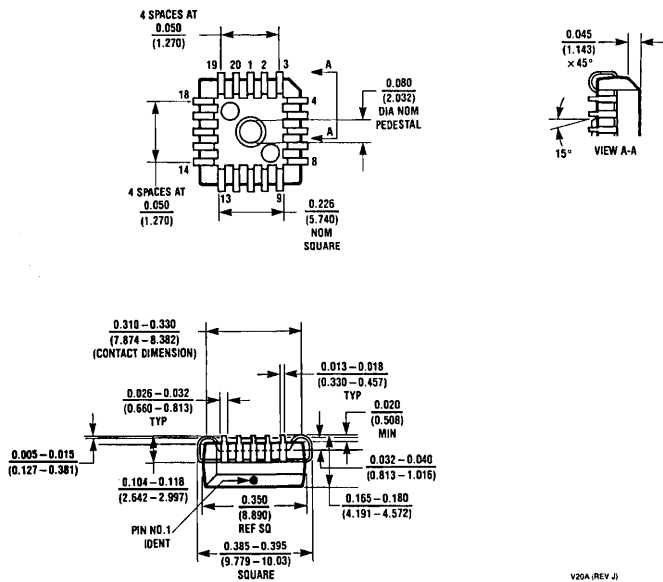


Appendix II—Physical Dimensions of Surface Mount Packages (Continued)

SO-24 (Wide)

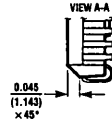
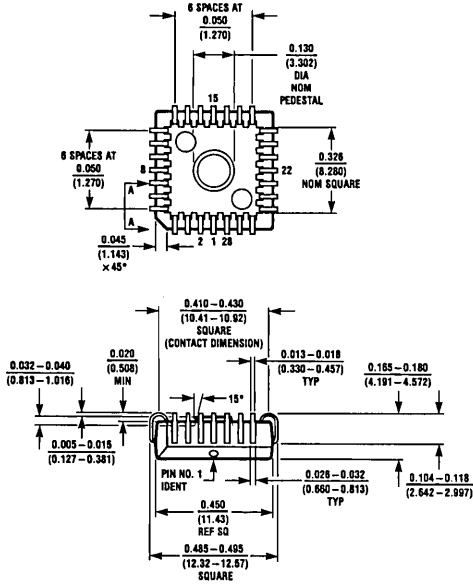


PLCC-20



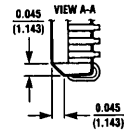
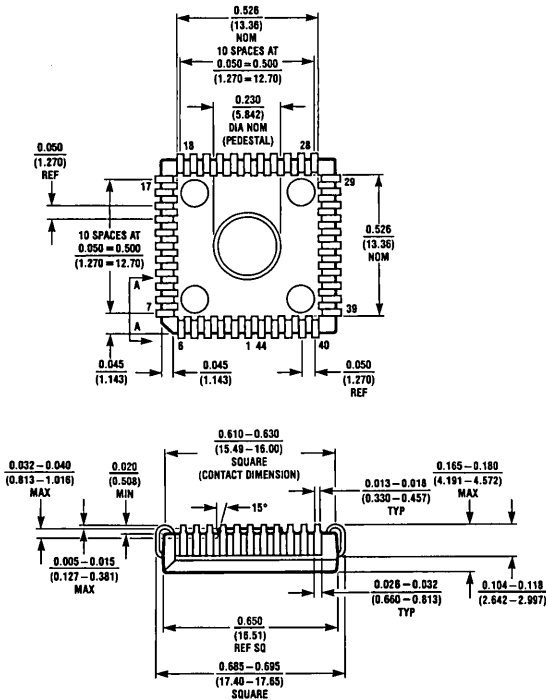
Appendix II—Physical Dimensions of Surface Mount Packages (Continued)

PLCC-28



V28A (REV 0)

PLCC-44



V44A (REV H)

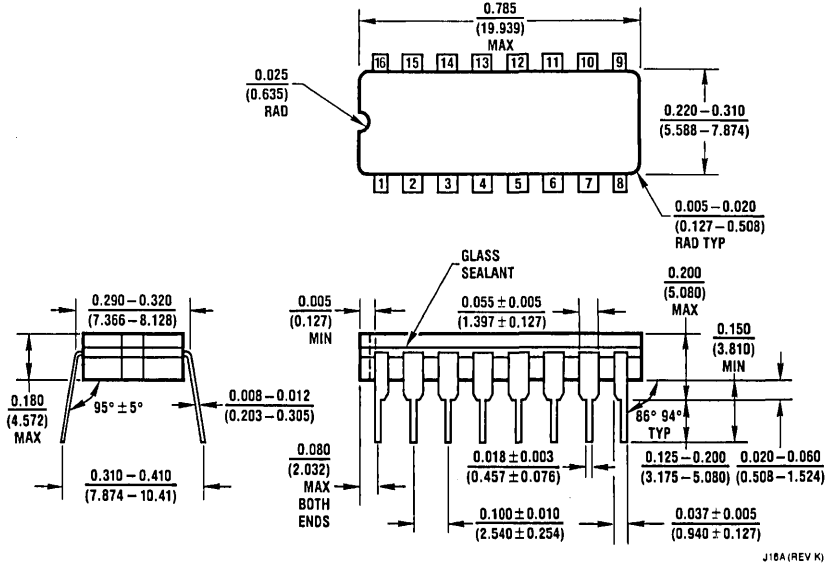




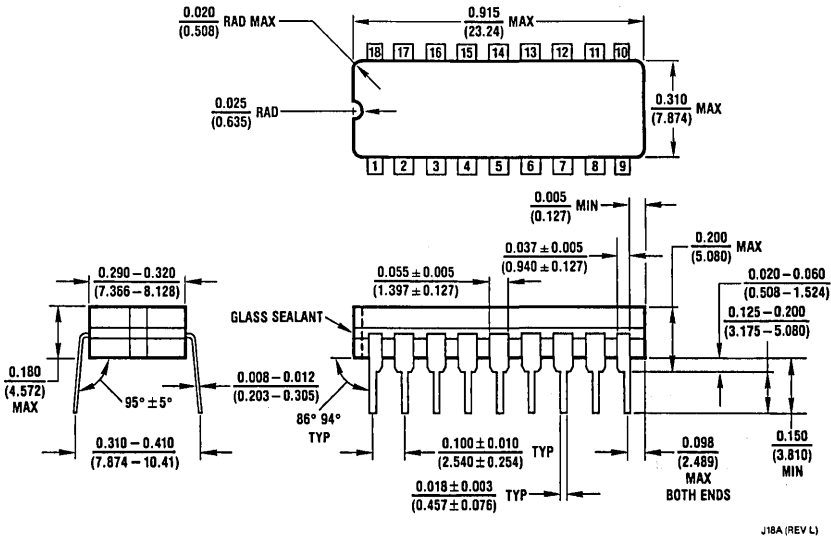




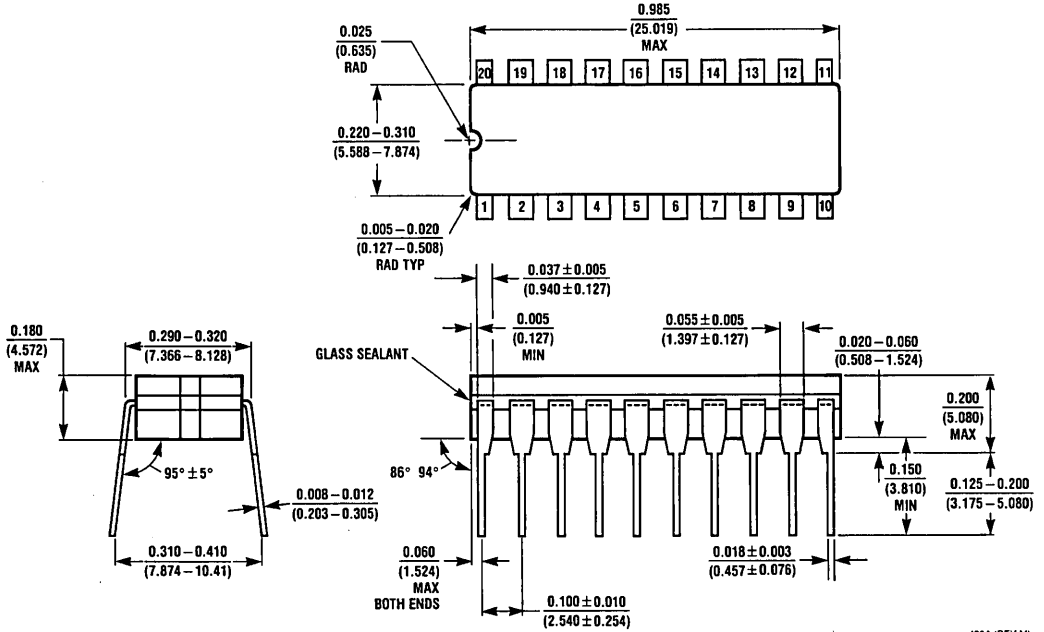
**16 Lead Ceramic Dual-In-Line Package (J)**  
**NS Package Number J16A**



**18 Lead Ceramic Dual-In-Line Package (J)**  
**NS Package Number J18A**

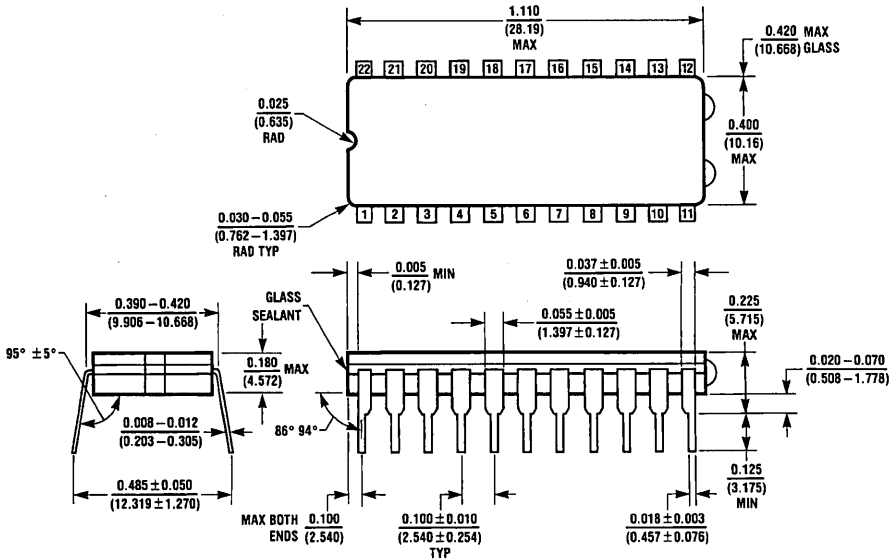


### 20 Lead Ceramic Dual-In-Line Package (J) NS Package Number J20A



J20A (REV M)

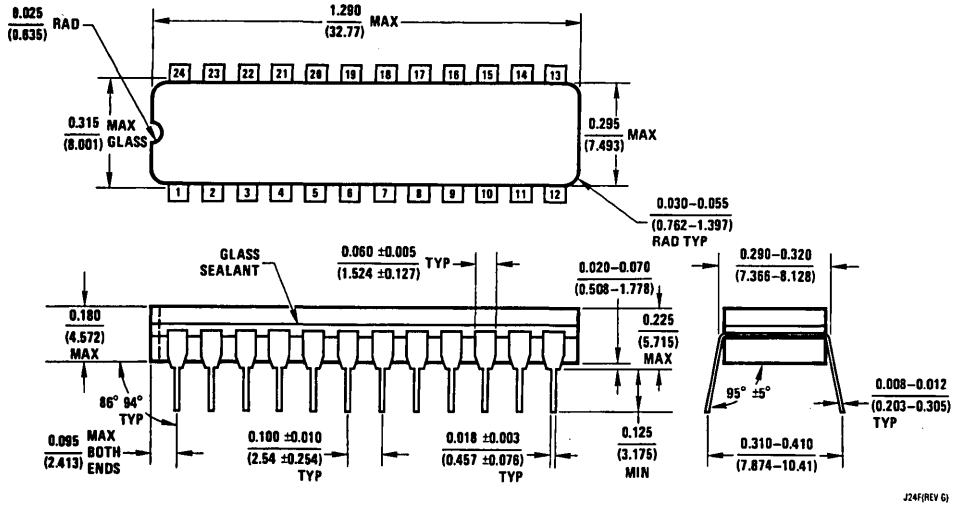
### 22 Lead Ceramic Dual-In-Line Package (J) NS Package Number J22A



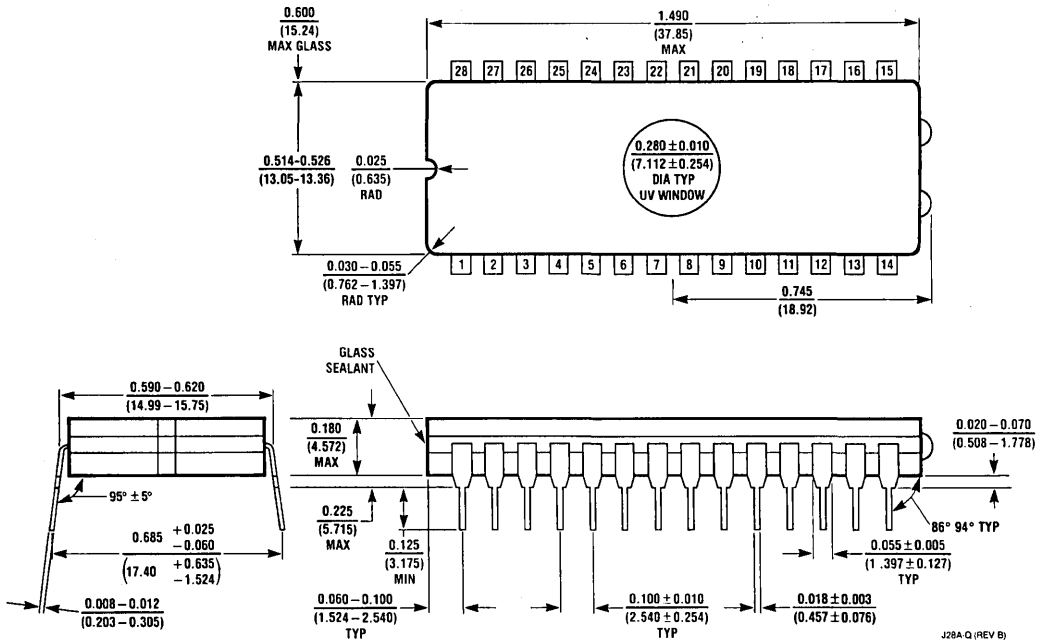
J22A (REV G)



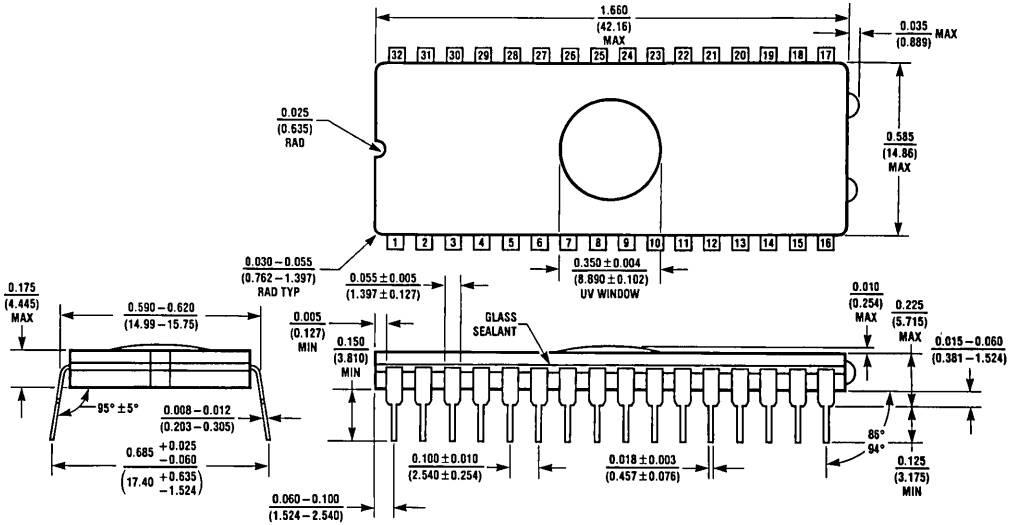
### 24 Lead Ceramic Dual-In-Line Package (J) NS Package Number J24F



### 28 Lead EPROM Ceramic Dual-In-Line Package (JQ) (Small Window) NS Package Number J28AQ

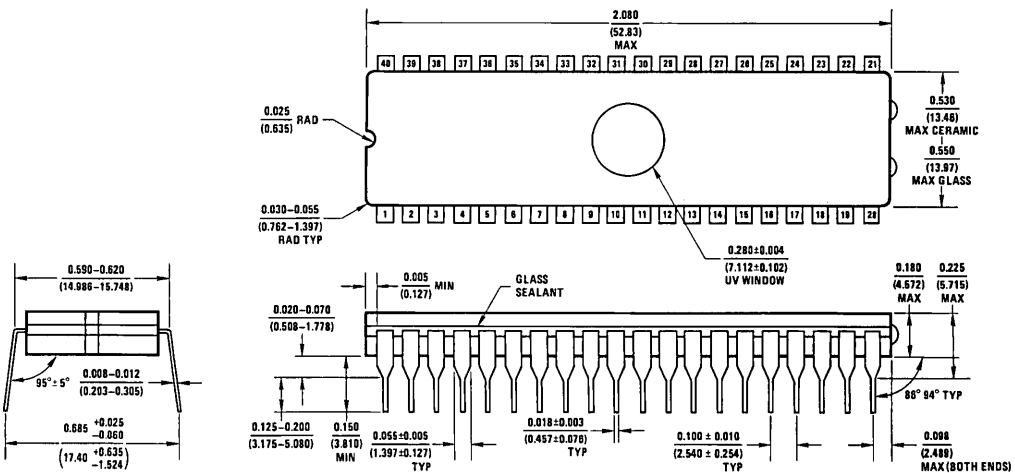


### 32 Lead EPROM Ceramic Dual-In-Line Package (JQ) NS Package Number J32AQ



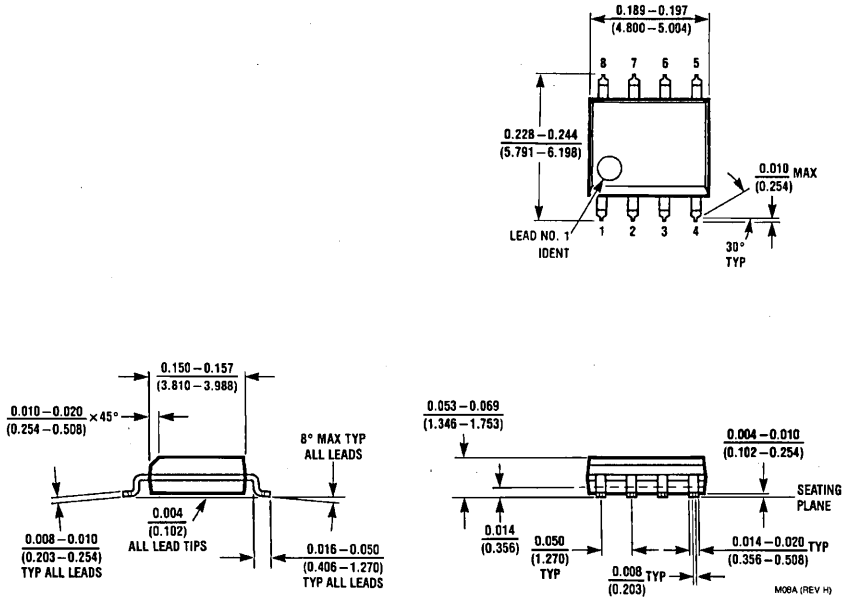
J32AQ (REV B)

### 40 Lead EPROM Ceramic Dual-In-Line Package (JQ) NS Package Number J40AQ

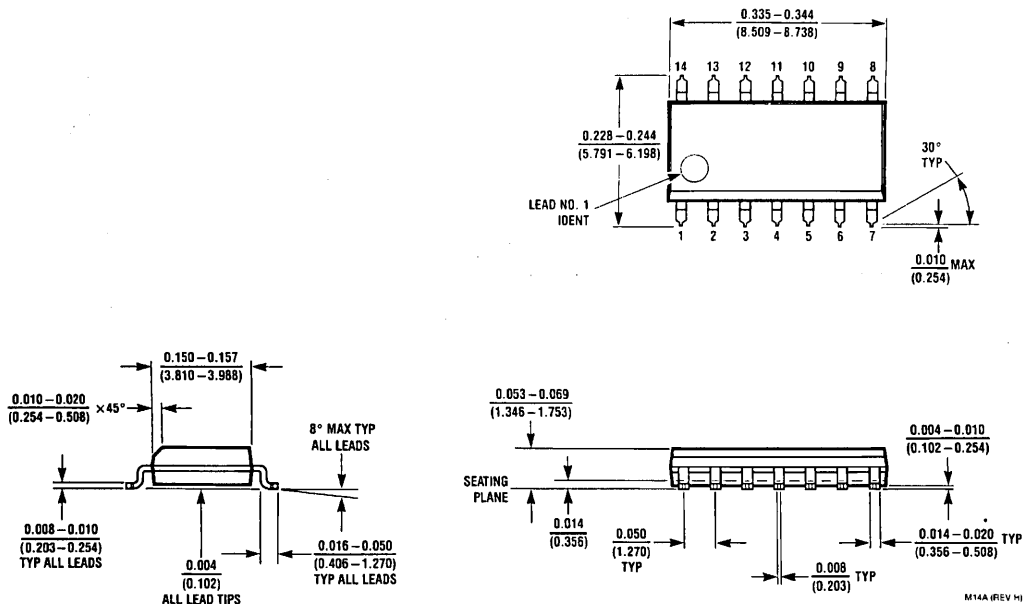


J40AQ (REV A)

### 8 Lead (0.150" Wide) Molded Small Outline Package (M) NS Package Number M08A

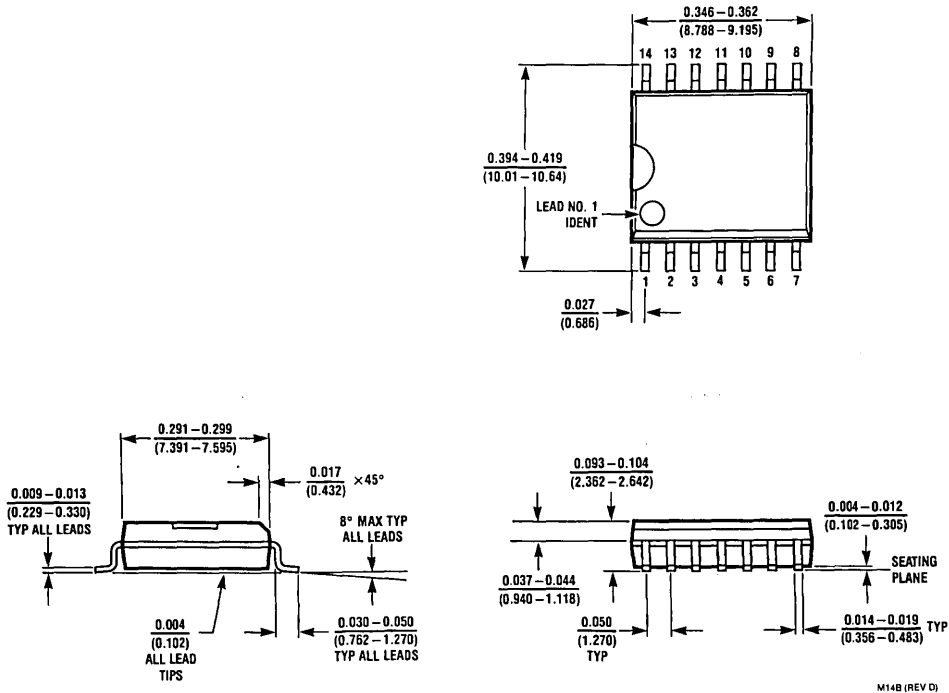


### 14 Lead (0.150" Wide) Molded Small Outline Package (M) NS Package Number M14A

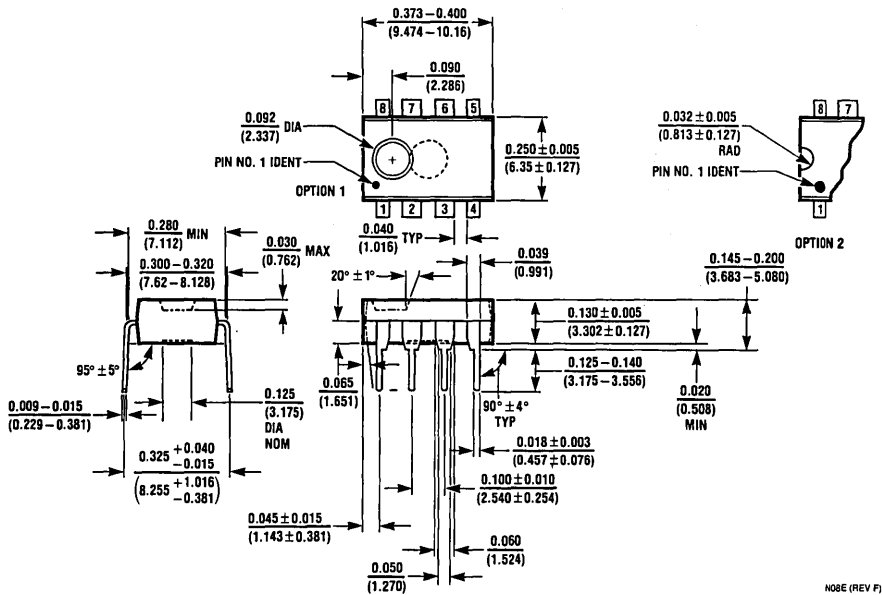




### 14 Lead (0.300" Wide) Molded Small Outline Package (M) NS Package Number M14B

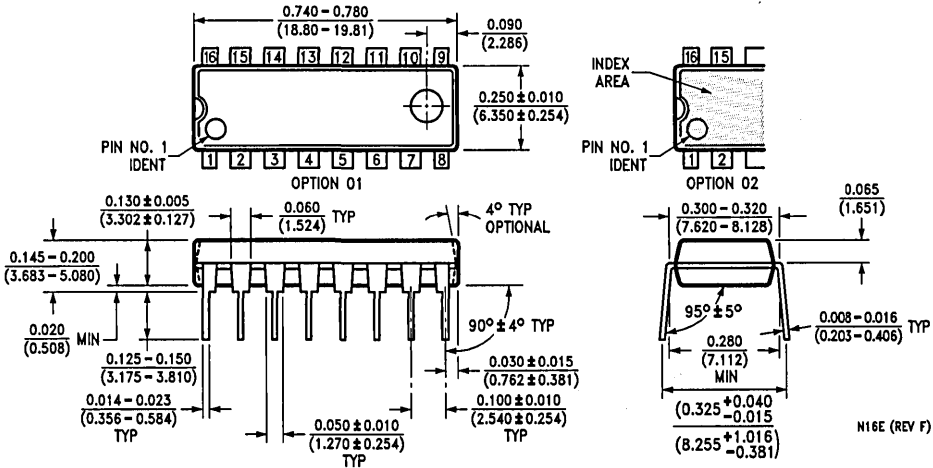


### 8 Lead Molded Dual-In-Line Package (N) NS Package Number N08E

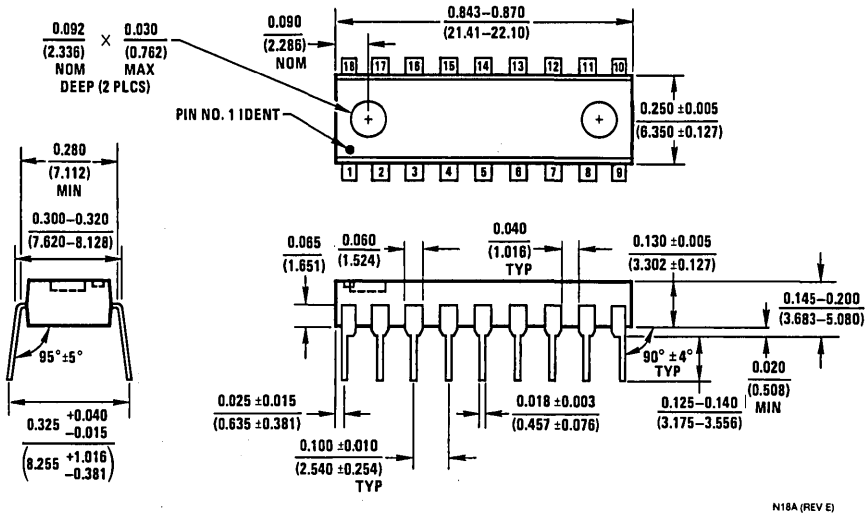




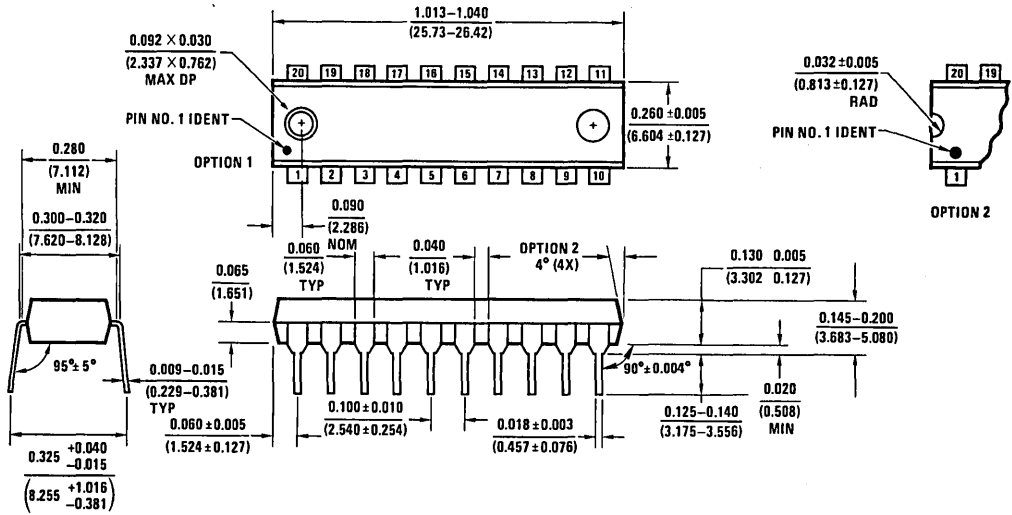
**16 Lead Molded Dual-In-Line Package (N)**  
**NS Package Number N16E**



**18 Lead Molded Dual-In-Line Package (N)**  
**NS Package Number N18A**

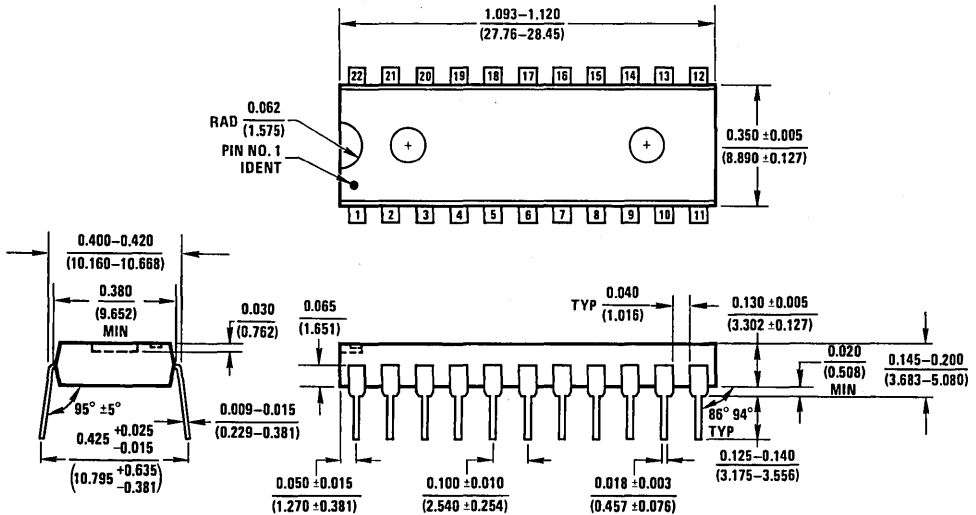


### 20 Lead Molded Dual-In-Line Package (N) NS Package Number N20A



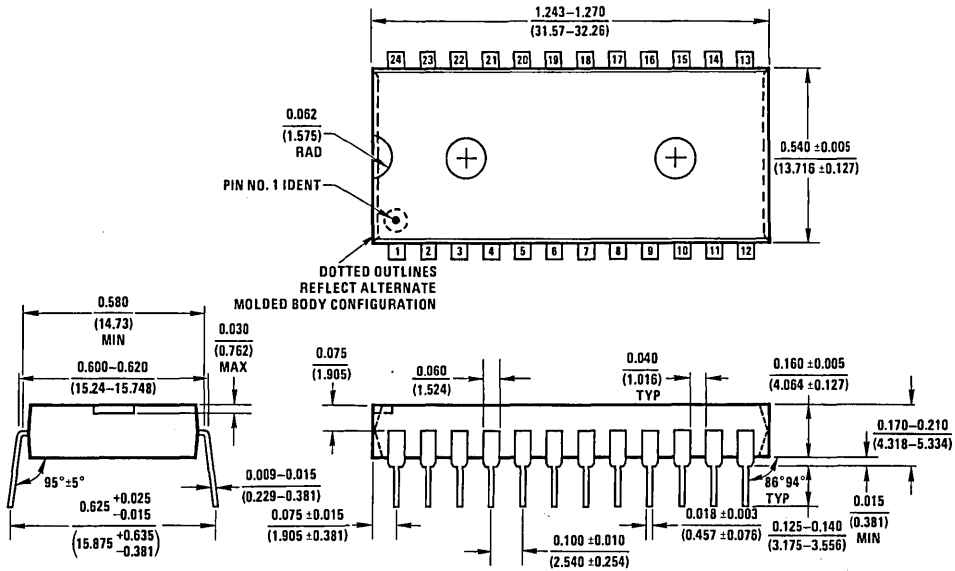
N20A (REV G)

### 22 Lead Molded Dual-In-Line Package (N) NS Package Number N22A



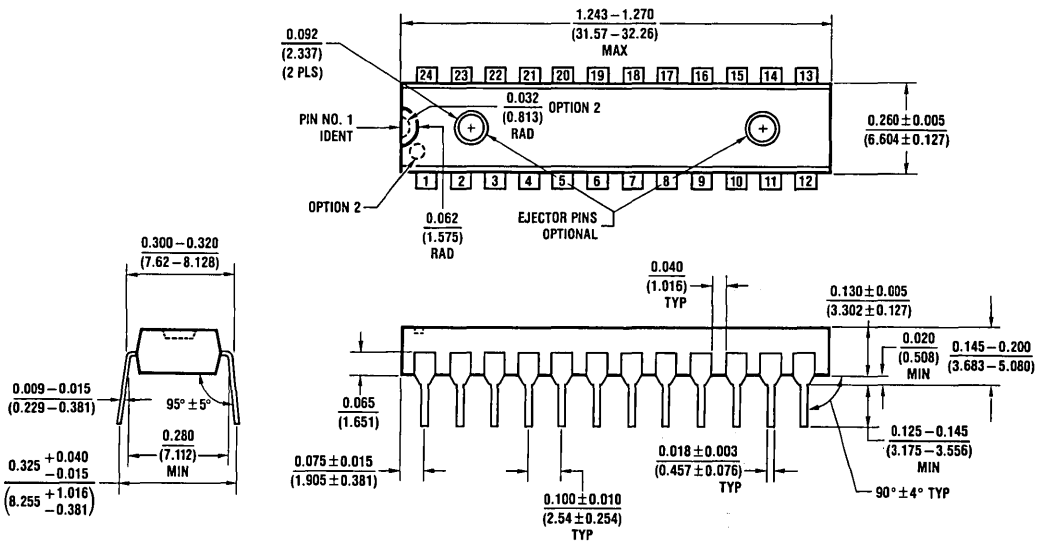
N22A (REV D)

### 24 Lead Molded Dual-In-Line Package (N) NS Package Number N24A



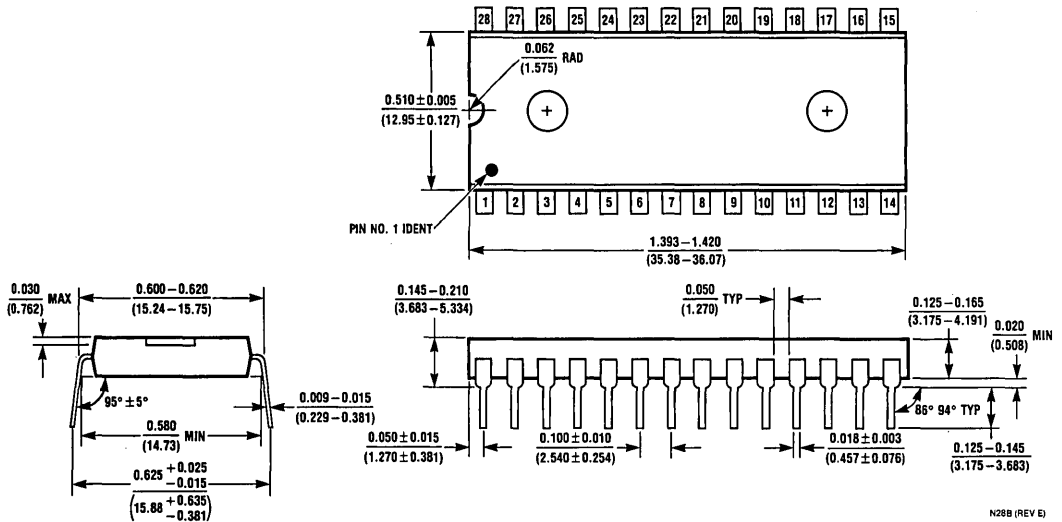
N24A (REV E)

### 24 Lead Skinny Dual-In-Line Package (0.300" Centers Molded) (N) NS Package Number N24C

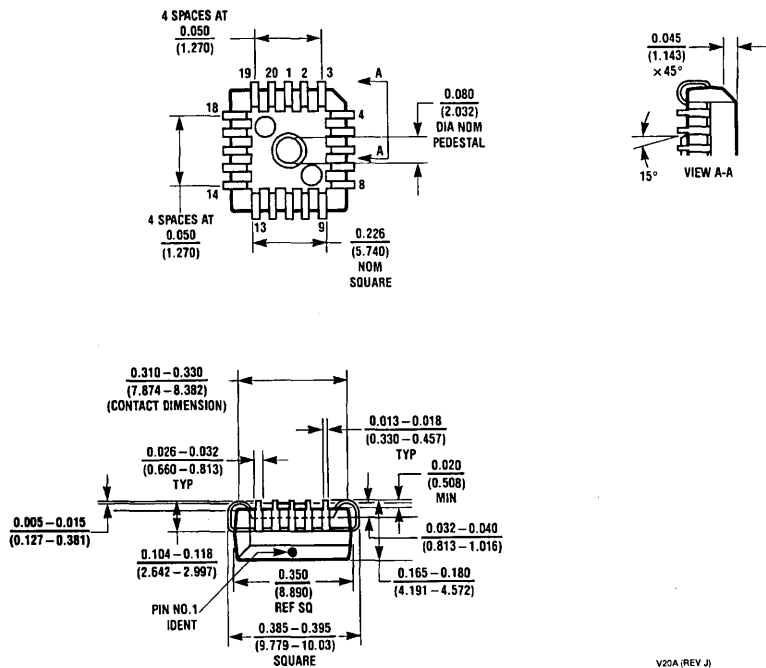


N24C (REV F)

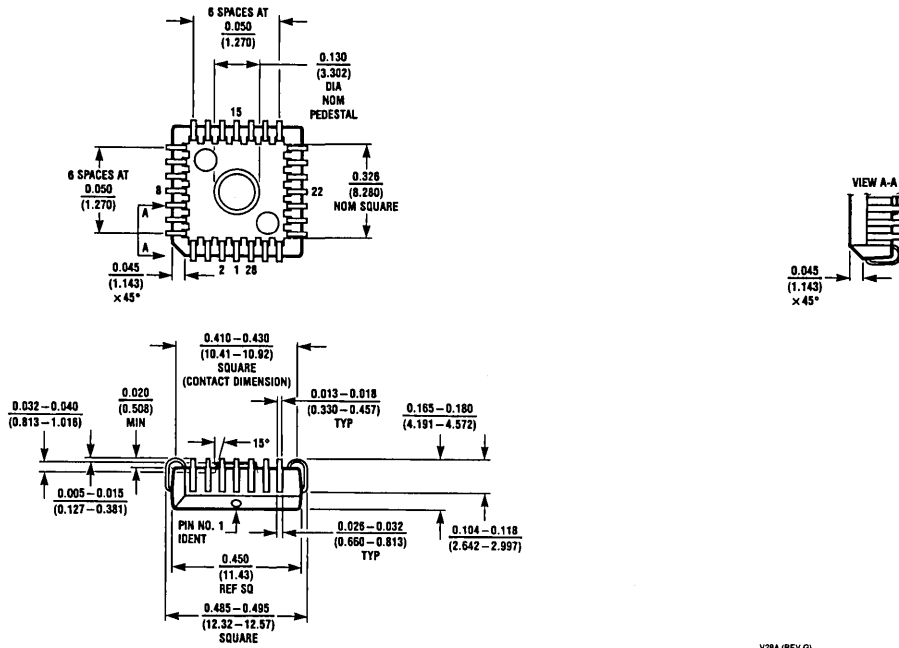
### 28 Lead Molded Dual-In-Line Package (N) NS Package Number N28B



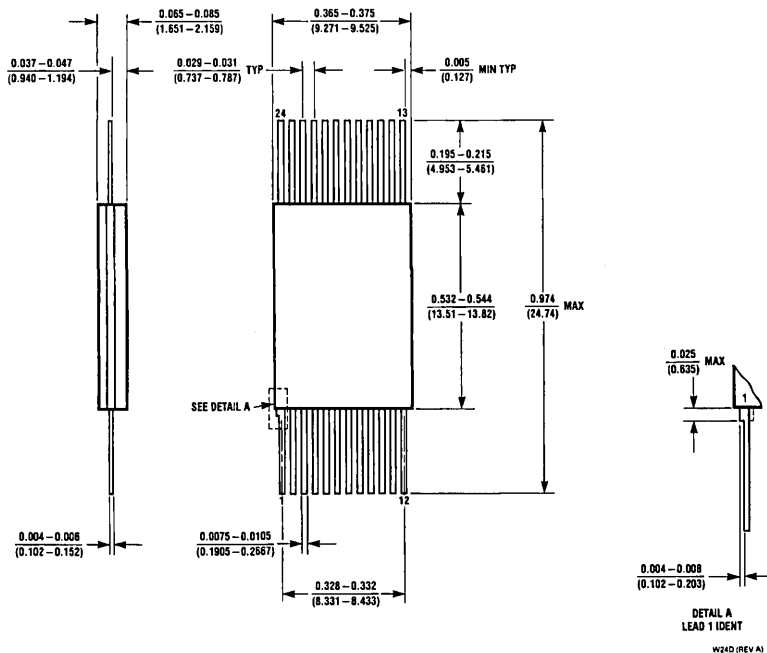
### 20 Lead Plastic Chip Carrier (V) NS Package Number V20A



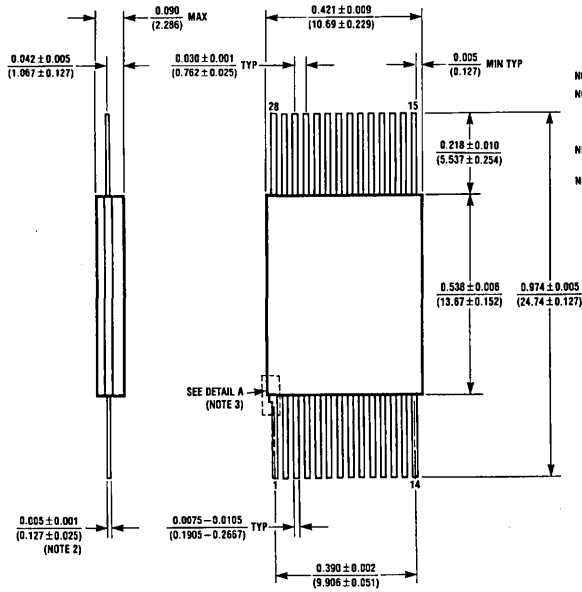
### 28 Lead Plastic Chip Carrier (V) NS Package Number V28A



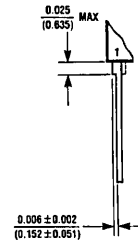
### 24 Lead Cerpac, Fine Pitch Package (W) NS Package Number W24D



## 28 Lead Cerpac, Fine Pitch Package (W) NS Package Number W28B

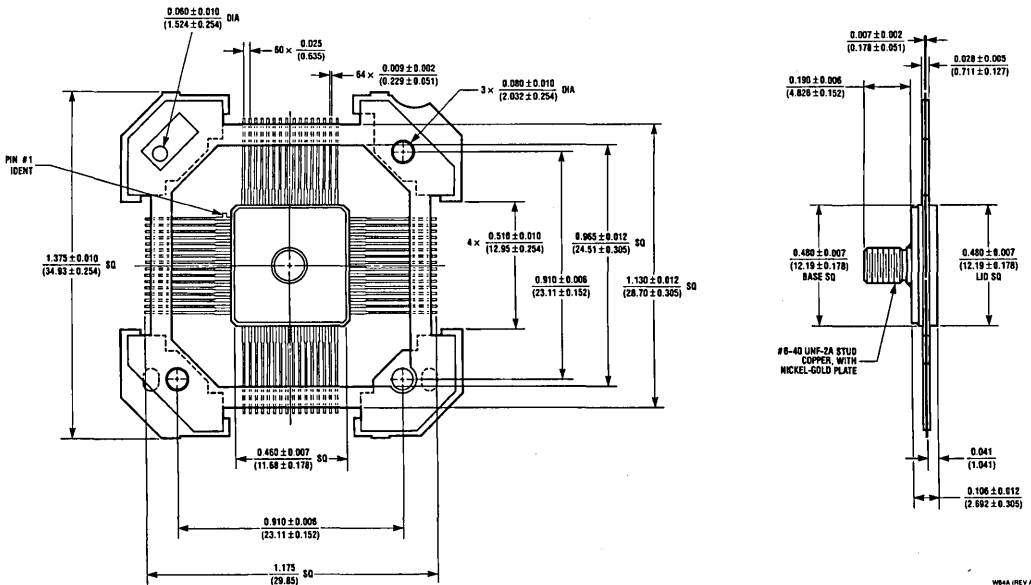


- NOTES: UNLESS OTHERWISE SPECIFIED
- LEAD FINISH: SOLDER DIPPED WITH Sn60 OR Sn63 SOLDER CONFORMING TO MIL-M-38510 TO A MINIMUM THICKNESS OF 200 MICRONS (5.08 MICROMETER). SOLDER MAY BE APPLIED OVER LEAD BASIS METAL OR Sn PLATE.
  - LEAD THICKNESS MAY BE INCREASED BY 0.003 INCHES (0.08mm), MAXIMUM AFTER LEAD FINISH IS APPLIED.
  - LEAD 1 IDENTIFICATION SHALL BE:
    - A NOTCH OR OTHER IDENTIFICATION MARK WITHIN THIS AREA, OR
    - A TAB ON LEAD 1, EITHER SIDE.



DETAIL A  
(NOTE 3)  
W28B (REV A)

## 64 Lead Cerquad Flatpak (W) NS Package Number W64A



W64A (REV A)



## NOTES



## **Bookshelf of Technical Support Information**

National Semiconductor Corporation recognizes the need to keep you informed about the availability of current technical literature.

This bookshelf is a compilation of books that are currently available. The listing that follows shows the publication year and section contents for each book.

Please contact your local National sales office for possible complimentary copies. A listing of sales offices follows this bookshelf.

We are interested in your comments on our technical literature and your suggestions for improvement.

Please send them to:

Technical Communications Dept. M/S 16-300  
2900 Semiconductor Drive  
P.O. Box 58090  
Santa Clara, CA 95052-8090

### **ALS/AS LOGIC DATABOOK—1987**

Introduction to Bipolar Logic • Advanced Low Power Schottky • Advanced Schottky

### **ASIC DESIGN MANUAL/GATE ARRAYS & STANDARD CELLS—1987**

SSI/MSI Functions • Peripheral Functions • LSI/VLSI Functions • Design Guidelines • Packaging

### **CMOS LOGIC DATABOOK—1988**

CMOS AC Switching Test Circuits and Timing Waveforms • CMOS Application Notes • MM54HC/MM74HC  
MM54HCT/MM74HCT • CD4XXX • MM54CXXX/MM74CXXX • Surface Mount

### **DATA ACQUISITION LINEAR DEVICES—1989**

Active Filters • Analog Switches/Multiplexers • Analog-to-Digital Converters • Digital-to-Analog Converters  
Sample and Hold • Temperature Sensors • Voltage Regulators • Surface Mount

### **DATA COMMUNICATION/LAN/UART DATABOOK—1990**

LAN IEEE 802.3 • High Speed Serial/IBM Data Communications • ISDN Components • UARTs  
Modems • Transmission Line Drivers/Receivers

### **DISCRETE SEMICONDUCTOR PRODUCTS DATABOOK—1989**

Selection Guide and Cross Reference Guides • Diodes • Bipolar NPN Transistors  
Bipolar PNP Transistors • JFET Transistors • Surface Mount Products • Pro-Electron Series  
Consumer Series • Power Components • Transistor Datasheets • Process Characteristics

### **DRAM MANAGEMENT HANDBOOK—1989**

Dynamic Memory Control • Error Detection and Correction • Microprocessor Applications for the  
DP8408A/09A/17/18/19/28/29 • Microprocessor Applications for the DP8420A/21A/22A  
Microprocessor Applications for the NS32CG821

### **EMBEDDED SYSTEM PROCESSOR DATABOOK—1989**

Embedded System Processor Overview • Central Processing Units • Slave Processors • Peripherals  
Development Systems and Software Tools

### **F100K DATABOOK—1989**

Family Overview • F100K Datasheets • 11C Datasheets • 10K and 100K Memory Datasheets  
Design Guide • Circuit Basics • Logic Design • Transmission Line Concepts • System Considerations  
Power Distribution and Thermal Considerations • Testing Techniques • Quality Assurance and Reliability

## **FACT™ ADVANCED CMOS LOGIC DATABOOK—1989**

Description and Family Characteristics • Ratings, Specifications and Waveforms  
Design Considerations • 54AC/74ACXXX • 54ACT/74ACTXXX

## **FAST® ADVANCED SCHOTTKY TTL LOGIC DATABOOK—Rev. 1—1988**

Circuit Characteristics • Ratings, Specifications and Waveforms • Design Considerations • 54F/74FXXX

## **FAST® APPLICATIONS HANDBOOK—REPRINT**

Reprint of 1987 Fairchild FAST Applications Handbook

Contains application information on the FAST family: Introduction • Multiplexers • Decoders • Encoders  
Operators • FIFOs • Counters • TTL Small Scale Integration • Line Driving and System Design  
FAST Characteristics and Testing • Packaging Characteristics • Index

## **GENERAL PURPOSE LINEAR DEVICES DATABOOK—1989**

Continuous Voltage Regulators • Switching Voltage Regulators • Operational Amplifiers • Buffers • Voltage Comparators  
Instrumentation Amplifiers • Surface Mount

## **GRAPHICS HANDBOOK—1989**

Advanced Graphics Chipset • DP8500 Development Tools • Application Notes

## **INTERFACE DATABOOK—1988**

Transmission Line Drivers/Receivers • Bus Transceivers • Peripheral Power Drivers • Display Drivers  
Memory Support • Microprocessor Support • Level Translators and Buffers • Frequency Synthesis • Hi-Rel Interface

## **LINEAR APPLICATIONS HANDBOOK—1986**

The purpose of this handbook is to provide a fully indexed and cross-referenced collection of linear integrated circuit applications using both monolithic and hybrid circuits from National Semiconductor.

Individual application notes are normally written to explain the operation and use of one particular device or to detail various methods of accomplishing a given function. The organization of this handbook takes advantage of this innate coherence by keeping each application note intact, arranging them in numerical order, and providing a detailed Subject Index.

## **LS/S/TTL DATABOOK—1989**

Contains former Fairchild Products

Introduction to Bipolar Logic • Low Power Schottky • Schottky • TTL • TTL—Low Power

## **MASS STORAGE HANDBOOK—1989**

Rigid Disk Pulse Detectors • Rigid Disk Data Separators/Synchronizers and ENDECs  
Rigid Disk Data Controller • SCSI Bus Interface Circuits • Floppy Disk Controllers • Disk Drive Interface Circuits  
Rigid Disk Preamplifiers and Servo Control Circuits • Rigid Disk Microcontroller Circuits • Disk Interface Design Guide

## **MEMORY DATABOOK—1990**

PROMs, EPROMs, EEPROMs • TTL I/O SRAMs • ECL I/O SRAMs

## **MICROCONTROLLER DATABOOK—1989**

COP400 Family • COP800 Family • COPS Applications • HPC Family • HPC Applications  
MICROWIRE and MICROWIRE/PLUS Peripherals • Microcontroller Development Tools

## **MICROPROCESSOR DATABOOK—1989**

Series 32000 Overview • Central Processing Units • Slave Processors • Peripherals  
Development Systems and Software Tools • Application Notes • NSC800 Family

## **PROGRAMMABLE LOGIC DATABOOK & DESIGN MANUAL—1989**

Product Line Overview • Datasheets • Designing with PLDs • PLD Design Methodology • PLD Design Development Tools  
Fabrication of Programmable Logic • Application Examples

## **REAL TIME CLOCK HANDBOOK—1989**

Real Time Clocks and Timer Clock Peripherals • Application Notes

## **RELIABILITY HANDBOOK—1986**

Reliability and the Die • Internal Construction • Finished Package • MIL-STD-883 • MIL-M-38510  
The Specification Development Process • Reliability and the Hybrid Device • VLSI/VHSIC Devices  
Radiation Environment • Electrostatic Discharge • Discrete Device • Standardization  
Quality Assurance and Reliability Engineering • Reliability and Documentation • Commercial Grade Device  
European Reliability Programs • Reliability and the Cost of Semiconductor Ownership  
Reliability Testing at National Semiconductor • The Total Military/Aerospace Standardization Program  
883B/RETS™ Products • MILS/RETS™ Products • 883/RETS™ Hybrids • MIL-M-38510 Class B Products  
Radiation Hardened Technology • Wafer Fabrication • Semiconductor Assembly and Packaging  
Semiconductor Packages • Glossary of Terms • Key Government Agencies • AN/ Numbers and Acronyms  
Bibliography • MIL-M-38510 and DESC Drawing Cross Listing

## **SPECIAL PURPOSE LINEAR DEVICES DATABOOK—1989**

Audio Circuits • Radio Circuits • Video Circuits • Motion Control Circuits • Special Function Circuits  
Surface Mount

## **TELECOMMUNICATIONS—1987**

Line Card Components • Integrated Services Digital Network Components • Modems  
Analog Telephone Components • Application Notes

# NATIONAL SEMICONDUCTOR CORPORATION DISTRIBUTORS

## ALABAMA

Huntsville  
Arrow Electronics  
(205) 837-6955  
Bell Industries  
(205) 837-1074  
Hamilton/Avnet  
(205) 837-7210  
Pioneer Technology  
(205) 837-9300

## ARIZONA

Chandler  
Hamilton/Avnet  
(602) 231-5100  
Phoenix  
Arrow Electronics  
(602) 437-0750  
Tempe  
Anthem Electronics  
(602) 966-6600  
Bell Industries  
(602) 966-7800

## CALIFORNIA

Agora Hills  
Bell Industries  
(818) 706-2608  
Zeus Components  
(818) 889-3838  
Anaheim  
Time Electronics  
(714) 934-0911  
Chatsworth  
Anthem Electronics  
(818) 700-1000  
Arrow Electronics  
(818) 701-7500  
Hamilton Electro Sales  
(818) 700-6500  
Time Electronics  
(818) 998-7200  
Costa Mesa  
Avnet Electronics  
(714) 754-6050  
Hamilton Electro Sales  
(714) 641-4159  
Garden Grove  
Bell Industries  
(714) 895-7801  
Gardena  
Bell Industries  
(213) 515-1800  
Hamilton/Avnet  
(213) 217-6751  
Irvine  
Anthem Electronics  
(714) 768-4444  
Ontario  
Hamilton/Avnet  
(714) 989-4602  
Rocklin  
Anthem Electronics  
(916) 624-9744  
Bell Industries  
(916) 652-0414  
Sacramento  
Hamilton/Avnet  
(916) 925-2216  
San Diego  
Anthem Electronics  
(619) 453-9005  
Arrow Electronics  
(619) 565-4800  
Hamilton/Avnet  
(619) 571-7510  
Time Electronics  
(619) 586-1331  
San Jose  
Anthem Electronics  
(408) 453-1200  
Pioneer Technology  
(408) 954-9100  
Zeus Components  
(408) 998-5121

## Sunnyvale

Arrow Electronics  
(408) 745-6600  
Bell Industries  
(408) 734-8570  
Hamilton/Avnet  
(408) 743-3355  
Time Electronics  
(408) 734-9888  
Thousand Oaks  
Bell Industries  
(805) 499-6821  
Torrance  
Time Electronics  
(213) 320-0880  
Tustin  
Arrow Electronics  
(714) 838-5422  
Yorba Linda  
Zeus Components  
(714) 921-9000

## COLORADO

Englewood  
Anthem Electronics  
(303) 790-4500  
Arrow Electronics  
(303) 790-4444  
Hamilton/Avnet  
(303) 799-7800  
Wheatridge  
Bell Industries  
(303) 424-1985

## CONNECTICUT

Cheshire  
Time Electronics  
(203) 271-3200  
Danbury  
Hamilton/Avnet  
(203) 797-2800  
Meriden  
Anthem Electronics  
(203) 237-2282  
Norwalk  
Pioneer Standard  
(203) 853-1515  
Wallingford  
Arrow Electronics  
(203) 265-7741

## FLORIDA

Altamonte Springs  
Bell Industries  
(407) 339-0078  
Pioneer Technology  
(407) 834-9090  
Clearwater  
Pioneer Technology  
(813) 536-0445  
Deerfield Beach  
Arrow Electronics  
(305) 429-8200  
Bell Industries  
(305) 421-1997  
Pioneer Technology  
(305) 428-8877  
Fort Lauderdale  
Hamilton/Avnet  
(305) 971-2900  
Lake Mary  
Arrow Electronics  
(407) 333-9300  
Largo  
Bell Industries  
(813) 541-4434  
Oviedo  
Zeus Components  
(407) 365-3000  
St. Petersburg  
Hamilton/Avnet  
(813) 576-3930  
Winter Park  
Hamilton/Avnet  
(407) 628-3888

## GEORGIA

Norcross  
Arrow Electronics  
(404) 449-8252  
Bell Industries  
(404) 662-0923  
Hamilton/Avnet  
(404) 447-7500  
Pioneer Technology  
(404) 448-1711

## ILLINOIS

Addison  
Pioneer Electronics  
(312) 437-9680  
Bensenville  
Hamilton/Avnet  
(312) 860-7780  
Elk Grove Village  
Anthem Electronics  
(312) 640-6066  
Bell Industries  
(312) 640-1910

## Indiana

Asasca  
Arrow Electronics  
(312) 250-0500  
Urbana  
Bell Industries  
(217) 328-1077  
Wood Dale  
Time Electronics  
(312) 350-0610

## INDIANA

Carmel  
Hamilton/Avnet  
(317) 844-9333  
Fort Wayne  
Bell Industries  
(219) 423-3422  
Indianapolis  
Advent Electronics Inc.  
(317) 872-4910  
Arrow Electronics  
(317) 243-9353  
Bell Industries  
(317) 634-8200  
Pioneer Standard  
(317) 849-7300

## IOWA

Cedar Rapids  
Advent Electronics  
(319) 363-0221  
Arrow Electronics  
(319) 395-7230  
Bell Industries  
(319) 395-0730  
Hamilton/Avnet  
(319) 362-4757

## KANSAS

Lenexa  
Arrow Electronics  
(913) 541-9542  
Hamilton/Avnet  
(913) 888-8900  
Pioneer Standard  
(913) 492-0500

## MARYLAND

Columbia  
Anthem Electronics  
(301) 995-6640  
Arrow Electronics  
(301) 995-0003  
Hamilton/Avnet  
(301) 995-3500  
Time Electronics  
(301) 964-3090  
Zeus Components  
(301) 997-1118  
Gaithersburg  
Pioneer Technology  
(301) 921-0660

## MASSACHUSETTS

Andover  
Bell Industries  
(508) 474-8880  
Lexington  
Pioneer Standard  
(617) 861-9200  
Zeus Components  
(617) 863-8800  
Norwood  
Gerber Electronics  
(617) 769-6000  
Peabody  
Hamilton/Avnet  
(508) 531-7430  
Time Electronics  
(508) 532-6200  
Wilmington  
Anthem Electronics  
(508) 657-5170  
Arrow Electronics  
(508) 658-0900

## MICHIGAN

Ann Arbor  
Arrow Electronics  
(313) 971-8220  
Bell Industries  
(313) 971-9093  
Grand Rapids  
Arrow Electronics  
(616) 243-0912  
Hamilton/Avnet  
(616) 243-8805  
Pioneer Standard  
(616) 698-1800  
Livonia  
Pioneer Standard  
(313) 625-1800  
Novi  
Hamilton/Avnet  
(313) 347-4720  
Wyoming  
R. M. Electronics, Inc.  
(616) 531-9300

## MINNESOTA

Eden Prairie  
Anthem Electronics  
(612) 944-5454  
Pioneer Standard  
(612) 944-3355  
Edina  
Arrow Electronics  
(612) 830-1800  
Minnetonka  
Hamilton/Avnet  
(612) 932-0600

## MISSOURI

Chesterfield  
Hamilton/Avnet  
(314) 537-1600  
St. Louis  
Arrow Electronics  
(314) 567-6888  
Time Electronics  
(314) 391-6444

## NEW HAMPSHIRE

Hudson  
Bell Industries  
(603) 882-1133  
Manchester  
Arrow Electronics  
(603) 668-6988  
Hamilton/Avnet  
(603) 624-9400

# NATIONAL SEMICONDUCTOR CORPORATION DISTRIBUTORS (Continued)

## NEW JERSEY

Cherry Hill  
Hamilton/Avnet  
(609) 424-0100

Fairfield  
Anthem Electronics  
(201) 227-7960  
Hamilton/Avnet  
(201) 575-3390

Marlton  
Arrow Electronics  
(609) 596-8000

Parsippany  
Arrow Electronics  
(201) 538-0900

Pine Brook  
Nu Horizons Electronics  
(201) 882-8300  
Pioneer Standard  
(201) 575-3510  
Time Electronics  
(201) 882-4611

## NEW MEXICO

Albuquerque  
Alliance Electronics Inc.  
(505) 282-3360  
Arrow Electronics  
(505) 243-4566  
Bell Industries  
(505) 292-2700  
Hamilton/Avnet  
(505) 765-1500

## NEW YORK

Amityville  
Nu Horizons Electronics  
(516) 226-6000

Binghamton  
Pioneer  
(607) 722-9300

Buffalo  
Summit Electronics  
(716) 887-2800

Fairport  
Pioneer Standard  
(716) 381-7070  
Time Electronics  
(716) 383-8853

Hauppauge  
Anthem Electronics  
(516) 273-1660  
Arrow Electronics  
(516) 231-1000  
Hamilton/Avnet  
(516) 434-7413  
Time Electronics  
(516) 273-0100

Port Chester  
Zeus Components  
(914) 937-7400

Rochester  
Arrow Electronics  
(716) 427-0300  
Hamilton/Avnet  
(716) 475-9130  
Summit Electronics  
(716) 334-8110

Ronkonkoma  
Zeus Components  
(516) 737-4500

Syracuse  
Hamilton/Avnet  
(315) 437-2641  
Time Electronics  
(315) 432-0355

Westbury  
Hamilton/Avnet Export Div.  
(516) 997-6868

Woodbury  
Pioneer Electronics  
(516) 921-8700

## NORTH CAROLINA

Charlotte  
Pioneer Technology  
(704) 527-8188  
Time Electronics  
(704) 522-7600

Durham  
Pioneer Technology  
(919) 544-5400

Raleigh  
Arrow Electronics  
(919) 876-3132  
Hamilton/Avnet  
(919) 878-0810

Winston-Salem  
Arrow Electronics  
(919) 725-8711

## OHIO

Centerville  
Arrow Electronics  
(513) 435-5563  
Bell Industries  
(513) 435-8660  
Bell Industries-Military  
(513) 434-8231

Cleveland  
Pioneer  
(216) 587-3600

Dayton  
Hamilton/Avnet  
(513) 439-6700  
Pioneer Standard  
(513) 236-9900  
Zeus Components  
(914) 937-7400

Solon  
Arrow Electronics  
(216) 248-3990  
Hamilton/Avnet  
(216) 831-3500

Westerville  
Hamilton/Avnet  
(614) 882-7004

## OKLAHOMA

Tulsa  
Arrow Electronics  
(918) 252-7537  
Hamilton/Avnet  
(918) 252-7297  
Radio Inc.  
(918) 587-9123

## OREGON

Beaverton  
Almac-Strom Electronics  
(503) 629-8090  
Anthem Electronics  
(503) 643-1114  
Arrow Electronics  
(503) 645-6456  
Hamilton/Avnet  
(503) 627-0201

Lake Oswego  
Bell Industries  
(503) 635-6500

## PENNSYLVANIA

Horsham  
Anthem Electronics  
(215) 443-5150  
Pioneer Technology  
(215) 674-4000

King of Prussia  
Time Electronics  
(215) 337-0900

Monroeville  
Arrow Electronics  
(412) 856-7000

Pittsburgh  
Hamilton/Avnet  
(412) 281-4150  
Pioneer  
(412) 782-2300

## TEXAS

Austin  
Arrow Electronics  
(512) 835-4180  
Hamilton/Avnet  
(512) 837-8911  
Pioneer Standard  
(512) 835-4000  
Time Electronics  
(512) 399-3051

Carrollton  
Arrow Electronics  
(214) 380-6464  
Time Electronics  
(214) 241-7441

Dallas  
Hamilton/Avnet  
(214) 404-9906  
Pioneer Standard  
(214) 386-7300

Houston  
Arrow Electronics  
(713) 530-4700  
Pioneer Standard  
(713) 988-5555

Richardson  
Anthem Electronics  
(214) 238-7100  
Zeus Components  
(214) 783-7010

Stafford  
Hamilton/Avnet  
(713) 240-7733

## UTAH

Midvale  
Bell Industries  
(801) 255-9611

Salt Lake City  
Anthem Electronics  
(801) 973-8555  
Arrow Electronics  
(801) 973-6913  
Hamilton/Avnet  
(801) 972-4300

West Valley  
Time Electronics  
(801) 973-8181

## WASHINGTON

Bellevue  
Almac-Strom Electronics  
(206) 643-9992

Bothell  
Anthem Electronics  
(206) 483-1700

Kent  
Arrow Electronics  
(206) 575-4420

Redmond  
Bell Industries  
(206) 885-9963  
Hamilton/Avnet  
(206) 861-6697

## WISCONSIN

Brookfield  
Arrow Electronics  
(414) 792-0150

Mequon  
Taylor Electric  
(414) 241-4321

Waukesha  
Bell Industries  
(414) 547-8879  
Hamilton/Avnet  
(414) 784-4516

## CANADA

### WESTERN PROVINCES

Burnaby  
Hamilton/Avnet  
(604) 437-6667  
Semad Electronics  
(604) 420-9889

Calgary  
Hamilton/Avnet  
(403) 250-9380  
Semad Electronics  
(403) 252-5664  
Zentronics  
(403) 272-1021

Edmonton  
Zentronics  
(403) 468-9306

Richmond  
Zentronics  
(604) 273-5575

Saskatoon  
Zentronics  
(306) 955-2207

Winnipeg  
Zentronics  
(204) 694-1957

### EASTERN PROVINCES

Brampton  
Zentronics  
(416) 451-9800

Mississauga  
Hamilton/Avnet  
(416) 677-7432

Nepean  
Hamilton/Avnet  
(613) 226-1700  
Zentronics  
(613) 226-8840

Ottawa  
Semad Electronics  
(613) 727-8325

Pointe Claire  
Semad Electronics  
(514) 694-0860

St. Laurent  
Hamilton/Avnet  
(514) 335-1000  
Zentronics  
(514) 737-9700

Willowdale  
ElectroSonic Inc.  
(416) 494-1666

## SALES OFFICES

### ALABAMA

Huntsville  
(205) 721-9367

### ARIZONA

Tempe  
(602) 966-4563

### CALIFORNIA

Inglewood  
(213) 645-4226

Roseville  
(916) 786-5577

San Diego  
(619) 587-0666

Santa Clara  
(408) 562-5900

Tustin  
(714) 259-8880

Woodland Hills  
(818) 888-2602

### COLORADO

Boulder  
(303) 440-3400

Colorado Springs  
(303) 578-3319

Englewood  
(303) 790-8090

### CONNECTICUT

Hamden  
(203) 288-1560

### FLORIDA

Boca Raton  
(407) 997-8133

Orlando  
(305) 629-1720

St. Petersburg  
(813) 577-1380

### GEORGIA

Norcross  
(404) 441-2740

### ILLINOIS

Schaumburg  
(312) 397-8777

### INDIANA

Carmel  
(317) 843-7160

Fort Wayne  
(219) 484-0722

### IOWA

Cedar Rapids  
(319) 395-0090

### KANSAS

Overland Park  
(913) 451-4402

### MARYLAND

Hanover  
(301) 796-8900

### MASSACHUSETTS

Burlington  
(617) 273-3170

### MICHIGAN

Grand Rapids  
(616) 940-0588

W. Bloomfield  
(313) 855-0166

### MINNESOTA

Bloomington  
(612) 854-8200

### NEW JERSEY

Paramus  
(201) 599-0955

### NEW MEXICO

Albuquerque  
(505) 884-5601

### NEW YORK

Fairport  
(716) 223-7700

Liverpool  
(315) 451-9091

Melville  
(516) 351-1000

Wappinger Falls  
(914) 298-0680

### NORTH CAROLINA

Cary  
(919) 481-4311

### OHIO

Dayton  
(513) 435-6886

Dublin  
(614) 766-3679

Independence  
(216) 524-5577

### ONTARIO

Mississauga  
(416) 678-2920

Nepean  
(613) 596-0411

### OREGON

Portland  
(503) 639-5442

### PENNSYLVANIA

Horsham  
(215) 672-6767

### PUERTO RICO

Rio Piedras  
(809) 758-9211

### QUEBEC

Pointe Claire  
(514) 636-8525

### TEXAS

Austin  
(512) 346-3990

Houston  
(713) 771-3547

Richardson  
(214) 234-3811

### UTAH

Salt Lake City  
(801) 322-4747

### WASHINGTON

Bellevue  
(206) 453-9944

### WISCONSIN

Brookfield  
(414) 782-1818



# National Semiconductor

## National Semiconductor Corporation

2900 Semiconductor Drive  
P.O. Box 58090  
Santa Clara, CA 95052-8090  
Tel: (408) 721-5000  
TWX: (910) 339-9240

## SALES OFFICES (Continued)

### INTERNATIONAL OFFICES

#### Electronica NSC de Mexico SA

Juventino Rosas No. 118-2  
Col Guadalupe Inn  
Mexico, 01020 D.F. Mexico  
Tel: 52-5-524-9402

#### National Semicondutores Do Brasil Ltda.

Av. Brig. Faria Lima, 1383  
6.0 Andor-Conj. 62  
01451 Sao Paulo, SP, Brasil  
Tel: (55/11) 212-5066  
Fax: (55/11) 211-1181 NSBR BR

#### National Semiconductor GmbH

Industriestrasse 10  
D-8080 Furstenfeldbruck  
West Germany  
Tel: (0-81-41) 103-0  
Telex: 527-649  
Fax: (08141) 103554

#### National Semiconductor (UK) Ltd.

The Maple, Kembrey Park  
Swindon, Wiltshire SN2 6UT  
United Kingdom  
Tel: (07-93) 61-41-41  
Telex: 444-674  
Fax: (07-93) 69-75-22

#### National Semiconductor Benelux

Vorstlaan 100  
B-1170 Brussels  
Belgium  
Tel: (02) 6-61-06-80  
Telex: 61007  
Fax: (02) 6-60-23-95

#### National Semiconductor (UK) Ltd.

Ringager 4A, 3  
DK-2605 Brøndby  
Denmark  
Tel: (02) 43-32-11  
Telex: 15-179  
Fax: (02) 43-31-11

#### National Semiconductor S.A.

Centre d'Affaires-La Boursidiere  
Bâtiment Champagne, B.P. 90  
Route Nationale 186  
F-92357 Le Plessis Robinson  
France  
Tel: (1) 40-94-88-88  
Telex: 631065  
Fax: (1) 40-94-88-11

#### National Semiconductor (UK) Ltd.

Unit 2A  
Clonskeagh Square  
Clonskeagh Road  
Dublin 14  
Tel: (01) 69-55-89  
Telex: 91047  
Fax: (01) 69-55-89

#### National Semiconductor S.p.A.

Strada 7, Palazzo R/3  
I-20089 Rozzano  
Milanofiori  
Italy  
Tel: (02) 8242046/77/8/9  
Twx: 352647  
Fax: (02) 8254758

#### National Semiconductor S.p.A.

Via del Cararaggio, 107  
00147 Rome  
Italy  
Tel: (06) 5-13-48-80  
Fax: (06) 5-13-79-47

#### National Semiconductor (UK) Ltd.

P.O. Box 29  
N-1321 Stabekk  
Norway  
Tel: (2) 12-53-70  
Fax: (2) 12-53-75

#### National Semiconductor AB

P.O. Box 1009  
Grosshandlarvaegen 7  
S-121 23 Johanneshov  
Sweden  
Tel: 46-8-7228050  
Fax: 46-8-7229095  
Telex: 10731 NSC S

#### National Semiconductor GmbH

Calle Agustin de Foxa, 27 (9°D)  
28036 Madrid  
Spain  
Tel: (01) 733-2958  
Telex: 46133  
Fax: (01) 733-8018

#### National Semiconductor Switzerland

Alte Winterthurerstrasse 53  
Postfach 567  
CH-8304 Wallisellen-Zurich  
Switzerland  
Tel: (01) 830-2727  
Telex: 828-444  
Fax: (01) 830-1900

#### National Semiconductor

Kaupparkartanonkatu 7 A22  
SF-00930 Helsinki  
Finland  
Tel: (90) 33-80-33  
Telex: 126116  
Fax: (90) 33-81-30

#### National Semiconductor

Postbus 90  
1380 AB Weesp  
The Netherlands  
Tel: (0-29-40) 3-04-48  
Telex: 10-956  
Fax: (0-29-40) 3-04-30

#### National Semiconductor Japan Ltd.

Sanseido Bldg. 5F  
4-15 Nishi Shinjuku  
Shinjuku-ku  
Tokyo 160 Japan  
Tel: 3-299-7001  
Fax: 3-299-7000

#### National Semiconductor

**Hong Kong Ltd.**  
Suite 513, 5th Floor,  
Chinachem Golden Plaza,  
77 Mody Road, Tsimshatsui East,  
Kowloon, Hong Kong  
Tel: 3-7231290  
Telex: 52996 NSSEA HX  
Fax: 3-3112536

#### National Semiconductor (Australia) PTY, Ltd.

1st Floor, 441 St. Kilda Rd.  
Melbourne, 3004  
Victoria, Australia  
Tel: (03) 267-5000  
Fax: 61-3-2677458

#### National Semiconductor (PTE), Ltd.

200 Cantonment Road 13-01  
Southpoint  
Singapore 0208  
Tel: 2252226  
Telex: RS 33877

#### National Semiconductor (Far East) Ltd.

**Taiwan Branch**  
P.O. Box 68-332 Taipei  
7th Floor, Nan Shan Life Bldg.  
302 Min Chuan East Road,  
Taipei, Taiwan R.O.C.  
Tel: (86) 02-501-7227  
Telex: 22837 NSTW  
Cable: NSTW TAIPEI

#### National Semiconductor (Far East) Ltd.

**Korea Branch**  
13th Floor, Dai Han Life Insurance  
63 Building,  
60, Yoido-dong, Youngdeungpo-ku,  
Seoul, Korea 150-763  
Tel: (02) 784-8051/3, 785-0696/8  
Telex: 24942 NSPKLO  
Fax: (02) 784-8054