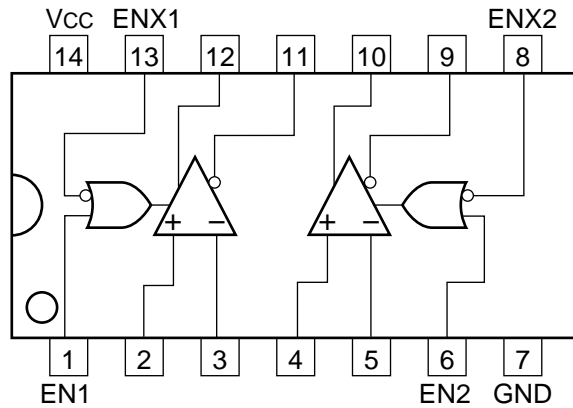


DUAL DIFFERENTIAL PRE-AMPLIFIER

—TOP VIEW—



EN	ENX	OUTPUT
0	0	OUT
0	1	HI-Z
1	0	OUT
1	1	OUT

0 : LOW LEVEL

1 : HIGH LEVEL

HI-Z : HIGH IMPEDANCE