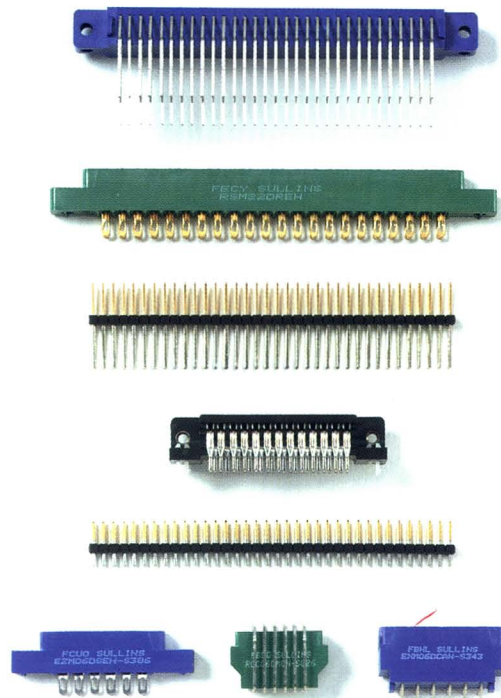


Sullins



EDGECARDS HEADERS

Tel 619 - 744 - 0125

Fax 619 - 744 - 6081

Contents

General Specifications	4
Part Number Coding	5
Modifications	35

Contact Centers	Row Spacing	Termination type	Profile	Page
.050	Staggered	Dip Solder	.610	6 & 7
.050	.062	Card Extender	.610	6 & 7
.050	Surface Mount	Surface Mount	.610	6 & 7
.050 Micro Channel™			.610	8 & 9
.100	.140	Dip Solder	.431	10 & 11
.100	.200	Dip Solder	.431	10 & 11
.100	.140	Eyelet	.431	10 & 11
.100	.156	Right Angle	.431	10 & 11
.100	.200	Dip Solder	.610	12 & 13
.100	.200	Wire Wrap™	.610	12 & 13
.100	.150 & .200	Right Angle	.610	12 & 13
.100 Multi Bus I P2			.431 & .610	10 - 13
.100 S-100 Bus			.431 & .610	10 - 13
.100 PC Computer & PC Bus Edgecards			.610	34
.125	.140	Dip Solder	.431	14 & 15
.125	.200	Dip Solder	.431	14 & 15
.125	.250	Dip Solder	.431	14 & 15
.125	.140	Eyelet	.431	14 & 15
.125	.156	Right Angle	.431	14 & 15
.125	.250	Dip Solder	.610	16 & 17
.125	.250	Wire Wrap™	.610	16 & 17
.125	.150 & .200	Right Angle	.610	16 & 17
.125	.200	Dip Solder	.720	17 & 18
.125 STD Bus			.431 & .610	14 -17
.150	.150	Dip Solder	.550	20 & 21
.150	.150	Wire Wrap™	.550	20 & 21
.156	Single Row	Dip Solder	.431	22 & 23
.156	Single Row	Eyelet	.431	22 & 23
.156	.140	Eyelet	.431	22 & 23
.156	.140	Dip Solder	.431	22 & 23
.156	.200	Dip Solder	.431	22 & 23
.156	.156	Right Angle	.431	22 & 23
.156 Modified			.431	28 & 29
.156	.200	Dip Solder	.610	24 & 25
.156	.200	Wire Wrap™	.610	24 & 25
.156	.150 & .200	Right Angle	.610	24 & 25
.156	.188	Dip Solder	.720	26 & 27
.156	.188	Wire Wrap™	.720	26 & 27
.156 Multi Bus I P1			.431 & .610	22 - 29
.100 .025" Square Post Headers				30 & 31
.109 D-Subminiature Connectors				32 & 33

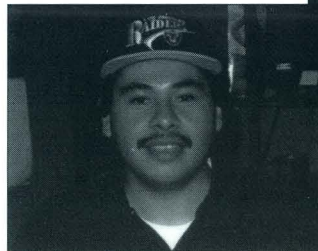
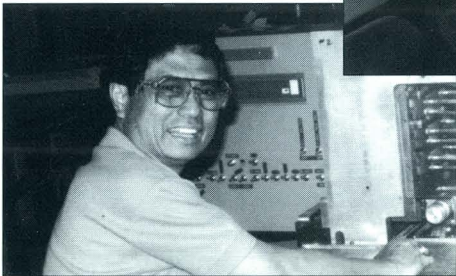
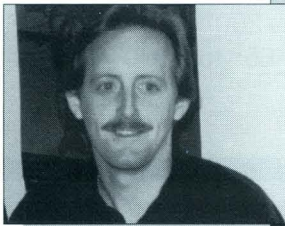
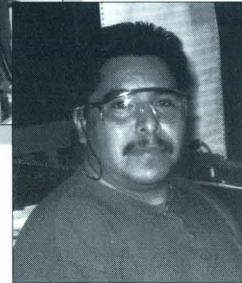
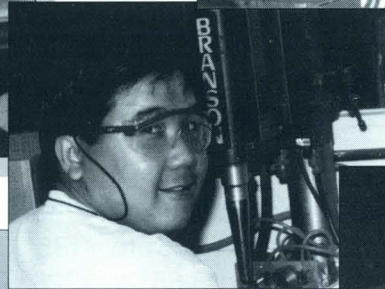
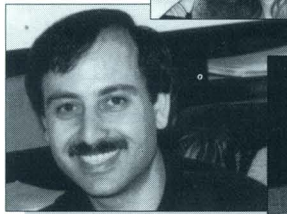


S

ince 1969, Sullins has been providing high quality connectors at reasonable prices - and our quick turnaround on delivery. We're specialists in service, experienced technicians, and proud of our outstanding name in the industry. With over a million listed part numbers, we are prepared to meet your request, and still welcome any special application that we'll help you design. If your application has unique dimensions, requires particular materials or demands an unusual plating thickness, we will be happy to evaluate your engineering requirements.



Please contact our sales office at **(619) 744-0125** for samples, quotes or specifications. We look forward to serving you.



General Specifications

MATERIALS

Insulator: Blue glass filled thermoplastic polyester Valox UL 94V-O Approved;
Green glass filled polyphenylene sulfide Ryton UL 94V-O Approved;
Natural brown polyetheretherketone Peek UL 94V-O Approved;
Other materials available.

Contacts: Phosphor Bronze (Standard); Beryllium Copper; Pfinodal;
Beryllium Nickle.

Contact Plating: Gold and/or Tin over .000050" Nickle Under Plate.

UL File Number: E64287

CSA File Number: 69695

Federal ID Number: 54453

MECHANICAL

Board Insertion Force: 16 oz. maximum per contact using
.062" (1.57) steel test blade

Board Withdraw Force: 1 oz. minimum per contact using
.062" (1.57) steel test blade

ELECTRICAL

Insulation Resistance: 5,000 megohms

Dielectric Withstanding Voltage:

Contact

Centers—	.050 (1.27)	.100(2.54)	.125 (3.17)	.150 (3.81)	.156 (3.96)
Voltage—	250 VDC	600 VDC	800 VDC	1500 VDC	1800 VDC

Current Rating: 3 amperes

Voltage Drop: 30 millivolts at rated current

Contact Resistance: 10 milliohms maximum at 3 amp rating.

ENVIRONMENTAL

Solvent Resistance: Perchloroethylene, Freon 113, Freon 11, Trichloroethylene

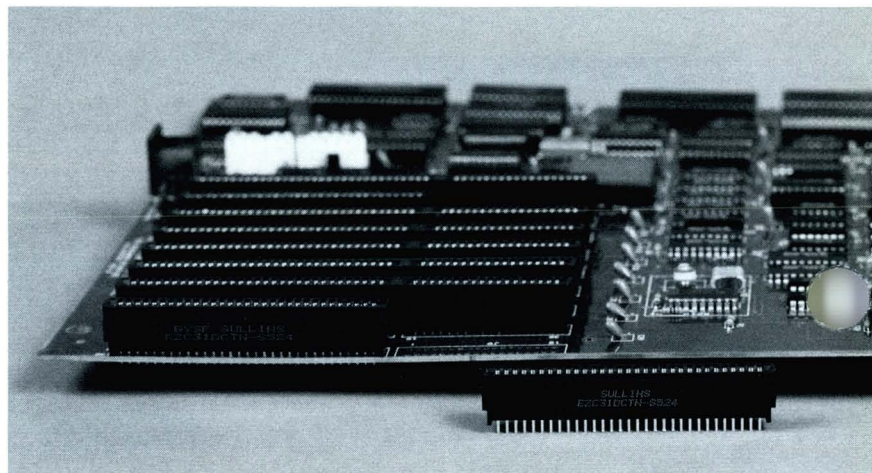
Operating Temperature: Valox* -65° to +135° C	Phosphor Bronze -65° to +125° C
Ryton* -65° to +220° C	Beryllium Copper -65° to +150° C
Peek -65° to +250° C	Pfinodal* -65° to +200° C
	Beryllium Nickle -65° to +300° C

(Continuous temperatures, higher for short duration.)

*Or equivalent

Special Applications

Sullins connectors are available with over 700 modifications for customers with specific applications. If your design application has unique dimensions, requires special materials for insulators or contacts, or demands an unusual plating thickness, etc., Sullins will be happy to evaluate your engineering requirements.



Part Number Coding

P = .025 Square Post Headers (See pages 30-31)
 D = D Subminiature Connectors (See pages 32-33)

Sullins *orderline:*
619/744-0125
Fax/744-6081

MATERIALS (Insulator/Contact) ————— E Z M 43 D R T H —S37

E = Valox*/Copper Alloy (Standard)
 H = Valox/Beryllium Copper
 R = Ryton*/Copper Alloy
 A = Ryton/Beryllium Copper
 C = Ryton/Beryllium Nickle (Consult Factory)
 F = Ryton/Pfinodal† (Consult Factory)
 W = Peek*/Beryllium Nickle (Consult Factory)
 N = Peek/Beryllium Copper (Consult Factory)

MODIFICATIONS (Consult Factory)

OMIT FOR STANDARD

-S13 = Card Extender Format to Fit .062 (1.57) PCB

See page 35 for additional modifications

CONTACT FINISH —————

Contact Surface	Termination
Z = .000010 Gold	.000100 Tin
X = .000030 Gold	.000100 Tin
G = .000010 Gold	.000005 Gold
Y = .000030 Gold	.000005 Gold
Contact Surface	Overall Plating
T = .000100 Tin	.000100 Tin
S = .000010 Gold	.000010 Gold
M = .000030 Gold	.000010 Gold
All Gold Plated Over .000050 Inch Nickle	

MOUNTING STYLE

H = Clearance Hole .125 (3.17) Dia.
 N = No Mounting Ears
 S = Side Mounting .125 (3.17) Dia.
 I = Threaded Insert 4-40 NC-2B Thd.
 F = Floating Bobbin
 W = .430" Ears, Flush Mounting
 D = .250" Ears, Flush Mounting
 P = Clearance Hole .142 (3.61) Dia.
 B = Open Card Slot
 X = .430" Ears, Flush Mounting with Threaded Insert
 T = .250" Ears, Flush Mounting with Threaded Insert

CONTACT CENTERS —————

B = .050 (1.27)	J = .150 (3.81)
C = .100 (2.54)	M = .156 (3.96)
A = .125 (3.17)	

TERMINATION TYPE

Eyelet

RE, TE, SE = Eyelet Tail

RZ = Forked Eyelet Tail

Low Profile Dip Solder

SX, SU = Single Centered

RT, RK, RY = Single/.140 (3.56) Row Spacing

RX, RU, RP = .200 (5.08) Row Spacing

RJ = .250 (6.35) Row Spacing

High Profile Dip Solder

RS = .025 (.64) Square Tail with Loop Bellows

CS, SC = .025 (.64) Square Tail with Hairpin Bellows

CT, CW = .015 x .025 Tail with Hairpin Bellows

CF, CH, CR = .012 x .018 Tail with Hairpin Bellows

TK = .026 (.66) Round Tail with Loop Bellows

CK = .026 (.66) Round Tail with Hairpin Bellows

KJ = .031 (.79) Square Tail with Cantilever Beam

Wire Wrap

RM = .025 (.64) Square Post with Loop Bellows

CM, MC = .025 (.64) Square Post with Hairpin Bellows

KK = .031 (.79) x .062 (1.57) Post

KL = .031 (.79) x .062 (1.57) Post Twisted 90°

WW = .045 (1.14) Square Post

Right Angle

RA, SA = Right Angle with Full Bellows

TA, TB, TM = Right Angle with Loop Bellows

CA, CB, CC = Right Angle with Hairpin Bellows

NUMBER OF CONTACT POSITIONS —————

02 thru 110

READOUT —————

D = Dual
 S = Single
 H = Half Loaded

*Registered Trademarks

General Electric Co.: Valox

Phillips 66: Ryton

Gardner-Denver Co.: Wire Wrap

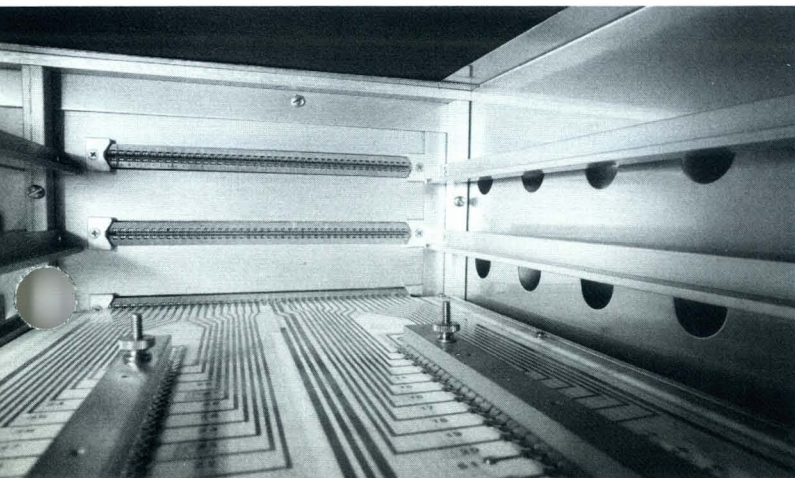
RTP Compounder: Peek

IBM: Micro Channel

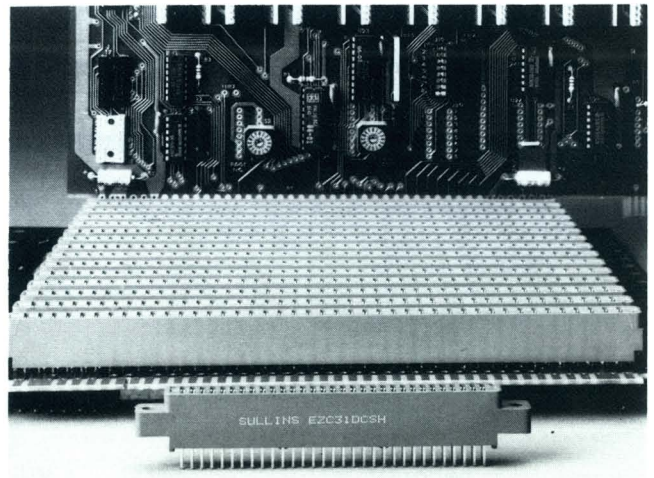
Sullins Electronics: Zero Lead Time

Specifications are subject to change without notice.

†High tin solder cannot be used with Pfinodal contacts in applications greater than 150°C. Consult factory for recommendation.

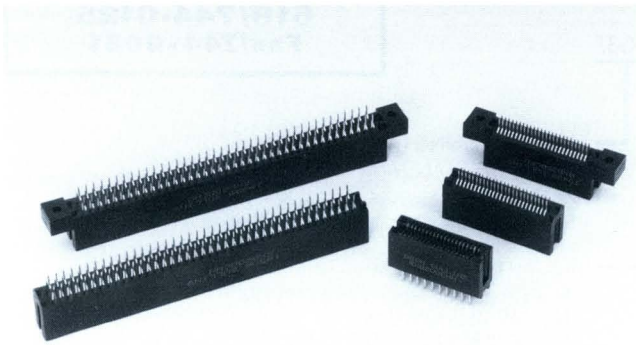


Connectors for Test and Burn-In



Connectors for Multi Bus I

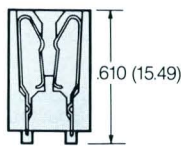
.050 (1.27mm) Contact Centers



Features:

- Accommodates .062 (± .008) PC Board
- One-third greater density than D.I.N.
- High reliability/High cycle hairpin bellows contact
- Low insertion force with 150g normal force
- Available with ears and/or robotic slots
- Surface mount and card extender versions
- .125 tail length
- No special chamfer requirements
- Consult factory for other sizes

Readout



DUAL (D)

Materials:

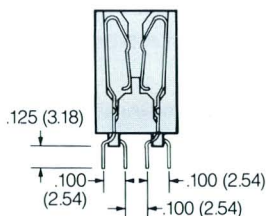
Insulator Material:

- Brown Ryton (Glass-filled polyphenylene sulfide)

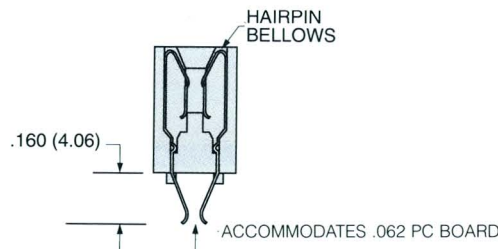
Contact Material:

- Phosphor bronze contact (Standard)
- Beryllium copper
- Pfinodal (Special order)

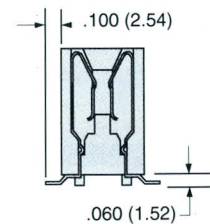
Termination Type



STAGGERED
DIP SOLDER (CH)

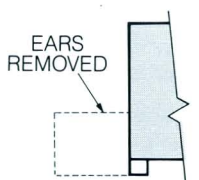


CARD EXTENDER (CR)

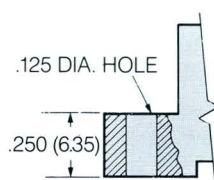


SURFACE
MOUNT (CF)

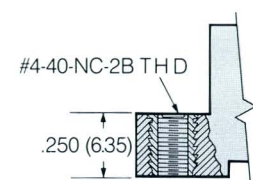
Mounting Style



NO MOUNTING
EARS (N)



FLUSH
MOUNTING (D)

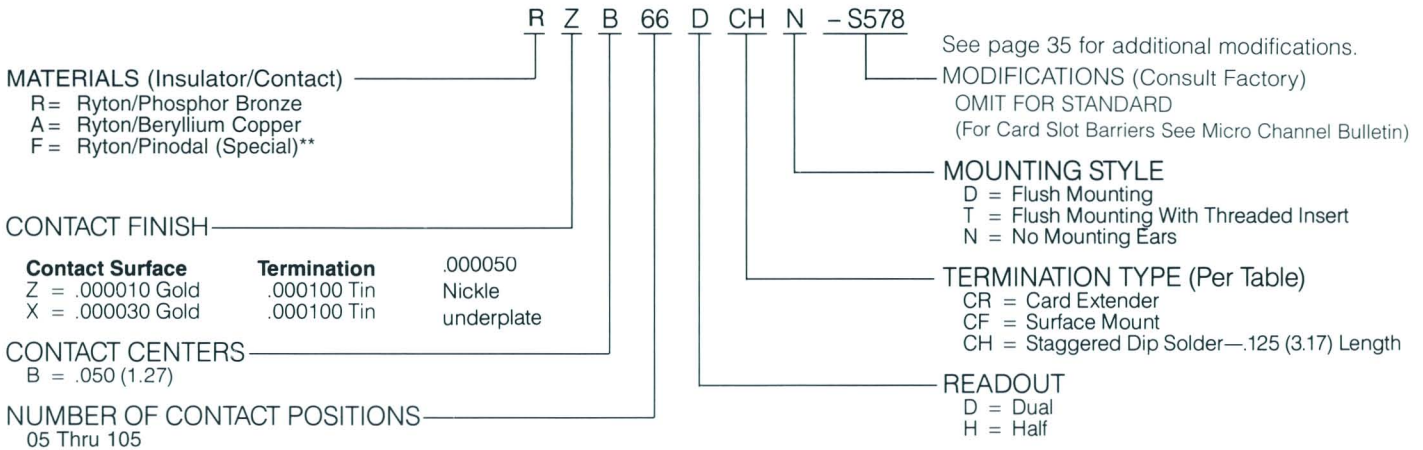


FLUSH MOUNTING
WITH THREADED INSERT (T)

High Profile Dip Solder/SMT Edgcard Connectors

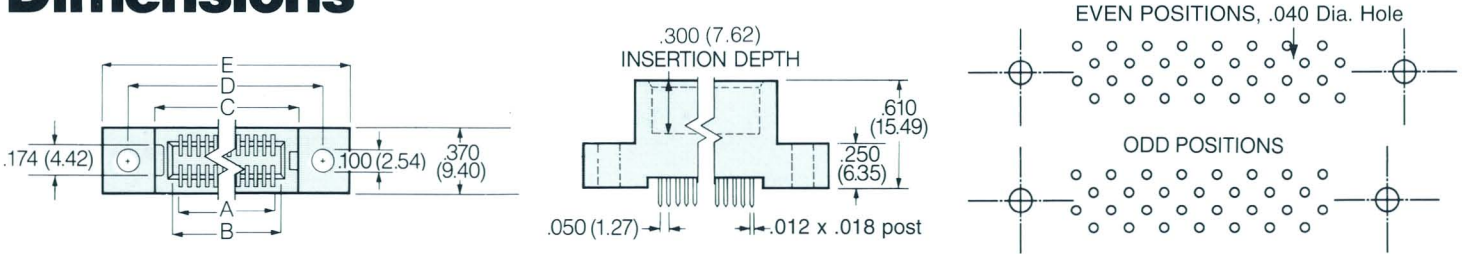
Sullins orderline:
619/744-0125
Fax/744-6081

Part Number Coding



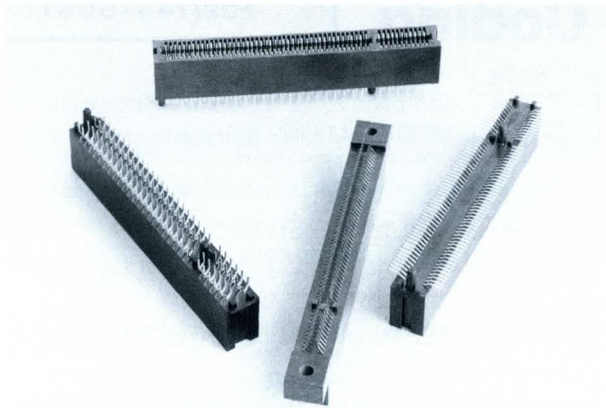
**High tin solder cannot be used with Pfinodal contacts in applications greater than 150°C. Consult factory for recommendation.

Dimensions



PART NUMBER*	NUMBER OF CONTACTS	INCHES					MILLIMETERS				
		A	B	C	D	E	A	B	C	D	E
RZB05DCHN †	5/10	.200	.300	.490	.776	1.090	5.08	7.62	12.45	19.71	27.69
RZB06DCHN †	6/12	.250	.350	.540	.826	1.140	6.35	8.69	13.72	20.98	28.96
RZB09DCHN †	9/18	.400	.500	.690	.976	1.290	10.16	12.70	17.53	24.79	32.77
RZB10DCHN	10/20	.450	.550	.740	1.026	1.340	11.43	13.97	18.80	26.06	34.04
RZB14DCHN †	14/28	.650	.750	.940	1.226	1.540	16.51	19.05	23.88	31.14	39.12
RZB15DCHN	15/30	.700	.800	.990	1.276	1.590	17.78	20.32	25.15	32.41	40.39
RZB20DCHN	20/40	.950	1.050	1.240	1.526	1.840	24.13	26.67	31.50	38.76	46.74
RZB22DCHN †	22/44	1.050	1.150	1.340	1.626	1.940	26.67	29.21	34.04	41.30	49.28
RZB25DCHN	25/50	1.200	1.300	1.490	1.776	2.090	30.48	33.02	37.85	45.11	53.09
RZB30DCHN	30/60	1.450	1.550	1.740	2.026	2.340	36.83	39.37	44.20	51.46	59.44
RZB34DCHN †	34/68	1.650	1.750	1.940	2.226	2.540	41.91	44.45	49.28	56.54	64.52
RZB35DCHN †	35/70	1.700	1.800	1.990	2.276	2.590	43.18	45.72	50.55	57.81	65.79
RZB40DCHN	40/80	1.950	2.050	2.240	2.526	2.840	49.53	52.07	56.90	64.16	72.14
RZB45DCHN †	45/90	2.200	2.300	2.490	2.776	3.090	55.88	58.42	63.25	70.51	78.49
RZB50DCHN	50/100	2.450	2.550	2.740	3.026	3.340	62.23	64.77	69.60	76.86	84.34
RZB55DCHN †	55/110	2.700	2.800	2.990	3.276	3.590	68.58	71.12	75.95	83.21	91.19
RZB60DCHN	60/120	2.950	3.050	3.240	3.526	3.840	74.93	77.47	82.30	89.56	97.54
RZB64DCHN †	64/128	3.150	3.250	3.440	3.726	4.040	80.01	82.55	87.38	94.64	102.62
RZB65DCHN †	65/130	3.200	3.300	3.490	3.776	4.090	81.28	83.82	88.65	95.91	103.89
RZB66DCHN †	66/132	3.250	3.350	3.540	3.826	4.140	82.55	85.09	89.92	97.18	105.16
RZB70DCHN †	70/140	3.450	3.550	3.740	4.026	4.340	87.63	90.17	95.00	102.26	110.24
RZB75DCHN †	75/150	3.700	3.800	3.990	4.276	4.590	93.98	96.52	101.35	108.61	116.59
RZB80DCHN	80/160	3.950	4.050	4.240	4.526	4.840	100.33	102.87	107.70	114.96	122.94
RZB85DCHN	85/170	4.200	4.300	4.490	4.776	5.090	106.68	109.22	114.05	121.31	129.29
RZB90DCHN †	90/180	4.450	4.550	4.740	5.026	5.340	113.03	115.57	120.40	127.66	135.64
RZB95DCHN †	95/190	4.700	4.800	4.990	5.276	5.590	119.38	121.92	126.75	134.01	141.99
RZB100DCHN	100/200	4.950	5.050	5.240	5.526	5.840	125.73	128.27	133.10	140.36	148.34
RZB105DCHN †	105/210	5.200	5.300	5.490	5.776	6.090	132.08	134.62	139.45	146.71	154.69

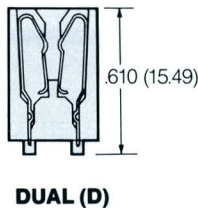
.050 (1.27 mm) contact centers



Features:

- High reliability/High cycle hairpin bellows contact
- Low insertion force with 150g normal force
- Washable after wave solder
- Available with ears and/or robotic slots
- Surface mount and card extender versions
- 125" tail length
- Closed bottom allows for less crosstalk
- No special chamfer requirements
- Consult factory for other sizes

Readout



Materials:

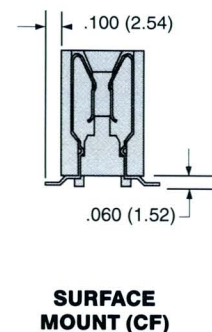
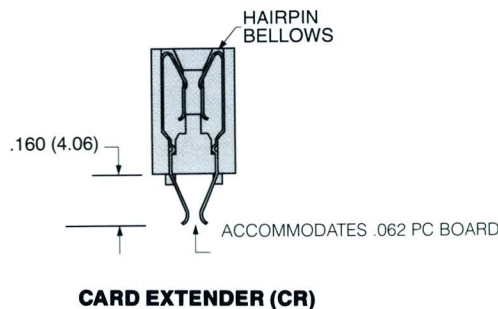
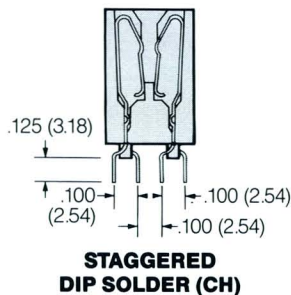
Insulator Material:

- Brown Ryton (Glass-filled polyphenylene sulfide) – 65°C to + 220°C

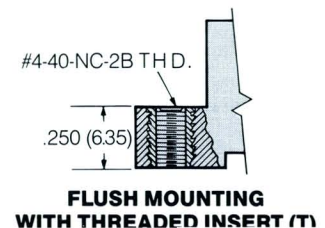
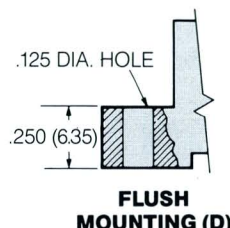
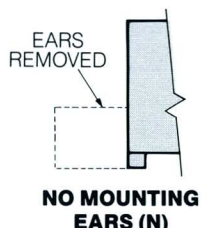
Contact Material:

- Phosphor bronze (Standard)
- Beryllium copper
- Pfinodal

Termination Type



Mounting Style



Sullins orderline:
619/744-0125
Fax/744-6081

Part Number Coding

MATERIALS (Insulator/Contact)
 R = Ryton/Phosphor Bronze
 A = Ryton/Beryllium Copper
 F = Ryton/Pinodal (Special)*

CONTACT FINISH
 Contact Surface Termination .000050
 Z = .000010 Gold .000100 Tin Nickel
 X = .000030 Gold .000100 Tin underplate

CONTACT CENTERS
 B = .050 (1.27)

NUMBER OF CONTACT POSITIONS
 56 = 11/45 106 = 11/45/50
 60 = 11/49
 66 = 11/45/10
 91 = 42/49

MODIFICATIONS
 -S578 = Card Slot Barriers With Guide Posts
 -S621 = Card Slot Barriers Without Guide Posts

MOUNTING STYLE
 N = No Mounting Ears
 D = Flush Mounting
 T = Flush Mounting w/Threaded Insert

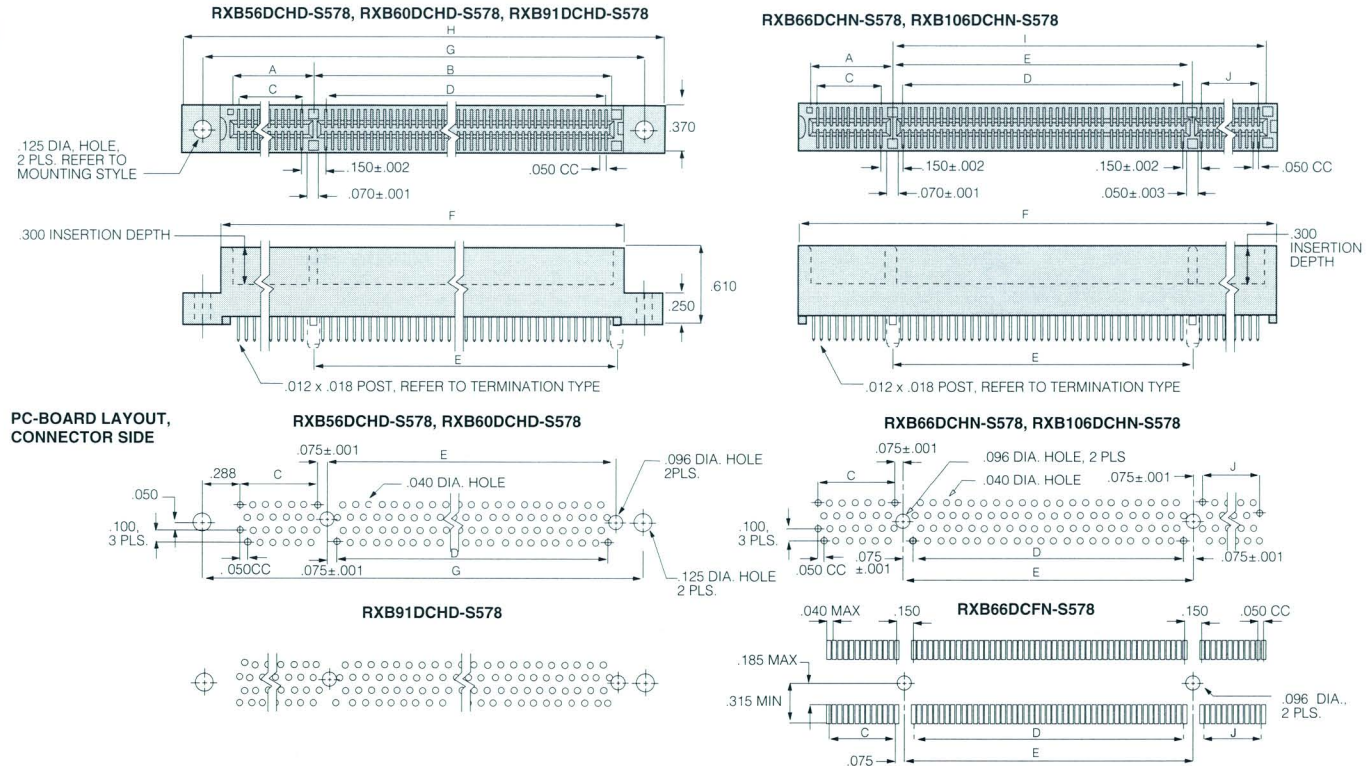
TERMINATION TYPE
 CR = Card Extender
 CF = Surface Mount
 CH = Staggered Dip Solder

READOUT
 D = Dual

See page 35 for additional modifications.

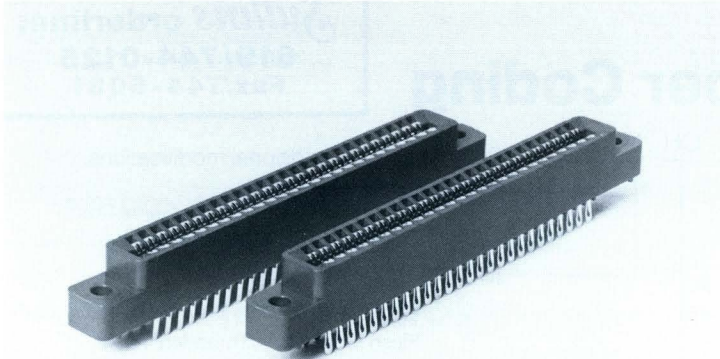
*High tin solder cannot be used with Pfinodal contacts in applications greater than 150°C. Consult factory for recommendation.

Dimensions



PART NUMBER*	NUMBER OF POSITIONS	INCHES										MILLIMETERS										
		A	B	C	D	E	F	G	H	I	J	A	B	C	D	E	F	G	H	I	J	
		+0.000 -0.008	+0.000 -0.008	±.005	±.005	±.005	±.015	±.010	±.020	+0.000 -0.010	±.005	+0.00 -0.20	+0.00 -0.20	±.13	±.13	±.13	±.25	±.25	±.51	+0.00 -0.20	±.13	
RXB 56	DCHD-S578	11/45	0.625	2.325	0.500	2.200	2.350	3.140	3.426	3.740	N/A	N/A	15.88	59.06	12.70	55.88	59.69	79.76	87.02	95.00	N/A	N/A
RXB 60	DCHD-S578	11/49	0.625	2.525	0.500	2.400	2.550	3.340	3.626	3.940	N/A	N/A	15.88	64.14	12.70	60.96	64.77	84.84	92.10	100.08	N/A	N/A
RXB 66	DCHD-S578	11/45/10	0.625	N/A	0.500	2.200	2.350	3.740	4.026	4.340	2.925	0.450	15.88	N/A	12.70	55.88	59.69	95.00	102.26	110.24	74.30	11.43
RXB 91	DCHD-S578	42/49	2.175	2.525	2.050	2.400	2.550	4.890	5.176	5.490	N/A	N/A	55.24	64.14	52.07	60.96	64.77	124.21	131.47	139.45	N/A	N/A
RXB 106	DCHD-S578	11/45/50	0.625	N/A	0.500	2.200	2.350	5.740	N/A	N/A	4.925	2.450	15.88	N/A	12.70	55.88	59.69	145.80	N/A	N/A	125.10	62.23

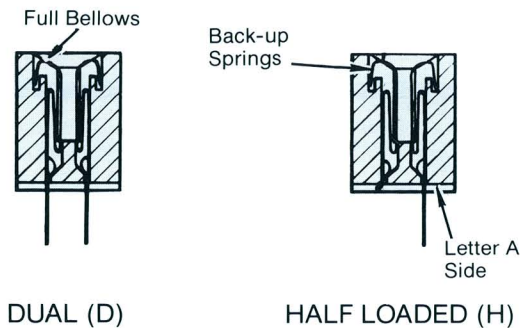
.100 (2.54 mm) contact centers



Features

- Multi Bus I P2 available in all configurations
- S-100 Bus available in all configurations
- Accommodates .062 (± .008) PC Board
- Solvent resistant insulator U.L. recognized
- Between contact polarization available
- 3 ampere current rating
- Contact resistance 10 milliohms max
- Bifurcated full bellows contacts
- Blue Valox or Green Ryton insulator

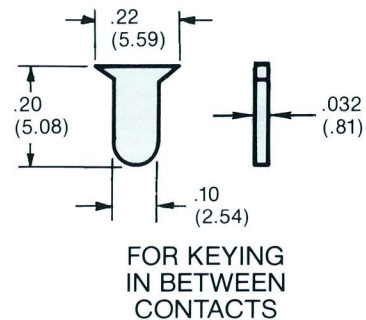
Readout



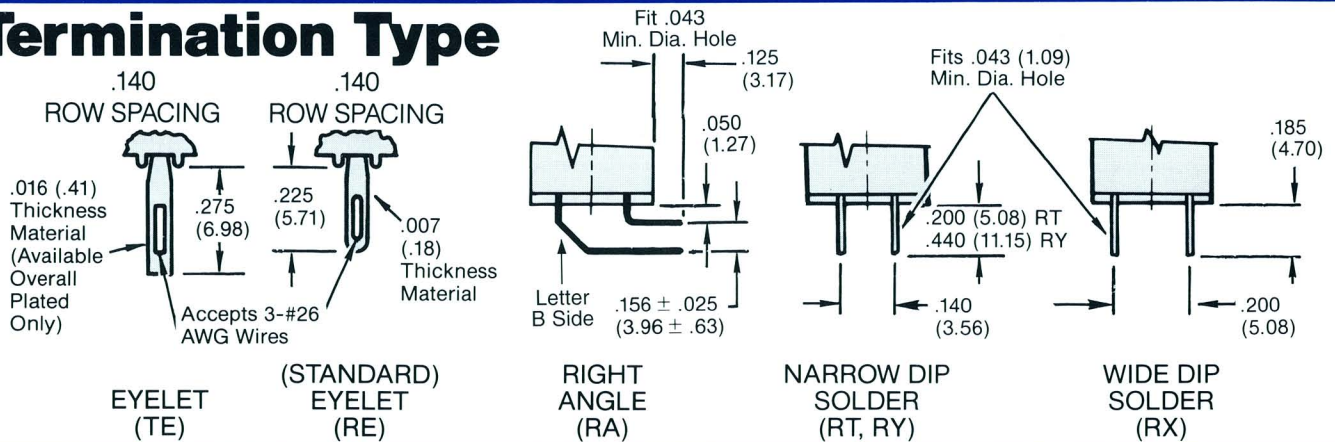
Polarizing Key

Order Separately

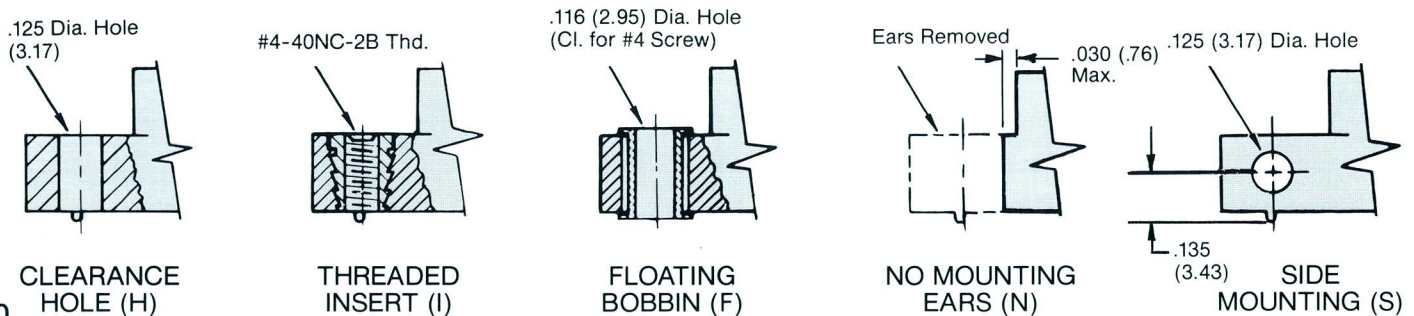
PLA-K1



Termination Type



Mounting Style



Low Profile Dip Solder/Eyelet Edgecard Connectors

Sullins orderline:
619/744-0125
Fax/744-6081

Part Number Coding

MATERIALS (Insulator/Contact)

- E = Valox/Phosphor Bronze (Standard)
- H = Valox/Beryllium Copper
- R = Ryton/Phosphor Bronze
- A = Ryton/Beryllium Copper
- C = Ryton/Beryllium Nickle (Consult Factory)
- N = Peek/Beryllium Copper (Consult Factory)
- W = Peek/Beryllium Nickle (Consult Factory)
- F = Ryton/Pfinodal* (Consult Factory)

CONTACT FINISH

Contact Surface	Termination	
Z = .000010 Gold	.000100 Tin	.000050
X = .000030 Gold	.000100 Tin	Nickle
G = .000010 Gold	.000005 Gold	underplate
Y = .000030 Gold	.000005 Gold	
Contact Surface	Overall Plating	
T = .000100 Tin	.000100 Tin	
S = .000010 Gold	.000010 Gold	
M = .000030 Gold	.000010 Gold	

CONTACT CENTERS

C = .100 (2.54)

MODIFICATIONS (Consult Factory)

OMIT FOR STANDARD

-S13 = Card Extender Formed to Fit .062 (1.57) PCB

MOUNTING STYLE

- H = Clearance Hole
- N = No Mounting Ears
- S = Side Mounting
- I = Threaded Insert
- F = Floating Bobbin

TERMINATION TYPE

- RA = Right Angle
- RE = Eyelet (Standard)
- TE = Eyelet (Overall Plated Only)
- RT = .140 (3.56) × .200 (5.08) Dip Solder
- RY = .140 (3.56) × .440 (11.15) Dip Solder
- RX = .200 (5.08) × .185 (4.70) Dip Solder

READOUT

- D = Dual
- H = Half Loaded

NUMBER OF CONTACT POSITIONS

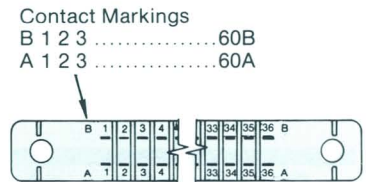
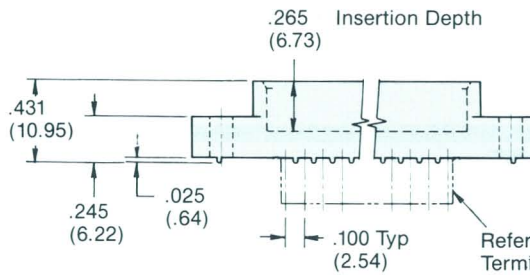
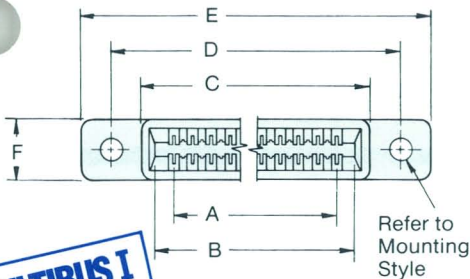
05 thru 60

See page 35 for additional modifications.

*High tin solder cannot be used with Pfinodal contacts in applications greater than 150°C. Consult factory for recommendation.

Dimensions

Dimensions in () are in millimeters, all others are in inches. Tolerance with Ryton Insulator material may vary slightly due to shrinkage differential; consult factory.



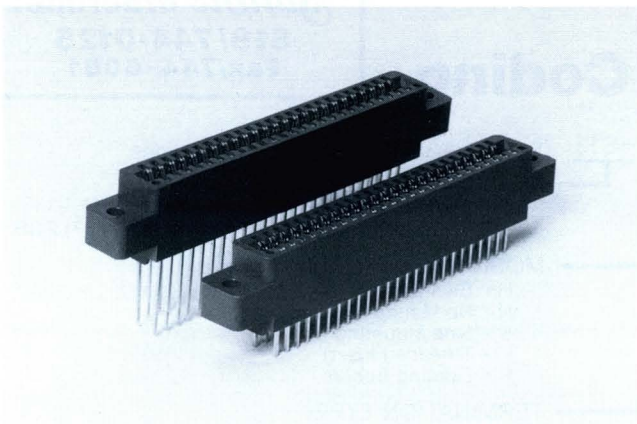
**MULTIBUS I
S-100 BUS**

PART NUMBER †	NUMBER OF CONTACTS	INCHES						MILLIMETERS					
		A ±.008	B ±.008	C ±.015	D ±.010	E ±.020	F ±.005	A ±0.20	B ±0.20	C ±0.38	D ±0.25	E ±0.51	F ±0.13
EZC05	5/10	0.400	0.600	0.775	1.075	1.375	.330	10.16	15.24	19.69	27.31	34.93	8.38
EZC06	6/12	0.500	0.700	0.875	1.175	1.475		12.70	17.78	22.23	29.85	37.47	
EZC08	8/16	0.700	0.900	1.075	1.375	1.675		17.78	22.86	27.31	34.93	42.55	
EZC10	10/20	0.900	1.100	1.275	1.575	1.875		22.86	27.94	32.39	40.01	47.63	
EZC12	12/24	1.100	1.300	1.475	1.775	2.075		27.94	33.02	37.47	45.09	52.71	
EZC13	13/26	1.200	1.400	1.575	1.875	2.175		30.48	35.56	40.01	47.63	55.25	
EZC15	15/30	1.400	1.600	1.775	2.075	2.375		35.56	40.64	45.09	52.71	60.33	
EZC18	18/36	1.700	1.900	2.075	2.375	2.675		43.18	48.26	52.71	60.33	67.95	
EZC19	19/38	1.800	2.000	2.175	2.475	2.775		45.72	50.80	55.25	62.87	70.49	
EZC20	20/40	1.900	2.100	2.275	2.575	2.875		48.26	53.34	57.79	65.41	73.03	
EZC22	22/44	2.100	2.300	2.475	2.775	3.075		53.34	58.42	62.87	70.49	78.11	
EZC25	25/50	2.400	2.600	2.775	3.075	3.375		60.96	66.04	70.49	78.11	85.73	
EZC26	26/52	2.500	2.700	2.875	3.175	3.475	63.50	68.58	73.03	80.65	88.27		
EZC28	28/56	2.700	2.900	3.075	3.375	3.675	68.58	73.66	78.11	85.73	93.35		
EZC30	30/60	2.900	3.100	3.275	3.575	3.875	73.66	78.74	83.19	90.81	98.43		
EZC31	31/62	3.000	3.200	3.375	3.675	3.975	76.20	81.28	85.73	93.35	100.97		
EZC35	35/70	3.400	3.600	3.775	4.075	4.375	86.36	91.44	95.89	103.51	111.13		
EZC36	36/72	3.500	3.700	3.875	4.175	4.475	88.90	93.98	98.43	106.05	113.67		
EZC40	40/80	3.900	4.100	4.275	4.575	4.875	99.06	104.14	108.59	116.21	123.83		
EZC43	43/86	4.200	4.400	4.575	4.875	5.175	106.68	111.76	116.21	123.83	131.45		
EZC44	44/88	4.300	4.500	4.675	4.975	5.275	109.22	114.30	118.75	126.37	133.99		
EZC49	49/98	4.800	5.000	5.175	5.475	5.775	121.92	127.00	131.45	139.07	146.69		
EZC50	50/100	4.900	5.100	5.275	5.575	5.875	124.46	129.54	133.99	141.61	149.23		
EZC60	60/120	5.900	6.100	6.275	6.575	6.875	149.86	154.94	159.39	167.01	174.63		

†For complete part number add readout, termination type and mounting style from Part Number Coding (e.g. EZC15DREH).

‡Consult factory for availability.

.100 (2.54 mm) contact centers



Features

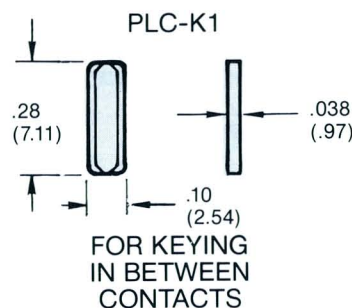
- Multi Bus I P2 available in all configurations
- S-100 Bus available in all configurations
- Accommodates .062 ($\pm .008$) PC Board
- Solvent resistant insulator U.L. recognized
- Between contact polarization available
- 3 ampere current rating
- Contact resistance 10 milliohms max
- Bifurcated contacts
- Blue Valox insulator

Readout

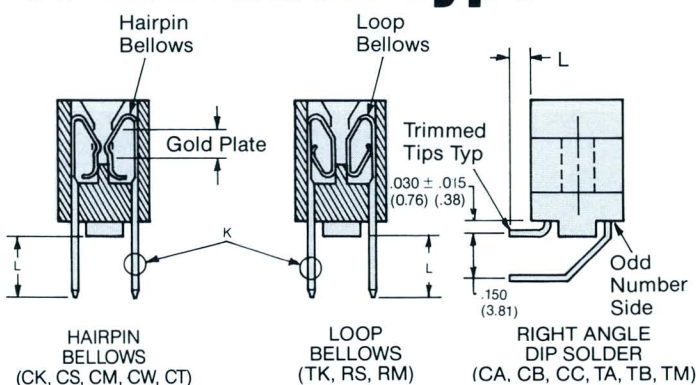


Polarizing Key

Order Separately

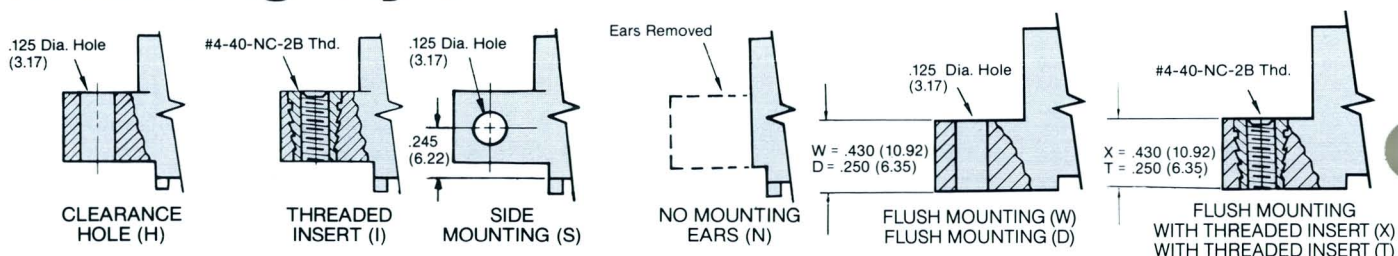


Termination Type



Bellows		Termination Type	Post Cros Section K	Post Length		Fits Min. Hole Size
Harpin	Loop			L	L	
CK	TK	Dip Solder	.026 (.66) Round	.190 (4.83)	.033 (0.84)	
	RS	Dip Solder	.025 (.64) Square	.190 (4.83)	.040 (1.02)	
CM	RM	Wire Wrap	.025 (.64) Square	.560 (14.2)	.040 (1.02)	
CA	TA	Right Angle	.025 (.64) Square	.100 (2.54)	.043 (1.09)	
CB	TB	Right Angle	.025 (.64) Square	.180 (4.57)	.043 (1.09)	
CC	TM	Right Angle	.025 (.64) Square	.250 (6.35)	.043 (1.09)	
CW		Dip Solder	.015x.025 (.38x.64)	.125 (3.18)	.035 (0.76)	
CT		Dip Solder	.015x.025 (.38x.64)	.170 (4.32)	.035 (0.76)	
CS		Dip Solder	.025 (.64) Square	.160 (4.06)	.040 (1.02)	

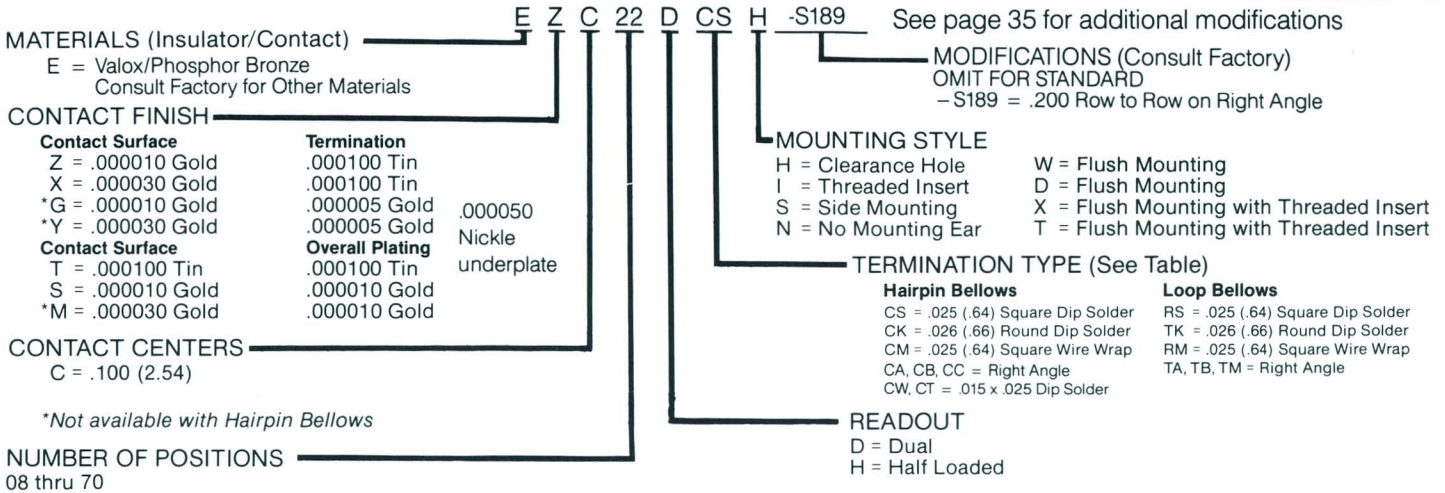
Mounting Style



High Profile Dip Solder/Wire Wrap Edgcard Connectors

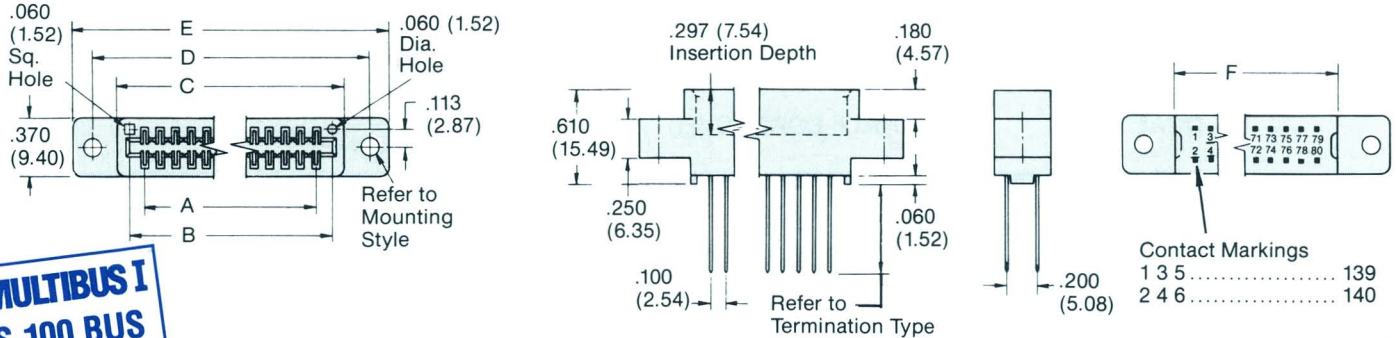
Sullins orderline:
619/744-0125
Fax/744-6081

Part Number Coding



Dimensions

All dimensions are in inches. Dimensions in () are in millimeters.



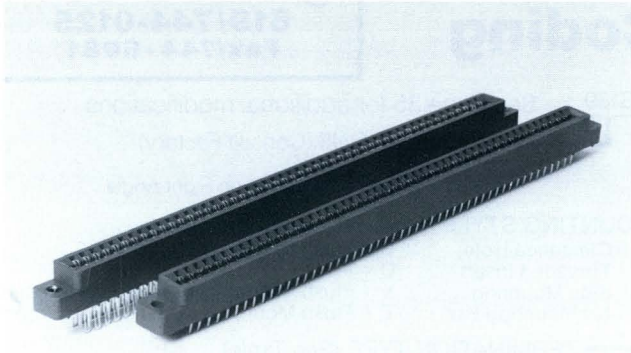
MULTIBUS I
S-100 BUS

PART NUMBER †	NUMBER OF CONTACTS	INCHES						MILLIMETERS					
		A ±.008	B ±.008	C ±.015	D ±.010	E ±.020	F ±.015	A ±0.20	B ±0.20	C ±0.38	D ±0.25	E ±0.51	F ±0.38
EZC06	6/12	.500	.700	.860	1.175	1.435	.750	12.70	17.78	21.84	29.85	36.45	19.05
EZC08	8/16	0.700	0.900	1.060	1.375	1.635	0.950	17.78	22.86	26.92	34.93	41.53	24.13
EZC10	10/20	0.900	1.100	1.260	1.575	1.835	1.150	22.86	27.94	32.00	40.00	46.61	29.21
EZC12	12/24	1.100	1.300	1.460	1.775	2.035	1.350	27.94	33.02	37.08	45.08	51.69	34.29
EZC15	15/30	1.400	1.600	1.760	2.075	2.335	1.650	35.56	40.64	44.70	52.70	59.31	41.91
EZC17	17/34	1.600	1.800	1.960	2.275	2.535	1.850	40.64	45.72	49.78	57.79	64.39	46.99
EZC18	18/36	1.700	1.900	2.060	2.375	2.635	1.950	43.18	48.26	52.32	60.32	66.93	49.53
EZC20	20/40	1.900	2.100	2.260	2.575	2.835	2.150	48.26	53.34	57.40	65.40	72.01	54.61
EZC22	22/44	2.100	2.300	2.460	2.775	3.035	2.350	53.34	58.42	62.48	70.48	77.09	59.69
EZC25	25/50	2.400	2.600	2.760	3.075	3.335	2.650	60.96	66.04	70.10	78.10	84.71	67.31
EZC28	28/56	2.700	2.900	3.060	3.375	3.635	2.950	68.58	73.66	77.72	85.72	92.33	74.93
EZC30	30/60	2.900	3.100	3.260	3.575	3.835	3.150	73.66	78.74	82.80	90.80	97.41	80.01
EZC31	31/62	3.000	3.200	3.360	3.675	3.935	3.250	76.20	81.28	85.34	93.34	99.95	82.55
EZC35	35/70	3.400	3.600	3.760	4.075	4.335	3.650	86.36	91.44	95.50	103.50	110.11	92.71
EZC36	36/72	3.500	3.700	3.860	4.175	4.435	3.750	88.90	93.98	98.04	106.04	112.65	95.25
EZC40	40/80	3.900	4.100	4.260	4.575	4.835	4.150	99.06	104.14	108.20	116.20	122.81	105.41
EZC43	43/86	4.200	4.400	4.560	4.875	5.135	4.450	106.68	111.76	115.82	123.82	130.43	113.03
EZC44	44/88	4.300	4.500	4.660	4.975	5.235	4.550	109.22	114.30	118.36	126.36	132.97	115.57
EZC49	49/98	4.800	5.000	5.160	5.475	5.735	5.050	121.92	127.00	131.06	139.06	145.67	128.27
EZC50	50/100	4.900	5.100	5.260	5.575	5.835	5.150	124.46	129.54	133.60	141.60	148.21	130.81
EZC60	60/120	5.900	6.100	6.260	6.575	6.835	6.150	149.86	154.94	159.00	167.00	173.61	156.21
EZC61	61/122	6.000	6.200	6.360	6.675	6.935	6.250	152.40	157.48	161.54	169.54	176.15	158.75
EZC65	65/130	6.400	6.600	6.760	7.075	7.335	6.650	162.56	167.64	171.70	179.70	186.31	168.91
EZC70	70/140	6.900	7.100	7.260	7.575	7.835	7.150	175.26	180.34	184.40	192.40	199.01	181.61

†For complete part number add readout, termination type and mounting style from Part Number Coding (e.g. EZC15DCSH).

‡Consult factory for availability.

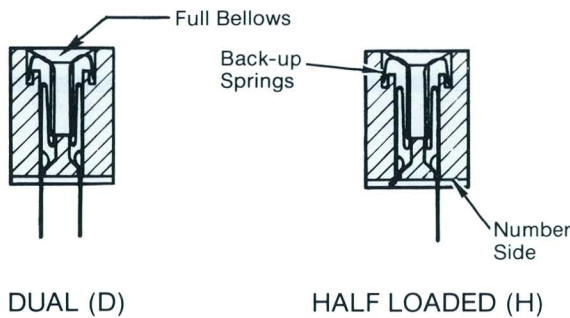
.125 (3.17 mm) contact centers



Features

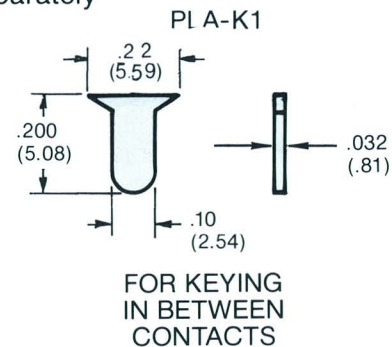
- STD Bus available in all configurations
- Accommodates .062 (± .008) PC Board
- Solvent resistant insulator U.L. recognized
- Between contact polarization available
- 3 ampere current rating
- Contact resistance 10 milliohms max
- Bifurcated full bellows contacts
- Blue Valox or Green Ryton insulator

Readout

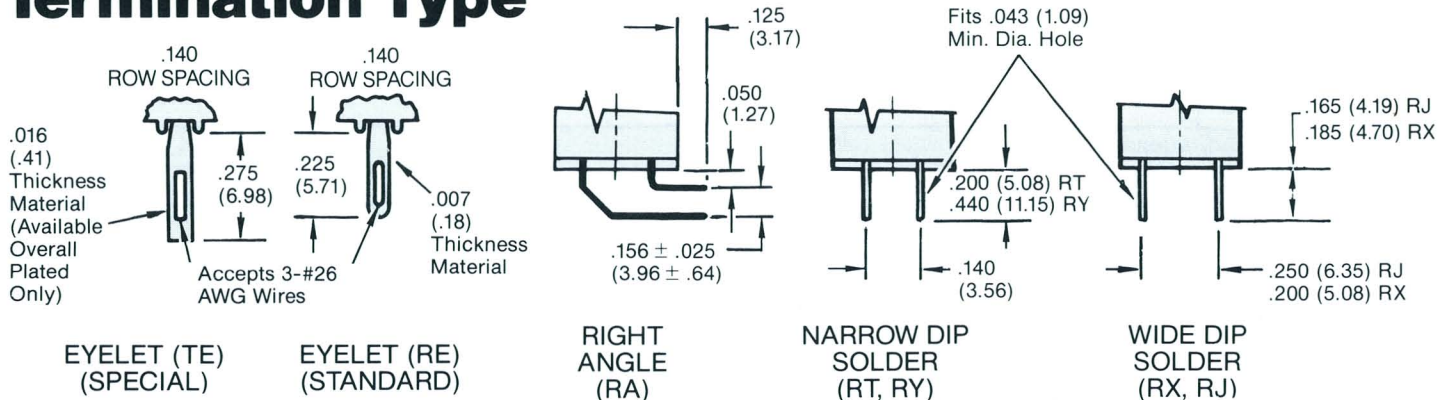


Polarizing Key

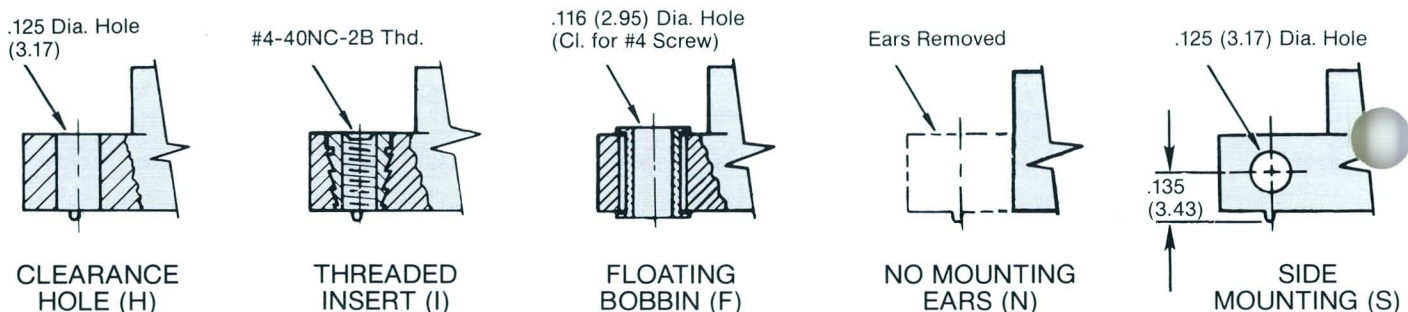
Order Separately



Termination Type



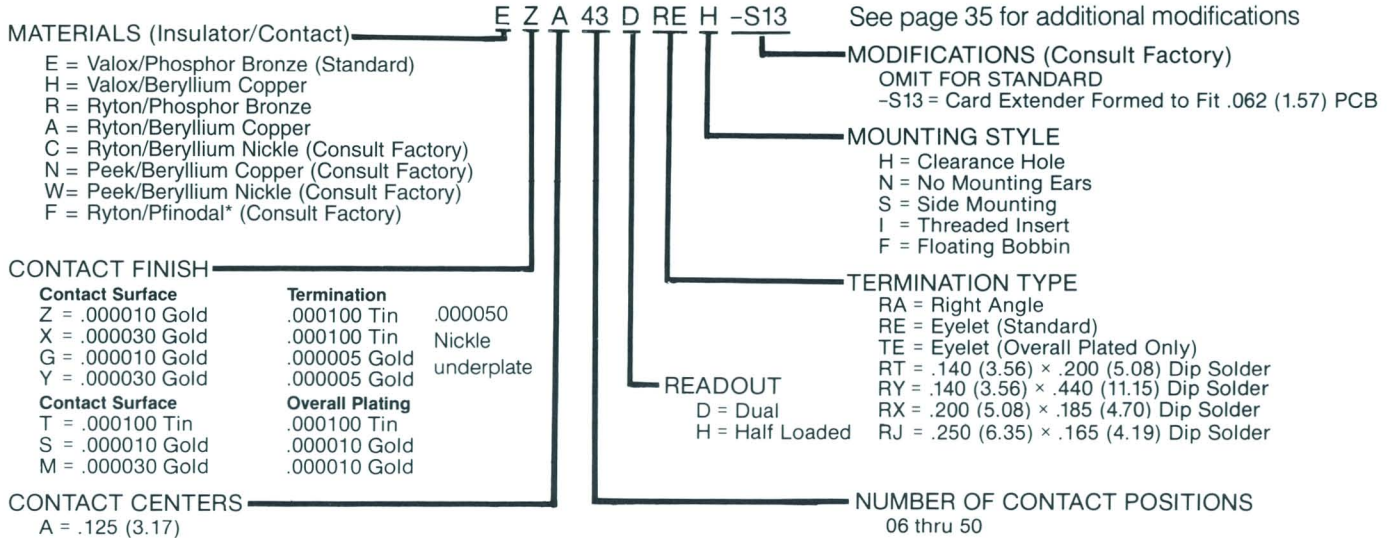
Mounting Style



Low Profile Dip Solder/Eyelet Edgecard Connectors

Sullins orderline:
619/744-0125
Fax/744-6081

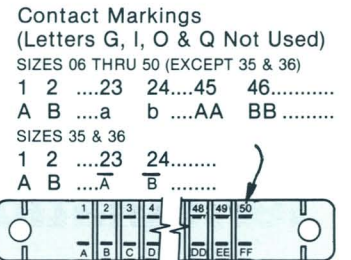
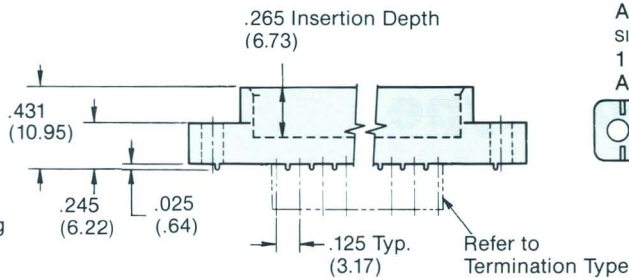
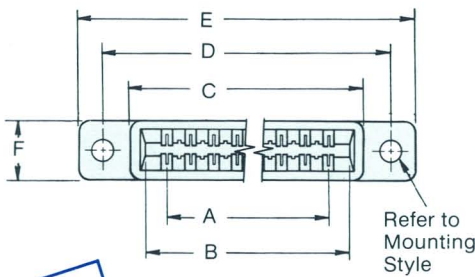
Part Number Coding



*High tin solder cannot be used with Pfinodal contacts in applications greater than 150°C. Consult factory for recommendation.

Dimensions

Dimensions in () are in millimeters, all others are in inches. Tolerance with Ryton Insulator material may vary slightly due to shrinkage differential; consult factory.



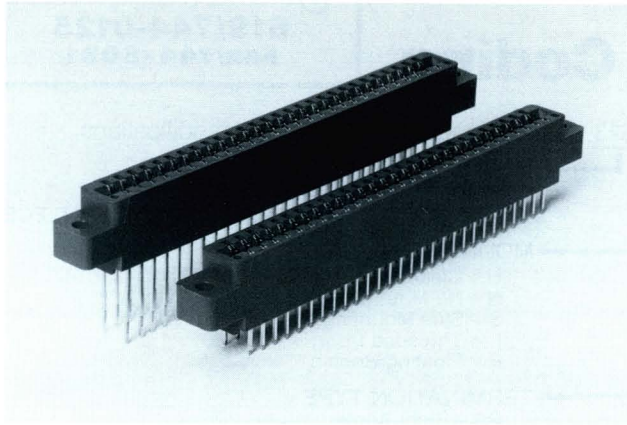
STD BUS

PART NUMBER †	NUMBER OF CONTACTS	INCHES						MILLIMETERS					
		A ±.008	B ±.008	C ±.015	D ±.010	E ±.020	F ±.005	A ±0.20	B ±0.20	C ±0.38	D ±0.25	E ±0.51	F ±0.13
EZA06	6/12	0.625	0.875	1.035	1.295	1.575	.330	15.88	22.23	26.29	32.89	40.01	8.38
EZA10	10/20	1.125	1.375	1.535	1.795	2.075		28.58	34.93	38.99	45.59	52.71	
EZA14	14/28	1.625	1.875	2.035	2.295	2.575		41.28	47.63	51.69	58.29	65.41	
EZA15	15/30	1.750	2.000	2.160	2.420	2.700		44.45	50.80	54.86	61.47	68.58	
EZA18	18/36	2.125	2.375	2.535	2.795	3.075		53.98	60.33	64.39	70.99	78.11	
EZA22	22/44	2.625	2.875	3.035	3.295	3.575		66.68	73.03	77.09	83.69	90.81	
EZA28	28/56	3.375	3.625	3.785	4.045	4.325		85.73	92.08	96.14	102.74	109.86	
EZA30	30/60	3.625	3.875	4.035	4.295	4.575		92.08	98.43	102.49	109.09	116.21	
EZA31	31/62	3.750	4.000	4.160	4.420	4.700		95.25	101.60	105.66	112.27	119.38	
EZA35	35/70	4.250	4.500	4.660	4.920	5.200		107.95	114.30	118.36	124.97	132.08	
EZA36	36/72	4.375	4.625	4.785	5.045	5.325		111.13	117.48	121.54	128.14	135.26	
EZA37	37/74	4.500	4.750	4.910	5.170	5.450		114.30	120.65	124.71	131.32	138.43	
EZA40	40/80	4.875	5.125	5.285	5.545	5.825		123.83	130.18	134.24	140.84	147.96	
EZA43	43/86	5.250	5.500	5.660	5.920	6.200		133.35	139.70	143.76	150.37	157.48	
EZA44	44/88	5.375	5.625	5.785	6.045	6.325	136.53	142.88	146.94	153.54	160.66		
EZA49	49/98	6.000	6.250	6.410	6.670	6.950	152.40	158.75	162.81	169.42	176.53		
EZA50	50/100	6.125	6.375	6.535	6.795	7.075	155.58	161.93	165.99	172.59	179.71		

†For complete part number add readout, termination type and mounting style from Part Number Coding (e.g. EZA15DREH).

‡Consult factory for availability.

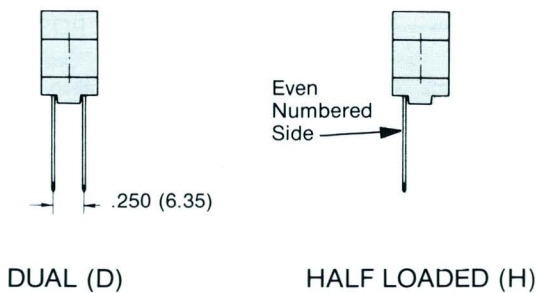
.125 (3.17 mm) contact centers



Features

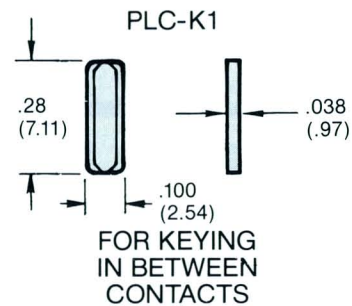
- STD Bus available in all configurations
- Accommodates .062 (± .008) PC Board
- Solvent resistant insulator U.L. recognized
- Between contact polarization available
- 3 ampere current rating
- Contact resistance 10 milliohms max
- Bifurcated contacts
- Blue Valox insulator

Readout

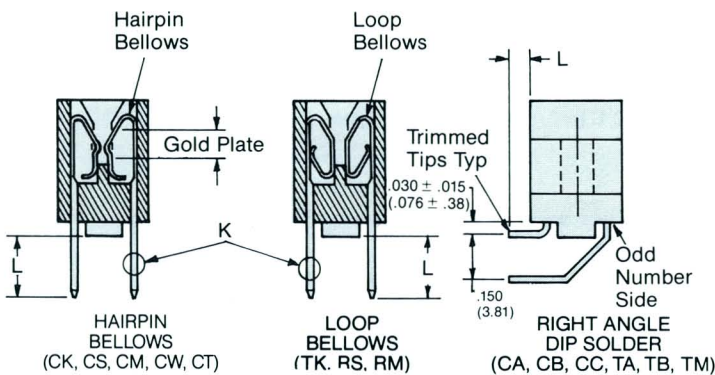


Polarizing Key

Order Separately

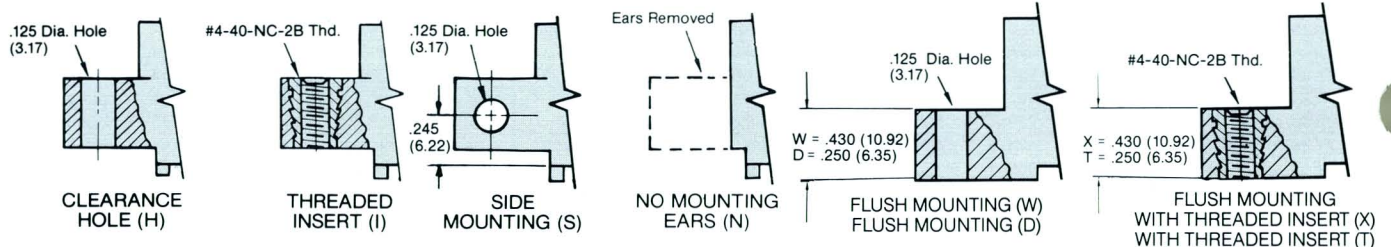


Termination Type



Bellows		Termination Type	Post Cross Section K	Post Length L	Fits Min. Hole Size
Harpin	Loop				
CK	TK	Dip Solder	.026 (.66) Round	.190 (4.83)	.033 (0.84)
	RS	Dip Solder	.025 (.64) Square	.190 (4.83)	.040 (1.02)
CM	RM	Wire Wrap	.025 (.64) Square	.560 (14.2)	.040 (1.02)
CA	TA	Right Angle	.025 (.64) Square	.100 (2.54)	.043 (1.09)
CB	TB	Right Angle	.025 (.64) Square	.180 (4.57)	.043 (1.09)
CC	TM	Right Angle	.025 (.64) Square	.250 (6.35)	.043 (1.09)
CW		Dip Solder	.015 x .025 (.38 x .64)	.125 (3.18)	.035 (0.76)
CT		Dip Solder	.015 x .025 (.38 x .64)	.170 (4.32)	.035 (0.76)
CS		Dip Solder	.025 (.64) Square	.160 (4.06)	.040 (1.02)

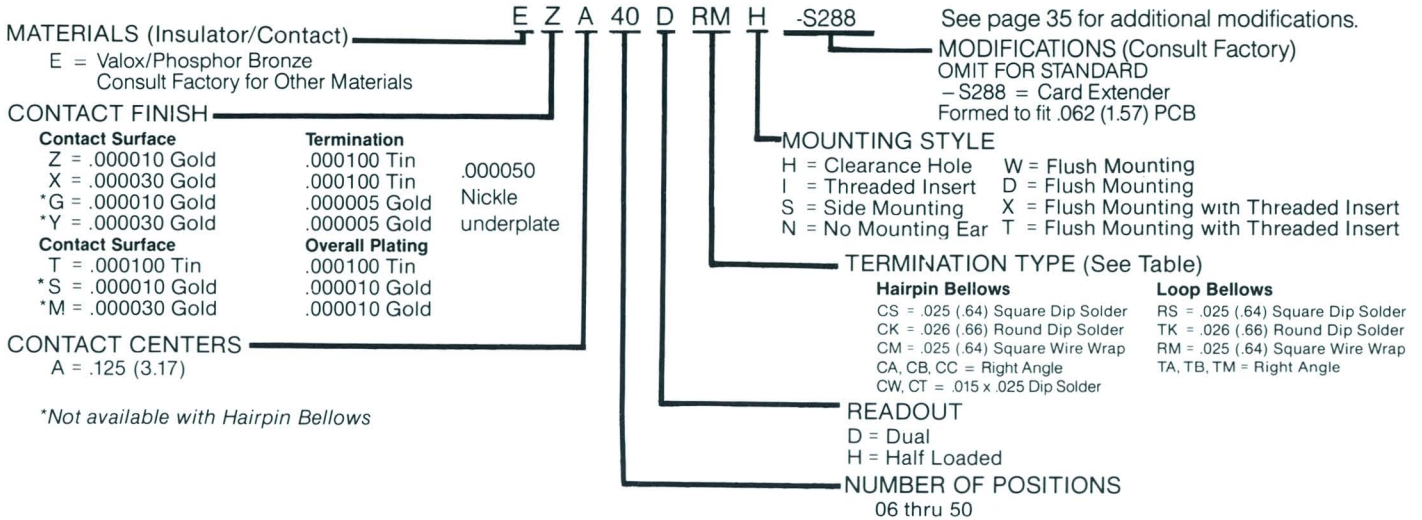
Mounting Style



High Profile Dip Solder/Wire Wrap Edgecard Connectors

Sullins orderline:
619/744-0125
Fax/744-6081

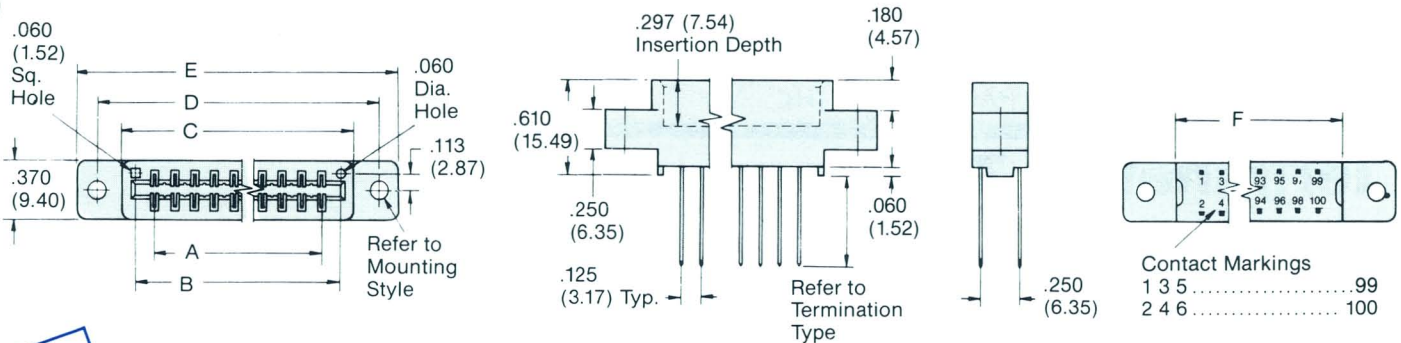
Part Number Coding



*Not available with Hairpin Bellows

Dimensions

All dimensions are in inches. Dimensions in () are in millimeters.



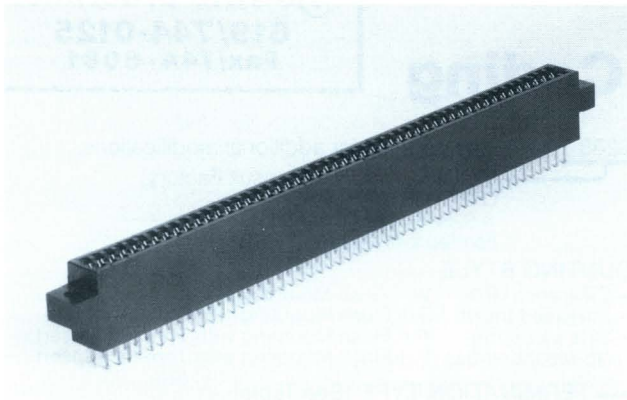
**STD
BUS**

PART NUMBER †	NUMBER OF CONTACTS	INCHES						MILLIMETERS					
		A ±.008	B ±.008	C ±.015	D ±.010	E ±.020	F ±.015	A ±0.20	B ±0.20	C ±0.38	D ±0.25	E ±0.51	F ±0.38
EZA06 _ _ _	6/12	0.625	0.875	1.035	1.295	1.555	0.875	15.87	22.22	26.29	32.89	39.50	22.22
EZA10 _ _ _	10/20	1.125	1.375	1.535	1.795	2.055	1.375	28.57	34.92	38.99	45.59	52.20	34.92
EZA14 _ _ _ ‡	14/28	1.625	1.875	2.035	2.295	2.555	1.875	41.27	47.62	51.69	58.29	64.90	47.62
EZA15 _ _ _	15/30	1.750	2.000	2.160	2.420	2.680	2.000	44.45	50.80	54.86	61.47	68.07	50.80
EZA18 _ _ _	18/36	2.125	2.375	2.535	2.795	3.055	2.375	53.97	60.32	64.39	70.99	77.60	60.32
EZA22 _ _ _	22/44	2.625	2.875	3.035	3.295	3.555	2.875	66.67	73.02	77.09	83.69	90.30	73.02
EZA24 _ _ _ ‡	24/48	2.875	3.125	3.285	3.545	3.805	3.125	73.03	79.38	83.44	90.04	96.65	79.38
EZA28 _ _ _	28/56	3.375	3.625	3.785	4.045	4.305	3.625	85.72	92.07	96.14	102.74	109.35	92.07
EZA30 _ _ _	30/60	3.625	3.875	4.035	4.295	4.555	3.875	92.07	98.42	102.49	109.09	115.70	98.42
EZA31 _ _ _	31/62	3.750	4.000	4.160	4.420	4.680	4.000	95.25	101.60	105.66	112.27	118.87	101.60
EZA32 _ _ _	32/64	3.875	4.125	4.285	4.545	4.805	4.125	98.43	104.77	108.84	115.44	122.05	104.77
EZA35 _ _ _	35/70	4.250	4.500	4.660	4.920	5.180	4.500	107.95	114.30	118.36	124.97	131.57	114.30
EZA36 _ _ _	36/72	4.375	4.625	4.785	5.045	5.305	4.625	111.12	117.47	121.54	128.14	134.75	117.47
EZA40 _ _ _	40/80	4.875	5.125	5.285	5.545	5.805	5.125	123.83	130.17	134.24	140.84	147.45	130.17
EZA43 _ _ _	43/86	5.250	5.500	5.660	5.920	6.180	5.500	133.36	139.70	143.77	150.37	156.98	139.70
EZA44 _ _ _	44/88	5.375	5.625	5.785	6.045	6.305	5.625	136.53	142.87	146.94	153.54	160.15	142.87
EZA49 _ _ _	49/98	6.000	6.250	6.410	6.670	6.930	6.250	152.40	158.75	162.81	169.42	176.02	158.75
EZA50 _ _ _	50/100	6.125	6.375	6.535	6.795	7.055	6.375	155.57	161.92	165.99	172.59	179.20	161.92

†For complete part number add readout, termination type and mounting style from Part Number Coding (e.g. EZA40DCSH).

‡Consult factory for availability.

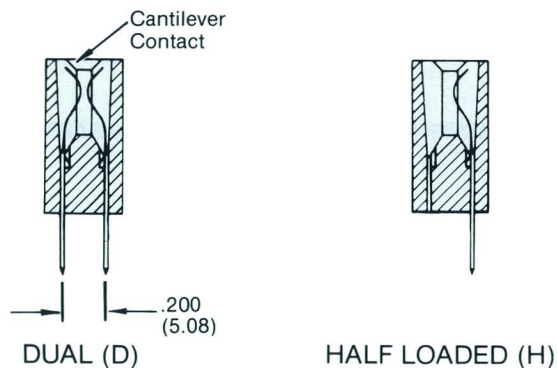
.125 (3.17 mm) contact centers



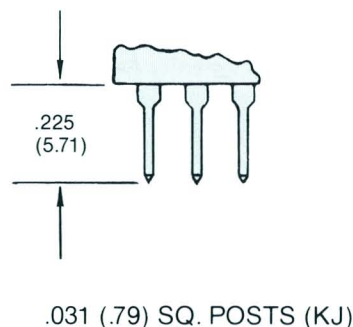
Features

- Accommodates .062 (± .008) PC Board
- Solvent resistant insulator U.L. recognized
- Between contact polarization available
- 3 ampere current rating
- Contact resistance 10 milliohms max
- Bifurcated contacts
- Blue Valox insulator

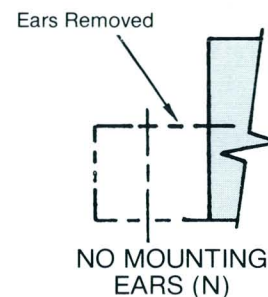
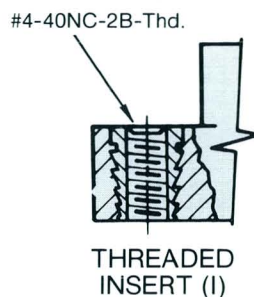
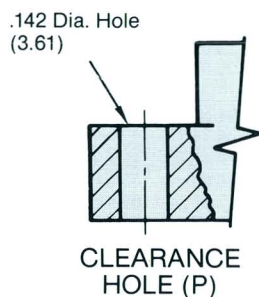
Readout



Termination Type



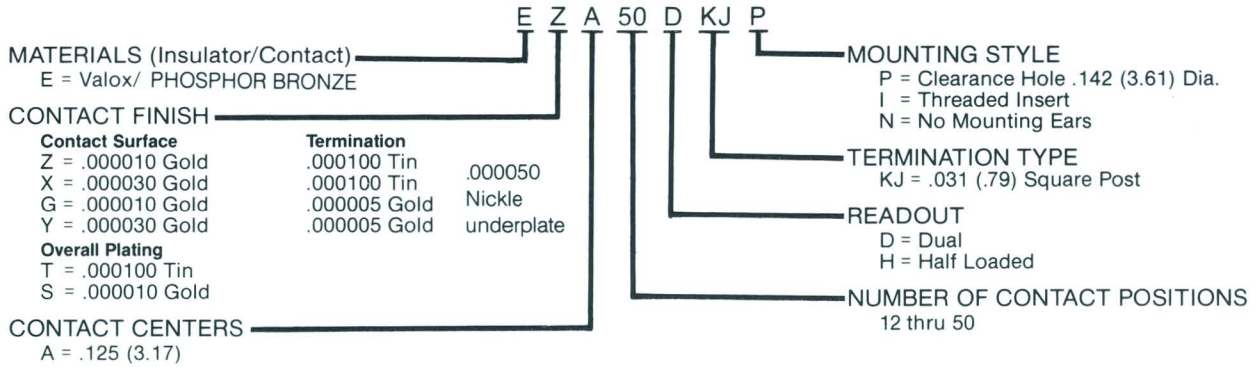
Mounting Style



.720 Profile Dip Solder Edgecard Connectors

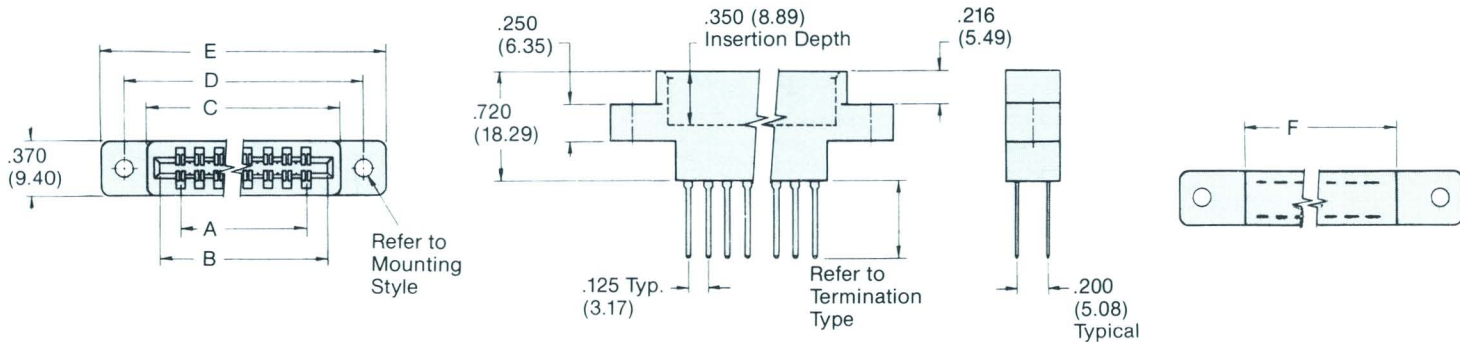
Sullins orderline:
619/744-0125
 Fax/744-6081

Part Number Coding



Dimensions

All dimensions are in inches. Dimensions in () are in millimeters.

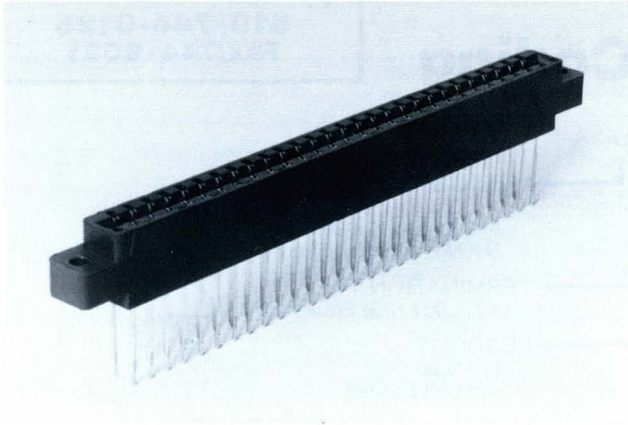


PART NUMBER †	NUMBER OF CONTACTS	INCHES						MILLIMETERS					
		A ±.008	B ±.008	C ±.015	D ±.010	E ±.020	F ±.015	A ±0.20	B ±0.20	C ±0.38	D ±0.25	E ±0.51	F ±0.38
EZA12 _ _ _ ‡	12/24	1.375	1.502	1.625	1.875	2.125	1.625	34.93	38.15	41.28	47.63	53.97	41.28
EZA15 _ _ _ ‡	15/30	1.750	1.877	2.000	2.250	2.500	2.000	44.45	47.68	50.80	57.15	63.50	50.80
EZA31 _ _ _ ‡	31/62	3.750	3.877	4.000	4.250	4.500	4.000	95.25	98.48	101.60	107.95	114.30	101.60
EZA36 _ _ _ ‡	36/72	4.375	4.502	4.625	4.875	5.125	4.625	111.13	114.35	117.48	123.83	130.18	117.47
EZA43 _ _ _ ‡	43/86	5.250	5.377	5.500	5.750	6.000	5.500	133.35	136.58	146.05	146.05	152.40	139.70
EZA50 _ _ _ ‡	50/100	6.125	6.246	6.375	6.625	6.875	6.375	155.58	158.65	161.93	161.93	174.62	161.93

† For complete part number add readout, termination type and mounting style from Part Number Coding (e.g. EZA50DKJP).

‡ Consult factory for availability.

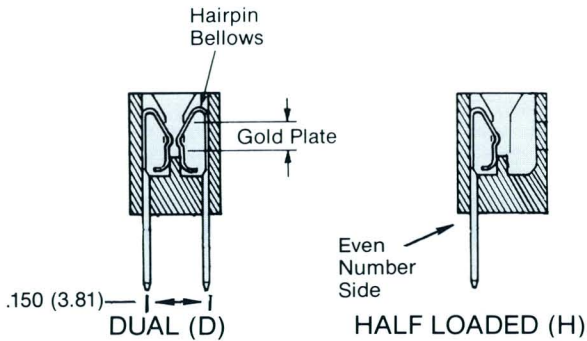
.150 (3.8 mm) contact centers



Features

- Accommodates .062 (± .008) PC Board
- Solvent resistant insulator U.L. recognized
- Between contact polarization available
- 3 ampere current rating
- Contact resistance 10 milliohms max
- Bifurcated contacts
- Blue Valox insulator

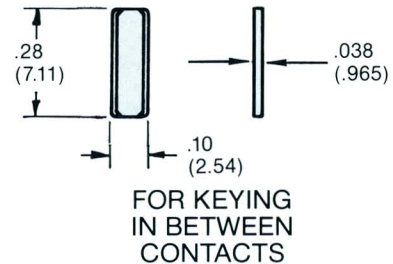
Readout



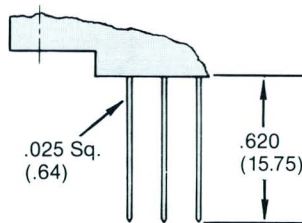
Polarizing Key

Order Separately

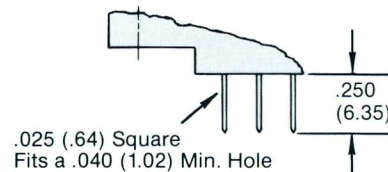
PLC-K1



Termination Type

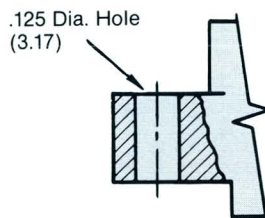


WIRE WRAP (MC)

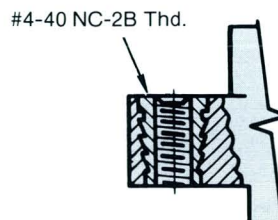


DIP SOLDER (SC)

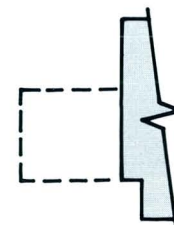
Mounting Style



CLEARANCE HOLE (H)



THREADED INSERT (I)

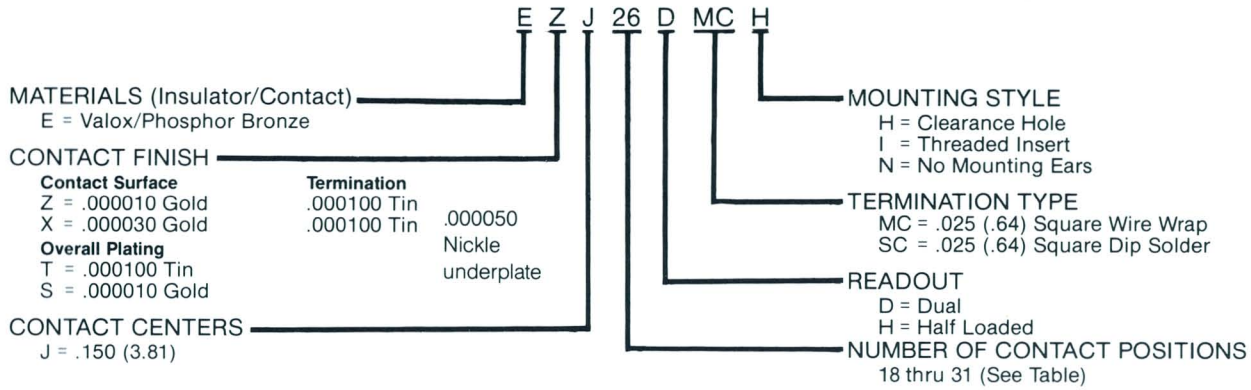


NO MOUNTING EARS (N)

High Profile Dip Solder/Wire Wrap Edgecard Connectors

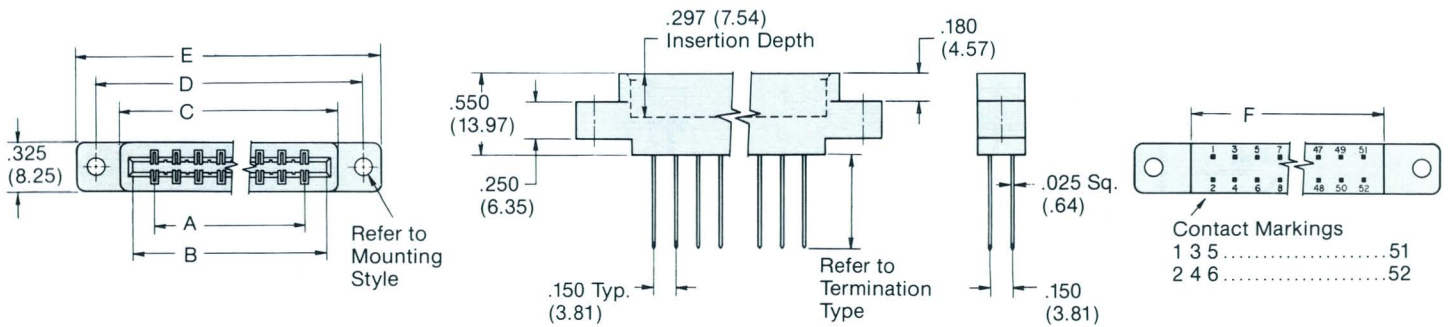
Sullins orderline:
619/744-0125
Fax/744-6081

Part Number Coding



Dimensions

All dimensions are in inches. Dimensions in () are in millimeters.

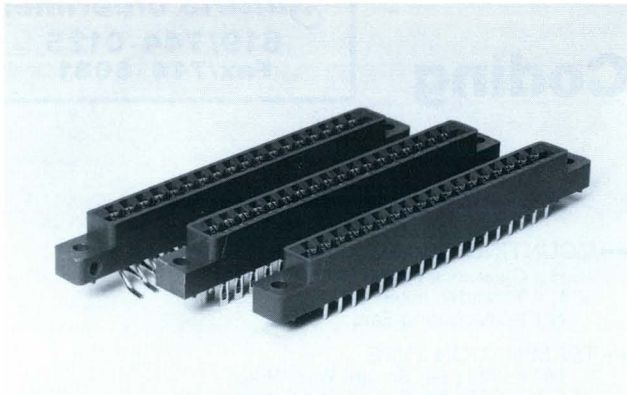


PART NUMBER †	NUMBER OF CONTACTS	INCHES						MILLIMETERS					
		A	B	C	D	E	F	A	B	C	D	E	F
EZJ18 _ _ _ ‡	18/36	±.008	±.008	±.015	±.010	±.020	±.015	±0.20	±0.20	±0.38	±0.25	±0.51	±0.38
EZJ22 _ _ _ ‡	22/44	2.550	2.850	2.990	3.300	3.550	2.800	64.77	72.39	75.95	83.82	90.17	71.12
EZJ26 _ _ _	26/52	3.150	3.450	3.590	3.900	4.150	3.400	80.01	87.63	91.19	99.06	105.41	86.36
EZJ28 _ _ _ ‡	28/56	3.750	4.050	4.190	4.500	4.750	4.000	95.25	102.87	106.43	114.30	120.65	101.60
EZJ31 _ _ _ ‡	31/62	4.050	4.350	4.490	4.800	5.050	4.300	102.87	110.49	114.05	121.92	128.27	109.22
EZJ31 _ _ _ ‡	31/62	4.500	4.800	4.940	5.250	5.500	4.750	114.30	121.92	125.48	133.35	139.70	120.65

†For complete part number add readout and mounting style from Part Number Coding (e.g. EZJ26DSCH).

‡Consult factory for availability.

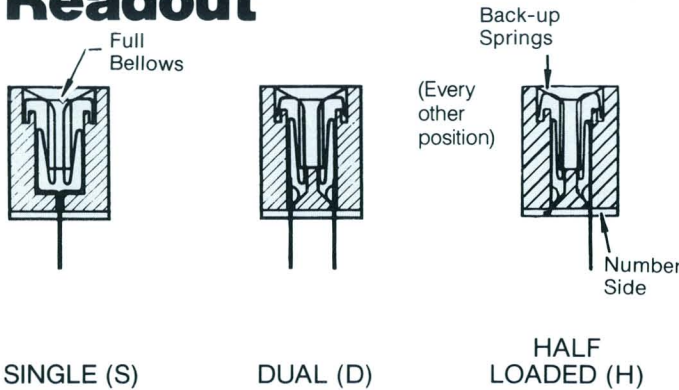
.156 (3.96 mm) contact centers



Features

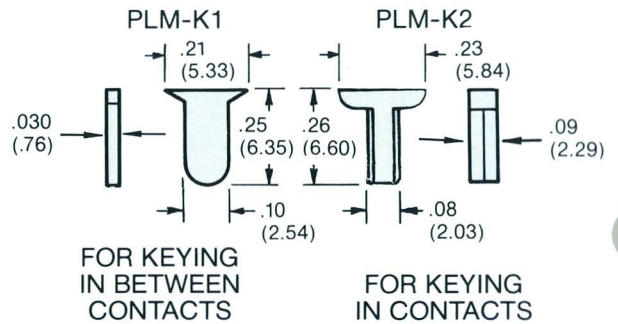
- Multi Bus I P1 available in all configurations
- Accommodates .062 (± .008) PC Board
- Solvent resistant insulator U.L. recognized
- Between contact polarization available
- 3 ampere current rating
- Contact resistance 10 milliohms max
- Bifurcated contacts
- Blue Valox or Green Ryton insulator

Readout

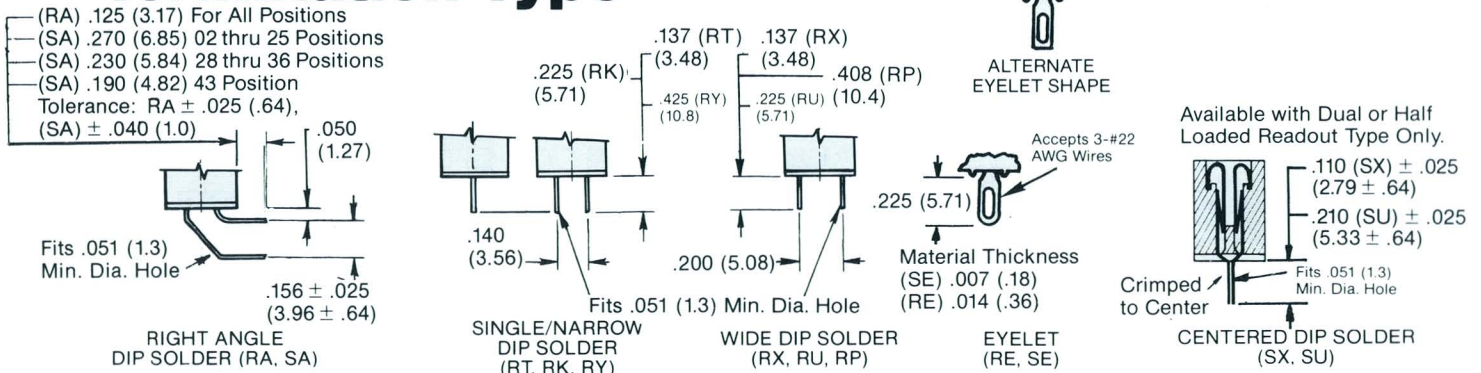


Polarizing Key

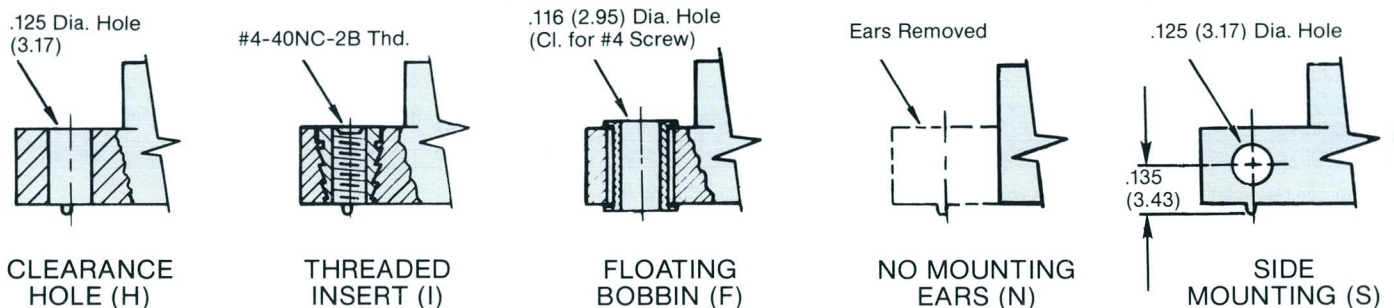
Order Separately



Termination Type



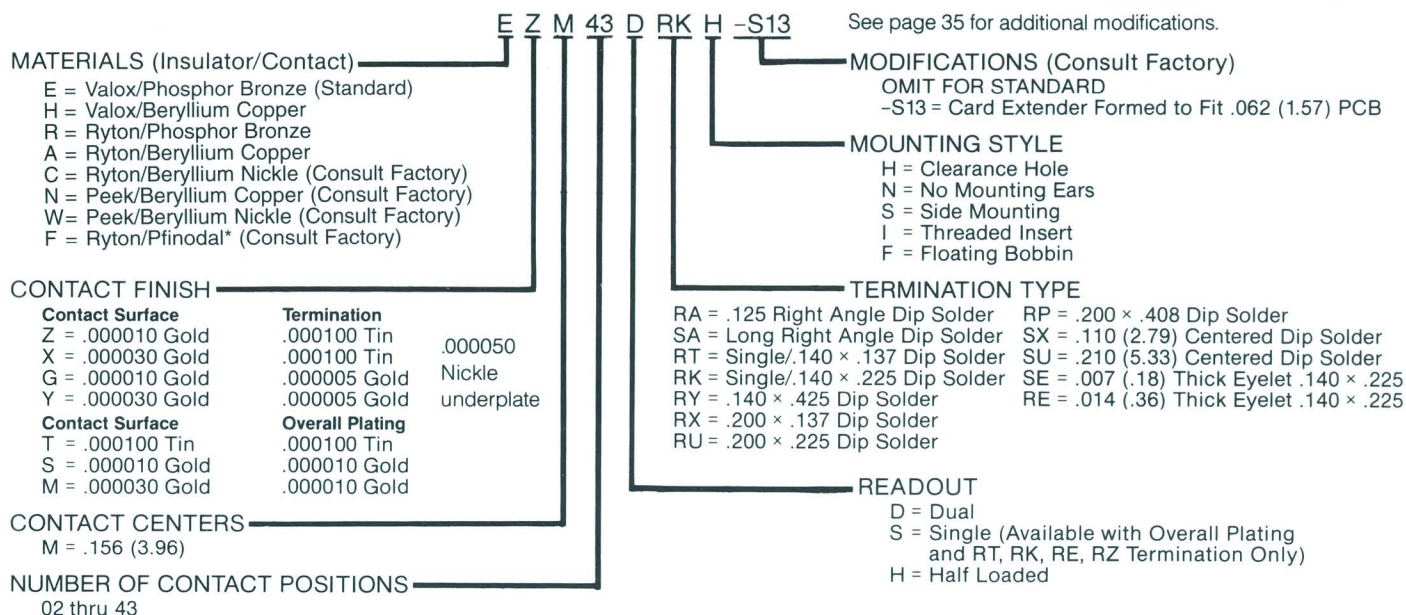
Mounting Style



Low Profile Dip Solder/Eyelet Edgcard Connectors

Sullins orderline:
619/744-0125
Fax/744-6081

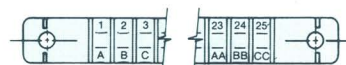
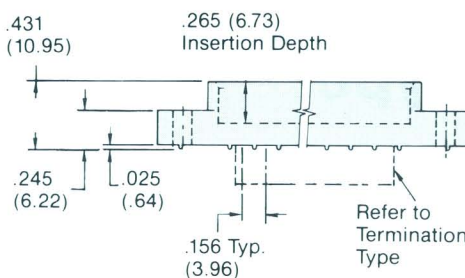
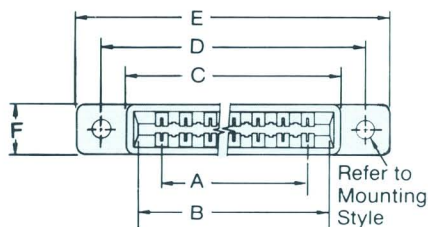
Part Number Coding



*High tin solder cannot be used with Pfinodal contacts in applications greater than 150°C. Consult factory for recommendation.

Dimensions

Dimensions in () are in millimeters, all others are in inches. Tolerances with Ryton Insulator material may vary slightly due to shrinkage differential; consult factory.



Contact Markings
 (Letters G, I, O & Q Not Used)

SIZES 02 THRU 25

1 2 23 24.....

A B AA BB.....

SIZES 28 THRU 43

1 2 23 24.....

A B Ā B̄.....

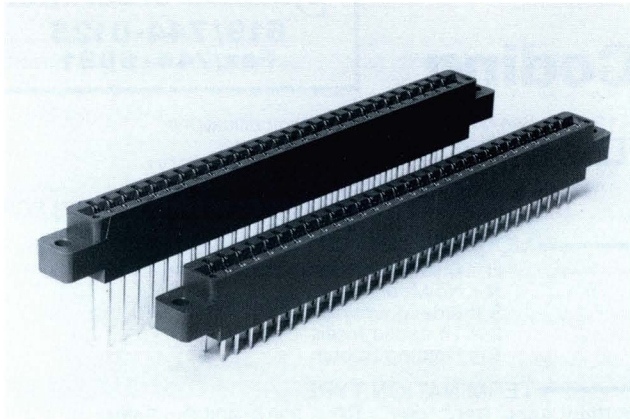
**MULTI
BUS I**

PART NUMBER †	NUMBER OF CONTACTS	INCHES						MILLIMETERS						
		A ±.008	B ±.008	C ±.015	D ±.010	E MAX	F ±.005	A ±0.20	B ±0.20	C ±0.38	D ±0.25	E MAX	F ±.013	
EZM02 _____ ‡	2/4	.156	.476	.596				3.96	12.09	15.14				
EZM03 _____ ‡	3/6	.312	.632	.752				7.92	16.05	19.10				
EZM06 _____	6/12	.780	1.100	1.220	1.533	1.875	.325	19.81	27.94	30.99	38.94	47.63	8.255	
EZM08 _____	8/16	1.092	1.412	1.532	1.845	2.187		27.74	35.86	38.91	46.86	55.55		
EZM10 _____	10/20	1.404	1.724	1.844	2.157	2.499		35.66	43.79	46.84	54.79	63.47		
EZM11 _____	11/22	1.560	1.880	2.000	2.313	2.655		39.62	47.75	50.80	58.75	67.44		
EZM12 _____	12/24	1.716	2.036	2.156	2.469	2.811		43.58	51.71	54.76	62.71	71.40		
EZM15 _____	15/30	2.184	2.504	2.624	2.937	3.279		55.47	63.60	66.65	74.60	83.29		
EZM18 _____	18/36	2.652	2.972	3.092	3.405	3.747		67.36	75.49	78.54	86.49	95.17		
EZM22 _____	22/44	3.276	3.596	3.716	4.029	4.371		83.21	91.34	94.38	102.34	111.02		
EZM24 _____	24/48	3.588	3.908	4.028	4.341	4.683		91.13	99.26	102.31	110.26	118.95		
EZM25 _____	25/50	3.744	4.064	4.184	4.497	4.839		95.09	103.22	106.27	114.22	122.91		
EZM28 _____	28/56	4.212	4.532	4.652	4.964	5.303	106.98	115.11	118.16	126.08	134.69	11.125		
EZM36 _____	36/72	5.460	5.780	5.906	6.219	6.566	138.68	146.81	150.01	157.96	166.77			
EZM43 _____	43/86	6.552	6.872	7.000	7.302	7.643	.500	166.42	174.55	177.80	185.47	194.13	12.700	

†For complete part number add readout, termination type and mounting style from Part Number Coding (e.g. EZM18DREH).

‡Available with style N mounting only.

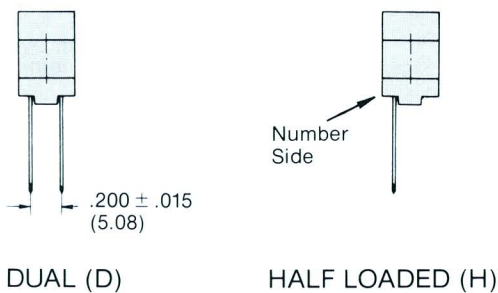
.156 (3.96 mm) contact centers



Features

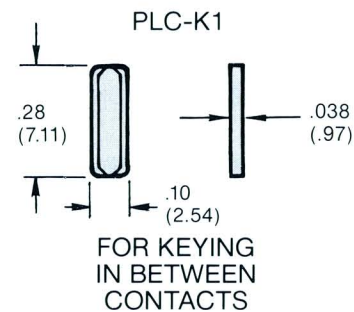
- Multi Bus I P1 available in all configurations
- Accommodates .062 (± .008) PC Board
- Solvent resistant insulator U.L. recognized
- Between contact polarization available
- 3 ampere current rating
- Contact resistance 10 milliohms max
- Bifurcated contacts
- Blue Valox insulator

Readout

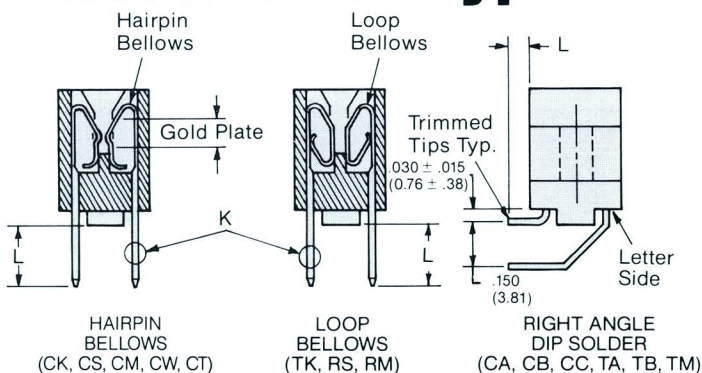


Polarizing Key

Order Separately

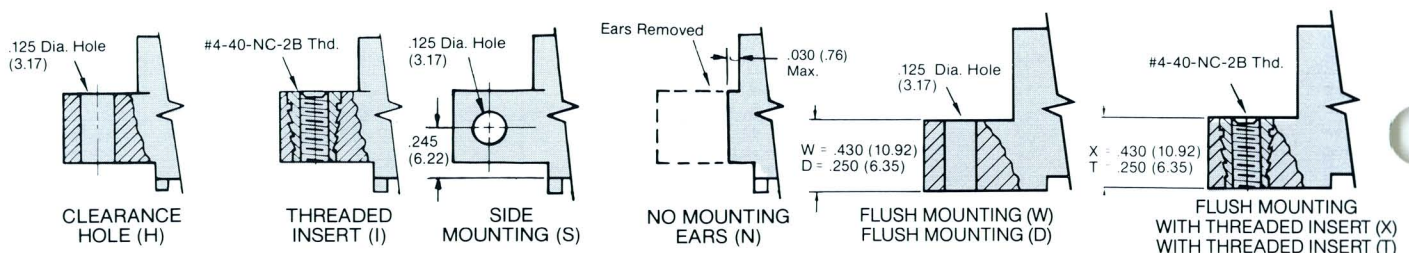


Termination Type



Bellows		Termination Type	Post Cros Section K	Post Length L	Fits Min. Hole Size
Harpin	Loop				
CK	TK	Dip Solder	.026 (.66) Round	.190 (4.83)	.033 (0.84)
	RS	Dip Solder	.025 (.64) Square	.190 (4.83)	.040 (1.02)
CM	RM	Wire Wrap	.025 (.64) Square	.560 (14.2)	.040 (1.02)
CA	TA	Right Angle	.025 (.64) Square	.100 (2.54)	.043 (1.09)
CB	TB	Right Angle	.025 (.64) Square	.180 (4.57)	.043 (1.09)
CC	TM	Right Angle	.025 (.64) Square	.250 (6.35)	.043 (1.09)
CW		Dip Solder	.015x.025 (.38x.64)	.125 (3.18)	.035 (0.76)
CT		Dip Solder	.015x.025 (.38x.64)	.170 (4.32)	.035 (0.76)
CS		Dip Solder	.025 (.64) Square	.160 (4.06)	.040 (1.02)

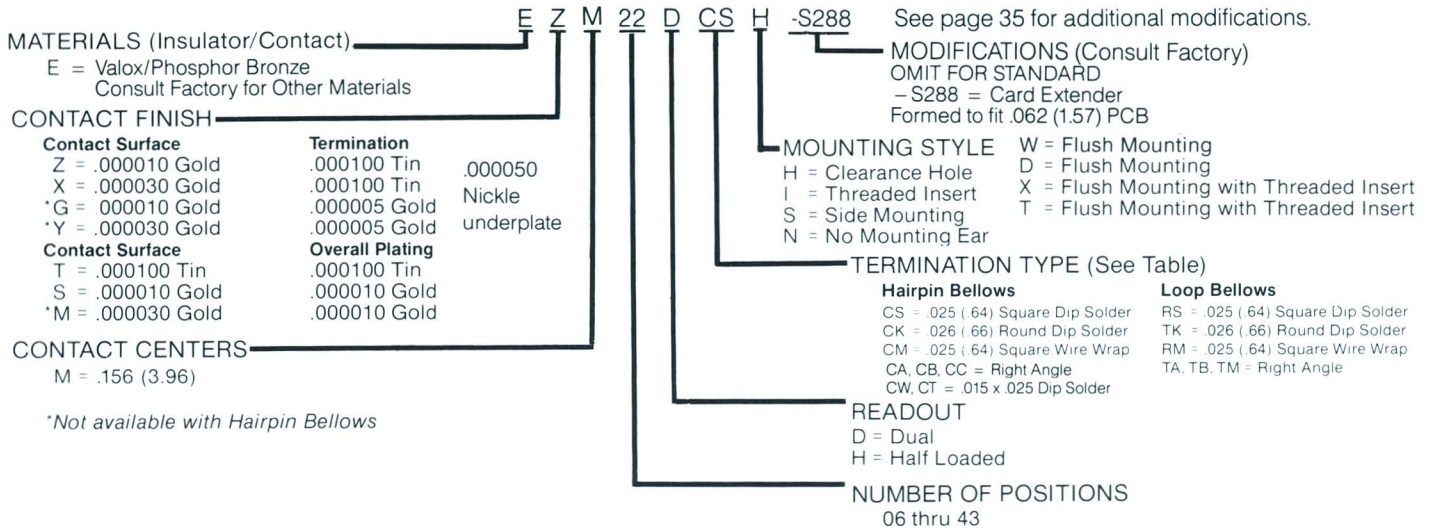
Mounting Style



High Profile Dip Solder/Wire Wrap Edgecard Connectors

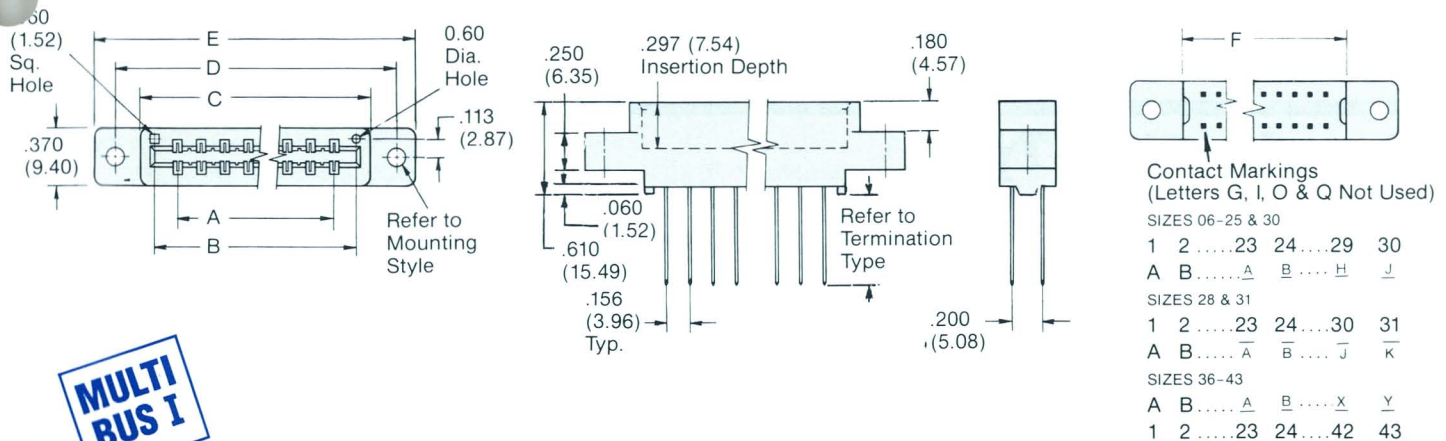
Sullins orderline:
619/744-0125
Fax/744-6081

Part Number Coding



Dimensions

All dimensions are in inches. Dimensions in () are in millimeters.

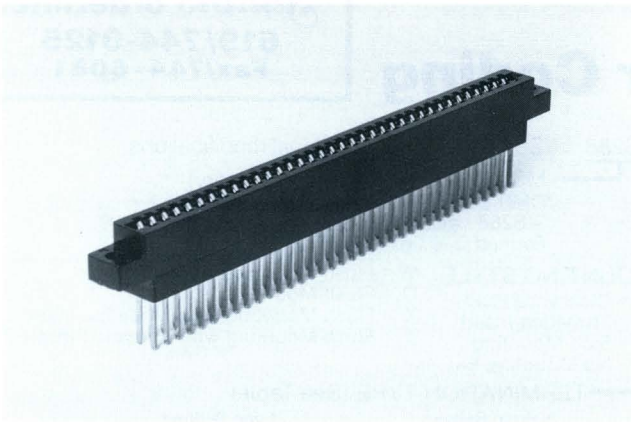


PART NUMBER †	NUMBER OF CONTACTS	INCHES						MILLIMETERS					
		A ±.008	B ±.008	C ±.015	D ±.010	E ±.020	F ±.015	A ±.20	B ±.20	C ±.38	D ±.25	E ±.51	F ±.38
EZM06 ___	6/12	0.780	1.102	1.221	1.534	1.784	1.030	19.81	27.99	31.01	38.96	45.31	26.16
EZM08 ___ ‡	8/16	1.092	1.414	1.533	1.846	2.096	1.342	27.74	35.92	38.94	46.89	53.24	34.09
EZM10 ___	10/20	1.404	1.726	1.845	2.158	2.408	1.654	35.66	43.84	46.86	54.81	61.16	42.01
EZM12 ___	12/24	1.716	2.038	2.157	2.470	2.720	1.966	43.59	51.76	54.79	62.74	69.09	49.94
EZM15 ___	15/30	2.184	2.506	2.625	2.938	3.188	2.434	55.47	63.65	66.67	74.63	80.98	61.82
EZM18 ___	18/36	2.652	2.974	3.093	3.406	3.656	2.902	67.36	75.54	78.56	86.51	92.86	73.71
EZM20 ___ ‡	20/40	2.964	3.286	3.405	3.718	3.968	3.214	75.29	83.46	86.49	94.44	100.79	86.64
EZM22 ___	22/44	3.276	3.598	3.717	4.030	4.280	3.526	83.21	91.39	94.41	102.36	109.98	85.56
EZM24 ___	24/48	3.588	3.910	4.029	4.342	4.592	3.838	91.14	99.31	102.34	110.29	117.91	97.49
EZM25 ___	25/50	3.744	4.066	4.185	4.498	4.748	3.994	95.10	103.27	106.30	114.25	120.60	101.45
EZM28 ___	28/56	4.212	4.534	4.653	4.966	5.216	4.462	106.98	115.16	118.19	126.14	132.49	113.33
EZM30 ___	30/60	4.524	4.846	4.965	5.278	5.528	4.774	114.91	123.09	126.11	134.06	140.41	121.26
EZM31 ___	31/62	4.680	5.002	5.121	5.434	5.684	4.930	118.87	127.05	130.07	138.02	144.37	125.22
EZM36 ___	36/72	5.460	5.782	5.901	6.214	6.464	5.710	138.68	146.86	149.89	157.84	164.19	145.03
EZM40 ___	40/80	6.084	6.406	6.525	6.838	7.088	6.334	154.53	162.20	165.73	173.68	180.03	160.88
EZM43 ___	43/86	6.552	6.874	6.993	7.306	7.556	6.802	166.42	174.75	177.80	185.47	193.04	172.77

† For complete part number add readout, termination type and mounting style from Part Number Coding (e.g. EZM36DCSH).

‡ Consult factory for availability.

.156 (3.96 mm) contact centers



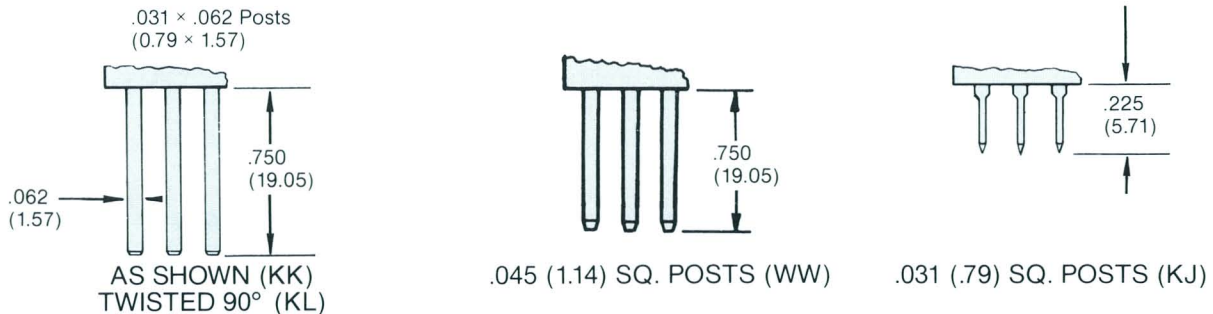
Features

- Multi Bus I P1 available in all configurations
- Accommodates .062 (± .008) PC Board
- Solvent resistant insulator U.L. recognized
- Low cost cantilever contacts
- 3 ampere current rating
- Contact resistance 10 milliohms max
- Black Valox insulator

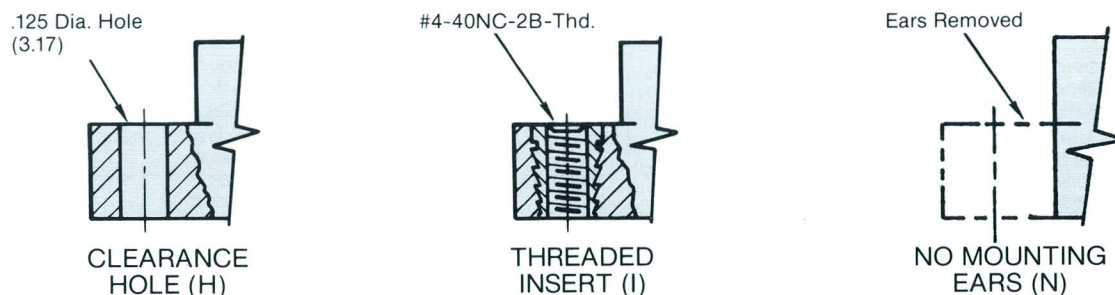
Readout



Termination Type



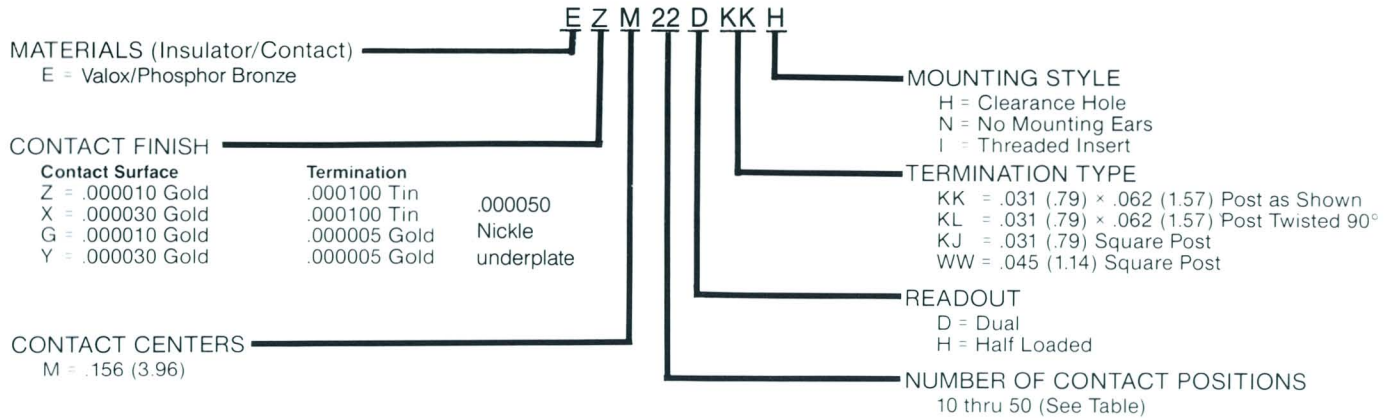
Mounting Style



.720 Profile Wire Wrap Edgcard Connectors

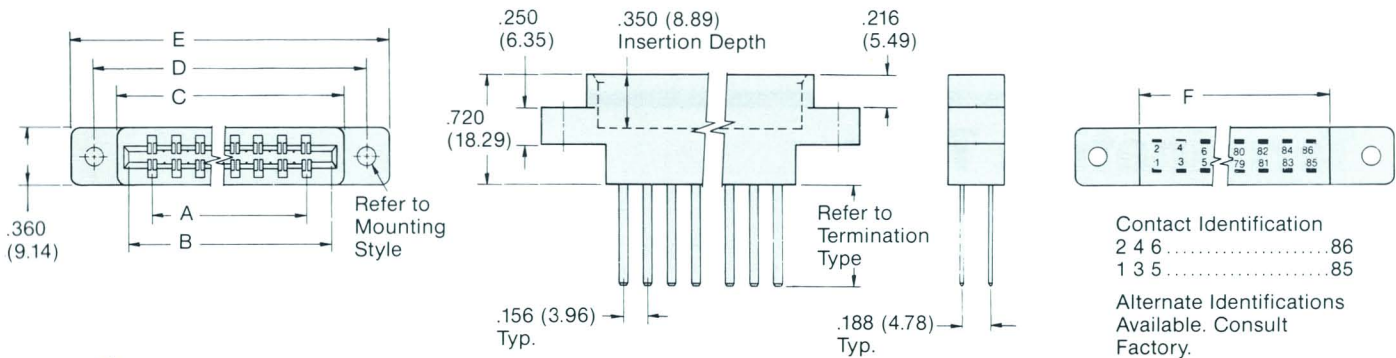
Sullins orderline:
619/744-0125
Fax/744-6081

Part Number Coding



Dimensions

All dimensions are in inches. Dimensions in () are in millimeters.



**MULTI
BUS I**

PART NUMBER †	NUMBER OF CONTACTS	INCHES						MILLIMETERS					
		A ±.008	B ±.008	C ±.015	D ±.010	E ±.020	F ±.015	A ±0.20	B ±0.20	C ±0.38	D ±0.25	E ±0.51	F ±0.38
EZM10 _____	10/20	1.404	1.724	1.848	2.158	2.408	1.604	35.66	43.79	46.94	54.81	61.16	40.74
EZM15 _____	15/30	2.184	2.506	2.628	2.938	3.188	2.385	55.47	63.60	66.75	74.63	80.97	60.53
EZM18 _____	18/36	2.652	2.972	3.096	3.406	3.656	2.852	67.36	75.49	78.64	86.56	92.86	72.44
EZM22 _____	22/44	3.276	3.596	3.720	4.030	4.280	3.476	83.21	91.34	94.49	102.36	108.71	88.29
EZM25 _____ ‡	25/50	3.744	4.064	4.188	4.498	4.748	3.944	95.09	103.23	106.38	114.25	120.60	100.18
EZM28 _____	28/56	4.212	4.532	4.656	4.966	5.216	4.412	106.98	115.11	118.26	126.14	132.49	112.06
EZM30 _____ ‡	30/60	4.524	4.844	4.968	5.278	5.528	4.724	114.91	123.04	126.19	134.06	140.41	119.99
EZM31 _____ ‡	31/62	4.680	5.000	5.124	5.434	5.684	4.880	118.87	127.00	130.15	138.02	144.37	123.95
EZM36 _____	36/72	5.460	5.780	5.904	6.214	6.464	5.660	138.68	146.81	149.96	157.84	164.18	143.76
EZM43 _____	43/86	6.552	6.872	6.996	7.306	7.556	6.752	166.42	174.55	177.69	185.57	191.92	171.50
EZM50 _____ ‡	50/100	7.644	7.964	8.088	8.398	8.648	7.844	194.16	202.28	205.43	213.31	219.66	199.24

†For complete part number add readout, termination type and mounting style from Part Number Coding (e.g. EZM22DKKH).

‡Consult factory for availability.

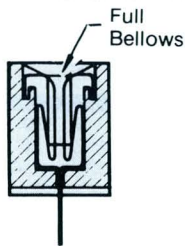
.156 (3.96 mm) contact centers



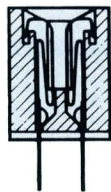
Features

- Accommodates .062 ($\pm .008$) PC Board
- Blue Valox or Green Ryton insulator
- Between contact polarization available
- Special 36 & 43 contact connectors having reverse contact position identification
- Special 28 contact connector with center barrier divider
- 3 ampere current rating
- Contact resistance 10 milliohms max

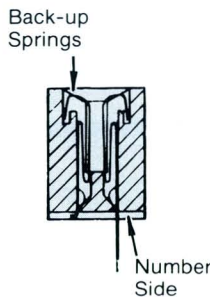
Readout



SINGLE (S)



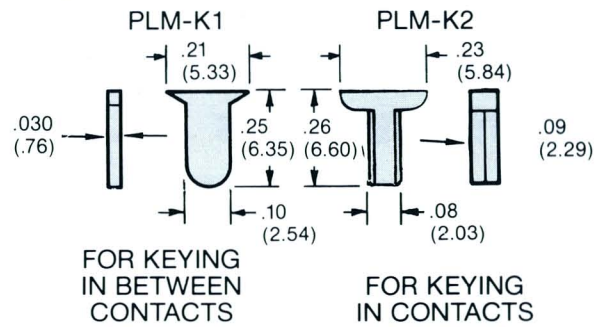
DUAL (D)



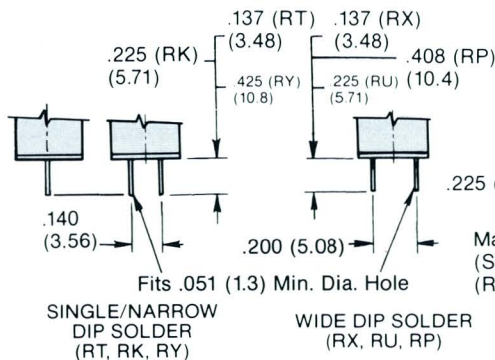
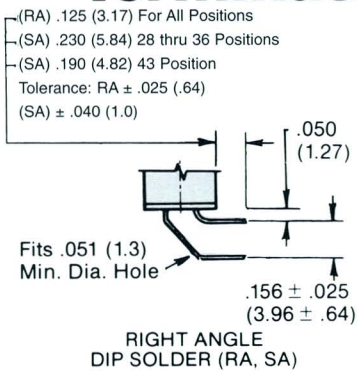
HALF LOADED (H)

Polarizing Key

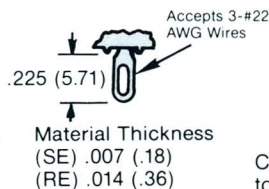
Order Separately



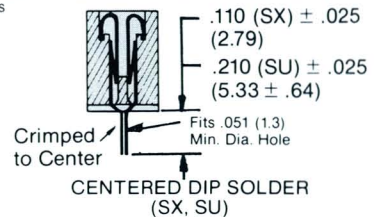
Termination Type



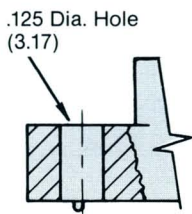
ALTERNATE EYELET SHAPE



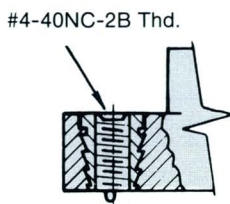
Available with Dual or Half Loaded Readout Type Only.



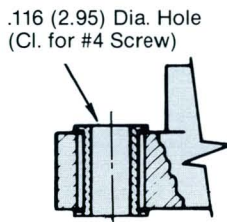
Mounting Style



CLEARANCE HOLE (H)



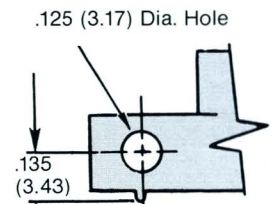
THREADED INSERT (I)



FLOATING BOBBIN (F)



NO MOUNTING EARS (N)

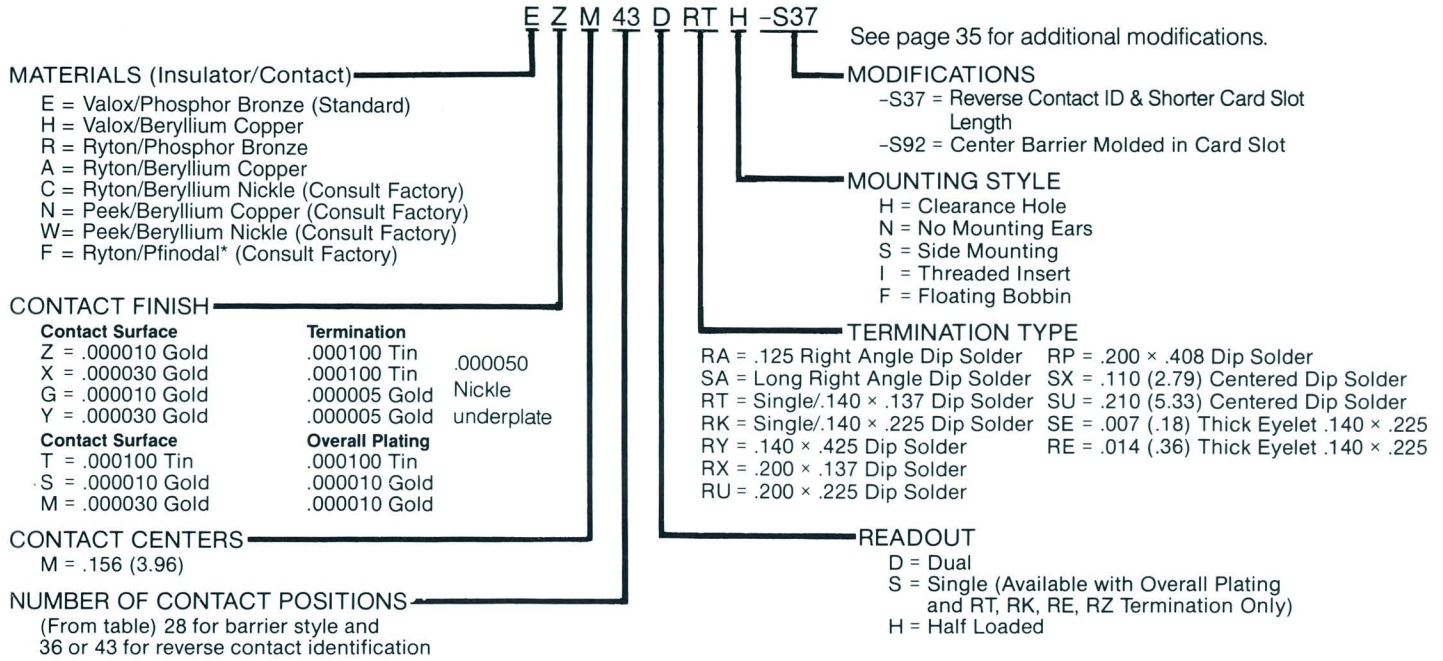


SIDE MOUNTING (S)

28 & 43 Positions with Reverse Contact Identification and Shorter Card Slot Length

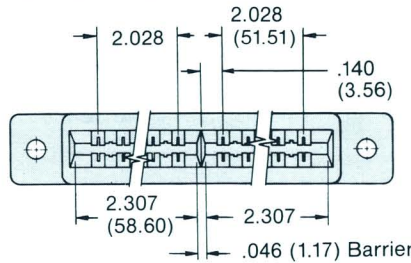
Sullins orderline:
619/744-0125
Fax/744-6081

Part Number Coding

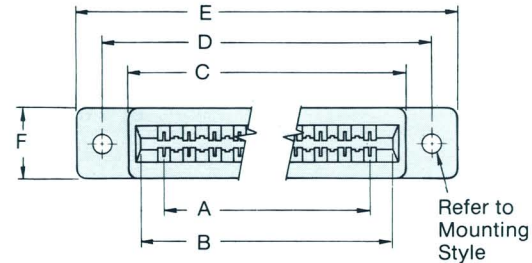


Dimensions

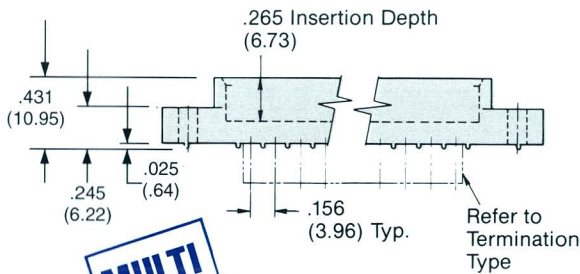
Dimensions in () are in millimeters, all others are in inches. Tolerances with Ryton Insulator material may vary slightly due to shrinkage differential; consult factory.



FOR 28 CONTACT POSITIONS

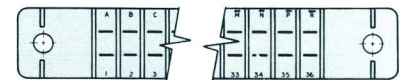


FOR 36 & 43 CONTACT POSITIONS



Contact Markings (Letters G, I, O & Q Not Used)
 1 2 3 26 27 28
 A B C D E F

FOR 28 POSITIONS



Contact Markings (Letters G, I, O & Q Not Used)
 A B R Y
 1 2 36 43

FOR 36 & 43 POSITIONS

MULTI BUS I

PART NUMBER †	NUMBER OF CONTACTS	INCHES						MILLIMETERS						CENTER BARRIER	
		A ±.008	B ±.008	C ±.015	D ±.010	E MAX	F ±.005	A ±.020	B ±.020	C ±.038	D ±.025	E MAX	F ±.038		
EZM28 ___-S92	28/56	—	4.660	4.781	5.093	5.427	—	118.36	121.44	129.36	137.85	—	—	—	YES
EZM36 ___-S37	36/72	5.460	5.766	5.906	6.219	6.566	.438	138.68	146.46	150.01	157.96	166.78	11.13	—	NO
EZM43 ___-S37	43/86	6.552	6.802	7.000	7.302	7.643	.500	166.42	172.77	177.80	185.47	194.13	12.70	—	NO

†For complete part number add readout, termination type and mounting style from Part Number Coding (e.g. EZM28DRTH-S92).

.100 (2.54 mm) contact centers



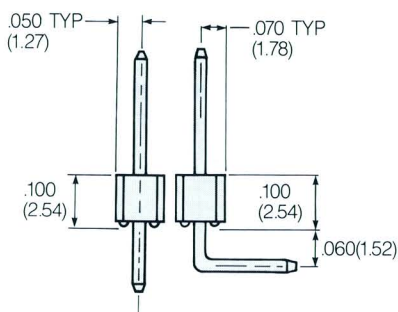
Features

- Breakable or cut to size
- Multiple modifications available
- First mate/last break grounding contacts available
- Contacts can be selectively loaded
- Temperature: -65°C to $+125^{\circ}\text{C}$
- UL Flammability Rating: 94V-O
- Current Rating: 5 amperes

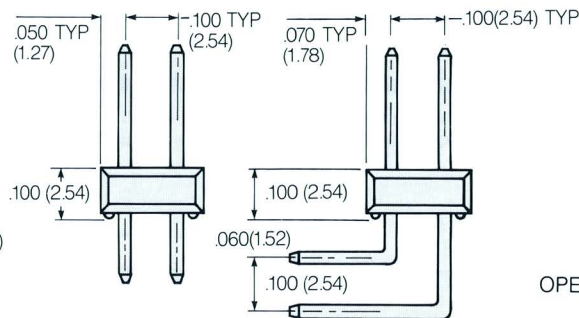
Materials

- Insulator Material: Black thermoplastic polyester
- Contact Material: CA510, phosphor bronze
- Plating: Gold or tin (See P/N code)

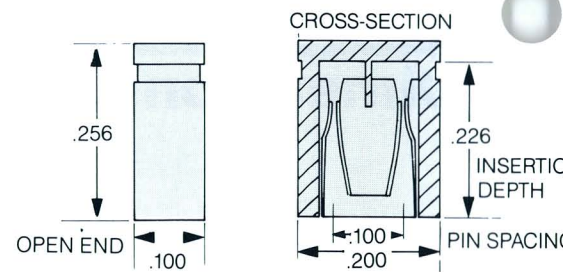
Readout



S = SINGLE



D = DUAL



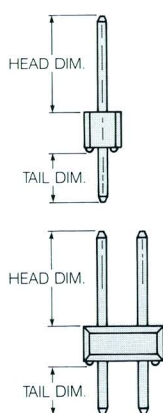
TWO POSITION JUMPER

Part Number: SSC02SYAN, SPC02SYAN or STC02SYAN

Termination Type

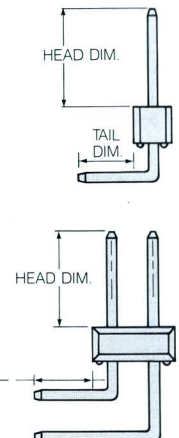
STRAIGHT TAIL

P/N CODE	HEAD DIM.	TAIL DIM.
AA	.230 (5.84)	.120 (3.05)
AB	.230 (5.84)	.230 (5.84)
AC	.230 (5.84)	.320 (8.13)
AD	.230 (5.84)	.420 (10.67)
AE	.230 (5.84)	.520 (13.21)
AF	.230 (5.84)	.620 (15.75)
AG	.230 (5.84)	.720 (18.29)
AH	.230 (5.84)	.820 (20.83)
FA	.318 (8.08)	.120 (3.05)
FB	.318 (8.08)	.220 (5.59)
FC	.318 (8.08)	.320 (8.13)
FD	.318 (8.08)	.420 (10.67)
FE	.318 (8.08)	.520 (13.21)
ZA	.120 (3.05)	.120 (3.05)
ZC	.120 (3.05)	.260 (6.60)
ZD	.120 (3.05)	.610 (15.49)



RIGHT ANGLE TAIL

P/N CODE	HEAD DIM.	TAIL DIM.
BA	.230 (5.84)	.100 (2.54)
BB	.230 (5.84)	.200 (5.08)
BC	.230 (5.84)	.300 (7.62)
BD	.230 (5.84)	.400 (10.16)
BE	.230 (5.84)	.500 (12.70)
BF‡	.230 (5.84)	.600 (15.24)
BG‡	.230 (5.84)	.700 (17.78)
GA	.318 (8.08)	.100 (2.54)
GB	.318 (8.08)	.200 (5.08)
GC‡	.318 (8.08)	.300 (7.62)
GD‡	.318 (8.08)	.400 (10.16)



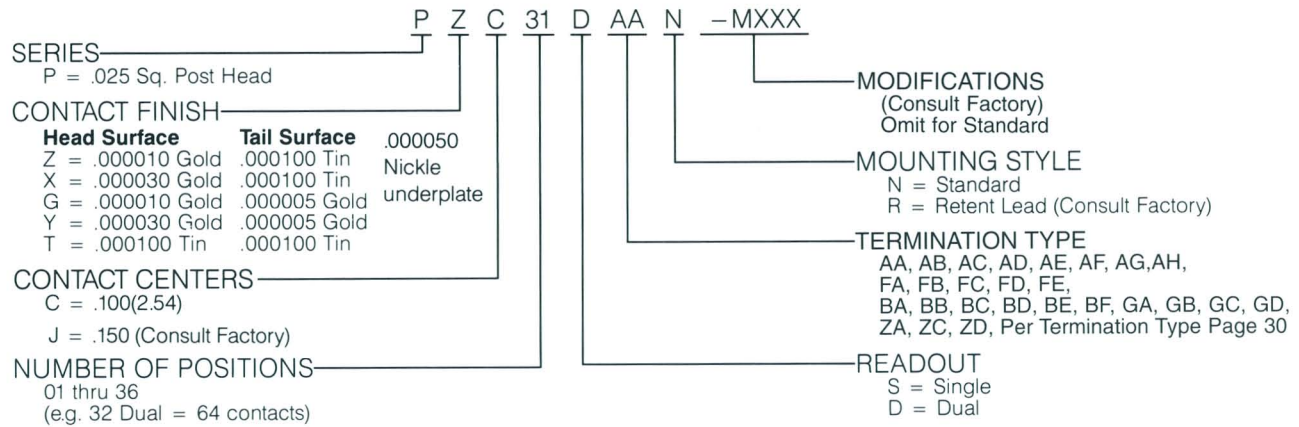
‡Consult factory for availability in dual readout.

TAIL DIM. —

.025" Square Post Headers PZC Series (.100" x .100" Grid)

Sullins orderline:
619/744-0125
Fax/744-6081

Part Number Coding

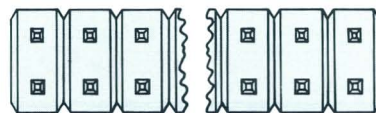


Dimensions

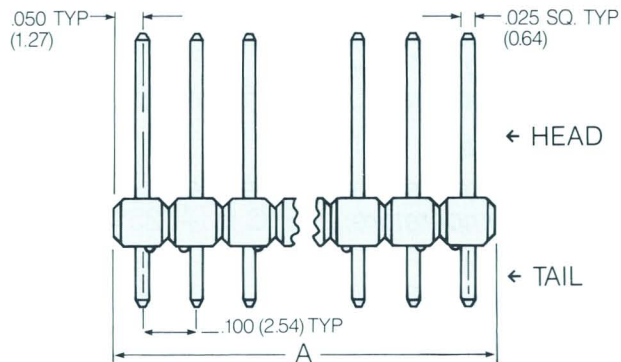
(Straight Tail Shown)



SINGLE READOUT



DUAL READOUT



PART NUMBER†	NUMBER OF CONTACTS SINGLE/DUAL	OVERALL LENGTH A
PZC01 ___ N	1/2	.100 (2.54)
PZC02 ___ N	2/4	.200 (5.08)
PZC03 ___ N	3/6	.300 (7.62)
PZC04 ___ N	4/8	.400 (10.16)
PZC05 ___ N	5/10	.500 (12.70)
PZC06 ___ N	6/12	.600 (15.24)
PZC07 ___ N	7/14	.700 (17.78)
PZC08 ___ N	8/16	.800 (20.32)
PZC09 ___ N	9/18	.900 (22.86)
PZC10 ___ N	10/20	1.00 (25.40)
PZC11 ___ N	11/22	1.10 (27.94)
PZC12 ___ N	12/24	1.20 (30.48)
PZC13 ___ N	13/26	1.30 (33.02)
PZC14 ___ N	14/28	1.40 (35.56)
PZC15 ___ N	15/30	1.50 (38.10)
PZC16 ___ N	16/32	1.60 (40.64)
PZC17 ___ N	17/34	1.70 (43.18)
PZC18 ___ N	18/36	1.80 (45.72)

PART NUMBER†	NUMBER OF CONTACTS SINGLE/DUAL	OVERALL LENGTH A
PZC19 ___ N	19/38	1.90 (48.26)
PZC20 ___ N	20/40	2.00 (50.80)
PZC21 ___ N	21/42	2.10 (53.34)
PZC22 ___ N	22/44	2.20 (55.88)
PZC23 ___ N	23/46	2.30 (58.42)
PZC24 ___ N	24/48	2.40 (60.96)
PZC25 ___ N	25/50	2.50 (63.50)
PZC26 ___ N	26/52	2.60 (66.04)
PZC27 ___ N	27/54	2.70 (68.58)
PZC28 ___ N	28/56	2.80 (71.12)
PZC29 ___ N	29/58	2.90 (73.66)
PZC30 ___ N	30/60	3.00 (76.20)
PZC31 ___ N	31/62	3.10 (78.74)
PZC32 ___ N	32/64	3.20 (81.28)
PZC33 ___ N	33/66	3.30 (83.82)
PZC34 ___ N	34/68	3.40 (86.36)
PZC35 ___ N	35/70	3.50 (88.90)
PZC36 ___ N	36/72	3.60 (91.44)

†For complete part number add readout and termination type from Part Number Coding (e.g. PZC18DAAN).

.109 (2.77 mm) contact centers



Features

- All plastic, right angle, female receptacle.
- 9, 15, 25 and 37 positions.
- Standard footprint.
- Selective plating with 10 or 30 micro-inches of gold.
- Large cavity lead-in designed for blind mating.

General Specifications

MATERIALS

Insulator: Black, glass filled thermoplastic polyester Valox UL94V-0.

Contacts: Phosphor Bronze.

ELECTRICAL

Insulation Resistance: 5000 Megaohms.

Dielectric Withstanding Voltage: 1500 VAC minimum.

Current Rating: 5 Amperes.

Contact Resistance: 10 milliohms maximum at rated current.

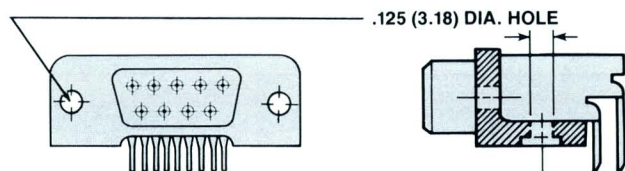
ENVIRONMENTAL

Solvent Resistance: Perchloroethylene, Freon 113, Freon 11, Trichloroethylene.

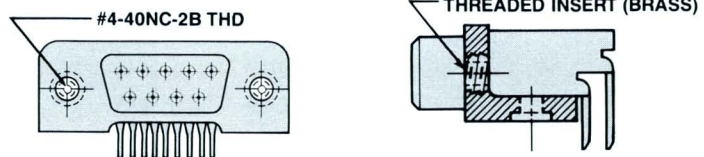
Operating Temperature: -65°C to +125°C.

Mounting Style

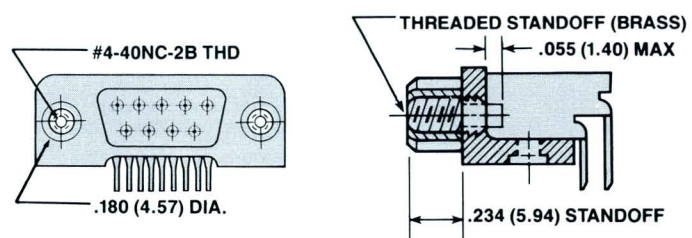
H — Standard Mounting
.125 Dia. Clearance Hole



I — Threaded Insert

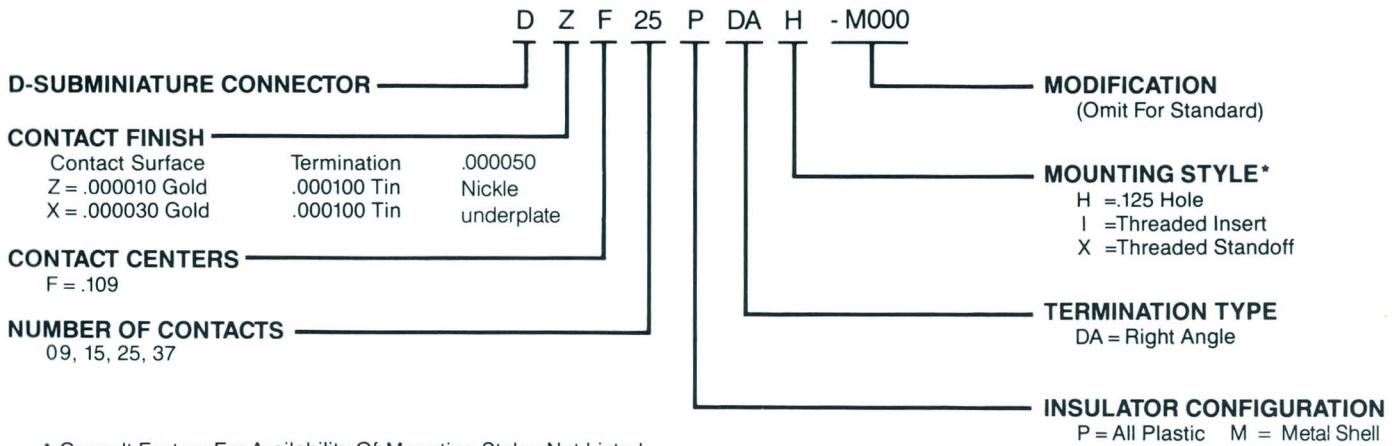


X — Threaded Standoff

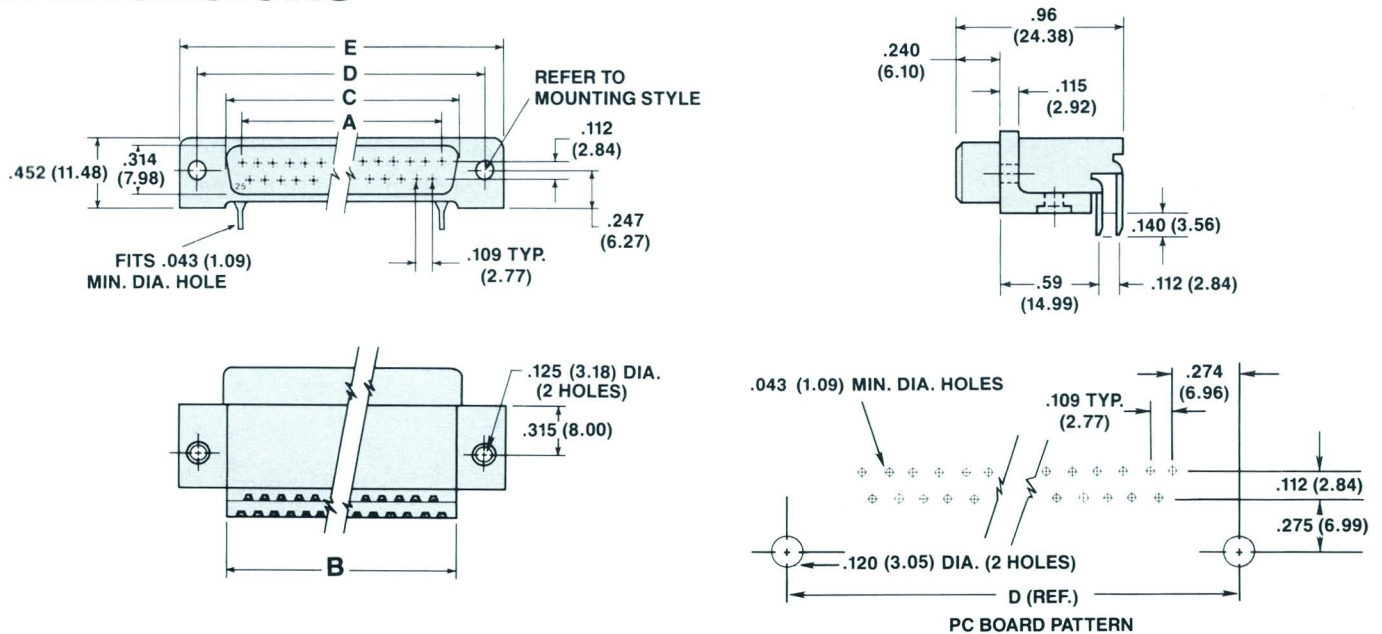


Sullins orderline:
619/744-0125
Fax/744-6081

Part Number Coding



Dimensions

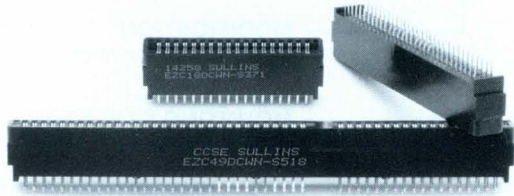


Part Number †	NUMBER OF CONTACTS	INCHES					MILLIMETERS				
		A	B	C	D	E	A	B	C	D	E
DZFO9PDA__	9	.436	.624	.646	.984	1.224	11.07	15.85	16.41	24.99	31.09
DZF15PDA__	15	.763	.952	.974	1.312	1.552	19.38	24.18	24.74	33.22	39.42
DZF25PDA__	25	1.308	1.492	1.514	1.852	2.092	33.22	37.90	38.46	47.04	53.14
DZF37PDA__	37	1.962	2.140	2.162	2.500	2.740	49.83	54.36	54.91	63.50	69.60

† For complete part number add mounting style from Part Number Coding (e.g. DZF09PDAH)

.100 (2.54 mm) contact centers

PC Computer and PC Bus Edgecards



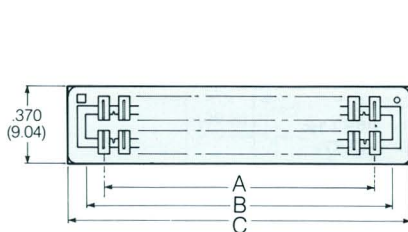
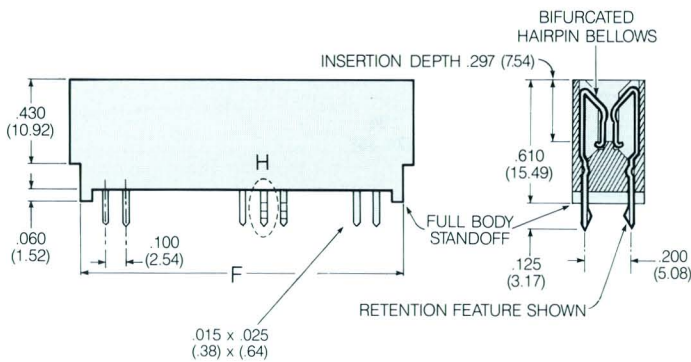
Features

- Hi-Rel hairpin bellows contact (full loop bellows contact on request)
- Retention feature holds edgecard to .062" PC Board prior to soldering (for thicker board on request)
- 18 & 31 positions molded together as 49 position with card slot barrier
- Tin plated terminal post for good solderability
- .015" × .025" tail cross section fits .035" hole
- Full body standoff at each end of connector
- Black insulator (blue available on request)
- Wire wrap, card extender, right angle, other variations available on request
- CSA and UL recognized

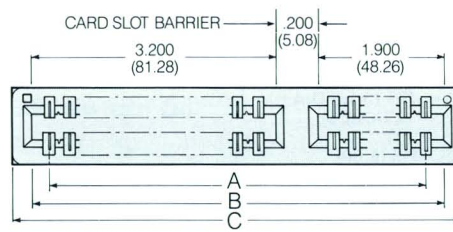
Materials

- Insulator material: Black thermoplastic polyester
- Contact material: phosphor bronze
- Plating: 10 or 30 mil gold on contact surface
100 mil tin on termination

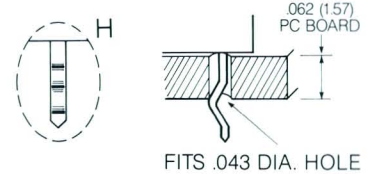
Dimensions



18 OR 31 POSITIONS
(36 OR 62 CONTACTS)



49 POSITIONS
(98 CONTACTS)
WITH CARD SLOT BARRIER



RETENTION FEATURE ON MIDDLE
TERMINALS FOR PART NUMBERS:

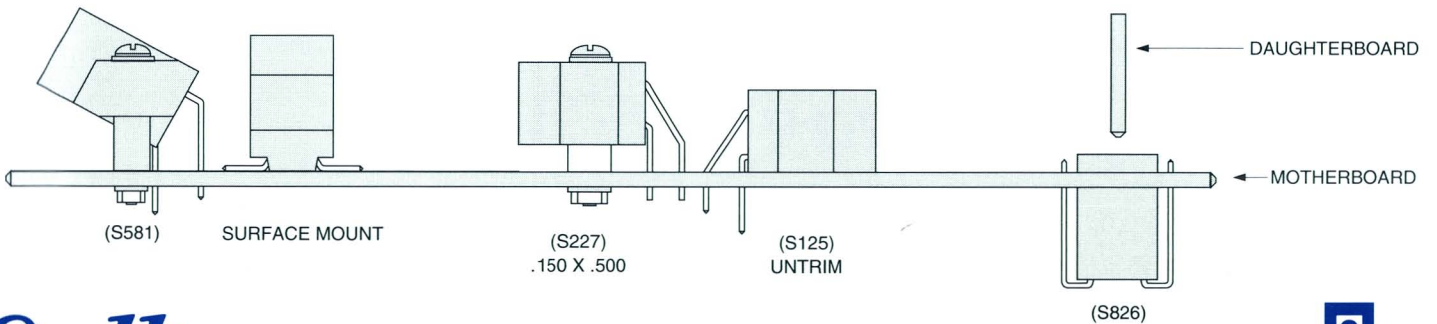
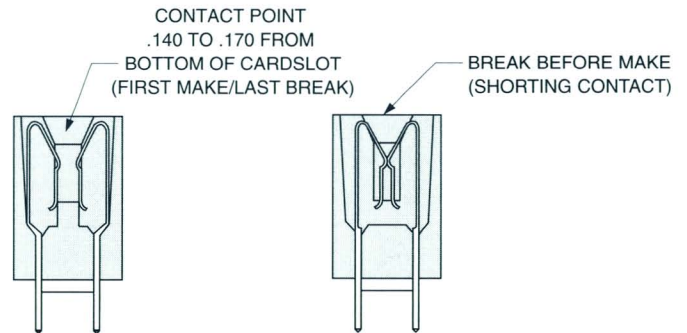
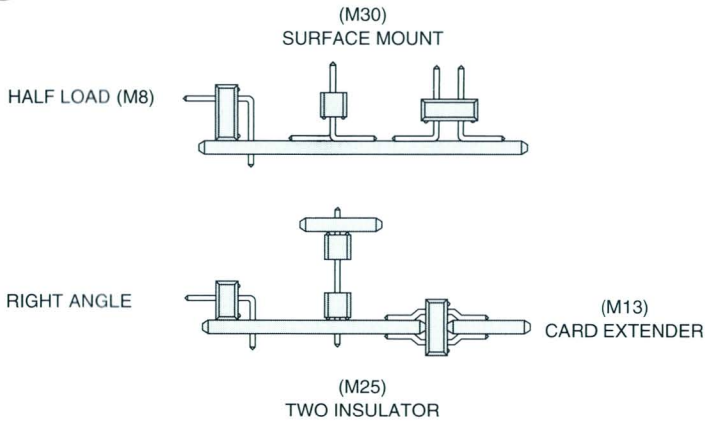
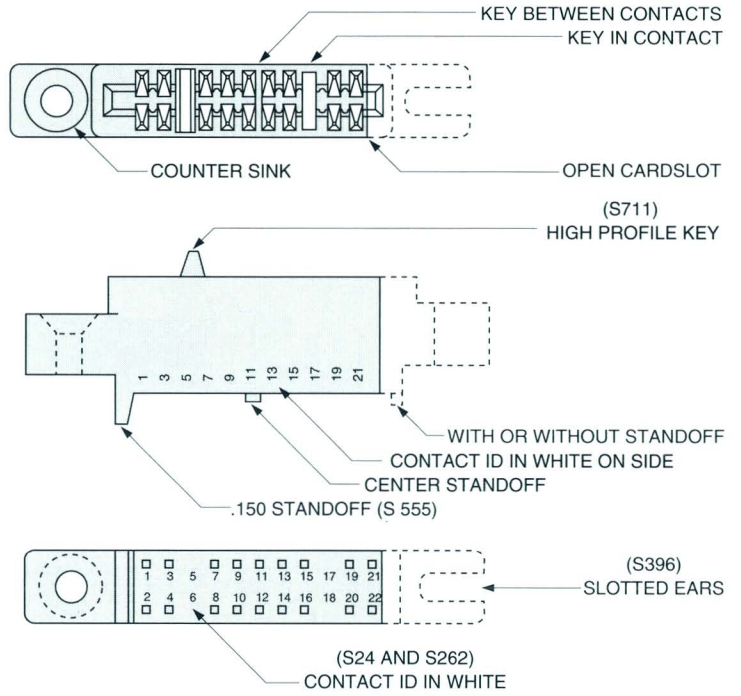
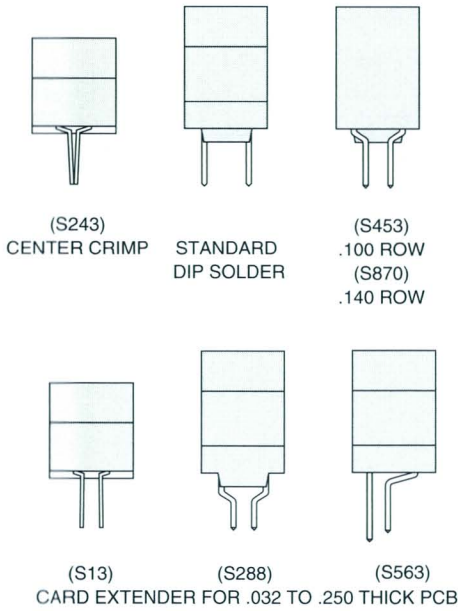
- EZC18DCWN-S524
- EZC31DCWN-S524
- EZC49DCWN-S518

PART NUMBER †	NUMBER OF POSITIONS/ CONTACTS	RETENTION FEATURE	FITS BOARD HOLE SIZE	CARD SLOT BARRIER	INCHES				MILLIMETERS			
					A	B	C	F	A	B	C	F
EZC18DCWN-S371	18/36	NO	.035	NO	1.700	1.900	2.060	1.950	43.18	48.26	52.32	49.53
EZC18DCWN-S524	18/36	YES	.043	NO	1.700	1.900	2.060	1.950	43.18	48.26	52.32	49.53
EZC31DCWN-S371	31/62	NO	.035	NO	3.000	3.200	3.360	3.250	76.20	81.28	85.34	82.55
EZC31DCWN-S524	31/62	YES	.043	NO	3.000	3.200	3.360	3.250	76.20	81.28	85.34	82.55
EZC49DCWN-S420	49/98	NO	.035	YES	5.100	5.300	5.460	5.340	129.54	134.62	138.68	135.64
EZC49DCWN-S518	49/98	YES	.043	YES	5.100	5.300	5.460	5.340	129.54	134.62	138.68	135.64

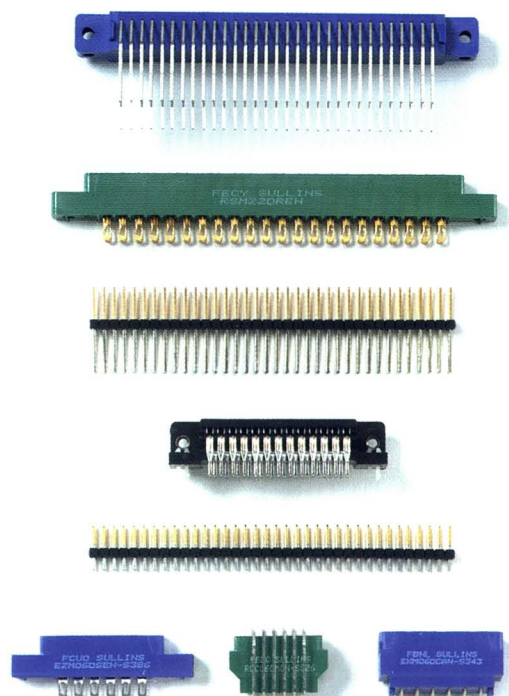
†For .000030 Gold on Contact Surface replace "Z" with "X" in Part Number (e.g. EXC49DCWN-S518)

Modifications

Consult factory for further details.



Sullins



EDGE CARDS HEADERS

***Tel 619 - 744 - 0125
Fax 619 - 744 - 6081***

Post Office Box 189 • San Marcos, California 92079-0189 • U.S.A.