



Millennium™ Coupling Servers 400 Series



- ▶ **High performance for the most demanding data sharing environments**
- ▶ **Availability that keeps up with outstanding performance**
- ▶ **Flexibility that puts the customer in charge**
- ▶ **S/390 compatibility with innovation**

Specifications

Advanced technology and design

Amdahl Coupling Control Code™	Parallel Sysplex coupling facility functionality
Coupling connectivity	To 5995M processors, Millennium Global Servers, and other Parallel Sysplex capable processors
Coupling link support	1 KM multi-mode 50 micron, 3 KM single-mode 9 micron
System on a board	Processors, memory, I/O processors
Dual Server capability	Any two Millennium servers in one footprint
QuickAvailability™	Dynamic: QuickSwitch™ QuickMemory™, QuickCapacity™, QuickChannels™
ConServ™ (concurrent service)	Firmware, coupling links, and fans
Multiple Domain Feature™	10 domains
IC technology	.35-micron complementary metal oxide semiconductor (CMOS)
Level 1 cache (high-speed buffer)	256 KB per CPU, split equally between instructions and data
Level 2 cache	8 MB per CPU, up to 8 MB shared

Physical characteristics

	Standard Configuration*	Dual Server Configuration**
Floor space without service clearance	16.1 ft ² 1.5 m ²	23.7 ft ² 2.2 m ²
Floor space with service clearance	43.0 ft ² 4.0 m ²	64.6 ft ² 6.0 m ²
Approximate weight	1,980 lb 900 kg	2,750 lb 1,250 kg
Approximate power requirements (50/60 Hz; 208 V 3 phase)	2.8 kVA	4.8 kVA
Approximate heat dissipation	9.1 kBTU/hr	15.6 kBTU/hr
Temperature requirements***		
raised floor	50° F - 90° F 10° C - 32° C	50° F - 90° F 10° C - 32° C
non-raised floor	50° F - 85° F 10° C - 29° C	50° F - 85° F 10° C - 29° C
Humidity requirements	20% - 80%	20% - 80%

Models

CS415	1 processor
CS425	2 processors

Configuration options

Memory Configurations****	Coupling Links
256 MB, 512 MB, 768 MB, 1 GB, 1.5 GB, 2 GB, 2.5 GB, 3 GB, 4 GB	Minimum 2 Maximum 32 Increment 1

Upgrade paths

From	To
CS415	CS425, 535, 545, 555, 565, 575, 585
CS425	CS535, 545, 555, 565, 575, 585

Conversion paths to Millennium Global Servers

From	To
CS415	CS425, 535, 545, 555, 565, 575, 585
CS425	CS535, 545, 555, 565, 575, 585

* CS425 (2 GB x 32 CL).

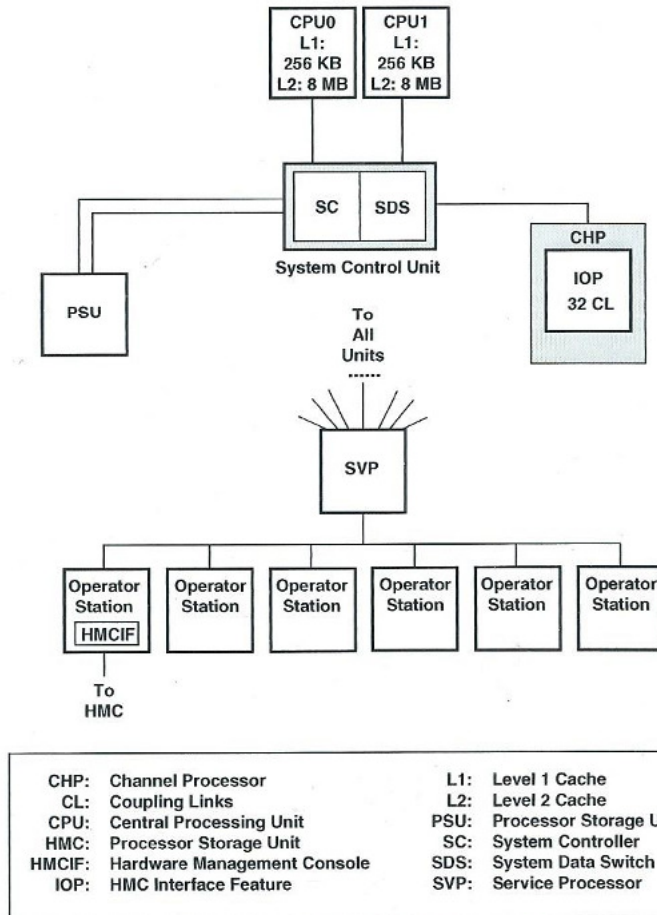
** Dual Server CS425 (2 GB x 32 CL) / CS425 (2 GB x 32 CL).

*** At altitudes above 5,000 ft (1,525 m), lower the maximum underfloor and room temperature 3.6° F for every 1,000 ft (2° C for every 305 m), up to 7,000 ft (2,135 m). For higher altitudes, consult an Amdahl representative.

**** Memory is customer definable into main and expanded storage.

Specifications

System organization



Worldwide Headquarters

Amdahl Corporation
1250 East Arques Avenue
Sunnyvale, CA 94088-3470
United States of America
Tel: (408) 746 6000
Fax: (408) 746 3243

Internet:
<http://www.amdahl.com>

North America United States of America

Tel: (800) 223 2215
Fax: (800) 452 3509

Canada
Tel: (416) 510 3111
Fax: (416) 510 3353

Europe

(covering Austria, Belgium, Denmark, France, Germany, Ireland, Italy, Luxembourg, Netherlands, Norway, Portugal, Spain, Sweden, Switzerland and the United Kingdom).

For your local Amdahl office please access:

www.amdahl.com/europe/offices

or email:

Amdahl_In_Europe@amdahl.com

South Africa

Johannesburg
Tel: +27 11467 0710
Fax: +27 11467 0740

Asia

Amdahl Asia Services Sdn.Bhd
Tel: +60 3 794 7233
Fax: +60 3 794 9911

Australia and New Zealand

Amdahl Pacific Services Pty Ltd
ACN 003 839 503
Tel: +61 2 9561 9999
Fax: +61 2 9561 9811

Amdahl and UTS are registered trademarks and Millennium, QuickAvailability, QuickSwitch, QuickCapacity, QuickChannels, QuickMemory, Amdahl Coupling Control Code, Multiple Domain Feature, and ConServ are trademarks of Amdahl Corporation. S/390 is a registered trademark and Parallel Sysplex is a trademark of IBM Corporation. All other trademarks and product names are property of their respective owners.

The information in this document may be superseded by subsequent documents. For details regarding delivery of specific products, features, and services, contact your local Amdahl representative.

© 1998 Amdahl Corporation.
All rights reserved. Printed in the U.S.A.
MM002303- US-003 [1:2.5] 1/98