



# Millennium™ Global Servers 500E Models



- ▶ **More productive MIPS for exceptional system utilization**
- ▶ **Topflight performance for mission-critical applications**
- ▶ **Availability that keeps up with outstanding performance**
- ▶ **Flexibility that puts the customer in charge**
- ▶ **S/390 compatibility with innovation**
- ▶ **Easy upgrade in place to 700 Series**

## Specifications

### Advanced technology and design

System on a board	CPUs, memory, I/O processors
QuickAvailability™	Dynamic: QuickSwitch™, QuickChannels™ QuickMemory™, QuickCapacity™
ConServ™ (concurrent service)	Firmware, channels, and fans
Multiple Domain Feature™	10 domains
Coupling Domain™	Parallel Sysplex coupling facility functionality
IC technology	.35-micron complementary metal oxide semiconductor (CMOS)
Level 1 cache (high-speed buffer)	256 KB per CPU, split equally between instructions and data
Level 2 cache	8 MB per CPU, up to 56 MB shared

### Physical characteristics

	Minimum Configuration (GS535E: 512 MB, 32 ESCON channels)	Maximum Configuration (GS585E: 8 GB, 256 ESCON channels)
Floor space without service clearance	16.1 ft <sup>2</sup> 1.5 m <sup>2</sup>	16.1 ft <sup>2</sup> 1.5 m <sup>2</sup>
Floor space with service clearance	43.0 ft <sup>2</sup> 4.0 m <sup>2</sup>	43.0 ft <sup>2</sup> 4.0 m <sup>2</sup>
Approximate weight	2,200 lb 1,000 kg	2,200 lb 1,000 kg
Approximate power requirements (50/60 Hz; 208 V 3 phase)	2.5 kVA	4.5 kVA
Approximate heat dissipation	8.8 kBTU/hr	15.1 kBTU/hr
Temperature requirements* raised floor	50° F - 90° F 10° C - 32° C	
non-raised floor	50° F - 85° F 10° C - 29° C	
Humidity requirements	20% - 80%	

### Capacity (relative to the Amdahl Millennium 715 = 1) and upgrade paths

Model	Capacity Range	Upgrade to
GS535E	1.44 - 1.55	GS545E, 555E, 565E, 575E, 585E
GS545E	1.88 - 2.07	GS555E, 565E, 575E, 585E
GS555E	2.30 - 2.55	GS565E, 575E, 585E
GS565E	2.73 - 3.02	GS575E, 585E
GS575E	3.15 - 3.48	GS585E
GS585E	3.56 - 3.94	-

### Supported operating system releases\*\*

OS/390 1.1.0, 1.2.0, 1.3.0, and 2.4.0  
 MVS/ESA 4.2.0, 4.2.2, 4.3.0, 5.1.0, 5.2.0, and 5.2.2  
 VSE/ESA 2.1.0, and 2.2.0  
 TPF 4.1 and TPF HPO 4.1  
 UTS 2.1.x and 4.x

### Memory\*\*\*

Minimum	Maximum	Configurations
512 MB	8,192 MB	512 MB, 1 GB, 1.5 GB, 2 GB, 2.5 GB, 3 GB, 4 GB, 6 GB, and 8 GB

### Channels\*\*\*\*

	Minimum Configuration	Maximum Standard Configuration	Maximum Extended Configuration	Increments
Total	32	256	256	-
ESCON	0	256	256	8
Parallel	0	48	96	4
Coupling Links	0	32	32	1
OSA	0	16	16	1

\* At altitudes above 5,000 ft (1,525 m), lower the maximum underfloor and room temperature 3.6° F for every 1,000 ft (2° C for every 305 m), up to 7,000 ft (2,135 m). For higher altitudes, consult an Amdahl representative.

\*\* Support for new releases of these operating systems will be added as they become available.

\*\*\* Memory is customer definable into main and expanded storage.  
 \*\*\*\* Each increment of 4 parallel channels reduces the maximum number of ESCON channels by 8.  
 Each increment of 2 coupling links reduces the maximum number of ESCON channels by 8.  
 Each increment of 2 OSA channels reduces the maximum number of ESCON channels by 8.

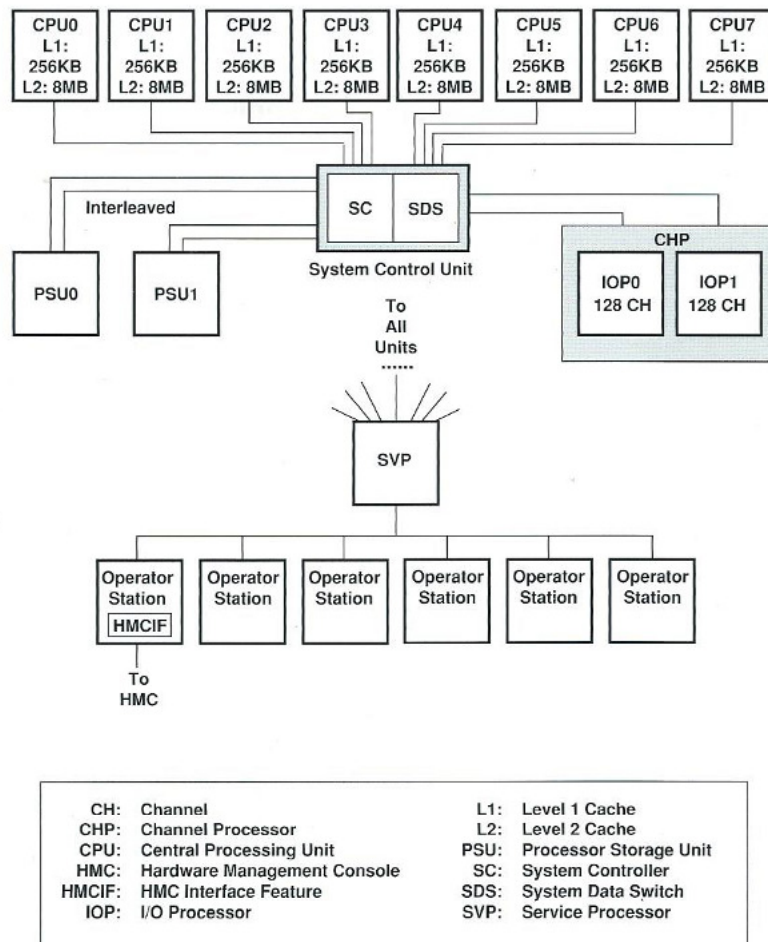


## Specifications

### Conversion paths to Millennium Coupling Servers

From	To
GS535E	GS545E, 555E, 565E, 575E, 585E
GS545E	GS555E, 565E, 575E, 585E
GS555E	GS565E, 575E, 585E
GS565E	GS575E, 585E
GS575E	GS585E

### System organization\*



\*The number of CPUs installed is model dependent. Models GS535E and GS545E may come with CPU0-CPU4 installed only.

### Worldwide Headquarters

Amdahl Corporation  
1250 East Arques Avenue  
Sunnyvale, CA 94088-3470  
United States of America  
**Tel:** (408) 746 6000  
**Fax:** (408) 746 3243  
**Internet:**  
<http://www.amdahl.com>

### North America United States of America

Tel: (800) 223 2215  
Fax: (800) 452 3509

### Canada

Tel: (416) 510 3111  
Fax: (416) 510 3353

### Europe

(covering Austria, Belgium, Denmark, France, Germany, Ireland, Italy, Luxembourg, Netherlands, Norway, Portugal, Spain, Sweden, Switzerland and the United Kingdom).

### For your local Amdahl office please access:

[www.amdahl.com/europe/offices](http://www.amdahl.com/europe/offices)

### or email:

[Amdahl\\_In\\_Europe@amdahl.com](mailto:Amdahl_In_Europe@amdahl.com)

### South Africa

Johannesburg  
Tel: +27 11467 0710  
Fax: +27 11467 0740

### Asia

Amdahl Asia Services Sdn.Bhd  
Tel: +60 3 794 7233  
Fax: +60 3 794 9911

### Australia and New Zealand

Amdahl Pacific Services Pty Ltd  
ACN 003 839 503  
Tel: +61 2 9561 9999  
Fax: +61 2 9561 9811

Capacity relationships shown in this document are based on measurements and projections made in a controlled single-image environment. Measured workloads are approximations of customer production workloads. Results based on specific customer workloads will vary depending on the applications and operating environments, including Parallel Sysplex. Individual customer results will vary and may not equal the ratios stated here.

Amdahl and UTS are registered trademarks and Millennium, QuickAvailability, QuickCapacity, QuickSwitch, QuickChannels, QuickMemory, Multiple Domain Feature, ConServ, and Coupling Domain are trademarks of Amdahl Corporation. S/390, VM/ESA, and ESCON are registered trademarks and Parallel Sysplex, MVS/ESA, OS/390, and VSE/ESA are trademarks of IBM Corporation. All other trademarks and product names are property of their respective owners.

The information in this document may be superseded by subsequent documents. For details regarding delivery of specific products, features, and services, contact your local Amdahl representative.

© 1998 Amdahl Corporation.  
All rights reserved. Printed in the U.S.A.  
MM002591-US-003 [1:5] 2/98