

AMDEK

12" VIDEO MONITOR

MODEL VIDEO 310/310A



OWNER'S MANUAL

WARNING:

TO PREVENT FIRE OR SHOCK HAZARD, DO NOT EXPOSE THIS MONITOR TO RAIN OR MOISTURE.

HIGH VOLTAGE IS PRESENT INSIDE THE UNIT. DO NOT REMOVE THE BACK COVER OF THE CABINET. IF THE MONITOR DOES NOT FUNCTION PROPERLY, CONTACT YOUR LOCAL DEALER OR QUALIFIED SERVICE PERSONNEL.

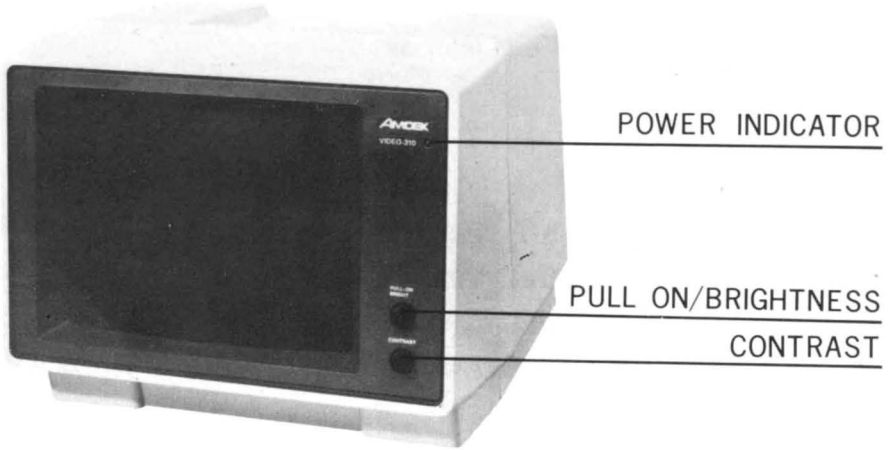
FEATURES :

- High resolution display.
- Non-glare display screen.
- Low power consumption.
- 120 /220V interchangeable power transformer.
- Light and compact, easy to carry.

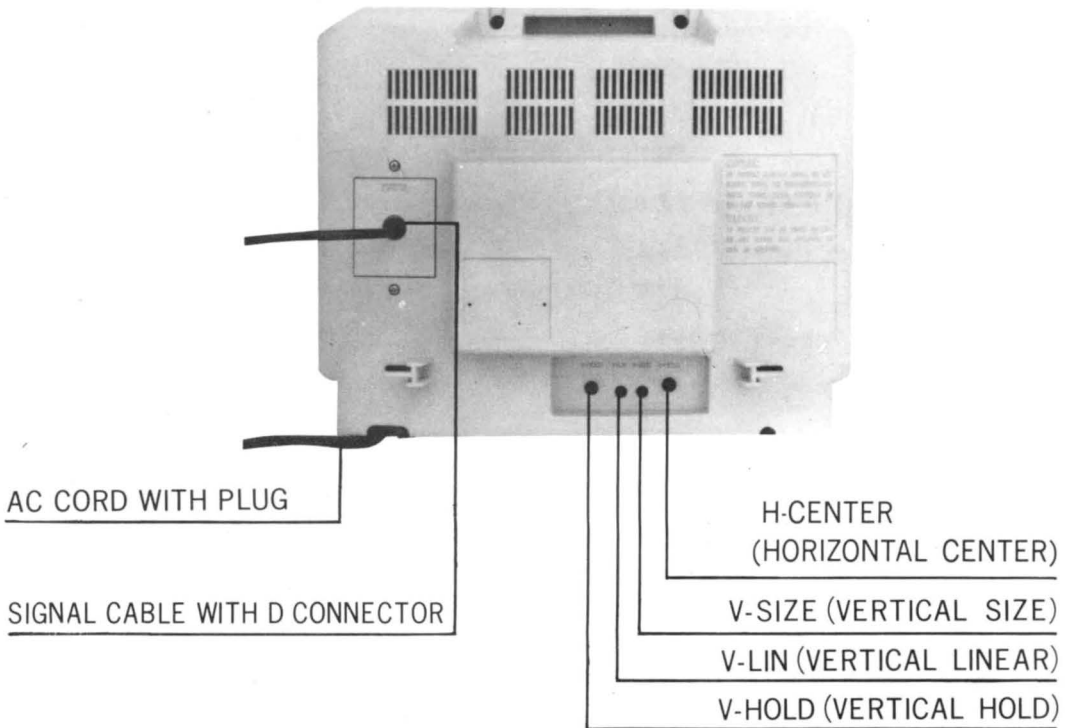
POWER SOURCE:

- This monitor is manufactured and set to operate at 120VAC/60Hz current. Plug your power cord only to the specified outlet.
- To convert the monitor to operate at 220VAC/50Hz, it is recommended that the change to be made by a qualified service personnel at your local dealer or service station.
- When this monitor is to be used at 220VAC/50Hz, Please use an additional adaptor with CAT. No. 504 manufactured by KULKA ELECTRIC CORP. to fit the AC power cord to 220V receptacle. This adaptor is not supplied with this unit but is available from local electronic supplied stores, or AMDEK Corp.

FRONT CONTROLS



REAR CONTROLS



OPERATION:

1. Connect the signal cable from your monitor to the TTL I/P (9 PIN "D" TYPE) connector in the back of the personal computer. (Refer to I/P connector layout)
2. Connect the power cord with specified outlet, and pull the PULL ON switch to set the unit on. It will be a few seconds before the picture comes on to the screen.
- 3 Adjust the CONTRAST and BRIGHTNESS controls to make the picture at the level most pleasing to your eyes.
4. To adjust the picture to the center of the screen, use H-CENTER for horizontal adjustment, and V-HOLD for vertical adjustment.

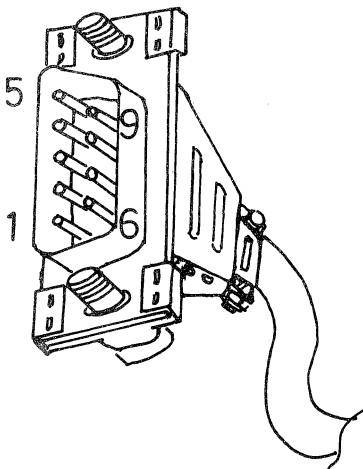
CAUTIONS:

1. Do not use or store this monitor in a place with much moisture or dust, or high temperature such as kitchen appliances, direct sunshine, etc.
2. Do not cover the ventilation slits while in operation. This will prevent the necessary ventilation.
3. When the screen surface filter develops dusts, clean with soft cloth moistened with water. Special cleaning cloth is also available from your local dealer.
4. When the monitor is not in use for a long time, be sure to pull the power plug out of the outlet.

SPECIFICATIONS:

- | | |
|----------------------------------------------------------------------------------------------------------------------------------------------------------------------------------------------------------------------------------------------------------------------------------------------------------------------------------------------------------------------------------------------------------|-----------------------------------------------------------------------------------------------------------------------------------------------------------------------------------------------------------------------------------------------------------------------------------------------------------------------------------------------------------------------------------------------------------------------------------------------------------------------------------------------------------------------------------------------------------------------------------------------------------------------------------------------------------------------------------------------------------------------------------------------------------|
| <ol style="list-style-type: none"> 1. Input signals 2. Scan standard 3. Video response 4. Deflection linearity 5. Controls service user 6. CRT 7. Semiconductors 8. Power source 9. Power consumption 10. Dimensions 11. Carton dimensions 12. Net weight 13. Input connector | <p>TTL compatible</p> <p>Horizontal Drive: 4 to 30 usec positive going.</p> <p>Vertical Drive: 200 to 1400 usec negative going.</p> <p>Video Signal: Positive white</p> <p>Daul Intensity: Positive going.</p> <p>Horizontal: 18.432KHZ</p> <p>Vertical: 50HZ</p> <p>18 MHZ (-3dB)</p> <p>Within 10%</p> <p>B+, H. width, V. height, V.lin.</p> <p>Focus, Sub-brightness, H-center, Brightness, Contrast, V.hold</p> <p>12. inch, 90° deflection,</p> <p>P31 (Green) for Video-310</p> <p>P134 (Amber) for Video-310A</p> <p>IC: 3</p> <p>Transistors: 16</p> <p>Diodes: 20</p> <p>AC 120 Volts/60HZ or 220 Volts/50HZ</p> <p>30W</p> <p>14.5"(W) x 11.5"(H) x 13.7"(D)</p> <p>17.48"(W) x 15.35"(H) x 17.08"(D)</p> <p>17 Lbs.</p> <p>9 PIN "D" TYPE</p> |
|----------------------------------------------------------------------------------------------------------------------------------------------------------------------------------------------------------------------------------------------------------------------------------------------------------------------------------------------------------------------------------------------------------|-----------------------------------------------------------------------------------------------------------------------------------------------------------------------------------------------------------------------------------------------------------------------------------------------------------------------------------------------------------------------------------------------------------------------------------------------------------------------------------------------------------------------------------------------------------------------------------------------------------------------------------------------------------------------------------------------------------------------------------------------------------|

★Design specification and performance subject to change without notice due to product improvement.



- | | |
|---------------|--------------|
| 1. GND | 6. Intensity |
| 2. Shield GND | 7. Video |
| 3. | 8. H. Sync |
| 4. } Not used | 9. V. Sync |
| 5. | |

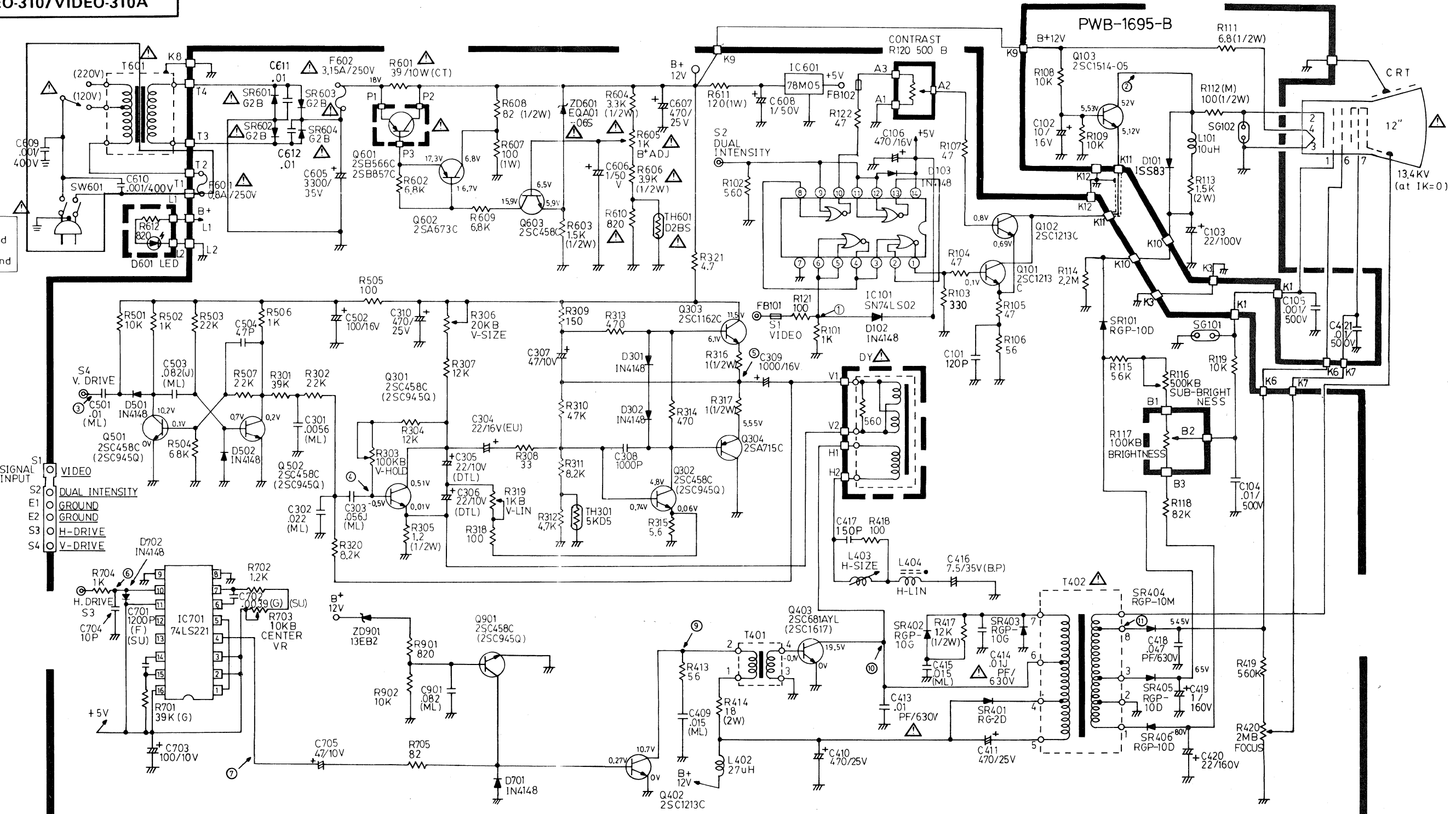
9-PIN I/P CONNECTOR AND LAYOUT

AMDEK CORP. the new name for **Leedex Corp.**

2201 Lively Boulevard, Elk Grove.
Village, Illinois 60007
(312)364-1180 • TLX:25-4786

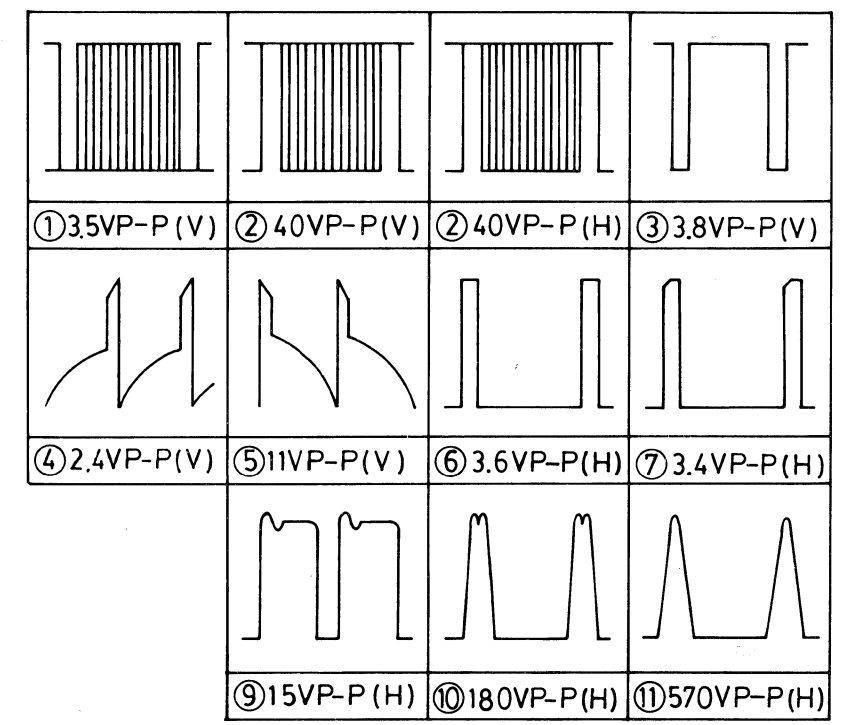
(02)INS-E-1341C

NOTE:
 ⚡ Hot Chassis Ground
 ❄ Cold Chassis Ground



CRITICAL COMPONENT WARNING
 These critical components that are marked with a Δ on the schematic diagram and the parts list are used to prevent shock, fire hazard and excessive X-radiation. All these special components must be replaced only with the same type identical to those in the schematic diagram and parts list.

- NOTE:
- All resistor values are in ohms, K = 1000, M = 1000000.
 Unspecified : Carbon film, $\pm 5\%$ $\frac{1}{4}W$
 (M) : Carbon Solid, J: $\pm 5\%$, unspecified: $\pm 10\%$
 (MFR) : Metal film, $\pm 5\%$
 (CT) : Cement wire-wound, $\pm 5\%$
 - All Capacitors are in μF , P represents pF
 Unspecified : Ceramic, $+80\%$ (NP) Elyc. Non-polar, $\pm 10\%$
 -20% (-) Elyc. $< 4.7\mu F$ $+75\%$, others $+50\%$
 J: $\pm 5\%$, K: $\pm 10\%$
 (ML) : Mylar, J: $\pm 5\%$ unspecified: $\pm 10\%$
 (PF) : Polypropylene, J: $\pm 5\%$ M: $\pm 20\%$ unspecified: $\pm 10\%$
 (DTL) : Tantal, $\pm 20\%$
 - This circuit diagram is original one, therefore there may be a slight difference from your set.
 - All marked voltage are taken under 3.5VP-P Video Input
 3.8VP-P Vertical Input
 3.6VP-P Horizontal Input



PWB-1532-A07