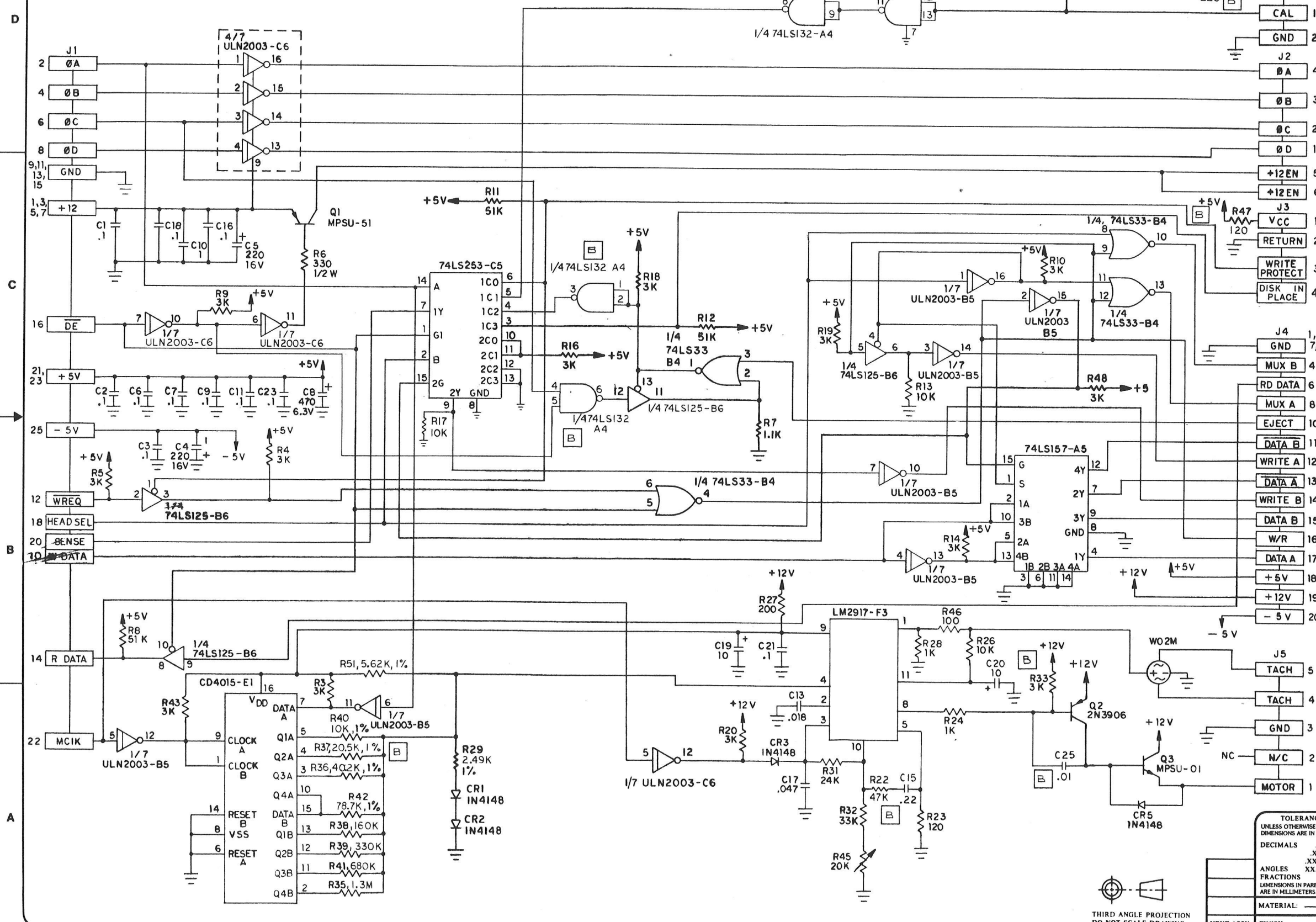


NOTE: UNLESS OTHERWISE SPECIFIED

1. ALL RESISTOR VALUES ARE IN OHMS, 1/4 WATT, 5%.
2. ALL CAPACITOR VALUES ARE IN MICROFARADS.



REV	ZONE	ECO #	REVISION	APPD
A		152	INITIAL RELEASE	
B		P173	ADDED IC 74LS132, C25, R50 VALUE WAS 150, R47 VALUE WAS 91, R40 VALUE WAS 1K, R37 VALUE WAS 2K, R36 VALUE WAS 3.9K, R32 VALUE WAS 47K, R22 VALUE WAS 130K, R51 VALUE WAS 511, R35 VALUE WAS 130K, R38 VALUE WAS 16K, R39 VALUE WAS 39K, R41 VALUE WAS 62K, R42 VALUE WAS 8.25K, R29 VALUE WAS 243, R34 WAS DELETED R33 3K WAS R33 300	

APPLE COMPUTER CONFIDENTIAL

ENGINEERING RELEASE
 This revision supersedes all previous versions. Please destroy all old copies.
NOTICE OF PROPRIETARY PROPERTY
 The information contained herein is the proprietary property of Apple Computer, Inc. The possessor agrees to the following:
 (I) To maintain this document in confidence
 (II) Not to reproduce or copy it.
 (III) Not to reveal or publish it in whole or part.

ITEM	QTY	PART NUMBER	DESCRIPTION																						
<table border="0"> <tr> <td>TOLERANCES UNLESS OTHERWISE SPECIFIED DIMENSIONS ARE IN INCHES</td> <td>DRAWN BY: <i>[Signature]</i> DATE: 5/81</td> <td colspan="2" rowspan="4"> </td> </tr> <tr> <td>DECIMALS .X ±</td> <td>CHECKED BY: <i>[Signature]</i> DATE: 5/81</td> </tr> <tr> <td>ANGLES XX ±</td> <td>APPROVED BY: <i>[Signature]</i> DATE: 5/81</td> </tr> <tr> <td>FRACTIONS XX/X ±</td> <td>RELEASED BY: <i>[Signature]</i> DATE: 5/81</td> </tr> <tr> <td colspan="2">MATERIAL:</td> <td colspan="2">TITLE: SCHEMATIC DIGITAL BOARD TWIGGY</td> </tr> <tr> <td colspan="2">NEXT ASSY. FINISH:</td> <td colspan="2">SIZE: D DRAWING NUMBER: 050-5002-B</td> </tr> <tr> <td colspan="2"></td> <td colspan="2">SCALE: SHEET 1 OF 1</td> </tr> </table>				TOLERANCES UNLESS OTHERWISE SPECIFIED DIMENSIONS ARE IN INCHES	DRAWN BY: <i>[Signature]</i> DATE: 5/81			DECIMALS .X ±	CHECKED BY: <i>[Signature]</i> DATE: 5/81	ANGLES XX ±	APPROVED BY: <i>[Signature]</i> DATE: 5/81	FRACTIONS XX/X ±	RELEASED BY: <i>[Signature]</i> DATE: 5/81	MATERIAL:		TITLE: SCHEMATIC DIGITAL BOARD TWIGGY		NEXT ASSY. FINISH:		SIZE: D DRAWING NUMBER: 050-5002-B				SCALE: SHEET 1 OF 1	
TOLERANCES UNLESS OTHERWISE SPECIFIED DIMENSIONS ARE IN INCHES	DRAWN BY: <i>[Signature]</i> DATE: 5/81																								
DECIMALS .X ±	CHECKED BY: <i>[Signature]</i> DATE: 5/81																								
ANGLES XX ±	APPROVED BY: <i>[Signature]</i> DATE: 5/81																								
FRACTIONS XX/X ±	RELEASED BY: <i>[Signature]</i> DATE: 5/81																								
MATERIAL:		TITLE: SCHEMATIC DIGITAL BOARD TWIGGY																							
NEXT ASSY. FINISH:		SIZE: D DRAWING NUMBER: 050-5002-B																							
		SCALE: SHEET 1 OF 1																							

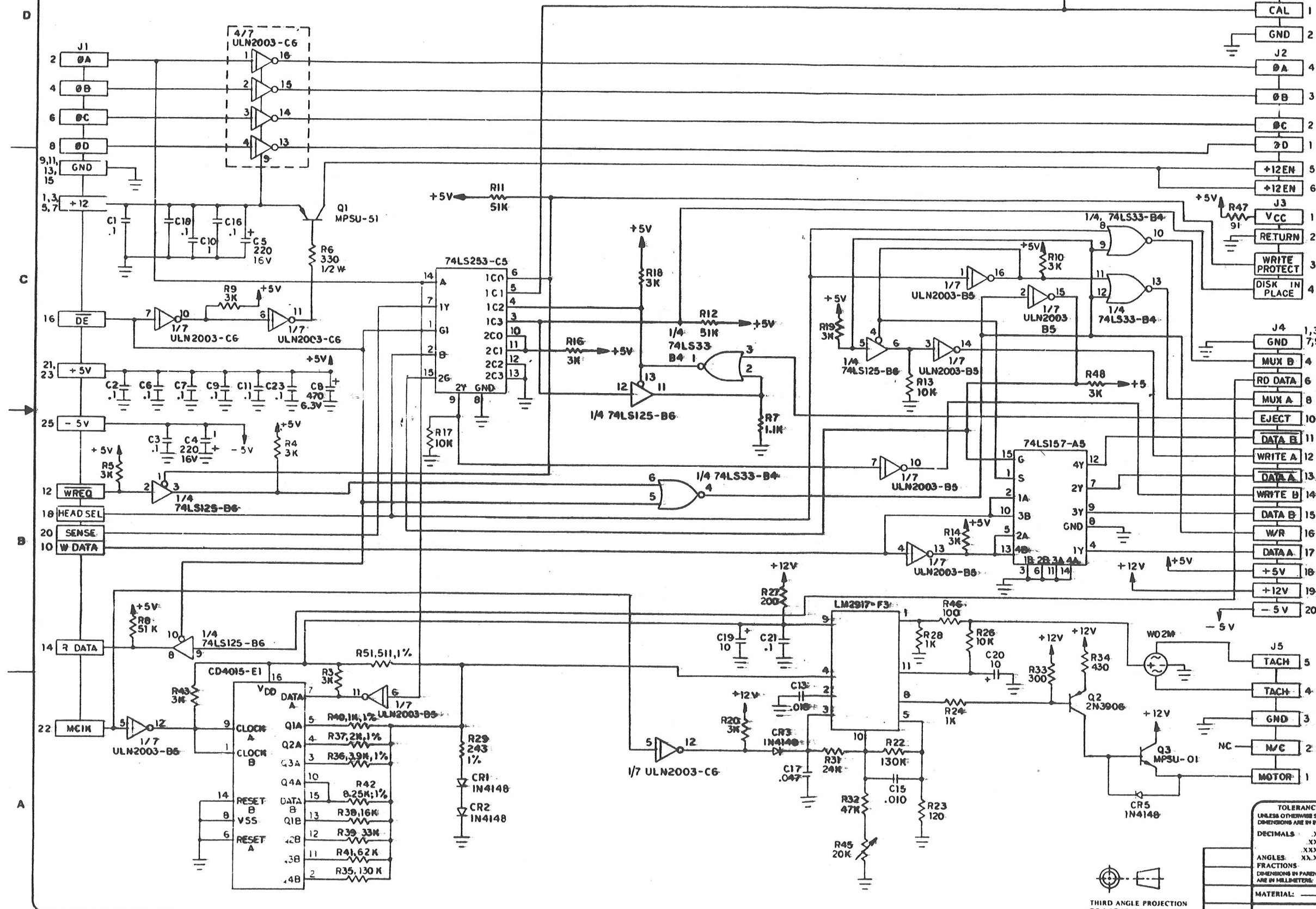
DRAWING NUMBER 050-5002-B SHEET 1 OF 1

THIRD ANGLE PROJECTION DO NOT SCALE DRAWING

NOTE: UNLESS OTHERWISE SPECIFIED

1. ALL RESISTOR VALUES ARE IN OHMS, 1/4 WATT, 5%.
2. ALL CAPACITOR VALUES ARE IN MICROFARADS.

REV	ZONE	ECO #	REVISION	APPD
A		152	INITIAL RELEASE	



APPLE COMPUTER CONFIDENTIAL

ENGINEERING RELEASE
 This revision supersedes all previous versions. Please destroy all old copies.
NOTICE OF PROPRIETARY PROPERTY
 The information contained herein is the proprietary property of Apple Computer, Inc. The possessor agrees to the following:
 (I) To maintain this document in confidence
 (II) Not to reproduce or copy it.
 (III) Not to reveal or publish it in whole or part.

ITEM	QTY	PART NUMBER	DESCRIPTION
			apple computer inc
TITLE: SCHEMATIC DIGITAL BOARD TWIGGY			
DRAWING NUMBER: 050-5002-A			
SIZE: D			
MATERIAL:			
FINISH:			
SCALE:			
SHEET 1 OF 1			

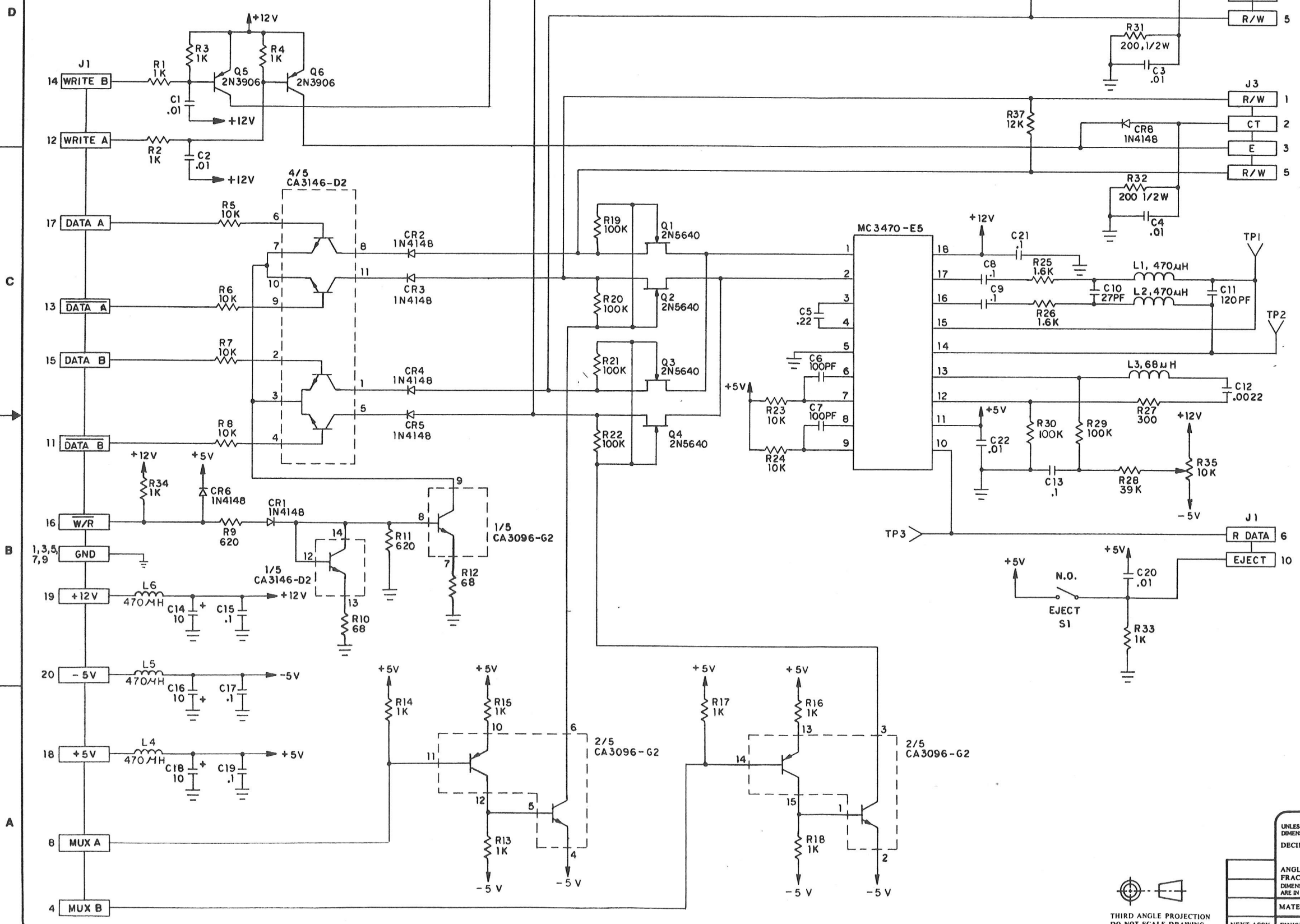
THIRD ANGLE PROJECTION
DO NOT SCALE DRAWING

DRAWING NUMBER: 050-5002-A

NOTE: UNLESS OTHERWISE SPECIFIED

1. ALL RESISTOR VALUES ARE IN OHMS, 1/4 WATT, 5%.
2. ALL CAPACITOR VALUES ARE IN MICROFARADS.

REV.	ZONE	ECO #	REVISION	APPD
00			PRE-PROD ENG RELEASE	
01			GENERAL SCHEMATIC CHANGES	
A		P150	INITIAL RELEASE	



**APPLE COMPUTER
CONFIDENTIAL**

ENGINEERING RELEASE
This revision supersedes all previous versions. Please destroy all old copies.
NOTICE OF PROPRIETARY PROPERTY
The information contained herein is the proprietary property of Apple Computer, Inc. The possessor agrees to the following:
(I) To maintain this document in confidence
(II) Not to reproduce or copy it.
(III) Not to reveal or publish it in whole or part.

ITEM	QTY	PART NUMBER	DESCRIPTION																
<table border="0"> <tr> <td>TOLERANCES UNLESS OTHERWISE SPECIFIED DIMENSIONS ARE IN INCHES</td> <td>DRAWN BY: [Signature]</td> <td>DATE: 5-81</td> <td rowspan="5"> </td> </tr> <tr> <td>DECIMALS .X ±</td> <td>CHECKED BY: [Signature]</td> <td>DATE: 12/81</td> </tr> <tr> <td>FRACTIONS .XX ±</td> <td>APPROVED BY: [Signature]</td> <td>DATE: 11/82</td> </tr> <tr> <td>ANGLES .XX ±</td> <td>RELEASED BY: [Signature]</td> <td>DATE: 11/82</td> </tr> <tr> <td>FRACTIONS .XX ±</td> <td></td> <td></td> </tr> </table>				TOLERANCES UNLESS OTHERWISE SPECIFIED DIMENSIONS ARE IN INCHES	DRAWN BY: [Signature]	DATE: 5-81		DECIMALS .X ±	CHECKED BY: [Signature]	DATE: 12/81	FRACTIONS .XX ±	APPROVED BY: [Signature]	DATE: 11/82	ANGLES .XX ±	RELEASED BY: [Signature]	DATE: 11/82	FRACTIONS .XX ±		
TOLERANCES UNLESS OTHERWISE SPECIFIED DIMENSIONS ARE IN INCHES	DRAWN BY: [Signature]	DATE: 5-81																	
DECIMALS .X ±	CHECKED BY: [Signature]	DATE: 12/81																	
FRACTIONS .XX ±	APPROVED BY: [Signature]	DATE: 11/82																	
ANGLES .XX ±	RELEASED BY: [Signature]	DATE: 11/82																	
FRACTIONS .XX ±																			
MATERIAL:			TITLE: SCHEMATIC ANALOG BOARD TWIGGY																
NEXT ASSY. FINISH:			SIZE: D DRAWING NUMBER: 050-5001-A																
SCALE:			SHEET 1 OF 1																

THIRD ANGLE PROJECTION
DO NOT SCALE DRAWING

DRAWING NUMBER 050-5001-A 1 OF 1