

APPLICATION		REVISION				
NEXT ASSY	USED ON	REV	ECO	DESCRIPTION	DATE	APPROVED
45-10152-01	XL25-3001	2		PRE-REL TO PROD	11-6-79	W.S.K.
45-10152-02	XL25-4001	A		REL. FOR PROD. <i>W.D.</i>	2 Jan 80	<i>W.S.K.</i>
		B	424	INCORPORATED	5-14-80	DEC <i>W.S.K.</i>
		C	6073	INCORPORATED	5/26/81	<i>W.S.K.</i>

All drawings supplied for the BOSCHERT power supply are the property of BOSCHERT INCORPORATED and shall not be reproduced or copied or used in whole or in part as the basis for manufacture or sale of the items shown therein without the express written permission of an officer of BOSCHERT INCORPORATED.

UNLESS OTHERWISE SPECIFIED DIMENSIONS ARE IN INCHES TOLERANCES ARE:

FRACTIONS DECIMALS ANGLES
 - .XX ± - ± -
 .XXX ± -

MATERIAL

FINISH

APPROVALS	DATE
DRAWN <i>W.S.K.</i>	11-6-79
CHECKED <i>W.S.K.</i>	11-6-79
ENG <i>J. Howard</i>	1-11-80
MFG MGR <i>W.D.</i>	2/11/80
QA MGR <i>W.S.K.</i>	2/11/80
RELEASED <i>C. Ford</i>	1-25-80
	1-28-80



BOSCHERT INCORPORATED
 SUNNYVALE, CALIFORNIA

TEST SPECIFICATION
 XL25-3001/4001

SIZE A	DRAWING NO. 91-110.63	REV C
-----------	--------------------------	----------

DO NOT SCALE DRAWING

SCALE N/A

SHEET 1 OF 3

	<u>MINIMUM</u>	<u>MAXIMUM</u>	
VISUAL INSPECTION			
TURN ON AND TURN OFF	<u>N/A</u> VAC	<u>N/A</u> VAC	
SWITCH WAVEFORM	(SEE SHEET #3)		<input type="checkbox"/> 110VAC <input type="checkbox"/> 220VAC
CURRENT MAX. LIMIT RANGE	<u>N/A</u> A	<u>N/A</u> A	
CURRENT MIN. LIMIT RANGE	<u>N/A</u> A	<u>N/A</u> A	
INVERTER WAVE FORMS SAME			
INVERTER PERIOD RANGE @ FULL LOAD BT*		<u>45</u> μ S	<input checked="" type="checkbox"/> STRAPPABLE
INVERTER PEAK-PEAK VOLTAGE	<u>N/A</u> V	<u>N/A</u> V	

OUTPUT VOLTAGE-CURRENT TEST POINTS:

OUTPUT	VOLTAGE	CURRENT	MINIMUM	MAXIMUM	
1	<u>+5</u> V	<u>1.5</u> A	<u>+4.99</u> V	<u>+5.01</u> V	(SET VOLTAGE HERE)
2	<u>+12</u> V	<u>0.25</u> A	<u>+11.68</u> V	<u>+12.32</u> V	
3	<u>-12</u> V	<u>0.25</u> A	<u>-11.68</u> V	<u>-12.32</u> V	
4	<u>-5</u> V	<u>0.25</u> A	<u>-4.87</u> V	<u>-5.13</u> V	
5	<u> </u> V	<u> </u> A	<u> </u> V	<u> </u> V	
6	<u> </u> V	<u> </u> A	<u> </u> V	<u> </u> V	

1	<u>+5</u> V	<u>3.5</u> A	<u>+4.96</u> V	<u>+5.04</u> V
2	<u>+12</u> V	<u>0.1</u> A	<u>+11.68</u> V	<u>+12.32</u> V
3	<u>-12</u> V	<u>0.1</u> A	<u>+11.68</u> V	<u>-12.32</u> V
4	<u>-5</u> V	<u>0.1</u> A	<u>-4.87</u> V	<u>-5.13</u> V
5	<u> </u> V	<u> </u> A	<u> </u> V	<u> </u> V
6	<u> </u> V	<u> </u> A	<u> </u> V	<u> </u> V

1	<u>+5</u> V	<u>0.6</u> A	<u>+4.96</u> V	<u>+5.04</u> V
2	<u>+12</u> V	<u>0.5</u> A	<u>+11.68</u> V	<u>+12.32</u> V
3	<u>-12</u> V	<u>0.5</u> A	<u>-11.68</u> V	<u>-12.32</u> V
4	<u>-5</u> V	<u>0.5</u> A	<u>-4.87</u> V	<u>-5.13</u> V

MAX. RIPPLE & NOISE

1	<u>+5</u> V	<u>3.0</u> A	<u>+4.96</u> V	<u>+5.04</u> V	<u>71.25</u> MV	<u> </u> MV
2	<u>+12</u> V	<u>0.4</u> A	<u>+11.68</u> V	<u>+12.32</u> V	<u>110</u> MV	<u> </u> MV
3	<u>-12</u> V	<u>0.4</u> A	<u>-11.68</u> V	<u>-12.32</u> V	<u>110</u> MV	<u> </u> MV
4	<u>-5</u> V	<u>0.1</u> A	<u>-4.87</u> V	<u>-5.13</u> V	<u>47.5</u> MV	<u> </u> MV
5	<u> </u> V	<u> </u> A	<u> </u> V	<u> </u> V	<u> </u> MV	<u> </u> MV
6	<u> </u> V	<u> </u> A	<u> </u> V	<u> </u> V	<u> </u> MV	<u> </u> MV

COMMON MODE OUTPUT RIPPLE CURRENT (WIDEBAND) 150mA_{P-P}

MINIMUM MAXIMUM

OVP † 5.80 V 6.90 V
 † TEST WITH 1A. LOAD ON +5, NO LOAD ON OTHERS

PRODUCT SPECIFICATION

SNAP-ON

MAXIMUM CURRENT OUTPUT

AUDIBLE NOISE

FEEDBACK VOLTAGE 1/1A V 1/1A V

1	<u>3.5</u> A
2	<u>0.5</u> A
3	<u>0.5</u> A
4	<u>0.5</u> A
5	<u> </u> A
6	<u> </u> A

TEST CABLE 5020

BURN-IN CABLE 5531 (21.31 WATTS)

MAX. OUTPUT POWER 25.0 W

SUPPLY MUST CHIRP WITH SHORT APPLIED TO +5V O/P AND MAY ALSO CHIRP AT LESS THAN 2.5W LOAD.

* SEE NOTE 2 SHT. 3.

SIZE	CODE IDENT NO.	DRAWING NO.	R
A		91-11063	
SCALE	N/A		SHEET 2 of 3




PROCEDURE FOR CURRENT LIMIT

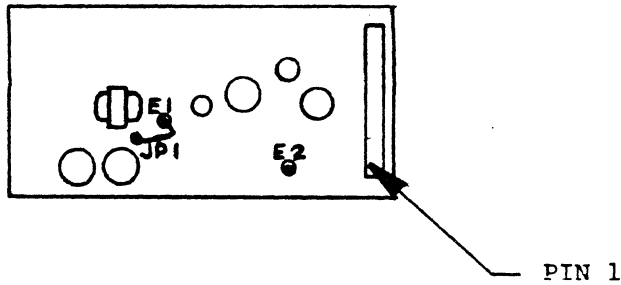
1. Set line voltage to 110 VAC (when strapped for 110 operation).
2. Set load to:
+5V 3A
+12V .5A
-5V .5A
3. Increase output current of +5V and note maximum current. Maximum current must be between 4A → 9A.

SIZE A	CODE IDENT NO. —	DRAWING NO. 91-11063	REV C
SCALE N/A		SHEET 3 of 3	

APPLICATION		REVISION				
NEXT ASSY	USED ON	REV	ECO	DESCRIPTION	DATE	APPROVED
45-10157-01	XL25-1001	1	—	PRE REL FOR PROD	11-6-79	Le Sl.
45-10152-01	XL25-3001	A		REL. FOR PROD.		MP 2/6/80
45-10152-02	XL25-4001					

UNLESS OTHERWISE SPECIFIED DIMENSIONS ARE IN INCHES TOLERANCES ARE: FRACTIONS DECIMALS ANGLES .XX ± — ± — .XXX ± — — MATERIAL FINISH DO NOT SCALE DRAWING	APPROVALS	DATE	 BOSCHERT INCORPORATED SUNNYVALE, CALIFORNIA	PIN OUT CHART XL 25	SIZE A	DRAWING NO. 97-10147	REV A
	DRAWN	11-6-79					
	CHECKED	2/6/80					
	ENG	1-25-80					
	MFG MGR	2-6-80					
QA MGR	4/7/80						
RELEASED	1-23-80						
	C. Foy	1-23-80			SCALE N/A	SHEET 1 OF 2	

PIN ORIENTATION



NOTE 1 - For 110V as shown; For 220V strap JP1 to E2 (applicable to the XL25-3001/4001 only).

PIN		VOLTAGE
2	INPUT	A.C. NEUT/HOT
3	INPUT	A.C. HOT
1	CHAS GND	
4	OUTPUT	-5V
5	OUTPUT	-12V
7	OUTPUT	+5V
8	OUTPUT	+12V
	OUTPUT	
	OUTPUT	
	OUTPUT	
	OUTPUT	
6	RETURN	
	NOT USED	

MODEL NO. XL-25

MFG. ASSEMBLY NO. _____

MATING
CONNECTOR

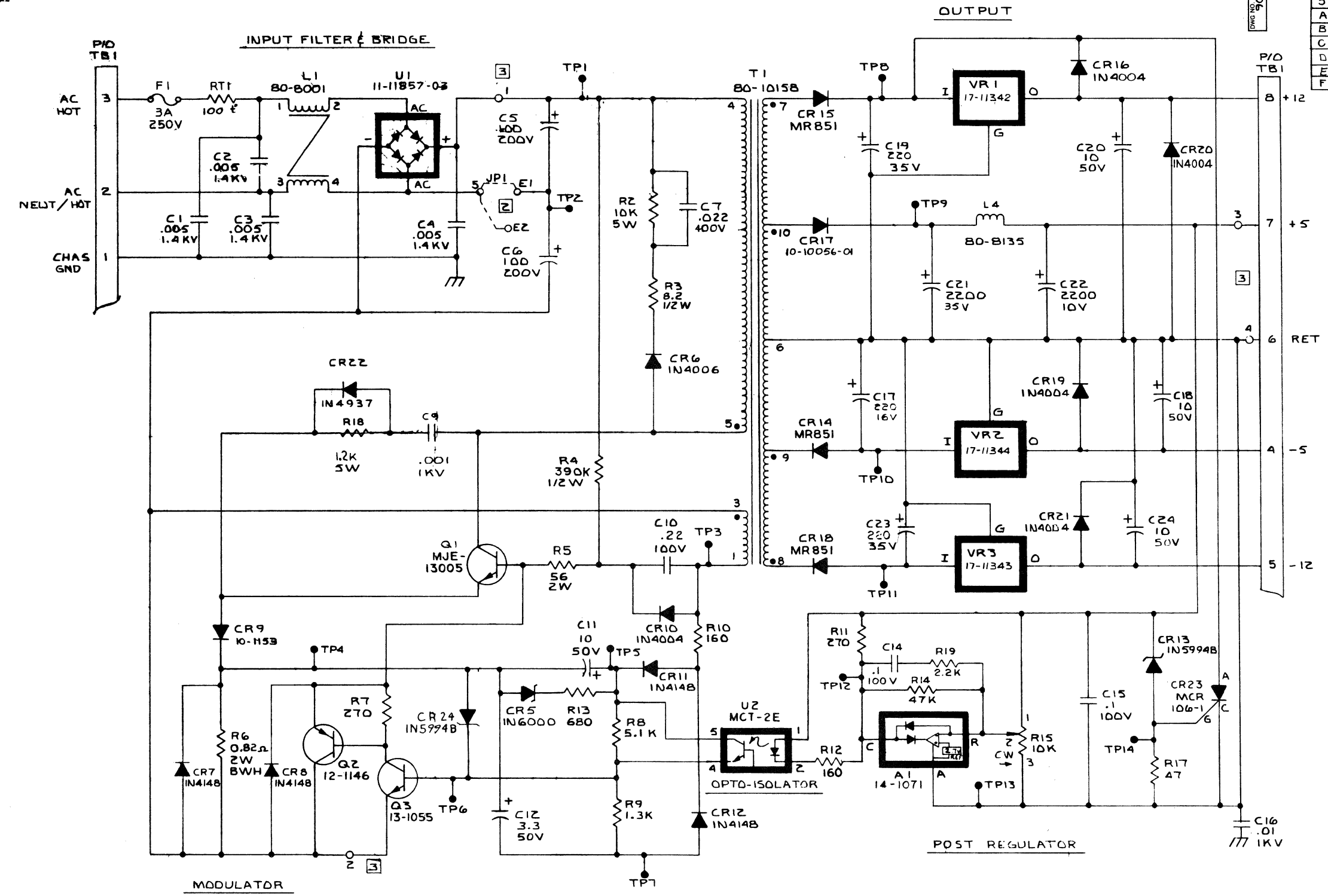
AUTOMATIC SHORT CIRCUIT RECOVERY

AUTOMATIC SHORT CIRCUIT SHUT DOWN

DWG. NO. 97-10147 REV A

REV 1
DWG NO. 90-10150

REV	DESCRIPTION	ECO	DATE	APP
2	REVISED & REDRAWN		3-30-79	
3	ENG PROTOTYPE			
4	ENG PROTOTYPE			
5	PRE REL TO PROD			
A	REL. FOR PROD.			
B	INCORPORATED	4213	3-31-80	
C	INCORPORATED	4397	5-15-80	
D	CHANGED PER ECO	4743	7-2-80	
E	CHANGED PER ECO	5703	2-19-81	
F	INCORPORATED	6014	6-18-81	



REFERENCE DESIGNATOR	LAST USED	NOT USED
TP14		
VR3		
T1		
U2		
RT1		
R19	R1,16	
Q3		
L4	L3,2	
JPI		
TB1		
F1		
E2		
CR24	CR1,2,3,4,	
C24	C8, C13	
A1		
LAST USED	NOT USED	
REFERENCE DESIGNATOR		

[3] STRAP POINTS 1 THRU 4 ARE FOR FLYING LEADS.
 [2] FOR 220V OPERATION STRAP FROM JPI TO E2
 FOR 110V OPERATION STRAP FROM JPI TO E1
 1. UNLESS OTHERWISE SPECIFIED:
 CAPACITORS ARE IN MICROFARADS
 RESISTORS ARE IN OHMS 1/4W

NOTES

ITEM	QTY	PART NUMBER	DESCRIPTION	REF DESIGNATION
UNLESS OTHERWISE SPECIFIED DIMENSIONS ARE IN INCHES: TOLERANCES: DECIMALS (XX) = ~ FRACTIONS = ~ DECIMALS (XXX) = ~ ANGLES = ~				
VOLTAGE		NEXT ASSY	MOD. NO.	
110 V		45-10152-01	XL25-3001	
220 V		45-10152-02	XL25-4001	

APPROVALS:	DATE
DRAWN: <i>R.C.</i>	3-27-79
CHECKED: <i>de Sebra</i>	3-30-79
ENG. MGR: <i>C. F.</i>	
MFG MGR: <i>[Signature]</i>	
QA MGR: <i>[Signature]</i>	
RELEASED: <i>[Signature]</i>	12-2-82

boschert BOSCHERT ASSOCIATES SUNNYVALE, CALIFORNIA	
SCHEMATIC XL25-3001/4001 110/220V	
SIZE	DWG NO.
D	90-10150
SCALE	SHEET 1 OF 1

REV	DESCRIPTION	ECO	DATE	APPROVED
D	REDRAW PER ECO	4559	6-16-80	
E	ADDED SUFFIX "R" TO MODEL NO'S.	4635	6-17-80	
F	SEE L/M	4743	7-2-80	
H	SEE L/M, REDRAW	4855	7-18-80	
J	CIO WAS CI; ADD NOTE TO K15	5111	10-14-80	
K	INCORPORATED	5665	2-19-81	
L	INCORPORATED ECO	5703	2-14-81	
M	INCORPORATED	6014	6-18-81	

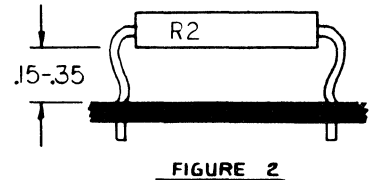
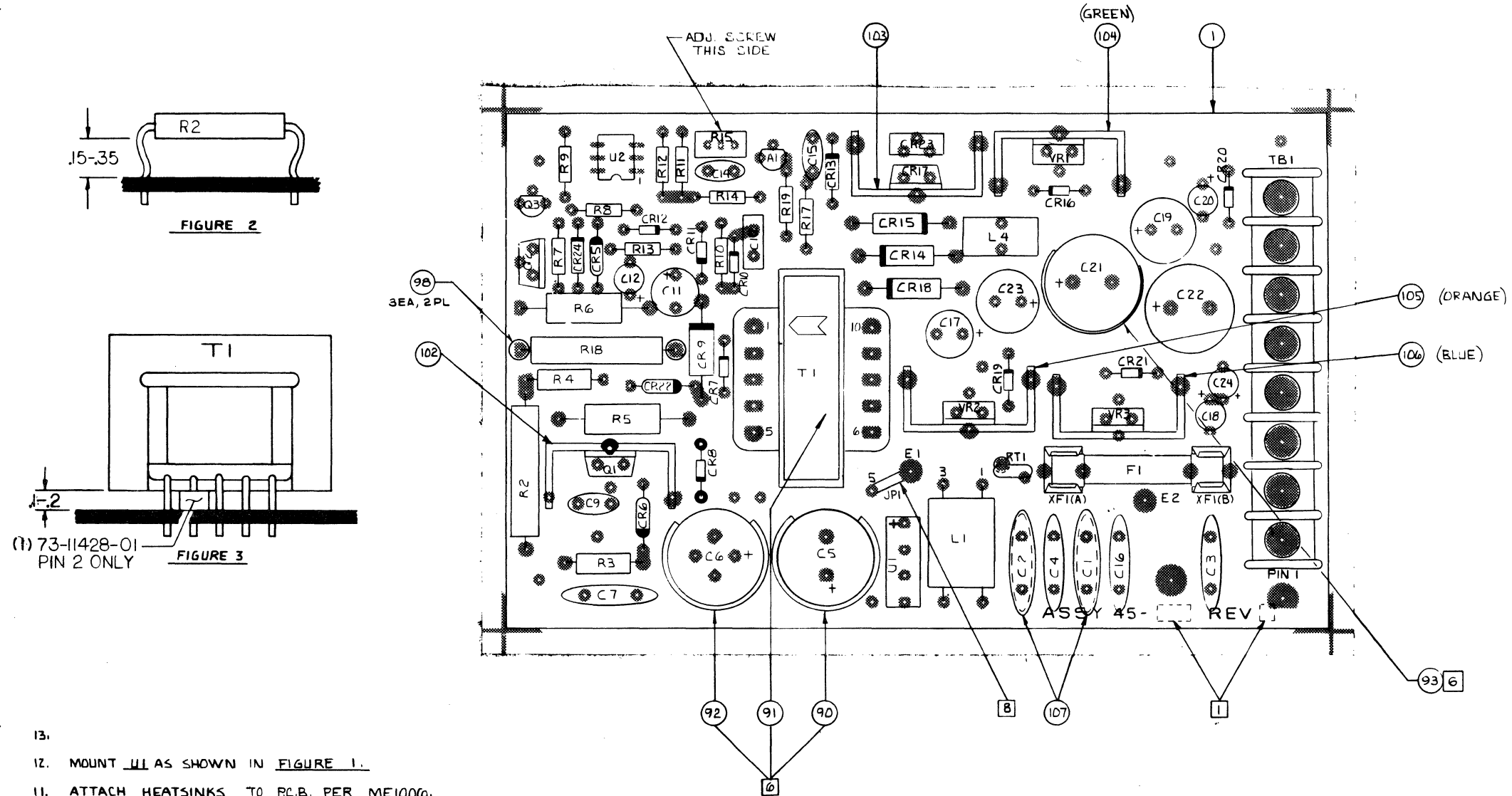


FIGURE 2

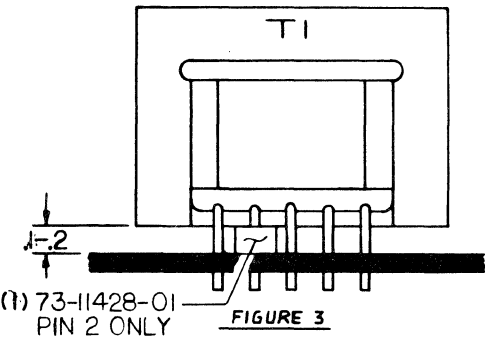


FIGURE 3

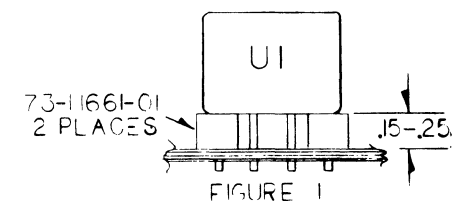


FIGURE 1

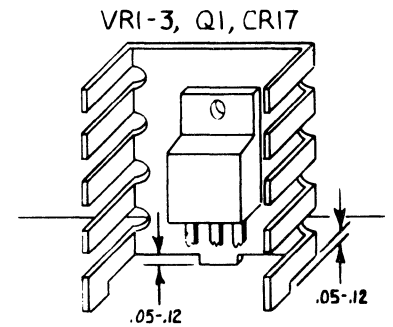


FIGURE 4

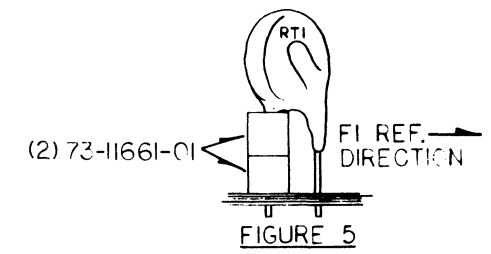


FIGURE 5

- 13.
12. MOUNT U1 AS SHOWN IN FIGURE 1.
11. ATTACH HEATSINKS TO PCB PER ME1000.
10. UNLESS OTHERWISE SPECIFIED, RESISTORS ARE 1/4 WATT, DIODES ARE 1N4004 AND CAPACITANCE IS IN MICROFARADS.
- 9.
8. FOR -01 (110V) CONNECT JPI TO E1 AS SHOWN. FOR -02 (220V) CONNECT JPI TO E2.
7. MOUNT T1 AND OBSERVE CORE HEIGHT AS SHOWN IN FIGURE 3.
6. APPLY LABELS IN APPROXIMATE POSITION SHOWN WITHOUT COVERING COMPONENT IDENTIFICATION.
5. MOUNT RT1 AS SHOWN IN FIGURE 5.
4. R2 IS MOUNTED AS SHOWN IN FIGURE 2
3. ALL HEATSINKS ARE MOUNTED AS SHOWN IN FIGURE 4.
2. ALL RESISTORS TWO (2) WATTS AND ABOVE ARE MOUNTED .1-.2 ABOVE THE BOARD UNLESS OTHERWISE SPECIFIED.
1. MARK ASSY. IDENT. NO. AND CURRENT REV. LEVEL IN APPROX. LOCATION SHOWN SEE OPTION TABLE.

OPTION TABLE 1

ASSY. P/N	MODEL NO.	VOLT. RATING
45-10152-01	XL25-300IR	110
45-10152-02	XL25-400IR	220

All drawings supplied for the BOSCHERT power supply are the property of BOSCHERT INCORPORATED and shall not be reproduced or copied or used in whole or in part as the basis for manufacture or sale of the items shown therein without the express written permission of an officer of BOSCHERT INCORPORATED.

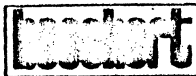
ITEM	QTY	PART NUMBER	DESCRIPTION	REF DESIGNATION
UNLESS OTHERWISE SPECIFIED DIMENSIONS ARE IN INCHES:				
TOLERANCES:				
DECIMALS (XX) ± .01 FRACTIONS ± .01				
DECIMALS (XXX) ± .005 ANGLES ± .5°				
NEXT ASSY		MOD. NO.		BOSCHERT INCORPORATED SUNNYVALE, CALIFORNIA ASSEMBLY XL25-300IR/400IR 110/220 V
FINAL		XL25-300IR		
FINAL		XL25-400IR		
APPROVALS: DATE 7-18-80				
DRAWN: [Signature]				
CHECKED: [Signature]				
ENG: [Signature]				
ENG MGR: [Signature]				
MFG MGR: [Signature]				
QA MGR: [Signature]				
RELEASED: [Signature]				
DO NOT SCALE DRAWING				
SIZE	DWG NO.	REV		
D	45-10152-01/-02	M		
SCALE	N/A	SHEET		1 OF 1

REVISIONS

REV	ECO	DESCRIPTION	DATE	APPROVED
J	—	PRE REL	11/14/79	WJ
A	—	REL. FOR PROD.	2 Jan 80	WJ
B	4213 4070	INCORPORATED	3-27-80	WJ
C	4377	INCORPORATED	5-19-80	DEC
D	4559	REDRAW ASSY, "D" SIZE, PER ECO	6-16-80	WJ
E	4636	ADDED SUFFIX "R" TO MODEL NO'S.	6-17-80	WJ
F	4743	CHANGED PER ECO	7-2-80	WJ
H	4855	INCORPORATED	7-17-80	M. S. S.
J	5111	ITEM 55 WAS 10209 TRANS MJE 13005 DELETED.	10-14-80	FA
K	5665	INCORPORATED	2-18-81	BA COF
L	5703	INCORPORATED	2-19-81	BA COF
M	6014	INCORPORATED	6-18-81	PS NCV

All drawings supplied for the BOSCHERT power supply are the property of BOSCHERT INCORPORATED and shall not be reproduced or copied or used in whole or in part as the basis for manufacture or sale of the items shown therein without the express written permission of an officer of BOSCHERT INCORPORATED.

SEE SEPARATE ASSY. DWG NO 45-10152 -01/-02

		UNLESS OTHERWISE SPECIFIED DIMENSIONS ARE IN INCHES TOLERANCES ARE: FRACTIONS DECIMALS ANGLES ± — .XX ± — ± — .XXX ± —	CONTRACT NO.	 ASSEMBLY XL 25 - 3001R/4001 R 110 / 220 V	
		MATERIAL	APPROVALS		
		FINISH	DRAWN	P. DANG	11.20.79
			CHECKED	<i>Subro...</i>	22.12.79
NEXT ASSY	USED ON				
APPLICATION		DO NOT SCALE DRAWING	SIZE	CODE IDENT NO.	DRAWING NO.
			A		45-10152-01/-02
			SCALE		SHEET 1 OF 6

REVISIONS


REV	ECO	DESCRIPTION	DATE	APPROVED

2. ITEM 14 (P/N 22-2002) MUST BE RADIO MAT'L CO., DIV OF P.R. MALLORY P/N AU-.005UF (O.K.P.I.).

1. REFERENCE DWGS :

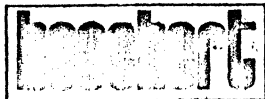
PRODUCT SPECIFICATION 97-11460
 OUTLINE INSTALLATION SEE DWG. NO. 97-11065
 PINOUT CHART SEE DWG NO. 97-10147
 TEST SPEC. SEE DWG. NO. 91-11063
 QA. SPEC. SEE DWG NO. 92-11266
 SCHEMATIC SEE DWG. NO. 90-10150

NOTE:

UNLESS OTHERWISE SPECIFIED DIMENSIONS ARE IN INCHES TOLERANCES ARE: FRACTIONS DECIMALS ANGLES $\pm .XX \pm \quad \pm$ $.XXX \pm$		CONTRACT NO.		 ASSEMBLY XL25-3001R/4001R 110/220 V			
		APPROVALS	DATE				
		DRAWN	P. DANG 11.20.78				
		CHECKED					
MATERIAL		FINISH		SIZE	CODE IDENT NO.	DRAWING NO.	REV
NEXT ASSY		USED ON		A		45-10152-01/-02	M
APPLICATION		DO NOT SCALE DRAWING		SCALE		SHEET 2 OF 6	

ITEM	PART NO.	-01 QTY.	-02 QTY.	DESCRIPTION	REF DES
1	51-10144	1	1	BOARD, PC.	
2					
3	84-6058	1	1	BLOCK, TERMINAL, 8 PIN	TBI
4					
5					
6	80-8001	1	1	INDUCTOR, 100 μ H	L1
7					
8					
9	80-8135	1	1	INDUCTOR, 1.9 μ H	L4
10					
11	80-10158	1	1	TRANSFORMER	T1
12					
13	22-10858-39	1	1	CAP, CERM .22 μ F, 100V	C10
14	22-2002	4	4	CAP, CERM .005 μ F, 1.4KV	C1,2,3,4 [2]
15	22-2008	2	2	↑ , CERM .1 μ F, 100V	C15,14
16	23-10186-03	1	1	↑ , M.F. .022 μ F, 400V	C7
17	22-2005	1	1	↑ , CERM .01 μ F, 1KV	C16,
18					
19				↓	
20	22-2032	1	1	CAP, CERM. .001 μ F, 1KV	C9
21	20-2089	2	2	CAP, ELECT. 100 μ F, 200V	C5,6
22	20-10347-13	2	2	↑ , ↑ , 220 μ F, 35V	C19,23
23	20-10346-09	1	1	↑ , ↓ , 220 μ F, 16V	C17
24				↓	
25	20-2064	1	1	CAP, ELECT, 2200 μ F, 35V	C21
26					
27	20-2047	1	1	CAP, ELECT, 2200 μ F, 10V	C22

TITLE ASSEMBLY
XL 25-300IR/400IR
110/220V



DRAWING NO. 45-10152 -01/-02
SIZE A SCALE — SHEET 3 OF 6
REV M

ITEM	PART NO.	-01 QTY	-02 QTY	DESCRIPTION	REF DES
28					
29	20-10520-04	1	1	CAP., ELECT, 3.3 μ f, 50V, ALUM	C12
30	20-10520-06	4	4	CAP., ELECT, 10 μ f, 50V, ALUM	C11,18,20,24
31					
32					
33					
34	10-1153	1	1	DIODE, GEN PUR	CR9
35	10-1013	4	4	▲, GEN. PUR., 1N4148	CR11,12,7,8
36					
37					
38	10-12677-03	1	1	GEN PUR, 1N4006	CR6
39	10-1155	1	1	, FAST RECV., 1N4937	CR22
40	10-1088	3	3	FAST RECV., MR851	CR14,15,18
41					
42	11-1072	1	1	ZENER, 1N6000	CR5
43	11-1014	2	2	▼, ZENER, 1N5994B	CR13,24
44	10-1038	5	5	DIODE, GEN PUR. 1N4004	CR10,16,19-21
45	16-1132	1	1	SCR, MCR106-1	CR23
46					
47					
48	11-11857-03	1	1	FULL WAVE BRIDGE	U1
49	15-1160	1	1	I.C., OPTO-ISOLATOR, MCT-2E	U2
50	14-1071	1	1	I.C., VOLTAGE REG.	A1
51					
52					
53					
54					

TITLE ASSEMBLY
 XL 25 - 300IR/400IR
 110 / 220 V



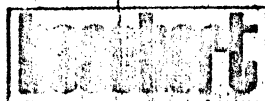
DRAWING NO.
 45-10152 - 01/02

REV
 M

SIZE A SCALE — SHEET 4 OF 6

ITEM	PART NO.	-01 QTY	-02 QTY	DESCRIPTION	REF DES
55					
56	13-1055	1	1	TRANS, NPN,	Q3
57	12-1146	1	1	TRANS., PNP,	Q2
58					
59					
60	83-7013	1	1	FUSE 3A 250V.	F1
61	83-7015	2	2	FUSE CLIP	XF1A,B
62					
63					
64	30-3040	1	1	RES, C.F., 47, $\pm 5\%$, 1/4 W	R17
65					
66	30-3053	2	2	, 160	R10,12
67	30-3058	2	2	, 270	R7,11
68	30-3068	1	1	, 680	R13
69					
70	30-3075	1	1	, 1.3K	R9
71					
72					
73	30-3080	1	1	, 2.2K	R19
74					
75	30-3089	1	1	, 5.1K, $\pm 5\%$, 1/4 W	R8
76	30-3112	1	1	, 47K, $\pm 5\%$, 1/4 W	R14
77					
78	30-10305-28	1	1	, C.F., 390K, $\pm 5\%$, 1/2 W	R4
79	30-3222	1	1	, C.F., 8.2, $\pm 5\%$, 1/2 W	R3
80	31-12329-560	1	1	RES, C.C., 56, $\pm 5\%$, 2W	R5
81	34-10048-24	1	1	RES, W.W., 0.82 Ω , $\pm 5\%$, 2W BWH	R6

TITLE ASSEMBLY
XL 25 - 3001R/4001R
110/220V



DRAWING NO.
45-10152-01/-02

REV
M

SIZE A SCALE — SHEET 5 OF 6

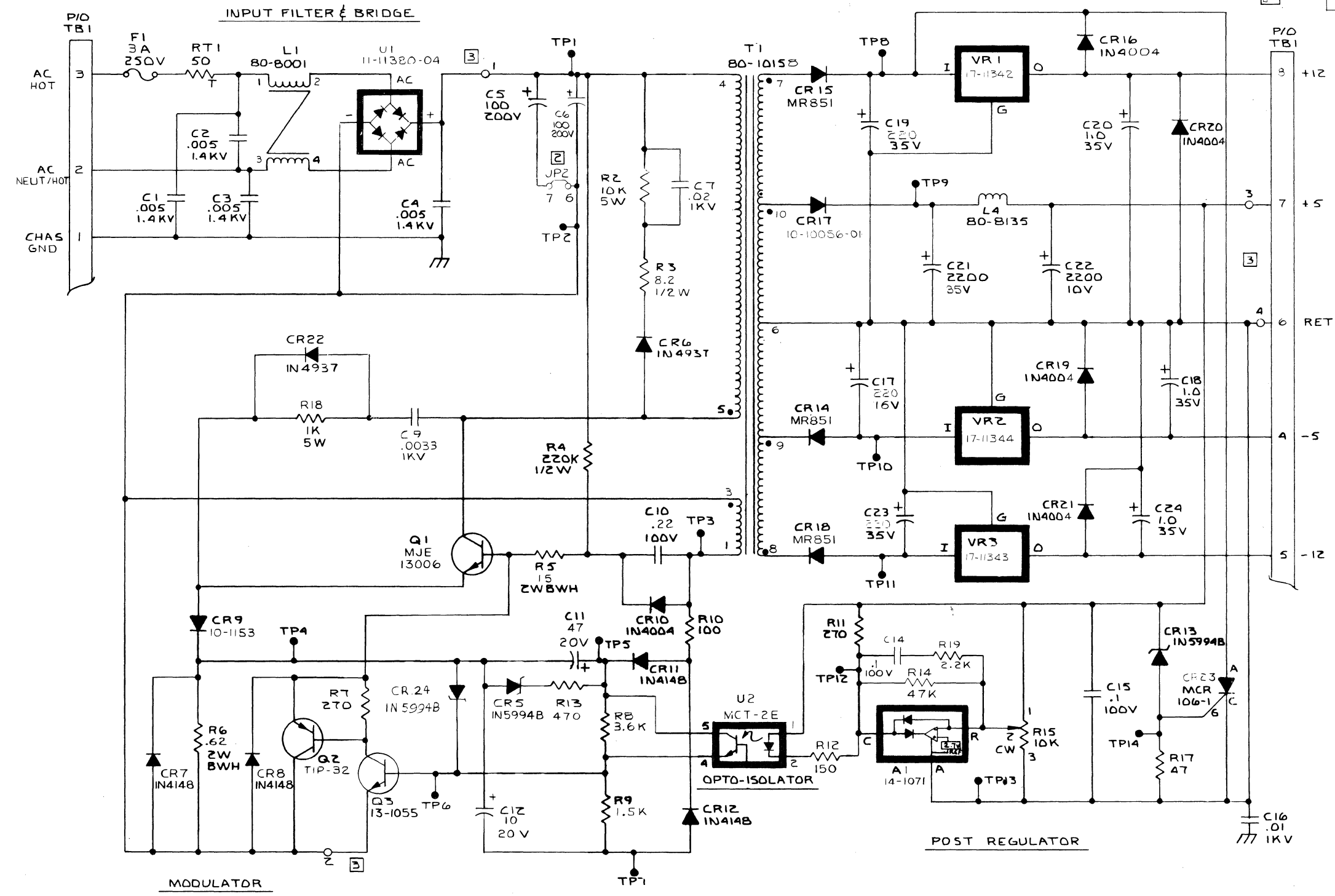
QTY.	PART NO.	-01 QTY.	-02 QTY.	DESCRIPTION	REF DES
1	34-12196-14	1	1	RES, W.W., HIGH TEMP POWER 12K ±10% 5W	R18
1	34-10522-27	1	1	RES, W.W., 10K, 5%, 5W	R2
1	38-10662-13	1	1	RES POT, 10K	R15
1	39-11850	1	1	THERMISTOR, 100 Ω	RT1
1	53-7740	1	1	LABEL, DANGER HIGH VOLTAGE	
1	53-7881	1	1	LABEL, MODEL & SERIAL NUMBER	
1	53-10449	1	1	LABEL 110/220 V SELECTABLE	
1	53-12459	1	1	LABEL, FUSE WARNING	
2	76-6009	2	2	TERM PIN MALE LG.	B1,2
1	43-7217	1	1	JUMPER, 22AWG, 4.00"	JPI
1	73-11428-01	1	1	SPACER, NYLON	(TI REF)
10	73-11661-01	10	10	SPACER, GLASS	(RT1, V1, R10 REF)
1	43-11730-12	1	1	HEATSINK/ TD-220 SUBASSEMBLY	(Q1)
1	43-11730-05	1	1		(CR17)
1	43-11730-09	1	1		(GREEN) (VR1)
1	43-11730-11	1	1		(ORANGE) (VR2)
1	43-11730-10	1	1		(BLUE) (VR3)
2	87-10517-29	2	2	TUBING HEAT SHRINKABLE .750 I.D. X 1.000	C1,2 (REF)

TITLE ASSEMBLY
 XL25-3001R/4001R
 110/220V



DRAWING NO. 45-10152-01/-02
 REV M
 SIZE A SCALE SHEET 6 OF 6

REV	DESCRIPTION	ECO	DATE	APPROVED
2	REVISED & REDRAWN			
3	ENG PROTO TYPE			
4	ENG PROTOTYPE			
5	PRE REL FOR PROD			
A	REL FOR PROD			
B	INCORPORATED	4241	3-27-80	



REFERENCE DESIGNATOR	LAST USED	NOT USED
TP14		
VR3		
T1		
U2		
RT1		
R19	R1,15	
Q3		
L4	L3,2	
TB1		
F1		
JP2	JP1	
CR24	CR1,2,3,4	
C24	CF,13	
A1		
LAST USED	NOT USED	
REFERENCE DESIGNATOR		

[3] STRAP POINTS 1 THRU 4 ARE FOR FLYING LEADS.
 [2] BARE WIRE STRAP ACROSS STRAP POINTS 6-7.
 1. UNLESS OTHERWISE SPECIFIED:
 CAPACITORS ARE IN MICROFARADS
 RESISTORS ARE IN OHMS 1/4W
NOTES:

All drawings supplied for the BOSCHERT power supply are the property of BOSCHERT INCORPORATED and shall not be reproduced or copied or used in whole or in part as the basis for manufacture or sale of the items shown therein without the express written permission of an officer of BOSCHERT INCORPORATED.

ITEM	QTY	PART NUMBER	DESCRIPTION	REF DESIGNATION
UNLESS OTHERWISE SPECIFIED DIMENSIONS ARE IN INCHES:				
TOLERANCES:				
DECIMALS (XX) = ± FRACTIONS = ±				
DECIMALS (XXX) = ± ANGLES = ±				
NEXT ASSY		MOD NO.		
45-10157-01		XL25-1001		
APPROVALS: DATE 3-27-79				
DRAWN: [Signature]				
CHECKED: [Signature] 4-3-79				
ENG: [Signature] 1-24-80				
ENG MGR: [Signature] 1-28-80				
MFG MGR: [Signature] 2-6-80				
QA MGR: [Signature] 2/7/80				
RELEASED: [Signature] 2/7/80				
DO NOT SCALE DRAWING				
BOSCHERT			BOSCHERT ASSOCIATES SUNNYVALE, CALIFORNIA	
SCHEMATIC XL25-1001 115V				
SIZE D	DWG NO.	90-10155		REV B
SCALE NONE	SHEET 1	OF 1		