

SECTION I
DATATRON 220 SCHEMATICS

CONTENTS

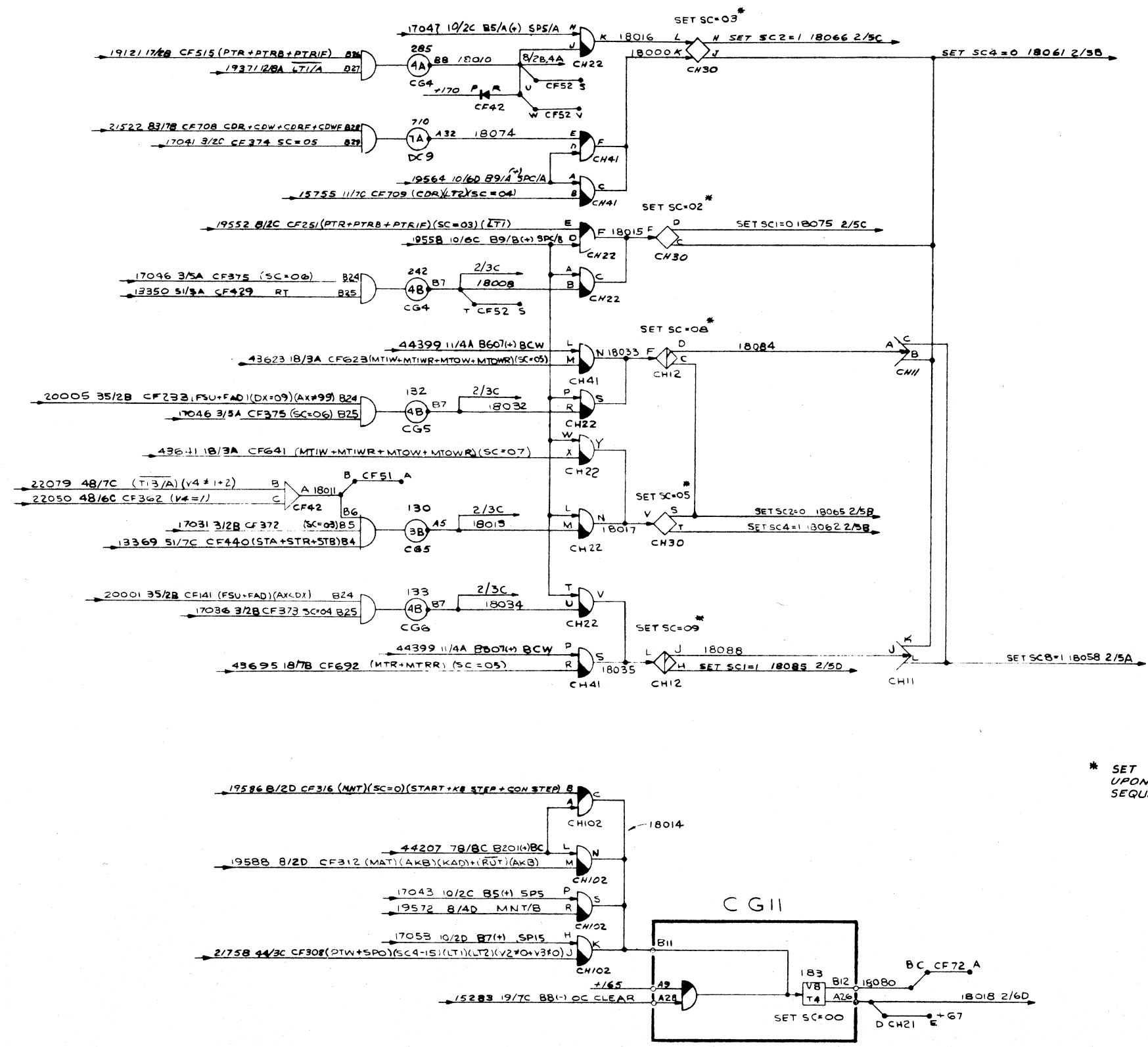
	Print No.	Page		Print	Page
COMPUTER SCHEMATICS			Set AB BO's	63347	24
Counters			Input BO's		
Sequence Counter Set Logic	63631	1	Input BO Logic	63344	25
Sequence Counter	63319	2			
SC and CF Logic	63564	3	Adder		
DC Set Logic 1	63320	4	X Register BO Logic	63341	26
DC Set Logic 2	63322	5	X Decade	63303	27
DC Set Logic 3	63370	6	Y Register BO Logic 1	63342	28
Digit Counter	63321	7	Y Register BO Logic 2	63343	29
			Y Decade	63304	30
Clock			CAT and SUT Toggles	63323	31
AST, MAT and RUT Toggles	63328	8	Adder Carry Logic	63358	32
Clock Pulse Control Logic, TCT and TWT Toggles	63329	9	Adder Sum Logic	63359	33
SP and DP BO's	63357	10	Adder Output Logic	63361	34
			Registers		
Logic Toggles			A Register BO Logic 1	63330	35
PZT and PRT Toggles	63294	11	A Register BO Logic 2	63331	36
LT1 and LT2 Toggles	63327	12	ASG Decade	63349	37
LT3 Toggle	63326	13	A1 and A2 Decades	63350	38
HIT, OFT, RPT and UET Toggles	63371	14	A3 Through A6 Decades	63351	39
DST and SGT Toggles	63325	15	A7 Through A10 Decades	63352	40
Logic Gates			B Register BO Logic	63354	41
Cathode Follower Logic 1	64082	16	B1 Decade	63355	42
Cathode Follower Logic 2	63288	17	B2 Through B4 Decades	63356	43
Mag Tape CF Logic	63333	18	C Register BO Logic	63300	44
Clear and OC Clear			V Register BO Logic	63295	45
Ext Toggle and Master OC Clear BO's	63340	19	V1 Decade	63301	46
Alarm Toggles			V2 Through V4 Decades	63302	47
ALT, CRT, MET, PAT and TAT Toggles	63354	20	V Register Recognition OK Logic	63305	48
Memory Control			01 and 02 Decades	63289	49
Memory Control BO's 1	63338	21	Order Matrix -1	63336	50
Memory Control BO's 2	63339	22	Order Matrix -2	63337	51
Set IB BO's	63324	23	Order Matrix -3	63630	52
			AD1 and AD2 Decades	63345	55
			AD3 and AD4 Decades	63346	56
			D Register BO Logic	63335	57
			DSG Decade	63362	58
			D1 and D2 Decades	63313	59

CONTENTS (continued)

	Print No.	Page		Print No.	Page
D3 Through D6 Decades	63314	60	Power		
D7 Through D10 Decades	63315	61	Blower, Thermostat and Convenience Outlet		
P1 and P2 Decades	63292	62	Circuitry	63099	101
P3 and P4 Decades	63293	63	Filament Power Distribution	63080	102
R Register BO Logic	63290	64	DC Distribution Strip	63365	103
RSG Decade	63296	65	DC Fusing and Distribution, Rack A	63366	104
R1 Through R3 Decades	63297	66	DC Fusing and Distribution, Rack B	63367	105
R4 Through R7 Decades	63298	67	DC Fusing and Distribution, Rack C	63368	106
R8 Through R10 Decades	63299	68	DC Fusing and Distribution, Rack D	63369	107
AX Register BO Logic	63360	69			
AX1 and AX2 Decades	63353	70	Packages		
DX Register BO Logic	63317	71	Adder Gate	56855	108
DX1 and DX2 Decades	63316	72	Blocking Oscillator "C"	56856	109
ASC, AXO Toggles, and AX-DX Recognition			Cathode Follower "C"	56904	110
Logic	63318	73	Cathode Follower "D"	56906	111
			Cathode Follower "F"	58756	112
Input/Output			Code Converter - Input	61262	113
Keyboard	63848	74	Code Converter - Output	61263	114
PA1 and PA2 Decades	63291	75	Compare "B"	56908	115
Paper Tape Control 1	61600	76	Inverter "B"	56854	116
Paper Tape Control 2	61601	77	Inverter "C"	61267	117
Paper Tape Control 3	61602	78	Master Clock	58455	118
TBT and TPT Toggles, TCU BO Logic	63332	82	Parity Check	61264	119
Mag Tape and Card CF Logic	64081	83	Order Matrix	58190	120
			Thyratron Drivers	61266	121
Console			Thyratron Pulse Generator "B"	60619	122
Register Switches and Indicators	63306	84	Toggle "C"	56853	123
Toggle Switches and Indicators 1	63307	85			
Toggle Switches and Indicators 2	63308	86			
Adder Switches and Indicators	63309	87			
Alarm Relay Logic	63310	88			
Control Relay Logic	63311	89			
Logical Relay Logic	63312	90			
System and Computer Not Ready	63364	91			
S Register and Compare Logic	63348	92			
S Register Relay Logic	63363	93			

REVISIONS					
B ORIGINAL ISSUE					
REV.	CHK. NO.	DRFTM.	CHKD.	APPR.	DATE
B	7567	L.H. CH	BL	1/1	3-12-58

UNIT 56105
DRAWN BY
CHECKED <i>Blum</i>
APPROVED
PROJ. ENGR.



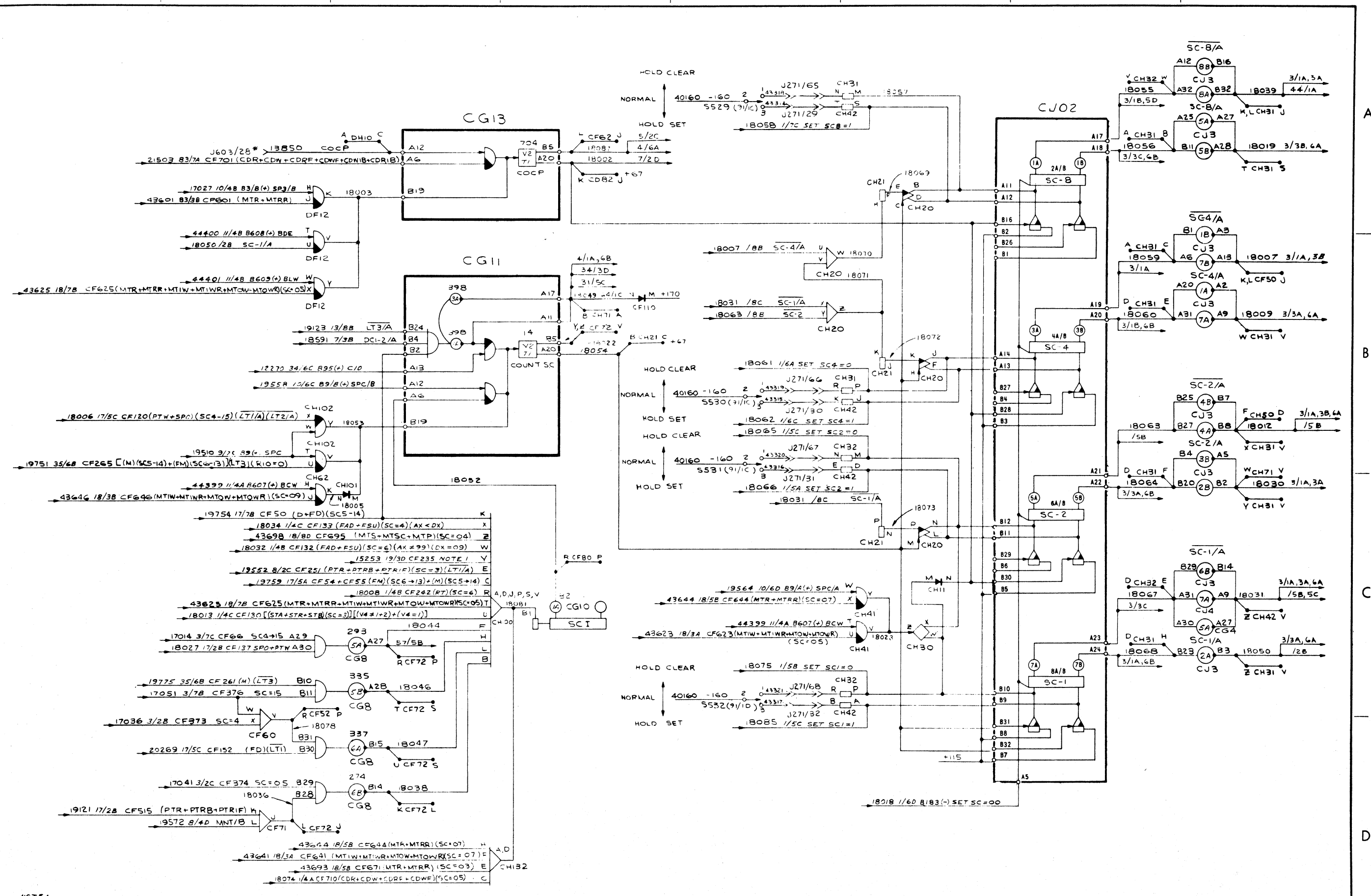
* SET LOGIC IS CONTINGENT UPON PREVIOUS STATE OF SEQUENCE COUNTER

NOTICE FOR EDUCATIONAL USE ONLY

BURROUGHS CORPORATION ELECTRODATA DIV., PASADENA, CALIFORNIA	SEQ. COUNTER SET LOGIC	P 01
	UNIT 56105 DATA PROCESSOR	D-63631
<small>PROPERTY OF BURROUGHS CORPORATION... NOT TO BE REPRODUCED, NOR USED FOR MANUFACTURING PURPOSES, EXCEPT ON BURROUGHS ORDER OR PRIOR WRITTEN CONSENT.</small>		<small>FORM NO. EDD 1488 1-58</small>

REVISIONS						
B ORIGINAL ISSUE						
REV.	DCAL. NO.	DRFTM	CHKR	APPR.	DATE	
B	7567	LCH	W	W	3-12-58	

UNIT	56105
DRAWN BY	
CHECKED	
APPROVED	
PROJ. ENGR.	



NOTE:
 1. $\{ [FD] [LT] + (Z) (A) \neq 0 (AX=99) \} + (M) (LT3) + D + FM + MTR + MTRR + MTW + MTWR + MTOW + MTOWR \} (SC=15)$

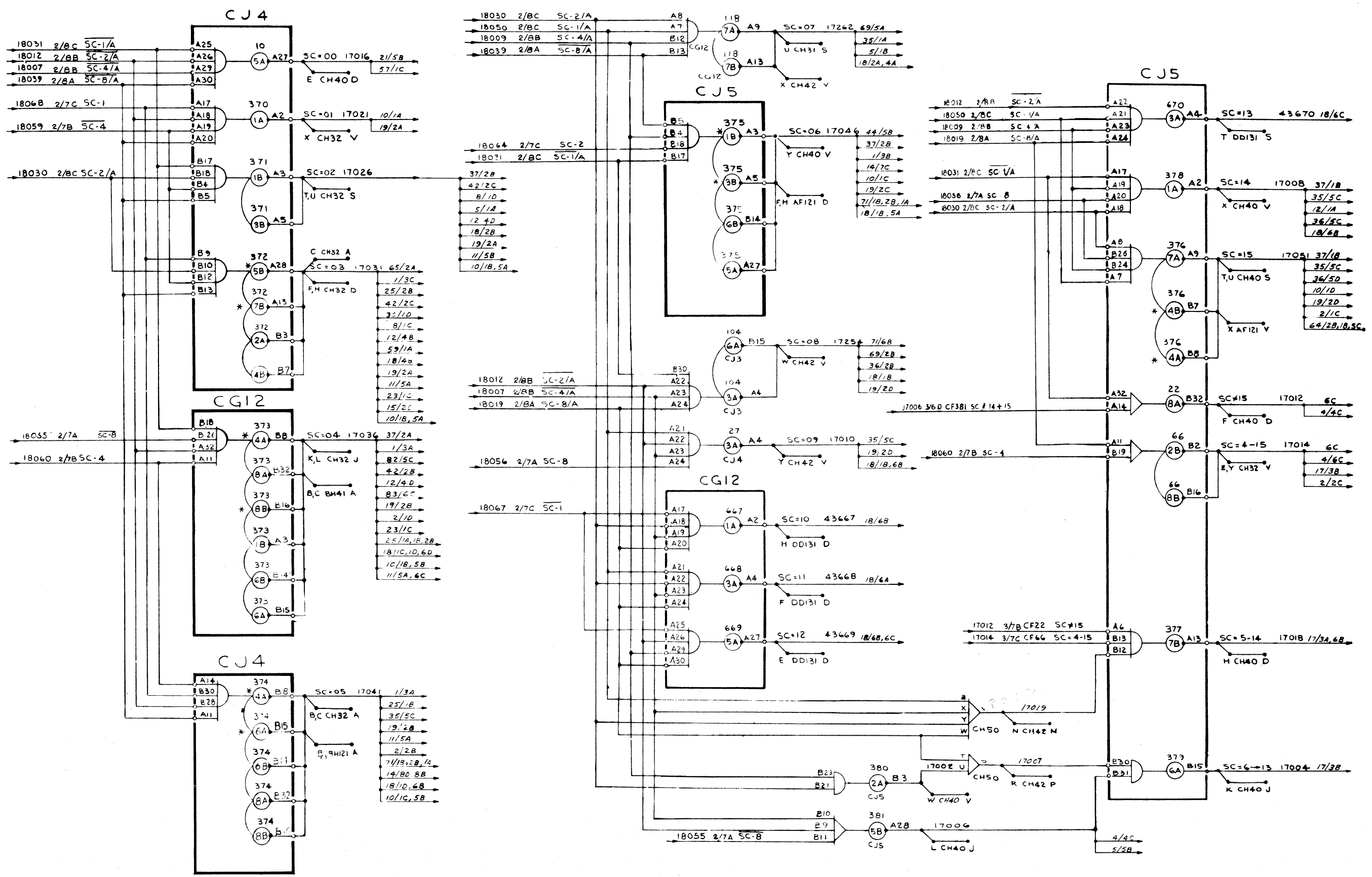
NOTICE
FOR EDUCATIONAL USE ONLY

BURROUGHS CORPORATION ELECTRODATA DIV., PASADENA, CALIFORNIA	SEQUENCE COUNTER 02
UNIT 56105 DATA PROCESSOR SYSTEM 220 DATA PROCESSING	D-63319 REV. B

FORM NO. EDD 1481 1-58

REVISIONS					
B ORIGINAL ISSUE					
REV.	DATE	BY	CHKD.	APPR.	DATE
B	7567	V.W.			3-13-58

UNIT 56105
DRAWN BY
CHECKED <i>Howe</i>
APPROVED
PROJ. ENGR.



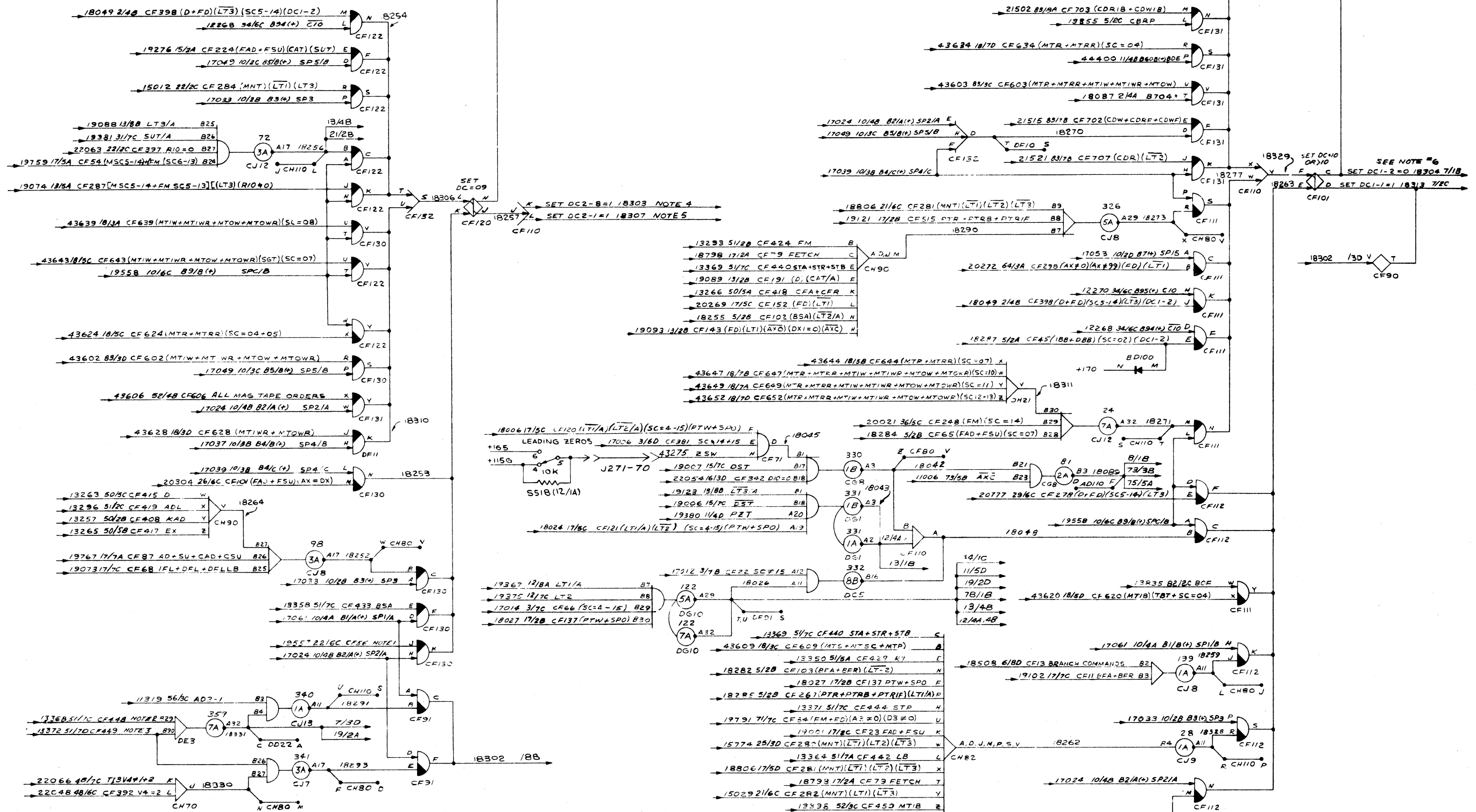
* INDICATES THAT A SHORTING BAR IS PLACED BETWEEN THE 150 K GATE RESISTOR AND +250 VOLTS. THIS IS SHOWN ONLY IN THE EVENT OF THREE OR MORE SECTIONS IN PARALLEL

NOTICE FOR EDUCATIONAL USE ONLY

BURROUGHS CORPORATION ELECTRODATA DIV., PASADENA, CALIFORNIA	SC AND CF LOGIC	03
	UNIT 56105 DATA PROCESSOR SYSTEM 220 DATA PROCESSING	D-63564

A
B
C
D

REVISIONS						
B ORIGINAL ISSUE						
REV.	DCN. NO.	DRFTM	CHKR.	APPR.	DATE	
B	7367	KT	WLB	NW	3-13-58	
C	8048	CWB	KAC	NW	6-3-58	



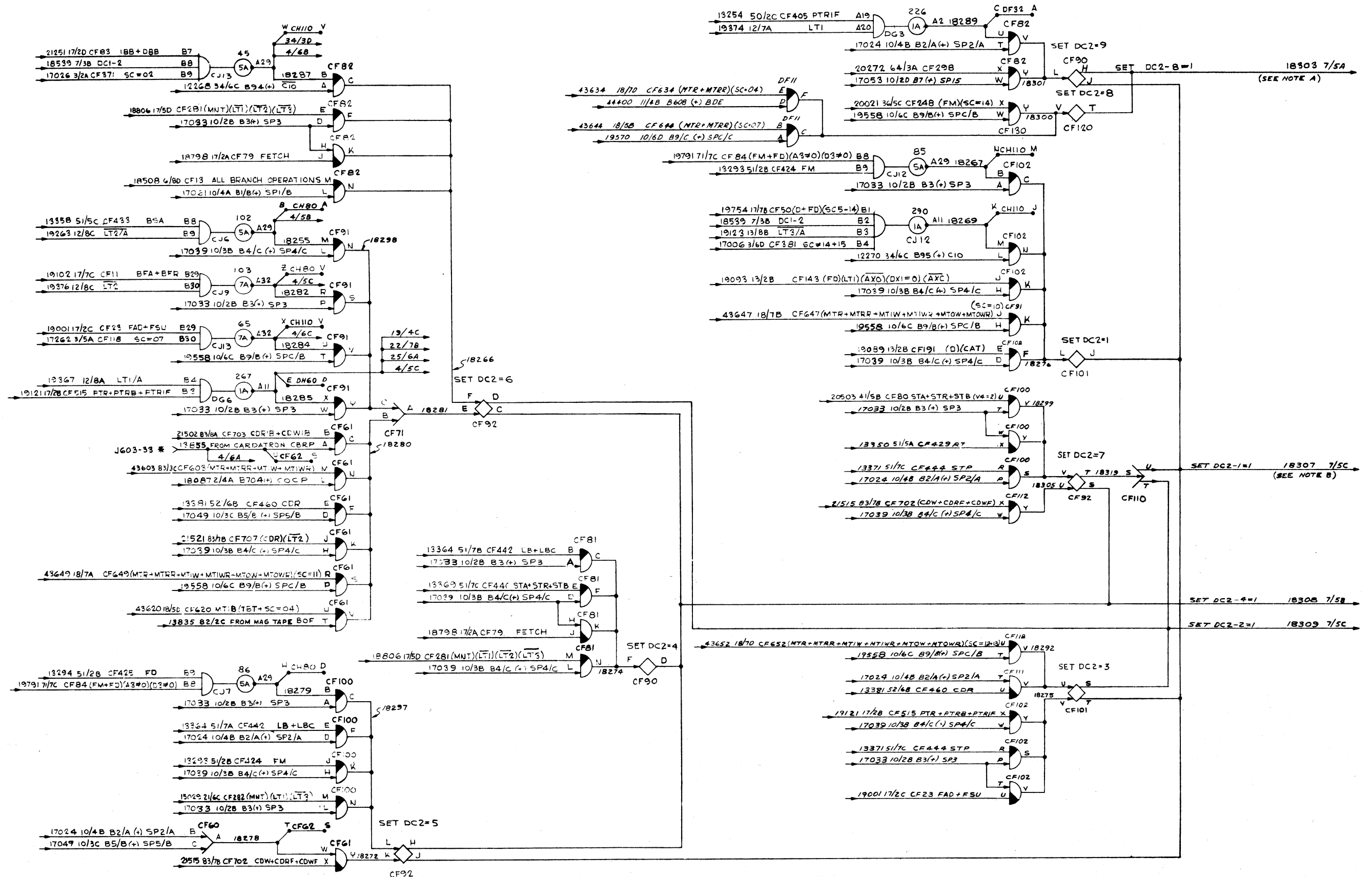
NOTE:
 1. PTW+SPO CFA+CFR+FM+FD+EX+LR+ADL+IFL+DFL+DFLLB+FSU+FAD
 2. SRA+SRAR+SRAS
 3. SLA+SLAR+SLAS
 4. ONE OF MULTIPLE SOURCES, SEE 5/BA FOR REFERENCE INFORMATION
 5. ONE OF MULTIPLE SOURCES, SEE 5/BC FOR REFERENCE INFORMATION
 6. OTHER SOURCE 6/8B

UNIT	56105
DRAWN BY	
CHECKED	
APPROVED	
PROJ. ENGR.	

NOTICE
 FOR EDUCATIONAL USE ONLY

BURROUGHS CORPORATION ELECTRODATA DIV., PASADENA, CALIFORNIA	DC SET LOGIC I	04
	UNIT 56105 DATA PROCESSOR SYSTEM 220 DATA PROCESSING	D-63320

REVISIONS					
B ORIGINAL ISSUE					
REV.	BY	CHKD.	DATE	APPR.	DATE
8	VW		3-13-58		



NOTE
 A. OTHER SOURCES ON DWG. 4/4B & 6/8B
 B. " " " " " " 4/4B

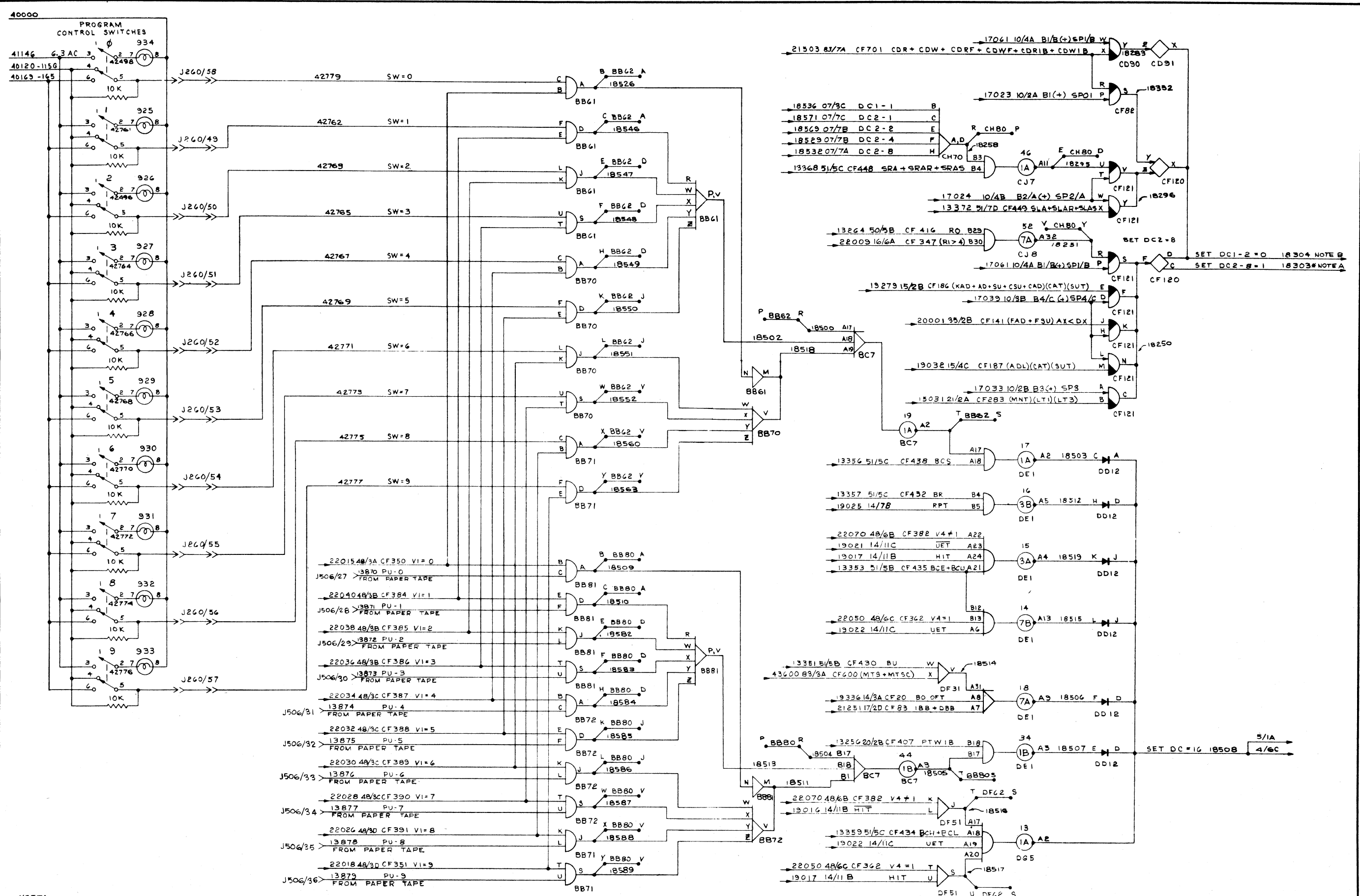
NOTICE
 FOR EDUCATIONAL USE ONLY

BURROUGHS CORPORATION ELECTRODATA DIV., PASADENA, CALIFORNIA	DC SET LOGIC 2	05
	UNIT 56105 DATA PROCESSOR	D-63322
	SYSTEM 220 DATA PROCESSING	REV. B

UNIT 56105
DRAWN BY
CHECKED
APPROVED
PROJ. ENGR.

REVISIONS						
REV.	DCN.	NO.	DRTM.	CHKR.	APPR.	DATE
B	75	67	K.T.			3-13-58

UNIT 56105
DRAWN BY
CHECKED <i>[Signature]</i>
APPROVED
PROJ. ENGR.

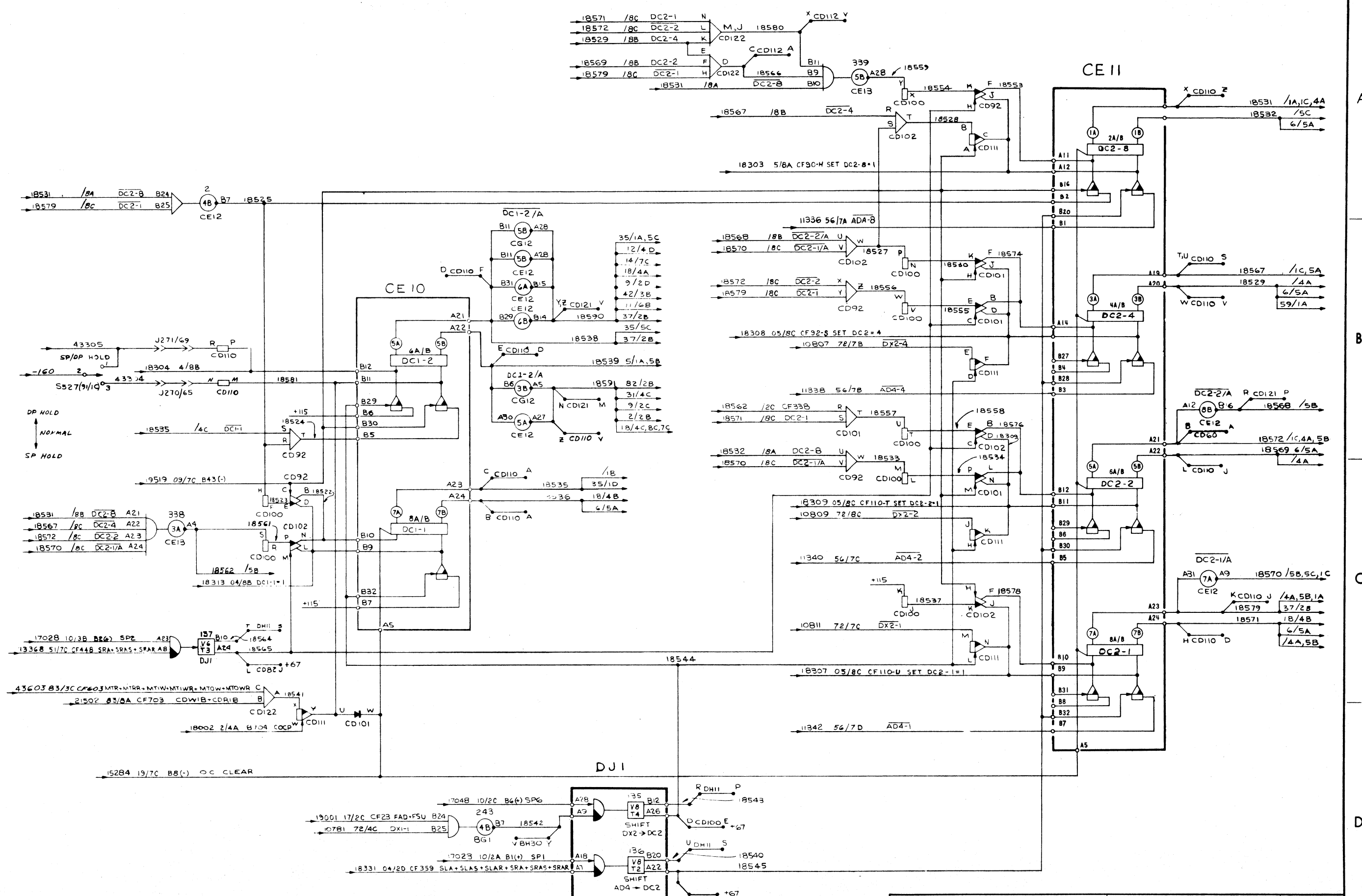


NOTE:
 1. ONE OF MULTIPLE SOURCES, REF 5/BB
 2. ONE OF MULTIPLE SOURCES, REF 4/BB

NOTICE FOR EDUCATIONAL USE ONLY

BURROUGHS CORPORATION ELECTRODATA DIV., PASADENA, CALIFORNIA	DC SET LOGIC	06
PROPERTY OF BURROUGHS CORPORATION - NOT TO BE REPRODUCED, NOR USED FOR MANUFACTURING PURPOSES, EXCEPT ON BURROUGHS ORDER OR PRIOR WRITTEN CONSENT.	UNIT 56105 DATA PROCESSOR SYSTEM 220 DATA PROCESSING	D-63370

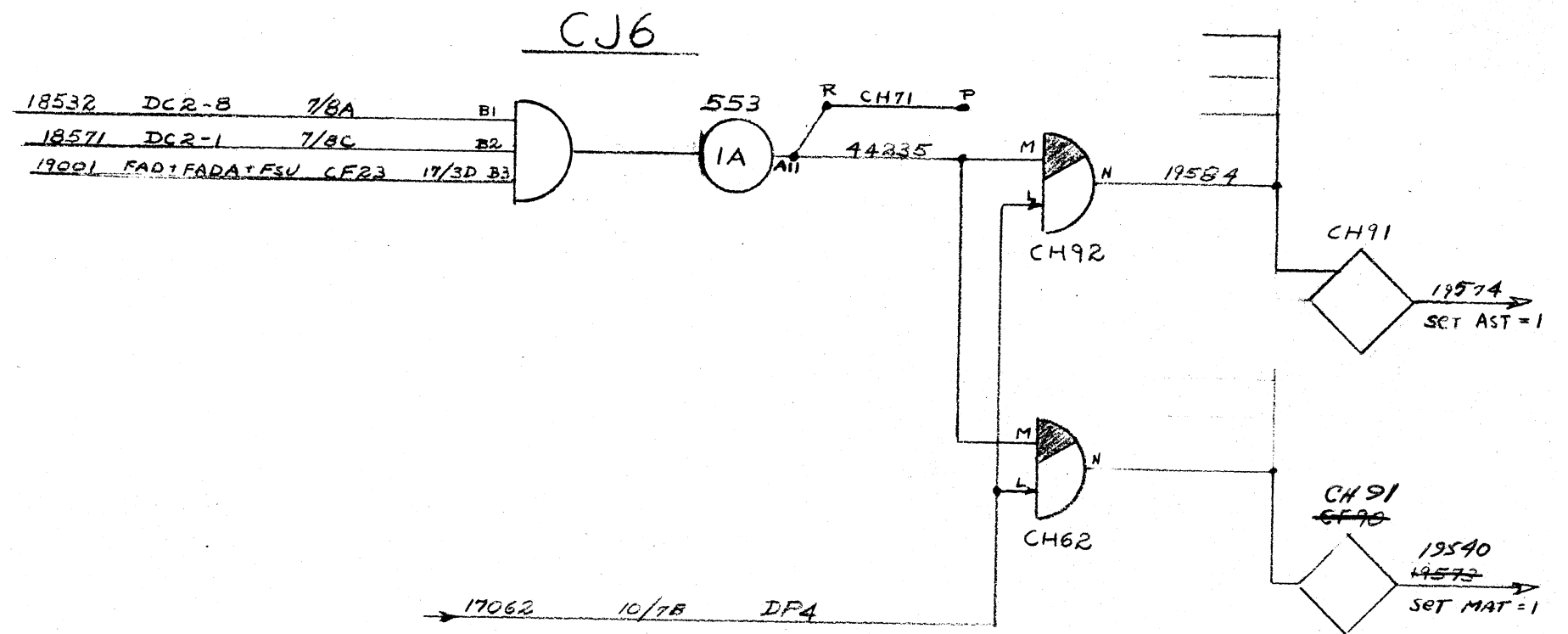
REVISIONS						
REV.	DCAL NO.	DRF/TMN	CHKR.	APPR.	DATE	
B	7567	Y.W	WAC	3/29	3-13-6	ORIGINAL ISSUE
C	8190	J.I	WAC	6/27	6-27-58	



UNIT 56105
DRAWN BY
CHECKED
APPROVED
PROJ. ENGR.

NOTICE
FOR EDUCATIONAL USE ONLY

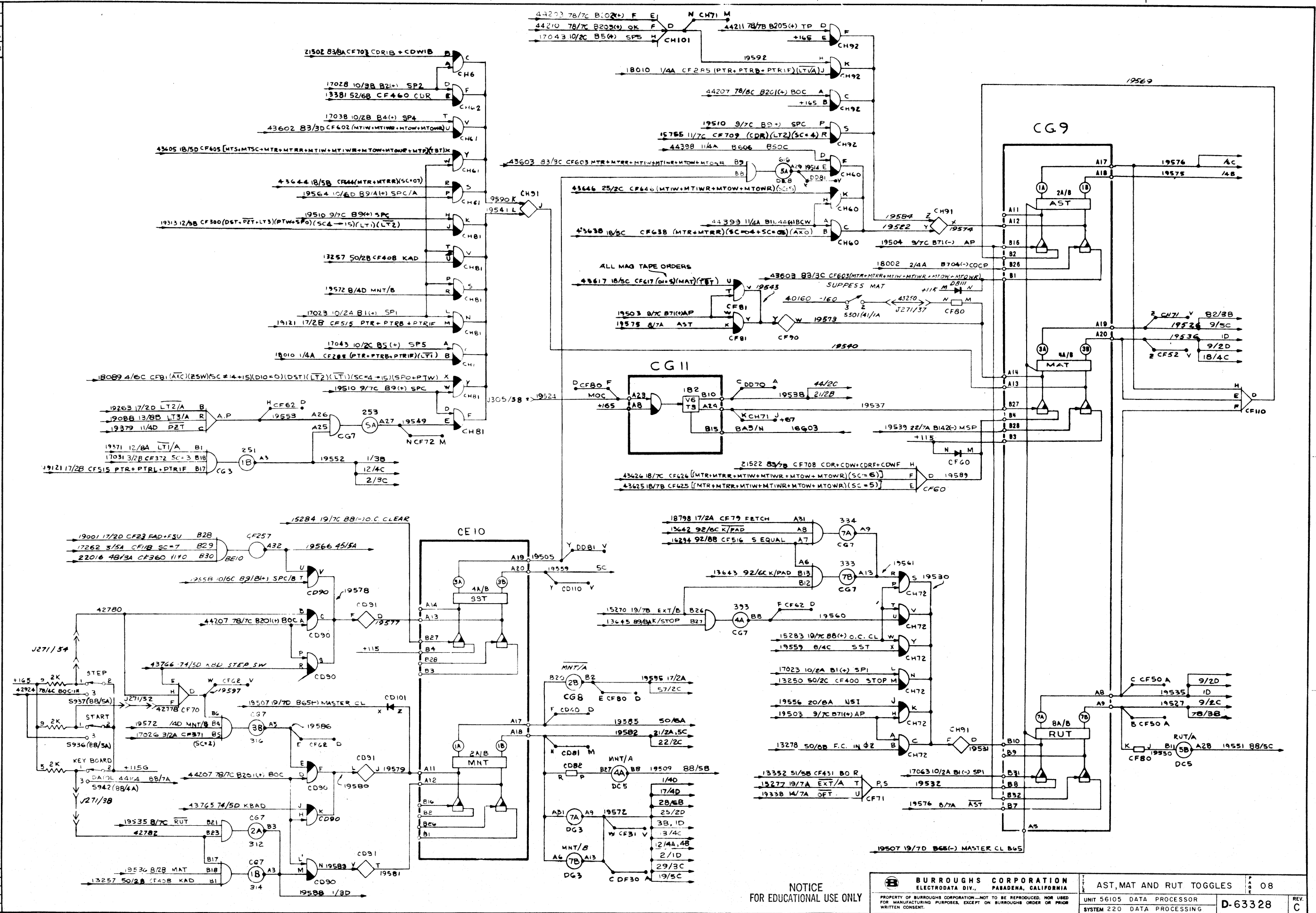
BURROUGHS CORPORATION ELECTRODATA DIV., PASADENA, CALIFORNIA	DIGIT COUNTER 07
PROPERTY OF BURROUGHS CORPORATION - NOT TO BE REPRODUCED, NOR USED FOR MANUFACTURING PURPOSES, EXCEPT ON BURROUGHS ORDER OR PRIOR WRITTEN CONSENT.	UNIT 56105 DATA PROCESSOR D-63321 REV. C



ADDITION TO PRINT 08 - D-63328-C
 5 μs DELAY TO EQUALIZE EXPONANTS AT DP19
 AST & MAT CONTROL DURING FLOATING POINT OPERATION

PRELIMINARY COPY

REVISIONS						
B ORIGINAL ISSUE						
REV.	DCN. NO.	DRFTM.N	CHKR.	APPR.	DATE	
B	7567	V.W.			3-13-58	
C	8138	J.I.			6-26-58	

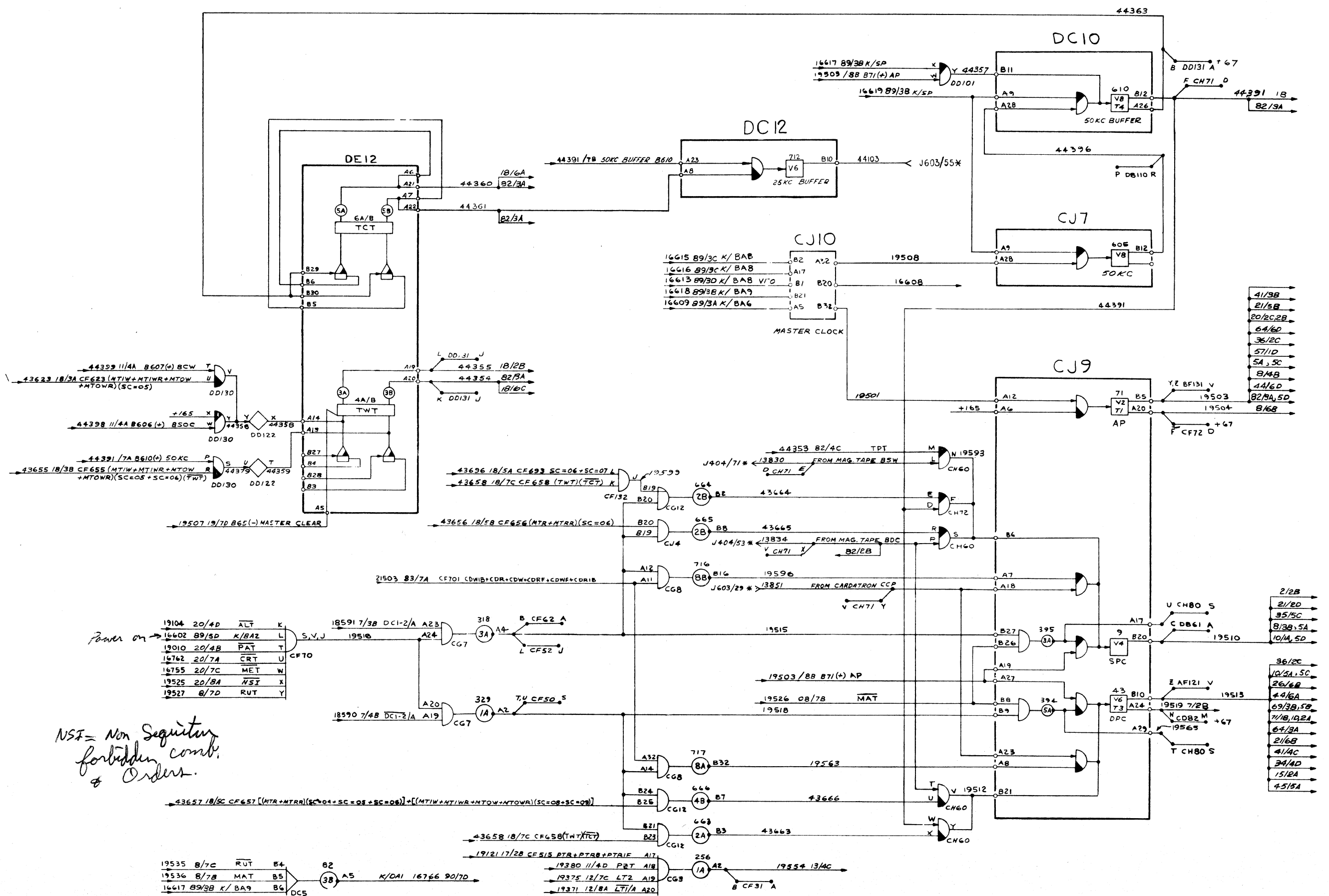


UNIT 56105
 DRAWN BY
 CHECKED
 APPROVED
 PROJ. ENGR.

NOTICE FOR EDUCATIONAL USE ONLY

BURROUGHS CORPORATION ELECTRODATA DIV., PASADENA, CALIFORNIA		AST, MAT AND RUT TOGGLES	
PROPERTY OF BURROUGHS CORPORATION - NOT TO BE REPRODUCED, NOR USED FOR MANUFACTURING PURPOSES, EXCEPT ON BURROUGHS ORDER OR PRIOR WRITTEN CONSENT.		UNIT 56105 DATA PROCESSOR SYSTEM 220 DATA PROCESSING	
		D-63328	
		REV. C	

REVISIONS					
NO.	DATE	BY	CHKD.	APPR.	DATE
1	3-13-58	JCA			



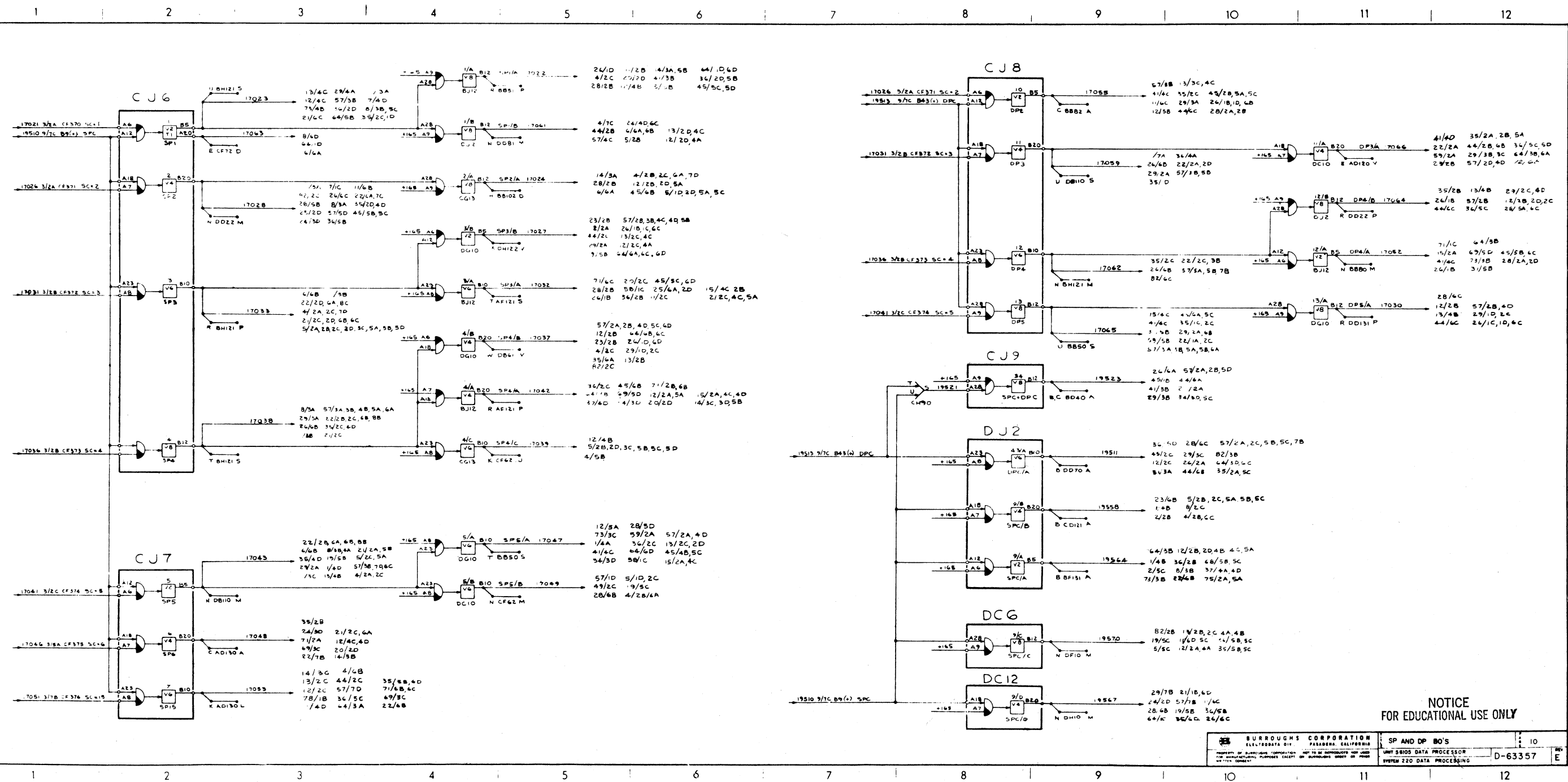
*NSI = Non Sequitur
forbidden comb.
& Orders.*

UNIT 56105
DRAWN BY
CHECKED
APPROVED
PROJ. ENGR. Maxwell

NOTICE
FOR EDUCATIONAL USE ONLY

BURROUGHS CORPORATION ELECTRODATA DIV., PASADENA, CALIFORNIA	CLOCK LOGIC, TCT, TWT UNIT 56105 DATA PROCESSOR SYSTEM 220 DATA PROCESSING	REV. 09
		D-63329

REVISIONS			
REV	DATE	BY	DESCRIPTION
A	12/15/64	WJ	ORIGINAL REV
B	1/15/65	WJ	REVISED
C	3/10/65	WJ	REVISED
D	5/10/65	WJ	REVISED
E	6/10/65	WJ	REVISED

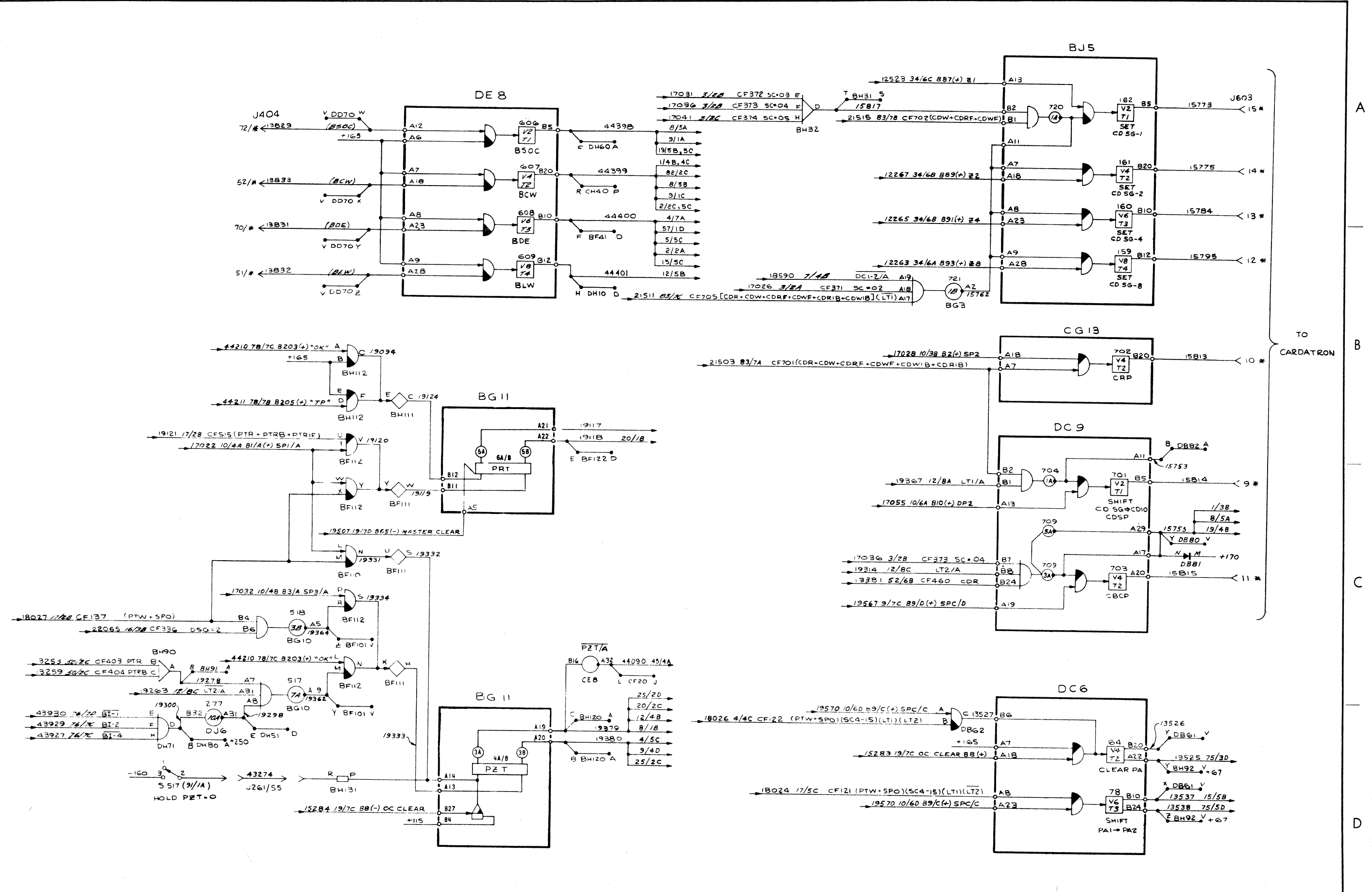


NOTICE FOR EDUCATIONAL USE ONLY

BURROUGHS CORPORATION ELLENHURST, CALIFORNIA	SP AND DP BO'S	10
PROPERTY OF BURROUGHS CORPORATION. NOT TO BE REPRODUCED OR COPIED FOR ANY PURPOSES EXCEPT AS AUTHORIZED BY BURROUGHS CORPORATION.	UNIT 5805 DATA PROCESSOR	D-63357
	SYSTEM 220 DATA PROCESSING	E

REVISIONS						
B ORIGINAL ISSUE						
REV.	DCN. NO.	DRAFTSM.	CHKR.	APPR.	DATE	
B	7567	K T	UR	JCA	3/13/58	

UNIT 56105
DRAWN BY
CHECKED <i>[Signature]</i>
APPROVED
PROJ. ENGR. <i>[Signature]</i>

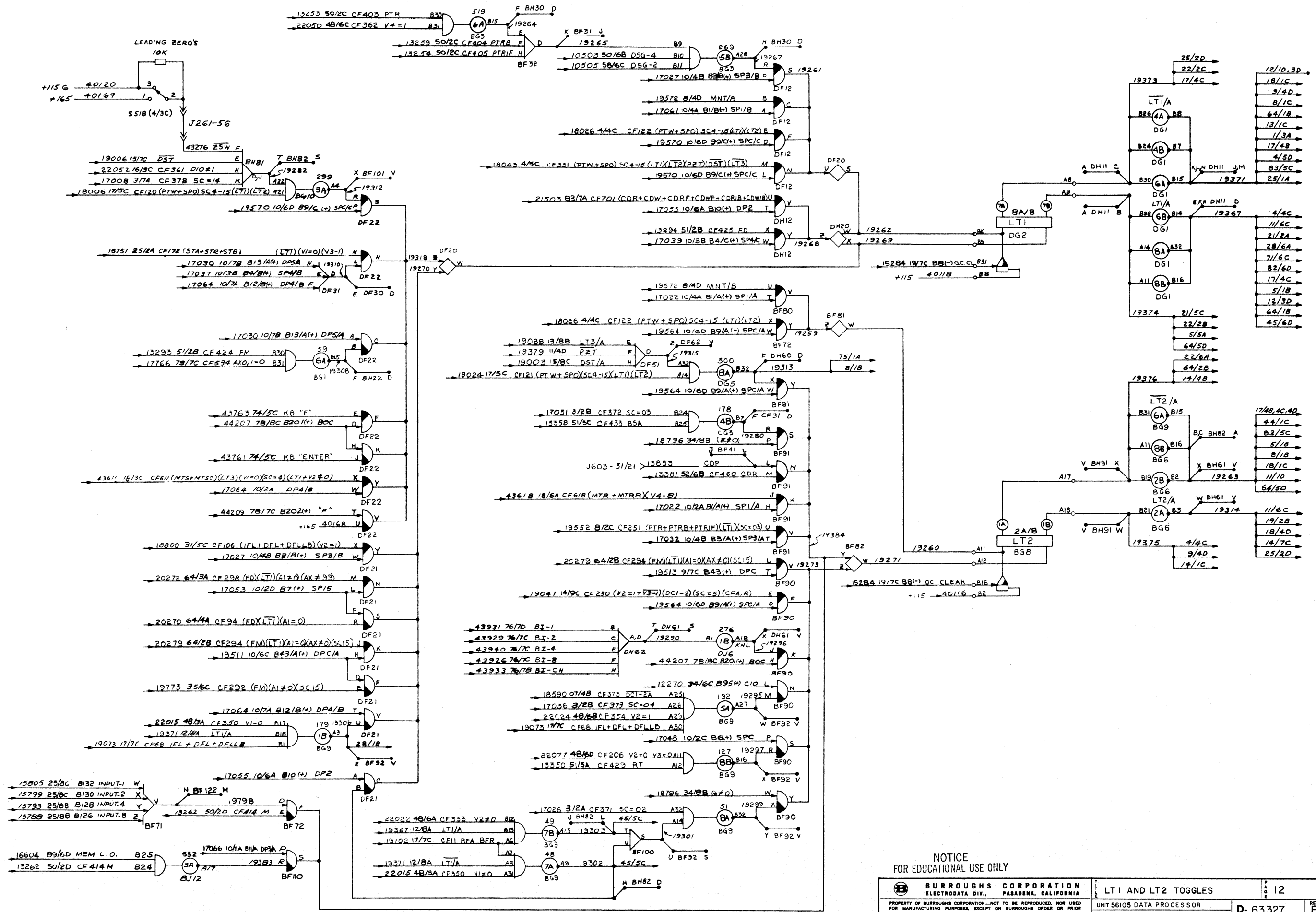


NOTICE FOR EDUCATIONAL USE ONLY

BURROUGHS CORPORATION ELECTRODATA DIV., PASADENA, CALIFORNIA	PZT AND PRT TOGGLE		11
	UNIT 56105 DATA PROCESSOR SYSTEM 220 DATA PROCESSOR		REV. B

D-63294

REVISIONS						
A ORIGINAL ISSUE						
REV.	DOC. NO.	DRFTM.	CHKR.	APPR.	DATE	
B	7567	WCH	WR	JCA	3-12-58	
C	8048	GEU	WR	HM	6-9-58	
D	8138	WCH	WR	HM	6-26-58	
E	8190	WCH	WR	HM	6-27-58	



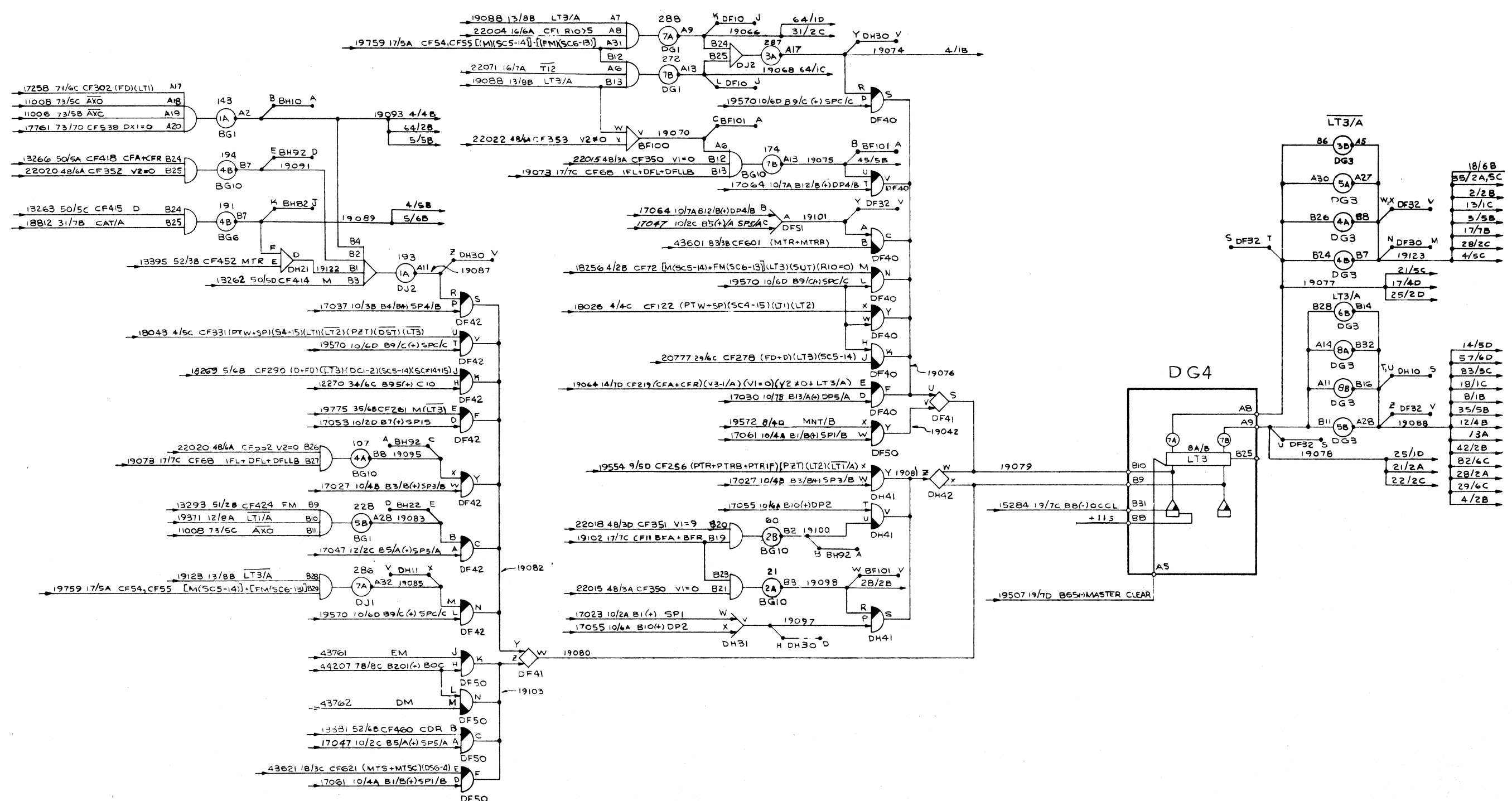
UNIT 56105
DRAWN BY
CHECKED
APPROVED
PROJ. ENGR.

NOTICE
FOR EDUCATIONAL USE ONLY

 BURROUGHS CORPORATION ELECTRODATA DIV., PASADENA, CALIFORNIA	LT1 AND LT2 TOGGLES	P 12
	UNIT 56105 DATA PROCESSOR SYSTEM 220 DATA PROCESSING	D-63327

FORM NO. EDD 1400 1-58

REVISIONS					
B ORIGINAL ISSUE					
REV.	DCN. NO.	DRFTM.	CHKR.	APPR.	DATE
B	7567	L.H.C.	W.C.	W.M.	3-12-58
C	8190	L.H.C.	W.C.	W.M.	6-27-58



UNIT 56105
 DRAWN BY
 CHECKED
 APPROVED
 PROJ. ENGR.

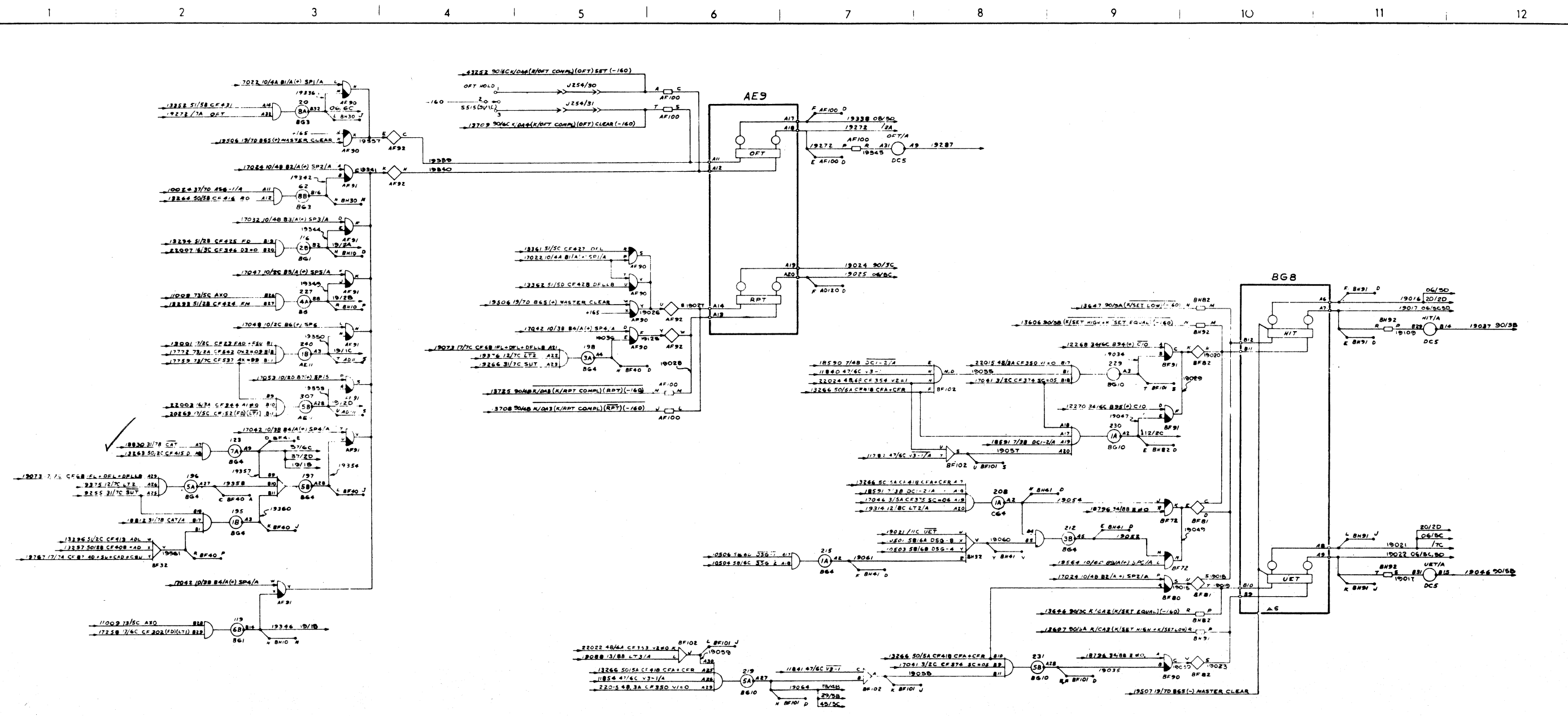
NOTICE
 FOR EDUCATIONAL USE ONLY

BURROUGHS CORPORATION ELECTRODATA DIV., PASADENA, CALIFORNIA	LT3 TOGGLE	13
	UNIT 56105 DATA PROCESSOR SYSTEM 220 DATA PROCESSING	D-63326

PROPERTY OF BURROUGHS CORPORATION... NOT TO BE REPRODUCED, NOR USED FOR MANUFACTURING PURPOSES, EXCEPT ON BURROUGHS ORDER OR PRIOR WRITTEN CONSENT.

FORM NO. EDD 1488 1-58

REVISIONS			
REV	NO.	DATE	BY
1	17567	08/11/57	WJ

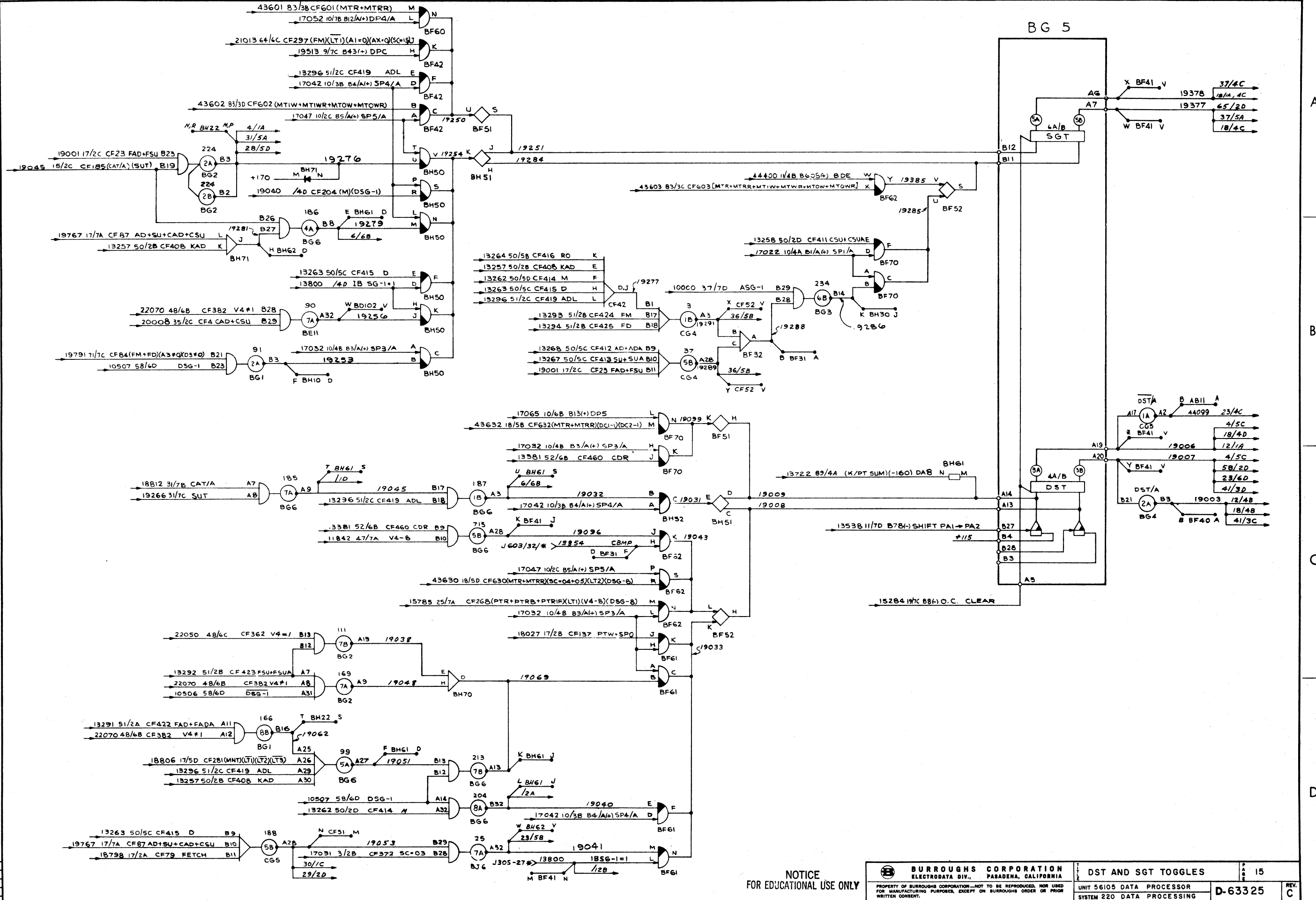


UNIT	5610S
DESIGNED BY	WJ
CHECKED BY	WJ
APPROVED	WJ
PROJ. LEAD	WJ

NOTICE
FOR EDUCATIONAL USE ONLY

BURROUGHS CORPORATION ELECTRODATA DIV. PASADENA, CALIFORNIA	HIT, OFT, RPT, AND UET UNIT 5610S DATA PROCESSOR SYSTEM 220 DATA PROCESSING	14 D-63371
---	---	---------------

REVISIONS					
B ORIGINAL ISSUE					
REV.	DATE	BY	CHKD.	APPR.	DATE
B	7/67	K.T.			3-13-68
C	8/90	J.I.			6-27-58

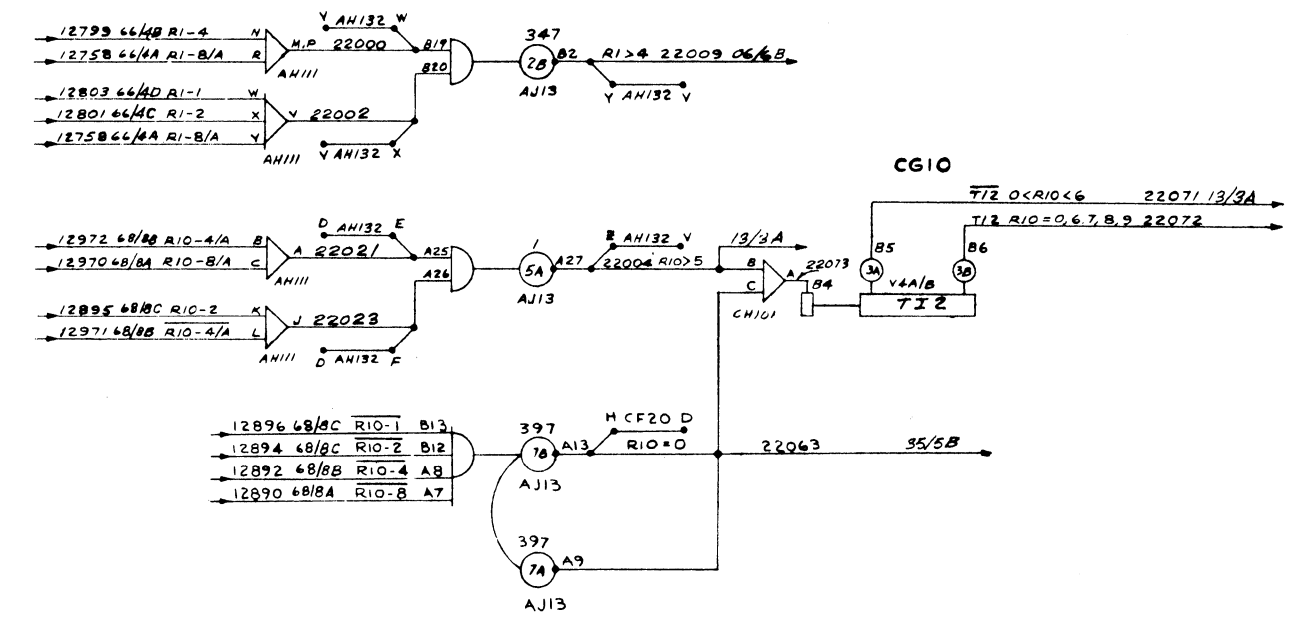
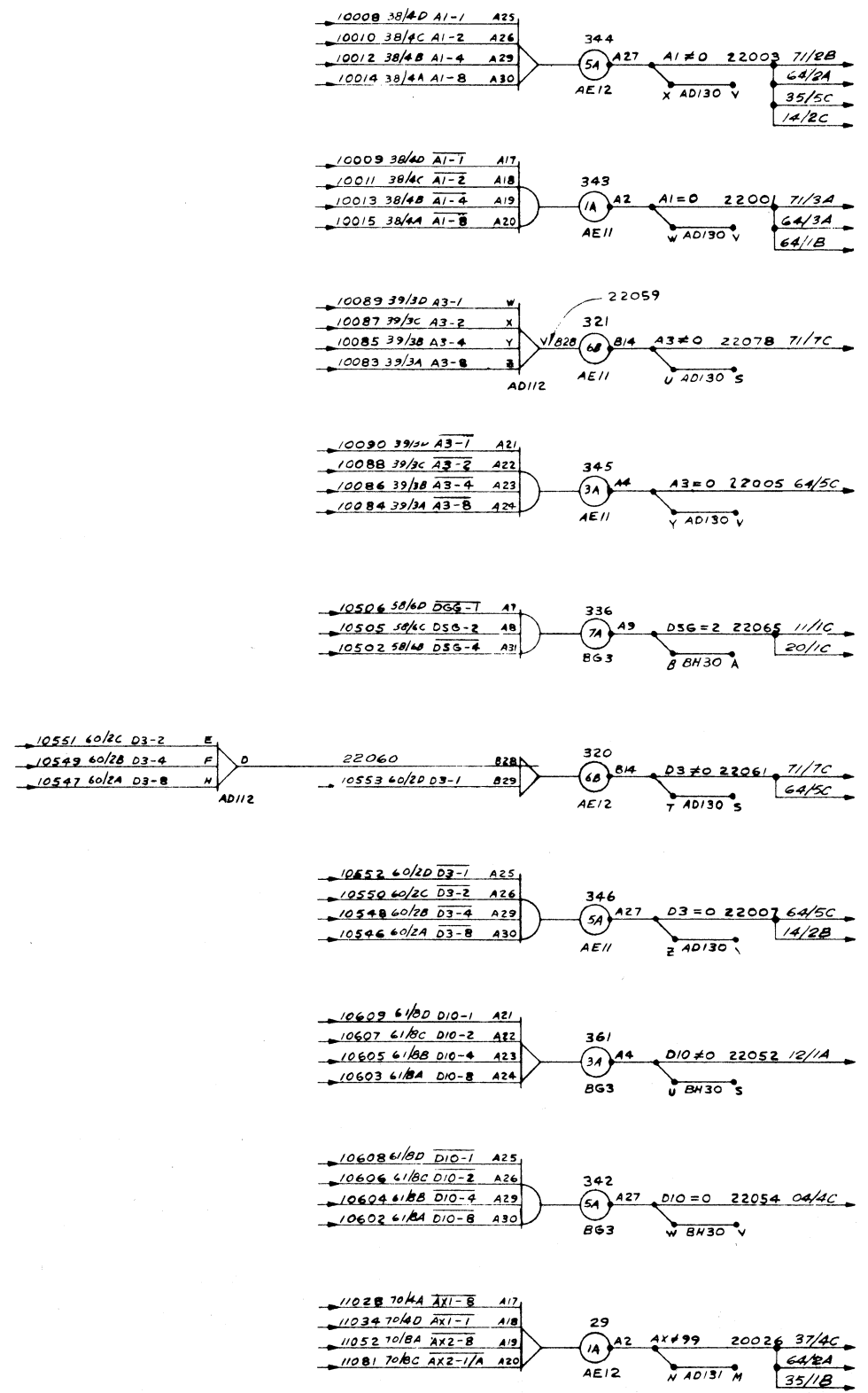


UNIT 56105
 DRAWN BY
 CHECKED
 APPROVED
 PROJ. ENGR.

NOTICE
 FOR EDUCATIONAL USE ONLY

BURROUGHS CORPORATION ELECTRODATA DIV., PASADENA, CALIFORNIA	DST AND SGT TOGGLES		15
	UNIT 56105 DATA PROCESSOR SYSTEM 220 DATA PROCESSING		D-63325
<small>PROPERTY OF BURROUGHS CORPORATION - NOT TO BE REPRODUCED, NOR USED FOR MANUFACTURING PURPOSES, EXCEPT ON BURROUGHS ORDER OR PRIOR WRITTEN CONSENT.</small>		REV. C	<small>FORM NO. EDD 1466 1-68</small>

REVISIONS					
B ORIGINAL ISSUE					
REV.	DCN. NO.	DFTM. CHRR.	APPR.	DATE	
B	7567	KI		3-15-58	



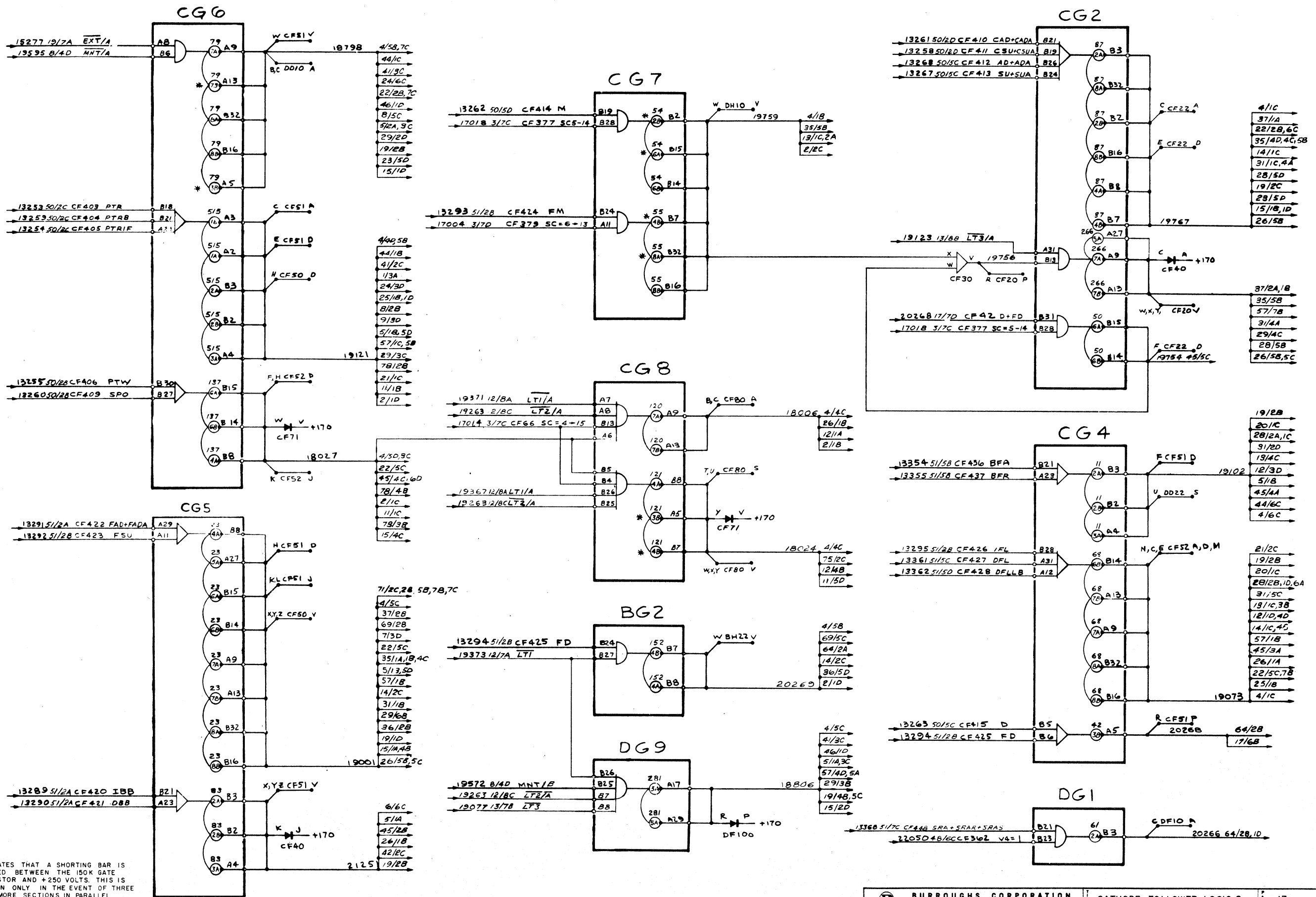
A
B
C
D

UNIT 56105
DRAWN BY
CHECKED *X. Ramm*
APPROVED
PROJ. ENGR. *G. J. Maxwell*

NOTICE FOR EDUCATIONAL USE ONLY

BURROUGHS CORPORATION ELECTRODATA DIV., PASADENA, CALIFORNIA	CATHODE FOLLOWER LOGIC 1 16	
	UNIT 56105 DATA PROCESSOR SYSTEM 220 DATA PROCESSING	D-64082

REVISIONS					
B ORIGINAL ISSUE					
REV.	CON. NO.	DRFTMAN.	CHKR.	APPR.	DATE
B	7567	VW			3-13-58
C	8190	J.I.			6-27-58



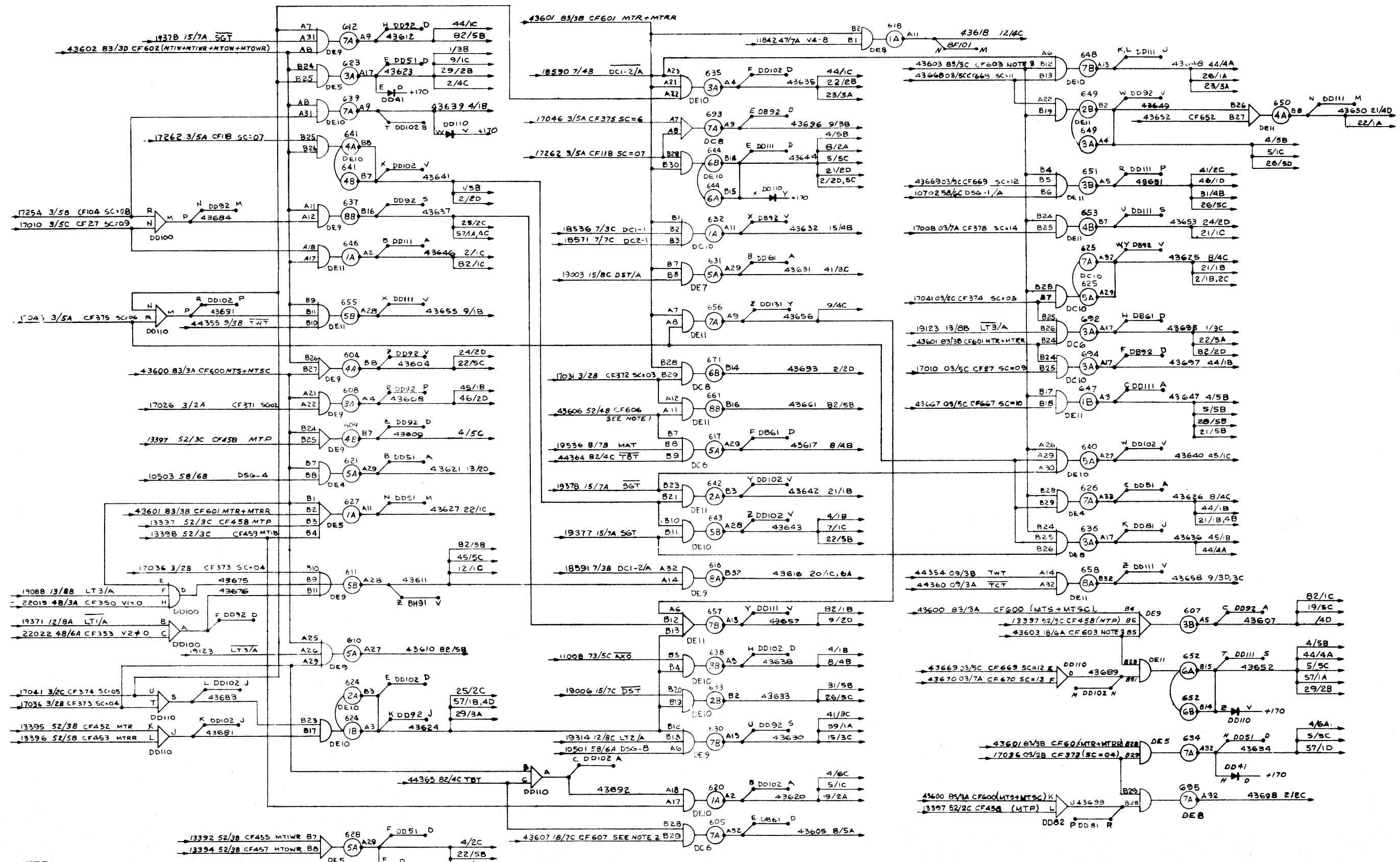
* INDICATES THAT A SHORTING BAR IS PLACED BETWEEN THE 150K GATE RESISTOR AND +250 VOLTS. THIS IS SHOWN ONLY IN THE EVENT OF THREE OR MORE SECTIONS IN PARALLEL.

UNIT 56105
DRAWN BY RT M
CHECKED <i>[Signature]</i>
APPROVED <i>[Signature]</i>
PROJ. ENGR. <i>[Signature]</i>

NOTICE FOR EDUCATIONAL USE ONLY

BURROUGHS CORPORATION ELECTRODATA DIV., PASADENA, CALIFORNIA	CATHODE FOLLOWER LOGIC 2 17
PROPERTY OF BURROUGHS CORPORATION—NOT TO BE REPRODUCED, NOR USED FOR MANUFACTURING PURPOSES, EXCEPT ON BURROUGHS ORDER OR PRIOR WRITTEN CONSENT.	D-63288 REV. C

REVISIONS						
ORIGINAL ISSUE						
REV.	DCN. NO.	DRFTM.N.	CHKR.	APPR.	DATE	
B	7547	V.V.	H.R.	JCA	5/15/58	
C	8048	GEJ	H.R.	H.M.	6/9/58	
D	8190	J1	H.R.	H.M.	6/27/58	



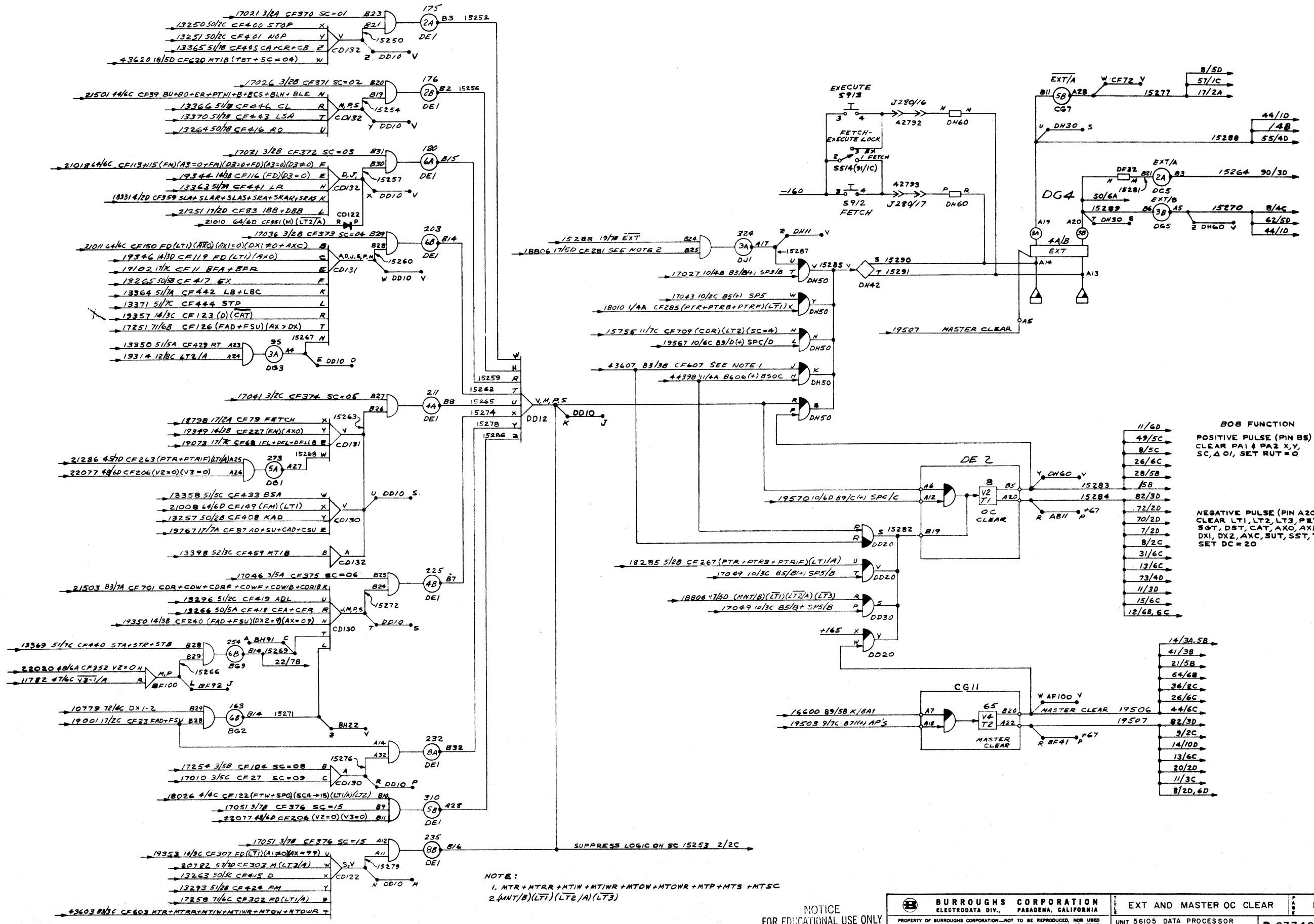
NOTE:
 1. HI = ALL ORDERS 50 THRU 59 INCL.
 2. MTS + MTSC + MTR + MTRR + MTIW + MTIWR + MTOW + MTOWR + MTP
 3. MTR + MTRR + MTIW + MTIWR + MTOW + MTOWR

UNIT 56105
 DRAWN BY
 CHECKED
 APPROVED
 PROJ. ENGR.

NOTICE
 FOR EDUCATIONAL USE ONLY

BURROUGHS CORPORATION ELECTRODATA DIV., PARADISE, CALIFORNIA	MAG TAPE CF LOGIC	18
	UNIT 56105 DATA PROCESSOR SYSTEM 220 DATA PROCESSING	D-63333

REVISIONS					
B ORIGINAL ISSUE					
REV.	DCAL NO.	DRFTM.N.	CHKR.	APPR.	DATE
B	7567	V.W.	W	W	3-13-58
C	8048	W.V.S.	W	W	6-9-58
D	8138	H.C.H.	W	W	6-26-58
E	8301	C.B.	W	W	8-7-58



UNIT 56105
 DRAWN BY
 CHECKED
 APPROVED
 PROJ. ENGR.

NOTE:
 1. MTR+MTRR+MTIW+MTIWR+MTOW+MTOWR+MTP+MTS+MTSC
 2. (MNT/B)(LT1)(LT2/A)(LT3)

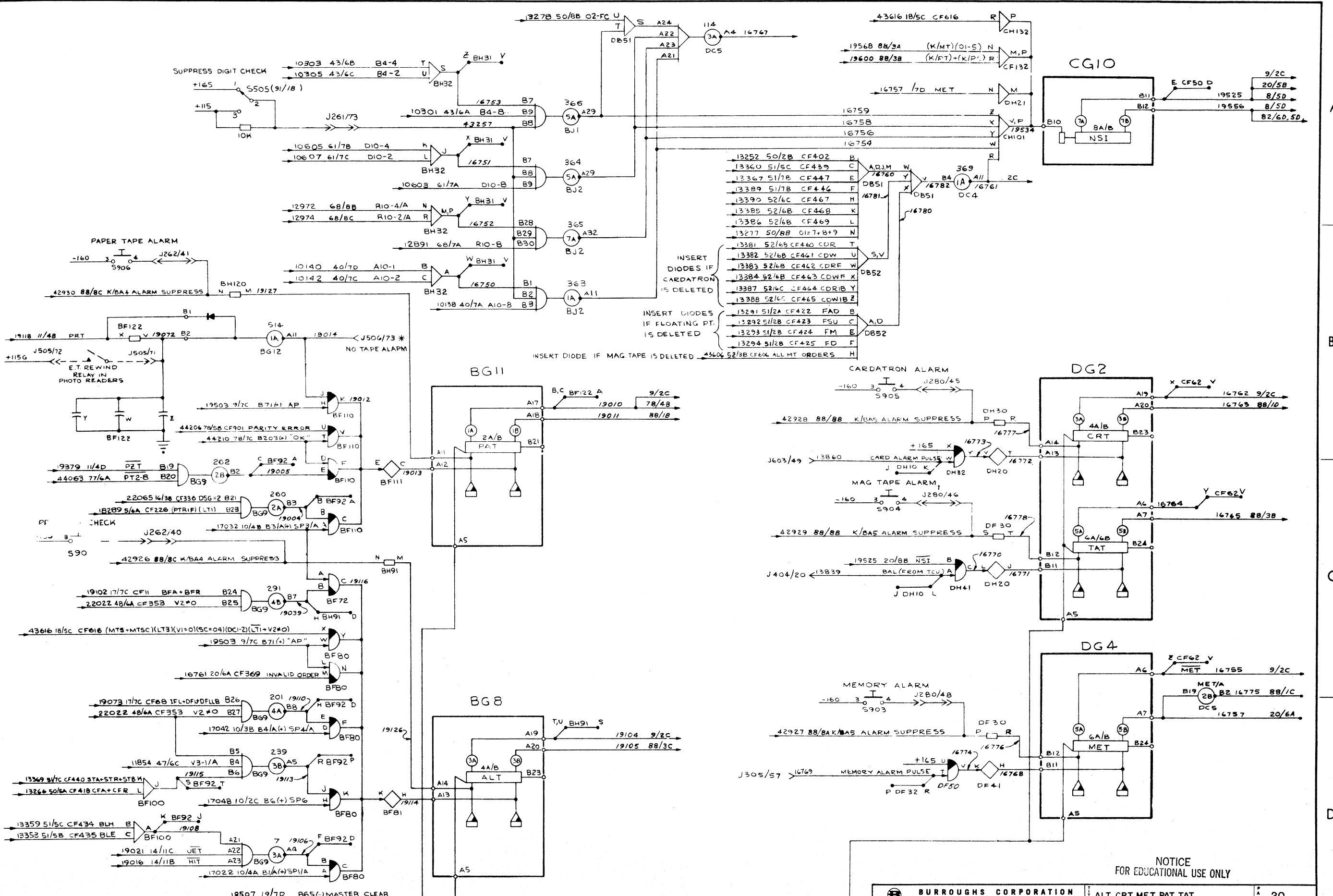
NOTICE
 FOR EDUCATIONAL USE ONLY

BURROUGHS CORPORATION ELECTRODATA DIV., PARADISE, CALIFORNIA	EXT AND MASTER OC CLEAR	19
	SYSTEM 220 DATA PROCESSOR	
D-63340		REV. E

PROPERTY OF BURROUGHS CORPORATION - NOT TO BE REPRODUCED, NOR USED FOR MANUFACTURING PURPOSES, EXCEPT ON BURROUGHS ORDER OR PRIOR WRITTEN CONSENT.

FORM NO. 800 1-60 1-60

REVISIONS						
REV.	DCN.	NO.	DRFTMN.	CHKR.	APPR.	DATE
B	7567	V.V.W.	H.R.	JCA		3-13-58

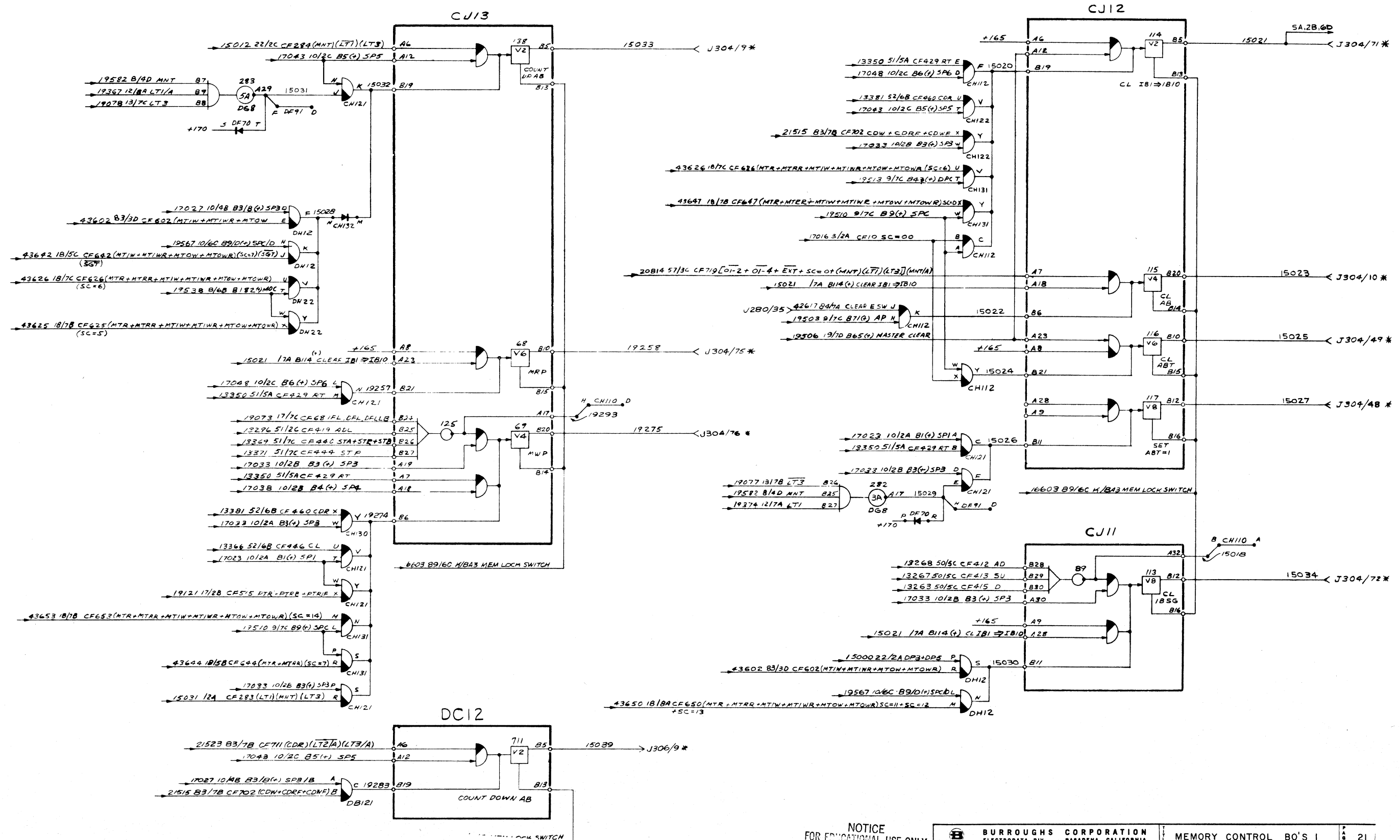


UNIT 56105
 DRAWN BY
 CHECKED
 APPROVED
 PROJ. ENGR.

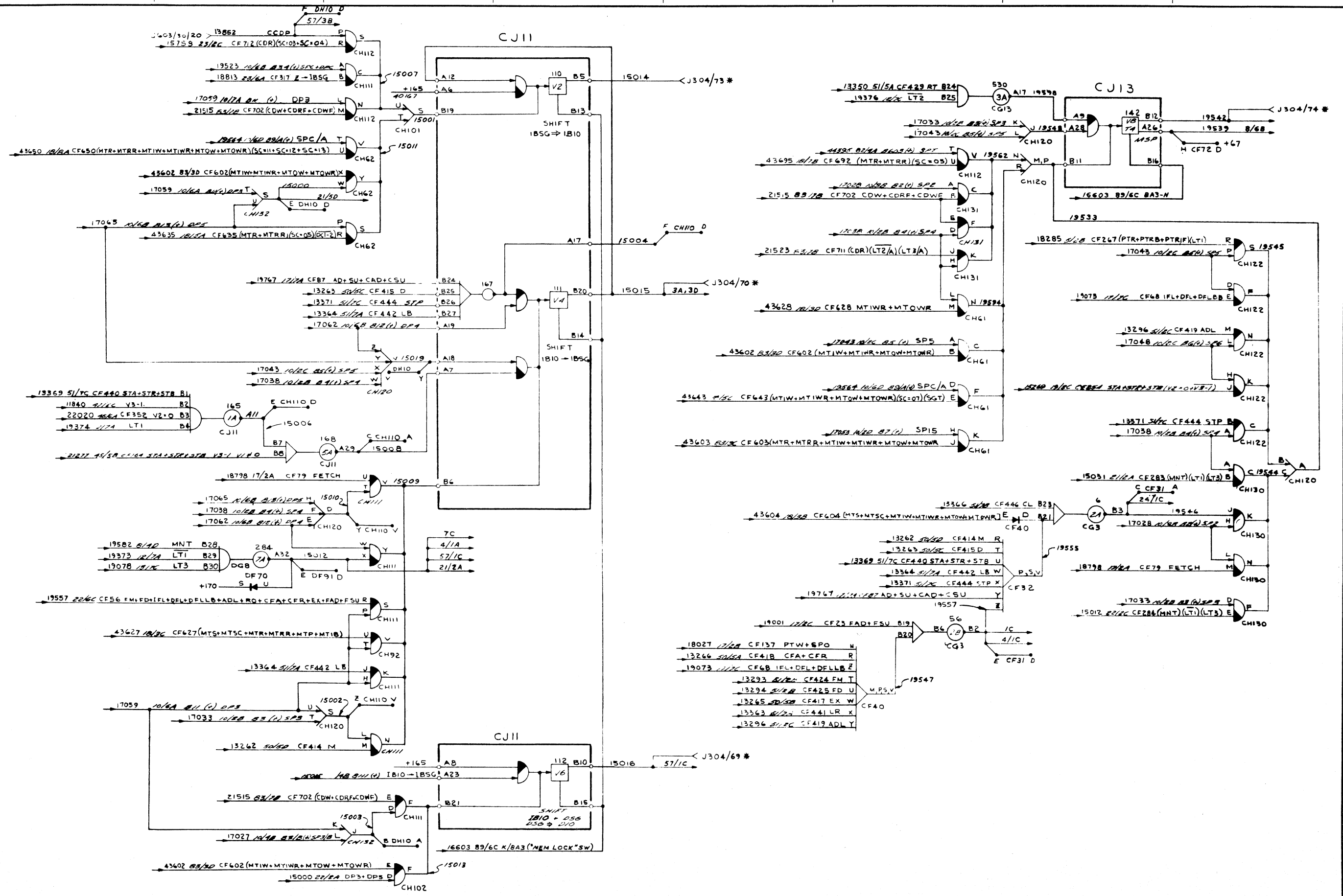
NOTICE
FOR EDUCATIONAL USE ONLY

BURROUGHS CORPORATION ELECTRODATA DIV., PASADENA, CALIFORNIA	ALT, CRT, MET, PAT, TAT	20
	PROPERTY OF BURROUGHS CORPORATION - NOT TO BE REPRODUCED, NOR USED FOR MANUFACTURING PURPOSES, EXCEPT ON BURROUGHS ORDER OR PRIOR WRITTEN CONSENT.	UNIT 56105 DATA PROCESSOR SYSTEM 220 DATA PROCESSING

REVISIONS						
B ORIGINAL ISSUE						
REV.	DCAL. NO.	DRAFTSMAN	CHKR.	APPR.	DATE	
B	7567	V. W.	MC	3/79	3-13-58	
C	8138	C.B.	MC	2/79	6-20-58	



REVISIONS						
REV.	DCN.	NO.	DRFTM.	CHKR.	APPR.	DATE
B	7567		LHC/L			5-13-58
C	8190		LHC/L			6-27-58



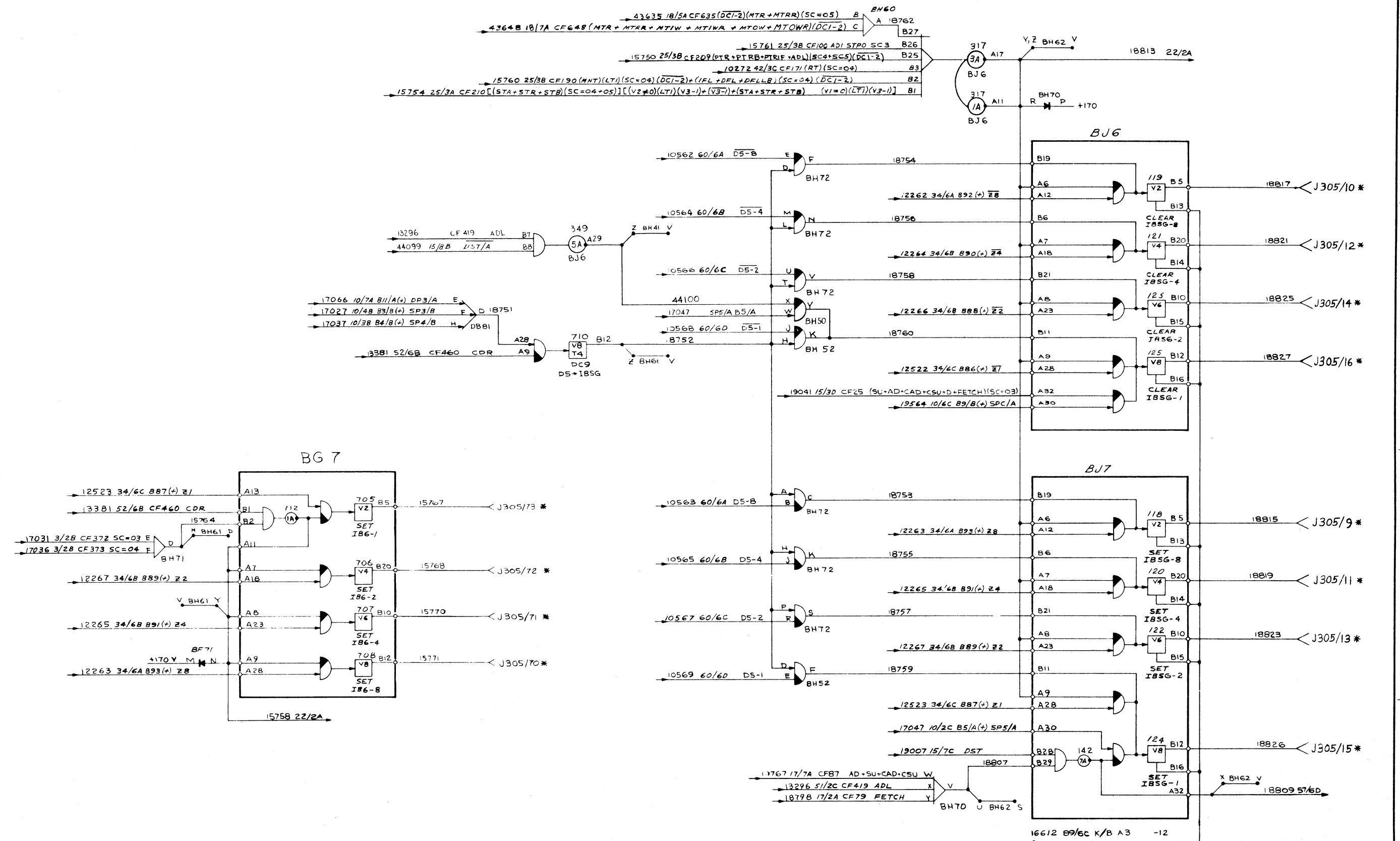
UNIT 56105
DRAWN BY
CHECKED <i>Aloum</i>
APPROVED
PROJ. ENGR. <i>H. Maxwell</i>

NOTICE FOR EDUCATIONAL USE ONLY

BURROUGHS CORPORATION ELECTRODATA DIV., PASADENA, CALIFORNIA	MEMORY CONTROL BO'S 2	22
	UNIT 56105 DATA PROCESSOR	D-63339
PROPERTY OF BURROUGHS CORPORATION - NOT TO BE REPRODUCED, NOR USED FOR MANUFACTURING PURPOSES, EXCEPT ON BURROUGHS ORDER OR PRIOR WRITTEN CONSENT.	SYSTEM 220 DATA PROCESSING	REV. C

REVISIONS					
REV.	DCN. NO.	DRFTM.N.	CHKR.	APPR.	DATE
B	7567	V.W.			3-15-58
ORIGINAL ISSUE					

UNIT 56105
DRAWN BY
CHECKED <i>[Signature]</i>
APPROVED
PROJ. ENGR. <i>[Signature]</i>



NOTICE FOR EDUCATIONAL USE ONLY

BURROUGHS CORPORATION
ELECTRODATA DIV., PARADISE, CALIFORNIA

SET IB BO'S

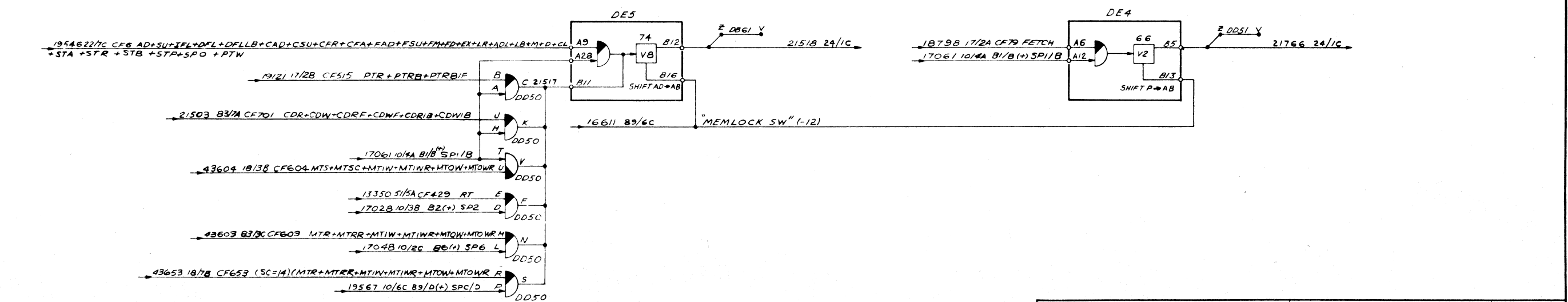
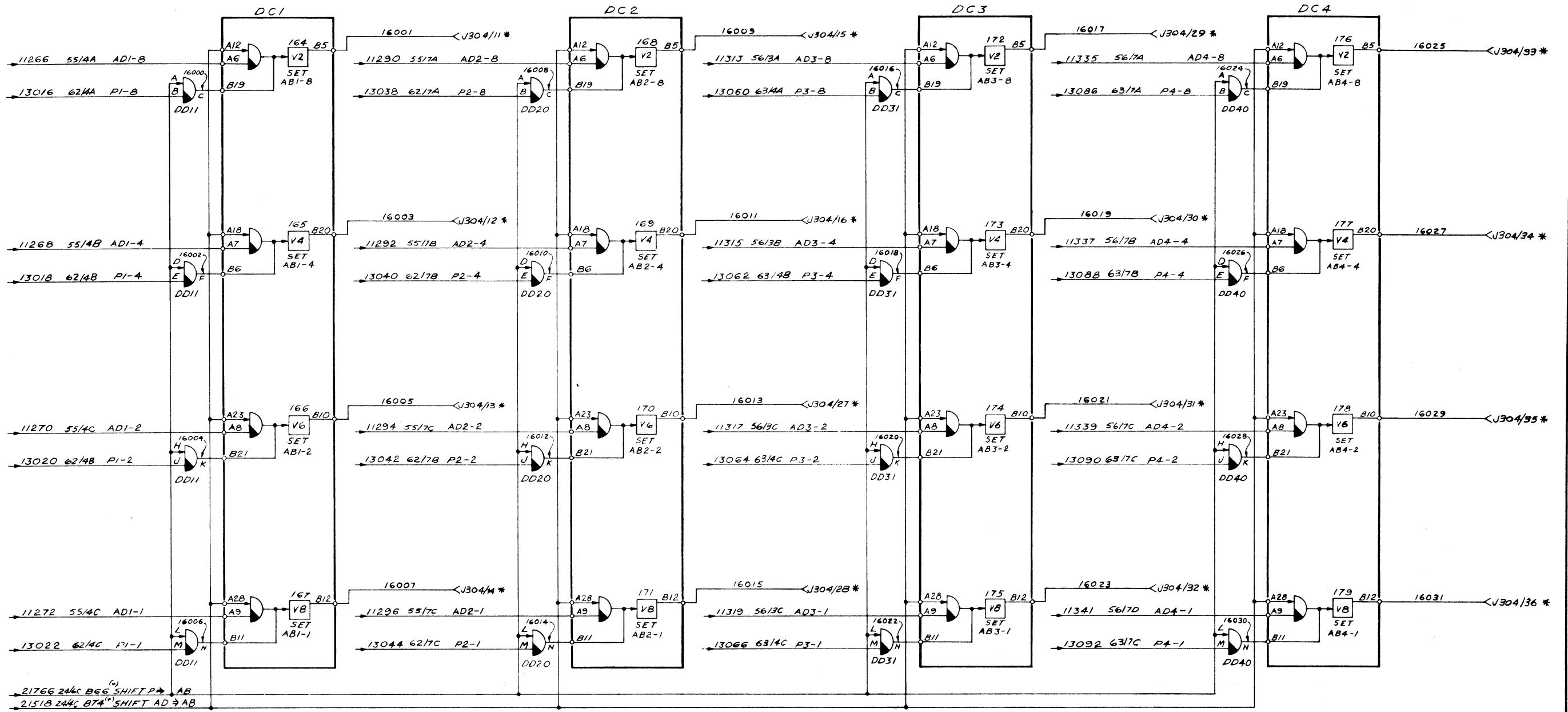
UNIT 56105 DATA PROCESSOR
SYSTEM 220 DATA PROCESSING

D-63324

REV. B

FORM NO. EDD 1488 1-58

REVISIONS					
REV.	DCN. NO.	DRFTM.N.	CHKR.	APPR.	DATE
B	7567	V.W.			3-13-58

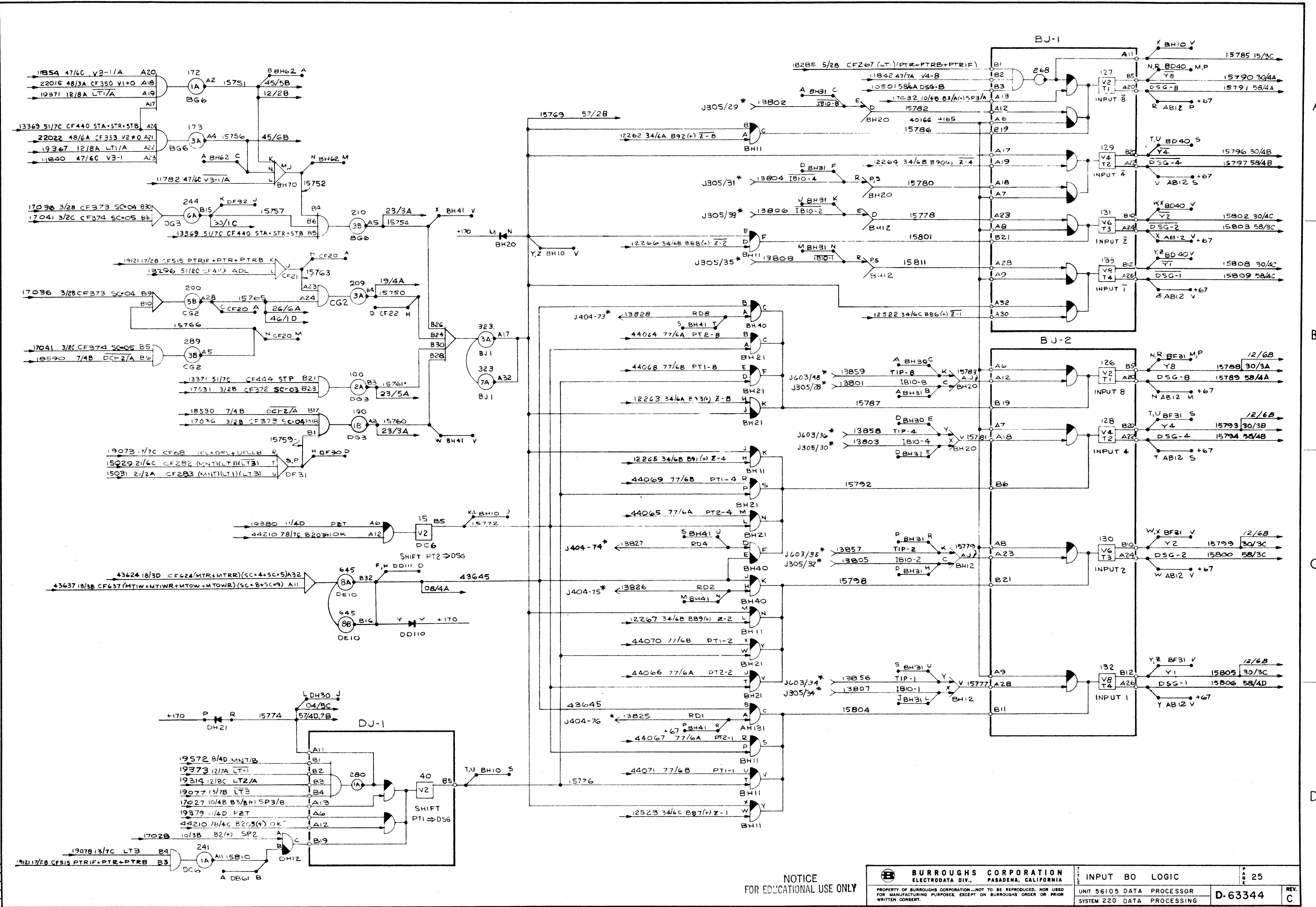


UNIT 56105
DRAWN BY
CHECKED
APPROVED
PROJ. ENGR.

NOTICE
FOR EDUCATIONAL USE ONLY

BURROUGHS CORPORATION ELECTRODATA DIV., PASADENA, CALIFORNIA	SET AB BO'S	24
	UNIT 56105 DATA PROCESSOR SYSTEM 220 DATA PROCESSING	D-63347

REVISIONS						
B ORIGINAL ISSUE						
REV.	DCN. NO.	DRFTM.	CHKR.	APPR.	DATE	
B	7567	K.T.	W.S.	W.M.	3-13-58	
C	8048	W.V.S.	W.S.	W.M.	6-9-58	

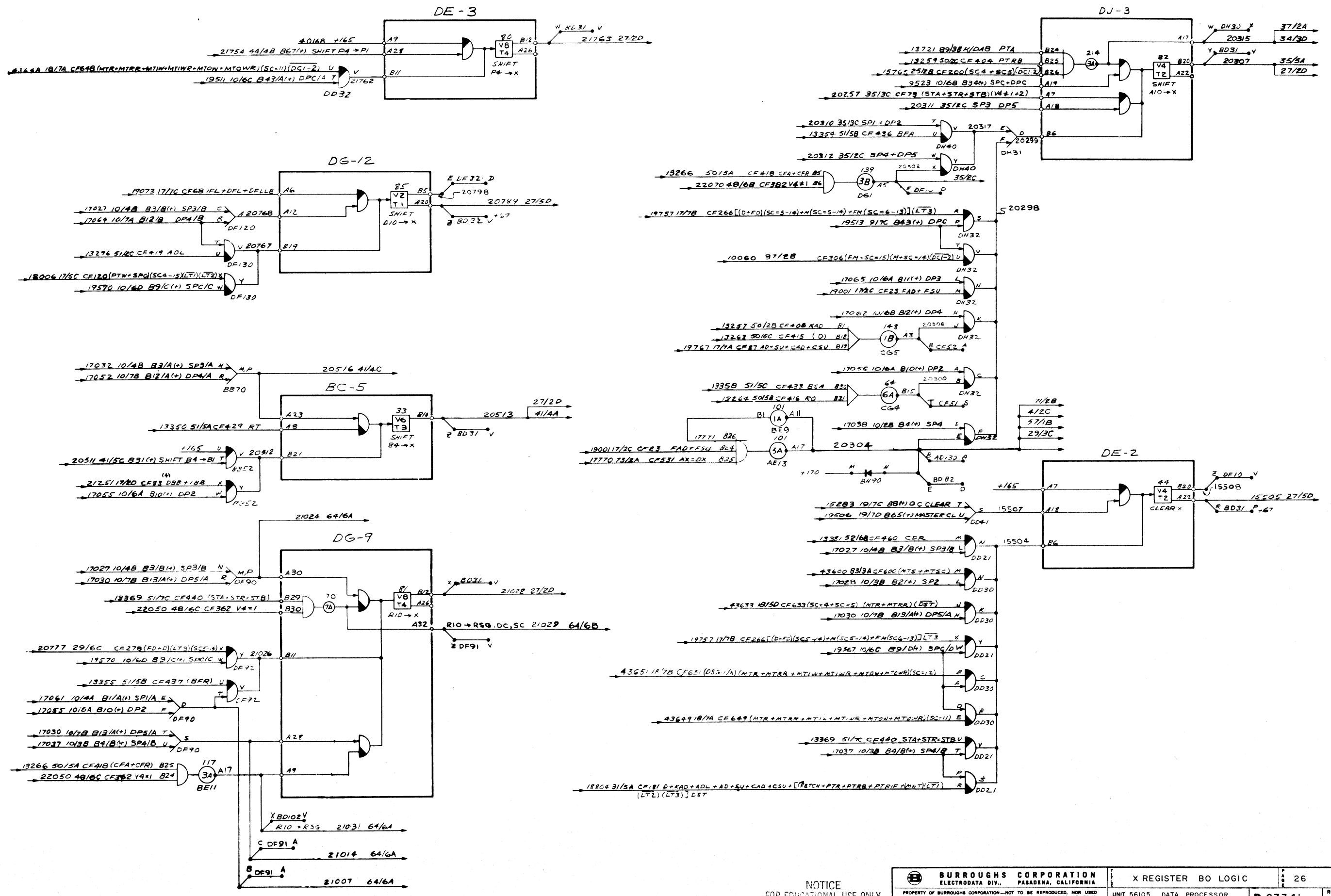


UNIT 56105
DRAWN BY
CHECKED BY
APPROVED
PROJ. ENGR.

NOTICE FOR EDUCATIONAL USE ONLY

BURROUGHS CORPORATION ELECTRODATA DIV., PARADISE, CALIFORNIA	INPUT 80 LOGIC	25
	SYSTEM 220 DATA PROCESSING D-63344	REV. C

REVISIONS					
REV.	DCN. NO.	DRFTM.	CHKR.	APPR.	DATE
B	7567	BEKEY			3-13-58
C	8190	L.H.C.			6-29-58



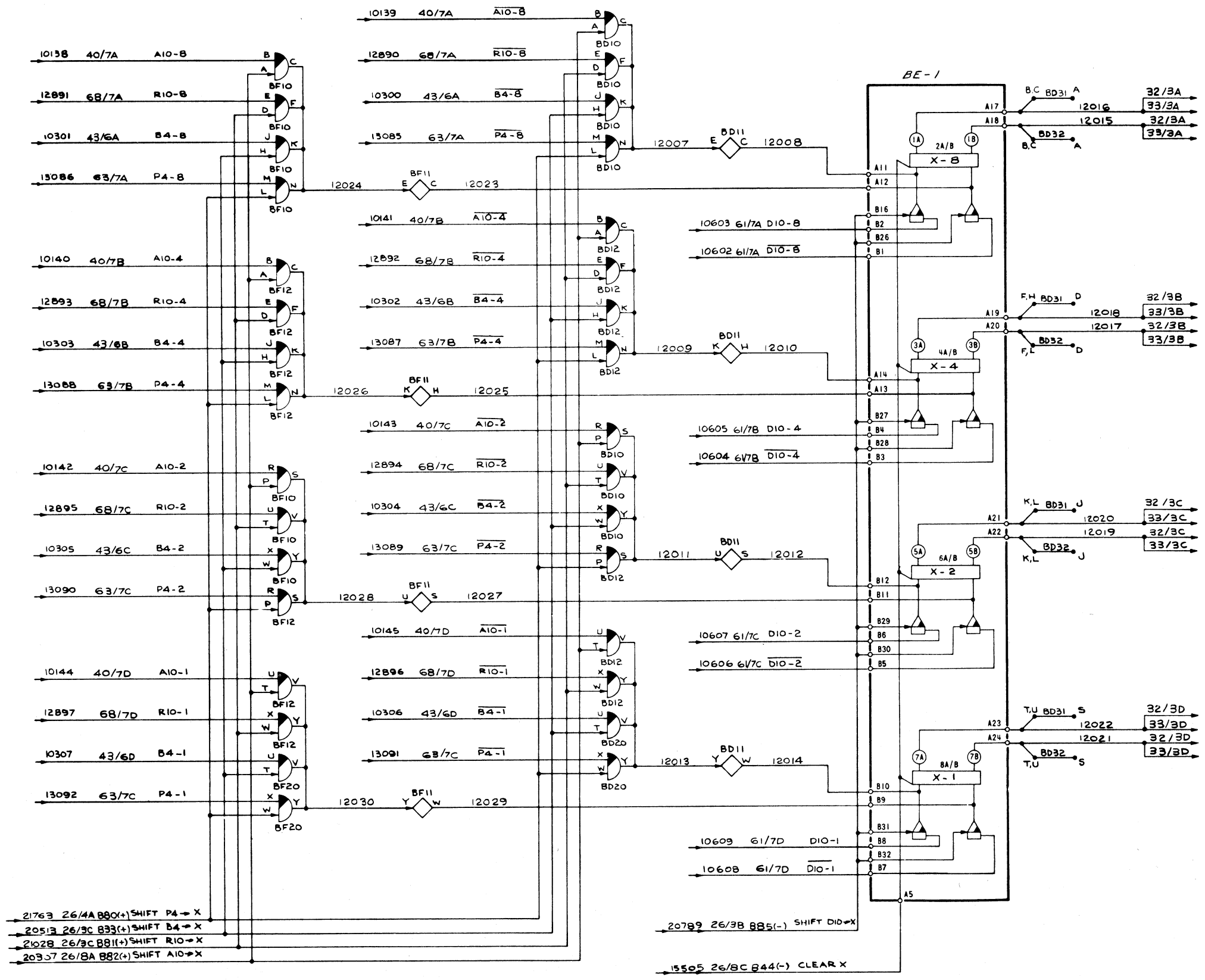
UNIT 56105
 DRAWN BY
 CHECKED
 APPROVED
 PROJ. ENGR. H. W. W.

NOTICE
 FOR EDUCATIONAL USE ONLY

BURROUGHS CORPORATION ELECTRODATA DIV., PASADENA, CALIFORNIA	X REGISTER BO LOGIC	26
	UNIT 56105 DATA PROCESSOR SYSTEM 220 DATA PROCESSING	D-63341

FORM NO. EDD 1488 1-58

REVISIONS					
B ORIGINAL ISSUE					
REV.	DCN. NO.	DRAFTSM.	CHKD.	APPR.	DATE
B	7567	V.W.	RE	MM	3-13-58



21763 26/4A B80(+) SHIFT P4 → X
 20513 26/3C B33(+) SHIFT B4 → X
 21028 26/3C B81(+) SHIFT R10 → X
 20357 26/8A B82(+) SHIFT A10 → X
 20789 26/3B B85(-) SHIFT D10 → X
 15505 26/3C B44(-) CLEAR X

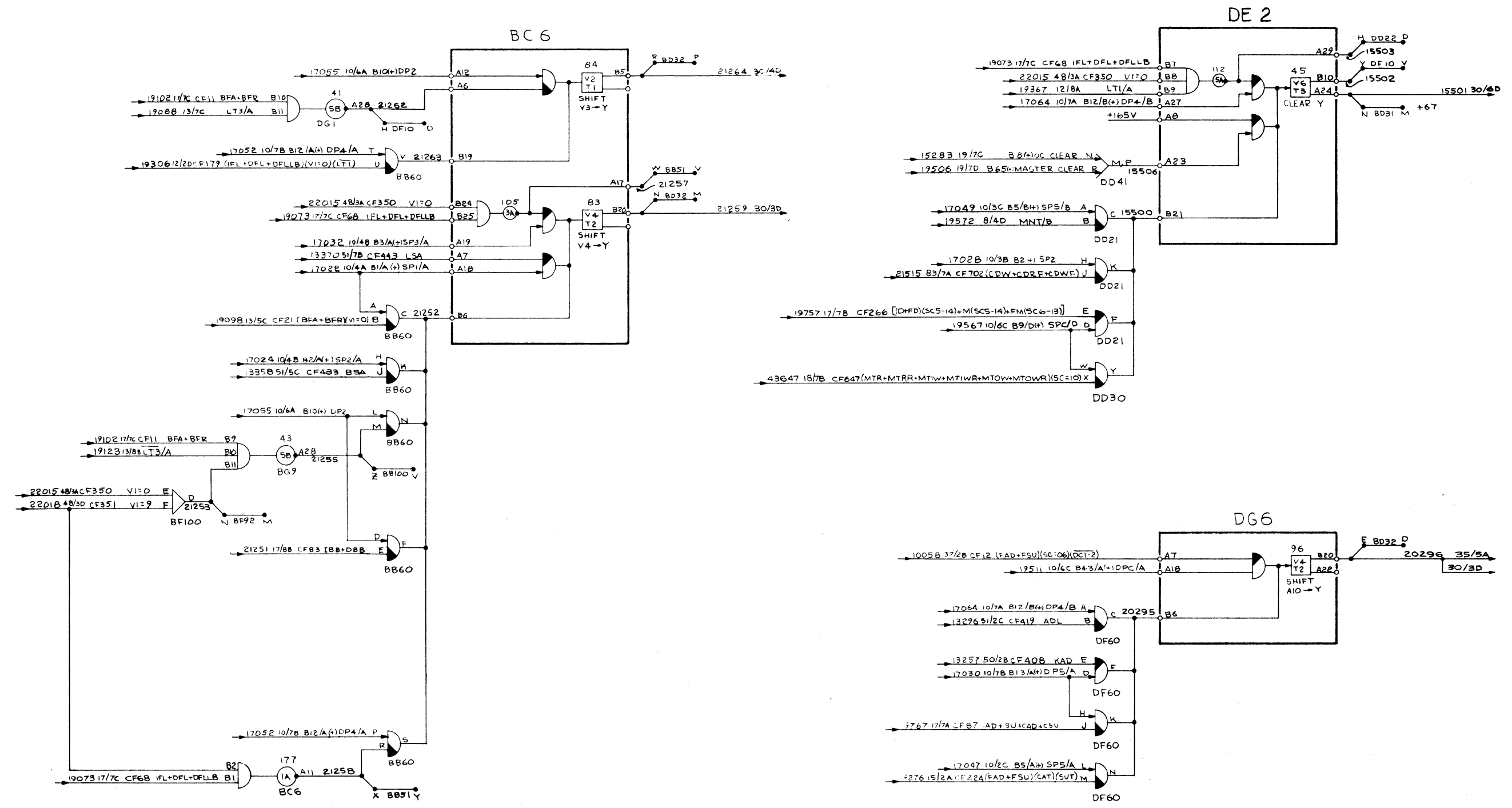
UNIT 56105
 DRAWN BY V.W.
 CHECKED H. Brown
 APPROVED
 PROJ. ENGR. H. Maxwell
 PRINTED U.S.A.

NOTICE
 FOR EDUCATIONAL USE ONLY

BURROUGHS CORPORATION ELECTRODATA DIV., PASADENA, CALIFORNIA	X DECADE 27	UNIT 56105 DATA PROCESSOR	D-63303	REV. 8
		SYSTEM 220 DATA PROCESSING	FORM NO. EDD 1400 1-58	

REVISIONS					
REV.	DCAL NO.	DFTM.N.	CHKR.	APPR.	DATE
B	7367				3-13-58
ORIGINAL ISSUE					

UNIT 56105
DRAWN BY
CHECKED BY
APPROVED
PROJ. ENGR.



A
B
C
D

UNIT 56105
 DRAWN BY
 CHECKED BY
 APPROVED
 PROJ. ENGR.

NOTICE FOR EDUCATIONAL USE ONLY

BURROUGHS CORPORATION
 ELECTRODATA DIV., PARADISE, CALIFORNIA

Y REGISTER BO LOGIC I 28

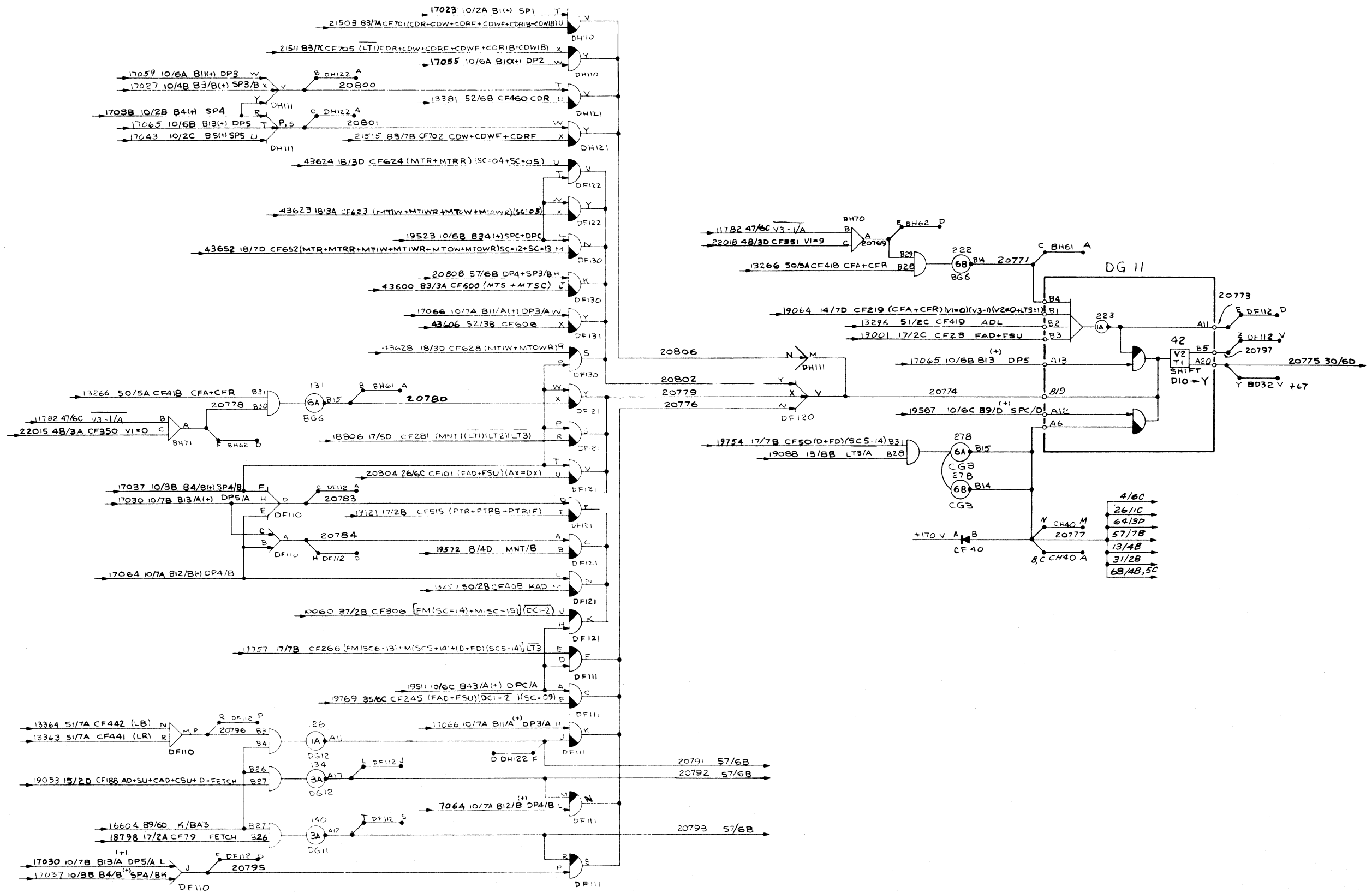
PROPERTY OF BURROUGHS CORPORATION—NOT TO BE REPRODUCED, NOR USED FOR MANUFACTURING PURPOSES, EXCEPT ON BURROUGHS ORDER OR PRIOR WRITTEN CONSENT.

UNIT 56105 DATA PROCESSOR
 SYSTEM 220 DATA PROCESSING

D-63342 REV. B

FORM NO. EDD 1486 1-66

REVISIONS						
B ORIGINAL ISSUE						
REV.	DCN.	NO.	DRTM.	CHKR.	APPR.	DATE
B	75	87	BEKEY			5-13-58
C	80	48	C.W.B.			6-9-58



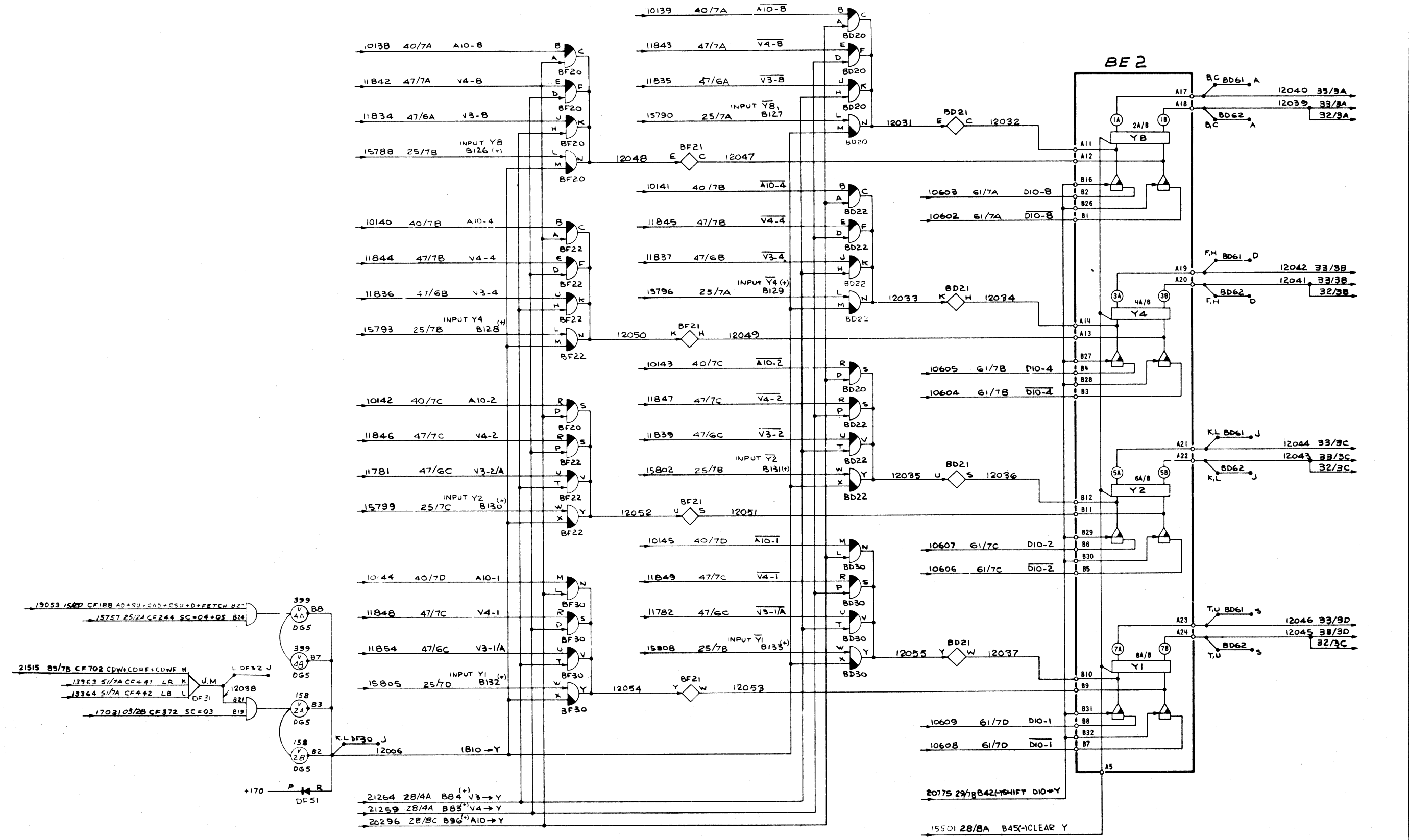
UNIT 56105
 DRAWN BY
 CHECKED
 APPROVED
 PROJ. ENGR.

NOTICE
 FOR EDUCATIONAL USE ONLY

BURROUGHS CORPORATION ELECTRODATA DIV., PASADENA, CALIFORNIA	Y REGISTER BO LOGIC 2	29
	UNIT 56105 DATA PROCESSOR SYSTEM 220 DATA PROCESSING	D-63343

FORM NO. EDD 1488 1-58

REVISIONS					
REV.	CON. NO.	DRFTM.	CHKR.	APPR.	DATE
B	7567	BEK	HE	3/13/58	



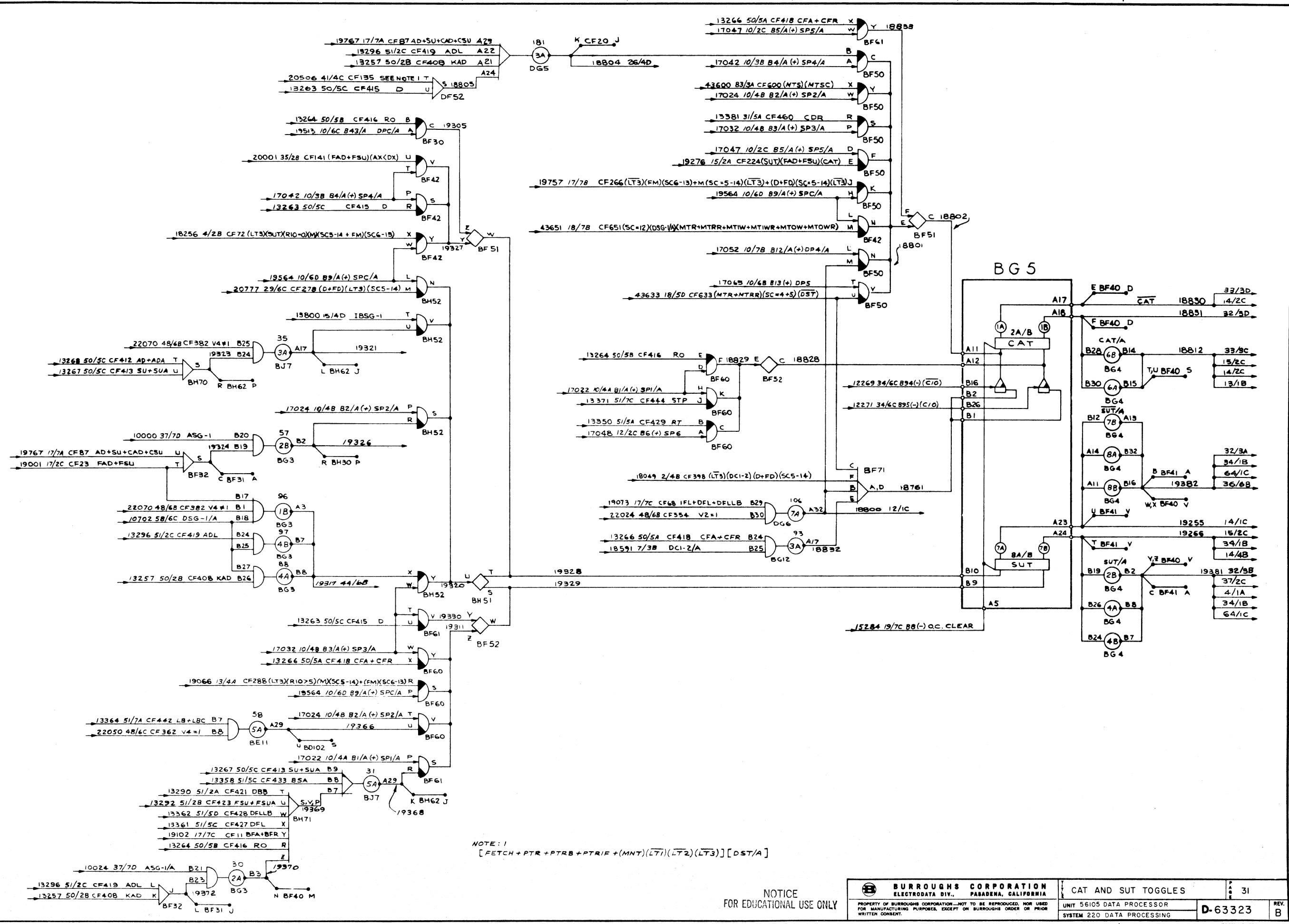
UNIT 56105
 DRAWN BY
 CHECKED
 APPROVED
 PROJ. ENGR.

NOTICE
 FOR EDUCATIONAL USE ONLY

BURROUGHS CORPORATION ELECTRODATA DIV., PARADISE, CALIFORNIA	Y DECADE	30
	UNIT 56105 DATA PROCESSOR SYSTEM 220 DATA PROCESSING	D-63304

REVISIONS						
REV.	DCN. NO.	DATE	BY	CHKD.	APPR.	DATE
B	7567	1-13-58	BEKEY			

UNIT 56105
DRAWN BY
CHECKED
APPROVED
PROD. ENGR.

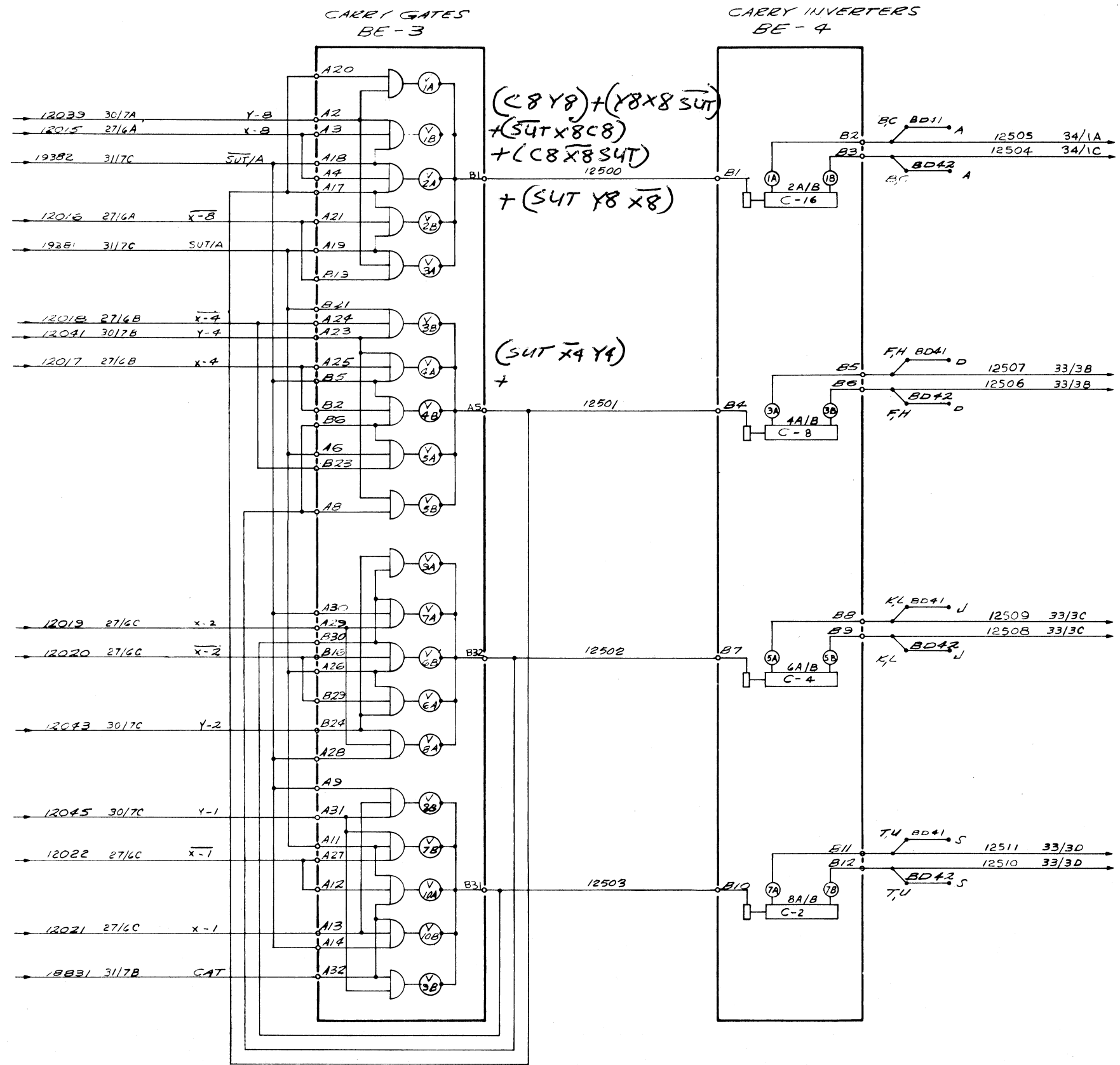


NOTE: 1
 [FETCH+PTR+PTRB+PTRIF+(MNT)(LT1)(LT2)(LT3)][DST/A]

NOTICE
 FOR EDUCATIONAL USE ONLY

BURROUGHS CORPORATION ELECTRODATA DIV., PASADENA, CALIFORNIA	CAT AND SUT TOGGLES	31
	UNIT 56105 DATA PROCESSOR SYSTEM 220 DATA PROCESSING	D-63323

REVISIONS					
REV.	DCN. NO.	DRAFTSMAN	CHKR.	APPR.	DATE
B	7567	L.H.C.	JL	JM	3-13-58



UNIT 56105
DRAWN BY
CHECKED
APPROVED
PROJ. ENGR.

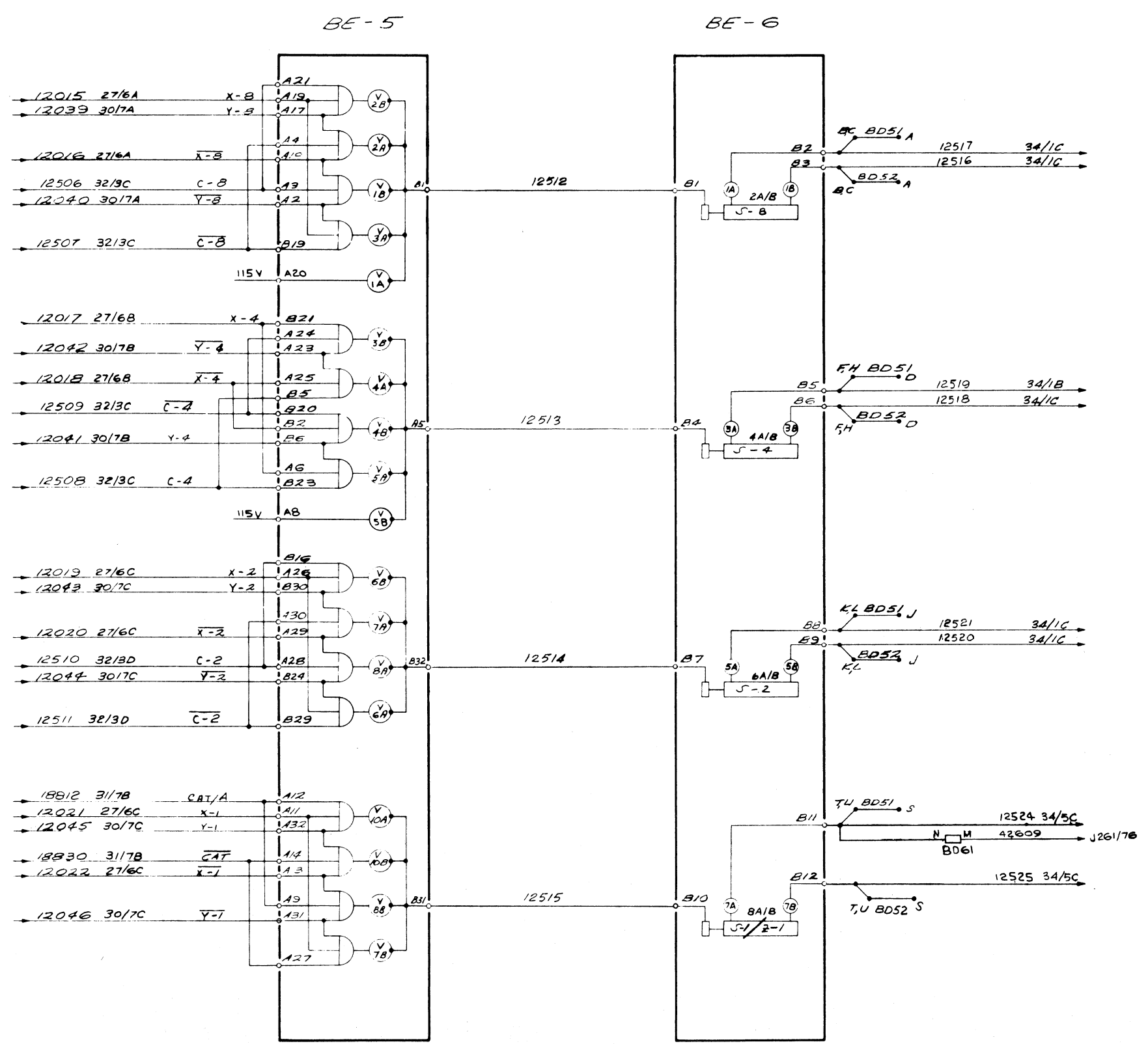
NOTICE FOR EDUCATIONAL USE ONLY

BURROUGHS CORPORATION ELECTRODATA DIV., PASADENA, CALIFORNIA	ADDER CARRY LOGIC	32
	UNIT 56105 DATA PROCESSOR SYSTEM 220 DATA PROCESSING	D-63358

REVISIONS				
REV.	DCN. NO.	DRFTM.N.	CHKR.	DATE
B	7367	LCH		3-13-58

B ORIGINAL ISSUE				
REV.	DCN. NO.	DRFTM.N.	CHKR.	DATE
B	7367	LCH		3-13-58

UNIT 56105
DRAWN BY
CHECKED <i>[Signature]</i>
APPROVED
PROJ. ENGR. <i>[Signature]</i>



A
B
C
D

NOTICE FOR EDUCATIONAL USE ONLY

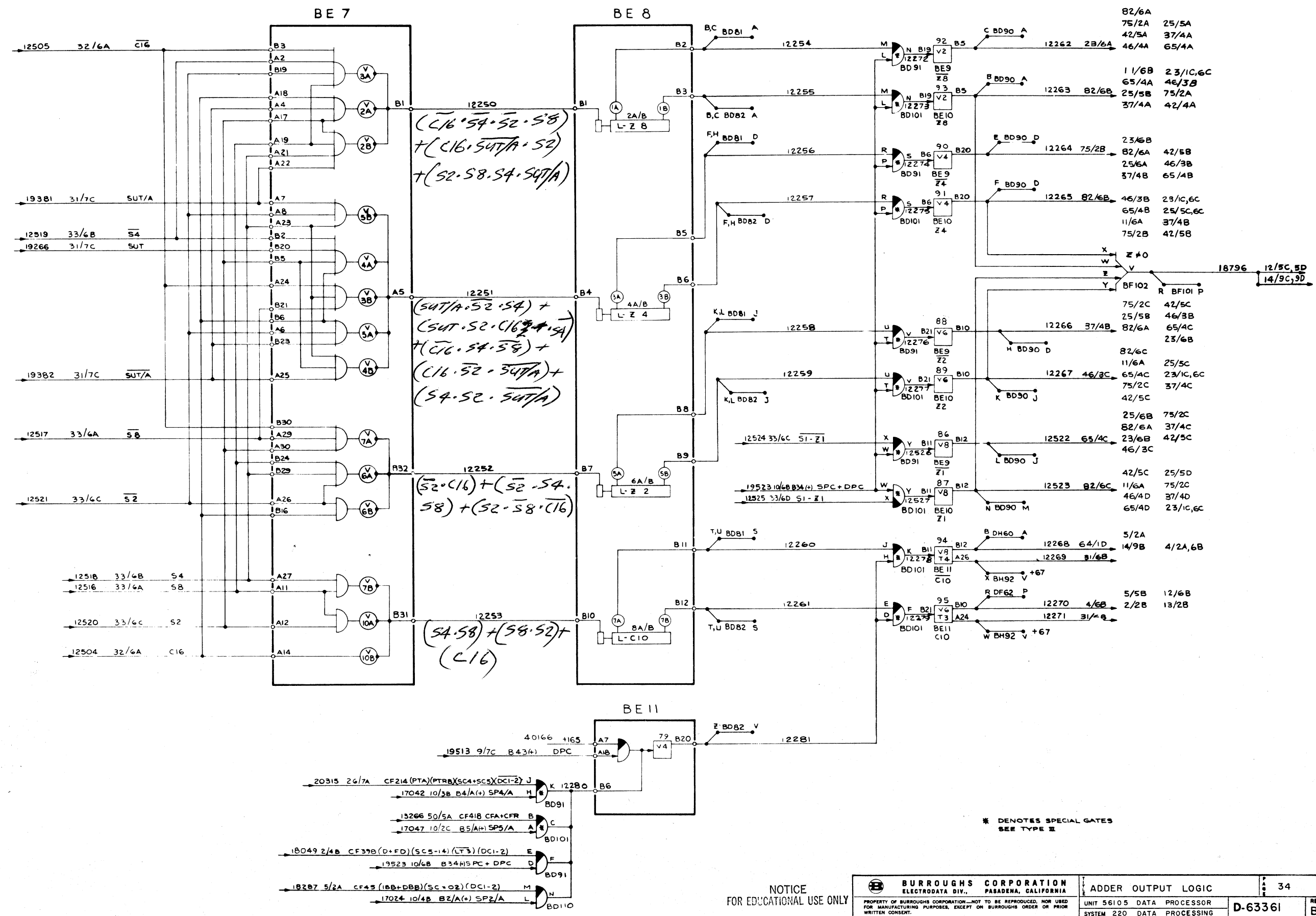
BURROUGHS CORPORATION ELECTRODATA DIV., PARADISE, CALIFORNIA	ADDER SUM LOGIC	33
	UNIT 56105 DATA PROCESSOR SYSTEM 220 DATA PROCESSING	D-63359

REVISIONS					
REV.	DCAL NO.	DRFTM.N.	CHKR.	APPR.	DATE
B	7567	L.H.C.H.			5-13-58

B ORIGINAL ISSUE

UNIT 56105
DRAWN BY
CHECKED <i>[Signature]</i>
APPROVED <i>[Signature]</i>
PROJ. ENGR. <i>[Signature]</i>

PRINTED U.S.A.



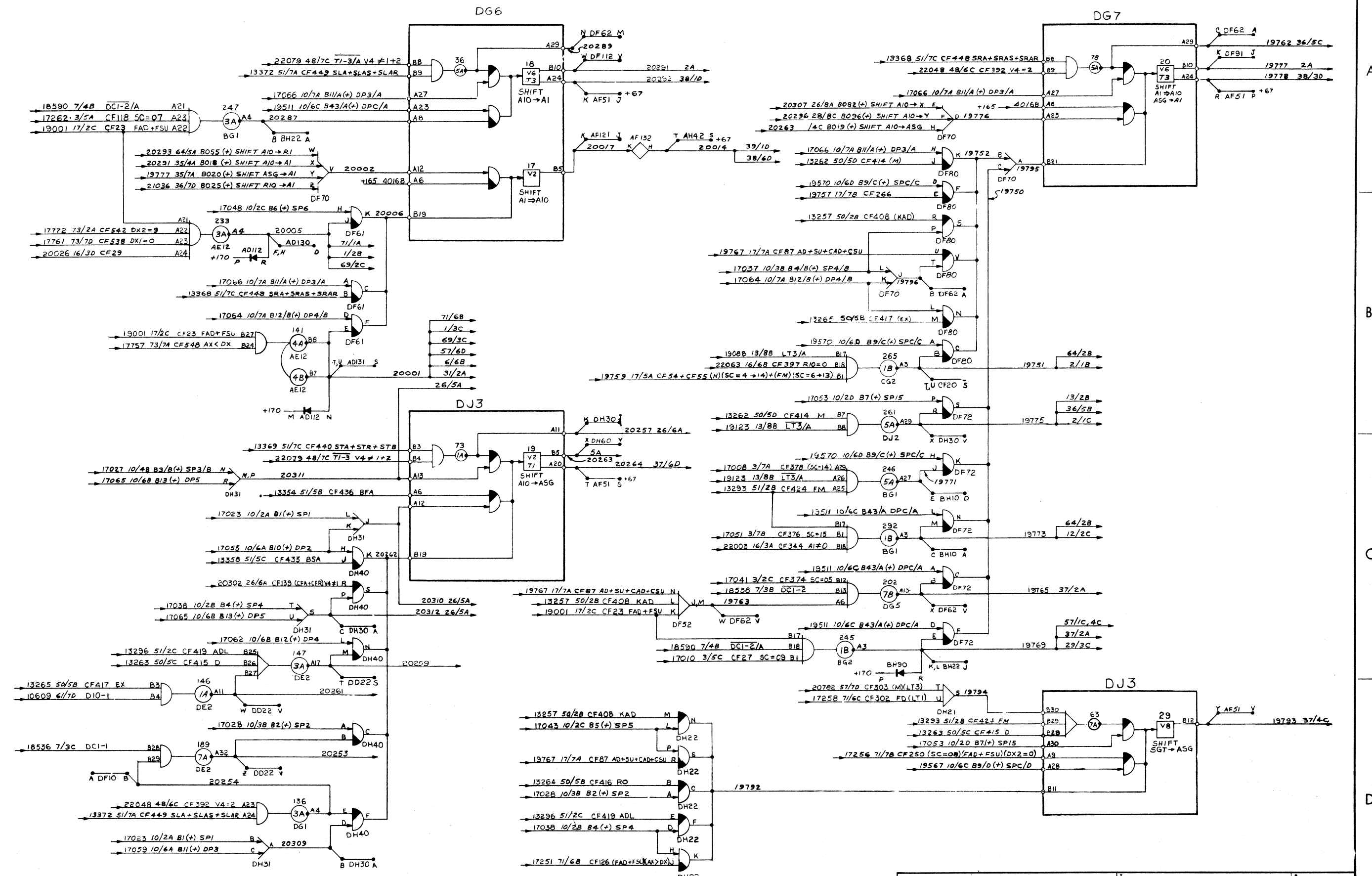
* DENOTES SPECIAL GATES
SEE TYPE III

NOTICE
FOR EDUCATIONAL USE ONLY

BURROUGHS CORPORATION ELECTRODATA DIV., PARADISE, CALIFORNIA	ADDER OUTPUT LOGIC	34
	SYSTEM 220 DATA PROCESSING	D-63361

FORM NO. EDD 1486 1-58

REVISIONS						
B ORIGINAL ISSUE						
REV.	DCN. NO.	DRFTM. HR.	CHKR. HR.	APPR. JCA	DATE	
B	7567	BEKEY	HR	JCA	5-12-58	
C	8190	LUCH	UR	HN	6-27-58	



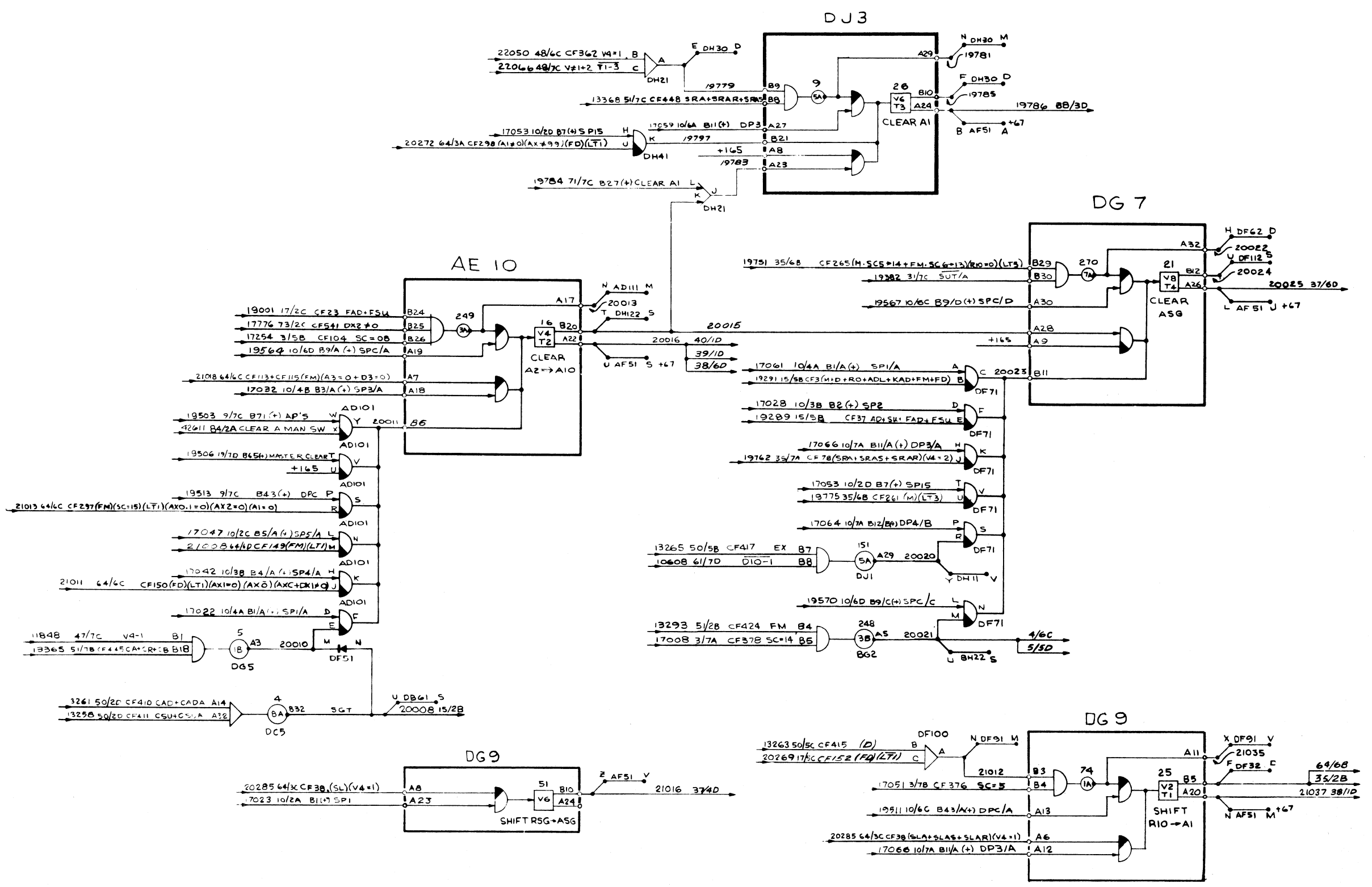
UNIT 56105
DRAWN BY
CHECKED
APPROVED
PROJ. ENGR.

NOTICE FOR EDUCATIONAL USE ONLY

BURROUGHS CORPORATION
ELECTRODATA DIV., PASADENA, CALIFORNIA
PROPERTY OF BURROUGHS CORPORATION - NOT TO BE REPRODUCED, NOR USED FOR MANUFACTURING PURPOSES, EXCEPT ON BURROUGHS ORDER OR PRIOR WRITTEN CONSENT.

A REGISTER BO LOGIC I	35
UNIT 56105 DATA PROCESSOR	D-63330
SYSTEM 220 DATA PROCESSING	REV. C

REVISIONS					
B ORIGINAL ISSUE					
REV.	DCAL NO.	DRFTM.N.	CHKR.	APPR.	DATE
B	7567	L.H.C.H.	J.C.A.	J.C.A.	5-13-58



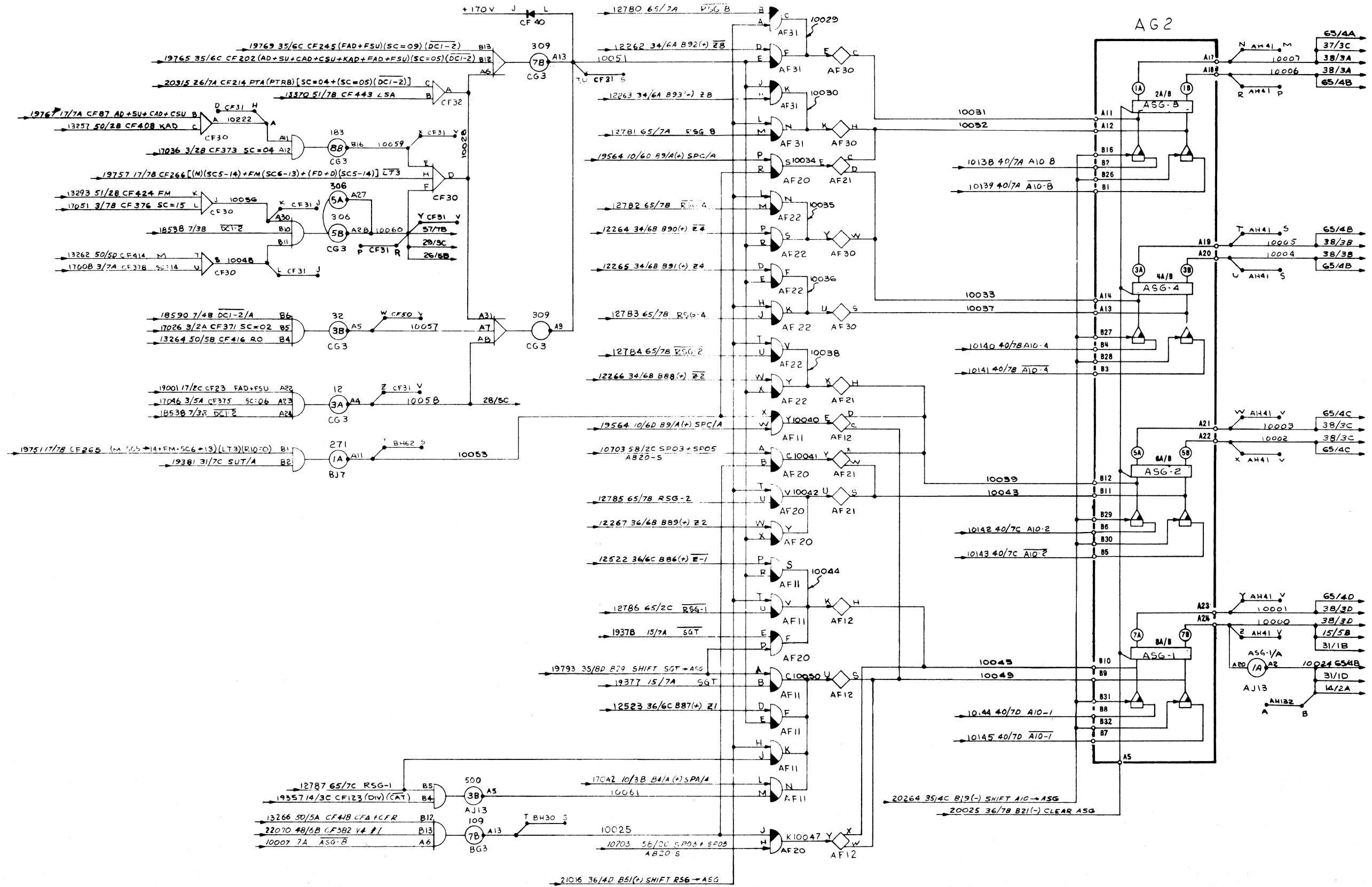
UNIT 56105
 DRAWN BY R.T.M.
 CHECKED *[Signature]*
 APPROVED *[Signature]*
 PROJ. ENGR. *[Signature]*
 PRINTED IN U.S.A.

NOTICE
 FOR EDUCATIONAL USE ONLY

BURROUGHS CORPORATION ELECTRODATA DIV., PASADENA, CALIFORNIA	A REGISTER BO LOGIC 2	36
	UNIT 56105 DATA PROCESSOR SYSTEM 220 DATA PROCESSING	D-63331

FORM NO. EDD 1485 1-58

REVISIONS					
B ORIGINAL ISSUE					
REV.	DCAL. NO.	DRFTM.	CHKR.	APPR.	DATE
B	7567	K.T.			3-13-58
C	8190	K.T.			6-27-58

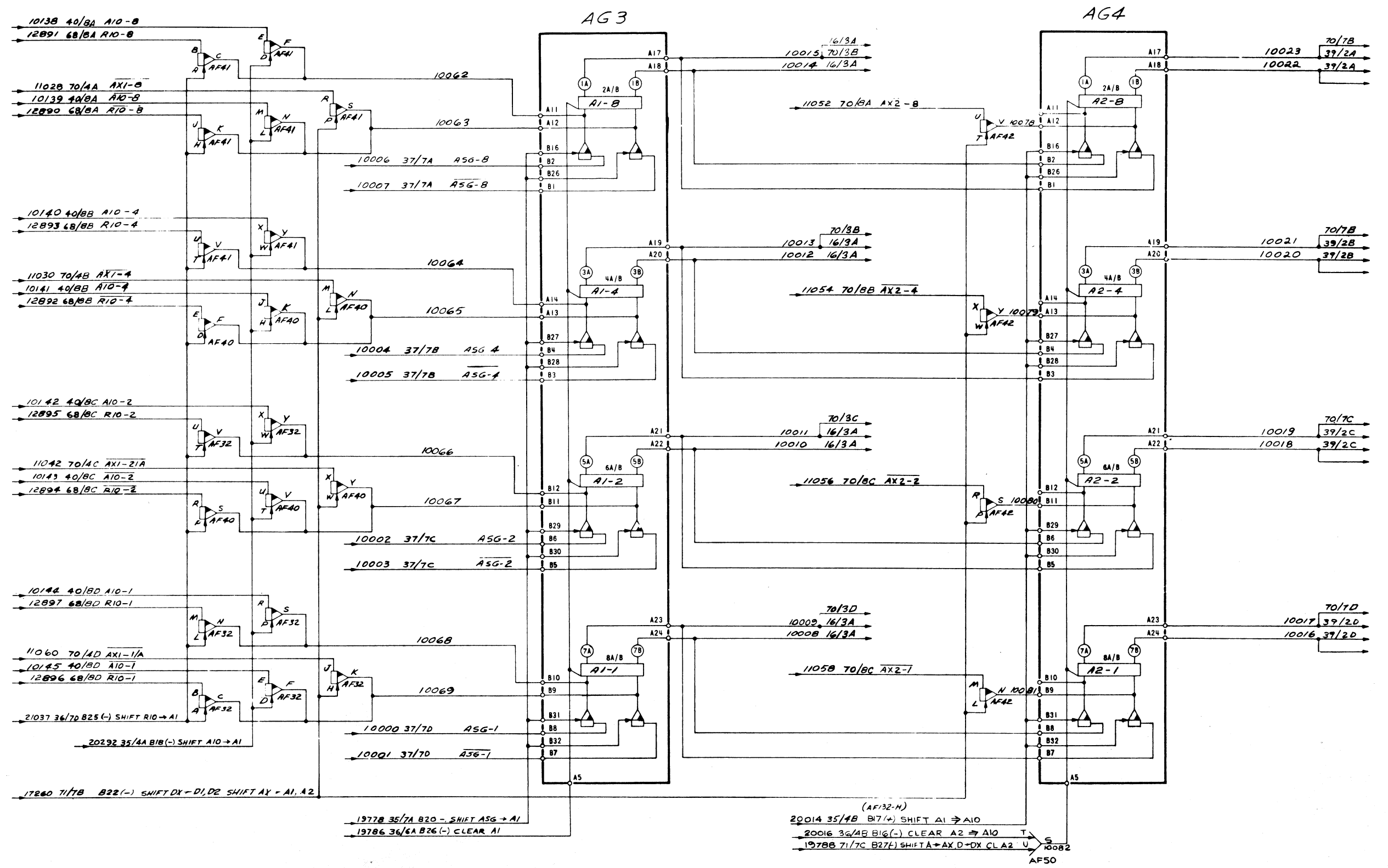


UNIT 56105
DRAWN BY
CHECKED <i>R. Lawson</i>
APPROVED
PRD. ENGR <i>M. M...</i>

NOTICE FOR EDUCATIONAL USE ONLY

BURROUGHS CORPORATION ELECTRODATA DIV., PARADISE, CALIFORNIA	ASG DECADE	37
	UNIT 56105 DATA PROCESSOR	D-63349
<small>PROPERTY OF BURROUGHS CORPORATION - NOT TO BE REPRODUCED, NOR USED FOR MANUFACTURING PURPOSES WITHOUT BURROUGHS ORDER OR PRIOR WRITTEN CONSENT.</small>		<small>SYSTEM 220 DATA PROCESSING</small>

REVISIONS					
REV.	DCOL.	NO.	DRFTM.	CHKR.	DATE
B					3-13-58
B	7567				

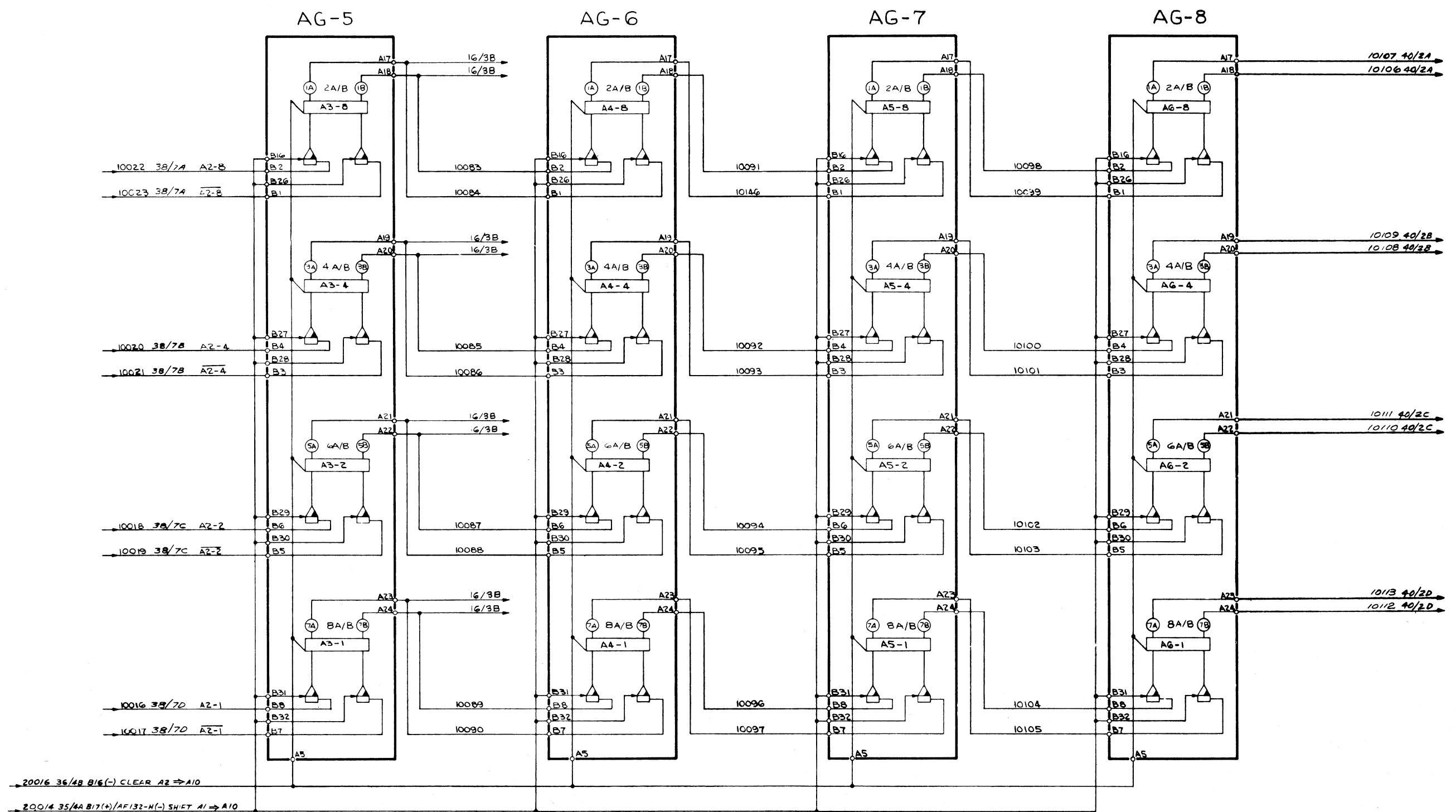


UNIT 56105
DRAWN BY
CHECKED
APPROVED
PROJ. ENGR.

NOTICE FOR EDUCATIONAL USE ONLY

BURROUGHS CORPORATION ELECTRODATA DIV., PASADENA, CALIFORNIA	AI AND A2 DECADES	38
	SYSTEM 220 DATA PROCESSOR D-63350	REV. B

REVISIONS				
B ORIGINAL ISSUE				
REV.	DCN. NO.	DRAFTSMAN	CHKR.	DATE
B	7567	L.H.C.	J.P.	5-13-58



20016 36/48 B16(-) CLEAR A2 → A10
 20014 35/44 B17(+)/AF132-M(-) SHIFT A1 → A10

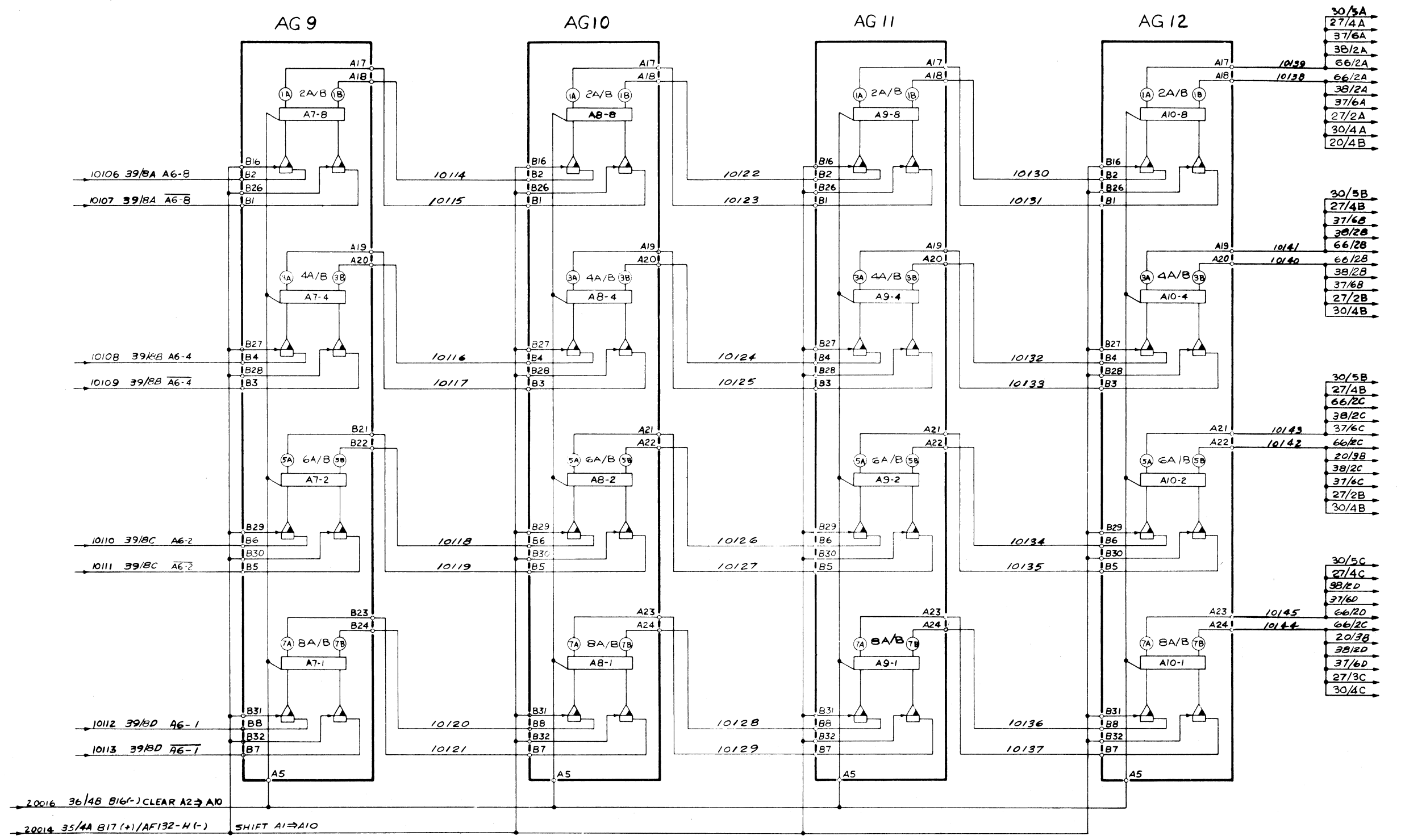
UNIT 56105
DRAWN BY MC NULTY
CHECKED <i>[Signature]</i>
APPROVED <i>[Signature]</i>
PROJ. ENGR. <i>[Signature]</i>

NOTICE FOR EDUCATIONAL USE ONLY

BURROUGHS CORPORATION ELECTRODATA DIV., PASADENA, CALIFORNIA	A3 THROUGH A6 DECADES	39
	UNIT 56105 DATA PROCESSOR SYSTEM 220 DATA PROCESSING	D-63351

A
B
C
D

REVISIONS					
B ORIGINAL ISSUE					
REV.	DCN.	NO.	DRFTM.	CHKR.	DATE
B	7367		V.W.	JCA	3-15-58

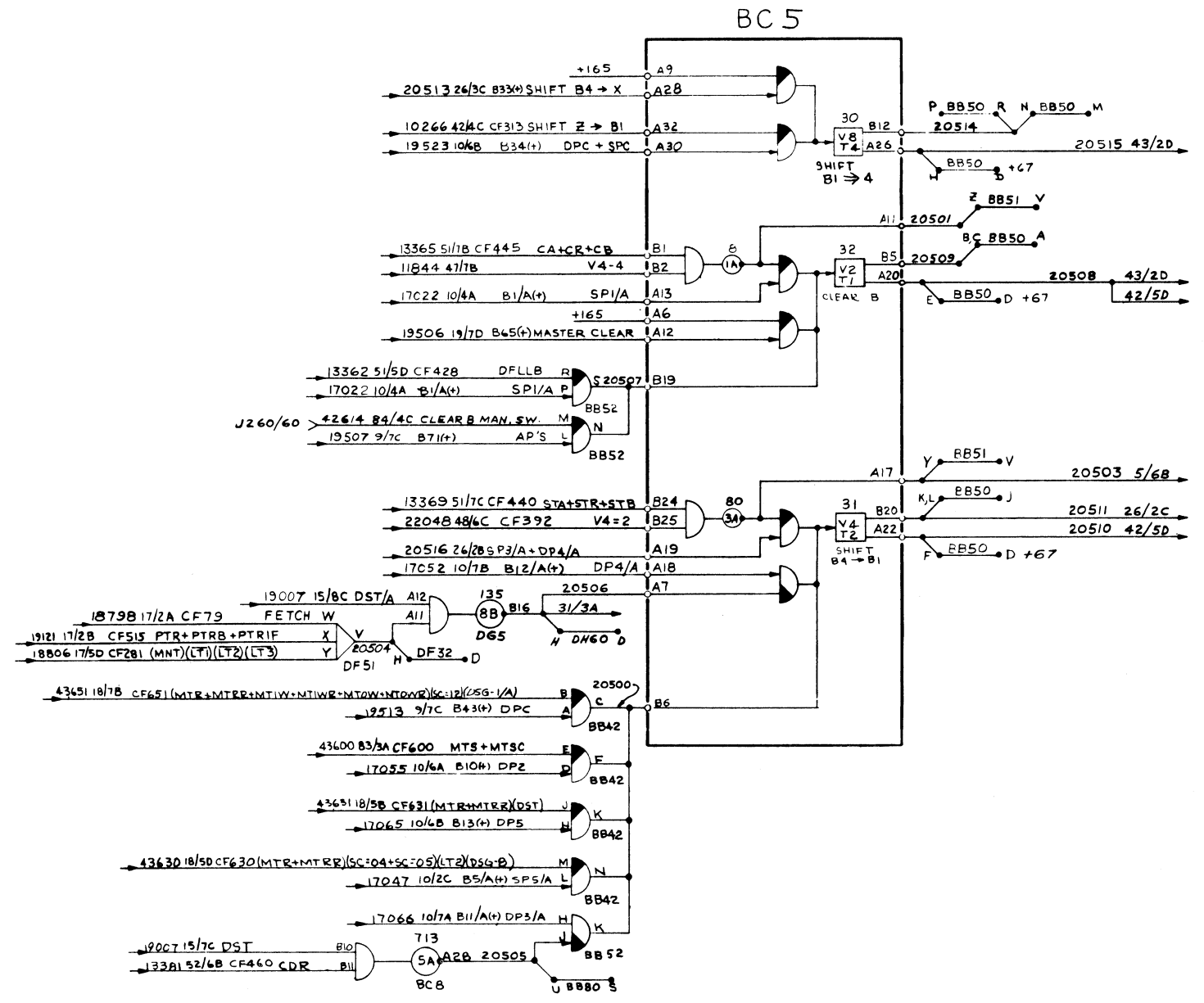


UNIT 56105
DRAWN BY
CHECKED
APPROVED
PRG. ENGR. <i>H. Maxwell</i>
PRINTED U.S.A.

NOTICE FOR EDUCATIONAL USE ONLY

BURROUGHS CORPORATION ELECTRODATA DIV., PARADISE, CALIFORNIA	A7 THROUGH A10 DECADES	40
	UNIT 56105 DATA PROCESSOR	REV. B
PROPERTY OF BURROUGHS CORPORATION—NOT TO BE REPRODUCED, NOR USED FOR MANUFACTURING PURPOSES, EXCEPT ON BURROUGHS ORDER OR PRIOR WRITTEN CONSENT.	SYSTEM 220 DATA PROCESSING	D-63352

REVISIONS					
B ORIGINAL ISSUE					
REV.	DCAL. NO.	DRFTM.N.	CHKR.	APPR.	DATE
B	7567	L.H.C.H.	H.R.	JCA	9-12-58

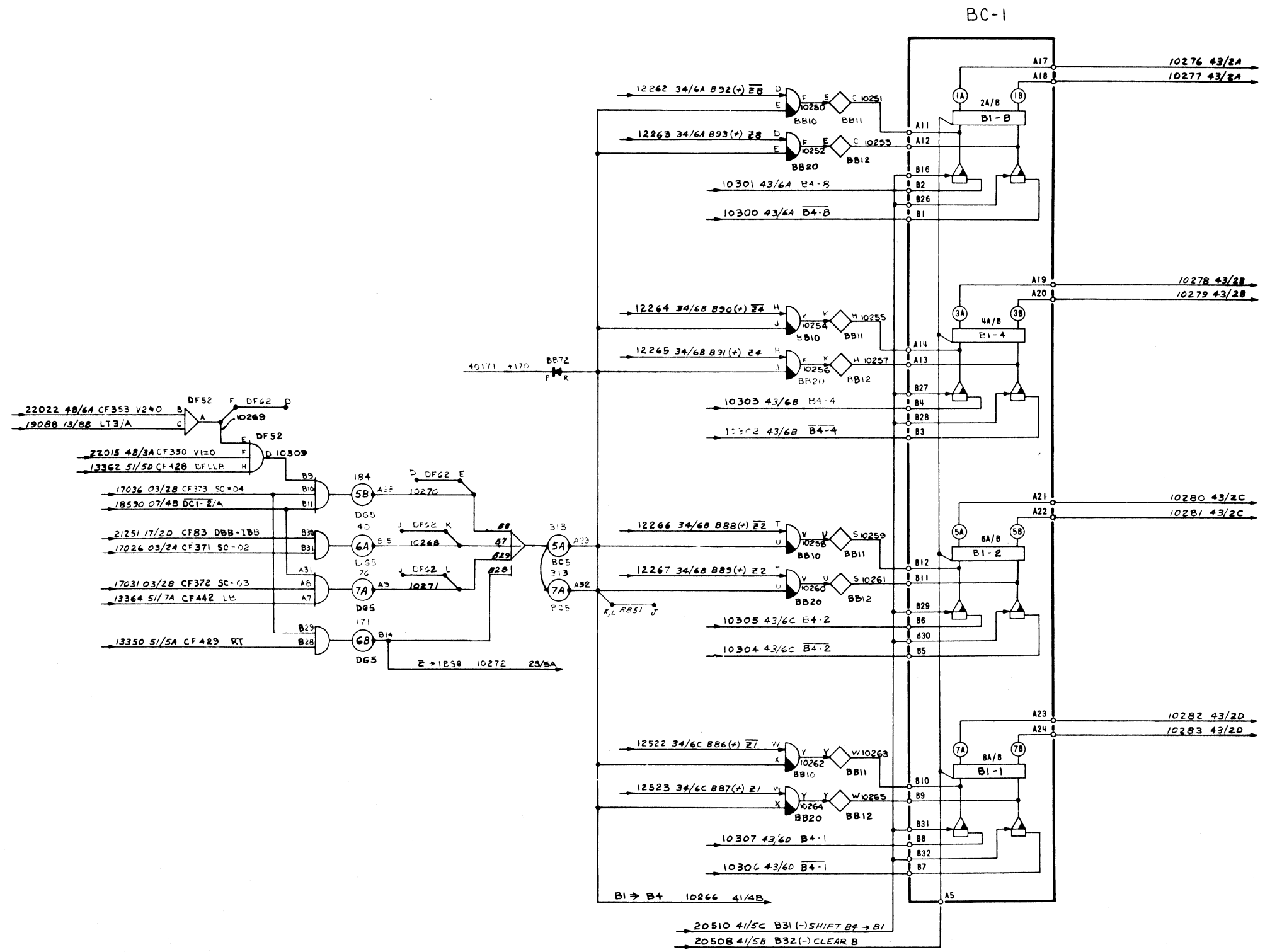


UNIT 56105
 DRAWN BY
 CHECKED
 APPROVED
 PROJ. F.N.G.R. *[Signature]*
 PRINTED U.S.A.

NOTICE
 FOR EDUCATIONAL USE ONLY

BURROUGHS CORPORATION ELECTRODATA DIV., PARADISE, CALIFORNIA	B REGISTER BO LOGIC	41
	UNIT 56105 DATA PROCESSOR SYSTEM 220 DATA PROCESSING	D-63334

REVISIONS					
B ORIGINAL ISSUE					
REV.	DCN. NO.	DRFT. MN.	CHKR.	APPR.	DATE
B	7567	V.W.			3-13-58

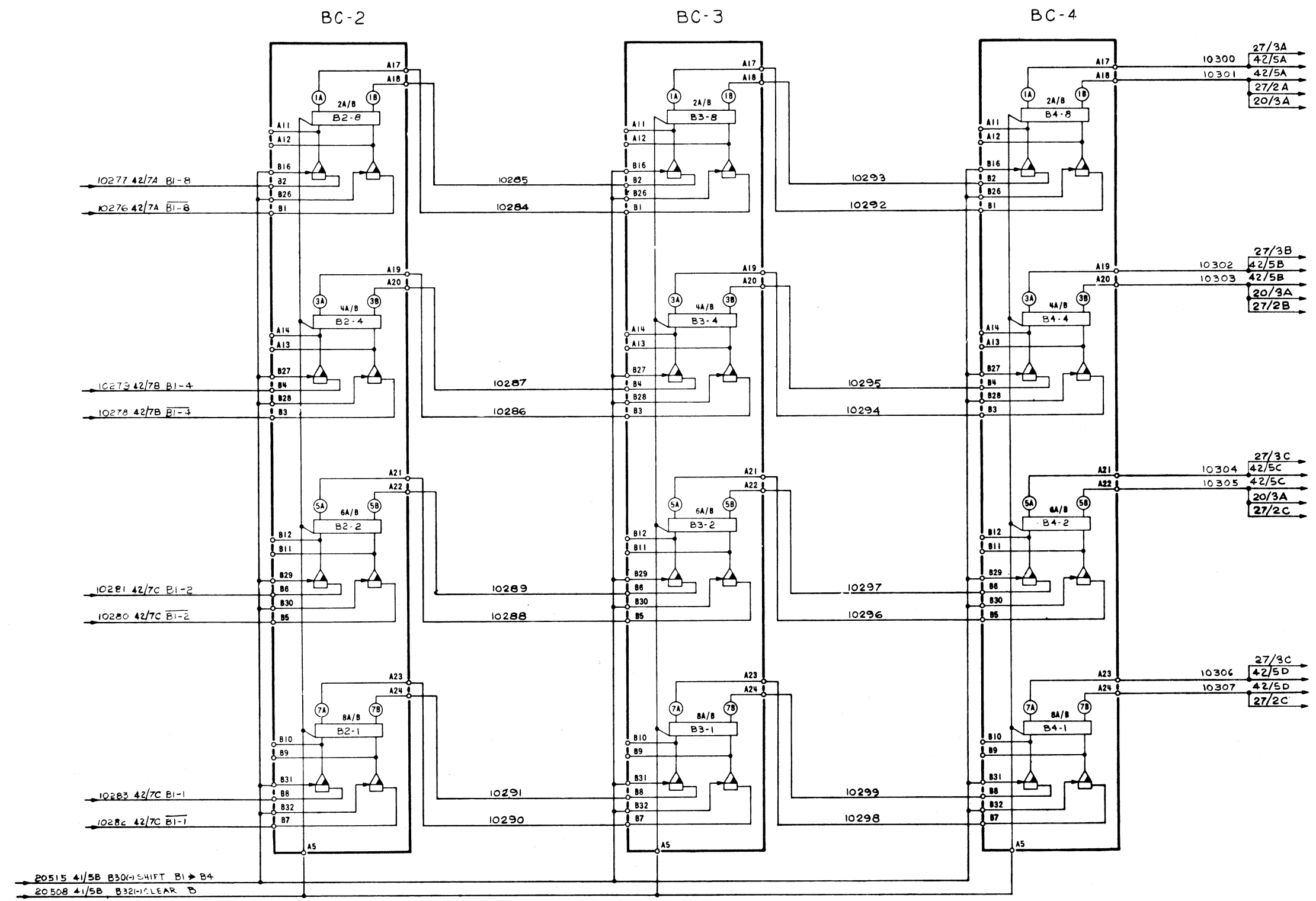


UNIT 56105
DRAWN BY
CHECKED <i>H. Brown</i>
APPROVED
PROJ. ENGR. <i>H. Maxwell</i>

NOTICE
FOR EDUCATIONAL USE ONLY

BURROUGHS CORPORATION ELECTRODATA DIV., PASADENA, CALIFORNIA	BI DECADE	42
	UNIT 56105 DATA PROCESSOR SYSTEM 220 DATA PROCESSING	D-63355

REV. 'S					
B ORIGINAL ISSUE					
REV.	DCN. NO.	DRFT/REV.	CHKD.	APPR.	DATE
B	7567	V.W.			3-13-58



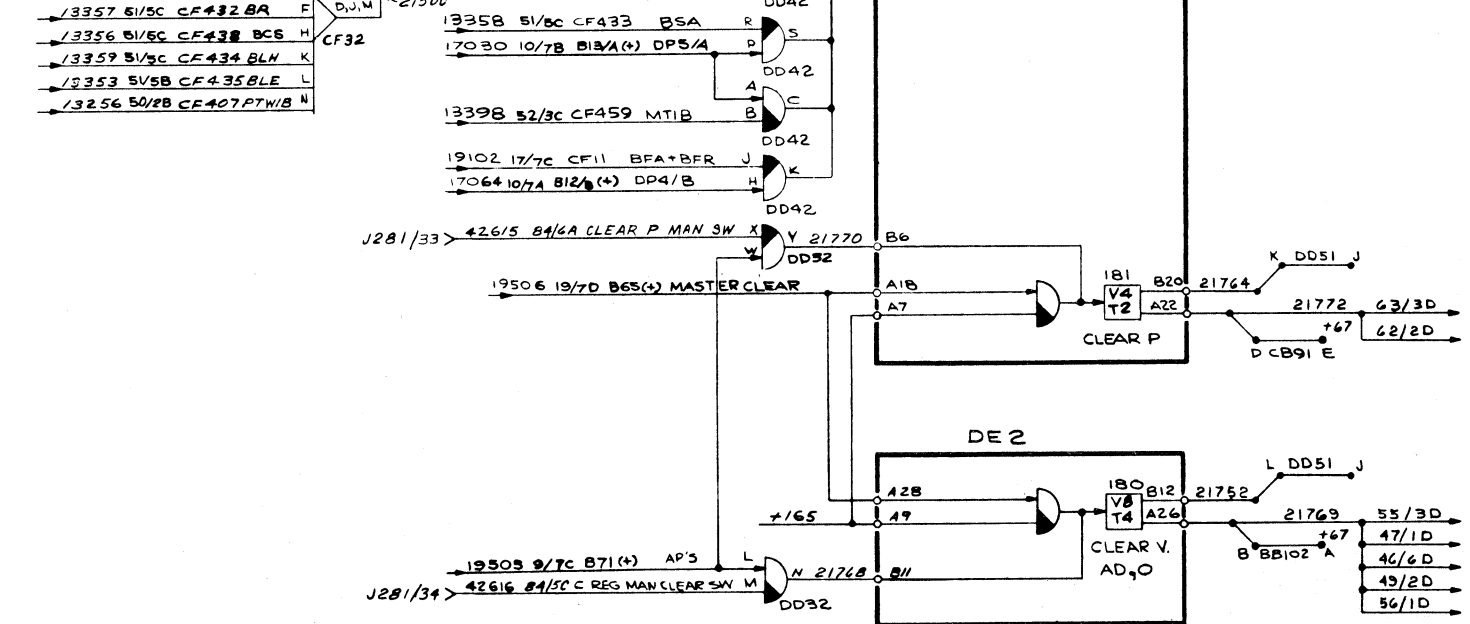
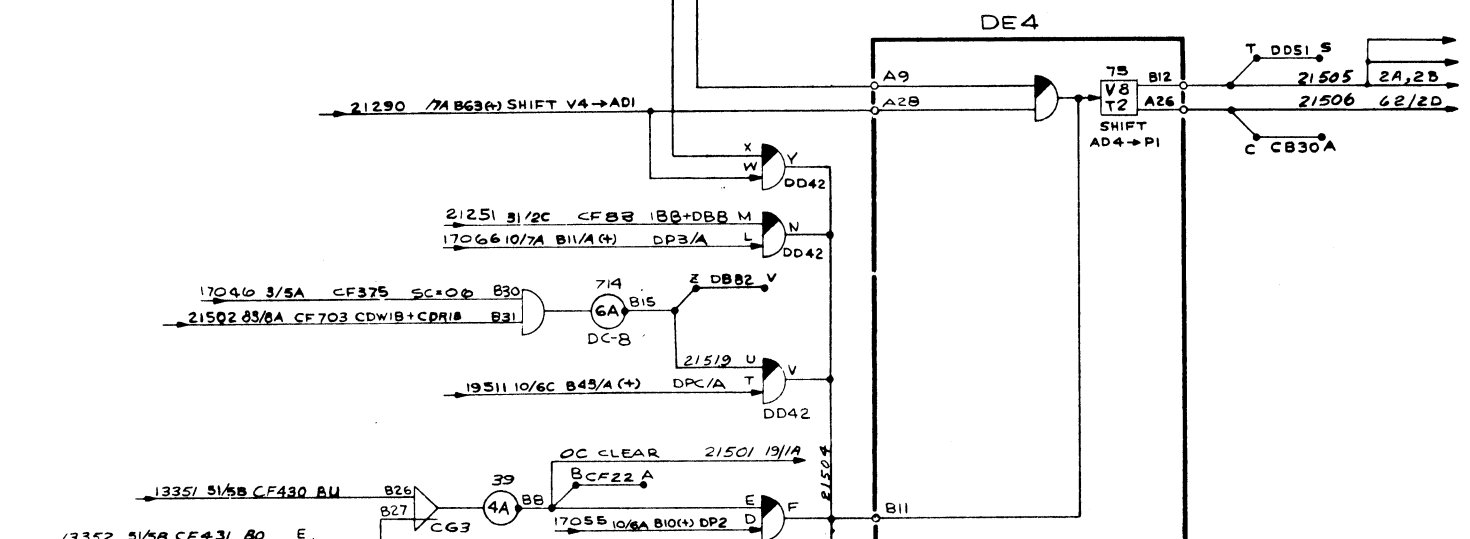
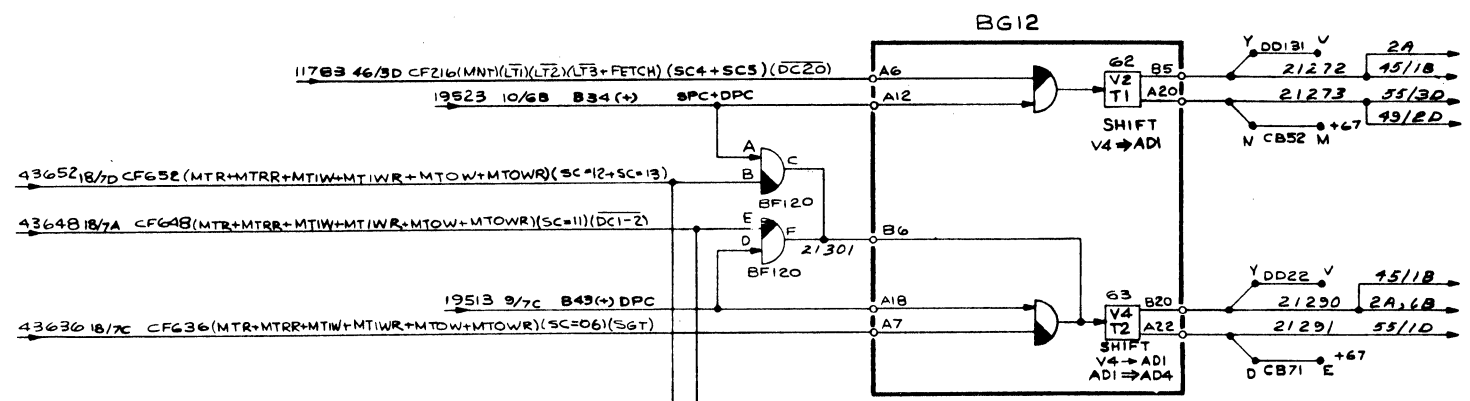
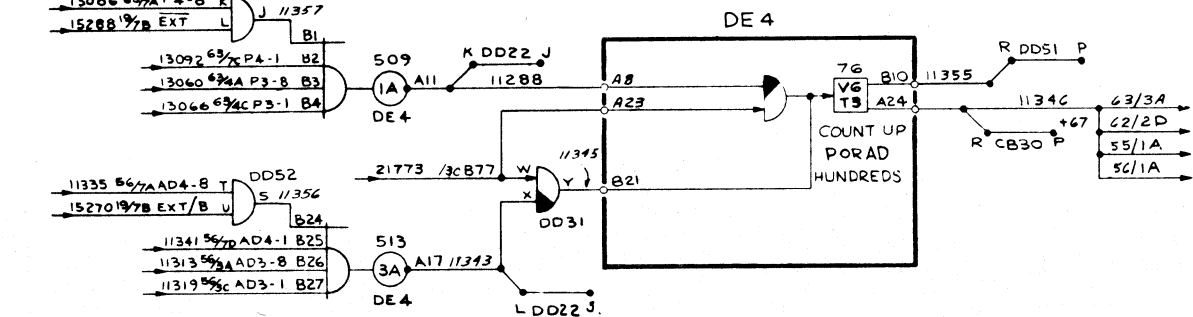
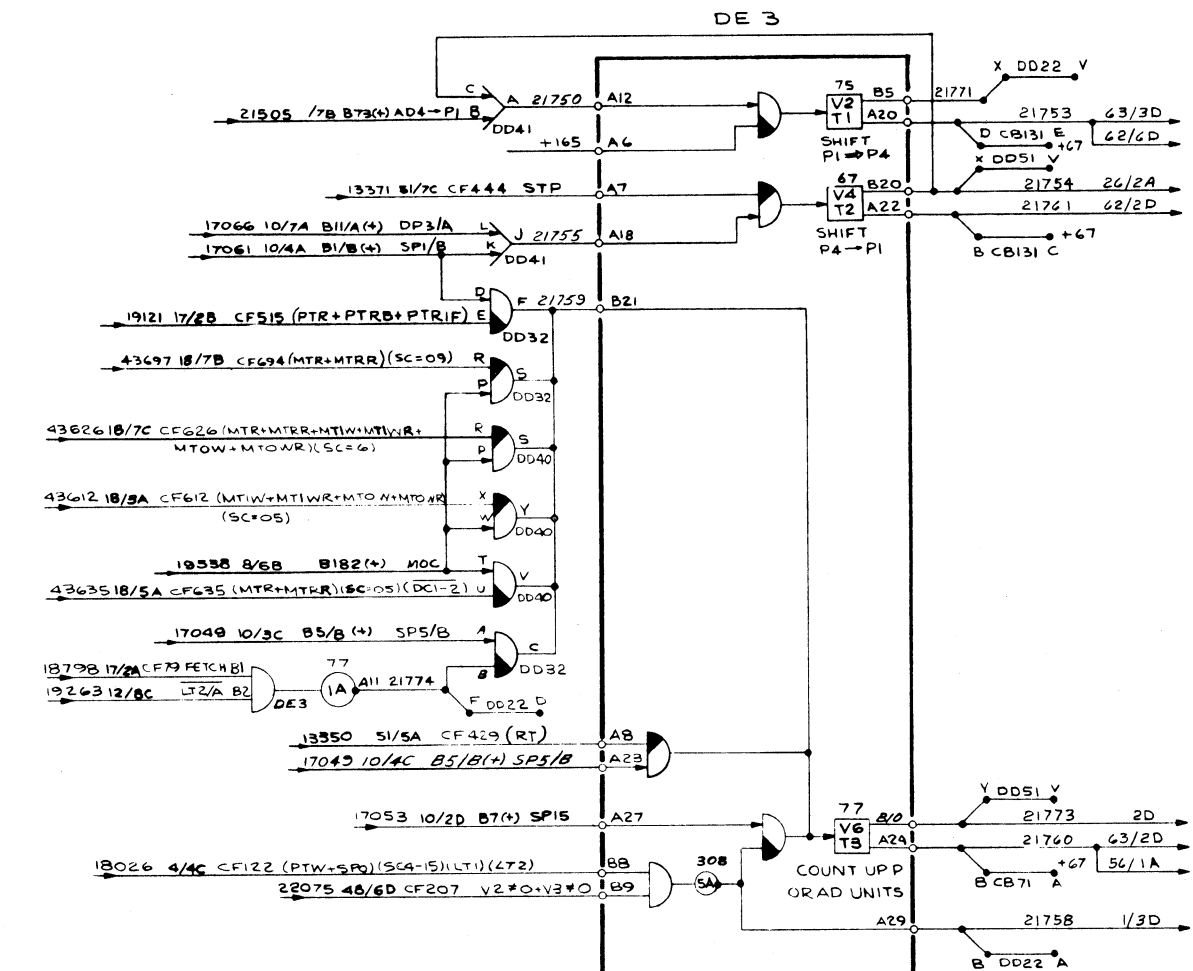
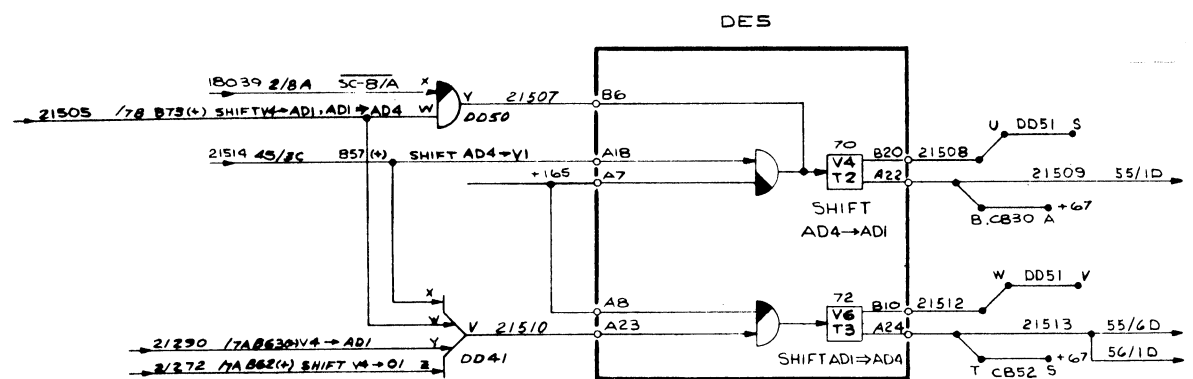
UNIT 56105
DRAWN BY N CMBS
CHECKED <i>[Signature]</i>
APPROVED <i>[Signature]</i>
PROJ. ENGR. <i>[Signature]</i>

NOTICE
FOR EDUCATIONAL USE ONLY

BURROUGHS CORPORATION ELECTRODATA DIV., PASADENA, CALIFORNIA		B2 THROUGH B4 DECADES	43
PROPERTY OF BURROUGHS CORPORATION - NOT TO BE REPRODUCED, NOR USED FOR MANUFACTURING PURPOSES, EXCEPT ON BURROUGHS ORDER OR PRIOR WRITTEN CONSENT.		UNIT 56105 DATA PROCESSOR SYSTEM 220 DATA PROCESSING	D-63356
			REV. B

REVISIONS					
REV.	DCR. NO.	DRFT/CHK.	CHKR.	APPR.	DATE
B	7567	K.T.			3-13-58
ORIGINAL ISSUE					

UNIT 56105	DRAWN BY			CHECKED			APPROVED			PROJ. ENGR.		
------------	----------	--	--	---------	--	--	----------	--	--	-------------	--	--



NOTICE
FOR EDUCATIONAL USE ONLY

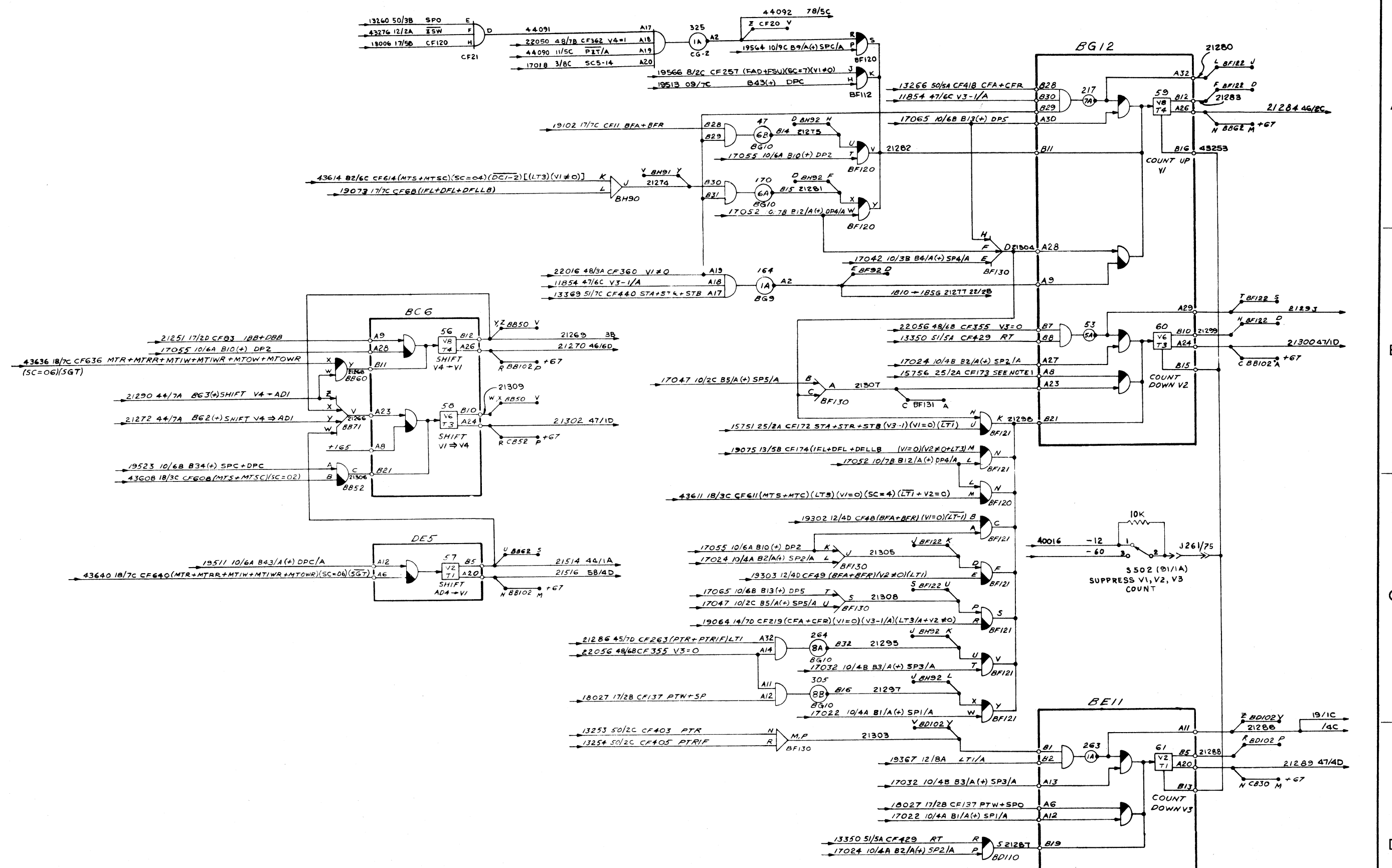
BURROUGHS CORPORATION
ELECTRODATA DIV., PASADENA, CALIFORNIA

C REGISTER BO LOGIC
UNIT 56105 DATA PROCESSOR
SYSTEM 220 DATA PROCESSING

D-63300

REV. B

REVISIONS						
REV.	DCN. NO.	DRFTM.	CHKD.	APPR.	DATE	
B	7567	L.H.C.	J.P.	J.M.	3-12-58	ORIGINAL ISSUE
C	8190	J.L.	J.P.	J.M.	6-27-58	



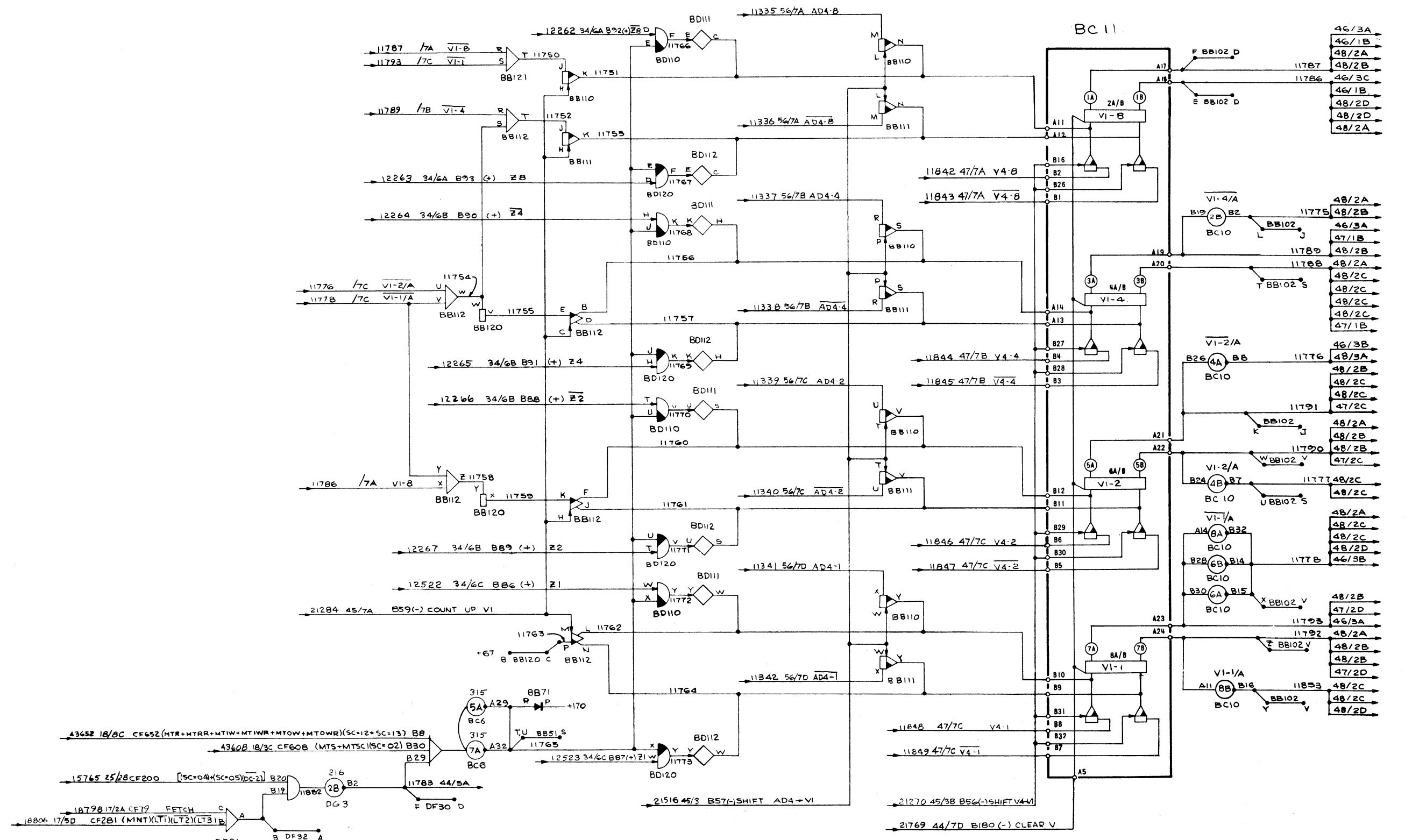
NOTE:
1. $(LT1/A)(V2 \neq 0)(V3-1)(STA+STB+STR)$

UNIT 56105
DRAWN BY
CHECKED <i>H. Brown</i>
APPROVED
PROJ. ENGR. <i>J. Marshall</i>

NOTICE
FOR EDUCATIONAL USE ONLY

BURROUGHS CORPORATION ELECTRODATA DIV., PARADISE, CALIFORNIA	V REGISTER BO LOGIC	45
	UNIT 56105 DATA PROCESSOR	D-63295
PROPERTY OF BURROUGHS CORPORATION—NOT TO BE REPRODUCED, NOR USED FOR MANUFACTURING PURPOSES, EXCEPT ON BURROUGHS ORDER OR PRIOR WRITTEN CONSENT.	SYSTEM 220 DATA PROCESSING	REV. C

REVISIONS					
B ORIGINAL ISSUE					
REV.	DCN. NO.	DRFTM.	CHKR.	APPR.	DATE
B	7567	K.T.			3-13-58



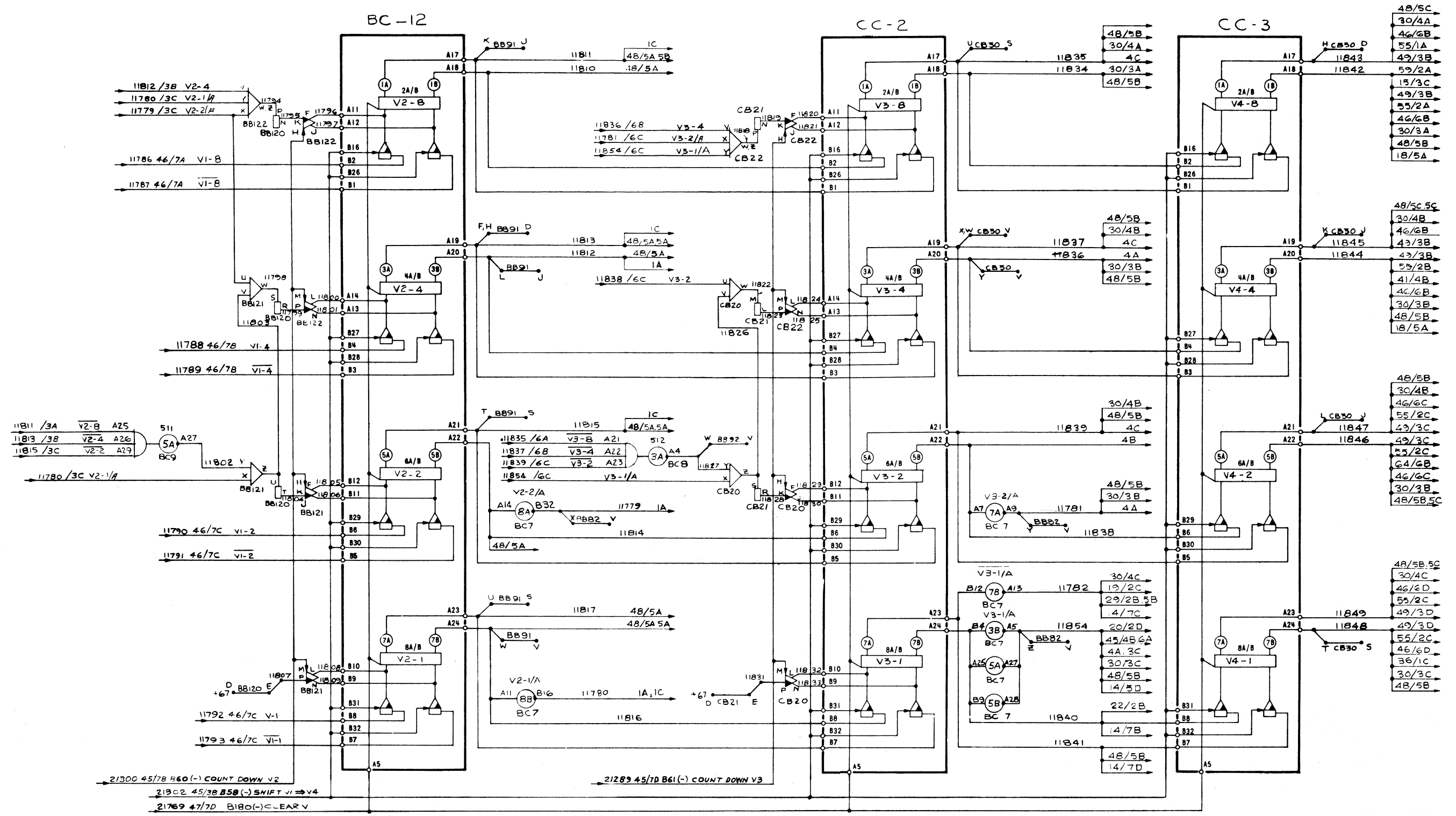
UNIT 56105
 DRAWN BY
 CHECKED
 APPROVED
 PROJ. ENGR.

NOTICE
 FOR EDUCATIONAL USE ONLY

BURROUGHS CORPORATION
 ELECTRODATA DIV., PASADENA, CALIFORNIA

VI DECADE
 UNIT 56105 DATA PROCESSOR
 SYSTEM 220 DATA PROCESSING
 D-63301
 REV. B

REVISIONS					
B ORIGINAL ISSUE					
REV.	DCN. NO.	DRFTMAN.	CHKR.	APPR.	DATE
B	7567	L.H.C.L.	W.R.	W.R.	3-12-58



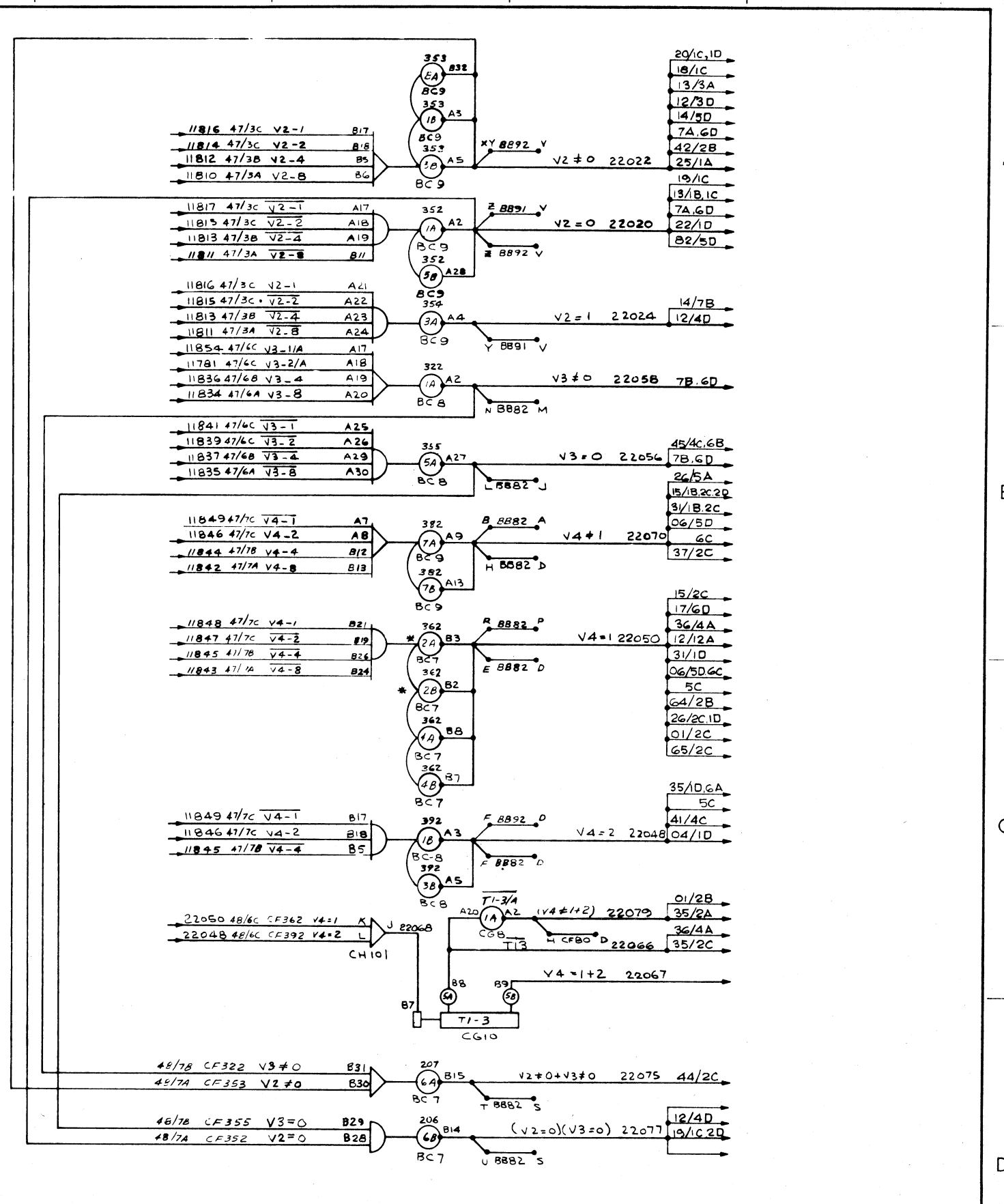
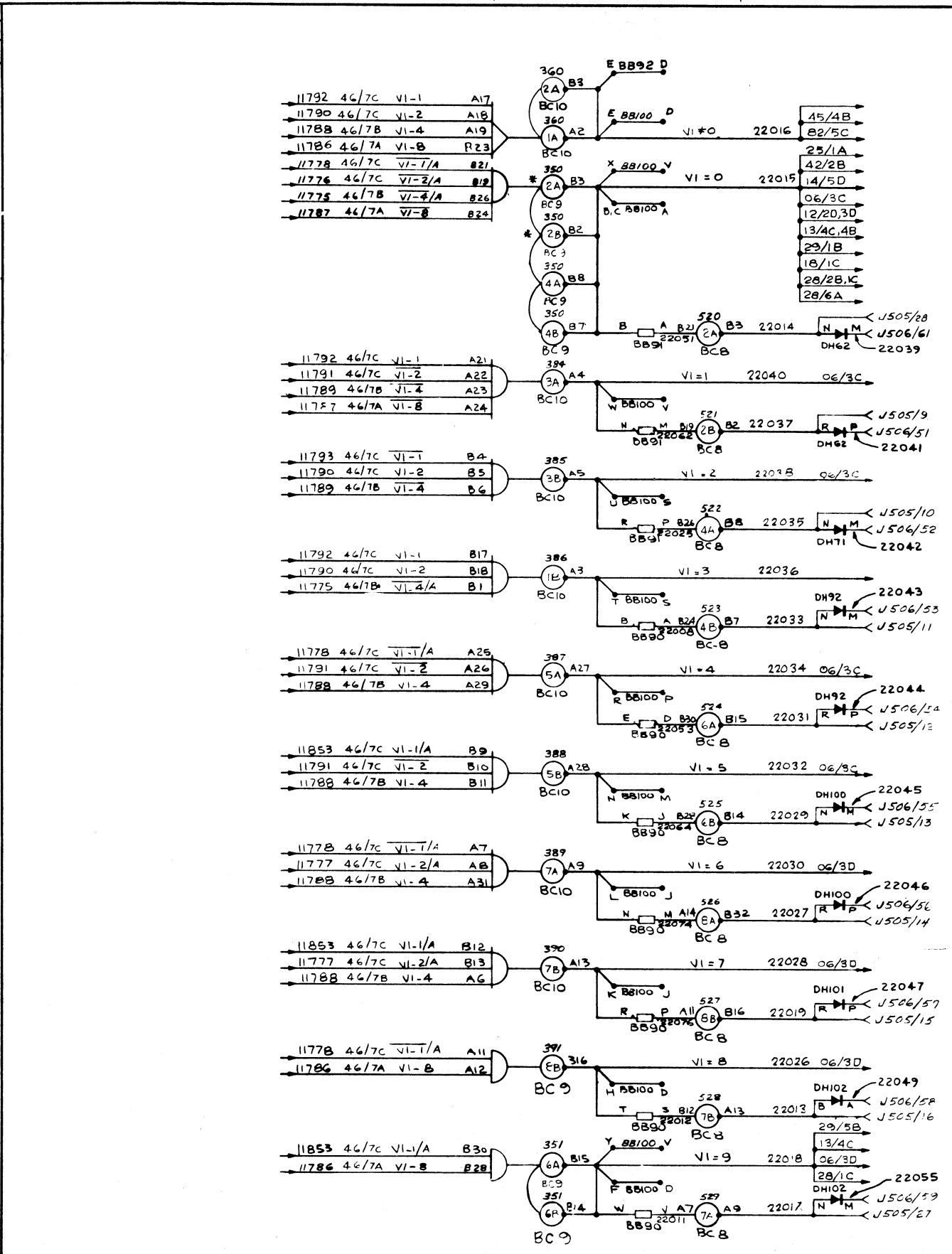
UNIT 56105
 DRAWN BY
 CHECKED
 APPROVED
 PROJ. ENGR.

NOTICE
 FOR EDUCATIONAL USE ONLY

BURROUGHS CORPORATION ELECTRODATA DIV., PASADENA, CALIFORNIA	V2 THROUGH V4 DECADES	47
	UNIT 56105 DATA PROCESSOR SYSTEM 220 DATA PROCESSING	D-63302

REVISIONS					
REV.	DCAL. NO.	DRFTM.N	CHKR.	APPR.	DATE
B	7567	L.H.C.H.	W.C.		3-12-58

UNIT 56105
DRAWN BY
CHECKED BY
APPROVED
PROJ. ENGR.

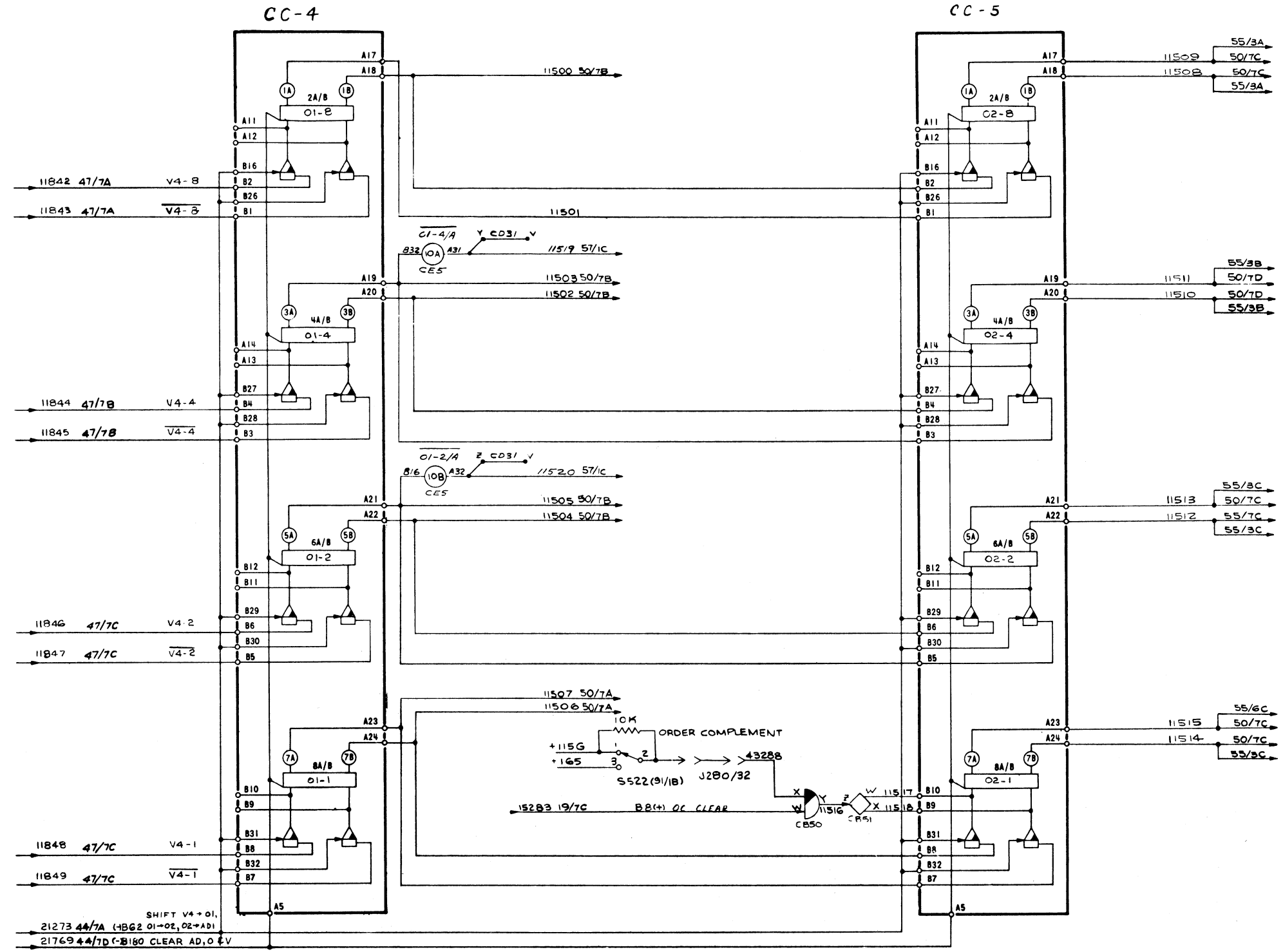


NOTE: * INDICATES THAT A SHORTING BAR IS PLACED BETWEEN THE 150K GATE RESISTOR AND +250V. THIS IS SHOWN ONLY IN THE EVENT OF THREE OR MORE SECTIONS IN PARALLEL.

NOTICE FOR EDUCATIONAL USE ONLY

BURROUGHS CORPORATION ELECTRODATA DIV., PASADENA, CALIFORNIA	V REG RECOG OK LOGIC	48
	UNIT 56105 DATA PROCESSOR SYSTEM 220 DATA PROCESSING	D-63305

REVISIONS					
B ORIGINAL ISSUE					
REV.	DCN. NO.	DRFTMNL.	CHKR.	APPR.	DATE
B	7367	V.W.	H.R.	J.C.A.	3-18-58



UNIT 56105
 DRAWN BY
 CHECKED
 APPROVED
 PROJ. ENGR.

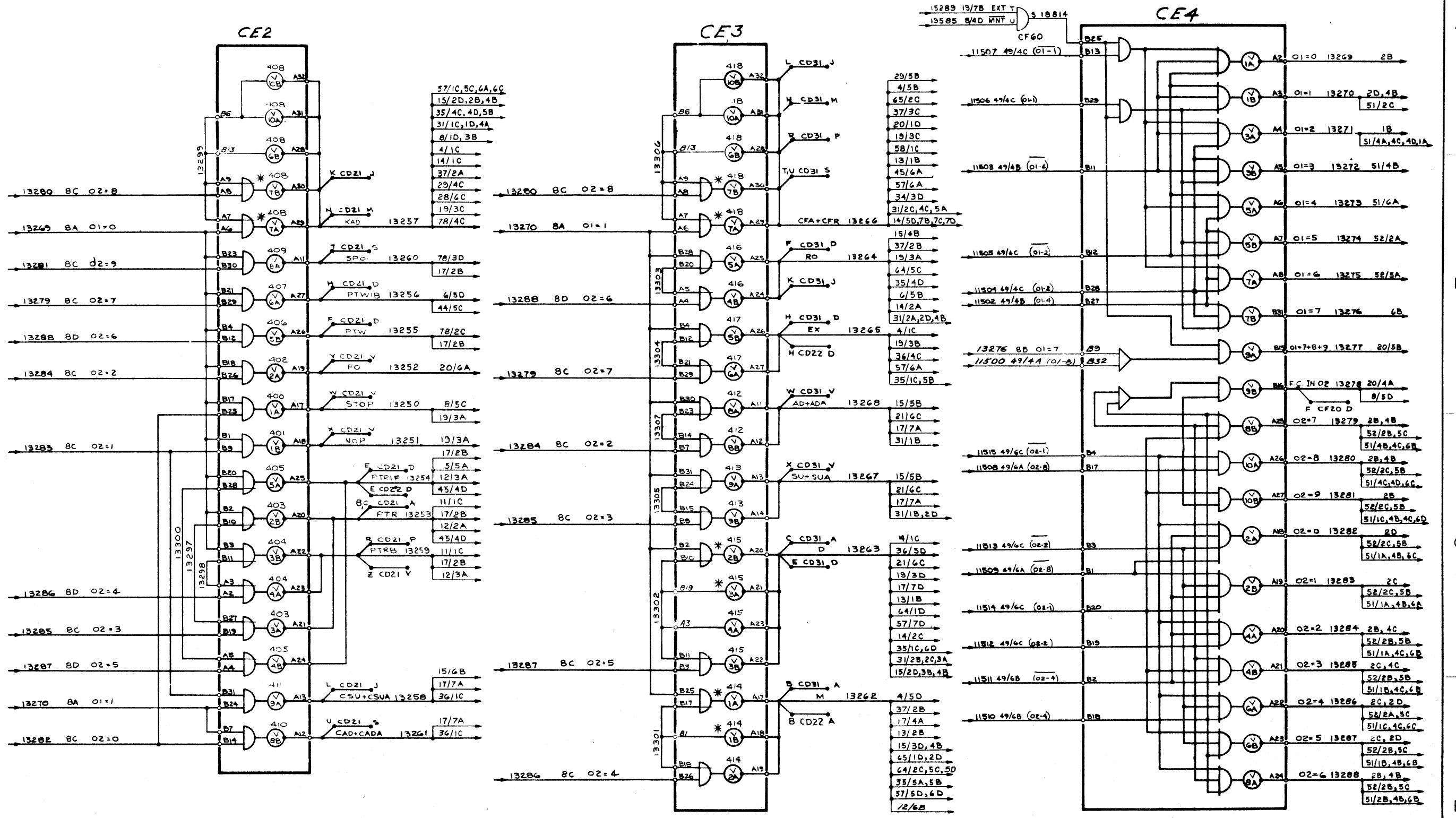
NOTICE FOR EDUCATIONAL USE ONLY

BURROUGHS CORPORATION
 ELECTRODATA DIV., PASADENA, CALIFORNIA

01 AND 02 DECADES
 UNIT 56105 DATA PROCESSOR
 SYSTEM 220 DATA PROCESSING
 D-63289

49
 REV. B

REVISIONS						
B ORIGINAL ISSUE						
REV.	DCN. NO.	DFTMN.	CHKR.	APPR.	DATE	
B	7567	L.H.C.H.	HR	JCA	3-12-58	
C	8048	W.V.S.	HR	HM	6-3-58	



UNIT 56105
 DRAWN BY
 CHECKED
 APPROVED
 PROJ. ENGR.

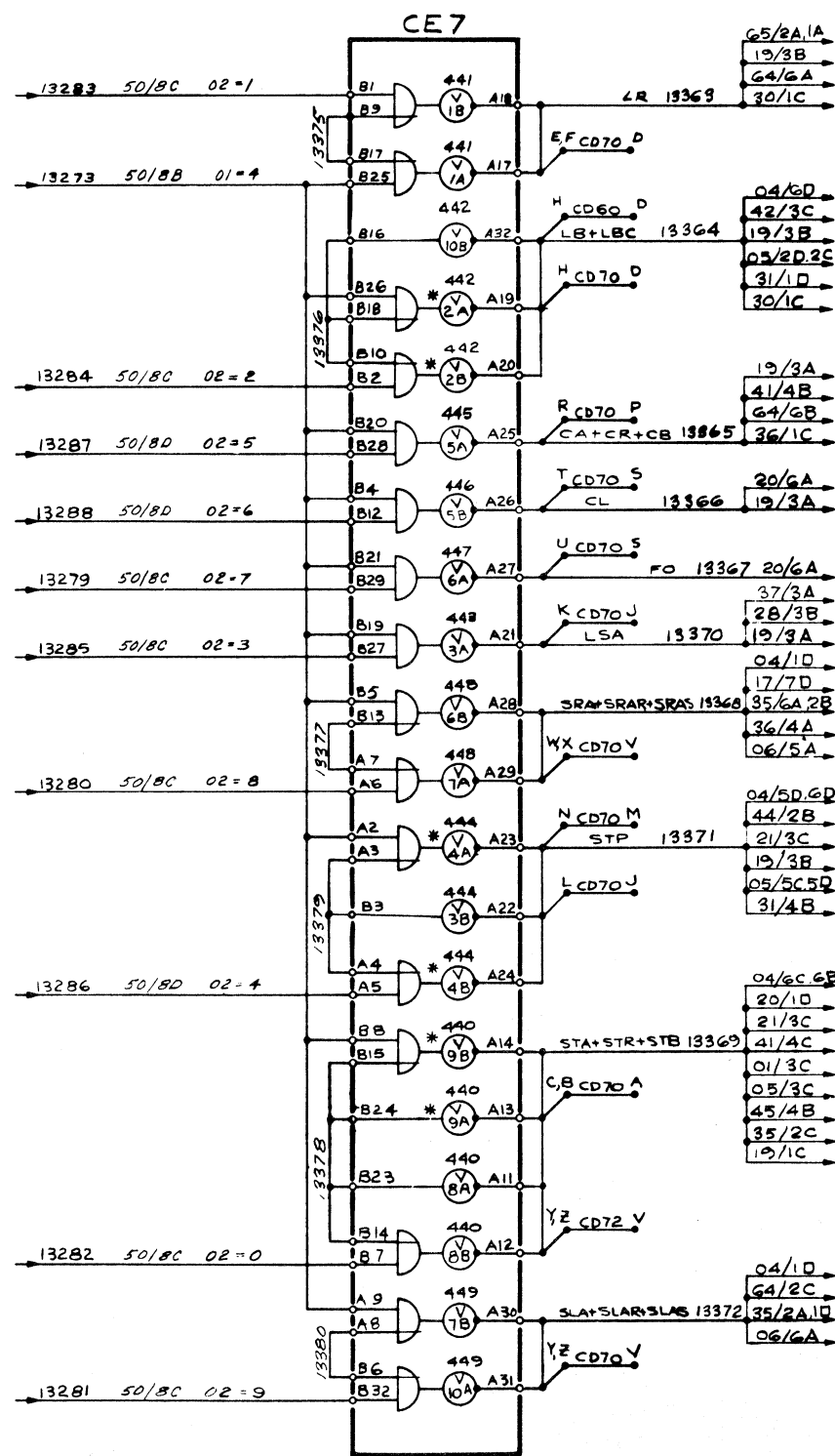
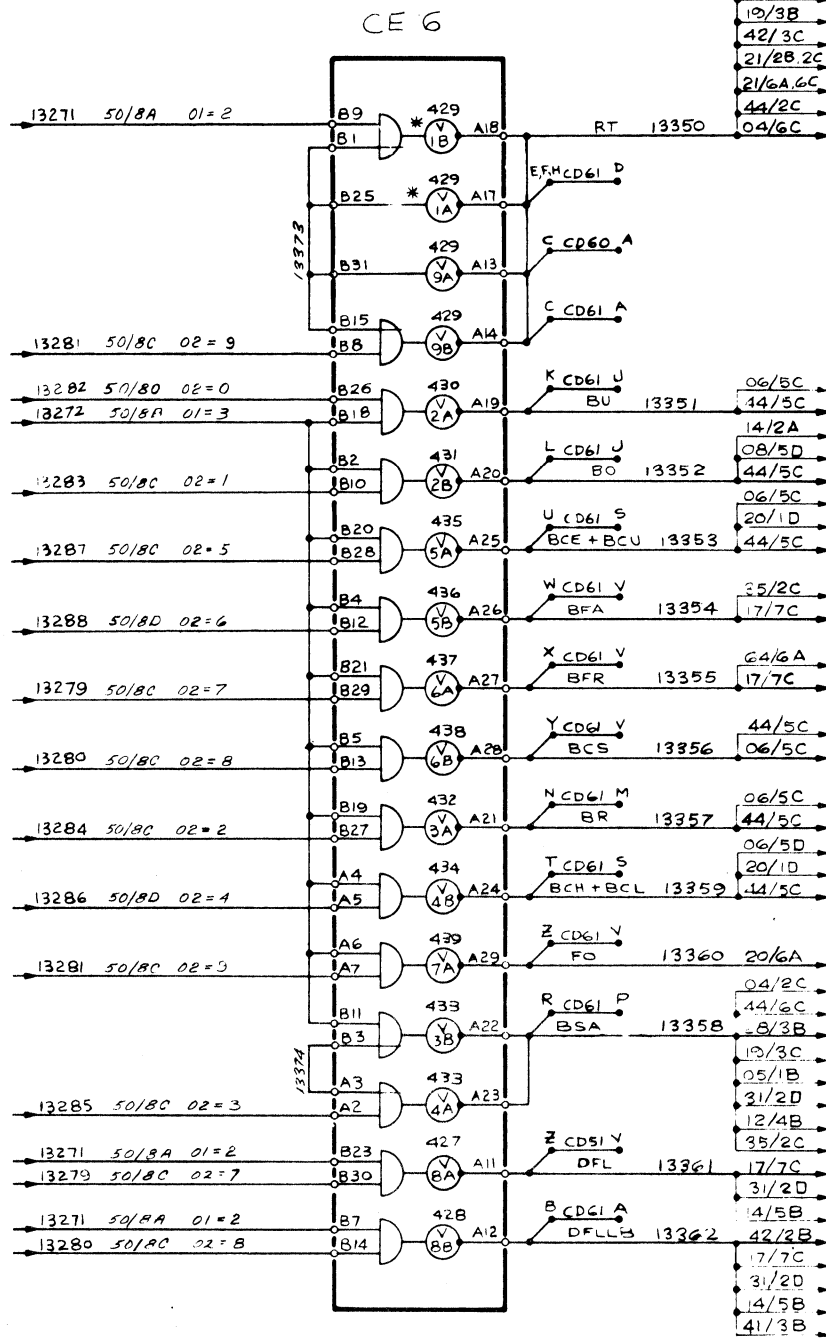
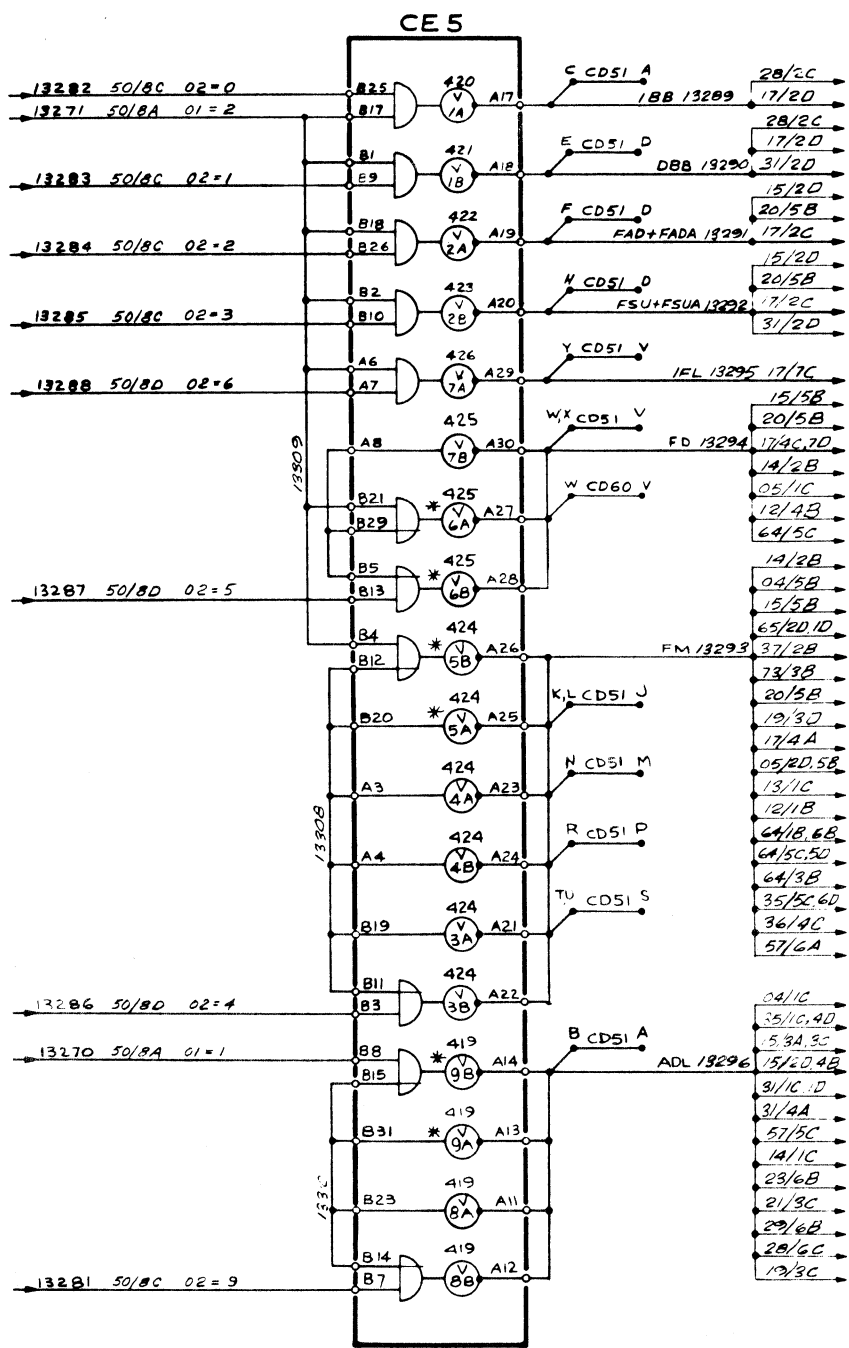
* INDICATES THAT A SHORTING BAR IS PLACED BETWEEN THE 150K GATE RESISTOR AND +250 VOLTS. THIS IS SHOWN ONLY IN THE EVENT OF MORE THAN TWO SECTIONS IN PARALLEL.

NOTICE FOR EDUCATIONAL USE ONLY

BURROUGHS CORPORATION ELECTRODATA DIV., PABADENA, CALIFORNIA	ORDER MATRIX-1	50
	UNIT 56105 DATA PROCESSOR SYSTEM 220 DATA PROCESSING	D-63336

PROPERTY OF BURROUGHS CORPORATION - NOT TO BE REPRODUCED, NOR USED FOR MANUFACTURING PURPOSES, EXCEPT ON BURROUGHS ORDER OR PRIOR WRITTEN CONSENT.

REVISIONS					
B ORIGINAL ISSUE					
REV.	DCN. NO.	DRFTM.	CHKR.	APPR.	DATE
B	7567	LHCH	JCA		9/12/58



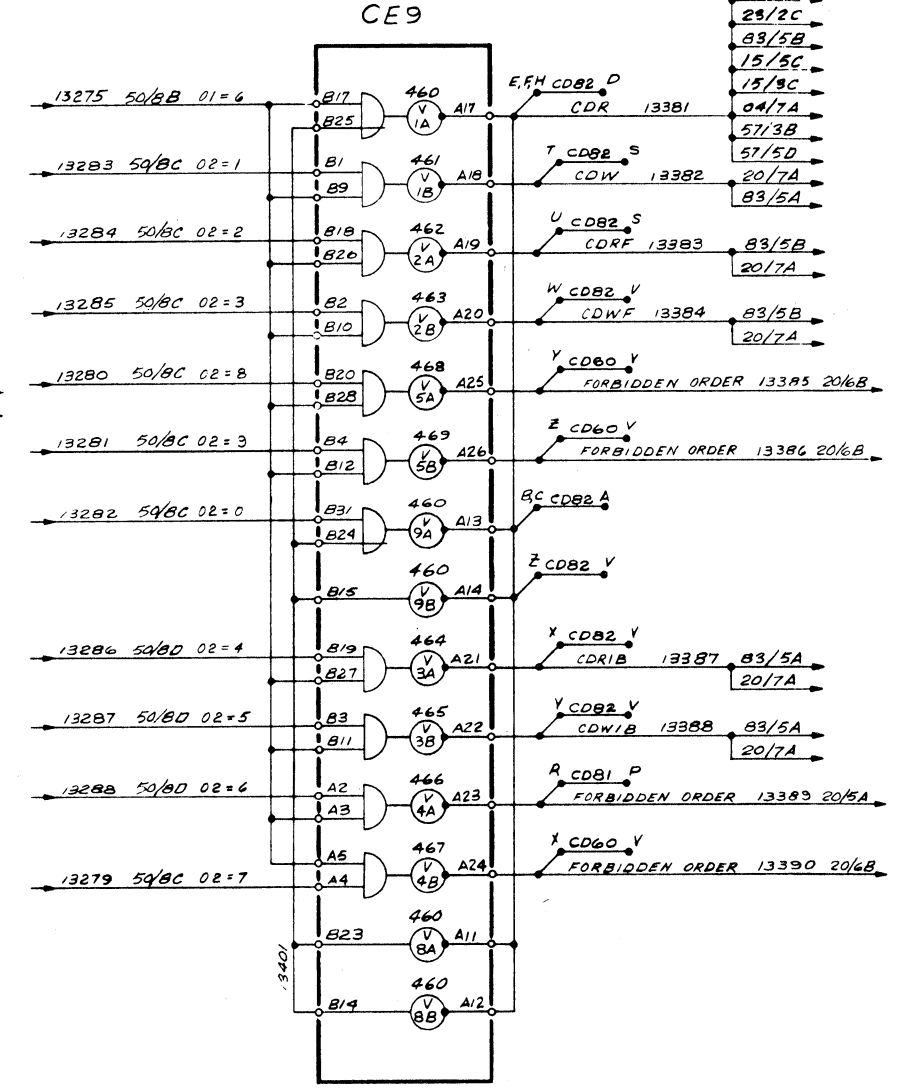
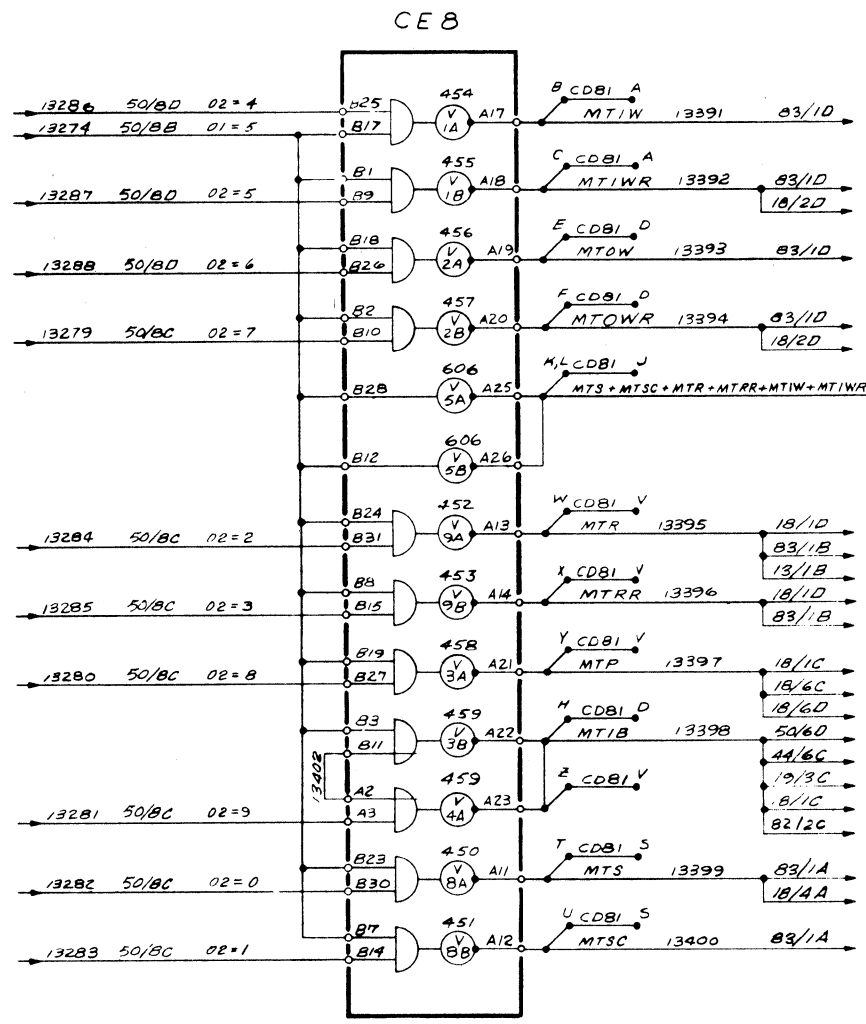
* INDICATES THAT A SHORTING BAR IS PLACED BETWEEN THE 150K GATE RESISTOR AND +250 VOLTS. THIS IS SHOWN ONLY IN THE EVENT OF MORE THAN TWO SECTIONS IN PARALLEL.

NOTICE FOR EDUCATIONAL USE ONLY

UNIT 56105
DRAWN BY
CHECKED
APPROVED
PROJ. ENGR.

BURROUGHS CORPORATION ELECTRODATA DIV., PARADISE, CALIFORNIA	ORDER MATRIX-2	51
PROPERTY OF BURROUGHS CORPORATION - NOT TO BE REPRODUCED, NOR USED FOR MANUFACTURING PURPOSES, EXCEPT ON BURROUGHS ORDER OR PRIOR WRITTEN CONSENT.	UNIT 56105 DATA PROCESSOR SYSTEM 220 DATA PROCESSING	D-63337

REVISIONS						
B ORIGINAL ISSUE						
REV.	DCN. NO.	DRFTM.	CHKR.	APPR.	DATE	
B	75 67	KT	W	W	3-13-58	
C	8138	LJ	W	W	6-26-58	



- 08/3A
- 12/4C
- 13/2D
- 31/5A
- 05/5C
- 05/2C
- 41/3D
- 59/2B
- 29/4A
- 21/5A
- 21/2C
- 20/7A
- 11/6C
- 23/3B
- 23/2C
- 83/5B
- 15/5C
- 15/3C
- 04/7A
- 57/3B
- 57/5D
- 20/7A
- 83/5A
- 83/5B
- 20/7A
- 83/5B
- 20/7A
- 20/7A
- FORBIDDEN ORDER 13385 20/6B
- FORBIDDEN ORDER 13386 20/6B
- BC CDB2 A
- Z CDB2 V
- X CDB2 Y
- CDR1B 13387 83/5A
- 20/7A
- Y CDB2 V
- CDW1B 13388 83/5A
- 20/7A
- R CDB1 P
- FORBIDDEN ORDER 13389 20/5A
- X CDB2 V
- FORBIDDEN ORDER 13390 20/6B

UNIT 56105
DRAWN BY
CHECKED
APPROVED
PROJ. ENGR.

NOTICE FOR EDUCATIONAL USE ONLY

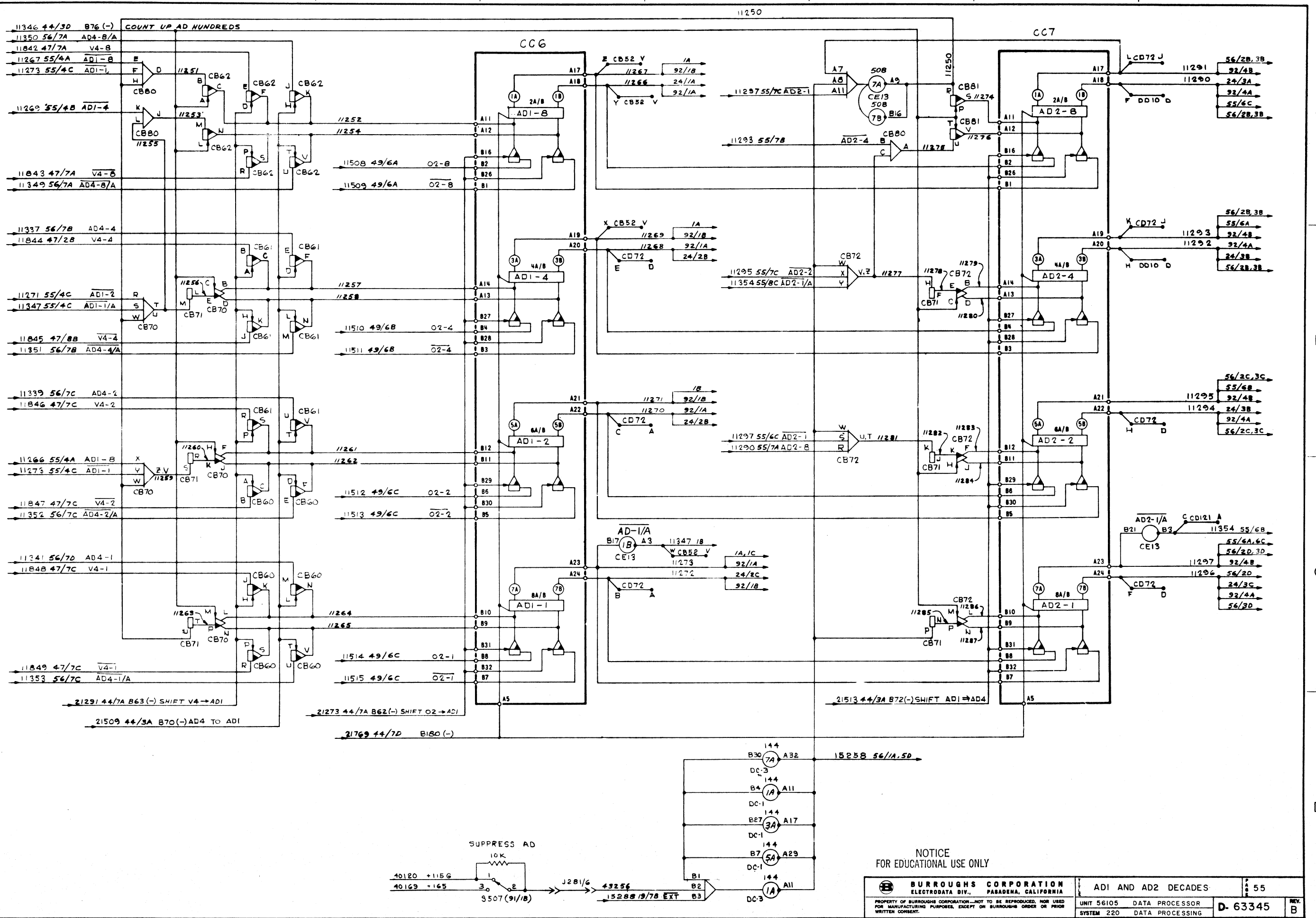
BURROUGHS CORPORATION
ELECTRODATA DIV., PARADISE, CALIFORNIA

PROPERTY OF BURROUGHS CORPORATION—NOT TO BE REPRODUCED, NOR USED FOR MANUFACTURING PURPOSES, EXCEPT ON BURROUGHS ORDER OR PRIOR WRITTEN CONSENT.

ORDER MATRIX	52
UNIT 56105 DATA PROCESSOR	D-63630
SYSTEM 220 DATA PROCESSING	REV. C

REVISIONS					
REV.	DOCL NO.	DRAWN	CHKD.	APPR.	DATE
B					
ORIGINAL ISSUE					
B	7567	Y.W.			3-13-58

UNIT 56105
DRAWN BY
CHECKED
APPROVED
PROJ. ENGR.



NOTICE FOR EDUCATIONAL USE ONLY

BURROUGHS CORPORATION
ELECTRODATA DIV., PASADENA, CALIFORNIA

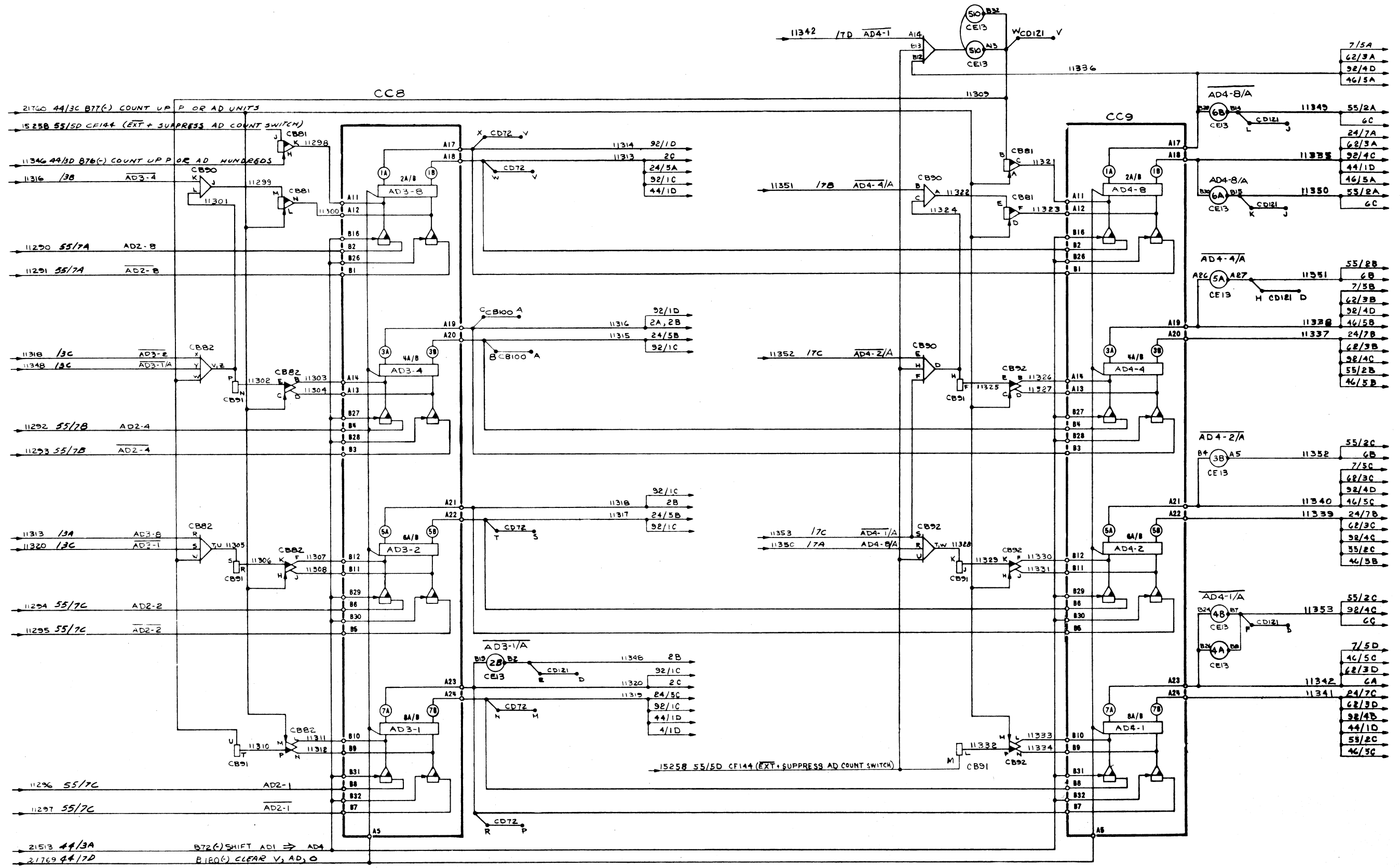
ADI AND AD2 DECADES

UNIT 56105 DATA PROCESSOR
SYSTEM 220 DATA PROCESSING

D-63345

REV. B

REVISIONS				
B ORIGINAL ISSUE				
REV. NO.	DATE	BY	CHKD.	APPR.
B	7/56	L.H.C.H.		



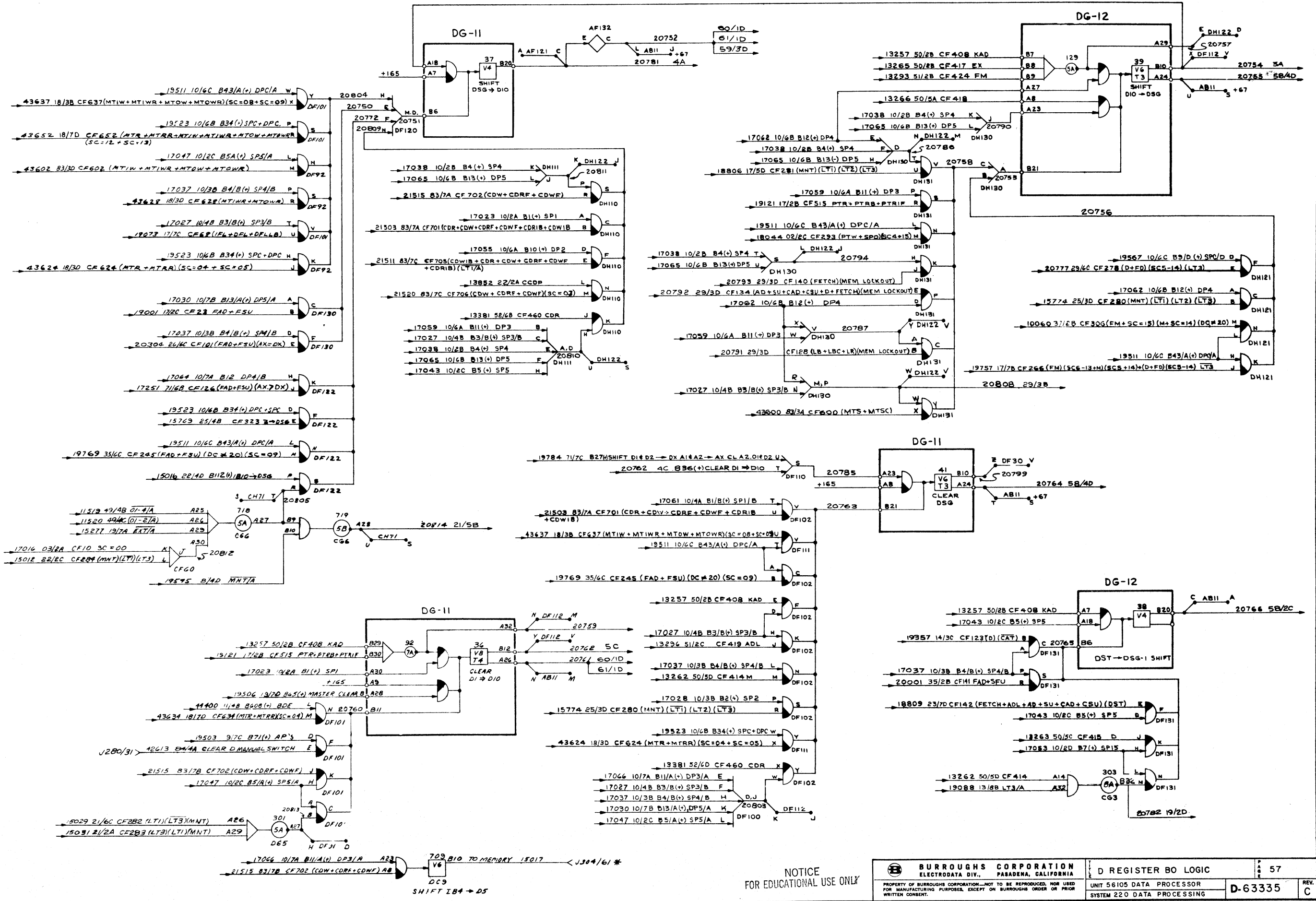
UNIT 56105
 DRAWN BY
 CHECKED
 APPROVED
 PROJ. ENGR.

NOTICE
 FOR EDUCATIONAL USE ONLY

BURROUGHS CORPORATION
 ELECTRODATA DIV., PASADENA, CALIFORNIA

AD3 AND AD4 DECADE
 56
 UNIT 56105 DATA PROCESSOR
 SYSTEM 220 DATA PROCESSING
D-63346
 REV. B

REVISIONS						
B ORIGINAL ISSUE						
REV	BY	DATE	CHKD	APPR	DATE	
1	WV	6-9-58				

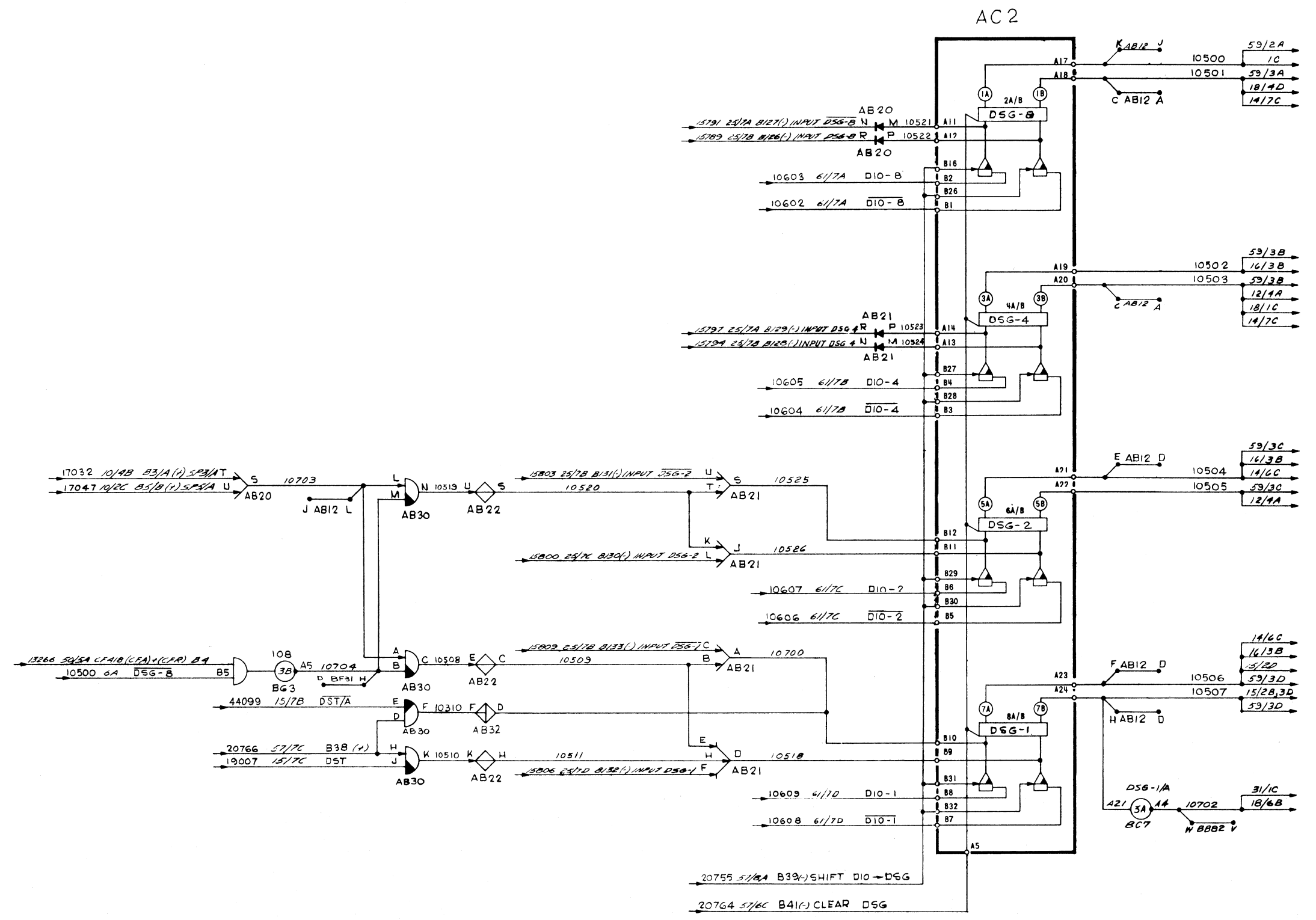


UNIT 56105
 DRAWN BY
 CHECKED
 APPROVED
 PROJ. ENGR.

NOTICE FOR EDUCATIONAL USE ONLY

BURROUGHS CORPORATION ELECTRODATA DIV., PARADISE, CALIFORNIA	D REGISTER BO LOGIC	57
	UNIT 56105 DATA PROCESSOR SYSTEM 220 DATA PROCESSING	D-63335

REVISIONS						
REV.	DCN.	NO.	DRFTM.	CHKR.	APPR.	DATE
B						ORIGINAL ISSUE
B	75	67	BEKEY			3-12-58



UNIT 56105
 DRAWN BY
 CHECKED BY
 APPROVED
 PROJ. ENGR. *J. Maxwell*
 PRINTED U.S.A.

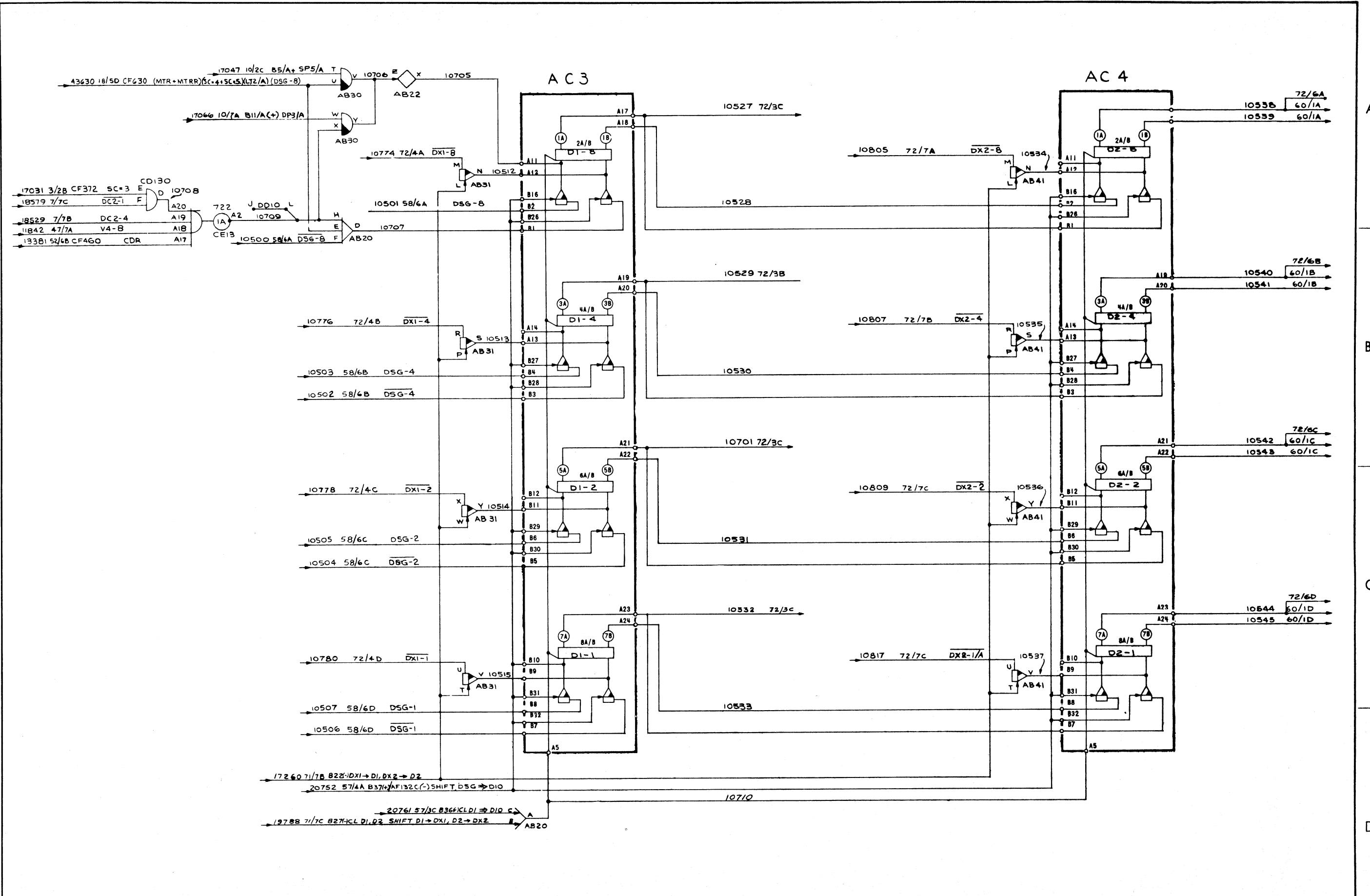
NOTICE
 FOR EDUCATIONAL USE ONLY

BURROUGHS CORPORATION
 ELECTRODATA DIV., PASADENA, CALIFORNIA
 PROPERTY OF BURROUGHS CORPORATION—NOT TO BE REPRODUCED, NOR USED
 FOR MANUFACTURING PURPOSES, EXCEPT ON BURROUGHS ORDER OR PRIOR
 WRITTEN CONSENT.

DSG DECADE
 UNIT 56105 DATA PROCESSOR
 SYSTEM 220 DATA PROCESSING
 D-63362
 58
 REV. B

A
B
C
D

REVISIONS					
REV.	DCAL. NO.	DRFTM.N.	CHKR.	APPR.	DATE
B					
B	7567	BEKEY			3-12-58

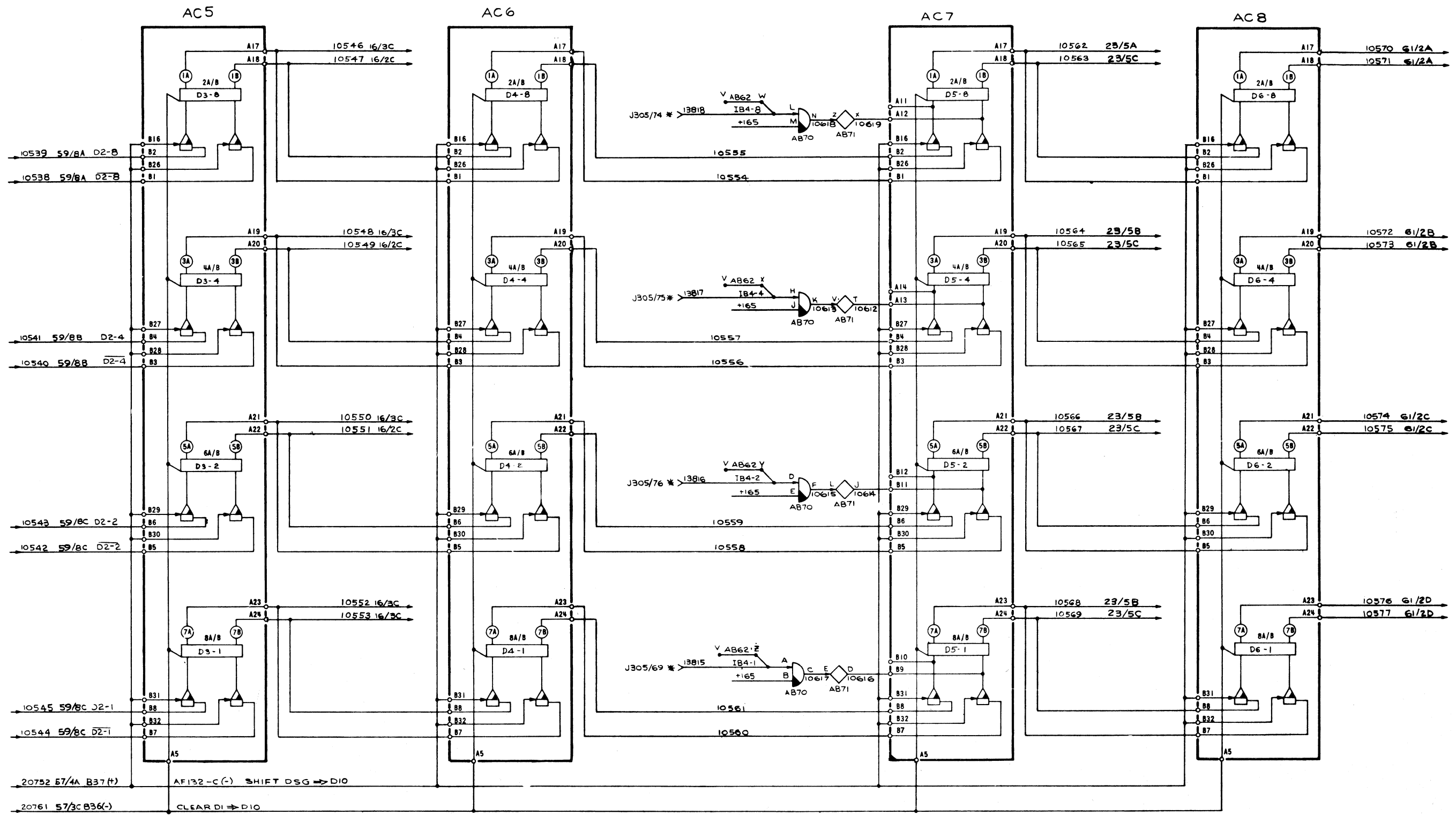


UNIT 56105
DRAWN BY
CHECKED
APPROVED
PROJ. ENGR.

NOTICE
FOR EDUCATIONAL USE ONLY

BURROUGHS CORPORATION ELECTRODATA DIV., PARADENA, CALIFORNIA	DI AND D2 DECADES	59
	UNIT 56105 DATA PROCESSOR SYSTEM 220 DATA PROCESSING	D-63313

REVISIONS					
REV.	NO.	DATE	CHKD.	APPR.	DATE
B	7561				3-13-58



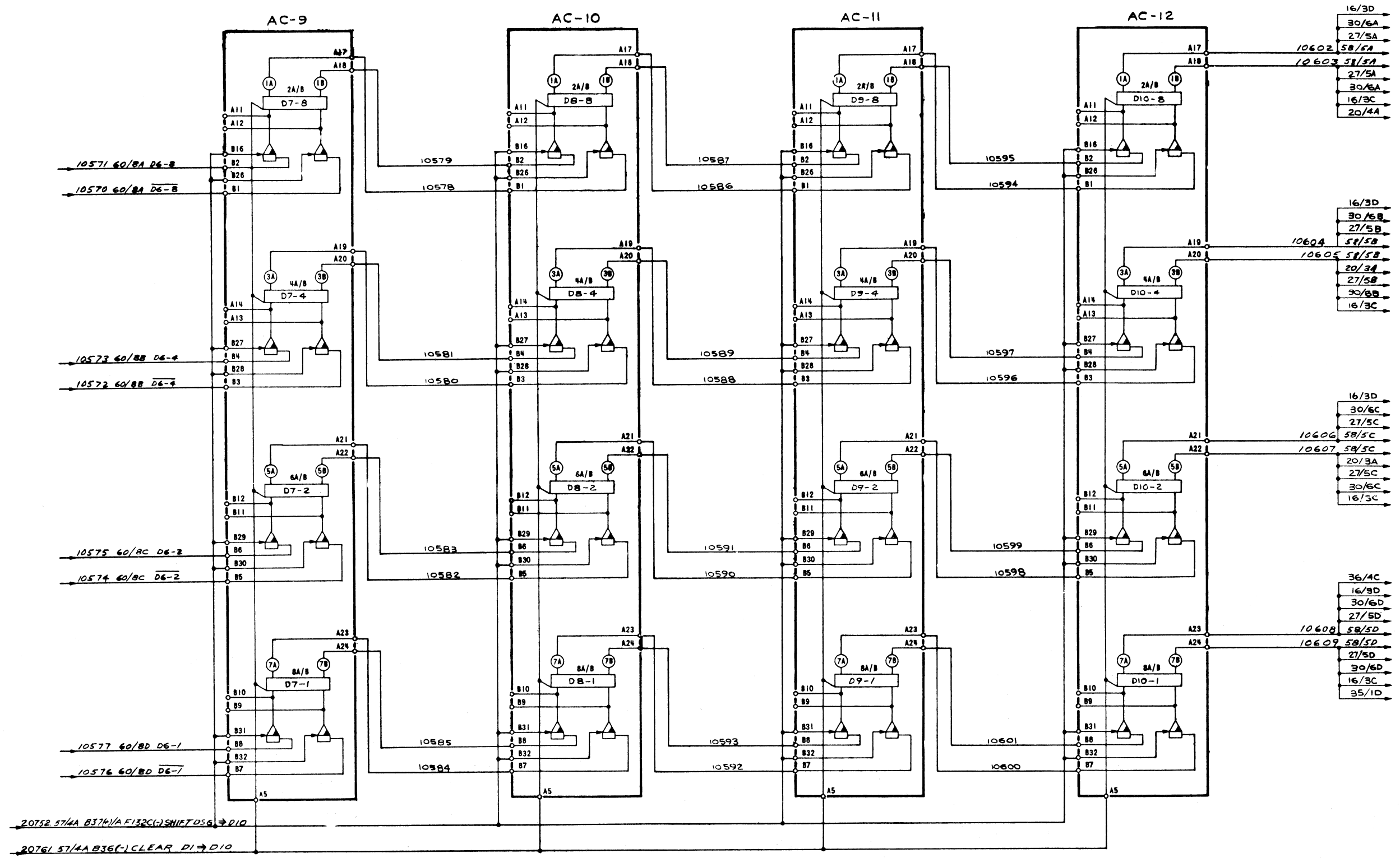
UNIT 56105
 DRAWN BY
 CHECKED *[Signature]*
 APPROVED *[Signature]*
 PROJ. ENGR. *[Signature]*
 PRINTED U. S. AMERICA

NOTICE
 FOR EDUCATIONAL USE ONLY

BURROUGHS CORPORATION
 ELECTRODATA DIV., PASADENA, CALIFORNIA
 PROPERTY OF BURROUGHS CORPORATION—NOT TO BE REPRODUCED, NOR USED
 FOR MANUFACTURING PURPOSES, EXCEPT ON BURROUGHS ORDER OR PRIOR
 WRITTEN CONSENT.

D3 THROUGH D6 DECADES 60
 UNIT 56105 DATA PROCESSOR
 SYSTEM 220 DATA PROCESSING
D-63314
 REV. B

REVISIONS					
REV.	QDR. NO.	DRFTMNL.	CHKD.	APPR.	DATE
B	7567	BEKEY			3-12-58



20752 57/4A B37(A) AF132C(1) SHIFTS 61 → D10
 20761 57/4A B36(C) CLEAR DI → D10

UNIT 56105
DRAWN BY
CHECKED <i>H. Brown</i>
APPROVED
PROJ. ENGR. <i>H. Brown</i>

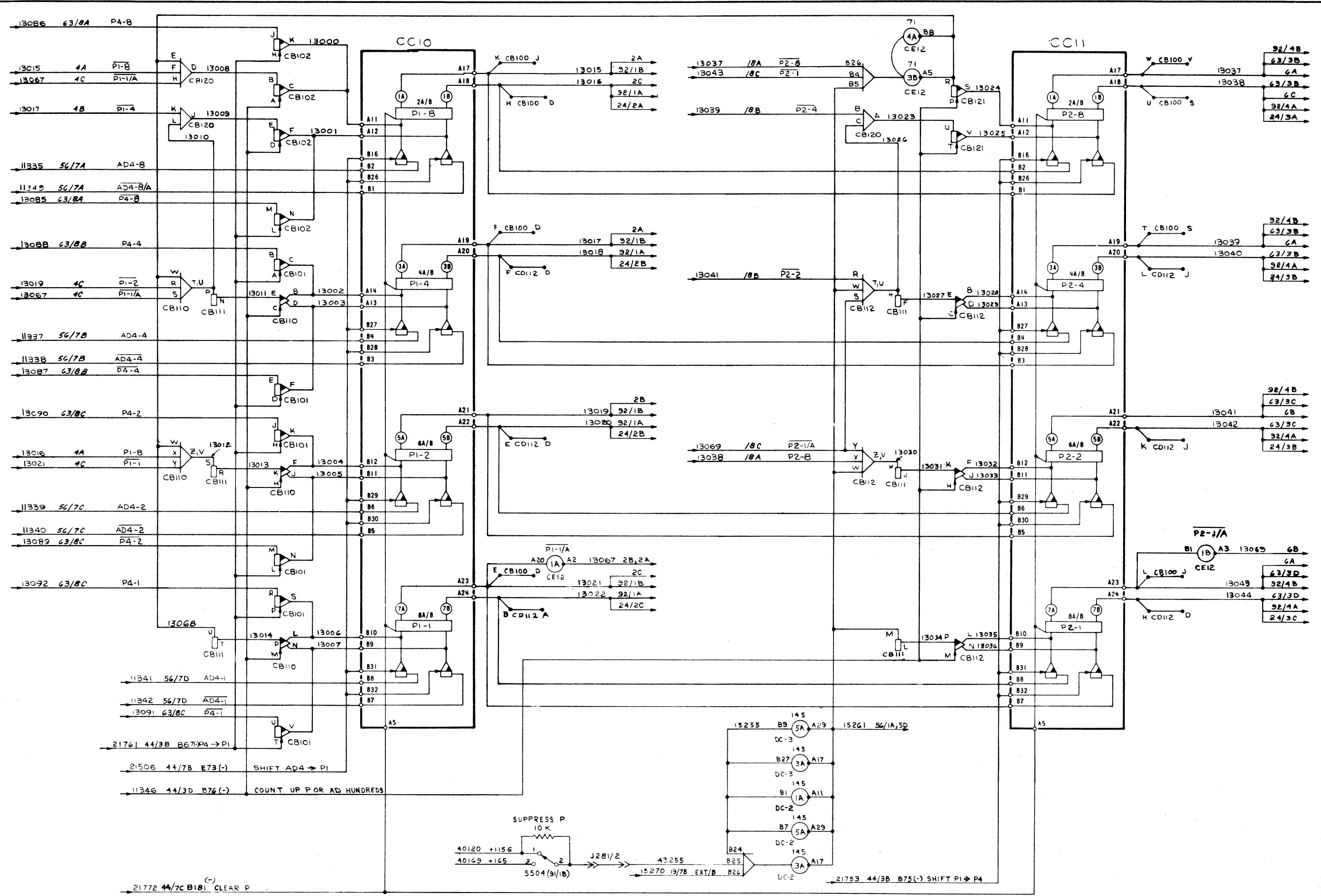
NOTICE FOR EDUCATIONAL USE ONLY

BURROUGHS CORPORATION ELECTRODATA DIV., PARADISE, CALIFORNIA	D7 THROUGH D10 DECADES	61
	UNIT 56105 DATA PROCESSOR	D-63315
PROPERTY OF BURROUGHS CORPORATION... NOT TO BE REPRODUCED, NOR USED FOR MANUFACTURING PURPOSES, EXCEPT ON BURROUGHS ORDER OR PRIOR WRITTEN CONSENT.	SYSTEM 220 DATA PROCESSING	REV. B

A
B
C
D

REVISIONS						
REV.	DCN.	NO.	DRFTM.	CHKR.	APPR.	DATE
B	75	67	LHCD	JZ	JZ	5-13-58
ORIGINAL ISSUE						

UNIT 56105
DRAWN BY
CHECKED <i>[Signature]</i>
APPROVED
PROJ. ENGR. <i>[Signature]</i>
PRINTED U. S. AMERICA



NOTICE FOR EDUCATIONAL USE ONLY

BURROUGHS CORPORATION
ELECTRODATA DIV., PASADENA, CALIFORNIA

UNIT 56105 DATA PROCESSOR SYSTEM 220 DATA PROCESSING

PI AND P2 DECADES

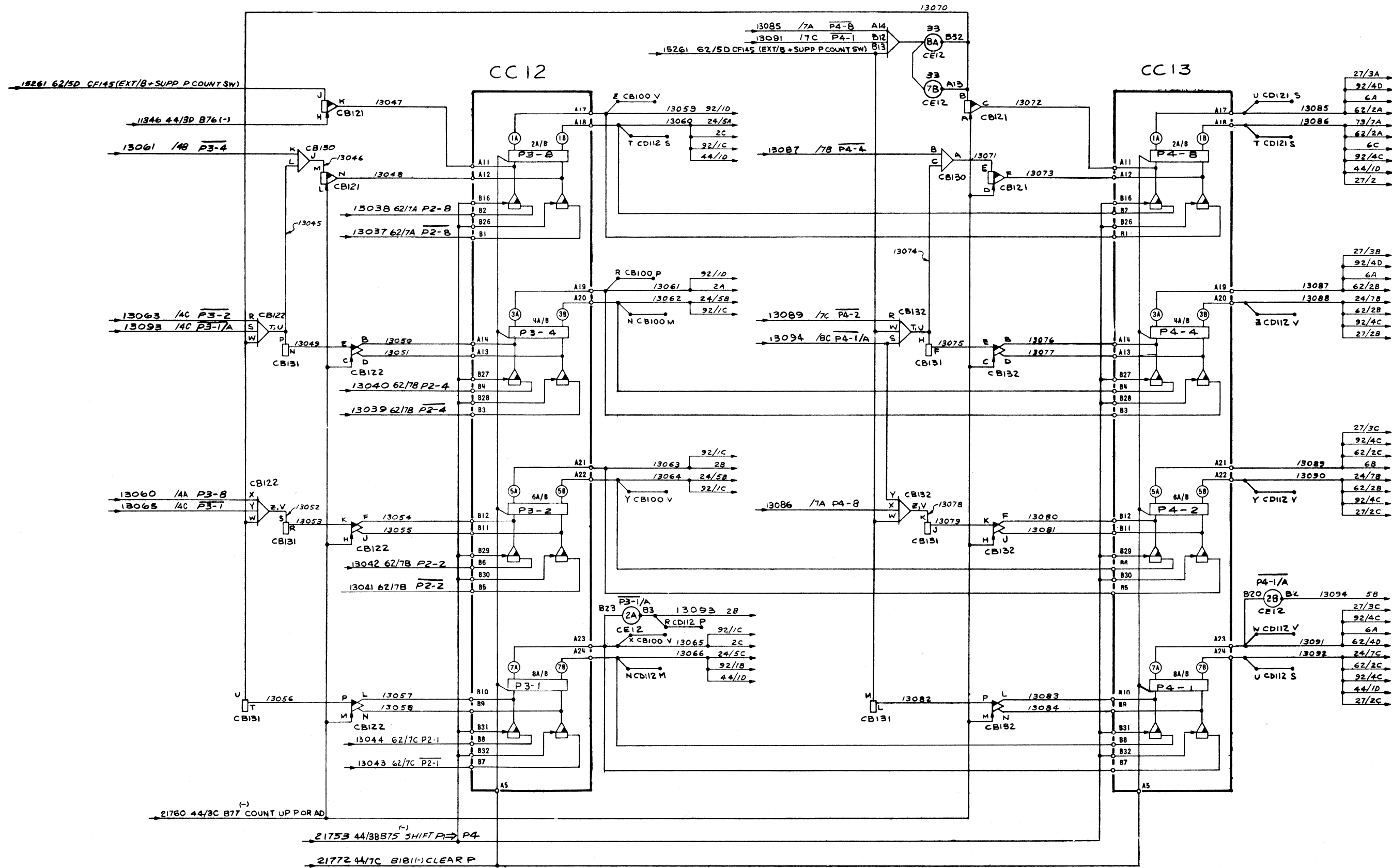
62

D-63292

REV. B

FORM NO. EDD 1485 1-58

REVISIONS					
REV.	DCR. NO.	DRFTM.	CHKR.	APPR.	DATE
B	7567	BFKEY	HR	JCA	3-12-58

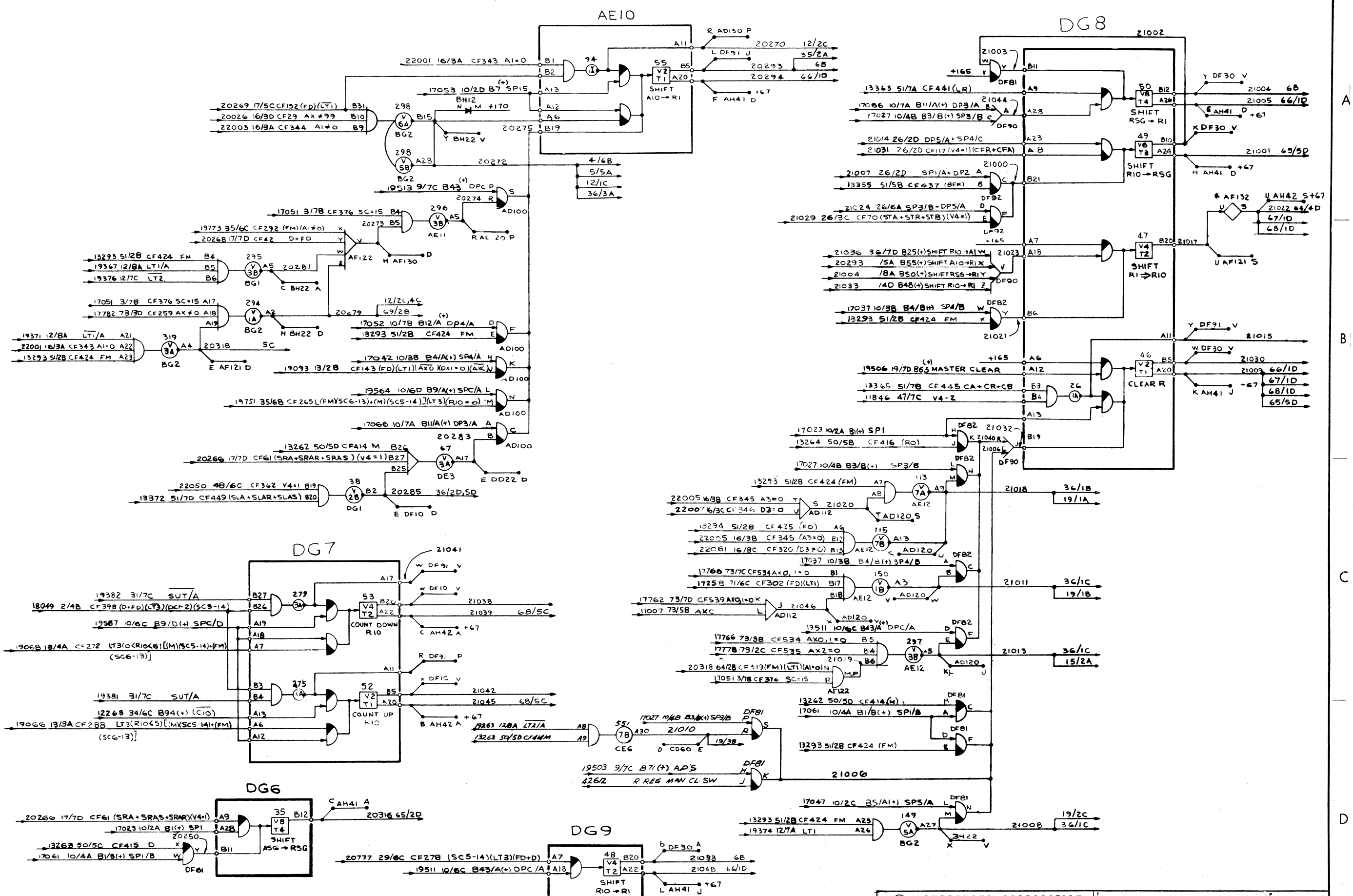


UNIT 56105
DRAWN BY
CHECKED <i>AK</i>
APPROVED
PROJ. ENGR. <i>H. M. ...</i>

NOTICE
FOR EDUCATIONAL USE ONLY

BURROUGHS CORPORATION ELECTRODATA DIV., PARADISE, CALIFORNIA	P3 AND P4 DECADES	63
	UNIT 56105 DATA PROCESSOR SYSTEM 220 DATA PROCESSING	D-63293

REVISIONS						
B ORIGINAL ISSUE						
REV.	QCN. NO.	DRFTMAN.	CHKD.	APPR.	DATE	
B	1567	DEKEY			3-12-58	
C	8048	G.E.J.			6-9-58	



UNIT 56105
 DRAWN BY
 CHECKED
 APPROVED
 PROJ. ENGR.

NOTICE FOR EDUCATIONAL USE ONLY

BURROUGHS CORPORATION
 ELECTRODATA DIV., PASADENA, CALIFORNIA

R REGISTER BO LOGIC

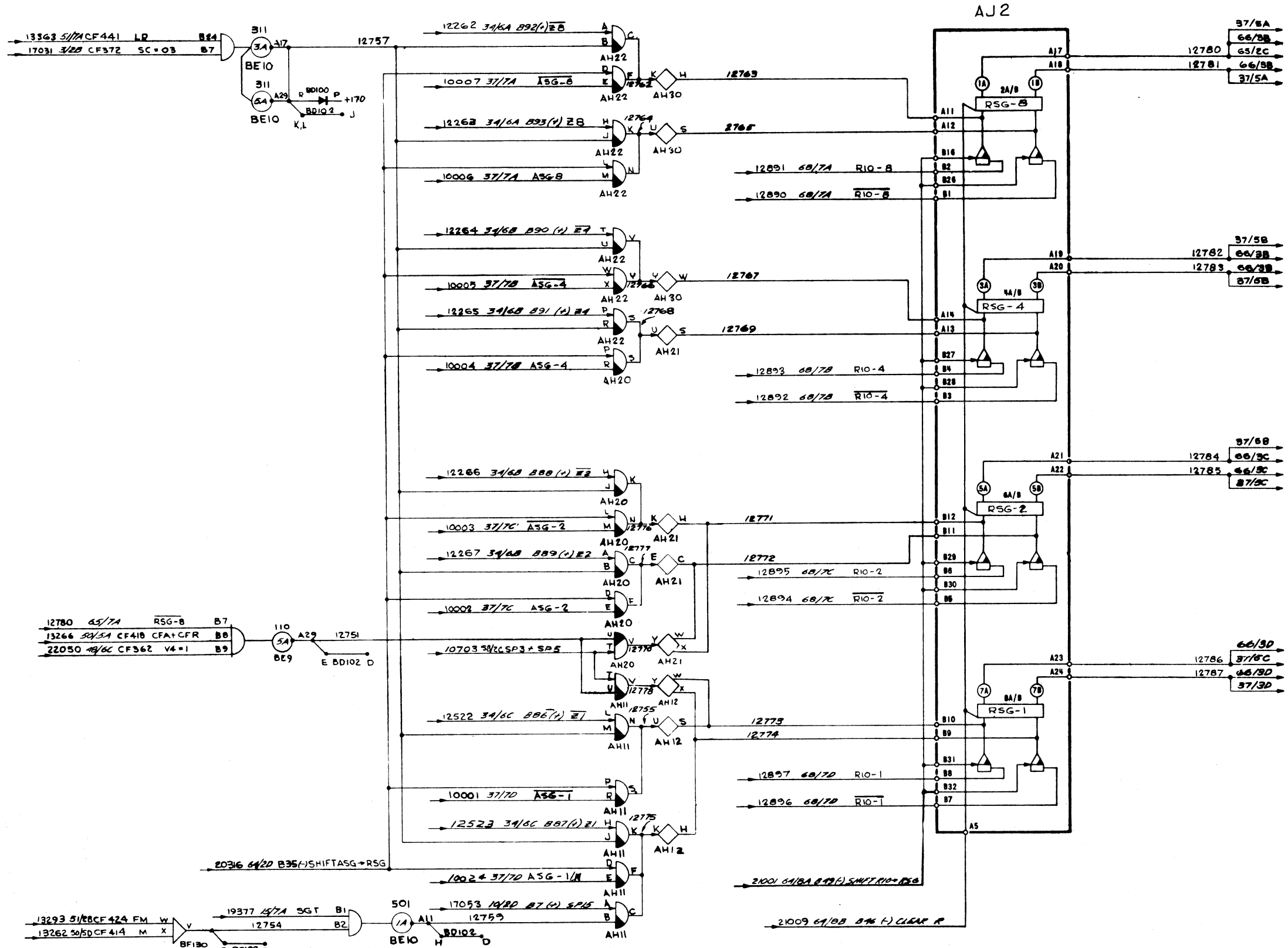
UNIT 56105 DATA PROCESSOR SYSTEM 220 DATA PROCESSING

D-63290

REV. C

FORM NO. EDD 1485 1-58

REVISIONS					
REV.	DCAL. NO.	DRFTM.N	CHKR.	APPR.	DATE
B	7567	L.H.C.H.	J.R.	J.R.	3-13-58

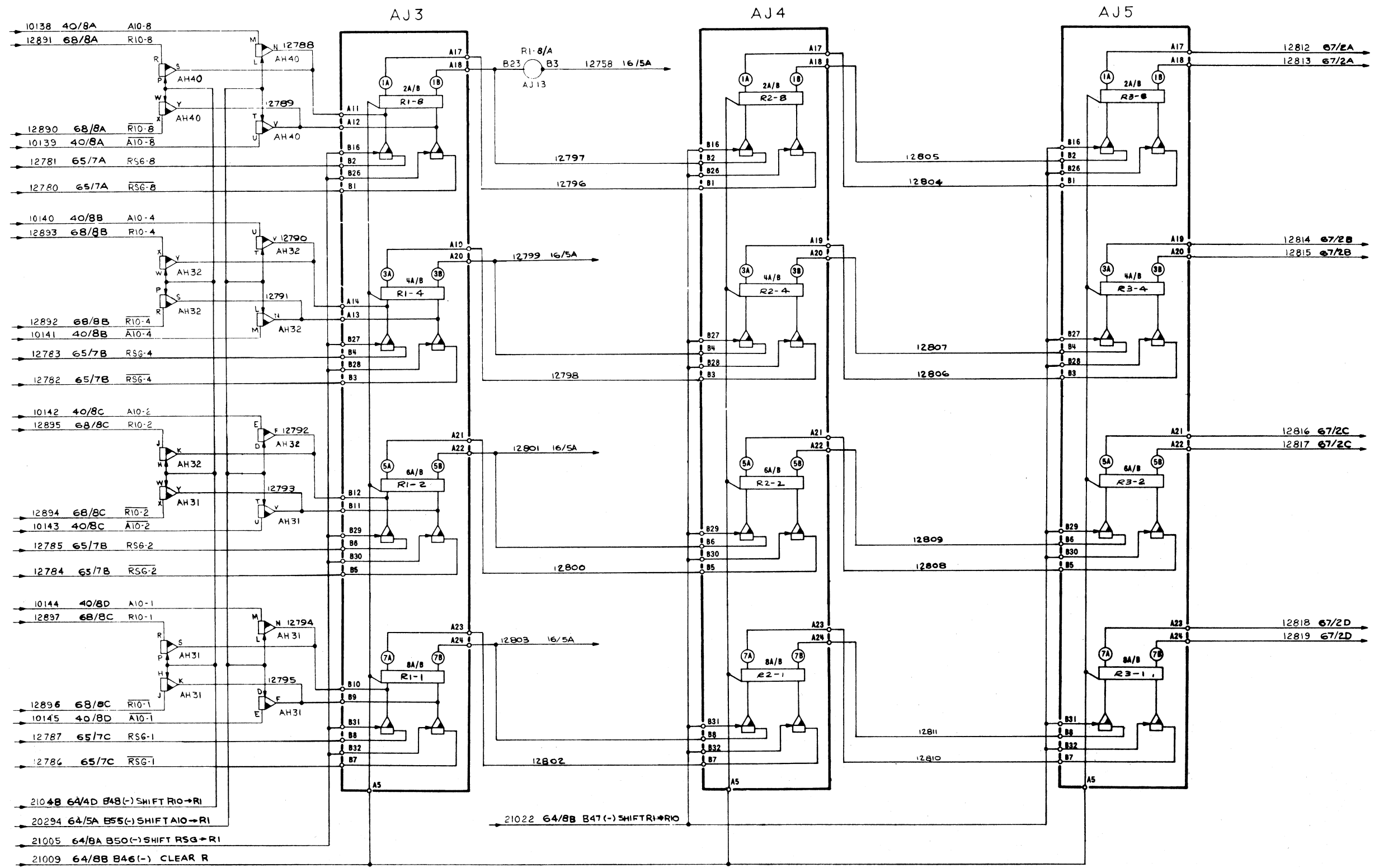


UNIT 56105
 DRAWN BY
 CHECKED
 APPROVED
 PROJ. ENGR.

NOTICE
 FOR EDUCATIONAL USE ONLY

BURROUGHS CORPORATION ELECTRODATA DIV., PASADENA, CALIFORNIA	RSG DECADE	65
	UNIT 56105-DATA PROCESSOR SYSTEM 220 DATA PROCESSING	D-63296

REVISIONS					
REV	BY	DATE	DESCRIPTION	CHKR	APPR
1	7567	VW	3-13-58		

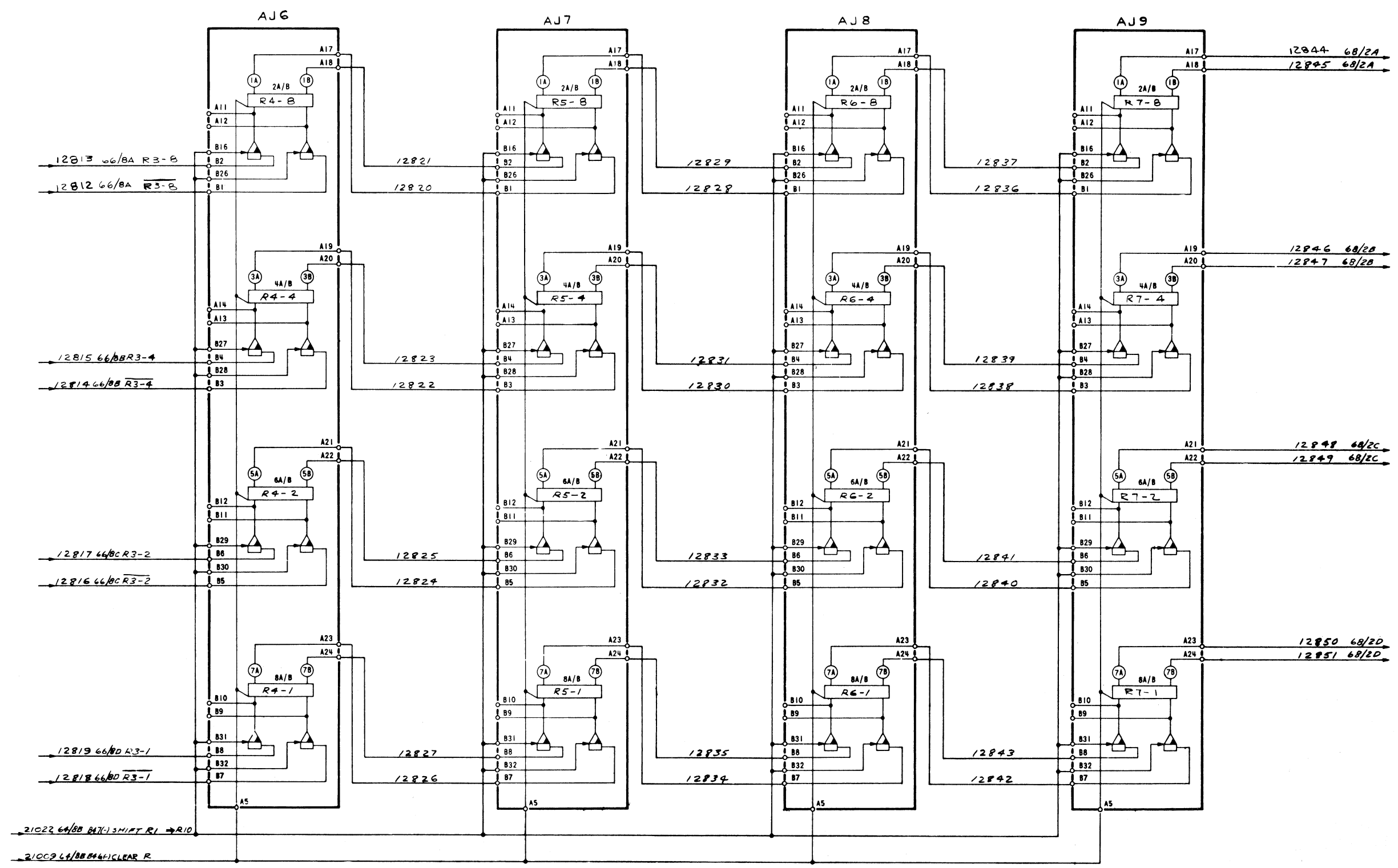


UNIT 56105
 DRAWN BY
 CHECKED
 APPROVED
 PROJ. ENGR.

NOTICE
 FOR EDUCATIONAL USE ONLY

BURROUGHS CORPORATION ELECTRODATA DIV., PASADENA, CALIFORNIA	RI THROUGH R3 DECADES	66
	UNIT 56105 DATA PROCESSOR SYSTEM 220 DATA PROCESSING	D-63297

REVISIONS					
REV.	QCN. NO.	DRFTM.	CHKR.	APPR.	DATE
B					
B	7567	VW			3-13-68

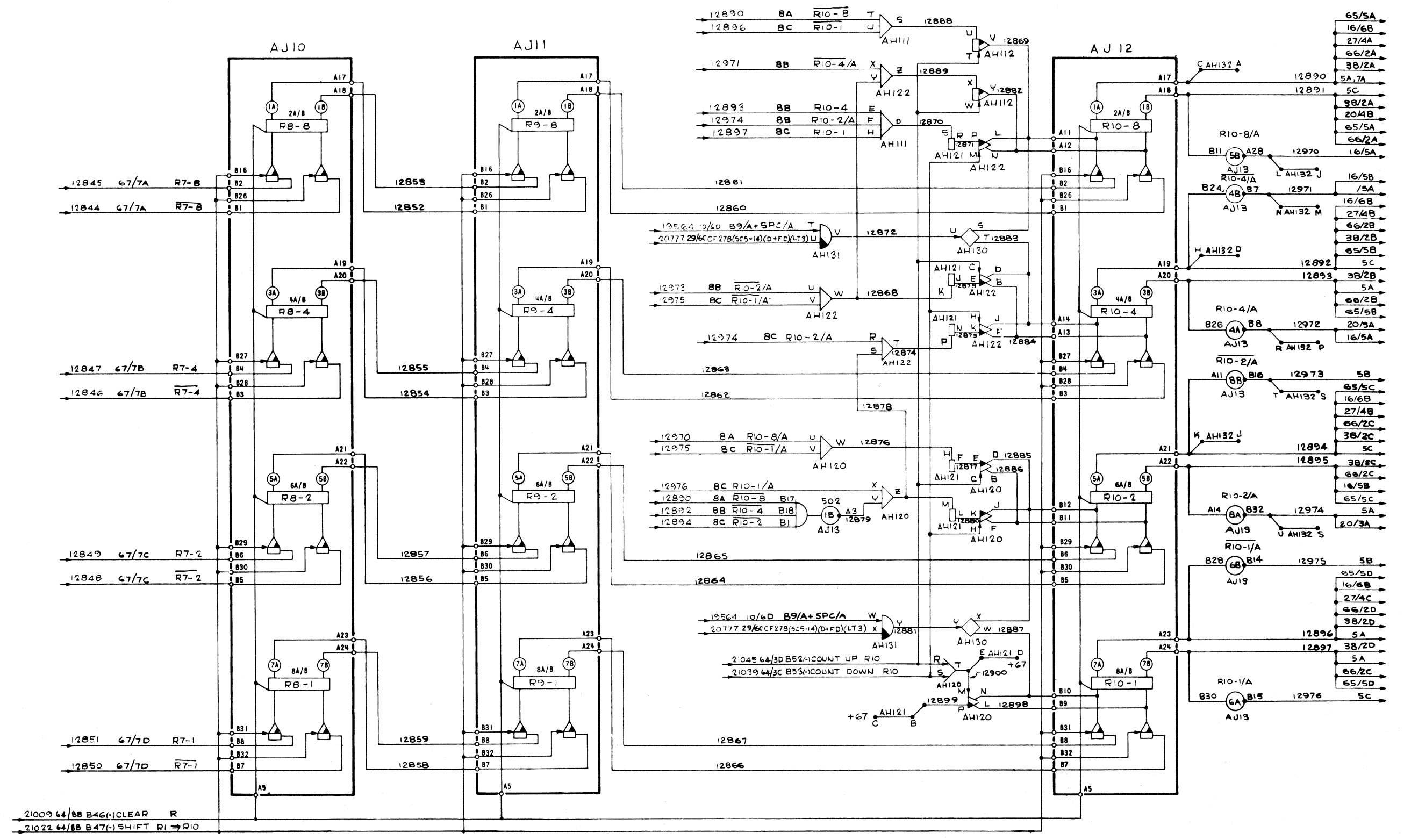


UNIT	56105
DRAWN BY	
CHECKED	<i>[Signature]</i>
APPROVED	
PROJ. ENGR.	<i>[Signature]</i>

NOTICE FOR EDUCATIONAL USE ONLY

BURROUGHS CORPORATION ELECTRODATA DIV., PASADENA, CALIFORNIA	R4 THROUGH R7 DECADES	67
	UNIT 56105 DATA PROCESSOR	REV. B
PROPERTY OF BURROUGHS CORPORATION - NOT TO BE REPRODUCED, NOR USED FOR MANUFACTURING PURPOSES, EXCEPT ON BURROUGHS ORDER OR PRIOR WRITTEN CONSENT.	SYSTEM 220 DATA PROCESSING	D-63298

REVISIONS				
B ORIGINAL ISSUE				
REV.	NO.	DATE	BY	CHKD.
1	12841	12/13/58	K.T.	



21009 64/88 B46(-) CLEAR R
 21022 64/88 B47(-) SHIFT RI → RIO

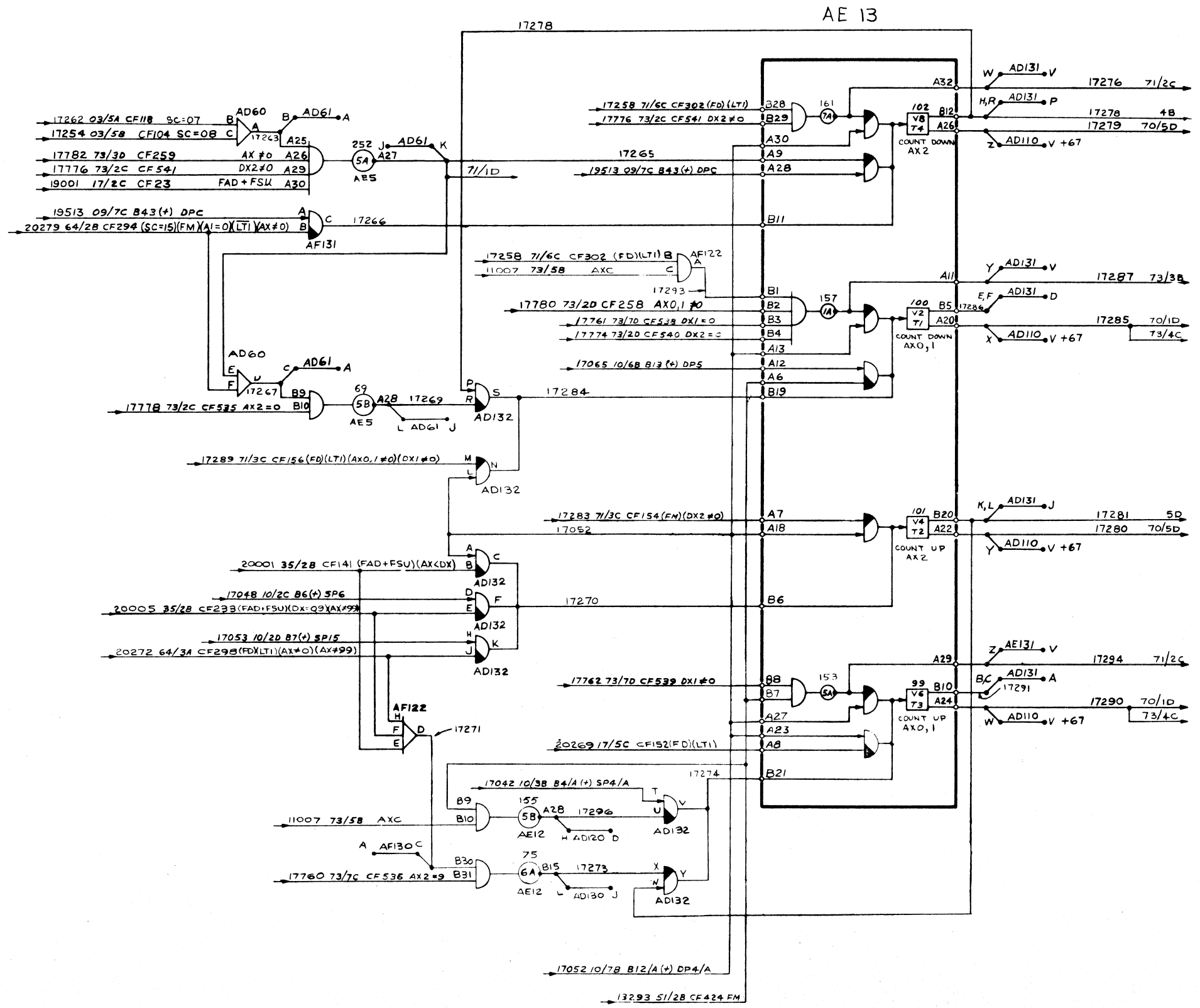
UNIT 56105
DRAWN BY
CHECKED <i>H. Rowen</i>
APPROVED
PROJ. ENGR. <i>V. Mauer</i>

NOTICE FOR EDUCATIONAL USE ONLY

BURROUGHS CORPORATION
 ELECTRODATA DIV., PASADENA, CALIFORNIA

R8 THROUGH R10 DECADES 68
 UNIT 56105 DATA PROCESSOR
 SYSTEM 220 DATA PROCESSING
 D-63299

REVISIONS					
REV.	NO.	DATE	BY	CHKD.	DATE
B	7567	3-12-58			

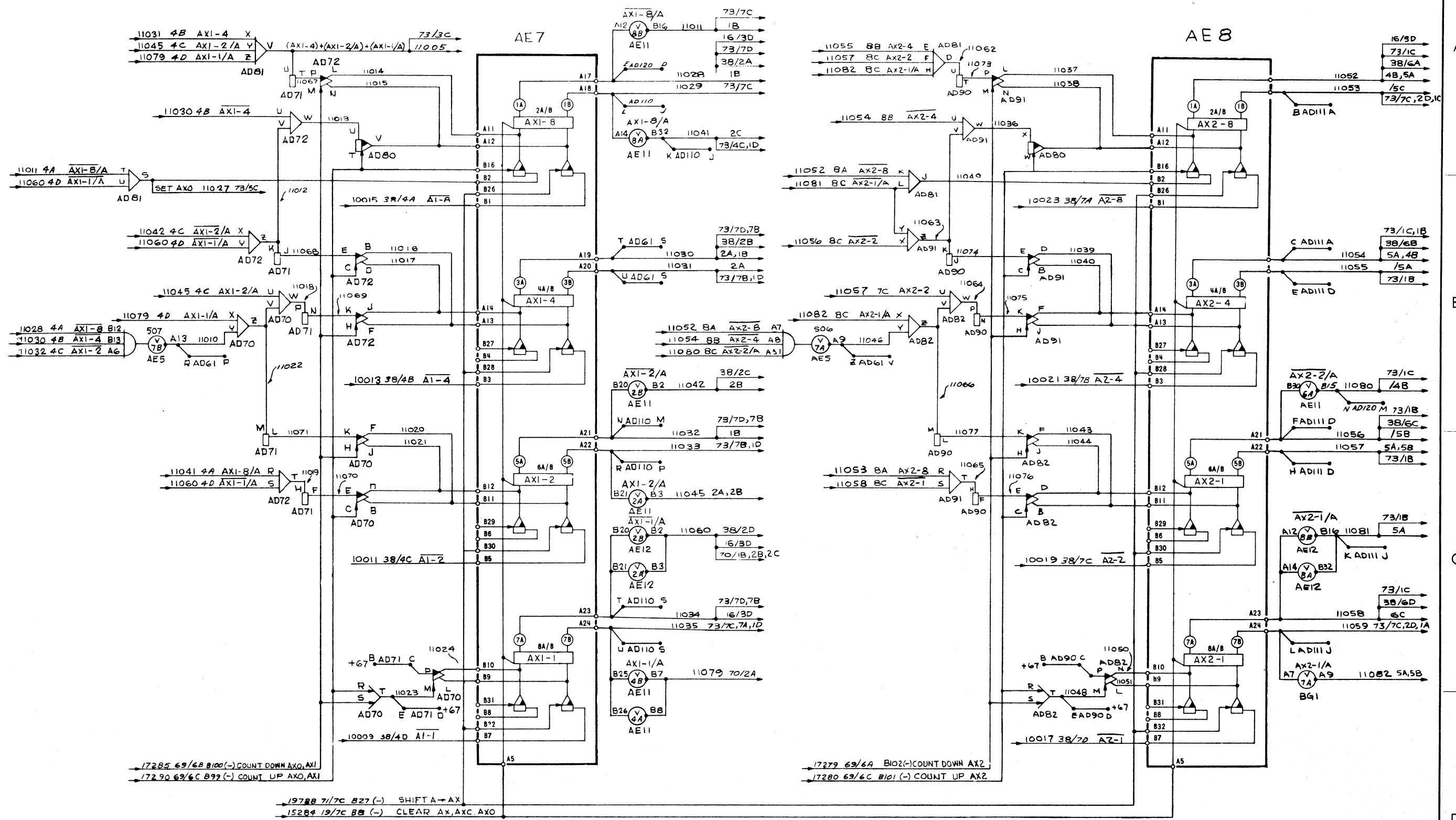


UNIT 56105
DRAWN BY <i>mmully</i>
CHECKED <i>W. H. ...</i>
APPROVED
PROJ. ENGR. <i>W. H. ...</i>

NOTICE FOR EDUCATIONAL USE ONLY

BURROUGHS CORPORATION ELECTRODATA DIV., PASADENA, CALIFORNIA	AX REGISTER BO LOGIC	69
	UNIT 56105 DATA PROCESSOR SYSTEM 220 DATA PROCESSING	D-63360

REVISIONS			
NO.	DESCRIPTION	CHKR.	DATE
1	ORIGINAL ISSUE		3-12-58

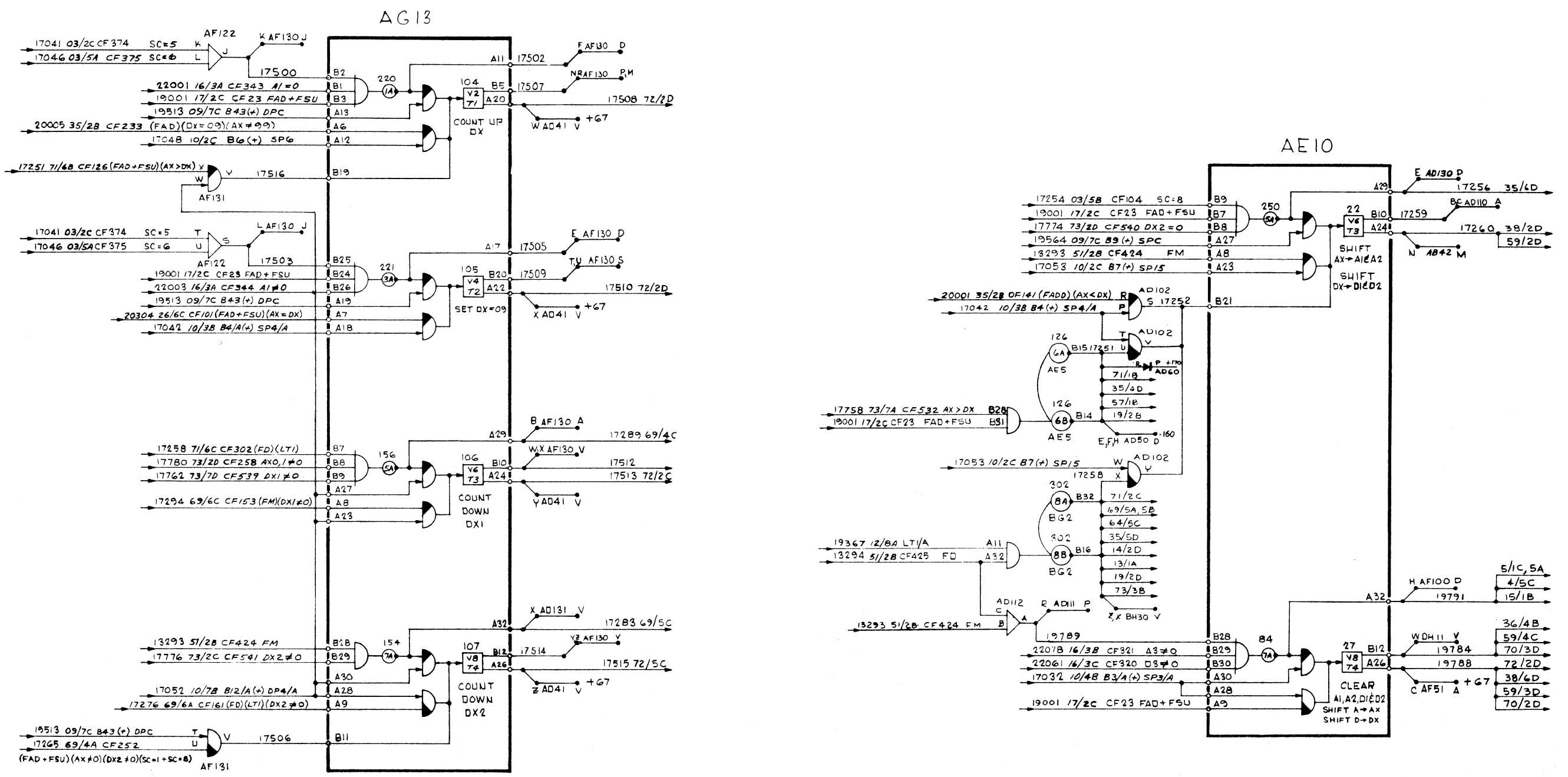


UNIT 56105
 DRAWN BY
 CHECKED
 APPROVED
 PROJ. ENGR.

NOTICE FOR EDUCATIONAL USE ONLY

BURROUGHS CORPORATION ELECTRODATA DIV., PARADISE, CALIFORNIA	AXI AND AX2 DECADES	70
	UNIT 56105 DATA PROCESSOR SYSTEM 220 DATA PROCESSING	D-63353

REVISIONS					
B ORIGINAL ISSUE					
REV.	DOCL. NO.	DRFTM.N.	CHKR.	APPR.	DATE
B	7567	L.H.C.H.			3-12-58

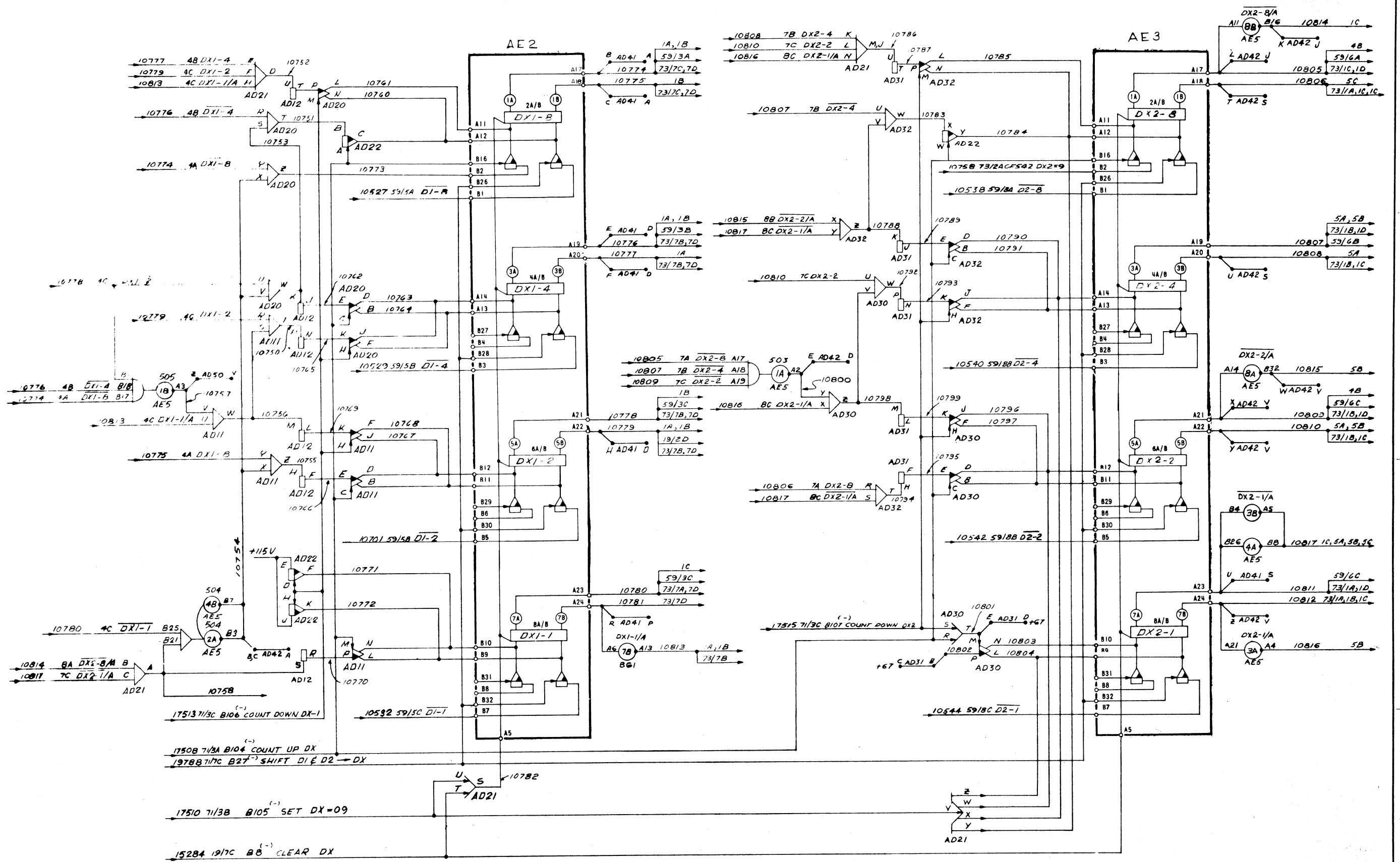


UNIT 56105
DRAWN BY
CHECKED <i>R. Rowen</i>
APPROVED
PROJ. ENGR. <i>J. Maxwell</i>

NOTICE FOR EDUCATIONAL USE ONLY

BURROUGHS CORPORATION ELECTRODATA DIV., PASADENA, CALIFORNIA	DX REGISTER BO LOGIC	71
	UNIT 56105 DATA PROCESSOR SYSTEM 220 DATA PROCESSING	D-63317

REVISIONS
NO. DATE
1 12 58

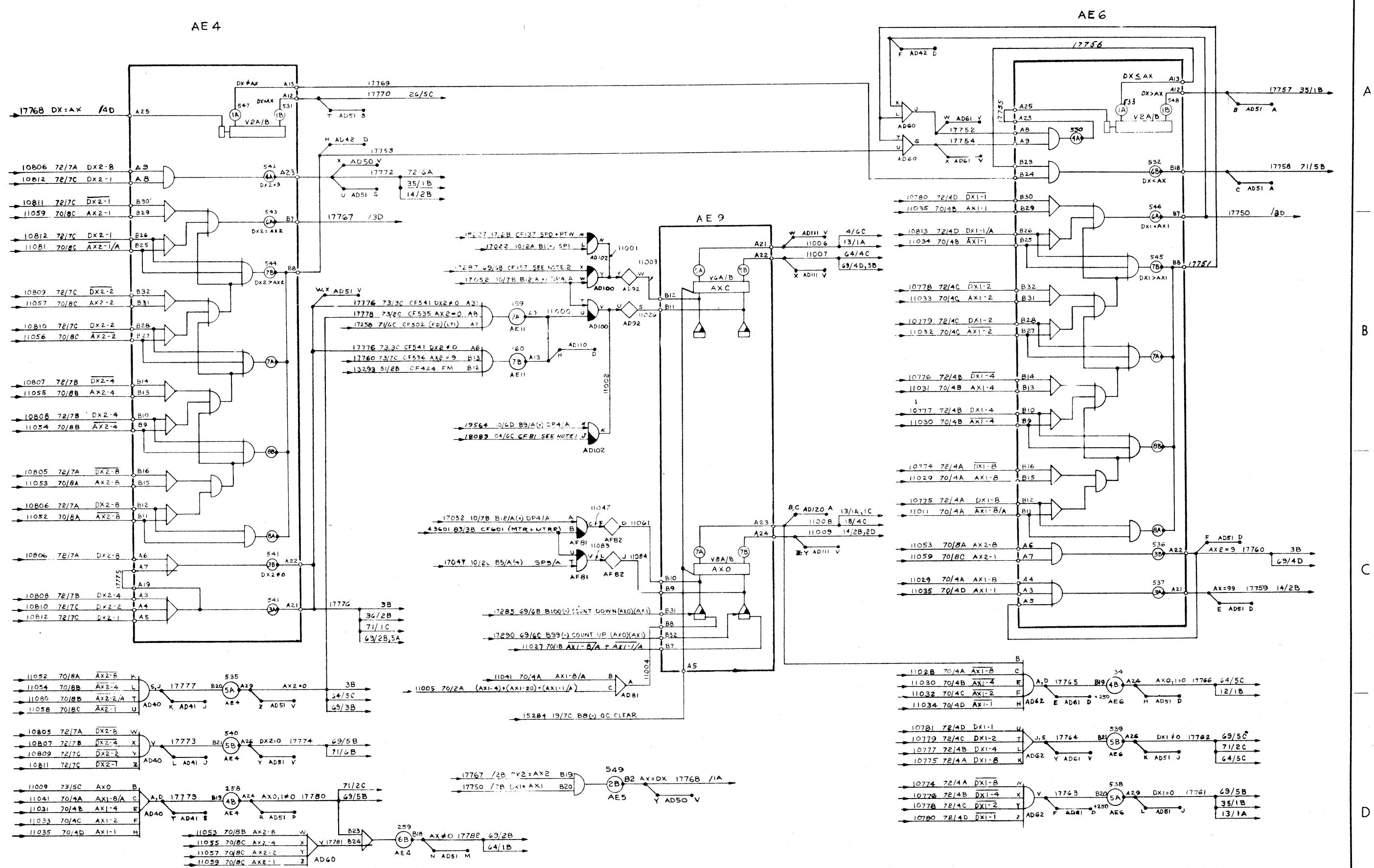


UNIT 56105
 DRAWN BY
 CHECKED
 APPROVED
 PROJ. ENGR.

NOTICE
 FOR EDUCATIONAL USE ONLY

BURROUGHS CORPORATION ELECTRODATA DIV., PASADENA, CALIFORNIA	DX1 AND DX2 DECADES	72
	UNIT 56105 DATA PROCESSOR SYSTEM 220 DATA PROCESSING	D-63316

REVISIONS					
B ORIGINAL ISSUE					
REV.	DCN. NO.	DRFTM. CHKR.	APPR.	DATE	
B	7567	LHCH	JCA	3 12 58	
C	8190	J1	HR HM	6 27 58	



NOTE:
 1. (LT/A)(LTZ/A)(SC4-15)(PTW+SP0)(SC#14+15)(ZSW)(DST)(DIO=0)(AXC)
 2. (FD)(LT1)(AX0,1#0)(AXC)(DX1=0)(DX2=0)

NOTICE
 FOR EDUCATIONAL USE ONLY

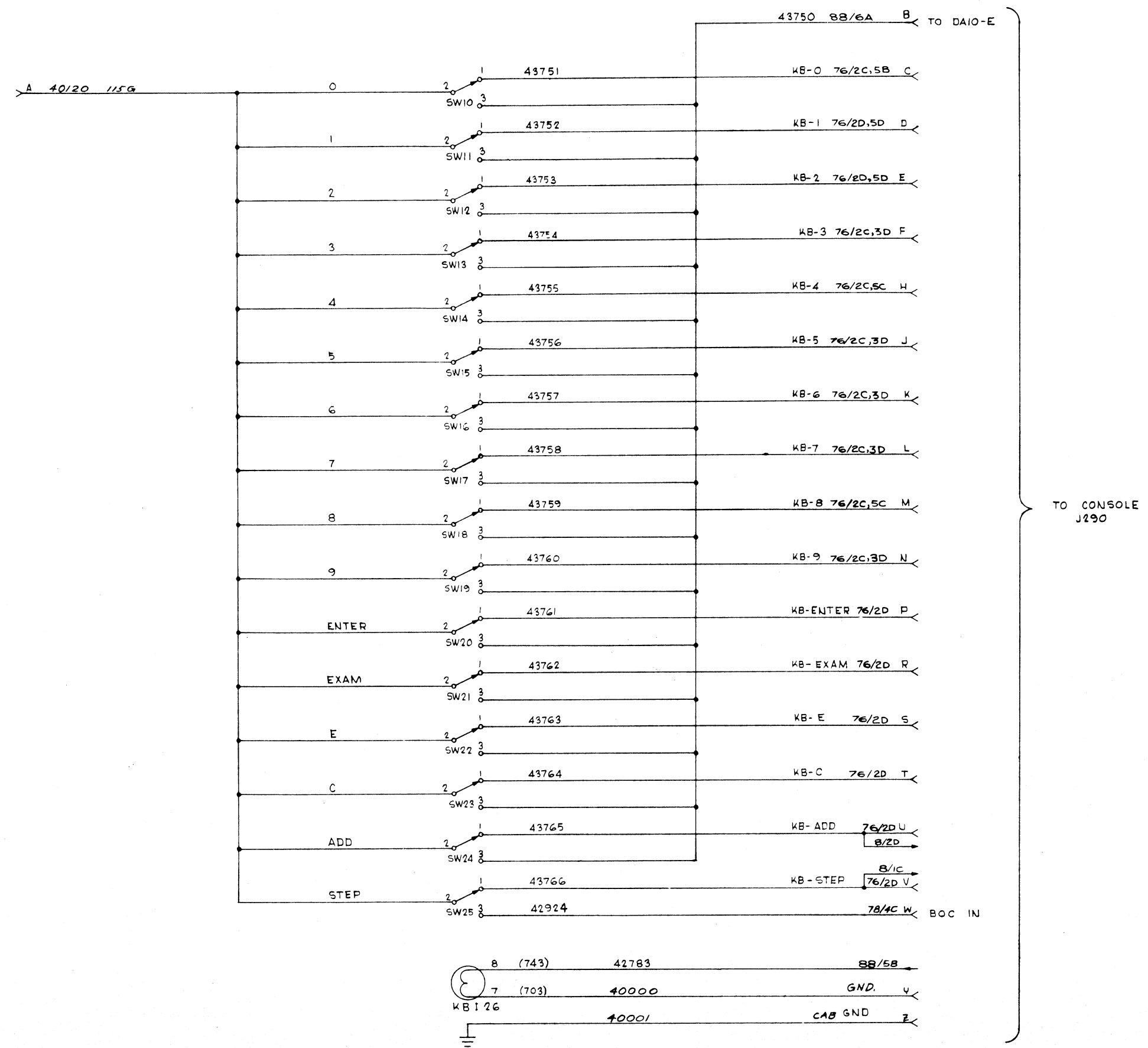
BURROUGHS CORPORATION ELECTRODATA DIV., PASADENA, CALIFORNIA	AXC, AXO, AX-DX LOGIC	73
	UNIT 56105 DATA PROCESSOR SYSTEM 220 DATA PROCESSING	D-63318

UNIT 56105
 DRAWN BY
 CHECKED
 APPROVED
 PROJ. ENGR.

REVISIONS					
REV.	DCN. NO.	DRFTM.	CHKR.	APPR.	DATE
B	75 61	V.W.			3-13-58

ORIGINAL ISSUE					
REV.	DCN. NO.	DRFTM.	CHKR.	APPR.	DATE
B	75 61	V.W.			3-13-58

UNIT 56105
DRAWN BY
CHECKED <i>[Signature]</i>
APPROVED
PROJ. ENGR. <i>[Signature]</i>



NOTICE FOR EDUCATIONAL USE ONLY

BURROUGHS CORPORATION
ELECTRODATA DIV., PARADISE, CALIFORNIA

KEYBOARD 74

UNIT 56105 DATA PROCESSOR **D-63848** REV. B

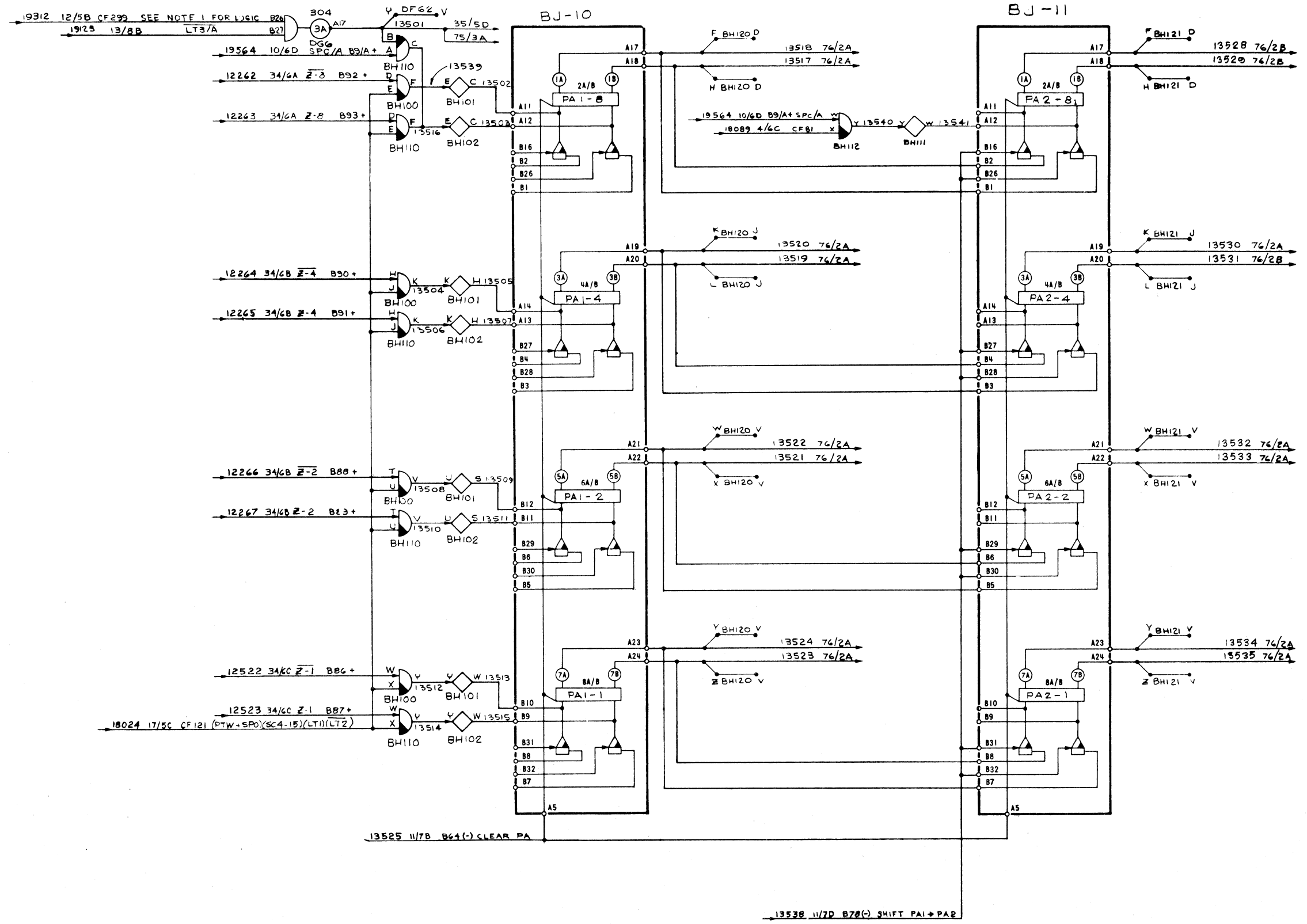
SYSTEM 220 DATA PROCESSING

PROPERTY OF BURROUGHS CORPORATION—NOT TO BE REPRODUCED, NOR USED FOR MANUFACTURING PURPOSES, EXCEPT ON BURROUGHS ORDER OR PRIOR WRITTEN CONSENT.

FORM NO. EDD 1400 1-58

REVISIONS					
B ORIGINAL ISSUE					
REV.	DCAL. NO.	DRFTM.	CHKR.	APPR.	DATE
B	7567	V.W.	<i>[Signature]</i>	<i>[Signature]</i>	3-13-58

UNIT 56105
DRAWN BY
CHECKED <i>[Signature]</i>
APPROVED <i>[Signature]</i>
PROJ. ENGR. <i>[Signature]</i>

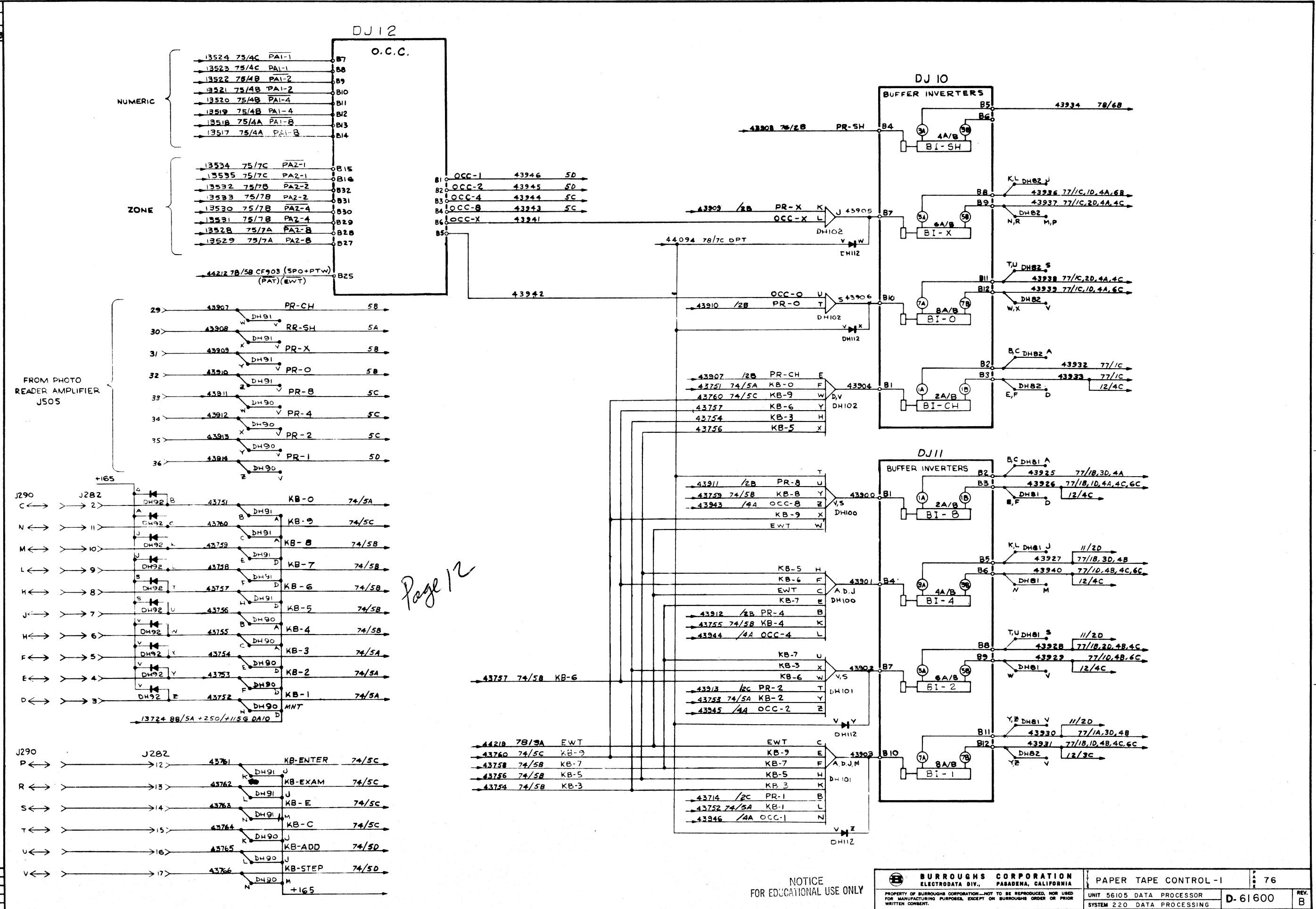


NOTES:
 1. (DIO=0-SC=14-ZSW-DST)(PTW-SPO)(SC4-15)(LT1)(LT2)

NOTICE FOR EDUCATIONAL USE ONLY

BURROUGHS CORPORATION ELECTRODATA DIV., PASADENA, CALIFORNIA	PAI AND PA2 DECADES	75
	UNIT 56105 DATA PROCESSOR SYSTEM 220 DATA PROCESSING	D-63291

REVISIONS					
REV.	DOCN.	NO.	DATE	CHKD.	APPR.
B	7567	Y.W.	3-13-58		



UNIT 56105
DRAWN BY
CHECKED
APPROVED
PROJ. ENGR.

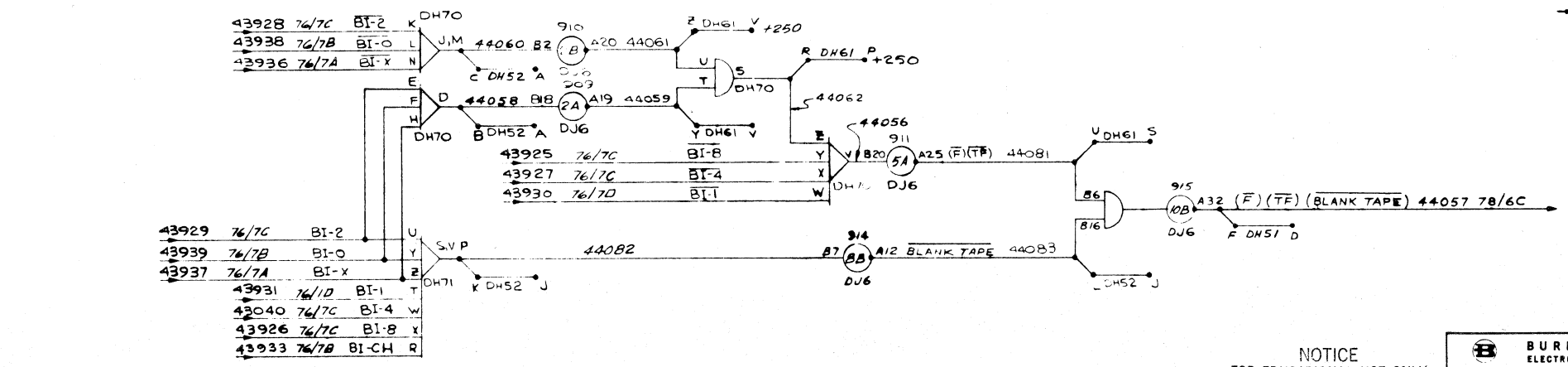
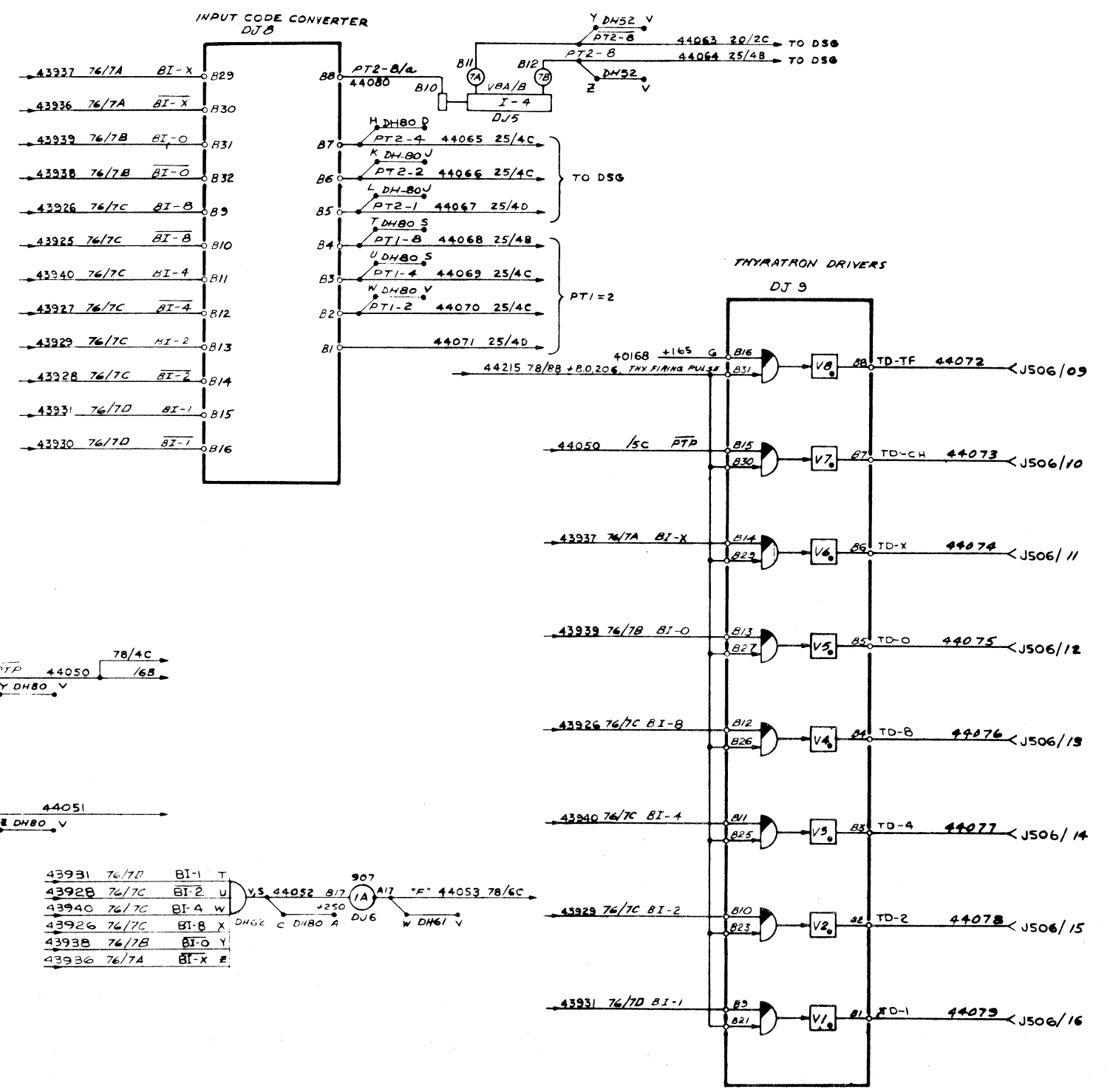
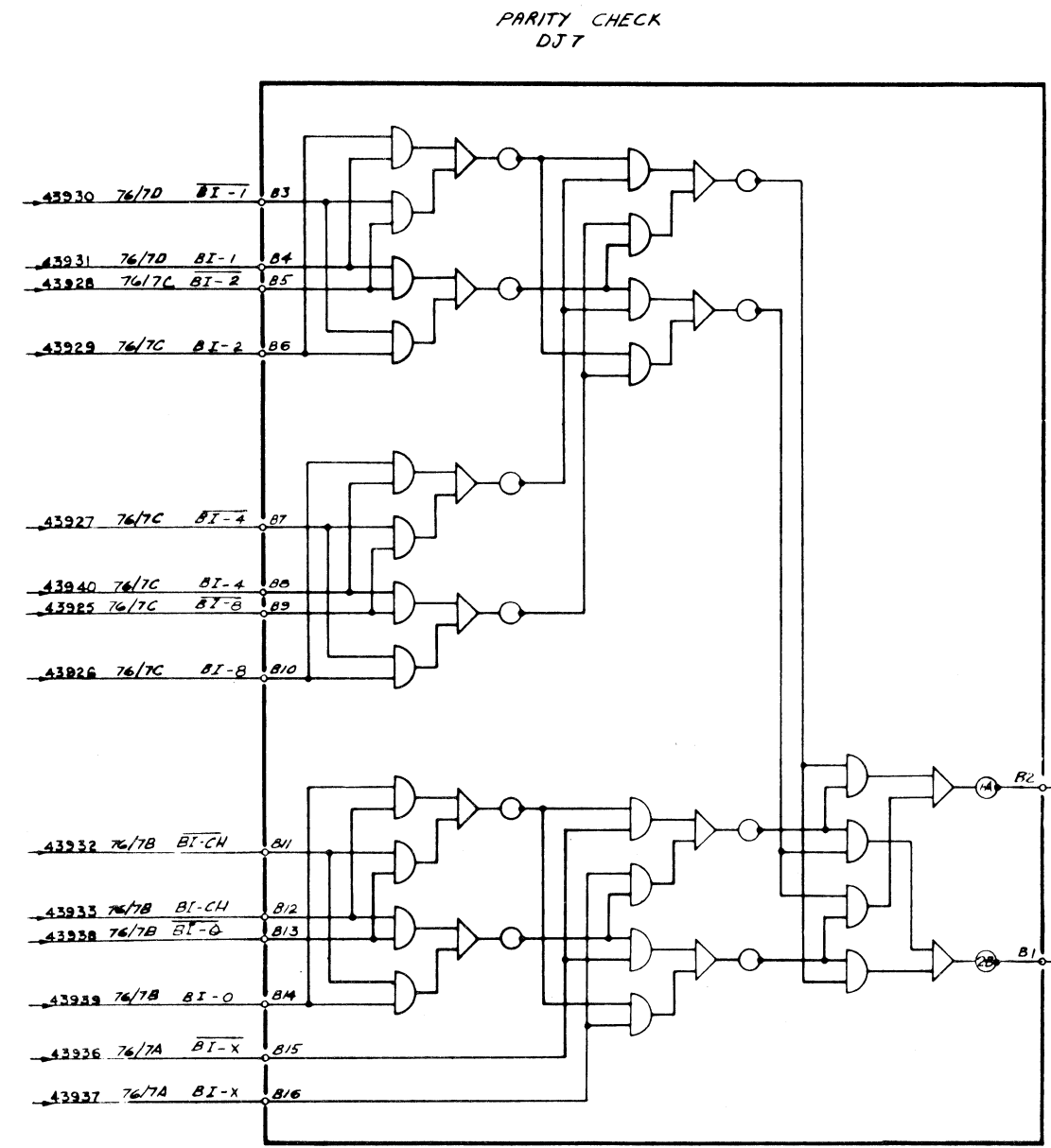
NOTICE FOR EDUCATIONAL USE ONLY

BURROUGHS CORPORATION ELECTRODATA DIV., PASADENA, CALIFORNIA	PAPER TAPE CONTROL - I UNIT 56105 DATA PROCESSOR SYSTEM 220 DATA PROCESSING	76 D-61600 REV. B
--	---	-------------------------

FORM NO. EDD 1488 1-58

REVISIONS						
REV.	DCN.	NO.	DFTM.	CHKR.	APPR.	DATE
B						
B	7567	YW				3-13-58

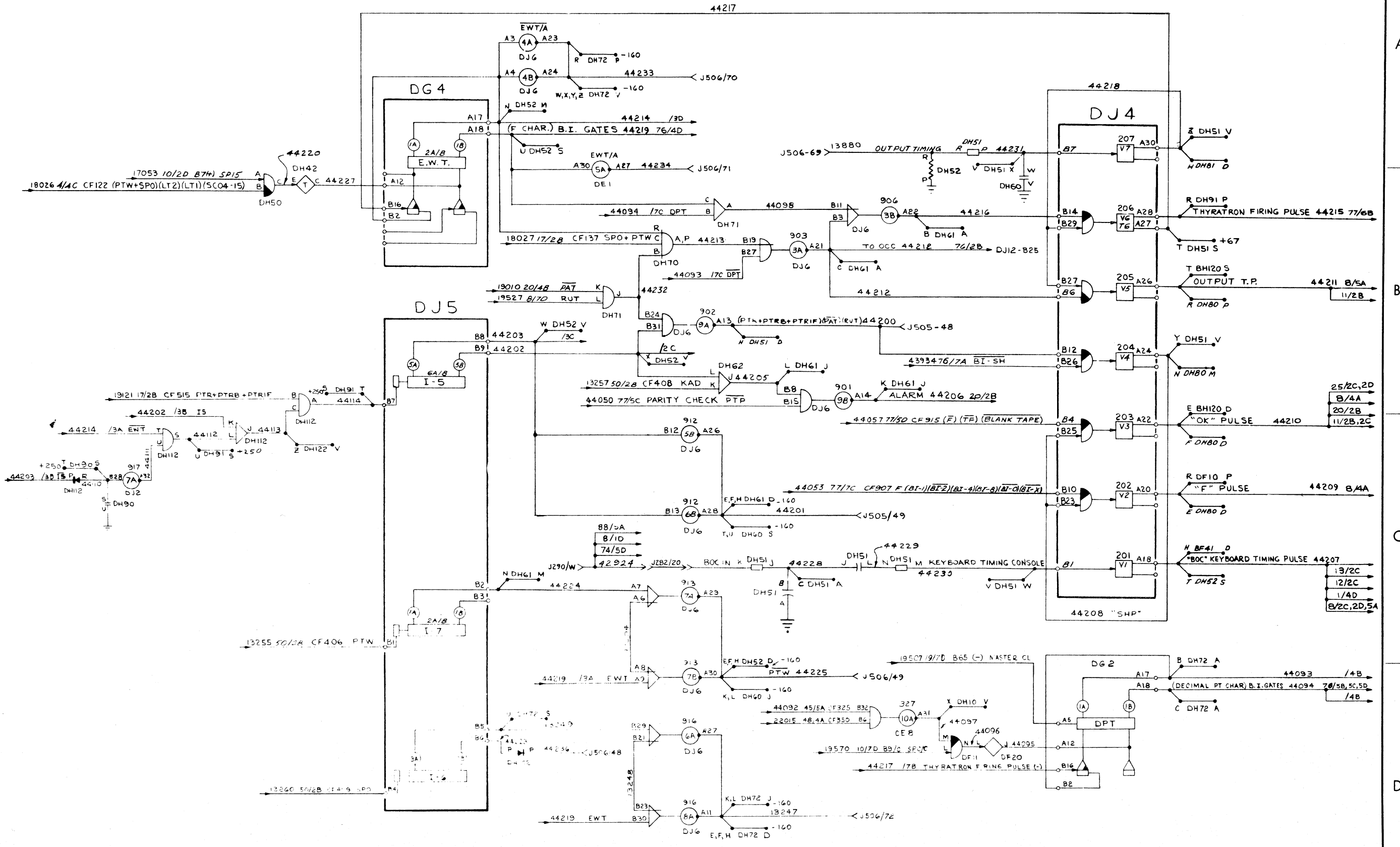
UNIT 56105
DRAWN BY
CHECKED <i>[Signature]</i>
APPROVED
PROJ. ENGR. <i>[Signature]</i>



NOTICE FOR EDUCATIONAL USE ONLY

BURROUGHS CORPORATION ELECTRODATA DIV., PASADENA, CALIFORNIA	PAPER TAPE CONTROL # 2	77
	UNIT 56105 DATA PROCESSOR SYSTEM 220 DATA PROCESSING	D-61601

REVISIONS						
B ORIGINAL ISSUE						
REV.	DCN. NO.	DRTM.	CHKR.	APPR.	DATE	
B	7567	J.B.			3-12-58	
C	8190	J.L.			6-27-58	



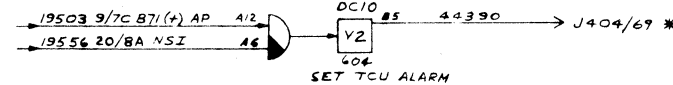
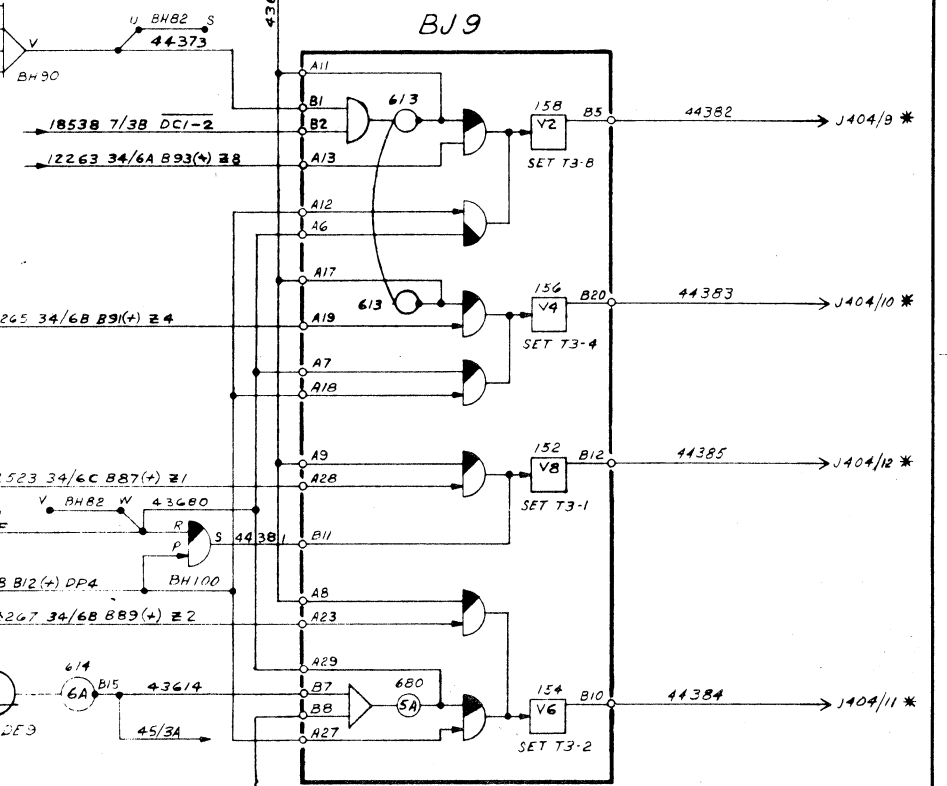
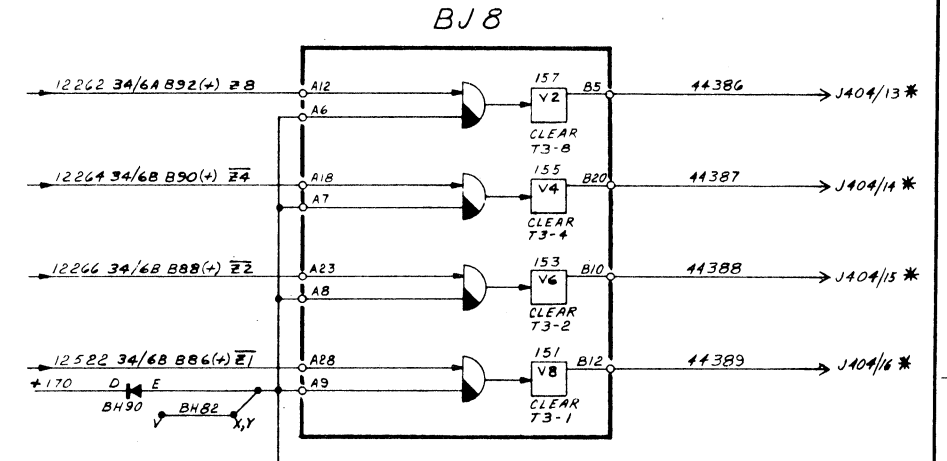
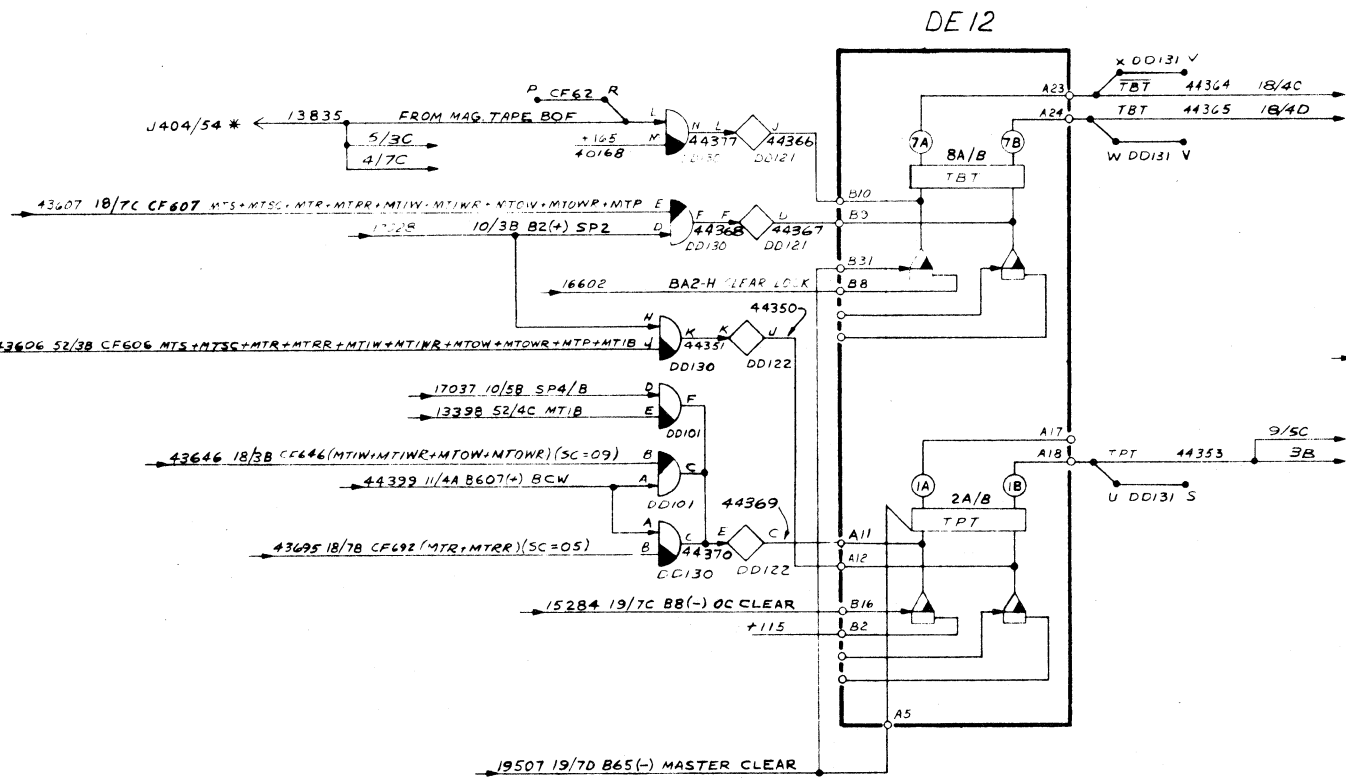
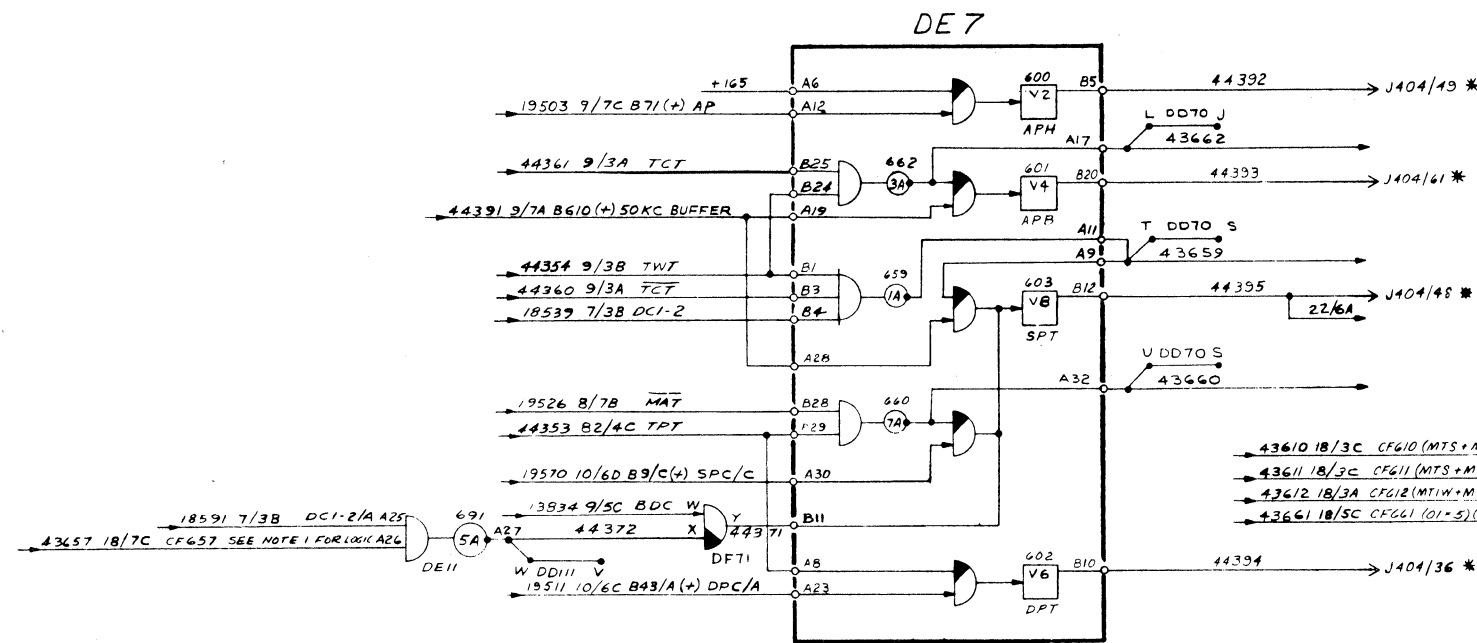
UNIT 56105
DRAWN BY
CHECKED <i>[Signature]</i>
APPROVED
PROJ. ENGR. <i>[Signature]</i>

NOTICE FOR EDUCATIONAL USE ONLY

BURROUGHS CORPORATION
ELECTRODATA DIV., PASADENA, CALIFORNIA

PAPER TAPE CONTROL # 3 78
UNIT 56105 DATA PROCESSOR
SYSTEM 220 DATA PROCESSING
D-61602
REV. C

REVISIONS						
B ORIGINAL ISSUE						
REV.	DCN. NO.	DRFTM.	CHKR.	APPR.	DATE	
B	7567	J.B	VZ	NM	3-13-58	
C	8138	C.B	VZ	NM	6-26-58	



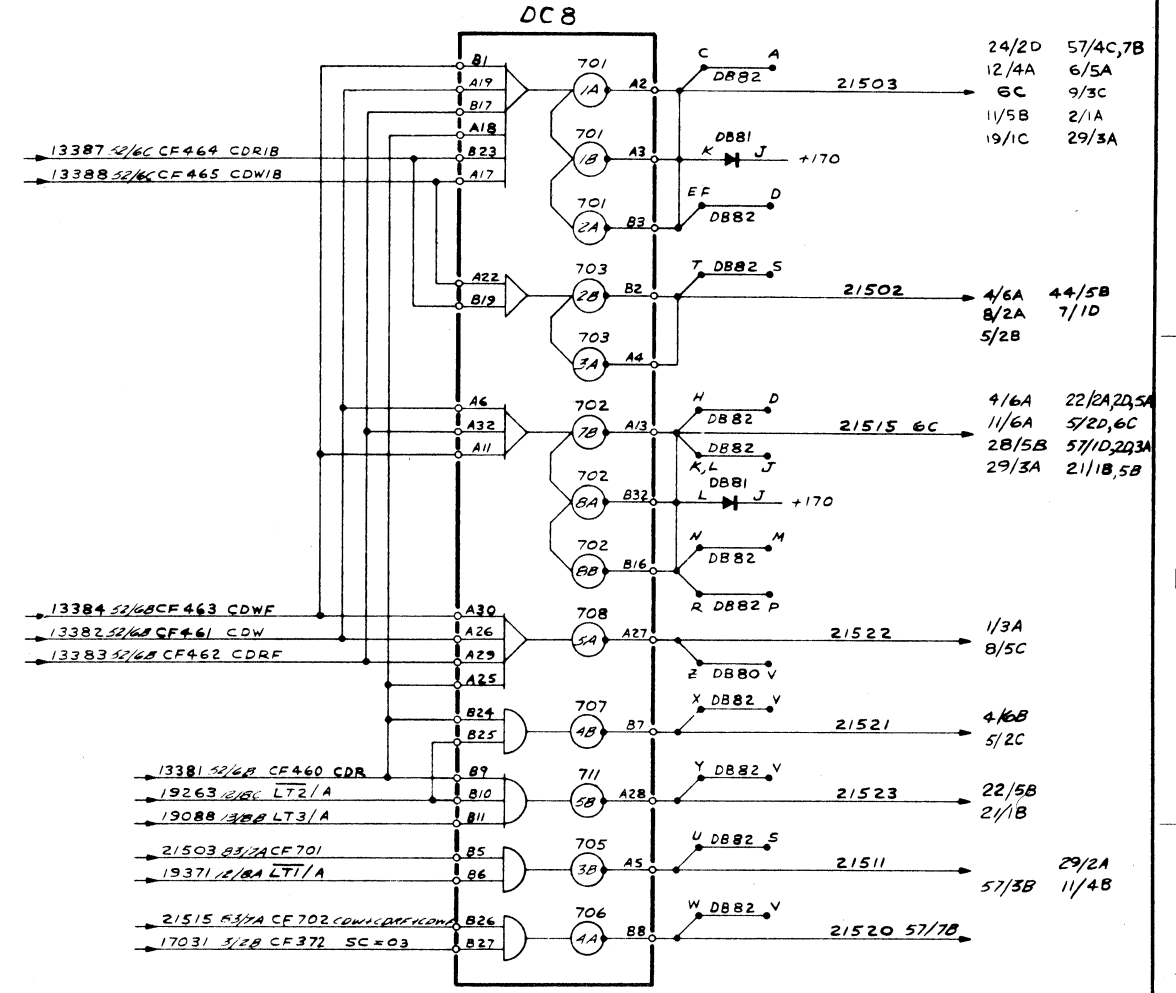
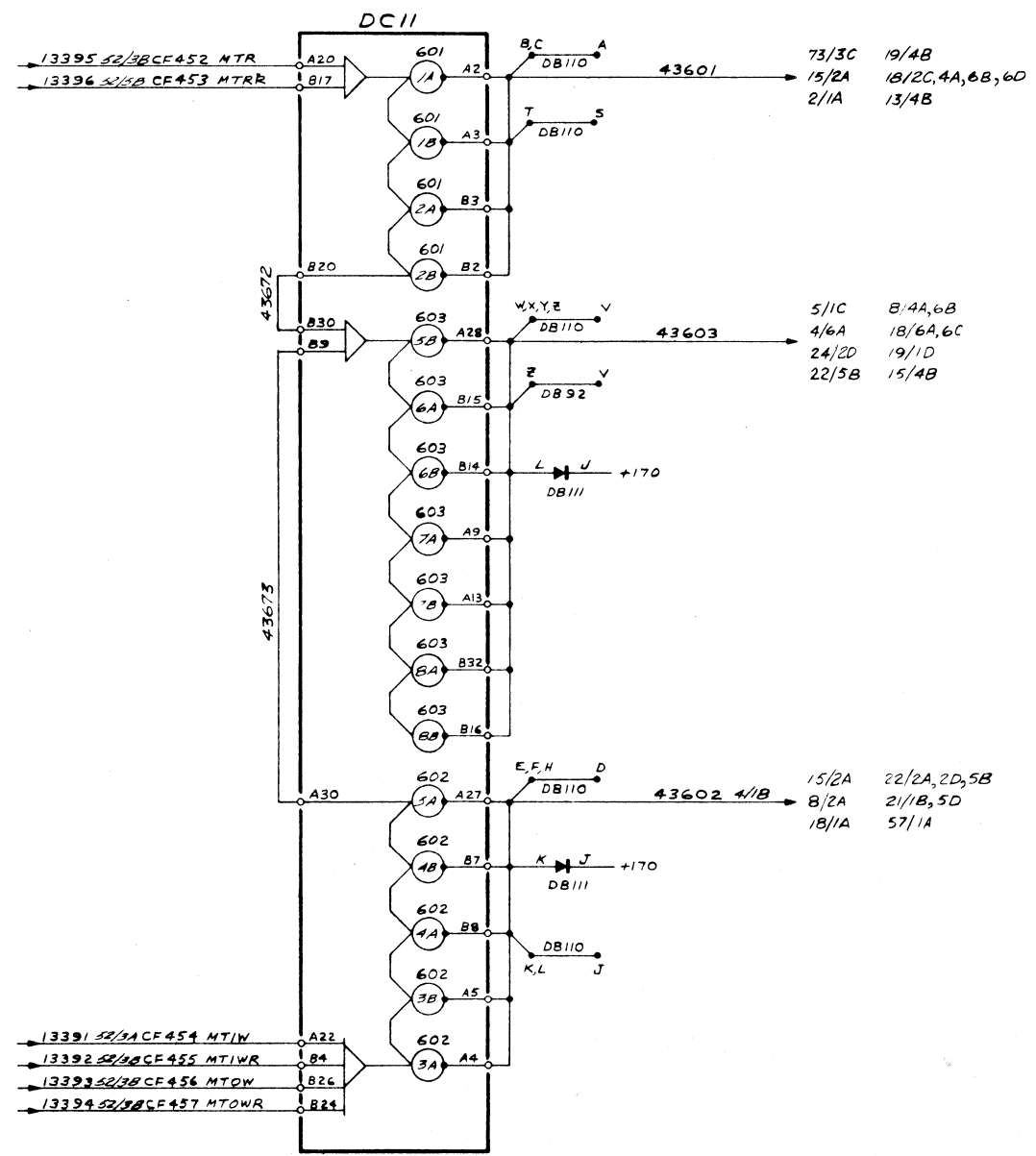
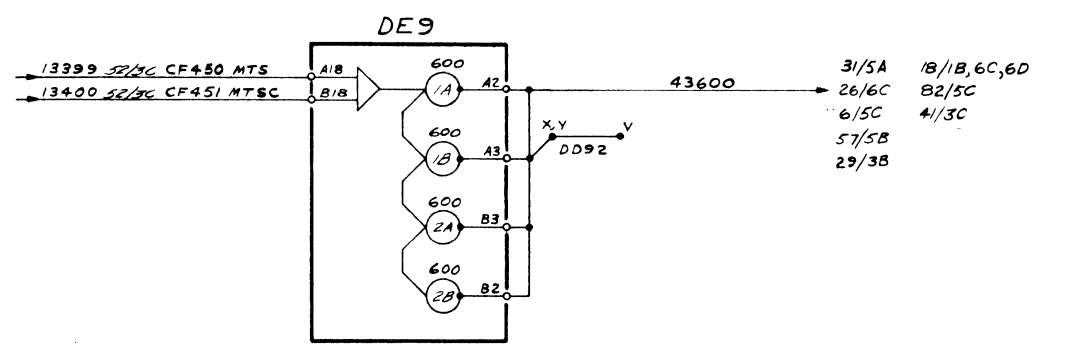
NOTES.
 1. (MTIW+MTIWR+MTOW+MTOWR)(SC=09+SC=08)+(MTR+MTRR)(SC=04+SC=05)+(MTR+MTRR)(SC=06)

UNIT 56105
DRAWN BY
CHECKED <i>H. Brown</i>
APPROVED
PROJ. ENGR. <i>H. Mays</i>

NOTICE FOR EDUCATIONAL USE ONLY

BURROUGHS CORPORATION ELECTRODATA DIV., PASADENA, CALIFORNIA	TBT, TPT, TCU BO LOGIC	82
PROPERTY OF BURROUGHS CORPORATION - NOT TO BE REPRODUCED, NOR USED FOR MANUFACTURING PURPOSES, EXCEPT ON BURROUGHS ORDER OR PRIOR WRITTEN CONSENT.	UNIT 56105 DATA PROCESSOR SYSTEM 220 DATA PROCESSING	D-63332
		REV. C

REVISIONS						
B ORIGINAL ISSUE						
REV.	DCI. NO.	DRFTM.N.	CHKR.	APPR.	DATE	
B	7567	J.B.	H.R.	J.C.A.	3-12-58	
C	8048	C.W.B.	H.R.	H.M.	6-3-58	



UNIT 56105

DRAWN BY

CHECKED *H. M. Marshall*

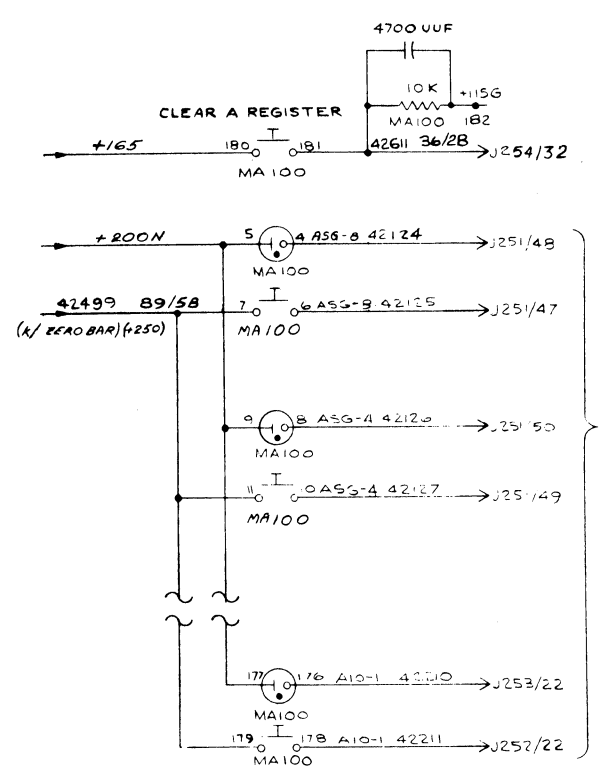
APPROVED

PROJ. ENGR. *H. M. Marshall*

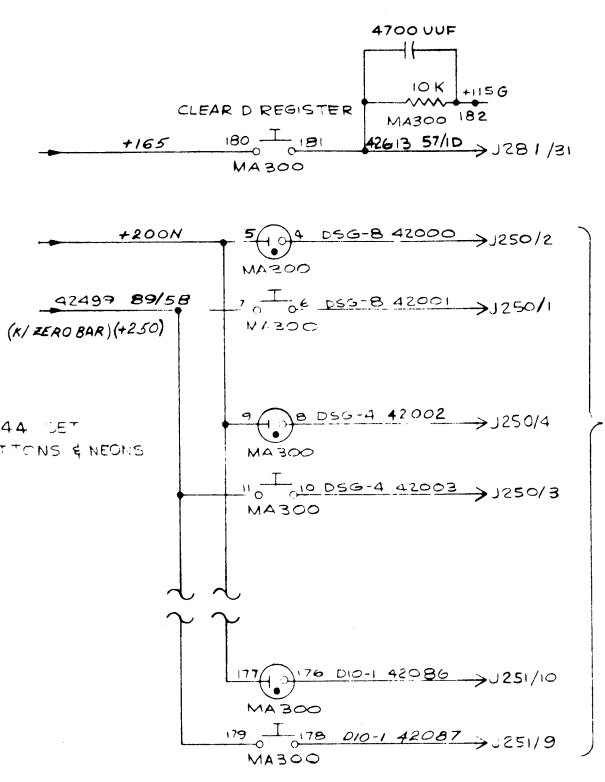
NOTICE FOR EDUCATIONAL USE ONLY

BURROUGHS CORPORATION ELECTRODATA DIV., PASADENA, CALIFORNIA <small>PROPERTY OF BURROUGHS CORPORATION... NOT TO BE REPRODUCED, NOR USED FOR MANUFACTURING PURPOSES, EXCEPT ON BURROUGHS ORDER OR PRIOR WRITTEN CONSENT.</small>	MAG. TAPE, CARD CF LOGIC	83	
	UNIT 56105 DATA PROCESSOR	D-64081	REV. C
	SYSTEM 220 DATA PROCESSING		

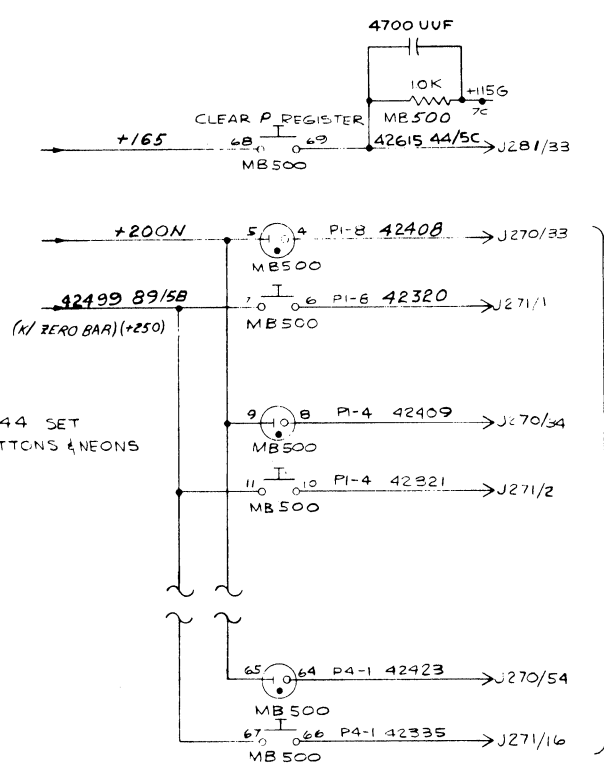
REVISIONS						
REV.	DCN.	NO.	DRFTM.	CHKR.	APPR.	DATE
B	7567	JB				3-12-58
C	8138	CB				6-26-58
D	8301	CB				8-7-58



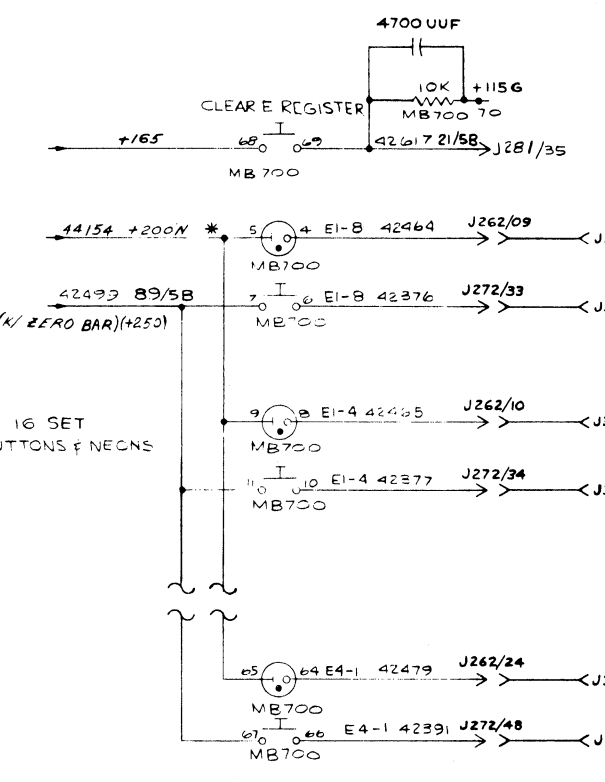
A REGISTER



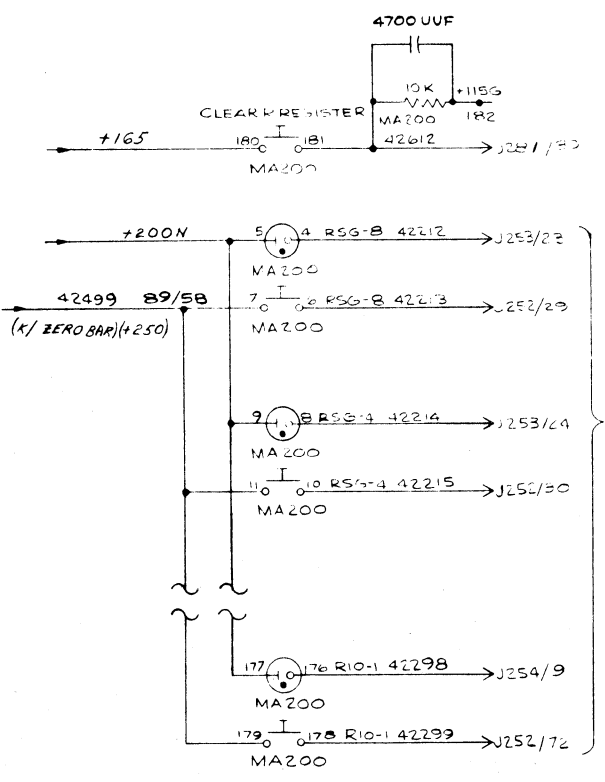
D REGISTER



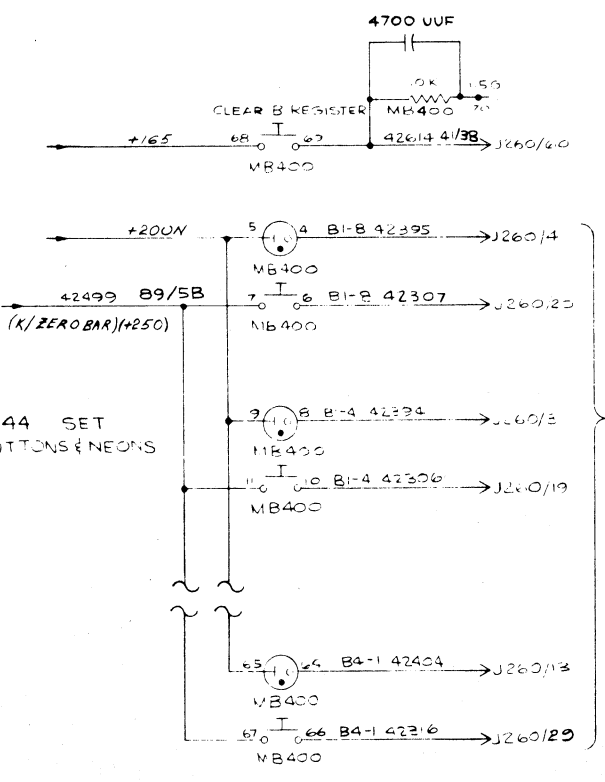
P REGISTER



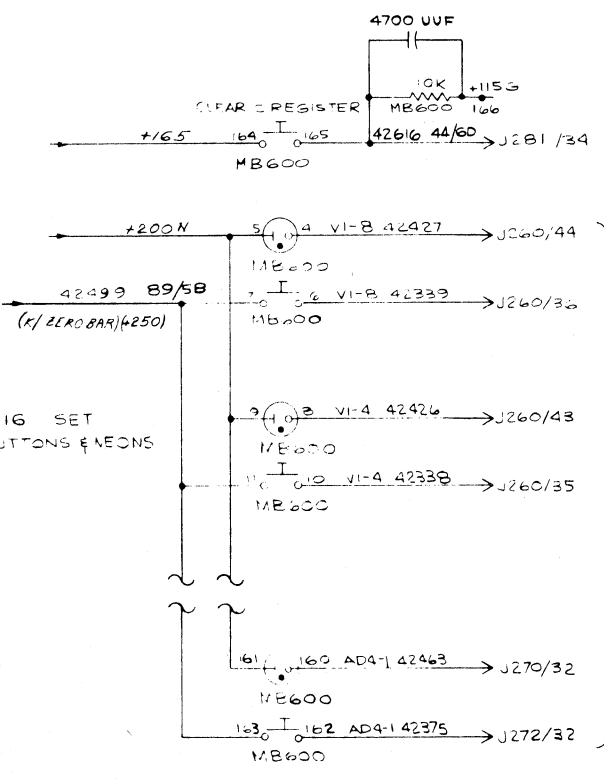
E REGISTER



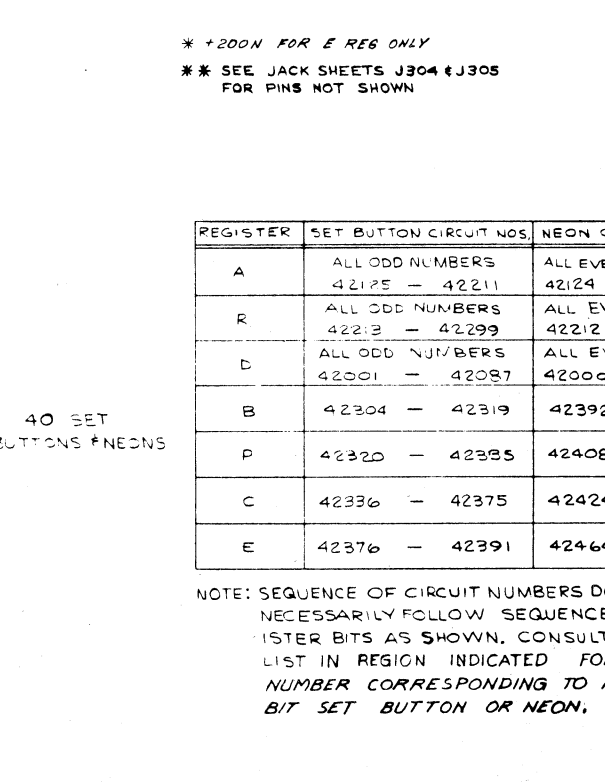
R REGISTER



B REGISTER



C REGISTER



* +200N FOR E REG ONLY
 ** SEE JACK SHEETS J304 & J305 FOR PINS NOT SHOWN

REGISTER	SET BUTTON CIRCUIT NOS.	NEON CIRCUIT NOS.
A	ALL ODD NUMBERS 42125 - 42211	ALL EVEN NUMBERS 42124 - 42210
R	ALL ODD NUMBERS 42213 - 42299	ALL EVEN NUMBERS 42212 - 42298
D	ALL ODD NUMBERS 42001 - 42087	ALL EVEN NUMBERS 42000 - 42086
B	42304 - 42319	42392 - 42407
P	42320 - 42335	42408 - 42423
C	42336 - 42375	42424 - 42463
E	42376 - 42391	42464 - 42479

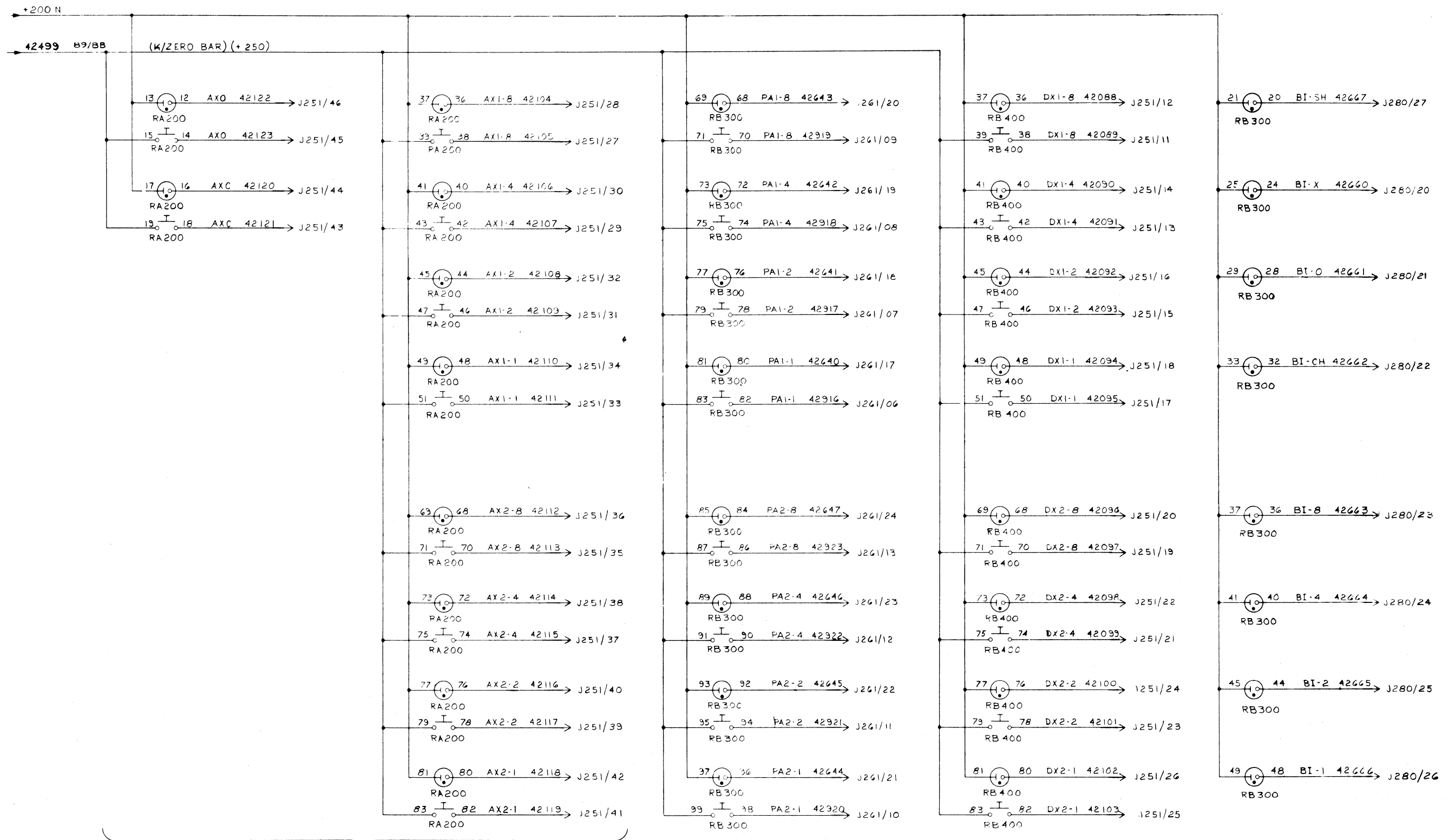
NOTE: SEQUENCE OF CIRCUIT NUMBERS DOES NOT NECESSARILY FOLLOW SEQUENCE OF REGISTER BITS AS SHOWN. CONSULT CIRCUIT LIST IN REGION INDICATED FOR CIRCUIT NUMBER CORRESPONDING TO ANY PARTICULAR BIT SET BUTTON OR NEON.

UNIT 56105
 DRAWN BY
 CHECKED BY
 APPROVED
 PROJ. ENGR.

NOTICE FOR EDUCATIONAL USE ONLY

BURROUGHS CORPORATION ELECTRODATA DIV., PASADENA, CALIFORNIA	REG. SWITCHES, INDICATORS	84
	UNIT 56105 DATA PROCESSOR SYSTEM 220 DATA PROCESSING	D-63306

REVISIONS					
B ORIGINAL ISSUE					
REV.	DCN. NO.	DRTM.N.	CHKR.	APPR.	DATE
B	1561	J.B.	JZ	JA	3-12-58



AX REGISTER

PA REGISTER

DX REGISTER

BI NEONS

UNIT 56105
DRAWN BY
CHECKED <i>[Signature]</i>
APPROVED
PROJ. ENGR. <i>[Signature]</i>

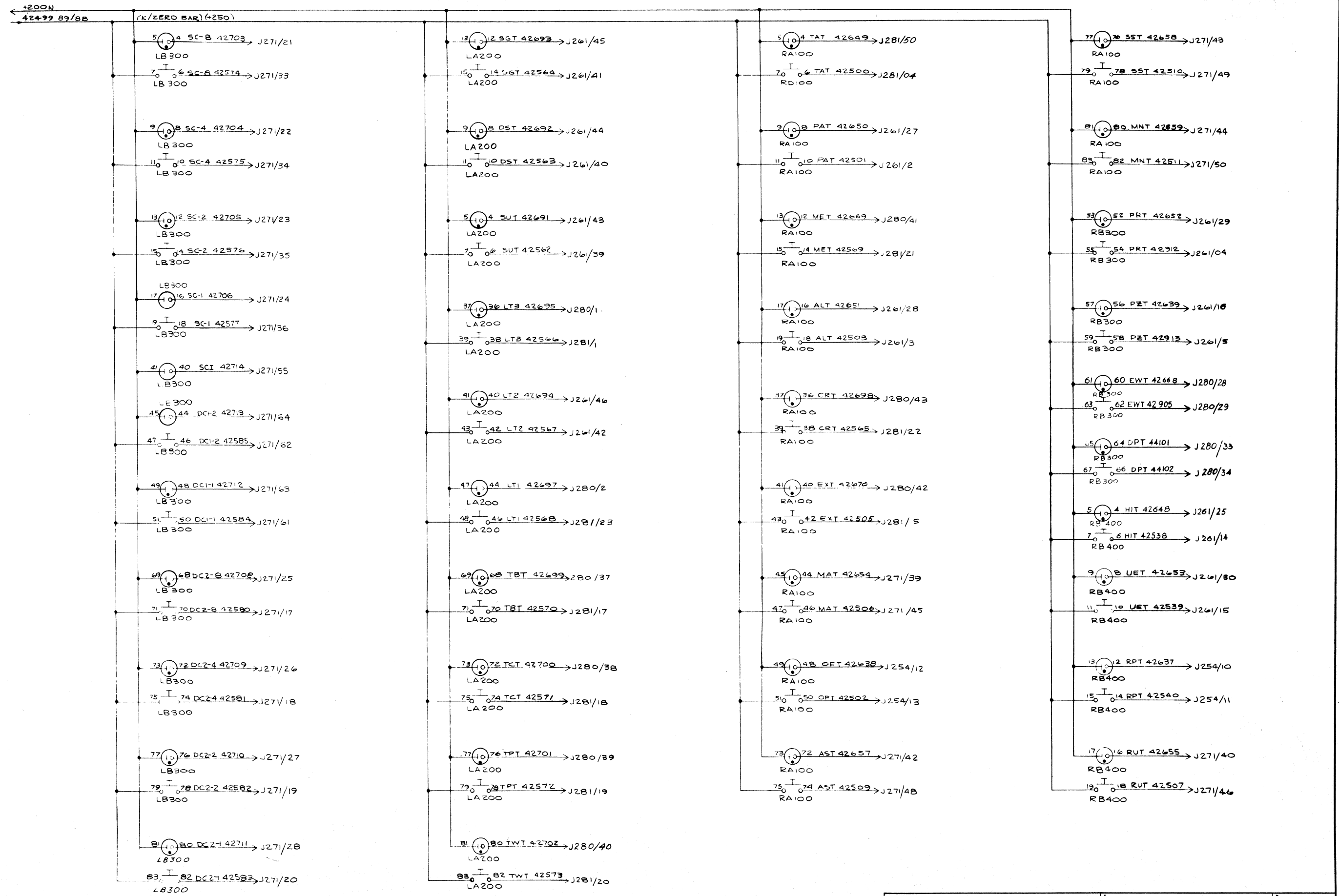
NOTICE FOR EDUCATIONAL USE ONLY

B BURROUGHS CORPORATION ELECTRODATA DIV., PASADENA, CALIFORNIA <small>PROPERTY OF BURROUGHS CORPORATION - NOT TO BE REPRODUCED, NOR USED FOR MANUFACTURING PURPOSES, EXCEPT ON BURROUGHS ORDER OR PRIOR WRITTEN CONSENT</small>	TOG. SWITCHES, IND. I	85
	UNIT 56105 DATA PROCESSOR SYSTEM 220 DATA PROCESSOR	D-63307

A
B
C
D

REVISIONS					
REV.	DCN. NO.	DRFTM.	CHKR.	APPR.	DATE
B	7567	L.C.J.			3-12-58
ORIGINAL ISSUE					

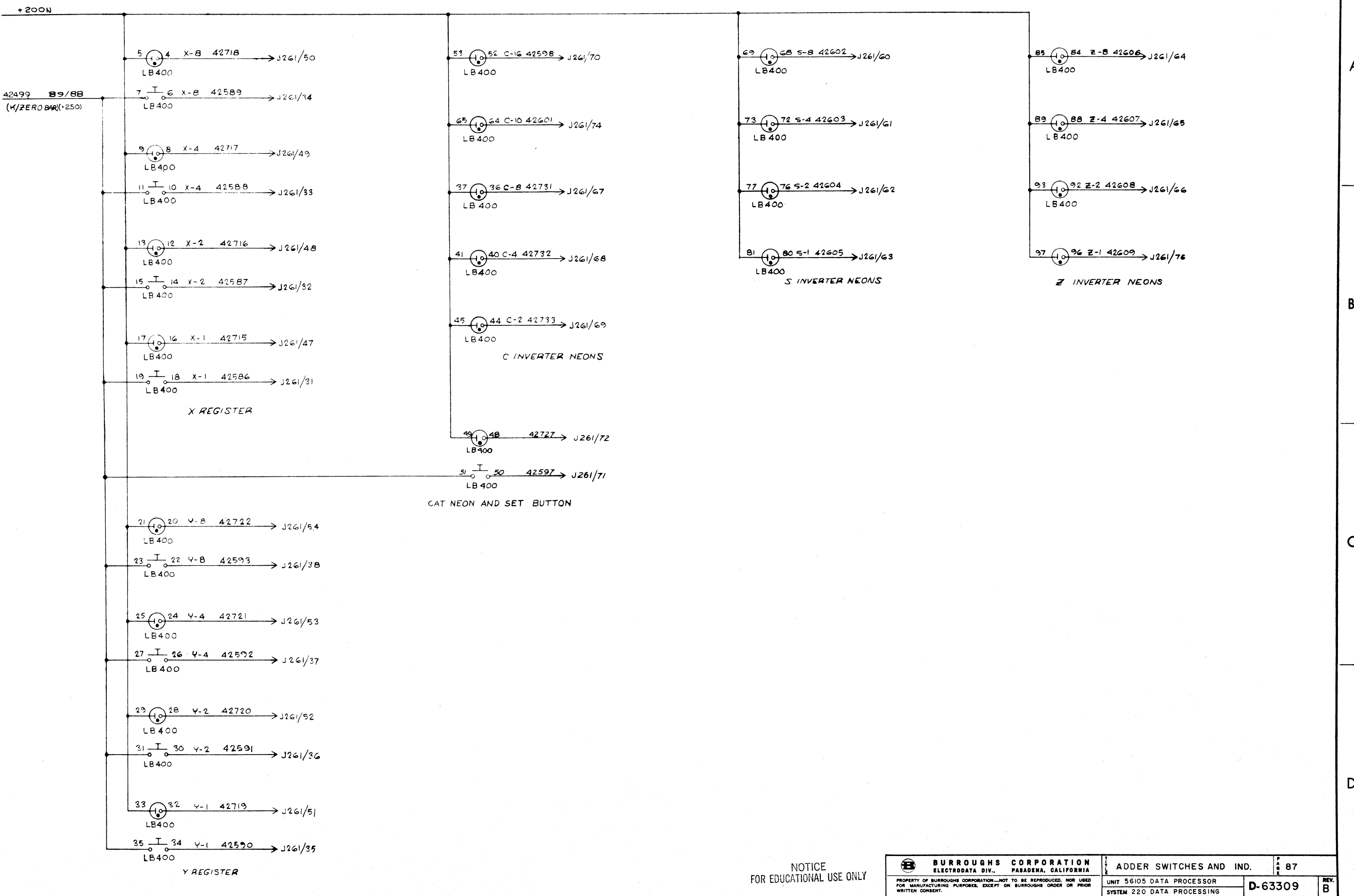
UNIT	56105
DRAWN BY	
CHECKED	<i>[Signature]</i>
APPROVED	
PROJ. ENGR.	<i>[Signature]</i>



NOTICE
FOR EDUCATIONAL USE ONLY

BURROUGHS CORPORATION ELECTRODATA DIV., PASADENA, CALIFORNIA	TOG. SWITCHES, IND. 2	86
	PROPERTY OF BURROUGHS CORPORATION—NOT TO BE REPRODUCED, NOR USED FOR MANUFACTURING PURPOSES, EXCEPT ON BURROUGHS ORDER OR PRIOR WRITTEN CONSENT.	UNIT 56105 DATA PROCESSOR SYSTEM 220 DATA PROCESSING

REVISIONS				
B ORIGINAL ISSUE				
REV.	DCN. NO.	DRFTM.N.	CHGR.	DATE
B	75 67	K.T.	X#	3-13-58



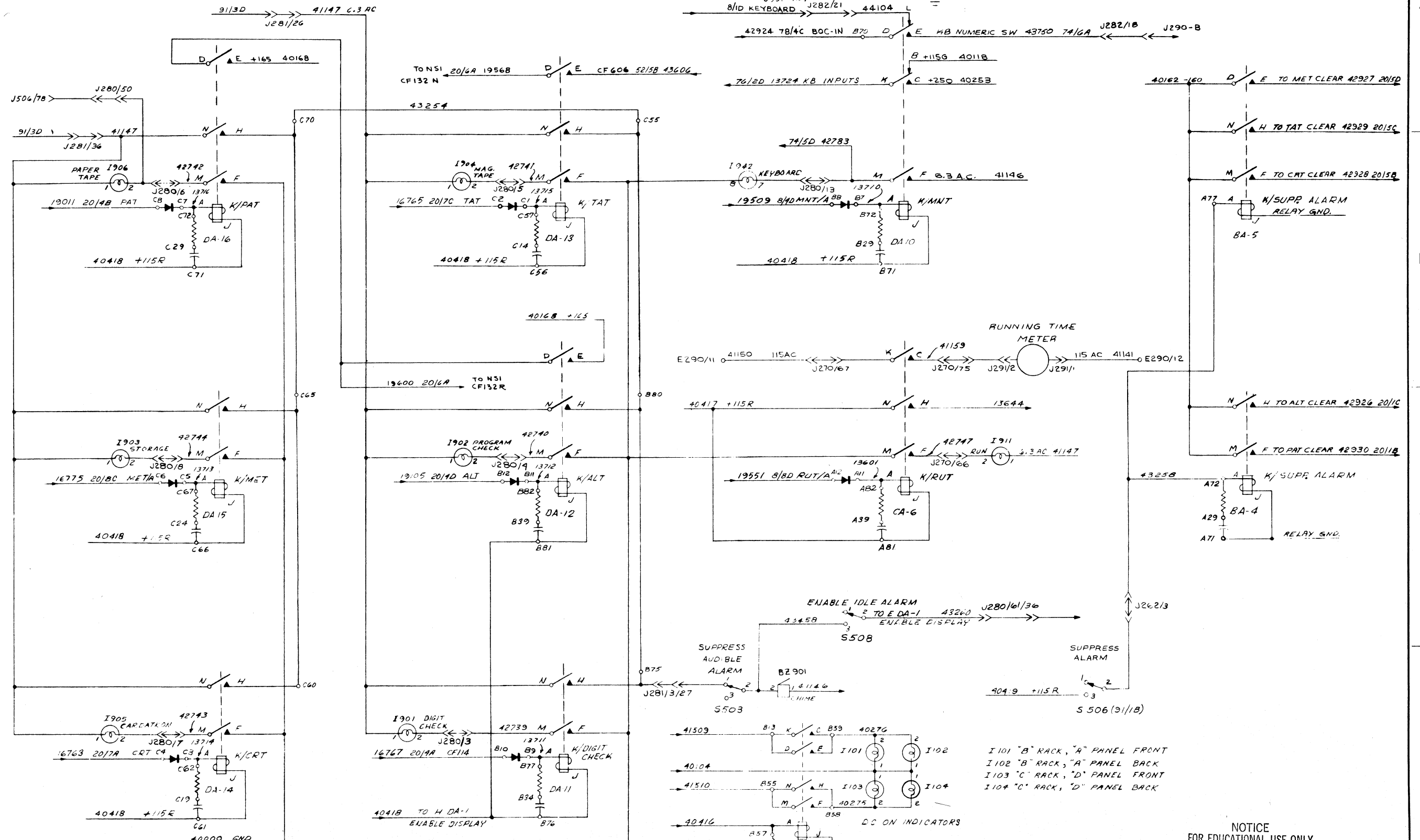
UNIT 56105
DRAWN BY
CHECKED <i>[Signature]</i>
APPROVED <i>[Signature]</i>
PROJ. ENGR. <i>[Signature]</i>

NOTICE FOR EDUCATIONAL USE ONLY

BURROUGHS CORPORATION ELECTRODATA DIV., PASADENA, CALIFORNIA	ADDER SWITCHES AND IND.	REV. 87
	UNIT 56105 DATA PROCESSOR SYSTEM 220 DATA PROCESSING	D-63309

FORM NO. EDD 1485 1-58

REVISIONS					
B ORIGINAL ISSUE					
REV.	DCN. NO.	DRFTM.	CHKR.	APPR.	DATE
B	7567	LKC			3-12-58
C	8190	J.L.			6-27-58



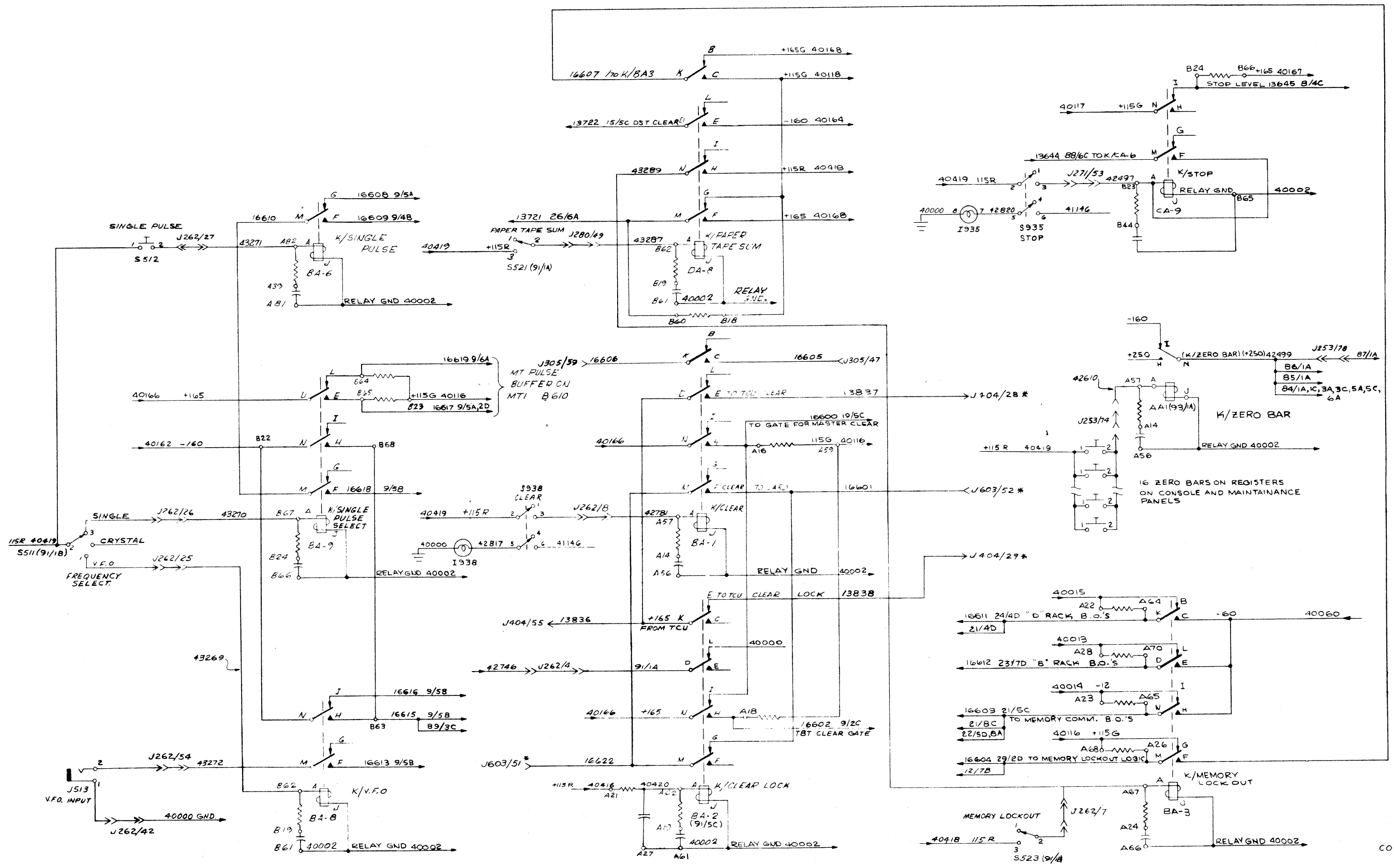
I 101 "B" RACK, "A" PANEL FRONT
 I 102 "B" RACK, "A" PANEL BACK
 I 103 "C" RACK, "D" PANEL FRONT
 I 104 "C" RACK, "D" PANEL BACK

NOTICE FOR EDUCATIONAL USE ONLY

UNIT 56105
DRAWN BY
CHECKED <i>H. Brown</i>
APPROVED
PROJ. ENGR. <i>H. Brown</i>

BURROUGHS CORPORATION ELECTRODATA DIV., PASADENA, CALIFORNIA	ALARM RELAY LOGIC		PAGE 88
	PROPERTY OF BURROUGHS CORPORATION—NOT TO BE REPRODUCED, NOR USED FOR MANUFACTURING PURPOSES, EXCEPT ON BURROUGHS ORDER OR PRIOR WRITTEN CONSENT.	UNIT 56105 DATA PROCESSOR	D-63310
	SYSTEM 220 DATA PROCESSING		FORM NO. EDD 1488 1-58

REVISIONS						
B ORIGINAL ISSUE						
REV.	DCR. NO.	DRFTM. L.C.H.	CHKR.	APPR.	DATE	
B	7567	L.C.H.	W.V.G.	J.M.	3-12-58	
C	8084	W.V.G.	J.M.	J.M.	6-9-58	
D	8190	J.I.	J.M.	J.M.	6-27-58	
E	8301	C.B.	J.M.	J.M.	8-7-58	



UNIT 56105
 DRAWN BY
 CHECKED
 APPROVED
 PROD. ENGR. H. Maxwell
 PRINTED U.S.A.

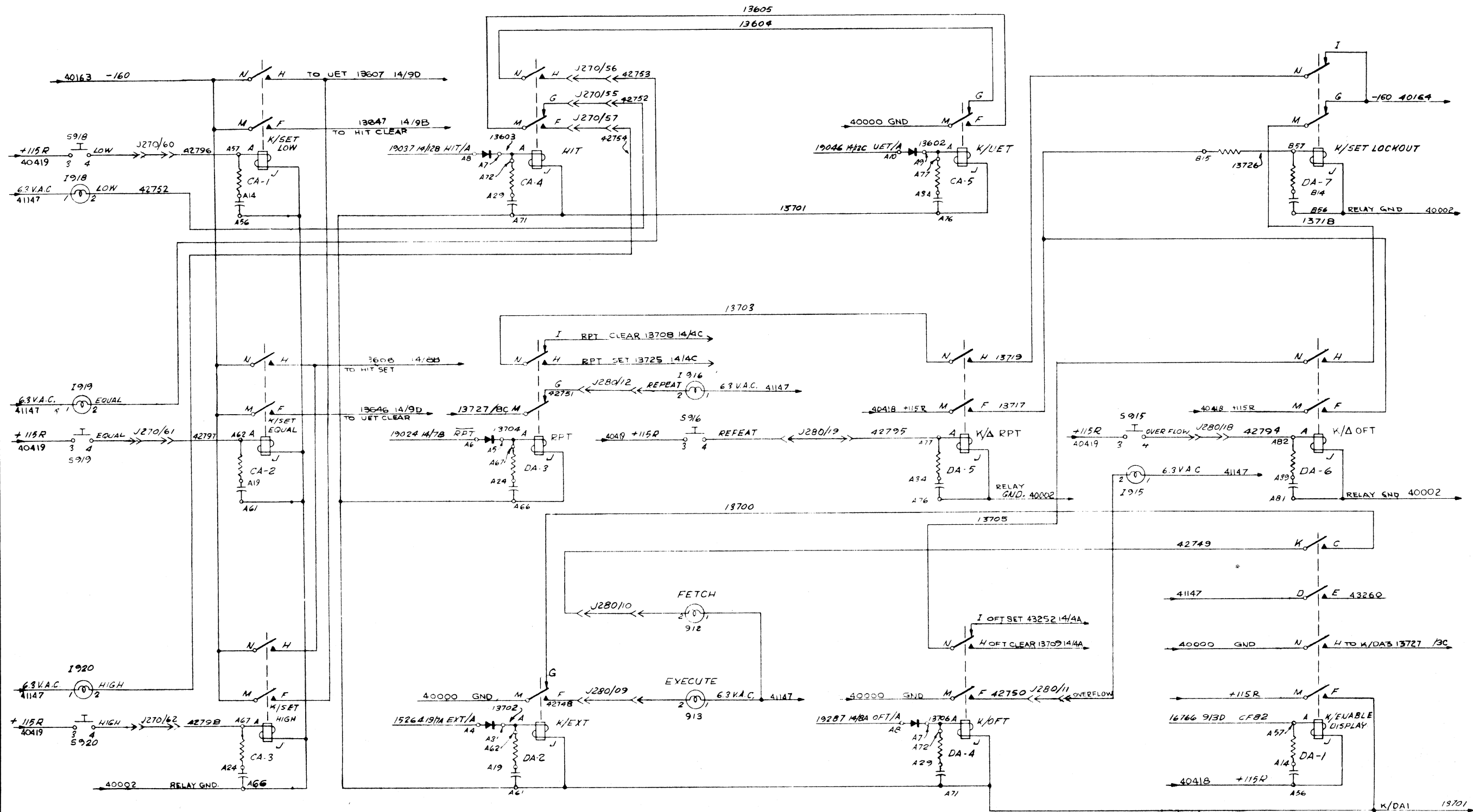
NOTICE
 FOR EDUCATIONAL USE ONLY

BURROUGHS CORPORATION ELECTRODATA DIV., PASADENA, CALIFORNIA	CONTROL RELAY LOGIC	89
	UNIT 56105 DATA PROCESSOR SYSTEM 220 DATA PROCESSING	D-63311

PROPERTY OF BURROUGHS CORPORATION—NOT TO BE REPRODUCED, NOR USED FOR MANUFACTURING PURPOSES, EXCEPT ON BURROUGHS ORDER OR PRIOR WRITTEN CONSENT.

FORM NO. EDD 1488 1-58

REVISIONS						
B ORIGINAL ISSUE						
REV.	DCN NO.	DRFTMNL	CHKR.	APPR.	DATE	
B	7567	L.H.C.			3-12-58	



UNIT 56105
DRAWN BY
CHECKED
APPROVED
PROJ. ENGR. <i>H. Maxwell</i>
PRINTED U.S.A.

NOTICE FOR EDUCATIONAL USE ONLY

 BURROUGHS CORPORATION ELECTRODATA DIV., PASADENA, CALIFORNIA <small>PROPERTY OF BURROUGHS CORPORATION—NOT TO BE REPRODUCED, NOR USED FOR MANUFACTURING PURPOSES, EXCEPT ON BURROUGHS ORDER OR PRIOR WRITTEN CONSENT.</small>	LOGICAL RELAY LOGIC	90
	UNIT 56105 DATA PROCESSOR SYSTEM 220 DATA PROCESSING	D-63312

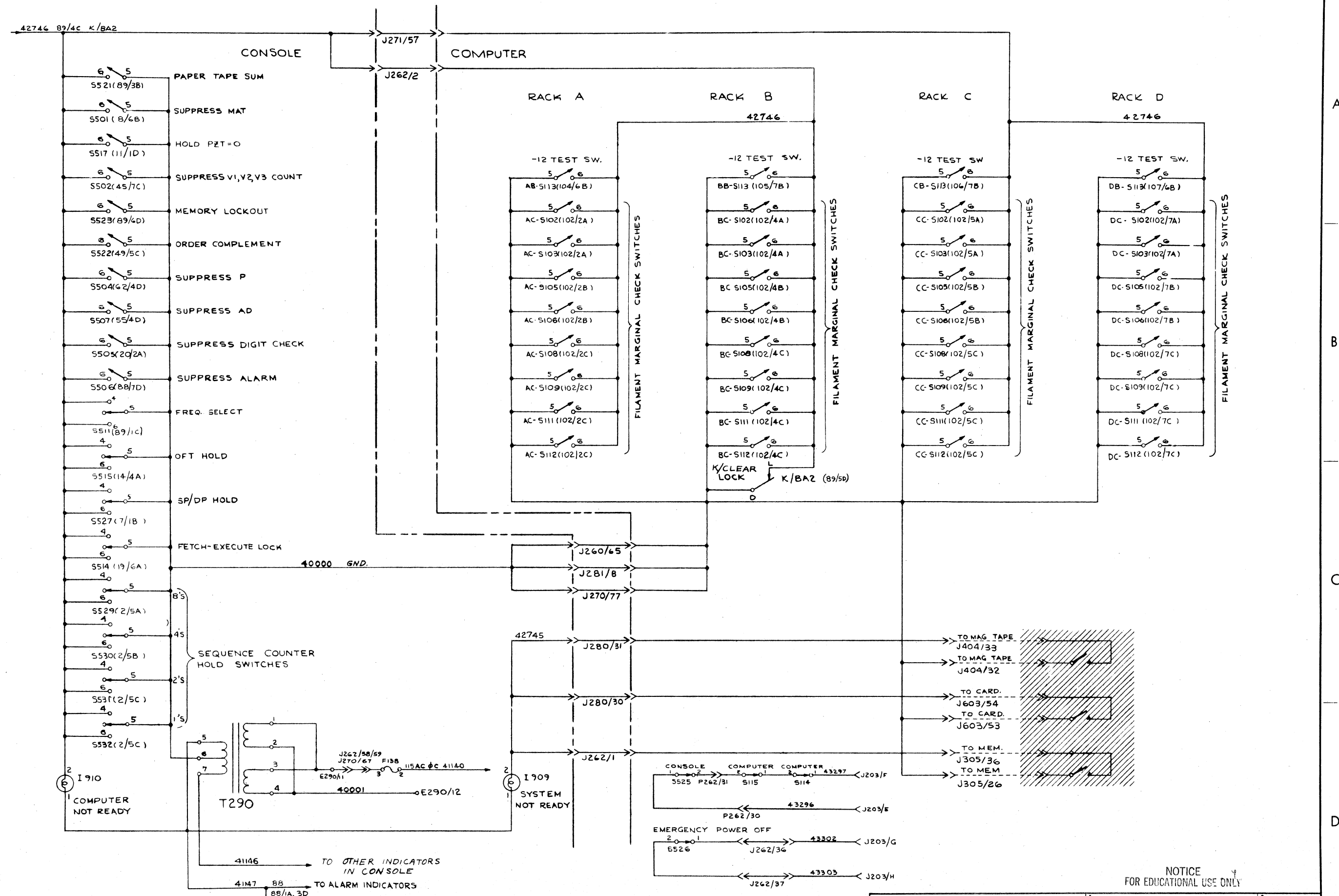
A

B

C

D

REVISIONS					
REV.	DOC. NO.	DRFTMAN	CHKR.	APPR.	DATE
B	7567	L.H.C.			3-12-58
C	8138	C.B.			6-26-58

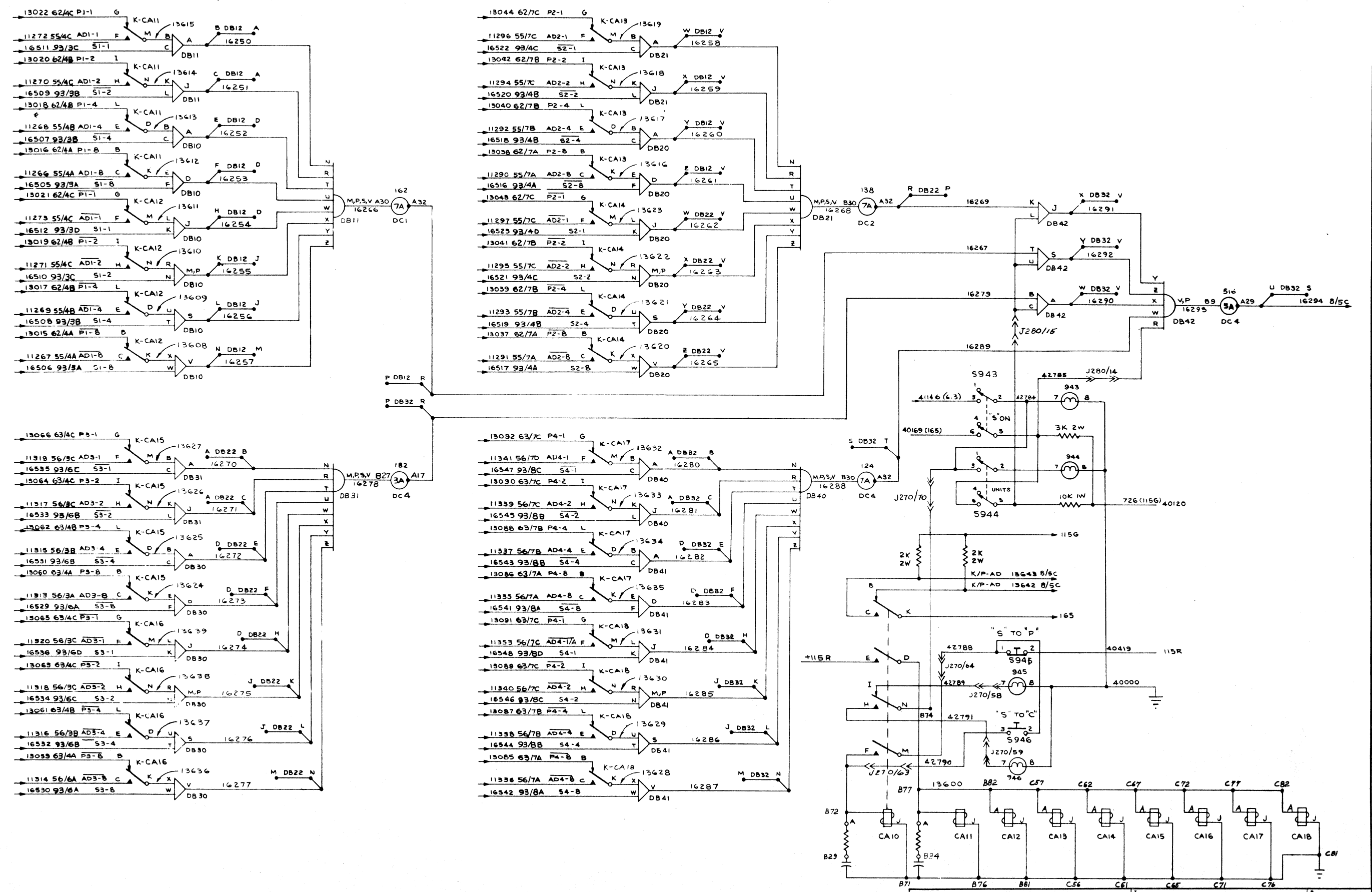


UNIT 56105
DRAWN BY
CHECKED
APPROVED
PROJ. ENGR. <i>H. Maxwell</i>

BURROUGHS CORPORATION ELECTRODATA DIV., PASADENA, CALIFORNIA	SYSTEM, COMP. NOT READY	91
	UNIT 56105 DATA PROCESSOR SYSTEM 220 DATA PROCESSING	D-63364

NOTICE FOR EDUCATIONAL USE ONLY

REVISIONS					
REV.	DCAL. NO.	DRFTM.	CHKR.	APPR.	DATE
B	7567	BEKEY			3-12-58
C	8301	C.B.			8-7-58



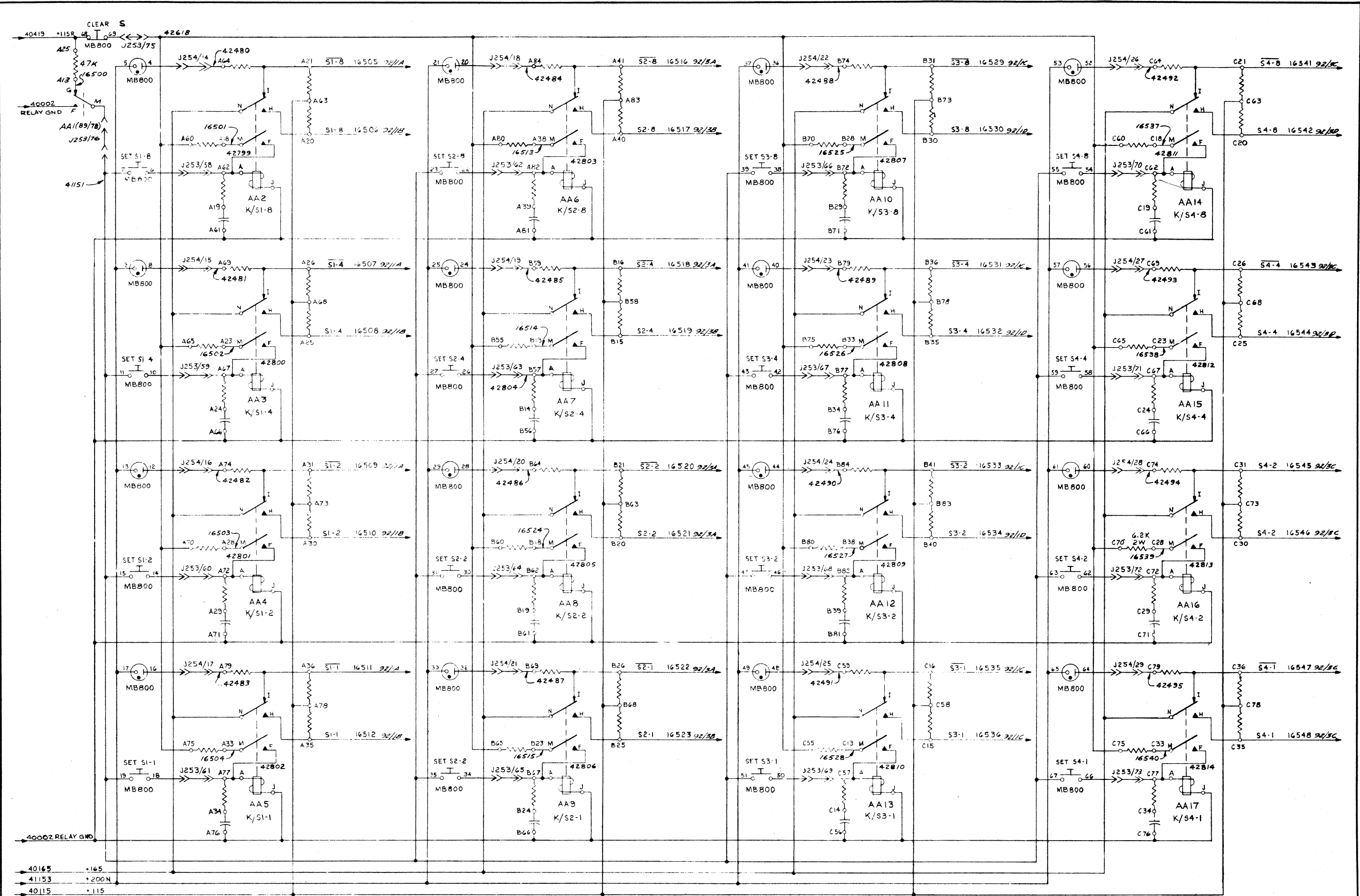
UNIT 56105
 DRAWN BY
 CHECKED
 APPROVED
 PROJ. ENGR. H. Walden

NOTICE
 FOR EDUCATIONAL USE ONLY

BURROUGHS CORPORATION ELECTRODATA DIV., PARADISE, CALIFORNIA		S REG AND COMPARE LOGIC	92
PROPERTY OF BURROUGHS CORPORATION - NOT TO BE REPRODUCED, NOR USED FOR MANUFACTURING PURPOSES, EXCEPT ON BURROUGHS ORDER OR PRIOR WRITTEN CONSENT.		UNIT 56105 DATA PROCESSOR SYSTEM 220 DATA PROCESSING	REV. C D-63348

REVISIONS						
B ORIGINAL ISSUE						
REV.	DCN. NO.	DRFTM.	CHKR.	APPR.	DATE	
B	7567	BEKY			3-12-58	

UNIT 56105
DRAWN BY
CHECKED
APPROVED
PROJ. ENGR



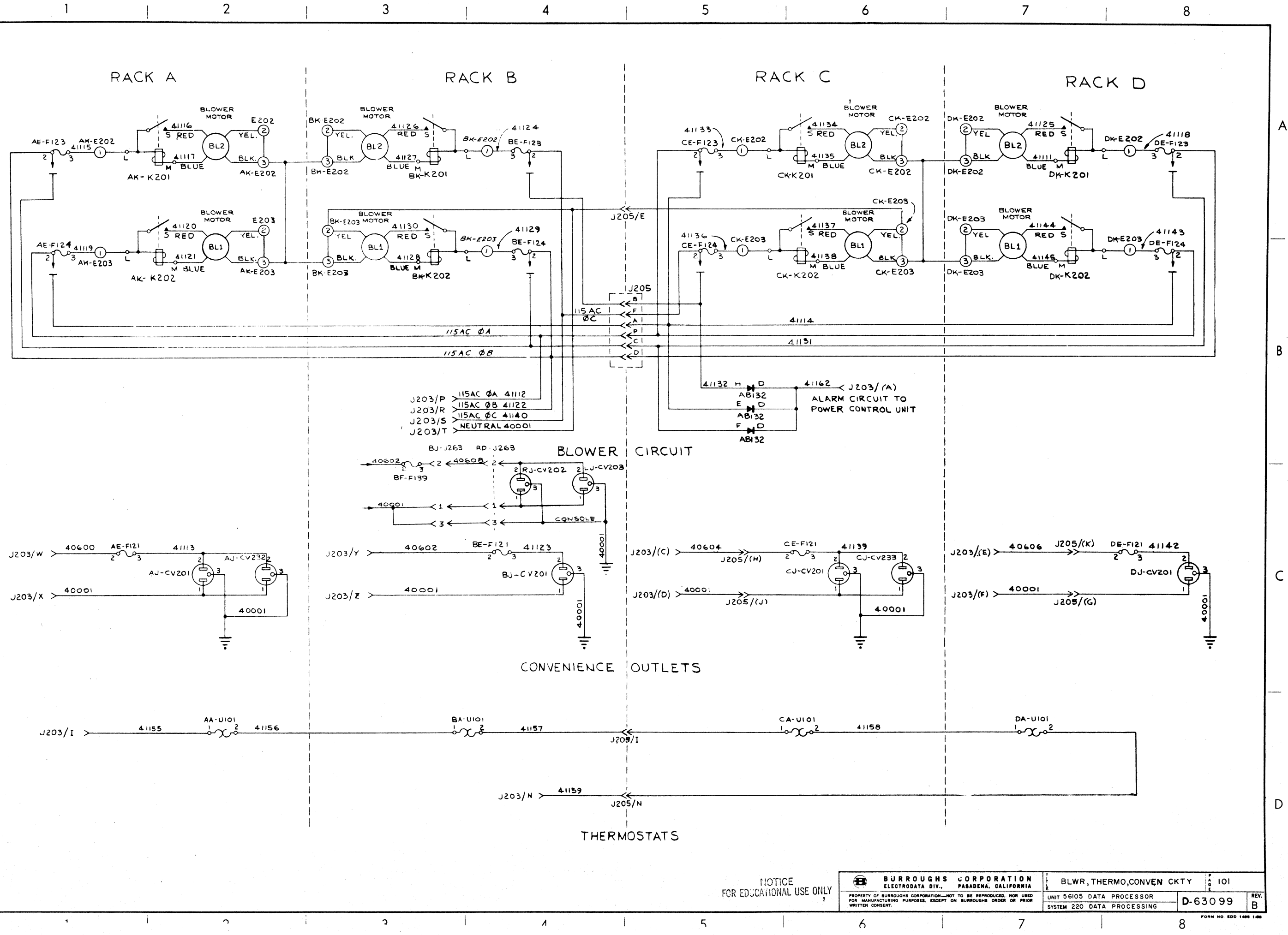
NOTICE
FOR EDUCATIONAL USE ONLY

BURROUGHS CORPORATION
ELECTRODATA DIV., PASADENA, CALIFORNIA

S REGISTER RELAY LOGIC 93
UNIT 56105 DATA PROCESSOR
SYSTEM 220 DATA PROCESSING
D-63363 REV. B

REVISIONS					
REV.	DCN. NO.	DRTM.	CHKR.	APPR.	DATE
B	7567	BEKEY			3-12-58

UNIT 56105
DRAWN BY
CHECKED
APPROVED
PROJ. ENGR. <i>A. Ma.</i>

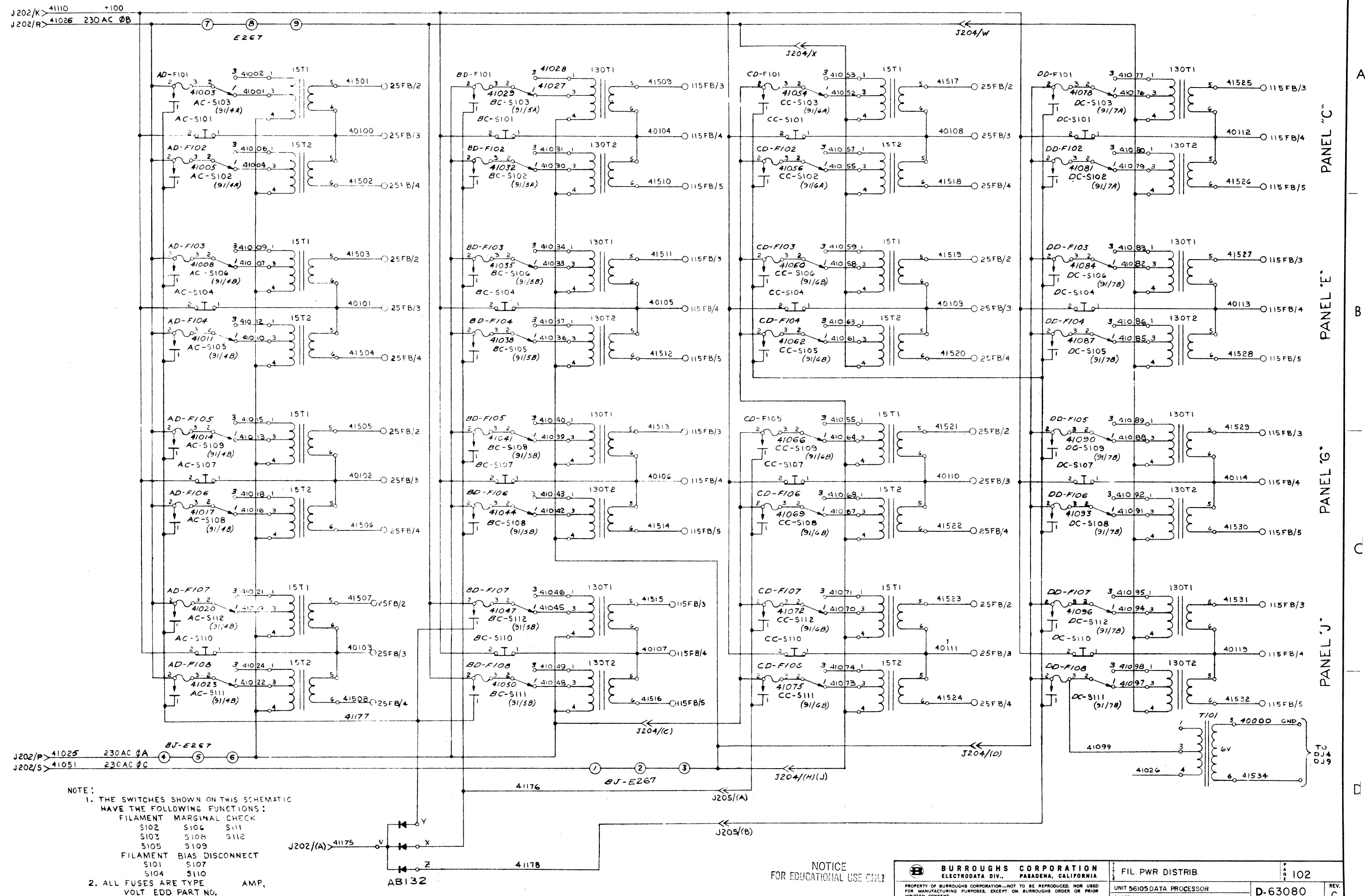


NOTICE
FOR EDUCATIONAL USE ONLY

BURROUGHS CORPORATION ELECTRODATA DIV., PASADENA, CALIFORNIA	BLWR, THERMO, CONVEN CKTY	101
	UNIT 56105 DATA PROCESSOR	D-63099
	SYSTEM 220 DATA PROCESSING	REV. B

FORM NO. EDD 1495 1-58

REVISIONS						
B ORIGINAL ISSUE						
REV.	DCN. NO.	DRFTM.	CHKR.	APPR.	DATE	
B	7567	JB	HR	JCA	3 12 58	
C	8135	CB	NR	HM	6 26 58	

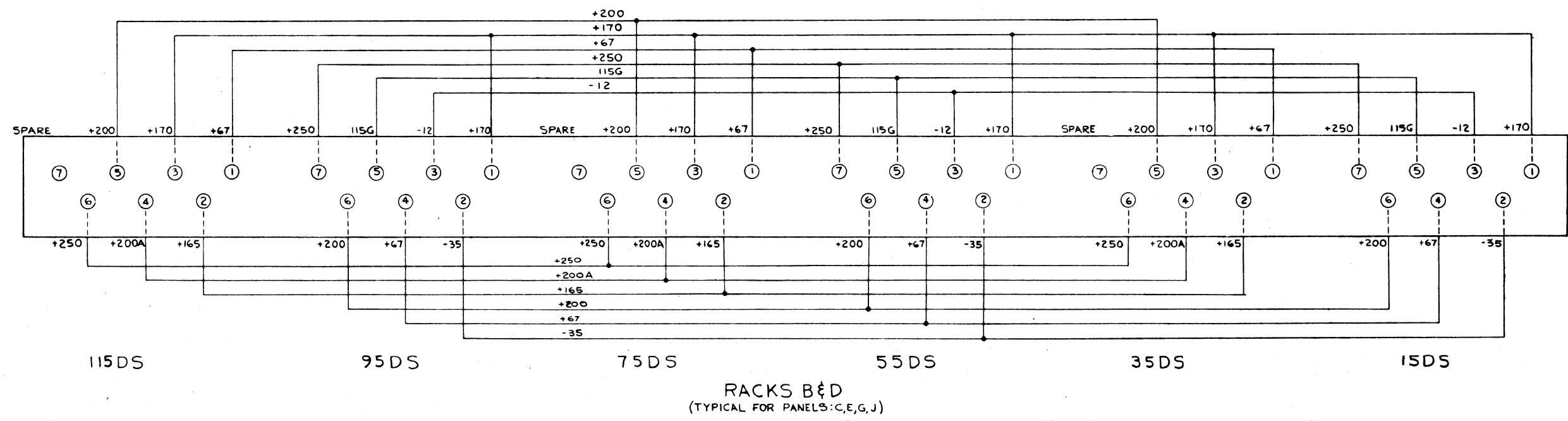
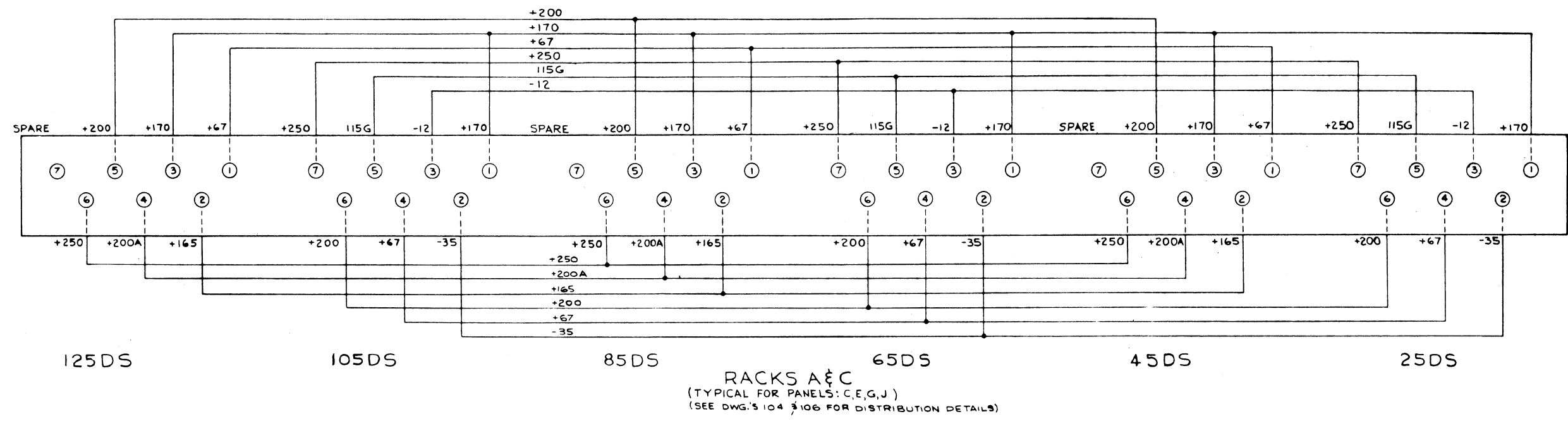


UNIT 56105
DRAWN BY
CHECKED
APPROVED
PROJ. ENGR. <i>W. Maxwell</i>

NOTICE FOR EDUCATIONAL USE ONLY

BURROUGHS CORPORATION ELECTRODATA DIV., PASADENA, CALIFORNIA <small>PROPERTY OF BURROUGHS CORPORATION - NOT TO BE REPRODUCED, NOR USED FOR MANUFACTURING PURPOSES, EXCEPT ON BURROUGHS ORDER OR PRIOR WRITTEN CONSENT.</small>	FIL PWR DISTRIB UNIT 56105 DATA PROCESSOR SYSTEM 220 DATA PROCESSING	102 D-63080 REV. C
	<small>FORM NO. EDD 1485 1-58</small>	

REVISIONS					
REV.	DCGN. NO.	DRFTM.N.	CHKR.	APPR.	DATE
B					3-13-58
B	75 67	V.W.			



VOLTAGES ARE TYPICAL FOR ALL DISTRIBUTION STRIPS
(AS VIEWED FROM REAR OF COMPUTER CABINET)
(SEE DWG.'S 105 & 107 FOR DISTRIBUTION DETAILS)

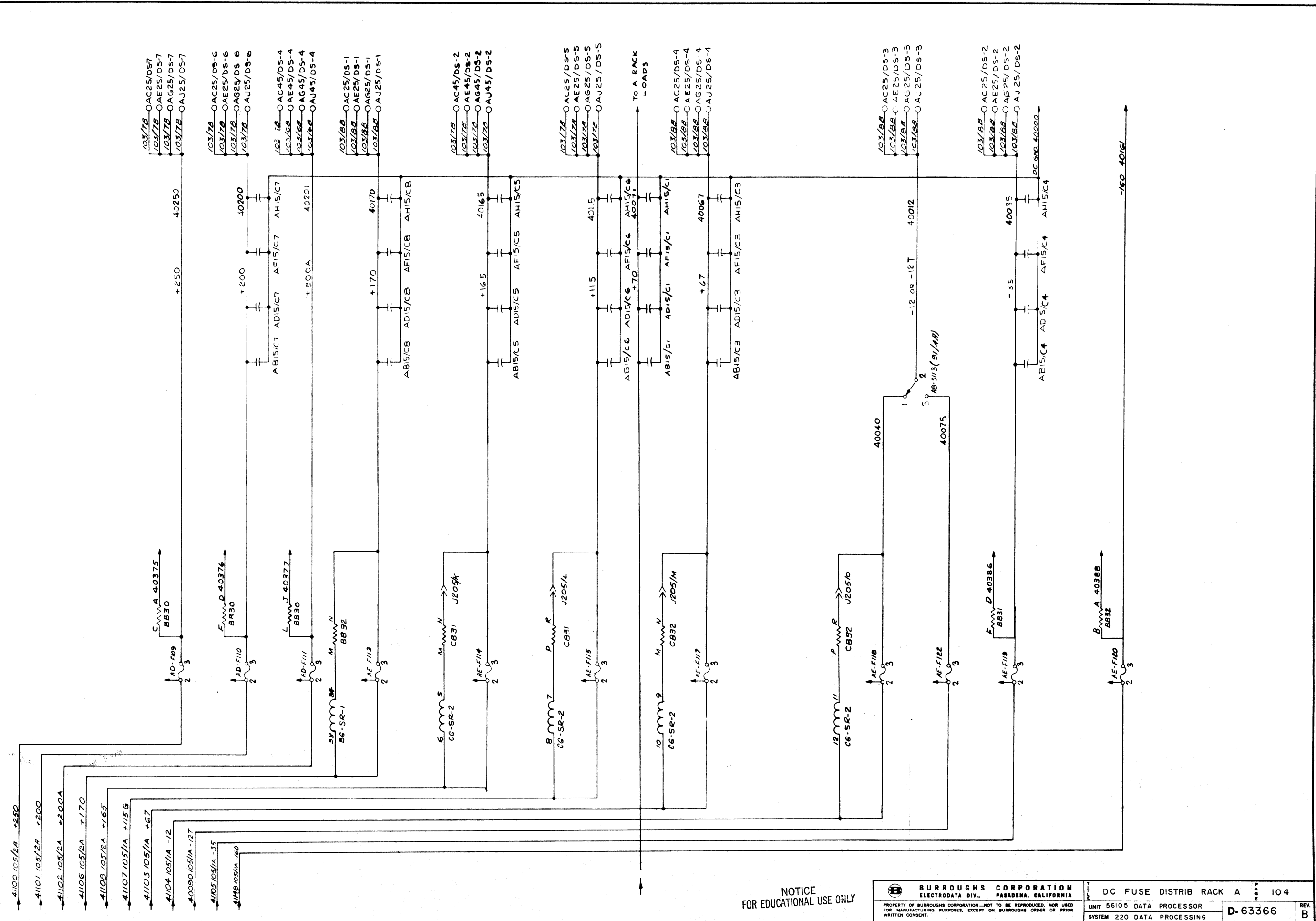
UNIT 56105
DRAWN BY
CHECKED <i>[Signature]</i>
APPROVED
PROJ. ENGR. <i>[Signature]</i>

NOTICE
FOR EDUCATIONAL USE ONLY

BURROUGHS CORPORATION ELECTRODATA DIV., PASADENA, CALIFORNIA	DC DISTRIBUTION STRIP	103
	UNIT 56105 DATA PROCESSOR SYSTEM 220 DATA PROCESSING	D-63365

REVISIONS						
B ORIGINAL ISSUE						
REV.	DCN. NO.	DRFTM.N.	CHKR.	APPR.	DATE	
B	1567	JB	JK	JK	3-12-58	

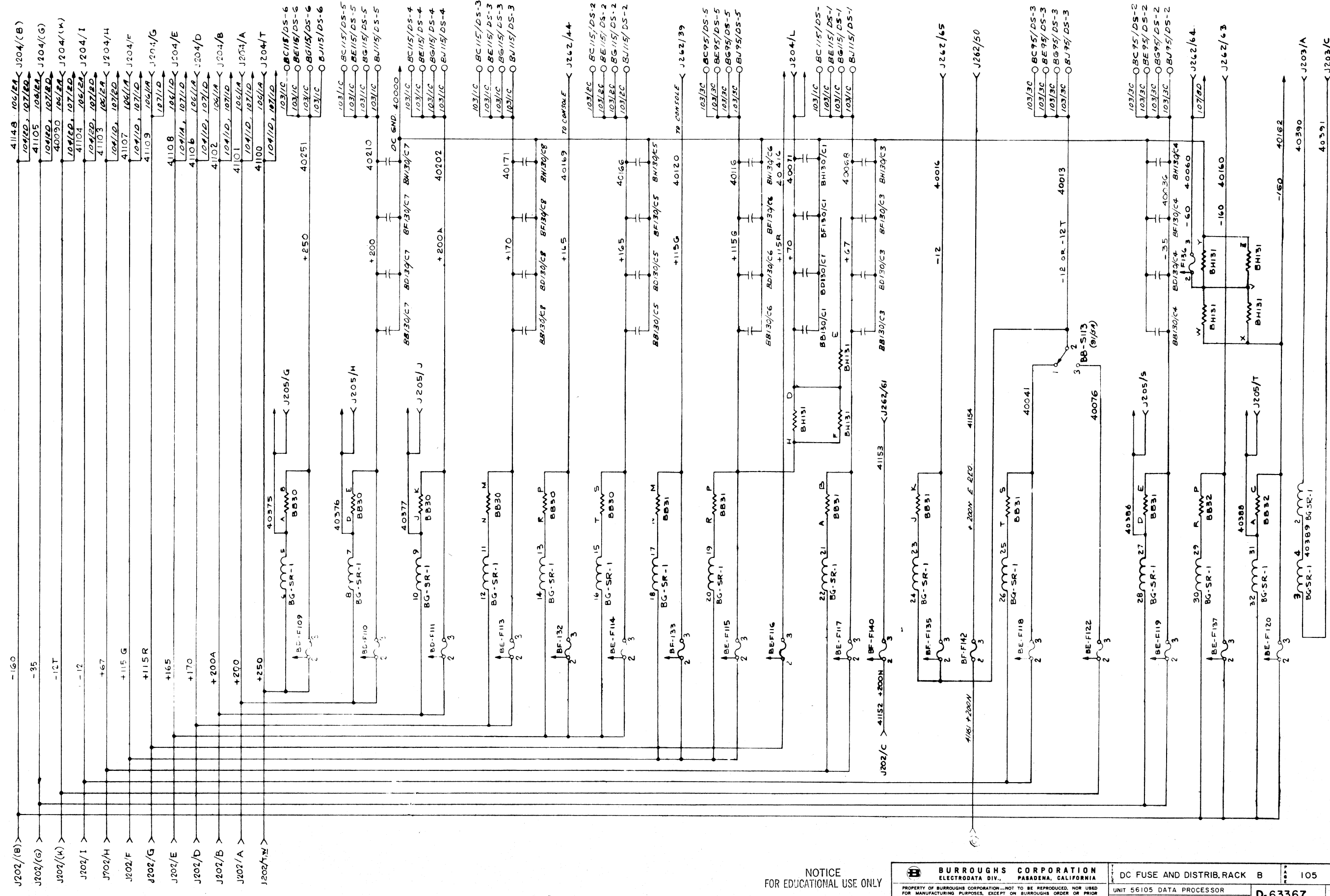
UNIT 56105
DRAWN BY
CHECKED
APPROVED
PROJ. ENGR. <i>H. Mansell</i>



NOTICE
FOR EDUCATIONAL USE ONLY

BURROUGHS CORPORATION ELECTRODATA DIV., PASADENA, CALIFORNIA	DC FUSE DISTRIB RACK A	104
	UNIT 56105 DATA PROCESSOR	D-63366
	SYSTEM 220 DATA PROCESSING	REV. B

REVISIONS						
D ORIGINAL ISSUE						
REV.	DCN. NO.	DRFTM	CHKR.	APPR.	DATE	
B	7567	WJ	WJ	XM		
C	8138	C.B.	X	XM	6-27-58	
D	8501	C.B.	X	XM	8-7-58	



UNIT 56105
DRAWN BY
CHECKED
APPROVED
PROJ. ENGR. <i>H. M. ...</i>

NOTICE
FOR EDUCATIONAL USE ONLY

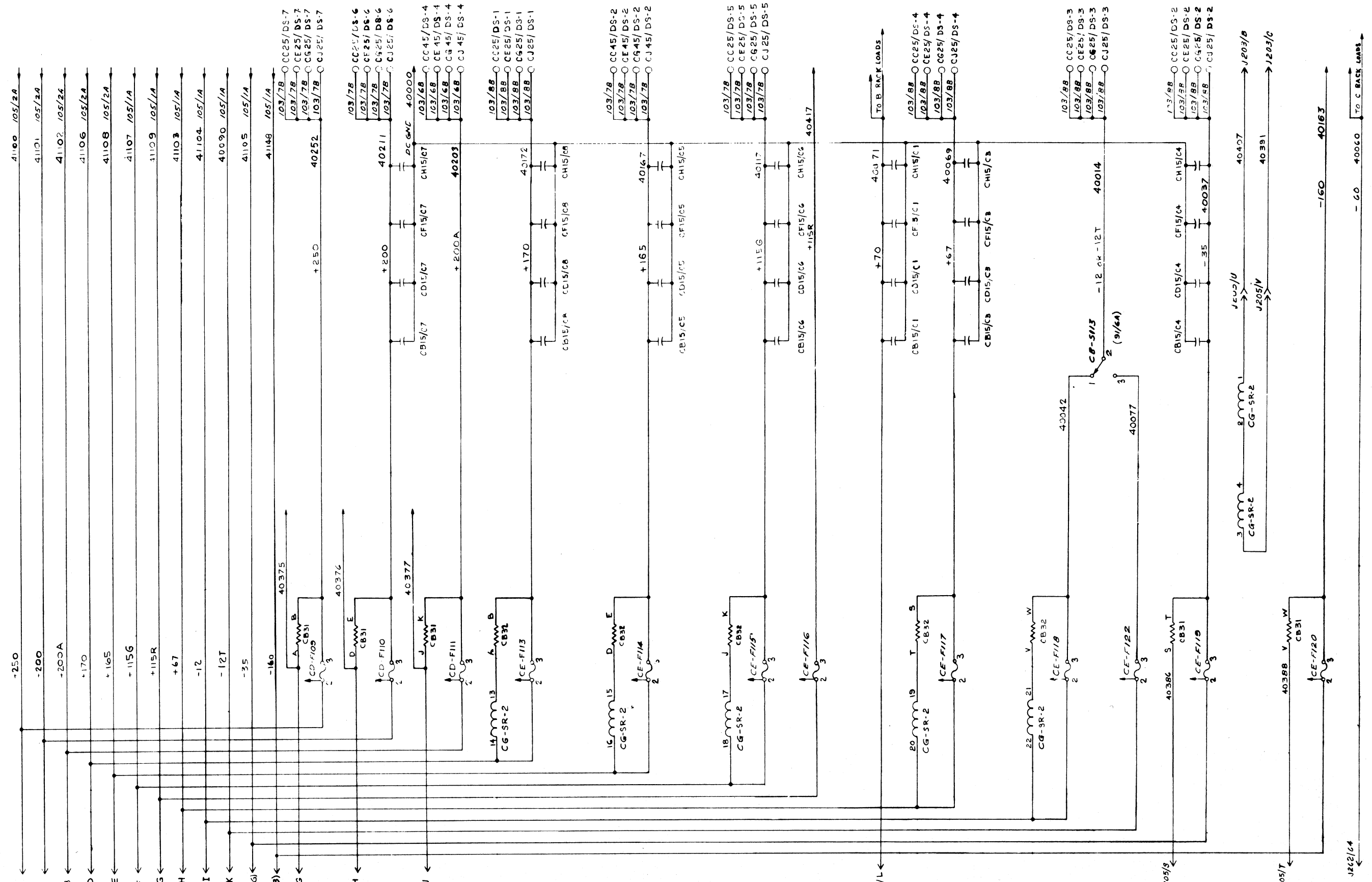
BURROUGHS CORPORATION
ELECTRODATA DIV. PASADENA, CALIFORNIA

DC FUSE AND DISTRIBUTION RACK B 105
UNIT 56105 DATA PROCESSOR SYSTEM 220 DATA PROCESSING
D-63367 REV. D

1
2
3
4
5
6
7
8
A
B
C
D
FORM NO. RDD 1480 1-58

REVISIONS					
REV.	DCAL NO.	DRFTM/N	CHKR.	APPR.	DATE
B	7567	LH	27		3-12-58

UNIT 56105
DRAWN BY
CHECKED
APPROVED
PROJ. ENGR.

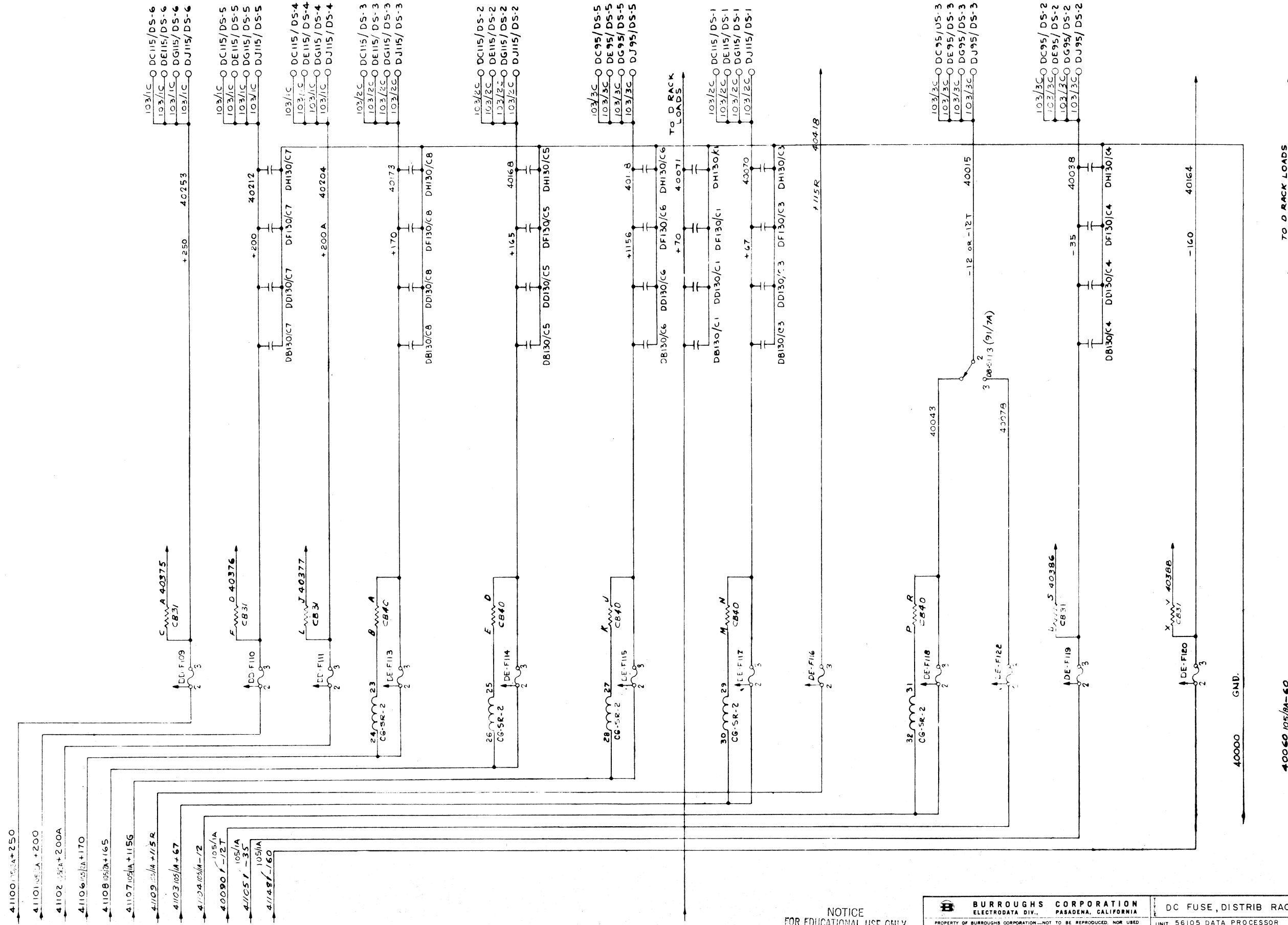


NOTICE FOR EDUCATIONAL USE ONLY

BURROUGHS CORPORATION
ELECTRODATA DIV., PASADENA, CALIFORNIA

DC FUSE DISTRIB RACK C 106
UNIT 56105 DATA PROCESSOR SYSTEM 220 DATA PROCESSING
D-63368

REVISIONS					
REV.	DCN. NO.	DRFTM.N.	CHKR.	APPR.	DATE
B	7567	L.H.C.	W.K.	J.M.	3-12-58
ORIGINAL ISSUE					



UNIT 56105
DRAWN BY
CHECKED
APPROVED
PROJ. ENGR. <i>H. Marshall</i>
PRINTED U.S.A.

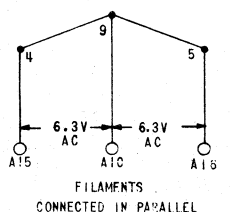
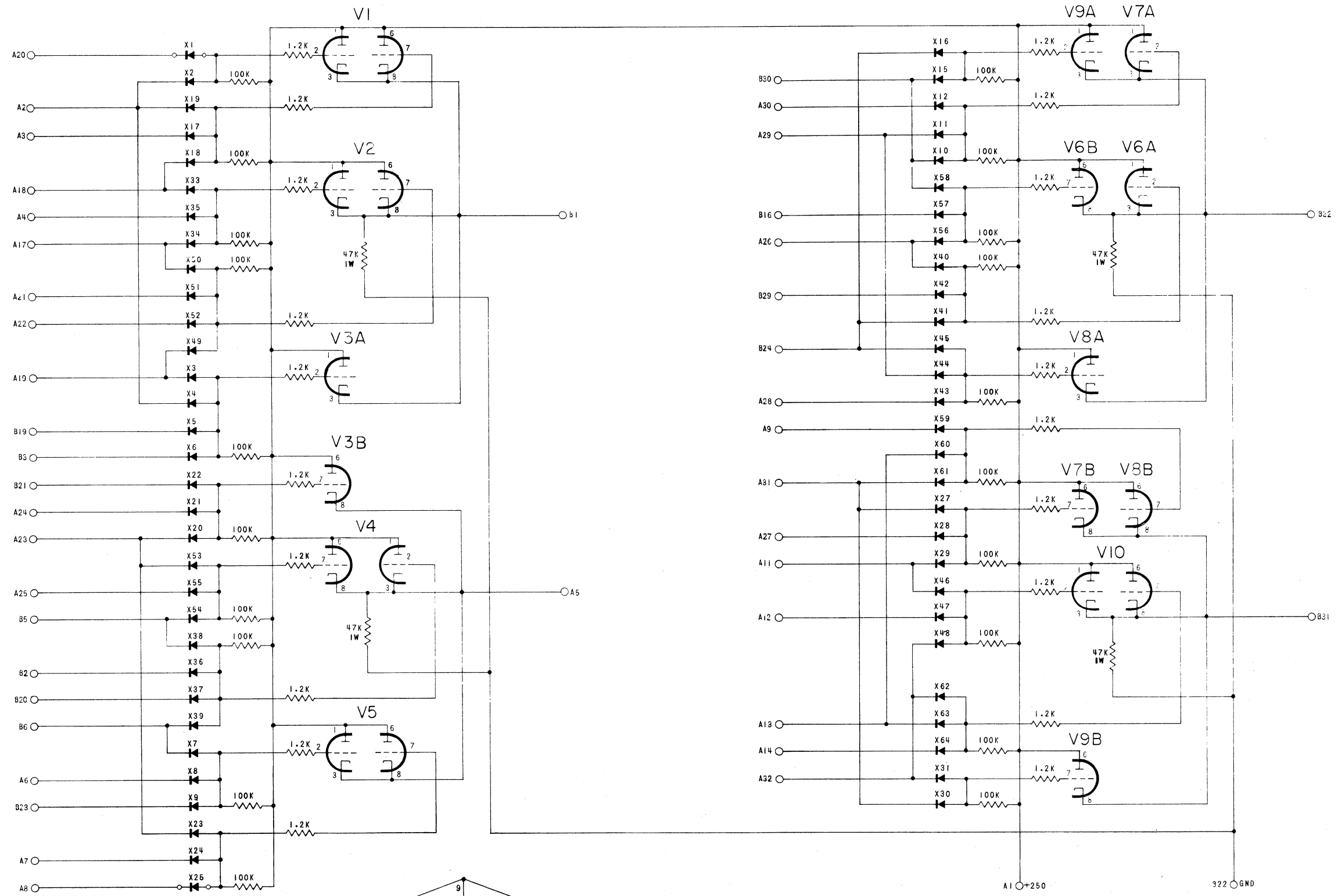
NOTICE FOR EDUCATIONAL USE ONLY

BURROUGHS CORPORATION
ELECTRODATA DIV., PASADENA, CALIFORNIA

DC FUSE, DISTRIB RACK D	107
UNIT 56105 DATA PROCESSOR	D-63369
SYSTEM 220 DATA PROCESSOR	B

REVISIONS					
REV.	DCN. NO.	DRFTM.	CHKR.	APPR.	DATE
B	7567	C.S.	RCS		3-13-58

UNIT	-56105
DRAWN BY	C. G. SPAETH
CHECKED	<i>[Signature]</i> 3-13-58
APPROVED	<i>[Signature]</i> 3-13-58
PROJ. ENGR.	<i>[Signature]</i> 3-13-58



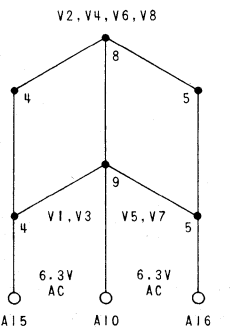
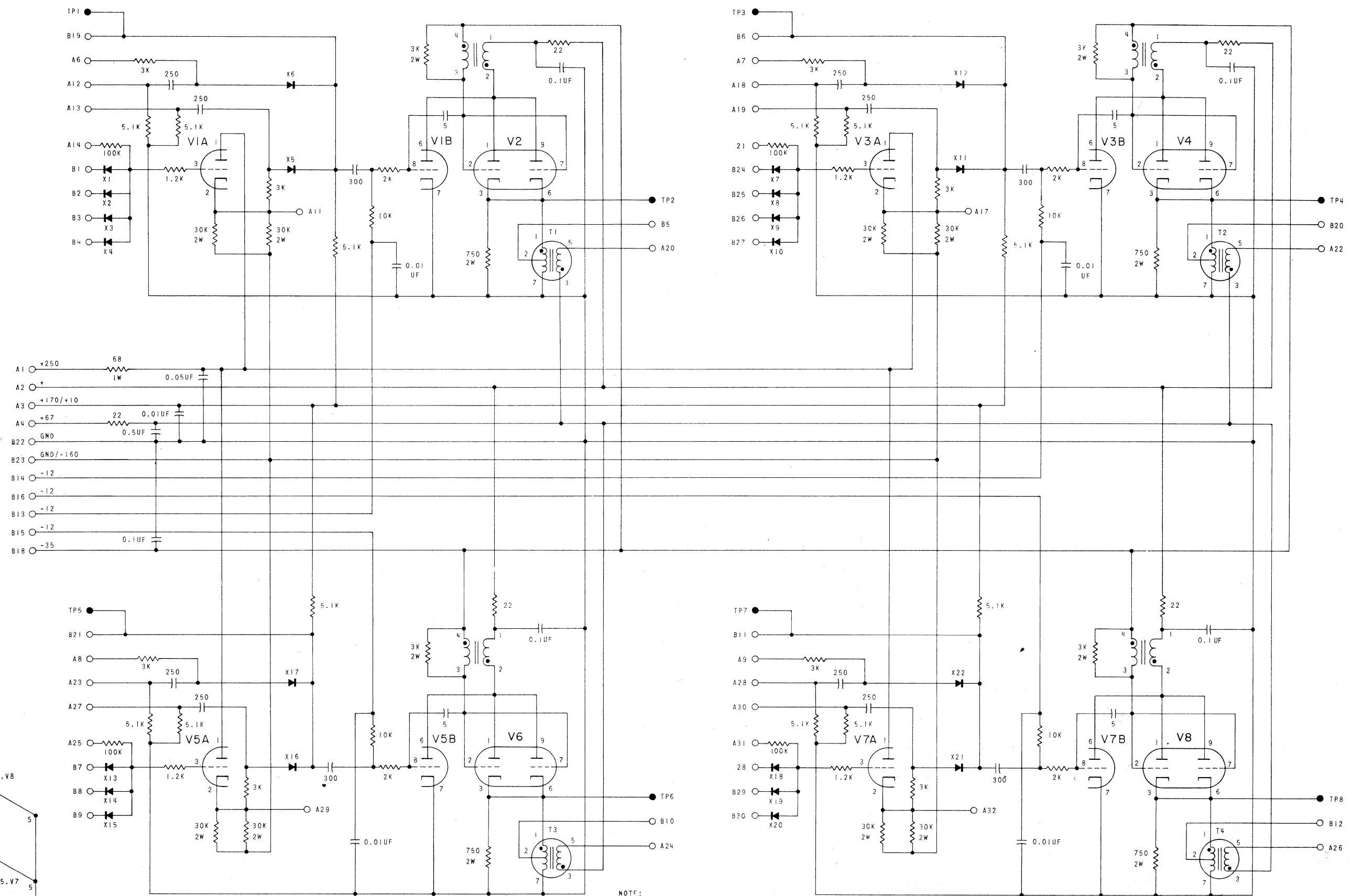
NOTE: ALL RESISTORS ARE CARBON
5% 1/2W UNLESS OTHERWISE NOTED

NOTICE
FOR EDUCATIONAL USE ONLY

SCHEMATIC OF PART 56852

BURROUGHS CORPORATION ELECTRODATA DIV., PASADENA, CALIFORNIA	ADDER GATE		108
	UNIT 56105 DATA PROCESSOR SYSTEM-220 DATA PROCESSING	D-56855	

REVISIONS					
A ORIGINAL ISSUE					
REV.	DCN. NO.	DRFTM.	CHKR.	APPR.	DATE
B	7567	R.L.	ecs		3-13-58
C	8042	C.B.	W.M.		



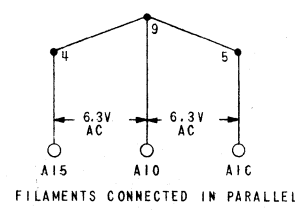
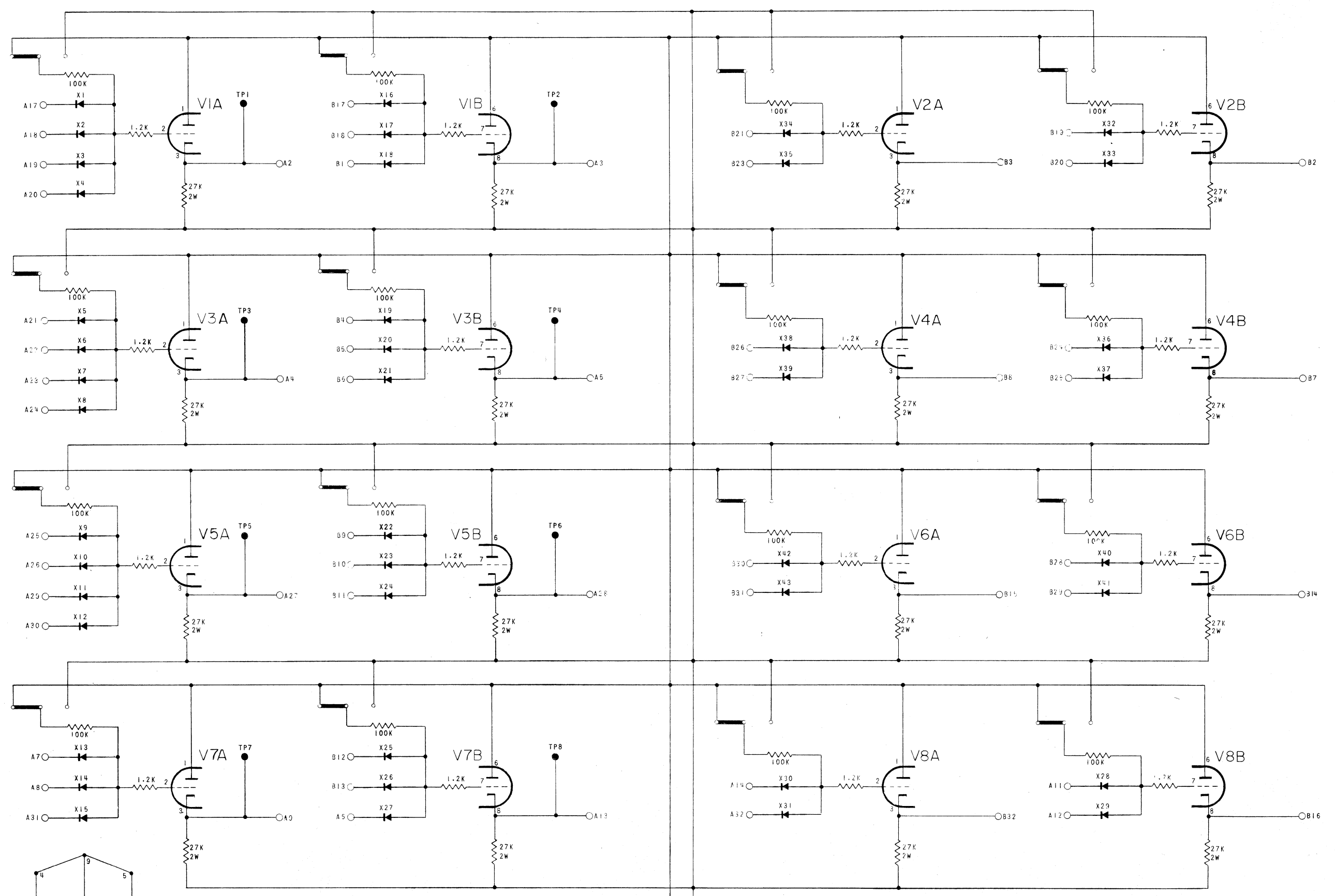
- NOTE:
1. ALL RESISTORS ARE CARBON 5% 1/2W UNLESS OTHERWISE NOTED.
 2. ALL CAPACITORS ARE VALUED IN UF UNLESS OTHERWISE NOTED.

NOTICE FOR EDUCATIONAL USE ONLY

UNIT 58137
DRAWN BY C. BEVINS 5-29-58
CHECKED <i>[Signature]</i>
APPROVED <i>[Signature]</i> 6-9-58
PROJ. ENGR. <i>[Signature]</i> 6-9-58

B BURROUGHS CORPORATION ELECTRODATA DIV., PASADENA, CALIFORNIA <small>PROPERTY OF BURROUGHS CORPORATION - NOT TO BE REPRODUCED, NOR USED FOR MANUFACTURING PURPOSES, EXCEPT ON BURROUGHS ORDER OR PRIOR WRITTEN CONSENT.</small>	BLOCKING OSCILLATOR "C" UNIT 58137 SYSTEM 220 DATA PROCESSING	PAGE 109 REV. C
	220 SYSTEM D-56856	FORM NO. 8001493 5-58

REVISIONS					
REV.	DCN. NO.	DRFTM.N	CHKR.	APPR.	DATE
A	7567	C.T.	42	RCS	3-13-58



NOTE: 1. ALL RESISTORS ARE CARBON
5% \pm W UNLESS OTHERWISE NOTED

+250 A1
GND B2

NOTICE
FOR EDUCATIONAL USE ONLY

SCHEMATIC OF PART 56903

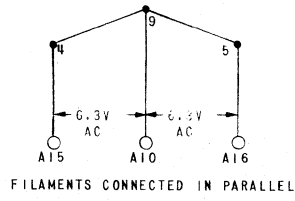
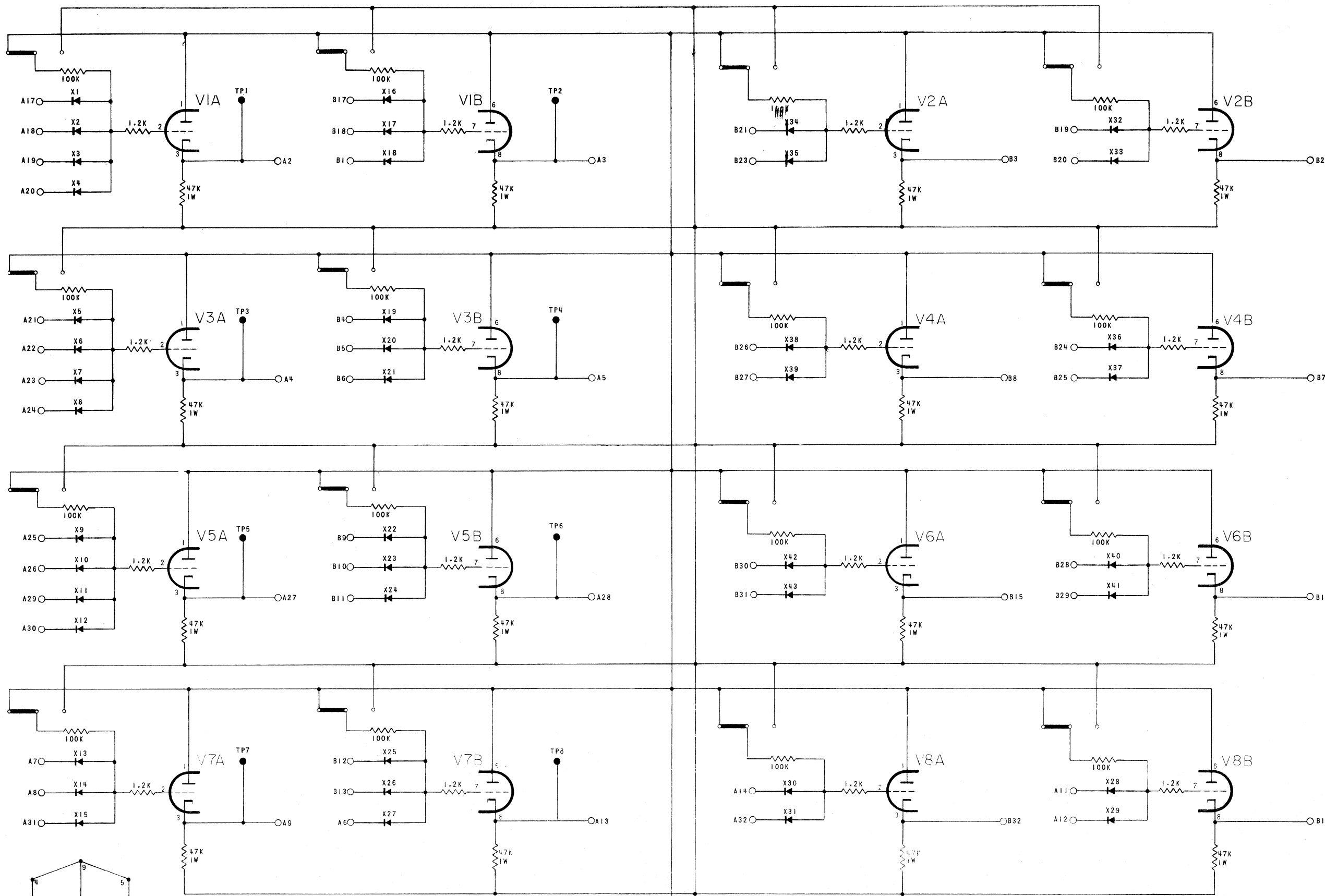
UNIT 58137
DRAWN BY K. THOMAS 1-5-57
CHECKED *[Signature]* 2-13-58
APPROVED RCS *[Signature]* 3-13-58
PROJ. ENGR. *[Signature]* 3-13-58
HENRY'S SUPPLY

UNITS	
510	DATA PROCESSOR
57121	MEMORY CONTROL
56103	TAPE CONTROL

B BURROUGHS CORPORATION
ELECTRODATA DIV., PASADENA, CALIFORNIA
PROPERTY OF BURROUGHS CORPORATION—NOT TO BE REPRODUCED NOR USED
FOR MANUFACTURING PURPOSES, EXCEPT ON BURROUGHS ORDER OR PRIOR
WRITTEN CONSENT.

CATHODE FOLLOWER "C" 1/0
UNIT (NOTED) 220 SYSTEM
SYSTEM-220 DATA PROCESSING
D-56904
REV. A

REVISIONS				
NO.	BY	DATE	DESCRIPTION	APPROVED
A	7367	3-13-58	ORIGINAL ISSUE	K. THOMAS
B	8180	6-2-58	REVISED	RCS



NOTE: ALL RESISTORS ARE CARBON
5% 1W UNLESS OTHERWISE NOTED

+750 A1
0GND B22

NOTICE
FOR EDUCATIONAL USE ONLY

SCHEMATIC OF PART 56905

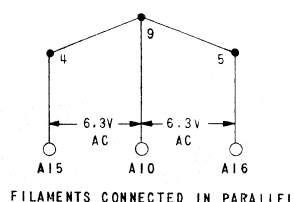
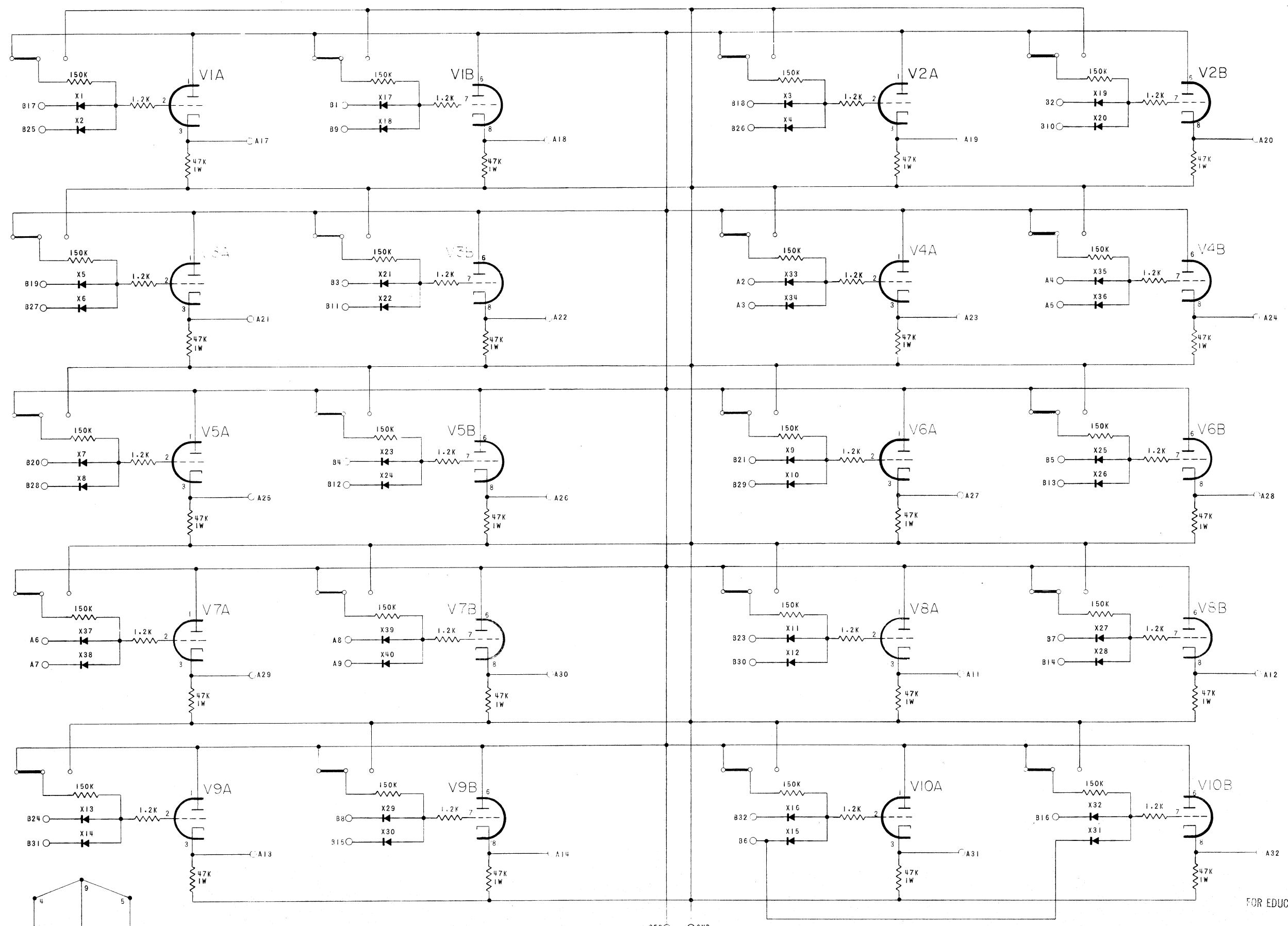
UNIT 58137
DRAWN BY K. THOMAS
CHECKED *[Signature]* 3-13-58
APPROVED *[Signature]* 3-13-58
PROJ. ENGR. *[Signature]* 3-13-58
HENRY'S SUPPLY

58137	DATA PROCESSOR
42	USER CONTROL
48	DATA CONTROL

B BURROUGHS CORPORATION
ELECTRODATA DIV., PASADENA, CALIFORNIA

CATHODE FOLLOWER "D" 111
UNIT (407ED) 220 SYSTEM
SYSTEM 220 DATA PROCESSING
D-56906
REV. B

REVISIONS						
REV.	DCN.	NO.	DRFTM.N.	CHKR.	APPR.	DATE
A	7567		HROOM	RCS		3-13-58



NOTE:
1. ALL RESISTORS ARE CARBON
5% 1/2W UNLESS OTHERWISE NOTED

+250 A1
0GND B22

UNIT	DESCRIPTION
52105	DATA PROCESSOR
5713	MEMORY CONTROL
5111	MEMORY STORAGE
5192	TAPE CONTROL

B BURROUGHS CORPORATION
ELECTRODATA DIV., PASADENA, CALIFORNIA

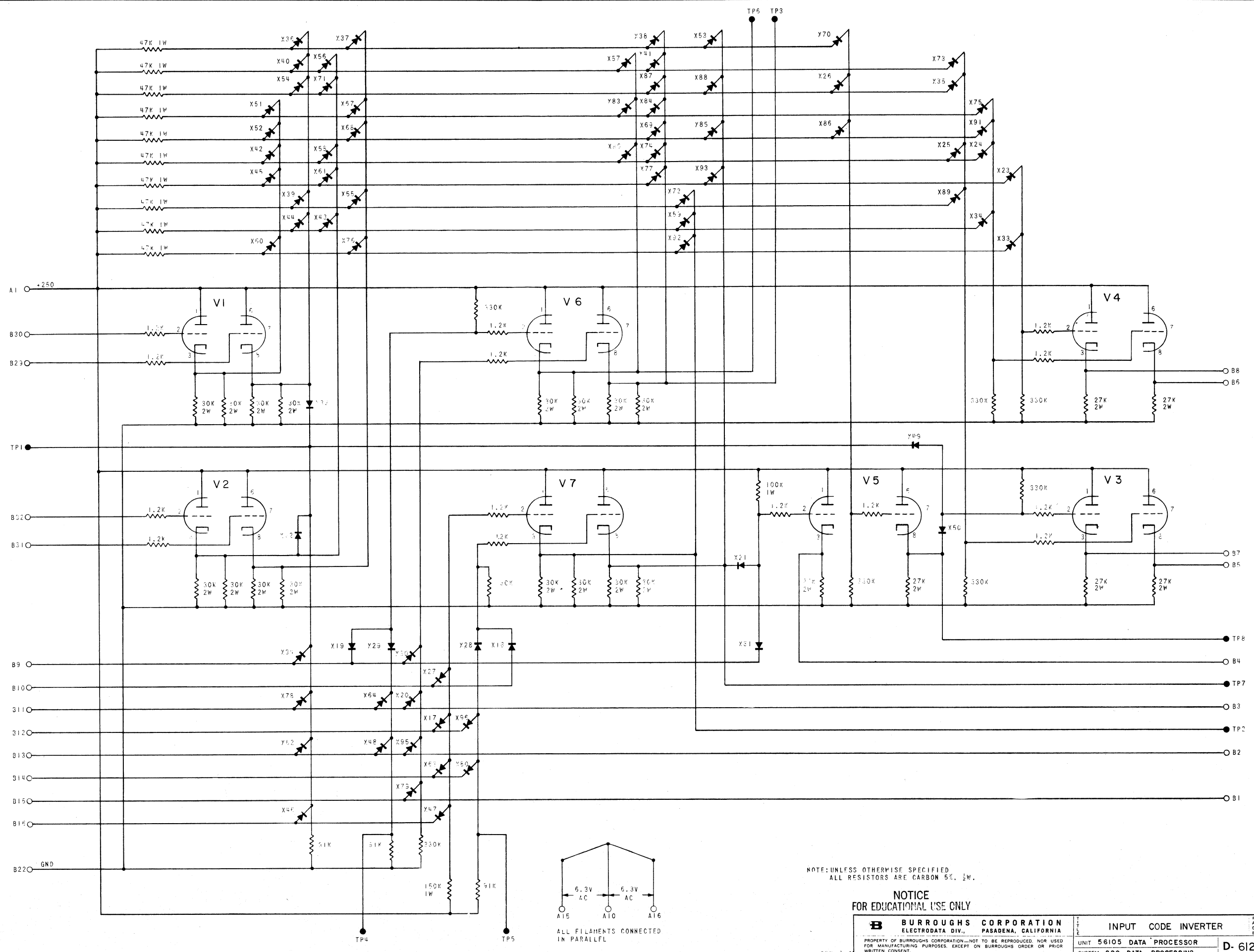
CATHODE FOLLOWER "F" 112
UNIT (NOTED) 220 SYSTEM
SYSTEM - 220 DATA PROCESSING
D-58756
REV. A

NOTICE FOR EDUCATIONAL USE ONLY

SCHEMATIC OF PART 58755

UNIT 58157
DRAWN BY H. ROUM
CHECKED [Signature] 2-13-58
APPROVED [Signature] 3-13-58
PROJ. ENGR. [Signature] 3-13-58

REVISIONS						
REV.	DCN.	NO.	DRFTM.	CHKR.	APPR.	DATE
A	7567	RF	WR	RCS		3-13-58



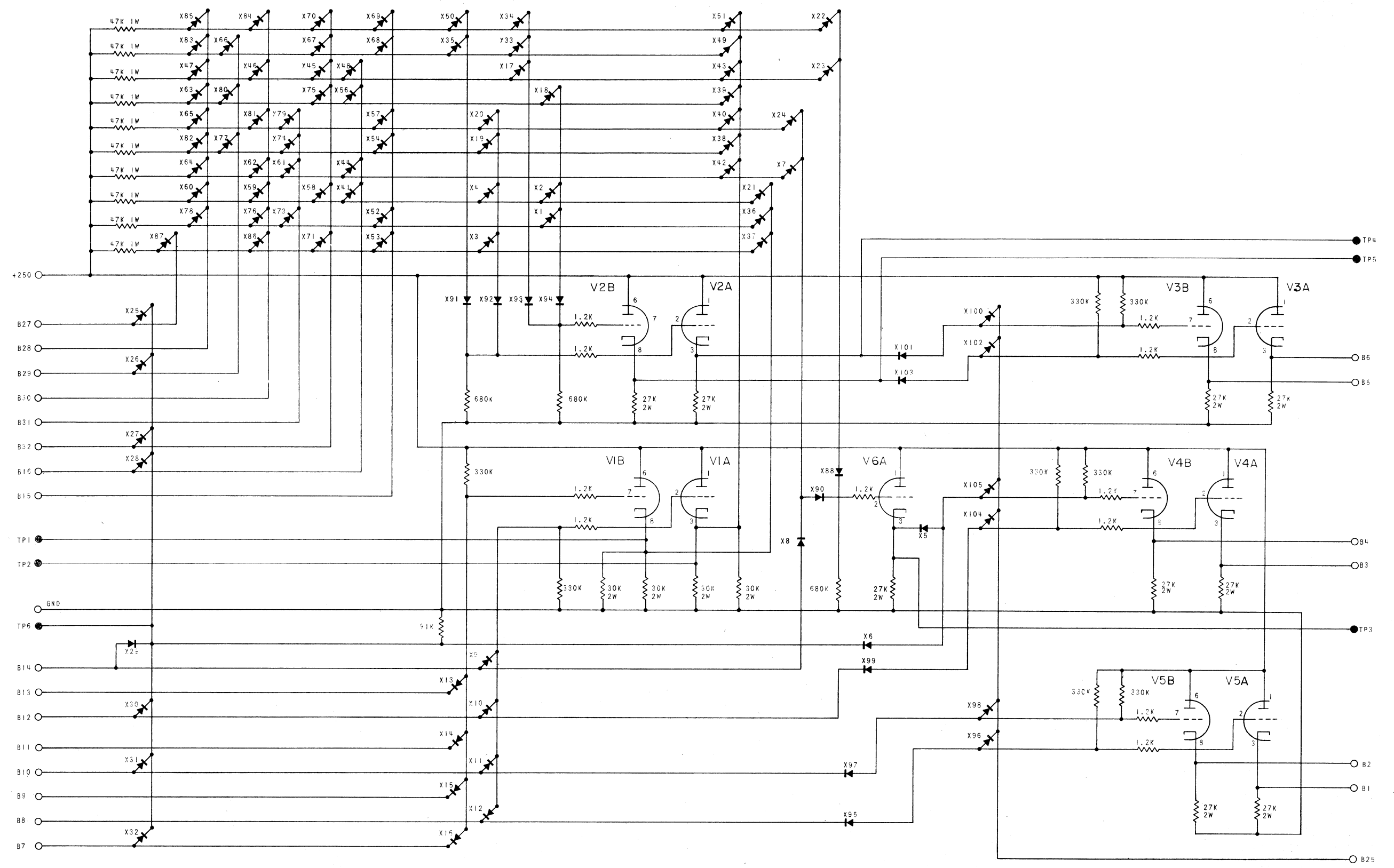
UNIT 56105
DRAWN BY <i>[Signature]</i>
CHECKED
APPROVED
PROJ. ENGR.

NOTICE
FOR EDUCATIONAL USE ONLY

B BURROUGHS CORPORATION
ELECTRODATA DIV., PASADENA, CALIFORNIA

INPUT CODE INVERTER 113
UNIT 56105 DATA PROCESSOR D-61262
SYSTEM 220 DATA PROCESSING

REVISIONS						
A ORIGINAL ISSUE						
REV.	DCN.	NO.	DRFTM	CHKR.	APPR.	DATE
A	75	7	RF	HR	RCS	3-13-58

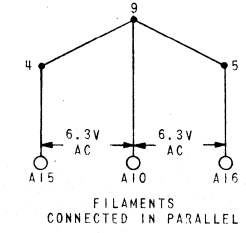


NOTE: ALL RESISTORS ARE CARBON 5% 1/2W UNLESS OTHERWISE NOTED.

NOTICE FOR EDUCATIONAL USE ONLY

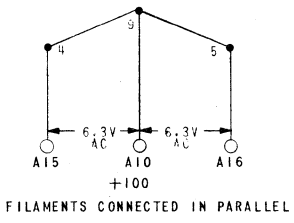
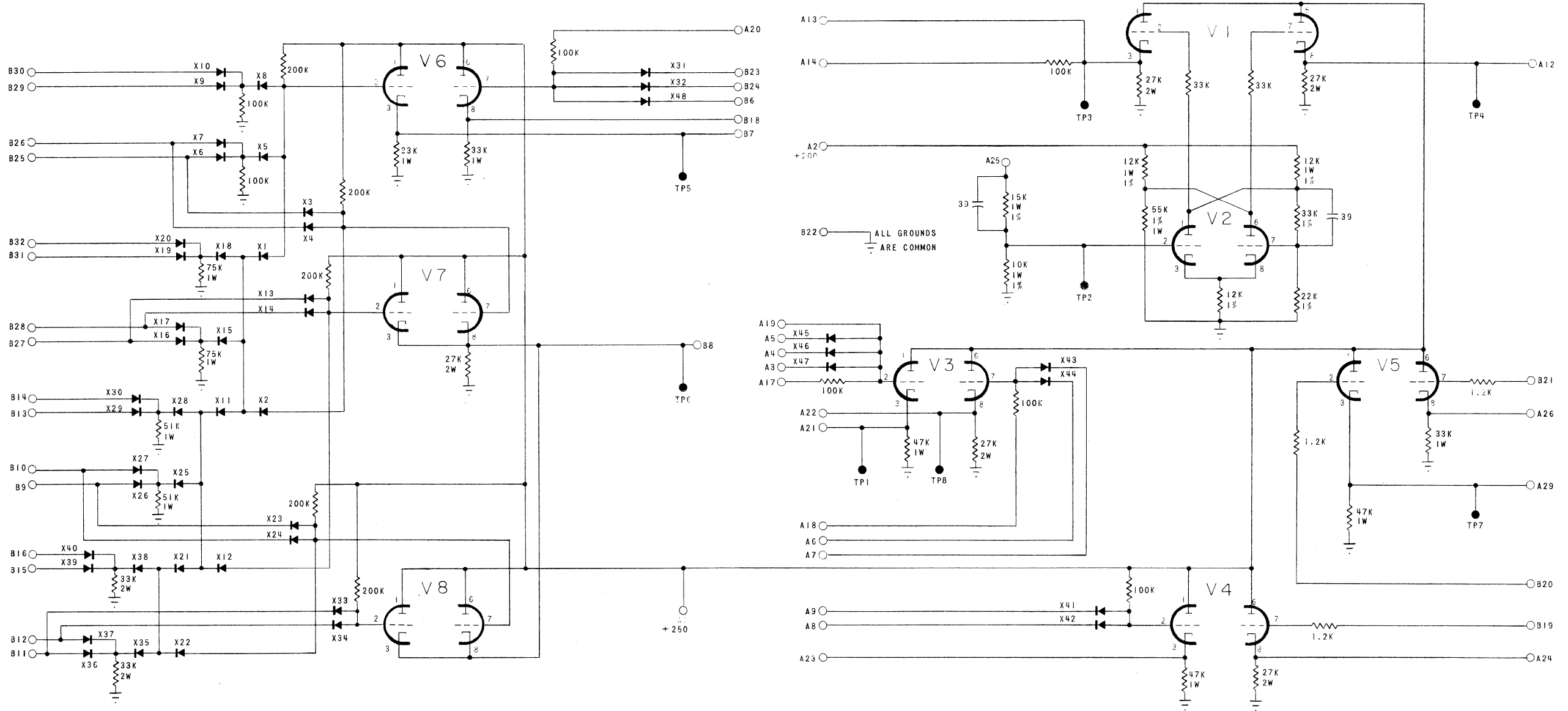
SCHEMATIC OF PART 61411

UNIT 56105
 DRAWN BY ROY FRYITAKI
 CHECKED
 APPROVED
 PROJ. ENGR.



B BURROUGHS CORPORATION ELECTRODATA DIV., PASADENA, CALIFORNIA <small>PROPERTY OF BURROUGHS CORPORATION—NOT TO BE REPRODUCED, NOR USED FOR MANUFACTURING PURPOSES, EXCEPT ON BURROUGHS ORDER OR PRIOR WRITTEN CONSENT.</small>	OUTPUT CODE CONVERTER 1/4
	UNIT 56105 DATA PROCESSOR SYSTEM 220 DATA PROCESSING
D-61263	REV. A

REVISIONS					
ORIGINAL ISSUE					
REV. NO.	DCN. NO.	DRFTM.N.	CHKR.	APPR.	DATE
B	7567	K.T.	RCS		3-13-58



NOTE:
 1. ALL RESISTORS ARE CARBON
 5% 1/2W UNLESS OTHERWISE NOTED
 2. ALL CAPACITORS ARE VALUED IN
 UF UNLESS OTHERWISE NOTED

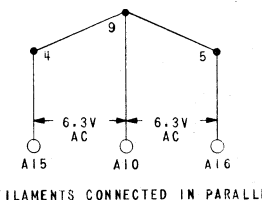
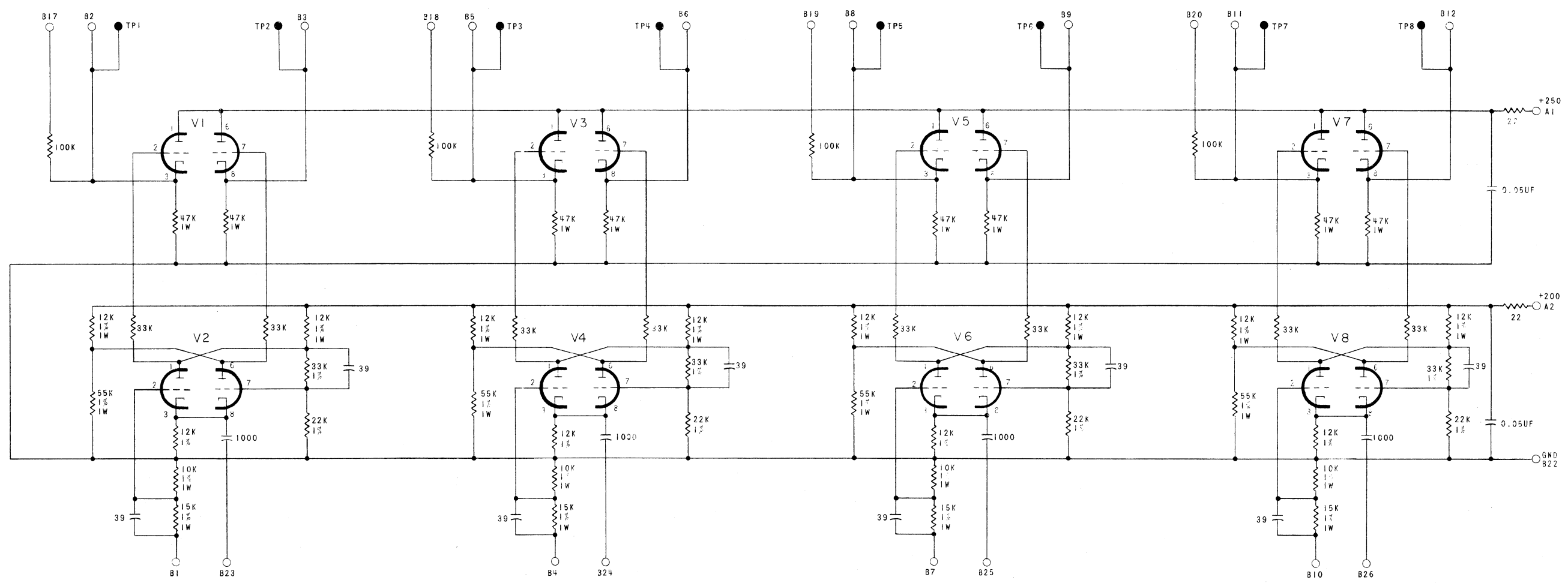
NOTICE
 FOR EDUCATIONAL USE ONLY

SCHEMATIC OF PART 56907

BURROUGHS CORPORATION ELECTRODATA DIV., PASADENA, CALIFORNIA	COMPARE "B"	115
	UNIT 58137 220 SYSTEM SYSTEM-220 DATA PROCESSING	D-56908

UNIT 58137
 DRAWN BY K. THOMAS
 CHECKED *[Signature]* 3-13-58
 APPROVED *[Signature]* 3-13-58
 PROJ. ENGR. *[Signature]* 3-13-58

REVISIONS					
REV.	DCN. NO.	DRFTM.N.	CHKR.	APPR.	DATE
A	7567	K. Thomas	RCS		2-13-58



FILAMENTS CONNECTED IN PARALLEL

- NOTE:
1. ALL RESISTORS ARE CARBON 5%, 1/2W UNLESS OTHERWISE NOTED
 2. ALL CAPACITORS ARE VALUED IN UUF UNLESS OTHERWISE NOTED

UNIT 58137
DRAWN BY J. THOMAS
CHECKED <i>[Signature]</i> 3-13-58
APPROVED <i>[Signature]</i> 3-13-58
PROJ. ENGR. <i>[Signature]</i> 3-13-58

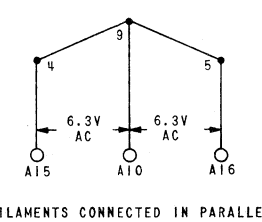
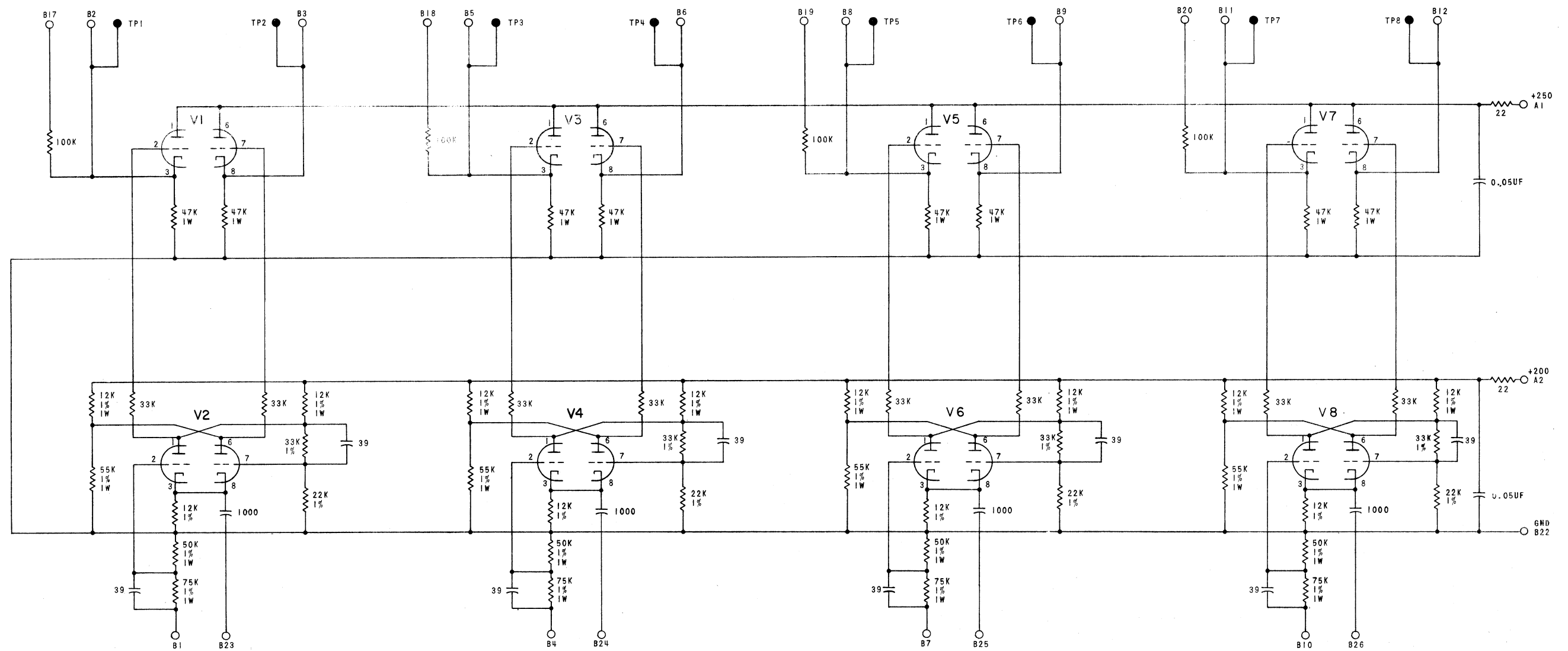
6.05	UNITS
57.33	DATA PROCESSOR
	MEMORY CONTROL

NOTICE FOR EDUCATIONAL USE ONLY

B BURROUGHS CORPORATION
ELECTRODATA DIV. PASADENA, CALIFORNIA

INVERTER "B" 116
220 SYSTEM D-56854
SYSTEM-220 DATA PROCESSING

REVISIONS					
REV.	DCN. NO.	DRFTM.N.	CHKR.	APPR.	DATE
A	7567	K. Thomas	RCS		2-13-58



NOTE: 1. ALL RESISTORS ARE CARBON
5%, 1/2W UNLESS OTHERWISE NOTED.
2. ALL CAPACITORS ARE VALUED IN
UF UNLESS OTHERWISE NOTED.

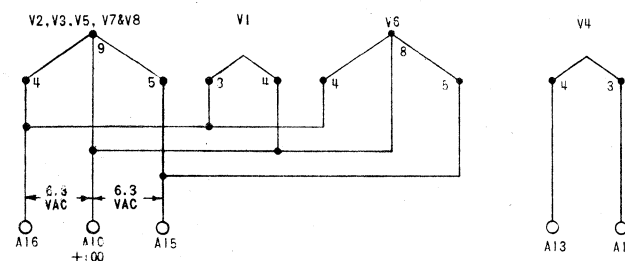
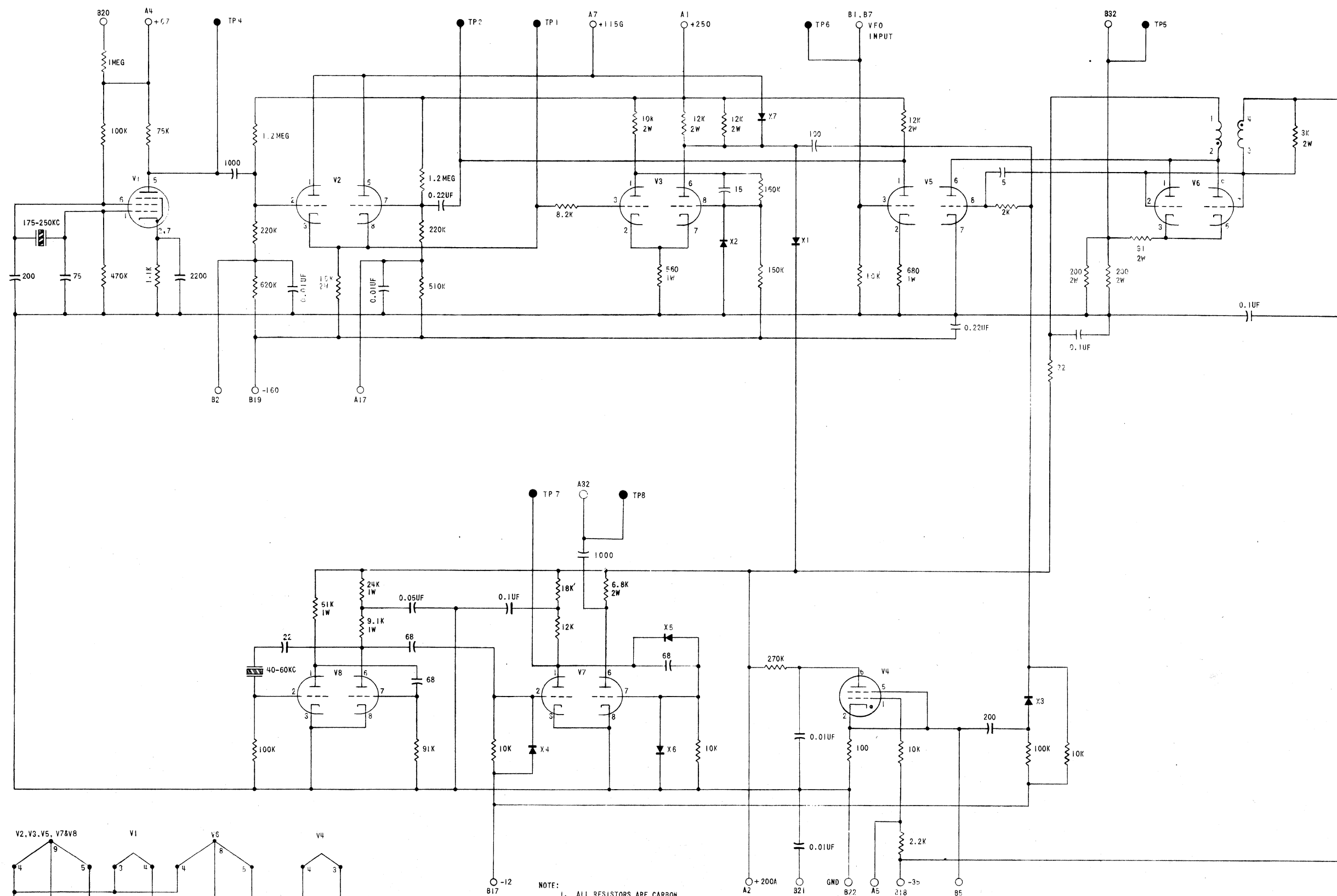
NOTICE
FOR EDUCATIONAL USE ONLY

SCHEMATIC OF PART 61298

UNIT -56105
DRAWN BY K. THOMAS
CHECKED *K. Thomas* 3-13-58
APPROVED *RCS* 3-13-58
PROJ. ENGR. *W. Thomas* 3-13-58
HENRY'S SUPPLY

BURROUGHS CORPORATION ELECTRODATA DIV., PASADENA, CALIFORNIA	TITLE INVERTER "C"	117
	PROPERTY OF BURROUGHS CORPORATION—NOT TO BE REPRODUCED, NOR USED FOR MANUFACTURING PURPOSES, EXCEPT ON BURROUGHS ORDER OR PRIOR WRITTEN CONSENT.	UNIT 56105 DATA PROCESSOR SYSTEM-220 DATA PROCESSING

REVISIONS					
B ORIGINAL ISSUE					
REV.	DCN. NO.	DRTM.N.	CHKR.	APPR.	DATE
B	7567	K.T.	RCS		3-13-58
C	8301	C.B.	JL		8-7-58



NOTE:
 1. ALL RESISTORS ARE CARBON
 5% 3W UNLESS OTHERWISE NOTED.
 2. ALL CAPACITORS ARE VALUED IN
 UUF UNLESS OTHERWISE NOTED.

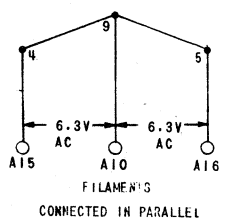
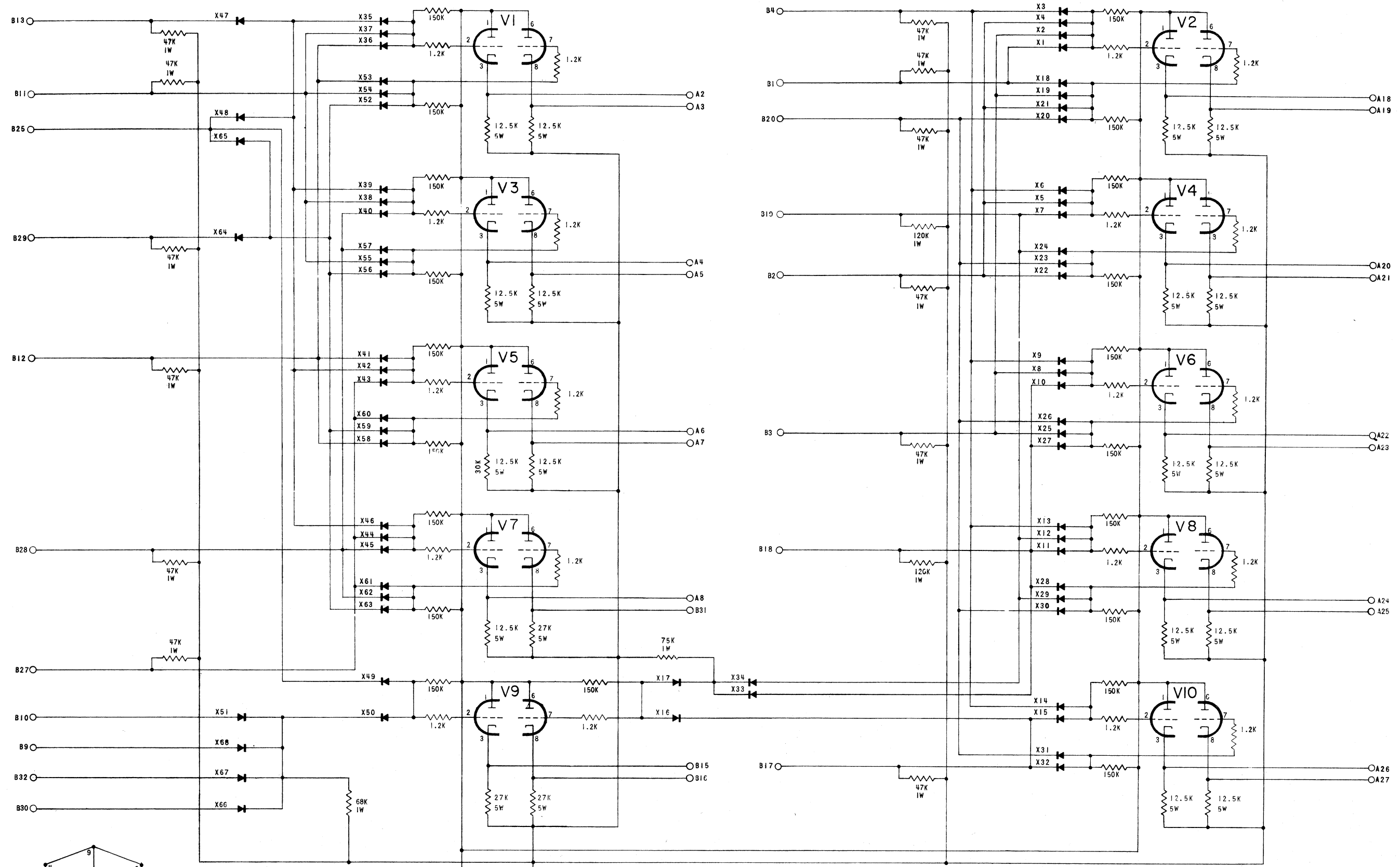
NOTICE
 FOR EDUCATIONAL USE ONLY

SCHEMATIC OF PART 58454

UNIT - 56105
 DRAWN BY K. THOMAS
 CHECKED *[Signature]* 3-13-58
 APPROVED *[Signature]* 3-13-58
 PROJ. ENGR. *[Signature]* 3-13-58
 HENRY'S SUPPLY

B BURROUGHS CORPORATION ELECTRODATA DIV., PASADENA, CALIFORNIA <small>PROPERTY OF BURROUGHS CORPORATION - NOT TO BE REPRODUCED, NOR USED FOR MANUFACTURING PURPOSES, EXCEPT ON BURROUGHS ORDER OR PRIOR WRITTEN CONSENT.</small>	MASTER CLOCK <i>118</i>	REV. C
	UNIT 56105 DATA PROCESSOR SYSTEM - 220 DATA PROCESSING	D-58455

REVISIONS						
REV.	DCN.	NO.	DRFTM.	CHKR.	APPR.	DATE
B	17567	C.S.	1	KS		3-13-58



NOTE:
1. ALL RESISTORS ARE CARBON
5%, 1/2W UNLESS OTHERWISE NOTED.

NOTICE
FOR EDUCATIONAL USE ONLY

SCHEMATIC OF PART 58188

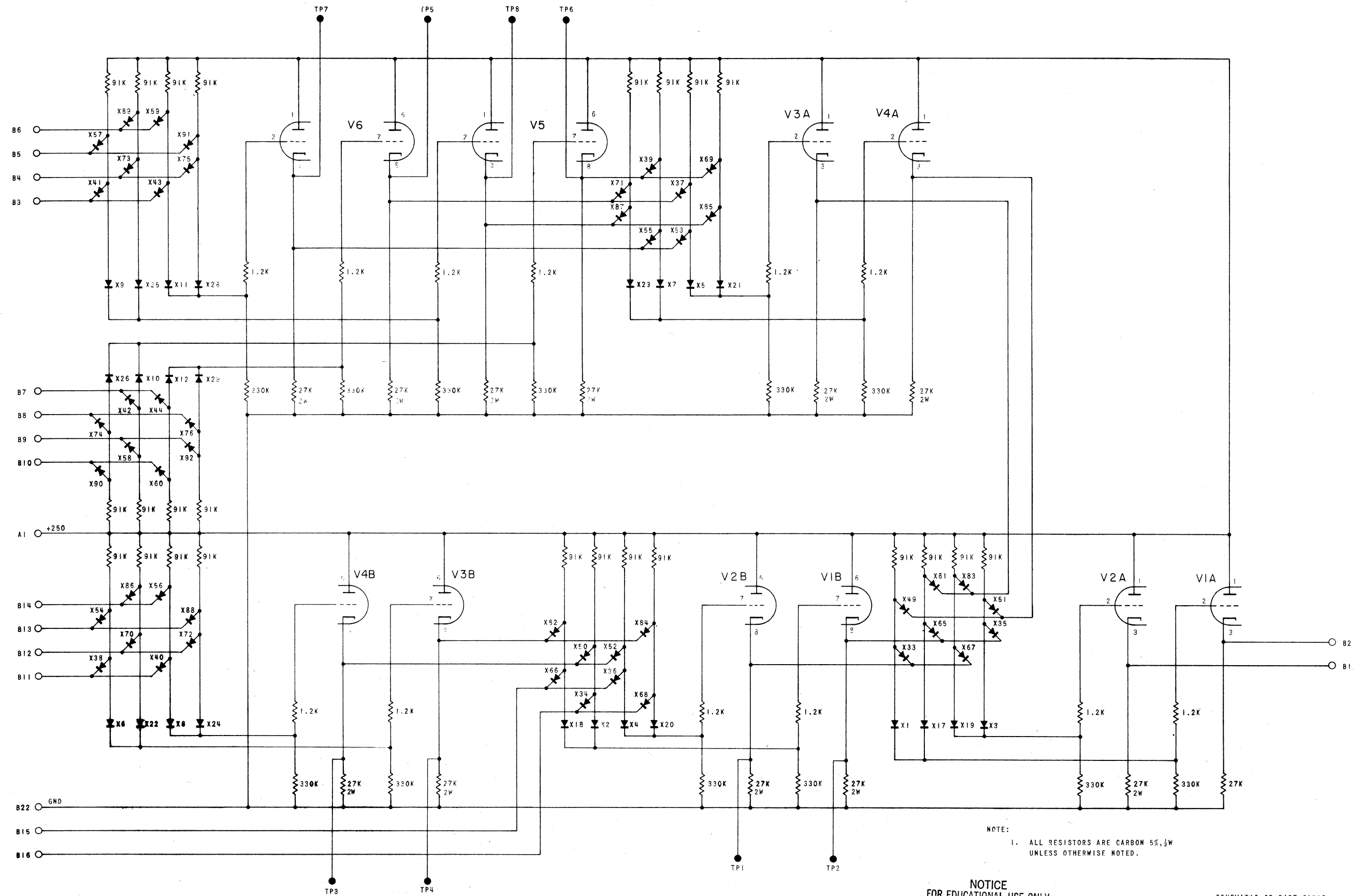
UNIT 56105
DRAWN BY: C. G. SPAETH
CHECKED: [Signature] 3-13-58
APPROVED: R.C.S. [Signature] 3-13-58
PROJ. ENGR. [Signature] 3-13-58

B BURROUGHS CORPORATION
ELECTRODATA DIV., PASADENA, CALIFORNIA

ORDER MATRIX
UNIT 56105 DATA PROCESSOR
SYSTEM 220 DATA PROCESSING
D-58190
REV. B

119

REVISIONS				
REV.	NO.	BY	CHKD.	DATE
A	7567	MG	HR	RCS 3/3/58



NOTE:
1. ALL RESISTORS ARE CARBON 5%, 1/4W UNLESS OTHERWISE NOTED.

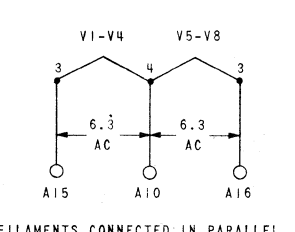
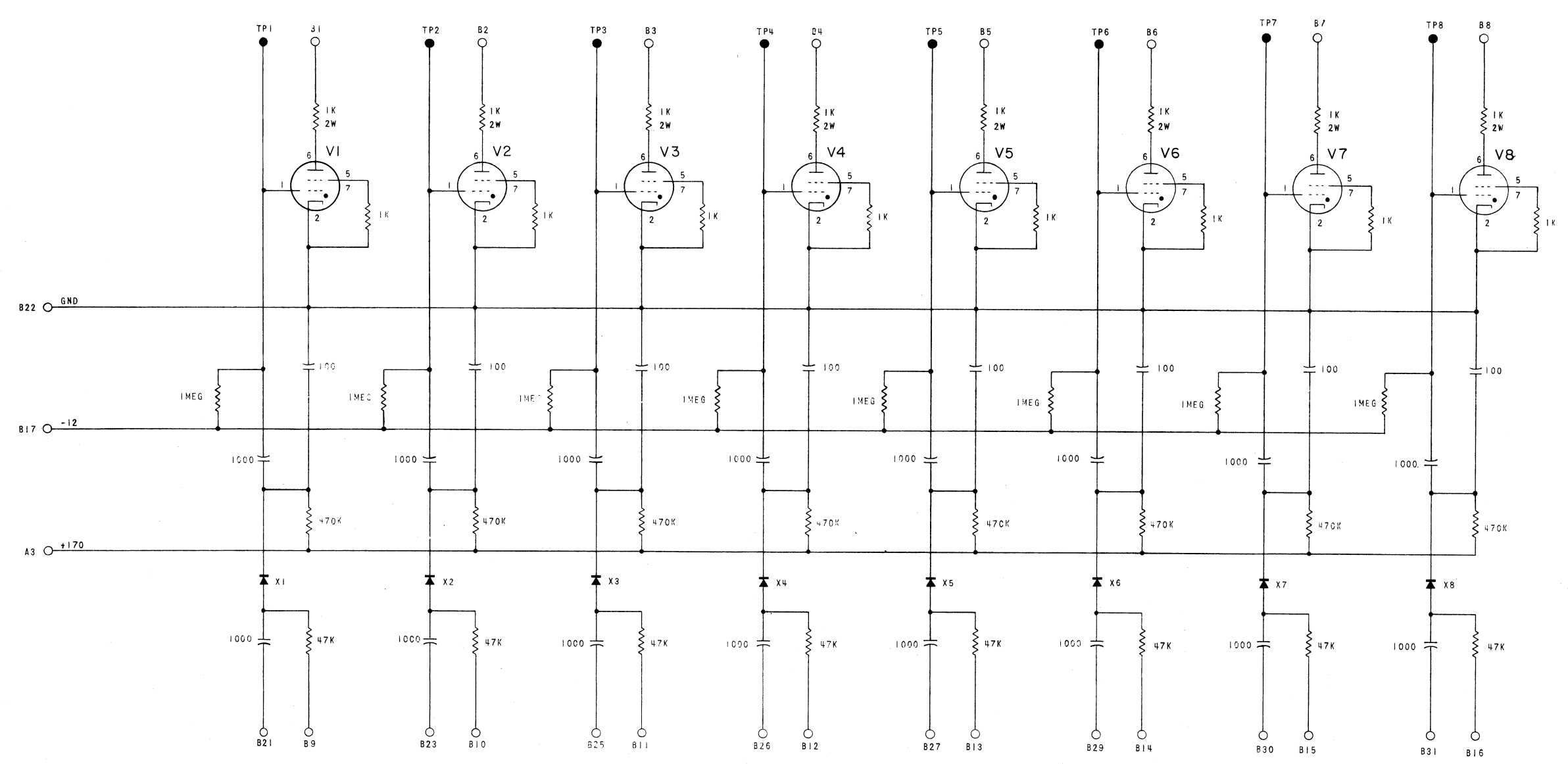
NOTICE FOR EDUCATIONAL USE ONLY

SCHEMATIC OF PART 61412

UNIT 561C5
DRAWN BY <i>D T M</i>
CHECKED
APPROVED
PROJ. ENGR.

BURROUGHS CORPORATION ELECTRODATA DIV., PASADENA, CALIFORNIA <small>PROPERTY OF BURROUGHS CORPORATION—NOT TO BE REPRODUCED, NOR USED FOR MANUFACTURING PURPOSES, EXCEPT ON BURROUGHS ORDER OR PRIOR WRITTEN CONSENT.</small>	PARITY CHECK	PAGE 120
	UNIT 56105 DATA PROCESSOR SYSTEM 220 DATA PROCESSING	D-61264

REVISIONS					
A ORIGINAL ISSUE					
REV.	DCN. NO.	DRFTM.	CHKR.	APPR.	DATE
A	7567	McG	RCS		3-13-58
B	8139	BEVINS			6-26-58



NOTE:
 1. ALL RESISTORS ARE CARBON 5% 2W UNLESS OTHERWISE NOTED.
 2. ALL CAPACITORS ARE VALUED IN UUF UNLESS OTHERWISE NOTED.

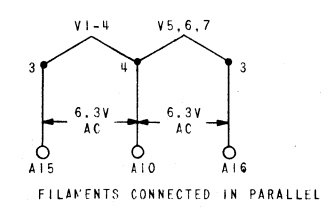
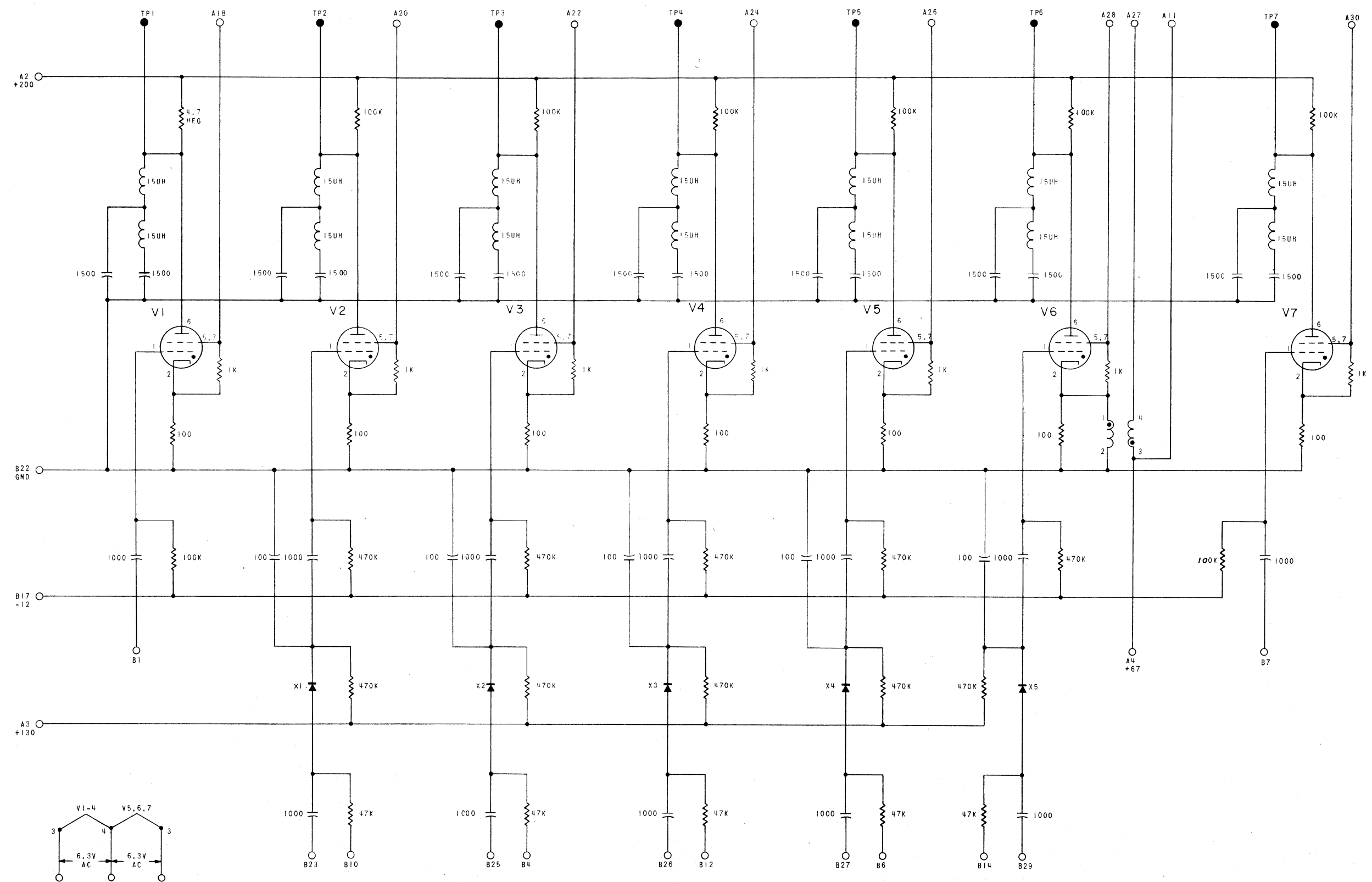
UNIT - 56105
 DRAWN BY - MCGREGOR
 CHECKED - [Signature] 3-13-58
 APPROVED - [Signature] 3-13-58
 PROJ. ENGR. - [Signature] 3-13-58
 HENRY'S SUPPLY

NOTICE FOR EDUCATIONAL USE ONLY

SCHEMATIC OF PART 61413

BURROUGHS CORPORATION ELECTRODATA DIV., PASADENA, CALIFORNIA	THYRATRON DRIVERS 121
PROPERTY OF BURROUGHS CORPORATION - NOT TO BE REPRODUCED, NOR USED FOR MANUFACTURING PURPOSES EXCEPT ON BURROUGHS ORDER OR PRIOR WRITTEN CONSENT.	UNIT: 56105 DATA PROCESSOR SYSTEM-220 DATA PROCESSING
D-61266	REV. B

REVISIONS					
A ORIGINAL ISSUE					
REV.	DCN. NO.	DRFTM.	CHKR.	APPR.	DATE
A	7547	V. VV.	HR	RCS	3-19-58
B	8139	BEVINS	HR	HM	6-28-58
C	8501	C. B.	HR	HM	8-7-58



NOTE:
 1. ALL RESISTORS ARE CARBON 5% 1/4W UNLESS OTHERWISE NOTED.
 2. ALL CAPACITORS ARE VALUED IN UUF UNLESS OTHERWISE NOTED.

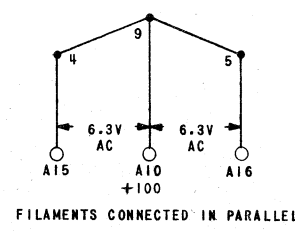
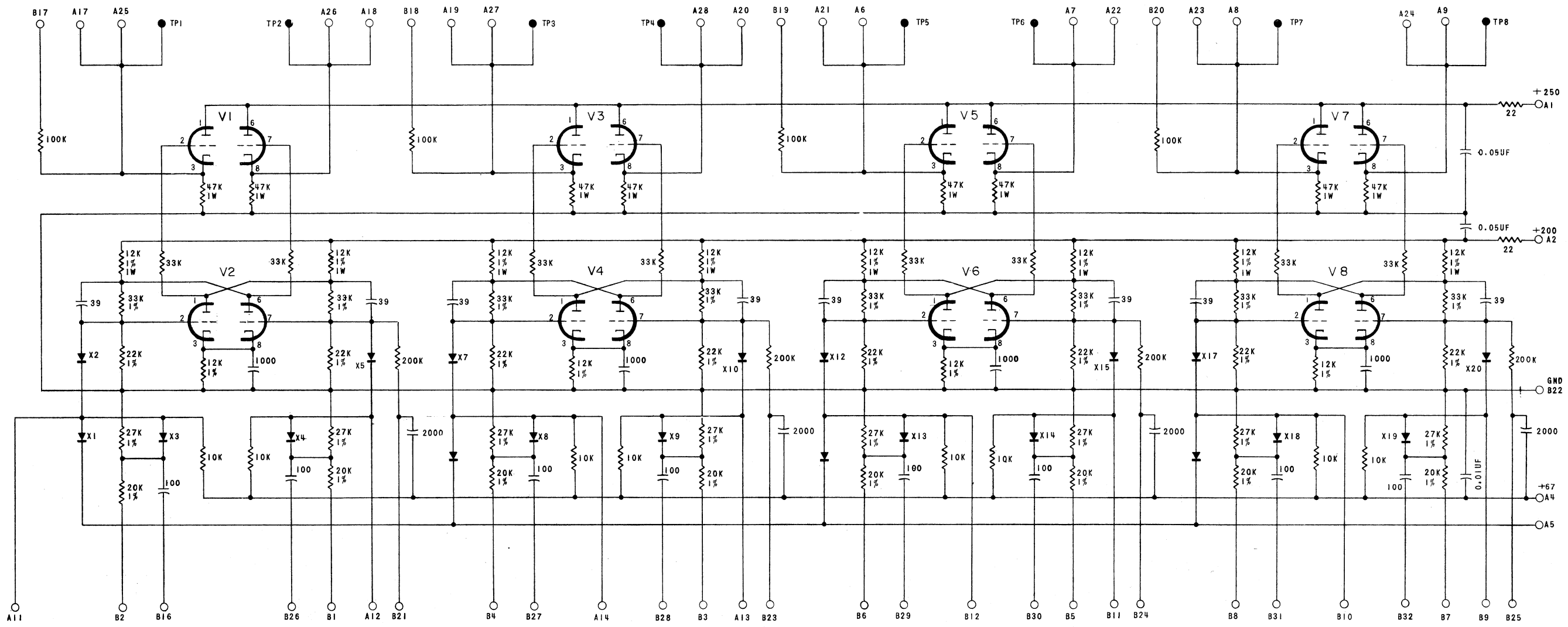
NOTICE FOR EDUCATIONAL USE ONLY

SCHEMATIC OF PART 60471

BURROUGHS CORPORATION ELECTRODATA DIV., PASADENA, CALIFORNIA	THYRATRON PULSE GEN. "B" 122
	UNIT 56105 DATA PROCESSOR SYSTEM 220 DATA PROCESSING
PROPERTY OF BURROUGHS CORPORATION - NOT TO BE REPRODUCED, NOR USED FOR MANUFACTURING PURPOSES, EXCEPT ON BURROUGHS ORDER OR PRIOR WRITTEN CONSENT.	D-60619

UNIT 56105
 DRAWN BY WRIGHT
 CHECKED
 APPROVED
 PROJ. ENGR.

REVISIONS						
REV.	DCN.	NO.	DRFTM	CHKR.	APPR.	DATE
B	7567		K.T.	RCS		3-13-58



NOTE
 1. ALL RESISTORS ARE CARBON
 5%, 1/2W UNLESS OTHERWISE NOTED
 2. ALL CAPACITORS ARE VALUED IN
 UUF UNLESS OTHERWISE NOTED

UNIT 58137
 DRAWN BY K. THOMAS
 CHECKED *[Signature]* 3-13-58
 APPROVED *[Signature]* 3-13-58
 PROJ. ENGR. *[Signature]* 3-13-58

UNITS
56105 DATA PROCESSOR
57121 MEMORY CONTROL
56103 TAPE CONTROL

NOTICE
 FOR EDUCATIONAL USE ONLY

BURROUGHS CORPORATION
 ELECTRODATA DIV., PASADENA, CALIFORNIA

TOGGLE "C" 123
 UNIT (NOTED) 220 SYSTEM
 SYSTEM-220 DATA PROCESSING
 D-56853