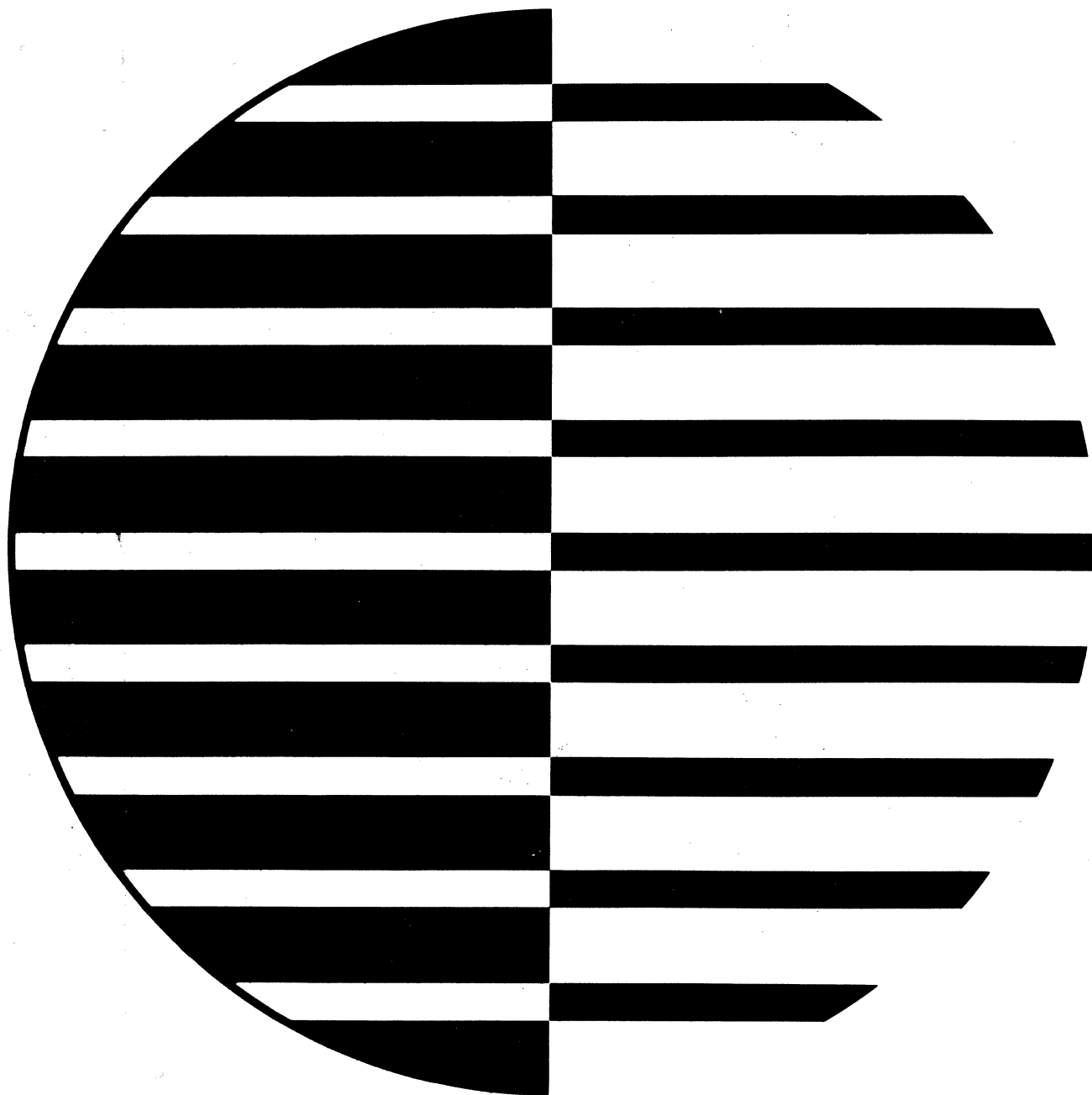


**CONTROL DATA INSTITUT**



**LOGIC DIAGRAMS**  
**Magnetbandeinheiten**



Control delays may have multiple inputs and/or multiple outputs. When a control delay has multiple output terms (i. e., more than one V, Y, or N term), each output term may have a separate conditioning input:

### Capacitive Delays

A capacitive delay is used to delay the "1" input to a logic element. ("0" inputs are not affected by the delay.) Capacitive delays may be active or passive, depending upon whether or not transistors are used as part of the delaying circuit. Delay periods are checked by using a dual-trace scope connected to the input and output of the delay producing element. The actual connection points for the scope and probes vary for different cards and should be determined by referring to the Printed Circuit Manual.

Active delays may be recognized by the circuit letter always present as part of the card location. Pin numbers are also shown when external wiring is needed to connect the proper capacitance. In Figure 9, the pluggable delay uses this wiring to connect to capacitors on the same card. In the third example, this wiring connects to capacitors located on two separate capacitor cards.

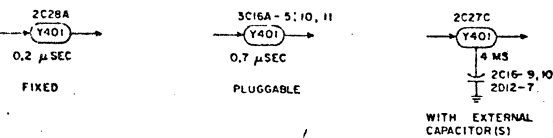


Figure 9. Active Capacitive Delays

All passive capacitive delays (Figure 10) are formed by wiring grounded capacitors, located on one or more capacitor cards, as an AND input to the affected logic element. For this reason, all passive delays show pin numbers to provide this external wiring data.



Figure 10. Passive Capacitive Delays

Capacitive delays may be adjustable or nonadjustable, depending on the card type and/or the external wiring connections on the card. When it is necessary to adjust the delay period in order to obtain specified circuit operation (usually done by varying a potentiometer in the RC network), a diagonal arrow is added to the delay symbol as shown in Figure 11.



Figure 11. Adjustable Capacitive Delays

### Inductive Delays

An inductive delay is used to delay either the "1" or "0" input to a logic element or as a tapped delay line for timing of operations. The symbol for this delay is an elongated oval with a double vertical line just within the input end of the oval. When used as a tapped delay line, the inductive delay is terminated in its characteristic impedance. Inductive delays are identified

in the same manner as capacitive delays (except for the vertical lines) unless they are used as delay lines. On multi-section cards where no identifying circuit letters are present, pin numbers are shown adjacent to the input and output arrows. Figure 12 shows both kinds of inductive delays.

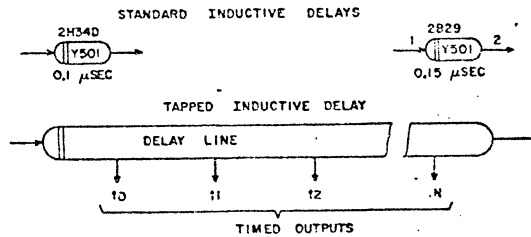


Figure 12. Inductive Delays

### Line Drivers/Receivers

Voltage levels used to represent "1's" and "0's" on cables are different from those used for internal logic. The level shift to and from internal logic is made by line drivers and line receivers. These cards may be considered as inverting the signal electrically, but not logically. The letters commonly associated with these cards are L & M (1604) and R & T (3000 Series). A 3000 Series Receiver may also be used to perform a logical inversion by swapping the twisted pair wires. This usage is indicated by a circle on the input side of the symbol. In Figure 13, "1's" and "0's" have been added to clarify the logic states; they are not part of the symbol.

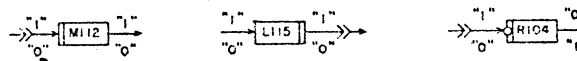


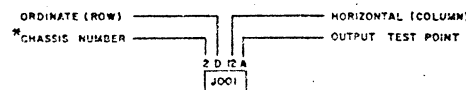
Figure 13. Typical Line Driver/Receiver Symbols

### NON-LOGIC CONVENTION

The use of the double vertical bar, as shown in Figure 13, denotes a shift in signal voltage level from that used in internal logic. The double bar appears on the input or output side of the symbol, depending on which side connects to the non-logic-level signal. No particular voltage level is implied by the double bar - only that it is non-logic.

### JACK ASSIGNMENTS

Each numbered term in the logic diagrams contains a jack assignment showing the physical location of that hardware element and the test point (circuit section) associated with it. For some card types, the test point letter is replaced by a pin number. For these cases, a card extender must be used in order to test that section of the card. Also, some symbols show no test point. This is because the entire card is used for one purpose (e. g. a single inverter, FF, or control delay). Figure 14 illustrates the inverter J001, with 2D12A representing its jack assignment.



\*When most or all jack assignments are located on one chassis, the chassis numbers for that chassis are omitted. All multi-chassis devices include a chassis number as part of each jack assignment.

Figure 14. Jack Assignment Scheme

### CABLE IDENTIFICATION

Cable connections are represented by the MIL-STD-15 symbol and identified as to connector location and pins used, as shown in Figure 15.

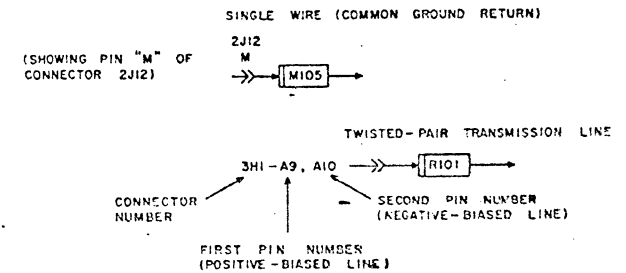


Figure 15. Cable Connections

### SPECIAL LOGIC SYMBOLS

Nonstandard elements (special logic and/or non-logic elements) are represented by a special circuit symbol (generally a rectangle as shown in Figure 16). The special circuit symbol always shows the symbol designation, jack location, and the card type. Supplemental information may also be shown such as in the case of special delay cards which indicate the delay period. For detailed information refer to the specific card type in the appropriate Printed Circuit or Logic Module Manual.

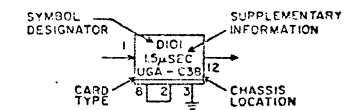


Figure 16. Symbol for Special Circuits

### INPUT/OUTPUT DESIGNATIONS

Where several pages of logic are involved, a symbol index and term list (side cars) are incorporated within the manual. Also in certain instances such as special card types or on equipments for which no equation summary exists (as for peripheral devices) input and output pin numbers are indicated on each logic element as are the output destinations of the elements (Figure 17).

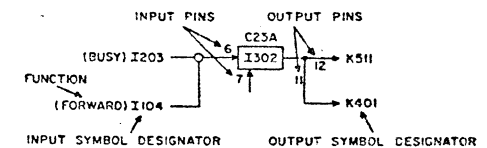


Figure 17. Input/Output Designations

SYMBOL INDEX

I000	13	I403	15	I555	7	K405	15
I001	13	I404	15	I556	7	K500	7
I002	13	I405	15	I557	9	K501	7
I003	13	I406	15	I558	9	K502	7
I004	13	I407	15	I559	9	K503	7
I005	13	I408	15	I560	9	K504	7
I006	13	I409	15	I561	9	K505	7
I008	13	I410	15	I562	11	K510	7
I009	13	I411	15	I563	11	K511	7
I010	13	I412	15	I564	9	K512	7
I011	13	I413	15	I565	9	K513	7
I013	13	I414	15	I566	9	K514	7
I017	13	I417	15	K000	13	K515	7
I100	21	I418	15	K001	13	K520	7
I101	21	I419	15	K010	13	K521	7
I102	23	I420	15	K011	13	K522	7
I103	21	I421	15	K020	13	K523	7
I104	19	I422	15	K021	13	K524	7
I105	21	I423	15	K030	13	K525	7
I106	23	I424	15	K031	13	K530	7
I107	21	I425	15	K040	13	K531	7
I108	19	I500	9	K041	13	K532	7
I109	23	I501	9	K050	13	K533	7
I110	19	I502	9	K051	13	K534	7
I111	19	I504	9	K060	13	K535	7
I112	23	I506	9	K061	13	K540	7
I113	21	I508	9	K070	13	K541	7
I114	19	I509	9	K071	13	K542	7
I115	19	I510	9	K100	21	K543	7
I116	19	I511	9	K101	21	K544	7
I117	19	I512	9	K102	23	K545	7
I119	19	I513	9	K103	23	K550	7
I120	21	I521	7	K104	23	K551	7
I121	23	I522	7	K105	23	K552	7
I122	19	I523	7	K106	23	K553	7
I123	21	I524	7	K107	23	K554	7
I124	19	I528	11	K108	23	K555	7
I125	21	I529	11	K109	23	K560	7
I126	19	I530	11	K112	14	K561	7
I140	19	I532	11	K113	19	K562	7
I141	19	I533	11	K114	19	K563	7
I180	23	I534	11	K115	19	K564	7
I181	19	I535	11	K116	21	K565	7
I300	15	I536	9	K117	21	K566	11
I301	15	I537	9	K118	21	K567	11
I302	15	I538	9	K119	21	K570	9
I303	15	I539	9	K120	19	K571	9
I304	15	I540	9	K121	19	K572	9
I309	15	I543	7	K122	23	K573	9
I311	15	I547	11	K123	23	K574	11
I315	15	I550	7	K400	15	K575	11
I316	15	I551	7	K401	15	K576	11
I400	15	I552	7	K402	15	K577	11
I401	15	I553	7	K403	15	K580	11
I402	15	I554	7	K404	15	K581	11

**SYMBOL INDEX**

K582	11	M501	9	Y403	15
K583	11	M502	11	Y404	15
K586	9	M504	9	Y405	15
K587	9	M505	9	Y410	15
K590	9	M506	9	Y411	15
K591	9	M507	9	Y412	15
L100	19	M508	9	Y413	15
L101	19	M509	9	Y414	15
L102	23	Y000	13	Y415	15
L400	15	Y001	13	Y416	15
L500	7	Y002	13	Y435	15
L501	7	Y003	13	Y436	15
L502	7	Y004	13	Y437	15
L503	7	Y005	13	Y500	7
L504	7	Y006	13	Y501	7
L505	7	Y007	13	Y502	7
L506	7	Y008	13	Y503	7
L507	9	Y009	13	Y504	7
L508	11	Y010	13	Y505	7
L509	11	Y100	23	Y510	7
L510	9	Y101	23	Y511	7
L511	9	Y102	21	Y512	7
L512	9	Y103	21	Y513	7
M000	13	Y104	21	Y514	7
M001	13	Y105	19	Y515	7
M002	13	Y106	23	Y516	7
M003	13	Y107	21	Y520	7
M004	13	Y108	19	Y521	7
M005	13	Y109	23	Y523	7
M006	13	Y110	19	Y524	7
M007	13	Y111	19	Y525	7
M008	13	Y113	21	Y526	7
M009	13	Y114	21	Y527	7
M100	21	Y115	23	Y528	7
M101	23	Y116	21	Y529	7
M102	23	Y117	21	Y530	7
M103	21	Y130	21	Y531	9
M104	21	Y131	21	Y544	9
M105	23	Y150	19	Y545	9
M106	19	Y151	19	Y546	9
M107	19	Y302	17	Y547	9
M108	21	Y303	17	Y548	11
M109	21	Y305	17	Y549	11
M110	21	Y306	17	Y551	11
M111	19	Y307	17	Y560	7
M112	19	Y308	17	Y561	7
M113	27	Y309	17	Y562	7
M114	21	Y310	17	Y563	7
M300	17	Y313	17	Y564	7
M301	17	Y314	17	Y565	7
M400	15	Y315	17	Y566	7
M401	15	Y316	17		
M402	15	Y317	17		
M403	15	Y400	15		
M404	15	Y401	15		
M500	9	Y402	15		

## READ DATA

The seven read data circuits detect, convert, and route information from the tape to the external equipment.

During a read operation, tape data are detected by the read heads, amplified by preamplifier cards, and rectified and detected by level and peak detectors. The information bits are then placed in rank I of the 7-bit Read register. The lower order six tracks of the register receive the information character; the highest order track receives the parity bit. After the information is placed in rank I, the bits are delayed to compensate for electrical and mechanical skewing. They are then gated to ranks II and III. The information remains in rank II from 4 to 12  $\mu$ sec (depending upon read density) before it is cleared in coincidence with the leading edge of the sprocket pulse from the read gate circuit. Information is sampled by the TCU during the 2  $\mu$ sec sprocket pulse. Rank III is cleared by the trailing edge of the 2  $\mu$ sec sprocket pulse.

## LEVEL SHIFT NETWORK

The level shift network is an emitter follower with a variable output attenuator. A 2.8 vdc bias is supplied to the base by a zener voltage regulator in the read preamplifier. By adjusting the output resistance, the output level is controlled. The reduced level is supplied to the read level detector to set the bias (and consequently the sensitivity) of the read level detector. If the bias is lower than the detected bits, the bit is coupled; if not, the bit is blocked. Random noise is excluded by reducing the level detector sensitivity.

## READ GATE

The read gate circuit controls the coupling of information through the read data circuit to the output lines.

The delay of bits in rank II is determined by the density selected and whether a read or write operation is being performed. These delays are the following:

800 bpi -	4.0 $\mu$ s (read)	2.8 $\mu$ s (write)
556 bpi -	5.8 $\mu$ s (read)	4.0 $\mu$ s (write)
200 bpi -	12.0 $\mu$ s (read)	5.8 $\mu$ s (write)

The delays are controlled by the inputs to delay card Y527. After Y527 times out, its output changes to "0" for 0.1  $\mu$ sec. This causes the Sprocket FF to be set while rank II is cleared. Setting the Sprocket FF sends a sprocket signal to the TCU indicating that information is on the output lines. After a 2  $\mu$ sec delay (Y547), the FF is cleared, clearing rank III.

If neither a read nor a write operation is selected, the "1" output from Y531 results in a continuous "1" output from I508 and I511. Rank II of the read register is held in the clear state and a read operation is disabled. When a read or write operation is initially selected, I508 and I511 continue to produce a "1" output to hold rank II cleared for 2 msec (because of the Y543 delay). This precaution eliminates the possibility of transient noises being read as information while tape is brought up to speed.

L O G I C   D I A G R A M S

Magnetbandgerät    CDC 607

Controller            CDC 3228

Herausgeber:        Control Data Institut Frankfurt/M.  
                          Control Data GmbH Frankfurt/M. 1976

©

Alle Rechte vorbehalten.

Diese Unterlagen sind ausschließlich für Lehrgangsteilnehmer bestimmt. Die Benutzung für Unterrichtszwecke bzw. die Weitergabe an Dritte, auch auszugsweise, ist nur mit ausdrücklicher Zustimmung des Herausgebers gestattet.

Vervielfältigungen jeglicher Art sind untersagt.

Printed in Germany

CDI-CT-PHIV-19-02/65

DEVELOPED & PRINTED  
BY CDI FRANKFURT





## INHALTSVERZEICHNIS

1.	Magnetbandgerät CDC 607	
	KEY TO LOGIC SYMBOLS	1
	SYMBOL INDEX	4
	LOGIC DIAGRAMS	7
2.	Controller	33



# KEY TO LOGIC SYMBOLS

(STANDARD 1604 OR 3600 CARD TYPES),

Logic diagrams represent a symbolic approach to electronic schematics. By using symbols to represent building block circuits, the schematic becomes easy to read if the reader understands the function of the symbols. In CONTROL DATA® Corporation logic, two signals, a logical "0" and a logical "1", are the possible input or output conditions of a circuit. A circuit with an output of "1" is "up" and a circuit with an output of "0" is "down". Detailed descriptions of logic symbols and their associated building block circuit cards are contained in the Printed Circuit Manual (Pub. No. 60042900, Vols. 1 and 2).

## STANDARD LOGIC SYMBOLS

Standard logic diagram symbols for Control Data equipment using 1604- or 3600-type cards are inverters, flip-flops, control delays, and capacitive and inductive delays.

### Inverters

An inverter is a logic element which provides an output that is an inversion of its input. When more than one input is provided to an inverter, "1's" take precedence over "0's" and drive the output of the inverter to "0". Because any "1" input of several inputs drives the output to a "0", an inverter may be considered an inverting OR (or NOR) gate when more than one input is present.

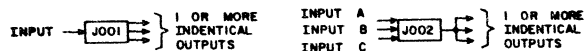


Figure 1. Inverter Symbols

Acceptable conventions for showing multiple OR inputs are given in Figure 2.



Figure 2. OR Circuit Conventions

### Flip-Flops (FF)

The flip-flop (FF) is a storage device with two stable states - designated as Set and Clear - and is composed of two or more inverters. The logic symbols (Figure 3) are formed by the combination of inverter symbols. By convention, Set inputs and outputs are shown in the upper part of the symbol and Clear inputs and outputs are shown in the lower part of the symbol.

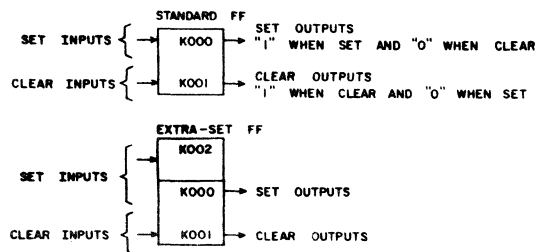


Figure 3. Flip-Flop Symbols

Figure 4 illustrates the interconnection of inverter symbols to form a flip-flop symbol. The term numbers assigned to each flip-flop are the term numbers of the internal inverters as seen by comparing the terms in Figure 3 with those in Figure 4. Notice that the Set output is the output of inverter K001, and the Clear output is the output of inverters K000 and K002.

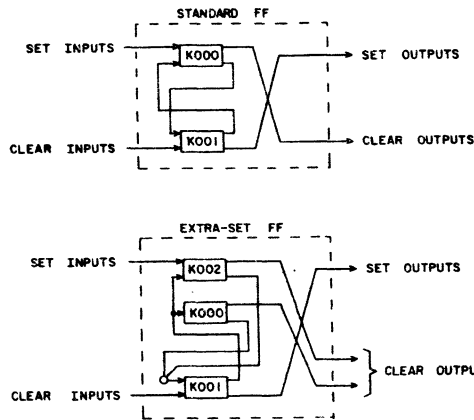


Figure 4. Internal Inverter Connections for a Flip-Flop

### AND Gate

An AND gate requires that all its inputs be "1's" in order that its output be a "1". If one or more of the inputs to an AND gate are "0", the output is a "0". Figure 5 illustrates conventions for showing AND gates feeding an inverter.

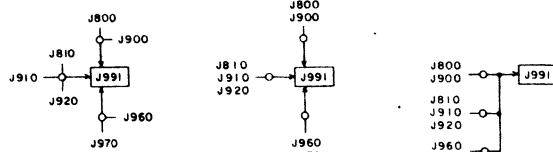


Figure 5. AND Circuit Conventions

### Control Delay

A control delay is a timing device consisting of an H term which receives the input and one or more V, Y, or N terms to provide the outputs. The H term is essentially a flip-flop with controlled feedback and occupies an entire printed circuit card. The output term(s) are inverter(s) located elsewhere on the logic chassis. The "1" outputs from a control delay are clocked pulses which are delayed one phase time from the "1" inputs. Clock inputs are not shown on the logic diagrams for any H, V, Y, or N terms; these terms, which control the start and duration of the delayed output pulses, may be found in the Equation Summary. Figure 6 illustrates two representative forms of the control delay symbol, with possible inputs and outputs labelled. Figure 7 shows the electrical connections for the two forms.

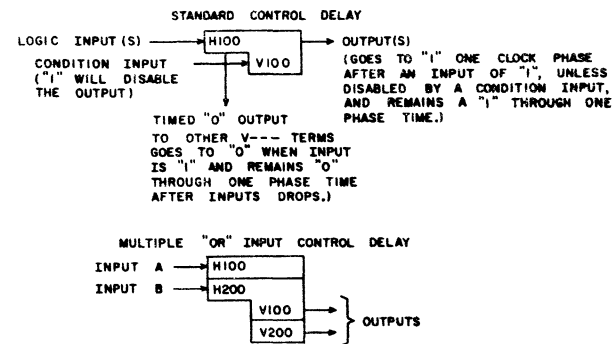


Figure 6. Control Delay Symbols

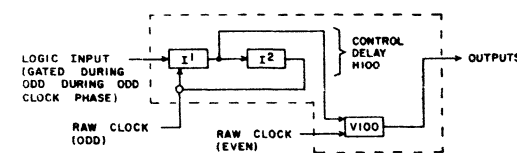
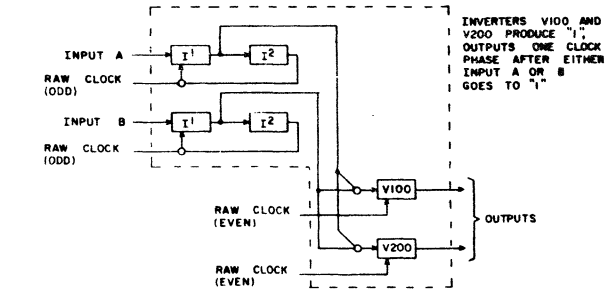


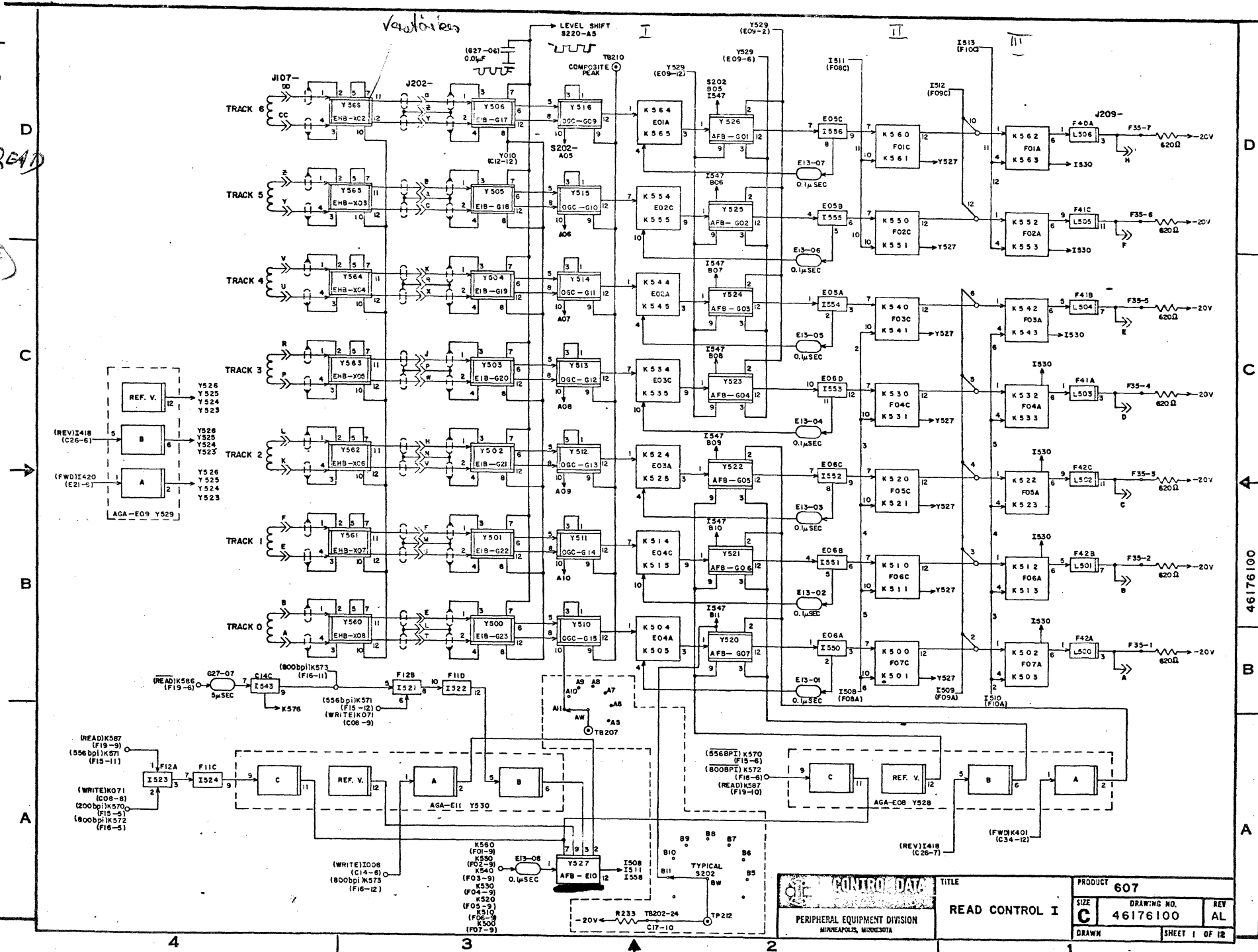
Figure 7. Electrical Connections for Control Delay



R

Rang 1  
 100ns noelde  
 Rang 2 gestet  
 Rang 2 4µs  
 bei 800 BPI READ  
 Rang 3 7.8µs  
 (200 BPI WRITE)

Rang 1 100ns noelde



	TITLE	PRODUCT	607	
	PERIPHERAL EQUIPMENT DIVISION MINNEAPOLIS, MINNESOTA	READ CONTROL I	SIZE	REV
			C	AL
		DRAWN	DRAWING NO.	SHEET 1 OF 12
			46176100	

## FILE MARK STOP

The file mark stop circuit controls the stopping of tape during a read operation. It also notifies the TCU when a complete record has been read, or a file mark (octal 17) or load point has been detected.

If the TCU has not selected a stop on file mark, the circuit will supply an end of operation pulse under the following conditions:

1. End of record. End of record occurs if new information is not loaded into rank II of the read register within 200 microseconds after rank II was cleared. After the 200-microsecond delay, a 10  $\mu$ sec end of operation pulse is sent to TCU. At the end of the 10-microsecond pulse, the motion flip flop is cleared to stop tape.
2. Load point marker detected.
3. File mark is detected. The circuit supplies both a file mark pulse and an end of record pulse. Motion stops.

If the TCU selects stop on file mark, motion stops only if a file mark or load point marker is detected. An end of operation pulse is not provided between records.

Refer to the file mark stop circuit in the Flow Charts and Timing Diagrams section of the manual for an explanation of circuit operation.

## SELECT DENSITY

The select density circuit specifies the rate at which information will be transferred from the TCU. The selection may be made by the TCU or under local control.

Density is a function of the status of flip-flops K570/K571 and K572/K573.

<u>Density</u>	<u>K570/K571</u>	<u>K572/K573</u>
200 bpi	Clear	Clear
556 bpi	Set	Clear
800 bpi	Clear	Set

## SELECT READ

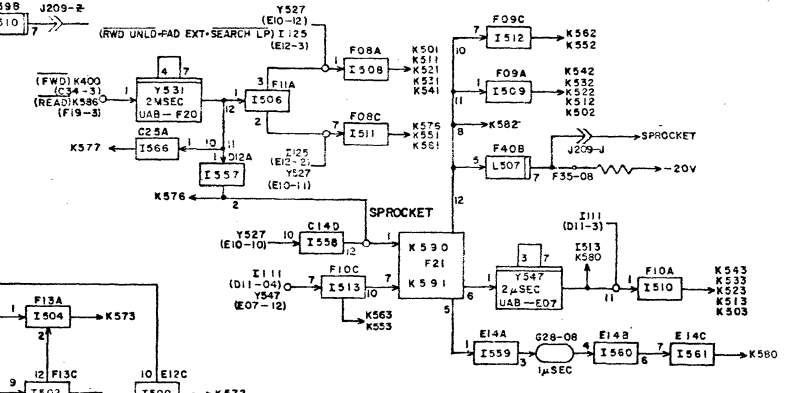
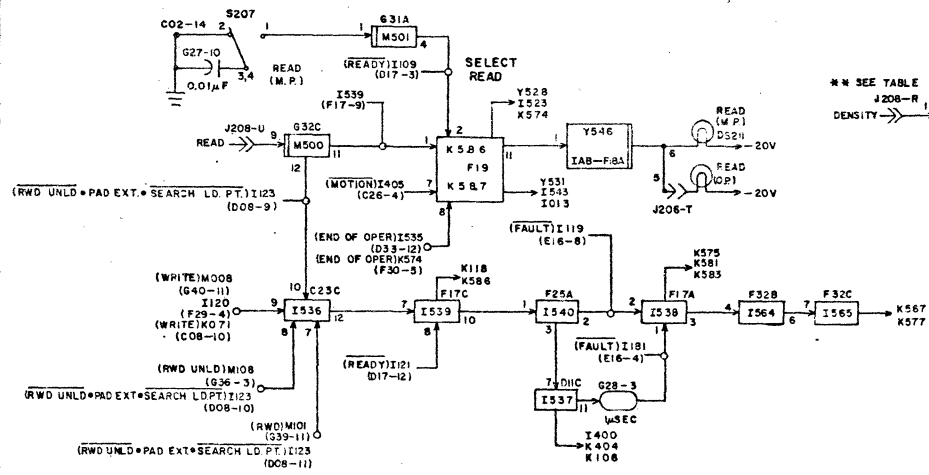
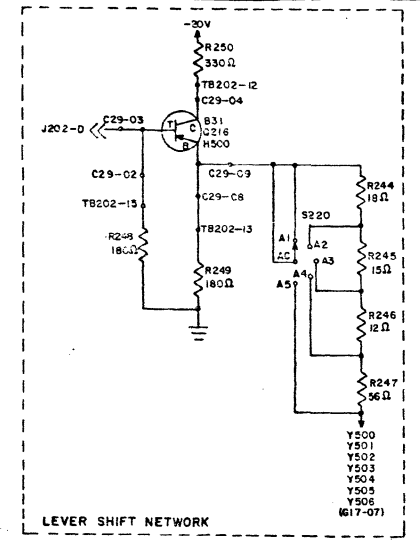
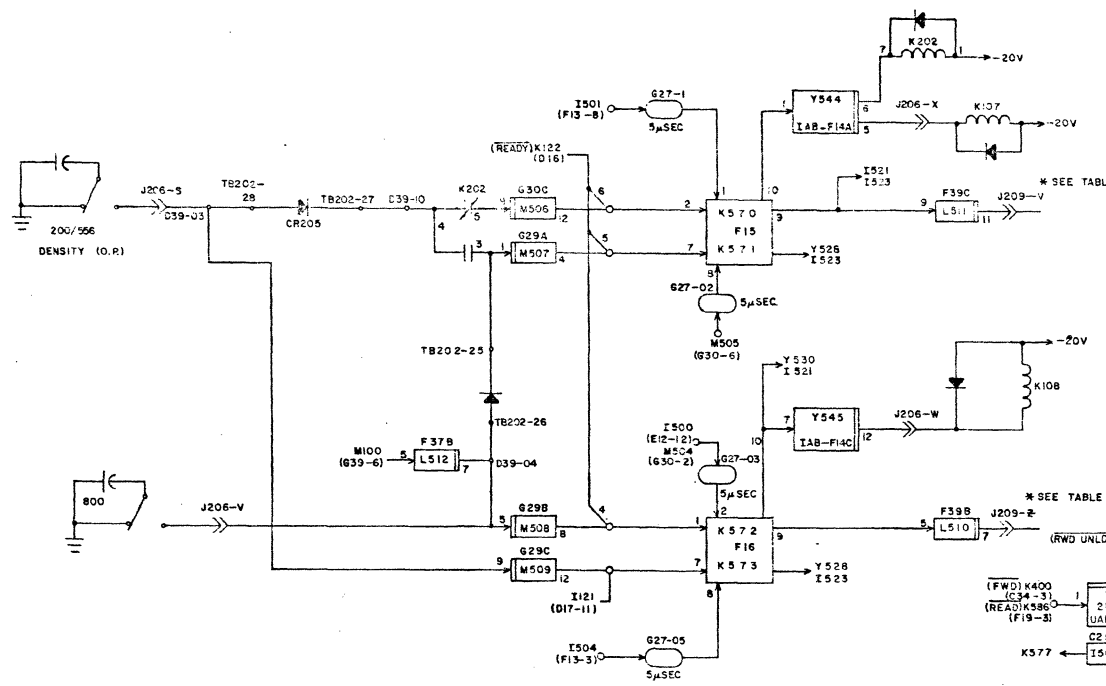
The select read circuit enables the read circuit and the motion operations either by local selection or by programmed select read. This circuit also provides an indication of the read operation.

When the Select Read FF is cleared, the read operation is disabled by holding read register rank II in the clear condition. A read select signal from the TCU or from the maintenance panel read switch sets the Select Read FF, enabling the read circuit and causing the read indicators to illuminate.

The Select Read FF is cleared when forward or reverse tape motion is terminated or when an end of operation signal is produced by the file mark stop circuit. Consequently, the read operation must be reselected to initiate read.

A forward or reverse motion operation cannot be initiated by the TCU until a read or write operation is selected. Also a rewind or rewind unload operation cannot be initiated until a previously selected rewind or unload operation is completed. However, a rewind or rewind unload operation can be initiated while a read or a write operation is in progress.

D  
C  
B  
A



**DENSITY SELECT TABLE \*\***

	J208-R	J208-S
200 BPI	0	1
556 BPI	1	0
800 BPI	1	1

**DENSITY REPLY TABLE \***

	J209-V	J209-Z
200 BPI	0	0
556 BPI	1	0
800 BPI	0	1

PERIPHERAL EQUIPMENT DIVISION  
MINNEAPOLIS, MINNESOTA

TITLE  
**READ CONTROL II**

PRODUCT  
**607**

SIZE  
**C**

DRAWING NO.  
**46176100**

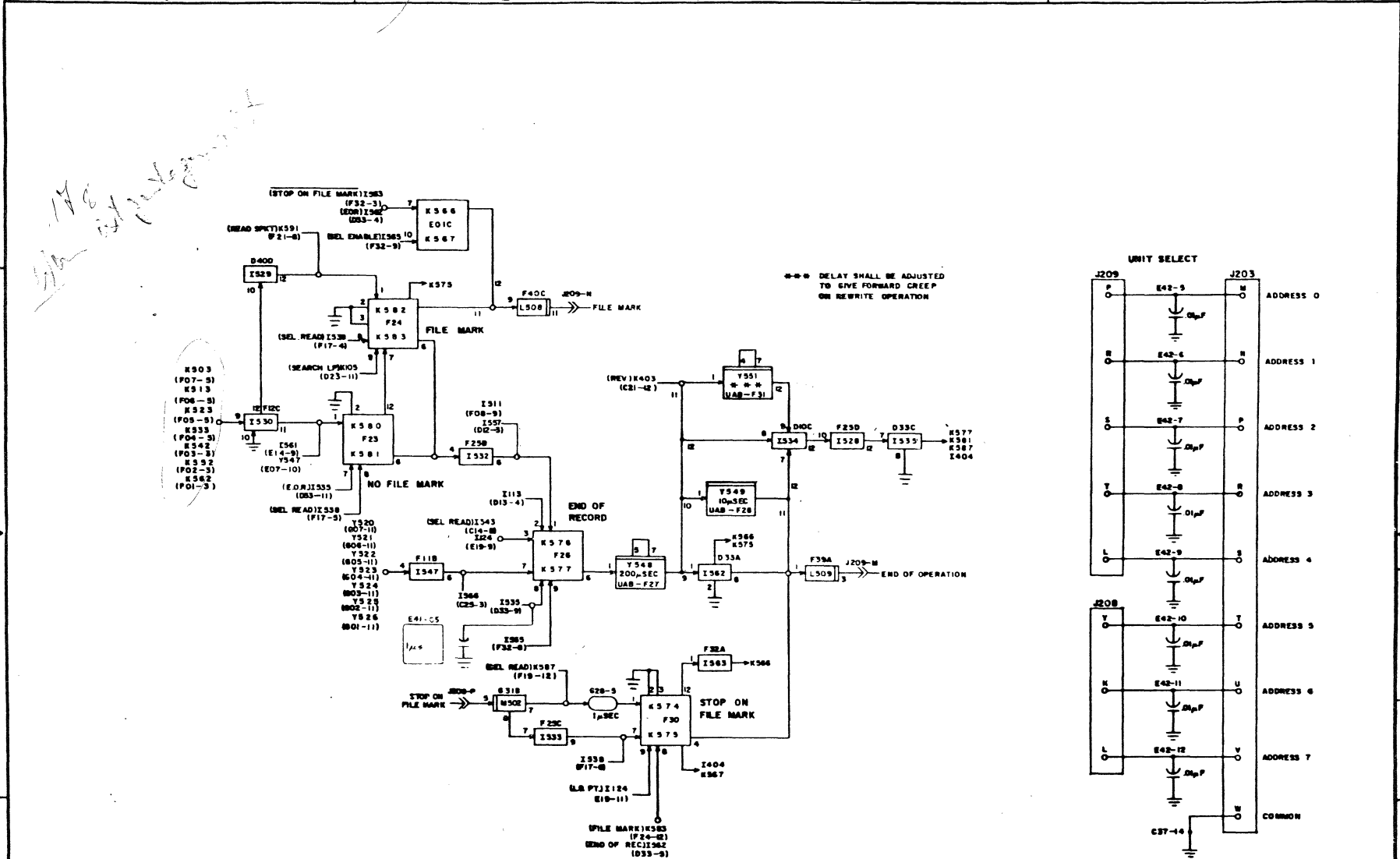
REV.  
**AL**

DRAWN  
**L.H.P.**

SHEET 2 OF 12







*176  
file id: 176*

**FILE MARK STOP CIRCUIT**

## WRITE CONTROL

A write operation is selected only by a write signal from the TCU. Once selected, the Write FF remains set until another operation is selected or a fault occurs. However, before the actual write operation is performed a number of enable conditions must first be satisfied.

The file protect relay puller receives a "1" input (enable) only if the tape is not in the unload condition and the tape supply reel contains a file protect ring (File Protect switch is closed). This enable input produces a ground output of the relay puller which:

1. Returns a write ready signal to the TCU, indicating that the reel contains a file protection ring and is loaded.
2. Pulls in the File Protect switch plunger by means of the File Protect solenoid. Holding the plunger in its retracted position prevents it from scoring the file protect ring during operation.
3. Selects the Write Enable relay which turns on the overhead lights. These lights are turned on only when the

file protect ring is installed.

The write command from the TCU enables the write control circuit only when the AND input circuit requirements have been satisfied. If all conditions exist the Write FF is set. This energizes the indicator relay pullers which:

- 1: Light the Write indicators on the operator and maintenance panels.
2. Allow current to flow through the erase head while applying potential to the write drivers.

If a write operation is both selected and enabled, the Write FF is in a state which causes flux in the same direction as the erase head. Thus, tape particles are initially aligned in the same direction as they are when tape is erased. This procedure eliminates the possibility of "1" bits being recorded on the tape when a write operation is first selected.

If a write operation is not selected or enabled, the Write FF is cleared. This holds the Write register in a clear state. Erase head current is cut off since the base of Q217 is grounded. During non-write operations, dummy load current flows

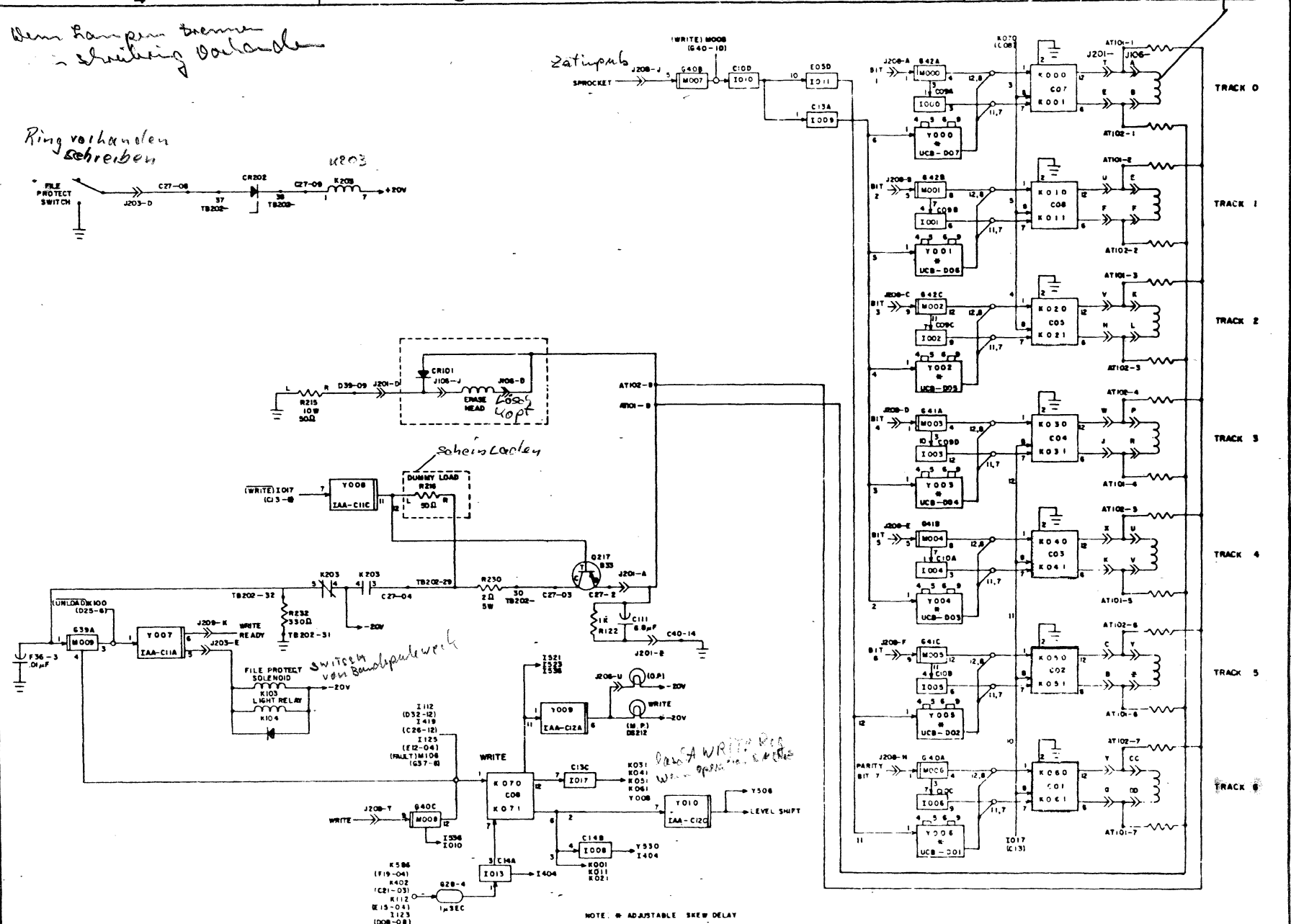
through the external load resistors. This feature is provided to maintain an approximately constant power supply load both writing and non-writing conditions.

The write data circuits accept information from the TCU in the form of 7-bit characters and route the data via the Write register to the write heads for recording.

A sprocket signal indicates that a 7-bit character is on the input line and may be sampled and routed to the Write register. The presence of a write sprocket signal results in a "1" input to the pulse delay cards. The delay cards are individually adjustable so that each bit can be gated into the register at the time necessary to vertically align all bits on the tape.

The individual Write Register FF changes state each time a "1" is to be written on that particular track: the FF remains unchanged if a "0" is to be recorded. The TCU, in other words, must supply NRZ1 input data to the tape transport.

UCB zur Verzögerung des Sprocket Signals, das Daten vertikal auf Band aufzeichnet!  
*schreibkopf*



13

D

C

B

A

D

C

B

A

46176100

	TITLE	PRODUCT
	PERIPHERAL EQUIPMENT DIVISION MILWAUKEE, WISCONSIN	WRITE CONTROL
	DRAWING NO.	REV.
	46176100	AL
	SHEET 4 OF 12	

## MOTION CONTROL

Tape direction is determined by the Forward and Reverse FF's. Because the forward and reverse circuits are similar in design and function, only the forward circuit is discussed.

The Forward FF is set when:

1. Forward operation is selected from TCU.
2. Forward operation is selected by pressing the Forward switch on operator or maintenance panels.
3. It is necessary to search for load point by moving tape forward. This occurs when a rewind operation is terminated or during a load tape operation.

The following actions occur when the Forward FF is set:

1. Forward indicators (MP and OP) are turned on.
2. A 2 msec "0" output is applied to Y402 in the forward capstan drive circuit. This allows 2 amperes current to flow in the new direction for 2 msec to reduce actuation time of the pneumatic valve coil.
3. Set output from the Forward FF is sent to emitter follower (EF) cards in the capstan drive circuit. The capstan drive circuit applies vacuum to the forward capstan. Tape is therefore moved in the forward direction.
4. A busy signal is returned to the TCU indicating that tape motion is in progress. This signal stays up approximately 5 msec after the Motion FF clears (allowing time for tape motion to stop).

The Motion FF's are cleared if any of the following conditions exist:

1. Forward command from TCU is dropped while the write operation is still enabled.
2. Operation is under manual control (not ready), and end of tape is detected while tape is moving forward.
3. Load point is sensed or a fault detected.
4. File mark stop circuit produces a stop signal.

When the Motion FF's are cleared, the Select Read FF is also cleared. Therefore, a new select read signal must accompany or precede every new motion signal from the TCU.

When cleared, the Motion FF's:

1. Turn off Motion indicator on the operator and maintenance panels.
2. Stop tape motion by removing vacuum to capstan and applying vacuum to brake port and motion capstan.
3. Drop busy signal to TCU after a 5 msec delay.

Reverse Read Memory FF K404/K405 is used if the TCU commands a forward read, then reverse read immediately after a high speed rewind. Under these conditions, the reverse capstan may not have slowed sufficiently to drive tape in reverse at the proper speed. The ANDed input to I401 from Y117 in the pad extend circuit prevents the Reverse FF from setting for 1.5 seconds after the Hi Speed FF clears. The output from K404 forces a busy signal return to the TCU to notify it that the transport has accepted the command, even though tape motion has not started yet. After Y117 has timed out, the Reverse FF K402 is set in its normal sequence.

## CAPSTAN AND BRAKE CONTROL

*From p. 11*  
These circuits control the venting of vacuum and pressure to the capstans and the brake port.

A forward command causes vacuum to be applied to the forward capstan and pressure to the reverse capstan. A reverse command has the opposite effect. The tape brake is vented to the atmosphere.

Lack of a motion command applies vacuum to the brake port. If forward motion is dropped, a pulse from Y410 applies vacuum to the reverse capstan for 1.5 msec to help reduce stop time. The opposite is true when the Reverse FF is cleared.

## SERVO DRIVE CONTROL

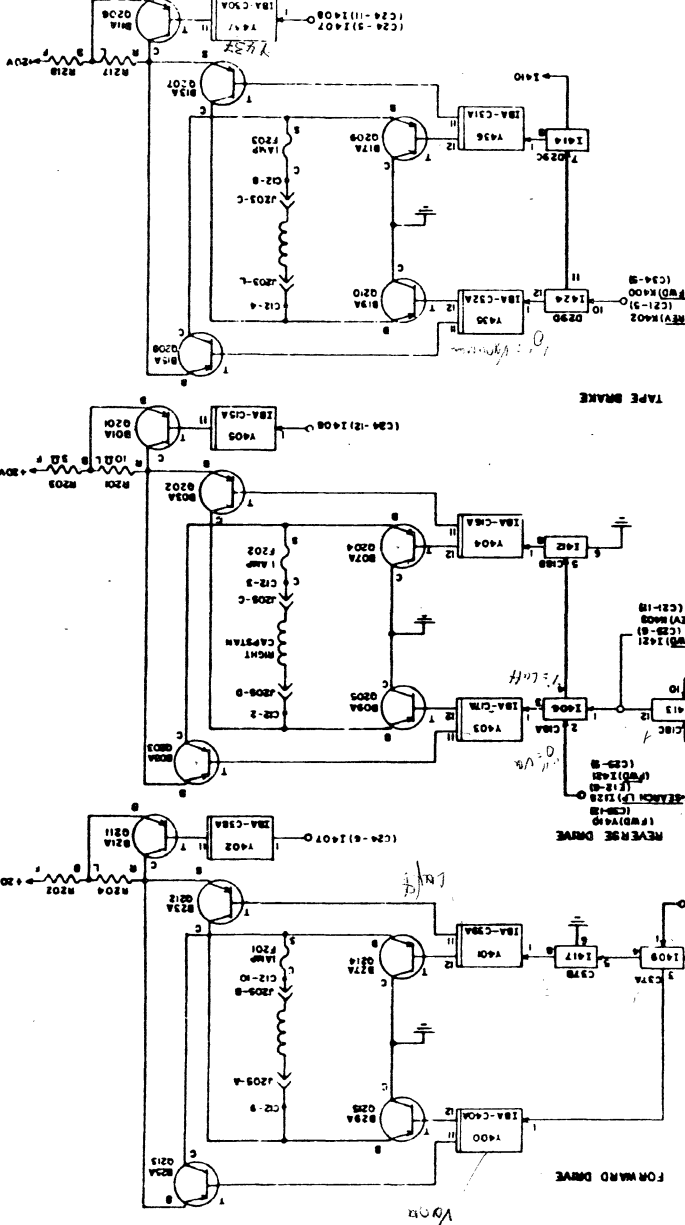
The servo drive control circuits monitor and control the length of the tape loop in each of the vacuum columns. The output from this circuit is applied to the reel motor drive circuit, which provides the output power necessary to operate the motors and brakes.

The servo drive control logic is divided into photosense and tachometer circuits.

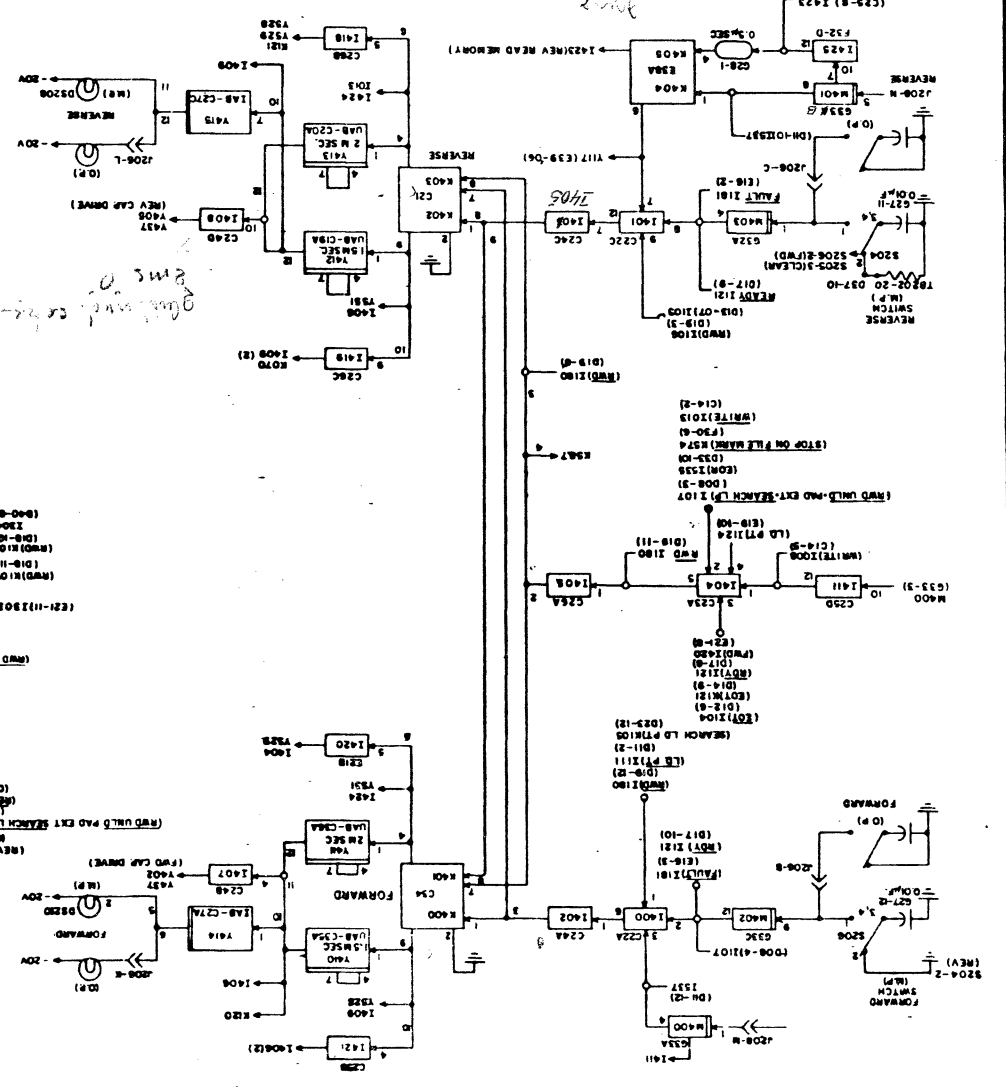
The photosense circuits detect the position of tape in the vacuum storage columns and, based upon this information, specify which reel is to be braked or the direction it is to be driven.

The tachometer circuits compare the tape speed with a preset value. If the tape speed becomes excessive, the tachometer voltage is sufficient to temporarily deenergize the reel drive until the speed returns to normal. These circuits are deactivated during high speed rewind.

**CAPSTAN DRIVE & BRAKE CONTROL**



**MOTION CONTROL**

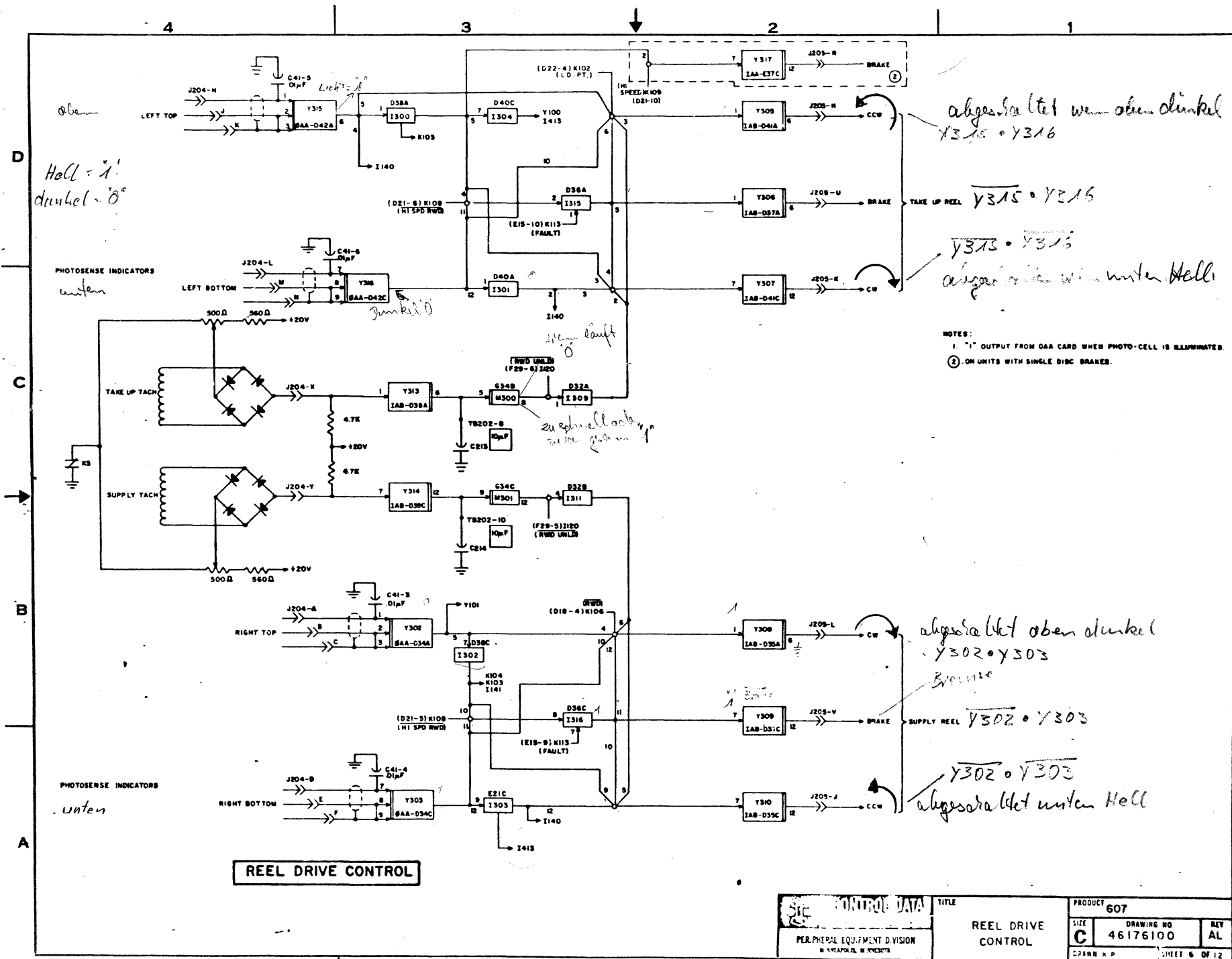


1400/601 CLR 50 for fwd and brk & Forward Capstan & Vacuum 2. Brake Porty gnd. Tape Brake Vacuum & Forward & Reverse Release



B

17



REEL DRIVE CONTROL

SIC CONTROL DATA		TITLE	PRODUCT 607	
PERIPHERAL EQUIPMENT DIVISION BOSTON, MASSACHUSETTS		REEL DRIVE CONTROL	SIZE C	DRAWING NO 46176100
			REV AL	SHEET 6 OF 12

## READY

The Ready FF, when set, indicates that the tape is under external control (ready). A not-ready condition (Ready FF cleared) indicates that the tape unit is under manual control and cannot communicate with the TCU.

The Ready FF is set by pressing the Ready switch on the operator panel. When set, the following actions occur:

1. Ready indicators on operator and maintenance panels illuminate.
2. A ready signal is sent to the TCU. This indicates that the tape transport is under control of the TCU and no fault is present. If a power failure occurs, the relay K201 is deenergized, allowing a not ready signal to be sent to the TCU.

The tape transport is returned to the not ready status (Ready FF cleared) at the end of a unload operation. A not ready status also exists when the unit is locally master cleared and when the power is initially turned on. Note that a master clear from the computer does not clear the Ready FF. The ready line to the TCU is disabled whenever a fault occurs.

## SENSE END OF TAPE EOT

Detecting the end of tape reflective marker, when tape is moving forward, sets the End of Tape FF. When set, the

End of Tape FF initiates the following:

1. Turns on the EOT indicator on the maintenance panel.
2. Returns an end of tape signal to the TCU indicating that the reflective marker has been located.
3. Stops tape motion by clearing the Motion FF's--if the unit is under manual control. If the unit is under external control, motion continues until stopped by either a load point marker, fault, stop signal from file mark stop circuit, or by dropping the forward select while a write operation is still selected.

The End of Tape FF, once set, remains set until the EOT marker is sensed in the reverse direction or a load point marker is detected. Therefore, if the EOT marker is sensed when under external control, the unit need not be stopped immediately.

The End of Tape FF can only be cleared by sensing the EOT marker in the reverse direction or by sensing a load point marker. This could occur if more than one load point is used on a reel of tape. Note that tape motion is not stopped if an EOT marker is detected during reverse tape motion.

## FAULT

The fault circuit stops operation when any one of a number of fault conditions is detected.

The Fault FF is set if:

1. The Pneumatic switches are open (indicating that tape has been removed from the vacuum column). The Loops Ready light on the maintenance panel is turned off when either switch is opened.
2. Fault switch on maintenance panel is depressed.
3. The -20 vdc power supply output is not present.
4. There is an external or local master clear. The Fault FF is cleared by a pulse when the master clear is removed.

The Fault FF, when set, initiates the following actions:

1. Lights the Fault and Clear lights on the maintenance panel and the Clear light on the operator panel.
2. Stops tape motion by clearing the Motion FF's.
3. Stops reel servo drive and energizes reel servo brakes.

Note that the Fault FF is cleared when a load tape operation is initiated. Therefore, it is not necessary to remove the fault indication by master clearing the unit before pressing the Forward or Reverse switches.

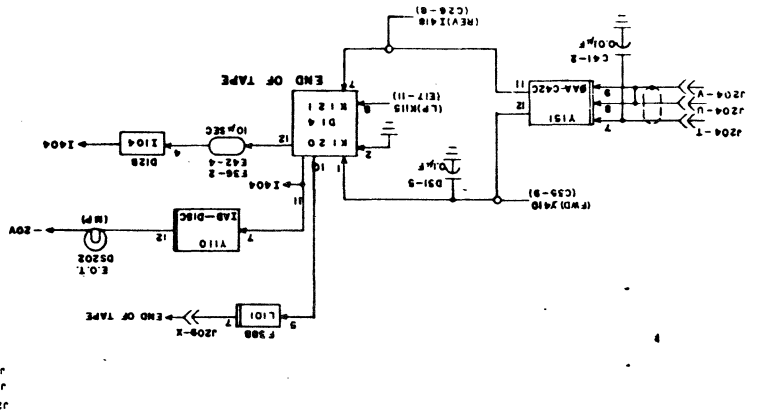
## SENSE LOAD POINT

The sense load point circuit stops tape motion when the load point marker is positioned over the photocell by applying a 5  $\mu$ sec clear pulse to the motion FF's. The Load Point FF is cleared 10 msec after the tape moves off the load point marker.

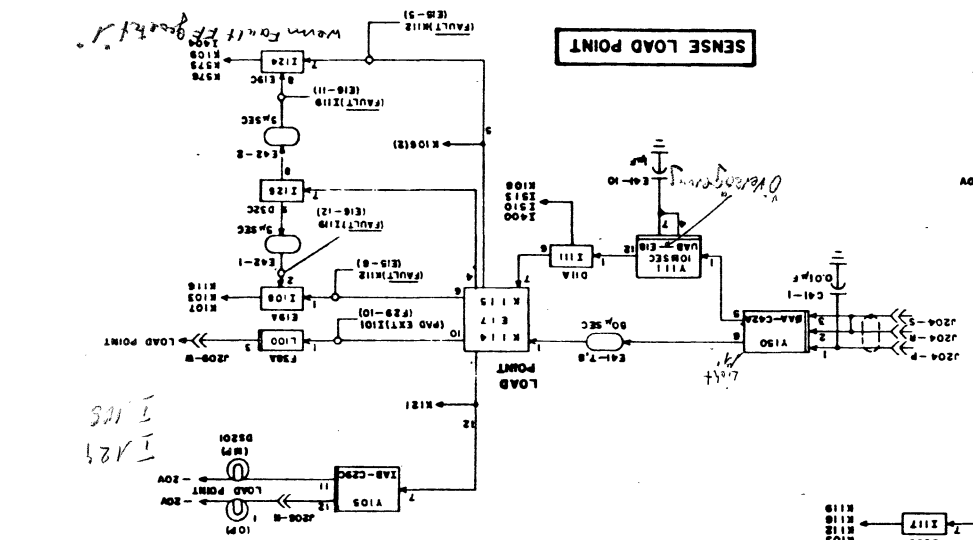
*Wir lauft Stop ein Forward Bewegung*



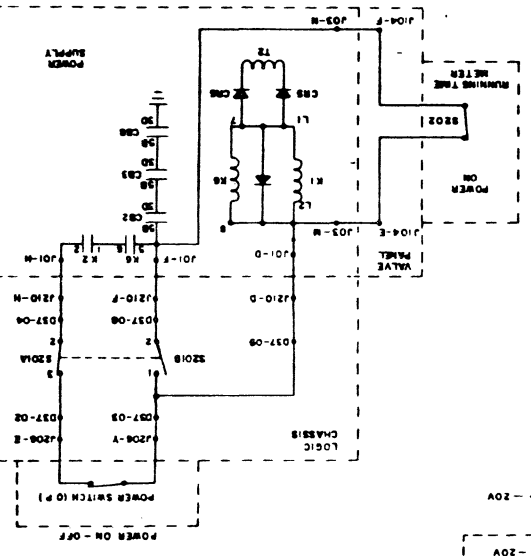
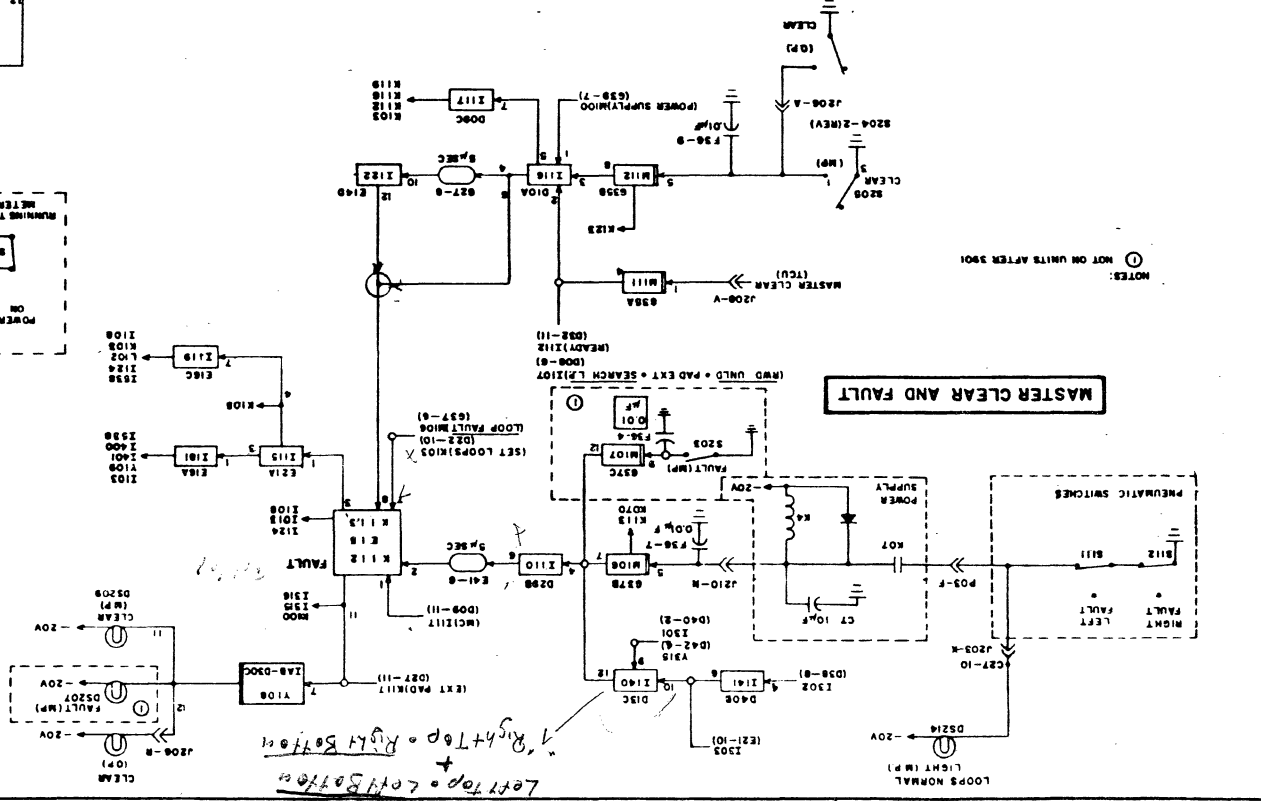
**SENSE END OF TAPE**



**SENSE LOAD POINT**



**MASTER CLEAR AND FAULT**



A  
B  
C  
D

## PAD EXTEND

The pad extend circuit extends the pressure pad prior to low speed (150 ips) operation, and retracts the pressure pad prior to high speed operation. The tape cleaners are turned on when the pad is extended and turned off when retracted. The pad extend circuit also senses the state of the pressure pad.

The Pad Extend FF is set by:

1. Local or external master clear.
2. Tape at load point.

The Pad Extend FF, when set, allows:

1. Ground output from extend pad relay puller to extend the pad and enable a write operation.
2. -20v output from the scraper off relay puller to allow a vacuum to be applied to cleaning ports.

While the pressure pad is in the process of extending, the pad switch is closed. After a delay of approximately 400 msec, the output from I101 changes from "0" to "1". This indicates that the pressure pad is fully extended and a read or write operation may be performed.

Delay Y117 prevents the Reverse FF K406/K403 from being set until the pad has been extended for 1.5 seconds after a high speed rewind. (See Motion Control Discussion.)

The Extend Pad FF is cleared when:

1. Rewind operation is selected.
2. Tape is in unload status.

When the Extend Pad FF is cleared, the pad is retracted and the vacuum is removed from the cleaning ports. Once the pad retracts sufficiently to open the pad switch, a 50  $\mu$ sec pulse from I105 is supplied to the rewind circuit to permit high speed operation.

## LOAD TAPE

The load tape circuit, when energized, provides the logic to enable the fault bypass solenoids and progress the tape transport from the unload status to the tape loaded status.

When the Load Point switch on the operator panel is depressed, the Set Loops FF is set, causing the left and right fault bypass solenoids to be energized. The output of the Set Loops FF also clears the Unload FF. This results in the energizing of power supply relays which start the vacuum pump and capstan motors. The photocell circuits allow the supply reel to drive tape into its loop box. Once the supply loop is set, the Search Load Point FF is set, starting tape motion into the other loop box. When both loops are set, the Set Loops FF is cleared and the fault bypass solenoid is deenergized when the load point marker is sensed, the Load Point FF is set to stop forward motion and the Pad Extend FF is set. The Search Load Point FF is cleared after the pad switch closes.

## REWIND UNLOAD AND UNLOAD

The rewind unload circuit rewinds tape at high speed from the take-up reel to the supply reel. A rewind unload operation is selected by depressing the Unload switch on the operator panel or when a rewind command is received from the TCU. Either command input sets the Rewind and Rewind Unload FF's.

The rewind operation continues until the load point marker is sensed. The High Speed FF is then cleared; tape continues to be rewound at slow speed until it is completely removed from the take-up reel. At that time, Fault FF sets the Unload FF. With the Unload FF set, the Unload lamps illuminate and power is removed from the capstan motors and

loop vacuum pump. The Unload FF remains set until the tape load procedure is executed. Note that the Unload FF is also set by the input to M100 from the power supply whenever the unit is turned on.

## REWIND

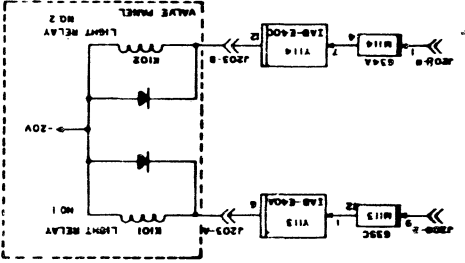
The Rewind FF is set when a manual or programmed command causing the tape to be rewound from the take-up reel to the supply reel at the rate of more than 350 ips. Motion stops when a load point is reached.

When a rewind command is applied to the circuit, the Rewind FF is set, causing the Rewind lamps to illuminate and the Pad Extend FF to be cleared. The head pad is then retracted and the vacuum is removed from the tape cleaners.

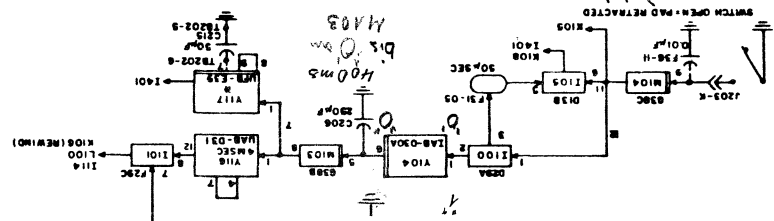
When the head pad is retracted the Reverse FF is set, enabling the tape to be moved in reverse. The High Speed FF is also set, if the tape is not at a load point, energizing a power supply relay that applies power to the high speed capstan windings. The Search Load Point FF is also set during rewind.

As the rewind operation continues, the tape is scanned for a load point. When a load point marker is detected, the Load Point FF is set, tape motion is stopped, and the Pad Extend FF is set.

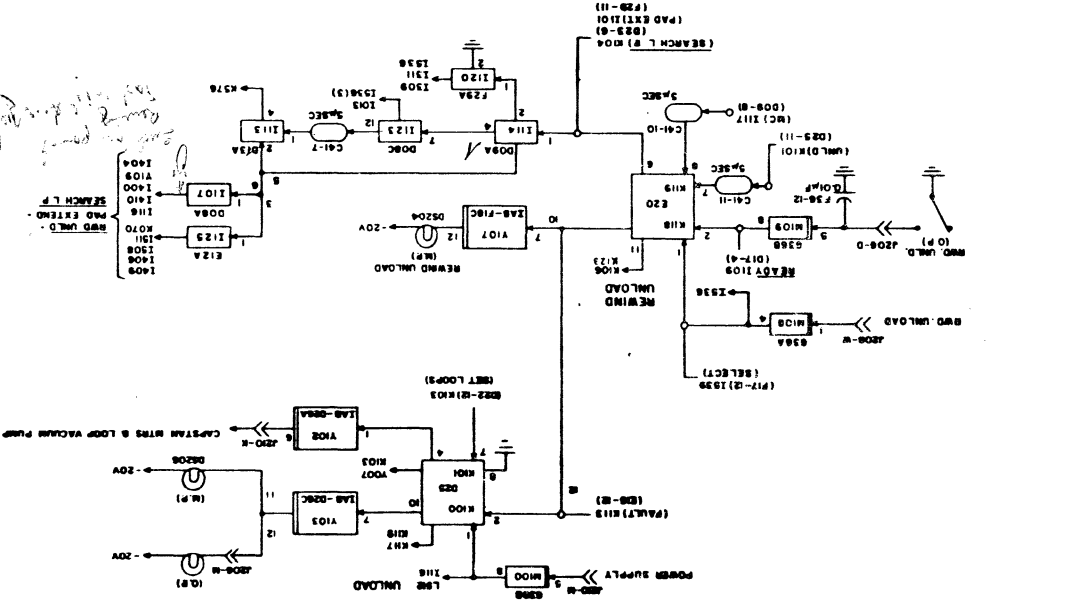
**STATUS LIGHTS**



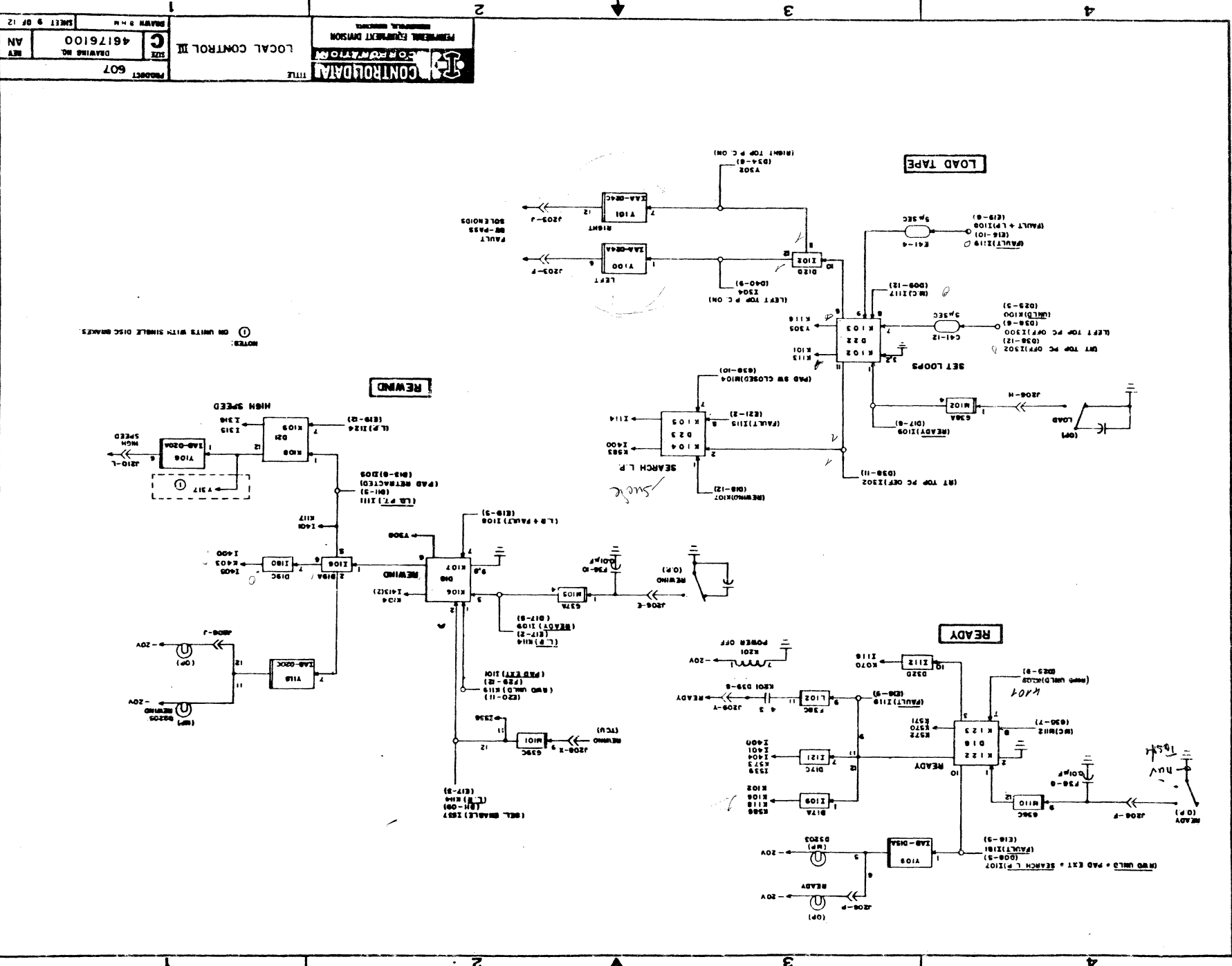
**EXTEND PAD**



**UNLOAD AND REWIND UNLOAD**







32

*Handwritten note:* I.V. 80 0.0015 @ 20V and 250V

B

C

D

1	2	3	4	5	6	7	8	9	10	11	12	13	14	15	16	17	18	19	20	21	22	23	24	25	26	27	28	29	30	31	32	33	34	35	36	37	38	39	40	41	42							
Y	Y	Y	Y	Y	Y	Y	Y	Y	Y	Y	Y	Y	Y	Y	Y	Y	Y	Y	Y	Y	Y	Y	Y	Y	Y	Y	Y	H	H																			
4	4	4	4	4	4	4	4	4	4	4	4	4	4	4	4	4	4	4	4	4	4	4	4	4	4	4	4	5	5																			
2	2	2	2	2	2	2	2	2	2	2	2	2	2	2	2	2	2	2	2	2	2	2	2	2	2	2	2	0	0																			
4	3	3	3	3	3	3	3	3	3	3	3	3	3	3	3	3	3	3	3	3	3	3	3	3	3	3	3	3	3	3	3	3	3	3	3	3	3	3	3	3	3	3	3	3				
0	0	0	0	0	0	0	0	0	0	0	0	0	0	0	0	0	0	0	0	0	0	0	0	0	0	0	0	0	0	0	0	0	0	0	0	0	0	0	0	0	0	0	0	0				
I	I	I	I	I	I	I	I	I	I	I	I	I	I	I	I	I	I	I	I	I	I	I	I	I	I	I	I	I	I	I	I	I	I	I	I	I	I	I	I	I	I	I	I	I	I			
0	0	0	0	0	0	0	0	0	0	0	0	0	0	0	0	0	0	0	0	0	0	0	0	0	0	0	0	0	0	0	0	0	0	0	0	0	0	0	0	0	0	0	0	0	0	0		
6	5	4	3	3	2	1	0	0	0	0	0	0	0	0	0	0	0	0	0	0	0	0	0	0	0	0	0	0	0	0	0	0	0	0	0	0	0	0	0	0	0	0	0	0	0	0		
K	K	K	K	K	K	K	K	K	K	K	K	K	K	K	K	K	K	K	K	K	K	K	K	K	K	K	K	K	K	K	K	K	K	K	K	K	K	K	K	K	K	K	K	K	K	K		
0	0	0	0	0	0	0	0	0	0	0	0	0	0	0	0	0	0	0	0	0	0	0	0	0	0	0	0	0	0	0	0	0	0	0	0	0	0	0	0	0	0	0	0	0	0	0	0	0
0	0	0	0	0	0	0	0	0	0	0	0	0	0	0	0	0	0	0	0	0	0	0	0	0	0	0	0	0	0	0	0	0	0	0	0	0	0	0	0	0	0	0	0	0	0	0	0	0

A

B

C

A

B

C

A

B

C

B

C

D

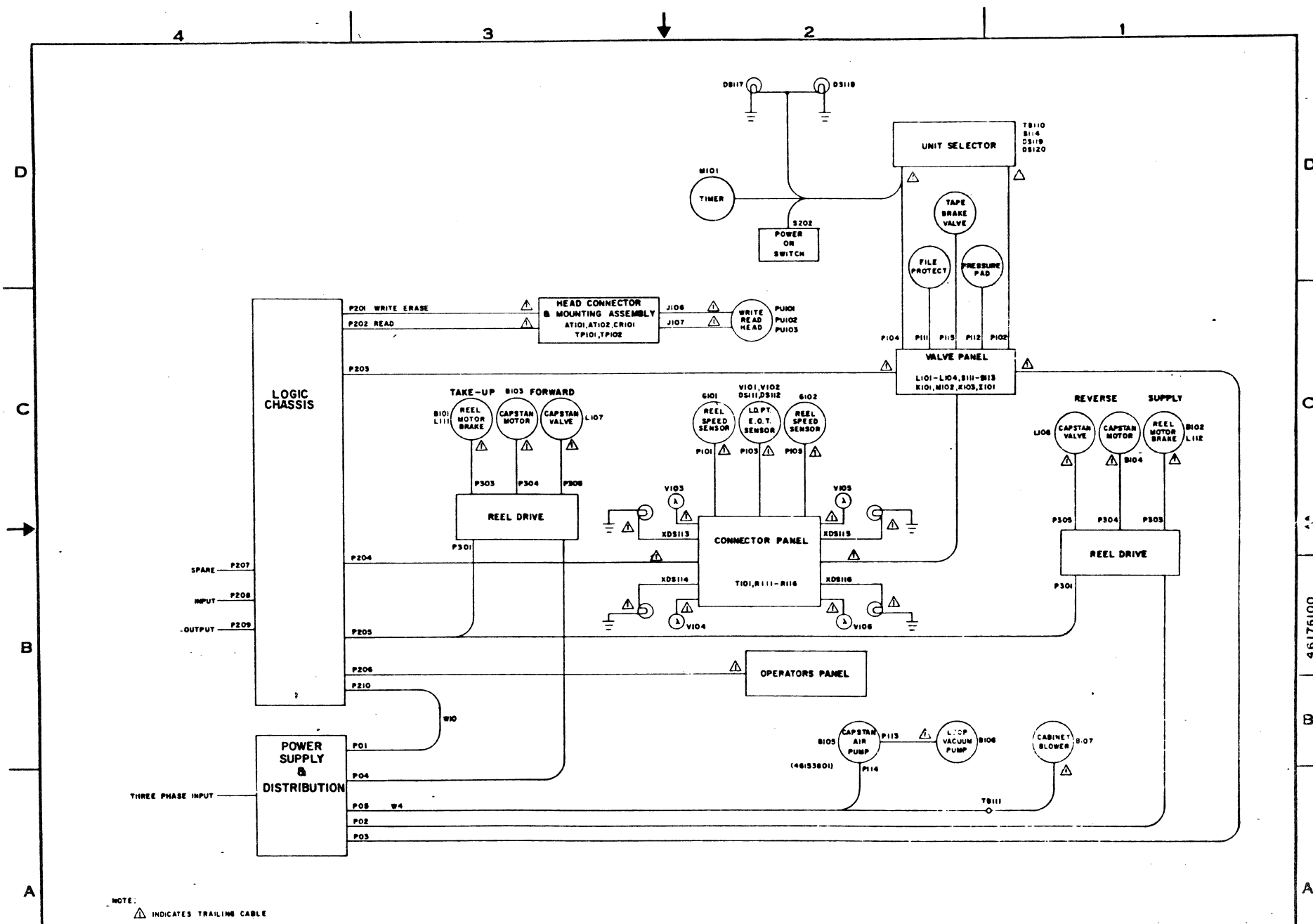
<b>CONTROL DATA</b>	TITLE	PRODUCT
<b>CORPORATION</b>	CARD PLACEMENT	607
DEVELOPMENT	(PART 1)	REV
DIVISION		AN
		DRAWING NO.
		C 46176100
		SHEET
		10 OF 12
		PAGE







42



NOTE:  
 △ INDICATES TRAILING CABLE

 HONEYWELL PERIPHERAL EQUIPMENT DIVISION MINNEAPOLIS, MINNESOTA	TITLE <b>CABLING          DIAGRAM</b>	PRODUCT <b>807</b>
	SIZE <b>C</b>	DRAWING NO. <b>4C176100</b>
DRAWN	SHEET 2 OF 12	

## POWER SUPPLY

The primary power is converted to ac and dc for control and operation of the magnetic transport. The distribution of power throughout the transport is in a logical sequence.

1. 208 vac, 3 $\phi$  60/50 cps is applied to the power supply chassis.
2. Main Power circuit is ON causing neon lamp DS01 to illuminate.
3. Relay Power circuit breaker CB10 is ON, and the momentary close Power On switch on the maintenance panel is held on for 2 seconds, power is applied through transformer T2 to energize K1 and K6. The power is then:
  - a. Applied through the closed contacts of K1 and Cooling Motors circuit breaker CB8 so that power is applied to the blowers.
  - b. Applied through the closed contacts of K1 so that when Primary DC Power circuit breaker CB4 is closed, power is applied to the primary of transformer T1. Refer to the power on sequence diagram (A) in the Flow Charts and Timing Diagrams Section. The secondary voltage is:
    1. Supplied as 40 vac, through the valve panel to energize the photocell lamp in the tape loop

boxes, and the load point/end of tape lamps on the tape deck.

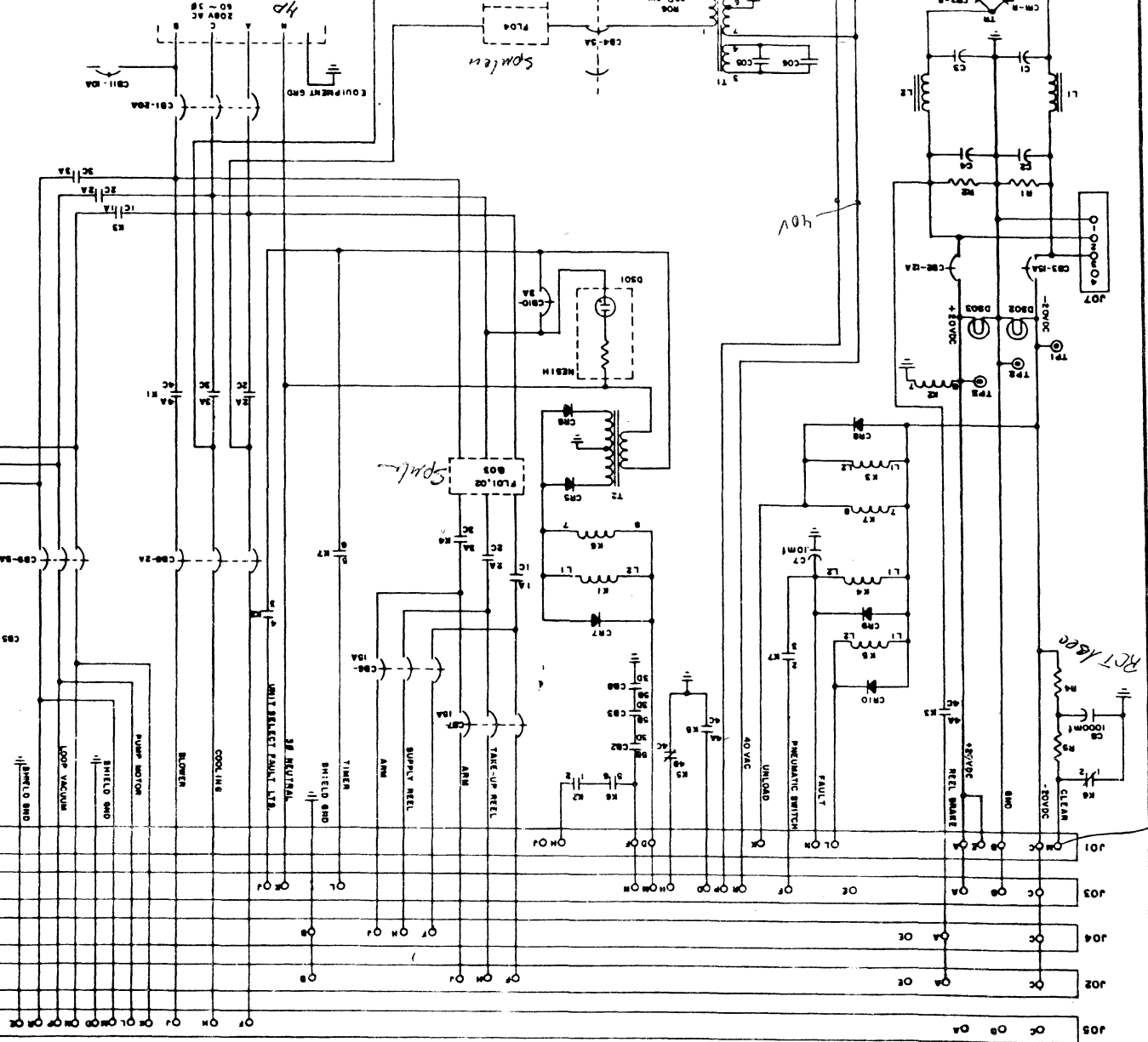
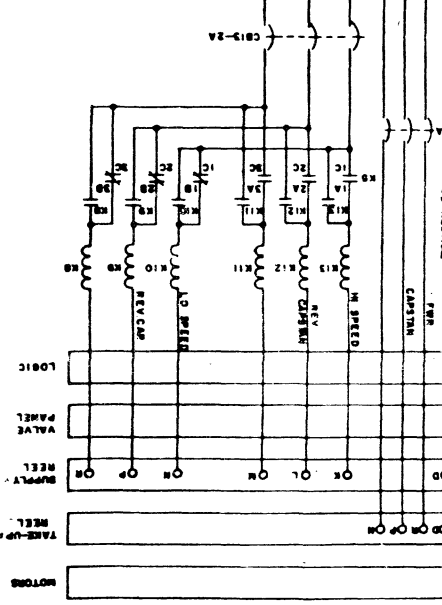
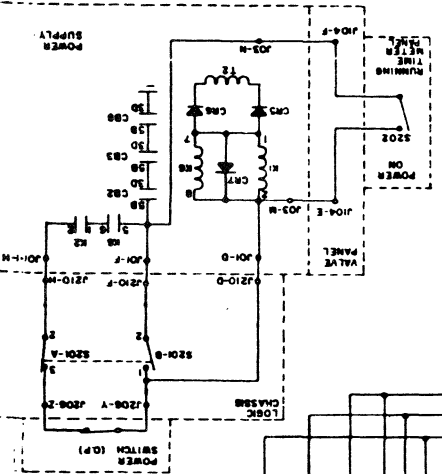
2. Rectified in a full wave bridge network. The +20 vdc outputs are applied to their respective circuit breakers.
  - a. The -20 vdc is applied through -20 VDC Power circuit breaker CB3 to:
    - (1) The reel drive motor brake as field supply.
    - (2) One side of relays K5, K4, K7, and K3.
    - (3) To Light 1, Light 2, and File Protect solenoids and to the Loop Fault Bypass, Pad Extend, and Tape Scraper as power in the valve panel.
    - (4) The logic circuit as power.
    - (5) A capacitive charging network which provides a 1 second clear pulse to clear the Ready FF, the Rewind Unload FF, the Set Loops FF and to set the Unload FF. Refer to the power on sequence diagram (B) in the Flow Charts and Timing Diagrams Section.
      - (a) Setting the Unload FF provides

power to illuminate the Unload lamp.

- (b) Setting the Set Loops FF activates the fault bypass solenoids and energizes relay K4 when a load sequence is in process. Consequently, power is applied through closed Take-up Reel Armature circuit breaker CB7 and Supply Reel Armature CB6 to their respective drive motors.
- b. When +20 VDC Power circuit breaker CB2 is closed, power is applied to:
    - (1) Energize relay K2 to provide holding power to provide a hold for K1 and K6 and make available the power to illuminate Light #1/Light #2 (on computer command) and the File Protect light when the file protect ring is installed. Refer to the power on sequence diagram (C) in the Flow Charts and Timing Diagrams Section.
    - (2) The Capstan air pump and cabinet blower as power.
    - (3) The logic circuit as power.

POWER INPUT BA-BLACK-X  
DC-ORANGE-Y  
BB-RED-Z

RELAY	LOGIC
K1	UNLOAD
K2	UNLOAD
K3	UNLOAD
K4	FAULT
K5	HI SPEED REVERSE
K6	LO SPEED REVERSE



SB1  
M100

Not in

### REEL MOTOR DRIVE

The reel motor drive circuit controls the braking and direction of the shunt-wound dc reel motor rotation. The direction of current flow through the armature establishes the direction of motor rotation and is controlled by the silicon controlled rectifiers (SCR's) selected. Operation of the supply and take-up reel drive circuits are similar. Therefore, only the take-up reel operation is presented.

If the take-up reel motor is to be driven counterclockwise, relays K302B and K301 are energized (K302A is not energized). During the positive half of the applied 3-phase line voltage, the voltage dividers paralleling SCR304, SCR305, and SCR306 develop the forward bias that is applied to the respective SCR gates. This causes the SCR circuits to be

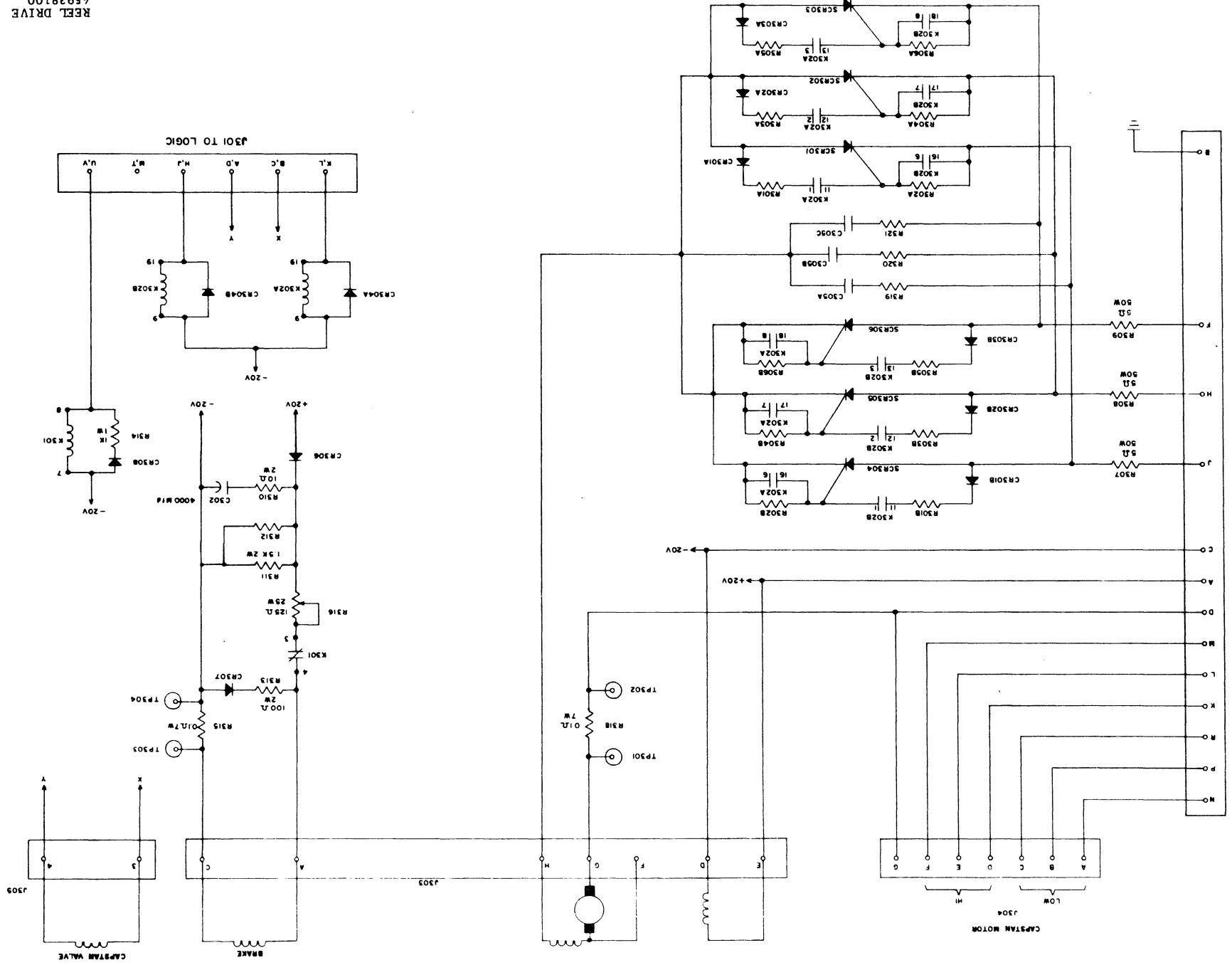
alternately gated on as the applied anode voltage goes positive. The SCR circuits are gated off when the applied anode voltage goes negative. The SCR's produce a 115 vdc output which drives the reel motor CCW. Parallel SCR301, SCR302, SCR303 are not energized since, with K302B energized, their respective cathode to gate circuits are shorted to disable the circuits.

For clockwise rotation, relay K302A is energized and K302B is not energized. K301 prevents the brake from being applied. SCR301, SCR302, and SCR303 are forward biased, causing current to flow through the armature in the opposite direction (i.e., 115 vdc is developed at the anodes of the SCR circuits). The remainder of the circuit operation is parallel

to the CCW motion described above.

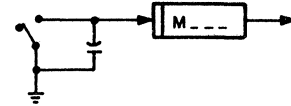
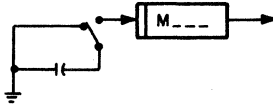
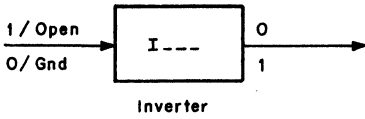
If the take-up reel motor is to be braked, the servo drive take-up relay pullers receive "0" inputs. Relays K301, K302A and K302B de-energize. Line current through the armature is turned off. With K301 de-energized, the normally closed contacts of K301 permit current through the brake winding to provide the braking action. The stored energy in C302 is sufficient to brake the motor if power is interrupted during operation.

If the take-up reel motor is to be partially braked (during high speed rewind), one side of the brake winding is grounded. This allows a small amount of current to flow through the winding and partially brakes the motor.



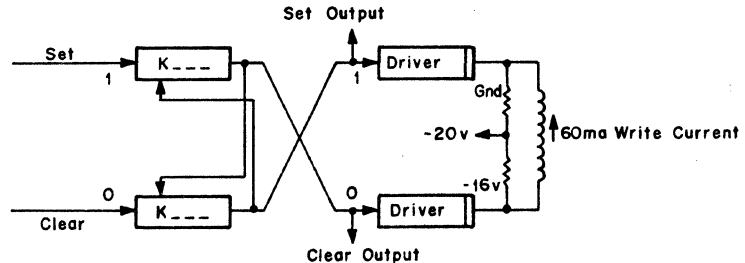
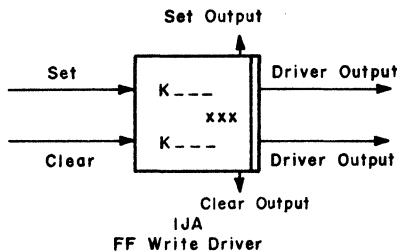
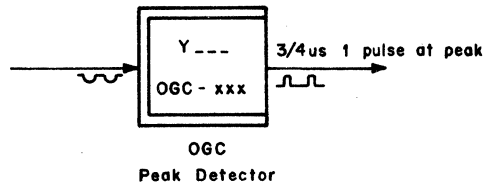
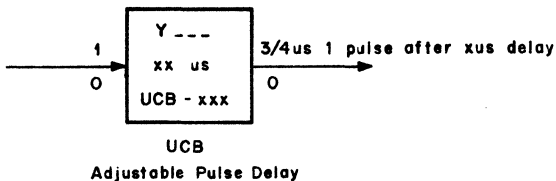
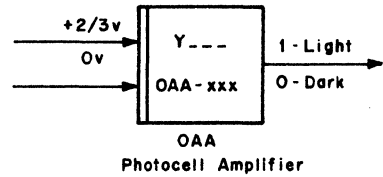
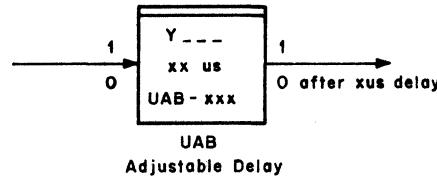
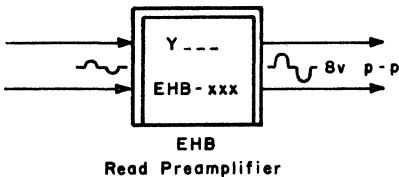
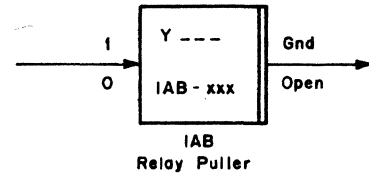
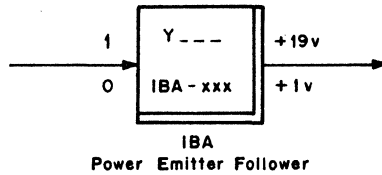
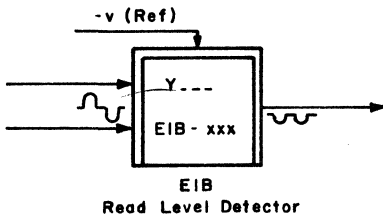
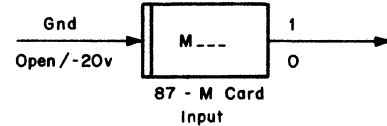
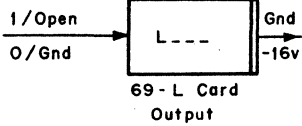
## LOGIC DIAGRAMS

M cards are not restricted to I/O functions alone. Using a switch to ground or open the input of an M card results in a forced output of 1 or 0 respectively. Inclusion of a capacitor can provide a pulse or noise filtering.



Closing of the switch results in the discharged capacitor being connected between the M card input voltage divider and ground. While the capacitor is charging, the input appears as ground and the output is a 1; but as the capacitor charges towards -20v the threshold will be reached, the output will go back to a-0. The switch must be released before the capacitor is again discharged, thus the output of the M card will be a short pulse once for each closure of the switch.

The capacitor provides noise filtering through it's property of not begin able to change it's charge instantaneously.

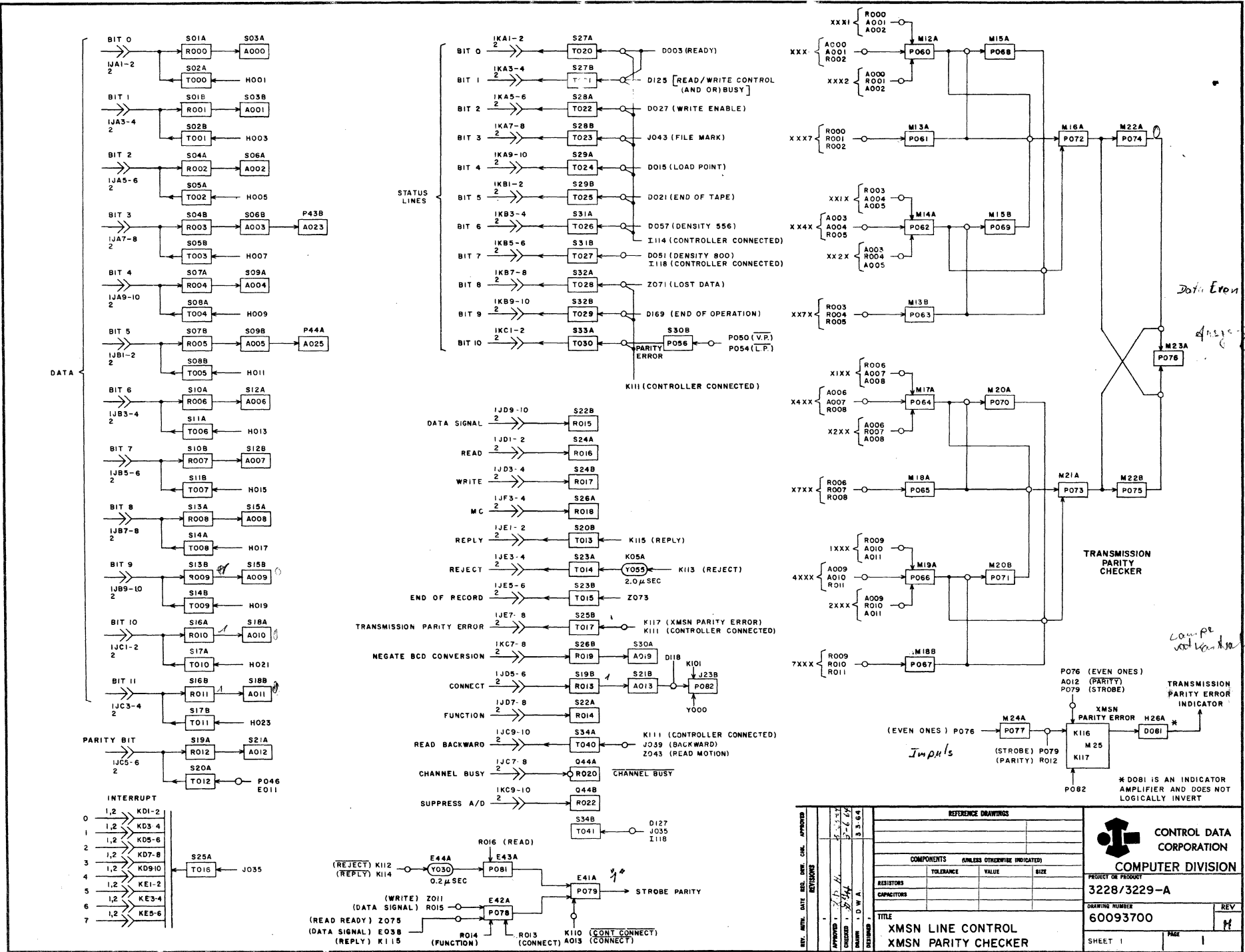


**3229 Controller**

NOTE: All terms are not in alphanumerical order

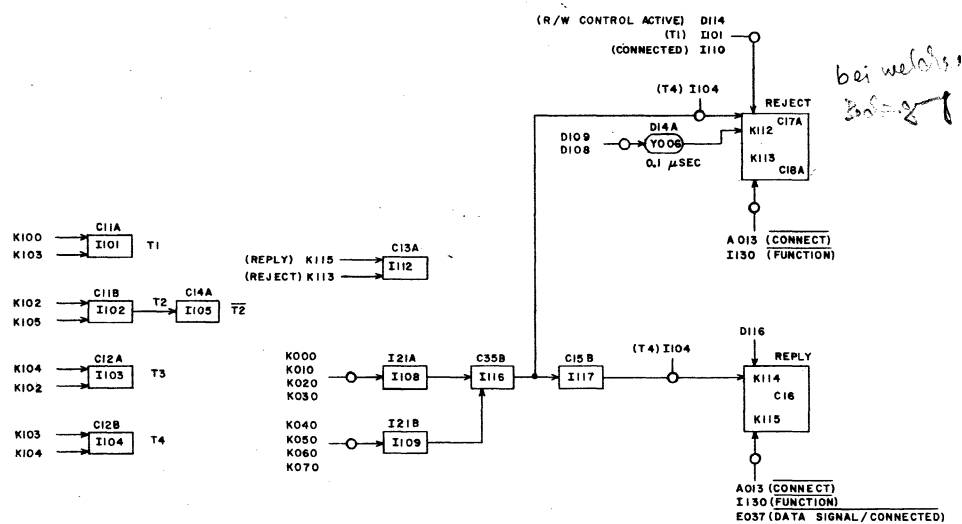
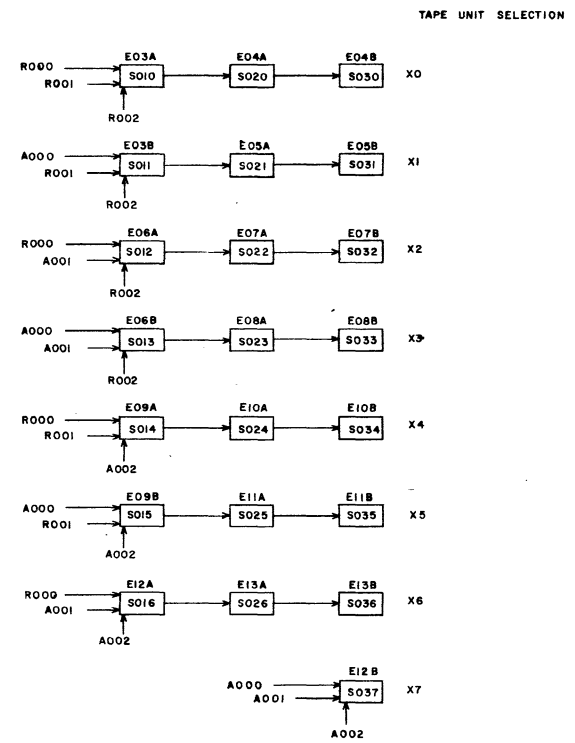
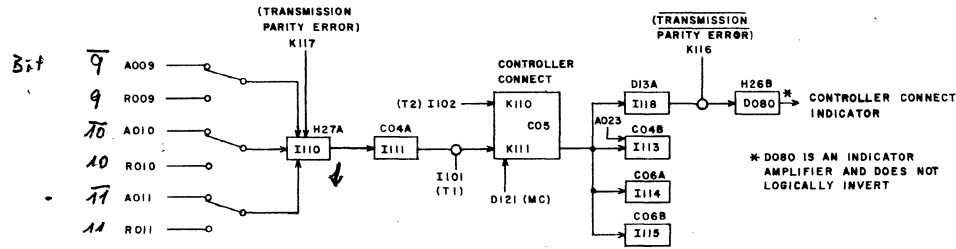
TERM	LOCATION	PAGE	DEFINITION
D003	I26A	6	
D015	I28A	6	
D021	I29A	6	
D027	I30A	6	
D051	G29B	7	
D057	I42A	7	
D118	E17B	3	
D125	D43B	3	
D169	L07B	3	
E011	D29A	11	
E038	C13B	2	
D127	E17A	3	
H001	K20	12	
H003	K21	12	
H005	K22	12	
H007	K23	12	
H009	K24	12	
H011	K25	12	
H013	K26	12	
H015	K27	12	
H017	K28	12	
H019	K29	12	
H021	K30	12	
H023	K31	12	
I114	C06A	2	
I118	D13A	2	
J035	D07A	3	
J039	C41	3	
J043	I37	6	
K101	C08	2	
K110	C05	2	
K111	C05	2	
K112	C17A	2	
K113	C18A	2	
K114	C16	2	
K115	C16	2	
P046	I44 B	12	
P050	E39A	12	
P054	J18	14	
Y000	C07A	2	
Z011	F50	8	
Z043	D31A	11	
Z071	C03	8	
Z073	D25	11	
Z075	D26	11	



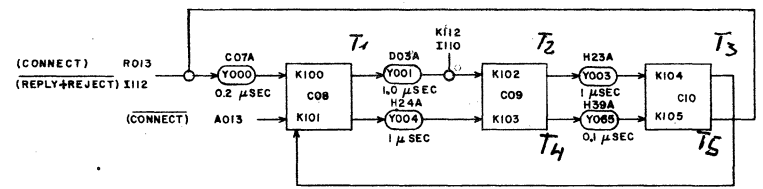


REF. DATE DES. CHG. APPROVED CHECKED DRAWN REVISION	REFERENCE DRAWINGS		
	COMPONENTS (UNLESS OTHERWISE INDICATED)		
	RESISTORS	TOLERANCE	VALUE
	CAPACITORS	VALUE	SIZE
TITLE			PROJECT OR PRODUCT
XMSN LINE CONTROL			3228/3229-A
XMSN PARITY CHECKER			DRAWING NUMBER
			60093700
SHEET 1			PAGE 1

TERM	LOCATION	PAGE	DEFINITION
A000	S03A	1	
A001	S03B	1	
A002	S06A	1	
A009	S15B	1	
A010	S18A	1	
A011	S18B	1	
A013	S21B	1	
A023	P43B	1	
D108	C22A	3	
D109	D37A	3	
D114	D43A	3	
D115	D39A	3	
D116	D40A	3	
D121	D05B	3	
I130	C32B	3	
J018	C33	3	
J026	C40	3	
K000	I01	4	
K010	I05	4	
K020	I06	4	
K030	I10	4	
K040	I11	4	
K050	I15	4	
K060	I16	4	
K070	I19	4	
K116	M25	1	
K117	M25	1	
P078	E42A	1	
R000	S01A	1	
R001	S01B	1	
R002	S04A	1	
R009	S13B	1	
R010	S16A	1	
R011	S16B	1	
R013	S19B	1	
R015	S22B	1	
Z071	C03	8	



bei welede  
Balog



Connect Timing

37

REV. APPR. DATE DES. DRAW. CHG. APPROVED REVISIONS APPROVED: [Signature] CHECKED: [Signature] DRAWN: [Signature]	REFERENCE DRAWINGS		
	COMPONENTS (UNLESS OTHERWISE INDICATED)		
	TOLERANCE	VALUE	SIZE
	RESISTORS		
CAPACITORS			
TITLE			
UNIT CONNECTION			
PROJECT OR PRODUCT			
COMPUTER DIVISION			
DRAWING NUMBER			
3228/3229-A			
SHEET 2			
PAGE 2			

TERM	LOCATION	PAGE	DEFINITION
A003	S06B	1	
A004	S09A	1	
A005	S09B	1	
A023	P43B	1	
A025	P44A	1	
D003	I26A	6	
D004	I26B	6	
D009	I27A	6	
D015	I28A	6	
D021	I29A	6	
D027	I30A	6	
D033	I31A	6	
D041	I34A	7	
D051	G29B	7	
D055	I27B	7	
D057	I42A	7	
D058	I42B	7	
E032	J22B	14	
E038	C13B	2	
E063	H30B	14	
F011	F17B	8	
F014	F38A	8	
K111	C05	2	
K113	C18A	2	
K115	C16	2	
K117	M25	1	
K119	G24	2	
P050	E39A	12	
P054	J18	14	

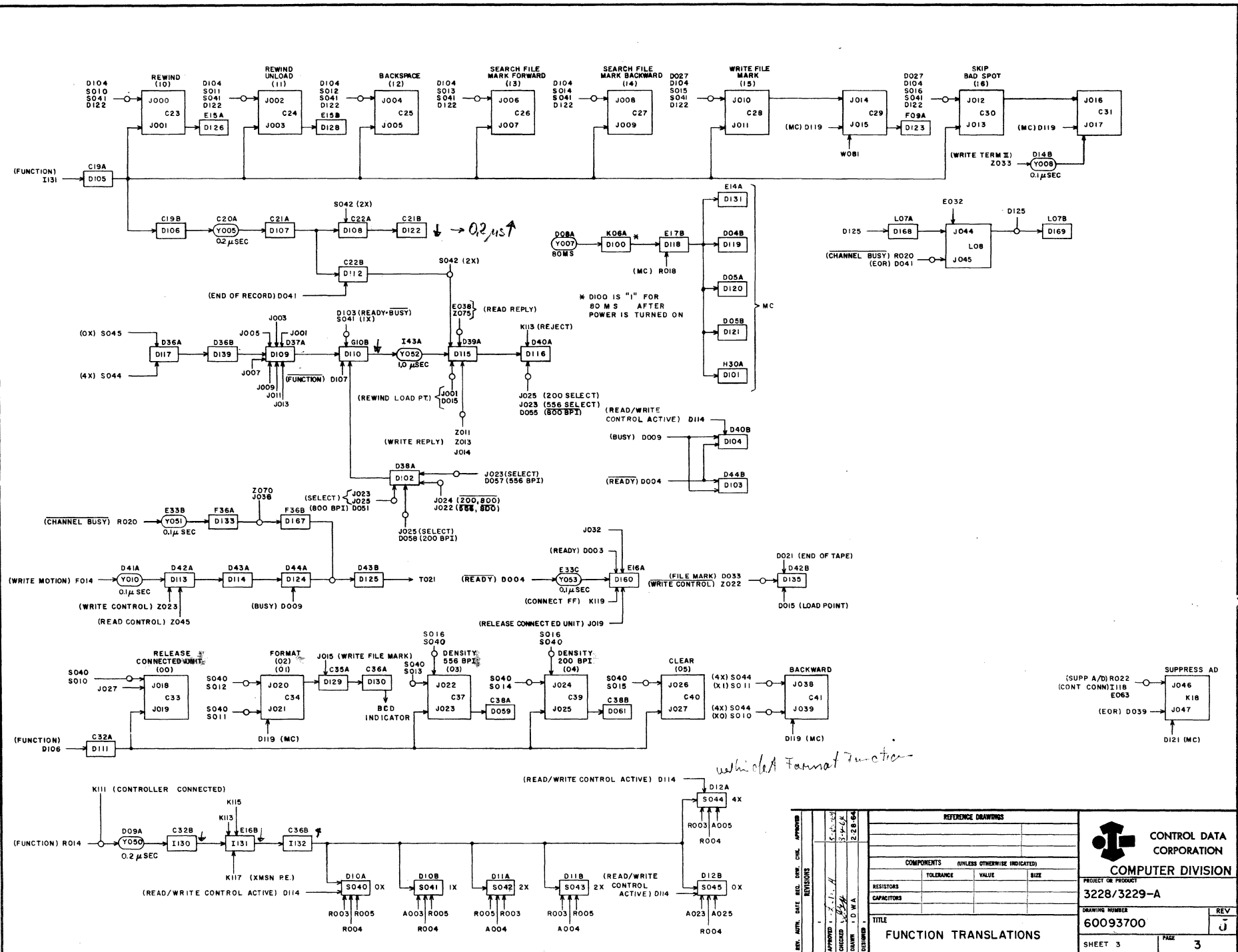
FORM CA 210

TERM	LOCATION	PAGE	DEFINITION
R003	S04B	1	
R004	S07A	1	
R005	S07B	1	
R014	S22A	1	
R018	S26A	1	
R020	Q44B	1	
S010	E03A	2	
S011	E03B	2	
S012	E06A	2	
S013	E06B	2	
S014	E09A	2	
S015	E09B	2	
S016	E12A	2	
T021	S27B	1	
W081	G35B	8	
Z011	F30	8	
Z013	F32	8	
Z022	F27	8	
Z023	F27	8	
Z033	F42	8	
Z045	D34	11	
Z070	C03	8	
Z075	D26	11	
R022	Q44B	1	
I118	D13A	2	
D039	I52A	7	
E032	J22B	14	

FORM CA 210

Format Set 02 BCD INT (Binary)  
CLR 01 BCD EXT (Code)

39

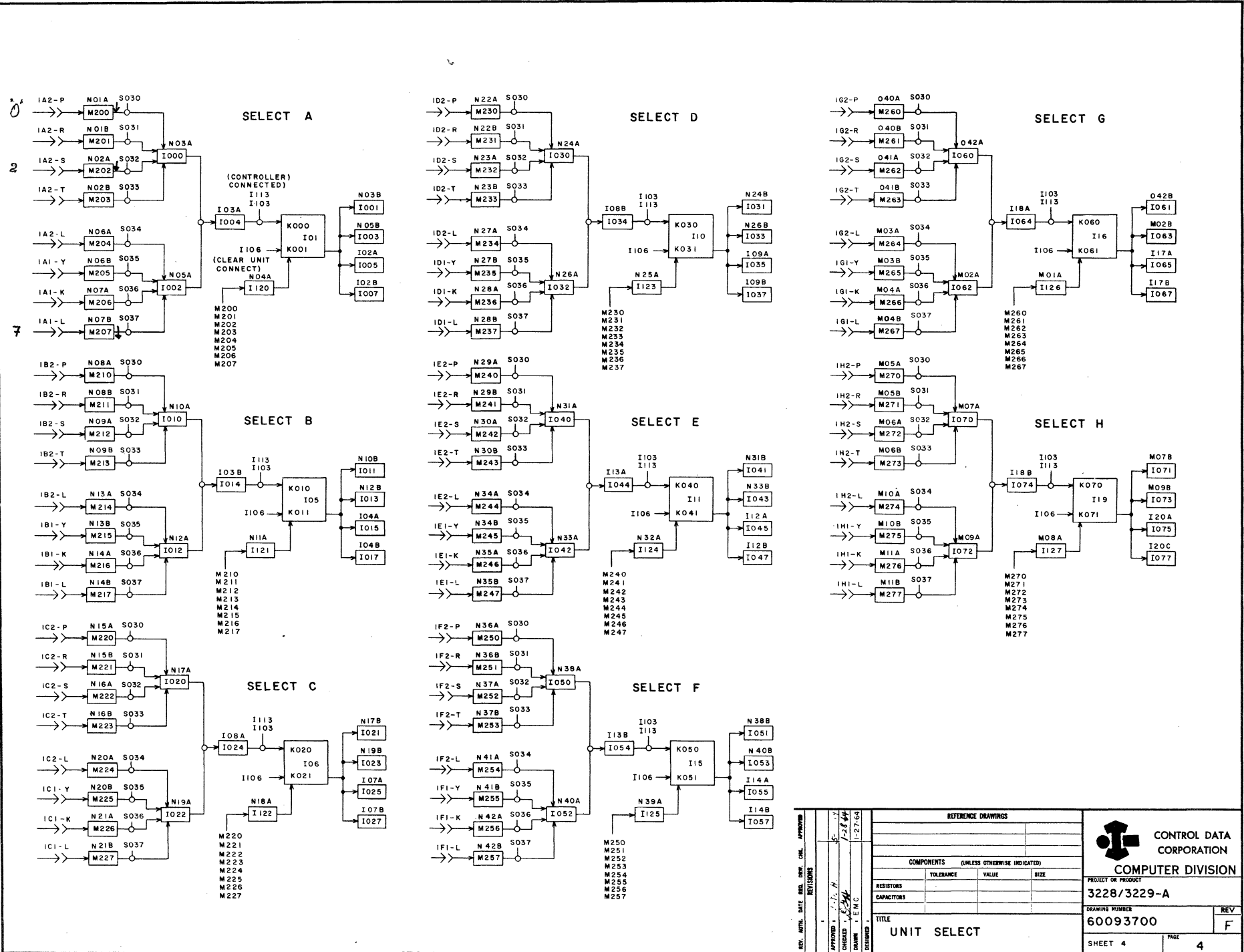


REF. DRAWINGS COMPONENTS (UNLESS OTHERWISE INDICATED) TOLERANCE VALUE SIZE RESISTORS CAPACITORS	CONTROL DATA CORPORATION COMPUTER DIVISION	
	PRODUCT OR PRODUCT 3228/3229-A	
	DRAWING NUMBER 60093700	
	TITLE FUNCTION TRANSLATIONS	
SHEET 3		PAGE 3

TERM	LOCATION	PAGE	DEFINITION
I103	C12A	2	
I106	C15A	2	
I113	C04B	2	
S030	E04B	2	
S031	E05B	2	
S032	E07B	2	
S033	E08B	2	
S034	E10B	2	
S035	E11B	2	
S036	E13B	2	
S037	E14B	2	

Unit-Select  
switch

41



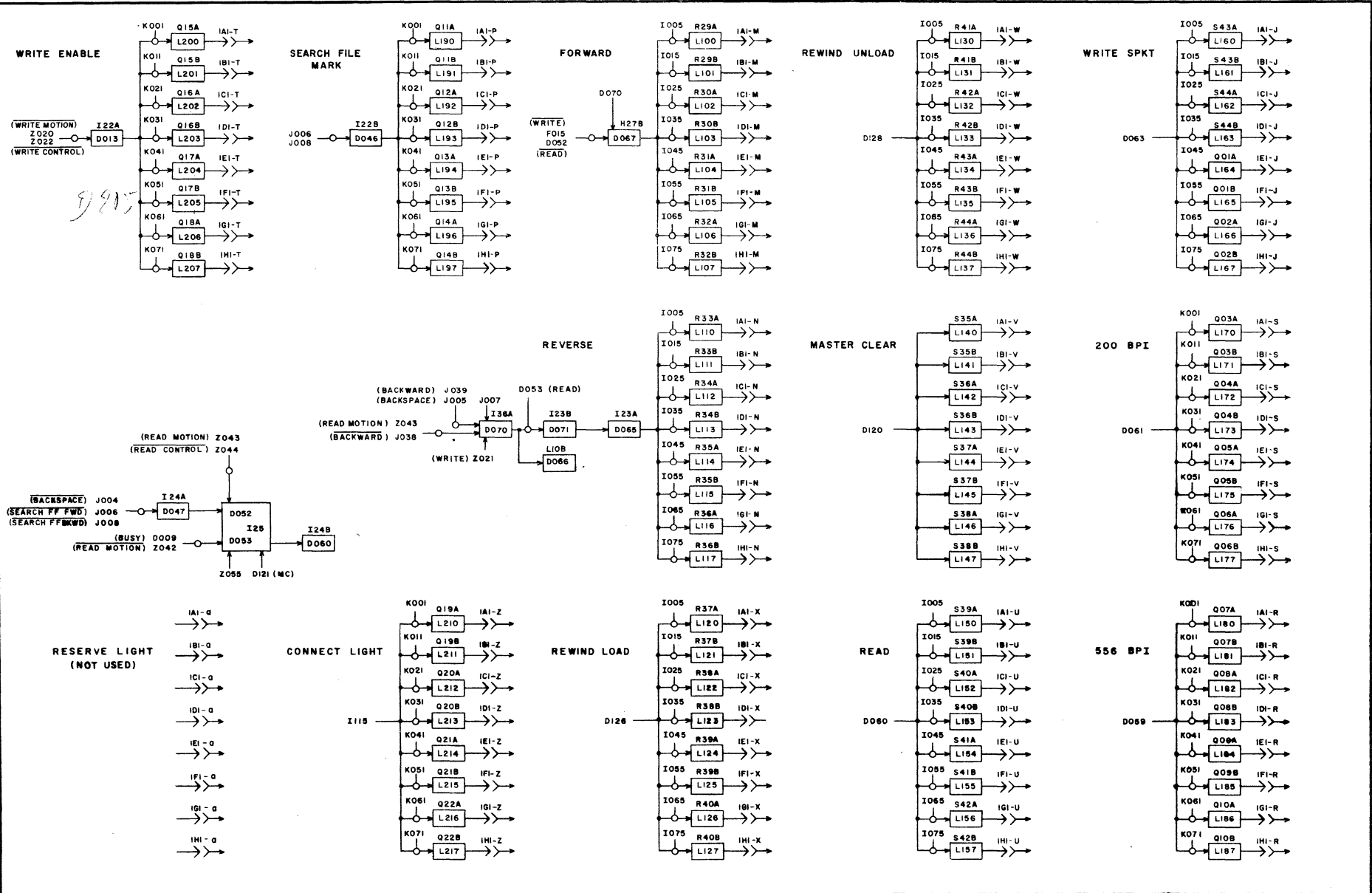
REFERENCE DRAWINGS			
COMPONENTS (UNLESS OTHERWISE INDICATED)			
RESISTORS	TOLERANCE	VALUE	SIZE
CAPACITORS			
TITLE			
UNIT SELECT			
DRAWING NUMBER			REV
60093700			F
SHEET 4			PAGE 4



PROJECT OR PRODUCT  
3228/3229-A

TERM	LOCATION	PAGE	DEFINITION
D009	I27A	6	
D059	C38A	3	
D061	C38B	3	
D063	H43B	8	
D120	D05A	3	
D121	D05B	3	
D126	E15A	3	
D128	E15B	3	
F015	F16A	8	
I005	I02A	4	
I015	I04A	4	
I025	I07A	4	
I035	I09A	4	
I045	I12A	4	
I055	I14A	4	
I065	I17A	4	
I075	I20A	4	
I115	C06B	2	
J004	C25	3	
J005	C25	3	
J006	C26	3	
J007	C26	3	
J008	C27	3	
J038	C41	3	
J039	C41	3	
K001	I01	4	
K011	I05	4	
K021	I06	4	
K031	I10	4	
K041	I11	4	
K051	I15	4	
K061	I16	4	
K071	I19	4	
Z020	F19A	8	
Z021	F20A	8	
Z022	F27	8	
Z042	D30A	11	
Z043	D31A	11	
Z044	D34	11	
Z055	E30A	11	





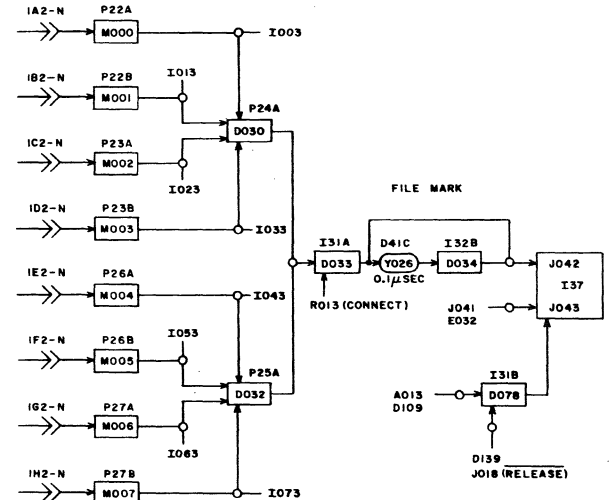
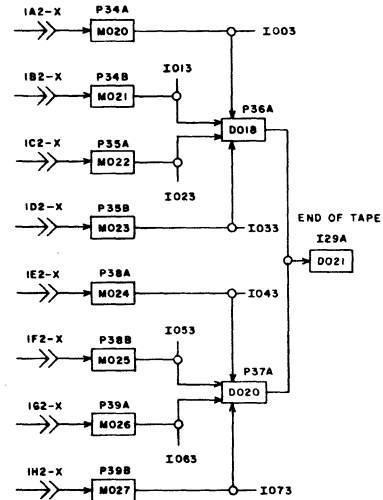
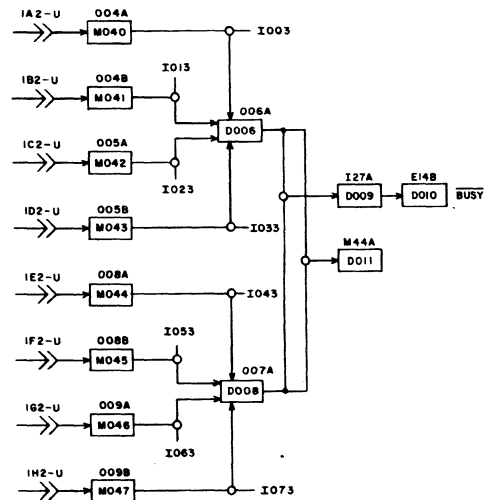
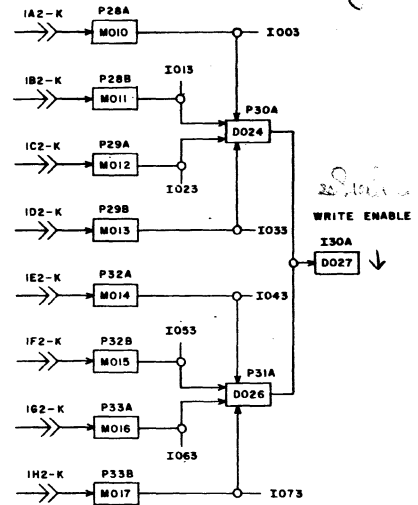
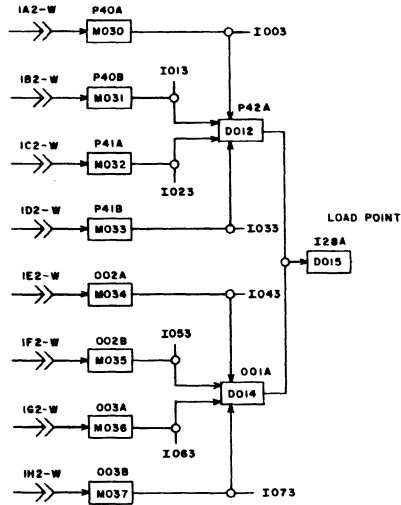
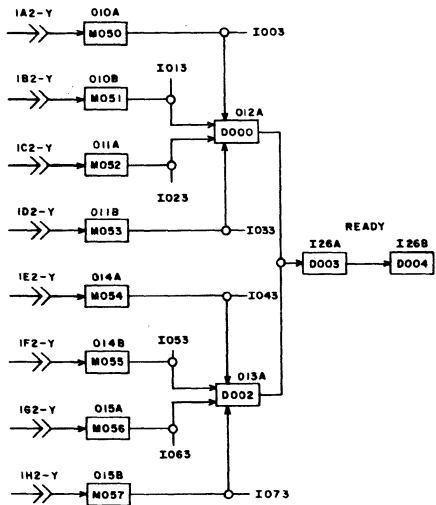
43

9915

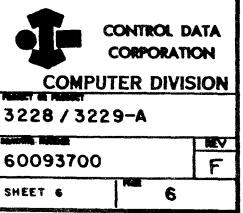
REFERENCE DRAWINGS  COMPONENTS (UNLESS OTHERWISE INDICATED) TOLERANCE VALUE SIZE RESISTORS CAPACITORS	CONTROL DATA CORPORATION COMPUTER DIVISION PRODUCT OR PROJECT <b>3228/3229-A</b>	
	DRAWING NUMBER <b>60093700</b>	
	TITLE <b>UNIT REQUESTS</b>	
	SHEET 5 PAGE 5	

TERM	LOCATION	PAGE	DEFINITION
A013	S21B	1	
D109	D37A	3	
D139	D36B	3	
E032	J22B	14	
I003	N05B	4	
I013	N12B	4	
I023	N19B	4	
I033	N26B	4	
I043	N33B	4	
I053	N40B	4	
I063	N02B	4	
I073	N09B	4	
J018	C33	3	
J041	E18	3	
R013	S19B	1	

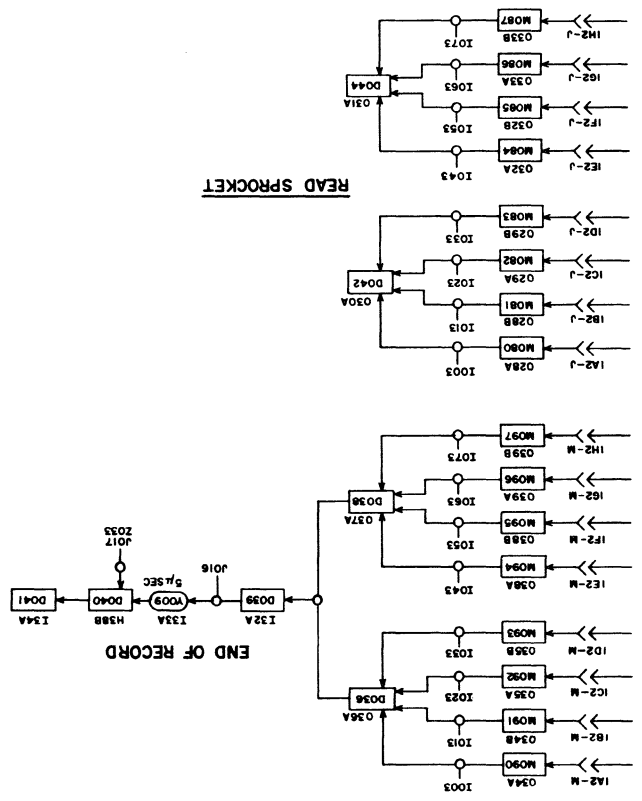
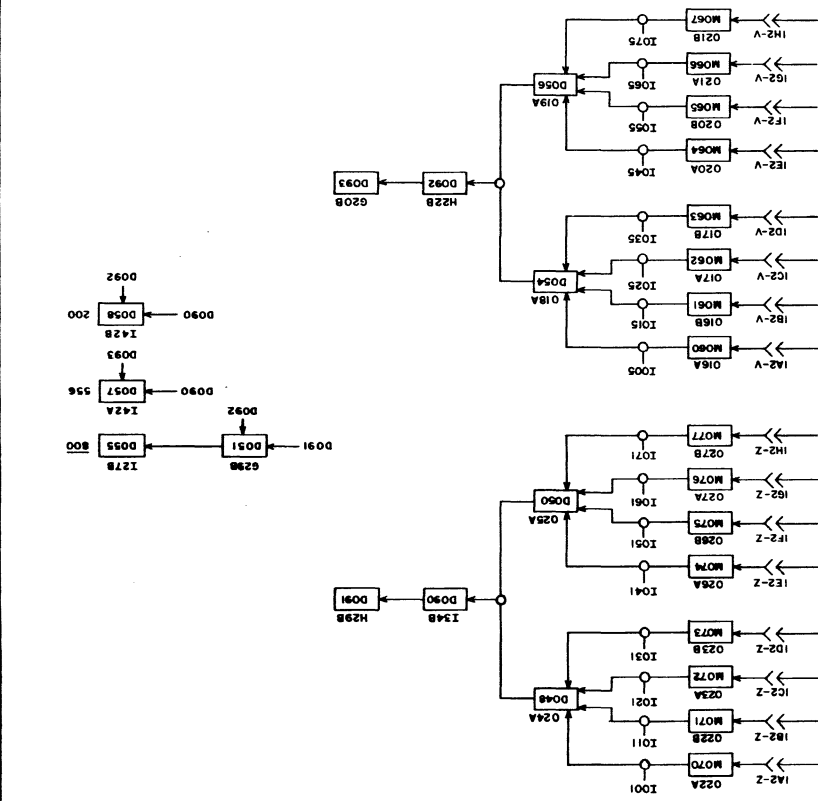
45



APPROVED: <i>[Signature]</i> DATE: 5-2-64 DESIGNED: <i>[Signature]</i> DATE: 5-2-64 CHECKED: <i>[Signature]</i> DATE: 5-5-64	REFERENCE DRAWING			
	COMPONENTS (UNLESS OTHERWISE INDICATED)			
	SYMBOL	TERMINAL	VALUE	NOTE
	CAPACITOR			
TITLE		PROPERTY OR PARTS		
REPLIES FROM 60X (PART 1 OF 2)		3228 / 3229-A		
DRAWING NUMBER		REV		
60093700		F		
SHEET 6		6		



TERM	LOCATION	PAGE	DEFINITION
I001	N03B	4	
I003	N05B	4	
I005	I02A	4	
I011	N10B	4	
I013	N12B	4	
I015	I04A	4	
I021	N17B	4	
I023	N19B	4	
I025	I07A	4	
I031	N24B	4	
I033	N26B	4	
I035	I09A	4	
I041	N13B	4	
I043	N33B	4	
I045	I12A	4	
I051	N38B	4	
I053	N40B	4	
I055	I14A	4	
I061	O42B	4	
I063	M02B	4	
I065	I17A	4	
I071	M07B	4	
I073	M09B	4	
I075	I20A	4	
J016	C31	3	
J017	C31	3	
Z033	F42	8	



Note: All Terms Set in Alphanumeric Order

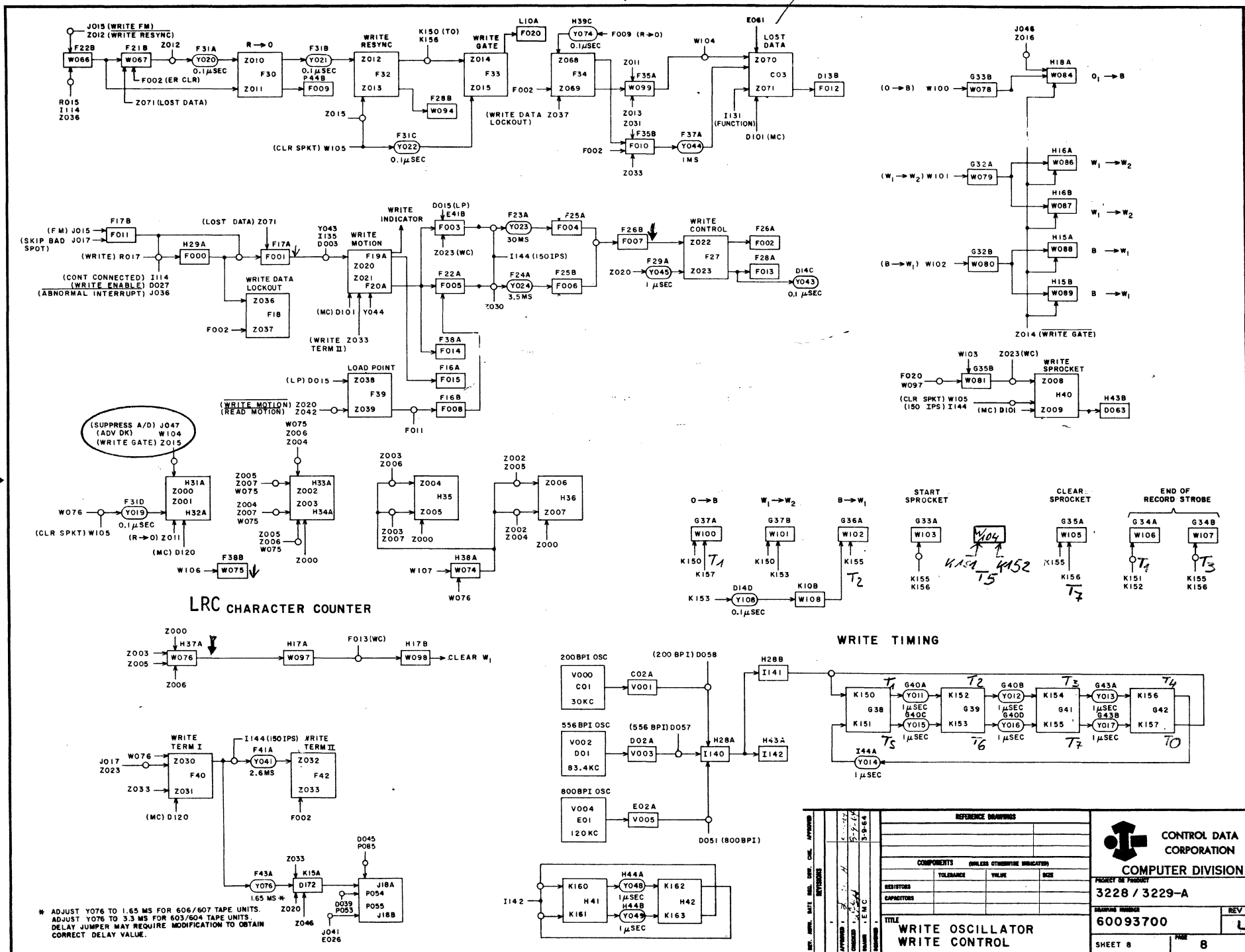
TERM	LOCATION	PAGE	DEFINITION
A022	P43A	1	
D003	I26A	6	
D015	I28A	6	
D027	I30A	6	
D045	D15B	11	
D051	G29B	7	
D057	I42A	7	
D058	I42B	7	
D101	H30A	3	
D118	E17B	3	
D120	D05A	3	
D124	D44A	3	
I101	C11A	2	
I114	C06A	2	
I131	E16B	3	
I143	K07A	11	
I144	K06B	11	
J015	C29	3	
J017	C31	3	
J036	D04A	3	
R015	S22B	1	
R017	S24B	1	
R022	Q44B	1	
Z042	D30A	11	
Z075	D26	11	
E061	L12A	11	
I143	K07A	11	
I144	K07B	11	
I135	E21B	9	
J046	K18A	3	
J047	K18C	3	
Z046	D18A	11	

FORM 510

ITL-8  
Rev. K

*John Cook  
11/14/64  
100-100000*

*Drive control*



49

\* ADJUST Y076 TO 1.65 MS FOR 606/607 TAPE UNITS.  
ADJUST Y076 TO 3.3 MS FOR 603/604 TAPE UNITS.  
DELAY JUMPER MAY REQUIRE MODIFICATION TO OBTAIN  
CORRECT DELAY VALUE.

50

TERM	LOCATION	PAGE	DEFINITION
D010	E14B	6	
D011	M44A	6	
D047	I24A	5	
D053	I25	5	
D066	L10B	5	
D070	I36A	5	
D101	H30A	3	
D119	D04B	3	
D121	D05B	3	
D123	F09A	3	
D129	C35A	3	
D130	C36A	3	
D131	E14A	3	
E063	H30B	14	
F014	F38A	8	
I104	C12B	2	
J001	C23	3	
J038	C41	3	
J039	C41	3	
R000	S01A	1	
R001	S01B	1	
R002	S04A	1	
R003	S04B	1	

FORM CA 210

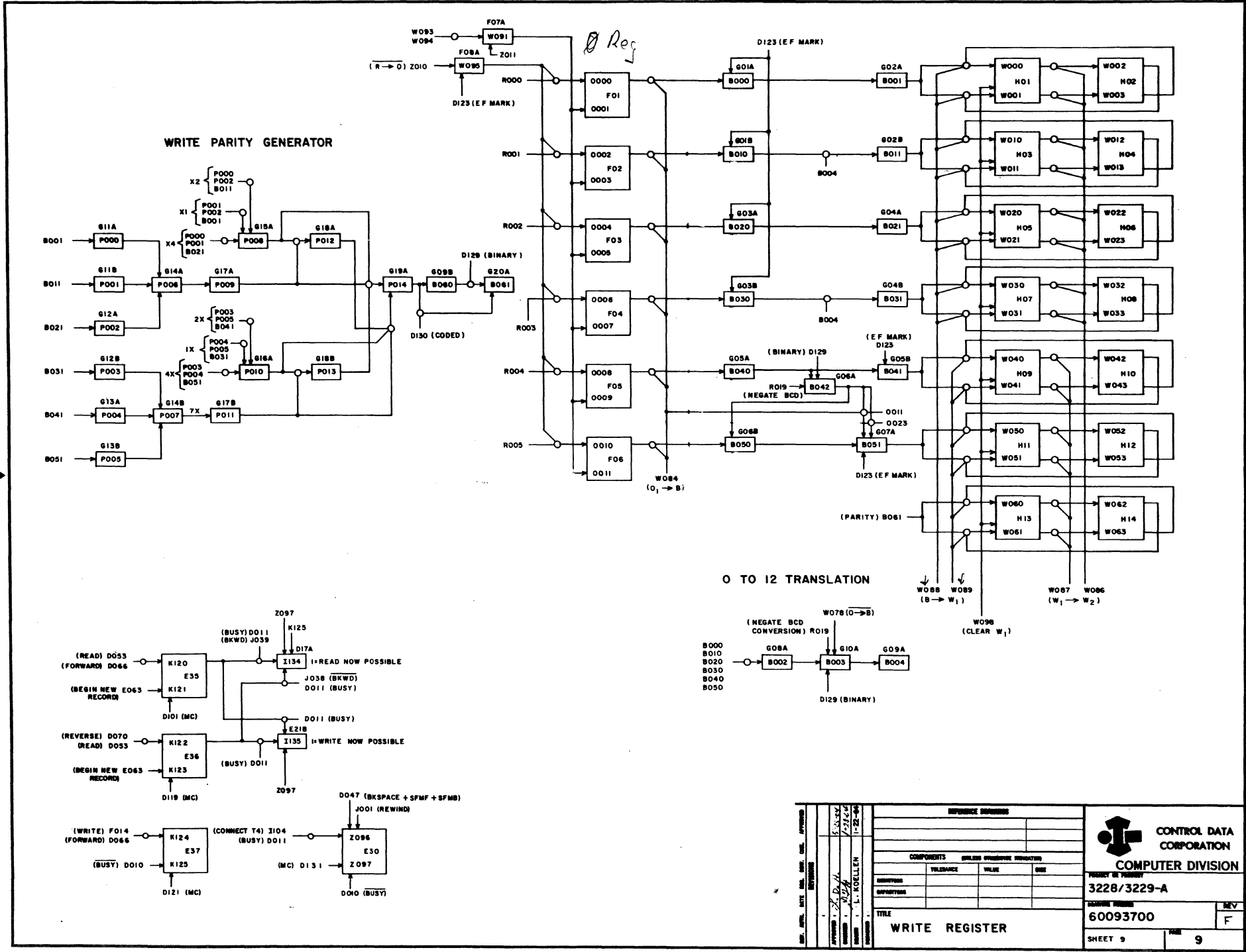
TERM	LOCATION	PAGE	DEFINITION
R004	S07A	1	
R005	S07B	1	
R006	S10A	1	
R007	S10B	1	
R008	S13A	1	
R009	S13B	1	
R010	S16A	1	
R011	S16B	1	
R019	S26B	1	
W078	G33B	8	
W084	H18A	8	
W085	H18B	8	
W086	H16A	8	
W087	H16B	8	
W088	H15A	8	
W089	H15B	8	
W094	F28B	8	
W098	H17B	8	
W104	G36B	8	
Z010	F30	8	
Z011	F30	8	
Z015	F33	8	
Z019	G31	8	

FORM CA 210

ITL-9  
Rev. 8



51



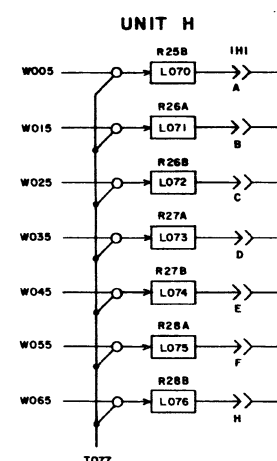
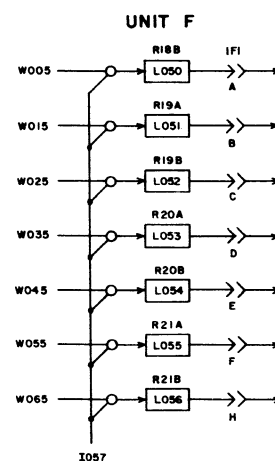
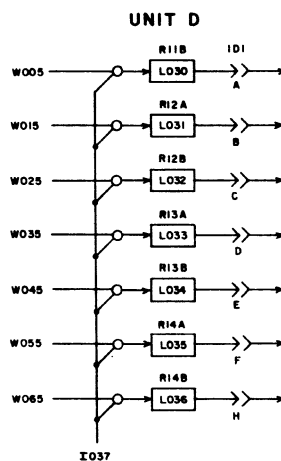
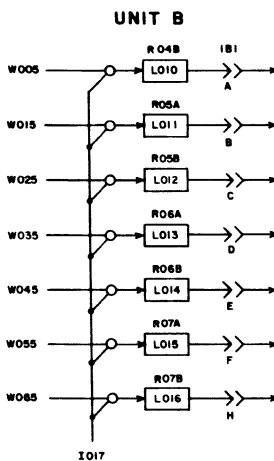
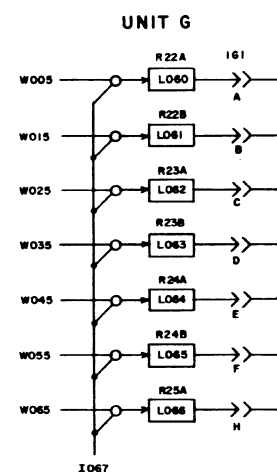
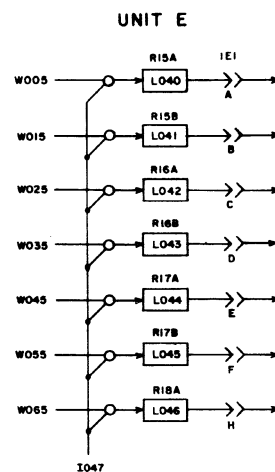
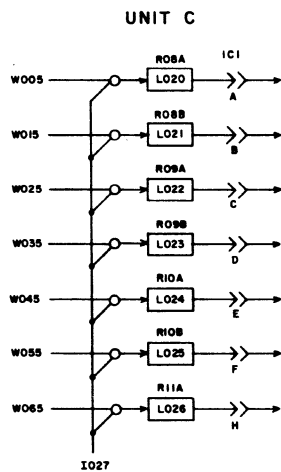
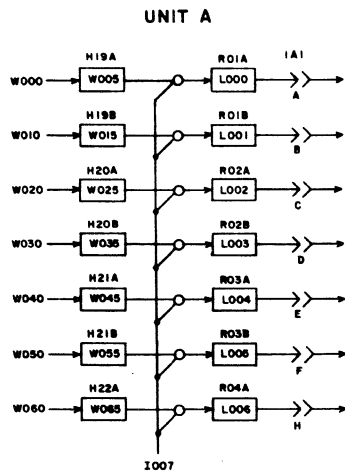
WRITE PARITY GENERATOR

Reg

0 TO 12 TRANSLATION

REF. DES. DATE. REV. DES. USE. APPROVED	REFERENCE DRAWING	<p><b>CONTROL DATA CORPORATION</b> COMPUTER DIVISION</p>
APPROVED: <i>[Signature]</i>	COMPONENTS (UNLESS OTHERWISE INDICATED)	
DESIGNED: <i>[Signature]</i>	TOLERANCE VALUE UNIT	
DRAWN: <i>[Signature]</i>	DATE	
PROJECT NO. 3228/3229-A	TITLE <b>WRITE REGISTER</b>	<p>3228/3229-A</p> <p>60093700</p> <p>SHEET 9</p>

TERM	LOCATION	PAGE	DEFINITION
I007	I02B	4	
I017	I04B	4	
I027	I07B	4	
I037	I09B	4	
I047	I12B	4	
I057	I14B	4	
I067	I17B	4	
I077	I20C	4	
W000	H01	9	
W010	H03	9	
W020	H05	9	
W030	H07	9	
W040	H09	9	
W050	H11	9	
W060	H13	9	



REV. APPR. DATE UNIT. UNIT. UNIT. APPROVED		REFERENCE DRAWING	
APPROVED	DATE		
DESIGNED	DATE		
CHECKED	DATE		
DRAWN	DATE		
INSTRUMENTED	DATE		
TESTED	DATE		
TITLE		COMPONENTS (DRAWING SYMBOLES)	
DATA OUTPUT		VOLTAAGE	VALUE
		DATE	
		PROJECT OR PURCHASER	
		3228/3229-A	
		SHEET NUMBER	
		60093700	
		REV	
		F	
		SHEET 10	
		10	



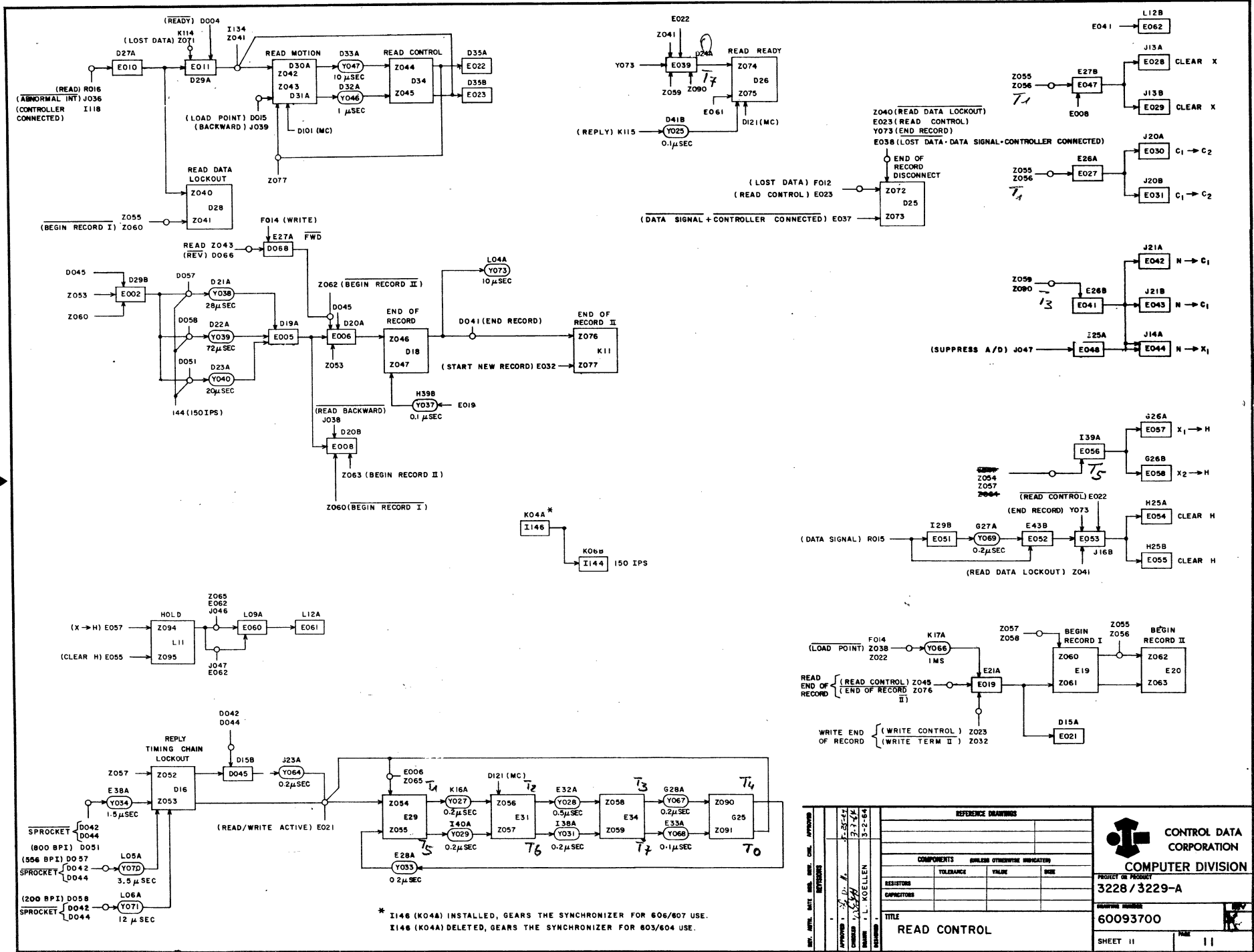
CONTROL DATA CORPORATION  
COMPUTER DIVISION

Note: All forms set in Alphanumeric order

TERM	LOCATION	PAGE	DEFINITION
D001	I26B	6	
D015	I28A	6	
D039	I32A	7	
D042	O30A	7	
D044	O31A	7	
D051	G29B	7	
D057	I42A	7	
D058	I42B	7	
D066	L10B	5	
D101	H30A	3	
D120	D05A	3	
D121	D05B	3	
D124	D44A	3	
D131	F14A	3	
E032	J22B	14	
E037	C14B	2	
E038	C13B	2	
F012	D15B	8	
F014	F38A	8	
I118	D13A	2	
J036	D04A	3	
J038	C41	3	
J039	C41	3	
K114	C16	2	
K115	C16	2	
R015	S22B	1	
R016	S24A	1	
Z022	F27	8	
Z023	F27	8	
Z034	F44	8	
Z038	F39	8	
Z070	C03	8	
Z071	C03	8	
J046	K18A	5	
J047	K18C	5	
I134	D17A	9	
Z032	F42	8	
D041	I34A	7	

FORM 510

ITL-11  
Rev. K.



\* I146 (K04A) INSTALLED, GEARS THE SYNCHRONIZER FOR 606/607 USE.  
 I146 (K04A) DELETED, GEARS THE SYNCHRONIZER FOR 603/604 USE.

REFERENCE DRAWINGS			
COMPONENTS			
TOLERANCE	VALUE	SHOWN OTHERWISE INDICATED	
RESISTORS			
CAPACITORS			
TITLE			
READ CONTROL			
CONTROL DATA CORPORATION COMPUTER DIVISION PROJECT OR PRODUCT 3228 / 3229-A			
DRAWING NUMBER 60093700			
SHEET II			II

Note: All Terms Not in Alphanumeric Order

TERM	LOCATION	PAGE	DEFINITION
A019	S50A	1	
D045	D15B	11	
D129	C35A	5	
D150	C56A	5	
L008	D20B	11	
L029	J13B	11	
E032	J22B	11	
E043	J21B	11	
E046	J14B	11	
E054	H25A	11	
E055	H25B	11	
E057	C26A	11	
E058	G26B	11	
J041	E18	3	
N001	M26A	13	
N011	M27A	13	
N014	M27B	13	
N021	M28A	13	
N031	M29A	13	
N034	M29B	13	
N041	M30A	13	
N044	M30B	13	
N051	M31A	13	
N053	I35B	13	
N061	M32A	13	
N064	M32B	13	
P056	S30B	1	
R019	S26B	1	
Z046	I-18	11	
E019	E21A	11	
J017	C31	3	

56

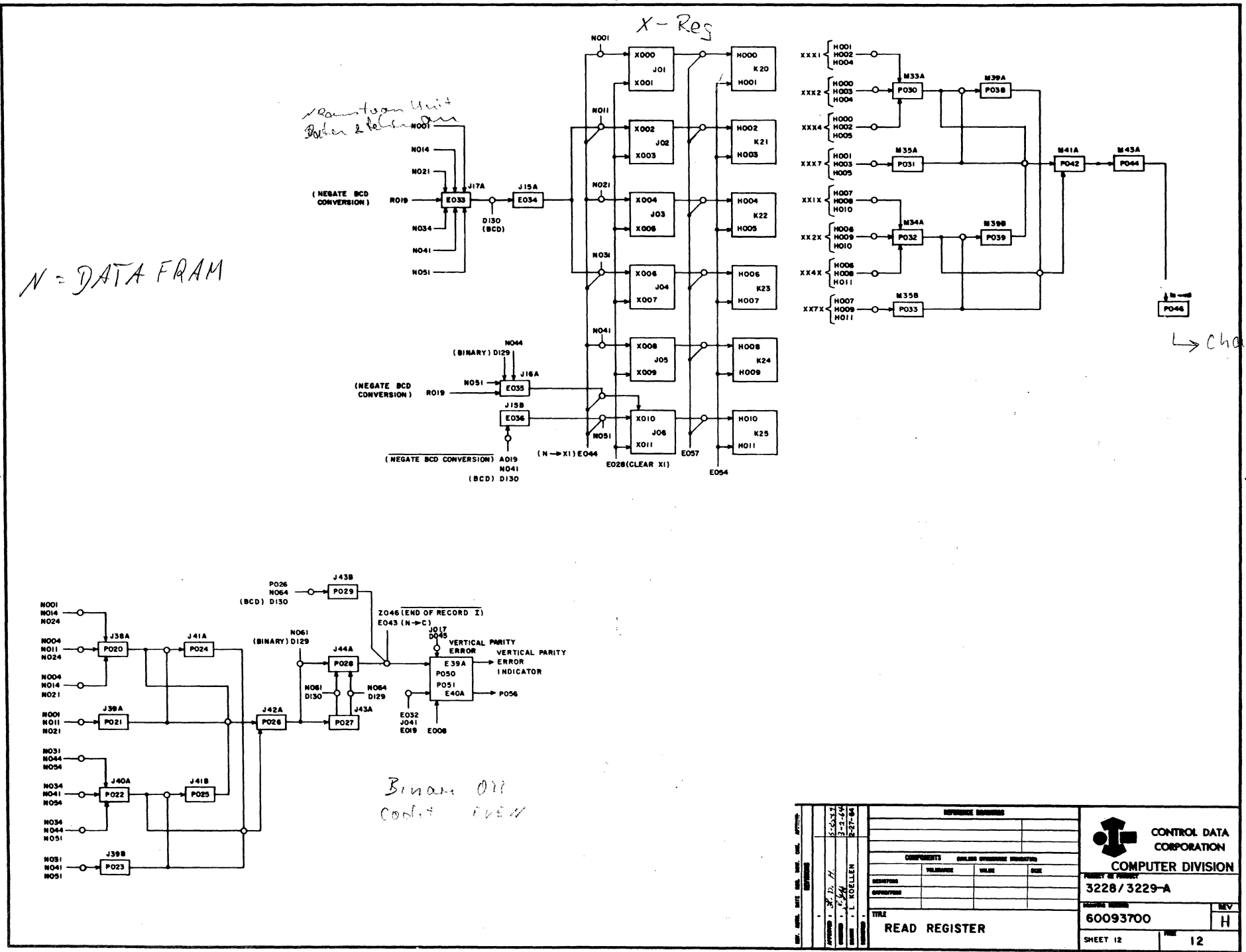
*N = DATA FRAM*

*Random Unit  
Data & Address*

*X-Reg*

*channel*

*Binary 011  
Code 1011*



57

REFERENCE DRAWINGS 3228/3229-A		CONTROL DATA CORPORATION COMPUTER DIVISION	
COMPONENTS (unless otherwise indicated)		PROPERTY OF PRODUCT 3228/3229-A	
DESIGNER J. L. KOELLEN	VOLTAAGE 5-150	VALUE 3-1-64	DATE 2-27-64
TITLE READ REGISTER		DRAWING NUMBER 60093700	
SHEET 12		12	

TERM	LOCATION	PAGE	DEFINITION
1001	N03B	4	
1011	N10B	4	
1021	N17B	4	
1031	N24B	4	
1041	N13B	4	
1051	N38B	4	
1061	O42B	4	
1071	'07B	4	

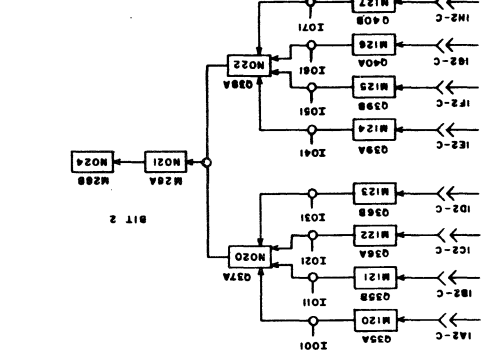
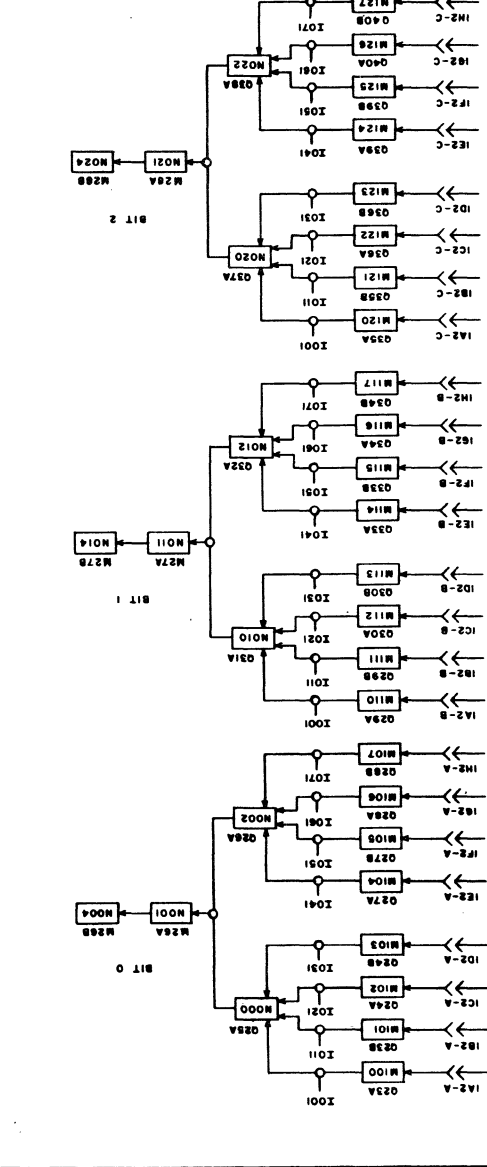
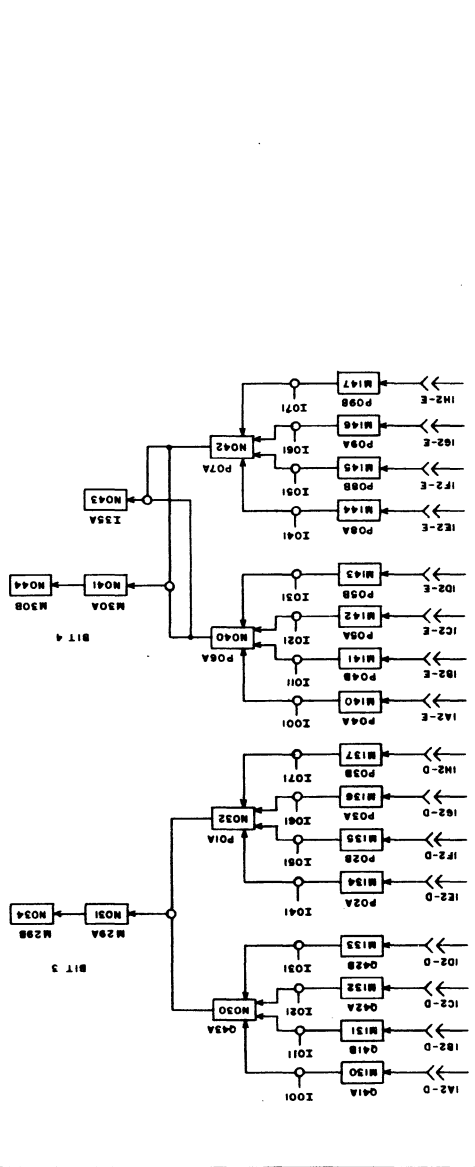
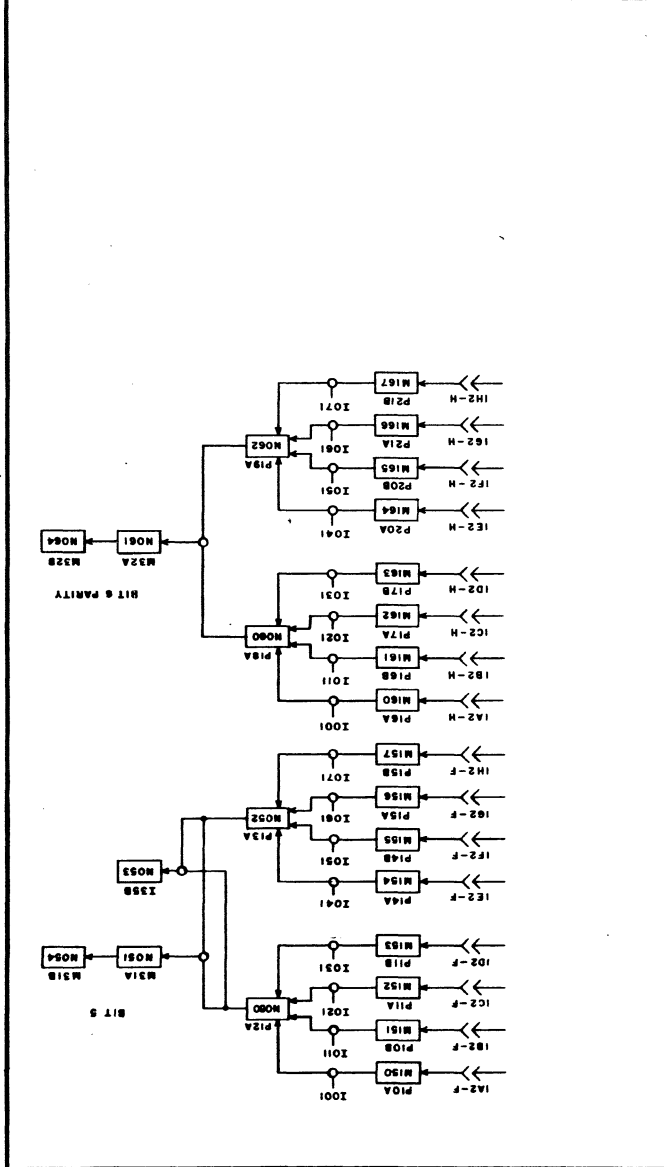
FORM 510

ITL-13  
Rev. F

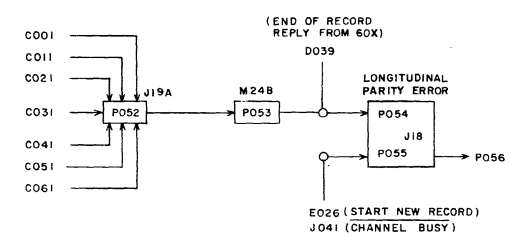
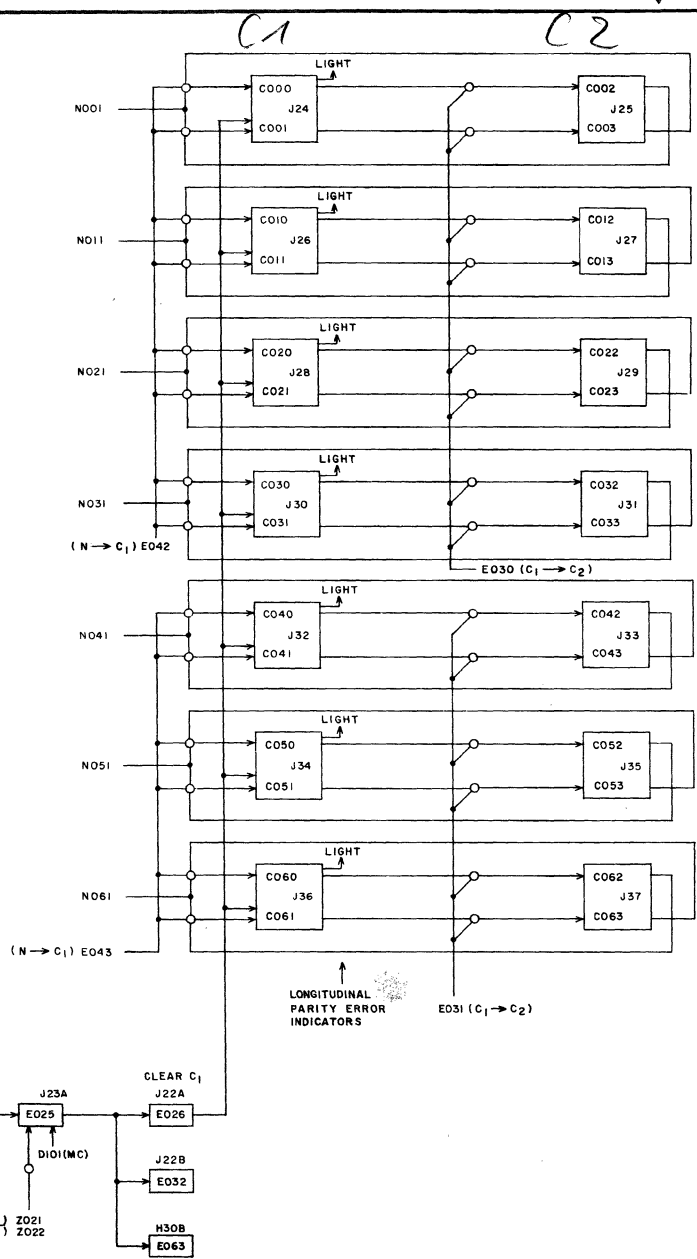


CONTROL DATA CORPORATION		COMPUTER DIVISION		3228/3229-A		DRAWING NUMBER		60993700		SHEET 13	
PROJECT OR PRODUCT		DATE		REVISION		APPROVED		DESIGNED		CHECKED	
CONTRACTS		MATERIALS		WARRANTY		INSTALLATION		OPERATION		TITLE	
REFERENCE NUMBERS		PARTS		ELECTRICAL		MECHANICAL		CHEMICAL		OTHER	
5-6534		5-6534		5-6534		5-6534		5-6534		5-6534	
1-27-64		1-27-64		1-27-64		1-27-64		1-27-64		1-27-64	
1-27-64		1-27-64		1-27-64		1-27-64		1-27-64		1-27-64	

READ REPLIES FROM 606



TERM	LOCATION	PAGE	DEFINITION
D039	I32A	7	
D101	H30A	3	
E030	J20A	11	
E031	J20B	11	
E042	J21A	11	
E043	J21B	11	
J041	E18	3	
N001	M26A	13	
N011	M27A	13	
N021	M28A	13	
N031	M29A	13	
N041	M30A	13	
N051	M31A	13	
N061	M32A	13	
P056	S30B	1	
Z021	F20A	8	
Z022	F27	8	
Z043	D31A	11	
Z044	D34	11	



LONGITUDINAL PARITY CHECKER

(READ MOTION) Z043  
(READ CONTROL) Z044  
*AD/AS*

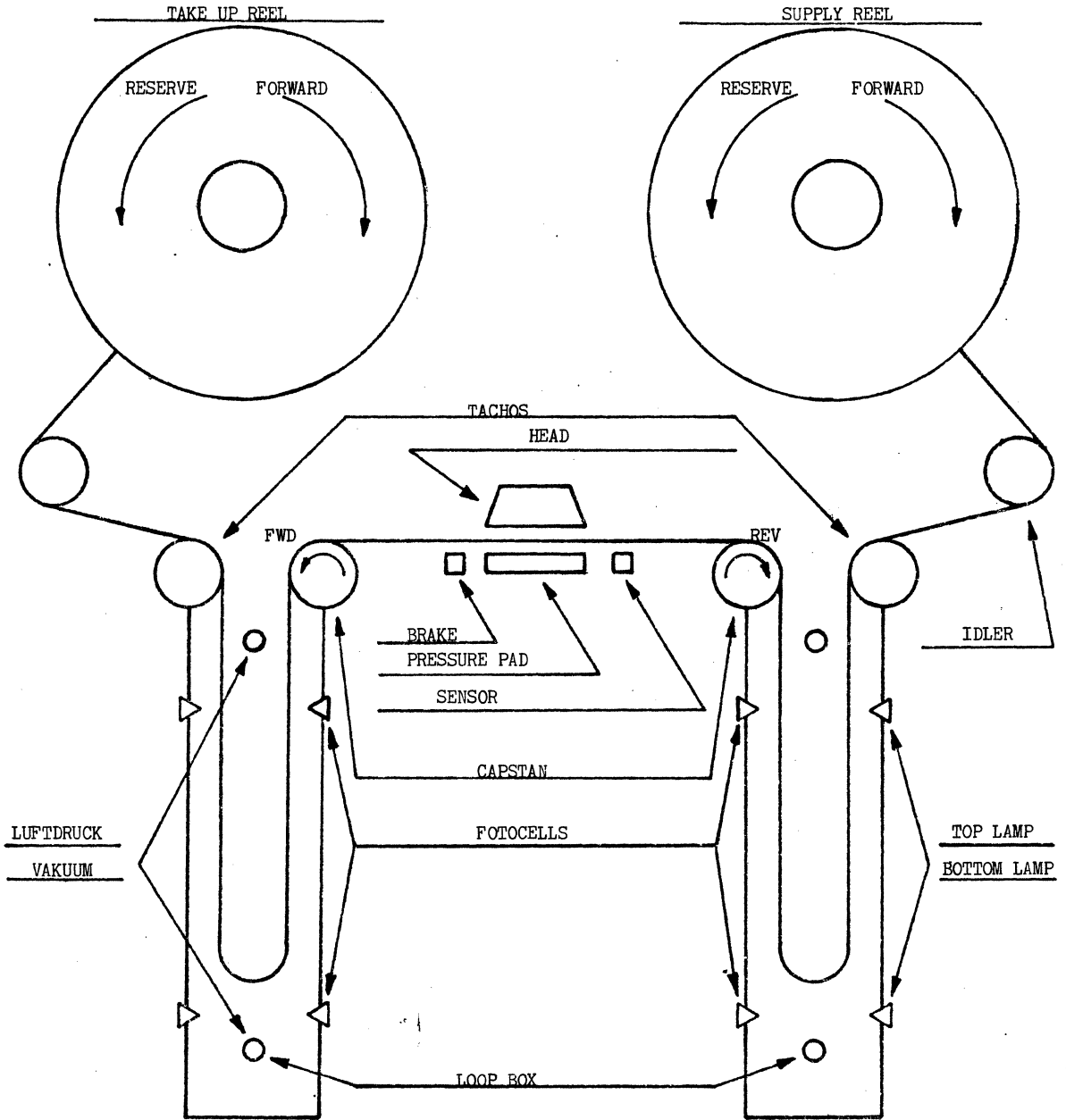
(WRITE MOTION) Z021  
(WRITE CONTROL) Z022

DES. DATE APPR. DATE DES. DATE APPR. DATE DES. DATE APPR. DATE	REFERENCE DRAWINGS _____ _____ _____	CONTROL DATA CORPORATION COMPUTER DIVISION PROJECT OR PRODUCT <b>3228/3229-A</b> DRAWING NUMBER <b>60093700</b> SHEET 14	
	COMPONENTS (UNLESS OTHERWISE INDICATED) RESISTORS CAPACITORS		REV <b>J</b>
	TITLE <b>LONGITUDINAL PARITY CHECKER</b>		PAGE <b>14</b>
	DATE <b>5-27-66</b> BY <b>L. L. AGELLEN</b>		CHECKED <b>J. J. H.</b> DATE <b>5-27-66</b>



1A.

TAPE MOVEMENT



1B.

MAGNETIC TAPE FORMAT

