

-NOTE- THE FOLLOWING UECN'S ARE OUTSTANDING AGAINST THIS DOCUMENT.

UECN NUMBER 8205 DATE 1-30-72

PL NO. 97813-001 REV. SHEET B1 1 of 7

PARTS LIST Assy, MAINTENANCE DOCUMENT		DRAWN RLP R.L. PARKINSON	DATE 1-16-72	APPD	DATE		
MODEL 114		REVISION RECORD		NEXT ASSEMBLY 91768			
REV. LTR.	DESCRIPTION	APPROVED		REV. LTR.	DESCRIPTION	APPROVED	
		ENG.	MFG.			ENG.	MFG.
A	PROD REL PER ECN 3457						
B	INCORPORATED UECN 4861 PER RECORD CHANGE						
B1	ECN 5037						



TABULATION CLARIFICATION DWG NO. 97813-001 SHEET 2 OF 7

DASH NO.	REMARKS
*	DASH NUMBERS ON TAB BLOCK SHEETS REFER TO DASH NUMBERS OF THE FINAL ASSEMBLY DRAWING 91020-XXX.
<u>REVISION CONTROL</u>	
1. REVISION CONTROL OF LISTED DRAWINGS SHOULD REFLECT CONFIGURATION OF THE MACHINE AT THE TIME OF SHIPMENT.	
2. IDENTIFY ANY DRAWING WITH OUTSTANDING UECN'S AGAINST THEM & INCLUDE PERTINENT UECN'S	
3. IDENTIFY ANY DRAWING THAT HAS BEEN DEVIATED WITH DEV. UECN NO. & INC. DEV. UECN	
4. IDENTIFY MAINTENANCE DOCUMENT PACKAGE WITH MODEL, SERIAL AND FINAL ASSEMBLY NUMBERS OF THE MACHINE	

CHANGE CLASS	VELLUM	EFFECTIVITY				SERIAL NO. / MFG. INC. POINT				FIELD CHANGE STATUS								
		①	②	③	④	MODEL	S/N	ESTIMATED	MIP	ACTUAL	MANDATORY	UNIT	SPARES					
A	INC					114	9				<input type="checkbox"/>	<input type="checkbox"/>						
B	UNINC										<input type="checkbox"/>	<input type="checkbox"/>						
C											<input type="checkbox"/>	<input type="checkbox"/>						
D											<input type="checkbox"/>	<input type="checkbox"/>						
DCR NO. 11262																		
DISPOSITION OF PARTS																		
VENDOR		TEST PROC		AFFECT		Q.C.		MFG. C.C.		TEST		PROD SUPP						
IN HOUSE		CONFIG LISTS																
SPARES		KIT LISTS																
		MAI																
		FIXTURES/TOOLS																
		TEST EQUIP																
		W/L TAPES																
		DOCUMENTATION																
M.C.O. NO. 4434																		
DR	DATE	CHK	DATE	AME	DATE	MFG. C.C.	DATE	A.C.C.	DATE	PROD SUPP	DATE	UL/GSA	DATE	PROJECT	DATE	MGMT	DATE	
WJH	11-16-74	JK	1-27-75											W. Stiles	1/28/75			1/28/75
REASON FOR CHANGE: UPDATE MAINTENANCE DOCUMENT																		
DESCRIPTION OF CHANGE:																		
DOCUMENTS AFFECTED																		
DWG. NO.	REV.	IS	WAS	PART NAME	LAL	IS	WAS	MODELS	NOTES									
97813-001	C		B1	ASSY, MAINTENANCE DOC				114										

97813-001

CHANGED PARTS LIST SH 7

IS: 68 | 1 | | A 94081-001 | | | SCHEMATIC ; LAMP/RELAY DRV | AP39

WAS: 68 | 1 | | A 90306-001 | | | SCHEMATIC ; LAMP/RELAY DRV | AP10

IS: 74 | 1 | | A 97740-001 | | | SCHEMATIC ; REG & PWR MON | AP47

WAS: 74 | 1 | | A 93059-001 | | | SCHEMATIC ; REG & PWR MON | AP26

Century Data		TABULATION BLOCK										DWG NO. 97813-001		
												SHEET 3 OF 7		
ITEM NO.	PART NO.	DESCRIPTION	QUANTITY REQUIRED											
			001	002	003	004	005	006	007	008	009	010		
1	90613-XXX	SCHEMATIC ; SIGNAL CABLE	X	X	X	X		X	X					
2	91043-XXX	SIGNAL CABLE										X	X	
4	90737-XXX	AC CABLE	X		X			X				X		
5	91553-XXX	AC CABLE		X		X			X				X	
11	91189-001	TERMINATOR	X	X	X	X								
8	91118-001	TERMINATOR										X	X	
9	90624-001	SCHEMATIC ; TERMINATOR						X	X					
22	91141-001	SCHEMATIC ; CONTROL PANEL										X	X	
23	91540-001	SCHEMATIC ; CONTROL PANEL	X	X	X	X		X	X					
13	91575-001	LOGIC DIAGRAMS	X	X	X	X		X	X					
14	91541-001	LOGIC DIAGRAMS										X	X	
15	91073-001	SCHEMATIC ; 'Q' DRIVER						X	X					
16	90254-001	'Q' RECEIVER						X	X					
17	91321-001	JUMPER MODULE	X	X				X	X			X	X	
18	90966-001	5 VOLT DRIVER	X	X	X	X						X	X	
19	90970-001	5 VOLT RECEIVER	X	X	X	X						X	X	
20	98622-001	SCHEMATIC ; 8-BIT SUBT.			X	X								

CDS E017-370

DWG NO. 97813-001

Century Data		TABULATION BLOCK										DWG NO. 97813-001			
												SHEET 4 OF 7			
ITEM NO.	PART NO.	DESCRIPTION	QUANTITY REQUIRED												
			011	012	013	014	015	016	017	018	019	020			
1	90613-XXX	SCHEMATIC ; SIGNAL CABLE												X	X
2	91043-XXX	SIGNAL CABLE	X	X	X	X	X	X							
3	92317-XXX	SIGNAL CABLE	X	X											
6	92310-XXX	AC CABLE	X											X	
7	92313-XXX	AC CABLE		X											
4	90737-XXX	AC CABLE			X		X							X	
5	91553-XXX	AC CABLE				X		X							X
10	92314-001	TERMINATOR	X	X											
11	91189-001	TERMINATOR												X	X
8	91118-001	TERMINATOR			X	X									
12	93219-001	TERMINATOR						X	X						
21	92331-001	'Q' RECEIVER	X	X											
22	91141-001	CONTROL PANEL	X	X	X	X	X	X							
24	95015-001	CONTROL PANEL												X	X
15	91073-001	SCHEMATIC ; 'Q' DRIVER	X	X											
13	91575-001	LOGIC DIAGRAMS												X	X
14	91541-001	LOGIC DIAGRAMS	X	X	X	X	X	X							
17	91321-001	SCHEMATIC ; JUMPER MODULE	X	X	X	X	X	X						X	X
18	90966-001	SCHEMATIC ; 5 VOLT DRIVER			X	X	X	X						X	X
19	90970-001	SCHEMATIC ; 5 VOLT RECEIVER			X	X	X	X						X	X

CDS E017-370

DWG NO. 97813-001

PARTS LIST Assy. MAINT DOCS.

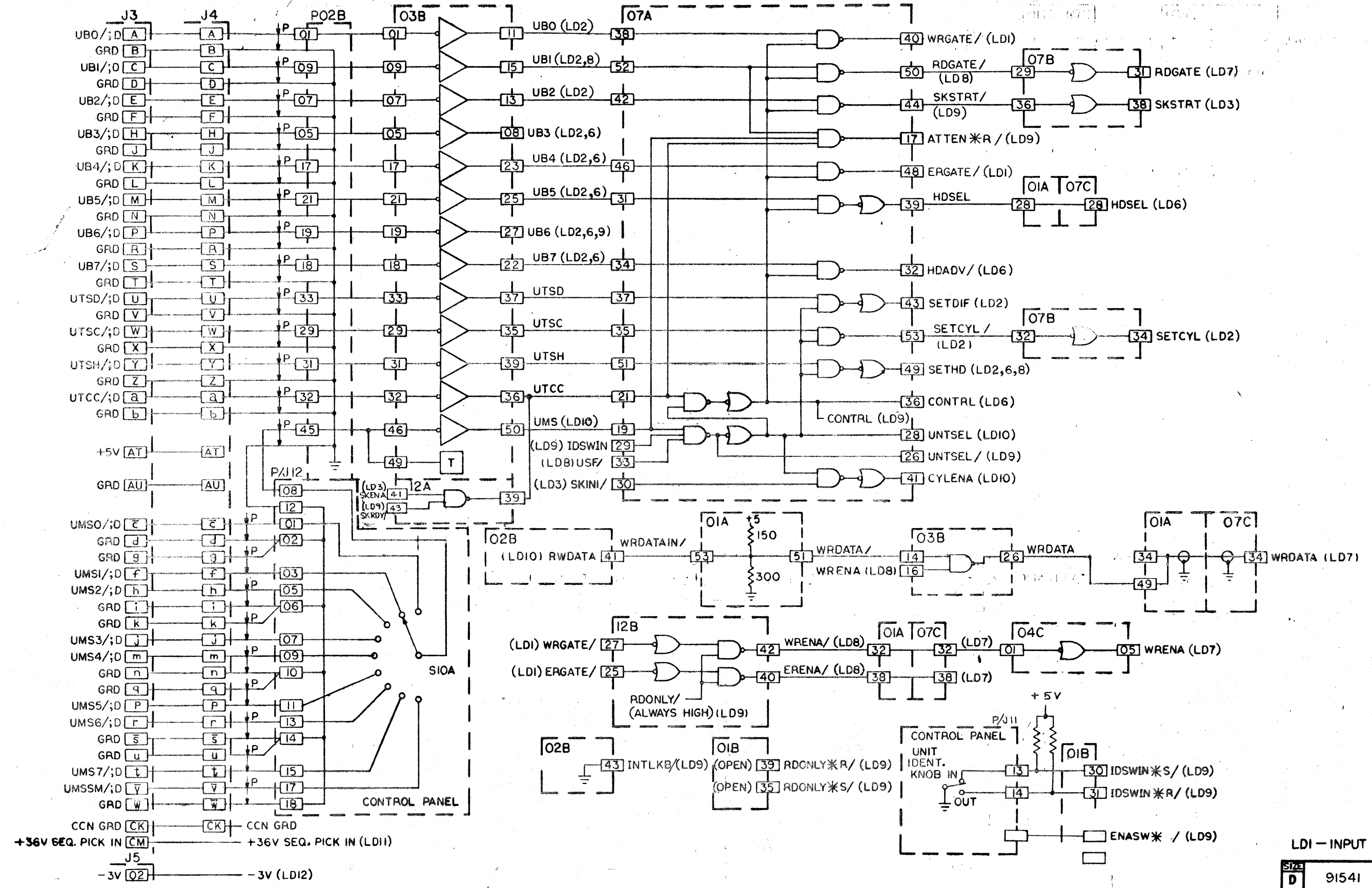
ITEM NO	QUANTITY	RECD	SIZE	PART NO.	CC	INDENTURE	DESCRIPTION	ASSY	REMARKS
1			A	90613-XXX			SCHEMATIC SIGNAL CABLE		
2			A	91043-XXX			SIGNAL CABLE		
3			A	92317-XXX			SIGNAL CABLE		
4			A	90737-XXX			AC CABLE		
5			A	91553-XXX			AC CABLE		
6			A	92310-XXX			AC CABLE		
7			A	92313-XXX			AC CABLE		
8			A	91118-001			TERMINATOR		
9			A	90624-001			TERMINATOR		
10			A	92314-001			TERMINATOR		
11			A	91189-001			TERMINATOR		
12			A	93219-001			SCHEMATIC TERMINATOR		
13			A	91575-001			LOGIC DIAGRAMS		
14			A	91541-001			LOGIC DIAGRAMS		
15			A	91073-001			SCHEMATIC "Q" DRIVER	AN14	
16			A	90254-001			"Q" RECEIVER	AN11	
17			A	91321-001			JUMPER WIRE	AZ16	
18			A	90966-001			5 VOLT DRIVER	AN18	
19			A	90970-001			5 VOLT RECEIVER	AN19	
20			A	98622-001			8-BIT SUBT.	DL52	
21			A	92331-001			Q RECEIVER	AN21	
22			A	91141-001			CONTROL PANEL		
23			A	91540-001			CONTROL PANEL		
24			A	95015-001			SCHEMATIC CONTROL PANEL		
25									

PARTS LIST Assy. MAINT DOCS.

ITEM NO	QUANTITY	RECD	SIZE	PART NO.	CC	INDENTURE	DESCRIPTION	ASSY	REMARKS
26	1		A	91787-001			SCHEMATIC, DC CABLE		
27	1		A	90740-XXX			CABLE RIW/S		
28	1		A	91049-001			PWR. DIST.		
29	1		A	90890-001			POWER AMP		
30	1		A	91126-001			DREAM LEFT		
31	1		A	91122-001			DREAM RIGHT		
32	1		A	91725-001			SCHEMATIC, SECTOR GEN.		
33									
34									
35									
36									
37									
38									
39									
40									
41									
42									
43									
44									
45									
46									
47									
48									
49									
50									

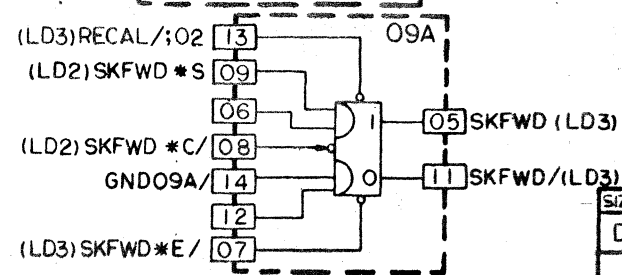
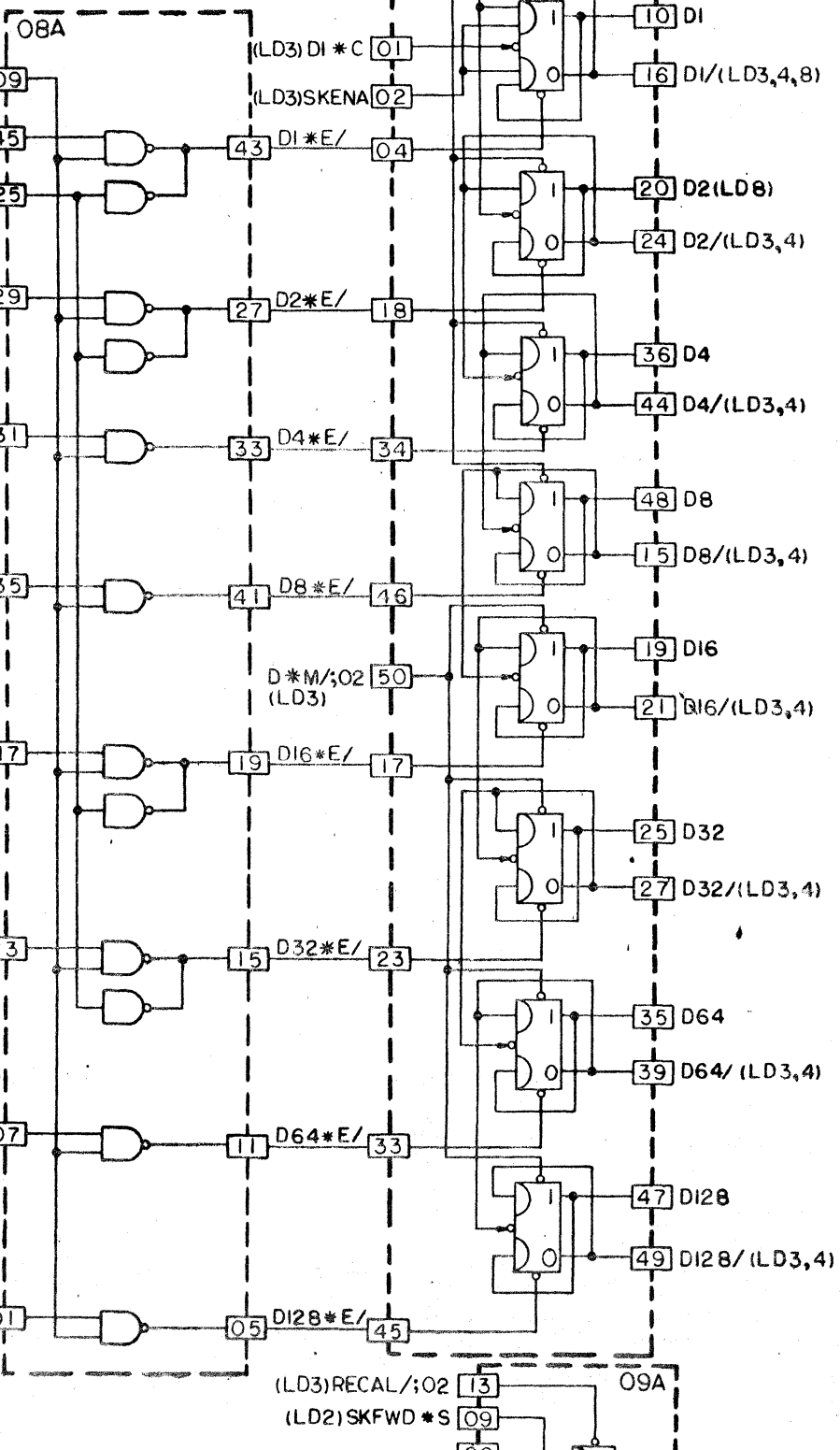
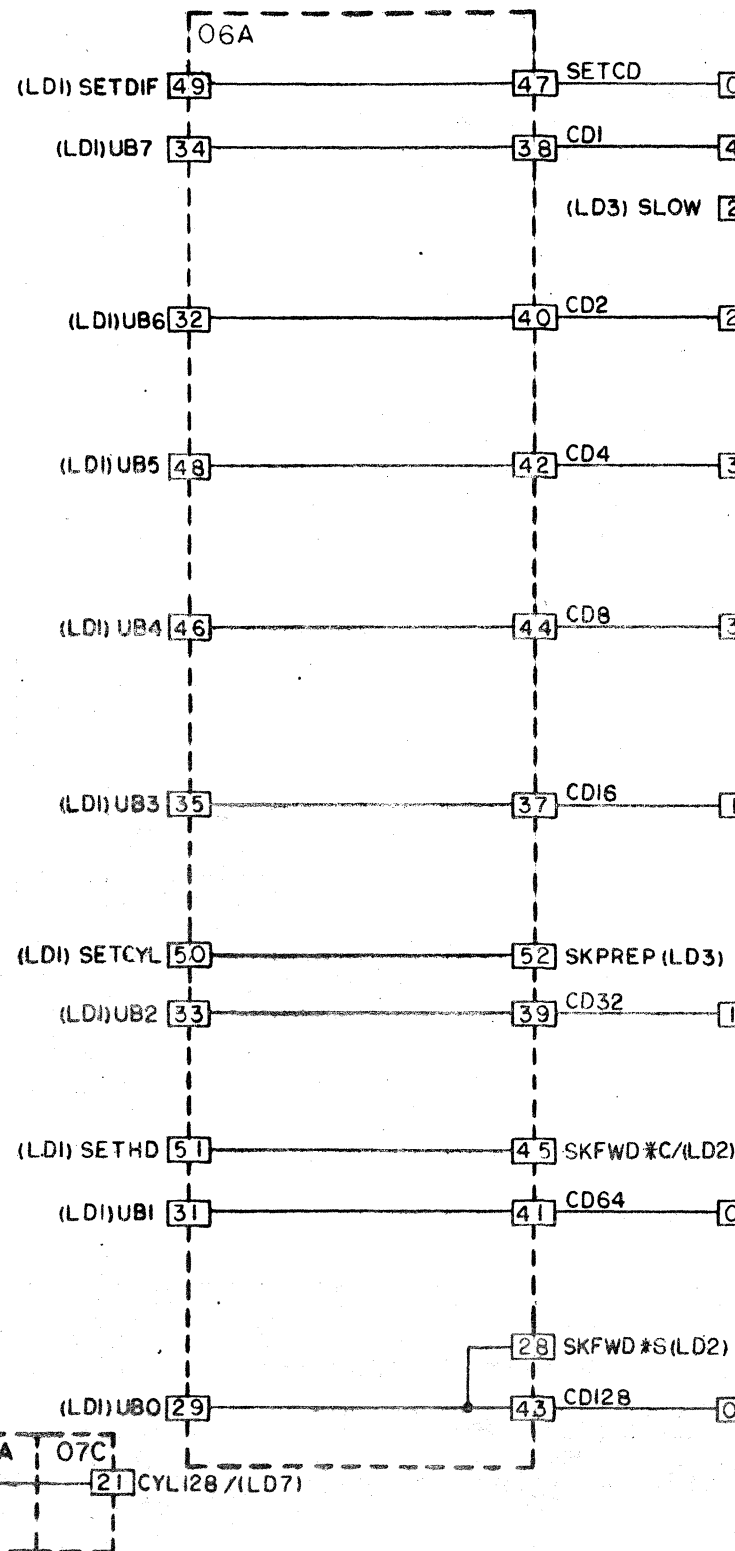
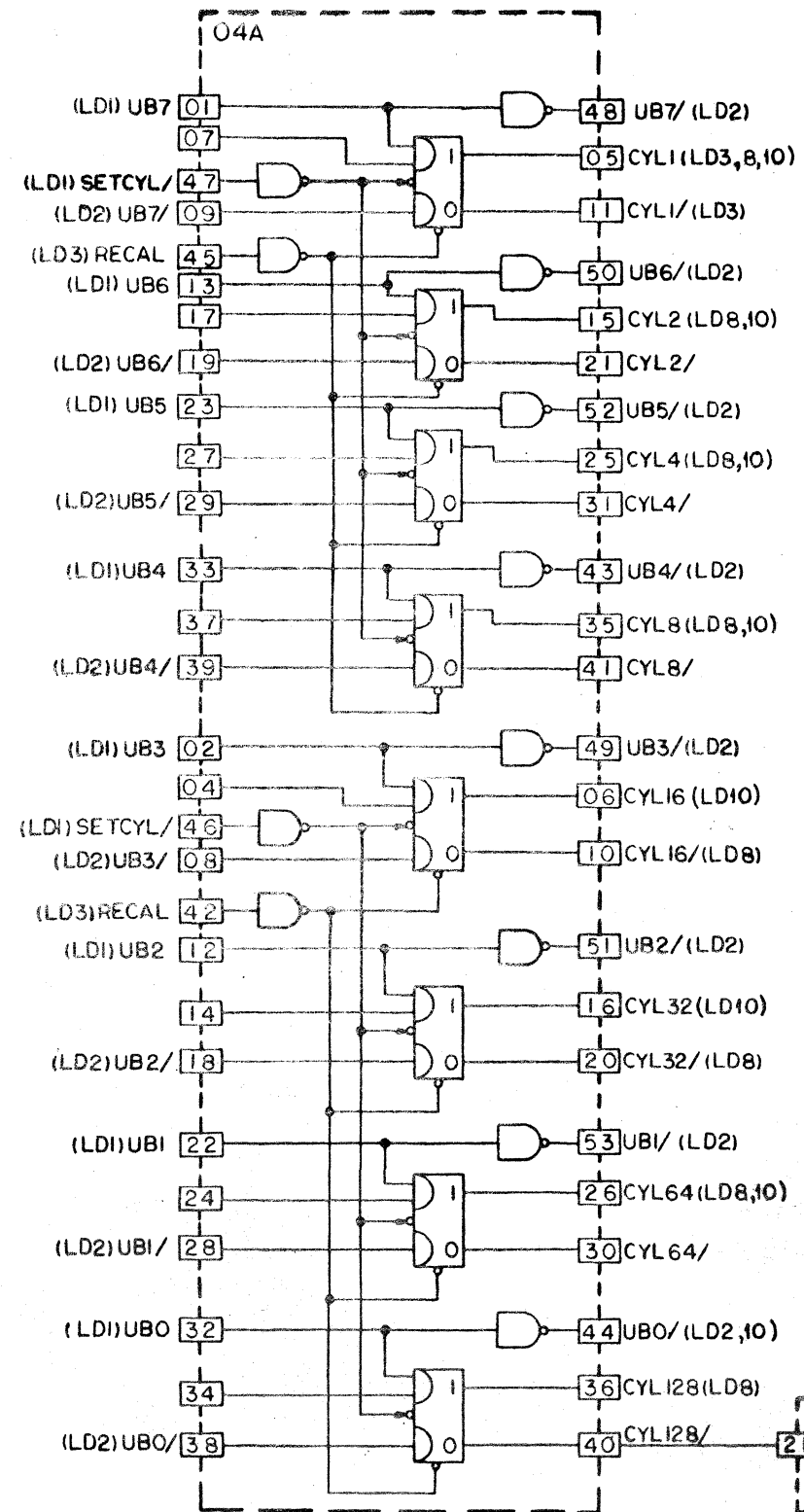
PARTS LIST		Assy. MAINT. DOCS.									
ITEM NO	QUANTITY RECD				SIZE	PART NO.	CC	INDENTURE	DESCRIPTION	ASSY	REMARKS
51	1				A	90202-001			SCHEMATIC ; CYL. ADDR. REG.		AF10
52	1				A	90206-001			DIFF COUNTER		AF11
53	1				A	90210-001			DIFF. CNTR. ILLCYL		AL10
54	1				A	91069-001			HD ADDR. & DECODE		AF13
55	1				A	90218-001			FILE UNSAFE LOGK		AL15
56	1				A	90222-001			SEEK LOGIC I		AL13
57	1				A	90226-001			SEEK LOGIC II		AL14
58	1				A	90246-001			CONT. LOGIC I		AL11
59	1				A	90230-001			CONT. LOGIC II		AL16
60	1				A	90258-001			DET. IDX, SPEED, CYL		AL12
61	1				A	90262-001			INDEX PREAMP		AX10
62	1				A	90266-001			OSC & DC PUR MAN		AT10
63	1				A	91093-001			SERVO PREAMP		AP21
64	1				A	91101-001			DIA CONVERTOR		AP23
65	1				A	90383-001			HEAD SELECT		AR12
66	1				A	91045-001			INDEX DET.		AR20
67	1				A	91057-001			WRITE DRIVER		AR18
68	1				A	90306-001			LAMP/REAY DEY		AP10
69	1				A	91826-001			EMERG. RET		AP28
70	1				A	91061-001			READ AMP		AR19
71	1				A	90559-001			SERVO AMP		AP14
72	1				A	91933-001			SERVO DRIVER		AP29
73	1				A	91109-001			DEMODULATOR		AP25
74	1				A	93059-001			REG & PUR MAN		AP26
75	1				A	91089-001			SCHEMATIC ; CONTROL LOGIC III		AL19





LDI - INPUT INTERFACE

SIZE	91541	REV	
D		W	
SHEET 2 OF 13			

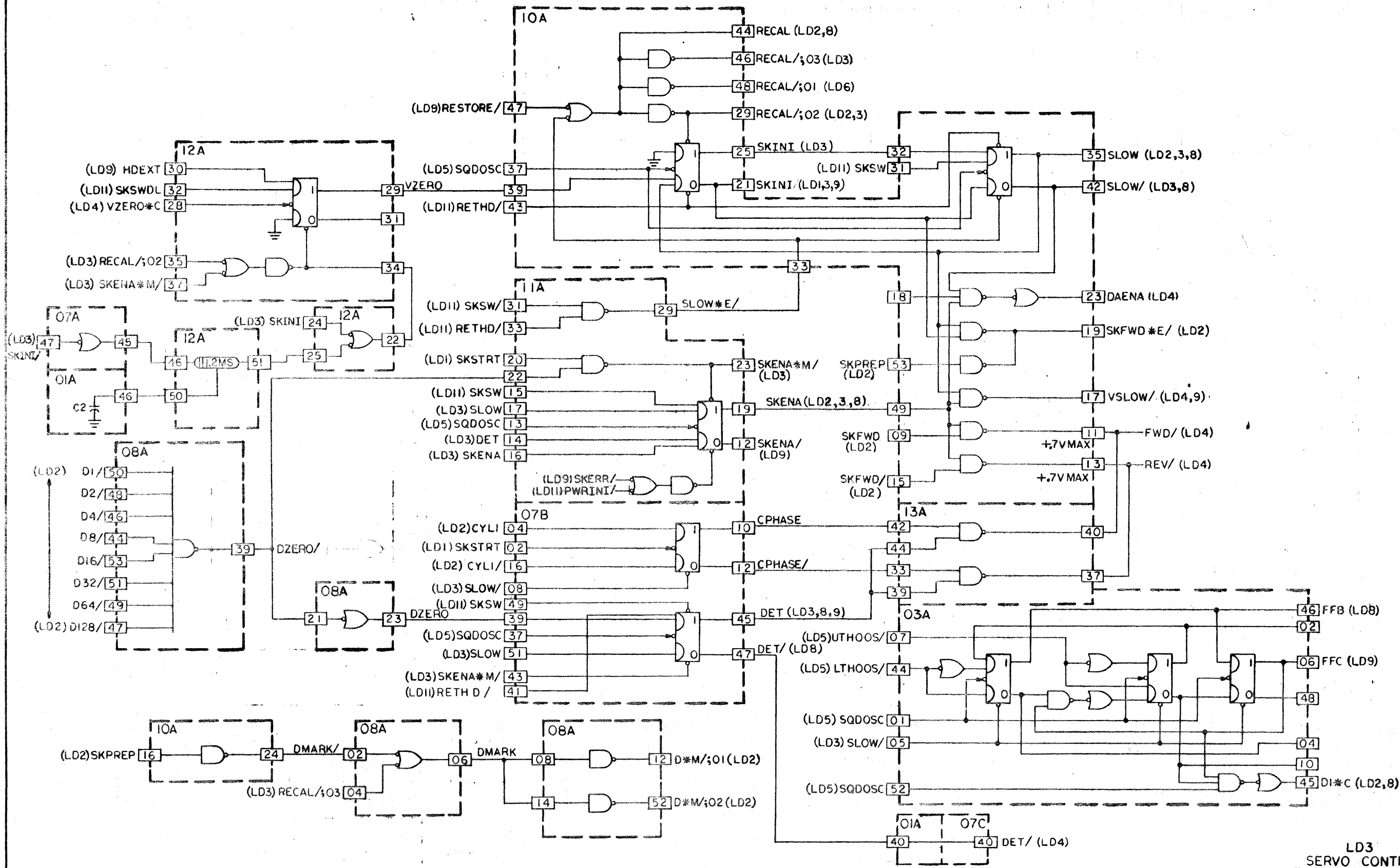


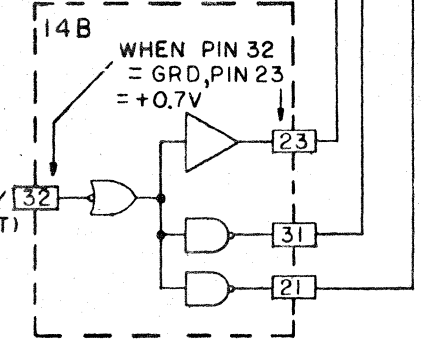
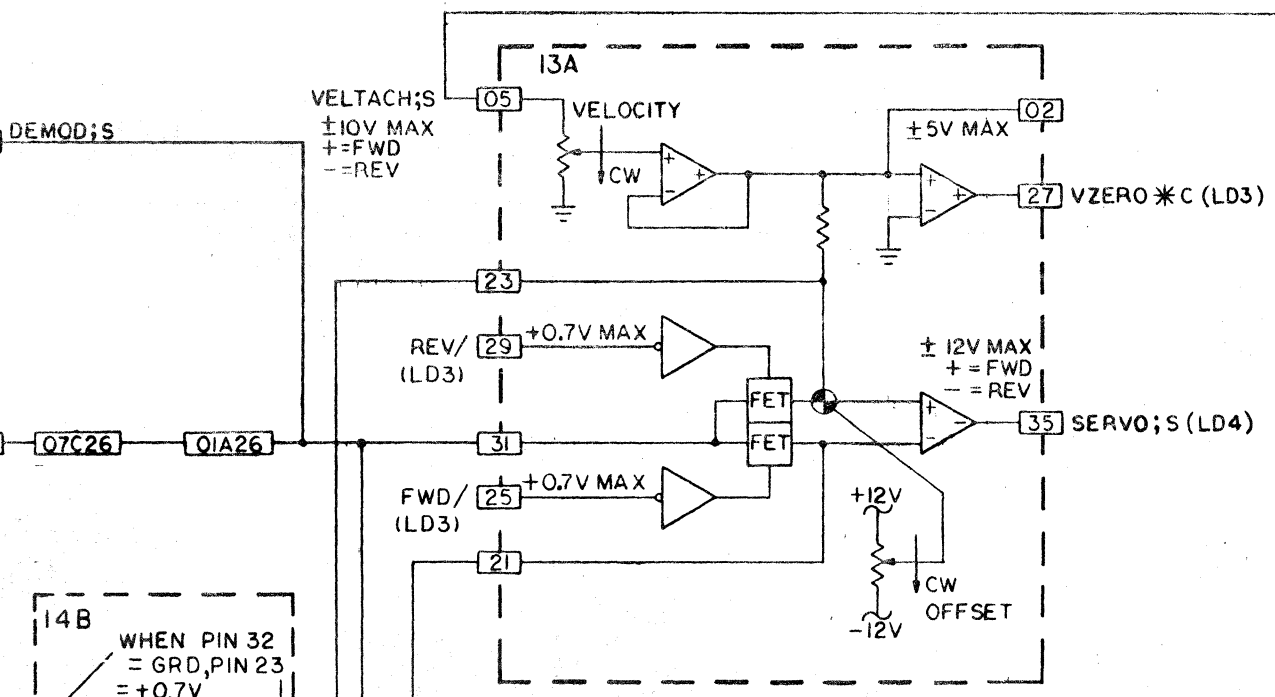
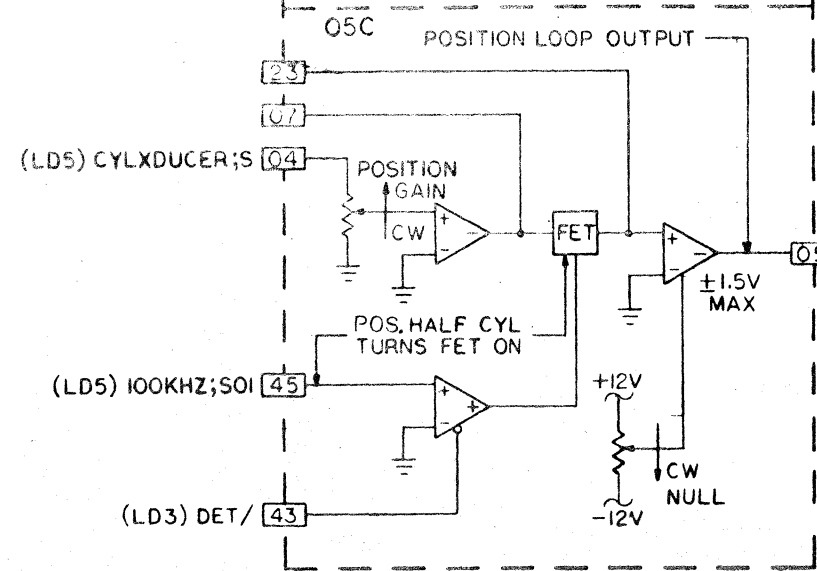
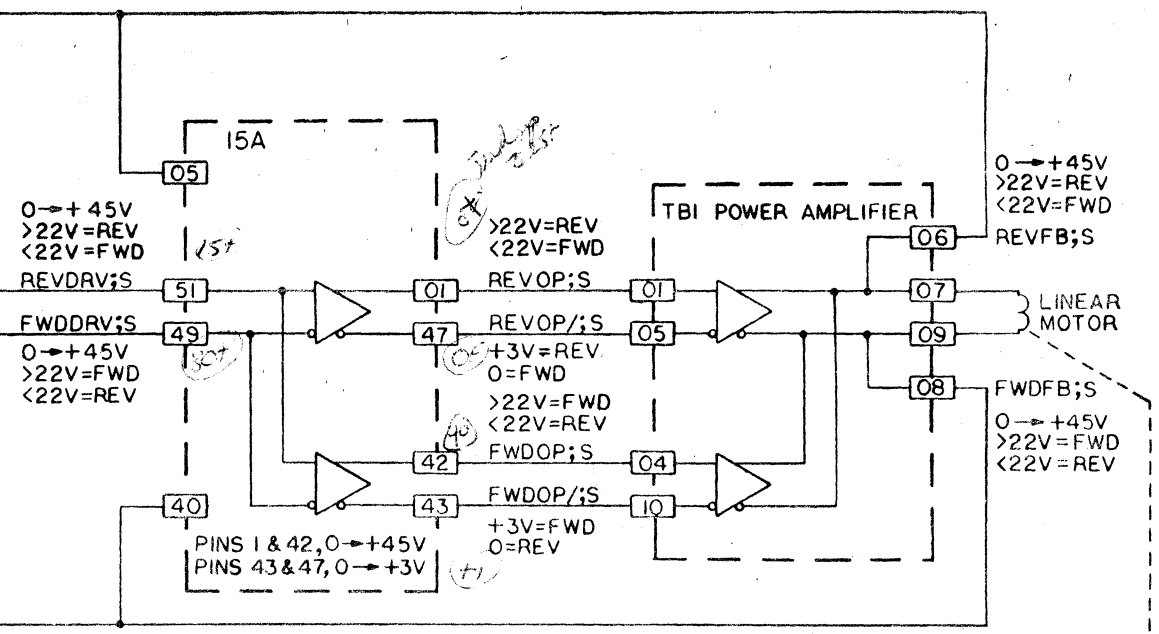
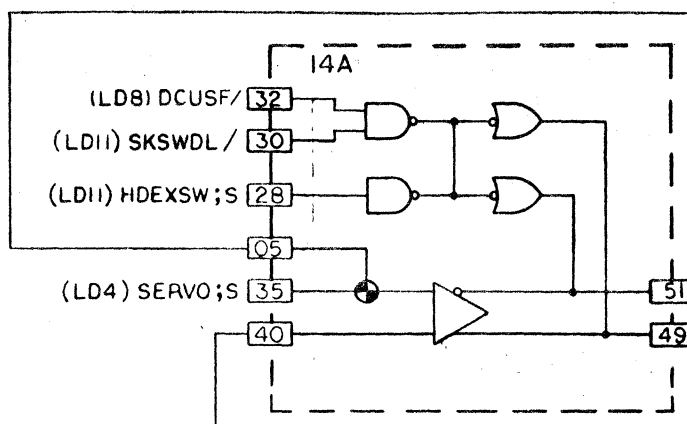
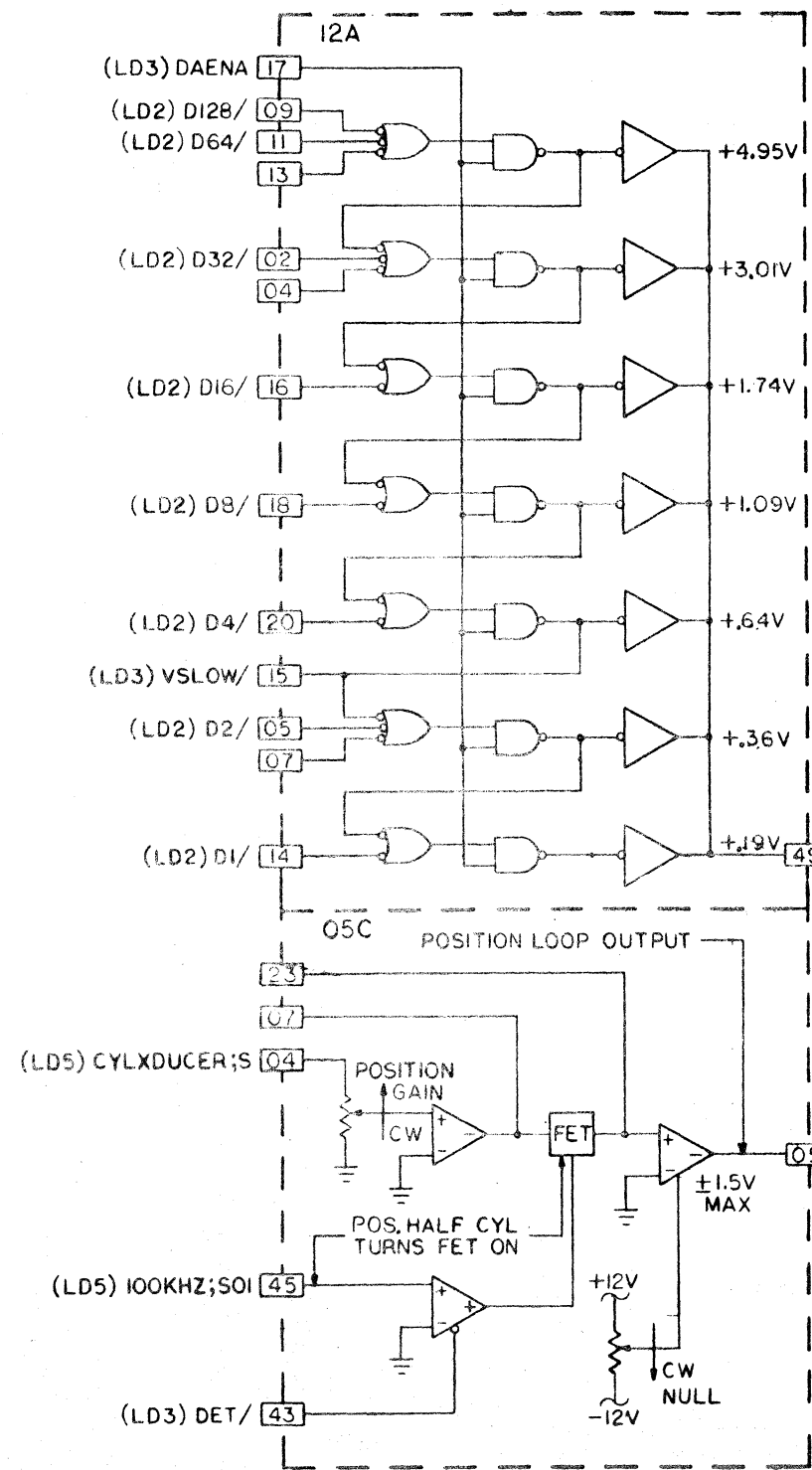
LD2-CAR,  
DIFFERENCE COUNTER  
AND DIRECTION

SIZE	9154t	REV
D		W

SHEET 3 OF 13



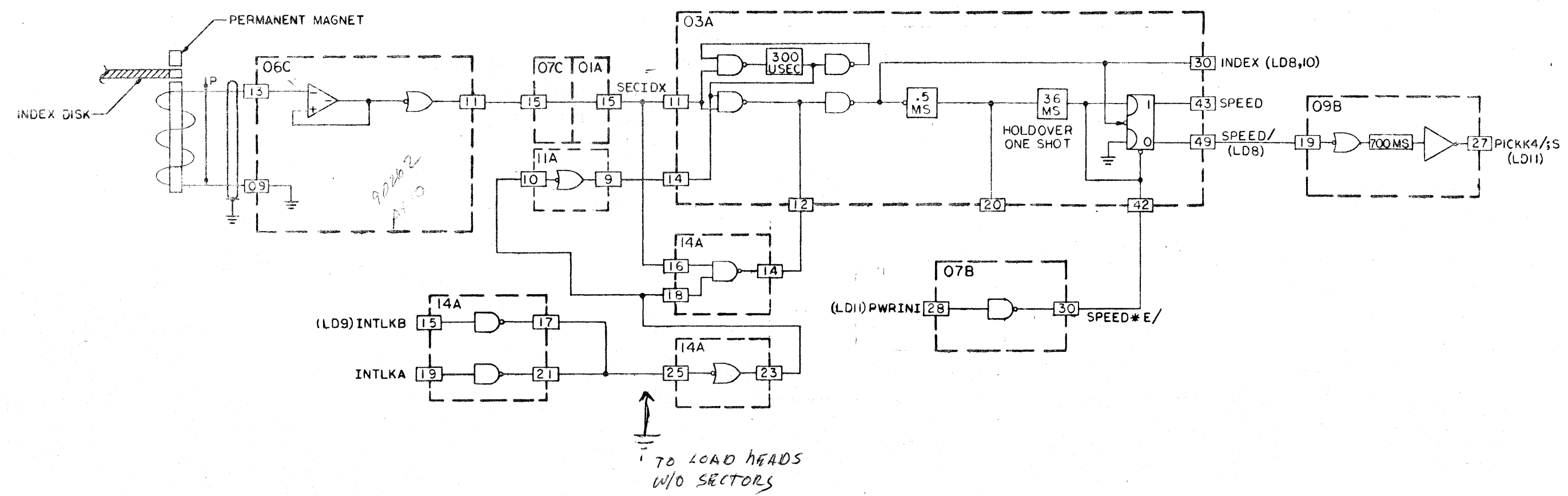
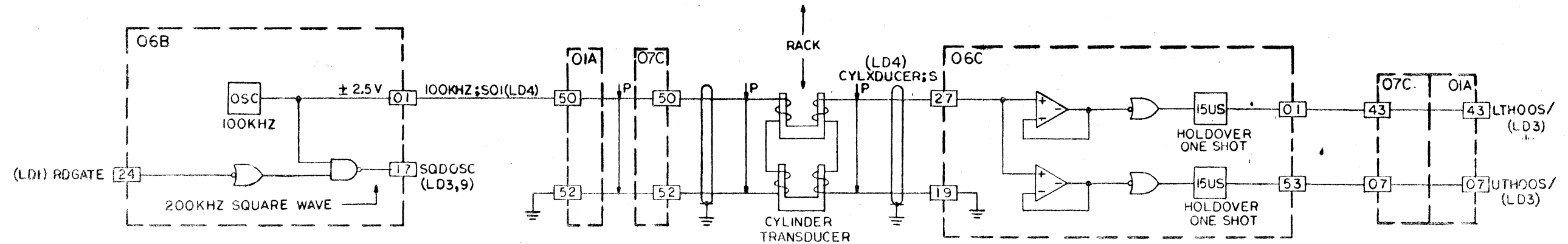




8B 9 Ground  
 3 ground  
 912-435-6401  
 Larry Logan  
 215-545-1451

LD4 - SERVO

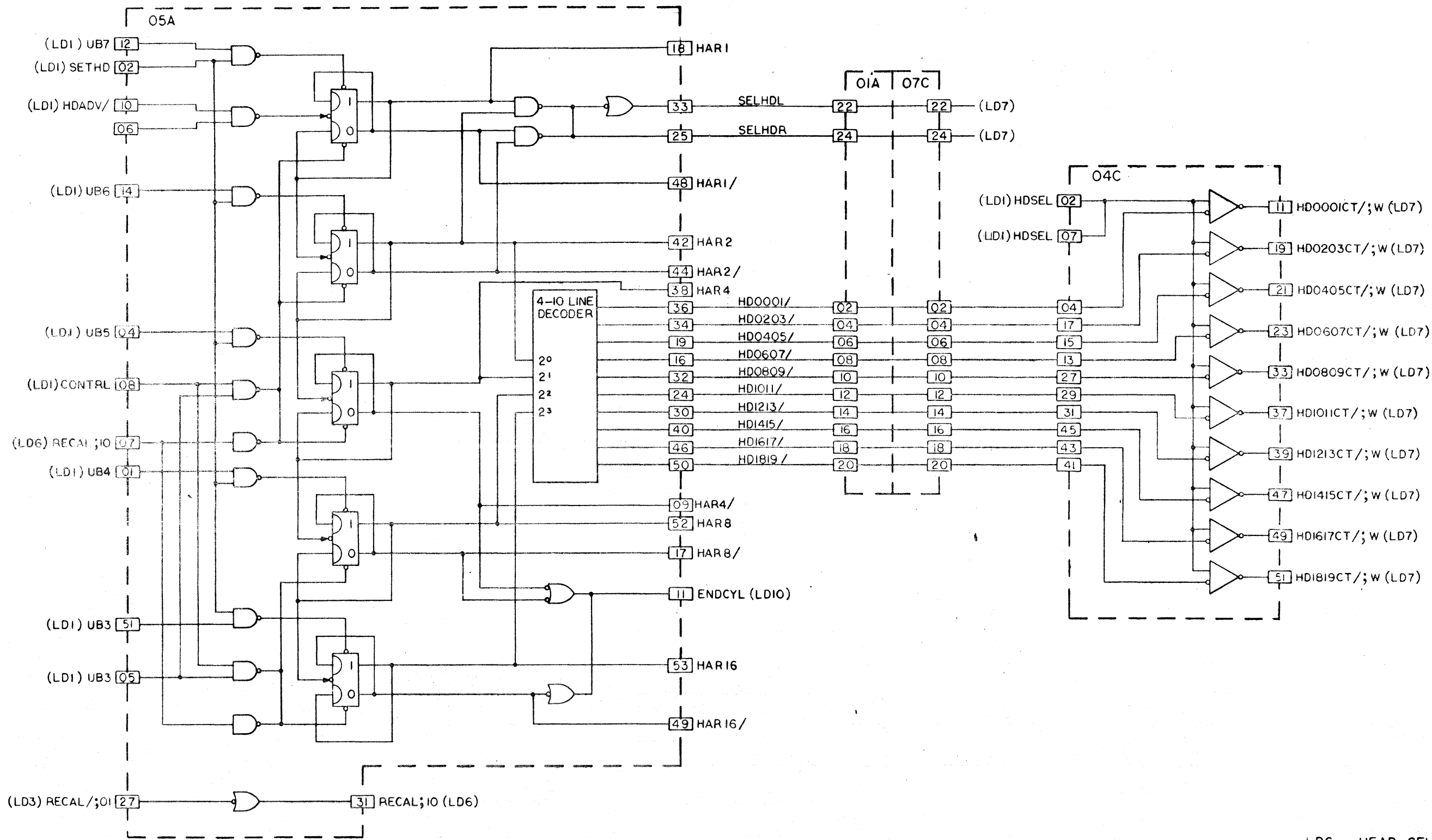
SIZE	REV
D	W
91541	
SHEET 5 OF 13	

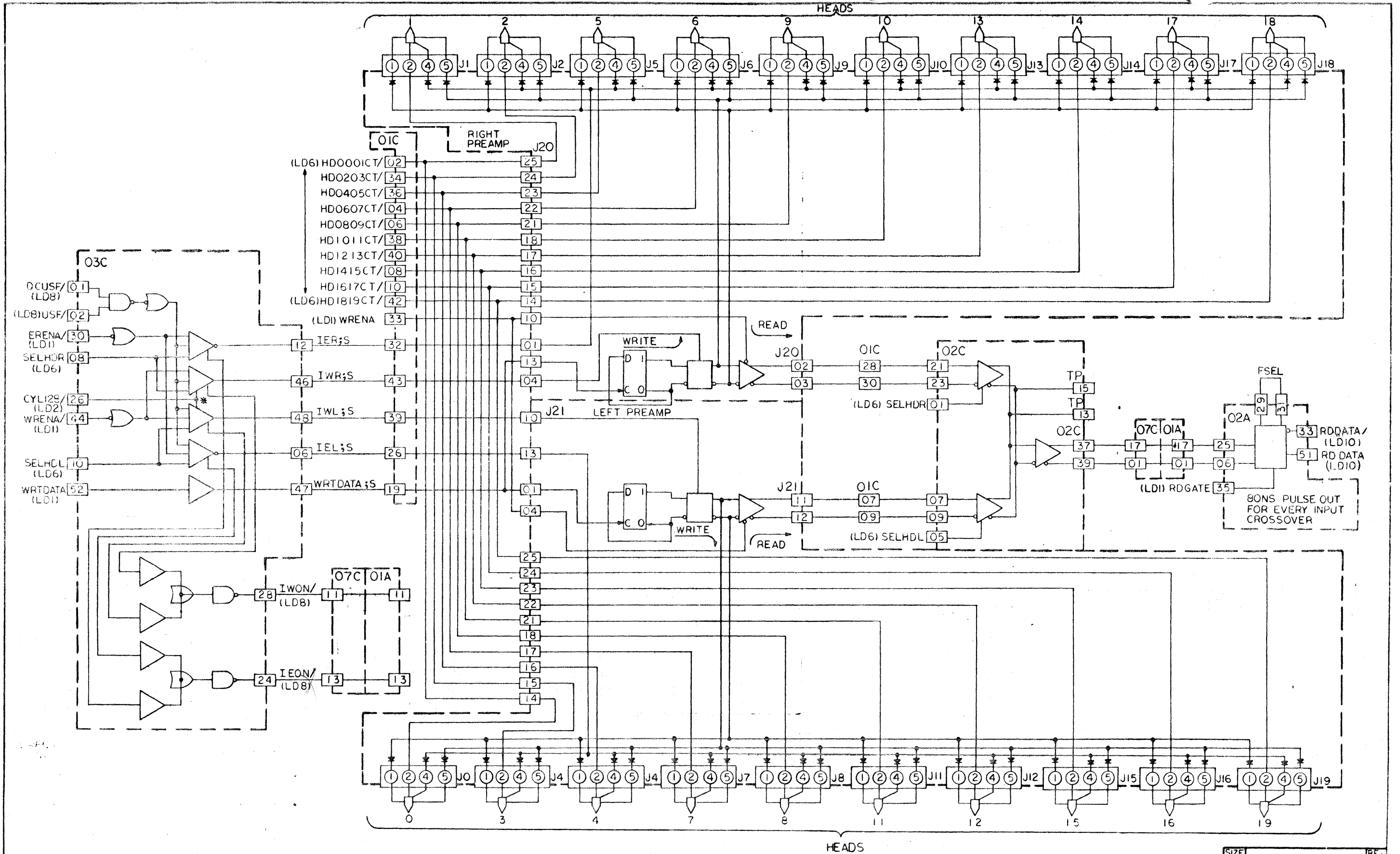


LD5 UPPER & LOWER  
THRESHOLD AND INDEX

SIZE	REV
D 9154	VY

SHEET 6 OF 13

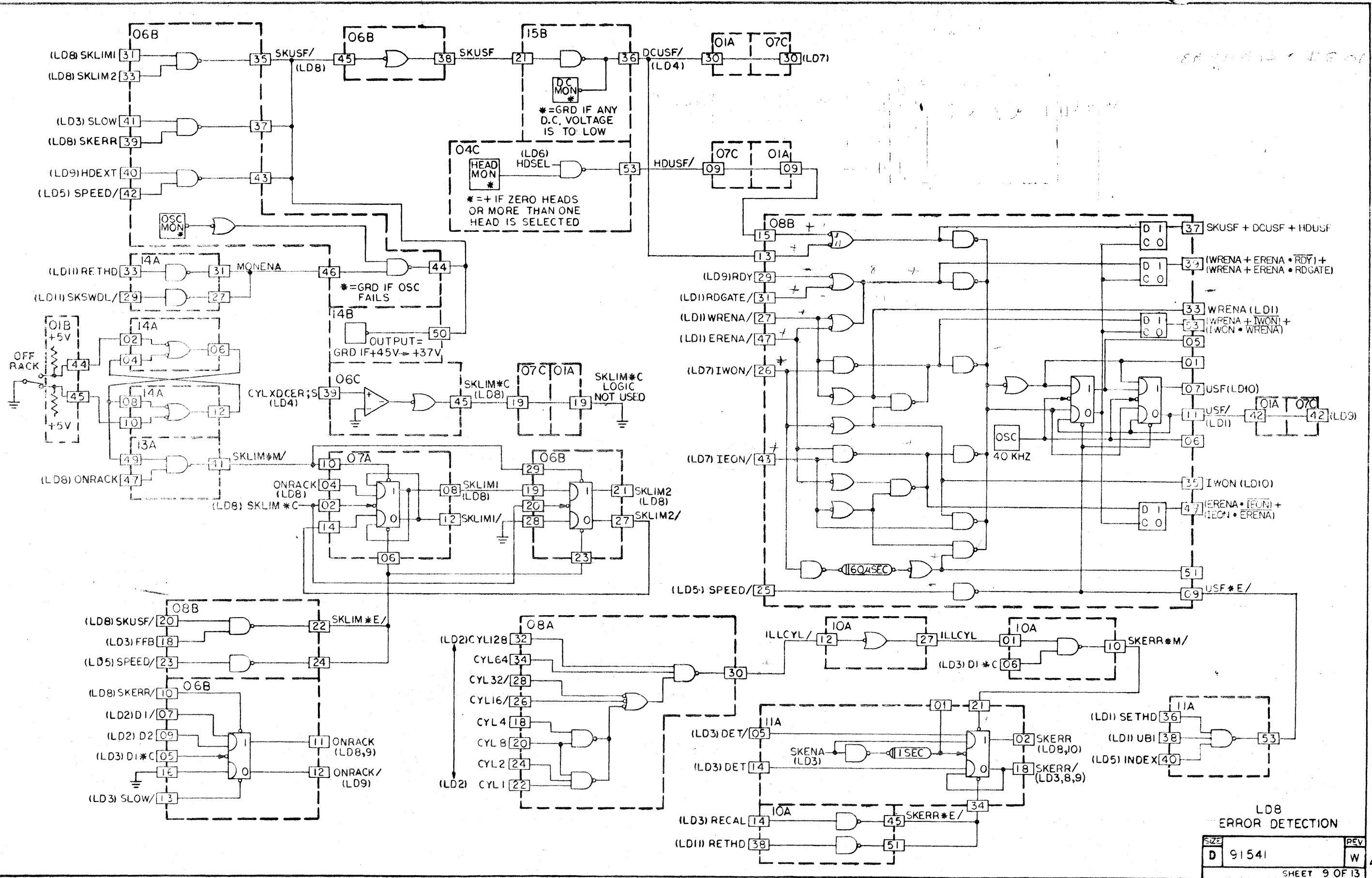


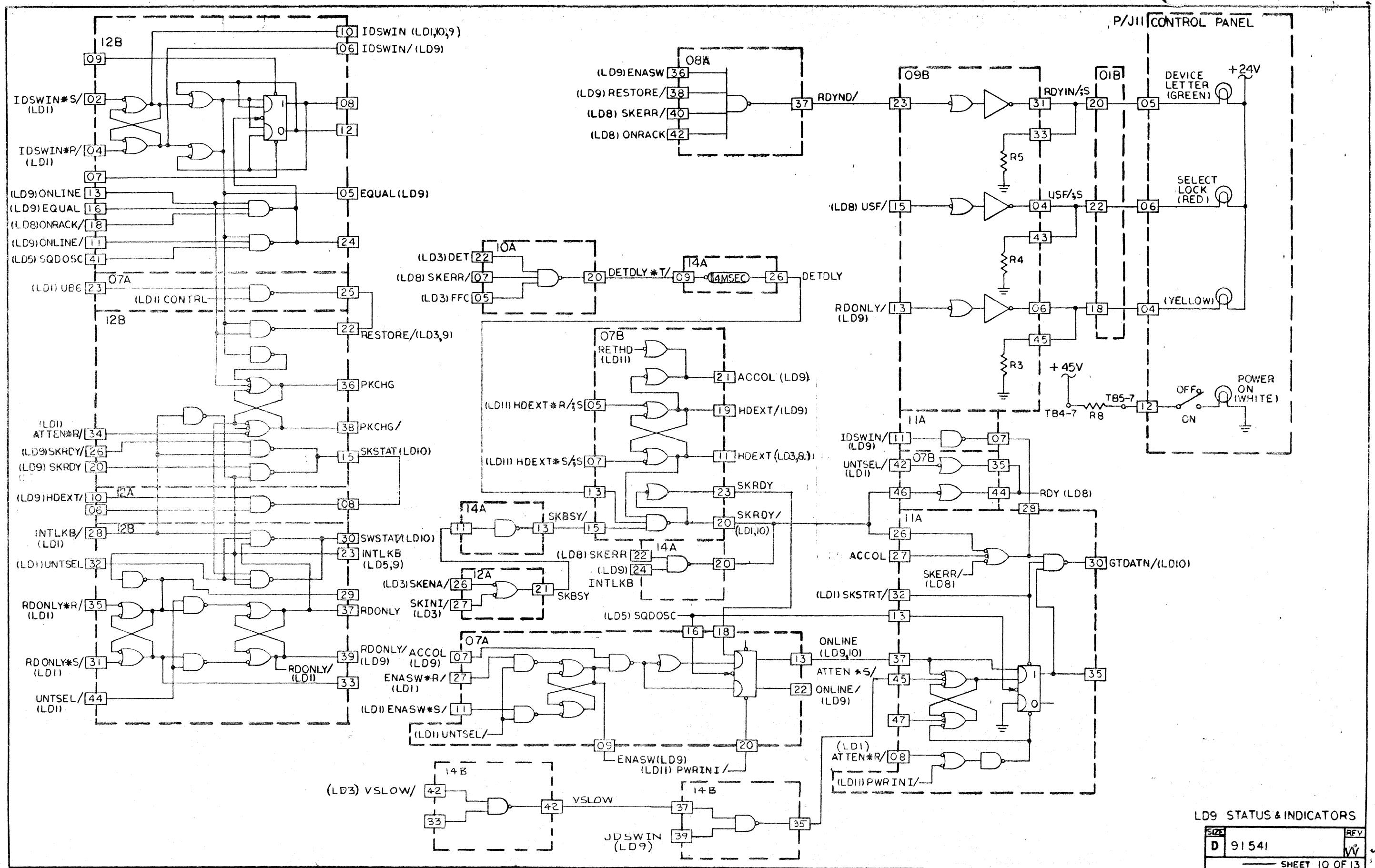


\* CHANGES WRITE CURRENT MAGNITUDE

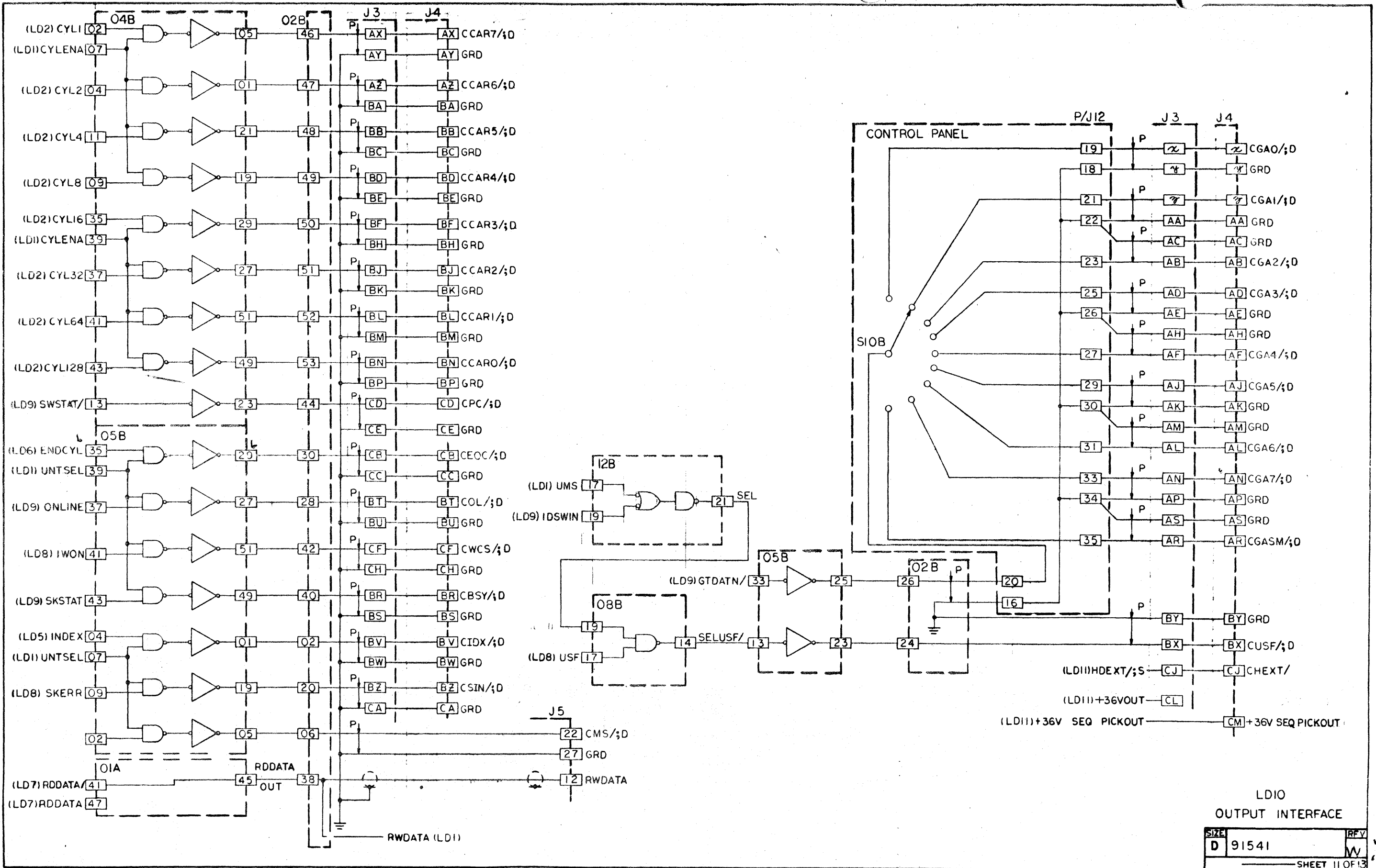
LD7 READ/WRITE

SIZE	D	91541	RE.
			✓
SHEET 8 OF 13			

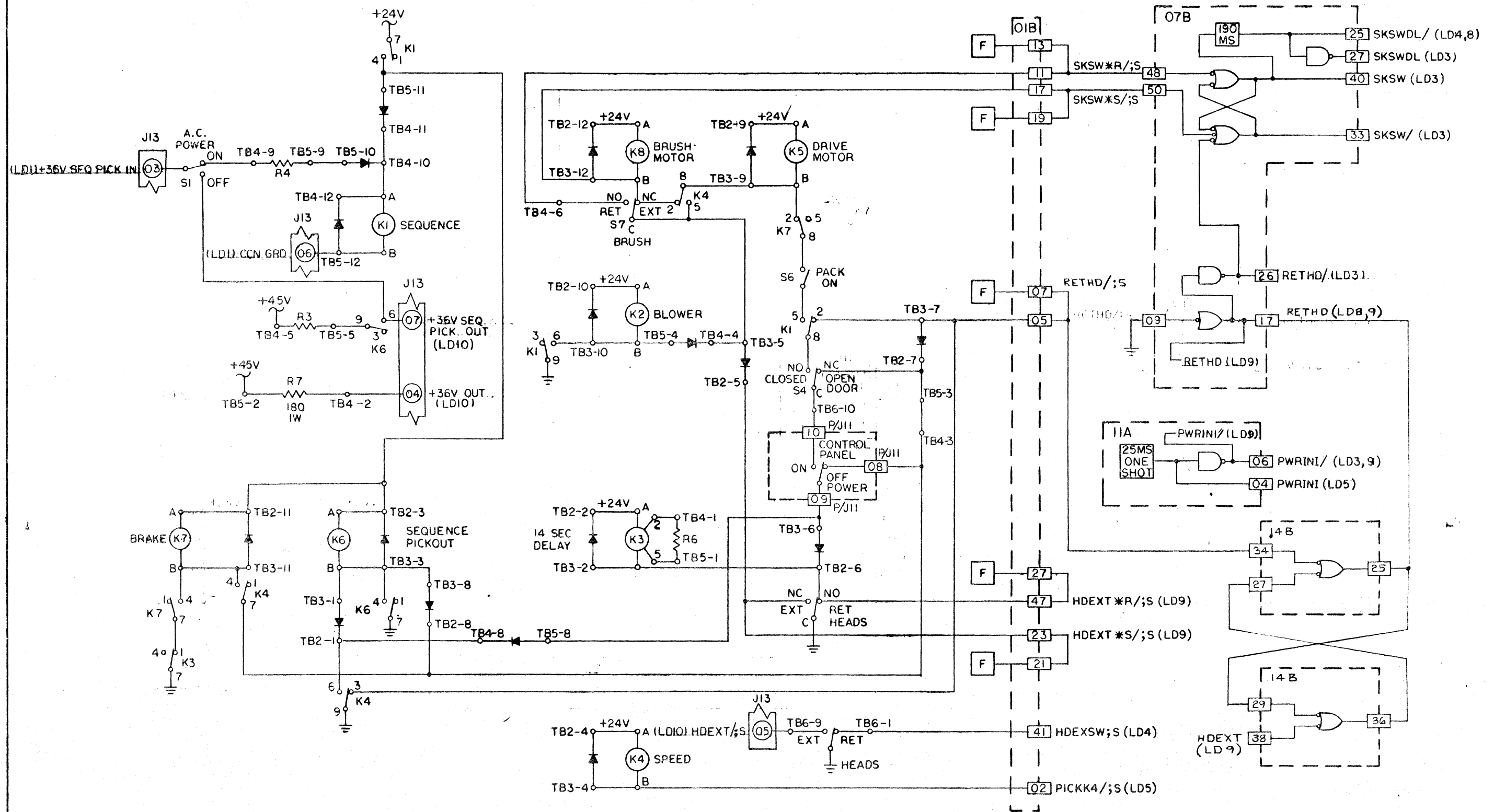


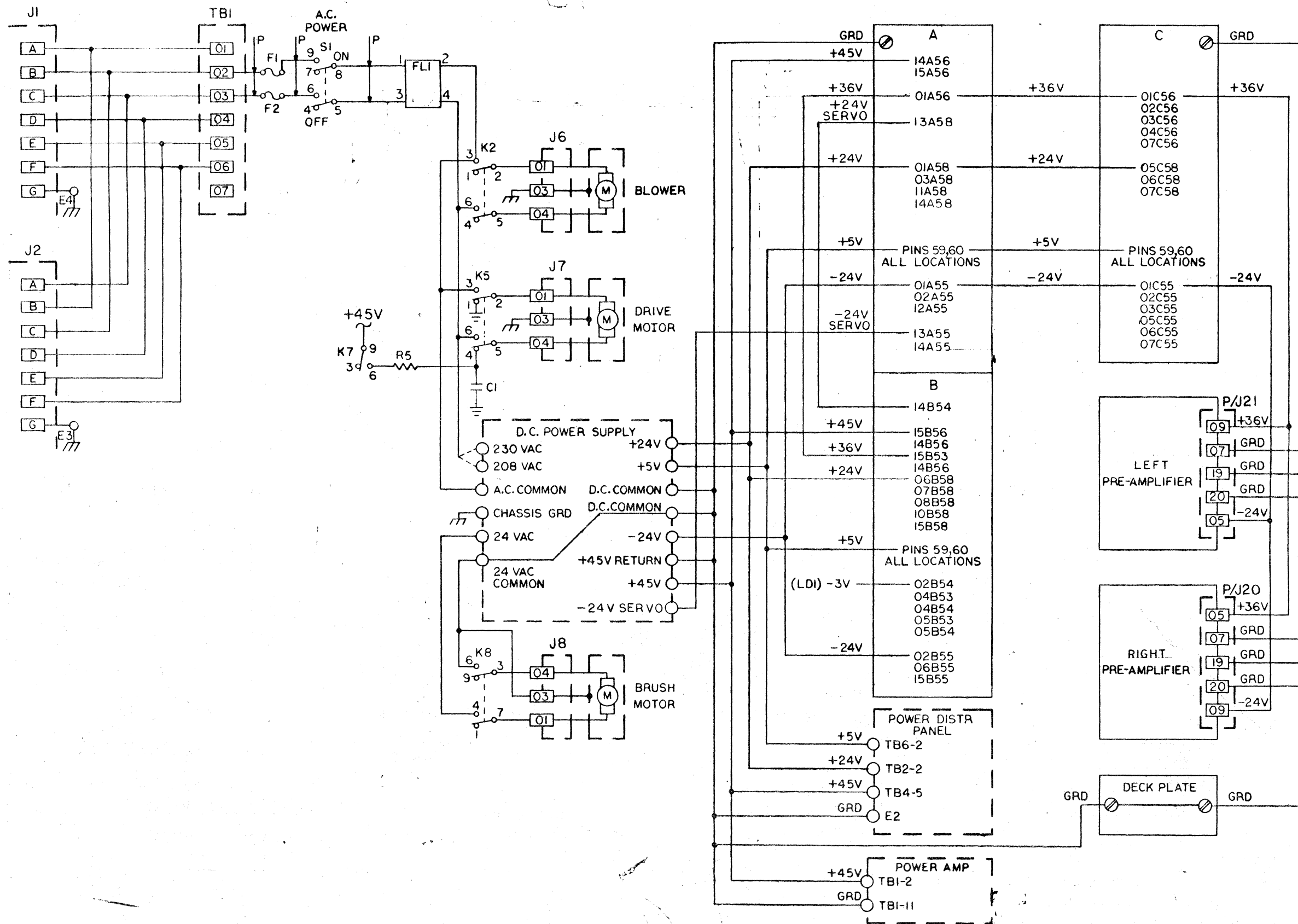


LD9 STATUS & INDICATORS









LD12-POWER DISTRIBUTION

SIZE	REV
D	91541
	WV
SHEET 13 OF 13	

**LOGIC NAMES**

**SKFWD \* E /** THIS SIGNAL WHEN LOW, RESETS THE SKFWD FLIP FLOP.  
 LOW ACTIVE (NO SLASH=HIGH ACTIVE)  
 FUNCTION E=ERASE, D.C. RESET  
 S=SET  
 M=MARK, D.C. SET  
 R=RESET  
 C=CLOCK  
 FUNCTION SEPARATOR SIGNAL (SEEK FORWARD)  
 USF=UNSAFE (HIGH ACTIVE)

**D \* M / ; 02** THIS SIGNAL, WHEN LOW, SETS ALL BITS OF THE DIFFERENCE COUNTER. REPOWERING, TWO OR MORE SIGNALS GENERATED IN PARALLEL FOR LOADING: REPOWERING OR VOLTAGE CLASS SEPARATOR.

**CGARO ; Q** THIS IS THE M.S.B. OF THE CYLINDER ADDRESS REGISTER. VOLTAGE CLASS. ALL SIGNALS THAT DON'T HAVE A VOLTAGE CLASS SHOWN ARE D.

VOLTAGE CLASS SYMBOL	HIGH LEVEL		LOW LEVEL	
	MIN	MAX	MIN	MAX
D	+4.5	+5.5	0.0	+0.7
L	+2.0	+6.28	0.0	+0.3
W	+28.4	+38.9	0.0	+1.3
Q	+0.65	+3.5	-3.5	-0.5
S	SEE FACE OF LOGIC DIAGRAM WHERE GENERATED			

**MODULE LOCATION CHART**

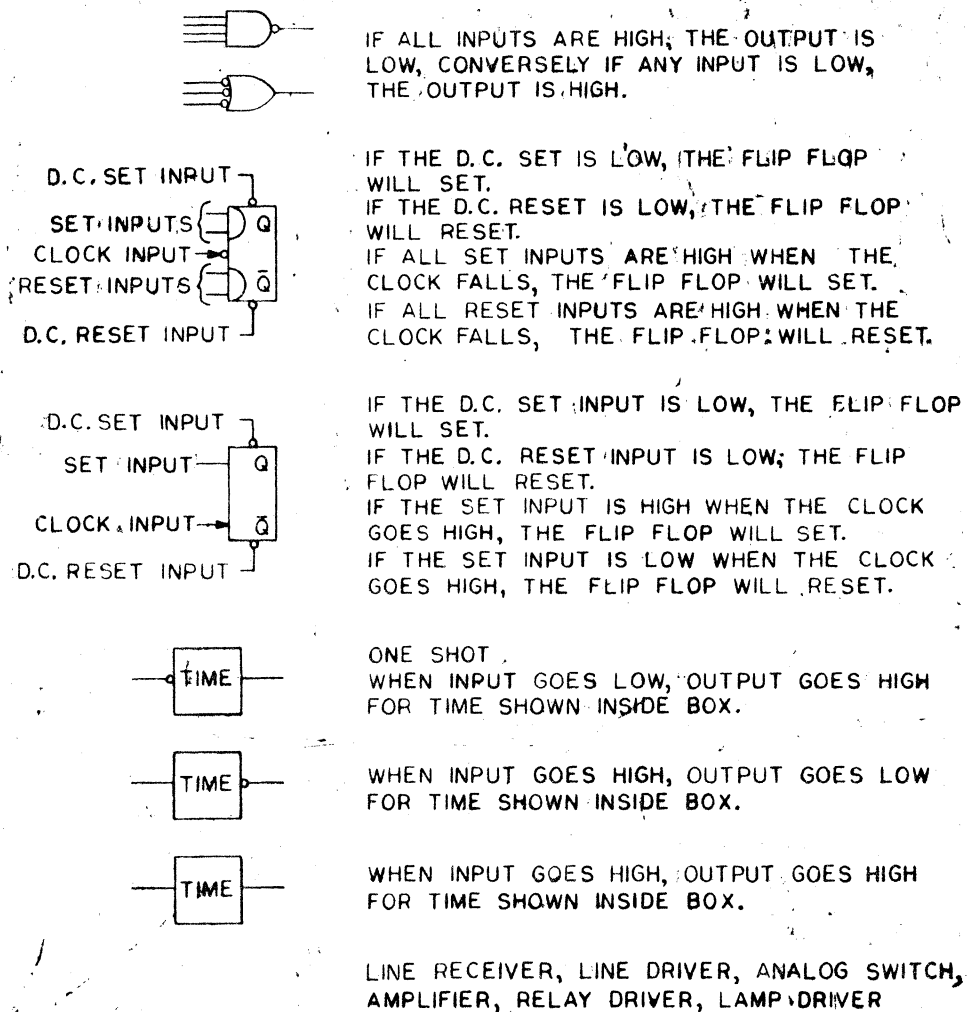
	1	2	3	4	5	6	7	8	9	10	11	12	13	14	15
A	CPM	CPM	AR20	AL12	AF10	AF13	*	AL11	AL10	AF11	AL13	AL14	AP23	AP21	AP28
B	CPM	CPM	CPM	Δ	□	□	AT10	AL16	AL15	AP10			AL19	AP28	AP18
C	CPM	AR19	AR18	AR12	AP25	AX10	AT10	CPM							

- \* DL52 ③, AZ16 ②④
- Δ AN19 ②③, AN11 ④
- AN18 ②③, AN14 ④

- 5. ALL REVISIONS TO DIMENSIONS, 1/4", 5%
- ④ 91045-006,007
- ③ 91045-003,004
- ② 91045-001,002,019,020

1. ALL LOGIC INPUTS HAVE THE LOGIC DIAGRAM NUMBER (LD\_) OF WHERE THE SIGNAL IS GENERATED. ALL LOGIC OUTPUTS HAVE ALL THE LOGIC DIAGRAM NUMBERS WHERE USED.

**LOGIC SYMBOLS:**



REVISIONS		
SYM	ZONE	DATE & APPROVAL
A		ENGINEERING RELEASE
B		REVISED AND REDRAWN
BI		PRODUCTION RELEASE ECN 1070
C		REVISED PER ECN 1264
D		REVISED PER ECN 1359
E		REVISED PER ECN 1376
F		REVISED PER ECN 1523
FI		REVISED PER ECN 1564
F2		REVISED PER ECN 1579
G		REVISED PER ECN 1613
H		REVISED PER ECN 1798
HI		REVISED PER ECN 1810
J		REVISED PER ECN 2025
K		REVISED PER ECN 2225
L		REVISED PER ECN 2221
M		REVISED PER ECN 2595
N		REVISED PER ECN 2607
P		REVISED PER ECN 2751
R		REVISED PER ECN 2750
S		INCORPORATED UECN 3263 PER ECN 2754
T		REVISED PER ECN 2754
U		REVISED PER ECN 4376 LH
V		INCORPORATED UECN 4861 PER ECN 4939. REVISED PER ECN 4939
W		REVISED PER ECN 5437
W2		REVISED PER ECN 5441
W3		REVISED PER ECN 6547
X		REVISED PER ECN 7669
Y		REVISED PER ECN 8562

**REVISION CONTROL**  
 THIS DRAWING REVISION (ACROSS TOP) REFLECTS THESE SUBASSEMBLY WIRE LIST REVISION LEVELS (DOWN).

	T	U	V	W	X	Y	G	H	J	K	L	M	N	P	R	S
PDP	91450	M	M	-	M	N	N	H	H	J	J	K	L	L	M	M
CONNECTOR PANEL	91316	E	E	-	E	E	E	E	E	E	E	E	E	E	E	E
A,B CHASSIS	91054	N	N	-	N	N	N	H	H	H	H	H	H	J	K	L
R/W/S CABLE	90616	G	G	-	G	G	G	G	G	G	G	G	G	G	G	G
C CHASSIS	91135	F	F	-	F	F	F	F	F	F	F	F	F	F	F	F
PREAMP CABLE	91131	B	B	-	B	B	B	B	B	B	B	B	B	B	B	B
CONTROL PANEL	91539	A	A	-	A	A	A	A	A	A	A	A	A	A	A	A
A B CHASSIS POWER	90169	D	D	-	D	D	D	-	-	D	D	D	D	D	D	D
POWER AMP	90622	E	E	-	E	E	E	D	D	E	E	E	E	E	E	E
A,B CHASSIS POWER	91982	C	C	-	C	C	C	C	C	C	C	C	C	C	C	C

UNLESS OTHERWISE SPECIFIED  
 DIMENSIONS ARE IN INCHES  
 TOLERANCES ON DECIMALS ANGLES  
 .XX ± .XXX ±

DRILLED HOLES  
 .040 TO .1250: +.002, -.001  
 .136 TO .228: +.003, -.001  
 .234 TO .500: +.004, -.001  
 .515 TO .750: +.005, -.001  
 .765 TO 1.000: +.007, -.001  
 1.015 TO 2.000: +.010, -.001

DRAWN: w. Roman 2-2-70  
 CHECK: [ ]  
 APPD: [ ]  
 FINISH: [ ]

MATERIAL: [ ]  
 SURFACE ROUGHNESS PER MIL-STD-10: [ ]

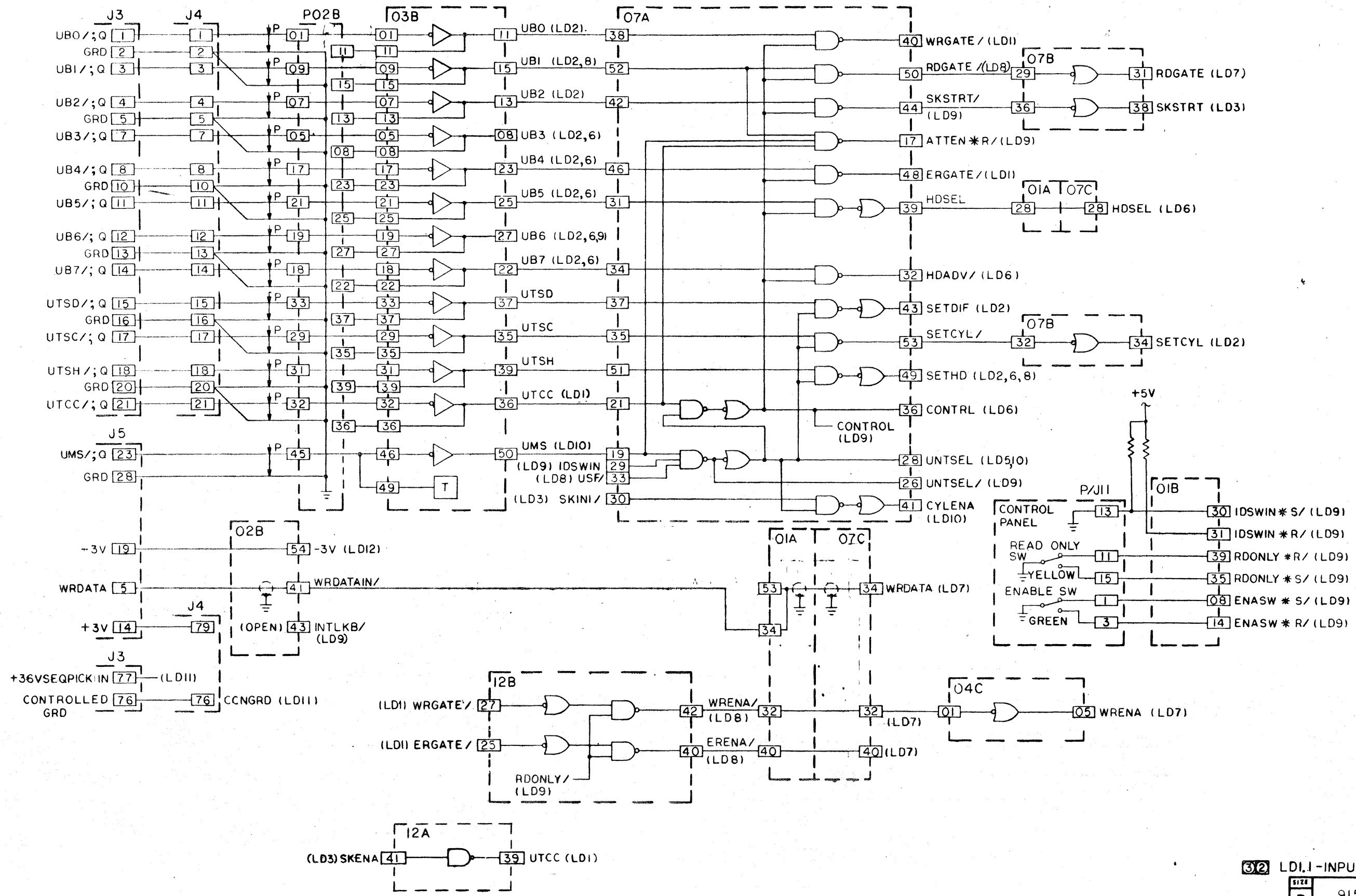
SCALE: [ ]  
 SIZE: D  
 WEIGHT: [ ]

CENTURY DATA SYSTEMS, INC.  
 ANAHEIM, CALIFORNIA

DIAGRAM LOGIC — MODEL 114 (OEM)  
 C.C. 907  
 REV Y

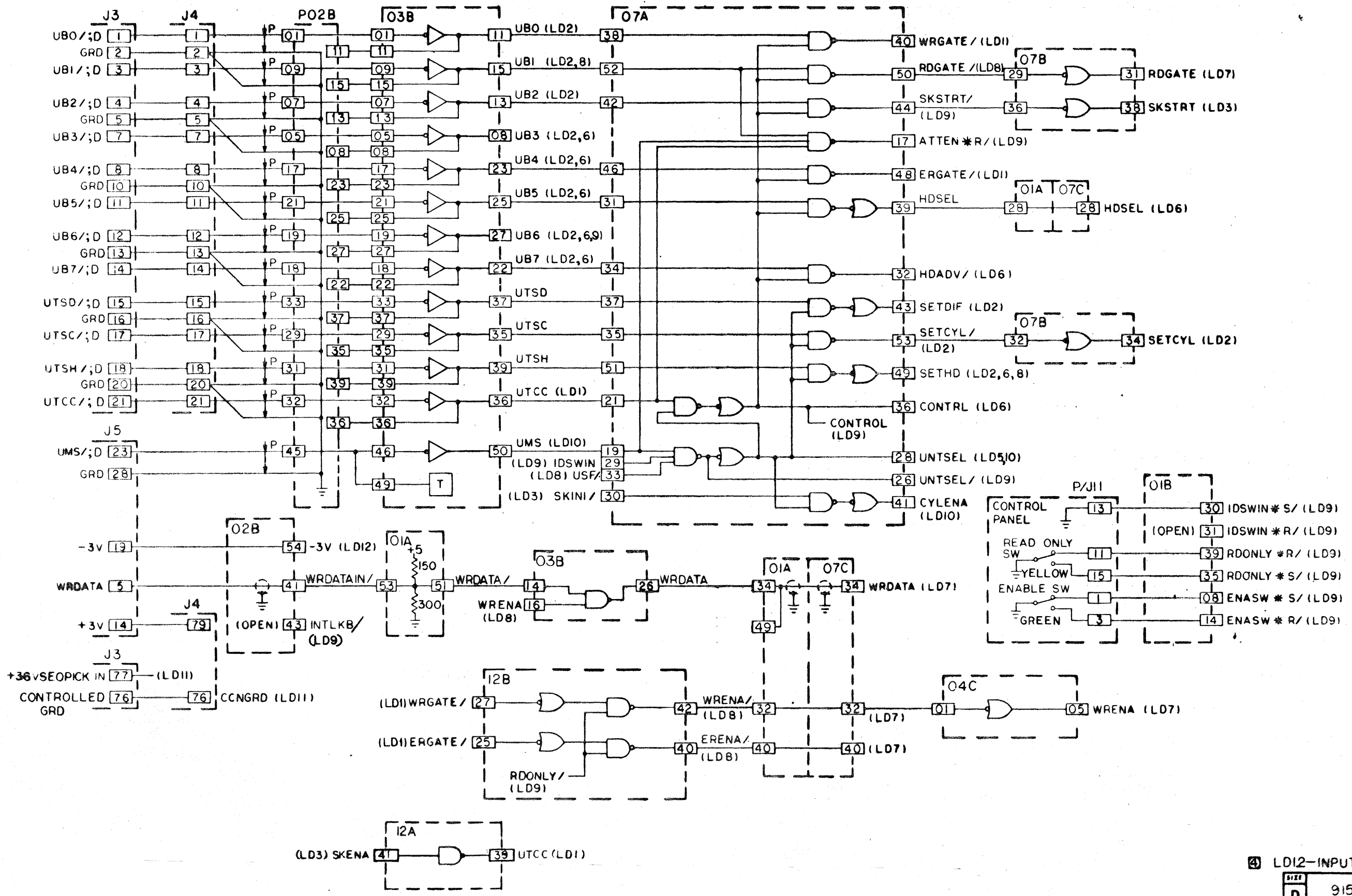
DO NOT SCALE THIS DRAWING

SHEET 1 OF 16



32 LDI.1-INPUT INTERFACE

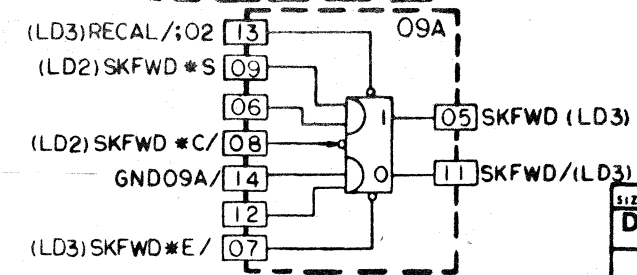
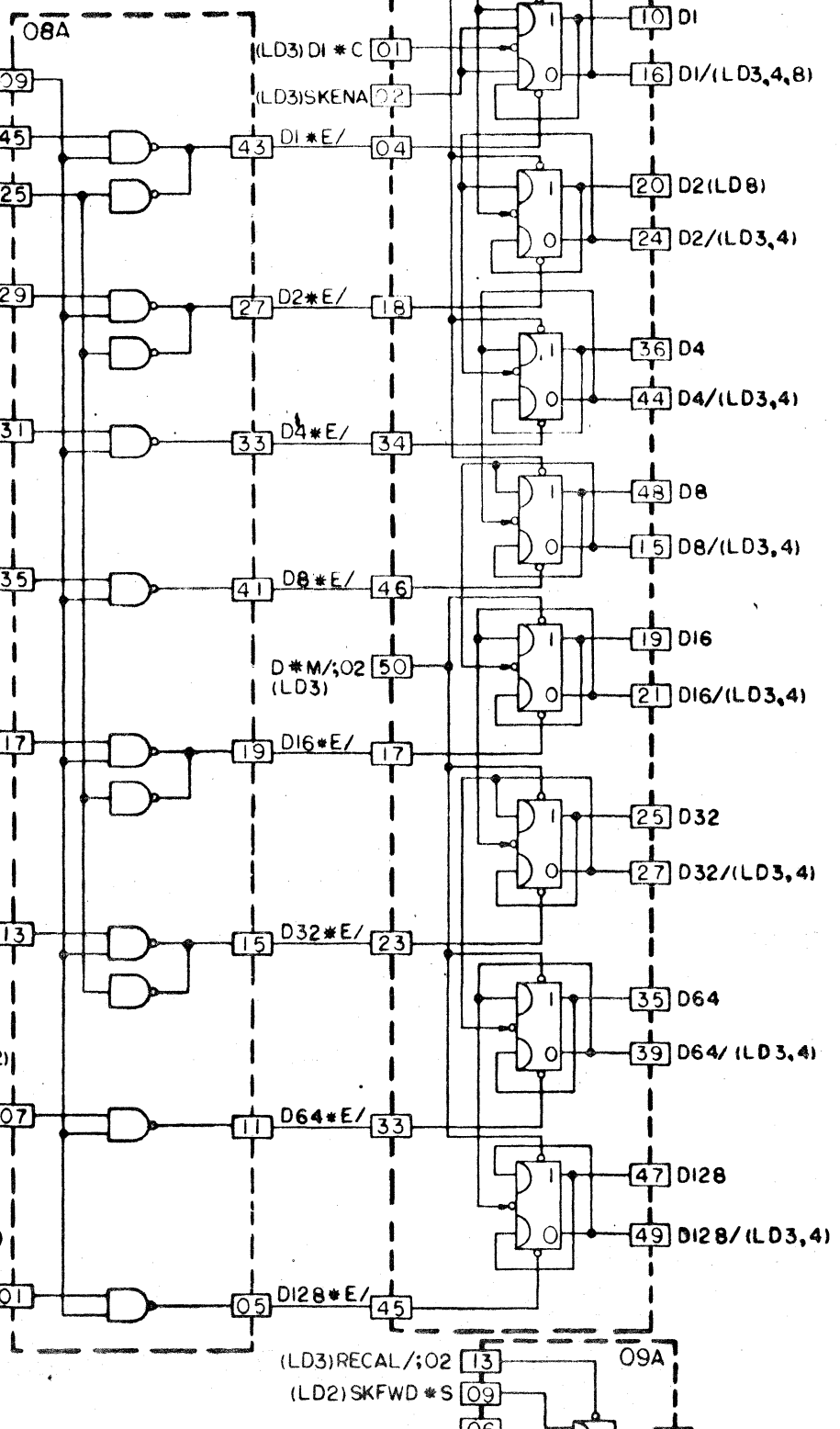
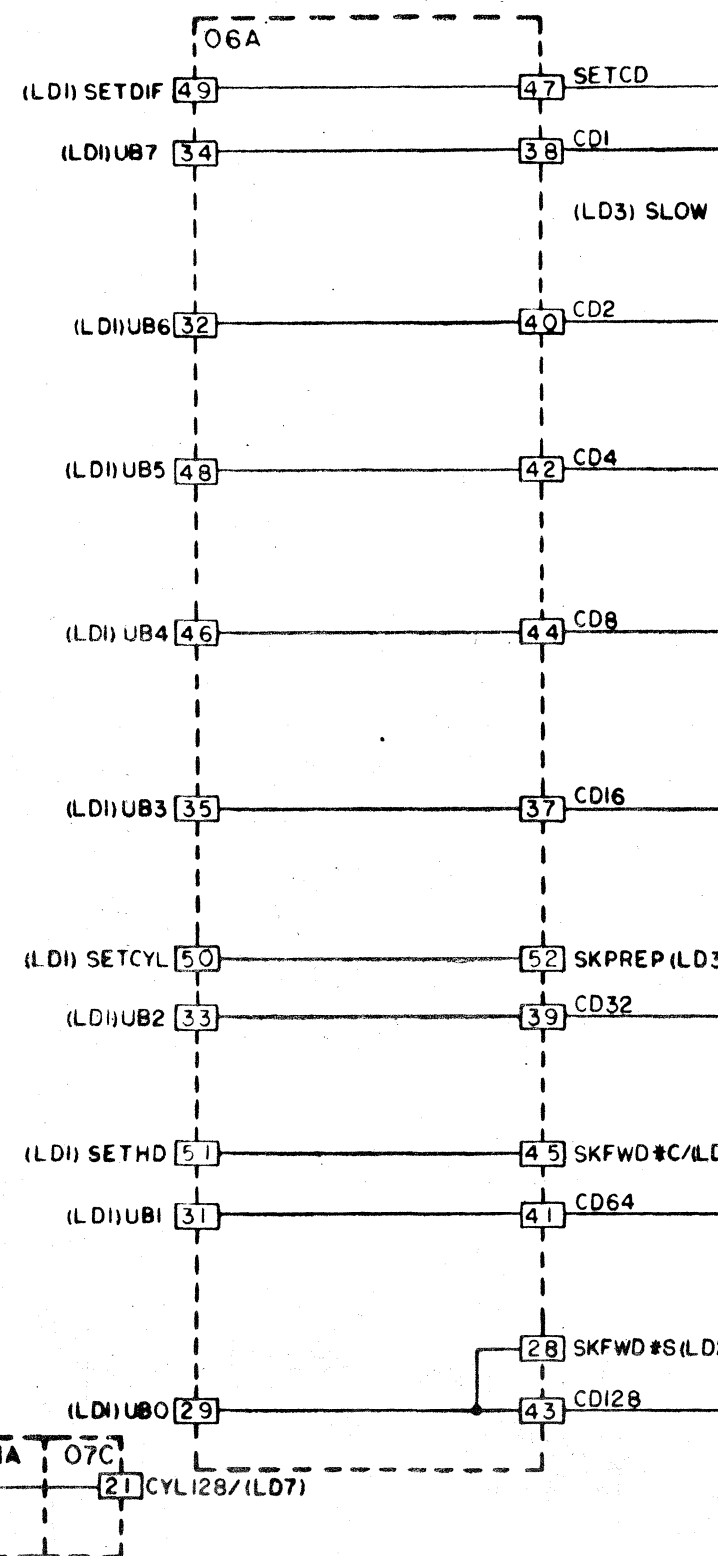
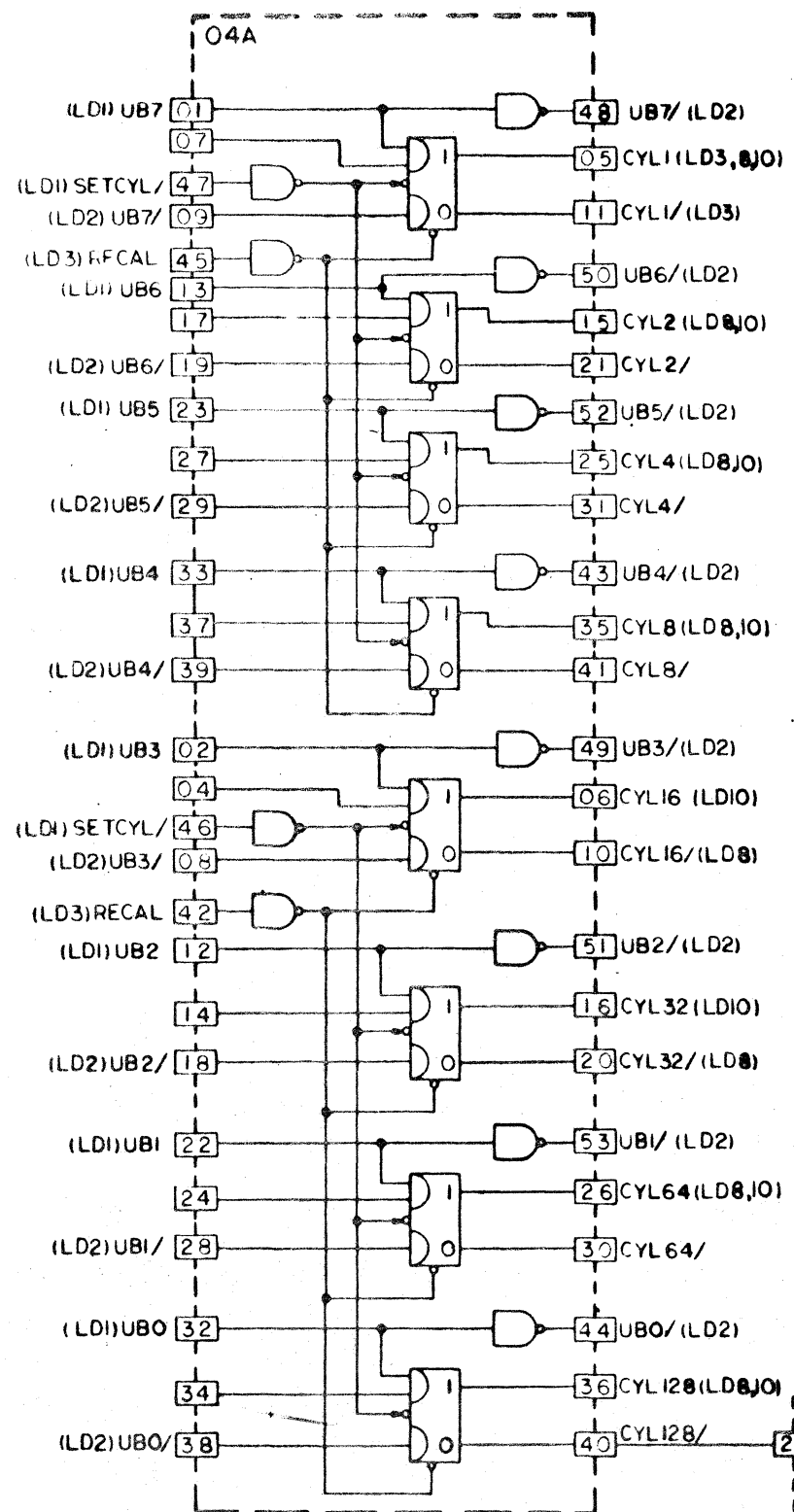
SIZE	91575	REV
D		Y
SHEET 2 OF 16		



LD12-INPUT INTERFACE

SIZE	91575	REV	Y
D			

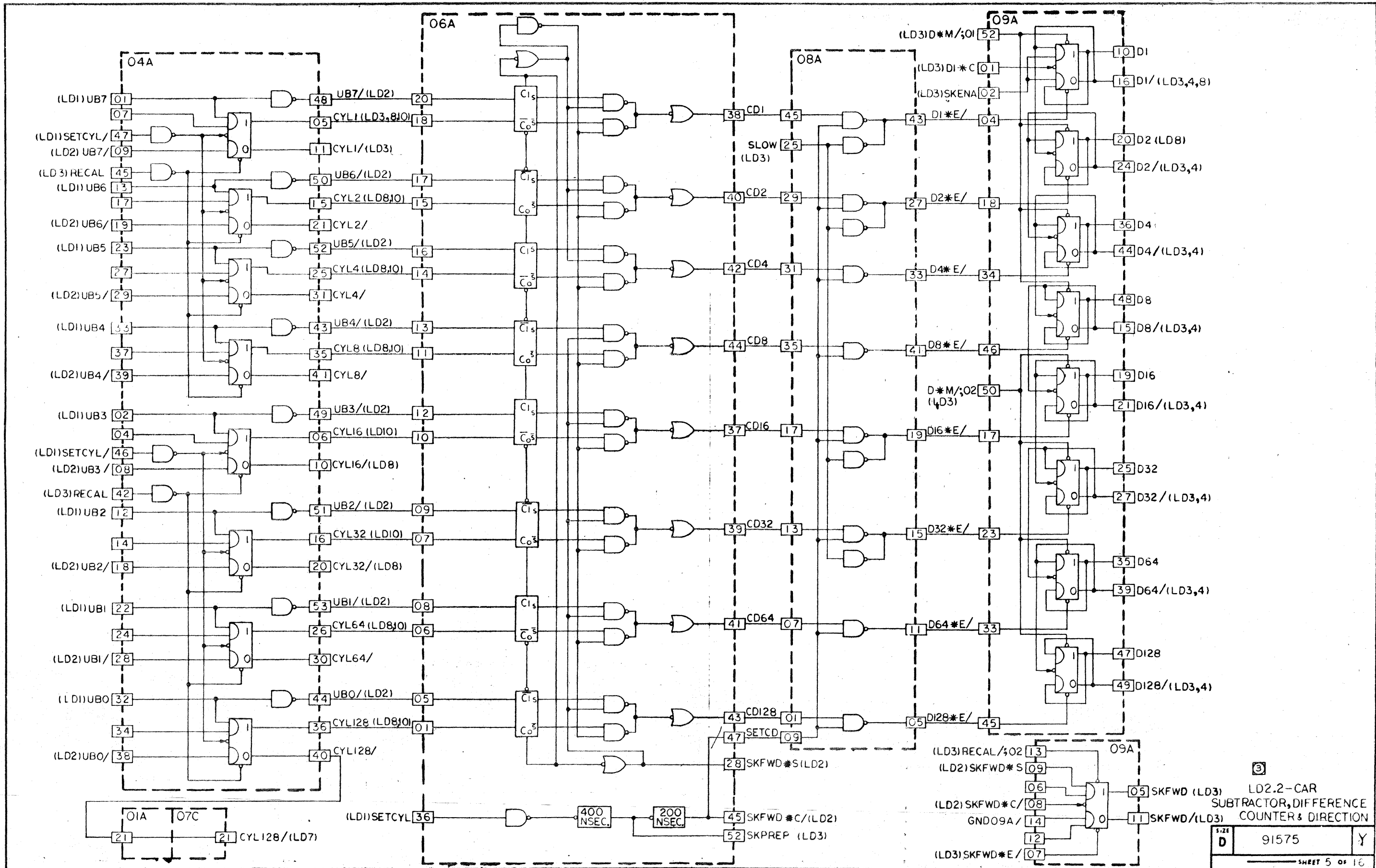
SHEET 3 OF 16



24 LD2-CAR,  
DIFFERENCE COUNTER  
AND DIRECTION

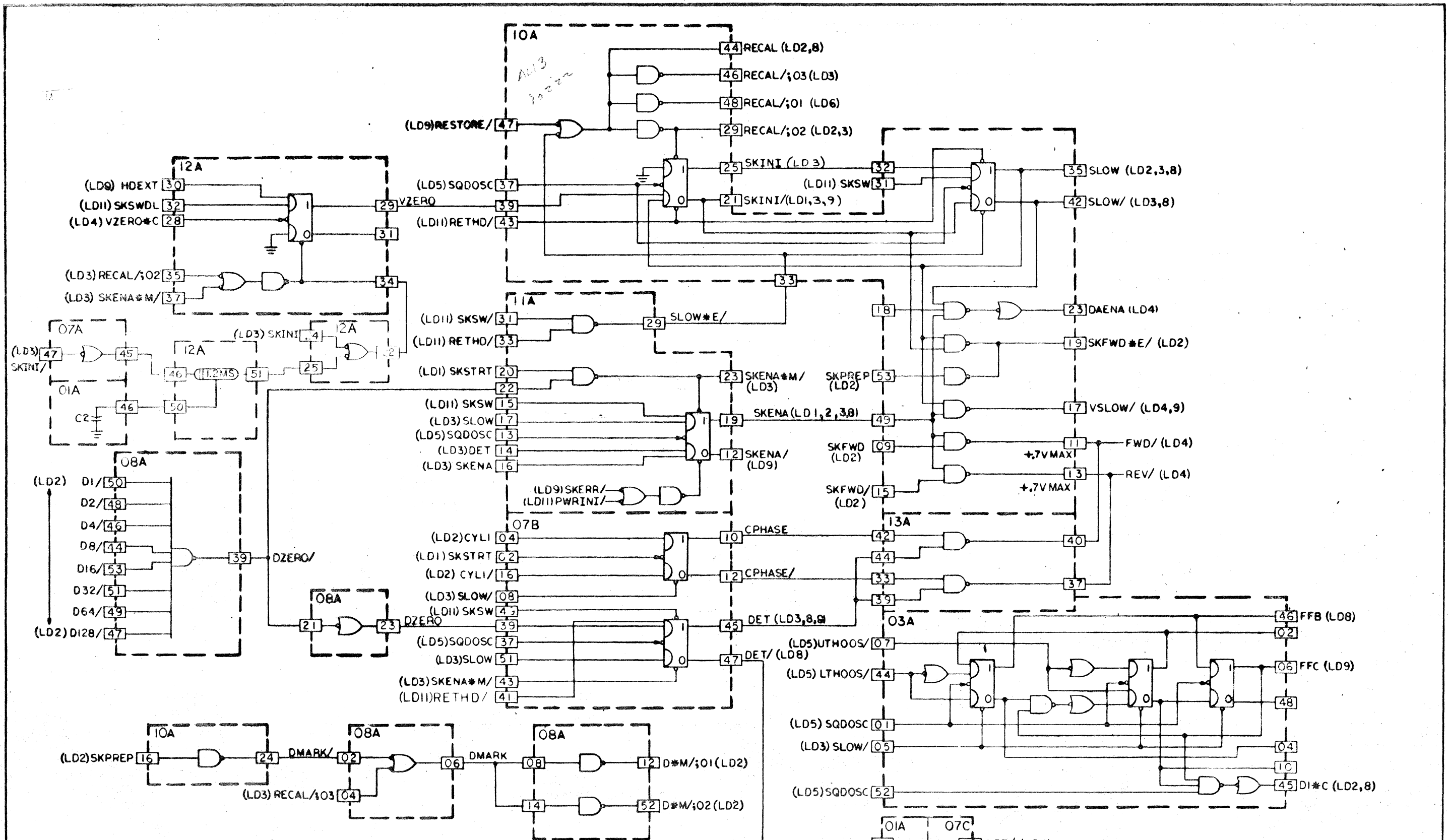
SIZE	91575	REV
D		Y

SHEET 4 of 16

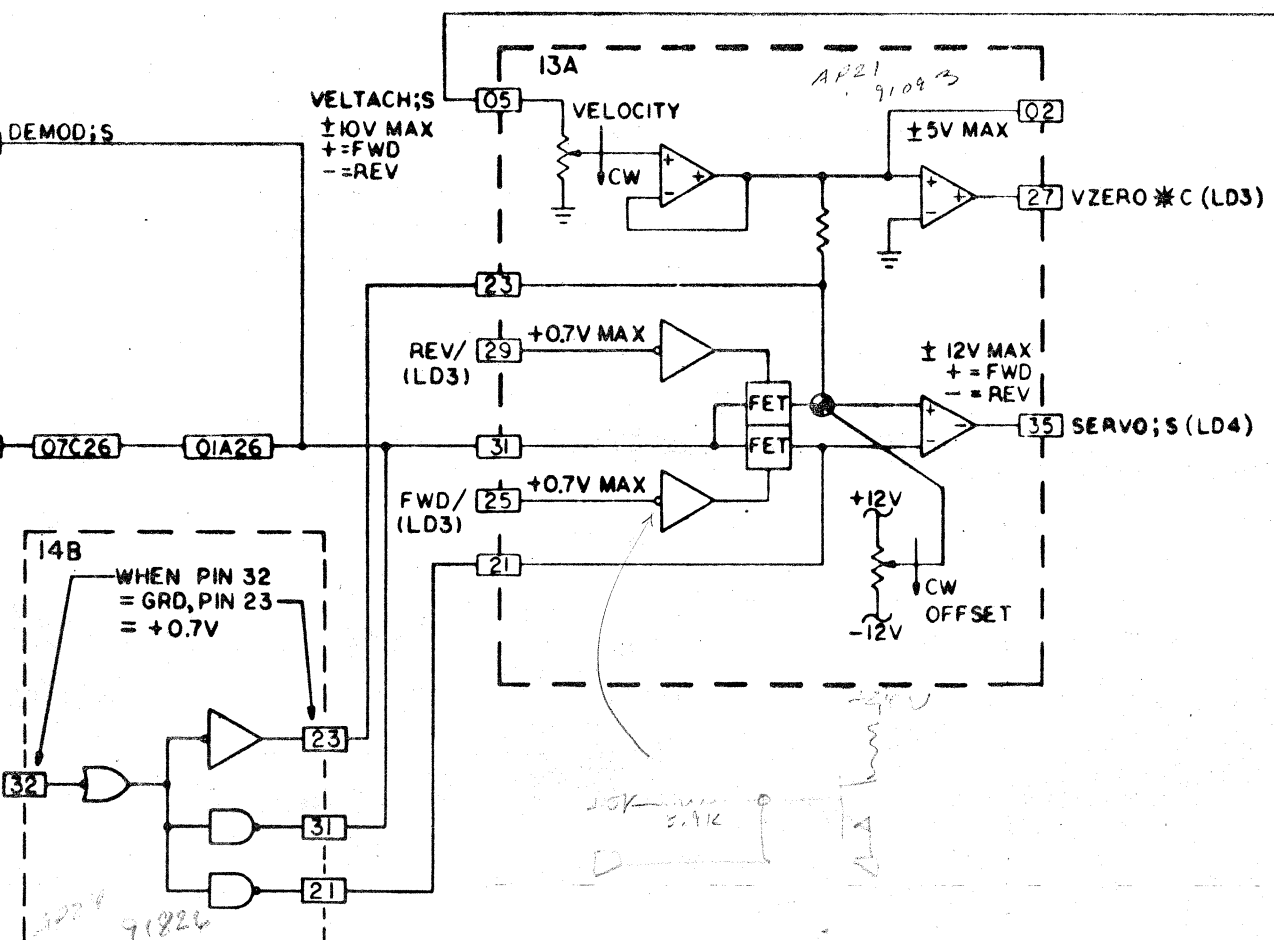
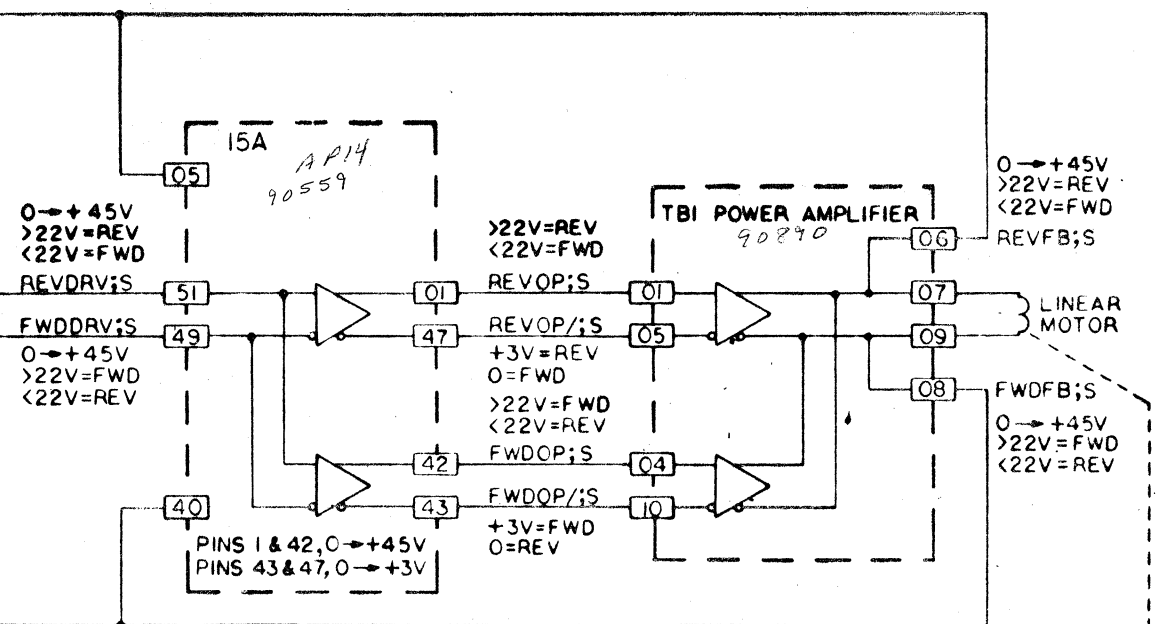
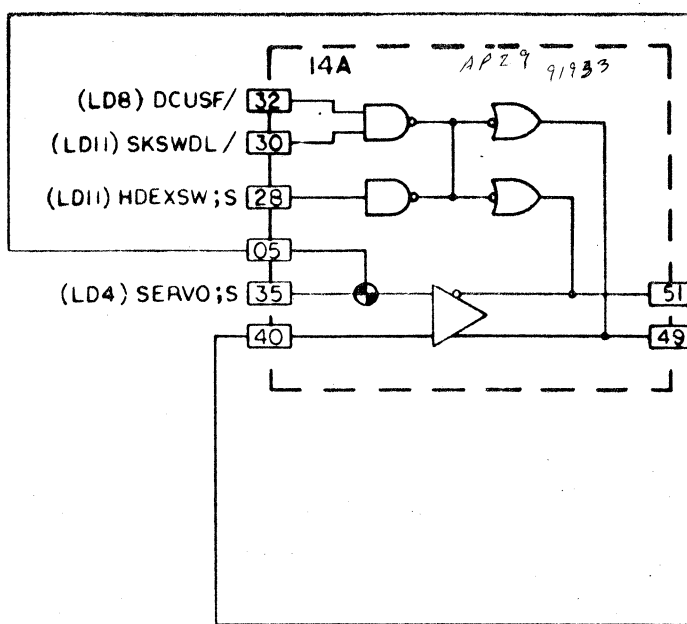
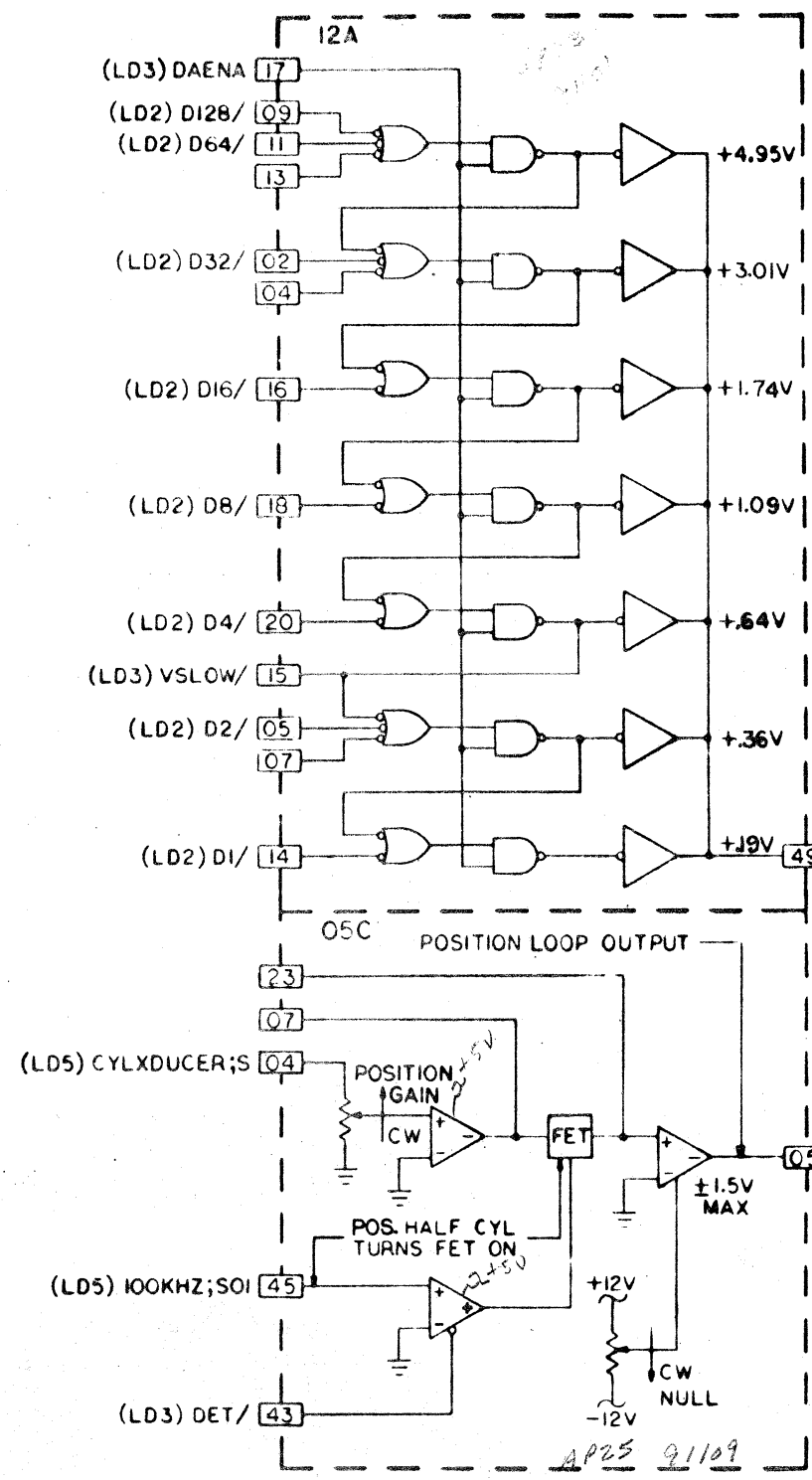


③ LD2.2-CAR  
 SUBTRACTOR, DIFFERENCE  
 COUNTER & DIRECTION

SIZE	D	91575	Y
SHEET 5 OF 16			

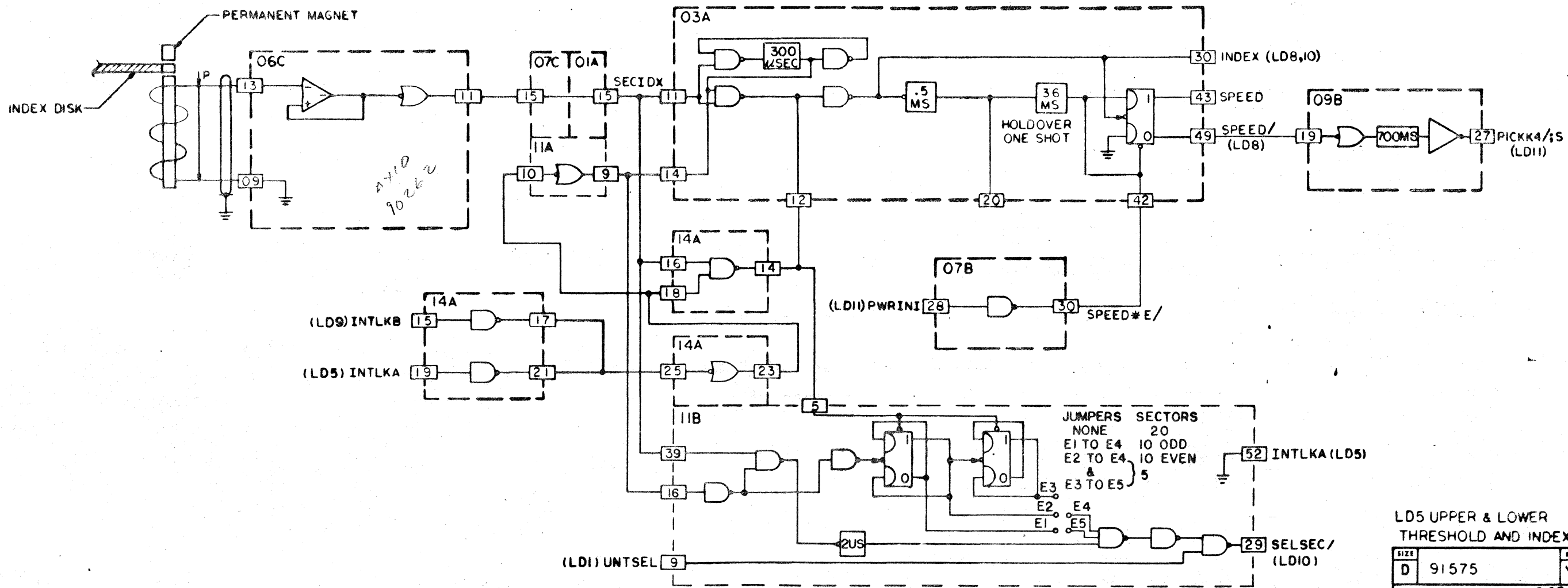
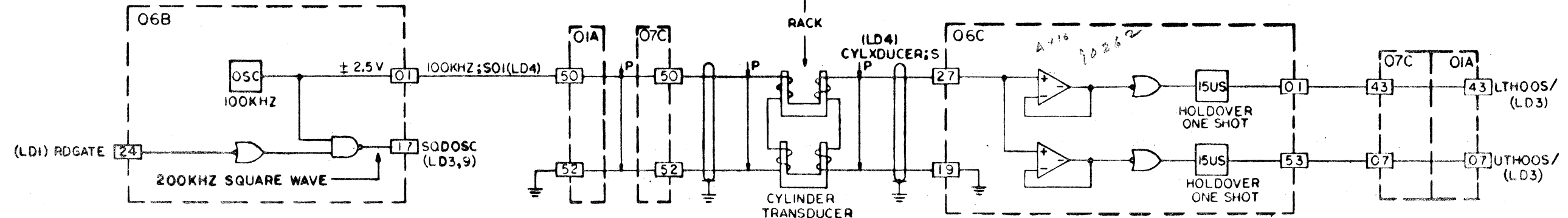






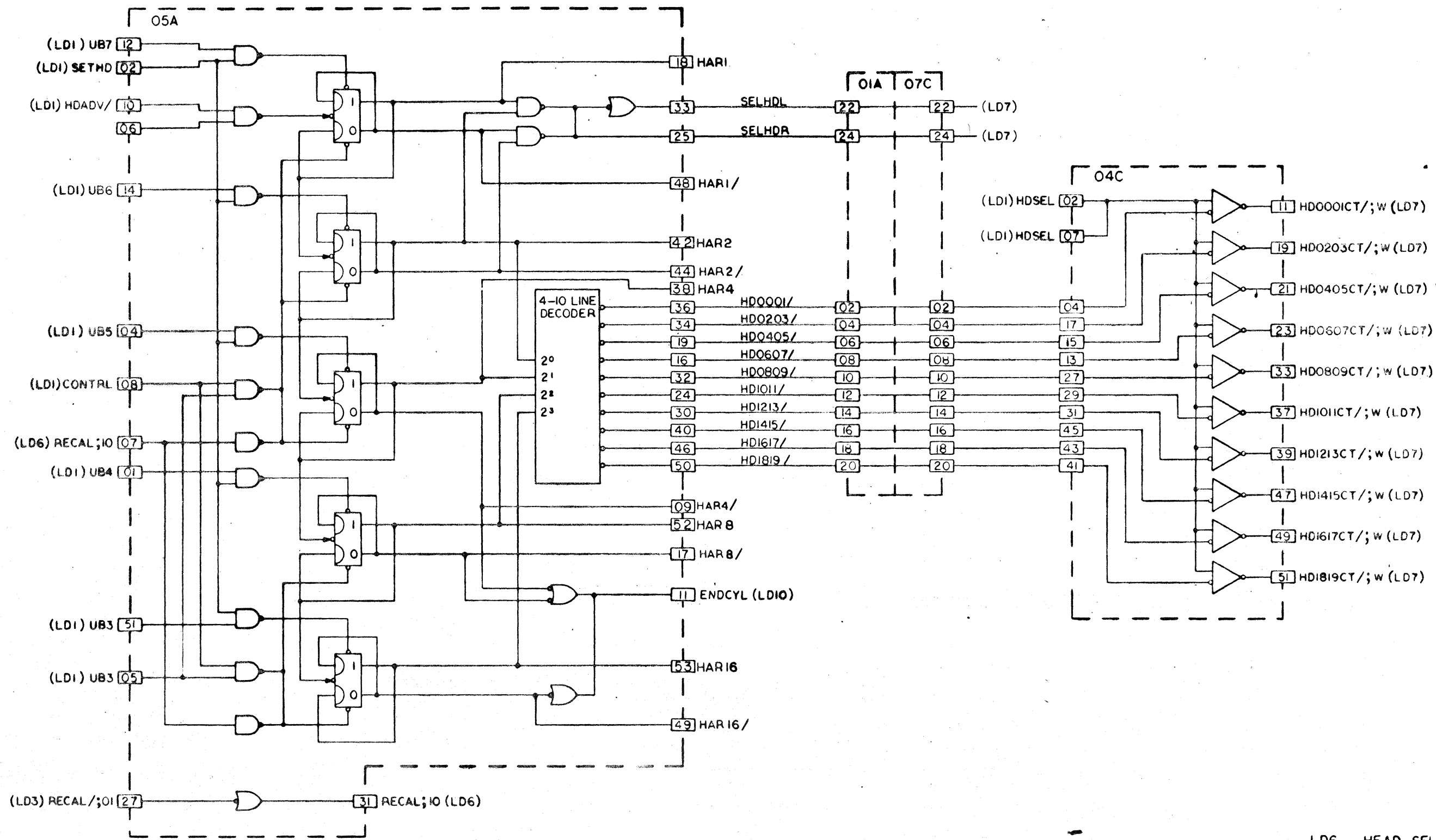
LD4 - SERVO

SIZE	REV
D	Y
9:575	
SHEET 7 OF 16	



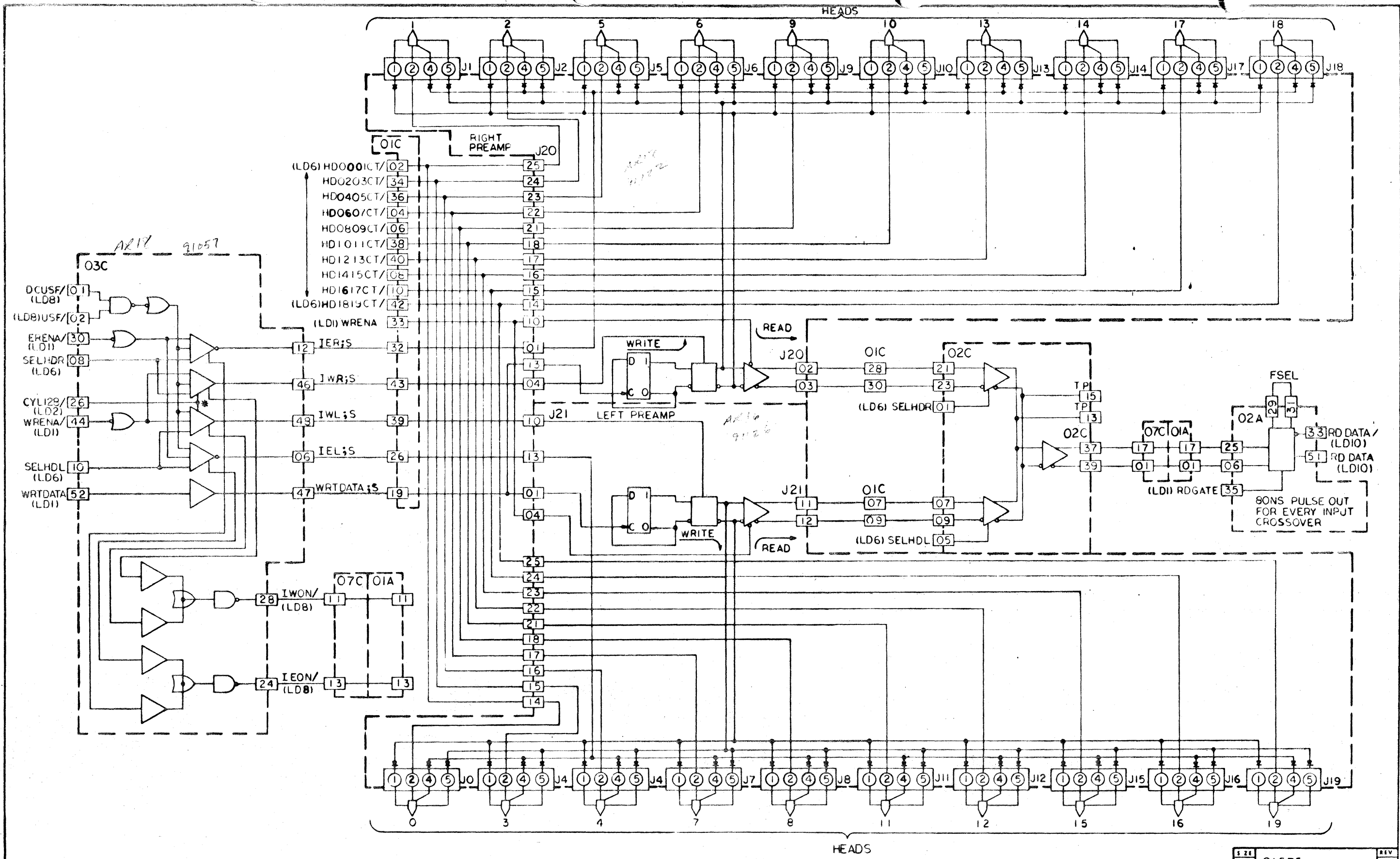
LD5 UPPER & LOWER THRESHOLD AND INDEX

SIZE	REV
D 91575	Y
SHEET 8 OF 16	



LD6 - HEAD SELECT

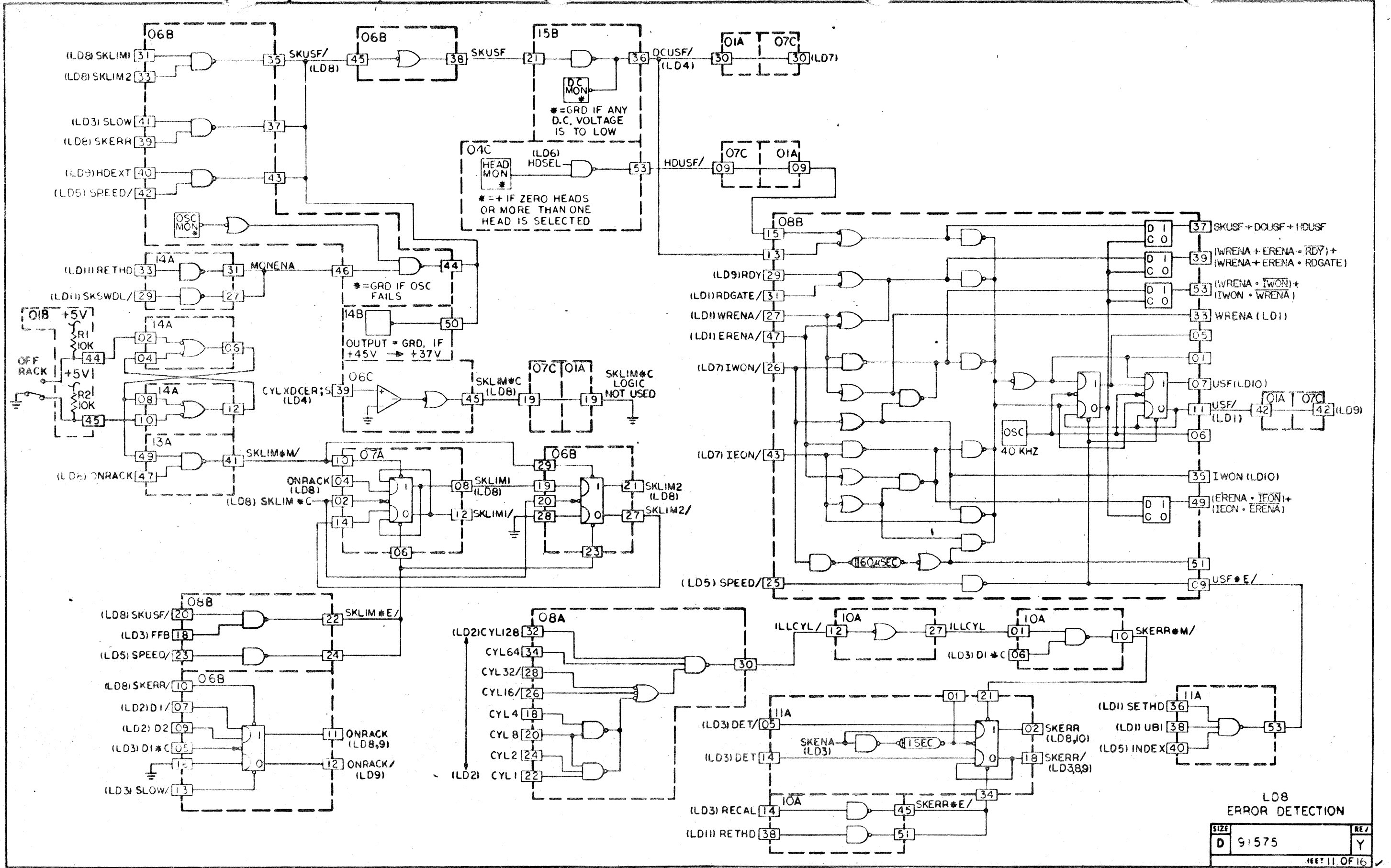
SIZE	REV
D	Y
91575	
SHEET 9 OF 16	



\* CHANGES WRITE CURRENT MAGNITUDE

LD7 READ/WRITE

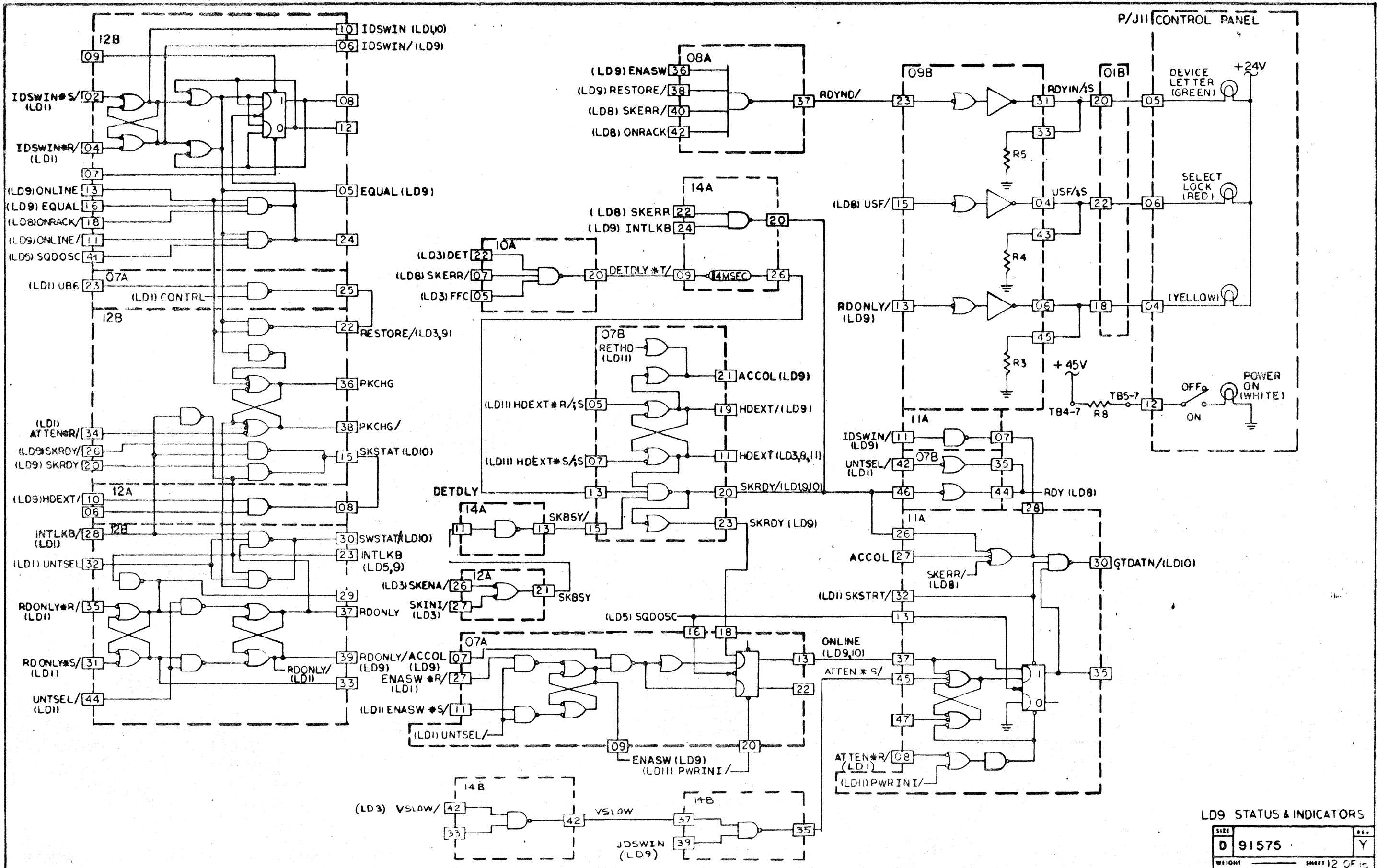
SIZE	D	91575	REV	Y
WEIGHT			SHEET 10 OF 16	



**LD8  
ERROR DETECTION**

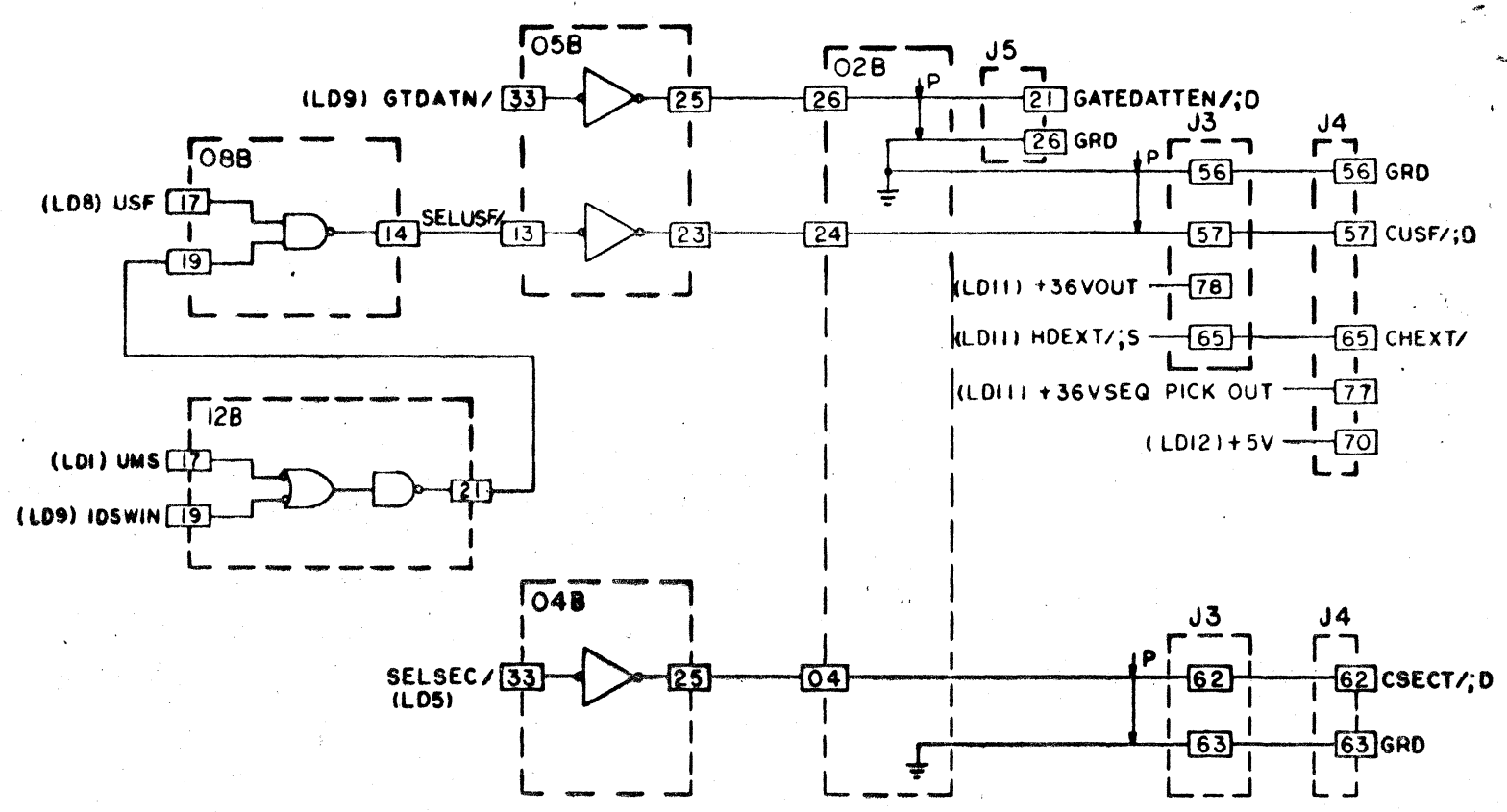
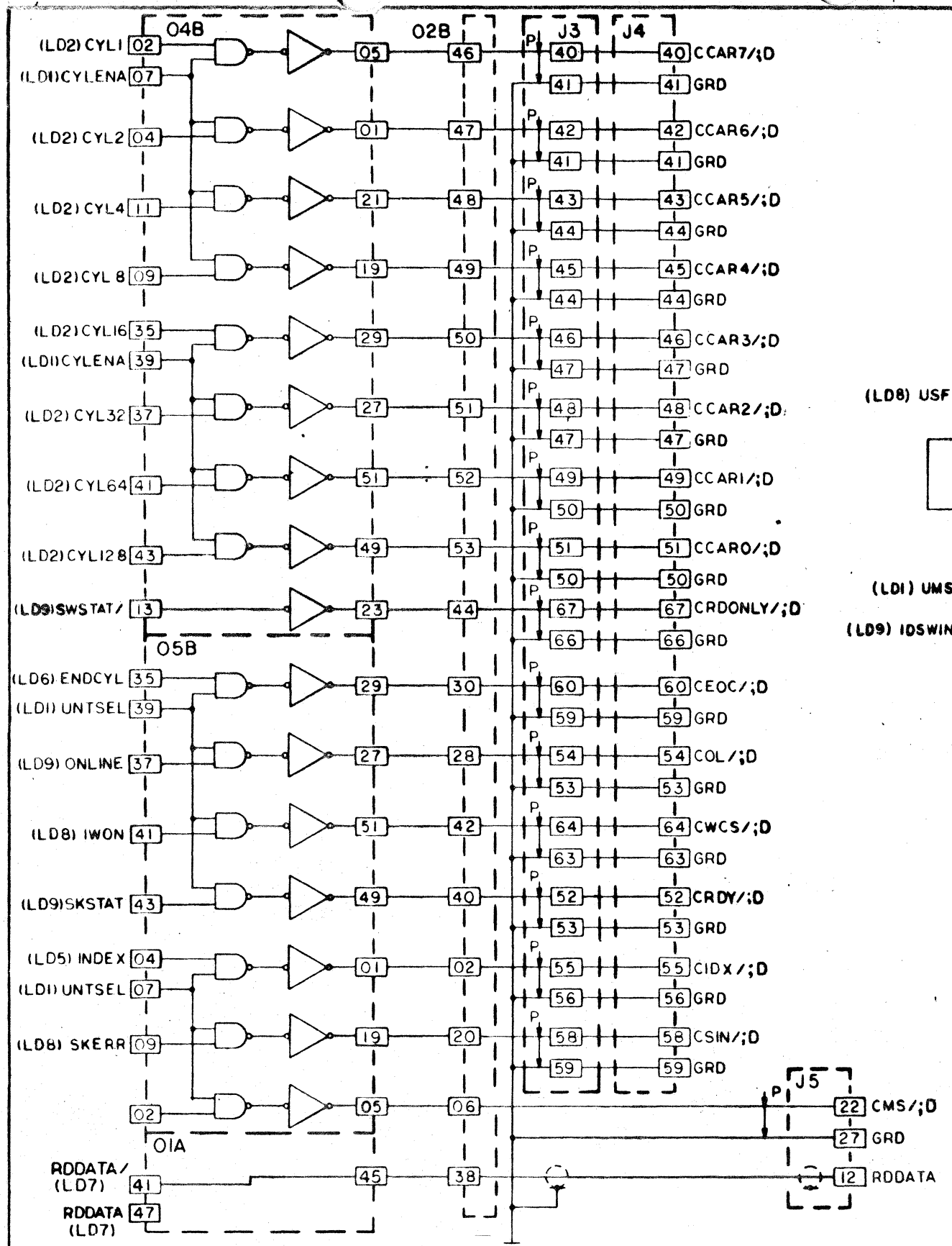
SIZE		REV
D	91575	Y

REV 11 OF 16



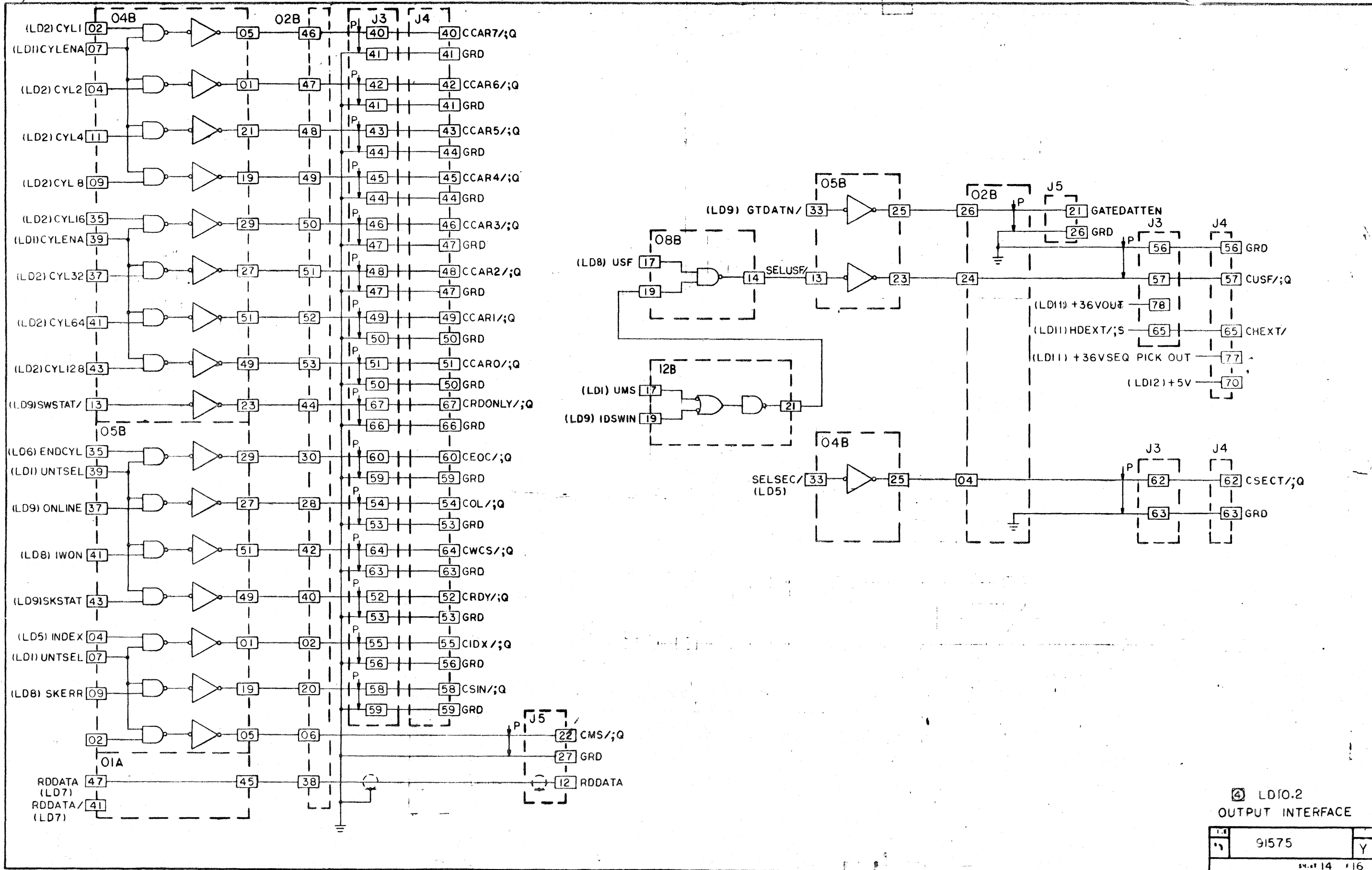
LD9 STATUS & INDICATORS

SIZE	D 91575	REV	Y
WEIGHT		SHEET	12 OF 15



23 LD10.1  
OUTPUT INTERFACE

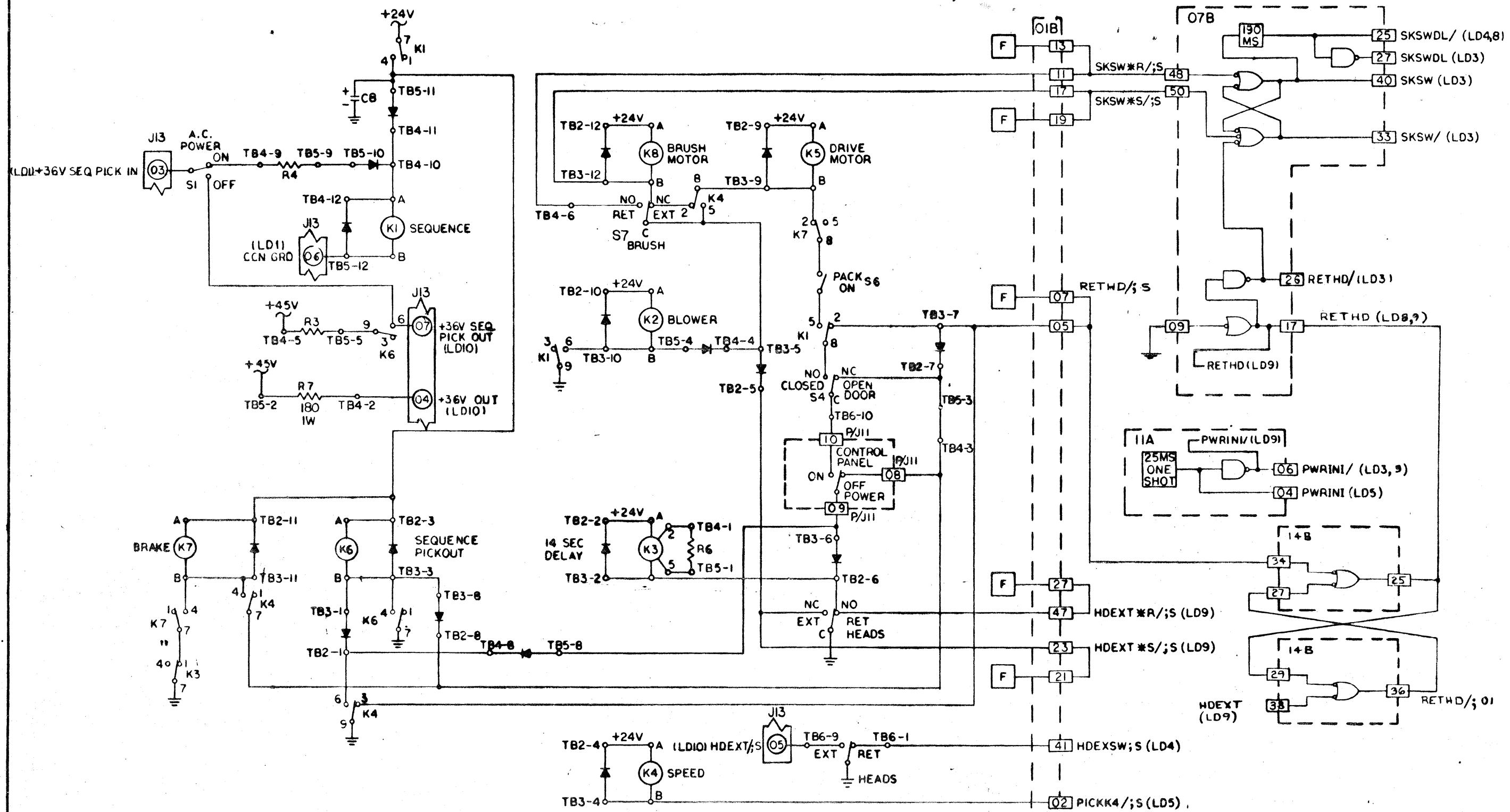
SIZE	REV
D	Y
91575	
SHEET 13 of 16	

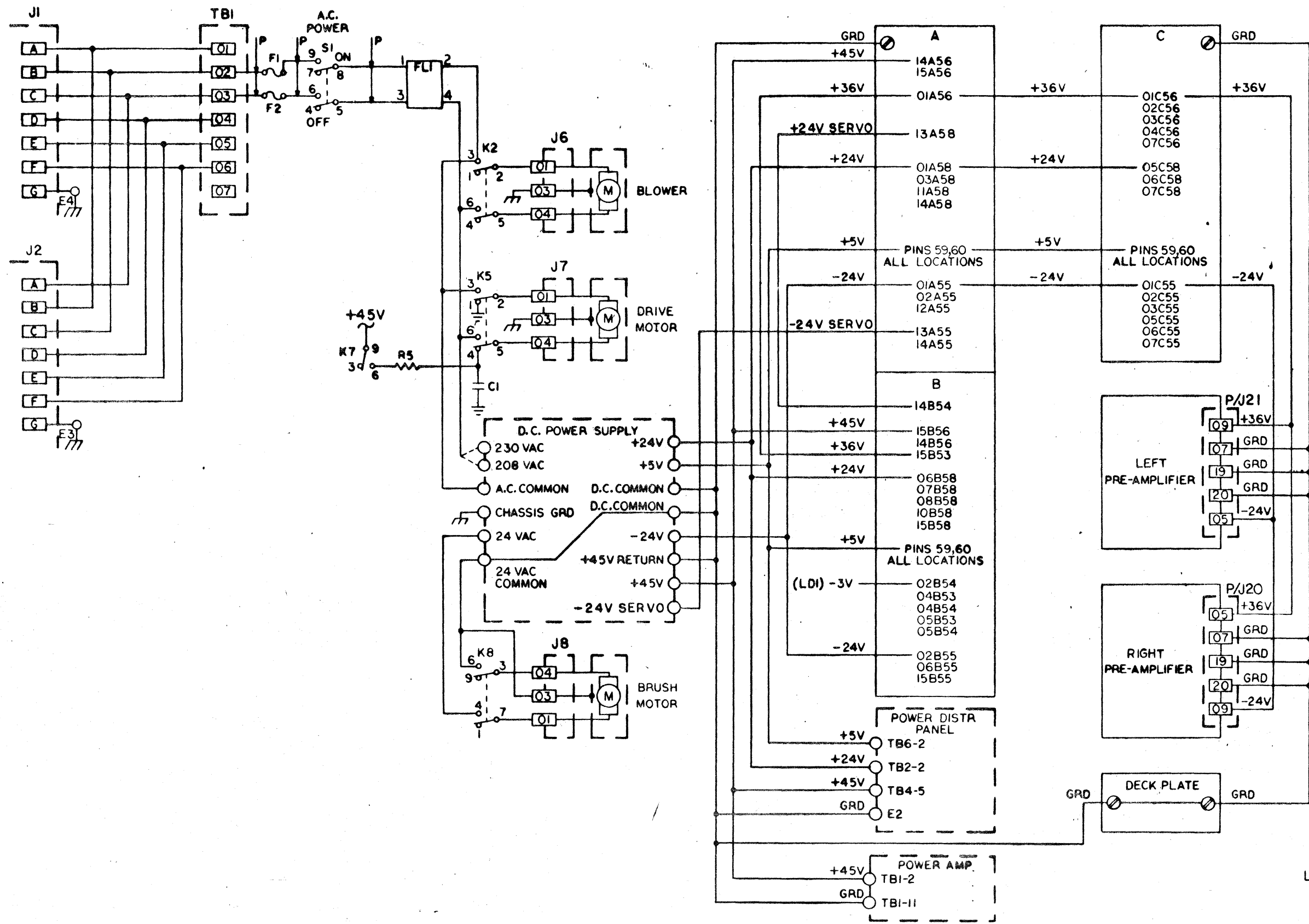


LD10.2  
OUTPUT INTERFACE

91575	Y
54.47 14 F16	



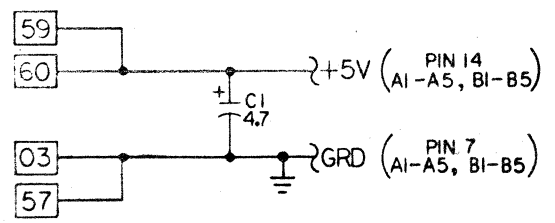
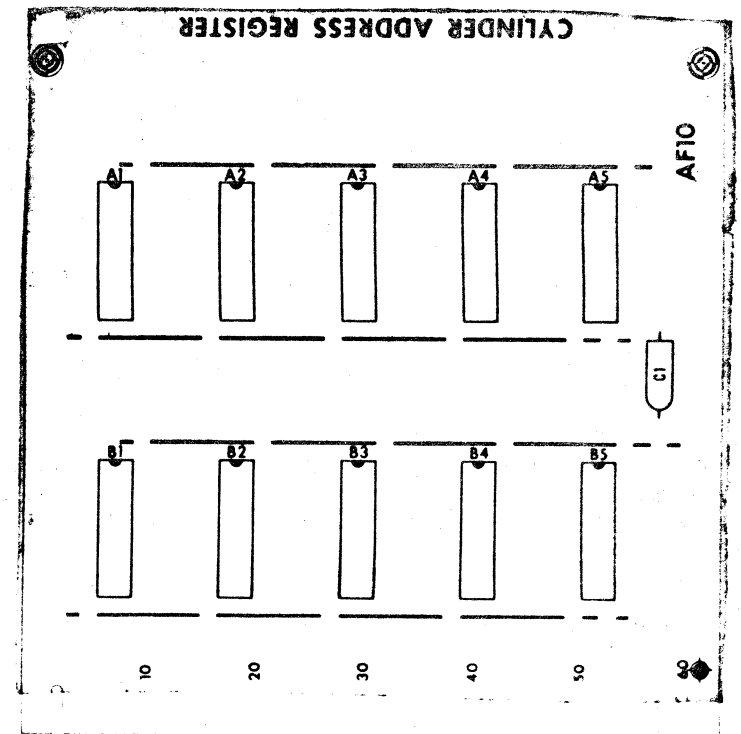
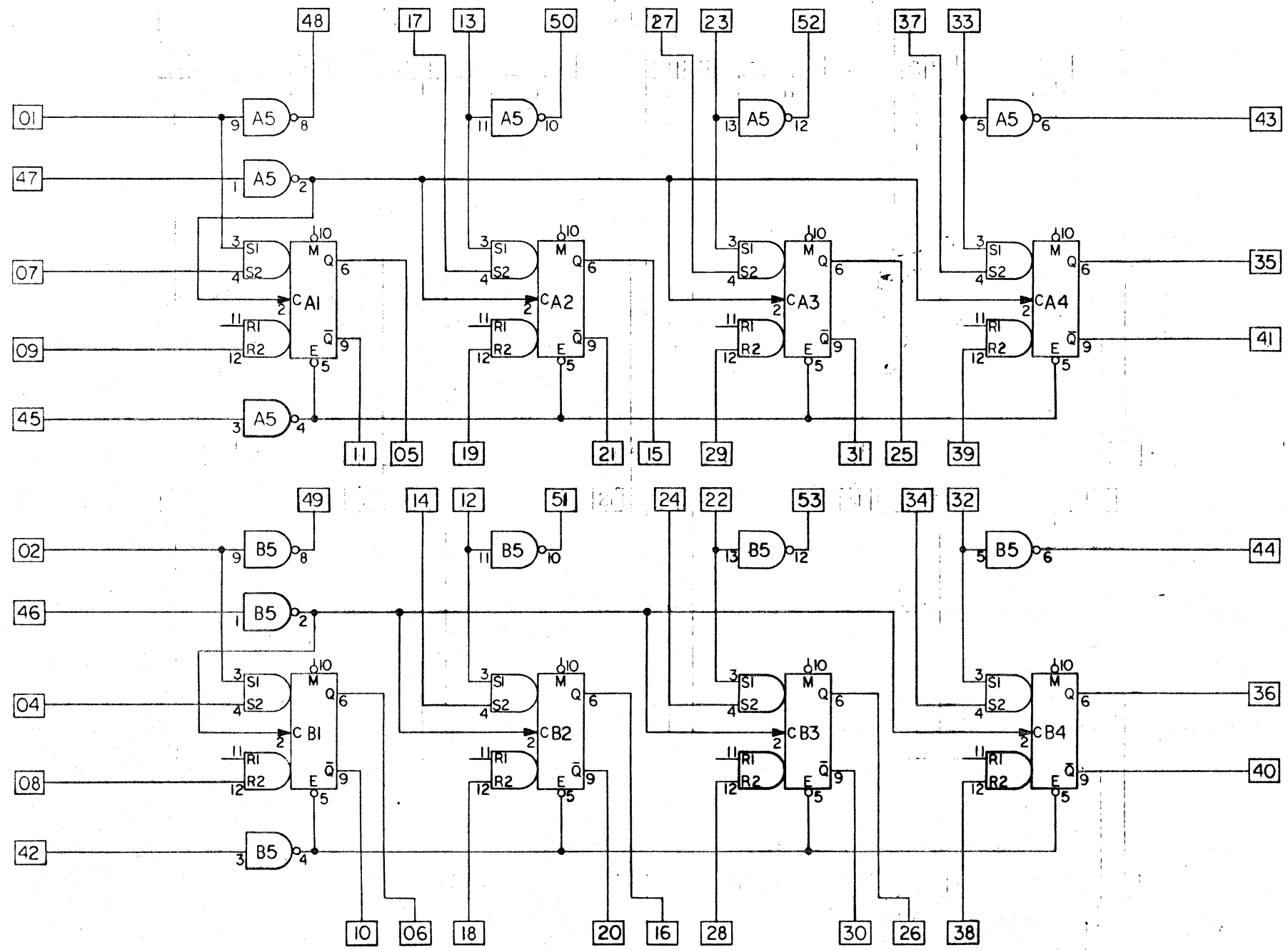




LD12-POWER DISTRIBUTION

SIZE	REV
D	91575
	Y

SYM		ZONE		REVISIONS		DATE & APPROVAL	
				DESCRIPTION			
				1 MAY BE REWORKED		2 CANNOT BE REWORKED	
				3 NONE			



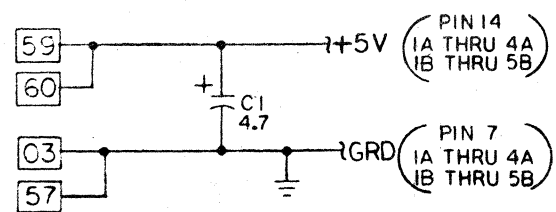
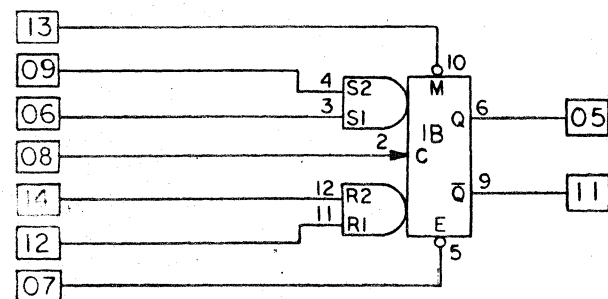
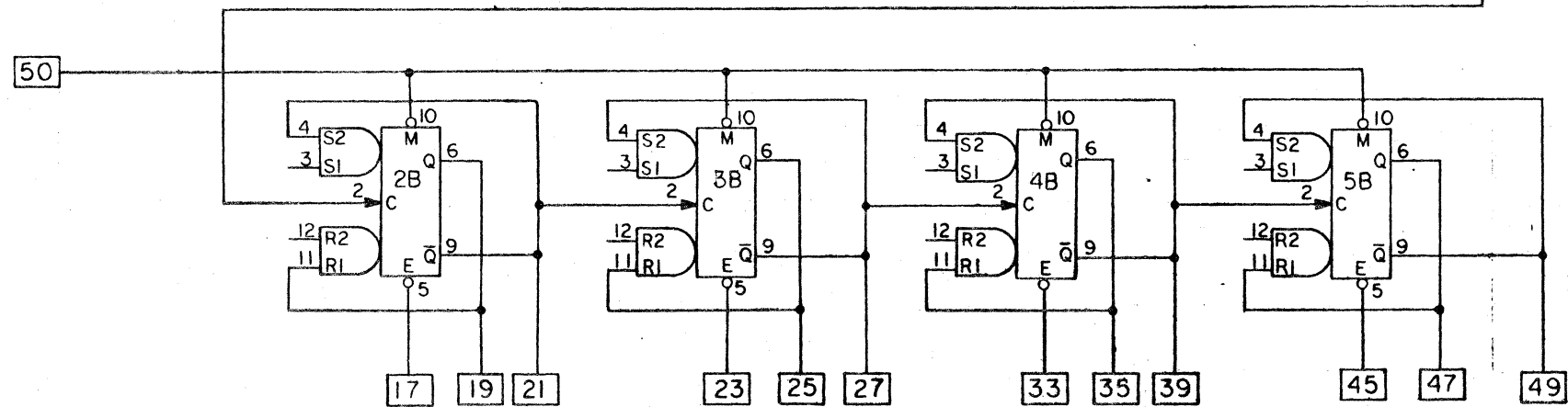
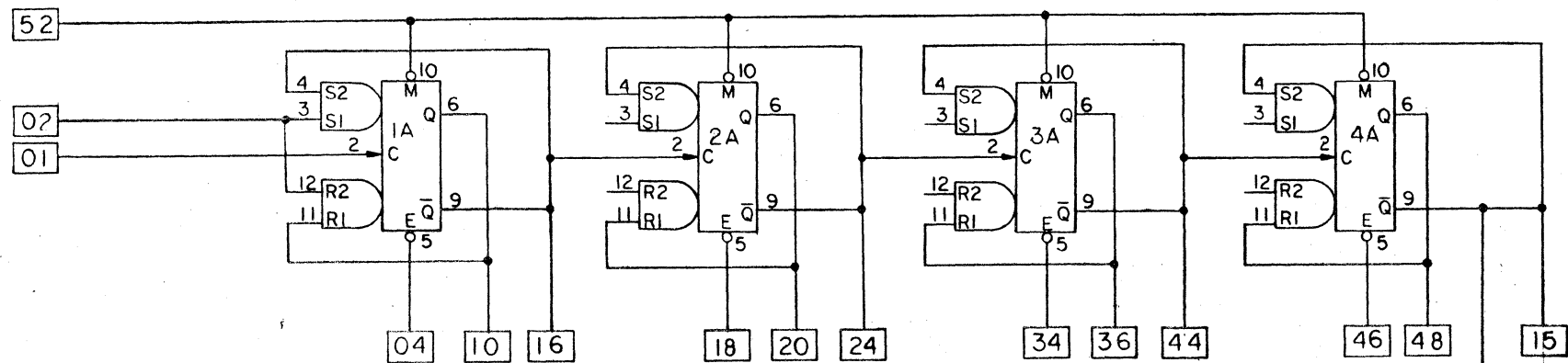
REF. DES.	LAST USED	REF. DES.	NOT USED
A5			
B5			
C1			

2. ALL CAPACITORS IN MICROFARADS  
 1. ALL RESISTORS IN OHMS, 1/4W, 5%  
 NOTES: UNLESS OTHERWISE \*SPECIFIED

REQD	PART OR IDENTIFYING NO.	NOMENCLATURE OR DESCRIPTION	SIZE, DESCRIPTION & SPECIFICATION	MATERIAL	ZONE
LIST OF MATERIAL OR PARTS LIST					
UNLESS OTHERWISE SPECIFIED		DRAWN <i>Bill White</i>	27 MAR 69	CENTURY DATA SYSTEMS, INC. ANAHEIM, CALIFORNIA	
DIMENSIONS ARE IN INCHES		CHECK <i>B. Tullis</i>	4/8/69	SCHEMATIC	
TOLERANCES ON		APPD <i>[Signature]</i>	A-0-0	CYLINDER ADDRESS REGISTER	
DECIMALS ANGLES		APPD <i>[Signature]</i>	4-9-9	AF10	
XX ±		FINISH		SCALE: _____ SIZE: <b>D</b>	
XXX ±		HEAT TREAT		WEIGHT: _____ SHEET 3 OF 3	
DRILLED HOLES		SURFACE ROUGHNESS		90202	
.040 TO .125: +.002, -.001		PER MIL-STD-10		DO NOT SCALE THIS DRAWING	
.136 TO .228: +.003, -.001					
.234 TO .393: +.004, -.001					
.415 TO .750: +.005, -.001					
.750 TO 1.000: +.007, -.003					
1.005 TO 2.000: +.010, -.004					

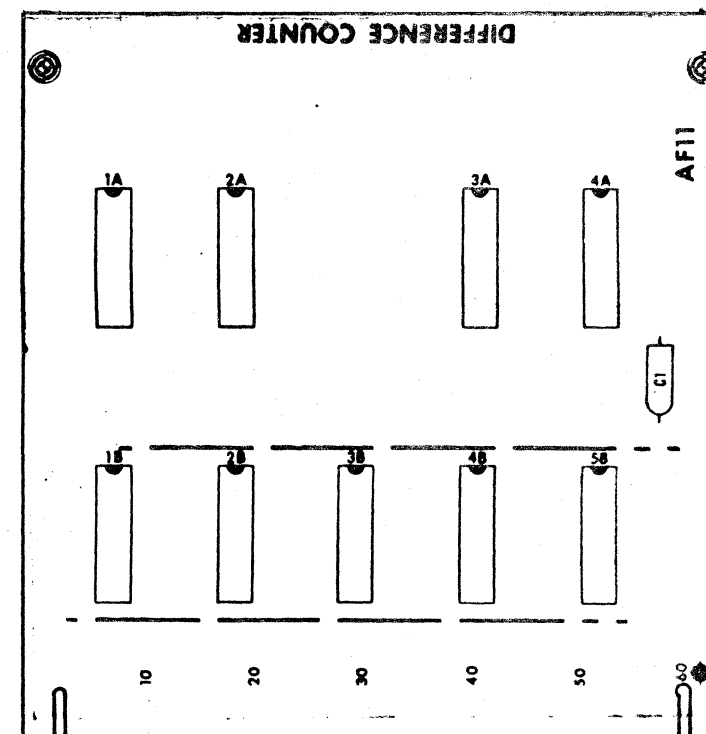
FI 90202

SYM		ZONE		REVISIONS		DATE & APPROVAL	
				1	MAY BE REWORKED	2	CANNOT BE REWORKED
				3	NONE		



REF DES	LAST USED	REF DES	NOT USED
4A			
5B			
C1			

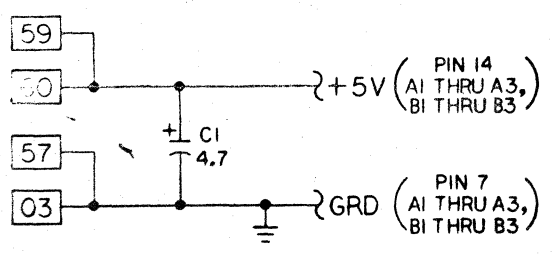
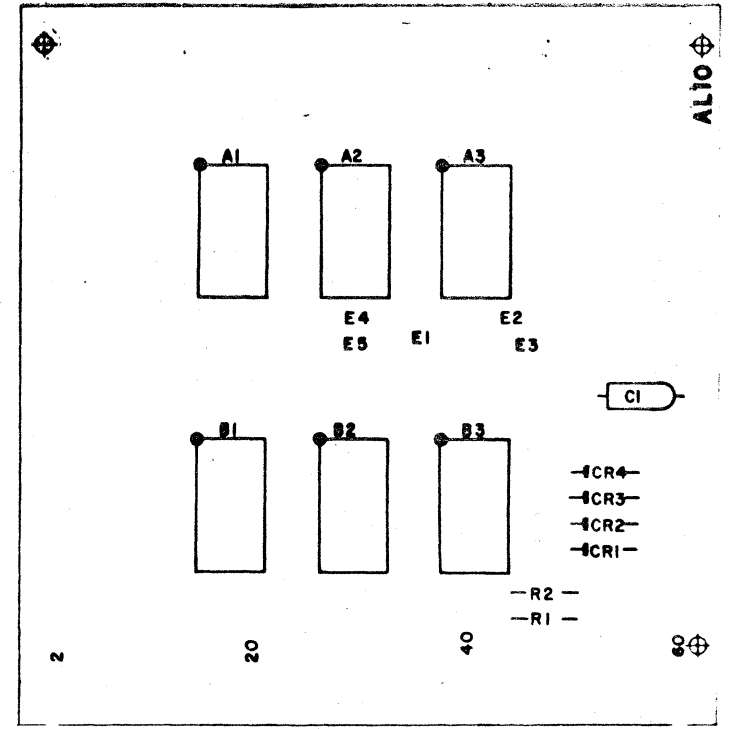
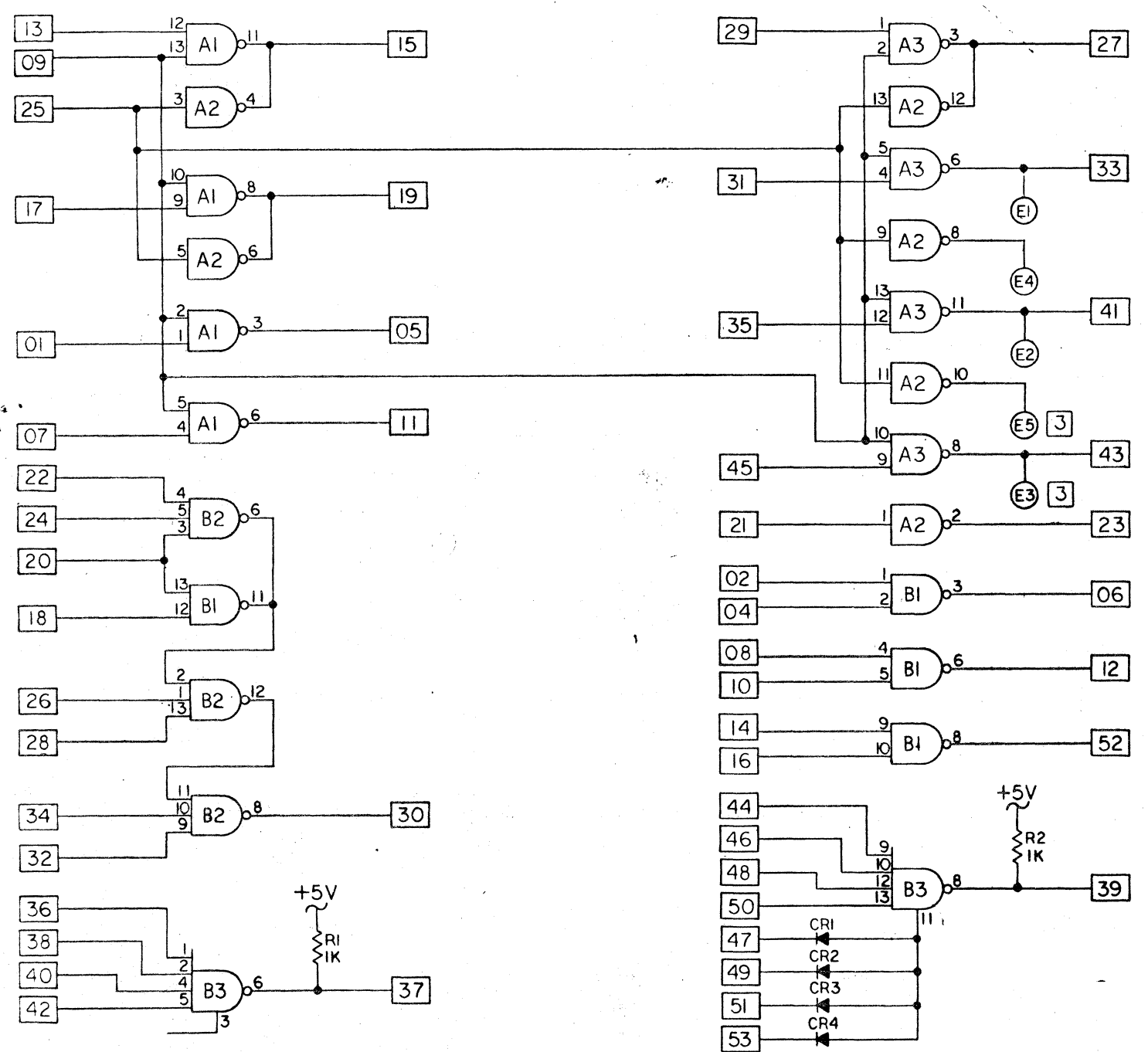
2. ALL CAPACITORS IN MICROFARADS  
 1. ALL RESISTORS IN OHMS, 1/4W, 5%  
 NOTES: UNLESS OTHERWISE SPECIFIED



REQD	PART OR IDENTIFYING NO.	NOMENCLATURE OR DESCRIPTION	MATERIAL SIZE, DESCRIPTION & SPECIFICATION	ZONE
LIST OF MATERIAL OR PARTS LIST				
UNLESS OTHERWISE SPECIFIED		DRAWN MOSMAN, T	4-69	
DIMENSIONS ARE IN INCHES		CHECK B. Tuimo	5-1-69	
TOLERANCES ON		APPD	5-1-69	
DECIMALS	ANGLES	APPD		
XX ±	±	FINISH		
XXX ±		HEAT TREAT		
DRILLED HOLES		CENTURY DATA SYSTEMS, INC.		
.040 TO .125	+ .002 - .001	ANAHEIM, CALIFORNIA		
.136 TO .225	+ .003 - .001	SCHEMATIC		
.236 TO .300	+ .004 - .001	DIFFERENCE COUNTER		
.316 TO .375	+ .005 - .001	AF11		
.386 TO 1.000	+ .007 - .001	SCALE:	SIZE	REV
1.015 TO 2.000	+ .010 - .001		D 90206	F1
SURFACE ROUGHNESS PER MIL-STD-10		DO NOT SCALE THIS DRAWING	WEIGHT	SHEET 3 OF 3

FI 90206

SYM		ZONE		REVISIONS		DATE & APPROVAL	
				1 MAY BE REWORKED		2 CANNOT BE REWORKED	
				3 NONE			



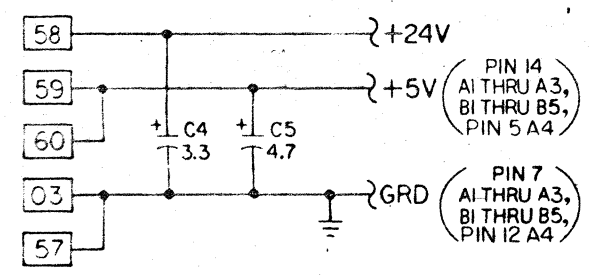
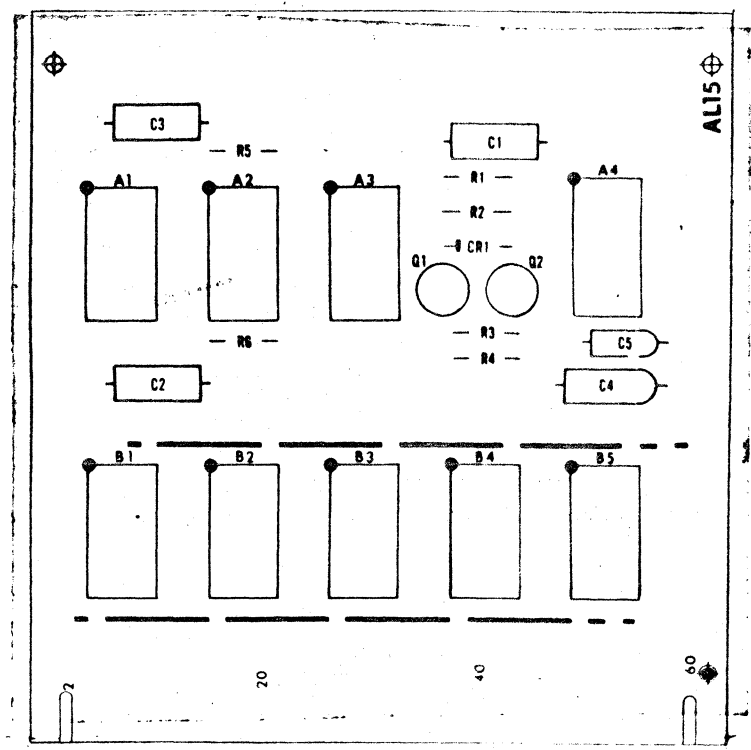
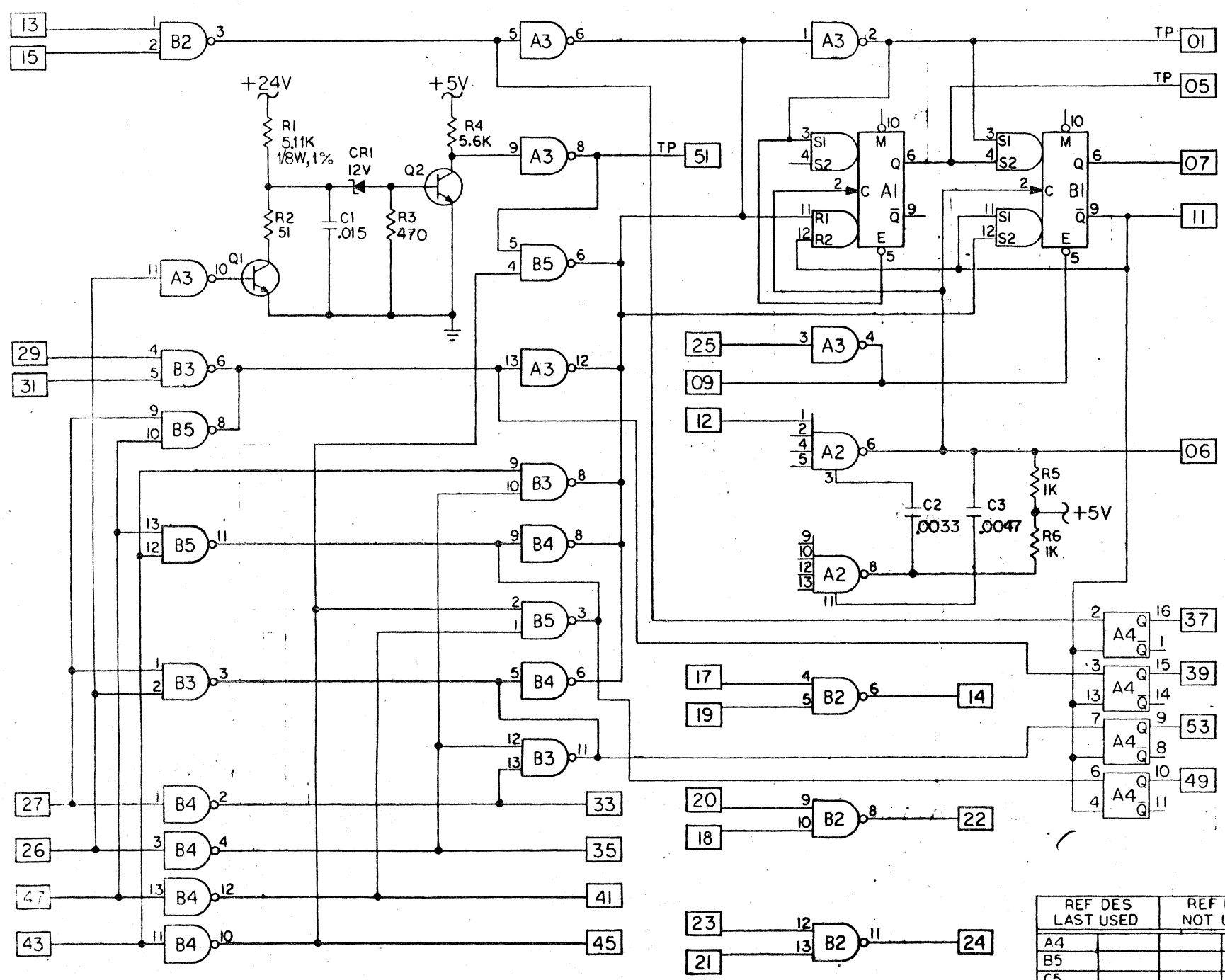
REF DES	DES	REF DES	DES
LAST USED		NOT USED	
A3	R2		
B3			
C1			
CR4			
E5			

3 JUMPER E3 TO E5  
 2. CAPACITANCE VALUES ARE IN MICROFARADS  
 1. RESISTANCE VALUES ARE IN OHMS, 1/4W, 5%  
 NOTES: UNLESS OTHERWISE SPECIFIED

RECD	PART OR IDENTIFYING NO.	NOMENCLATURE OR DESCRIPTION	MATERIAL SIZE, DESCRIPTION & SPECIFICATION	ZONE
LIST OF MATERIAL OR PARTS LIST				
UNLESS OTHERWISE SPECIFIED		DRAWN <i>Bill White</i>	4-15-69	
DIMENSIONS ARE IN INCHES		CHECK <i>B. Tullino</i>	4-15-69	
TOLERANCES ON		APPD	4-17-69	
DECIMALS	ANGLES	APPD		
.XX ±	±			
.XXX ±				
DRILLED HOLES		CENTURY DATA SYSTEMS, INC. ANAHEIM, CALIFORNIA		
.040 TO .1250 + .002, -.001		SCHEMATIC - DIFFERENCE COUNTER & ILLEGAL CYLINDER LOGIC ALIO		
.136 TO .228 + .003, -.001		SCALE:	SIZE	
.234 TO .360 + .004, -.001			D	90210-001 G1
.515 TO .750 + .005, -.001		HEAT TREAT		
.760 TO 1.000 + .007, -.001		SURFACE ROUGHNESS PER MIL-STD-10	WEIGHT	
1.015 TO 2.000 + .010, -.001				SHEET 3 OF 3

100-01206 G1

SYM		ZONE		REVISIONS		DATE & APPROVAL	
				1	MAY BE REWORKED	2	CANNOT BE REWORKED
				3	NONE		



REF DES	DES	REF DES	DES
LAST USED		NOT USED	
A4			
B5			
C5			
CR1			
Q2			
R6			

ALL DIMENSIONS IN INCHES UNLESS OTHERWISE SPECIFIED

REQD	PART OR IDENTIFYING NO.	NOMENCLATURE OR DESCRIPTION	MATERIAL SIZE, DESCRIPTION & SPECIFICATION	ZONE
		LIST OF MATERIAL OR PARTS LIST		
UNLESS OTHERWISE SPECIFIED		DRAWN: Bill White	DATE: 4-10-69	
DIMENSIONS ARE IN INCHES		CHECK: B. Tulino		
TOLERANCES ON		APPD: [Signature]		
DECIMALS		APPD: [Signature]		
ANGLES				
XX ±				
XXX ±				
DRILLED HOLES				
.040 TO .125: +.002, -.001				
.130 TO .225: +.003, -.001				
.230 TO .300: +.004, -.001				
.310 TO .750: +.005, -.001				
.760 TO 1.000: +.007, -.001				
1.000 TO 2.000: +.010, -.001				
SURFACE ROUGHNESS PER MIL-STD-10				
DO NOT SCALE THIS DRAWING				
WEIGHT				

CENTURY DATA SYSTEMS, INC.  
ANAHEIM, CALIFORNIA

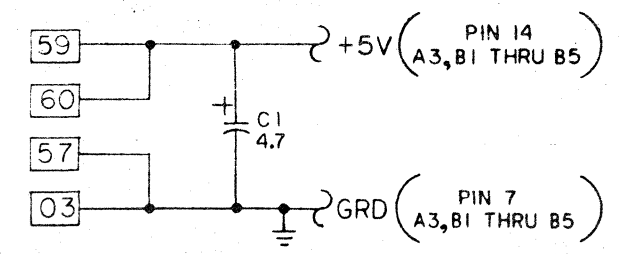
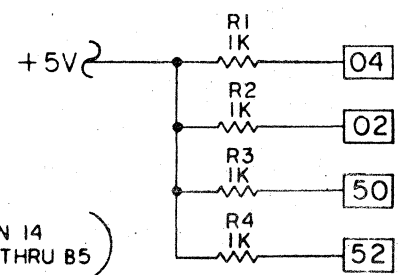
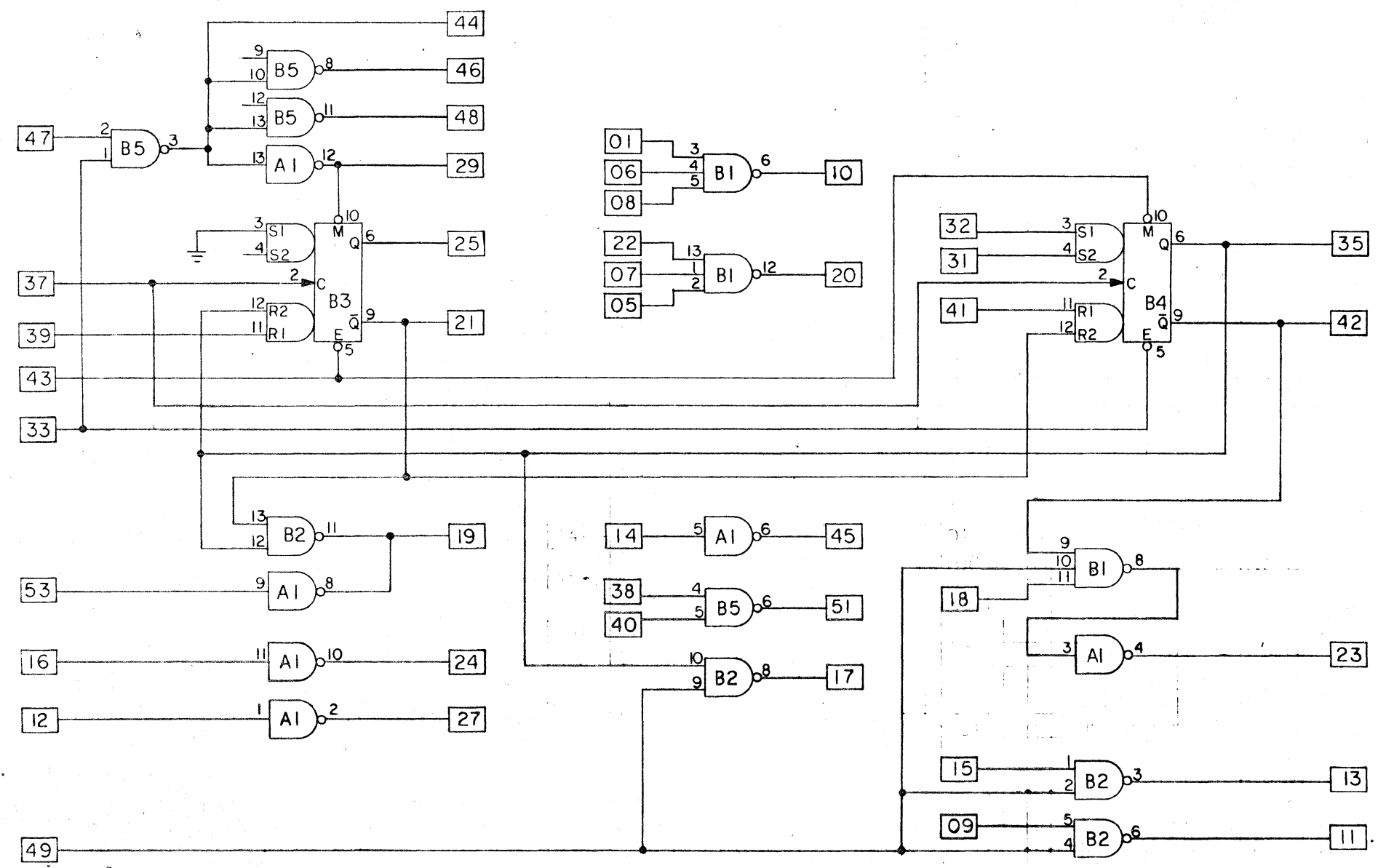
SCHEMATIC  
FILE UNSAFE LOGIC  
AL15

SCALE: SIZE **D** 90218-001 L2

SHEET 4 OF 4

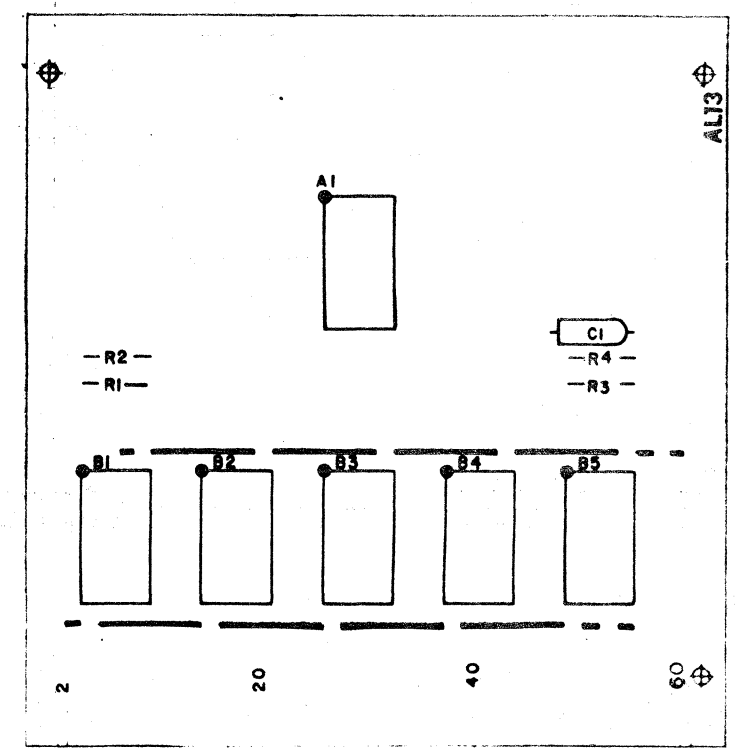
L2 90218-001

REVISIONS			DATE & APPROVAL
SYM	ZONE	DESCRIPTION	
		1 MAY BE REWORKED	
		2 CANNOT BE REWORKED	
		3 NONE	



REF. DES. LAST USED	REF. DES. NOT USED
A1	
B5	
C1	
R4	

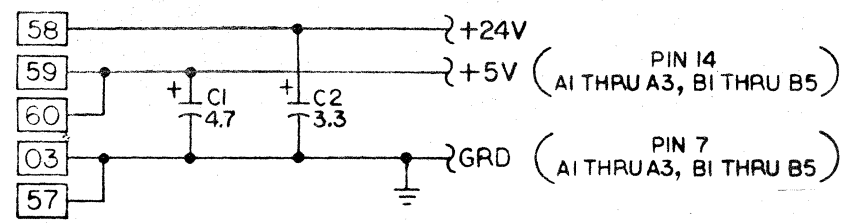
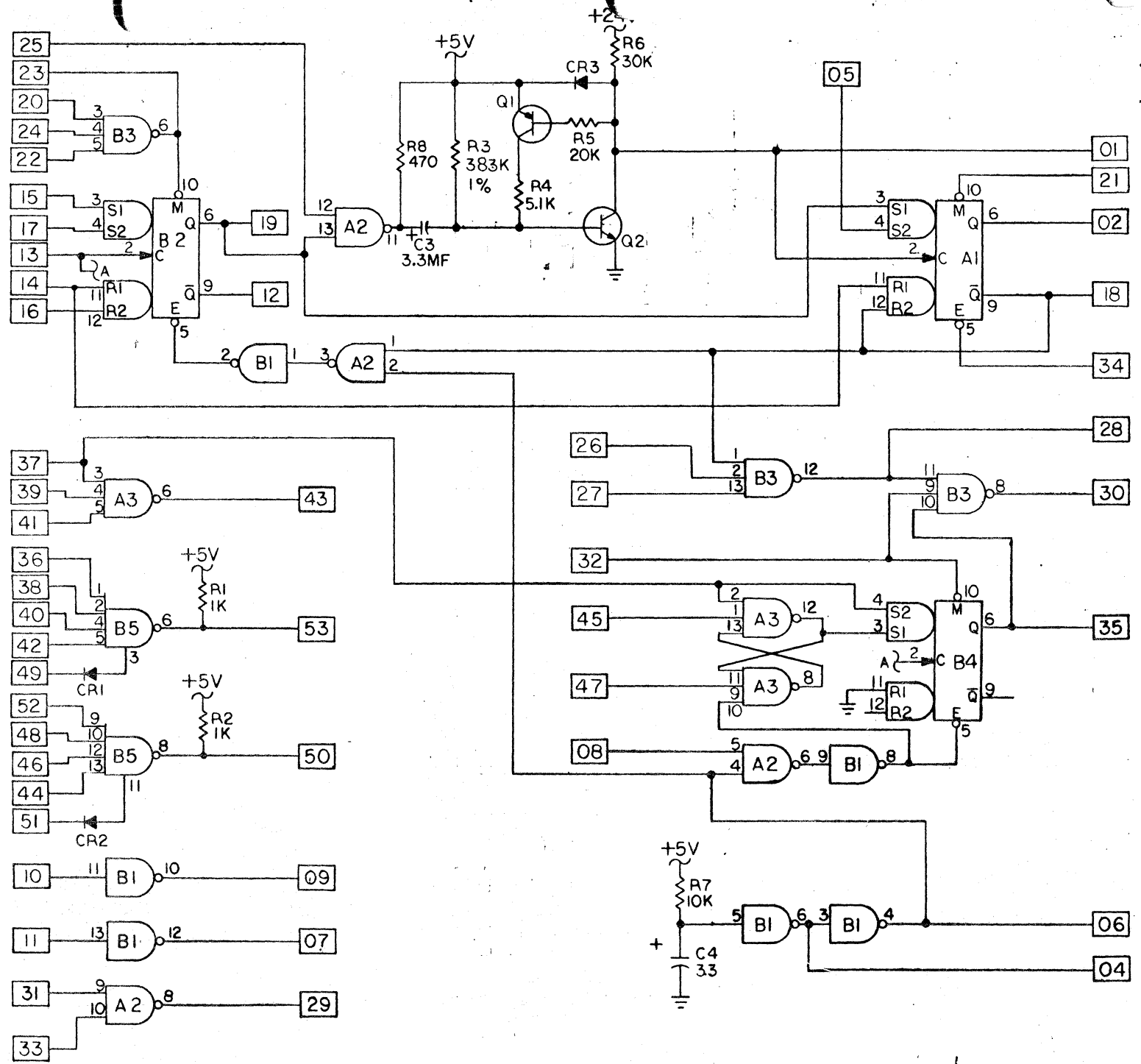
2. ALL CAPACITORS IN MICROFARADS  
 1. ALL RESISTORS IN OHMS, 1/4W, 5%  
 NOTES: UNLESS OTHERWISE SPECIFIED



REQD	PART OR IDENTIFYING NO.	NOMENCLATURE OR DESCRIPTION	SIZE, DESCRIPTION & SPECIFICATION	MATERIAL	ZONE
LIST OF MATERIAL OR PARTS LIST					
UNLESS OTHERWISE SPECIFIED		DRAWN <i>ac. Hayes</i> 6-9-60	CENTURY DATA SYSTEMS, INC. ANAHEIM, CALIFORNIA		
DIMENSIONS ARE IN INCHES		CHECK <i>B. Tolino</i> 6-23-69	SCHEMATIC SEEK LOGIC I AL13		
TOLERANCES ON		APPD <i>[Signature]</i> 7-2-69	SCALE: _____ SIZE <b>D</b> 90222-001		
DECIMALS	ANGLES	FINISH	WEIGHT _____ SHEET 3 OF 3		
.XX ±	±	HEAT TREAT	DO NOT SCALE THIS DRAWING		
.XXX ±		SURFACE ROUGHNESS PER MIL-STD-10			
.040 TO .125: +.002, -.001					
.136 TO .228: +.003, -.001					
.234 TO .500: +.004, -.001					
.515 TO .750: +.005, -.001					
.765 TO 1.000: +.007, -.001					
1.015 TO 2.000: +.009, -.001					

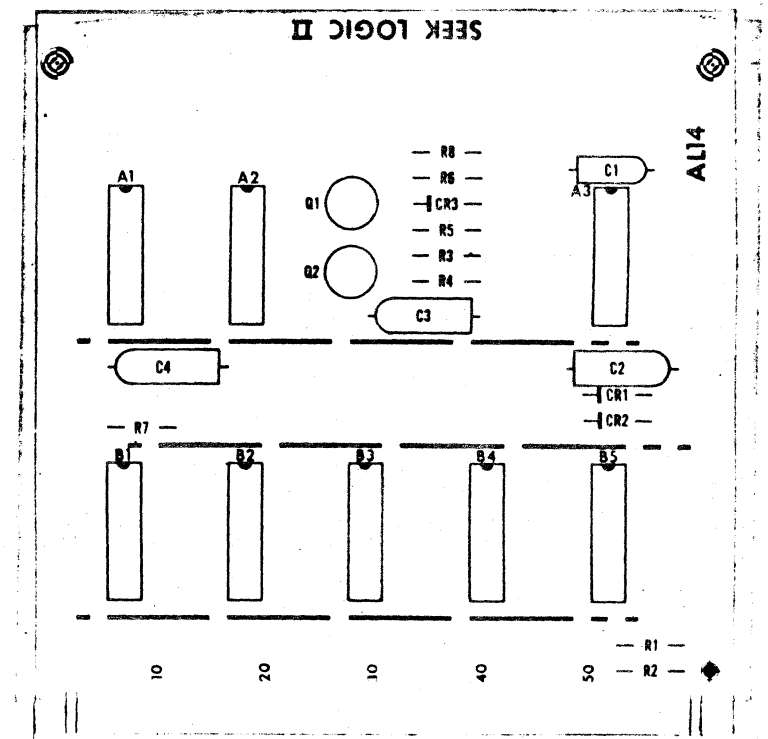
6190222-001

SYN		ZONE		REVISIONS		DATE & APPROVAL	



REF. DES.	LAST USED	REF. DES.	NOT USED
A3	R8		
B5			
C4			
CR3			
Q2			

3. ALL 1% RESISTORS ARE 1/8W  
 2. ALL CAPACITORS IN MICROFARADS  
 1. ALL RESISTORS IN OHMS, 1/4W, 5%  
 NOTES: UNLESS OTHERWISE SPECIFIED

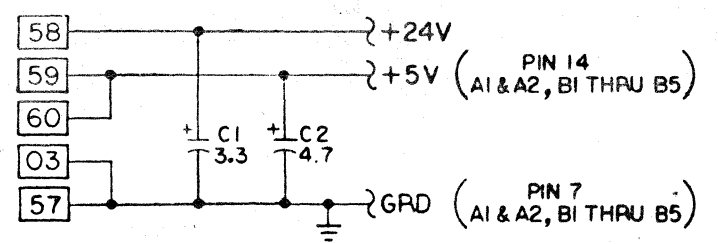
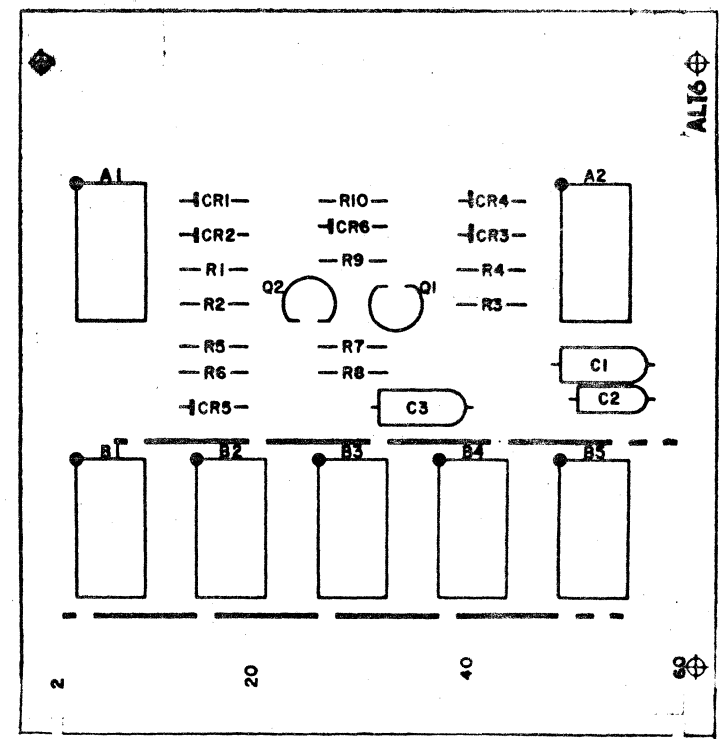
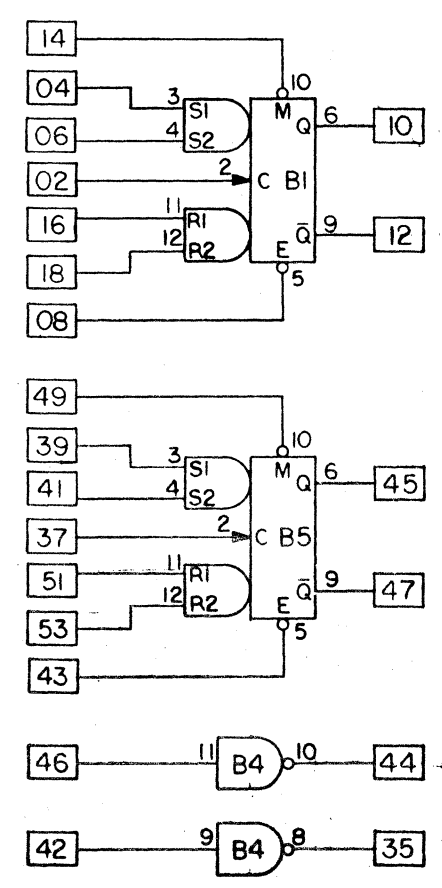
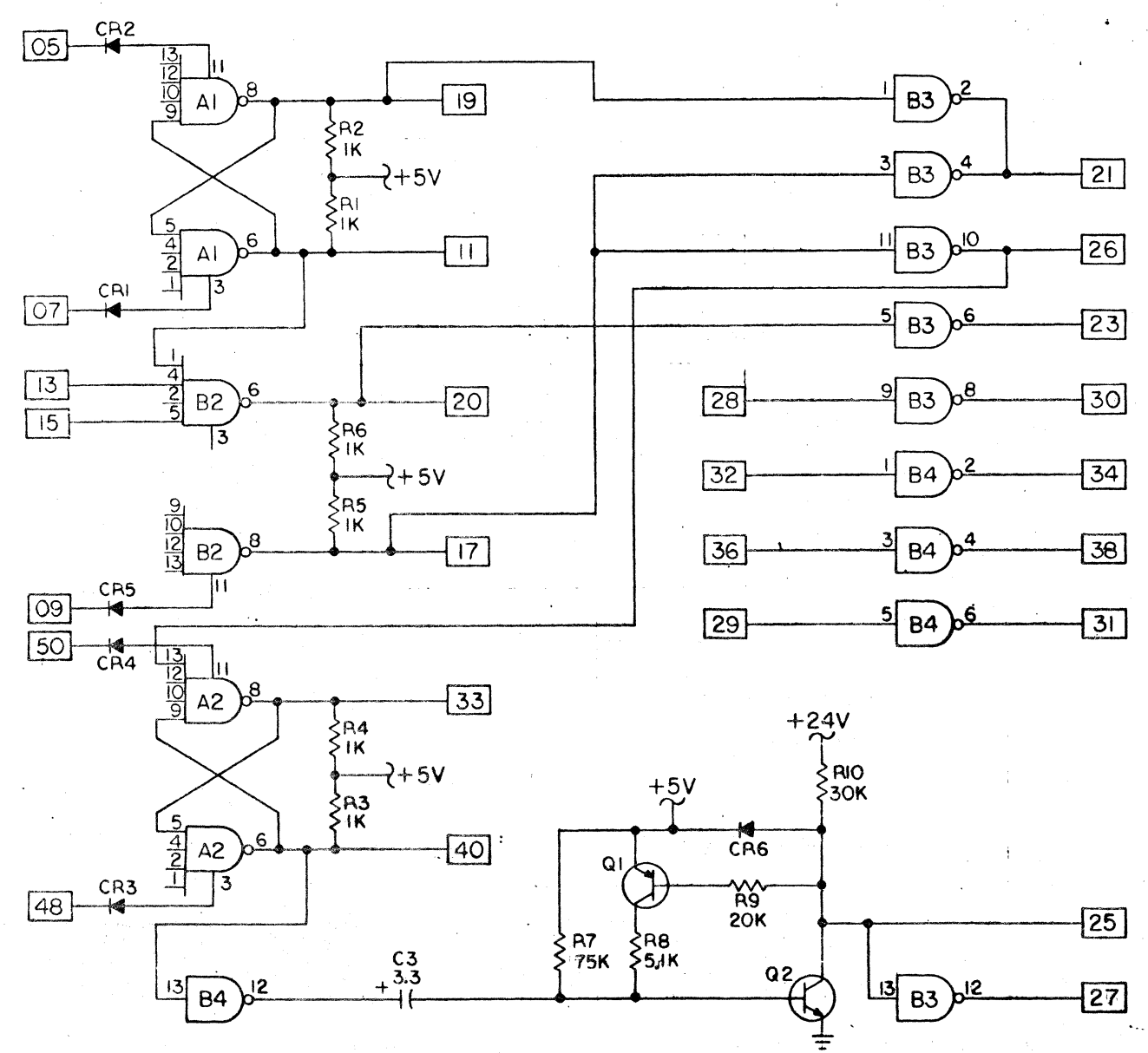


REQD.	PART OR IDENTIFYING NO.	NOMENCLATURE OR DESCRIPTION	SIZE, DESCRIPTION & SPECIFICATION	MATERIAL	ZONE
LIST OF MATERIAL OR PARTS LIST					
UNLESS OTHERWISE SPECIFIED		DRAWN WWHITE 6/10/69	CENTURY DATA SYSTEMS, INC. ANAHEIM, CALIFORNIA		
DIMENSIONS ARE IN INCHES		CHECK B. TULLO 6-23-69	SCHEMATIC SEEK LOGIC II AL14		
TOLERANCES ON		APPD [Signature] 7-2-69	SCALE: _____ SIZE: D 90226-001		
DECIMALS ANGLES		FINISH _____	WEIGHT _____		
X0X ± _____		HEAT TREAT _____	SHEET 4 OF 4		
X00X ± _____		SURFACE ROUGHNESS PER MIL-STD-10 _____	41		
DRILLED HOLES					
.040 TO .125: +.002, -.001					
.126 TO .228: +.003, -.001					
.229 TO .500: +.004, -.001					
.501 TO .750: +.005, -.001					
.751 TO 1.000: +.007, -.001					
1.001 TO 2.000: +.010, -.001					

H2 90226-001



SYM		ZONE		REVISIONS		DATE & APPROVAL	
				1	MAY BE REWORKED	2	CANNOT BE REWORKED
				3	NONE		



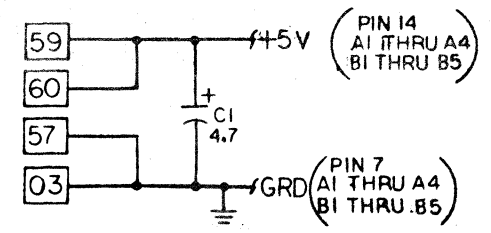
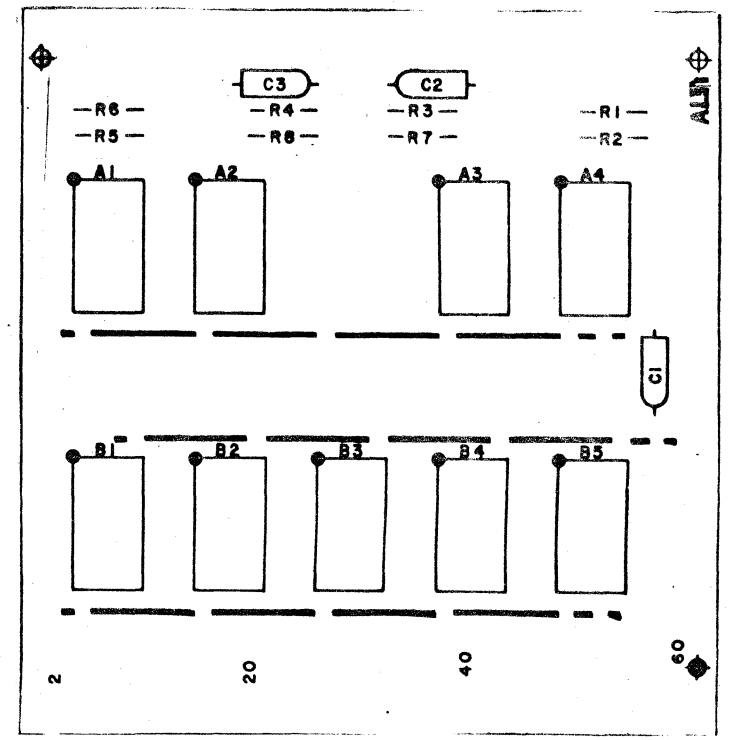
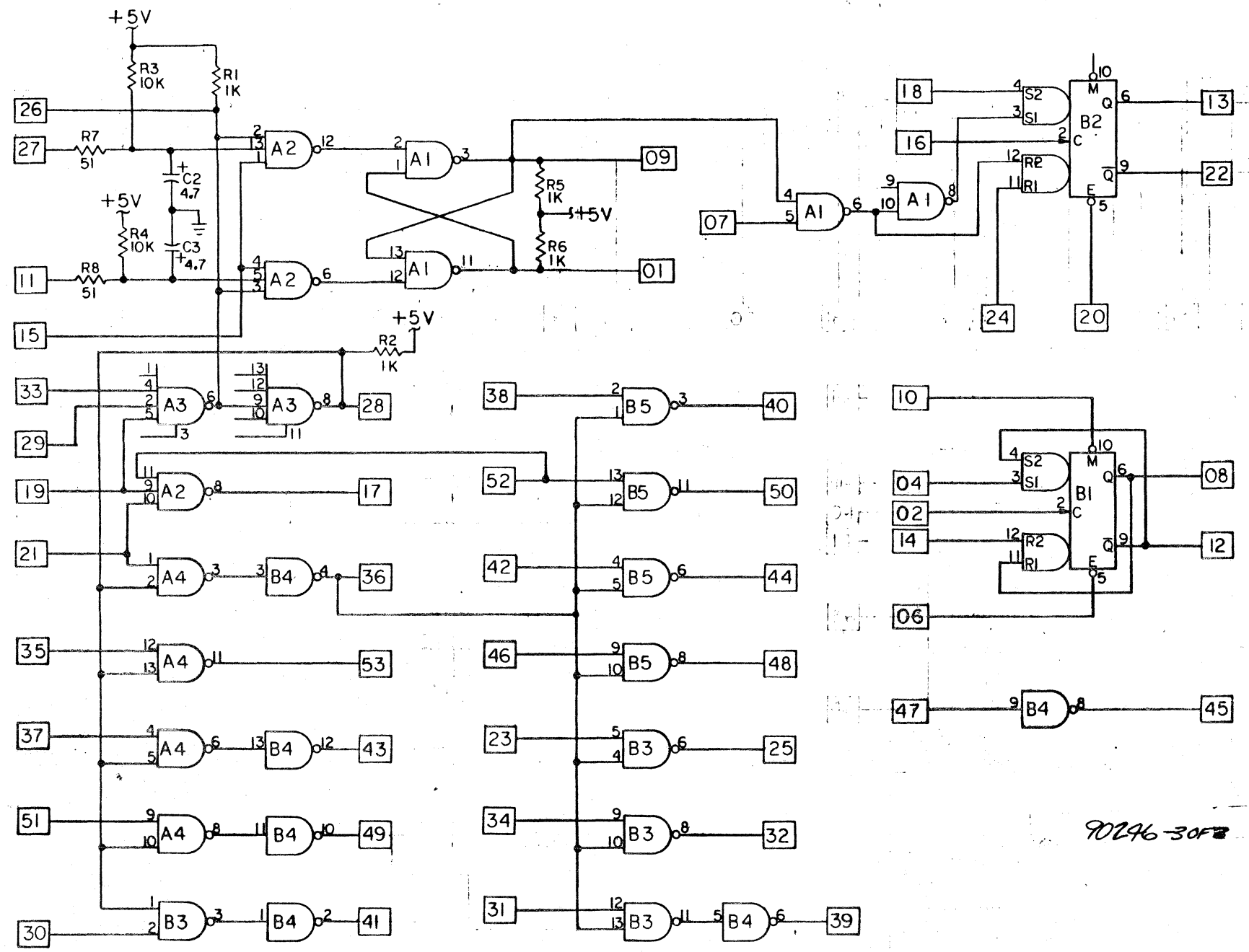
REF DES	LAST USED	REF DES	NOT USED
A2	R10		
B5			
C3			
CR6			
Q2			

2. ALL CAPACITORS IN MICROFARADS  
 1. ALL RESISTORS IN OHMS, 1/4W, 5%  
 NOTES: UNLESS OTHERWISE SPECIFIED

REQD	PART OR IDENTIFYING NO.	NOMENCLATURE OR DESCRIPTION	MATERIAL SIZE, DESCRIPTION & SPECIFICATION	ZONE
LIST OF MATERIAL OR PARTS LIST				
UNLESS OTHERWISE SPECIFIED		DRAWN <i>Bill White</i>	224-130	
DIMENSIONS ARE IN INCHES		CHECK <i>B. Talano</i>	7-2-69	
TOLERANCES ON		APPD <i>Li</i>	7-2-69	
DECIMALS	ANGLES	APPD		
.XX ±	±	FINISH		
.XXX ±		HEAT TREAT		
DRILLED HOLES		SURFACE ROUGHNESS PER MIL-STD-10		
.040 TO .125	+ .002, - .001	SCALE:	SIZE	
.126 TO .228	+ .003, - .001		<b>D</b> 90230	J3
.229 TO .500	+ .004, - .001	DO NOT SCALE THIS DRAWING	WEIGHT	
.501 TO .750	+ .005, - .001			
.751 TO 1.875	+ .007, - .001			
1.876 TO 2.875	+ .010, - .001			

J3 90230

REVISIONS			DATE & APPROVAL
SYM	ZONE	DESCRIPTION	
		1 MAY BE REWORKED	
		2 CANNOT BE REWORKED	
		3 NONE	



REF DES	LAST USED	REF DES	NOT USED
C3			
R8			
A4			
B5			

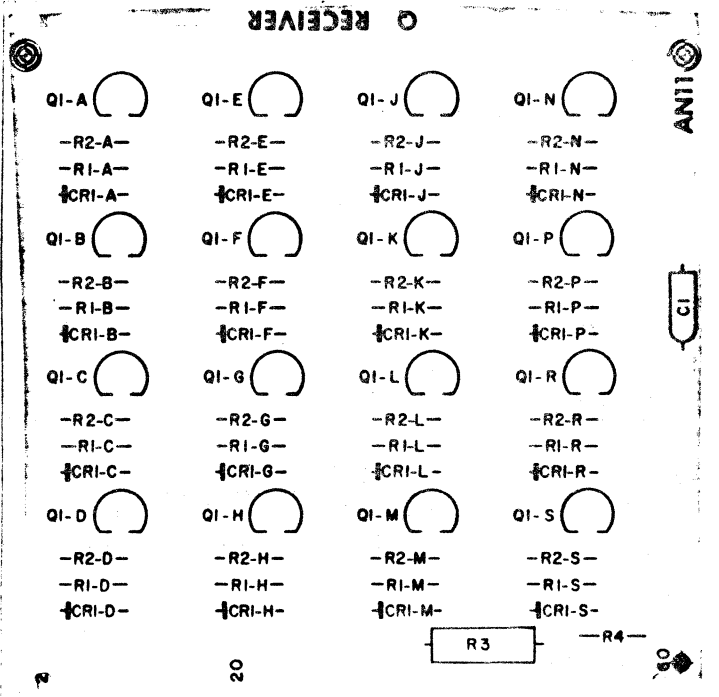
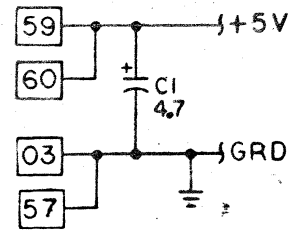
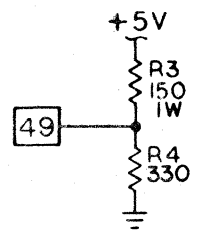
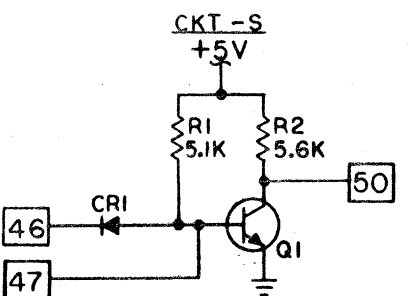
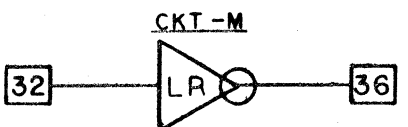
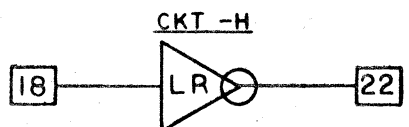
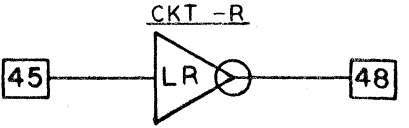
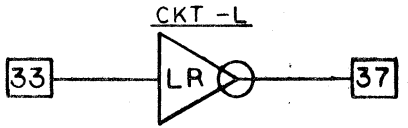
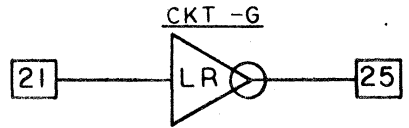
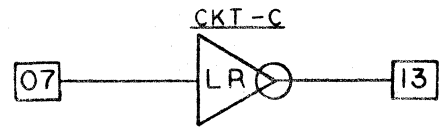
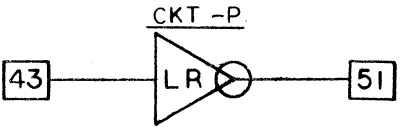
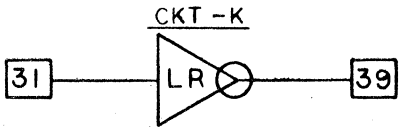
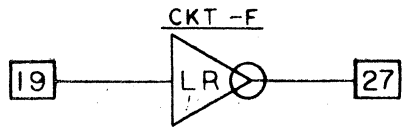
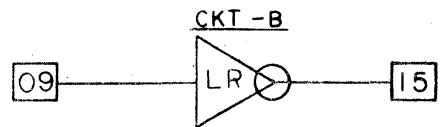
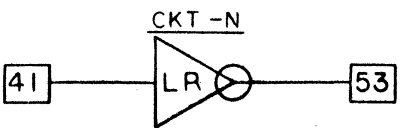
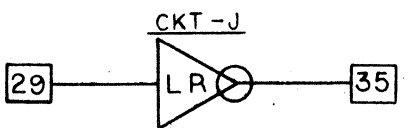
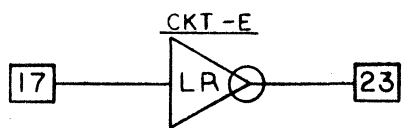
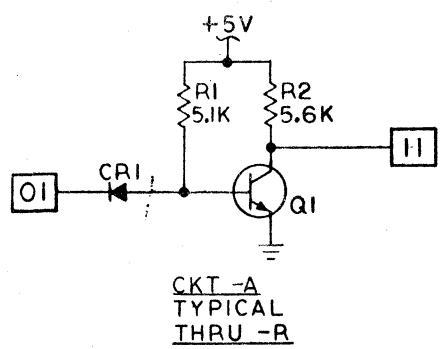
2. ALL CAPACITORS IN MICROFARADS  
 1. ALL RESISTORS IN OHMS, 1/4W, 5%  
 NOTES: UNLESS OTHERWISE SPECIFIED

90246-30F

REQD	PART OR IDENTIFYING NO.	NOMENCLATURE OR DESCRIPTION	SIZE, DESCRIPTION & SPECIFICATION	MATERIAL	ZONE
LIST OF MATERIAL OR PARTS LIST					
UNLESS OTHERWISE SPECIFIED		DRAWN: <i>W. Johnson</i>	3-69	CENTURY DATA SYSTEMS, INC. ANAHEIM, CALIFORNIA	
DIMENSIONS ARE IN INCHES		CHECK: <i>B. Tulino</i>	4-10-69	SCHEMATIC CONTROL LOGIC I ALII	
TOLERANCES ON		APPD: <i>[Signature]</i>	4-14-69	SCALE: _____ SIZE: <b>D</b> 90246-001	
DECIMALS		FINISH: _____		WEIGHT: _____ SHEET 3 OF 3	
ANGLES		HEAT TREAT: _____			
XX ±		SURFACE ROUGHNESS PER MIL-STD-10			
XXX ±					
DRILLED HOLES					
.040 TO .125 +.002, -.001					
.135 TO .225 +.003, -.001					
.235 TO .300 +.004, -.001					
.315 TO .750 +.005, -.001					
.765 TO 1.000 +.007, -.001					
1.015 TO 2.000 +.010, -.001					

G1 90246-001

SYM		ZONE		REVISIONS		DATE & APPROVAL	
				1	MAY BE REWORKED	2	CANNOT BE REWORKED
				3	NONE		



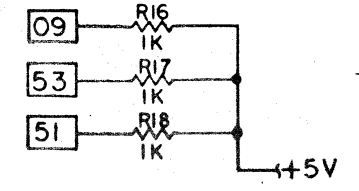
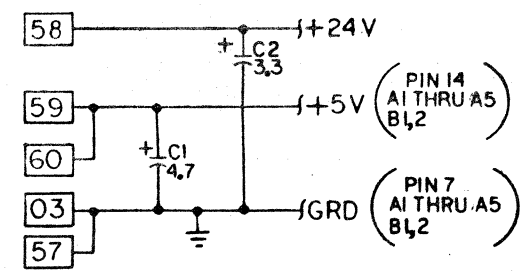
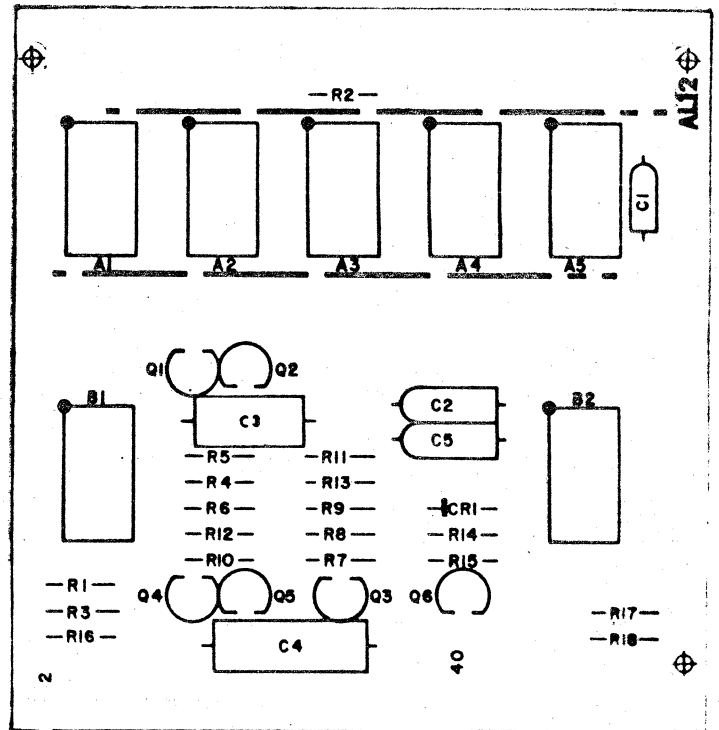
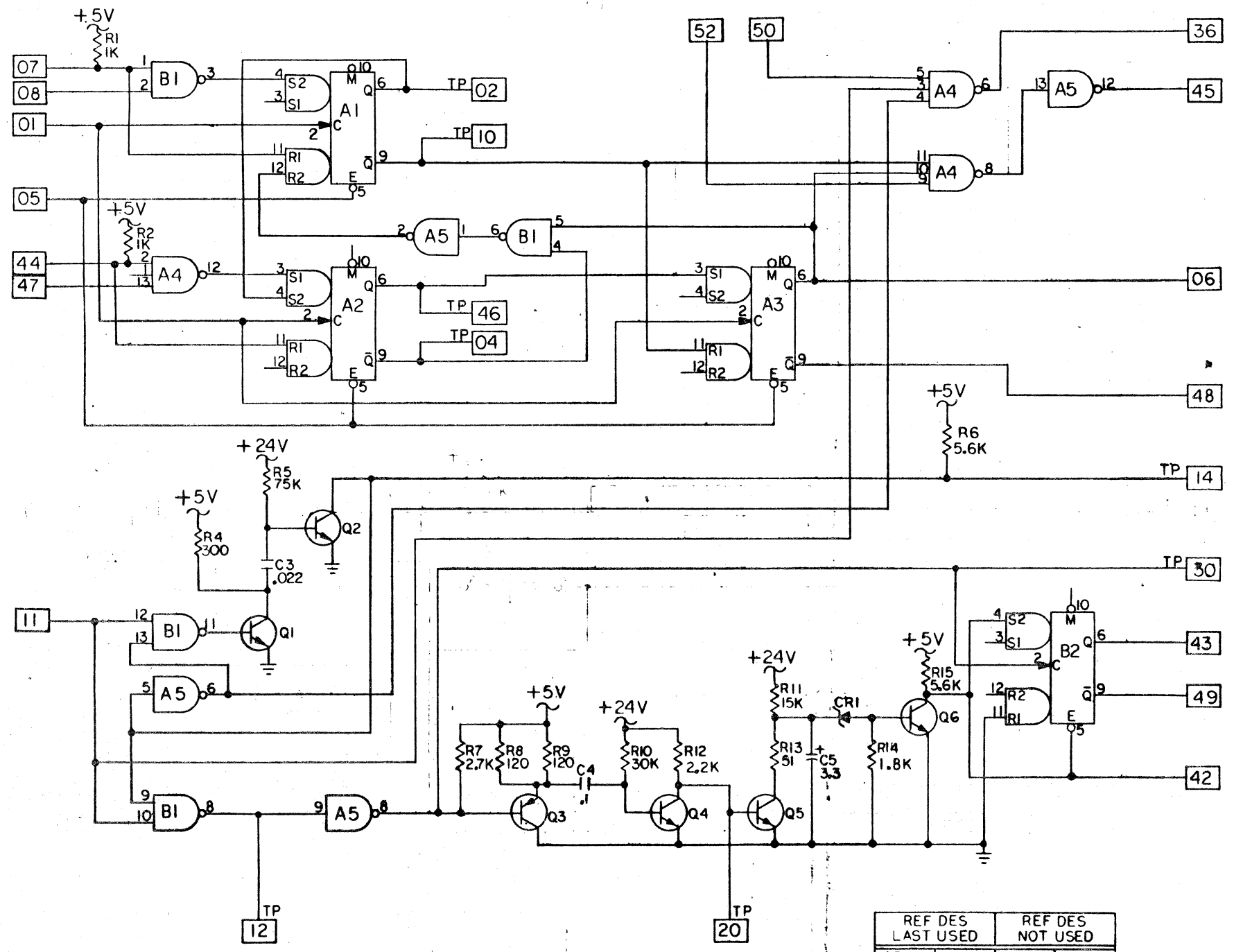
REF DES LAST USED	REF DES NOT USED
C1	
CRI-S	
Q1-S	
R4	

2. ALL CAPACITORS IN MICROFARADS  
 1. ALL RESISTORS IN OHMS, 1/4W, 5%  
 NOTES: UNLESS OTHERWISE SPECIFIED

REQD	PART OR IDENTIFYING NO.	NOMENCLATURE OR DESCRIPTION	MATERIAL SIZE, DESCRIPTION & SPECIFICATION	ZONE
LIST OF MATERIAL OR PARTS LIST				
UNLESS OTHERWISE SPECIFIED		DRAWN R. [Signature]	3-21-69	
DIMENSIONS ARE IN INCHES		CHECK [Signature]	9 APR 69	
TOLERANCES ON		APPD [Signature]	4-3-69	
DECIMALS	ANGLES	APPD		
.XX ±	±	FINISH		
.XXX ±				
DRILLED HOLES		HEAT TREAT	SCALE:	SIZE
.040 TO .125: +.002, -.001				D 90254
.126 TO .226: +.003, -.001				
.227 TO .500: +.004, -.001				
.501 TO .750: +.005, -.001				
.751 TO 1.000: +.007, -.001				
1.001 TO 2.000: +.010, -.001				
SURFACE ROUGHNESS PER MIL-STD-10		DO NOT SCALE THIS DRAWING	WEIGHT	SHEET 3 OF 3

FI 90254

SYM		ZONE		DESCRIPTION		DATE & APPROVAL	
				1	MAY BE REWORKED	2	CANNOT BE REWORKED



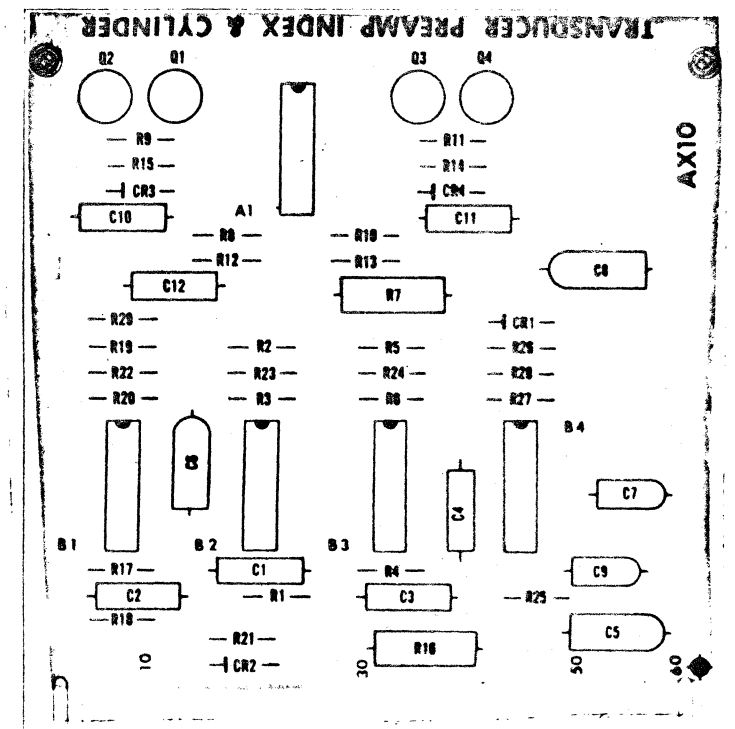
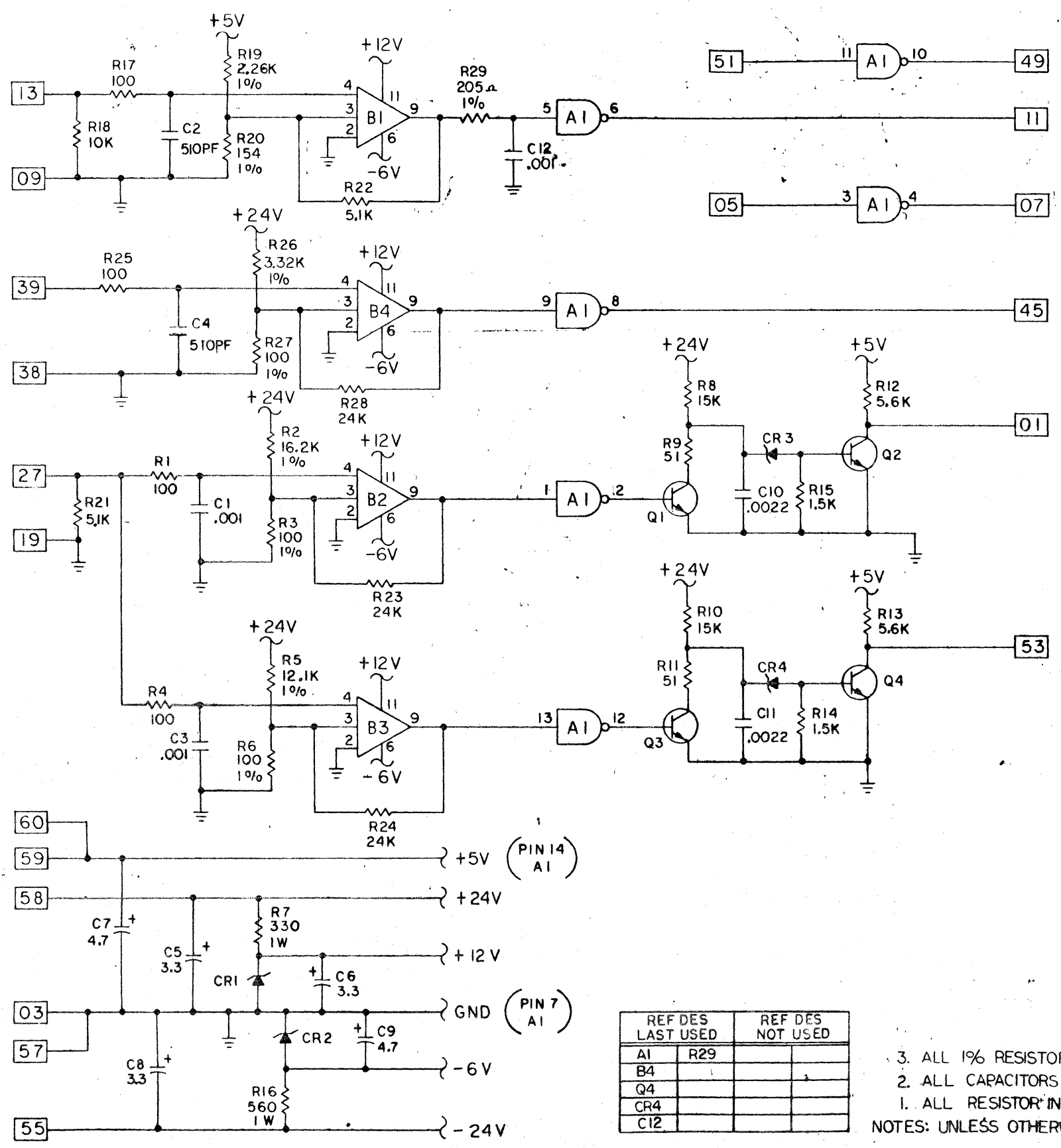
REF DES	LAST USED	REF DES	NOT USED
A5			
B2			
C5			
CR1			
Q6			
R18			

2. ALL CAPACITORS IN MICROFARADS  
 1. ALL RESISTORS IN OHMS, 1/4W, 5%  
 NOTES: UNLESS OTHERWISE SPECIFIED

REQD	PART OR IDENTIFYING NO.	NOMENCLATURE OR DESCRIPTION	MATERIAL SIZE, DESCRIPTION & SPECIFICATION	ZONE
LIST OF MATERIAL OR PARTS LIST				
UNLESS OTHERWISE SPECIFIED		DRAWN <i>Almond</i> 4-69	CENTURY DATA SYSTEMS, INC. ANAHEIM, CALIFORNIA	
DIMENSIONS ARE IN INCHES		CHECK <i>B. Tuller</i> 4-14-69	SCHEMATIC-DETECTOR, INDEX, SPEED & CYLINDER AL12	
TOLERANCES ON		APPD <i>[Signature]</i> 4-14-69		
DECIMALS	ANGLES	FINISH	SCALE: _____ SIZE: <b>D</b> 90258-901 MI ✓	
XXX ±	±	HEAT TREAT		
DRILLED HOLES		SURFACE ROUGHNESS PER MIL-STD-10	WEIGHT _____ SHEET 4 OF 4	
.040 TO .125	+ .002, - .001			
.126 TO .228	+ .003, - .001			
.229 TO .500	+ .004, - .001			
.501 TO .750	+ .005, - .001			
.751 TO 1.000	+ .007, - .001			
1.001 TO 2.000	+ .010, - .001			

MI 90258-001

SYN		REVISIONS		DATE & APPROVAL
NO.	DESCRIPTION	DATE	BY	



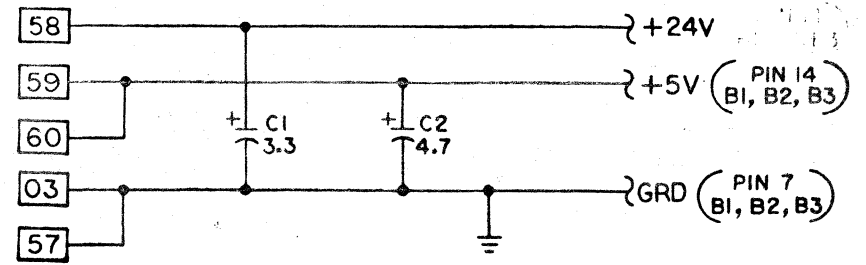
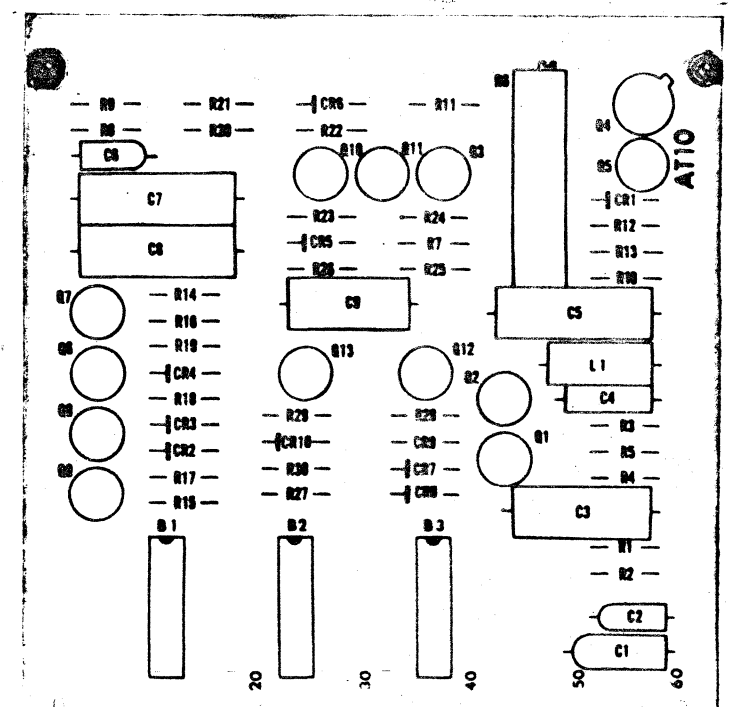
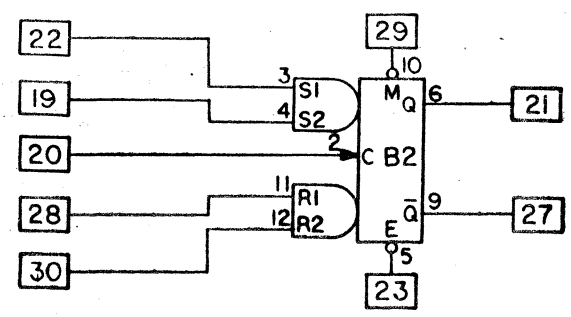
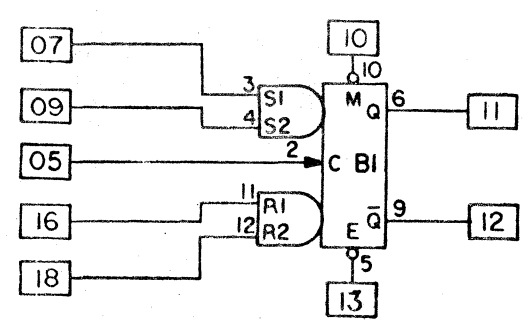
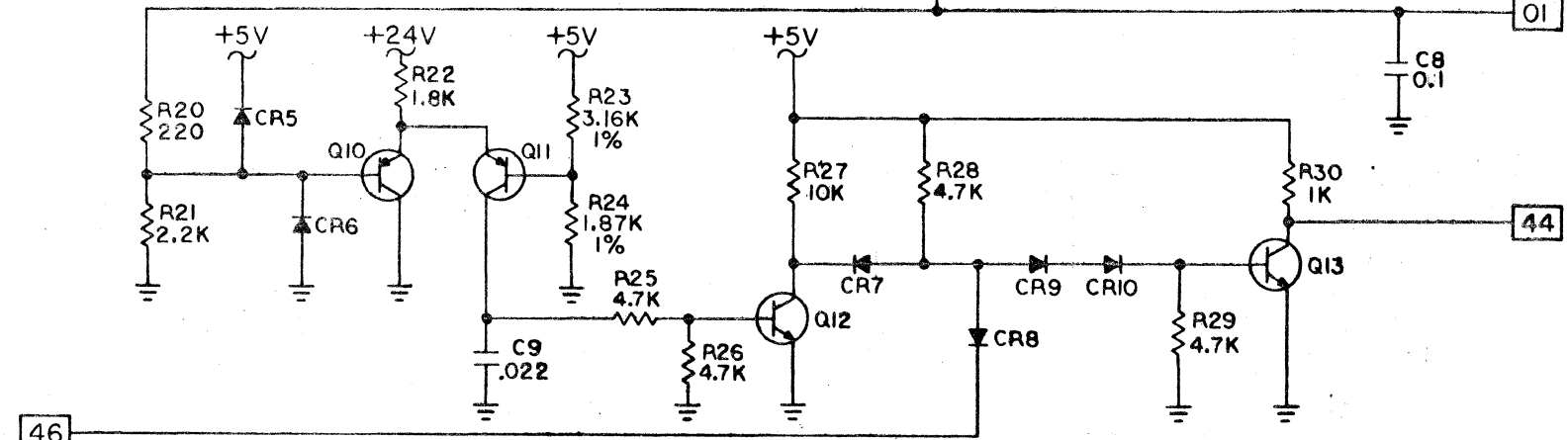
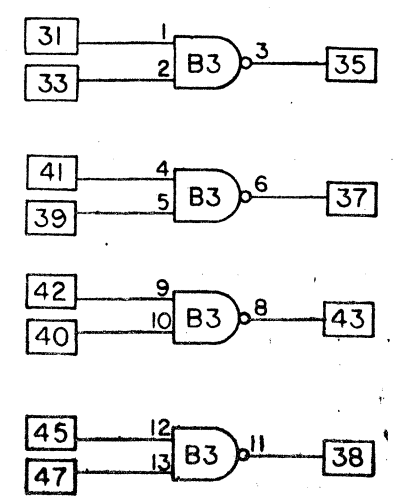
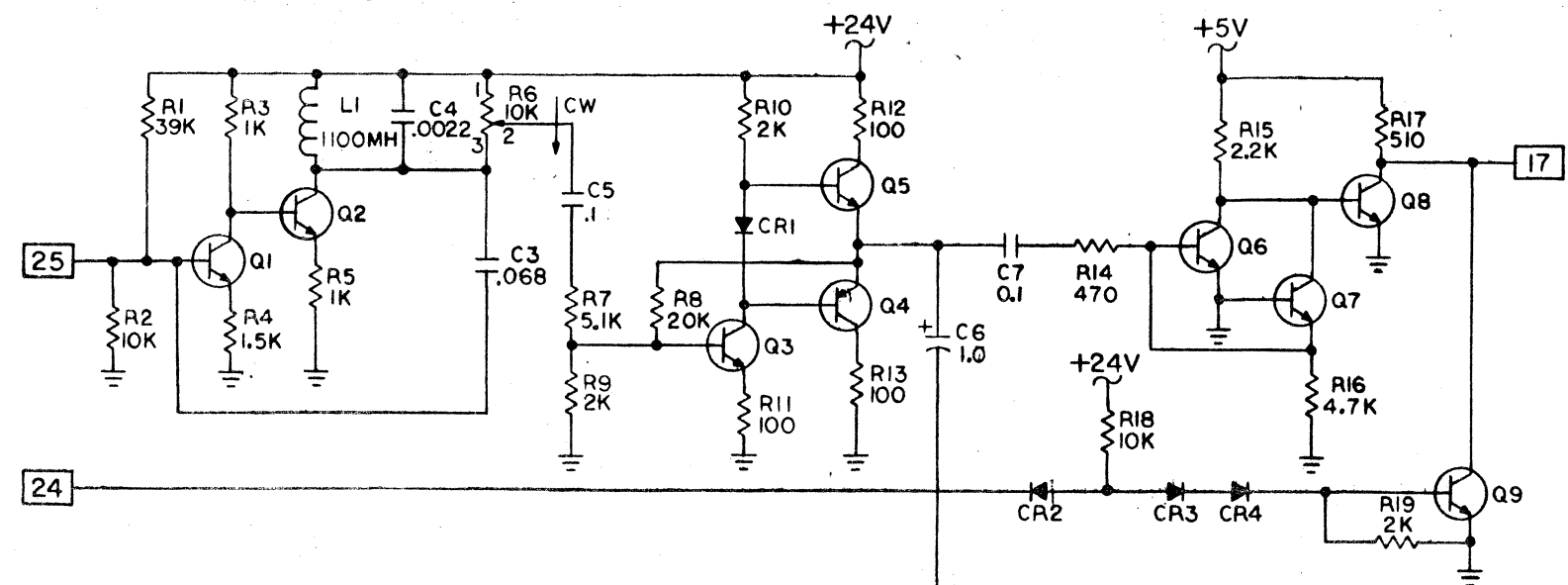
REF DES	LAST USED	REF DES	NOT USED
A1	R29		
B4			
Q4			
CR4			
C12			

- NOTES: UNLESS OTHERWISE SPECIFIED
- ALL 1% RESISTORS ARE 1/8W
  - ALL CAPACITORS IN MICROFARADS
  - ALL RESISTOR IN OHMS, 1/4W, 5%

UNLESS OTHERWISE SPECIFIED		DRAWN <i>Dave Hayes</i>		CENTURY DATA SYSTEMS, INC.	
DIMENSIONS ARE IN INCHES		CHECK <i>B.T. Williams</i>		ANAHEIM, CALIFORNIA	
TOLERANCES ON		DATE <i>1-9-70</i>		SCHEMATIC - TRANSDUCER	
DECIMALS		FINISH		PREAMP INDEX & CYLINDER	
ANGLES		MATERIAL		AX10	
XX ±		SCALE:		C.C.	
XXX ±		SIZE		503	
DRILLED HOLES		D 90262		REV	
.040 TO .125: +.002, -.001		DO NOT SCALE		KI	
.136 TO .228: +.003, -.001		PER MIL-STD-10		SHEET 4 OF 4	
.239 TO .500: +.004, -.001		WEIGHT			
.515 TO .750: +.005, -.001					
.761 TO 1.000: +.007, -.001					
1.001 TO 2.000: +.010, -.001					

KW 90262

REVISIONS		
SYM	ZONE	DESCRIPTION



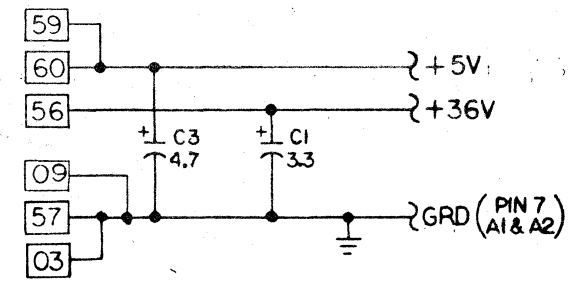
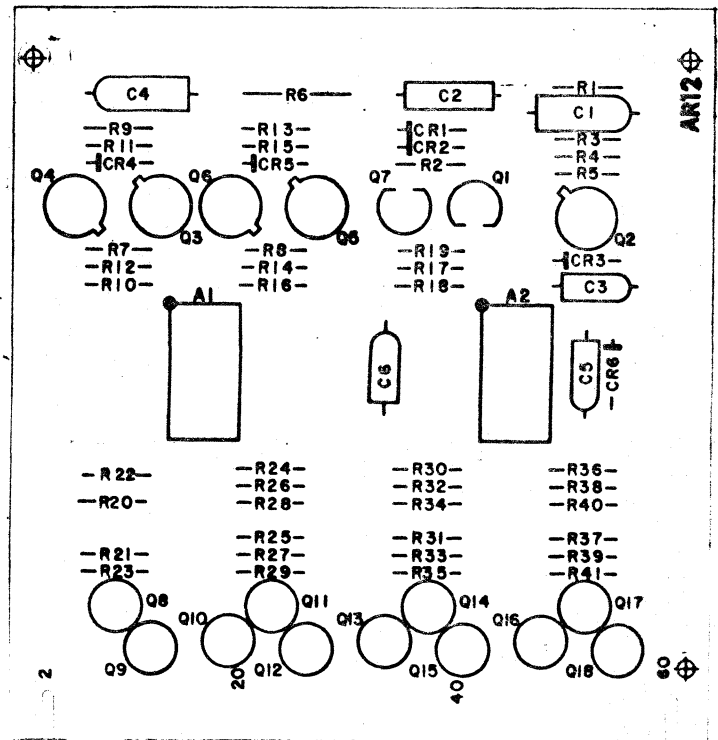
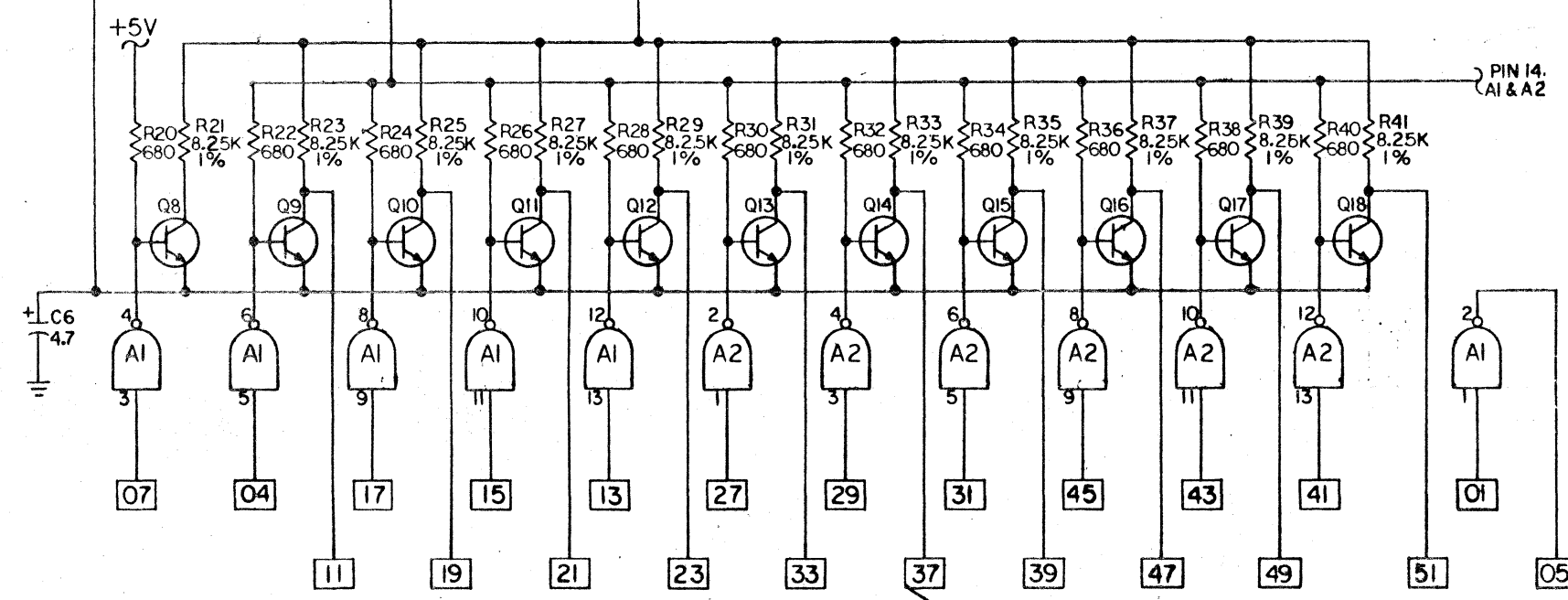
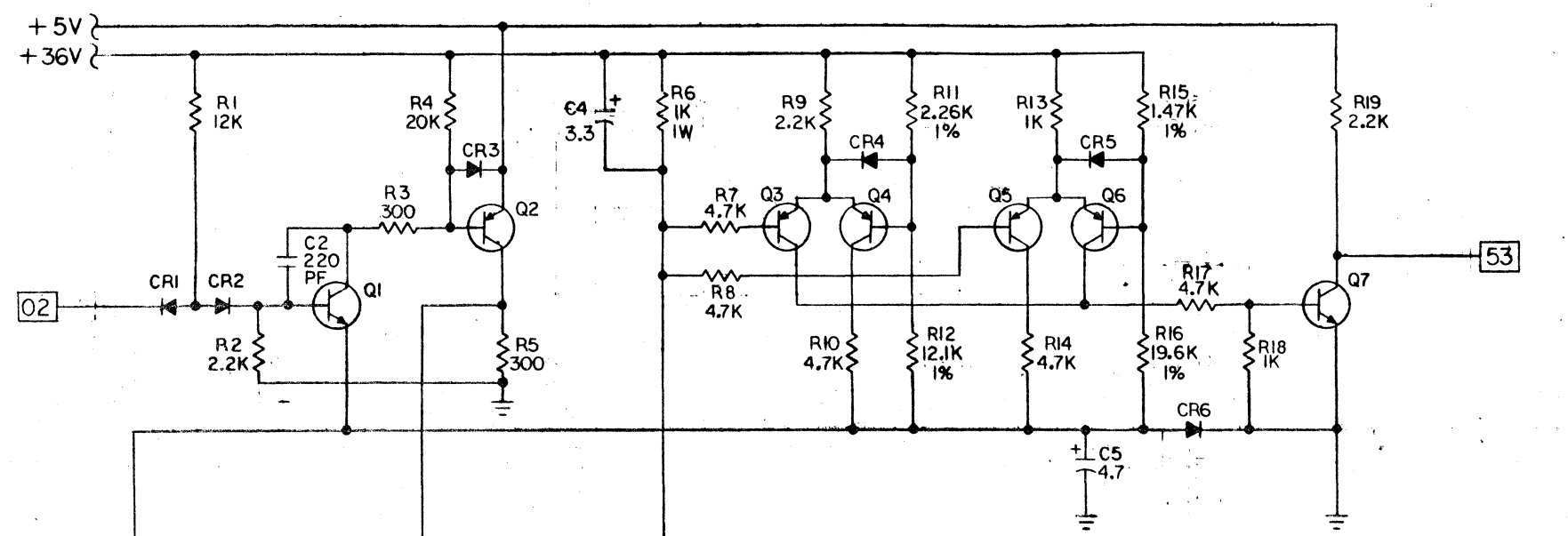
REF DES	LAST USED	REF DES	NOT USED
B3	R30		
C9			
CR10			
L1			
Q13			

3. ALL 1% RESISTORS ARE 1/8W  
 2. ALL CAPACITORS IN MICROFARADS  
 1. ALL RESISTORS IN OHMS, 1/4W, 5%  
 NOTES: UNLESS OTHERWISE SPECIFIED

UNLESS OTHERWISE SPECIFIED		DRAWN	WHITE	26 SEP 68	CENTURY DATA SYSTEMS, INC. ANAHEIM, CALIFORNIA	
DIMENSIONS ARE IN INCHES		CHECK	R. T. J. J.	9-26-68	SCHEMATIC	
TOLERANCES ON		APPD			OSCILLATOR	
DECIMALS	ANGLES	APPD		9-29-68	AT10	
.XX ±	±	FINISH			506	
.XXX ±					REV N2	
DRILLED HOLES		MATERIAL			SCALE	SIZE
.040 TO .1250 ± .002 - .001					D	90266
.130 TO .220 ± .003 - .001						
.230 TO .300 ± .004 - .001						
.310 TO .700 ± .006 - .001						
.700 TO 1.000 ± .007 - .001						
1.000 TO 2.000 ± .010 - .001						
SURFACE ROUGHNESS PER MIL-STD-10		DO NOT SCALE THIS DRAWING		WEIGHT	SHEET 5 OF 5	

N4 90266

SYN		REVISIONS		DATE & APPROVAL
NO.	DESCRIPTION	NO.	DESCRIPTION	
	1 MAY BE REWORKED	2	CANNOT BE REWORKED	
	3 NONE			



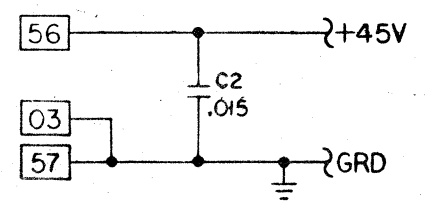
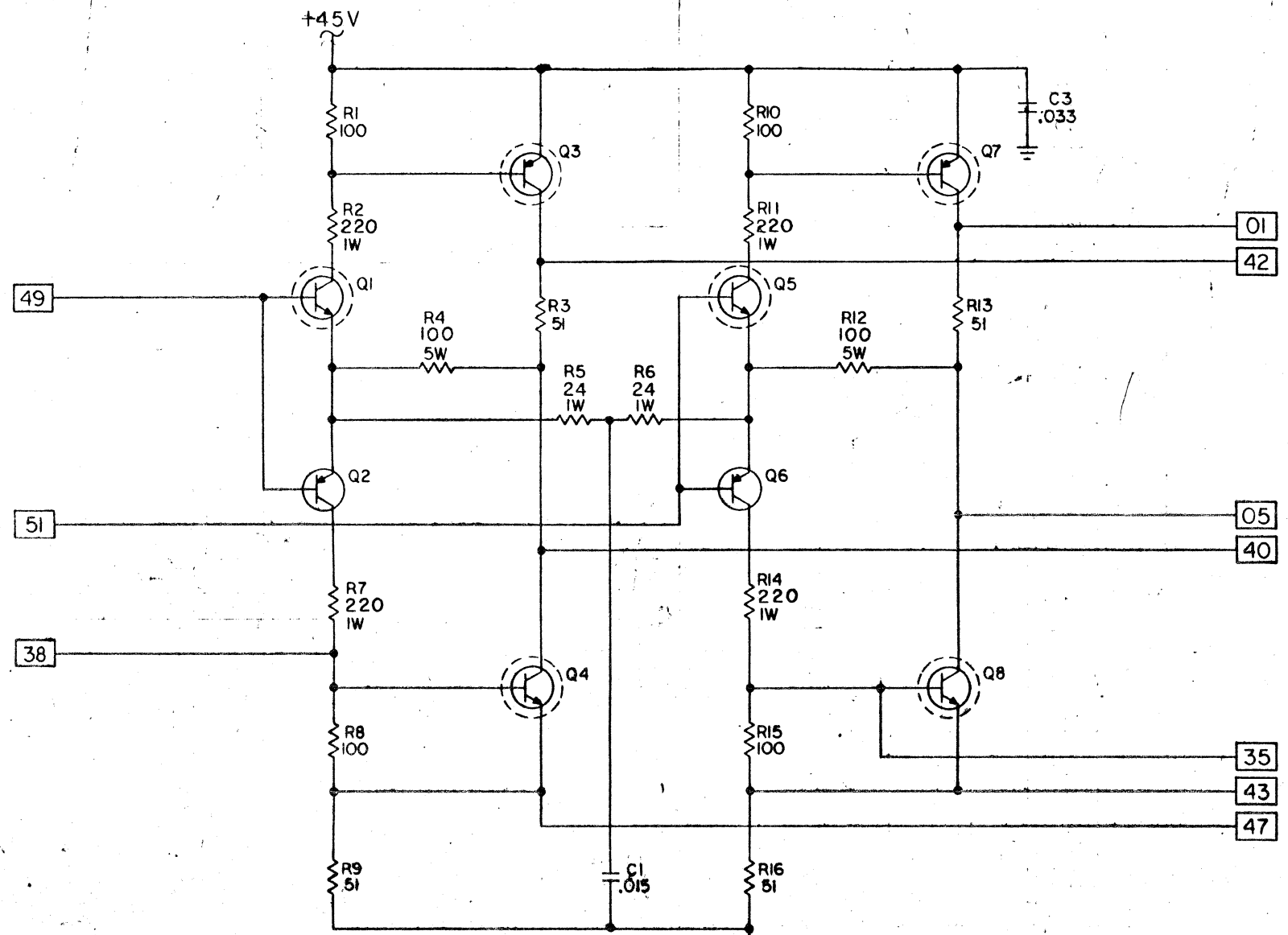
REF. DES.	LAST USED	REF. DES.	NOT USED
A2			
C6			
CR6			
Q18			
R41			

NOTE: ALL CAPACITORS IN P.F.  
 ALL RESISTORS 1/4W, 1% TOL.  
 NOTE, UNLESS OTHERWISE SPECIFIED

REQD	IDENTIFYING NO.	QUANTITY	SIZE, DESCRIPTION & SPECIFICATION	ZONE
LIST OF MATERIAL OR PARTS LIST				
UNLESS OTHERWISE SPECIFIED		CENTURY DATA SYSTEMS, INC. ANAHEIM, CALIFORNIA		
DIMENSIONS ARE IN INCHES		SCHEMATIC HEAD SELECT SWITCHES AR12		
TOLERANCES ON		SCALE: SIZE 90383-001		
DECIMALS ANGLES		WEIGHT		
XX ±		SHEET 4 OF 4		
XXX ±				
FINISH				
HEAT TREAT				
SURFACE ROUGHNESS PER MIL-STD-10				
DRILLED HOLES				
.040 TO .125: +.002, -.001				
.130 TO .220: +.003, -.001				
.230 TO .500: +.004, -.001				
.510 TO .750: +.005, -.001				
.760 TO 1.500: +.007, -.001				
1.600 TO 2.500: +.008, -.001				

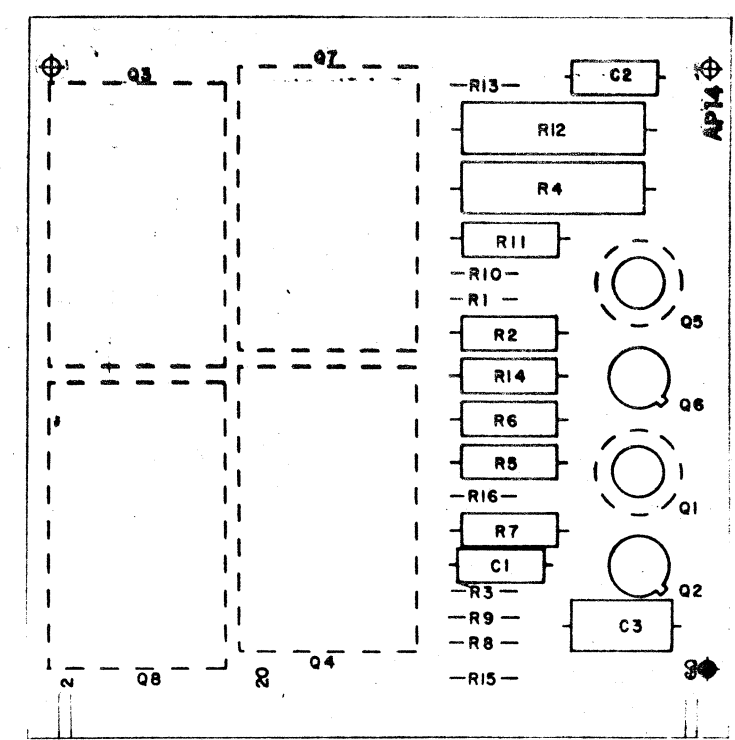
90383-001

REVISIONS			DATE & APPROVAL
SYM	ZONE	DESCRIPTION	
		1 MAY BE REWORKED	
		2 CANNOT BE REWORKED	
		3 NONE	



REF DES LAST USED	REF DES NOT USED
Q8	
C3	
R16	

2. ALL CAPACITORS IN MICROFARADS  
 1. ALL RESISTORS IN OHMS, 1/4W, 5%  
 NOTES: UNLESS OTHERWISE SPECIFIED

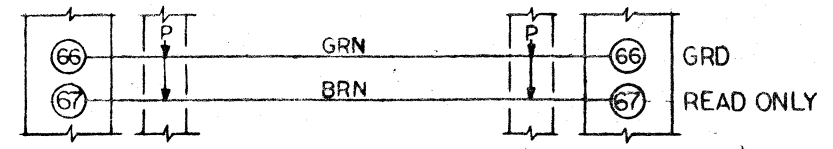
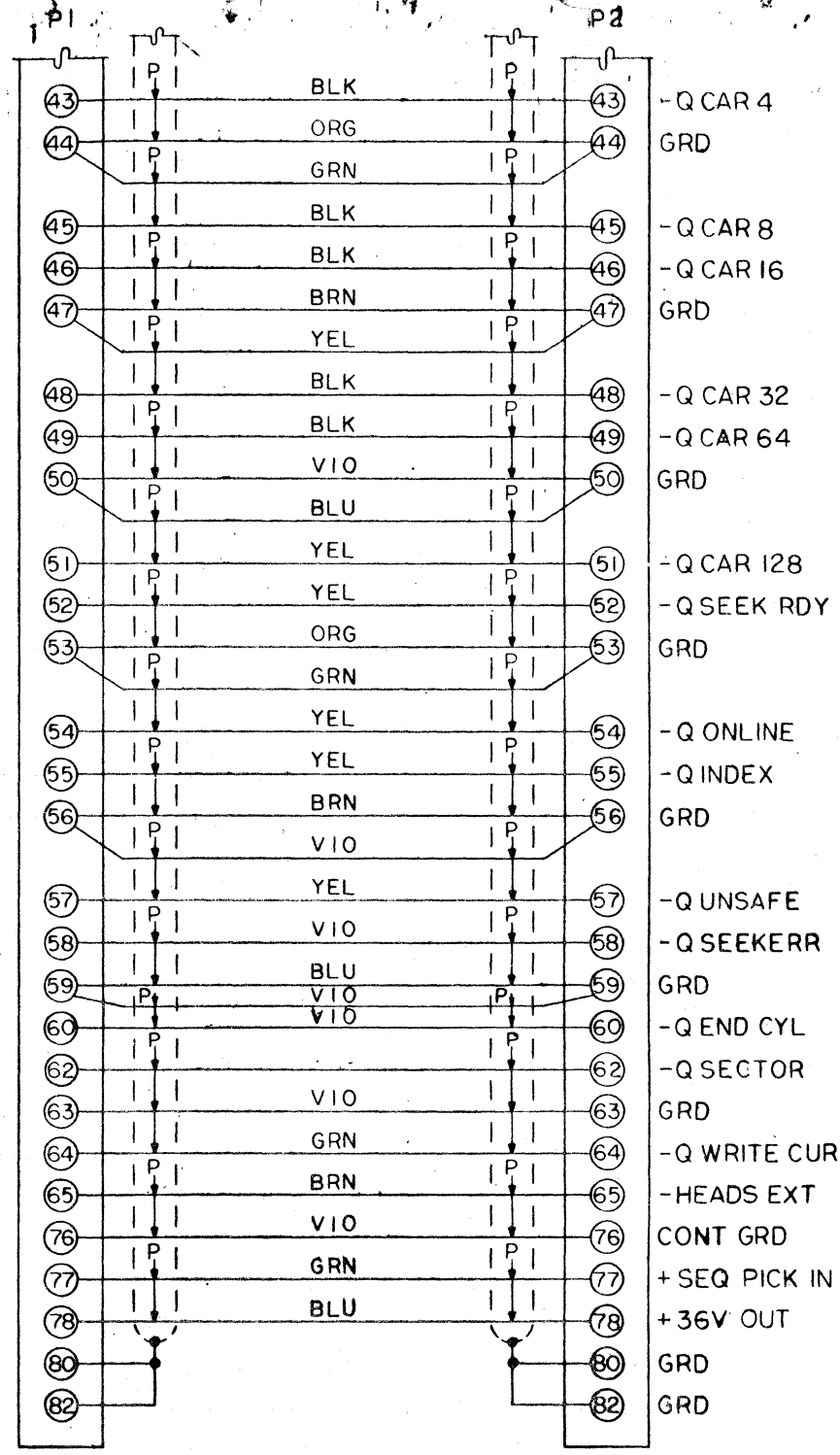
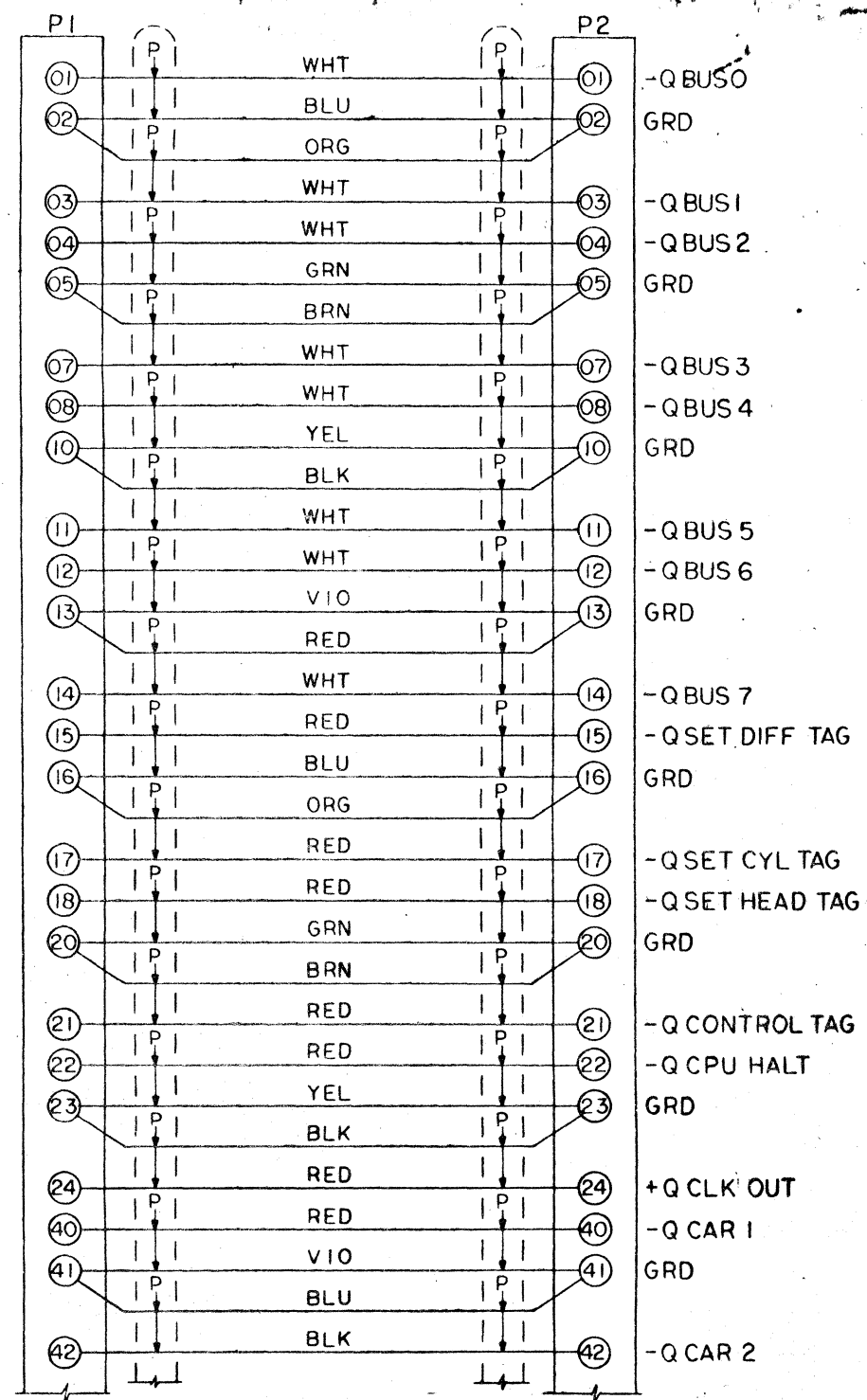


REQD	PART OR IDENTIFYING NO.	NOMENCLATURE OR DESCRIPTION	MATERIAL SIZE, DESCRIPTION & SPECIFICATION	ZONE
LIST OF MATERIAL OR PARTS LIST				
UNLESS OTHERWISE SPECIFIED		DRAWN: <i>[Signature]</i> 2/14/60	CENTURY DATA SYSTEMS, INC. ANAHEIM, CALIFORNIA	
DIMENSIONS ARE IN INCHES		CHECK: <i>[Signature]</i> 4-22-69	SCHEMATIC SERVO AMPLIFIER API4	
TOLERANCES ON		APPD: <i>[Signature]</i> 4-22-69		
DECIMALS	ANGLES	FINISH		
JXX ±	±			
JXX ±				
DRILLED HOLES		HEAT TREAT	SCALE:	SIZE
.040 TO .1250	+ .002, - .001			D 90559-001
.126 TO .250	+ .003, - .001			REV N2
.251 TO .500	+ .004, - .001			
.501 TO .750	+ .005, - .001			
.751 TO 1.500	+ .007, - .001			
1.501 TO 2.500	+ .010, - .001			
SURFACE ROUGHNESS PER MIL-STD-10			WEIGHT	SHEET 4 OF 4

N2 90559-001



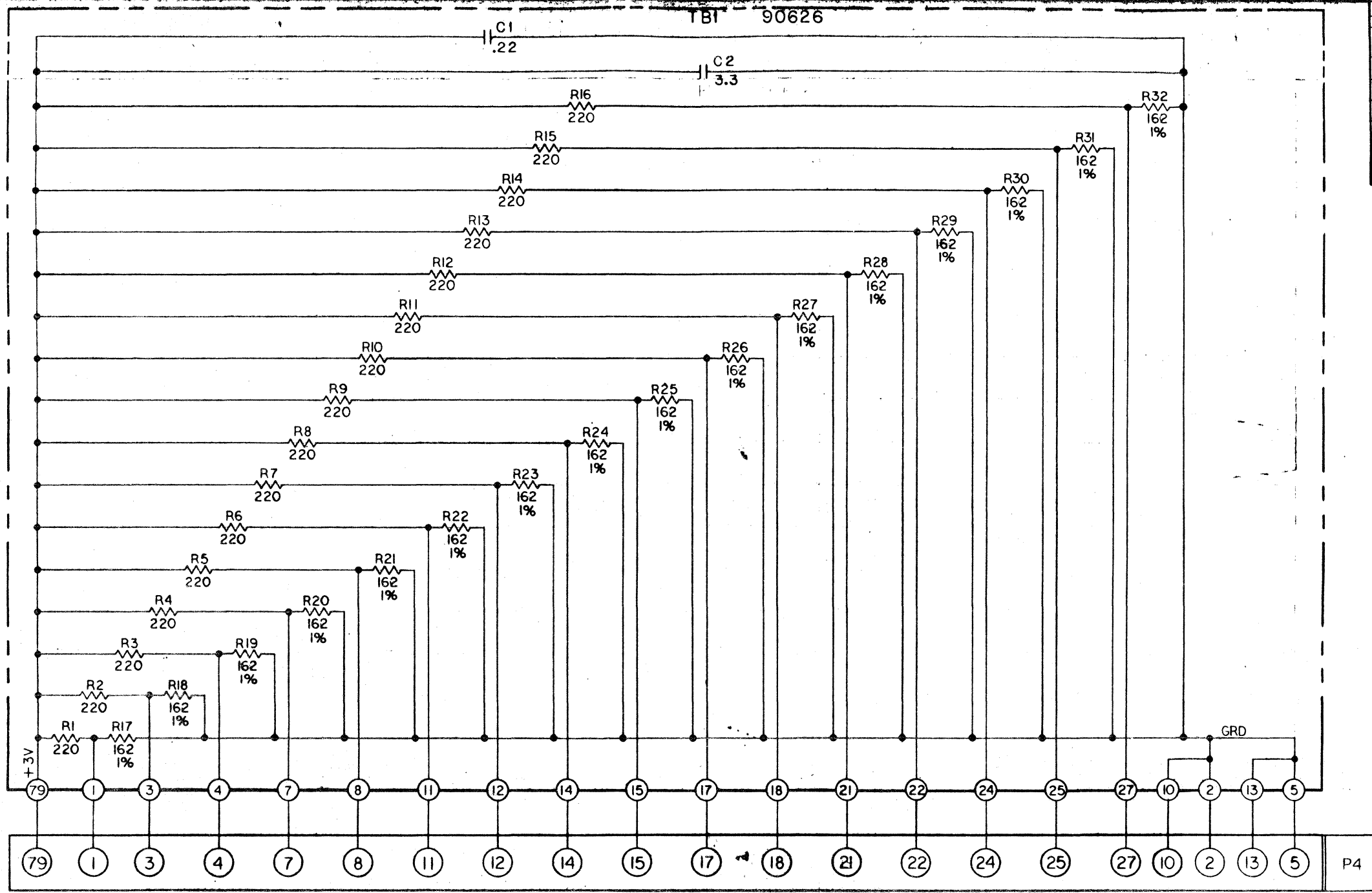
REVISIONS		DATE & APPROVAL
A	MANUFACTURING RELEASE	7-11-5
B	INCORP UECN 00177	
BI	REV PER ECN 00689	
C	REV PER ECN 00749	



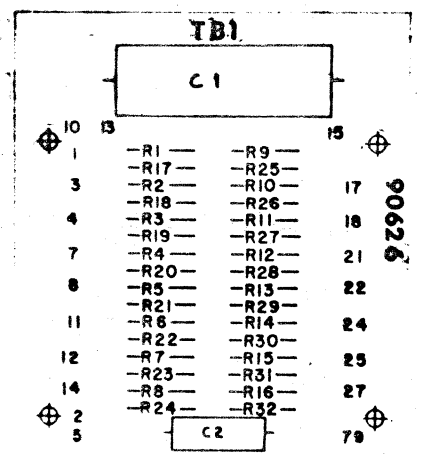
UNLESS OTHERWISE SPECIFIED	DRAWN	24 June 63
DIMENSIONS ARE IN INCHES	CHECK	B. Taylor 2-27-63
TOLERANCES ON	APPD	
DECIMALS	APPD	
ANGLES	FINISH	
XXX ±		
XXXX ±		
DRILLED HOLES	MATERIAL	
.040 TO .1250 +.002 - .001	SCALE:	
.130 TO .220 +.003 - .001	SIZE	D
.230 TO .300 +.004 - .001	90613-001	REV
.310 TO .750 +.005 - .001	C	
.760 TO 1.000 +.007 - .001		
1.000 TO 2.000 +.010 - .001		
SURFACE ROUGHNESS PER MIL-STD-10	WEIGHT	SHEET 1 OF 1

NEXT ASSY 90612	
CENTURY DATA SYSTEMS, INC. ANAHEIM, CALIFORNIA	
SCHEMATIC, SIGNAL CABLE	
C.C.	503
SCALE:	SIZE D
90613-001	REV C
WEIGHT	SHEET 1 OF 1

90613-001



REVISIONS		DATE & APPROVAL
SYM	ZONE	
		<input type="checkbox"/> MAY BE REWORKED <input type="checkbox"/> CANNOT BE REWORKED <input type="checkbox"/> NONE
A		ENGINEERING RELEASE
B		MANUFACTURING RELEASE
C		REVISED PWBOARD ASSY NO WMS 9427
D		REVISED PER ECN 2580
D		REVISED PER ECN 3854
DI		REV PER ECN 7318



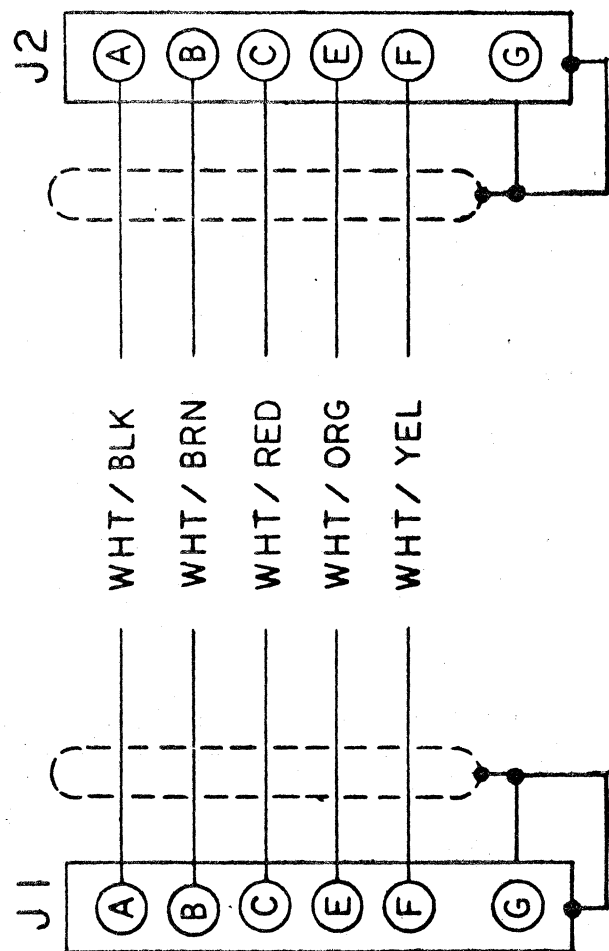
REF DES LAST USED	REF DES NOT USED
R 32	
C 2	

5. 1% RESISTORS ARE 1/8 W
  4. CAPACITANCE VALUES ARE IN MICROFARADS
  3. RESISTANCE VALUES ARE IN OHMS, 1/4W, 5%
  2. TEST SPECIFICATION 90625
  1. NEXT ASSEMBLY 90623
- NOTES: UNLESS OTHERWISE SPECIFIED

REQD	PART OR IDENTIFYING NO.	NOMENCLATURE OR DESCRIPTION	SIZE, DESCRIPTION & SPECIFICATION	MATERIAL	ZONE
LIST OF MATERIAL OR PARTS LIST					
UNLESS OTHERWISE SPECIFIED					
DIMENSIONS ARE IN INCHES					
TOLERANCES ON					
DECIMALS	ANGLES				
JX ±	±				
XXX ±					
DRAWN: <i>Billie</i> DATE: 4-22-69					
CHECK: <i>B. T. Williams</i> 4-22-69					
APPD: <i>J</i> 4-22-69					
APPD:					
FINISH:					
HEAT TREAT:					
SURFACE ROUGHNESS PER MIL-STD-10					
CENTURY DATA SYSTEMS, INC. ANAHEIM, CALIFORNIA					
SCHEMATIC LINE TERMINATOR TBI					
SCALE:    SIZE: <b>D</b> 90624-001					
WEIGHT:    SHEET 1 OF 1					

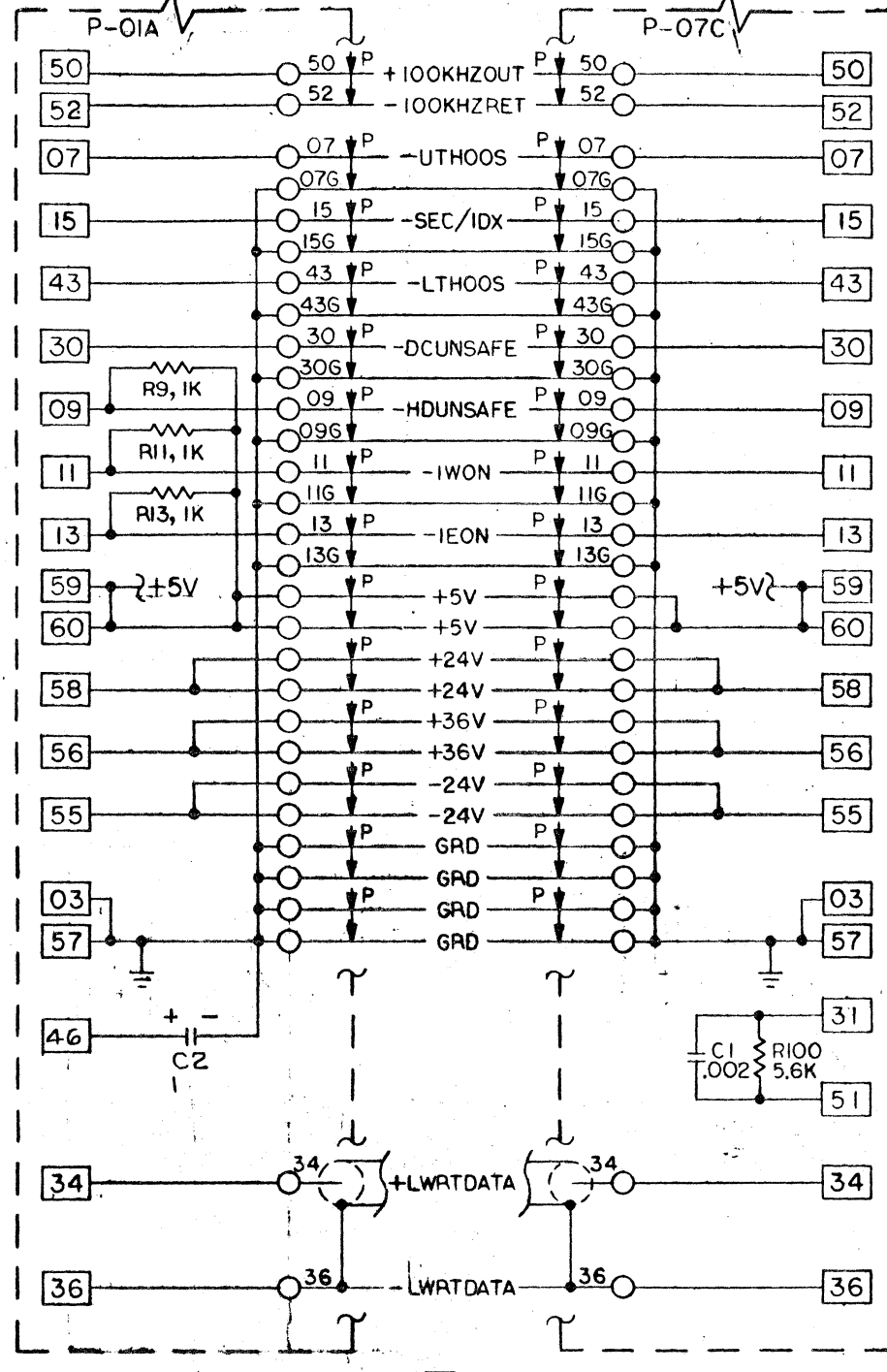
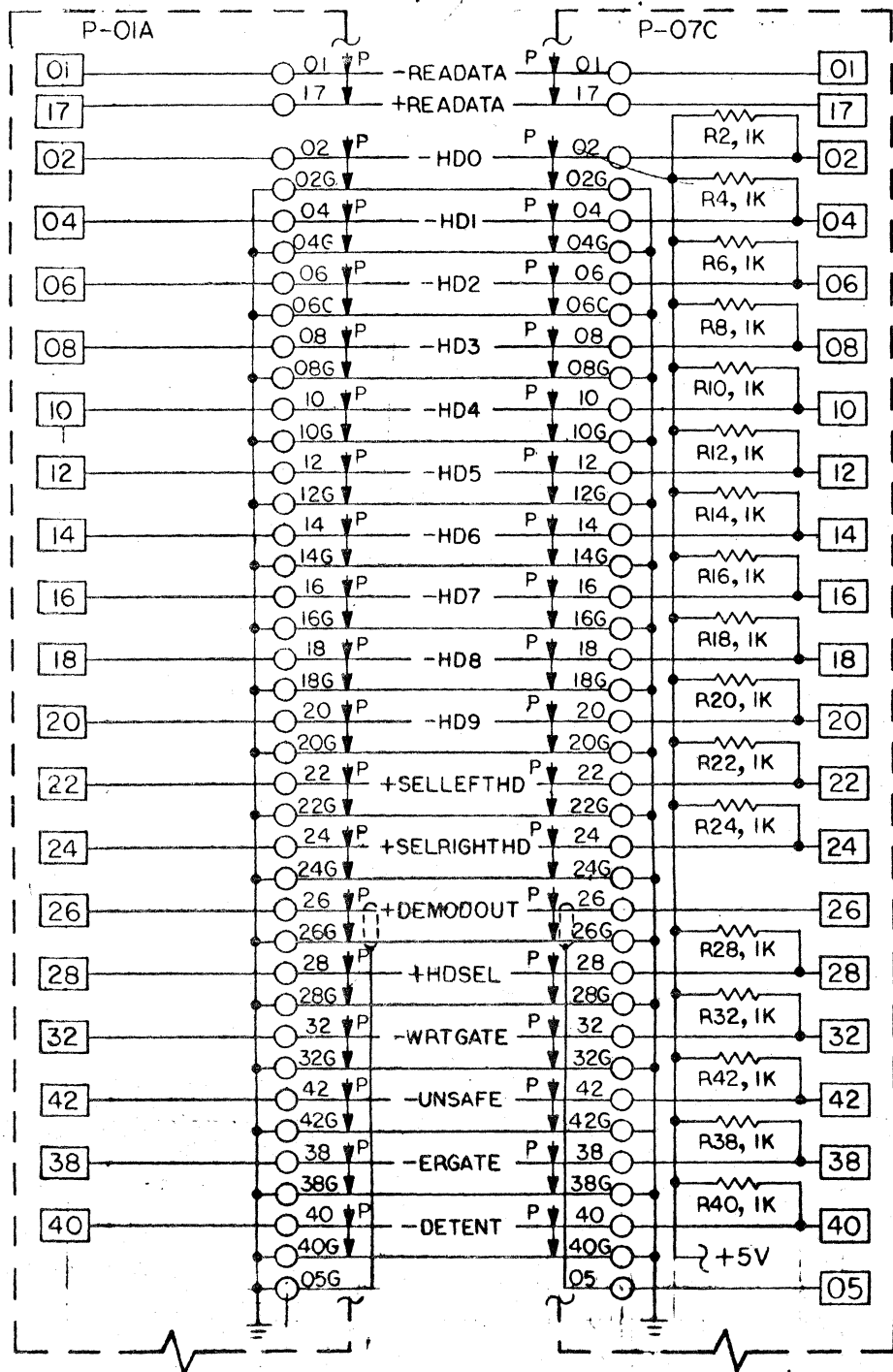
DI 90624-001

REV	DESCRIPTION	APPROVAL
A	MANUFACTURING RELEASE	7-25-9 GRD 9/25/69

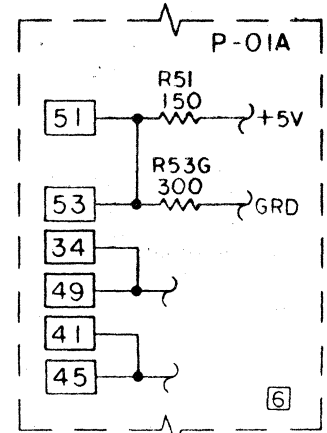
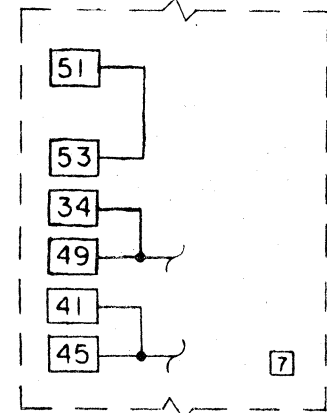
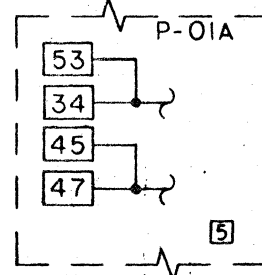


NEXT ASSY : 90609

CENTURY DATA SYSTEMS, INC. ANAHEIM, CALIFORNIA	TITLE SCHEMATIC - CABLE A.C. POWER	90737-001 A
	DRAWN BY D.C.H. APPD	
PAGE		1 OF 1



REVISIONS			DATE & APPROVAL
SYM	ZONE	DESCRIPTION	
A		MANUFACTURING RELEASE	8-27-73
B		REV. PER ECN00705	8-29-73
BI		REV. PER ECN00706	8-29-73
C		REV. PER ECN 00761	8-29-73
D		REV. PER ECN 1014	8-29-73
DI		REV PER ECN 1175	8-29-73
E		REV PER ECN 1471	8-29-73
EI		REV PER ECN 1704	8-29-73
F1		INCORPORATED UECN 3263 PER RECORD CHANGE ECN 3336	8-29-73
F2		REV. PER ECN 4036	8-29-73
F3		REV PER ECN 7318	8-27-73

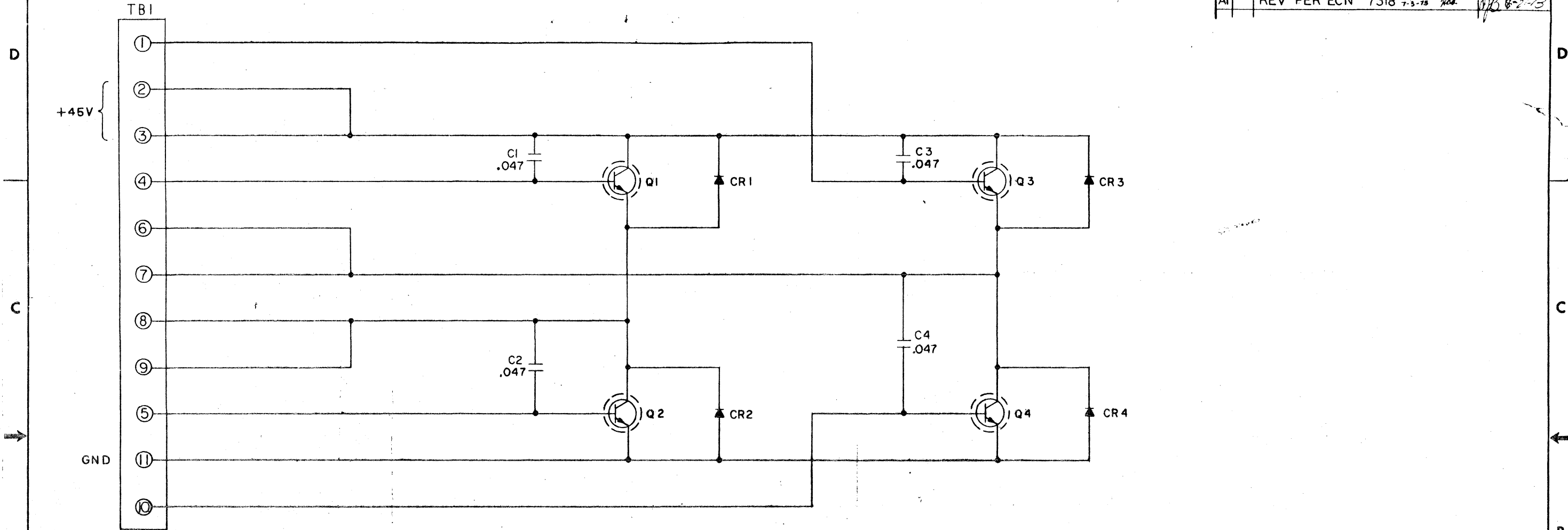


7 INDICATES USED ON-003 ONLY  
 6 INDICATES USED ON-001 ONLY  
 5 INDICATES USED ON-002 ONLY  
 4. CAPACITANCE VALUES ARE IN MICROFARADS  
 3. RESISTANCE VALUES ARE IN OHMS, 1/4W, 5%  
 2. TEST SPECIFICATION  
 1. NEXT ASSEMBLY 90260  
 NOTES: UNLESS OTHERWISE SPECIFIED

REQD	PART OR IDENTIFYING NO.	NOMENCLATURE OR DESCRIPTION	MATERIAL SIZE, DESCRIPTION & SPECIFICATION	ZONE
LIST OF MATERIAL OR PARTS LIST				
UNLESS OTHERWISE SPECIFIED		DRAWN <i>Bill White</i>	CENTURY DATA SYSTEMS, INC. ANAHEIM, CALIFORNIA	
DIMENSIONS ARE IN INCHES		CHECK <i>B. Tullins</i>	SCHEMATIC CABLE R/W SELECT AN12	
TOLERANCES ON DECIMALS ANGLES		APPD	SCALE: SIZE	
XX ± ±		APPD	D 90740-XXX F3	
XXX ± ±		FINISH	WEIGHT	
DRILLED HOLES		HEAT TREAT	SHEET 1 OF 1	
.040 TO .125: +.002, -.001		DO NOT SCALE THIS DRAWING		
.136 TO .228: +.003, -.001				
.234 TO .500: +.004, -.001				
.515 TO .750: +.005, -.001				
.765 TO 1.000: +.007, -.001				
1.015 TO 2.000: +.010, -.001				

90740-XXX F3

REVISIONS		
SYM	ZONE	DESCRIPTION
A		MANUFACTURING RELEASE
AI		REV PER ECN 7318 7-5-75



REF DES LAST USED	REF DES NOT USED
C 4	
CR 4	
Q 4	

2. CAPACITANCE VALUES ARE IN MICROFARADS  
 1. NEXT ASSEMBLY 90582  
 NOTES: UNLESS OTHERWISE SPECIFIED

UNLESS OTHERWISE SPECIFIED	
DIMENSIONS ARE IN INCHES	
TOLERANCES ON	
DECIMALS	ANGLES
.XXX ±	±
.XXX ±	

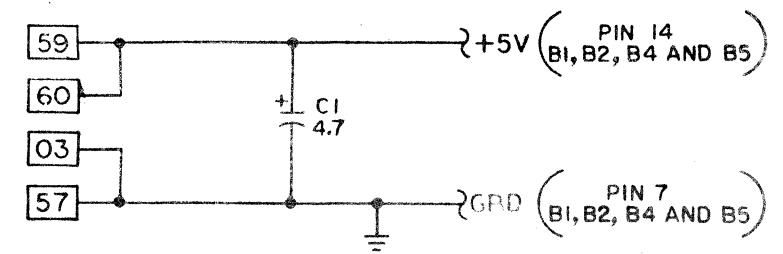
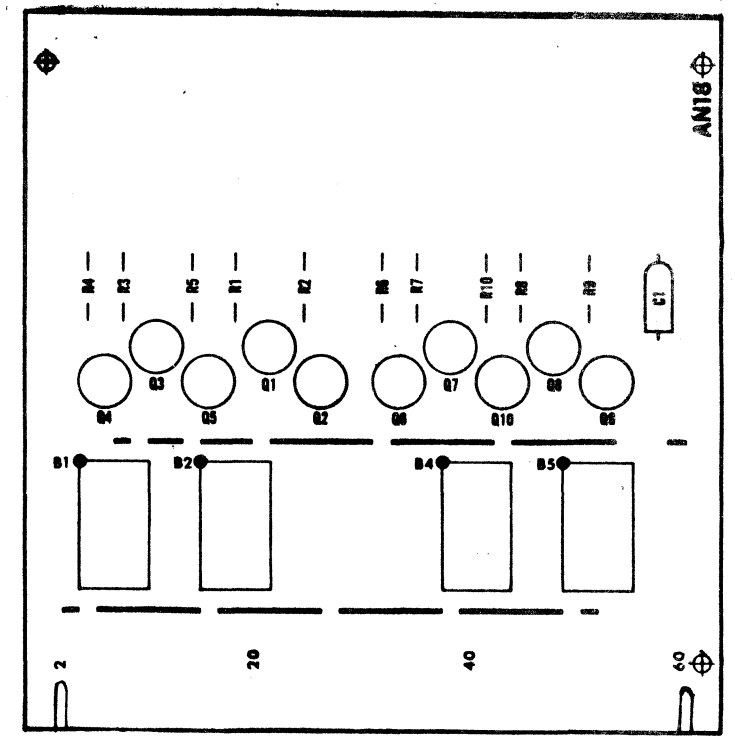
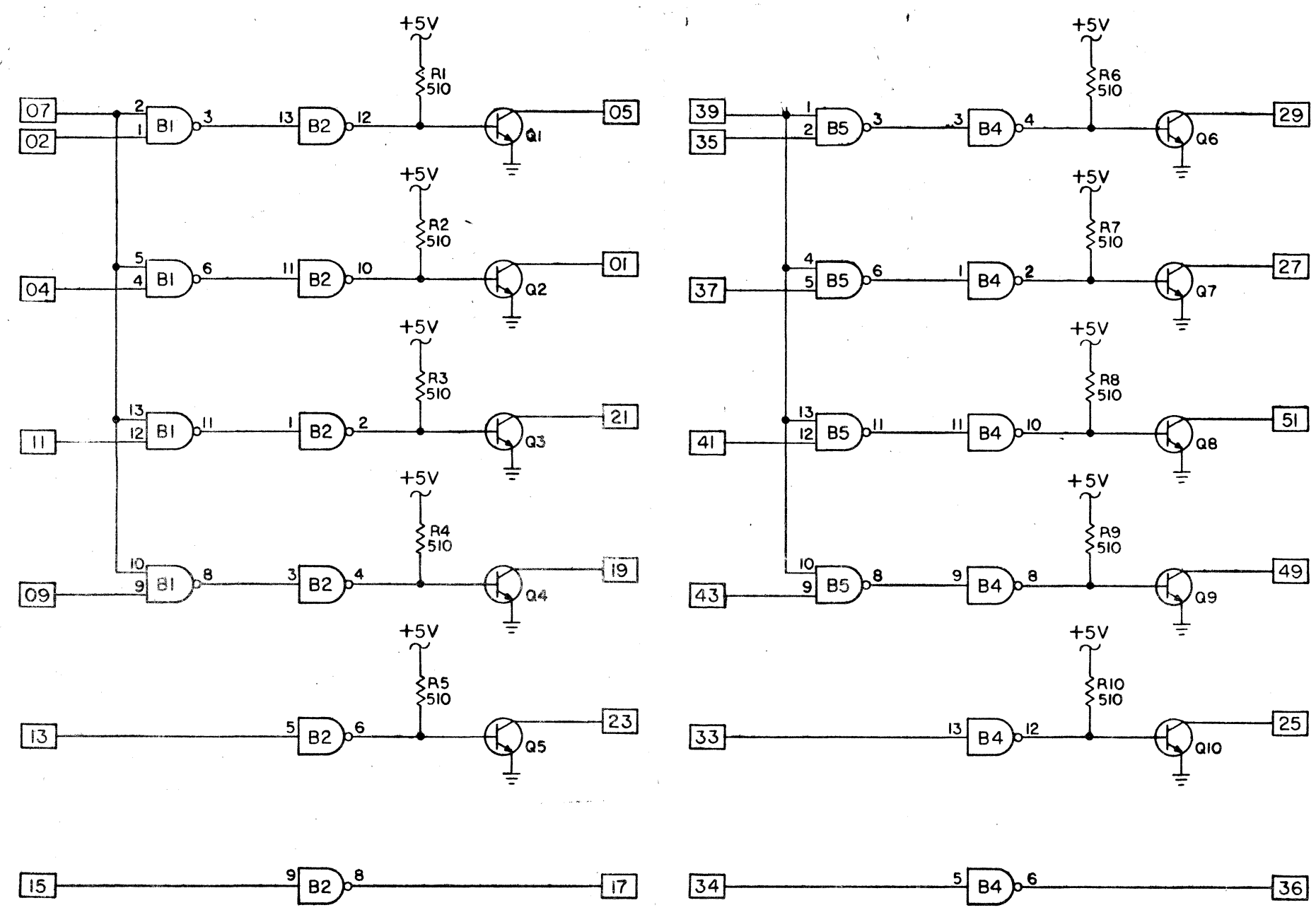
DRAWN	Dave Hayes	6-24-69
CHECK	B. Tulino	6-27-69
APPD		
APPD		
FINISH		
MATERIAL		
SURFACE ROUGHNESS PER MIL-STD-10		

CENTURY DATA SYSTEMS, INC. ANAHEIM, CALIFORNIA	
SCHEMATIC - POWER AMPLIFIER	
C.C.	503
SCALE:	SIZE D 90890-001
REV	AI
WEIGHT	SHEET 1 OF 1

HSP 5700K

AI 90890-001

REVISIONS		
SYN	EDITE	DESCRIPTION
		ADD REVISION FOR
		FOR



REF DES	LAST USED	REF DES	NOT USED
B5		B3	
C1			
Q10			
R10			

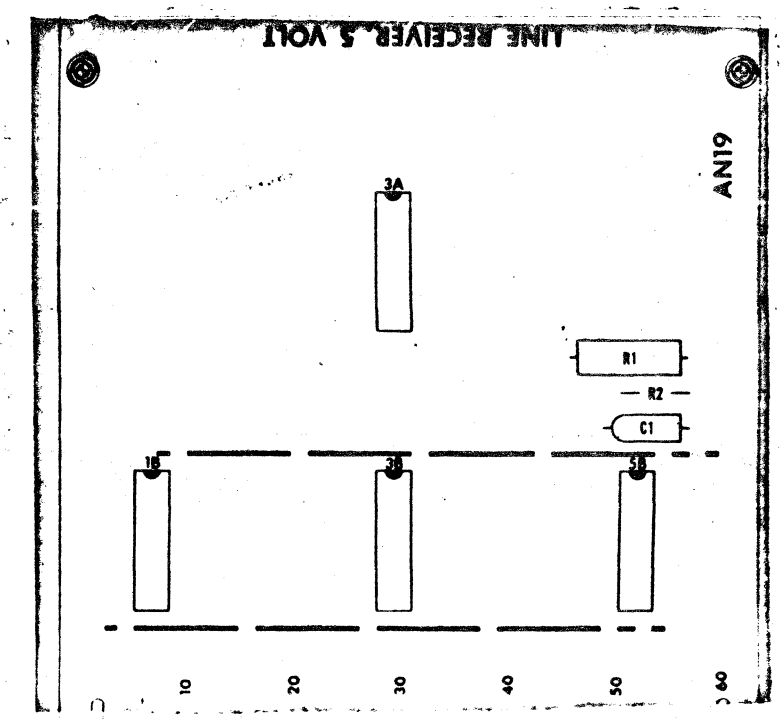
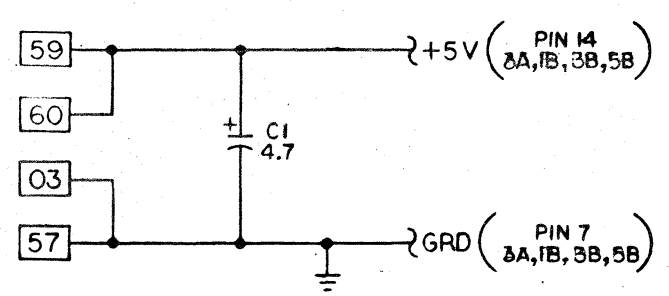
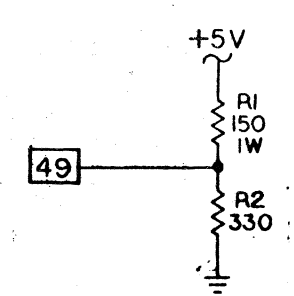
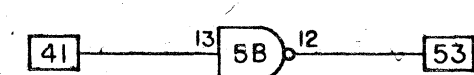
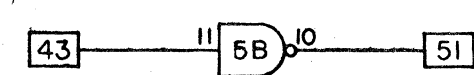
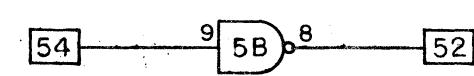
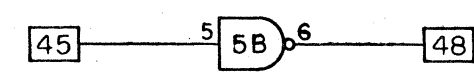
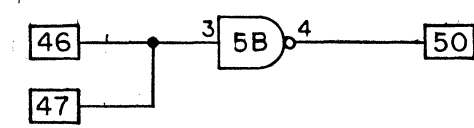
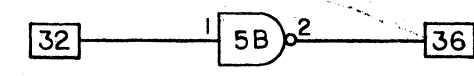
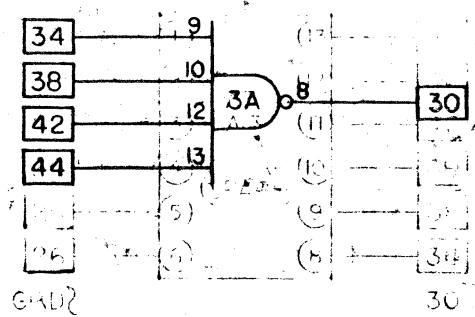
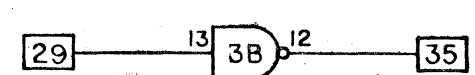
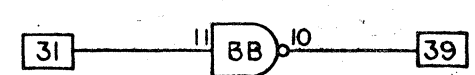
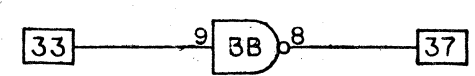
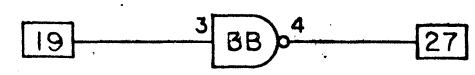
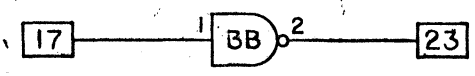
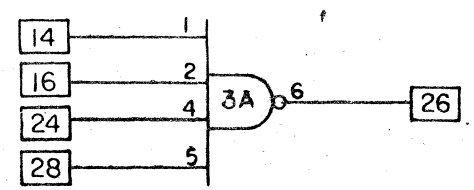
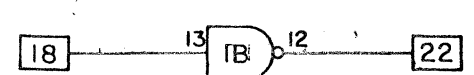
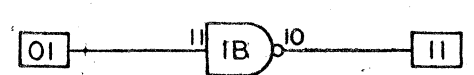
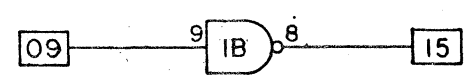
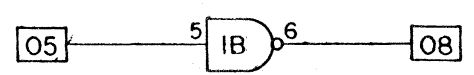
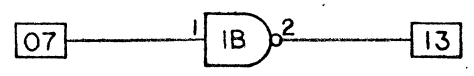
2. ALL CAPACITORS IN MICROFARADS  
 1. ALL RESISTORS IN OHMS, 1/4W, 5%  
 NOTES: UNLESS OTHERWISE SPECIFIED

UNLESS OTHERWISE SPECIFIED		DRAWN <i>Bill White</i>	30 OCT 68	CENTURY DATA SYSTEMS, INC. ANAHEIM, CALIFORNIA	
DIMENSIONS ARE IN INCHES		CHECK <i>[Signature]</i>	11/22/68	SCHEMATIC	
TOLERANCES ON		APPD <i>[Signature]</i>		LINE DRIVER, 5 VOLT	
DECIMALS	ANGLES	APPD		AN18	
.XX ±	±	FINISH		C.C. 503	
.XXX ±		MATERIAL		REV J1	
DRILLED HOLES		SCALE: _____		SIZE	WEIGHT _____
040 TO .1258: +.002, -.001	SURFACE ROUGHNESS PER MIL-STD-10		DO NOT SCALE THIS DRAWING	D 90966	SHEET 3 OF 3
.136 TO .228: +.003, -.001					
.234 TO .500: +.004, -.001					
.515 TO .750: +.005, -.001					
.765 TO 1.000: +.007, -.001					
1.015 TO 2.000: +.010, -.001					

NEXT ASSY 91324

J1 90966

REVISIONS		
SYM	ZONE	DESCRIPTION
A		NOTIFY ENGINEER PLEASE
B		MANUAL PUNCHING RELEASE
		1-K003-14

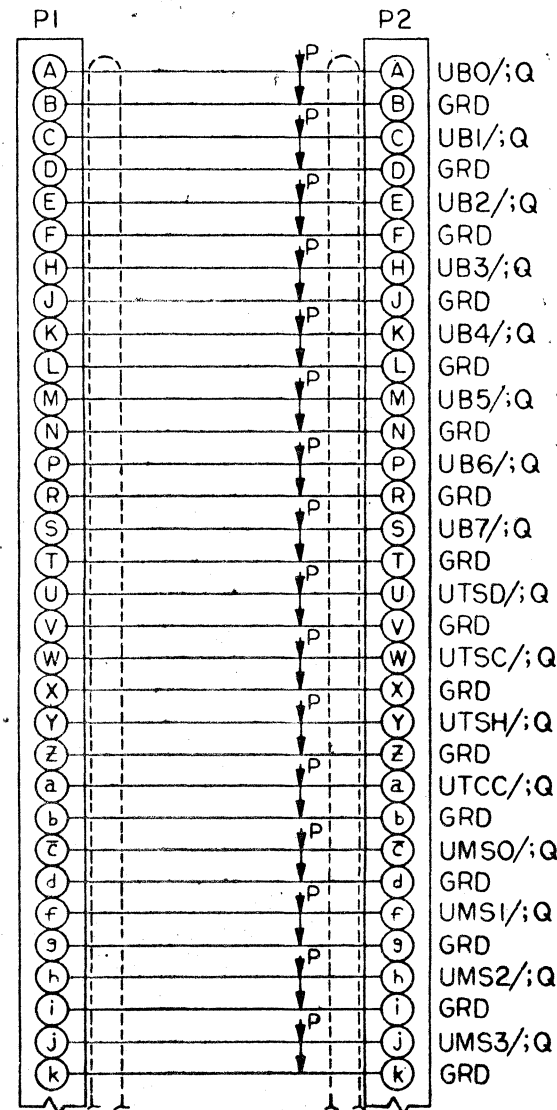


2. ALL CAPACITORS IN MICROFARADS  
 1. ALL RESISTORS IN OHMS, 1/4W, 5%  
 NOTES: UNLESS OTHERWISE SPECIFIED

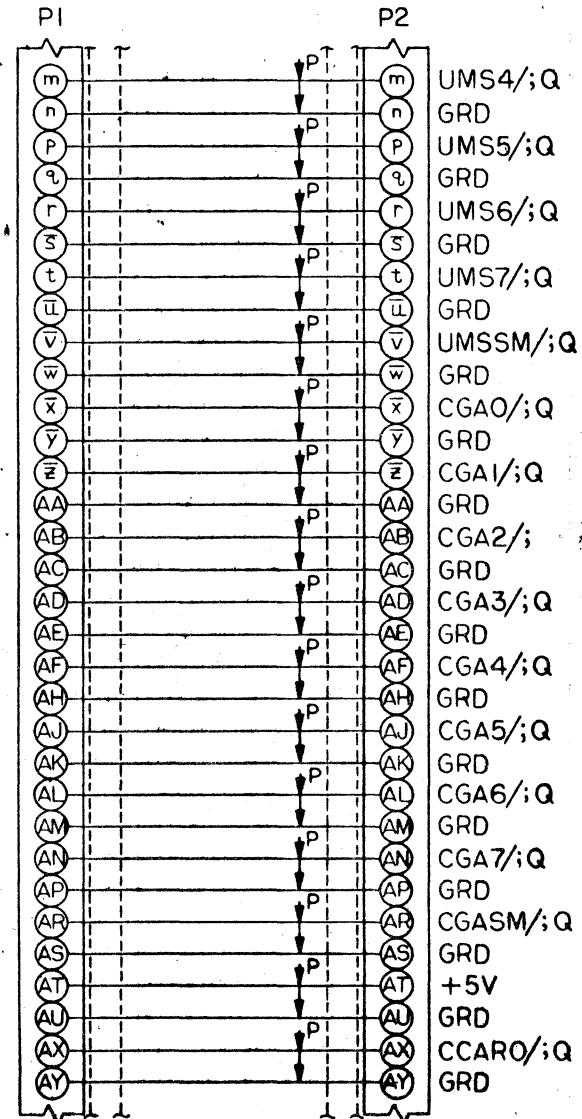
UNLESS OTHERWISE SPECIFIED		DRAWN	25 SEPT 69	CENTURY DATA SYSTEMS, INC. ANAHEIM, CALIFORNIA
DIMENSIONS ARE IN INCHES		CHECK	9/22/69	
TOLERANCES ON		APPD	9/3/69	SCHEMATIC LINE RECEIVER, 5 VOLT AN19
DECIMALS	ANGLES	APPD	9-22-69	
JXX ±	±	FINISH		CC
JXXX ±	±	MATERIAL		503
DRILLED HOLES		SURFACE ROUGHNESS PER MIL-STD-10		SCALE: D
.040 TO .125: +.002, -.001				SIZE: 90970
.136 TO .228: +.003, -.001				WEIGHT
.239 TO .300: +.004, -.001				SHEET 3 OF 3
.315 TO .750: +.005, -.001				
.762 TO 1.000: +.007, -.001				
1.015 TO 2.000: +.010, -.001				

HI 90970

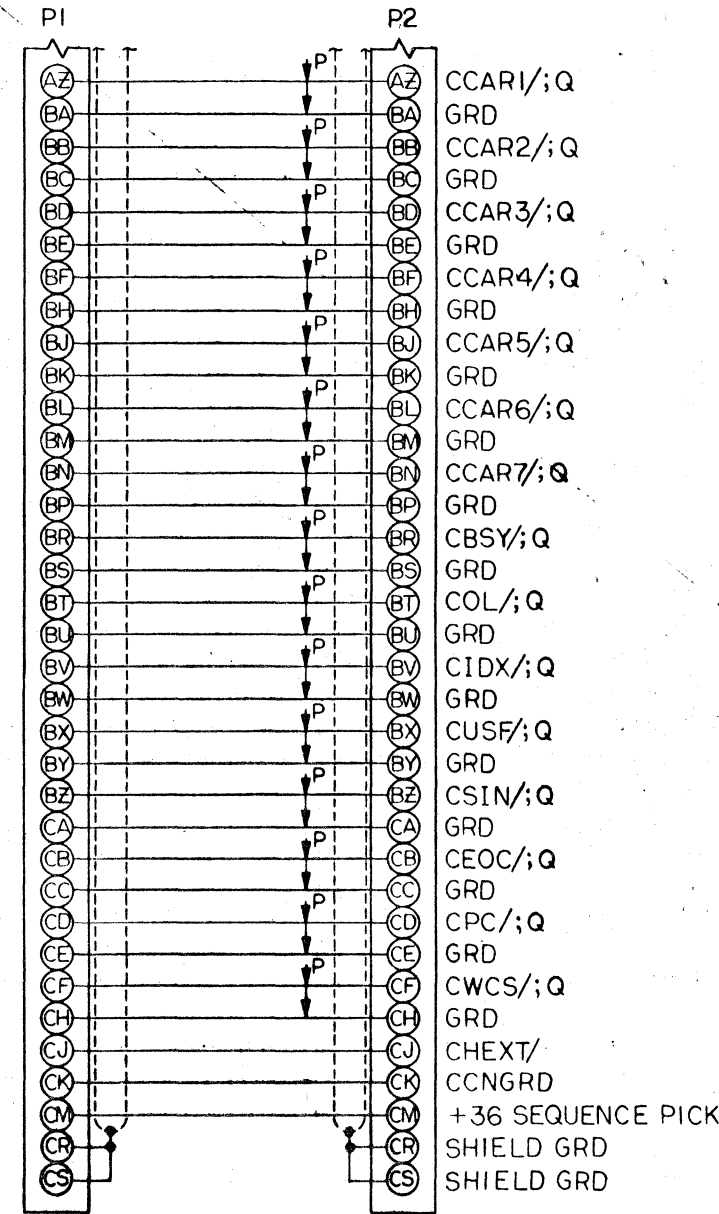
SYN		REVISIONS		DATE & APPROVAL	
A	ENGINEERING RELEASE				
A1	PRODUCTION RELEASE ECA1150				



UB0;/Q  
GRD  
UB1;/Q  
GRD  
UB2;/Q  
GRD  
UB3;/Q  
GRD  
UB4;/Q  
GRD  
UB5;/Q  
GRD  
UB6;/Q  
GRD  
UB7;/Q  
GRD  
UTSD;/Q  
GRD  
UTSC;/Q  
GRD  
UTSH;/Q  
GRD  
UTCC;/Q  
GRD  
UMS0;/Q  
GRD  
UMS1;/Q  
GRD  
UMS2;/Q  
GRD  
UMS3;/Q  
GRD



UMS4;/Q  
GRD  
UMS5;/Q  
GRD  
UMS6;/Q  
GRD  
UMS7;/Q  
GRD  
UMSSM;/Q  
GRD  
CGA0;/Q  
GRD  
CGA1;/Q  
GRD  
CGA2;/Q  
GRD  
CGA3;/Q  
GRD  
CGA4;/Q  
GRD  
CGA5;/Q  
GRD  
CGA6;/Q  
GRD  
CGA7;/Q  
GRD  
CGASM;/Q  
GRD  
+5V  
GRD  
CCARO;/Q  
GRD

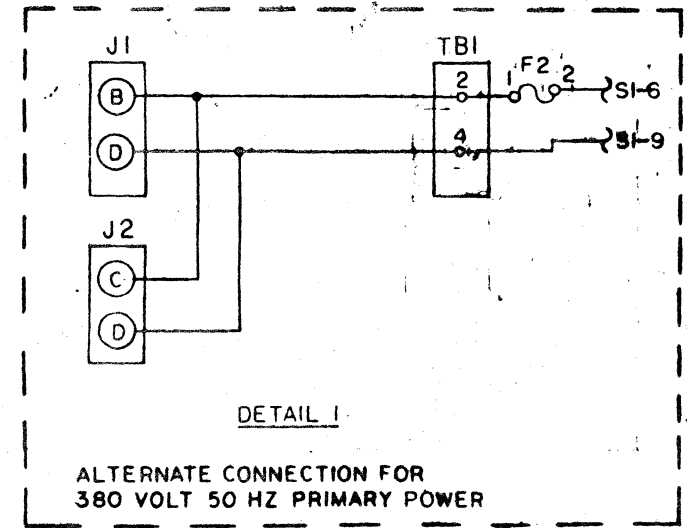
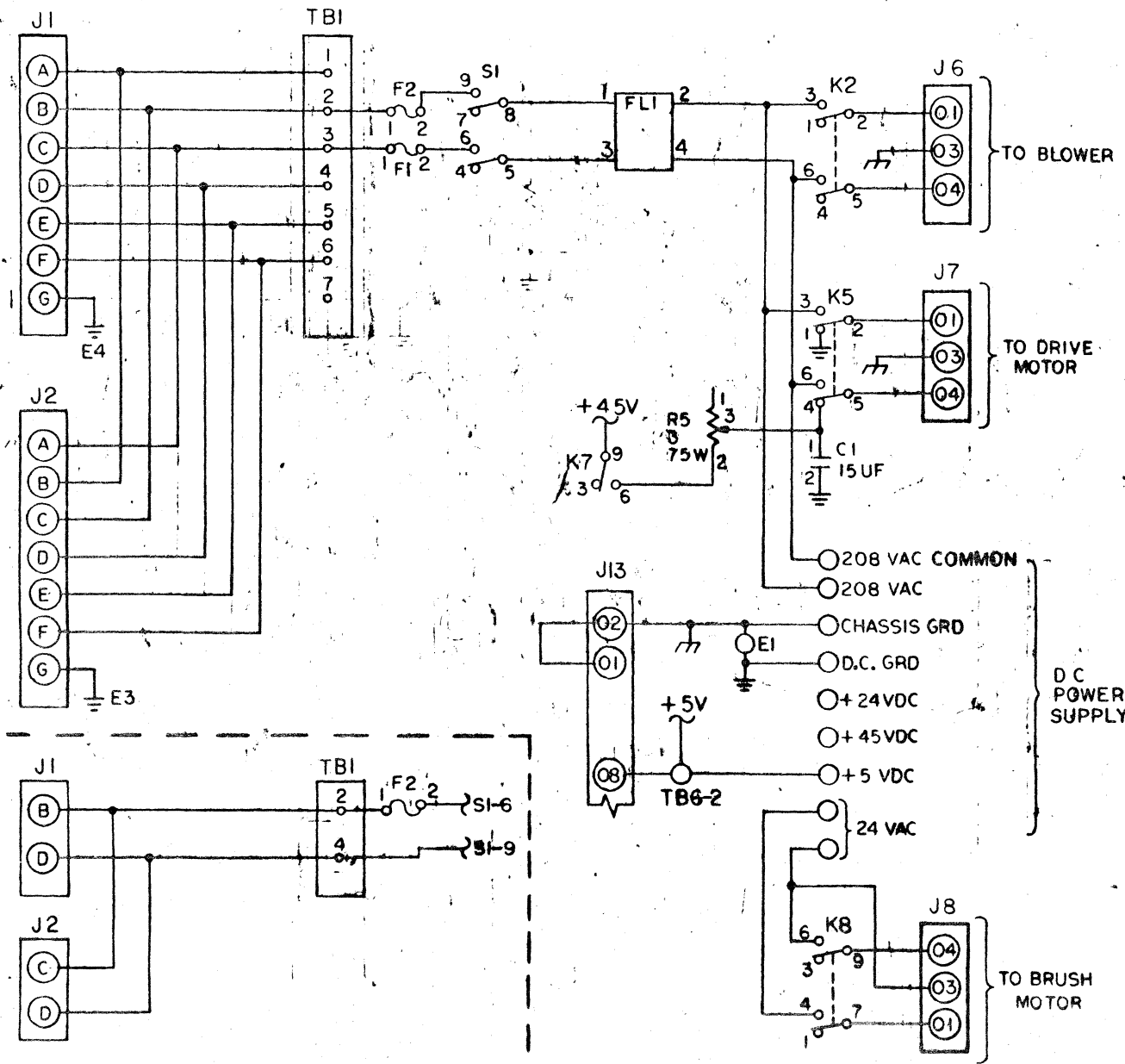


CCAR1;/Q  
GRD  
CCAR2;/Q  
GRD  
CCAR3;/Q  
GRD  
CCAR4;/Q  
GRD  
CCAR5;/Q  
GRD  
CCAR6;/Q  
GRD  
CCAR7;/Q  
GRD  
CBSY;/Q  
GRD  
COL;/Q  
GRD  
CIDX;/Q  
GRD  
CUSF;/Q  
GRD  
CSIN;/Q  
GRD  
CEOC;/Q  
GRD  
CPC;/Q  
GRD  
CWCS;/Q  
GRD  
CHEXT/  
CCNGRD  
+36 SEQUENCE PICK  
SHIELD GRD  
SHIELD GRD

UNLESS OTHERWISE SPECIFIED DIMENSIONS ARE IN INCHES		DRAWN <i>Dr. H. J. ...</i> 11-17-9	CENTURY DATA SYSTEMS, INC. ANAHEIM CALIFORNIA	
TOLERANCES ON		CHECK	SCHEMATIC - SIGNAL CABLE	
DECIMALS	ANGLES	APPD	C.C.	
.XX ±	±	APPD	503	
.XXX ±		FINISH	REV A1	
DRILLED HOLES		MATERIAL	SCALE:	SIZE D 91043-001
.040 TO .1250: +.002, -.001				WEIGHT
.136 TO .228: +.003, -.001				SHEET 1 OF 1
.234 TO .500: +.004, -.001				
.515 TO .750: +.005, -.001				
.765 TO 1.000: +.007, -.001				
1.015 TO 2.000: +.010, -.001				
SURFACE ROUGHNESS PER MIL-STD-10		NEXT ASSY 91042		



REV	ZONE	DESCRIPTION	DATE & APPROVAL
D		REVISED AND REDRAWN	1/12/70
DI		PRODUCTION RELEASE	1/14/70
E		REVISED PER ECN 1264	1/26/70
F		REVISED PER ECN 1358	1/27/70
G		REVISED PER ECN 1523	1/27/70
H		REVISED PER ECN 1513	1/27/70
HI		REVISED PER ECN 1564	1/27/70
HZ		REVISED PER ECN 1579	1/27/70
J		REVISED PER ECN 1613	1/27/70
K		REVISED PER ECN 2025	2-5-71
L		REVISED PER ECN 2221	2-12-71
M		REVISED PER ECN 2235	1/14/71
N		INCORPORATED UECN 3021 PER PWD 2-14-72	2-14-72
P		REVISED PER ECN 2754	2-15-72
PI		REV PER ECN 7328	2-9-73
R		REVISED PER ECN 7669	9-29-73



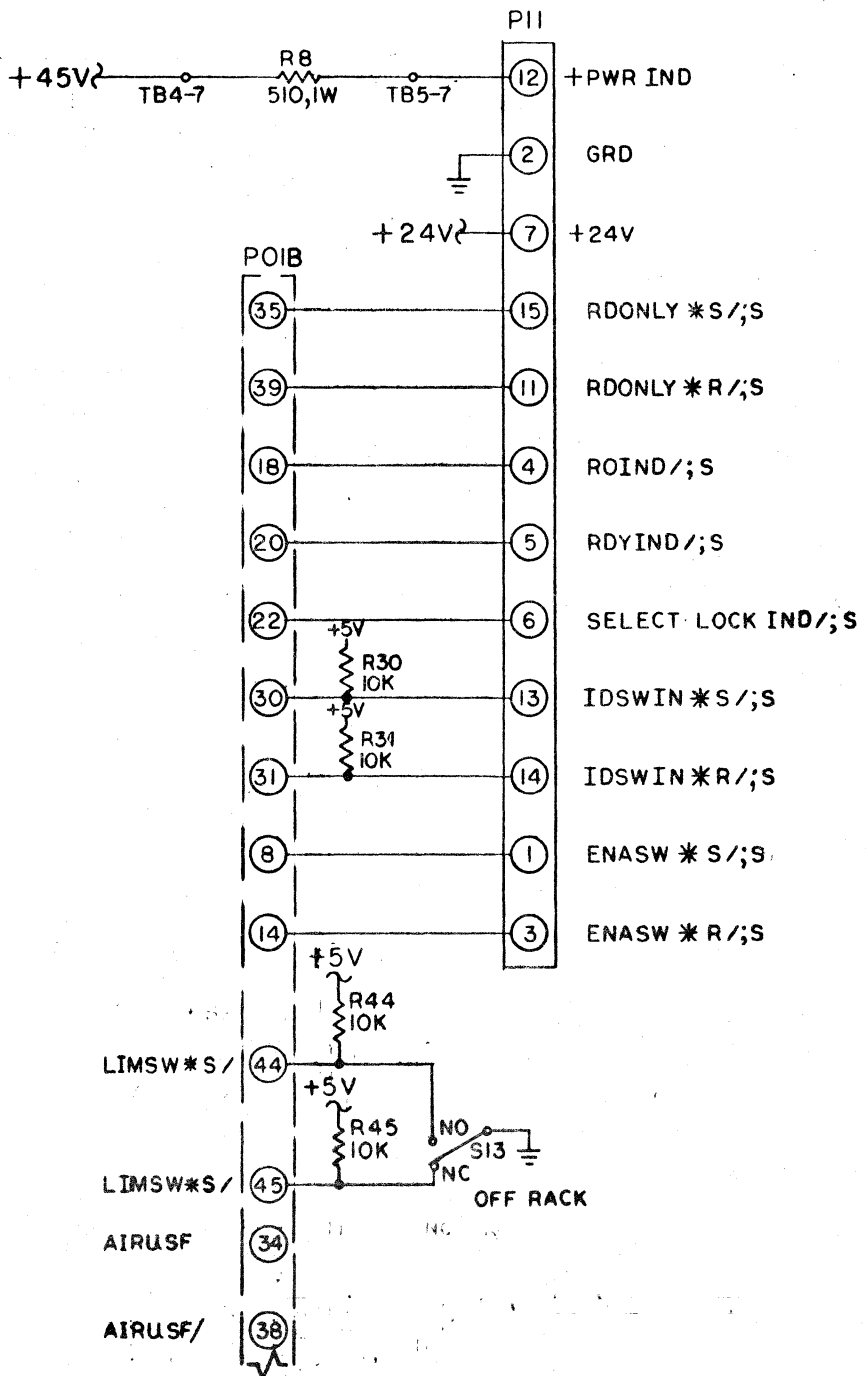
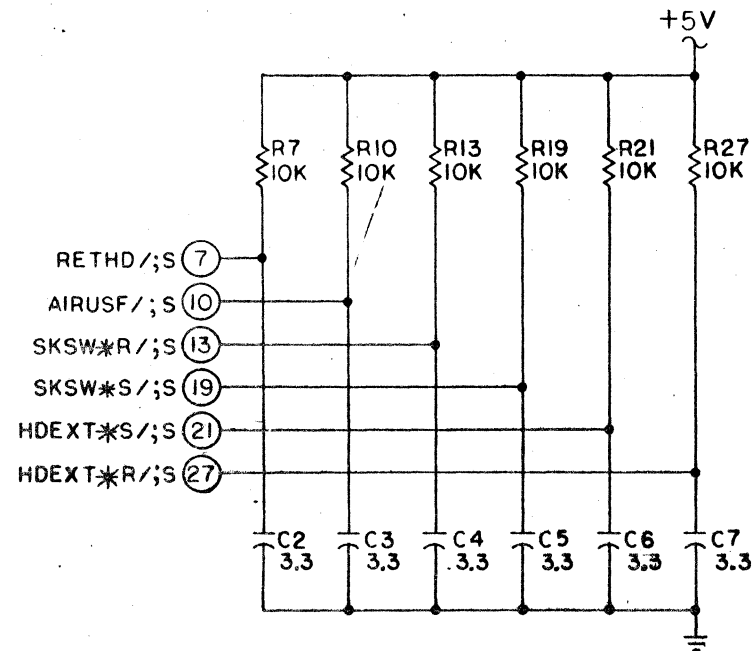
2. ALL CAPACITORS IN MICROFARADS  
 1. ALL RESISTORS IN OHMS, 1/4W, 5%  
 NOTES: UNLESS OTHERWISE SPECIFIED

75 AND 104 PIN SIGNAL CONNECTOR INTERFACE.

UNLESS OTHERWISE SPECIFIED DIMENSIONS ARE IN INCHES TOLERANCES ON DECIMALS ANGLES XXX ± ± XXXX ±	DRAWN CHECK APPD APPD FINISH	2-3-70 4-20-70	MODEL FIRST USAGE NEXT ASSY
DRILLED HOLES .040 TO .125: +.002, -.001 .136 TO .228: +.003, -.001 .234 TO .500: +.004, -.001 .519 TO .788: +.005, -.001 .795 TO 1.000: +.007, -.001 1.015 TO 2.000: +.008, -.001	MATERIAL	SCALE	SIZE
SURFACE ROUGHNESS PER MIL-STD-10	WEIGHT	91049	REV R.
CENTURY DATA SYSTEMS, INC. ANAHEIM, CALIFORNIA		SCHEMATIC-POWER DISTRIBUTION PANEL	
SHEET 1 OF 7		41	

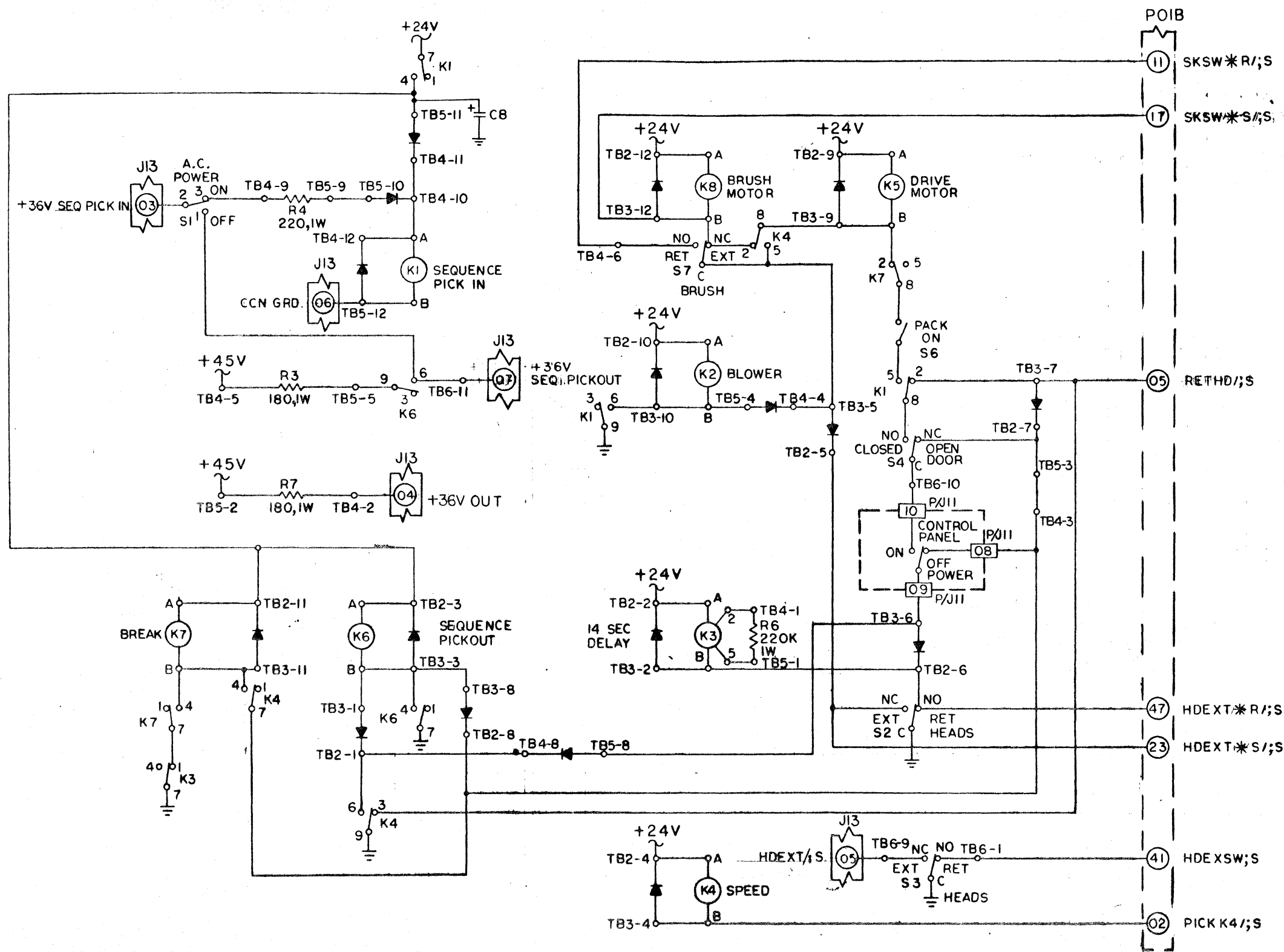
91049

THIS DRAWING CONTAINS INFORMATION PROPRIETARY TO CENTURY DATA SYSTEMS, INC. ANY REPRODUCTION, DISCLOSURE, OR USE OF THIS DRAWING IS EXPRESSLY PROHIBITED EXCEPT AS CENTURY DATA SYSTEMS, INC. MAY OTHERWISE AGREE IN WRITING.




75 AND 104 PIN SIGNAL CONNECTOR INTERFACE.

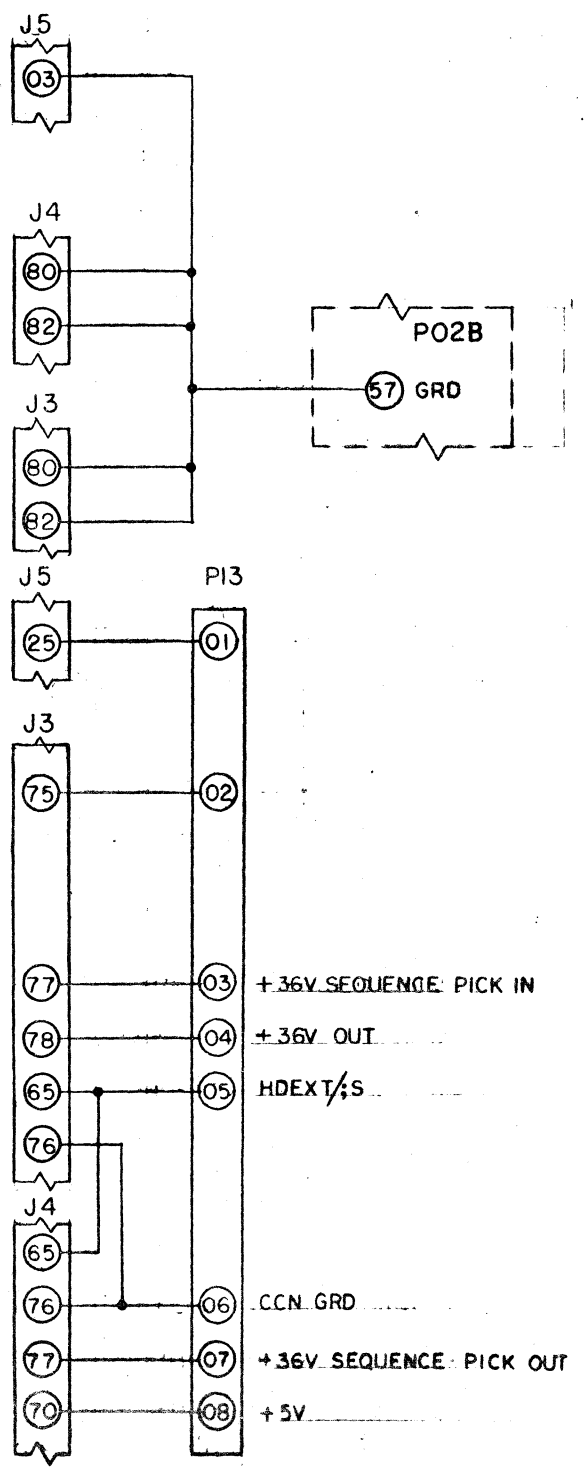
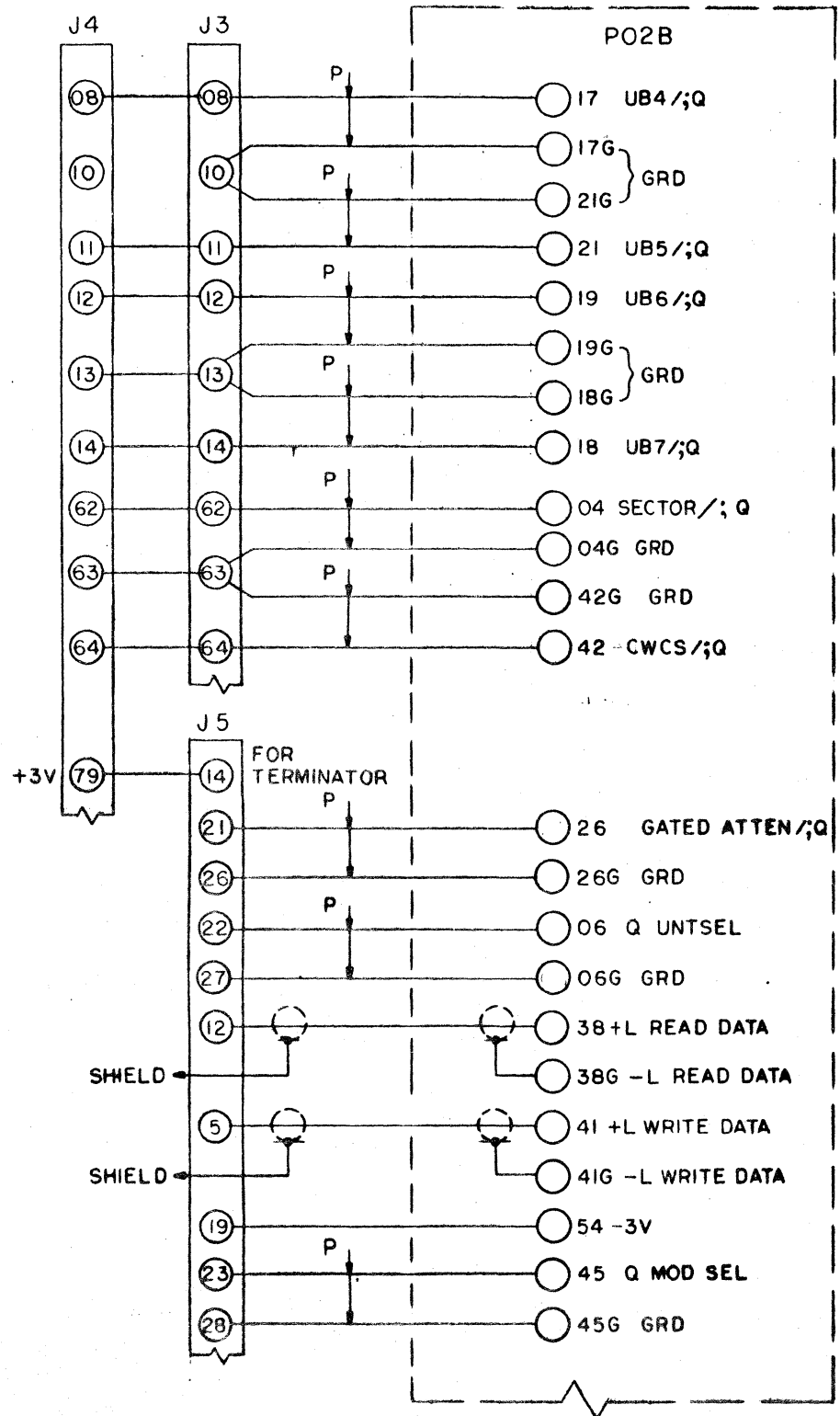
CENTURY DATA SYSTEMS, INC. ANAHEIM, CALIFORNIA			
SCHEMATIC - POWER DISTRIBUTION PANEL			
DRAWN	<i>W. Thomas</i>	SIZE	REV
CHECK	<i>B. Tellez</i>	<b>D</b>	91049
APPD			<b>R</b>
SCALE:		SHEET 2 OF 7	



75 AND 104 PIN SIGNAL CONNECTOR INTERFACE.

 <b>CENTURY DATA SYSTEMS, INC.</b> ANAHEIM, CALIFORNIA				
<b>SCHEMATIC - POWER DISTRIBUTION PANEL</b>				
DRAWN <i>W. Thomas</i>	SIZE 4-8-70	<b>D</b>	<b>91049</b>	REV <b>R</b>
CHECK <i>B. Tuttle</i>	SIZE 4-20-70			
APPD	SCALE:			
			SHEET 3 OF 7	

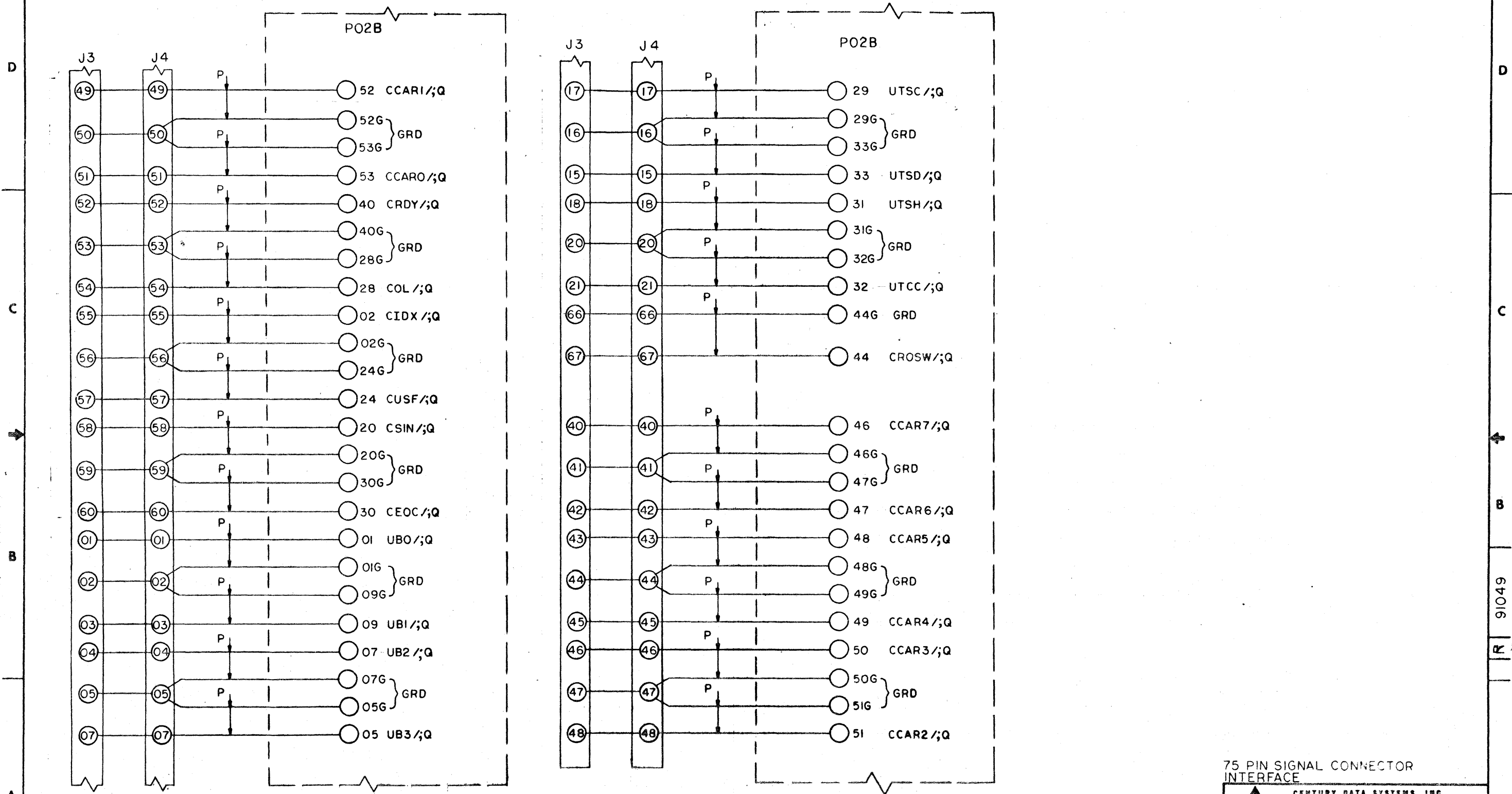
THIS DRAWING CONTAINS INFORMATION PROPRIETARY TO CENTURY DATA SYSTEMS, INC. ANY REPRODUCTION, DISCLOSURE, OR USE OF THIS DRAWING IS EXPRESSLY PROHIBITED EXCEPT AS CENTURY DATA SYSTEMS, INC. MAY OTHERWISE AGREE IN WRITING.



75 PIN SIGNAL CONNECTOR INTERFACE

<b>CENTURY DATA SYSTEMS, INC.</b> ANAHEIM, CALIFORNIA			
<b>SCHEMATIC -</b> <b>POWER DISTRIBUTION PANEL</b>			
DRAWN <i>W. Thomas</i> CHECK <i>B. Tuttle</i> APPD	4-8-70 4-20-70	SIZE <b>D</b>	REV <b>R</b>
91049		SHEET 4 OF 7	

THIS DRAWING CONTAINS INFORMATION PROPRIETARY TO CENTURY DATA SYSTEMS, INC. ANY REPRODUCTION, DISCLOSURE, OR USE OF THIS DRAWING IS EXPRESSLY PROHIBITED EXCEPT AS CENTURY DATA SYSTEMS, INC. MAY OTHERWISE AGREE IN WRITING.



75 PIN SIGNAL CONNECTOR  
INTERFACE

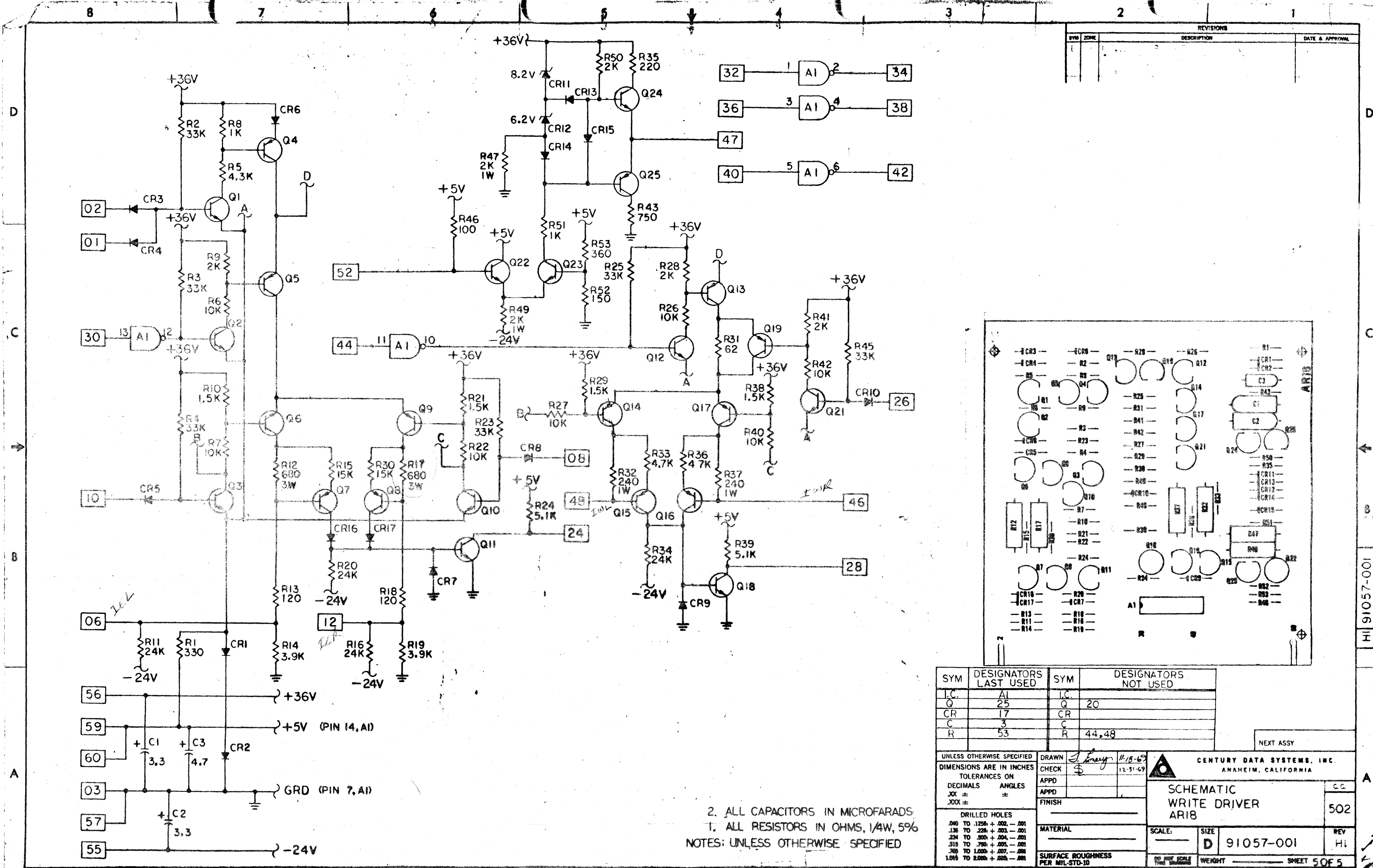
CENTURY DATA SYSTEMS, INC.  
ANAHEIM, CALIFORNIA

**SCHEMATIC—  
POWER DISTRIBUTION PANEL**

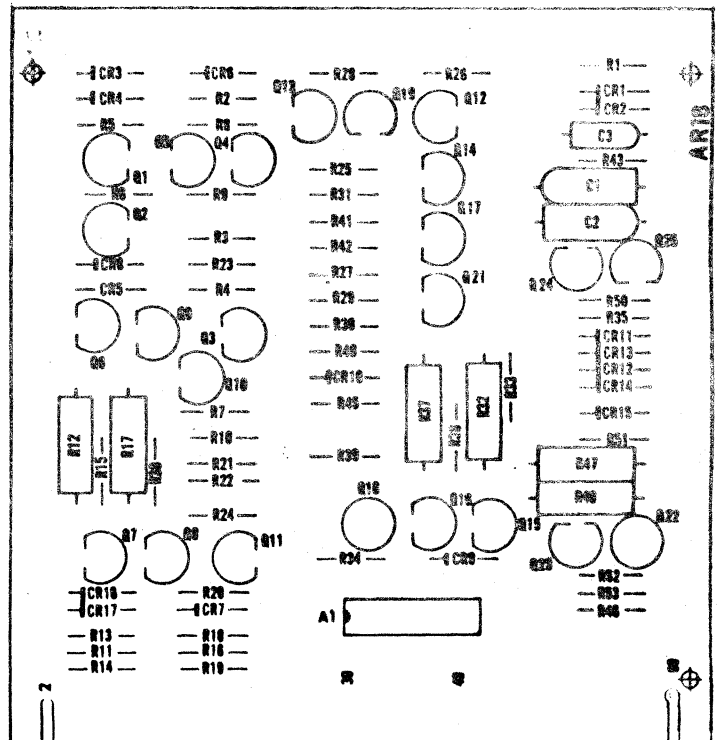
DRAWN <i>H. H. H.</i>	4-7-70	SIZE	D	91049	REV
CHECK <i>B. T. T.</i>	4-20-70				R
APPD					

SCALE: SHEET 5 OF 7





REVISED		DESCRIPTION	DATE & APPROVAL



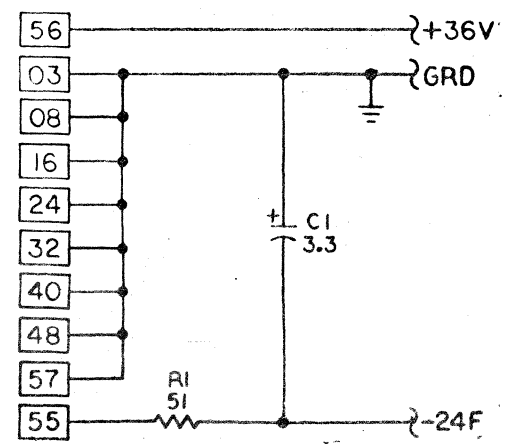
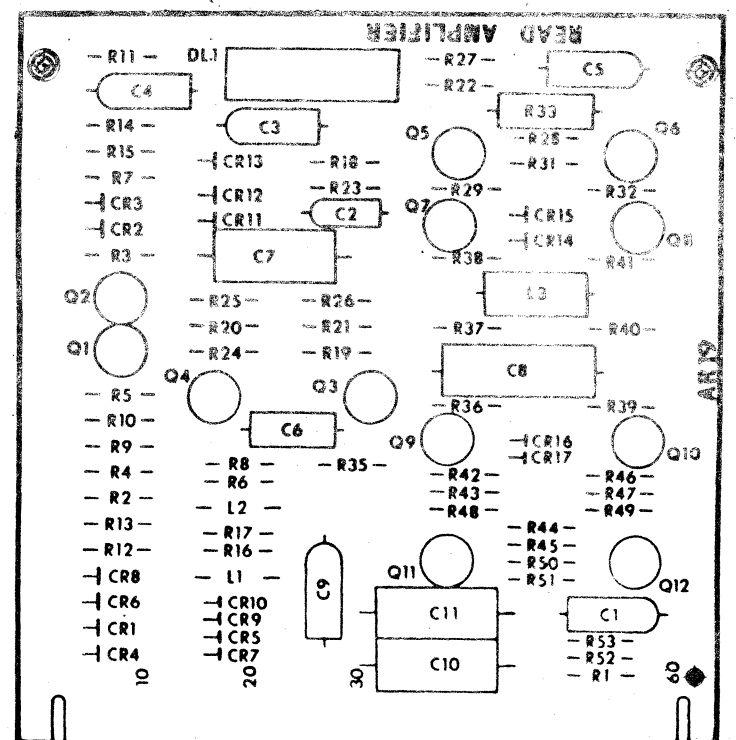
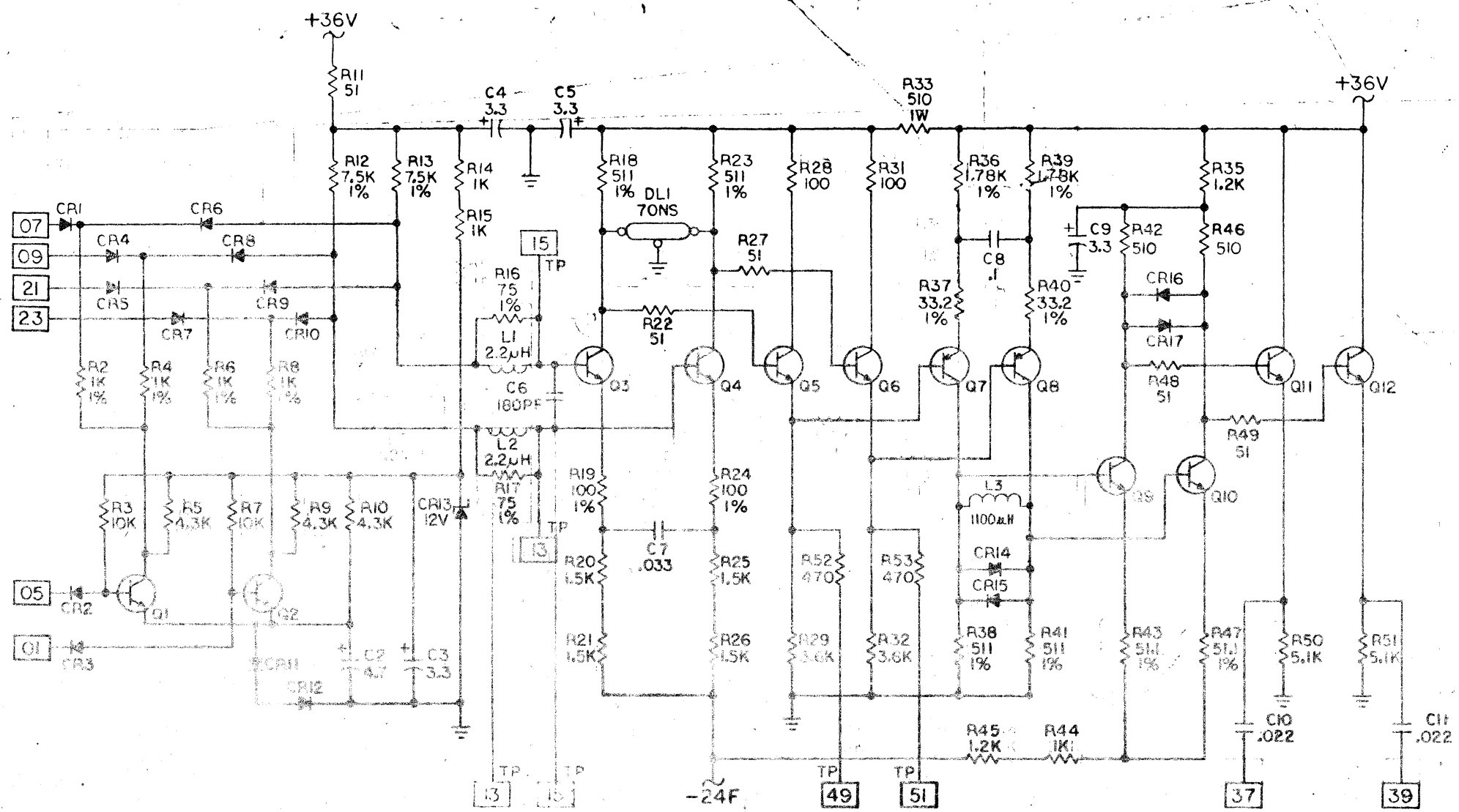
SYM	DESIGNATORS LAST USED	SYM	DESIGNATORS NOT USED
I.C.	A1	I.C.	20
Q	25	Q	CR
CR	17	CR	
C	3	C	
R	53	R	44, 48

UNLESS OTHERWISE SPECIFIED DIMENSIONS ARE IN INCHES TOLERANCES ON DECIMALS ANGLES		DRAWN <i>J. Long</i> 11-18-69 CHECK \$ 12-31-69 APPD APPD FINISH MATERIAL SURFACE ROUGHNESS PER MIL-STD-10	CENTURY DATA SYSTEMS, INC. ANAHEIM, CALIFORNIA <b>SCHEMATIC WRITE DRIVER AR18</b> SCALE: <b>D</b> SIZE <b>91057-001</b> REV <b>HI</b>
DRILLED HOLES .040 TO .1250 + .002 - .001 .136 TO .226 + .003 - .001 .234 TO .500 + .004 - .001 .515 TO .750 + .005 - .001 .769 TO 1.000 + .007 - .001 1.015 TO 2.000 + .010 - .001	NEXT ASSY 502 SHEET 50 OF 5	WEIGHT	C.C. HI

2. ALL CAPACITORS IN MICROFARADS  
 1. ALL RESISTORS IN OHMS, 1/4W, 5%  
 NOTES: UNLESS OTHERWISE SPECIFIED

HI 91057-001

REVISIONS		
SYM	ZONE	DESCRIPTION
A		ENGINEERING
B		REVISED CIRCUIT BOARD
C		LOW DELETED AT BOARD
CL		



SYM	DESIGNATORS LAST USED	SYM	DESIGNATORS NOT USED
Q	12	Q	
CR	17	CR	
C	11	C	
R	53	R	30, 34
L	3	L	
DL	1	DL	

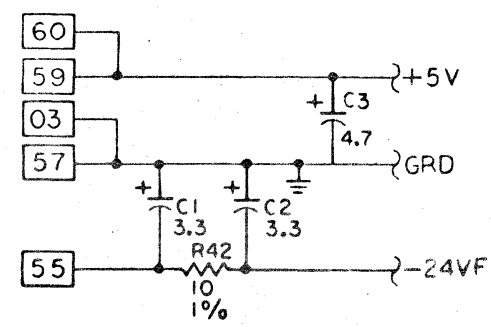
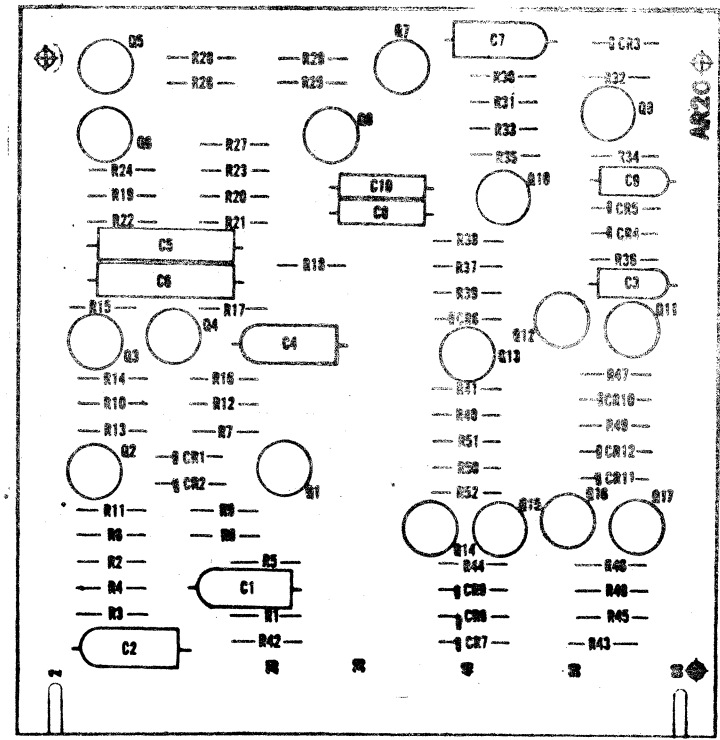
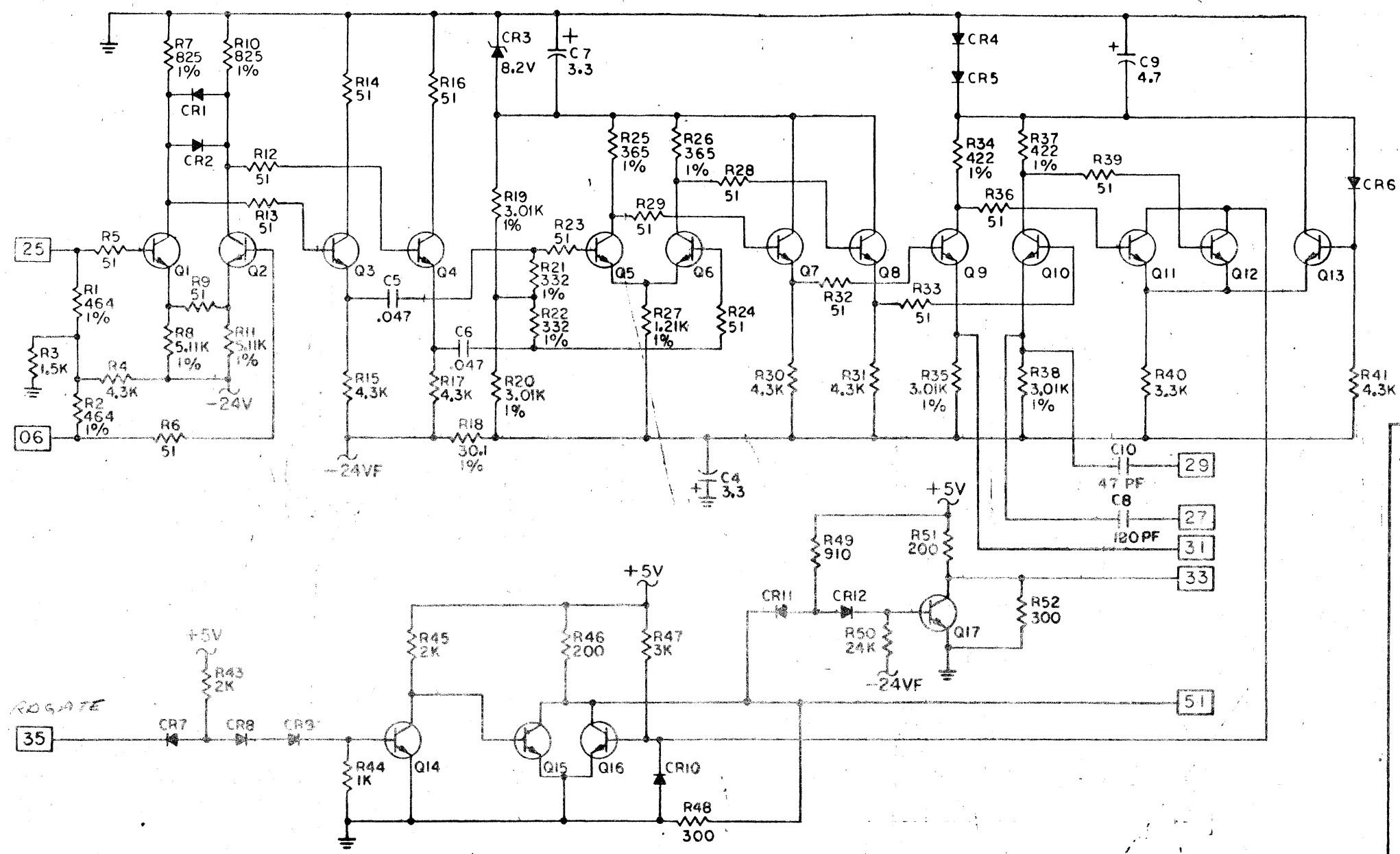
2) ALL CAPACITORS IN MFD.  
 1) ALL RESISTORS IN OHMS, 1/4W, 5%.  
 NOTE: UNLESS OTHERWISE SPECIFIED

UNLESS OTHERWISE SPECIFIED		DRAWN	Bill White	3 SEPT 69	CENTURY DATA SYSTEMS, INC. ANAHEIM, CALIFORNIA
DIMENSIONS ARE IN INCHES		CHECK	J. Reddy	9 SEP 69	
TOLERANCES ON		APPD			SCHEMATIC READ AMPLIFIER ARI9
DECIMALS		APPD			
ANGLES		FINISH			C.C.
XX ±					503
XXX ±					REV
DRILLED HOLES		MATERIAL			G1
.040 TO .125: +.002, -.001		SCALE:			91061-001
.136 TO .228: +.003, -.001		SIZE	D		SHEET 5 OF 5
.231 TO .500: +.004, -.001		WEIGHT			
.515 TO .750: +.005, -.001					
.756 TO 1.000: +.007, -.001					
1.015 TO 2.000: +.009, -.001					

G1 91061-001



REVISIONS		
SYM	DESCR	DATE & APPROVAL



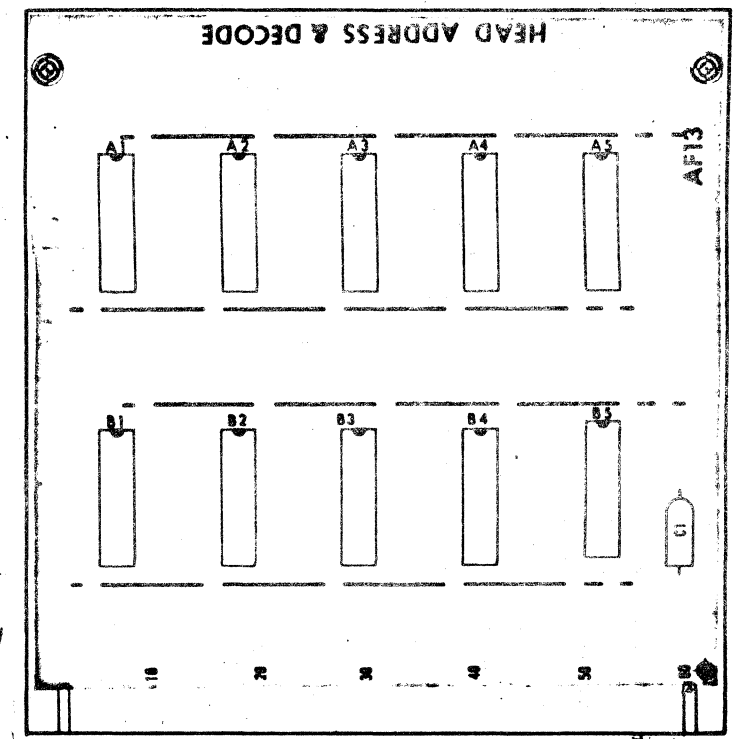
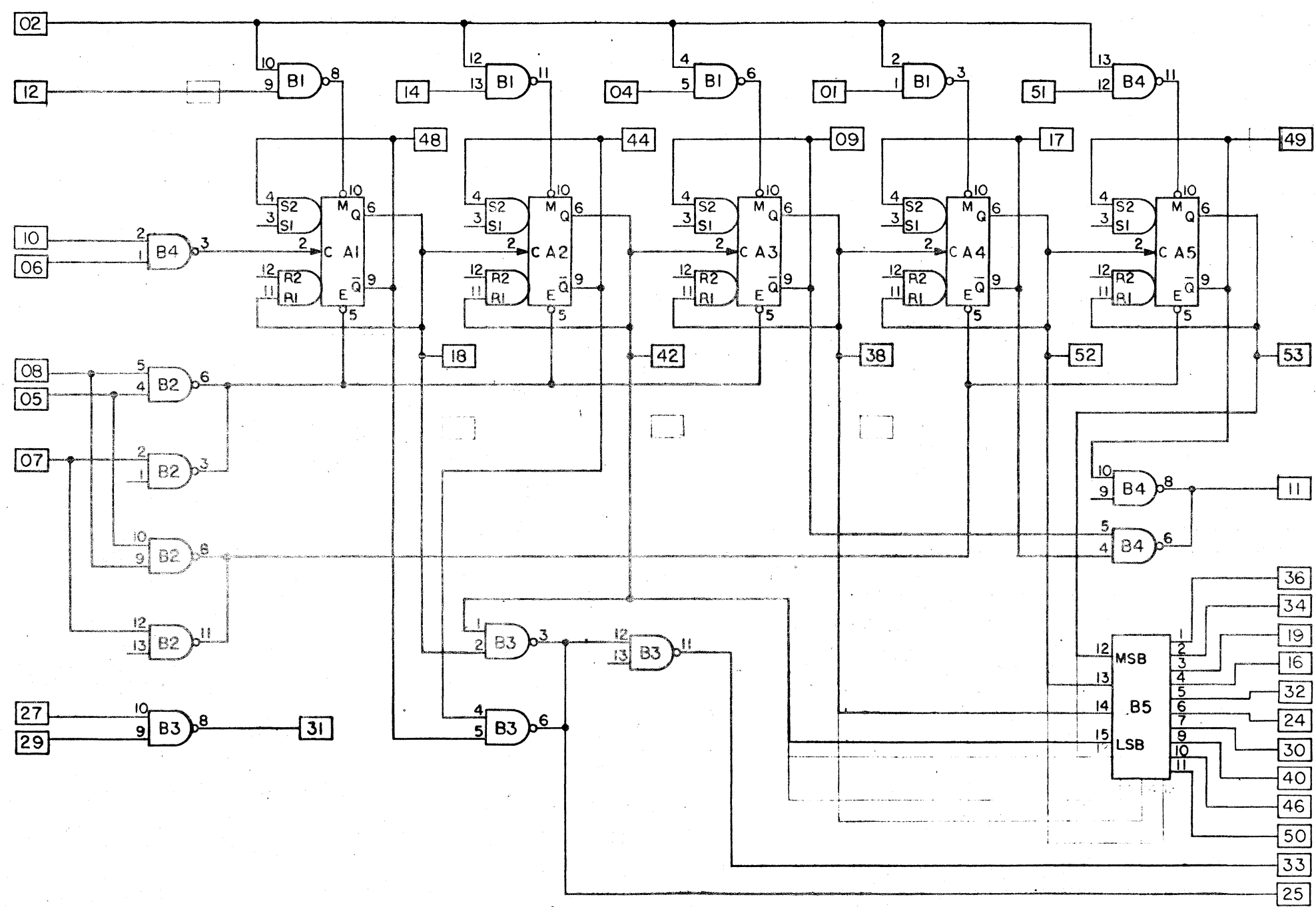
REF DES	LAST USED	REF DES	NOT USED
C10			
CR12			
Q17			
R52			

3. ALL 1% RESISTORS ARE 1/8 W  
 2. ALL CAPACITORS IN MICROFARADS  
 1. ALL RESISTORS IN OHMS, 1/4W, 5%  
 NOTES: UNLESS OTHERWISE SPECIFIED

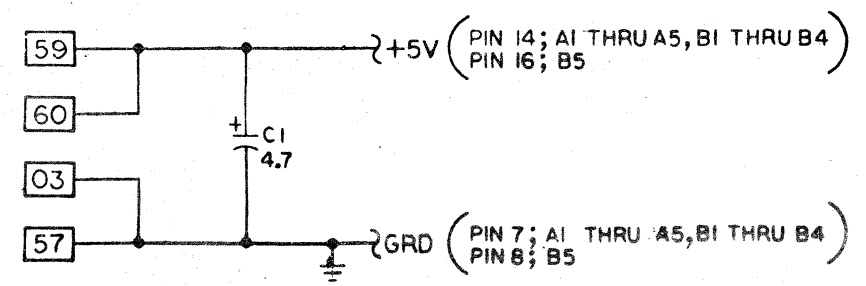
UNLESS OTHERWISE SPECIFIED		DRAWN <i>J. Gump</i> 2-17-70	CENTURY DATA SYSTEMS, INC. ANAHEIM, CALIFORNIA	
DIMENSIONS ARE IN INCHES		CHECK <i>B. Tullio</i> 2-20-70	SCHEMATIC CROSSOVER DETECTOR AR20	
TOLERANCES ON		APPD	SCALE:	SIZE
DECIMALS	ANGLES	APPD		D
.XX ±	±	FINISH		91065-001
.XXX ±				REV
DRILLED HOLES		MATERIAL		J1
.040 TO .125: +.002, -.001				
.136 TO .228: +.003, -.001				
.234 TO .300: +.004, -.001				
.315 TO .750: +.005, -.001				
.765 TO 1.000: +.007, -.001				
1.015 TO 2.000: +.010, -.001				
SURFACE ROUGHNESS PER MIL-STD-10		DO NOT SCALE THIS DRAWING	WEIGHT	SHEET 4 OF 4

J1 91065-001

REVISIONS			
SYM	ZONE	DESCRIPTION	DATE & APPROVAL



SYM	DESIGNATORS LAST USED	SYM	DESIGNATORS NOT USED
I.C.	A5, B5	I.C.	—
C	C1	C	—

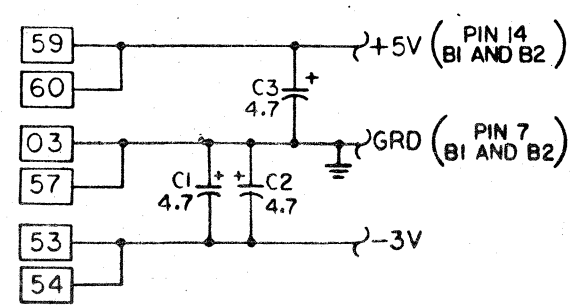
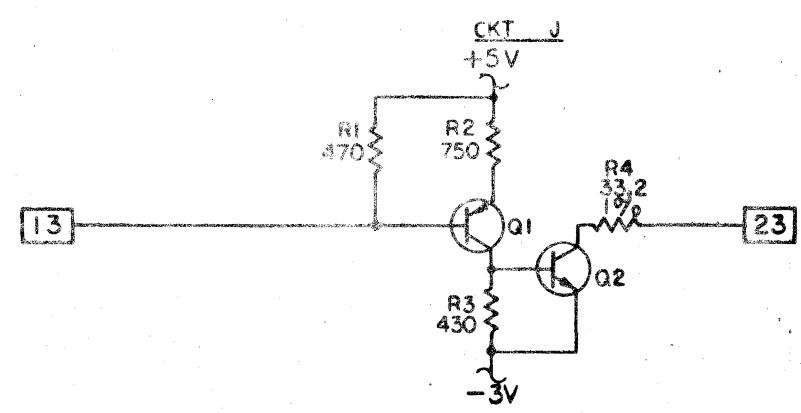
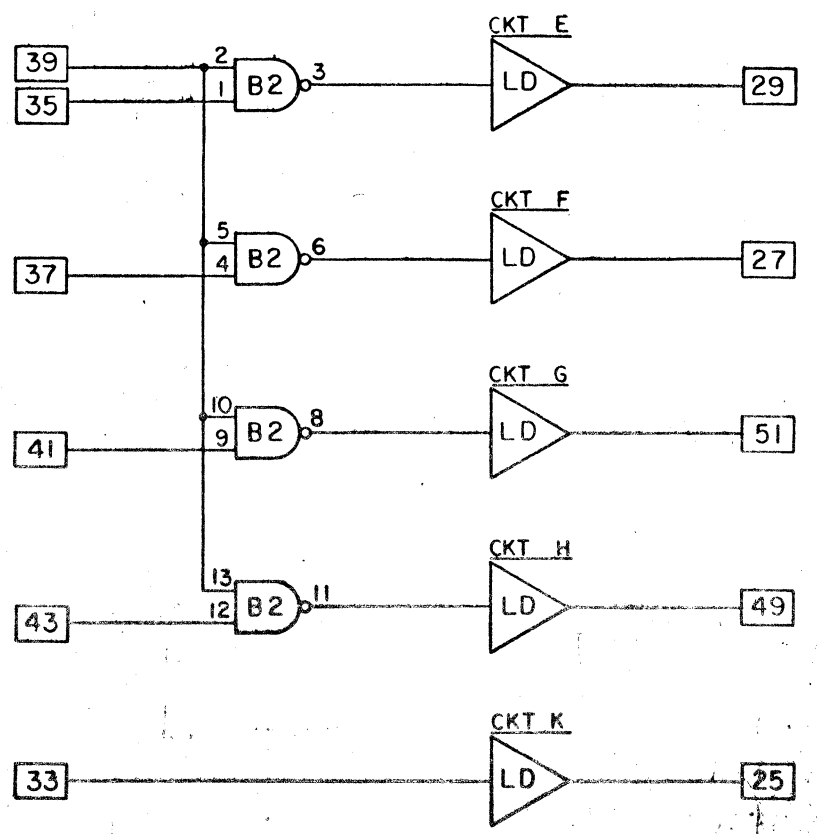
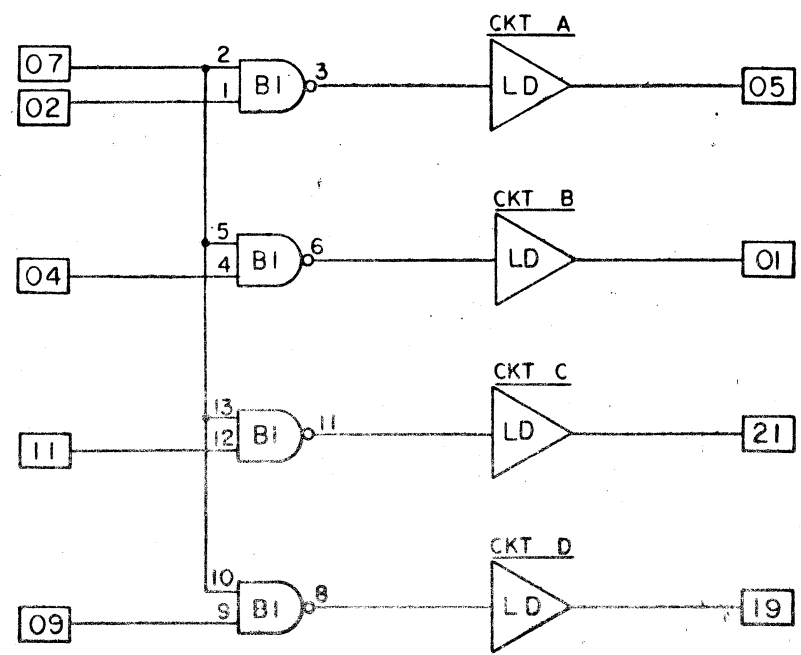


2. ALL CAPACITORS IN MICROFARADS  
 1. ALL RESISTORS IN OHMS, 1/4W, 5%  
 NOTES: UNLESS OTHERWISE SPECIFIED

UNLESS OTHERWISE SPECIFIED DIMENSIONS ARE IN INCHES		DRAWN <i>[Signature]</i> 19 SEP 68		CENTURY DATA SYSTEMS, INC. ANAHEIM, CALIFORNIA	
CHECK	APPD	APPD	FINISH	SCHEMATIC HEAD ADDRESS AND DECODE AF13	
DECIMALS XX ±	ANGLES ±	APPD	FINISH	SCALE:	SIZE D 91069-001
DRILLED HOLES		SURFACE ROUGHNESS PER MIL-STD-20		WEIGHT	SHEET 3 OF 3
.040 TO .1250 +.002, -.001	.130 TO .250 +.003, -.001				REV D1
.254 TO .500 +.004, -.001	.515 TO .750 +.005, -.001				
.765 TO 1.500 +.007, -.001	1.515 TO 2.000 +.010, -.001				

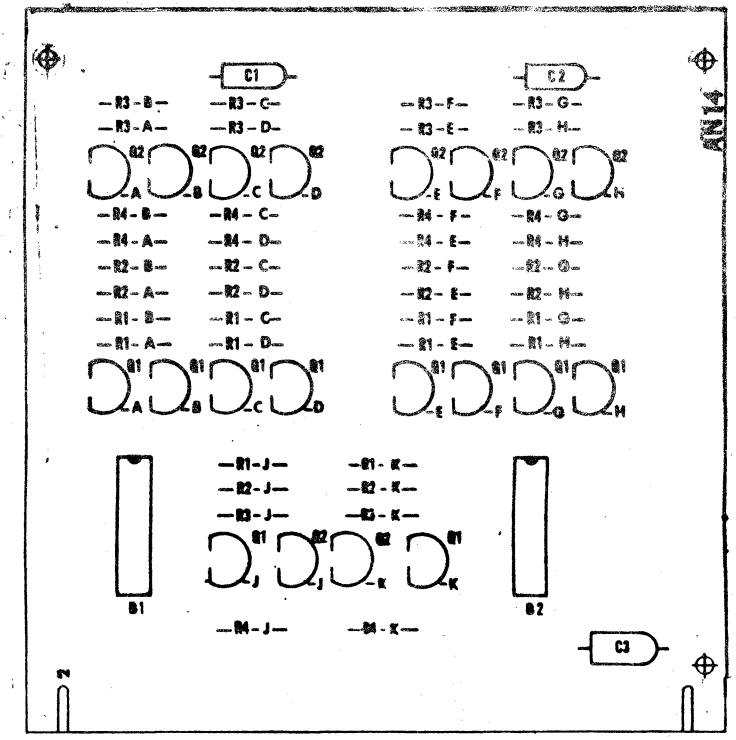
100-69016 D1

REVISIONS		
SYM	ZONE	DESCRIPTION



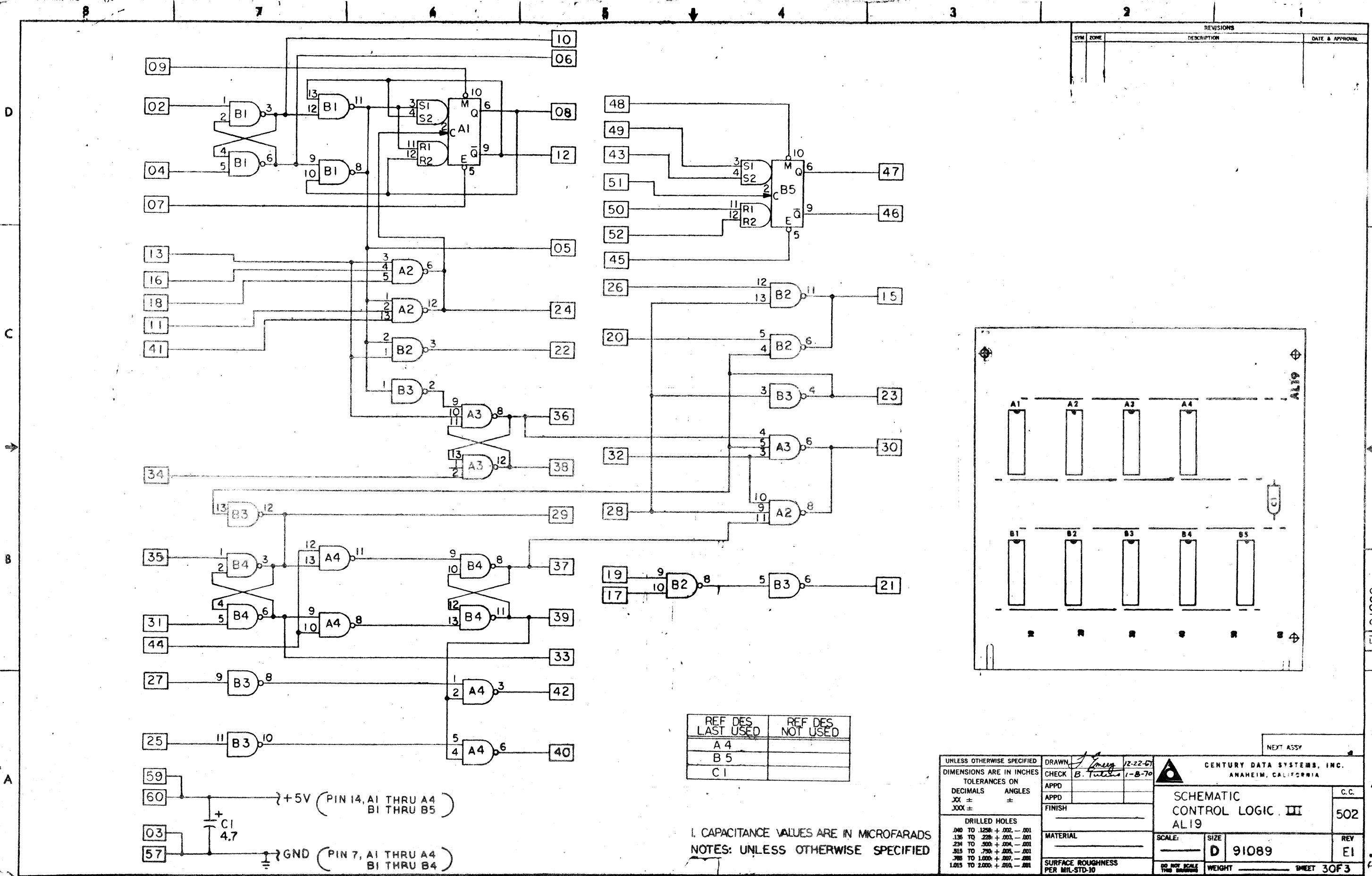
REF DES	LAST USED	REF DES	NOT USED
B2			
C3			
Q2			
R4			

3. ALL 1% RESISTORS ARE 1/8W  
 2. ALL CAPACITORS IN MICROFARADS  
 1. ALL RESISTORS IN OHMS, 1/4W, 5%  
 NOTES: UNLESS OTHERWISE SPECIFIED

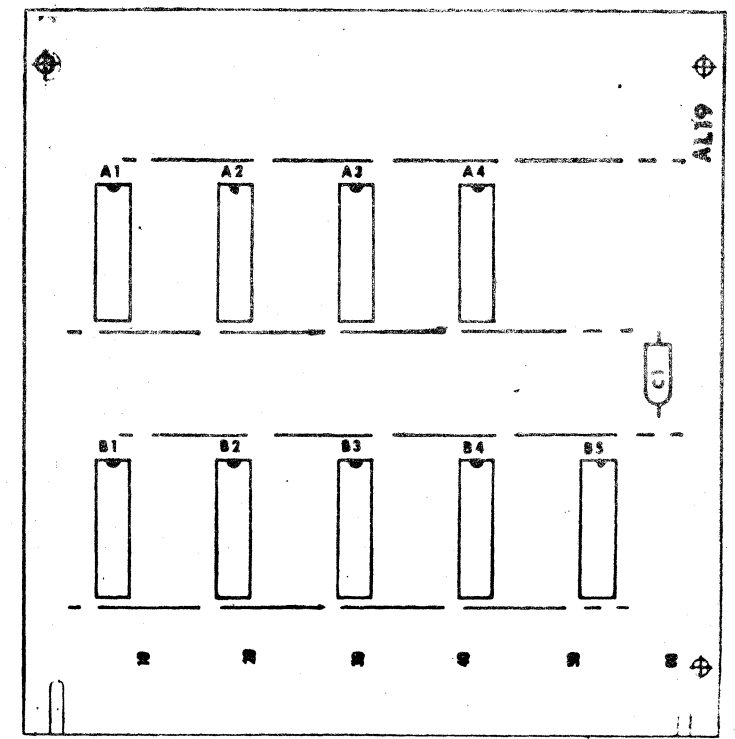


UNLESS OTHERWISE SPECIFIED DIMENSIONS ARE IN INCHES TOLERANCES ON		DRAWN <i>J. Enery</i> 10-17-69	CENTURY DATA SYSTEMS, INC. ANAHEIM, CALIFORNIA
DECIMALS	ANGLES	CHECK <i>B. Toleno</i> 1-21-70	
.XX ±	±	APPD <i>J. Enery</i> 1-21-70	SCHEMATIC G LINE DRIVER AN14
.XXX ±	±	FINISH	
DRILLED HOLES		MATERIAL	SCALE
.040 TO .125: +.002, -.001			SIZE
.136 TO .228: +.003, -.001			D 91073-001
.234 TO .300: +.004, -.001			REV
.315 TO .750: +.005, -.001			D2
.765 TO 1.000: +.007, -.001			
1.015 TO 2.000: +.010, -.001			
SURFACE ROUGHNESS PER MIL-STD-10		SHEET 3 OF 3	

D2 91073-001



SYN		REVISIONS		DATE & APPROVAL
ZONE	DESCRIPTION			



REF DES	DES	REF DES	DES
LAST USED		NOT USED	
A 4			
B 5			
C 1			

1. CAPACITANCE VALUES ARE IN MICROFARADS  
 NOTES: UNLESS OTHERWISE SPECIFIED

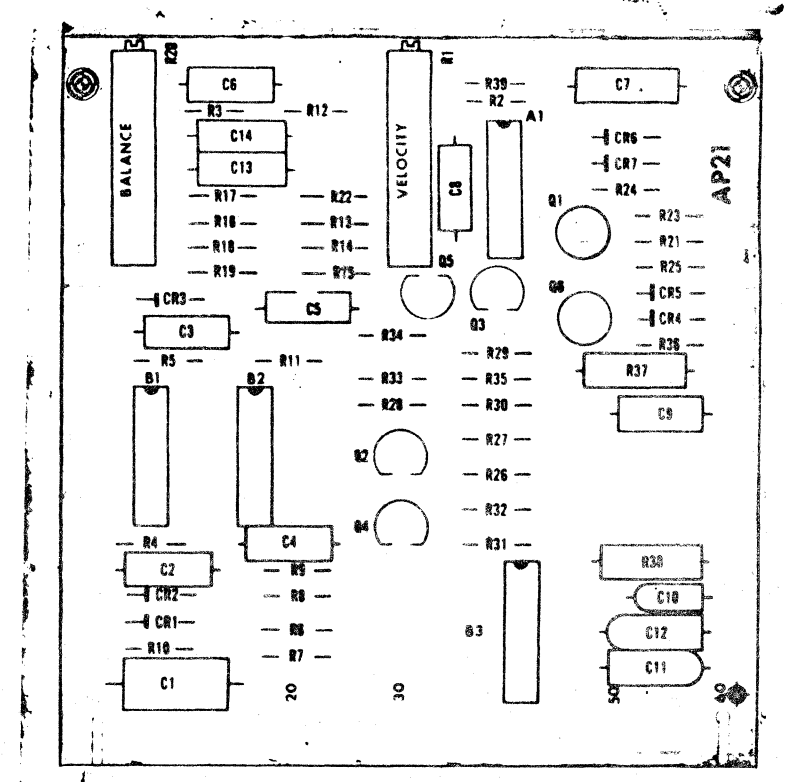
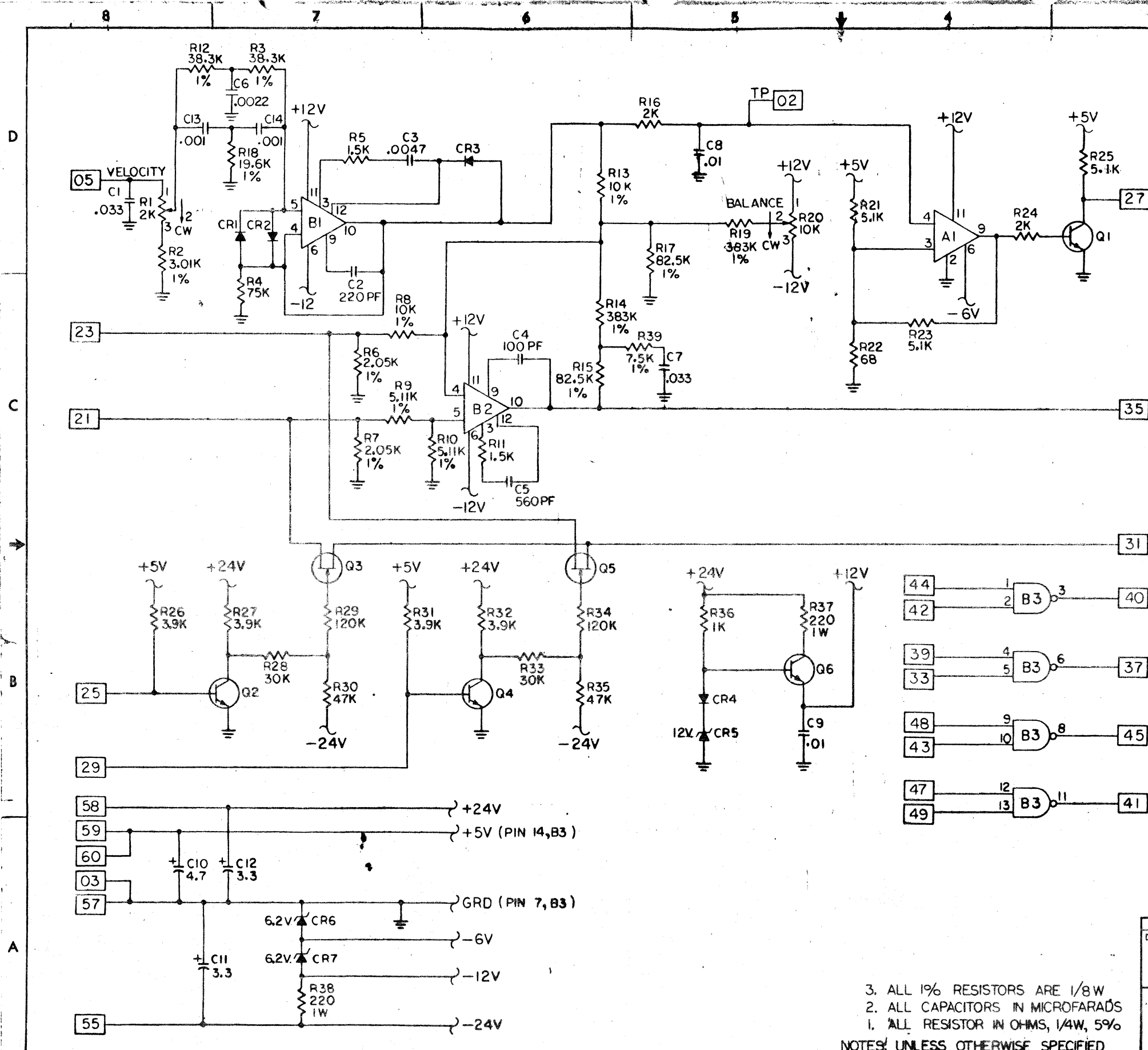
UNLESS OTHERWISE SPECIFIED	DRAWN	12-22-67
DIMENSIONS ARE IN INCHES	CHECK	B. TULLIS 1-B-70
TOLERANCES ON	APPD	
DECIMALS	APPD	
ANGLES	FINISH	
.XX ±		
.XXX ±		

DRILLED HOLES	MATERIAL	SCALE:	SIZE
.040 TO .1250: +.002, -.001			D
.130 TO .220: +.003, -.001			91089
.234 TO .500: +.004, -.001			REV
.515 TO .750: +.005, -.001			E1
.765 TO 1.000: +.007, -.001			
1.015 TO 2.000: +.010, -.001			

CENTURY DATA SYSTEMS, INC. ANAHEIM, CALIFORNIA		NEXT ASSY	
SCHEMATIC CONTROL LOGIC III AL19		C.C.	502
SCALE:	SIZE	REV	E1
DO NOT SCALE THIS DRAWING	WEIGHT	SHEET 30F3	

E1 91089

REVISIONS			
SYM	ZONE	DESCRIPTION	DATE & APPROVAL



SYM	DESIGNATORS LAST USED	SYM	DESIGNATORS NOT USED
IC	A1, B3	IC	—
Q	6	Q	—
CR	7	CR	—
C	14	C	—
R	39	R	—

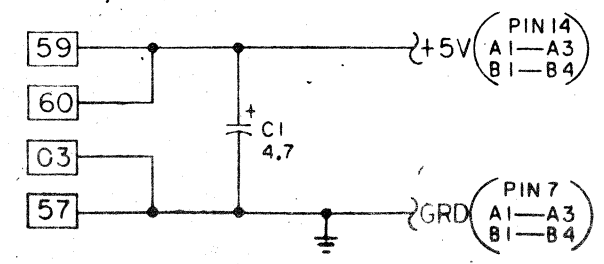
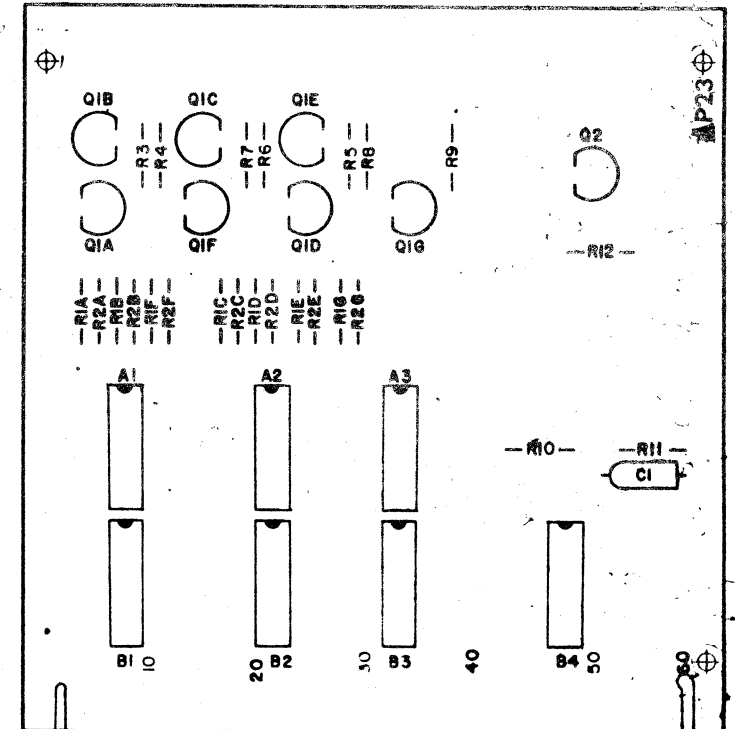
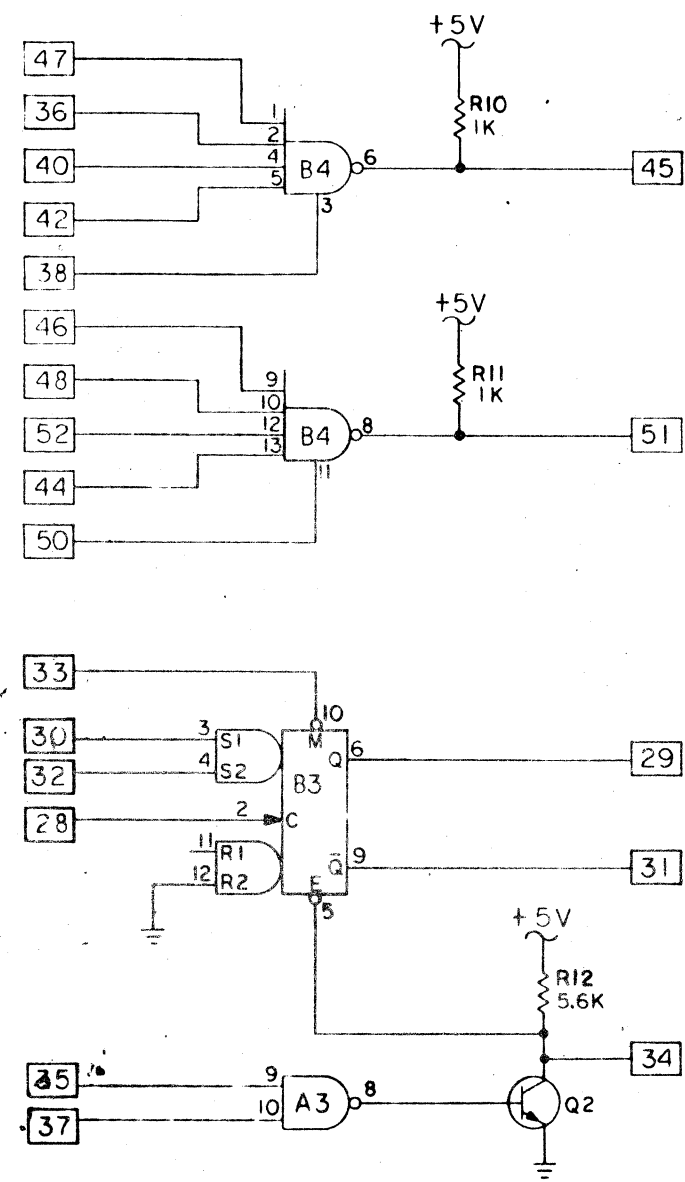
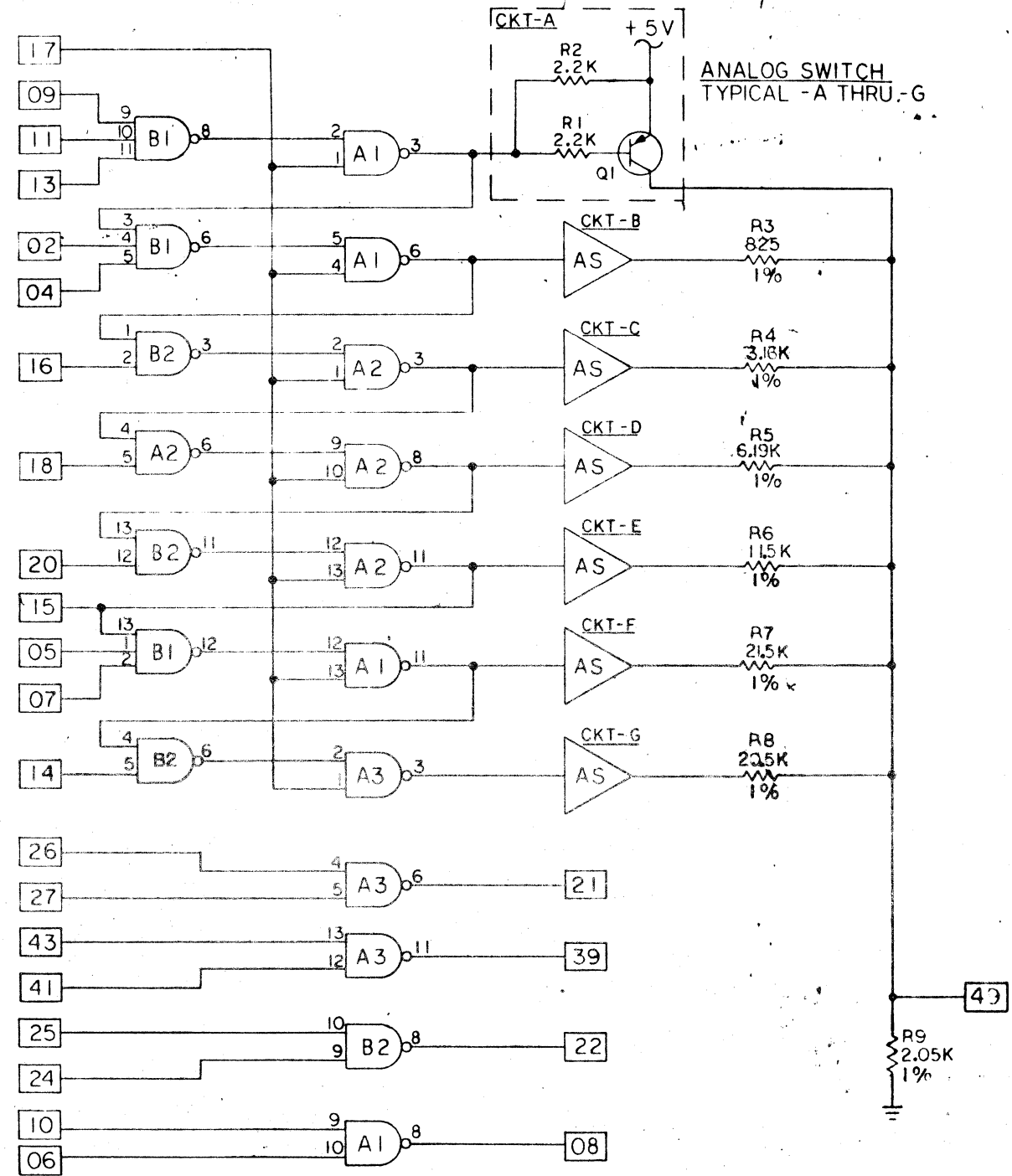
90273

- 3. ALL 1% RESISTORS ARE 1/8W
  - 2. ALL CAPACITORS IN MICROFARADS
  - 1. ALL RESISTOR IN OHMS, 1/4W, 5%
- NOTES: UNLESS OTHERWISE SPECIFIED

UNLESS OTHERWISE SPECIFIED DIMENSIONS ARE IN INCHES TOLERANCES ON DECIMALS ANGLES XX ± ± XXX ±		DRAWN <i>J. J. [Signature]</i> 11-12-65 CHECK <i>[Signature]</i> 11-18-65 APPD APPD FINISH MATERIAL SURFACE ROUGHNESS PER MIL-STD-10	CENTURY DATA SYSTEMS, INC. ANAHEIM, CALIFORNIA <b>SCHEMATIC</b> <b>SERVO PREAMPLIFIER</b> <b>AP21</b> SCALE: _____ SIZE: _____ D 91093- _____ REV: E1 WEIGHT: _____ SHEET 5 OF 5
---	--	---	---

F 91093

REVISIONS			DATE & APPROVAL
SYM	ZONE	DESCRIPTION	
		1 MAY BE REWORKED	
		2 CANNOT BE REWORKED	
		3 NONE	

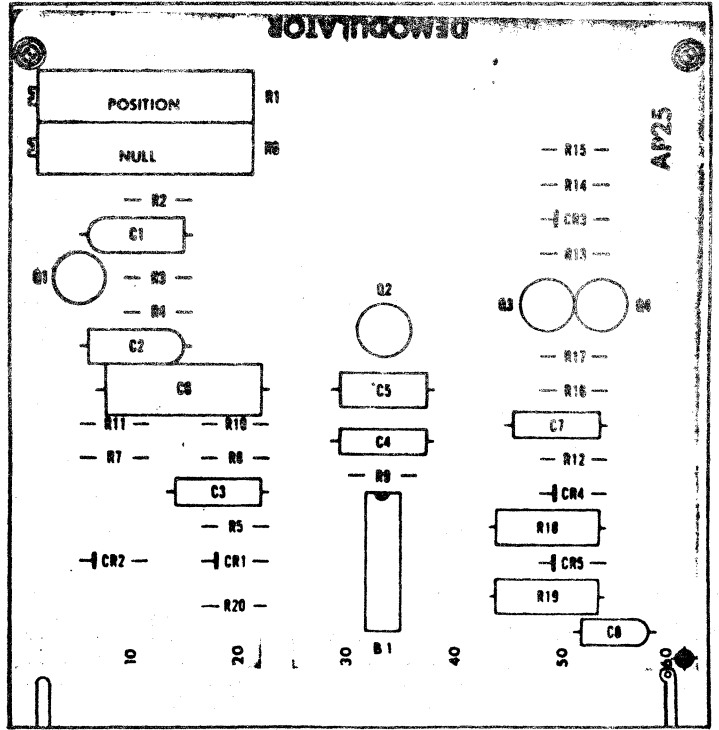
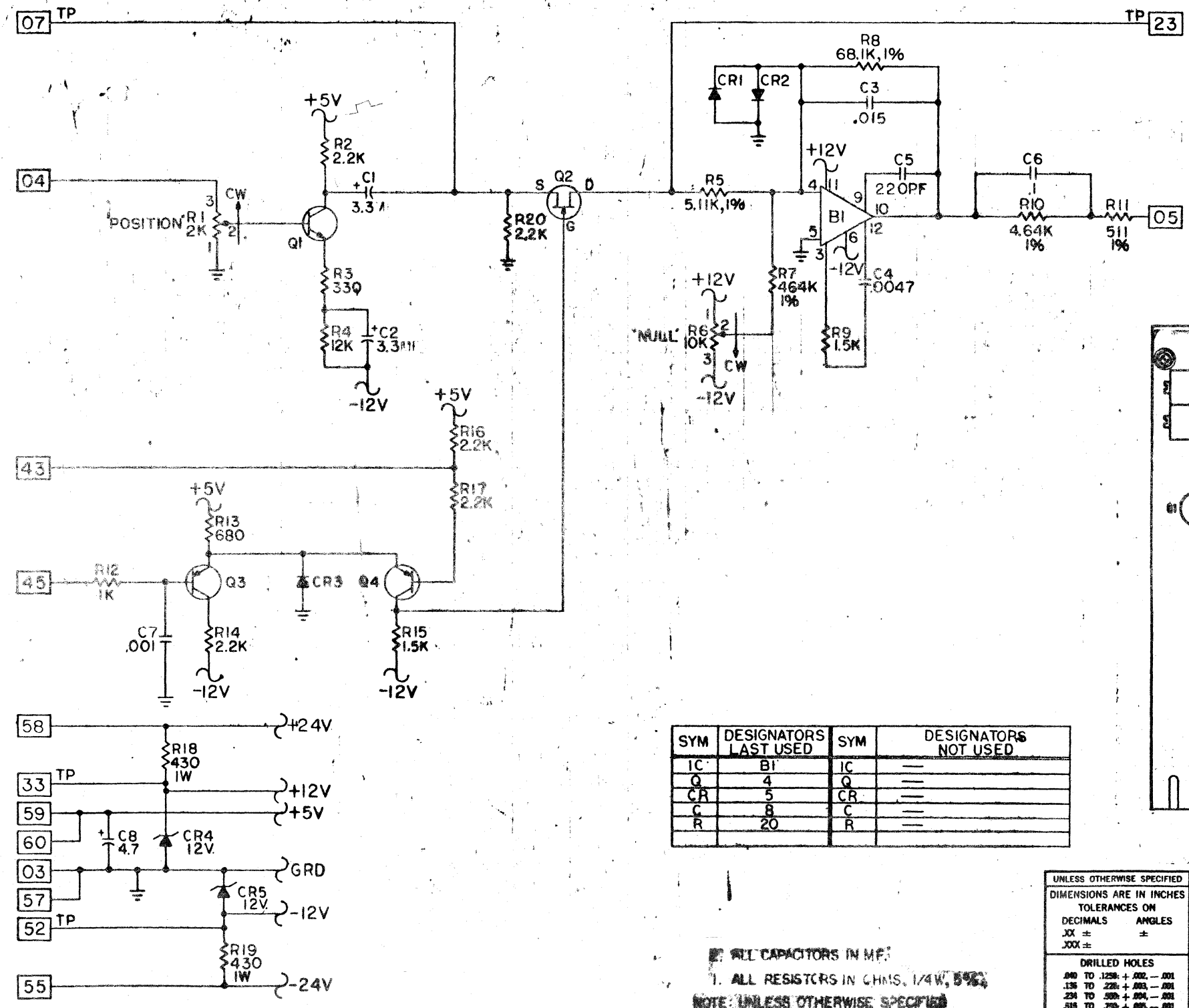


SYM	DESIGNATORS LAST USED	SYM	DESIGNATORS NOT USED
IC	A3, B4	IC	
Q	2	Q	
C	1	C	
R	2	R	

2. ALL CAPACITORS IN MIL.  
 3. ALL RESISTORS IN OHMS, UNLESS OTHERWISE SPECIFIED.

REQD	PART OR IDENTIFYING NO.	NOMENCLATURE OR DESCRIPTION	MATERIAL	ZONE
LIST OF MATERIAL OR PARTS LIST				
UNLESS OTHERWISE SPECIFIED		DRAWN	DATE	
DIMENSIONS ARE IN INCHES		CHECK	11-12-65	
TOLERANCES ON		APPD		
DECIMALS ANGLES		APPD		
XX ± ±		FINISH		
XXX ± ±		HEAT TREAT		
DRILLED HOLES		SCALE	SIZE	
.040 TO .1250 +.002 - .001			D	9101-001
.126 TO .225 +.003 - .001				
.226 TO .375 +.004 - .001				
.376 TO .750 +.005 - .001				
.751 TO 1.875 +.007 - .001				
1.876 TO 2.000 +.008 - .001				
SURFACE ROUGHNESS PER MIL-STD-10		WEIGHT		

REVISIONS		DATE & APPROVAL
SYM	ZONE	DESCRIPTION



SYM	DESIGNATORS LAST USED	SYM	DESIGNATORS NOT USED
IC	B1	IC	—
Q	4	Q	—
CR	5	CR	—
C	8	C	—
R	20	R	—

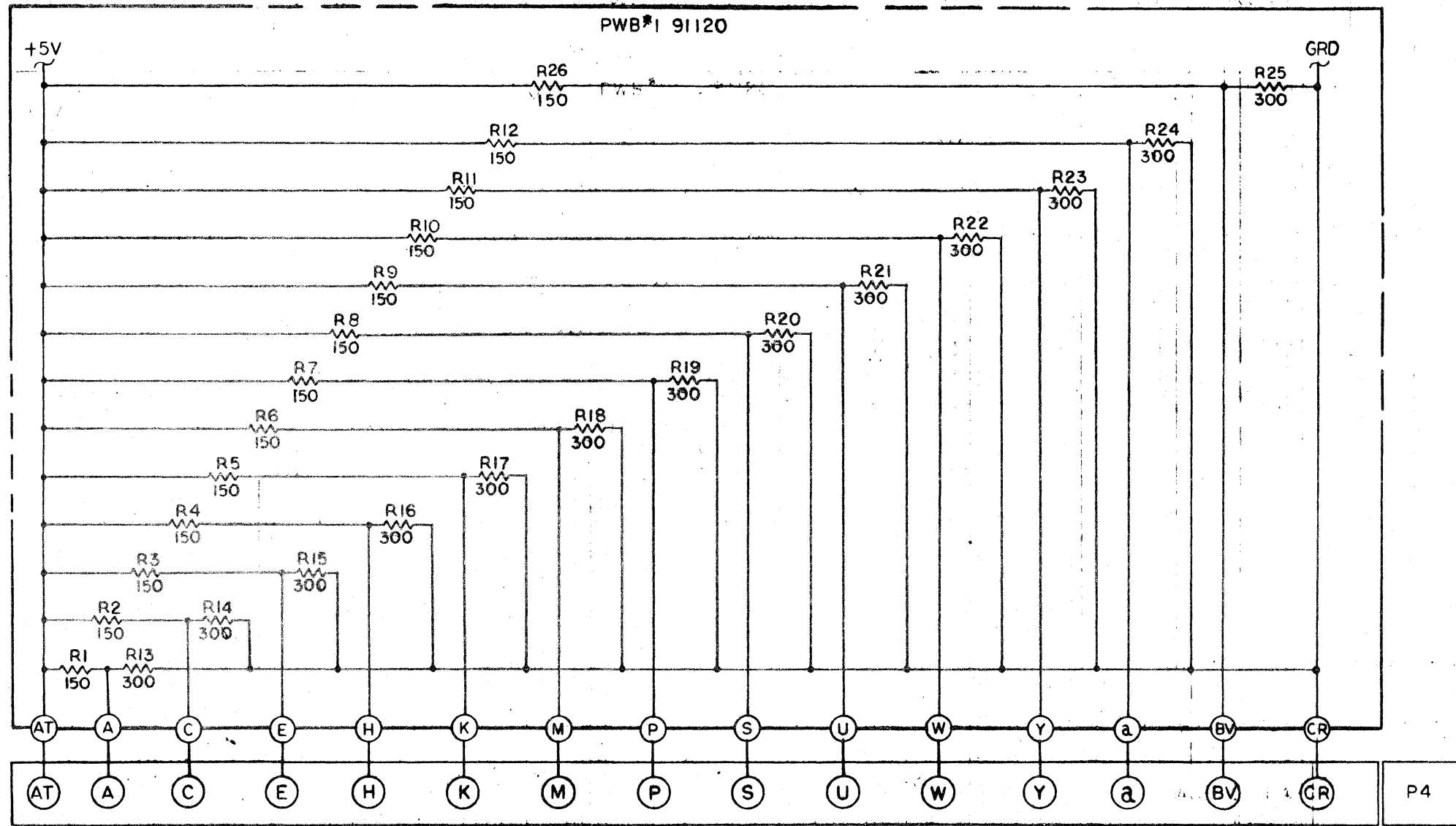
NOTE: ALL CAPACITORS IN MF.  
 1. ALL RESISTORS IN CHMS. 1/4W, 5%  
 NOTE: UNLESS OTHERWISE SPECIFIED

UNLESS OTHERWISE SPECIFIED	DRAWN	11-11-63
DIMENSIONS ARE IN INCHES	CHECK	11-11-63
TOLERANCES ON	APPD	11-12-63
DECIMALS	APPD	
ANGLES	FINISH	
XX ±		
XXX ±		
DRILLED HOLES		
.040 TO .1250 + .002, - .001		
.130 TO .220 + .003, - .001		
.230 TO .500 + .004, - .001		
.510 TO .750 + .005, - .001		
.760 TO 1.000 + .007, - .001		
1.010 TO 2.000 + .010, - .002		
SURFACE ROUGHNESS PER MIL-STD-20		

CENTURY DATA SYSTEMS, INC. ANAHEIM, CALIFORNIA		C.C.
SCHEMATIC DEMULATOR AP25		502
SCALE:	SIZE	REV
	D	G
WEIGHT	SHEET 5 OF 5	

G 91109-001

REVISIONS			
SYM	ZONE	DESCRIPTION	DATE & APPROVAL
A		ENGINEERING RELEASE	JPD 12/1/69
B		ADDED NOTE 4, R1 THRU R12 WAS 360, R13 THRU R24 WAS 150	JPD 5-11-69
BI		PROD. REL. PER ECN NO. 00787	JPD 5-11-69
C		REVISED PER ECN 1161	JPD 5-11-69



3. ALL RESISTORS IN OHMS, 1/4W, 5%  
 2. TEST SPECIFICATION 91119.  
 1. NEXT ASSEMBLY 91117.  
 NOTE: UNLESS OTHERWISE SPECIFIED

UNLESS OTHERWISE SPECIFIED	
DIMENSIONS ARE IN INCHES	
TOLERANCES ON	
DECIMALS	ANGLES
.XX ±	±
.XXX ±	
DRILLED HOLES	
.040 TO .125	+ .002, - .001
.130 TO .225	+ .003, - .001
.230 TO .500	+ .004, - .001
.510 TO .750	+ .005, - .001
.760 TO 1.000	+ .007, - .001
1.010 TO 2.000	+ .010, - .001

DRAWN	D. TOTT	NO. 12-1-69
CHECK	J. P. D.	1 Dec 69
APPD		
APPD		
FINISH		
MATERIAL		
SURFACE ROUGHNESS		
PER MIL-STD-20		

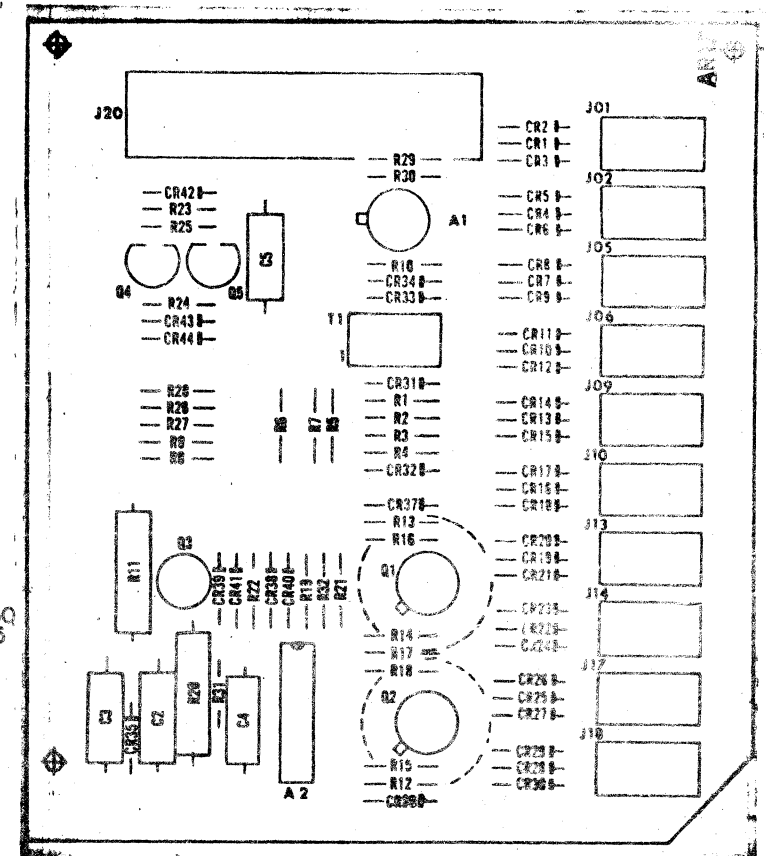
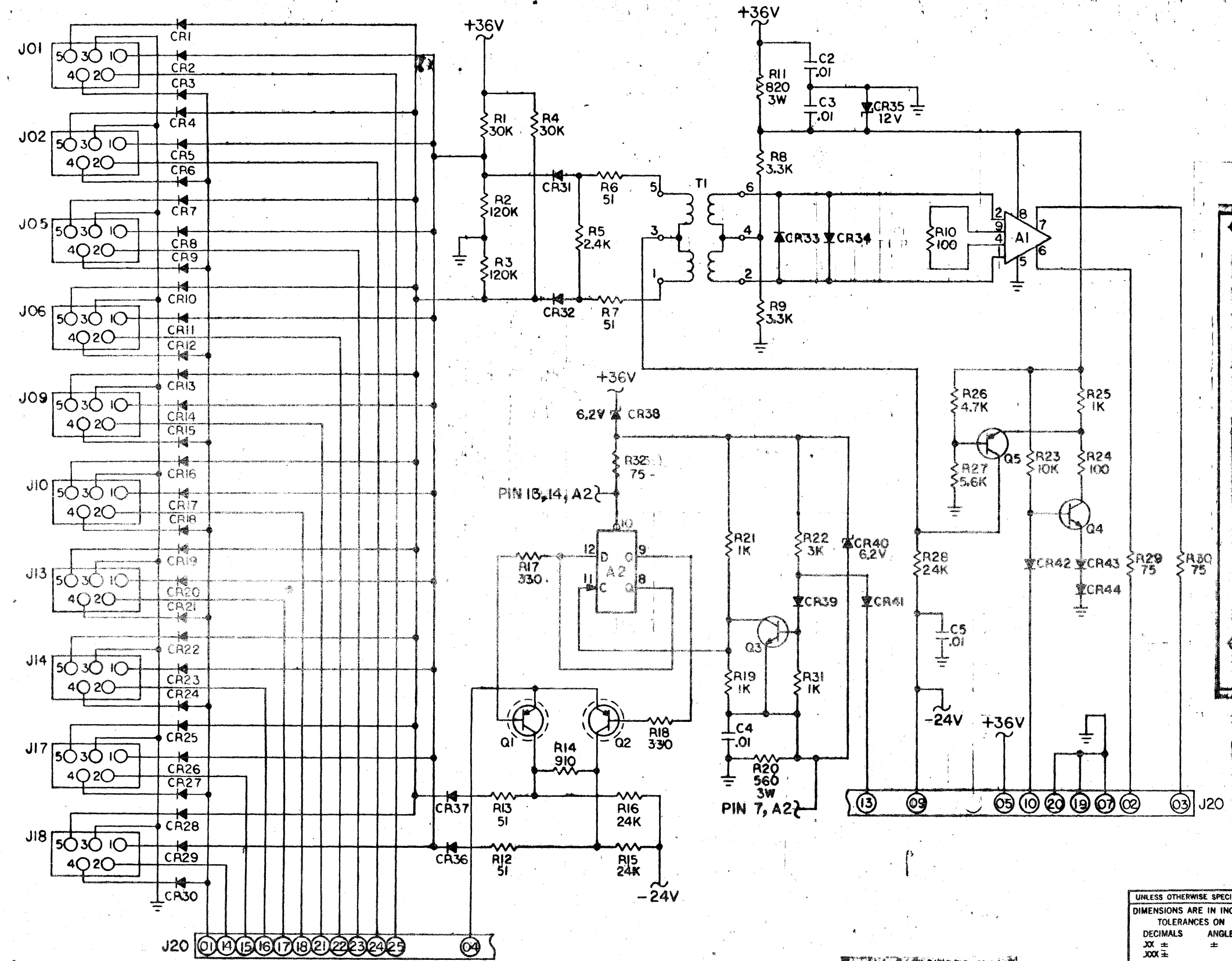
CENTURY DATA SYSTEMS, INC. ANAHEIM, CALIFORNIA	
SCHEMATIC, LINE TERMINATOR PWB#1	
C.C.	503
SCALE:	SIZE
	D 91118-001
REV	C
WEIGHT	SHEET 1 OF 1

USED ON 114  
 NEXT ASSY 91117-001

C 91118-001



REVISIONS		
SYM	ZONE	DESCRIPTION



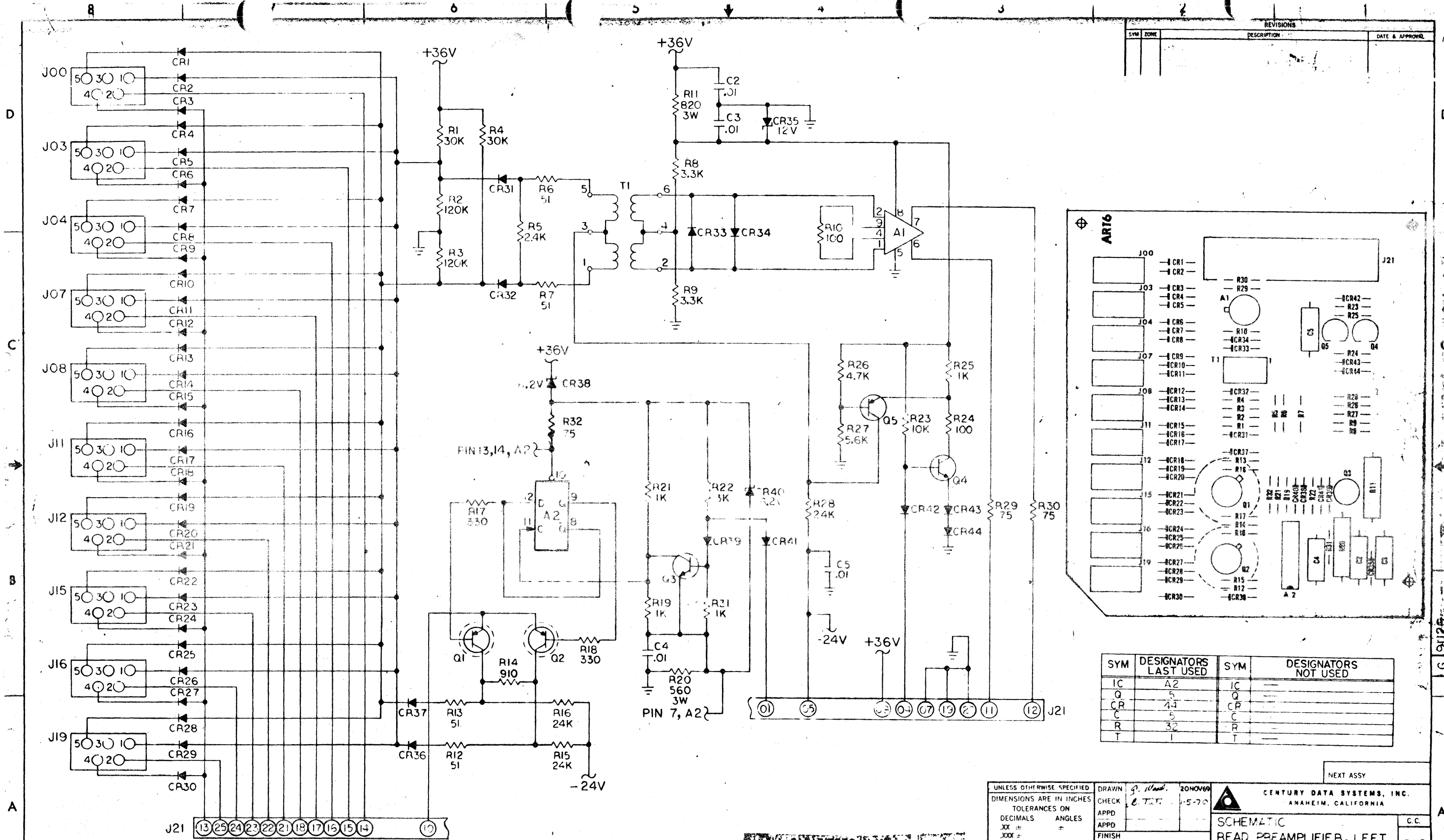
SYM	DESIGNATORS LAST USED	SYM	DESIGNATORS NOT USED
IC	A2	IC	
Q	5	Q	
CR	4	CR	
C	5	C	
R	32	R	
T		T	

ALL CAPACITORS IN MF  
 I. ALL RESISTORS IN OHMS, 1/4W, 5%  
 NOTE: UNLESS OTHERWISE SPECIFIED

UNLESS OTHERWISE SPECIFIED DIMENSIONS ARE IN INCHES TOLERANCES ON DECIMALS ANGLES XX ±            ± XXX ±           ±		DRAWN <i>G. Woods</i> 20 NOV 69 CHECK <i>J.B. T... 1-70</i>	CENTURY DATA SYSTEMS, INC. ANAHEIM, CALIFORNIA	
APPD	FINISH	SCHEMATIC READ PREAMPLIFIER, RIGHT ARI7		
MATERIAL	SCALE:            SIZE	D 91122	REV G	
SURFACE ROUGHNESS PER MIL-STD-10	WEIGHT	SHEET 6 OF 6		

G 91122

NEXT ASSY 91123



REVISIONS		
SYM	ZONE	DESCRIPTION

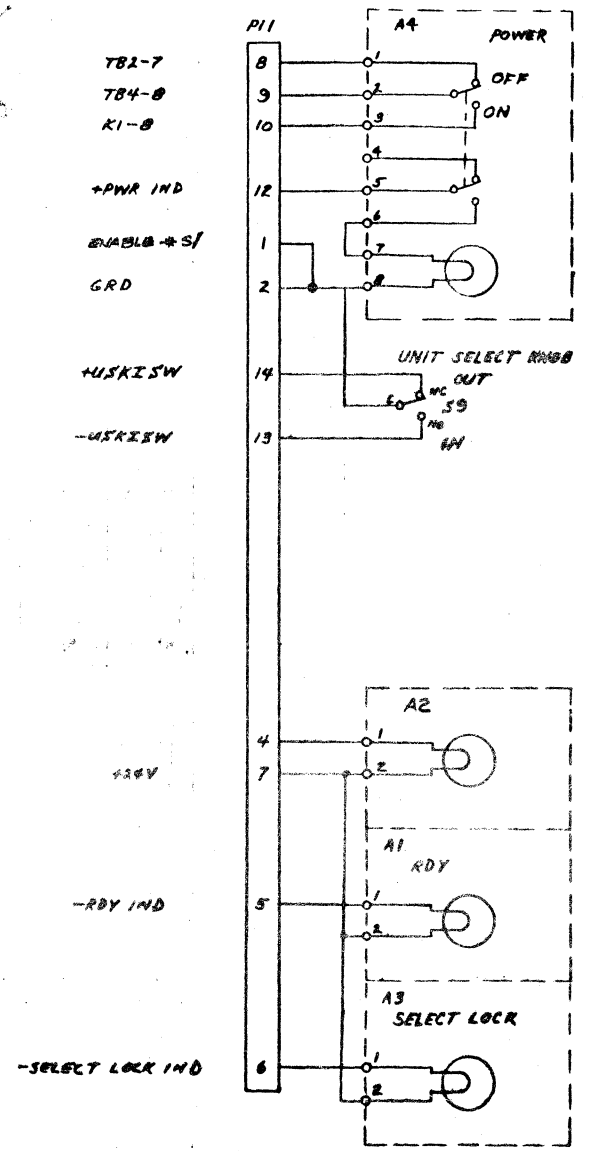
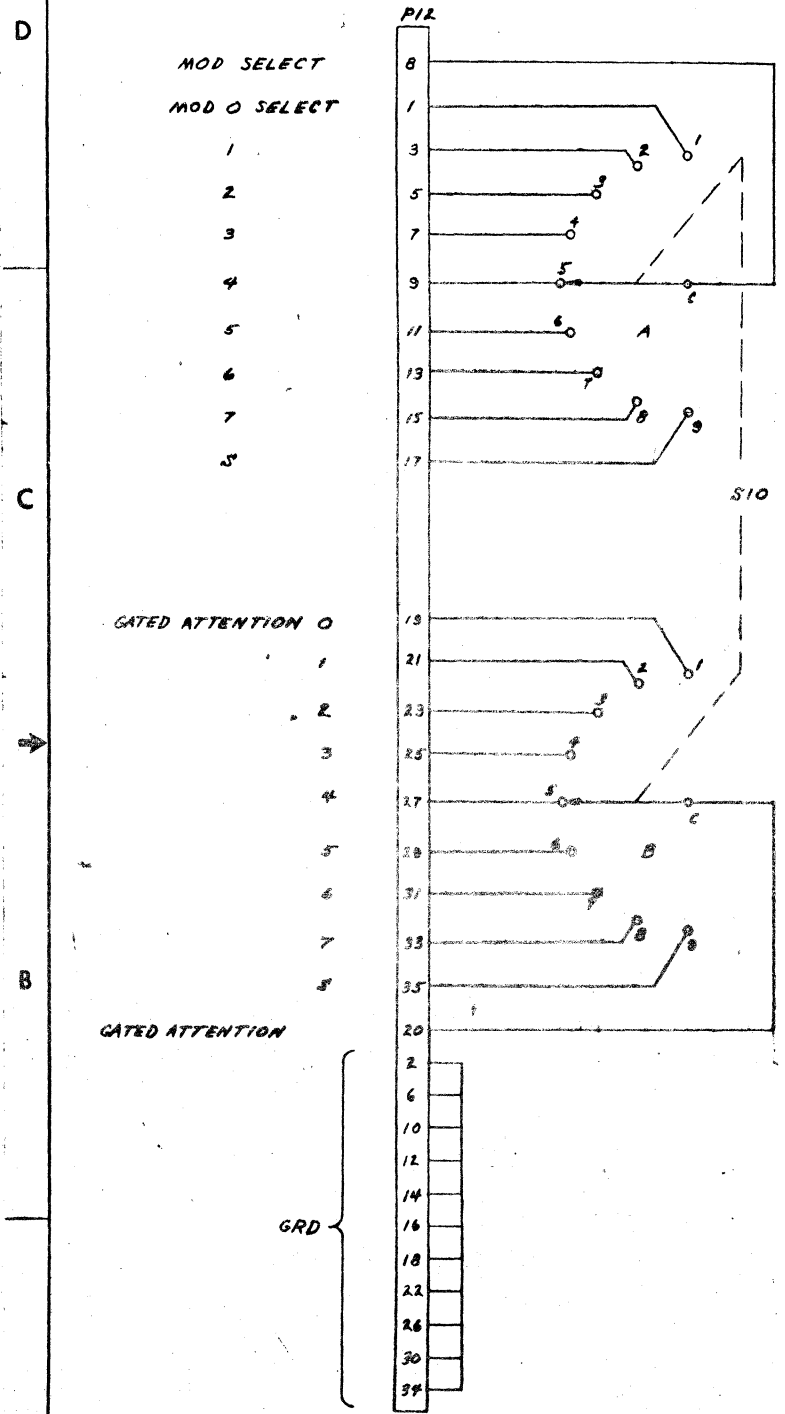
SYM	DESIGNATORS LAST USED	SYM	DESIGNATORS NOT USED
IC	A2	IC	
Q	5	Q	
CR	4, 5	CR	
C	5	C	
R	32	R	
T	1	T	

UNLESS OTHERWISE SPECIFIED	
DIMENSIONS ARE IN INCHES	
TOLERANCES ON	
XX ±	±
XXX ±	±
DRILLED HOLES	
.040 TO .125	+ .002 - .001
.136 TO .228	+ .003 - .001
.234 TO .500	+ .004 - .001
.515 TO .750	+ .005 - .001
.760 TO 1.000	+ .007 - .001
1.015 TO 2.000	+ .010 - .001

DRAWN	G. Hand	20NOV69	CENTURY DATA SYSTEMS, INC. ANAHEIM, CALIFORNIA
CHECK	E. T. T.	15-70	
APPD			SCHEMATIC READ PREAMPLIFIER, LEFT AR16
APPD			
MATERIAL			SCALE: <b>D</b>
SURFACE ROUGHNESS PER MIL-STD-10			SIZE <b>91126</b>
			REV <b>G</b>
			SHEET <b>6 OF 6</b>

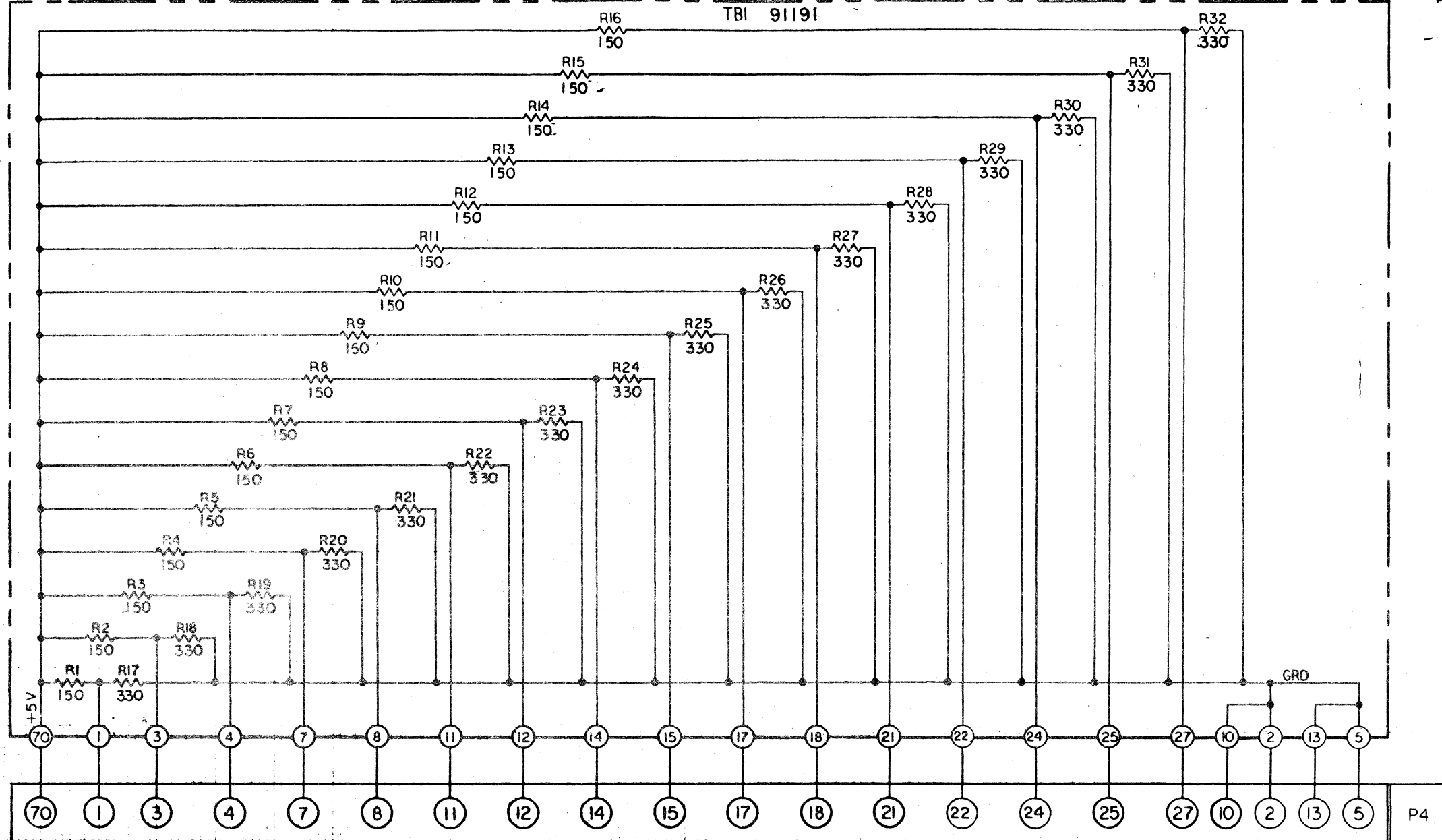
ALL CAPACITORS IN MF.  
ALL RESISTORS IN OHMS, 1/4W.  
UNLESS OTHERWISE SPECIFIED.

REVISIONS			
SYN	ZONE	DESCRIPTION	DATE & APPROVAL
A		ENGINEERING RELEASE	9/29/65
B		REVISED	9/29/65
B1		PRODUCTION RELEASE ECN 1150	9/29/65



UNLESS OTHERWISE SPECIFIED		DRAWN	R. E. W. J.	9/19/65	CENTURY DATA SYSTEMS, INC. ANAHEIM, CALIFORNIA	
DIMENSIONS ARE IN INCHES		CHECK			C.C.	
TOLERANCES ON		APPD			SCHEMATIC- CONTROL PANEL	
DECIMALS	ANGLES	APPD			REV BI	
XX ±	±	FINISH			SCALE: SIZE D 91141	
XXX ±					WEIGHT SHEET 1 OF 1	
DRILLED HOLES		MATERIAL			NEXT ASSY 91139	
.040 TO .125	+.002, -.001	SURFACE ROUGHNESS PER MIL-STD-10				
.136 TO .228	+.003, -.001					
.234 TO .500	+.004, -.001					
.515 TO .750	+.005, -.001					
.765 TO 1.000	+.007, -.001					
1.015 TO 2.000	+.010, -.001					

SYN		REVISIONS		DATE & APPROVAL	
ZONE	DESCRIPTION	DATE	APPROVAL	DATE	APPROVAL
	<input type="checkbox"/> MAY BE REWORKED	<input type="checkbox"/> CANNOT BE REWORKED			
	<input type="checkbox"/> NONE				
A	MANUFACTURING RELEASE				



TBI			
10	18	-R1-	-R9-
1		-R17-	-R25-
3		-R2-	-R10-
4		-R18-	-R26-
7		-R3-	-R11-
8		-R19-	-R27-
11		-R4-	-R12-
12		-R20-	-R28-
14		-R5-	-R13-
2		-R21-	-R29-
5		-R6-	-R14-
		-R22-	-R30-
		-R7-	-R15-
		-R23-	-R31-
		-R8-	-R16-
		-R24-	-R32-

3. ALL CAPACITORS IN MF  
 2. ALL RESISTOR IN OHMS, 1/4W, 5%  
 1. NEXT ASSEMBLY 91190  
 NOTE: UNLESS OTHERWISE SPECIFIED

REQD	PART OR IDENTIFYING NO.	NOMENCLATURE OR DESCRIPTION	MATERIAL SIZE, DESCRIPTION & SPECIFICATION	ZONE
LIST OF MATERIAL OR PARTS LIST				
UNLESS OTHERWISE SPECIFIED		DRAWN T. EMERY 10-9-69	CENTURY DATA SYSTEMS, INC. ANAHEIM, CALIFORNIA	
DIMENSIONS ARE IN INCHES		CHECK B. Tuttle 10-7-69		
TOLERANCES ON		APPD	SCHEMATIC LINE TERMINATOR TBI	
DECIMALS	ANGLES	APPD		
.XX ±	±	FINISH	SCALE: _____ SIZE: _____ D 91189-001	
.00X ±		HEAT TREAT		
DRILLED HOLES		SURFACE ROUGHNESS PER MIL-STD-10	WEIGHT _____ SHEET 1 OF 1	
.040 TO .125 +.002 - .001				
.125 TO .250 +.003 - .001				
.250 TO .500 +.004 - .001				
.500 TO .750 +.005 - .001				
.750 TO 1.000 +.007 - .001				
1.000 TO 2.000 +.010 - .001				

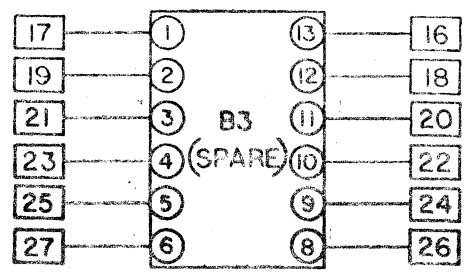
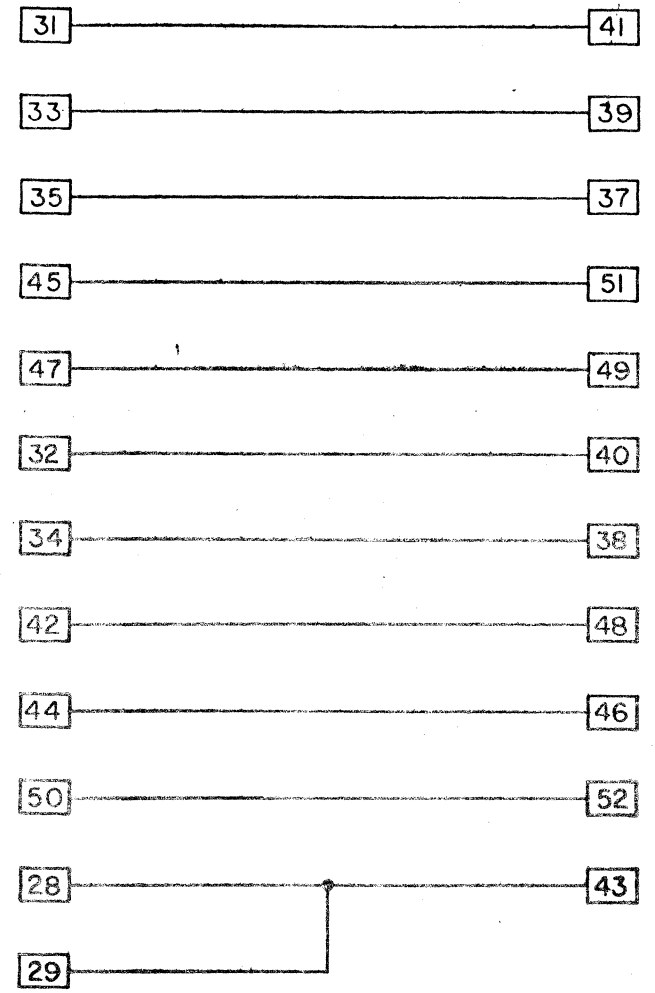
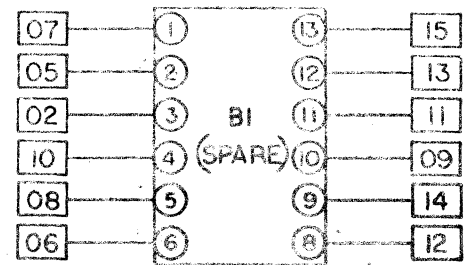
A 91189 001

8 7 6 5 4 3 2 1

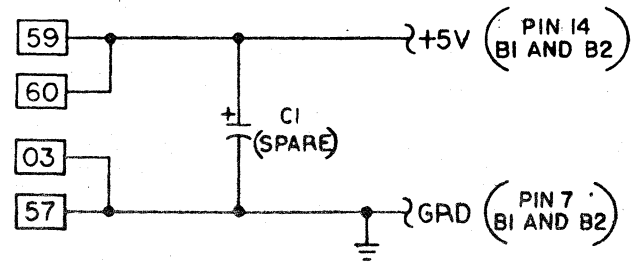
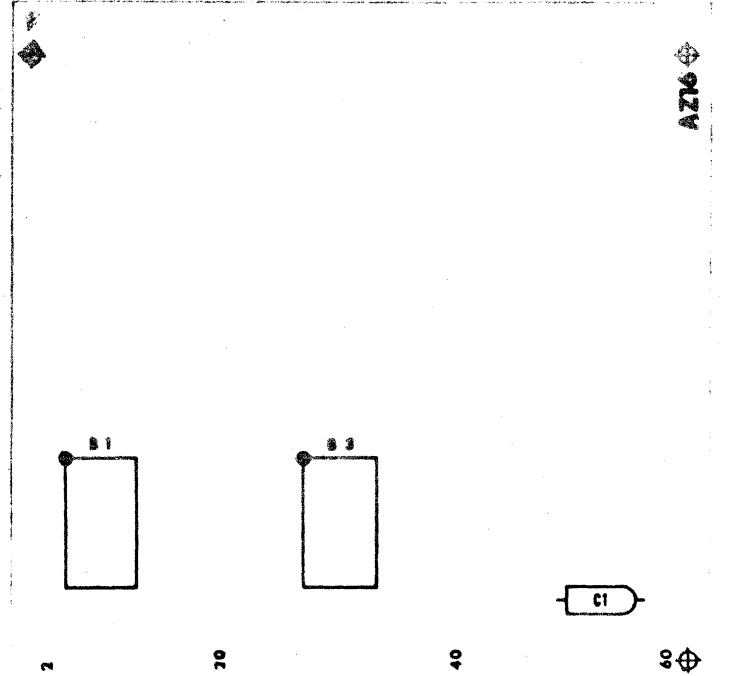
REVISIONS		
SYM	ZONE	DESCRIPTION
A		MANUFACTURING RELEASE
E		MANUFACTURING RELEASE

-NOTE- THE FOLLOWING UECN'S ARE OUTSTANDING AGAINST THIS DOCUMENT.

UECN NUMBER 1692 DATE 5-21-74



91321-30F3



2 ALL CAPACITORS IN MF.  
 1 ALL RESISTORS IN OHMS, 1/4W, 5%.  
 NOTE: UNLESS OTHERWISE SPECIFIED

UNLESS OTHERWISE SPECIFIED		DRAWN <i>Bill White</i> 24-SEP-74	CENTURY DATA SYSTEMS, INC. ANAHEIM, CALIFORNIA
DIMENSIONS ARE IN INCHES		CHECK <i>B. Tuller</i> 27-9-74	
TOLERANCES ON		APPD <i>[Signature]</i> 27-9-74	SCHEMATIC JUMPER MODULE AZ16
DECIMALS ANGLES		APPD <i>[Signature]</i> 27-9-74	
XX ±		FINISH	C.C.
XXX ±			503
DRILLED HOLES		MATERIAL	REV
.040 TO .125: +.002, -.001			C
.136 TO .228: +.003, -.001		SCALE: D	91321
.234 TO .394: +.004, -.001		SIZE	91321
.515 TO .750: +.005, -.001		WEIGHT	
.760 TO 1.000: +.007, -.001		DO NOT SCALE THIS DRAWING	SHEET 3 OF 3
1.005 TO 2.000: +.009, -.001			

NEXT ASSY 90201

C1 91321-30

PART NAME ASSY, PWB AZ 16 JUMPER MODULE PWB		DWG NO. 91321-001 91322-001		REV IS D C D C	WAS C C	PROJECT 111 114	DWG CHG <input type="checkbox"/>	UNICORP ECN <input checked="" type="checkbox"/>	DCR NO. 1637		
DISPOSITION OF PARTS				FIELD CHANGE STATUS			EFFECTIVITY				
	IN PROCESS	IN STOCK	IN ENG	NOTIFY VENDOR	FIELD CHANGE		REWORK ON PM	CLASS	X	SERIAL NO.	MIP
USE AS IS	<input checked="" type="checkbox"/>	<input checked="" type="checkbox"/>		<input checked="" type="checkbox"/>	<input checked="" type="checkbox"/>		REWORK IMMEDIATE	MANDATORY	<input checked="" type="checkbox"/>	SEE BELOW	
REWORK							REPLACE AS FAILS	CONV			
SCRAP							REPLACE ON PM	RECORD			
							REPLACE IMMEDIATE				
DATE	CHK.	DATE	APPROVED (ENG)	DATE	APPROVED (MFG)	DATE	APPROVED (QC)	DATE			
8-28-70	act	8-28	[Signature]	8/27/70	[Signature]	8/27/70	[Signature]	8-28-70			
REASON FOR CHANGE: (1) Reduce PWB insertion force, (2) clarify PWB specs & improve quality, (3) prevent interference fits with connectors & (4) clarify dimensional details											
DESCRIPTION OF CHANGE: 91321-001 PWB Assy Item 1. 91322-001 D WAS 91322-001 C 91322-001 PWB - Sheet 1											
DETAIL A		IS:				WAS:					
MANUFACTURING			QUALITY CONTROL			PRODUCTION CONTROL			FIELD SERVICE		
FIXTURES	<input type="checkbox"/>	INSPECTION PLANNING	<input type="checkbox"/>	VENDOR TOOLS	<input checked="" type="checkbox"/>	SPARE PARTS	<input checked="" type="checkbox"/>				
ASSY METHOD	<input type="checkbox"/>	FIXTURES	<input type="checkbox"/>	PARTS ON ORDER	<input checked="" type="checkbox"/>	FIELD MANUALS	<input checked="" type="checkbox"/>				
TEST EQUIP	<input type="checkbox"/>	CONFIG. LIST	<input checked="" type="checkbox"/>	NOTIFY VENDOR	<input checked="" type="checkbox"/>	TOOLS	<input type="checkbox"/>				
TEST PROC	<input type="checkbox"/>										
KIT LISTS	<input type="checkbox"/>										
EFFECTIVITY - Current or next order as applicable - vendor not to perform any rework in order to conform to this ECN except as directly approved in writing by CDS Engineering & Purchasing Dept.											

CDS E019-370

NOTE 1

IS 1. MATERIAL: Blue glass base epoxy laminate, 1 oz. (.0014) copper clad both sides per MIL-P-13949, type GF, or CDS Engineering approved equivalent.

WAS 1. MATERIAL: Blue glass base epoxy laminate, .062 ± .007 thick 1 oz. (.0014) copper clad both sides per MIL-P-13949, type GF.

NOTE 4

IS 4. Minimum annular ring shall be .005 inches - Component side.

WAS 4. Minimum annular ring shall be .005 inches.

NOTE 6

IS 6. All circuitry shall be lead-tin fused .00030 (300 Millionths) minimum, or CDS Engineering approved equivalent.

WAS 6. All circuitry shall be lead-tin plated .00030 (300 Millionths) minimum.

NOTE 7

IS 7. Printed contact fingers shall be plated with .0001 (100 Millionths) minimum nickel and overplated with either .00002 (20 Millionths) minimum rhodium or .00005 (50 Millionths) minimum, Type II gold or CDS Engineering approved equivalent.

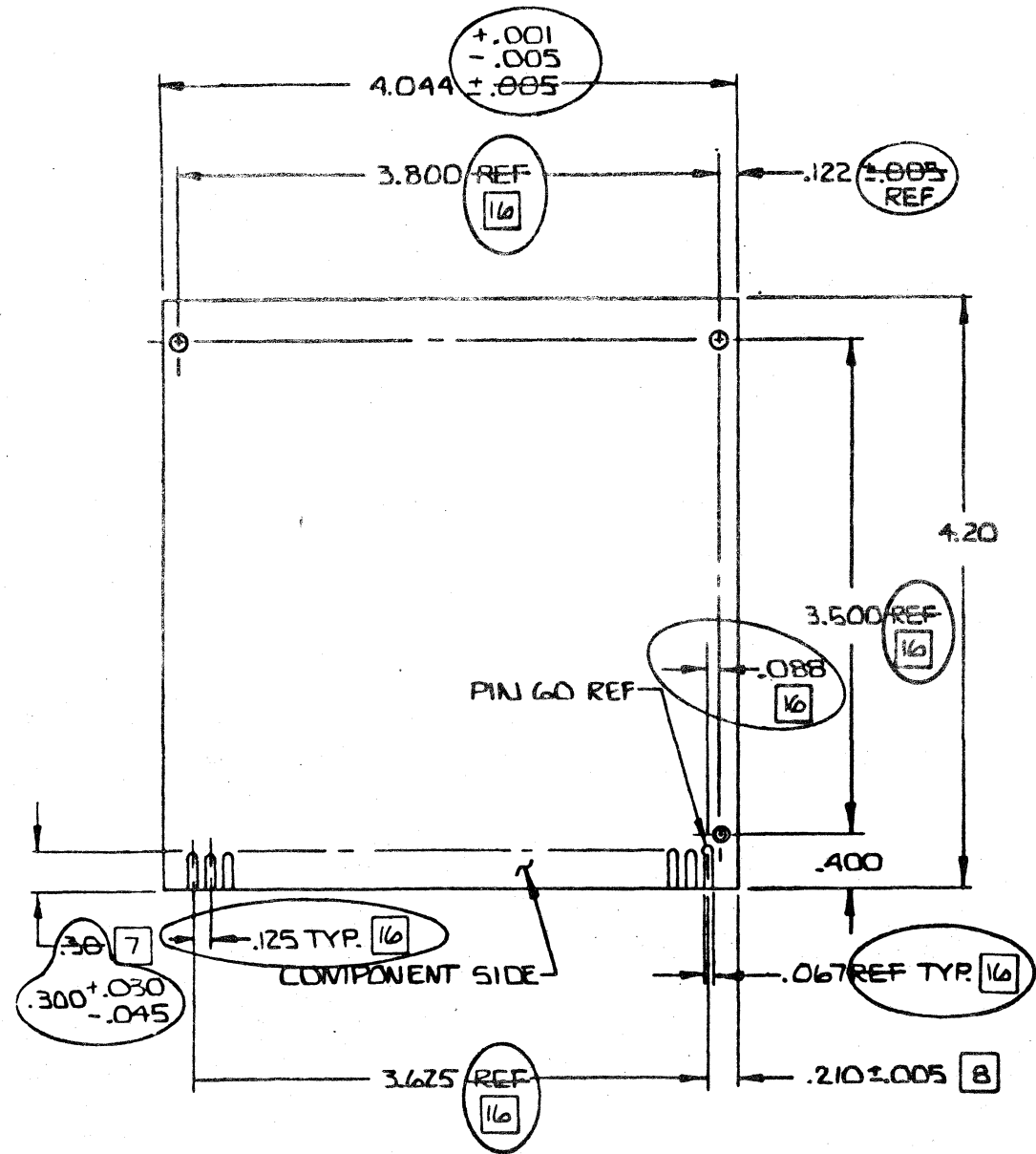
WAS 7. Printed contact fingers shall be plated with a minimum of .000020 (20 Millionths) rhodium over .00050 (500 Millionths) nickel.

ADD NOTE 16

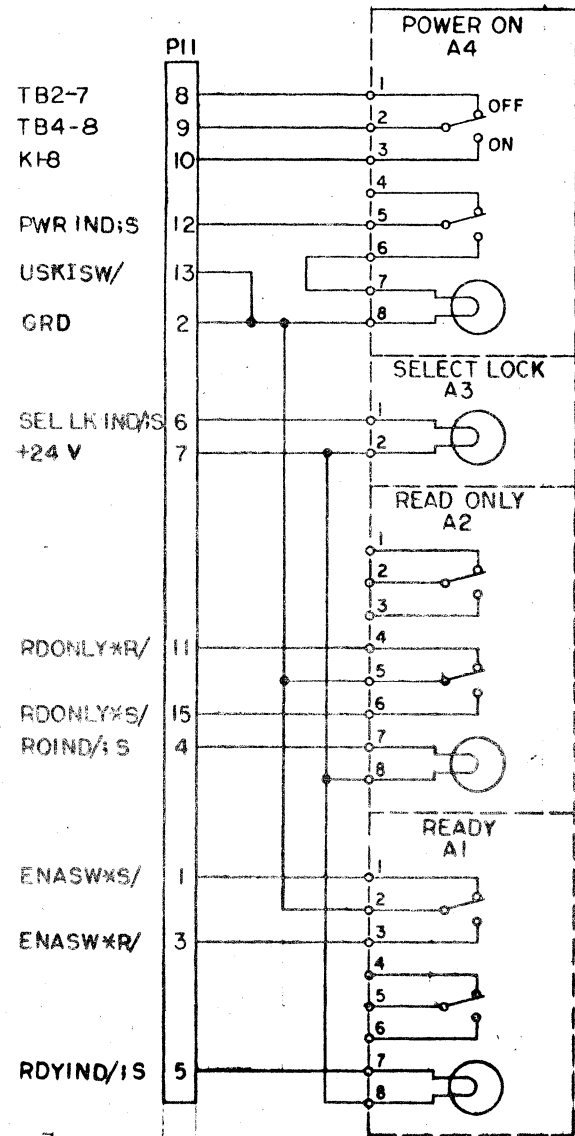
16. These dimensions are delineated on artwork.

ECN 1692  
SHEET 3 OF 3

REVISE FACE OF DWG. AS INDICATED BELOW



REVISIONS		
SYM	ZONE	DESCRIPTION
A		ENGINEERING RELEASE
A1		PRODUCTION RELEASE ECN 1076

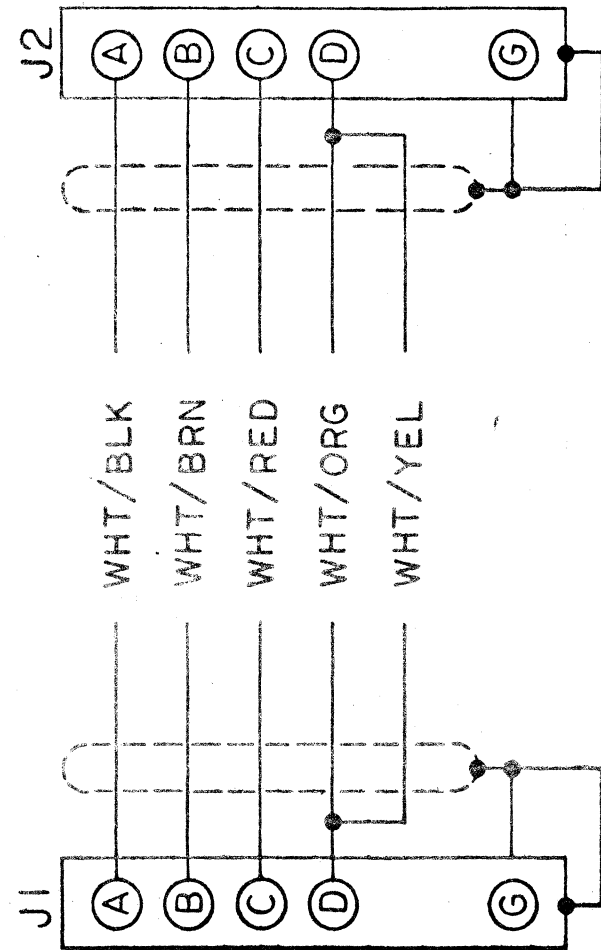


UNLESS OTHERWISE SPECIFIED		DRAWN <i>DeBary</i> 1-8-70		CENTURY DATA SYSTEMS, INC. ANAHEIM, CALIFORNIA	
DIMENSIONS ARE IN INCHES		CHECK <i>J. A. Chapman</i> 4/29/70		SCHEMATIC, CONTROL PANEL	
TOLERANCES ON		APPD		C.C.	
DECIMALS		APPD		503	
ANGLES		FINISH		REV	
XX ±		MATERIAL		A1	
XXX ±		SCALE:		SIZE	
DRILLED HOLES		D		91540	
.040 TO .125: +.002, -.001		SURFACE ROUGHNESS		WEIGHT	
.136 TO .228: +.003, -.001		PER MIL-STD-10		SHEET 1 OF 1	
.234 TO .500: +.004, -.001		DO NOT SCALE THIS DRAWING			
.515 TO .750: +.005, -.001					
.760 TO 1.000: +.007, -.004					
1.015 TO 2.000: +.010, -.004					

A1 91540



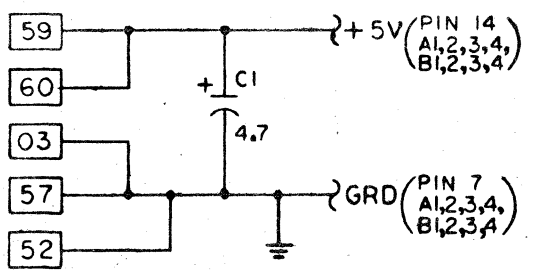
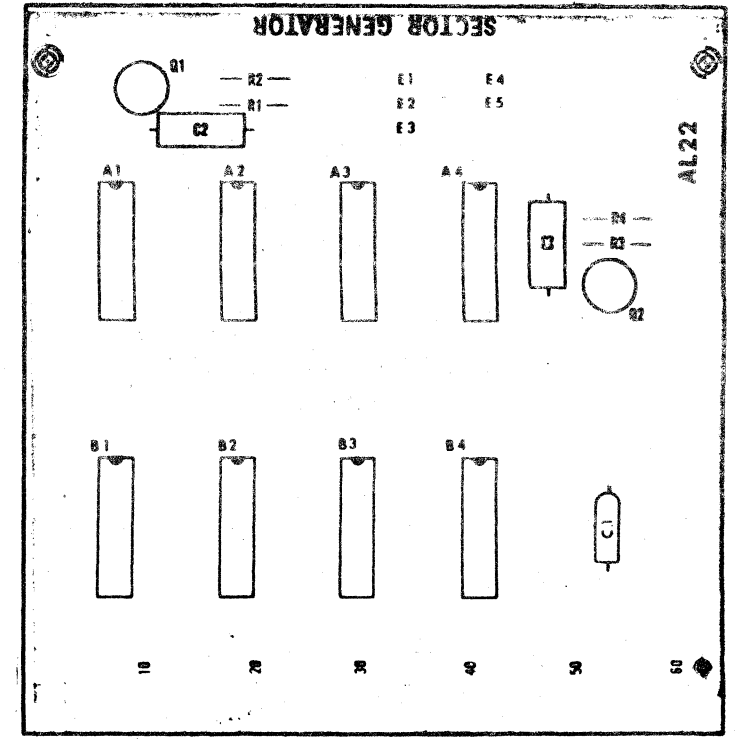
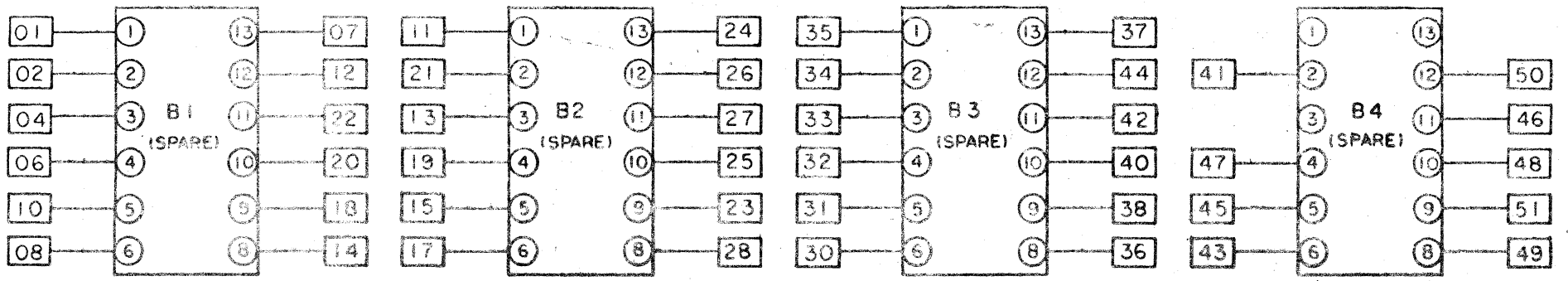
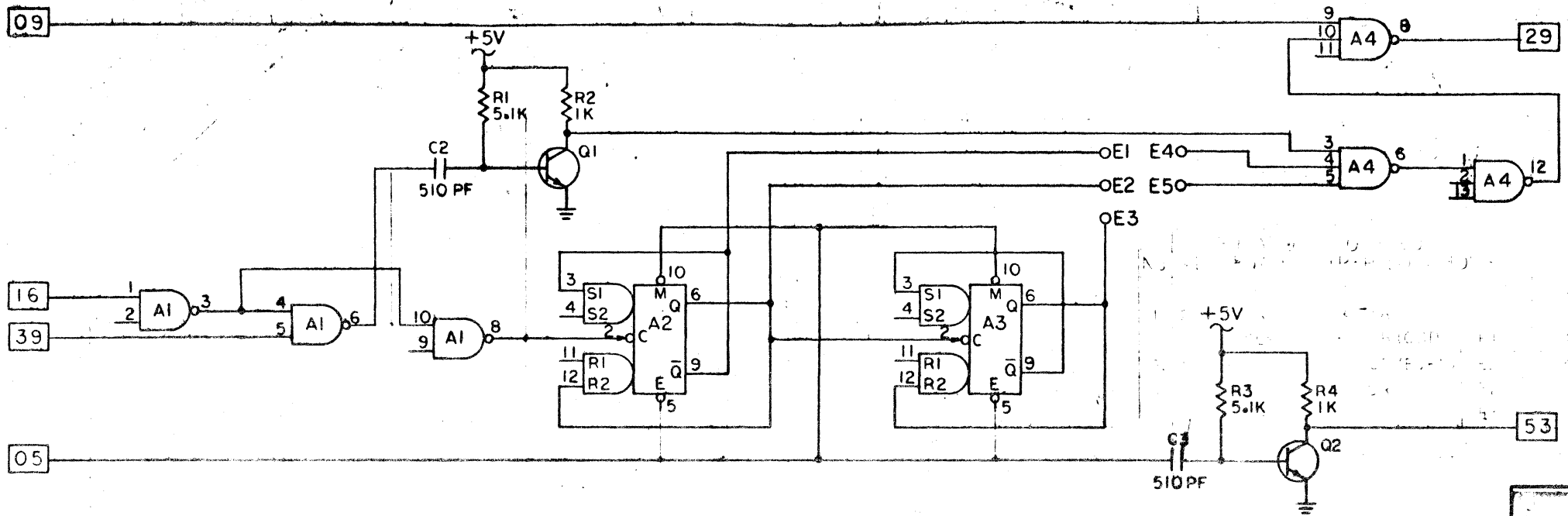
REV	DESCRIPTION	APPROVAL
A	PRODUCTION RELEASE ECN 00637	1-8-70 <i>WB</i>



NEXT ASSY: 91552

CC  
503

CENTURY DATA SYSTEMS, INC. ANAHEIM, CALIFORNIA	TITLE SCHEMATIC -	91553-001	A
	CABLE A.C. POWER 50HZ		
	DRAWN BY <i>D. Murphy</i> CHECKED BY <i>awb</i> 11/70	PAGE	1 OF 1
	APPD APPD DATE		



TABULATION BLOCK FOR ALTERNATE JUMPER LOCATIONS

NO.	DESCRIPTION	FROM	TO
1.	20 SECTOR GENERATOR	NONE	
2.	10 (ODD)	E1	E4
3.	10 (EVEN)	E2	E4
4.	5 SECTOR GENERATOR	E2	E4
		E3	E5

REF DES LAST USED	REF DES NOT USED
A4	B1,2,3,4
B4	
C3	
Q2	
R4	

2. CAPACITANCE VALUES ARE IN MICROFARADS.  
1. RESISTANCE VALUES ARE IN OHMS, 1/4 W, 5%.  
NOTE: UNLESS OTHERWISE SPECIFIED

UNLESS OTHERWISE SPECIFIED DIMENSIONS ARE IN INCHES TOLERANCES ON DECIMALS ANGLES  
XX ± ±  
XXX ± ±

DRILLED HOLES  
.040 TO .125: +.002, -.001  
.130 TO .225: +.003, -.001  
.230 TO .500: +.004, -.001  
.515 TO .750: +.005, -.001  
.760 TO 1.000: +.007, -.001  
1.015 TO 2.000: +.010, -.001

DRAWN: J. Kelly 3-11-70  
CHECK: B. Tullis 3-18-70  
APPD: B. Tullis 3-18-70  
APPD: FINISH: \_\_\_\_\_  
MATERIAL: \_\_\_\_\_  
SURFACE ROUGHNESS PER MIL-STD-10

CENTURY DATA SYSTEMS, INC. ANAHEIM, CALIFORNIA

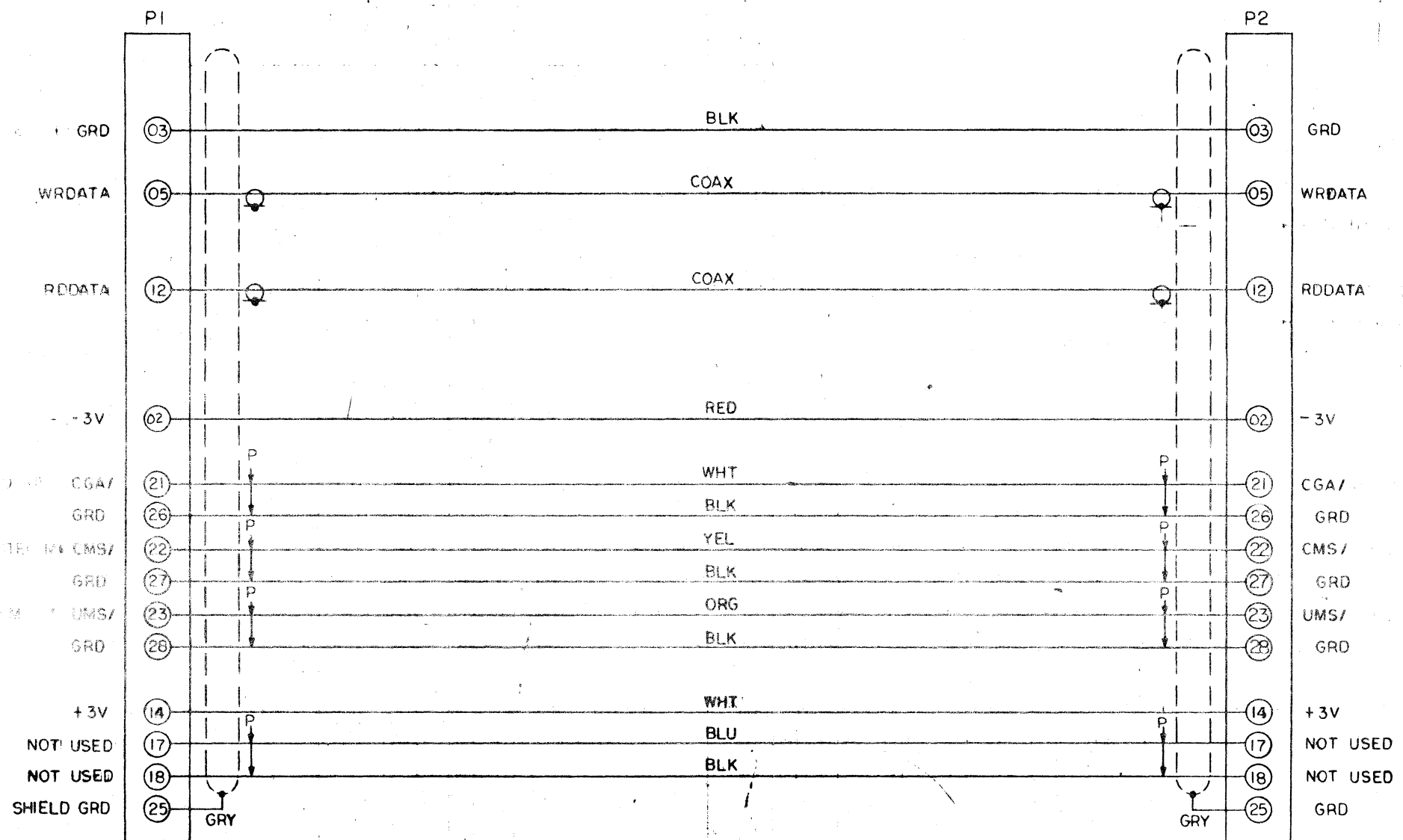
SCHMATIC, SECTOR GENERATOR AL22

SCALE: \_\_\_\_\_ SIZE: D 91725 REV: 01

DO NOT SCALE THIS DRAWING WEIGHT: \_\_\_\_\_ SHEET 3 OF 3

DI 91725

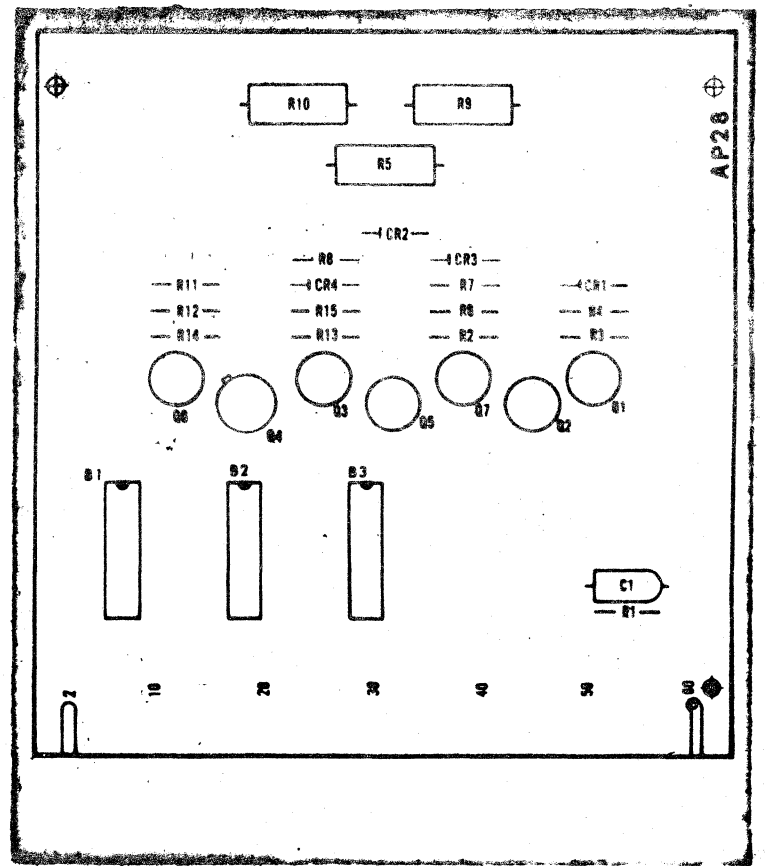
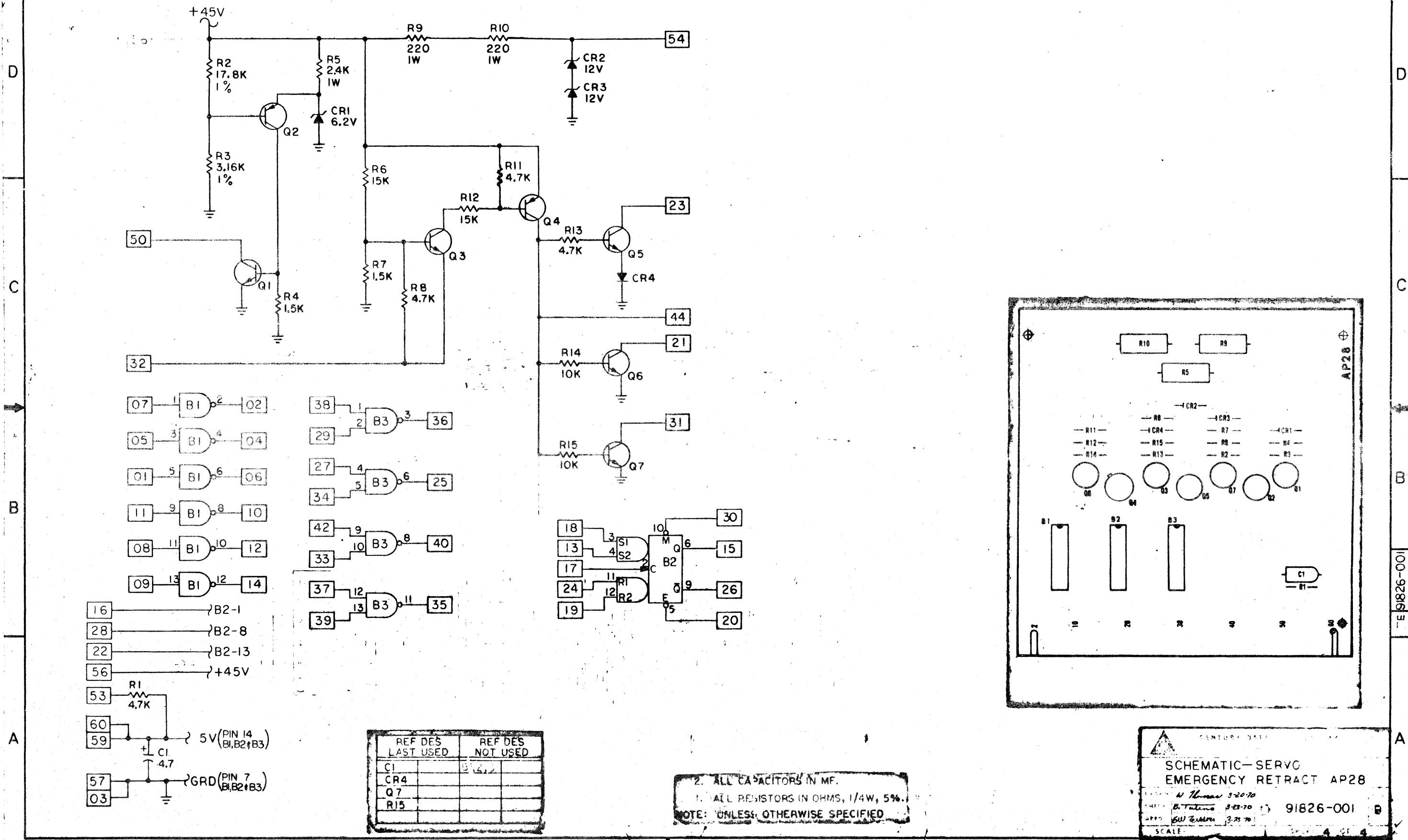
REVISIONS		
SYM	ZONE	DESCRIPTION
		1 MAY BE REWORKED 2 CANNOT BE REWORKED 3 NONE
A		MANUFACTURING RELEASE PER ECN 1149
B		REVISED PER ECN 1258



NEXT ASSY 91785

UNLESS OTHERWISE SPECIFIED DIMENSIONS ARE IN INCHES		DRAWN CHECK	A MARTINEZ 4-10-70	CENTURY DATA SYSTEMS, INC. ANAHEIM, CALIFORNIA	
TOLERANCES ON DECIMALS ANGLES XX ± ± XXX ± ±		APPD		SCHEMATIC CABLE, D.C.	
DRILLED HOLES .040 TO .125 +.002, -.001 .136 TO .228 +.003, -.001 .234 TO .500 +.004, -.001 .515 TO .750 +.005, -.001 .765 TO 1.000 +.007, -.001 1.015 TO 2.000 +.010, -.001		APPD		G.C. 503	
SURFACE ROUGHNESS PER MIL-STD-10		FINISH		SCALE:	SIZE D 91787-001
		MATERIAL		REV B	
		DO NOT SCALE THIS DRAWING		WEIGHT	SHEET

THIS DRAWING CONTAINS INFORMATION PROPRIETARY TO CENTURY DATA SYSTEMS, INC. ANY REPRODUCTION OF THIS DRAWING IS EXPRESSLY PROHIBITED EXCEPT AS AUTHORIZED BY CENTURY DATA SYSTEMS, INC. OR OTHERWISE AGREED IN WRITING.



REF DES	LAST USED	REF DES	NOT USED
C1		B1, B2, B3	
CR4			
Q7			
R15			

2. ALL CAPACITORS IN MF.  
 1. ALL RESISTORS IN OHMS, 1/4W, 5%.  
 NOTE: UNLESS OTHERWISE SPECIFIED

CENTURY DATA SYSTEMS, INC.

**SCHEMATIC—SERVO  
 EMERGENCY RETRACT AP28**

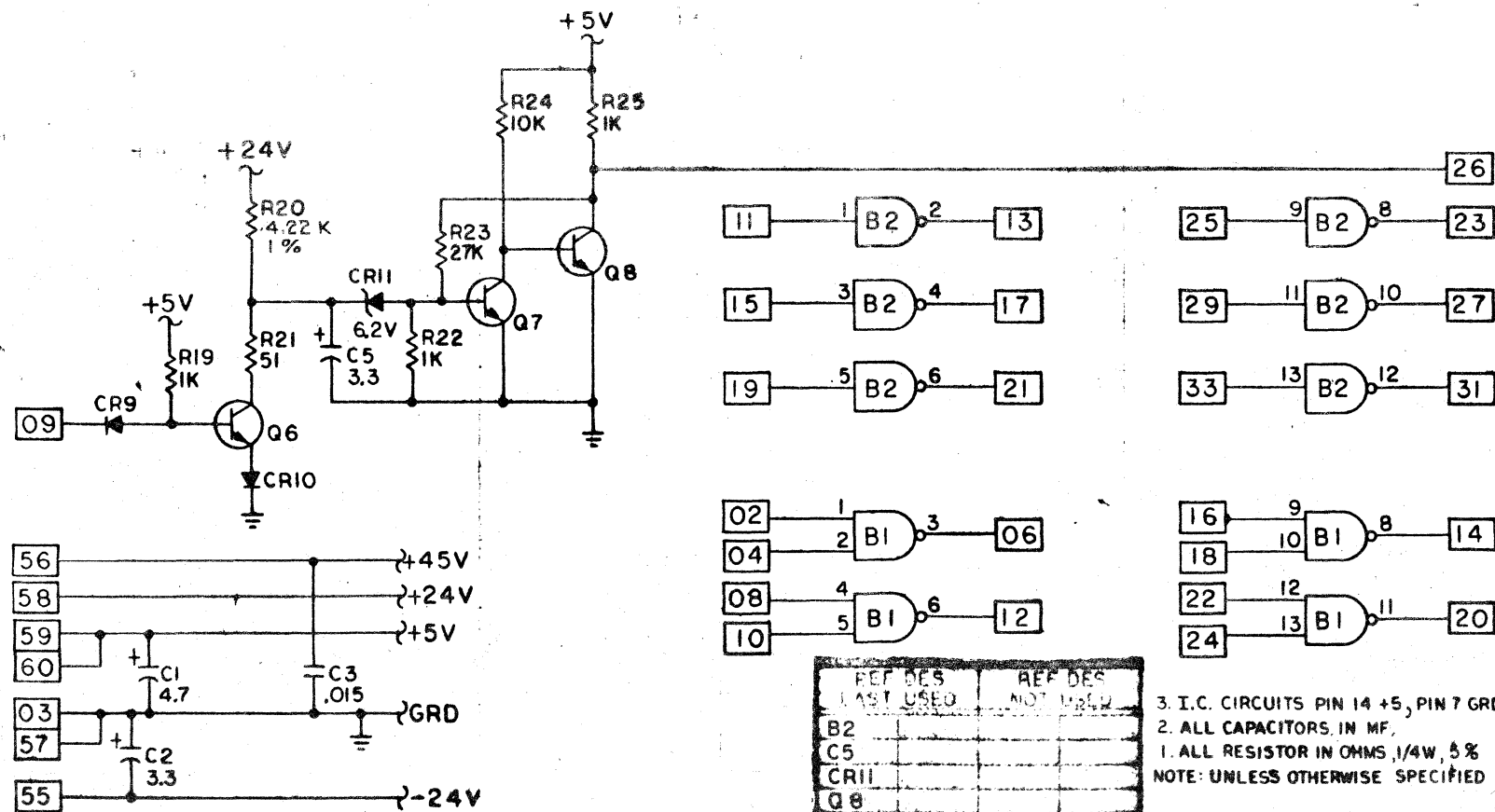
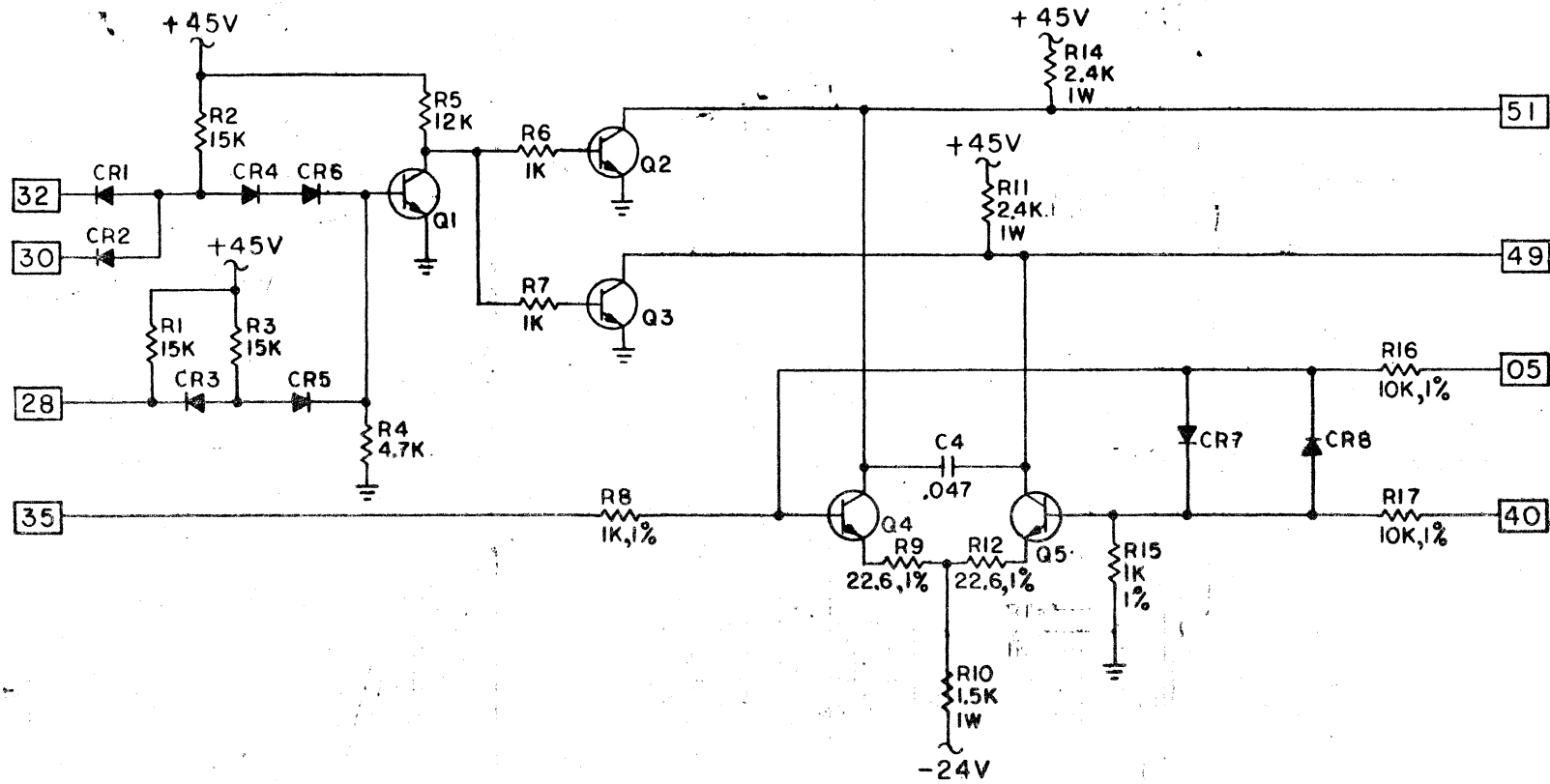
W. Thomas 3-20-70  
 B. Tolino 3-23-70  
 G.W. Tolino 3-25-70

91826-001

SCALE: 4 OF 4

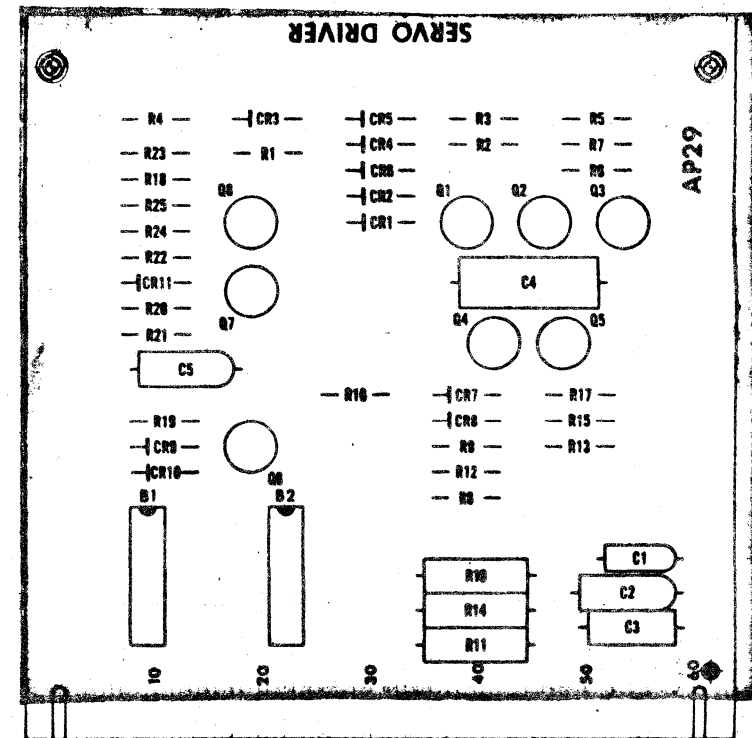
91826-001

THIS DRAWING CONTAINS INFORMATION PROPRIETARY TO CENTURY DATA SYSTEMS, INC. ANY REPRODUCTION, DISCLOSURE, OR USE OF THIS DRAWING IS EXPRESSLY PROHIBITED EXCEPT AS CENTURY DATA SYSTEMS, INC. MAY OTHERWISE AGREE IN WRITING.



REF DES	LAST USED	REF DES	NOT USED
B2			
C5			
CR11			
Q8			
R24		R18, 19	

3. I.C. CIRCUITS PIN 14 +5, PIN 7 GRD.  
 2. ALL CAPACITORS IN MF.  
 1. ALL RESISTOR IN OHMS, 1/4W, 5%  
 NOTE: UNLESS OTHERWISE SPECIFIED

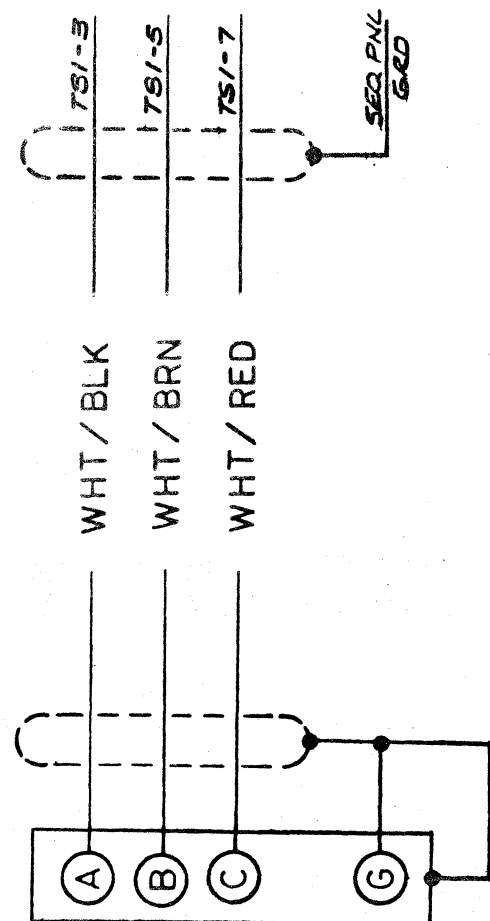


CENTURY DATA SYSTEMS, INC.  
 ANAHEIM, CALIFORNIA

**SCHEMATIC-SERVO DRIVER**  
 AP29

DRAWN	M. Thorne	4-6-70	SIZE		REV	
CHECK	B. Thorne	4-7-70	D	91933-001	J1	
APPD						
SCALE:						SHEET 4 OF 4

REV	DESCRIPTION	APPROVAL
A	PRODUCTION RELEASE PER ECN 1178	<i>gms 5/12</i>

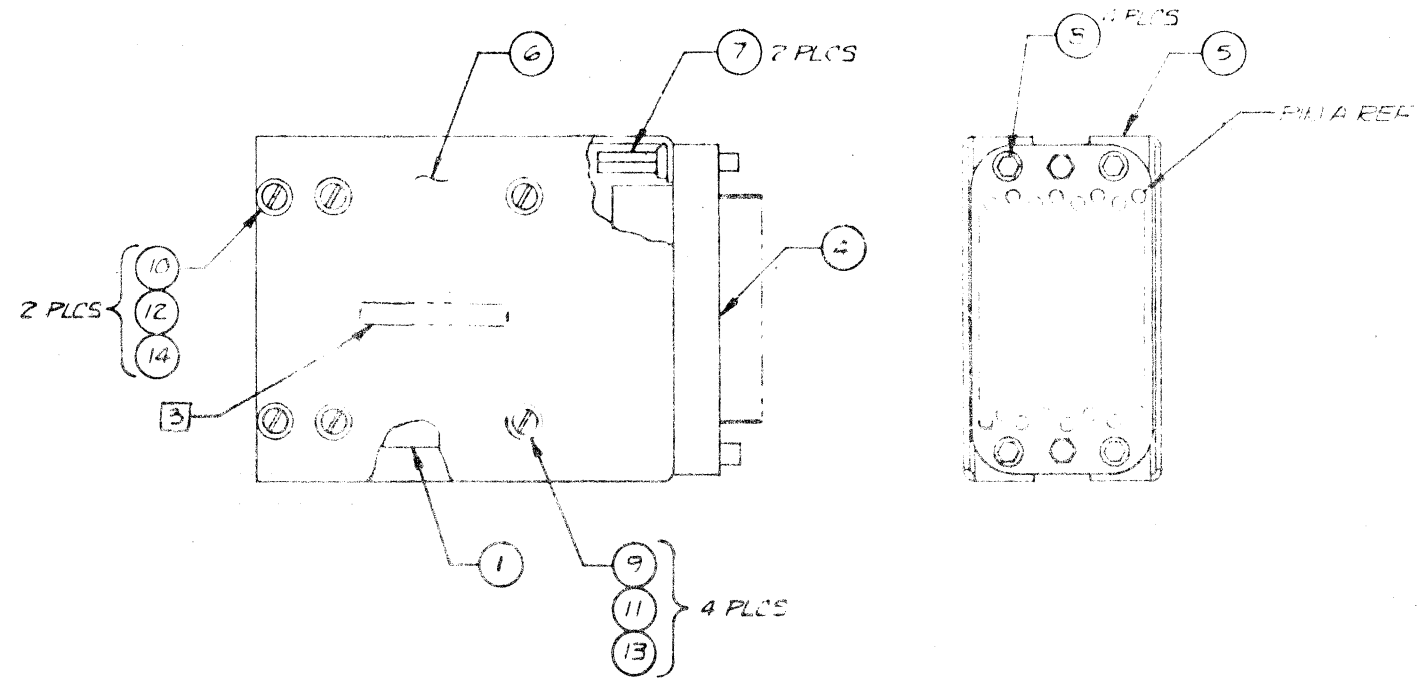


NEXT ASSY: 92309

CENTURY DATA SYSTEMS, INC. ANAHEIM CALIFORNIA	TITLE SCHEMATIC - CABLE A.C. POWER	92310-001
	DRAWN BY <i>gwoods</i> CHECKED BY APPD APPD DATE	PAGE 1 OF 1

SYM	ZONE	DESCRIPTION	DATE & APPROVAL
		SEE SHT 1	

WIRE NO	FROM	TO
1	PWB1 - A	P4 - A
2	C	C
3	E	E
4	H	H
5	K	K
6	M	M
7	P	P
8	S	S
9	U	J
10	N	N
11	Y	Y
12	Z	Z
13	EV	BV
14		
15	AT	AT
16	PWB1 - CR	P4 - CR



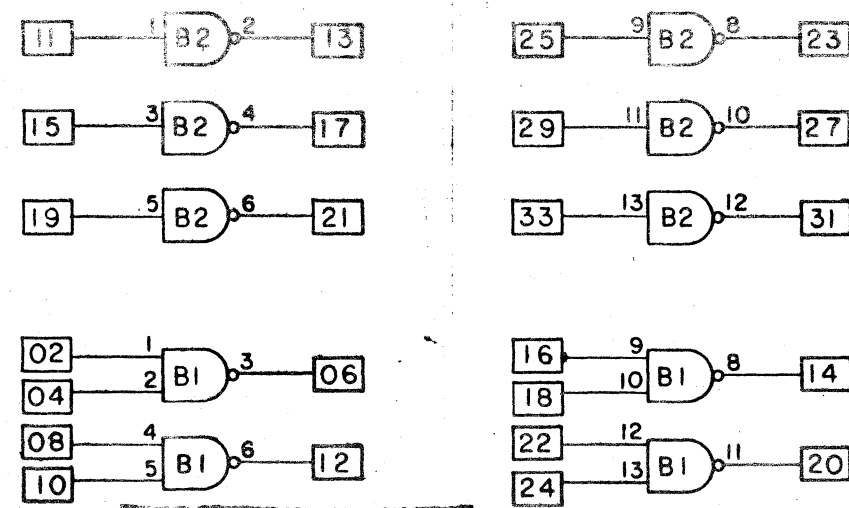
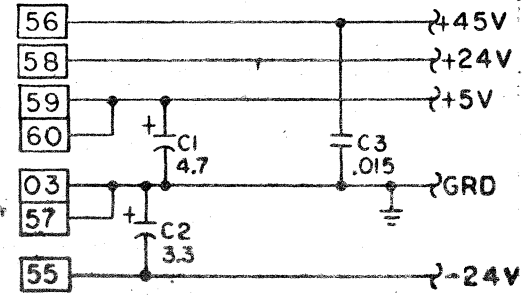
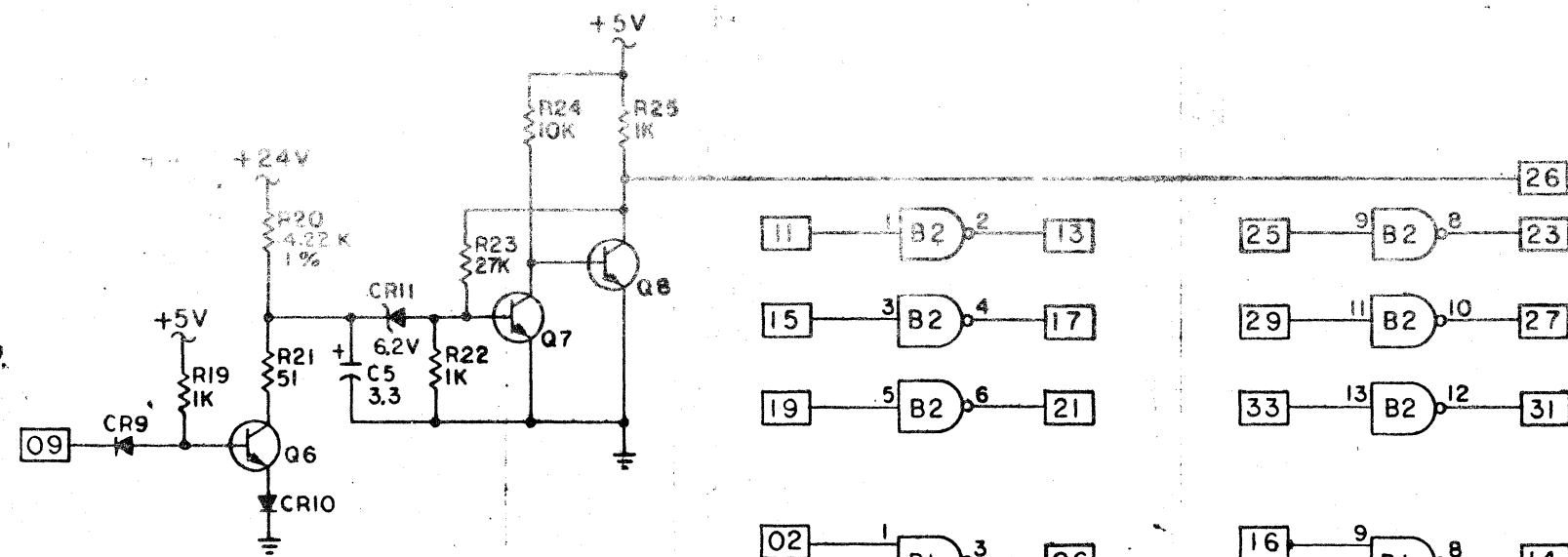
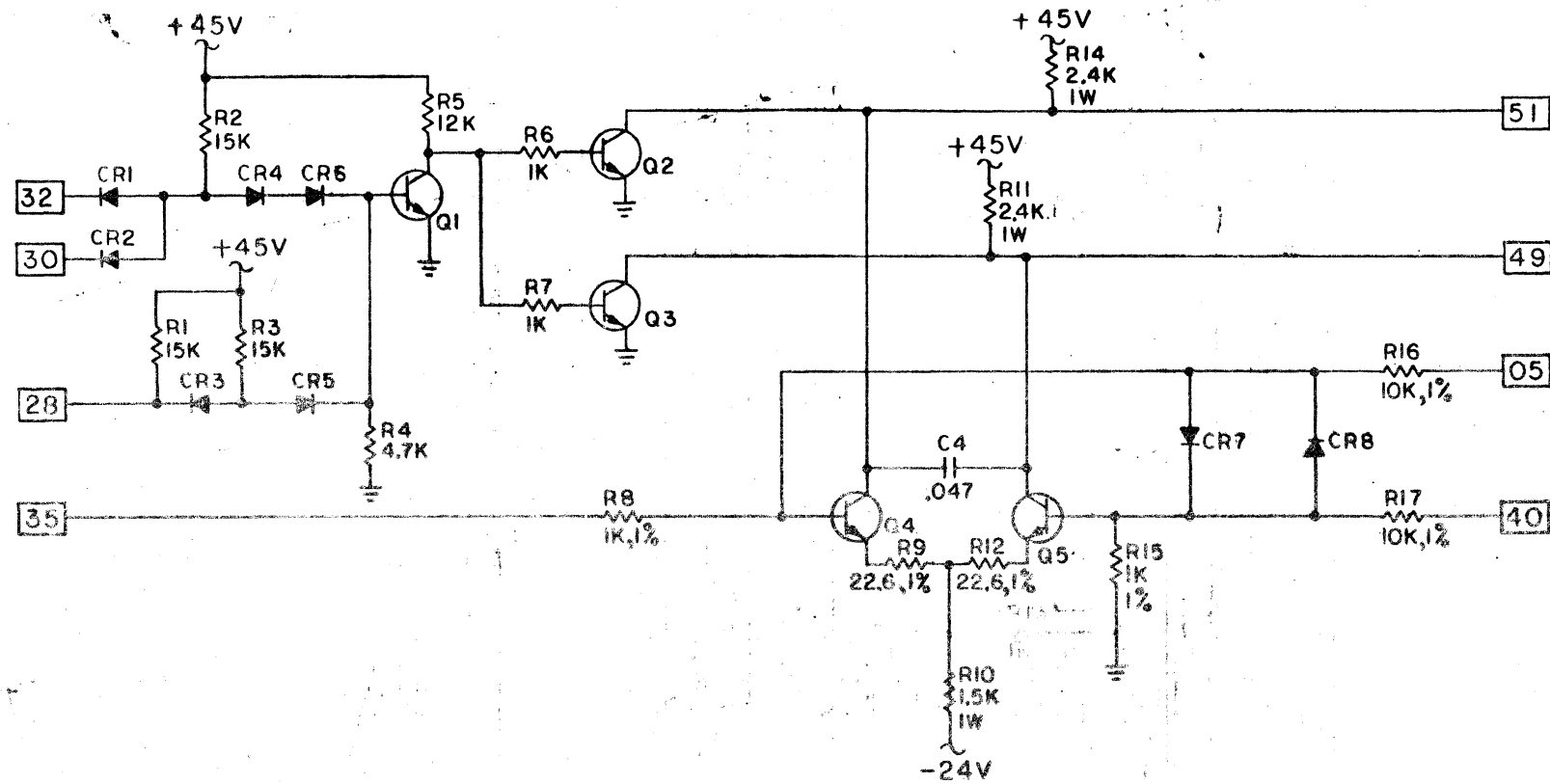
- NOTES:
- MARK CDS PART NO & LATEST REV. LETTER, APPROX WHERE SHOWN.
  - USE AMP EXTRACTION TOOL NO. 305183 FOR PIN REMOVAL.
  - ALL HARDWARE PER CENTURY DATA Q.C.P.S.

UNLESS OTHERWISE SPECIFIED DIMENSIONS ARE IN INCHES TOLERANCES ON DECIMALS    ANGLES .XX ± —    ± — .XXX ± —	DRAWN <i>J. Greig</i> 5-19-70	CENTURY DATA SYSTEMS, INC. ANAHEIM, CALIFORNIA	C.C. 501		
	CHECK <i>B. Jutino</i> 5-25-70			APPD <i>B. Jutino</i> 5-25-70	
DRILLED HOLES .040 TO .125: +.002, -.001 .136 TO .278: +.003, -.001 .234 TO .500: +.004, -.001 .515 TO .750: +.005, -.001 .765 TO 1.000: +.007, -.001 1.015 TO 2.000: +.010, -.001	FINISH	SCALE: 1/1	SIZE C	92313-001	REV A
MATERIAL	SURFACE ROUGHNESS PER MIL-STD-10	DO NOT SCALE THIS DRAWING	WEIGHT —	SHEET 3 OF 3	

NEXT ASSY

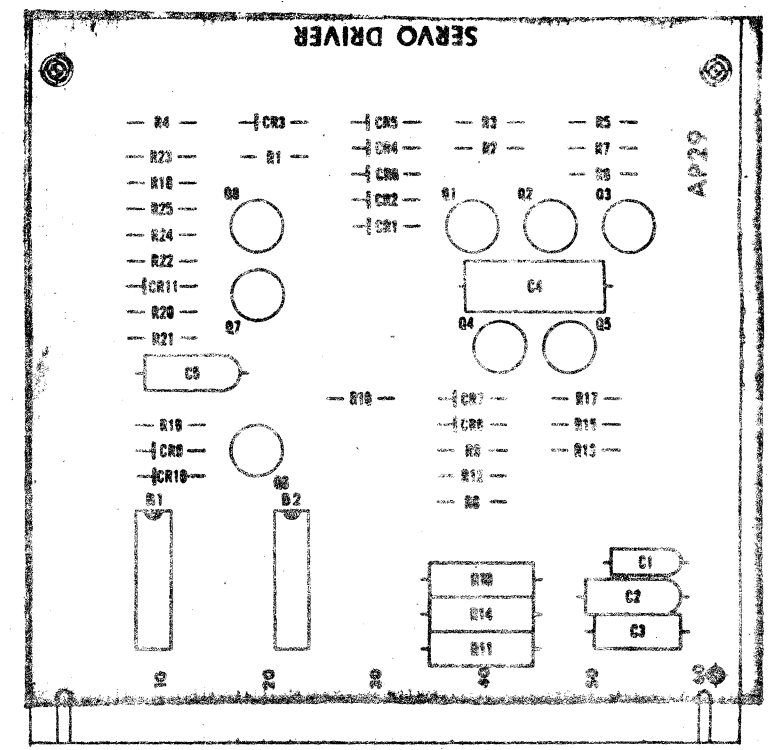
92313-001  
A  
B

THIS DRAWING CONTAINS INFORMATION PROPRIETARY TO CENTURY DATA SYSTEMS, INC. ANY REPRODUCTION, DISCLOSURE, OR USE OF THIS DRAWING IS EXPRESSLY PROHIBITED EXCEPT AS CENTURY DATA SYSTEMS, INC. MAY OTHERWISE AGREE IN WRITING.



REF DES	QTY	REF DES	QTY
B2	1	B1	1
C5	1	B3	1
CR11	1	R18, R8	2
Q6	1		
R21	1		

3. I.C. CIRCUITS PIN 14 +5, PIN 7 GRD.  
 2. ALL CAPACITORS IN MF.  
 1. ALL RESISTOR IN OHMS, 1/4W, 5%  
 NOTE: UNLESS OTHERWISE SPECIFIED



CENTURY DATA SYSTEMS, INC.  
ANAHEIM, CALIFORNIA

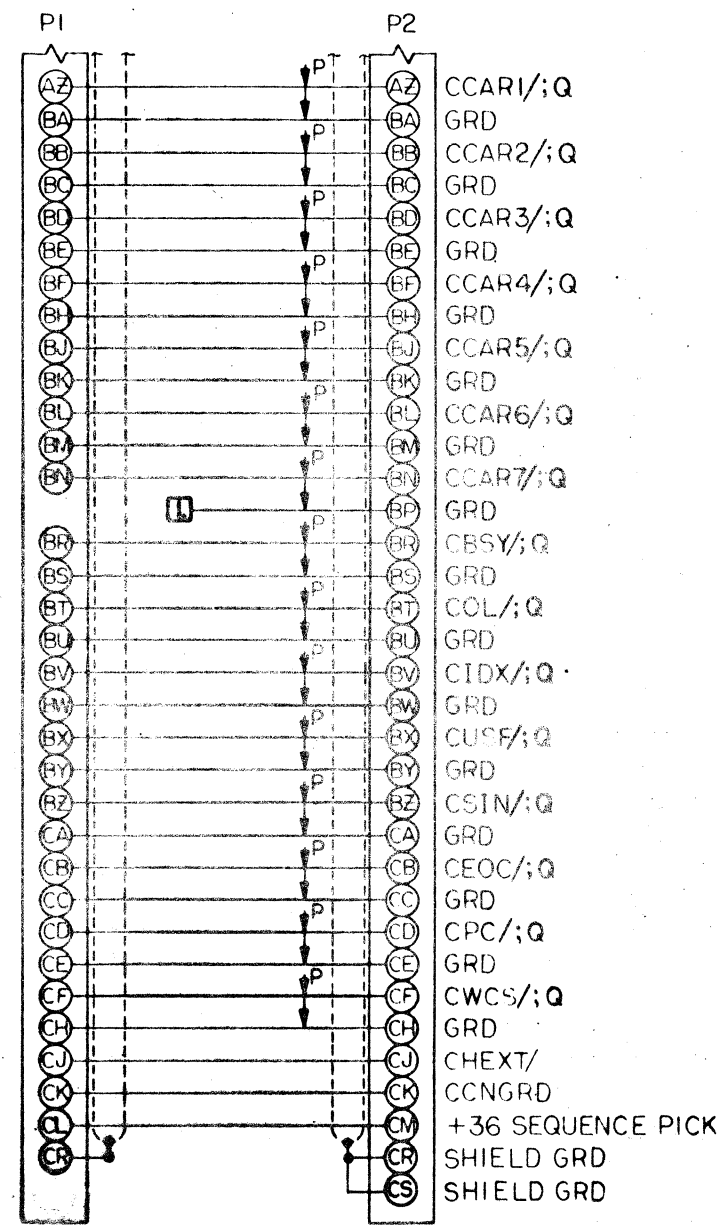
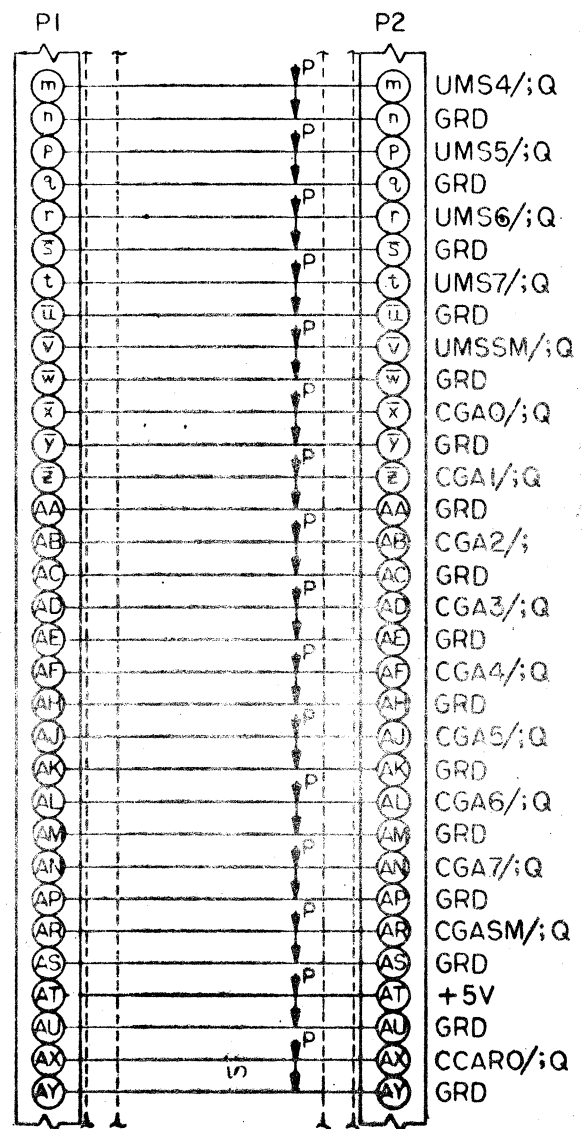
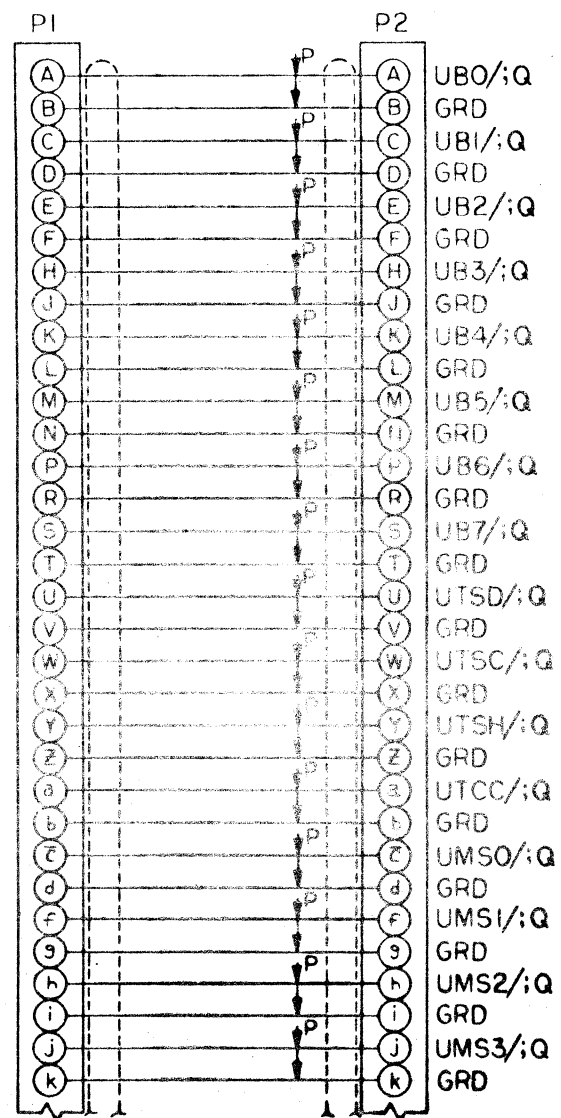
**SCHEMATIC-SERVO DRIVER**  
AP29

DRAWN	M. Thomas	A-6-70	SIZE		REV	
CHECK	B. T. Lino	4-7-70	D	91933-001	J1	
APPD						
SCALE:			SHEET 4 OF 4			

J1 91933-001



REVISES		DESCRIPTION	DATE & APPROV
A		PRODUCTION RELEASE PER ECN 1176	4/10/81



NO CONNECTION (TIED BACK)  
NOTE:

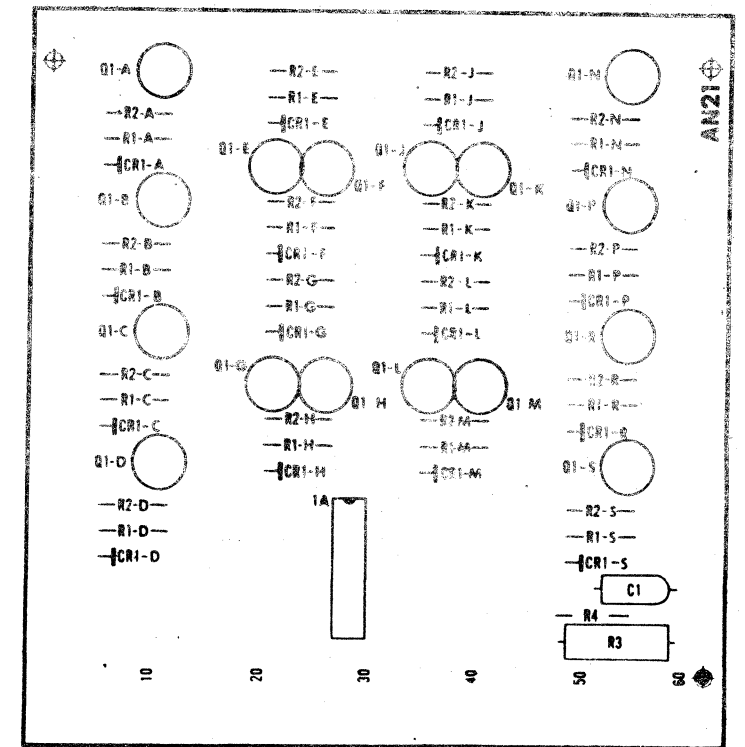
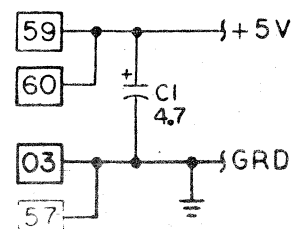
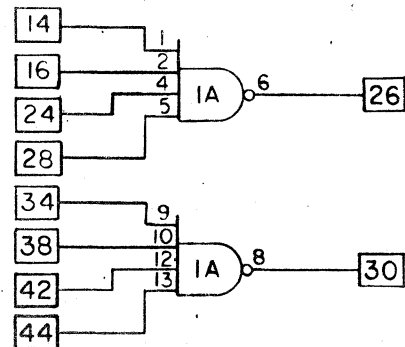
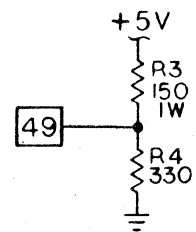
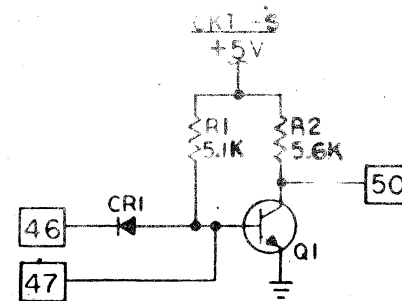
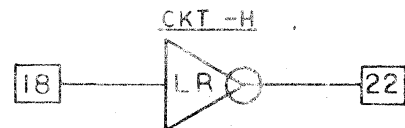
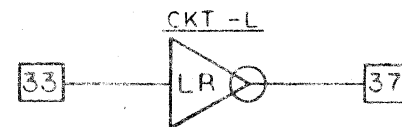
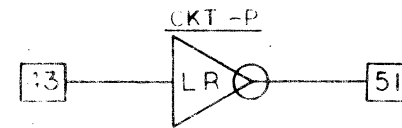
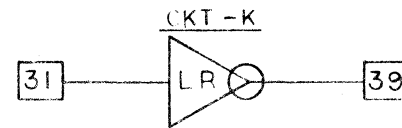
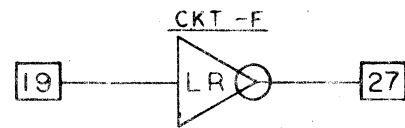
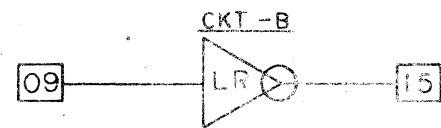
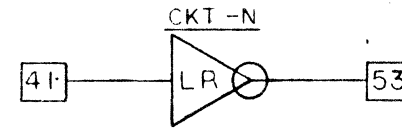
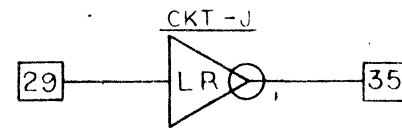
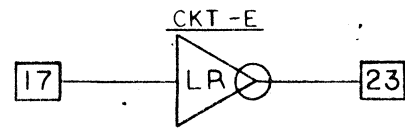
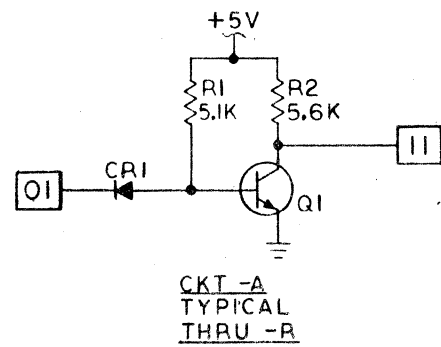
UNLESS OTHERWISE SPECIFIED	DRAWN <i>DeLaney</i> 11-7-79
DIMENSIONS ARE IN INCHES	CHECK
TOLERANCES ON	APPD
DECIMALS	APPD
ANGLES	FINISH
.XX ±	
.XXX ±	
DRILLED HOLES	
.040 TO .125	+ .002 - .001
.130 TO .225	+ .003 - .001
.230 TO .300	+ .004 - .001
.310 TO .750	+ .005 - .001
.760 TO 1.000	+ .007 - .001
1.010 TO 2.000	+ .010 - .001
SURFACE ROUGHNESS PER MIL-STD-19	

CENTURY DATA SYSTEMS, INC. IRVINE, CALIFORNIA		C.C.
SCHEMATIC - SIGNAL CABLE		503
SCALE: <b>D</b>	SIZE: <b>92317-001</b>	REV: <b>A</b>
WEIGHT	SHEET 1 OF 1	

A 92317-001

NEXT ASSY 92316

SYN		ZONE		REVISIONS		DATE & APPROVAL	
				DESCRIPTION			
				1 MAY BE REWORKED		2 CANNOT BE REWORKED	
				3 NONE			

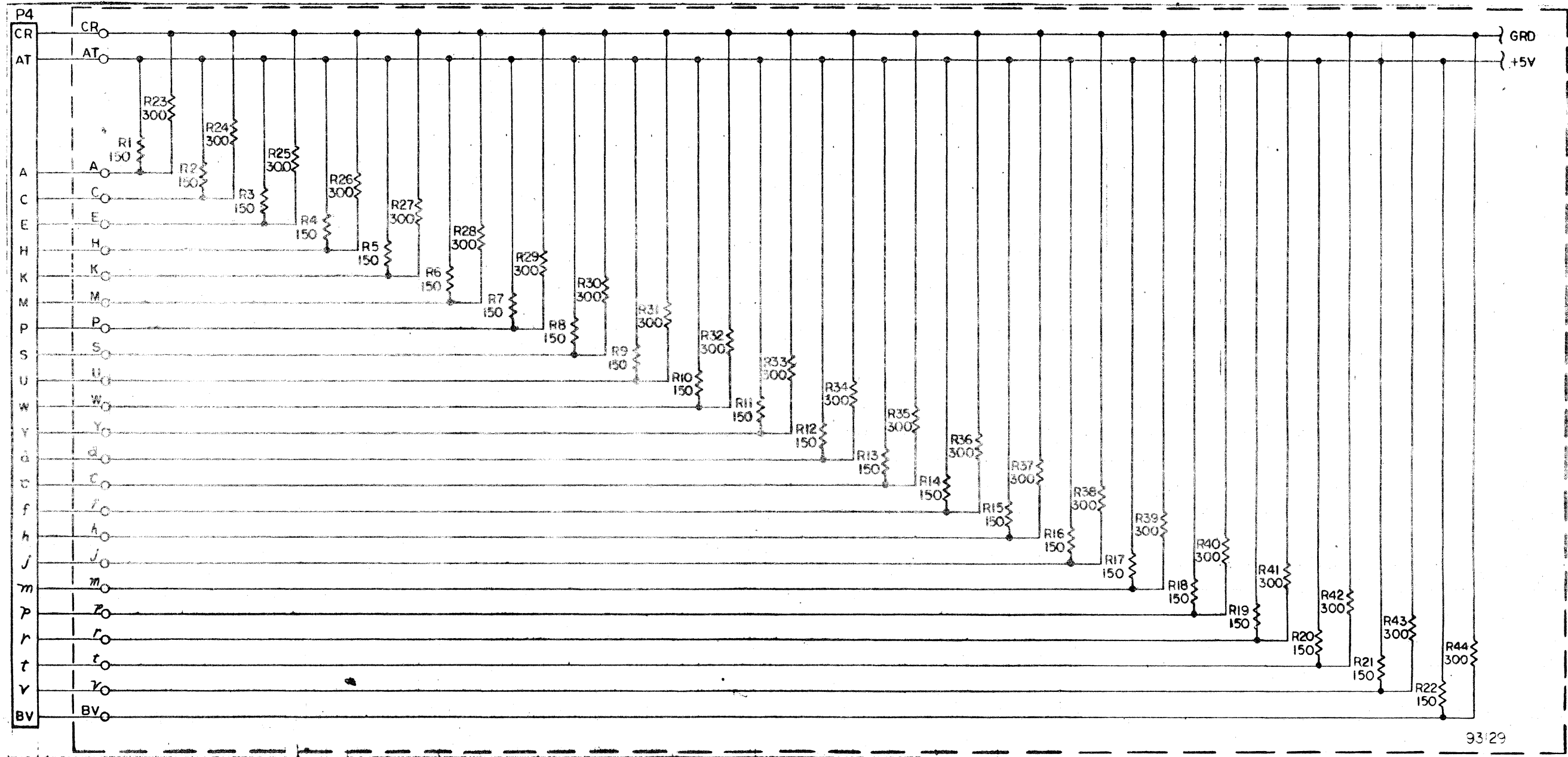


REF DES	LAST USED	REF DES	NOT USED
C1			
CRI-S			
Q1-S			
R4			
IA			

2. ALL CAPACITORS IN MFD.  
1. ALL RESISTORS IN OHMS, 1/4W, 5%.  
NOTE: UNLESS OTHERWISE SPECIFIED

REQD	PART OR IDENTIFYING NO.	NOMENCLATURE OR DESCRIPTION	SIZE, DESCRIPTION & SPECIFICATION	MATERIAL	ZONE
LIST OF MATERIAL OR PARTS LIST					
UNLESS OTHERWISE SPECIFIED		DRAWN	DATE	CENTURY DATA SYSTEMS, INC. ANAHEIM, CALIFORNIA	
DIMENSIONS ARE IN INCHES		CHECK	DATE	SCHEMATIC Q RECEIVER AN21	
TOLERANCES ON		APPD		SCALE	
DECIMALS		APPD		SIZE	
ANGLES		FINISH		D 92331-001	
XX ±		HEAT TREAT		PER MIL-STD-10	
XXX ±		SURFACE ROUGHNESS		SHEET 3 OF 3	
DRILLED HOLES		PER MIL-STD-10			
.040 TO .125: +.002 - .001					
.130 TO .220: +.003 - .001					
.230 TO .500: +.004 - .001					
.510 TO .750: +.005 - .001					
.760 TO 1.000: +.007 - .001					
1.000 TO 2.000: +.010 - .001					

REV		ZONE	DESCRIPTION	DESIGNED BY	APPROVAL & DATE
A			ENGINEERING RELEASE		
AI			PRODUCTION RELEASE ECN1814		

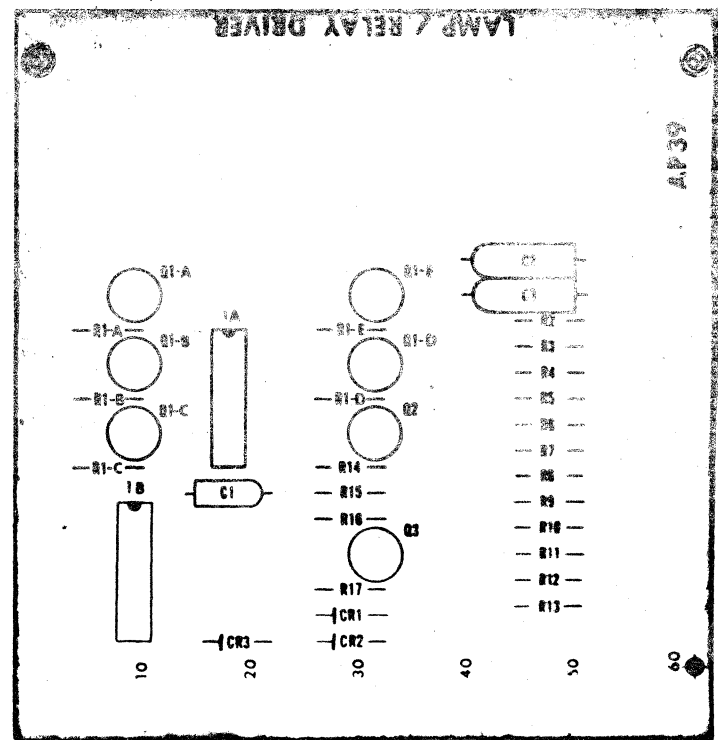
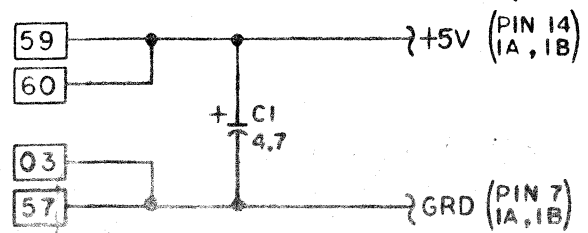
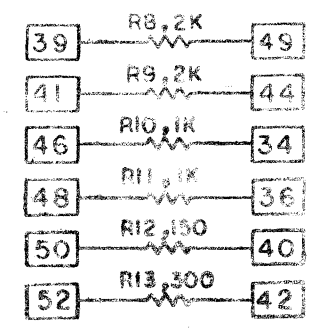
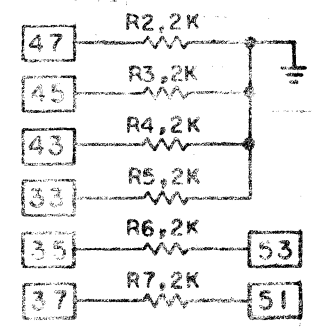
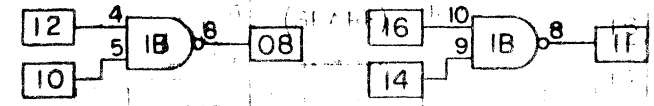
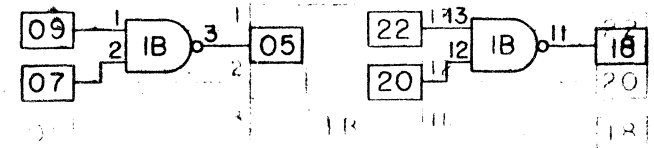
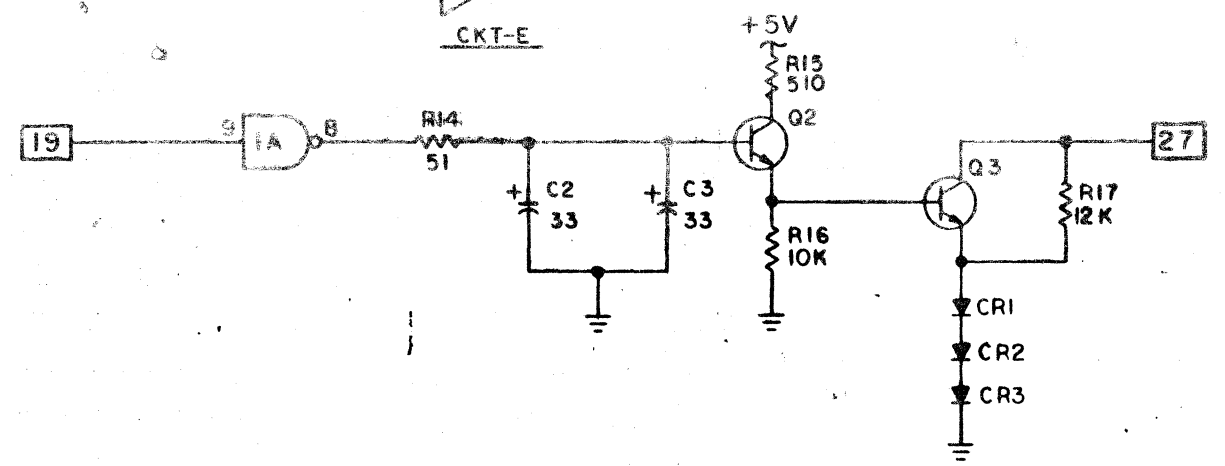
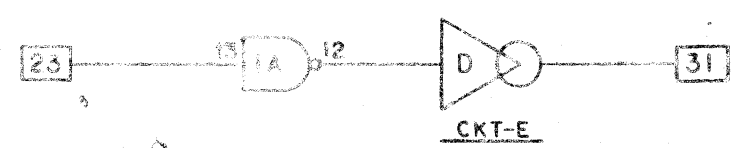
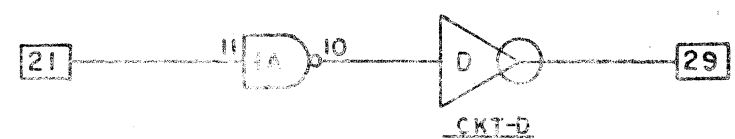
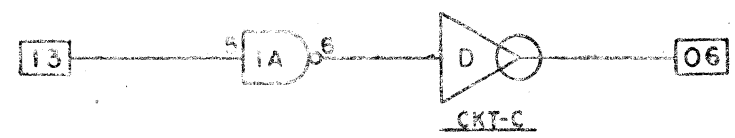
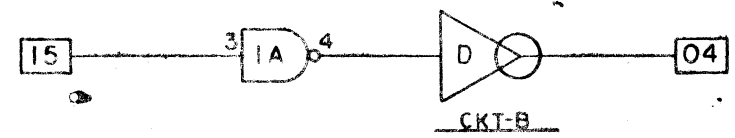
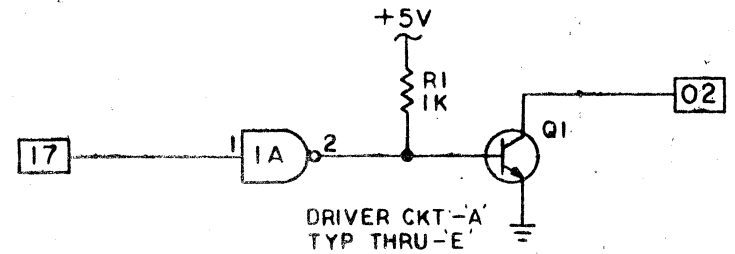


1/ RESISTANCE VALUES ARE IN OHMS, 1/4 W, 5%.  
NOTE: UNLESS OTHERWISE SPECIFIED

MODEL NO. FIRST USE	214	DRAWN	G.W. WOODS 9-21-70	NEXT ASSY FIRST USE	93129-001
UNLESS OTHERWISE SPECIFIED		CHECK	<i>[Signature]</i> 10-28-70	CENTURY DATA SYSTEMS, INC. ANAHEIM, CALIFORNIA	
DIMENSIONS ARE IN INCHES		APPD	<i>[Signature]</i> 10-28-70	SCHEMATIC — LINE TERMINATOR - VNIO 503	
TOLERANCES ON		FINISH		C.C.	
DECIMALS	±				
ANGLES	±				
XX ±					
XXX ±					
DRILLED HOLES		MATERIAL		SCALE	
.040 TO .125	+ .002, - .001				
.125 TO .250	+ .003, - .001			SIZE	D
.251 TO .500	+ .004, - .001			DRAW NO.	93219-001
.501 TO .750	+ .005, - .001			REV	A
.751 TO 1.000	+ .007, - .001				
1.001 TO 2.000	+ .010, - .001				
SURFACE ROUGHNESS PER MIL-STD-10				WEIGHT	
					SHEET 1 OF 1

REV. NO. 93219-001 A

THIS DRAWING CONTAINS INFORMATION PROPRIETARY TO CENTURY DATA SYSTEMS, INC. ANY REPRODUCTION, DISCLOSURE, OR USE OF THIS DRAWING IS EXPRESSLY PROHIBITED EXCEPT AS CENTURY DATA SYSTEMS, INC. MAY OTHERWISE AGREE IN WRITING.



2. CAPACITANCE VALUES ARE IN MICROFARADS.  
1. RESISTANCE VALUES ARE IN OHMS, 1/4 W, 5%.  
NOTE: UNLESS OTHERWISE SPECIFIED

REF DES	LAST USED	REF DES	NOT USED
1B			
Q3			
CR3			
C3			
R17			

CENTURY DATA SYSTEMS, INC.  
ANAHEIM, CALIFORNIA

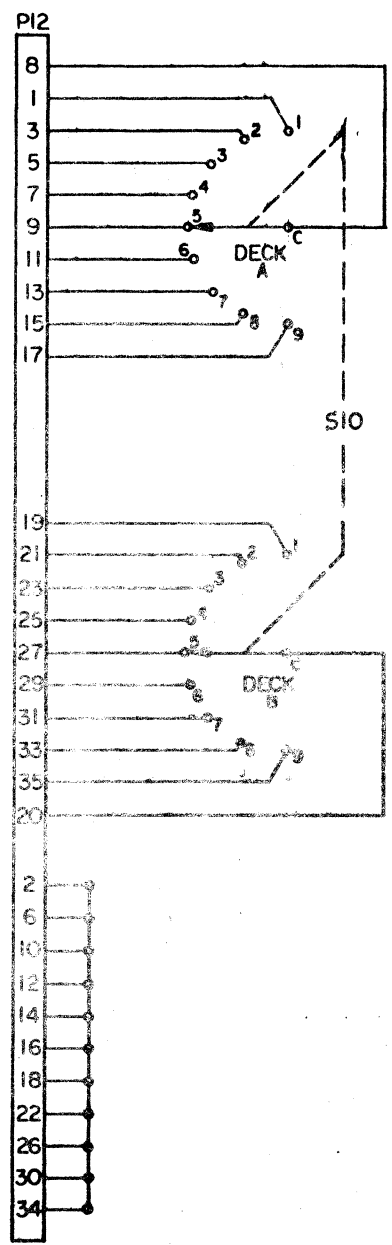
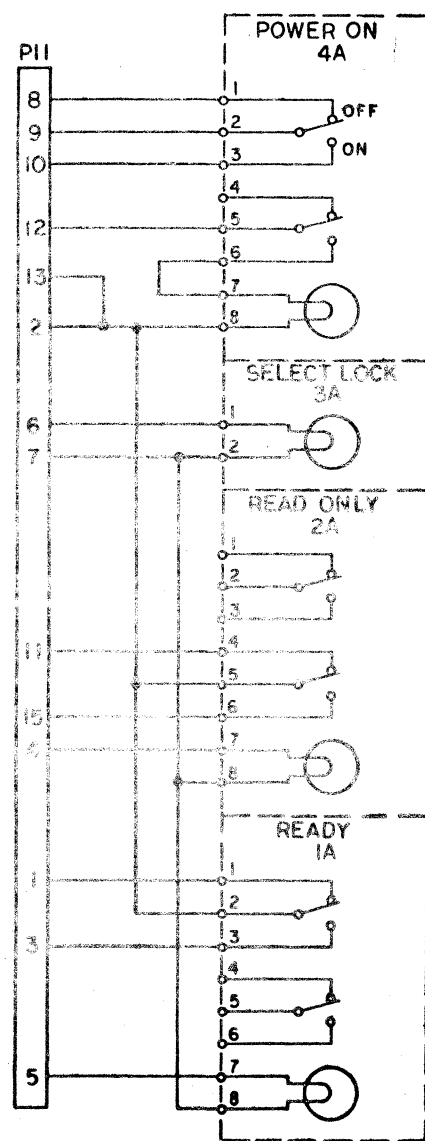
SCHMATIC DIAGRAM -  
LAMP / RELAY DRIVER - AP39

DRAWN: S. Woods 1-26-77 SIZE: D 94081-001 REV: CI  
CHECK: [Signature] 1-28-77  
APPD: [Signature]

SCALE: \_\_\_\_\_ SHEET 4 OF 4

CI 94081-001

REV		DESCRIPTION	REV BY	APPROVAL & DATE
A		PRODUCTION RELEASE PER ECN2800		5-21-74



-NOTE- THE FOLLOWING UECN'S ARE OUTSTANDING AGAINST THIS DOCUMENT.  
 UECN NUMBER 2939      DATE 5-21-74

-NOTE- THE FOLLOWING UECN'S ARE OUTSTANDING AGAINST THIS DOCUMENT.  
 UECN NUMBER 2939      DATE 5-21-74

MODEL NO. FIRST USE	114	NEXT ASSY FIRST USE	95016-001
UNLESS OTHERWISE SPECIFIED DIMENSIONS ARE IN INCHES	DRAWN <i>J. King</i> 5-22-71	CHECK <i>F. J. Johnson</i> 6-21-71	CENTURY DATA SYSTEMS, INC. ANAHEIM, CALIFORNIA
TOLERANCES ON DECIMALS ANGLES	APPD	APPD	SCHEMATIC, CONTROL PANEL
XX ±      ±	FINISH	FINISH	
DRILLED HOLES	MATERIAL	SCALE:	503
040 TO 1.250 + .002 - .001		SIZE DWD NO.	REV
1.250 TO 2.250 + .004 - .001		D 95015-001	A
2.250 TO 3.000 + .005 - .001		WEIGHT	SHEET 1 OF 1
3.000 TO 4.000 + .007 - .001			
4.000 TO 2.000 + .008 - .001			

DWD NO. 95015-001

**RE-ISSUE** (CHANGE MIP)  
 ENGINEERING CHANGE NOTICE

DATE 10/12/71 DWG 14,41

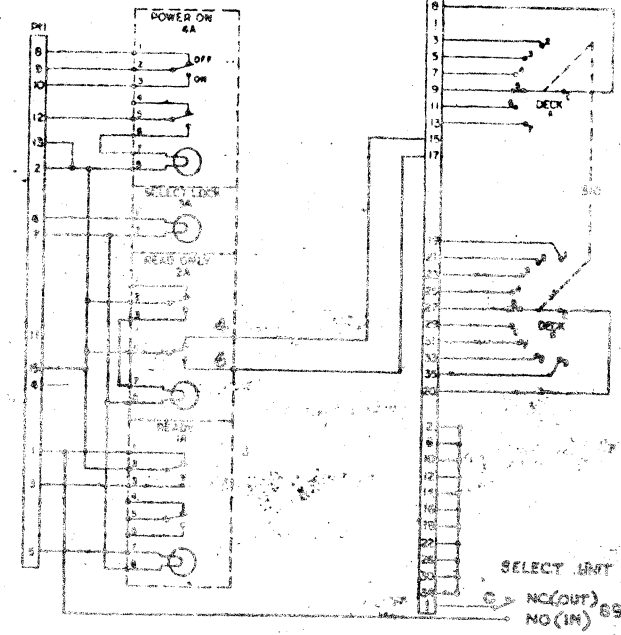
ECN No. 2939  
 SHEET 1 of 4

PART NAME <b>LISTED</b>		DWG NO. <b>LISTED</b>		REV. IS -	WAS -	PROJECT <b>114</b>	DWG CHG <input type="checkbox"/>	UNICORP ECN <input checked="" type="checkbox"/>	DCR NO. <b>3613</b>		
DISPOSITION OF PARTS		FIELD CHANGE STATUS		EFFECTIVITY							
USE AS IS	IN PROCESS	IN STOCK	NOTIFY VENDOR	USE AS IS	REPLACE AS FAILS	REPLACE ON PM	REWORK ON PM	CLASS	SERIAL NO.	MIP	
				<input type="checkbox"/>	<input type="checkbox"/>	<input type="checkbox"/>	<input type="checkbox"/>	MANDATORY	1627, 1629, 1633, 1638 1636, 1705 up	1607, 1629, 1633 1635, 1636, 1705 up 1704	
REWORK	X	X						CONV			
SCRAP								RECORD			
DR	DATE	CHE	DATE	APPROVED (ENG)	DATE	APPROVED (MFG)	DATE	APPROVED (QC)	DATE	APPROVED (MKT)	DATE
John	9-8-71	John	9-8-71	J.P. Allen	9/14/71	John	9-17-71	John	9/17/71	John	9-17-71
REASON FOR CHANGE: <b>CHANGE REQUESTED BY CALCOMP ON -13 DRIVES</b>											
DESCRIPTION OF CHANGE:											
<u>PART NAME</u>		<u>DWG. NO.</u>		<u>REV</u>		<u>REV</u>					
SCHEMATIC, CONTROL PANEL		95015-001		15		B		A			
ASSEMBLY, CONTROL PANEL		95016-001		B		B		A			
<p>DWG. NO. 95015-001 SEE SHEET 2.                  DWG. NO. 95016-001 SEE SHEET 3.</p>											
AFFECT											
MANUFACTURING	QUALITY CONTROL	PRODUCTION CONTROL	FIELD SERVICE								
FIXTURES	INSPECTION PLANNING	VENDOR TOOLS	SPARE PARTS								
ASSY METHOD	FIXTURES	PARTS ON ORDER	FIELD MANUALS								
TEST EQUIP	CONFIG LIST		TOOLS								
TEST PROC											
KIT LISTS											

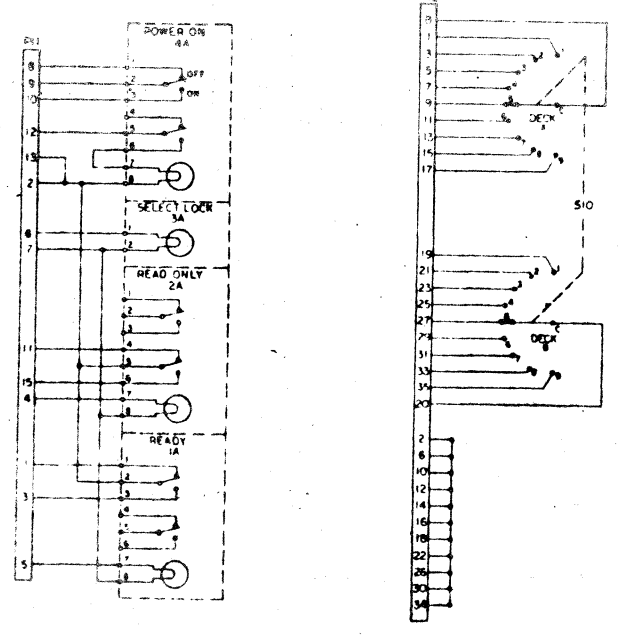
ECN NO. 2939  
 SHEET 2 OF 4

DWG. NO. 95015-001 REVISED AS SHOWN

IS CONDITION



WAS CONDITION



ECN NO. 2289  
SHEET 3 OF 4

DWG. NO. 25016-001 ADDED THE FOLLOWING WIRES

WIRE NO.	TERM	FROM	TO	TERM	WIRE TYPE	REMARKS	REV
7	18	P11-15	P11-2	18	19		B
12	SOL	2A-2	4A-8	SOL	19		B
19	SOL	2A-3	2A-7	SOL	19		B
41	20	S9-N.O.	1A-1	SOL	19		B
42	20	S9-C	P12-1	4	19		B

DELETED THE FOLLOWING WIRES

22	18	P11-4	2A-7	SOL	19		B
23	18						B
43	SOL	S10A-1	P12-1	4	19		B
52	SOL	S10A-8	P12-15	4	19		B
53	SOL	S10A-9	P12-17	4	19		B

REVISED THE FOLLOWING WIRES  
IS CONDITION

11	SOL	2A-5	2A-2	SOL	19		B
20	4	P12-15	2A-4	SOL	19		B
21	4	P12-17	2A-6	SOL	19		B

WAS CONDITION

11	SOL	2A-5	4A-8	SOL	19		A
20	18	P11-11	2A-4	SOL	19		A
21	18	P11-15	2A-6	SOL	19		A

ENGINEERING CHANGE NOTICE

Century Data

ECN NO. 2289  
SHEET 4 OF 4

REWORK INSTRUCTIONS

- Remove connector(s) from mating connector(s) P11 & P12, and remove control panel from unit.
- Remove switch & indicator assembly from panel bracket. Remove rotary switch from control panel bracket.
- Place switch assembly upside down in vise and cut all ty-raps.
- Remove the following wires (7 ea.):
 

From	To	From	To
P11-4	2A-7	2A-5	4A-8
S10A-1	P12-1	P11-11	2A-4
S10A-8	P12-15	P11-15	2A-6
S10A-9	P12-17		
- Add the following wires (8 ea.); use 22 Ga. stranded wire P/N 90537-822.
 

Termination	From	To	Termination	Remarks
Solder	2A-5	2A-2	Solder	
91346-001	P12-15	2A-4	Solder	
91346-001	P12-17	2A-6	Solder	
90440-003	P11-15	P11-2	90440-002	] or [ = crimp together Ref only; remove pin & restrip
	P11-13	P11-2		
Solder	2A-2	4A-8	Solder	
Solder	2A-3	2A-7	Solder	
90568-002	S9-NO.	1A-1	Solder	
90568-002	S9-C	P12-1	91346-001	

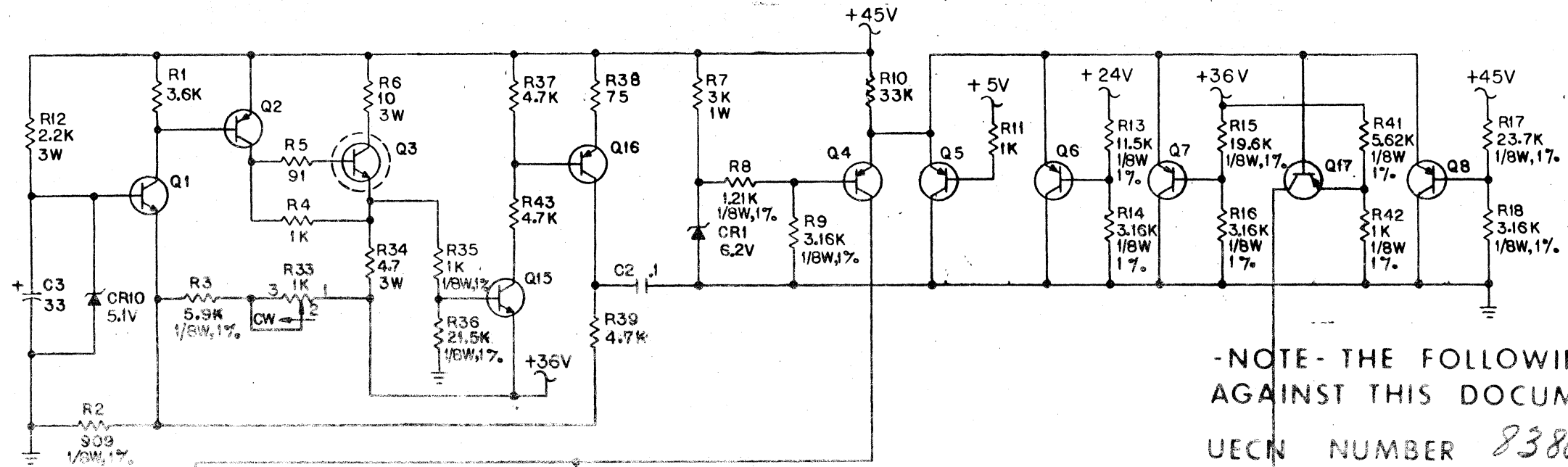
Notes:

- Wires added need not be identified.
- For terminals 90440-002 use TOOLHT-1031C
- For terminals 91346-001 use TOOLHTR1719C
- Lengths of wires added have to be determined in work

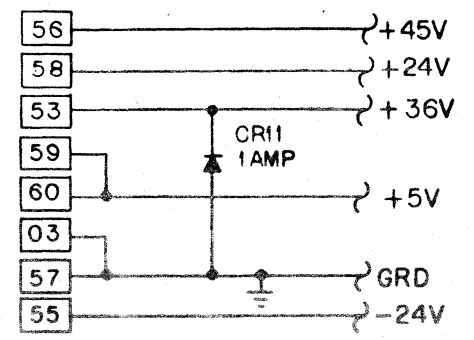
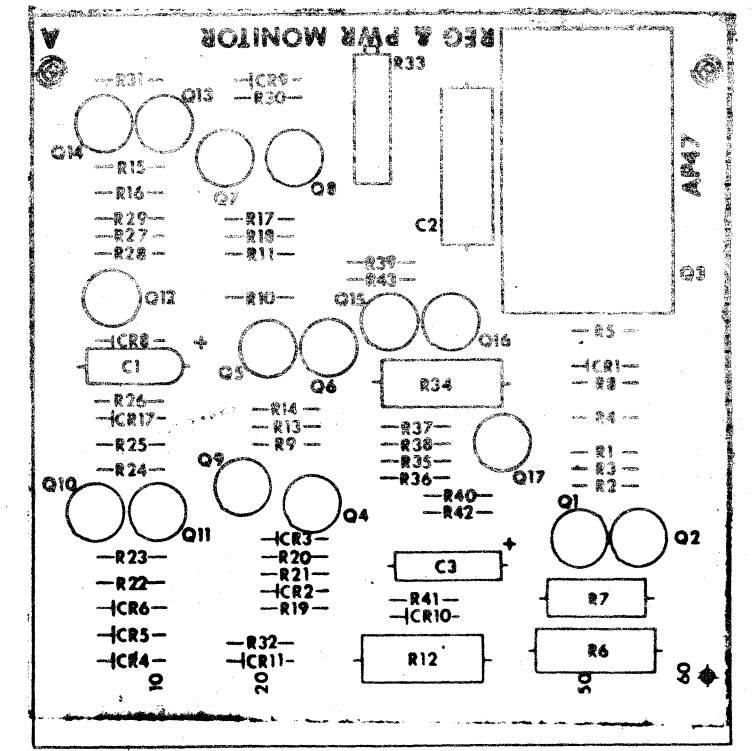
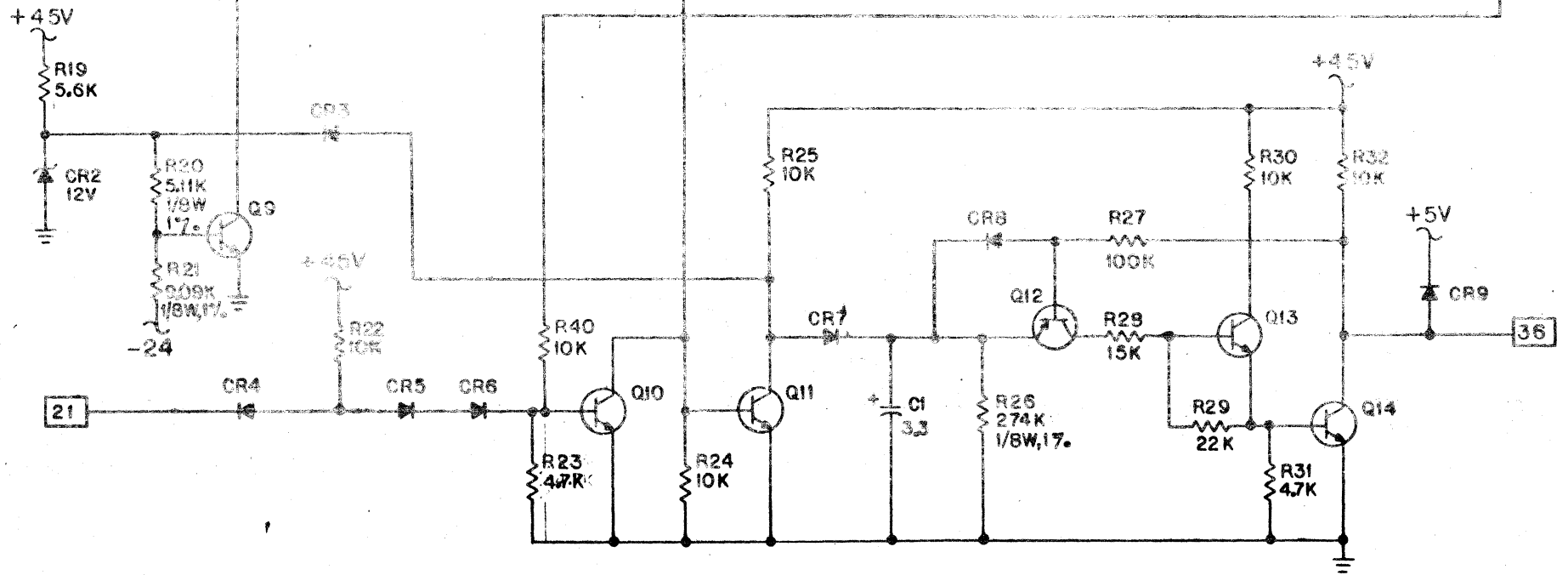
- Ty-rape the wires per Q.C. product standard #101.
- Insert switch & indicator assembly in control panel bracket; do same for rotary switch.
- Install control panel on unit using (4 plcs)
  - 1 ea. #8 flat washer 90488-005
  - 1 ea. #8 lockwasher Int. Tooth 90490-004.
  - 1 ea. 8-32 nut 90487-005
- Plug connector(s) back into mating connectors.
- Submit unit for inspection.

ENGINEERING CHANGE NOTICE

Century Data



-NOTE- THE FOLLOWING UECN'S ARE OUTSTANDING AGAINST THIS DOCUMENT.  
 UECN NUMBER 8386 DATE 5-21-74



2. CAPACITANCE VALUES ARE IN MICROFARADS  
 1. RESISTANCE VALUES ARE IN OHMS, 1/8W, 5%.  
 NOTE: UNLESS OTHERWISE SPECIFIED

REF DES	LAST USED	REF DES	NOT USED
Q17			
C3			
R43			
CR11			

**Century Data** SYSTEMS, INC. ANAHEIM, CALIFORNIA

ASSY, PWB - REGULATOR & POWER MONITOR (SCHEMATIC) AP47

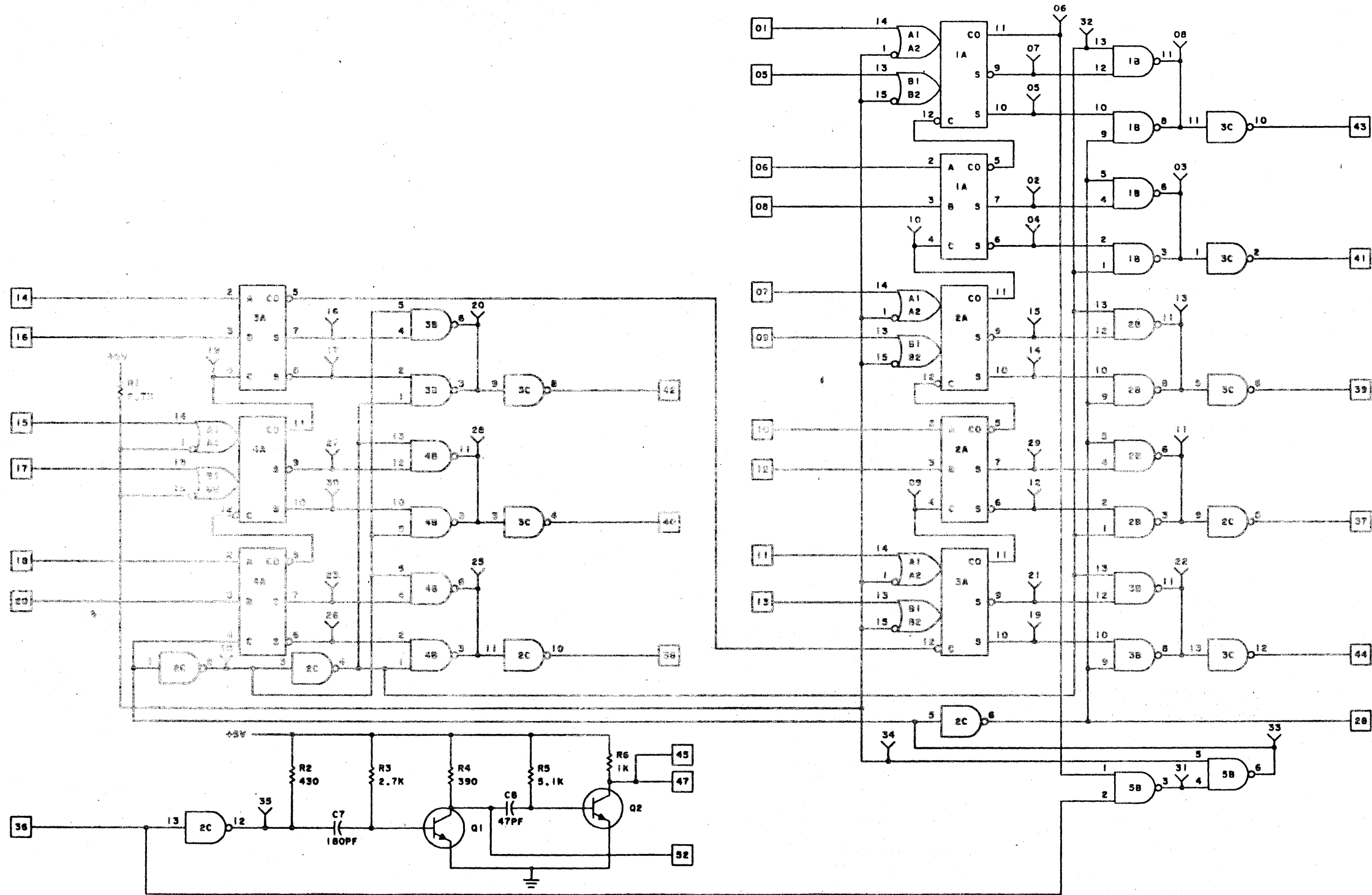
DRAWN: *[Signature]* SIZE: **D** 97740-001 REV: *[Signature]*

CHECK: *[Signature]* APPR: *[Signature]* SCALE: \_\_\_\_\_ SHEET 5 OF 5

97740-001



CHANGE CLASS	VELLUM	EFFECTIVITY	SERIAL NO. / MFG. INC. POINT			FIELD CHANGE STATUS												
A <input type="checkbox"/>	INC <input type="checkbox"/>	① ② ③ ④	MODEL	S/N	MIP	MANDATORY	UNIT <input type="checkbox"/>	SPARES <input type="checkbox"/>										
B <input type="checkbox"/>	UNINC <input type="checkbox"/>	⑤ ⑥ ⑦ ⑧				RETROFIT ON FAILURE	<input type="checkbox"/>	<input type="checkbox"/>										
C <input type="checkbox"/>		⑨ NEXT BUILD				NO EFFECT	<input checked="" type="checkbox"/>	<input checked="" type="checkbox"/>										
D <input type="checkbox"/>							<input type="checkbox"/>	<input type="checkbox"/>										
DCR NO. <u>11313</u>					F.C.N. NO.													
DISPOSITION OF PARTS			AFFECT			NOTES												
VENDOR			TEST PROC	Q.C.	MFG. C.C.	TEST	PROD SUPP											
IN HOUSE			COMFIG LISTS															
NO IN HOUSE REWR READ.			KIT LISTS															
SPARES			MAI															
			EXPLANS/TOR															
			TEST EQUIP															
			R/W L TAPES															
			EXPLANS/TOR															
								N.C.O. NO. <u>4534</u>										
DR	DATE	CHK	DATE	AME	DATE	MFG. C.C.	DATE	F.C.C.	DATE	PROD SUPP	DATE	UL/CSA	DATE	PLUGS	DATE	MGMT	DATE	
L.S.C.	13-2-4	<i>ML</i>	13-2-4															
REASON FOR CHANGE: <u>R33, A 1.0V POTENTIOMETER IS NOT SUFFICIENT IN VALUE TO ENCOMPASS THE INITIAL TOLERANCES OF THE CIRCUIT.</u>																		
DESCRIPTION OF CHANGE:																		
DOCUMENTS AFFECTED																		
DWG. NO.	REV. IS	WAS	PART NAME	LAL IS	WAS	MODELS	NOTES											
10406-001	C	B2	ASSY. PWB-REG & PWR MONITOR			818, 819												
97740-001	E	D1	ASSY. PWB-REG & PWR MONITOR			111, 119, 119A, 133, 212, 213, 214, 215, 216, 214B												
99426-001	G	F2	ASSY. PWB-REG & PWR MONITOR			856, 857, 857A												
<u>10406-001, 97740-001, 99426-001</u> <u>CHANGED SHEET 4, PARTS LIST, ITEM 52</u>																		
IS:	52	1	92244-220		X	RESISTOR, VARIABLE, 2K, 3/4 W	R33											
WAS:	52	1	92244-210		X	RESISTOR, VARIABLE, 1K, 3/4 W	R33											

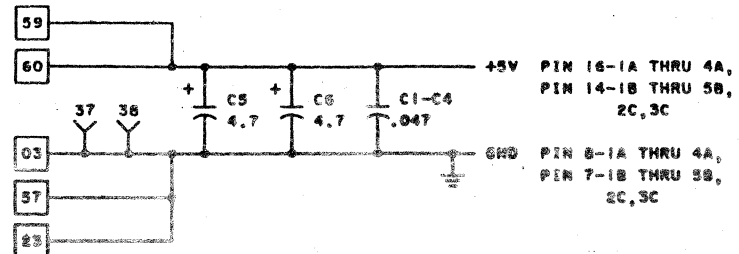


3 Y INDICATES TEST POINT LOCATED ON EDGE OF CIRCUIT BOARD OPPOSITE THE CONNECTOR EDGE.

2. CAPACITANCE VALUES ARE IN MICROFARADS.

1. RESISTANCE VALUES ARE IN OHMS, 1/4W, 25%.

NOTE: UNLESS OTHERWISE SPECIFIED.



REF DES	REF DES
LAST USED	NOT USED
4A	5A
3B	1C
3C	4C
C8	5C
Q2	
R6	

Century Data SYSTEMS, INC. ANAHEIM, CALIFORNIA

ASSY, PWB - SUBTRACTOR 8 BIT (SCHEMATIC) DL52

DRAWN	COMPUTER	7-72	SIZE	REV
APPD			D	98622-001
SCALE:				SHEET 5 OF 5

REV 1 98622-001 B1