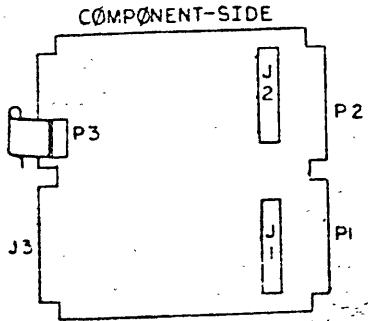


CONNECTOR SIGNALS

SIGNAL DIRECTION LOC.		SIGNAL DIRECTION LOC.	
PIN	LOC.	PIN	LOC.
A 37	SPARE	A 38	
A 38		A 39	
A 39		A 40	
A 40		A 41	
A 41		A 42	
A 42		A 43	
A 43		A 44	
A 44		A 45	
A 45		A 46	
A 46		A 47	
A 47		A 48	
A 48		A 49	SPARE
A 49		PIN A 50	MEYI- (TP) C50
B 1			
B 2			
B 3			
B 4			
B 5			
B 6			
B 7			
B 8			
B 9			
B 10			
B 11			
B 12			
B 13			
B 14			
B 15			
B 16			
B 17			
B 18			
B 19			
B 20			
B 21			
B 22			
B 23			
B 24			
B 25			
B 26			
B 27			
B 28			
B 29			
B 30			
B 31			
B 32			
B 33			
B 34			
B 35			
B 36			
B 37			
B 38			
B 39			
B 40			
B 41			
B 42			
B 43			
B 44			
B 45			
B 46			
B 47			
B 48			
B 49			
B 50	SPARE		
A 01	TRP (TP) -> C89		
A 02	CPFD (TP) -> C126		
A 03	FULL (TP) ->		
A 04	CIE- (TP) -> C50		
A 05	CUSQ- (TP) -> A123		
A 06	PFE (TP) -> A89		
A 07	SPARE		
A 08	MIN (TP) -> C78		
A 09	SPARE		
A 10	A		
A 11			
A 12			
A 13			
A 14			
A 15			
A 16			
A 17	SPARE		
A 18	SNC (TP) -> A97		
A 19	SPARE		
A 20	A		
A 21			
A 22			
A 23			
A 24			
A 25			
A 26			
A 27			
A 28			
A 29			
A 30			
A 31			
A 32			
A 33			
A 34	SPARE		
A 35	STR1- (TP) -> C76		
PIN A 36	SPARE		



- 9. THIS SIGNAL CONNECTED THRU MOTHERBOARD ONLY.
- 8. BIDIRECTION SIGNAL DENOTED BY \leftrightarrow .
- 7. OUTPUT SIGNAL DENOTED BY \rightarrow .
- 6. INPUT SIGNAL DENOTED BY \leftarrow .
- 5. RESISTOR PACKS ARE 1K-OHMS, 5%, 1/4W.
- 4. 2.2 MICROFARAD CAPACITORS ARE ±10% 35V.
- 3. 0.22 MICROFARAD CAPACITORS ARE ±80%-20% 25V.
- 2. RESISTORS ARE 1M OHMS, ±5%, 1/4W.
- 1. SEE DRAWING NUMBER 73-53506-X1 FOR ASSEMBLY DRAWING.

NOTES: UNLESS OTHERWISE SPECIFIED

REVISIONS					
REV	DESCRIPTION	DR	CH	DATE	APPROVAL
D0	PILOT RELEASE EN 3031	GA			
D1	CHANGED PER EN 3436	GA			
D2	CHANGED PER EN 3526	GA			
D3	CHANGED PER EN 3590	GA			
D4	PERIODIC REL PER EN 3600	GA			
D5	CHANGED PER EN 3825	BC			
D6	CHANGED PER EN 3857	GA			
D7	CHANGED PER EN 4015	GA			
D8-D11	CHANGED PER EN 4137, 4259, 4295 & 4510	GA			
D12	INCORPORATE EN 4676	GA			
D13	INCORPORATE EN 4795	GA			
D14	INCORPORATE EN 4822	GA			
D15	INCORPORATE EN 5442	DS			
D16	INCORPORATE EN 5196	DS			
D17	INCORPORATE EN 5463	DS			
D18	INCORPORATE EN 5323	DS			
D19	INCORPORATE EN 5454	DS			
D20	INCO RP EN 5901D	GB			
D21	INCO RP EN 6053H	GB			
D22	INCO RP EN 6085H	GB			
D23	INCO RP EN 6256H	GB			
D24	INCO RP EN 6239H	GB			
D25	INCO RP PER EN 6699H	GA			
D26	INCO RP PER EN 6924H	GA			
D27	INCO RP PER EN 6920H	GA			
D28	INCO RP PER EN 6975H	GA			
D29	INCO RP PER EN 7035H	GA			
D30	INCO RP PER EN 7045H	GA			

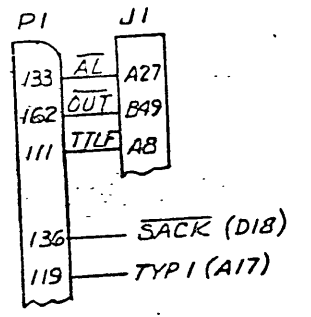
TABULATION BLOCK	
DASH NO.	DESCRIPTION
-00	BASIC
-01	WITHOUT POWER FAIL
-02	WITH RESTART

PROPRIETARY RIGHTS NOTICE
 THIS DOCUMENT AND INFORMATION THEREIN IS THE PROPERTY OF COMPUTER AUTOMATION, INC. RIGHTS TO DUPLICATE OR OTHERWISE COPY THIS DOCUMENT AND RIGHTS TO DISCLOSE THE DOCUMENT AND SUCH INFORMATION TO OTHERS AND THE RIGHT TO USE THE INFORMATION CONTAINED THEREIN, MAY BE EXERCISED ONLY BY WRITTEN PERMISSION GRANTED BY A DULY AUTHORIZED OFFICER OF COMPUTER AUTOMATION, INC.

NOTES UNLESS SPECIFIED	DR. Bill [Signature]	DATE	7/2/68
1. TOLERANCES XX ±.03 ANGULAR XXX ±.010	CHK. [Signature]	TITLE	LOGIC DIAGRAM -
2. BREAK ALL SHARP EDGES 0.10 APPROX.	DSG. [Signature]		PROCESSOR FULL/CARD
3. ALL DIM. IN INCHES.	ENG. [Signature]	SIZE	DWG. NO. 73-53506-211
		SCALE	NONE
		SHT. 1 OF 18	

CONNECT SIGNALS

E1 SIGNAL DIRECTION LOG		E2 SIGNAL DIRECTION LOG		E3 SIGNAL DIRECTION LOG		E4 SIGNAL DIRECTION LOG		E5 SIGNAL DIRECTION LOG		E6 SIGNAL DIRECTION LOG	
PIN	SIGNAL	PIN	SIGNAL	PIN	SIGNAL	PIN	SIGNAL	PIN	SIGNAL	PIN	SIGNAL
102	GND	202	GND	C2	DVCE	A36	SPARE	E5	2VHZ	E11	+5V
103	+2V	203	+12V	C3	FWSOC	B31	SPARE	E5	-5V	E12	-5V
104	+12V	204	+12V	O4	MDIS-	C22	RECE	E5	ABC4-	E13	SPARE
105	+12V	205	+12V	C5	DVCE	C86	DECE	E5	ABC6-	E14	ALU02
106	+2V	206	+12V	C6	PCN-	E2	SPARE	E5	ABC8-	E15	ALU04
107	-12V	207	-12V	C7	SUBCK-	A53	SPARE	E5	ABC10-	E16	ALU06
108	-12V	208	-12V	C8	GND	C31	SPARE	E5	ABC12-	E17	ALU08
109	-12V	209	-12V	C9	FWSOC	C31	SPARE	E5	ABC14-	E18	ALU10
110	SPARE	210	NOT USED	10	FWSOC	D31	SPARE	E5	ABC16-	E19	ALU12
111	SPARE	211	SPARE	11	FWSOC	A38	SPARE	E5	ABC18-	E20	ALU14
112	SPARE	212	SPARE	12	FWSOC	A44	SPARE	E5	ABC20-	E21	ALU16
113	SPARE	213	+5V	13	FWSOC	A44	SPARE	E5	ABC22-	E22	ALU18
114	+5V	214	+5V	14	FWSOC	A44	SPARE	E5	ABC24-	E23	ALU20
115	SPARE	215	VST-	15	FWSOC	A44	SPARE	E5	ABC26-	E24	ALU22
116	SPARE	216	SPARE	16	FWSOC	A44	SPARE	E5	ABC28-	E25	ALU24
117	SPARE	217	MACK-	17	FWSOC	A44	SPARE	E5	ABC30-	E26	ALU26
118	SPARE	218	RD-	18	FWSOC	A44	SPARE	E5	ABC32-	E27	ALU28
119	SPARE	219	RESERVE	19	FWSOC	A44	SPARE	E5	ABC34-	E28	ALU30
120	TYP I	220	SLB-	20	FWSOC	A44	SPARE	E5	ABC36-	E29	ALU32
121	SPARE	221	SPARE	21	FWSOC	A44	SPARE	E5	ABC38-	E30	ALU34
122	SPARE	222	SPARE	22	FWSOC	A44	SPARE	E5	ABC40-	E31	ALU36
123	SPARE	223	SPARE	23	FWSOC	A44	SPARE	E5	ABC42-	E32	ALU38
124	SPARE	224	SPARE	24	FWSOC	A44	SPARE	E5	ABC44-	E33	ALU40
125	SPARE	225	SPARE	25	FWSOC	A44	SPARE	E5	ABC46-	E34	ALU42
126	SPARE	226	SPARE	26	FWSOC	A44	SPARE	E5	ABC48-	E35	ALU44
127	SPARE	227	SPARE	27	FWSOC	A44	SPARE	E5	ABC50-	E36	ALU46
128	SPARE	228	SPARE	28	FWSOC	A44	SPARE	E5	ABC52-	E37	ALU48
129	SPARE	229	SPARE	29	FWSOC	A44	SPARE	E5	ABC54-	E38	ALU50
130	SPARE	230	SPARE	30	FWSOC	A44	SPARE	E5	ABC56-	E39	ALU52
131	SPARE	231	SPARE	31	FWSOC	A44	SPARE	E5	ABC58-	E40	ALU54
132	SPARE	232	SPARE	32	FWSOC	A44	SPARE	E5	ABC60-	E41	ALU56
133	SPARE	233	SPARE	33	FWSOC	A44	SPARE	E5	ABC62-	E42	ALU58
134	SPARE	234	SPARE	34	FWSOC	A44	SPARE	E5	ABC64-	E43	ALU60
135	SPARE	235	SPARE	35	FWSOC	A44	SPARE	E5	ABC66-	E44	ALU62
136	SPARE	236	SPARE	36	FWSOC	A44	SPARE	E5	ABC68-	E45	ALU64
137	SPARE	237	SPARE	37	FWSOC	A44	SPARE	E5	ABC70-	E46	ALU66
138	SPARE	238	SPARE	38	FWSOC	A44	SPARE	E5	ABC72-	E47	ALU68
139	SPARE	239	SPARE	39	FWSOC	A44	SPARE	E5	ABC74-	E48	ALU70
140	SPARE	240	SPARE	40	FWSOC	A44	SPARE	E5	ABC76-	E49	ALU72
141	SPARE	241	SPARE	41	FWSOC	A44	SPARE	E5	ABC78-	E50	ALU74
142	SPARE	242	SPARE	42	FWSOC	A44	SPARE	E5	ABC80-	E51	ALU76
143	SPARE	243	SPARE	43	FWSOC	A44	SPARE	E5	ABC82-	E52	ALU78
144	SPARE	244	SPARE	44	FWSOC	A44	SPARE	E5	ABC84-	E53	ALU80
145	SPARE	245	SPARE	45	FWSOC	A44	SPARE	E5	ABC86-	E54	ALU82
146	SPARE	246	SPARE	46	FWSOC	A44	SPARE	E5	ABC88-	E55	ALU84
147	SPARE	247	SPARE	47	FWSOC	A44	SPARE	E5	ABC90-	E56	ALU86
148	SPARE	248	SPARE	48	FWSOC	A44	SPARE	E5	ABC92-	E57	ALU88
149	SPARE	249	SPARE	49	FWSOC	A44	SPARE	E5	ABC94-	E58	ALU90
150	SPARE	250	SPARE	50	FWSOC	A44	SPARE	E5	ABC96-	E59	ALU92
151	SPARE	251	SPARE					E5	ABC98-	E60	ALU94
152	SPARE	252	SPARE					E5	ABC100-	E61	ALU96
153	SPARE	253	SPARE					E5	ABC102-	E62	ALU98
154	SPARE	254	SPARE					E5	ABC104-	E63	ALU100
155	SPARE	255	SPARE					E5	ABC106-	E64	ALU102
156	SPARE	256	SPARE					E5	ABC108-	E65	ALU104
157	SPARE	257	SPARE					E5	ABC110-	E66	ALU106
158	SPARE	258	SPARE					E5	ABC112-	E67	ALU108
159	SPARE	259	SPARE					E5	ABC114-	E68	ALU110
160	SPARE	260	SPARE					E5	ABC116-	E69	ALU112
161	SPARE	261	SPARE					E5	ABC118-	E70	ALU114
162	SPARE	262	SPARE					E5	ABC120-	E71	ALU116
163	SPARE	263	SPARE					E5	ABC122-	E72	ALU118
164	SPARE	264	SPARE					E5	ABC124-	E73	ALU120
165	SPARE	265	SPARE					E5	ABC126-	E74	ALU122
166	SPARE	266	SPARE					E5	ABC128-	E75	ALU124
167	SPARE	267	SPARE					E5	ABC130-	E76	ALU126
168	SPARE	268	SPARE					E5	ABC132-	E77	ALU128
169	SPARE	269	SPARE					E5	ABC134-	E78	ALU130
170	SPARE	270	SPARE					E5	ABC136-	E79	ALU132
171	SPARE	271	SPARE					E5	ABC138-	E80	ALU134
172	SPARE	272	SPARE					E5	ABC140-	E81	ALU136
173	SPARE	273	SPARE					E5	ABC142-	E82	ALU138
174	SPARE	274	SPARE					E5	ABC144-	E83	ALU140
175	SPARE	275	SPARE					E5	ABC146-	E84	ALU142
176	SPARE	276	SPARE					E5	ABC148-	E85	ALU144
177	SPARE	277	SPARE					E5	ABC150-	E86	ALU146
178	SPARE	278	SPARE					E5	ABC152-	E87	ALU148
179	SPARE	279	SPARE					E5	ABC154-	E88	ALU150
180	SPARE	280	SPARE					E5	ABC156-	E89	ALU152
181	SPARE	281	SPARE					E5	ABC158-	E90	ALU154
182	SPARE	282	SPARE					E5	ABC160-	E91	ALU156
183	SPARE	283	SPARE					E5	ABC162-	E92	ALU158
184	SPARE	284	SPARE					E5	ABC164-	E93	ALU160
185	SPARE	285	SPARE					E5	ABC166-	E94	ALU162
186	SPARE	286	SPARE					E5	ABC168-	E95	ALU164



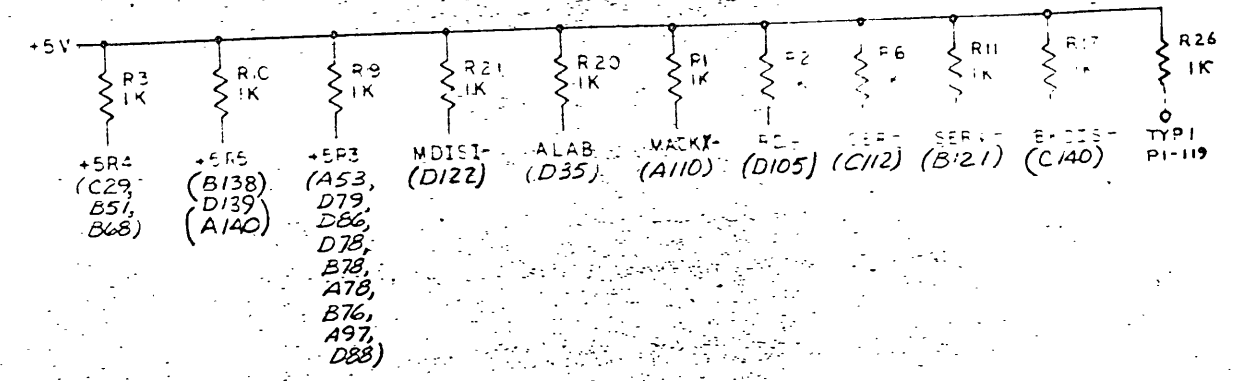
PROPRIETARY RIGHTS NOTICE
 THIS DOCUMENT AND INFORMATION THAT IT CONTAINS ARE THE PROPERTY OF COMPUTER AUTOMATION, INC. RIGHTS TO DUPLICATE OR OTHERWISE COPY THIS DOCUMENT AND RIGHTS TO DISCLOSE THE DOCUMENT AND SUCH INFORMATION TO OTHERS AND THE RIGHT TO USE THE INFORMATION CONTAINED THEREIN, MAY BE ACQUIRED ONLY BY WRITTEN PERMISSION GRANTED BY A DUAL AUTHORIZED OFFICER OF COMPUTER AUTOMATION, INC.

SIZE	75-53506-XX	REV	030
SCALE =		SHT. 2 OF 2	

REVISIONS		
SYM	DESCRIPTION	DATE/APPVAL

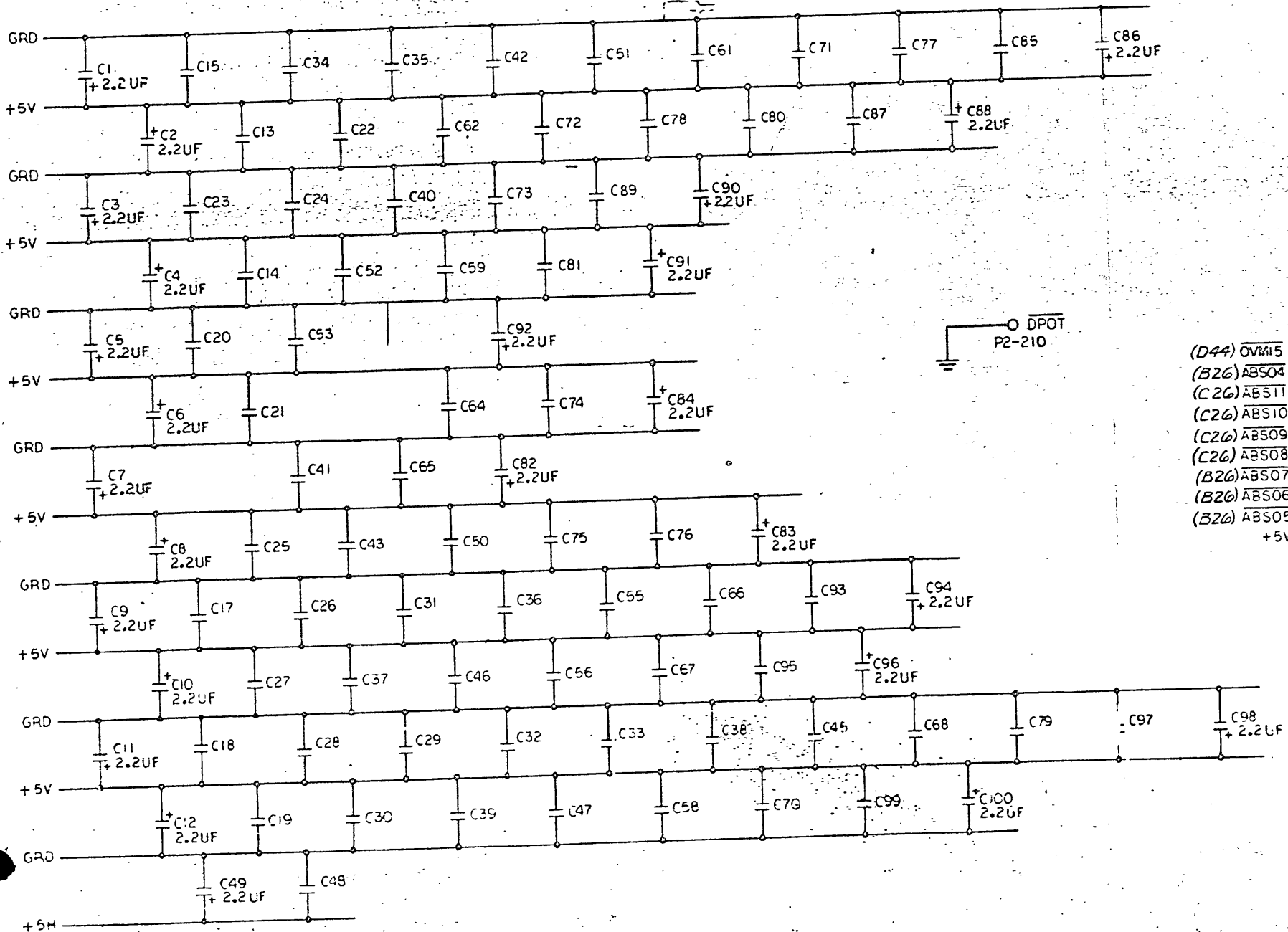
RPE	
2	OPT (B104)
4	BBSC0 (B42)
5	BBSC1 (B42)
10	BBSC2 (B42)
8	BBSC3 (B42)
9	BBSC4 (B42)
7	BBSC5 (B42)
3	BBSC6 (B42)
6	BBSC7 (B42)
1	+5

(D42) BBSC1	2
(C42) BBSC2	4
(D42) BBSC3	6
(D42) BBSC4	8
(D42) BBSC5	5
(D44) TWTE	3
(C42) BBSC6	10
(C42) BBSC7	9
(C42) BBSC8	7
(C42) BBSC9	3
+5V	1



PULLUPS

RP7		RP3	
(C70) DB13	9	2	AEC3 (A65)
(C70) DB15	3	4	AB01 (A65)
(B70) DB11	4	6	AB00 (A65)
(C70) DB12	8	9	DB02 (D89)
(C70) DB10	6	10	DB03 (B70)
(C70) DB08	5	7	DEC6 (B70)
(C70) DB09	7	8	DE05 (B70)
(C70) DB14	10	3	AE04 (B67)
EXC	2	5	DB07 (B70)
+5V	1	1	+5V



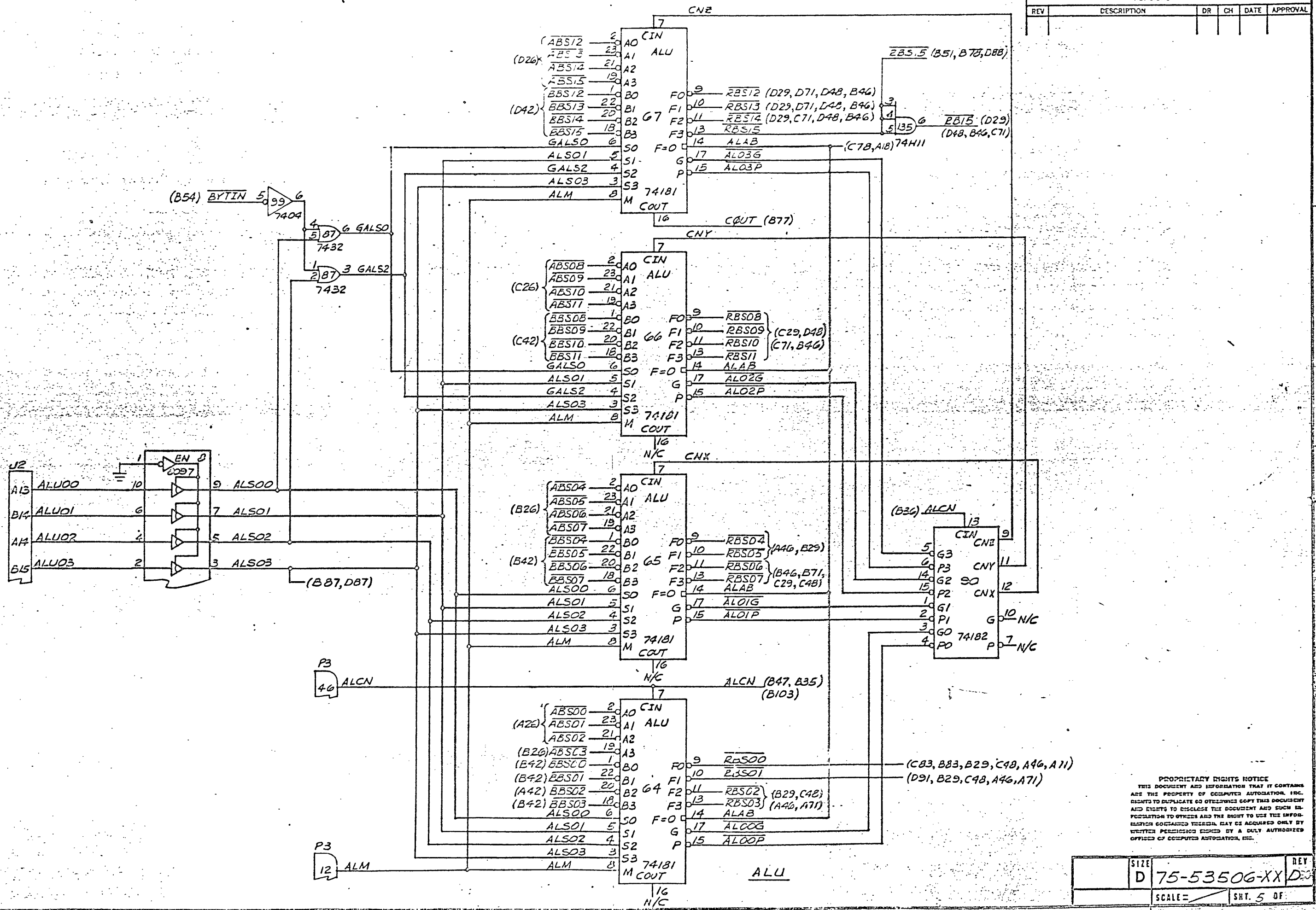
RP9		RP8		RP4	
(D44) OVW15	10	10	OVW15 (D44) (C100) ROT	6	
(B26) ABS04	3	3	ABS15 (D26) (B114) EXEC	10	
(C26) ABST1	8	2	ABS14 (D26) (A114) IN	7	
(C26) ABS10	6	9	ABS03 (B26) (B114) IAR	8	
(C26) ABS09	9	8	ABS02 (A26) (A114) OUT	9	
(C26) ABS08	7	6	ABS01 (A26) N/C	2	
(B26) ABS07	4	7	ABS00 (A26) (C114) ECHO	5	
(B26) ABS06	5	5	ABS12 (D26) (B108) STEND	4	
(B26) ABS05	2	4	ABS13 (D26) (B114) PLSE	3	
+5V	1	1	+5V	1	

RP1		RP2	
(A67) AB07	3	2	START (B122)
(A112) MP2B	5	5	IUR (C104)
N/C	8	3	AB02 (A67)
(C104) BFST	7	7	DB04 (B62)
(B67) AEC6	4	4	AB05 (B67)
(C113) RST	6	6	IUA (D13)
(C115) STCE	2	8	SACK (B9)
(C103) DPOT	9	10	DB00 (D89)
(C49) SLB	10	9	DB01 (D89)
+5V	1	1	-5V

PROPRIETARY RIGHTS NOTICE
 THIS DOCUMENT AND INFORMATION THAT IT CONTAINS ARE THE PROPERTY OF COMPUTER AUTOMATION, INC. RIGHTS TO DUPLICATE OR OTHERWISE COPY THIS DOCUMENT AND RIGHTS TO DISCLOSE THE DOCUMENT AND SUCH INFORMATION TO OTHERS AND THE RIGHT TO USE THE INFORMATION CONTAINED THEREIN, MAY BE ACQUIRED ONLY BY WRITTEN PERMISSION SIGNED BY A FULLY AUTHORIZED OFFICER OF COMPUTER AUTOMATION, INC.

SIZE	D	75-53506-XX	REV	D30
SCALE	=		SHT.	3 OF

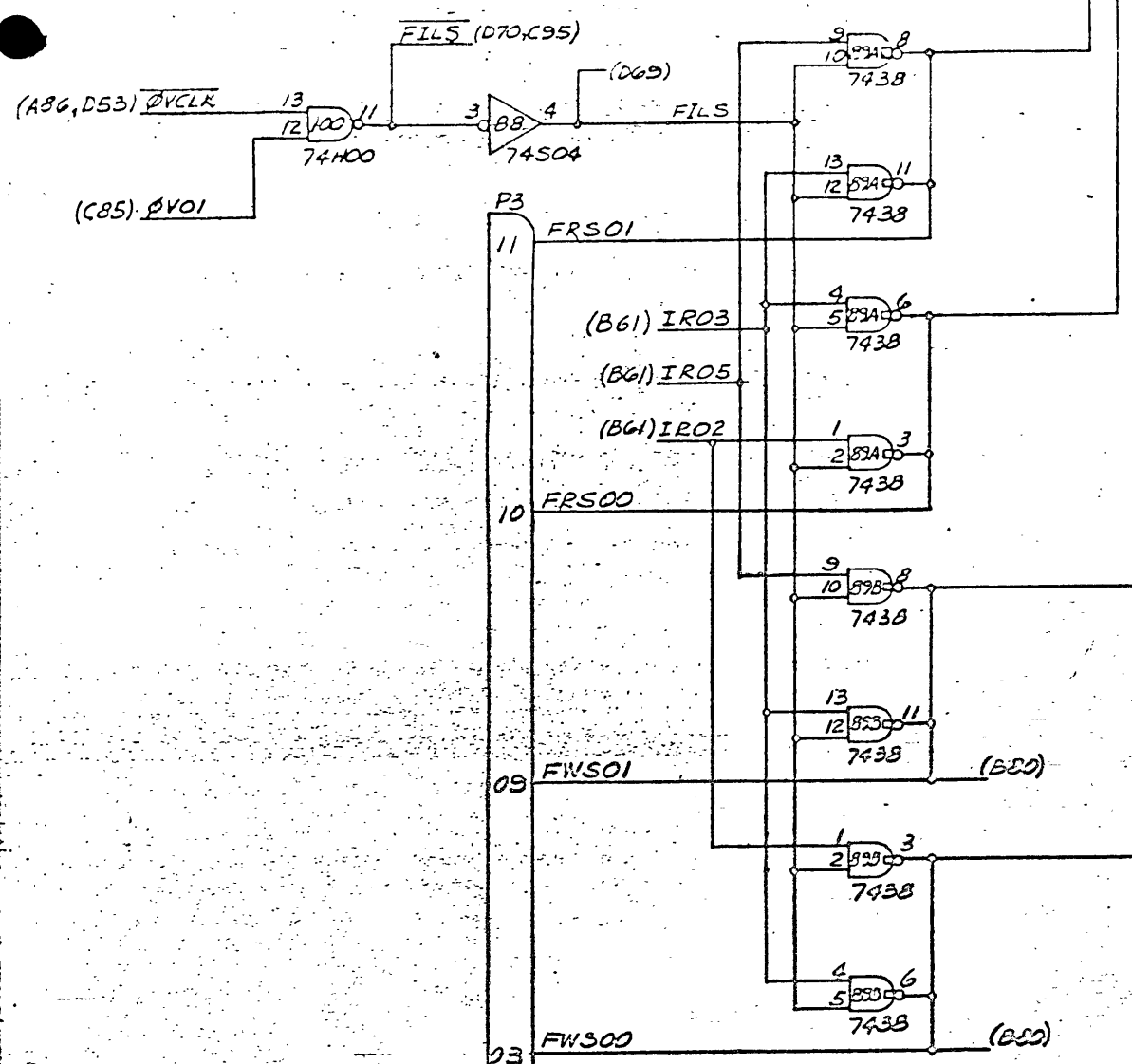
REVISIONS					
REV	DESCRIPTION	DR	CH	DATE	APPROVAL



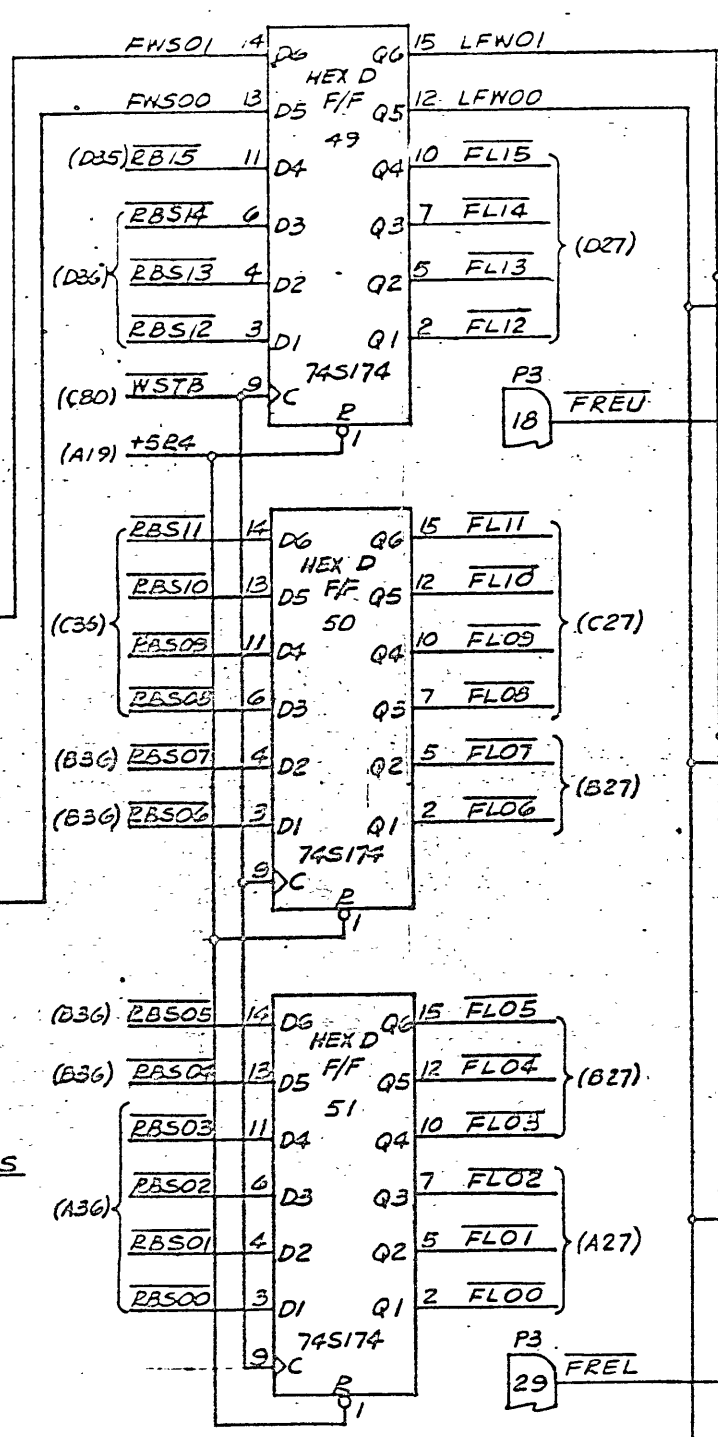
PROPRIETARY RIGHTS NOTICE
 THIS DOCUMENT AND INFORMATION THAT IT CONTAINS ARE THE PROPERTY OF COMPUTER AUTOMATION, INC. RIGHTS TO DUPLICATE OR OTHERWISE COPY THIS DOCUMENT AND RIGHTS TO DISCLOSE THE DOCUMENT AND SUCH INFORMATION TO OTHERS AND THE RIGHT TO USE THE INFORMATION CONTAINED HEREIN, MAY BE ACQUIRED ONLY BY WRITTEN PERMISSION ISSUED BY A DULY AUTHORIZED OFFICER OF COMPUTER AUTOMATION, INC.

SIZE	REV
D 75-53506-XX	D
SCALE =	SHT. 5 OF

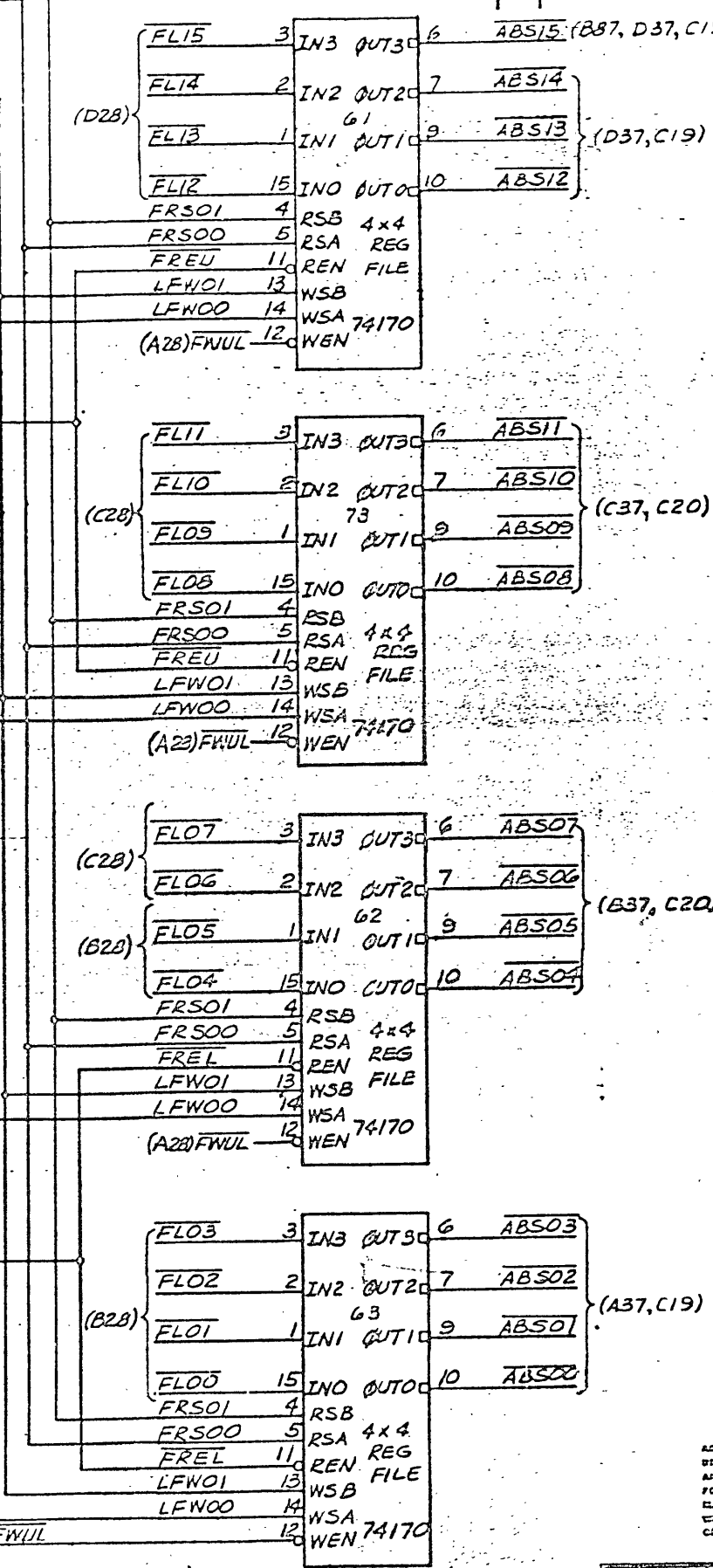
REVISIONS				
REV	DESCRIPTION	DR	CH	DATE



SPECIAL FILE ADDRESS



FILE LATCH



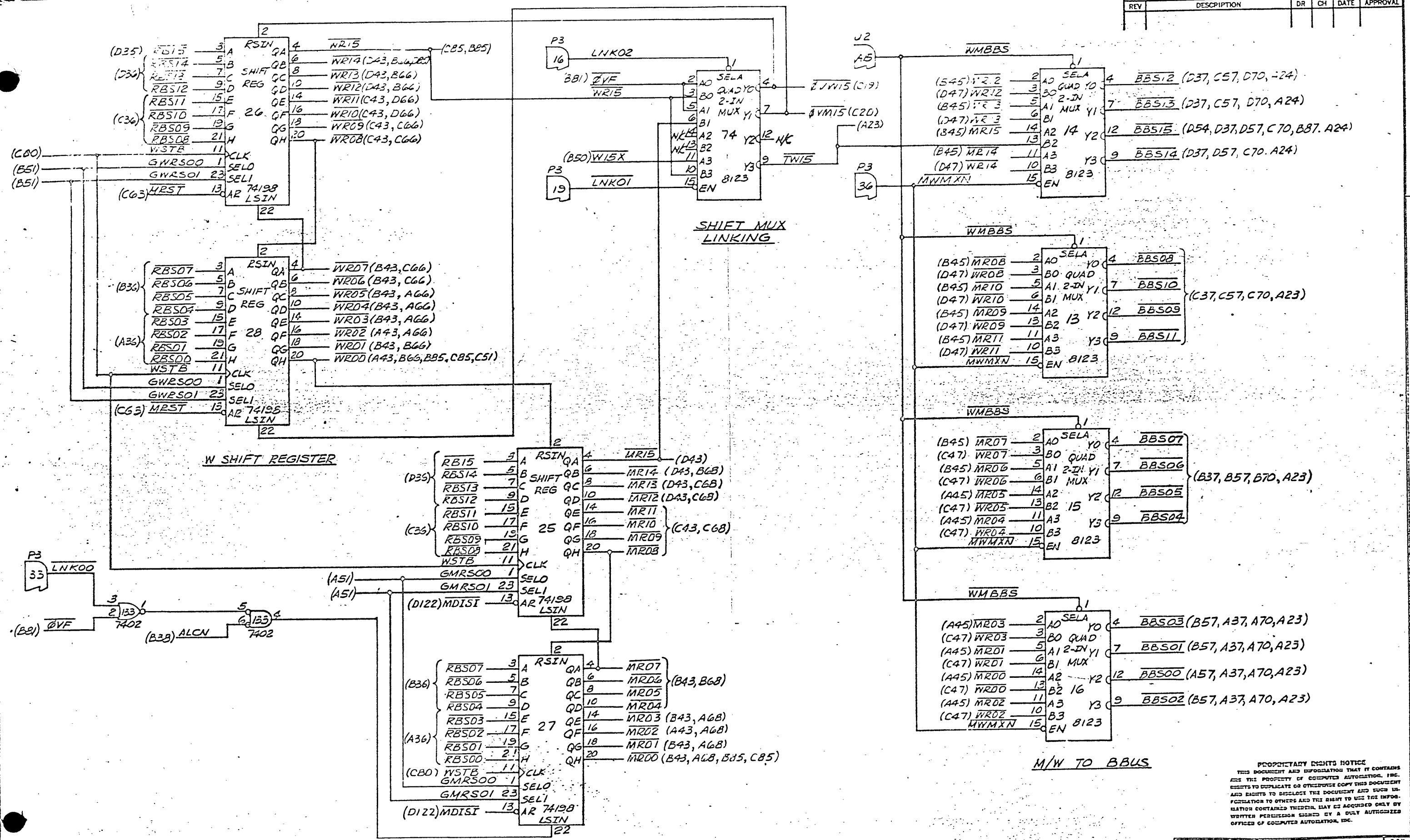
FILES

PROPRIETARY RIGHTS NOTICE
 THIS DOCUMENT AND INFORMATION THAT IT CONTAINS ARE THE PROPERTY OF COMPUTER AUTOMATION, INC. RIGHTS TO REPRODUCE OR OTHERWISE COPY THIS DOCUMENT AND RIGHTS TO ENCLOSE THE DOCUMENT AND SUCH INFORMATION TO OTHERS AND THE RIGHT TO USE THE INFORMATION CONTAINED THEREIN, MAY BE ACCQUIRED ONLY BY WRITTEN PERMISSION GRANTED BY A DULY AUTHORIZED OFFICER OF COMPUTER AUTOMATION, INC.

SIZE	D	75-53506-XX	REV	D30
SCALE			SHT.	4 OF

75-53506-XX D30

REVISIONS					
REV	DESCRIPTION	DR	CH	DATE	APPROVAL



PROPRIETARY RIGHTS NOTICE
 THIS DOCUMENT AND INFORMATION THAT IT CONTAINS ARE THE PROPERTY OF COMPUTER AUTOMATION, INC. RIGHTS TO DUPLICATE OR OTHERWISE COPY THIS DOCUMENT AND RIGHTS TO DISCLOSE THE DOCUMENT AND SUCH INFORMATION TO OTHERS AND THE RIGHT TO USE THE INFORMATION CONTAINED THEREIN, MAY BE ACQUIRED ONLY BY WRITTEN PERMISSION SIGNED BY A DULY AUTHORIZED OFFICER OF COMPUTER AUTOMATION, INC.

SIZE	D 75-53506-XX	REV	D20
SCALE	SPT. 6 OF		

75-53506-XX

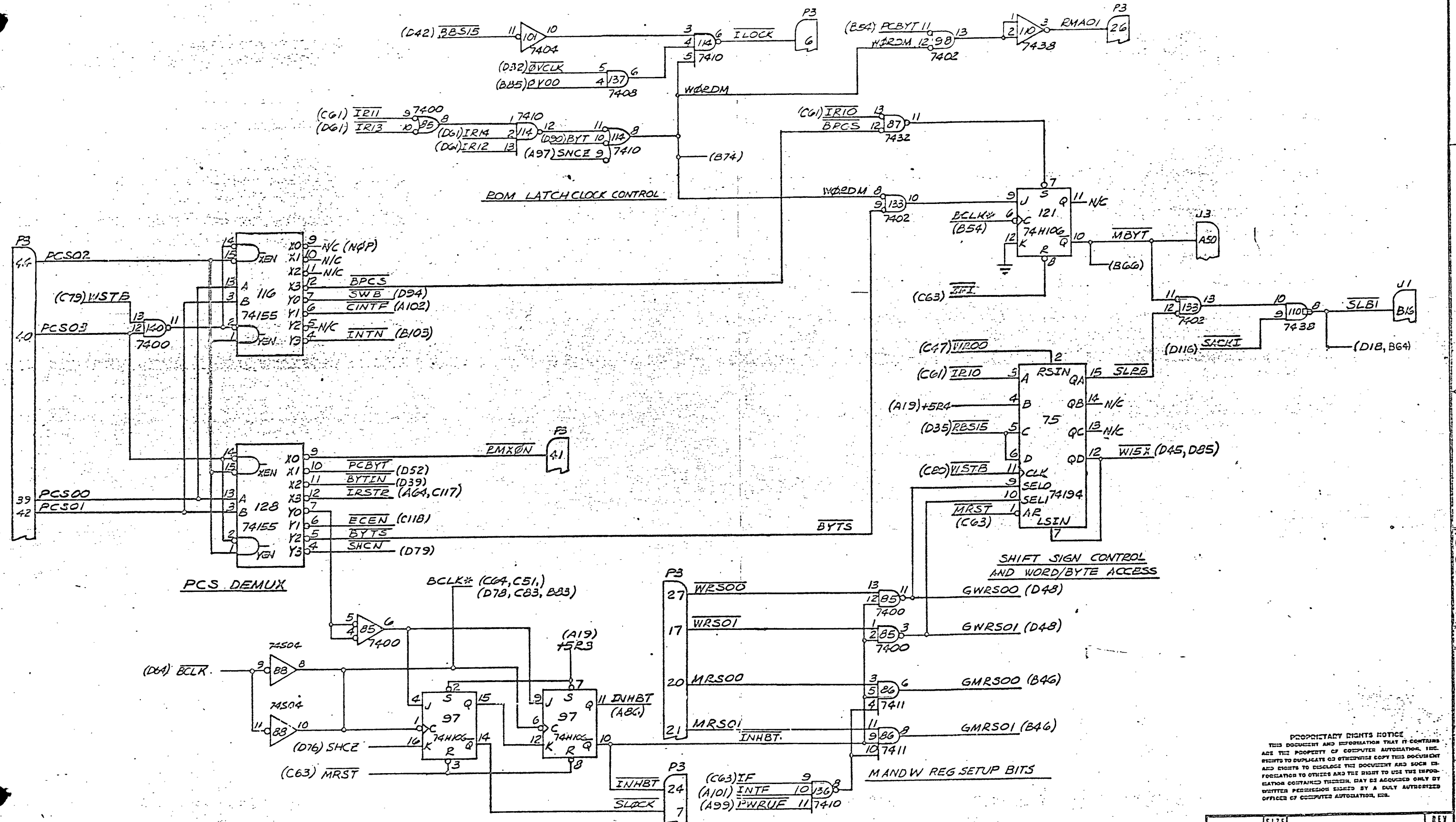
A

D

C

↑

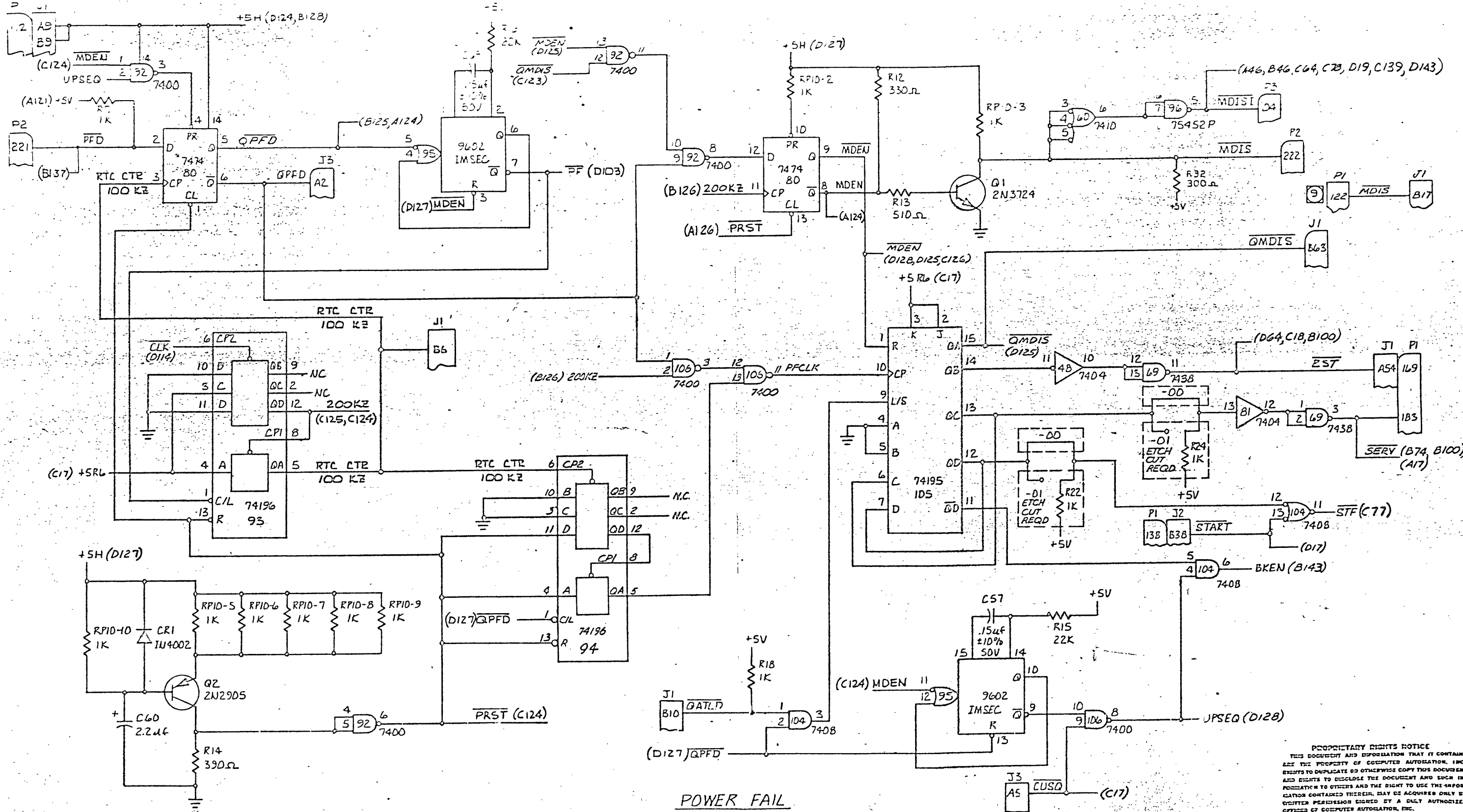
REVISIONS					
REV	DESCRIPTION	DR	CH	DATE	APPROVAL



PROPRIETARY RIGHTS NOTICE
 THIS DOCUMENT AND INFORMATION THAT IT CONTAINS ARE THE PROPERTY OF COMPUTER AUTOMATION, INC. RIGHTS TO DUPLICATE OR OTHERWISE COPY THIS DOCUMENT AND RIGHTS TO DISCLOSE THE DOCUMENT AND SUCH INFORMATION TO OTHERS AND THE RIGHT TO USE THE INFORMATION CONTAINED THEREIN, MAY BE ACQUIRED ONLY BY WRITTEN PERMISSION SIGNED BY A DULY AUTHORIZED OFFICER OF COMPUTER AUTOMATION, INC.

SIZE	D	75-53506-XX	REV	D30
SCALE	=		SHT.	7 OF

REVISIONS					
REV	DESCRIPTION	DR	CH	DATE	APPROVAL

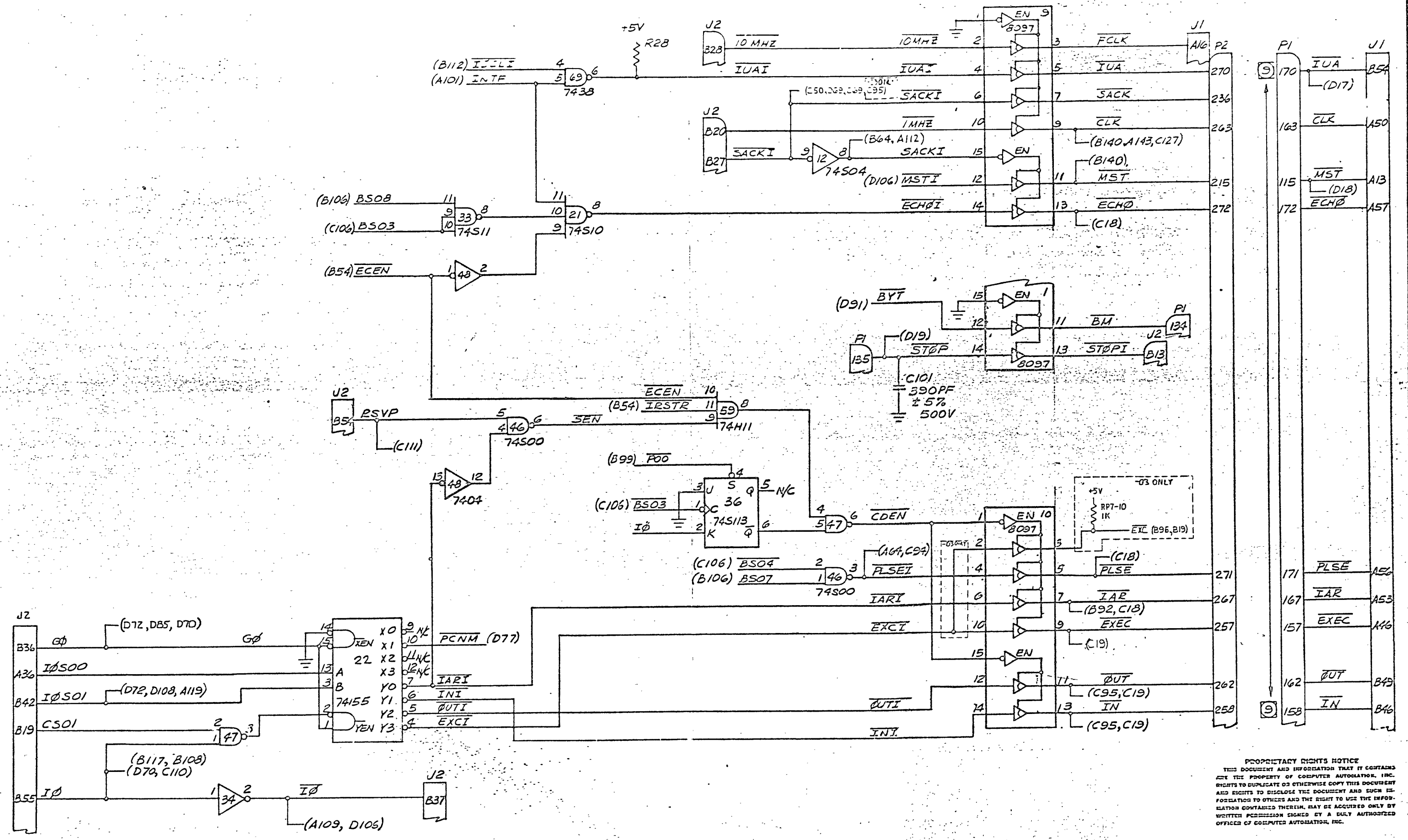


PROPRIETARY RIGHTS NOTICE
 THIS DOCUMENT AND INFORMATION THAT IT CONTAINS ARE THE PROPERTY OF COMPUTER AUTOLATOR, INC. RIGHTS TO DUPLICATE OR OTHERWISE COPY THIS DOCUMENT AND RIGHTS TO DISCLOSE THE DOCUMENT AND SUCH INFORMATION TO OTHERS AND THE RIGHT TO USE THE INFORMATION CONTAINED THEREIN, MAY BE ACQUIRED ONLY BY WRITTEN PERMISSION SIGNED BY A DULY AUTHORIZED OFFICER OF COMPUTER AUTOLATOR, INC.

SIZE	D	75-53506-XX	REV	D30
SCALE	SHT. 16 OF			

75-53506-XX

REVISIONS					
REV	DESCRIPTION	DR	CH	DATE	APPROVAL



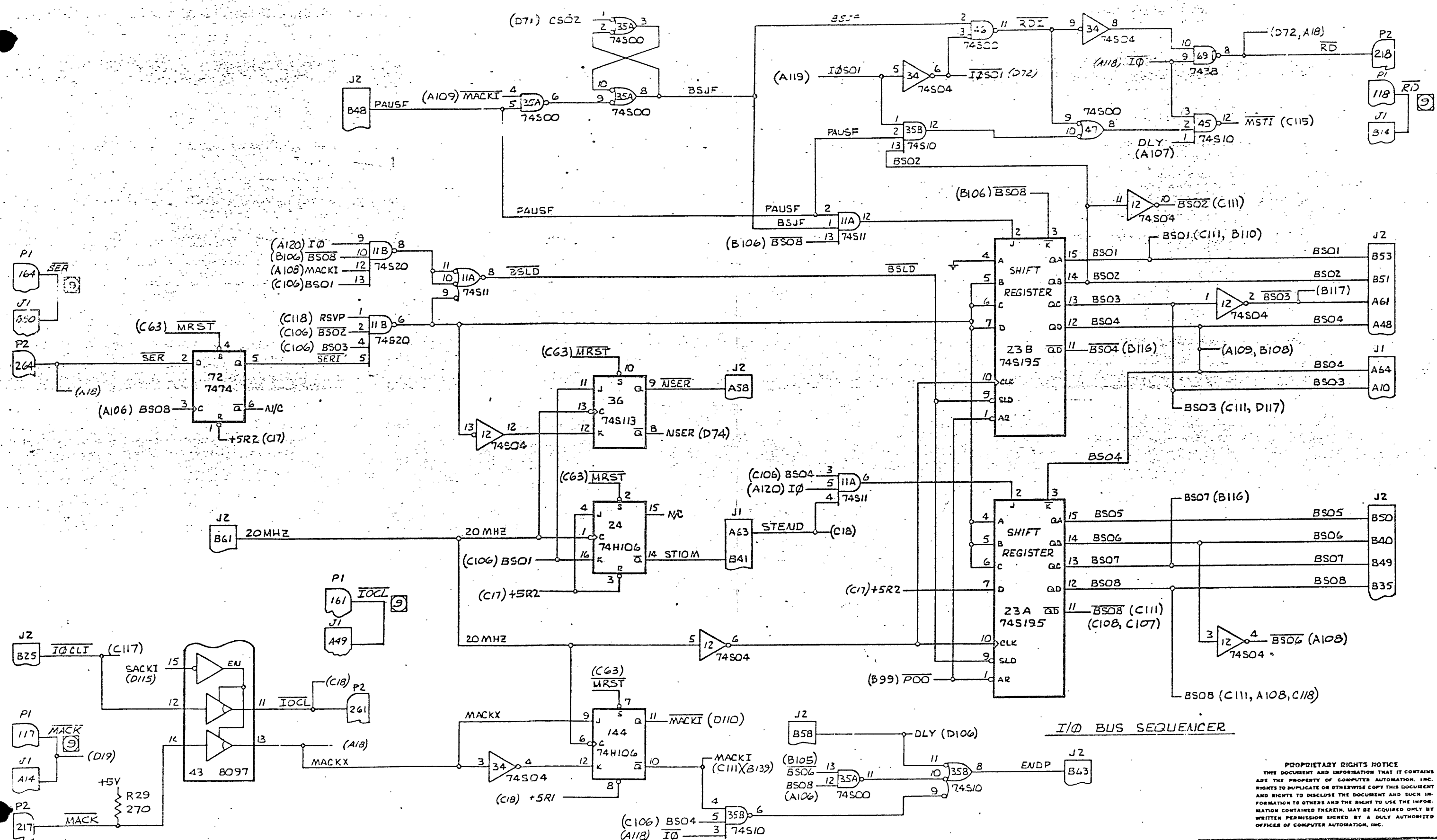
PROPRIETARY RIGHTS NOTICE
 THIS DOCUMENT AND INFORMATION THAT IT CONTAINS ARE THE PROPERTY OF COMPUTER AUTOMATION, INC. RIGHTS TO DUPLICATE OR OTHERWISE COPY THIS DOCUMENT AND RIGHTS TO DISCLOSE THE DOCUMENT AND SUCH INFORMATION TO OTHERS AND THE RIGHT TO USE THE INFORMATION CONTAINED THEREIN, MAY BE ACQUIRED ONLY BY WRITTEN PERMISSION SIGNED BY A FULLY AUTHORIZED OFFICER OF COMPUTER AUTOMATION, INC.

SIZE	D	75-53506-XX	REV	D3
SCALE	SHT. 15 OF			

DRAWN BY: J. D. ...

A

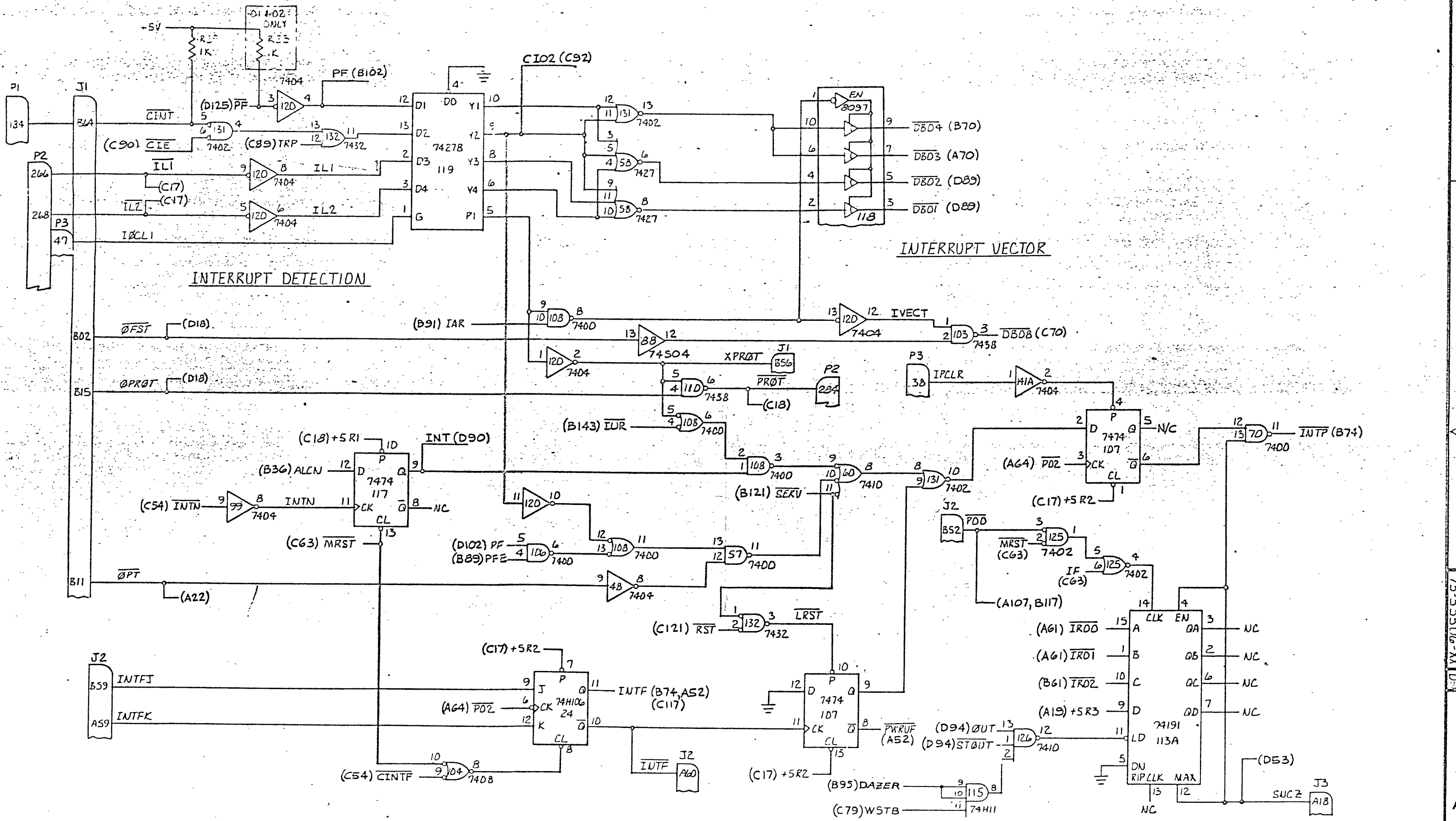
REVISIONS					
REV	DESCRIPTION	DR	CH	DATE	APPROVAL



PROPRIETARY RIGHTS NOTICE
 THIS DOCUMENT AND INFORMATION THAT IT CONTAINS ARE THE PROPERTY OF COMPUTER AUTOMATION, INC. RIGHTS TO DUPLICATE OR OTHERWISE COPY THIS DOCUMENT AND RIGHTS TO DISCLOSE THE DOCUMENT AND SUCH INFORMATION TO OTHERS AND THE RIGHT TO USE THE INFORMATION CONTAINED THEREIN, MAY BE ACQUIRED ONLY BY WRITTEN PERMISSION SIGNED BY A DULY AUTHORIZED OFFICER OF COMPUTER AUTOMATION, INC.

SIZE	D	75-53506-XX	REV	D
SCALE	SHT. 14 OF			

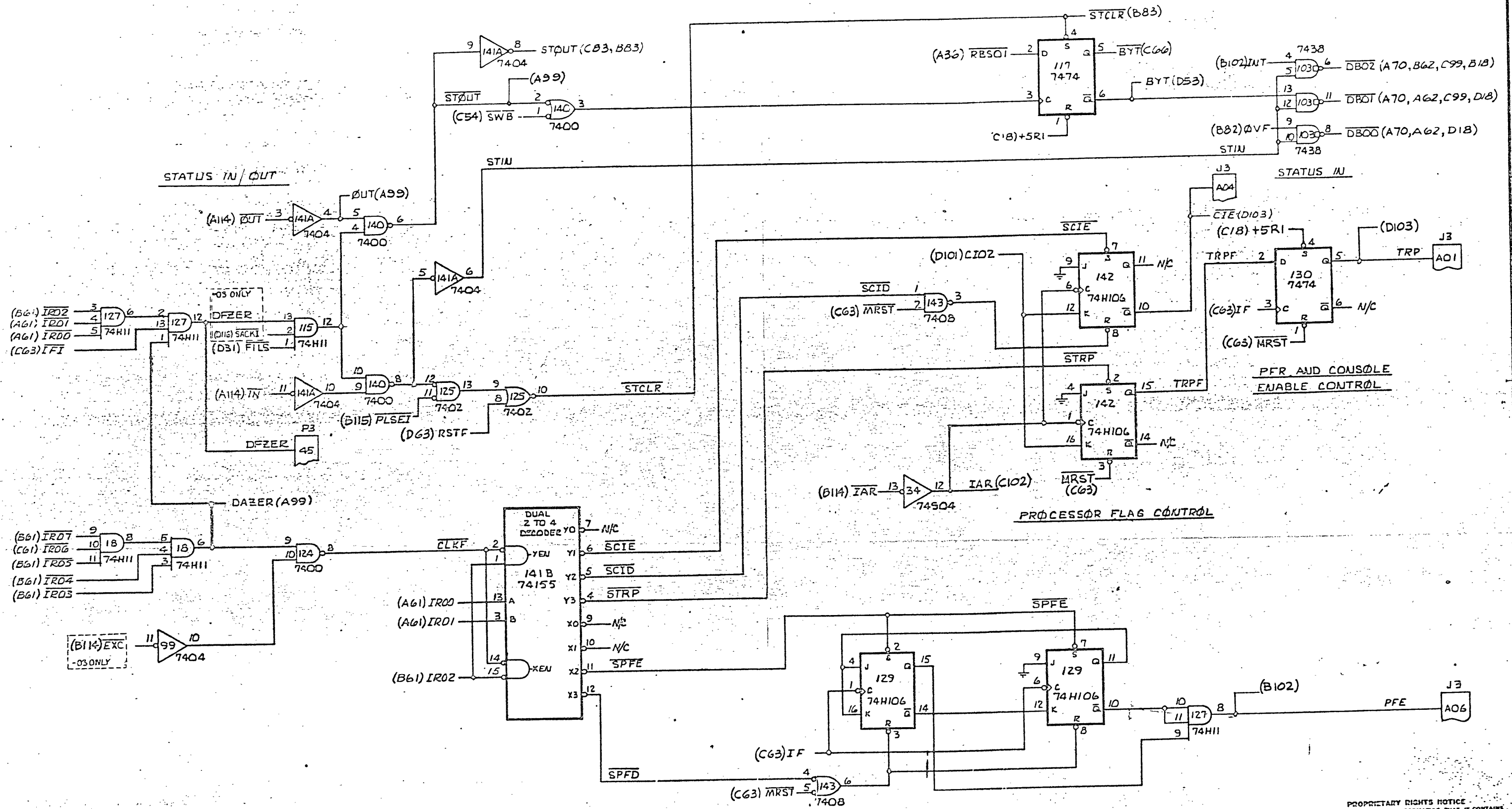
REVISIONS					
REV	DESCRIPTION	DR	CH	DATE	APPROVAL



PROPRIETARY RIGHTS NOTICE
 THIS DOCUMENT AND INFORMATION THAT IT CONTAINS ARE THE PROPERTY OF COMPUTER AUTOMATION, INC. RIGHTS TO REPRODUCE OR OTHERWISE COPY THIS DOCUMENT AND RIGHTS TO DISCLOSE THE DOCUMENT AND SUCH INFORMATION TO OTHERS AND THE RIGHT TO USE THE INFORMATION CONTAINED THEREIN, MAY BE ACQUIRED ONLY BY WRITTEN PERMISSION SIGNED BY A DULY AUTHORIZED OFFICER OF COMPUTER AUTOMATION, INC.

SIZE	D	75-53506-XX	REV	D35
SCALE	=		SHT.	13 OF

REVISIONS					
REV	DESCRIPTION	DR	CH	DATE	APPROVAL

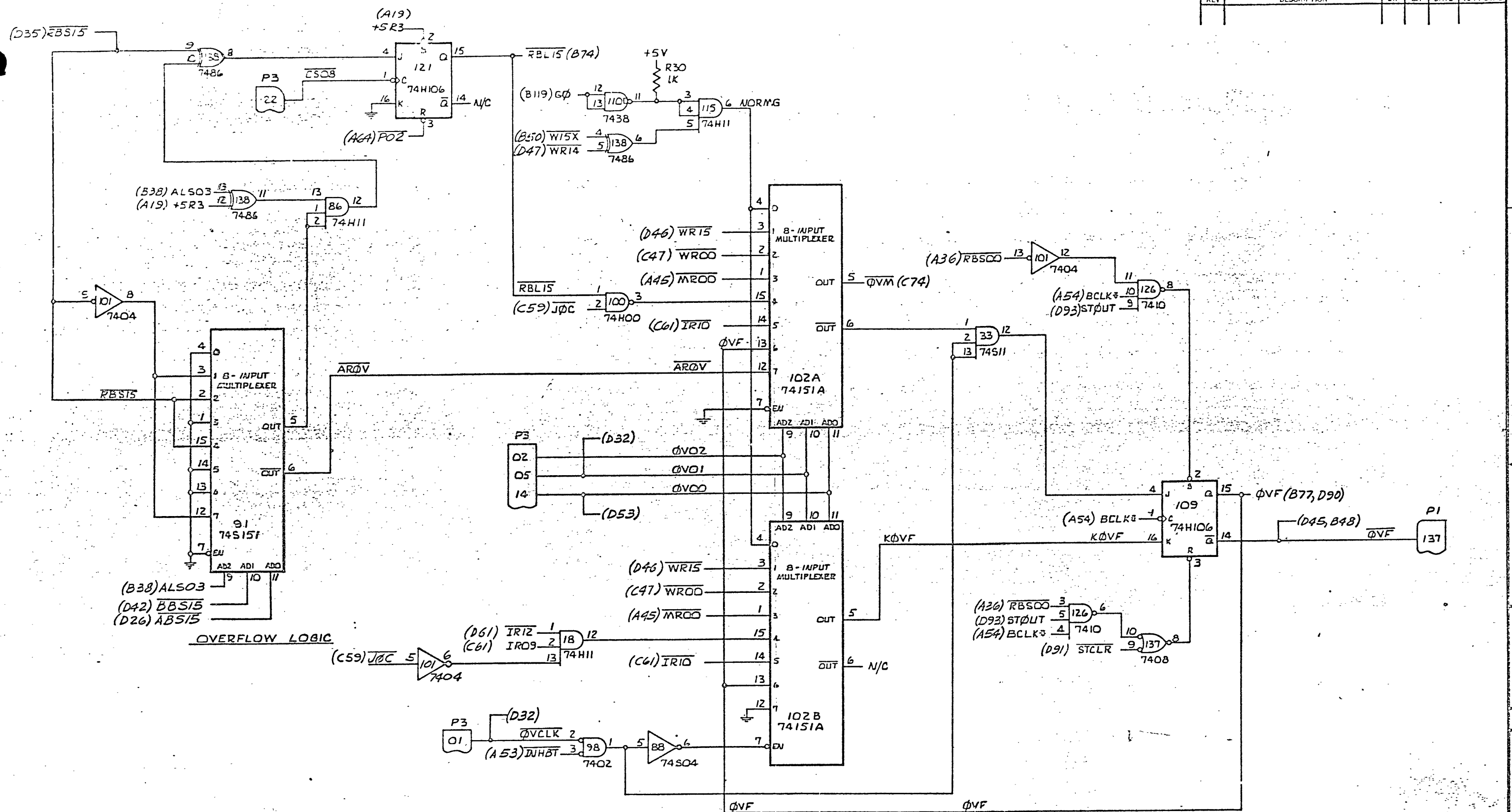


PROPRIETARY RIGHTS NOTICE
 THIS DOCUMENT AND INFORMATION THAT IT CONTAINS ARE THE PROPERTY OF COMPUTED AUTOMATION, INC. RIGHTS TO DUPLICATE OR OTHERWISE COPY THIS DOCUMENT AND RIGHTS TO DISCLOSE THE DOCUMENT AND SUCH INFORMATION TO OTHERS AND THE RIGHT TO USE THE INFORMATION CONTAINED THEREIN, MAY BE ACQUIRED ONLY BY WRITTEN PERMISSION SIGNED BY A DULY AUTHORIZED OFFICER OF COMPUTED AUTOMATION, INC.

SIZE	D	75-53506-XX	REV	D30
SCALE			SHT.	12 OF

75-53506-XX

REVISIONS					
REV	DESCRIPTION	DR	CH	DATE	APPROVAL

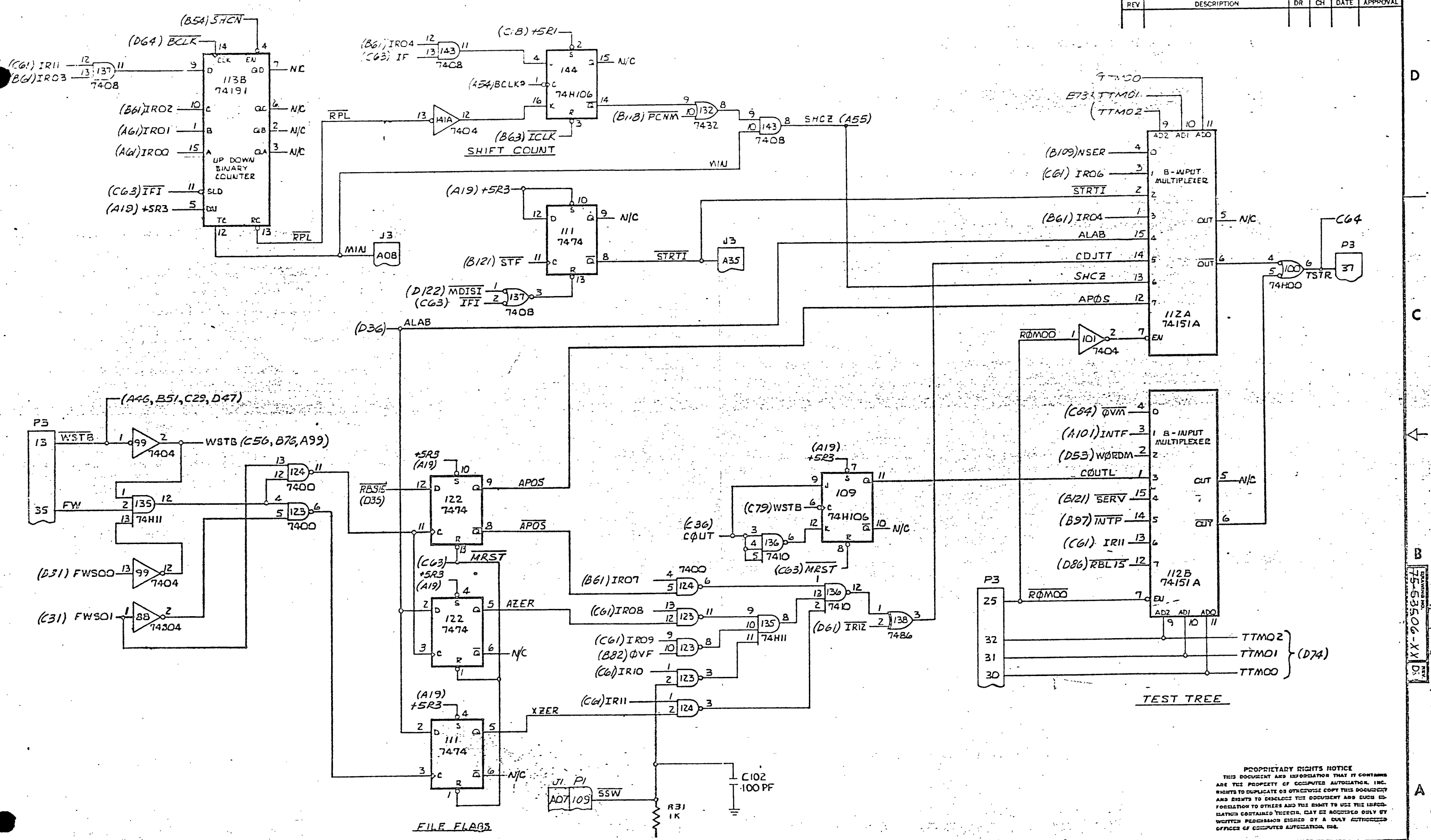


PROPRIETARY RIGHTS NOTICE
 THIS DOCUMENT AND INFORMATION THAT IT CONTAINS ARE THE PROPERTY OF COMPUTER AUTOMATION, INC. RIGHTS TO DUPLICATE OR OTHERWISE COPY THIS DOCUMENT AND RIGHTS TO DISCLOSE THE DOCUMENT AND SUCH INFORMATION TO OTHERS AND THE RIGHT TO USE THE INFORMATION CONTAINED THEREIN, MAY BE ACQUIRED ONLY BY WRITTEN PERMISSION SIGNED BY A DULY AUTHORIZED OFFICER OF COMPUTER AUTOMATION, INC.

SIZE	D	75-53506-XX	REV	D30
SCALE			SHT.	11 OF

75-53506-XX

REVISIONS					
REV	DESCRIPTION	DR	CH	DATE	APPROVAL

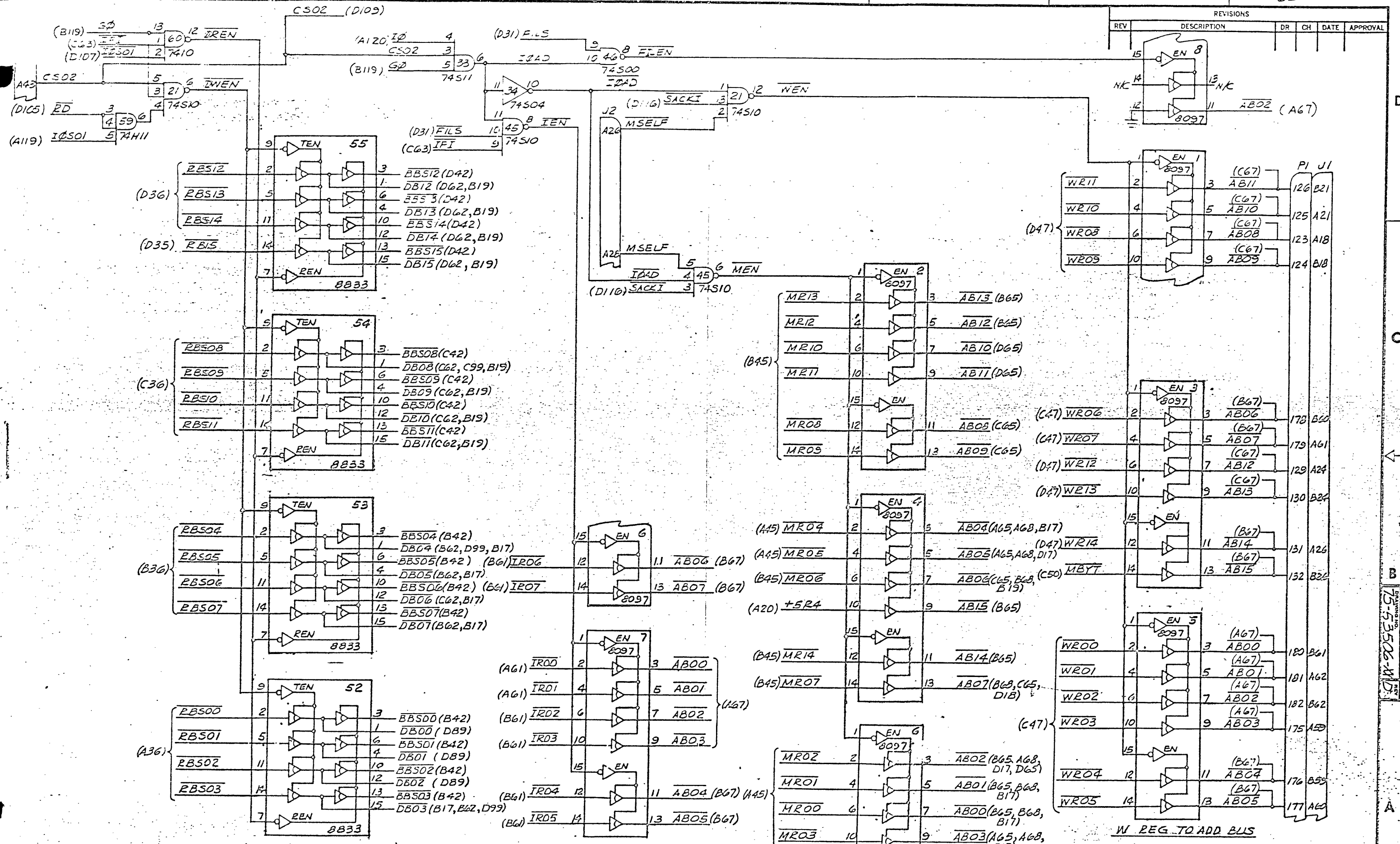


PROPRIETARY RIGHTS NOTICE
 THIS DOCUMENT AND INFORMATION THAT IT CONTAINS ARE THE PROPERTY OF COMPUTER AUTOMATION, INC. RIGHTS TO DUPLICATE OR OTHERWISE COPY THIS DOCUMENT AND RIGHTS TO DISCLOSE THE DOCUMENT AND SUCH INFORMATION TO OTHERS AND THE RIGHT TO USE THE INFORMATION CONTAINED THEREIN, MAY BE ACCORDED ONLY BY WRITTEN PERMISSION SIGNED BY A DULY AUTHORIZED OFFICER OF COMPUTER AUTOMATION, INC.

SIZE	D	75-53506-XX	REV	D20
SCALE	=		SHT.	10 OF

D
C
B
A

REVISIONS					
REV	DESCRIPTION	DR	CH	DATE	APPROVAL



DATA BUS TRANSCEIVERS

I REG TO ADD BUS

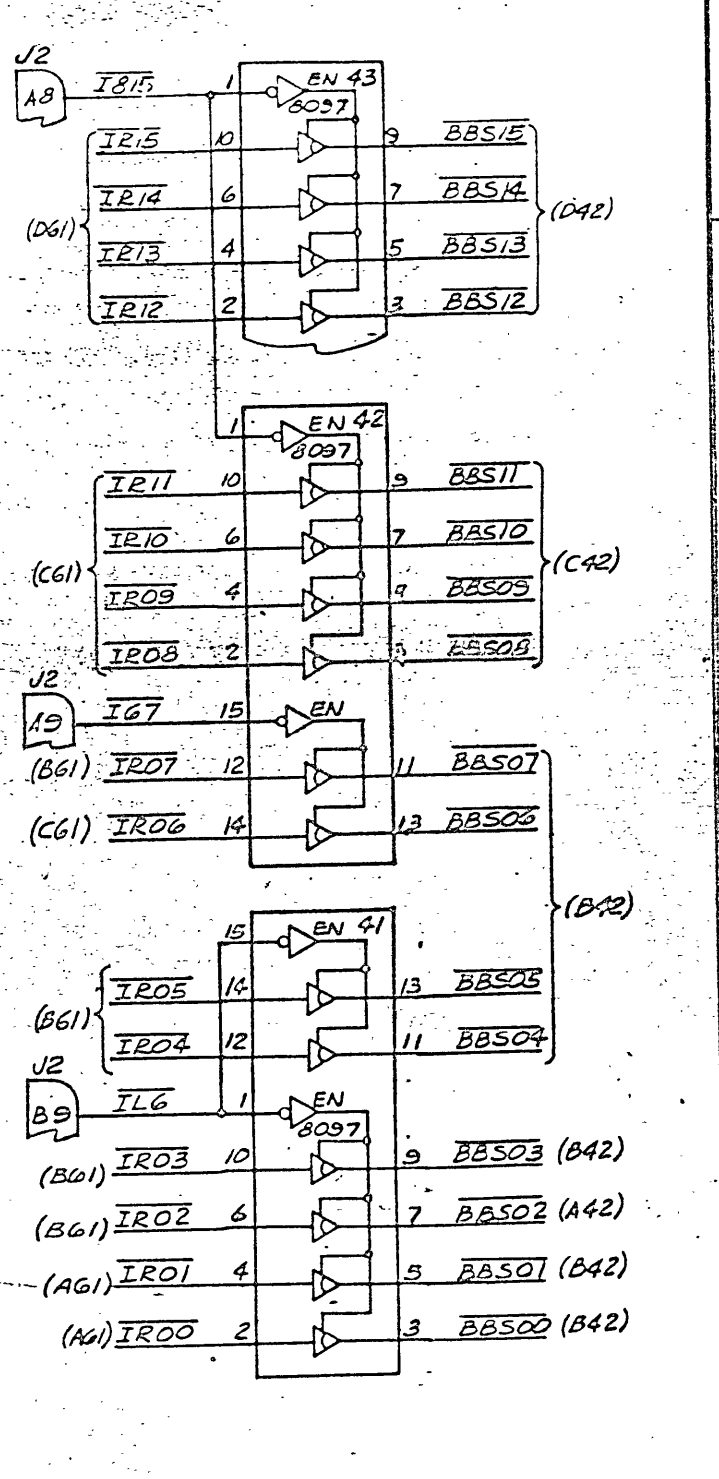
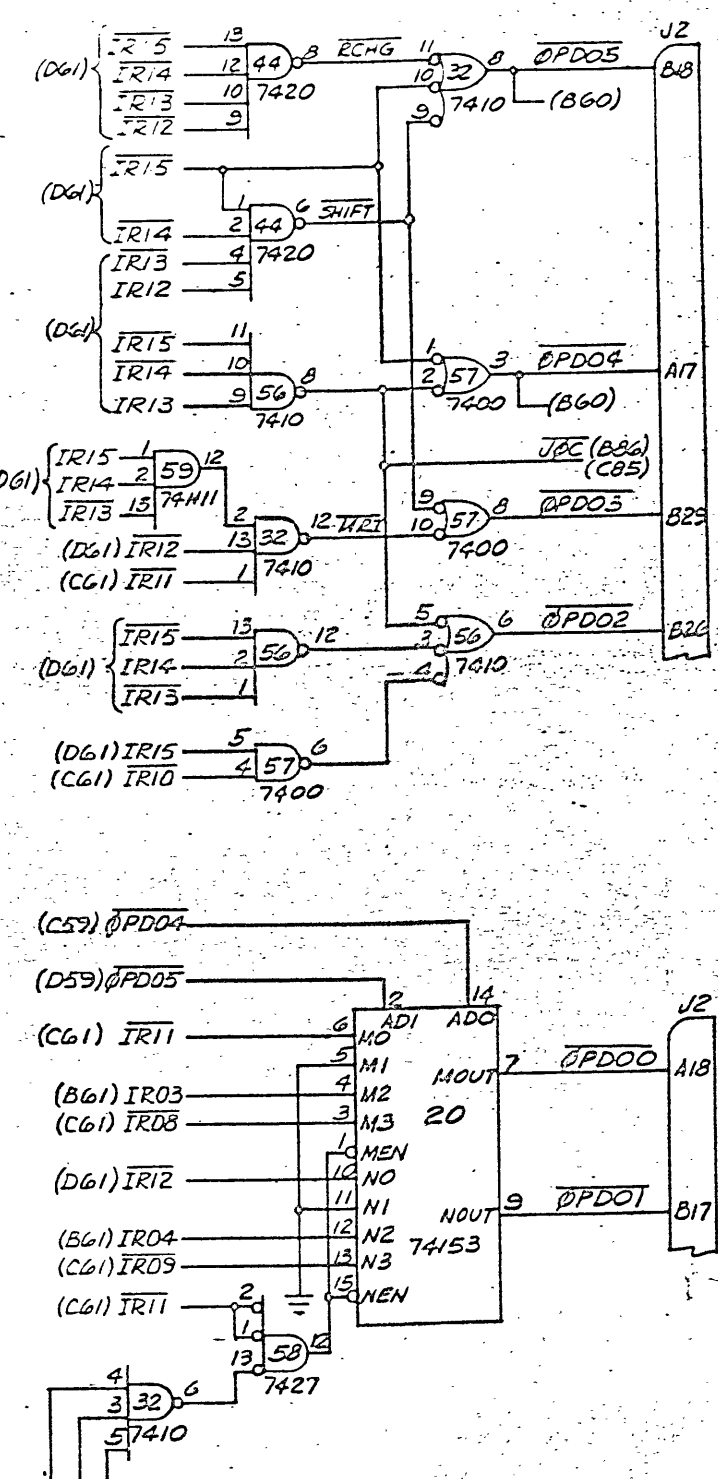
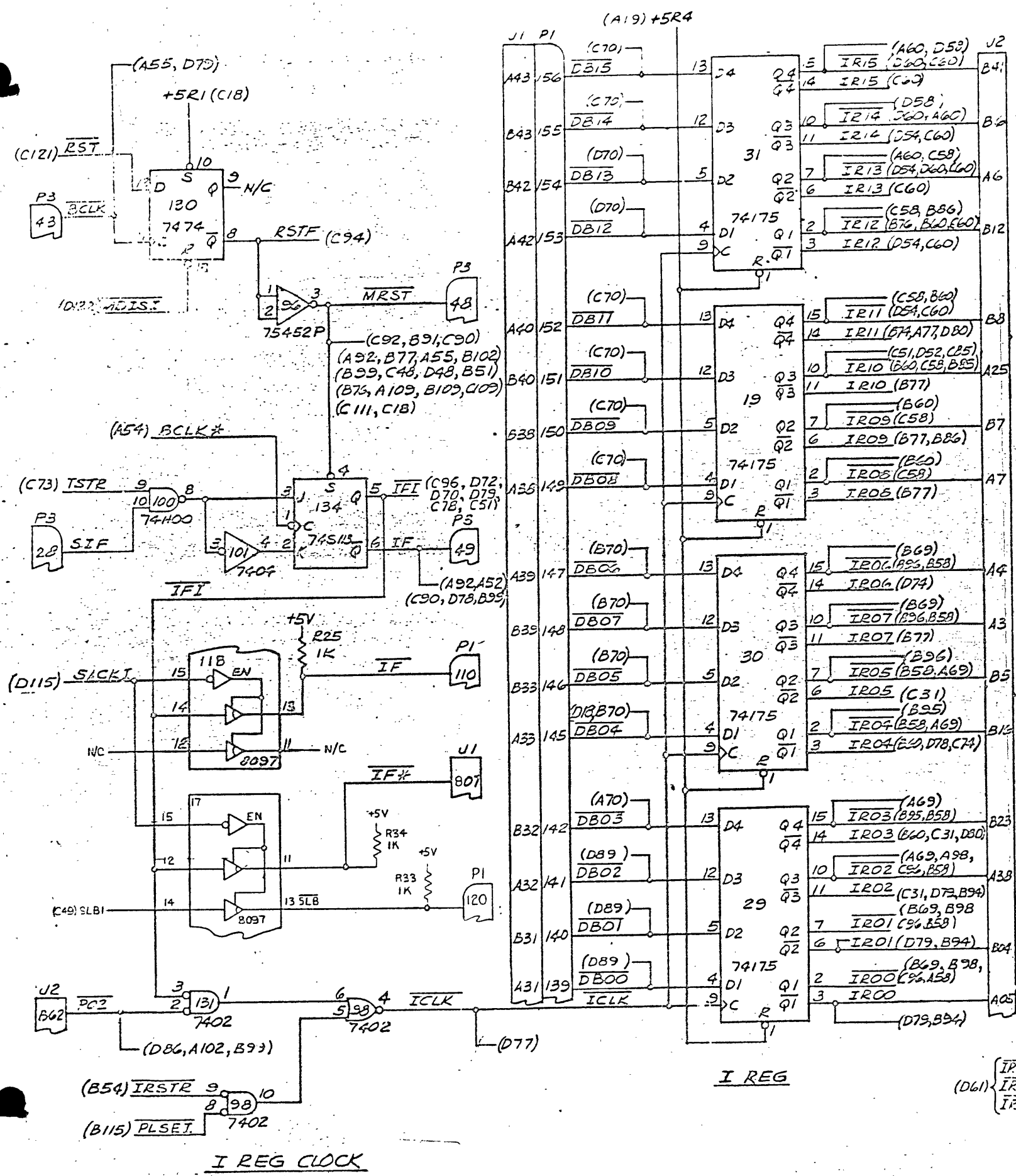
M REG TO ADD BUS

W REG TO ADD BUS

SIZE	D	75-53506-XX	REV	D30
SCALE	SHT. 9 OF 13			

75-53506-XX

REVISIONS					
REV	DESCRIPTION	DR	CH	DATE	APPROVAL



I REG

PRE CODE

I REG TO BBUS

I REG CLOCK

PROPRIETARY RIGHTS NOTICE
 THIS DOCUMENT AND INFORMATION THAT IT CONTAINS ARE THE PROPERTY OF COMPUTER AUTOMATION, INC. RIGHTS TO DUPLICATE OR OTHERWISE COPY THIS DOCUMENT AND RIGHTS TO DISCLOSE THE DOCUMENT AND SUCH INFORMATION TO OTHERS AND THE RIGHT TO USE THE INFORMATION CONTAINED THEREIN, MAY BE ACCQUIRED ONLY BY WRITTEN PERMISSION ISSUED BY A DULY AUTHORIZED OFFICER OF COMPUTER AUTOMATION, INC.

SIZE	D	75-53506-XX	REV	D58
SCALE			SHT.	8 OF

75-53506-X1 D

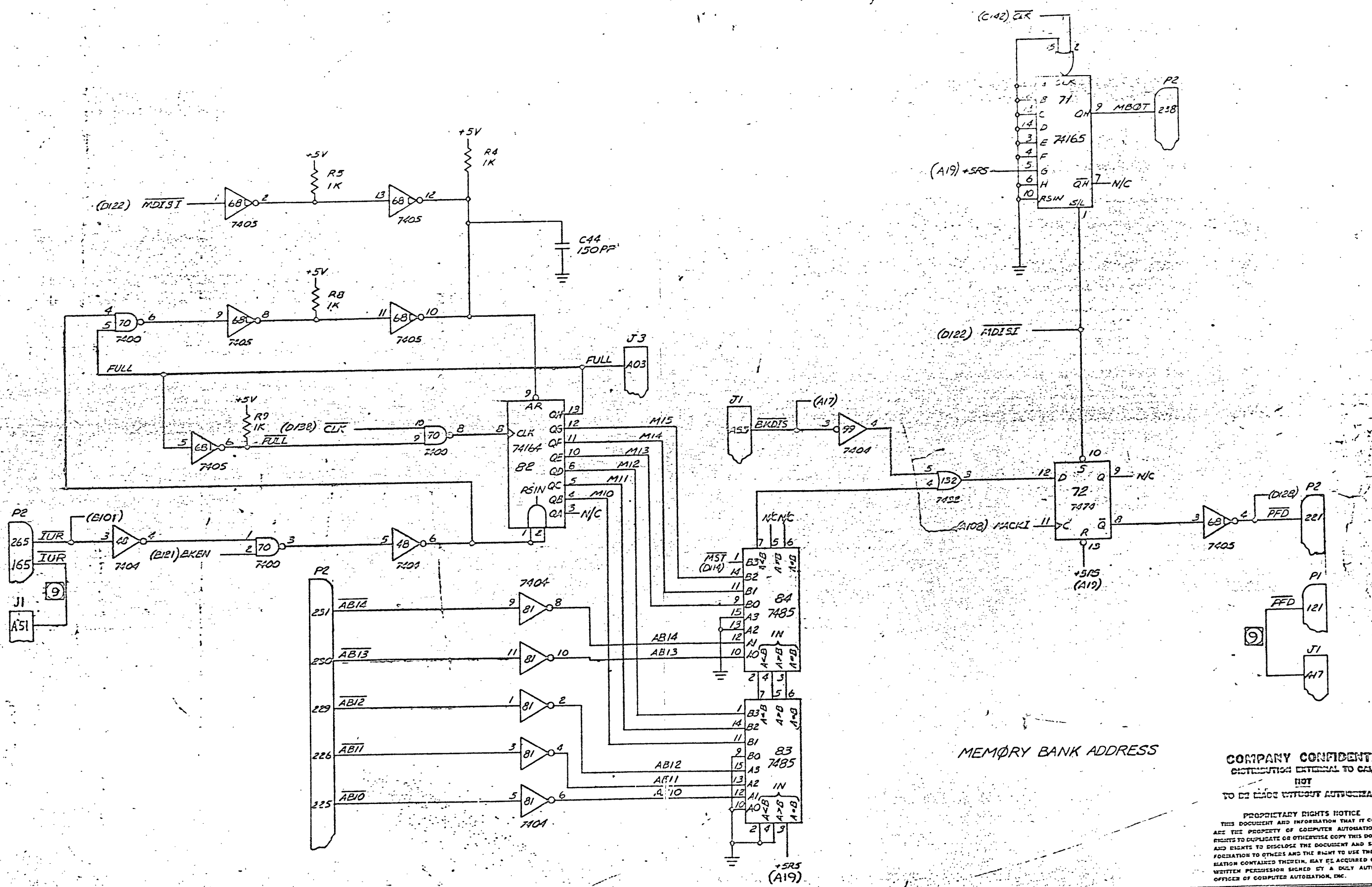
A

D

C

B

A



MEMORY BANK ADDRESS

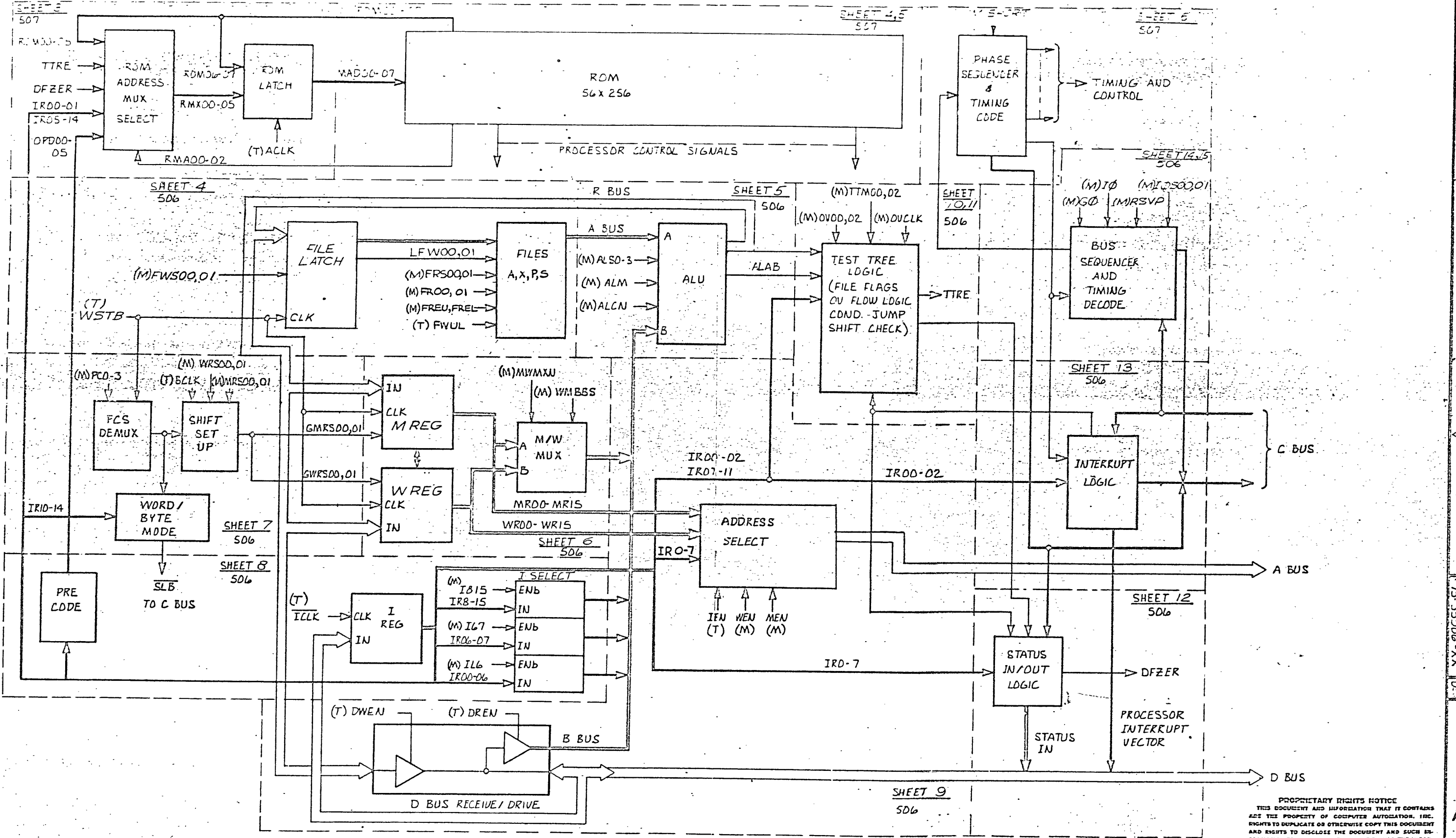
COMPANY CONFIDENTIAL
 DISTRIBUTION EXTERNAL TO CIA
 NOT
 TO BE MADE WITHOUT AUTHORIZATION

PROPRIETARY RIGHTS NOTICE
 THIS DOCUMENT AND INFORMATION THAT IT CONTAINS ARE THE PROPERTY OF COMPUTER AUTOMATION, INC. RIGHTS TO DUPLICATE OR OTHERWISE COPY THIS DOCUMENT AND RIGHTS TO DISCLOSE THE DOCUMENT AND SUCH INFORMATION TO OTHERS AND THE RIGHT TO USE THE INFORMATION CONTAINED THEREIN, MAY BE ACQUIRED ONLY BY WRITTEN PERMISSION SIGNED BY A DULY AUTHORIZED OFFICER OF COMPUTER AUTOMATION, INC.

SIZE	D	REV	D30
75-53506-XX		SHT. 18 OF 18	

D
 C
 B
 A
 150
 151
 152
 153
 154
 155
 156
 157

REVISIONS					
REV	DESCRIPTION	DR	CH	DATE	APPROVAL



2. (T) DESIGNATES TIMING AND CONTROL SIGNALS.
 1. (M) DESIGNATES PROCESSOR (ROM) CONTROL SIGNALS.
 NOTES-UNLESS OTHERWISE SPECIFIED

LSI-2 BLOCK DIAGRAM

PROPRIETARY RIGHTS NOTICE
 THIS DOCUMENT AND INFORMATION THAT IT CONTAINS ARE THE PROPERTY OF COMPUTER AUTOMATION, INC. RIGHTS TO DUPLICATE OR OTHERWISE COPY THIS DOCUMENT AND RIGHTS TO DISCLOSE THE DOCUMENT AND SUCH INFORMATION TO OTHERS AND THE RIGHT TO USE THE INFORMATION CONTAINED THEREIN, MAY BE ACQUIRED ONLY BY WRITTEN PERMISSION SIGNED BY A DULY AUTHORIZED OFFICER OF COMPUTER AUTOMATION, INC.

SIZE	D	75-53506-XX	REV	D30
SCALE	1" = 1/8" (SHT. 17 OF 17)			

REVISIONS					
REV	DESCRIPTION	DR	CH	DATE	APPROVAL

THIS SHEET CONTAINS PROPRIETARY INFORMATION
WHICH MAY NOT BE REPRODUCED

D
C
B
A

75-53506-XX
D30

PROPRIETARY RIGHTS NOTICE
THIS DOCUMENT AND INFORMATION THAT IT CONTAINS ARE THE PROPERTY OF COMPUTER AUTOMATION, INC. RIGHTS TO DUPLICATE OR OTHERWISE COPY THIS DOCUMENT AND RIGHTS TO DISCLOSE THE DOCUMENT AND SUCH INFORMATION TO OTHERS AND THE RIGHT TO USE THE INFORMATION CONTAINED THEREIN, MAY BE ACQUIRED ONLY BY WRITTEN PERMISSION SIGNED BY A DULY AUTHORIZED OFFICER OF COMPUTER AUTOMATION, INC.

SIZE	D	75-53506-XX	REV	D30
SCALE	=		SHT. 18	OF 18