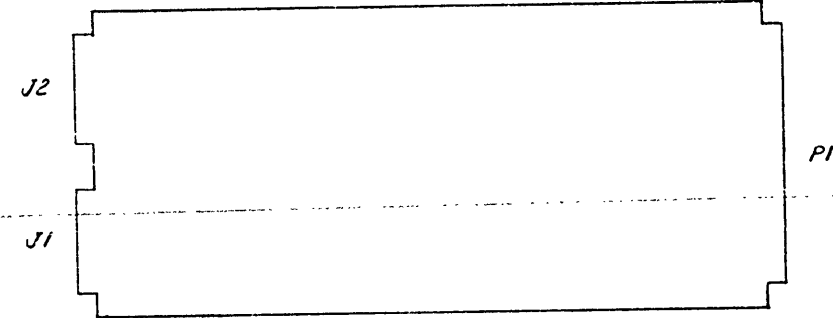


REV	DESCRIPTION	DN	GI	DATE	APPROVAL
1	CHANGE PER EN 3910	CC	RC	1/20	AV
2	INCORPORATE EN 3915	CC	RC	1/20	AV
3	INCORPORATE EN 4002	CC	RC	1/20	AV
4	INCORPORATE EN 4132	CC	RC	1/20	AV
5	INCORPORATE EN 4145	CC	RC	1/20	AV
6	INCORPORATE EN 4332	RG	RC	1/20	AV
C13	INCORPORATE EN 4897	RG	RC	1/20	AV
C14	INCORPORATE EN 4945	RG	RC	1/20	AV
C15	INCORPORATE EN 5135	RG	RC	1/20	AV
C16	INCORPORATE EN 5179	RG	RC	1/20	AV
C17	INCORPORATE EN 5649H	AD	RC	1/20	AV
C18	INCORPORATE EN 5911D	AD	RC	1/20	AV
C19	INCORPORATE EN 6033D	AD	RC	1/20	AV
C20	INCORPORATE PER EN 6108H	GB	RC	1/20	AV
C21	INCORPORATE PER EN 6818H	GB	RC	1/20	AV
C22	INCORPORATE PER EN 7526H	GB	RC	1/20	AV
C23	INCORPORATE PER EN 7653D	GB	RC	1/20	AV
C24	INCORPORATE PER EN 7655D	GB	RC	1/20	AV



COMPONENT SIDE

TABULATION BLOCK

DASH NO.	DESCRIPTION	BILL OF MATERIALS	JUMPER
-00	BASIC	70-53507-01	A TO B
-25	LSI2/25 ROM	70-53507-25	A TO B

ROM CONFIGURATION TABLE

ROM	IC	-00	-25		
-01	1	47186	85107		
-02	2	47192	85113		
-03	6	47187	85108		
-04	7	47193	85114		
-05	11	47188	85109		
-06	12	47194	85115		
-07	16	47189	85110		
-08	17	47195	85116		
-09	21	47266	85111		
-10	22	47198	85119		
-11	27	47268	85118		
-12	31	47267	85112		
-13	32	47269	85120		
-14	37	47196	85117		

PROPRIETARY RIGHTS NOTICE
 THIS DOCUMENT AND INFORMATION THAT IT CONTAINS ARE THE PROPERTY OF COMPUTER AUTOMATION, INC. RIGHTS TO DUPLICATE OR OTHERWISE COPY THIS DOCUMENT AND RIGHTS TO DISCLOSE THE DOCUMENT AND SUCH INFORMATION TO OTHERS AND THE RIGHT TO USE THE INFORMATION CONTAINED THEREIN, MAY BE ACQUIRED ONLY BY WRITTEN PERMISSION GRANTED BY A DULY AUTHORIZED OFFICER OF COMPUTER AUTOMATION, INC.

7. LAST REF DESIGNATION USED IC50, R2C15, RPB & ALL CAPACITORS ARE 0.22 MF *80%-20%, 25V.
 5. BI DIRECTIONAL SIGNAL DENOTED BY \rightleftarrows
 4. OUTPUT SIGNAL DENOTED BY \rightarrow
 3. INPUT SIGNAL DENOTED BY \leftarrow
 2. RESISTORS ARE IN OHMS $\pm 5\%$, 1/4W.
 1. FOR DRAWING NO. SEE TABULATION BLOCK.

NOTES UNLESS SPECIFIED		DR. JACK OSKINS 10-1374		Computer Automation 1801 Von Karman Ave. Calif 92664	
1. TOLERANCES .XX $\pm .03$ ANGULAR .XXX $\pm .010$ $\pm .04$		CHKD BY <i>[Signature]</i> 7-9-75	DES. <i>[Signature]</i>	TITLE LOGIC DIAGRAM - PROCESSOR HALF CARD	
2. BREAK ALL SHARP EDGES .010 APPROX.		ENGR. <i>[Signature]</i> 7-9-75		SIZE DWG. NO. D 75-53507-XX	
3. ALL DIM. IN INCHES		NEXT ASSEMBLY 75-53507-25		REV C24	
UNLESS OTHERWISE SPECIFIED		DO NOT SCALE DRAWING		SCALE = $\frac{1}{1}$ SHE. / OF 6	

PI	SIGNAL	DIRECTION	LOCATION
A02	GND	←	
A03	F255	↑	(C22)
A04	F255	↑	(B22)
A05	IROO	↑	(B22)
A06	F255	↑	(C22)
A07	IRO3	←	(B22)
A08	I815	→	(D34)
A09	I817	→	(D34)
A10	+5V	←	
A11	+5V	←	
A12	SPARE		
A13	ALU00	→	(D28)
A14	ALU02	↑	(D28)
A15	WMBB5	↑	(C37)
A16	MAD02	→	(B18)
A17	CPDO2	←	(C24)
A18	CPDO3	←	(A22)
A19	MAD07	→	(C18)
A20	MAD00	→	(B18)
A21	GND	←	
A22	GND	←	
A23	MAD01	→	(B18)
A24	MAD03	→	(B18)
A25	IRIO	←	(C22)
A26	MSELF	→	(C41)
A27	MAD05	↑	(C18)
A28	MSELF	↑	(C41)
A29	MAD05	↑	(C18)
A30	MAD12	↑	(C18)
A31	MAD10	↑	(C18)
A32	MAD14	→	(D18)
A33	+5V	←	
A34	+5V	←	
A35	MAD16	→	(D18)
A36	I0500	→	(C37)
A37	MAD17	→	(D18)
A38	RESERVED		
A39	PAG00	→	(C31)
A40	PAGO1	→	(B31)
A41	SPARE		
A42	SPARE		
A43	CS02	→	(D43)
A44	SPARE		
A45	SPARE		
A46	GND	←	
A47	GND	←	
A48	BS04	←	(B48)
A49	SPARE		
A50	CTC	←	(C43)
A51	SPARE		
A52	↑		
A53	↓		
A54	SPARE		
A55	+5V	←	
A56	+5V	←	
A57	+5V	←	
A58	NSER	←	(B46)
A59	INTFK	→	(B46)
A60	INTP	←	(A45)
A61	BS03	←	(B48)
A62	CLKEN	←	(C48)
A63	SPARE		
A64	GND	←	
A65	GND	←	

PI	SIGNAL	DIRECTION	LOCATION
B01	GND	←	
B02	GND	←	
B03	F255	→	(C43)
B04	F255	→	(C22)
B05	IROS	↑	(A22)
B06	F255	→	(C24)
B07	F255	→	(C24)
B08	I811	←	(B22)
B09	I816	→	(D34)
B10	+5V	←	
B11	+5V	←	
B12	I812	↑	(B22)
B13	STOPT	←	(C42)
B14	F255	→	(D28)
B15	ALU03	→	(D28)
B16	RESERVED		
B17	CPDO1	←	(B22)
B18	CPDO5	←	(D24)
B19	CS01	→	(D45)
B20	10MHE	→	(C42)
B21	GND	←	
B22	GND	←	
B23	RESERVED		
B24	MAD04	→	(C18)
B25	I0CLI	→	(B43)
B26	CPDO2	←	(C22)
B27	SPACKI	→	(A45)
B28	10MHE	→	(C43)
B29	CPDO3	←	(B24)
B30	MAD11	→	(C18)
B31	MAD13	→	(D18)
B32	MAD15	→	(D18)
B33	+5V	←	
B34	+5V	←	
B35	RESERVED		
B36	G0	→	(C34)
B37	I0	←	(B48)
B38	RESERVED		
B39	SPARE		
B40	RESERVED		
B41	RESERVED		
B42	I0501	→	(C37)
B43	P03	→	(A45)
B44	SPARE		
B45	SPARE		
B46	GND	←	
B47	GND	←	
B48	FAUSF	→	(C45)
B49	RESERVED		
B50	RESERVED		
B51	RESERVED		
B52	P00	→	(B43)
B53	RESERVED		
B54	RSVP	→	(B34)
B55	I0	→	(C31)
B56	+5V	←	
B57	+5V	←	
B58	CLY	→	(B44)
B59	INTFJ	→	(B34)
B60	XCLK	←	(C47)
B61	20MHE	→	(C41)
B62	P02	→	(A45)
B63	ENDP	←	(C46)
B64	GND	←	
B65	GND	←	

J1	SIGNAL	DIRECTION	LOCATION
J1	XCLK	←	(B-E)
J2	F255	→	(B25)
J3	FMS00	→	(D25)
J4	FMS01	→	(B25)
J5	FMS02	→	(B25)
J6	ILOCK	←	(A20)
J7	SLDCK	←	(A20)
J8	GND	→	
J9	FMS01	→	(D25)
J10	FRS00	↑	(B28)
J11	FRS01	↑	(B28)
J12	ALM	↑	(C28)
J13	IVSTB	↑	(B47)
J14	QV00	↑	(B25)
J15	FWUL	↑	(B45)
J16	LNK02	↑	(B38)
J17	WRS01	↑	(C25)
J18	FREU	↑	(B28)
J19	LNK01	↑	(D37)
J20	MRS00	↑	(C25)
J21	MRS01	↑	(C25)
J22	CS08	→	(D41)
J23	GND	→	
J24	INHBT	←	(B35)
J25	R0M00	→	(A37)
J26	RMA01	↑	(B38)
J27	WRS00	↑	(C25)
J28	SIF	↑	(C28)
J29	FREL	↑	(B28)
J30	TTM00	↑	(D37)
J31	TTM01	↑	(D37)
J32	TTM02	↑	(D37)
J33	LNK00	↑	(D25)
J34	MSEL	↑	(C28)
J35	FW	↑	(D25)
J36	MWMXN	→	(D34)
J37	TSTR	←	(A21)
J38	IPCLR	→	(B41)
J39	PC500	→	(B37)
J40	PC503	→	(C37)
J41	RMION	←	(A22)
J42	PC501	→	(B37)
J43	BLK	→	(C46)
J44	PC502	→	(B37)
J45	DFZER	←	(D22)
J46	ALCN	→	(C28)
J47	I0CLI	→	(A44)
J48	MRST	←	(B29)
J49	IF	←	(B48)
J50	GND	→	

J2	SIGNAL	DIRECTION	LOCATION
PIN 01	FMS02	→	(A34)
02	FMS02	→	(B35)
03	FMS02	→	(C34)
04	FMS01	→	(C34)
05	FMS02	→	(B37)
06	SPARE		
07	SPARE		
08	SPARE		
09	TRDM1	←	(B38)
10	R0M07	→	(B35)
11	SPARE		
12	SPARE		
13	SPARE		
14	RAEN	→	(B31)
15	SPARE		
16	↑		
17	↑		
18	SPARE		
A	R0M05	→	(B34)
B	TRDM2	→	(B34)
C	R0M03	→	(C34)
D	SPARE		
E	RMA00	→	(A37)
F	SPARE		
H	SPARE		
J	SPARE		
K	TRDM3	←	(B34)
L	CS04	→	(D42)
M	SPARE		
N	SPARE		
P	SPARE		
R	CARRY	→	(B42)
S	SHORT	→	(B35)
T	STOPF	→	(C41)
U	SPARE		
V	SPARE		

REV	DESCRIPTION	DATE	APPROVAL

REV	DESCRIPTION	DATE	APPROVAL

RPI	RP2
+5V 1	1 +5V
WMBB5 2	2 I0 (C38)
AJ03 3	3 RSVP (B35)
ALU02 4	4 INTFJ (B35)
ALU01 5	5 XCLK (C47)
ALU00 6	6 CLKEN (C48)
I816 7	7 CTC (C42)
I817 8	8 I0501 (C38)
I815 9	9 I0500 (C38)
NIC 10	10 G0 (C35)
RP3	RP4
+5V 1	1 +5V
ALM 2	2 QV00 (B25)
FRS01 3	3 LNK02 (B39)
FRS00 4	4 WRS01 (C25)
FWS01 5	5 FREU (C28)
NIC 6	6 LNROT (D38)
QV01 7	7 MRS00 (C25)
FWS00B	8 MRS01 (C25)
QV02 9	9 R0M00 (C35)
QVCLK 10	10 RMA01 (B38)
RP5	RP6
+5V 1	1 +5V
WRS002	2 MWMXN (D35)
SIF 3	3 PCS00 (B38)
FREL 4	4 PCS01 (C38)
TTM005	5 PCS03 (B38)
TTM01 6	6 PCS02 (B38)
TTM02 7	7 ALCN (C28)
LNK00 8	8 NIC
MSEL 9	9 NIC
FW 10	10 NIC
RP7	RP8
+5V 1	1 +5V
RMA02 2	2 TRDM1 (B37)
RMA03 3	3 TRDM3 (B34)
R0M01 4	4 R0M07 (B35)
RMA02 5	5 +5R1 (C24, B24)
RMA03 6	6 NIC
TRDM2 7	7 +5R3 (B43)
RMA06 8	8 RAEN (B31)
RMA05 9	9 +5R2 (C41, C42, B44, C43)
RMA010	10 SHORT (B35)

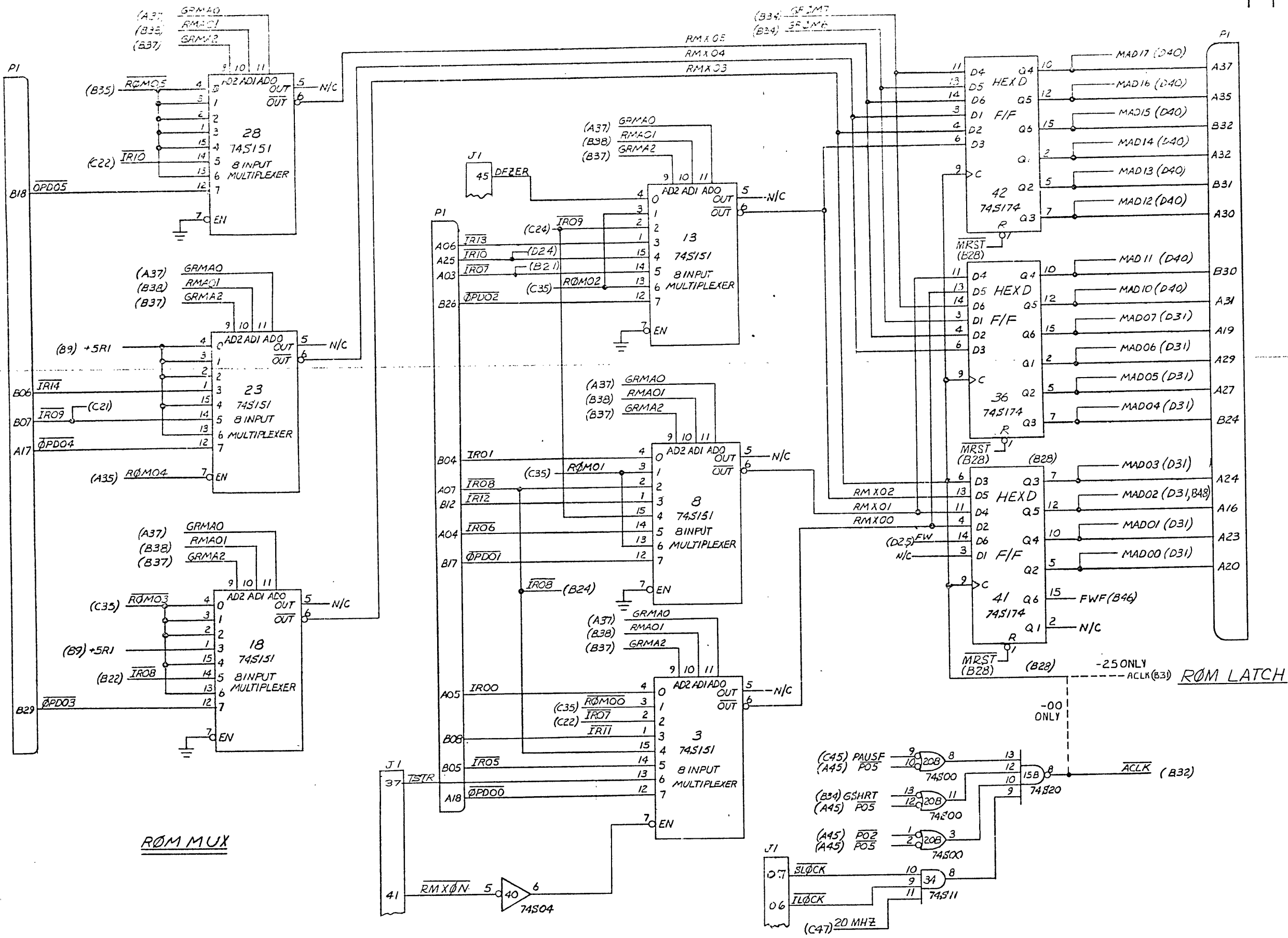
ALL RESISTORS PACKS ARE 1K, ±5%, 1/8W

PROPRIETARY RIGHTS NOTICE
THIS DOCUMENT AND INFORMATION THAT IT CONTAINS ARE THE PROPERTY OF COMPUTER AUTOMATION, INC. RIGHTS TO REPRODUCE OR TRANSMIT IN ANY FORM OR BY ANY MEANS, WITHOUT PERMISSION IN WRITING FROM COMPUTER AUTOMATION, INC. ARE HEREBY DENIED.

SIZE	D	75-53507-XX	REV	C24
SCALE			SHT. 2 OF	

75-53507-XX

REV	DESCRIPTION	OR	CH	DATE	APPROVAL



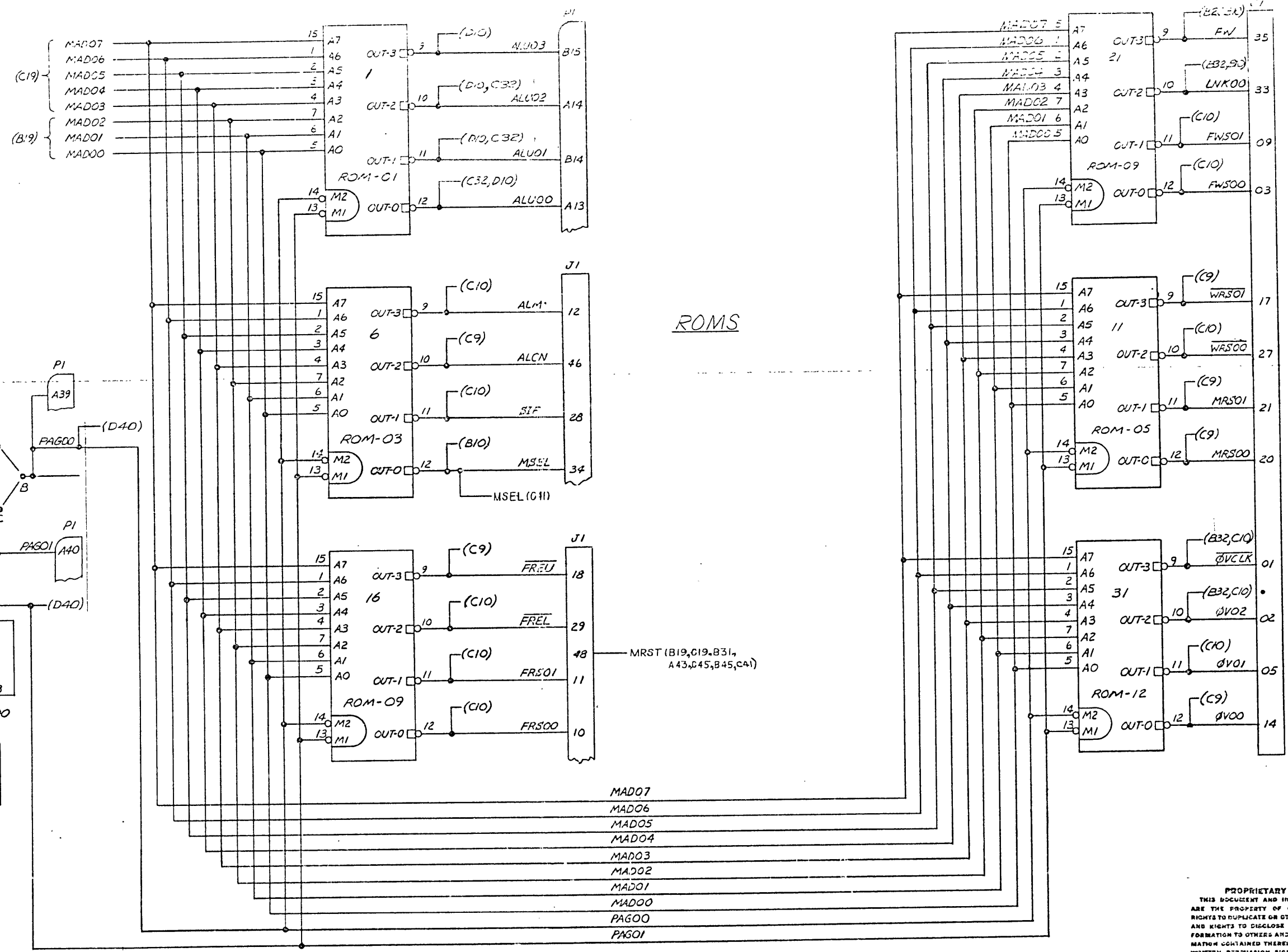
ROM MUX

PROPRIETARY RIGHTS NOTICE
 THIS DOCUMENT AND INFORMATION THAT IT CONTAINS ARE THE PROPERTY OF COMPUTER AUTOMATION, INC. RIGHTS TO DUPLICATE OR OTHERWISE COPY THIS DOCUMENT AND RIGHTS TO DISCLOSE THE DOCUMENT AND SUCH INFORMATION TO OTHERS AND THE RIGHT TO USE THE INFORMATION CONTAINED THEREIN, MAY BE ACQUIRED ONLY BY WRITTEN PERMISSION SIGNED BY A DULY AUTHORIZED OFFICER OF COMPUTER AUTOMATION, INC.

SIZE	D	75-53507-XX	REV	C24
SCALE			SHT.	3 OF

75-53507-XX C24

REVISIONS				
REV	DESCRIPTION	BY	DATE	APPROVAL



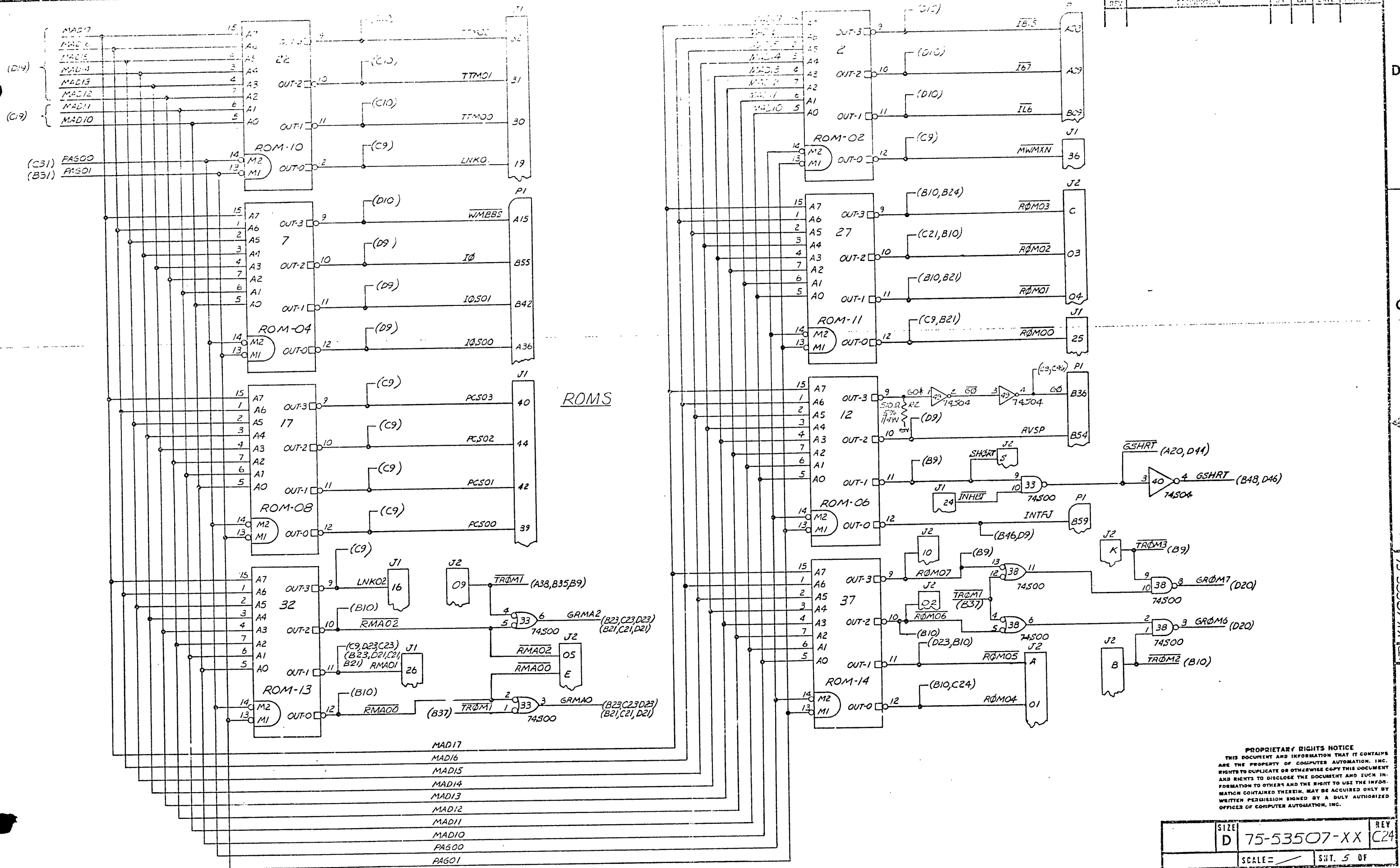
ROMS

PROPRIETARY RIGHTS NOTICE
 THIS DOCUMENT AND INFORMATION THAT IT CONTAINS ARE THE PROPERTY OF COMPUTER AUTOMATION, INC. RIGHTS TO DUPLICATE OR OTHERWISE COPY THIS DOCUMENT AND RIGHTS TO DISCLOSE THE DOCUMENT AND SUCH INFORMATION TO OTHERS AND THE RIGHT TO USE THE INFORMATION CONTAINED THEREIN, MAY BE ACQUIRED ONLY BY WRITTEN PERMISSION SIGNED BY A DULY AUTHORIZED OFFICER OF COMPUTER AUTOMATION, INC.

SIZE	D	REV	C24
SCALE	1/8"	SHT.	4 OF

D
C
A
B
75-53507-XX
C24

REV	DESCRIPTION	BY	DATE	APP. DATE



ROMS

PROPRIETARY RIGHTS NOTICE
 THIS DOCUMENT AND INFORMATION THAT IT CONTAINS ARE THE PROPERTY OF COMPUTER AUTOMATION, INC. RIGHTS TO DUPLICATE OR OTHERWISE COPY THIS DOCUMENT AND RIGHTS TO DISCLOSE THE DOCUMENT AND SUCH INFORMATION TO OTHERS AND THE RIGHT TO USE THE INFORMATION CONTAINED THEREIN, MAY BE ACQUIRED ONLY BY WRITTEN PERMISSION SIGNED BY A DULY AUTHORIZED OFFICER OF COMPUTER AUTOMATION, INC.

SIZE	D	REV	C24
SCALE		SHT.	5 OF

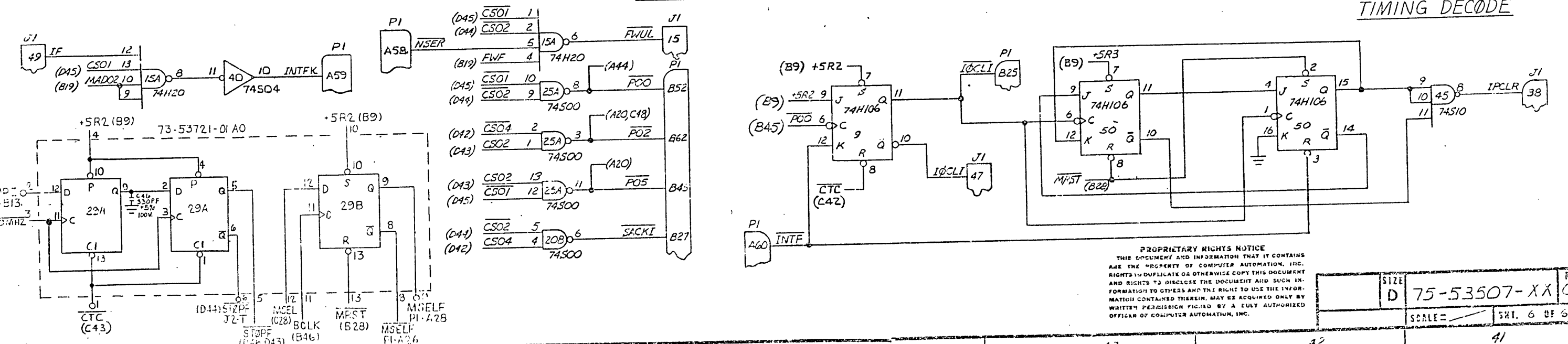
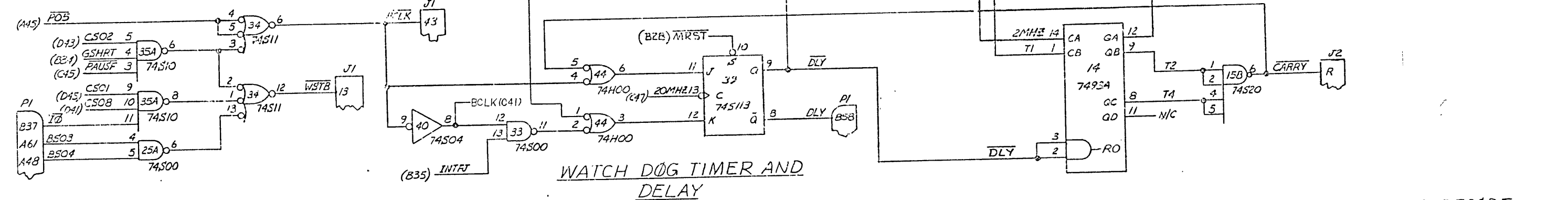
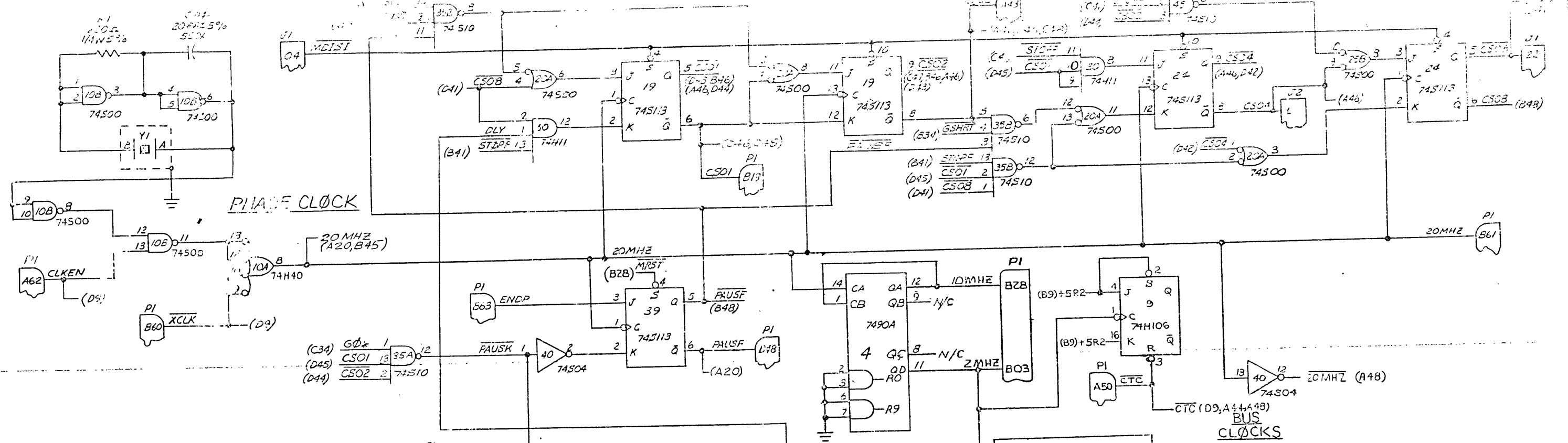
D

C

B

A

75-53507-XX C24



PROPRIETARY RIGHTS NOTICE
 THIS DOCUMENT AND INFORMATION THAT IT CONTAINS ARE THE PROPERTY OF COMPUTER AUTOMATION, INC. RIGHTS TO DUPLICATE OR OTHERWISE COPY THIS DOCUMENT AND RIGHTS TO DISCLOSE THE DOCUMENT AND SUCH INFORMATION TO OTHERS AND THE RIGHT TO USE THE INFORMATION CONTAINED THEREIN, MAY BE ACQUIRED ONLY BY WRITTEN PERMISSION FIGURED BY A FULLY AUTHORIZED OFFICER OF COMPUTER AUTOMATION, INC.

SIZE	D	REV	C24
SCALE	SHT. 6 OF 6		