

Workstation Hardware

First Edition Revised, Update Notice 4
A-09-00177-01-A

The attached pages update: (1) edition A-09-00016-01-A and Update Notices A-09-00058-01-A, A-09-00066-01-A, and A-09-00091-01-A or (2) edition A-09-00016-01-B and Update Notices A-09-00066-01-A and A-09-00091-01-A of the Workstation Hardware Manual.

Insert these pages according to the collating instructions on the back of this Notice.

Updated pages are indicated by a date at the bottom of the page.

Throughout this Manual, change bars in the margins indicate technical additions and changes. Asterisks indicate deletions. Editorial changes are not identified. All changes will be incorporated into the next edition of this Manual.

Insert this page after the title page of your Manual to provide a record of this update.

Copyright © 1983 by Convergent Technologies, Inc.



Convergent Technologies

COLLATING INSTRUCTIONS

The Workstation Hardware Manual has been divided into two volumes.

A second binder, new front matter (Tables of Contents, etc.) as well as new tab dividers and spine inserts are included with this Update Notice.

VOLUME 1: Sections 1 - 9

<u>Delete</u>		<u>Replace with</u>
- - - - -		Volume 1 Title Page
i to xvi		iii to xxii
2-25, 2-26		2-25, 2-26
4-47 to 4-50		4-47 to 4-50
5-1		5-1
5-3 to 5-8		5-3 to 5-8
Place the <u>7 foldout pages</u> (schematic) of the 64K I/O-Memory board at the end of Section 5. (Do not delete the existing schematic.)		

**VOLUME 2: Sections 10 - 14
Glossary
Appendixes A - G**

<u>Delete</u>		<u>Replace with</u>
- - - - -		Volume 2 Title Page
- - - - -		iii to v
- - - - -		14-1
D-1 to D-4	(Appendix C)	D-1 to D-4
- - - - -	(Appendix D)	E-1
- - - - -	(Appendix E)	F-1
- - - - -	(Appendix F)	G-i to G-50
- - - - -	(Appendix G)	H-1 to H-93

DESCRIPTION OF CHANGES

Revisions to include information on the 64K I/O-Memory board have been made in Sections 2, 4, and 5 and in Appendix C. A new schematic has been added to Section 5.

Appendix F describes the IWS Graphics Control board.

Appendix G contains revised schematics to update previous versions appearing throughout this manual. (Do not delete existing schematics.)

Workstation Hardware

Volume 1



Convergent Technologies



2500 Augustine Drive, Santa Clara, CA 95051 • (408) 727- 8830

Printed in U.S.A.

WORKSTATION HARDWARE MANUAL

Volume 1

Specifications Subject to Change.

Convergent Technologies, Convergent, CTOS, CT-BUS, IWS, EWS, and MWS are trademarks of Convergent Technologies.

Multibus is a trademark of Intel Corporation.

First Edition Revised (April 1981) A-09-00016-01-B

Copyright © 1981 by Convergent Technologies, Inc.

CONTENTS: Volume 1

GUIDE TO TECHNICAL DOCUMENTATION..... xiii

Preface..... xx

1. System Architecture

Overview..... 1-1
The mainframe..... 1-2
Memory..... 1-5
Input/output..... 1-8
Multibus interface..... 1-8

2. Functions and Interfaces (Processor and I/O-Memory Boards)

Dual bus organization..... 2-1
 Local and multibus separation..... 2-4
 Local bus interface..... 2-6
 Local I/O bus interface..... 2-6
 Multibus interface..... 2-7
 Multibus master access..... 2-7
 Multibus slave access..... 2-8
 Priorities..... 2-8
 Bus timeout..... 2-9
The 8086 and 8087 processors..... 2-10
 The 8086 CPU..... 2-10
 The 8087 numeric data processor..... 2-10
 Software interface..... 2-13
 8086 CPU..... 2-13
 8087 NDP..... 2-16
Memory interface..... 2-20
 Address space..... 2-20
 ROM memory..... 2-20
 RAM memory..... 2-23
 Multibus/Local-bus memory mapping..... 2-26
 Software interface..... 2-27
 Parity error register (PER)..... 2-27
I/O and control interfaces..... 2-29
 I/O peripheral devices and channels..... 2-29
 I/O circuits and registers..... 2-30
 DMA Control..... 2-30
 Interrupt Control..... 2-30
 Keyboard Control and LEDs..... 2-31
 Interval Timer..... 2-31
 I/O-Memory Board LEDs and Audio..... 2-31
 Communications Control..... 2-31
 I/O Control Register (IOCR)..... 2-32
 Parity Error Register (PER)..... 2-32

Printer Status Register (PSR).....	2-33
Screen Attribute Register (SAR).....	2-33
Floppy Disk Control (FDC).....	2-33
Winchester Disk Control (WDC).....	2-33
Software interface.....	2-34
DMA Transfers.....	2-35
General operating characteristics.....	2-35
Channel uses.....	2-37
Multibus Access.....	2-38
Communications.....	2-38
Disk	2-40
Video Refresh.....	2-40
Bus exchange.....	2-42
Address generation.....	2-43
Communication and Video Addresses.....	2-43
Disk Addresses.....	2-43
Software interface.....	2-47
8237-2 DMA controller.....	2-47
DMA extended address register (EAR).....	2-53
Interrupts.....	2-55
Non-maskable interrupts.....	2-55
Power Failure.....	2-58
Parity Error.....	2-58
Memory Write-protection.....	2-58
Bus Timeout.....	2-59
Maskable interrupts.....	2-59
Communications (Level 1).....	2-59
Internal Timer (Level 3).....	2-59
Printer Keyboard, realtime clock and 8087 Level 4.....	2-59
Disks (Level 7).....	2-60
Software interface.....	2-61
8259A interrupt controller.....	2-61
I/O control register (IOCR).....	2-70
8253 interval timer.....	2-75
Multibus interface.....	2-80
Signal lines.....	2-80
Form factor.....	2-80
Transfers across the interface.....	2-80
Modes of operation.....	2-84
Bus priority resolution.....	2-84
Interrupts.....	2-85
Communications interface.....	2-88
Channels.....	2-88
Transfer control.....	2-88
Switch-selectable clocks.....	2-91
Extended control register.....	2-91
Software interface.....	2-92
Z-80A serial I/O (SIO) controller.....	2-92
SIO extended control register (ECR).....	2-97
SIO interrupt acknowledge register (IAR).....	2-100
Keyboard interface.....	2-102
Keyboard/mainframe communication functions.....	2-102

Data formats.....	2-102
Software interface.....	2-104
8251A communication interface.....	2-104
Printer interface.....	2-109
Software interface.....	2-111
Utilities.....	2-113
Programmable LEDs and audio.....	2-113
Hardwired LEDs.....	2-113
Power.....	2-115
Power supply.....	2-115
Autorestart function.....	2-115
Reset.....	2-116
3. Mainframe Motherboard	
Multibus priority resolution logic.....	3-1
Cluster communications termination.....	3-2
References.....	3-3
Edge-connector pin list.....	3-3
Jumpers.....	3-3
4. Processor Board	
Overview.....	4-1
Operation by logic block.....	4-1
The dual bus architecture.....	4-3
Control of the local bus drivers.....	4-4
Processor ready logic.....	4-6
Bus timeouts.....	4-8
The 8086 microprocessor.....	4-8
The 8087.....	4-11
The RAM controller.....	4-11
Memory read cycles.....	4-12
Memory write.....	4-13
Column address strobe.....	4-13
Parity logic.....	4-14
Parity writing.....	4-14
Parity reading and checking.....	4-14
Interrupt control logic.....	4-15
Direct memory access (DMA).....	4-18
Multibus slave READY generation.....	4-21
Non-Multibus READY generation.....	4-22
Multibus interface.....	4-23
Multibus master mode.....	4-23
8289 Multibus handshake.....	4-23
Acquiring multibus.....	4-24
Multibus master mode operation.....	4-26
Command address and data bus control	
during master mode.....	4-27
LOCK access to Multibus.....	4-28
Slave mode.....	4-29
Multibus slave transfer acknowledge logic.....	4-31
Boot PROMs.....	4-31

AC characteristics.....	4-33
DC characteristics.....	4-42
References	4-44
Edge-connector pin list.....	4-44
Connector J2.....	4-44
Connector J3.....	4-45
Jumpers.....	4-48
Switches.....	4-48
The memory addressing decode PROM.....	4-48
LED indicators.....	4-49
Test points.....	4-49
I/O-Port addresses vs. functions.....	4-49
Device pin functions.....	4-50
8086 HMOS microprocessor.....	4-50
8284 Clock driver.....	4-57
8289 Bus arbiter.....	4-62
8288 Bus controller.....	4-68
8237-2 DMA controller.....	4-72
8259A Interrupt controller.....	4-79

5. I/O Memory Board

Overview.....	5-1
Operation by logic block.....	5-1
The RAM array.....	5-3
Disk control interface (DCI).....	5-5
I/O address decode.....	5-7
The I/O control register (IOCR).....	5-8
Control bits of the IOCR.....	5-9
Status bits of the IOCR.....	5-10
Speaker LESSs and switches.....	5-11
Programmable timer.....	5-11
Keyboard interface.....	5-12
Line printer interface.....	5-12
Real time clocks.....	5-13
Power fail detect.....	5-13
Write protection.....	5-13
Communications.....	5-14
Non-DMA transfers between 8086 and the SIO.....	5-14
DMA transfers between memory and the SIO.....	5-15
Programming the ECR.....	5-15
Multidrop driver control.....	5-16
Multidrop receiver clock detect.....	5-16
Baud rate clock source selection.....	5-16
Channel B level changers.....	5-18
Channel B level changers.....	5-18
AC characteristics.....	5-19
DC characteristics.....	5-30
References.....	5-32
Edge-connector pin list.....	5-32
Connector J4.....	5-32
Connector J5.....	5-33
Jumpers.....	5-36

Switches.....	5-36
Programmable LED and audio.....	5-36
Test points.....	5-37
I/O Port addresses and functions.....	5-37
Device pin functions.....	5-38
8251A USART.....	5-39
8253 programmable timer.....	5-46
Z80A SIO/2.....	5-49
6. RAM Expansion Board	
Overview.....	6-1
Operation by logic block.....	6-1
RAM array.....	6-1
RAM refresh.....	6-2
Address logic.....	6-2
Data interface.....	6-3
Buffering for ROM expansion board.....	6-3
AC characteristics.....	6-5
DC characteristics.....	6-6
References.....	6-7
Edge-connector pin list.....	6-7
Connector J1.....	6-7
7. ROM Expansion Board	
Overview.....	7-1
Operation by logic block.....	7-1
AC characteristics.....	7-4
DC characteristics.....	7-5
References.....	7-6
Edge-connector pin list.....	7-6
Connector J1.....	7-6
Switches.....	7-7
8. Video Control Board	
Functional description and software interfaces.....	8-1
Display characteristics.....	8-1
Character map.....	8-2
Video control logic.....	8-2
DMA transfers.....	8-6
Software interface.....	8-8
Screen attribute register.....	8-8
Character map.....	8-11
Font RAM.....	8-14
Operation by logic block.....	8-16
Bus interface.....	8-16
Row buffers.....	8-19
Attribute logic.....	8-21
Video generator.....	8-22
Main control.....	8-25
Microcode word.....	8-29

Controller operation.....	8-32
Timing chain.....	8-34
AC characteristics.....	8-37
DC characteristics.....	8-38
References.....	8-52
Edge-connector pin list.....	8-52
Jumper.....	8-54
Test points.....	8-54
I/O port address.....	8-54

9. Keyboard

Functional description and software interface.....	9-1
Writing to the keyboard.....	9-1
Operation.....	9-6
DC characteristics.....	9-7
References	9-8
Connector Pin list.....	9-8
LED indicators.....	9-8
Test points.....	9-8

LIST OF FIGURES

<u>Figure</u>	<u>Title</u>	<u>Page</u>
1-1	Workstation System Overview.....	1-3
1-2	Workstation Mainframe.....	1-4
1-3	Memory Address Space.....	1-7
1-4	Memory-Mapping Between the Local Bus and Multibus..	1-9
2-1	Mainframe Block Diagram.....	2-3
2-2	8086 Address Generation.....	2-11
2-3	8086 Instruction Set.....	2-14
2-4	8086 Instruction Set (Continued).....	2-15
2-5	8087 Instruction Set.....	2-17
2-6	8087 Instruction Set (Continued).....	2-18
2-7	Memory Capacity and Address Space.....	2-21
2-8	ROM Memory Space.....	2-22
2-9	RAM Configurations (kilobytes).....	2-25
2-10	Parity Error Register (PER).....	2-28
2-11	DMA Block Diagram.....	2-36
2-12	DMA Priorities and Characteristics.....	2-39
2-13	Location of Communication and Video Buffers.....	2-41
2-14	Communication and Video Address Generation.....	2-45
2-15	Disk Address Generation.....	2-46
2-16	8237-2 Register Formats.....	2-52
2-17	DMA Extended Address Register (EAR).....	2-54
2-18	Interrupt Priorities and Functions.....	2-56
2-19	Interrupt Block Diagram.....	2-57
2-20	8259A Initialization Sequence.....	2-65
2-21	8259A Initialization Command Words.....	2-66
2-22	8259A Operation Command Words.....	2-67
2-23	8259A Status Registers.....	2-68
2-24	8259A Instruction Set Summary.....	2-69
2-25	I/O Control Register (IOCR).....	2-72
2-26	8253 Control Word.....	2-79
2-27	Multibus Pin Assignments.....	2-82
2-28	Multibus Form Factor.....	2-83
2-29	Maskable Interrupt Expansion on Multibus.....	2-87
2-30	Communication Channel Characteristics.....	2-89
2-31	RS-232 and RS-422 Pinouts.....	2-90
2-32	SIO Write Registers.....	2-95
2-33	SIO Read Registers.....	2-96
2-34	SIO Extended Control Register (ECR).....	2-99
2-35	SIO Interrupt Acknowledge Register (IAC).....	2-101
2-36	8251A Control/Status.....	2-108
2-37	Printer Connector Pinout.....	2-110
2-38	Printer Status Register (PSR).....	2-112
2-39	Programmable LED's and Audio.....	2-114
3-1	Edge-Connector Pin List.....	3-4
3-2	Edge-Connector Pin List.....	3-5
3-3	Edge-Connector Pin List.....	3-6
3-4	Edge-Connector Pin List.....	3-7
3-5	Edge-Connector Pin List.....	3-8

3-6	Edge-Connector Pin List.....	3-9
3-7	Edge-Connector Pin List.....	3-10
3-8	Edge-Connector Pin List.....	3-11
3-9	Edge-Connector Pin List.....	3-12
3-10	Edge-Connector Pin List.....	3-13
3-11	Edge-Connector Pin List.....	3-14
3-12	Edge-Connector Pin List.....	3-15
3-13	Edge-Connector Pin List.....	3-16
3-14	Edge-Connector Pin List.....	3-17
3-15	Mainframe Motherboard Schematic.....	3-18
3-16	Mainframe Motherboard Schematic.....	3-19
3-17	Mainframe Motherboard Schematic.....	3-20
3-18	Mainframe Motherboard Assembly Drawing.....	3-21
3-19	Mainframe Motherboard Assembly Drawing.....	3-22
4-1	Processor Board Block Diagram.....	4-2
4-2	8086 CPU Chip.....	4-56
4-3	8284 Clock Generator.....	4-61
4-4	8289 Bus Arbiter.....	4-67
4-5	8288 Bus Controller.....	4-71
4-6	8237-2 DMA Controller.....	4-78
4-7	8259A Interrupt Controller.....	4-82
4-8	Processor Board Schematics.....	4-83
4-9	Processor Board Assembly Drawing.....	4-85
5-1	I/O-Memory Board Block Diagram.....	5-2
5-2	I/O Address Decode Signals.....	5-8
5-3	Extended Control Register Bits.....	5-17
5-4	8251A USART.....	5-45
5-5	8253 Programmable Timer.....	5-48
5-6	Z80A SIO/2.....	5-55
5-7	I/O-Memory Board Schematic.....	5-56
5-8	I/O-Memory Board Assembly Drawing.....	5-62
5-9	I/O-Memory Board Schematic (64K).....	5-63
6-1	16K RAM Expansion Board Schematic.....	6-9
6-2	16K RAM Expansion Board Assembly Drawing.....	6-13
6-3	64K RAM Expansion Board 2 Schematic.....	6-17
6-4	64K RAM Expansion Board 2 Assembly Drawing.....	6-21
7-1	ROM Expansion Board Schematic.....	7-8
7-2	ROM Expansion Board Assembly Drawing.....	7-9
8-1	Video Control Board Data Paths.....	8-4
8-2	Screen Attribute Register (SAR).....	8-10
8-3	Character Map Format for 132 char/row.....	8-12
8-4	Character Map Format for 80 char/row.....	8-13
8-5	Font RAM Addressing and Data.....	8-15
8-6	Video Board Block Diagram.....	8-17
8-7	Bus Interface.....	8-18
8-8	Row Buffers.....	8-20
8-9	Font RAM Attribute Logic and Video Output.....	8-24
8-10	Block Diagram of Main Control Section.....	8-26
8-11	Video Control - Simplified Flow Chart.....	8-27
8-12	DMA Request Control Lines.....	8-28
8-13	Microcode Word.....	8-30
8-14	Video Timing Parameters.....	8-36
8-15	Video Timing Flow Chart.....	8-55

8-16	Video Control Flow Chart.....	8-56
8-17	Video Control Flow Chart.....	8-57
8-18	Video Board Schematic.....	8-58
8-19	Video Board Assembly Diagram.....	8-64
9-1	List of Keys.....	9-2
9-2	Map of Keyboard.....	9-3
9-3	Data Format for Keyboard Output.....	9-4
9-4	Keyboard Schematic and Assembly Drawing.....	9-9
9-5	Keyboard Assembly Drawing.....	9-10

GUIDE TO TECHNICAL DOCUMENTATION

This Manual is one of a set that documents the Convergent™ Family of Information Processing Systems. The set can be grouped as follows:

Introductory

- Installation Guide
- Operator's Guide
- Executive Manual

Hardware

- Workstation Hardware Manual
- Peripherals Hardware Manual
- AWS-210 Hardware Manual
- AWS-220, -230, -240 Hardware Manual

Operating System

- CTOS™ Operating System Manual
- System Programmer's Guide
- System Utilities Manual
- Batch Manual

Programming Languages

- COBOL Manual
- FORTRAN Manual
- BASIC Manual
- BASIC Compiler Manual
- Pascal Manual
- Assembly Language Manual

Program Development Tools

- Editor Manual
- Debugger Manual
- Linker/Librarian Manual

Data Management Facilities

- ISAM Manual
- Forms Manual
- Sort/Merge Manual

Text Management Facilities

- Word Processing User's Guide
- Word Processing Reference Manual
- Word Processing Quick Reference

Applications Facilities

- Multiplan
- Business Graphics User's Guide
- Business Graphics Reference Manual
- Graphics Programmer's Guide
- Font Designer Manual

Communications

- Asynchronous Terminal Emulator Manual
- 3270 Terminal Emulator Manual
- 2780/3780 RJE Terminal Emulator Manual
- SNA Network Gateway Manual
- SNA 3270 Emulator Manual
- X.25 Network Gateway Manual
- Multimode Terminal Emulator User's Guide
- Multimode Terminal Emulator Reference Manual

This section outlines the contents of these manuals.

Introductory

The Installation Guide describes the procedure for unpacking, cabling, and powering up a system.

The Operator's Guide addresses the needs of the average user for operating instructions. It describes the workstation switches and controls, keyboard function, and floppy disk handling.

The Executive Manual describes the command interpreter, the program that first interacts with the user when the system is turned on. It specifies commands for managing files and invoking other programs such as the Editor and the programming language compilers.

Hardware

The Workstation Hardware Manual describes the mainframe, keyboard, and video display for the IWS family of workstations. It specifies system architecture, printed circuit boards (Motherboard, Processor, I/O-Memory, Video Control, Graphics Control Board, ROM and RAM Expansions), keyboard, video monitor, Multibus interface, communications interfaces, power supply, and environmental characteristics of the workstation.

The Peripherals Hardware Manual describes the disk subsystems. It specifies the disk controller Motherboard, controller boards for the floppy disk and the Winchester disks, power supplies, disk drives, and environmental characteristics.

The AWS-210 Hardware Manual describes the mainframe, keyboard, and video display of the AWS-210 workstation. It specifies architecture, theory of operation of the printed circuit boards (Motherboard, Deflection, and CPU), keyboard, video monitor, expansion interface, cluster communications interface, power supply, and environmental characteristics of the workstation.

The AWS-220, -230, -240 Hardware Manual describes the mainframe, keyboard, disk controllers, and video display of the AWS-220, -230, and -240 workstations. It specifies architecture, theory of operation of the printed circuit boards (Motherboard, Deflection, 8088 CPU, 8086 CPU, Floppy Disk Controller, and Hard Disk Controller), keyboard, video monitor, cluster communications interface, external interfaces, power supply, and environmental characteristics of the workstation.

Operating System

The CTOS™ Operating System Manual describes the Operating System. It specifies services for managing processes, messages, memory, exchanges, tasks, video, disk, keyboard, printer, timer, communications, and files. In particular, it specifies the standard file access methods: SAM, the sequential access method; RSAM, the record sequential access method; and DAM, the direct access method.

The System Programmer's Guide addresses the needs of the system programmer or system manager for detailed information on Operating System structure and system operation. It describes (1) cluster architecture and operation, (2) procedures for building a customized Operating System, and (3) diagnostics.

The System Utilities Manual describes utilities such as Backup Volume, IVolume, Restore, Change Volume Name, PLog, Maintain File, Dump.

The Batch Manual describes the batch manager, which executes batch jobs under control of job control language (JCL) files.

Programming Languages

The COBOL, FORTRAN, BASIC [Interpreter], BASIC Compiler, PASCAL, and Assembly Language Manuals describe the system's programming languages. Each manual specifies both the language itself and also operating instructions for that language.

The Pascal Manual is supplemented by a popular text, Pascal User Manual and Report.

The Assembly Language Manual is supplemented by a text, the Central Processing Unit, which describes the main processor, the 8086. It specifies the machine architecture, instruction set, and programming at the symbolic instruction level.

Program Development Tools

The Editor Manual describes the text editor.

The Debugger Manual describes the Debugger, which is designed for use at the symbolic instruction level. Together with appropriate interlistings, it can be used for debugging FORTRAN, Pascal, and assembly language programs. (COBOL and BASIC, in contrast, are more conveniently debugged using special facilities described in their respective manuals.)

The Linker/Librarian Manual describes the Linker, which links together separately compiled object files, and the Librarian, which builds and manages libraries of object modules.

Data Management Facilities

The ISAM Manual describes the multikey indexed sequential access method. It specifies the procedural interfaces and shows how these interfaces are called from the various languages.

The Forms Manual describes the Forms facility that includes (1) the Forms Editor, which is used to interactively design and edit forms, and (2) the Forms run time, which is called from an application program to display forms and accept user input.

The Sort/Merge Manual describes (1) the Sort and Merge utilities that run as a subsystem invoked at the Executive command level, and (2) the Sort/Merge object modules that can be called from an application program.

Text Management Facilities

The Word Processing User's Guide introduces the Word Processor to the first-time user. It provides step-by-step lessons that describe basic word processing operations. The lessons show how to execute operations and apply them to sample text.

The Word Processing Reference Manual is a reference tool for users already familiar with the Word Processor. It describes the Word Processor keyboard and screen; basic, advanced, and programmer-specific operations; list processing; printer and print wheel configurations; and hardware considerations.

The Word Processing Quick Reference provides a concise summary of all word processing operations and briefly describes the keyboard and commands.

Applications Facilities

Multiplan is a financial modeling package designed for business planning, analysis, budgeting, and forecasting.

The Business Graphics User's Guide introduces Business Graphics to the first-time user. It provides step-by-step lessons that describe basic Business Graphics operations. The lessons show how to execute operations and apply them to sample charts.

The Business Graphics Reference Manual is a reference tool for users already familiar with Business Graphics. It describes the Business Graphics keyboard and screen; box and arrow cursor movement; obtaining information from Multiplan; operations; and plotter configurations.

The Graphics Programmer's Guide is a reference for applications and systems programmers. It describes the graphics library procedures that

can be called from application systems to generate graphic representations of data, and it includes a section on accessing Business Graphics from an application system.

The Font Designer Manual describes the interactive utility for designing new fonts (character sets) for the video display.

Communications

The Asynchronous Terminal Emulator Manual describes the asynchronous terminal emulator.

The 3270 Terminal Emulator Manual describes the 3270 emulator package.

The 2780/3780 RJE Terminal Emulator Manual describes the 2780/3780 emulator package.

The SNA Network Gateway Manual describes the SNA Network Gateway, which supports data communications over an SNA network. The SNA Network Gateway comprises the Transport Service and Status Monitor. The Transport Service allows a Convergent workstation to function as cluster controller and forms the foundation for Convergent SNA products.

The SNA 3270 Emulator Manual describes the SNA 3270 emulator package. The SNA 3270 emulator provides CRT and printer subsystems in addition to a Virtual Terminal Interface for use in application programs.

The X.25 Network Gateway Manual describes the X.25 Network Gateway, which supports CCITT Recommendation X.25 communications over a public data network. There are three levels of access to the network: packet, X.25 sequential access method, and the Multimode Terminal Emulator X.25 communications option.

The Multimode Terminal Emulator User's Guide introduces the Multimode Terminal Emulator to the first-time user. It describes the MTE video display, keyboard, display memory, and advanced operations for the X.25 communications option.

The Multimode Terminal Emulator Reference Manual is a reference tool for sophisticated users of the Multimode Terminal Emulator. It describes the MTE escape sequences and field verification program.

PREFACE

INTENDED AUDIENCE

The Workstation Hardware Manual deals with the mainframe (processing, memory and I/O-control portions of the system), the keyboard and the video subsystem for a workstation configuration of the system. The Peripherals Hardware Manual deals with the mass storage (floppy disk and Winchester disk) portions of the system.

The manual is intended for OEM engineers who will test or service the system electronics. It is not, however, intended as documentation of production-level testing nor is it designed to support modifications of the hardware. Convergent Technologies does not support modifications to its boards other than those predetermined by design, such as jumper options; the only provision for user additions to the system are through the Multibus* interface slots on the mainframe and through the conventional serial and parallel I/O connectors on the mainframe.

SOFTWARE CONTENT

The system contains several programmable peripheral ICs and registers. All of these are either initialized to default conditions by the standard operating system during power-up/Reset and/or they are supported with preprogrammed routines in the system library that can be bound to user's application programs. In addition, the operating system's interrupt service processes often reinitialize or modify the operation of this circuitry.

The descriptions given under the "Software Interface" sections of certain chapters document the interface between these software events and the hardware. With this exception, the manual concentrates exclusively on hardware.

CONVENTIONS

All numbering of bits in a word, bits on a bus line and I/O-port addresses is done in hexadecimal notation, with decimal equivalents included in parentheses for reference to CT software manuals. For example, the 20 bits in an address are numbered from 0, the least significant bit, to 13 (19 decimal), most significant bit; the signal lines on 16-bit data buses are numbered from 0 to F (0 to 15, decimal).

Signal names use plus (+) and minus (-) suffixes to distinguish active-high from active-low, respectively. For example,

<u>Signal Name</u>	<u>Logical State</u>	<u>Voltage Level</u>
RD-	0 (active)	Low
	1 (inactive)	High
RD+	0 (inactive)	Low
	1 (active)	High

* Multibus is a trademark of Intel Corporation. Throughout this manual the name is used as a synonym for the IEEE 796 Microcomputer System Bus Standard, which is derived from the Multibus.

The convention used here corresponds to the Multibus convention as follows:

<u>CT Convention</u>	<u>Multibus Convention</u>	<u>IEEE 796 Convention</u>
RD-	RD/	RD*
RD+	RD	RD

In all other respects, our convention is the same as the Multibus convention.

REFERENCES

There is a reference section at the end of most chapters in this manual. These sections contain a variety of lists summarizing hardware-related functions. The appendices at the end of the manual contain additional reference material.

Since the system contains several programmable devices whose hardware functions and software interfaces are only briefly summarized in this manual, readers are likely to want occasional reference to the following manufacturer's literature:

Intel 8086 Family User's Manual
Intel Component Data Catalog
Zilog Z80A-SIO Technical Manual

Several new terms are introduced in the course of this manual. Generally, they are explained when first used but the Glossary at the end of the manual gives explanations of these terms.

SCHEMATICS

Schematic diagrams are included in each major section. Also, updated schematics as of January 1983 are included in Appendix G.

For use with CPU boards 60-00002-00 and 60-00036-00:

Total System Capacity	16K I/O Memory Board	64K I/O Memory Board	RAM Expansion Board
128K	128K		0
160K	128K		32K
192K	128K		64K
224K	128K		96K
256K	128K		128K
384K	128K		256K (64K chips)
512K	128K		384K (" ")
640K	128K		512K (" ")

For use with CPU board 60-00110-00:

Total System Capacity	16K I/O Memory Board	64K I/O Memory Board	RAM Expansion Board
384K*	128K		256K
384K		384K	
512K		384K	128K
512K		512K	
640K		384K	256K
768K		512K	256K
768K		384K	384K
1 Mbt		512K	512K

*This configuration can also be implemented using CPU boards 60-00002-00 and 60-00036-00.

†32 kilobytes of the address space must be reserved for permanent ROM space. Also, 160 kilobytes of the address space must be reserved for ROM space if the optional ROM Expansion board is used.

Note: For CPU board switch settings, see Appendix C.

Figure 2-9. RAM Configurations (kilobytes).

Typically, the operating system will write the entire contents of memory to disk upon parity-error detection and bootstrap a new version of the operating system.

The bottom 32 kilobytes of RAM, where the operating system typically resides, can be write-protected by setting a bit in the I/O Control Register (IOCR). If a write is attempted into this area, it is prevented and a non-maskable interrupt to the CPU is generated.

Multibus/Local-Bus Memory Mapping

The processor board contains a set of switches which define memory-space windows for local and Multibus masters. The windows determine whether memory resources on the Multibus or on the local bus will be addressed when an address is generated by a master. These windows are illustrated in Figure 1-4 of the prior chapter. Three choices of windows are available for local-bus masters, and four choices are available for Multibus masters.

This scheme of windowing is intended to facilitate communication across the Multibus interface with either 8-bit or 16-bit microprocessor boards on the Multibus. It also tends to minimize the amount of physical memory chips needed for high-address communication. A small and large window are available in both directions.

The small window is generally intended for inter-processor communication. On the Multibus side, this window falls within the 64-kilobyte address space of 8-bit boards without interfering with the board's ability to access its own low-end or high-end operating memory. On the local-bus side, there will always be some RAM at the low end of the memory space where communication message buffers are located and Multibus masters will be able to access these locations.

The large window is generally intended for buffering of large I/O devices, such as tape drives. The method used for shifting the window across the Multibus interface simply involves forcing the high-order address bits one way or another.

<u>Pin</u>	<u>Signal</u>
67	IOB1+
68	IOB0+
69	
70	IOCS-
71	NMI+
72	PICCS-
73	MEMCLK+
74	TEST
75	
76	IOW-
77	EOP-
78	VIDACK-
79	PERINT+
80	MWINH-
81	TO+
82	MBIO-
83	RESET-
84	PAREN+
85	
86	ADRF-
87	ADRE-
88	ADRD-
89	ADRC-
90	ADRB-
91	ADRA-
92	ADR9-
93	ADR8-
94	ADR7-
95	
96	ADR6-
97	ADR5-
98	ADR4-
99	ADR3-
100	ADR2-
101	ADR1-
102	ADRO-
103	DATF-
104	DATE-
105	
106	DATD-
107	DATC-
108	DATB-
109	DATA-
110	DAT9-
111	DAT8-
112	DAT7-
113	DAT6-
114	DAT5-
115	
116	DAT4-
117	DAT3-
118	DAT2-
119	DAT1-
120	DAT0-

Jumpers

<u>Name</u>	<u>Function</u>
A-C	Asynchronous READY
B-C	Synchronous READY

Switches

<u>Switch</u>	<u>Bit</u>	<u>Function</u>
1	1	Close for 4 Megahertz DMA.
1	2	Open for slow memory access (for debugging only).
1	4	Open for synchronous CPU and memory (for debugging only).
2	1	Close for Multibus slave region at greater than 512K.
2	4	Open for 32K to 48K multibus slave region.
3	1	Close for 512K multibus master boundary.
3	2	Close for 768K multibus master boundary.
3	3	Close if mainframe generates Multibus CCLK.
3	4	Close if mainframe generates Multibus BCLK.
4	1	Close if multibus master boundary is 768K.
4	2-4	Memory configuration. (See Figure 2-9.)
5	1	Close for 2364 and 2764 ROM types.
5	2	Close for 2316 and 2716 ROM types.
6	1	Close for no ROM expansion.
6	2	Open for no ROM expansion.
6	3	Close for no Multibus master memory access.
6	4	Close to always assert Multibus CBRQ.

The Memory Addressing Decode PROM

The CPU board has a 256 x 4 PROM on it that determines what rows of RAMs to enable when, and that tells the memory controller how much memory there is. The PROM determines this information based on the setting of switches at S4 on the CPU board. One of two memory addressing decode PROMS is used, depending upon whether a 16 kilobit or a 64 kilobit RAM is used. The part numbers for CPU boards used with the 16K I/O Memory board are 60-00002-00 and 60-00036-00. The part number for

the CPU board used with the 64K I/O Memory board is 60-00110-00.

!*

LED Indicators

<u>LED</u>	<u>Meaning</u>
CR1	Bus inactive
CR2	DMA active
CR3	Multibus active
CR5	Non-maskable interrupt
CR6	Interrupt

Test Points

<u>Point</u>	<u>Meaning</u>
TP 1	High during bus timeouts.
TP 2	Low when a DMA cycle is in progress.
TP 3	High a refresh is in progress. Normally oscillates at 12.8 khz.
TP 4	Ground to prevent refresh.
TP 5	High when a non-refresh memory cycle is in progress.

I/O-Port Address vs. Functions

<u>address</u>	<u>logic</u>	<u>write reg.</u>	<u>read reg.</u>
0	DMA	reserved	reserved
2	DMA	reserved	reserved
4	DMA	Comm. address	Comm. address
6	DMA	Comm. count	Comm. count
8	DMA	Disk address (low 16 bits)	Disk address
A	DMA	Disk count	Disk count
C	DMA	Video address	Video address
E	DMA	Video count	Video count
10	DMA	Command	Status
12	DMA	Request	-
14	DMA	Set/Reset Mask	-
16	DMA	Mode	-
18	DMA	Clear flip-flop	-
1A	DMA	Clear	-
1C	DMA	Mask	-
20	8259A	ICW1, OCW2, OCW3	IRR, ISR, INT Level
22	8259A	OCW1, ICW2, ICW3, ICW4	Mask

Device Pin Functions

The following several pages describe the pin functions of the complex ICs on the processor board.

Device Pin Functions: 8086 HMOS MICROPROCESSOR

The Intel 8086 is a new generation, high performance microprocessor implemented in N-channel depletion load, silicon gate technology (HMOS), and packaged in a 40-pin CerDIP package. The processor has attributes of both 8- and 16-bit microprocessors. It addresses memory as a sequence of 8-bit bytes, but has a 16-bit wide physical path to memory for high performance. 8086 features include the following:

- o Direct addressing capability to 1 MByte of memory
- o Assembly language compatible with 8080/8085
- o 14 word, by 16 bit register set with symmetrical operations
- o 24 operand addressing modes
- o Bit, byte, word, and block operations
- o 8- and 16-bit signed and unsigned arithmetic in binary or decimal, including multiply and divide
- o 5 MHz clock rate (8 MHz for 8086-2 (4MHz for 8086-4)
- o Multibus system compatibility

Pin functions tabulated below assume that the 8086 has been configured in its MAXIMUM mode, that is, the MN pin has been strapped to ground.

5. I/O-MEMORY BOARD

OVERVIEW

The I/O-Memory board is one of two mandatory boards which plug into the mainframe motherboard to implement the minimum-configuration mainframe. It contains main RAM plus control circuitry for all the I/O facilities except for the video logic and the mass storage subsystem.

OPERATION BY LOGIC BLOCK

Figure 5-1, shows how the major logic blocks relate to each other and how they participate in the flow of data on this board. The primary references, however, are the two schematics at the end of this chapter. The first schematic shows the 16K I/O Memory board; the second shows the 64K I/O Memory board. As in the previous chapter, frequent references are made to schematic page and zone numbers.

The RAM Array

The 7 address lines of the RAM ICs are multiplexed, so that 14 address bits can be represented with 7 pins. The chip is organized as a square matrix of 128 rows x 128 columns. Each row/column combination gives the address of 1 bit, or cell of memory.

The RAS- (row address strobe) signal has two functions: it latches the row address on the 7 address pins and it accesses the specified row of 128 cells. The CAS- (column address strobe) signal also has two functions: it latches the column address, and it performs the data operation, read or write, on the one cell specified by the column address of the 128 cells already accessed by RAS-. A write cycle is caused if the WE- pin is asserted at the leading edge of CAS-. The write data at the data input pin of the chip is latched by the leading edge of CAS-. A read cycle is caused if the WE- pin is inactive at the leading edge of CAS-. The read cycle causes the data from the selected cell to be driven on the chip's output pin.

The memory chips used are dynamic RAMs. Data is stored in parasitic capacitance that must be re-charged every 2 milliseconds to prevent leakage from destroying the contents of the memory.

Each time RAS- is asserted the entire 128-cell row corresponding to the state of the address pins is accessed. Whenever the cell is accessed it is re-charged.

In order to insure that all cells of the chip are refreshed (re-charged) every 2 milliseconds there is special refresh circuitry on the processor and I/O Memory boards. This circuitry works by issuing a RAS- every 12.8 microseconds and causing a counter to generate each different row address. CAS- is not issued during refresh, so no data is transferred.

64K RAMs work similarly to the 16K RAMs, except that there are sixteen address bits (one of the power supply pins of the 16K RAM being used as the extra address pin required for the 64K part) and the array is 256 rows of 256 columns.

The RAM array (p1) on the I/O Memory board is organized as 4 banks of 18 chips each. Each bank

of 18 chips corresponds to a word. Because the memory can be accessed a byte at a time, each byte has its own parity bit. So one word is represented as two 9-bit "bytes".

All 72 chips in the array have the same RAS-signal. Bank selection is done by asserting only one of the CAS- signals (CAS0-, CAS1-, CAS2-, CAS3-,). The data-in and data-out pins of each chip are tied together, making a bidirectional data bus (RADO+ - RADF+). Each data bus bit is connected to 4 chips, consisting of the corresponding bit of each word in all 4 banks. The parity bits HIP+ (high-byte parity) and LOP+ (low-byte parity) are connected in the same fashion. The seven address pins (MAD1+ - MAD7+ are connected in parallel to all 72 chips. On the 16K I/O Memory board, the signal MAD8+ is connected to +5 at jumper E-F (p2zB6). On the 64K I/O Memory board, MAD8+ is used as an address bit. There are two write enable signals, RAHIWE- (high or odd byte write enable) and RALOWE- (low or even byte enable) which cause writing in either the low byte, the high byte, or both. Again, for writing, CAS- selects the particular bank written. Each write enable signal goes to 36 RAM chips.

The RAS- and CAS- signals for read, write and refresh are generated in the memory control of the processor board. When they come on to the I/O Memory board they are called RARAS- (RAM array row address strobe) (p2zD8) and CAS0- to CAS3- (plzC8), corresponding to banks 0 through 3. On the 16K I/O Memory board, RARAS- is gated at 15H-11 (p2zB5) so that only refreshes and accesses to the I/O Memory board (as opposed to the RAM Expansion board) generate the signal BDIRAS-. BDIRAS- connects to the RAS- pins of the RAM IC's. On the 64K I/O Memory board, RARAS- is gated to the RAMs RAS- inputs at buffer 25C (p2zD7) by BDIEN-. BDIEN- is the ORed result of BDIRAM- or RFGO- at 13H-11 (plzC5). RARAS- is also inverted at 14E-11 and used to clock two D-flip-flops at 15E (plzA7). RFGO- indicates that a refresh is in progress and BDIRAM- (from the processor board) indicates the I/O Memory board RAM is being addressed.

There are three sources for the address driven on the RAM chip address pins, the row address (15G (p2zA7)), the column address (14G (p2zB7)), and the refresh row (15F (p2zC7)). On the 16K I/O

Memory board, the selection of which address driver is enabled is made by the high speed decoder consisting of 14E-6, 8, 11, 13H-11 and 14H-4 and 13 (p2zA7). The RFGO- signal, when active, enables 15F and disables 14G and 15G. The COLMPX- (column multiplex) signal causes the row driver (15G) to disable and the column driver (14G) to enable. On the 64K I/O Memory board, COLMPX- is sent directly to the pin 1 selector inputs of 14G and 15G. RFGO- is buffered at 9E-12 and inverted at 14H-4 to enable 14G and 15G. COLMPX- and RFGO- come from the RAM controller on the processor board. RFDONE- from the processor board indicates that a refresh cycle has completed and causes the refresh address counters 13F and 14F (p2zC7) to increment.

On the 16K I/O Memory board, data to and from the RAM array is buffered from the MEM bus (MEMO+ - MEMF+) by the transceivers at 10E (p2zD4) and 11E (p2zC4). The direction of the transceivers is established by the signal READ- which is a buffered MR- (memory read) signal. The enable for the high (odd) byte driver is HIEN- and for the low (even) byte is LOEN-. HIEN- is asserted when the I/O Memory board RAM is addressed (BD1RAM- asserted at 13E-3 (plzA6)) and either a read is in progress (MR- active) or the high-order byte write enable is active (RAHIWE-). LOEN- is asserted when the I/O Memory board RAM is addressed and either a read is in progress or the low-order byte write enable is active (RALOWE-).

On the 64K I/O Memory board, two pairs of buffers transfer data to and from the RAM array. Buffers 10.5E (p2zD4) and 13E buffer data from the RAM array and are enabled by READ- from page 1 of the schematic. Buffers 10E and 11E are enabled by RDEN-, also from page 1 of the schematic.

Disk Control Interface (DCI)

The disk control interface drives and receives the signals that interface the mainframe to the mass storage subsystem.

During I/O write (IOW-) the latching drivers at 9F and 9H (p3zB4) latch output data. This is done by the BIOW- (buffered IOW-) signal from 6H-3, inverted at 5F-12 (p3zC4). After a delay by R11, C6, and 5F-8, the buffer 6H-16 (p3zB4) makes WRSTB- (write strobe) which goes to the disk

controls located in the mass storage subsystem. After another delay by R10, R32, C5, and 5F-6 (p3zC6), the data is driven to the disk controls by 9F and 9H (p3zB4) (BUSO+ - BUSF+). The delays ensure enough data hold and setup time on BUSO+ - BUSF+ for the MOS floppy disk controller.

IOR- is buffered at 6H-12 (p3zB4) to make BIOR- (buffered I/O read). The gate at 10G-6d (p3zB5) enables the BUS to MEM drivers (8F and 8H (p3zC4)) and sends a RDSTB- (read strobe) to the disk controls. 10G-6 is asserted when BIOR- is present and one of the disk controls is addressed (DCI1- or DCI2- active) or disk DMA is active (DISKACK- active). The address decodes, DCI1- and DCI2-, are ORed at 5H-11 (p3zA7) and then they are ORed with DISKACK+ at 4E-13. DISKACK- comes from the DMA logic on the processor board.

The BMR- (buffered memory read) signal at 13H-3 (p3zA3) goes to the disk controls to synchronize their DMA requests. It is a buffered copy of MR-.

The CNTRL- signal to the disk controls is used to address the control and status registers of the disk controls, rather than the data registers. It is asserted by gate 5H-8 (p3zA6) when DMA is not in progress (DISKACK- inactive) and local address bit LA1+ is high.

The DREQ- (DMA request) signal from the disk controls is buffered at 5F-10 (p3zB5) to make DISKRQ+ which goes to the DMA logic of the CPU board.

The INRQ- (interrupt request) signal from the disk controls causes a level-7 interrupt (INT7-) when gate 3C-4 (p3zB6) is asserted.

The signal ACK- is a bidirectional acknowledge signal between the DCI and the disk controls. During DMA cycles, DISKACK- from the processor board causes gate 5H-3 (p3zA6) to assert ACK-. The disk controls use this as their DMA acknowledge. During non-DMA activity, the disk controls assert ACK- whenever they are addressed (DCI1- or DCI2- active). If a disk control does not assert ACK- when addressed, gate 5H-6 (p3zA6) will cause DCIRDY+ to go false. This causes a bus timeout in the ready logic of the processor board.

The signal EOP- (end of process) from the DMA logic of the processor board indicates that a DMA block is complete. This is buffered at 6H-18 (p3zB4) to generate BEOF- which goes to the disk controls.

The two disk control I/O address decodes, DCI1- and DCI2- are buffered at 6H-5, -7 (p3zB4) to generate SELW- (select winchester) and SELF- (select floppy) for the disk controls.

Inputting from port 74, used for diagnostics, causes the most recent 16 bits of information outputted (IOW- active) to be echoed. This is used to check the BUS0+ - BUSF+ drivers and receivers. WRAPDCI+ is asserted at 13H-8 (p4zC3) when port 74 is read (IOR- active, DCI2- active, LA2+ active). At 6H-19 (p3zB4), WRAPDCI+ causes the SELF- signal to be disabled to prevent the floppy control from driving BUS0+ - BUSF+ during the input from 74. In addition, 6H-19 causes 6H-9 to be disabled, which in turn causes the DCI drivers 9F and 9H (p3zB4) to be enabled, driving BUS0+ - BUSF+. Through the normal mechanism of reading the disk control ports, gate 10G-6 (p3zB5) causes the data on BUS0+ - BUSF+ to be driven onto MEM0+ - MEMF+.

When the power fail detect circuit has detected an error, the POWEROK- signal will go inactive. This causes driver IC-9 (p3zC2) to make the ENBL- signal to the disk controls inactive, disabling the disk controls.

I/O Address Decode

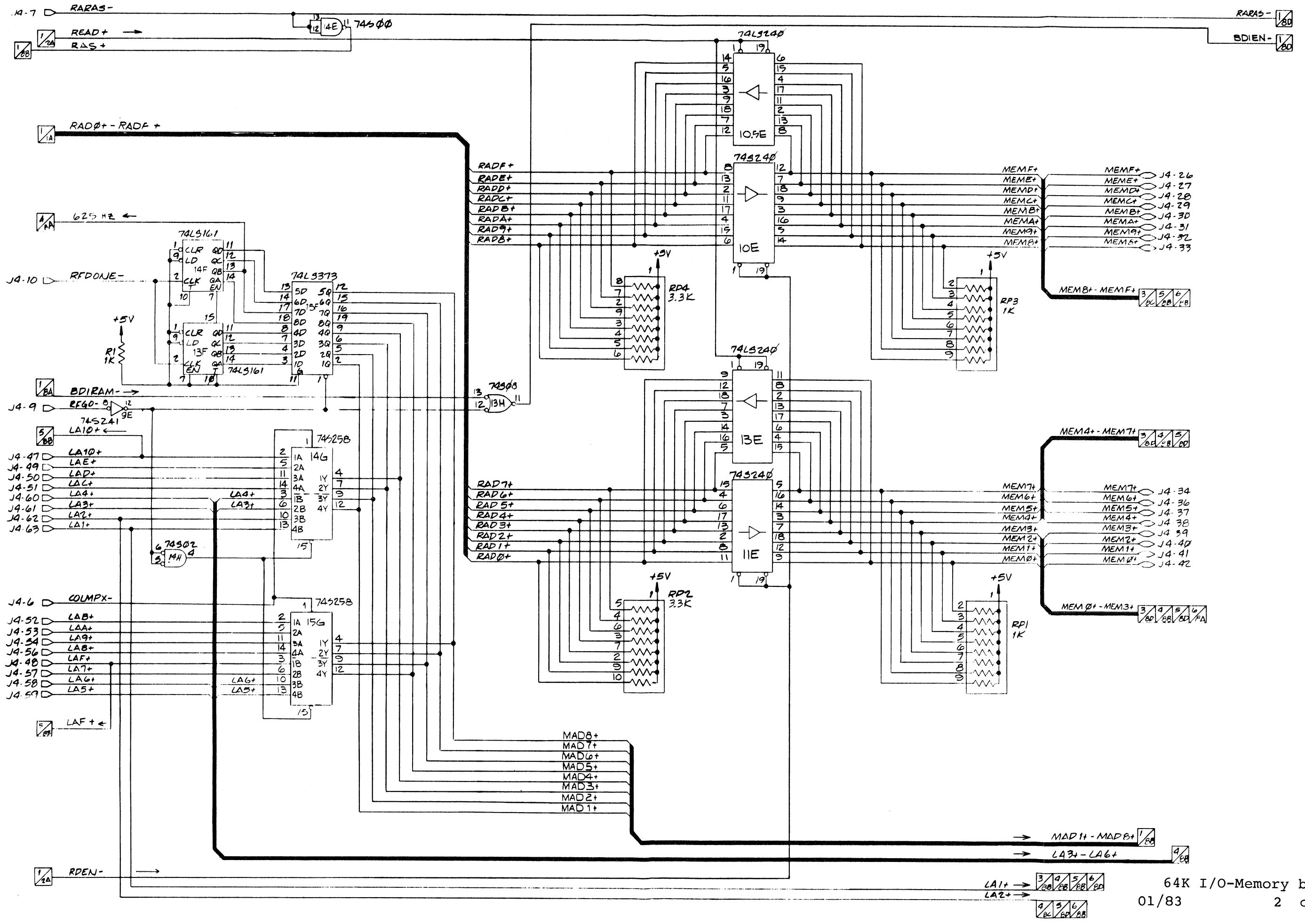
The I/O address decode logic generates the signals shown in Figure 5-2. 12E-8 (p4zB4) ORs several of the decodes to generate FASTIO+. FASTIO+ is used on the processor board to indicate that the addressed I/O device does not require wait states. For all other I/O device addresses, IOBCS+ goes active at 13G-6 (p4zB3). This does two things on the processor board. It causes wait states for the I/O instructions that refer to those devices, and for input instructions it causes the data to come from the I/O bus (IOB0+ - IOB7+) instead of directly from the MEM bus.

The I/O Control Register (IOCR)

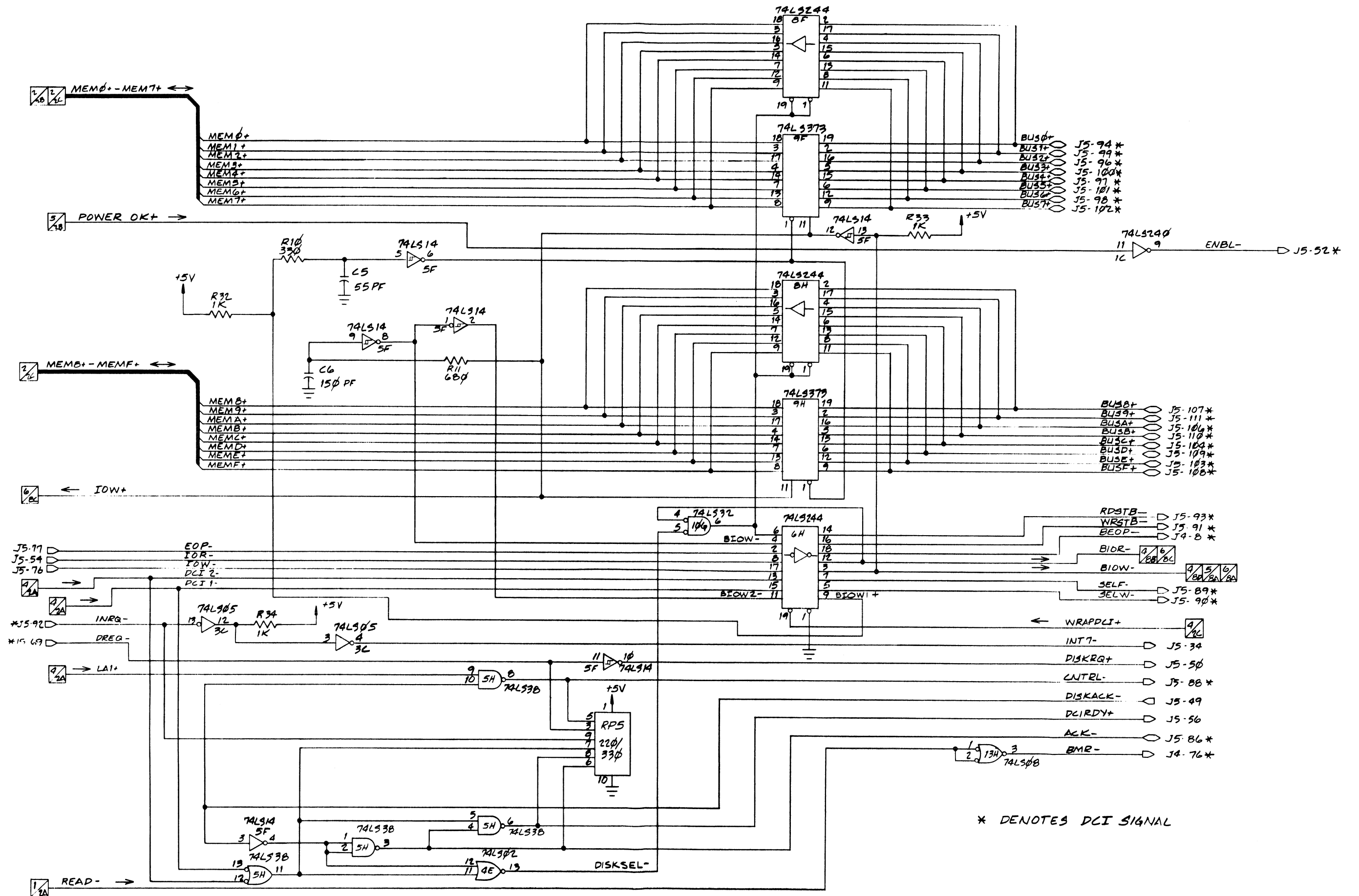
The IOCR and its associated logic control the several reasons for generating level-4 interrupts and non-maskable interrupts. The IOCR is also used to control parity, memory write protect, and Multibus I/O addressing. The IOCR consists of drivers 11F and 11H, latch 10H, and flip-flops 9G-9, 9G-5, 8G-9, 7G-9 and 6F-9 (p5). The high-order 8 bits of IOCR, corresponding to MEM8+ - MEMF+ are control bits, and the low-order 8 bits corresponding to MEM0+ - MEM7+ are status bits. The control bits are loaded into register 10H from MEM8+ - MEMF+ when there is an output (IOW-) to the IOCR I/O address as described in the I/O address decode section. The register can be read back when ICTLRDC- goes active (IOR- and IOCR address) causing the driver at 11H to drive the IOCR contents onto MEM8+ - MEMF+. Simultaneously ICTLRDC- causes the IOCR status bits to be driven onto MEM0+ - MEM7+ through 11F.

<u>Signal name</u>	<u>Address</u>	<u>Strobe</u>	<u>Source</u>	<u>Device Addressed</u>
PCICS	38-3F	none	12G-7 (p4zB5)	8251A USART
COMMIA-	30-37	none	12G-9 (p4zB5)	SIO Interrupt Acknowledge
TIMERCS-	28-2F	none	12G-10 (p4zB5)	8253 Programmable Timer
PICCS-	20-27	none	12G-11 (p4zB5)	8259A Interrupt Controller
DCI1	78-7F	none	12F-7 (p4zA5)	Hard disk control
DCI2-	70-77	none	12F-9 (p4zA5)	Floppy disk control
DMACTCS-	68-6F	none	12F-10 (p4zA5)	DMA Extended Address Register
COMMF-	60-67	none	12F-11 (p4zA5)	Comm Extended Control Register
GACCS-	58-5F	none	12F-12 (p4zA5)	Video Global Attribute Register
COMMS-	48-4F	none	12F-14 (p4zA5)	SIO communication chip
PPICS-	40-47	none	12F-15 (p4zA5)	The LEDs/Speaker/and switches
LPTRDC	50-51	IOR-	11G-4 (p4zB3)	Line printer status
RDLOPEA-	52-53	IOR-	11G-5 (p4zB3)	Low order parity error address
RDHIPEA-	54-55	IOR-	11G-6 (p4zB3)	High order parity error address
ICTLRDC-	56-57	IOR-	11G-7 (p4zB3)	IOCR reading
DMACS-	00-1F	none	6E-8 (p4zB3)	8237 DMA controller
LPTWDC-	50-51	IOW-	11G-12 (p5zB7)	Line printer output
ICTLWDC-	56-57	IOW-	11G-9 (p5zB7)	IOCR writing
WRAPDCI+	74-77	IOR-	13H-8 (p4zC3)	DCI wraparound (diagnostics)

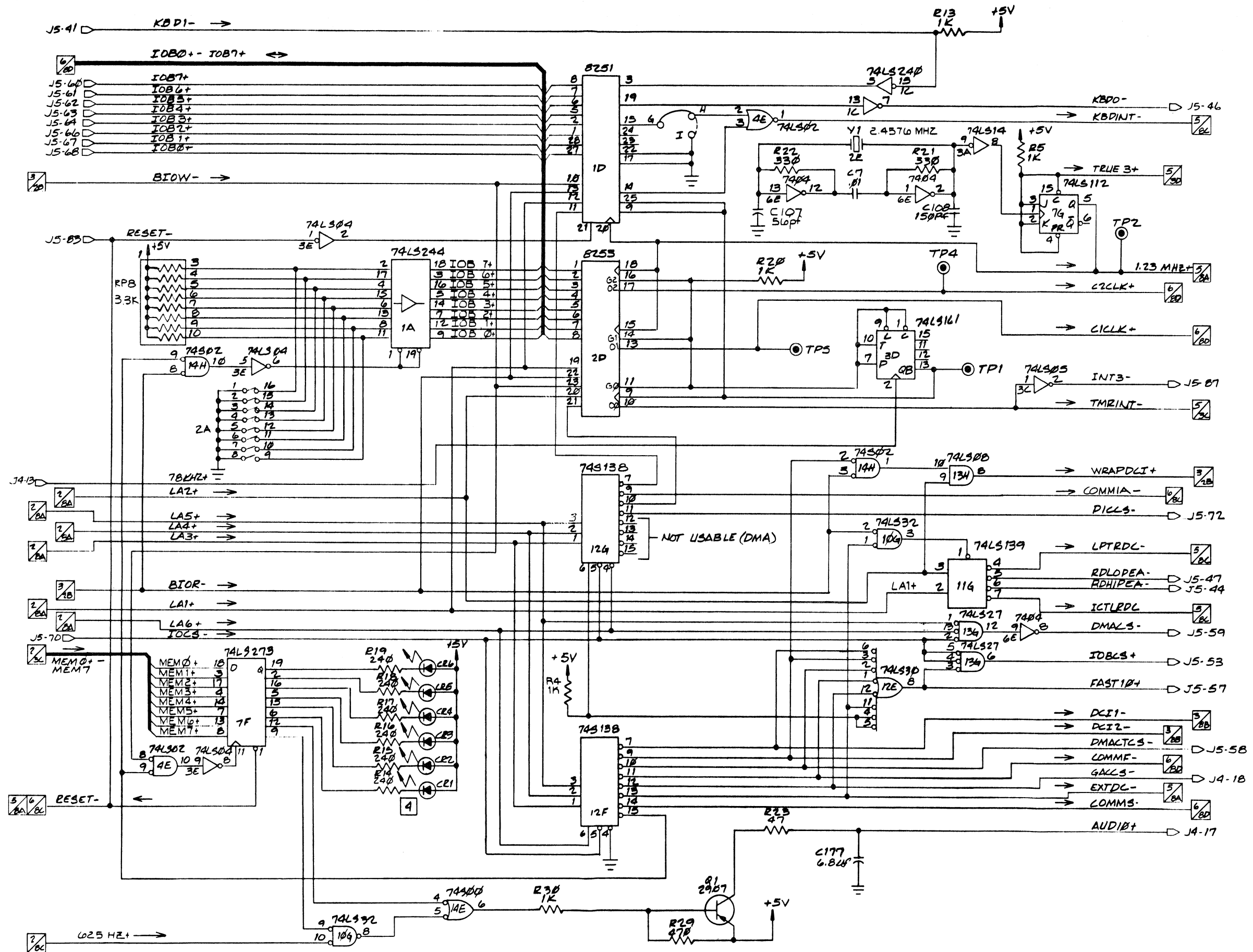
Figure 5-2. I/O Address Decode Signals



64K I/O-Memory board
01/83 2 of 7

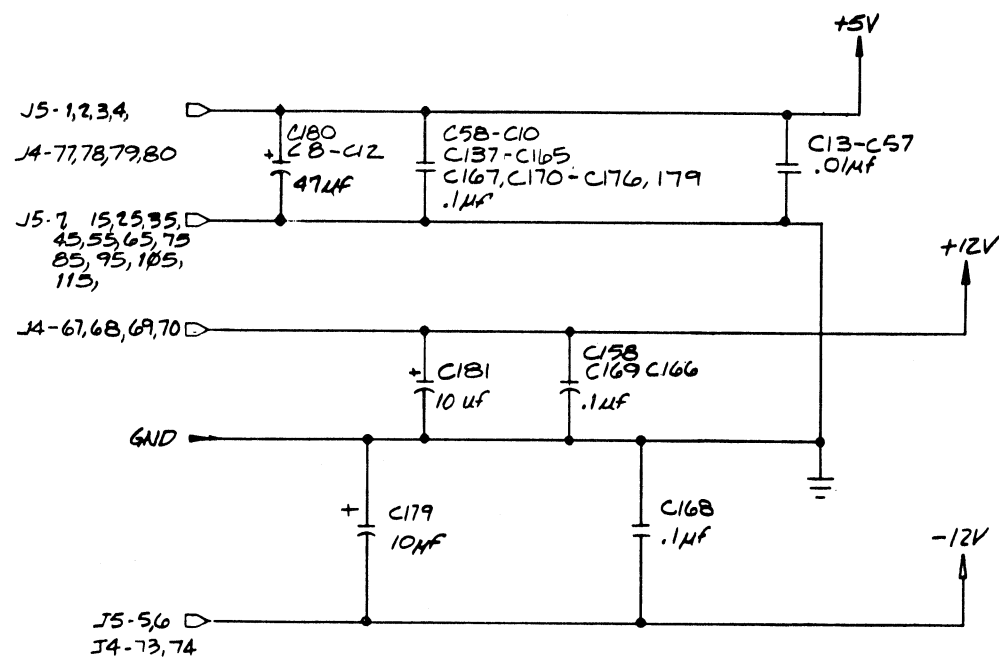


* DENOTES DCI SIGNAL



NOTES: UNLESS OTHERWISE SPECIFIED

1. RESISTANCE VALUES ARE IN OHMS, 1/4W 5%
2. CAPACITANCE VALUES ARE IN PICOFARADS.
3. ALL DEVICES ARE STANDARD 7 $\frac{1}{4}$, 8 $\frac{1}{4}$ 16 AND 10 $\frac{1}{4}$ 20 GROUND & POWER CONNECTIONS.
4. ALL DIODES ARE TYPE FLV 560.



REF. DES.	DEVICE TYPE	+5V	GND	+12	-12
5A-22A	416D-4	B	10		
5B-22B					
5C-22C					
5D-22D					
4F	780A-510/2	9	31		
1D	8251	26	4		
3H,3G	1488		7	14	1

REF DESIGN.	DEVICE TYPE	NO. OF GATES

LAST USED	NOT USED
RP7	
R34	
C181	C109-C130
JP4	
CR6	
Y1	
J5	J1-J3

WORKSTATION HARDWARE MANUAL

Volume 2

Specifications Subject to Change.

Convergent Technologies, Convergent, CTOS, CT-BUS, IWS, EWS, and MWS are trademarks of Convergent Technologies.

Multibus is a trademark of Intel Corporation.

First Edition Revised (April 1981) A-09-00016-01-B

Copyright © 1981 by Convergent Technologies, Inc.

CONTENTS: Volume 2

10. Video Monitor (CRT)

Functional description..... 10-1
Operation by circuit block..... 10-1
 Horizontal deflection..... 10-1
 Horizontal regulator..... 10-2
 Vertical deflection..... 10-2
 Bias supply and dynamic focus..... 10-2
 Video amplifier..... 10-4
 Power..... 10-4
Adjustment procedures..... 10-5
References..... 10-6
 Connector pin list..... 10-6
 Potentiometers..... 10-6

11. Console Switches

Function..... 11-1
References..... 11-3
 Connectors..... 11-3
 LED indicator..... 11-3

12. Power Supply

Functional description..... 12-1
AC characteristics..... 12-3
DC characteristics..... 12-4
References..... 12-5
 Connectors..... 12-5
 Jumper..... 12-5

13. Communications I/O Processor Board

Functional description and software interfaces..... 13-1
 Controller processor..... 13-1
 Local memory space..... 13-1
 Multibus master..... 13-3
 Stacker/destacker..... 13-3
 Multibus interrupts..... 13-3
 Line interface..... 13-6
 Local DMA..... 13-6
Operation by logic block..... 13-9
The 8085A CPU..... 13-9
 Local I/O..... 13-11
 Direct memory access..... 13-12
 DMA interchange logic..... 13-14
 Dynamic RAM..... 13-14
 Dynamic RAM control..... 13-15
 ROM/EPROM..... 13-16
 Ready logic..... 13-16

Control signal logic.....	13-17
Multibus stacker/destacker.....	13-18
Multibus register.....	13-19
Multibus address drivers.....	13-19
Multibus interrupts.....	13-19
Multibus master control.....	13-19
SIO clock generation.....	13-20
SIO USART.....	13-20
Programmable interval timer.....	13-21
Clock detection.....	13-22
Line interface.....	13-22
AC characteristics.....	13-23
DC characteristics.....	13-43
References.....	13-47
Connector pin list.....	13-47
Connector P1.....	13-47
Connector P2.....	13-49
Device pin functions: 8085A microprocessor.....	13-50
Device pin functions: 8257-5 DMA controller.....	13-55
Device pin functions: 8202A Dynamic RAM controller.....	13-61
Device pin functions: Z80A SIO/2 communications controller.....	13-65
Device pin functions: 8253 programmable interval timer.....	13-72

14. Multiline Communications Processor Board

Glossary.....	A-1
Appendix A. IEEE 796 (Multibus) Standard.....	B-1
Appendix B. Environmental Characteristics.....	C-1
Appendix C. Workstation Switch and Jumper Settings.....	D-1
Appendix D. Monitor Form of the IWS Workstation.....	E-1
Appendix E. IWS Bootstrap ROMs.....	F-1
Appendix F. IWS Graphics Control Board.....	G-1
Appendix G. Updated IWS Schematics.....	H-1

LIST OF FIGURES

10-1	CRT-Display Block Diagram.....	10-3
10-2	CRT-Deflection Schematic.....	10-9
10-3	CRT-Deflection Assembly Drawing.....	10-11
11-1	Switch and Fuse Locations.....	11-2
11-2	Console Schematic.....	11-4
11-3	Console Assembly Drawing.....	11-5
12-1	Adjustment Potentiometers.....	12-6
12-2	Power Supply Wiring Diagram.....	12-7
13-1	Local Memory Space.....	13-2
13-2	Multibus Address.....	13-4
13-3	Multibus Interrupt Level Selection.....	13-5
13-4	Multibus Controller Port Selection.....	13-7
13-5	Baud Rate Clock Selection.....	13-8
13-6	Communications I/O Processor Block Diagram.....	13-10
13-7	8085A CPU.....	13-54
13-8	8257-5 DMA Controller.....	13-60
13-9	8202A Dynamic RAM Controller.....	13-64
13-10	Z80A SIO/2.....	13-71
13-11	8253 Programmable Interval Timer.....	13-74
13-12	Communications I/O Processor Schematic.....	13-75
13-13	Communications I/O Processor Assembly Drawing.....	13-87

14. Multiline Communications Processor Board

I

To be supplied.

APPENDIX C

WORKSTATION SWITCH AND JUMPER SETTINGS

CPU BOARD SWITCHES

The functions of each of the switches on the CPU board are listed below.

S1

Bit	On	Off
1	4 MHz DMA	5 MHz DMA
2	no wait states	one wait state
3	not used	not used
4	5 MHz 8086	3.3 MHz 8086

S2

1	Multibus-to-CT window at 512K	no Multibus-to-CT window at 512K
2	not used	not used
3	not used	not used
4	no Multibus-to-CT window at 32K	Multibus-to-CT window at 32K

S3

1	CT-to-Multibus window at 512K	CT-to-Multibus window at 768K
2	CT-to-Multibus window at 768K	CT-to-Multibus window at 512K
3	CT generates CCLK-generation	external CCLK-generation
4	CT generates BCLK-generation	external BCLK-generation

S4 (for use with 16K I/O Memory board and CPU board numbers 60-00002-00 or 60-00036-00)

1	640K RAM total	256K RAM total 384K RAM total 512K RAM total
2	640K RAM total	256K RAM total 384K RAM total 512K RAM total
3	256K RAM total 512K RAM total 640K RAM total	384K RAM total

Bit	On	Off
4	256K RAM total 384K RAM total	512K RAM total 640K RAM total

S4 (for use with 64K I/O Memory board and CPU board number 60-00110-00)

1	640K RAM total 768K RAM total 1 Mb RAM total	384K RAM total 512K RAM total
2	384K RAM total 512K RAM total 640K RAM total	384K RAM total 768K RAM total 1 Mb RAM total
3	384K RAM total 768K RAM total	384K RAM total 512K RAM total 640K RAM total 1 Mb RAM total
4	384K RAM total 384K RAM total 512K RAM total 768K RAM total	640K RAM total 1 Mb RAM total

S5

1	2732 PROMs	2716 PROMs
2	2716 PROMs	2732 PROMs
3	not used	not used
4	not used	not used

S6

1	no PROM board	PROM board
2	PROM board	no PROM board
3	no CT-to-Multibus access	CT-to-Multibus access enabled
4	CBRQ- always asserted	CBRQ- from Multibus master

CPU BOARD JUMPERS

For workstations without 8087 coprocessors, a jumper from TP6 to ground must be installed. If an 8087 is used, there must be no jumper installed.

I/O-MEMORY BOARD SWITCHES

The functions of each of the switches on the I/O-Memory board are listed below.

S1

<u>Bit</u>	<u>On</u>	<u>Off</u>
1	Channel A external transmit clock	Channel A internal transmit clock
2	Channel A external receive clock	Channel A internal receive clock
3	Channel A internal transmit clock	Channel A external transmit clock
4	Channel A internal receive clock	Channel A external receive clock
5	Channel B external transmit clock	Channel B internal transmit clock
6	Channel B external receive clock	Channel B internal receive clock
7	Channel B internal transmit clock	Channel B external transmit clock
8	Channel B internal receive clock	Channel B external receive clock

S2

ID switch: For workstations with serial number A-8131A-0400 or lower, see the "Bootstrap ROM" section in the second edition (A-09-00014-02-A) of the System Programmer's Guide. For workstations with serial number A-8131B-0400 or higher, see the Release Notice for Common Boot ROM Firmware (A-09-00065-01-A).

S3

<u>Bit</u>	<u>On</u>	<u>Off</u>
1	internal carrier detect	external carrier detect
2	external carrier detect	internal carrier detect
3	not used	not used
4	not used	not used

I/O-MEMORY BOARD JUMPERS

For Channel A RS-232 operation, jumper plugs must be installed in JP2 and JP4 and not in JP1 and JP3.

For Channel A RS-422 operation, jumper plugs must be installed in JP1 and JP3 and not in JP2 and JP4.

On the 16K I/O Memory board, jumper E-F must be installed for proper operation.

RAM EXPANSION BOARD JUMPERS

If a 128K RAM Expansion Board is included, jumper A-C must be installed for 16K RAM operation.

MOTHERBOARD JUMPERS

A jumper plug must be installed in motherboard location U3 for cluster communications operation. This connects the 9-pin cluster communications connectors and protection diodes to Channel A. For workstations with a switch in U3, all 8 bits must be on.

For noncluster Channel A use, there must be no jumper plug in location U3, or if there is a switch, all 8 bits must be off.

APPENDIX D: MONITOR FORM OF THE IWS WORKSTATION

To be supplied.

APPENDIX E: IWS BOOTSTRAP ROMS

To be supplied.

CONTENTS

APPENDIX F: IWS GRAPHICS CONTROL BOARD

OVERVIEW..... G-1

ARCHITECTURE..... G-3

 Graphics Control Board Mapping
 and Local Addressing..... G-3

 Multibus Window..... G-3

 Local Addresses..... G-4

 Extended Address Register..... G-5

 Control Register..... G-8

 Static RAM and EPROM..... G-10

 Display Planes..... G-10

THEORY OF OPERATION..... G-13

 Multibus Interface Logic..... G-15

 Local Address Bus..... G-15

 Local Data Bus..... G-15

 Extended Address Register..... G-15

 Multibus Access..... G-31

 8086-2 Microprocessor,
 Static RAM, and EPROM Logic..... G-32

 Local Address Bus..... G-32

 Local Data Bus..... G-33

 Clock, Reset, and Ready Logic..... G-33

 Input/Output Decoding..... G-34

 Static RAM..... G-35

 Firmware EPROM..... G-35

 26-MHz Phase-Locked Loop..... G-35

 Synchronous Display Memory
 Controller..... G-40

 Display Memory Cycle Generation
 and Timing..... G-40

 State Machine and
 Display Memory..... G-42

 Memory Arbitration Logic..... G-46

 RAM Data Latches and
 Video Shift Registers..... G-48

 Blanking Logic..... G-49

 CPU Ready Logic..... G-50

LIST OF FIGURES

Figure 2-1	IWS Graphics Control Board Address Mapping.....	G-5
Figure 2-2	IWS Graphics Control Board Memory Address Space.....	G-6
Figure 2-3	Multibus Addressing Scheme.....	G-7
Figure 2-4	Display Address Map.....	G-12
Figure 3-1	IWS Graphics Control Board Block Diagram.....	G-14
Figure 3-2	IWS Graphics Control Board Schematic.....	G-17
Figure 3-3	26-MHz Phase-Locked Loop Block Diagram.....	G-37
Figure 3-4	Display Memory Refresh Timing Diagram.....	G-44
Figure 3-5	Display Memory Access Timing Diagram.....	G-47

LIST OF TABLES

Table 2-1	Multibus Memory Address Switch Settings.....	G-4
Table 2-2	Extended Address Register Port Switch Settings.....	G-7
Table 2-3	Extended Address Register Complement Summary.....	G-8

APPENDIX F: IWS GRAPHICS CONTROL BOARD

OVERVIEW

This appendix is for the engineer who writes service manuals, tests the IWS Graphics Control Board electronics, or writes (or modifies) system software for use with the IWS workstation. This appendix does not provide documentation to support modification of the Graphics Control Board hardware.

The IWS Graphics Board enhances the IWS workstation or the monitor form of the IWS workstation by providing medium-resolution graphics capabilities. Twin graphic display planes are provided, each with viewports of 656 by 510 pixels. The assignment of each pixel on the video display is mapped from a linear memory array consisting of 16 64-kilobyte dynamic RAMs.

The Graphics Control Board plugs into one of the Multibus slots in an IWS and is controlled by a Intel 8086-2 microprocessor executing ROM-resident firmware from 8 kilobytes of EPROM. Eight kilobytes of static RAM are provided to store command and status information for the microprocessor.

The "Architecture" section of this appendix describes the use of the address space on the Graphics Control Board, switch selection, the single Control Register, and the display planes.

The "Theory of Operations" section describes, at a component level, the operations of the circuitry on the Graphics Control Board.

ARCHITECTURE

The following aspects of the IWS Graphics Control Board architecture are discussed:

- o The IWS Graphics Control Board has 1 megabyte of local address space accessible by the IWS CPU through a 64-kilobyte window in the Multibus address space. An Extended Address Register is used to provide four high-order address bits for the Graphics Control Board addresses.
- o The Control Register provides several bits of control over the graphics hardware.
- o The Graphics Control Board contains a local Intel 8086-2 microprocessor operating at 8 MHz from a program stored in 8 kilobytes of EPROM. Additionally, 8 kilobytes of static RAM is provided for storage of commands and status information.
- o The two independently addressable display planes resident in dynamic RAMs store the graphics image (or bit map) displayed on the IWS video display. Each display plane is 1024 bits horizontally by 512 bit vertically.

Graphics Control Board Mapping and Local Addressing

As described in the "System Architecture" section of the Workstation Hardware Manual, the IWS CT Bus and the Multibus each have 1 megabyte of address space. Since the IWS has a maximum address range of 1 megabyte, a common area (a window) of mutually addressable space must be created on the CT Bus to allow the Multibus to be addressed.

Multibus Window

Similarly, the 1-megabyte address space on the IWS Graphics Control Board must be addressed through a 64-kilobyte window set on the Multibus by the SW2 switches on the IWS Graphics Control Board. Figure 2-1 below shows the relationship between the address space of the CT Bus and those of the Multibus and the Graphics Control Board Local Bus. With Convergent's current standard software, the Multibus mapping on the CT Bus

begins at 768 kilobytes, or C000:0h, and extends to 991 kilobytes or F7FF:Fh. This maps into a 224-kilobyte address space on the Multibus beginning at 0000:0. The IWS Graphics Control Board uses 64 kilobytes in this address space as its interprocessor communications window. The four switches at SW2 select the 64-kilobyte block of addresses to which the Graphics Control Board will respond. Table 2-1 below lists the switch settings for SW2. Convergent standard software supports 64-kilobyte windows beginning at CT-Bus locations C000:0h, D000:0h, and E000:0h.

Table 2-1. Multibus Memory Address Switch Settings.

SW2				Memory Address (h)	
1	2	3	4		
OFF	OFF	OFF	OFF	0000:0-0FFF:F	*
OFF	OFF	OFF	ON	1000:0-1FFF:F	*
OFF	OFF	ON	OFF	2000:0-2FFF:F	*
OFF	OFF	ON	ON	3000:0-3FFF:F	
OFF	ON	OFF	OFF	4000:0-4FFF:F	
OFF	ON	OFF	ON	5000:0-5FFF:F	
OFF	ON	ON	OFF	6000:0-6FFF:F	
OFF	ON	ON	ON	7000:0-7FFF:F	
ON	OFF	OFF	OFF	8000:0-8FFF:F	
ON	OFF	OFF	ON	9000:0-9FFF:F	
ON	OFF	ON	OFF	A000:0-AFFF:F	
ON	OFF	ON	ON	B000:0-BFFF:F	
ON	ON	OFF	OFF	C000:0-CFFF:F	
ON	ON	OFF	ON	D000:0-DFFF:F	
ON	ON	ON	OFF	E000:0-EFFF:F	
ON	ON	ON	ON	F000:0-FFFF:F	

* indicates address range supported by Convergent standard software

Local Addresses

Figure 2-2 below shows the 1-megabyte address space for the Graphics Control Board. At the bottom, 8 kilobytes of the address space is the static RAM used by both the IWS CPU and the local CPU to pass command and status information. At address 4000:0h, 1 byte is allocated for the Control Register, which provides several hardware

control signals described below under "Control Register." Two display planes, each 64 kilobytes, reside at addresses 8000:0h and 9000:0h, respectively. The local 8086-2's 8-kilobyte program resides in EPROM, starting at address FE00:0h. All of the above local resources can be accessed by both the IWS and local CPU. Access by the IWS CPU is limited to word addressing and is slower than an access by the local CPU.

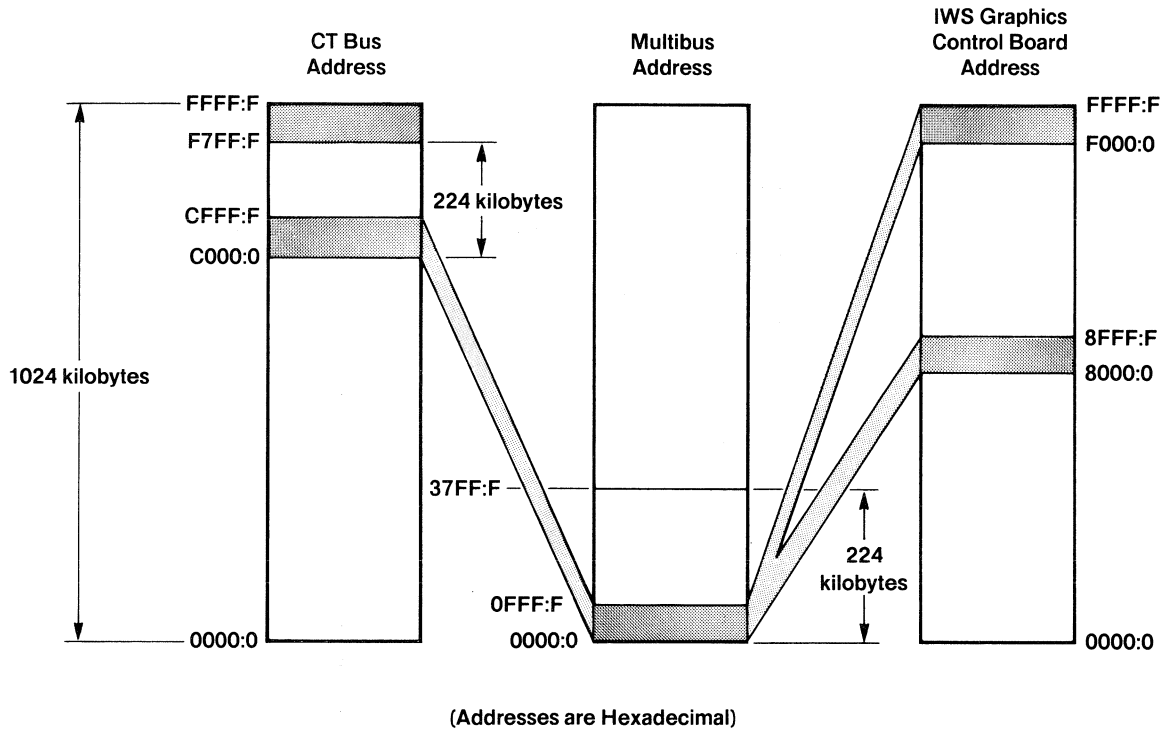
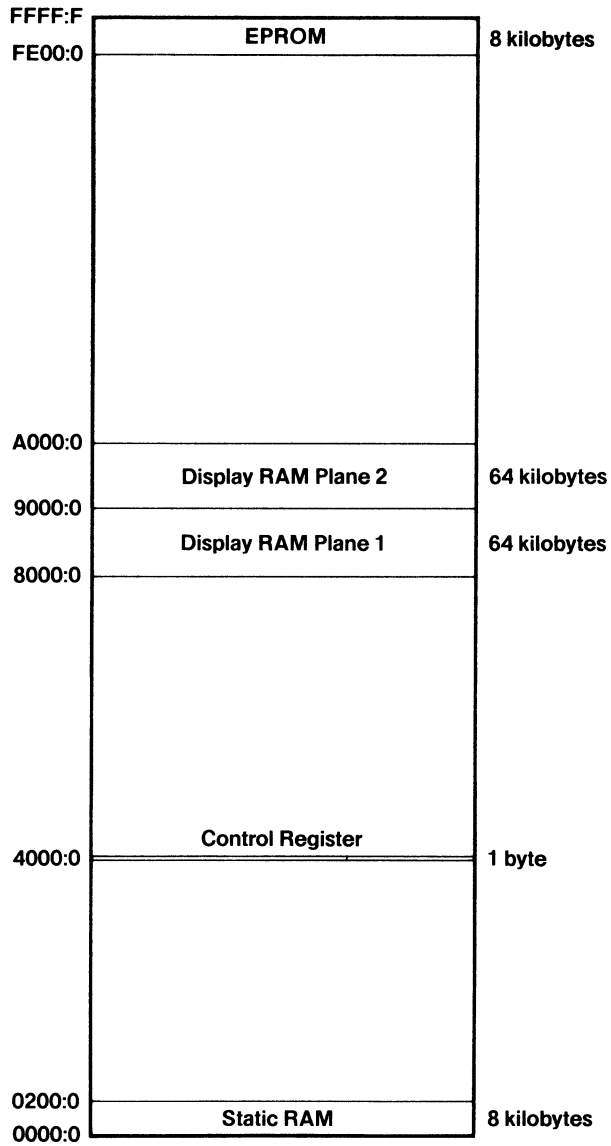


Figure 2-1. IWS Graphics Control Board Address Mapping.

Extended Address Register

Since the Multibus window to the Graphics Control Board is 64 kilobytes and the total address space on the Board is 1 megabyte, an Extended Address Register is used. As shown in Figure 2-3, the full 20-bit address consists of 16 least-significant bits from the Multibus and the four high-order bits from the complement of the Extended Address Register.



(Addresses are Hexadecimal)

Figure 2-2. IWS Graphics Control Board Memory Address Space.

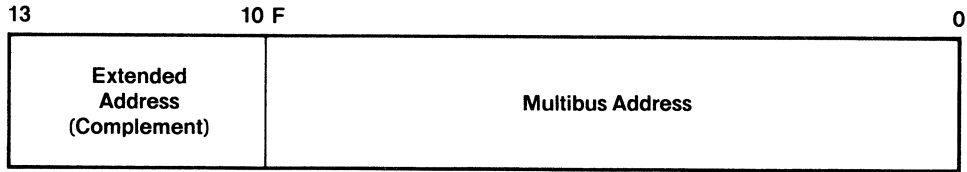


Figure 2-3. Multibus Addressing Scheme.

The Extended Address Register is a Multibus output port loaded by the IWS CPU. The contents of the register are loaded from the four least significant data bits. The Extended Address Register should only be written to and has an address that is selectable through switches at SW1. Current standard software accesses the Extended Address Register at port address 8030h. Table 2-2 below lists the address switch settings for SW1.

Table 2-2. Extended Address Register Port Switch Settings.

SW1				Register Address (h)
1	2	3	4	
OFF	OFF	OFF	OFF	XX00
OFF	OFF	OFF	ON	XX10
OFF	OFF	ON	OFF	XX20
OFF	OFF	ON	ON	XX30 *
OFF	ON	OFF	OFF	XX40
OFF	ON	OFF	ON	XX50
OFF	ON	ON	OFF	XX60
OFF	ON	ON	ON	XX70
ON	OFF	OFF	OFF	XX01
ON	OFF	OFF	ON	XX11
ON	OFF	ON	OFF	XX21
ON	OFF	ON	ON	XX31
ON	ON	OFF	OFF	XX41
ON	ON	OFF	ON	XX51
ON	ON	ON	OFF	XX61
ON	ON	ON	ON	XX71

* indicates address supported by Convergent standard software

For an example of how the Extended Address Register is used, consider an IWS CPU read operation of the first address of the static RAM at address 0000:0. The IWS CPU must first address the Extended Address Register at port 8030h and then write the complement of the high-order address into it. Since the static RAM resides in the first 8 kilobytes of the Graphic Control Board's address space, the four high-order bits are all 0. Therefore, 0Fh is written into the Extended Address Register as the complement. To write to the Control Register at address 4000:0h on the Graphics Control Board, the complement of the address is 0FBh, where Bh is the contents of the Extended Address Register.

To summarize some common address complements for the Extended Address Register:

Table 2-3. Extended Address Register Complement Summary.	
<u>Byte Output (h)</u>	<u>Data Accessed</u>
0FF	Static RAM
0FB	Control Register
0F7	Display Plane 1
0F6	Display Plane 2
0F0	EPROM

Control Register

The Control Register at address 4000:0h provides several control bits for the graphics hardware and can only be written to. Any attempt to read this register results in changing its contents to an indeterminate value. When the Graphics Control Board is reset, all of the bits in the Control Register are set to 0. The function of the bits in the Control Register are as follows:

<u>Control Bit</u>	<u>Write Information</u>
0	LOCBLANK- (Local Blank). When LOCBLANK- is 0, the graphics output is disabled. When 1, the video shift registers are enabled

Control Bit

Write Information

and graphics information is sent to the Video Board.

- 1 80COL+ (80-Column Alphanumeric Mode). When 80COL+ is 0, the IWS is operating in the 132-column alphanumeric mode. When 1, the IWS is operating in the 80-column alphanumeric mode. This bit, set by software when the screen size is changed, determines the operation of the on-board phase-locked loop to provide a constant 26-MHz pixel clock to the Video Board.

- 2 Y9+ (Most Significant Display-Memory Address Bit). This bit is used to determine which of the two display planes is currently being displayed. When Y9 is 0, Display Plane 1 (address 8000:0h-8FFF:Fh) is being shown on the video display. When 1, Display Plane 2 (address 9000:0h-9FFF:Fh) is being shown on the video display.

- 3 MEMENB+ (Memory Enable). If MEMENB+ is 0, the display memory is disabled and cannot be accessed. If MEMENB+ is 1, the display memory can be accessed.

- 4 HBVIDEO+ (Half-Bright Video). This bit overrides the half bright video attributes from the Video Board. If HBVIDEO+ is 0, alphanumerics are being displayed on the video display and any half-bright video attributes are from the Video Board. When alphanumerics are disabled, HBVIDEO+ is set to 1 by the software to drive the display to all full-bright, overriding any half-bright attributes from the Video Board.

- 5-7 Unused.

Static RAM and EPROM

The 8 kilobytes of static RAM, starting at address 0000:0, is used for passing command and status information between the IWS CPU and the local CPU. The local CPU can address RAM at 8 MHz without incurring any wait states. RAM access by the IWS CPU depends on how long it takes the IWS CPU to acquire the Multibus. The RAM is only word-writable by the local CPU and word-addressable (writing and reading) from the Multibus.

The 8 kilobytes of EPROM starting at address FE00:0h contains the graphics firmware. The local CPU executes code out of EPROM at 8 MHz without incurring any wait states. The IWS CPU may read from EPROM but, as with static RAM, the access time depends on the Multibus acquisition time. The EPROM is byte-readable by the local CPU and word-readable by the IWS CPU; writing to the EPROM is meaningless.

Display Planes

Display planes 1 and 2 at 8000:0h and 9000:0h, respectively, each contain 64 kilobytes of video pixel (bit-map) information making up the complete graphic image displayed. Since there are two display planes, software can select between the two, allowing one plane to be updated while the other is being displayed. The planes are selected by means of the Y9+ bit in the Control Register: when Y9+ is low, Plane 1 is displayed on the video display and when Y9+ is high, Plane 2 is displayed. Figure 2-4 below shows the address organization of the two display planes.

Each display plane consists of a 1024 by 512 rectangular linear array of bits that map into pixels on the video display. The visible area of the screen is a 656 by 510 bit map of the display plane. The origin of the visible screen has a fixed offset into the display plane, as shown in Figure 2-4.

For example, the first visible horizontal line (or bit map) starts at byte 8008:14h and ends at byte 8FF0:65h. Also, the first pixel shifted out to the video display is always the least significant bit of a byte. Therefore 8008:14h bit 0 is at the top left corner of the video

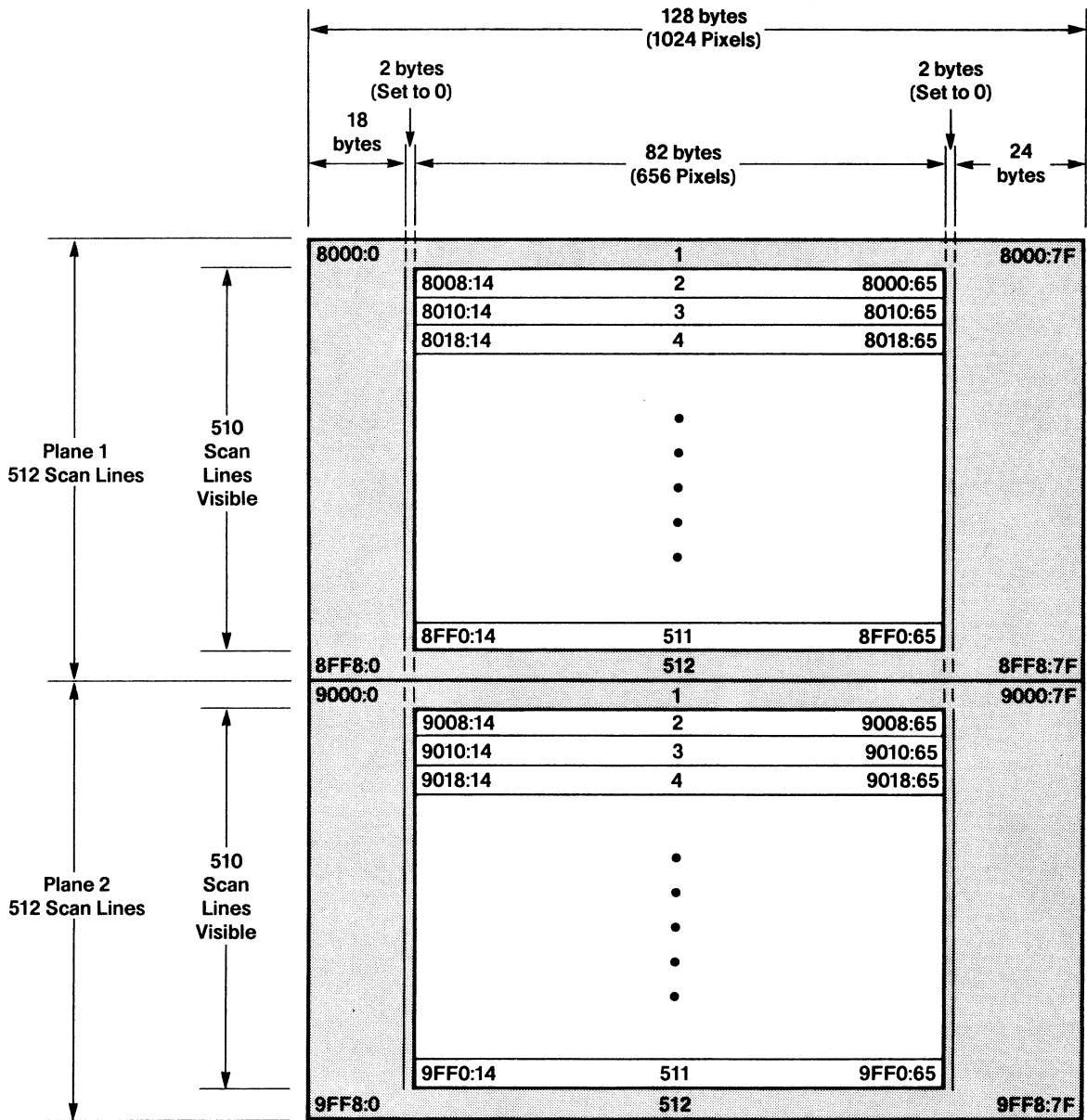
display and 8FF0:65h bit 7 is at the lower right. When programming, the nineteenth and twentieth bytes on each horizontal line should be set to 0 so that no extraneous dots appear on the video display. The two bytes immediately following the 82 bytes in each visible line should also be set to 0.

The display memory can be accessed by both the local CPU and the IWS CPU. The display memory controller provides a dual port for CPU and refresh accesses. This causes display memory accesses to be slower; the local CPU cycles can have five to ten selected by means of the Y9+ bit in the Control Register: when Y9+ is low, Plane 1 is displayed on the video display and when Y9+ is high, Plane 2 is displayed. Figure 2-4 below shows the address organization of the two display planes.

Each display plane consists of a 1024 by 512 rectangular linear array of bits that map into pixels on the video display. The visible area of the screen is a 656 by 510 bit map of the display plane. The origin of the visible screen has a fixed offset into the display plane, as shown in Figure 2-4.

For example, the first visible horizontal line (or bit map) starts at byte 8008:14h and ends at byte 8FF0:65h. Also, the first pixel shifted out to the video display is always the least significant bit of a byte. Therefore 8008:14h bit 0 is at the top left corner of the video display and 8FF0:65h bit 7 is at the lower right. When programming, the nineteenth and twentieth bytes on each horizontal line should be set to 0 so that no extraneous dots appear on the video display. The two bytes immediately following the 82 bytes in each visible line should also be set to 0.

The display memory can be accessed by both the local CPU and the IWS CPU. The display memory controller provides a dual port for CPU and refresh accesses. This causes display memory accesses to be slower; the local CPU cycles can have five to 15 wait states (the average is 10) per access. Multibus cycles are even longer depending on the Multibus acquisition time. The display memory is byte-addressable locally but only word-addressable from the IWS CPU via the Multibus.



(Addresses are Hexadecimal)

Figure 2-4. Display Address Map.

THEORY OF OPERATION

This section addresses the needs of the engineer who must understand the IWS Graphics Control Board at a component level. Each of the functional blocks in Figure 3-1, IWS Graphics Control Board Block Diagram, is discussed in relation to the logic that performs the function.

The IWS Graphics Control Board is installed in one of the Multibus slots provided in the IWS workstation. It contains its own 8-MHz 8086-2 microprocessor, which considerably reduces the processing time required to generate a graphic image on the video display. The 8086-2 CPU operates from a program stored in 8 kilobytes of EPROM and stores data structures in 8 kilobytes of high speed RAM. Access by the CPU to both EPROM and RAM are made without wait states.

The CPU also writes to and reads from the 128-kilobyte display RAM array, which contains the video display information. The display RAM array is controlled by a synchronous display memory controller. This allows access, in one period of 1.25 microseconds, to the RAM array by either the 8086-2 CPU or IWS CPU and also provides video and display RAM refresh.

The memory controller is synchronized by a phase-locked loop providing a constant 26-MHz pixel clock, independent of the input pixel clock frequency (either 31 or 52 MHz) received from the IWS Video Board.

During a 1.25 microsecond display period, two 16-bit words of video information from the display RAM are serially shifted to the Video Board from the 32-bit video shift register.

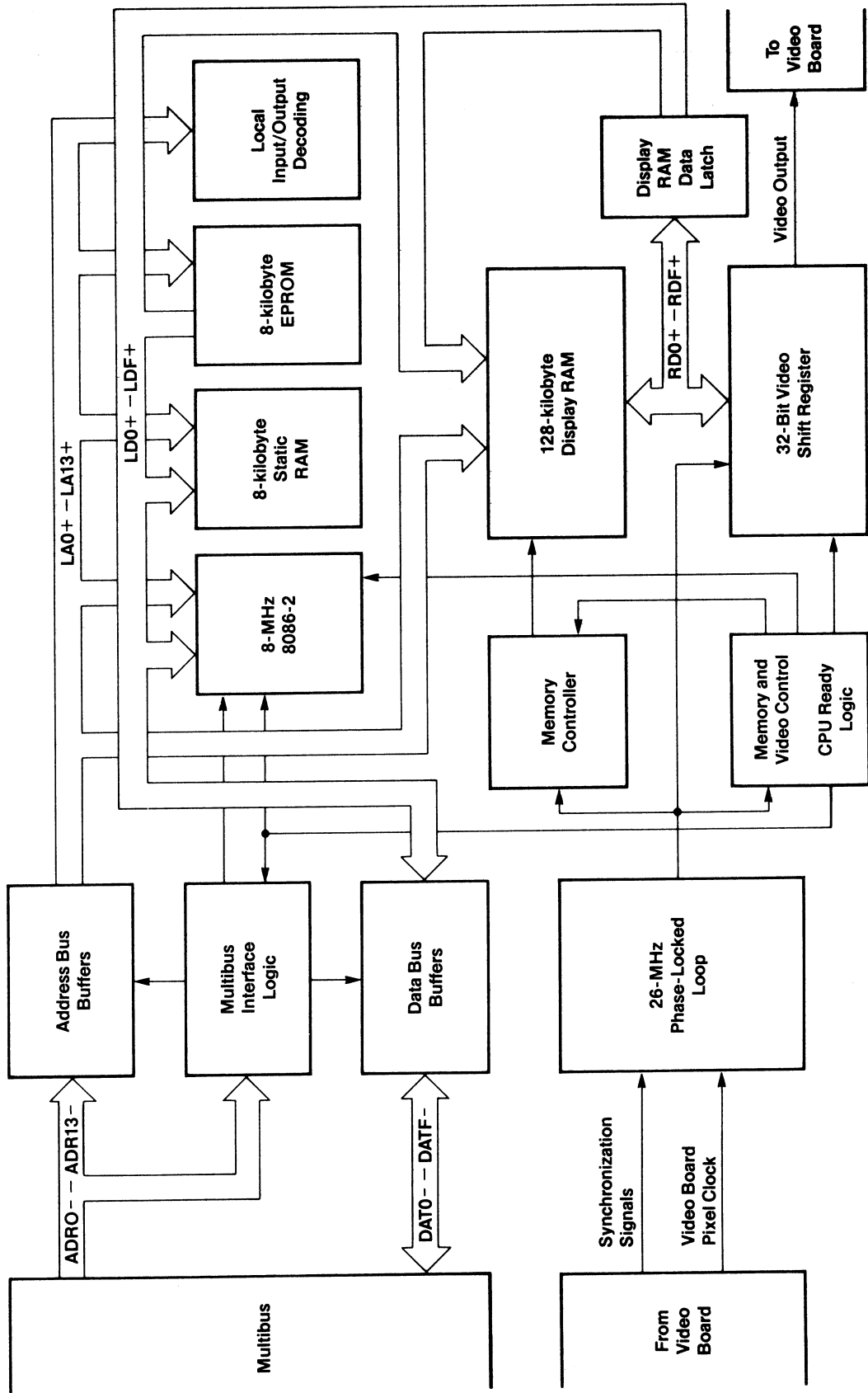


Figure 3-1. IWS Graphics Control Board Block Diagram.

Multibus Interface Logic

The IWS CPU communicates with the Graphics Control Board through the Multibus interface logic as shown below on page 6 of the IWS Graphics Control Board Schematic, Figure 3-2.

Local Address Bus

Address lines ADRO- through ADRF- are buffered from the Multibus by tri-state inverting drivers 9E and 8E and become LA0+-LAF+ (Local Address). The two drivers are enabled by SLAVE- at pins 1 and 19 when the Graphics Control Board is addressed by the IWS CPU.

Local Data Bus

Data lines DAT0- through DATF- are buffered to and from the LDO+-LDF+ (Local Data) by two inverting transceivers, 11E and 10E. As with the address buffers, the two data transceivers are enabled at pin 19 by SLAVE-. The direction of the data transceiver's operation is determined by the MRDC- (Memory Read) command strobe from the Multibus.

Extended Address Register

An Extended Address Register at latch 12E supplies a low LBHEN- (Local Bus High Enable) to the display memory along with four additional high-order address lines: LA10+-LA13+ from the DAT0- through DAT3- lines at 12E's D-inputs. Latch 12E is also enabled by SLAVE- during a Multibus input/output cycle and clocked when port address comparator 7E detects a match between the four settings of DIP switch SW1 and the ADRO- through ADR7- address lines from the IWS CPU. (The port address values for SW1 are given in Table 2-2 in the "Architecture" section above.) Comparator 7E is enabled by the IOWC- (Input/Output Write Command) strobe from the Multibus. When a match occurs, pin 19 of 7E goes low to clock 12E and also generates a XACK- (Transfer Acknowledge) signal back to the Multibus through pin 6 of inverter 5D and pin 6 of gate 4E.

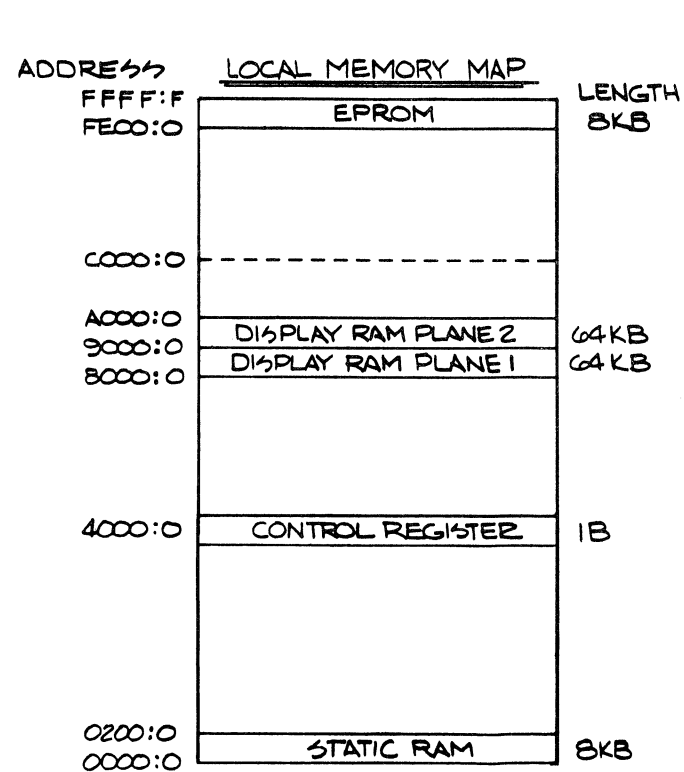
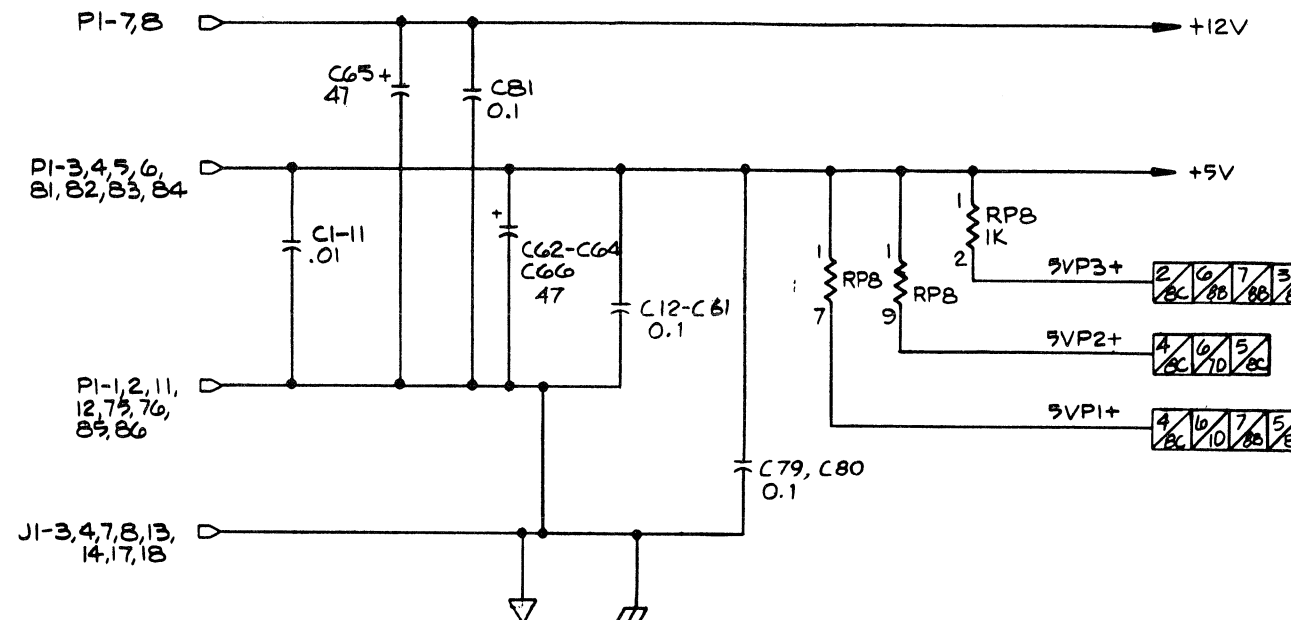
NOTES: UNLESS OTHERWISE SPECIFIED:

1. RESISTANCE VALUES ARE IN OHMS, 1/4W 5%.
2. CAPACITANCE VALUES ARE IN MICROFARADS.
3. ALL DEVICES ARE STANDARD 7.6 14, 8 & 16, 10 & 20, 12 & 24, GROUND & POWER CONNECTIONS.
4. USED WITH ASSY. A-60-00068-00.

SPARE GATES		
TYPE	REF. DESIGNATORS	QTY
74LS374	12E	3
74LS244	2E	4
74LS374	9B	1
10131	1A,	1
10104	6B	1
74LS393	12A	1
74LS373	18D	3
74LS00	12C	1
74LS02	9A	1
74LS04	21C	2
74LS22	5E	1
LM358	3B	1

REF. DESIGNATORS	
LAST USED	NOT USED
VR1	
RP9	
CB2	C76
R24	
L1	
SW2	
Y1	
J1	
CR1	
QB	

POWER AND GROUND LOCATION CHART					
REF. DES	TYPE	GND	+5V	+12V	
1A, 5A	10131	8	1, 16		
6B	10104	8	1, 16		
3A	10116	8	1, 16		
7A, 1C	10137	8	1, 16		
3B	LM358	4	-	8	
2B	1658	8	1, 5		
6A	10102	8	1, 16		



PORT SELECTION				
SW1				OUTPUT PORT (HEX)
1	2	3	4	
OFF	OFF	OFF	OFF	XX00
OFF	OFF	OFF	ON	XX10
OFF	OFF	ON	OFF	XX20
OFF	OFF	ON	ON	XX30
OFF	ON	OFF	OFF	XX40
OFF	ON	OFF	ON	XX50
OFF	ON	ON	OFF	XX60
OFF	ON	ON	ON	XX70
ON	OFF	OFF	OFF	XX01
ON	OFF	OFF	ON	XX11
ON	OFF	ON	OFF	XX21
ON	OFF	ON	ON	XX31
ON	ON	OFF	OFF	XX41
ON	ON	OFF	ON	XX51
ON	ON	ON	OFF	XX61
ON	ON	ON	ON	XX71

MULTIBUS MEMORY SELECTION				
SW2				MEMORY RANGE (HEX)
1	2	3	4	
OFF	OFF	OFF	OFF	0000:0-0FFF:F
OFF	OFF	OFF	ON	1000:0-1FFF:F
OFF	OFF	ON	OFF	2000:0-2FFF:F
OFF	OFF	ON	ON	3000:0-3FFF:F
OFF	ON	OFF	OFF	4000:0-4FFF:F
OFF	ON	OFF	ON	5000:0-5FFF:F
OFF	ON	ON	OFF	6000:0-6FFF:F
OFF	ON	ON	ON	7000:0-7FFF:F
ON	OFF	OFF	OFF	8000:0-8FFF:F
ON	OFF	OFF	ON	9000:0-9FFF:F
ON	OFF	ON	OFF	A000:0-AFFF:F
ON	OFF	ON	ON	B000:0-BFFF:F
ON	ON	OFF	OFF	C000:0-CFFF:F
ON	ON	OFF	ON	D000:0-DFFF:F
ON	ON	ON	OFF	E000:0-EFFF:F
ON	ON	ON	ON	F000:0-FFFF:F

Figure 3-2. IWS Graphics Control Board Schematic. (Page 1 of 7)

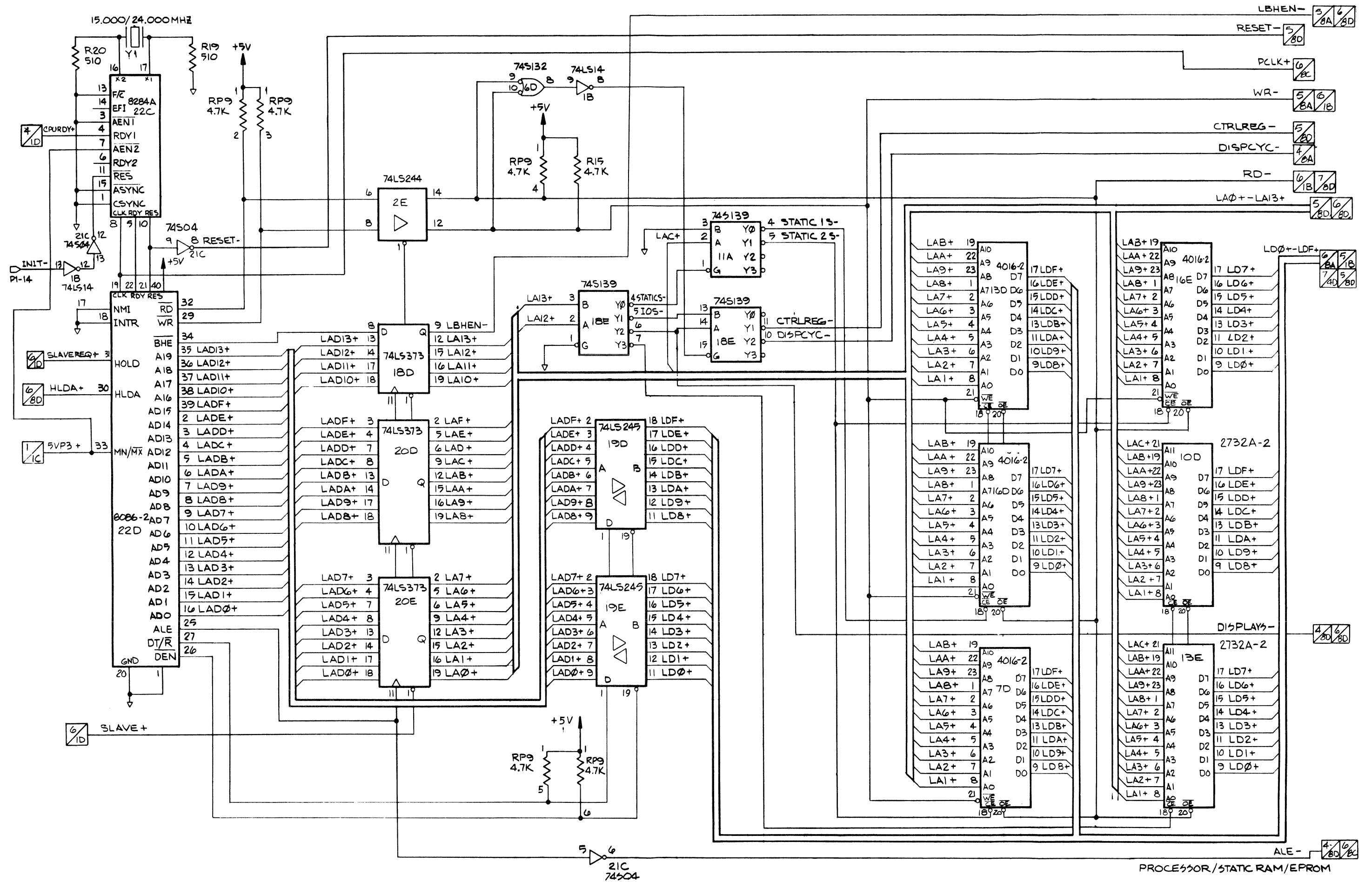
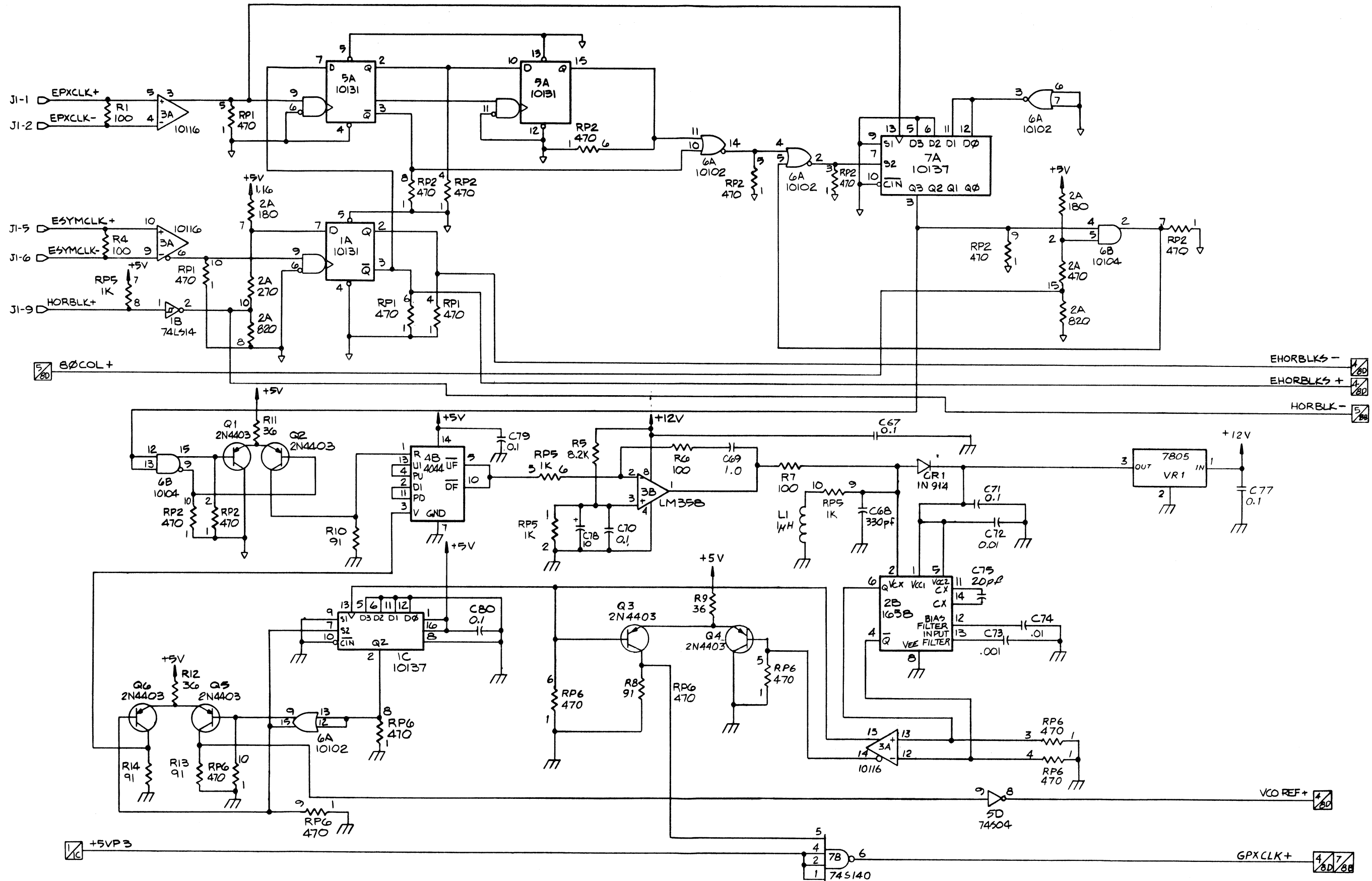


Figure 3-2. IWS Graphics Control Board Schematic. (Page 2 of 7)



PHASE-LOCKED LOOP

Figure 3-2. IWS Graphics Control Board Schematic. (Page 3 of 7)

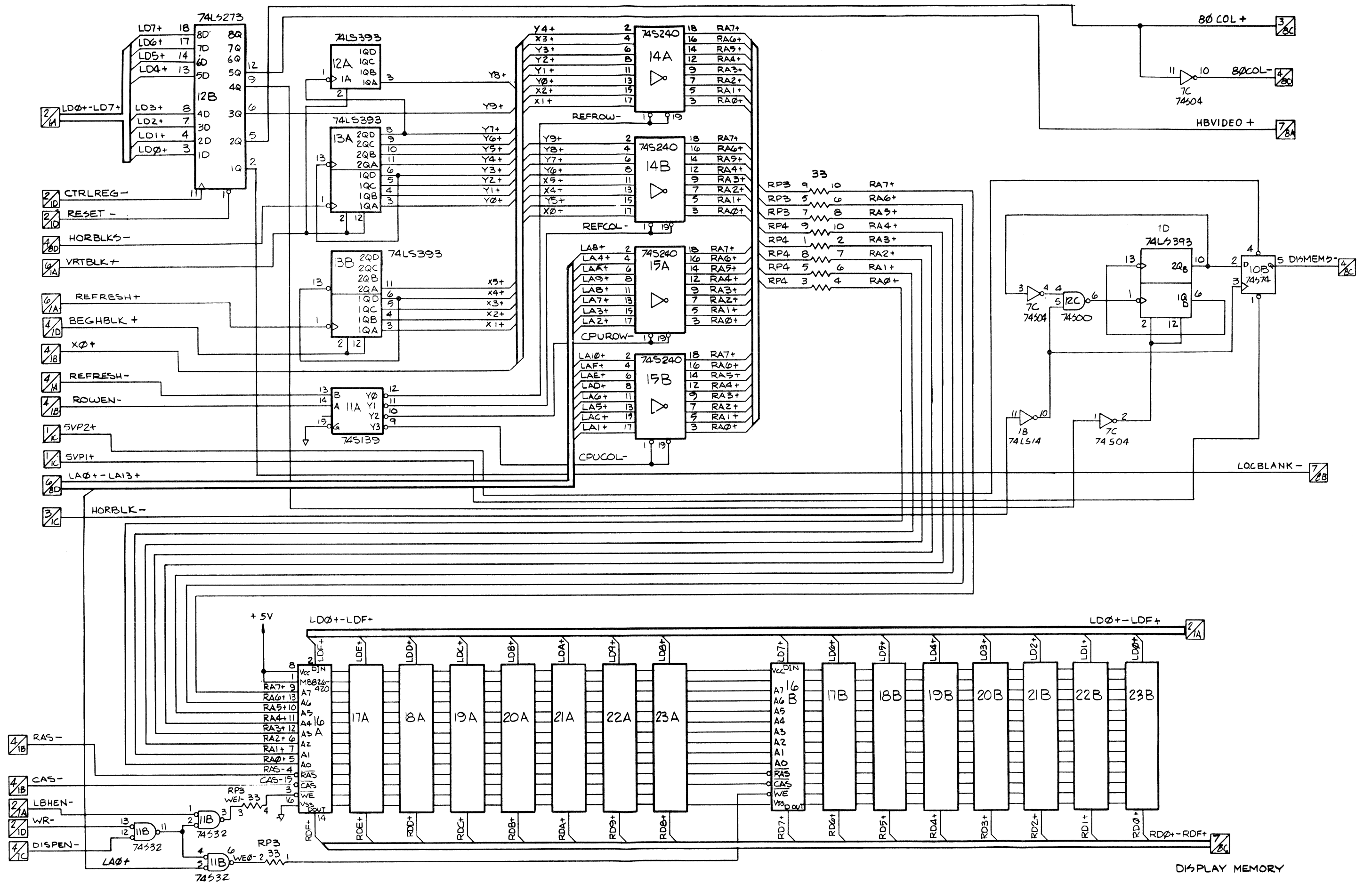
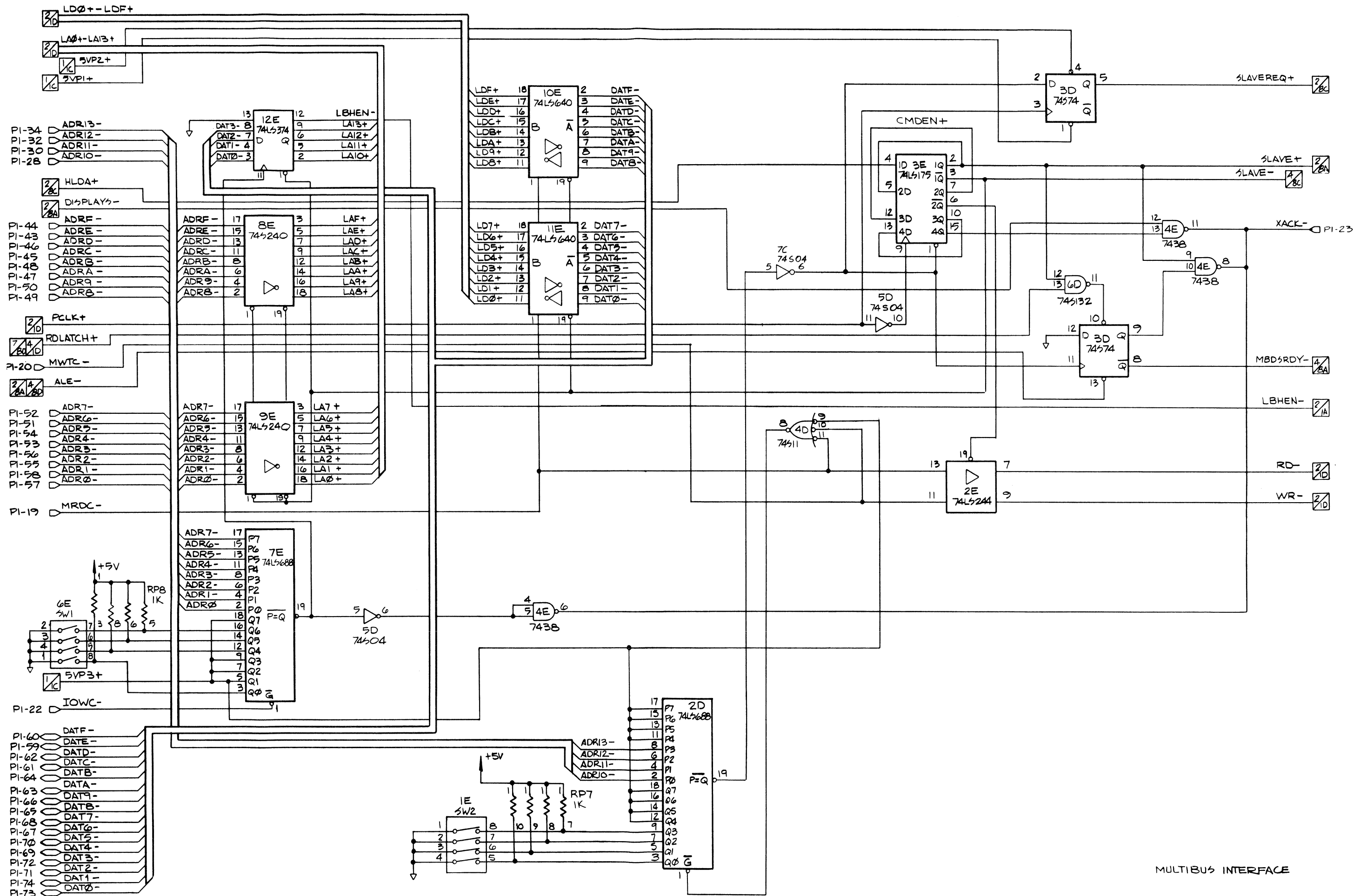
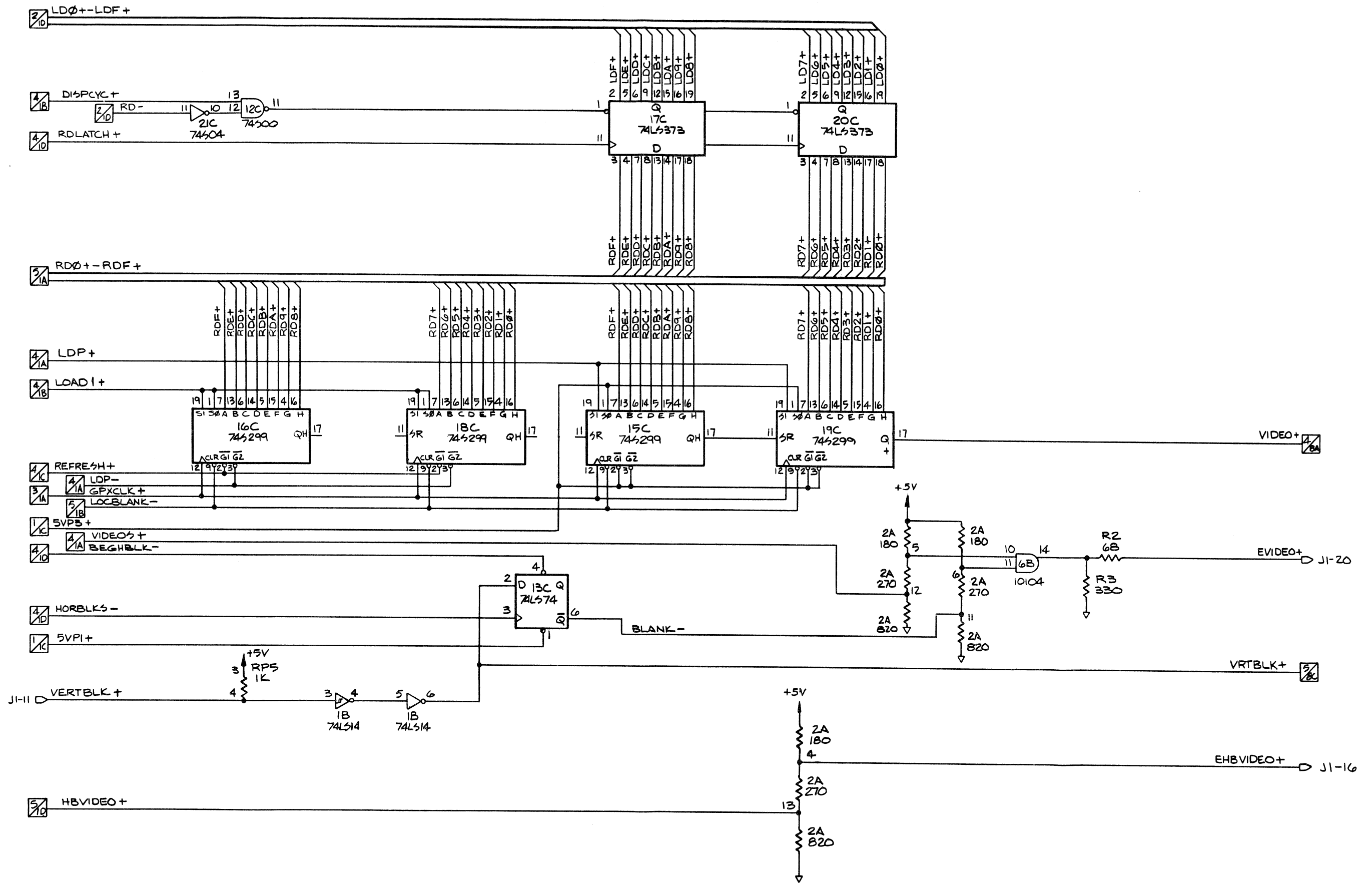


Figure 3-2. IWS Graphics Control Board Schematic. (Page 5 of 7)



MULTIBUS INTERFACE

Figure 3-2. IWS Graphics Control Board Schematic. (Page 6 of 7)



RAM DATA LATCH-VIDEO SHIFT REGISTER

Figure 3-2. IWS Graphics Control Board Schematic. (Page 7 of 7)

Multibus Access

A multibus write or read cycle, to or from the local memory space, starts when the IWS CPU addresses the Graphics Control Board. Comparator 2D compares the incoming address on the four most significant address lines, ADR10- through ADR13- with the four settings of the SW2 DIP switch at 1E. The switch settings encode a single 64-kilobyte address segment out of the 1 megabyte of Multibus address space available. (The memory address values for SW2 are given in Table 2-1 in the "Architecture" section above.) Pin 19 of 2D goes low when the address matches the switch settings at 2D's Q0-Q3 inputs and either the MWTC- (Memory Write) or MRDC- (Memory Read) command lines from the IWS CPU are low through pin 8 of gate 4D. The low at pin 19 of 2D is inverted to a high through pin 6 of inverter 7C.

The Multibus request at pin 6 of inverter 7C is synchronized to the processor clock PCLK+ at the D input of flip-flop 3D at pin 2. The output of pin 5, SLAVEREQ+ (Slave Request) is sent, as shown on page 2 of Figure 3-2, to the HOLD+ (Hold Request) input pin 31 of 8086-2 at 22D.

The high at pin 6 of 7C also clears the four D flip-flops at 3E, which are used to generate several control lines for a Multibus memory cycle. When the 8086-2 at 22D floats the local bus as requested by SLAVEREQ+, it asserts HLDA+ (Hold Acknowledge), which is sent to the 1D input of 3E at pin 4. After a positive transition of PCLK+, SLAVE+ (pin 2 of 3E) and SLAVE- (at pin 3 of 3E) are generated to enable the address and data drivers for a transfer from the Multibus to the IWS bus. One PCLK+ cycle later, the 2Q output of 3E at pin 6 goes low to gate 2E which buffers the MRDC- and MWTC- command lines to the RD- and WR- command lines used on the Graphics Control Board. The 2Q output of 3E at pin 6 is sent to the 3D input of 3E at pin 12 as CMDEN+ (Command Enable). After two more clock cycles, a high appears at the 4Q output of 3E to pin 13 of gate 4E. If DISPLAYS- (Display Cycle Select) is high, then nondisplay cycle resources (static RAM, EPROM, or the Control Register) are accessed. The timing produced at pin 13 of 4E generates XACK- (Transfer Acknowledge) at pin 11, indicating to the IWS CPU that the data on the data bus is valid.

If the display RAM is addressed (DISPLSYS- is low), XACK- originates at pin 8 of gate 4E. Pin 11 of flip-flop 3D is clocked by the high from pin 6 of inverter 7C. The Q output of 3D at pin 9 is low to pin 10 of gate 4E, which then disallows a XACK- to occur. When the data is valid on the data bus, pin 10 of 3D goes low from the NAND of SLAVE+ and RDLATCH+ at pins 12 and 13 of gate 6D, cause pin 9 of 3D to go high to pin 10 of 4E. Since pin 9 of 4E is also SLAVE+, XACK- appears at pin 8 of 4E. The Q- output of 3D at pin 8 goes low to generate MBDSRDY- (Multibus Display Ready), which is sent to the display memory controller described below. Finally, on the next processor cycle, pin 13 of 3D is cleared by ALE- from the 8086-2, thus making 3D's Q and Q- outputs false.

8086-2 Microprocessor, Static RAM, and EPROM Logic

As shown on page 2 of Figure 3-2 above, the Intel 8086-2 microprocessor at 22D executes instructions at 8 MHz and performs many control functions that would otherwise have to be handled by the IWS CPU. At pin 33, the 22D is strapped to operate in the minimum mode so the 8086-2's control lines operate in a manner similar to that of the Intel 8085 microprocessor. The 8086-2's HOLD+ input at pin 31 is used by SLAVEREQ+ (Slave Request) from the Multibus interface logic. SLAVEREQ+ requests that the 8086-2 isolate itself from the address and data busses so that the IWS CPU can use them. When the 8086-2 has complied with the request, it sets its pin 30 HLDA+ line high to the Multibus interface. Also, since the 8086-2 is not interrupted by any external device, the INTR+ (Interrupt) and NMI+ (Nonmaskable Interrupt) inputs are both tied to ground. The 8086-2's RD- (Read) and WR- (Write) command lines are buffered at pins 14 and 12 of 2E, respectively, and control the action to other circuits on the board.

Local Address Bus

The 8086-2's LAD0+-LAD13+ (Local Address and Data) lines are sent through address latches 20E, 20D, and 18D to hold a memory address for the duration of a memory cycle, since the LAD bus is multiplexed with data. When ALE+ at pin 25 of 22D goes low during a local read or write cycle,

the address is latched. The outputs of 20E, 20D, and 18D are LA0+-LA13+ (Local Address) and are enabled only when SLAVE+ is low, meaning that the IWS CPU does not control the local address bus. Also latched at 18D is LBHEN- (Local Bus High Enable). When low, LBHEN- enables data onto the eight most significant data lines, LD8+-LDF+; otherwise, data is placed on the LD0+-LD7+ data lines.

Local Data Bus

Data transceivers 19E and 19D are used to buffer the LAD0+-LADF+ data and address lines to the LDO+-LDF+ (Local Data) lines. Two signals from the 8086-2 control 19E and 19D: DEN- (Data Enable), which enables the transceivers during a read or write cycle and DT+/R- (Data Transmit or Receive), which sets the direction of the transceivers. When DT+/R- is high, data flows from the LAD bus to the LD bus.

Clock, Reset, and Ready Logic

The clock, reset, and ready logic are provided by an Intel 8284A clock generator at 22C run by a 24.000-MHz crystal, Y1. The 8284A divides the crystal frequency by three to make an 8-MHz processor clock. The 8284A also supplies a RDY+ (Ready) signal to the 8086-2, which is synchronized to the processor clock. The asynchronous ready input signal to the 8284A is CPURDY+ and is used to signal the 8086-2 that it can access the on-board display memory. The master reset for the Graphics Control Board comes from pin 14 of the P1 Multibus connector as INIT- (Initialize) and is synchronized to the processor clock as RES+ (Reset). RES+ is sent to pin 21 of the 8086-2 and is inverted at pin 8 of 21C as RESET- to clear the Control Register (see page 5 of the Figure 3-2).

Input/Output Decoding

Input/Output Decoders 18E and 11A decode various memory-mapped input/output type selection lines for the Graphics Control Board. Based on the condition of the two most significant local address lines, LA12+ and LA13+, 18E decodes four input/output 256-kilobyte address segments. The four address segments are:

- o STATICS- (Static RAM Select) at pin 4 of 18E. STATICS- gates pin 1 of decoder 11A to select one of two 4-kilobyte segments of static RAM. Local address line LAC+ selects one or the other at pin 2 of 11A. The outputs of decoder 11A are STATICS1S- (Static RAM 1 Select) at pin 4 and STATICS2S- (Static RAM 2 Select) at pin 5.
- o IOS- (Input/Output Select) at pin 5 of 18E. IOS- is sent to the B input of 18E at pin 13 to cause 18E's Y1 output at pin 11 to go low as CTRLREG- (Control Register). The Control Register at 12B (see page 5 of Figure 3-2) provides five control bits selected by the graphics software. (The Control Register is described in the "Architecture" section above.) Pin 15 of 18E (see page 2 of Figure 3-2) must be gated by a read or write command strobe through pin 8 of inverter 1B and pin 8 of gate 6D. Note that, even though the read command strobe can be used in this case to gate 18E, the Control Register can only be written to. A read command alters the Control Register to an indeterminate state.
- o DISPLAYS- (Display Select) at pin 6 of 18E. DISPLAYS- is sent to the B input of 18E at pin 14. The Y2 output of 18E at pin 10, DISPCYC- (Display Cycle), selects the display RAM for a read or write. Again, pin 15 of 18E must be gated by a read or write command strobe. DISPLAYS- is also sent to the CPURDY+ (CPU Ready) flip-flop (see page 4 of Figure 3-2) and the Multibus Interface Logic (page 6 Figure 3-2).
- o EPROM at pin 7 of 18E. EPROM is enabled at 10D and 13E by pin 7 of 18E when high addresses are decoded.

Static RAM

The 200-ns 4116-2 static RAMs at 7D, 13D, 16D, and 16E provide 8 kilobytes of data storage for the 8086-2. At the pin 18, CE- (Chip Enable) inputs to the RAMs, 16D and 13D are enabled by STATIC1S-; 16E and 7D are enabled by STATIC2S-. When enabled, each of the RAMs are written to, using the WR- command strobe at the pin 21 WE- (Writer Enable) input. During a read operation, the outputs of each RAM are enabled using the RD- command strobe at pin 20. RAMs 16D and 16E are read from, and written to, on the LD0+-LD7+ data lines; 13D and 7D are read from, and written to, data on the LD8+-LDF+ data lines. All of the RAMs are addressed using the LA1+-LAB+ local address lines.

Firmware EPROM

Eight kilobytes of firmware for the 8086-2 is stored in two 200-ns 2732A-2 EPROMs at 13E and 10D. The EPROMs are addressed through the LA1+-LAC+ local address lines; EPROM 13E places data on the LD0+-LD7+ during a read cycle and 10D places data on the LD8+-LDF+ data lines. The EPROMs are each selected at pin 18; the outputs are enabled at pin 20.

26-MHz Phase-Locked Loop

The phase-locked loop fundamentally performs two basic functions on the Graphics Control Board:

- o The phase-locked loop synthesizes a 26-MHz pixel clock from the 31- or 52-MHz pixel clock supplied by the IWS Video Board. A constant 26-MHz clock ensures that the graphics image on the video display is independent of the 80 or 132 column alphanumeric mode being used.
- o The phase-locked loop synchronizes the graphics display to the alphanumeric display. That is, the phase-locked loop ensures that the Graphics Control Board circuitry is synchronized to the horizontal and vertical synchronization signals from the Video Board in the IWS.

In the 80-column alphanumeric mode, the Video Control Board provides a 31.185-MHz pixel clock to the phase-locked loop. To synthesize a 25.988-MHz pixel clock, the phase-locked loop multiplies the input pixel clock by five-sixths. In the 132-column alphanumeric mode, the input pixel-clock frequency is 51.975 MHz. To arrive at 25.988 MHz, the phase-locked loop divides the input pixel clock by two. A block diagram of the 26-MHz phase-locked loop is shown in Figure 3-3 below.

As shown above on page 3 of Figure 3-2 (IWS Graphics Control Board Schematic), ESYMCLK+ and ESYMCLK- (ECL Symbol Clock) are balanced differential input signals to line receiver 3A at pins 9 and 10, respectively. Originating on the the Video Control Board, ESYMCLK+ and ESYMCLK- have a 20% duty cycle and run at one-tenth the frequency of the input pixel clock. The symbol clock signals the beginning of each symbol or character on the video display in either the 80- or 132-character alphanumeric mode.

The symbol clock output at pin 6 of 3A clocks synchronizing flop-flop 1A at pin 9. The D input of 1A at pin 7 is HORBLK+ (Horizontal Blank). HORBLK+ is a 31.5-kHz blanking signal from the Video Board that is inverted at pin 2 of 1B. It is then converted from standard TTL levels to ECL levels by a voltage divider composed of 820-, 270-, and 180-ohm resistors at 2A. The Q and Q- outputs of flip-flop 1A generate complementary synchronized horizontal blank signals as EHORBLKS- (Synchronized ECL Horizontal Blank) and EHORBLKS+, respectively, which are used to disable video output during the time when the video beam is horizontally retracing the screen to start a new scan line. From the Q- output of 1A, EHORBLKS+ is also sent to the D input at flip-flop 5A to be synchronized with the incoming EPXCLK+ (ECL Pixel Clock) and EPXCLK- from pin 3 of differential line receiver 3A. The Q output of 5A at pin 2 is connected to the D input of 5A at pin 10 to be synchronized again with the next pixel clock. The flip-flops at 5A generate one 39-ns, positive-going pulse at pin 14 of NOR gate 6A. This preload pulse is used to set the S2 mode input on decade counter 7A. The preload pulse indicates that a new horizontal scan line has begun at the first pixel of the first character on a new horizontal scan line.

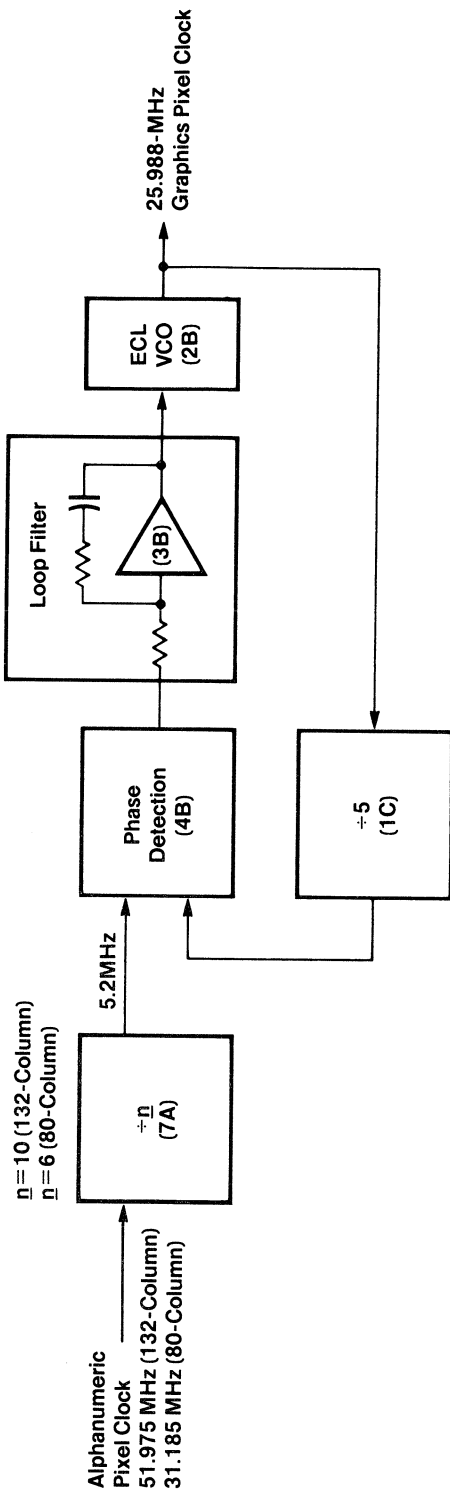


Figure 3-3. 26-MHz Phase-Locked Loop Block Diagram.

When the synchronized horizontal blank signal is clocked to the D input of 5A at pin 7, the Q-output at pin 3 goes low to pin 10 of gate 6A. During this time, pin 11 of 6A is low, causing a high at pin 14. This starts the preload pulse. Since the high at pin 2 of 5A is sent to the D input of 5A at pin 10 (and keeping in mind that both flop-flops at 5A are clocked together), the next pixel clock cycle clocks a high through pin 15 of 5A to pin 11 of gate 6A. The high at pin 11 causes pin 14 of 6A to go low, thus ending the preload pulse after 39 ns. The preload pulse is sent through pin 14 of gate 6A to pin 4, inverted at pin 2 of 6A, and sent to counter 7A's S2 mode input at pin 7.

Counter 7A is a divide-by-n counter that generates a 5.2-MHz VCO (Voltage-Controlled Oscillator) reference signal at its Q3 output, regardless of the alphanumeric mode being used. When 7A's S2 input goes high, the counter loads a three from its high pin 11 and 12 D-inputs and then starts to increment. The clock for 7A is the pixel clock from pin 3 of receiver 3A. From the initial counter preload of three, 7A divides the 51.975-MHz input pixel-clock frequency by 10 in the 132-column alphanumeric mode, using the Q3 output at pin 3. Counter 7A continues to divide the pixel clocks by 10 (5.2 MHz) until the next scan line causes 7A to preload a three, 1650 pixel clocks later.

If the 80COL+ (80-Column Mode) line from pin 5 of the the Control Register (see page 5 of Figure 3-2) is high, counter 7A divides the pixel clocks by six until the next horizontal scan line occurs. 80COL+ is converted from a TTL level to an ECL level by the 820-, 470-, and 180-ohm resistor voltage divider at pin 2 of resistor pack 2A. The high ECL level is sent to pin 5 of gate 6B where it is ANDed with 7A's Q3 output at pin 2. Pin 2 of 6B goes high to pin 5 of 6A causing a preload of three at 7A. Counter 7A increments until its Q3 output goes high again, for a total of six counts. As long as 80COL+ is high, 7A will only count to eight before it is preloaded to three again. The Q3 output divides the 80-column mode 31.185-MHz pixel clock by six to a 5.2-MHz VCO reference signal, which is sent to an ECL-to-TTL converter at pins 12 and 13 of gate 6B and transistors Q1 and Q2.

When pins 12 and 13 of 6B are high, pin 9 of 6B is low to the base of transistor Q2, thus turning

on Q2 and causing a high of about 2.5 V dc to appear at REF (Reference) input at pin 1 of the TTL phase detector circuit 4B. When pin 9 of 6B is high, the input to 4B is low. Phase detector 4B compares the phase of the 5.2-MHz reference signal at pin 1 of the VCO (Voltage-Controlled Oscillator) input at pin 3. A difference in phase between the VCO and the REF inputs results in a error voltage applied to the minus (-) input of charge pump 3B at pin 2. The reference voltage applied to 3B is determined by R5, and the resistor at pins 1 and 2 of RP5. R6 and C69 set the charge pump function of 3B. The reference voltage for 3B is about +1.3 V dc, which is approximately the center point between a TTL low level and a TTL high level. The output of 3B is sent through a 100-ohm series resistor at R7 to the input of VCO 2B at pin 2. The output of 3B is also affected by a filter made up of L1, a resistor at pins 9 and 10 of RP5, and C68 to reduce high frequency noise. Since 3B is supplied by +12 V dc to provide an adequate voltage swing and low noise, diode CR1 clamps the output of 3B to a maximum of 5.7 V dc to avoid damage to the VCO. The VCO changes its output frequency depending upon the voltage level at its pin 2 Vcx input. The complementary Q and Q- outputs of 2B at pins 4 and 5, respectively, are oscillating at 25.988 MHz when the phase-locked loop is locked to the incoming pixel clock.

The Q output of 2B is sent to the clock input of counter 1C, which divides the VCO reference signal by five (to 5.2 MHz) at its Q2 output at pin 2. The output is sent to gate 6A to provide both phases of the 5.2-MHz reference signal to an ECL-to-TTL converter made up of transistors Q5 and Q6. One phase of the TTL VCO reference signal from the collector of Q6 is sent to the pin 3 VCO input of phase detector 4B to be compared with the signal on the REF input at pin 1. The other phase of the TTL VCO reference signal, from the collector of Q5, is inverted at pin 8 of 5D and sent to the memory controller as VCOREF+ (Voltage-Controlled Oscillator Reference).

The ECL Q output of 2B is also converted to a TTL signal at the converter at Q3 and Q4. The reference signal is sent from the collector of Q3 to the pin 5 input of gate 7B. The other three inputs of 7B are tied to +5 V dc to minimize the input current required. Gate 7B provides a large

amount of current to drive the resulting inverted GPXCLK+ (Graphics Pixel Clock) to the memory controller.

Synchronous Display Memory Controller

The synchronous display memory controller allows access to the 16 64-kilobyte dynamic RAMs making up the display memory. The entire memory controller is synchronized on a line-by-line basis. If the video display loses its synchronization at any time, only the scan line currently being displayed is affected.

Display Memory Cycle Generation and Timing

The state machine generates all of the necessary control signals at the appropriate time to generate a display memory cycle. Each display memory cycle is divided into two 624-ns halves; each half is sixteen 39 ns pixel-clock states. The first half of the cycle is used by the memory controller to provide 32 pixels of video refresh as well as a row of dynamic RAM refresh; the second portion of the cycle allows read or write access to the display memory by a CPU.

The phase-locked loop described above provides most of the input signals used by the memory controller. As shown in the upper left corner of page 4 of Figure 3-2, both phases of the synchronized horizontal blank signal, EHORBLKS+ and EHORBLKS-, are sent to an ECL-to-TTL converter at transistors Q7 and Q8. The TTL horizontal-blank signal clocks flip-flop 8C pin 5 high to pin 4 of NAND gate 8B. At pin 5 of 8C, the 5.2-MHz VCOREF+ signal from the phase-locked loop gates the horizontal blank signal to pin 6 of 8C. The resulting low at pin 6 of 8C is sent to the D input of 8C at pin 12. On the next positive edge of GPXCLK+, 8C at pin 11, a low appears at pin 9 of 8C as BEGHBLK- (Begin Horizontal Blank). BEGHBLK- goes back to reset pin 1 of flip-flop 8C, causing BEGHBLK- to go low for a single pixel-clock period of 39 ns. BEGHBLK- is also sent to the video blanking flip-flop (see page 7 of Figure 3-2) as well as to the pin 9 LD (Load) input of counter 9C to synchronize the memory controller. BEGHBLK- is used to disable the display memory for part of an incomplete cycle.

BEGHBLK- occurs once for every horizontal scan line and causes counter 9C to preload either a seven or an eight depending on the alphanumeric mode being used. The 4-bit counter at 9C and flip-flop 10C pins 7 and 9 form a divide-by-32 (5-bit) counter to time the memory controller state machine, which creates the control signals used in the 32-state memory cycle. Counter 9C requires a preload to compensate for the fact that the number of pixel states in a horizontal scan line (825) is not evenly divisible by 32. During these 825 pixel-clock states, the state machine generates a total of 25 full 32-state memory cycles per scan line with a twenty-sixth incomplete cycle of 25 states.

Counter 9C divides the pin 2 GPXCLK+ input at its QC and QD outputs. The CO (Carry Out) output at pin 15 of 9C is sent to the J and K inputs of flip-flop 10C at pins 11 and 12, respectively. When clocked by GPXCLK+, flip-flop 10C pins 7 and 9 toggle every 16 GPXCLK+ cycles to divide the display memory cycle between refresh and processor read or write cycles. The Q output of 10C at pin 9 is REFRESH- (Refresh Cycle Active) indicating that the display memory cycle is in the refresh half.

The Q- output of 10C at pin 7 is used to clock pin 1 of 10C, which (through AND/OR gate 11C) disables the display memory during the incomplete twenty-sixth memory cycle or during a change between the 80- or 132-column alphanumeric modes. BEGHBLK- disables display memory during the twenty-sixth cycle by resetting flip-flop 10C at pin 15. A reset causes pin 6 of 10C to go high at pins 4 and 5 of gate 11C. A low results at pin 6 of 11C as MEMENB+. MEMENB+ is further gated with RASTIME+ (Row Address Synchronous Timing) from the state machine at pins 2 and 1 of gate 12C. The output at pin 3 of 12C is the RAS- (Row Address Strobe) to the dynamic RAM array. MEMENB+ also sets pin 10 of flip-flop 10A to disable CAS- (Column Address Strobe).

Another case of MEMENB+ operating to disable memory occurs when the graphics software switches from one alphanumeric mode to another. When the mode is switched, the phase-locked loop must have enough time to reacquire the 26-MHz pixel-clock frequency. During this time, the phase-locked loop is unstable and can cause the memory controller to mistime its memory access.

Circuitry shown on the right side of page 5 of Figure 3-2 consisting of counter 1D, flop-flop 10B, gate 12C, and inverters at 1B and 7C provides a signal to disable the memory controller for about 1 ms during a mode change. Bit 4 of Control Register 12B enables counter 1D just before the alphanumeric mode changes. When HORBLK- goes low, it clocks the pin 1 output of 1D along with the pin 3 clock input of flip-flop 10B. DISMEMS- (Disable Memory Synchronized) at pin 5 of 10B is sent to the J input of flop-flop 10C at pin 4 (see page 4 of Figure 3-2) When pin 1 of 10C is clocked, pin 6 of 10C goes low, thus disabling both RAS- at pin 2 of 12C and CAS- at pin 10 of flip-flop 10A. After a period of about 1 ms, DISMEMS- goes high again having given the phase-locked loop enough time to reacquire the pixel clock frequency. DISMEMS- only changes at the beginning of the horizontal blank period, insuring that memory strobes are not gated with incorrect timing.

State Machine and Display Memory

The memory controller state machine is composed of the latches, flip-flops, gates, and inverters shown on the bottom half of page 4 of Figure 3-2. For each of the 32 memory cycle states clocked by counter 9C and flip-flop 10C, the state machine sequentially enables and disables certain memory control lines, thus controlling the display memory cycle. The state machine works in conjunction with the logic on the top half of page 5 of Figure 3-2 to read from, write to, and refresh the 16 display RAMs on the bottom half of page 5 of Figure 3-2. In addition to pages 4 and 5 of the schematic (Figure 3-2), refer to Figure 3-4, Display Memory Refresh Timing Diagram during the following discussion.

In the display memory refresh cycle (states 0-15), REFRESH- (Refresh Cycle Active) from pin 9 of 10C goes low (page 4, Figure 3-2). REFRESH-, together with a low ROWEN- (Row Enable) from pin 16 of latch 9B, select the Y0 output of decoder 11A (see the the middle left area of page 5 of Figure 3-2) to gate the address of the refresh row from counters 13A and 13B through buffer 14A to the RA0+-RA7+ (Row Address) lines. At state 1, when the row address is stable on RA0+-RA7+, RAS- goes low from pin 3 of gate 12C to pin 4 on each of the 64-kilobyte dynamic RAMs. ROWEN-

then goes high (see page 5 of Figure 3-2), which selects the Y1 output of 11A. The refresh column buffer at 14B is selected to enable a refresh column address from counters 13B, 13A, and 12A onto the RA0+-RA7+ lines.

The refresh row and column addresses originate at counters 13B, 13A, and 12A. Counter 13B is cleared at pins 2 and 12 at the start of every horizontal scan line by the BEGHBLK+ pulse and is incremented when a refresh cycle occurs, as indicated by REFRESH+ going high. Counter 13B's X1+-X5+ (X-Axis Address) outputs are sent to buffers 14A and 14B to partially form the refresh row and column address. Counters 13A and 12A are both cleared at the end of every display screen by VRTBLK+ (Vertical Blank). Counter 13A is incremented by HORBLK- (Horizontal Blank) while 12A is incremented by the high-order output of 13A, Y7. The Y0+-Y8 (Y-Axis Address) outputs of 13A and 12A are arranged at the inputs to buffers 14A and 14B along with the X1+-X5+ address bits to allow the display RAM to be completely refreshed in as short a time as possible. Note that the row address buffer 14A, has the lowest-order X and Y bits of the address as its inputs. These low-order bits toggle most frequently while 13A, 12A, and 13B are counting and thus allow all 128 rows of memory in the display RAMs to be refreshed every 512 microseconds.

Buffer 14B contains the higher-order X and Y bits to form the column address. All but two of the inputs to 14B come from the refresh address counters: X0+ and Y9+. The low-order X0+ bit, from the state machine, changes state during every refresh cycle to generate two column addresses for two page-mode read cycles described below. The high-order Y9+ bit, from the Control Register, specifies one of the two viewports to be refreshed, as described in the "Architecture" section.

When a column address is on the RA0+-RA7+ lines, the CAS- (Column Address Strobe) from pin 9 of flip-flop 10A occurs at state 3. The X0+ bit from the state machine then goes high, causing the column address to increment at the RA0+ through RA7+ outputs of buffer 14B. Along with the second column address, a second CAS- pulse is issued from the state machine at state 10.

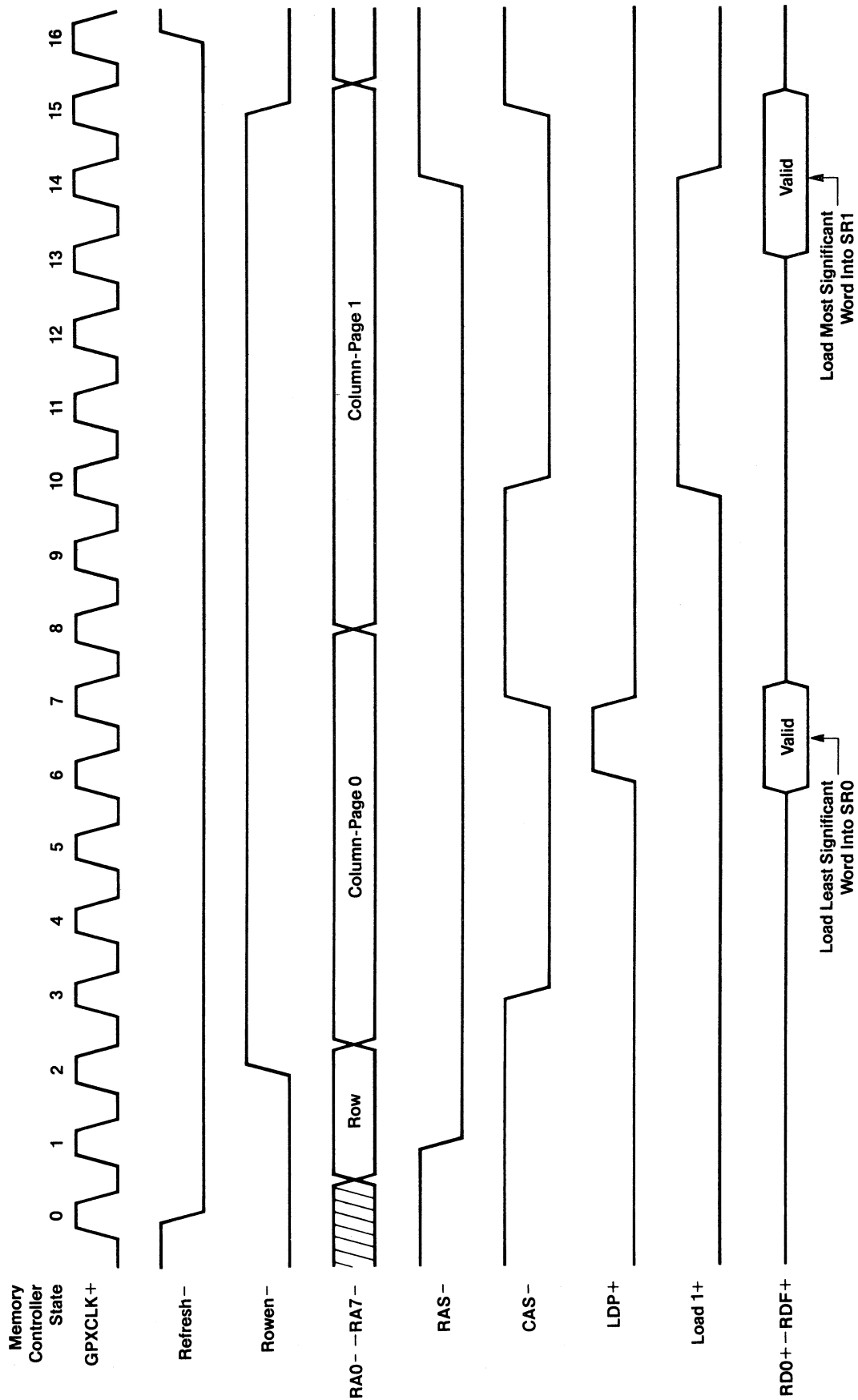


Figure 3-4. Display Memory Refresh Timing Diagram.

The two CAS- signals sent to the pin 15 inputs of the RAMs allow two pages of the display memory, 0 and 1, to be refreshed during a single cycle. For page 0, data first appears on the RD0+-RDF+ (RAM Data) lines at state 6. Since the refresh cycle is basically a RAM read cycle, the corresponding LDP+ (Load Pulse) from pin 9 of flip-flop 10B and the LOAD1+ (Load Shift Register 1) from pin 15 of 9B appear at states 6 and 10, respectively, to load and move data on the RD0+-RDF+ (RAM Data) lines to video shift registers described below under "RAM Data Latches and Video Shift Registers." Finally, at state 14, the state machine causes RAS- to go high and LOAD1+ to go low, thus ending the refresh cycle.

A display memory read cycle (states 16 through 32) has different timing than the refresh cycle. Since the row and column addresses originate at either the IWS CPU or Graphics Board CPU, the row and column counters are not used. Also, only one RAM-column address is generated. The timing of the cycle is shown in the Display Memory Access Timing Diagram, Figure 3-5 below. At state 16, the display memory starts with a low REFRESH+ from pin 7 of flip-flop 10C. REFRESH+, from the Q- output of 10C is the inverted form of REFRESH- used in the display memory refresh cycle described above. Since REFRESH- is high at this time and ROWEN- is low, CPUROW- (CPU Row Address) at the Y2 output of decoder 11A, is selected (as shown on page 5 of Figure 3-2). CPUROW- gates a row address on the LA2+, 3+, 4+, 7+, 8+, 9+, A+, and B+ local address lines to the corresponding RA0+-RA7+ RAM address line through buffer 15A to the display RAM's A0+-A7+ address inputs. At state 18, RAS- goes low to strobe the row address into the RAMs and at state 19, ROWEN- goes high, thus selecting CPUCOL- (CPU Column Address) at the Y3 output of decoder 11A. CPUCOL- gates the RAM column address from the LA1+, 5+, 6+, 10+, C+, D+, E+, and F+ address lines to the RA0+-RA7+ bus through buffer 15B to the display RAMs. While the column address is valid on the RA0+-RA7+ lines from states 20 to 30, a single CAS-strobe occurs at state 26. Corresponding to the refresh cycle described above, LDP+ goes high at state 22 and LOAD1+ goes high at state 26 to move the RAM data to the video shift-registers.

If a display memory write cycle is being performed, WR- and DISPEN- (Display Enable) are low at pins 13 and 12 of gate 11B, respectively,

to generate WE- (Write Enable) at states 17 through 30. Write data is 16 bits, which is valid on the local data bus, LDO+-LDF+.

Memory Arbitration Logic

Display memory cycle requests can occur asynchronously with respect to the display memory controller state. The memory arbitration logic synchronizes these requests with the display memory controller by determining the start of the display memory cycle.

In case of a request during a nonrefresh (memory access) cycle, a display memory start signal occurs at pin 6 of gate 5E under the following conditions:

- o the local CPU is not ready at pin 1 of 5E,
- o the Multibus (IWS) CPU is not ready at pin 2 of 5E,
- o a display cycle is not occurring at pin 4 of 5E, and
- o a refresh cycle is not in progress at pin 5 of 5E.

When REFRESH+ goes high at pin 5 of 5E, pin 6 of 5E goes low. The low at pin 5 of RS flip-flop 6D causes pin 6 of 6D to go high, which arms the RS flip-flop. As soon as REFRESH- goes high at pin 1 of 6D, a low appears at pin 3 of 6D. The low is sent to the display memory RAM array as DISPEN- and is also inverted at pin 2 of 5D to start the memory controller state machine as DISPEN+. The DISPEN signals are active during the remainder of the display memory cycle and are cancelled when REFRESH- goes low at pin 1 of 6D, indicating that the memory controller is in a refresh cycle.

In a worst-case condition, a display memory cycle request can occur at the end of a refresh cycle. In this case, all of the inputs to gate 5E are high for only a short time and generate a pulse too short in duration to set the RS flip-flop at 6D. The two 510-ohm resistors at R21 and R22, in conjunction with the 270-picofarad capacitor at C82, stretch the pulse from pin 6 of 5E to insure that 6D sets.

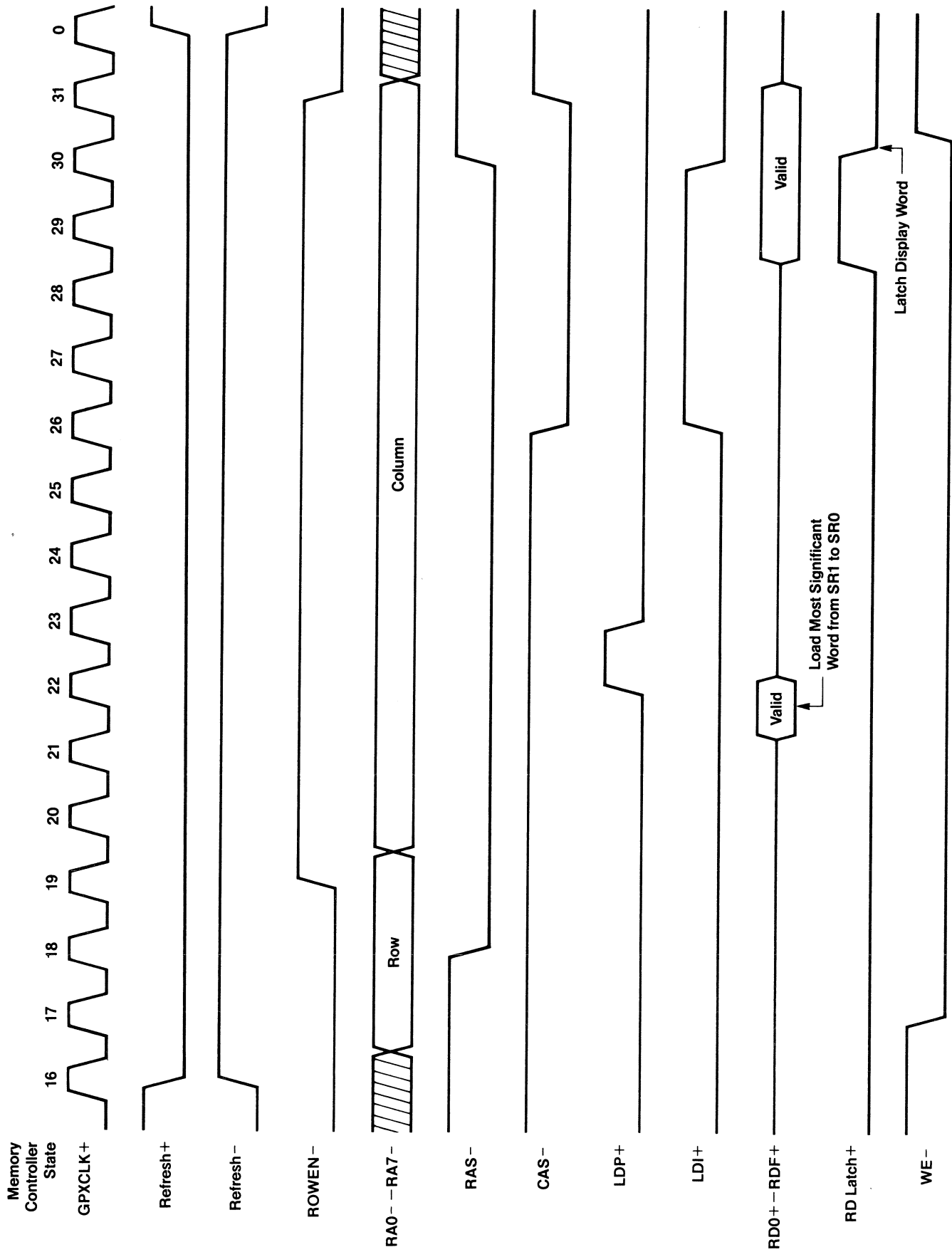


Figure 3-5. Display Memory Access Timing Diagram.

RAM Data Latches and Video Shift Registers

As shown on page 7 of Figure 3-2, data from the display memory appears on the RDO+-RDF+ (RAM Data) lines and can be sent either to the data bus latches during a read cycle, or the video shift-registers during a refresh cycle.

During a display memory read cycle, 16 bits of display memory data can be transferred to the local data bus via latches 17C and 20C when RDLATCH+ occurs at the end of the display memory access cycle. The outputs of 17C and 20C are enabled only during a valid memory read cycle by DISPCYC+ being NANDed at pin 13 of gate 12C with its qualifier, an inverted RD- strobe at pin 12. The resulting low at pin 11 of 12C enables the 16 bits of display memory data onto the local data bus lines, LDO+-LDF+.

The video shift-registers at 16C, 18C, 15C, and 19C are used to hold and then serialize two 16-bit words read from the display memory during a display memory refresh cycle. The shift registers are initially cleared by LOCBLANK- (Local Blank) from the bit 1 output of Control Register 12B (see page 5 of Figure 3-2). The words are then synchronized by the state machine described above, converted to ECL levels, and sent to the IWS Video Board.

As shown in the Memory Refresh Timing Diagram, Figure 3-4 above, LDP+ occurs at state 6 to load the least significant (first) word read from RAM on the RDO+-RDF+ (RAM Data Output) lines into SR0 (Shift Register 0), the shift register pair 15C and 19C. LDP+ appears at the pin 19 S1 mode inputs of the SR0 shift registers to cause (along with the high at the pin 1 S0 mode inputs) a parallel loading of the data bits at the shift register inputs A through H. At state 7, the positive transition of GPXCLK+ at pin 12 of 15C and 19C, loads the most significant word into SR0.

Once SR0 is loaded, LDP+ goes low, changing SR0's mode to allow serial shifting of the word bits from 19C's QH output as VIDEO+. For each positive transition of GPXCLK+, 15C shifts a bit of the word from its QH output to the SR input of 19C at pin 11. Simultaneously, bits are shifted out of 19C's QH output as VIDEO+ to the state

machine for synchronization. (See page 4 of Figure 3-2.)

By state 14 of the cycle, SR0 has shifted out eight bits of the word. LOAD1+ (Load Shift Register 1) goes high to the S0 and S1 inputs of SR1 at shift registers 16C and 18C, which causes them to load the most significant (second) word of the display memory refresh cycle at the next transition of GPXCLK+. SR0 continues to shift out bits from the first word until state 22 (see Figure 3-5 above) when it is ready to shift out the last of the 16 bits. The combination of a low LDP- (the complement of LDP+ used to load SR0) and REFRESH+ causes SR1 to place the word previously stored, back onto the RD0+-RDF+ lines. Simultaneously, LDP+ goes high to the S1 inputs of SR0, causing the word from SR1 to be latched into SR0, as before, on the next positive transition of GPXCLK+. LDP+ then goes low again and the bits are shifted out of 19C's QH output as VIDEO+.

The VIDEO+ bits from pin 17 of 19C are sent to the pin 4 input of 9B (see page 4 of Figure 3-2) to be synchronized to GPXCLK+. The clocked bits are then sent back to pin 12 of a resistor network at 2A (see page 7 of Figure 3-2) as VIDEOS+ (Synchronized Video). VIDEOS+ is converted to an ECL level at 2A and sent to the pin 10 input of ECL NAND gate 6B. If VIDEOS+ is not blanked at pin 11 of 6B, it is gated to the IWS Video Board as EVIDEO+ (ECL Video) from pin 14 of 6B.

Blanking Logic

During periods of horizontal or vertical beam retrace, blanking circuitry is used to disallow video data from appearing on the display. EHORBLKS+ and VERTBLK+, from the Video Board, signal the blanking flip-flop 13C to blank the graphics video output, EVIDEO+. When a horizontal blank occurs, BEGHBLK- (discussed above under "Display Memory Cycle Generation and Timing") sets 13C's pin 6 output to a low as BLANK-. BLANK- disables pin 11 of 6B, which disables the EVIDEO+ bit stream to the Video Board. When the horizontal blank period ends, HORBLK- goes high to clock pin 3 of 13C. If VERTBLK+ is high at pin 2 of 13C, the vertical retrace is beginning and a low is clocked through

to pin 6 of 13C continuing the blanking signal. If VERTBLK+ is low, the vertical retrace is complete and a high is clocked to pin 6 of 13C. A high then appears at pin 11 of 6B, allowing EVIDEO+ to sent graphics video to the Video Board for another horizontal scan line of the display.

CPU Ready Logic

Because the display RAM requires a greater access time than the static RAM or EPROM, the 8086-2 at 22D requires a ready signal to begin a display memory cycle. The ready signal, CPURDY+ (see page 4 of Figure 3-2) comes from flip-flop 13C. When ALE- goes high, that is, ALE+ from the 8086-2 has latched an address, 13C clocks the state of DISPLAYS- (Display Cycle Select) to the Q output at pin 9 as CPURDY+. If DISPLAYS- is low, meaning that the 8086-2 address has decoded a display memory cycle, CPURDY+ goes low to disable a subsequent display memory cycle.

CPURDY+ is also disabled when the IWS CPU is accessing the display memory to prevent the 8086-2 from attempting a cycle. SLAVE- (from the Multibus interface logic), resets pin 13 of 13C when a Multibus access it taking place.

CPURDY+ is set at the end of the display memory cycle by the NAND of RDLATCH+ and a high SLAVE- at pins 1 and 2 of gate 4E. The resulting low at pin 3 of 4E sets flip-flop 13C, thus causing CPURDY+ go high at pin 9 to the RDY1 input of 8284A 22C (see page 2 of Figure 3-2). The 8284A synchronizes CPURDY+ with the processor clock and sends the ready signal to the 8086-2 as RDY+.

APPENDIX G: UPDATED IWS SCHEMATICS

IWS Motherboard Wirelist

SIGNAL	MEM EXP	CPU	CPU	I/O-MEM	I/O-MEM	VIDEO	COMM CH. A	COMM CH. B	DISK		KYBD.	PRINT-ER	PWR.	VIDEO	MONI-TOR	DAISY CHAIN	DAISY CHAIN	MB1	MB2
	J1	J2	J3	J4	J5	J6	J7	J8	J9	J10	J17	J11	J12	J13	J14	J15	J16		
BCLK-			9															13	13
INIT-			10															14	14
BPRN0-			11															15	
BPRN1-																			
BPRN2-																			
BUSY-			13															17	17
BREQ0-			14																
BREQ1-																		18	
BREQ2-																			
MRDC-			16															19	19
MWTC-			17															20	20
IORC-			18															21	21
IOWC-			19															22	22
XACK-			20															23	23
INH1-			21															24	24
RESERVED			22															25	25
INH2-			23															26	26
BHEN-			24															27	27
AD10-			26															28	28
AD11-			28															30	30
AD12-			30															32	32
AD13-			32															34	34
CBRQ-			27															29	29
CCLK-			29															31	31
INTA-			31															33	33
INT7B-			33						*									36	36
INT6-			34		34													35	35
INT5-			36															38	38

SIGNAL	MEM EXP	CPU		I/O-MEM	I/O-MEM	VIDEO	COMM CH. A	COMM CH. B	DISK	KYBD.		PRINT-ER	PWR.	VIDEO	MONTOR	DAISY CHAIN	DAISY CHAIN	MB1	MB2
	J1	J2	J3							J4	J5								
INT4B-			37		37				*									37	37
INT3-			38		38													40	40
INT2-			39															39	39
INT1B-			40		40				*									42	42
INT0-			41															41	41
SIOACK-			42		42														
SIOEQ+			43		43														
RDHIPEA-			44		44														
LBHENT+			46																
RDLOPEA-			47		47														
MW-			48		48														
DISKACK-			49		49														
DISKRQ+			50		50														
ODDPT+			51		51														
WAIT-			52			44													
IOBGS+			53		53														
IOR-			54		54	46													
DCIRDY+			56		56														
FASTIO+			57		57														
DMAGTCS-			58		58														
DMACS-			59		59														
IOB7+			60		60														
IOB6+			61		61														
IOB5+			62		62														
IOB4+			63		63														
IOB3+			64		64														
IOB2+			66		66														
IOB1+			67		67														

SIGNAL	MEM EXP	CPU	CPU	I/O-MEM	I/O-MEM	VIDEO	COMM CH. A	COMM CH. B	DISK	KYBD.		PRINT-ER	PWR. VIDEO	MONI-TOR	DAISY CHAIN	DAISY CHAIN	MB1	MB2	
	J1	J2	J3	J4	J5	J6	J7	J8	J9	J	J	J11	J12	J13	J14	J15	J16		
IOB0+			68		68														
DREQ-					69			35											
IOCS-			70		70														
NMI+			71		71														
PICCS-			72		72														
MEMCLK+			73		73	9													
TEST			74		74					3									
LPTACK-												16							
IOW-			76		76	14													
EOP-			77		77	11													
VIDACK-			78			17													
PERINT-			79		79														
MWINH-			80		80														
TCLK-					9		18								6	6			
TCLK+					10		25								7	7			
RXDA-					11		3												
CTS+					12		5												
RXCA+					13		17								6	6			
TXCA+					14		15								7	7			
DSR+					16		6												
SRDA+					17		16												
STDA-					18		14												
TXDA-					19		2								8	8			
RTSA+					20		4								9	9			
DTRA+					21		20												
DCDA+					22		8								8	8			
RINGA+					23		22								9	9			
CTSB+					24		5								(SEE NOTE)	(SEE SHEET 16)			

SIGNAL	MEM EXP	CPU	CPU	I/O-MEM	I/O-MEM	VIDEO	COMM CH. A	COMM CH. B	DISK	KYBD.	PRINT-ER	PWR.	VIDEO	MONI-TOR	DAISY CHATN	DAISY CHATN	MB1	MB2	
	J1	J2	J3	J4	J5	J6	J7	J8	J9	J	J	J11	J12	J13	J14	J15	J16		
BXDB-					26			3											
TXCB+					27			15											
RXCB+					28			17											
DSRB+					29			6											
SRDB-					30			16											
DCDB+					31			8											
RINGB+					32			22											
DTRB+					33			20											
RTSB+					36			4											
STDB-					38			14											
TXDB-					39			2											
KBD1-					41					1									
KBD0-					46					3									
ENBL-					52				18										
ADRF-			86														44	44	
ADRE-			87														43	43	
ADDR-			88														46	46	
ADRC-			89														45	45	
ADRB-			90														48	48	
ADRA-			91														47	47	
ADR9-			92														50	50	
ADR8-			93														49	49	
ADR7-			94														52	52	
ADR6-			96														51	51	
ADR5-			97														54	54	
ADR4-			98														53	53	
ADR3-			99														56	56	
ADR2-			100														55	55	

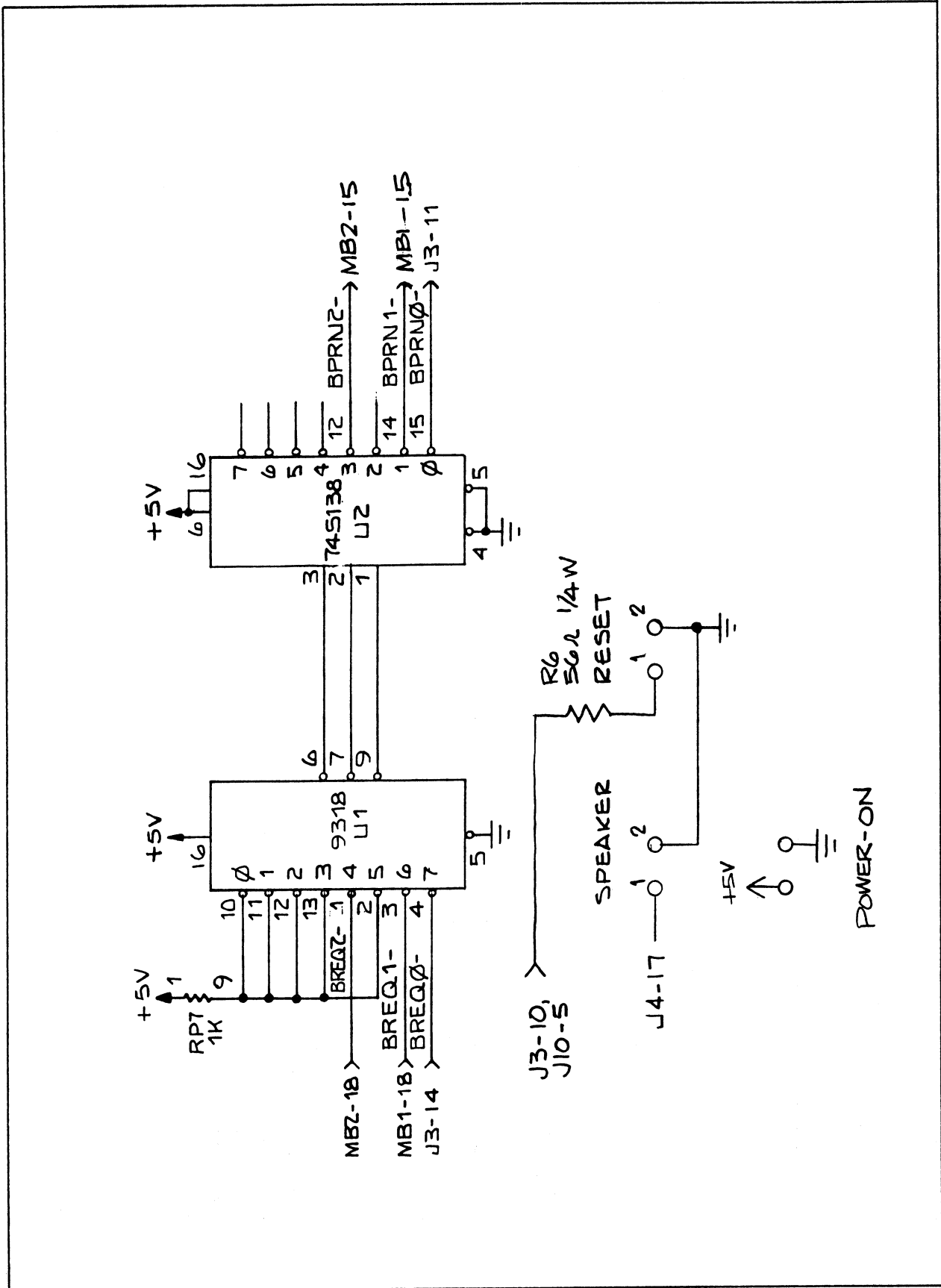
SIGNAL	MEM EXP	CPU	CPU	I/O-MEM	I/O-MEM	VIDEO	COMM CH. A	COMM CH. B	KYBD.		PRINT-ER	PWR.	VIDEO	MONI-TOR	DAISY CHAIN	DAISY CHAIN	MB1	MB2
	J1	J2	J3	J4	J5	J6	J7	J8	J9	J	J	J11	J12	J13	J14	J15	J16	
ADR1-			101														58	58
ADR0-			102														57	57
IO+			81		81													
MBIO-			82		82													
RESET-			83		83	13												
PAREN-			84		84													
DATE-			103														60	60
DATE-			104														59	59
DATD-			106														62	62
DATC-			107														61	61
DATB-			108														64	64
DATA-			109														63	63
DAT9-			110														66	66
DAT8-			111														65	65
DAT7-			112														68	68
DAT6-			113														67	67
DAT5-			114														70	70
DAT4-			116														69	69
DAT3-			117														72	72
DAT2-			118														71	71
DAT1-			119														74	74
DAT0-			120														73	73
ACK-					86												2	
CNTRL-					88												20	
SELF-					89												4	
SELW-					90												37	
WRSTB-					91												22	
INREQ-					92												6	

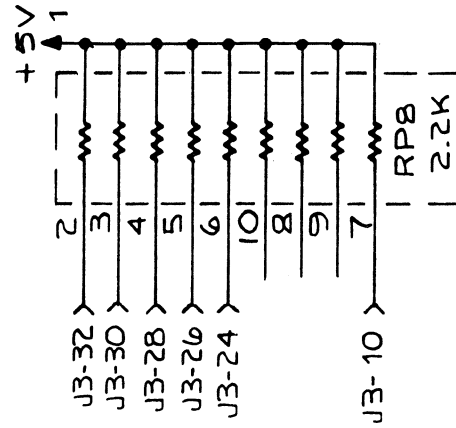
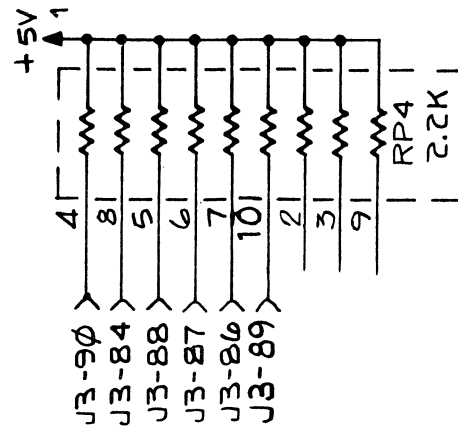
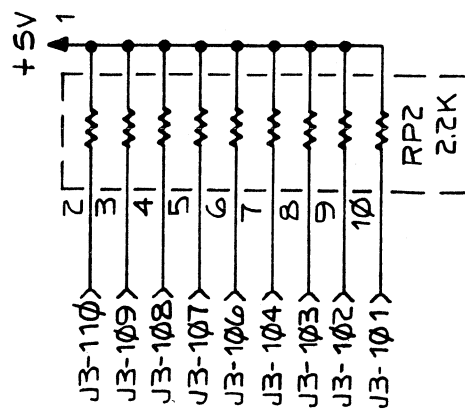
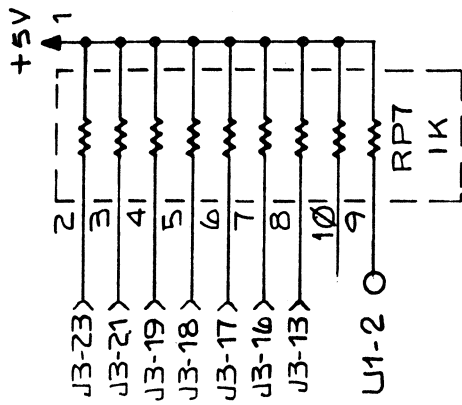
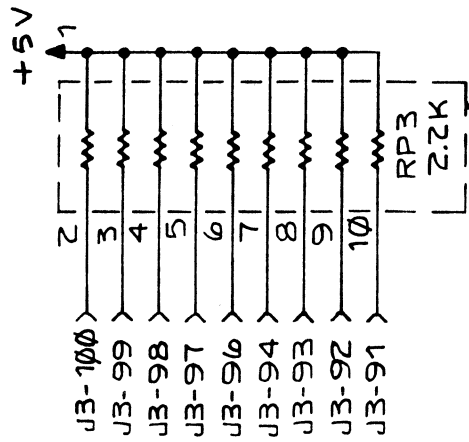
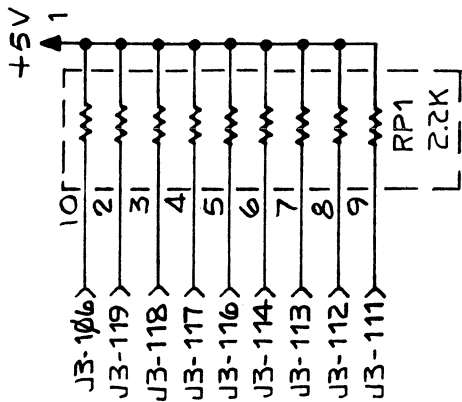
SIGNAL	MEM EXP	CPU	CPU	I/O-MEM	I/O-MEM	I/O-MEM	VIDEO	COMM CH. A	COMM CH. B	DISK	KYBD. J J	PRINT-ER	PWR.	VIDEO	MONI-TOR	DAISY CHAIN	DAISY CHAIN	MB1	MB2
	J1	J2	J3	J4	J5	J6	J7	J8	J9	J10	J17	J11	J12	J13	J14	J15	J16		
RDSTB-				93					39										
BUS0+				94					24										
BUS1+				99					10										
BUS2+				96					8										
BUS3+				100					43										
BUS4+				97					41										
BUS5+				101					28										
BUS6+				98					26										
BUS7+				102					12										
BUS8+				107					47										
BUS9+				111					33										
BUSA+				106					14										
BUSB+				110					49										
BUSC+				104					30										
BUSD+				109					16										
BUSE+				103					45										
BUSF+				108					32										
LPT0+				117								1							
LPT1+				112								2							
LPT2+				118								3							
LPT3+				113								4							
LPT4+				120								5							
LPT5+				114								6							
LPT6+				119								7							
LPT7+				116								8							
MR-	10	1		1															
VIDEO+		2																	
NO PAPER+				2															21

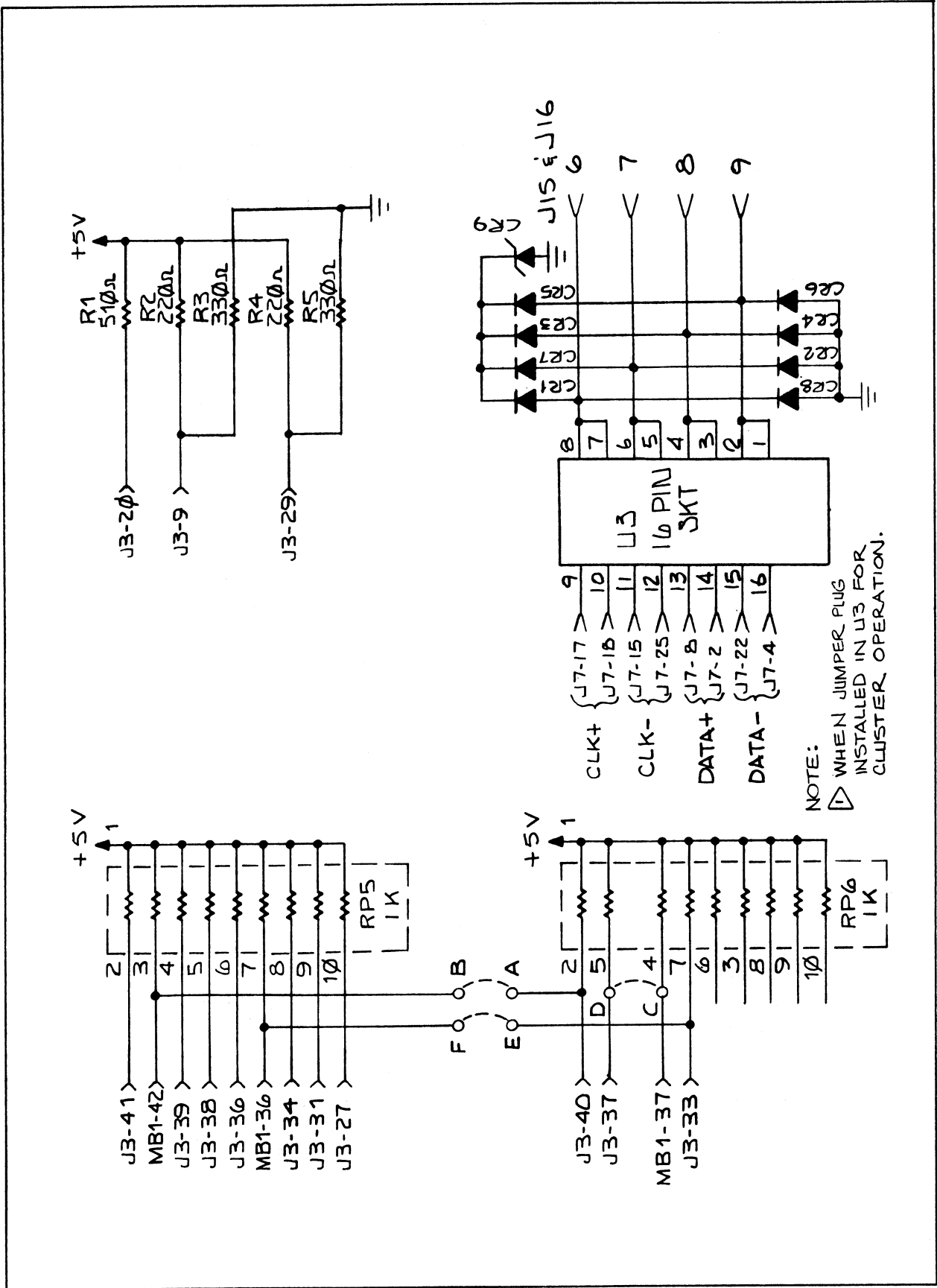
SIGNAL	MEM EXP	CPU	CPU	I/O-MEM	I/O-MEM	VIDEO	COMM CH. A	COMM CH. B	DISK	KYBD. J	KYBD. J	PRINT-ER	PMR.	VIDEO	MONI-TOR	DAISY CHAIN	DAISY CHAIN	MB1	MB2
	J1	J2	J3	J4	J5	J6	J7	J8	J9	J10	J11	J12	J13	J14	J15	J16			
BD2RAM-	9	3																	
LPTBUSN+		4		3							17								
BD1RAM-		6		4															
COLMPX-	12	7		6															
BARAS-	14	8		7															
PROMEXDC-	11	9		8					48										
BEOP-		10		9															
RFGO-	16	11		10															
RFDONE-	13	12		11															
RAHIWE-	18	13		12															
RALOWE-	17	14		13		12													
GACCS-		15		14															
78KHZ+		16		13									16						
SFO		17		14															
CAS7-	19	18		15															
CAS6-	20	19		16															
CAS5-	21	20		17															
CAS4-	22	21		18															
CAS3-		22		19															
CAS2-		23		20															
CAS1-		24		21															
CAS0-		25		22															
LPT SELECT+		26		23								22							
AUDIO+		27		24															
HIP+	23	28		25															
LOPT	24	29		26															
MEMF+	26	30		27		26													
MEMET	27	31		28		27													

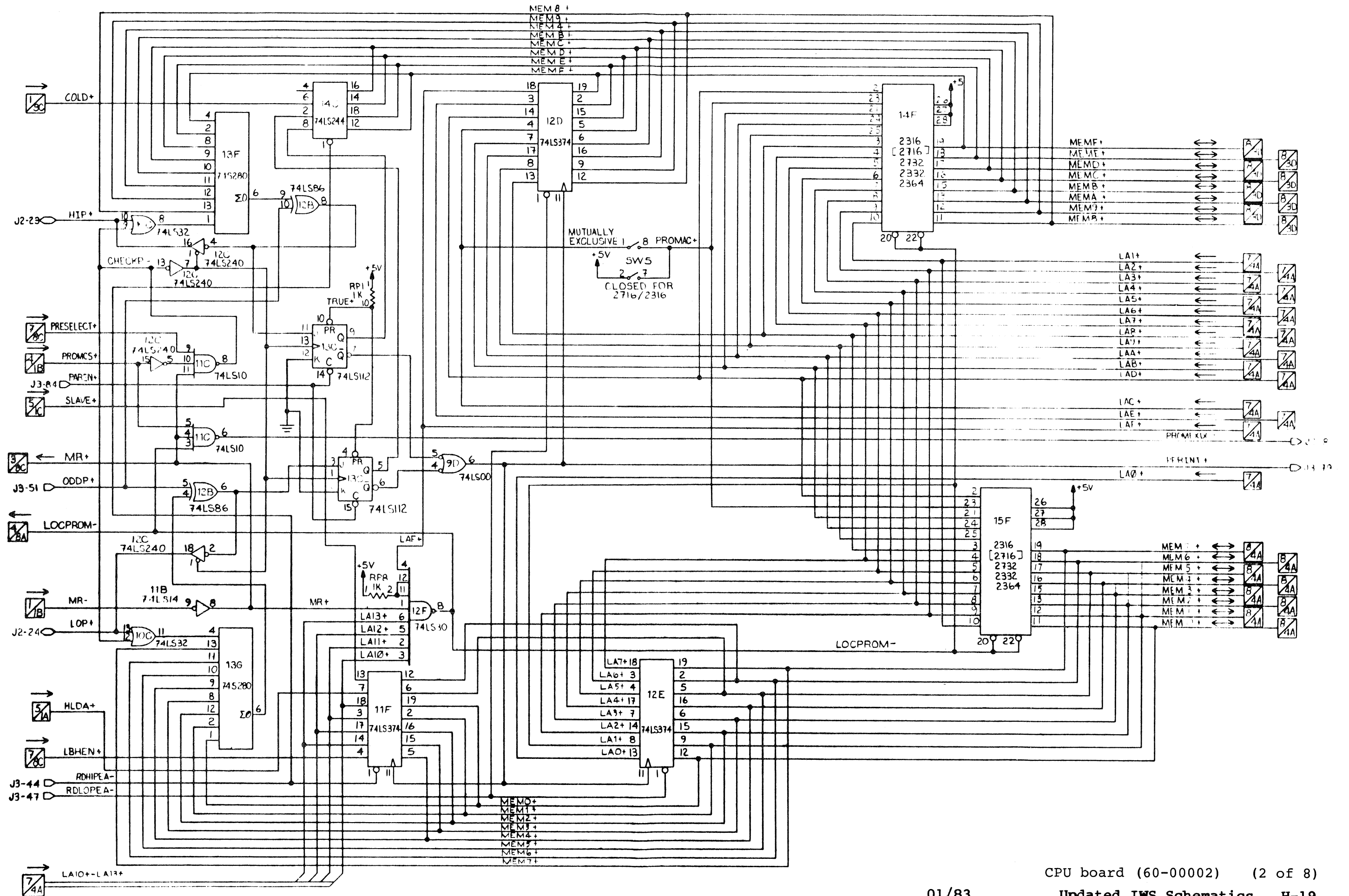
SIGNAL	MEM EXP	CPU	CPU	I/O-MEM	I/O-MEM	VIDEO	COMM CH: A	COMM CH: B	DISK	KYBD.		PRINTER	PWR.	VIDEO	MONITOR	DAISY CHAIN	DAISY CHAIN	
	J1	J2	J3	J4	J5	J6	J7	J8	J9	J	J	J11	J12	J13	J14	J15	J16	MB2
MEMD+	28	28		28		28												
MEMC+	29	29		29		29												
MEMB+	30	30		30		30												
MEMA+	31	31		31		31												
MEM9+	32	32		32		32												
MEM8+	33	33		33		33												
MEM7+	34	34		34		34												
MEM6+	36	36		36		36												
MEM5+	37	37		37		37												
MEM4+	38	38		38		38												
MEM3+	39	39		39		39												
MEM2+	40	40		40		40												
MEM1+	41	41		41		41												
MEM0+	42	42		42		42												
LAI3+	43	43		43		43												
LAI2+	44	44		44		44												
LAI1+	46	46		46		46												
LAI0+	47	47		47		47												
LAF+	48	48		48		48												
LAE+	49	49		49		49												
LAD+	50	50		50		50												
LAG+	51	51		51		51												
LAR+	52	52		52		52												
LA9+	53	53		53		53												
LA8+	54	54		54		54												
LA7+	56	56		56		56												
LA6+	57	57		57		57												
LA6+	58	58		58		58												

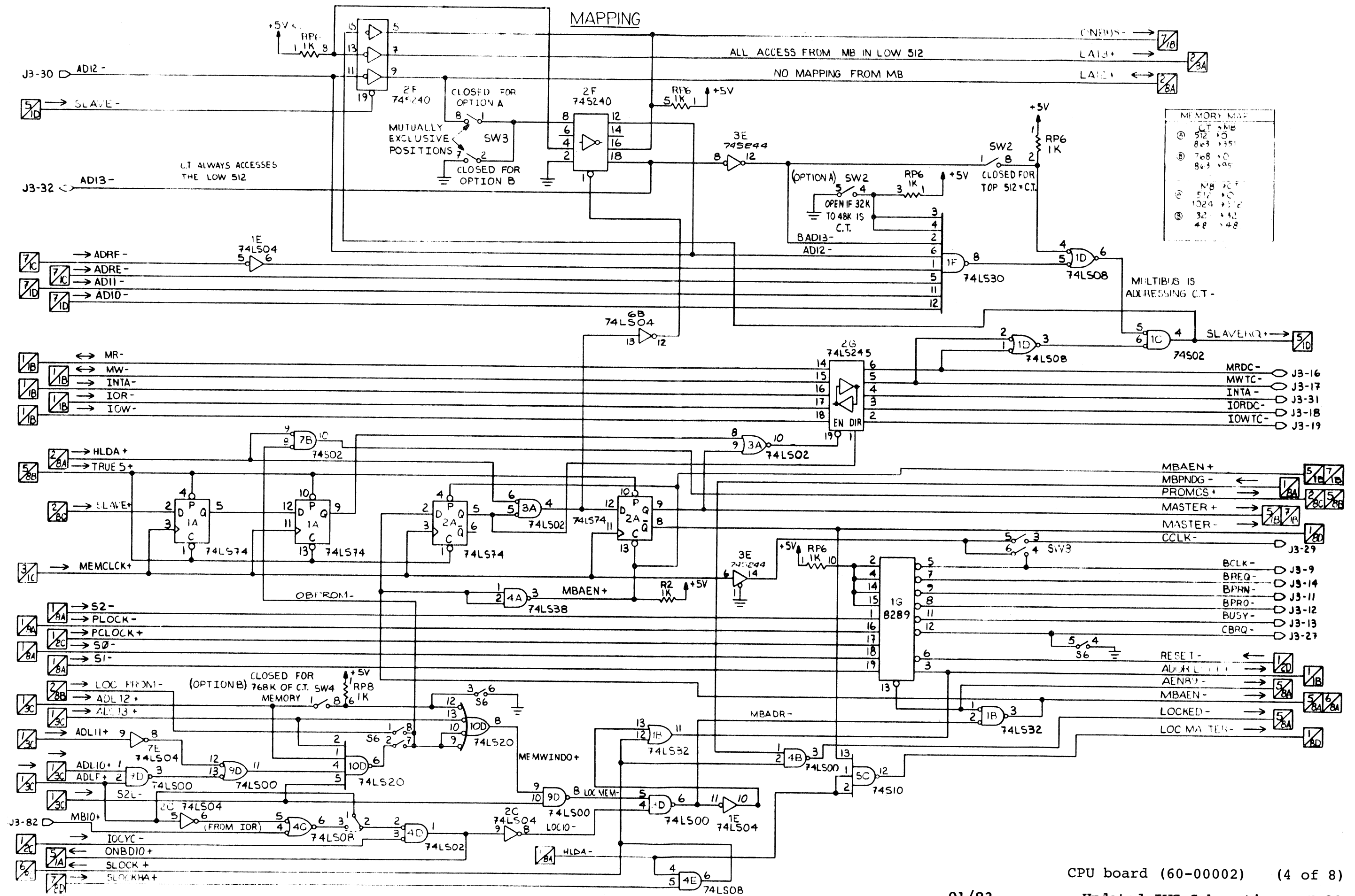
SIGNAL	MEM EXP	CPU	CPU	I/O-MEM	I/O-MEM	VIDEO	COMM CH. A	COMM CH. B	DISK	KYBD.		PRINT-ER	PWR.	VIDEO	MONI-TOR	DAISY CHAIN	DAISY CHAIN	MB1	MB2
	J1	J2	J3	J4	J5	J6	J7	J8	J9	J	J	J11	J12	J13	J14	J15	J16		
LAST	59	59		59		59													
LA4+	60	60		60		60													
LA3+	61	61		61		61													
LA2+	62	62		62		62													
LA1+	63	63		63		63													
LA0+	64	64		64		64													
COMM TIMING		75		75															
		76								6									
STROBE-					78														
VIDEO A														1	10				
VIDEO A														3	9				
AUX VID B														7					
AUX VID A														8					
VIDEO B														4	12				
VIDEO B														6	13				
HOR DR														11	5				
HOR DR														13	4				
VERT DR														12	16				
VERT DR														14	17				
CRTOR														16	18				
BMR-				76					50										

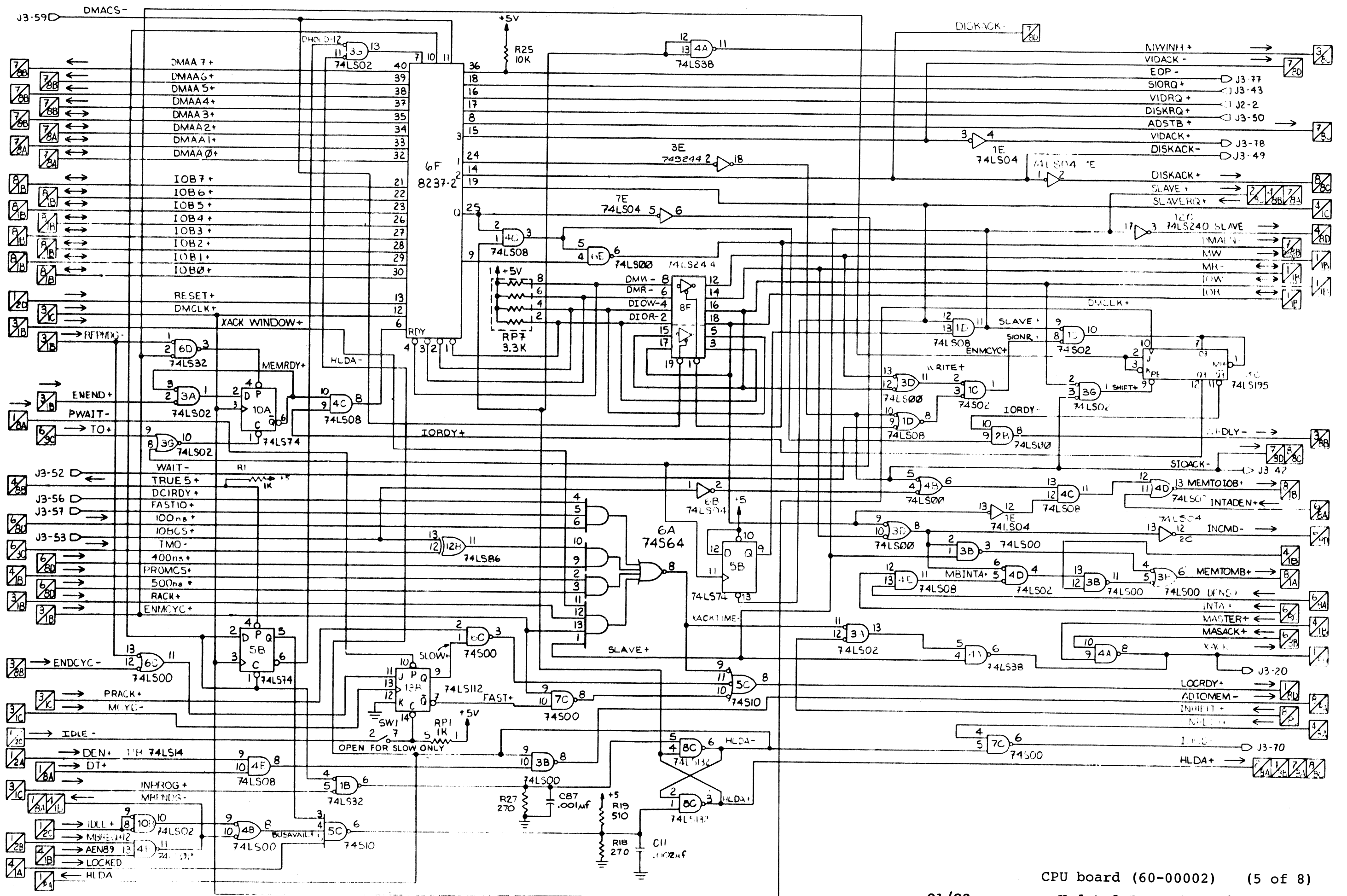


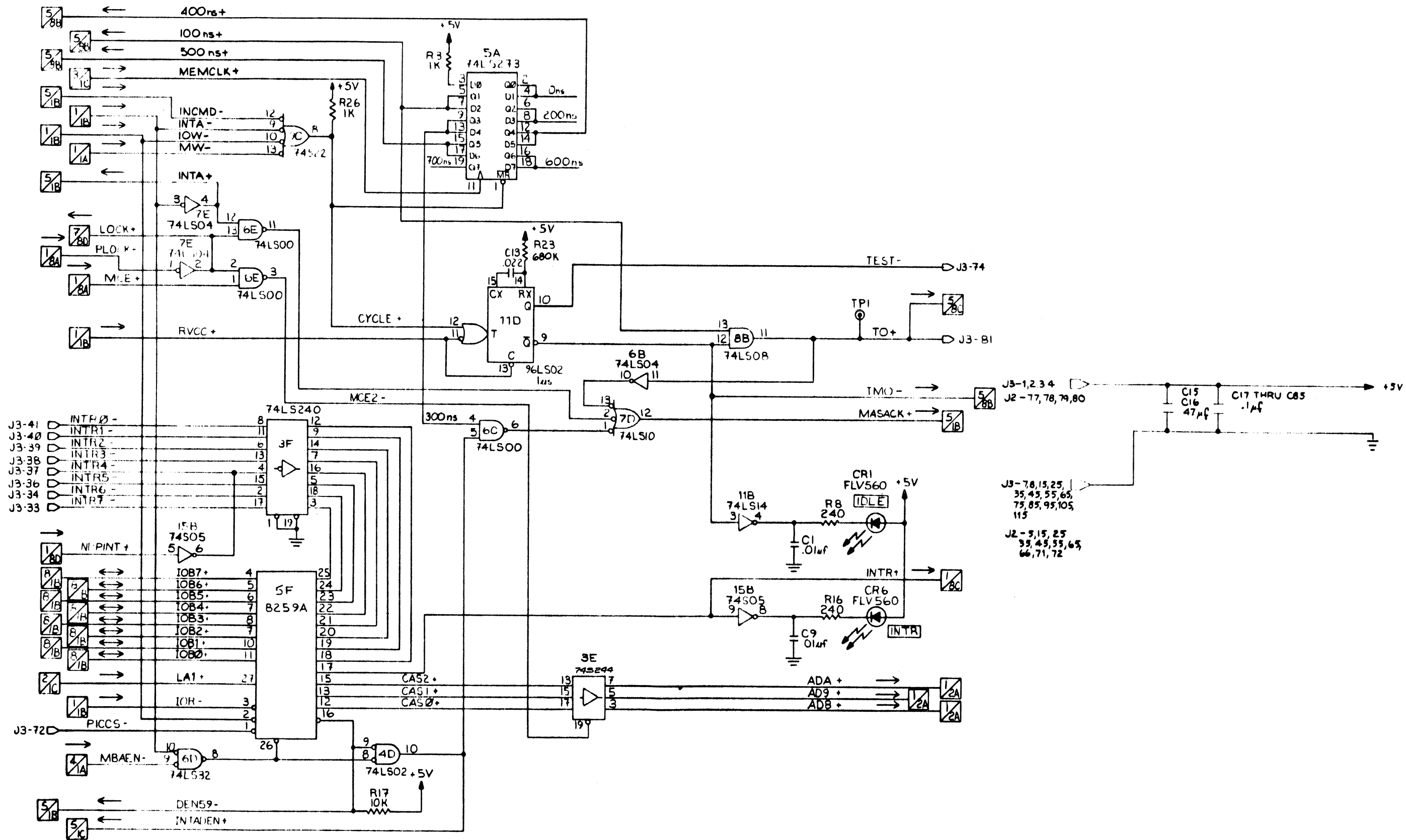


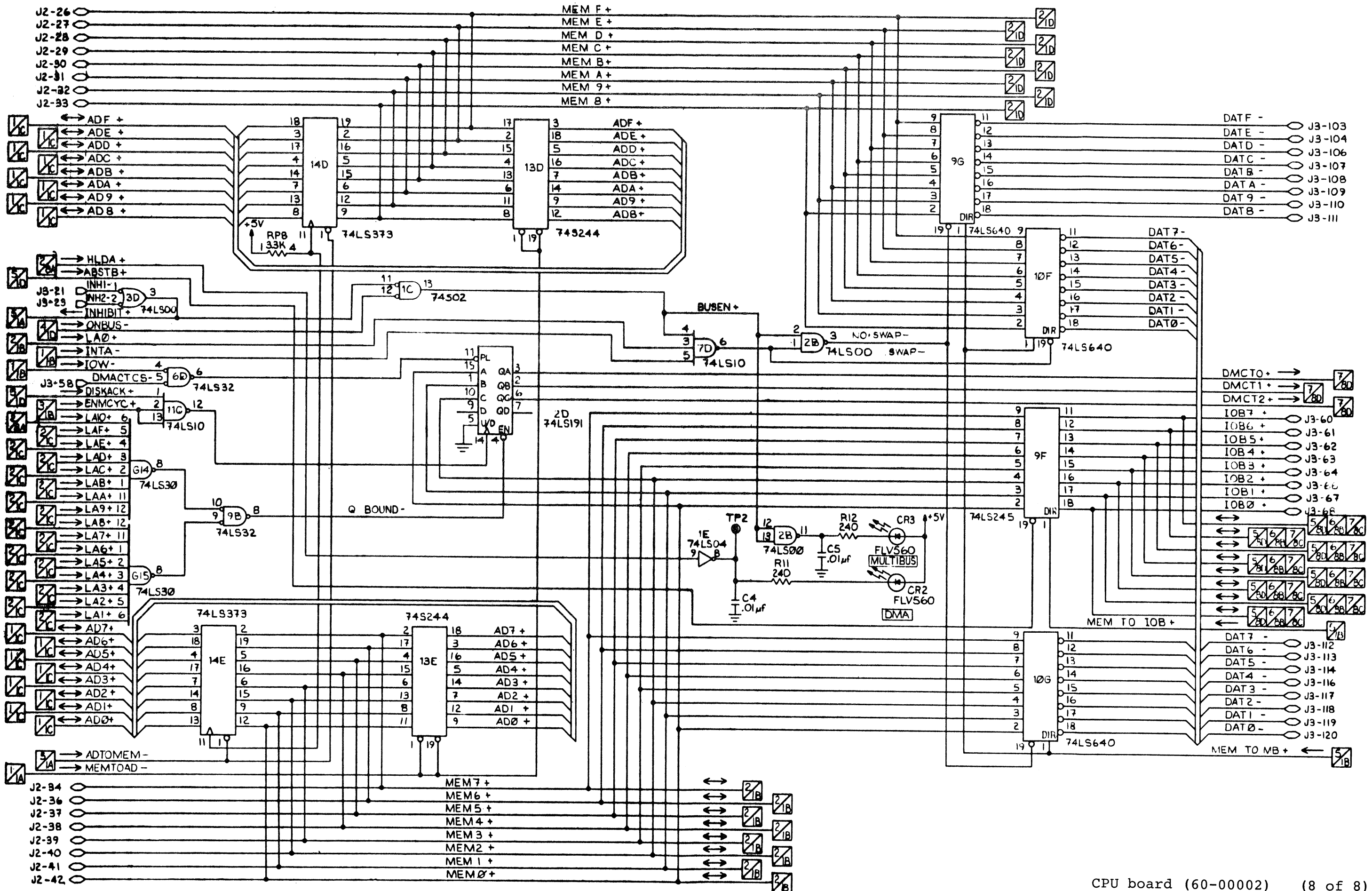


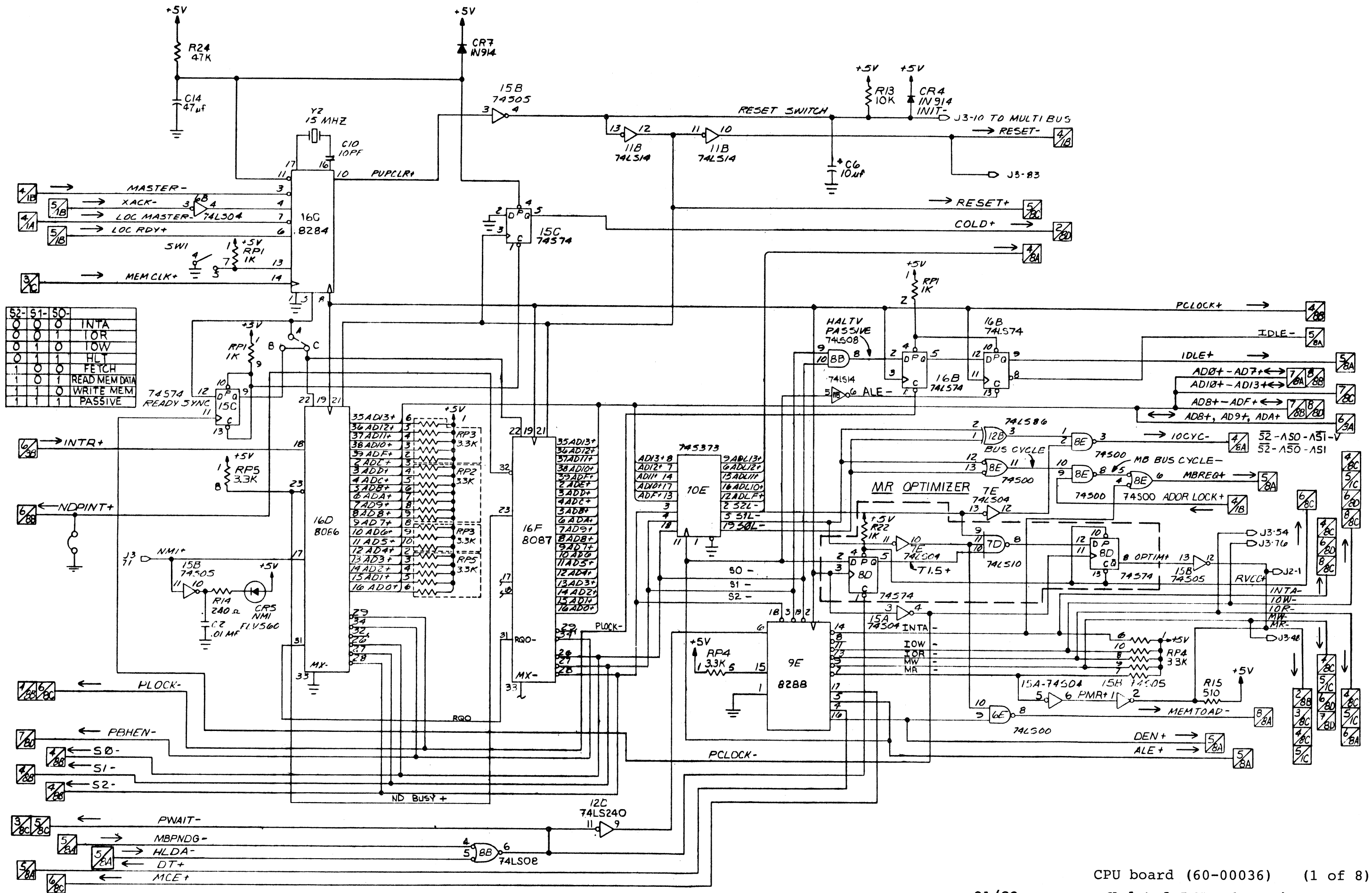


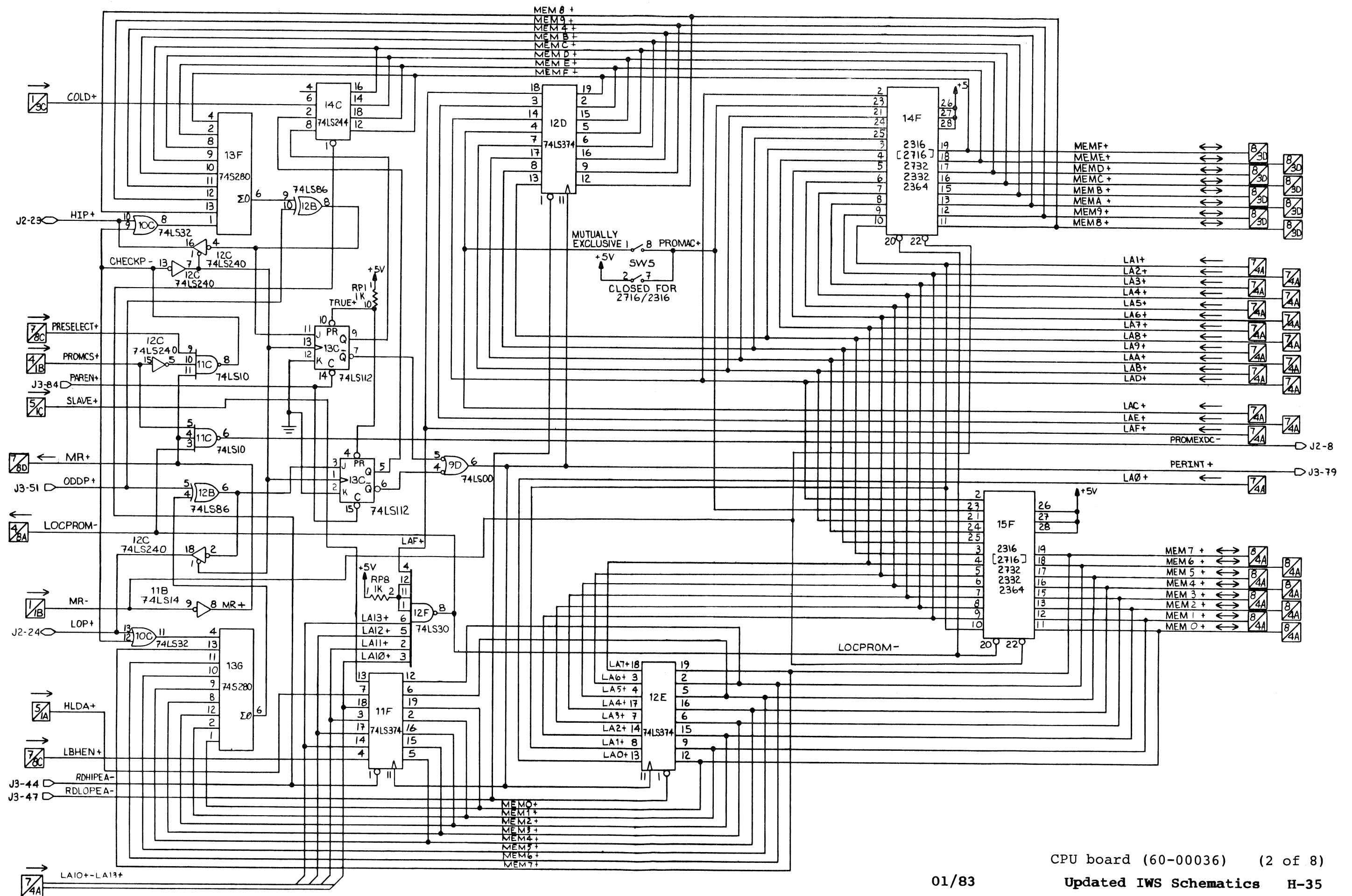


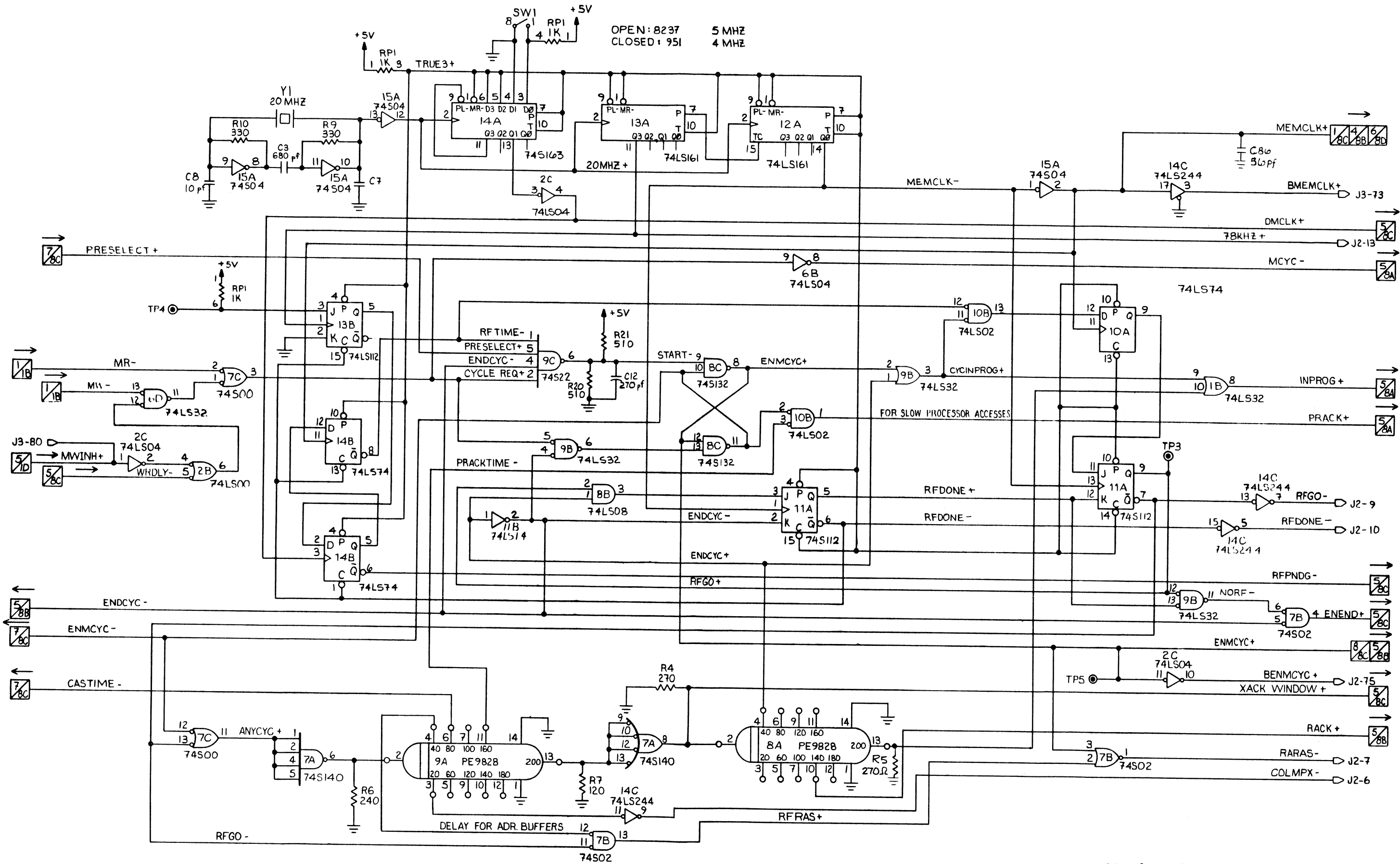






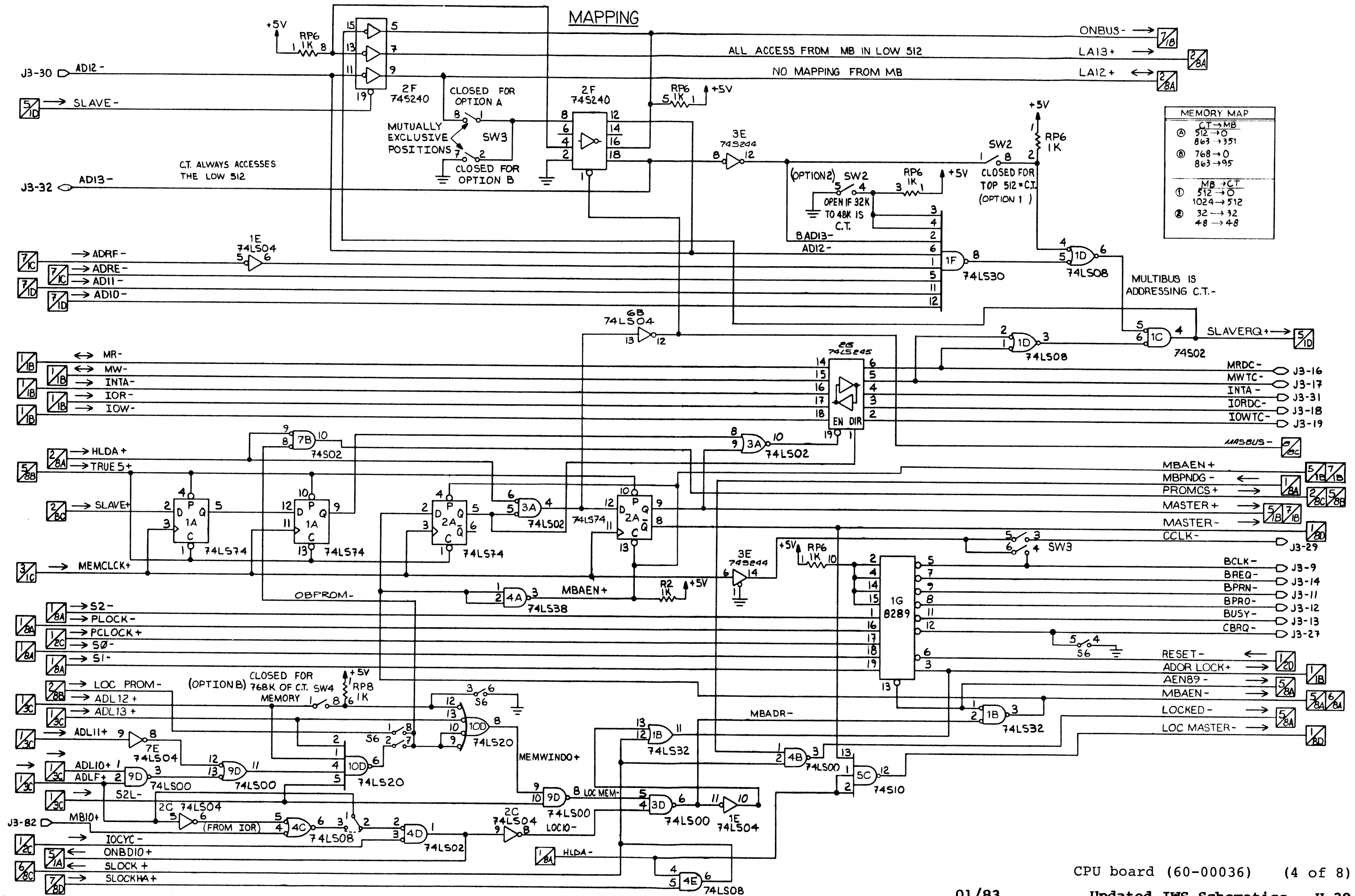




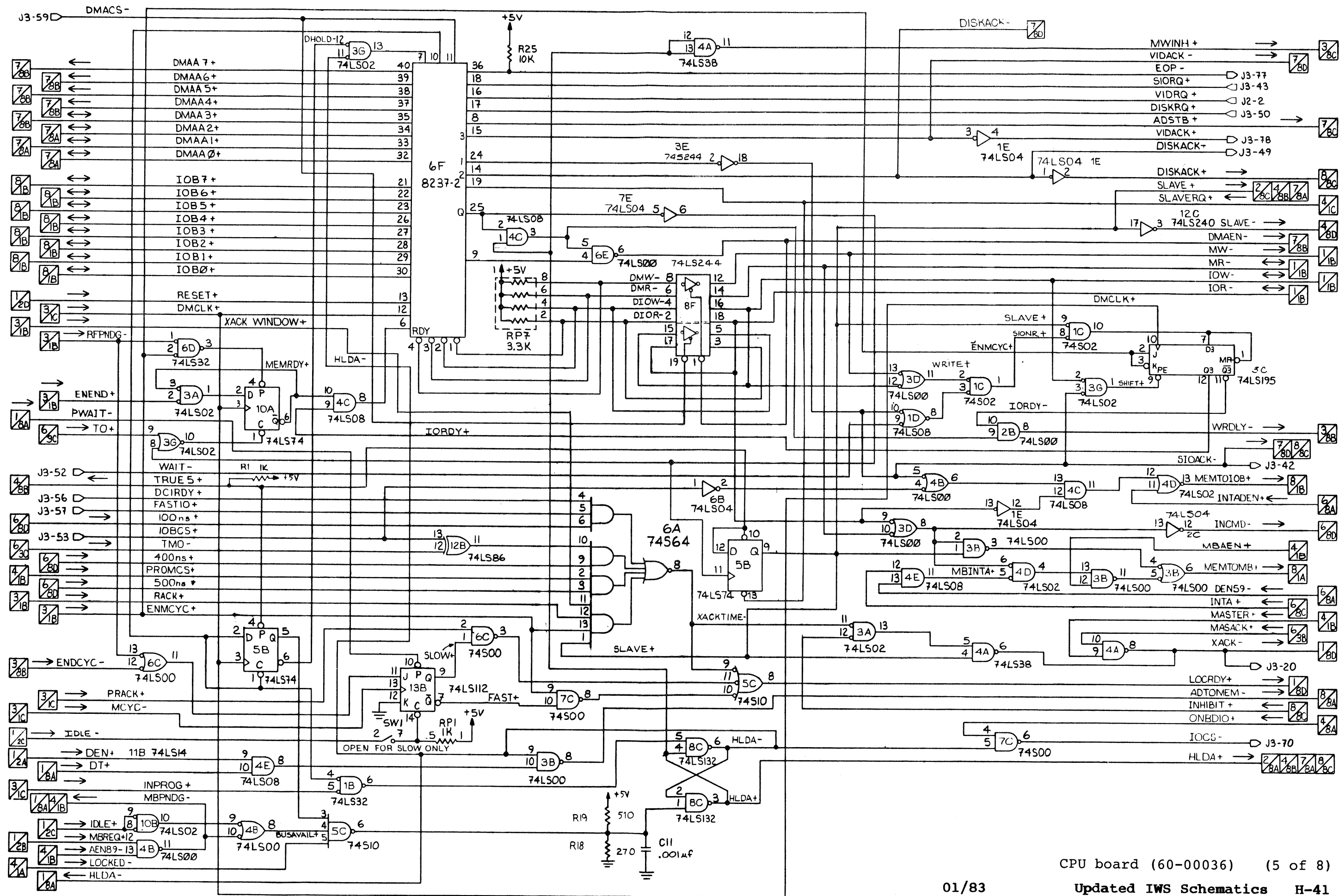


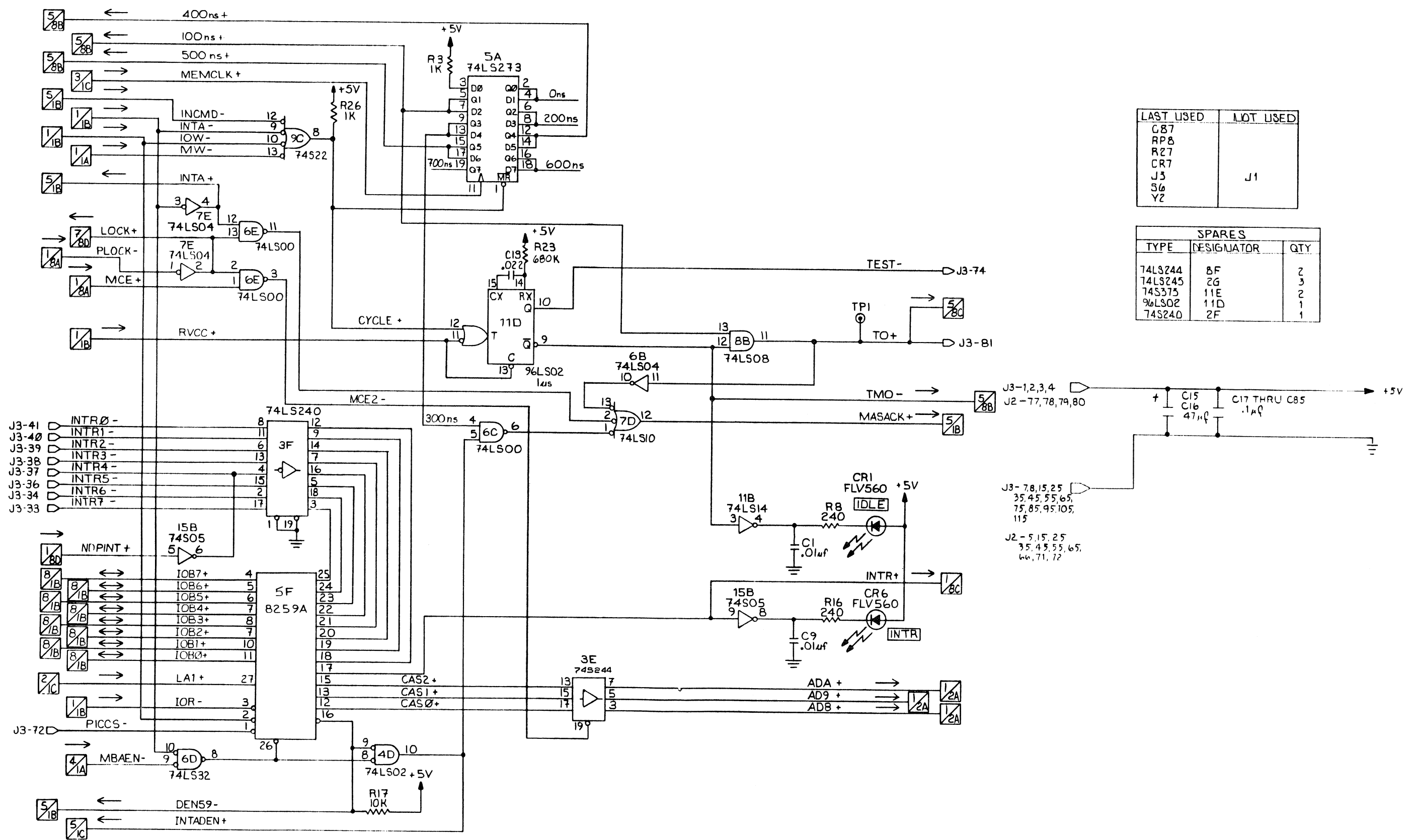
OPEN: 8237
CLOSED: 951

5 MHZ
4 MHZ



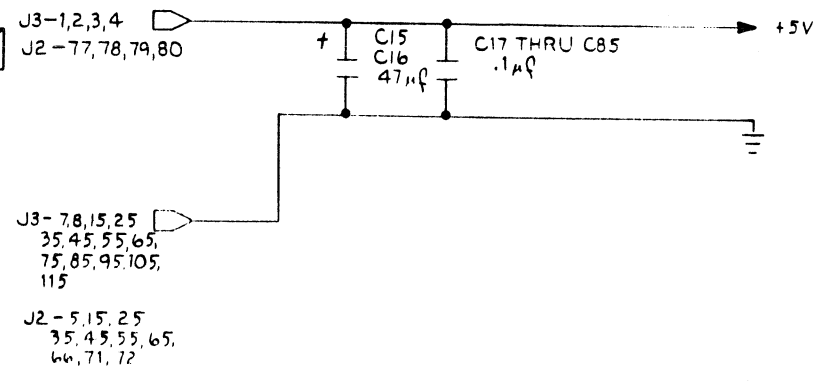
MEMORY MAP	
CT → MB	
Ⓐ	512 → 0
	863 → 351
MB → CT	
Ⓛ	512 → 0
	1024 → 512
Ⓜ	32 → 32
	48 → 48

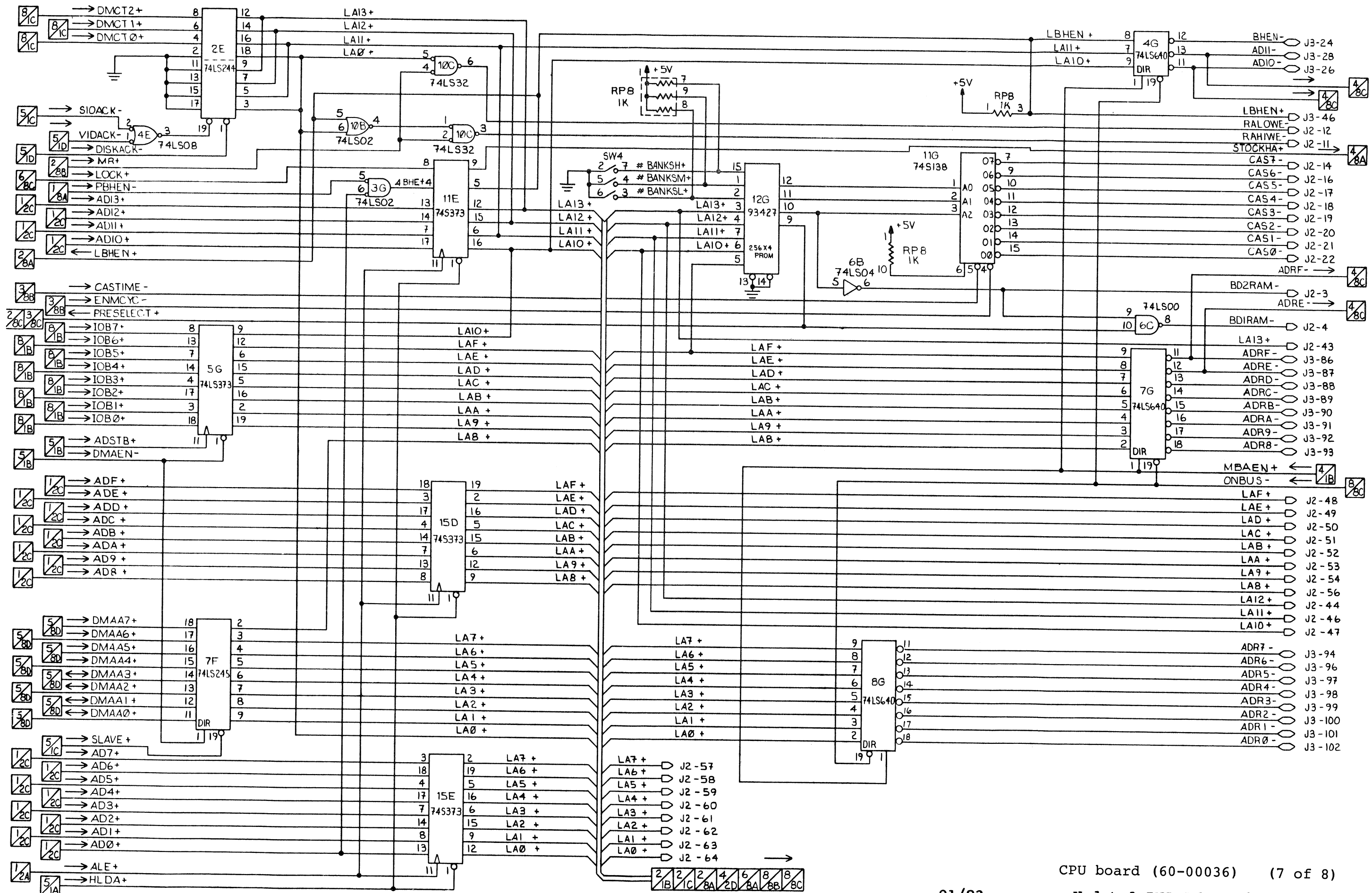


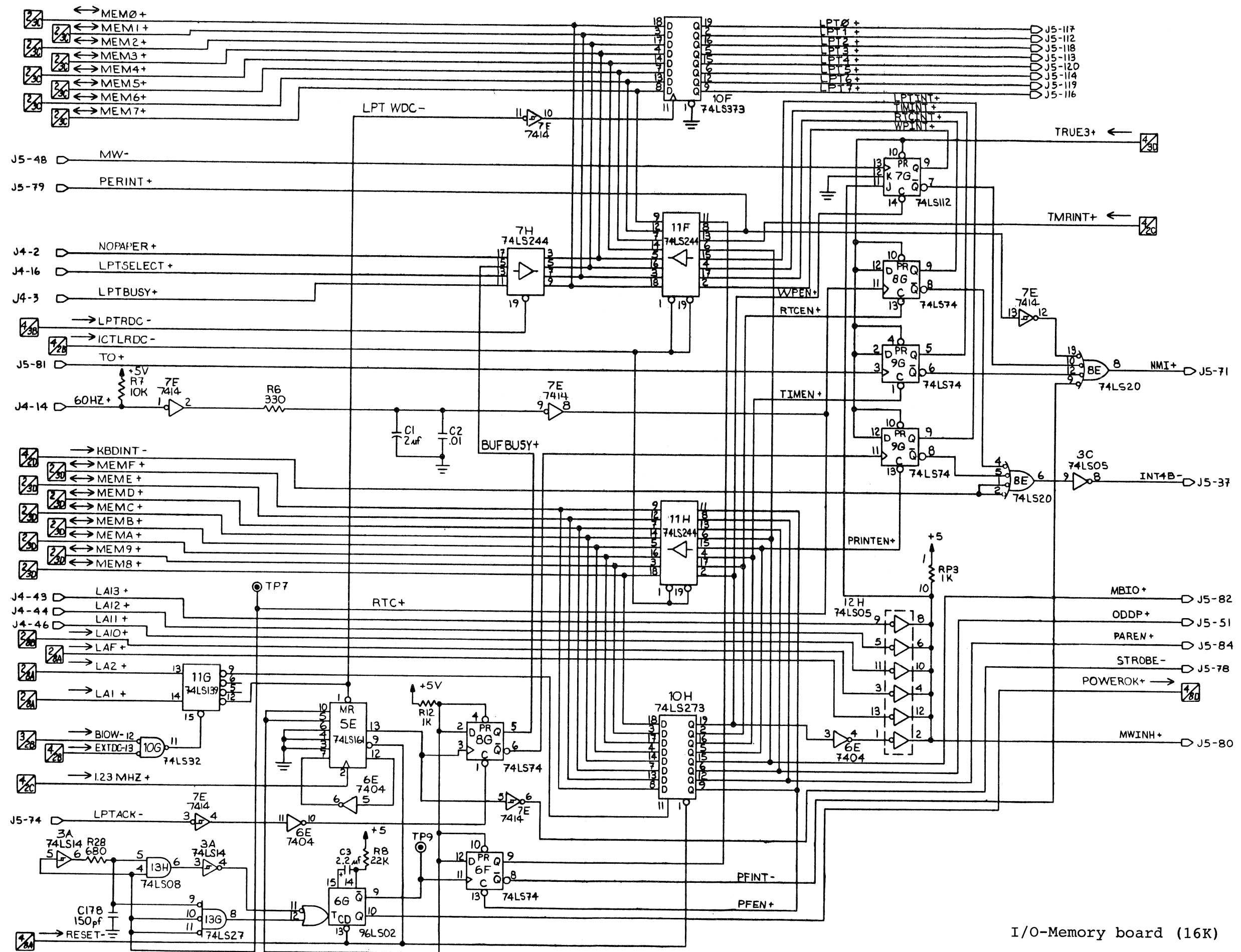


LAST USED	NOT USED
C87	
RP8	
R27	
CR7	
J3	J1
S6	
Y2	

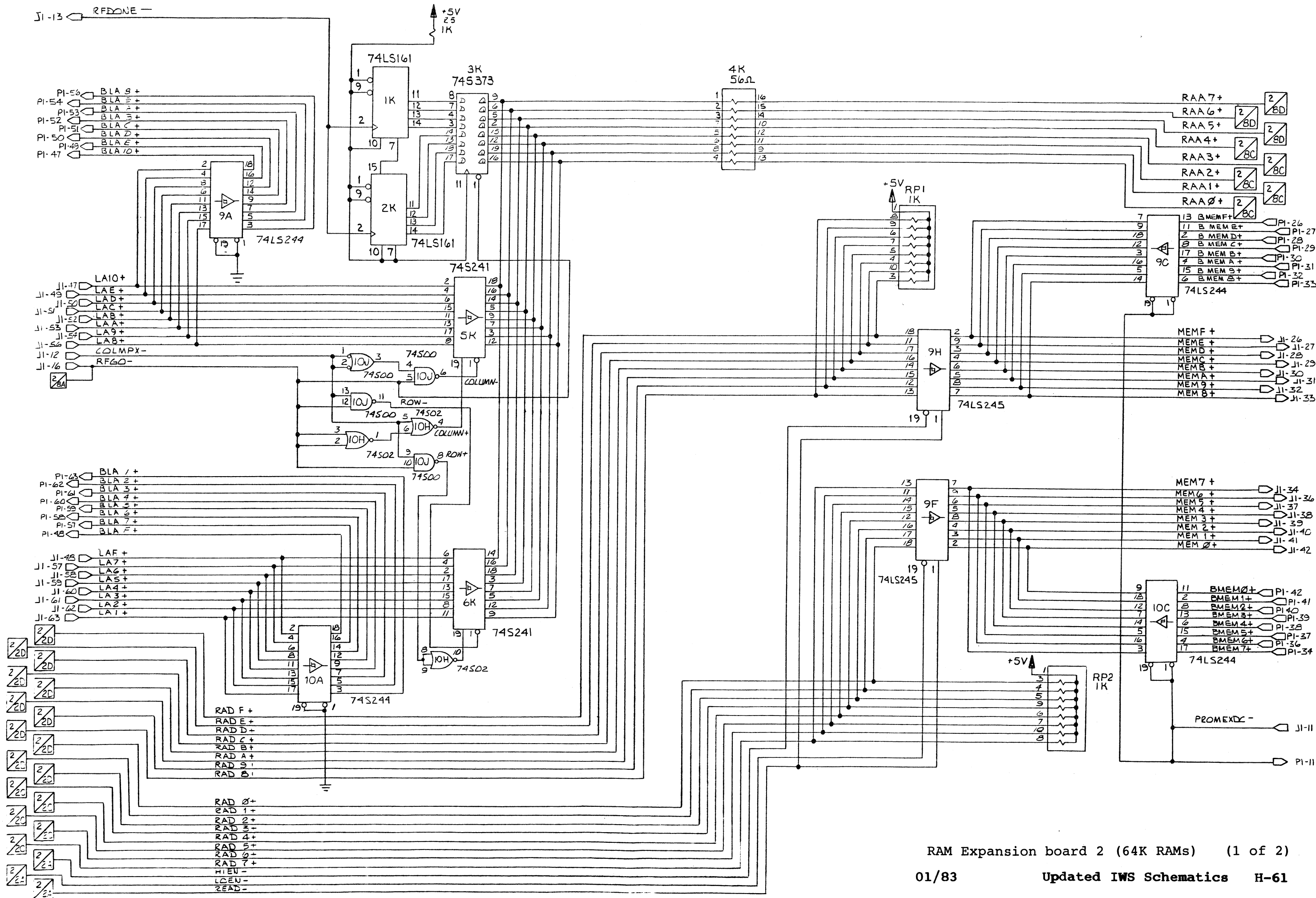
SPARES		
TYPE	DESIGNATOR	QTY
74LS244	8F	2
74LS245	2G	3
74S375	11E	2
96LS02	11D	1
74S240	2F	1



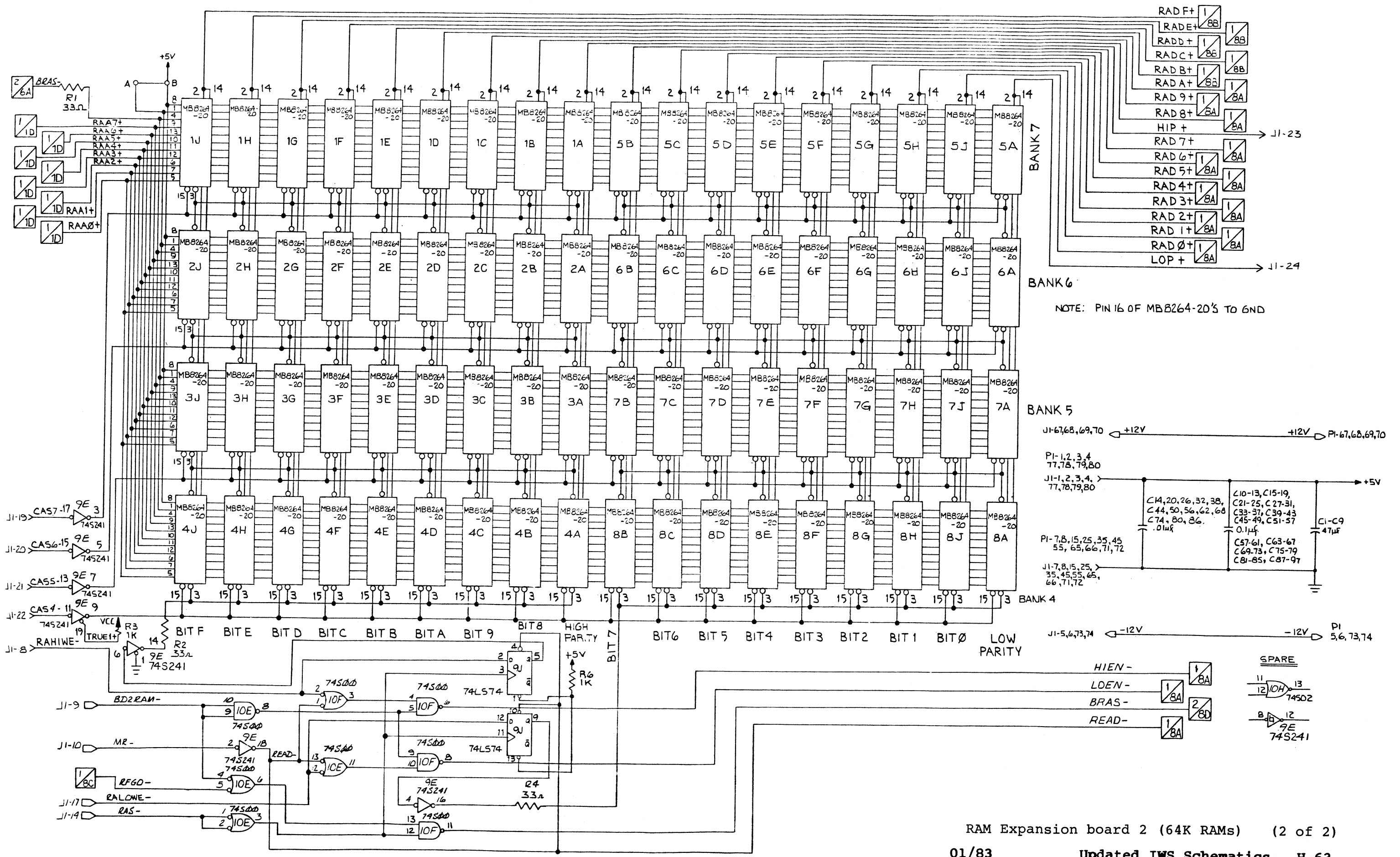




I/O-Memory board (16K) (5 of 6)



RAM Expansion board 2 (64K RAMs) (1 of 2)



NOTE: PIN 16 OF MB8264-20'S TO GND

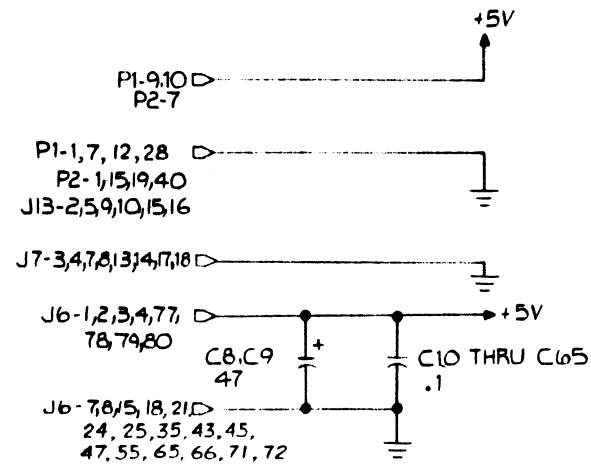
NOTES:

UNLESS OTHERWISE SPECIFIED:

1. RESISTANCE VALUES ARE IN OHMS, 1/4W, 5%.
2. CAPACITANCE VALUES ARE IN MICROFARADS.
3. ALL DEVICES ARE STANDARD 4x8, 7x14, 8x16, 10x20 GROUND AND POWER CONNECTIONS.

SPARE GATES		
TYPE	REF. DESIGNATORS	QTY.
74LS32	1C	2
74LS86	1D	1
74LS244	9G	3
74LS244	11G	5
74LS244	13D	2

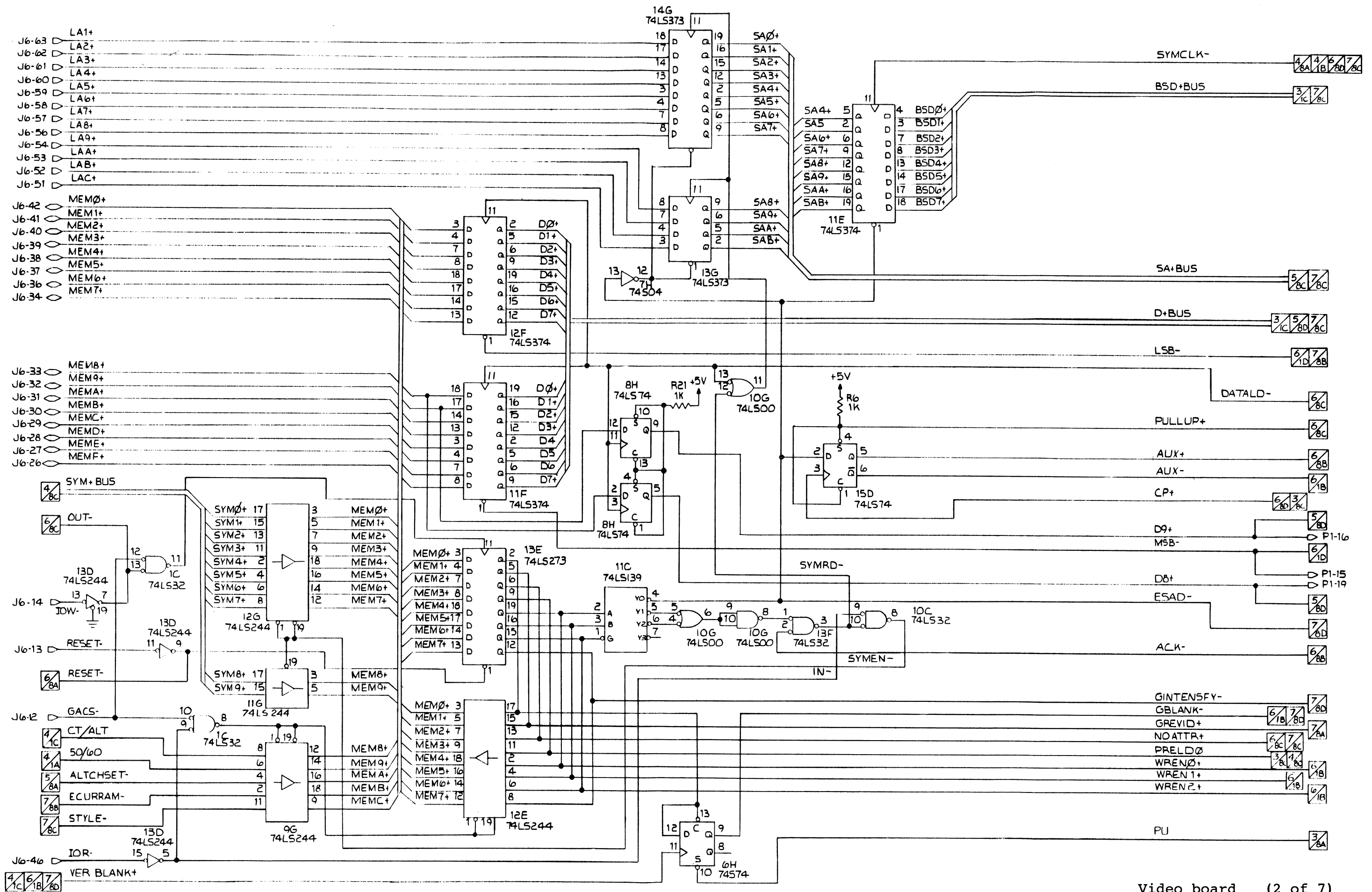
REF. DESIGNATORS	
LAST USED	NOT USED
P2	
J13	
G2	
C65	C1 THRU C4
R28	R22
G2	

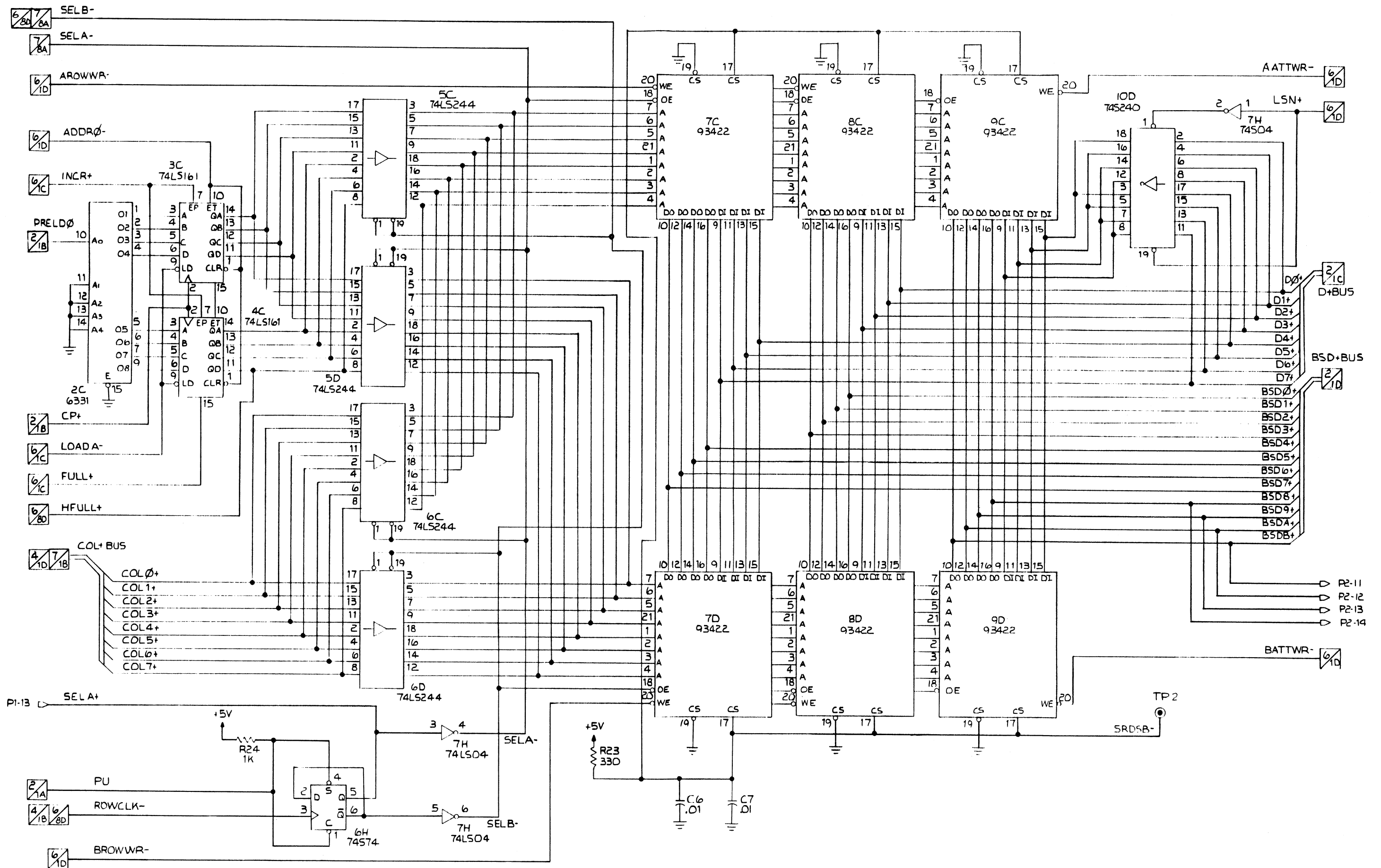


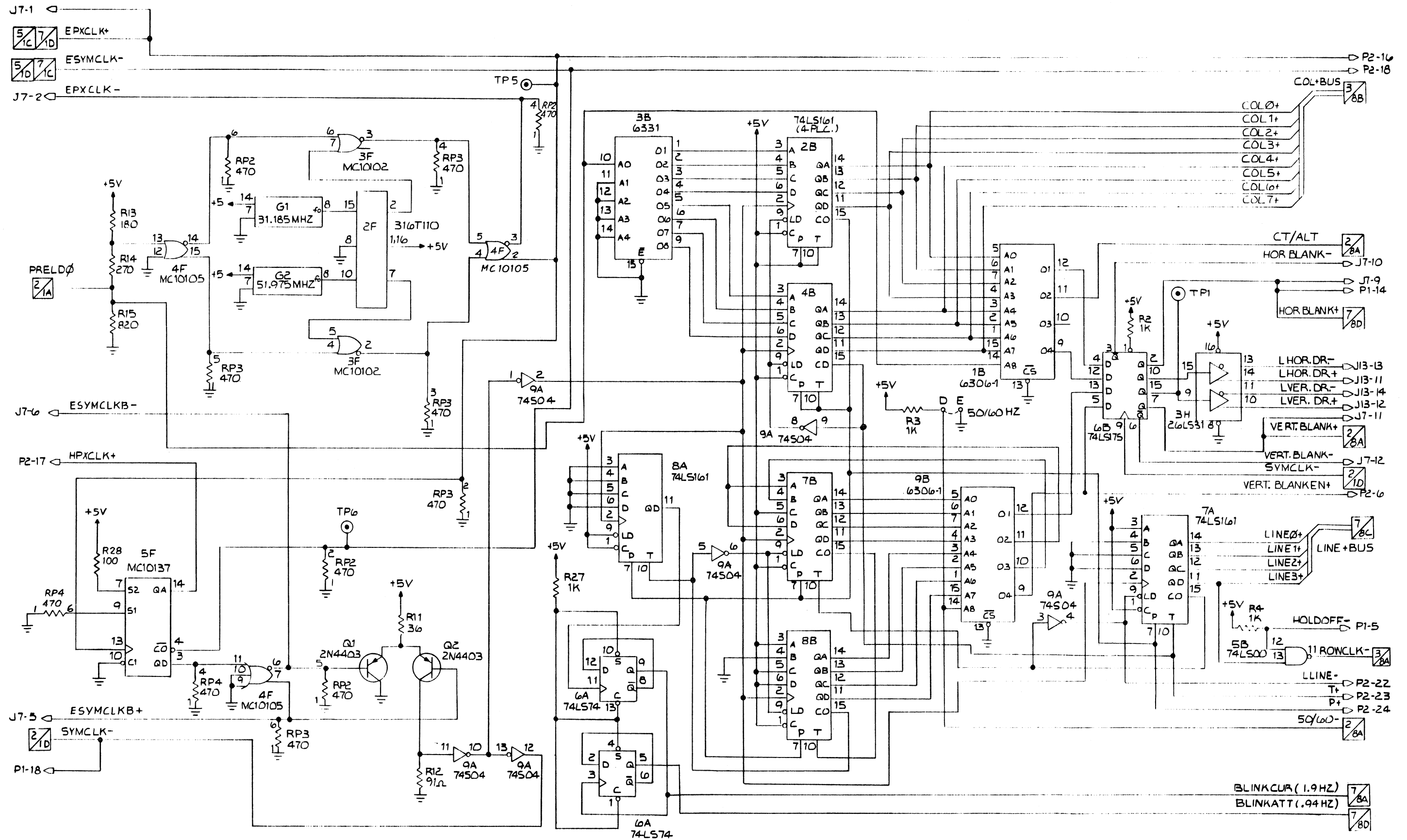
- P1
- 1 GND
 - 2 SYMWR
 - 3 CURSORWR -
 - 4 STYLEWR -
 - 5 HOLDOFF -
 - 6 BLATWR -
 - 7 GND
 - 8 ALATWR -
 - 9 VCC
 - 10 VCC
 - 11 ESAD -
 - 12 GND
 - 13 SELA +
 - 14 HORBLANK +
 - 15 MSB -
 - 16 D9 +
 - 17 NOATTR +
 - 18 SYMCLK -
 - 19 DB +
 - 20 DA +
 - 21 D0 +
 - 22 D5 +
 - 23 D1 +
 - 24 D6 +
 - 25 D2 +
 - 26 D7 +
 - 27 D3 +
 - 28 GND
 - 29 SA0 +
 - 30 SA1 +
 - 31 SA2 +
 - 32 SA3 +
 - 33 SA4 +
 - 34 SA5 +
 - 35 SA6 +
 - 36 SA7 +
 - 37 SAB +
 - 38 SAA +
 - 39 SA9 +
 - 40 SAB +

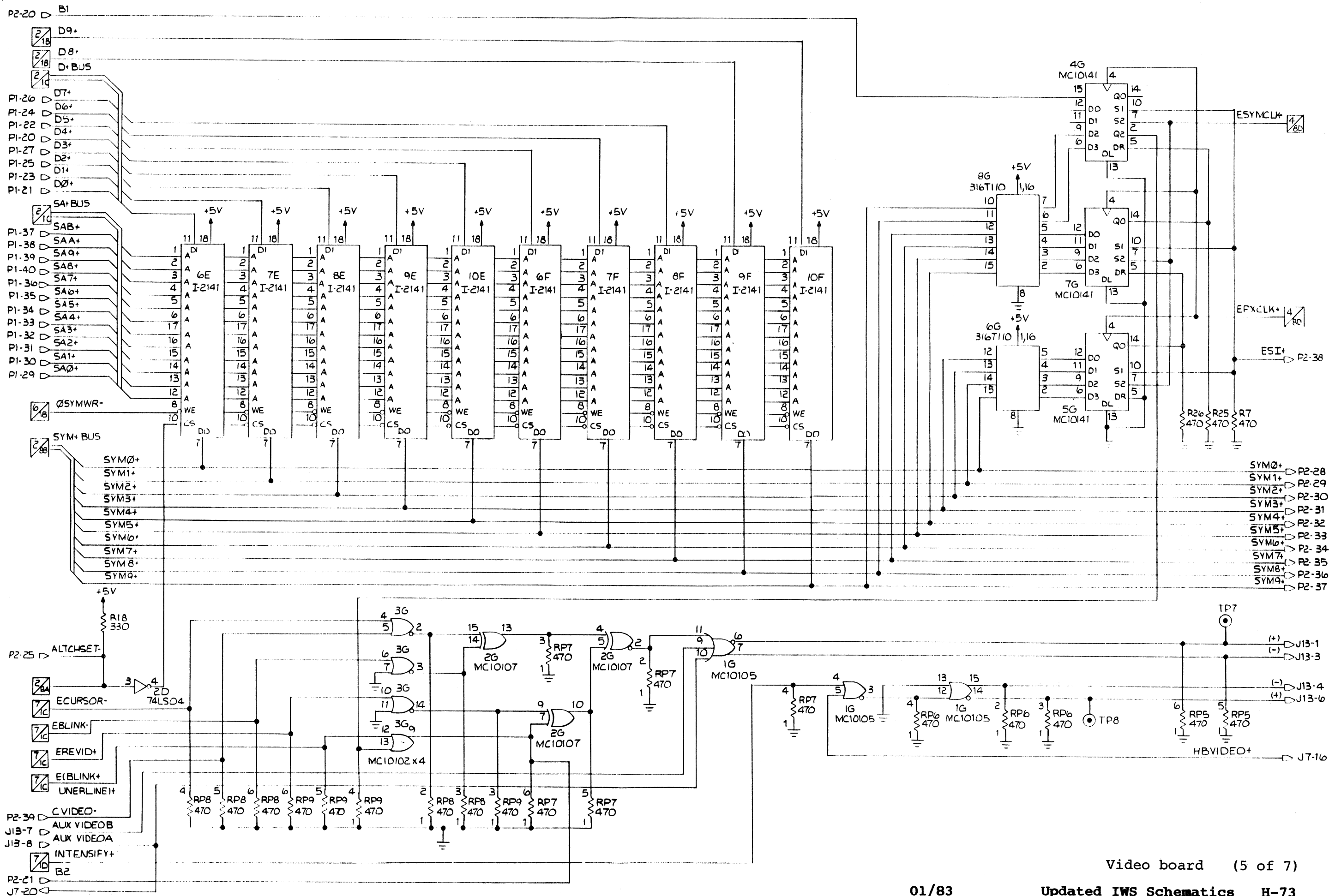
- P2
- 1 GND
 - 2 UNDERLINE -
 - 3 CURSOR -
 - 4 ATT0 -
 - 5 ATT2 -
 - 6 VERBLANKEN +
 - 7 VCC
 - 8 ECURRAM
 - 9 ATT1 -
 - 10 ATT3 -
 - 11 BSDB +
 - 12 BSDA +
 - 13 BSD3 +
 - 14 BSD8 +
 - 15 GND
 - 16 EPXCLK +
 - 17 HPXCLK +
 - 18 ESYMCLK -
 - 19 GND
 - 20 B1
 - 21 B2
 - 22 LLINE
 - 23 T +
 - 24 P +
 - 25 ALTCHSET -
 - 26 STYLE -
 - 27 DLIC -
 - 28 SYM0 +
 - 29 SYM1 +
 - 30 SYM2 +
 - 31 SYM3 +
 - 32 SYM4 +
 - 33 SYM5 +
 - 34 SYM6 +
 - 35 SYM7 +
 - 36 SYM8 +
 - 37 SYM9 +
 - 38 ESI +
 - 39 CVIDEO -
 - 40 GND

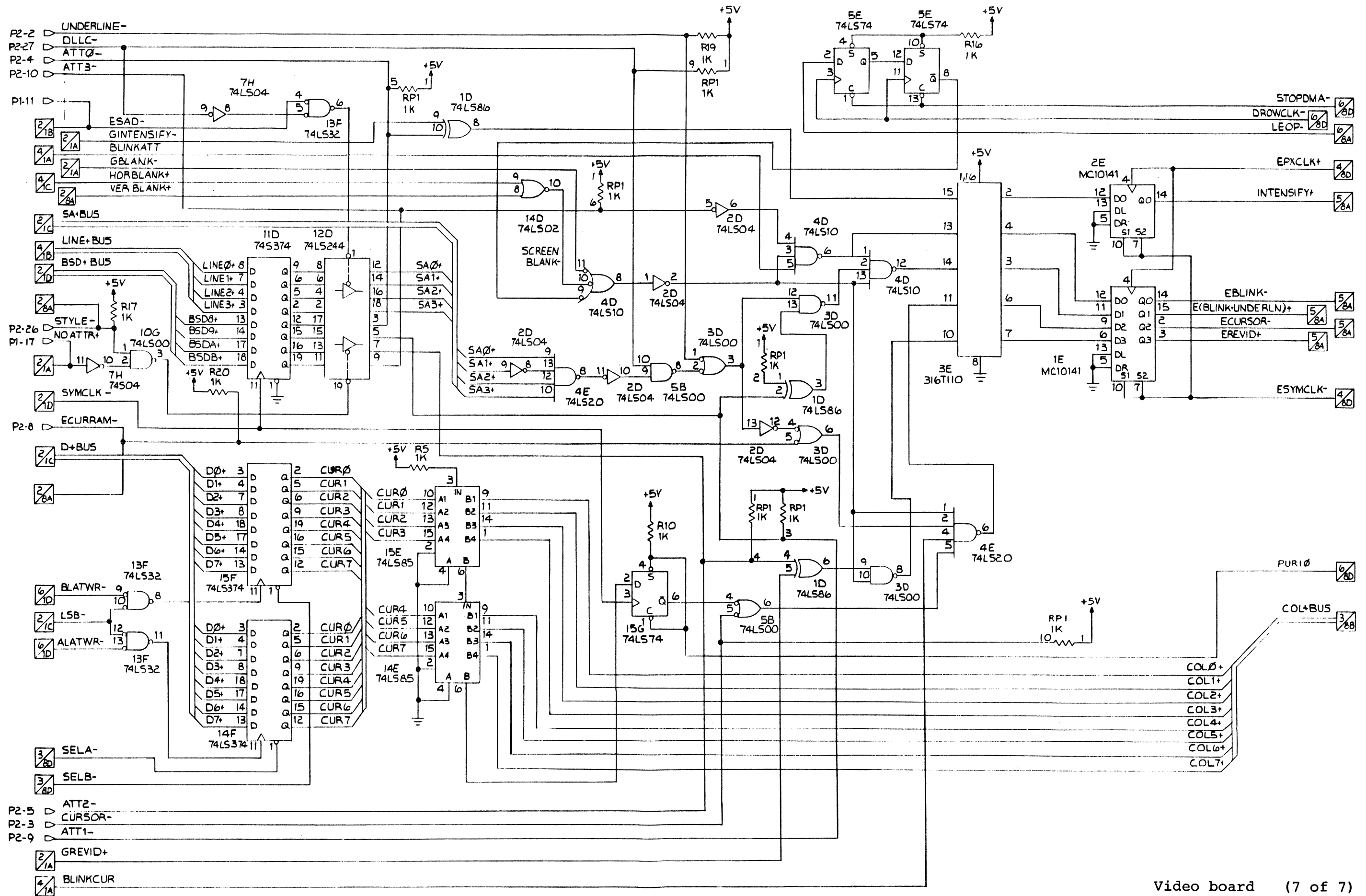
- J7
- | | | | |
|-------------|----|----|-------------|
| EPXCLK + | 1 | 2 | EPXCLK - |
| GND | 3 | 4 | GND |
| ESYMCLKB + | 5 | 6 | ESYMCLKB - |
| GND | 7 | 8 | GND |
| HORBLANK + | 9 | 10 | HORBLANK - |
| VERTBLANK + | 11 | 12 | VERTBLANK - |
| GND | 13 | 14 | GND |
| | 15 | 16 | HBVIDEO + |
| GND | 17 | 18 | GND |
| | 19 | 20 | AUX VIDEO A |

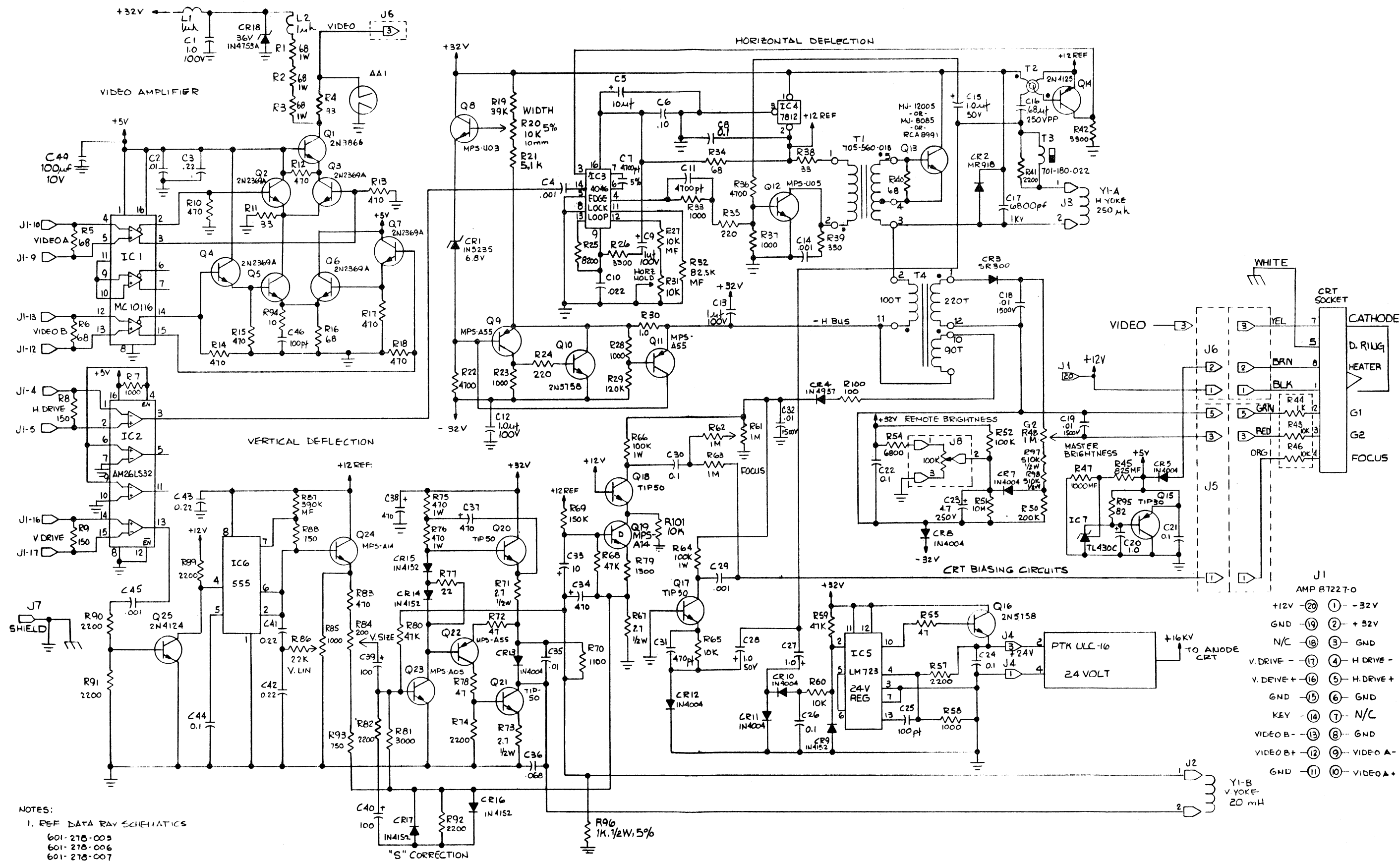






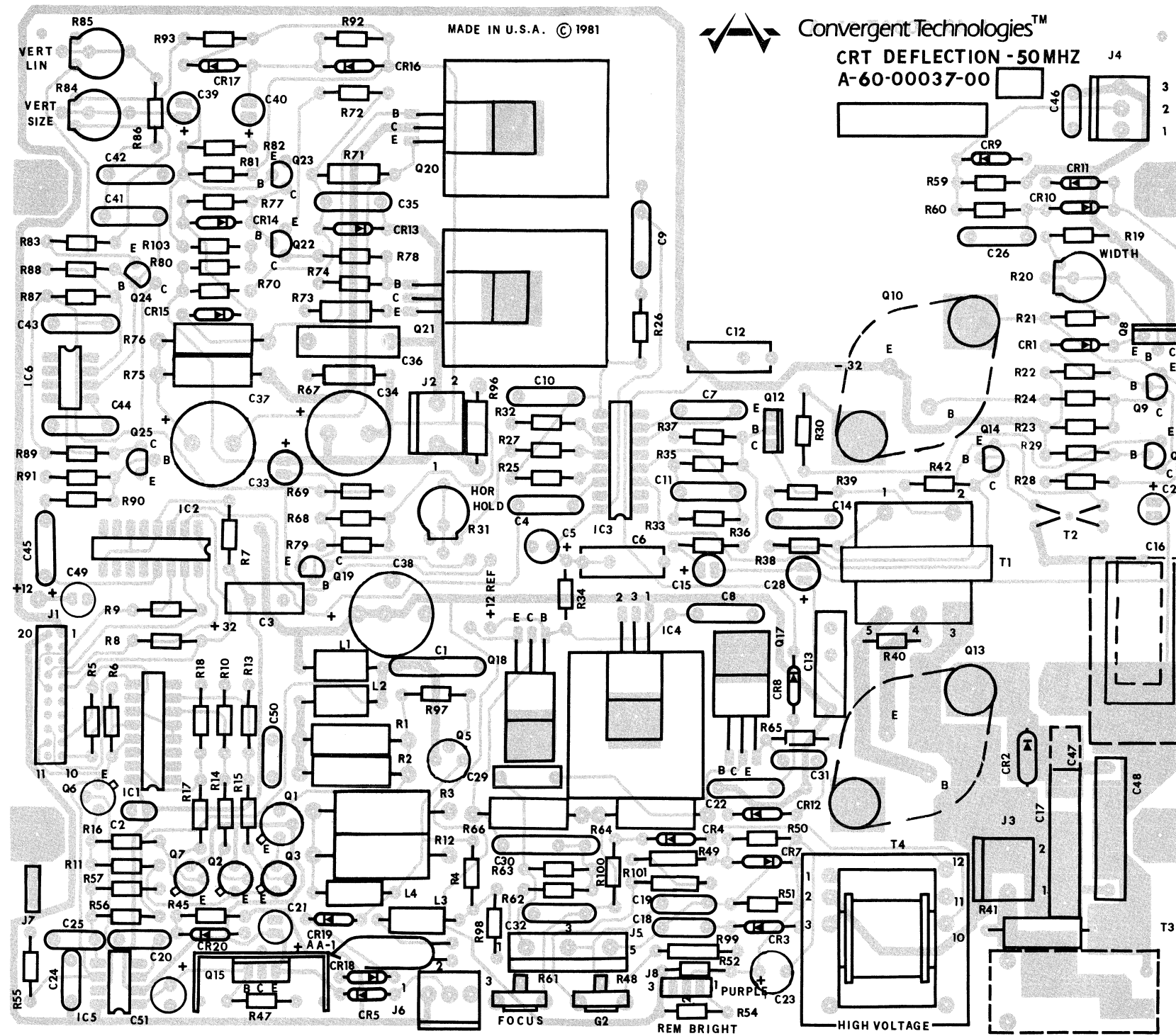


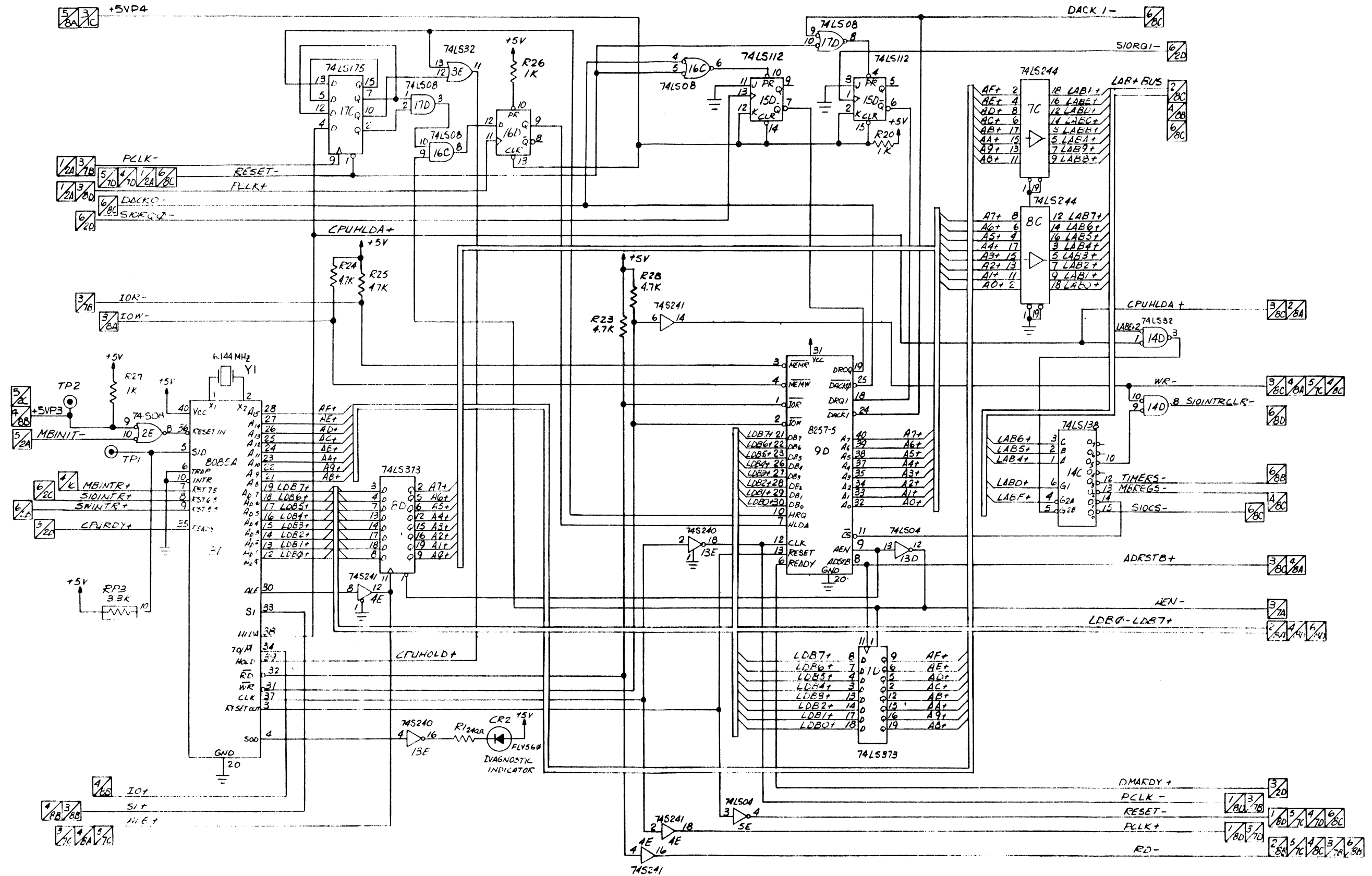




NOTES:
 1. REF DATA RAY SCHEMATICS
 601-278-003
 601-278-006
 601-278-007
 601-278-008

- J1
 AMP B1227-0
- +12V - (20) (1) -32V
 - GND - (19) (2) +32V
 - N/C - (18) (3) GND
 - V. DRIVE - (17) (4) H. DRIVE -
 - V. DRIVE + (16) (5) H. DRIVE +
 - GND - (15) (6) GND
 - KEY - (14) (7) N/C
 - VIDEO B - (13) (8) GND
 - VIDEO B+ (12) (9) VIDEO A-
 - GND - (11) (10) VIDEO A+





8000-BFFF

- NOTES:
 UNLESS OTHERWISE SPECIFIED:
 1. RESISTANCE VALUES ARE IN OHMS, 1/4W, 5%.
 2. CAPACITANCE VALUES ARE IN MICROFARADS.
 3. ALL DEVICES ARE STANDARD 4+8, 7+14, 8+16, 10+20 GROUND AND POWER CONNECTIONS.

SPARE GATES		
TYPE	REF. DESIGNATOR	QTY
74LS08	16C	1
74LS10	20C	1
74LS14	16B	2
260LS31	15A	1
260LS31	17A	1
74LS112	20B	1

REF. DESIGNATORS	
LAST USED	NOT USED
CR2	
C66	
RP7	
R29	
SW2	
Y1	

POWER AND GROUND LOCATOR					
REF DES	TYPE	GND	+5V	+12V	-5V
1A-8A	2716	16	9	8	1
1B-8B	2716	16	9	8	1

