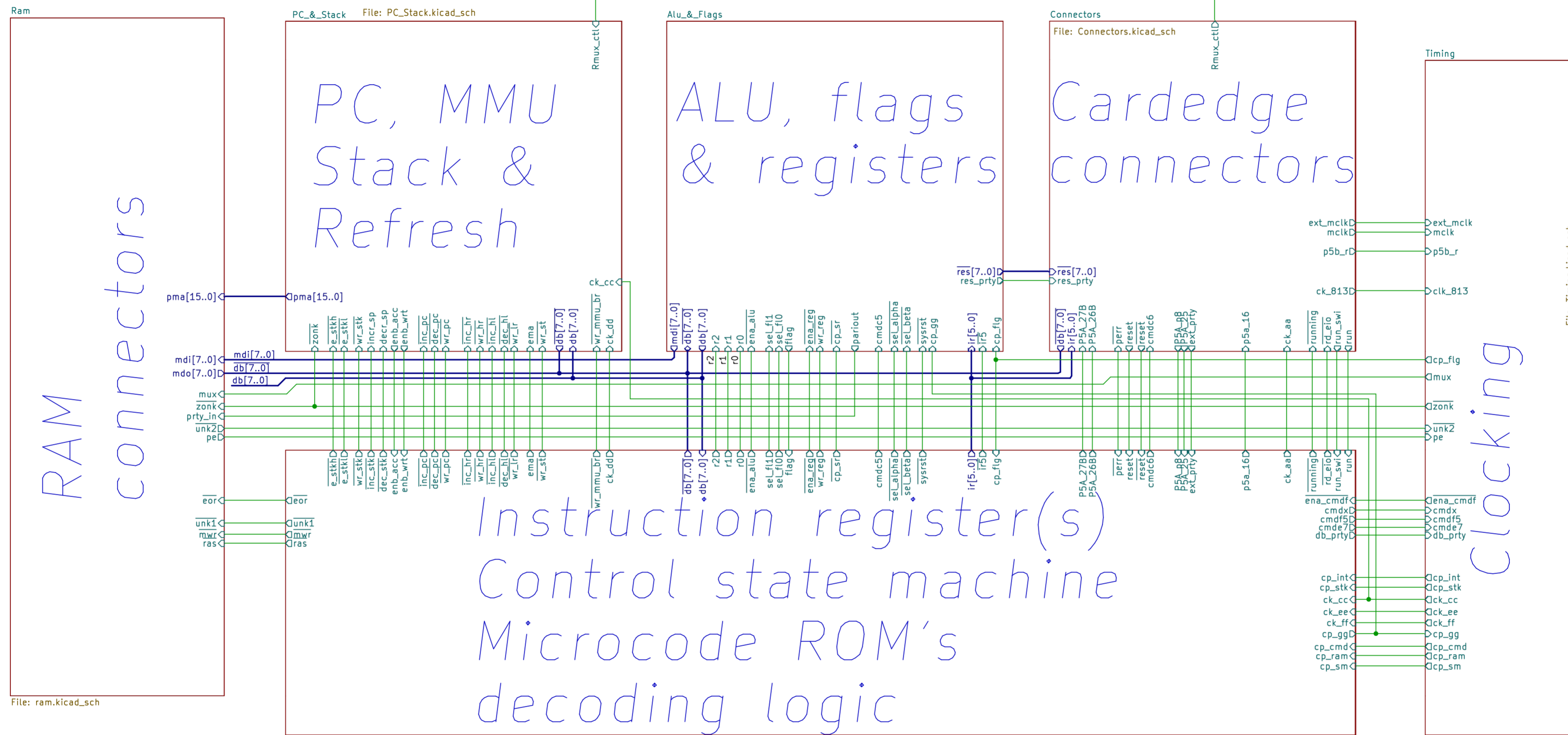
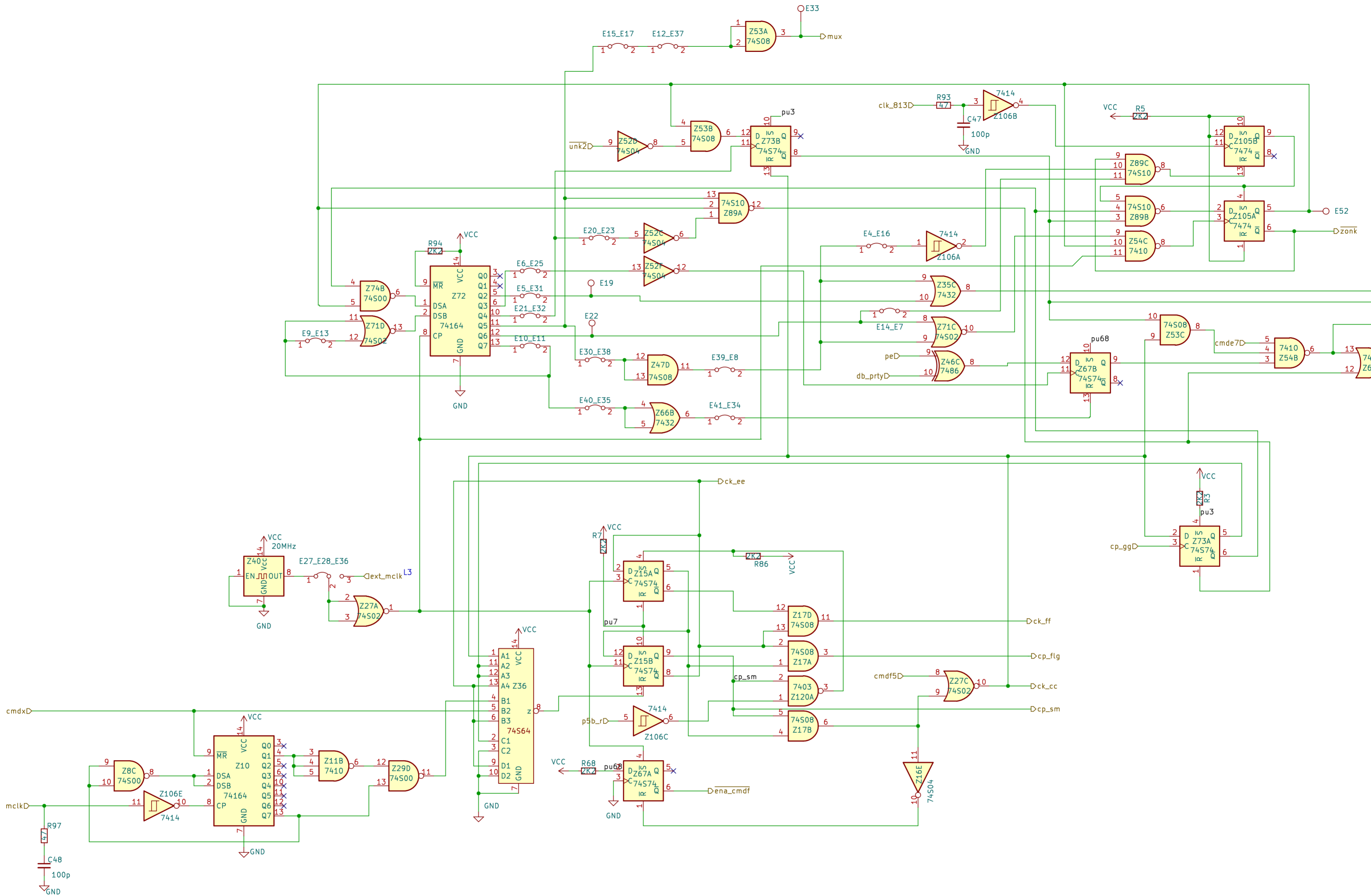


Power supply, Decoupling caps, unused gates



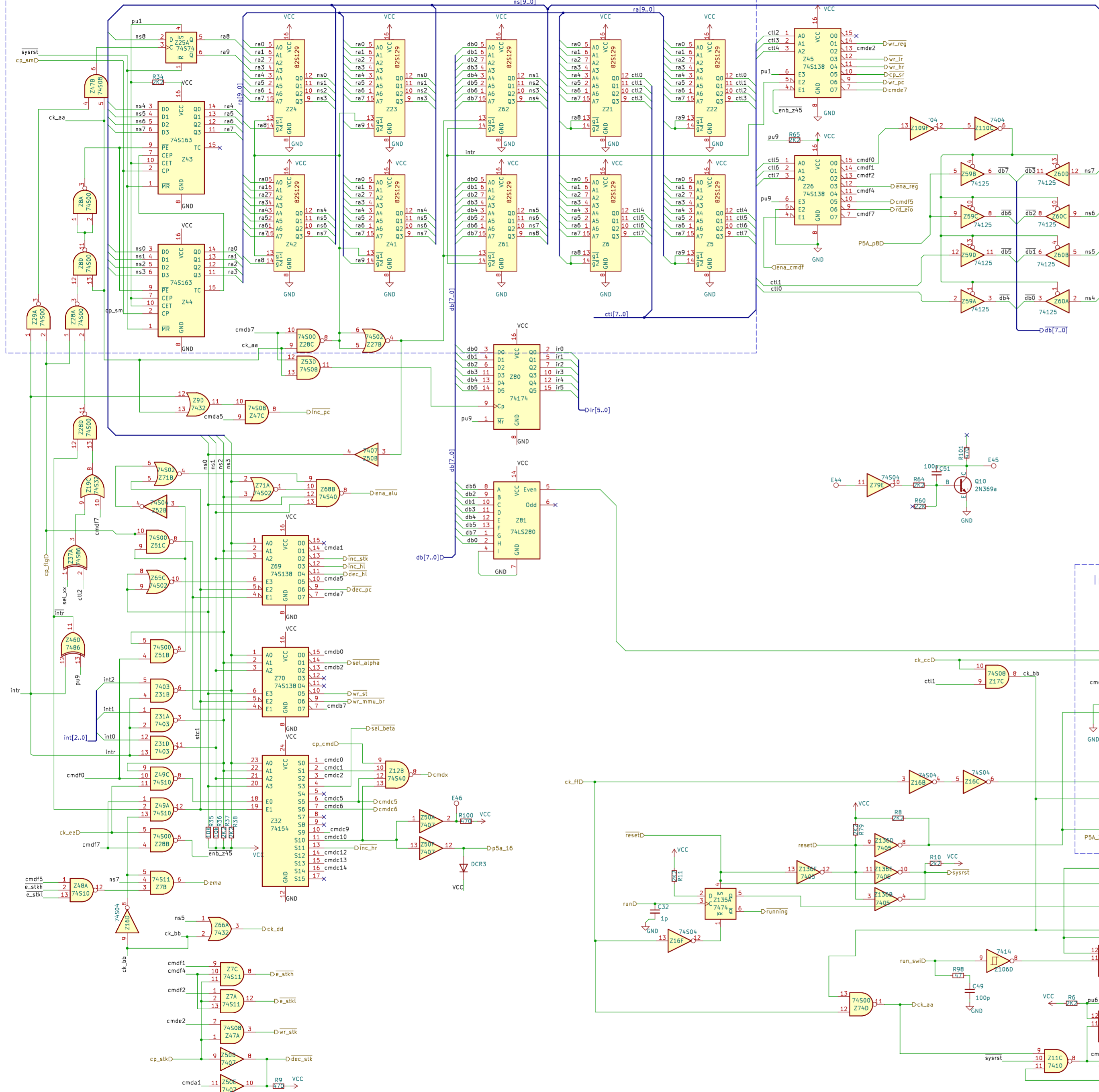
Datapoint 5500 motherboard



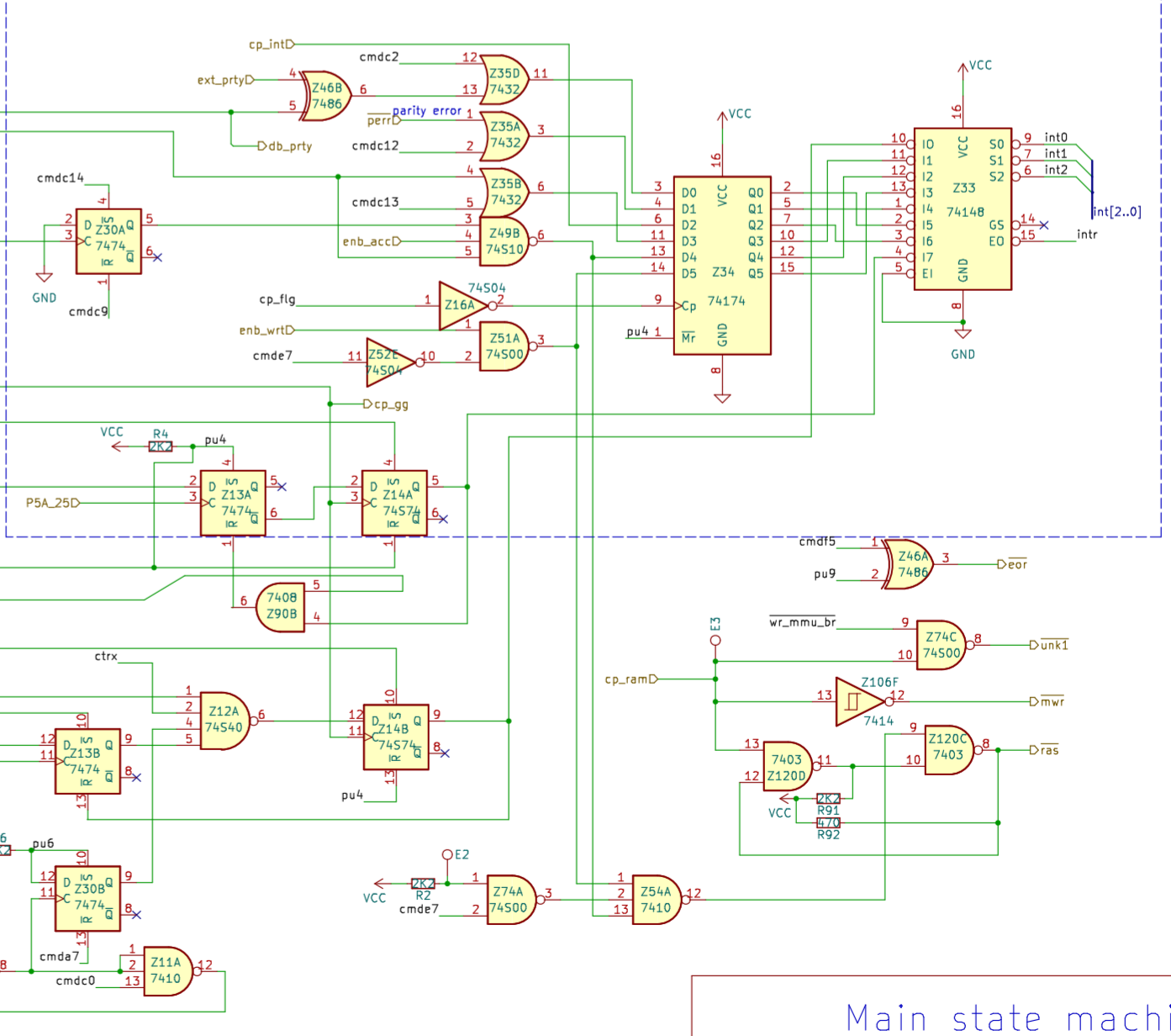
Clcking circuitry

Sheet: /Timing/		
File: Timing.kicad_sch		
Title:		
Size: A3	Date:	Rev:
KiCad E.D.A. kicad 7.0.10-7.0.10-ubuntu22.04.1		Id: 2/8

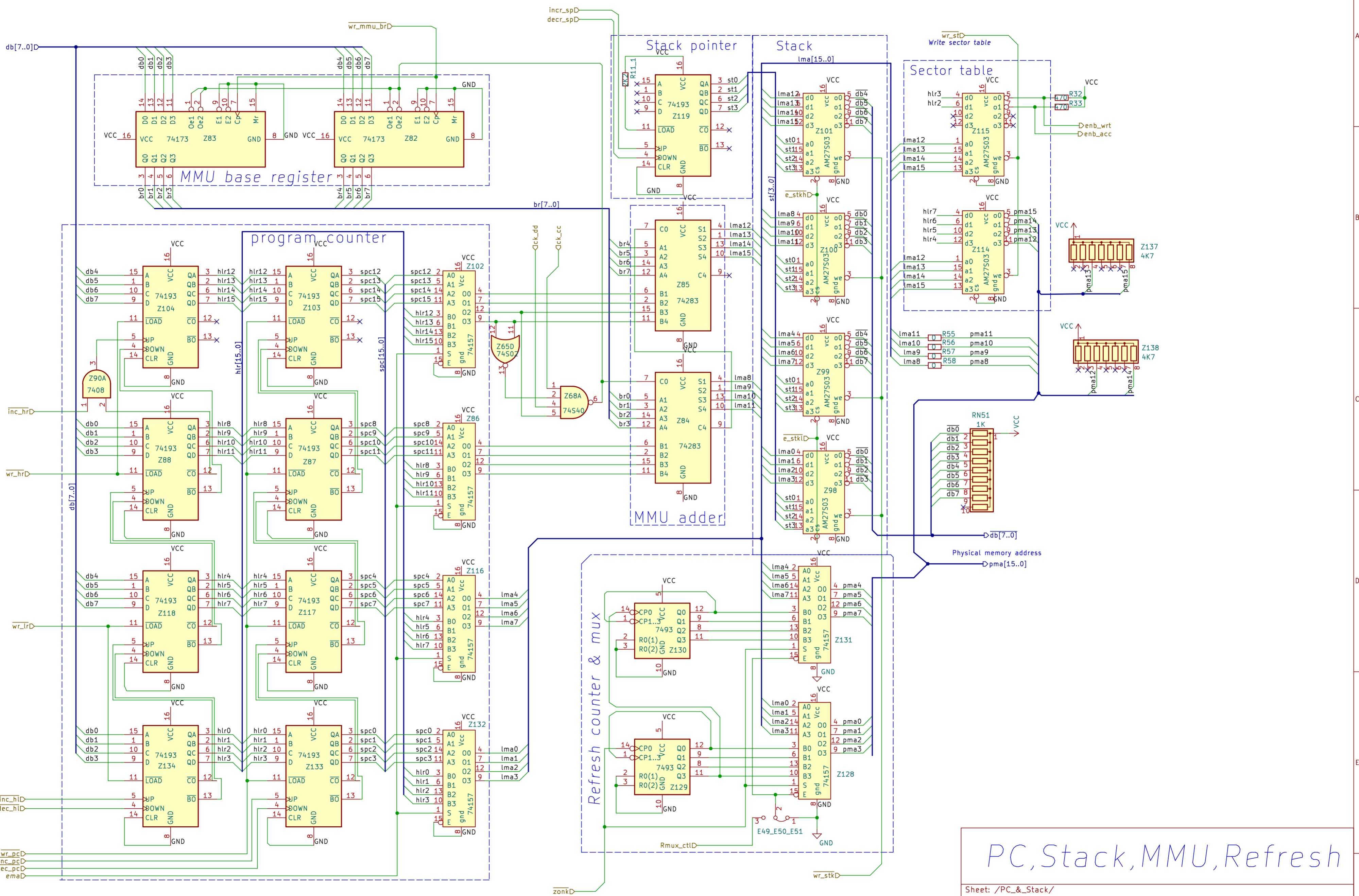
State machine with microcode



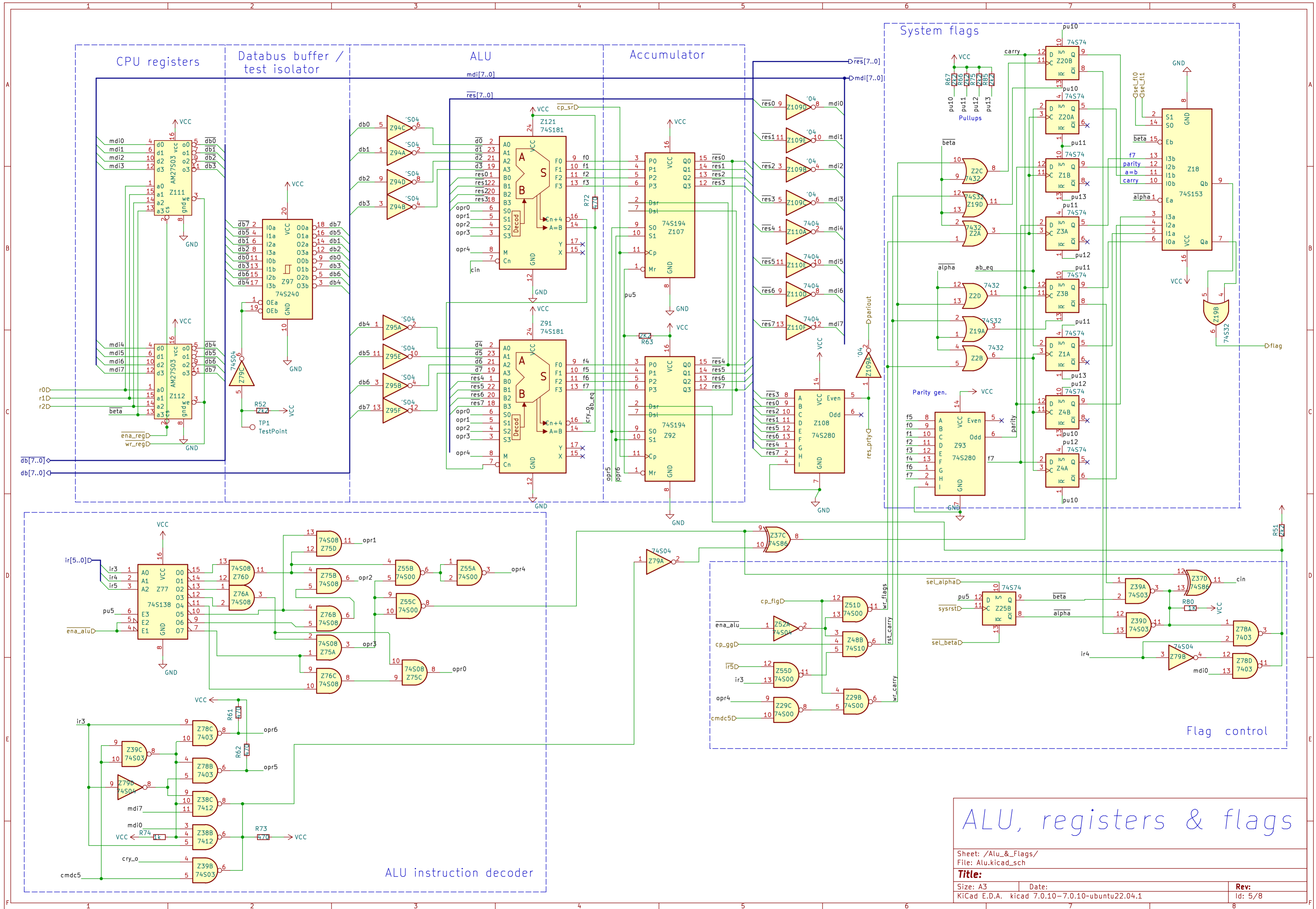
Interrupt controller



Main state machine

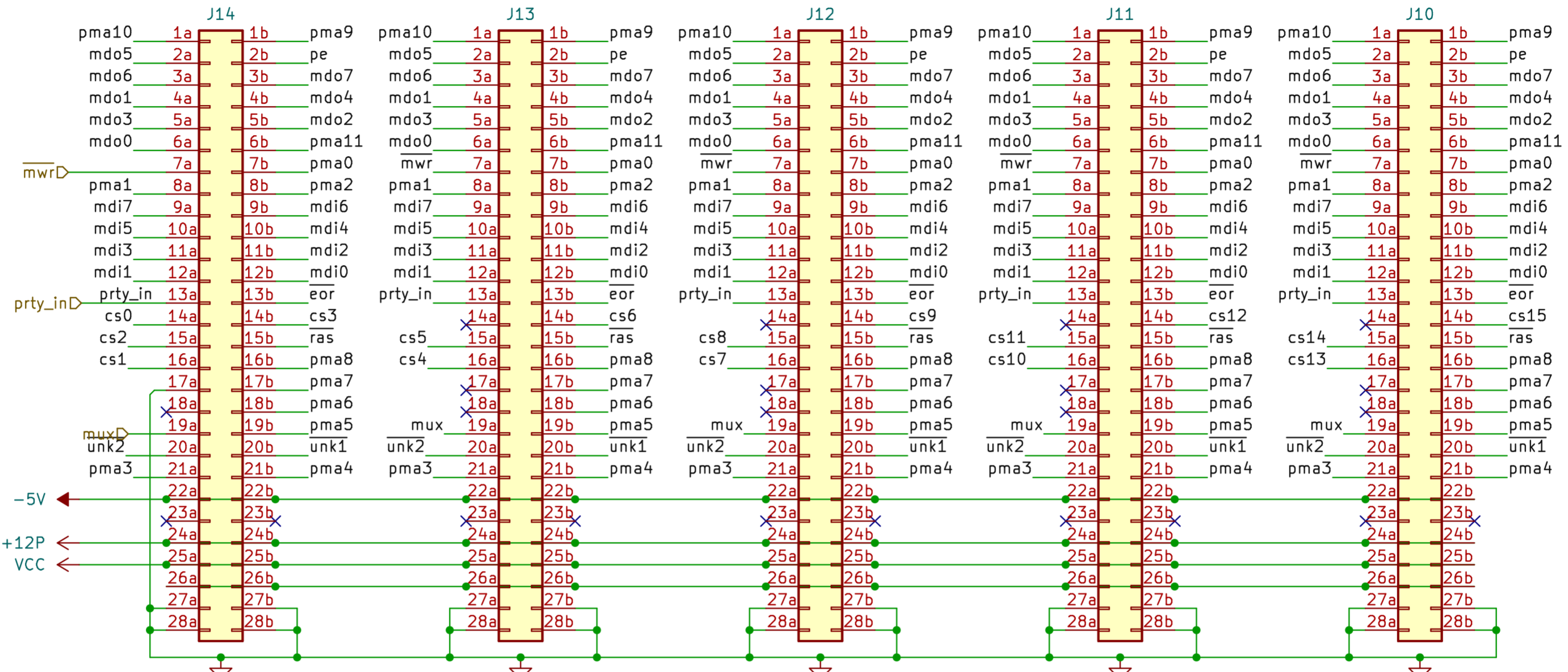
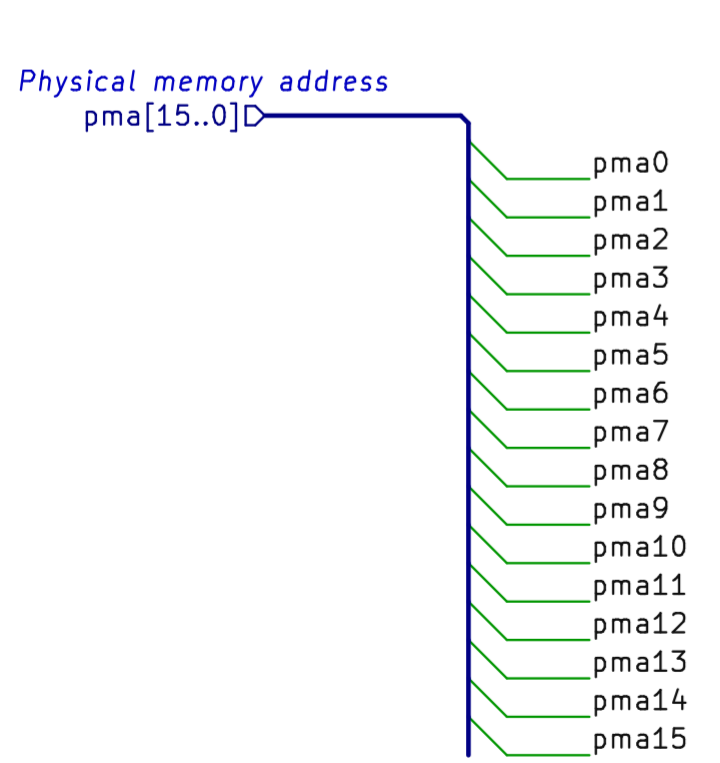
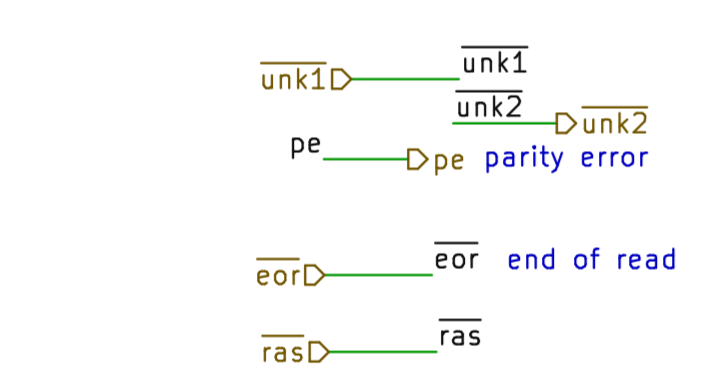
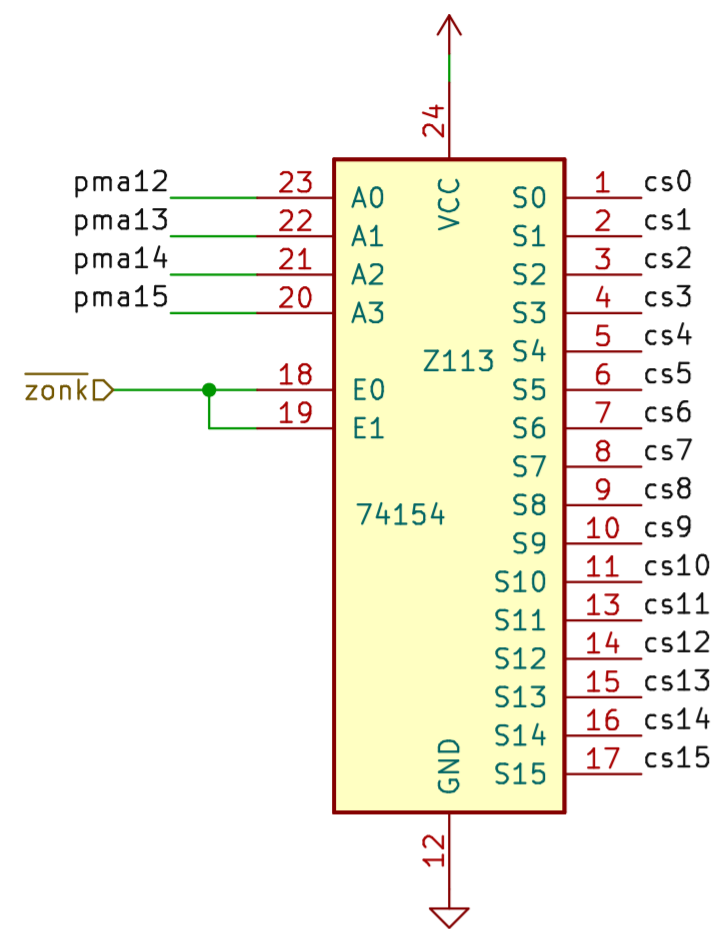


PC, Stack, MMU, Refresh



ALU, registers & flags

Sheet: /Alu_&Flags/		
File: Alu.kicad_sch		
Title:		
Size: A3	Date:	
KiCad E.D.A. kicad 7.0.10-7.0.10-ubuntu22.04.1		Rev:
		Id: 5/8



RAM connectors

Sheet: /Ram/
File: ram.kicad_sch

Title:

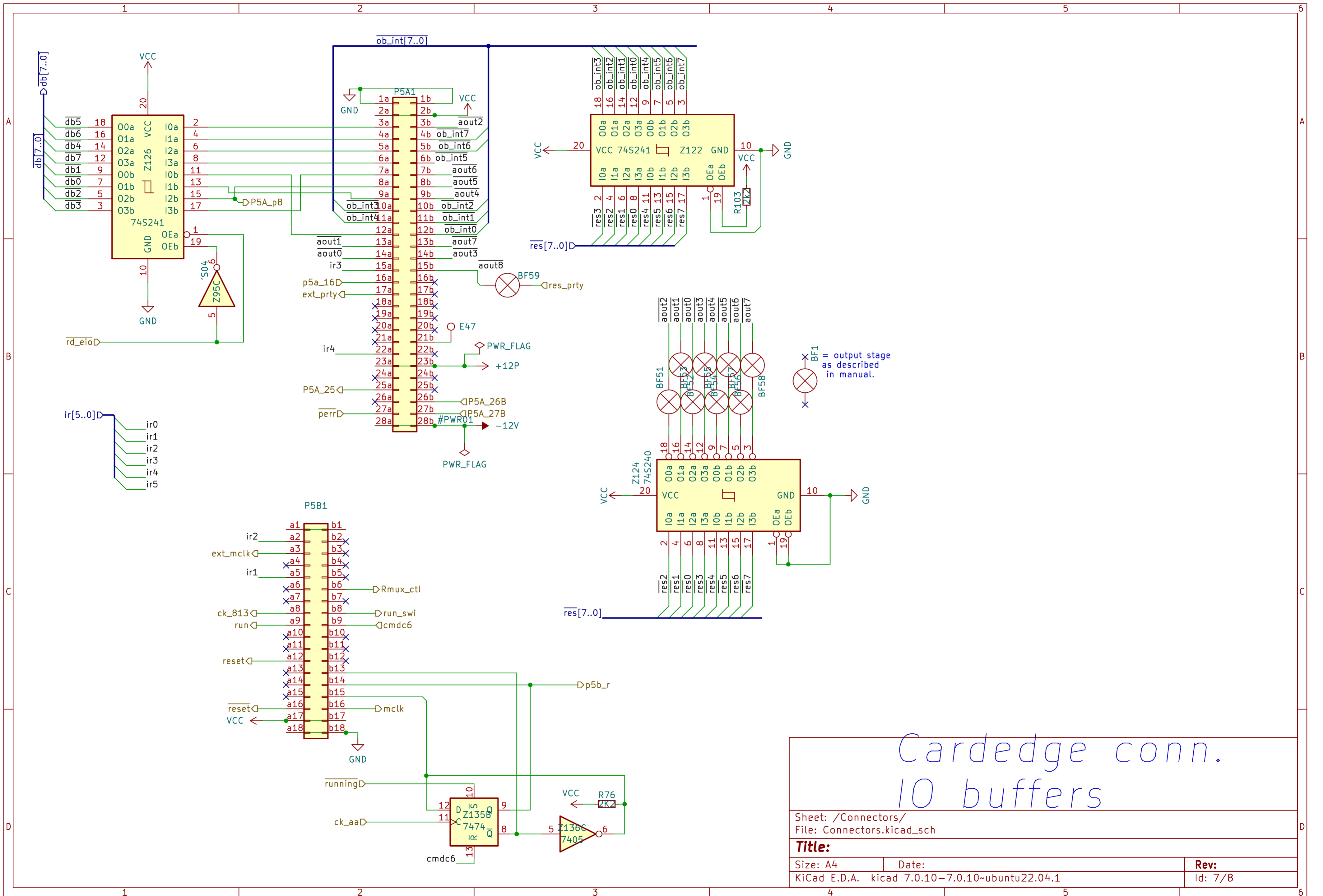
Size: A4

Date:

Rev:

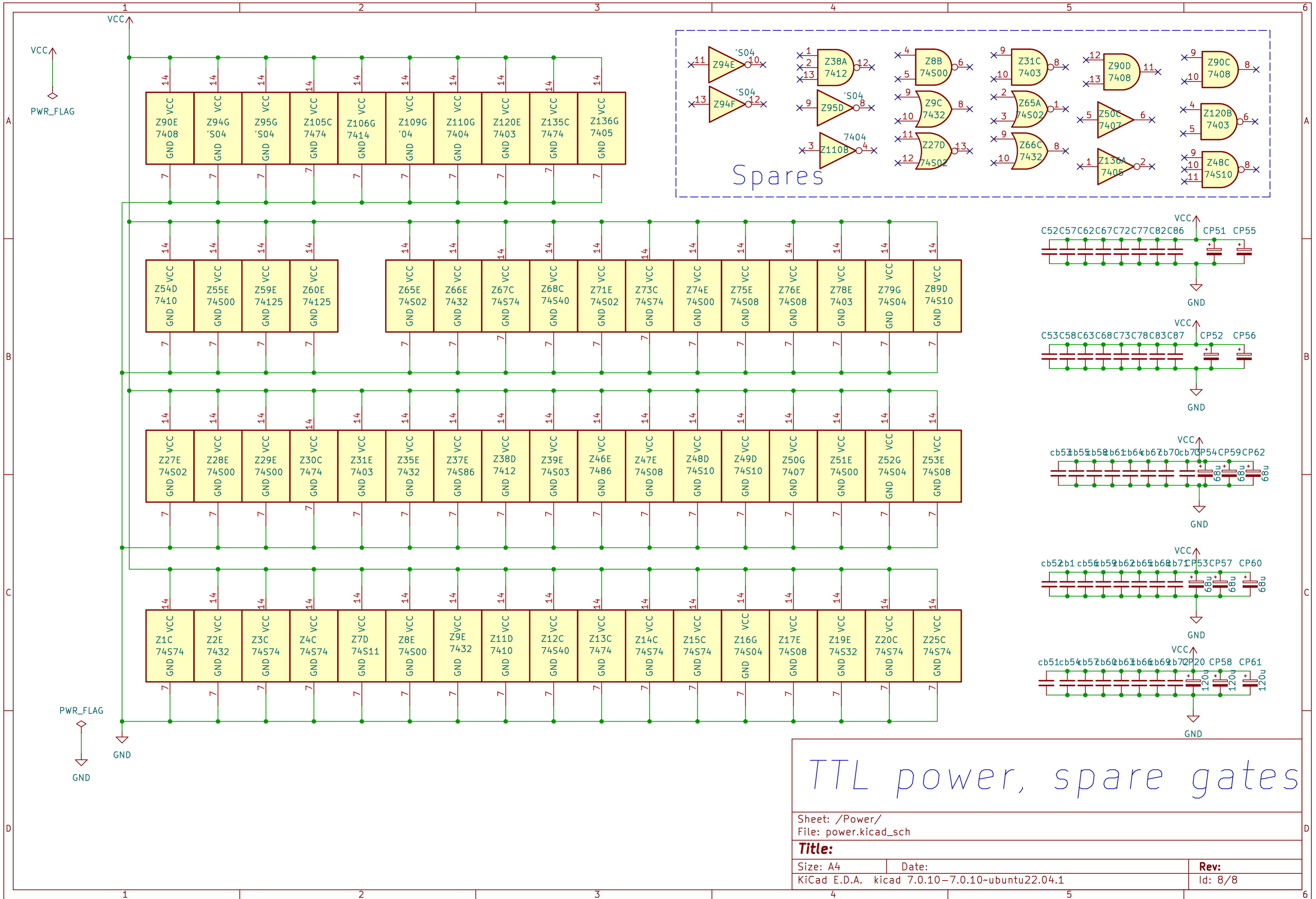
KiCad E.D.A. kicad 7.0.10-7.0.10~ubuntu22.04.1

Id: 6/8



Cardedge conn.
10 buffers

Sheet: /Connectors/		File: Connectors.kicad_sch	
Title:			
Size: A4	Date:	Rev:	
KiCad E.D.A. kicad 7.0.10-7.0.10-ubuntu22.04.1			Id: 7/8



TTL power, spare gates

Sheet: /Power/		File: power.kicad_sch	
Title:			
Size: A4	Date:	Rev:	
KiCad E.D.A. kicad 7.0.10-7.0.10~ubuntu22.04.1			Id: 8/8