

ILLUSTRATED  
PARTS  
BREAKDOWN

RK05  
DISK DRIVE

HOW TO USE THE IPB

GENERAL

This IPB is compiled following the organization and nomenclature of the engineering drawing structure.

MAJOR ASSEMBLY LOCATOR

The Major Assembly Locator (first illustration) is an index that provides a description and a figure reference for all illustrations used in this manual.

INDENTED PARTS LIST

This manual identifies each assembly being broken down (figure reference callout), and all parts of that assembly. Further breakdown of an assembly is shown by an asterisk (\*) preceding the item callouts in the Description Column. The number of asterisks preceding an item is used to denote the subordination of that item with respect to the Major Assembly. A single asterisk preceding an item description indicates that the item is part of the major assembly being illustrated. Items that are subordinate to single asterisks items, are denoted by two asterisks (\*\*) and immediately follow the related single asterisk item. Additional asterisks are used, as required, to denote further subordination. This system of part identification, provides a means for the user to identify the next higher assembly item and make alternate selections for parts when the required replacement part or assembly is not immediately available.

COLUMN CALLOUT DESCRIPTION

**Figure & Item** — Indicates the figure number and item number of each part.

**Description** — Lists the name of the part and pertinent specifications (when required). Asterisks preceding the description denote the subordination of the part to the next higher assembly.

**DEC Part No.** — Lists the DEC part ordering number. A blank in this column indicates a DEC part number was not assigned at the time of publication.

**ECO Cut-In** — The notation at the top of this column indicates the ECO level of the system (option), at which the IPB was initially prepared. Subsequent ECO level designations, that modify existing parts or add new parts to the device, are inserted in the ECO Cut-In column next to the part that is added or modified. A bracket ([]) preceding the item description is used to indicate the parts affected by ECO's.

**Vendor Code/Part No.** — Indicates vendor parts that are not stocked by DEC. Refer to the Field Service Spares Catalog (vendor part number to DEC part number) for the vendor code cross-reference.

**Used On Code** — Letters in this column correspond to the variation codes assigned in Figure 1. Parts with an Alpha notation(s) are used only in those option variations. A blank indicates that the part is used on all option variations.

**Ref Fig No.** — A cross reference between illustrations. For each Major Assembly, the number in this column denotes the figure of the next higher assembly. For all subassemblies, the number in this column denotes the figure showing additional detailed breakdown.

SYMBOL USAGE

**Hardware Designators** — Alpha designators for screws (S), washers (W), nuts (N), and retaining rings (R) are inserted after the item number callouts on the illustration when stacked item numbers are used.

**Attaching Hardware** — The @ symbol is inserted before any part that is used as attaching hardware. Attaching hardware is denoted as those parts that are not an integral part of the referenced assembly.

**(NFR) Not Field Repairable** — The (NFR) symbol is inserted after any assembly that is not to be field dismantled.

**Other Symbols** — Any other symbols that are required for kits, accessories, etc., will be explained and appear as part of the item description.

REVISION HISTORY

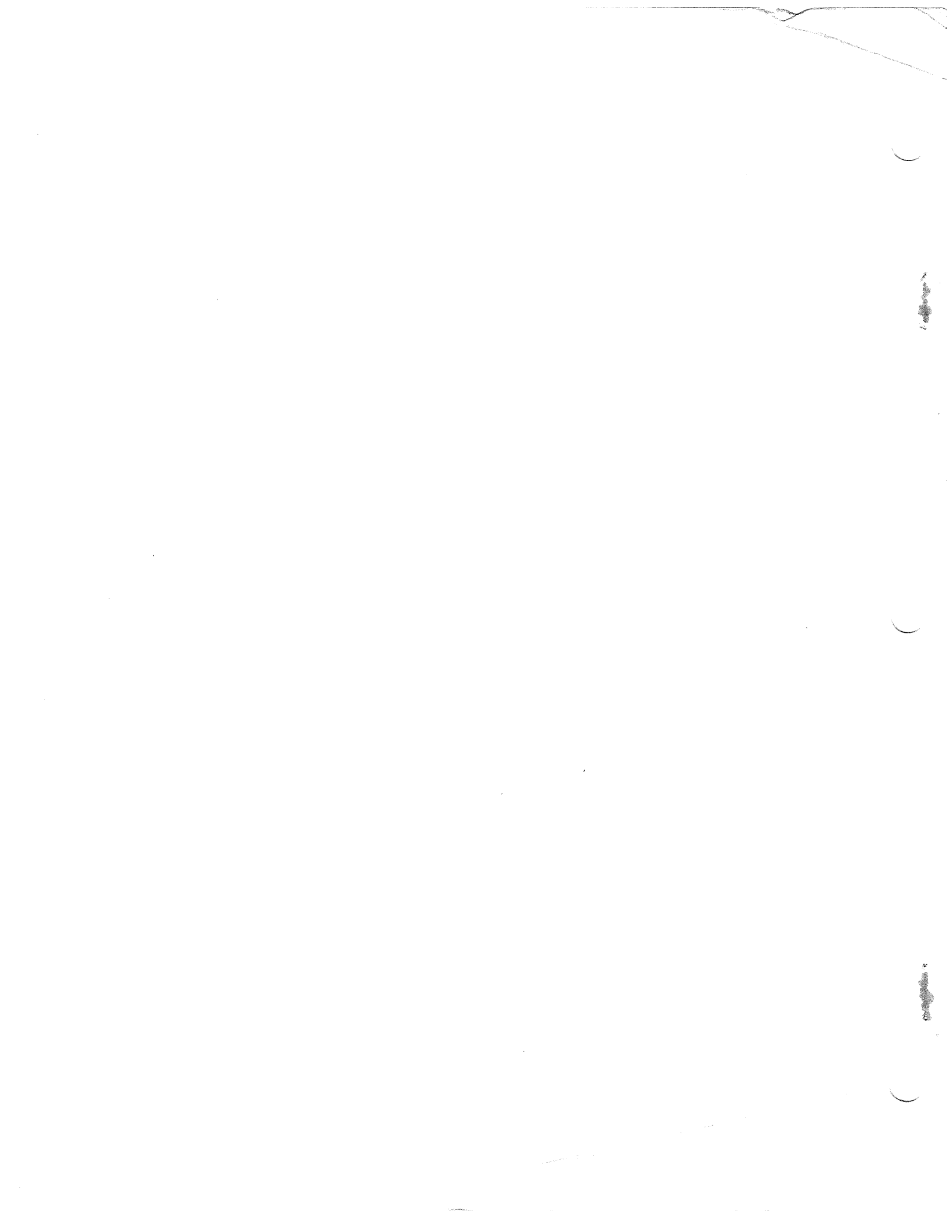
PRINTING	ECO LEVEL	DATE	PAGES AFFECTED
1st Printing	RK05 00014-00031	2-5-73	N/A
"	H743 00000-00001	"	"
"	54-09484 00000-00001	"	"
"	54-09503 00005-00006	"	"
"	54-09574 00000	"	"
"	H604 00002-00003	"	"

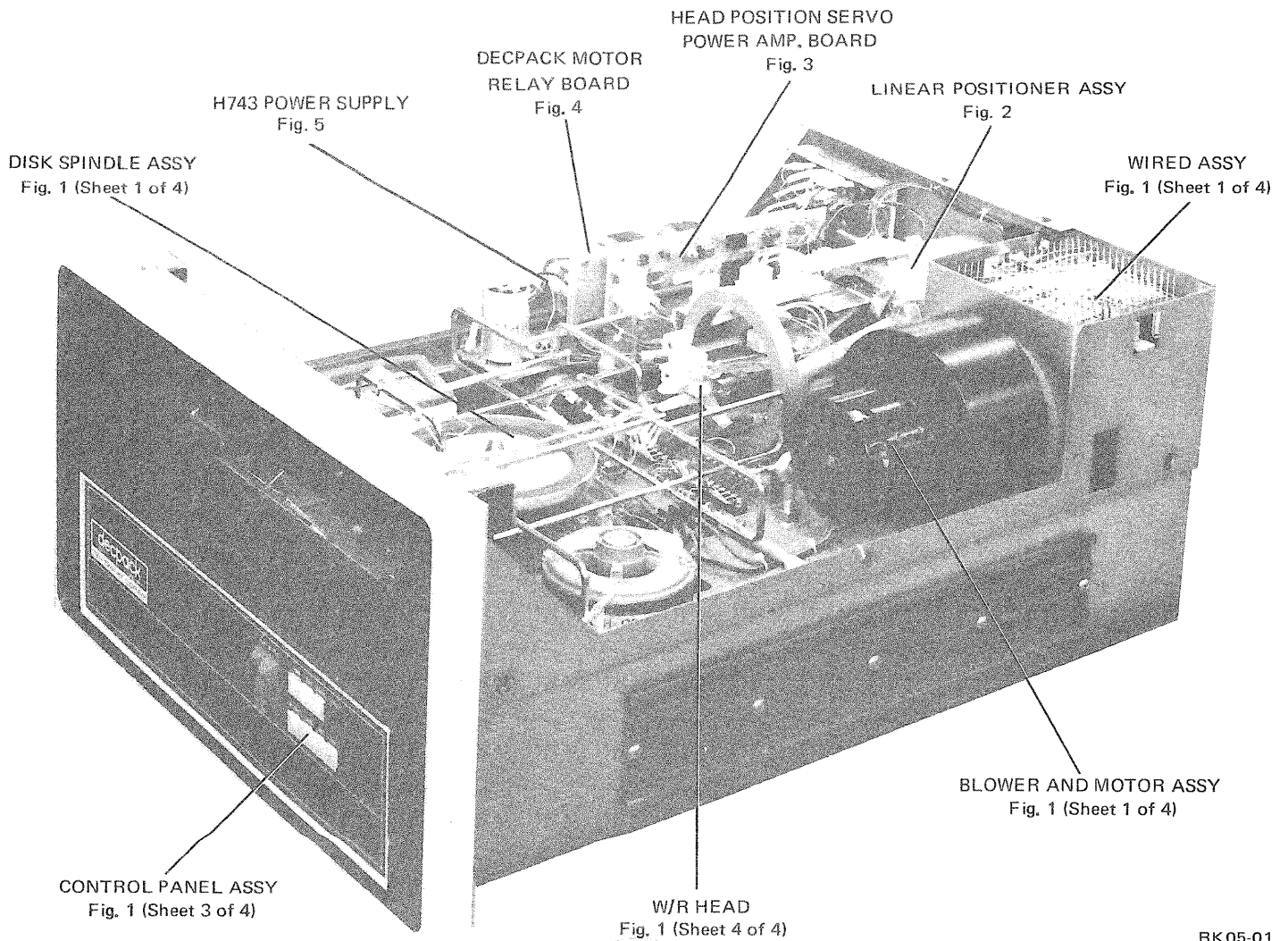
Copyright © 1973, by Digital Equipment Corporation

DEC reserves the right, without notice, to make substitutions and modifications in the specifications of products documented in this manual and further reserves the right to withdraw any of these products from the market without notice.

DEC is not responsible for errors which may appear in the technical description (including illustrations and photographs) of the products covered by this manual.

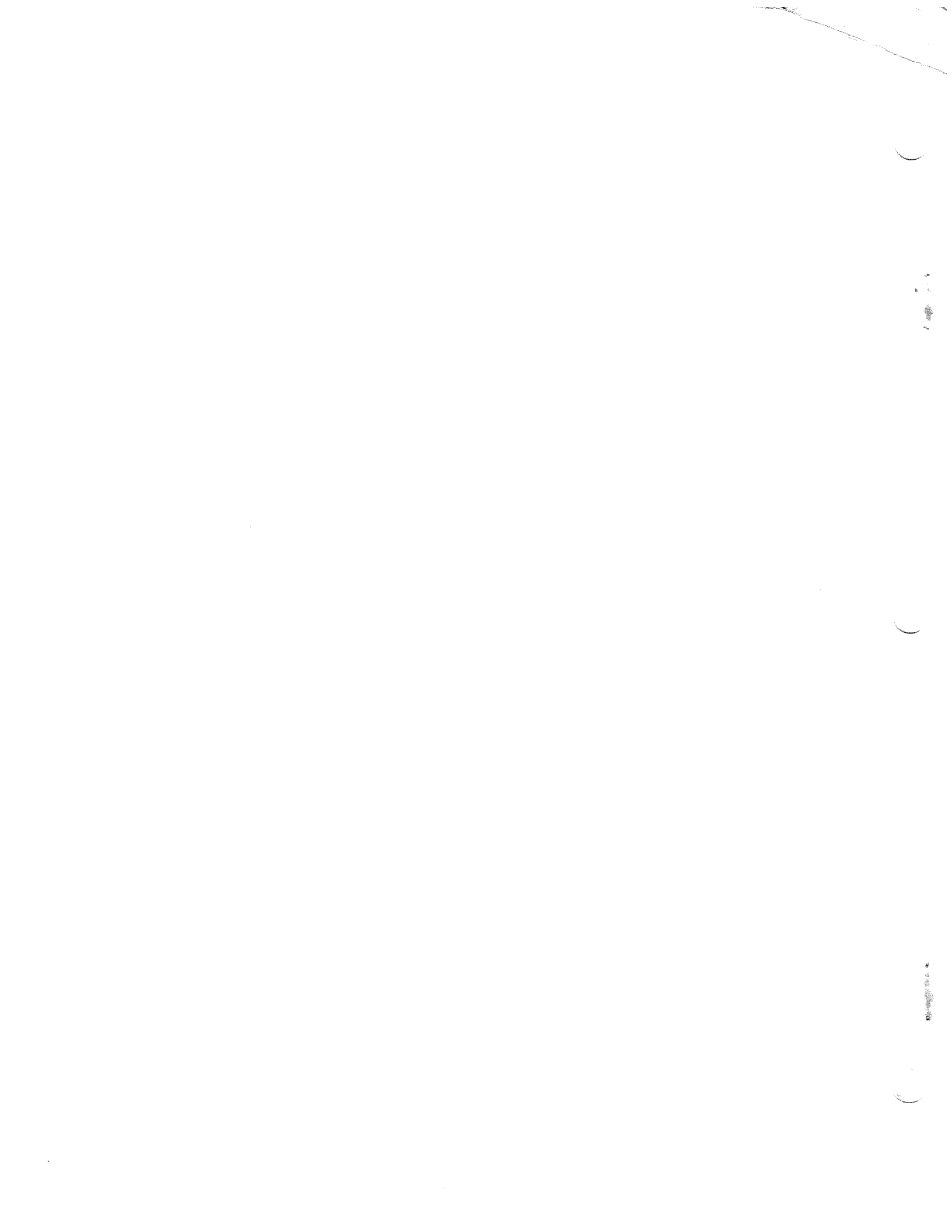
None of the descriptions contained in this manual imply the granting of any license whatsoever to make, use or sell equipment constructed in accordance therewith.





RK05-01

Major Assembly Locator, RK05 Disk Drive



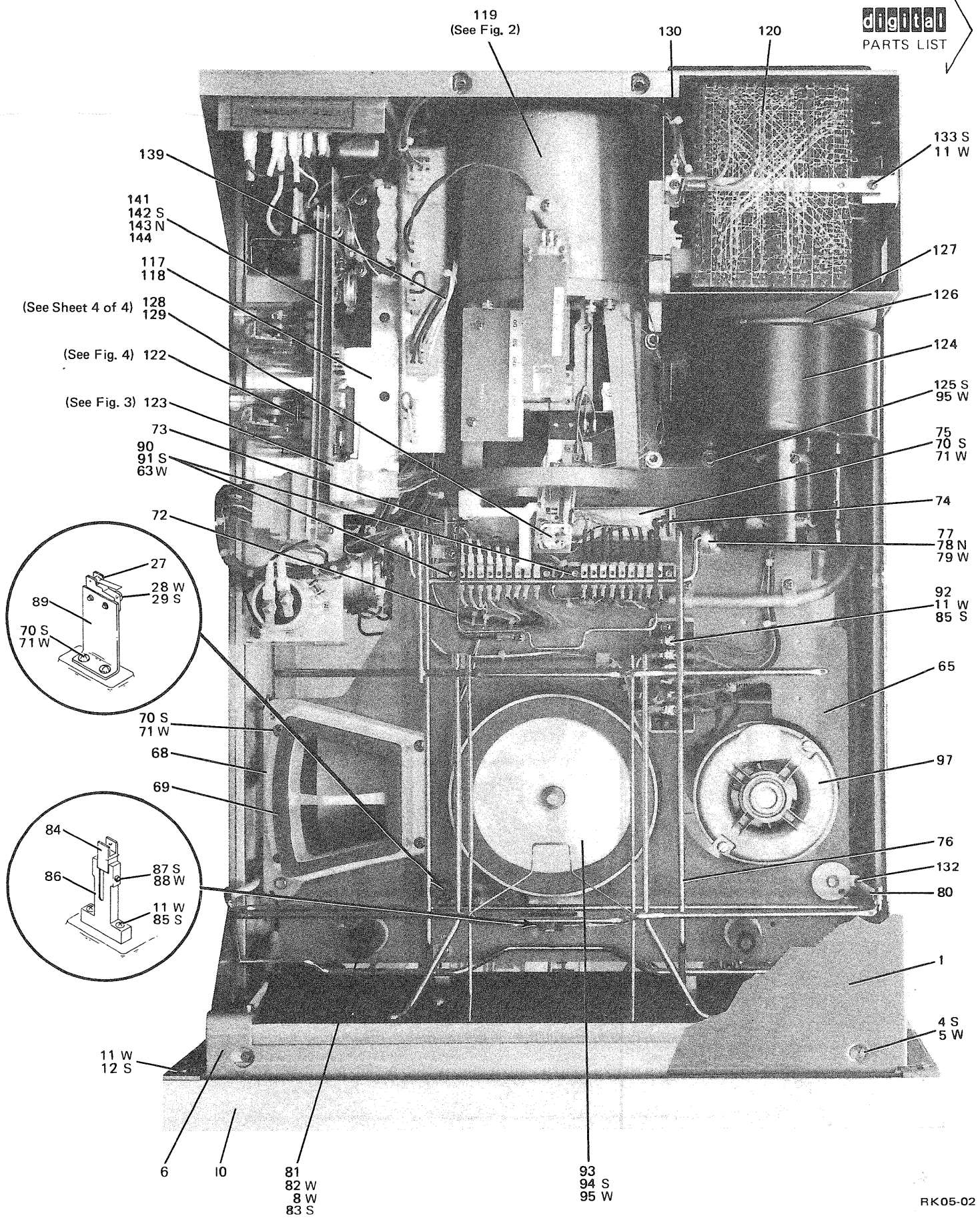
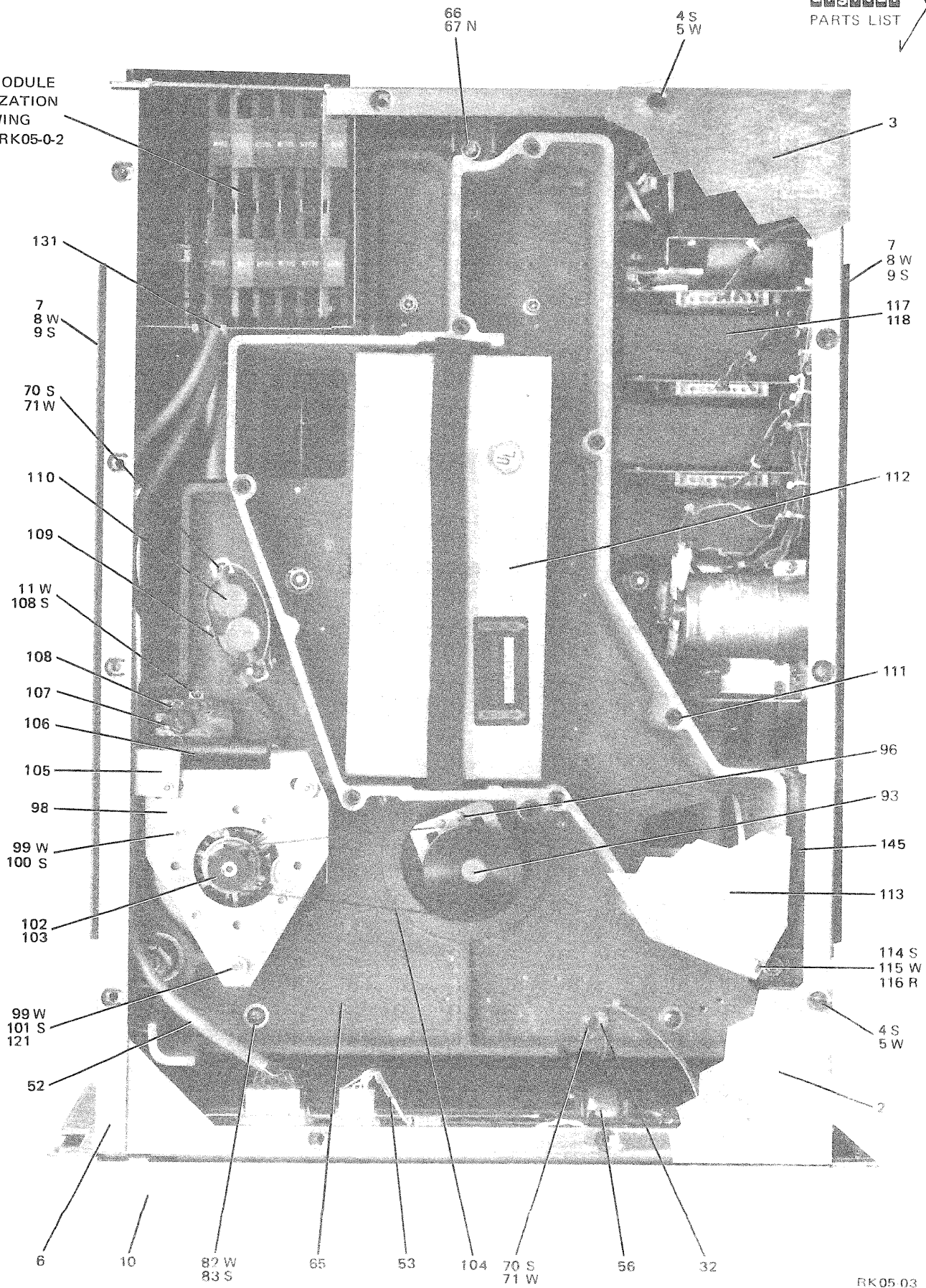


Figure 1. RK05 Disk Drive Assembly (Sheet 1 of 4)

RK05-02

SEE MODULE  
UTILIZATION  
DRAWING  
C-MU-RK05-0-2



RK05 03

Figure 1. RK05 Disk Drive Assembly (Sheet 2 of 4)

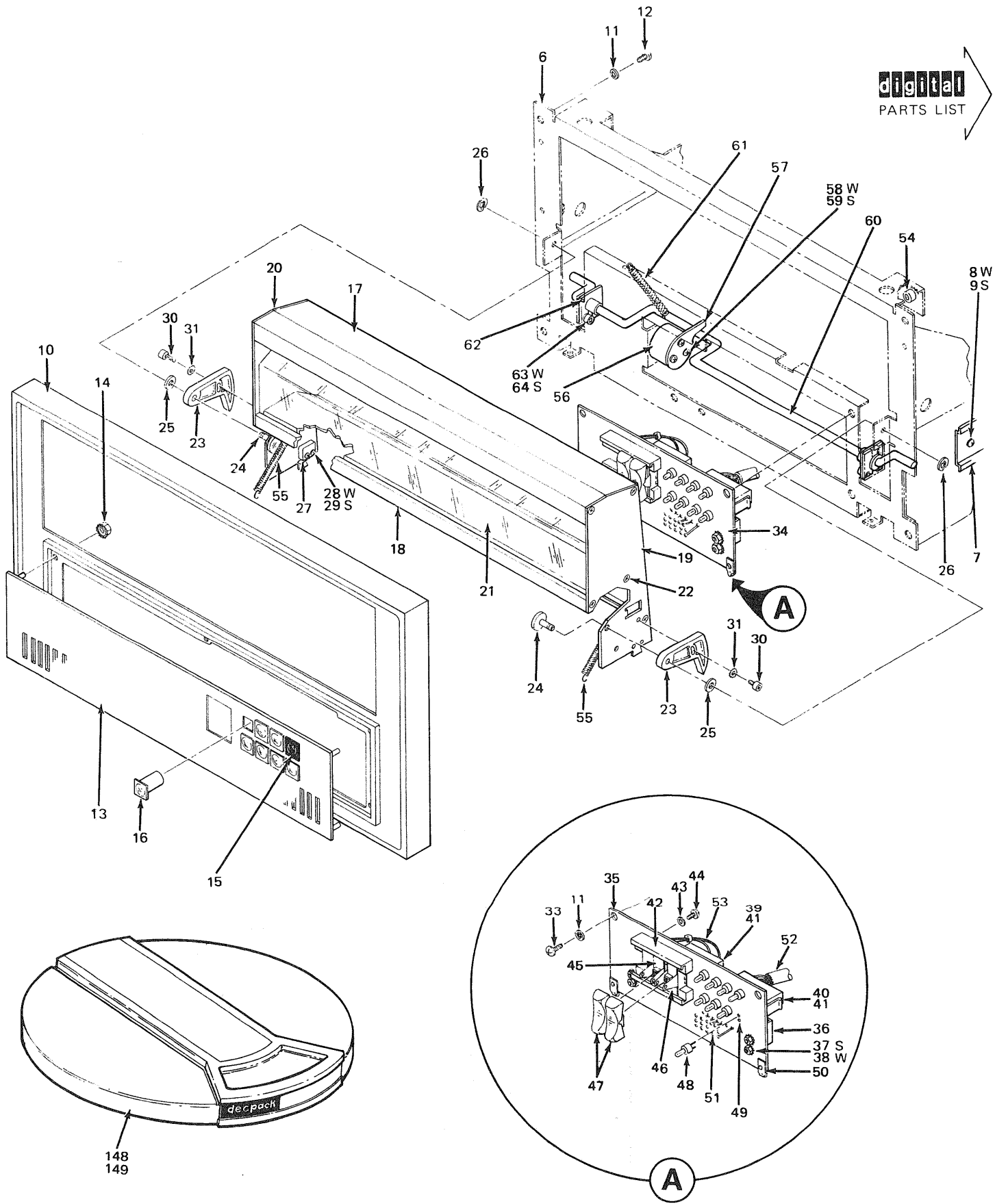
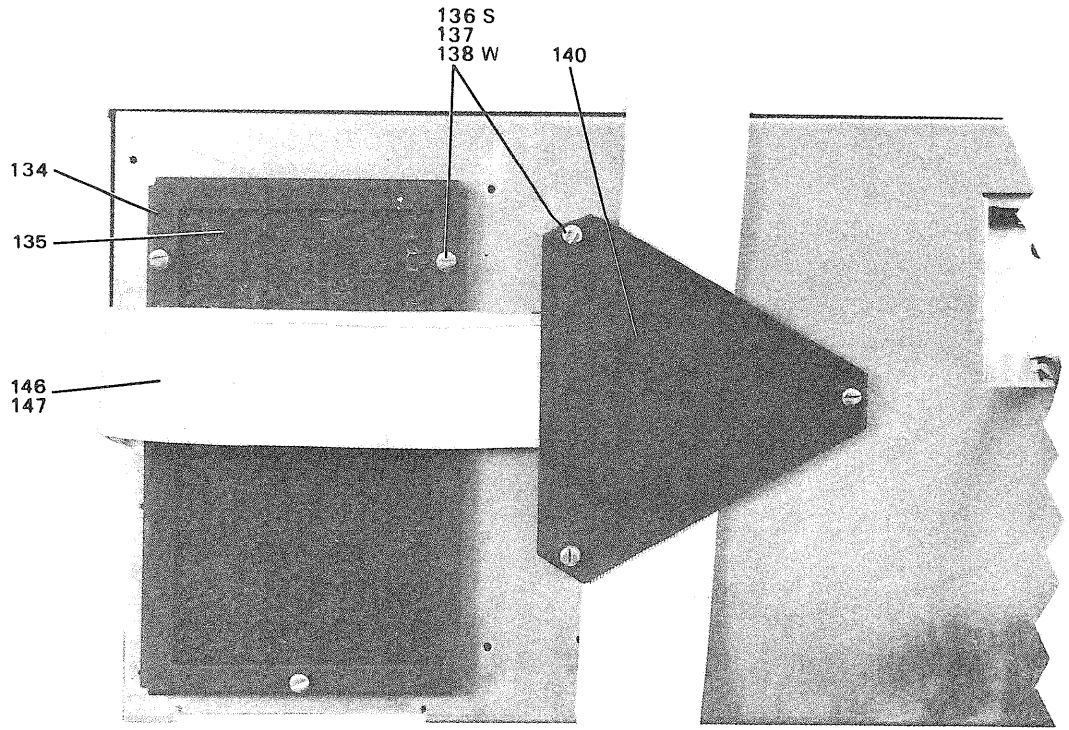
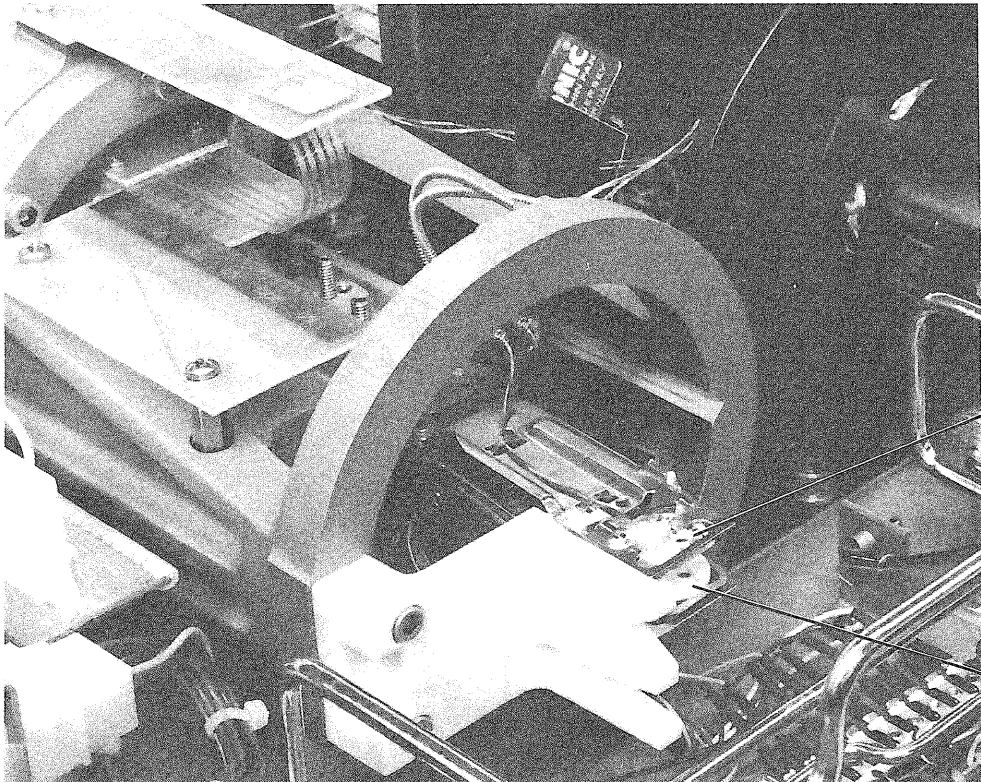


Figure 1. RK05 Disk Drive Assembly (Sheet 3 of 4)



RK05-08

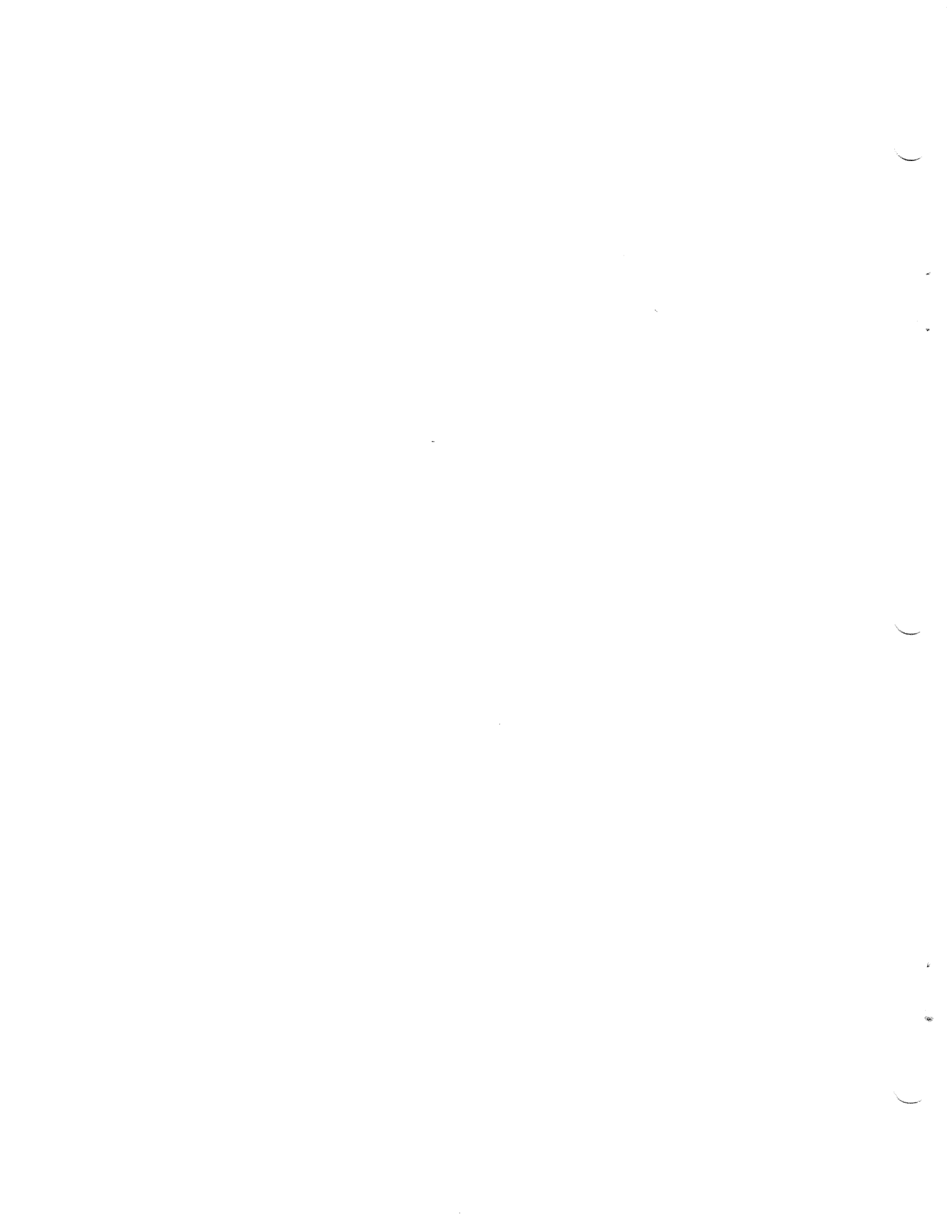
Figure 1. RK05 Disk Drive Assembly (Sheet 4 of 4)



FIG & ITEM NO.	DESCRIPTION	DEC PART NO.	ECO CUT-IN RK05-00014	USED ON CODE	VENDOR		REF FIG NO.
					CODE	PART NO.	
1-	RK05 DISK DRIVE ASSEMBLY						
	Code A - Used on Model RK05-AA, (60 Hz, 115V)	RK05-AA		A			
	Code B - Used on Model RK05-AB, (60 Hz, 230V)	RK05-AB		B			
	Code C - Used on Model RK05-BA, (50 Hz, 115V)	RK05-BA		C			
	Code D - Used on Model RK05-BB, (50 Hz, 230V)	RK05-BB		D			
1	*Cover, Top	74-09249-00					
2	*Cover, Bottom (Front)	74-09247-00					
3	*Cover, Bottom (Rear)	74-09248-00					
4	*Screw, Flush Hd	90-09183-00					
5	*Washer, Retaining	90-09180-00					
6	*Chassis, Housing	74-09238-00					
7	*Slide, Chassis (23 inch)	12-09152-02					
8	*Washer No. 10 Int. Tooth	90-06635-00					
9	*Screw, Phl. Truss Hd. No. 10-32 X 3/8 SST	90-06073-03					
10	*Bezel (Sand Casting)	74-09217-00					
	*Bezel (Die Casting)	12-11250-00	00031				
11	*Washer, No. 6 Int. Tooth	90-06633-00					
12	*Screw, Phl. Hd. Pan No. 6-32 X 1/2 SST	90-06024-01					
	*Screw, Phl. Hd. Pan No. 6-32 X 1/2 Self Tapping	90-09514-00	00031				
13	*Panel, Front	74-09207-00	00020				
14	*Nut, Kep No. 6-32	90-08185-00					
15	*Cap, Light (Red)	12-10798-02					
16	*Cap, Light (White)	12-10798-01					
17	*Handle, Door	12-10667-00					
18	*Bottom, Door	12-10668-00					
19	*Side, Door R.H.	74-09135-01					
20	*Side, Door L.H.	74-09135-02					
21	*Panel, Door	74-09136-00					
22	*Screw, Phl. Flat No. 6-32 X 3/8 Self Tapping	90-09099-00					
23	*Cam	74-09169-00					
24	*Pivot	74-09164-00					
25	*Washer	74-09165-00					
26	*Ring, Retaining	90-09097-00					
27	*Switch	12-10839-00					
28	*Washer, Lock No. 2 Int. Tooth	90-06631-00					
29	*Screw, Phl. Hd. Pan No. 8-32 X 5/16 SST	90-06003-01					
30	*Screw, Soc. Hd. Cap No. 6-32 X 3/8 SST	90-08043-08					
31	*Washer, Lock No. 6 Ext. Tooth	90-07649-00					
32	*Clamp, Cable 1/8	90-07079-00					
33	*Screw, Phl. Hd. Pan No. 6-32 X 5/16 SST	90-06021-01					
34	*CONTROL PANEL ASSEMBLY	54-09698-00	00019				
35	**Board, Etched Circuit	50-09697-00					
36	**Bracket, Connector	55-09829-00					
37	**Screw, Phl. Pan Hd. No. 4-40 X 5/16 Lg.	90-06010-01					
38	**Nut, Keps No. 4-40	90-06557-00					
39	**Housing, Socket Mate-N-Lock 4 pin (J2)	12-09350-04					
40	**Housing, Socket Mate-N-Lock 15 pin (J3)	12-09350-15					
41	**Pin Socket Mate-N-Lock	12-09456-00					
42	**Bar, Switch Mounting	55-09830-00					
43	**Washer, Lock Int.	90-06633-00					
44	**Screw, Phl. Pan Hd. No. 6-32 X 5/16 Lg.	90-06021-01					
45	**Switch, Rocker (S2)	12-05941-00					
46	**Switch, Rocker (S3)	12-05375-00					
47	**Button, Switch	12-05317-07					
48	**Lamp	12-09169-00					
49	**Terminal, Solderless	90-07812-00					

FIG & ITEM NO.	DESCRIPTION	DEC PART NO.	ECO CUT-IN RK05- 00014	USED ON CODE	VENDOR		REF FIG NO.
					CODE	PART NO.	
1-							
50	**Nut, Clip No. 6-32	90-08423-00					
51	**Eyelet, Feed Through	90-06731-00					
52	*HARNES ASSEMBLY (CONTROL PANEL)	70-08705-00					
53	*HARNES ASSEMBLY (CONTROL PANEL TO SWITCHES)	70-08819-00					
54	*Bumper, Screw	12-10801-00					
55	*Spring, Extension (Door)	90-09093-00					
56	*Solenoid, Rotary	12-10806-00					
57	*Arm, Solenoid	74-09140-00					
58	*Washer, Lock No. 5 Split Ring	90-06691-00					
59	*Screw, Phl. Pan. Hd. No. 5-40 X 1/4 SST	90-09096-01					
60	*Lock, Door	12-10815-00					
61	*Spring, Extension (Door Lock)	90-09094-00					
62	*Clamp, Door Lock	74-09546-00					
63	*Washer, No. 4 Split Ring	90-06688-00					
64	*Screw, Soc. Hd. Cap No. 4-40 X 5/16 SST	90-08936-08					
65	*Base Plate	74-09311-00					
66	*Shock Mount	12-10843-00					
67	*Nut, Kep 5/16-18	90-06568-00					
68	* Airduct	12-10681-00	12-10681- 00001				
69	*Gasket, Airduct	74-09254-00					
70	*Screw, Phl. Hd. Pan No. 8-32 X 5/16 SST	90-06036-01					
71	*Washer, No. 8 Int. Tooth	90-06634-00					
72	*Opener, Cartridge Door	12-10680-00					
73	*Ring, Retaining	90-09098-00					
74	*Spring, Torsion (Cartridge Door Opener)	12-10844-00					
75	*Bracket, Cartridge Door	74-09233-00					
76	*Receiver, Cartridge	12-10679-00					
77	*Post, Pivot	12-10804-00					
78	*Nut, Hex 5/16-18	90-09213-00					
79	*Washer, .343 ID X .687 OD X .062 Thk.	90-06679-00					
80	*Spring, Extension (Cartridge Receiver)	90-09092-00					
81	*Post, Cartridge Support	74-09134-00					
82	*Washer, .200 ID X .625 OD X .032 Thk.	90-06668-00					
83	*Screw, Phl. Hd. Truss No. 10-32 X 5/8 SST	90-06074-00					
84	*Transducer, Sector	30-10642-00					
85	*Screw, Phl. Hd. Pan. No. 6-32 X 5/8 SST	90-06024-01					
86	*Holder, Sector Transducer	74-09150-00					
87	*Screw Soc. Hd. Cap No. 6-32 X 5/8 SST	90-06331-08					
88	*Washer, Lock No. 6 Split Ring	90-07801-00					
89	*Bracket, Switch	74-09258-00					
90	*Strip Terminal (TB1, TB2)	12-10685-00					
91	*Screw, Soc. Hd. Cap No. 4-40 X 1/2 SST	90-08041-08					
92	*Strip, Terminal (TB4)	90-06905-00					
93	*DISK SPINDLE ASSEMBLY (NFR) (Brush assy. item 94 Supplied with Spindle)	12-10616-00					
94	*Screw, Soc. Hd. Cap 1/4-20 X 3/4 SST (For Attaching Disk Spindle to Base)	90-06372-08					
95	*Washer, Lock 1/4 Split Ring (For Attaching Disk Spindle to Base)	90-07797-00					
96	*Brush Assembly	12-10985-00					
97	*Motor, Induction 50/60 Hz	12-10808-00					
98	*Plate, Motor Mounting	74-09143-00					
99	*Washer, Lock No. 8 Split Ring	90-06690-00					
100	*Screw, Soc. Hd. Cap No. 8-32 X 1/2 SST (For Attaching Motor to Plate)	90-06338-08					
101	*Screw, Soc. Hd. Cap No. 8-32 X 3/4 SST (For Attaching Plate to Base)	90-06042-01					
102	*Pulley, Motor 60 Hz	74-09418-01		A,B			

FIG & ITEM NO.	DESCRIPTION	DEC PART NO.	ECO CUT-IN RK05-00014	USED ON CODE	VENDOR CODE	VENDOR PART NO.	REF FIG NO.
1-							
103	*Pulley, Motor 50 Hz	74-09418-02		C,D			
104	*Belt, Woven	12-10812-00					
105	*Bracket, Spring	74-09508-00					
106	*Spring, Extension (Belt Tension)	90-09095-00					
107	*Relay, Motor Starting	12-10800-00					
108	*Screw, Phl. Hd. Pan. No. 6-32 X 1/4 SST	90-06020-01					
109	*Capacitor, 5MFD. 370V (with Clamp)	10-09397-00					
110	*Cover, Insulation (cap)	90-08164-00					
111	*Receptacle, Threaded 1/4 Turn Fastener	90-09167-00					
112	*Filter, Absolute	12-10803-00					
113	*Cover, Plenum	74-09232-00					
114	*Fastener, 1/4 Turn	90-08343-00					
115	*Washer, Wear	90-09146-00					
116	*Retainer, Split Ring	90-08200-00					
117	*POWER SUPPLY ASSEMBLY H743, 115V 60 Hz	H743-AA		A,C			5
118	*POWER SUPPLY ASSEMBLY H743, 230V 60 Hz	H743-AB		B,D			5
119	*LINEAR, POSITIONER ASSEMBLY	70-08702-00					2
120	*WIRED ASSEMBLY	70-08696-00					
121	**Capacitor, 1000 MMF 1000V 20%	10-00043-00	00026				
122	*Bushing, Motor Mount	74-09256-00					
122	*DECPACK MOTOR RELAY BOARD ASSEMBLY	54-09574-00					4
123	*HEAD POSITION SERVO POWER AMPLIFIER BOARD ASSEMBLY	H-604-00	H604-00002				3
124	*BLOWER AND MOTOR ASSEMBLY	12-10807-00					
125	*Screw, Soc. Hd. Cap 1/4-20 X 1/2 SST	90-06370-08					
126	*Inlet Ring, Blower	12-11167-00					
127	*Seal, Inlet Ring	74-10547-00					
128	*Head, W/R "B" Up (Lower Head)	30-10863-01					
129	*Head, W/R "B" Down (Upper Head)	30-10863-02					
130	*Harness, Logic	70-08703-00					
131	*Grommet 1/16	90-07035-00					
132	*Bracket, Spring (Cartridge Receiver)	74-10622-00					
133	*Screw, Ph. Hd. Pan 6-32 X 3/4 SST	90-06026-01					
134	*Cover, Pre-Filter	74-10512-00					
135	*Pad, Filter	74-09253-00					
136	*Screw, Captive	90-08372-01					
137	**"O" Ring 1/8 X 1/4	90-07835-00					
138	*Washer, No. 6 Nylon .156 X .312 X .032	90-06707-00					
139	*Harness, (Power Supply to Control Panel)	70-08706-00					
140	*Clamp, Cable Plate	74-10515-00					
141	*Shield, Shock (Relay Board)	74-09469-00					
142	*Screw, Phl. Pan Hd. No. 4-40 X 3/8	90-06011-01					
143	*Nut, Kep No. 4-40	90-06557-00					
144	*Spacer, 3/16 AF X 1/8 Lg. X No. 4 Hole	90-06791-00					
145	*Ground Strap	90-06990-00					
146	†Cable, Unibus (NFR) (PDP-11 Accessory Cable)	BC11A-06					
147	†Cable, Control (NFR) (PDP-8E Accessory Cable)	70-09026-00					
148	†Disk Cartridge (12 Slot Hub)	30-10350-00					
149	†Disk Cartridge (16 Slot Hub)	30-10350-02					
	ACCESSORY LIST						
	†Head Cleaning Kit	22-00007-00					
	†Shipping Bracket (LH)	74-09691-01					
	†Shipping Bracket (RH)	74-09691-02					



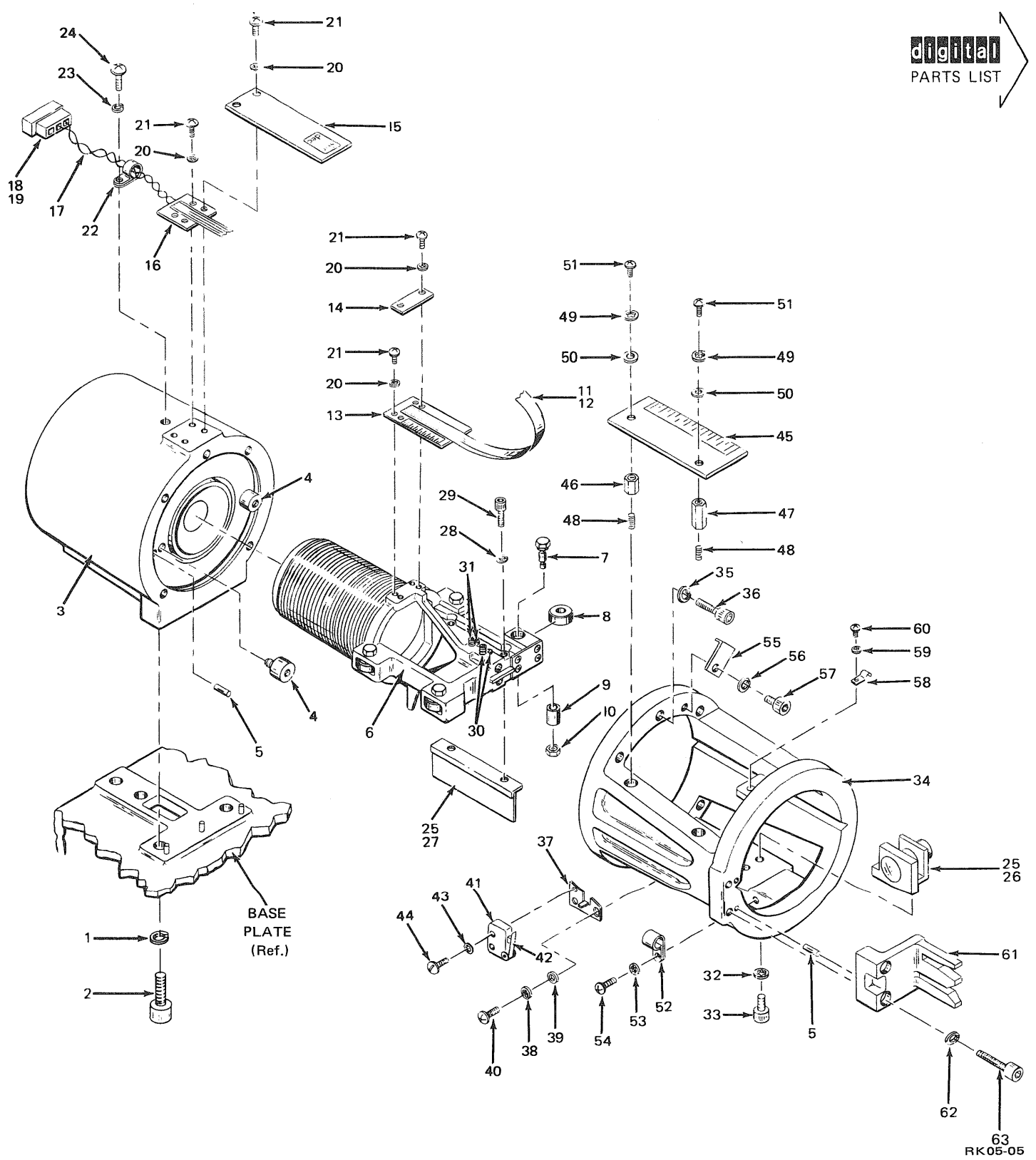
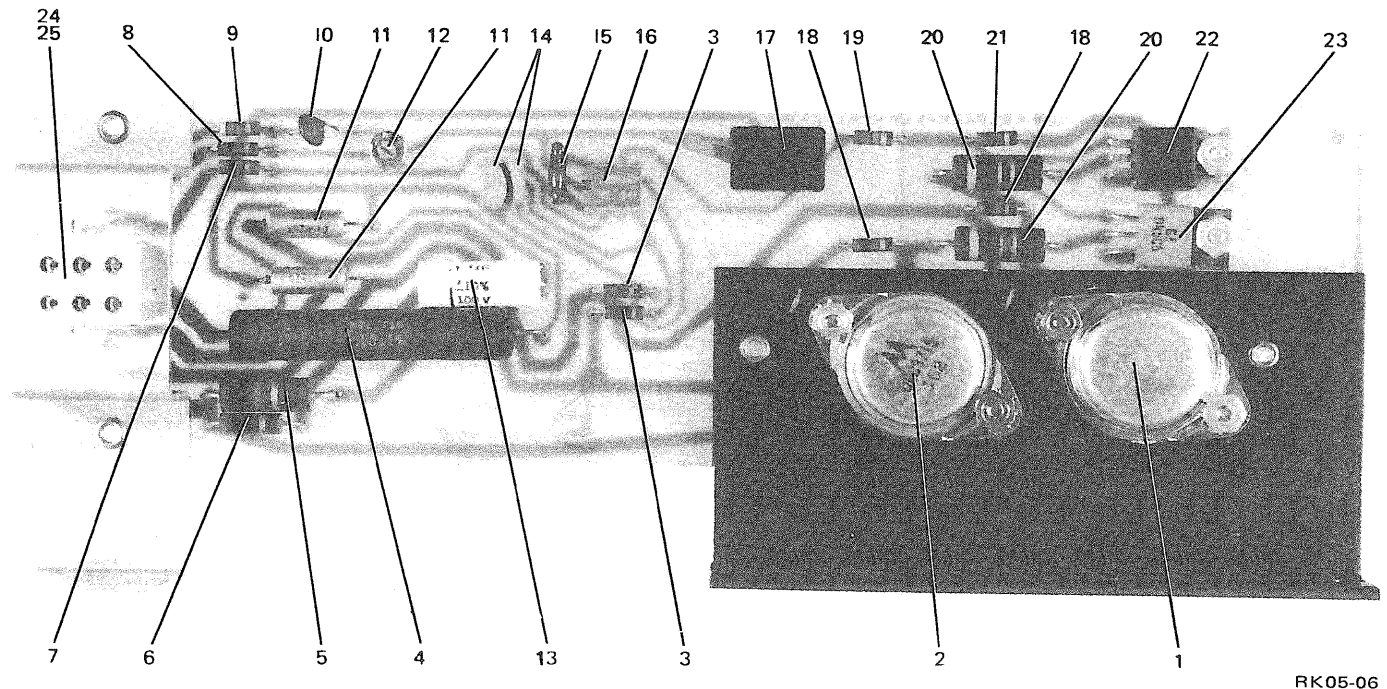


Figure 2. Linear Positioner Assembly

FIG & ITEM NO.	DESCRIPTION	DEC PART NO.	ECO CUT-IN	USED ON CODE	VENDOR		REF FIG NO.
			RK05-00014		CODE	PART NO.	
2-	LINEAR POSITIONER ASSEMBLY	70-08702-00					1
1	@Washer, Lock, 1/4 Split Ring	90-07797-00					
2	@Screw, Soc. Hd. Cap. 1/4-20 x 7/8	90-06371-08					
3	*MAGNET HOUSING ASSEMBLY (NFR)	74-10708-00					
4	*Screw, Bumper	12-10801-00					
5	*Pin, Dowel 1/8 Dia. x 1/2 Lg.	90-08106-00					
6	*CARRIAGE AND COIL ASSEMBLY (NFR)	74-10707-00					
7	*Shaft, Bearing	74-09142-00					
8	*BEARING ASSEMBLY (ALL (4) BEARINGS MUST BE REPLACED AT THE SAME TIME)	74-09386-00					
9	*Bushing, Bearing Holder	74-09239-00					
10	*Nut, Hex No. 6-32 S.S.	90-08957-00					
11	*FLEX STRIP CABLE ASSEMBLY	70-08707-00					
12	**Strip, Flex	17-00017-00					
13	**Support, Flex Strip	50-09940-02					
14	**Clamp, Flex Strip	74-09404-00					
15	**Support, Flex Strip	74-09366-00					
16	**Support, Flex Strip	50-09940-01					
17	**Wire, 18 AWG Bk/Red TWP	91-07330-02					
18	**Connector, Mate--N--Lock, 3 pin	12-09351-03					
19	**Contact, Pin (Male)	12-09378-01					
20	**Washer, Lock, No. 2 Int. Tooth	90-06631-00					
21	**Screw, No. 2-56 x 1/4, Phl. Pan. Hd.	90-06001-01					
22	*Clamp, Cable, Nylon 1/8 Dia.	90-07079-00					
23	*Washer, Lock No. 8 Split Ring	90-06690-00					
24	*Screw, Phl. Pan Hd. No. 8-32 x 1/4 SST	90-06035-01					
25	*LINEAR TRANSDUCER ASSEMBLY	30-10638-00					
26	**Block, Transducer	30-10638-01					
27	**Scale, Transducer Glass	30-10638-02					
28	*Washer, Lock No. 4, Split Ring	90-06688-00					
29	*Screw, Soc. Hd. Cap No. 4-40 x 1/2 SST	90-08042-03					
30	*Screw, Self-Locking Soc. Hd. Set	12-10811-00					
31	*Screw, Self-Locking Soc. Hd. Set	12-11027-00					
32	*Washer, No. 6 Int. Tooth	90-06633-00					
33	*Screw, Soc. Hd. Cap No. 6-32 x 3/8 SST	90-08045-08					
34	*Slide	74-09208-00					
35	*Washer, Lock No. 10 Split Ring	90-07906-00					
36	*Screw, Soc. Hd. Cap No. 10-32 x 7/8 SST	90-06349-08					
37	*Bracket, Switch	74-09304-00					
38	*Washer, No. 2 Int. Tooth	90-06631-00					
39	*Washer, No. 4 Flat	90-08172-00					
40	*Screw, Phl. Pan Hd. No. 2-56 x 1/4 SST	90-06001-01					
41	*Switch	12-10838-01					
42	*Lever, Switch Actuator	12-10838-02					
43	*Washer, Int. Tooth	90-06631-00					
44	*Screw, Slotted Rd. Hd.	90-06005-01					
45	*Scale	50-09941-00					
46	*Spacer, 3/8 Lg.	90-06844-00					
47	*Spacer, 3/4 Lg.	90-06859-00					
48	*Screw, Soc. Set No. 6-32 x 3/8 Lg.	90-06293-10					
49	*Washer, No. 6 Int. Tooth	90-06633-00					
50	*Washer, Flat	90-06653-00					
51	*Screw, Phl. Pan Hd. No. 6-32 x 5/16 SST	90-06021-01					
52	*Clamp, Cable	90-07080-00					
53	*Washer, No. 6 Int. Tooth	90-06633-00					
54	*Screw, Phl. Pan Hd. No. 6-32 x 5/16 SST	90-06021-01					
55	*Strap, Carriage Shipping	74-09368-00					
56	*Washer, Lock No. 10 Split Ring SST	90-07906-00					
57	*Screw, Soc. Hd. Cap No. 10-32 x 3/8 SST	90-06345-08					
58	*Clamp, Cable	74-09326-00					
59	*Washer, No. 2 Int. Tooth	90-06631-00					
60	*Screw, Phl. Pan Hd. No. 2-56 x 1/4 SST	90-06001-00					
61	[*DUCK BILL	12-10744-00	12-10744-00001				
62	*Washer, Lock No. 8 Split Ring	90-06690-00					
63	*Screw, Soc. Hd. Cap No. 8-32 x 3/4 SST	90-06340-08					

FIG & ITEM NO.	DESCRIPTION	DEC PART NO.	ECO CUT-IN H604 00002	USED ON CODE	VENDOR CODE	PART NO.	REF FIG NO.
3-	HEAD POSITION SERVO POWER AMPLIFIER ASSEMBLY	H604-00					1
1	*Transistor (Q3) 2N3791	15-09581-00					
2	*Transistor (Q4) 2N3715	15-03068-00					
3	*Resistor (R3, R14) 22 Ohms 1/4W 10%	13-00188-00					
4	*Resistor (R13) .1 Ohms 10W 1%	13-09108-00					
5	*Resistor (R11) 200 Ohms 1W 5%	13-02382-00					
6	*Resistor (R12) 10 Ohms .5W 5%	13-00168-00					
7	*Resistor (R4) 1K Ohms 1/4W 5%	13-00365-00					
8	*Resistor (R2) 2K Ohms 1/4W 5%	13-02388-00					
9	*Resistor (R1) 470 Ohms 1/4W 5% (obsolete)	13-00316-00					
	*Resistor (R1) 1K Ohms 1/4W 5%	13-00365-00	00003				
10	*Thermistor (R16) 1K 10% (obsolete) (Replaced with Jumper)	13-10071-00	00003				
11	*Capacitor (C3, C4) 15 UF 20V 10%	10-04812-00					
12	*Potentiometer (R15) 2K 1/2W 10%	13-09410-00					
13	*Capacitor (C5) .1 UF 100V 10%	10-02342-00					
14	*Capacitor (C1, C2) .01 UF 100V 20%	10-01610-00					
15	*Capacitor (C6) 33 PF 100V 5%	10-00009-00					
16	*IC (E1) Dec 301	19-10282-00					
17	*Switch, Toggle (S1) T-8001	12-10209-00					
18	*Resistor (R9, R10) 100 Ohms .25W 10%	13-00231-00					
19	*Resistor (R5) 220 Ohms .25W 10%	13-00275-00					
20	*Resistor (R7, R8) 3 Ohms .5W 5%	13-01643-00					
21	*Resistor (R6) 1.2K Ohms .25W 10%	13-00366-00					
22	*Transistor (Q1) D44C8 or TIP 31A	15-10421-00					
23	*Transistor (Q2) D45C6	15-10414-00					
24	*Housing, Socket, 6 pin (Mate-N-Lock)	12-09350-06					
25	*Pin, Housing (Mate-N-Lock)	12-09456-00					
<b>CAUTION:</b>							
<b>REFER TO CIRCUIT SCHEMATIC FOR LATEST REVISION LEVELS OF ELECTRICAL COMPONENTS</b>							



RK05-06

Figure 3. Head Position Servo Power Amplifier Assembly

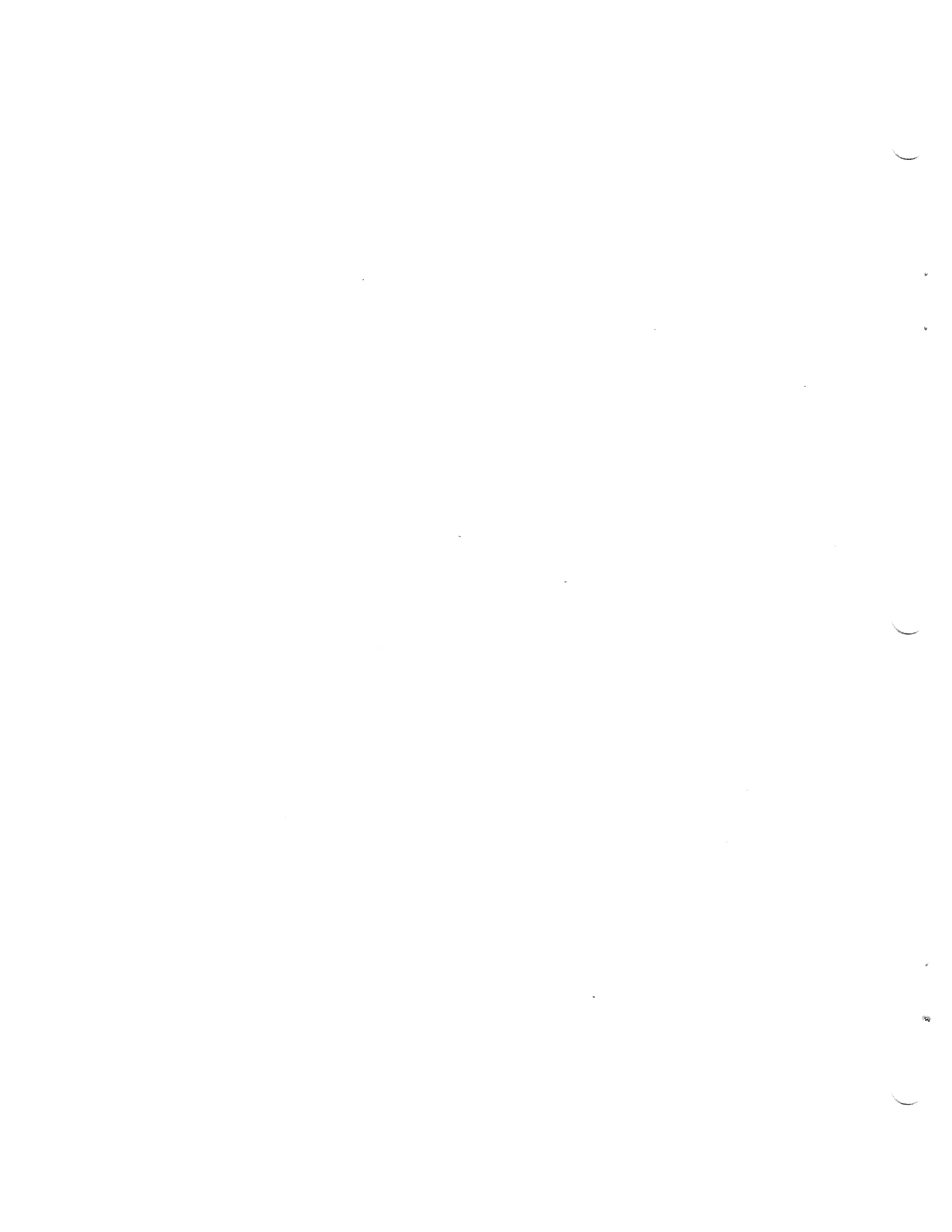
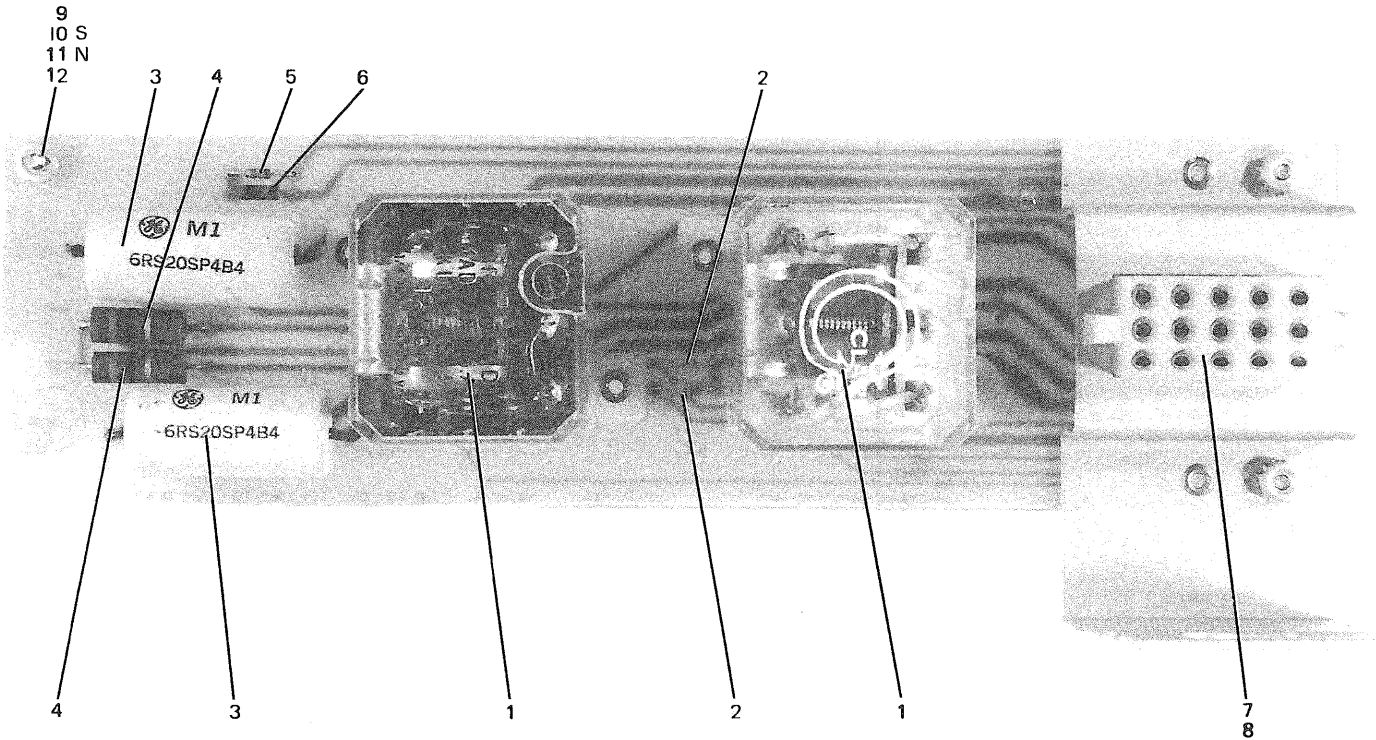


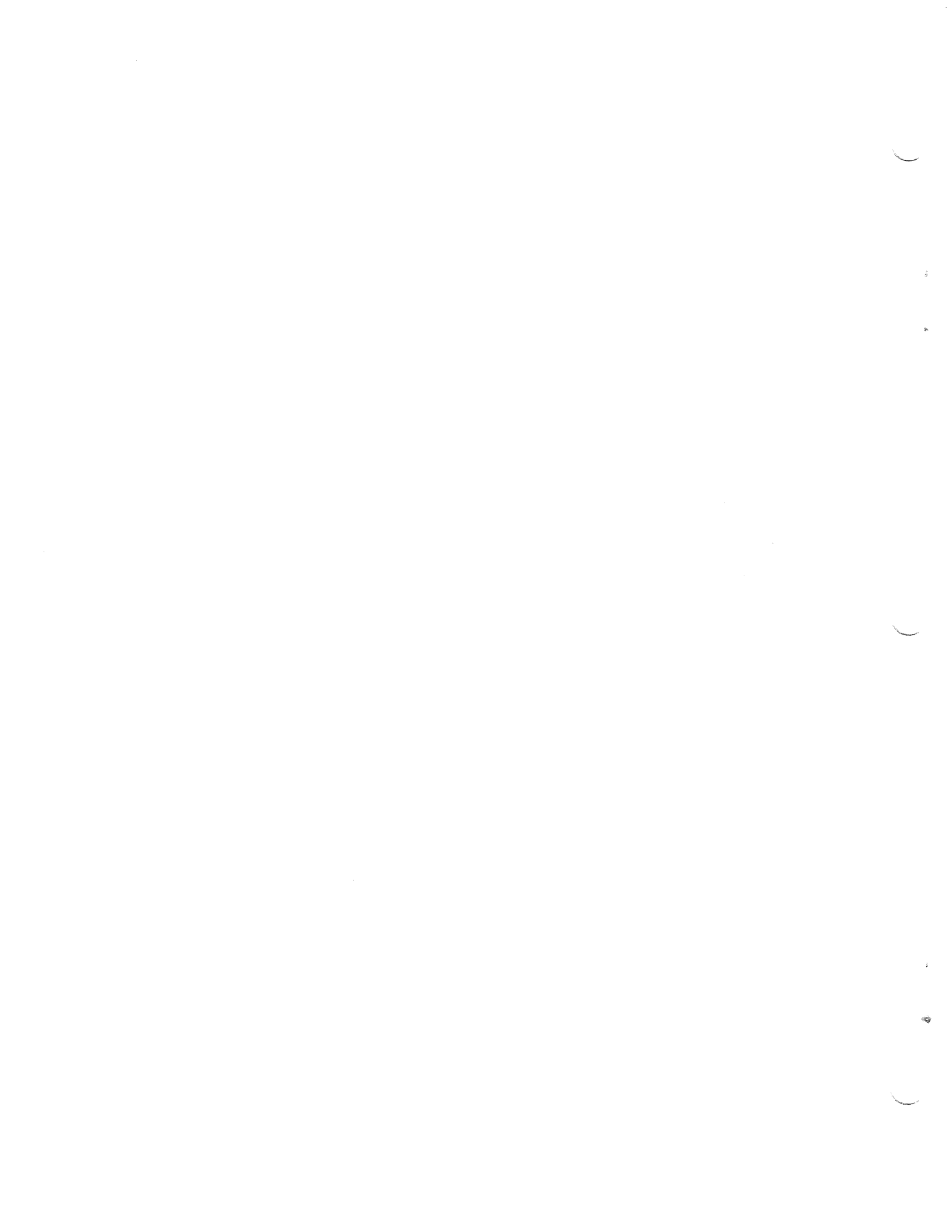


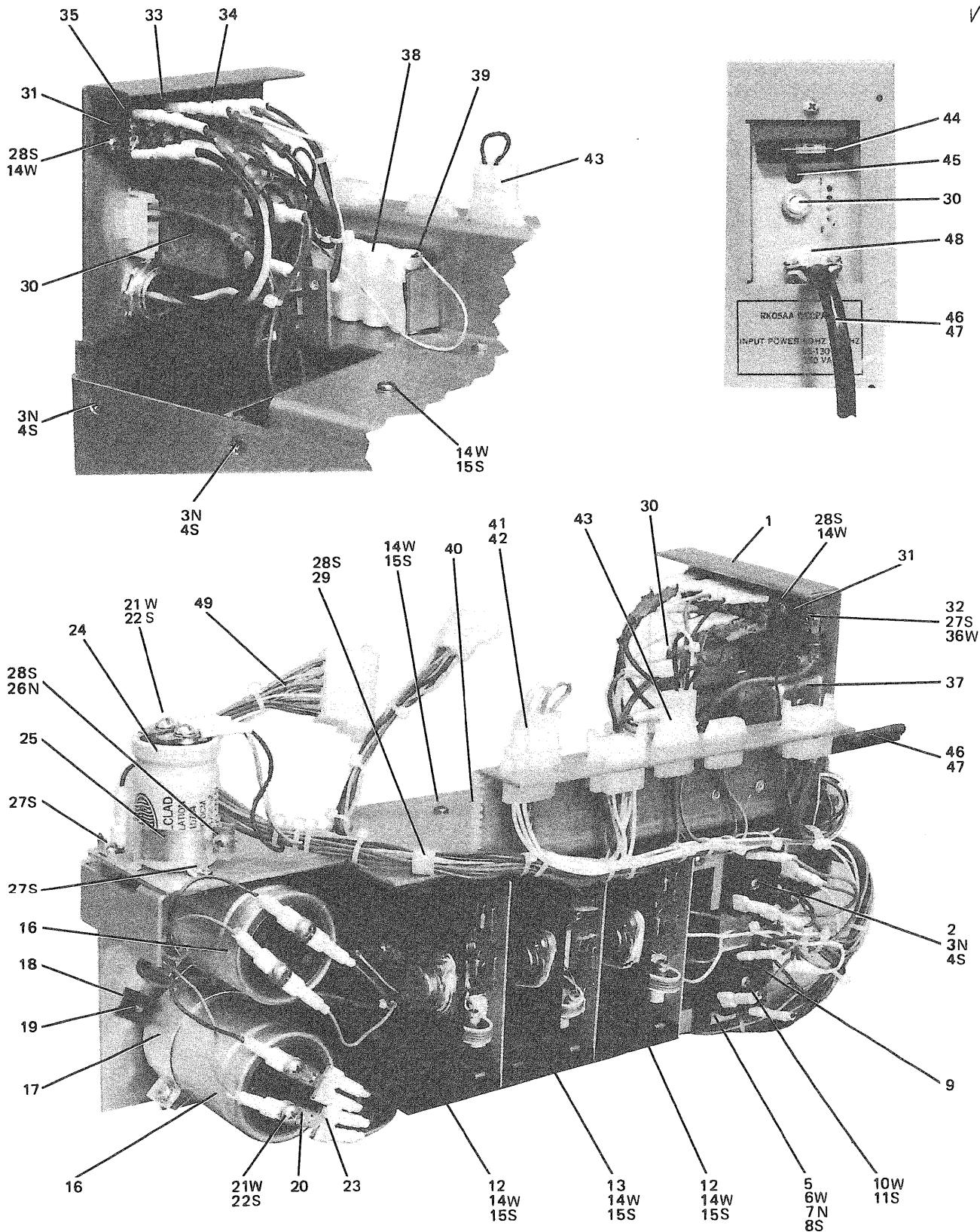
FIG & ITEM NO.	DESCRIPTION	DEC PART NO.	ECO CUT-IN 54-09574-00000	USED ON CODE	VENDOR		REF FIG NO.
					CODE	PART NO.	
4-	DECPACK MOTOR RELAY BOARD ASSEMBLY	54-09574-00					1
1	*Relay (K1, K2) 3 Pole, 12V 10A	12-10683-00					
2	*Diode (D4, D5) D003	11-00100-00					
3	*Arc Suppressor (Thyactor) (D2, D3) 6RS20SP4B4	11-00106-00					
4	*Resistor (R1, R2) 27 Ohms 1W 5%	13-01516-00					
5	*Diode, (D1) D672	11-05275-00					
6	*Resistor (R3) 1K Ohms 1/4W 5%	13-00365-00					
7	*Housing, Socket (Mate-N-Lock) 15 pin	12-09350-15					
8	*Pin Housing (Mate-N-Lock)	12-09456-00					
9	@Shield, Shock	74-09469-00					
10	@Screw, Phl. Pan Hd. No. 4-40 x 3/8	90-06011-01					
11	@Nut, Kep No. 4-40	90-06557-00					
12	@Spacer, 3/16 AF x 1/8 Lg. x No. 4 Hole	90-06791-00					
<p><b>CAUTION:</b> REFER TO CIRCUIT SCHEMATIC FOR LATEST REVISION LEVELS OF ELECTRICAL COMPONENTS</p>							



RK05-07

Figure 4. DecPack Motor Relay Board Assembly

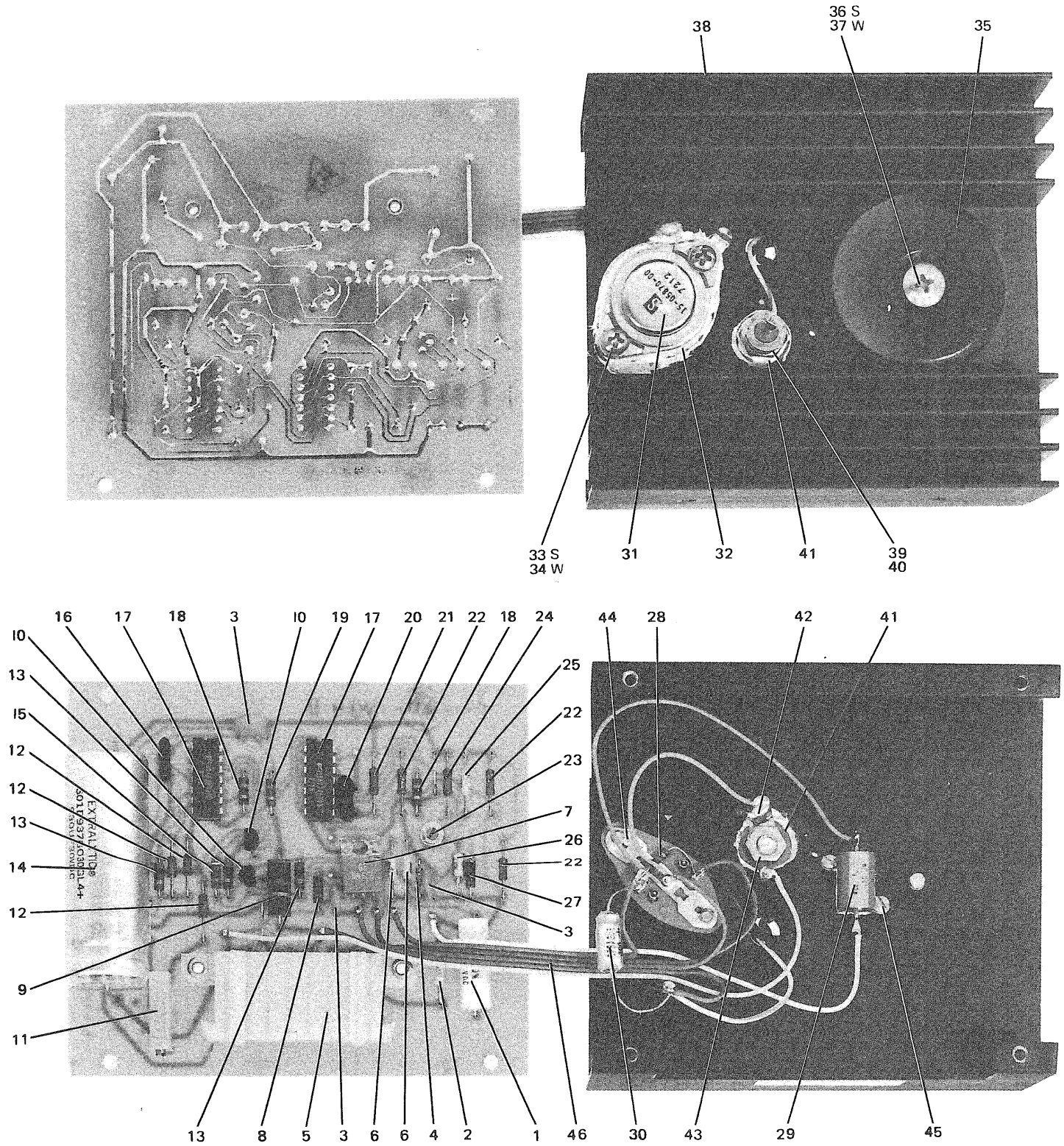




RK05-09

Figure 5. H743 Power Supply Assembly

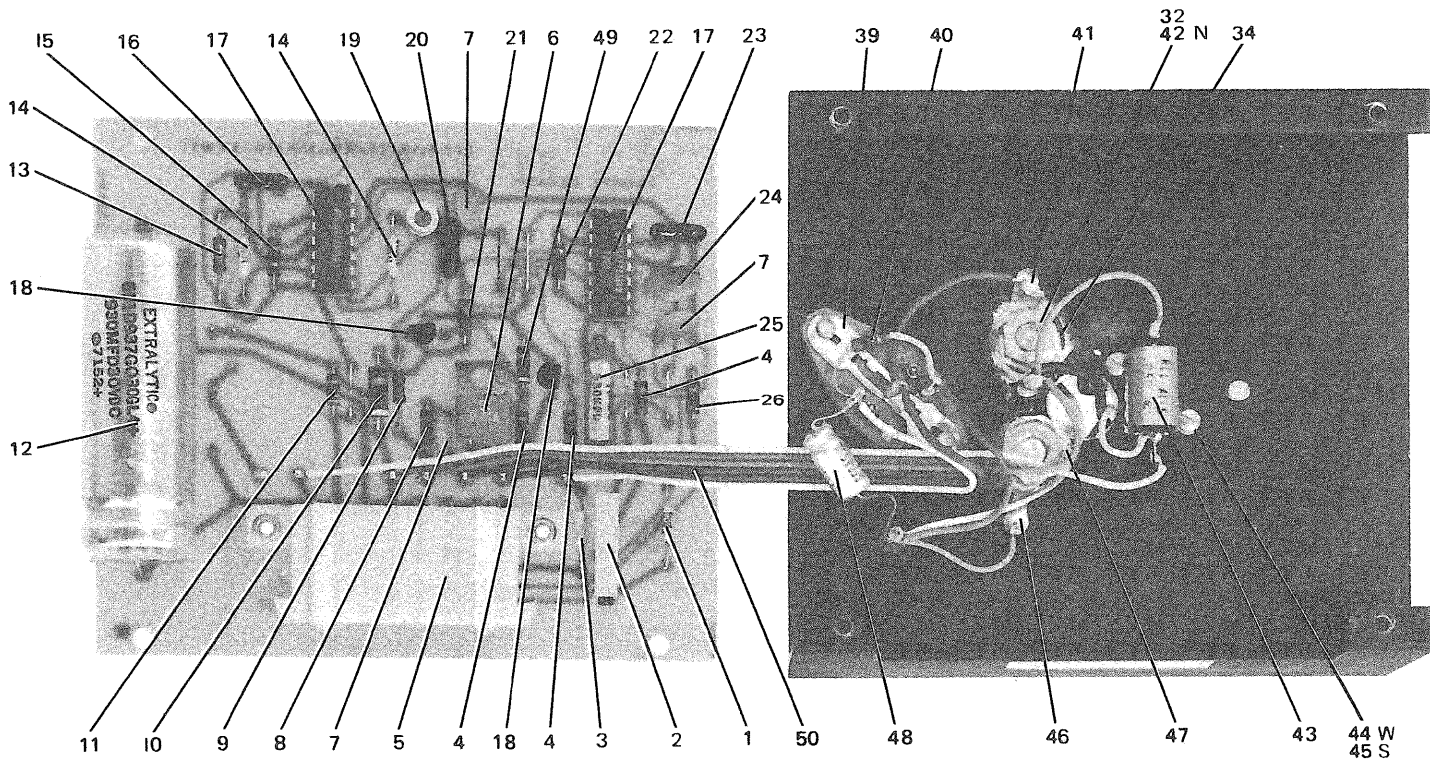
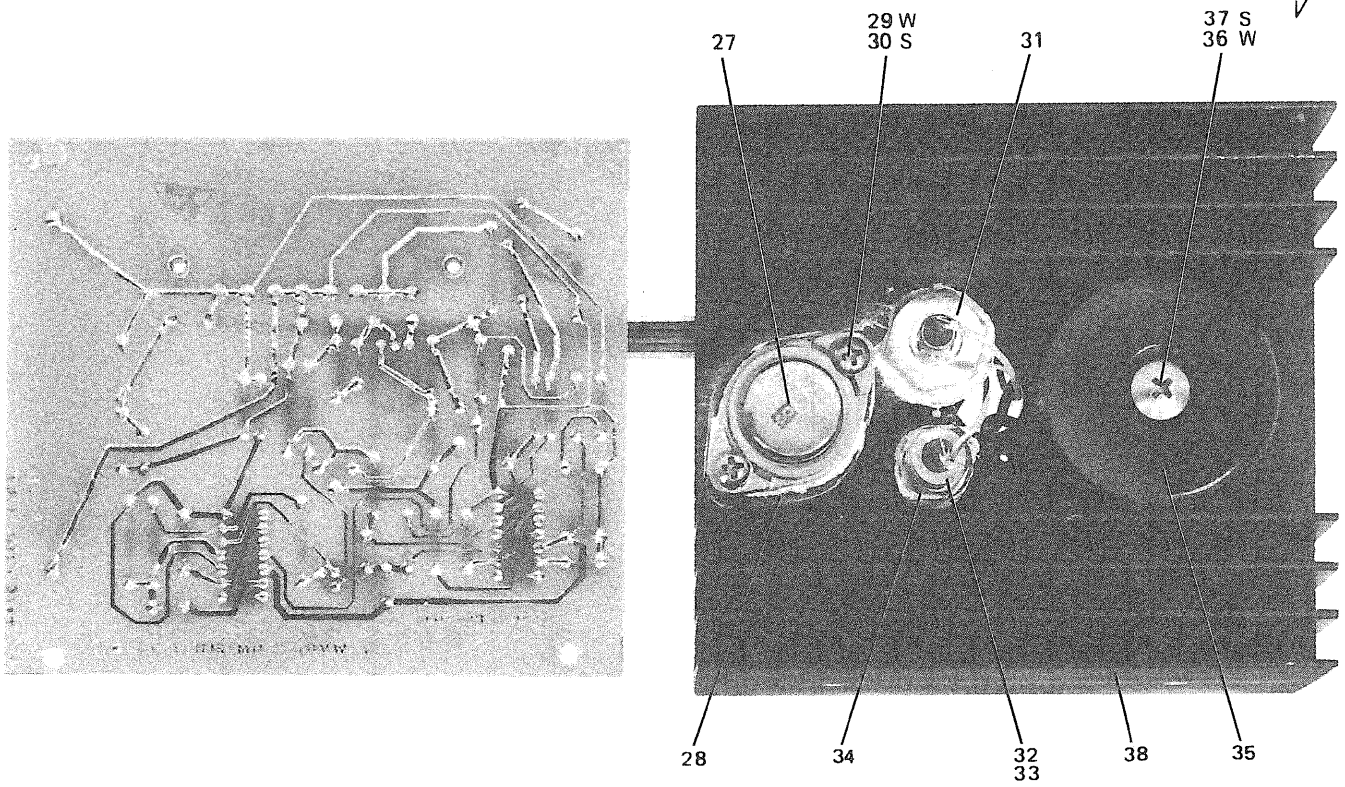
FIG & ITEM NO.	DESCRIPTION	DEC PART NO.	ECO CUT-IN H743-00000	USED ON CODE	VENDOR CODE	PART NO.	REF FIG NO.
5-	H743 POWER SUPPLY ASSEMBLY	H743-AA		A			
	115V 60 Hz						
	H743 POWER SUPPLY ASSEMBLY	H743-BB		B			
	230V 60 Hz						
	@Washer, No. 8 Int. Tooth	90-06634-00					
1	@Screw, Phl. Hd. Pan No. 8-32 x 5/16 SST	90-06036-01					
	*Bracket, Power Supply	53-09790-00					
2	*Transformer	16-10511-00					
3	*Nut, Kep No. 6-32	90-06560-00					
4	*Screw, Phl. Flat Hd. No. 6-32 x 5/16 SST	90-06021-02					
5	*Bracket, Rectifier	53-09772-00					
6	*Washer, No. 6 Int. Tooth	90-06633-00					
7	*Nut, Tinnerman No. 6-32	90-07963-00					
8	*Screw, Phl. Pan Hd. No. 6-32 x 5/16 SST	90-06021-01					
9	*Rectifier	11-10051-00					
10	*Washer, No. 6 Int. Tooth	90-06633-00					
11	*Screw, Phl. Pan Hd. No. 6-32 x 1/2 SST	90-06024-01					
12	*REGULATOR ASSEMBLY 8 to 20V	54-09484-00					6
13	*REGULATOR ASSEMBLY +5V	54-09503-00					7
14	*Washer, No. 6 Int. Tooth	90-06633-00					
15	*Screw, Phl. Pan Hd. No. 6-32 x 5/16 SST	90-06021-01					
16	*Capacitor, 6000 MFD, 50V	10-10510-00					
17	*Bracket, Capacitor	12-09242-00					
18	*Nut, Tinnerman No. 6-32	90-06584-00					
19	*Screw, Phl. Flat Hd. No. 6-32 x 5/16 SST	90-06021-02					
20	*Tab, Faston	90-07776-00					
21	*Washer, No. 10 Int. Tooth	90-06635-00					
22	*Screw, Phl. Pan Hd. No. 10-32 x 1/4 SST	90-08007-01					
23	*Terminal	90-07193-00					
24	*Capacitor, 6000 MF 10V	10-10704-00	00001				
25	*Bracket, Capacitor	12-10428-00	00001				
26	*Nut, Kep No. 6-32	90-06560-00	00001				
27	*Screw, Phl. Pan Hd. No. 6-32 x 5/16 SST	90-06021-01	00001				
28	*Screw, Phl. Pan Hd. No. 6-32 x 1/2 SST	90-06024-01	00001				
29	*Clamp, Cable (Nylon)	90-07083-00					
30	*Breaker, Circuit, 5A	12-05293-00					
31	*Strip, Terminal	90-06906-00					
32	*Connector, Solderless	90-07919-00					
33	*Connector, Solderless	90-07917-00					
34	*Tubing, Heat Shrinkable 1/4 OD White	91-07253-00					
35	*Tab, Amp 250	90-08219-00					
36	*Washer, No. 6 Ext. Tooth	90-07649-00					
37	*Filter, Line	10-10585-00					
38	*Battery, 4 Cell	12-10641-00					
39	*Tubing, Heat Shrinkable White	91-07253-09					
40	*Grommet, Caterpillar 3/32	90-07036-00					
41	*Jumper, 115V	70-08729-01		A			
42	*Jumper, 230V	70-08729-02		B			
43	*Jumper	70-08729-03					
44	*Indicator, Elapsed Time	12-10781-00					
45	*Grommet, 1/8 ID	90-07014-00					
46	*Cord, Power (115V)	17-00006-06		A			
47	*Cord, Power (230V)	17-00005-06		B			
48	*Strain Relief 3/8 Romex	90-08280-00					
49	*Harness, Power Supply	70-08704-00					



RK05-11

Figure 6. Regulator Assembly (8-20V)

FIG & ITEM NO.	DESCRIPTION	DEC PART NO.	ECO CUT-IN 54-09484-00000	USED ON CODE	VENDOR CODE	PART NO.	REF FIG NO.
6-	REGULATOR ASSEMBLY 8 to 20V	54-09484-00					5
1	*Capacitor (C6) .1000 MFD 100V 10%	10-02342-00					
2	*Fuse (F1), 5 AMP	12-09070-00					
3	*Capacitor (C3, C5, C8) .0100 MFD 100V 20%	10-01610-00					
4	*Diode (D2) D664	11-00114-00					
5	*Connector (J1) 8 Pin (Mate-N-Lock)	12-09340-01					
6	*Resistor, (R22, R23) 1K Ohms 1/8W 1%	13-03114-00					
7	*Transistor (Q3) DEC 0045 C	15-10414-00					
8	*Resistor, (R21) 270 Ohms 1/4W, 5%	13-01972-00					
9	*Resistor, (R19) 750 Ohms 1W 5%	13-02385-00					
10	*Transistor, (Q1-Q2) DEC 6534 C	15-03409-02					
11	*Resistor, Variable (R17) 10K Ohms 3/4W 10%	13-09143-10					
12	*Resistor, (R10, R12, R16) 1.210K Ohms 1/8W 1%	13-02871-00					
13	*Resistor, (R11, R15, R20) 1.000K Ohms 1/4W 5%	13-00365-00					
14	*Capacitor, (C4) 930 MFD 30V -10 +75%	10-10509-00					
15	*Resistor (R18) 4.7K Ohms 1/4W 5%	13-00447-00					
16	*Capacitor (C2) 17. MMF 100V 5%	10-01739-00					
17	*Regulator, IC (E1, E2) DIP 723C	19-10415-00					
18	*Resistor, (R7, R14) 56 Ohms 1/4W 5%	13-02602-00					
19	*Resistor (R13) 2.7M, 1/4W 5%	13-09680-00					
20	*Capacitor (C1) 100. MMF 100V 5%	10-00016-00					
21	*Resistor (R8) 3.480K Ohms, 1/8W 1%	13-05114-00					
22	*Resistor (R4, R5, R9) 17.4K Ohms 1/8W 1%	13-09417-00					
23	*Resistor Variable (R2) 1K 1/2W	13-09150-03					
24	*Resistor (R1) 2.61K Ohms 1/8W 1%	13-03303-00					
25	*Resistor (R3) 10K Ohms 1/8W 1%	13-03312-00					
26	*Capacitor (C7) 1.0 MMF 35V 10%	10-01776-00					
27	*Diode Zener, (D1) 1N0748A 3.9V	11-00122-00					
28	*Resistor (R25) 100 Ohms 1/4W 5%	13-00229-00					
29	*Resistor (R24) 0.5 Ohms 5W 3%	13-10508-00					
30	*Capacitor (C9) 1.0 MFD 100V	10-05507-00					
31	*Transistor (Q4) 2N4398	15-05870-00					
32	*Insulator, Thermal	90-08419-00					
33	*Screw, Phl. Pan Hd. No. 6-32 x 1/2	90-06024-01					
34	*Washer Int. Tooth No. 6	90-06633-00					
35	*Choke 120 UH	16-10573-00					
36	*Screw, Phl. Truss Hd. No. 10-32 x 1	90-06077-03					
37	*Washer, Int. Tooth Lock No. 10	90-06635-00					
38	*Heat Sink	53-09543-00					
39	*Diode (D3) 1N3889	11-10491-00					
40	*Bushing, Diode	90-08441-00					
41	*Insulator, Thermal	90-08424-00					
42	*Lug, Solder	90-08150-00					
43	*Nut, Hex No. 10-32	90-06584-00					
44	*Socket, Transistor	12-10130-00					
45	*Screw, Bind. Hd. No. 2-56 x 3/16	90-06000-04					
46	*Cable, 20 Connector	91-07575-00					
<p><b>CAUTION:</b> REFER TO CIRCUIT SCHEMATIC FOR LATEST REVISION LEVELS OF ELECTRICAL COMPONENTS</p>							



RK05-10

Figure 7. Regulator Assembly (+5V)

FIG & ITEM NO.	DESCRIPTION	DEC PART NO.	ECO CUT-IN 54-09503-00005	USED ON CODE	VENDOR		REF FIG NO.
					CODE	PART NO.	
7-	REGULATOR ASSEMBLY +5V	54-09503-00					5
1	*Resistor (R19) 1K Ohms 1/8W 1%	13-03114-00					
2	*Resistor (R13) 1K Ohms 3/4W 10%	13-09143-07					
3	*Fuse (F1) 5 Amps	12-09070-00					
4	*Resistor (R1, R2, R12) 1K Ohms 1/4W 5%	13-00365-00					
5	*Connector (J1) 8 Pin	12-09340-01					
6	*Transistor (Q1) D4506	15-10414-00					
7	*Capacitor (C1, C5, C10) .01 MFD 100V 20%	10-01610-00					
8	*Resistor (R5) 270 Ohms 1/4W 5%	13-01972-00					
9	*Resistor (R6) 2.61K Ohms 1/8W 1%	13-03303-00					
10	*Resistor (R10) 4.7K Ohms 1/2W 5%	13-00445-00					
11	*Resistor (R18) 330 Ohms 1/4W 5%	13-00295-00					
12	*Capacitor (C3) 930 MFD 30V -10 +75%	10-10509-00					
13	*Resistor (R20) 2.74K Ohms 1/8W 1%	13-04868-00					
14	*Resistor (R9, R15) 3.83K Ohms 1/8W 1%	13-09413-00					
15	*Resistor (R14) 56 Ohms 1/4W 5%	13-02602-00					
16	*Capacitor (C2) 100 PV 100V 5%	10-00016-00					
17	*Regulator IC (E1, E2) 723C D.I.P.	19-10415-00					
18	*Transistor (Q2, Q3) DEC 6534 D	15-03409-00					
19	*Resistor (R7) 1K Ohms 1/2W 20%	13-09150-03					
20	*Capacitor (C7) 1000 PF 100V 5%	10-00042-00					
21	*Resistor (R8) 2.7M Ohms 1/4W 5%	13-09680-00					
22	*Resistor (R11) 27 Ohms 1/4W 5%	13-01522-00					
23	*Capacitor (C6) 68 PF Ohms 100V 5%	10-00014-00					
24	*Capacitor (C8) .02 UF 100V -0 +20%	10-00004-00					
25	*Capacitor (C9) 330 MFD 10V	10-09808-00					
26	*Resistor (R16) 1.5K Ohms 1/4W 5%	13-00391-00					
27	*Transistor (Q5) 2N4398	15-05870-00					
28	*Insulator, Thermal	90-08419-00					
29	*Washer, Int. Tooth No. 6	90-06633-00					
30	*Screw, Phl. Pan Hd. No. 6-32 x 1/2	90-06024-01					
31	*SCR (C30U)	11-09978-00					
32	*Diode, (D3) 1N4553B 5.6V	11-11241-00	00006				
33	*Diode (D2) 1N3889	11-10491-00					
34	*Bushing	90-08441-00					
35	*Insulator, Thermal	90-08424-00					
36	*Choke (L1) 120 UH	16-10573-00					
37	*Washer, Int. Tooth	90-06635-00					
38	*Screw, Phl. Truss Hd. No. 10-32 x 1	90-06077-03					
39	*Heat Sink	53-09543-00					
40	*Socket, Transistor	12-10130-00					
41	*Resistor (R22) 100 Ohms 1/4W 5%	13-00229-00					
42	*Lug, Solder	90-08150-00					
43	*Nut, Hex No. 10-32	90-06564-00					
44	*Resistor (R21) 0.05 Ohms 5W 3%	13-10507-00					
45	*Washer, Int. Tooth No. 2	90-06631-00					
46	*Screw, Binding Hd. No. 2-56 x 3/16	90-06000-04					
47	*Lug, Solder	90-06764-00					
48	*Washer, Flat 1/4	90-06676-00					
49	*Capacitor, (C11) 1. UF 100V 10%	10-05507-00					
50	*Resistor, (R4) 4.7K Ohms 1/4W 5%	13-00447-00					
	*Cable, 20 Connector	91-07575-00					
<p><b>CAUTION:</b> REFER TO CIRCUIT SCHEMATIC FOR LATEST REVISION LEVELS OF ELECTRICAL COMPONENTS</p>							



**ILLUSTRATED PARTS BREAKDOWN  
COMMENT SHEET**

Any and all comments and suggestions for correcting errors and/or additional information to improve this manual will be reviewed and researched for possible use when this manual is revised and/or reprinted. Enter your comments and suggestions in the form provided below and return to Technical Documentation.

MODEL \_\_\_\_\_

PUBLICATION NO. \_\_\_\_\_

FIGURE NO. \_\_\_\_\_ ITEM NO. \_\_\_\_\_

FIGURE NO. \_\_\_\_\_ ITEM NO. \_\_\_\_\_

CHANGE FROM \_\_\_\_\_

CHANGE FROM \_\_\_\_\_

CHANGE TO \_\_\_\_\_

CHANGE TO \_\_\_\_\_

FIGURE NO. \_\_\_\_\_ ITEM NO. \_\_\_\_\_

FIGURE NO. \_\_\_\_\_ ITEM NO. \_\_\_\_\_

CHANGE FROM \_\_\_\_\_

CHANGE FROM \_\_\_\_\_

CHANGE TO \_\_\_\_\_

CHANGE TO \_\_\_\_\_

FIGURE NO. \_\_\_\_\_ ITEM NO. \_\_\_\_\_

FIGURE NO. \_\_\_\_\_ ITEM NO. \_\_\_\_\_

CHANGE FROM \_\_\_\_\_

CHANGE FROM \_\_\_\_\_

CHANGE TO \_\_\_\_\_

CHANGE TO \_\_\_\_\_

ADDITIONAL COMMENT(S)

2

Name \_\_\_\_\_

Cost Center \_\_\_\_\_

date: \_\_\_\_\_

-----  
Fold Here  
-----

-----  
Do Not Tear - Fold Here and Staple  
-----

FIRST CLASS  
PERMIT NO. 33  
MAYNARD, MASS.

**BUSINESS REPLY MAIL**  
**NO POSTAGE STAMP NECESSARY IF MAILED IN THE UNITED STATES**

Postage will be paid by:

Digital Equipment Corporation  
Technical Documentation Department  
146 Main Street  
Maynard, Massachusetts 01754

