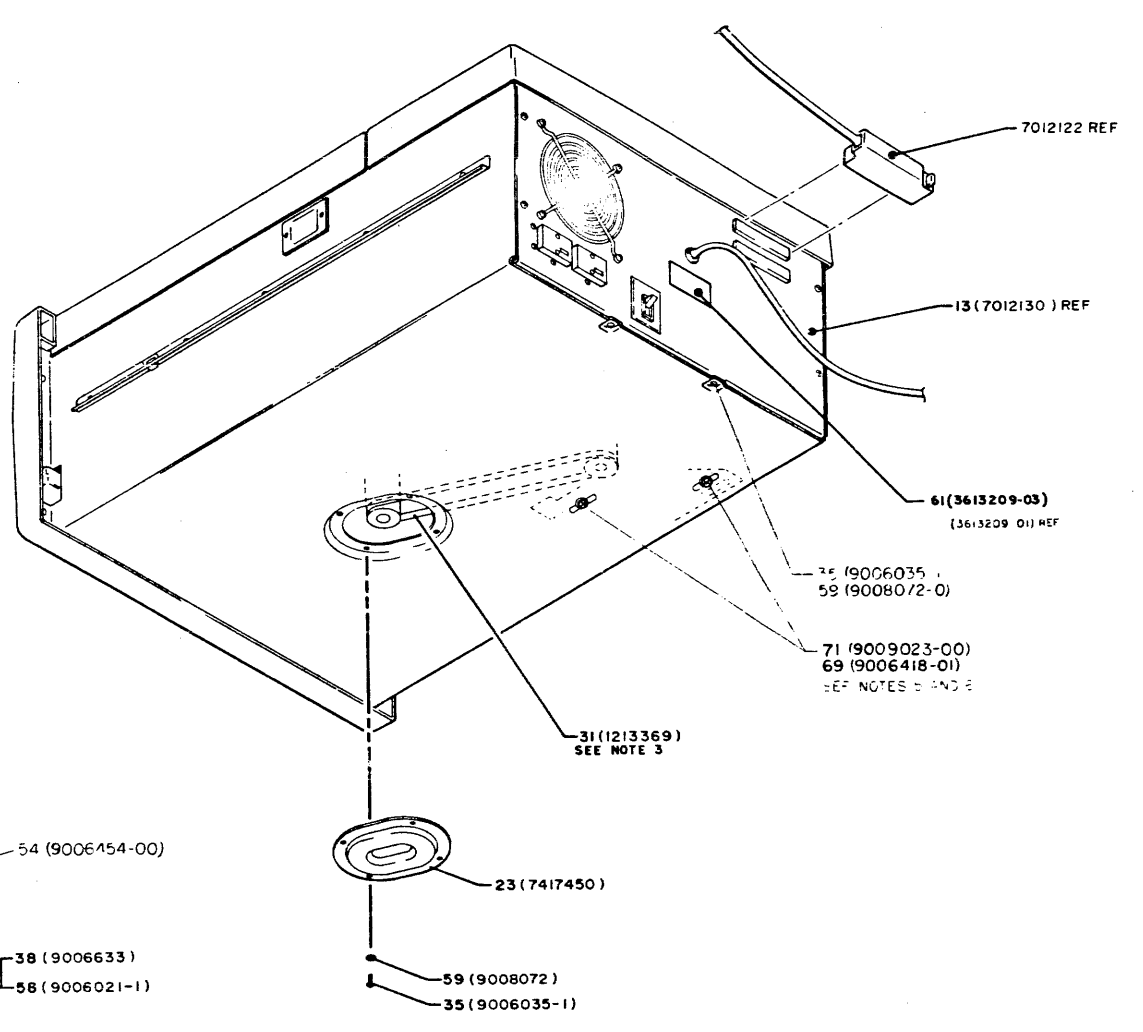
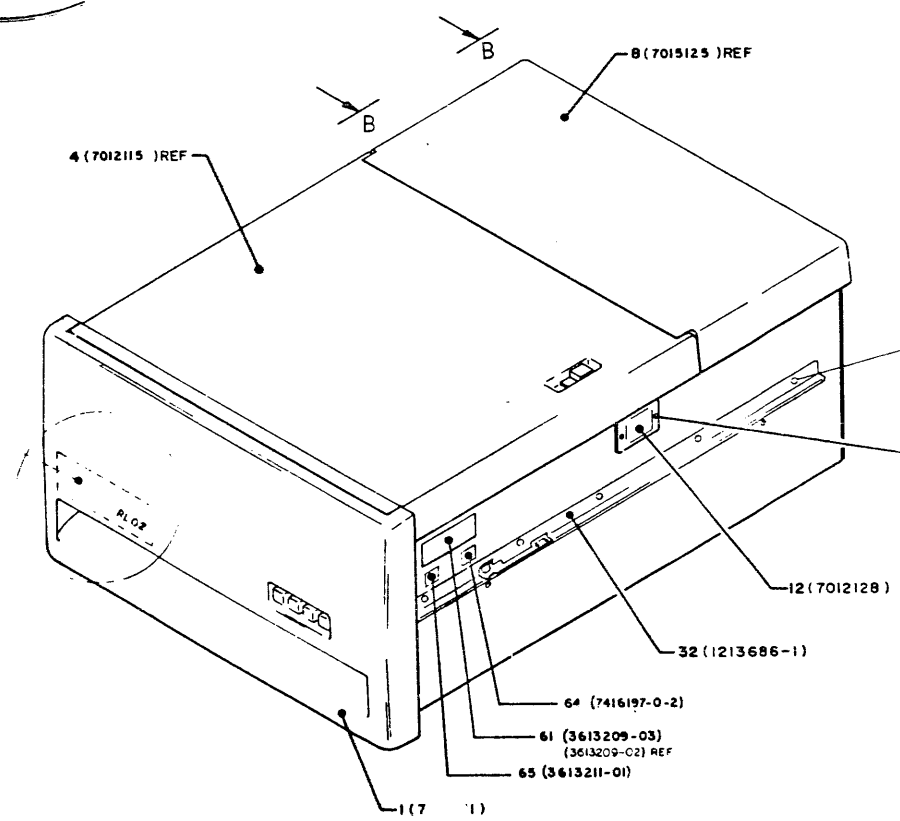
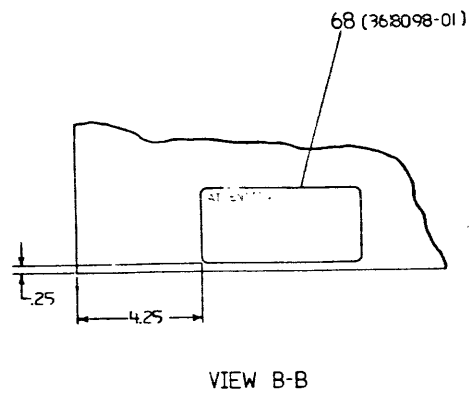
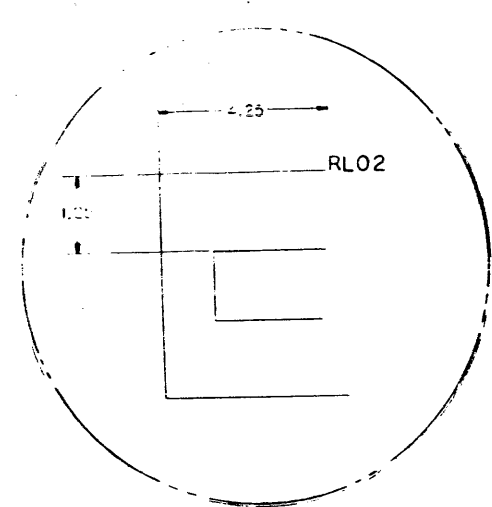


REVISIONS

- NOTES**
1. LOWER HEAD (ITEM 65) SHALL BE POSITIONED REAR ARDS AGAINST PIN IN CARRIAGE
 2. ALL SCREWS TO BE TIGHTENED AS FOLLOWS:
 4-40 SCREW, TORQUE 3.5 ± 0.5 IN LBS
 6-32 " " 5.0 ± 1.0 " "
 8-32 " " 10.0 ± 1.0 " "
 10-32 " " 18.0 ± 2.0 " "
 3. DRIVE BELT TENSION 10.0 ± 1.0 LBS.
 4. 4-40 HEAD MOUNTING BOLTS TO BE TIGHTENED TO 5.25 IN. LBS.
 5. TORQUE 8-32 SELF TAPPING HARDWARE (ITEM 69) TO 6-18 IN LBS.
 6. BLOWER HOUSING SECURING HARDWARE TO BE REMOVED BEFORE OPERATING UNIT.



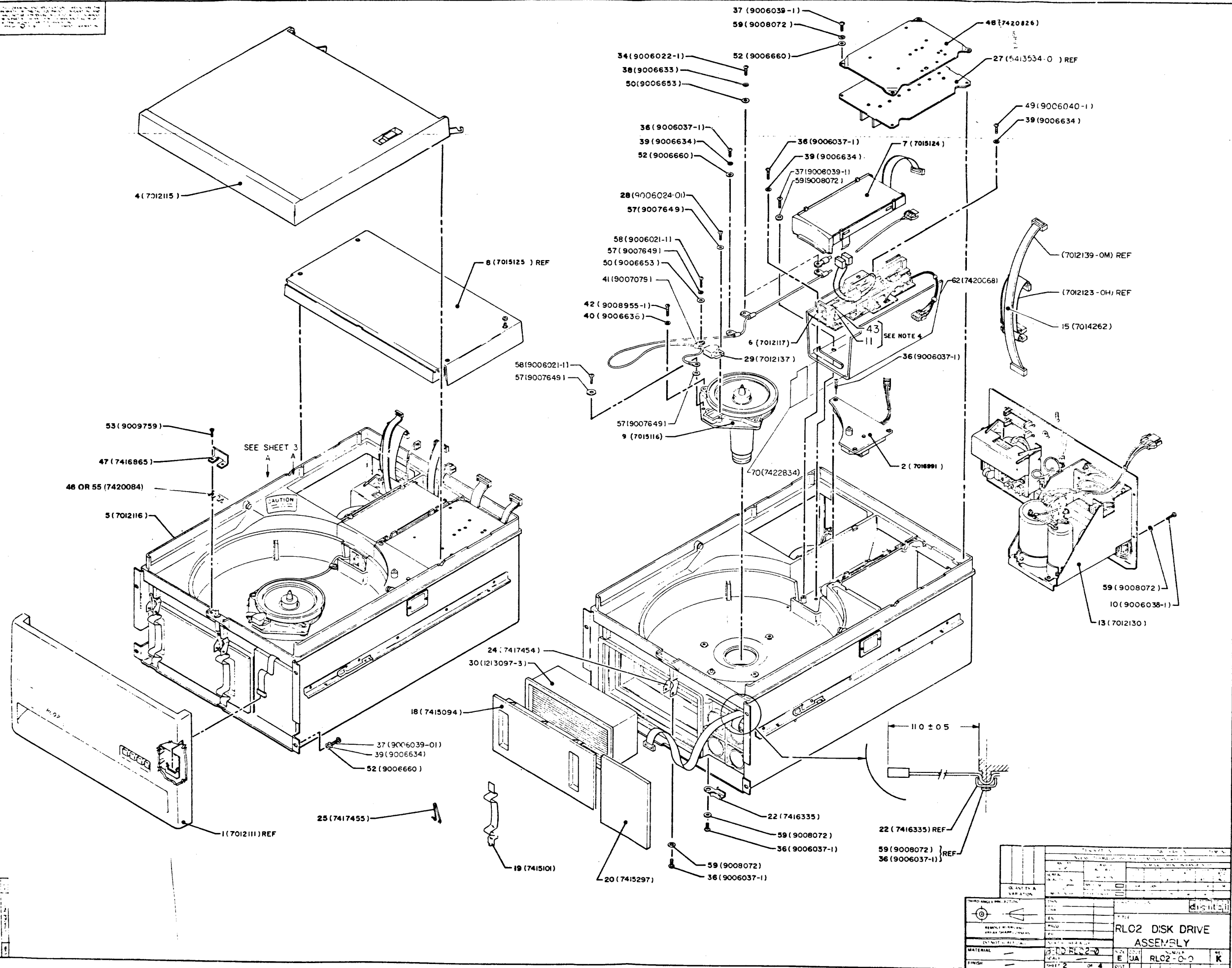
67 (3615393-05)

REV	DATE	BY	CHKD	DESCRIPTION
1				RL02-DISK DRIVE ASSEMBLY
2				REVISION
3				REVISION
4				REVISION
5				REVISION
6				REVISION
7				REVISION
8				REVISION
9				REVISION
10				REVISION
11				REVISION
12				REVISION
13				REVISION
14				REVISION
15				REVISION
16				REVISION
17				REVISION
18				REVISION
19				REVISION
20				REVISION

CAUTION
 OFF-SHEET PARTS LIST EXISTS.
 SEE K-PL-PL02-0 DBP (20485).

QUANTITY & VARIATION	DESCRIPTION	ITEM NO.
	RL02	
RL02 DISK DRIVE ASSEMBLY		
MATERIAL	SCALE	REV
SEE PARTS LIST	E UA	PL02-0-0
SHEET 1	OF 4	REV K

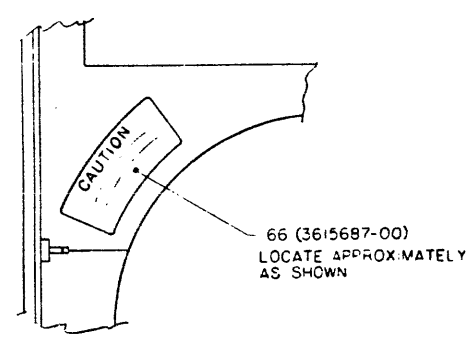
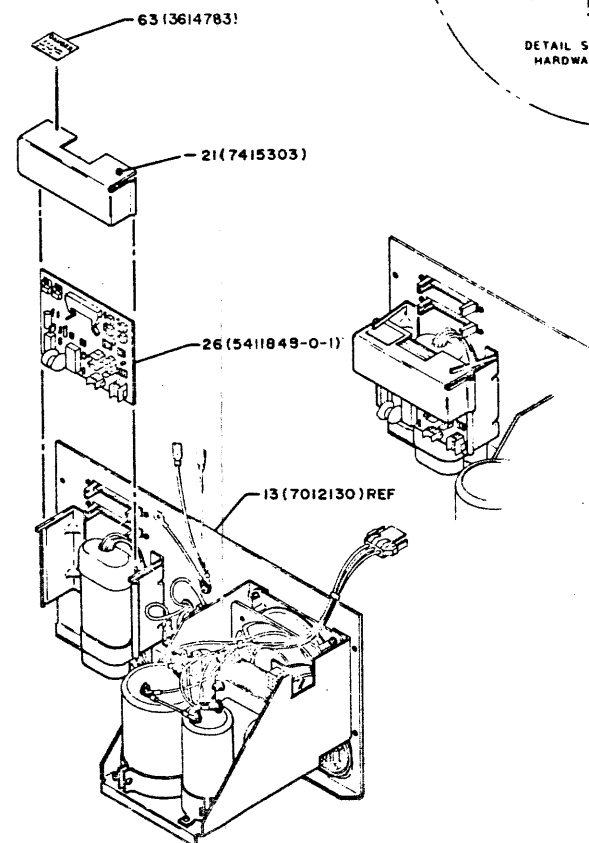
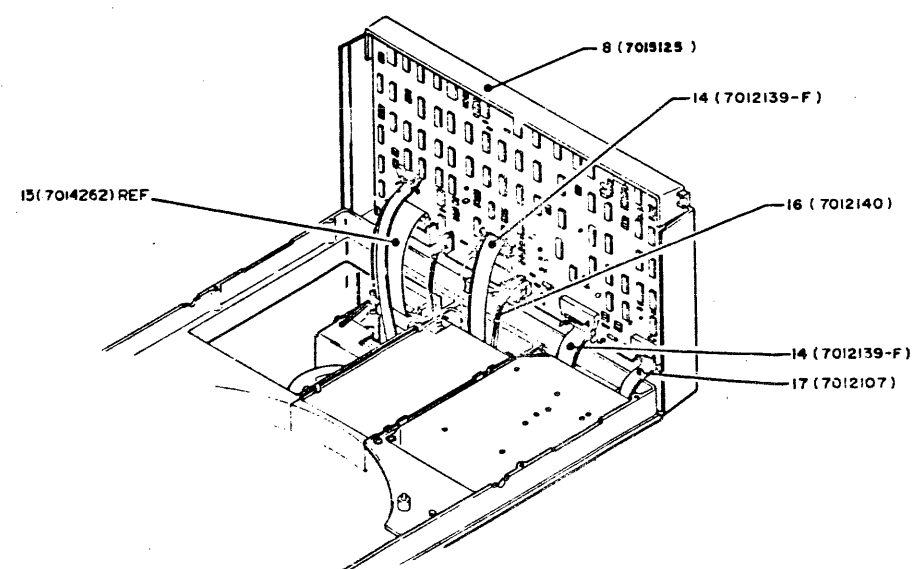
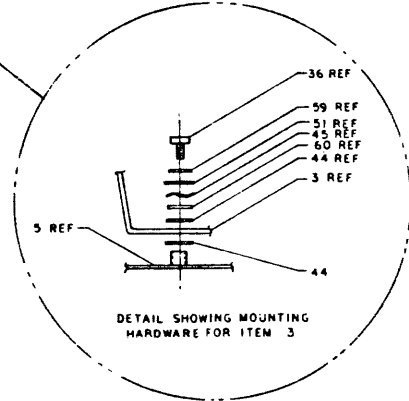
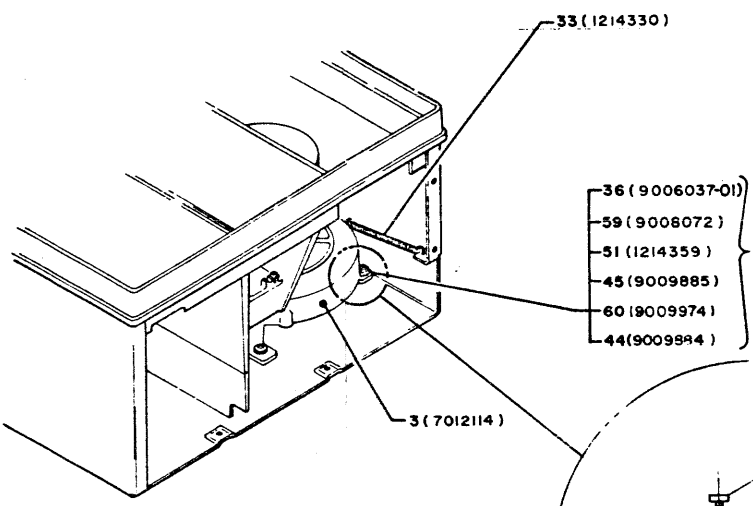
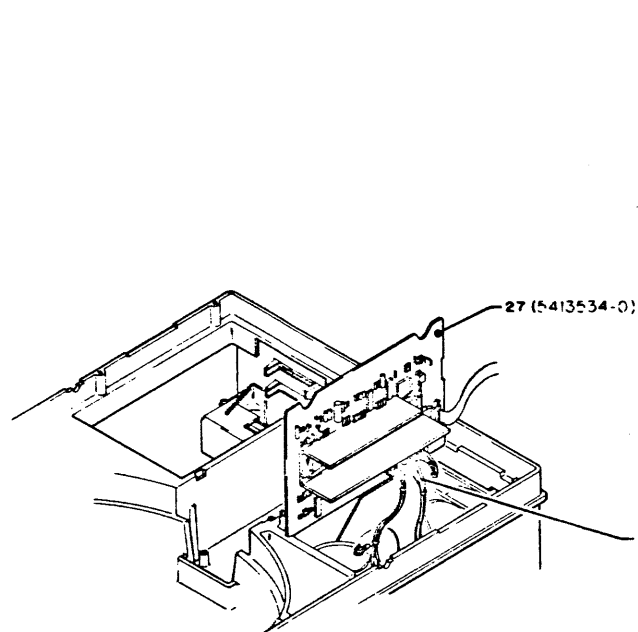
1. THIS DRAWING IS THE PROPERTY OF THE UNITED STATES GOVERNMENT AND IS LOANED TO YOU. IT AND ITS CONTENTS ARE NOT TO BE DISTRIBUTED OUTSIDE YOUR AGENCY.



UNCLASSIFIED		DATE 11/11/00	
CONTROL NO. 61000000		REV. 1	
MATERIAL 61000000		EUA	
FINISH		RLO2-C-2	
SHEET 2 OF 4		REV. K	

TITLE: RLO2 DISK DRIVE ASSEMBLY
 PART NO.: 61000000
 REV: 1
 DATE: 11/11/00
 BY: EJA
 CHECKED: [blank]
 APPROVED: [blank]

REVISIONS

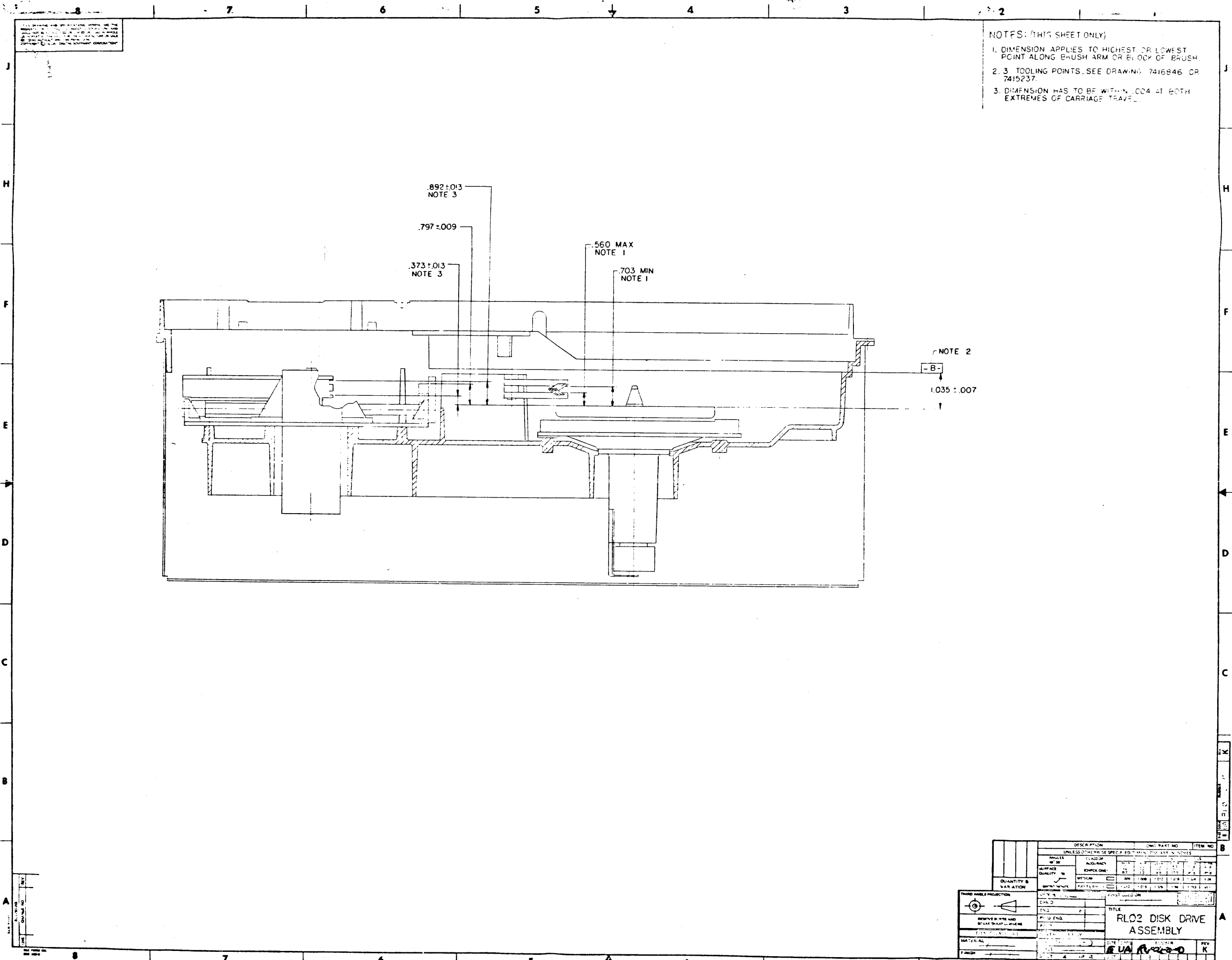


VIEW A-A

QUANTITY & VARIATION		DESCRIPTION		DR. PART NO.	ITEM NO.
36	REF	36 (9006037-0)			
59	REF	59 (9008072)			
51	REF	51 (1214359)			
45	REF	45 (9009885)			
60	REF	60 (9009974)			
44	REF	44 (9009994)			
3	REF	3 (7012114)			
5	REF	5 (7012114)			
63		63 (3614783)			
21		21 (7415303)			
26		26 (5411849-0-1)			
13	REF	13 (7012130)			
15	REF	15 (7014262)			
8		8 (7015125)			
14		14 (7012139-F)			
16		16 (7012140)			
14		14 (7012139-F)			
17		17 (7012107)			
66		66 (3615687-00)			

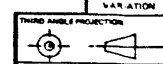
THIRD ANGLE PROJECTION	DRS	DATE	REV
REMOVE BLURRY AND BRAG SHARPENERS	ENG	PROJ. NO.	REV
DO NOT SCALE DIMS.	CHKD	SIZE CODE	NUMBER
	APP'D	SCALE	REV
	DATE	SHEET	OF

TITLE		DR. PART NO.		ITEM NO.	
RL02 DISK DRIVE					
ASSEMBLY					
360 RL02-0		EUA		RL02-0-0	
K					



QUANTITY & VARIATION		DESCRIPTION		QTY	UNIT	DATE	BY	CHK'D	REV
1		UNLESS OTHERWISE SPECIFIED	MANUFACTURING TOLERANCES						
ASSEMBLY	ASSEMBLY	FINISH	FINISH						
QUALITY	QUALITY	WORKMANSHIP	WORKMANSHIP						
VAR. 1	VAR. 1	VAR. 2	VAR. 2						
VAR. 3	VAR. 3	VAR. 4	VAR. 4						
VAR. 5	VAR. 5	VAR. 6	VAR. 6						
VAR. 7	VAR. 7	VAR. 8	VAR. 8						
VAR. 9	VAR. 9	VAR. 10	VAR. 10						
VAR. 11	VAR. 11	VAR. 12	VAR. 12						
VAR. 13	VAR. 13	VAR. 14	VAR. 14						
VAR. 15	VAR. 15	VAR. 16	VAR. 16						
VAR. 17	VAR. 17	VAR. 18	VAR. 18						
VAR. 19	VAR. 19	VAR. 20	VAR. 20						
VAR. 21	VAR. 21	VAR. 22	VAR. 22						
VAR. 23	VAR. 23	VAR. 24	VAR. 24						
VAR. 25	VAR. 25	VAR. 26	VAR. 26						
VAR. 27	VAR. 27	VAR. 28	VAR. 28						
VAR. 29	VAR. 29	VAR. 30	VAR. 30						
VAR. 31	VAR. 31	VAR. 32	VAR. 32						
VAR. 33	VAR. 33	VAR. 34	VAR. 34						
VAR. 35	VAR. 35	VAR. 36	VAR. 36						
VAR. 37	VAR. 37	VAR. 38	VAR. 38						
VAR. 39	VAR. 39	VAR. 40	VAR. 40						
VAR. 41	VAR. 41	VAR. 42	VAR. 42						
VAR. 43	VAR. 43	VAR. 44	VAR. 44						
VAR. 45	VAR. 45	VAR. 46	VAR. 46						
VAR. 47	VAR. 47	VAR. 48	VAR. 48						
VAR. 49	VAR. 49	VAR. 50	VAR. 50						
VAR. 51	VAR. 51	VAR. 52	VAR. 52						
VAR. 53	VAR. 53	VAR. 54	VAR. 54						
VAR. 55	VAR. 55	VAR. 56	VAR. 56						
VAR. 57	VAR. 57	VAR. 58	VAR. 58						
VAR. 59	VAR. 59	VAR. 60	VAR. 60						
VAR. 61	VAR. 61	VAR. 62	VAR. 62						
VAR. 63	VAR. 63	VAR. 64	VAR. 64						
VAR. 65	VAR. 65	VAR. 66	VAR. 66						
VAR. 67	VAR. 67	VAR. 68	VAR. 68						
VAR. 69	VAR. 69	VAR. 70	VAR. 70						
VAR. 71	VAR. 71	VAR. 72	VAR. 72						
VAR. 73	VAR. 73	VAR. 74	VAR. 74						
VAR. 75	VAR. 75	VAR. 76	VAR. 76						
VAR. 77	VAR. 77	VAR. 78	VAR. 78						
VAR. 79	VAR. 79	VAR. 80	VAR. 80						
VAR. 81	VAR. 81	VAR. 82	VAR. 82						
VAR. 83	VAR. 83	VAR. 84	VAR. 84						
VAR. 85	VAR. 85	VAR. 86	VAR. 86						
VAR. 87	VAR. 87	VAR. 88	VAR. 88						
VAR. 89	VAR. 89	VAR. 90	VAR. 90						
VAR. 91	VAR. 91	VAR. 92	VAR. 92						
VAR. 93	VAR. 93	VAR. 94	VAR. 94						
VAR. 95	VAR. 95	VAR. 96	VAR. 96						
VAR. 97	VAR. 97	VAR. 98	VAR. 98						
VAR. 99	VAR. 99	VAR. 100	VAR. 100						

TITLE
RL02 DISK DRIVE
ASSEMBLY

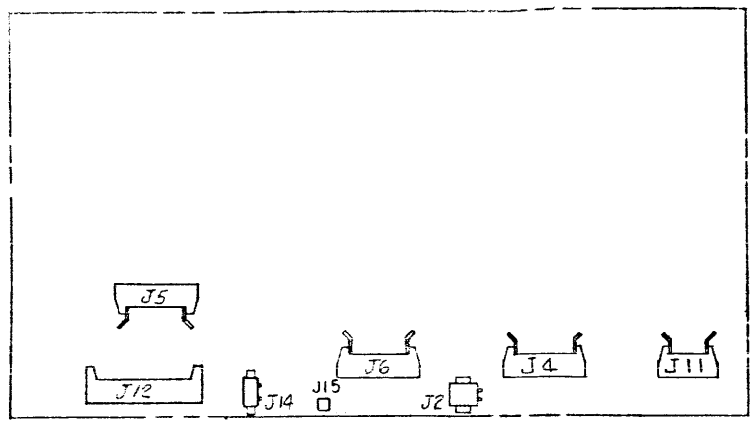


THIRD ANGLE PROJECTION

DATE: 10/1/68
BY: RUA/R200
REV: K

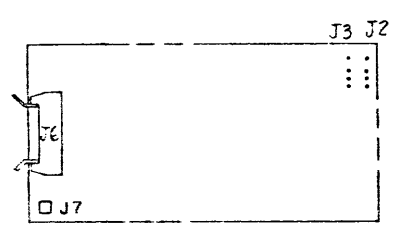
THIS DRAWING AND SPECIFICATIONS, HEREIN, ARE THE PROPERTY OF THE COMPANY AND SHALL BE KEPT IN CONFIDENTIALITY. NO PART THEREOF SHALL BE REPRODUCED OR TRANSMITTED IN ANY FORM OR BY ANY MEANS, ELECTRONIC OR MECHANICAL, INCLUDING PHOTOCOPYING, RECORDING, OR BY ANY INFORMATION STORAGE AND RETRIEVAL SYSTEM, WITHOUT THE WRITTEN PERMISSION OF THE COMPANY.
 1978 D. C. TAL EQUIPMENT CORPORATION

D



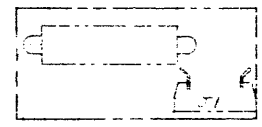
LOGIC BOARD
 FIG 1

C



R/W BOARD
 FIG 2

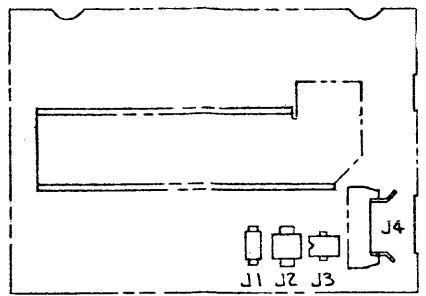
B



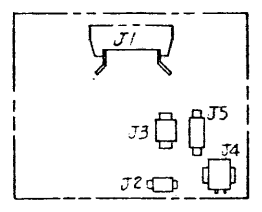
FRONT PANEL BOARD
 FIG 3

A

REV	A	B	C
1	RL02-CE001 B. MILLER	RL02-CX018 K. KUENZEL JAN 1978	RL02-CX010 M. ZARICH M. Zarich



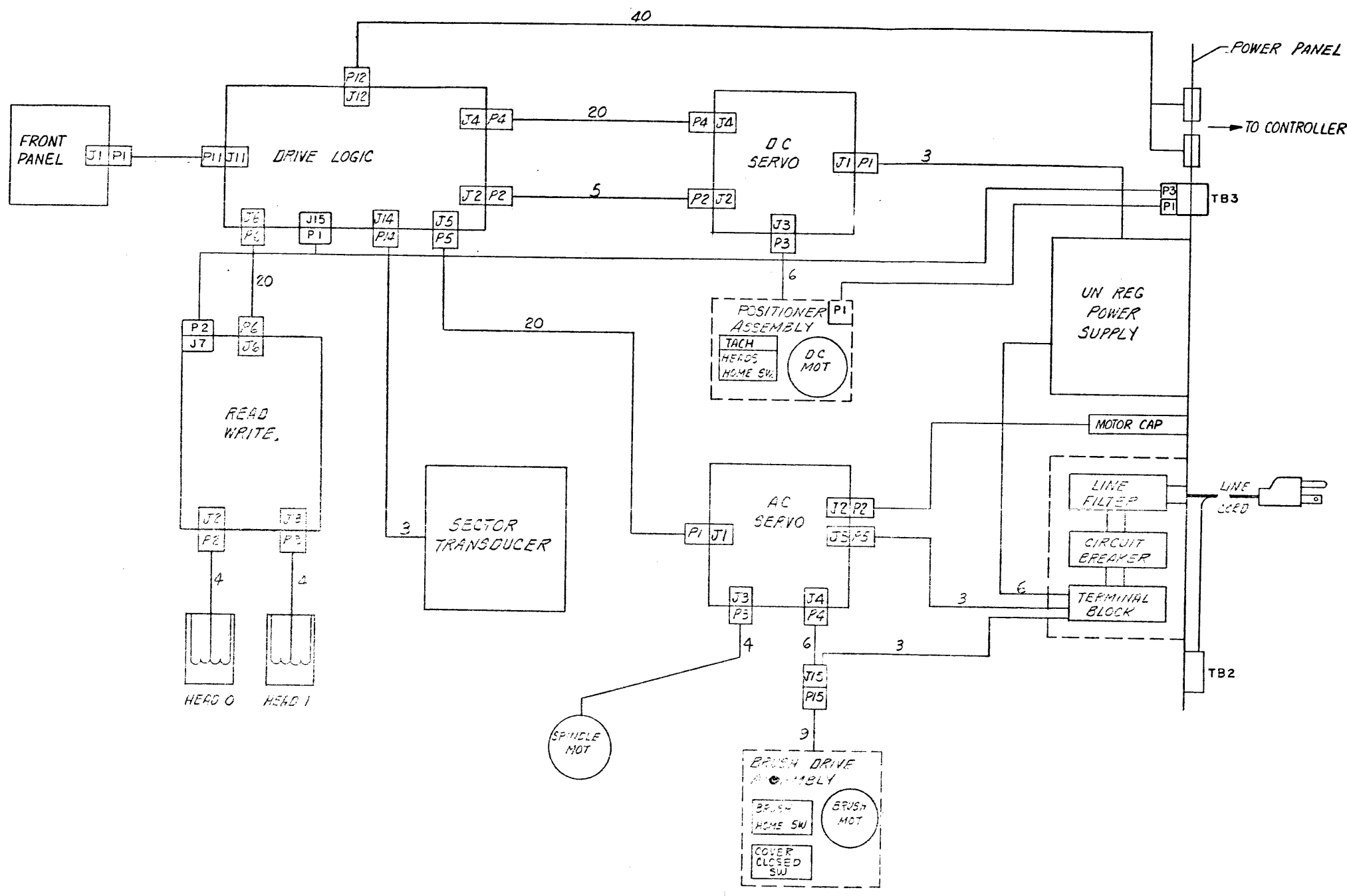
D.C. SERVO BOARD
 FIG 4



A.C. SERVO BOARD
 FIG 5

DESCRIPTION		DIWG. PART NO.	ITEM NO.				
UNLESS OTHERWISE SPECIFIED DIMENSIONS ARE IN INCHES							
ANGLES 90° 30'	CLASS OF ACCURACY	NOMINAL DIMENSIONS IN INCHES					
SURFACE QUALITY IN	(CHECK ONE)	OVER 0 TO 0.2	OVER 0.2 TO 1.2	OVER 1.2 TO 4.0	OVER 4.0 TO 12.0	OVER 12.0 TO 48.0	OVER 48.0 TO 80.0
		MEDIUM	<input type="checkbox"/> ±0.04	<input type="checkbox"/> ±0.08	<input type="checkbox"/> ±0.12	<input type="checkbox"/> ±0.16	<input type="checkbox"/> ±0.24
QUANTITY & VARIATION	MATERIAL	PREPARED	<input type="checkbox"/> ±0.12	<input type="checkbox"/> ±0.15	<input type="checkbox"/> ±0.24	<input type="checkbox"/> ±0.4	<input type="checkbox"/> ±0.8
THIRD ANGLE PROJECTION	DATE: 25 SEP 78	PLANT USED ON	RL02	TITLE			
REMOVE BURRS AND BREAK SHARP CORNERS	ENGINEER: [Signature]	DATE: 5-1-78	RL02	RL02 SYSTEM CABLING			
DO NOT SCALE DWS	PROJ. ENGR: [Signature]	DATE: 5-1-78	RL02-03	REV. C			
MATERIAL	SCALE	SIZE CODE	D 10	NUMBER			
FINISH	SHEET	OF 2	1	REV. C			

THIS DRAWING AND SPECIFICATIONS HEREIN ARE THE PROPERTY OF DIGITAL EQUIPMENT CORPORATION AND SHALL NOT BE REPRODUCED OR TRANSMITTED IN ANY FORM OR BY ANY MEANS, ELECTRONIC OR MECHANICAL, INCLUDING PHOTOCOPYING, RECORDING, OR BY ANY INFORMATION STORAGE AND RETRIEVAL SYSTEM, WITHOUT PERMISSION IN WRITING FROM DIGITAL EQUIPMENT CORPORATION. COPYRIGHT © 1978 DIGITAL EQUIPMENT CORPORATION



QUANTITY & VARIATION		DESCRIPTION	DWG PART NO.	ITEM NO.
UNLESS OTHERWISE SPECIFIED DIMENSIONS ARE IN INCHES				
ANGLES ±0°30'	CLASS OF ACCURACY	CHECK ONE	COVER	CORNER
SURFACE QUALITY IN	MEDIUM	<input type="checkbox"/> ±0.4	<input type="checkbox"/> ±0.2	<input type="checkbox"/> ±0.1
THIRD ANGLE PROJECTION				
REMOVE BURRS AND BREAK SHARP CORNERS				
MATERIAL				
FINISH				
PROJ. ENG.		TITLE		
DATE		RL02 SYSTEM CABLING		
NEXT REVISION		B-DD-RL02-0		
SCALE		SIZE	NUMBER	REV
1:1		D 10	RL02-C-3	C

100% CHECKED
 100% TESTED
 100% ASSEMBLED
 100% SHIPPED

D
 C
 B
 A
 RL02-0-3
 C

AUTOMATED BY PRTLST.3J(25)

PARTS LIST

QUANTITY PER VARIATION
00

LINE ITEM	DOCUMENT NUMBER	PART NUMBER	DESCRIPTION	QUANTITY PER VARIATION
1	D-AD-7012111-0-0	7012111-00	BEZEL ASSY	1
2	D-AD-7012112-0-0	7012112-00	BRUSH DRIVE ASSY	1
3	E-AD-7012114-0-0	7012114-00	DISK MOTOR ASSY	1
4	E-AD-7012115-0-0	7012115-00	FRONT COVER ASSY	1
5	E-AD-7012116-0-0	7012116-00	MAIN CHASSIS ASSY	1
6	D-AD-7012117-0-0	7012117-00	POSITIONER ASSY	1
7	D-AD-7015124-0-0	7015124-00	RL02 R/W BOX ASSY	1
8	D-AD-7015125-0-0	7015125-00	RL02 REAR COVER ASSY	1
9	D-AD-7015116-0-0	7015116-00	SPINDLE ASSY	1
10		9006038-01	SCREW,PAN,PHIL 8-32X 7/16 SS	4
11	D-IA-7015637-0-0	7015637-00	RL02 DATA HEAD "A" UP	1
12	B-AD-7012128-0-0	7012128-00	ACCESS COVER ASSEMBLY	1
13	D-AD-7012130-0-0	7012130-00	POWER PANEL ASSEMBLY	1
14	B-IA-7012139-0-0	7012139-0F	INTERCONNECT CABLE	2
15	B-IA-7014262-0-0	7014262-00	INTERCONNECT CABLE ASSEMBLY	1
16	C-IA-7012140-0-0	7012140-00	POWER HARNESS DC	1
17	B-IA-7012107-0-0	7012107-3D	INTERCONNECT CABLE	1
18	D-MD-7415094-0-0	7415094-00	REAR COVER	1
19	C-MD-7415101-0-0	7415101-00	SPRING, PLENUM COVER	2
20	C-MD-7415297-0-0	7415297-00	FILTER,PAD	1
21	C-MD-7415303-0-0	7415303-00	COVER AC SERVO	1
22	C-MD-7416335-0-0	7416335-00	CABLE RETAINER	1
23	D-MD-7417450-0-0	7417450-00	HATCH	1
24	C-MD-7417454-0-0	7417454-00	BRACKET PLENUM	2
25	C-MD-7417455-0-0	7417455-00	LATCH PLENUM	2
26	D-UA-5411848-0-0	5411848-00	ETCH BRD 54-11848	1
27	D-UA-5413534-0-0	5413534-00	DC SERVO + POWER SUPPLY (RL02)	1
28		9006024-01	SCREW,PAN,PHIL 6-32X 1/2 SS	2
29	D-AD-7012137-0-0	7012137-00	TRANSDUCER ASSY	1
30		1213097-00	FILTER,AIR,HEPA,33CFM	1

REVISION HISTORY			BASIC PART NO:	ORLO2	DRN:	W.GRIMES	DATE:	15 FEB 78	DIGITAL			
ENG!	ECO NUMBER	REV	SECTION A OF A		CHK'D:	W.MAJOR	DATE:	15 FEB 78	TITLE	PARTS LIST		
	RL02-CZ002	A	SECTION. VARIATION INDEX						RL02 DISK DRIVE ASSEMBLY			
BM	RL02-CX003	B	[A] 00									
BM	RL02-CX004	C	[B]		DES.ENG.:	B.MILLER	DATE:	15-MAR-79				
KG	RL02-CX006A	D	[C]							DOCUMENT NUMBER		
KG	RL02-CX008	E	[D]		RESP.ENG.:	B.MILLER	DATE:	15-MAR-79	SIZE	CODE	NUMBER	REV
KG	RL02-CX009	F	[E]									
MZ	RL02-CX010	H	[F]		MFG.ENG.:	D.LICK	DATE:	15 MAR 79	K	PL	RL02-0-DBP	H
			[G]		ASSEMBLY NUMBER:		TOP DOCUMENT NUMBER:		FILE NAME:		EDIT #	
			[H]		E-UA-RL02-0-0		# B-DD-RL02-0		Z0485H.PLS		18	

*THIS DRAWING AND SPECIFICATIONS HEREIN, ARE THE PROPERTY OF DIGITAL EQUIPMENT CORPORATION AND SHALL NOT BE REPRODUCED OR COPIED OR USED IN WHOLE OR IN PART AS THE BASIS FOR THE MANUFACTURE OR SALE OF ITEMS WITHOUT WRITTEN PERMISSION. COPYRIGHT (C) 1980. DIGITAL EQUIPMENT CORPORATION *

AUTOMATED BY PRTLST.3J(25)

PARTS LIST

QUANTITY PER VARIATION
00

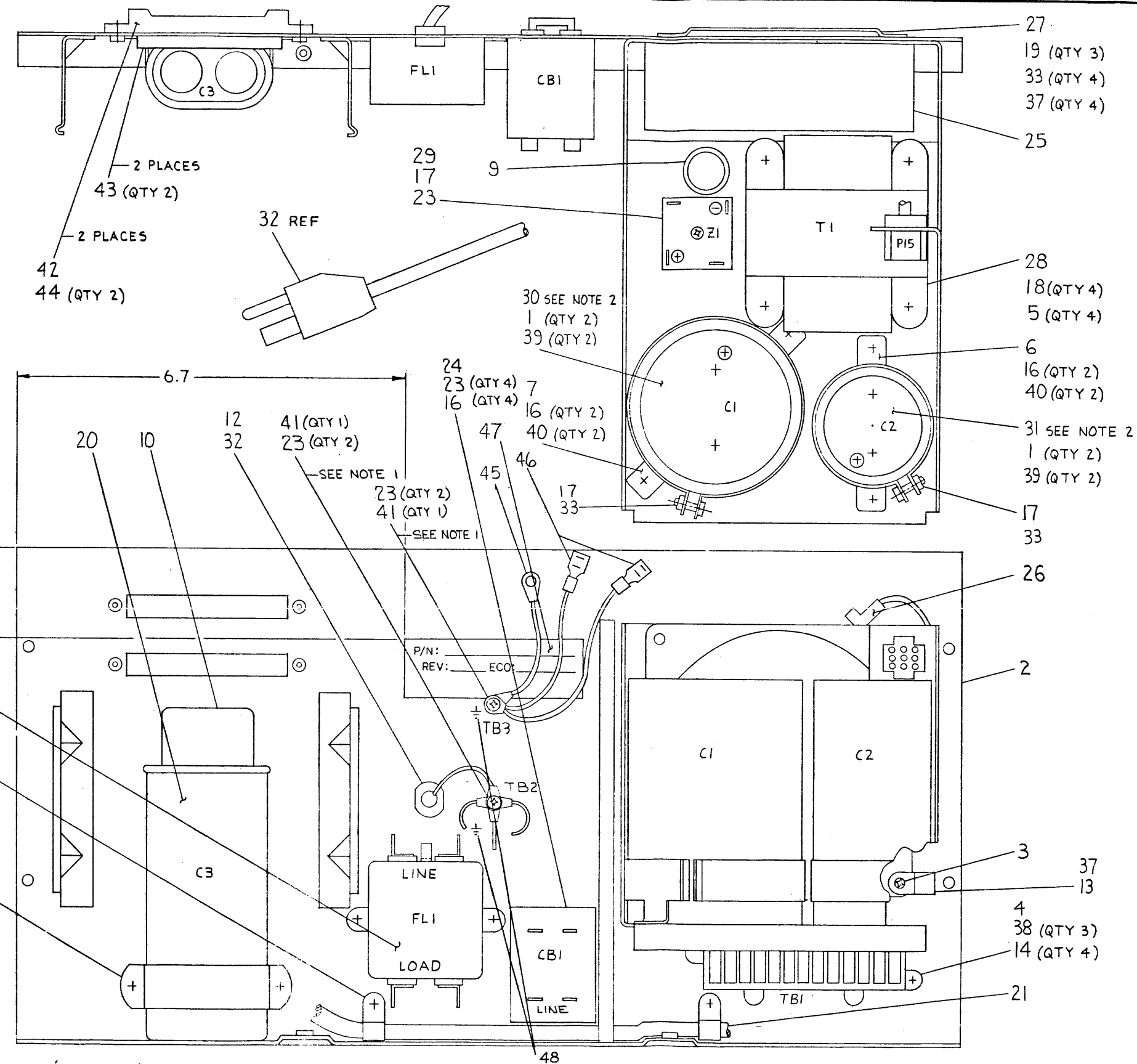
LINE ITEM	DOCUMENT NUMBER	PART NUMBER	DESCRIPTION	QUANTITY PER VARIATION
31		1213369-00	BELT,WOVEN,ENDLESS.375WX27.148LG	1
32		1213686-01	MOUNTING RAIL FOR 12-13686-00	1
33		1214330-00	SPRING,EXTENSION,2.5LGX.360ID	1
34		9006022-01	SCREW,PAN,PHIL 5-32X 3/8 SS	2
35		9006035-01	SCREW,PAN,PHIL 8-32X 1/4 SS	6
36		9006037-01	SCREW,PAN,PHIL 8-32X 3/8 SS	13
37		9006039-01	SCREW,PAN,PHIL 8-32X 1/2 SS	12
38		9006633-00	WASHER,LOCK,INT,.2800D X .146ID	4
39		9006634-00	WASHER,LOCK,INT,.2300D X .172ID	15
40		9006636-00	WASHER,LOCK,INT,.3800D X .200ID	3
41		9007079-00	CLAMP, CABLE, SCREW MNT, 1/8"	4
42		9008955-01	SCREW,PAN,PHIL 10-32X 15/16SS	3
43	D-IA-7015637-0-0	7015637-01	RL02 DATA HEAD "A" DN	1
44		9009884-00	WASHER, FLAT, TEFLON .62 OD X.31	4
45		9009885-00	WASHER, SPRING	2
46	B-MD-7420084-0-0	7420084-00	SHIM, LATCH	A/R
47	C-MD-7416865-0-0	7416865-00	BRACKET LATCH	1
48	D-MD-7420826-0-0	7420826-00	COVER, DC SERVO BOARD	1
49		9006040-01	SCREW,PAN,PHIL 8-32X 5/8 SS	2
50		9006653-00	WASHER, FLAT, .375 O.D. X .156 I	3
51		1214359-00	WASHER,FLAT,S/S .169ID X .620D X	2
52		9006660-00	WASHER, FLAT, .375 O.D. X .187 I	11
53		9009759-00	SCREW,FLAT,PHIL, 8-32X 3/8	2
54		9006454-00	RIVET, BLIND, .156 DIA X .254 LG	10
55	B-MD-7420084-0-0	7420084-01	SHIM LATCH	A/R
56		3700406-00	INSTR PKG DISK RL01 DRIVE	1
57		9007649-00	WASHER, LOCK, EXTERNAL TOOTH #6	5
58		9006021-01	SCREW,PAN,PHIL 6-32X 5/16 SS	4
59		9008072-00	WASHER, LOCK, EXTERNAL TOOTH #8	21
60		9009974-00	WASHER, FLAT, METAL,.62 O.D. X	2
61		3613209-03	LABEL,ELECTRICAL DATA VARIATIO	1
62	D-MD-7420068-0-0	7420068-00	SHIELD POSITIONER	1
63		3614783-00	LABEL,ADH BACK "DANGER HIGH VOLT	1
64	A-DC-7416197-0-0	7416197-02	DECAL, LA36	1
65		3613211-01	DECAL,CLEAR PREPRINTED CSA 1-1/4	1
66		3615687-00	LABEL,ADHESIVE BACK FOR RL02	1
67		3615393-05	LABEL,RUB-ON,RL02	1
68		3616643-00	LABEL,CAUTION	1
69		9006418-01	SCREW,TAPPING,TYPE TT,PAN,PHIL,	2
70	B-MD-7422834-0-0	7422834-00	INSULATOR,HEAD CABLE	1
71		9009023-00	WASHER,LOCK,INT,.3300D X .172ID	2
72	C-IA-7017608-0-0	7017608-00	*** THIS ITEM IS NOT USED ***	-
73	B-IA-7017609-0-0	7017609-00	*** THIS ITEM IS NOT USED ***	-

DIGITAL			TITLE	SECTION A OF A	SIZE	CODE	DOCUMENT NUMBER	REV
DIGITAL			RL02 DISK DRIVE ASSEMBLY	SECTION A OF A	K	PL	RL02-0-DBP	H

"THIS DRAWING AND SPECIFICATIONS, HEREIN, ARE THE PROPERTY OF DIGITAL EQUIPMENT CORPORATION AND SHALL NOT BE REPRODUCED OR COPIED OR USED IN WHOLE OR IN PART AS THE BASIS FOR THE MANUFACTURE OR SALE OF ITEMS WITHOUT WRITTEN PERMISSION. COPYRIGHT © 1978, DIGITAL EQUIPMENT CORPORATION"

REV. 10-0-001310Z (M) 2

NOTES:
 1. INT TOOTH LOCK WASHERS (ITEM 23) ARE USED OVER AND UNDER GROUND TERMINALS.
 2. ORIENT TERMINALS AS SHOWN.



CAUTION: OFF SHEET PARTS LIST EXISTS. SEE K-PL-7012130-0-DBP (ZØ849)

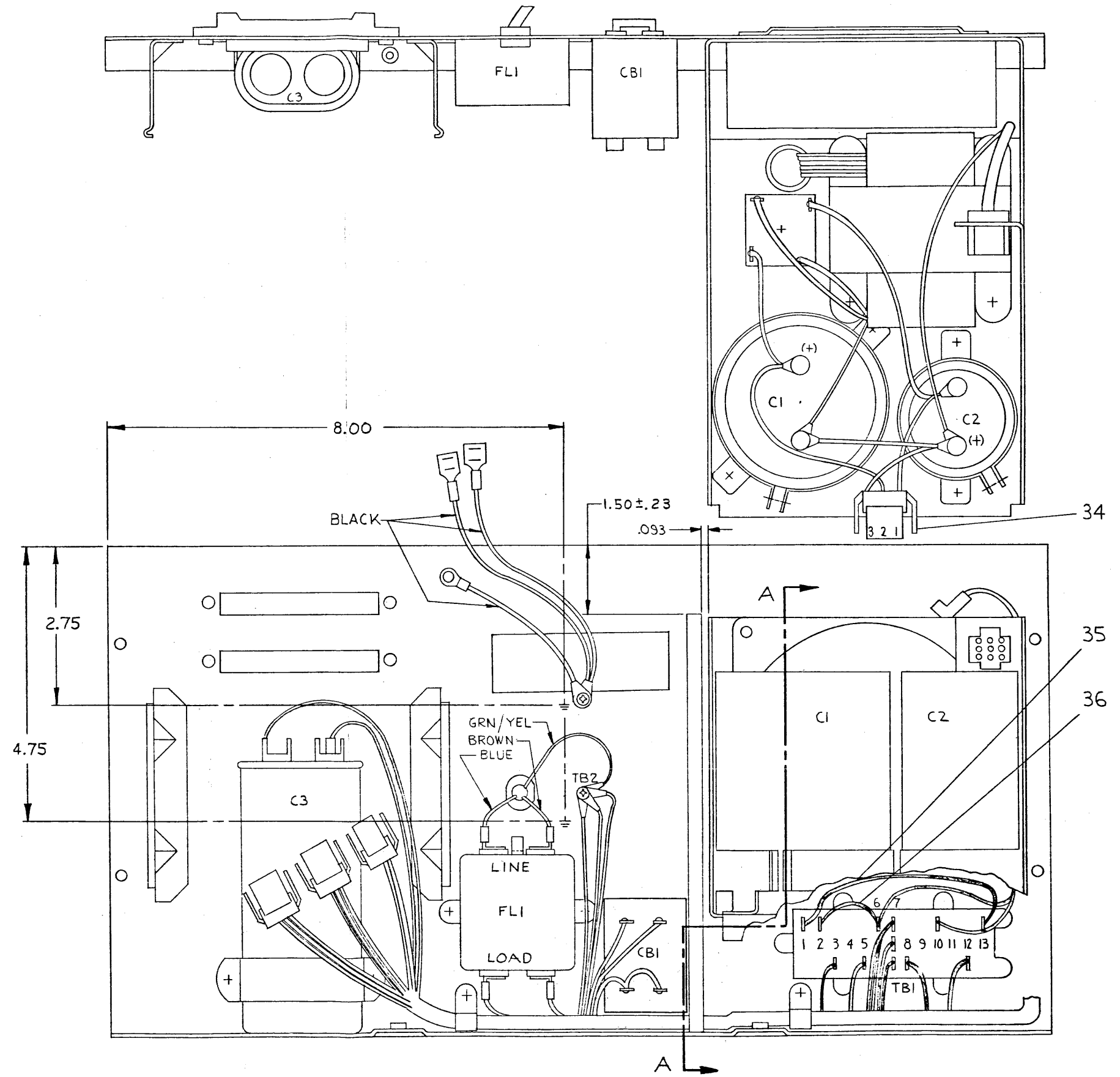
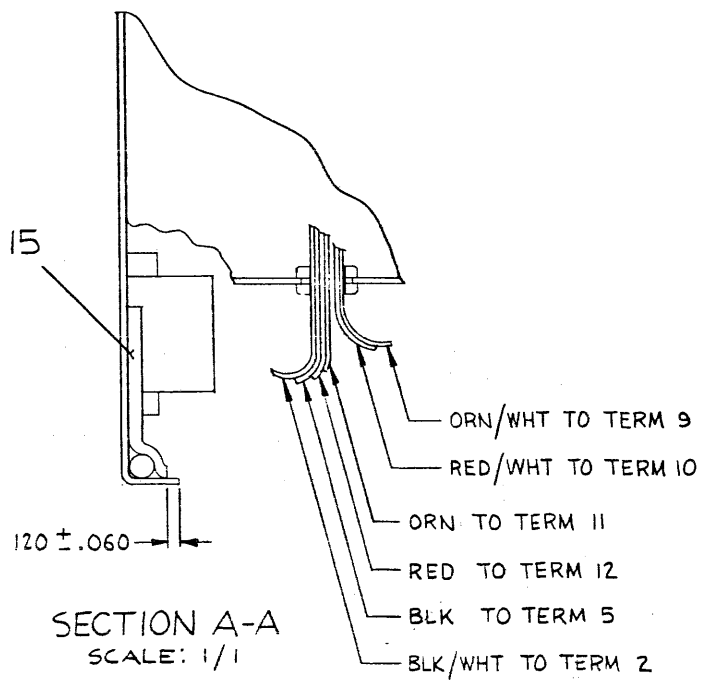
REV.	CHANGE NO.	DESCRIPTION	DATE
A	1	RELEASED AT REV. A	
B	2	PREVIOUS REV XØ8	
C	3	7012130-0001 G. REICHERBERG	
D	4	7012130-0002 G. SCHNEIDER	
E	5	RLØ1-ØØØØ9 G. SCHNEIDER	
F	6	7012130-CXØØ3 K. GUENZEL	
G	7	7012130-CXØØ4 G. REICHERBERG	
H	8	7012130-CXØØ5 G. REICHERBERG	
I	9	RLØ1-CZØØ8 K. GUENZEL	
J	10	7012130-CZØØ6 K. GUENZEL	
K	11	7012130-CZØØ7 K. GUENZEL	
L	12	7012130-CZØØ8 K. GUENZEL	
M	13	7012130-CZØØ9 K. GUENZEL	
N	14	7012130-CXØØØ K. GUENZEL	
P	15	7012130-CXØØØ K. GUENZEL	
R	16	RLØ2-CXØØØ K. GUENZEL	
S	17	7012130-CXØØØ K. GUENZEL	
T	18	RLØ2-CXØØØ M. ZARICH	
U	19	7012130-CXØØØ D.C. 30 JUL 80 K. GUENZEL	
V	20	705 7012130-CXØØØ L. WALENTA	

QUANTITY & VARIATION		DESCRIPTION	DWG./PART NO.	ITEM NO.
UNLESS OTHERWISE SPECIFIED DIMENSIONS ARE IN INCHES				
ANGLES 90°/30°		CLASS OF ACCURACY	NOMINAL DIMENSION RANGE INCHES	
SURFACE QUALITY IN		(CHECK ONE)	OVER 0 TO 0.2	OVER 0.2 TO 1.2
MICROINCHES		MEDIUM	OVER 1.2 TO 4.0	OVER 4.0 TO 12.0
		PREFERRED	OVER 12.0 TO 40.0	OVER 40.0 TO 80.0
			±.004 ±.008 ±.012 ±.016 ±.024 ±.04	±.04 ±.08 ±.012 ±.016 ±.025 ±.04 ±.063 ±.01
THIRD ANGLE PROJECTION		DRN. D. VALERIO	FIRST USED ON	
REMOVE BURRS AND BREAK SHARP CORNERS		CHK'D G. SCHNEIDER	RLØ1 digital	
DO NOT SCALE DWG		ENG. G. SCHNEIDER	TITLE	
NEXT HIGHER ASSY.		PROJ. ENG. R. ARNOLD	POWER PANEL ASSY	
MATERIAL SEE PARTS LIST		PROD. R. YLANEC	SIZE CODE NUMBER REV.	
FINISH			D AD7012130-0-0 'V	
SHEET OF 3			DIST.	

"THIS DRAWING AND SPECIFICATIONS HEREIN ARE THE PROPERTY OF DIGITAL EQUIPMENT CORPORATION AND SHALL NOT BE REPRODUCED OR COPIED OR USED IN WHOLE OR IN PART AS THE BASIS FOR THE MANUFACTURE OR SALE OF ITEMS WITHOUT WRITTEN PERMISSION. COPYRIGHT © 1972 DIGITAL EQUIPMENT CORPORATION"

NOTES:

1. INPUT VOLTAGE 50 OR 60 HZ
90-110, 105-128 VAC
180-220, 210-256 VAC
2. OUTPUT VOLTAGE ± 11.5 VDC MIN AT MIN POINT OF THE RIPPLE. 18 VDC MAX AT HIGH LINE. (MAX OF 25 VDC AT HIGH LINE NO LOAD).
3. OUTPUT CURRENT: POSITIVE OUTPUT
2.5 AMP CONTINUOUS
3.5 AMP PULSE "25 MS"
NEGATIVE OUTPUT
.25 AMP CONTINUOUS
3.5 AMP PULSE "25 MS"
PULSE CURRENT ON ALTERNATE OUTPUT AT A 65 MS OUT CYCLE.
4. OUTPUT RIPPLE AT 110 VOLTS
A. NO LOAD 100 MV P/P
B. +2.5 A 600 MV P/P
-.25 A 300 MV P/P
C. +2.5 A 600 MV P/P
-3.75 A 1.5 V DURING PULSE
RIPPLE AT 90 V RMS
+2.5 A 500 MV
-3.75 A 2 V
+6 A 900 MV
-.25 A 400 MV
5. HIGH POT TEST PER UL 478
CONNECT BOTH AC LEADS TO THE POSITIVE TERMINAL OF THE SUPPLY AND GRN WIRE GROUND TO THE NEGATIVE TERMINAL OF THE SUPPLY. CLOSE CIRCUIT BREAKER AND INCREASE VOLTAGE TO 1750 VDC, ANY CURRENT INDICATES FAILURE.



REVISIONS		
CHK	CHANGE NO.	REV.

TITLE	POWER PANEL ASSY	SIZE CODE	DAD7012130-0-0	NUMBER	0-0-0	REV.	V
SCALE:	1/1	SHEET	2 OF 3	DIST.			

LINE ITEM	DOCUMENT NUMBER	PART NUMBER	DESCRIPTION	QUANTITY PER VARIATION
1	1	9006070-01	SCREW,PAN,PHIL 10-32X 5/16 SS	4
2	2	D-IA-7416326-0-0	CHASSIS	1
3	3	9006028-01	SCREW,PAN,PHIL 6-32X1 SS	1
4	4	C-AD-7012127-0-0	7012127-00	1
5	5	9008072-00	CHASSIS ASSY	4
6	6	1210430-00	WASHER, LOCK, EXTERNAL TOOTH #8	1
7	7	1210431-00	BRACKET,CAPACITOR,2"	1
8	8	1213156-01	BRACKET,CAPACITOR,3-1/16"	1
9	9	9007016-00	BRACKET,CAPACITOR,WRAP-AROUND	1
10	10	1213683-00	GROMMET, RUBBER	1
11	11	9007113-00	BOOT,CAPACITOR,RUBBER	1
12	12	9009768-01	*** THIS ITEM IS NOT USED ***	-
13	13	9007082-00	BUSHING,STRAIN RELIEF .280-.393W	1
14	14	9009800-01	CLAMP,CABLE,SCREW MTD. 5/16"	3
15	15	9009059-01	SCREW,PAN,PHILLIPS, 6X7/8 SELF-	4
16	16	9006020-01	TAPE,FOAM, 1/2W X 1/4THK W/ ADH	A/R
17	17	9006023-01	SCREW,PAN,PHIL 6-32X 1/4 SS	12
18	18	9006036-01	SCREW,PAN,PHIL 6-32X 7/16 SS	3
19	19	9006027-01	SCREW,PAN,PHIL 8-32X 5/16 SS	4
20	20	1013102-00	SCREW,PAN,PHIL 6-32X 7/8 SS	3
21	21	D-IA-7012108-0-0	10 MFD 370VAC 6% PAPER/OIL	1
22	22	7012108-00	POWER PANEL HARNESS	1
23	23	1215360-00	FILTER,LINE,115/250V,47-400HZ, F	1
24	24	9006633-00	WASHER,LOCK,INT,.2800D X .146ID	11
25	25	1216827-00	CKT BKR 2.5 A 250V 2P MAGNETIC	1
26	26	B-IA-7012110-0-0	FAN,115CFM,SLEEVE BRNG	1
27	27	7012110-00	HARNESS AC-TB	1
28	28	1210263-00	GUARD,FINGER 4.125 X 4.125 MTG H	1
29	29	1613897-00	XFMR P=AB S=11.506A	1
30	30	1110051-00	DM 16 ASSY@200V 2 25A #990-3	1
		1013530-00	66,000 MFD 30V +75-10% AL EL	1

REVISION HISTORY	BASIC PART NO:	ORLO1	DRN:	D. MELCHOIR	DATE: 12-AUG-76	D I I G I T A L
ENG! ECD NUMBER	REV	SECTION A OF A	CHK'D:	G. SCHNEIDER	DATE: 24-AUG-77	TITLE PARTS LIST
KG 7012130-CX010	IP	SECTION. VARIATION INDEX	DES.ENG.:	G. SCHNEIDER	DATE: 24-AUG-77	DOCUMENT NUMBER
KG RL02-CX008	IR	[A] 00	RESP.ENG.:	P. ARNOLD	DATE: 30-AUG-77	SIZE CODE NUMBER REV
KG 7012130-CX011	IS		MFG.ENG.:	B. RYLANDER	DATE: 30-AUG-77	K PL 7012130-0-DBP V
MZ RL02-CX010	IT	[B]	ASSEMBLY NUMBER:		TOP DOCUMENT NUMBER:	FILE NAME: EDIT #
KG 7012130-CX012	IU	[C]	ID-AD-7012130-0-0		B-DD-RL02-0	Z0849V.PLS 17
IW 7012130-CX013	Iv	[D]				
		[E]				
		[F]				

"THIS DRAWING AND SPECIFICATIONS HEREIN, ARE THE PROPERTY OF DIGITAL EQUIPMENT CORPORATION AND SHALL NOT BE REPRODUCED OR COPIED OR USED IN WHOLE OR IN PART AS THE BASIS FOR THE MANUFACTURE OR SALE OF ITEMS WITHOUT WRITTEN PERMISSION. COPYRIGHT (C) 1980. DIGITAL EQUIPMENT CORPORATION"

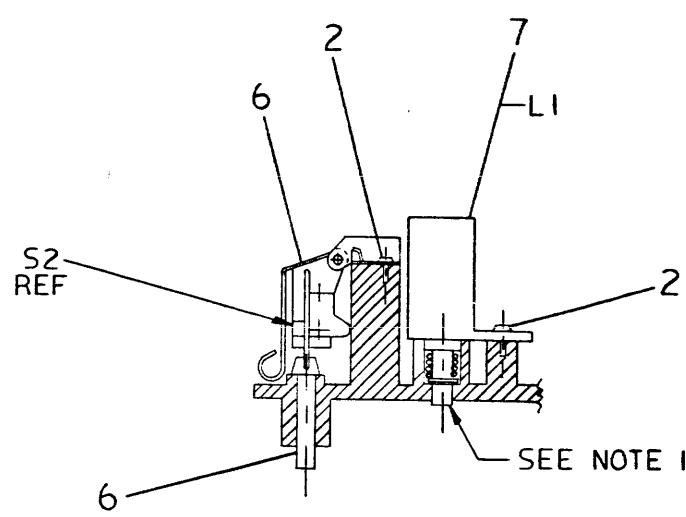
LINE ITEM	DOCUMENT NUMBER	PART NUMBER	DESCRIPTION	QUANTITY PER VARIATION
31	31	1013531-00	20,000 MFD 40V +75-10% AL EL	1
32	32	B-IA-7012109-0-0	7012109-00	1
33	33	9006560-00	POWER HARNESS	1
34	34	C-IA-7012142-0-0	NUT,KEP , 6-32 X5/16AF	6
35	35	B-IA-7012125-0-0	7012142-00	1
36	36	B-IA-7012125-0-0	CABLE	1
37	37	9006653-00	INTERCONNECT CABLE	1
38	38	9009800-06	TB INTERCONNECTOR HARNESS	1
39	39	9006635-00	WASHER, FLAT, .375 O.D. X .156 I	7
40	40	9007649-00	SCREW,PAN,PHILLIPS, 6X.38	3
41	41	9006021-01	WASHER,LOCK,INT,.3100D X .200ID	4
42	42	1211591-35	WASHER, LOCK, EXTERNAL TOOTH #6	8
43	43	1211591-38	SCREW,PAN,PHIL 6-32X 5/16 SS	4
44	44	9008301-01	CONN,ZIF 40PIN RCPT ASSY	2
45	45	B-IA-7017609-0-0	CONN,ZIF 40PIN RCPT,SWAP IN GU	4
46	46	C-IA-7017608-0-0	SCREW,PAN,PHIL 4-40X 1/4 SS	4
47	47	9009255-00	GROUND HARNESS	1
48	48	3612680-00	GROUND HARNESS	1
			LABEL, POWER SUPPLY, 2-15/16 " L	1
			DECAL, GROUND SIGN PER 3E6 *	2

D I I G I T A L	TITLE	SECTION A OF A	SIZE CODE	DOCUMENT NUMBER	REV
	POWER PANEL ASSEMBLY		K PL	7012130-0-DBP	V

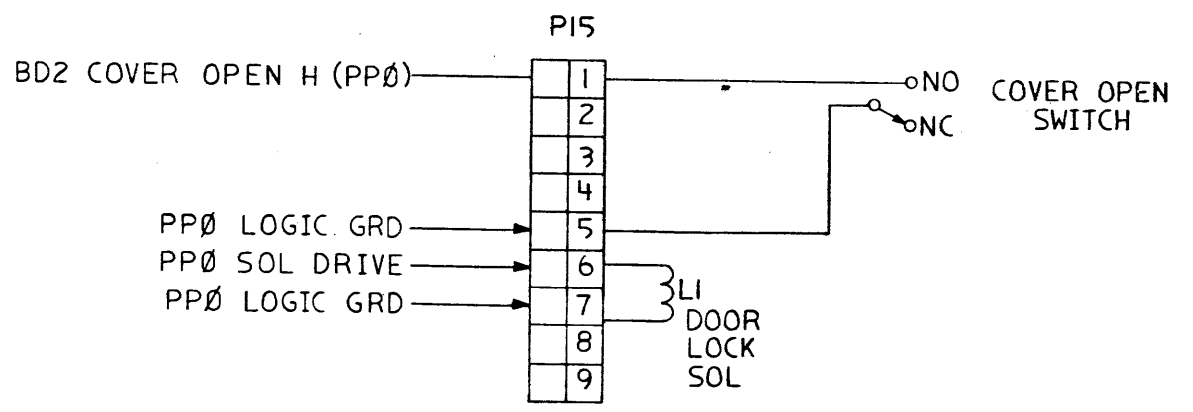
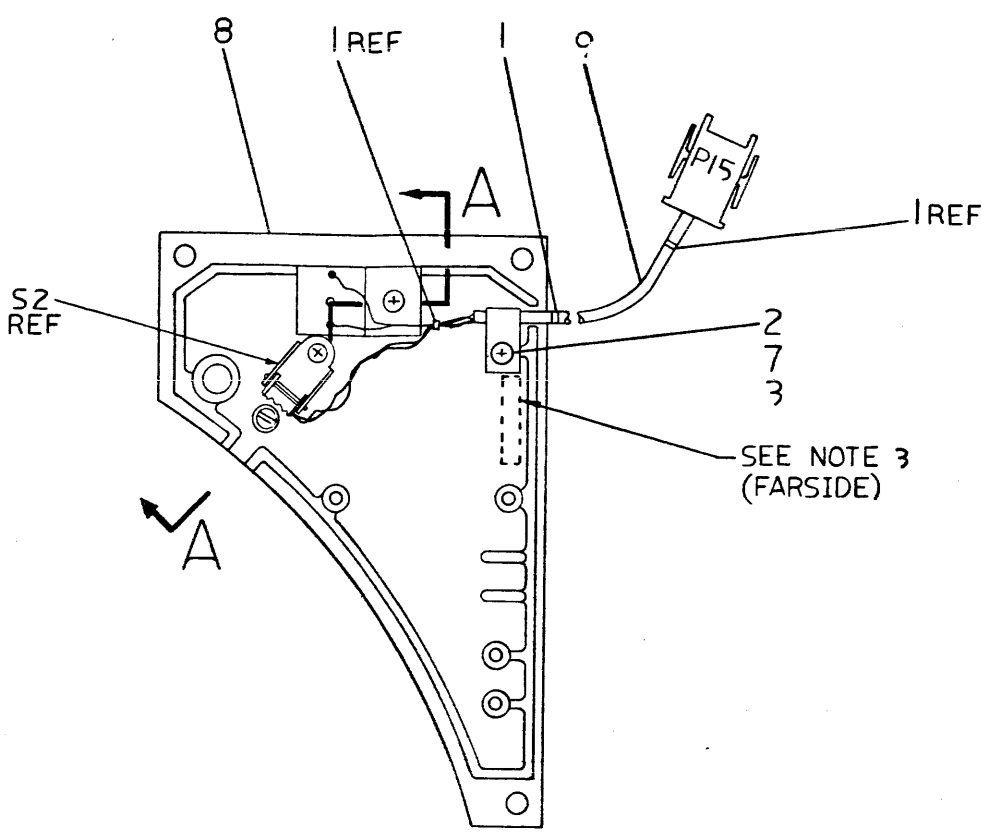
THIS DRAWING AND SPECIFICATIONS, HEREIN, ARE THE PROPERTY OF DIGITAL EQUIPMENT CORPORATION AND SHALL NOT BE REPRODUCED OR COPIED OR USED IN WHOLE OR IN PART AS THE BASIS FOR THE MANUFACTURE OR SALE OF ITEMS WITHOUT WRITTEN PERMISSION.
 COPYRIGHT © 1980 DIGITAL EQUIPMENT CORPORATION

NOTES:

1. PLUNGER OF SOLENOID, COVER LOCK (ITEM 5) MUST MOVE FREELY. WHEN ASSEMBLY IS POSITIONED IN "UP" POSITION (TIP OF PLUNGER POINTING UP) A D C VOLTAGE OF 6.9 VOLTS SHALL PULL THE PLUNGER DOWN.
2. CONNECT LEADS OF SOLENOID, COVER LOCK (ITEM 5) TO PINS 6 & 7 OF CONNECTOR BODY (PI5). DRESS WIRES AND TIE TO COVER, SWITCH HARNESS (ITEM 9) WITH TIE, CABLE (ITEM 1) AS SHOWN.
3. PART TO BE MARKED WITH PART NO. (7016991-00) AND LATEST REVISION LETTER IN AREA SHOWN (FARSIDE).



SECTION A-A



CIRCUIT SCHEMATIC

CAUTION: OFF SHEET PARTS LISTS EXISTS.
 SEE K-PL-7016991-0-DBP (Z0984).

DATE	ECO NUMBER	REV
582		*
RELEASED TO ECO CONTROL PER ECO PLAN CX/48 AT REV * K.D. 1 OCT 80 K. GUENZEL		

DESCRIPTION		DRAWING NO.	PART NO.	ITEM NO.				
UNLESS OTHERWISE SPECIFIED DIMENSIONS ARE IN INCHES AND THE FOLLOWING TOLERANCES APPLY (PER DEC STD 114)								
INCHES TOLERANCES	ANGLES ± 0°30'	APPLICABLE DIMENSION RANGE (CHECK ONE)	DIMENSION RANGE IN INCHES					
			OVER 0 TO 0.2	OVER 0.2 TO 1.2	OVER 1.2 TO 4.0	OVER 4.0 TO 12.0	OVER 12.0 TO 40.0	OVER 40.0 TO 60.0
X = ± .1	SURFACE QUALITY	<input type="checkbox"/>	± .02	± .03	± .05	± .10		
.XX = ± .02		<input type="checkbox"/>	± .004	± .008	± .012	± .016	± .024	
.XXX = ± .005		<input type="checkbox"/>	MICRONS					
THIRD ANGLE PROJECTION	DRN <i>K. Guenzel</i>	DATE 1 OCT 80	TITLE digital SWITCH COVER ASSY					
DO NOT SCALE DRAWING	CHK'D <i>P. E. ...</i>	DATE 22 OCT 80	DOCUMENT NUMBER					
REMOVE BURRS AND BREAK SHARP CORNERS	DESIGN <i>John ...</i>	DATE 22 OCT 80	SIZE	CODE	NUMBER	REV.		
MATERIAL	RESP'G <i>John ...</i>	DATE 22 OCT 80	D	A	D	7016991-0-0		
SEE PARTS LIST	MSG'G <i>John ...</i>	DATE	SCALE 1/1	SHEET	OF	*		
FINISH	NEXT HIGHER DOC	DATE	E-UA-RL01-0-0					

REV *
 NUMBER 0-0
 DAD 7016991-0-0
 SIZE CODE

LINE	ITEM	DOCUMENT NUMBER	PART NUMBER	DESCRIPTION	QUANTITY PER VARIATION
1	1		9007031-00	TIE,CABLE BUNDL.DIA 0- 3/4"=101	3
2	2		9009800-06	SCREW,PAN,PHILLIPS, 8X.38	3
3	3		9007081-00	CLAMP,CABLE,SCREW MTD. 1/4"	1
4	4	C-AD-7012132-0-0	7012132-00	CARTRIDGE SENSE SWITCH ASSY.	1
5	5	C-PS-1213204-0-0	1213204-00	SOLENOID,COVER LOCK	1
6	6	B-MD-7416858-0-0	7416858-00	CART SENSE PLUNGER	1
7	7		9006653-00	WASHER, FLAT, .375 O.D. X .156 I	1
8	8	E-IA-7415224-0-0	7415224-00	COVER BRUSH DRIVE	1
9	9	C-IA-7017333-0-0	7017333-00	COVER, SWITCH HARNESS	1

REVISION HISTORY		BASIC PART NO: 7016991		DRN:	K. DAVIS	DATE: 1 OCT 80	D I G I T A L		
ENG	ECO NUMBER	REV	SECTION A OF A	CHK'D:	<i>D Miller</i>	DATE: 20 OCT 80	TITLE	PARTS LIST	
KG	RL01-CX048 W. MAJOR FOR K. GUENZEL	*	SECTION, VARIATION INDEX [A] 00	DES.ENG.:	<i>Ivan Walenta</i> K. GUENZEL	DATE: 22 OCT 80	SWITCH COVER ASSY		
			[B]	RESP.ENG.:	<i>Ivan Walenta</i> I. WALENTA	DATE: 22 OCT 80	DOCUMENT NUMBER		
			[C]	MFG.ENG.:	<i>J. Bland</i> J. BLAND	DATE: 22 OCT 80	SIZE CODE	NUMBER	REV
			[D]	ASSEMBLY NUMBER:	D-AD-7016991-0-0	TOP DOCUMENT NUMBER:	#B-DD-RL01-0	FILE NAME:	Z0984*.PLS
			[E]						EDIT #
			[F]						6

*THIS DRAWING AND SPECIFICATIONS HEREIN, ARE THE PROPERTY OF DIGITAL EQUIPMENT CORPORATION AND SHALL NOT BE REPRODUCED OR COPIED OR USED IN WHOLE OR IN PART AS THE BASIS FOR THE MANUFACTURE OR SALE OF ITEMS WITHOUT WRITTEN PERMISSION. COPYRIGHT (C) 1980, DIGITAL EQUIPMENT CORPORATION *

LINE ITEM	DOCUMENT NUMBER	PART NUMBER	DESCRIPTION	QTY PER VARIATION	REFERENCE DESIGNATOR
1	1	D-MD-5013535-0-0	5013535-00	ETCHED CIRCUIT BD	1
2	2		1001610-00	.01 MFD 50V -20+80 Z5U AXIAL	17
3	3		1005306-00	4.8MFD 35V 10% S.TANT	4
4	4		1013466-14	82.0 MMF 50V 5% CER	2
5	5		1013466-06	100.0 MMF 50V 5% CER	1
6	6		1013466-05	56.0 MMF 50V 5% CER	1
7	7		1013466-07	220.0 MMF 50V 5% CER	5
8	8		1013466-09	1000.0 MMF 50V 10% CER	1
9	9		1013466-11	.22 MFD 50V +80/-20% CER	2
10	10		1013466-15	1200.0 MMF 50V 5% CER	3
11	11		1109943-00	1N 4733A VZ= 5.1 5% 1W Y	2
12	12		1113953-00	1N 5523D VZ= 5.1 1% 1	1
13	13		1100122-00	1N 748A VZ= 3.9 5% 1	1
14	14		1111577-00	1N 4454 TR= 4NS PIV= 50 S	11
15	15		1300250-00	150.0 .25 W 5.0 % CC	1
16	16		1300229-00	100.0 .25 W 5.0 % CC	5
17	17		1300232-00	100.0 1.0 W 5.0 % CC	2
18	18		1300247-00	120.0 .25 W 5.0 % CC	1
19	19		1300365-00	1.0 K .25 W 5.0 % CC	8
20	20		1300444-00	3.90 K .25 W 5.0 % CC	1
21	21		1300447-00	4.70 K .25 W 5.0 % CC	3
22	22		1301775-00	820.0 .25 W 5.0 % CC	1
23	23		1301317-00	10.0 .25 W 5.0 % CC	1
24	24		1302612-00	1.78 K 1/4W 1% RN55D-F 100PPM	2
25	25		1300195-00	33.0 .50 W 5.0 % CC	2
26	26		1304725-00	300 1/4W 1% RN55D-F 100PPM	1
27	27		1312930-00	5.10 K .25 W 5.0 % CC	2
28	28		1301424-00	680.0 .25 W 5.0 % CC	4
29	29		1302391-00	20.0 K .25 W 5.0 % CC	1
30	30		1300426-00	2.70 K .25 W 5.0 % CC	1

REVISION HISTORY		BASIC PART NO: 13536		DRN:	JERRY BEST	DATE:	14-AUG-78	D I I G I T A L	
ENG	ECO NUMBER	REV	SECTION A OF A	CHK'D:	L. ROOHR	DATE:	14-AUG-78	TITLE	PARTS LIST
	INIT	A	SECTION VARIATION INDEX	DES.ENG:	B. NOGUCHI	DATE:		DOCUMENT NUMBER	
IMZ	5413536-CX001	B	EA] 00	RESP.ENG.:	B. NOGUCHI	DATE:	14-AUG-78	SIZE	CODE
	M. ZARICH W.C.M.		[B]	IMFG.ENG.:	P. CHURCH	DATE:		K	PL
	17 JAN 80		[C]	ASSEMBLY NUMBER:		TOP DOCUMENT NUMBER:		5413536-0-DBP	B
			[D]	ID-UA-5413536-0-0		FILE NAME:		Z1091B.PLS	7
			[E]			EDIT #			
			[F]						
			[G]						
			[H]						
			[I]						
			[J]						
			[K]						
			[L]						
			[M]						
			[N]						

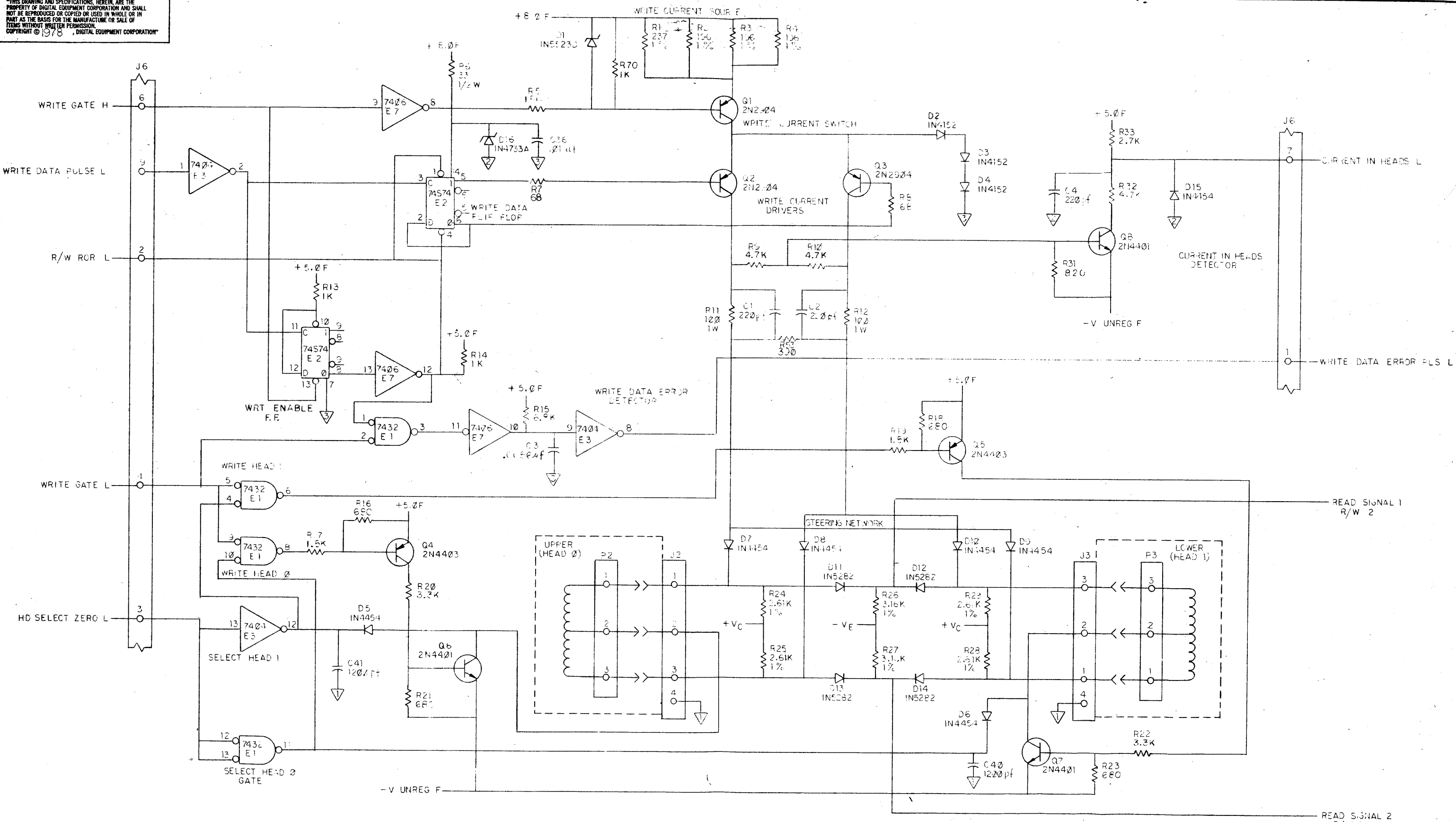
*THIS DRAWING AND SPECIFICATIONS HEREIN ARE THE PROPERTY OF DIGITAL EQUIPMENT CORPORATION AND SHALL NOT BE REPRODUCED OR COPIED OR USED IN WHOLE OR IN PART AS THE BASIS FOR THE MANUFACTURE OR SALE OF ITEMS WITHOUT WRITTEN PERMISSION. COPYRIGHT (C) 1980. DIGITAL EQUIPMENT CORPORATION *

LINE ITEM	DOCUMENT NUMBER	PART NUMBER	DESCRIPTION	QTY PER VARIATION	REFERENCE DESIGNATOR
31	31	1302956-00	196 1/4W 1% RN55D-F 100PPM	3	R2,R3,R4
32	32	1300439-00	3.30 K .25 W 5.0 % CC	2	R20,R22
33	33	1305143-00	825 1/4W 1% RN55D-F 100PPM	2	R44,R45
34	34	1303303-00	2.61 K 1/4W 1% RN55D-F 100PPM	4	R24,R25,R28,R29
35	35	1302645-00	1.1 K 1/4W 1% RN55D-F 100PPM	1	R61
36	36	1301477-00	82.0 .25 W 5.0 % CC	1	R68
37	37	1301322-00	180.0 .25 W 5.0 % CC	2	R37,R38
38	38	1313469-00	240.0 .25 W 5.0 % CC	1	R34
39	39	1303045-00	3.16 K 1/4W 1% RN55D-F 100PPM	2	R26,R27
40	40	1501913-00	2N 2904A PNP 400MW SI 60 40 Y	3	Q1-Q3
41	41	1513489-00	2N 4401 NPN 350MW SI 40 20	3	Q6-Q8
42	42	1513490-00	2N 4403 PNP 350MW SI-40 30	2	Q4,Q5
43	43	1210001-00	HEAT SINK BLACK	3	
44	44	9007201-00	TRANSIPADS \$10253	3	
45	45	9008269-00	COMPOUND, THERMAL JOINT	\$ A/R	
46	46	1611257-01	CHOKE(CERAMIC BEAD)AXIAL LEAD,ON	1	L6
47	47	1613898-01	33.0 UH INDUCTOR	4	L2-L5
48	48	1613898-02	39.0 UH INDUCTOR	1	L1
49	49	1910268-00	DEC 75107B RECEIVER,LINE,DUAL,	1	E8
50	50	1909686-00	7404 INVERTER GATE-HEX 1I	1	E3
51	51	1910544-00	74S74 FF-D DUAL,EDGE TRIGG	1	E2
52	52	1910644-00	733 DIFFERENTIAL AMP,WID	2	E9,E10
53	53	1910741-00	7406 INVERTER GATE-HEX 1I	1	E7
54	54	1911521-00	7432 OR GATE-QUAD 2IN, PO	1	E1
55	55	1910268-01	DEC 75107B-01 RECEIVER,LINE,DUA	2	E5,E4
56	56	1910725-00	75108B RECEIVER,LINE,DUAL,	1	E6
57	57	1209941-06	HEADER,100 20POS RT ANGLE	1	J6
58	58	1209941-03	HEADER RT ANGLE LEFT L	1	
59	59	1209941-04	HEADER RT ANGLE,RIGHT	1	
60	60	1210385-01	FIN 1POS WIRE WRAP	8	
61	61	9007791-00	TERM PCB 2POS SOLDER,TURRET	2	TP1,TP2
62	62	1303067-00	422 1/4W 1% RN55D-F 100PPM	2	R42,R43
63	63	1300219-00	68.0 .25 W 5.0 % CC	4	R7,R8,R47,R57
64	64	1301423-00	6.80 K .25 W 5.0 % CC	3	R15,R64,R67
65	65	1300391-00	1.50 K .25 W 5.0 % CC	2	R17,R19
66	66	1114117-00	1N 4152 PIV=450 I=75M	3	D2-D4
67	67	1113003-00	1N 52B2 PIV=55 I=500M D035	4	D11-D14
68	68	1015673-01	5600.0 MMF 50V 5% CER. \$	5	C3,C6,C7,C13,C14
69	69	1304857-00	237 1/4W 1% RN55D-F 100PPM	1	R1
70	70	1300309-00	390.0 .25 W 5.0 % CC	1	R53
71	71	1013466-17	150 MMF 50V 5% CER	2	C15,C44
72	72	1309150-07	2 K 1/2W10% POT 100PPM	2	R40,R41
73	73	9009185-00	JUMPER, WIRE, INSULATED, BLACK B	2	W1,W2
74	74	1217377-00	TERM QUICK 1POS TAB PC MNT	1	J7

***** UNDERGOING CHANGE *****

D I I G I T A L		TITLE	SECTION A OF A	SIZE	CODE	DOCUMENT NUMBER	REV
		READ/WRITE BOARD		K	PL	5413536-0-DBP	B

THIS DRAWING AND SPECIFICATIONS, HEREIN, ARE THE PROPERTY OF DIGITAL EQUIPMENT CORPORATION AND SHALL NOT BE REPRODUCED OR COPIED OR USED IN WHOLE OR IN PART AS THE BASIS FOR THE MANUFACTURE OR SALE OF ITEMS WITHOUT WRITTEN PERMISSION.
 COPYRIGHT © 1978, DIGITAL EQUIPMENT CORPORATION

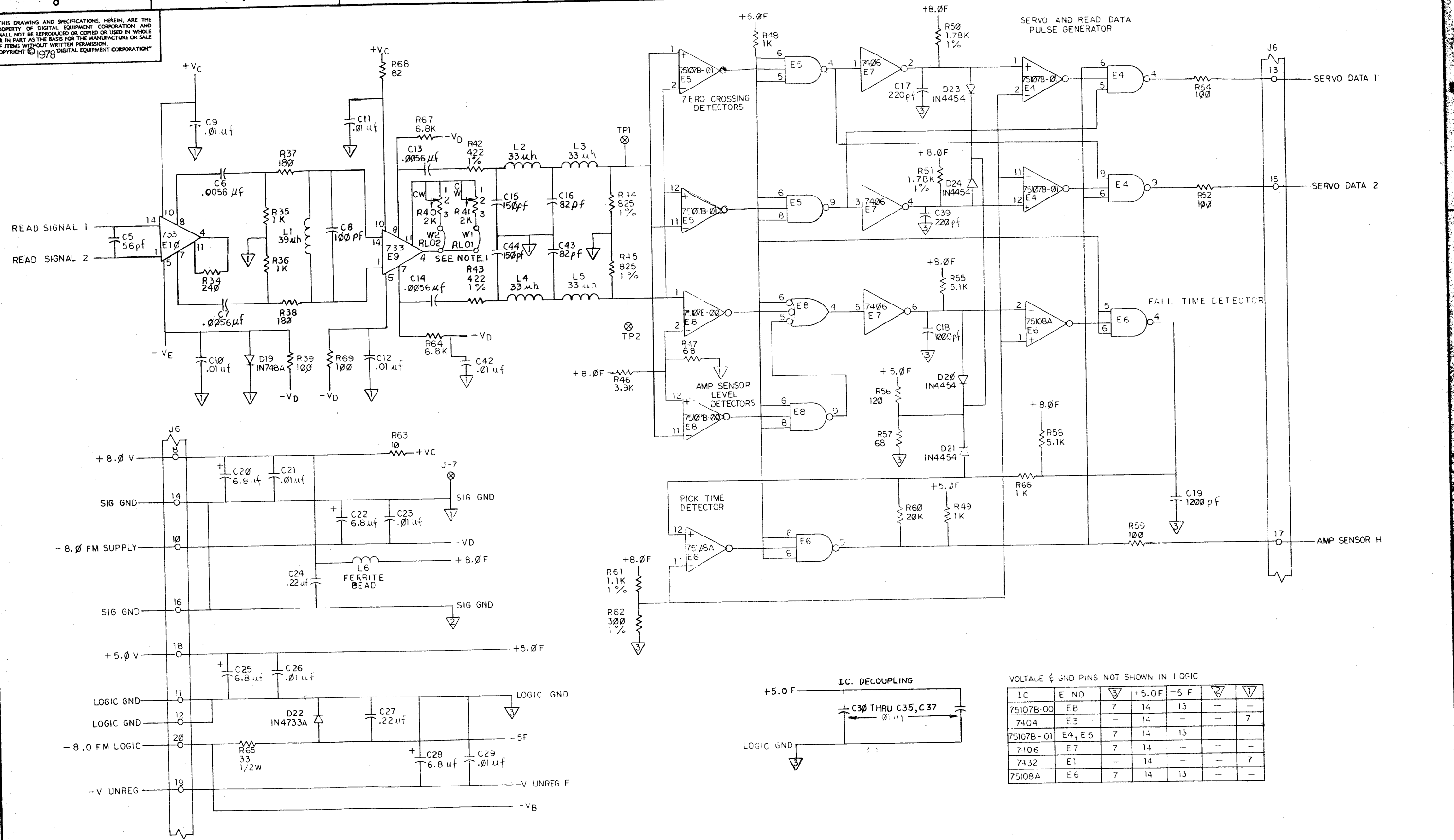


NOTE:
 1. FOR RLO1 CUT W2 AND LEAVE IN W1.
 FOR RLO2 CUT W1 AND LEAVE IN W2.

REV.	DATE	BY	CHK
B			
A			

DRN. E. Nichols	1/11/78	FIRST USED ON	RLO2	digital
CHK'D L. Roshan	3/8/78	TITLE	READ/WRITE BOARD	
ENG. R. Z. ...	4/18/78	PROJECT	...	
PROD. ENGINEER	
SCALE	1 OF 2	SIZE CODE	D	NUMBER
SHEET	1 OF 2	DIST.	CS 5413536-0-1	REV.
				B

THIS DRAWING AND SPECIFICATIONS, HEREIN, ARE THE PROPERTY OF DIGITAL EQUIPMENT CORPORATION AND SHALL NOT BE REPRODUCED OR COPIED OR USED IN WHOLE OR IN PART AS THE BASIS FOR THE MANUFACTURE OR SALE OF ITEMS WITHOUT WRITTEN PERMISSION. COPYRIGHT © 1978 DIGITAL EQUIPMENT CORPORATION



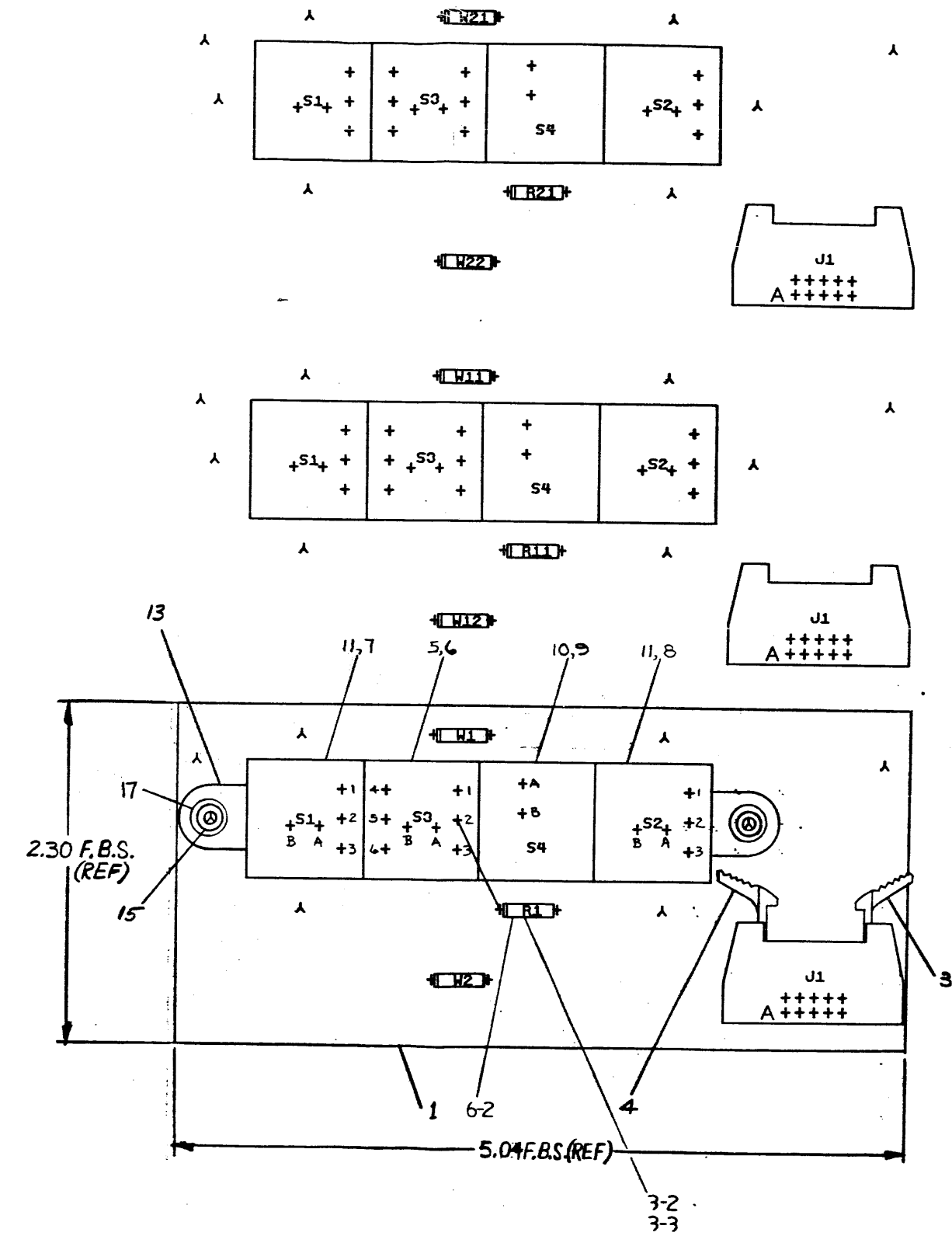
VOLTAGE & GND PINS NOT SHOWN IN LOGIC

IC	E NO	V	+5.0V	-5 F	V	V
75107B-00	E8	7	14	13	-	-
7404	E3	-	14	-	-	7
75107B-01	E4, E5	7	14	13	-	-
7406	E7	7	14	-	-	-
7432	E1	-	14	-	-	7
75108A	E6	7	14	13	-	-

THIS DRAWING AND SPECIFICATIONS, HEREIN, ARE THE PROPERTY OF DIGITAL EQUIPMENT CORPORATION AND SHALL NOT BE REPRODUCED OR COPIED OR USED IN WHOLE OR IN PART AS THE BASIS FOR THE MANUFACTURE OR SALE OF ITEMS WITHOUT WRITTEN PERMISSION.
 COPYRIGHT © 1976 DIGITAL EQUIPMENT CORPORATION

DUA 5411846-0-0 J 2 1

COMPONENT SIDE VIEW



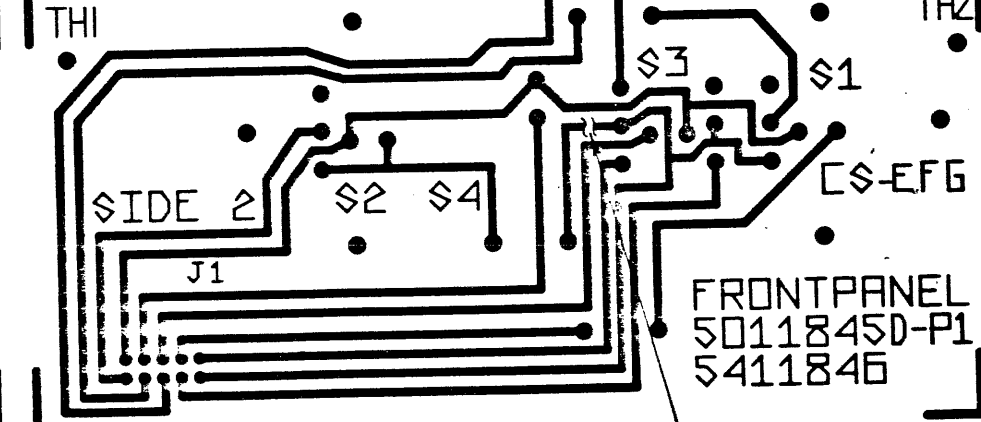
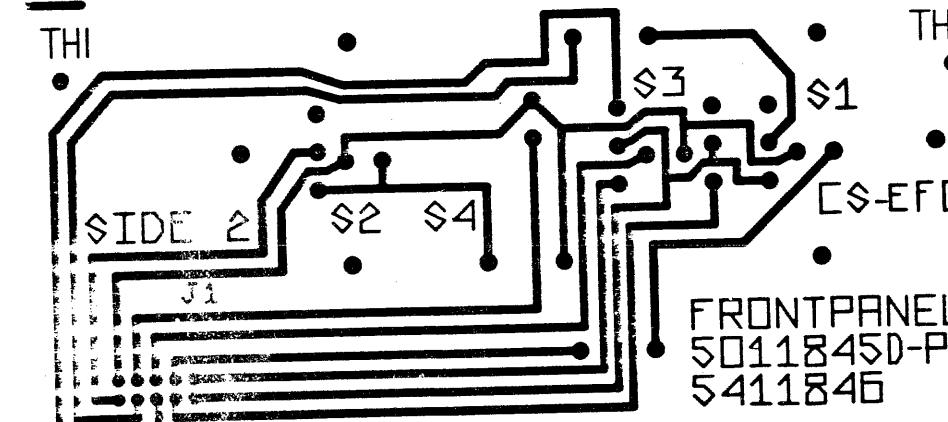
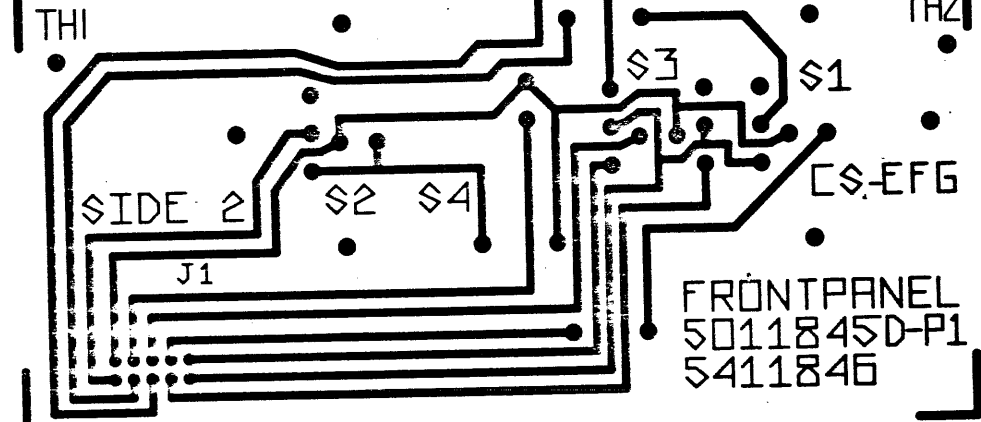
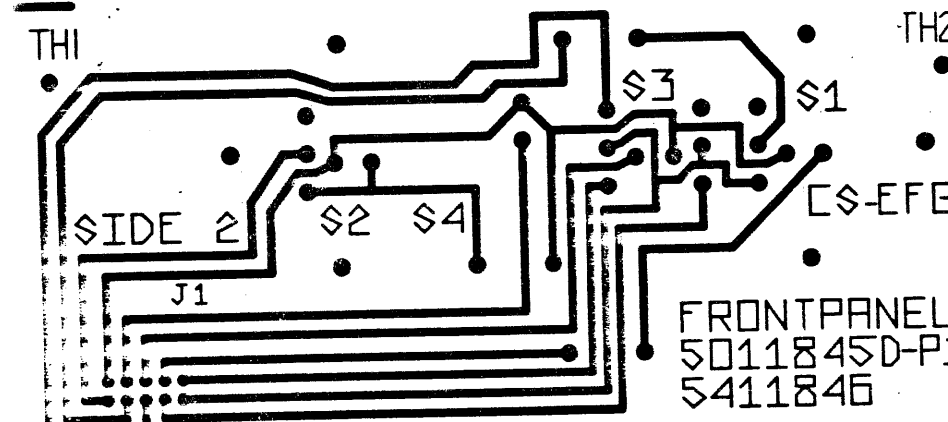
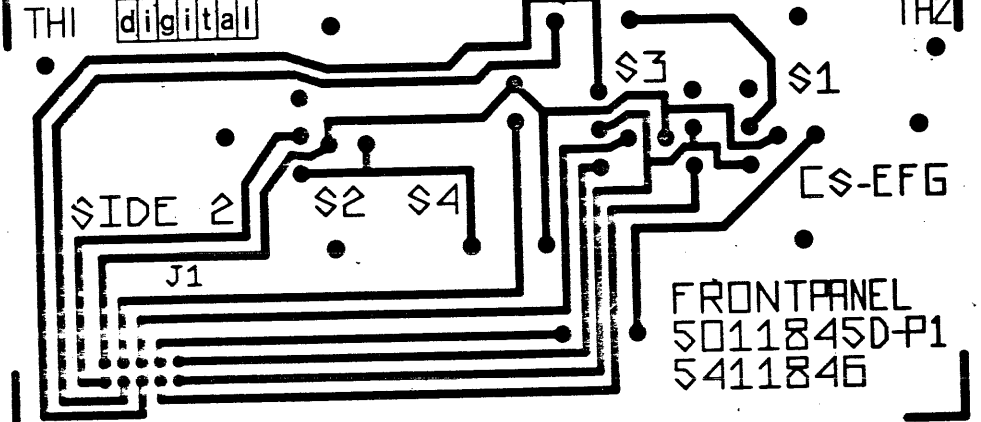
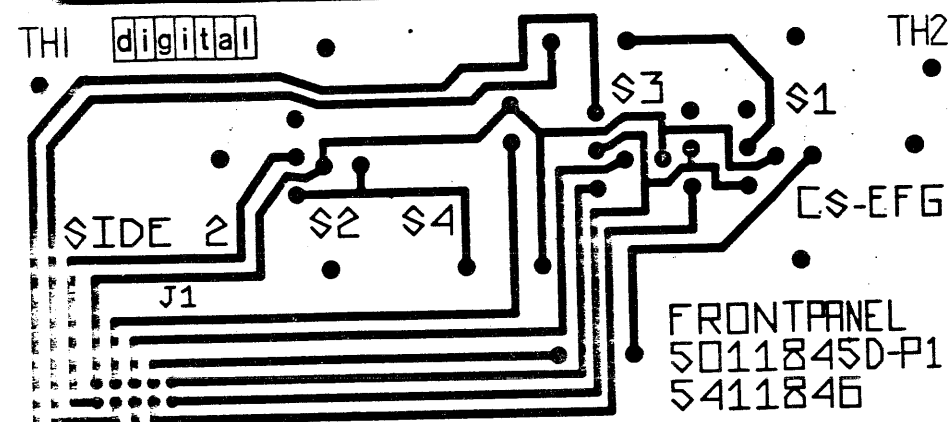
NOTES:
 ALL MANUFACTURING INFORMATION, DATE CODE, CIRCUIT SCHEMATIC REV, QUALITY CONTROL STAMPS, ETC. ARE TO BE STAMPED ON ETCH SIDE (SIDE 2) OF MODULE.

CHK	CHG	NO	REV						
2	B	5411846-0001	E						
				RESIGNERBERG					
				5411846-0002					
				REICHENBERG					
				5411846-0005					
				D.C. 4 AUG 80					
				M. ZARICH					
				M. ZARICH					
				5411846-0006					
				CX006					
				D.C. 29 SEP 80					
				M. ZARICH					
				M. ZARICH					

ETCH REV. D
P.C. DESIGN DATA BASE REV. D

SIGNATURES	DATE	TITLE
DRN. MR. [Signature]	11/5/76	digital FRONT PANEL
CHK'D. [Signature]	1-11-77	
ENG. [Signature]	3/1/77	
PROJ. ENG. [Signature]	3/1/77	
PROD. [Signature]		
SCALE 2/1		SIZE CODE
SHT. 1 OF 3		NUMBER
NEXT HIGHER ASSY. B-DD-5411846-0		DUA 5411846-0-0
		REV J

DUA 5411846-0-0 J B A



6-1 6 PLACES
3-4 6 PLACES

REV	CHANGE NO	DATE

TITLE	FRONT PANEL	SIZE CODE	D UA 5411846-0-0	REV	J
SCALE	NONE	SHEET	2 OF 3	DIST.	

D UA 5411846-0-0 J

THIS DRAWING AND SPECIFICATIONS HEREIN ARE THE PROPERTY OF DIGITAL EQUIPMENT CORPORATION AND SHALL NOT BE REPRODUCED OR COPIED OR USED IN WHOLE OR IN PART AS THE BASIS FOR THE MANUFACTURE OR SALE OF ITEMS WITHOUT WRITTEN PERMISSION. COPYRIGHT © 1980 DIGITAL EQUIPMENT CORPORATION.

REWORK INSTRUCTIONS:

ECO 541846-CX005:

3-1 SEE D-EC-5011845-0-0 FOR EC REWORK INSTRUCTIONS.

COMPONENT DELETES:

3-2 DELETE RI.

COMPONENT ADDS:

3-3 ADD RI (180 \sim).

WIRE ADDS:

3-4 SIDE 2-ADD WIRE FROM S3 PIN 2 TO RI ETCH (SOLDER FLAT TO ETCH) (6 PLACES).

ECO 5411846-CX006:

WIRE DELETES:

6-1 SIDE 2-DELETE WIRE FROM S3 PIN 2 TO RI ETCH. (6 PLACES).

WIRE ADDS:

6-2 SIDE 1-ADD WIRE ON LEFT SIDE OF RI TO S3 PIN 2.

REVISION HISTORY		
DATE	ECO NUMBER	REV.

TITLE FRONT PANEL

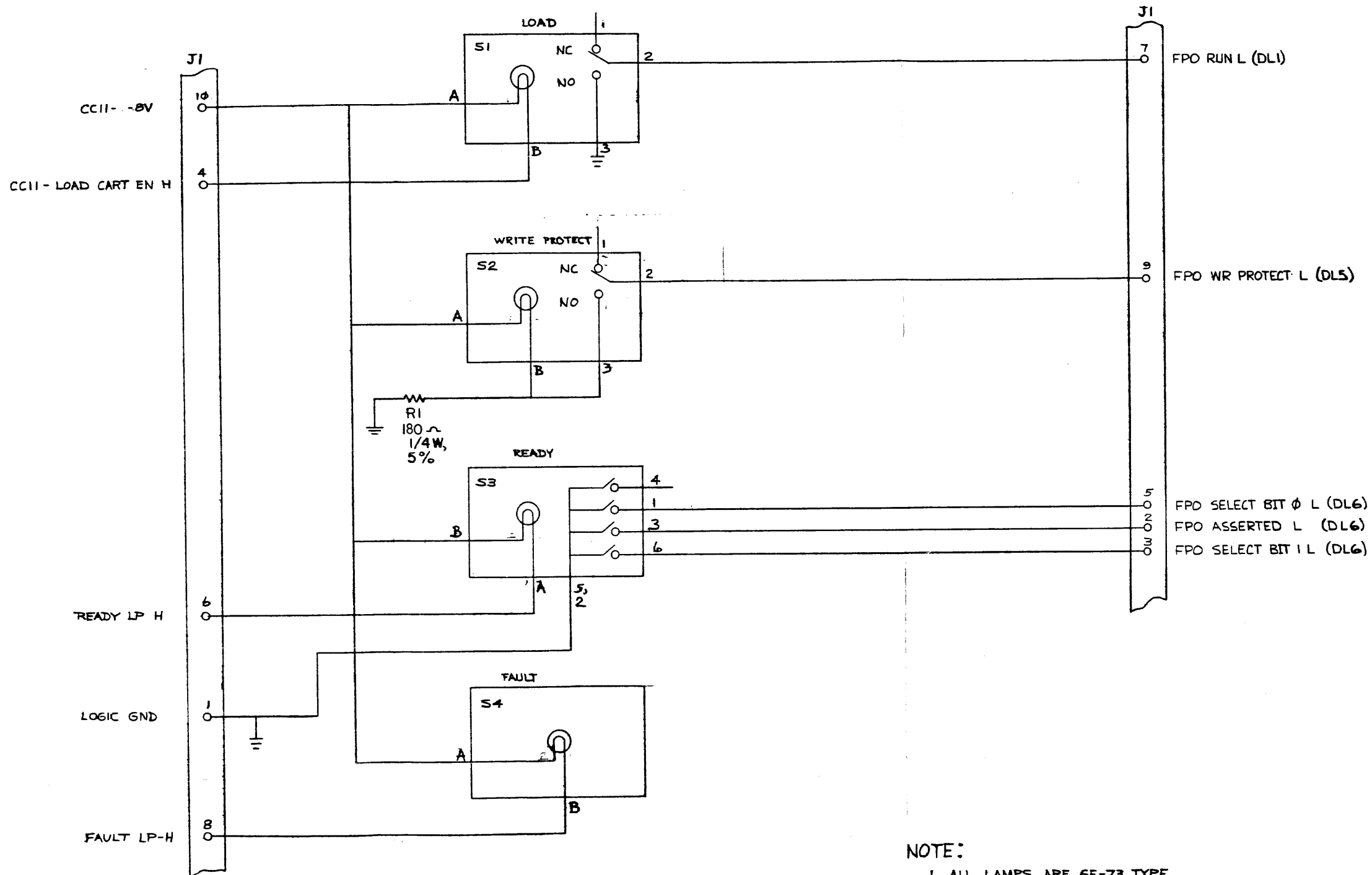
DOCUMENT NUMBER		REV.
SIZE CODE	NUMBER	
DUA	5411846-0-0	J
SCALE NONE	SHEET 3 OF 3	

REV J
DUA 5411846-0-0

LINE ITEM	DOCUMENT NUMBER	PART NUMBER	DESCRIPTION	QTY PER VARIATION 00	REFERENCE DESIGNATOR
1	D-MD-5011845-0-0	5011845-00	54-11846 ETCH CRKT BRD	1	
2		1209941-05	HEADER.100 10POS RT ANGLE	1	J1
3		1209941-04	HEADER RT ANGLE,RIGHT	1	
4		1209941-03	HEADER RT ANGLE LEFT L	1	
5		1212690-02	SW,PB 1P RK06 UNIT SELECT	1	S3
6		1212691-00	SW,PP CAP "0/READY" FOR 12-1	1	
7		1212714-05	SW,PB CAP,YEL/BLK,"LOAD"	1	
8		1212714-01	SW,PB CAP,YEL/BLK,"WRITE PROT"	1	
9		1212714-02	SW,PB CAP,RED/BLK,"FAULT"	1	
10		1212715-02	INDICATOR,DISPLAY PANEL,W/14V LA	1	S4
11		1212717-05	SW,PB 1P 3A W/14V LAMP	2	S1,S2
12		1212716-01	LAMP,WEDGE,14V	1	
13		1213188-01	MOUNTING BRACKET,SWITCH	1	
14		1301322-00	180.0 .25 W 5.0 Z CC	1	R1
15		9006732-00	EYELET, ROLLED FLANGE, .121 OD X	2	
16		9107560-01	WIRE,BUSS,22AWG	2	W1,W2
17		9006655-00	WASHER, FLAT, .312 O.D. X .125 I	2	

REVISION HISTORY			BASIC PART NO: 5411846							
ENG	ECO NUMBER	REV	SECTION A OF A	DRN:	S. MARLOW	DATE: 7-APR-76	DIGITAL			
MZ	5411846-CX005	J	SECTION VARIATION INDEX	CHK'D:	P. BURNELL	DATE: 10-JAN-77	TITLE PARTS LIST			
			EA] 00				FRONT PANEL			
			EB]	DES.ENG:	G. REICHENBERG	DATE: 7-MAR-77				
			EC]							
			ED]							
			EE]	RESP.ENG.:	G. REICHENBERG	DATE: 7-MAR-77	DOCUMENT NUMBER			
			EF]							
			EH]							
			EJ]							
			EK]	MFG.ENG.:	L. KIRK	DATE: 9-MAR-77	K	PL	5411846-0-DBP	J
			EL]							
			EM]	ASSEMBLY NUMBER:		TOP DOCUMENT NUMBER:	FILE NAME:	EDIT #		
			EN]	D-UA-5411846-0-0		# B-DD-5411846-0	Z1580J.PLS	3		
<p>*THIS DRAWING AND SPECIFICATIONS HEREIN, ARE THE PROPERTY OF DIGITAL EQUIPMENT CORPORATION AND SHALL NOT BE REPRODUCED OR COPIED OR USED IN WHOLE OR IN PART AS THE BASIS FOR THE MANUFACTURE OR SALE OF ITEMS WITHOUT WRITTEN PERMISSION. COPYRIGHT (C) 1980, DIGITAL EQUIPMENT CORPORATION *</p>										

"THIS DRAWING AND SPECIFICATIONS, HEREIN, ARE THE PROPERTY OF DIGITAL EQUIPMENT CORPORATION AND SHALL NOT BE REPRODUCED OR COPIED OR USED IN WHOLE OR IN PART AS THE BASIS FOR THE MANUFACTURE OR SALE OF ITEMS WITHOUT WRITTEN PERMISSION. COPYRIGHT © 1976, DIGITAL EQUIPMENT CORPORATION"



NOTE:
1. ALL LAMPS ARE 6E-73 TYPE

REV.	CHG. NO.	REV.	DATE
1	5411846-01	E	7-27-77
2	5411846-01	F	7-27-77
3	5411846-01	H	7-27-77
4	5411846-01	J	7-27-77
5	5411846-01	K	7-27-77

DRN. <i>H. H. H.</i>	27 FEB 76	FIRST USED ON	digital
CHK'D <i>B. E.</i>	1-11-77	TITLE	FRONT PANEL
ENG. <i>B. E.</i>	3-7-77	SIZE	D CS
PROJ. ENG. <i>B. E.</i>	3-10-77	NUMBER	5411846-0-1
PROD. <i>B. E.</i>	3-9-77	REV.	K
NEXT HIGHER ASSY.		DIST.	

REV. K
NUMBER 5411846-0-1

8

7

6

5

4

3

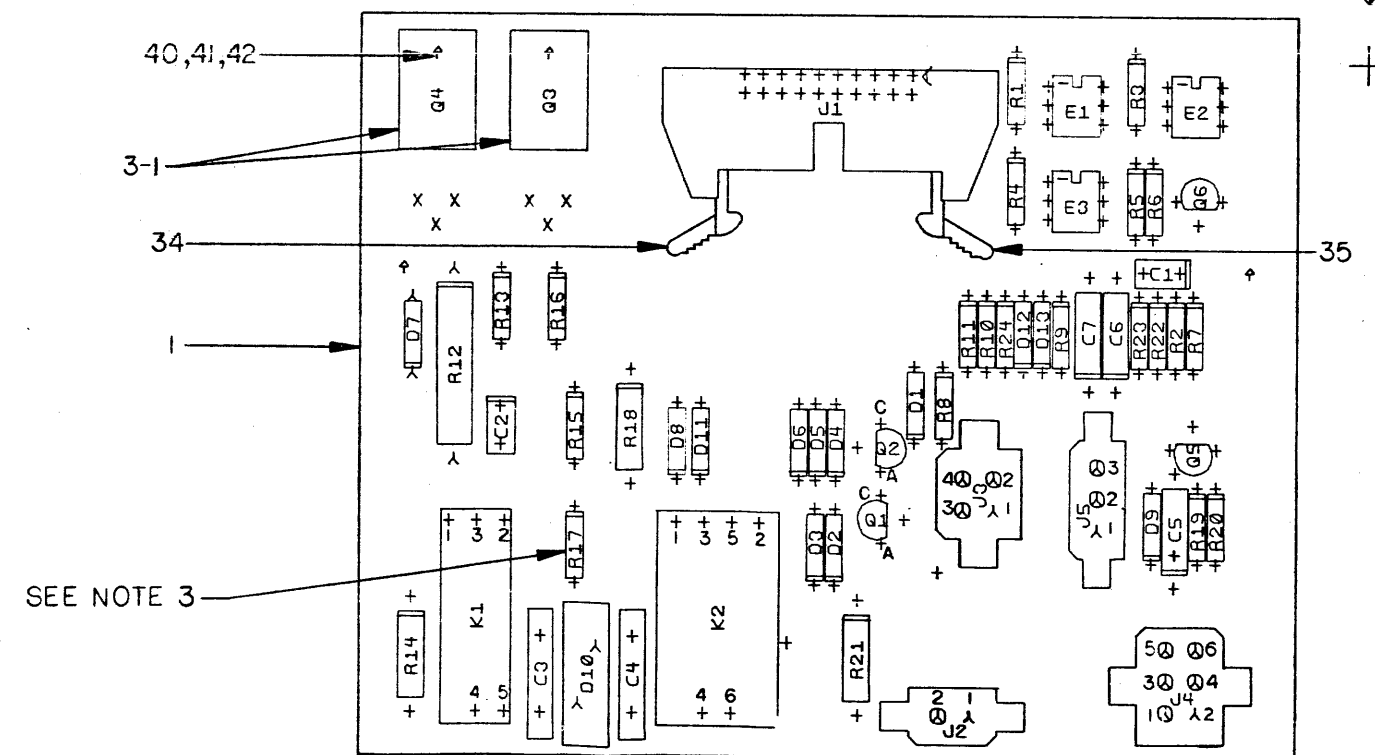
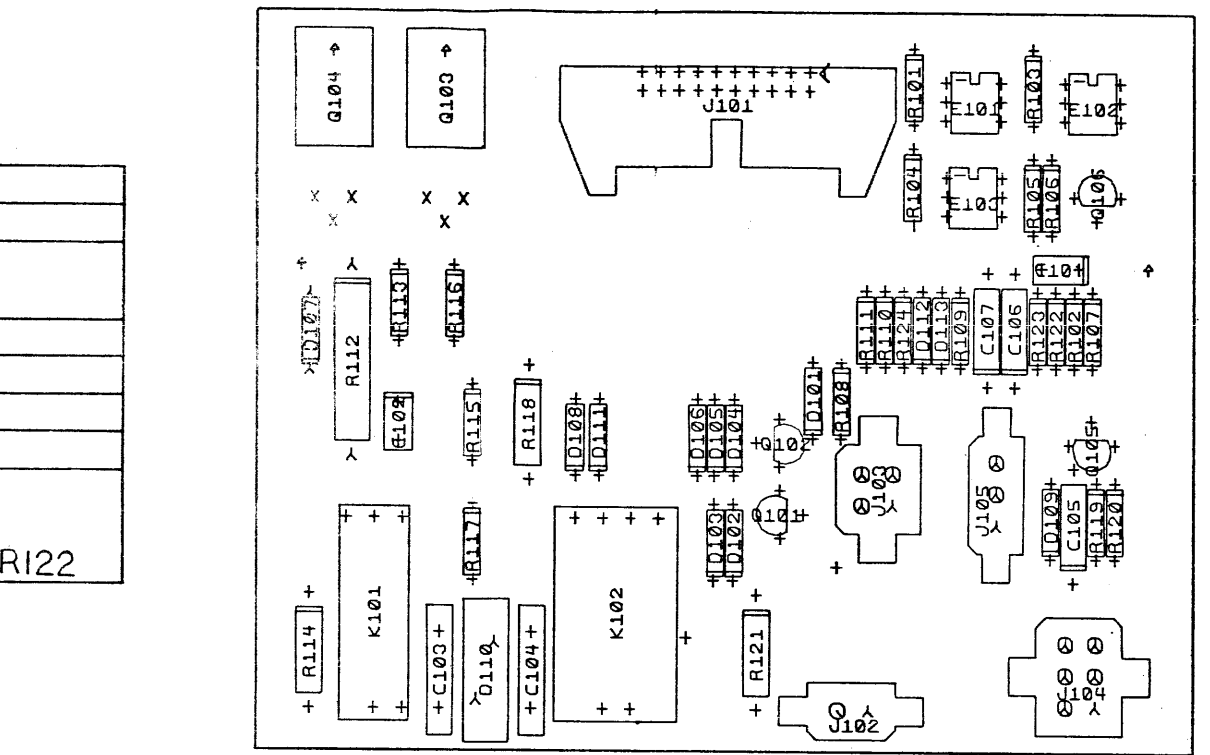
1
DUA5411848-0-0

1

THIS DRAWING AND SPECIFICATIONS, HEREIN, ARE THE PROPERTY OF DIGITAL EQUIPMENT CORPORATION AND SHALL NOT BE REPRODUCED OR COPIED OR USED IN WHOLE OR IN PART AS THE BASIS FOR THE MANUFACTURE OR SALE OF THESE WITHOUT WRITTEN PERMISSION.
 CORRECT © 1977 DIGITAL EQUIPMENT CORPORATION

COMPONENT SIDE VIEW

ACTUAL REF DESIGNATORS	SUPERFICIAL REF DESIGNATORS
C1,C2,C3,C4,C5,C6,C7	C101 , C102 , C103 , C104 , C105 , C106 , C107
D1,D2,D3,D4,D5,D6,D7	D101 , D102 , D103 , D104 , D105 , D106 , D107
D8,D9,D10,D11,D12,D13	D108 , D109 , D110 , D111 , D112 , D113
E1,E2,E3	E101 , E102 , E103
K1,K2,K3	K101 , K102 , K103
J1,J2,J3,J4,J5	J101 , J102 , J103 , J104 , J105
Q1,Q2,Q3,Q4,Q5,Q6	Q101 , Q102 , Q103 , Q104 , Q105 , Q106
R1,R2,R3,R4,R5,R6,R7	R101 , R102 , R103 , R104 , R105 , R106 , R107
R8,R9,R10,R11,R12,R13,R14	R108 , R109 , R110 , R111 , R112 , R113 , R114
R15,R16,R17,R18,R19,R20,R21,R22	R115 , R116 , R117 , R118 , R119 , R120 , R121 , R122



NOTES:

- 8 HOLES .0465 (+.000-.0045) MAYNARD ONLY
- UVL APPROVAL REQUIRED
- REWORK INSTRUCTIONS:
 - REMOVE R17 (330Ω, 1/4W, 5%)
 - INSTALL R17 (330Ω, 1/2W, 5%)

STEP E	↑ Y AXIS	STEP	TIMES
REPEAT	→ X AXIS	STEP	TIMES

CHK	CHANGE NO.	REV	BY	DATE
	5411848-0001	D	P. BURNELL	
	5411848-0002	E	W.M. REICHENBERG	
	5411848-0003	F	W.M. REICHENBERG	
	5411848-0004		M. ZARICH	5 JUNE 80

ETCH REV.	E-P2
P.C. DESIGN DATA BASE REV.	E-P2

SIGNATURES	DATE	TITLE
DRN. T. SHETRAWSKI	6-9-77	AC SERVO
CHK. D. T. SHETRAWSKI	15-9-77	
MECH. ENG. G. RIECHENBERG	26-9-77	
PROJ. ENG. P. ARNOLD	26-9-77	
PROD. R. STROTT	26-9-77	
SCALE 2/1	SIZE CODE	NUMBER
SHT. 1 OF 4	D U A 5411848-0-0	REV F
NEXT HIGHER ASSY. B - DD - 5411848-0		

digital

AC SERVO

8

7

6

5

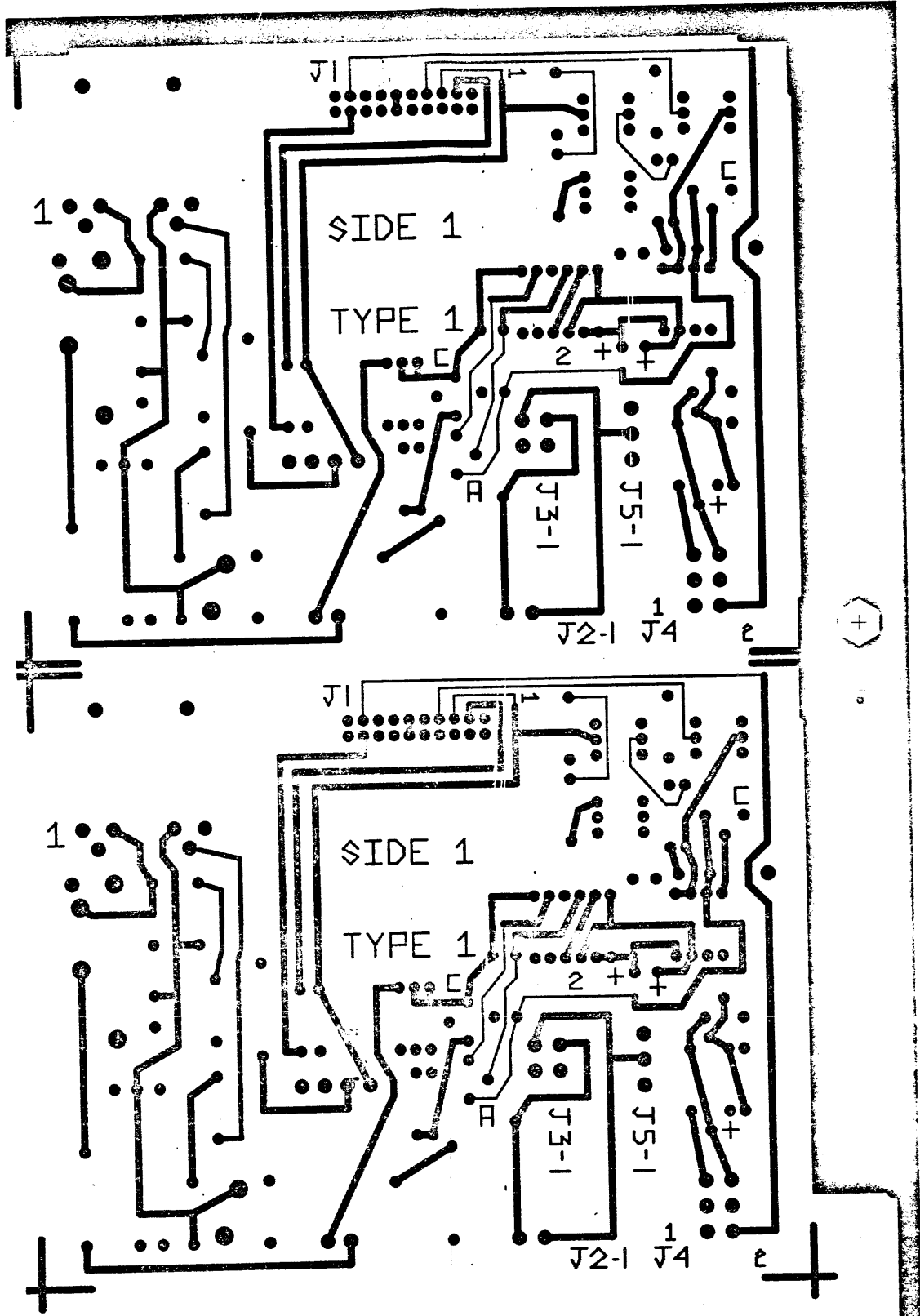
4

3

1
DUA5411848-0-0

1

THIS DRAWING AND SPECIFICATIONS HEREIN ARE THE PROPERTY OF DIGITAL EQUIPMENT CORPORATION AND SHALL NOT BE REPRODUCED OR COPIED OR USED IN WHOLE OR IN PART AS THE BASIS FOR THE MANUFACTURE OR SALE OF ITEMS WITHOUT WRITTEN PERMISSION. COPYRIGHT © 1977 DIGITAL EQUIPMENT CORPORATION



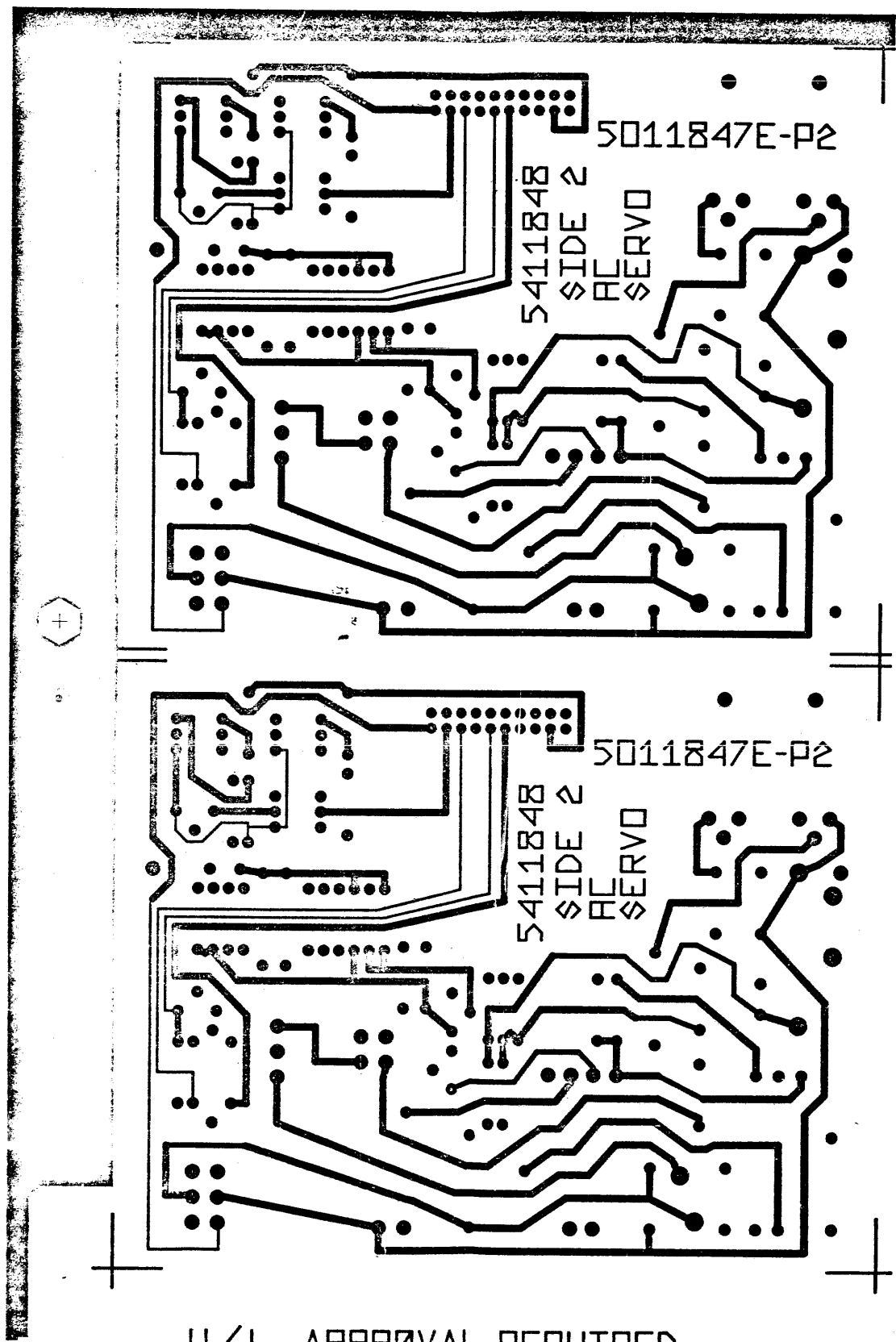
U/L APPROVAL REQUIRED

VIEWED FROM SIDE 1

REVISIONS		
CHK	CHANGE NO	REV

TITLE	AC SERVO	SIZE CODE	D	NUMBER	0-0	REV	F
SCALE	2:1	SHEET	OF	4	EST		

THIS DRAWING AND SPECIFICATIONS HEREIN ARE THE PROPERTY OF DIGITAL EQUIPMENT CORPORATION AND SHALL NOT BE REPRODUCED OR COPIED OR USED IN WHOLE OR IN PART AS THE BASIS FOR THE MANUFACTURE OR SALE OF ITEMS WITHOUT WRITTEN PERMISSION. COPYRIGHT © 1971 DIGITAL EQUIPMENT CORPORATION



U/L APPROVAL REQUIRED

VIEWED FROM SIDE 2

REVISIONS		
CHK	CHANGE NO	REV

8	7	6	5	4	3	2	1	
TITLE AC SERVO						SIZE CODE DJA	NUMBER 5411848 -0-0	REV. F
SCALE 2:1						SHEET 5 OF 4	DIST.	

"THIS DRAWING AND SPECIFICATIONS, HEREIN, ARE THE PROPERTY OF DIGITAL EQUIPMENT CORPORATION AND SHALL NOT BE REPRODUCED OR COPIED OR USED IN WHOLE OR IN PART AS THE BASIS FOR THE MANUFACTURE OR SALE OF ITEMS WITHOUT WRITTEN PERMISSION. COPYRIGHT © 1979 DIGITAL EQUIPMENT CORPORATION"

REWORK INSTRUCTIONS

3-1. CHANGE Q3 AND Q4 TO 1510070-00, ITEM 38.

REVISIONS		
CHK	CHANGE NO.	REV.

TITLE	AC SERVO	SIZE CODE	D UA	NUMBER	5411848-0-0	REV.	F
SCALE	←←	SHEET	4	OF	4	DIST.	

D
C
B
A

REV. 2
SIZE CODE 300 325
NUMBER 5411848-0-0

LINE ITEM	DOCUMENT NUMBER	PART NUMBER	DESCRIPTION	QTY PER VARIATION	REFERENCE DESIGNATOR	
1	1	D-MD-5011847-0-0	5011847-00	ETCH CRKT BRD	1	
2	2		1011683-00	.022 MFD 50V 1% 67 CER.	1	C1
3	3		1012312-01	.47 MFD 50V XZ	1	C2
4	4		1013682-00	.1 MFD 500V +80 -20% CER.	2	C3,C4
5	5		1001776-00	1 MFD 35V 10% S.TANT	2	C5,C7
6	6		1110856-00	1N 970B VZ=24.0 5% .40W Y	1	B1
7	7		1111577-00	1N 4454 TR= 4NS PIV= 50 S	10	D2-D6,D8,D9,D11-D13
8	8		1105796-00	1N 4004 PIV=400 I= 1A D041 SP	1	D7
9	9		1510727-01	OPTO COUPLED ISOLATOR	3	E1-E3
10	10		1213917-00	RLY,REED 5V COIL,DPDT	1	K2
11	11		1213915-00	RLY,REED, 5V COIL,SPDT	1	K1
12	12		1110997-00	VP 130A10 VOLT. SUPPRESS.130VAC	1	D10
13	13		1209941-04	HEADER.100 20POS RT ANGLE	1	J1
14	14		1213922-00	HEADER 2POS	1	J2
15	15		1213922-01	HEADER 3POS	1	J5
16	16		1213922-03	HEADER 4POS	1	J3
17	17		1213922-04	HEADER 6POS	1	J4
18	18		1300315-00	470 1/2W 5% CC	2	R14,R21
19	19		1300271-00	220 1/4W 5% CC	3	R1,R3,R4
20	20		1311220-00	5.1 1/2W 5% CC	1	R18
21	21		1301327-00	68 K 1/4W 5% CC	1	R6
22	22		1302466-00	100 K 1/4W 5% CC	2	R5,R8
23	23		1300444-00	3.9 K 1/4W 5% CC	1	R20
24	24		1314516-00	200 K 1/4W 5% CC	2	R7,R23
25	25		1300496-00	15 K 1/4W 5% CC	1	R10
26	26		1300479-00	10 K 1/4W 5% CC	2	R11,R24
27	27		1300482-00	10 K 2W 10% CC	1	R12
28	28		1312927-00	16 1/4W 5% CC	2	R15,R16
29	29		1314649-00	430 K 1/4W 5% CC	1	R22

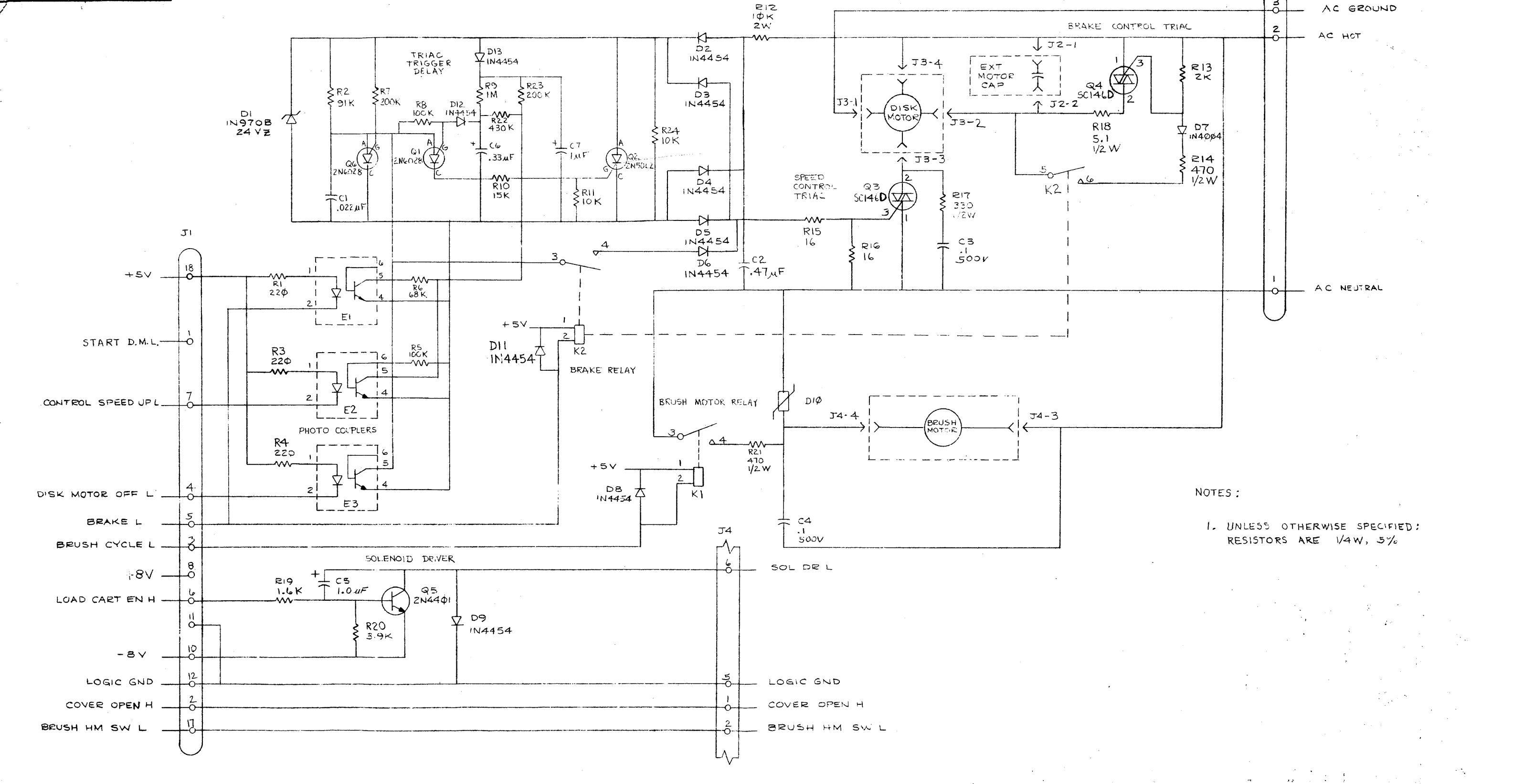
REVISION HISTORY	BASIC PART NO: 5411848	DRN:	H. RICHER	DATE: 23 MAR 76	D I G I T A I L
ENG: ECO NUMBER	REV	SECTION A OF A	CHK'D: P. BURNELL	DATE: 10 JAN 77	TITLE PARTS LIST
INITIAL	E	SECTION VARIATION INDEX	DES.ENG: P. BADUM	DATE: 7 JUN 77	AC SERVO
15ZM 18APZ	F	CAJ-00	RESP.ENG.: P. BADUM	DATE: 7 JUN 77	DOCUMENT NUMBER
		CBJ	MFG.ENG.: D. LESAGE	DATE: 7 JUN 77	SIZE CODE NUMBER REV
		CCJ	ASSEMBLY NUMBER:		D-UA-5411848-0-0
		CEJ			FILE NAME: Z0491.PLS
		CFJ			EDIT # 3
		CHJ			
		CJJ			
		CKJ			
		CLJ			
		CNJ			

THIS DRAWING AND SPECIFICATIONS HEREIN, ARE THE PROPERTY OF DIGITAL EQUIPMENT CORPORATION AND SHALL NOT BE REPRODUCED OR COPIED OR USED IN WHOLE OR IN PART AS THE BASIS FOR THE MANUFACTURE OR SALE OF ITEMS WITHOUT WRITTEN PERMISSION. COPYRIGHT (C) 1979, DIGITAL EQUIPMENT CORPORATION

LINE ITEM	DOCUMENT NUMBER	PART NUMBER	DESCRIPTION	QTY PER VARIATION	REFERENCE DESIGNATOR	
30	30		1300296-00	330 1/2W 5% CC	1	R17
31	31		1302388-00	2 K 1/4W 5% CC	1	R13
32	32		1309595-00	1 M 1/4W 5% CC	1	R9
33	33		1303176-00	1.6 K 1/4W 5%	1	R19
34	34		1209941-03	HEADER RT ANGLE LEFT L	1	J1
35	35		1209941-04	HEADER RT ANGLE,RIGHT	1	J1
36	36		1510877-00	2N 602B UJT 300MW R67B	2	Q1,Q6
37	37		1110968-00	2N 5062 SCR@100V I=.8A T092	1	Q2
38	38		1510070-00	TRIAC@400V,I> 8A #RCA40669 M	2	Q3,Q4
39	39		1513489-00	2N 4401 NPN 350MW SI 40-20	1	Q5
40	40		9006557-00	NUT,KEP 4-40X 1/4 AF	2	Q3,Q4
41	41		9006010-01	SCREW,PAN ,PHIL, 4-40X 5/16	2	Q3,Q4
42	42		9006655-00	WASHER, FLAT, .312 O.D. X .125 I	2	Q3,Q4
43	43			*** THIS ITEM IS NOT USED ***	-	
44	44		1000002-04	.33 MFD 35V 10% .150D S.TA	1	C6
45	45		1314650-00	91 K 1/4W 5% CC	1	R2

TITLE	SECTION A OF A	SIZE CODE	DOCUMENT NUMBER	REV
D I G I T A I L	AC SERVO	K PL	5411848-0-DBP	F

THIS DRAWING AND SPECIFICATIONS HEREIN ARE THE PROPERTY OF DIGITAL EQUIPMENT CORPORATION AND SHALL NOT BE REPRODUCED OR COPIED OR USED IN WHOLE OR IN PART AS THE BASIS FOR THE MANUFACTURE OR SALE OF ITEMS WITHOUT WRITTEN PERMISSION. COPYRIGHT © 1976, DIGITAL EQUIPMENT CORPORATION



NOTES:
1. UNLESS OTHERWISE SPECIFIED:
RESISTORS ARE 1/4W, 5%

REV.	CHANGE NO.	BY	DATE
1			
2			
3			
4			
5			
6			
7			

DRN. <i>W. J. ...</i>	3/16/76	FIRST USED ON	RLO1
CHK'D <i>W. J. ...</i>	1-14-77	TITLE	AC SERVO
ENG. <i>W. J. ...</i>	6-8-77	NUMBER	D CS 5411848-0-1
PROJ. ENG. <i>W. J. ...</i>	6/1/77	SCALE	1 OF 1
PROD. <i>W. J. ...</i>	4/7/77	DIST.	
NEXT HIGHER ASSY.			
D-UA-5411848-0-0			
SIZE	CODE	NUMBER	REV.
D		CS 5411848-0-1	F

LINE ITEM	DOCUMENT NUMBER	PART NUMBER	DESCRIPTION	QTY PER VARIATION	REFERENCE DESIGNATOR
1	D-MD-5013533-0-0	5013533-00	ETCHED CIRCUIT BOARD	1	
2		1013466-08	680.0 MMF 50V 10% CER.	1	C12
3		1016009-00	2200 MMF 50V 5% CER.	1	C7
4		1001610-00	.01 MFD 50V -20+80 Z5U AXIAL	4	C1,C9,C10,C15
5		1002630-00	.015 MFD 100V 10% 663UW MYLR	1	C8
6		1013466-11	.22 MFD 50V +80/-20% CER.	4	C3,C5,C11,C16
7		1005306-00	6.8MFD 35V 10% S.TANT	4	C4,C6,C13,C14
8		1000076-00	39 MFD 10V 10% 150D S.TA	1	C2
9		1309422-00	5.1 1/4W 5% CC	1	R58
10		1312929-00	62 1/4W 5% CC	2	R3,R23
11		1311523-00	110 1/4W 5% CC	1	R22
12		1300247-00	120 1/4W 5% CC	1	R13
13		1300271-00	220 1/4W 5% CC	1	R59
14		1301425-00	300 1/4W 5% CC	1	R55
15		1303178-00	620 1/4W 5% CC	1	R6
16		1300365-00	1 K 1/4W 5% CC	5	R1,R7,R39,R44,R57
17		1300391-00	1.5 K 1/4W 5% CC	1	R5
18		1302388-00	2 K 1/4W 5% CC	2	R31,R43
19		1300426-00	2.7 K 1/4W 5% CC	2	R46,R47
20		1302389-00	4.3 K 1/4W 5% CC	1	R53
21		1300447-00	4.7 K 1/4W 5% CC	10	R10-R12,R14,R15,R19,R20,R24,R49;
22		1303179-00	8.2 K 1/4W 5% CC	3	CONT R68
23		1300488-00	12 K 1/4W 5% CC	4	R9,R16,R17
24		1305346-00	27 K 1/4W 5% CC	1	R25,R26,R45,R56
25		1305131-00	*** THIS ITEM IS NOT USED ***	-	R21
26		1312923-00	2.10 K 1/4W 1% RN55D-F 100PPM	1	R41
27		1305114-00	3.48 K 1/4W 1% RN55D-F 100PPM	1	R34
28		1314763-00	4.12 K 1/4W 1% RN55D-F 100PPM	1	R36
29		1303312-00	10.0 K 1/4W 1% RN55D-F 100PPM	3	R28,R29,R62

REVISION HISTORY		BASIC PART NO: 5413534		DRN:	JERRY BEST	DATE:	26-JUL-78	D I G I T A L			
ENG	ECD NUMBER	REV	SECTION A OF A	CHK'D:	JERRY BEST	DATE:	26-JUL-78	PARTS LIST			
INIT	A	B	SECTION VARIATION INDEX	DES.ENG:	R. NOGUCHI	DATE:		DOCUMENT NUMBER			
5413534-CZ001			[A] 00	RESP.ENG.:	R. NOGUCHI	DATE:	26-JUL-78	SIZE	CODE	NUMBER	REV
			[B]	MFG.ENG.:	P. CHURCH	DATE:		K	PL	5413534-0-DBP	B
			[C]	ASSEMBLY NUMBER:		TOP DOCUMENT NUMBER:		FILE NAME:		EDIT #	
			[D]	D-UA-5413534-0-0		RLO2		Z0494B.PLS		13	
			[E]	*THIS DRAWING AND SPECIFICATIONS HEREIN, ARE THE PROPERTY OF DIGITAL EQUIPMENT CORPORATION AND SHALL NOT BE REPRODUCED OR COPIED OR USED IN WHOLE OR IN PART AS THE BASIS FOR THE MANUFACTURE OR SALE OF ITEMS WITHOUT WRITTEN PERMISSION. COPYRIGHT (C) 1979, DIGITAL EQUIPMENT CORPORATION *							

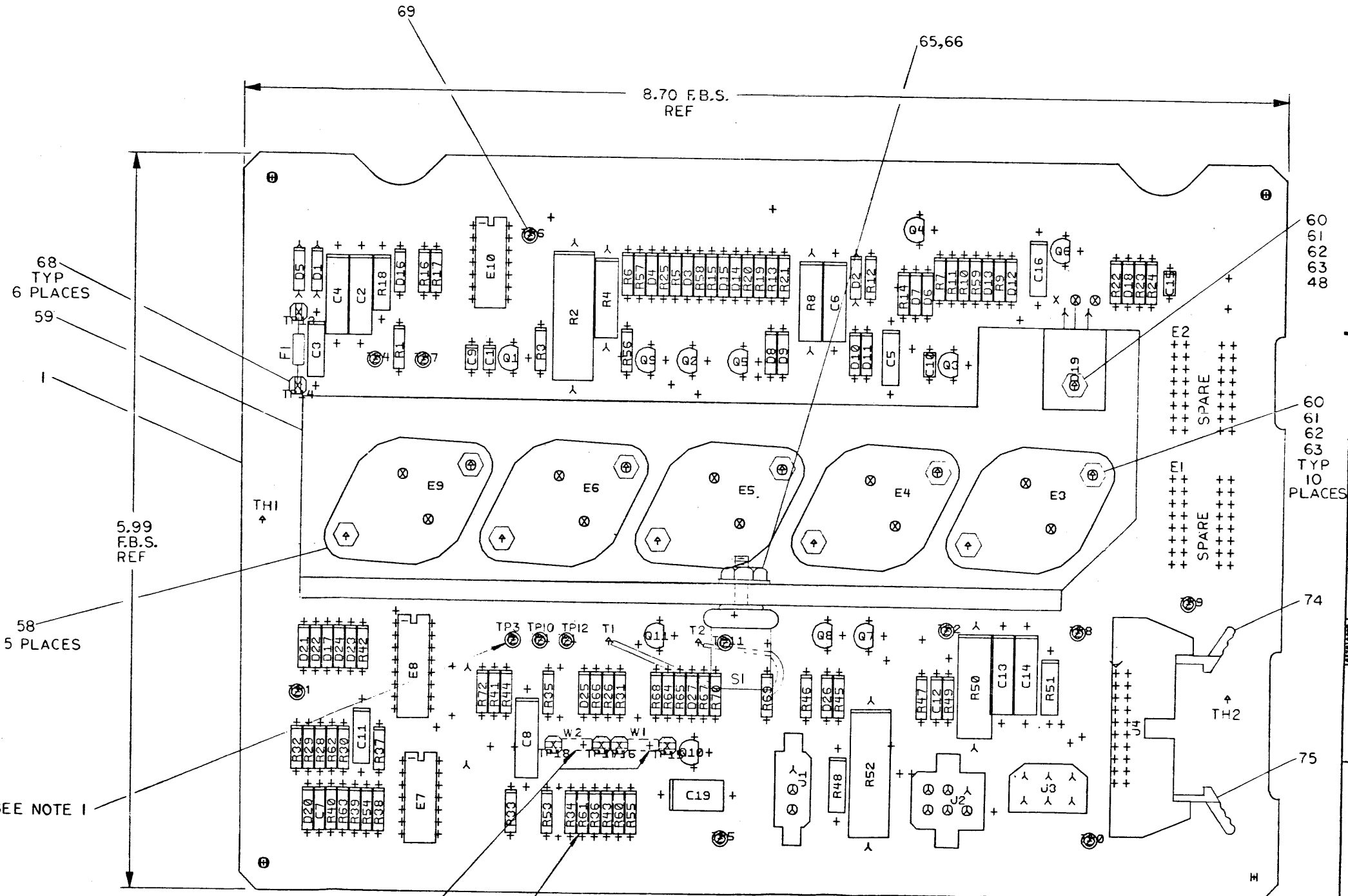
LINE ITEM	DOCUMENT NUMBER	PART NUMBER	DESCRIPTION	QTY PER VARIATION	REFERENCE DESIGNATOR
30		1312924-00	10.7 K 1/4W 1% RN55D-F 100PPM	1	R32
31		1309412-00	18.2 K 1/4W 1% RN55D-F 100PPM	1	R33
32		1315436-00	52.3 K 1% RN55D-F 100PPM	1	R54
33		1304843-00	243 K 1/4W 1% RN55D-F 100PPM	1	R72
34		1315437-00	237 K 1% RN55D-F 100PPM	1	R38
35		1302378-00	51 1/2W 5% CC	1	R51
36		1300364-00	1 K 1/2W 5% CC	2	R18,R48
37		1314068-00	360 1W 5% CC	1	R4
38		1300368-00	1 K 1W 5% CC	1	R8
39		1301494-00	200 2W 5% CC	1	R50
40		1313358-00	.2 5W 3% WW	2	R2,R52
41		1105796-00	1N 4004 PIV=400 I= 1A D041 SP	3	D1,D2,D5
42		1113953-00	1N 5323D VZ= 5.1 1%	8	D4,D6,D8,D9,D16,D18,D21,D22
43		1109990-00	1N 757A VZ= 9.1 5% .40W P	2	D23,D24
44		1110994-00	1N 751A VZ= 5.1 5% .40W	1	D14
45		1114117-00	1N 4152 PIV=450 I=75M	6	D3,D7,D10,D11,D12,D13
46		1111577-00	1N 4454 TR= 4NS PIV= 50 S	6	D15,D17,D20,D25-D27
47		1513698-00	TRIAC0200V,1>14A	1	D19
48		9009597-00	INSULATOR, THERMA-FILM	\$	
49		1513489-00	2N 4401 NFN 350MW SI 40 20	4	R2,R4,R8,R9
50		1513490-00	2N 4403 PNP 350MW SI-40 30	6	R1,R3,R5-R7,Q11
51		1511282-00	MJ2500 PNP 150WC SI 60 5 1K 5A	2	E4,E6
52		1511349-00	TIP 640 (OR MJ3000) NFN DARLNGT	1	E3
53		1911706-00	5012 ANALOG SWITCH,4CHNL	1	E8
54		1912818-00	LS38 NAND BUFFER-QUAD 2IN	1	E10
55		1912107-01	324ANDP AMP,QUAD	1	E7
56		1913695-00	7808 VOLT.REG.FIX +	1	E9
57		1913694-00	7908 VOLT.REG.FIX -	1	E5
58		9008419-00	WASHER, FLAT, THERMAFILM .002THK	5	
59		7418595-00	HEATSINK ASSEMBLY	1	
60		9008033-01	SCREW,PAN ,PHIL, 4-40X 9/16	11	
61		9006557-00	NUT,KEP , 4-40X 1/4 AF	11	
62		9006655-00	WASHER, FLAT, .312 O.D. X .125 I	11	
63		9008268-00	COMPOUND, THERMAL JOINT	\$	A/R
64		1210824-00	THERMOSTAT,02215,C0156,SPST	1	S1
65		9008185-00	NUT,KEP , 6-32X1/4 AF	1	
66		9006653-00	WASHER, FLAT, .375 O.D. X .156 I	1	
67		1205747-00	FUSE, SUB-MINI, 5.000A, 125V, A	1	F1
68		9006735-00	EYELET, FUNNEL FLANGE, .059 OD X	6	TF13-TF18
69		9007791-00	TERM PCB 2POS SOLDER,TURRET	13	TF0-TF12
70		1213922-01	HEADER 3POS	1	J1
71		1213922-04	HEADER 6POS	1	J2
72		1213900-00	CONN,RCPT 6PIN	1	J3
73		1209941-06	HEADER,100 20POS RT ANGLE	1	J4
74		1209941-04	HEADER RT ANGLE,RIGHT	1	
75		1209941-03	HEADER RT ANGLE LEFT L	1	
76		1305324-00	4.99 K 1/4W 1% RN55D-F 100PPM	2	R37,R30
77		1300250-00	150 1/4W 5% CC	1	R42

TITLE		SECTION A OF A		SIZE	CODE	DOCUMENT NUMBER	REV
D I G I T A L		D.C. SERVO AND POWER SUPPLY		K	PL	5413534-0-DBP	B

LINE	ITEM	DOCUMENT NUMBER	PART NUMBER	DESCRIPTION	QTY PER VARIATION 00	REFERENCE DESIGNATOR
78	78		1312618-00	16.9 K 1/4W 1% RN55D-F 100PPM	1	R40
79	79		1300229-00	100 1/4W 5% CC	1	R63
80	80		1305336-00	*** THIS ITEM IS NOT USED ***	-	
81	81		1309416-00	31.6 K 1/4W 1% RN55D-F 100PPM	1	R65
82	82		1015574-01	*** THIS ITEM IS NOT USED ***	-	
83	83		9009185-00	JUMPER, WIRE, INSULATED, BLACK B	2	W1,W2
84	84		1303044-00	100 K 1/4W 1% RN55D-F 100PPM	1	R64
85	85		1015574-00	*** THIS ITEM IS NOT USED ***	-	
86	86		1315435-00	25.5 K 1/4W 1% RN55D-F 100PPM	1	R66
87	87		1312930-00	5.1 K 1/4W 5% CC	1	R67
88	88		1015520-00	1 MFD 100V 5% M.POLYESTER	1	C19
89	89		1513697-00	2N 5640 FET N CHNNL	1	Q10
90	90		1300479-00	10 K 1/4W 5% CC	1	R69
91	91		1302466-00	100 K 1/4W 5% CC	1	R70

D I G I T A L		TITLE	SECTION A OF A	SIZE	CODE	DOCUMENT NUMBER	REV
		D.C. SERVO AND POWER SUPPLY		K	PL	5413534-0-DBP	B

COMPONENT SIDE VIEW



- NOTES:
1. TP3, TP11, TP12, TP15 THRU TP18 TO BE MOUNTED ON SIDE 2.
 2. R60 AND R61 ARE TO BE INSTALLED AFTER FINAL TEST.
 3. INSTALL W1 AND W2 FOR RL01. INSTALL W2 ONLY FOR RL22. W1 & W2 ARE LOCATED ON SIDE 2.

CHK	CHANGE NO	REV	B	C
	5413534-C20X1			
	BOB NOGUCHI			
	5413534-CX02A			
	M. ZARICH			
	M. Zarich			

SEE NOTE 3
 SEE NOTE 2

ETCH REV. E
P.C. DESIGN DATA BASE REV. EL

SIGNATURES	DATE	TITLE
DRN. <i>[Signature]</i>	11/2/70	DC SERVO & POWER SUPPLY
CHK'D. <i>[Signature]</i>		
ENG. <i>[Signature]</i>		
PROJ. ENG. <i>[Signature]</i>		
PROD. <i>[Signature]</i>		
SCALE 2/1	SIZE CODE	NUMBER
SHT. 1 OF 1	D UA	5413534-0-0
NEXT HIGHER ASSY. E-00-5413534-0		REV C

digital

LINE ITEM	DOCUMENT NUMBER	PART NUMBER	DESCRIPTION	QTY PER VARIATION	REFERENCE DESIGNATOR
1	D-MD-5013533-0-0	5013533-00	ETCHED CIRCUIT BOARD	1	
2		1013466-08	680.0 MMF 50V 10% X7R CER	1	C12
3		1016009-00	2200.0 MMF 50V 5% CER	1	C7
4		1001610-00	.01 MFD 50V +80-20% 25U CER	4	C1,C9,C10,C15
5		1002630-00	.015 MFD 100V 10% MYLR	1	C8
6		1013466-11	.22 MFD 50V +80-20% Z5U CER	4	C3,C5,C11,C16
7		1005306-00	6.8MFD 35V 10% S.TANT	4	C4,C6,C13,C14
8		1000076-00	39 MFD 10V 10% S.TANT	1	C2
9		1309422-00	5.10 .25 W 5.0 % CC	1	R58
10		1312929-00	62.0 .25 W 5.0 % CC	2	R3,R23
11		1311523-00	110.0 .25 W 5.0 % CC	1	R22
12		1300247-00	120.0 .25 W 5.0 % CC	1	R13
13		1300271-00	220.0 .25 W 5.0 % CC	1	R59
14		1301425-00	300.0 .25 W 5.0 % CC	1	R55
15		1303178-00	620.0 .25 W 5.0 % CC	1	R6
16		1300365-00	1.0 K .25 W 5.0 % CC	5	R1,R7,R39,R44,R57
17		1300391-00	1.50 K .25 W 5.0 % CC	1	R5
18		1302388-00	2.0 K .25 W 5.0 % CC	2	R31,R43
19		1300426-00	2.70 K .25 W 5.0 % CC	2	R46,R47
20		1302389-00	4.30 K .25 W 5.0 % CC	1	R53
21		1300447-00	4.70 K .25 W 5.0 % CC	10	R10-R12,R14,R15,R19,R20,R24,R49,
22		1303179-00	8.20 K .25 W 5.0 % CC	3	CONT R68
23		1300488-00	12.0 K .25 W 5.0 % CC	4	R9,R16,R17
24		1305346-00	27.0 K .25 W 5.0 % CC	1	R25,R26,R45,R56
25		1305131-00	*** THIS ITEM IS NOT USED ***	-	R21
26		1312923-00	2.10 K .25 W 1.0 % RN55D-F10	1	R41
27		1305114-00	3.48 K .25 W 1.0 % RN55D-F10	1	R34
28		1314763-00	4.12 K .25 W 1.0 % RN55D-F10	1	R36
29		1303312-00	10.0 K .25 W 1.0 % RN55D-F10	3	R28,R29,R62

REVISION HISTORY		BASIC PART NO: 5413534		DRN:	JERRY BEST	DATE:	26-JUL-78	DIGITAL			
ENG	ECO NUMBER	REV	SECTION A OF A	CHK'D:	JERRY BEST	DATE:	26-JUL-78	TITLE PARTS LIST			
	INIT	A	SECTION VARIATION INDEX	DES.ENG:	R. NOGUCHI	DATE:		DOCUMENT NUMBER			
BN	5413534-CZ001	B	[A] 00	MFG.ENG.:	P. CHURCH	DATE:		SIZE	CODE	NUMBER	REV
MZ	5413534-CX003	C	[B]	ASSEMBLY NUMBER:		TOF DOCUMENT NUMBER:		K	PL	5413534-0-DBP	C
			[C]	ID-UA-5413534-0-0		RL02		FILE NAME: Z0494C.PLS			
			[D]					EDIT # 18			
			[E]	THIS DRAWING AND SPECIFICATIONS HEREIN, ARE THE PROPERTY OF DIGITAL EQUIPMENT CORPORATION AND SHALL NOT BE REPRODUCED OR COPIED OR USED IN WHOLE OR IN PART AS THE BASIS FOR THE MANUFACTURE OR SALE OF ITEMS WITHOUT WRITTEN PERMISSION. COPYRIGHT (C) 1980. DIGITAL EQUIPMENT CORPORATION							

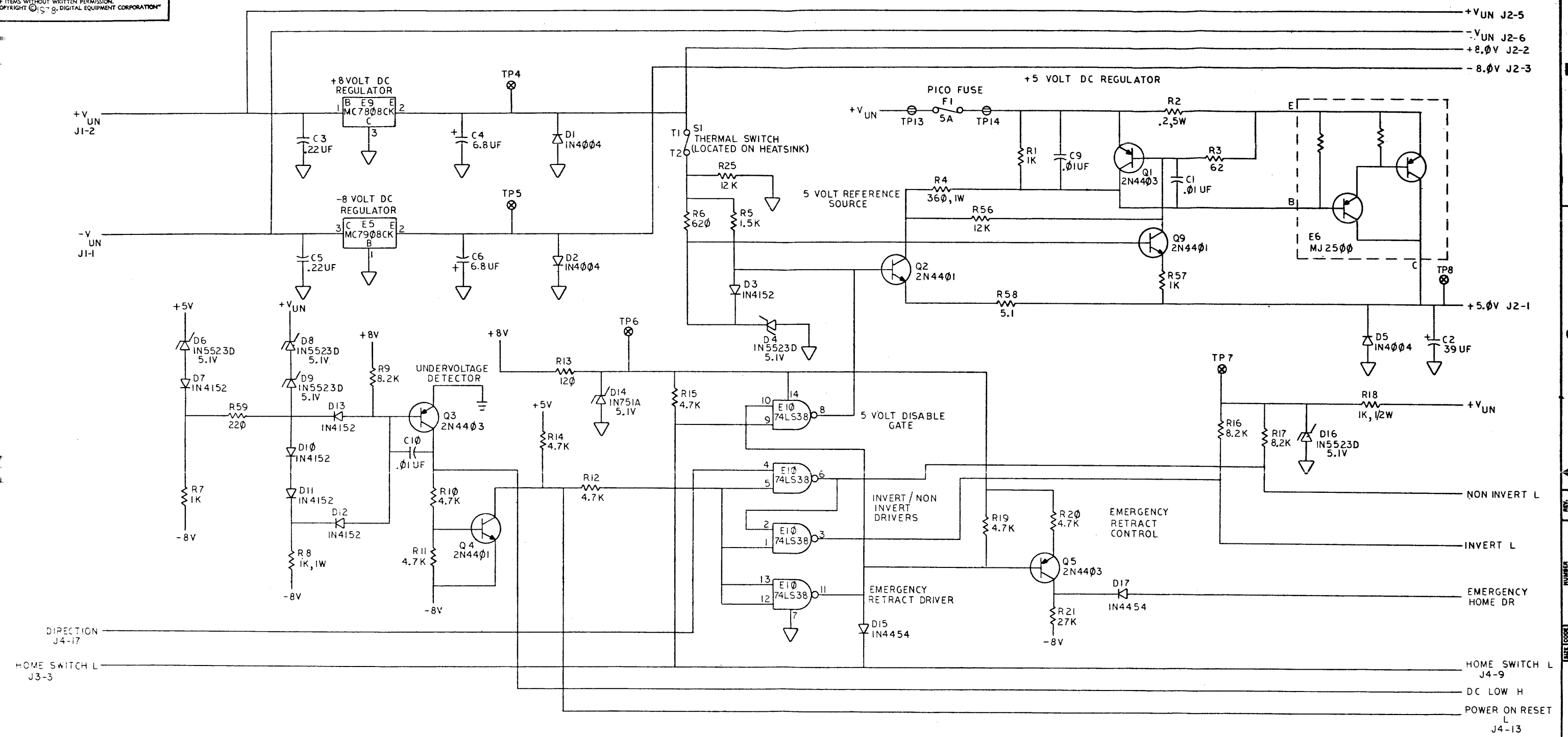
LINE ITEM	DOCUMENT NUMBER	PART NUMBER	DESCRIPTION	QTY PER VARIATION	REFERENCE DESIGNATOR
30		1312924-00	10.70 K .25 W 1.0 % RN55D-F10	1	R32
31		1309412-00	18.20 K .25 W 1.0 % RN55D-F10	1	R33
32		1315436-00	52.30 K .25 W 1.0 % RN55D-F10	1	R54
33		1304843-00	243.0 K .25 W 1.0 % RN55D-F10	1	R72
34		1315437-00	237.0 K .25 W .10% RN55D-F10	1	R38
35		1302378-00	51.0 .50 W 5.0 % CC	1	R51
36		1300364-00	1.0 K .50 W 5.0 % CC	2	R18,R48
37		1314068-00	360.0 1.0 W 5.0 % CC	1	R4
38		1300368-00	1.0 K 1.0 W 5.0 % CC	1	R8
39		1301494-00	200.0 2.0 W 5.0 % CC	1	R50
40		1313358-00	.20 5.0 W 3.0 % WW	2	R2,R52
41		1105796-00	1N 4004 FIV=400 I= 1A D041 SP	3	D1,D2,D5
42		1113953-00	1N 5523D VZ= 5.1 1% I	8	D4,D6,D8,D9,D16,D18,D21,D22
43		1109990-00	1N 757A VZ= 9.1 5% .40W P	2	D23,D24
44		1110994-00	1N 751A VZ= 5.1 5% .40W	1	D14
45		1114117-00	1N 4152 FIV=450 I=75M	6	D3,D7,D10,D11,D12,D13
46		1111577-00	1N 4454 TR= 4NS FIV= 50 S	6	D15,D17,D20,D25-D27
47		1513698-00	TRIAC@200V,I>14A	1	D19
48		9009597-00	INSULATOR, THERMA-FILM	1	
49		1513489-00	2N 4401 NFN 350MW SI 40 20	4	Q2,Q4,Q8,Q9
50		1513490-00	2N 4403 PNP 350MW SI-40 30	6	Q1,Q3,Q5-Q7,Q11
51		1511282-00	MJ2500 PNP 150WC SI 60 5 1K 5A	2	E4,E6
52		1511349-00	TIP 640 (OR MJ3000) NFN DARLINGT	1	E3
53		1911706-00	5012 ANALOG SWITCH,4CHNL	1	E8
54		1912818-00	LS38 NAND BUFFER-QUAD 2IN	1	E10
55		1912107-01	324ANOP AMP,QUAD	1	E7
56		1913695-00	7808 VOLT REG,FIX +8V	1	E9
57		1913694-00	7908 VOLT REG,FIX -8V	1	E5
58		9008419-00	WASHER, FLAT, THERMAFILM .002THK	5	
59		7418595-00	HEATSINK ASSEMBLY	1	
60		9008033-01	SCREW,PAN,PHIL 4-40X 9/16 SS	11	
61		9006557-00	NUT,KEP , 4-40X 1/4 AF	11	
62		9006655-00	WASHER, FLAT, .312 O.D. X .125 I	11	
63		9008268-00	COMPOUND, THERMAL JDINT	A/R	
64		1210824-00	THERMOSTAT,00215,C@156,SPST,NORM	1	S1
65		9008185-00	NUT,KEP , 6-32X1/4 AF	1	
66		9006653-00	WASHER, FLAT, .375 O.D. X .156 I	1	
67		1205747-00	FUSE, SUB-MINI, 5.000A, 125V, A	1	F1
68		9006735-00	EYELET, FUNNEL FLANGE, .059 OD X	6	TP13-TP18
69		9007791-00	TERM PCB 2POS SOLDER,TURRET	13	TP0-TP12
70		1213922-01	HEADER 3POS	1	J1
71		1213922-04	HEADER 6POS	1	J2
72		1213900-00	CONN,RCPT 6POS	1	J3
73		1209941-06	HEADER,100 20POS RT ANGLE	1	J4
74		1209941-04	HEADER RT ANGLE,RIGHT	1	
75		1209941-03	HEADER RT ANGLE LEFT L	1	
76		1305324-00	4.99 K .25 W 1.0 % RN55D-F10	2	R37,R30
77		1300250-00	150.0 .25 W 5.0 % CC	1	R42

DIGITAL		TITLE		SECTION A OF A		SIZE	CODE	DOCUMENT NUMBER	REV
DIGITAL		D.C. SERVO AND POWER SUPPLY		SECTION A OF A		K	PL	5413534-0-DBP	C

LINE	ITEM	DOCUMENT NUMBER	PART NUMBER	DESCRIPTION	QTY PER VARIATION 00	REFERENCE DESIGNATOR
78	78		1312618-00	16.90 K .25 W 1.0 % RN55D-F10	1	R40
79	79		1300229-00	100.0 K .25 W 5.0 % CC	1	R63
80	80		1305336-00	*** THIS ITEM IS NOT USED ***	-	
81	81		1309416-00	31.60 K .25 W 1.0 % RN55D-F10	1	R65
82	82		1002781-00	100 MFD 25V +75-10% AL EL	1	C20
83	83		9009185-00	JUMPER, WIRE, INSULATED, BLACK B	2	W1,W2
84	84		1303044-00	100.0 K .25 W 1.0 % RN55D-F10	1	R64
85	85		1015574-00	*** THIS ITEM IS NOT USED ***	-	
86	86		1315435-00	25.50 K .25 W 1.0 % RN55D-F10	1	R66
87	87		1312930-00	5.10 K .25 W 5.0 % CC	1	R67
88	88		1015520-00	1 MFD 100V 5% MET. MYLR	1	C19
89	89		1513697-00	2N 5640 FET N CHNNL	1	Q10
90	90		1300479-00	10.0 K .25 W 5.0 % CC	1	R69
91	91		1302466-00	100.0 K .25 W 5.0 % CC	1	R70
92	92		9105740-55	WIRE(WRAP)30AWG UL1423	A/R	

D I G I T A L				TITLE	D.C. SERVO AND POWER SUPPLY	SECTION A OF A	SIZE CODE	DOCUMENT NUMBER	REV
							K PL	5413534-0-DBP	C

"THIS DRAWING AND SPECIFICATIONS, HEREIN, ARE THE PROPERTY OF DIGITAL EQUIPMENT CORPORATION AND SHALL NOT BE REPRODUCED OR COPIED OR USED IN WHOLE OR IN PART AS THE BASIS FOR THE MANUFACTURE OR SALE OF ITEMS WITHOUT WRITTEN PERMISSION. COPYRIGHT © 1978, DIGITAL EQUIPMENT CORPORATION"

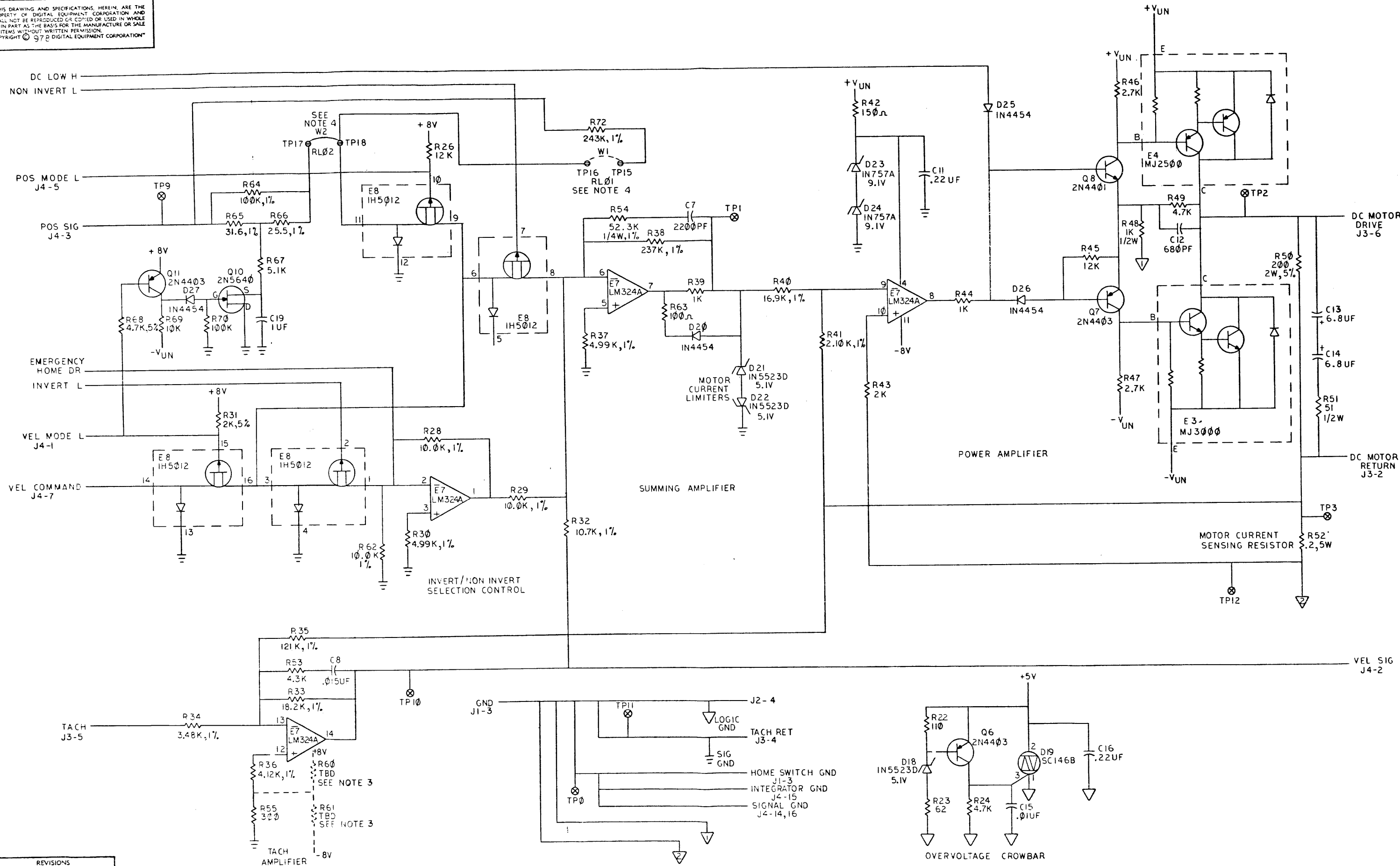


- NOTES:
- ALL RESISTORS TO BE 1/4W, 5%; UNLESS OTHERWISE SPECIFIED.
 - E1 AND E2 ARE SPARES.
 - VALUE OF R60 OR R61 WILL BE DETERMINED IN TESTING.
 - INSTALL W1 AND W2 FOR RL01 ON SIDE 2. INSTALL W2 ONLY FOR RL02 ON SIDE 2.

REV.	CHANGE NO.	BY	DATE
B	1	BOB INOUCCHI	11/13/80
C	2	M. ZARICH	11/13/80

QUANTITY & VARIATION	DESCRIPTION	DWG/PART NO.	ITEM NO.
	UNLESS OTHERWISE SPECIFIED DIMENSIONS ARE IN INCHES		
	ANGLES ±0° 30'	CLASS OF ASSEMBLY	NOMINAL DIMENSION RANGE INCHES
	SURFACE QUALITY	(CHECK ONE)	OVER 0 TO 0.2 OVER 0.2 TO 1.2 OVER 1.2 TO 4.0 OVER 4.0 TO 12.0 OVER 12.0 TO 40.0 OVER 40.0 TO 80.0
	MEDIUM	<input type="checkbox"/> ±.004 ±.008 ±.012 ±.016 ±.024 ±.04	
	PREFERRED	<input type="checkbox"/> ±.012 ±.016 ±.025 ±.04 ±.063 ±.01	
THIRD ANGLE PROJECTION	DRN.	CHK'D	FIRST USED ON
REMOVE BURRS AND BREAK SHARP CORNERS	ENG.	PROJ. ENG.	TITLE
DO NOT SCALE DWG	NEXT HIGHER ASSY.		DC SERVO AND POWER SUPPLY
MATERIAL	D-54-3534-0-0	SIZE	CODE NUMBER
FINISH	SCALE	SHEET	DIST

THIS DRAWING AND SPECIFICATIONS, HEREIN, ARE THE PROPERTY OF DIGITAL EQUIPMENT CORPORATION AND SHALL NOT BE REPRODUCED OR COPIED OR USED IN WHOLE OR IN PART AS THE BASIS FOR THE MANUFACTURE OR SALE OF ITEMS WITHOUT WRITTEN PERMISSION. COPYRIGHT © 1972 DIGITAL EQUIPMENT CORPORATION



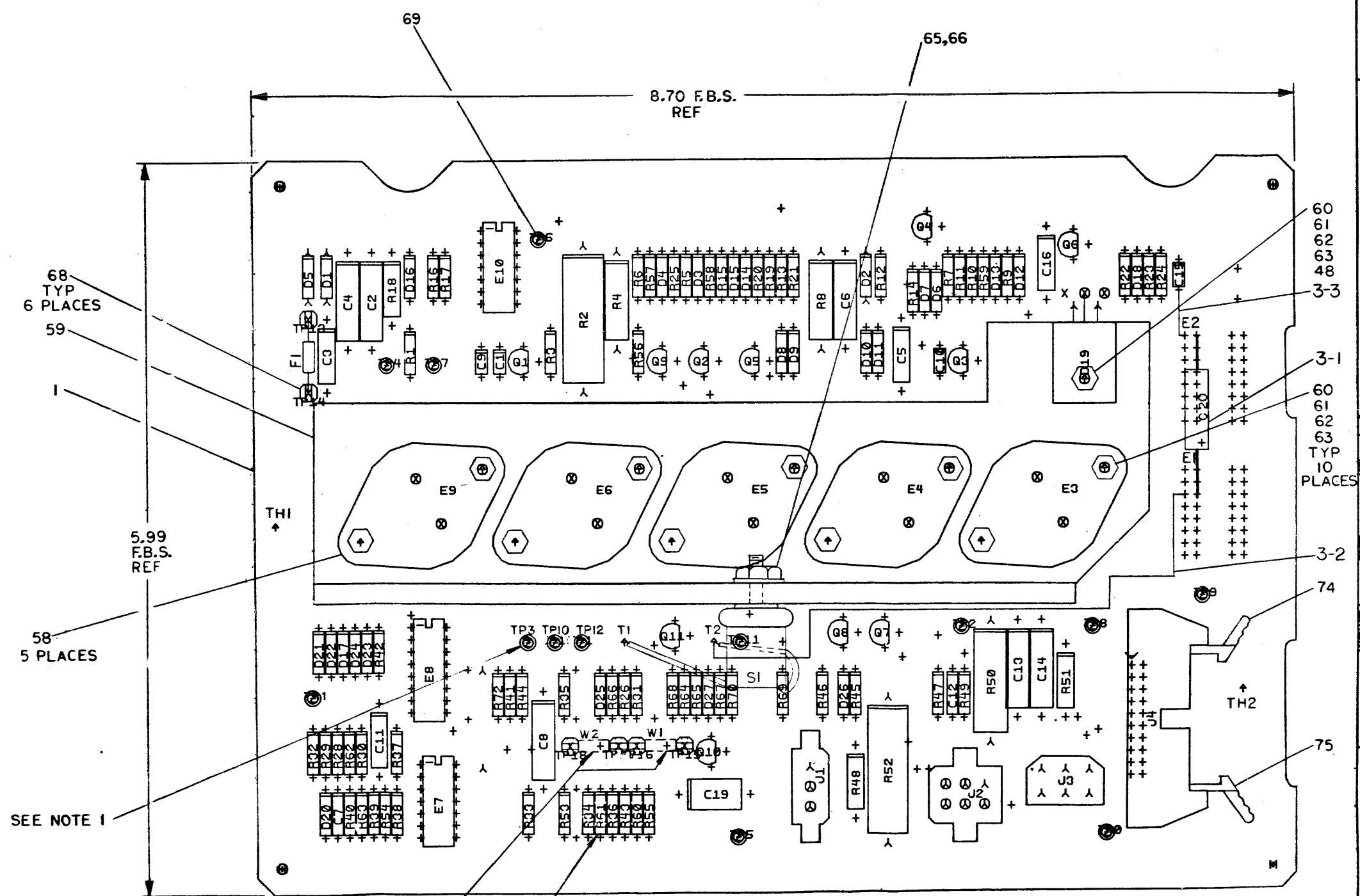
REVISIONS		
CHK	CHANGE NO	REV.

TITLE		DC SERVO AND POWER SUPPLY		SIZE CODE	D CS	NUMBER	5413534-0-1	REV.	1
SCALE	SHEET	OF		DIST.					

REV. C DCS 5413534-0-1

THIS DRAWING AND SPECIFICATIONS, HEREIN, ARE THE PROPERTY OF DIGITAL EQUIPMENT CORPORATION AND SHALL NOT BE REPRODUCED OR COPIED OR USED IN WHOLE OR IN PART AS THE BASIS FOR THE MANUFACTURE OR SALE OF ITEMS WITHOUT WRITTEN PERMISSION.
 COPYRIGHT © 1976 DIGITAL EQUIPMENT CORPORATION

COMPONENT SIDE VIEW



- NOTES:
- TP3, TP11, TP12 & TP15 THRU TP18 TO BE MOUNTED ON SIDE 2.
 - R60 AND R61 ARE TO BE INSTALLED AFTER FINAL TEST.
 - INSTALL W1 AND W2 FOR RL01. INSTALL W2 ONLY FOR RL02. W1 & W2 ARE LOCATED ON SIDE 2.

CHK	CHANGE NO.	REV	B	C	D
5413534-C2001					
BOB INOUCCHI					
M. Zarich					
5413534-CX02A					
M. Zarich					
5413534-CX003					
M. Zarich					
M. Zarich					

SEE NOTE 3
 SEE NOTE 2

ETCH REV. E
P.C. DESIGN DATA BASE REV. EL

SIGNATURES	DATE	digital	TITLE DC SERVO & POWER SUPPLY
DRN. Fred R. Kordach	8/15/78		
CHK'D. [Signature]	8/15/78		
ENG. [Signature]	8/15/78		
PROJ. ENG. [Signature]	8/15/78		
PROD. [Signature]	8/27/78		
SCALE 2/1		SIZE CODE	NUMBER
SHT. 1 OF 2		D UA	5413534-0-0
NEXT HIGHER ASSY. B-DD-5413534-0			

THIS DRAWING AND SPECIFICATIONS, HEREIN, ARE THE PROPERTY OF DIGITAL EQUIPMENT CORPORATION AND SHALL NOT BE REPRODUCED OR COPIED OR USED IN WHOLE OR IN PART AS THE BASIS FOR THE MANUFACTURE OR SALE OF ITEMS WITHOUT WRITTEN PERMISSION. COPYRIGHT © 1980 DIGITAL EQUIPMENT CORPORATION

REWORK INSTRUCTIONS:

ECO 5413534-CX003

COMPONENT ADDS SIDE 1:

- 3-1 ADD POLARIZED SIDE OF C20 (1002781-00) AT E1-3 AND THE GND SIDE AT E2-1.

WIRE ADDS SIDE 1:

- 3-2 ADD WIRE FROM THE PTH NEXT TO E1-3 TO T2.
- 3-3 ADD WIRE FROM THE PTH NEXT TO E2-1 TO C15 GND (BOTTOM).

REVISION HISTORY		
DATE	ECO NUMBER	REV.

DOCUMENT NUMBER		
SIZE CODE	NUMBER	REV.
DUA	5413534-0-0	D
SCALE --		SHEET 2 OF 2

TITLE DC SERVO AND POWER SUPPLY

SIZE CODE DUA NUMBER 5413534-0-0 REV. D

LINE ITEM	DOCUMENT NUMBER	PART NUMBER	DESCRIPTION	QTY	PER VARIATION	REFERENCE DESIGNATOR
				00		
1	1	D-MD-5013533-0-0	5013533-00	ETCHED CIRCUIT BOARD	1	
2	2		1013466-08	680.0 MMF 50V 10% X7R CER	1	C12
3	3		1016009-00	2200.0 MMF 50V 5% CER	1	C7
4	4		1001610-00	.01 MFD 50V +80-20% Z5U CER	4	C1,C9,C10,C15
5	5		1002630-00	.015 MFD 100V 10% MYLR	1	C8
6	6		1013466-11	.22 MFD 50V +80-20% Z5U CER	4	C3,C5,C11,C16
7	7		1005306-00	*** THIS ITEM IS NOT USED ***	-	
8	8		1000076-00	*** THIS ITEM IS NOT USED ***	-	
9	9		1309422-00	5.10 .25 W 5.0 % CC	1	R58
10	10		1312929-00	62.0 .25 W 5.0 % CC	2	R3,R23
11	11		1311523-00	110.0 .25 W 5.0 % CC	1	R22
12	12		1300247-00	120.0 .25 W 5.0 % CC	1	R13
13	13		1300271-00	220.0 .25 W 5.0 % CC	1	R59
14	14		1301425-00	300.0 .25 W 5.0 % CC	1	R55
15	15		1303178-00	620.0 .25 W 5.0 % CC	1	R6
16	16		1300365-00	1.0 K .25 W 5.0 % CC	5	R1,R7,R39,R44,R57
17	17		1300391-00	1.50 K .25 W 5.0 % CC	1	R5
18	18		1302388-00	2.0 K .25 W 5.0 % CC	2	R31,R43
19	19		1300426-00	2.70 K .25 W 5.0 % CC	2	R46,R47
20	20		1302389-00	4.30 K .25 W 5.0 % CC	1	R53
21	21		1300447-00	4.70 K .25 W 5.0 % CC	10	R10-R12,R14,R15,R19,R20,R24,R49, R68
22	22		1303179-00	8.20 K .25 W 5.0 % CC	3	R9,R16,R17
23	23		1300488-00	12.0 K .25 W 5.0 % CC	4	R25,R26,R45,R56
24	24		1305346-00	27.0 K .25 W 5.0 % CC	1	R21
25	25		1305131-00	*** THIS ITEM IS NOT USED ***	-	
26	26		1312923-00	2.10 K .25 W 1.0 % RN55D-F10	1	R41
27	27		1305114-00	3.48 K .25 W 1.0 % RN55D-F10	1	R34
28	28		1314763-00	4.12 K .25 W 1.0 % RN55D-F10	1	R36
29	29		1303312-00	10.0 K .25 W 1.0 % RN55D-F10	3	R28,R29,R62

REVISION HISTORY		BASIC PART NO: 5413534		DRN:	JERRY BEST	DATE: 26-JUL-78	DIGITAL				
ENG	ECD NUMBER	REV	SECTION A OF A	CHK'D:	JERRY BEST	DATE: 26-JUL-78	TITLE	PARTS LIST			
	INIT	A	SECTION.VARIATION INDEX								
BN	5413534-CZ001	B	[A] 00				D.C. SERVO AND POWER SUPPLY				
MZ	5413534-CX003	C	[B]								
MZ	5413534-CX004	D	[C]	DES.ENG:	R. NOGUCHI	DATE:					
			[D]								
			[E]	RESP.ENG.:	R. NOGUCHI	DATE: 26-JUL-78		DOCUMENT NUMBER			
			[F]								
			[G]				SIZE	CODE	NUMBER	REV	
			[H]				K	PL	5413534-0-DBP	D	
			[I]								
			[J]								
			[K]	MFG.ENG.:	P. CHURCH	DATE:					
			[L]								
			[M]	ASSEMBLY NUMBER:		TOP DOCUMENT NUMBER:	FILE NAME:	EDIT #			
			[N]	D-UA-5413534-0-0		RL02	Z0494D.PLS	20			

*THIS DRAWING AND SPECIFICATIONS HEREIN, ARE THE PROPERTY OF DIGITAL EQUIPMENT CORPORATION AND SHALL NOT BE REPRODUCED OR COPIED OR USED IN WHOLE OR IN PART AS THE BASIS FOR THE MANUFACTURE OR SALE OF ITEMS WITHOUT WRITTEN PERMISSION. COPYRIGHT (C) 1981. DIGITAL EQUIPMENT CORPORATION *

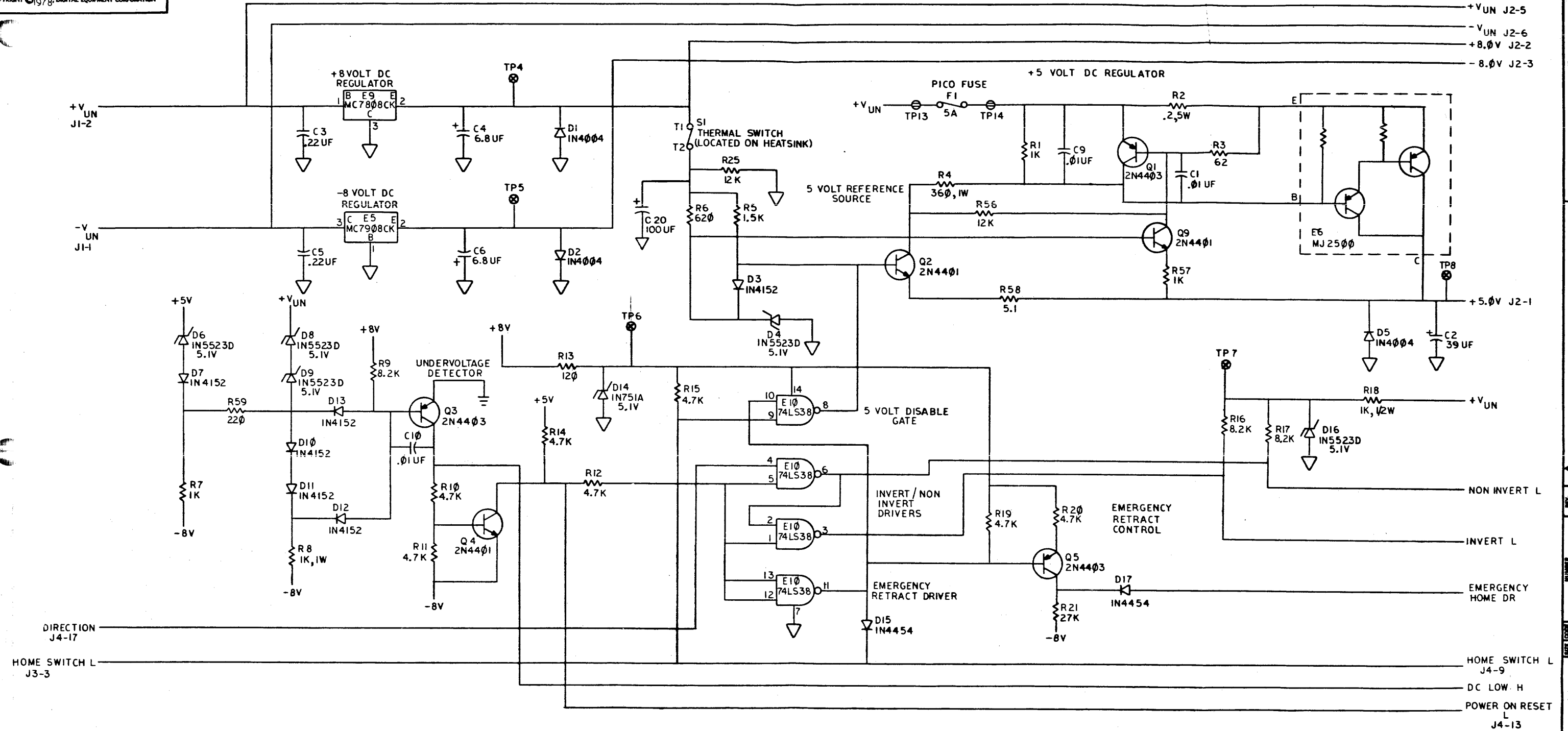
LINE ITEM	DOCUMENT NUMBER	PART NUMBER	DESCRIPTION	QTY	PER VARIATION	REFERENCE DESIGNATOR
				00		
30	30		1312924-00	10.70 K .25 W 1.0 % RN55D-F10	1	R32
31	31		1309412-00	18.20 K .25 W 1.0 % RN55D-F10	1	R33
32	32		1315436-00	52.30 K .25 W 1.0 % RN55D-F10	1	R54
33	33		1304843-00	243.0 K .25 W 1.0 % RN55D-F10	1	R72
34	34		1315437-00	237.0 K .25 W .10% RN55D-F10	1	R38
35	35		1302378-00	51.0 .50 W 5.0 % CC	1	R51
36	36		1300364-00	1.0 K .50 W 5.0 % CC	2	R18,R48
37	37		1314068-00	360.0 1.0 W 5.0 % CC	1	R4
38	38		1300368-00	1.0 K 1.0 W 5.0 % CC	1	R8
39	39		1301494-00	200.0 2.0 W 5.0 % CC	1	R50
40	40		1313358-00	.20 5.0 W 3.0 % WW	2	R2,R52
41	41		1105796-00	1N 4004 PIV=400 I= 1A D041 SP	3	D1,D2,D5
42	42		1113953-00	1N 5523D VZ= 5.1 1%	8	D4,D6,D8,D9,D16,D18,D21,D22
43	43		1109990-00	1N 757A VZ= 9.1 5% .40W P	2	D23,D24
44	44		1110994-00	1N 751A VZ= 5.1 5% .40W	1	D14
45	45		1114117-00	1N 4152 PIV=40 I=75	6	D3,D7,D10,D11,D12,D13
46	46		1111577-00	1N 4454 TR= 4NS PIV= 50 S	6	D15,D17,D20,D25-D27
47	47		1513698-00	TRIAC@200V,I>14A	1	D19
48	48		9009597-00	INSULATOR, THERMA-FILM	1	
49	49		1513489-00	2N 4401 NPN 350MW SI 40 20	4	Q2,Q4,Q8,Q9
50	50		1513490-00	2N 4403 PNP 350MW SI-40 30	6	Q1,Q3,Q5-Q7,Q11
51	51		1511282-00	MJ2500 PNP 150WC SI 60 5 1K 5A	2	E4,E6
52	52		1511349-00	TIP 640 (OR MJ3000) NPN DARLNGT	1	E3
53	53		1911706-00	5012 ANALOG SWITCH,4CHNL	1	E8
54	54		1912818-00	LS38 NAND BUFFER-QUAD 2IN	1	E10
55	55		1912107-01	324ANOP AMP,QUAD	1	E7
56	56		1913695-00	7808 VOLT REG,FIX +8V	1	E9
57	57		1913694-00	7908 VOLT REG,FIX -8V	1	E5
58	58		9008419-00	WASHER, FLAT, THERMAFILM .002THK	5	
59	59		7418595-00	HEATSINK ASSEMBLY	1	
60	60		9008033-01	SCREW,PAN,PHIL 4-40X 9/16 SS	11	
61	61		9006557-00	NUT,KEP , 4-40X 1/4 AF	11	
62	62		9006655-00	WASHER, FLAT, .312 O.D. X .125 I	11	
63	63		9008268-00	COMPOUND, THERMAL JOINT	A/R	
64	64		1210824-00	THERMOSTAT,0@215,C@156,SPST,NORM	1	S1
65	65		9008185-00	NUT,KEP , 6-32X1/4 AF	1	
66	66		9006653-00	WASHER, FLAT, .375 O.D. X .156 I	1	
67	67		1205747-00	FUSE, SUB-MINI, 5.000A, 125V, A	1	F1
68	68		9006735-00	EYELET, FUNNEL FLANGE, .059 OD X	6	TF13-TP18
69	69		9007791-00	TERM PCB 2POS SOLDIER,TURRET	13	TF0-TP12
70	70		1213922-01	HEADER 3POS	1	J1
71	71		1213922-04	HEADER 6POS	1	J2
72	72		1213900-00	CONN,RCPT 6POS	1	J3
73	73		1209941-06	HEADER,100 20POS RT ANGLE	1	J4
74	74		1209941-04	HEADER RT ANGLE,RIGHT	1	
75	75		1209941-03	HEADER RT ANGLE LEFT L	1	
76	76		1305324-00	4.99 K .25 W 1.0 % RN55D-F10	2	R37,R30
77	77		1300250-00	150.0 .25 W 5.0 % CC	1	R42

D	I	G	I	T	A	I	T	TITLE	SECTION A OF A	SIZE	CODE	DOCUMENT NUMBER	REV
								D.C. SERVO AND POWER SUPPLY		K	PL	5413534-0-DBP	D

LINE ITEM	DOCUMENT NUMBER	PART NUMBER	DESCRIPTION	QTY PER VARIATION 00	REFERENCE DESIGNATOR
78	78	1312618-00	16.90 K .25 W 1.0 % RN55D-F10	1	R40
79	79	1300229-00	100.0 .25 W 5.0 % CC	1	R63
80	80	1305336-00	*** THIS ITEM IS NOT USED ***	-	
81	81	1309416-00	31.60 K .25 W 1.0 % RN55D-F10	1	R65
82	82	1002781-00	100 MFD 25V +75-10% AL EL	1	C20
83	83	9009185-00	JUMPER, WIRE, INSULATED, BLACK B	2	W1,W2
84	84	1303044-00	100.0 K .25 W 1.0 % RN55D-F10	1	R64
85	85	1015574-00	*** THIS ITEM IS NOT USED ***	-	
86	86	1315435-00	25.50 K .25 W 1.0 % RN55D-F10	1	R66
87	87	1312930-00	5.10 K .25 W 5.0 % CC	1	R67
88	88	1015520-00	1 MFD 100V 5% MET. MYLR	1	C19
89	89	1513697-00	2N 5640 FET N CHNNL	1	Q10
90	90	1300479-00	10.0 K .25 W 5.0 % CC	1	R69
91	91	1302466-00	100.0 K .25 W 5.0 % CC	1	R70
92	92	9105740-55	WIRE(WRAP)30AWG UL1423	A/R	
93	93	1017472-00	10 MFD 35V +50-10% AL EL	4	C4,C6,C13,C14
94	94	1016549-00	47 MFD 10V +50-10% AL EL	1	C2

D I G I T A L				TITLE	SECTION A OF A		SIZE	CODE	DOCUMENT NUMBER	REV
				D.C. SERVO AND POWER SUPPLY			K	PL	5413534-0-DBP	D

THIS DRAWING AND SPECIFICATIONS, HEREIN, ARE THE PROPERTY OF DIGITAL EQUIPMENT CORPORATION AND SHALL NOT BE REPRODUCED OR COPIED OR USED IN WHOLE OR IN PART AS THE BASIS FOR THE MANUFACTURE OR SALE OF ITEMS WITHOUT WRITTEN PERMISSION. COPYRIGHT © 1978, DIGITAL EQUIPMENT CORPORATION

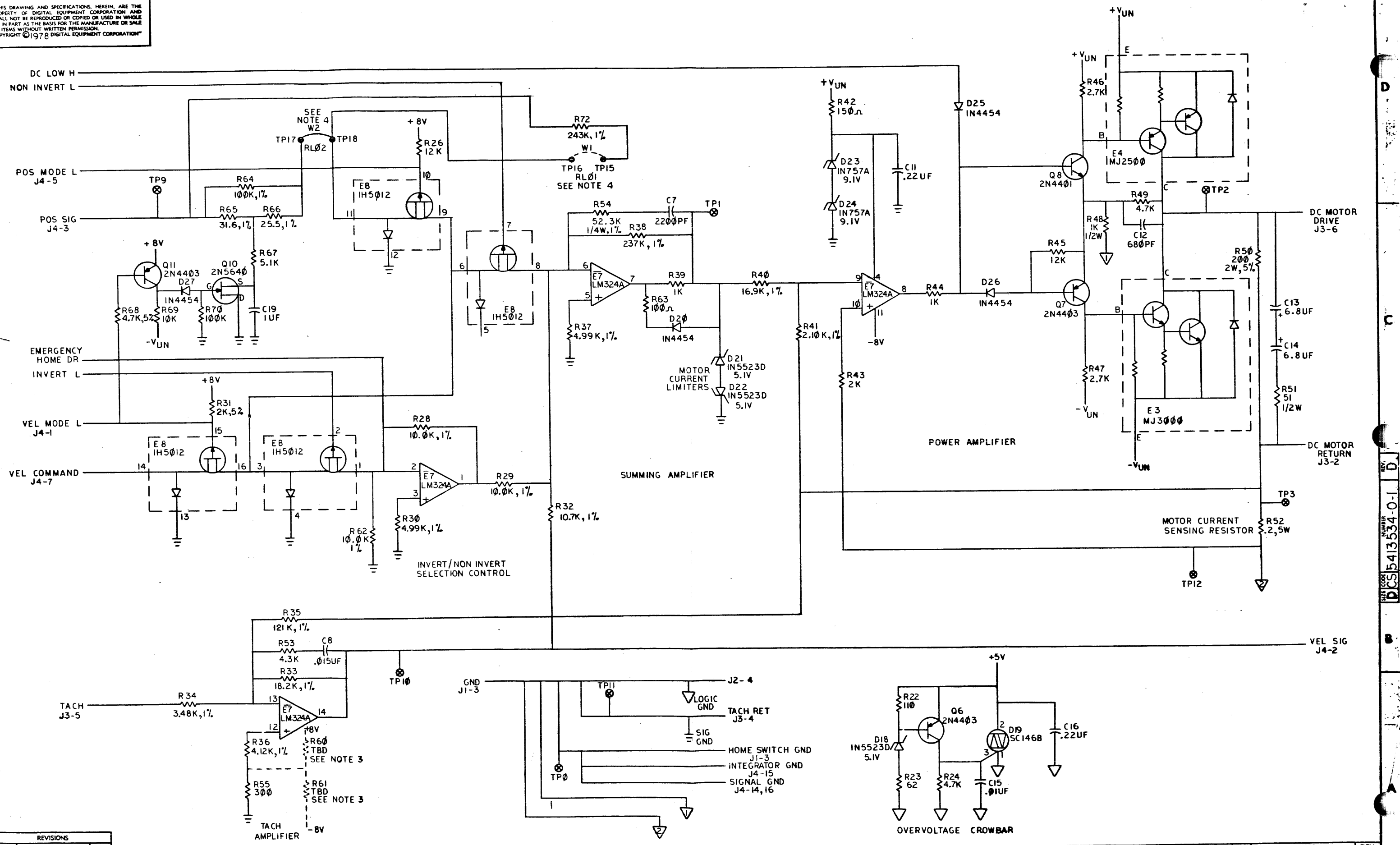


- NOTES:
1. ALL RESISTORS TO BE 1/4W, 5%; UNLESS OTHERWISE SPECIFIED.
 2. ~~E1 AND E2 ARE SPARES~~
 3. VALUE OF R60 OR R61 WILL BE DETERMINED IN TESTING.
 4. INSTALL W1 AND W2 FOR RL01 ONSIDE 2. INSTALL W2 ONLY FOR RL02 ONSIDE 2.

REV.	DATE	BY	CHK	DESCRIPTION
1				
2				
3				
4				
5				
6				
7				
8				

DESCRIPTION		DWG. PART NO.		ITEM NO.	
UNLESS OTHERWISE SPECIFIED DIMENSIONS ARE IN INCHES					
ANGLES ±0° 30'	CLASS OF ACCURACY	NOMINAL DIMENSION RANGE INCHES			
SURFACE QUALITY IN	(CHECK ONE)	OVER 0 TO 0.2	OVER 0.2 TO 0.4	OVER 0.4 TO 1.2	OVER 1.2 TO 40.0
QUANTITY & VARIATION	MEDIUM	±.004	±.008	±.012	±.016
	PREFERRED	±.012	±.016	±.025	±.04
THIRD ANGLE PROJECTION	DRN. R. Richard	FIRST USED ON			
REMOVE BURRS AND BREAK SHARP CORNERS	CHK'D	TITLE			
DO NOT SCALE DWG	PROJ. ENG.	DC SERVO AND POWER SUPPLY			
MATERIAL	PROD. 2	NEXT HIGHER ASSY.			
FINISH		MATERIAL D-UA-5413534-0-0			
		SCALE 1 OF 2			
		SIZE CODE NUMBER REV. D CS5413534-0-1 D			
		SHEET 1 OF 2			

THIS DRAWING AND SPECIFICATIONS, HEREIN, ARE THE PROPERTY OF DIGITAL EQUIPMENT CORPORATION AND SHALL NOT BE REPRODUCED OR COPIED OR USED IN WHOLE OR IN PART AS THE BASIS FOR THE MANUFACTURE OR SALE OF ITEMS WITHOUT WRITTEN PERMISSION. COPYRIGHT © 1978 DIGITAL EQUIPMENT CORPORATION



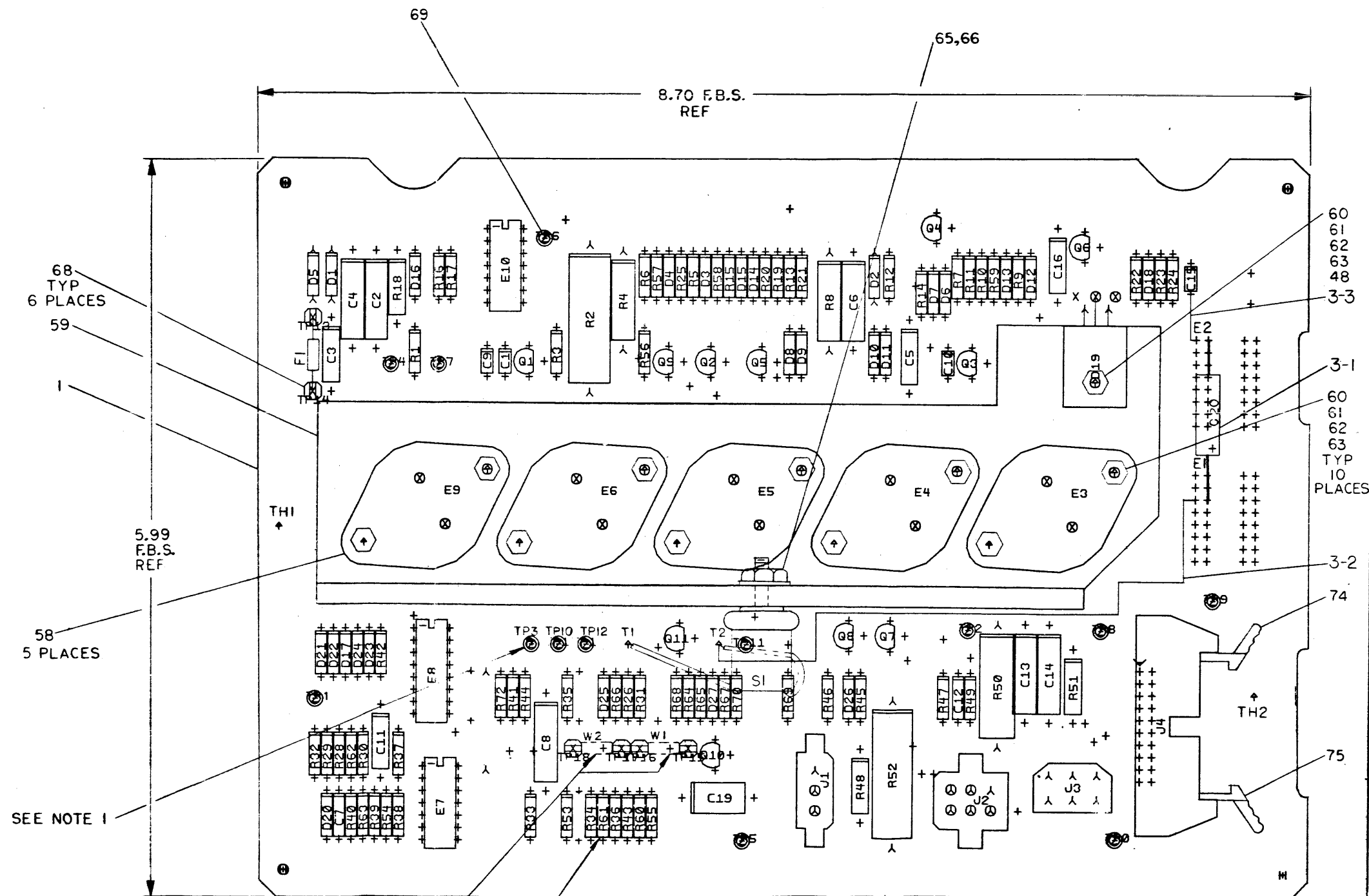
REVISIONS		
CHK	CHANGE NO.	REV.

TITLE	DC SERVO AND POWER SUPPLY	SIZE CODE	D CS	NUMBER	5413534-0-1	REV.	D
SCALE	SHEET 2 OF 2		DIST.				

DCS 5413534-0-1 REV. D
 NUMBER
 REV.

THIS DRAWING AND SPECIFICATIONS, HEREIN, ARE THE PROPERTY OF DIGITAL EQUIPMENT CORPORATION AND SHALL NOT BE REPRODUCED OR COPIED OR USED IN WHOLE OR IN PART AS THE BASIS FOR THE MANUFACTURE OR SALE OF ITEMS WITHOUT WRITTEN PERMISSION.
 COPYRIGHT © 1970 DIGITAL EQUIPMENT CORPORATION

COMPONENT SIDE VIEW



- NOTES:
1. TP3, TP11, TP12 & TP15 THRU TP18 TO BE MOUNTED ON SIDE 2.
 2. R60 AND R61 ARE TO BE INSTALLED AFTER FINAL TEST.
 3. INSTALL W1 AND W2 FOR RL01. INSTALL W2 ONLY FOR RL22. W1 & W2 ARE LOCATED ON SIDE 2.
 4. CS REV TO BE MARKED ON SIDE TWO (2).

CHK	CHANGE	NO	REV					
				B				
				C				
				D				
				E				

SEE NOTE 3
 SEE NOTE 2

ETCH REV. E
P.C. DESIGN DATA BASE REV. EL

SIGNATURES		DATE	digital
DRN. <i>Paul R. Korduck</i>		6/3/78	
CHK'D. <i>[Signature]</i>		6/1/78	
ENG. <i>[Signature]</i>			
PROJ. ENG. <i>[Signature]</i>			
PROD. <i>[Signature]</i>		5/27/78	
SCALE 2/1			TITLE DC SERVO & POWER SUPPLY
SHT. 1 OF 2	SIZE CODE D UA	NUMBER 5413534-0-0	REV E
NEXT HIGHER ASSY. B-00-5413534-0			

8
6
5
4
3
2
1

THIS DRAWING AND SPECIFICATIONS HEREIN ARE THE PROPERTY OF DIGITAL EQUIPMENT CORPORATION AND SHALL NOT BE REPRODUCED OR COPIED OR USED IN WHOLE OR IN PART AS THE BASIS FOR THE MANUFACTURE OR SALE OF ITEMS WITHOUT WRITTEN PERMISSION.
COPYRIGHT © 1980 DIGITAL EQUIPMENT CORPORATION

REWORK INSTRUCTIONS:

ECO 5413534-CX003

COMPONENT ADDS SIDE 1:

- 3-1 ADD POLARIZED SIDE OF C20 (1002781-00) AT E1-3 AND THE GND SIDE AT E2-1.

WIRE ADDS SIDE 1:

- 3-2 ADD WIRE FROM THE PTH NEXT TO E1-3 TO T2.
- 3-3 ADD WIRE FROM THE PTH NEXT TO E2-1 TO C15 GND (BOTTOM).

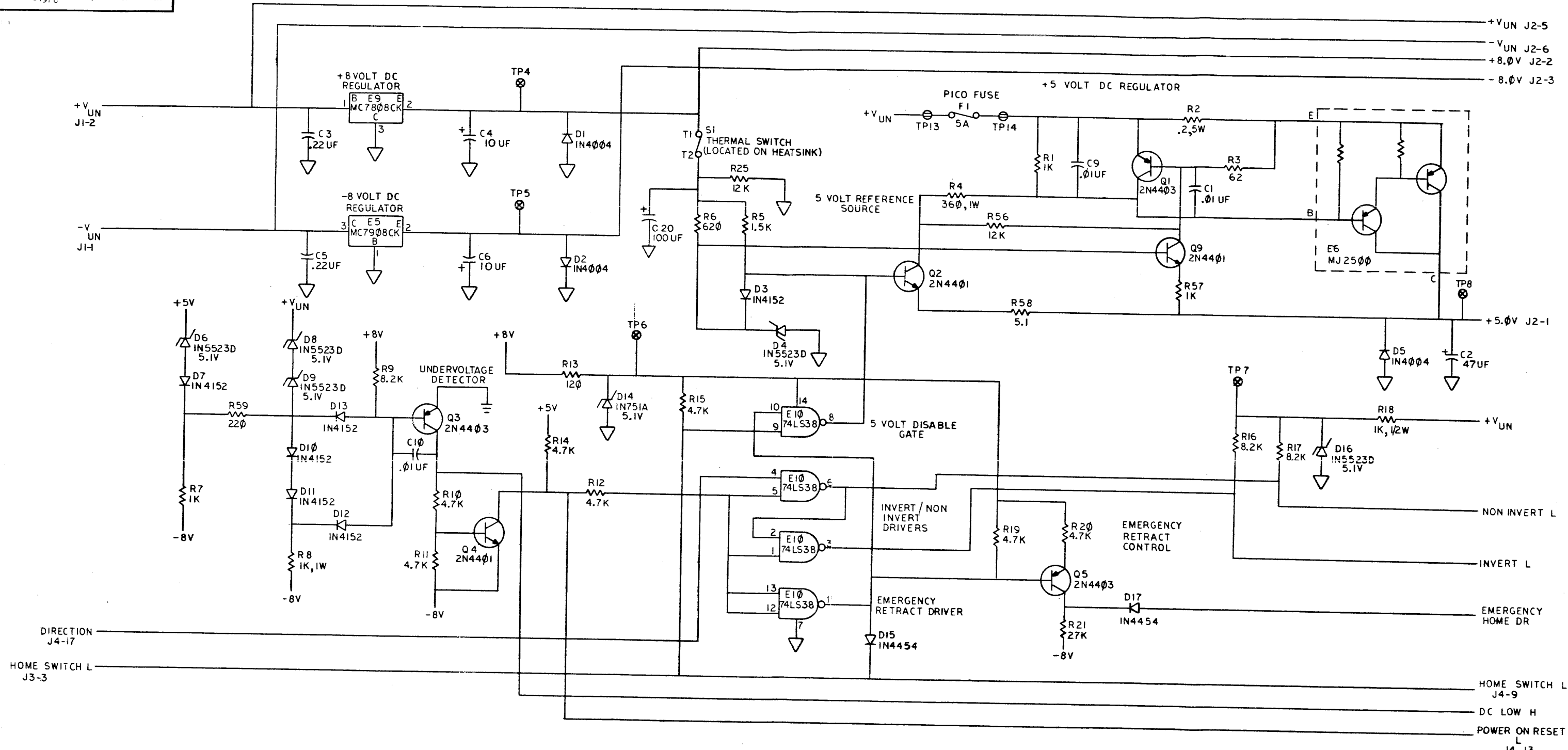
REVISION HISTORY		
DATE	ECO NUMBER	REV.

DOCUMENT NUMBER			
SIZE	CODE	NUMBER	REV.
D	UA	5413534-0-0	E
SCALE		---	SHEET 2 OF 2

D
C
B
A
E
DUA 5413534-0-0 E
B

"THIS DRAWING AND SPECIFICATIONS, HEREIN, ARE THE PROPERTY OF DIGITAL EQUIPMENT CORPORATION AND SHALL NOT BE REPRODUCED OR COPIED OR USED IN WHOLE OR IN PART AS THE BASIS FOR THE MANUFACTURE OR SALE OF ITEMS WITHOUT WRITTEN PERMISSION. COPYRIGHT © 1970, DIGITAL EQUIPMENT CORPORATION"

CS 5413534-0-1 2 1

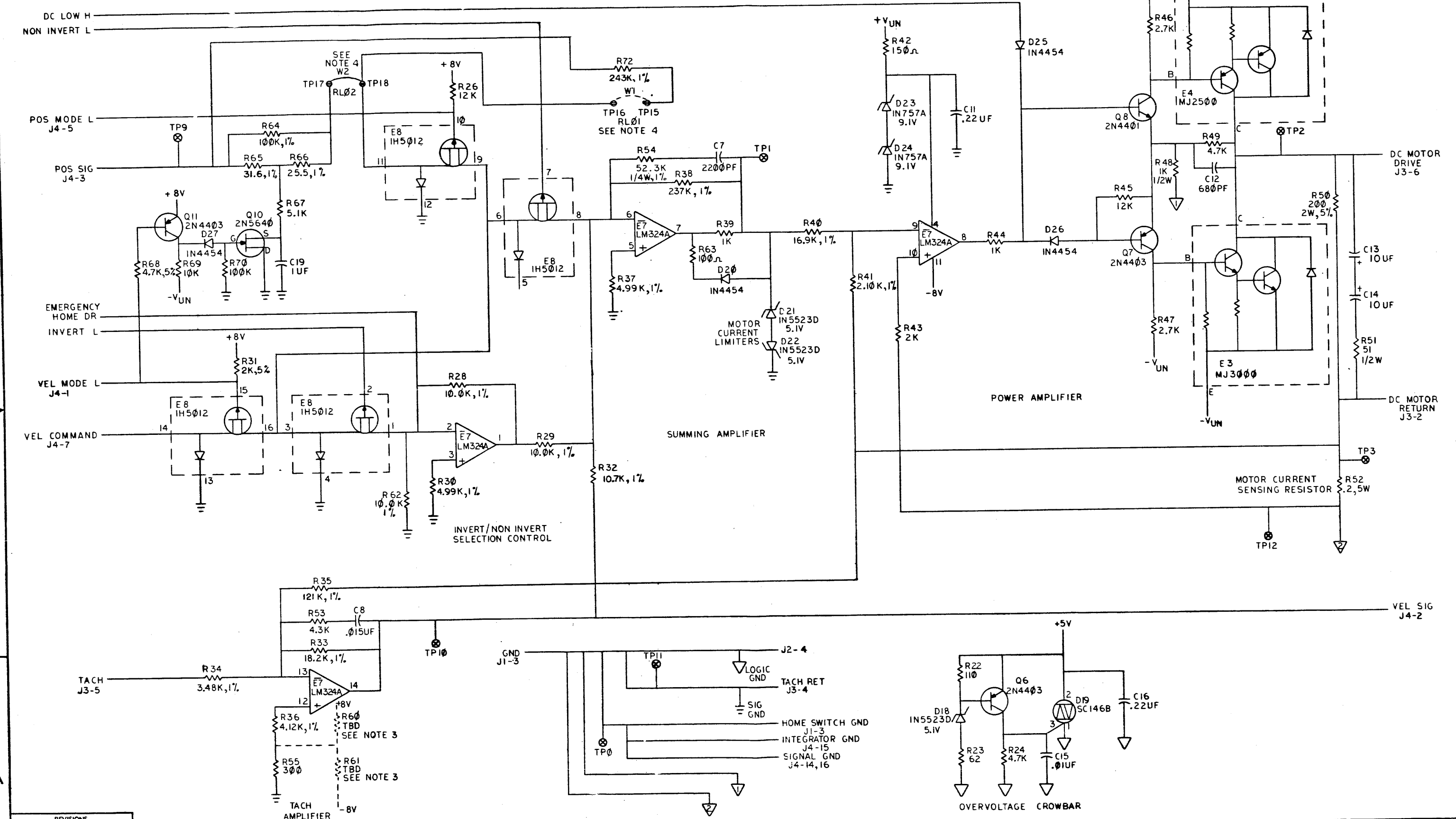


- NOTES:
- ALL RESISTORS TO BE 1/4W, 5%; UNLESS OTHERWISE SPECIFIED.
 - ~~E1 AND E2 ARE SPARES~~
 - VALUE OF R60 OR R61 WILL BE DETERMINED IN TESTING.
 - INSTALL W1 AND W2 FOR RL01 ON SIDE 2. INSTALL W2 ONLY FOR RL02 ON SIDE 2.

REV.	CHG. NO.	BY	DATE
A	5413534-CZA	BOB NOGUCHI	5/17/70
B	5413534-CX02A	M. ZARICH	5/27/70
C	5413534-CX003	M. ZARICH	5/27/70
D	5413534-CX004	M. ZARICH	5/27/70
E	5413534-CX004	M. ZARICH	5/27/70

DESCRIPTION		DWG./PART NO.	ITEM NO.
UNLESS OTHERWISE SPECIFIED DIMENSIONS ARE IN INCHES			
ANGLES ±0° 30'	CLASS OF ACCURACY	NOMINAL DIMENSION RANGE INCHES	
SURFACE QUALITY IN	(CHECK ONE)	OVER 0 TO 0.2	OVER 0.2 TO 0.4
		OVER 0.2 TO 0.4	OVER 0.4 TO 0.8
QUANTITY & VARIATION	MEDIUM	±.004	±.008
	PREFERRED	±.012	±.016
		±.025	±.04
		±.08	±.1
THIRD ANGLE PROJECTION	DRN R. Richard	5/27/70	FIRST USED ON
REMOVE BURRS AND BREAK SHARP CORNERS	CHK'D		digital
DO NOT SCALE DWG	ENG. [Signature]		TITLE
MATERIAL	PROJ. ENG. [Signature]		DC SERVO AND POWER SUPPLY
FINISH	PROD. [Signature]		
	NEXT HIGHER ASSY.		
	D-UA-5413534-0-0	SIZE CODE	NUMBER
	SHEET 1 OF 2	D	CS 5413534-0-1
			REV. E

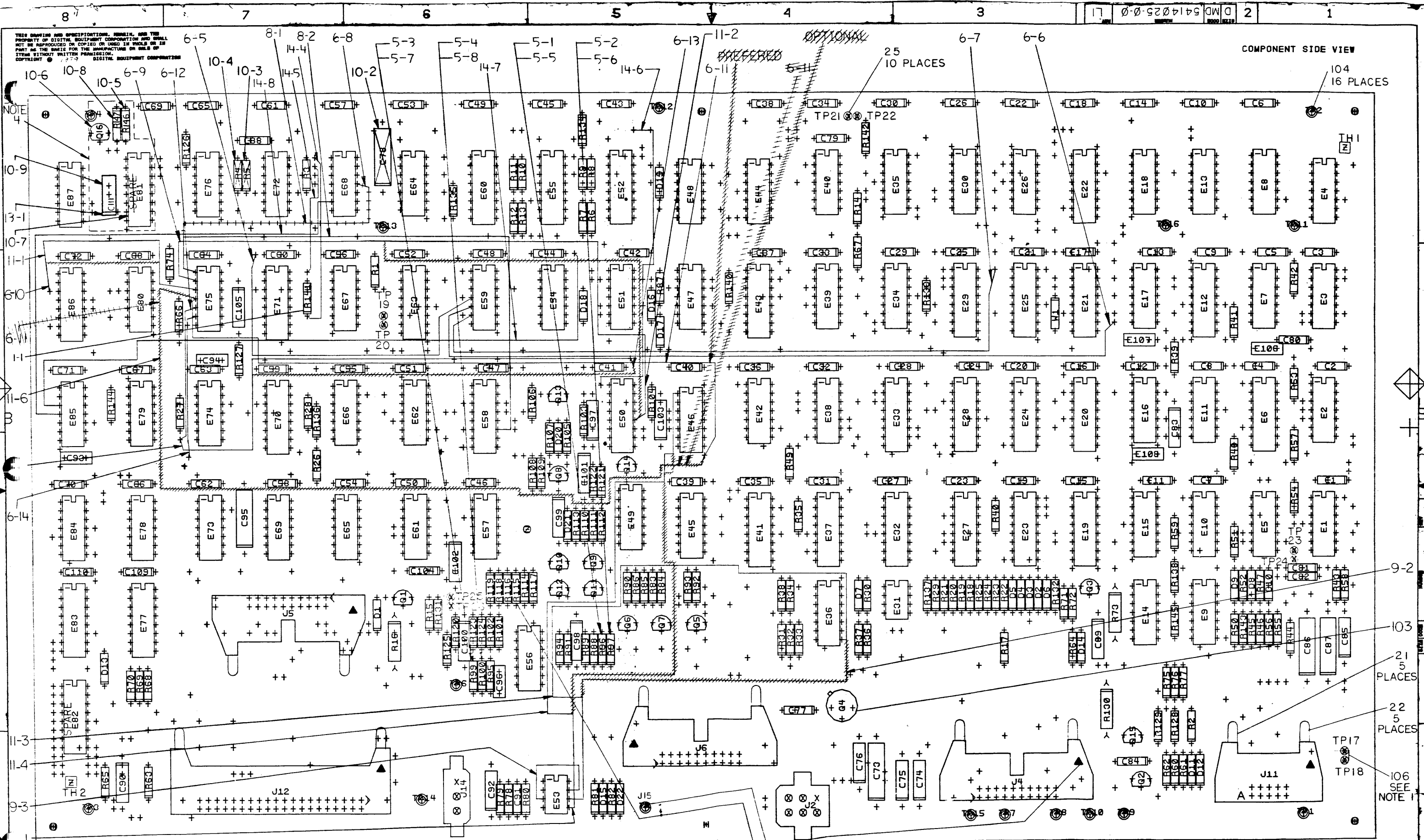
THIS DRAWING AND SPECIFICATIONS, HEREIN, ARE THE PROPERTY OF DIGITAL EQUIPMENT CORPORATION AND SHALL NOT BE REPRODUCED OR COPIED OR USED IN WHOLE OR IN PART AS THE BASIS FOR THE MANUFACTURE OR SALE OF ITEMS WITHOUT WRITTEN PERMISSION. COPYRIGHT © 1978 DIGITAL EQUIPMENT CORPORATION



REVISIONS		
CHK	CHANGE NO.	REV.

TITLE	DC SERVO AND POWER SUPPLY	SIZE CODE	D CS	NUMBER	5413534-0-1	REV.	E
SCALE		SHEET	2	OF	2	DIST.	

REV. 5413534-0-1



NOTES:

- INSTALL ITEM 106 AFTER TEST (BETWEEN TP17 & TP18 ONLY).
- VALUE OF ITEM 2 TO BE DETERMINED AT NEXT HIGHER ASSEMBLY.
- STAMP ORIENTATION TRIANGLES ON CONNECTORS AS SHOWN WITH APPLICABLE REF. INK.

CHK	CHANGE NO	REV
5414025-	B	M. BROWN
5414025-	C	M. ZARICH
5414025-	D	M. BROWN
5414025-	E	M. BROWN
5414025-	F	M. BROWN
5414025-	H	M. ZARICH
5414025-	J	M. BROWN
5414025-	K	M. ZARICH
5414025-	L	M. ZARICH
5414025-	12	M. ZARICH

SEE NOTE 3
3-1
3-2
SEE NOTE 2

ETCH REV. B
P.C. DESIGN DATA BASE REV. BL

SIGNATURES	DATE	TITLE
DRN. C. J.	4/27/79	DRIVE LOGIC
CHK'D. J. B.	5/24/79	
ENG. J. B.	5/24/79	
PROJ. ENG. J. B.	5/24/79	
PROD. J. B.		
SCALE 2/1		
SHT. 1 OF 2		
NEXT HIGHER ASSY. B-DD-5414025-2		

D MD 5414025-0-0

THIS DRAWING AND SPECIFICATIONS HEREIN ARE THE PROPERTY OF DIGITAL EQUIPMENT CORPORATION AND SHALL NOT BE REPRODUCED OR COPIED OR USED IN WHOLE OR IN PART AS THE BASIS FOR THE MANUFACTURE OR SALE OF ITEMS WITHOUT WRITTEN PERMISSION.
 COPYRIGHT © 1979 DIGITAL EQUIPMENT CORPORATION

17 0-0-5202175 3000 3ZIS

NOTES: CONT.

4 THESE COMPONENTS MAY OR MAY NOT APPEAR DEPENDING UPON THE ORIGINAL CS REV BEFORE INSTALLING ECO 5414025-CX014.

ECO# 5414025-CX001

COMPONENT DELETE:

1-1 REMOVE R141

ECO# 5414025-CX003

COMPONENT DELETE:

3-1 REMOVE TP5

COMPONENT ADD:

3-2 ADD J15, ITEM 109 AT PTH FOR TP5

ECO# 5414025-CX005

COMPONENT DELETES:

5-1 R96,(365K).
 5-2 R97,(30.1K).
 5-3 R99,(365K).
 5-4 R100,(30.1K).

COMPONENT ADDS:

5-5 R96,(3.65K).
 5-6 R97,(30I).
 5-7 R99,(3.65K).
 5-8 R100,(30I).

ECO# 5414025-CX006

ETCH CUTS:

6-1 }
 6-2 } SEE D-EC-5014024-0-0
 6-3 }
 6-4 }

WIRE ADDS SIDE 1:

6-5 FROM E59-4 TO E71-2 (PTH TO THE LEFT OF C60).
 6-6 FROM E59-5 TO E21-7 (PTH TO THE RIGHT OF E21-10).
 6-7 FROM E59-6 TO E25-1 (PTH TO THE LEFT OF E25-1).
 6-8 FROM E75-1 TO E68-11.
 6-9 FROM E75-2 TO E50-12.
 6-10 FROM E75-3 TO PTH TO THE LEFT OF E86-3.
 6-11 FROM E75-4 TO PTH BELOW E46-8.
 6-12 FROM E75-5 TO PTH BELOW R27.
 6-13 FROM PTH BELOW R27 TO PTH TO THE UPPER RIGHT OF C41.
 6-14 FROM E75-6 TO E73-1 (PTH ALONG ETCH ABOVE E73-1).

ECO# 5414025-CX008

WIRE DELETE:

8-1 E68-11 TO E75-1.

WIRE ADD:

8-2 E75-1 TO E58-11.

ECO# 5414025-CX009

WIRE ADDS:

9-1 E46 PIN 1 TO E53 PIN 5.
 9-2 E36 PIN 8 TO E53 PIN 6.
 9-3 E53 PIN 7 TO E53 PIN 3.

ECO# 5414025-CX010A

COMPONENT DELETES:

10-2 REMOVE C78 (1000076-00)
 10-3 REMOVE R5 (1300365-00)
 10-4 REMOVE R4 (1300447-00)

COMPONENT ADDS:

10-5 ADD R146 (1302391-00)
 10-6 ADD Q16 (1513489-00)
 10-7 ADD E81 (1912837-00)
 10-8 ADD R147 (1305608-00)
 10-9 ADD C111 (1005334-00)

ECO# 5414025-CX011

REROUTING INSTRUCTIONS:

11-1 REROUTE WIRE 6-10 (E75-3 TO PTH TO THE LEFT OF E86-3).
 11-2 REROUTE WIRE 6-9 (E75-2 TO E50-12).
 11-3 REROUTE WIRE 9-2 (E36-8 TO E53-6).
 11-4 REROUTE WIRE 9-1 (E46-1 TO E53-5).
 11-5 REROUTE WIRE 6-13 (FROM PTH BELOW R27 TO PTH TO THE UPPER RIGHT OF C41).

WIRE DELETES:

11-6 DELETE THE OPTIONAL ROUTING OF WIRE (6-11).

ECO# 5414025-CX013

COMPONENT ADD:

13-1 REMOVE C111 (1005334-00)
 ROTATE 180° AND REPLACE.

ECO# 5414025-CX014

WIRE ADDS:

14-4 ADD WIRE FROM THE FEED THRU TO THE LEFT OF E68-1 TO THE FEED THRU TO THE LEFT OF E67-6.
 14-5 ADD WIRE FROM THE FEED THRU TO THE LEFT OF E68-2 TO THE FEED THRU TO THE RIGHT OF E71-16.
 14-6 ADD WIRE FROM THE FEED THRU DIRECTLY ABOVE E52-16 TO THE FEED THRU TO THE LEFT OF E50-1.
 14-7 ADD WIRE FROM THE FEED THRU GOING TO E54-12 ABOVE E54 TO E85-3.
 14-8 ADD WIRE FROM E85-4 TO E68-6.

REVISION HISTORY		
DATE	ECO NUMBER	REV

DOCUMENT NUMBER		
SIZE CODE	NUMBER	REV.
DUA	5414025-0-0	LI
SCALE	NONE	SHEET 2 OF 2

TITLE
 DRIVE LOGIC

LINE ITEM	DOCUMENT NUMBER	PART NUMBER	DESCRIPTION	QTY PER VARIATION	REFERENCE DESIGNATOR
1	1	D-MD-5014024-0-0	DRILL AND ETCH BRD	1	
2	2	EWS	RESISTOR,FINAL TEST, 1/4W, 1%	4	R115,R116,R118,R119
3	3	1000023-00	330.0 MMF 100V 5%200PPM MICA	4	C93,C106-C108
4	4	1000024-00	470.0 MMF 100V 5%200PPM MICA	1	C94
5	5	1000064-00	3.9MFD 10V 10% S.TANT	2	C76,C85
6	6	1000076-00	39 MFD 10V 10% S.TANT	3	C73,C86,C95
7	7	1001610-00	.01 MFD 50V +30-20% 25U CER	74	C1-C6,C8-C39,C40-C45,C47-C49, C51-C53,C55-C68,C70,C71,C77, C79-C82,C84,C88,C104
8	8	1001776-00	1 MFD 35V 10% S.TANT	4	C74,C75,C92,C97
9	9	1004812-00	15 MFD 20V 10% S.TANT	1	C87
10	10	1005784-00	.01 MFD 100V 10% MYLR	1	C101
11	11	1010978-32	.047 MFD 50V 10% CER	1	C96
12	12	1013466-07	220.0 MMF 50V 5% CER	1	C91
13	13	1013466-08	680.0 MMF 50V 10% X7R CER	2	C89,C90
14	14	1013466-09	1000.0 MMF 50V 10% X7R CER	1	C83
15	15	1013466-10	3300.0 MMF 50V 5% CER	4	C98,C100,C103,C105
16	16	1013466-11	.22 MFD 50V +80-20% Z5U CER	2	C99,C102
17	17	1111577-00	1N 4454 TR= 4NS PIV= 50 S	16	D1,D7-D20,D22
18	18	1113953-00	1N 5523D VZ= 5.1 1%	1	D21
19	19	1114117-00	1N 4152 PIV=40 I=75	5	D2-D6
20	20	1209941-02	HEADER 100 40POS RT ANGLE	1	J12
21	21	1209941-03	HEADER RT ANGLE LEFT L	5	
22	22	1209941-04	HEADER RT ANGLE,RIGHT	5	
23	23	1209941-05	HEADER,100 10POS RT ANGLE	1	J11
24	24	1209941-06	HEADER,100 20POS RT ANGLE	3	J4-J6
25	25	1210385-01	PIN 1POS WIRE WRAP	10	TP17-TP26
26	26	1213922-02	HEADER 3POS	1	J14
27	27	1213922-04	HEADER 6POS	1	J2
28	28	1300229-00	100.0 .25 W 5.0 % CC	5	R48,R133-R136

REVISION HISTORY		BASIC PART NO: 5414025		DRN:	ART SIMM	DATE: 18-APR-79	D I G I T A L			
ENG	ECO NUMBER	REV	SECTION A OF A	CHK'D:	P. KENDRICK	DATE: 18-APR-79	TITLE PARTS LIST			
	INITIAL	A	SECTION,VARIATION INDEX				DRIVE LOGIC			
MB	5414025-CX001	B	[A] 00				DOCUMENT NUMBER			
MB	5414025-CX002	C	[B]				SIZE	CODE	NUMBER	REV
MZ	5414025-CX003	D	[C]				K	PL	5414025-0-DBP	H
MB	5414025-CX005	E	[D]				ASSEMBLY NUMBER: TOP DOCUMENT NUMBER: FILE NAME: EDIT #			
MB	5414025-CX010A	F	[E]				D-UA-5414025-0-0 #RL02 Z0496H.PLS 31			
MZ	5414025-CX014	H	[F]							
			[G]							
			[J]							
			[K]							
			[L]							
			[M]							
			[N]							

*THIS DRAWING AND SPECIFICATIONS HEREIN, ARE THE PROPERTY OF DIGITAL EQUIPMENT CORPORATION AND SHALL NOT BE REPRODUCED OR COPIED OR USED IN WHOLE OR IN PART AS THE BASIS FOR THE MANUFACTURE OR SALE OF ITEMS WITHOUT WRITTEN PERMISSION. COPYRIGHT (C) 1981. DIGITAL EQUIPMENT CORPORATION *

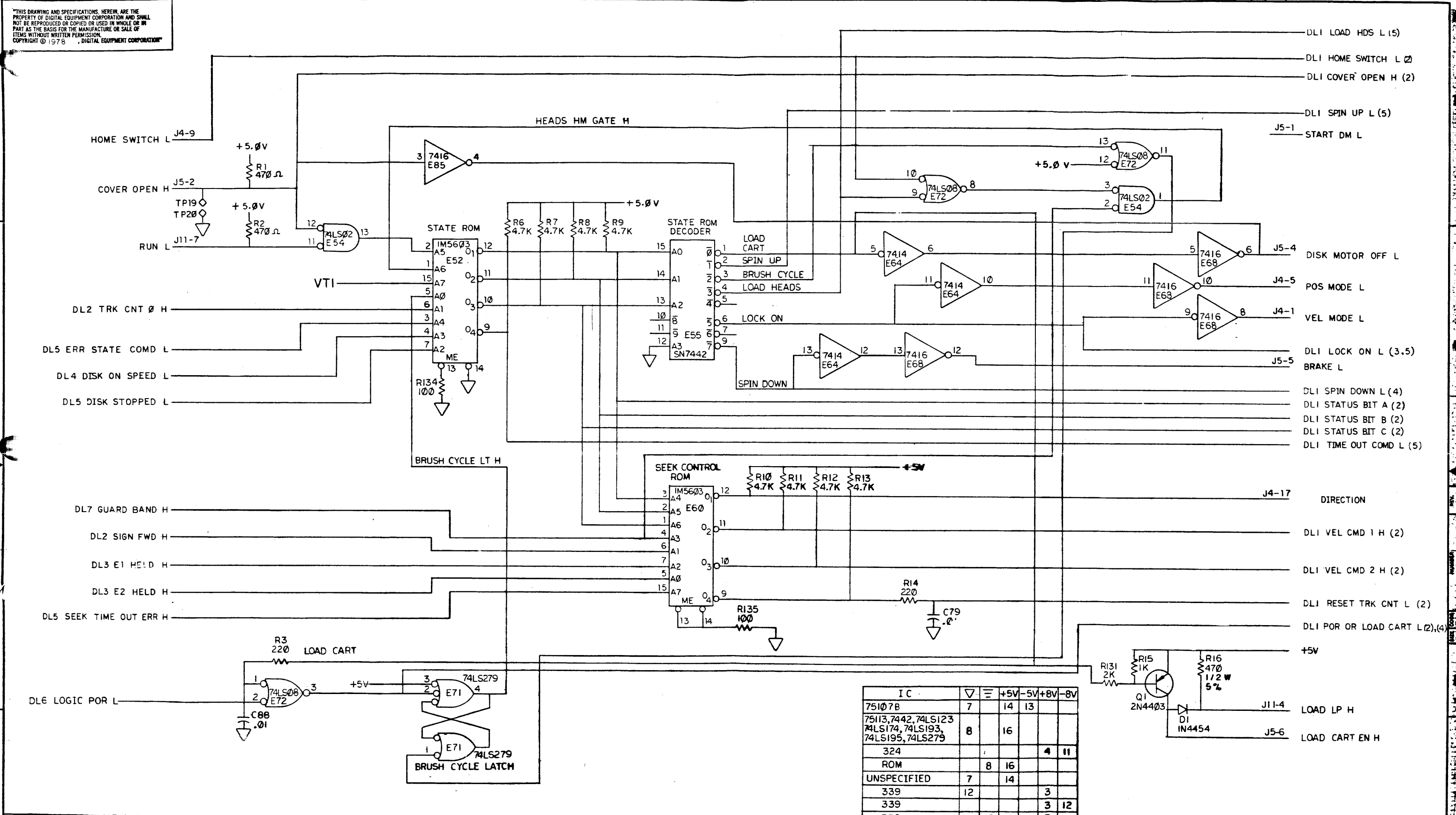
LINE ITEM	DOCUMENT NUMBER	PART NUMBER	DESCRIPTION	QTY PER VARIATION	REFERENCE DESIGNATOR
29	29	1300271-00	220.0 .25 W 5.0 % CC	4	R3,R14,R41,R143
30	30	1300315-00	470.0 .50 W 5.0 % CC	3	R16,R73,R130
31	31	1300316-00	470.0 .25 W 5.0 % CC	4	R1,R2,R79,R142
32	32	1300365-00	1.0 K .25 W 5.0 % CC	15	R15,R39,R40,R42,R47,R52,R54,R56, R61,R72,R74,R101,R106,R129,R140
33	33	1300411-00	2.0 K .25 W 1.0 % RN55D-F10	1	R144
34	34	1300439-00	3.30 K .25 W 5.0 % CC	3	R93,R124,R126
35	35	1300447-00	4.70 K .25 W 5.0 % CC	35	R6-R13,R26-R28,R34,R35,R38,R43, R44,R49,R53,R57,R58,R62,R75-R78, R80,R82,R92,R102,R105,R123,R125, R127,R138,R145
36	36	1300479-00	10.0 K .25 W 5.0 % CC	2	R70,R107
37	37	1302388-00	2.0 K .25 W 5.0 % CC	13	R18-R21,R45,R50,R66,R67,R71,R87, R122,R128,R131
38	38	1302391-00	20.0 K .25 W 5.0 % CC	1	R59
39	39	1302394-00	30.0 K .25 W 5.0 % CC	1	R95
40	40	1302398-00	470.0 K .25 W 5.0 % CC	1	R55
41	41	1302466-00	100.0 K .25 W 5.0 % CC	1	R121
42	42	1302514-00	39.0 K .25 W 5.0 % CC	2	R91,R120
43	43	1302666-00	10.0 M .25 W 5.0 % CC	1	R94
44	44	1302871-00	1.21 K .25 W 1.0 % RN55D-F10	1	R88
45	45	1303044-00	100.0 K .25 W 1.0 % RN55D-F10	1	R25
46	46	1303047-00	464.0 .25 W 1.0 % RN55D-F10	5	R64,R65,R83,R85,R113
47	47	1303114-00	1.0 K .25 W 1.0 % RN55D-F10	2	R89,R117
48	48	1303312-00	10.0 K .25 W 1.0 % RN55D-F10	7	R17,R29-R31,R36,R60,R63
49	49	1304693-00	562.0 .25 W 1.0 % RN55D-F10	1	R108
50	50	1304841-00	75.0 K .25 W 5.0 % CC	1	R81
51	51	1304862-00	1.62 K .25 W 1.0 % RN55D-F10	1	R110
52	52	1304870-00	6.81 K .25 W 1.0 % RN55D-F10	1	R33
53	53	1305124-00	287.0 .25 W 1.0 % RN55D-F10	2	R84,R86
54	54	1305265-00	39.20 K .25 W 1.0 % RN55D-F10	1	R24
55	55	1305337-00	3.65 K .25 W 1.0 % RN55D-F10	2	R96,R99
56	56	1305405-00	24.90 K .25 W 1.0 % RN55D-F10	1	R23
57	57	1309595-00	1.0 M .25 W 5.0 % CC	3	R46,R51,R132
58	58	1310632-00	2.37 K .25 W 1.0 % RN55D-F10	1	R109
59	59	1317303-00	301.0 .25 W 1.0 % RN55D-F10	2	R97,R100
60	60	1312929-00	62.0 .25 W 5.0 % CC	2	R111,R112
61	61	1312930-00	5.10 K .25 W 5.0 % CC	3	R68,R69,R137
62	62	1312989-00	17.80 K .25 W 1.0 % RN55D-F10	3	R22,R103,R104
63	63	1313589-00	1.40 K .25 W 1.0 % RN55D-F10	1	R90
64	64	1313846-00	2.26 K .25 W 1.0 % RN55D-F10	1	R32
65	65	1314041-00	3.01 K .25 W 1.0 % RN55D-F10	1	R37
66	66	1314491-00	1.02 K .25 W 1.0 % RN55D-F10	1	R114
67	67	1513489-00	2N 4401 NPN 350MW SI 40 20	3	Q7,Q10,Q12
68	68	1513490-00	2N 4403 PNP 350MW SI-40 30	10	Q1-Q3,Q5,Q6,Q8,Q9,Q11,Q13,Q15
69	69	1513697-00	2N 5640 FET N CHNNL	1	Q14
70	70	1909928-00	7416 INVERTER GATE-HEX 11	4	E9,E10,E68,E85
71	71	1910046-00	7442 DECODER-1 OF 10,BCD	1	E55

D	I	G	I	T	A	L	TITLE	SECTION A OF A	SIZE	CODE	DOCUMENT NUMBER	REV
							DRIVE LOGIC		K	PL	5414025-0-DBP	H

LINE ITEM	DOCUMENT NUMBER	PART NUMBER	DESCRIPTION	QTY PER VARIATION 00	REFERENCE DESIGNATOR
72	72	1910268-00	DEC 75107B RECEIVER,LINE,DUAL,	4	E57,E61,E65,E87
73	73	1910298-00	741 OP AMP GEN PURP. COM	1	E31
74	74	1910363-00	7496 SHIFT REG.,5BIT	1	E63
75	75	1910536-00	74S10 NAND GATE-TRIPLE 3IN	1	E45
76	76	1910655-00	74157 MUX 2 TO 1 QUAD	2	E23,E24
77	77	1911341-00	75113 DRIVER,LINE,DUAL,MA	3	E77,E83,E86
78	78	1912107-01	324ANOP AMP,QUAD	1	E49
79	79	1912108-00	339 VOLT CMPRTR,QUAD	3	E5,E36,E56
80	80	1912541-00	79M05 VOLT REG,FIX -5V	1	Q4
81	81	1912697-00	LS174 FF-D HEX W/CLEAR	2	E37,E41
82	82	1912799-00	LS00 NAND-GATE-QUAD 2IN,P	4	E7,E15,E44,E67
83	83	1912801-00	LS02 NOR-GATE-QUAD 2IN	4	E1,E30,E39,E54
84	84	1912803-00	6S04 INVERTER GATE,HEL	2	E79,E80
85	85	1912805-00	LS08 AND GATE-QUAD 2IN,PO	6	E14,E34,E38,E69,E72,E76
86	86	1912807-00	LS10 NAND GATE-TRIPLE 3IN	1	E18
87	87	1912810-00	LS20 NAND GATE-DUAL 4IN	1	E2
88	88	1912813-00	LS27 NOR GATE-TRIPLE 3IN	1	E73
89	89	1912816-00	LS32 OR GATE-QUAD 2IN,POS	4	E17,E35,E59,E84
90	90	1912824-00	LS74 FF-D DUAL,EDGE TRIGG	9	E3,E11,E16,E26,E42,E46,E47,E62, E75
					CONT
91	91	1912829-00	LS86 X-OR GATE-QUAD 2IN	3	E51,E66,E78
92	92	1912837-00	LS123 ONE SHOT-DUAL,RETRIG	1	E50
93	93	1912854-00	LS193 COUNTER,SYNCHR,4BIT,	3	E27,E28,E43
94	94	1912855-00	LS195 SHIFT REG.,4BIT PARA	5	E19-E22,E25
95	95	1912857-00	LS197 COUNTER,BINARY,PRESET	4	E4,E8,E13,E74
96	96	1912864-00	LS279 LATCH,QUAD-S-R	6	E6,E12,E29,E33,E58,E71
97	97	1913414-00	LS14 INVERTER GATE-HEX SC	2	E40,E48
98	98	1914156-00	LM 393 VOLT.COMPARATOR DUAL	1	E53
99	99	23368A2-00	A2-02,A2-04	1	E52
100	100	23371A2-00	A2-02,A2-04	1	E60
101	101	23444A2-00	A2-02,A2-04	1	E70
102	102	23445A2-00	A2-02,A2-04	1	E32
103	103	9007201-00	TRANSIPADS #10253	1	
104	104	9007791-00	TERM PCB 2POS SOLDER,TURRET	15	TP1-TP4,TP6-TP16
105	105	9009185-00	JUMPER, WIRE, INSULATED, BLACK B	1	W1
106	106	9105740-55	WIRE(WRAP)30AWG UL1423	A/R	
107	107	1012784-00	.047 MFD 50V +80-20% CER	8	C7,C46,C50,C54,C69,C72,C109,C110
108	108	1911324-00	7414 INVERTER,HEX 1IN SCH	1	E64
109	109	1217377-00	TERM QUICK 1POS TAB PC MNT	1	J15
110	110	1005334-00	*** THIS ITEM IS NOT USED ***	-	
111	111	1305608-00	*** THIS ITEM IS NOT USED ***	-	

D I G I T A L		TITLE	DRIVE LOGIC	SECTION A OF A	SIZE	CODE	DOCUMENT NUMBER	REV
					K	PL	5414025-0-DBP	H

THIS DRAWING AND SPECIFICATIONS, HEREIN, ARE THE PROPERTY OF DIGITAL EQUIPMENT CORPORATION AND SHALL NOT BE REPRODUCED OR COPIED OR USED IN WHOLE OR IN PART AS THE BASIS FOR THE MANUFACTURE OR SALE OF ITEMS WITHOUT WRITTEN PERMISSION. COPYRIGHT © 1978, DIGITAL EQUIPMENT CORPORATION



IC	7	14	13	+5V	-5V	+8V	-8V
75107B	7	14	13				
75113, 7442, 74LS123, 74LS174, 74LS193, 74LS195, 74LS279	8	16					
324					4	11	
ROM	8	16					
UNSPECIFIED	7	14					
339	12				3		
339					3	12	
339		12			3		

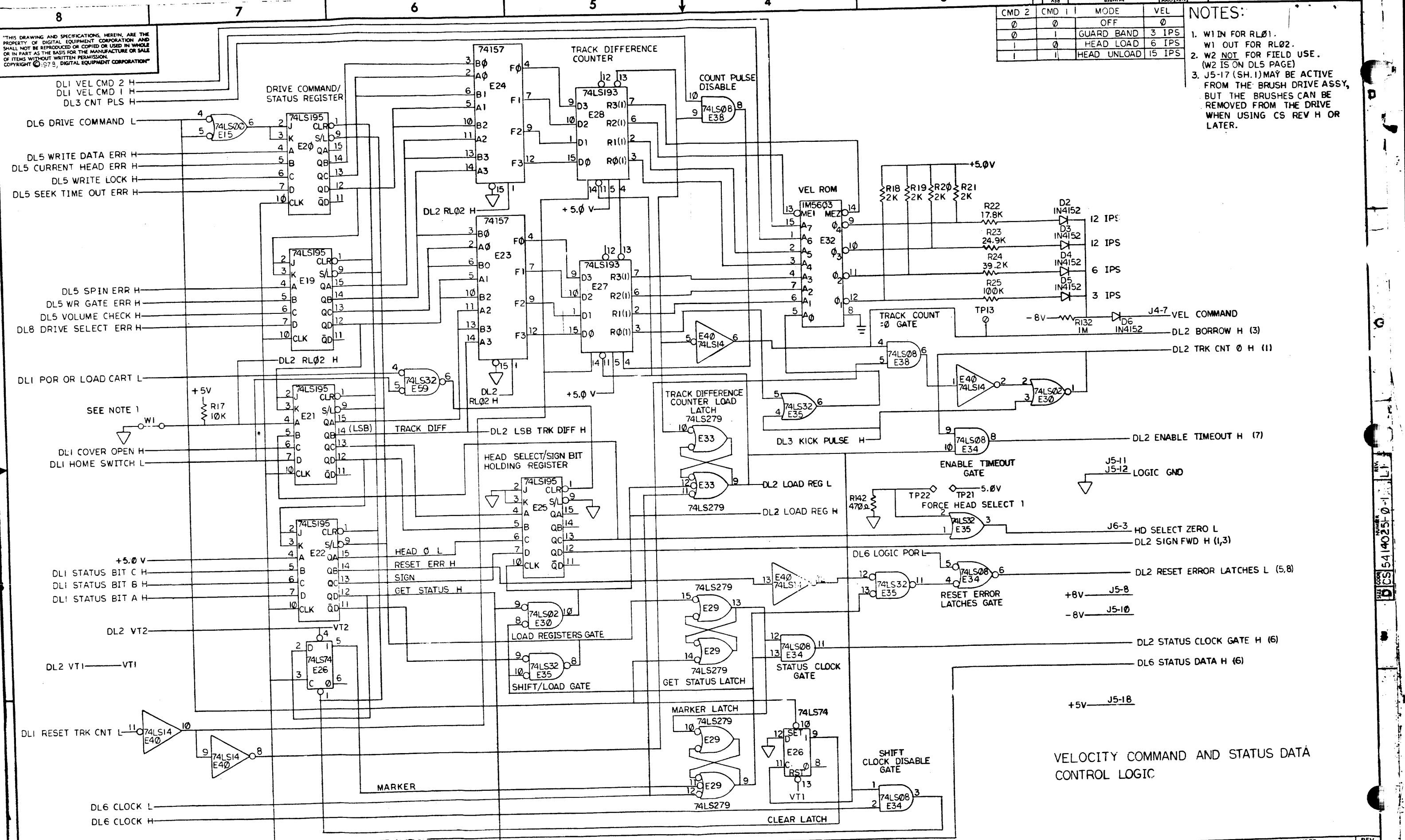
CHK	REVISIONS	B	C	D	E	F	F1	H	J	K	L	L2
1	5414025-CX001 M. BROWN											
2	5414025-CX002 M. BROWN											
3	5414025-CX003 M. ZARICH											
4	5414025-CX004 M. ZARICH											
5	5414025-CX005 MIKE BROWN											
6	5414025-CX006 MIKE BROWN											
7	5414025-CX007 M. BROWN											
8	5414025-CX008 M. BROWN											
9	5414025-CX009 DC. 18 AUG 80											
10	5414025-CX010 M. ZARICH											
11	5414025-CX011 M. BROWN											
12	5414025-CX012 K. DAVIS											
13	5414025-CX013 D.B. IOFEB 81											
14	5414025-CX014 R.N. 25 FEB 81											
15	5414025-CX015 M. ZARICH											

DRN. 7/1/80	5/1/81	FIRST USED ON	digital	
CHK'D	5/1/81	TITLE	DRIVE LOGIC (STATE CONTROL LOGIC) (DL)	
ENG. 11/1/80	5/1/81	PROD.		
PROJ. ENG. 11/1/80	5/1/81	NEXT HIGHER ASSY.	B-00-5414025-0	
SCALE		SIZE	D	CS 5414025-0-1
SHEET 1 OF 2		DIST.		

"THIS DRAWING AND SPECIFICATIONS, HEREIN, ARE THE PROPERTY OF DIGITAL EQUIPMENT CORPORATION AND SHALL NOT BE REPRODUCED OR COPIED OR USED IN WHOLE OR IN PART AS THE BASIS FOR THE MANUFACTURE OR SALE OF ITEMS WITHOUT WRITTEN PERMISSION. COPYRIGHT © 1979, DIGITAL EQUIPMENT CORPORATION"

CMD 2	CMD 1	MODE	VEL
0	0	OFF	0
0	1	GUARD BAND	3 IPS
1	0	HEAD LOAD	6 IPS
1	1	HEAD UNLOAD	15 IPS

- NOTES:
- W1 IN FOR RL01.
W1 OUT FOR RL02.
 - W2 NOT FOR FIELD USE.
(W2 IS ON DL5 PAGE)
 - J5-17 (SH.1) MAY BE ACTIVE FROM THE BRUSH DRIVE ASSY, BUT THE BRUSHES CAN BE REMOVED FROM THE DRIVE WHEN USING CS REV H OR LATER.

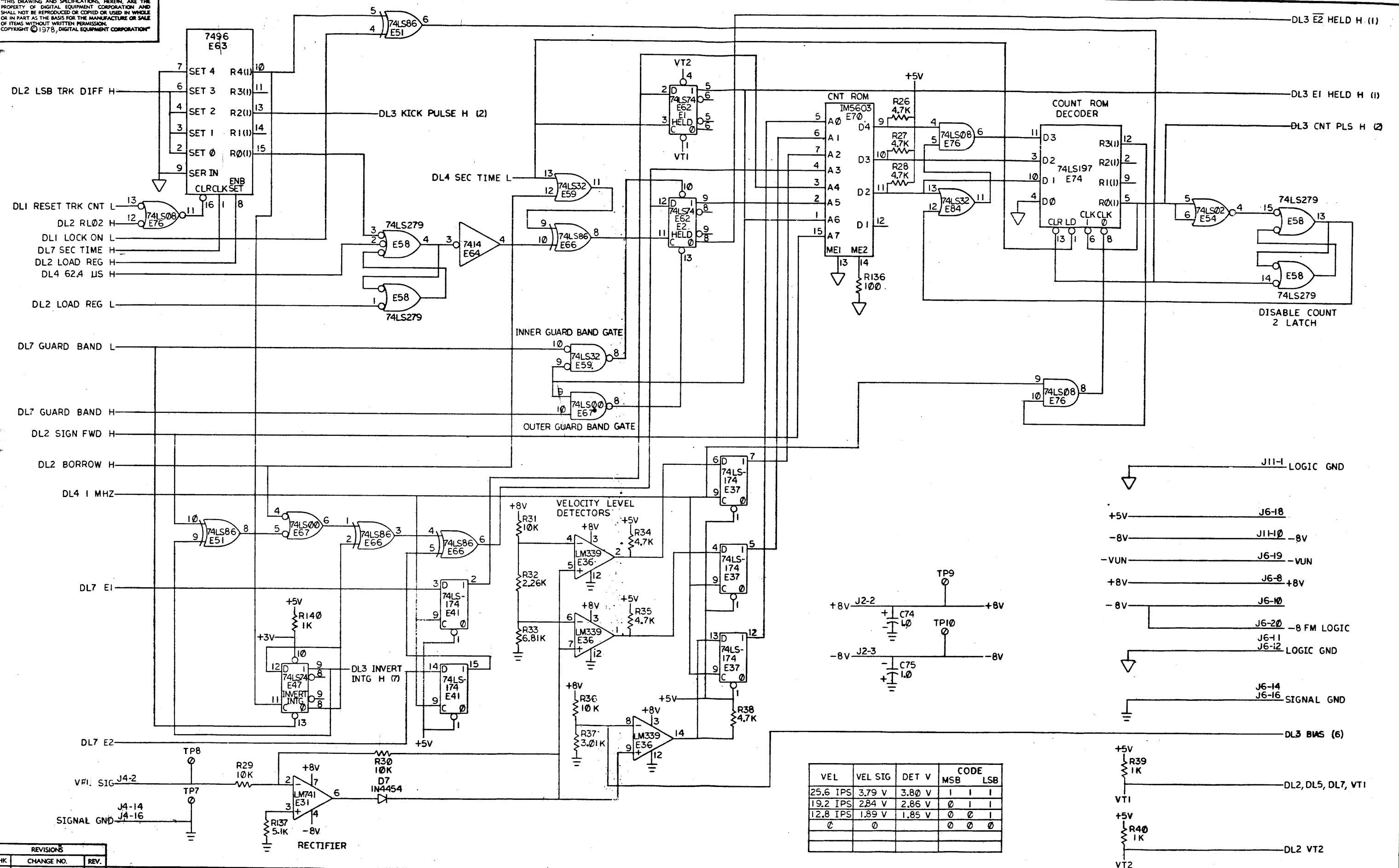


VELOCITY COMMAND AND STATUS DATA CONTROL LOGIC

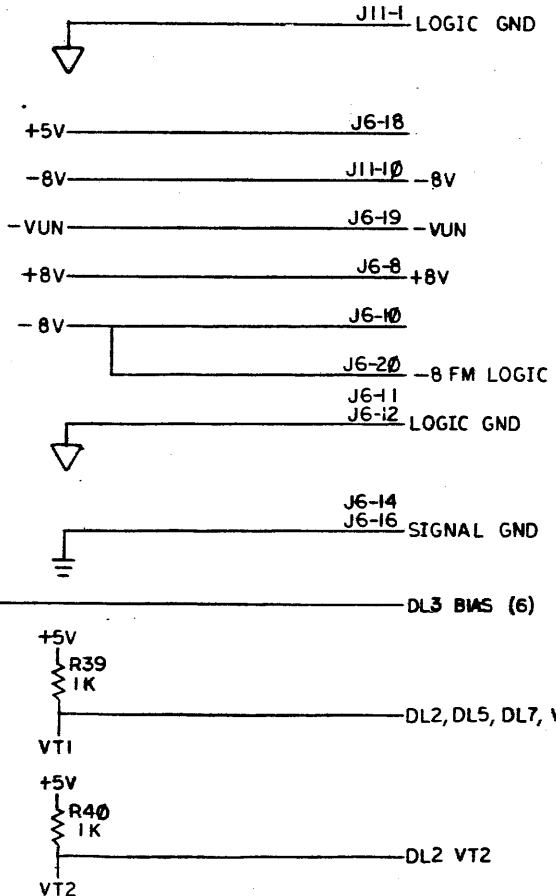
REVISIONS		
CHK	CHANGE NO.	REV.

TITLE	DRIVE LOGIC (DL2)	SIZE CODE	D CS	NUMBER	5414025-0-1	REV.	L1
SCALE	++	SHEET	2	OF	8	DIST.	

THIS DRAWING AND SPECIFICATIONS, HEREIN, ARE THE PROPERTY OF DIGITAL EQUIPMENT CORPORATION AND SHALL NOT BE REPRODUCED OR COPIED OR USED IN WHOLE OR IN PART AS THE BASIS FOR THE MANUFACTURE OR SALE OF ITEMS WITHOUT WRITTEN PERMISSION. COPYRIGHT © 1978, DIGITAL EQUIPMENT CORPORATION

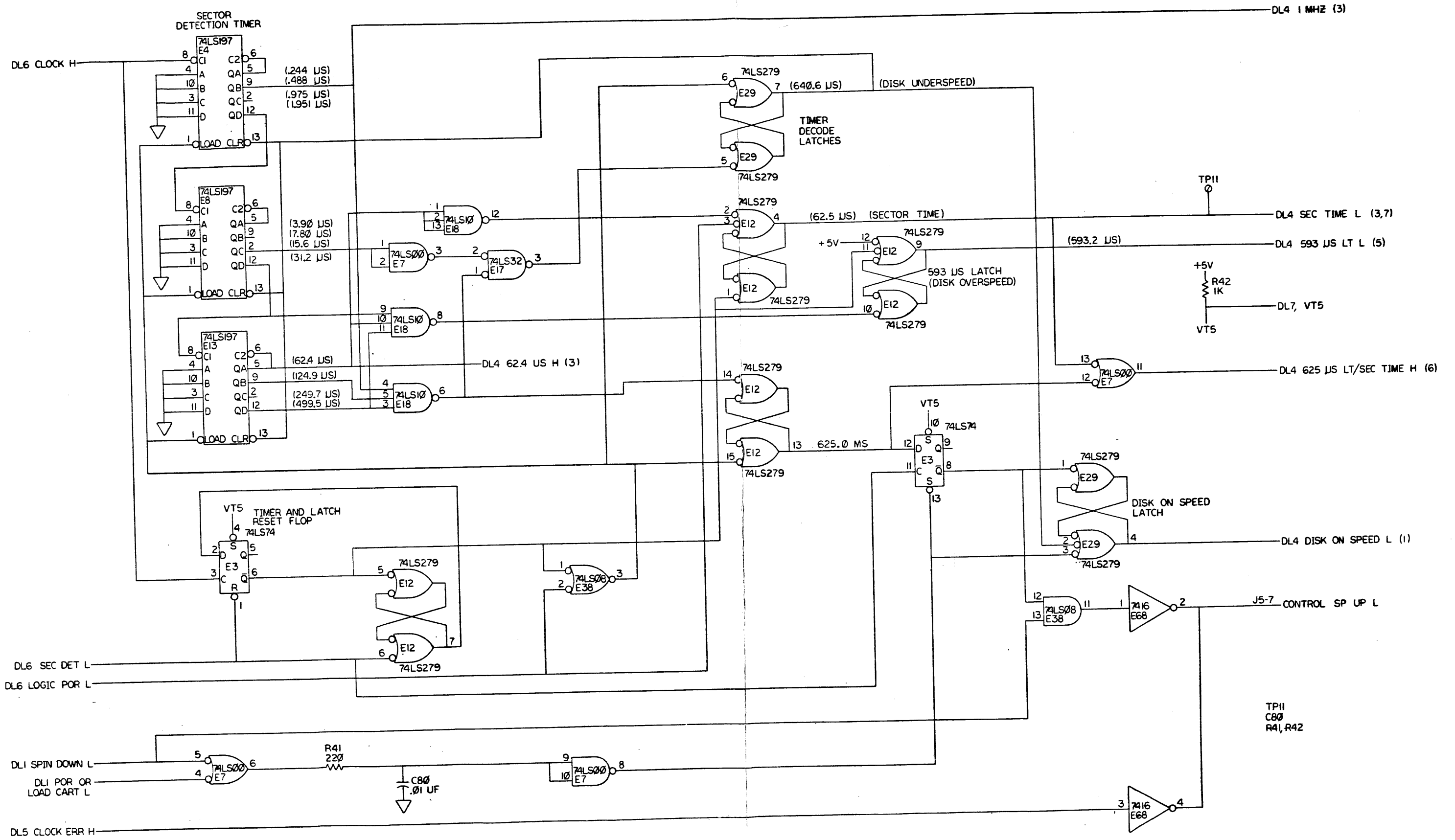


VEL	VEL SIG	DET V	CODE MSB	LSB
25.6 IPS	3.79 V	3.80 V	1	1
19.2 IPS	2.84 V	2.86 V	0	1
12.8 IPS	1.89 V	1.85 V	0	0
0	0	0	0	0



REVISIONS		
CHK	CHANGE NO.	REV.

"THIS DRAWING AND SPECIFICATIONS, HEREIN, ARE THE PROPERTY OF DIGITAL EQUIPMENT CORPORATION AND SHALL NOT BE REPRODUCED OR COPIED OR USED IN WHOLE OR IN PART AS THE BASIS FOR THE MANUFACTURE OR SALE OF ITEMS WITHOUT WRITTEN PERMISSION. COPYRIGHT © 1978 DIGITAL EQUIPMENT CORPORATION"



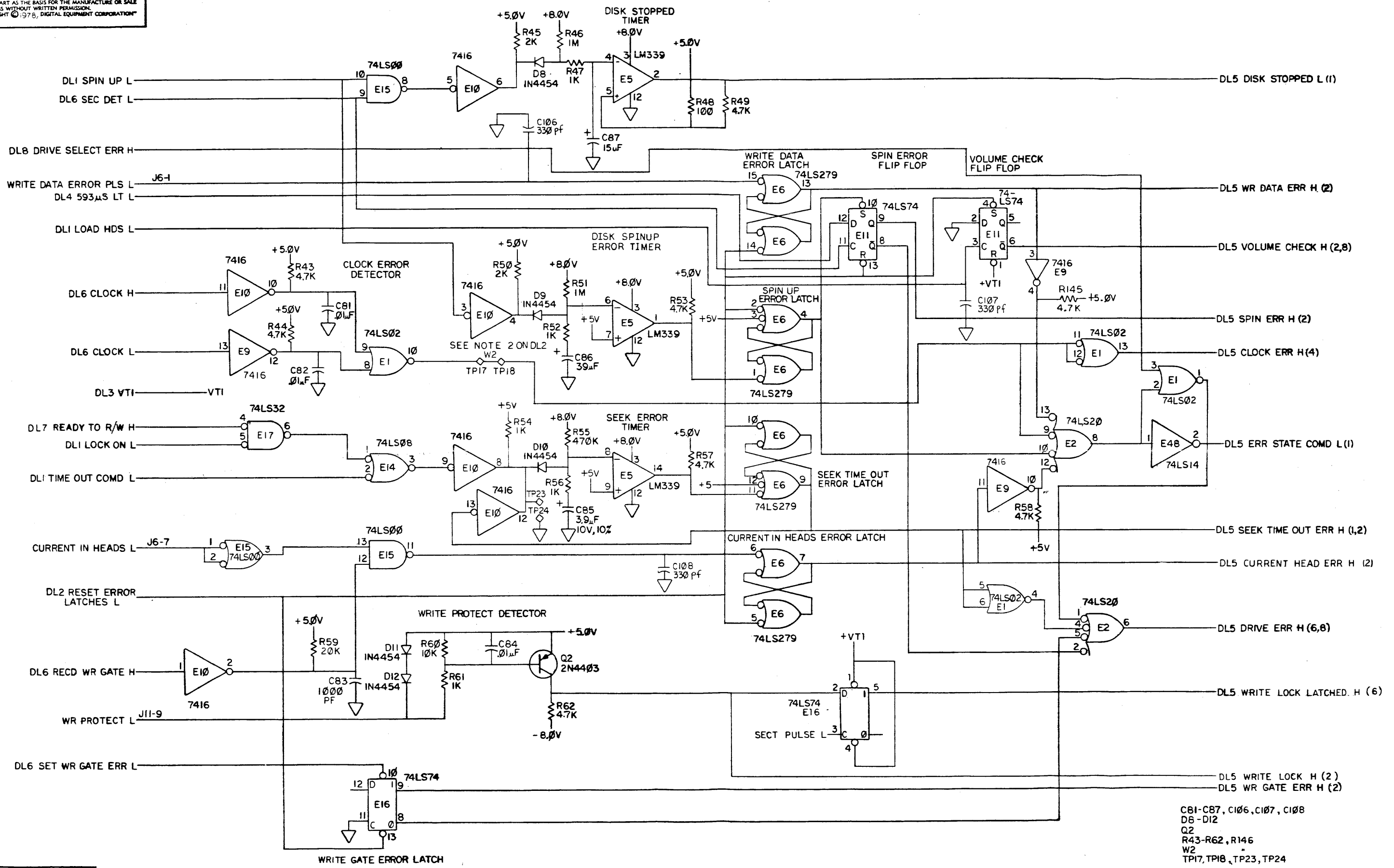
REVISIONS		
CHK	CHANGE NO.	REV.

TITLE		DRIVE LOGIC (DISK SPEED CONTROL) (DL4)		SIZE CODE	NUMBER		REV.
SCALE		SHEET 4 OF 8		DIST.	D CS 5414025-0-1		L1

SIZE CODE NUMBER
 D CS 5414025-0-1

"THIS DRAWING AND SPECIFICATIONS, HEREIN, ARE THE PROPERTY OF DIGITAL EQUIPMENT CORPORATION AND SHALL NOT BE REPRODUCED OR COPIED OR USED IN WHOLE OR IN PART AS THE BASIS FOR THE MANUFACTURE OR SALE OF ITEMS WITHOUT WRITTEN PERMISSION. COPYRIGHT © 1976, DIGITAL EQUIPMENT CORPORATION"

REV. L1
 NUMBER 5414025-0-1
 SIZE CODE D CS

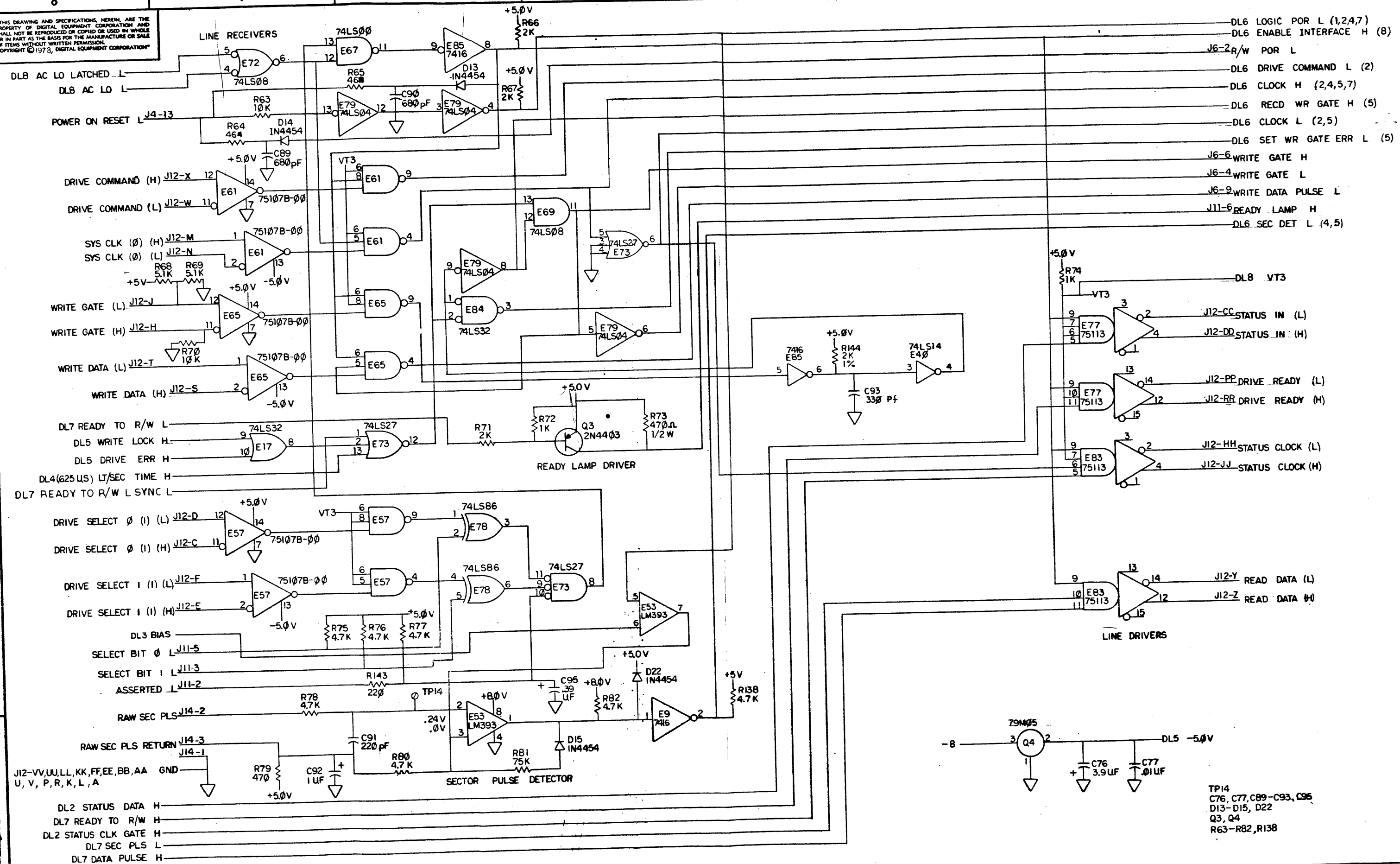


C81-C87, C106, C107, C108
 D8-D12
 Q2
 R43-R62, R146
 W2
 TP17, TP18, TP23, TP24

REVISIONS		
CHK	CHANGE NO.	REV.

TITLE	DRIVE LOGIC (ERROR LOGIC) (DL5)	SIZE CODE	D CS	NUMBER	5414025-0-1	REV.	L1
SCALE		SHEET	5	OF	8	DIST.	

THIS DRAWING AND SPECIFICATIONS HEREIN ARE THE PROPERTY OF DIGITAL EQUIPMENT CORPORATION AND SHALL NOT BE REPRODUCED OR COPIED OR USED IN WHOLE OR IN PART AS THE BASIS FOR THE MANUFACTURE OR SALE OF ITEMS WITHOUT WRITTEN PERMISSION. COPYRIGHT © 1973, DIGITAL EQUIPMENT CORPORATION



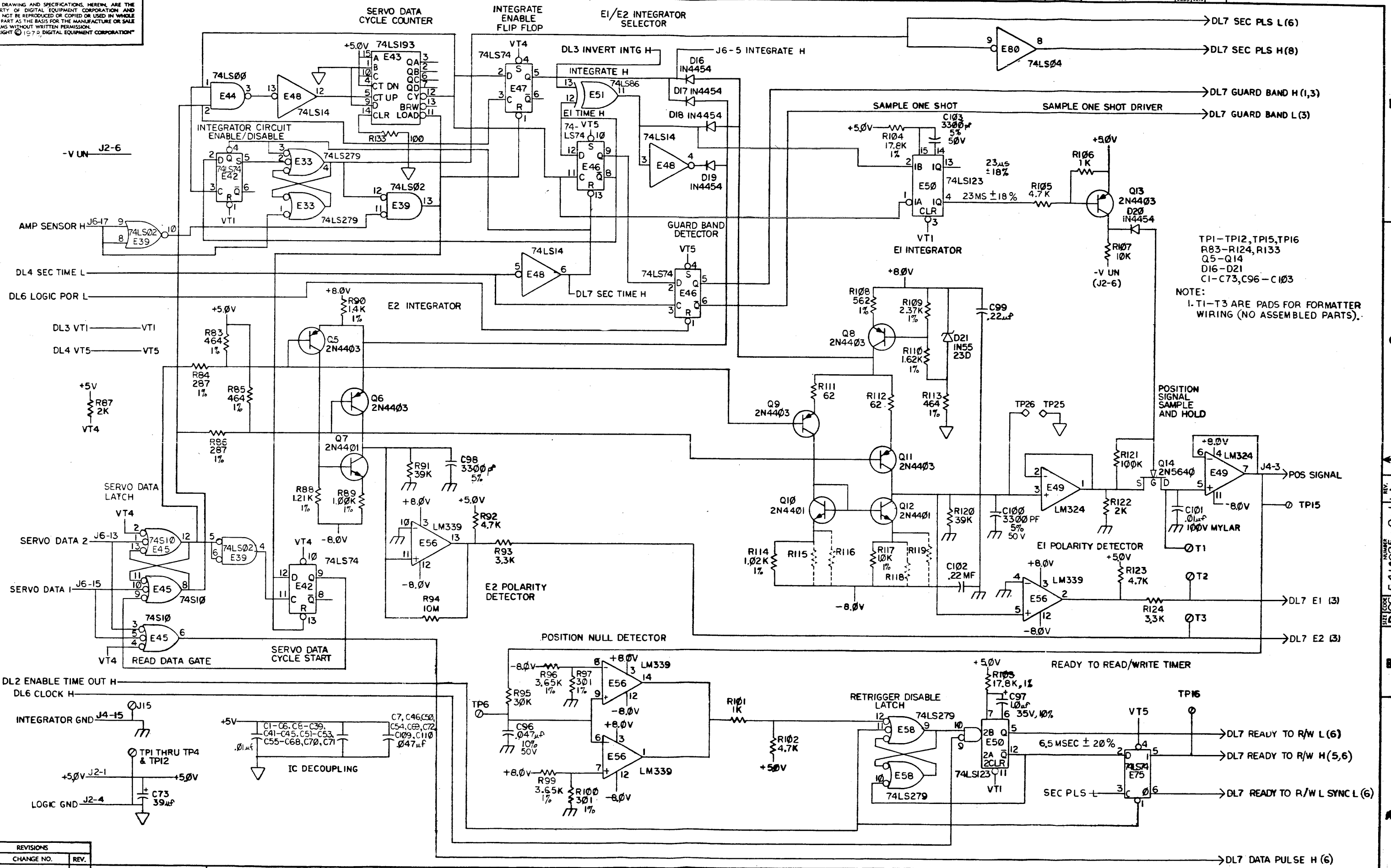
TP14
C76, C77, C89-C93, C96
D13-D15, D22
Q3, Q4
R63-R82, R138

REVISIONS		
CHK	CHANGE NO.	REV.

TITLE	DRIVE LOGIC (INTERFACE LOGIC) (DL6)	SIZE CODE	DCS	NUMBER	5414025-0-1	REV.	(L1)
SCALE		SHEET	6	OF	8	DIST.	

FILE NO. 5414025-0-1 L1
 REV. C
 REV. D

THIS DRAWING AND SPECIFICATIONS HEREIN ARE THE PROPERTY OF DIGITAL EQUIPMENT CORPORATION AND SHALL NOT BE REPRODUCED OR COPIED OR USED IN WHOLE OR IN PART AS THE BASIS FOR THE MANUFACTURE OR SALE OF ITEMS WITHOUT WRITTEN PERMISSION. COPYRIGHT © 1979, DIGITAL EQUIPMENT CORPORATION



TPI-TPI2, TPI5, TPI6
 R83-R124, R133
 Q5-Q14
 D16-D21
 C1-C73, C96-C103

NOTE:
 I, T1-T3 ARE PADS FOR FORMATTER WIRING (NO ASSEMBLED PARTS).

POSITION SIGNAL SAMPLE AND HOLD

READY TO READ/WRITE TIMER

POSITION NULL DETECTOR

E2 POLARITY DETECTOR

EI POLARITY DETECTOR

E2 INTEGRATOR

SERVO DATA LATCH

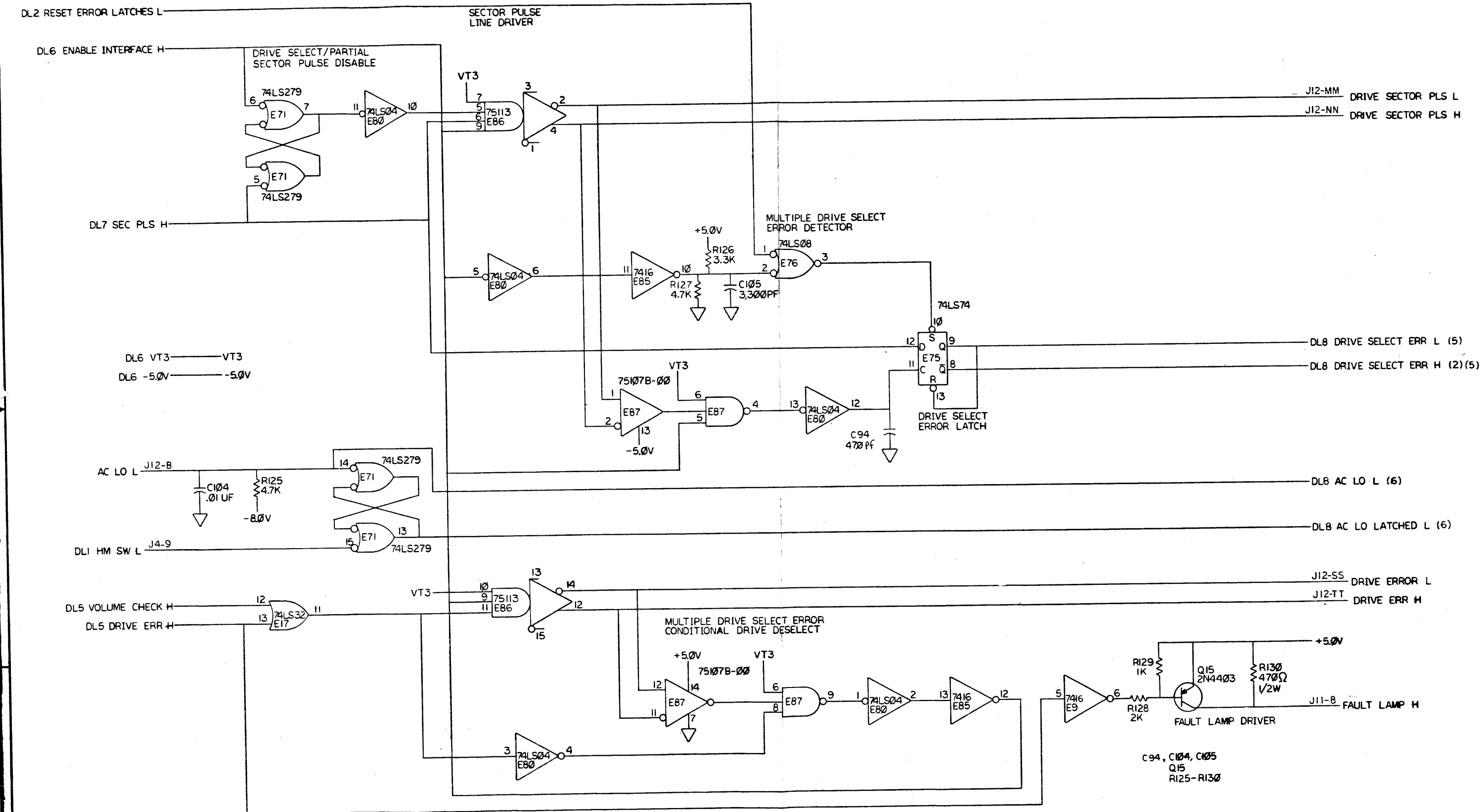
INTEGRATOR CIRCUIT ENABLE/DISABLE

INTEGRATE ENABLE FLIP FLOP

SERVO DATA CYCLE COUNTER

REVISIONS		
CHK	CHANGE NO.	REV.

THIS DRAWING AND SPECIFICATIONS HEREIN ARE THE PROPERTY OF DIGITAL EQUIPMENT CORPORATION AND SHALL NOT BE REPRODUCED OR COPIED OR USED IN WHOLE OR IN PART AS THE BASIS FOR THE MANUFACTURE OR SALE OF ITEMS WITHOUT WRITTEN PERMISSION. COPYRIGHT © 1978 DIGITAL EQUIPMENT CORPORATION



REVISIONS		
CHK	CHANGE NO.	REV.

TITLE	DRIVE LOGIC (DL8)	SIZE CODE	D CS	NUMBER	5414025-0-1	REV.	Lic
SCALE		SHEET	8 OF 8	DIST.			

DEC FORM NO. 5414025-0-1
 SHEET 8 OF 8