

MASTER DRAWING LIST

This drawing and specifications, herein, are the property of Digital Equipment Corporation and shall not be reproduced or copied in whole or in part as the basis for the manufacture or sale of items without written permission.

DWG. NO.	REV. LET.	NO. OF SHEETS	TITLE
D-UA-RS64-Ø-Ø		1	DISK FILE (RS64-A)
A-PL-RS64-Ø-Ø		1	DISK FILE (RS64-A)
D-DI-RS64-Ø-1	A	1	DRAWING INDEX LIST
D-BS-RS64-Ø-2	A	1	TIMING PATH
D-BS-RS64-Ø-3	C	1	DATA PATH
D-BS-RS64-Ø-4		1	TRACK SELECTORS
D-BS-RS64-Ø-5	A	1	I/O CONNECTORS
D-BS-RS64-Ø-6		1	HEAD MATRICES
K-WL-RS64-Ø-7	C	1	WIRE LIST
K-WL-RS64-0-12		1	SPECIAL ROUTING
D-MU-RS64-Ø-8	A	1	MODULE UTILIZATION
C-BD-RS64-Ø-9	A	1	SIGNAL BUS CONFIGURATION
C-BD-RS64-Ø-1Ø		1	POWER CABLE CONFIGURATION
E-UA-RS64-P-Ø	B	2	POWER CONTROL & LOGIC ASSY (RS64-PA)
A-PL-RS64-P-Ø	B	3	POWER CONTROL & LOGIC ASSY (RS64-PA)
D-DI-RS64-P-1	B	1	DRAWING INDEX LIST
D-AD-7007132-0-0	B	3	WIRED ASSY
A-PL-7007132-0-0	B	1	WIRED ASSY
D-UA-H737-Ø-Ø		1	POWER SUPPLY
E-UA-RS64-M-Ø		1	DISK ASSY (RS64-M)
A-PL-RS64-M-Ø		2	DISK ASSY (RS64-M)
D-DI-RS64-M-1	A	1	DRAWING INDEX LIST

REVISIONS				DRN.	DATE	digital	EQUIPMENT CORPORATION MAYNARD, MASSACHUSETTS		
REV.	DATE	CHG. NO.	APP'D.	CHK'D.	DATE				
A	5/71	00003		J. CAHILL	2-25-71	TITLE MASTER LIST (RS64-A)			
B	5/71	RS64-4	P.M.	<i>[Signature]</i>	3-8-71				
C	5/71	RS64-5	P.M.						
D	6/71	RS64-6	P.M.						
E	6/71	RS64-7	P.M.						
F	6/71	RS64 P-2	P.M.						
H	6/71	RS64 M-2	P.M.						
J	10/71	RS64 P-4	P.M.						
K	10/71	RS64-8	P.M.						
FIRST USED ON								SIZE	CODE
								A	ML
SCALE				NONE				NUMBER	
								RS64-A	
SHEET				1 OF 1		REV.			
						L			

DEC FORM NO.16-1033
DRA 103

WESTFIELD DOC. CENTER
ISSUED DATE

PDP-11 LAB
ELEC. ENG. DEPT.

DO NOT
REMOVE

MASTER DRAWING LIST

This drawing and specifications, herein, are the property of Digital Equipment Corporation and shall not be reproduced or copied or used in whole or in part as the basis for the manufacture or sale of items without written permission.


DWG. NO.	REV. LET.	NO. OF SHEETS	TITLE
D-UA-RS64-0-0		1	DISK FILE (RS64-B)
A-PL-RS64-0-0		1	DISK FILE (RS64-B)
D-DI-RS64-0-1	A	1	DRAWING INDEX LIST
D-BS-RS64-0-2	A	1	TIMING PATH
D-BS-RS64-0-3	C	1	DATA PATH
D-BS-RS64-0-4		1	TRACK SELECTORS
D-BS-RS64-0-5	A	1	I/O CONNECTORS
D-BS-RS64-0-6		1	HEAD MATRICES
K-WL-RS64-0-7	C	1	WIRE LIST
K-WL-RS64-0-12		1	SPECIAL ROUTING
D-MU-RS64-0-8	A	1	MODULE UTILIZATION
C-BD-RS64-0-9	A	1	SIGNAL BUS CONFIGURATION
C-BD-RS64-0-10		1	POWER CABLE CONFIGURATION
E-UA-RS64-P-0	B	2	POWER CONTROL & LOGIC ASSY (RS64-PB)
A-PL-RS64-P-0	B	3	POWER CONTROL & LOGIC ASSY (RS64-PB)
D-DI-RS64-P-1	B	1	DRAWING INDEX LIST
D-AD-7007132-0-0	B	3	WIRED ASSY
A-PL-7007132-0-0	B	1	WIRED ASSY
D-UA-H737-0-0		1	POWER SUPPLY
E-UA-RS64-M-0		1	DISK ASSY (RS64-M)
A-PL-RS64-M-0		2	DISK ASSY (RS64-M)
D-DI-RS64-M-1	A	1	DRAWING INDEX LIST

REVISIONS				DRN.	DATE
REV.	DATE	CHG. NO.	APP'D.	J. CAHILL	2-25-71
A	5/71	00003	P.M.	CHK'D.	DATE
B	5/71	RS64-4	J.L.	ENG.	3-8-71
C	5/71	RS64-5	P.M.	PROJ. ENG.	DATE
D	6/71	RS64-6	P.M.	PROJ. ENG.	3-8-71
E	6/71	RS64-7	P.M.	PROJ. ENG.	DATE
F	6/71	RS64P-2	P.M.	PROJ. ENG.	3-8-71
G	6/71	RS64M-2	P.M.	PROJ. ENG.	DATE
H	6/71	RS64M-2	P.M.	PROJ. ENG.	5-11-71
J	10/71	RS64P-4	P.M.	FIRST USED ON	
K	10/71	RS64-8	P.M.		

digital		EQUIPMENT CORPORATION <small>MAYNARD, MASSACHUSETTS</small>	
TITLE			
MASTER LIST (RS640B)			
SIZE	CODE	NUMBER	REV.
A	ML	RS64-B	#
SCALE	NONE		
SHEET	1	OF	1
DIST.			

DRWG NO	REV LTR
K-WL-RS64-Ø-7	C

REVISIONS			
REV LTR	ECO NO	DATE	ENG
A	RS64-00003	5-12-71	<i>[Signature]</i>
B	RS64-00007	6-29-71	<i>[Signature]</i>
C	RS64-00008	10-29-71	<i>[Signature]</i>

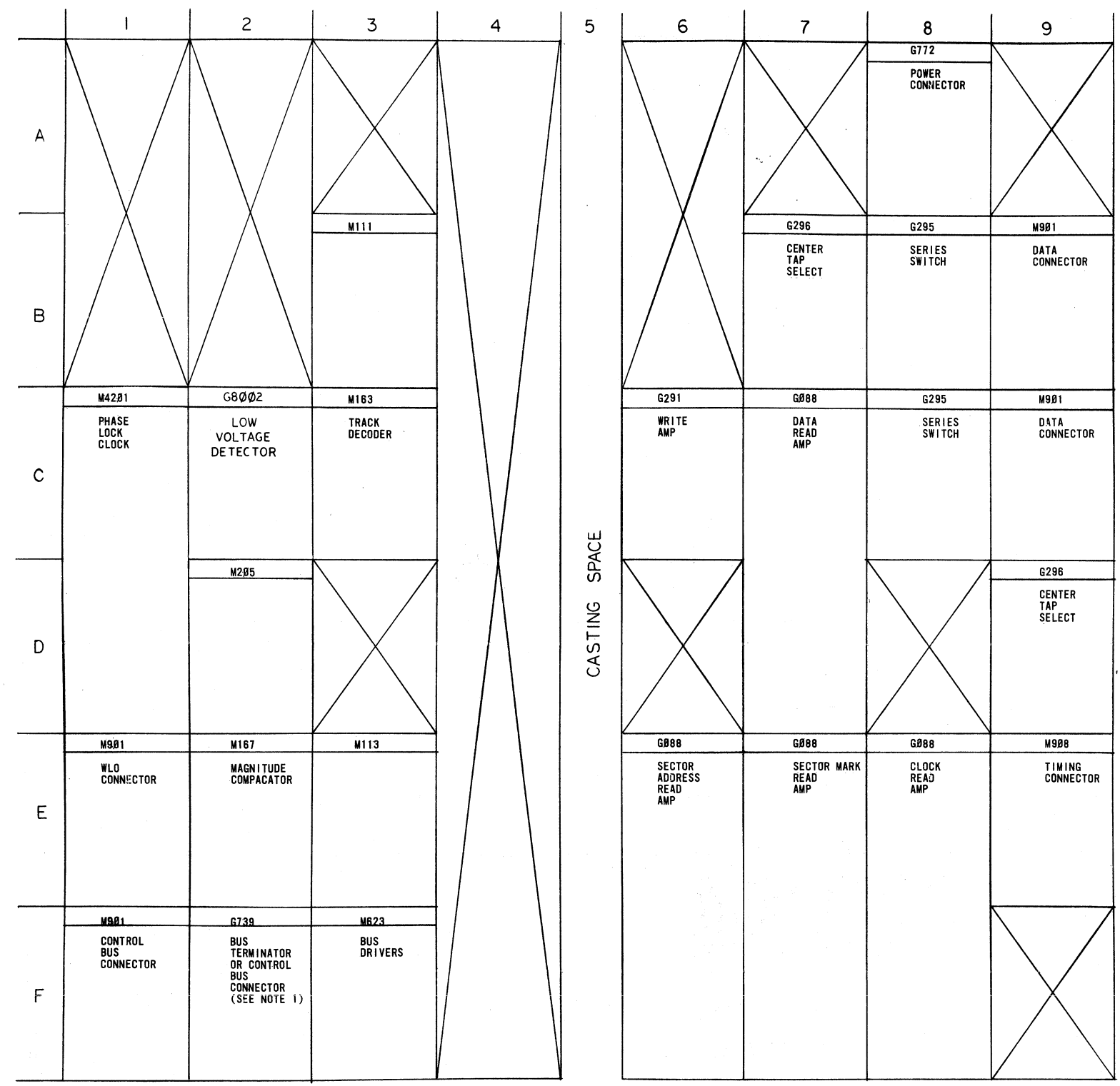
DRAWN <i>A. Campbell</i>	DATE 4-5-71		TITLE WIRE LIST		
CHECKED <i>M. Mahony</i>	DATE 4/5/71		FOR TAPE* FILE*		
ENG <i>[Signature]</i>	DATE 4/5/71		SIZE K	CODE WL	DWG. NO. RS64-Ø-7
PROJ ENG <i>[Signature]</i>	DATE 4/5/71		ASSY NO D-AD-7007132-0-0	REV LTR <i>[Signature]</i>	
PROD <i>[Signature]</i>	DATE 4/5/71	SCALE ++	SHEET / OF /	DIST.	

This drawing and specifications, herein, are the property of Digital Equipment Corporation and shall not be reproduced or copied or used in whole or in part as the basis for the manufacture or sale of items without written permission.

REV. A 8-0-79 RS64-0-8 DMU 2

NOTES
 1. IF MULTIPLE DRIVES ARE INTERCONNECTED ON THE CONTROL BUS, THE BUS CONNECTOR TO FURTHER DRIVES IS IN THIS LOCATION. THE TERMINATOR IS PLACED IN THIS LOCATION IN THE LAST DRIVE OF THE CHAIN.

CASTING SPACE



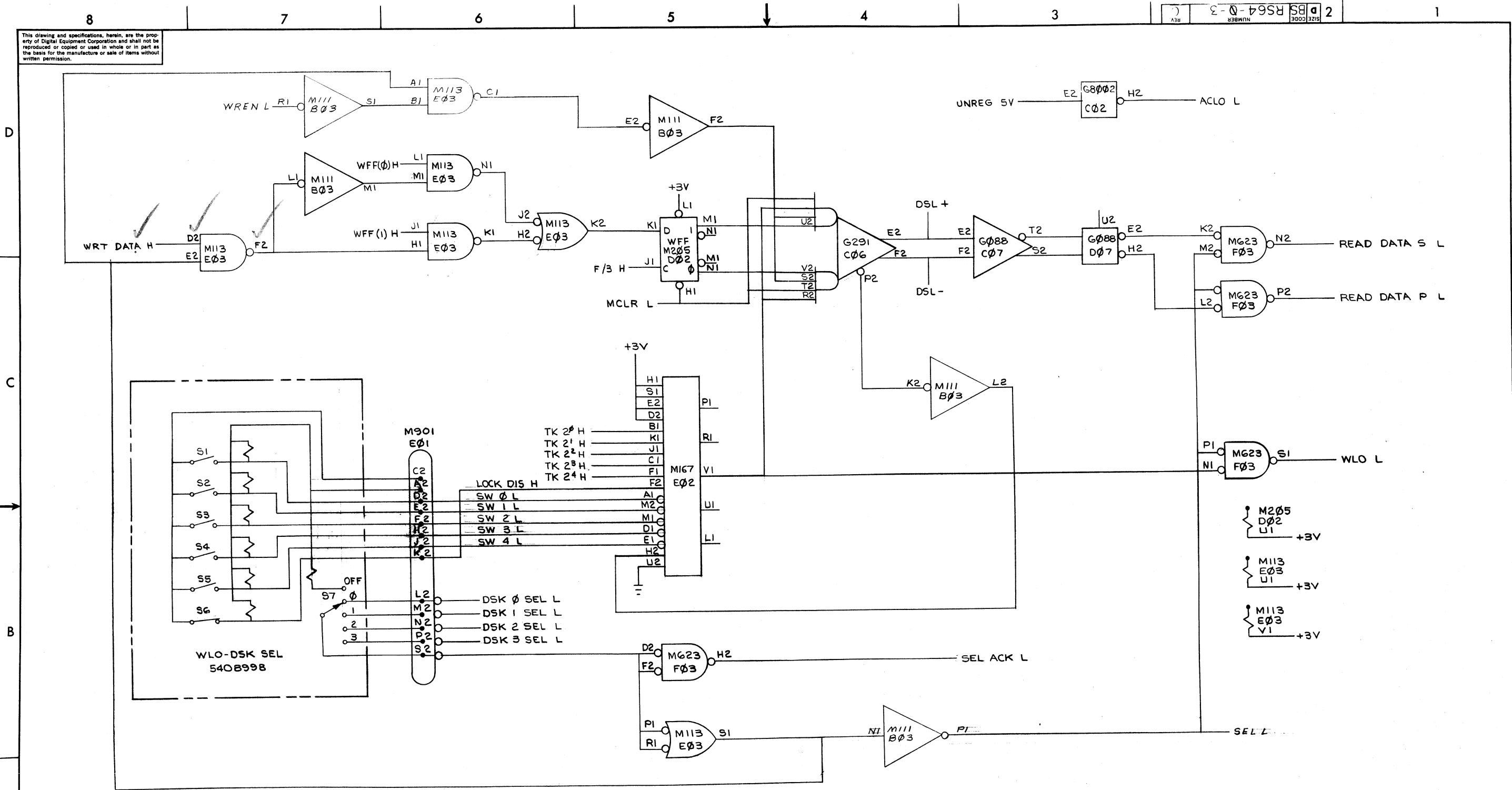
CHK	CHANGE NO.	REV.
	RS64-00008	A
	WILSON/0-27-71	
	MCLEAN	
	11-5-71	

FIRST USED ON OPTION / MODEL
 RS64

DO NOT SCALE DRAWING
 UNLESS OTHERWISE SPECIFIED
 DIMENSION IN INCHES
 TOLERANCES
 DECIMALS ± .005
 FRACTIONS ± 1/64
 ANGLES ± 0'30"
 FINAL SURFACE QUALITY
 REMOVE BURRS AND BREAK SHARP CORNERS

QTY.	DESCRIPTION	PART NO.	ITEM NO.
PARTS LIST			
DRN: P. Miller		DATE: 12-17-70	digital EQUIPMENT CORPORATION MAYNARD, MASSACHUSETTS
CHK'D: P. Miller		DATE: 12-22-70	
ENG: J. Miller		DATE: 2-3-71	
PROJ. ENG: J. Miller		DATE: 2-3-71	
MATERIAL: + + +		DATE: 8/2/71	TITLE MODULE UTILIZATION
FINISH: + + +		DATE: 8/2/71	
NEXT HIGHER ASSY: A-ML-RS64-0		SCALE: NONE	SIZE CODE: DMU NUMBER: RS64-0-8 REV.: A
SHEET 1 OF 1		DIST.:	

This drawing and specifications, herein, are the property of Digital Equipment Corporation and shall not be reproduced or copied or used in whole or in part as the basis for the manufacture or sale of items without written permission.



REV.	CHG.	NO.	DATE	BY
A	00002	1	5-4-71	M. G. G.
B	00007	1	5-6-71	M. G. G.
C	00008	1	7-6-71	M. G. G.
			10-24-71	M. G. G.
			11-5-71	M. G. G.

FIRST USED ON OPTION/MODEL	QTY.	DESCRIPTION	PART NO.	ITEM NO.
RS64				
UNLESS OTHERWISE SPECIFIED: DRN P. Miles DATE 12-18-70				
UNLESS OTHERWISE SPECIFIED: DIMENSION IN INCHES CHK'D. P. Miles DATE 12-22-70				
TOLERANCES: DECIMALS .005 ± 1/64 ± 0.30 ANGLES 0°30' FINAL SURFACE QUALITY REMOVE BURRS AND BREAK SHARP CORNERS				
MATERIAL: + + +				
FINISH: + + +				
NEXT HIGHER ASSY: A-ML-RS64-0-0				
SCALE: + +				
SHEET: 1 OF 1				
PARTS LIST				
digital EQUIPMENT CORPORATION MAYNARD, MASSACHUSETTS				
TITLE: DATA PATH				
SIZE CODE: DBS NUMBER: RS64-0-3 REV: 1				

