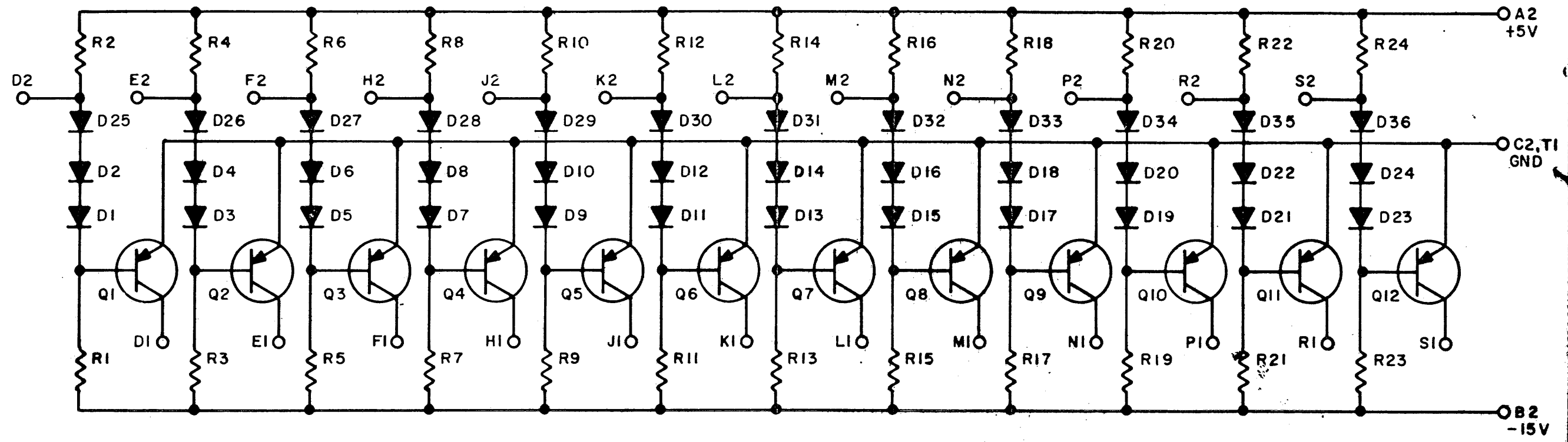


THIS SCHEMATIC IS FURNISHED ONLY FOR TEST AND MAINTENANCE PURPOSES. THE CIRCUITS ARE PROPRIETARY IN NATURE AND SHOULD BE TREATED ACCORDINGLY. COPYRIGHT 1968 BY DIGITAL EQUIPMENT CORPORATION



Q1 - Q12	TRANSISTOR DEC3639B	1502762
R20, R22, R24	RES. 1.5K 1/4W 5% CC	1300391
R2, R4, R6, R8, R10, R12, R14, R16, R18	RES. 15K 1/4W 5% CC	1300496
R21, R23	RES. 15K 1/4W 5% CC	1300496
R1, R3, R5, R7, R9, R11, R13, R15, R17, R19	RES. 15K 1/4W 5% CC	1300496
D1 - D36	DIODE D664	1100114
	PARTS LIST	A PL-M050-0-0
REFERENCE DESIGNATION	DESCRIPTION	PART NO.

REVISIONS CHK CHG NO REV	DRN <i>M. Keller</i>	DATE 10-23-68	TRANSISTOR & DIODE CONVERSION CHART		digital EQUIPMENT CORPORATION MAYNARD, MASSACHUSETTS	TITLE LEVEL CONVERTER MO51			
	CHK'D <i>W. Miller</i>	DATE 10-28-68	DEC	EIA		SIZE	CODE	NUMBER	REV.
	ENG <i>C. S. ...</i>	DATE 12/11/68	DEC3639B	2N3639		B	CS	MO51-0-1	
	PROD	DATE	D664	IN3606		PRINTED CIRCUIT REV			