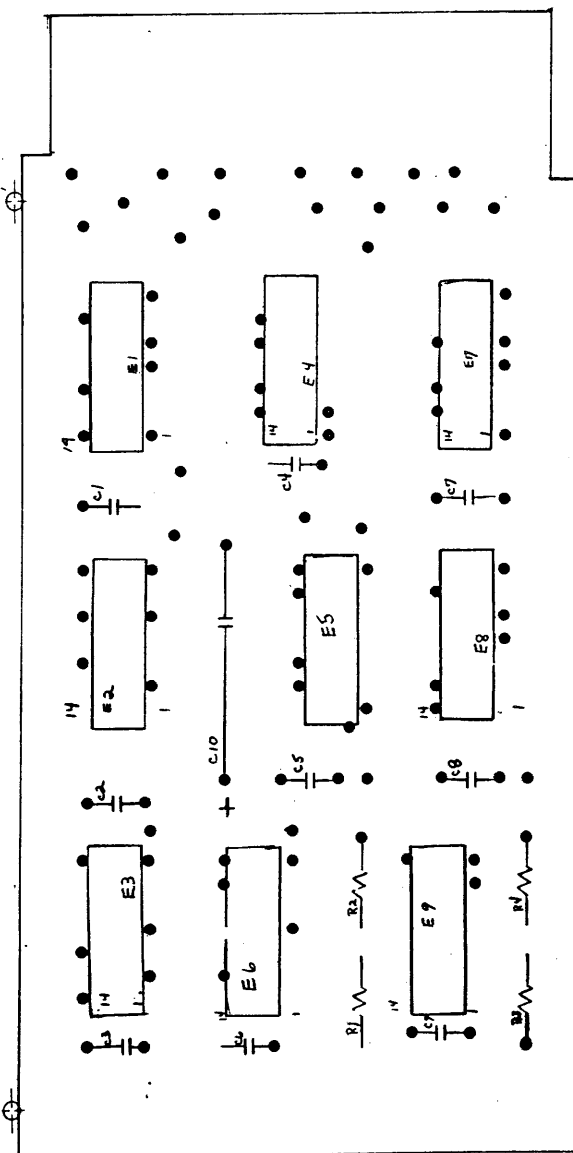


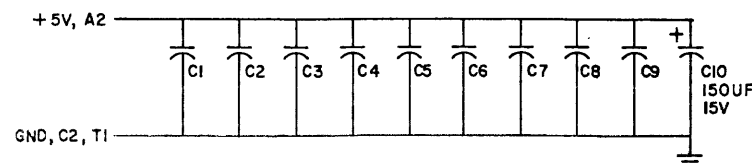
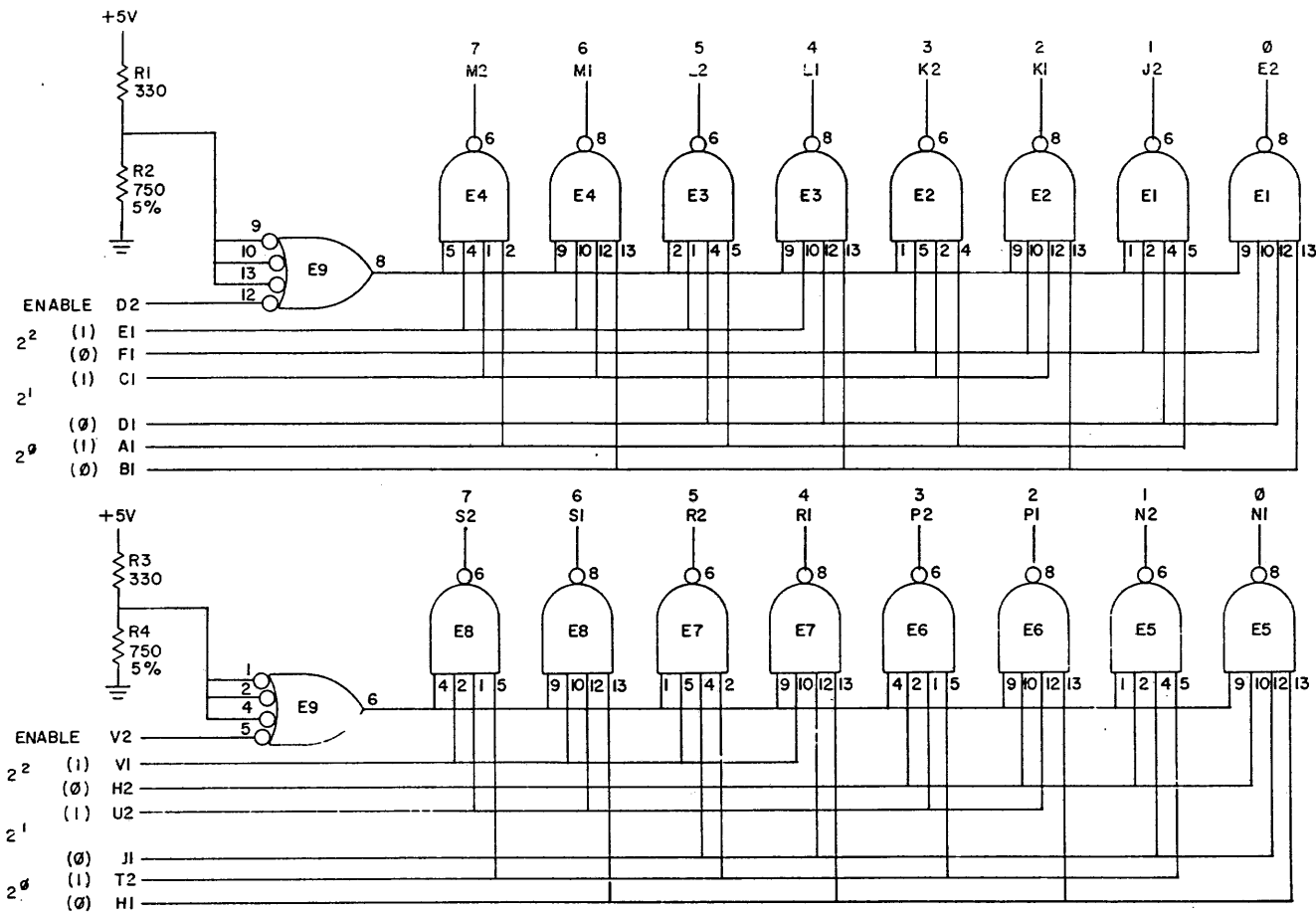
THIS SCHEMATIC IS FURNISHED ONLY FOR TEST AND MAINTENANCE PURPOSES. THE CIRCUITS ARE PROPRIETARY IN NATURE AND SHOULD BE TREATED ACCORDINGLY. COPYRIGHT 1970 BY DIGITAL EQUIPMENT CORPORATION



UNLESS OTHERWISE INDICATED:

CAPACITORS = .01UF, 100V, 20%
 RESISTORS = 1/4W, 10%
 IC'S = DEC1074H20
 PIN 7 = GND
 PIN 14 = +5V ON ALL IC'S

PINS F2 AND U1 CAN NOT BE USED.
 THEY ARE USED FOR BACKPLANE
 TWISTED PAIR GROUNDS.



ITEM NO.	DEC PART NO.	DESCRIPTION	QTY.
11	9008337-06	HANDLE, FLIP CHIP - MAGENTA	1
10	9006732	EYELET #GS 4-7	2
9	1910466	I.C. DEC1074H20	9
8	1301401	RES. 750, 1/4W, 5%	2
7	1300293	RES. 330, 1/4W, 10%	2
6	1001610	CAP. .01UF, 100V, 20% DISC	9
5	1000084	CAP. 150UF, 15V, 20% S. TANT	1
4	5008783	ETCHED CIRCUIT BOARD	1
3	B-MH-M151-0-6	MODULE ECO HISTORY	
2	C-AH-M151-0-5	ASSY/DRILLING HOLE LAYOUT	
1	K-CO-M151-0-4	X-Y COORDINATE HOLE LOCATION	

REVISIONS	CHK'D	NO.	REV.	D
1				

DEC FORM NO. DRC 102

DRN	DATE
ANNALY MOORE	11/23/70
CHK'D	DATE
ENG.	DATE
PROD.	DATE

TRANSISTOR & DIODE CONVERSION CHART

DEC	EIA	DEC	EIA

digital
 EQUIPMENT CORPORATION
 MAYNARD, MASSACHUSETTS

TITLE			
2 DECODERS M151			
SIZE	CODE	NUMBER	REV.
C	CS	M151-0-1	D
PRINTED CIRCUIT REV. B			

REV D
 NUMBER M151-0-1
 SIZE CODE C CS