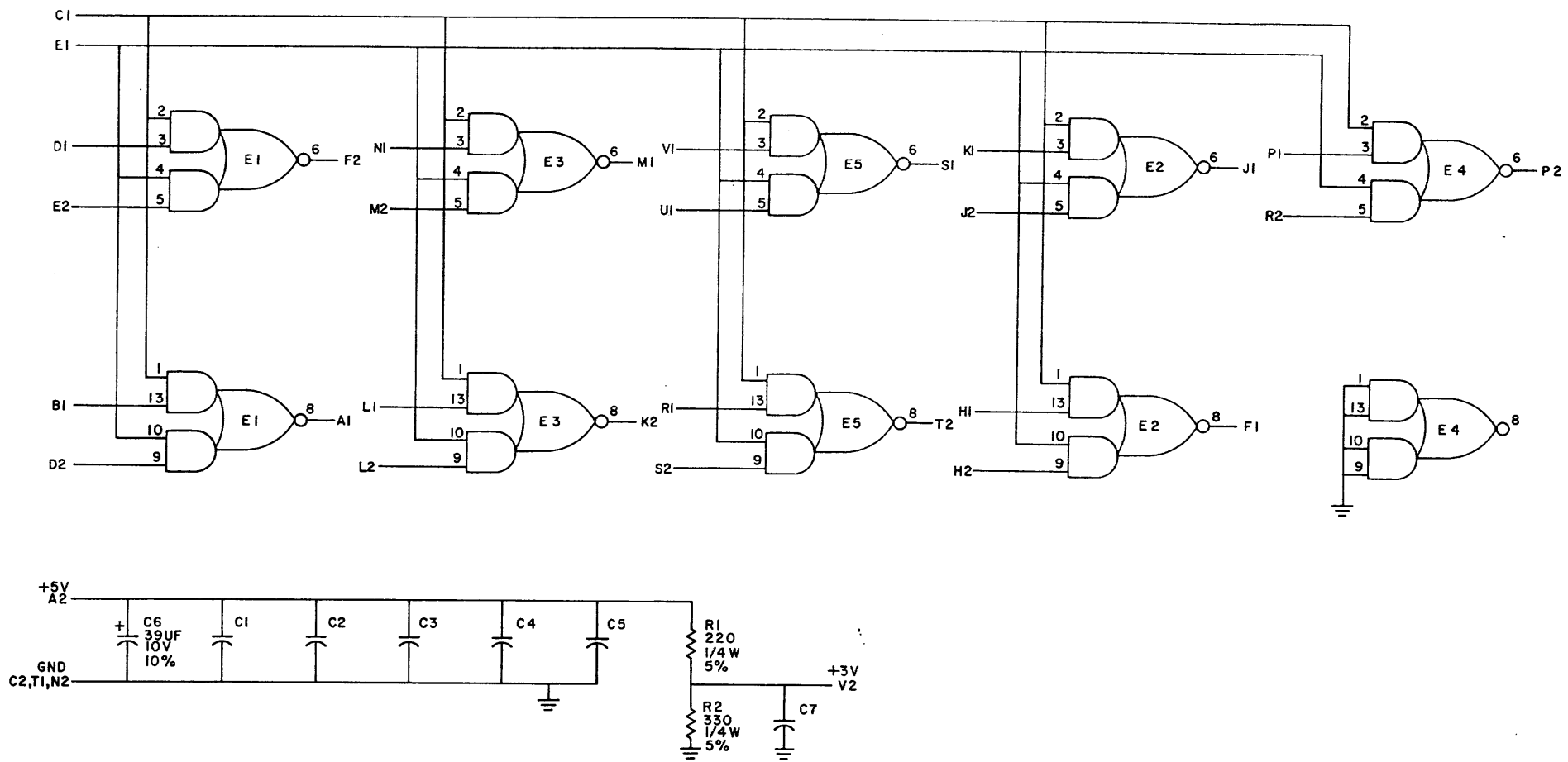
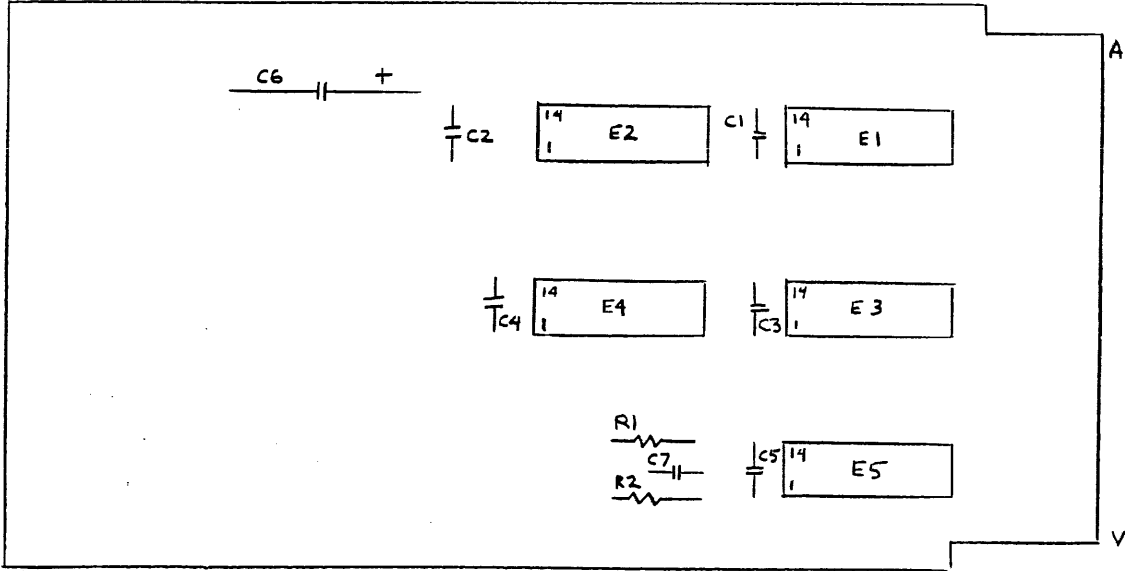


THIS SCHEMATIC IS FURNISHED ONLY FOR TEST AND MAINTENANCE PURPOSES. THE CIRCUITS ARE PROPRIETARY IN NATURE AND SHOULD BE TREATED ACCORDINGLY. COPYRIGHT 1970 BY DIGITAL EQUIPMENT CORPORATION



UNLESS OTHERWISE INDICATED:
 CAPACITORS ARE .01 UF, 100V, 20%
 IC'S ARE DEC1074H50
 PIN 7 = GND ON EACH IC
 PIN 14 = +5V



ITEM NO.	DEC PART NO.	DESCRIPTION	QTY.
11	9008337-06	HANDLE, FLIP CHIP - MAGENTA	1
10	9006732	EYELET #GS 4-7	2
9	1910512	I.C. DEC1074H50	5
8	1300295	RES. 330, 1/4W, 5% CC	1
7	1300271	RES. 220, 1/4W, 5% CC	1
6	1001610	CAP. .01UF, 100V, 20% DISC	6
5	1000076	CAP. 39UF, 10V, 10% S. TANT	1
4	5008536	ETCHED CIRCUIT BOARD	1
3	B-FH-M172-0-6	MODULE ECO HISTORY	
2	C-AH-M172-0-5	ASSY/DRILLING HOLE LAYOUT	
1	K-CO-M172-0-4	X-Y COORDINATE HOLE LOCATION	

REVISIONS CHK CHG NO. REV. 77 0001 A	DRN. S. Cooper	DATE 12/14/70	TRANSISTOR & DIODE CONVERSION CHART		digital EQUIPMENT CORPORATION MAYNARD, MASSACHUSETTS	TITLE 2X9 DATA MIXER M172			
	CHK'D	DATE	DEC	EIA		SIZE C	CODE CS	NUMBER M172-0-1	REV. A
	ENG.	DATE	DEC	EIA					
	PROD.	DATE							

REV. A
 NUMBER M172-0-1
 SIZE CODE C CS