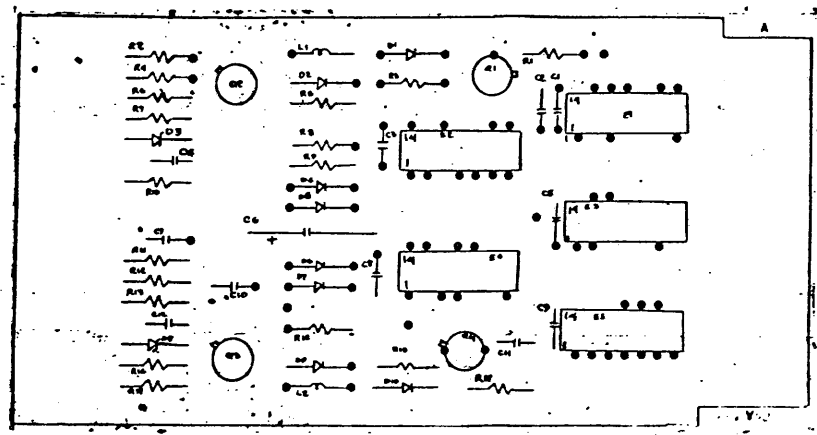
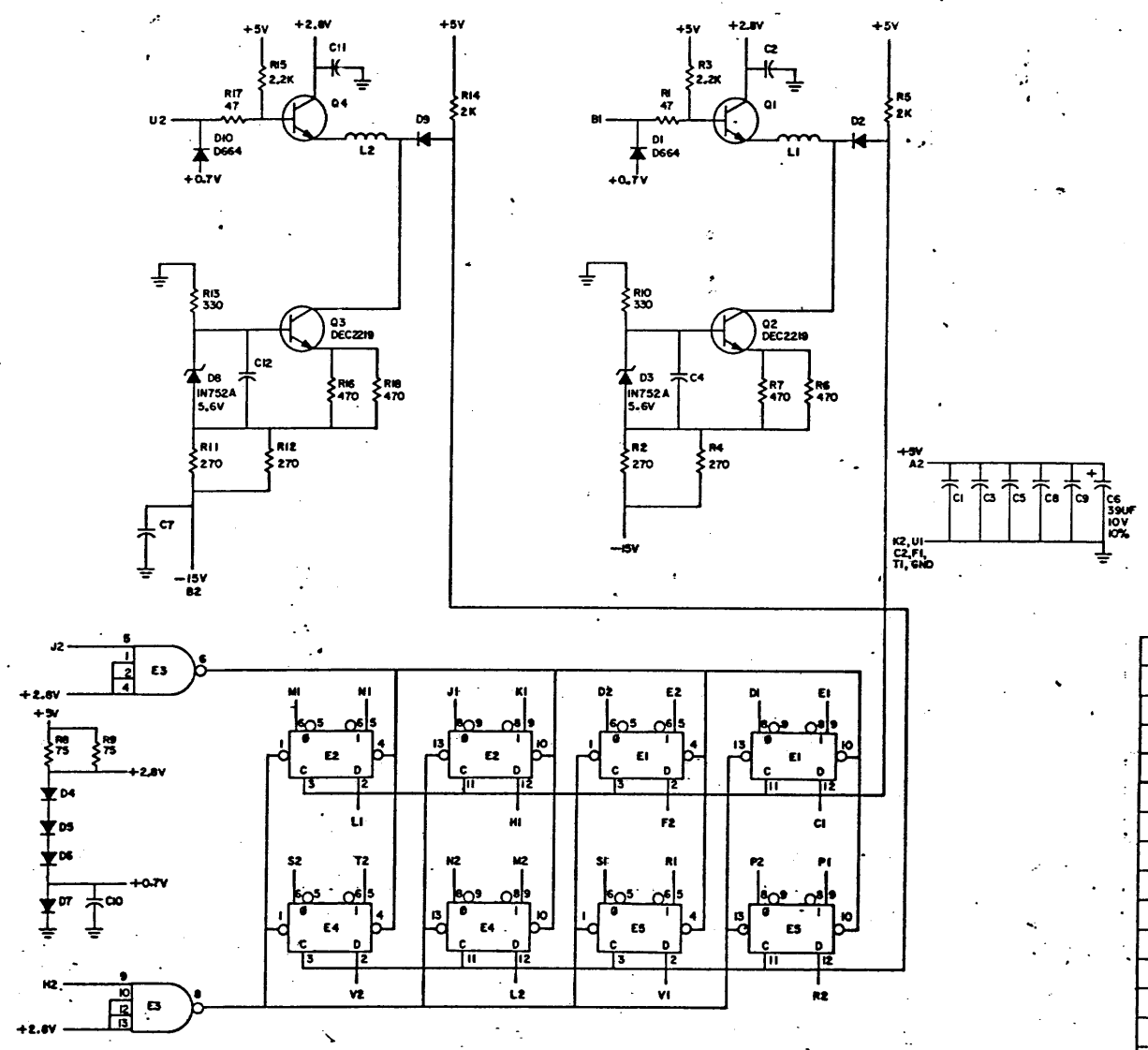


THIS SCHEMATIC IS FURNISHED ONLY FOR TEST AND MAINTENANCE PURPOSES. THE CIRCUITS ARE PROPRIETARY IN NATURE AND SHOULD BE TREATED ACCORDINGLY. COPYRIGHT 1970 BY DIGITAL EQUIPMENT CORPORATION.



UNLESS OTHERWISE INDICATED:
RESISTORS ARE 1/4W, 5%
CAPACITORS ARE .01UF, 100V, 20%
TRANSISTORS ARE DEC3009B
DIODES ARE D662
DEC1074H74=E1,E2,E4,E8
DEC1074H40=E3
PIN7=GND
PIN14=+5V
L1, L2=FERRITE BEAD



ITEM NO.	DEC PART NO.	DESCRIPTION	QTY.
23	9008337-06	HANDLE, FLIP CHIP - MAGENTA	1
22	9006732	EYELET PGS 4-7	2
21	5209508	FERRITE BEAD	2
20	1910553	I.C. DEC 1074 H74	4
19	1910469	I.C. DEC 1074 H40	1
18	1503100	TRANSISTOR DEC 3009B	2
17	1501801	TRANSISTOR DEC 2219	2
16	1302388	RES. 2K, 1/4W, 5%	2
15	1302379	RES. 75, 1/4W, 5%	2
14	1301972	RES. 270, 1/4W, 5%	4
13	1300417	RES. 2.2K, 1/4W, 5%	2
12	1300316	RES. 470, 1/4W, 5%	4
11	1300295	RES. 330, 1/4W, 5%	2
10	1300202	RES. 47, 1/4W, 5%	2
9	1102808	DIODE 1N752A, 5.6V	2
8	1100114	DIODE D664	2
7	1100113	DIODE D662	6
6	1001610	CAP. .01UF, 100V, 20% DISC	11
5	1000076	CAP. .39UF, 10V, 10% S. TANT	1
4	5009332	ETCHED CIRCUIT BOARD	1
3	B-PH-M243-0-6	MODULE ECO HISTORY	
2	C-AH-M243-0-5	ASSY/DRILLING HOLE LAYOUT	
1	K-CO-M243-0-4	X-Y COORDINATE HOLE LOCATION	

REVISIONS	DATE	DESCRIPTION
1	12-03-70	INITIAL DESIGN
2	2-13-71	DESIGN CHANGES
3	7-8-71	DESIGN CHANGES
4	12-22-71	DESIGN CHANGES
5	2-3-72	DESIGN CHANGES

TRANSISTOR & DIODE CONVERSION CHART			
DEC	EIA	DEC	EIA
D664	1N645		
D662	1N645		
D664	1N3606		
1N752A	SAME		
DEC2219	2N2219		
DEC3009B	2N3009		

3 TYPED FLIP FLOPS M243

DIGITAL EQUIPMENT CORPORATION

SALE CODE: M243-0-1
REV B

M:872

Paul