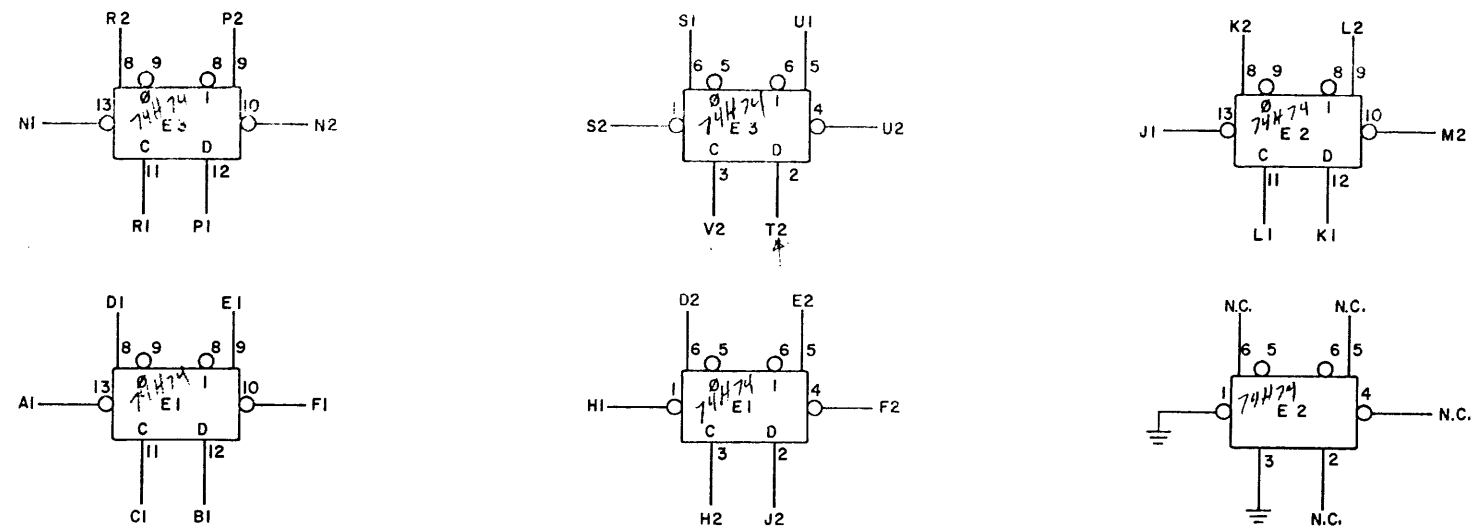
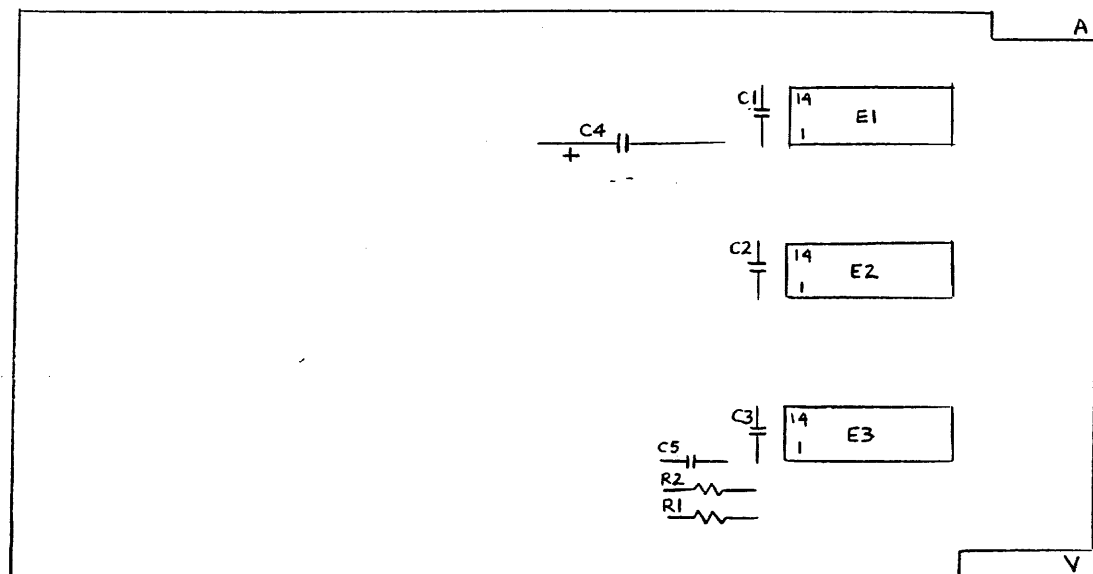


THIS SCHEMATIC IS FURNISHED ONLY FOR TEST AND MAINTENANCE PURPOSES. THE CIRCUITS ARE PROPRIETARY IN NATURE AND SHOULD BE TREATED ACCORDINGLY. COPYRIGHT 1970 BY DIGITAL EQUIPMENT CORPORATION



UNLESS OTHERWISE INDICATED:
RESISTORS ARE 1/4W, 5%
CAPACITORS ARE .01UF, 100V, 20%
IC'S ARE DEC1074H74
PIN 7= GND
PIN 14= +5V



ITEM NO.	DEC PART NO.	DESCRIPTION	QTY.
11	9008337-06	HANDLE, FLIP CHIP - MAGENTA	1
10	9006732	EYELET #GS 4-7	2
9	190553	I.C. DEC1074H74	3
8	1300295	RES. 330, 1/4W, 5% CC	1
7	1300271	RES. 220, 1/4W, 5% CC	1
6	1001610	CAP. .01UF, 100V, 20% DISC	4
5	1000076	CAP. 39UF, 10V, 10% S. TANT	1
4	5009357	ETCHED CIRCUIT BOARD	1
3	B-MH-M246-0-6	MODULE ECO HISTORY	
2	C-AH-M246-0-5	ASSY/DRILLING HOLE LAYOUT	
.1	K-CO-M246-0-4	X-Y COORDINATE HOLE LOCATION	

PARTS LIST

REV. NO.	DATE	BY
1		

DEC FORM NO. DRC 102

DRN	DATE
S. Cooper	12/18/70
CHK'D	DATE
ENG.	DATE
PROD.	DATE

TRANSISTOR & DIODE CONVERSION CHART			
DEC	EIA	DEC	EIA

digital
EQUIPMENT CORPORATION
MAYNARD, MASSACHUSETTS

TITLE			
5 D FLIP FLOPS M246			
SIZE	CODE	NUMBER	REV.
C	CS	M246-0-1	A
PRINTED CIRCUIT REV.			A

REV. A
NUMBER M246-0-1
SIZE CODE C CS