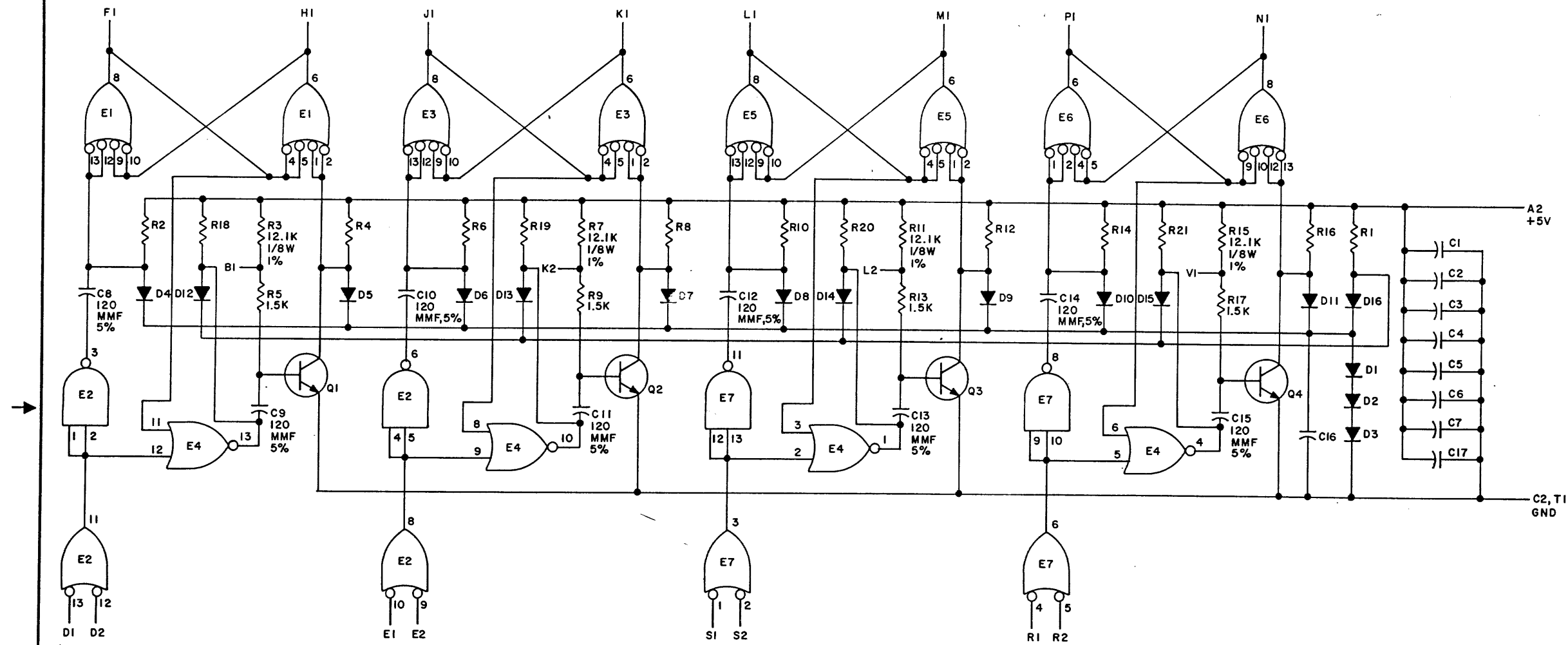


THIS SCHEMATIC IS FURNISHED ONLY FOR TEST AND MAINTENANCE PURPOSES. THE CIRCUITS ARE PROPRIETARY IN NATURE AND SHOULD BE TREATED ACCORDINGLY. COPYRIGHT 1969 BY DIGITAL EQUIPMENT CORPORATION



UNLESS OTHERWISE INDICATED:  
 RESISTORS ARE 1K  
 RESISTORS ARE 1/4W, 5%  
 TRANSISTORS ARE DEC3009B  
 E1, E3, E5, E6 ARE DEC7440  
 E2, E7 ARE DEC7400  
 E4 IS DEC7402  
 PIN 7 ON EACH IC = GND  
 PIN 14 ON EACH IC = +5V  
 DIODES ARE D664  
 CAPACITORS ARE .01MFD, 100V, 20%

REV. B  
 NUMBER  
 CS M304-0-1  
 SIZE CODE  
 C

REV.	CHG NO.	CHK
A	00001	
B	00002	

DEC FORM NO. DRC 102

DRN. <i>M. Haller</i>	DATE 4-22-69
CHK'D <i>M. Mansfield</i>	DATE 4-23-69
ENG. <i>R. J. ...</i>	DATE 6-20-69
PROD.	DATE

TRANSISTOR & DIODE CONVERSION CHART			
DEC	EIA	DEC	EIA
D664	1N3606		
DEC3009B	2N3009		

**digital** EQUIPMENT CORPORATION  
 MAYNARD, MASSACHUSETTS

TITLE: ONE SHOT DELAY M304

SIZE CODE: C CS  
 NUMBER: M304-0-1  
 REV. B

PRINTED CIRCUIT REV. B

DIST. 320,424,402