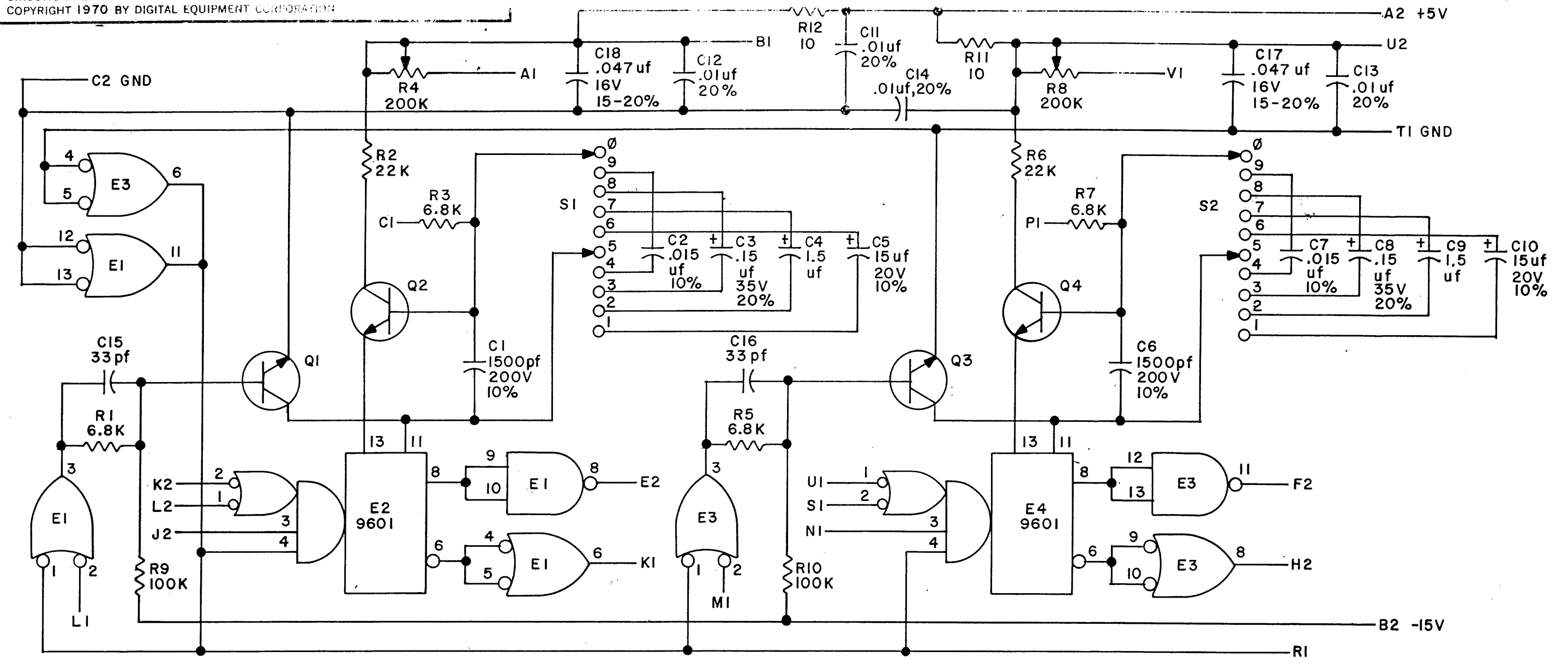
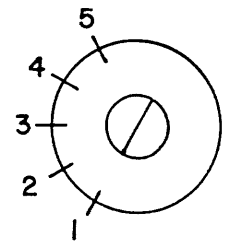


THIS SCHEMATIC IS FURNISHED ONLY FOR TEST AND MAINTENANCE PURPOSES. THE CIRCUITS ARE PROPRIETARY IN NATURE AND SHOULD BE TREATED ACCORDINGLY. COPYRIGHT 1970 BY DIGITAL EQUIPMENT CORPORATION



UNLESS OTHERWISE INDICATED:
 TRANSISTORS ARE DEC 3009B
 RESISTORS ARE 1/4W, 5%
 CAPACITORS ARE 100V, 5%
 R4 & R8 ARE 78PR POTS
 SWITCHES ARE 2 POLE, 5 POSITION SPECTROL
 E1, E3 ARE DEC7400
 PIN 7 ON EACH IC = GND
 PIN 14 ON E1, E3 = +5V
 PIN 14 ON E2 = VCC, PIN B1
 PIN 14 ON E4 = VCC, PIN U2



RANGE 5 5 μsec. — 50 μsec.
 4 50 μsec. — 500 μsec.
 3 500 μsec. — 5 msec.
 2 5 msec. — 50 msec.
 1 50msec. — 500msec.

REVISIONS CHK CHG NO. REV. MH 00001 A REV. & REDR. REV. 00002 B G. BUDIANSKY 6/11/73-7 00003 C			DRN. M. HALLER DATE 9-3-69 CHK'D A. YAUGA DATE 9-3-69 ENG. R. SCHWEGLER DATE 9-4-69 PROD. R. SCHWEGLER DATE 9-4-69		TRANSISTOR & DIODE CONVERSION CHART DEC EIA DEC 3009B 2N3009				digital EQUIPMENT CORPORATION MAYNARD, MASSACHUSETTS		TITLE INTEGRATING ONE SHOT M307 SIZE CODE NUMBER REV. B CS M307-0-1 C		
					PRINTED CIRCUIT REV. B								