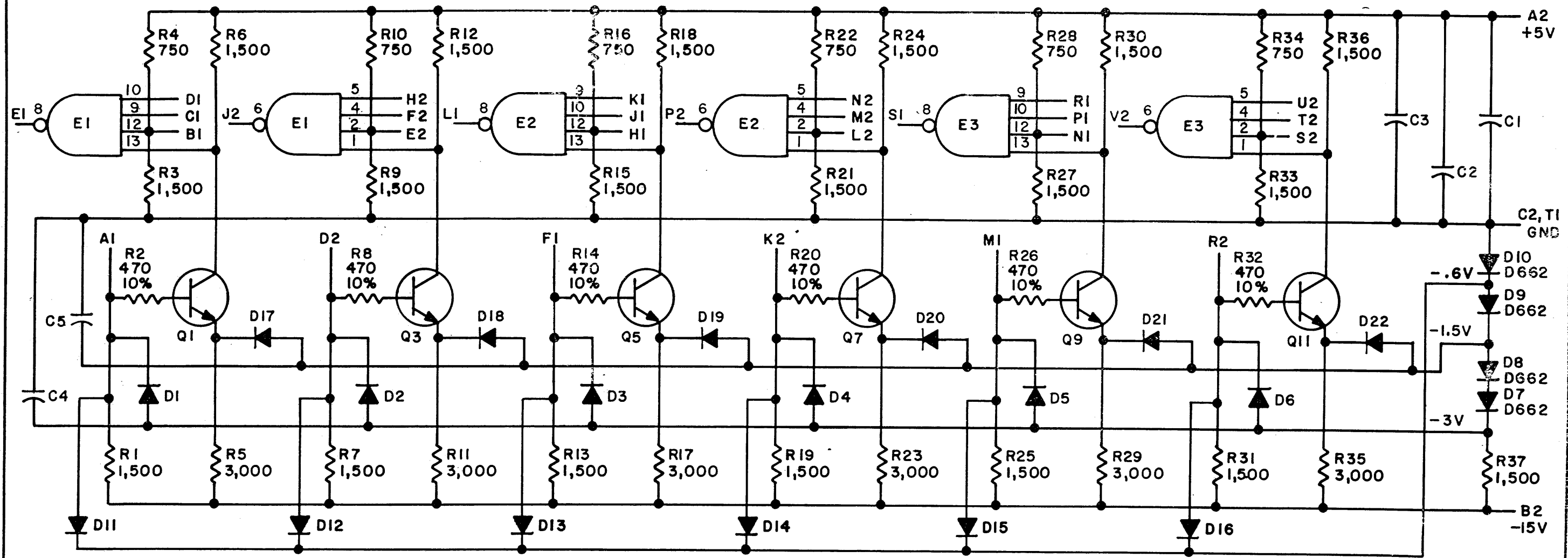


THIS SCHEMATIC IS FURNISHED ONLY FOR TEST AND MAINTENANCE PURPOSES. THE CIRCUITS ARE PROPRIETARY IN NATURE AND SHOULD BE TREATED ACCORDINGLY. COPYRIGHT 1967 BY DIGITAL EQUIPMENT CORPORATION



UNLESS OTHERWISE INDICATED:  
 TRANSISTORS ARE DEC3009B  
 RESISTORS ARE 1/4W, 5%  
 DIODES ARE D664  
 CAPACITORS ARE .01 MFD, 100V, 20%  
 IC'S ARE DEC7420N  
 PIN 7 ON EACH IC = GND  
 PIN 14 ON EACH IC = +5V

PARTS LIST A-PL-M506-0-0

REVISIONS CHK CHG NO. REV. A B D 6874 00001 00002 00003	DRN. <i>M. Waller</i> DATE 4-14-67 CHK'D <i>[Signature]</i> DATE 4-26-67 END <i>[Signature]</i> DATE 4-27-67 PROD. DATE		TRANSISTOR & DIODE CONVERSION CHART DEC EIA DEC3009B 2N3009 D664 IN3606 D662 IN645				<b>digital</b> EQUIPMENT CORPORATION MAYNARD, MASSACHUSETTS	TITLE NEGATIVE INPUT CONVERTER M506			SIZE B CODE CS NUMBER M506-0-1 REV. D PRINTED CIRCUIT REV. D