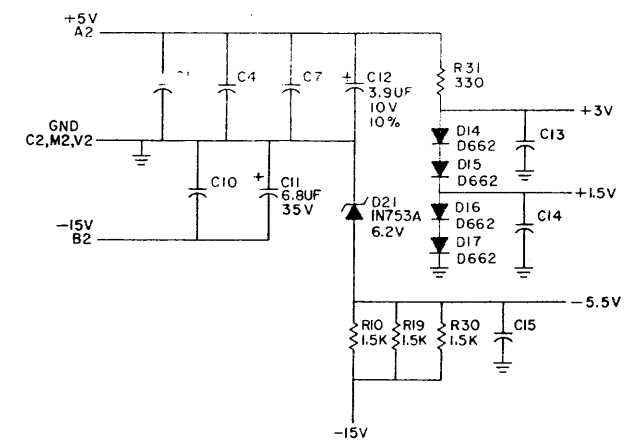
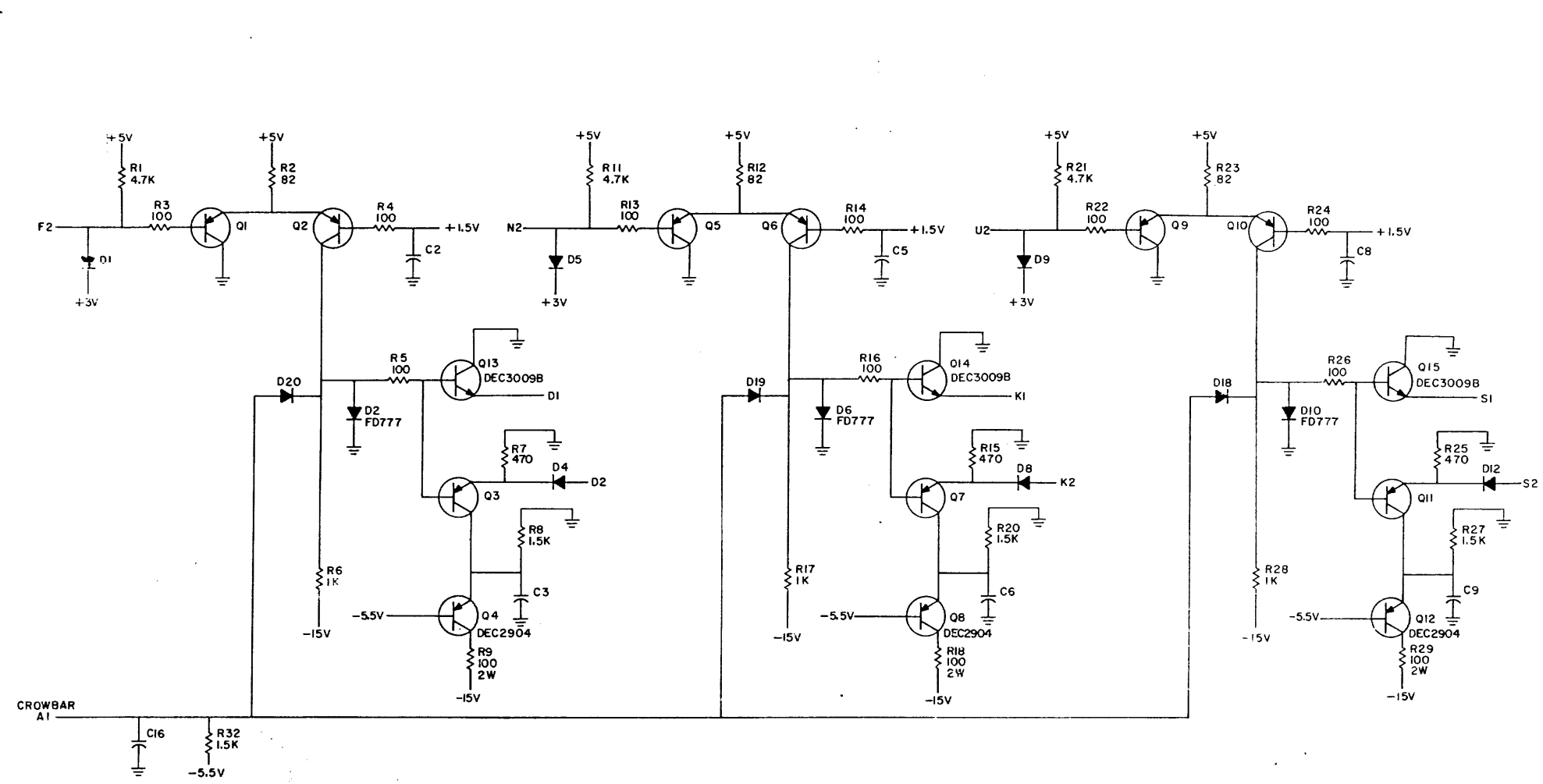
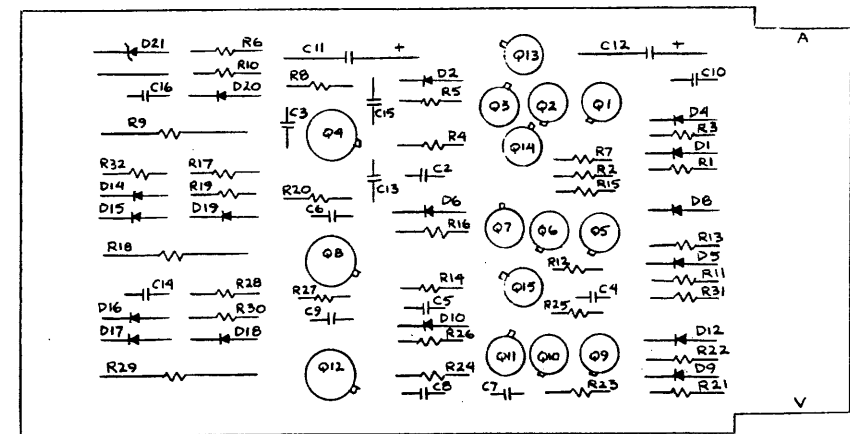


THIS SCHEMATIC IS FURNISHED ONLY FOR TEST AND MAINTENANCE PURPOSES. THE CIRCUITS ARE PROPRIETARY IN NATURE AND SHOULD BE TREATED ACCORDINGLY. COPYRIGHT 1971 BY DIGITAL EQUIPMENT CORPORATION.



UNLESS OTHERWISE INDICATED:
RESISTORS ARE 1/4W, 5%
CAPACITORS ARE .01UF, 100V, 20%
DIODES ARE D664
TRANSISTORS ARE DEC4258



REV	DATE	DESCRIPTION	BY	CHKD
24	9008337-06	HANDLE, FLIP CHIP - MAGENTA		1
23	9006732	EYELET #GS 4-7		2
22	1505321	TRANSISTOR DEC 4258		9
21	1503100	TRANSISTOR DEC 3009B		3
20	1501742	TRANSISTOR DEC 2904		3
19	1302380	RES. 100, 2W, 5%		3
18	1301477	RES. 82, 1/4W, 5%		3
17	1300447	RES. 4.7K, 1/4W, 5%		3
16	1300391	RES. 1.5K, 1/4W, 5%		7
15	1300365	RES. 1K, 1/4W, 5%		3
14	1300316	RES. 470, 1/4W, 5%		3
13	1300295	RES. 330, 1/4W, 5%		1
12	1300279	RES. 100, 1/4W, 5%		9
11	1103041	DIODE FD777		3
10	1102421	DIODE IN753A		1
9	1100114	DIODE D664		9
8	1100113	DIODE D662		4
7	1001611	CAP. .01UF, 100V, 20% DISC		14
6	1000076	CAP. .39UF, 10V, 10% S. TANT		1
5	1000067	CAP. 6.8UF, 35V, 20% S. TANT		1
4	5009391	ETCHED CIRCUIT BOARD		1
3	4000001-0-6	MODULE ECC HISTORY		
2	4000001-0-5	MODULE ECC HISTORY		
1	4000001-0-4	MODULE ECC HISTORY		
		DESCRIPTION		WTY

REVISIONS CHG NO. REV. DATE BY 1 1 00001 C 1/71 L. J. HALL 2 2 00002 P. SULLIVAN	DESIGNER S. COOPER	DATE 1/71	TRANSISTOR & DIODE CONVERSION CHART DEC IN3606 DEC2904 2N2118A IN45 IN45 DEC3009B 2N3009 IN753A & 2V SAME DEC4258 2N4258	TITLE "OR" BUS DRIVER M663
DATE 1/71	DATE 1/71	DATE 1/71	DATE 1/71	SIZE D CS
PROD DATE	DATE 1/71	DATE 1/71	DATE 1/71	NUMBER M663-0-1
DATE 1/71	DATE 1/71	DATE 1/71	DATE 1/71	REV C