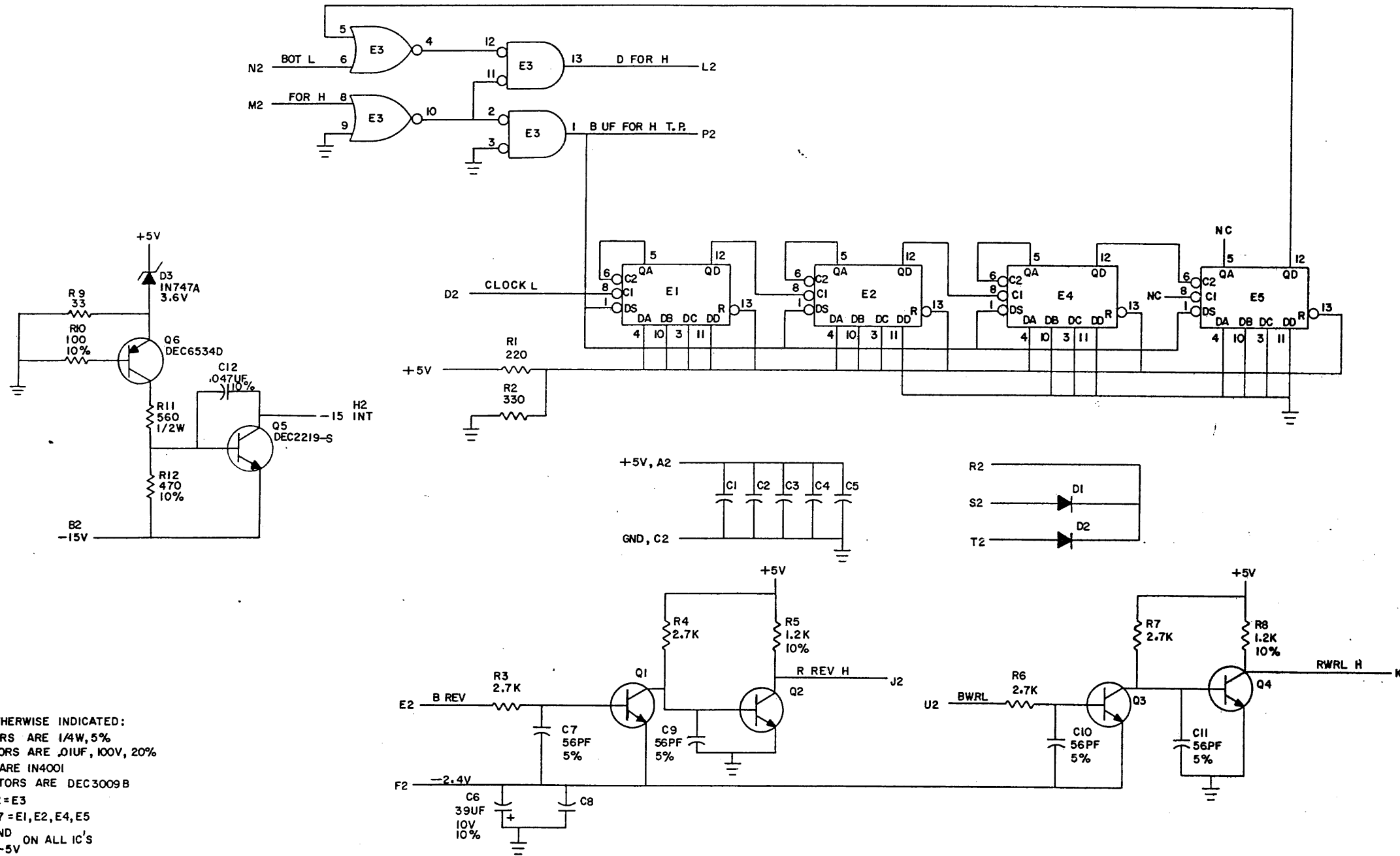


THIS SCHEMATIC IS FURNISHED ONLY FOR TEST AND MAINTENANCE PURPOSES. THE CIRCUITS ARE PROPRIETARY IN NATURE AND SHOULD BE TREATED ACCORDINGLY. COPYRIGHT 1970 BY DIGITAL EQUIPMENT CORPORATION



UNLESS OTHERWISE INDICATED:
 RESISTORS ARE 1/4W, 5%
 CAPACITORS ARE .01UF, 100V, 20%
 DIODES ARE IN4001
 TRANSISTORS ARE DEC3009B
 DEC7402 = E3
 DEC74197 = E1, E2, E4, E5
 PIN 7 = GND ON ALL IC'S
 PIN 14 = +5V

REVISIONS CHG NO. REV. 00001 C 00002 C		DRN. <i>George W. [unclear]</i> DATE 1-12-71 CHG. <i>[unclear]</i> DATE 1-12-71 ENG. <i>[unclear]</i> DATE 1-12-71 PROD. DATE	TRANSISTOR & DIODE CONVERSION CHART <table border="1"> <tr> <th>DEC</th> <th>EIA</th> <th>DEC</th> <th>EIA</th> </tr> <tr> <td>IN4001</td> <td>SAME</td> <td>IN747A 3.6V</td> <td>SAME</td> </tr> <tr> <td>DEC2219</td> <td>2N2219</td> <td></td> <td></td> </tr> <tr> <td>DEC6534D</td> <td>MPS6534</td> <td></td> <td></td> </tr> </table>	DEC	EIA	DEC	EIA	IN4001	SAME	IN747A 3.6V	SAME	DEC2219	2N2219			DEC6534D	MPS6534			TITLE digital FORWARD B.O.T. TIMER M7670 EQUIPMENT CORPORATION MAYNARD, MASSACHUSETTS SIZE CODE NUMBER REV. C CS M7670-0-1 C PRINTED CIRCUIT REV. C
DEC	EIA	DEC	EIA																	
IN4001	SAME	IN747A 3.6V	SAME																	
DEC2219	2N2219																			
DEC6534D	MPS6534																			

DIS1, 324,434,435² 4 PINK

REV. C
 NUMBER M7670-0-1
 SIZE CODE C CS