

Original design... not be reproduced or copied or used in whole or in part as the basis for the manufacture or sale of items without written permission.

PARTS REFERENCE

ITEM NO	DRAWING REFERENCE	DESCRIPTION	PART NUMBER	QUANTITY
1	E12, E18	I.C. DEC 7474	1905547	2
2	E4, E7, E17	I.C. DEC 7400	1905575	3
3	E6, E13, E14	I.C. DEC 7402	1909004	3
4	E1, E11	I.C. DEC 380	1909485	2
5	E5	I.C. DEC 74H74	1909667	1
6	E2, E8, E9, E15, E16	I.C. DEC 8881	1909705	5
7	E3	I.C. DEC 74H04	1909931	1
8	F10	I.C. DEC 7408	1910155	1
9	C19, C20	CAP. 330PF, 100V, 5% DM	1000023	2
10	C18	CAP. 6.8MFD, 35V, 20% TANT	1000067	1
11	C1 THRU C17	CAP. 01 M.F.D. 100V, 20% DISC	1001610	17
12	R7, R8	RES. 47 Ω , 1/4W, 5%	1300202	2
13	R1, R2	RES. 390 Ω , 1/4W, 5%	1300309	2
14	R4, R10	RES. 180 Ω , 1/4W, 5%	1301322	2
15	R3, R5, R6, R9	RES. 1K Ω , 1/4W, 5%	1300365	4

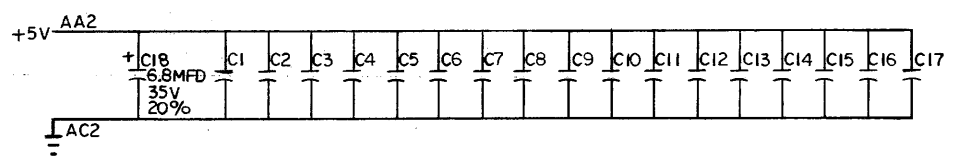
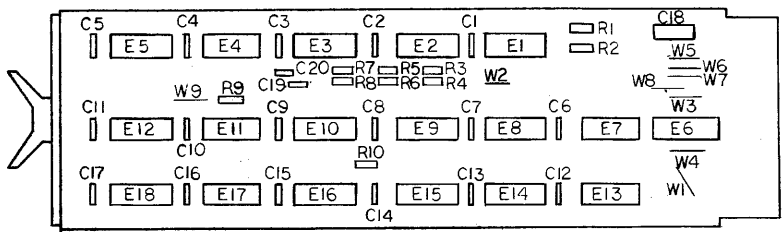
NOTES:

- VECTOR BIT JUMPERS MUST BE CUT FOR A "ZERO" AND MUST BE INSERTED FOR A "ONE".
- NPR JUMPER (W9) MUST BE CUT FOR SOME PDP-11 PROCESSORS; IF THE RIGHT HALF REQUEST CIRCUIT IS USED FOR NPR'S; OR IF PIN J1 IS NOT WIRED ON THE M7821 SLOT.
- DETAILS ON COMPONENTS ARE NOTED IN THE PARTS REFERENCE, PLACEMENT IS NOTED IN THE COMPONENT PLACEMENT DIAGRAM.
- GND AND +5V ARE USUALLY PIN 7 AND PIN 14, RESPECTIVELY EXCEPTIONS ARE:

I.C. TYPE	GND	+5V
DEC 380	PIN 1	PIN 8

- UNLESS OTHERWISE NOTED RESISTANCE IS IN OHMS, CAPACITANCE IS IN PICOFARADS. CAPACITORS WITHOUT ANY NOTED VALUES ARE .01 MFD.

COMPONENT PLACEMENT

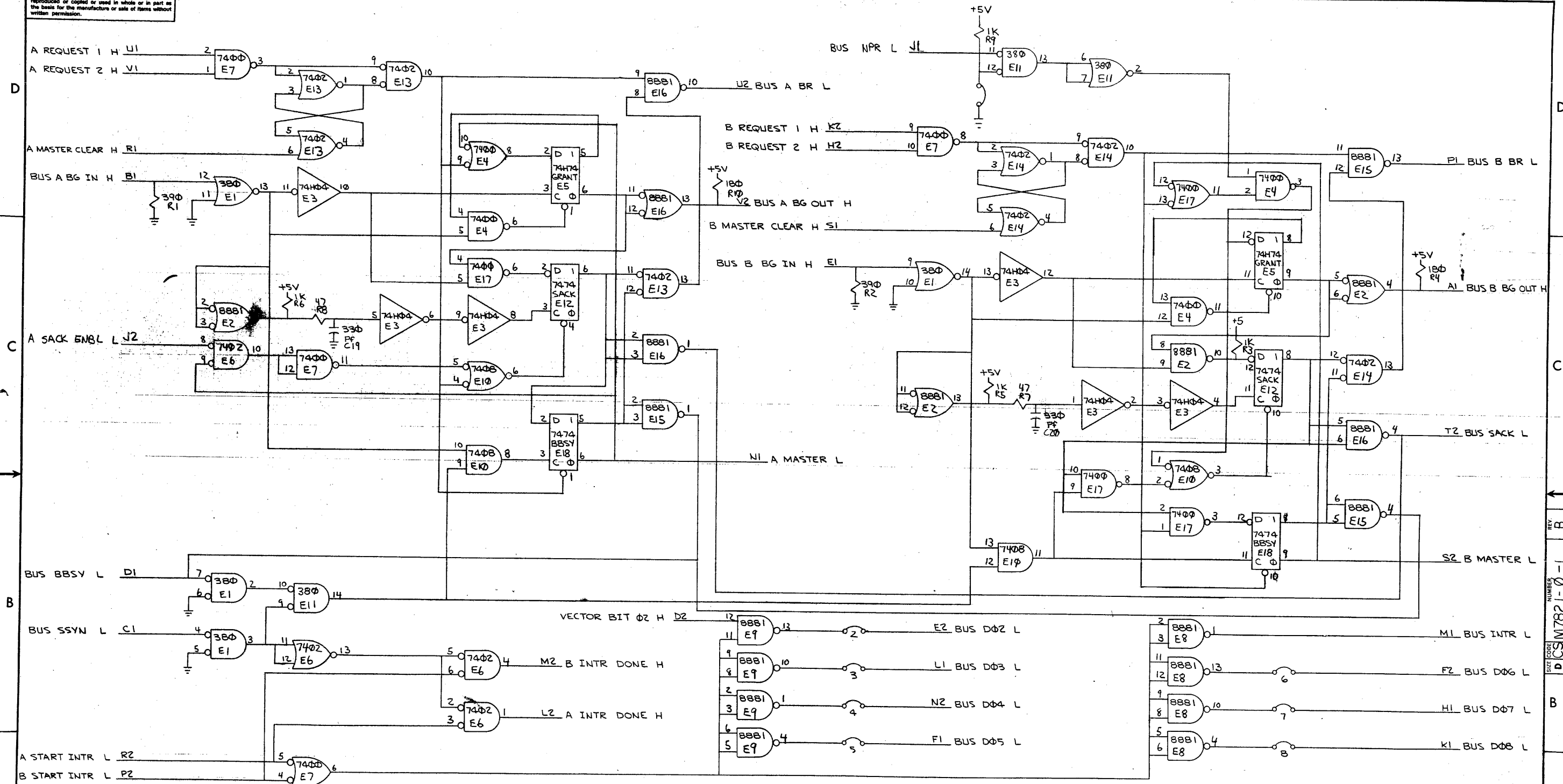


REL. CHG. NO.	REV. B
CHK. NO. 17821-0001	DATE 4-13-72
S. ROTHMAN	

FIRST USED ON OPT/MOD 11/20	QTY.	DESCRIPTION	PART NO.	ITEM NO.
PARTS LIST				
UNLESS OTHERWISE SPECIFIED	DRN	DATE	digital EQUIPMENT CORPORATION METHUEN, MASSACHUSETTS	
UNLESS OTHERWISE SPECIFIED DIMENSION IN INCHES	CHK'D	DATE	TITLE INTERRUPT CONTROL M7821	
TOLERANCES DECIMALS ± .005 FRACTIONS ± 1/64 ANGLES ± 0°30'	ENG.	DATE	SIZE CODE DCS M7821-0-1	
FINAL SURFACE QUALITY REMOVE BURRS AND BREAK SHARP CORNERS	PROJ. ENG.	DATE	NUMBER B	
MATERIAL	PROD.	DATE	REV. B	
FINISH	NEXT HIGHER ASSY	DATE	SHEET 1 OF 2	

This drawing and specifications, herein, are the property of Digital Equipment Corporation and shall not be reproduced or copied or used in whole or in part as the basis for the manufacture or sale of items without written permission.

REV B
NUMBER 1-0-1-0-1
SIZE CODE DCSM7821-0-1



DEC FORM NO. 1050-107

QTY		REF DESIGNATION	DESCRIPTION	PART NO.	ITEM NO.
PARTS LIST					
ETCH BOARD REV B					
ORIGINATED REV CHG NO. REVISIONS	1		DRN	DATE	20 SEP 71
	2		CHKD	DATE	2-24-71
	3		ENG	DATE	9-24-71
	4		PROJ. ENG	DATE	9-23-71
	5		PROD	DATE	
NEXT HIGHER ASSY			//		
DEC NO.		EIA NO.	DEC NO.	EIA NO.	
SEMICONDUCTOR CONVERSION CHART					
SCALE		SHEET 2 OF 2		digital EQUIPMENT CORPORATION MAYNARD MASSACHUSETTS	
TITLE			INTERRUPT CONTROL M7821		
SIZE CODE		NUMBER		REV	
DCS		M7821-0-1		B	