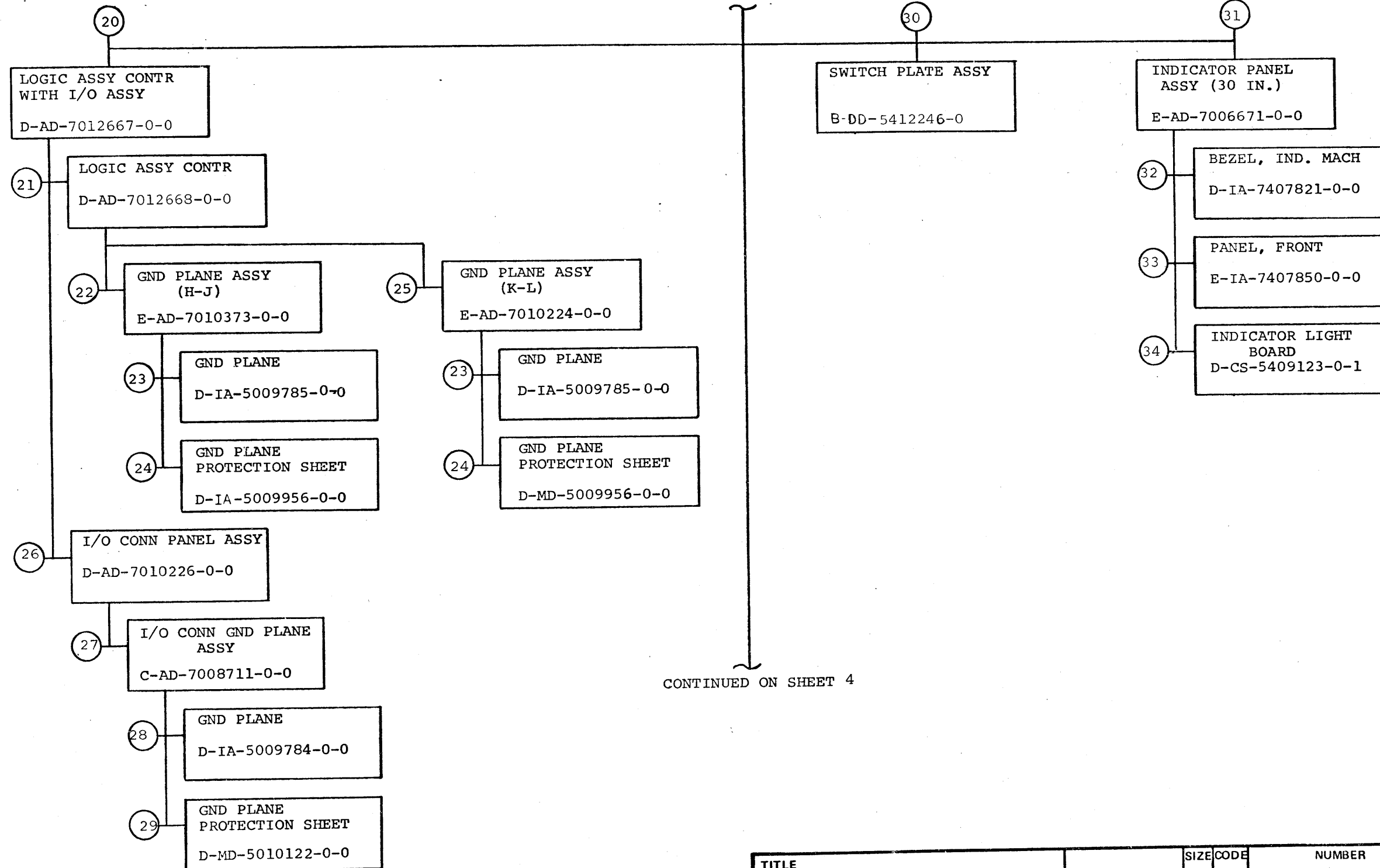


File

CONTINUED FROM SHEET 2

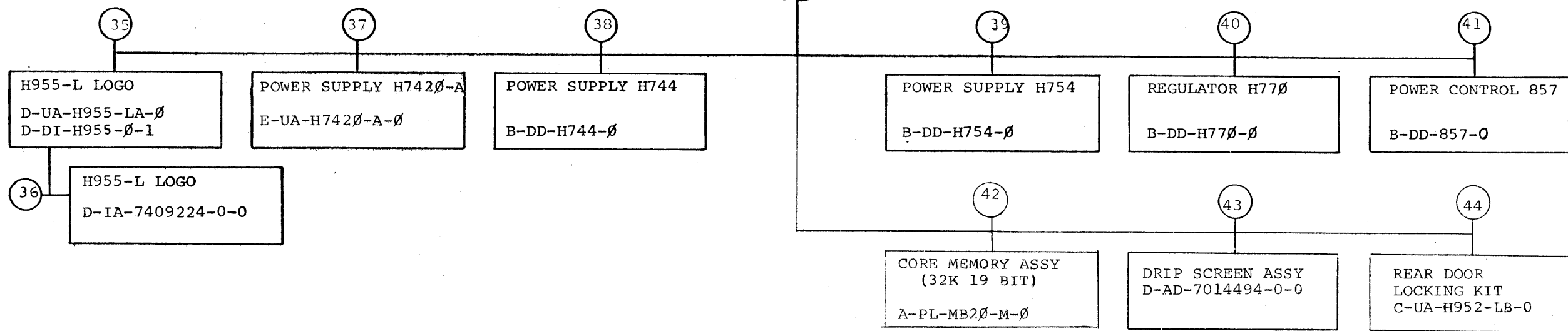


CONTINUED ON SHEET 4

TITLE	SHEET	SIZE	CODE	NUMBER	REV
CORE MEMORY (MH1Ø)	3 OF 9	B	DD	MH1Ø-Ø	C

MK

CONTINUED FROM SHEET 3



TITLE	SHEET	OF	SIZE	CODE	NUMBER	REV
CORE MEMORY (MH1Ø)	4	9	B	DD	MH1Ø-Ø	C

172

FIND NO.	DRAWING NO.	DESCRIPTION	TYPE	FIND NO.	DRAWING NO.	DESCRIPTION	TYPE
1	MP00178	FIELD MAINTENANCE PRINT SET (MP)	-		D-BS-MH10-0-STKC	32K STACK MODULE (H224B)	E
	B-TC-MH10-0-1	FIELD MAINTENANCE PRINT SET (TC)	-		D-BS-MH10-0-STKD	32K STACK MODULE (H224B)	E
	D-UA-MH10-0-0	CORE MEMORY	M		D-BS-MH10-0-STKE	32K STACK MODULE (H224B)	E
	A-PL-MH10-0-0	CORE MEMORY (P.L.)	M		D-BS-MH10-0-STKF	32K STACK MODULE (H224B)	E
	C-IA-7415246-0-0	SUPPORT, PWR SUPPLY, RIGHT	M		D-BS-MH10-0-STKH	32K STACK MODULE (H224B)	E
	C-MD-7410840-0-0	SUPPORT, PWR SUPPLY, LEFT	M		D-BS-MH10-0-SINA	32K SENSE/INHIBIT (G116)	E
	C-MD-7412652-0-0	SPACER COVER	M		D-BS-MH10-0-SINB	32K SENSE/INHIBIT (G116)	E
	D-IA-7412844-0-0	SUPPORT, SWITCH PANEL	M		D-BS-MH10-0-SINC	32K SENSE/INHIBIT (G116)	E
	D-MD-7412816-0-0	BAR, SUPPORT, I/O CONN. PLATE	M		D-BS-MH10-0-SIND	32K SENSE/INHIBIT (G116)	E
	D-AD-7010995-0-0	CABLE SET	M		D-BS-MH10-0-SINE	32K SENSE/INHIBIT (G116)	E
	D-IA-7010805-0-0	A/C WIRING HARNESS #1	M		D-BS-MH10-0-SINF	32K SENSE/INHIBIT (G116)	E
	D-IA-7012775-0-0	A/C WIRING HARNESS #2	M		D-BS-MH10-0-SINH	32K SENSE/INHIBIT (G116)	E
	J-IA-7012664-0-0	D/C HARNESS MH10	M		D-BS-MH10-0-SINJ	32K SENSE/INHIBIT (G116)	E
	D-MD-7409582-0-0	PANEL FILLER, REAR MTG DOOR	M		D-BS-MH10-0-SINK	32K SENSE/INHIBIT (G116)	E
	C-IA-7409870-0-0	SHIPPING BRKT (IND PANEL)	M		D-BS-MH10-0-SINL	32K SENSE/INHIBIT (G116)	E
	B-DC-7416735-0-0	NAME PLATE DECAL MH10	M		D-BS-MH10-0-SINM	32K SENSE/INHIBIT (G116)	E
	C-IA-7008288-0-0	REMOTE TURN ON CABLE	M		D-BS-MH10-0-SINN	32K SENSE/INHIBIT (G116)	E
	A-DC-7412561-0-0	CAUTION LABEL (PWR INTERLOCK)	M		D-BS-MH10-0-SINP	32K SENSE/INHIBIT (G116)	E
	B-DD-MH10-0	DRAWING DIRECTORY	E/M		D-BS-MH10-0-SINR	32K SENSE/INHIBIT (G116)	E
	D-BS-MH10-0-PSO	MH10 PRINT SET ORGANIZATION	E		D-BS-MH10-0-SINS	32K SENSE/INHIBIT (G116)	E
	D-MU-MH10-0-MUAF	MODULE UTILIZATION	E		D-BS-MH10-0-SINT	32K SENSE/INHIBIT (G116)	E
	D-MU-MH10-0-MUHL	MODULE UTILIZATION	E		D-BS-MH10-0-SINU	32K SENSE/INHIBIT (G116)	E
	D-FD-MH10-0-MMC0	MEMORY CYCLE FLOW	E		D-BS-MH10-0-SINV	32K SENSE/INHIBIT (G116)	E
	D-FD-MH10-0-MMC1	MEMORY CYCLE FLOW	E		D-BS-MH10-0-SINW	32K SENSE/INHIBIT (G116)	E
	D-FD-MH10-0-MMC2	MEMORY CYCLE FLOW	E		D-BS-MH10-0-SINX	32K SENSE/INHIBIT (G116)	E
	D-BS-MH10-0-IS0	INSTRUCTION SHEET 0	E		D-BS-MH10-0-SINY	32K SENSE/INHIBIT (G116)	E
	D-BS-MH10-0-IS1	INSTRUCTION SHEET 1	E		D-BS-MH10-0-IND	INDICATOR PANEL CABLES	E
	D-BS-MH10-0-IS2	INSTRUCTION SHEET 2	E		D-BS-MH10-0-MBI	MEM. BUS INTERFACE	E
	D-TD-MH10-0-TD1	MH10 TIMING DIAGRAM	E		D-AD-7010995-0-0	CABLE SET	E
	D-TD-MH10-0-TD2	MH10 TIMING DIAGRAM	E				
	D-BD-MH10-0-IBD0	INTERCONNECTION BLOCK DIAGRAM	E				
	D-BD-MH10-0-IBD1	INTERCONNECTION BLOCK DIAGRAM	E				
	D-BS-MH10-0-CYT	C0 & C1 TIMING BLOCK DIAGRAM	E		D-CS-M8565-0-MAT1	TIMING BOARD CORE TIMING SIGNALS	E
	D-BS-MH10-0-PRC	C0 & C1 PRIORITY CONTROL	E		D-CS-M8565-0-MAT2	TIMING BOARD CLK, MAR, CLR, & BUFS	E
	D-BS-MH10-0-SWP	SWITCHABLE CABLES AND JUMPERS	E		D-CS-M8565-0-MAT3	TIMING BOARD POWER & GROUND	E
	D-BS-MH10-0-PR0	PORT REQUEST LOGIC 0-3	E		D-CS-M8566-0-CYT0	CYCLE TIMING	E
	D-BS-MH10-0-PR1	PORT REQUEST LOGIC 4-7	E		D-CS-M8566-0-CYT1	CYCLE TIMING (MH10)	E
	D-BS-MH10-0-AB0	ADDRESS BITS 21-28	E		D-CS-M8566-0-CYT2	CYCLE TIMING (MH10)	E
	D-BS-MH10-0-AB1	ADDRESS BITS 29-33, WR, RD, RD, RD	E		D-CS-M8566-0-CYT3	CYCLE TIMING POWER & GROUND (MH10)	E
	D-BS-MH10-0-DB0	DATA BITS 0-7	E		D-CS-M8588-0-CHK0	PARITY CHECK	E
	D-BS-MH10-0-DB1	DATA BITS 8-15	E		D-CS-M8588-0-CHK1	PARITY CHECK	E
	D-BS-MH10-0-DB2	DATA BITS 16-23	E		D-CS-M8588-0-CHK2	PARITY CHECK	E
	D-BS-MH10-0-DB3	DATA BITS 24-31	E		D-CS-M8590-0-PRC0	MG10 PRIORITY CONTROL	E
	D-BS-MH10-0-DB4	DATA BITS 32-PAR	E		D-CS-M8590-0-PRC1	MG10 PRIORITY CONTROL	E
	D-BS-MH10-0-CHK	CHECK LOGIC	E		D-CS-M8590-0-PRC2	MG10 PRIORITY CONTROL	E
	D-BS-MH10-0-CONC	CABLES, UPPER TO LOWER LOGICS	E		D-CS-M8591-0-ADR0	ADDRESS RECEIVER	E
	D-BS-MH10-0-MAT	C0 & C1 STACK TIMING	E		D-CS-M8591-0-ADR1	ADDRESS RECEIVER	E
	D-BS-MH10-0-DRVA	32K X-Y DRIVE (G236)	E		D-CS-M8591-0-ADR2	ADDRESS RECEIVER	E
	D-BS-MH10-0-DRVB	32K X-Y DRIVE (G236)	E		D-CS-M8591-0-ADR3	POWER AND GROUND	E
	D-BS-MH10-0-DRVC	32K X-Y DRIVE (G236)	E		D-CS-M8592-0-PAD0	MG10 PORT ADDRESS	E
	D-BS-MH10-0-DRVD	32K X-Y DRIVE (G236)	E		D-CS-M8592-0-PAD1	MG10 PORT ADDRESS	E
	D-BS-MH10-0-STKA	32K STACK MODULE (H224B)	E		D-CS-M8592-0-PAD2	MG10 PORT ADDRESS	E
	D-BS-MH10-0-STKB	32K STACK MODULE (H224B)	E				

TYPE: E ELECTRICAL
M MECHANICAL
E/M ELECTRO/MECHANICAL

digital

TITLE

CORE MEMORY (MH10)

SHEET 5 OF 9

SIZE CODE
B DD

NUMBER
MH10-0

REV
C

EN-01002-20-16-R376(1329)

FIND NO.	DRAWING NO.	DESCRIPTION	TYPE	FIND NO.	DRAWING NO.	DESCRIPTION	TYPE
	D-CS-M8592-0-PAD3	MG10 PORT ADDRESS	E	4	A-PL-H952-D-0	H952-D PANEL FASTENER (P.L.)	M
	D-CS-M8593-0-DR0	MG10 DATA REGISTER	E		D-DI-H952-0-1	H952 DWG INDEX LIST	M
	D-CS-M8593-0-DR1	MG10 DATA REGISTER	E				
	D-CS-M8593-0-DR2	MG10 DATA REGISTER	E				
	D-CS-M8593-YA-AR0	MG10 ADDRESS REGISTER	E				
	D-CS-M8593-YA-AR1	MG10 ADDRESS REGISTER	E				
	D-CS-M8593-YA-AR2	MG10 ADDRESS REGISTER	E	5	A-PL-H952-E-0	H952-E CASTER SET (P.L.)	M
	D-CS-M8594-0-DAT0	MG10 DATA TRANSCEIVER	E		D-DI-H952-0-1	H952 DWG INDEX LIST	M
	D-CS-M8594-0-DAT1	MG10 DATA TRANSCEIVER	E				
	D-CS-M8594-0-DAT2	MG10 DATA TRANSCEIVER	E				
	D-CS-G728-YA-1	JUMPER CARD	E				
	B-CS-M901-0-1	FLEXPRINT CABLE CONNECTOR	E				
	C-CS-M947-0-1	KI-10 INDICATOR DRIVE	E	6	A-PL-H952-F-0	H952-F LEVELER SET	M
	C-CS-M948-0-1	KI-10 INDICATOR BOARD	E		D-DI-H952-0-1	H952 DWG INDEX LIST	M
	D-CS-M9005-0-TRN1	SBUS TERMINATOR	E				
	D-CS-M9011-0-1	CABLE CONNECTOR	E				
			E/M				
				7	B-UA-H950-S-0	H950-S FILTER	M
	D-UA-M8565-0-0	STACK TIMING	E		D-DI-H950-0-1	H950 DWG INDEX LIST	M
	D-UA-M8566-0-0	(MH10) CYCLE TIMING	E				
	D-UA-M8588-0-0	PARITY CHECK	E				
	D-UA-M8590-0-0	MG10 PRIORITY CONTROL	E				
	D-UA-M8591-0-0	MG10 ADDRESS RECEIVER	E				
	D-UA-M8592-0-0	MG10 PORT ADDRESS	E	8	E-UA-H955-DA-0	H955-D EQUIP MTG DOOR R.H.	M
	D-UA-M8593-0-0	MG10 DATA REGISTER	E		A-PL-H955-DA-0	H955-D EQUIP MTG DOOR R.H. (P.L.)	M
	D-UA-M8594-0-0	MG10 DATA TRANSCEIVER	E		D-DI-H955-0-1	H955 DWG INDEX LIST	M
	D-UA-M9005-0-0	SBUS TERMINATOR	E				
	D-UA-M9011-0-0	CABLE CONNECTOR	E				
	D-IC-MH10-0-PW	AC-DC POWER WIRING	E				
	K-WL-MH10-0-CONT	WIRED ASSY (CONTROL)	E				
	K-WL-MH10-0-STK	WIRED ASSY (STACK)	E	9	E-IA-7010290-0-0	COOLING ASSY MEMORY/LOGIC	M
	A-SP-MC10-G-AAP	MC10-G ADD. PORT OPTION	E		E-AD-7010228-0-0	CHASSIS WELD., COOLING	M
	A-SP-PDP10-0-MEMS	ACCEPTANCE TEST MEMORY SYSTEMS	E		D-MD-7412654-0-0	DOOR, LEFT	M
	A-PJ-MH10-0-ACL	ACCESSORY LIST (MH10)	E		D-MD-7412655-0-0	DOOR, RIGHT	M
	D-CS-5411086-0-1	POWER LINE MONITOR	E/M		B-IA-7411807-0-0	BRACKET, MICROSWITCH	M
	E-IA-5411086-0-0	POWER LINE MONITOR	E/M		D-IA-7010360-0-0	CENTER SUPPORT ASSY. TOP	M
	D-IA-7413405-0-0	PANEL, FILLER H7420	E		D-IA-7010360-0-0	CENTER SUPPORT ASSY, BOTTOM	M
	B-CP-MH10-0-EC	EXTERNAL COMPONENTS LIST	E				
	C-AD-7013988-0-0	POWER CORD ASSY	E				
	A-DC-3612675-0-0	DECAL CAUTION LEAKAGE	M				
	D-IA-7420387-0-0	END PANEL RETAINER	M				
2	E-AD-7008554-0-0	CABINET ASSY	M	10	D-UA-H952-AC-0	H952-A END PANEL	M
	C-PL-7008554-0-0	CABINET ASSY (P.L.)	M		A-PL-H952-AC-0	H952-A END PANEL (P.L.)	M
	D-IA-7409181-0-0	CHANNEL, INDICATOR CABLE	M		D-DI-H952-0-1	H952 DRAWING INDEX LIST	M
	D-IA-7409268-0-0	CABLE SUPPORT	M				
	D-PS-1210568-0-0	SKID (1 BAY)	M				
				11	D-UA-H951-HJ-0	H951-H SHORT DOOR ASSY	M
3	E-UA-H955-A-0	H955-A FRAME	M		A-PL-H951-HJ-0	H951-H SHORT DOOR ASSY	M
	D-DI-H955-0-1	H955 DWG INDEX LIST	M		D-DI-H951-0-1	H951 DWG INDEX LIST	M

11-01-0001 24-10-16-0176 (3/85)

TYPE: E ELECTRICAL
M MECHANICAL
E/M ELECTRO/MECHANICAL

digital

TITLE CORE MEMORY (MH10) SHEET 6 OF 9 SIZE CODE B DD NUMBER MH10-0 REV C

8

7

6

5

4

3

2

REV. 054-0-01HW

SIZE D

1

TITLE: MH10 PRINT SET ORGANIZATION

THE FOLLOWING IS A DESCRIPTION OF THE MH10 PRINTS, THEIR ORDER, HOW TO GET FROM ONE DRAWING TO ANOTHER, SUGGESTED USAGE STEPS, AND DEPARTURES FROM THE GENERAL CONVENTION USED.

1. THESE PRINTS ARE ORDERED AS FOLLOWS:

- A) TABLE OF CONTENTS
 - B) ORGANIZATION SHEET
 - C) MODULE UTILIZATION
 - D) FLOW DIAGRAMS
SIGNAL NAMES ON FLOW DIAGRAMS REFER TO ONE PARTICULAR CIRCUIT SCHEMATIC SHEET AND ALSO TO A BLOCK SCHEMATIC. EXAMPLE: CYT C0 WR R5 DLY REFERS TO SHEET 2 (CYT2) OF THE M8566 CIRCUIT SCHEMATIC AND ALSO TO THE CYT BLOCK SCHEMATIC.
 - E) INSTRUCTION/SETUP SHEETS
 - F) TIMING DIAGRAMS
 - G) GENERAL INTERCONNECTION BLOCK DIAGRAMS (IBD0,IBD1)
THE PURPOSE OF THESE PRINTS IS TO SHOW THE INTERCONNECTIONS BETWEEN LOGIC GROUPS. THEY ARE NOT THE SOURCE OR SINK OF SIGNALS AND THEREFORE DO NOT HAVE OUTPUTS CORRESPONDING TO THE PRINT IDENTIFICATION CODE. SIGNAL NAMES MAY BE SOMEWHAT TRUNCATED OR GENERALIZED FROM THE EXACT NAME IN THE WIRELIST.
 - H) BLOCK SCHEMATICS-(LOWER LOGIC) THESE PRINTS SHOW CONNECTIONS BETWEEN SPECIFIC MODULES IN THE UNIT AND CAN BE USED FOR TRACING SIGNALS ACROSS THE LOWER PORTION OF THE LOGIC. SIGNAL NAMES ON THESE PRINTS ARE EXACT WITH RESPECT TO THE WIRELIST AND ARE REFLECTED IN THE PRINT IDENTIFICATION CODE. THESE PRINTS ARE DRAWN SO THAT IN MOST CASES A INPUT TO THE LEFT OF A MODULE (RECTANGLE) PRODUCES AN OUTPUT AT THE SAME RESPECTIVE POINT ON THE RIGHT SIDE, GATING CONTROL SIGNALS ENTER THE TOP OR BOTTOM OF THE MODULES.
 - I) BLOCK SCHEMATICS-(UPPER LOGIC) THESE PRINTS ARE CIRCUIT SCHEMATICS OF THE CORE SECTION MODULES THAT HAVE BEEN REDRAWN TO SHOW DECSYSTEM 10 SIGNAL NAMES/BIT NUMBERS. SIGNAL NAMES ON THESE PRINTS MATCH THE WIRELIST. THE TIMING MODULES FOR THE CORE SECTIONS ARE SHOWN AS RECTANGLES WITH INPUTS ON THE LEFT, OUTPUTS ON THE RIGHT. THE M9005 TERMINATOR MODULES ARE NOT DRAWN AS BLOCK SCHEMATICS AND THEREFORE THE WIRELIST AND M9005 CIRCUIT SCHEMATIC WILL HAVE TO BE USED TO TROUBLESHOOT ANY TERMINATION PROBLEMS.
 - J) MODULE SCHEMATICS AND UNIT ASSEMBLIES- THESE PRINTS ARE THE ONES THAT SHOULD BE USED TO TROUBLESHOOT AT THE COMPONENT LEVEL. BECAUSE THE MODULES DESCRIBED BY THESE PRINTS CAN BE USED IN MORE THAN ONE DEVICE THE SIGNAL NAMES DO NOT MATCH THE WIRELIST OR BLOCK SCHEMATICS AND REFERENCES TO THEM MUST BE MADE BY FINGER PIN IDENTIFICATION.
 - K) MECHANICAL DRAWINGS- THESE PRINTS SHOW THE MH10 UNIT ASSEMBLY, SUBASSEMBLIES, PARTS LIST. THEY ARE USED FOR FINDING PARTS OF THE MACHINE AND FOR TROUBLESHOOTING/REPLACING PARTS SUCH AS: POWER CONTROLS, POWER SUPPLIES, FAN ASSEMBLIES.
2. PRINT USAGE OR HOW TO GET THERE FROM HERE.
- A) WHEN FIRST USING THIS PRINT SET THE ENTIRE PRINT SET SHOULD BE QUICKLY SCANNED TO GET A FEEL FOR WHAT PRINTS ARE INCLUDED IN THE GROUPS MENTIONED ABOVE.
 - B) THE D-BD-MH10-0-IBD0,IBD1 PRINTS SHOULD BE STUDIED TO UNDERSTAND THE BASIC INTERCONNECTIONS BETWEEN LOGIC GROUP /MODULE TYPE. AFTER THIS THE BLOCK SCHEMATICS AND MODULE SCHEMATICS SHOULD BE ADEQUATE FOR TROUBLE SHOOTING ANY LOGIC PROBLEMS.
 - C) THIS IS A TYPICAL PROCEDURE. FOR LOGIC PROBLEMS IN THE DATA PATHS REFER TO PRINTS D-B5-MH10-0-DB0 THRU D-B5-MH10-0-DB4. IF MODULES COMPONENT/TIMING INFORMATION IS NEEDED, FIND THE MODULE TYPE IN THE BLOCK, FIND THE MODULE LOCATION IN THE BLOCK, FIND THE FINGER PIN ALONG THE EDGE OF THE BLOCK.

NOTE: THE MODULES IN THE CONTROL (LOWER LOGIC) ARE DOUBLE HEIGHT AND THEREFORE HJ IN THE BLOCK SCHEMATICS ARE A AND B RESPECTIVELY IN THE MODULE SCHEMATICS. THE SAME CONVERSION APPLIES TO K AND L. M AND N ARE QUICKLATCH CONNECTORS AND THEIR PHYSICAL LOCATION CAN BE DETERMINED BY USING THE D-IC-MH10-0-MBI PRINT.

IF ADDITIONAL INFORMATION IS NEEDED REFERENCE THE TIMING DIAGRAMS, INTERCONNECTIONS BLOCK DIAGRAMS OR THE WIRELIST.

*THIS DRAWING AND SPECIFICATIONS, HEREIN, ARE THE PROPERTY OF DIGITAL EQUIPMENT CORPORATION AND SHALL NOT BE REPRODUCED OR COPIED OR USED IN WHOLE OR IN PART AS THE BASIS FOR THE MANUFACTURE OR SALE OF ITEMS WITHOUT WRITTEN PERMISSION.
COPYRIGHT © 1976, DIGITAL EQUIPMENT CORPORATION*

REVISIONS		
CHK	CHANGE NO.	REV.

digital	DESIGNED BY: <i>J. Lauby</i>	DATE: 22-JUL-76	ENG. <i>P. Lawrence</i>	DATE: <i>1 Aug 76</i>	TITLE: MH10 PRINT SET ORGANIZATION
	CHK'D BY: <i>P. Lawrence</i>	DATE: 28-JUL-76 17:50	BOARD LOCATION: B-DD-MH10-0	SHEET 1 OF 1	REV.
PSO.DRW(4,33)		NEXT HIGHER ASSEMBLY: B-DD-MH10-0		SIZE D	CODE BS
FIRST USED ON OPTION/MODEL: MH10				NUMBER MH10-0-PSO	

8

7

6

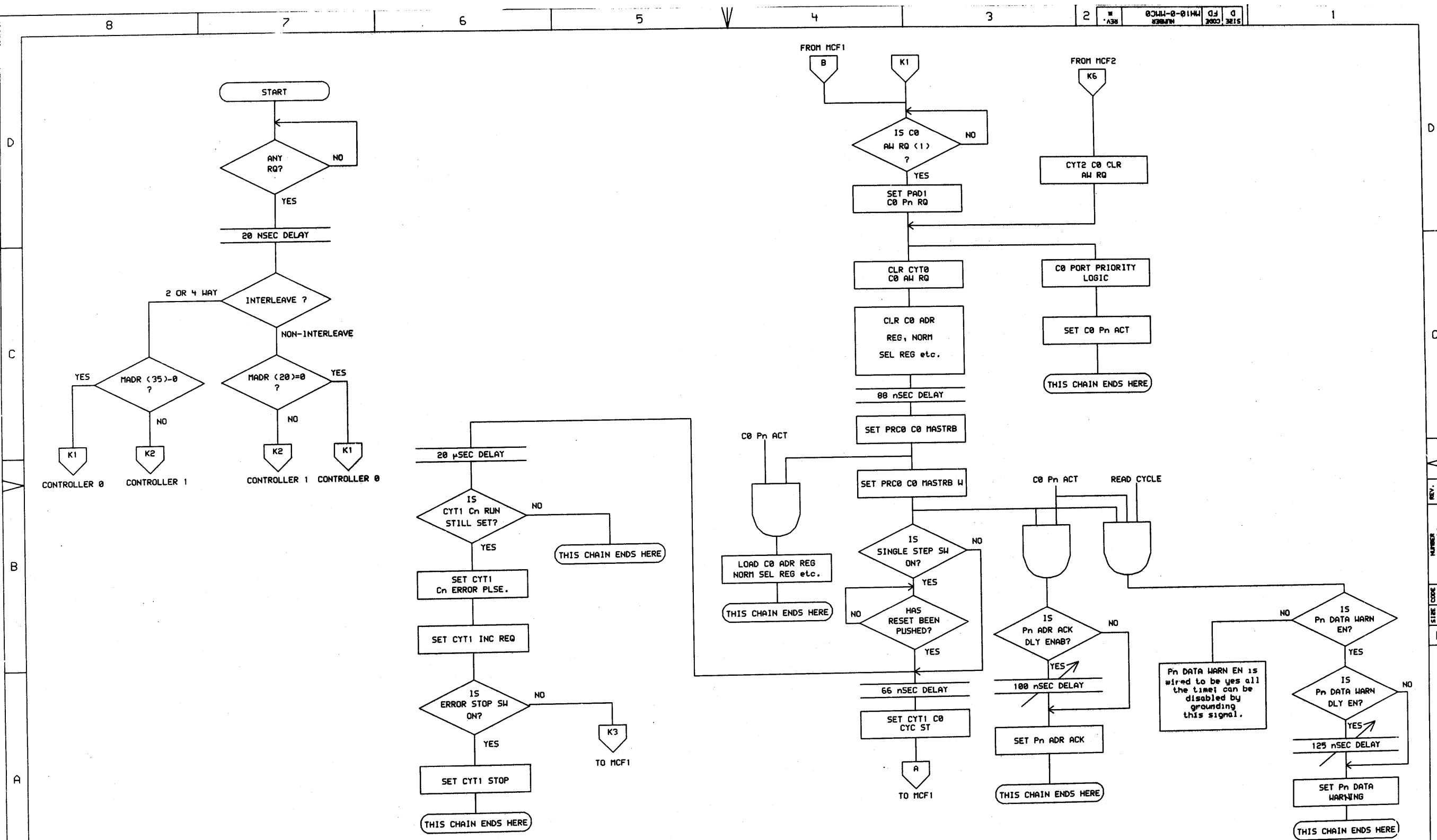
5

4

3

2

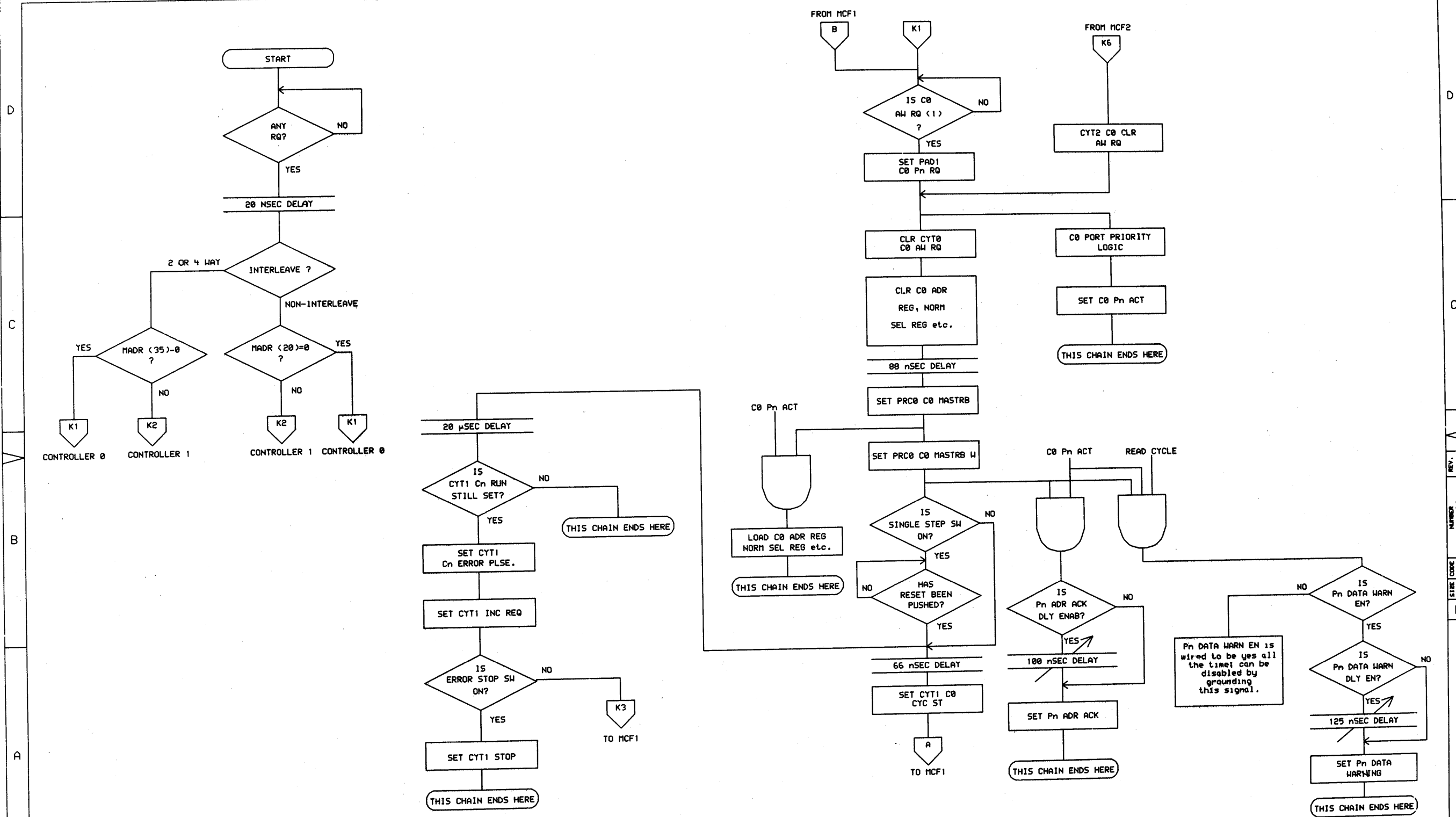
1

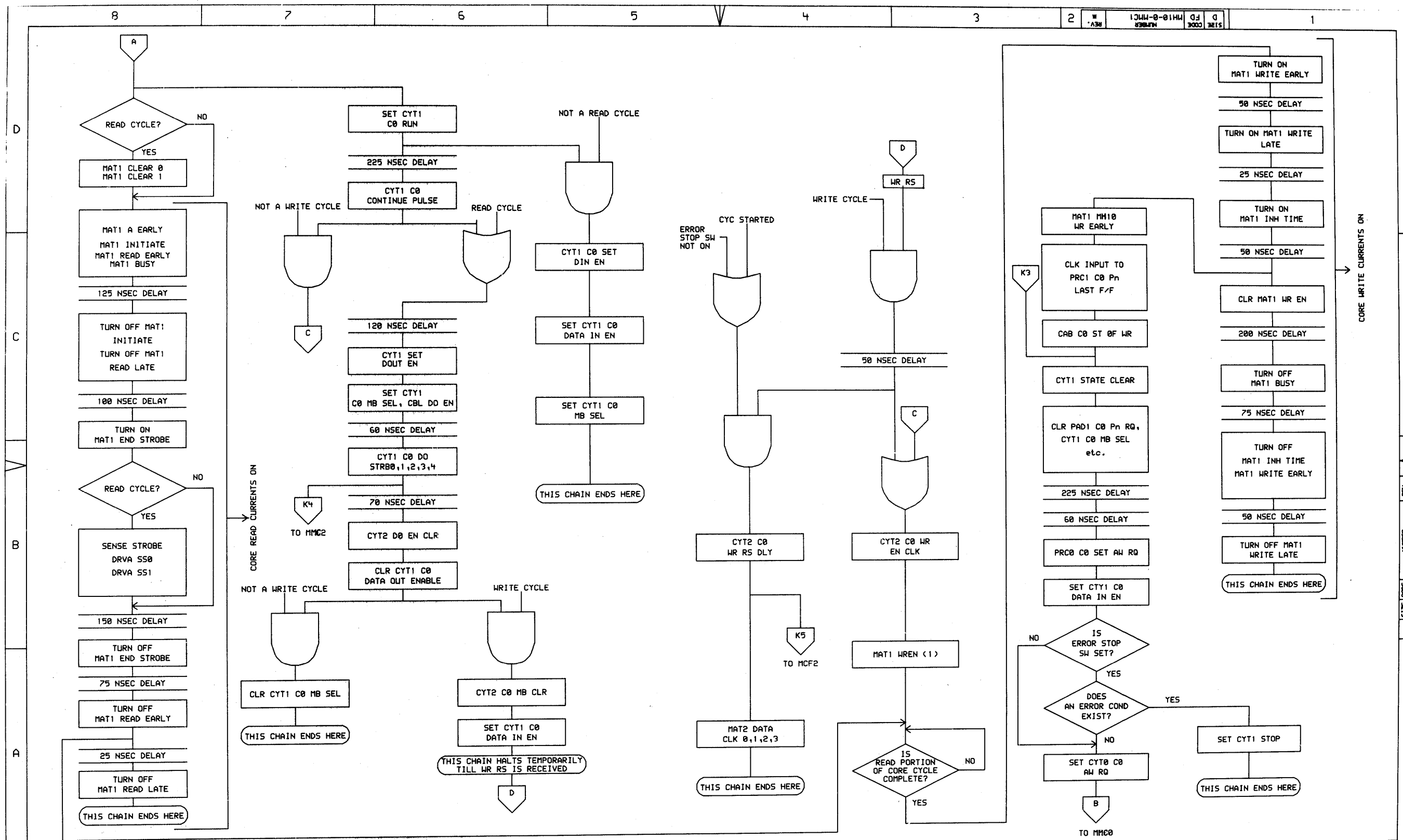


THIS DRAWING AND SPECIFICATIONS, HEREIN, ARE THE PROPERTY OF DIGITAL EQUIPMENT CORPORATION AND SHALL NOT BE REPRODUCED OR COPIED OR USED IN WHOLE OR IN PART AS THE BASIS FOR THE MANUFACTURE OR SALE OF ITEMS WITHOUT WRITTEN PERMISSION.
 COPYRIGHT © 1976, DIGITAL EQUIPMENT CORPORATION*

REVISIONS	
CHK	CHANGE NO. REV

digital	DRY	DATE	ENG	DATE	TITLE:
					MEMORY CYCLE FLOW

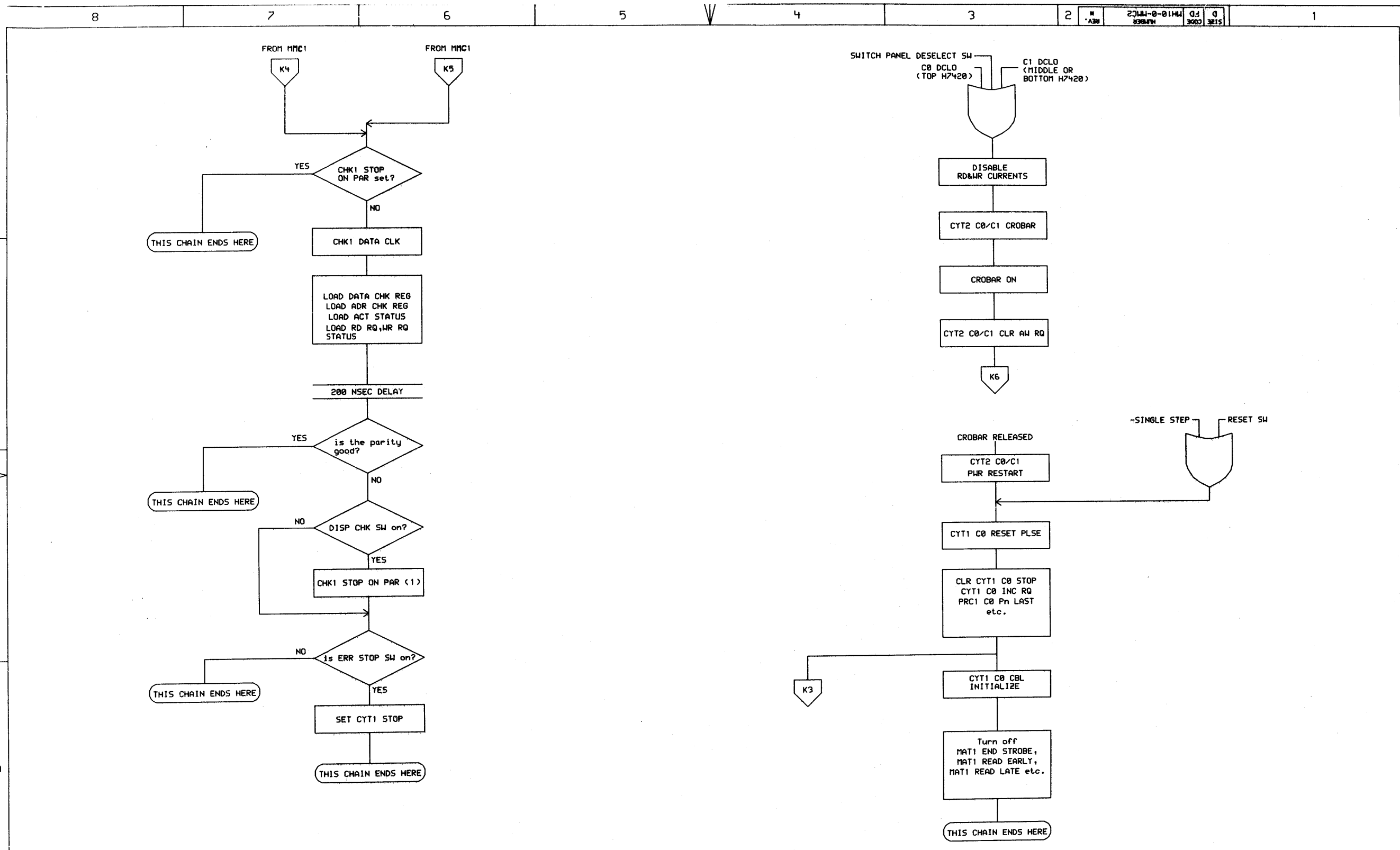




THIS DRAWING AND SPECIFICATIONS, HEREIN, ARE THE PROPERTY OF DIGITAL EQUIPMENT CORPORATION AND SHALL NOT BE REPRODUCED OR COPIED OR USED IN WHOLE OR IN PART AS THE BASIS FOR THE MANUFACTURE OR SALE OF ITEMS WITHOUT WRITTEN PERMISSION. COPYRIGHT © 1976, DIGITAL EQUIPMENT CORPORATION

REVISIONS	
CHK	CHANGE NO. / REV

	DATE: 29-JUL-76 ENG: [Signature] DATE: [Signature]	TITLE: MEMORY CYCLE FLOW
	BOARD LOCATION: [Signature] SHEET: 1 OF 1	SIZE CODE: D NUMBER: MH10-0-MMC1
	FIRST USED ON OPTION/MODEL: MH10	REV: *



"THIS DRAWING AND SPECIFICATIONS, HEREIN, ARE THE PROPERTY OF DIGITAL EQUIPMENT CORPORATION AND SHALL NOT BE REPRODUCED OR COPIED OR USED IN WHOLE OR IN PART AS THE BASIS FOR THE MANUFACTURE OR SALE OF ITEMS WITHOUT WRITTEN PERMISSION. COPYRIGHT © 1976, DIGITAL EQUIPMENT CORPORATION"

REVISIONS		
CHK	CHANGE NO.	REV

--	--	--	--	--	--	--	--	--	--

digital	DATE	ENG	DATE	TITLE:	SIZE	CODE	NUMBER	REV.
	22-JUL-76	P. Lawrence	22-JUL-76	MEMORY CYCLE FLOW				
	DATE							
	120-APR-76 16:19				D	FD	MH10-0-MMC2	*
FIRST USED ON OPTION/MODEL: MH10 B-DD-MH10-0								

8 7 6 5 4 3 2 1

051-0-01M1 58 0
 1000 2115

MH10 JUMPERS

THE BELOW LIST IS THE PLACEMENT OF INTERFACE JUMPERS FOR ALL STANDARD BUS DEVICES.

DEVICES	QUICKLATCH TOP RQ CYC (M ROW)	QUICKLATCH BOTTOM ADR ACK (N ROW)
DA5 33	T7--A5 +	T7--C7
DF10	T7--A4	T7--A1
DF10C	T7--A5 +	T7--C7
DL10	T7--A5 +	T7--C7
DT05	T7--A4	T7--A1
DX10	T7--A5 ++	T7--C7
KA10	T7--A4	T7--A1
KI10	T7--A5 +	T7--C7
KL10 ■	T7--A5 +	T7--A1
MX10	T7--A4	T7--A1
MX10C	T7--A5 +	T7--C7

- + USE PIN A5 IF MH10 IS THE FASTEST MEMORY ON THAT BUS, OTHERWISE USE PIN B5.
- ++ NEVER USE PIN B5 (RQ CYC SLOW).
- ALSO SEE MH10-0-1S1 TO SET DATA WARNING ADD JUMPERS TO ENABLE DATA WARNING VARIABLE DELAY

D
C
B
A
REV. #
D
B5
MH10-0-1S0
D
B
A

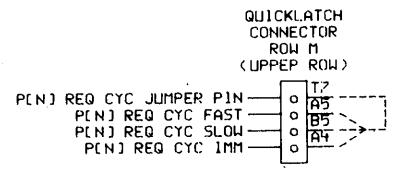
*THIS DRAWING AND SPECIFICATIONS, HEREIN, ARE THE PROPERTY OF DIGITAL EQUIPMENT CORPORATION AND SHALL NOT BE REPRODUCED OR COPIED OR USED IN WHOLE OR IN PART AS THE BASIS FOR THE MANUFACTURE OR SALE OF ITEMS WITHOUT WRITTEN PERMISSION.
 COPYRIGHT © 1976, DIGITAL EQUIPMENT CORPORATION*

REVISIONS		
CHK	CHANGE NO.	REV.

digital	DATE	ENG.	DATE	TITLE:
	08-24-76	P. J. ...	08-24-76	INSTRUCTION SHEET 0
150-DRL 4.33	DATE	BOARD LOCATION	SIZE	CODE
08-24-76 09:19	08-24-76	1	D	B5
FIRST USED ON OPTION/MODEL: MH10	NEXT HIGHER ASSEMBLY:	NUMBER	REV.	
B-DD-MH10-0		D B5 MH10-0-1S0		

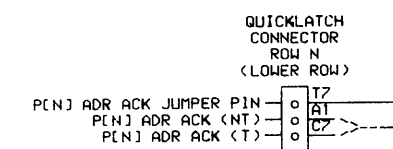
8 7 6 5 4 3 2 1

NOTE 1. REQUEST CYCLE JUMPER SELECTION



WIRE	FROM	TO	USE
JUMPER	T7	A4	FOR KA TYPE BUS OR MA10-TA TESTER
JUMPER	T7	B5	FOR KI, KL TYPE BUS ON WHICH THE MH10 IS NOT THE FASTEST * MEMORY ON THAT BUS
JUMPER	T7	A5	FOR KI, KL TYPE BUS ON WHICH THE MH10 IS THE FASTEST MEMORY ON THAT BUS

NOTE 2. ADR ACK JUMPER SELECTION



WIRE	FROM	TO	USE
JUMPER	T7	A1	FOR KA, KL TYPE BUS OR MA10-TA TESTER
JUMPER	T7	C7	FOR KI TYPE BUS

NOTE 3. DATA WARNING DELAYED AND ADR ACK (T) DELAYED

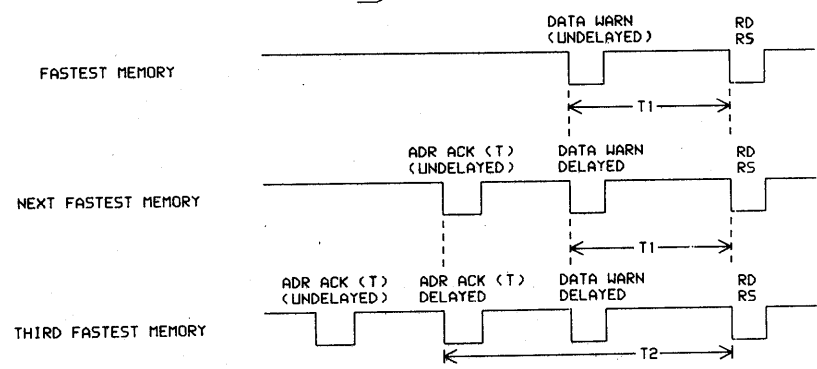
NOTE 3A. FOR KA TYPE MEMORY BUSES
DATA WARNING IS NOT USED ON KA TYPE MEMORY BUSES AND MUST BE DISABLED.

NOTE 3B. FOR KI TYPE MEMORY BUSES
WHEN ONLY MH10 MEMORIES ARE CONNECTED ONTO A KI TYPE MEMORY BUS, DATA WARNING IS SENT UNDELAYED TO THE BUS.
WHEN MH10 MEMORIES ARE CONNECTED ONTO A KI TYPE MEMORY BUS ON WHICH OTHER MEMORIES OF USUALLY DIFFERENT SPEEDS ARE ALSO ATTACHED, DATA WARNING MUST BE DELAYED IN THE SLOWER MEMORIES SUCH THAT THE TIME FROM DATA WARNING DELAYED TO RD RS IS EXACTLY T1. T1 IS DEFINED AS THE TIME FROM DATA WARNING TO RD RS IN THE FASTEST MEMORY AND IN THIS FASTEST MEMORY DATA WARNING IS USUALLY SENT UNDELAYED.
ADR ACK (T) MUST ALSO BE DELAYED FOR THE THIRD FASTEST MEMORY SUCH THAT THE TIME FROM ADR ACK (T) DELAYED TO RD RS IS EXACTLY T2. T2 IS DEFINED AS THE TIME FROM ADR ACK (T) UNDELAYED TO RD RS IN THE SECOND FASTEST MEMORY.

PCN) DATA WARN IS USUALLY ENABLED BY PCN) DATA WARN EN H BEING HELD HIGH ON THE M8591 ADDRESS RECEIVER MODULE OF THE PORT IN QUESTION. FOR KA TYPE MEMORY BUSES, PCN) DATA WARN IS DISABLED BY GROUNDING THE FOLLOWING PINS:

- L39E2 FOR PORT 0
- L32E2 FOR PORT 1
- L38E2 FOR PORT 2
- L31E2 FOR PORT 3
- L37E2 FOR PORT 4
- L38E2 FOR PORT 5
- L36E2 FOR PORT 6
- L29E2 FOR PORT 7

REFER TO DWG NO. D-CS-M8591-0-ADR2



PCN) DATA WARN IS USUALLY NOT DELAYED BY PCN) DATA WARN DLY EN L BEING HELD HIGH ON THE M8591 ADDRESS RECEIVER MODULE OF THE PORT IN QUESTION. TO DELAY PCN) DATA WARN, THE FOLLOWING PINS ARE GROUNDED:

- L39U2 FOR PORT 0
- L32U2 FOR PORT 1
- L38U2 FOR PORT 2
- L31U2 FOR PORT 3
- L37U2 FOR PORT 4
- L38U2 FOR PORT 5
- L36U2 FOR PORT 6
- L29U2 FOR PORT 7

REFER TO DWG NO. D-CS-M8591-0-ADR2

ADJUST THE HIGHER OF THE TWO VARIABLE DELAYS LOCATED ON THE M8591 TO OBTAIN T1.

"THIS DRAWING AND SPECIFICATIONS, HEREIN, ARE THE PROPERTY OF DIGITAL EQUIPMENT CORPORATION AND SHALL NOT BE REPRODUCED OR COPIED OR USED IN WHOLE OR IN PART AS THE BASIS FOR THE MANUFACTURE OR SALE OF ITEMS WITHOUT WRITTEN PERMISSION.
COPYRIGHT © 1976, DIGITAL EQUIPMENT CORPORATION"

REVISIONS		
CHK	CHANGE NO.	REV

digital
 DATE 28-JUL-76
 DATE 05/76
 BOARD LOCATION: SHEET 1 OF 1
 FIRST USED ON OPTION/MODEL: MH10 B-DD-MH10-0
 TITLE: INSTRUCTION SHEET 1
 SIZE CODE NUMBER REV. *
 D BS MH10-0-IS1

NOTE 3B. (CONTINUED)

USE
 P[EN] ADR ACK (T) IS USUALLY NOT DELAYED BY P[EN] ADR ACK DLY EN L BEING HELD HIGH ON THE M8591 ADDRESS RECEIVER MODULE OF THE PORT IN QUESTION. TO DELAY P[EN] ADR ACK (T), THE FOLLOWING PINS ARE GROUNDED:

- L3951 FOR PORT 0
- L3251 FOR PORT 1
- L3851 FOR PORT 2
- L3151 FOR PORT 3
- L3751 FOR PORT 4
- L3051 FOR PORT 5
- L3651 FOR PORT 6
- L2951 FOR PORT 7

REFER TO DWG. NO. D-CS-M8591-0-ADR2

ADJUST THE LOWER OF THE TWO VARIABLE DELAYS LOCATED ON THE M8591 TO OBTAIN T2.

NOTE 3C. FOR KL TYPE MEMORY BUSES MAKE JUMPER CONNECTIONS ON THE CONTROL LOGIC BACKPANEL:

FROM	TO
K28P1	L29L2
L28S2	L29F1

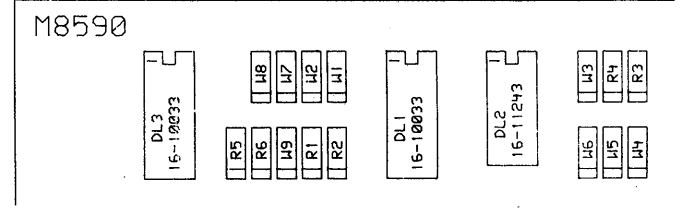
AFTER INSTALLING JUMPER CONNECTIONS SHOWN TO THE RIGHT, DATA WARNING AND ADR ACK (T) ARE ADJUSTED AS DESCRIBED FOR KI TYPE MEMORY BUSES, EXCEPT T1 IS ADJUSTED FOR 295 ±5 NANO SECONDS

NOTE 4. DELAY CHECK PROCEDURE WHEN REPLACING M8590 (REFER TO THE M8590 CIRCUIT SCHEMATICS)

SET UP

DO REPEATED READ CYCLES AT A REPETITION RATE NO FASTER THAN EVERY TWO MICROSECONDS

NOTE 4A. FOR CONTROL 0 SYNC INTERNAL NEGATIVE WITH CH. 1 ON CYT C0 AW RQ H ON H28M2 AND CH. 2 ON PRC C0 MA STRBW H ON L33M2. MEASURE FROM FALLING EDGE OF CH. 1 TO RISING EDGE OF CH. 2. DELAY IS DETERMINED BY SELECTION OF ONE OF THREE JUMPERS W1, W2, W3. W2 SHOULD BE THE SELECTED JUMPER. TYPICAL DELAY IS 88 NANoseconds. IF DELAY IS LESS THAN 85 NANoseconds, SELECT JUMPER W1 INSTEAD. IF DELAY IS GREATER THAN 95 NANoseconds, SELECT JUMPER W3 INSTEAD.

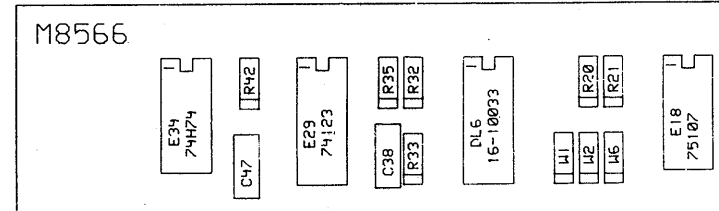


NOTE 4B. FOR CONTROL 1 SYNC INTERNAL NEGATIVE WITH CH. 1 ON CYT C1 AW RQ H ON H29M2 AND CH. 2 ON PRC C1 MA STRBW H ON L34M2. MEASURE FROM FALLING EDGE OF CH. 1 TO RISING EDGE OF CH. 2. DELAY IS DETERMINED BY SELECTION OF ONE OF THREE JUMPERS W1, W2, W3. W2 SHOULD BE THE SELECTED JUMPER. TYPICAL DELAY IS 88 NANoseconds. IF DELAY IS LESS THAN 85 NANoseconds, SELECT JUMPER W1 INSTEAD. IF DELAY IS GREATER THAN 95 NANoseconds, SELECT JUMPER W3 INSTEAD.

SAME

NOTE 5. DELAY CHECK PROCEDURE WHEN REPLACING M8566 (REFER TO THE M8566 CIRCUIT SCHEMATICS)

NOTE 5A. FOR CONTROL 0 SYNC INTERNAL POSITIVE WITH CH. 1 ON PRC C0 MA STRBW H, J28K2 AND CH. 2 ON CYT C0 CAB CYC START H, J28K2. DELAY IS DETERMINED BY SELECTION OF ONE OF THREE JUMPERS W1, W2, W6. W2 SHOULD BE THE SELECTED JUMPER. MEASURE FROM RISING EDGE OF CH. 1 TO RISING EDGE OF CH. 2. DELAY SHOULD BE TYPICALLY 64 NANoseconds. IF DELAY IS LESS THAN 60 NANoseconds, SELECT JUMPER W1 INSTEAD. IF DELAY IS GREATER THAN 70 NANoseconds, SELECT JUMPER W6 INSTEAD.



SAME

MOVE CH. 1 TO CYT C0 M01 SEL H, J28M2 AS SHOWN ON PRINT CYT0 OF THE M8566 LOCATED IN HJ28. MEASURE FROM RISING EDGE OF CH. 1 TO RISING EDGE OF CH. 2. DELAY SHOULD BE EQUAL TO OR GREATER THAN 26 NANoseconds. IF LESS, SELECT JUMPER GIVING NEXT LONGER DELAY.

NOTE 5B. FOR CONTROL 1 SYNC INTERNAL POSITIVE WITH CH. 1 ON PRC C1 MA STRBW H, J29E2 AND CH. 2 ON CYT C1 CAB CYC START H, J29K2. DELAY IS DETERMINED BY SELECTION OF ONE OF THREE JUMPERS W1, W2, W6. W2 SHOULD BE THE SELECTED JUMPER. MEASURE FROM RISING EDGE OF CH. 1 TO RISING EDGE OF CH. 2. DELAY SHOULD BE TYPICALLY 64 NANoseconds. IF DELAY IS LESS THAN 60 NANoseconds, SELECT JUMPER W1 INSTEAD. IF DELAY IS GREATER THAN 70 NANoseconds, SELECT JUMPER W6 INSTEAD.

SAME

MOVE CH. 1 TO CYT C1 M01 SEL H, J29M2 AS SHOWN ON PRINT CYT0 OF THE M8566 LOCATED IN HJ29. MEASURE FROM RISING EDGE OF CH. 1 TO RISING EDGE OF CH. 2. DELAY SHOULD BE EQUAL TO OR GREATER THAN 26 NANoseconds. IF LESS, SELECT JUMPER GIVING NEXT LONGER DELAY.

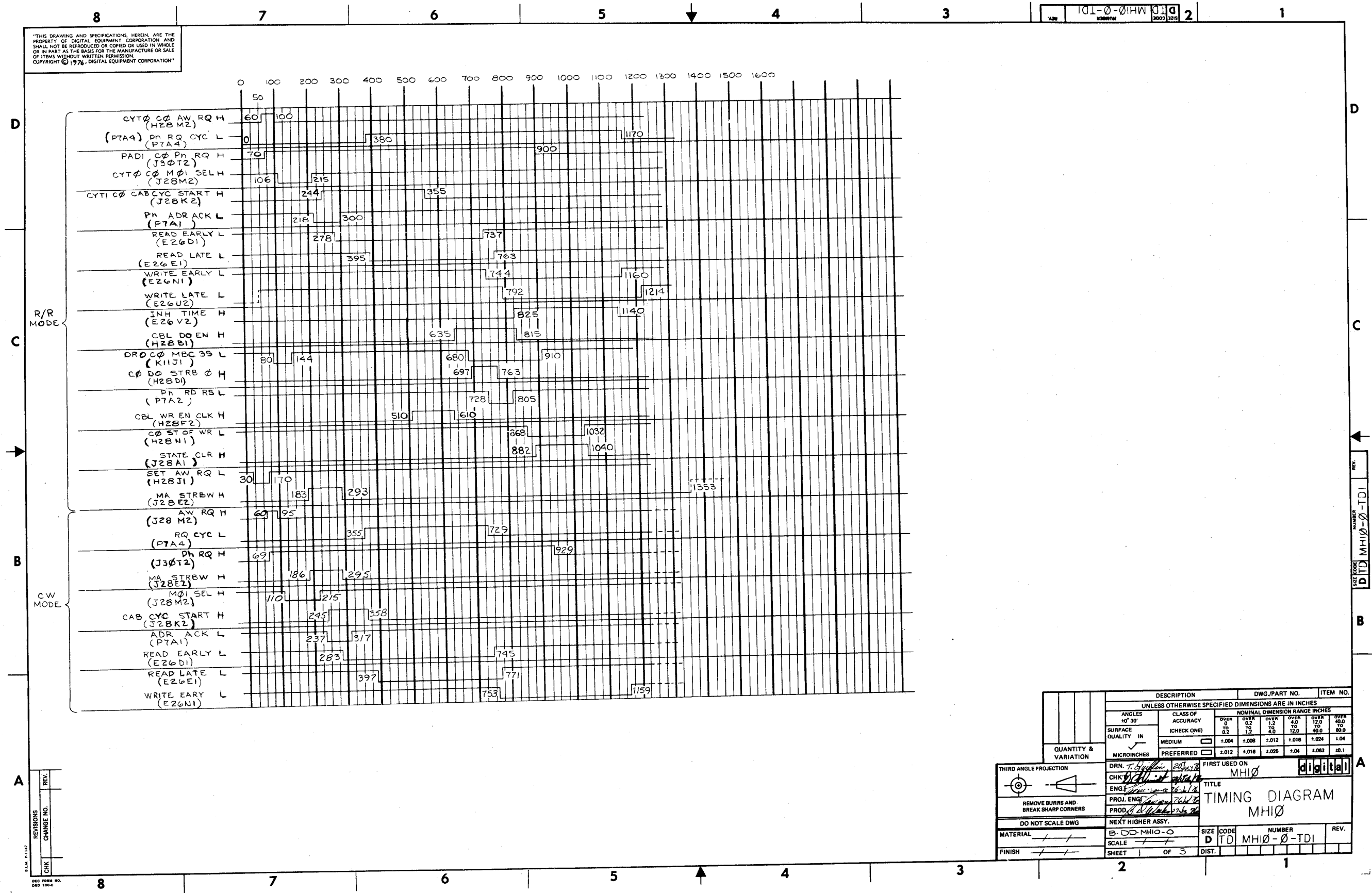
"THIS DRAWING AND SPECIFICATIONS, HEREIN, ARE THE PROPERTY OF DIGITAL EQUIPMENT CORPORATION AND SHALL NOT BE REPRODUCED OR COPIED OR USED IN WHOLE OR IN PART AS THE BASIS FOR THE MANUFACTURE OR SALE OF ITEMS WITHOUT WRITTEN PERMISSION. COPYRIGHT © 1976, DIGITAL EQUIPMENT CORPORATION"

REVISIONS		
CHK	CHANGE NO.	REV
	MH10-00002	A

digital	DATE	ENG.	DATE	TITLE:
	08-DEC-76	2.0/10/76	12/2/76	INSTRUCTION SHEET 2
IS2.DRHL4.333	DATE	BOARD LOCATION:	NUMBER	REV.
08-DEC-76 13:06	12/2/76		MH10-0-152	A
FIRST USED ON OPTION/MODEL:	MH10	NEXT HIGHER ASSEMBLY:	B-DD-MH10-0	

"THIS DRAWING AND SPECIFICATIONS, HEREIN, ARE THE PROPERTY OF DIGITAL EQUIPMENT CORPORATION AND SHALL NOT BE REPRODUCED OR COPIED OR USED IN WHOLE OR IN PART AS THE BASIS FOR THE MANUFACTURE OR SALE OF ITEMS WITHOUT WRITTEN PERMISSION. COPYRIGHT © 1976, DIGITAL EQUIPMENT CORPORATION"

101-0-01HW 0110 2



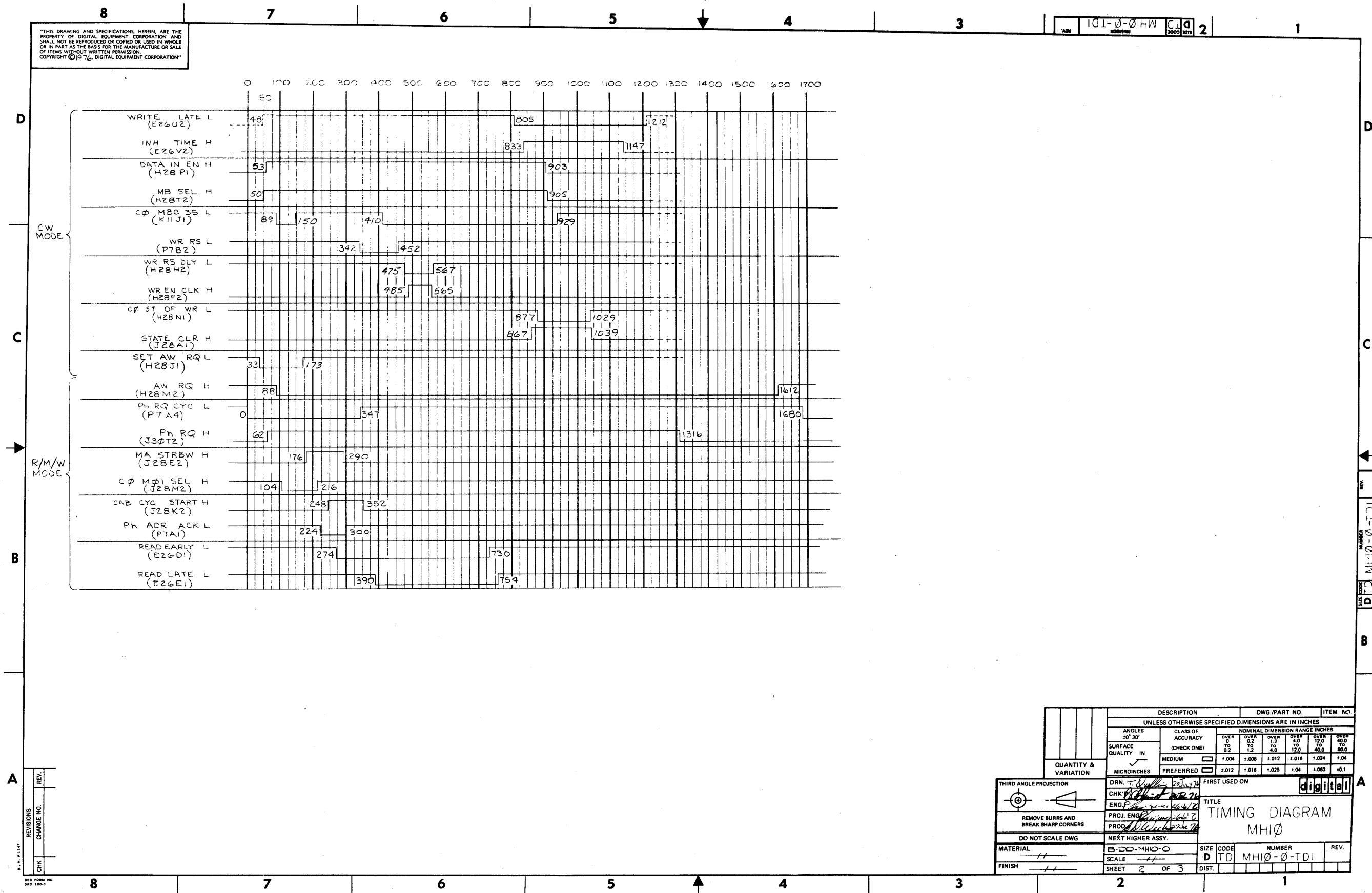
REV.	
CHANGE NO.	
CHK	
DEC FROM NO.	000 100C

THIRD ANGLE PROJECTION		DESCRIPTION		DWG. PART NO.		ITEM NO.
UNLESS OTHERWISE SPECIFIED DIMENSIONS ARE IN INCHES						
ANGLES	CLASS OF ACCURACY	NOMINAL DIMENSION RANGE INCHES				
±0° 30'	(CHECK ONE)	OVER 0 TO 0.2	OVER 0.2 TO 1.2	OVER 1.2 TO 4.0	OVER 4.0 TO 12.0	OVER 12.0 TO 40.0
SURFACE QUALITY	MEDIUM	±.004	±.008	±.012	±.018	±.024
IN	PREFERRED	±.012	±.018	±.025	±.04	±.063
QUANTITY & VARIATION						
DRN. T. Sullivan	20 MAY 76	FIRST USED ON MHIØ				
CHK. J. J. Sullivan		TITLE TIMING DIAGRAM				
ENG. J. J. Sullivan		MHIØ				
PROJ. ENG. J. J. Sullivan		SIZE CODE B-00-MHIØ-0				
PROD. J. J. Sullivan		SCALE 1/1				
DO NOT SCALE DWG	NEXT HIGHER ASSY.	SHEET 1 OF 3				
MATERIAL		DIST.				
FINISH		REV.				

REV. NUMBER
D T D MHIØ-Ø-TDI

"THIS DRAWING AND SPECIFICATIONS, HEREIN, ARE THE PROPERTY OF DIGITAL EQUIPMENT CORPORATION AND SHALL NOT BE REPRODUCED OR COPIED OR USED IN WHOLE OR IN PART AS THE BASIS FOR THE MANUFACTURE OR SALE OF ITEMS WITHOUT WRITTEN PERMISSION. COPYRIGHT © 1976, DIGITAL EQUIPMENT CORPORATION"

101-0-01HW G1 d 2



CW MODE

R/M/W MODE

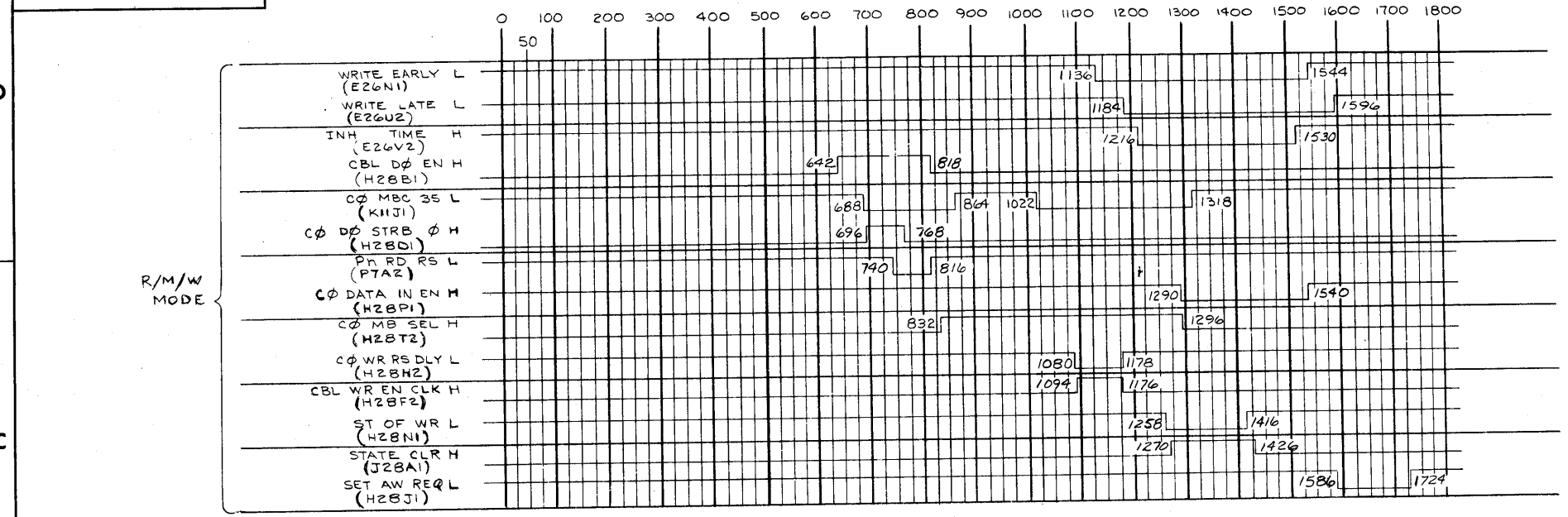
THIRD ANGLE PROJECTION		DESCRIPTION		DWG./PART NO.	ITEM NO.
UNLESS OTHERWISE SPECIFIED DIMENSIONS ARE IN INCHES					
ANGLES ±0° 30'		CLASS OF ACCURACY (CHECK ONE)		NOMINAL DIMENSION RANGE INCHES	
SURFACE QUALITY IN		MEDIUM		OVER 0 TO 0.2	OVER 0.2 TO 1.2
QUANTITY & VARIATION		PREFERRED		OVER 1.2 TO 4.0	OVER 4.0 TO 12.0
MICROINCHES		±0.012 ±0.018 ±0.025 ±0.04 ±0.063 ±0.1		OVER 12.0 TO 40.0	OVER 40.0 TO 80.0
DO NOT SCALE DWG		NEXT HIGHER ASSY.		FIRST USED ON	
MATERIAL		E: 100-MHI0-0		digital	
FINISH		SCALE		TITLE	
		SHEET 2 OF 3		TIMING DIAGRAM	
		DIST.		MHI0-0-TDI	

REVISIONS	REL.
CHANGE NO.	
CHK	

DEC FORM NO. 280 100-C

"THIS DRAWING AND SPECIFICATIONS, HEREIN, ARE THE PROPERTY OF DIGITAL EQUIPMENT CORPORATION AND SHALL NOT BE REPRODUCED OR COPIED OR USED IN WHOLE OR IN PART AS THE BASIS FOR THE MANUFACTURE OR SALE OF ITEMS WITHOUT WRITTEN PERMISSION. COPYRIGHT © 1976, DIGITAL EQUIPMENT CORPORATION"

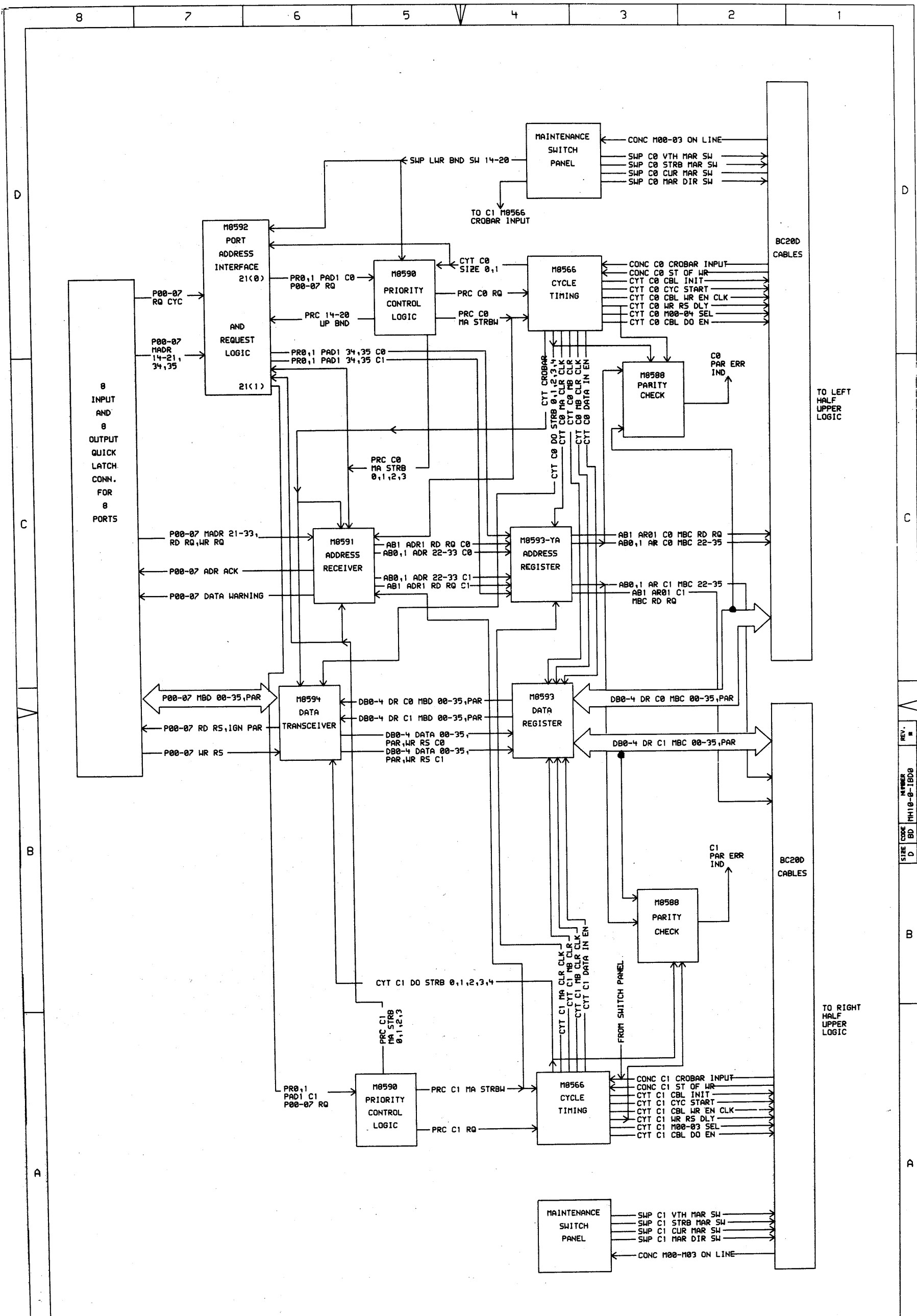
101-0-01HM 2



REV.	
CHANGE NO.	
CHK	

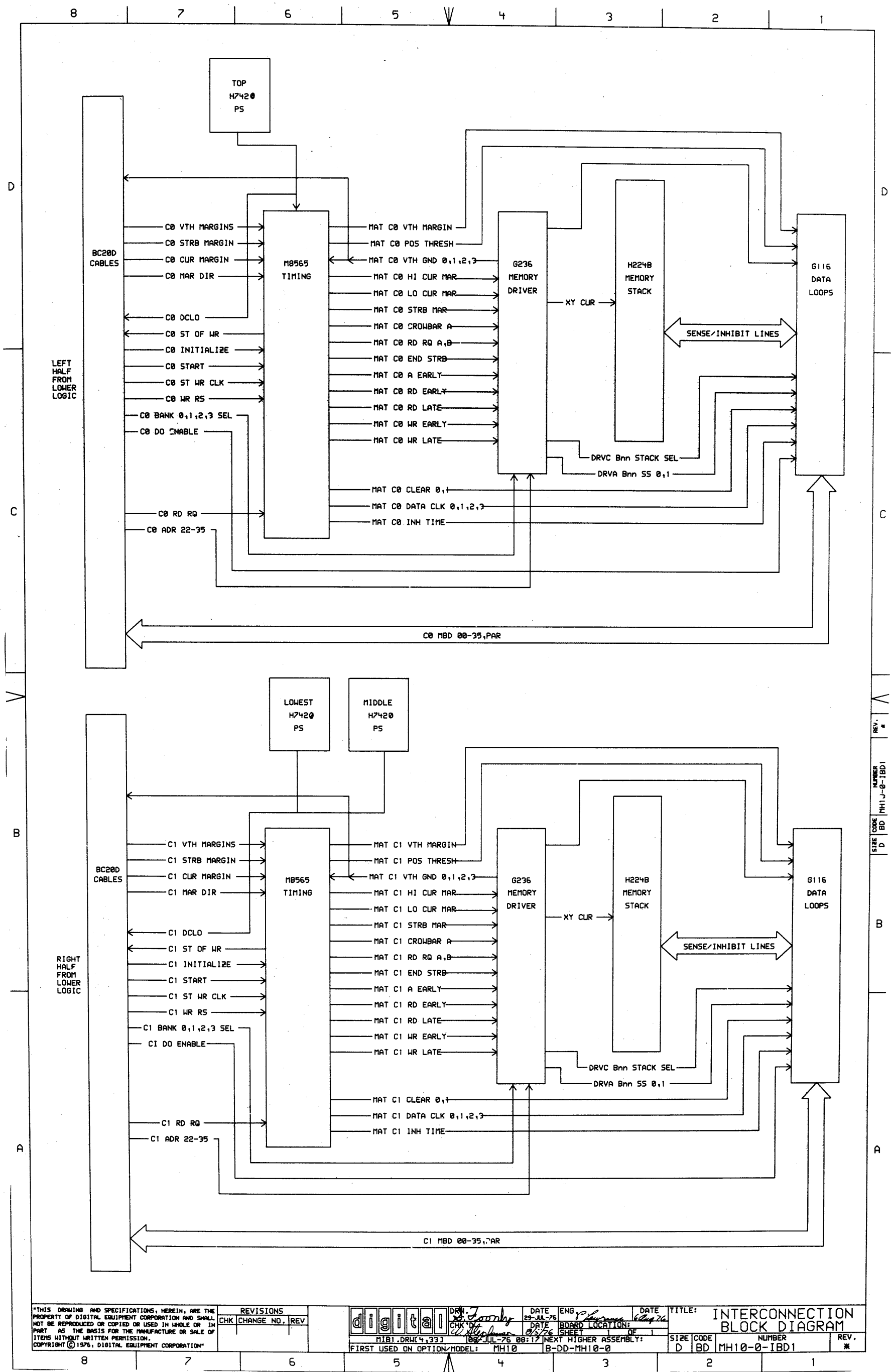
THIRD ANGLE PROJECTION		DRN. T. G. [Signature]		FIRST USED ON MHIØ	
REMOVE BURRS AND BREAK SHARP CORNERS		CHK'D [Signature]		TITLE TIMING DIAGRAM MHIØ	
DO NOT SCALE DWG		NEXT HIGHER ASSY.		SIZE CODE B-00-MHIØ-0	
MATERIAL		SCALE		NUMBER D TD MHIØ-Ø-TDI	
FINISH		SHEET 3 OF 3		REV. 1	

DEC FORM NO. 010 100-C



THIS DRAWING AND SPECIFICATIONS, HEREIN, ARE THE PROPERTY OF DIGITAL EQUIPMENT CORPORATION AND SHALL NOT BE REPRODUCED OR COPIED OR USED IN WHOLE OR IN PART AS THE BASIS FOR THE MANUFACTURE OR SALE OF ITEMS WITHOUT WRITTEN PERMISSION. COPYRIGHT © 1976, DIGITAL EQUIPMENT CORPORATION		REVISIONS CHK CHANGE NO. REV	digital MIB0.DRW(4,33) FIRST USED ON OPTION/MODEL: MH10	DATE 29-JUL-76 DATE 08-22-76 18:19 NEXT HIGHER ASSEMBLY: B-DD-MH10-0	ENG [Signature] DATE 08-22-76 SHEET 1 OF 1 BOARD LOCATION:	TITLE: INTERCONNECTION BLOCK DIAGRAM SIZE CODE D BD NUMBER MH10-0-1BD0 REV. *
--	--	---------------------------------	---	--	---	--

REV. #
 NUMBER MH10-0-1BD0
 SIZE CODE D BD
 D BD
 A



THIS DRAWING AND SPECIFICATIONS, HEREIN, ARE THE PROPERTY OF DIGITAL EQUIPMENT CORPORATION AND SHALL NOT BE REPRODUCED OR COPIED OR USED IN WHOLE OR IN PART AS THE BASIS FOR THE MANUFACTURE OR SALE OF ITEMS WITHOUT WRITTEN PERMISSION. COPYRIGHT © 1976, DIGITAL EQUIPMENT CORPORATION

REVISIONS		DATE	ENG	DATE	TITLE
CHK	CHANGE NO.				
					INTERCONNECTION BLOCK DIAGRAM

MIB1.DRW 4,333 100 JUL-76 08:17 NEXT HIGHER ASSEMBLY: B-DD-MH10-0
 FIRST USED ON OPTION/MODEL: MH10 B-DD-MH10-0

SIZE	CODE	NUMBER	REV.
D	BD	MH10-0-IBD1	*

REV. #
NUMBER
MH10-0-IBD1
SIZE CODE
D BD

C0 CYCLE TIMING M8566 HJ28	
SWP PC C0 B0 ON LINE L	JJ1
SWP PC C0 B1 ON LINE L	JK1
SWP PC C0 B2 ON LINE L	JJ2
SWP PC C0 B3 ON LINE L	JE1
PR0 C0 NORM SEL 0 L	JL1
PR0 C0 NORM SEL 1 L	JT2
AB1 ADR1 WR RQ C0 L	HL1
SWP SINGLE STEP SW H	JC1
SWP ERROR STOP SW H	JL2
SWP RESET SW NO L	JD2
SWP RESET SW NC L	JB1
PRC C0 SET AW RQ L	HP2
PRC C0 RQ H	HS1
AB1 AR01 C0 MBC RD RQ H	JF1
PRC C0 MA STRBW H	JE2
CHK C0 SET STOP H	HS2
CONC C0 ST OF WR L	HN1
DB4 DATA WR RS C0 L	HE1
CONC C0 CROBAR INPUT L	HK1

C1 CYCLE TIMING M8566 HJ29	
JP2	CYT C0 B0 SEL H
JM2	CYT C0 B1 SEL H
JS1	CYT C0 B2 SEL H
JR1	CYT C0 B3 SEL H
JP1	CYT C0 SIZE 0 H
JN1	CYT C0 SIZE 1 H
HR1	CYT C0 WR RQ H
JF2	CYT C0 MB CLR CLK L
JH2	CYT C0 MA CLR CLK L
HM2	CYT C0 AW RQ H
HM1	CYT C0 DATA IN EN L
HP1	CYT C0 DATA IN EN H
HJ2	CYT C0 DATA OUT EN L
HB1	CYT C0 CBL DO EN H
HV2	CYT C0 RUN H
JD1	CYT C0 RESET PLSE L
HR2	CYT C0 STOP H
HU2	CYT C0 INC RQ H
HT2	CYT C0 MB SEL H
HD1	CYT C0 DO STRB 0 H
HE2	CYT C0 DO STRB 1 H
HK2	CYT C0 DO STRB 2 H
HL2	CYT C0 DO STRB 3 H
HC1	CYT C0 DO STRB 4 H
HF1	CYT C0 CBL INIT L
JK2	CYT C0 CBL CYC START H
JA1	CYT C0 STATE CLR H
JR2	CYT C0 STATE CLR L
HA1	CYT C0 MB CLR H
HF2	CYT C0 CBL WR EN CLK H
HH2	CYT C0 CBL WR RS DLY H
HD2	CYT CROBAR L
HP2	CYT C0 CLR AW RQ L

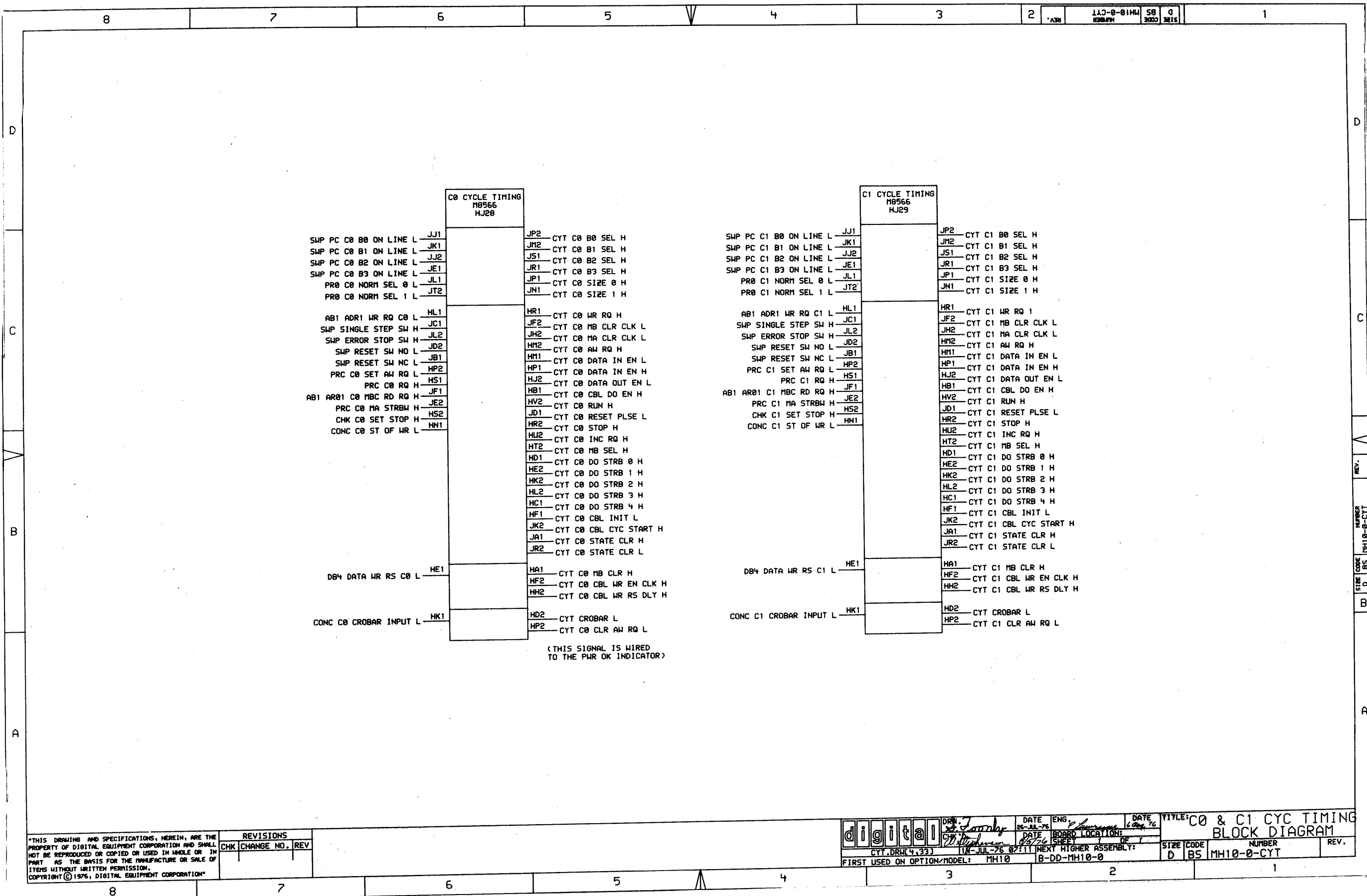
C1 CYCLE TIMING M8566 HJ29	
SWP PC C1 B0 ON LINE L	JJ1
SWP PC C1 B1 ON LINE L	JK1
SWP PC C1 B2 ON LINE L	JJ2
SWP PC C1 B3 ON LINE L	JE1
PR0 C1 NORM SEL 0 L	JL1
PR0 C1 NORM SEL 1 L	JT2
AB1 ADR1 WR RQ C1 L	HL1
SWP SINGLE STEP SW H	JC1
SWP ERROR STOP SW H	JL2
SWP RESET SW NO L	JD2
SWP RESET SW NC L	JB1
PRC C1 SET AW RQ L	HP2
PRC C1 RQ H	HS1
AB1 AR01 C1 MBC RD RQ H	JF1
PRC C1 MA STRBW H	JE2
CHK C1 SET STOP H	HS2
CONC C1 ST OF WR L	HN1
DB4 DATA WR RS C1 L	HE1
CONC C1 CROBAR INPUT L	HK1

(THIS SIGNAL IS WIRED TO THE PWR OK INDICATOR)

"THIS DRAWING AND SPECIFICATIONS, HEREIN, ARE THE PROPERTY OF DIGITAL EQUIPMENT CORPORATION AND SHALL NOT BE REPRODUCED OR COPIED OR USED IN WHOLE OR IN PART AS THE BASIS FOR THE MANUFACTURE OR SALE OF ITEMS WITHOUT WRITTEN PERMISSION. COPYRIGHT © 1976, DIGITAL EQUIPMENT CORPORATION"

REVISIONS	
CHK	CHANGE NO. REV

digital	DATE	ENG	DATE	TITLE
	25-JUL-76	J. Family	16-JUL-76	C0 & C1 CYC TIMING BLOCK DIAGRAM
	DATE	BOARD LOCATION		
	14-JUL-76 07:11			
		NEXT HIGHER ASSEMBLY:		
		B-DD-MH10-0		
			SIZE CODE	NUMBER
			D BS	MH10-0-CYT
				REV.



C0 PRIORITY CONTROL
M8598
KL33

CYT C0 STATE CLR H	KE1	KB1	PRC SET AW RQ L
GND	KU2		
PR0 C0 P0 RQ L	KS1	KP2	PRC C0 RQ H
PR0 C0 P1 RQ L	KR2	KL1	PRC C0 MA STRB 0 H
PR0 C0 P2 RQ L	LD2	KJ1	PRC C0 MA STRB 1 H
PR0 C0 P3 RQ L	LB1	KV2	PRC C0 MA STRB 2 H
PR1 C0 P4 RQ L	LD1	KP1	PRC C0 MA STRB 3 H
PR1 C0 P5 RQ L	LE2	LH2	PRC C0 MA STRBW H
PR1 C0 P6 RQ L	LC1		
PR1 C0 P7 RQ L	KR1		
CYT C0 RESET PLSE L	KM2	KE2	PRC C0 P0 ACT H
CYT C0 STATE CLR L	KH2	KD2	PRC C0 P1 ACT H
		KD1	PRC C0 P2 ACT H
		KC1	PRC C0 P3 ACT H
		KA1	PRC C0 P4 ACT H
		LJ2	PRC C0 P4 ACT I H
		KF2	PRC C0 P5 ACT H
		LF2	PRC C0 P5 ACT I H
		LJ1	PRC C0 P6 ACT H
		LE1	PRC C0 P6 ACT I H
		KK1	PRC C0 P7 ACT H
		LA1	PRC C0 P7 ACT I H
		KF1	PRC C0 P0 LAST H
		KT2	PRC C0 P0 LAST L (P1 LAST H)
		KN1	PRC C0 P2 LAST H
		KS2	PRC C0 P2 LAST L (P3 LAST H)
		KM1	PRC C0 P4 LAST H
		KK2	PRC C0 P5 LAST H
		KJ2	PRC C0 P6 LAST H
		KL2	PRC C0 P7 LAST H
SWP PC LWR BND 14 H	LS1	LM2	PRC UP END 14 L
SWP PC LWR BND 15 H	LF1	LR2	PRC UP END 15 L
SWP PC LWR BND 16 H	LP2	LN1	PRC UP END 16 L
SWP PC LWR BND 17 H	LL2	LL1	PRC UP END 17 L
SWP PC LWR BND 18 H	LU2	LR1	PRC UP END 18 L
SWP PC LWR BND 19 H	LV2	LM1	PRC UP END 19 L
SWP PC LWR BND 20 H	LT2	LK1	PRC UP END 20 L
CYT C0 SIZE 1 H	LK2		
CYT C1 SIZE 0 H	LP1		
CONC 32K SENSE L	LS2		

C1 PRIORITY CONTROL
M8598
KL34

CYT C1 STATE CLR H	KE1	KB1	PRC SET AW RQ L
GND	KU2		
PR0 C1 P0 RQ L	KS1	KP2	PRC C1 RQ 1
PR0 C1 P1 RQ L	KR2	KL1	PRC C1 MA STRB 0 H
PR0 C1 P2 RQ L	LD2	KJ1	PRC C1 MA STRB 1 H
PR0 C1 P3 RQ L	LB1	KV2	PRC C1 MA STRB 2 H
PR1 C1 P4 RQ L	LD1	KP1	PRC C1 MA STRB 3 H
PR1 C1 P5 RQ L	LE2	LH2	PRC C1 MA STRBW H
PR1 C1 P6 RQ L	LC1		
PR1 C1 P7 RQ L	KR1		
CYT C1 RESET PLSE L	KM2	KE2	PRC C1 P0 ACT H
CYT C1 STATE CLR L	KH2	KD2	PRC C1 P1 ACT H
		KD1	PRC C1 P2 ACT H
		KC1	PRC C1 P3 ACT H
		KA1	PRC C1 P4 ACT H
		LJ2	PRC C1 P4 ACT I H
		KF2	PRC C1 P5 ACT H
		LF2	PRC C1 P5 ACT I H
		LJ1	PRC C1 P6 ACT H
		LE1	PRC C1 P6 ACT I H
		KK1	PRC C1 P7 ACT H
		LA1	PRC C1 P7 ACT I H
		KF1	PRC C1 P0 LAST H
		KT2	PRC C1 P0 LAST L (P1 LAST H)
		KN1	PRC C1 P2 LAST H
		KS2	PRC C1 P2 LAST L (P3 LAST H)
		KM1	PRC C1 P4 LAST H
		KK2	PRC C1 P5 LAST H
		KJ2	PRC C1 P6 LAST H
		KL2	PRC C1 P7 LAST H
SWP PC LWR BND 14 H	LS1	LM2	PRC UP END 14 L
SWP PC LWR BND 15 H	LF1	LR2	PRC UP END 15 L
SWP PC LWR BND 16 H	LP2	LN1	PRC UP END 16 L
SWP PC LWR BND 17 H	LL2	LL1	PRC UP END 17 L
SWP PC LWR BND 18 H	LU2	LR1	PRC UP END 18 L
SWP PC LWR BND 19 H	LV2	LM1	PRC UP END 19 L
SWP PC LWR BND 20 H	LT2	LK1	PRC UP END 20 L
CYT C0 SIZE 1 H	LK2		
CYT C1 SIZE 0 H	LP1		
CONC 32K SENSE L	LS2		

*THIS DRAWING AND SPECIFICATIONS, HEREIN, ARE THE PROPERTY OF DIGITAL EQUIPMENT CORPORATION AND SHALL NOT BE REPRODUCED OR COPIED OR USED IN WHOLE OR IN PART AS THE BASIS FOR THE MANUFACTURE OR SALE OF ITEMS WITHOUT WRITTEN PERMISSION.
COPYRIGHT © 1976, DIGITAL EQUIPMENT CORPORATION*

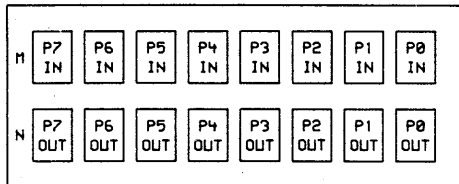
REVISIONS		
CHK	CHANGE NO.	REV

digital DRW. *J. J. J.* DATE *25-JUL-76* ENG. *P. J.* DATE *6-Aug-76* TITLE: **C0 & C1 PRIORITY CONTROL**

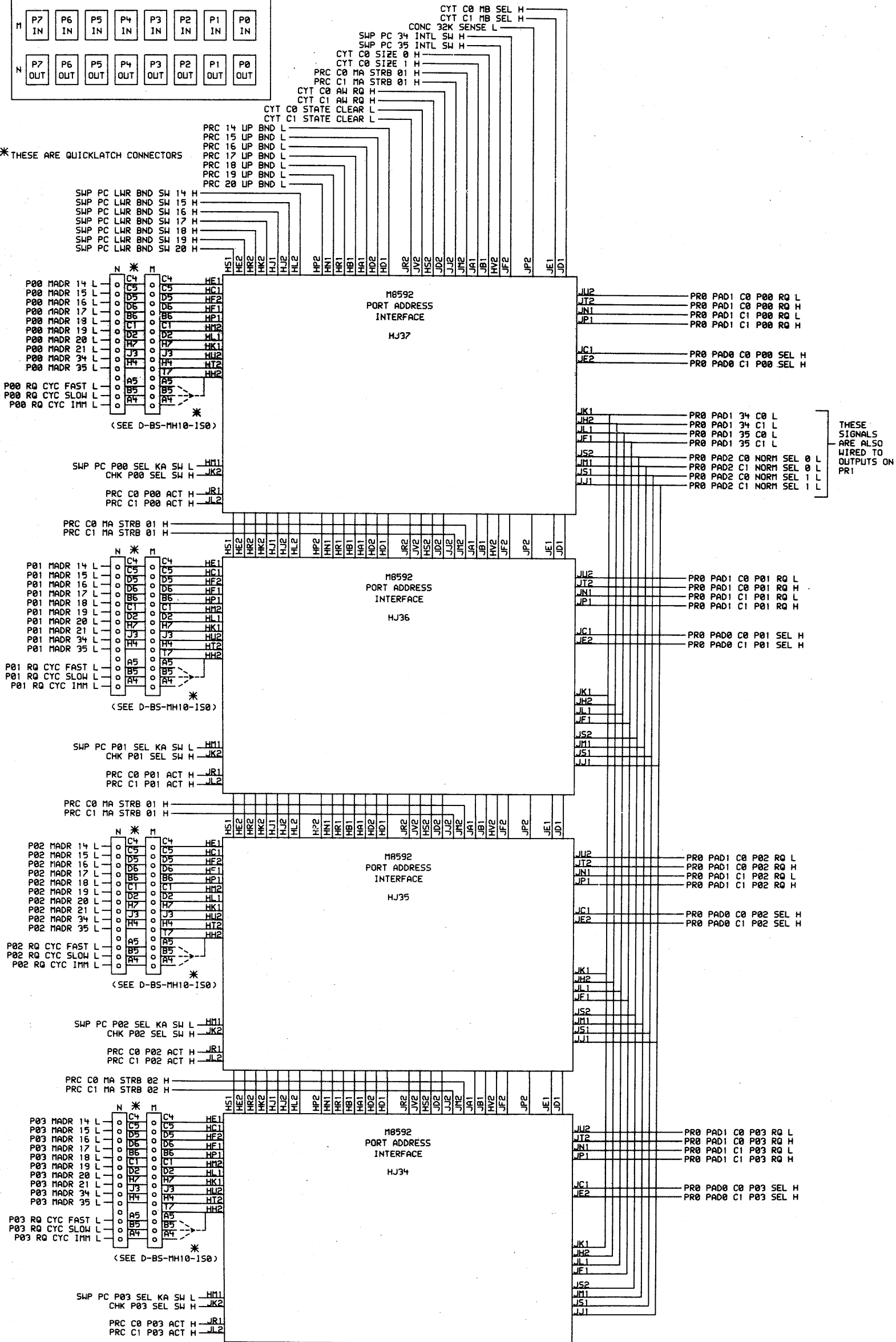
CHK'D *W. J.* DATE *8/2/76* BOARD LOCATION: SHEET 1 OF 1

PRC DRW 4, 33 123 JUN-76 15:01 NEXT HIGHER ASSEMBLY: SIZE CODE NUMBER REV.
FIRST USED ON OPTION/MODEL: MH10 B-DD-MH10-0 D BS MH10-0-PRC

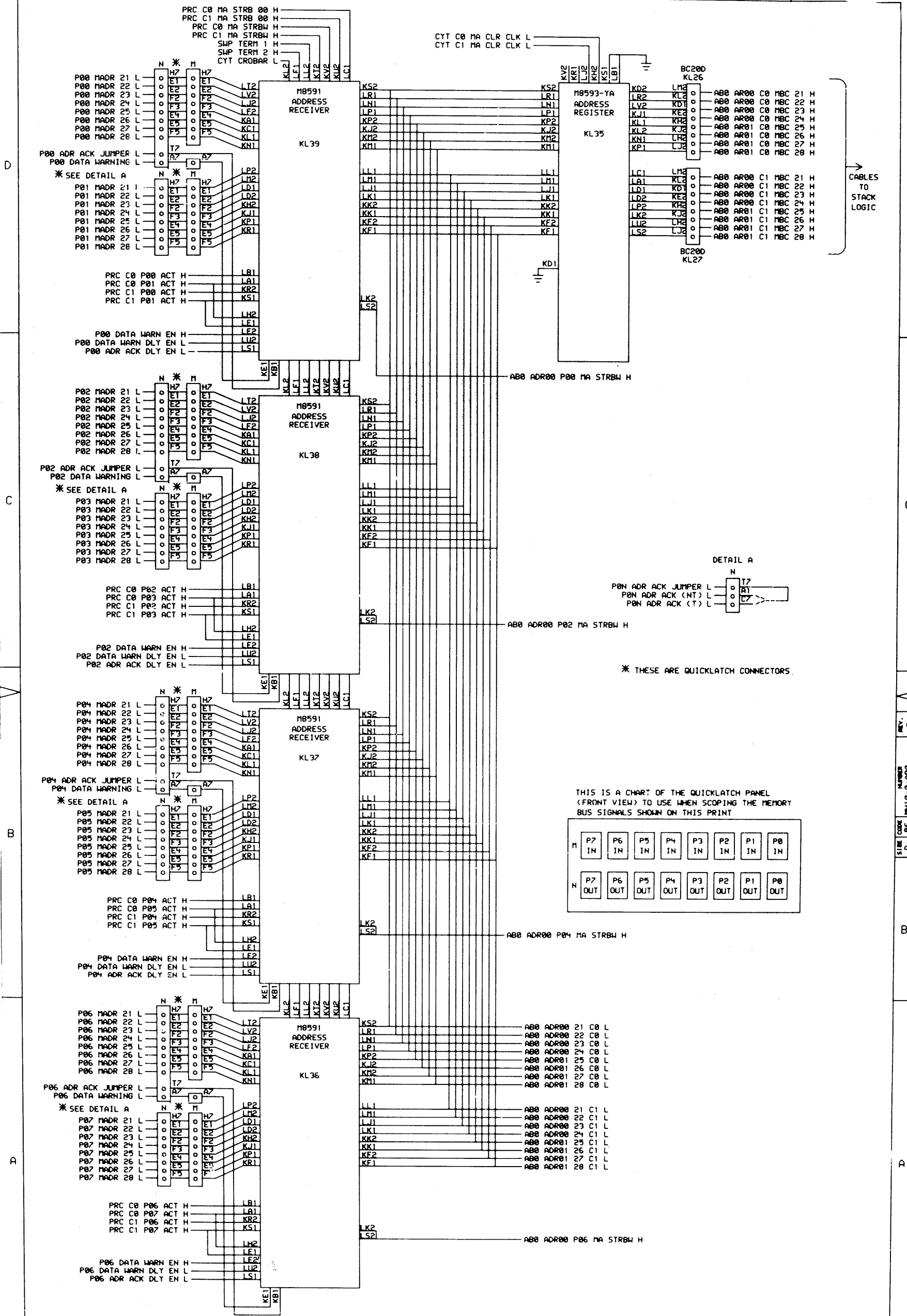
THIS IS A CHART OF THE QUICKLATCH PANEL
(FRONT VIEW) TO USE WHEN SCOPING THE MEMORY
BUS SIGNALS SHOWN ON THIS PRINT



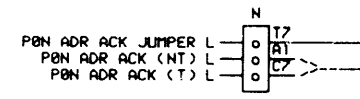
* THESE ARE QUICKLATCH CONNECTORS



* THIS DRAWING AND SPECIFICATIONS, HEREIN, ARE THE PROPERTY OF DIGITAL EQUIPMENT CORPORATION AND SHALL NOT BE REPRODUCED OR COPIED OR USED IN WHOLE OR IN PART AS THE BASIS FOR THE MANUFACTURE OR SALE OF ITEMS WITHOUT WRITTEN PERMISSION. COPYRIGHT © 1976, DIGITAL EQUIPMENT CORPORATION			REVISIONS CHK CHANGE NO. REV	digital MPR0.DRL(4,33)	DATE 29-11-76 DATE 2/26 104 JUN-76 07:55	ENG. P. [Signature] BOARD LOCATION: [Blank] SHEET OF 1	TITLE: PORT REQUEST LOGIC 0-3	
8	7	6	5	4	3	2	1	
FIRST USED ON OPTION: MODEL: MH10							NUMBER: MH10-0-PR0	REV. *

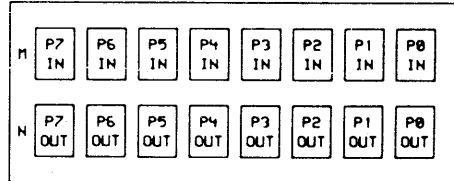


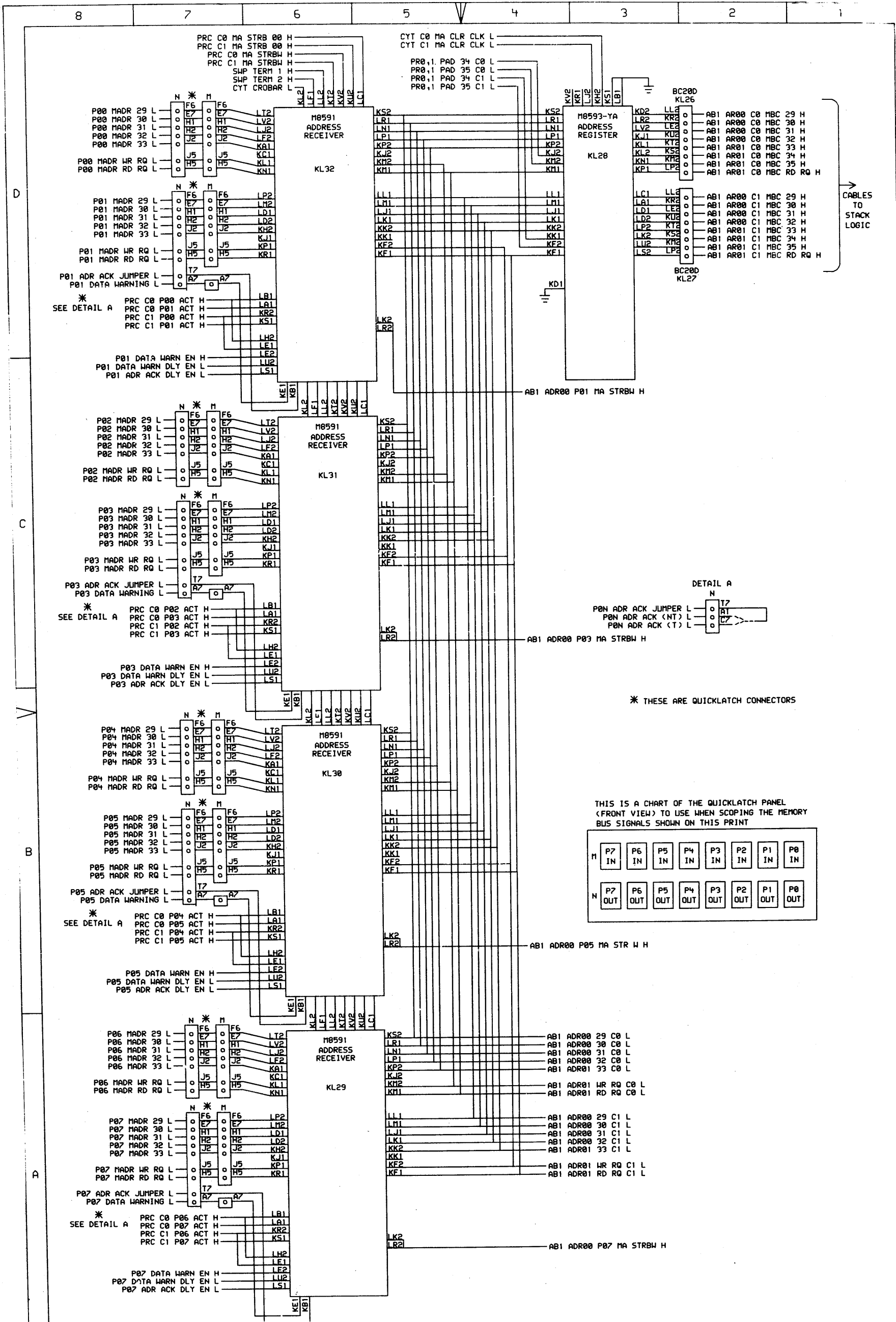
DETAIL A



* THESE ARE QUICKLATCH CONNECTORS.

THIS IS A CHART OF THE QUICKLATCH PANEL (FRONT VIEW) TO USE WHEN SCOPING THE MEMORY BUS SIGNALS SHOWN ON THIS PRINT





*THIS DRAWING AND SPECIFICATIONS, HEREIN, ARE THE PROPERTY OF DIGITAL EQUIPMENT CORPORATION AND SHALL NOT BE REPRODUCED OR COPIED OR USED IN WHOLE OR IN PART AS THE BASIS FOR THE MANUFACTURE OR SALE OF ITEMS WITHOUT WRITTEN PERMISSION.
 COPYRIGHT © 1976, DIGITAL EQUIPMENT CORPORATION*

REVISIONS		
CHK	CHANGE NO.	REV

digital *DRW: J. J. J. DATE: 29-11-76*
CHK: J. J. J. DATE: 29-11-76
 BOARD LOCATION: SHEET 1 OF 1
 FIRST USED ON OPTION MODEL: MHT10 B-DD-MH10-0

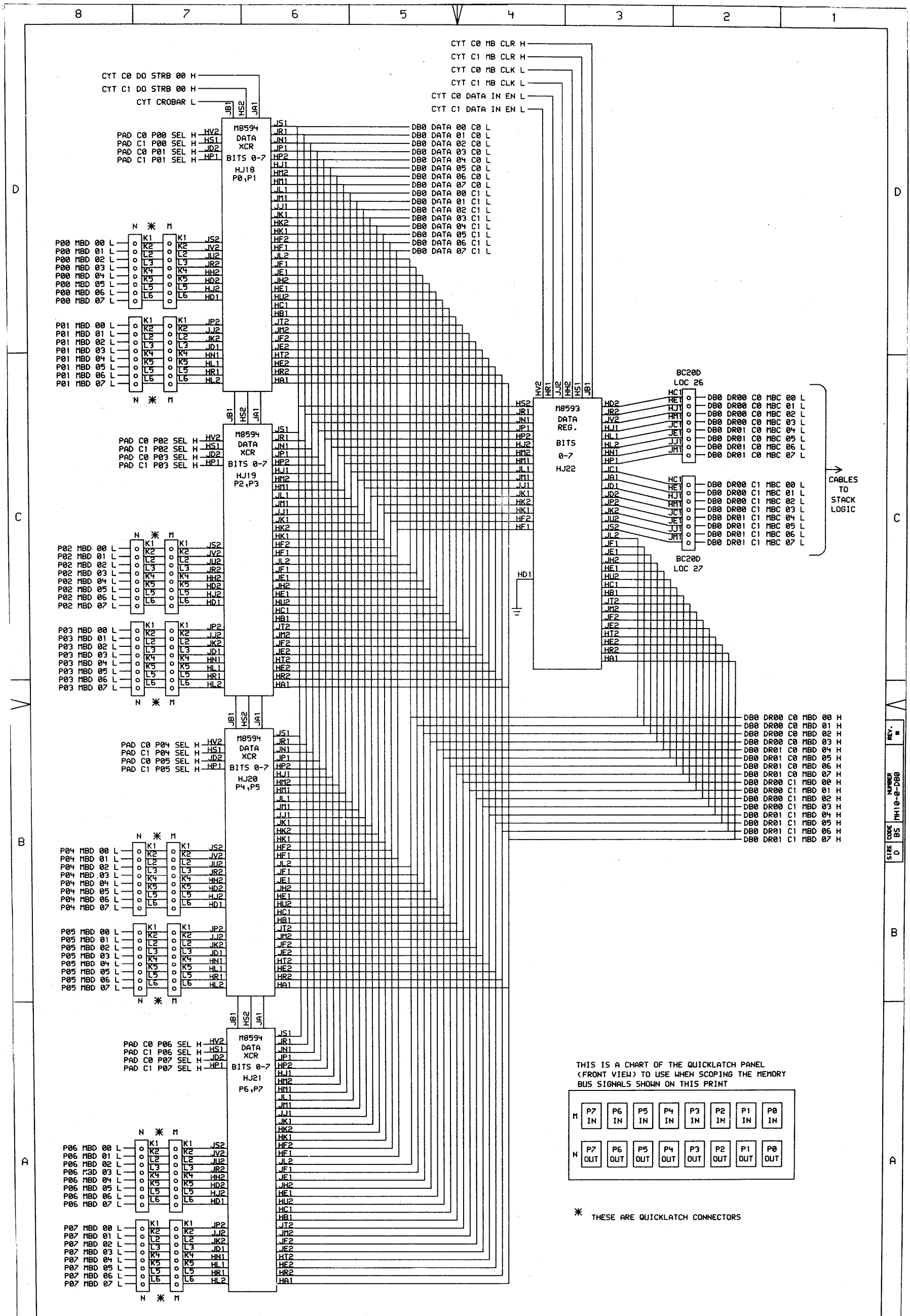
TITLE:	ADDRESS BITS		
	29-33, WR, RQ, RD, RQ		
SIZE	CODE	NUMBER	REV.
D	BS	MH10-0-AB1	*

REV. #
 NUMBER
 BS
 CODE
 SIZE

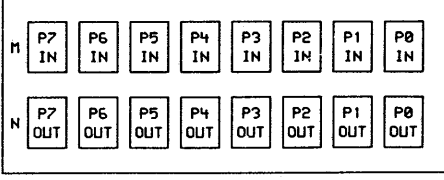
B

A

REV. #

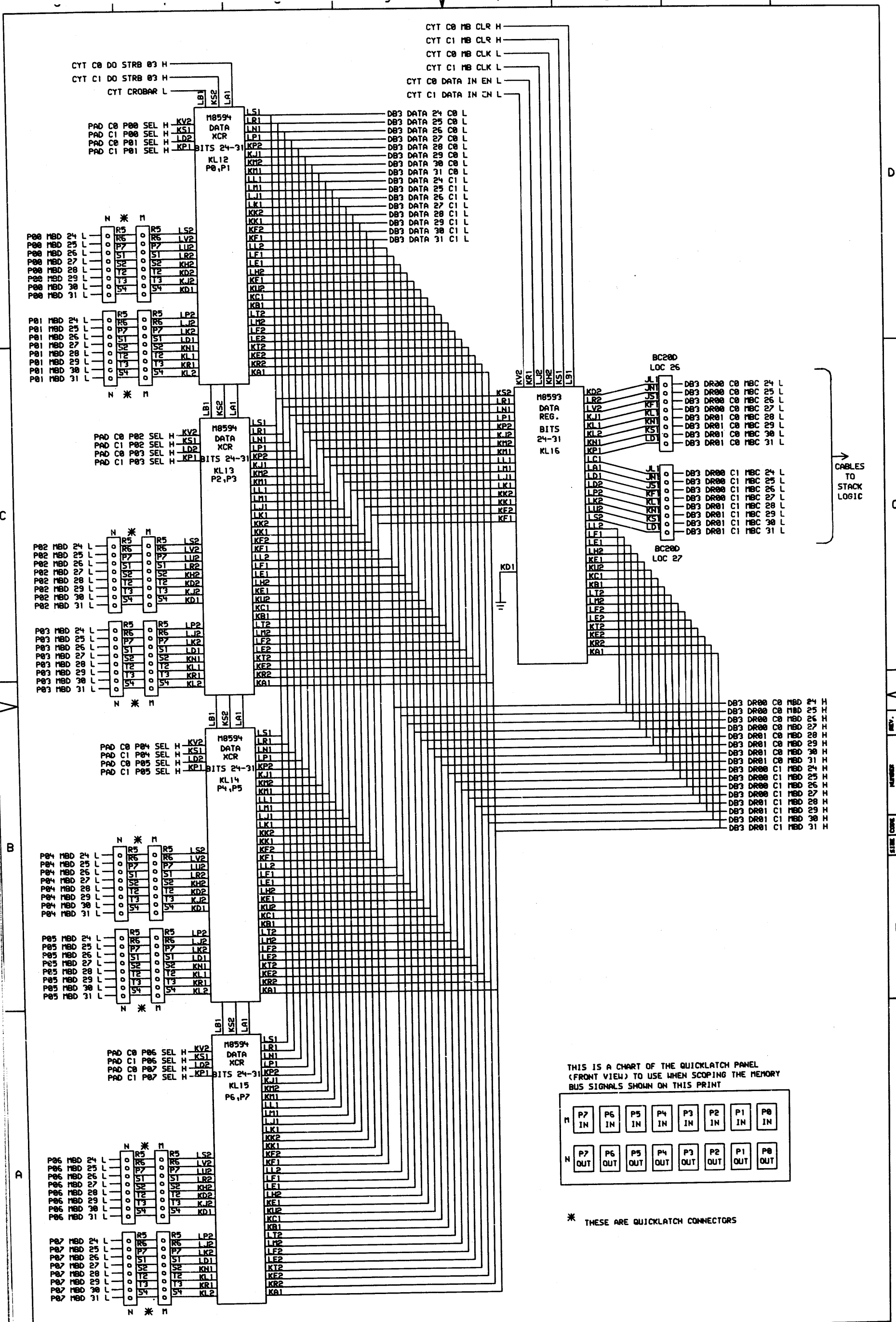


THIS IS A CHART OF THE QUICKLATCH PANEL
(FRONT VIEW) TO USE WHEN SCOPING THE MEMORY
BUS SIGNALS SHOWN ON THIS PRINT

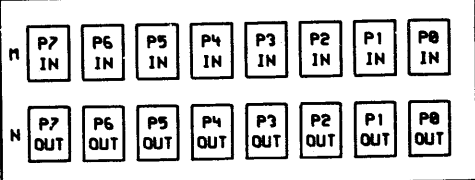


* THESE ARE QUICKLATCH CONNECTORS

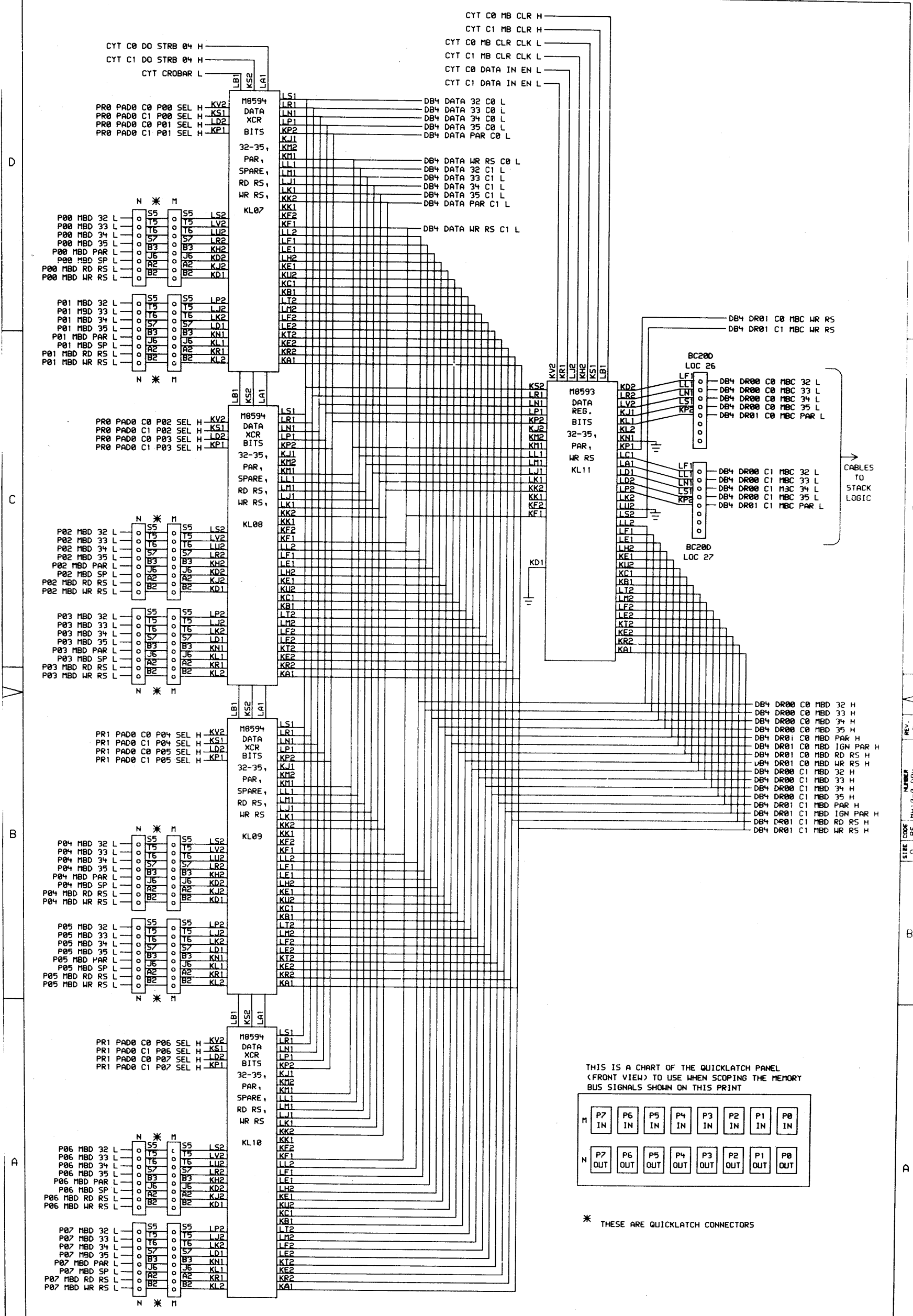
THIS DRAWING AND SPECIFICATIONS, HEREIN, ARE THE PROPERTY OF DIGITAL EQUIPMENT CORPORATION AND SHALL NOT BE REPRODUCED OR COPIED OR USED IN WHOLE OR IN PART AS THE BASIS FOR THE MANUFACTURE OR SALE OF ITEMS WITHOUT WRITTEN PERMISSION. COPYRIGHT © 1976, DIGITAL EQUIPMENT CORPORATION			REVISIONS CHK CHANGE NO. REV	digital M8594.DRAW 4,331 FIRST USED ON OPTION/MODEL: MH10	DRN. <i>J. Family</i> DATE 29-JUL-76 ENG. <i>P. Lawrence</i> DATE 6-Aug-76 BOARD LOCATION: 1 OF 1 SHEET 1 OF 1 NEXT HIGHER ASSEMBLY: B-DD-MH10-0	TITLE: DATA BITS 0-7 SIZE CC'E D BS NUMBER MH10-0-DB0 REV. #
--	--	--	---------------------------------	--	--	---



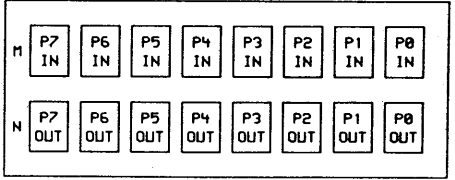
THIS IS A CHART OF THE QUICKLATCH PANEL (FRONT VIEW) TO USE WHEN SCOPING THE MEMORY BUS SIGNALS SHOWN ON THIS PRINT



* THESE ARE QUICKLATCH CONNECTORS



THIS IS A CHART OF THE QUICKLATCH PANEL (FRONT VIEW) TO USE WHEN SCOPING THE MEMORY BUS SIGNALS SHOWN ON THIS PRINT



* THESE ARE QUICKLATCH CONNECTORS

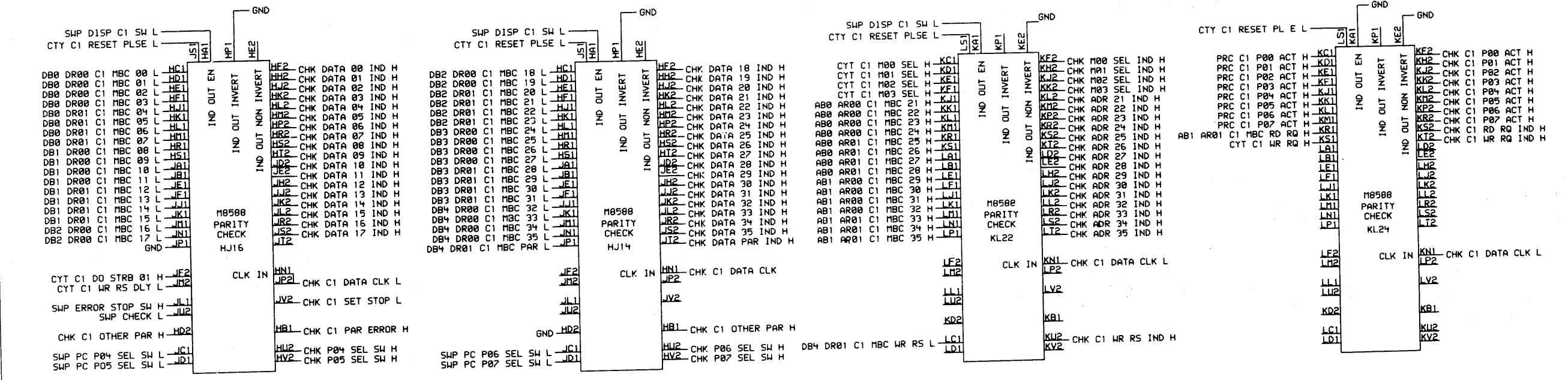
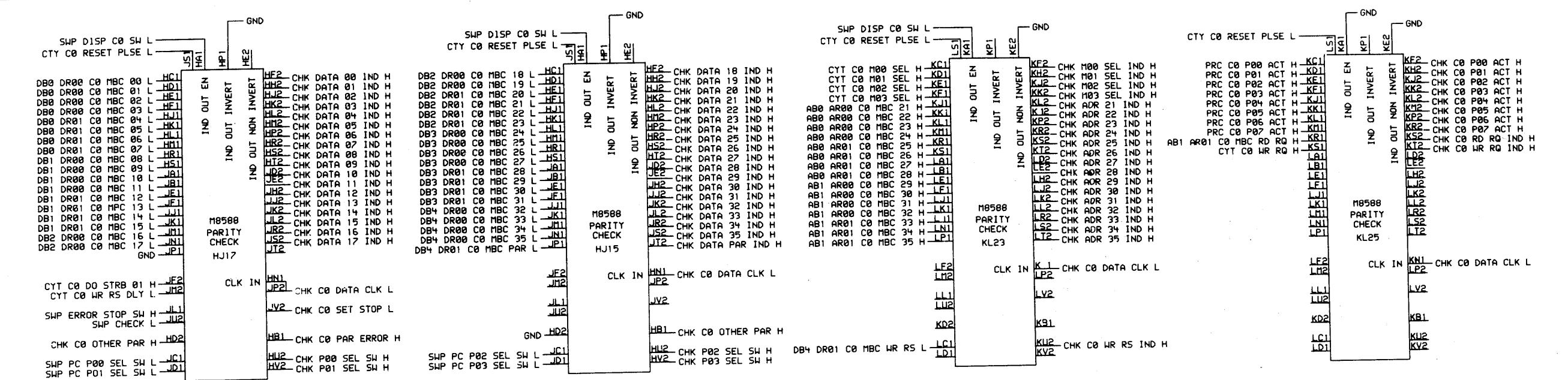
"THIS DRAWING AND SPECIFICATIONS, HEREIN, ARE THE PROPERTY OF DIGITAL EQUIPMENT CORPORATION AND SHALL NOT BE REPRODUCED OR COPIED OR USED IN WHOLE OR IN PART AS THE BASIS FOR THE MANUFACTURE OR SALE OF ITEMS WITHOUT WRITTEN PERMISSION. COPYRIGHT © 1976, DIGITAL EQUIPMENT CORPORATION"

REVISIONS		
CHK	CHANGE NO.	REV

digital DRW: J. J. J. DATE: 29-JUL-76
 CHK: P. DATE: 29-JUL-76
 M8594.DRW 4,331 102-JUN-76 08:11 NEXT HIGHER ASSEMBLY: B-DD-MH10-0

DATE: 29-JUL-76
 BOARD LOCATION: SHEET 1 OF 1
 SIZE: D CODE: BS NUMBER: MH10-0-DB4 REV: *

TITLE: DATA BITS 32-PAR
 SIZE: D CODE: BS NUMBER: MH10-0-DB4 REV: *

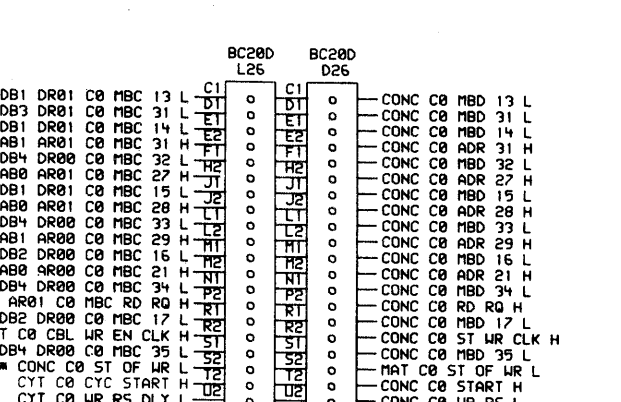
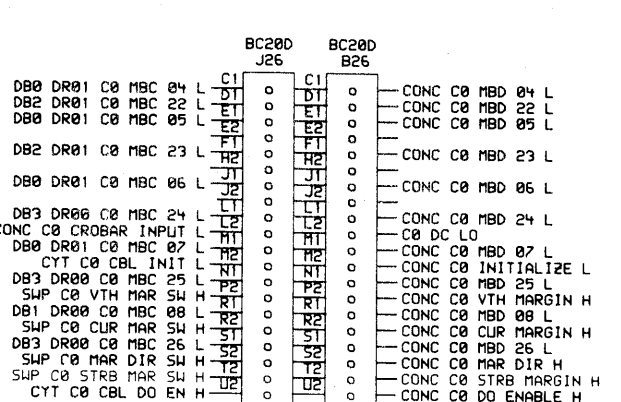
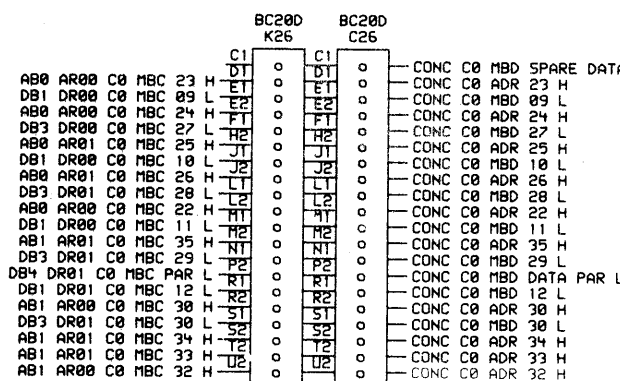
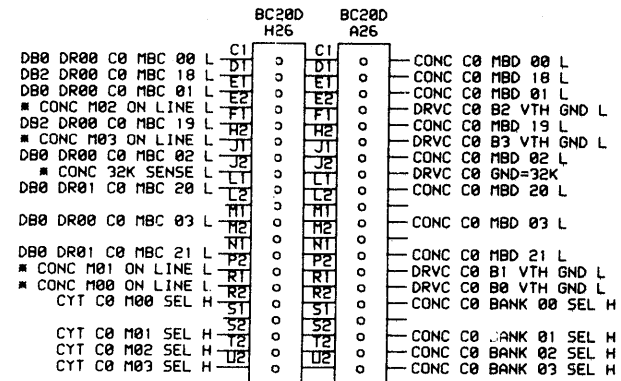


NOTE:
ALL PINS WITHOUT
SIGNAL NAMES
ARE UNUSED

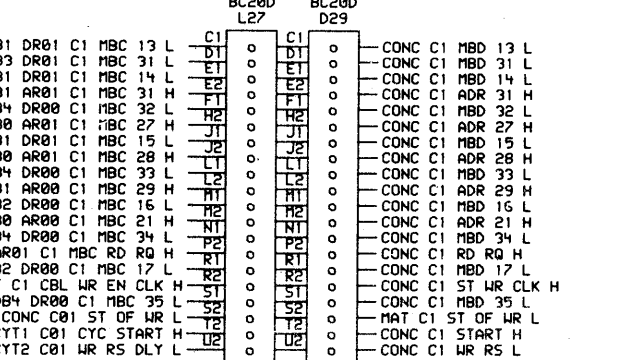
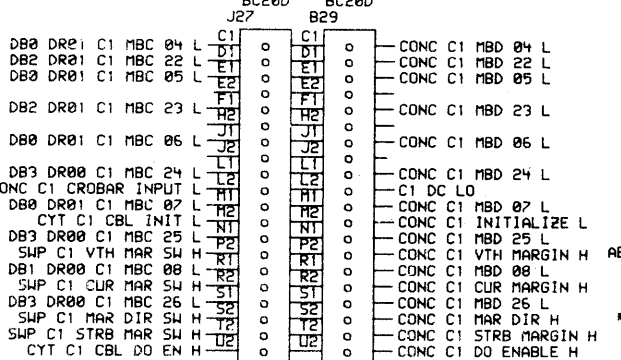
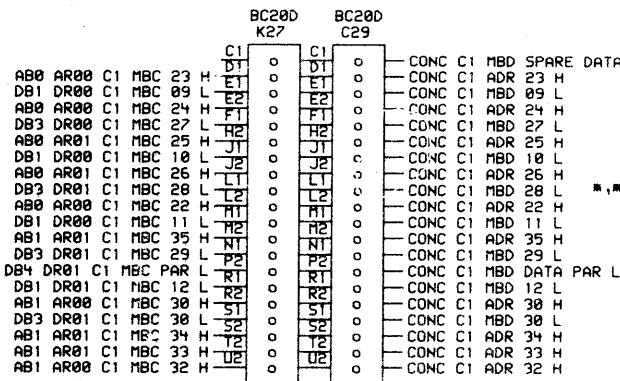
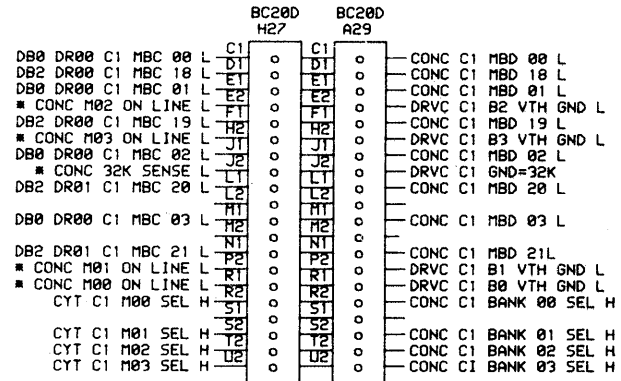
*THIS DRAWING AND SPECIFICATIONS, HEREIN, ARE THE PROPERTY OF DIGITAL EQUIPMENT CORPORATION AND SHALL NOT BE REPRODUCED OR COPIED OR USED IN WHOLE OR IN PART AS THE BASIS FOR THE MANUFACTURE OR SALE OF ITEMS WITHOUT WRITTEN PERMISSION.
COPYRIGHT © 1976, DIGITAL EQUIPMENT CORPORATION*

REVISIONS	
CHK	CHANGE NO. REV

digital	DATE: 04-21-76	ENG: P. Johnson	DATE: 6-10-76	TITLE: CHECK LOGIC
	DESIGNED BY: P. Johnson	DATE: 04/21/76	BOARD LOCATION: 1 OF 1	SIZE: D
FIRST USED ON OPTION MODEL: MH10		NEXT HIGHER ASSEMBLY: B-DD-MH10-0		NUMBER: MH10-0-CHK
				REV. *



■ DENOTES OUTPUT THAT IS DRAWN ON THE LEFT SIDE OF A CABLE.
 I.E. A SIGNAL COMING DOWN THE CABLE FROM THE UPPER LOGIC.
 ■■ THIS SIGNAL IS WIRE OR'ED WITH A SWITCHPANEL SIGNAL

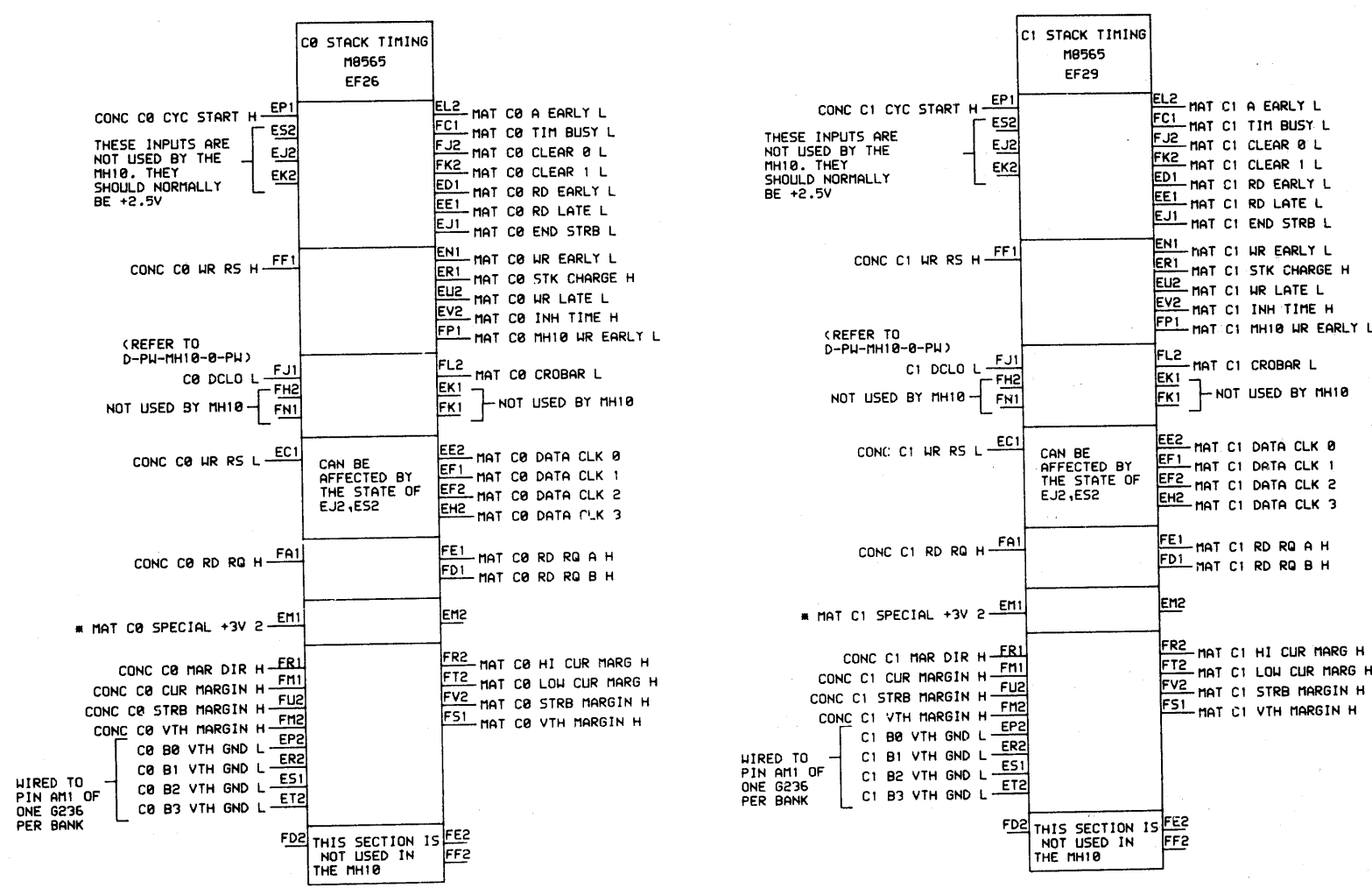


CABLES FROM CONTROL LOGIC
 TO STACK LOGIC

*THIS DRAWING AND SPECIFICATIONS, HEREIN, ARE THE PROPERTY OF DIGITAL EQUIPMENT CORPORATION AND SHALL NOT BE REPRODUCED OR COPIED OR USED IN WHOLE OR IN PART AS THE BASIS FOR THE MANUFACTURE OR SALE OF ITEMS WITHOUT WRITTEN PERMISSION.
 COPYRIGHT © 1976, DIGITAL EQUIPMENT CORPORATION*

REVISIONS		
CHK	CHANGE NO.	REV

digital	DATE 25-11-76	ENG. 5	DATE	TITLE: CABLES, UPPER TO LOWER LOGICS
	DATE 28-11-76	BOARD LOCATION: 20	SHEET 1	REV. *
MCBL0.DRH(4.33)		28-JUL-76 09:28	NEXT HIGHER ASSEMBLY: B-DD-MH10-0	SIZE CODE NUMBER REV. D BS MH10-0-CONC *
FIRST USED ON OPTION/MODEL: MH10				



*THIS DRAWING AND SPECIFICATIONS, HEREIN, ARE THE PROPERTY OF DIGITAL EQUIPMENT CORPORATION AND SHALL NOT BE REPRODUCED OR COPIED OR USED IN WHOLE OR IN PART AS THE BASIS FOR THE MANUFACTURE OR SALE OF ITEMS WITHOUT WRITTEN PERMISSION.
 COPYRIGHT © 1976, DIGITAL EQUIPMENT CORPORATION*

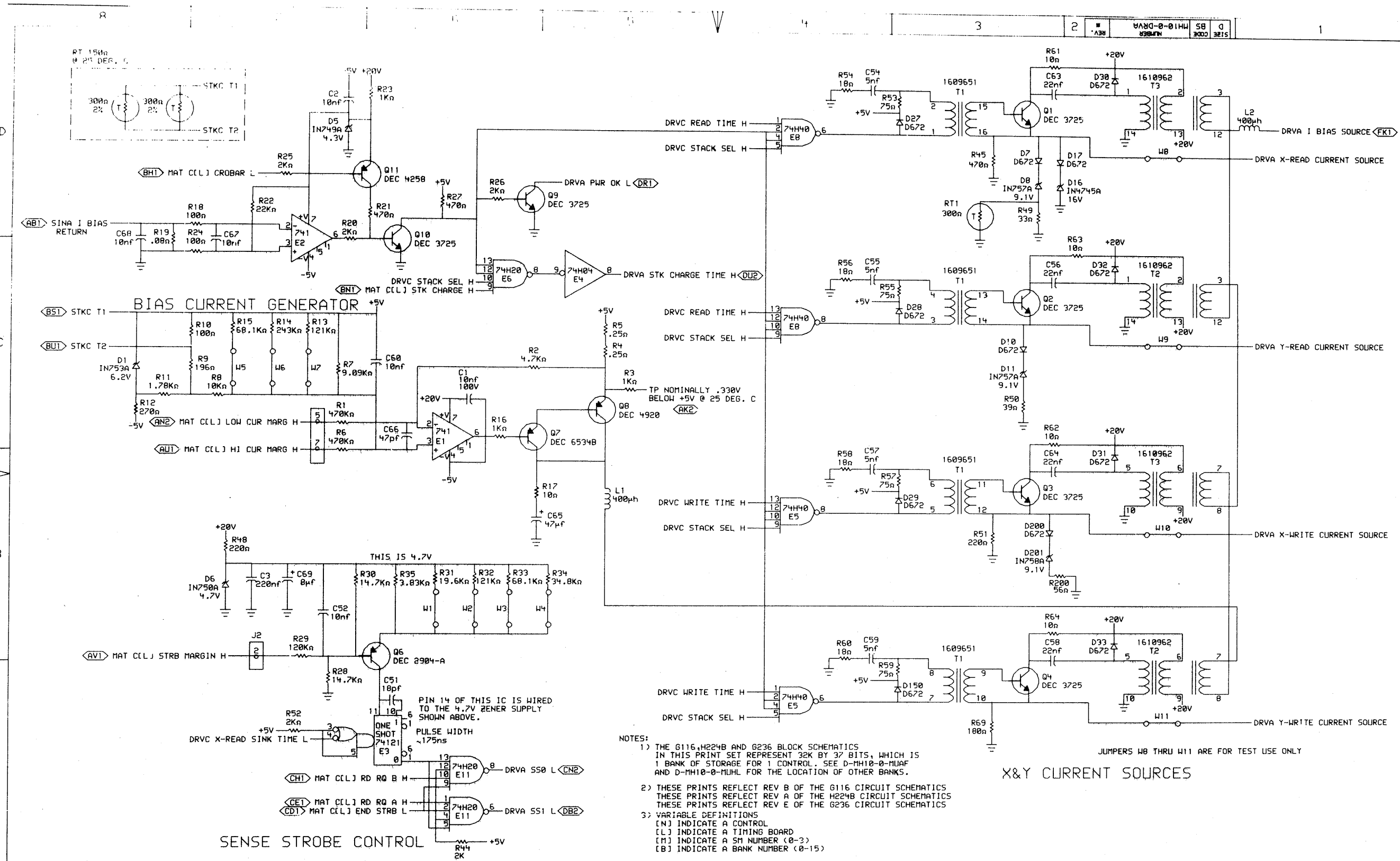
REVISIONS		
CHK	CHANGE NO.	REV

digital DRAWN BY *J. J. J.* DATE 25-11-76 ENG. *Chapman* DATE *12/11/76* TITLE: C0 & C1 STACK TIMING

CHK'D BY *J. J. J.* DATE 12-11-76 BOARD LOCATION: SHEET 1 OF 1

FIRST USED ON OPTION/MODEL: MH10 B-DD-MH10-0

SIZE CODE NUMBER REV.
 D BS MH10-0-MAT

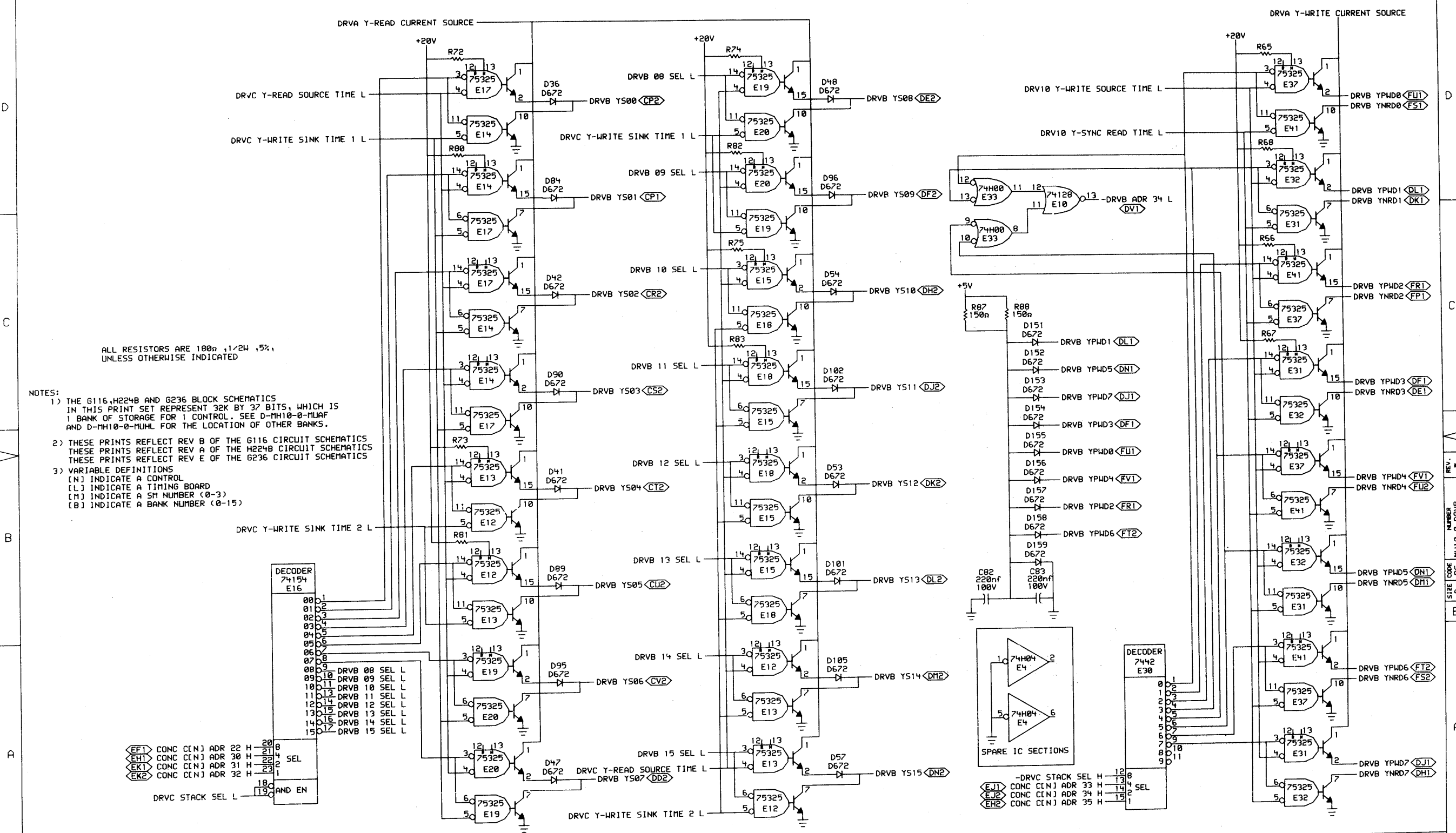


*THIS DRAWING AND SPECIFICATIONS, HEREIN, ARE THE PROPERTY OF DIGITAL EQUIPMENT CORPORATION AND SHALL NOT BE REPRODUCED OR COPIED OR USED IN WHOLE OR IN PART AS THE BASIS FOR THE MANUFACTURE OR SALE OF ITEMS WITHOUT WRITTEN PERMISSION.
 COPYRIGHT © 1976, DIGITAL EQUIPMENT CORPORATION*

REVISIONS	
CHK	CHANGE NO. REV

8	7	6	5	4	3	2	1
---	---	---	---	---	---	---	---

digital	DATE	ENG	DATE	TITLE
	13-JUL-76	W. J. J. / J. J. J.	13-JUL-76	32K X-Y DRIVE (G236)
DRVA.DRW(4,33)	DATE	BOARD LOCATION	SIZE CODE	NUMBER
FIRST USED ON OPTION/MODEL: MH10	13-JUL-76	13:18 NEXT HIGHER ASSEMBLY: B-DD-MH10-0	D BS	MH10-0-DRVA
			REV.	



ALL RESISTORS ARE 100 Ω , 1/2W, 5%, UNLESS OTHERWISE INDICATED

- NOTES:
- THE G116, H224B AND G236 BLOCK SCHEMATICS IN THIS PRINT SET REPRESENT 32K BY 37 BITS, WHICH IS 1 BANK OF STORAGE FOR 1 CONTROL. SEE D-MH10-0-MUAF AND D-MH10-0-MUHL FOR THE LOCATION OF OTHER BANKS.
 - THESE PRINTS REFLECT REV B OF THE G116 CIRCUIT SCHEMATICS THESE PRINTS REFLECT REV A OF THE H224B CIRCUIT SCHEMATICS THESE PRINTS REFLECT REV E OF THE G236 CIRCUIT SCHEMATICS
 - VARIABLE DEFINITIONS
 (N) INDICATE A CONTROL
 (L) INDICATE A TIMING BOARD
 (M) INDICATE A SM NUMBER (0-3)
 (B) INDICATE A BANK NUMBER (0-15)

(EF)	CONC	CLN	ADR	22	H	20	8
(EH)	CONC	CLN	ADR	30	H	23	4
(EK)	CONC	CLN	ADR	31	H	23	2
(EK)	CONC	CLN	ADR	32	H	23	1

*THIS DRAWING AND SPECIFICATIONS, HEREIN, ARE THE PROPERTY OF DIGITAL EQUIPMENT CORPORATION AND SHALL NOT BE REPRODUCED OR COPIED OR USED IN WHOLE OR IN PART AS THE BASIS FOR THE MANUFACTURE OR SALE OF ITEMS WITHOUT WRITTEN PERMISSION.
 COPYRIGHT © 1976, DIGITAL EQUIPMENT CORPORATION*

REVISIONS		
CHK	CHANGE NO.	REV

	DATE	26-JUL-76	ENG	J. J. ...	DATE		TITLE:	32K X-Y DRIVE (G236)
	CHK		DATE		BOARD LOCATION:		SIZE	D BS
							NUMBER	MH10-0-DRVB
							REV.	*

8

7

6

5

4

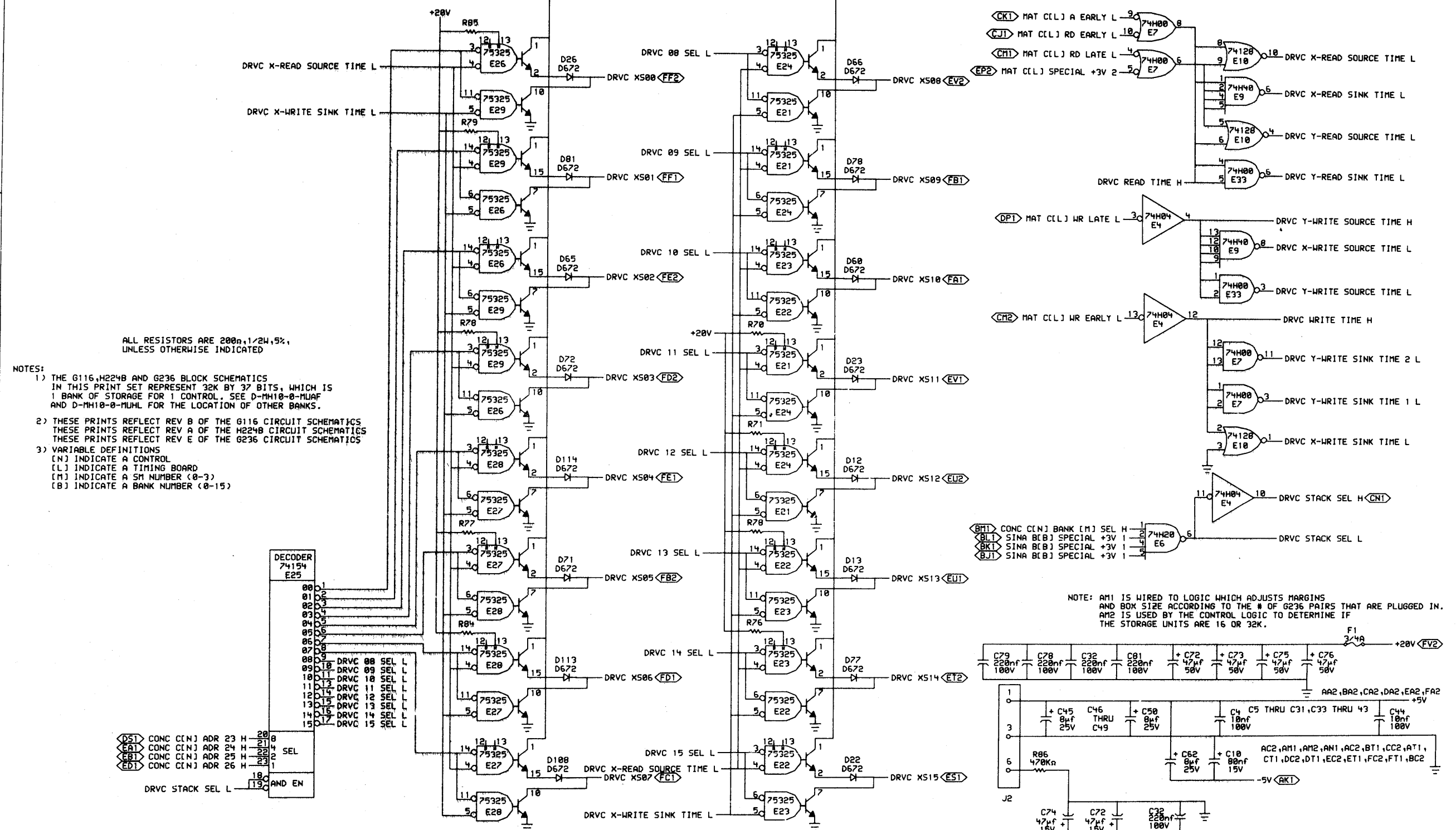
3

2

1

DRVC-0-01MH 58 0 1515

DRVA X-READ CURRENT SOURCE



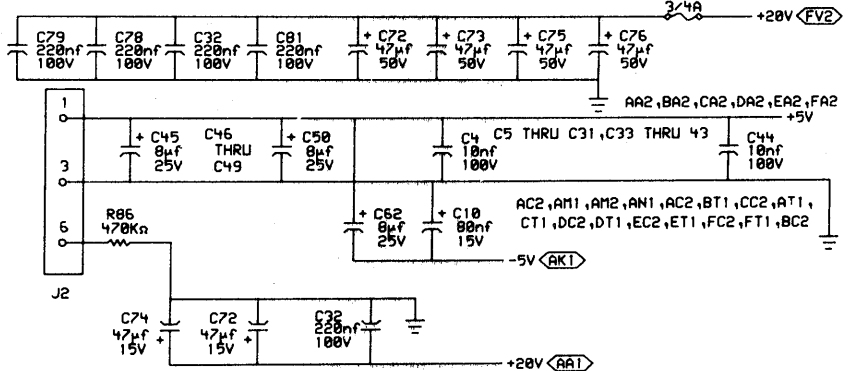
ALL RESISTORS ARE 200Ω, 1/24, 5%, UNLESS OTHERWISE INDICATED

NOTES:

- 1) THE G116, H224B AND G236 BLOCK SCHEMATICS IN THIS PRINT SET REPRESENT 32K BY 37 BITS, WHICH IS 1 BANK OF STORAGE FOR 1 CONTROL. SEE D-MH10-0-MUAF AND D-MH10-0-MUHL FOR THE LOCATION OF OTHER BANKS.
- 2) THESE PRINTS REFLECT REV B OF THE G116 CIRCUIT SCHEMATICS THESE PRINTS REFLECT REV A OF THE H224B CIRCUIT SCHEMATICS THESE PRINTS REFLECT REV E OF THE G236 CIRCUIT SCHEMATICS
- 3) VARIABLE DEFINITIONS
 [N] INDICATE A CONTROL
 [L] INDICATE A TIMING BOARD
 [M] INDICATE A SM NUMBER (0-3)
 [B] INDICATE A BANK NUMBER (0-15)

(D5) CONC [C]N] ADR 23 H 20
 (E1) CONC [C]N] ADR 24 H 21
 (E2) CONC [C]N] ADR 25 H 22
 (E3) CONC [C]N] ADR 26 H 23
 DRVC STACK SEL L 19 AND EN 1

NOTE: AM1 IS WIRED TO LOGIC WHICH ADJUSTS MARGINS AND BOX SIZE ACCORDING TO THE # OF G236 PAIRS THAT ARE PLUGGED IN. AM2 IS USED BY THE CONTROL LOGIC TO DETERMINE IF THE STORAGE UNITS ARE 16 OR 32K.



THIS DRAWING AND SPECIFICATIONS, HEREIN, ARE THE PROPERTY OF DIGITAL EQUIPMENT CORPORATION AND SHALL NOT BE REPRODUCED OR COPIED OR USED IN WHOLE OR IN PART AS THE BASIS FOR THE MANUFACTURE OR SALE OF ITEMS WITHOUT WRITTEN PERMISSION. COPYRIGHT © 1976, DIGITAL EQUIPMENT CORPORATION

REVISIONS	CHK	CHANGE NO.	REV

TITLE: 32K X-Y DRIVE (G236)
 NUMBER: 1
 REV. #: 1
 DRVC-DRVL4-333
 DATE: 11-8-JUL-76
 BOARD LOCATION: 1
 SHEET: 1 OF 1
 FIRST USED ON OPTION MODEL: MH10
 NEXT HIGHER ASSEMBLY: B-DD-MH10-0

REV. #
NUMBER
BS
MH10-0-DRVC

8

7

6

5

4

3

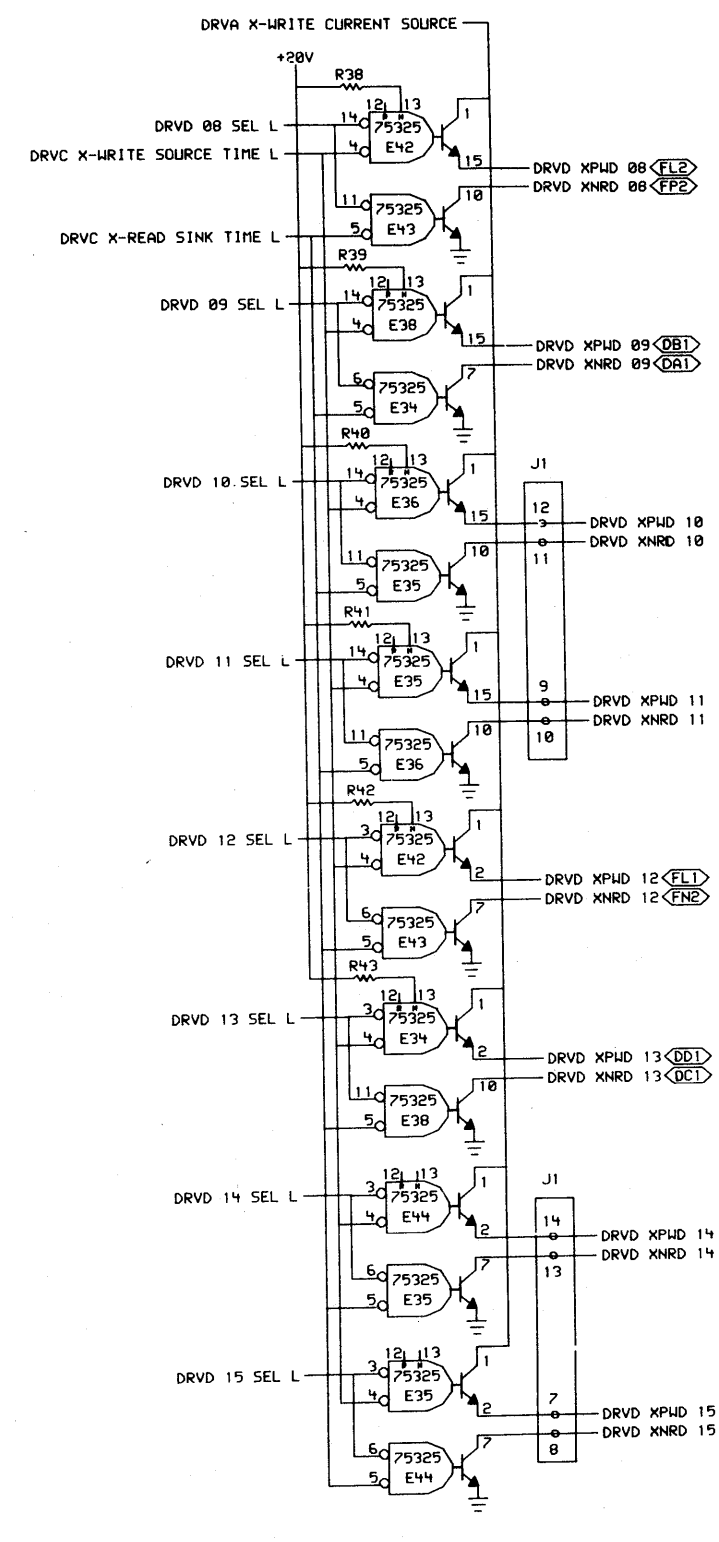
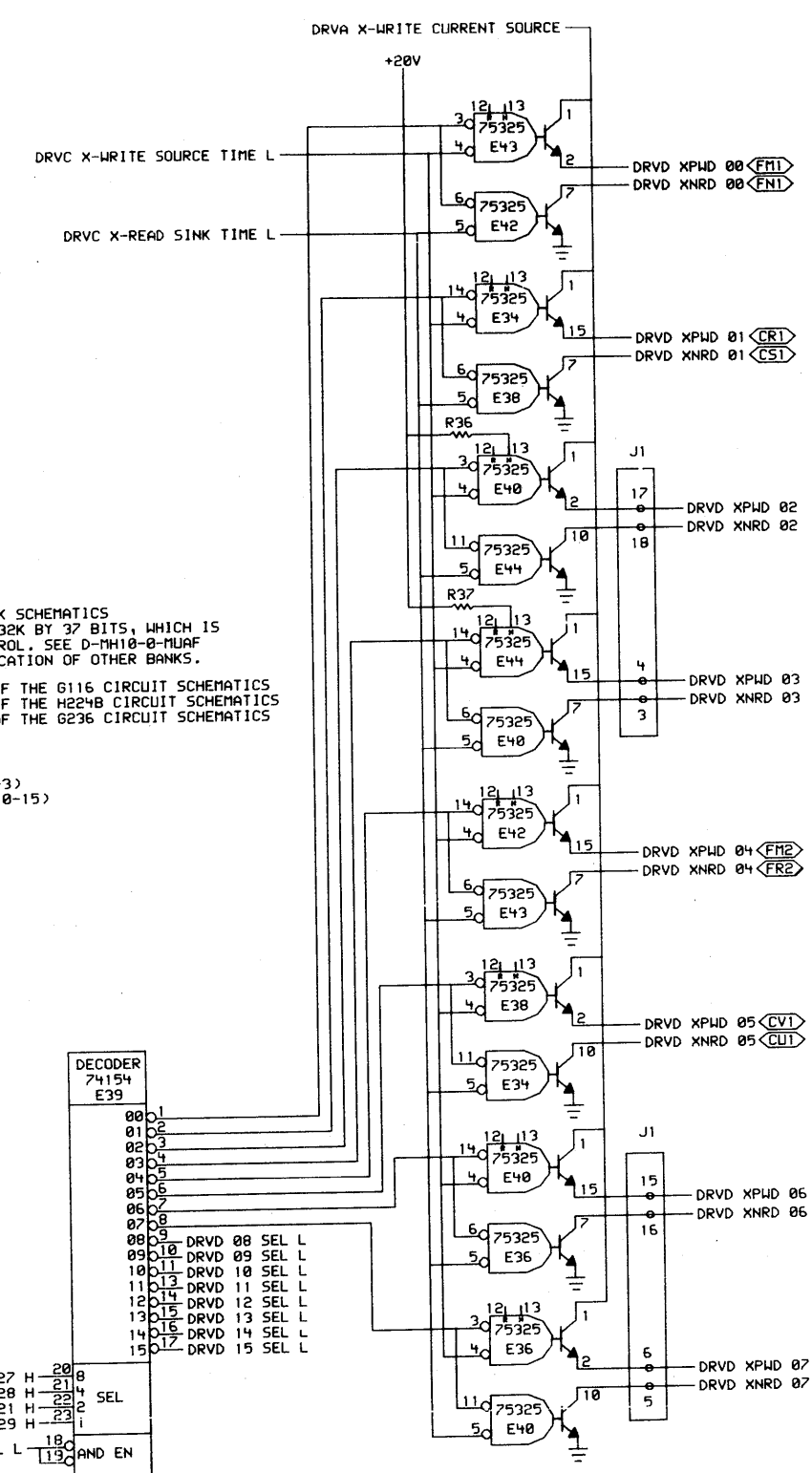
2

1

- NOTES:
- 1) THE G116, H224B AND G236 BLOCK SCHEMATICS IN THIS PRINT SET REPRESENT 32K BY 37 BITS, WHICH IS 1 BANK OF STORAGE FOR 1 CONTROL. SEE D-MH10-0-MUAF AND D-MH10-0-MUHL FOR THE LOCATION OF OTHER BANKS.
 - 2) THESE PRINTS REFLECT REV B OF THE G116 CIRCUIT SCHEMATICS
 THESE PRINTS REFLECT REV A OF THE H224B CIRCUIT SCHEMATICS
 THESE PRINTS REFLECT REV E OF THE G236 CIRCUIT SCHEMATICS
 - 3) VARIABLE DEFINITIONS
 [N] INDICATE A CONTROL
 [L] INDICATE A TIMING BOARD
 [M] INDICATE A SM NUMBER (0-3)
 [B] INDICATE A BANK NUMBER (0-15)

[EL] CONC CNJ ADR 27 H 20
 [EN] CONC CNJ ADR 28 H 21
 [FJ] CONC CNJ ADR 21 H 22
 [ES] CONC CNJ ADR 29 H 23

DRVC STACK SEL L 18 AND EN 19



NOTE
 1. UNLESS OTHERWISE INDICATED:
 ALL DIODES ARE D672
 ALL RESISTORS ARE 200Ω, 1/2W
 ALL TRANSISTORS ARE DEC 3725
 ALL CAPACITORS ARE 10nF

A

D

C

B

A

A

1

2

3

4

5

6

7

8

8

7

6

5

4

3

2

1

1

2

3

4

5

6

7

8

8

7

6

5

4

3

2

1

1

2

3

4

5

6

7

8

8

7

6

5

4

3

2

1

1

2

3

4

5

6

7

8

8

7

6

5

4

3

2

1

1

2

3

4

5

6

7

8

8

7

6

5

4

3

2

1

1

2

3

4

5

6

7

8

8

7

6

5

4

3

2

1

1

2

3

4

5

6

7

8

8

7

6

5

4

3

2

1

1

2

3

4

5

6

7

8

8

7

6

5

4

3

2

1

1

2

3

4

5

6

7

8

8

7

6

5

4

3

2

1

1

2

3

4

5

6

7

8

8

7

6

5

4

3

2

1

1

2

3

4

5

6

7

8

8

7

6

5

4

3

2

1

1

2

3

4

5

6

7

8

8

7

6

5

4

3

2

1

1

2

3

4

5

6

7

8

8

7

6

5

4

3

2

1

1

2

3

4

5

6

7

8

8

7

6

5

4

3

2

1

1

2

3

4

5

6

7

8

8

7

6

5

4

3

2

1

1

2

3

4

5

6

7

8

8

7

6

5

4

3

2

1

1

2

3

4

5

6

7

8

8

7

6

5

4

3

2

1

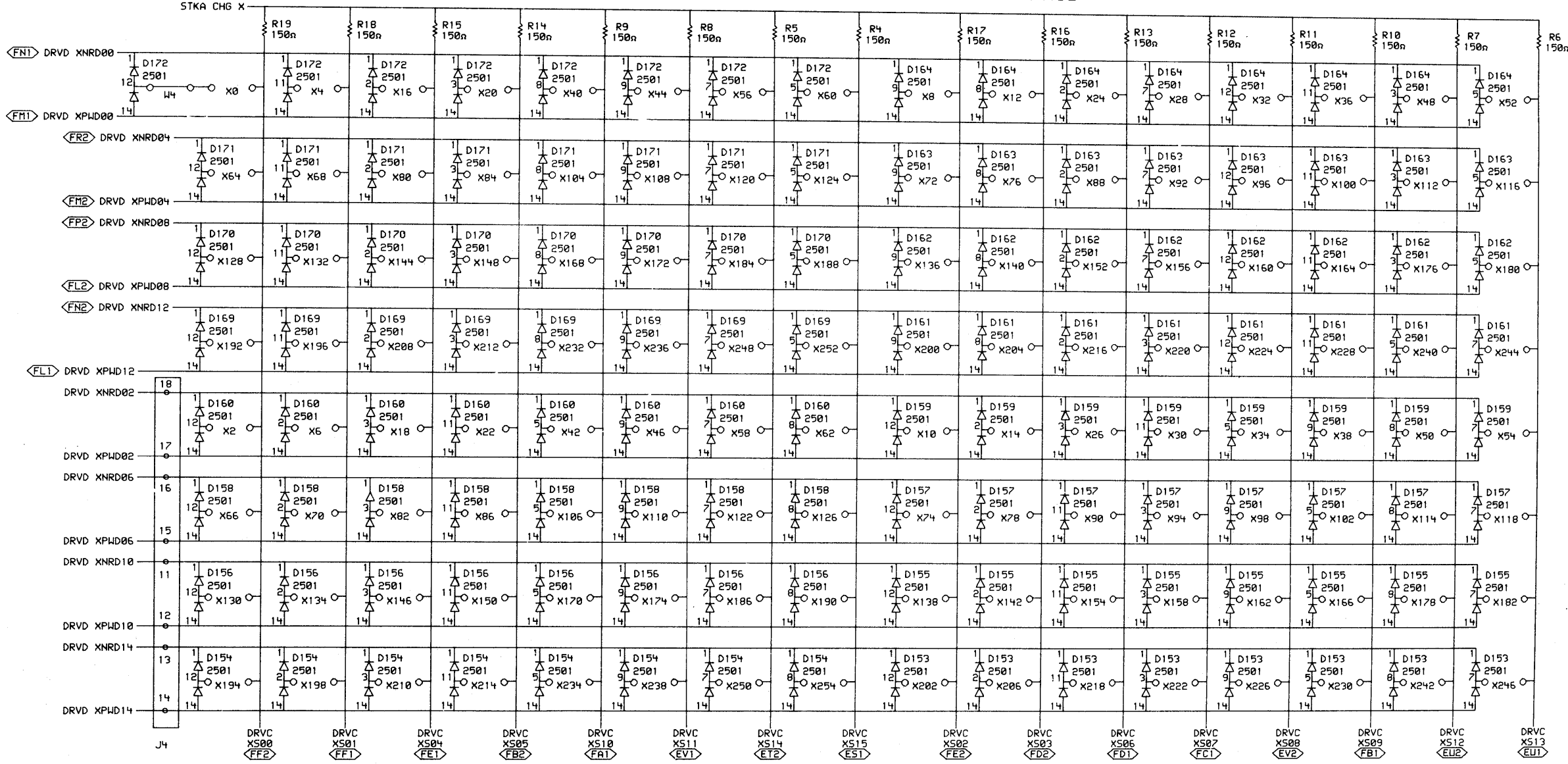
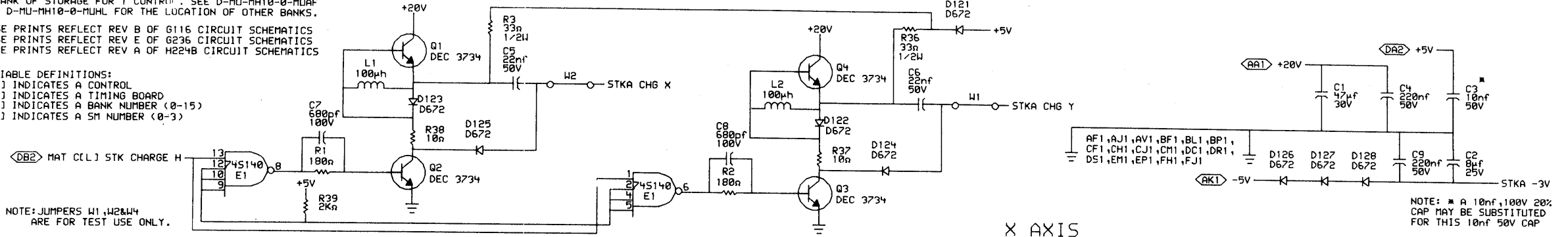
1

2

NOTES: 1) THE G116, H224B AND G236 BLOCK SCHEMATICS IN THIS PRINT SET REPRESENT 32K BY 37 BITS, WHICH IS 1 BANK OF STORAGE FOR 1 CONTROL. SEE D-MU-MH10-0-MUAF AND D-MU-MH10-0-MUHL FOR THE LOCATION OF OTHER BANKS.

2) THESE PRINTS REFLECT REV B OF G116 CIRCUIT SCHEMATICS THESE PRINTS REFLECT REV E OF G236 CIRCUIT SCHEMATICS THESE PRINTS REFLECT REV A OF H224B CIRCUIT SCHEMATICS

3) VARIABLE DEFINITIONS:
 (N) INDICATES A CONTROL
 (L) INDICATES A TIMING BOARD
 (B) INDICATES A BANK NUMBER (0-15)
 (M) INDICATES A SM NUMBER (0-3)



NOTE: JUMPERS W1, W2 & W4 ARE FOR TEST USE ONLY.

NOTE: * A 10nF, 100V 20% CAP MAY BE SUBSTITUTED FOR THIS 10nF 50V CAP

X AXIS

"THIS DRAWING AND SPECIFICATIONS, HEREIN, ARE THE PROPERTY OF DIGITAL EQUIPMENT CORPORATION AND SHALL NOT BE REPRODUCED OR COPIED OR USED IN WHOLE OR IN PART AS THE BASIS FOR THE MANUFACTURE OR SALE OF ITEMS WITHOUT WRITTEN PERMISSION. COPYRIGHT © 1976, DIGITAL EQUIPMENT CORPORATION"

REVISIONS	
CHK	CHANGE NO. REV

DRVC X500 (FF2)	DRVC X501 (FF1)	DRVC X504 (FE1)	DRVC X505 (FB2)	DRVC X510 (FA1)	DRVC X511 (EV1)	DRVC X514 (ET2)	DRVC X515 (ES1)	DRVC X502 (FE2)	DRVC X503 (FB2)	DRVC X506 (FD1)	DRVC X507 (FE1)	DRVC X508 (EV2)	DRVC X509 (FB1)	DRVC X512 (EU2)	DRVC X513 (EU1)
-----------------	-----------------	-----------------	-----------------	-----------------	-----------------	-----------------	-----------------	-----------------	-----------------	-----------------	-----------------	-----------------	-----------------	-----------------	-----------------

digital
 DATE 26-JUL-76
 DATE 05-76
 BOARD LOCATION: 1 OF 1
 SHEET 1 OF 1
 TITLE: 32K STACK MODULE (H224B)
 SIZE CODE NUMBER REV.
 D BS MH10-0-STKA *

REV. *
 NUMBER MH10-0-STKA
 SIZE CODE BS
 D

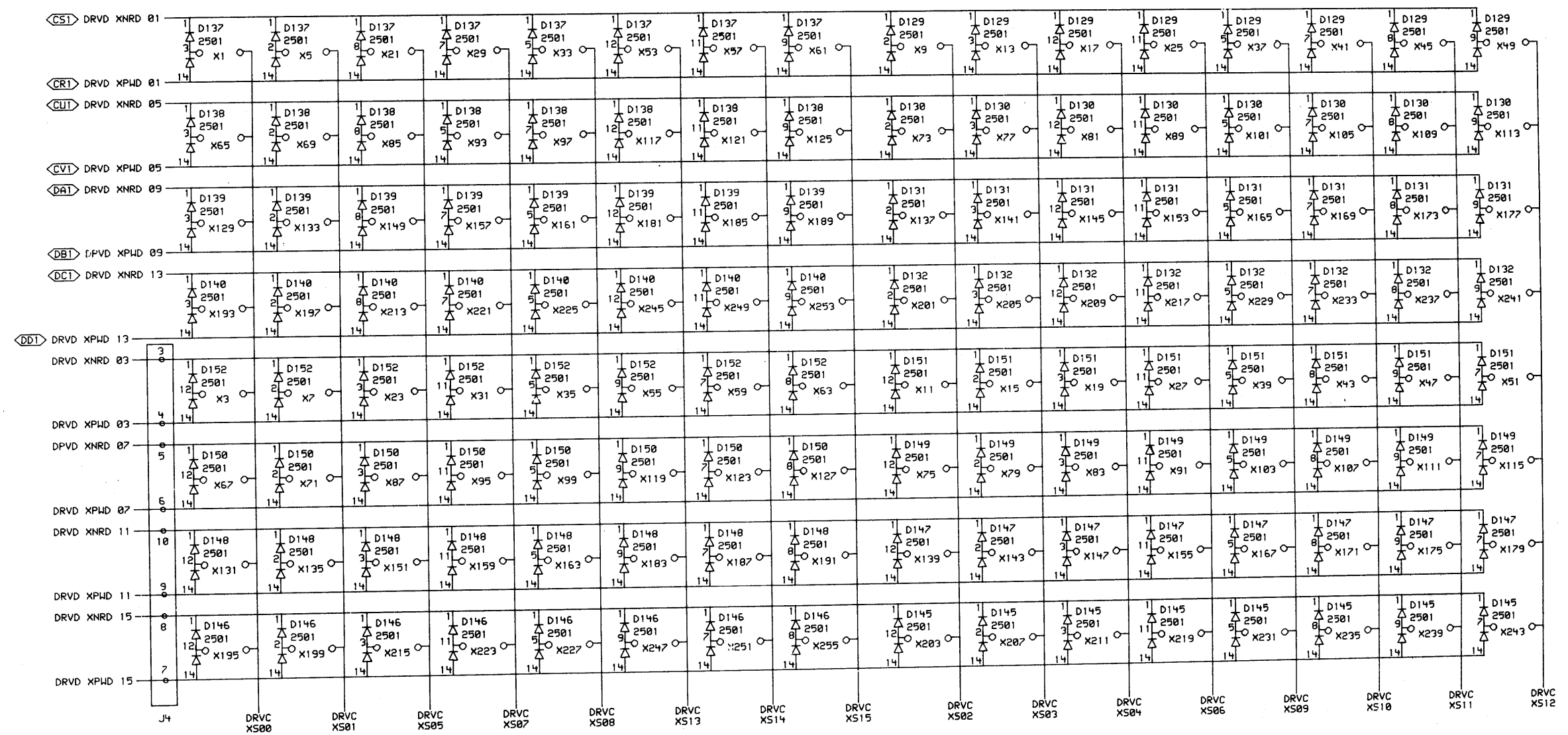
THIS PRINT IS FOR BITS 0-PAR

NOTES: 1) THE G116, H224 AND G236 BLOCK SCHEMATICS IN THIS PRINT SET REPRESENT 32K BY 37 BITS, WHICH IS 1 BANK OF STORAGE FOR 1 CONTROL. SEE D-MU-MH10-0-MJAF AND D-MU-MH10-0-MUHL FOR THE LOCATION OF OTHER BANKS.

2) THESE PRINTS REFLECT REV B OF G116 CIRCUIT SCHEMATICS THESE PRINTS REFLECT REV E OF G236 CIRCUIT SCHEMATICS THESE PRINTS REFLECT REV A OF H224B CIRCUIT SCHEMATICS

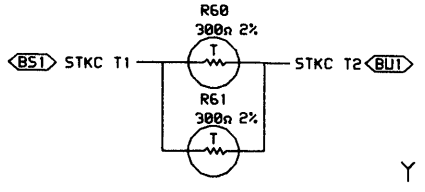
3) VARIABLE DEFINITIONS:
 [N] INDICATES A CONTROL
 [L] INDICATES A TIMING BOARD
 [B] INDICATES A BANK NUMBER (0-15)
 [M] INDICATES A SM NUMBER (0-3)

X AXIS

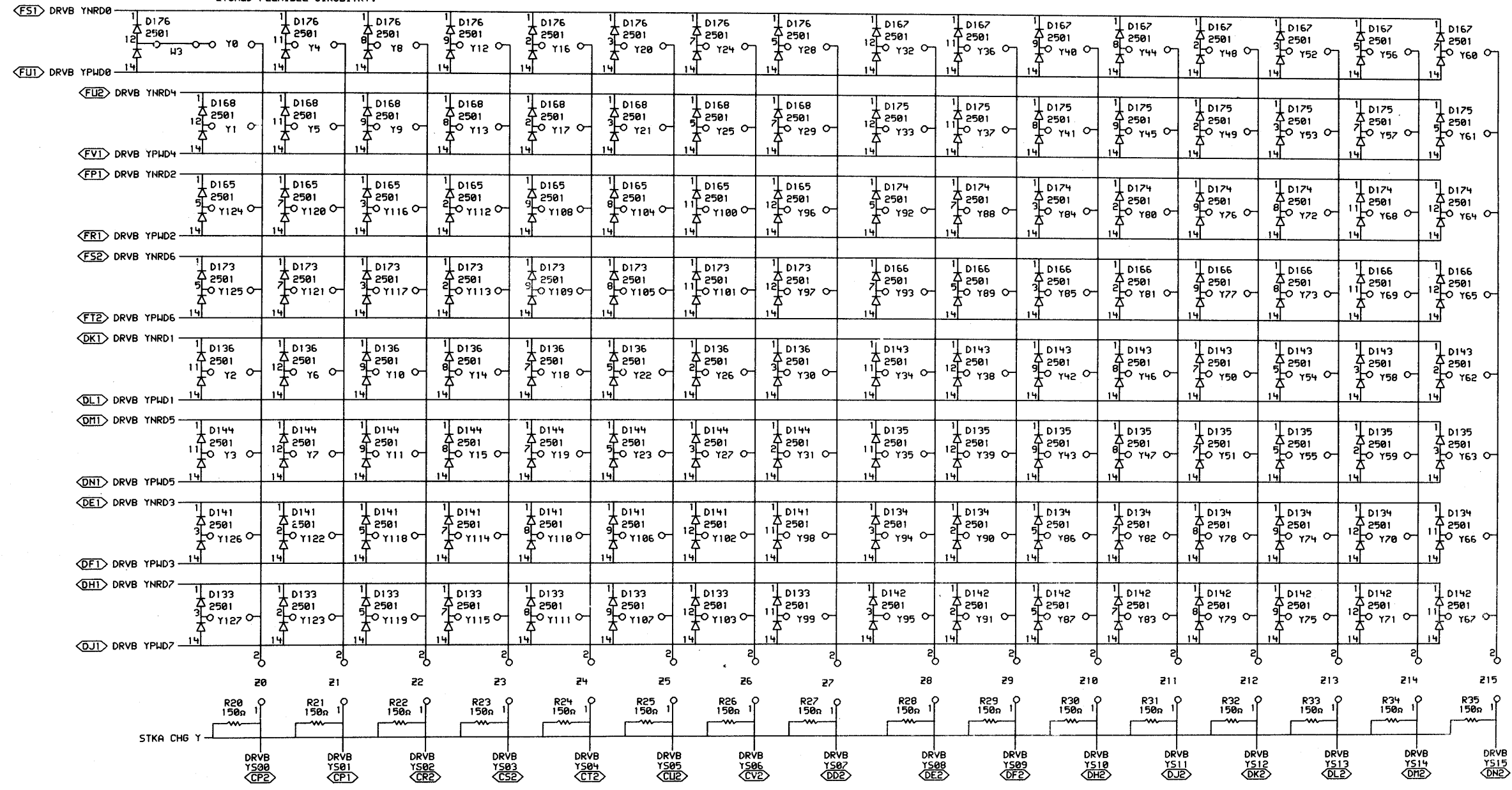


NOTES: 1) THE G116, H224B AND G236 BLOCK SCHEMATICS IN THIS PRINT SET REPRESENT 32K BY 37 BITS, WHICH IS 1 BANK OF STORAGE FOR 1 CONTROL. SEE D-MU-MH10-0-MJAF AND D-MU-MH10-0-MJHL FOR THE LOCATION OF OTHER BANKS.
 2) THESE PRINTS REFLECT REV B OF G116 CIRCUIT SCHEMATICS THESE PRINTS REFLECT REV E OF G236 CIRCUIT SCHEMATICS THESE PRINTS REFLECT REV A OF H224B CIRCUIT SCHEMATICS
 3) VARIABLE DEFINITIONS:
 [N] INDICATES A CONTROL
 [L] INDICATES A TIMING BOARD
 [B] INDICATES A BANK NUMBER (0-15)
 [M] INDICATES A SM NUMBER (0-3)
 4) Z0-Z15 ARE Y COMMON CONNECTIONS MADE BY ETCHED FLEXIBLE CIRCUITRY.

NOTE: JUMPER W3 IS A CURRENT LOOP FOR TEST USE ONLY.



Y AXIS



THIS PRINT IS FOR BITS 0-PAR

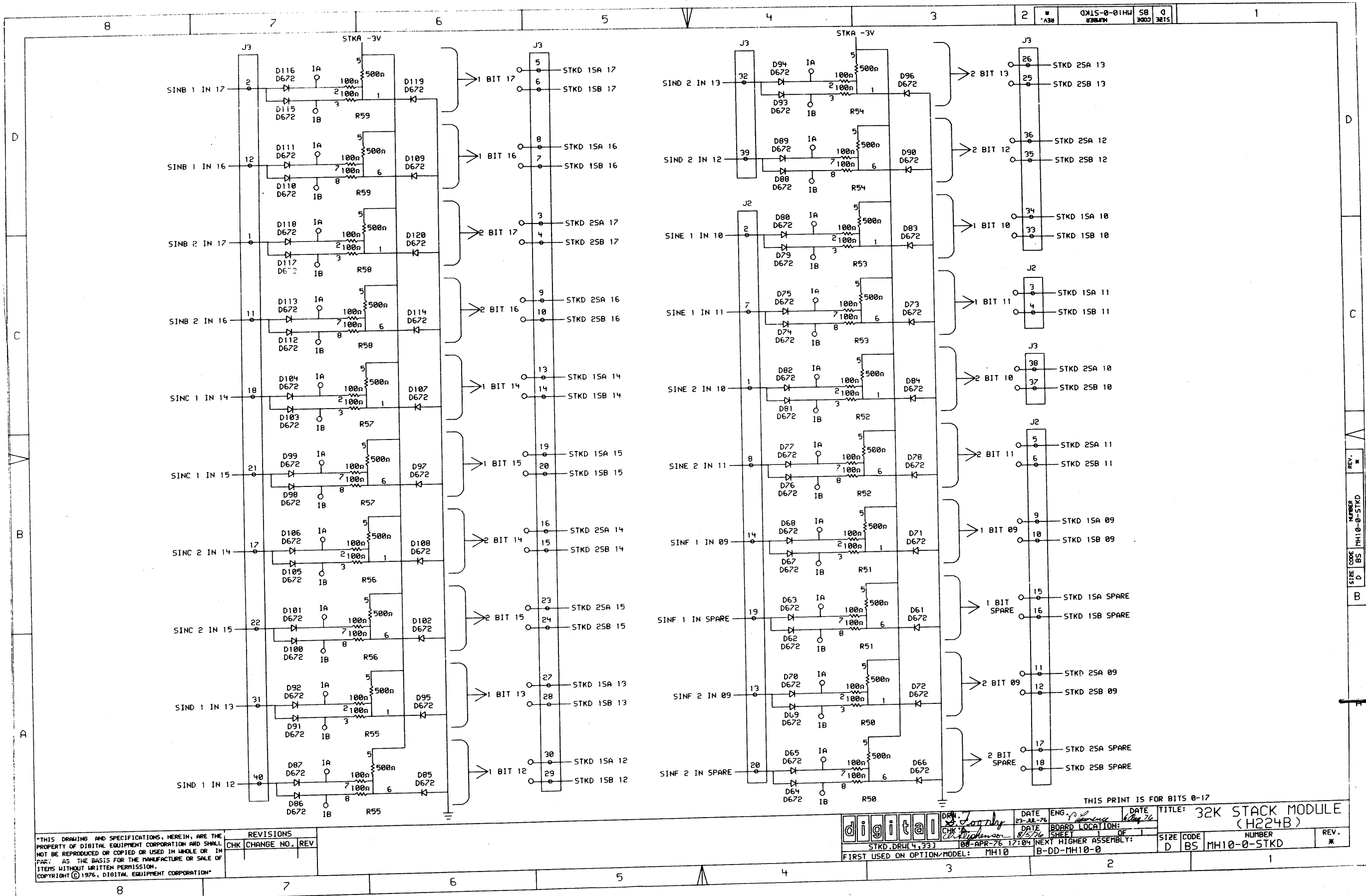
"THIS DRAWING AND SPECIFICATIONS, HEREIN, ARE THE PROPERTY OF DIGITAL EQUIPMENT CORPORATION AND SHALL NOT BE REPRODUCED OR COPIED OR USED IN WHOLE OR IN PART AS THE BASIS FOR THE MANUFACTURE OR SALE OF ITEMS WITHOUT WRITTEN PERMISSION.
 COPYRIGHT © 1976, DIGITAL EQUIPMENT CORPORATION"

REVISIONS		
CHK	CHANGE NO.	REV

digital
 STKC.DRVL4.33J
 FIRST USED ON OPTION/MODEL: MH10

DATE 23-JUL-76
 DATE 23-JUL-76
 BOARD LOCATION: 10:16
 SHEET 1 OF 1
 NEXT HIGHER ASSEMBLY: B-DD-MH10-0

TITLE: 32K STACK MODULE (H224B)
 SIZE CODE D BS
 NUMBER MH10-0-S1KC
 REV. *



THIS DRAWING AND SPECIFICATIONS, HEREIN, ARE THE PROPERTY OF DIGITAL EQUIPMENT CORPORATION AND SHALL NOT BE REPRODUCED OR COPIED OR USED IN WHOLE OR IN PART AS THE BASIS FOR THE MANUFACTURE OR SALE OF ITEMS WITHOUT WRITTEN PERMISSION. COPYRIGHT © 1976, DIGITAL EQUIPMENT CORPORATION

REVISIONS	
CHK	CHANGE NO. REV

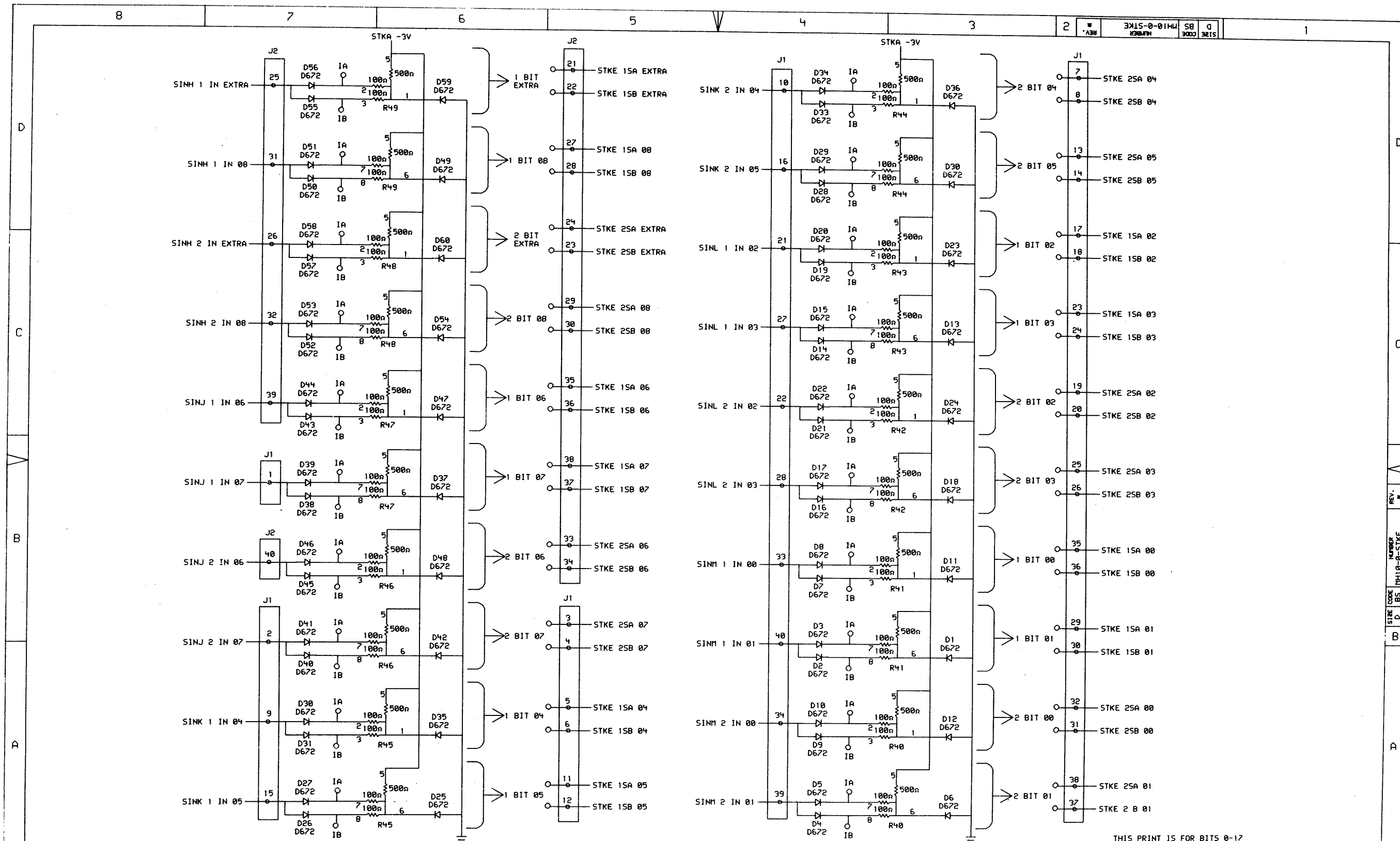
THIS PRINT IS FOR BITS 0-17

digital DRN: *J. J. J.* DATE: 23-11-75 ENG: *...* DATE: *...* TITLE: 32K STACK MODULE (H224B)

STKD, DRAW 4, 333 BOARD LOCATION: *...* SHEET: *...* OF: *...*

FIRST USED ON OPTION MODEL: MH10 NEXT HIGHER ASSEMBLY: B-DD-MH10-0

SIZE CODE: D BS NUMBER: MH10-0-STKD REV: *

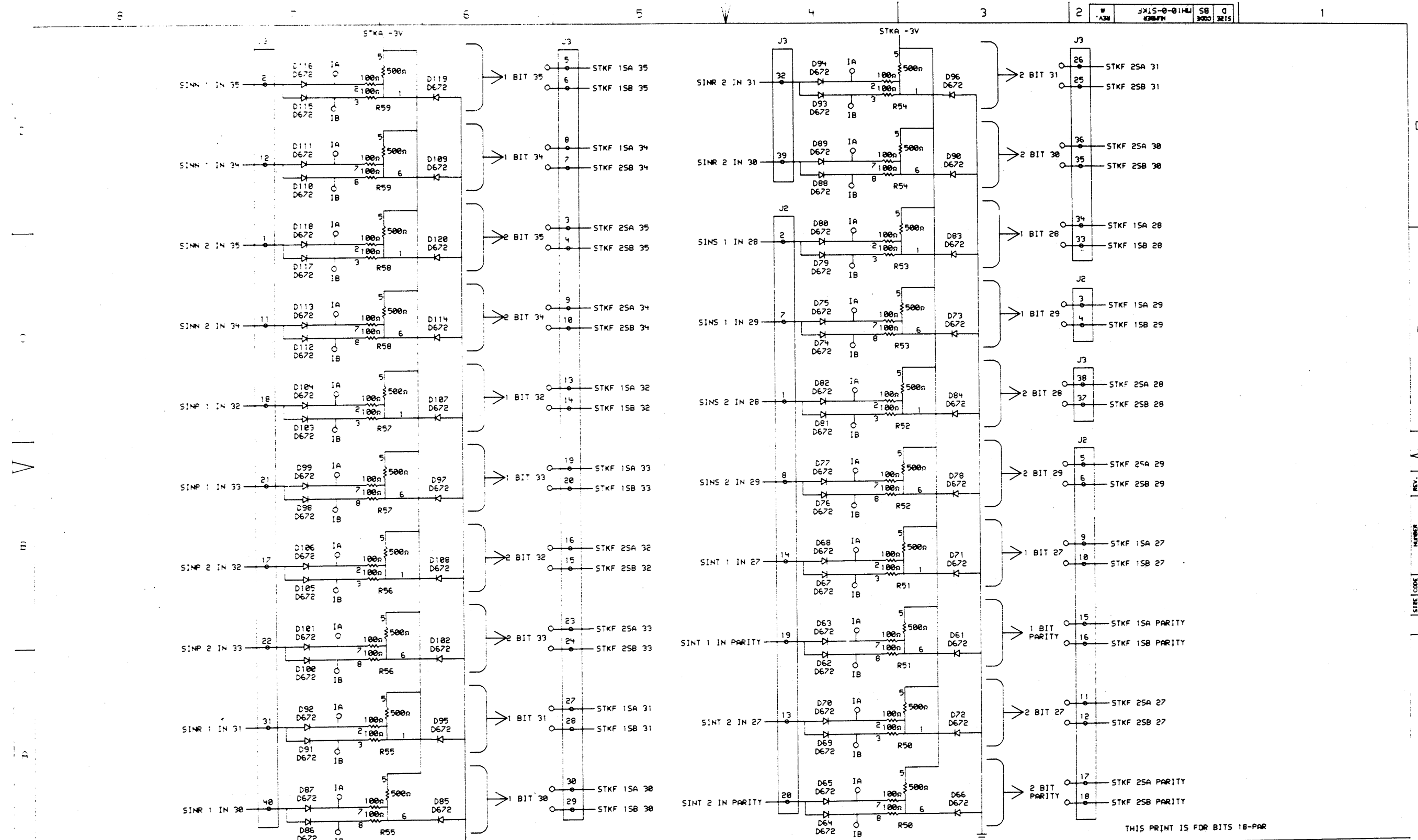


THIS PRINT IS FOR BITS 0-17

*THIS DRAWING AND SPECIFICATIONS, HEREIN, ARE THE PROPERTY OF DIGITAL EQUIPMENT CORPORATION AND SHALL NOT BE REPRODUCED OR COPIED OR USED IN WHOLE OR IN PART AS THE BASIS FOR THE MANUFACTURE OR SALE OF ITEMS WITHOUT WRITTEN PERMISSION.
 COPYRIGHT © 1976, DIGITAL EQUIPMENT CORPORATION*

REVISIONS		
CHK	CHANGE NO.	REV

	DATE	ENG.	DATE	TITLE:
	23-JUL-76	J. J. L...	05/26	32K STACK MODULE (H224B)
STKE.DRAW 4,333	DATE	BOARD LOCATION:	OF	SIZE
26-APR-76 07:05	05/26	B-DD-MH10-0	1	D BS
FIRST USED ON OPTION/MODEL:	MH10	NEXT HIGHER ASSEMBLY:	B-DD-MH10-0	NUMBER
				MH10-0-STKE
				REV. *



THIS DRAWING AND SPECIFICATIONS, HEREIN, ARE THE PROPERTY OF DIGITAL EQUIPMENT CORPORATION AND SHALL NOT BE REPRODUCED OR COPIED IN WHOLE OR IN PART AS THE BASIS FOR THE MANUFACTURE OR SALE OF ITEMS WITHOUT WRITTEN PERMISSION.
 COPYRIGHT © 1976, DIGITAL EQUIPMENT CORPORATION

REVISIONS		
CHK	CHANGE NO.	REV

digital

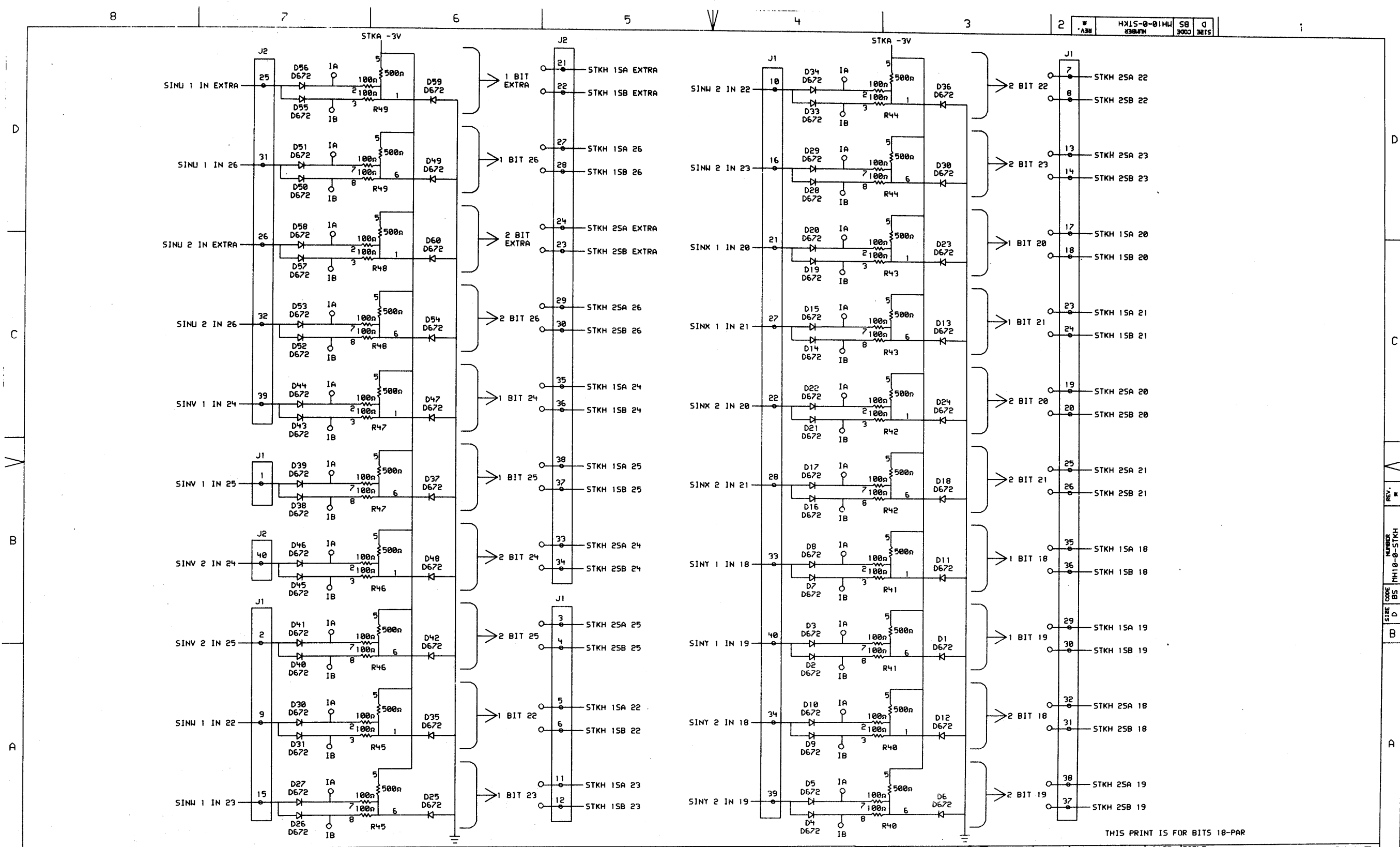
DATE: 23-11-76
 ENG: P. J. ...
 DATE: 05/76
 BOARD LOCATION: 1 OF 1

TITLE: 32K STACK MODULE (H224B)

SIZE CODE: D BS
 NUMBER: MH10-0-STKF
 REV: *

FIRST USED ON OPTION MODEL: MH10

THIS PRINT IS FOR BITS 18-PAR



THIS PRINT IS FOR BITS 18-PAR

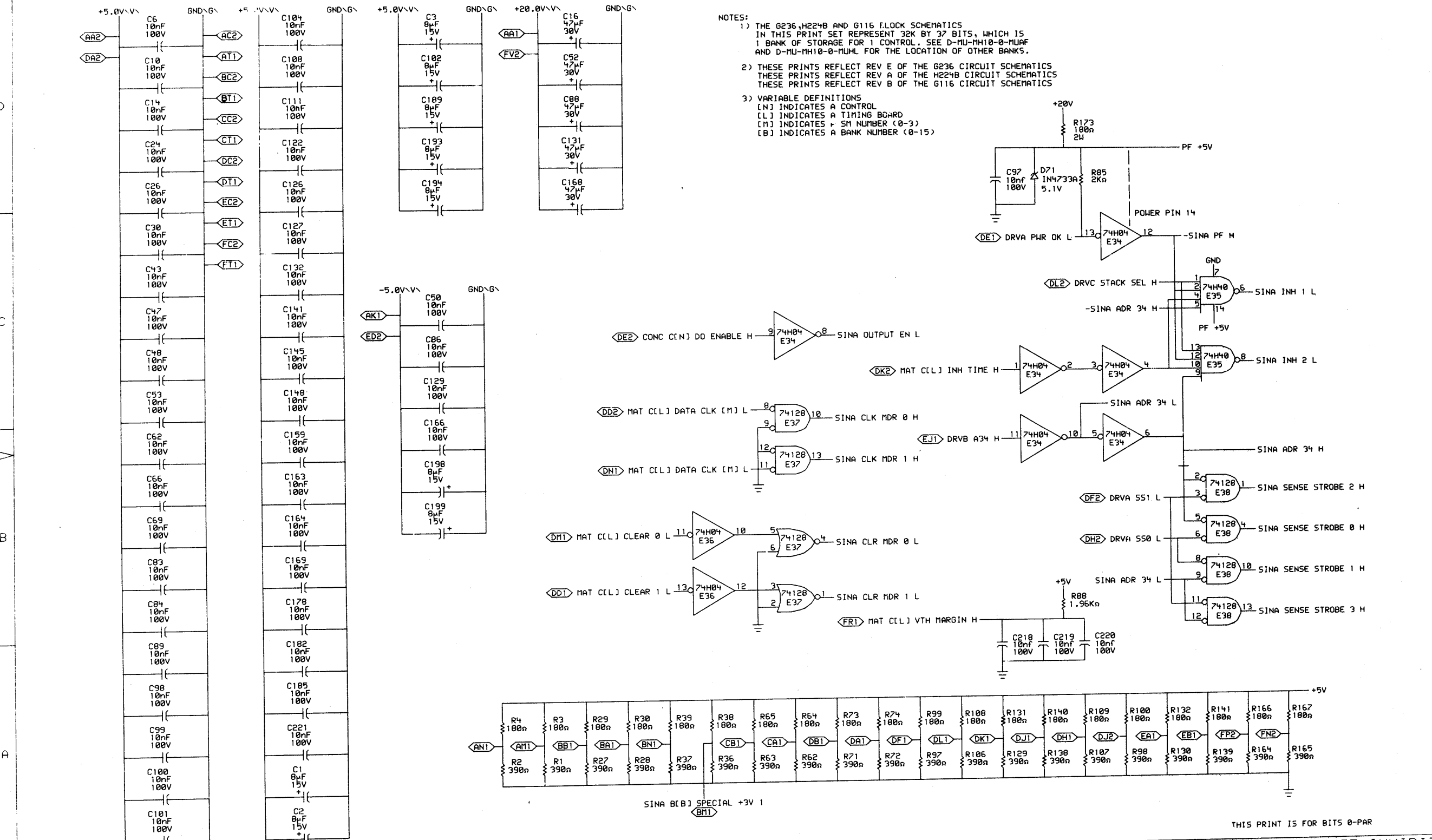
"THIS DRAWING AND SPECIFICATIONS, HEREIN, ARE THE PROPERTY OF DIGITAL EQUIPMENT CORPORATION AND SHALL NOT BE REPRODUCED OR COPIED OR USED IN WHOLE OR IN PART AS THE BASIS FOR THE MANUFACTURE OR SALE OF ITEMS WITHOUT WRITTEN PERMISSION. COPYRIGHT © 1976, DIGITAL EQUIPMENT CORPORATION"

REVISIONS		
CHK	CHANGE NO.	REV

	DATE: 22-11-76 ENG: P. Lawrence DATE: 04/76 BOARD LOCATION: OF 1	TITLE: 32K STACK MODULE (H224B)
	STKH.DRW(4,33) FIRST USED ON OPTION/MODEL: MH10	DATE: 26-APR-76 12:00 NEXT HIGHER ASSEMBLY: B-DD-MH10-0

REV.	NO.

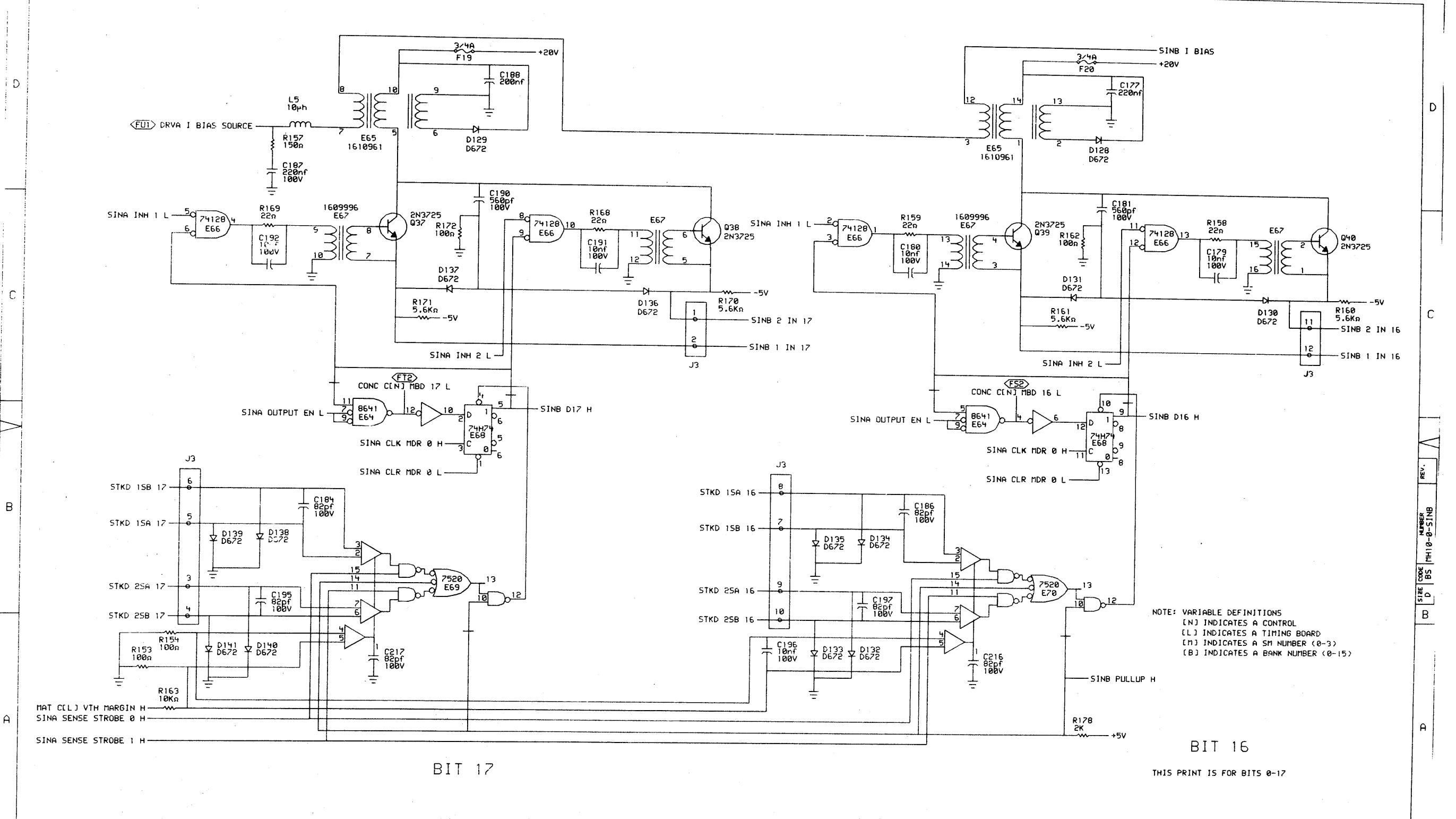
SIZE CODE: D BS
 NUMBER: MH10-0-STKH
 REV. NO.



"THIS DRAWING AND SPECIFICATIONS, HEREIN, ARE THE PROPERTY OF DIGITAL EQUIPMENT CORPORATION AND SHALL NOT BE REPRODUCED OR COPIED OR USED IN WHOLE OR IN PART AS THE BASIS FOR THE MANUFACTURE OR SALE OF ITEMS WITHOUT WRITTEN PERMISSION. COPYRIGHT © 1976, DIGITAL EQUIPMENT CORPORATION"

REVISIONS		
CHK	CHANGE NO.	REV

digital *Johny* DATE 26-JUL-76 ENG. *Johny* DATE *26-JUL-76* TITLE: 32K SENSE/INHIBIT (G116)
 SINA DRW 4.331 14-JUL-76 07:03 BOARD LOCATION: SIZE CODE NUMBER REV.
 FIRST USED ON OPTION/MODEL: MH10 B-DD-MH10-0 D BS MH10-0-SINA *



NOTE: VARIABLE DEFINITIONS
 [N] INDICATES A CONTROL
 [L] INDICATES A TIMING BOARD
 [M] INDICATES A SM NUMBER (0-3)
 [B] INDICATES A BANK NUMBER (0-15)

BIT 16

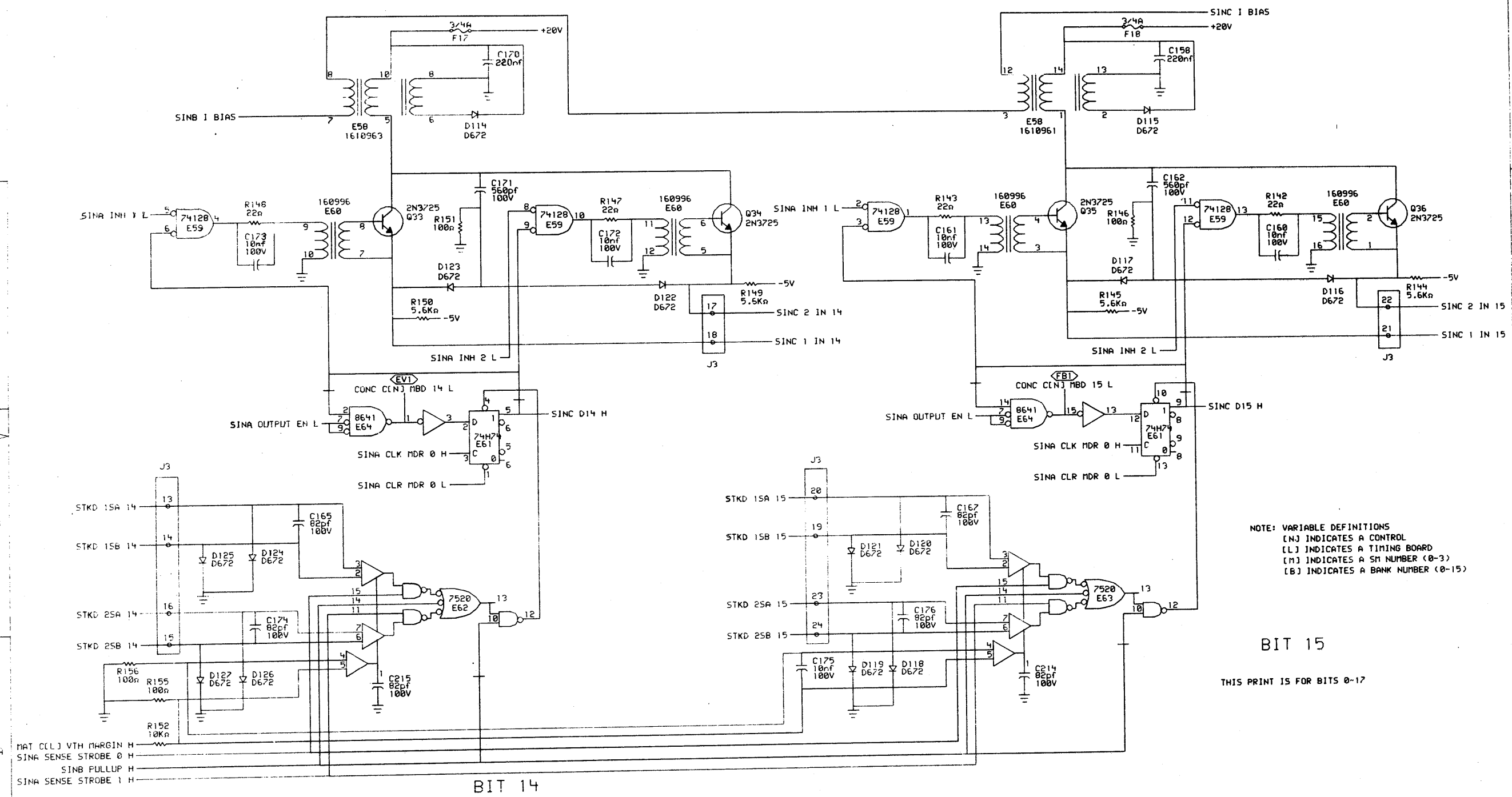
THIS PRINT IS FOR BITS 0-17

BIT 17

"THIS DRAWING AND SPECIFICATIONS, HEREIN, ARE THE PROPERTY OF DIGITAL EQUIPMENT CORPORATION AND SHALL NOT BE REPRODUCED OR COPIED OR USED IN WHOLE OR IN PART AS THE BASIS FOR THE MANUFACTURE OR SALE OF ITEMS WITHOUT WRITTEN PERMISSION.
 COPYRIGHT © 1976, DIGITAL EQUIPMENT CORPORATION"

REVISIONS		
CHK	CHANGE NO.	REV

digital	DATE 26-JUN-76	ENG. J. J. J.	DATE	TITLE: 32K SENSE/INHIBIT (G116)
	CHK'D BY: ce. Stephens	DATE 26-JUN-76	BOARD LOCATION: 1	SIZE CODE D BS
SINB.DRW.4.33	104-JUN-76 11:16	NEXT HIGHER ASSEMBLY: B-DD-MH10-0	NUMBER MH10-0-SINB	REV. 1
FIRST USED ON OPTION/MODEL: MH10				

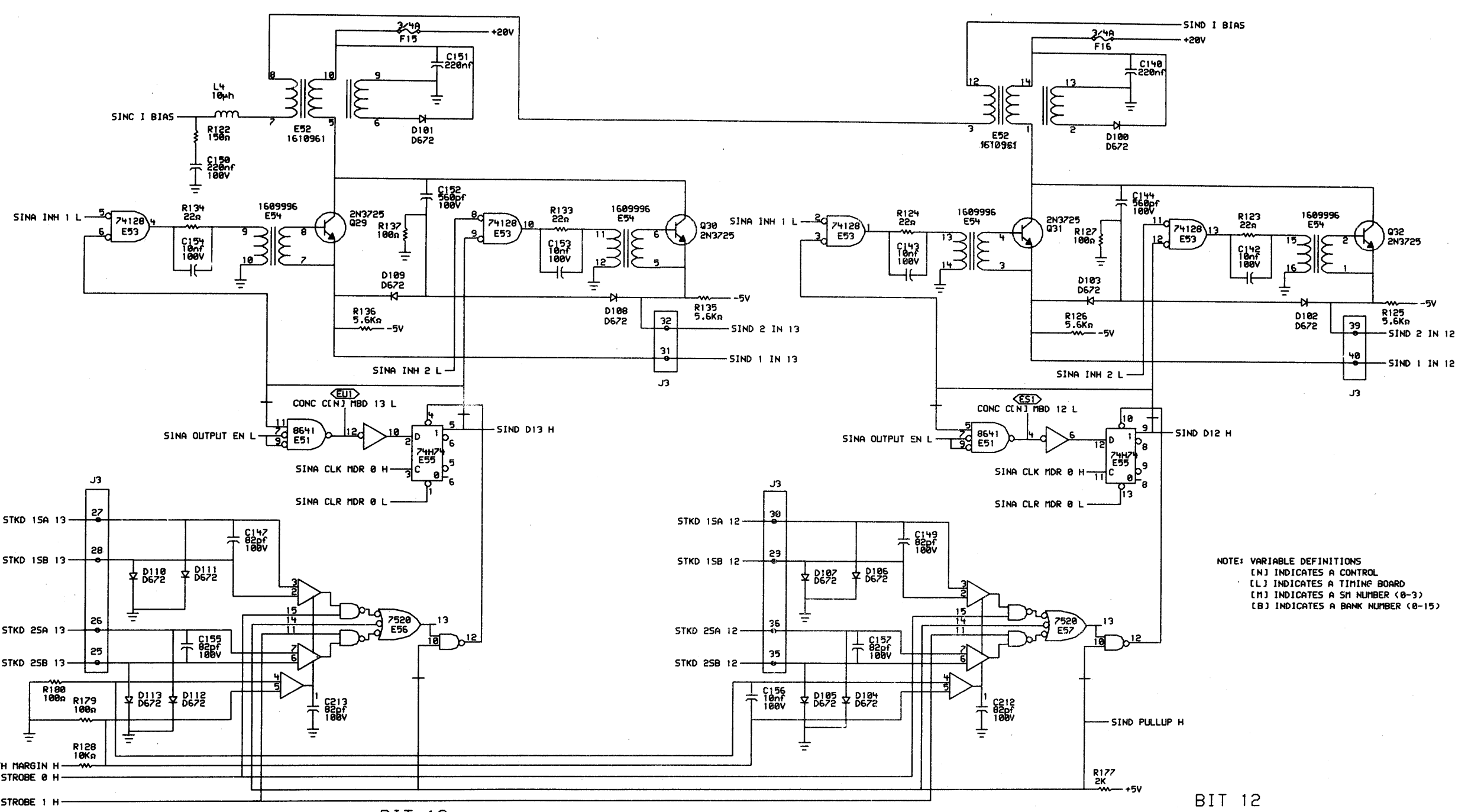


NOTE: VARIABLE DEFINITIONS
 (N) INDICATES A CONTROL
 (L) INDICATES A TIMING BOARD
 (M) INDICATES A SM NUMBER (0-3)
 (B) INDICATES A BANK NUMBER (0-15)

BIT 15

THIS PRINT IS FOR BITS 0-17

THIS DRAWING AND SPECIFICATIONS, HEREIN, ARE THE PROPERTY OF DIGITAL EQUIPMENT CORPORATION AND SHALL NOT BE REPRODUCED OR COPIED OR USED IN WHOLE OR IN PART AS THE BASIS FOR THE MANUFACTURE OR SALE OF ITEMS WITHOUT WRITTEN PERMISSION. COPYRIGHT © 1976, DIGITAL EQUIPMENT CORPORATION			REVISIONS CHK CHANGE NO. REV			digital DATE 26-JUN-76 DATE 05/76 SHEET 1 OF 1 FIRST USED ON OPTION/MODEL: MHI0 B-DD-MHI0-0			TITLE: 32K SENSE/INHIBIT (G116) BOARD LOCATION: DE 1 NEXT HIGHER ASSEMBLY: B-DD-MHI0-0			SIZE CODE NUMBER REV. D BS MHI0-0-SINC		
---	--	--	---------------------------------	--	--	---	--	--	--	--	--	---	--	--



NOTE: VARIABLE DEFINITIONS
 [N] INDICATES A CONTROL
 [L] INDICATES A TIMING BOARD
 [M] INDICATES A SM NUMBER (0-3)
 [B] INDICATES A BANK NUMBER (0-15)

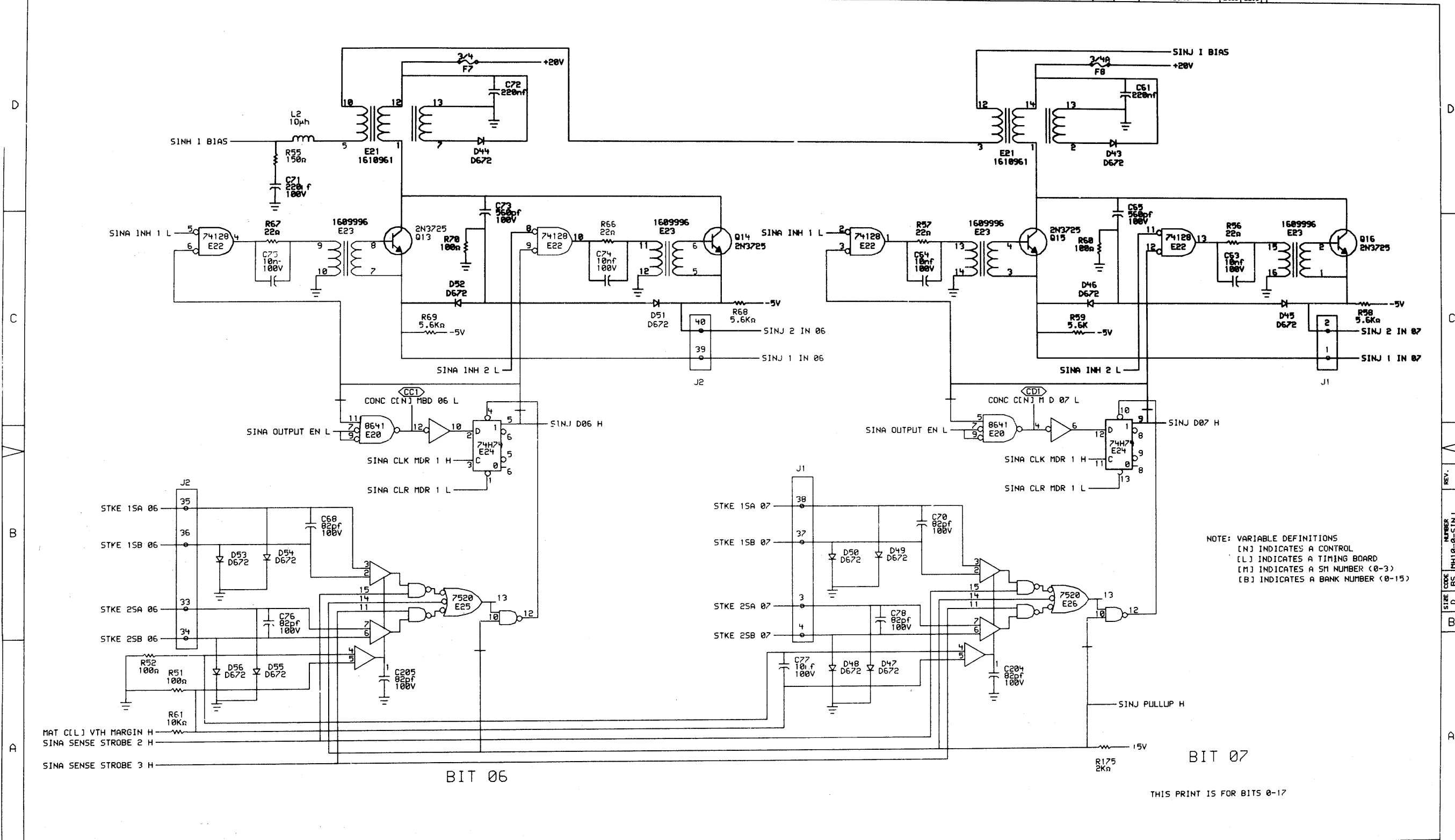
BIT 12
 BIT 13
 THIS PRINT IS FOR BITS 0-17

"THIS DRAWING AND SPECIFICATIONS, HEREIN, ARE THE PROPERTY OF DIGITAL EQUIPMENT CORPORATION AND SHALL NOT BE REPRODUCED OR COPIED OR USED IN WHOLE OR IN PART AS THE BASIS FOR THE MANUFACTURE OR SALE OF ITEMS WITHOUT WRITTEN PERMISSION. COPYRIGHT © 1976, DIGITAL EQUIPMENT CORPORATION"

REVISIONS	
CHK	CHANGE NO. REV

	DESIGNER: J. J. ...	DATE: 05-28-76	ENG. APPROVED: ...	DATE: ...	TITLE: 32K SENSE/INHIBIT (G116)
	CHK'D: ...	DATE: 04-JUN-76 11:20	BOARD LOCATION: ...	SHEET: ...	SIZE: D
SIND_DR14_4_331			NEXT HIGHER ASSEMBLY: B-DD-MH10-0		NUMBER: MH10-0-SIND
FIRST USED ON OPTION/MODEL: MH10			REV.:		

REV.	1	DATE	08-11-76
SIZE	D	NUMBER	MH10-0-SINJ



NOTE: VARIABLE DEFINITIONS
 [N] INDICATES A CONTROL
 [L] INDICATES A TIMING BOARD
 [M] INDICATES A SM NUMBER (0-3)
 [B] INDICATES A BANK NUMBER (0-15)

BIT 07

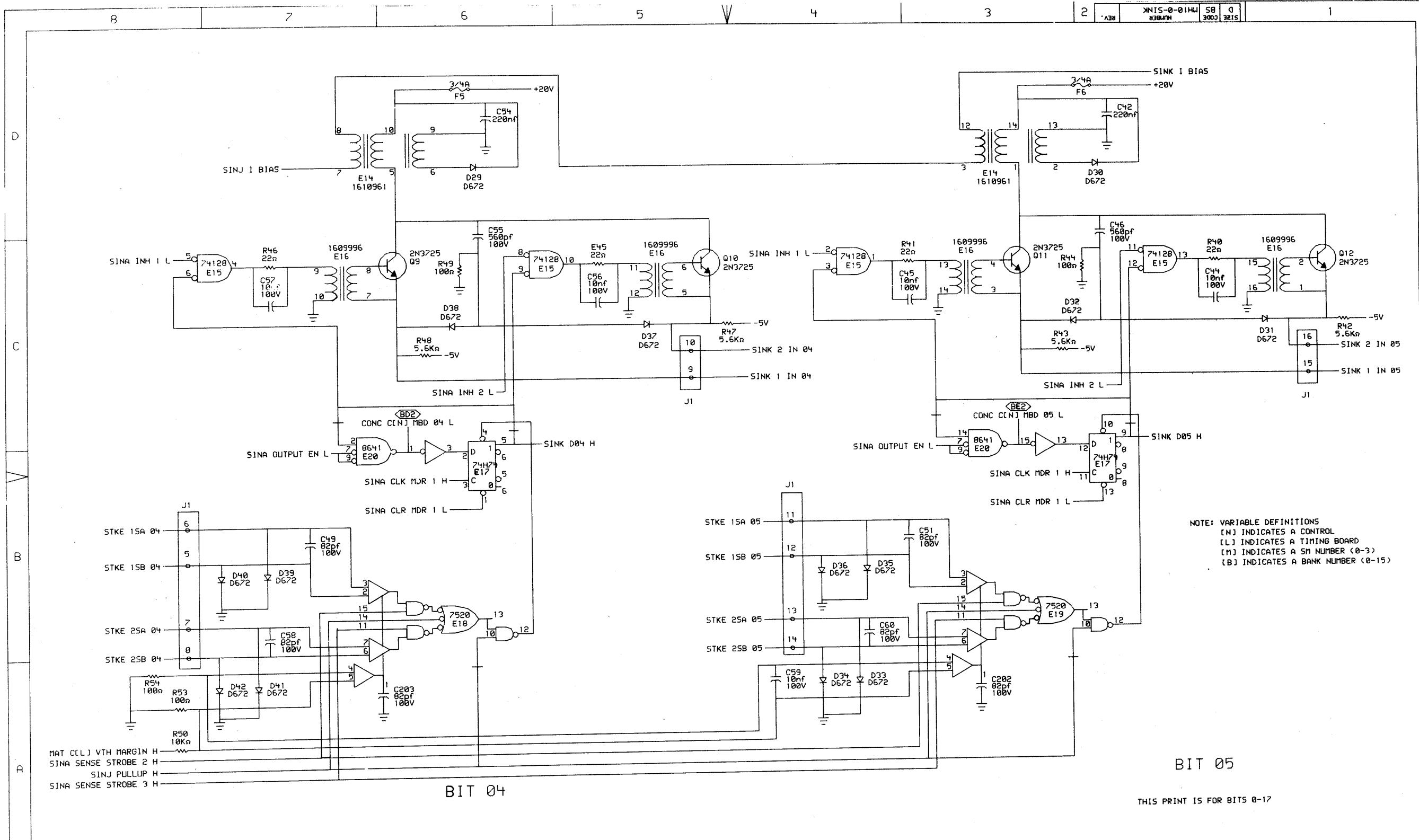
BIT 06

THIS PRINT IS FOR BITS 0-17

*THIS DRAWING AND SPECIFICATIONS, HEREIN, ARE THE PROPERTY OF DIGITAL EQUIPMENT CORPORATION AND SHALL NOT BE REPRODUCED OR COPIED OR USED IN WHOLE OR IN PART AS THE BASIS FOR THE MANUFACTURE OR SALE OF ITEM WITHOUT WRITTEN PERMISSION.
 COPYRIGHT © 1976, DIGITAL EQUIPMENT CORPORATION

REVISIONS		
CHK	CHANGE NO.	REV

DRW	DATE	ENG	DATE	TITLE
J. J. J.	08-11-76	P. J.	08-11-76	32K SENSE/INHIBIT (G116)
CHK	DATE	BY	DATE	BOARD LOCATION
	08-11-76			
SINJ.DRW(4,33)		NEXT HIGHER ASSEMBLY:		SIZE
FIRST USED ON OPTION/MODEL: MH10		B-DD-MH10-0		CODE
				NUMBER
				D BS MH10-0-SINJ
				REV.



NOTE: VARIABLE DEFINITIONS
 [N] INDICATES A CONTROL
 [L] INDICATES A TIMING BOARD
 [M] INDICATES A SM NUMBER (0-3)
 [B] INDICATES A BANK NUMBER (0-15)

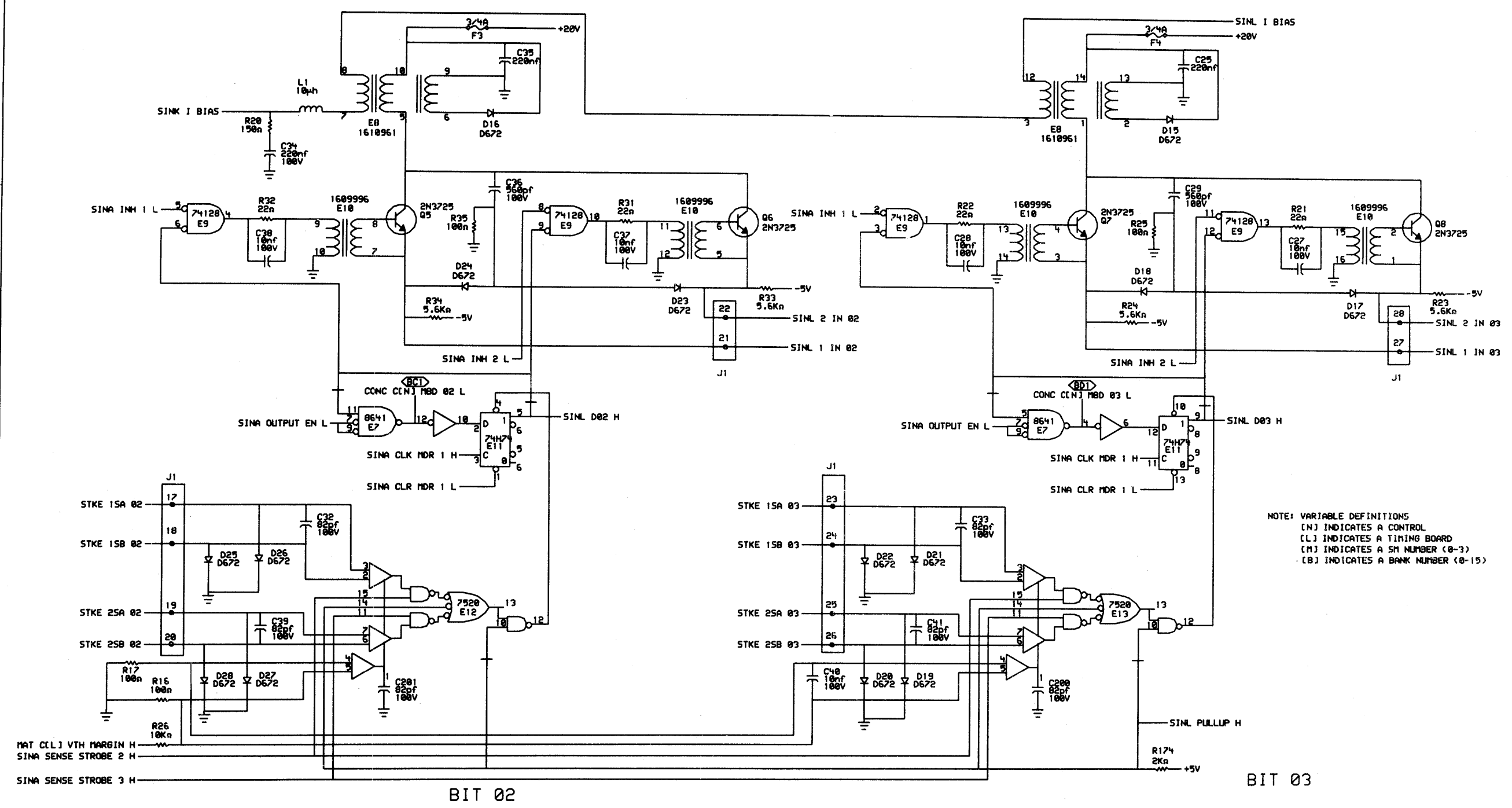
BIT 05

THIS PRINT IS FOR BITS 0-17

"THIS DRAWING AND SPECIFICATIONS, HEREIN, ARE THE PROPERTY OF DIGITAL EQUIPMENT CORPORATION AND SHALL NOT BE REPRODUCED OR COPIED OR USED IN WHOLE OR IN PART AS THE BASIS FOR THE MANUFACTURE OR SALE OF ITEMS WITHOUT WRITTEN PERMISSION. COPYRIGHT © 1976, DIGITAL EQUIPMENT CORPORATION"

REVISIONS		
CHK	CHANGE NO.	REV

digit@l	DATE	28-JUL-76	ENG. OF	DATE		TITLE: 32K SENSE/INHIBIT (G116)
	CHK'D BY					
SINK_DRM 4, 33		04 JUN-76 11:32	NEXT HIGHER ASSEMBLY:		SIZE CODE	NUMBER
FIRST USED ON OPTION/MODEL: MH10		B-DD-MH10-0		D	BS	MH10-0-SINK



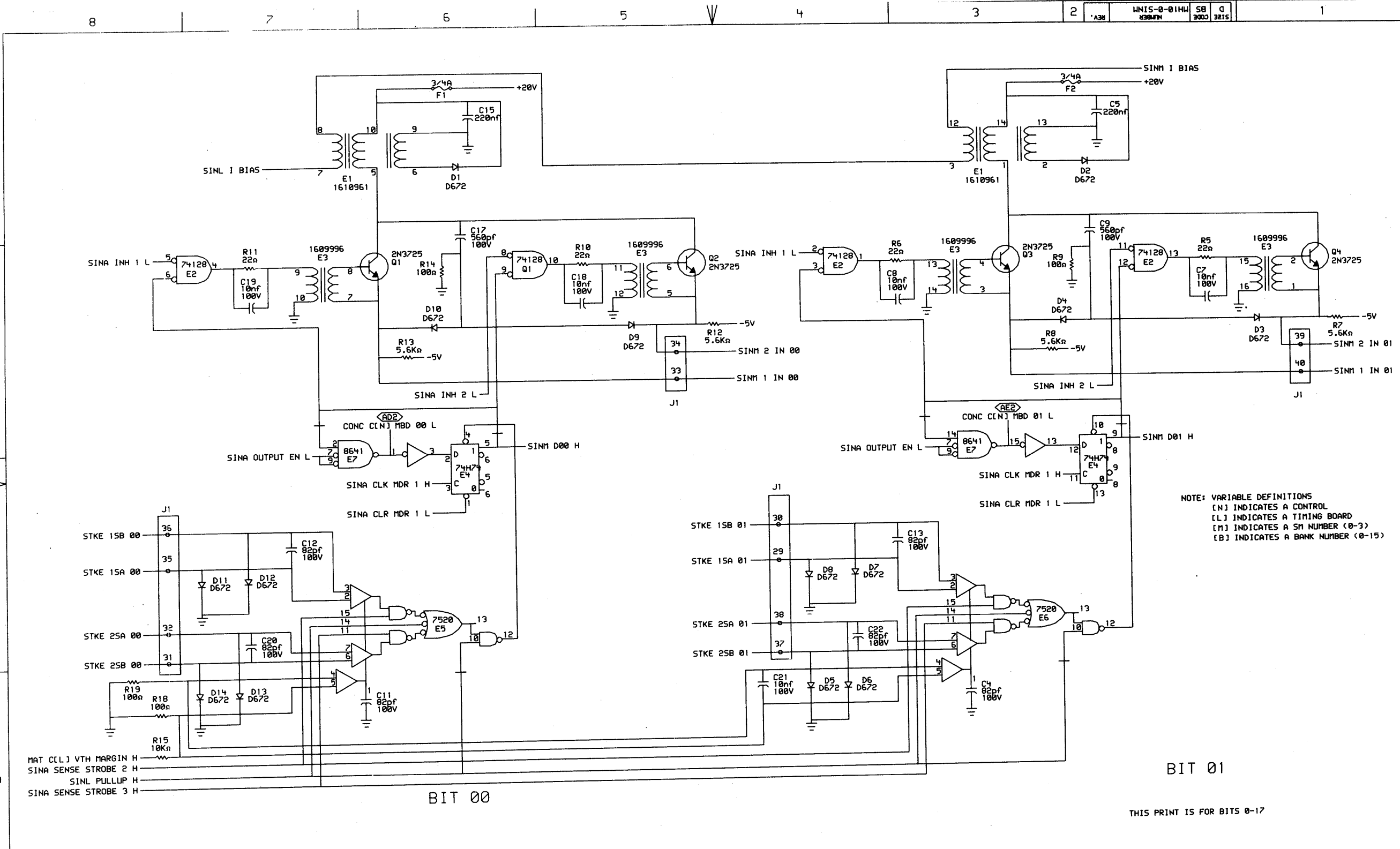
NOTE: VARIABLE DEFINITIONS
 [N] INDICATES A CONTROL BOARD
 [L] INDICATES A TIMING BOARD
 [M] INDICATES A SM NUMBER (0-3)
 [B] INDICATES A BANK NUMBER (0-15)

*THIS DRAWING AND SPECIFICATIONS, HEREIN, ARE THE PROPERTY OF DIGITAL EQUIPMENT CORPORATION AND SHALL NOT BE REPRODUCED OR COPIED OR USED IN WHOLE OR IN PART AS THE BASIS FOR THE MANUFACTURE OR SALE OF ITEMS WITHOUT WRITTEN PERMISSION.
 COPYRIGHT © 1976, DIGITAL EQUIPMENT CORPORATION*

REVISIONS		
CHK	CHANGE NO.	REV

digital	DATE	ENG.	DATE	TITLE: 32K SENSE/INHIBIT (G116)
	05-24-76	J. J. ...	05-24-76	
SINL D02 H		SINL D03 H		SIZE CODE
FIRST USED ON OPTION/MODEL: MH10		NEXT HIGHER ASSEMBLY: B-DD-MH10-0		D BS
NUMBER			REV.	

THIS PRINT IS FOR BITS 0-17

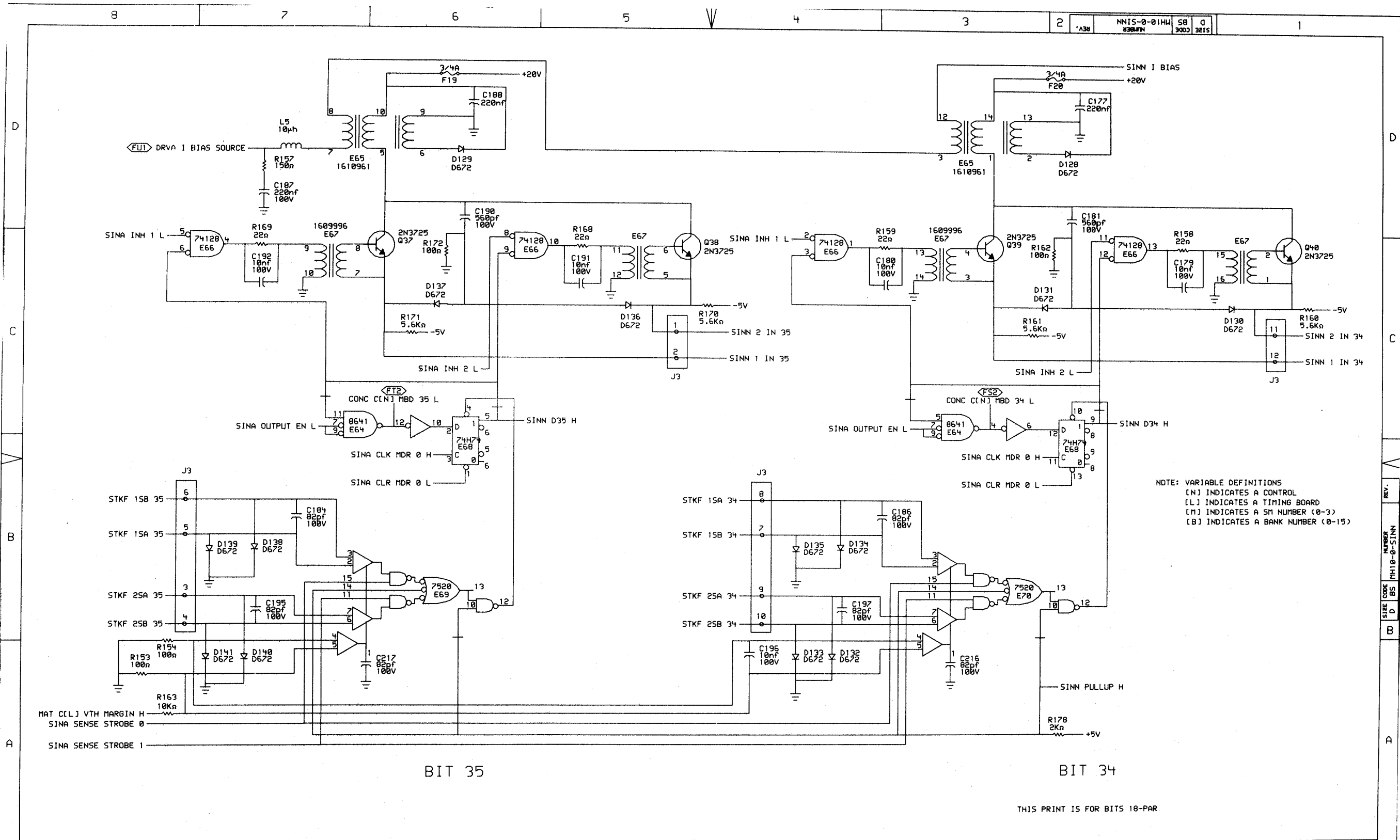


NOTE: VARIABLE DEFINITIONS
 [N] INDICATES A CONTROL
 [L] INDICATES A TIMING BOARD
 [M] INDICATES A SM NUMBER (0-3)
 [B] INDICATES A BANK NUMBER (0-15)

BIT 01

THIS PRINT IS FOR BITS 0-17

THIS DRAWING AND SPECIFICATIONS, HEREIN, ARE THE PROPERTY OF DIGITAL EQUIPMENT CORPORATION AND SHALL NOT BE REPRODUCED OR COPIED OR USED IN WHOLE OR IN PART AS THE BASIS FOR THE MANUFACTURE OR SALE OF ITEMS WITHOUT WRITTEN PERMISSION. COPYRIGHT © 1976, DIGITAL EQUIPMENT CORPORATION		REVISIONS CHK CHANGE NO. REV	TITLE: 32K SENSE/INHIBIT (G116)
DIGITAL SINM.DR4.33	DATE: 28-11-76 DATE: 04-JUN-76 11:35 NEXT HIGHER ASSEMBLY: B-DD-MH10-0	DATE: 28-11-76 DATE: 04-JUN-76 11:35 NEXT HIGHER ASSEMBLY: B-DD-MH10-0	SIZE CODE: D BS NUMBER: MH10-0-SINM REV.



NOTE: VARIABLE DEFINITIONS
 [N] INDICATES A CONTROL
 [L] INDICATES A TIMING BOARD
 [M] INDICATES A SM NUMBER (0-3)
 [B] INDICATES A BANK NUMBER (0-15)

BIT 35

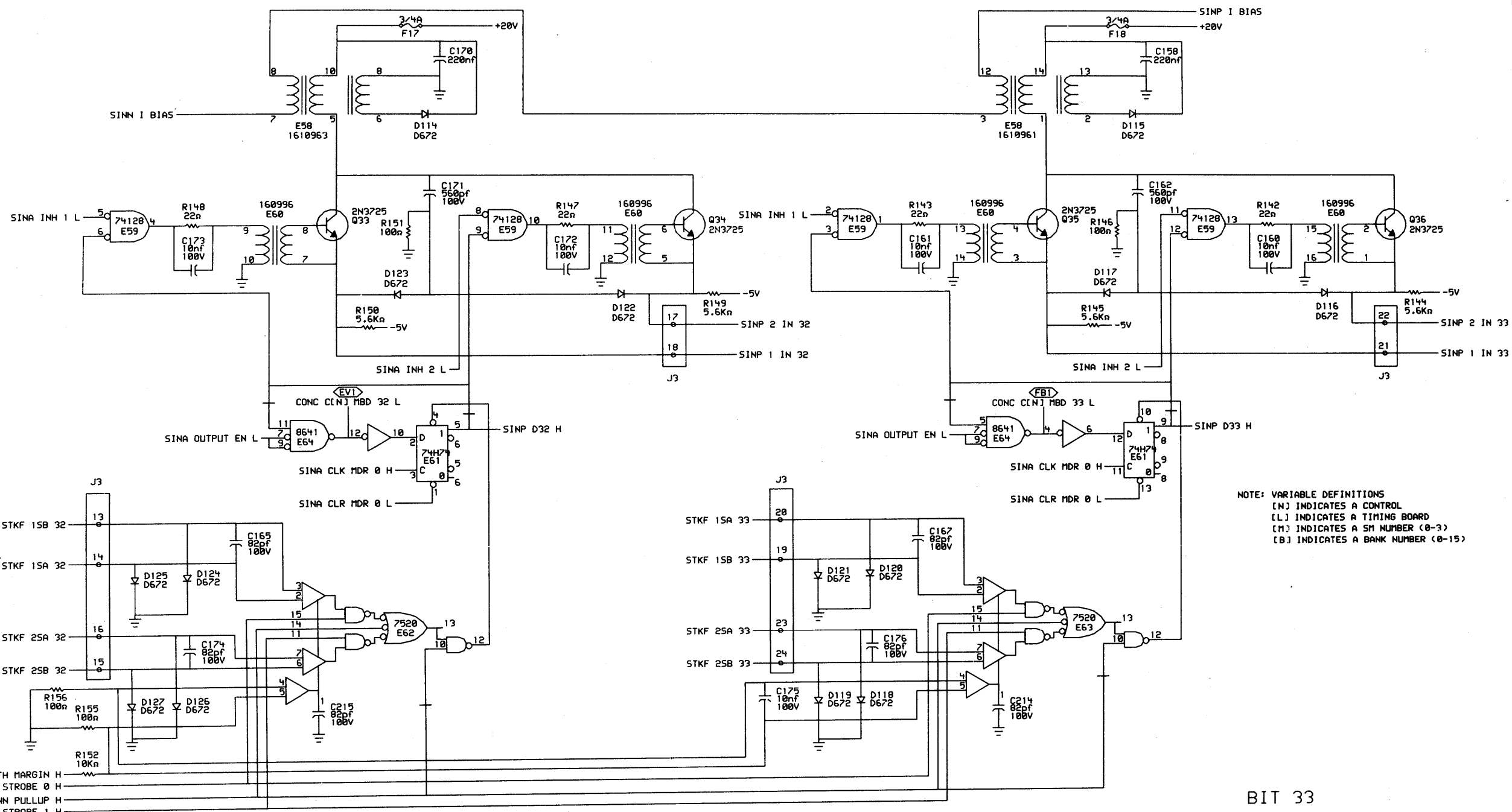
BIT 34

THIS PRINT IS FOR BITS 18-PAR

*THIS DRAWING AND SPECIFICATIONS, HEREIN, ARE THE PROPERTY OF DIGITAL EQUIPMENT CORPORATION AND SHALL NOT BE REPRODUCED OR COPIED OR USED IN WHOLE OR IN PART AS THE BASIS FOR THE MANUFACTURE OR SALE OF ITEMS WITHOUT WRITTEN PERMISSION.
 COPYRIGHT © 1976, DIGITAL EQUIPMENT CORPORATION*

REVISIONS		
CHK	CHANGE NO.	REV

	DATE: 28-JUN-76 ENG: <i>Ph...</i> DATE: 03/76 BOARD LOCATION:	DATE: <i>03/76</i> SHEET: 1 OF 1	TITLE: 32K SENSE/INHIBIT (G116)
	SINN_DRM(4,33) FIRST USED ON OPTION/MODEL: MH10	NEXT HIGHER ASSEMBLY: B-DD-MH10-0	SIZE CODE: D B5 NUMBER: MH10-0-SINN



NOTE: VARIABLE DEFINITIONS
 [N] INDICATES A CONTROL
 [L] INDICATES A TIMING BOARD
 [M] INDICATES A SM NUMBER (0-3)
 [B] INDICATES A BANK NUMBER (0-15)

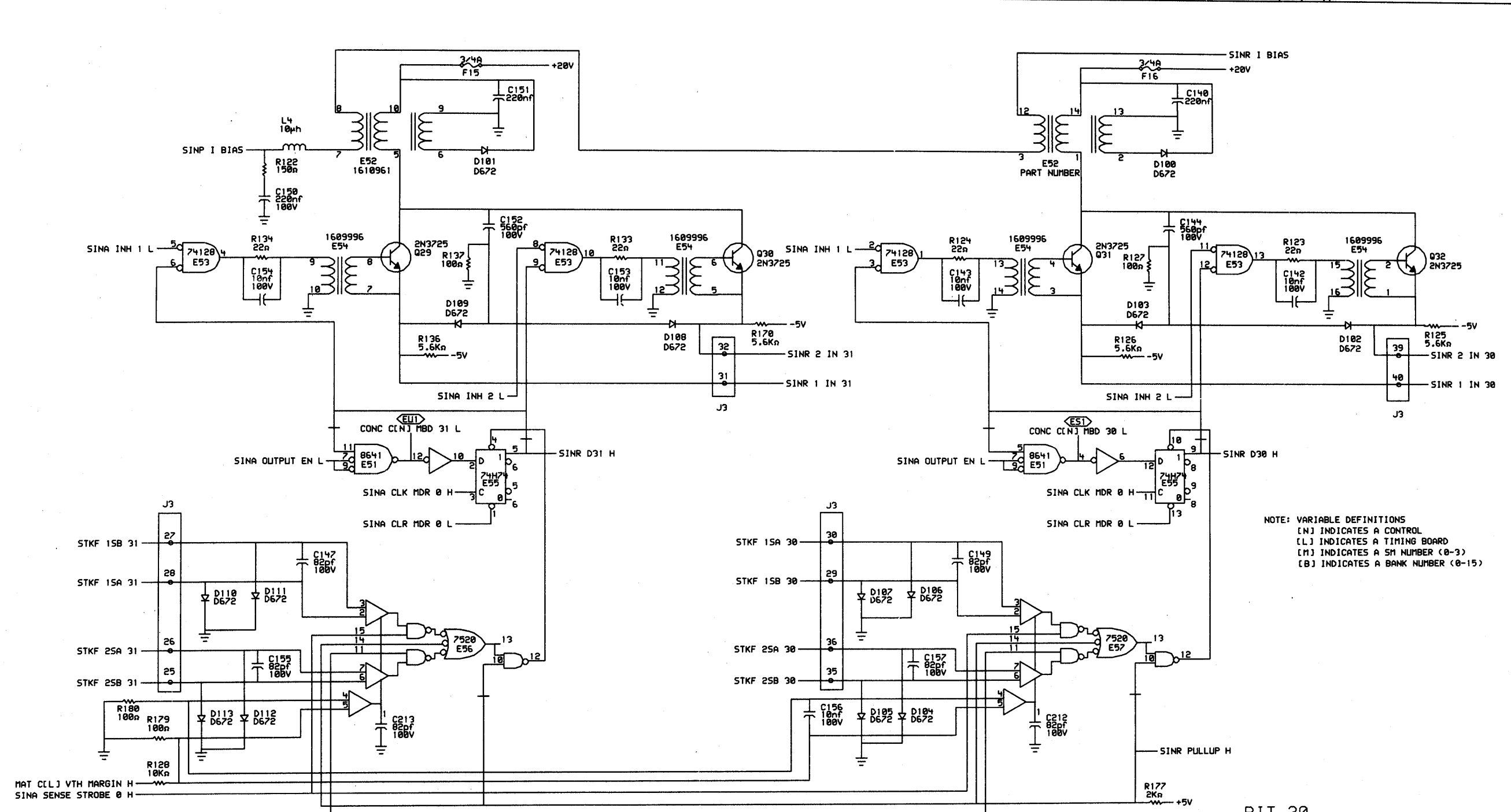
BIT 33

THIS PRINT IS FOR BITS 10-PAR

"THIS DRAWING AND SPECIFICATIONS, HEREIN, ARE THE PROPERTY OF DIGITAL EQUIPMENT CORPORATION AND SHALL NOT BE REPRODUCED OR COPIED OR USED IN WHOLE OR IN PART AS THE BASIS FOR THE MANUFACTURE OR SALE OF ITEMS WITHOUT WRITTEN PERMISSION.
 COPYRIGHT © 1976, DIGITAL EQUIPMENT CORPORATION"

REVISIONS		
CHK	CHANGE NO.	REV.

	DATE: 08-11-76 ENG: P. [Signature] DATE: 05/76 BOARD LOCATION: DE 1 SHEET: 1	DATE: 08-11-76 ENG: P. [Signature] DATE: 05/76 BOARD LOCATION: DE 1 SHEET: 1	TITLE: 32K SENSE/INHIBIT (G116)
	FIRST USED ON OPTION/MODEL: MH10	NEXT HIGHER ASSEMBLY: B-DD-MH10-0	SIZE CODE: D BS NUMBER: MH10-0-SINP



NOTE: VARIABLE DEFINITIONS
 [N] INDICATES A CONTROL
 [L] INDICATES A TIMING BOARD
 [M] INDICATES A SM NUMBER (0-3)
 [B] INDICATES A BANK NUMBER (0-15)

BIT 31

BIT 30

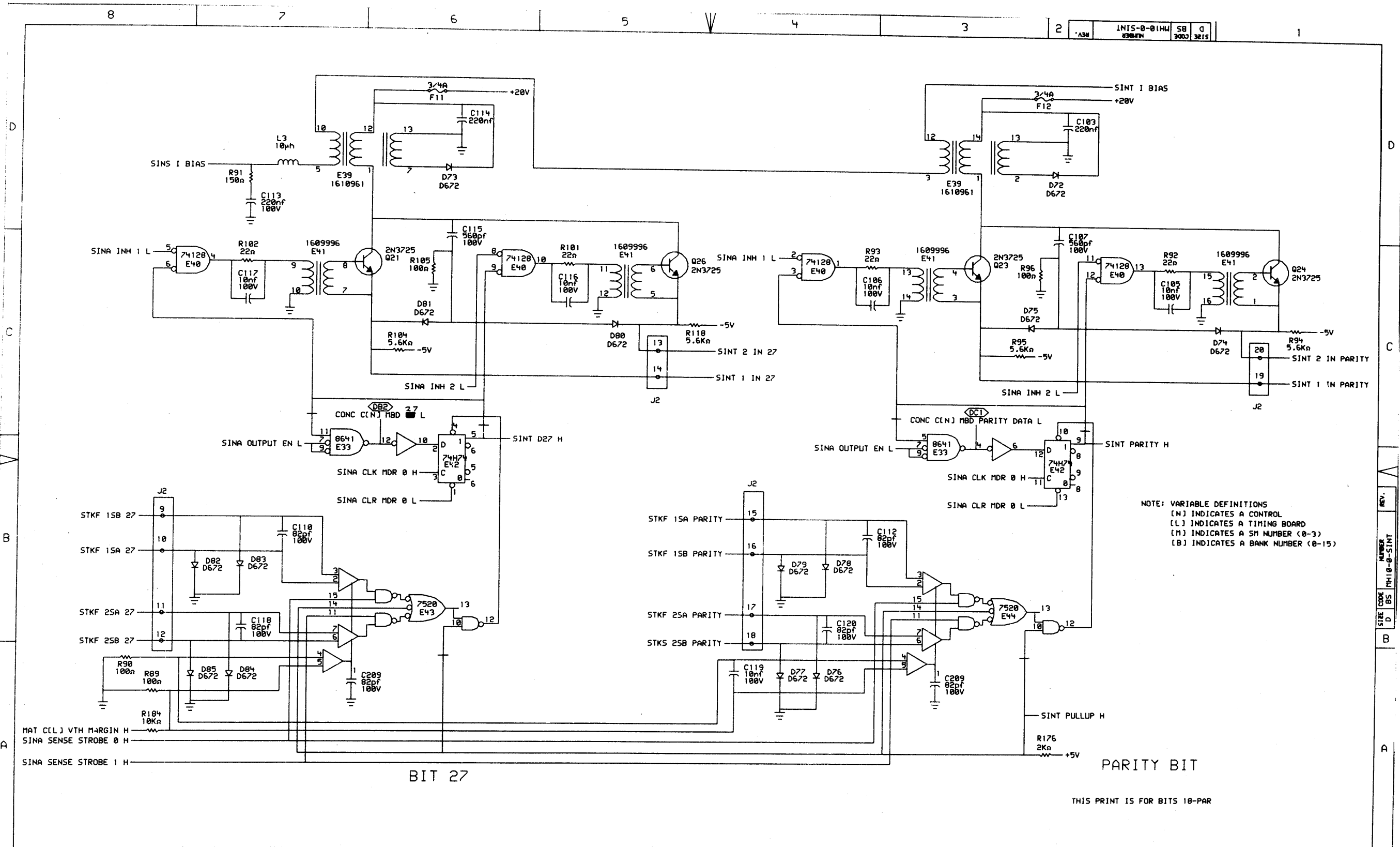
THIS PRINT IS FOR BITS 18-PAR

*THIS DRAWING AND SPECIFICATIONS, HEREIN, ARE THE PROPERTY OF DIGITAL EQUIPMENT CORPORATION AND SHALL NOT BE REPRODUCED OR COPIED OR USED IN WHOLE OR IN PART AS THE BASIS FOR THE MANUFACTURE OR SALE OF ITEMS WITHOUT WRITTEN PERMISSION.
 COPYRIGHT © 1976, DIGITAL EQUIPMENT CORPORATION*

REVISIONS		
CHK	CHANGE NO.	REV

DRN. J. Lashby	DATE 08-28-76	ENG. P. [Signature]	DATE	TITLE: 32K SENSE/INHIBIT (G116)
CHK. [Signature]	DATE 03/26	BOARD LOCATION:	DF	SIZE CODE
SINR.DR14.331	04 JUN 76 11:39	NEXT HIGHER ASSEMBLY:	D	BS MH10-0-SINR
FIRST USED ON OPTION/MODEL: MH10		B-DD-MH10-0	2	1

digit@i	DATE 08-28-76	ENG. P. [Signature]	DATE	TITLE: 32K SENSE/INHIBIT (G116)
CHK. [Signature]	DATE 03/26	BOARD LOCATION:	DF	SIZE CODE
SINR.DR14.331	04 JUN 76 11:39	NEXT HIGHER ASSEMBLY:	D	BS MH10-0-SINR
FIRST USED ON OPTION/MODEL: MH10		B-DD-MH10-0	2	1



NOTE: VARIABLE DEFINITIONS
 (N) INDICATES A CONTROL
 (L) INDICATES A TIMING BOARD
 (H) INDICATES A SM NUMBER (0-3)
 (B) INDICATES A BANK NUMBER (0-15)

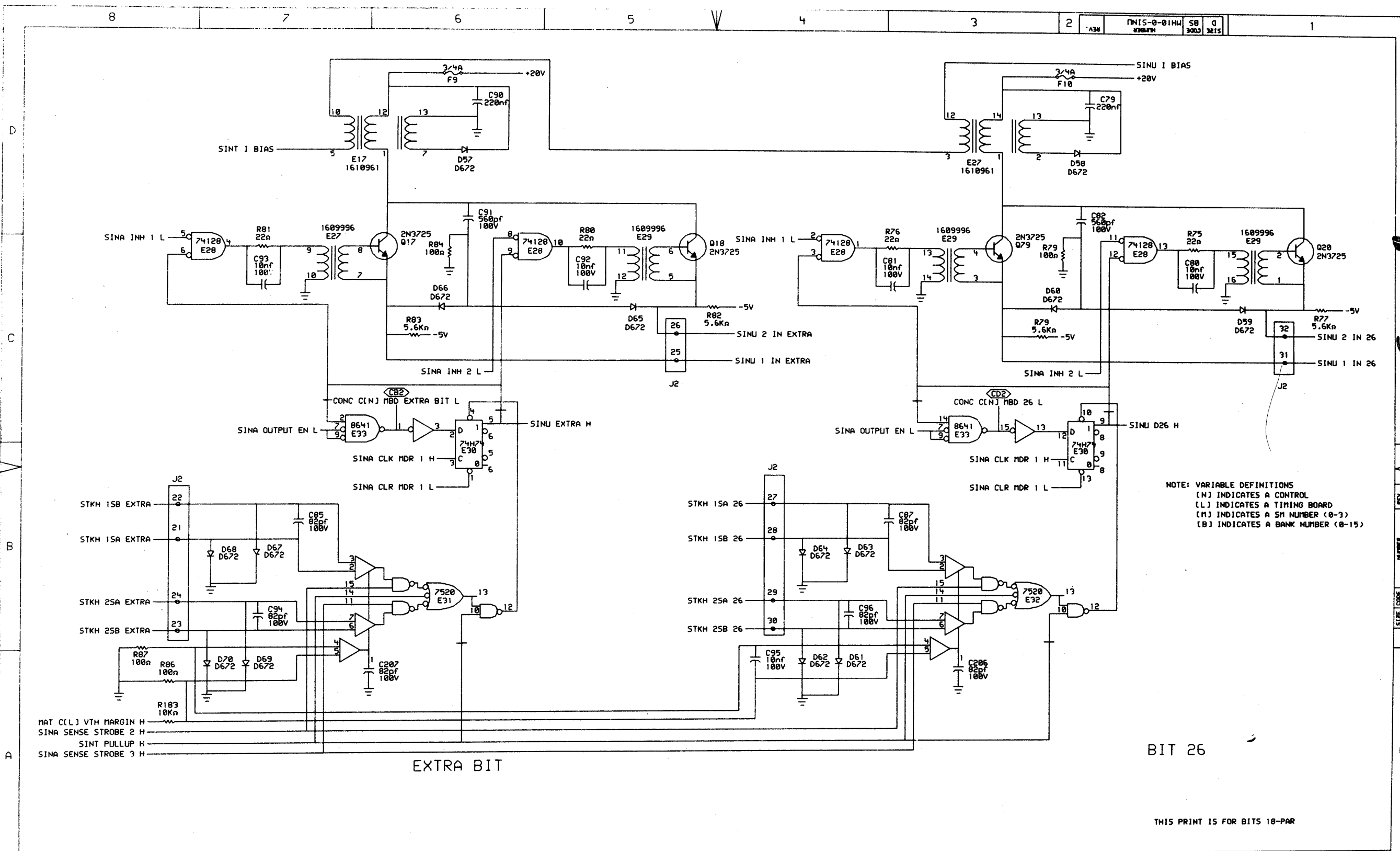
THIS PRINT IS FOR BITS 18-PAR

*THIS DRAWING AND SPECIFICATIONS, HEREIN, ARE THE PROPERTY OF DIGITAL EQUIPMENT CORPORATION AND SHALL NOT BE REPRODUCED OR COPIED OR USED IN WHOLE OR IN PART AS THE BASIS FOR THE MANUFACTURE OR SALE OF ITEMS WITHOUT WRITTEN PERMISSION.
 COPYRIGHT © 1976, DIGITAL EQUIPMENT CORPORATION*

REVISIONS	
CHK	CHANGE NO. REV

digital	DRN: J. Family	DATE: 88-11-76	ENG: P. ...	DATE: 88-11-76	TITLE: 32K SENSE/INHIBIT (G116)
	CHK: D. ...	DATE: 88-11-76	BOARD LOCATION:		

FIRST USED ON OPTION/MODEL: MH10	NEXT HIGHER ASSEMBLY: B-DD-MH10-0	SIZE CODE: D BS	NUMBER: MH10-0-SINT	REV:
----------------------------------	-----------------------------------	-----------------	---------------------	------



NOTE: VARIABLE DEFINITIONS
 (N) INDICATES A CONTROL
 (L) INDICATES A TIMING BOARD
 (M) INDICATES A SM NUMBER (0-3)
 (B) INDICATES A BANK NUMBER (0-15)

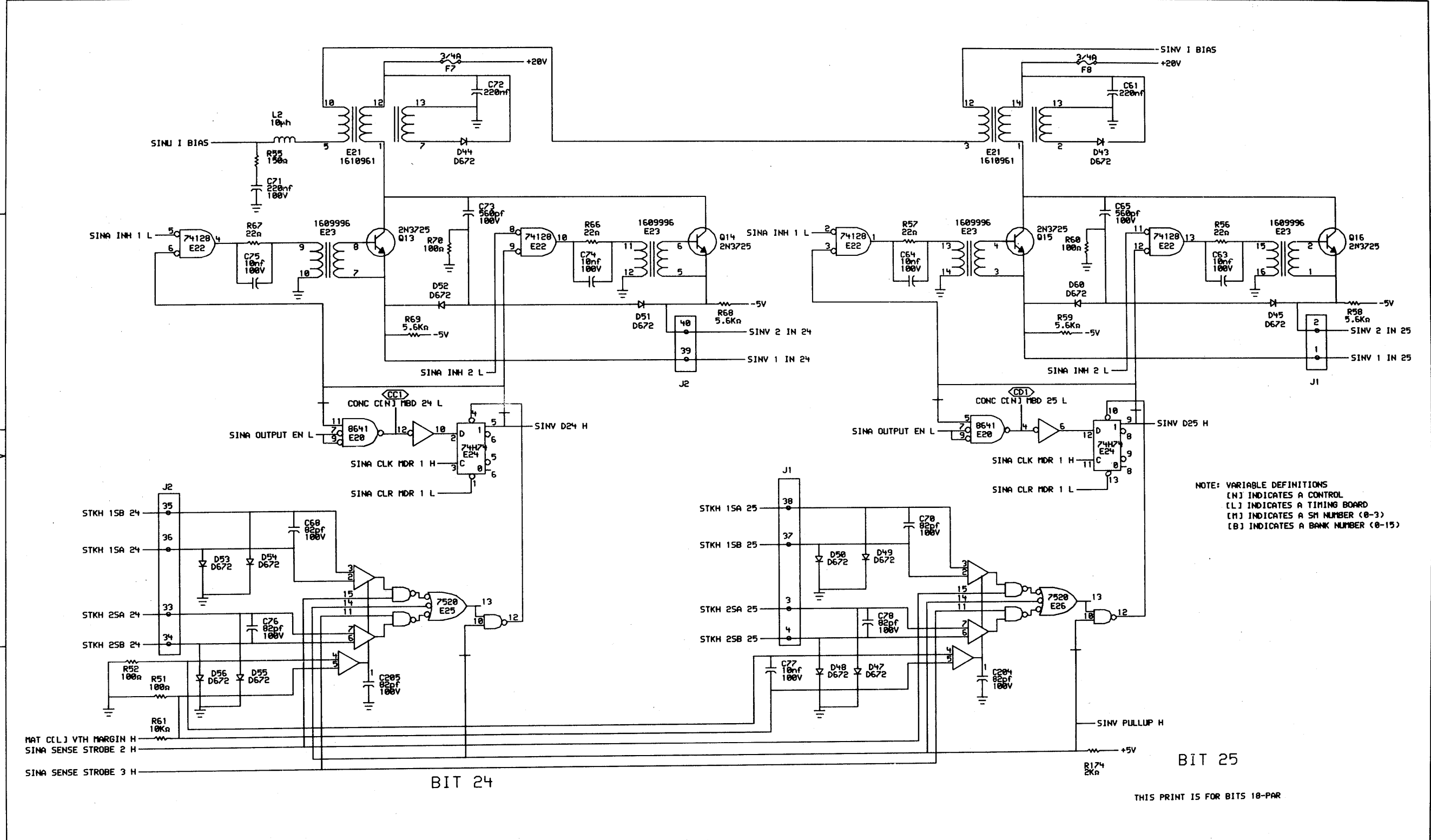
BIT 26

THIS PRINT IS FOR BITS 18-PAR

"THIS DRAWING AND SPECIFICATIONS, HEREIN, ARE THE PROPERTY OF DIGITAL EQUIPMENT CORPORATION AND SHALL NOT BE REPRODUCED OR COPIED OR USED IN WHOLE OR IN PART AS THE BASIS FOR THE MANUFACTURE OR SALE OF ITEMS WITHOUT WRITTEN PERMISSION. COPYRIGHT © 1976, DIGITAL EQUIPMENT CORPORATION"

REVISIONS		
CHK	CHANGE NO.	REV

digital	DATE	ENG	DATE	TITLE: 32K SENSE/INHIBIT (G116)
	20-11-76	P. Lawrence	11-11-76	
CHK	DATE	DATE	BOARD LOCATION:	
C. W. Stephens	11-11-76	11-11-76	1	
SINU DRW 4, 33	184 JUN 76 11:43	NEXT HIGHER ASSEMBLY:	SIZE CODE	NUMBER
FIRST USED ON OPTION/MODEL: MH10	B-DD-MH10-0		D BS	MH10-0-SINU



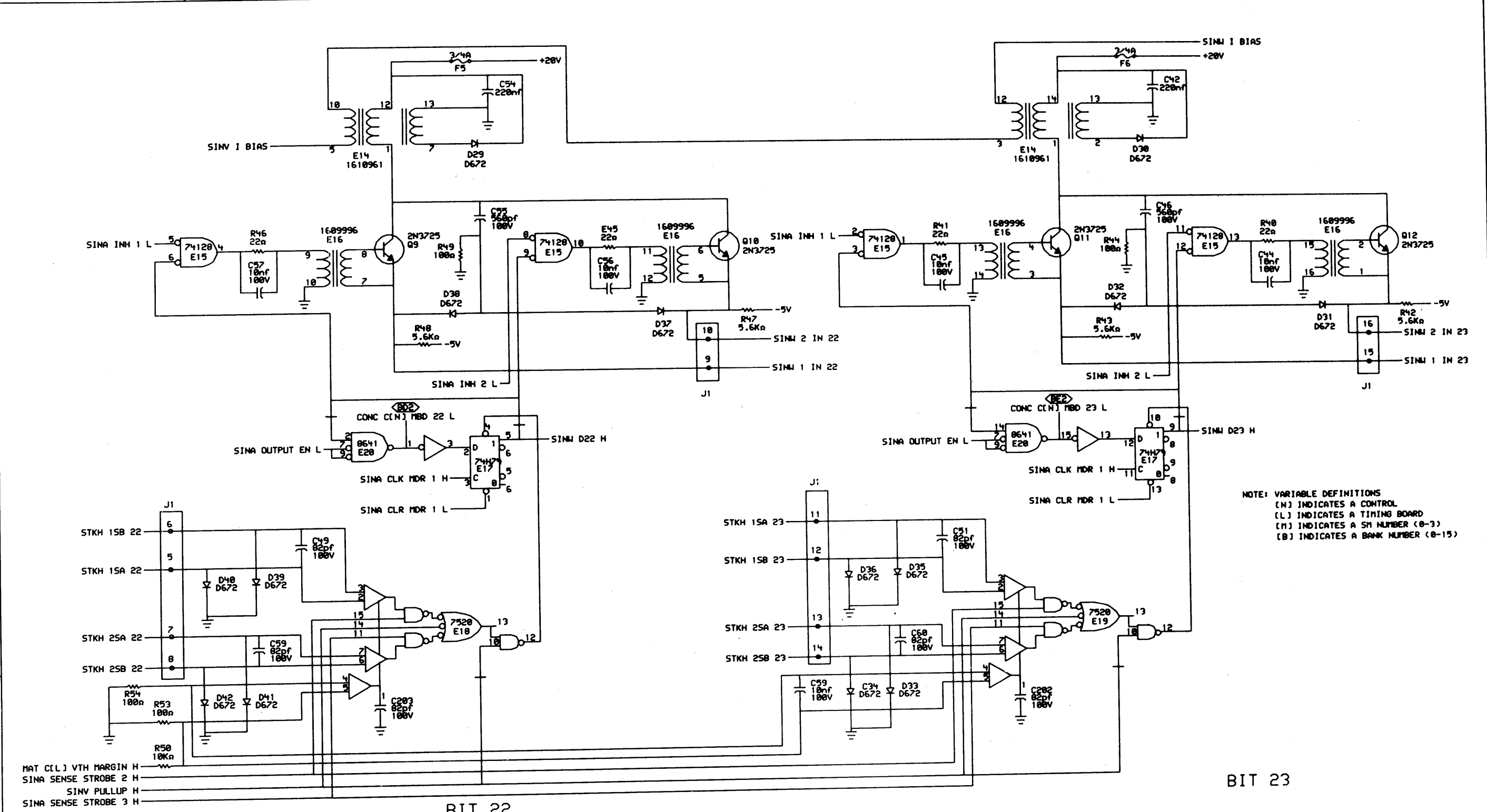
NOTE: VARIABLE DEFINITIONS
 [N] INDICATES A CONTROL
 [L] INDICATES A TIMING BOARD
 [M] INDICATES A SH NUMBER (0-3)
 [B] INDICATES A BANK NUMBER (0-15)

*THIS DRAWING AND SPECIFICATIONS, HEREIN, ARE THE PROPERTY OF DIGITAL EQUIPMENT CORPORATION AND SHALL NOT BE REPRODUCED OR COPIED OR USED IN WHOLE OR IN PART AS THE BASIS FOR THE MANUFACTURE OR SALE OF ITEMS WITHOUT WRITTEN PERMISSION.
 COPYRIGHT © 1976, DIGITAL EQUIPMENT CORPORATION*

REVISIONS	
CHK	CHANGE NO. REV.

digital	DATE: 08-JUN-76	ENG: P. J. J. / J. J. J.	DATE: 08-JUN-76	TITLE: 32K SENSE/INHIBIT (G116)
	DATE: 08-JUN-76	BOARD LOCATION: 1	DATE: 08-JUN-76	NUMBER: MH10-0-SIN
FIRST USED ON OPTION/MODEL: MH10		NEXT HIGHER ASSEMBLY: B-DD-MH10-0		REV.:

THIS PRINT IS FOR BITS 18-PAR



NOTE: VARIABLE DEFINITIONS
 (N) INDICATES A CONTROL
 (L) INDICATES A TIMING BOARD
 (M) INDICATES A SM NUMBER (0-3)
 (B) INDICATES A BANK NUMBER (0-15)

BIT 23

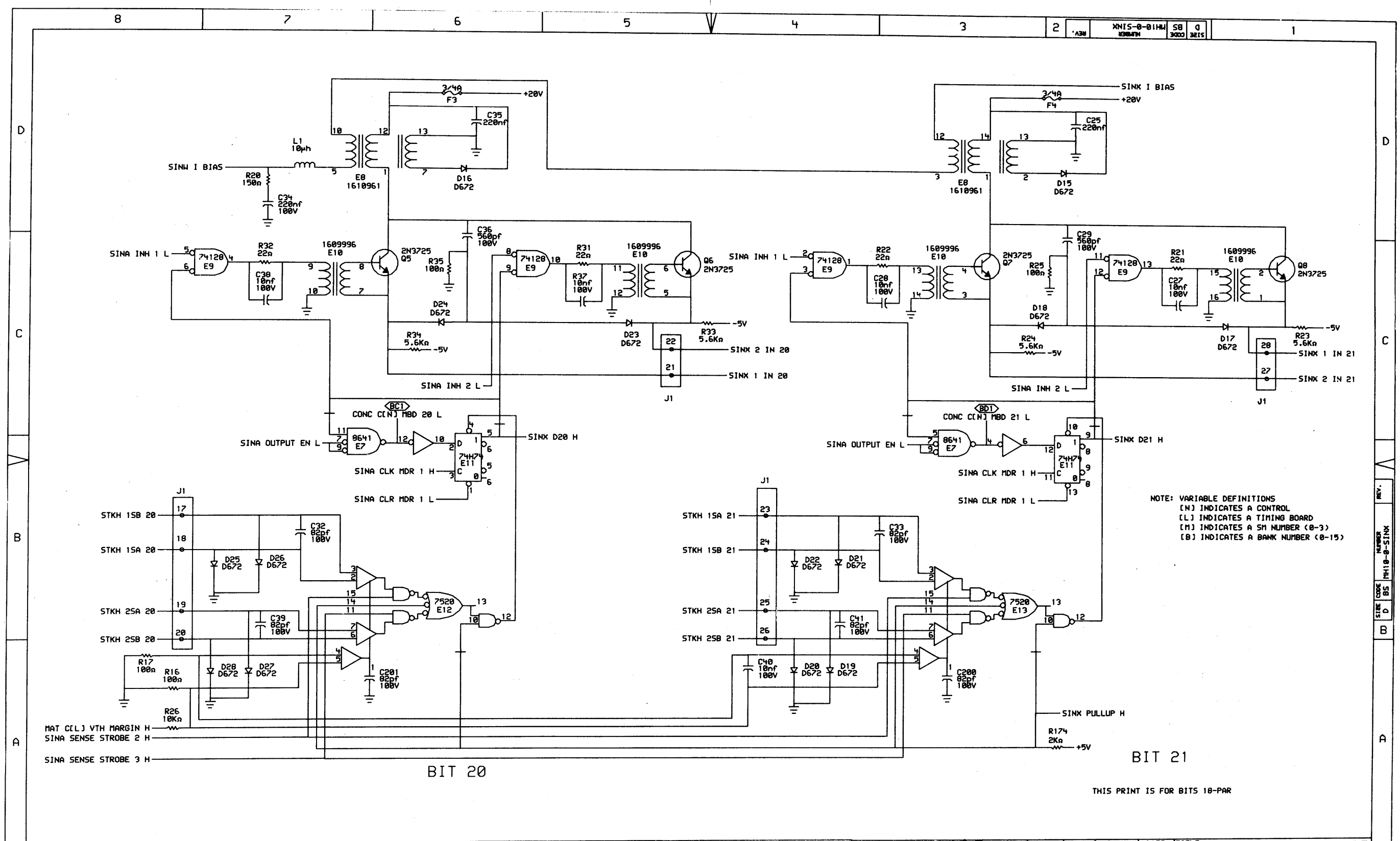
BIT 22

THIS PRINT IS FOR BITS 18-PAR

"THIS DRAWING AND SPECIFICATIONS, HEREIN, ARE THE PROPERTY OF DIGITAL EQUIPMENT CORPORATION AND SHALL NOT BE REPRODUCED OR COPIED OR USED IN WHOLE OR IN PART AS THE BASIS FOR THE MANUFACTURE OR SALE OF ITEMS WITHOUT WRITTEN PERMISSION. COPYRIGHT © 1976, DIGITAL EQUIPMENT CORPORATION"

REVISIONS		
CHK	CHANGE NO.	REV

digital	DATE	ENG	DATE	TITLE: 32K SENSE/INHIBIT (G116)
	20-11-75	J. J. J.	11-11-75	
SHEET 1 OF 1		BOARD LOCATION: 1		SIZE CODE: D BS
FIRST USED ON OPTION/MODEL: MH10		NEXT HIGHER ASSEMBLY: B-DD-MH10-0		NUMBER: MH10-0-SINW



NOTE: VARIABLE DEFINITIONS
 (N) INDICATES A CONTROL
 (L) INDICATES A TIMING BOARD
 (M) INDICATES A SM NUMBER (0-3)
 (B) INDICATES A BANK NUMBER (0-15)

BIT 21

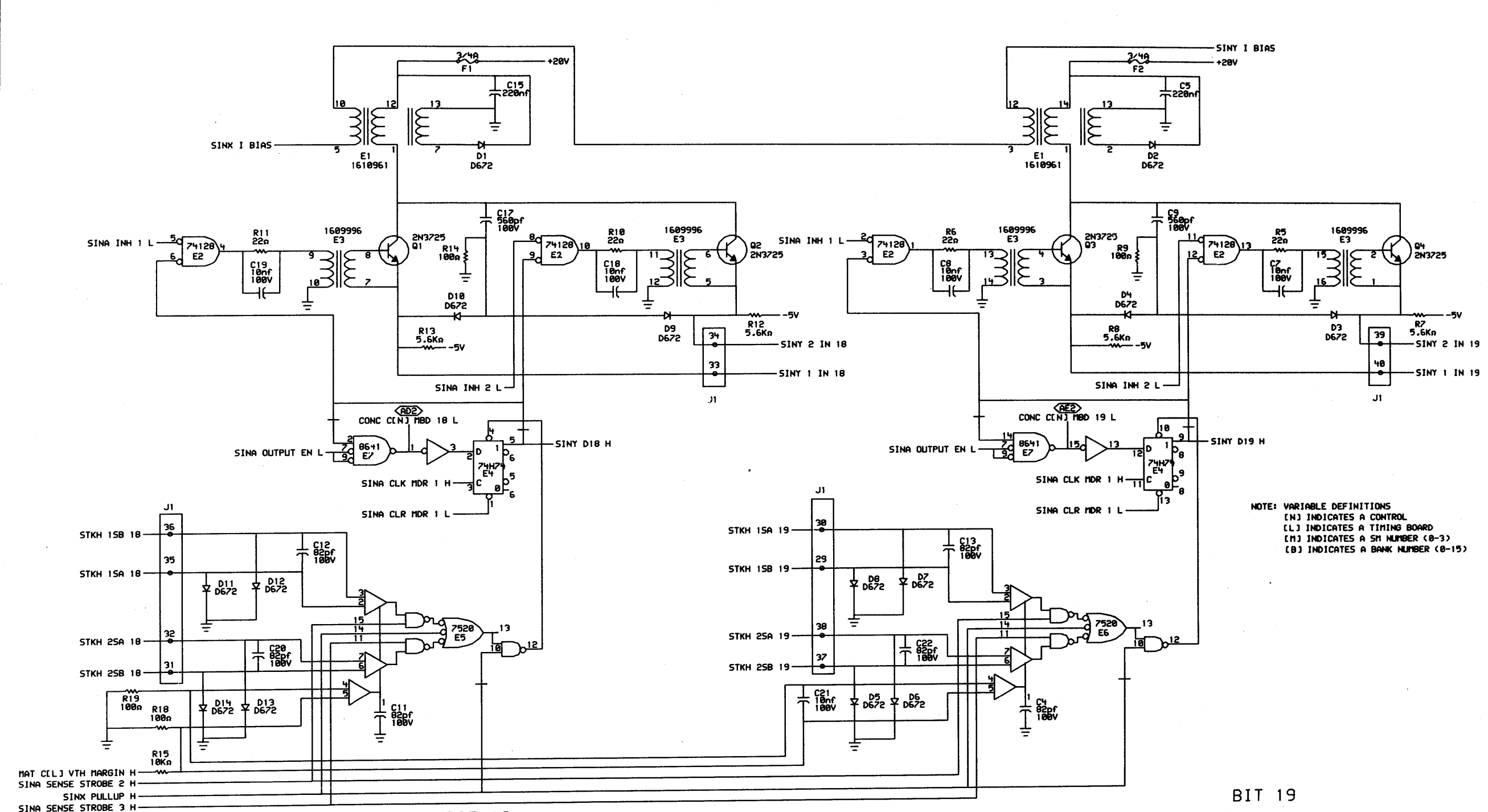
THIS PRINT IS FOR BITS 10-PAR

"THIS DRAWING AND SPECIFICATIONS, HEREIN, ARE THE PROPERTY OF DIGITAL EQUIPMENT CORPORATION AND SHALL NOT BE REPRODUCED OR COPIED OR USED IN WHOLE OR IN PART AS THE BASIS FOR THE MANUFACTURE OR SALE OF ITEMS WITHOUT WRITTEN PERMISSION. COPYRIGHT © 1976, DIGITAL EQUIPMENT CORPORATION"

REVISIONS	
CHK	CHANGE NO. REV.

digital	DATE	28-JUL-76	ENG.	W. J. ...	DATE		TITLE:	32K SENSE/INHIBIT (G116)
	CHK'D		DATE		BOARD LOCATION			
SINK.DRUC4.331		123 JUN-76 16:30		NEXT HIGHER ASSEMBLY:				
FIRST USED ON OPTION/MODEL:		MH10		B-DD-MH10-0				
SIZE CODE	D BS	NUMBER	MH10-0-SINK	REV.				

REV. 1
 SIZE CODE BS
 NUMBER MH10-0-SINK



NOTE: VARIABLE DEFINITIONS
 [N] INDICATES A CONTROL
 [L] INDICATES A TIMING BOARD
 [M] INDICATES A SM NUMBER (0-3)
 [B] INDICATES A BANK NUMBER (0-15)

BIT 19

BIT 18

THIS PRINT IS FOR BITS 18-PAR

*THIS DRAWING AND SPECIFICATIONS, HEREIN, ARE THE PROPERTY OF DIGITAL EQUIPMENT CORPORATION AND SHALL NOT BE REPRODUCED OR COPIED OR USED IN WHOLE OR IN PART AS THE BASIS FOR THE MANUFACTURE OR SALE OF ITEMS WITHOUT WRITTEN PERMISSION.
 COPYRIGHT © 1976, DIGITAL EQUIPMENT CORPORATION*

REVISIONS	
CHK	CHANGE NO. REV

digital	DATE	ENG.	DATE	TITLE: 32K SENSE/INHIBIT (G116)
	04 JUN 76 11:49	76	04 JUN 76 11:49	
SINY.DRUE.4.33		NEXT HIGHER ASSEMBLY:		SIZE CODE
FIRST USED ON OPTION/MODEL: MH10		B-DD-MH10-0		D BS MH10-0-SINY

	M948 H04	M947 Z21
CHK ADR 35 IND H	K1	L2
CHK ADR 34 IND H	H1	V2
CHK ADR 33 IND H	ST	U2
CHK ADR 32 IND H	RT	SE
CHK ADR 31 IND H	PT	ST
CHK ADR 30 IND H	PT	ST
CHK ADR 29 IND H	PT	ST
CHK ADR 28 IND H	H1	H1
CHK ADR 27 IND H	J1	K2
CHK ADR 26 IND H	H2	L1
CHK ADR 25 IND H	AT	F1
CHK ADR 24 IND H	FI	H1
CHK ADR 23 IND H	H1	J1
CHK ADR 22 IND H	F2	E1
CHK ADR 21 IND H	CT	D1
CHK M03 SEL IND H	ET	AT
CHK M02 SEL IND H	DT	CT
CHK M01 SEL IND H	J2	BT
CHK M00 SEL IND H	E2	D2
	K2	H2
	DE	J2
LAMP TEST	U2	F2
	VT	

	M948 H03	M947 Z22
CHK DATA 35 IND H	K1	L2
CHK DATA 34 IND H	H1	V2
CHK DATA 33 IND H	ST	U2
CHK DATA 32 IND H	RT	SE
CHK DATA 31 IND H	PT	ST
CHK DATA 30 IND H	PT	ST
CHK DATA 29 IND H	PT	ST
CHK DATA 28 IND H	H1	H1
CHK DATA 27 IND H	J1	K2
CHK DATA 26 IND H	H2	L1
CHK DATA 25 IND H	AT	F1
CHK DATA 24 IND H	FI	H1
CHK DATA 23 IND H	H1	J1
CHK DATA 22 IND H	F2	E1
CHK DATA 21 IND H	CT	D1
CHK DATA 19 IND H	DT	CT
CHK DATA 18 IND H	J2	BT
CHK DATA 17 IND H	E2	D2
CHK DATA 16 IND H	K2	H2
CHK DATA 15 IND H	DE	J2
CHK DATA 14 IND H	U2	F2
LAMP TEST	VT	

	M948 H07	M947 Z12
CHK DATA 13 IND H	K1	L2
CHK DATA 12 IND H	H1	V2
CHK DATA 11 IND H	ST	U2
CHK DATA 10 IND H	RT	SE
CHK DATA 09 IND H	PT	ST
CHK DATA 08 IND H	PT	ST
CHK DATA 07 IND H	PT	ST
CHK DATA 06 IND H	H1	H1
CHK DATA 05 IND H	J1	K2
CHK DATA 04 IND H	H2	L1
CHK DATA 03 IND H	AT	F1
CHK DATA 02 IND H	FI	H1
CHK DATA 01 IND H	H1	J1
CHK DATA 00 IND H	F2	E1
	CT	D1
	DT	CT
	J2	BT
	E2	D2
	K2	H2
	DE	J2
LAMP TEST	U2	F2
	VT	

	M948 H02	M947 Z24
CHK C0 PAR ERROR H	K1	L2
CHK C0 WR RS IND H	H1	V2
	ST	U2
	RT	SE
	PT	ST
CYT C0 STOP H	PT	ST
CYT C0 RUN H	PT	ST
CYT C0 INC RQ H	L2	L2
	H1	H1
CYT C0 DATA OUT EN H	J1	K2
CYT C0 DATA IN EN H	H2	L1
CYT C0 MB SEL H	AT	F1
	FI	H1
	H1	J1
	F2	E1
	CT	D1
	DT	CT
	J2	BT
	E2	D2
	K2	H2
	DE	J2
CHK C0 P07 ACT H	U2	F2
LAMP TEST	VT	

CABLES FROM CONTROL LOGIC
TO INDICATOR PANEL

	M948 H06	M947 Z14
CHK C0 P06 ACT H	K1	L2
CHK C0 P05 ACT H	H1	V2
CHK C0 P04 ACT H	ST	U2
CHK C0 P03 ACT H	RT	SE
CHK C0 P02 ACT H	PT	ST
CHK C0 P01 ACT H	PT	ST
CHK C0 P00 ACT H	PT	ST
PR1 PAD1 C0 P07 RQ H	PT	ST
PR1 PAD1 C0 P06 RQ H	L2	L2
PR1 PAD1 C0 P05 RQ H	H1	H1
PR1 PAD1 C0 P04 RQ H	J1	K2
PR0 PAD1 C0 P03 RQ H	H2	L1
PR0 PAD1 C0 P02 RQ H	AT	F1
PR0 PAD1 C0 P01 RQ H	FI	H1
PR0 PAD1 C0 P00 RQ H	H1	J1
	F2	E1
	CT	D1
	DT	CT
	J2	BT
	E2	D2
	K2	H2
	DE	J2
	U2	F2
LAMP TEST	VT	

	M948 H01	M947 Z25
CHK C1 PAR ERROR H	K1	L2
CHK C1 WR RS IND H	H1	V2
	ST	U2
	RT	SE
	PT	ST
CYT C1 STOP H	PT	ST
CYT C1 RUN H	PT	ST
CYT C1 INC RQ H	L2	L2
	H1	H1
CYT C1 DATA OUT EN H	J1	K2
CYT C1 DATA IN EN H	H2	L1
CYT C1 MB SEL H	AT	F1
	FI	H1
	H1	J1
	F2	E1
	CT	D1
	DT	CT
	J2	BT
	E2	D2
	K2	H2
	DE	J2
	U2	F2
CHK C1 P07 ACT H	U2	F2
LAMP TEST	VT	

	M948 H05	M947 Z15
CHK C1 P06 ACT H	K1	L2
CHK C1 P05 ACT H	H1	V2
CHK C1 P04 ACT H	ST	U2
CHK C1 P03 ACT H	RT	SE
CHK C1 P02 ACT H	PT	ST
CHK C1 P01 ACT H	PT	ST
CHK C1 P00 ACT H	PT	ST
PR1 PAD1 C1 P07 RQ H	PT	ST
PR1 PAD1 C1 P06 RQ H	L2	L2
PR1 PAD1 C1 P05 RQ H	H1	H1
PR1 PAD1 C1 P04 RQ H	J1	K2
PR0 PAD1 C1 P03 RQ H	H2	L1
PR0 PAD1 C1 P02 RQ H	AT	F1
PR0 PAD1 C1 P01 RQ H	FI	H1
PR0 PAD1 C1 P00 RQ H	H1	J1
	F2	E1
	CT	D1
	DT	CT
	J2	BT
	E2	D2
	K2	H2
	DE	J2
	U2	F2
LAMP TEST	VT	

POWER OK LIGHT

*THIS DRAWING AND SPECIFICATIONS, HEREIN, ARE THE PROPERTY OF DIGITAL EQUIPMENT CORPORATION AND SHALL NOT BE REPRODUCED OR COPIED OR USED IN WHOLE OR IN PART AS THE BASIS FOR THE MANUFACTURE OR SALE OF ITEMS WITHOUT WRITTEN PERMISSION.
COPYRIGHT © 1976, DIGITAL EQUIPMENT CORPORATION*

REVISIONS		
CHK	CHANGE NO.	REV

digital	DATE	ENG	DATE	TITLE: INDICATOR PANEL CABLES
	23 JUN 76	W. J. Family	1976	
	CHK'D	DATE	BOARD LOCATION	
	W. J. Family	1976		
			SHEET	1 OF 1
			NEXT HIGHER ASSEMBLY:	
			B-DD-MH10-0	
			SIZE	CODE
			D	BS
			NUMBER	REV.
			MH10-0-IND	*
			FIRST USED ON OPTION/MODEL:	
			MH10	

8

7

6

5

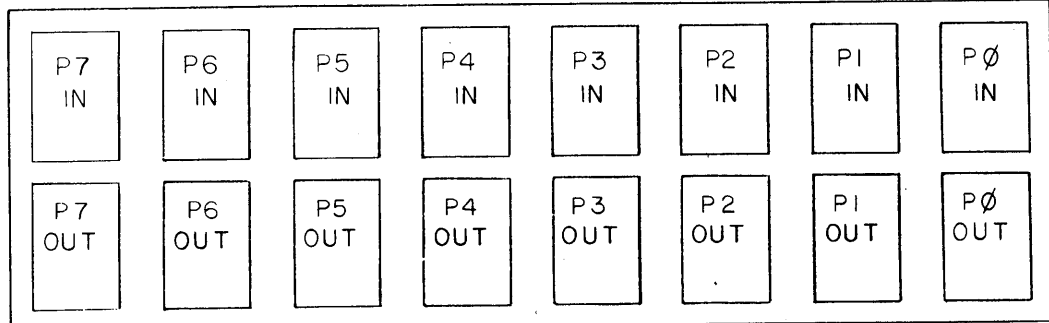
4

3

I8W-0-01HW IC 2

1

"THIS DRAWING AND SPECIFICATIONS, HEREIN, ARE THE PROPERTY OF DIGITAL EQUIPMENT CORPORATION AND SHALL NOT BE REPRODUCED OR COPIED OR USED IN WHOLE OR IN PART AS THE BASIS FOR THE MANUFACTURE OR SALE OF ITEMS WITHOUT WRITTEN PERMISSION. COPYRIGHT © 1976 DIGITAL EQUIPMENT CORPORATION"



ROW M
FRONT VIEW
ROW N

WIRE LIST
SOCKET REFERENCE

Table mapping wire labels P00 to P07 to socket numbers 41-44, 36-39, 30-33, 25-28, 19-22, 14-17, 8-11, 3-6.

ROWS
M,N

Wiring side view table for IN connectors, showing connections between rows A-T and columns 1-7.

IN

Wiring side view table for OUT connectors, showing connections between rows A-T and columns 1-7.

OUT

WIRING SIDE VIEW
QUICKLATCH CONNECTORS

Main pinout table with columns: MEM BUS SIGNAL, PRODUCTION CONN PIN, MEM BUS SIGNAL, PRODUCTION CONN PIN. Lists pins A1 through H7 and their corresponding signals.

NOTE: +PINS IN PARENTHESES ARE THE ASSOCIATED QUICKLATCH COAX GROUND PINS.
*THESE SIGNAL 0 AND -3 VOLTS.

Technical drawing header and title block containing description, dimensions, accuracy, and title 'MEM BUS INTERFACE'.

REV. NUMBER D IC MHI0-0-MBI

Revisions table with columns for revision number, change number, and description.

"THIS DRAWING AND SPECIFICATIONS HEREIN ARE THE PROPERTY OF DIGITAL EQUIPMENT CORPORATION AND SHALL NOT BE REPRODUCED OR COPIED OR USED IN WHOLE OR IN PART AS THE BASIS FOR THE MANUFACTURE OR SALE OF ITEMS WITHOUT WRITTEN PERMISSION. COPYRIGHT © 1975 DIGITAL EQUIPMENT CORPORATION"

ITEM NO	MARK END	CONN TYPE	IC	CONN TYPE	MARK END	DWG/PART NO
1	Z 12	M947		M948	H07	7008405-05
2	Z 14	↑		↑	H06	-04
2	Z 15	↑		↑	H05	-04
3	Z 21	↑		↑	H04	-5F
3	Z 22	↑		↑	H03	-5F
3	Z 24	↑		↑	H02	-5F
3	Z 25	M947		M948	H01	7008405-5F
4	AB26	M9011		M9011	HJ26	BC 20D
4	CD26	↑		↑	KL26	BC 20D
4	AB29	↓		↓	HJ27	BC 20D
4	CD29	M9011		M9011	KL27	BC 20D
5	SW PNL J1	M901		M901	H 40	7006111-1
5	SW PNL J2	↑		↑	J 40	
5	SW PNL J3	↓		↓	K 40	
5	SW PNL J4	M901		M901	L 40	7006111-1

Z 21	Z 11
Z 22	Z 12
Z 23	Z 13
Z 24	Z 14
Z 25	Z 15

INDICATOR PANEL (REAR)

0-0-965010Z QW 2

QTY	DESCRIPTION	*WGT/PART NO.	ITEM NO.
4	PDP 12 LOGIC CABLES (M901-M901)	DIA-7006111-1-0	5
4	BC20D CABLE ASSY (M9011-M9011)	DUA-BC20D-0-0	4
4	INDICATOR CABLE (M947-M948)	DIA-7008405-5F-0	3
2	INDICATOR CABLE (M947-M948)	DIA-7008405-04-0	2
1	INDICATOR CABLE (M947-M948)	DIA-7008405-05-0	1

UNLESS OTHERWISE SPECIFIED DIMENSIONS ARE IN INCHES	
ANGLES 10°-30°	CLASS OF ACCURACY (CHECK ONE)
SURFACE QUALITY IN	MEDIUM <input type="checkbox"/> ±.004 ±.008 ±.012 ±.016 ±.024 ±.04
QUANTITY & VARIATION	PREFERRED <input type="checkbox"/> ±.012 ±.016 ±.025 ±.04 ±.063 ±.1

THIRD ANGLE PROJECTION	DRN. <i>E. DeVane</i> 3-10-75	FIRST USED ON	MG10
REMOVE BURRS AND BREAK SHARP CORNERS	CHK'D <i>J. Van...</i> 3-11-75	TITLE	CABLE SET (MG10)
DO NOT SCALE DWG	ENG. <i>J. C. Van...</i> 3-11-75	PROJ. ENG. <i>J. C. Van...</i> 3-11-75	PROD. <i>J. Van...</i> 3-11-75
MATERIAL SEE PARTS LIST	NEXT HIGHER ASSY.	SIZE	D
FINISH	SCALE	CODE	AD
	SHEET	NUMBER	7010995-0-0
	1 OF 1	DIST.	

REV. 1
DIA-7010995-0-0

DEC FORM NO. DRD 100-C
REV. CHANGE NO.
CHK

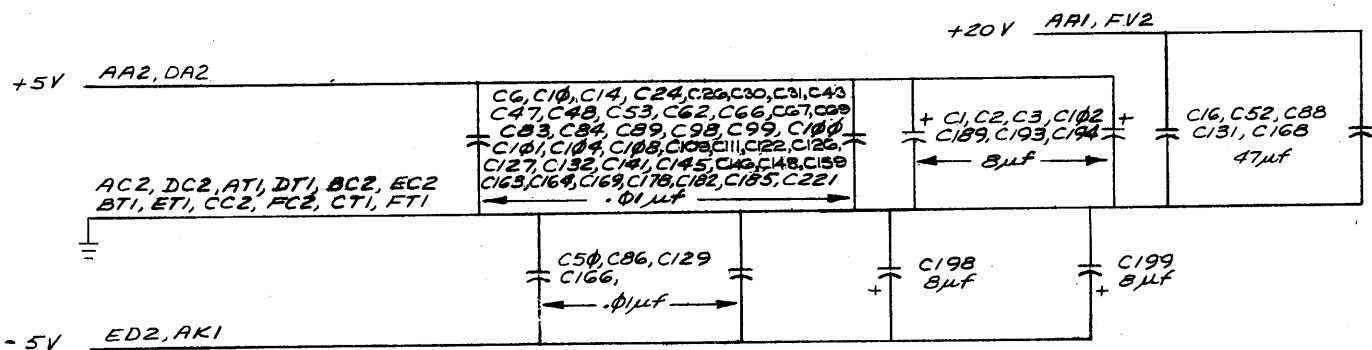
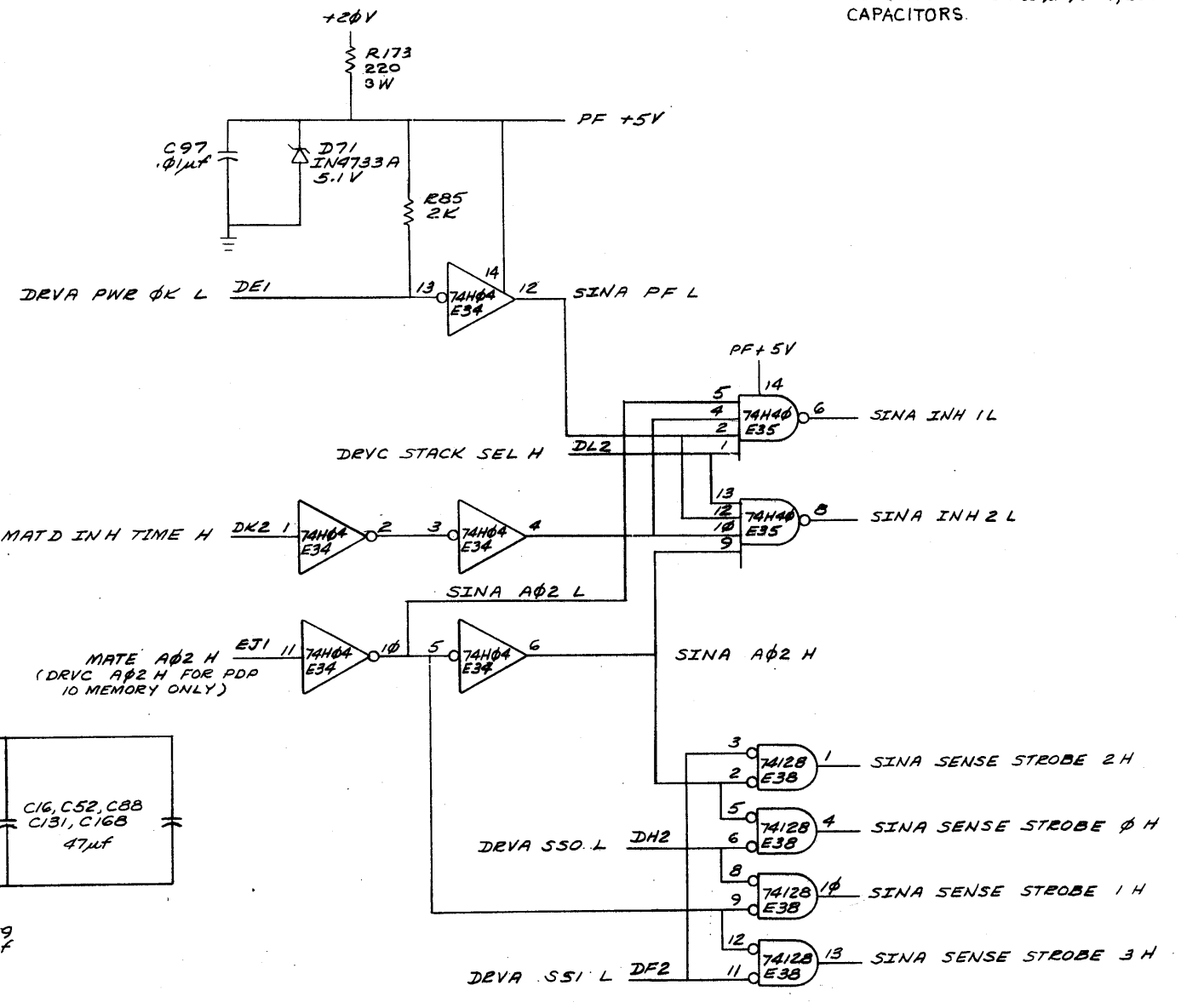
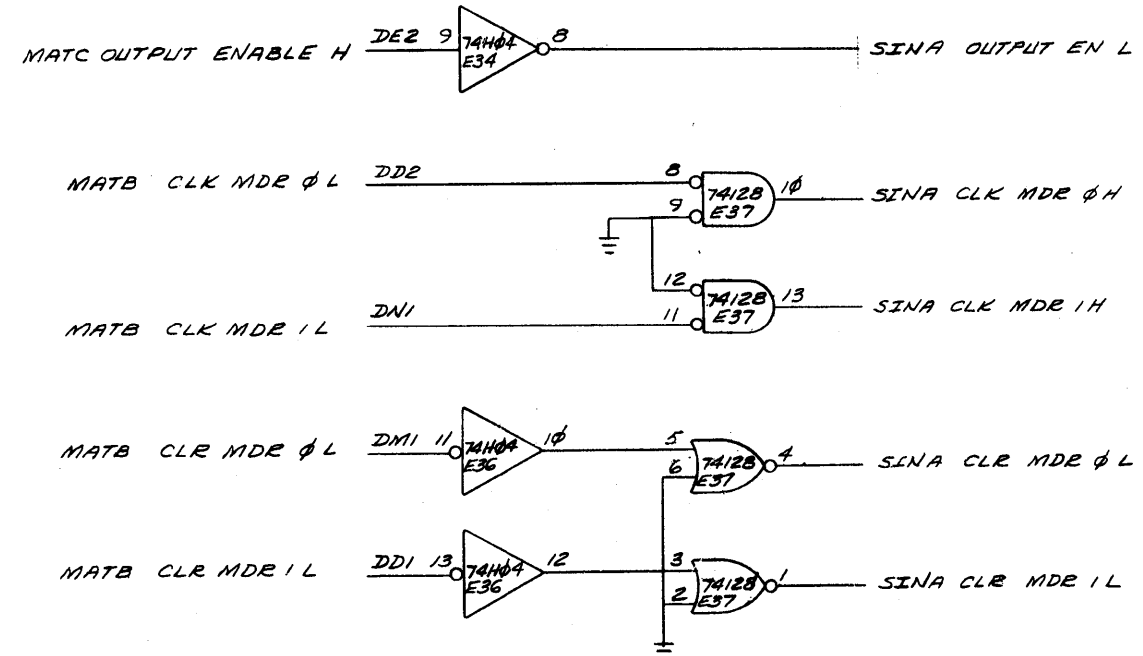
"THIS DRAWING AND SPECIFICATIONS, HEREIN, ARE THE PROPERTY OF DIGITAL EQUIPMENT CORPORATION AND SHALL NOT BE REPRODUCED OR COPIED OR USED IN WHOLE OR IN PART AS THE BASIS FOR THE MANUFACTURE OR SALE OF ITEMS WITHOUT WRITTEN PERMISSION. COPYRIGHT © 1975 DIGITAL EQUIPMENT CORPORATION"

IC PIN LOCATION

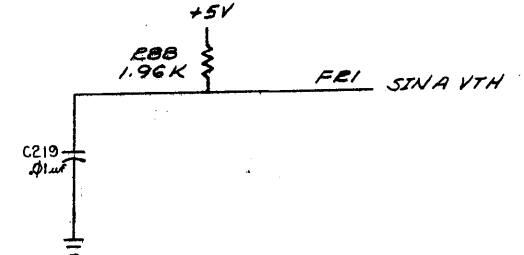
GND AND +5V ARE USUALLY PINS 14 RESPECTIVELY. EXCEPTIONS NOTED BELOW

IC TYPE	GND	+5V	-5V
IC DEC 7520	9	16	8
IC DEC 8641	8	16	-

NOTE:
* .01μf, 100V, 20% CAPACITORS MAY BE SUBSTITUTED FOR .01μf, 50V, 20% CAPACITORS.



R24	R23	R29	R30	R39	R38	R65	R64	R73	R74	R99	R108	R131	R140	R109	R108	R132	R141	R166	R167
180	180	180	180	180	180	180	180	180	180	180	180	180	180	180	180	180	180	180	180
ANI	AMI	BA1	BA1	BN1	BM1	CB1	CA1	DB1	DA1	DF1	DL1	DK1	DJ1	DH1	DJ2	EAI	EB1	FP2	FN2
E2	E1	R27	R28	R37	R36	R63	R62	R71	R72	R97	R106	R129	R138	R107	R98	R130	R139	R164	R165
390	390	390	390	390	390	390	390	390	390	390	390	390	390	390	390	390	390	390	390

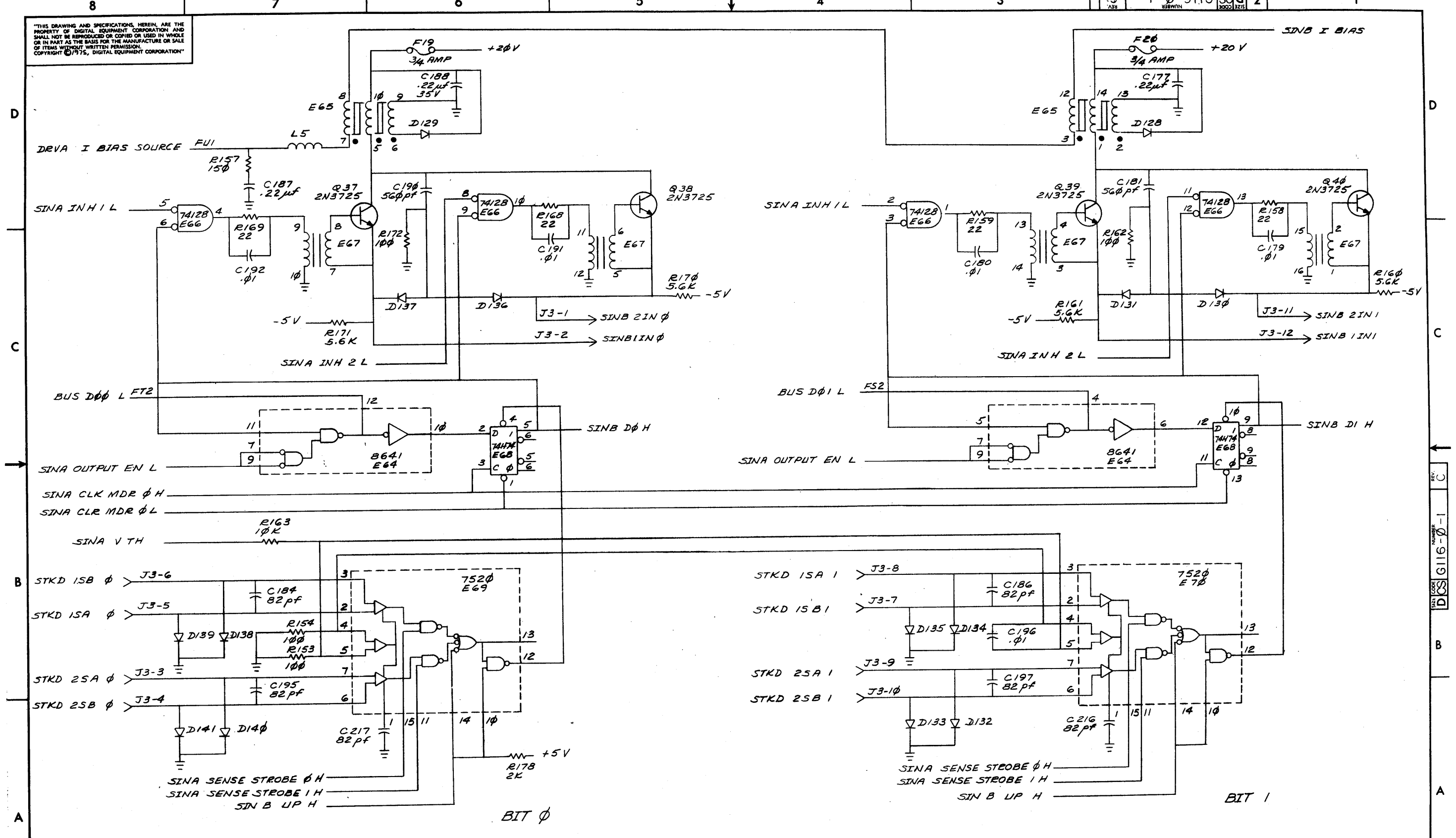


REVISIONS

REV.	CHANGE NO.	DESCRIPTION
1	1	INITIAL DESIGN
2	2	REVISED FOR MANUFACTURE

DRN: [Signature]	FIRST USED ON: [Date]	DIST.:
CHK'D: [Signature]	TITLE: 32K SENSE/INHIBIT (SINA)	REV. C
ENG. [Signature]	SCALE: 1/1	NUMBER: 1
PROJ. ENG. [Signature]	SIZE: D CS	CODE: G116-0-1
PROD. [Signature]	SHEET: 1 OF 11	

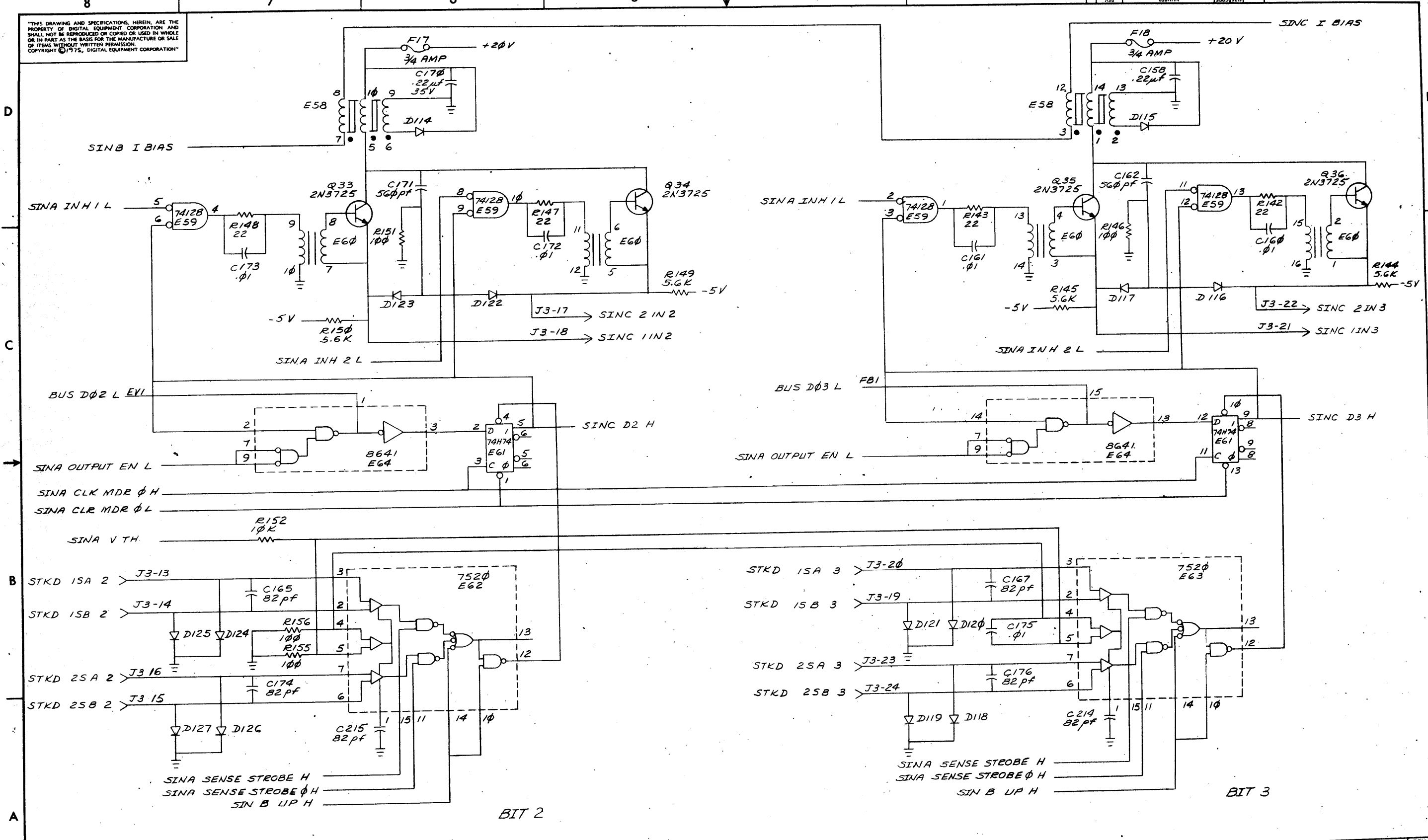
"THIS DRAWING AND SPECIFICATIONS, HEREIN, ARE THE PROPERTY OF DIGITAL EQUIPMENT CORPORATION, AND SHALL NOT BE REPRODUCED OR COPIED OR USED IN WHOLE OR IN PART AS THE BASIS FOR THE MANUFACTURE OR SALE OF ITEMS WITHOUT WRITTEN PERMISSION. COPYRIGHT © 1975, DIGITAL EQUIPMENT CORPORATION"



REVISIONS		
CHK	CHANGE NO.	REV.

TITLE	32K SENSE/INHIBIT (SINB)	SIZE CODE	D CS	NUMBER	G116-0-1	REV.	C
SCALE	1:1	SHEET	2	OF	11	DIST.	

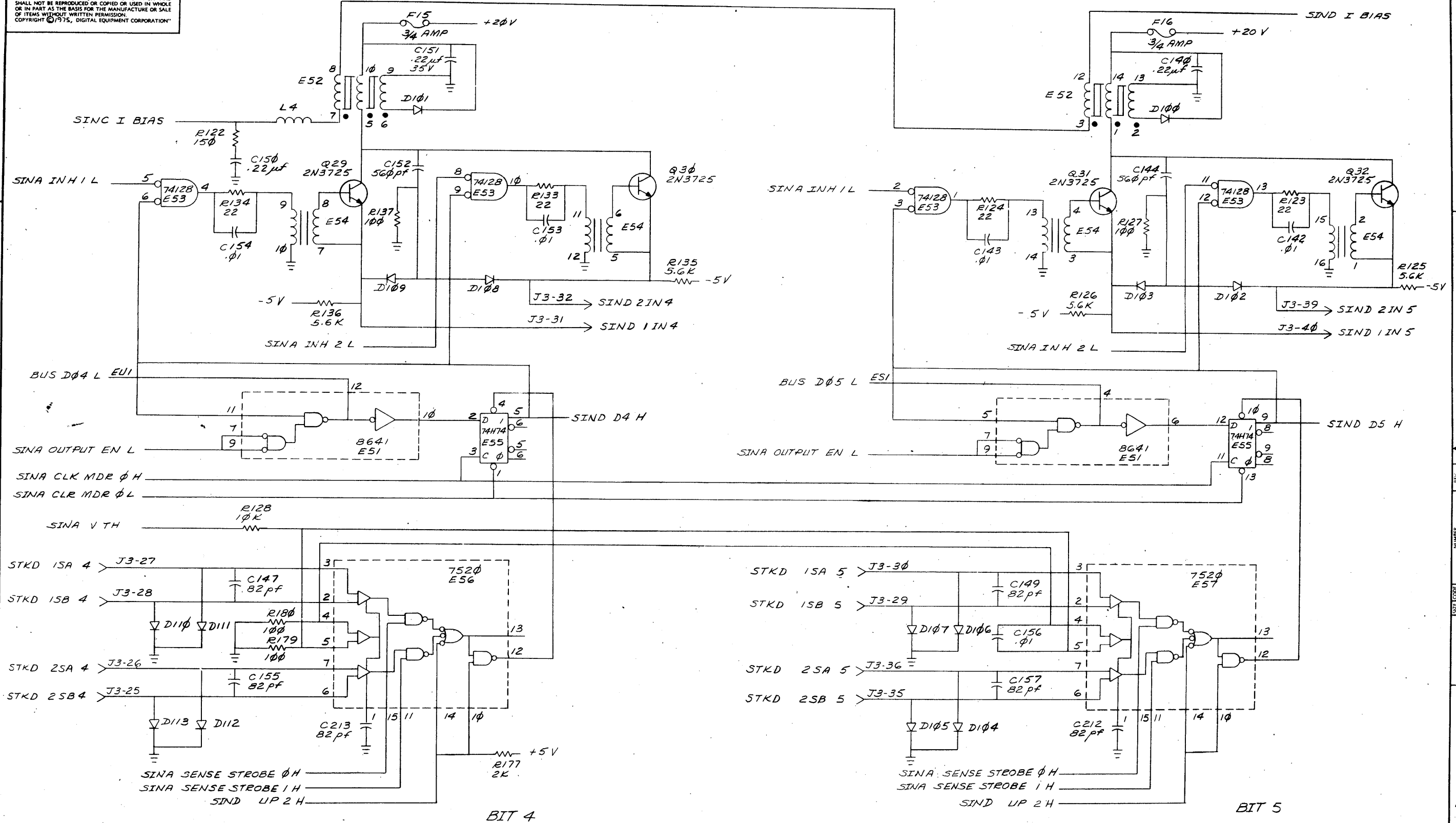
"THIS DRAWING AND SPECIFICATIONS, HEREIN, ARE THE PROPERTY OF DIGITAL EQUIPMENT CORPORATION AND SHALL NOT BE REPRODUCED OR COPIED OR USED IN WHOLE OR IN PART AS THE BASIS FOR THE MANUFACTURE OR SALE OF ITEMS WITHOUT WRITTEN PERMISSION. COPYRIGHT © 1975, DIGITAL EQUIPMENT CORPORATION"



REVISIONS		
CHK	CHANGE NO.	REV.

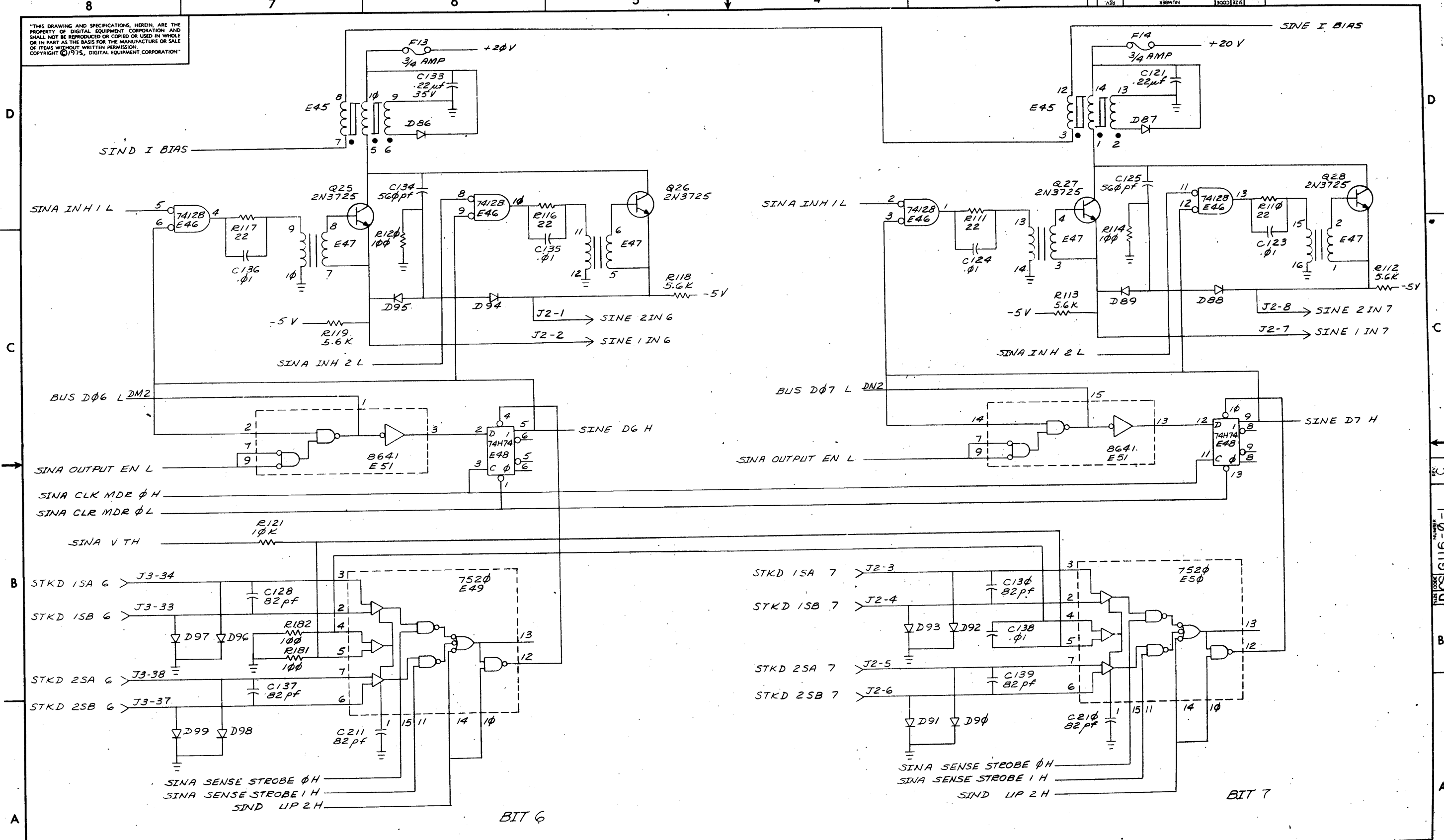
TITLE	SIZE CODE	NUMBER	REV.
32K SENSE/INHIBIT (SINC)	D CS	G116-0-1	C
SCALE	SHEET	OF	DIST.
	3	11	

"THIS DRAWING AND SPECIFICATIONS, HEREIN, ARE THE PROPERTY OF DIGITAL EQUIPMENT CORPORATION AND SHALL NOT BE REPRODUCED OR COPIED OR USED IN WHOLE OR IN PART AS THE BASIS FOR THE MANUFACTURE OR SALE OF ITEMS WITHOUT WRITTEN PERMISSION. COPYRIGHT © 1975, DIGITAL EQUIPMENT CORPORATION"



REVISIONS		
CHK	CHANGE NO.	REV.

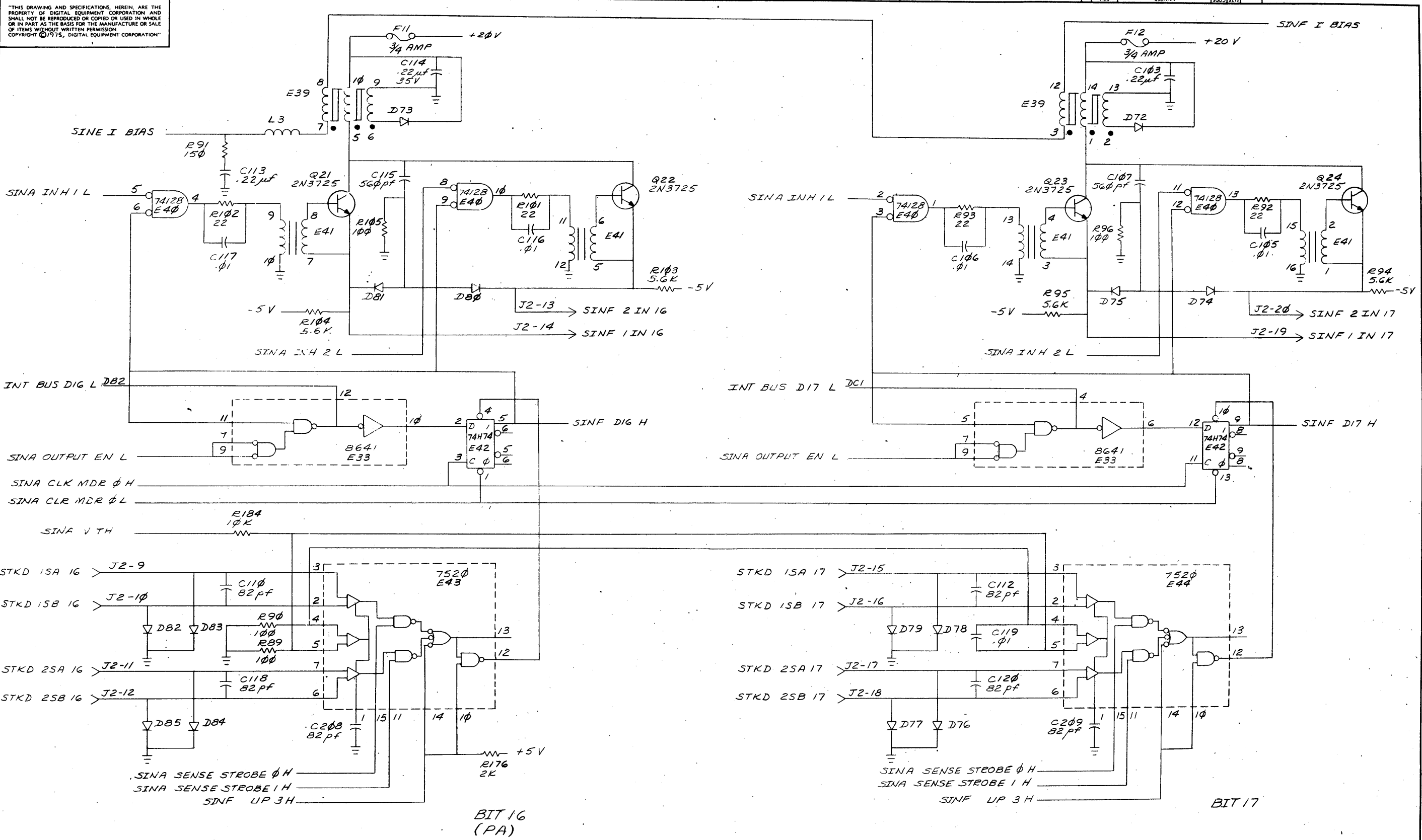
"THIS DRAWING AND SPECIFICATIONS, HEREIN, ARE THE PROPERTY OF DIGITAL EQUIPMENT CORPORATION AND SHALL NOT BE REPRODUCED OR COPIED OR USED IN WHOLE OR IN PART AS THE BASIS FOR THE MANUFACTURE OR SALE OF ITEMS WITHOUT WRITTEN PERMISSION. COPYRIGHT © 1975, DIGITAL EQUIPMENT CORPORATION"



REVISIONS		
CHK	CHANGE NO.	REV.

TITLE	32K SENSE/INHIBIT (SINE)	SIZE CODE	D CS	NUMBER	G116-0-1	REV.	C
SCALE	1:1	SHEET	5	OF	11	DIST.	

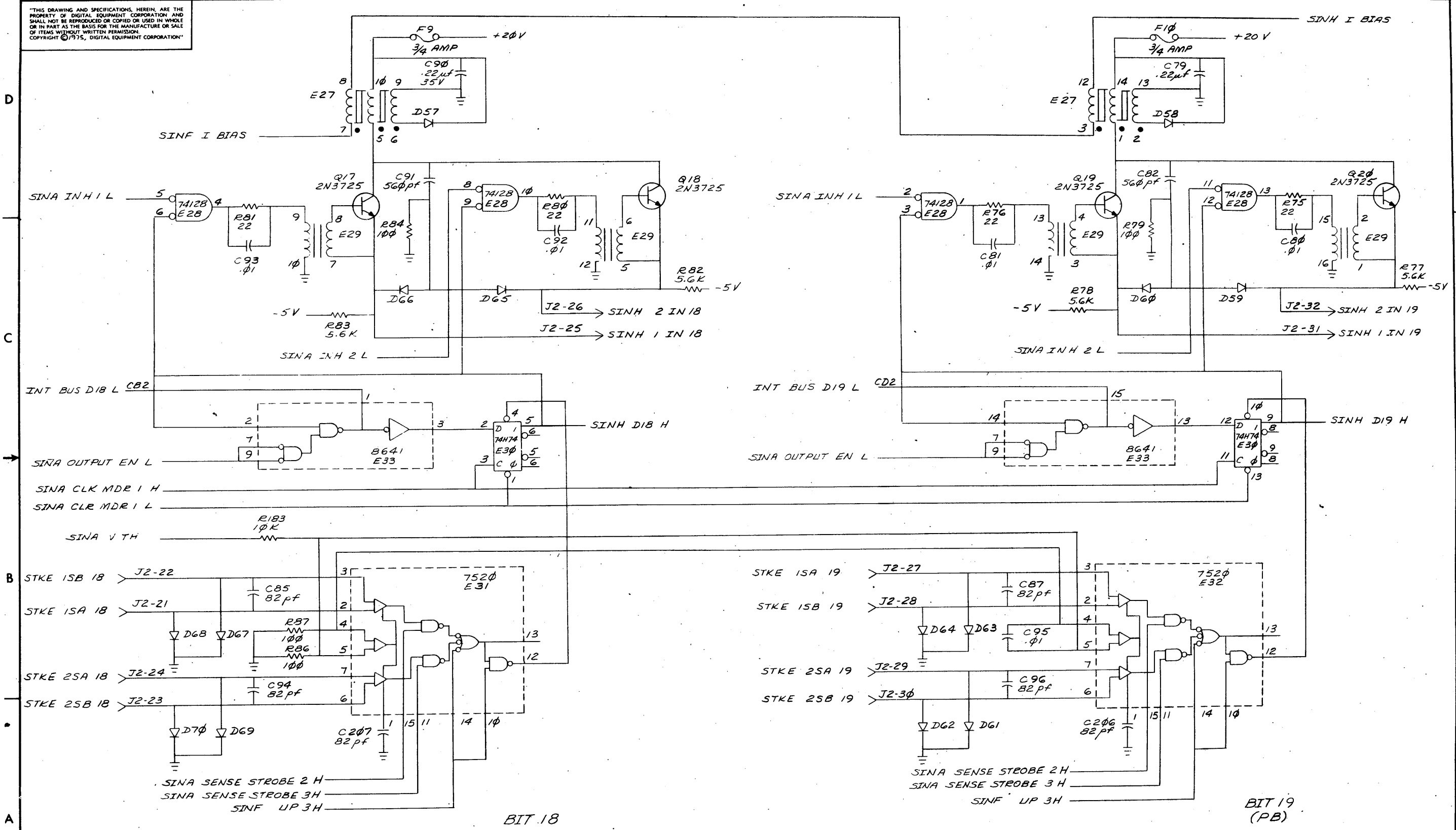
"THIS DRAWING AND SPECIFICATIONS, HEREIN, ARE THE PROPERTY OF DIGITAL EQUIPMENT CORPORATION AND SHALL NOT BE REPRODUCED OR COPIED OR USED IN WHOLE OR IN PART AS THE BASIS FOR THE MANUFACTURE OR SALE OF ITEMS WITHOUT WRITTEN PERMISSION. COPYRIGHT © 1975, DIGITAL EQUIPMENT CORPORATION"



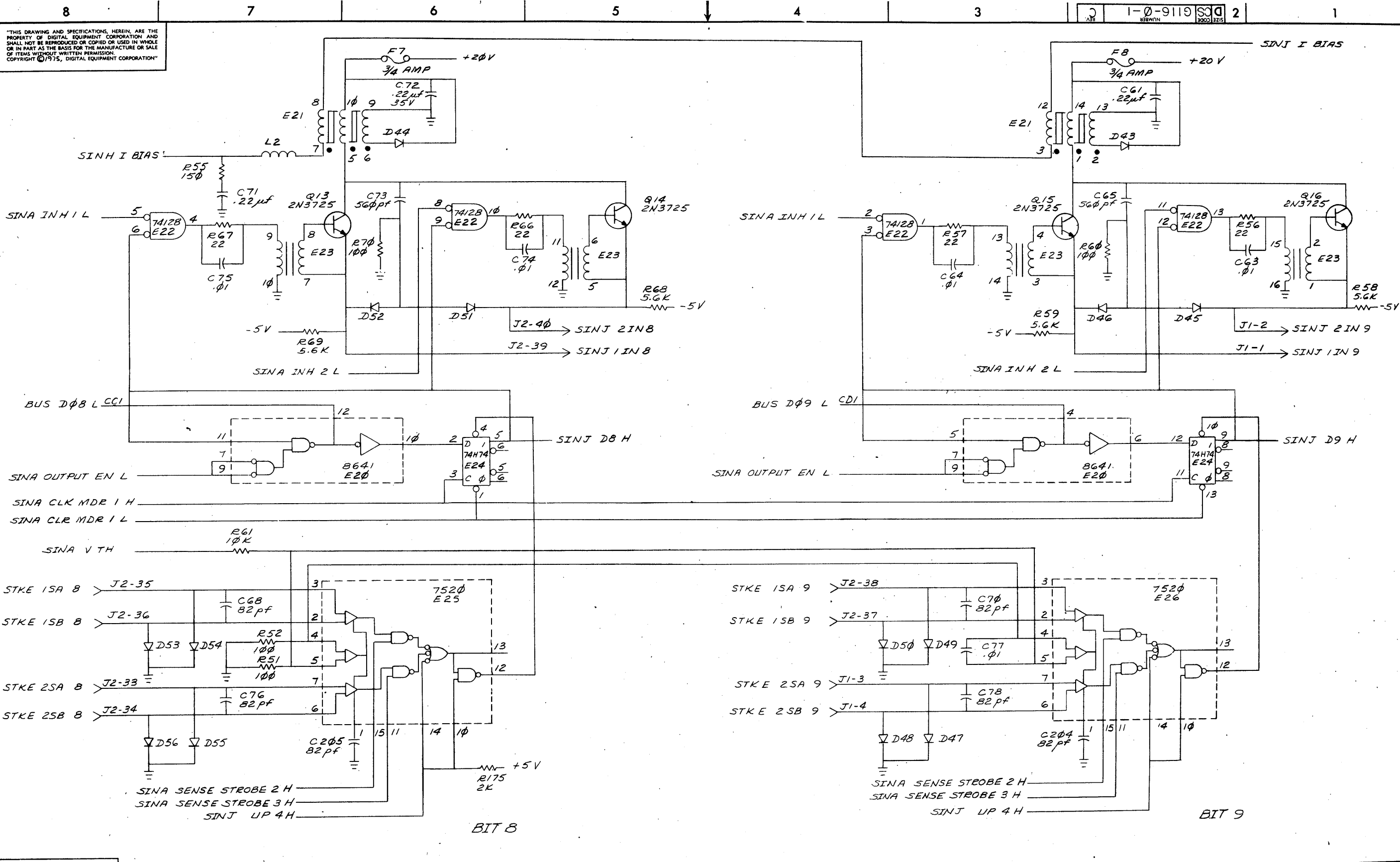
REVISIONS		
CHK	CHANGE NO.	REV.

TITLE	32K SENSE/INHIBIT (SINF)	SIZE CODE	D CS	NUMBER	G116-0-1	REV.	C
SCALE	+	SHEET	6	OF	11	DIST.	

"THIS DRAWING AND SPECIFICATIONS, HEREIN, ARE THE PROPERTY OF DIGITAL EQUIPMENT CORPORATION AND SHALL NOT BE REPRODUCED OR COPIED OR USED IN WHOLE OR IN PART AS THE BASIS FOR THE MANUFACTURE OR SALE OF ITEMS WITHOUT WRITTEN PERMISSION. COPYRIGHT © 1975, DIGITAL EQUIPMENT CORPORATION"

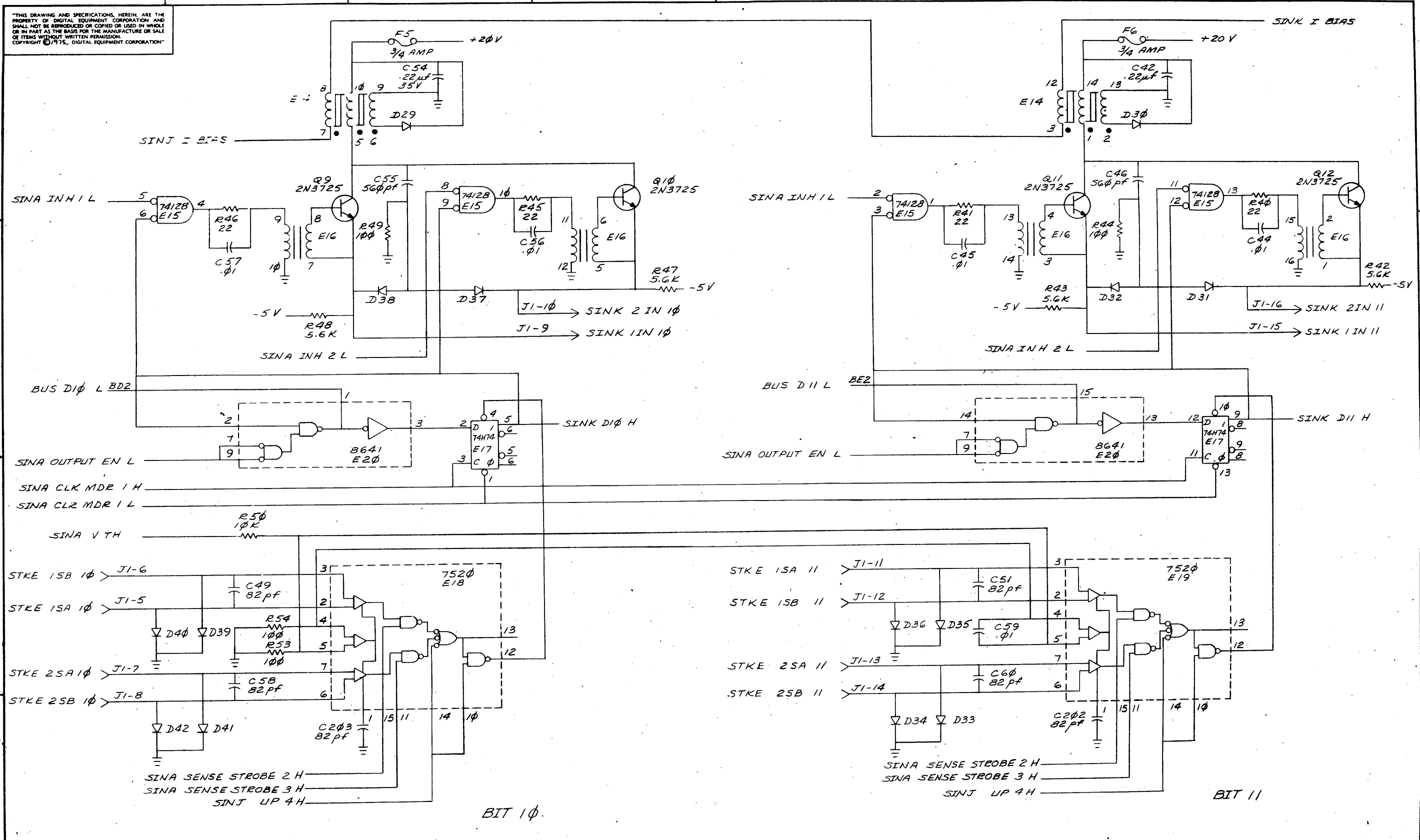


"THIS DRAWING AND SPECIFICATIONS, HEREIN, ARE THE PROPERTY OF DIGITAL EQUIPMENT CORPORATION AND SHALL NOT BE REPRODUCED OR COPIED OR USED IN WHOLE OR IN PART AS THE BASIS FOR THE MANUFACTURE OR SALE OF ITEMS WITHOUT WRITTEN PERMISSION. COPYRIGHT © 1975, DIGITAL EQUIPMENT CORPORATION"



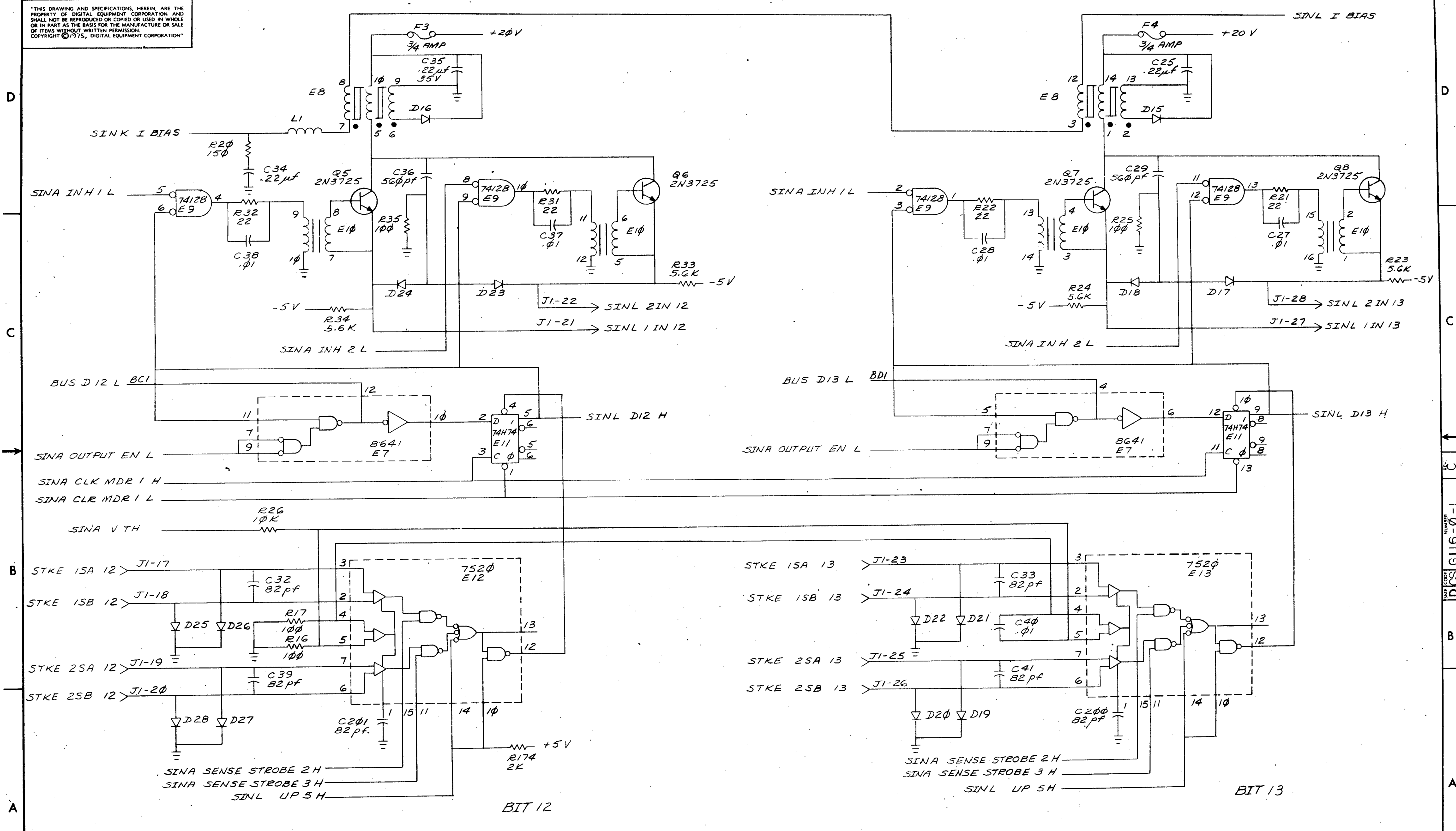
REVISIONS		
CHK	CHANGE NO.	REV.

TITLE	32K SENSE/INHIBIT (SINJ)	SIZE CODE	D CS	NUMBER	G116-0-1	REV.	C
SCALE	1:1	SHEET	8	OF 11	DIST.		



REVISIONS			TITLE	SIZE CODE	NUMBER	REV.
CHK	CHANGE NO.	REV.	32K SENSE/INHIBIT (SINK)	D CS	G116-0-1	C
			SCALE	SHEET	OF	DIST.
				9	11	

"THIS DRAWING AND SPECIFICATIONS, HEREIN, ARE THE PROPERTY OF DIGITAL EQUIPMENT CORPORATION AND SHALL NOT BE REPRODUCED OR COPIED OR USED IN WHOLE OR IN PART AS THE BASIS FOR THE MANUFACTURE OR SALE OF ITEMS WITHOUT WRITTEN PERMISSION. COPYRIGHT © 1975, DIGITAL EQUIPMENT CORPORATION"

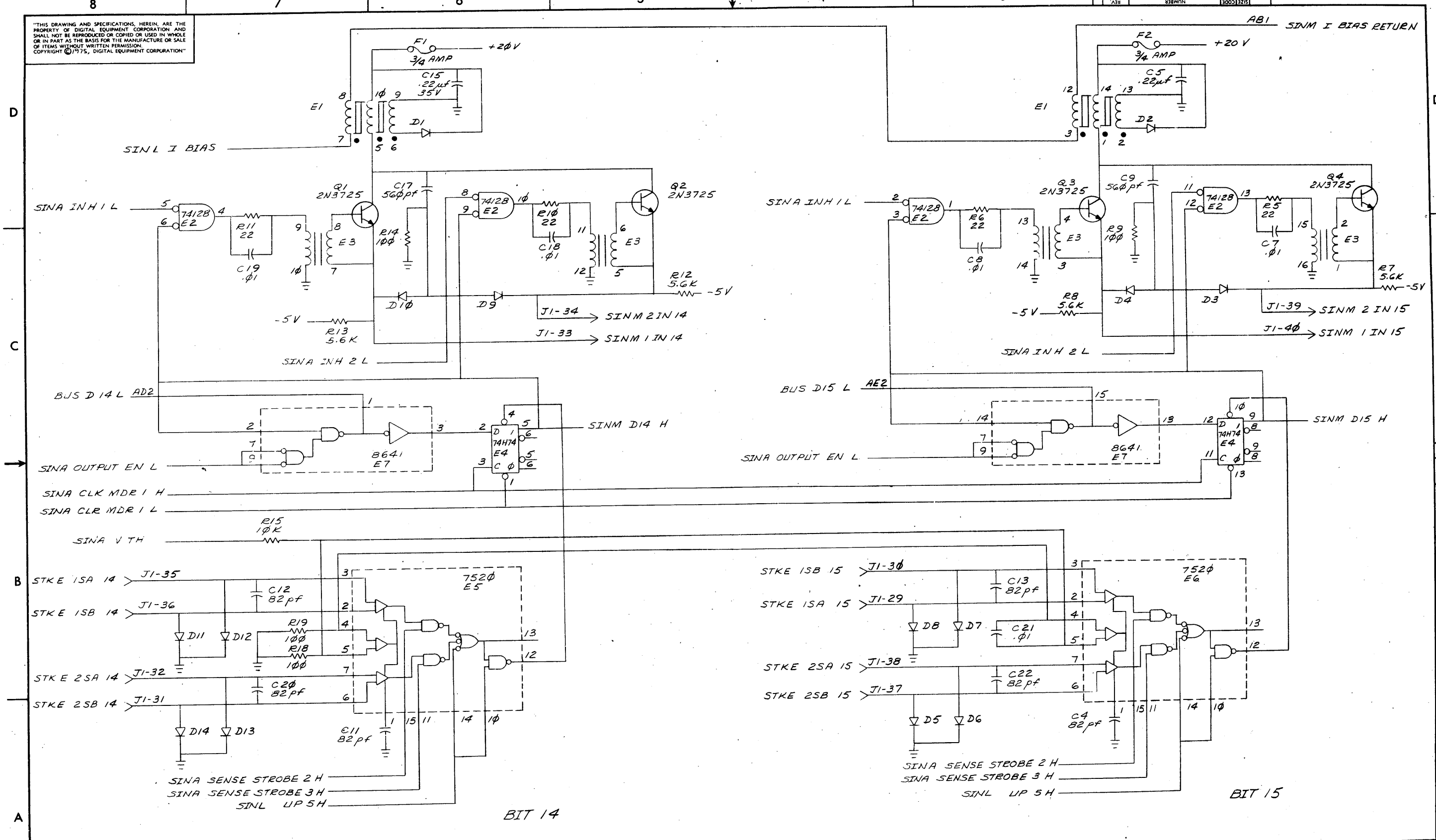


REVISIONS		
CHK	CHANGE NO.	REV.

TITLE	SIZE CODE	NUMBER	REV.
32K SENSE/INHIBIT (SINL)	D CS	G116-0-1	C
SCALE	SHEET	OF	DIST.
	10	11	

D CS G116-0-1

"THIS DRAWING AND SPECIFICATIONS, HEREIN, ARE THE PROPERTY OF DIGITAL EQUIPMENT CORPORATION AND SHALL NOT BE REPRODUCED OR COPIED OR USED IN WHOLE OR IN PART AS THE BASIS FOR THE MANUFACTURE OR SALE OF ITEMS WITHOUT WRITTEN PERMISSION. COPYRIGHT © 1975, DIGITAL EQUIPMENT CORPORATION"

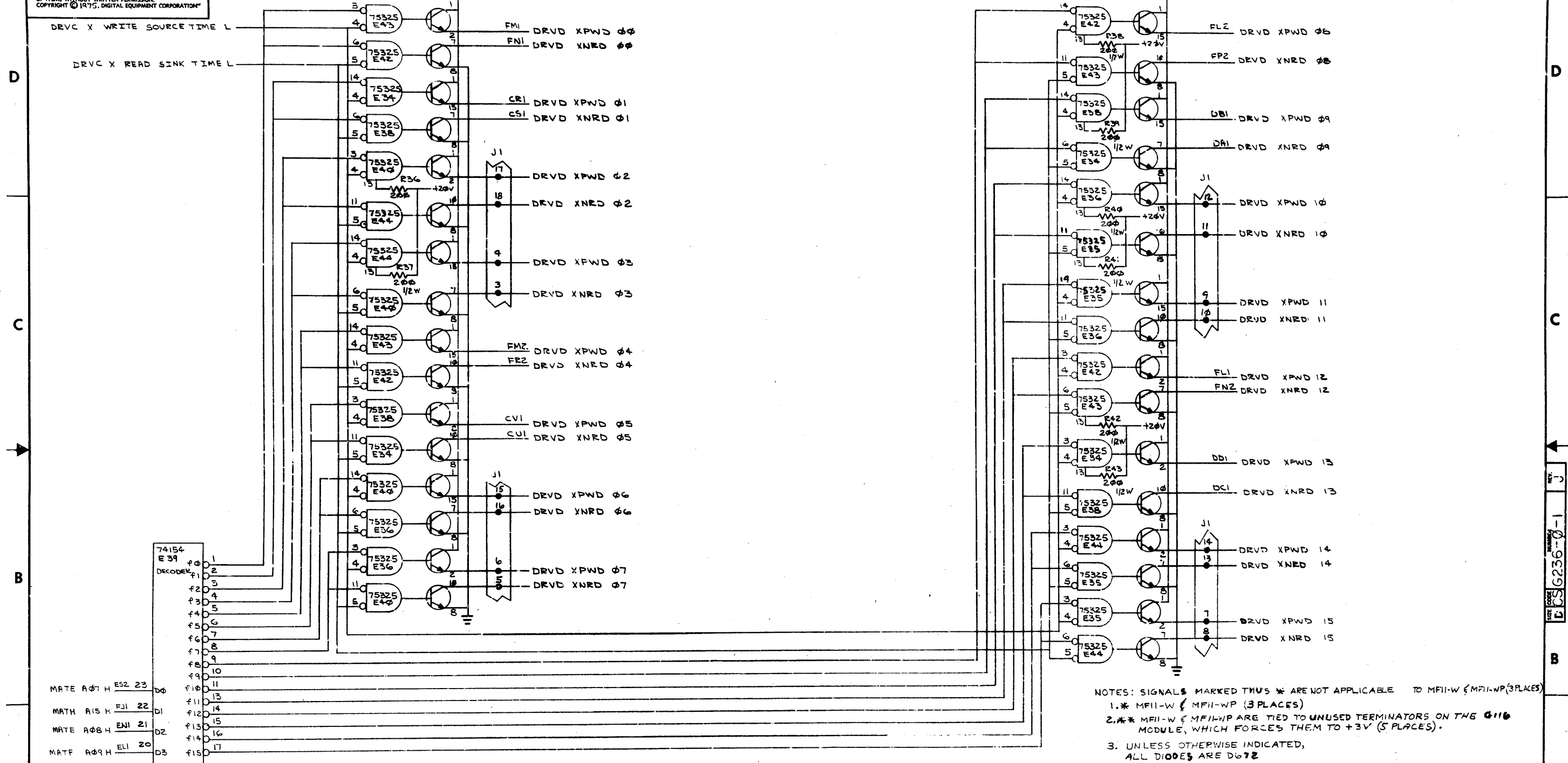


REVISIONS		
CHK	CHANGE NO.	REV.

TITLE	32K SENSE/INHIBIT (SINM)	SIZE CODE	DCS	NUMBER	G116-0-1	REV.	C
SCALE	1:1	SHEET	11	OF	11	DIST.	

"THIS DRAWING AND SPECIFICATIONS, HEREIN, ARE THE PROPERTY OF DIGITAL EQUIPMENT CORPORATION AND SHALL NOT BE REPRODUCED OR COPIED OR USED IN WHOLE OR IN PART AS THE BASIS FOR THE MANUFACTURE OR SALE OF ITEMS WITHOUT WRITTEN PERMISSION. COPYRIGHT © 1975, DIGITAL EQUIPMENT CORPORATION"

DRVA X WRITE CURRENT SOURCE



NOTES: SIGNALS MARKED THUS * ARE NOT APPLICABLE TO MF11-W & MF11-WP (3 PLACES)
 1. * MF11-W & MF11-WP (3 PLACES)
 2. ** MF11-W & MF11-WP ARE TIED TO UNUSED TERMINATORS ON THE G116 MODULE, WHICH FORCES THEM TO +3V (5 PLACES).
 3. UNLESS OTHERWISE INDICATED, ALL DIODES ARE D072
 ALL CAPACITORS ARE .01UF
 ALL RESISTORS ARE 1/4W
 ALL TRANSISTORS ARE DEC 3725

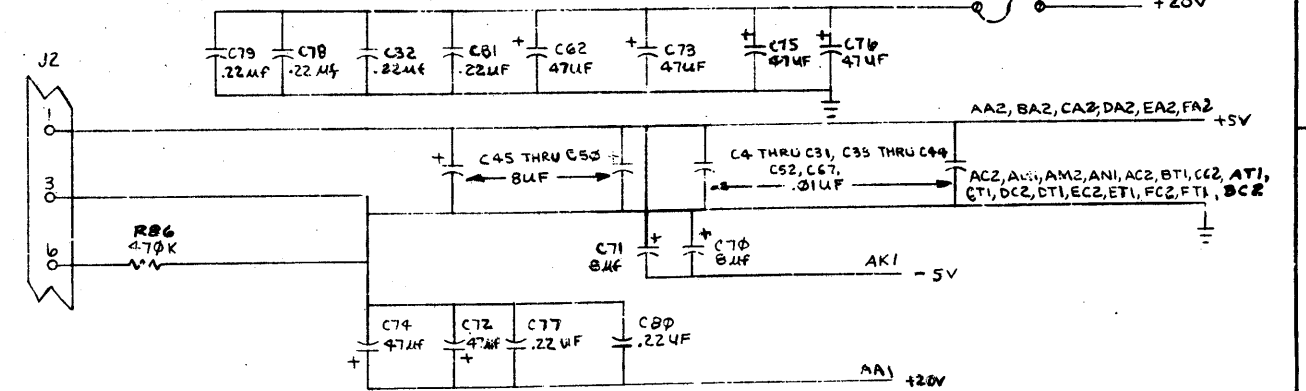
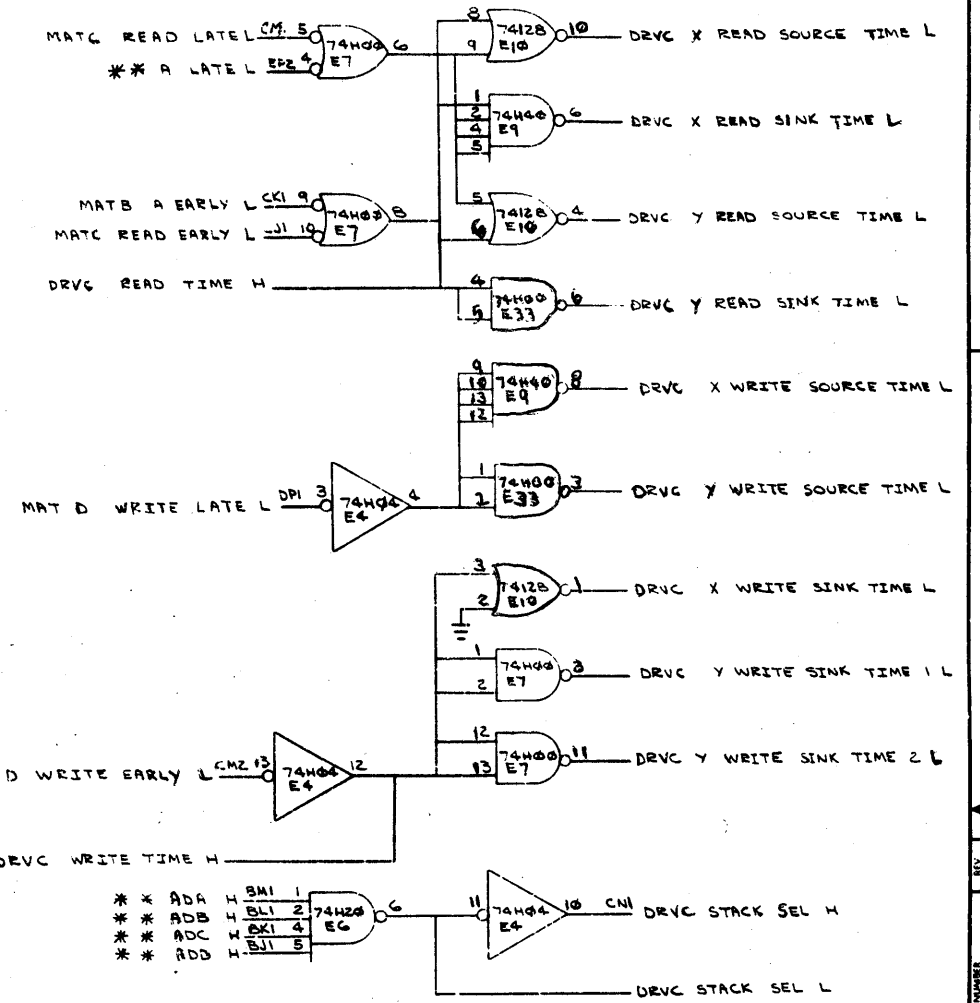
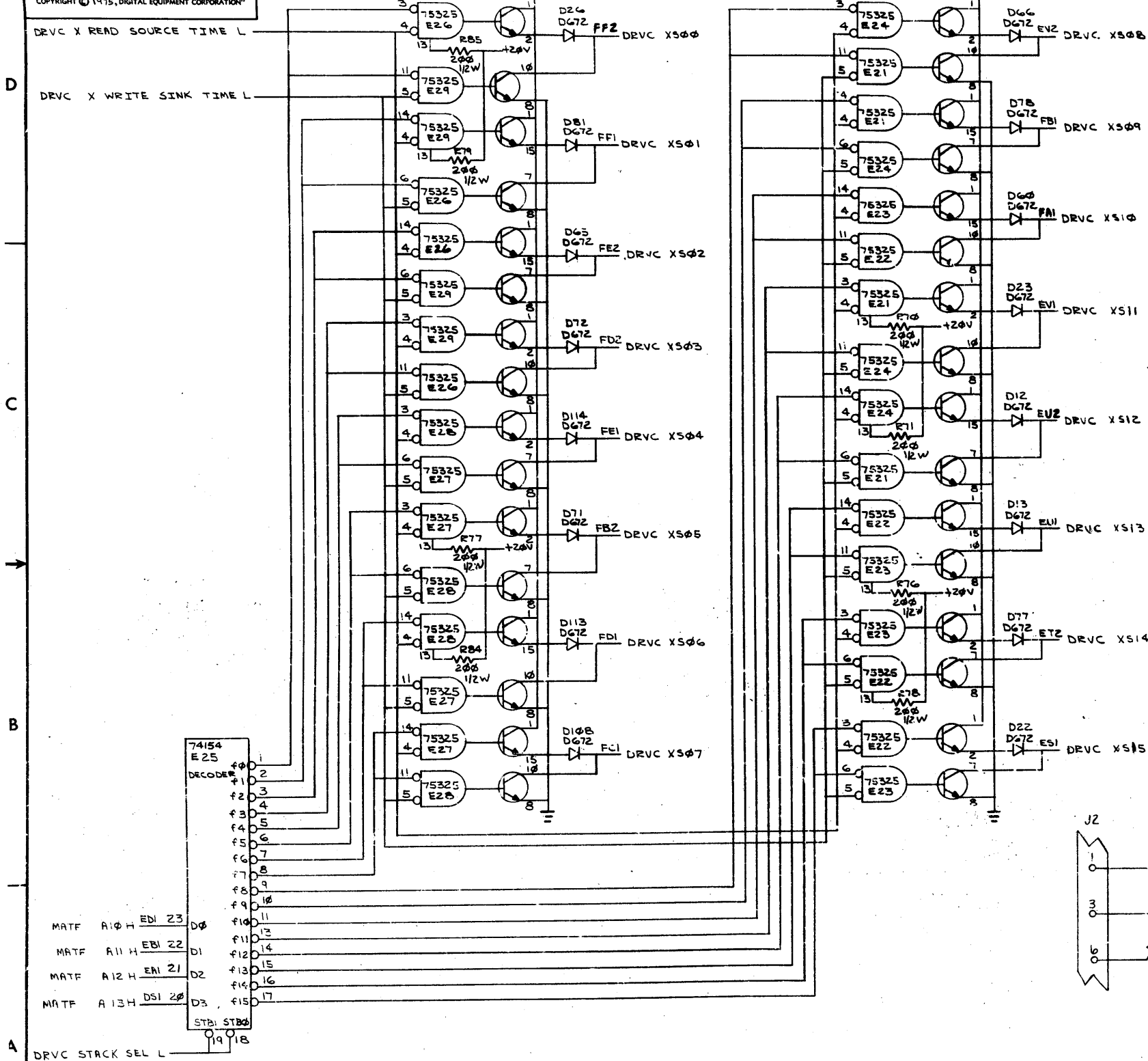
74121	7	GRD	+5V	+20V	-5V
741	1				
75325	8				
7442	8				
74154	12	24			
I.C. TYPE	PIN	PIN	PIN	PIN	PIN

REV.	CHANGE NO.	DATE	BY	CHK
1	0001	24-MAR-76	D. SMELSER	
2	0002	24-JUN-76	D. SMELSER	
3	0003	03-OCT-77	D. SMELSER	

DRN. 7. 10/75	FIRST USED ON	digital
CHK D. 150076	TITLE	32K X-Y DRIVE
PRW. ENGS. 1/16/76	SIZE CODE	NUMBER
PROD. 1/16/76	SCALE	D CS 6236-0-1
NEXT HIGHER ASSY.	ETCH REV H	(ORVD)
D-JA-6236-0-0	SHEET	REV.
SCALE	1 OF 4	J
SHEET	DIST.	

"THIS DRAWING AND SPECIFICATIONS, HEREIN, ARE THE PROPERTY OF DIGITAL EQUIPMENT CORPORATION AND SHALL NOT BE REPRODUCED OR COPIED OR USED IN WHOLE OR IN PART AS THE BASIS FOR THE MANUFACTURE OR SALE OF ITEMS WITHOUT WRITTEN PERMISSION. COPYRIGHT © 1975, DIGITAL EQUIPMENT CORPORATION"

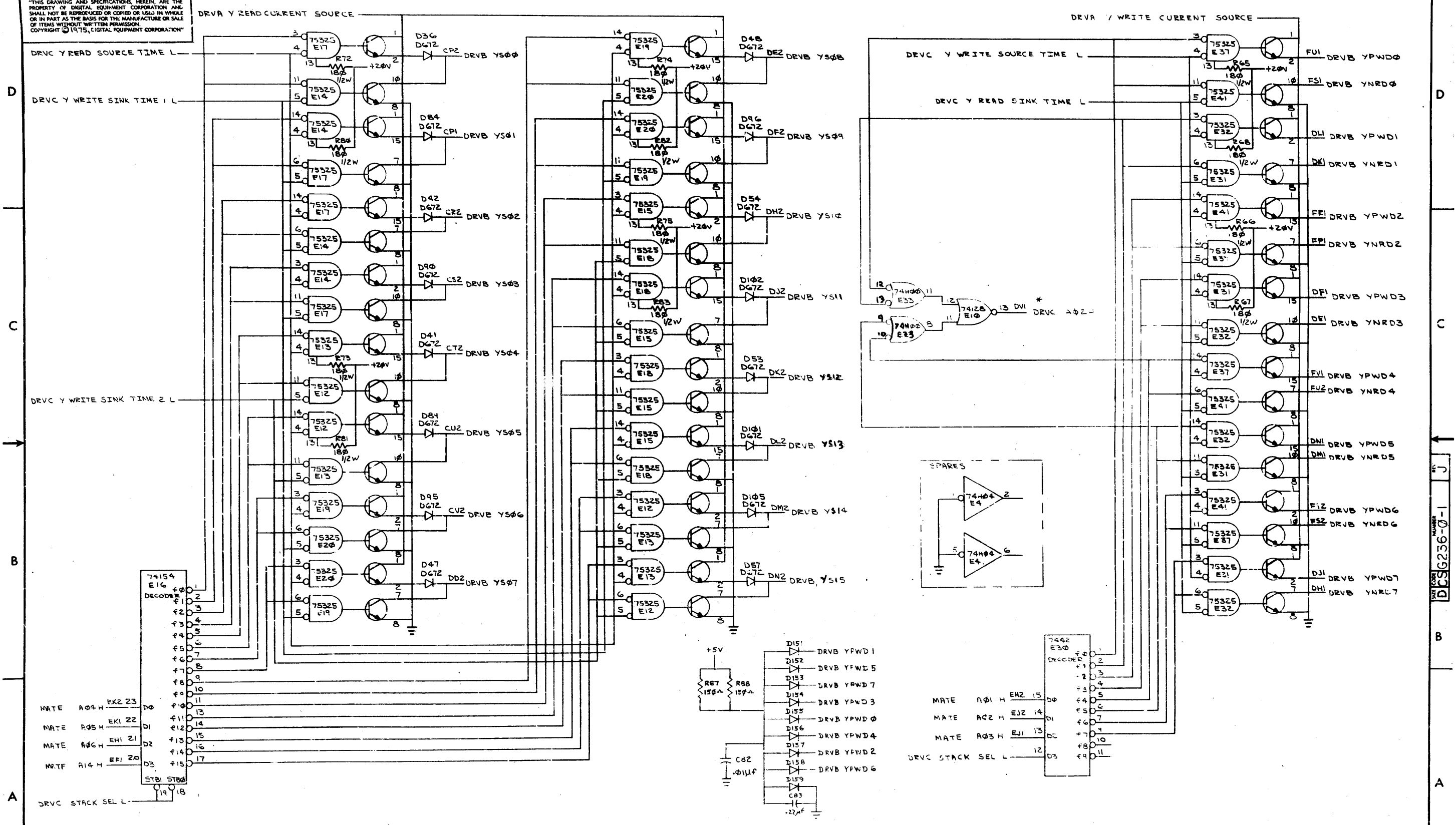
DRVC X READ CURRENT SOURCE



REVISIONS		
CHK	CHANGE NO.	REV.

TITLE	32K X-Y DRIVE (DRVC)	SIZE CODE	D	NUMBER	DCS G236-0-1	REV.	J
SCALE	/ / /	SHEET	2	OF	4	DIST.	

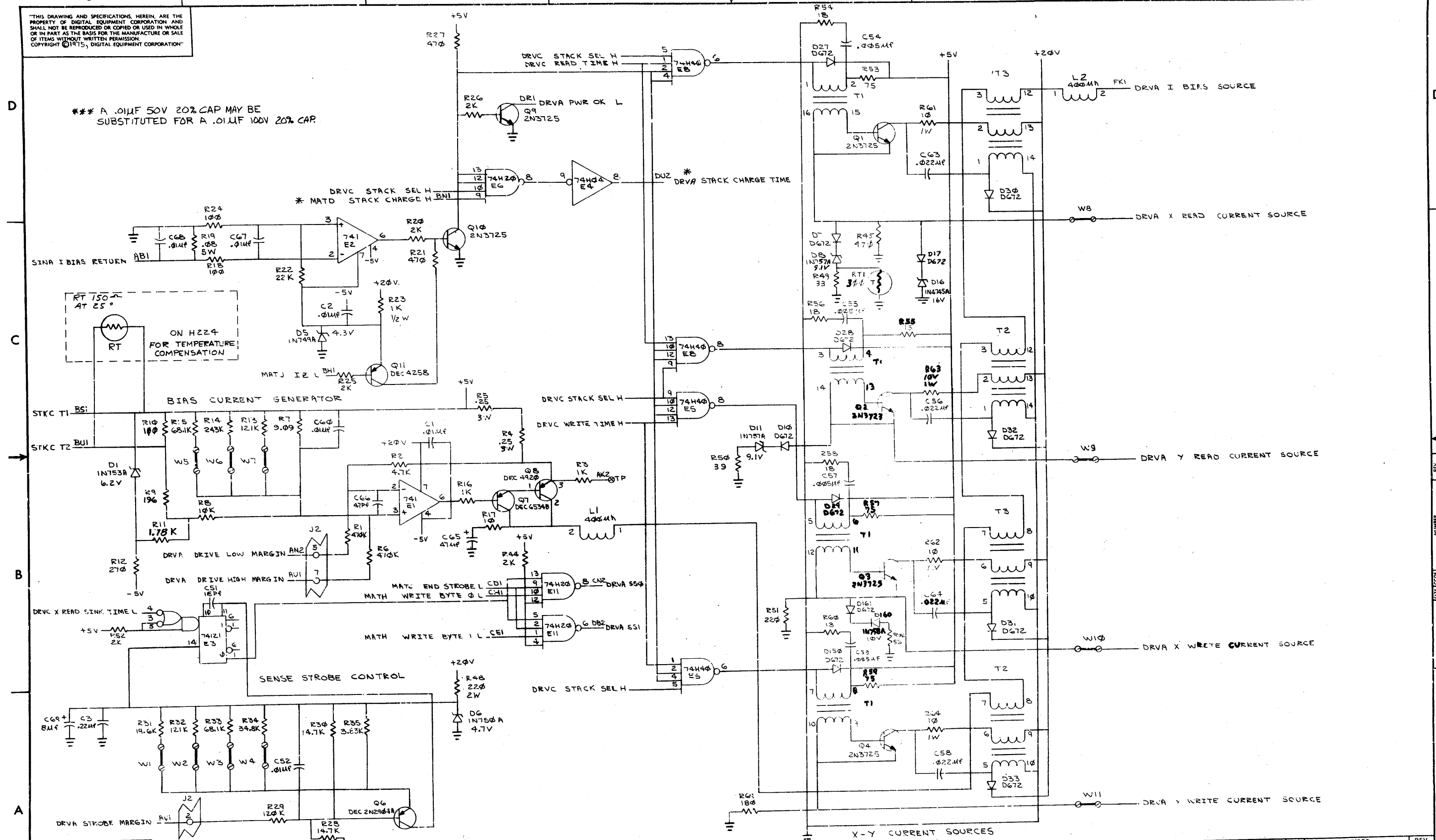
"THIS DRAWING AND SPECIFICATIONS, HEREIN, ARE THE PROPERTY OF DIGITAL EQUIPMENT CORPORATION AND SHALL NOT BE REPRODUCED OR COPIED OR USED IN WHOLE OR IN PART AS THE BASIS FOR THE MANUFACTURE OR SALE OF ITEMS WITHOUT WRITTEN PERMISSION. COPYRIGHT © 1975, DIGITAL EQUIPMENT CORPORATION"



CHK	CHANGE NO.	REV.

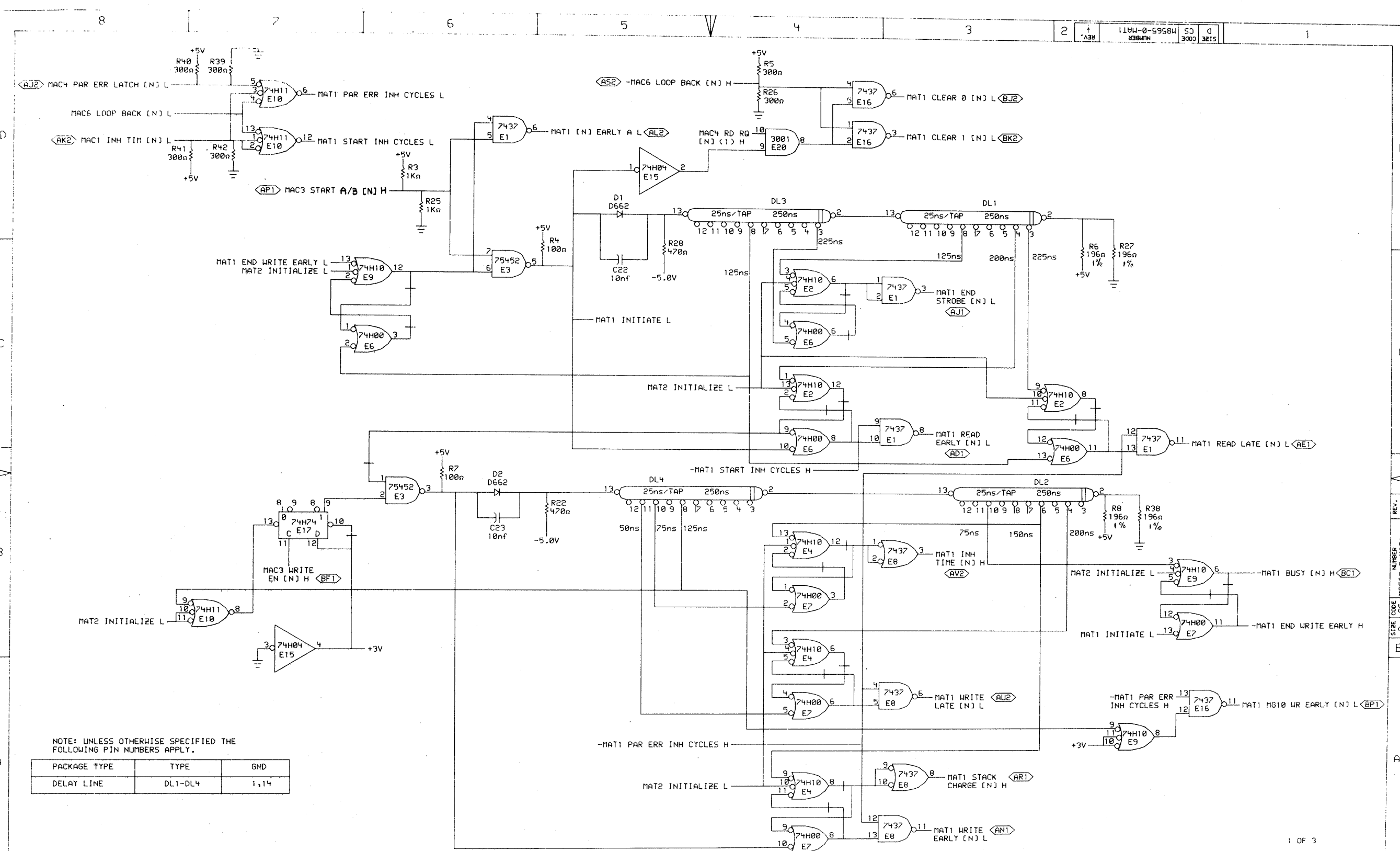
"THIS DRAWING AND SPECIFICATIONS, HEREIN, ARE THE PROPERTY OF DIGITAL EQUIPMENT CORPORATION AND SHALL NOT BE REPRODUCED OR COPIED OR USED IN WHOLE OR IN PART AS THE BASIS FOR THE MANUFACTURE OR SALE OF ITEMS WITHOUT WRITTEN PERMISSION. COPYRIGHT © 1975, DIGITAL EQUIPMENT CORPORATION"

*** A .01µF 50V 20% CAP MAY BE SUBSTITUTED FOR A .01µF 100V 20% CAP.



REVISIONS		
CHK	CHANGE NO.	REV.

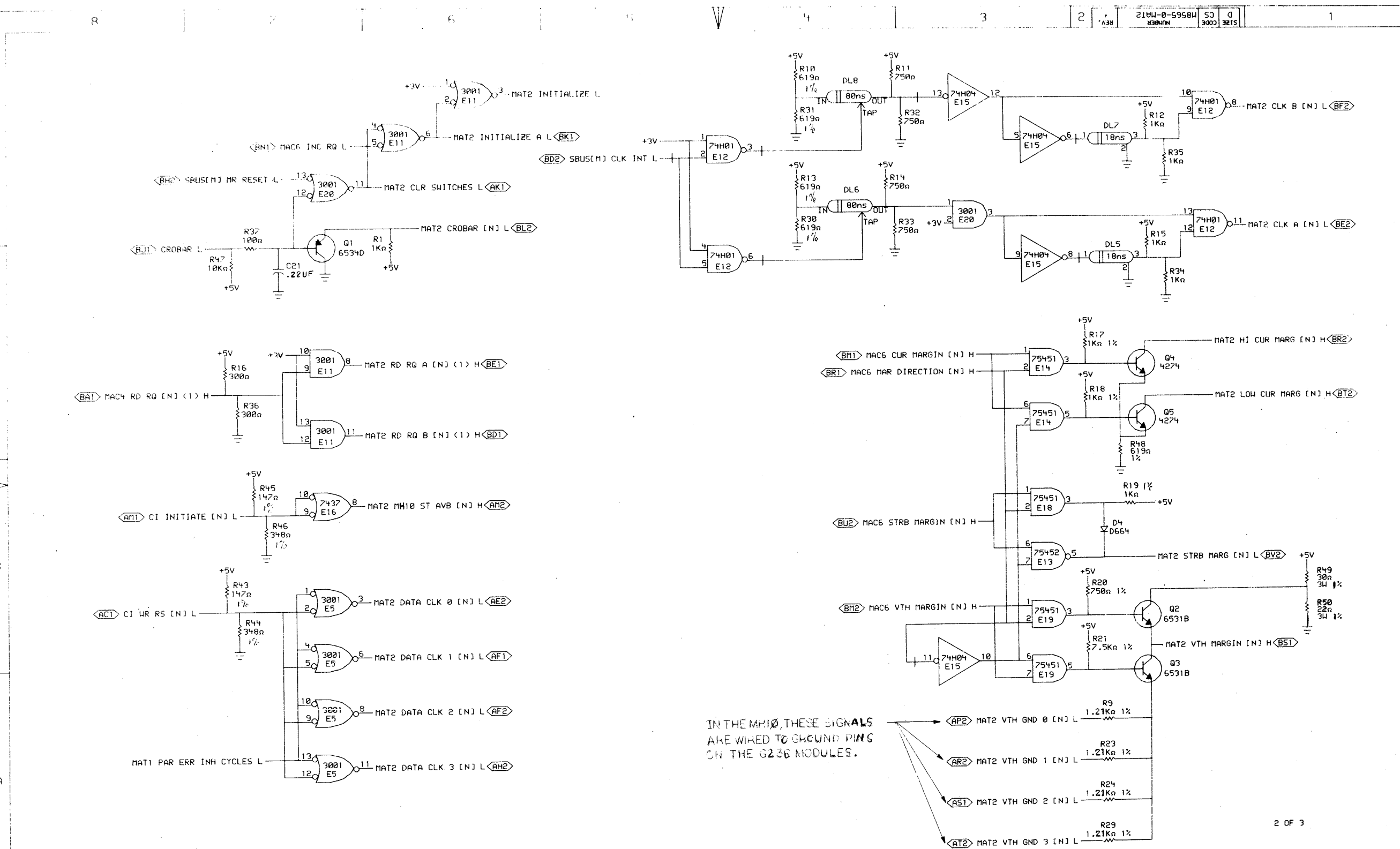
TITLE	32K X-Y DRIVE (DRVA)	SIZE CODE	NUMBER	REV.
DCS G236-0-1				J
SCALE	7-7	SHEET	4 OF 4	



THIS DRAWING AND SPECIFICATIONS, HEREIN, ARE THE PROPERTY OF DIGITAL EQUIPMENT CORPORATION AND SHALL NOT BE REPRODUCED OR COPIED OR USED IN WHOLE OR IN PART AS THE BASIS FOR THE MANUFACTURE OR SALE OF ITEMS WITHOUT WRITTEN PERMISSION.
 COPYRIGHT © 1976, DIGITAL EQUIPMENT CORPORATION

REVISIONS		
CHK	CHANGE NO.	REV

	DATE: 06-MAY-76	ENG.:	DATE:	TITLE: TIMING BOARD
	CHK'D: [Signature]	BOARD LOCATION:	SHEET 1 OF 1	CORE TIM. SIGNALS
MAT0.DRW4,333	06-MAY-76 17:13	NEXT HIGHER ASSEMBLY:	SIZE CODE: D CS	NUMBER: M8565-0-MAT1
FIRST USED ON OPTION/MODEL: MH10	B-DD-M8565-0			REV. *



THIS DRAWING AND SPECIFICATIONS, HEREIN, ARE THE PROPERTY OF DIGITAL EQUIPMENT CORPORATION AND SHALL NOT BE REPRODUCED OR COPIED OR USED IN WHOLE OR IN PART AS THE BASIS FOR THE MANUFACTURE OR SALE OF ITEMS WITHOUT WRITTEN PERMISSION.
 COPYRIGHT © 1976, DIGITAL EQUIPMENT CORPORATION

REVISIONS		
CHK	CHANGE NO.	REV

digital	DATE	ENG.	DATE	TITLE:
	06-MAY-76	Looby		TIMING BOARD
CHK'D.	DATE	BOARD LOCATION:		CLK, MAR, CLR & BUFS
MAT1.DRW(4,33)	06-MAY-76 17:14	NEXT HIGHER ASSEMBLY:	SIZE CODE	NUMBER
FIRST USED ON OPTION/MODEL:	MH10	B-DD-M8565-0	D CS	M8565-0-MAT2
			REV.	*

8

7

6

5

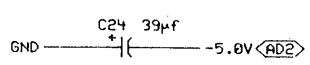
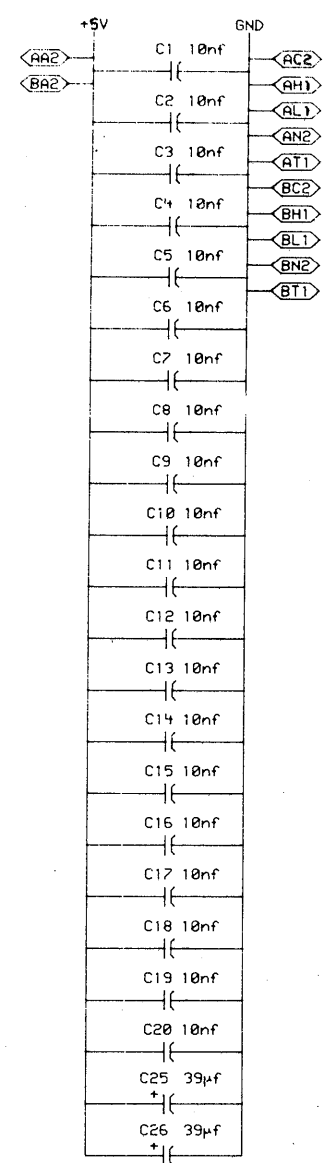
4

3

2

1

SIZE CODE NUMBER
D CS M8565-0-MAT3



D

C

B

A

D

C

B

A

REV. 1
SIZE CODE NUMBER
D CS M8565-0-MAT3

3 OF 3

THIS DRAWING AND SPECIFICATIONS, HEREIN, ARE THE PROPERTY OF DIGITAL EQUIPMENT CORPORATION AND SHALL NOT BE REPRODUCED OR COPIED OR USED IN WHOLE OR IN PART AS THE BASIS FOR THE MANUFACTURE OR SALE OF ITEMS WITHOUT WRITTEN PERMISSION.
COPYRIGHT © 1976, DIGITAL EQUIPMENT CORPORATION

REVISIONS		
CHK	CHANGE NO.	REV.

digital
MAT2.DRW(4,33)

DATE 06-MAY-76
DATE 06-MAY-76
NEXT HIGHER ASSEMBLY: B-DD-M8565-0

DATE 06-MAY-76
BOARD LOCATION: SHEET 1 OF 1
TITLE: TIMING BOARD PWR & GND
SIZE CODE NUMBER
D CS M8565-0-MAT3
REV. *

8

7

6

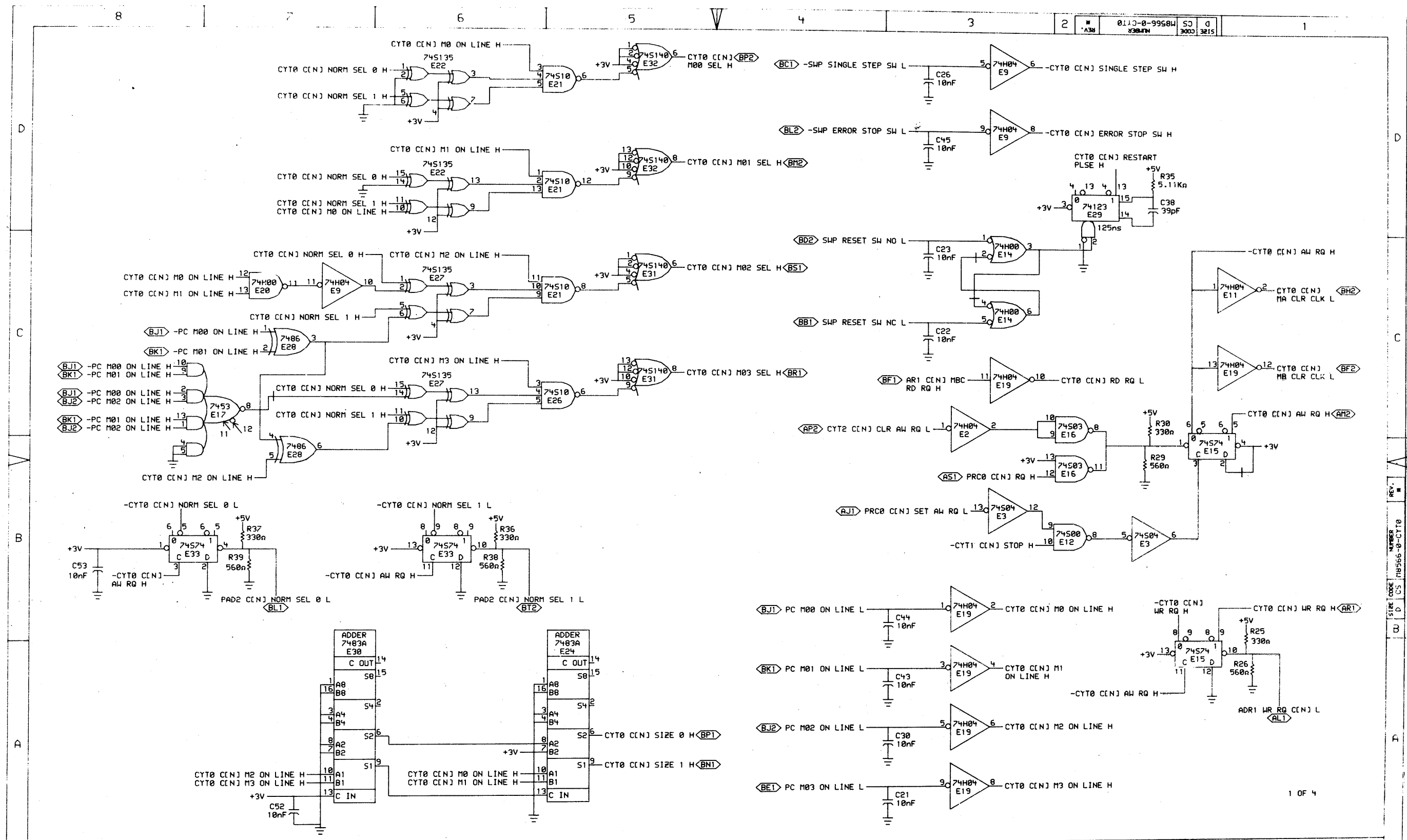
5

4

3

2

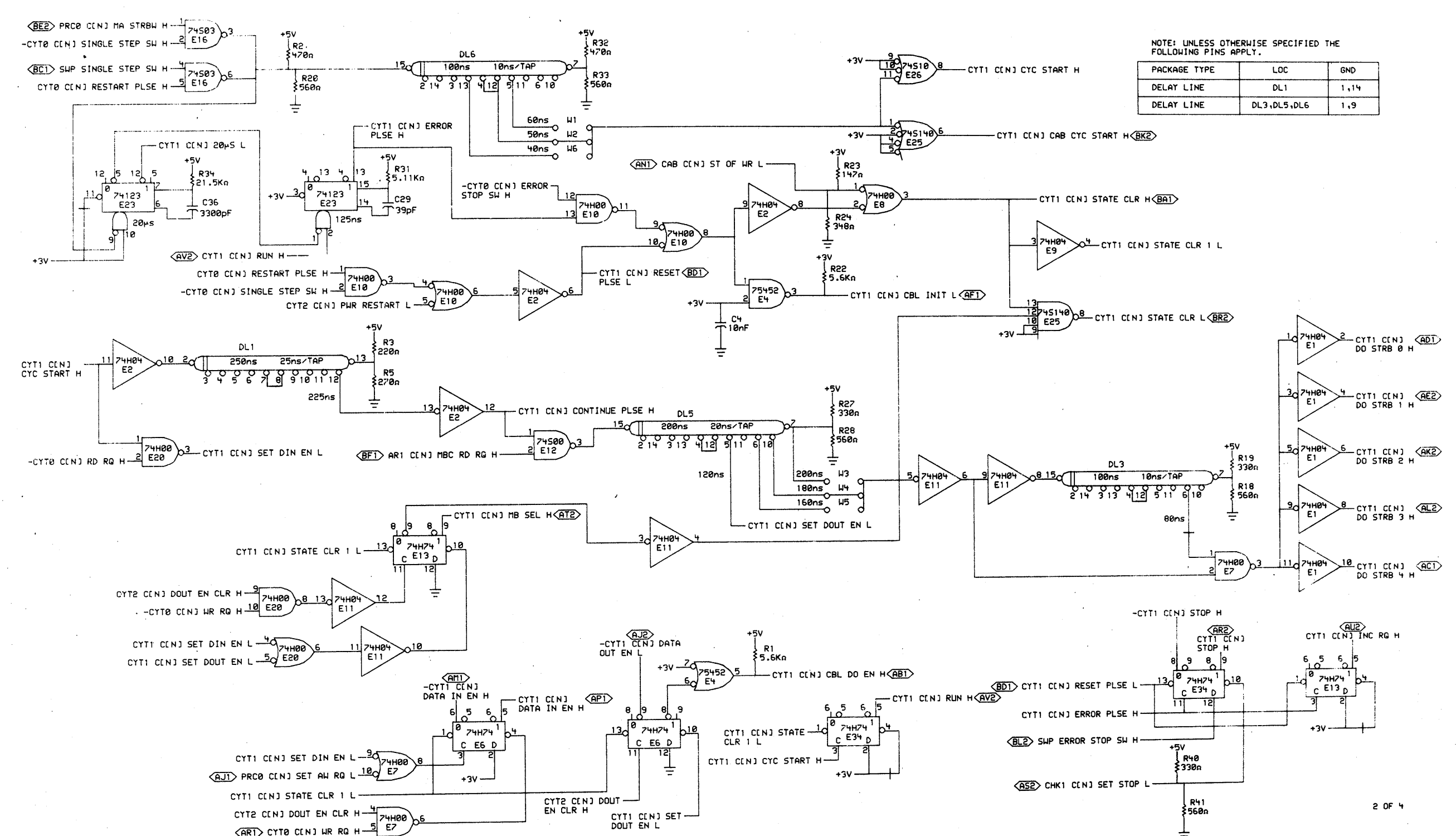
1



*THIS DRAWING AND SPECIFICATIONS, HEREIN, ARE THE PROPERTY OF DIGITAL EQUIPMENT CORPORATION AND SHALL NOT BE REPRODUCED OR COPIED OR USED IN WHOLE OR IN PART AS THE BASIS FOR THE MANUFACTURE OR SALE OF ITEMS WITHOUT WRITTEN PERMISSION.
 COPYRIGHT © 1976, DIGITAL EQUIPMENT CORPORATION*

REVISIONS	
CHK	CHANGE NO. REV.

digital	DRW. <i>J. J. J.</i>	DATE <i>06-MAY-76</i>	ENG.	DATE	TITLE: CYCLE TIMING (MH10)
	CHK'D.	DATE	BOARD LOCATION:	SHEET 1 OF 1	SIZE CODE NUMBER REV. D CS M8566-0-CYT0 *
CYT0.DRAW 4.33		128-APR-76 10:44	NEXT HIGHER ASSEMBLY:	FIRST USED ON OPTION/MODEL: MH10 B-DD-M8566-0	



NOTE: UNLESS OTHERWISE SPECIFIED THE FOLLOWING PINS APPLY.

THIS DRAWING AND SPECIFICATIONS, HEREIN, ARE THE PROPERTY OF DIGITAL EQUIPMENT CORPORATION AND SHALL NOT BE REPRODUCED OR COPIED OR USED IN WHOLE OR IN PART AS THE BASIS FOR THE MANUFACTURE OR SALE OF ITEMS WITHOUT WRITTEN PERMISSION. COPYRIGHT © 1976, DIGITAL EQUIPMENT CORPORATION

REVISIONS	
CHK	CHANGE NO. REV

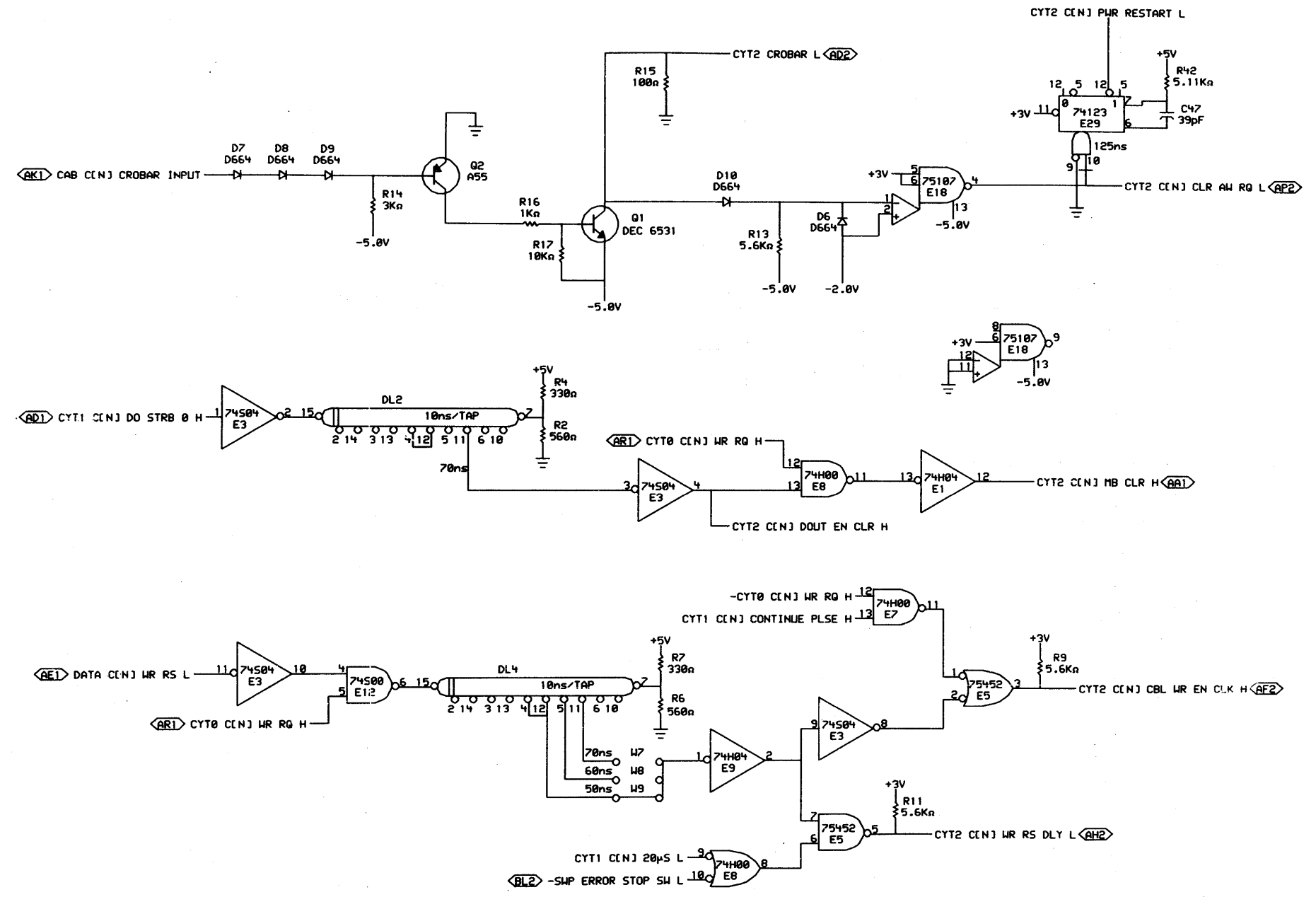
digital DATE ENG 06-MAY-76 DATE BOARD LOCATION: 1 OF 1 SHEET DATE 13:09 DATE 06-MAY-76 DATE 06-MAY-76 DATE 06-MAY-76

TITLE: CYCLE TIMING (MH10)

SIZE CODE: D CS NUMBER: M8566-0-CYT1 REV: *

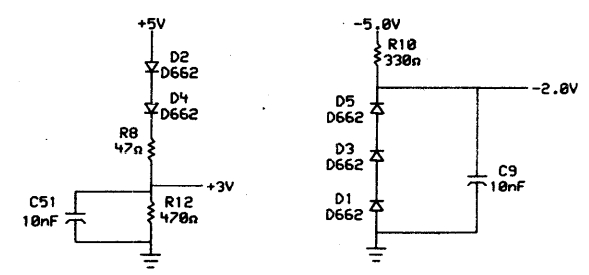
FIRST USED ON OPTION/MODEL: MH10 NEXT HIGHER ASSEMBLY: B-DD-M8566-0

REV. A	DATE 9/1/77	ENG. S. Balas	DATE 9/1/77	TITLE: CYCLE TIMING (MH10)
SIZE CODE D	CS	M8566-0-CYT2	SHEET 1 OF 1	BOARD LOCATION: 1
SIZE CODE D	CS	M8566-0-CYT2	3000 3215	2110-0-9950



NOTE: UNLESS OTHERWISE SPECIFIED THE FOLLOWING PINS APPLY.

PACKAGE TYPE	LOC	GND
DELAY LINE	DL2,DL4	1,9



"THIS DRAWING AND SPECIFICATIONS, HEREIN, ARE THE PROPERTY OF DIGITAL EQUIPMENT CORPORATION AND SHALL NOT BE REPRODUCED OR COPIED OR USED IN WHOLE OR IN PART AS THE BASIS FOR THE MANUFACTURE OR SALE OF ITEMS WITHOUT WRITTEN PERMISSION. COPYRIGHT © 1977, DIGITAL EQUIPMENT CORPORATION"

REVISIONS		
CHK	CHANGE NO.	REV
J. Bales	1	A

digital DRN. J. J. J. DATE 31-AUG-77 ENG. S. Balas DATE 9/1/77

CYT2.DRW 4.33 31-AUG-77 12:38 NEXT HIGHER ASSEMBLY: B-DD-M8566-0

SIZE CODE D	CS	M8566-0-CYT2	NUMBER 1	REV. A
-------------	----	--------------	----------	--------

8

7

6

5

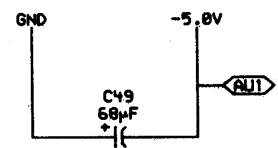
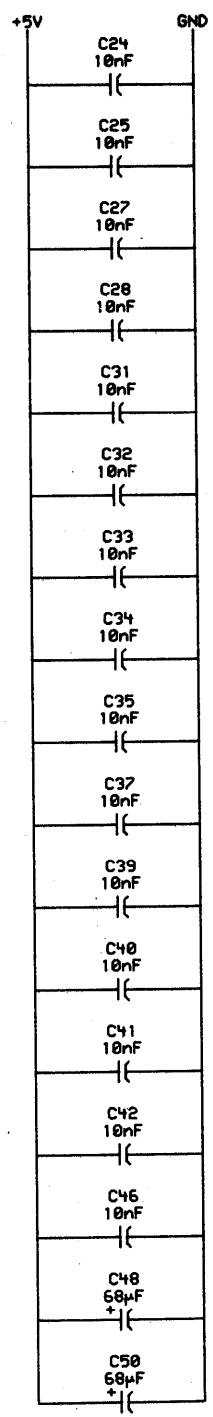
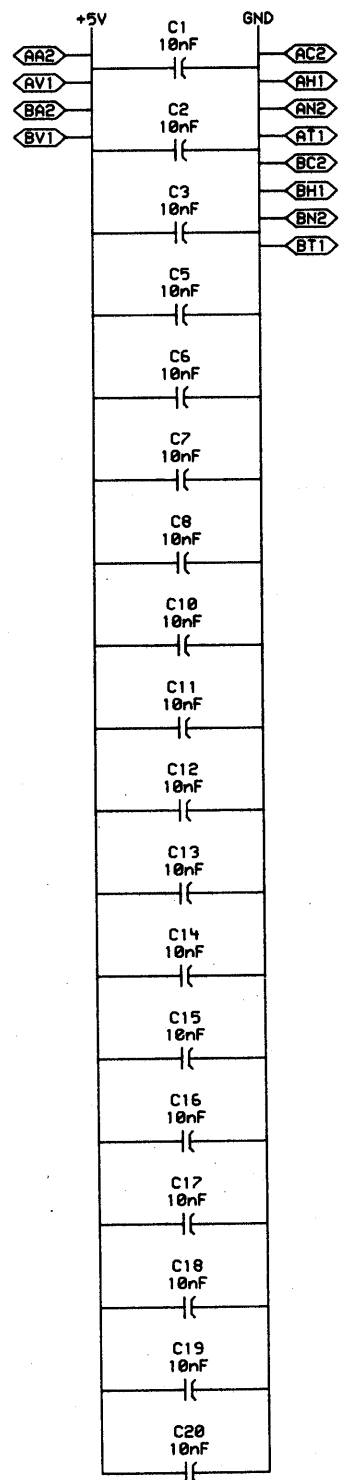
4

3

2

CS 185566-0-99564

1



THE FOLLOWING ARE CONNECTOR PINS WHICH ARE NOT CONNECTED TO ETCH ON THIS MODULE:

- AB2
- BB2
- BM1
- BS2
- BU1
- BU2
- BV2

4 OF 4

"THIS DRAWING AND SPECIFICATIONS, HEREIN, ARE THE PROPERTY OF DIGITAL EQUIPMENT CORPORATION AND SHALL NOT BE REPRODUCED OR COPIED OR USED IN WHOLE OR IN PART AS THE BASIS FOR THE MANUFACTURE OR SALE OF ITEMS WITHOUT WRITTEN PERMISSION.
 COPYRIGHT © 1976, DIGITAL EQUIPMENT CORPORATION"

REVISIONS		
CHK	CHANGE NO.	REV.

digital	DRW. <i>J. J. J.</i>	DATE 05-MAY-76	ENG.	DATE	TITLE: CYCLE TIMING PWR & GND (MH10)
	CHK'D.	DATE 24-MAR-76 12:12	BOARD LOCATION: SHEET 1	SIZE CODE D CS	NUMBER 185566-0-CYT3
FIRST USED ON OPTION/MODEL: MH10		NEXT HIGHER ASSEMBLY: B-DD-M0566-0		REV. *	1

8

7

6

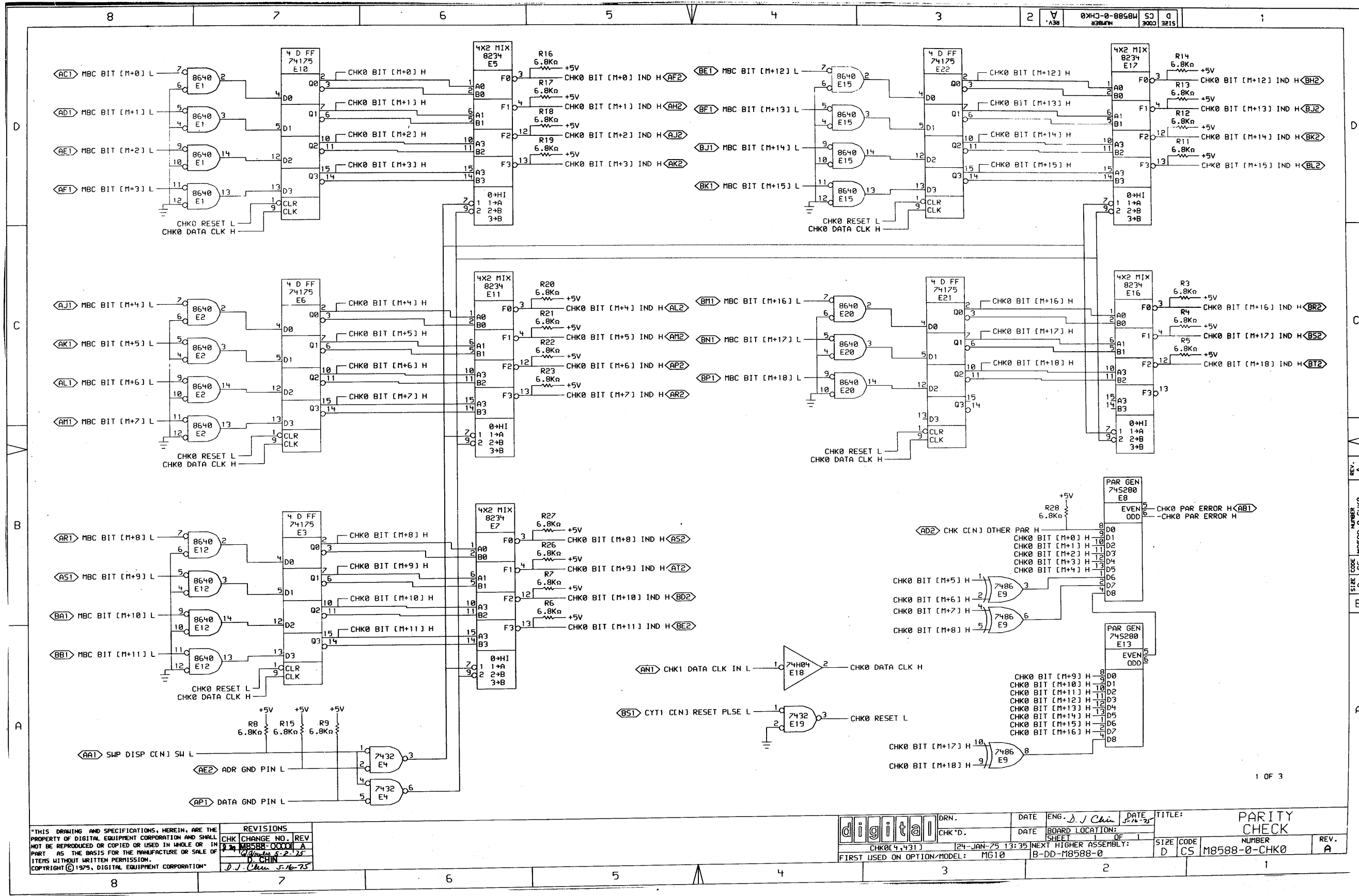
5

4

3

2

1



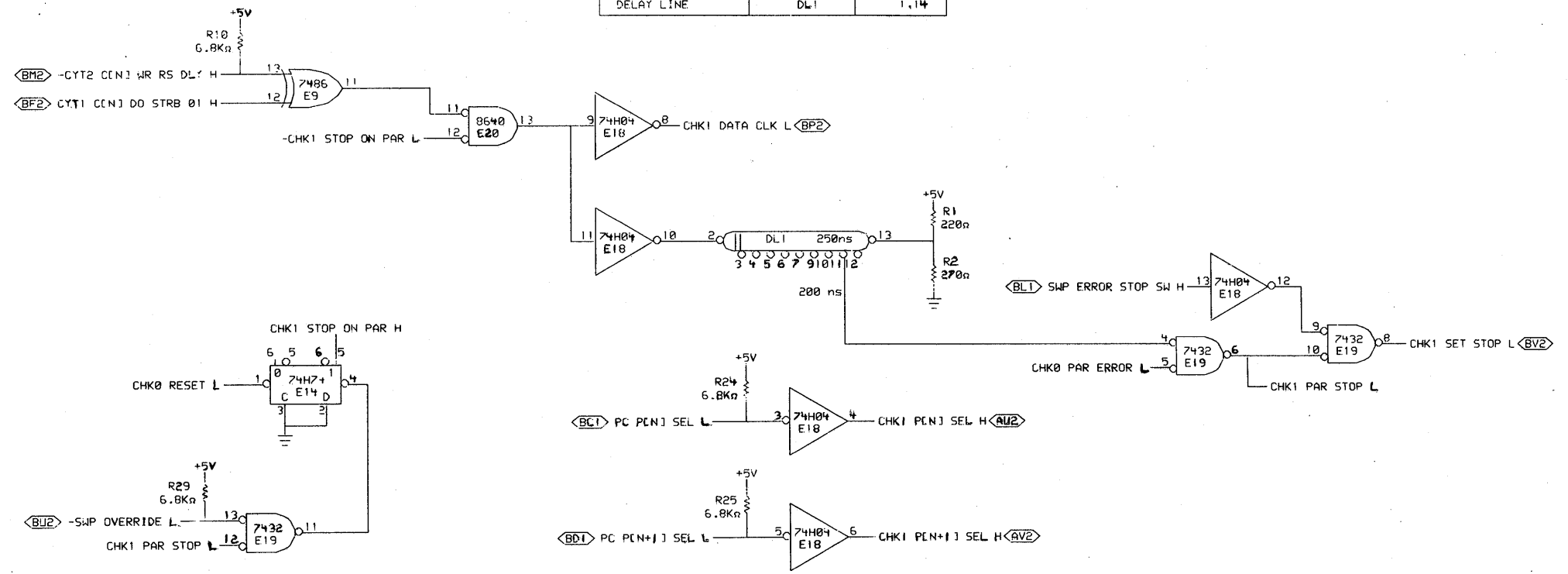
THIS DRAWING AND SPECIFICATIONS, HEREIN, ARE THE PROPERTY OF DIGITAL EQUIPMENT CORPORATION AND SHALL NOT BE REPRODUCED OR COPIED OR USED IN WHOLE OR IN PART AS THE BASIS FOR THE MANUFACTURE OR SALE OF ITEMS WITHOUT WRITTEN PERMISSION.
 COPYRIGHT © 1979, DIGITAL EQUIPMENT CORPORATION*

REVISIONS	
CHK	CHANGE NO. REV
3	M8588-0001 A
2	5-2-75
1	D. CHIN
	D. J. Chin 5-16-75

digital	DRN.	DATE	ENG. J. J. Chin	DATE	TITLE:	PARITY CHECK
CHK'D.	DATE	BOARD LOCATION:	SHEET	OF	SIZE	CODE
CHK04.431	24-JAN-75 13:35	NEXT HIGHER ASSEMBLY:	D	C5	M8588-0-CHK0	REV. A
FIRST USED ON OPTION/MODEL:	MG10	B-DD-M8588-0	1	1	1	1

NOTE: UNLESS OTHERWISE SPECIFIED THE FOLLOWING PINS APPLY.

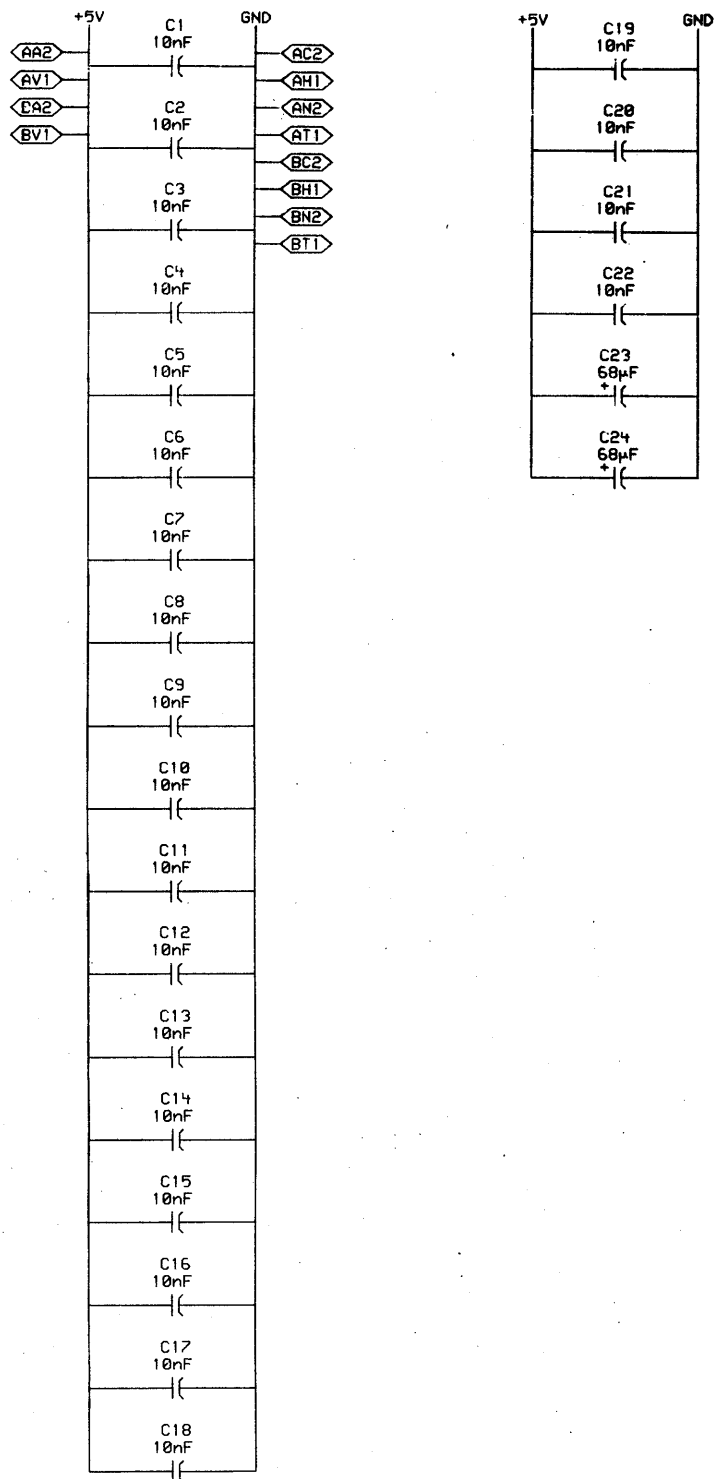
PACKAGE TYPE	LOC	GND
DELAY LINE	DL1	1, 14



THIS DRAWING AND SPECIFICATIONS, HEREIN, ARE THE PROPERTY OF DIGITAL EQUIPMENT CORPORATION AND SHALL NOT BE REPRODUCED OR COPIED OR USED IN WHOLE OR IN PART AS THE BASIS FOR THE MANUFACTURE OR SALE OF ITEMS WITHOUT WRITTEN PERMISSION.
COPYRIGHT © 1975, DIGITAL EQUIPMENT CORPORATION

REVISIONS		
CHK	CHANGE NO.	REV

	DRN. <i>W. Franklin</i>	DATE <i>1/31/75</i>	ENG. <i>D. J. Chin</i>	DATE <i>1/31/75</i>	TITLE: PARITY CHECK
	CHK'D. <i>RD</i>	DATE <i>1/31/75</i>	BOARD LOCATION: <i> </i>	SHEET <i>1</i>	REV. <i> </i>
CHK1 [4, 260]		24-JAN-75 14:41	NEXT HIGHER ASSEMBLY:	SIZE CODE D CS	NUMBER M8588-0-CHK1
FIRST USED ON OPTION/MODEL: MG10		B-DD-M8588-0		2 OF 3	



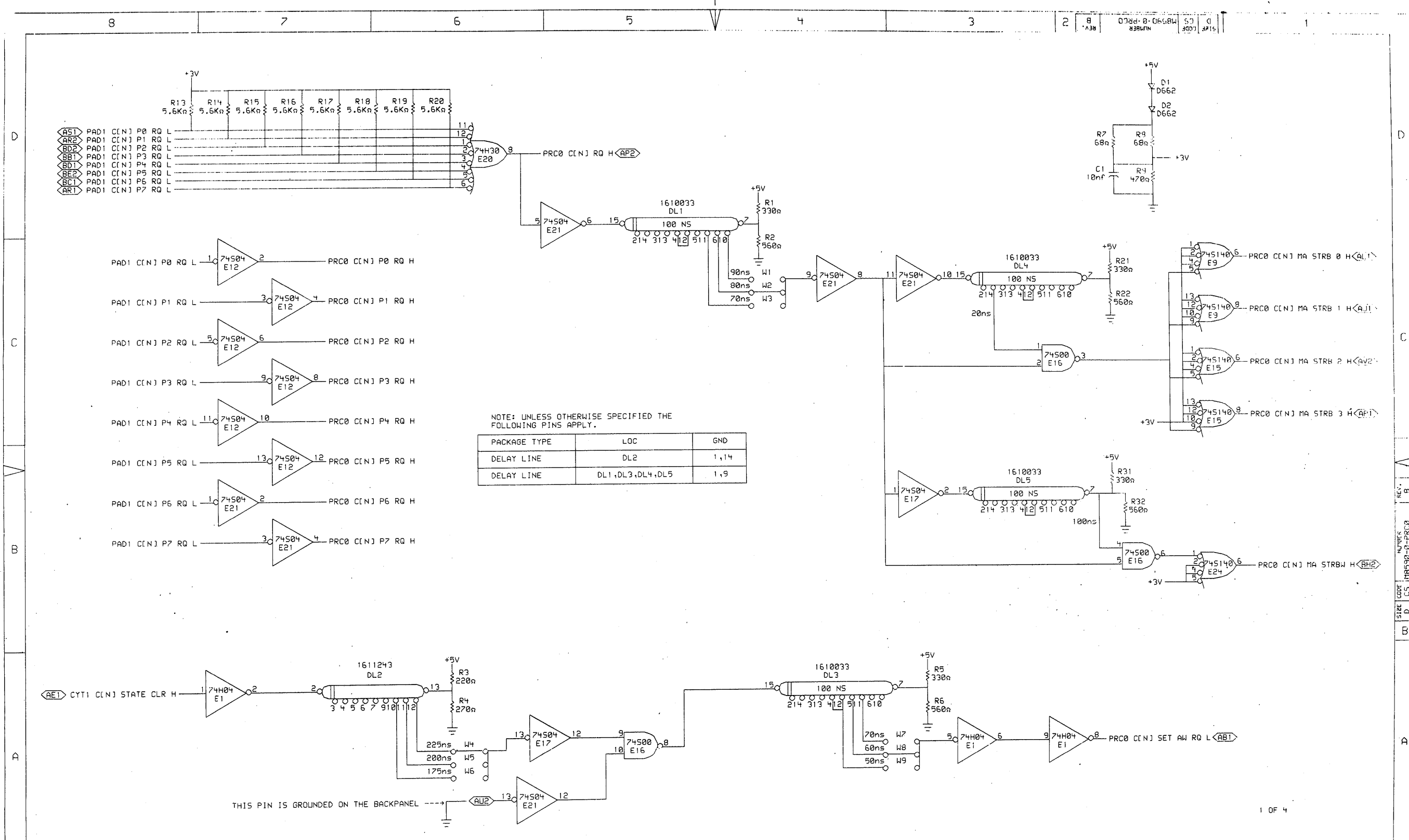
THE FOLLOWING ARE CONNECTOR PINS WHICH ARE NOT CONNECTED TO ETCH ON THIS MODULE:
 AB2 BB2
 AU1 BR1
 BU1

"THIS DRAWING AND SPECIFICATIONS, HEREIN, ARE THE PROPERTY OF DIGITAL EQUIPMENT CORPORATION AND SHALL NOT BE REPRODUCED OR COPIED OR USED IN WHOLE OR IN PART AS THE BASIS FOR THE MANUFACTURE OR SALE OF ITEMS WITHOUT WRITTEN PERMISSION.
 COPYRIGHT © 1975, DIGITAL EQUIPMENT CORPORATION"

REVISIONS		
CHK	CHANGE NO.	REV

digital	DRN <i>W. Hamlin</i>	DATE <i>1/31/75</i>	ENG <i>A. Chen</i>	DATE <i>1-31-75</i>	TITLE: PARITY CHECK
	CHK <i>Do</i>	DATE <i>1-31-75</i>	BOARD LOCATION:	SIZE CODE	NUMBER
FIRST USED ON OPTION/MODEL: MG10		NEXT HIGHER ASSEMBLY: B-DD-M8588-0		D	C5 M8588-0-CHK2

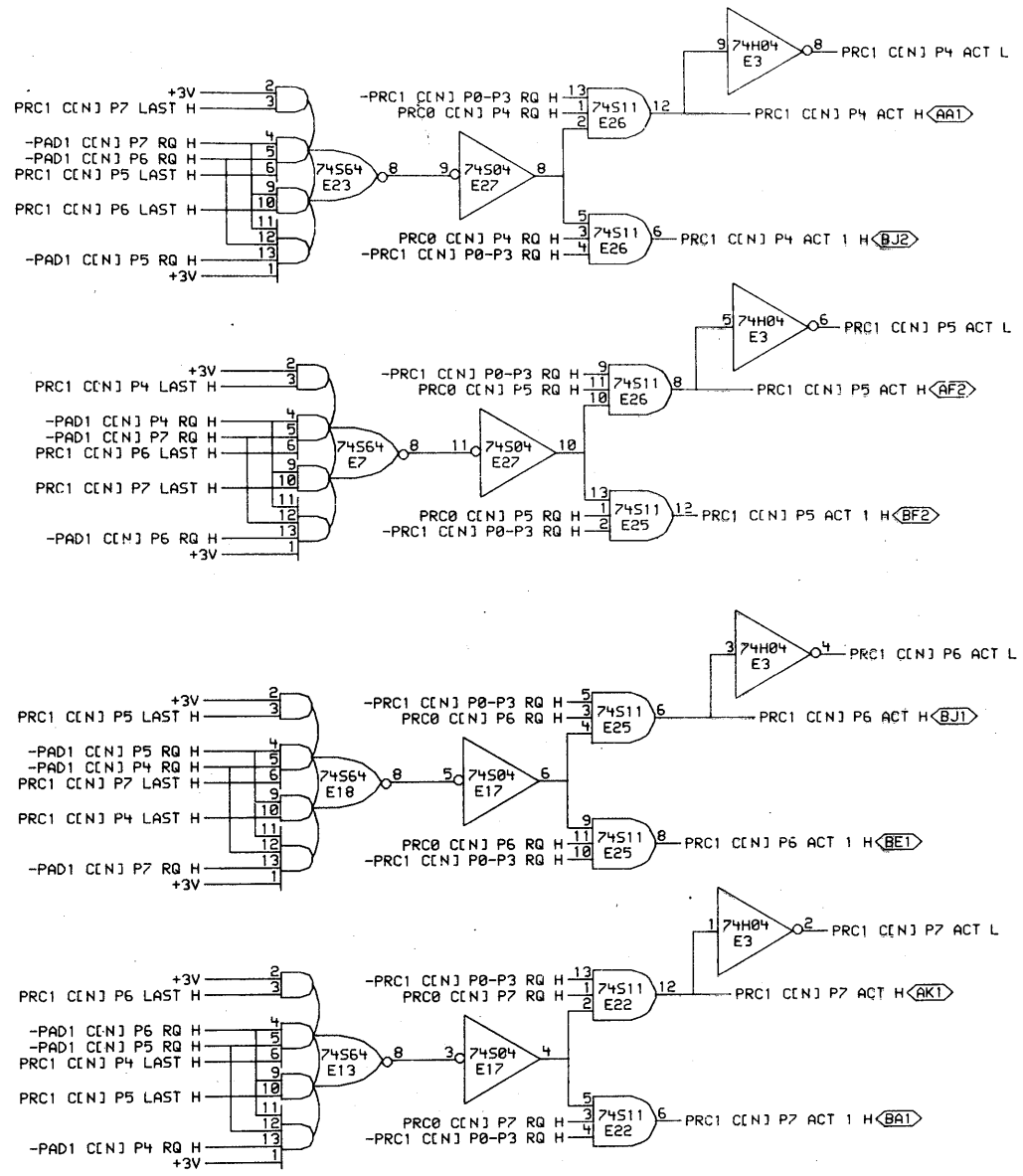
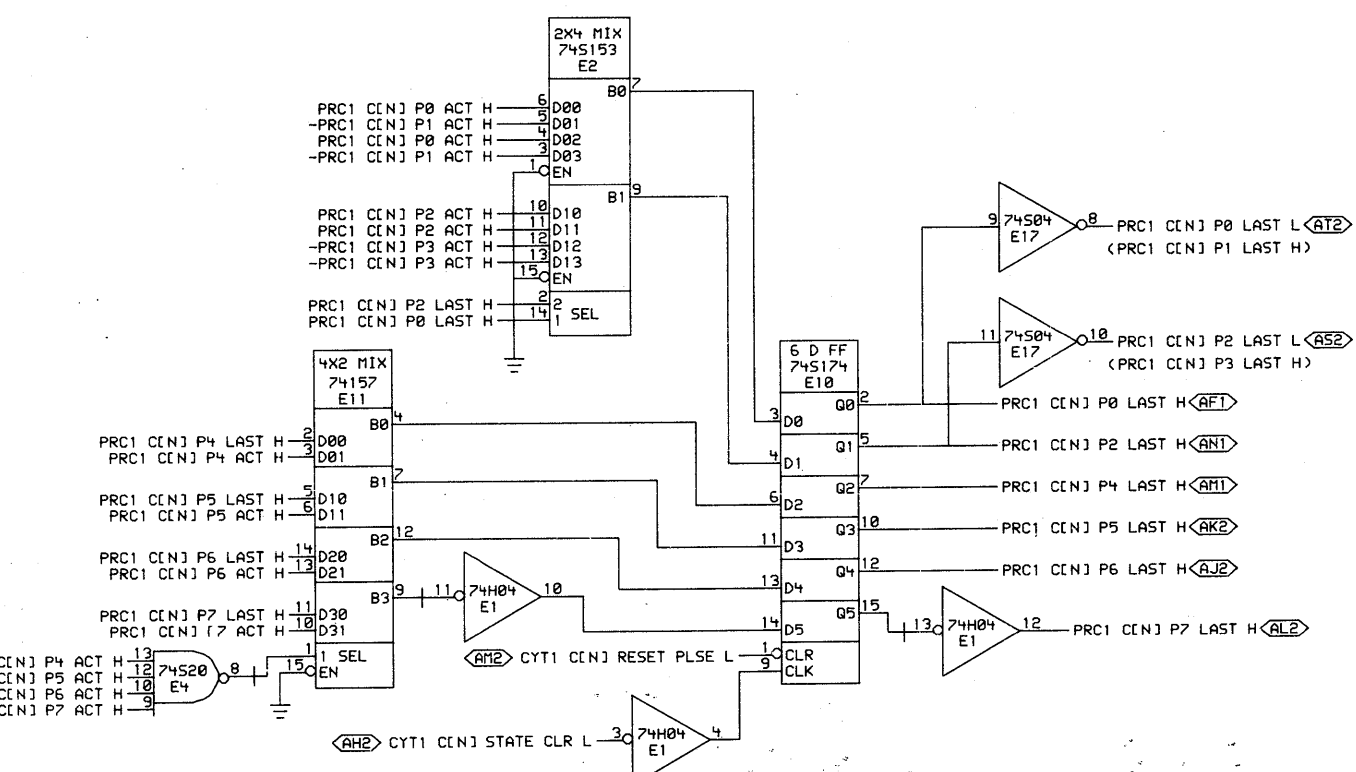
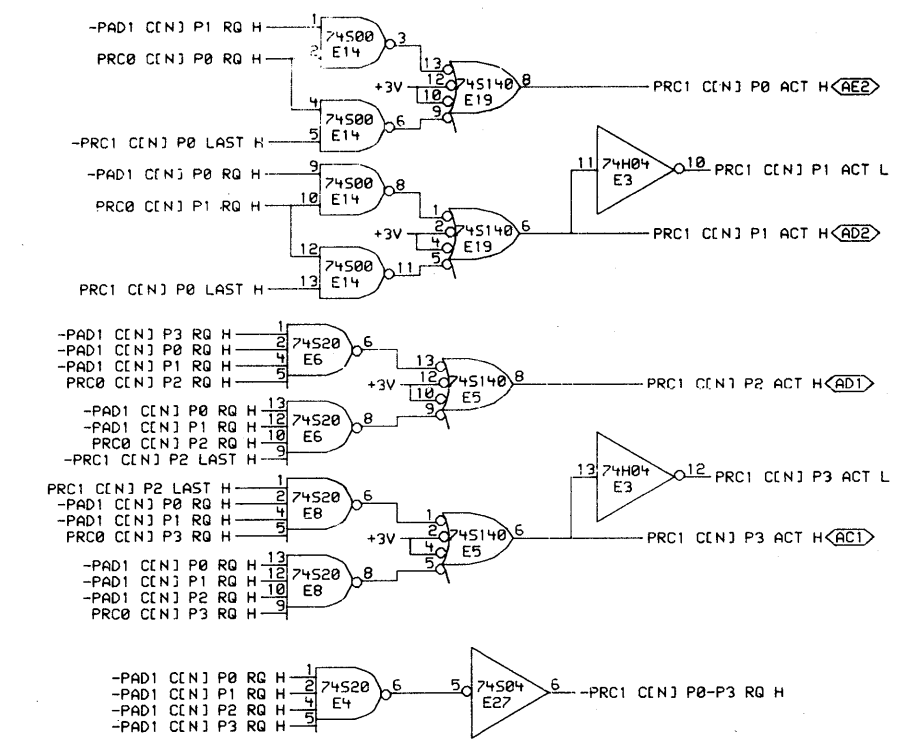
REV. 1
B D C A
18588-0-C42



THIS DRAWING AND SPECIFICATIONS, HEREIN, ARE THE PROPERTY OF DIGITAL EQUIPMENT CORPORATION AND SHALL NOT BE REPRODUCED OR COPIED OR USED IN WHOLE OR IN PART AS THE BASIS FOR THE MANUFACTURE OR SALE OF ITEMS WITHOUT WRITTEN PERMISSION.
 COPYRIGHT © 1975, DIGITAL EQUIPMENT CORPORATION

REVISIONS		
CHK	CHANGE NO.	REV
	M8590-00002	A
	17-2100-0-2-75	
	D.CHIN	
	1-3-75	

digital	DRN.	DATE	ENG.	DATE	TITLE:
	CHK'D.	DATE	BOARD LOCATION:	SHEET	OF
PRC04.4311		15-APR-75 13:33		NEXT HIGHER ASSEMBLY:	
FIRST USED ON OPTION/MODEL:		MG10		B-DD-M8590-0	
SIZE	CODE	NUMBER	REV.		
D	C5	M8590-0-PRC0	B		

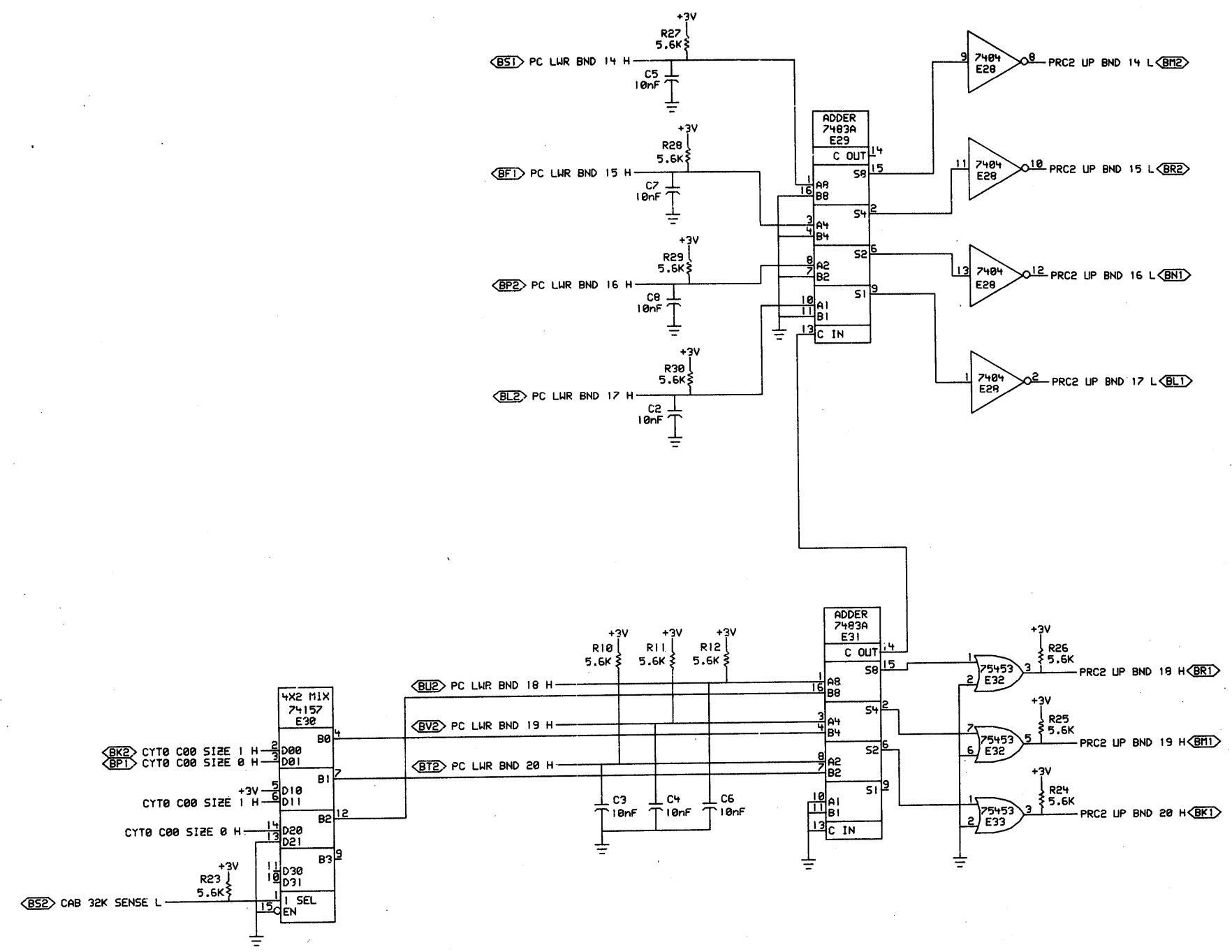


THIS DRAWING AND SPECIFICATIONS, HEREIN, ARE THE PROPERTY OF DIGITAL EQUIPMENT CORPORATION AND SHALL NOT BE REPRODUCED OR COPIED OR USED IN WHOLE OR IN PART AS THE BASIS FOR THE MANUFACTURE OR SALE OF ITEMS WITHOUT WRITTEN PERMISSION. COPYRIGHT © 1975, DIGITAL EQUIPMENT CORPORATION

CHK	CHANGE NO.	REV

digital	DRN.	DATE	ENG.	DATE	TITLE:
	CHK'D.	22-MAY-75	10:33		MG10 PRIORITY CONTROL
PRC1[4,431]		NEXT HIGHER ASSEMBLY:		SIZE	CODE
FIRST USED ON OPTION/MODEL: MG10		B-DD-M8590-0		D	CS
				NUMBER	REV.
				M8590-0-PRC1	B

D
C
B
A



3 OF 4

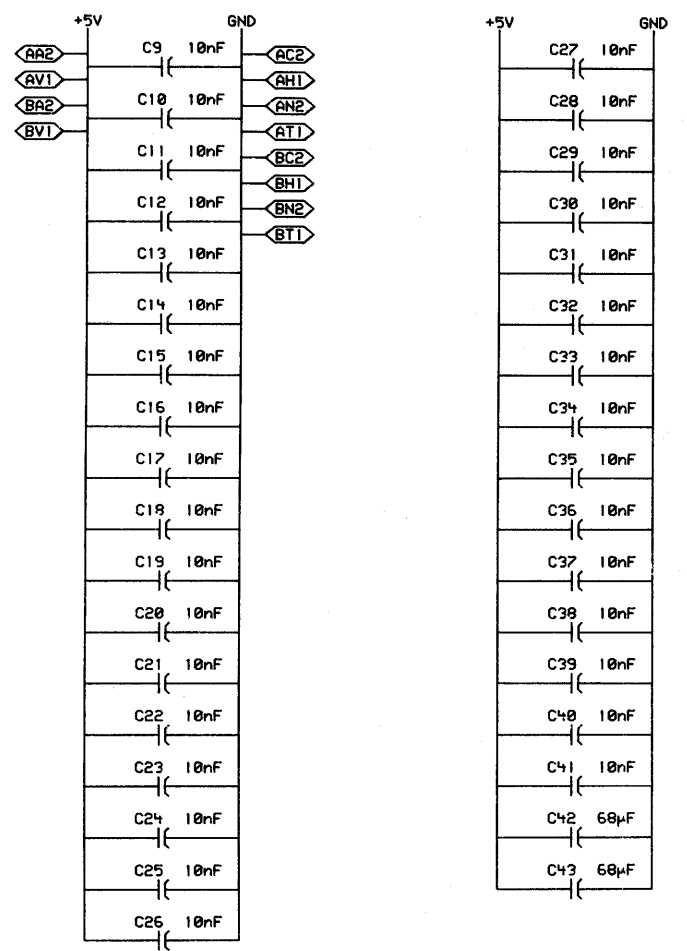
*THIS DRAWING AND SPECIFICATIONS, HEREIN, ARE THE PROPERTY OF DIGITAL EQUIPMENT CORPORATION AND SHALL NOT BE REPRODUCED OR COPIED OR USED IN WHOLE OR IN PART AS THE BASIS FOR THE MANUFACTURE OR SALE OF ITEMS WITHOUT WRITTEN PERMISSION.
COPYRIGHT © 1974, DIGITAL EQUIPMENT CORPORATION*

REVISIONS		
CHK	CHANGE NO.	REV

--	--	--	--	--	--	--	--	--	--

digital	DRN.	DATE	ENG.	DATE	TITLE:	MG10 PRIORITY CONTROL
	CHK'D	12/9/74				
FIRST USED ON OPTION/MODEL: MG10		102-DEC-74 13:55		NEXT HIGHER ASSEMBLY: B-DD-M8590-0		
SIZE	CODE	NUMBER	REV.			
D	C5	M8590-0-PRC2	1			

REV. NUMBER
M8590-0-PRC2

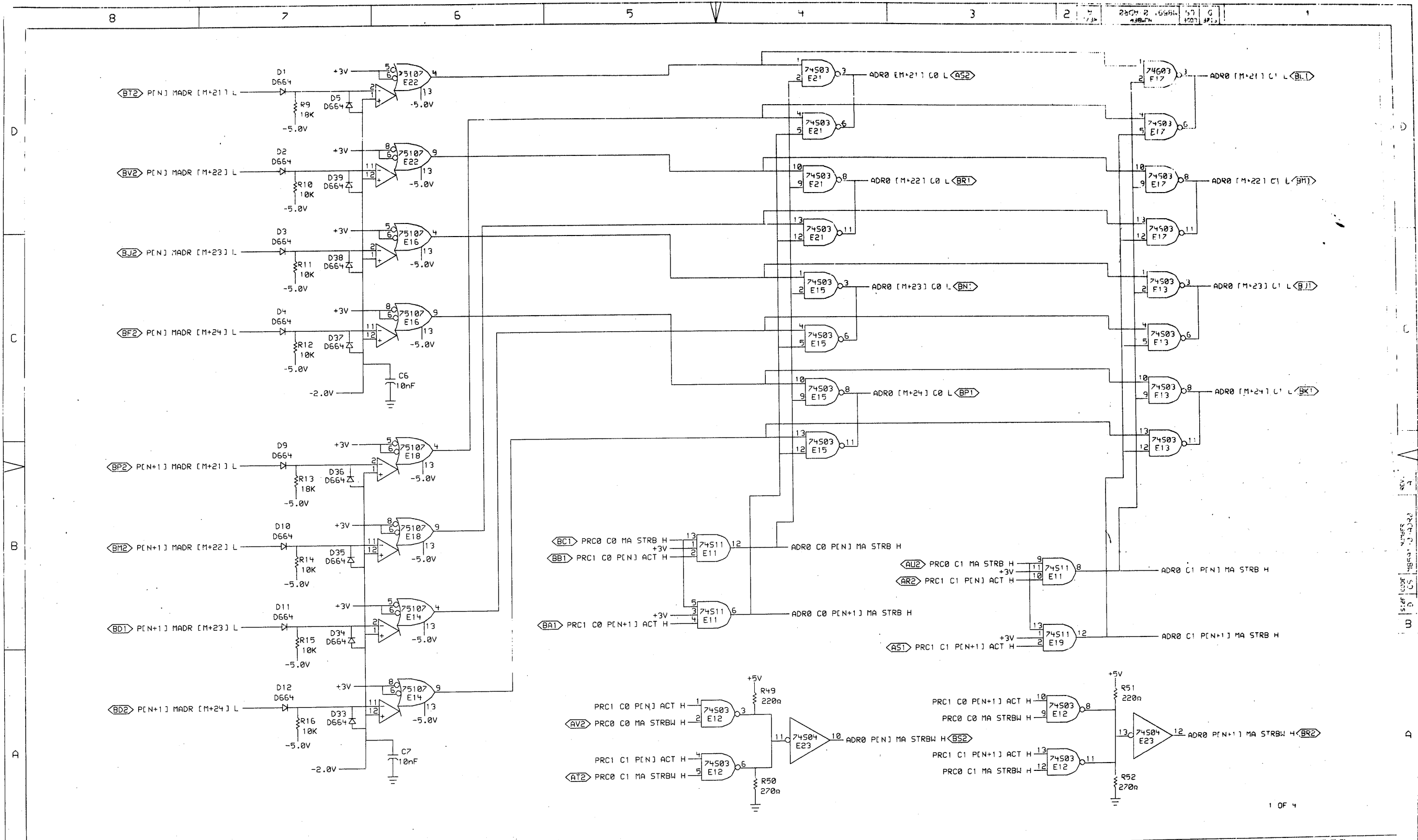


4 OF 4

*THIS DRAWING AND SPECIFICATIONS, HEREIN, ARE THE PROPERTY OF DIGITAL EQUIPMENT CORPORATION AND SHALL NOT BE REPRODUCED OR COPIED OR USED IN WHOLE OR IN PART AS THE BASIS FOR THE MANUFACTURE OR SALE OF ITEMS WITHOUT WRITTEN PERMISSION.
COPYRIGHT © 1974, DIGITAL EQUIPMENT CORPORATION*

REVISIONS		
CHK	CHANGE NO.	REV.

digital	DRN. <i>W. H. ...</i>	DATE 12/1/74	ENG. <i>W. Chen</i>	DATE 12-4-74	TITLE: MG10
	CHK'D. <i>...</i>	DATE 12/1/74	BOARD LOCATION:	SHEET 1 OF 1	PRIORITY CONTROL
PRC3(4,260)		102-DEC-74 13:55	NEXT HIGHER ASSEMBLY:	SIZE CODE	NUMBER
FIRST USED ON OPTION/MODEL: MG10		B-DD-M8590-0	SIZE CODE	D CS	M8590-0-PRC3

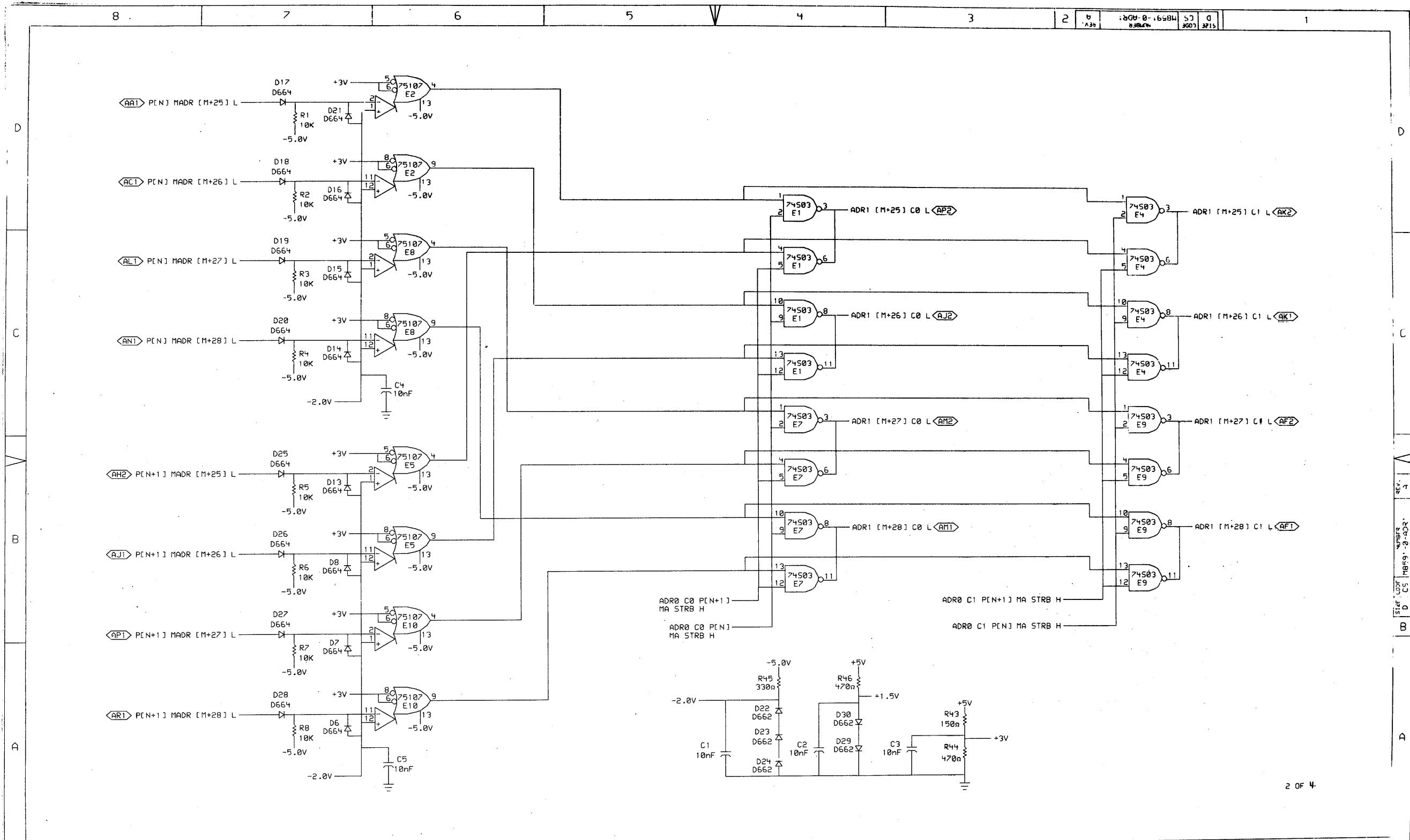


REV. 4
 SAF. LODG. NUMBERS
 18591-0-4-2-2
 D
 CS
 B

THIS DRAWING AND SPECIFICATIONS, HEREIN, ARE THE PROPERTY OF DIGITAL EQUIPMENT CORPORATION AND SHALL NOT BE REPRODUCED OR COPIED OR USED IN WHOLE OR IN PART AS THE BASIS FOR THE MANUFACTURE OR SALE OF ITEMS WITHOUT WRITTEN PERMISSION.
 COPYRIGHT © 1975, DIGITAL EQUIPMENT CORPORATION

REVISIONS		
CHK	CHANGE NO.	REV.
E.L.	M8591-00001	A
E. Roman	5-16-75	
D. CHIN		
D.J. Chin	5-16-75	

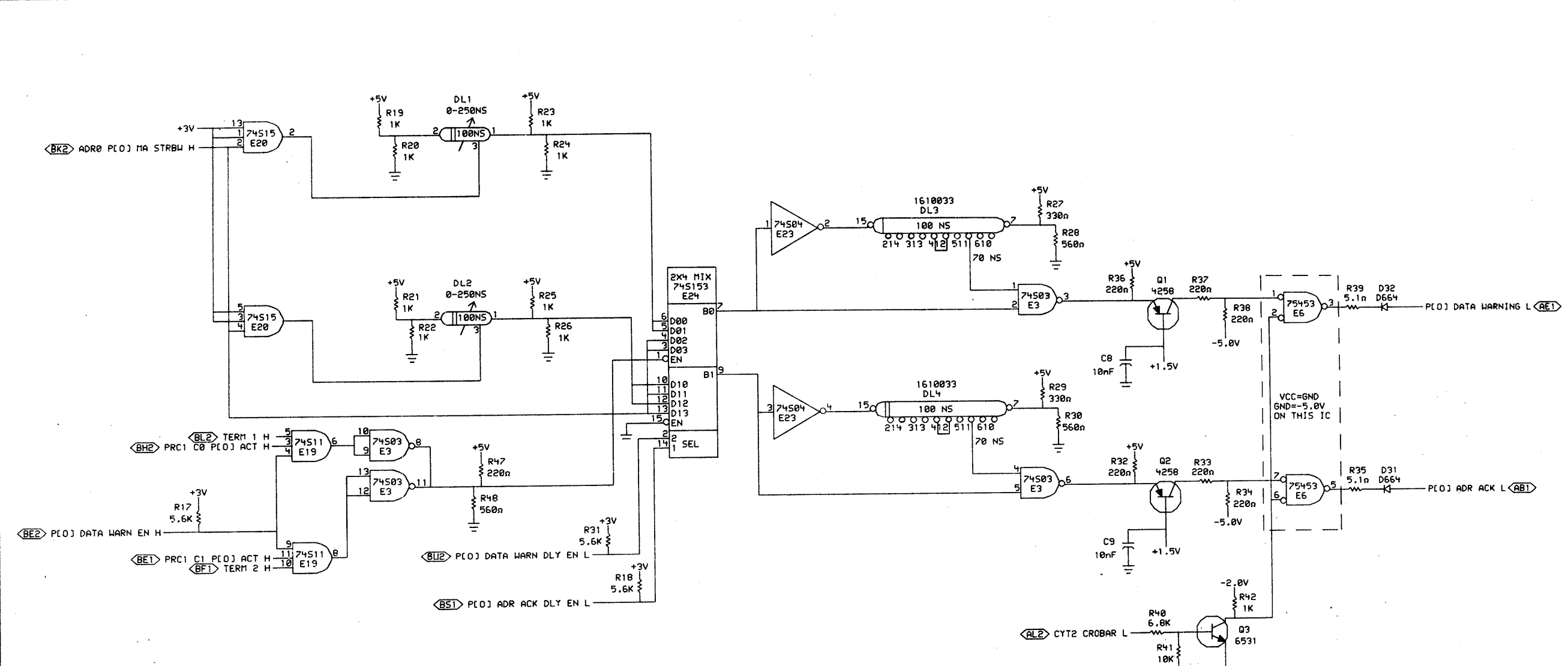
digital	DRN.	DATE	ENG.	DATE	TITLE:	ADDRESS RECEIVER
	CHK'D	3/11/75	W. Hamlin	3/10/75		
	ADRS(4,260)	19-MAR-75 11:51	W. Hamlin		BOARD LOCATION:	
	FIRST USED ON OPTION/MODEL:	MG10			SHEET	OF 1
					SIZE	CODE
					D	CS
					NUMBER	M8591-0-ADR0
					REV.	A



THIS DRAWING AND SPECIFICATIONS, HEREIN, ARE THE PROPERTY OF DIGITAL EQUIPMENT CORPORATION AND SHALL NOT BE REPRODUCED OR COPIED OR USED IN WHOLE OR IN PART AS THE BASIS FOR THE MANUFACTURE OR SALE OF ITEMS WITHOUT WRITTEN PERMISSION.
 COPYRIGHT © 1975, DIGITAL EQUIPMENT CORPORATION

REVISIONS		
CHK	CHANGE NO.	REV
EJ	M8591-00001	A
E. Remond	5-10-75	
D. CHIN		
J. Chen	5-16-75	

digital	DRN. W. Hamlin	DATE 3/17/75	ENG. J. Chen	DATE 3-14-75	TITLE: ADDRESS RECEIVER
	CHK'D W. Hamlin	DATE 3/17/75	BOARD LOCATION: DE 1	SHEET 1	SIZE CODE D CS
FIRST USED ON OPTION/MODEL: MG10		NEXT HIGHER ASSEMBLY: B-DD-M8591-0		NUMBER M8591-0-ADR1	REV. A



NOTE: UNLESS OTHERWISE SPECIFIED THE FOLLOWING PIN NUMBERS APPLY.

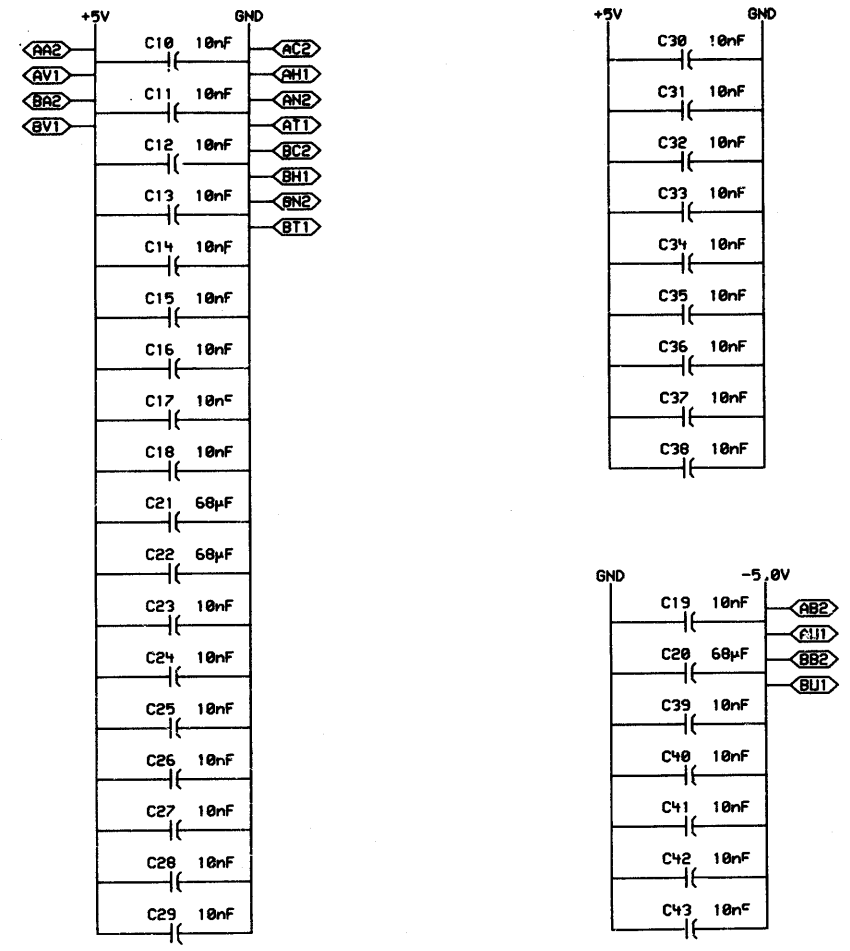
PACKAGE TYPE	LOC	GND
DELAY LINE	DL3,DL4	1,9
DELAY LINE	DL1,DL2	GND PIN

REV. A
M8591-0-ADR2
CS
D

*THIS DRAWING AND SPECIFICATIONS, HEREIN, ARE THE PROPERTY OF DIGITAL EQUIPMENT CORPORATION AND SHALL NOT BE REPRODUCED OR COPIED OR USED IN WHOLE OR IN PART AS THE BASIS FOR THE MANUFACTURE OR SALE OF ITEMS WITHOUT WRITTEN PERMISSION.
COPYRIGHT © 1975, DIGITAL EQUIPMENT CORPORATION

REVISIONS		
CHK	CHANGE NO.	REV
07	M8591-00002	A
0	CHIN	7-11-75

digital	DRN	DATE	ENG. D. J. Chin	DATE	TITLE:	ADDRESS RECEIVER
	CHK'D	DATE	5/11/75	5-7-75	BOARD LOCATION:	
FIRST USED ON OPTION/MODEL: MG10		NEXT HIGHER ASSEMBLY: B-DD-M8591-0		SIZE	CODE	NUMBER
				D	CS	M8591-0-ADR2
						REV. A

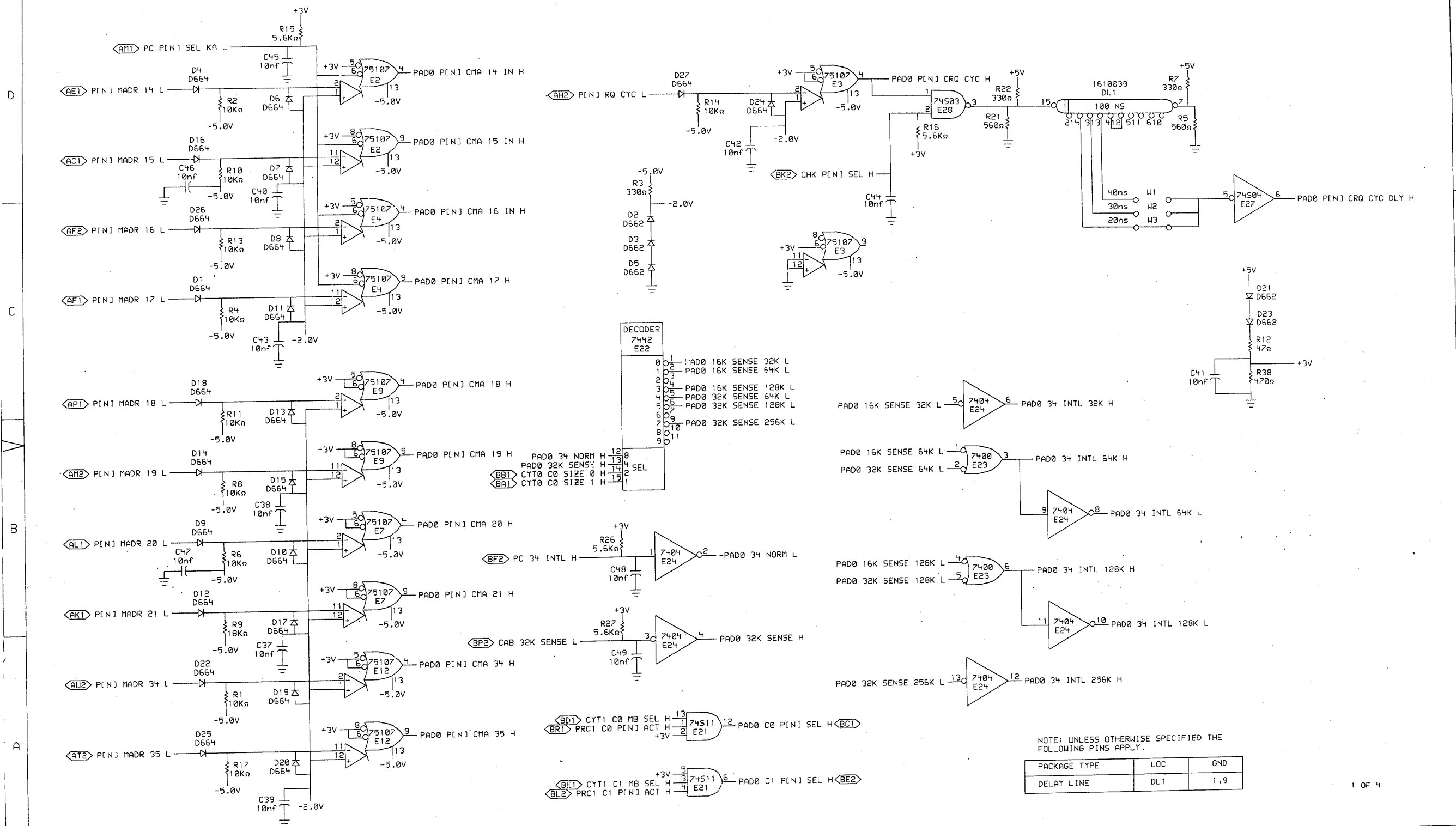


THIS DRAWING AND SPECIFICATIONS, HEREIN, ARE THE PROPERTY OF DIGITAL EQUIPMENT CORPORATION AND SHALL NOT BE REPRODUCED OR COPIED OR USED IN WHOLE OR IN PART AS THE BASIS FOR THE MANUFACTURE OR SALE OF ITEMS WITHOUT WRITTEN PERMISSION.
 COPYRIGHT © 1974, DIGITAL EQUIPMENT CORPORATION*

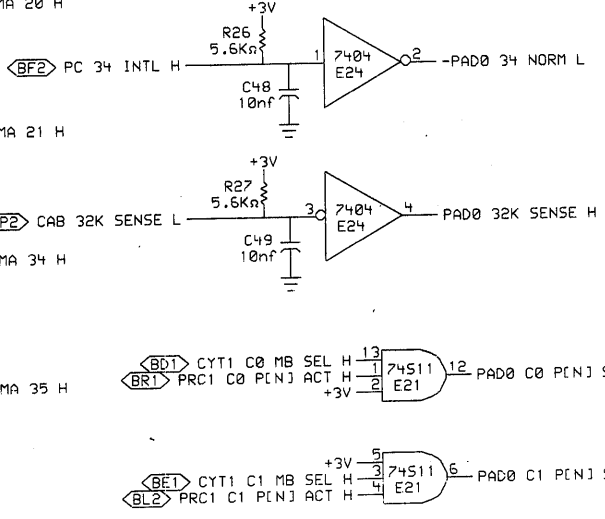
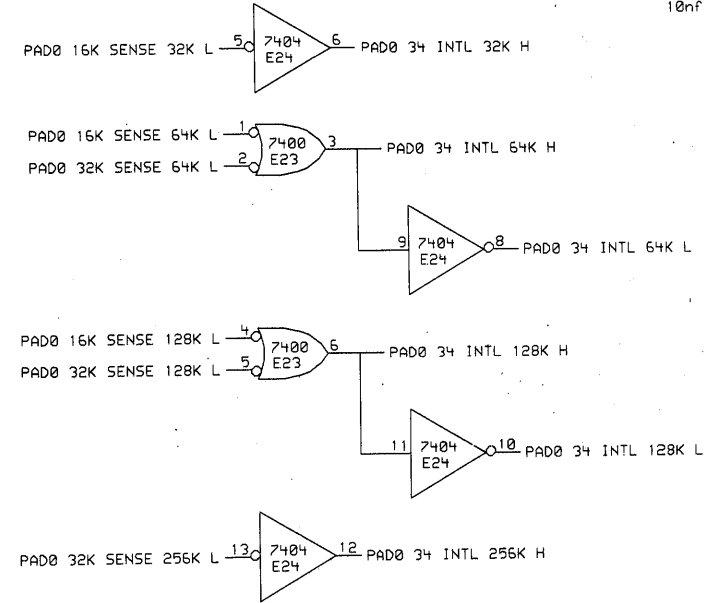
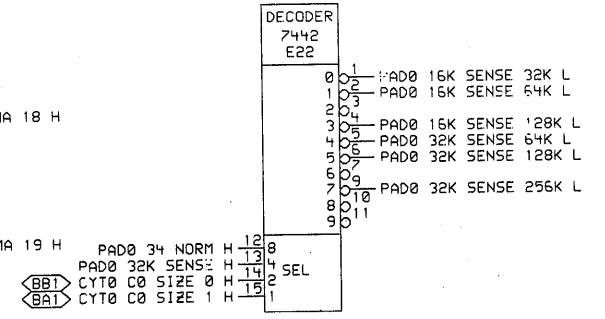
REVISIONS		
CHK	CHANGE NO.	REV

digital	DRN	DATE	ENG	DATE	TITLE
	CHK'D	DATE	DESIGN LOCATION		M8591 POWER AND GND
ADR 34,258	21-NOV-74 0913Z	NEXT HIGHER ASSEMBLY:	SIZE	CODE	NUMBER
FIRST USED ON OPTION/MODEL: HG10	B-DD-M8591-0		D	CS	M8591-0-ADR3

REV. 1
 NAME M8591-0-ADR3
 SIZE D CS



REV. A
 NUMBER 1
 CS M8592-0-PAD0
 SIZE D



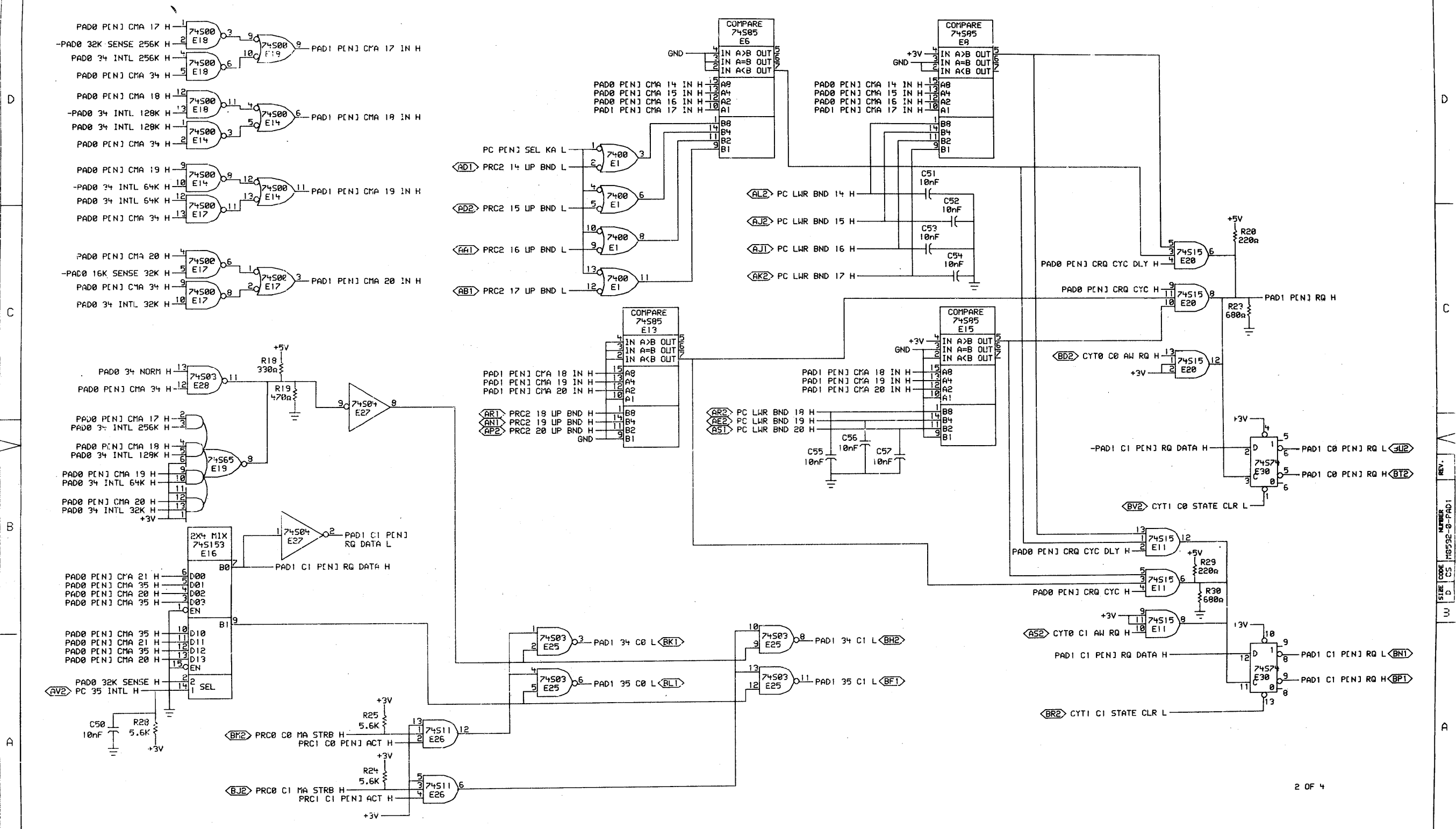
NOTE: UNLESS OTHERWISE SPECIFIED THE FOLLOWING PINS APPLY.

PACKAGE TYPE	LOC	GND
DELAY LINE	DL1	1,9

THIS DRAWING AND SPECIFICATIONS, HEREIN, ARE THE PROPERTY OF DIGITAL EQUIPMENT CORPORATION AND SHALL NOT BE REPRODUCED OR COPIED OR USED IN WHOLE OR IN PART AS THE BASIS FOR THE MANUFACTURE OR SALE OF ITEMS WITHOUT WRITTEN PERMISSION. COPYRIGHT © 1975, DIGITAL EQUIPMENT CORPORATION.

CHK	CHANGE NO.	REV.
3	M8592-0000L A	1
1	CHN	5-16-75

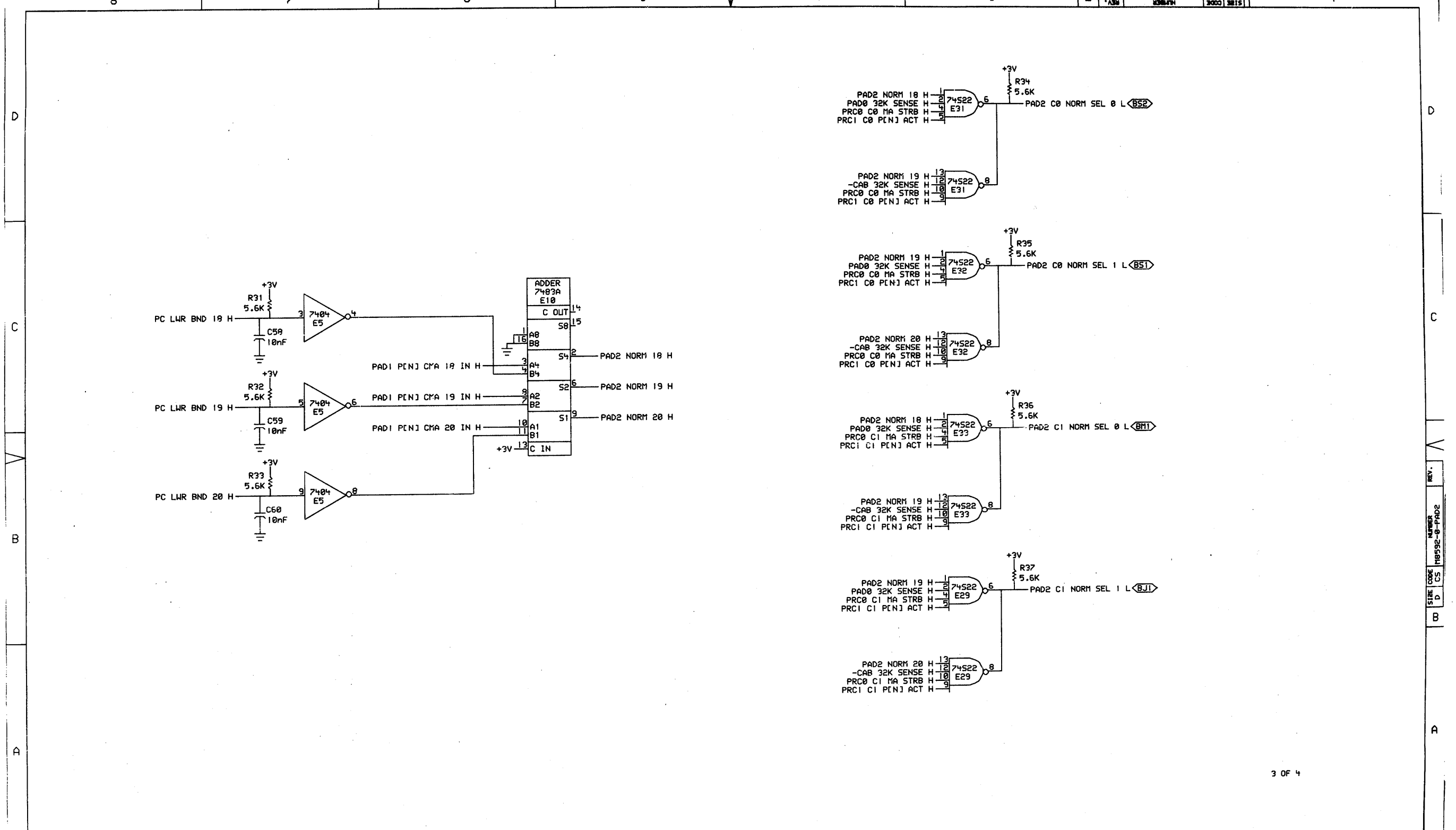
digital	DRN.	DATE	ENG.	DATE	TITLE:
	CHK'D.	19-MAR-75	11:45		MG10 PORT ADDRESS
	FIRST USED ON OPTION/MODEL:	MG10	B-DD-M8592-0		



THIS DRAWING AND SPECIFICATIONS, HEREIN, ARE THE PROPERTY OF DIGITAL EQUIPMENT CORPORATION AND SHALL NOT BE REPRODUCED OR COPIED OR USED IN WHOLE OR IN PART AS THE BASIS FOR THE MANUFACTURE OR SALE OF ITEMS WITHOUT WRITTEN PERMISSION.
 COPYRIGHT © 1974, DIGITAL EQUIPMENT CORPORATION

REVISIONS		
CHK	CHANGE NO.	REV.

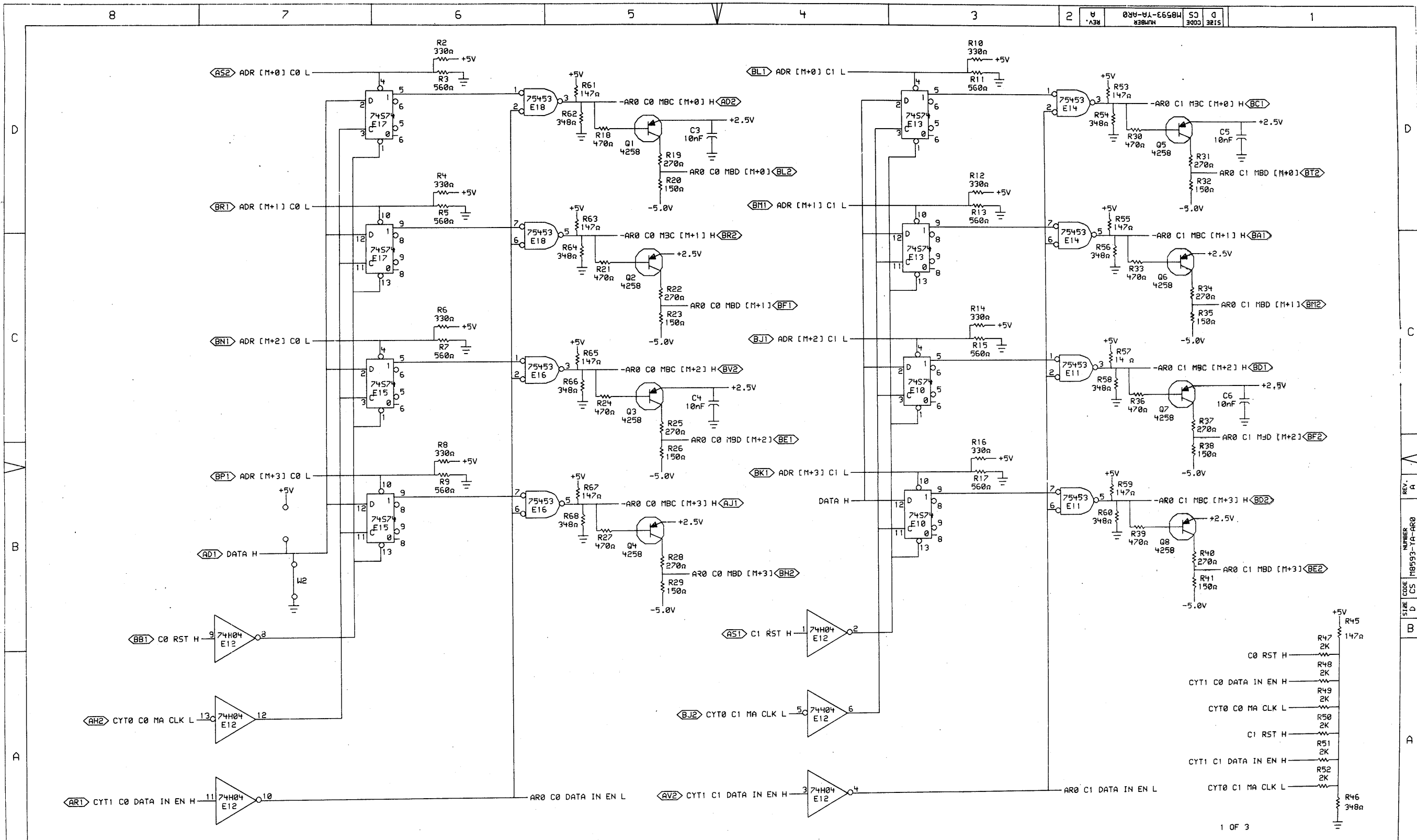
digital	DRN	DATE	ENG.	DATE	TITLE:
	CHK'D.	DATE	BOARD LOCATION:	SHEET	OF
FIRST USED ON OPTION-MODEL: MG10		NEXT HIGHER ASSEMBLY: B-DD-M8592-0		SIZE CODE	NUMBER
				D	CS
				M8592-0-PAD1	
				REV.	



THIS DRAWING AND SPECIFICATIONS, HEREIN, ARE THE PROPERTY OF DIGITAL EQUIPMENT CORPORATION AND SHALL NOT BE REPRODUCED OR COPIED OR USED IN WHOLE OR IN PART AS THE BASIS FOR THE MANUFACTURE OR SALE OF ITEMS WITHOUT WRITTEN PERMISSION.
COPYRIGHT © 1974, DIGITAL EQUIPMENT CORPORATION*

REVISIONS	
CHK	CHANGE NO. REV

digital	DRN	DATE	ENG	DATE	TITLE
	CHK'D	12/17/74	D. Chinn	12-17-74	MG10 PORT ADDRESS
PAD2 4, 2501		DATE	BOARD LOCATION	SHEET	OF
FIRST USED ON OPTION/MODEL: MG10		102-DEC-74 14:04	B-DD-M8592-0	1	1
SIZE CODE	D CS	NUMER	M8592-0-PAD2	REV.	



1 OF 3

"THIS DRAWING AND SPECIFICATIONS, HEREIN, ARE THE PROPERTY OF DIGITAL EQUIPMENT CORPORATION AND SHALL NOT BE REPRODUCED OR COPIED OR USED IN WHOLE OR IN PART AS THE BASIS FOR THE MANUFACTURE OR SALE OF ITEMS WITHOUT WRITTEN PERMISSION.
 COPYRIGHT © 1975, DIGITAL EQUIPMENT CORPORATION"

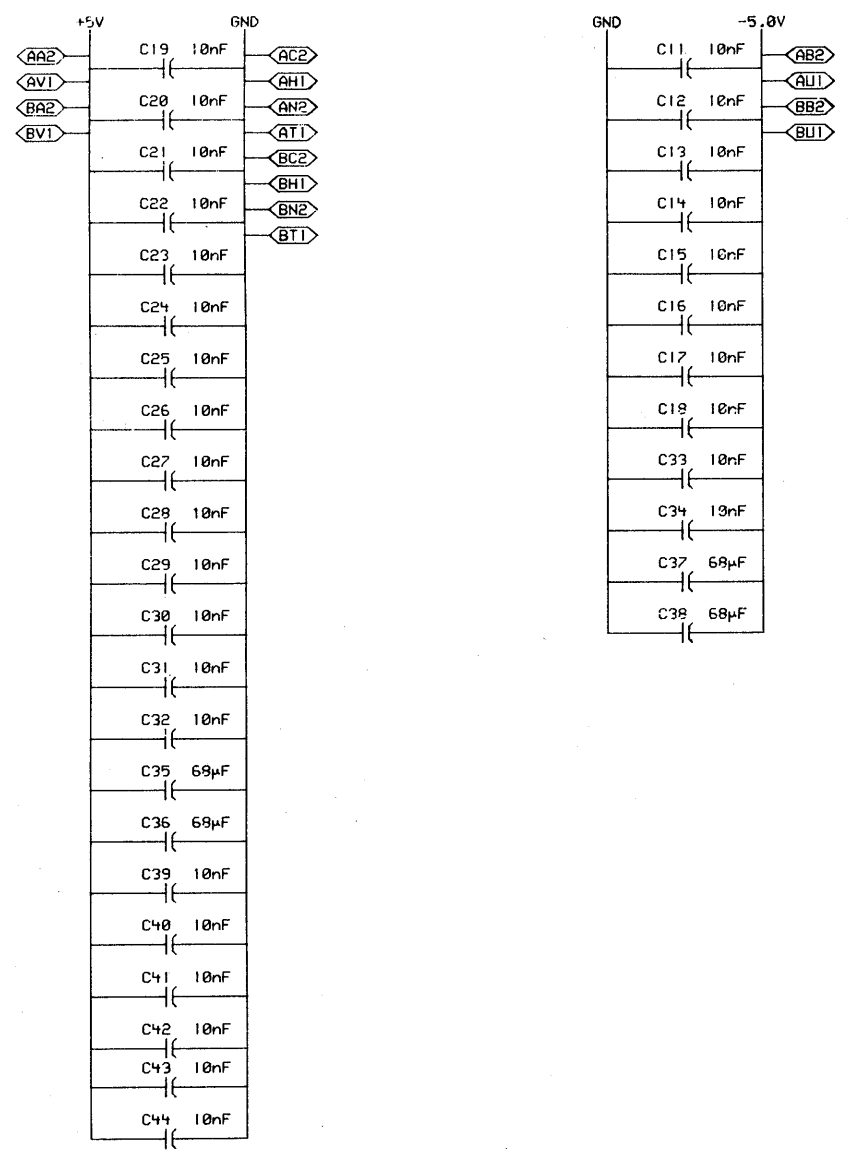
REVISIONS		
CHK	CHANGE NO.	REV.

DRN	DATE	ENG.	DATE	TITLE:
CHK	3/14/75	Pat Sullivan	3/14/75	MG10 ADDRESS REGISTER

AR04,260	110-MAR-75 09126	NEXT HIGHER ASSEMBLY:	SIZE	CODE	NUMBER	REV.
FIRST USED ON OPTION/MODEL:	MG10	B-DD-M8593YA-0	D	CS	M8593-YA-AR0	A

8 7 6 5 4 3 2 1

SIZE CODE D CS NUMBER M8593-YA-AR2 REV. 2



D
C
B
A

D
C
B
A

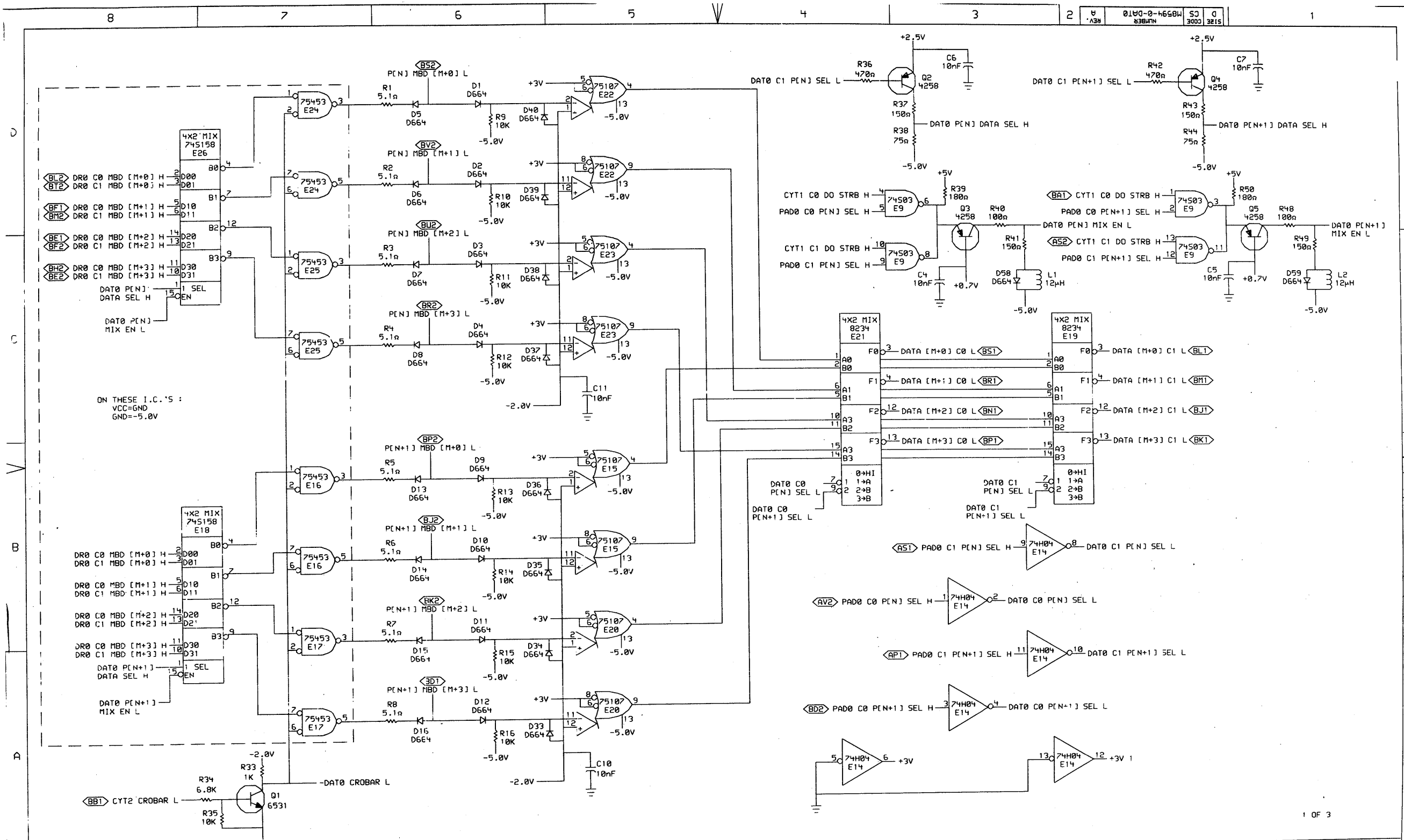
3 OF 3

*THIS DRAWING AND SPECIFICATIONS, HEREIN, ARE THE PROPERTY OF DIGITAL EQUIPMENT CORPORATION AND SHALL NOT BE REPRODUCED OR COPIED OR USED IN WHOLE OR IN PART AS THE BASIS FOR THE MANUFACTURE OR SALE OF ITEMS WITHOUT WRITTEN PERMISSION.
COPYRIGHT © 1974, DIGITAL EQUIPMENT CORPORATION*

REVISIONS		
CHK	CHANGE NO.	REV

digital	DRN: <i>W. J. ...</i>	DATE: 12/3/74	ENG: <i>J. ...</i>	DATE: 12-13-74	TITLE: MG10 ADDRESS REGISTER
	CHK'D: <i>...</i>	DATE: 12/3/74	BOARD LOCATION: 1 OF 1	SHEET: 1 OF 1	SIZE CODE: D CS
AR214,260		03-DEC-74 10:34	NEXT HIGHER ASSEMBLY: B-DD-M8593-YA	NUMBER: M8593-YA-AR2	REV.:
FIRST USED ON OPTION/MODEL: MG10			2	1	

8 7 6 5 4 3 2 1

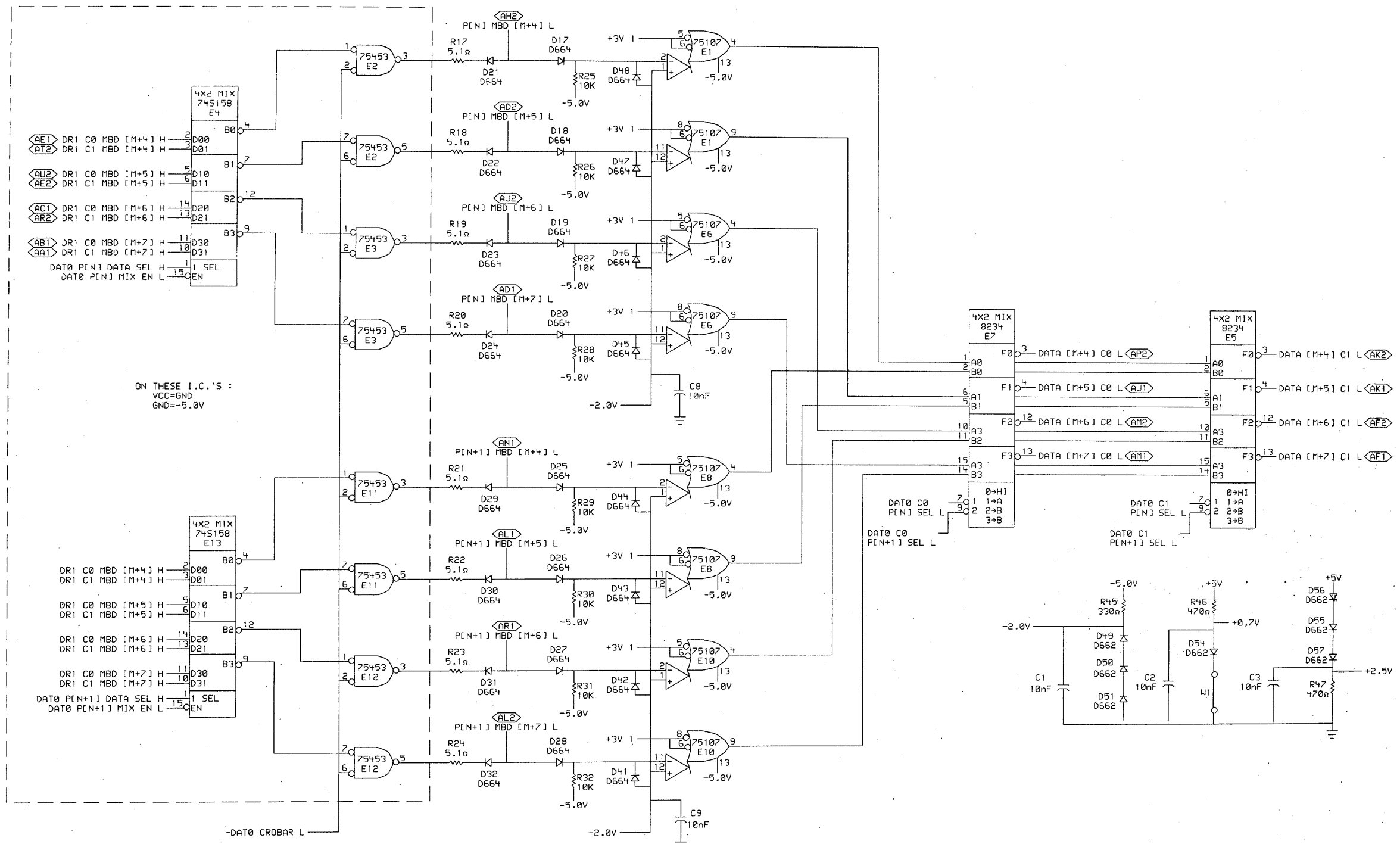


ON THESE I.C.'S :
VCC=GND
GND=-5.0V

THIS DRAWING AND SPECIFICATIONS, HEREIN, ARE THE PROPERTY OF DIGITAL EQUIPMENT CORPORATION AND SHALL NOT BE REPRODUCED OR COPIED OR USED IN WHOLE OR IN PART AS THE BASIS FOR THE MANUFACTURE OR SALE OF ITEMS WITHOUT WRITTEN PERMISSION.
COPYRIGHT © 1975, DIGITAL EQUIPMENT CORPORATION

REV.	CHG.	NO.	REV.
1			
2			

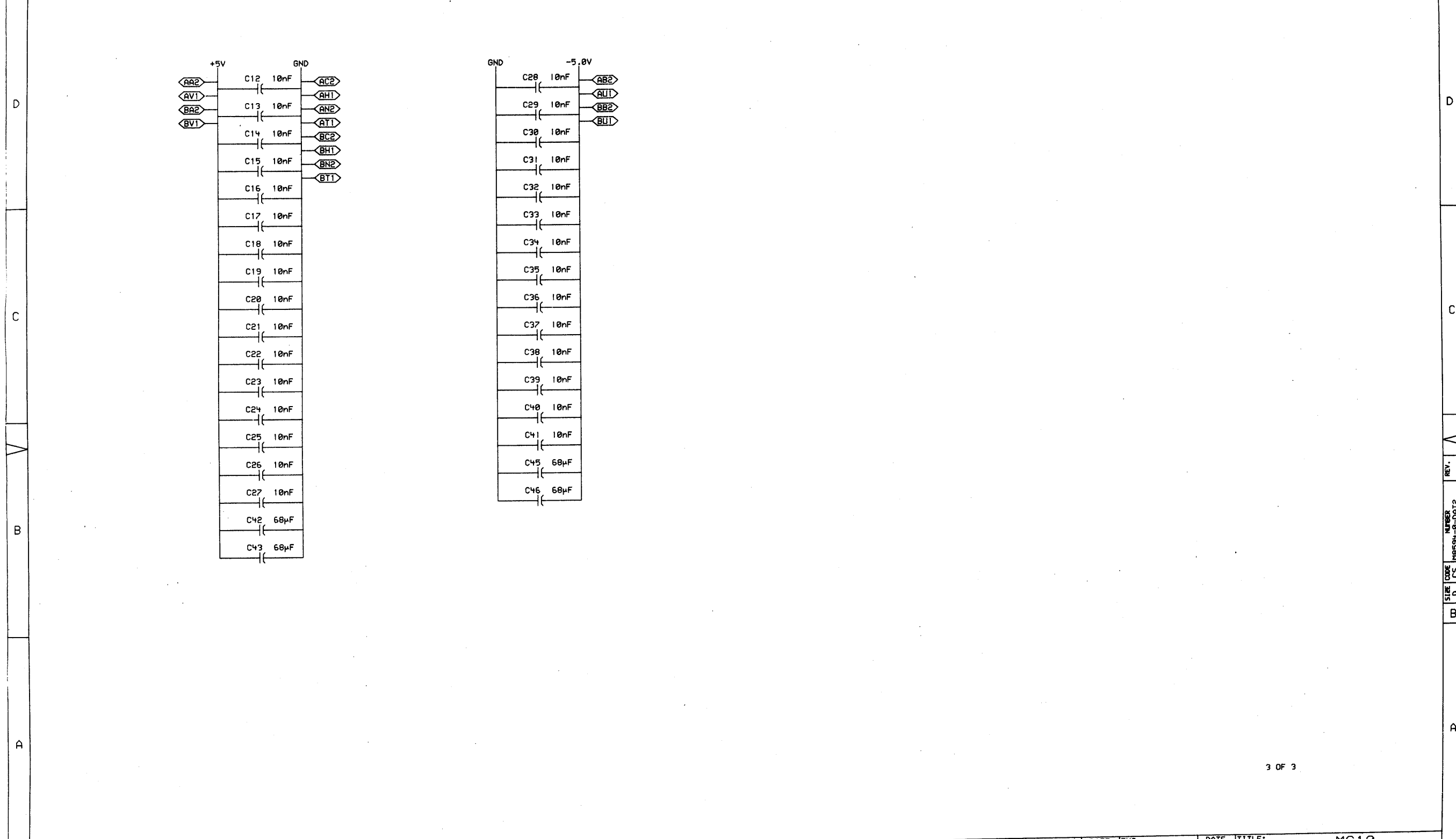
DATE	3/17/75	ENG.	D. J. Chen	DATE	3-17-75	TITLE:	MG10 DATA TRANSCEIVER
CHK'D	W. Hamlin	DATE	3/17/75	BOARD LOCATION:	1 OF 1	SIZE	D
DATE	4.25.01	19-MAR-75	11:48	NEXT HIGHER ASSEMBLY:	B-DD-M8594-0	CODE	C5
FIRST USED ON OPTION/MODEL:	MG10			NUMBER	M8594-0-DAT0	REV.	A



THIS DRAWING AND SPECIFICATIONS, HEREIN, ARE THE PROPERTY OF DIGITAL EQUIPMENT CORPORATION AND SHALL NOT BE REPRODUCED OR COPIED OR USED IN WHOLE OR IN PART AS THE BASIS FOR THE MANUFACTURE OR SALE OF ITEMS WITHOUT WRITTEN PERMISSION.
 COPYRIGHT © 1975, DIGITAL EQUIPMENT CORPORATION

REVISIONS		
CHK	CHANGE NO.	REV
WJ	M8594-00001	A
D	CHIN	5-13-75
D	CHIN	5-16-75

digital	DRN. W. Hamilton	DATE 3/19/75	ENG. D. Chin	DATE 3-19-75	TITLE: MG10
	CHK'D. W. Hamilton	DATE 3/19/75	BOARD LOCATION: SHEET 1 OF 1		DATA TRANSCIEVER
FIRST USED ON OPTION/MODEL: MG10					SIZE CODE D CS M8594-0-DAT1
					NUMBER B-DD-M8594-0
					REV. A



3 OF 3

"THIS DRAWING AND SPECIFICATIONS, HEREIN, ARE THE PROPERTY OF DIGITAL EQUIPMENT CORPORATION AND SHALL NOT BE REPRODUCED OR COPIED OR USED IN WHOLE OR IN PART AS THE BASIS FOR THE MANUFACTURE OR SALE OF ITEMS WITHOUT WRITTEN PERMISSION.
 COPYRIGHT © 1974, DIGITAL EQUIPMENT CORPORATION"

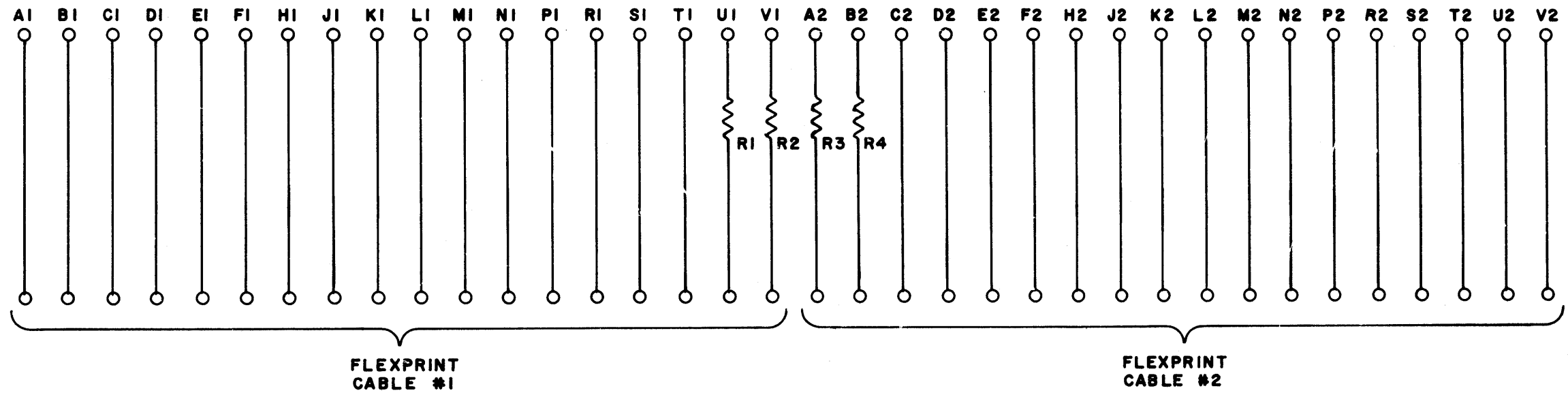
REVISIONS		
CHK	CHANGE NO.	REV.

digital	DRN. <i>W. Hamilton</i>	DATE <i>12/3/74</i>	ENG. <i>L. J. Allen</i>	DATE <i>12/12/74</i>	TITLE: MG10
	CHK'D. <i>[Signature]</i>	DATE <i>12/3/74</i>	BOARD LOCATION: <i>[Blank]</i>	SHEET <i>1</i> OF <i>1</i>	DATA TRANSCEIVER
FIRST USED ON OPTION/MODEL: MG10		NEXT HIGHER ASSEMBLY: B-DD-M8594-0		SIZE CODE: D CS	NUMBER: M8594-0-DAT2

REV. NUMBER M8594-0-DAT2

REV D NUMBER M901-0-1 CS B SIZE CODE

THIS SCHEMATIC IS FURNISHED ONLY FOR TEST AND MAINTENANCE PURPOSES. THE CIRCUITS ARE PROPRIETARY IN NATURE AND SHOULD BE TREATED ACCORDINGLY. COPYRIGHT 1968 BY DIGITAL EQUIPMENT CORPORATION



REVISIONS	CHK	CHG NO.	REV.
		00001	C
		00002	D

DRN.	DATE
<i>M. Waller</i>	8-17-68
CHK'D	DATE
<i>M. Waller</i>	8-19-68
ENG.	DATE
<i>W. W. W.</i>	11/5/68
PROD.	DATE

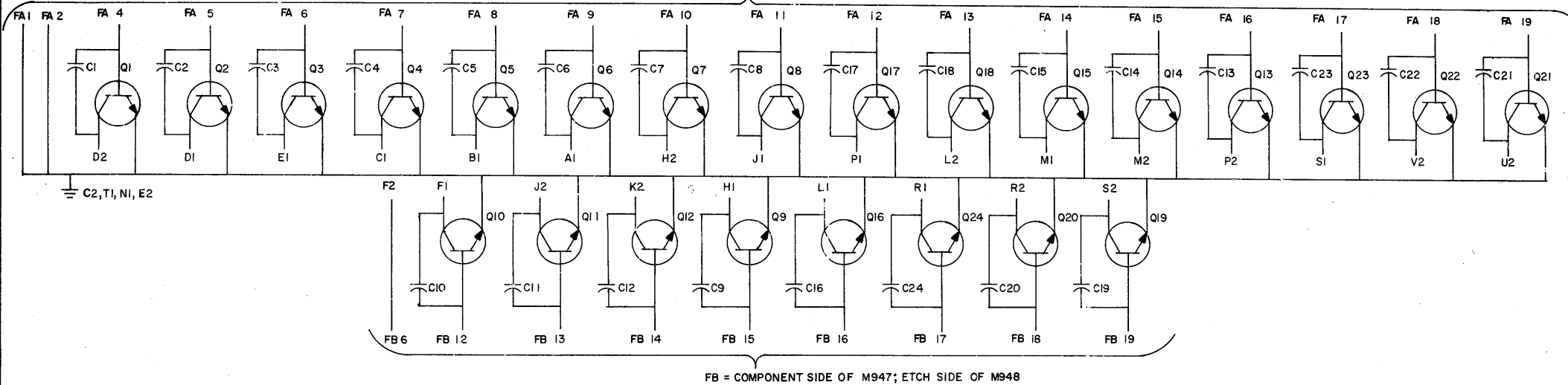
TRANSISTOR & DIODE CONVERSION CHART			
DEC	EIA	DEC	EIA

digital
EQUIPMENT CORPORATION
MAYNARD, MASSACHUSETTS

REFERENCE DESIGNATION	DESCRIPTION	PART NO.
PARTS LIST		
TITLE FLEXPRINT CABLE CONNECTOR M901		
SIZE B	CODE CS	NUMBER M901-0-1
PRINTED CIRCUIT REV. BC		REV D

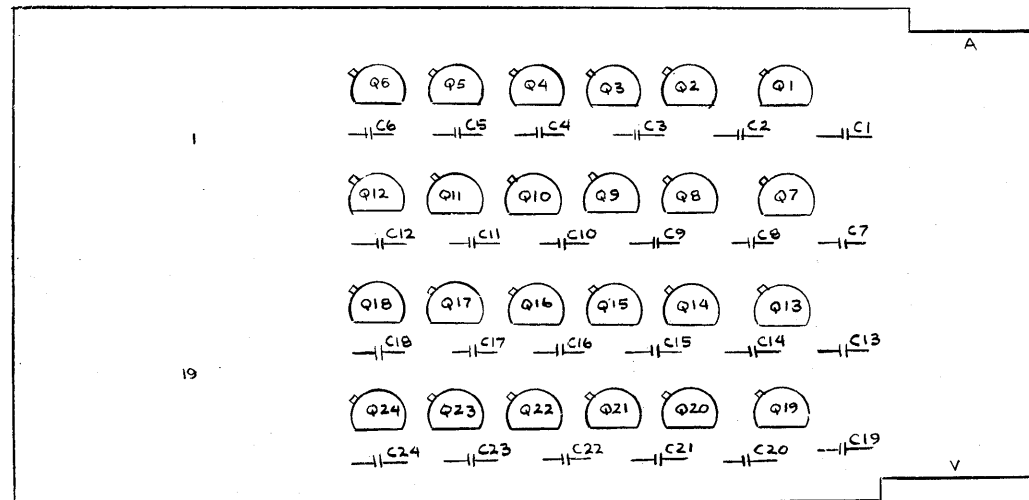
THIS SCHEMATIC IS FURNISHED ONLY FOR TEST AND MAINTENANCE PURPOSES. THE CIRCUITS ARE PROPRIETARY IN NATURE AND SHOULD BE TREATED ACCORDINGLY. COPYRIGHT 1970 BY DIGITAL EQUIPMENT CORPORATION.

FA = ETCH SIDE OF M947; COMPONENT SIDE OF M948



FB = COMPONENT SIDE OF M947; ETCH SIDE OF M948

UNLESS OTHERWISE INDICATED:
CAPACITORS ARE 470PF, 100V, ±5%
TRANSISTORS ARE DEC6531B



ITEM NO.	DEC PART NO.	DESCRIPTION	QTY
6	150933B	TRANSISTOR DEC 6531B	24
5	1000024	CAP. 470 PF 100V 5%	24
4	5009370	ETCHED CKT. BOARD	1
3	B-MH-M947-0-6	MODULE ECC HISTORY	
2	C-AH-M947-0-5	ASSY/DRILLING HOLE LAYOUT	
1	X-CO-M947-0-4	X-Y COORDINATE HOLE LOCATION	

PARTS LIST

REV.	CHG NO.	REV.

DEC FORM NO. DRC 102

M5794-P2

DRN	DATE
ANNEX MOORE	5/18/70
DATE	2-24-71
ENG. P. Sullivan	2-24-71
PROD.	DATE

TRANSISTOR & DIODE CONVERSION CHART			
DEC	EIA	DEC	EIA
DEC6531B	MP66531		



TITLE			
KI-10 INDICATOR DRIVER M947			
SIZE	CODE	NUMBER	REV.
C	CS	M947-0-1	B
PRINTED CIRCUIT REV.			C

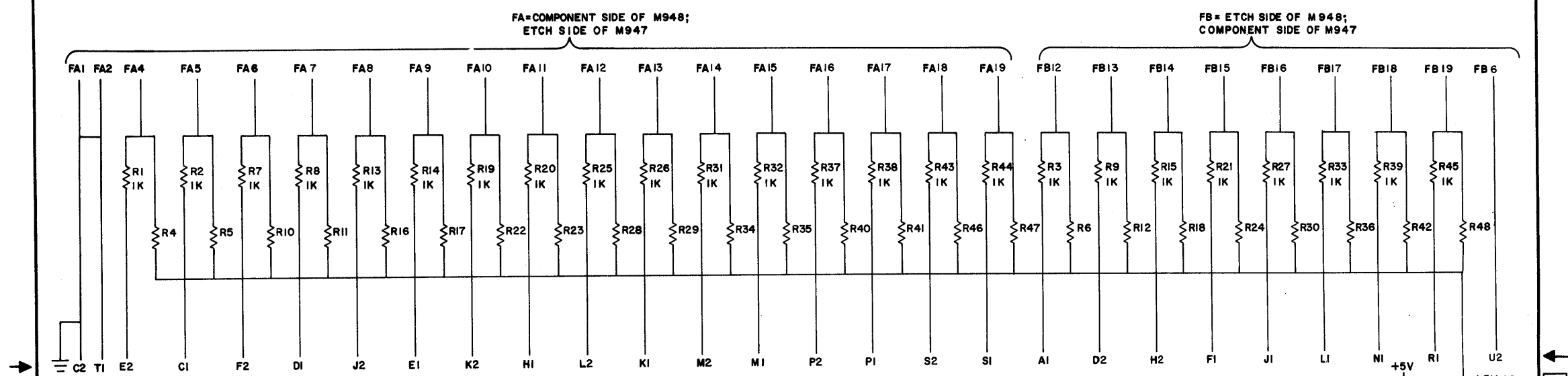
Print Blue

REV. B
NUMBER M947-0-1
SIZE CODE C CS

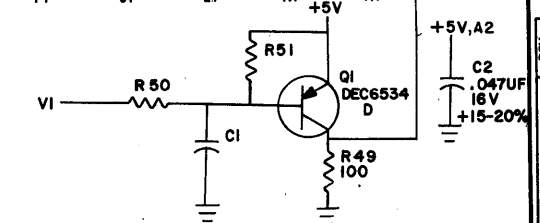
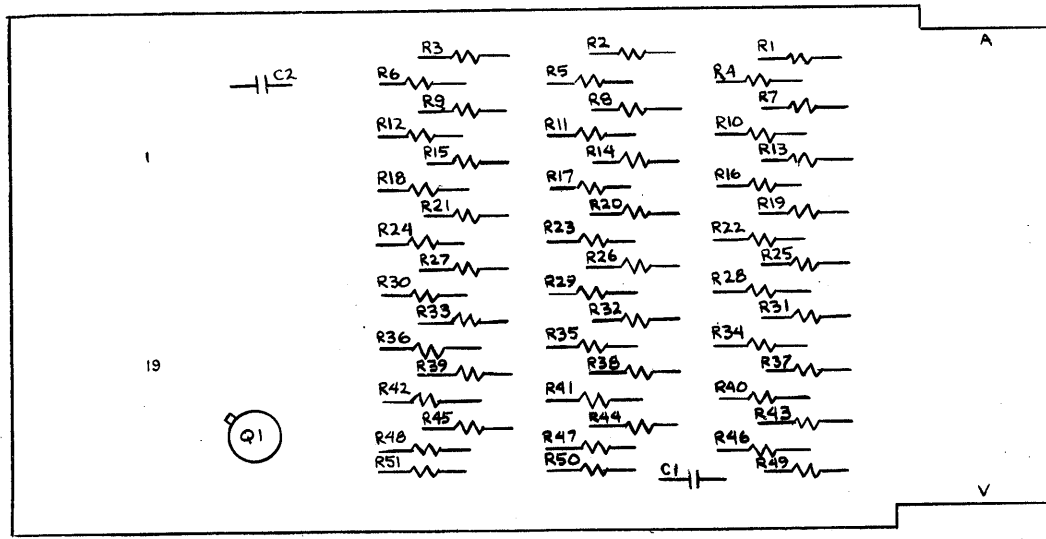
THIS SCHEMATIC IS FURNISHED ONLY FOR TEST AND MAINTENANCE PURPOSES. THE CIRCUITS ARE PROPRIETARY IN NATURE AND SHOULD BE TREATED ACCORDINGLY. COPYRIGHT 1970 BY DIGITAL EQUIPMENT CORPORATION

MR

LIMITED RELEASE



UNLESS OTHERWISE INDICATED:
RESISTORS ARE 3.3K, 1/4W, 5%
CAPACITORS ARE .01UF, 100V, 20%



ITEM NO.	DEC PART NO.	DESCRIPTION	QTY
10	1503409-00	TRANSISTOR DEC 6534D	1
9	1300439	RES. 3.3K 1/4W 5%	26
8	1300365	RES. 1K 1/4W 5%	24
7	1300229	RES. 100 1/4W 5%	1
6	1009678	CAP. .047 UF 16V 50 -20%	1
5	1001610	CAP. .01 UF 100V 20% DISC	1
4	5009449	ETCHED CKT. BOARD	1
3	B-MH-M948-0-6	MODULE ECO HISTORY	
2	C-AH-M948-0-5	ASSY/DRILLING HOLE LAYOUT	
1	K-CO-M948-0-4	X-Y COORDINATE HOLE LOCATION	

PARTS LIST

REVISIONS	CHK (ENG INC) REV
1	MP001 B

DRN	S. Cooper	DATE	3/14/70
CHKD	Jim M	DATE	8-24-71
ENG	P. Seltzer	DATE	3-24-71
PROD.		DATE	

TRANSISTOR & DIODE CONVERSION CHART			
DEC	EIA	DEC	EIA
DEC6534D	MPS6534		

digital EQUIPMENT CORPORATION
MAYNARD, MASSACHUSETTS

TITLE: KI 10 INDICATOR BOARD

SIZE: C CODE: CS NUMBER: M948-0-1 REV: B

PRINTED CIRCUIT REV. B

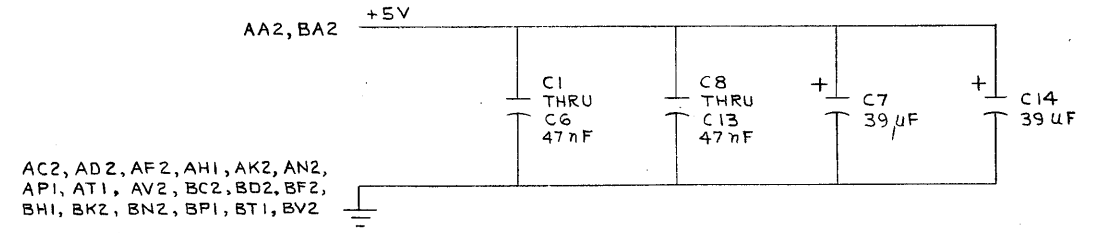
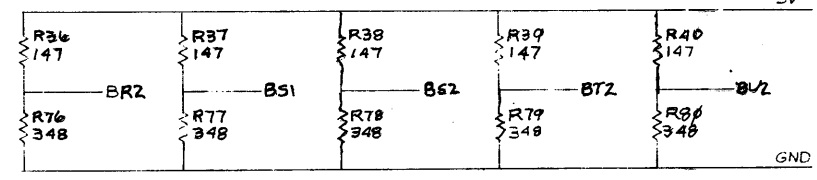
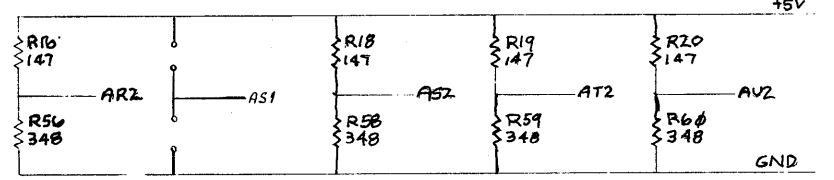
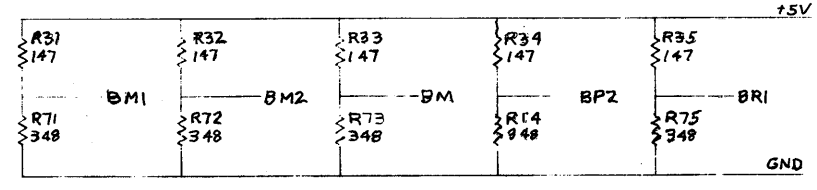
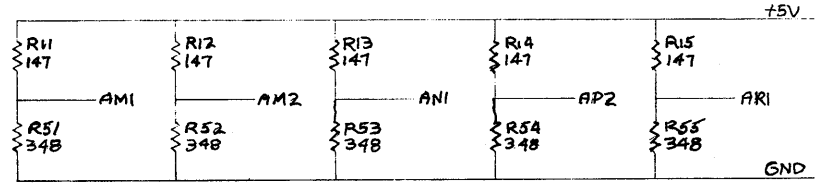
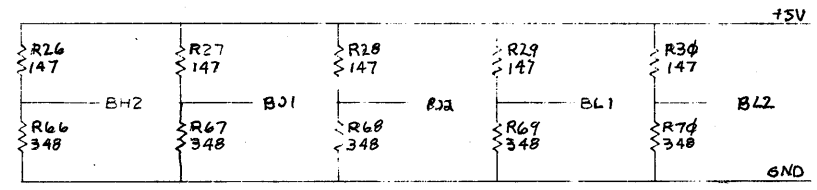
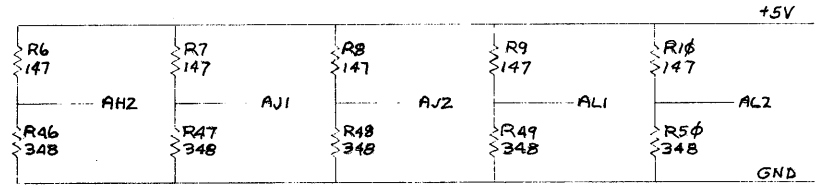
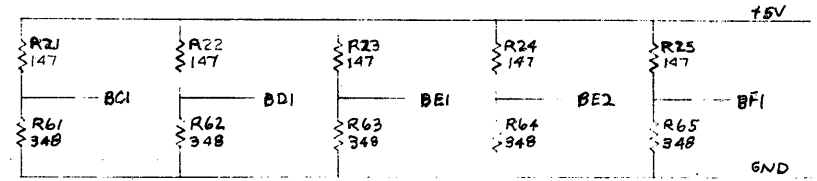
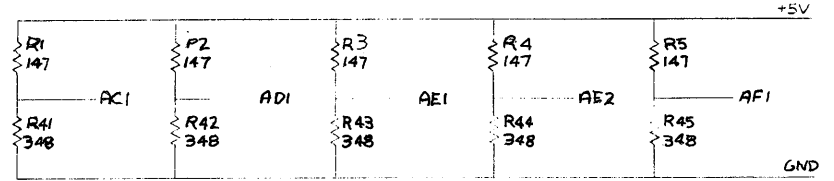
DEC FORM NO. DRC 102

M5795-P2

MR Pink Blue

THIS DRAWING IS THE PROPERTY OF DIGITAL EQUIPMENT CORPORATION AND SHALL NOT BE REPRODUCED OR TRANSMITTED IN ANY FORM OR BY ANY MEANS, ELECTRONIC OR MECHANICAL, INCLUDING PHOTOCOPYING, RECORDING, OR BY ANY INFORMATION STORAGE AND RETRIEVAL SYSTEM, WITHOUT WRITTEN PERMISSION FROM DIGITAL EQUIPMENT CORPORATION.

NOTE: ALL RESISTOR VALUES ARE IN OHMS, UNLESS OTHERWISE SPECIFIED.



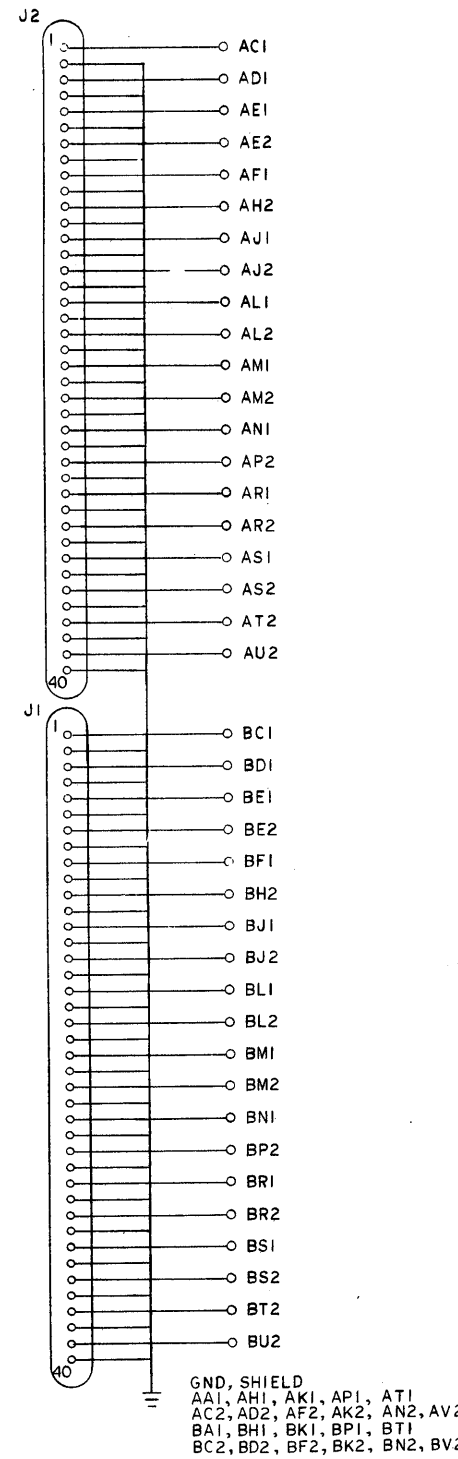
AC2, AD2, AF2, AH1, AK2, AN2, AP1, AT1, AV2, BC2, BD2, BF2, BH1, BK2, BN2, BP1, BT1, BV2

REVISIONS		
CHK	CHANGE NO	REV

FIRST USED ON OPTION/MODEL	QTY.	DESCRIPTION	PART NO.	ITEM NO.
MG10				
PARTS LIST				
DIMENSIONAL TOLERANCE		DRN.	DATE	
DIMENSIONS ARE MILLIMETERS UNLESS OTHERWISE SPECIFIED		CHKD.	DATE	
MILLIMETERS	INCHES	ENG.	DATE	
XXX ±0.10 XX ±0.05 X ±0.2	XXX ±.005 XX ±.02 X ±.1	PROJ. ENG. PROD.	DATE	
THIRD ANGLE PROJECTION	REMOVE BURRS AND BREAK SHARP CORNERS SURFACE QUALITY ✓	NEXT HIGHER ASSY.		TITLE
	MATERIAL	B-DD-M9005-0		SBUS TERMINATOR
	FINISH	SCALE NONE		SIZE CODE
		SHEET 1 OF 1		NUMBER
		DIST.		REV.
		D C S M 9 0 0 5 - 0 - T R N I		

THIS DRAWING AND SPECIFICATIONS, HEREIN, ARE THE PROPERTY OF DIGITAL EQUIPMENT CORPORATION AND SHALL NOT BE REPRODUCED OR COPIED OR USED IN WHOLE OR IN PART AS THE BASIS FOR THE MANUFACTURE OR SALE OF ITEMS WITHOUT WRITTEN PERMISSION. COPYRIGHT © 1975, DIGITAL EQUIPMENT CORPORATION

1-0-1106W S00 2



D
C
B
A

D
C
B
A

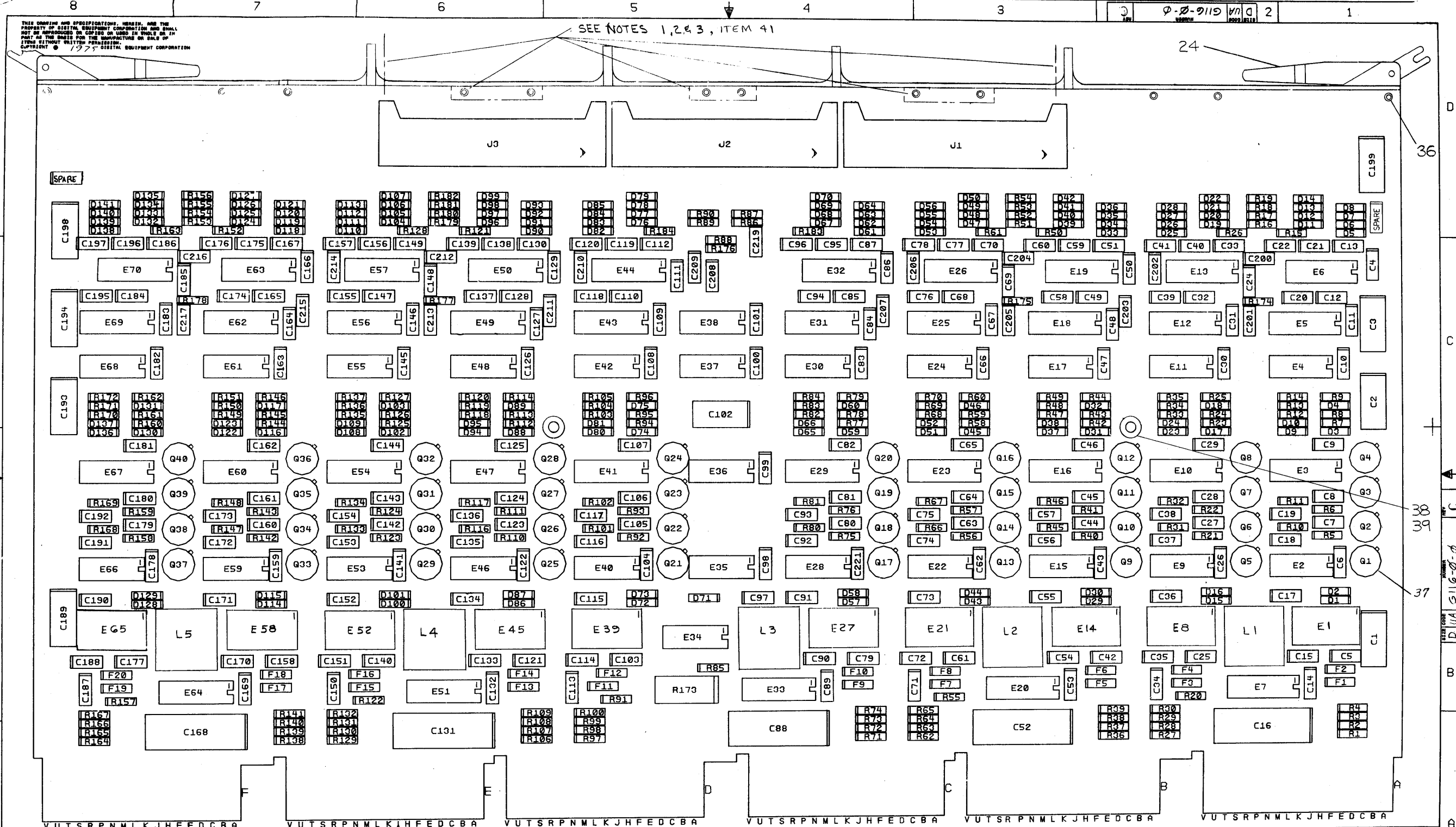
REV.	
CHANGE NO.	
CHK	

DRN. <i>J. Munk</i>	1-31-75	FIRST USED ON	MG10	digital
CHK'D <i>J. Munk</i>	2-5-75	TITLE	CABLE CONNECTOR	
ENG. <i>J. Chin</i>	2-5-75	NEXT HIGHER ASSY.	B-DD-M9011-0	SIZE CODE
PROJ. ENG. <i>J. Chin</i>	2-5-75	SCALE	1	NUMBER
PROD. <i>J. Chin</i>	2-5-75	SHEET	1	DIST.
				REV.
				1

THIS DRAWING AND SPECIFICATIONS, HEREIN, ARE THE PROPERTY OF DIGITAL EQUIPMENT CORPORATION AND SHALL NOT BE REPRODUCED OR COPIED OR USED IN WHOLE OR IN PART AS THE BASIS FOR THE MANUFACTURE OR SALE OF ITEMS WITHOUT WRITTEN PERMISSION. COPYRIGHT © 1975 DIGITAL EQUIPMENT CORPORATION

SEE NOTES 1, 2 & 3, ITEM 41

φ-0-9119



- NOTES:
1. REVERSE INSERTION OF CENTER SIX EYELETS. (INSERT THESE EYELETS FROM SIDE #1).
 2. BUFF THE EYELET HEADS & HANDLE EDGE TO ELIMINATE BURRS ON SIDE #1.
 3. COVER THE CENTER (6) EYELET HEADS WITH NYLON TAPE (ITEM #1) AFTER BUFFING (SIDE #1). (AREA INDICATED BY DOTTED LINES).
- ECO*1 COMPONENT DELETES: C218 AND C220

CHANGE NO	REV	DATE
016	0000	C

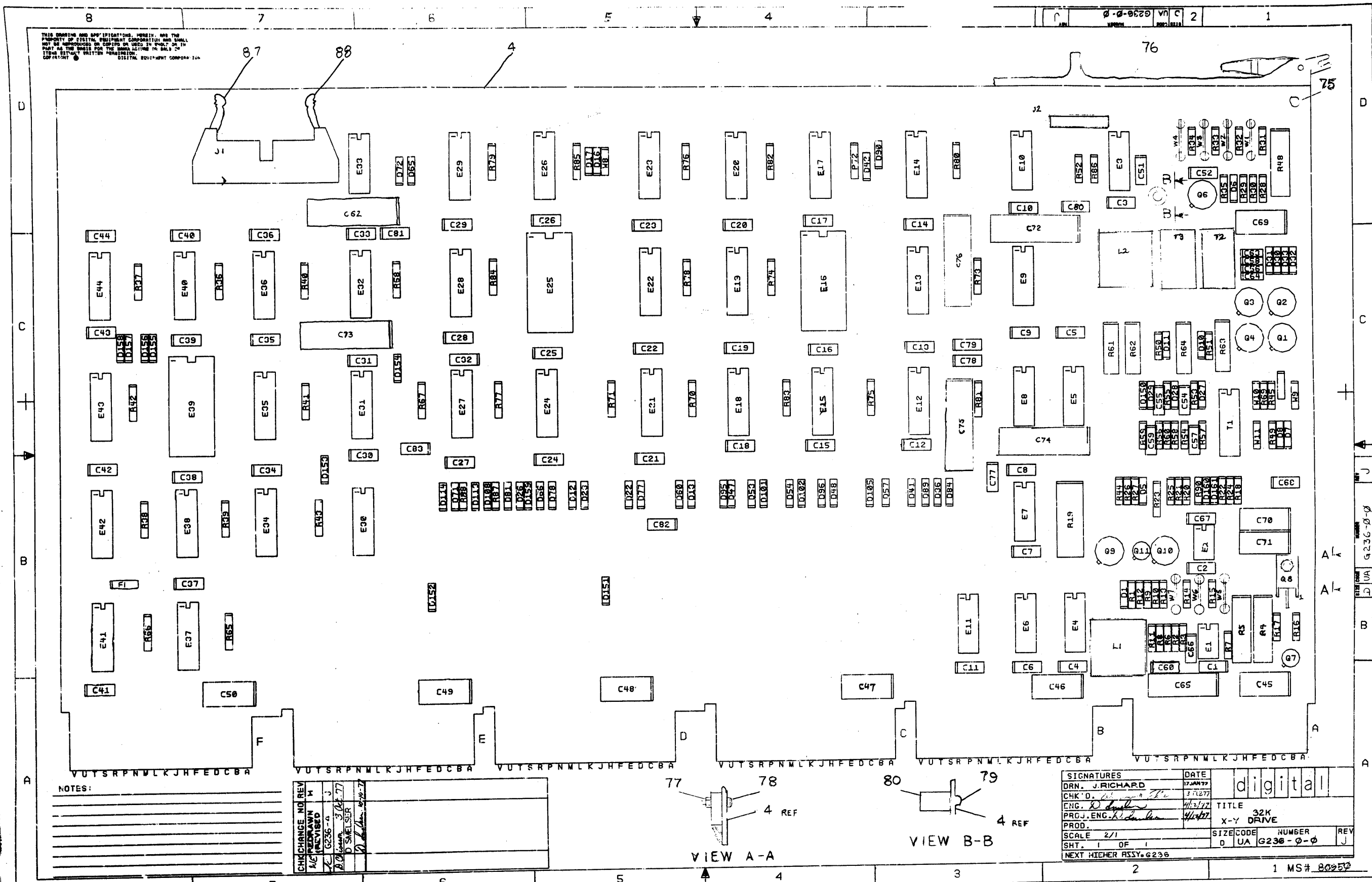
SIGNATURES	DATE	TITLE
DRN. <i>[Signature]</i>	1/16/75	32K SENSE INHIBIT
CHK'D. <i>[Signature]</i>	1/16/75	
ENG. <i>[Signature]</i>	1/16/75	
PROJ. ENG. <i>[Signature]</i>	1/16/75	
PROD. <i>[Signature]</i>	1/16/75	
SCALE 2:1		SIZE CODE NUMBER REV
SHT. 1 OF 1		D UA 0116-0-φ C
ETCH REV C FIRST USED ON		

digital

1 MS# 80632

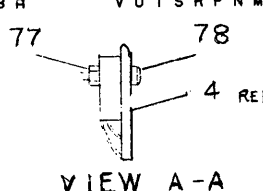
THIS DRAWING AND SPECIFICATIONS HEREBY ARE THE PROPERTY OF DIGITAL EQUIPMENT CORPORATION AND SHALL NOT BE REPRODUCED OR COPIED IN WHOLE OR IN PART OR BY ANY MEANS FOR THE WHOLE OR IN PART OF THIS DRAWING WITHOUT WRITTEN PERMISSION.
 DIGITAL EQUIPMENT CORPORATION
 CORPORATION

0-0-0236 V C 2 1

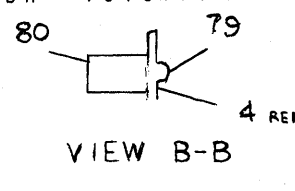


NOTES:

CHK	CHANGE NO	REV	DATE
W			
J			
Z	0236-0	3	12/77
P			
D			



VIEW A-A



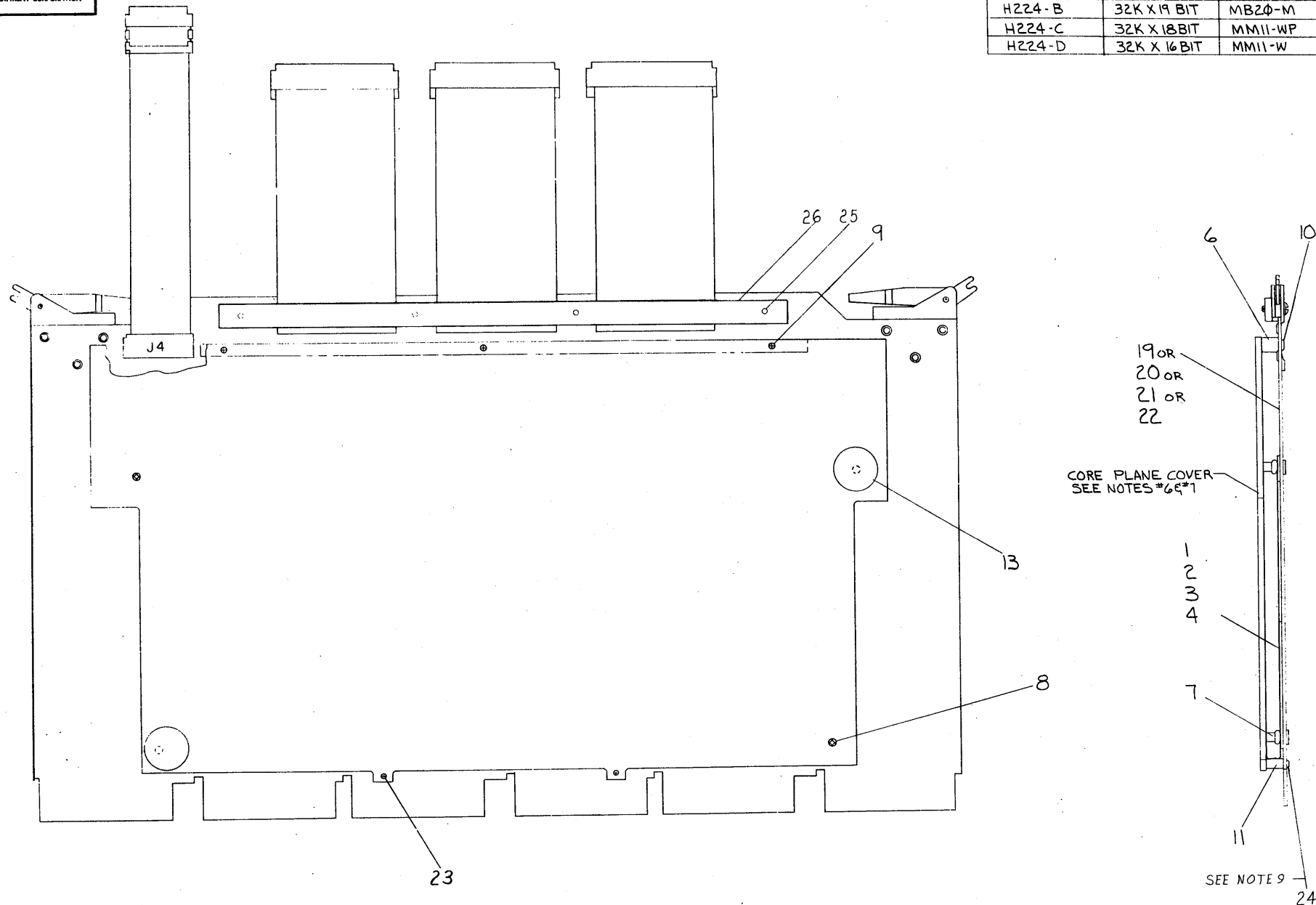
VIEW B-B

SIGNATURES		DATE	digital
DRN. J. RICHARD		12 JAN 77	
CHK'D. [Signature]		3 FEB 77	TITLE
ENG. [Signature]		4/21/77	32K
PRD. [Signature]		4/21/77	X-Y DRIVE
SCALE 2/1	SIZE CODE	NUMBER	REV
SHT. 1 OF 1	D UA	0236-0-0	J
NEXT HIGHER ASSY. 0236			1 MS# 80252

"THIS DRAWING AND SPECIFICATIONS, HEREIN, ARE THE PROPERTY OF DIGITAL EQUIPMENT CORPORATION AND SHALL NOT BE REPRODUCED OR COPIED OR USED IN WHOLE OR IN PART AS THE BASIS FOR THE MANUFACTURE OR SALE OF ITEMS WITHOUT WRITTEN PERMISSION. COPYRIGHT © 1975, DIGITAL EQUIPMENT CORPORATION"

LEGEND		
NUMBER	VARIATION	USED ON
H224-A	32K X 20BIT	
H224-B	32K X 19 BIT	MB20-M
H224-C	32K X 18BIT	MM11-WP
H224-D	32K X 16 BIT	MM11-W

NOTES: SEE SHEET 2



QTY	DESCRIPTION	DWG./PART NO.	ITEM NO.
1	CLAMP, CONNECTOR	7417272	26
4	SCREW, SLOTTED BH #4-40 X.375 LG. NYLON	9006401-04	25
2	NUT HEX, NYLON #2-56 X.18 LG A/F NYLON	9007263-0-0	24
2	SCREW, SLOTTED FLAT HD #2-56 X.50 LG. NYLON	9000004-03	23
1	32 K STACK	D-UA-5411644-D-0	22
-	32 K STACK	D-UA-5411644-C-0	21
-	32 K STACK	D-UA-5411644-B-0	20
-	32 K STACK	D-UA-5411644-A-0	19
A/R	EPOXY	4901082-00	18
A/R	INK, BLACK	4901084-00	17
A/R	PROTECTIVE COATING (F145)	4901083-00	16
A/R	ADHESIVE (RTV 3140)	4901085-00	15
A/R	ADHESIVE (RTV 3145)	4901086-00	14
2	WARRANTY SEAL		13
1	NAME PLATE	9009238-00	12
2	STAND-OFF, NYLON .18 DIA X .25 HIGH #2-56 THRU	9009790-00	11
3	SCREW, SLOTTED PAN HD #2-56 X.19 LG. NYLON	9000008-01	10
3	SCREW, SLOTTED FLAT HD #2-56 X.19 LG. NYLON	9000004-01	9
4	SCREW, SLOTTED FLAT HD #4-40 X.19 LG. NYLON	9009234	8
4	THREADED RIVET #4-40 CLINCHED HEIGHT=.25	9009531	7
1	BAR, SPACER	D-MD-7415401-0-0	6
A/R	MYLAR TAPE		5
-	CORE PLANE WIRING ASSY	E-IA-7012189-3-0	4
-	CORE PLANE WIRING ASSY	E-IA-7012189-2-0	3
-	CORE PLANE WIRING ASSY	E-IA-7012189-1-0	2
1	CORE PLANE WIRING ASSY	E-IA-7012189-0-0	1

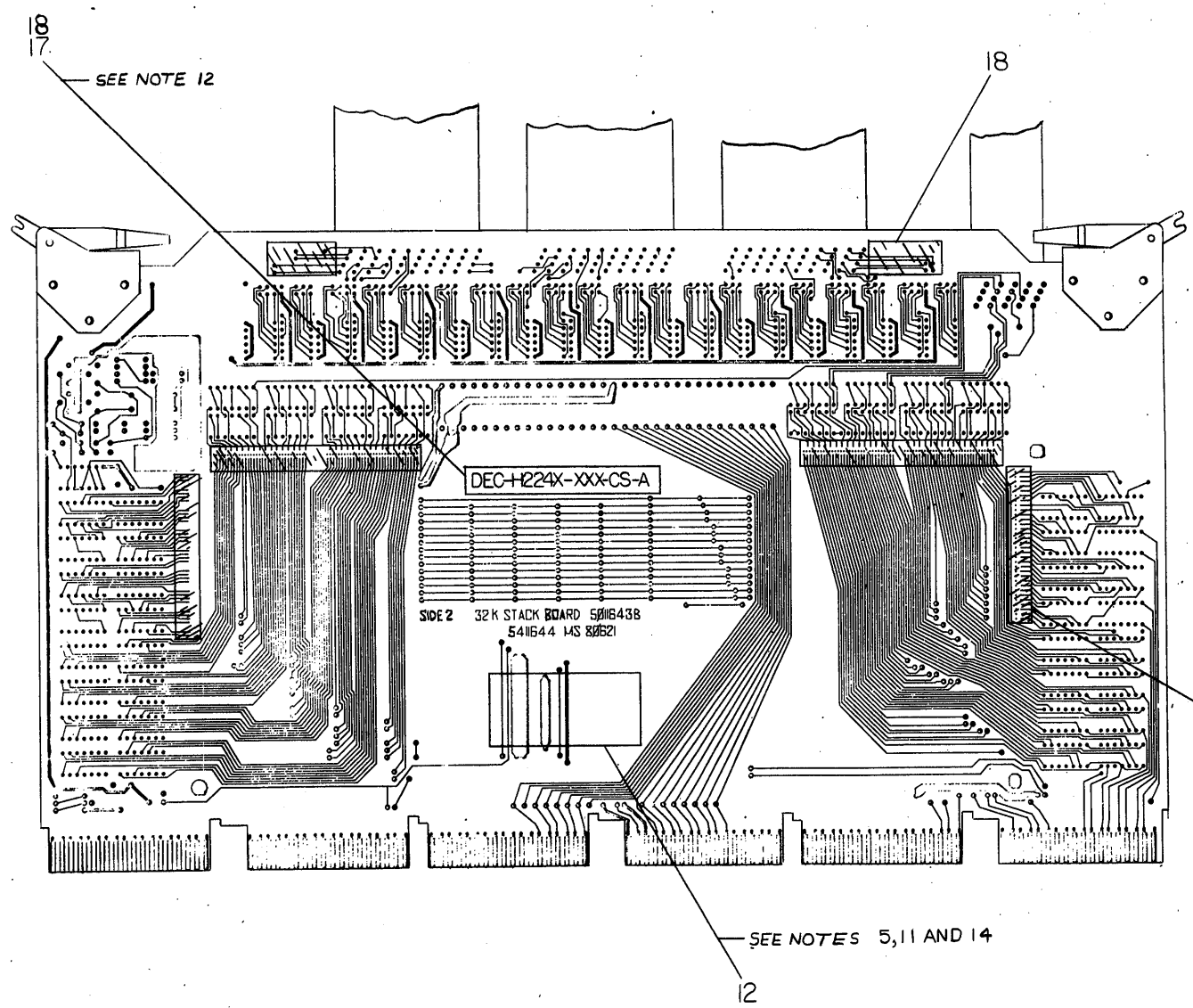
H224-D	H224-C	H224-B	H224-A	UNLESS OTHERWISE SPECIFIED DIMENSIONS ARE IN INCHES	
				CLASS OF ACCURACY (CHECK ONE)	NOMINAL DIMENSION RANGE INCHES
				ANGLES ±0° 30'	
				SURFACE QUALITY	
				IN	
				MEDIUM	
				MICROINCHES	
				PREFERRED	

THIRD ANGLE PROJECTION	DRN. W/ LUFKIN	FIRST USED ON	digital
REMOVE BURRS AND BREAK SHARP CORNERS	CHK'D	MM11-W	
DO NOT SCALE DWG	PROJ. ENG.	TITLE	H224 CORE MEMORY STACK ASSEMBLY
MATERIAL SEE PARTS LIST	PROD.	NEXT HIGHER ASSY.	
FINISH	B-DD-H224-0	SIZE CODE	D UA H224-0-0
	SCALE 1/1	NUMBER	B
	SHEET 1 OF 2	DIST.	

REV.	CHANGE NO.	REV.
A	H224-CC001	A
B	H224-00012	B
C	H224-00012	C

THIS DRAWING AND SPECIFICATIONS HEREIN ARE THE PROPERTY OF DIGITAL EQUIPMENT CORPORATION AND SHALL NOT BE REPRODUCED OR COPIED OR USED IN WHOLE OR IN PART AS THE BASIS FOR THE MANUFACTURE OR SALE OF ITEMS WITHOUT WRITTEN PERMISSION. COPYRIGHT © 1976 DIGITAL EQUIPMENT CORPORATION.

- NOTES:
1. BOND CORE PLANE ASSEMBLY (ITEM #1, #2, #3, OR #4) TO THE STACK BOARD (ITEM #5) WITH ADHESIVE (ITEM #14)
 2. INSTALL THREADED RIVETS (ITEM #7) THRU STACK BOARD AND CLINCH IN PLACE.
 3. USE PROTECTIVE COATING (ITEM #16) TO COAT ALL MAGNETIC WIRE TERMINATIONS AFTER ELECTRICAL TEST. REF DWG NO E-IA-7012189-0-0 NOTE #12.
 4. BOND S/I CABLE IN PLACE USING ADHESIVE (ITEM #15) AFTER ELECTRICAL TEST. REF DWG NO E-IA-7012189-0-0 NOTE #12.
 5. BOND X & Y DRIVE LOOPS IN PLACE WITH ADHESIVE (ITEM #15). REF DWG NO E-IA-7012189-0-0 NOTE #11.
 6. SCREW SPACER BAR TO CORE PLANE COVER WITH #2-56 SCREWS (ITEM #9).
 7. CLOSE THE CORE PLANE COVER AND SECURE WITH #4-40 SCREWS (ITEM #8).
 8. INSTALL THREADED STAND-OFF (ITEM #1) AND SECURE THRU COVER WITH #2-56 SCREWS (ITEM #23)
 9. INSTALL #2-56 NUT (ITEM #24) 2 PLACES ON SIDE #2. CUT OFF #2-56 SCREWS (ITEM #23) FLUSH WITH #2-56 NUT.
 10. INSTALL #2-56 SCREWS (ITEM #10) 3 PLACES ON SIDE #2 (BACK SIDE) OF STACK BOARD.
 11. APPLY NAME PLATE (ITEM #12) TO SIDE #2 OF THE STACK BOARD APPROXIMATELY WHERE SHOWN.
 12. LABEL STACK BOARD (ITEM #5) ON SIDE #2 WITH THE DEC PART NUMBER, SEQUENTIAL SERIAL NUMBER USING INK (ITEM #17) AND EPOXY (ITEM #18). EXAMPLE: H224-D-001.
 13. PLACE WARRANTY SEALS (ITEM #13) OVER SCREW HEADS AS SHOWN.
 14. CS REVISION IS THE MIDDLE LETTER OF THE SERIAL # ON THE NAME PLATE.



REV. 001 DUA H224-0-0

REVISIONS		
CHK	CHANGE NO	REV

TITLE	H224 CORE MEMORY STACK ASSEMBLY	SIZE CODE	D U A	NUMBER	H224-0-0	REV.	B
SCALE	NONE	SHEET	2	OF	2	DIST.	

THIS DRAWING AND SPECIFICATIONS, HEREIN, AND THE PROPERTY OF DIGITAL EQUIPMENT CORPORATION AND SHALL NOT BE REPRODUCED OR COPIED OR USED IN WHOLE OR IN PART AS THE BASIS FOR THE MANUFACTURE OR SALE OF ITEMS WITHOUT WRITTEN PERMISSION.
 COPYRIGHT © 1976 DIGITAL EQUIPMENT CORPORATION

NOTE:

- FOR DRAWING DIRECTORY, REFER TO: B-DD-M8565-0
- UNLESS OTHERWISE SPECIFIED, THE FOLLOWING PIN NUMBERS APPLY:

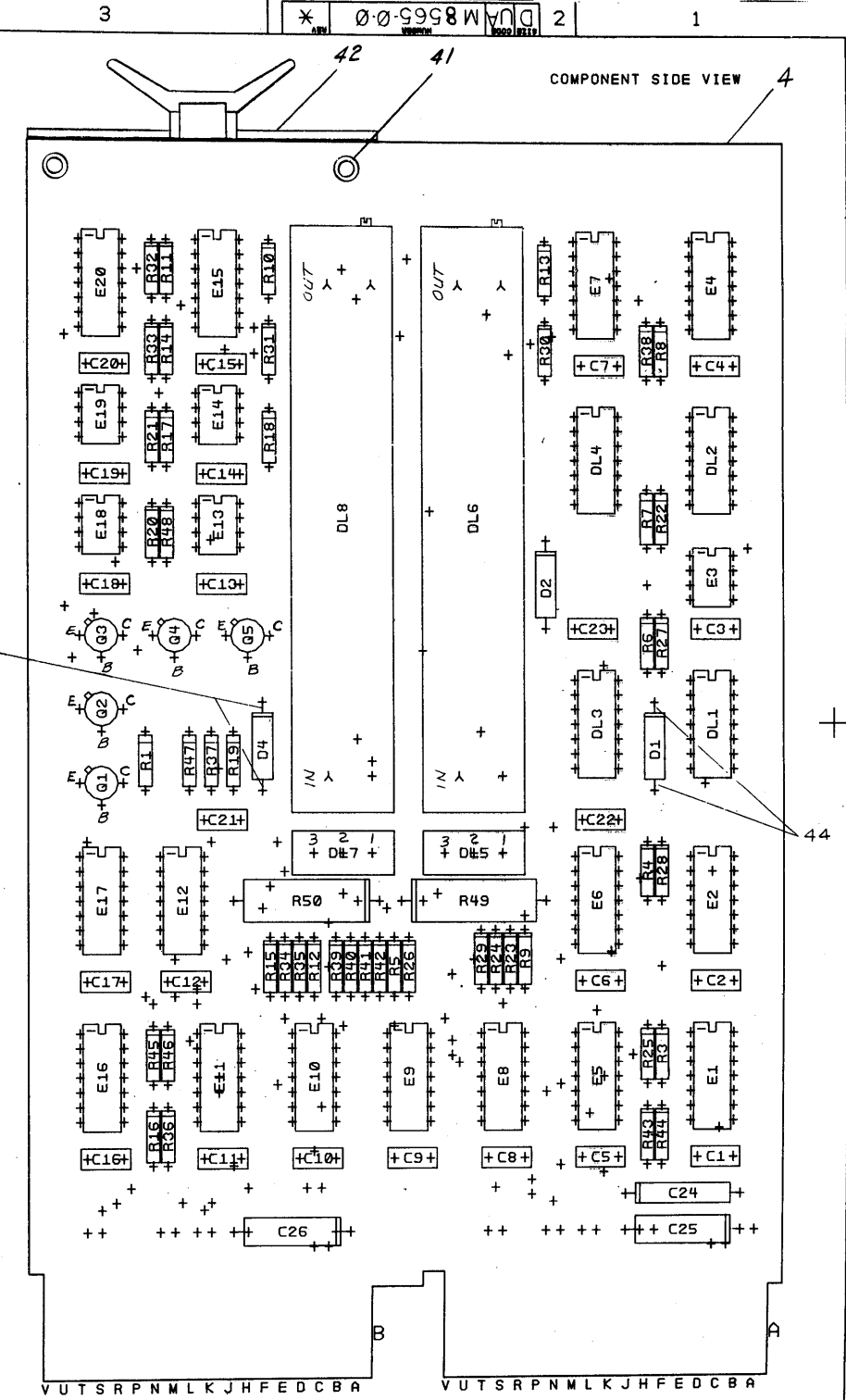
PACKAGE TYPE	GND	+5V
16 PIN DIP	8	16
14 PIN DIP	7	14
8 PIN DIP	4	8

NOTES: 1. ADD ITEM 44 SLEEVING TO D1 & D4 LEADS BOTH ENDS
 2. R49 & R50 DO NOT HAVE TO BE OFF BOARD

CHANGE NO	REV

ETCH REV.	B
P.C. DESIGN DATA BASE REV.	B

SIGNATURES	DATE	TITLE
DRN. <i>D. Brown</i>	6 Apr 76	STACK TIMING
CHK'D. <i>W. Freeman</i>	17 MAY 76	
ENG. <i>Phonase</i>	24 Jun 76	
PROJ. ENG. <i>Phonase</i>	27 Jun 76	
PROD. <i>B. Eddy</i>	28 Jun 76	
SCALE 2:1		SIZE CODE NUMBER
SHT. 1 OF 4		D U A M 8565-0-0
NEXT HIGHER ASSY. B-DD-M8565-0		REV *



D U A M 8565-0-0

8

7

6

5

4

3

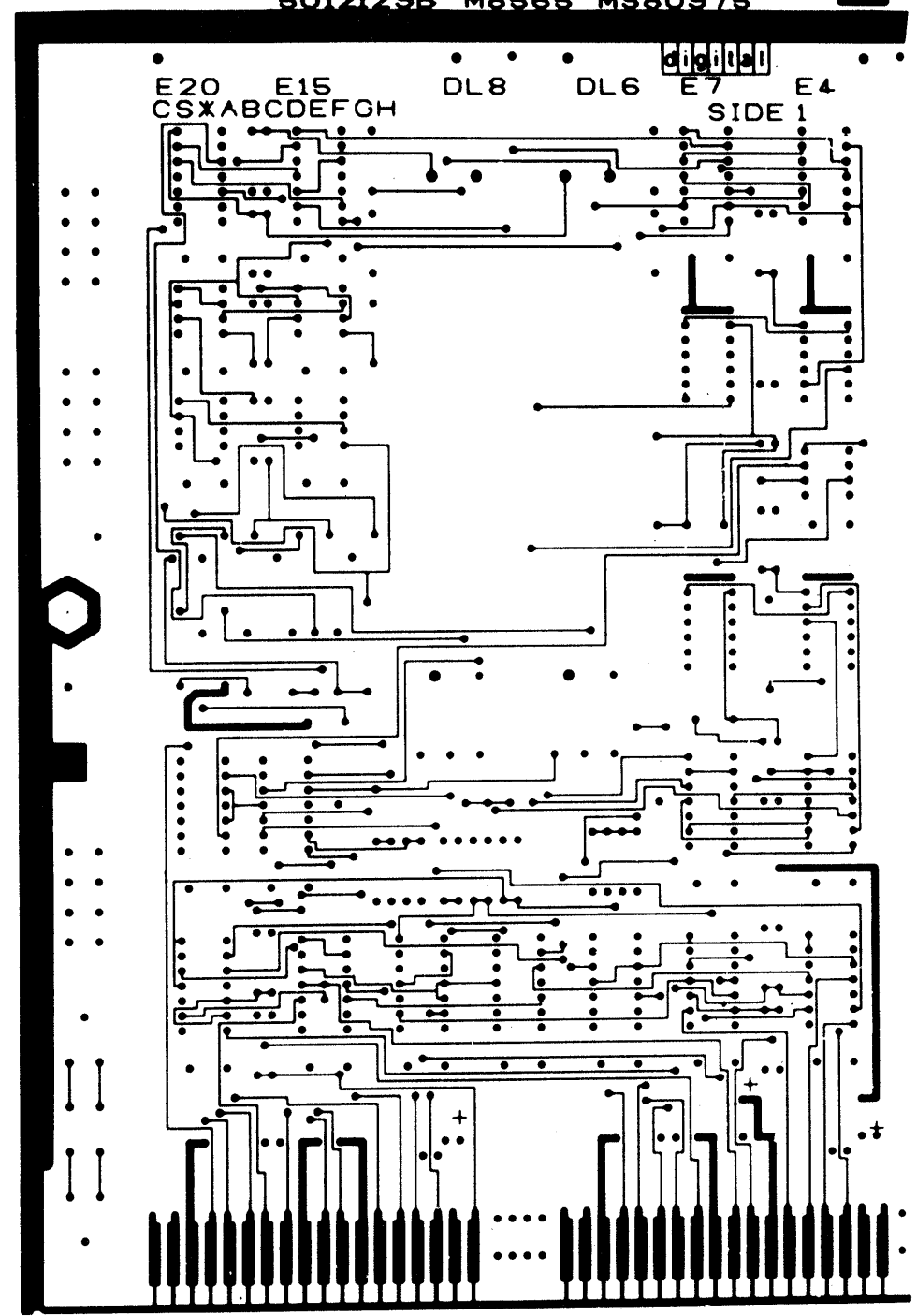
DVA M8565-0-0 2

1

5012129B M8565 MS80975

L1

E20 E15 DL8 DL6 E7 E4
CSX ABCDEFGH SIDE 1



D

C

B

A

D

C

B

A

DVA M8565-0-0

STACK TIMING

DVA M8565-0-0

2 of 4

8

7

6

5

4

3

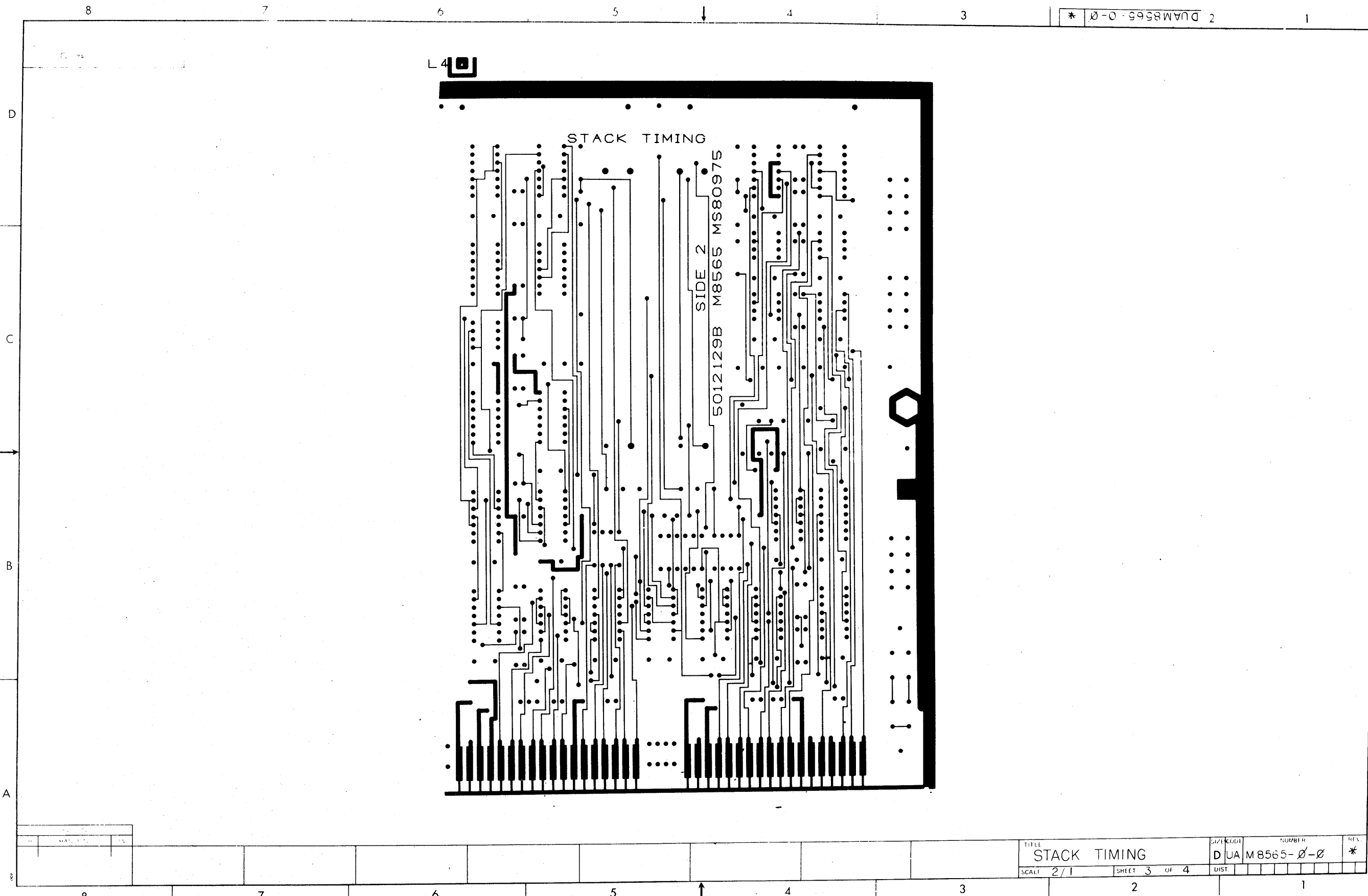
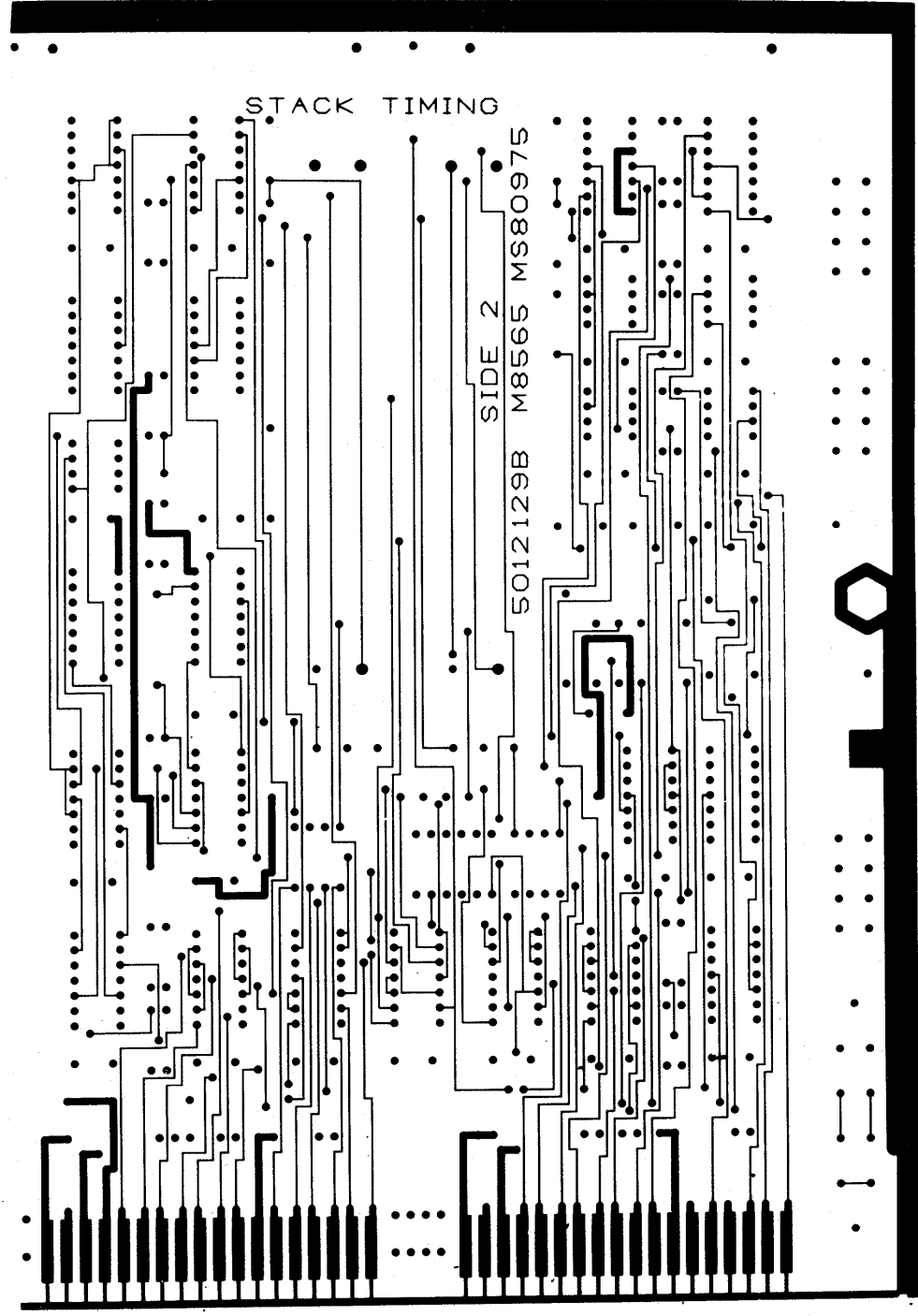
2

1

L4

STACK TIMING

SIDE 2
5012129B M8565 MS80975



D U A M 8 5 6 5 - 0 - 0 *

TITLE		STACK TIMING		SIZE/CODE	NUMBER		REV.
SCALE		2/1	SHEET	3	OF	4	DIST

8

7

6

5

4

3

DVA M8565-S-Ø-Ø 2

1

1. ALL DIMENSIONS ARE IN MILLIMETERS UNLESS OTHERWISE SPECIFIED.
 2. SURFACE FINISH SHALL BE AS SHOWN ON THE DRAWING.
 3. MATERIAL SHALL BE AS SPECIFIED IN THE BILL OF MATERIALS.
 4. ALL DIMENSIONS ARE TO CENTER UNLESS OTHERWISE SPECIFIED.
 5. DIMENSIONS TO CENTER UNLESS OTHERWISE SPECIFIED.
 6. DIMENSIONS TO CENTER UNLESS OTHERWISE SPECIFIED.
 7. DIMENSIONS TO CENTER UNLESS OTHERWISE SPECIFIED.
 8. DIMENSIONS TO CENTER UNLESS OTHERWISE SPECIFIED.

D

D

C

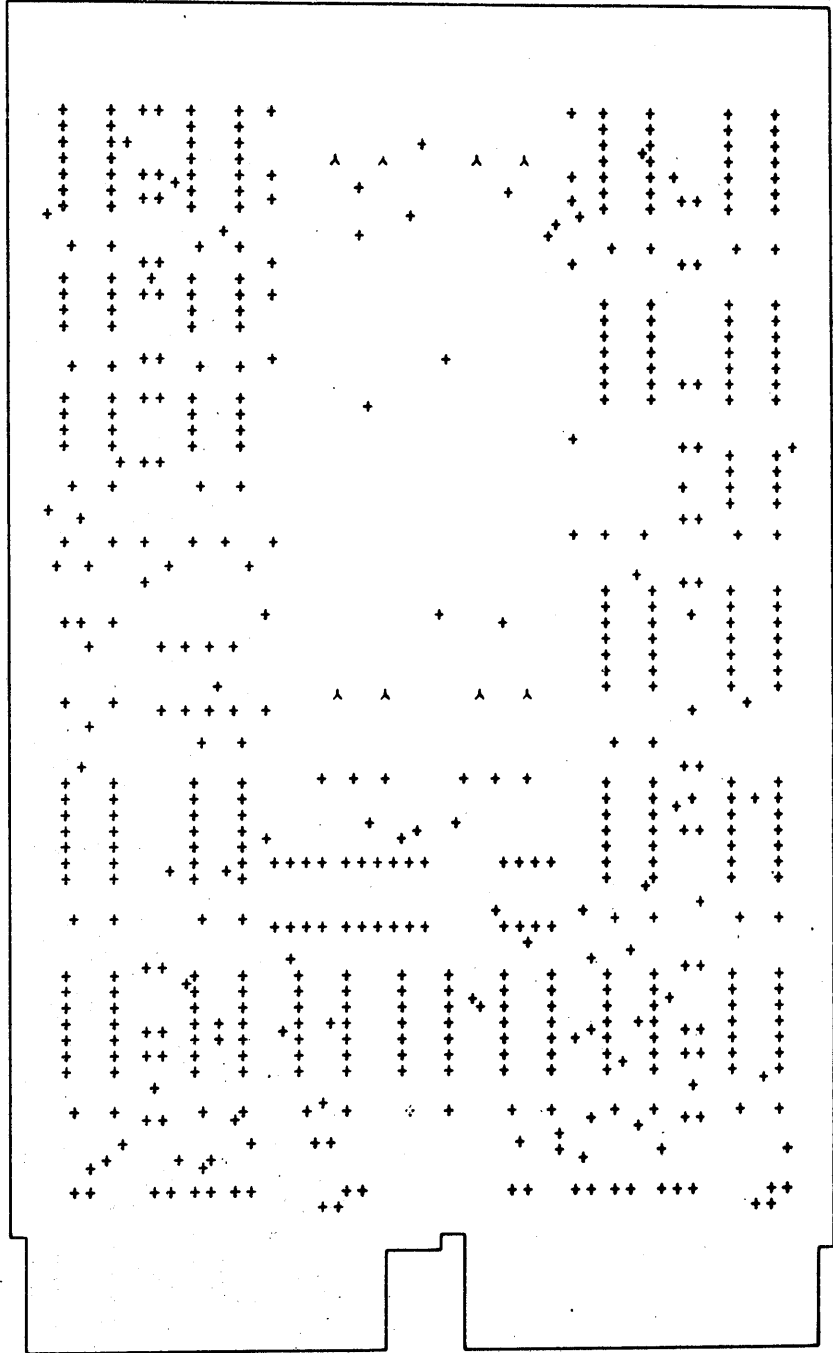
C

B

B

A

A



DVA M8565-S-Ø-Ø *

REVISIONS		
NO.	CHANGE TO	REV.

TITLE (MHIO)
 CYCLE TIMING
 SCALE 2/1 SHEET 4 OF 4
 DIST

8

7

6

5

4

3

2

1

THIS DRAWING AND SPECIFICATIONS HEREIN ARE THE PROPERTY OF DIGITAL EQUIPMENT CORPORATION AND SHALL NOT BE REPRODUCED OR COPIED OR USED IN WHOLE OR IN PART AS THE BASIS FOR THE MANUFACTURE OR SALE OF ITEMS WITHOUT WRITTEN PERMISSION. COPYRIGHT © 1974, DIGITAL EQUIPMENT CORPORATION.

NOTE:

- FOR DRAWING DIRECTORY, REFER TO: B-DD-M8566-0
- UNLESS OTHERWISE SPECIFIED, THE FOLLOWING PIN NUMBERS APPLY:

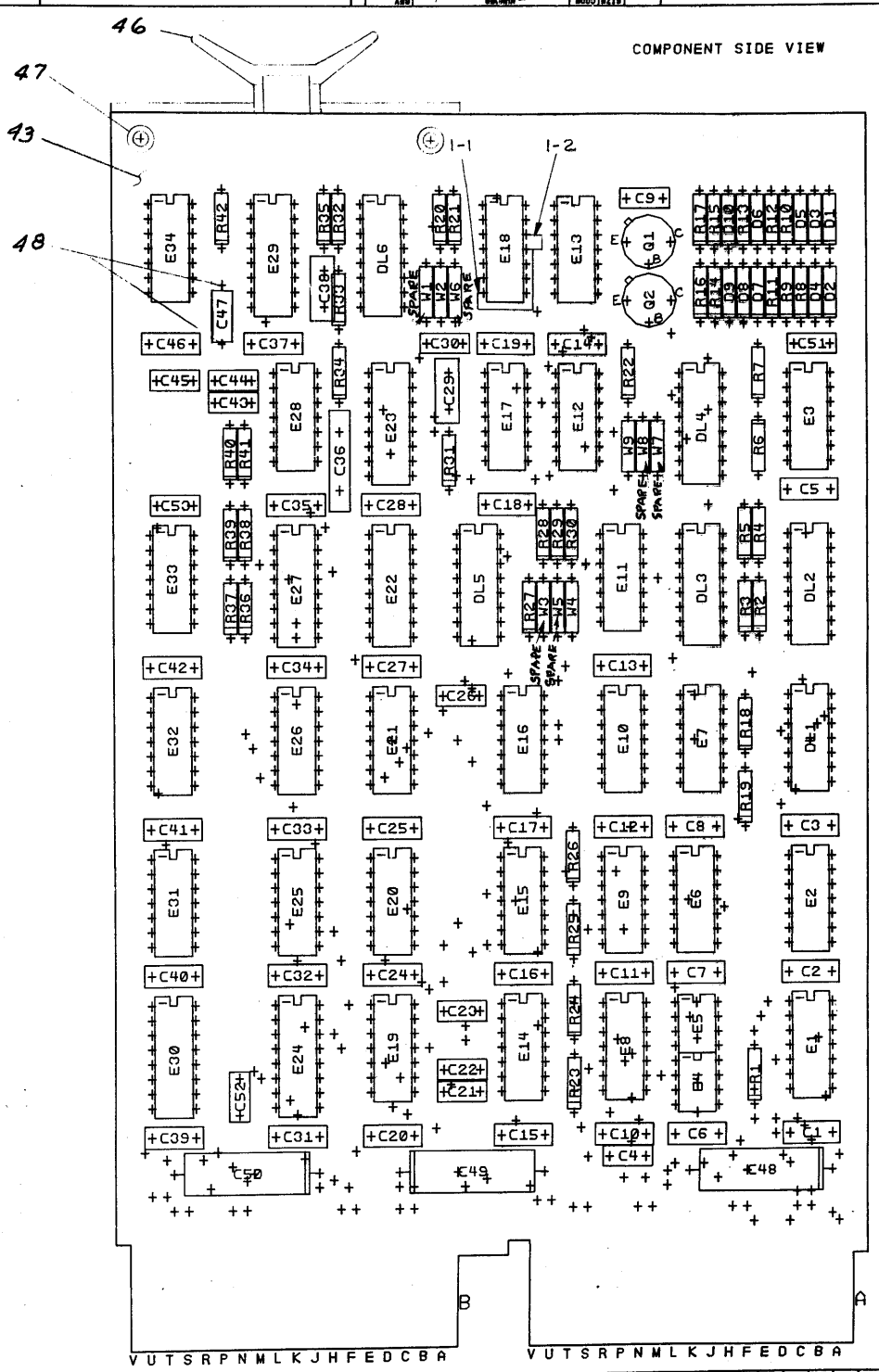
PACKAGE TYPE	GND	+5V	-5V
16 PIN DIP	8	16	—
14 PIN DIP	7	14	—
8 PIN	4	8	—
75107	7	14	13
7403	12	5	—

REWORK INSTRUCTIONS:

- ECO #1
 WIRE ADDS SIDE #1 AS SHOWN - P/N 9105740-55
 1-1 FROM E18 (7) TO E8 (11)
 1-2 FROM E18 (11) TO E18 (12)

NOTES: 1. ADD ITEM 48 SLEEVING TO C47
 LEADS BOTH ENDS
 2. LAY C36 OVER E23

CHK/CHANGE NO	REV	DATE	BY	APP
227	M8566-MR001	A	J.H. WOODS	2.5.74
			BALES	



ETCH REV.	A
P.C. DESIGN DATA BASE REV.	A

SIGNATURES	DATE	TITLE
DRN. J. Rogers	6-28-74	digital CYCLE TIMING
CHK'D J. H. Woods	8-28-74	
ENG. J. H. Woods	8-28-74	SIZE CODE NUMBER REV 0 UA M8566-0-0 A
PROJ. ENG. J. H. Woods	8-28-74	
PROD. J. H. Woods	8-28-74	
SCALE 2/1		
SHT. 1 OF 4		
NEXT HIGHER ASSY. BDD-M8566-0		

8

7

6

5

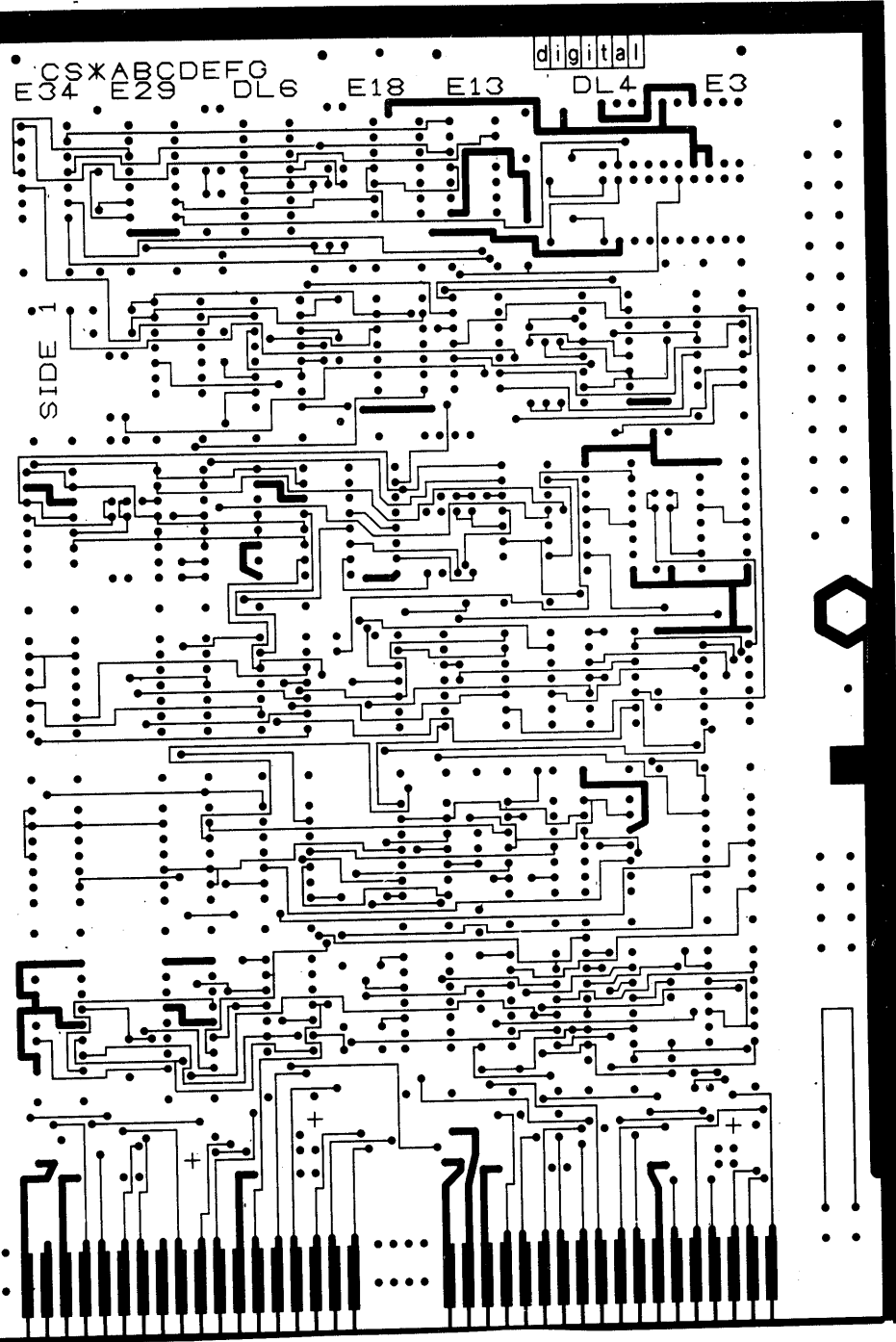
4

3

DUA M8566-0-0 2

1

5012130A M8566 MS80976 L1



REVISIONS		
CHK	CHANGE NO	REV

TITLE	(MHIØ) CYCLE TIMING	SIZE CODE	NUMBER	REV.
SCALE	2/1	SHEET	2 OF 4	DIST.
DUA M8566-0-0			A	

8

7

6

5

4

3

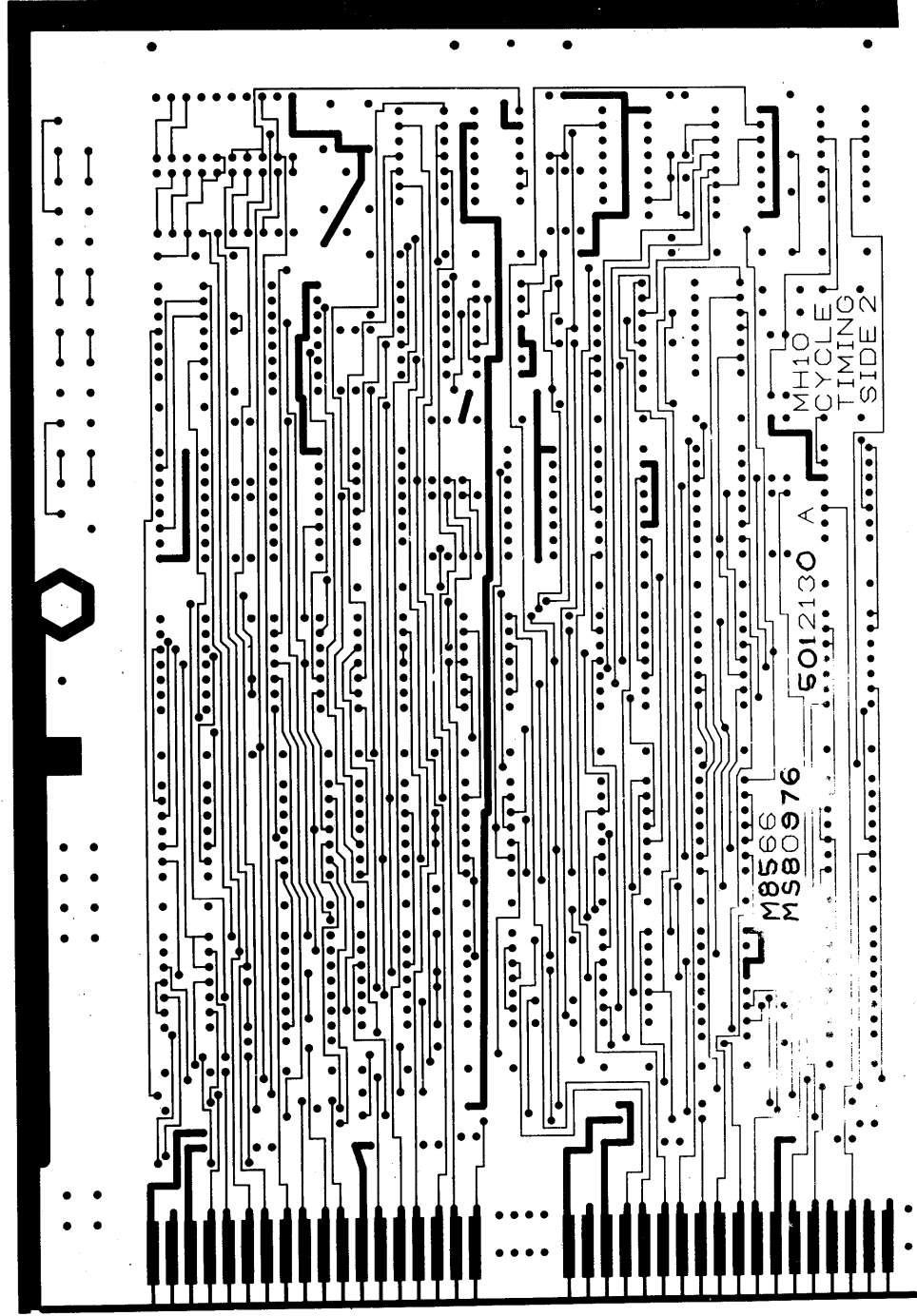
2

1

THIS DRAWING AND SPECIFICATIONS HEREIN ARE THE PROPERTY OF DIGITAL EQUIPMENT CORPORATION AND SHALL NOT BE REPRODUCED OR COPIED OR USED IN WHOLE OR IN PART AS THE BASIS FOR THE MANUFACTURE OR SALE OF ITEMS WITHOUT WRITTEN PERMISSION. COPYRIGHT © 1976 DIGITAL EQUIPMENT CORPORATION.

2 DUA M8566-0-0 1

L4 LAYER 4



REVISIONS		
CHK	CHANGE NO	REV

TITLE	(MH10) CYCLE TIMING	SIZE CODE	DUA	NUMBER	M8566-0-0	REV.	A
SCALE	2/1	SHEET	3	OF	4	DIST.	

8

7

6

5

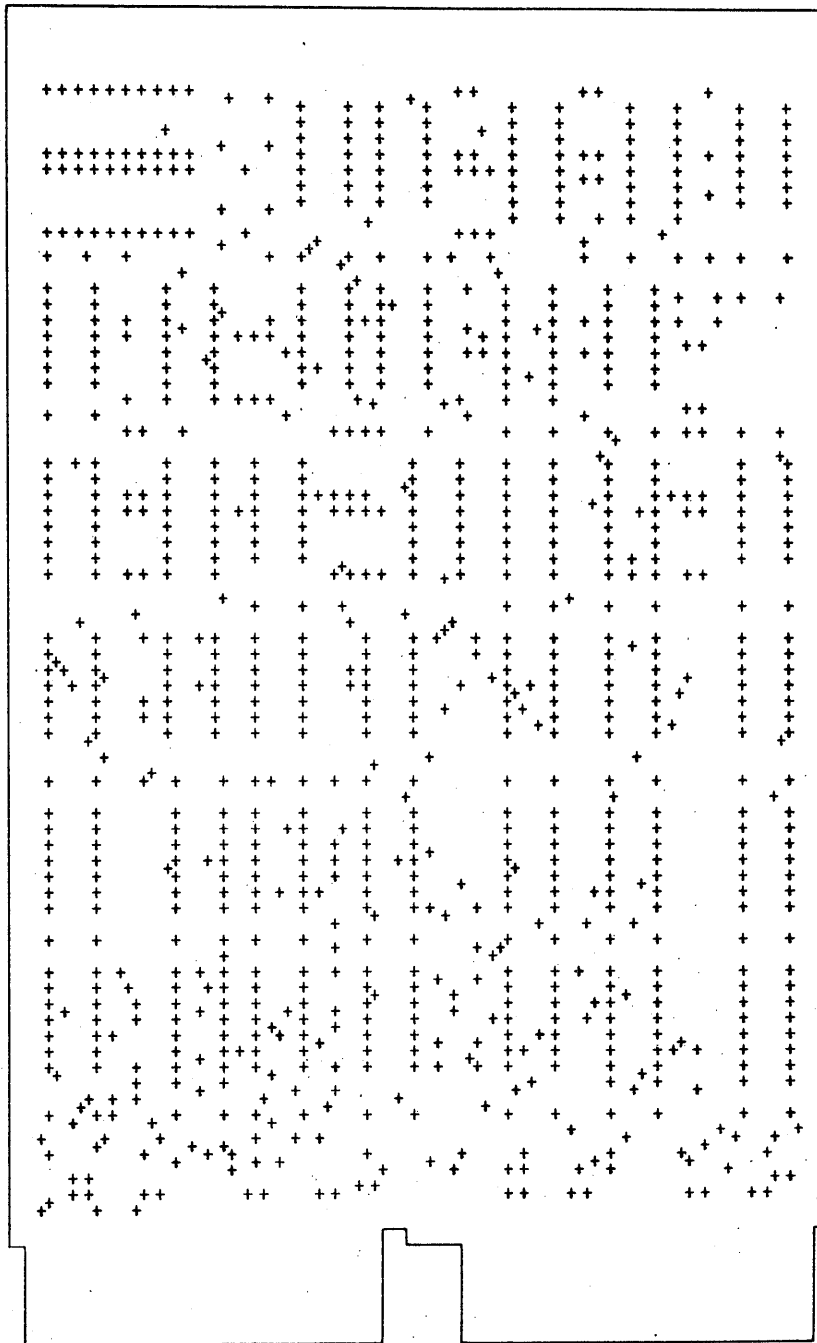
4

3

DVA M8566-0-0 2

1

THIS DRAWING AND SPECIFICATIONS ARE THE PROPERTY OF DIGITAL EQUIPMENT CORPORATION AND SHALL NOT BE REPRODUCED OR COPIED IN ANY MANNER WITHOUT WRITTEN PERMISSION FROM THE MANUFACTURER.



D

C

A

E

DVA M8566-0-0 A

REVISIONS		
CHK	CHANGE NO	REV

8

7

6

5

4

3

2

1

TITLE	SIZE CODE	NUMBER	REV.
STACK TIMING	DVA	M8566-0-0	A
SCALE 2/1	SHEET 4	OF 4	DIST.

This drawing and specifications, herein, are the property of Digital Equipment Corporation and shall not be reproduced or copied or used in whole or in part as the basis for the manufacture or sale of parts without written permission. COPYRIGHT © 1974

DIGITAL EQUIPMENT CORPORATION

NOTES:

- FOR DRAWING DIRECTORY, REFER TO: B-DD-M8588-0
- UNLESS OTHERWISE SPECIFIED, THE FOLLOWING PIN NUMBERS APPLY:

PACKAGE TYPE	+ 5V	GND
DEC R640	8	1
DEC 74175, R234	16	8
DEC 7432, 74S280, 7486, 74H74, 74H04	14	7
DL I		1, 14

QTY	REF DESIGNATION	DESCRIPTION	PART NO	ITEM NO
1		ETCHED CIRCUIT BOARD	5011491	1
22	C1 THRU C22	CAP. 10nf 50V	1001610-00	2
2	C23, C24	CAP. 68uf 15V 10%	1000082	3
1	R1	RES. 220 5% 1/4W	1300271	4
1	R2	RES. 270 5% 1/4W	1301972	5
27	R3 THRU R29	RES. 6.8K 5% 1/4W	1301423	6
1	DL1	DELAY LINE 25-250NS	1811243	7
5	E1, E2, E12, E15, E20	I.C. DEC 0640	1911469	8
5	E3, E6, E10, E22, E21	I.C. DEC 74175	1910851	9
2	E4, E19	I.C. DEC 7432	1911521	10
5	E5, E7, E11, E16, E17	I.C. DEC 8234	1911315	11
2	E8, E13	I.C. DEC 74S280	1911573	12
1	E9	I.C. DEC 7486	1910011	13
1	E14	I.C. DEC 74H74	1909687	14
1	E18	I.C. DEC 74H04	1909931	15
2		HANDLE FLIP CHIP MAGENTA	9008337-B	16
4		EYELET	9006732	17

FIRST USED ON OPT/MOD
MG10

ETCH BOARD REV

DRN.	DATE	7/25/74
CHK'D.	DATE	
ENG.	DATE	
PROJ. ENG.	DATE	
PRD.	DATE	

digital EQUIPMENT CORPORATION
MADE IN THE U.S.A.

TITLE
PARITY CHECK

NEXT HIGHER ASSY
B-DD-M8588-0

SCALE N=1E
SHEET 1 OF 5

DEC NO. EIA NO. DEC NO. EIA NO.
SEMICONDUCTOR CONVERSION CHART

SIZE CODE
DUA

NUMBER
M8588-0-0

DUA M8588-0-0

A

B

C

D

1

2

3

4

5

6

7

8

7

6

5

4

3

2

1

8

7

6

5

4

3

2

1

D

C

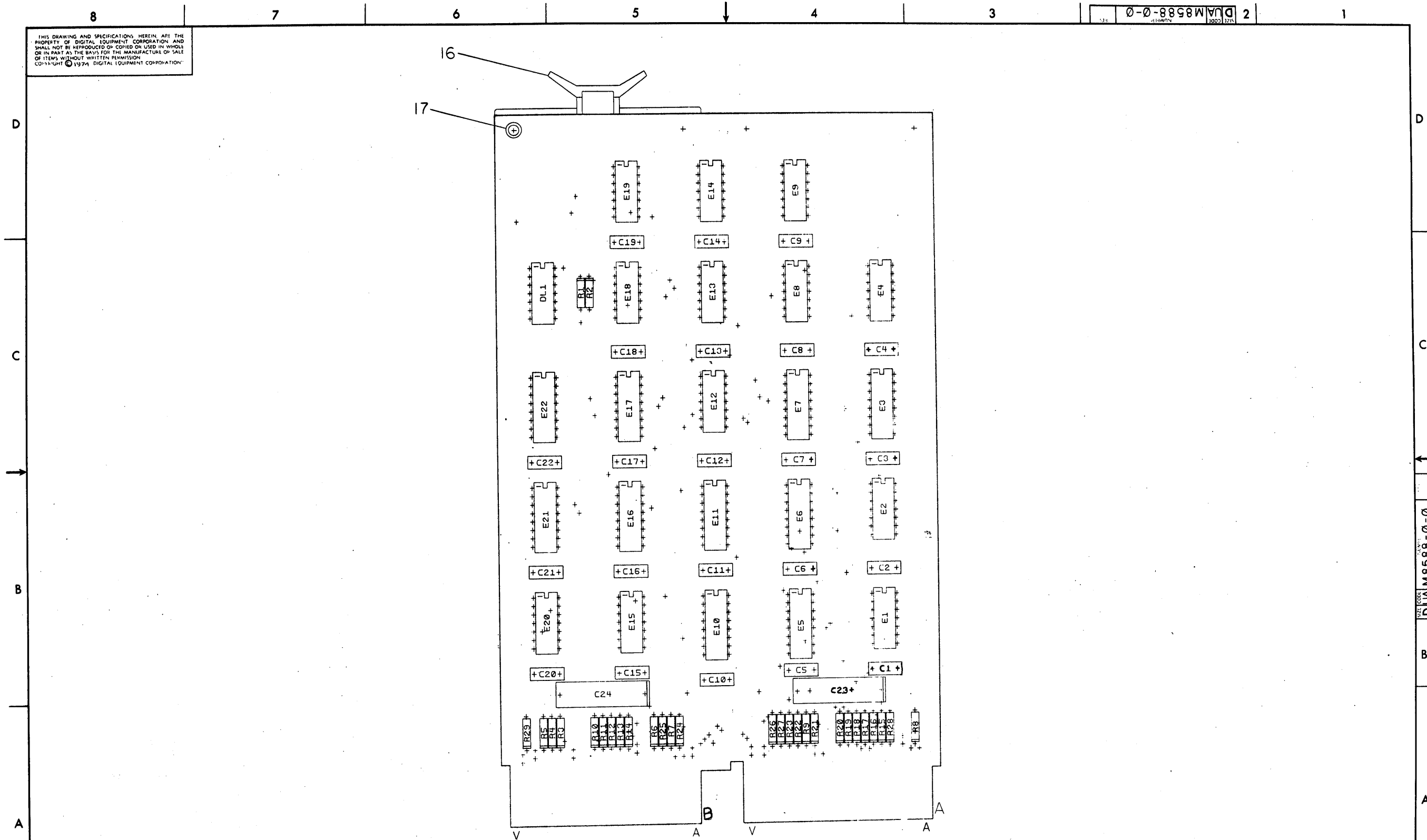
B

A

BRUNING 40-107 15848

THIS DRAWING AND SPECIFICATIONS HEREIN ARE THE PROPERTY OF DIGITAL EQUIPMENT CORPORATION AND SHALL NOT BE REPRODUCED OR COPIED OR USED IN WHOLE OR IN PART AS THE BASIS FOR THE MANUFACTURE OF SALE OF ITEMS WITHOUT WRITTEN PERMISSION. COPYRIGHT © 1974 DIGITAL EQUIPMENT CORPORATION.

0-0-88588-0-0 2



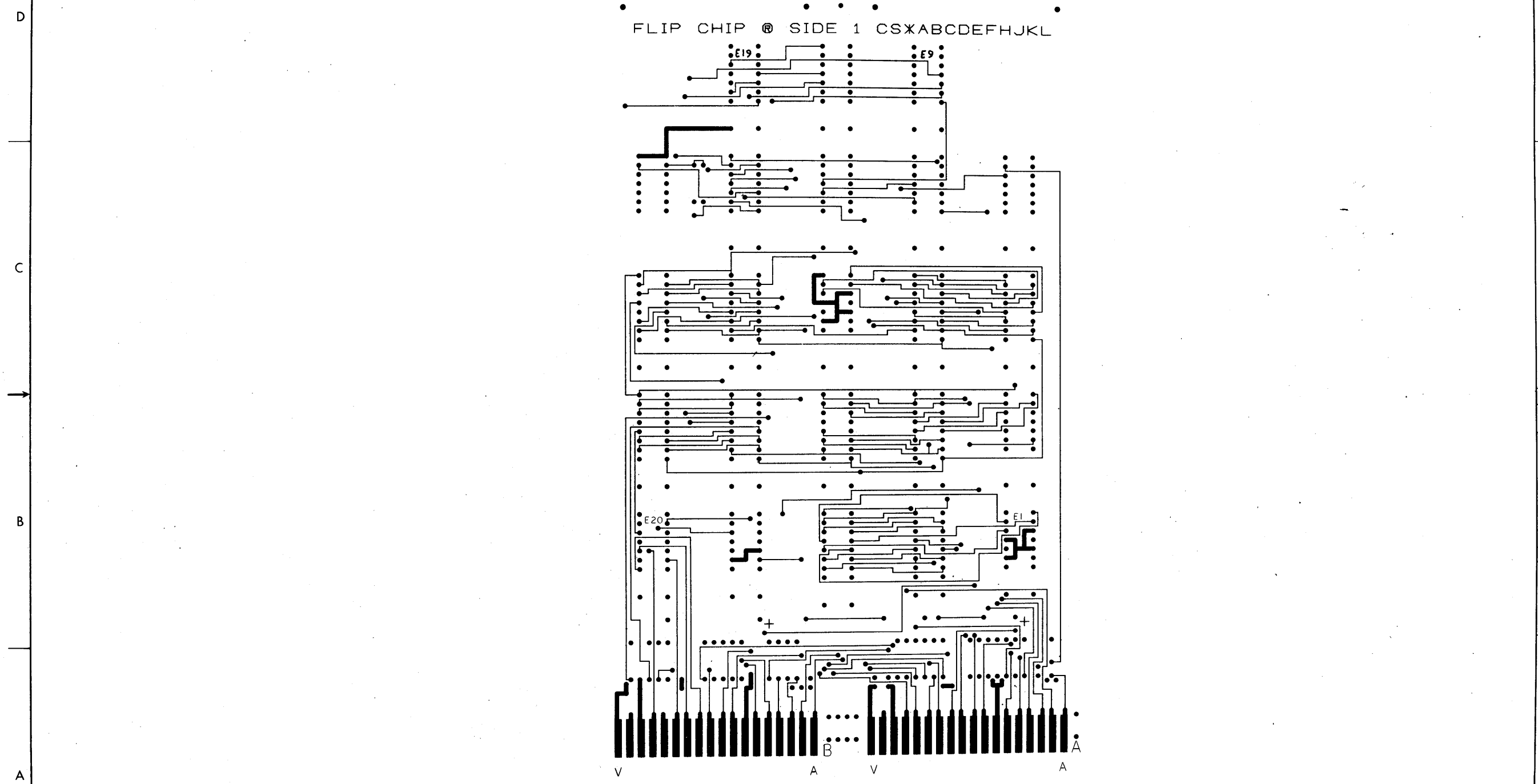
DUA M8588-0-0

REVISIONS		
CHK	CHANGE NO	REV.

TITLE	PARITY CHECK	SIZE/CODE	DUA	NUMBER	M8588-0-0	REV.	
SCALE	2/1	SHEET	2	OF	5	DIST.	

01194

0-0-88588WV 2



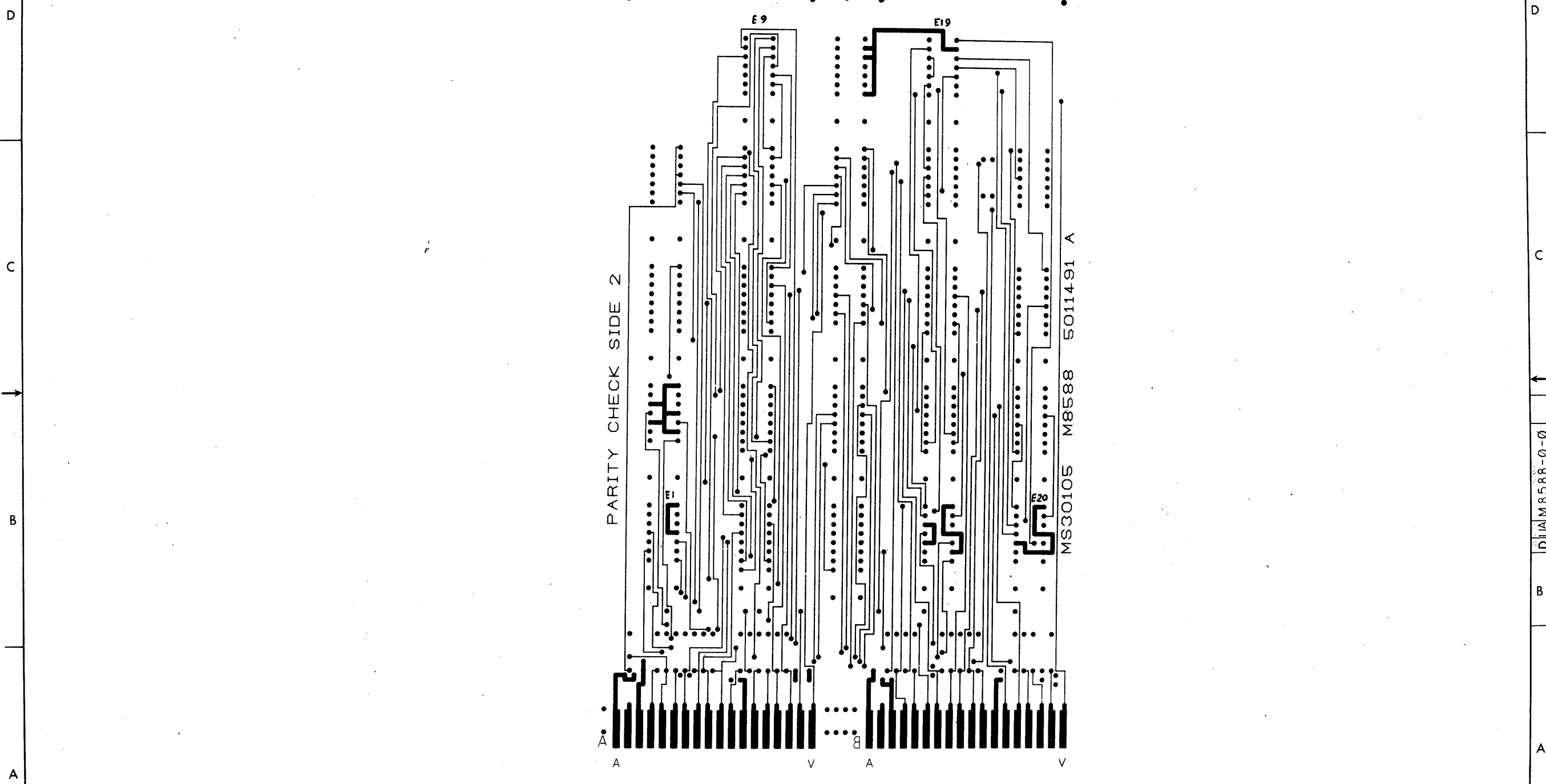
REVISION		
CHK	CHANGE NO	REV

TITLE	PARITY CHECK	SIZE CODE	DUA	NUMBER	M8588-0-0	REV.	
SCALE	2/1	SHEET	3	OF	5	DIST.	

8 7 6 5 4 3 2 1

DJUA M8588-0-0 2

FOR INFORMATION ONLY: THIS DRAWING IS NOT TO BE USED FOR CONSTRUCTION OF THE PART UNLESS SPECIFICALLY NOTED OTHERWISE.



REVISIONS		
CHK	CHANGE NO	REV

TITLE PARITY CHECK		SIZE CODE DJUA	NUMBER M8588-0-0	REV.
SCALE 2/1	SHEET 4 OF 5	DIST.	1	

8 7 6 5 4 3 2 1

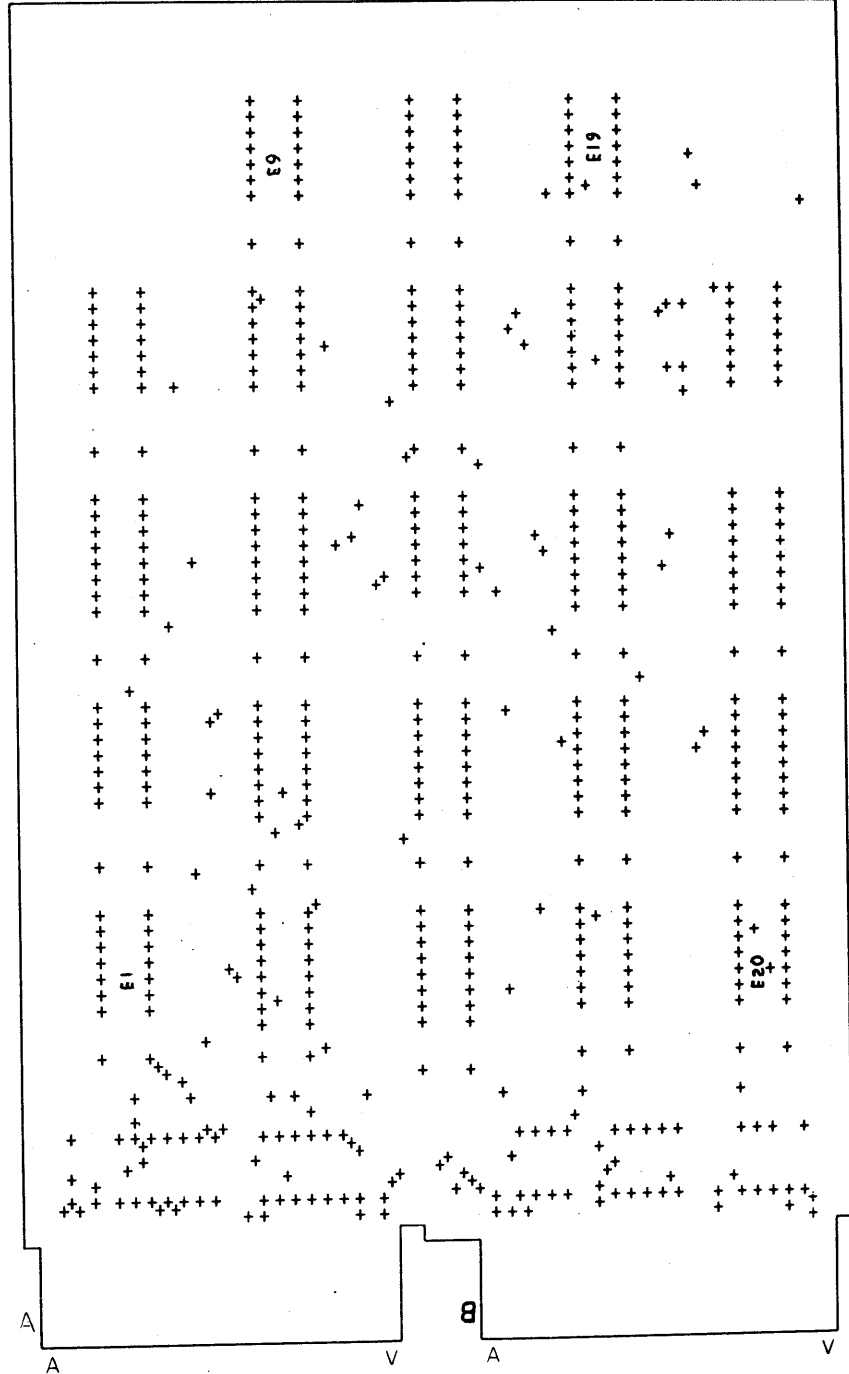
DJUA M8588-0-0

THIS DRAWING AND THE DATA HEREON ARE THE PROPERTY OF THE U.S. GOVERNMENT AND ARE TO BE REPRODUCED AND TRANSMITTED IN ANY FORM OR BY ANY MEANS, ELECTRONIC OR MECHANICAL, INCLUDING PHOTOCOPYING, RECORDING, OR BY ANY INFORMATION STORAGE AND RETRIEVAL SYSTEM, WITHOUT PERMISSION IN WRITING FROM THE U.S. GOVERNMENT.

DJAM8588-0-0 2

D
C
B
A

D
C
B
A



DJAM8588-0-0

REVISION		
CHK	CHANGE NO	REV

This drawing and specifications herein are the property of Digital Equipment Corporation and shall not be reproduced or copied in whole or in part as the basis for the manufacture or sale of items without written permission. COPYRIGHT © 1974
DIGITAL EQUIPMENT CORPORATION

NOTES:

- FOR DRAWING DIRECTORY, REFER TO: B-DD-M8590-0
- UNLESS OTHERWISE SPECIFIED THE FOLLOWING PINS APPLY

PACKAGE TYPE	GND	+5V
8 PIN DIP	8	16
14 PIN DIP	7	14
8 PIN DIP	4	8
DEC 749?	12	5

PRE L/R=O

REWORK INSTRUCTIONS

ETCH CUTS SIDE #1

- CUT THE ETCH GOING TO E31 PINS (11) AND (18) FROM R18

WIRE ADDS SIDE #1

- ADD A WIRE FROM E31 PIN (11) TO E31 PIN (13)
- ADD A WIRE FROM DL1 PIN (1) TO R2
- ADD A WIRE FROM DL2 PIN (14) TO R4

ECO # 1=□

REWORK INSTRUCTIONS:

ETCH CUTS SIDE 2, AS SHOWN:

- CUT ETCH BETWEEN E10 (14) AND E11 (9).
- CUT ETCH AT E10 (15).

SINGLE WIRE ADDS SIDE #1 AS SHOWN (ITEM 32)

- ADD FROM E10 (14) TO E10 (14)
- ADD FROM E1 (11) TO E11 (9)
- ADD FROM E1 (12) TO E11 (11)
- ADD FROM E1 (13) TO E10 (15)

DELETION SIDE #1 (COMPONENTS) AS SHOWN:

- REMOVE W1
- REMOVE W3
- REMOVE W4
- REMOVE W6
- REMOVE W7
- REMOVE W9

QTY	REF DESIGNATION	DESCRIPTION	PART NO.	ITEM NO.
1		ETCHED CIRCUIT BOARD	5011382	1
41	C1 THRU C41	CAP. 10nF 100V	1001610-01	2
2	C42, C43	CAP. 89uF 10% 15V	1000092	3
2	D1, D2	DIODE DEC 0862	1100113	4
4	R1, R5, R21, R31	RES. 330 5% 1/4W	1300295	5
4	R2, R8, R22, R32	RES. 560 5% 1/4W	1301990	6
1	R3	RES. 220 5% 1/4W	1300271	7
1	R4	RES. 270 5% 1/4W	1301972	8
2	R7, R9	RES. 89 5% 1/4W	1300219	9
1	R9	RES. 470 5% 1/4W	1300318	10
19	R10 THRU R20, R23 THRU R30	RES. 5.6K 5% 1/4W	1301874	11
4	DL1, DL3, DL4, DL5	DELAY LINE 10-100NS	1610033	12
1	DL2	DELAY LINE 25-250NS	1611243	13
1	E20	I.C. DEC 74H30	1909059	14
4	E12, E21, E27, E17	I.C. DEC 74S04	1910534	15
2	E32, E33	I.C. DEC 75453	1911036	16
5	E9, E15, E19, E5, E24	I.C. DEC 74S140	1910546	17
2	E18, E14	I.C. DEC 74S00	1910532	18
2	E3, E1	I.C. DEC 74H04	1909931	19
1	E28	I.C. DEC 7404	1909698	20
2	E30, E11	I.C. DEC 74157	1910855	21
1	E2	I.C. DEC 74S153	1910547	22
3	E6, E4, E8	I.C. DEC 74S20	1910559	23
3	E22, E26, E25	I.C. DEC 74S11	1910537	24
1	E10	I.C. DEC 74S174	1910550	25
4	E23, E7, E18, E13	I.C. DEC 74S64	1910542-00	26
2	E29, E31	I.C. DEC 7483	1909932	27
3	W2, W4, W3	WIRE JUMPERS	9009185	28
2		HANDLE FLIP CHIP MAGENTA	9009337-6	29
4		EYELET	9006732	30
6 IN		30 WIRE WRAP WIRE WHT	9105740-99	31
4 R		30 WIRE WRAP WIRE GREEN	9105740-55	32

FIRST USED ON OPT/MOD MG10

REV	DATE	DESCRIPTION
A	1/19/74	DRN. M. S. S. S.
B	2/1/74	CHD. J. S. S. S.
C	12/5/74	ENG. J. S. S. S.
D	12/5/74	PROJ. ENG. J. S. S. S.
E	12/5/74	PROD. J. S. S. S.

digital EQUIPMENT CORPORATION
MAYNARD, MASSACHUSETTS

TITLE: MG10 PRIORITY CONTROL

NUMBER: B-DD-M8590-0-0

SCALE: NONE

SHEET 1 OF 5

SIZE CODE: DUA M8590-0-0

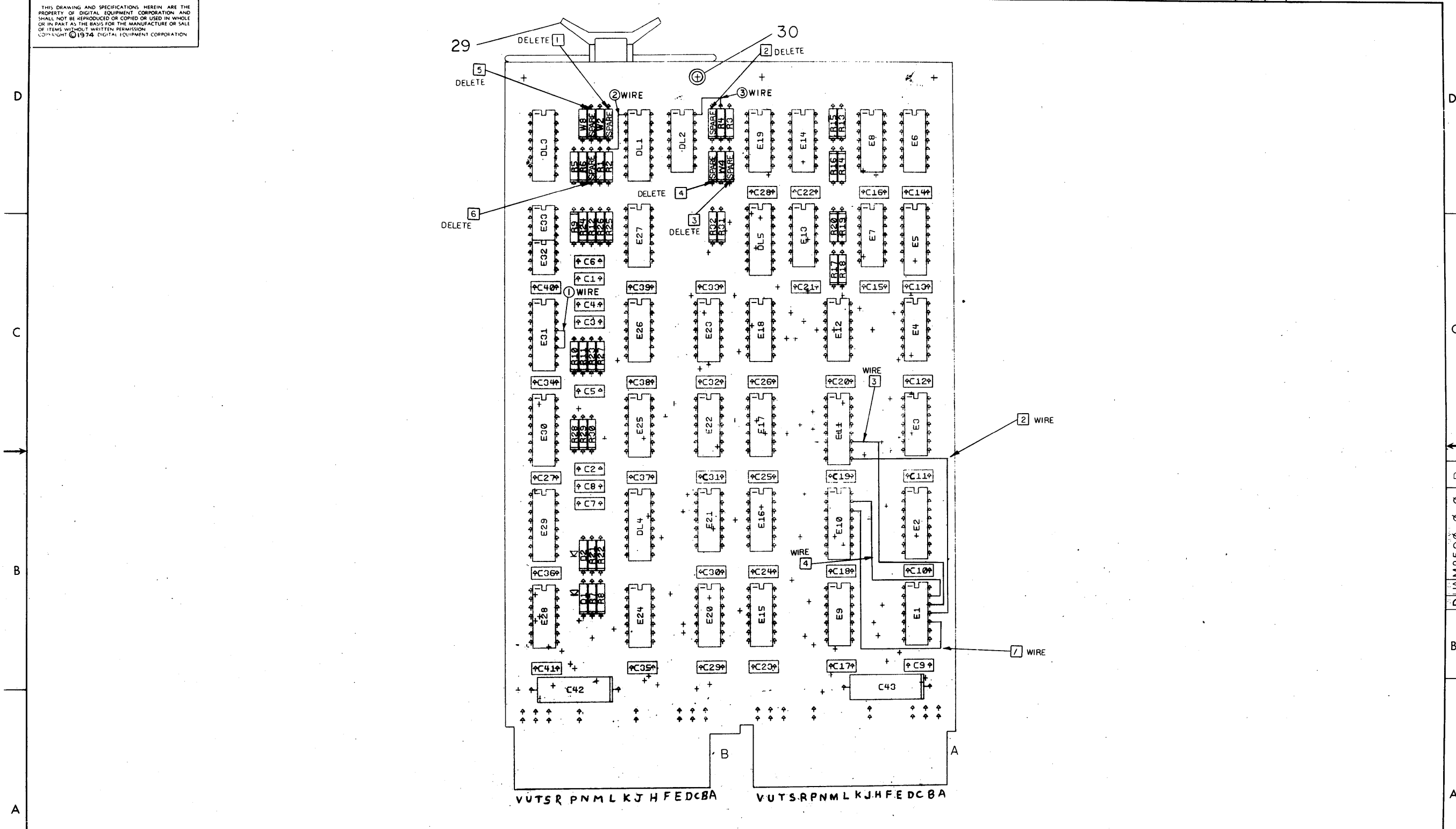
REV. B

REV	DATE	DESCRIPTION
A	1/19/74	DRN. M. S. S. S.
B	2/1/74	CHD. J. S. S. S.
C	12/5/74	ENG. J. S. S. S.
D	12/5/74	PROJ. ENG. J. S. S. S.
E	12/5/74	PROD. J. S. S. S.

BRUNING 40-107 15868

DEC FORM NO DRD-115

THIS DRAWING AND SPECIFICATIONS HEREIN ARE THE PROPERTY OF DIGITAL EQUIPMENT CORPORATION AND SHALL NOT BE REPRODUCED OR COPIED OR USED IN WHOLE OR IN PART AS THE BASIS FOR THE MANUFACTURE OR SALE OF ITEMS WITHOUT WRITTEN PERMISSION. COPYRIGHT © 1974 DIGITAL EQUIPMENT CORPORATION



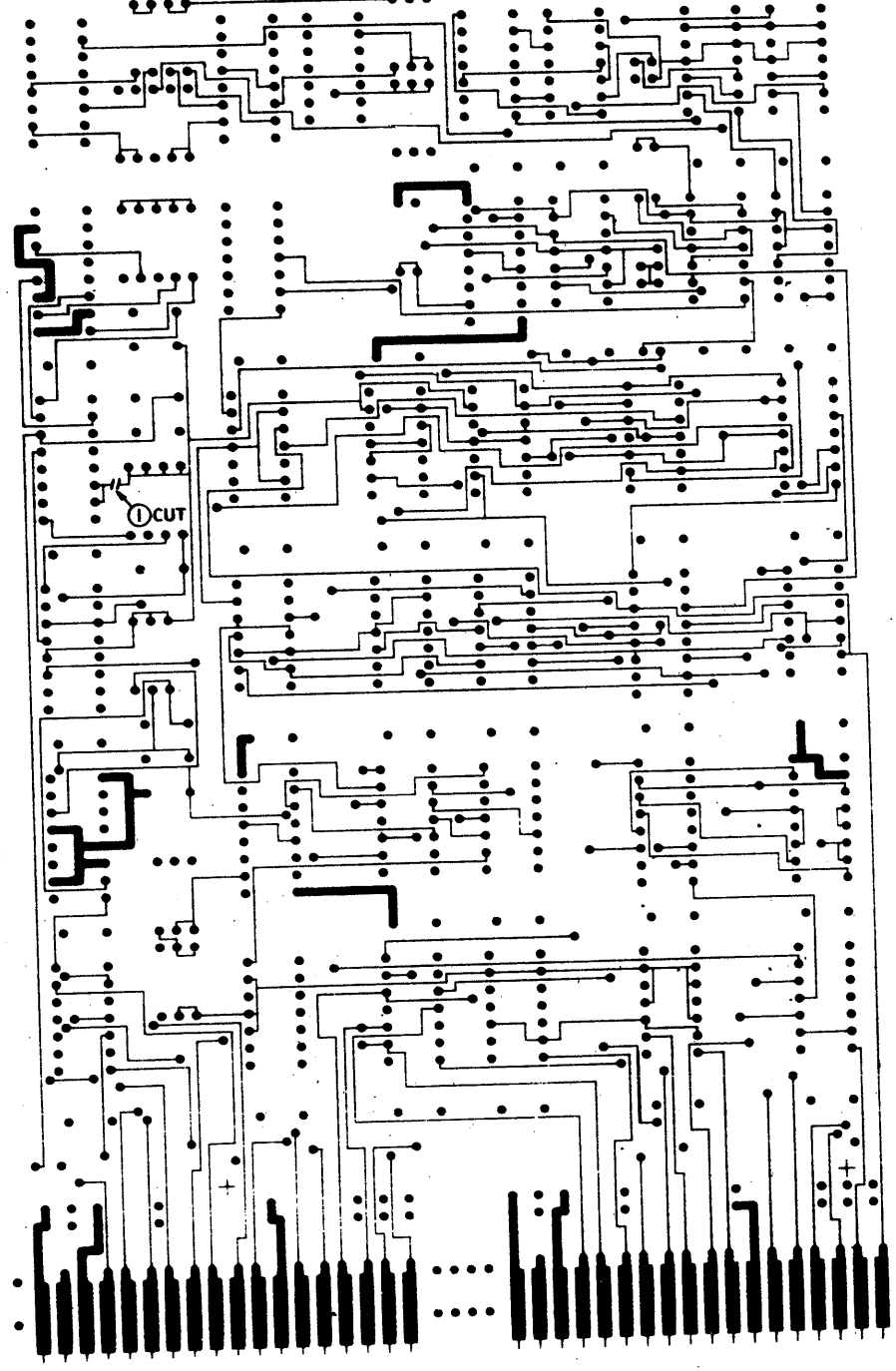
REVISIONS		
CHK	CHANGE NO	REV

TITLE		SIZE CODE	NUMBER	REV.
MG10 PRIORITY CONTROL		DUA	M8590-0-0	B
SCALE 2/1	SHEET 2 OF 5	DIST		

THIS DRAWING AND SPECIFICATIONS HEREIN ARE THE PROPERTY OF DIGITAL EQUIPMENT CORPORATION AND SHALL NOT BE REPRODUCED OR COPIED OR USED IN WHOLE OR IN PART AS THE BASIS FOR THE MANUFACTURE OR SALE OF ITEMS WITHOUT WRITTEN PERMISSION. COPYRIGHT © 1974 DIGITAL EQUIPMENT CORPORATION

0-0-0698WVND 2

FLIP CHIP SIDE 1 CSXABCDEFGHIJK

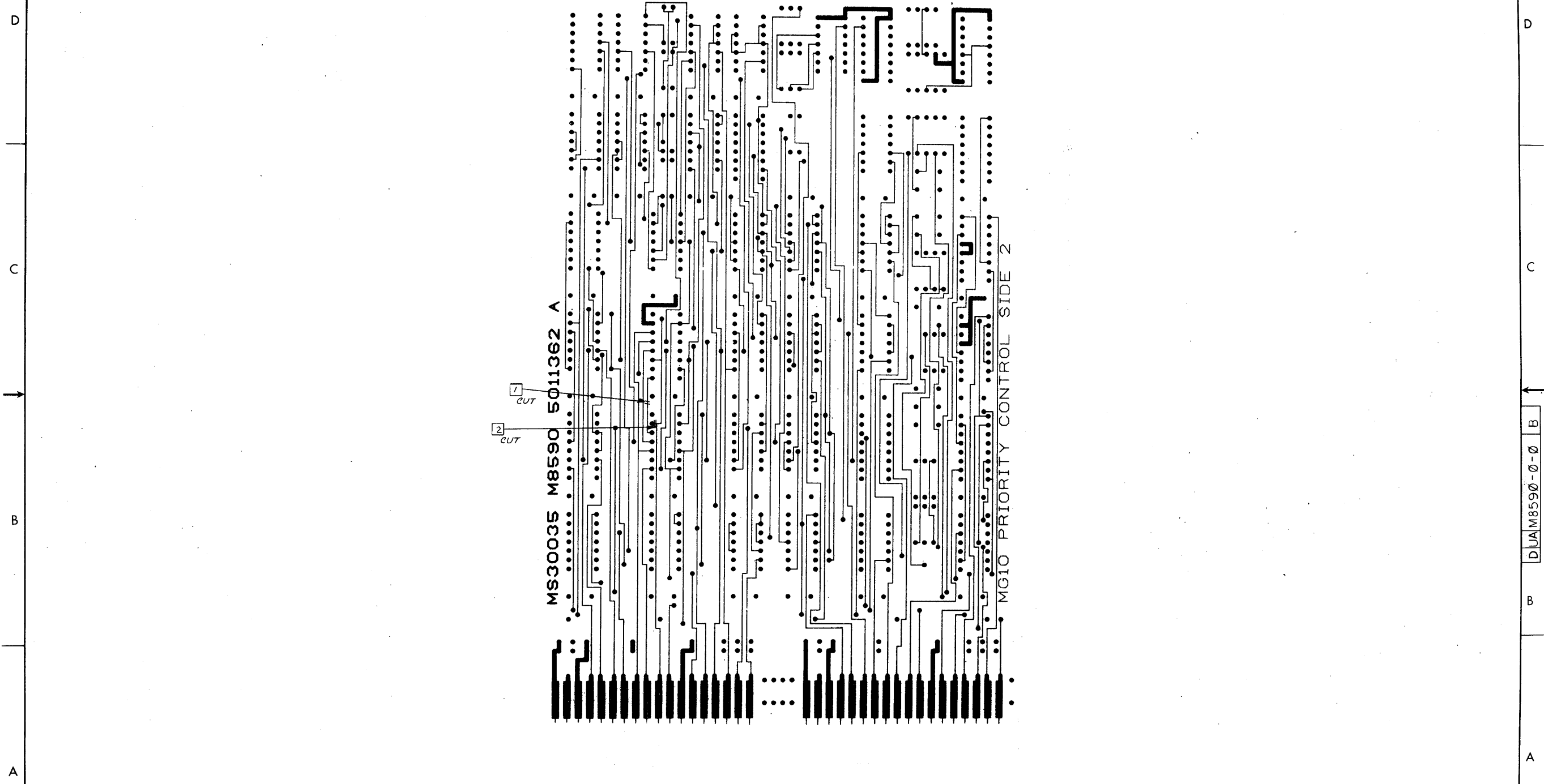


REVISIONS		
CHK	CHANGE NO	REV

TITLE	SIZE CODE	NUMBER	REV.
MG10 PRIORITY CONTROL	DUA	M8590-0-0	B
SCALE 2/1	SHEET 3 OF 5	DIST.	1

THIS DRAWING AND SPECIFICATIONS HEREIN ARE THE PROPERTY OF DIGITAL EQUIPMENT CORPORATION, AND SHALL NOT BE REPRODUCED OR COPIED OR USED IN WHOLE OR IN PART AS THE BASIS FOR THE MANUFACTURE OR SALE OF ITEMS WITHOUT WRITTEN PERMISSION. COPYRIGHT © 1974 DIGITAL EQUIPMENT CORPORATION.

D JUA M8590-0-0 2



MS30035 M8590 5011362 A
 1 CUT
 2 CUT
 MG10 PRIORITY CONTROL SIDE 2

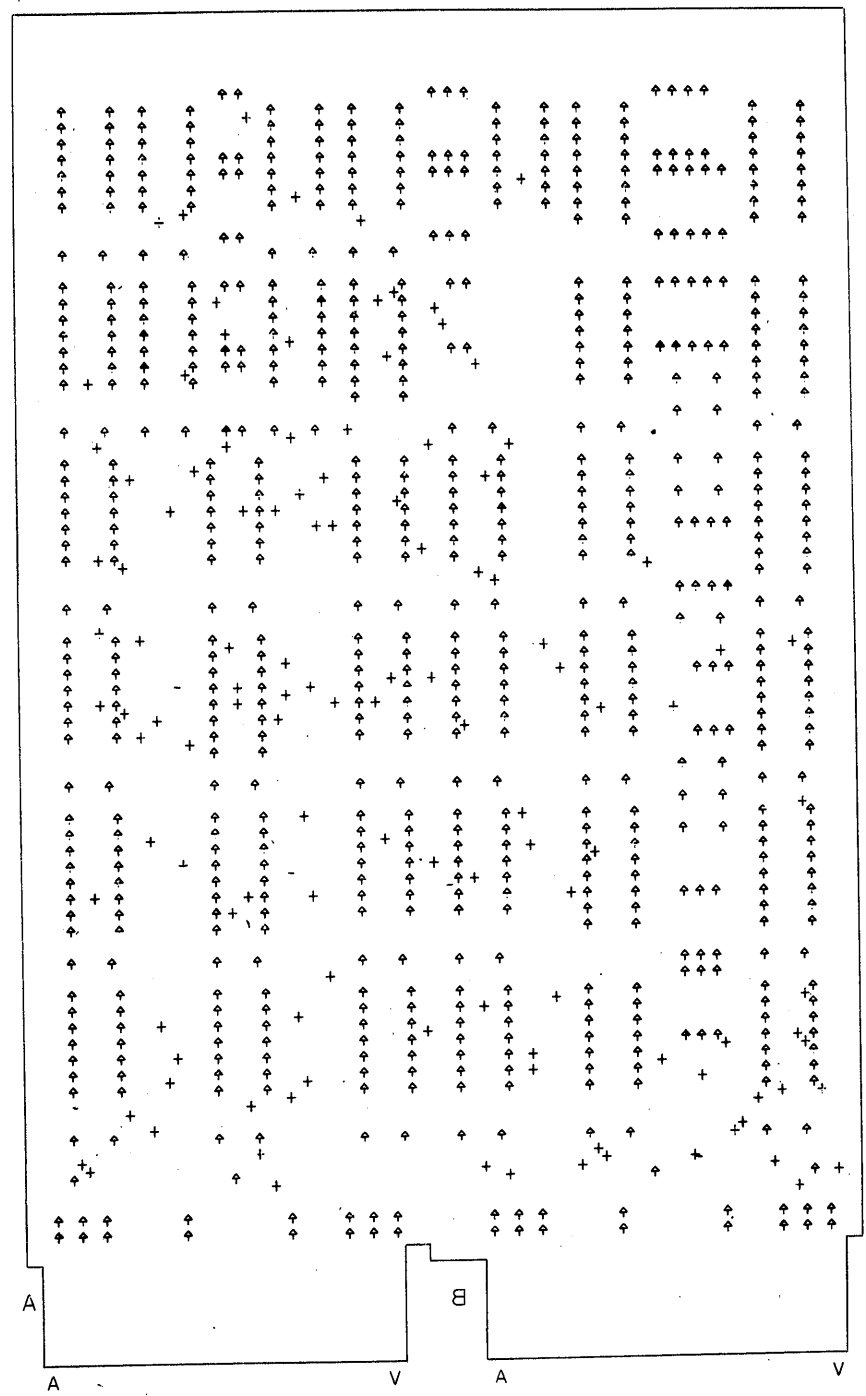
REVISIONS		
CHK	CHANGE NO	REV

TITLE	SIZE CODE	NUMBER	REV.
MG10 PRIORITY CONTROL	D JUA	M8590-0-0	B
SCALE 2/1	SHEET 4	OF 5	DIST.

8 7 6 5 4 3 2 1

THIS DRAWING AND SPECIFICATIONS HEREIN ARE THE PROPERTY OF DIGITAL EQUIPMENT CORPORATION, AND SHALL NOT BE REPRODUCED OR COPIED OR USED IN WHOLE OR IN PART AS THE BASIS FOR THE MANUFACTURE OR SALE OF ITEMS WITHOUT WRITTEN PERMISSION.
 COPYRIGHT © 1974 DIGITAL EQUIPMENT CORPORATION

DUA M8590-0-0 2



REVISIONS		
CHK	CHANGE NO	REV

TITLE	SIZE CODE	NUMBER	REV.
MGIØ PRIORITY CONTROL	DUA M8590-0-0	0	B
SCALE 2/1	SHEET 5 OF 5	DIST.	1

This drawing and specifications, herein, are the property of Digital Equipment Corporation and shall not be reproduced or copied or used in whole or in part as the basis for the manufacture or sale of items without written permission. COPYRIGHT © 1974
DIGITAL EQUIPMENT CORPORATION

NOTES:

1. FOR DRAWING DIRECTORY, REFER TO: B-DD-M8591-B

ECO #1 REWORK

COMPONENT DELETES, SIDE 1
1. R1-R8, R10-R12, R14-R16, -5.6K 1/4W 5%
2. R9, R13, -10K 1/4W 5%

COMPONENT ADDS, SIDE 1
1. R1-R8, R10-R12, R14-R16, -10K 1/4W 5%
2. R9, R13 - 18K 1/4W 5%

0-0-1698W 2

QTY	REF DESIGNATION	DESCRIPTION	PART NO.	ITEM NO.
1		ETCHED CIRCUIT BOARD	5011331	1
40	C1 THRU C19, C23 THRU C43	CAP. 10 uf 100V	1001810-01	2
3	C20, C21, C22	CAP. 68uf 10% 15V	1000082	3
5	D22, D23, D24, D29, D30	DIODE DEC D882	1100113	4
34	D1 THRU D21, D25 THRU D28, D31 THRU D39	DIODE DEC D884	1100114	5
3	R17, R18, R31	RES. 5.6K 5% 1/4W	1301874	6
9	R19 THRU R28, R42	RES. 1K 5% 1/4W	1300385	7
3	R27, R29, R45	RES. 330 5% 1/4W	1300295	8
3	R28, R30, R48	RES. 560 5% 1/4W	1301890	9
9	R32, R33, R34, R36, R37, R38, R47, R49, R51	RES. 220 5% 1/4W	1300271	10
2	R35, R39	RES. 5.1 5% 1/4W	1309422	11
2	R52, R50	RES. 270 5% 1/4W	1301972	12
1	R40	RES. 6.8K 5% 1/4W	1301423	13
15	R1-R8, R10-R12, R14-R16, R41	RES. 10K 5% 1/4W	1300479	14
1	R43	RES. 150 5% 1/4W	1300250	15
2	R44, R46	RES. 470 5% 1/4W	1300316	16
1	Q3	TRANSISTOR DEC 6531B	1509338	17
2	Q1, Q2	TRANSISTOR DEC 4258	1505321	18
2	DL1, DL2	DELAY LINE 15-250 NS	1602167	19
2	DL3, DL4	DELAY LINE 10-100 NS	1610033	20
10	E1, E7, E3, E12, E4, E9, E21, E15, E17, E13,	I.C. DEC 74603	1910533	21
8	E2, E22, E16, E18, E5, E8, E10, E14	I.C. DEC 75107	1910268	22
1	E6	I.C. DEC 76453	1911036	23
1	E20	I.C. DEC 74515	1910538	24
1	E24	I.C. DEC 74513	1910547	25
2	E11, E19	I.C. DEC 74511	1910537	26
1	E23	I.C. DEC 74504	1910534	27
2		HANDLE FLIP CHIP MAGENTA	9008337-6	28
4		EYELET	9006732	29
2	R9, R13	RES. 18K 1/4W 5%	1302465	30

FIRST USE ON OPT/MOD
MGIØ

ETCH BOARD REV

DRN. R.W. Counter	DATE 10/31/74
CHKD. J.P. DeLand	DATE 11/15/74
ENR. Chen	DATE 11-26-74
PROJ/ENG. J. Chen	DATE 11-26-74
PROD. M. P. Lee	DATE 11/29/74

TITLE
MGIØ
ADDRESS RECEIVER

digital EQUIPMENT CORPORATION
MAYNARD, MASSACHUSETTS

SIZE CODE: DUA NUMBER: M8591-Ø-Ø REV: A

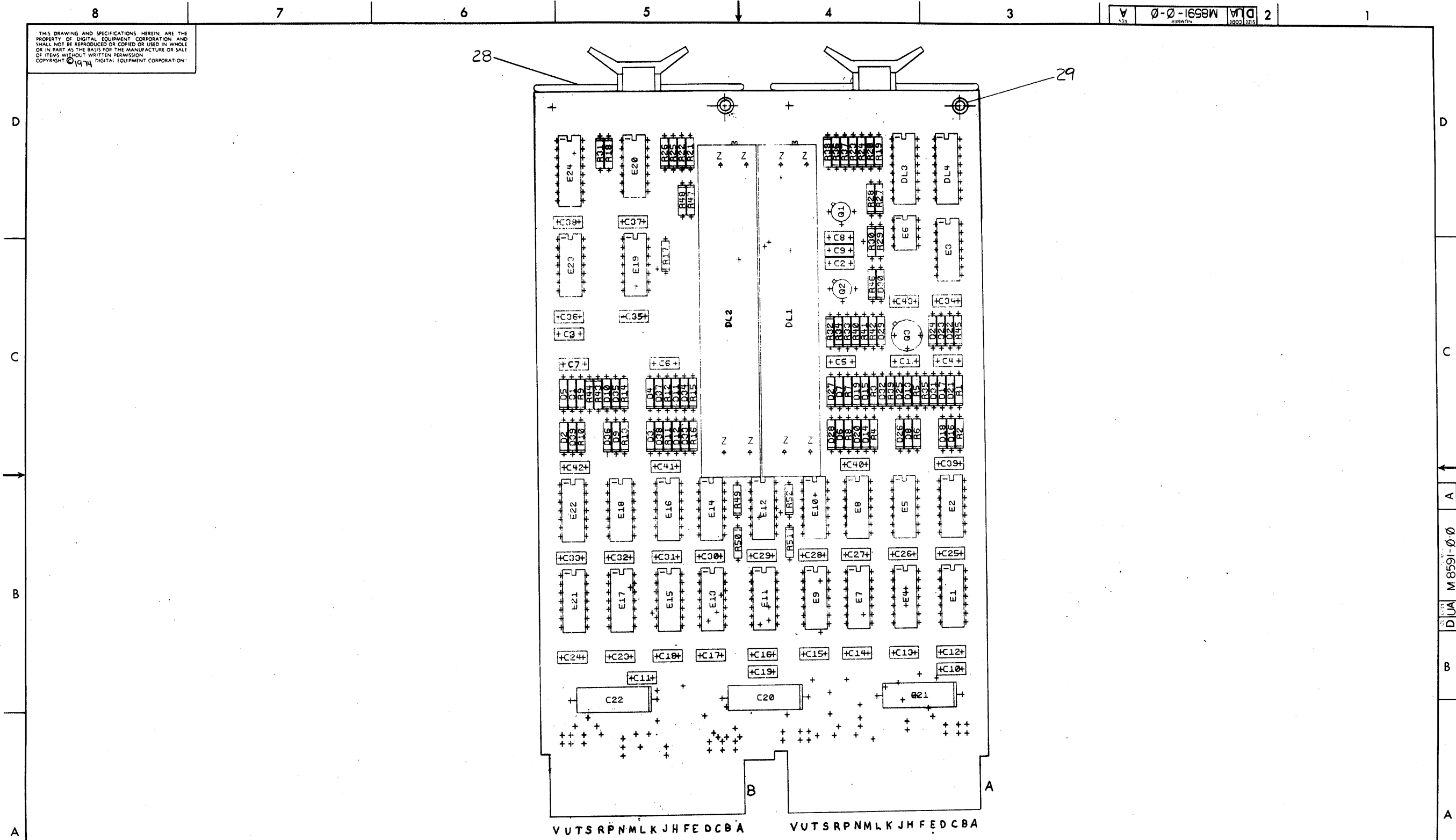
SCALE: NONE

SEMICONDUCTOR CONVERSION CHART
SHEET 1 OF 5

BRUNING 40-107 15568

DEC FORM NO. DRD-135

THIS DRAWING AND SPECIFICATIONS HEREIN ARE THE PROPERTY OF DIGITAL EQUIPMENT CORPORATION AND SHALL NOT BE REPRODUCED OR COPIED OR USED IN WHOLE OR IN PART AS THE BASIS FOR THE MANUFACTURE OR SALE OF ITEMS WITHOUT WRITTEN PERMISSION. COPYRIGHT © 1974 DIGITAL EQUIPMENT CORPORATION.

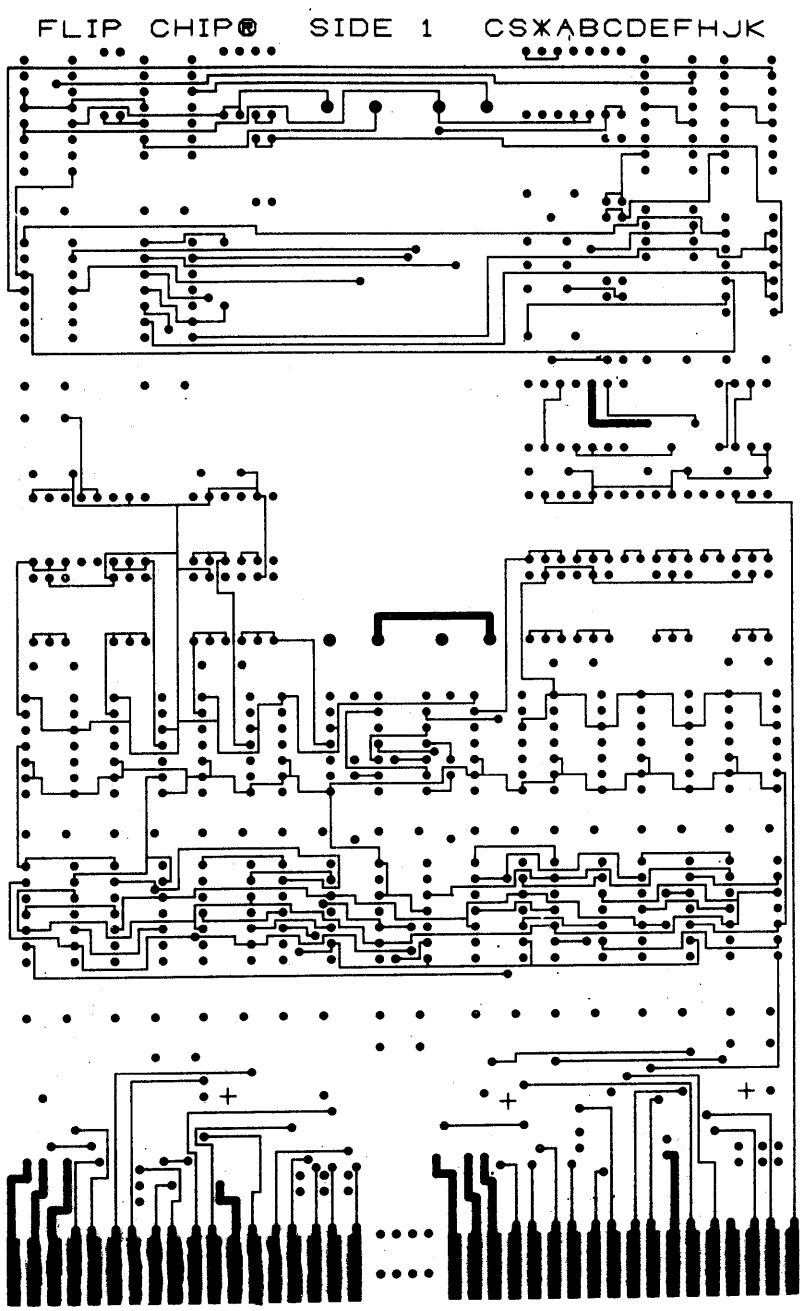


REVISIONS		
CHK	CHANGE NO.	REV

TITLE	SIZE CODE	NUMBER	REV.
MG10 ADDRESS RECEIVER	D UA	M8591-0-0	A
SCALE 2/1	SHEET 2 OF 5	DIST.	1

THIS DRAWING AND SPECIFICATIONS HEREIN ARE THE PROPERTY OF DIGITAL EQUIPMENT CORPORATION AND SHALL NOT BE REPRODUCED OR COPIED OR USED IN WHOLE OR IN PART AS THE BASIS FOR THE MANUFACTURE OR SALE OF ITEMS WITHOUT WRITTEN PERMISSION. COPYRIGHT © 1974 DIGITAL EQUIPMENT CORPORATION

0-0-1698W DUA 2



D
C
B
A

D
C
B
A

DUA M8591-0-0

REVISIONS		
CHK	CHANGE NO	REV

TITLE MG10 ADDRESS RECEIVER SIZE CODE DUA NUMBER M8591-0-0 REV. A
SCALE 2/1 SHEET 3 OF 5 DIST.

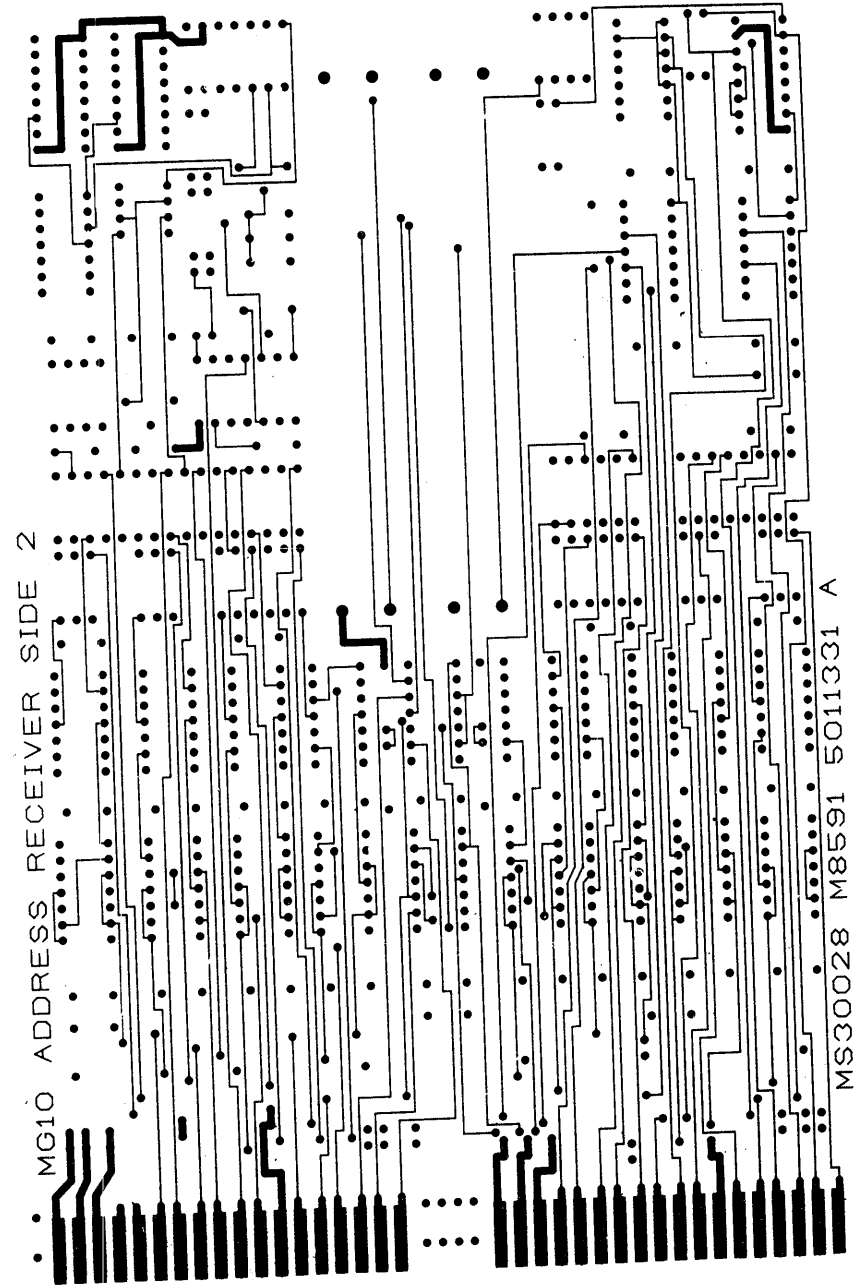
8 7 6 5 4 3 2 1

8 7 6 5 4 3 2 1

1 2 DUA M8591-0-0 A

8
7
6
5
4
3
2
1

D
C
B
A



DUA M8591-0-0 A

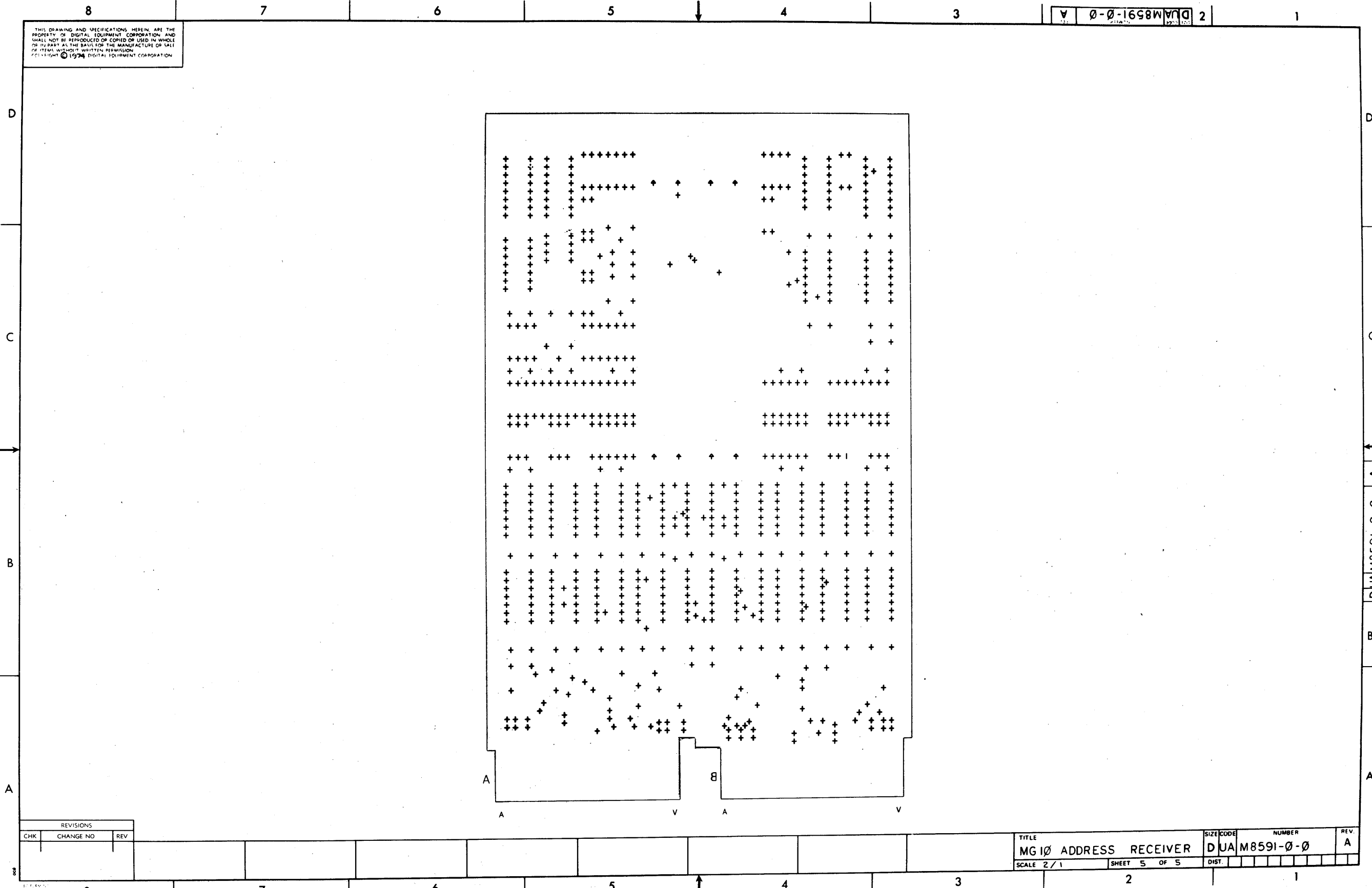
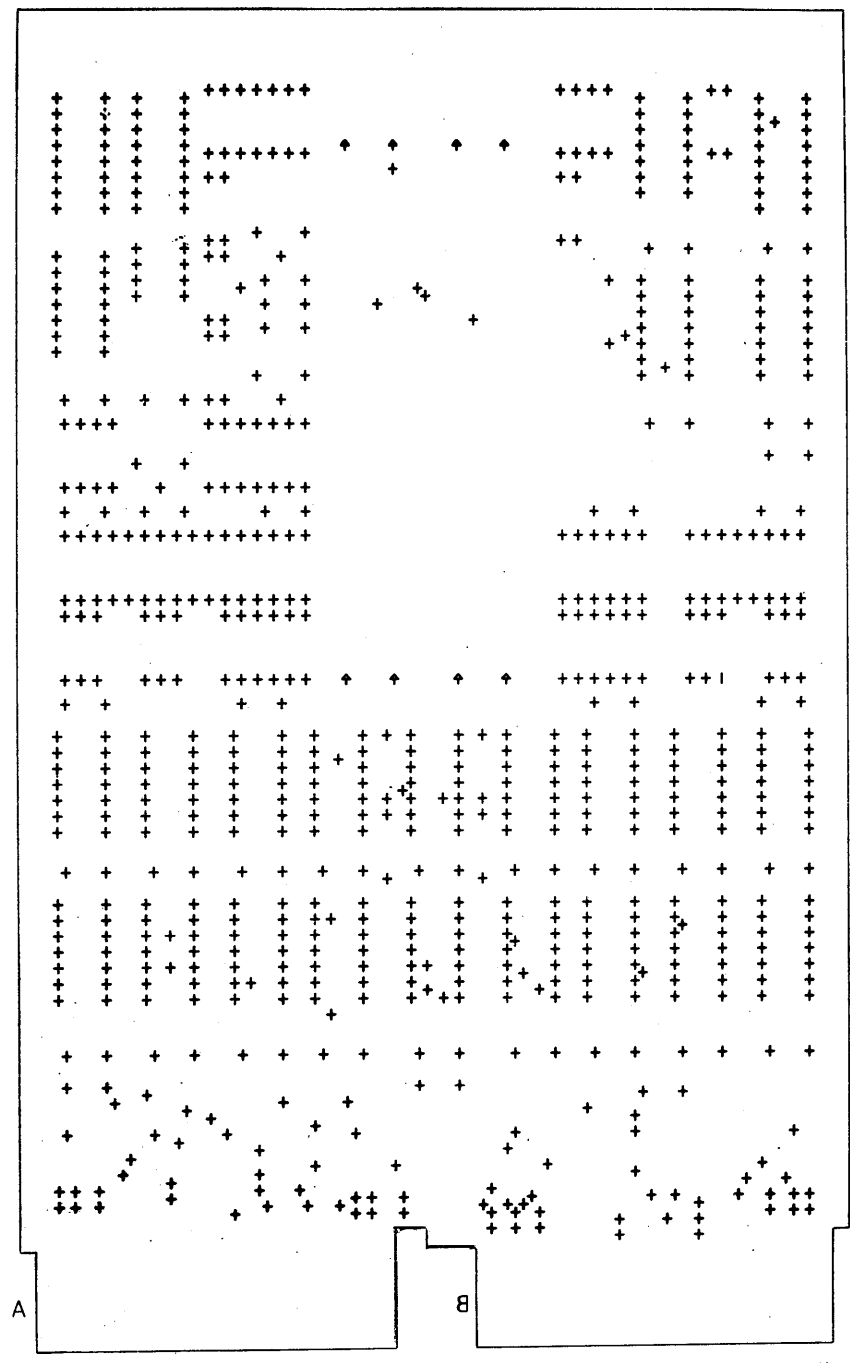
REV.	DATE	BY

TITLE	SIZE CODE	NUMBER	REV.
MG10 ADDRESS RECEIVER	DUA	M8591-0-0	A
SCALE 2/1	SHEET 4 OF 5	DIST	1

8 7 6 5 4 3 2 1

THIS DRAWING AND SPECIFICATIONS HEREIN ARE THE PROPERTY OF DIGITAL EQUIPMENT CORPORATION AND SHALL NOT BE REPRODUCED OR COPIED OR USED IN WHOLE OR IN PART AS THE BASIS FOR THE MANUFACTURE OR SALE OF ITEMS WITHOUT WRITTEN PERMISSION.
 © 1974 DIGITAL EQUIPMENT CORPORATION

0-0-1698WVD 2



DJA M8591-0-0

REVISIONS		
CHK	CHANGE NO	REV

TITLE	SIZE/CODE	NUMBER	REV.
MG 10 ADDRESS RECEIVER	DJA	M8591-0-0	A
SCALE 2/1	SHEET 5 OF 5	DIST.	

8 7 6 5 4 3 2 1

This drawing and specifications herein are the property of Digital Equipment Corporation and shall not be reproduced or copied in whole or in part as the basis for the manufacture or sale of items without written permission. COPYRIGHT © 1974 DIGITAL EQUIPMENT CORPORATION

NOTES:
1. FOR DRAWING DIRECTORY, REFER TO: B-DD-M8592-0

PRE L/R = 0

REWORK INSTRUCTIONS

SIDE 1 ETCH CUTS

- CUT ETCH GOING TO E27 PIN (3) FROM C45
- CUT ETCH GOING TO E27 PIN (3) FROM R15
- CUT ETCH GOING TO E27 PIN (4) FROM FEED THROUGH (BESIDE E17 PINS (8) AND (9))
- CUT ETCH GOING TO E6 PIN (2) FROM FEED THROUGH (ABOVE AND TO THE LEFT OF E11 PIN (1))
- CUT ETCH GOING TO E6 PIN (4) FROM E1 PIN (4)

SIDE 1 SINGLE WIRE ADDS

- ADD WIRE FROM R15 TO C45
- ADD WIRE FROM E3 PIN (11) TO E3 PIN (12)
- ADD WIRE FROM E3 PIN (11) TO E3 PIN (7)
- ADD WIRE FROM E6 PIN (3) TO E6 PIN (4)
- ADD WIRE FROM E6 PIN (2) TO E6 PIN (3)
- ADD WIRE FROM E1 PIN (4) TO PTH CONNECTED TO AM1

SIDE 2 ETCH CUTS

- CUT ETCH GOING TO E6 PIN (4) FROM FEED THROUGH BELOW C34

ECC¹ =
NO REWORK FOR ECC¹

0-0-2659W 2

QTY	REF DESIGNATION	DESCRIPTION	PART NO	ITEM NO
1		ETCHED CIRCUIT BOARD	9011332	1
50	C1 THRU C33, C37 THRU C61	CAP. 10uf 100V	1001810-01	2
3	C34, C35, C36	CAP. 89uf 10% 15V	1000092	3
5	D2, D3, D5, D21, D23	DIODE DEC D882	1100113	4
22	D1, D4, D6 THRU D20, D22, D24 THRU D27	DIODE DEC D884	1100114	5
1	W3	JUMPER WIRE	9009195	6
14	R15, R16, R24 THRU R29, R31 THRU R37	RES. 5.0K 5% 1/4W	1301874	7
4	R3, R7, R18, R22	RES. 330 5% 1/4W	1300285	8
2	R5, R21	RES. 560 5% 1/4W	1301890	9
1	R12	RES. 47 5% 1/4W	1300202	10
2	R19, R38	RES. 470 5% 1/4W	1300318	11
	R20, R29	RES. 220 5% 1/4W	1300271	12
2	R30, R23	RES. 680 5% 1/4W	1301424	13
1	DL1	DELAY LINE 10-100MS	1610033	14
6	E2, E4, E9, E7, E12, E3	I.C. DEC 75107	1910269	15
4	E15, E6, E8, E13	I.C. DEC 74S85	1912088	16
2	E28, E21	I.C. DEC 74S11	1910537	17
2	E20, E11	I.C. DEC 74S15	1910538	18
1	E30	I.C. DEC 74S74	1910544	19
1	E27	I.C. DEC 74S04	1910534	20
1	E22	I.C. DEC 7442	1910046	21
3	E18, E14, E17	I.C. DEC 74S00	1910532	22
1	E19	I.C. DEC 74S65	1910543	23
2	E24, E5	I.C. DEC 7404	1909696	24
1	E16	I.C. DEC 74S193	1910547-00	25
2	E1, E23	I.C. DEC 7400	1905575	26
2	E29, E25	I.C. DEC 74S03	1910533	27
1	E10	I.C. DEC 7483	1909932	28
4	E31, E32, E33, E29	I.C. DEC 74S22	1910540	29
2		HANDLE FLIP CHIP MAGENTA	9009337-6	30
4		EYELET	9008732	31
2F1		#30 AWG WIRE WRAP WIRE WHITE	9105740-99	32
10	R1, R2, R4, R6, R8, R10, R11, R13, R14, R17	RES 10K 5% 1/4W	1300479	33
1	R9	RES 18K 5% 1/4W	1302465	34

D U A M8592-0-0

B

A

FIRST USED ON CPT/MCD MG10		PARTS LIST	
DRN. R. W. Cawter	DATE 11/6/74	digital EQUIPMENT CORPORATION	
CHK'D. [Signature]	DATE 1/2/75	TITLE	
ENG. [Signature]	DATE 12-0-74	MG10 PORT ADDRESS	
PROJ. ENG. [Signature]	DATE 12-0-74	SIZE CODE	NUMBER
PROD. [Signature]	DATE	D U A	M8592-0-0
NEXT HIGHER ASSY		SCALE	REV. A
B-DD-M8592-0		NONE	
DEC NO.	EIA NO.	DEC NO.	EIA NO.
SEMICONDUCTOR CONVERSION CHART		SHEET	OF 5

BRUNING 40-107 15568

DEC FORM NO DRD-135

8 7 6 5 4 3 2 1

8

7

6

5

4

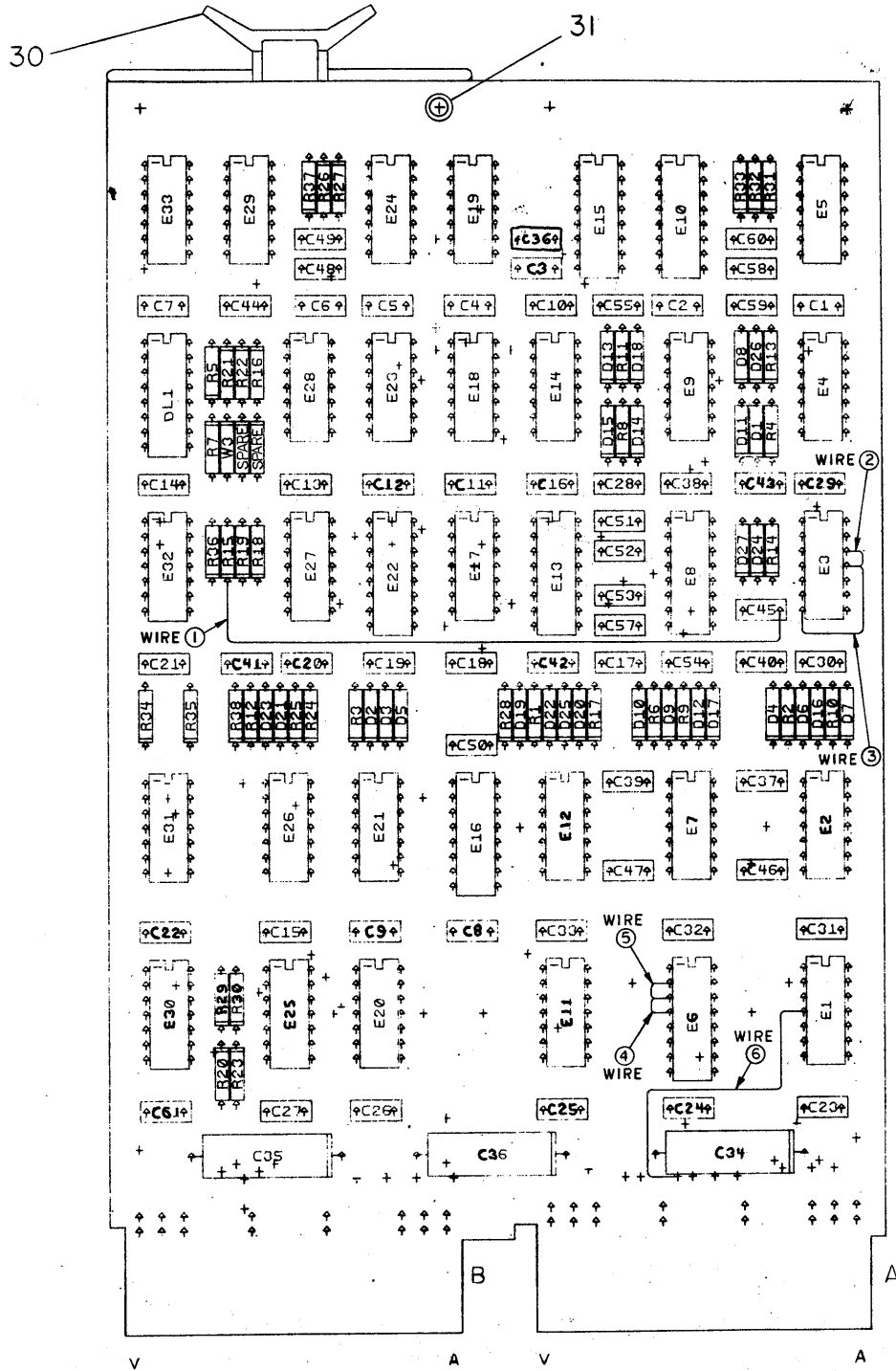
3

2

1

THIS DRAWING AND SPECIFICATIONS HEREIN ARE THE PROPERTY OF DIGITAL EQUIPMENT CORPORATION AND SHALL NOT BE REPRODUCED OR COPIED OR USED IN WHOLE OR IN PART AS THE BASIS FOR THE MANUFACTURE OR SALE OF ITEMS WITHOUT WRITTEN PERMISSION.
 COPYRIGHT ©1974 DIGITAL EQUIPMENT CORPORATION

DUAL M8592-0-0
 SIZE CODE
 2



REVISIONS		
CHK	CHANGE NO	REV

TITLE
MG10 PORT ADDRESS
 SCALE 2/1

SIZE CODE
 DUAL M8592-0-0

NUMBER
 DIST. SHEET 2 OF 5

REV.
 A

8

7

6

5

4

3

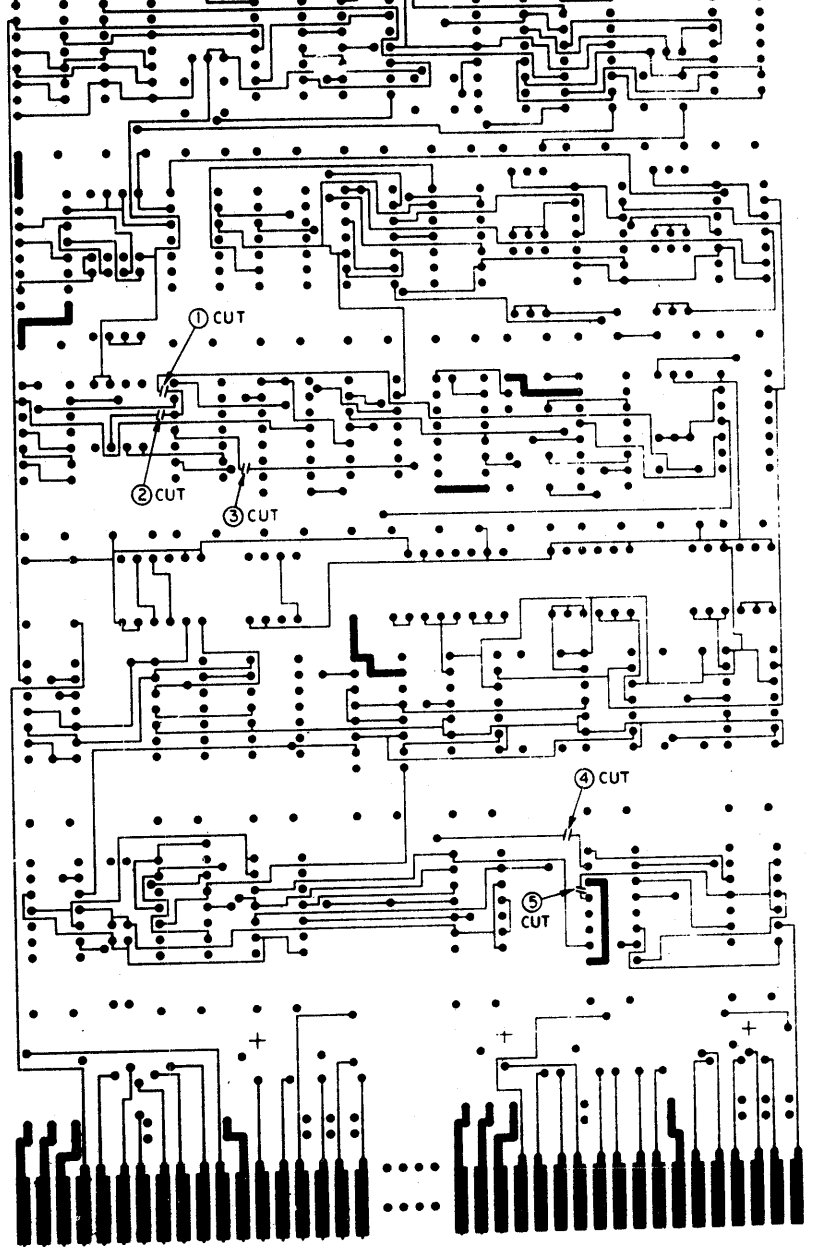
2

1

DUAL M8592-0-0
 A
 B
 C
 D

ALL DIMENSIONS ARE TO CENTER UNLESS OTHERWISE SPECIFIED. DIMENSIONS ARE TO CENTER UNLESS OTHERWISE SPECIFIED. DIMENSIONS ARE TO CENTER UNLESS OTHERWISE SPECIFIED.

FLIP CHIP SIDE 1 CSXABCDEFGHIJK



D
C
B
A

D
C
B
A

DUA M8592-0-0 A

REVISION		
CHR	CHANGE NO	REV

TITLE	DUA	NUMBER	REV.
MGIO PORT ADDRESS	DUA	M8592-0-0	A
SCALE 2/1	SHEET 3 OF 5	DIST	

8

7

6

5

4

3

8

7

6

5

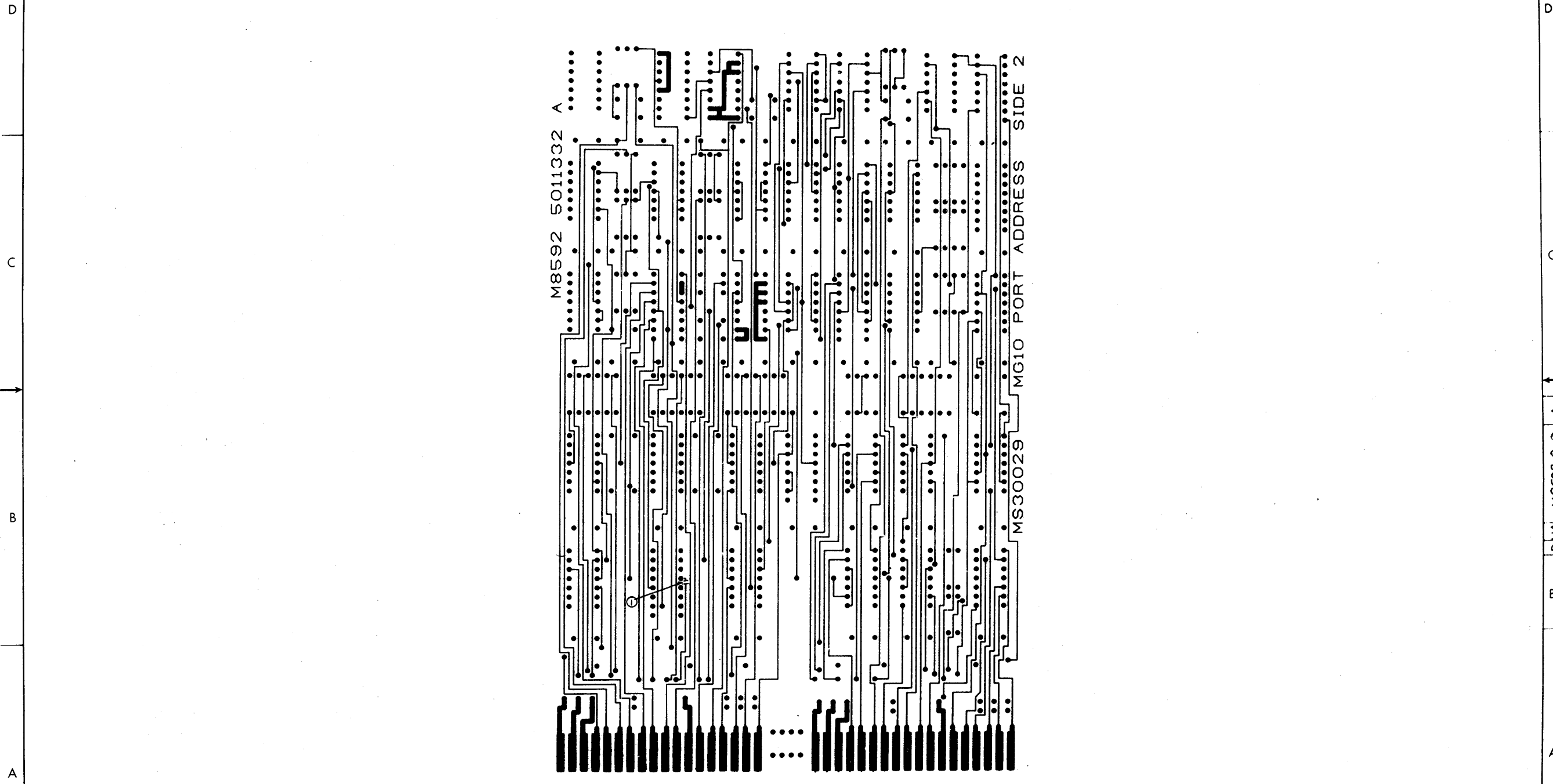
4

3

2

1

ALL DIMENSIONS ARE IN MILLIMETERS UNLESS OTHERWISE SPECIFIED. DIMENSIONS ARE TO CENTER UNLESS OTHERWISE SPECIFIED. DIMENSIONS ARE TO CENTER UNLESS OTHERWISE SPECIFIED. DIMENSIONS ARE TO CENTER UNLESS OTHERWISE SPECIFIED.



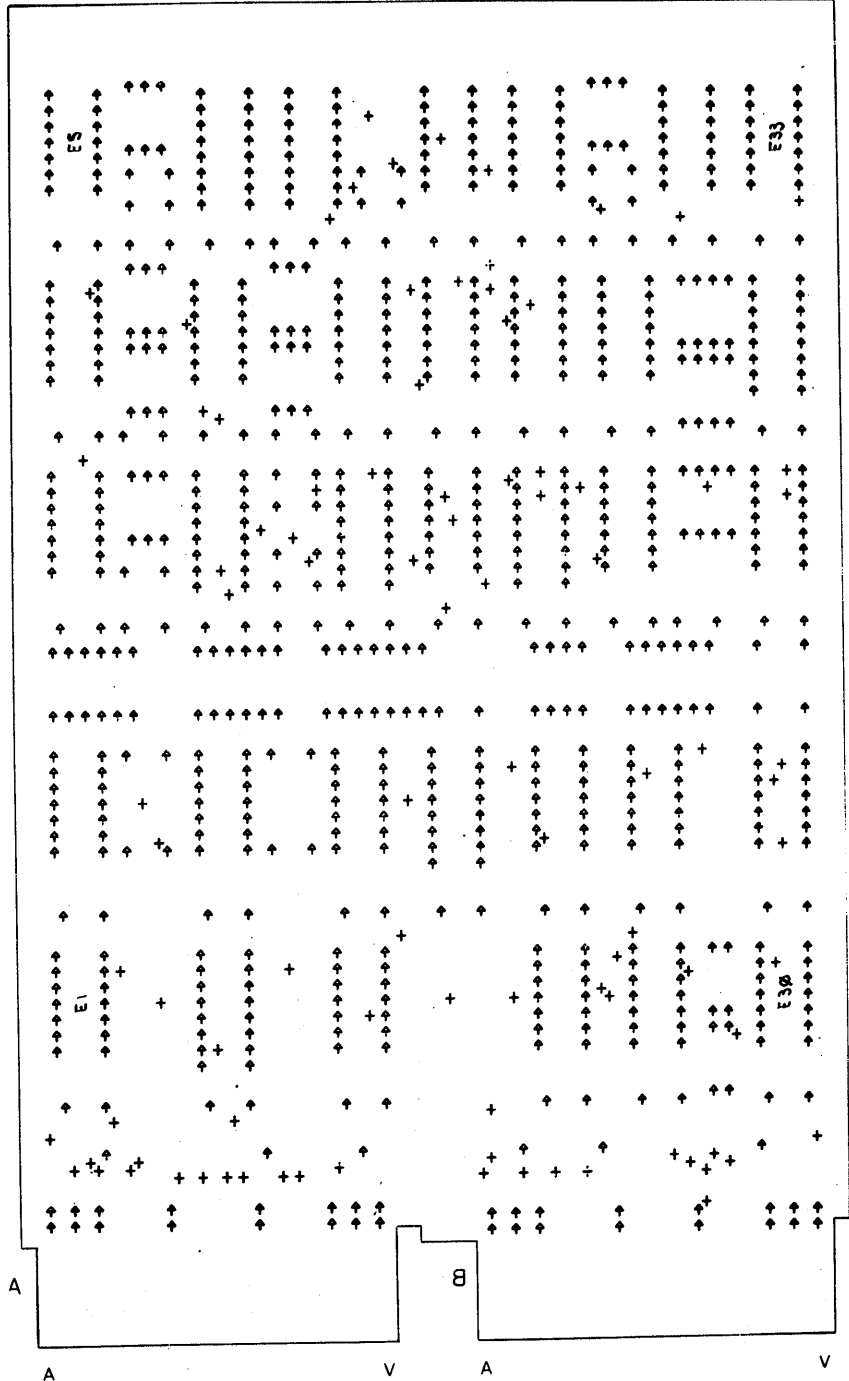
REV	CHANGE NO	DATE

TITLE	MG10 PORT ADDRESS	SIZE CODE	DJA	NUMBER	M8592-0-0	REV	A
SCALE	2/1	SHEET	4	OF	5	DIST	

DJA M8592-0-0 A

0-0-2698W 2

THIS DRAWING AND SPECIFICATIONS HEREIN ARE THE PROPERTY OF DIGITAL EQUIPMENT CORPORATION AND SHALL NOT BE REPRODUCED OR COPIED OR USED IN WHOLE OR IN PART AS THE BASIS FOR THE MANUFACTURE OR SALE OF ITEMS WITHOUT WRITTEN PERMISSION. COPYRIGHT © 1974, DIGITAL EQUIPMENT CORPORATION.



REVISIONS		
CHK	CHANGE NO	REV

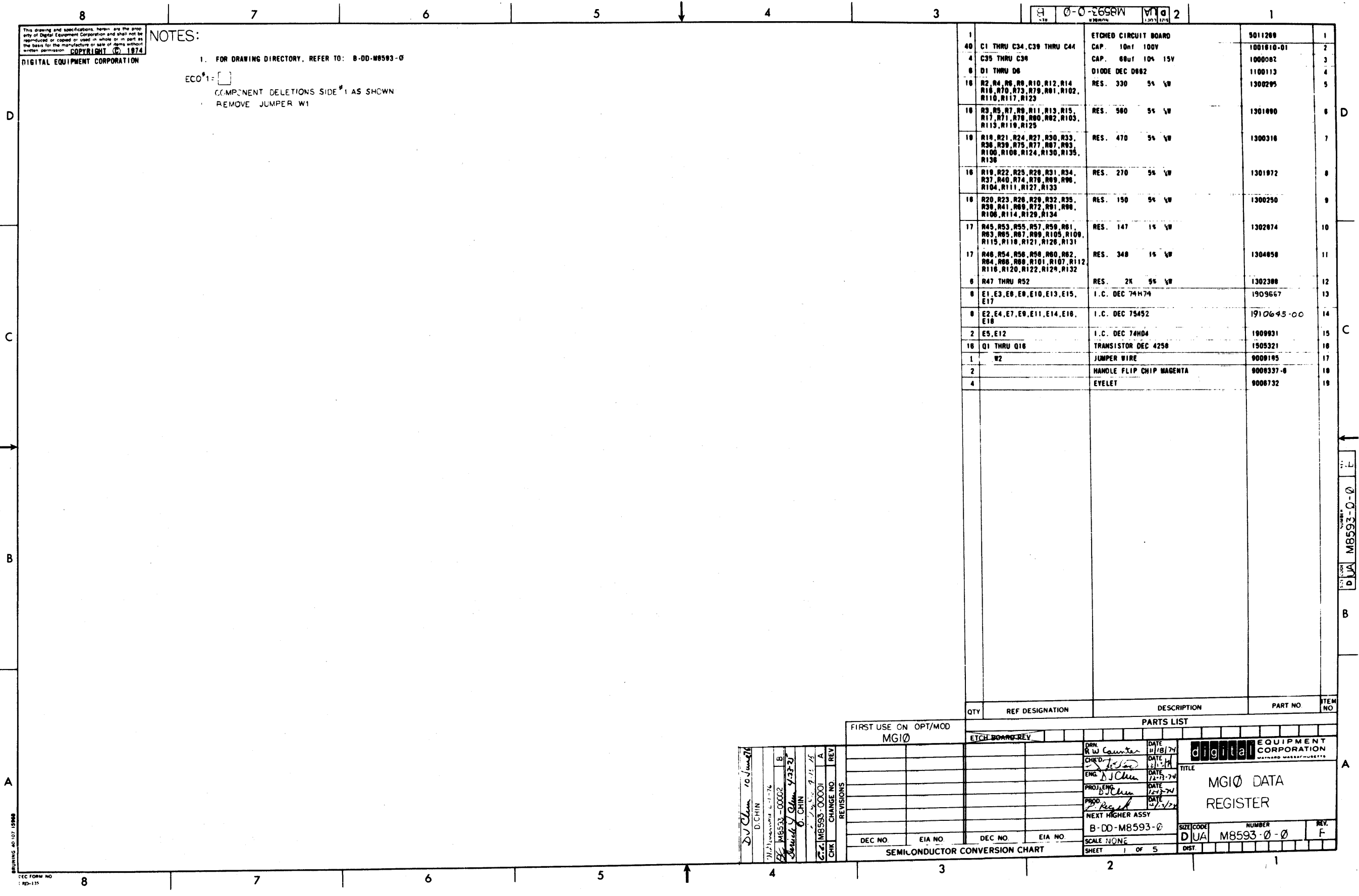
TITLE	MG10 PORT ADDRESS	SIZE CODE	DUA	NUMBER	M8592-0-0	REV.	A
SCALE	2/1	SHEET	5	OF	5	DIST	

This drawing and specifications herein are the property of Digital Equipment Corporation and shall not be reproduced or copied or used in whole or in part as the basis for the manufacture or sale of items without written permission. COPYRIGHT © 1974
DIGITAL EQUIPMENT CORPORATION

NOTES:
1. FOR DRAWING DIRECTORY, REFER TO: B-DD-M8593-0
ECO #1 =
COMPONENT DELETIONS SIDE #1 AS SHOWN
REMOVE JUMPER W1

QTY	REF DESIGNATION	DESCRIPTION	PART NO	ITEM NO
1		ETCHED CIRCUIT BOARD	5011269	1
40	C1 THRU C34, C39 THRU C44	CAP. 10uF 100V	1001816-01	2
4	C35 THRU C38	CAP. 68uF 10% 15V	1000082	3
8	D1 THRU D6	DIODE DEC D682	1100113	4
16	R2, R4, R6, R8, R10, R12, R14, R16, R18, R20, R22, R24, R26, R28, R30, R32, R34, R36, R38, R40, R42, R44, R46, R48, R50, R52, R54	RES. 330 5% 1/4W	1300295	5
16	R3, R5, R7, R9, R11, R13, R15, R17, R19, R21, R23, R25, R27, R29, R31, R33, R35, R37, R39, R41, R43, R45, R47, R49, R51, R53, R55	RES. 560 5% 1/4W	1301690	6
16	R19, R21, R23, R25, R27, R29, R31, R33, R35, R37, R39, R41, R43, R45, R47, R49, R51, R53, R55	RES. 470 5% 1/4W	1300316	7
16	R19, R22, R25, R28, R31, R34, R37, R40, R74, R76, R89, R96, R104, R111, R127, R133	RES. 270 5% 1/4W	1301872	8
16	R20, R23, R26, R28, R32, R35, R38, R41, R89, R72, R81, R88, R106, R114, R129, R134	RES. 150 5% 1/4W	1300250	9
17	R45, R53, R55, R57, R59, R61, R63, R65, R67, R69, R105, R109, R115, R118, R121, R126, R131	RES. 147 1% 1/4W	1302874	10
17	R46, R54, R56, R58, R60, R62, R64, R66, R68, R101, R107, R112, R116, R120, R122, R129, R132	RES. 348 1% 1/4W	1304858	11
6	R47 THRU R52	RES. 2K 5% 1/4W	1302388	12
8	E1, E3, E6, E9, E10, E13, E15, E17	I.C. DEC 74H74	1909667	13
8	E2, E4, E7, E8, E11, E14, E16, E18	I.C. DEC 75452	1910645-00	14
2	E5, E12	I.C. DEC 74H04	1909931	15
16	Q1 THRU Q16	TRANSISTOR DEC 4258	1505321	16
1	W2	JUMPER WIRE	9008195	17
2		HANDLE FLIP CHIP MAGENTA	9008337-8	18
4		EYELET	9008732	19

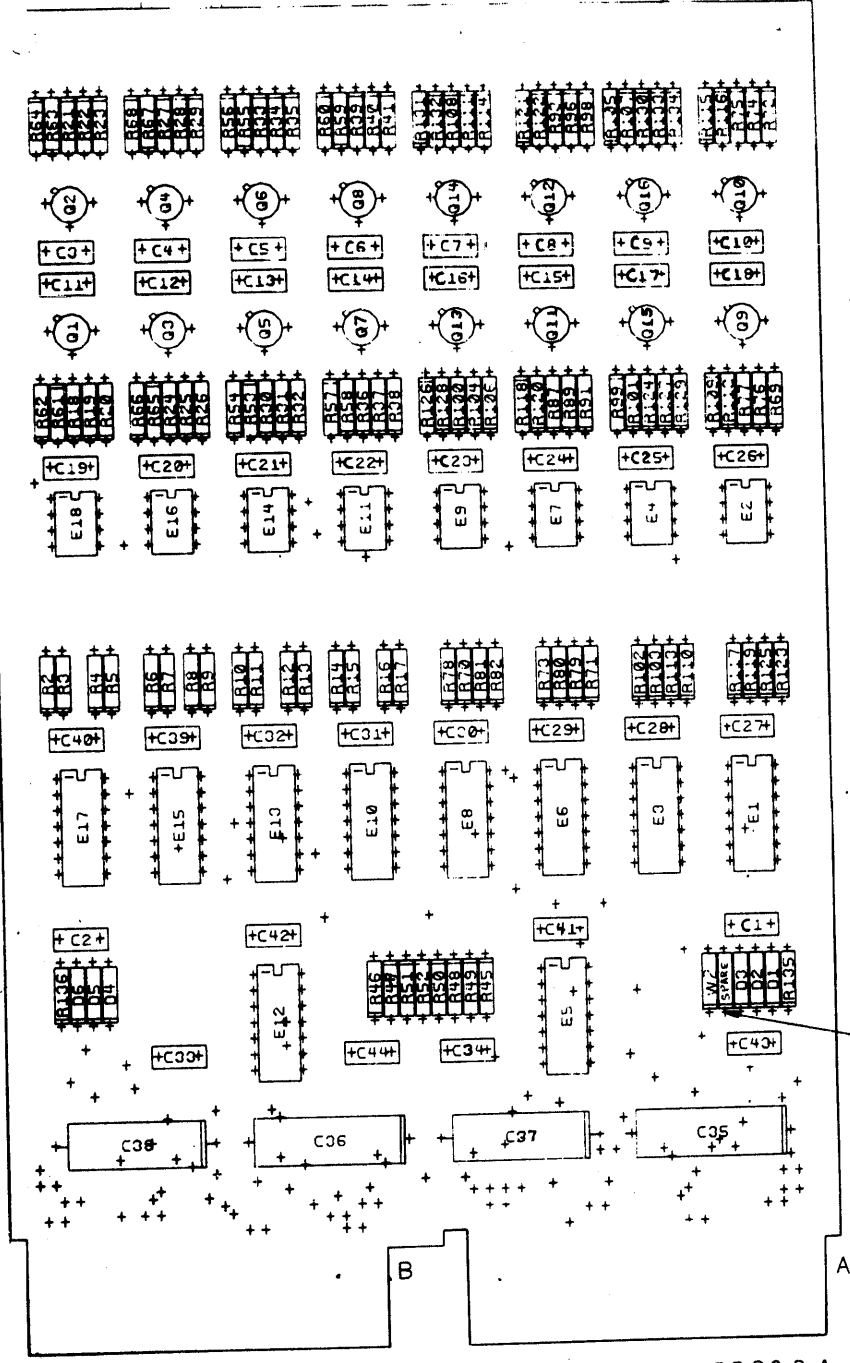
FIRST USE ON OPT/MOD MG10				PARTS LIST			
ETCH BOARD REV							
DRN	R W Counter	DATE	11/18/74	digital EQUIPMENT CORPORATION			
CHK'D	J. Chen	DATE	11-21-74	TITLE			
ENG	J. Chen	DATE	7-27-74	MG10 DATA REGISTER			
PROJ. ENG	J. Chen	DATE	7-27-74	REV			
PROD	Regard	DATE	11-27-74	F			
NEXT HIGHER ASSY				B-DD-M8593-0			
DEC NO.				SCALE NONE			
EIA NO.				SHEET 1 OF 5			
DEC NO.				DIST.			
EIA NO.				DUA M8593-0-0			
SEMICONDUCTOR CONVERSION CHART				NUMBER			
SHEET 1 OF 5				REV			



THE DRAWING AND IDENTIFICATION HEREIN ARE THE PROPERTY OF DIGITAL EQUIPMENT CORPORATION, AND SHALL NOT BE REPRODUCED OR COPIED IN ANY MANNER WITHOUT THE WRITTEN PERMISSION OF THE MANUFACTURER. © 1974 DIGITAL EQUIPMENT CORPORATION

18-

19



VUTSRPNMLKJHFEDCBA VUTSRPNMLKJHFEDCBA

D U A M8593-2-0 B A

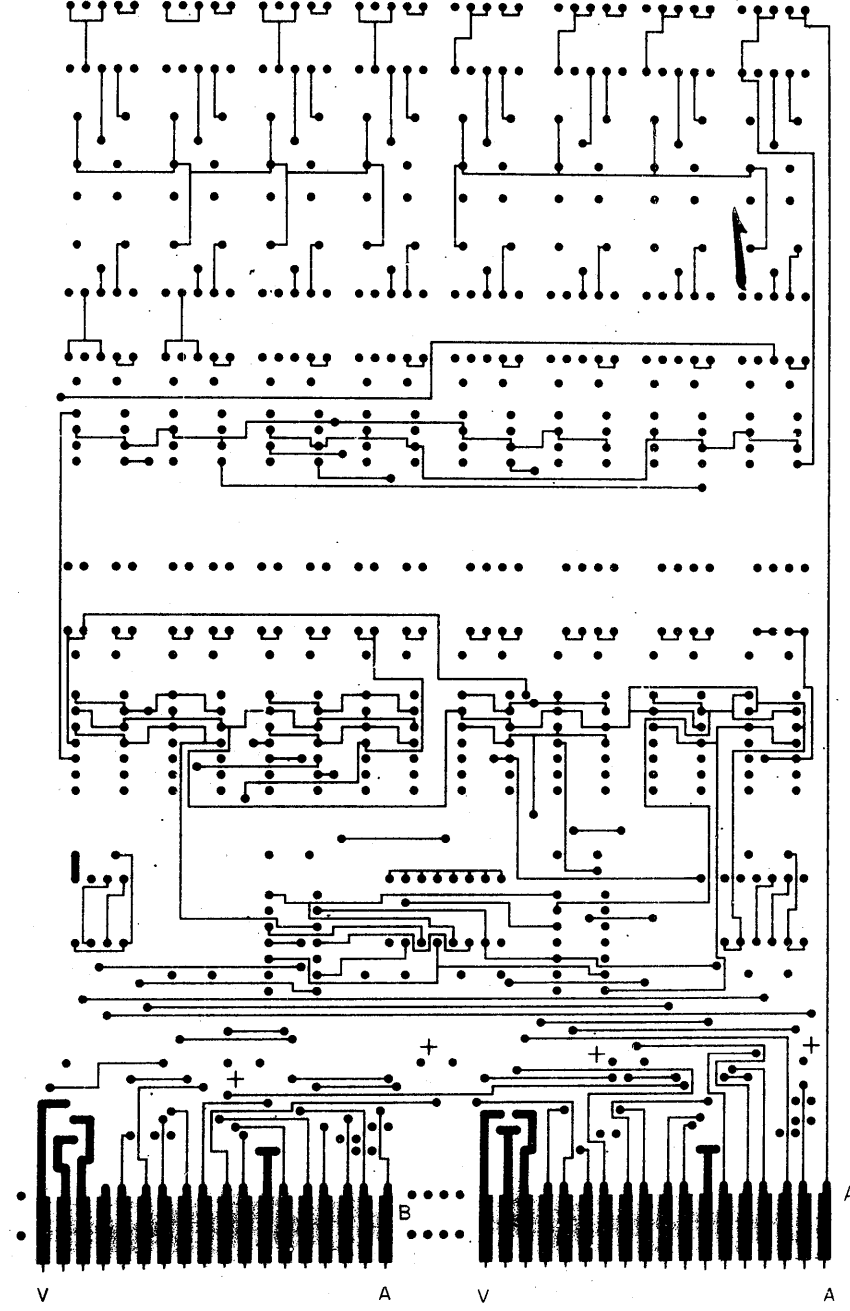
REVISION		
NO.	CHANGE NO.	REV.

TITLE MGIØ DATA REGISTER		SIZE CODE D U A	NUMBER M8593-2-0	REV. B
SCALE 2/	SHEET 2 OF 5	DIST		

THIS DRAWING AND SPECIFICATIONS HEREIN ARE THE PROPERTY OF DIGITAL EQUIPMENT CORPORATION AND SHALL NOT BE REPRODUCED OR USED IN WHOLE OR IN PART AS THE BASIS FOR THE MANUFACTURE OR SALE OF ITEMS WITHOUT WRITTEN PERMISSION.
 © 1977 DIGITAL EQUIPMENT CORPORATION

8 0-0-8698W 2

FLIP CHIP SIDE 1 CSXABCDEFHJKL



D
C
B
A

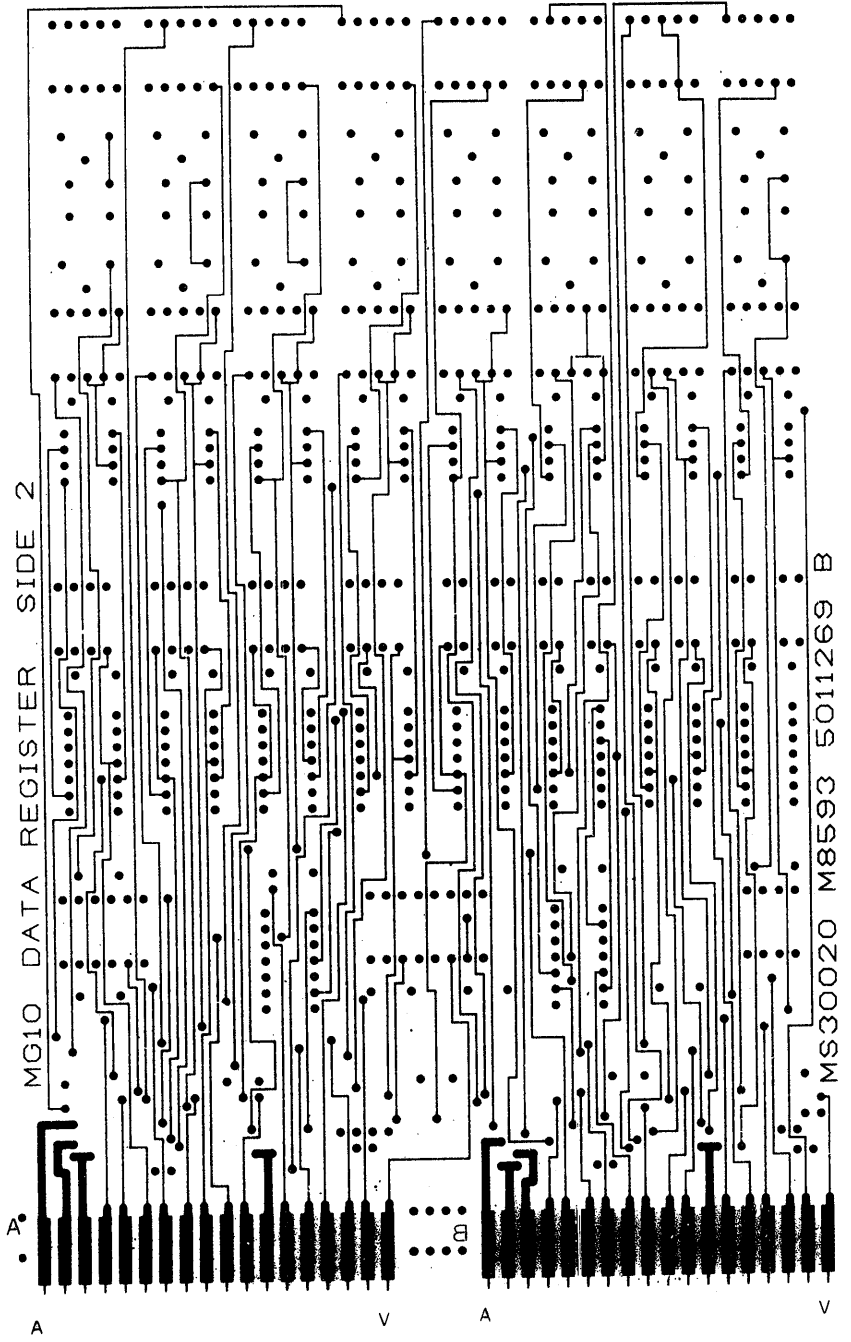
D
C
B
A

D U/A M8593-0-0

REVISIONS		
CHK	CHANGE NO	REV

TITLE	SIZE CODE	NUMBER	REV.
MGIØ DATA REGISTER	D U/A	M8593-0-0	B
SCALE 2/1	SHEET 3 OF 5	DIST.	

THIS DRAWING AND SPECIFICATIONS HEREIN ARE THE PROPERTY OF DIGITAL EQUIPMENT CORPORATION AND SHALL NOT BE REPRODUCED OR COPIED OR USED IN WHOLE OR IN PART AS THE BASIS FOR THE MANUFACTURE OR SALE OF ITEMS WITHOUT WRITTEN PERMISSION.
 DIGITAL EQUIPMENT CORPORATION
 1101

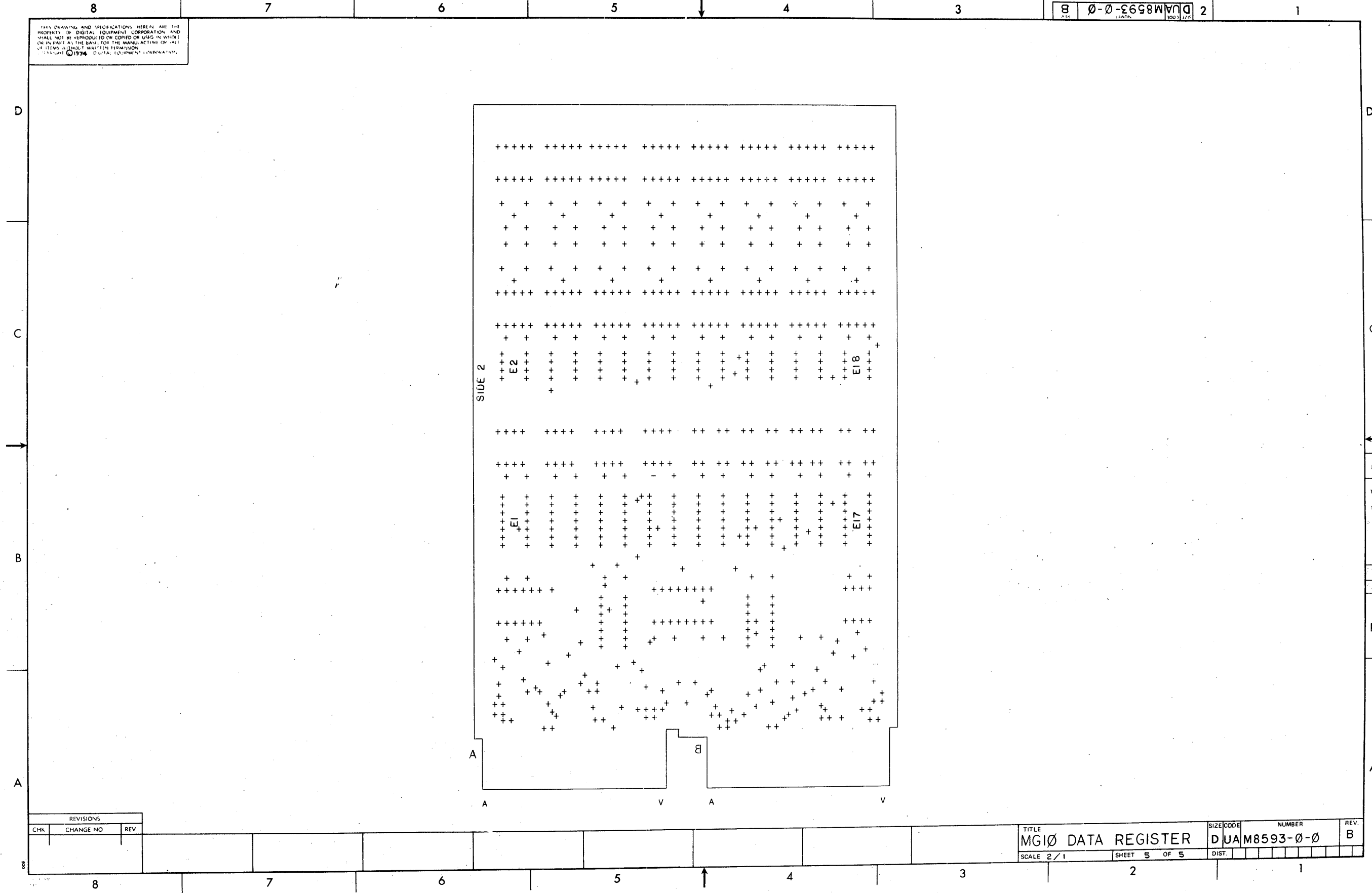


REVISIONS		
CHK	CHANGE NO	REV

TITLE	SIZE/CODE	NUMBER	REV.
MG10 DATA REGISTER	D UA	M8593-0-0	B
SCALE 2/1	SHEET 4 OF 5	DIST.	1

THIS DRAWING AND SPECIFICATIONS HEREIN ARE THE PROPERTY OF DIGITAL EQUIPMENT CORPORATION, AND SHALL NOT BE REPRODUCED OR COPIED OR USED IN WHOLE OR IN PART AS THE BASIS FOR THE MANUFACTURE OF ANY ITEM, WITHOUT WRITTEN PERMISSION.
 © 1974 DIGITAL EQUIPMENT CORPORATION.

DUA M8593-0-0 2



REVISIONS		
CHK	CHANGE NO	REV

TITLE	DUA M8593-0-0	SIZE CODE	NUMBER	REV.
SCALE	2/1	SHEET	5 OF 5	B
DIST.				

DUA M8593-0-0 B

This drawing and specifications, herein, are the property of Digital Equipment Corporation and shall not be reproduced or copied or used in whole or in part as the basis for the manufacture or sale of items without written permission. COPYRIGHT © 1974 DIGITAL EQUIPMENT CORPORATION

NOTES:

1. FOR DRAWING DIRECTORY, REFER TO: B-DD-M8594-B

QTY	REF DESIGNATION	DESCRIPTION	PART NO.	ITEM NO.
1		ETCHED CIRCUIT BOARD	5011270	1
41	C1 THRU C41	CAP. 10K 1 50V	1001610-00	2
4	C42, C43, C45, C46	CAP. 88uf 10% 15V	1000082	3
7	D49, D50, D51, D54 THRU D57	DIODE D682	1100113	4
50	D1 THRU D48, D59, D59	DIODE D684	1100114	5
16	R1 THRU R9, R17 THRU R24	RES. 5.1 5% 1/4W	1309422	6
2	R38, R44	RES. 75 5% 1/4W	1302379	7
2	R39, R50	RES. 180 5% 1/4W	1301322	8
1	R45	RES. 330 5% 1/4W	1300295	9
4	R37, R43, R41, R49	RES. 150 5% 1/4W	1300250	10
4	R38, R42, R46, R47	RES. 470 5% 1/4W	1300316	11
1	R33	RES. 1K 5% 1/4W	1300385	12
1	R34	RES. 8.8K 5% 1/4W	1301423	13
17	R35, R9 THRU R16, R25 THRU R32	RES. 10K 5% 1/4W	1300479	14
16	R3 THRU R10, R23 THRU R30	RES. 8.0K 5% 1/4W	1301974	15
2	R40, R48	RES. 100 5% 1/4W	1300229	16
1	Q1	TRANSISTOR DEC 6531B	1509339	17
4	Q2 THRU Q5	TRANSISTOR DEC 4259	1505321	18
2	L1, L2	INDUCTOR 12UH, 10%, 300MA	1603359	19
1	E14	I.C. DEC 74H04	1909931	20
1	E9	I.C. DEC 74S03	1910533	21
8	E2, E3, E11, E12, E16, E17, E24, E25	I.C. DEC 75453	1911036	22
8	E1, E6, E8, E10, E15, E20, E22, E23	I.C. DEC 75107	1910269	23
4	E5, E7, E19, E21	I.C. DEC 8234	1911315	24
4	E4, E13, E18, E26	I.C. DEC 74S159	1910549	25
2		HANDLE FLIP CHIP MAGENTA	9008337-6	26
4		EYELET	9006732	27
1	W1	INSULATED JUMPER	9009185	28

FIRST USE ON OPT/MOD MG10		ETCH BOARD REV		DATE		DATE		DATE		DATE		DATE		DATE	
DRN.	R.W. Coombs	DATE	11/17/74	DRN.		DATE		DRN.		DATE		DRN.		DATE	
CHKD.		DATE	11/17/74	CHKD.		DATE		CHKD.		DATE		CHKD.		DATE	
ENG.		DATE		ENG.		DATE		ENG.		DATE		ENG.		DATE	
PROJ. ENG.		DATE		PROJ. ENG.		DATE		PROJ. ENG.		DATE		PROJ. ENG.		DATE	
PROD.		DATE		PROD.		DATE		PROD.		DATE		PROD.		DATE	
NEXT HIGHER ASSY		B-DD-M8594-0		NEXT HIGHER ASSY		B-DD-M8594-0		NEXT HIGHER ASSY		B-DD-M8594-0		NEXT HIGHER ASSY		B-DD-M8594-0	
DEC NO.	EIA NO.	DEC NO.	EIA NO.	DEC NO.	EIA NO.	DEC NO.	EIA NO.	DEC NO.	EIA NO.	DEC NO.	EIA NO.	DEC NO.	EIA NO.	DEC NO.	EIA NO.
SEMICONDUCTOR CONVERSION CHART												SCALE NONE		SHEET 1 OF 5	

digital EQUIPMENT CORPORATION
WATFORD MASSACHUSETTS

TITLE
MG10 DATA
TRANSCIVER

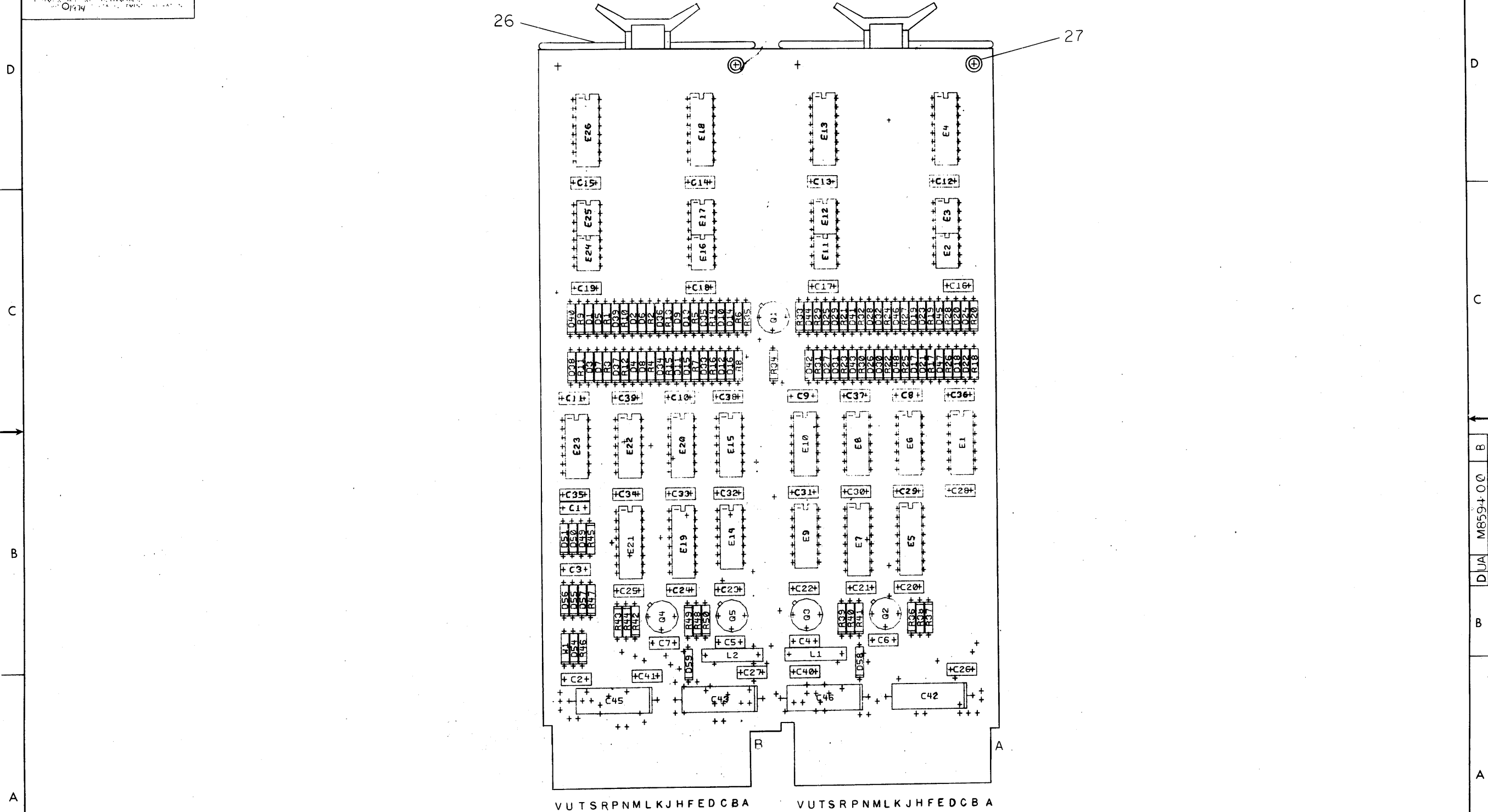
SIZE CODE NUMBER
DUA M8594-0-0

BRUNING 40-07 15968
DEC FORM NO
DRD-135

DATE CODE
DUA
NUMBER
M8594-0-0

1/MR

THIS DRAWING AND ALL INFORMATION HEREON ARE THE PROPERTY OF THE UNITED STATES GOVERNMENT AND ARE TO BE RELEASED TO THE PUBLIC IN WHOLE OR IN PART AS DIRECTED BY THE NATIONAL ARCHIVES. THIS DRAWING IS THE PROPERTY OF THE UNITED STATES GOVERNMENT AND IS TO BE RELEASED TO THE PUBLIC IN WHOLE OR IN PART AS DIRECTED BY THE NATIONAL ARCHIVES.



REVISIONS		
CHK	CHANGE NO	REV

TITLE	MG10 DATA TRANSCEIVER	SIZE CODE	DUA	NUMBER	M8594-0-0	REV.	B
SCALE	2/1	SHEET	2	OF	5	DIST.	
							1 mk

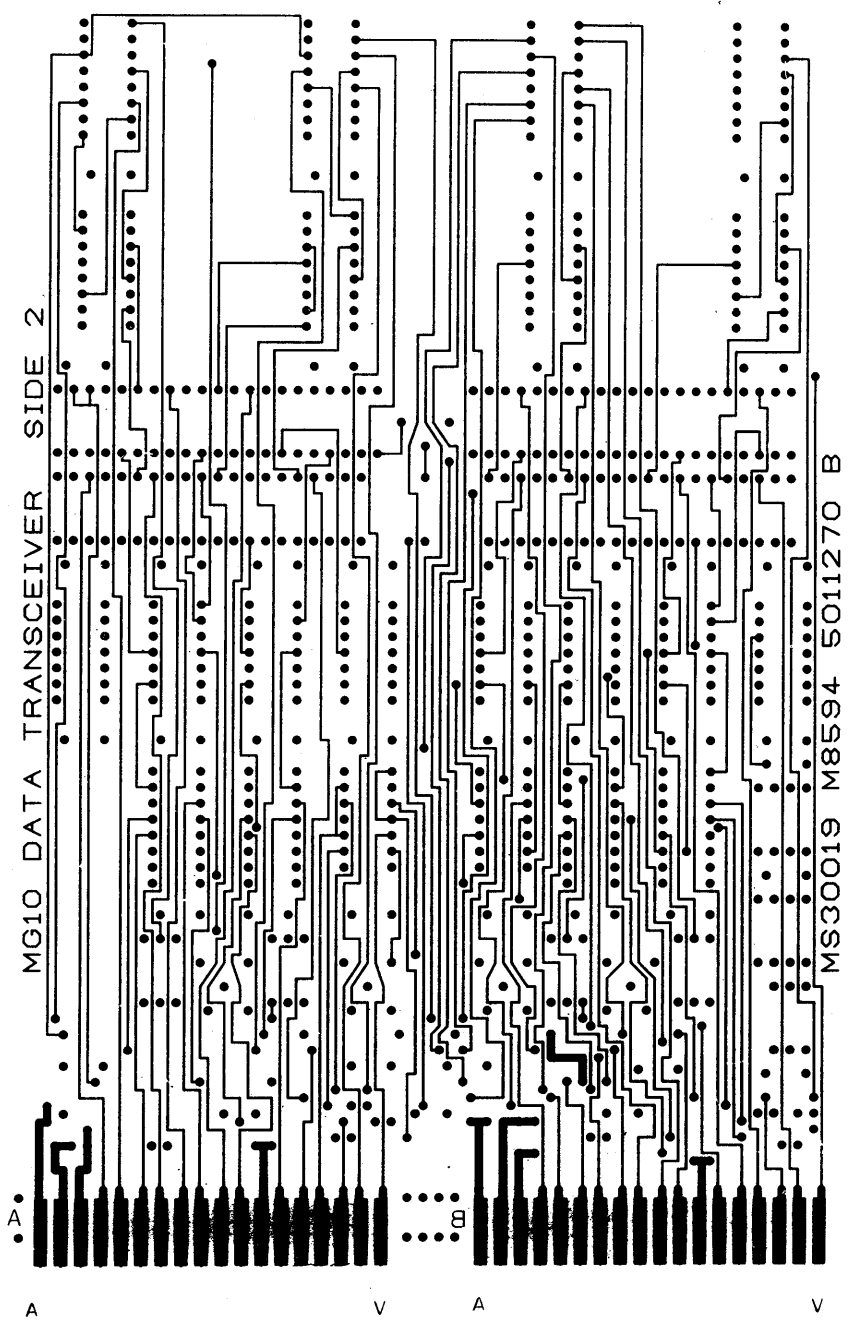
8 7 6 5 4 3 2 1

01914

8 0 0 26594-0 2 M K 1

D
C
B
A

D
C
B
A



D U A M8594-0 0 B

REV. LOG		
CHG	CHANGE TO	REV

8 7 6 5 4 3 2 1

TITLE	MG10 DATA TRANSCEIVER	SIZE CODE	D U A	NUMBER	M8594-0-0	REV	B
SCALE	2 / 1	SHEET	4	OF	5	DIST.	

11A

8

7

6

5

4

3

D U A M8594-0-0 2 MR 1

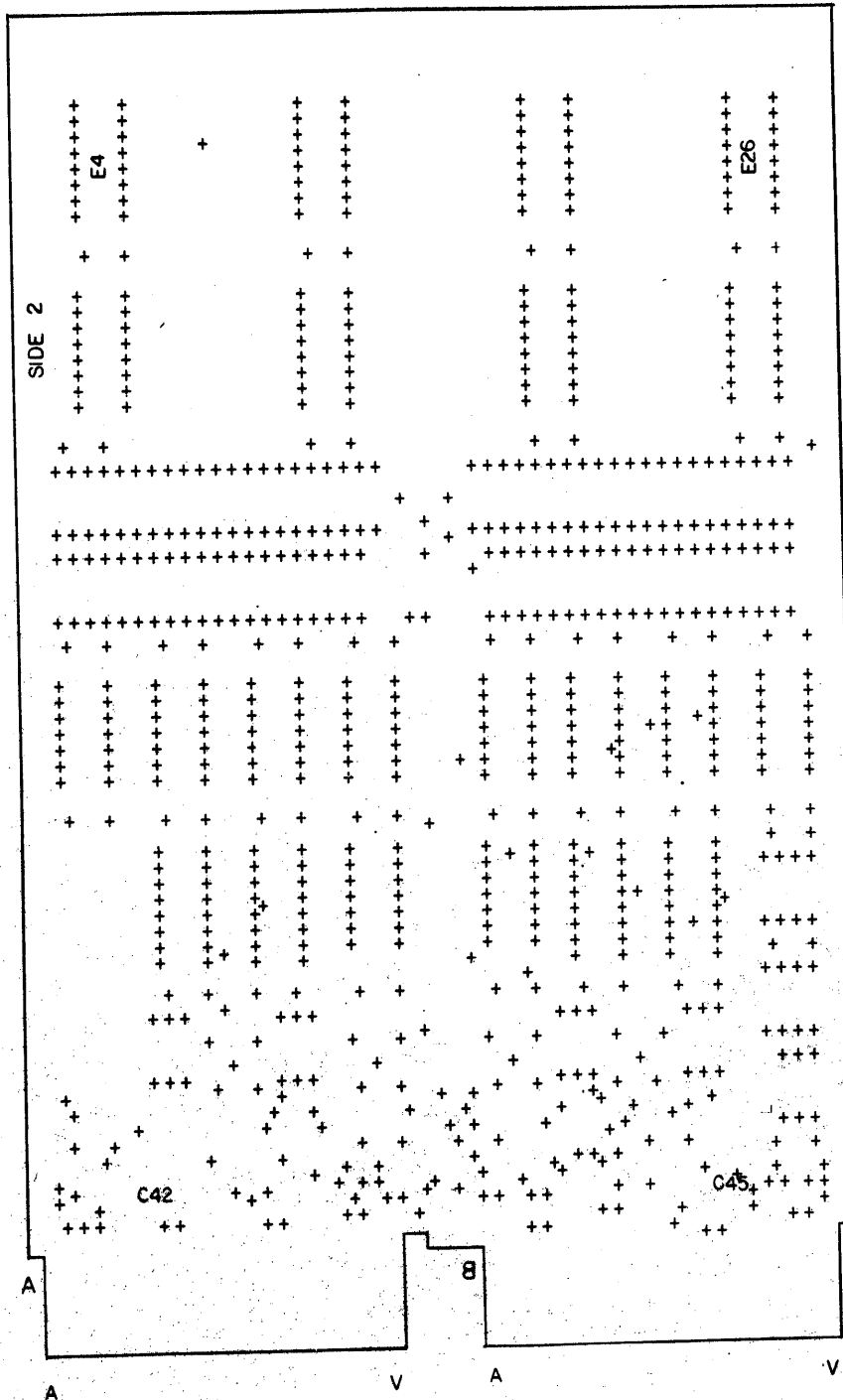
ALL INFORMATION CONTAINED HEREIN ARE THE PROPERTY OF PERMITS, EQUIPMENT CORPORATION AND SHALL NOT BE REPRODUCED OR USED IN WHOLE OR IN PART WITHOUT THE WRITTEN PERMISSION OF PERMITS, EQUIPMENT CORPORATION.

D

C

B

A



D

C

B

B

A

D U A M8594-0-0

REVISIONS		
CHK	CHANGE NO	REV

8

7

6

5

4

3

2

1

TITLE	SIZE CODE	NUMBER	REV.
MGIØ DATA TRANSCEIVER	D U A	M8594-0-0	B
SCALE 2/1	SHEET 5 OF 5	DIST	

MR

This drawing and specifications herein are the property of Digital Equipment Corporation and shall not be reproduced or copied or used in whole or in part as the basis for the manufacture or sale of items without written permission. COPYRIGHT © 1974 DIGITAL EQUIPMENT CORPORATION

NOTES:

1. FOR DRAWING DIRECTORY, REFER TO: B-DD-M9005-0

0-0-0006W 2

QTY	REF DESIGNATION	DESCRIPTION	PART NO.	ITEM NO.
1		ETCHED CIRCUIT BOARD	5010683	1
2	C7, C14	CAP. 39uf 10% 10V	1000076	2
12	C1 THRU C6, C8 THRU C13	CAP. 47nF 16V	1009678	3
39	R1 THRU R16, R19 THRU R40	RES. 147 1% 1/4W	1302874	4
39	R41 THRU R56, R58 THRU R80	RES. 348 1% 1/4W	1304858	5
4		EYELET (HANDLE)	9006732	6
2		HANDLE, FLIP CHIP (MAGENTA)	9009337-6	7

FIRST USED ON
MG10

PARTS LIST

DRN.	DATE	digital EQUIPMENT CORPORATION MAYNARD, MASSACHUSETTS TITLE SBUS TERMINATOR NUMBER DUA M9005-0-0 SCALE NONE SHEET 1 OF 4	
CHKD.	DATE		
ENG.	DATE		
PROJ. ENG.	DATE		
PRG.	DATE		
DATE	DATE		
NEXT HIGHER ASSY		REV.	
DEC NO.	EIA NO.	DEC NO.	EIA NO.
SEMICONDUCTOR CONVERSION CHART			

REV. 0-0-0006W 2
DUA M9005-0-0

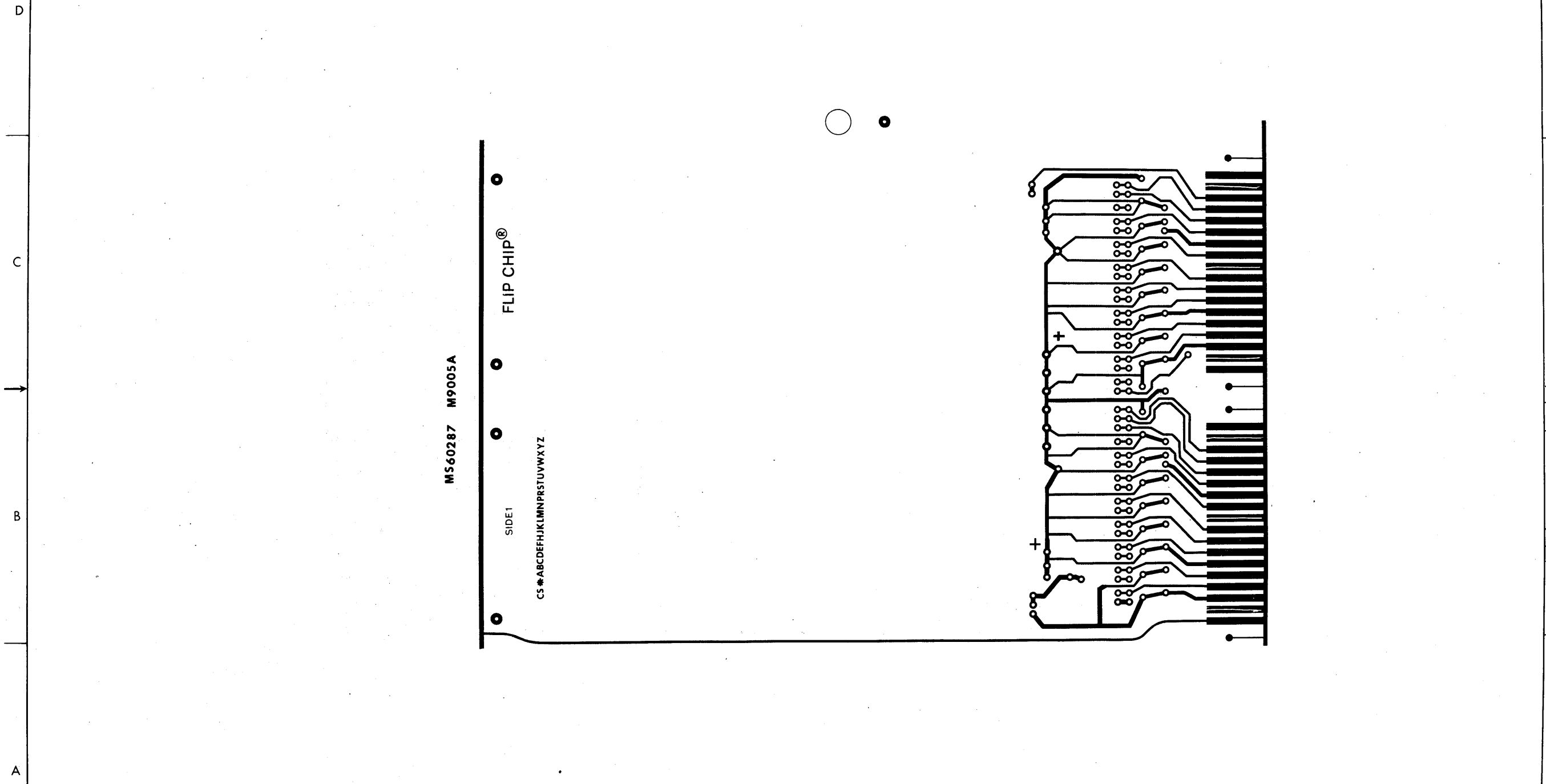
A B C D

BRUNING 40-07 15968

8 7 6 5 4 3 2 1

THE DRAWING AND THE PART SHALL BE THE PROPERTY OF THE COMPANY. IT IS TO BE USED ONLY FOR THE PURPOSES SPECIFIED AND IS NOT TO BE REPRODUCED OR TRANSMITTED IN ANY FORM OR BY ANY MEANS, ELECTRONIC OR MECHANICAL, INCLUDING PHOTOCOPYING, RECORDING, OR BY ANY INFORMATION STORAGE AND RETRIEVAL SYSTEM.

DUA M9005-0-0 2



REVISIONS		
CHK	CHANGE NO	REV

TITLE	SIZE	CODE	NUMBER	REV.
SBUS TERMINATOR	D	UA	M9005-0-0	
SCALE 2/1	SHEET 3	OF 4	DIST.	

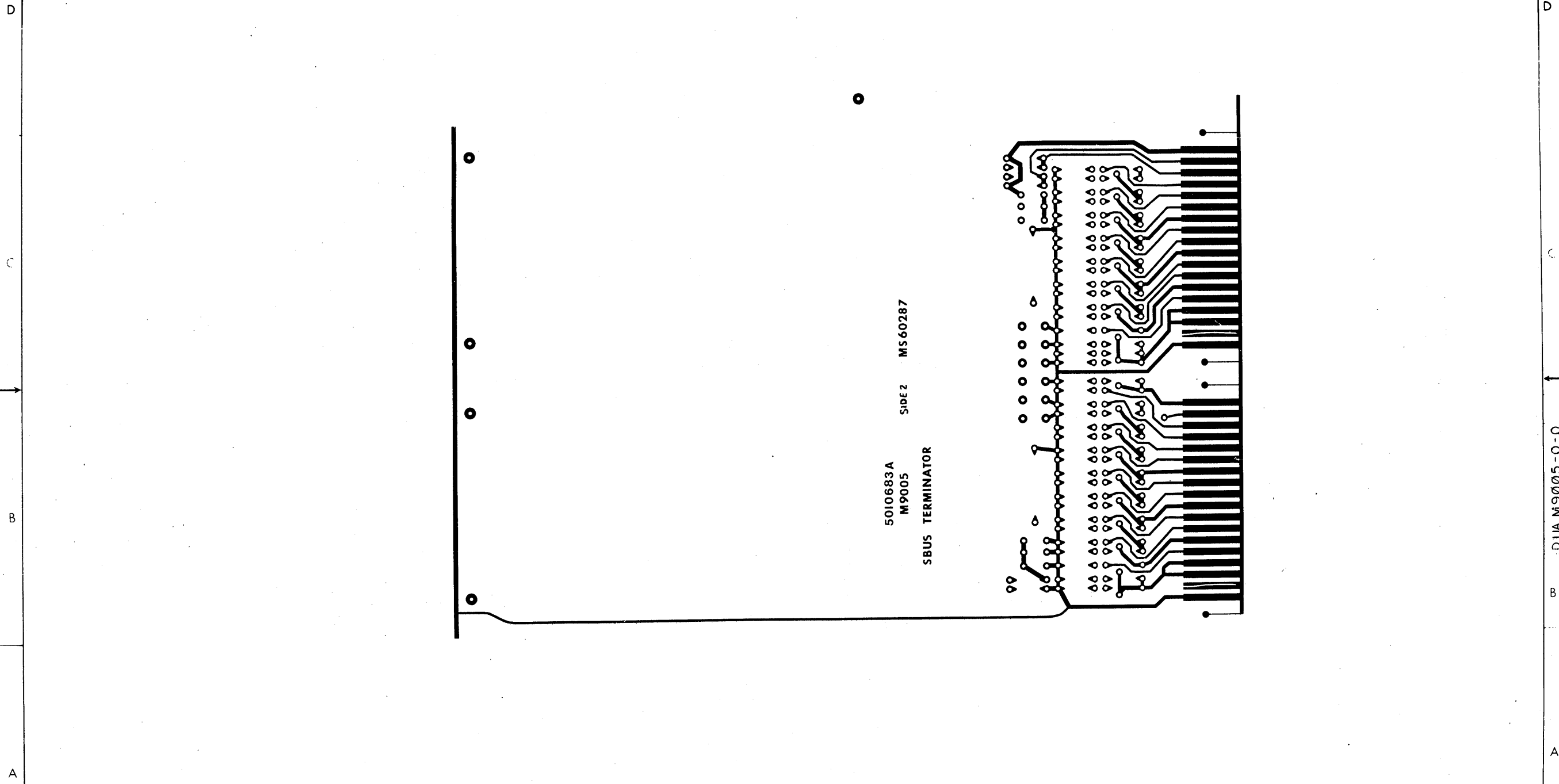
DUA M9005-0-0

8 7 6 5 4 3 2 1

DUA M9005-0-0 2

8 7 6 5 4 3 2 1

C1174



5010683A
M9005
SIDE2 MS60287
SBUS TERMINATOR

DUA M9005-0-0

SBUS TERMINATOR		SIDE CODE	NUMBER	REV
2/1	4	DUA	M9005-0-0	

8 7 6 5 4 3 2 1

This drawing and specifications, herein, are the property of Digital Equipment Corporation and shall not be reproduced or copied or used in whole or in part as the basis for the manufacture or sale of items without written permission. COPYRIGHT © 1974


NOTES:

1. FOR DRAWING DIRECTORY REFER TO: B-DD-M9011-0
2. COVERS OF CONNECTORS ITEM 4 NOT ATTACHED UNTIL CABLE ASSEMBLY TIME, SEE D-UA-BC20D-0-0

DIGITAL EQUIPMENT CORPORATION

0-0-1106W 2

QTY	REF DESIGNATION	DESCRIPTION	PART NO.	ITEM NO.
1		ETCHED CIRCUIT BOARD	D MD 5011457-0-0	1
4		EYELETS	9006732	2
2		HANDLE, FLIP CHIP, MAGENTA	9008337-C6	3
2	J1, J2	CONN 40 PIN (SEE NOTE 2)	1210073	4

FIRST USE ON OPT/ MOD		PARTS LIST	
MGI0		ETCH BOARD REV B	
DRN. R. W. Counter	DATE 11/24/74	 digital EQUIPMENT CORPORATION MAYNARD, MASSACHUSETTS	
CHKD. J. J. Chin	DATE 2-5-75		
ENG. J. J. Chin	DATE 2-5-75		
PROJ. ENG. J. J. Chin	DATE 2-5-75		
PROD. W. E. Eubank	DATE 2-5-75		
NEXT HIGHER ASSY		TITLE	
D-UA-BC20D-0-0		CABLE CONNECTOR	
DEC NO.	EIA NO.	DEC NO.	EIA NO.
SCALE NONE		SIZE CODE	NUMBER
SEMICONDUCTOR CONVERSION CHART		D UA	M9011-0-0
SHEET 1 OF 5		DIST.	REV. A

J. J. Chin	5-16-74	REV
D. Chin	5-11-74	A
J. J. Chin	5-11-74	A
J. J. Chin	5-11-74	A
J. J. Chin	5-11-74	A
J. J. Chin	5-11-74	A
J. J. Chin	5-11-74	A
J. J. Chin	5-11-74	A
J. J. Chin	5-11-74	A
J. J. Chin	5-11-74	A

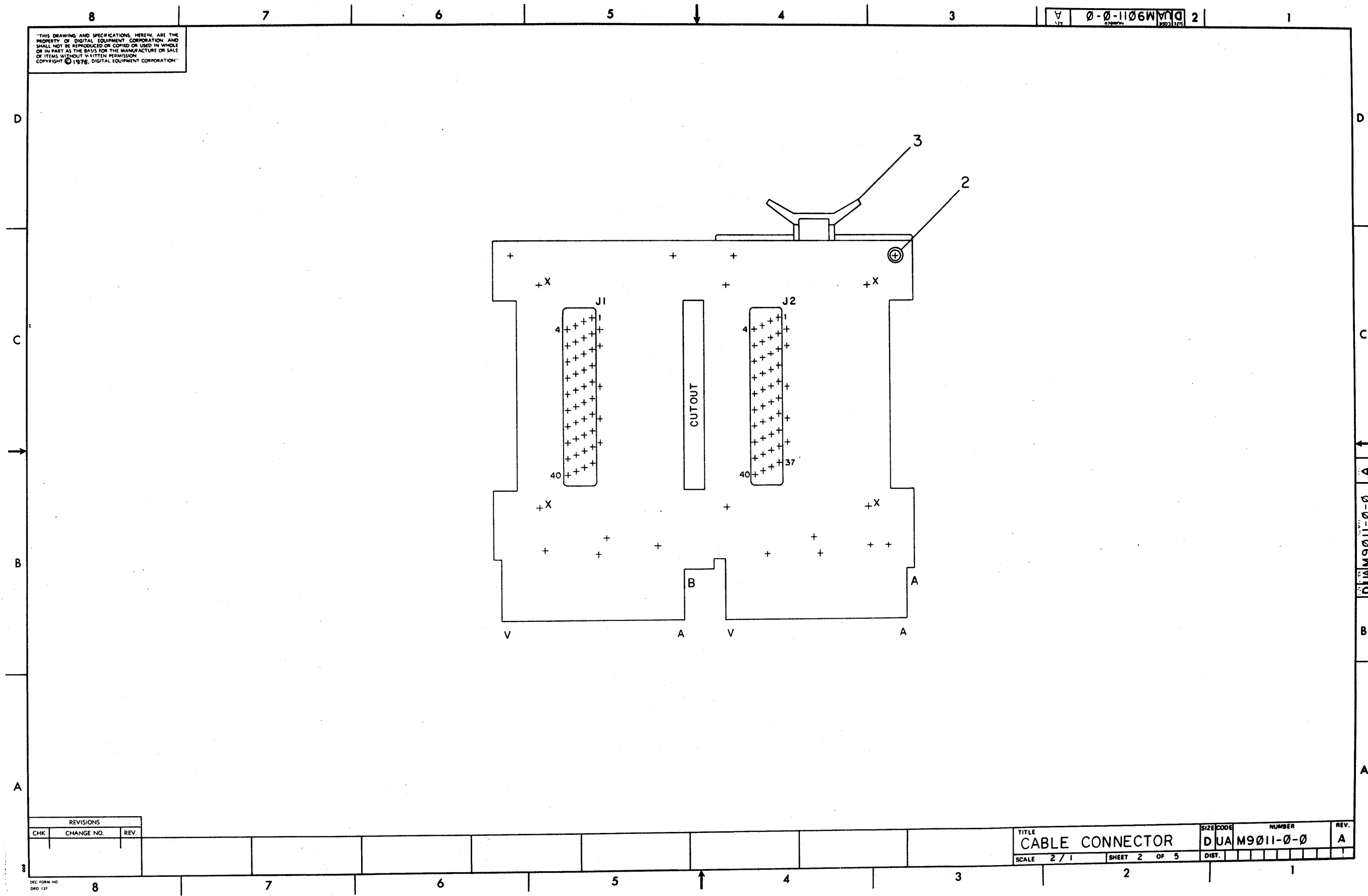
A B C D

A B C D

PRINTING 40-107 15968

"THIS DRAWING AND SPECIFICATIONS, HEREIN, ARE THE PROPERTY OF DIGITAL EQUIPMENT CORPORATION AND SHALL NOT BE REPRODUCED OR COPIED OR USED IN WHOLE OR IN PART AS THE BASIS FOR THE MANUFACTURE OR SALE OF ITEMS WITHOUT WRITTEN PERMISSION. COPYRIGHT © 1975, DIGITAL EQUIPMENT CORPORATION"

0-0-1106WMD 2



REVISIONS		
CHK	CHANGE NO.	REV.

TITLE	SIZE CODE	NUMBER	REV.
CABLE CONNECTOR	DJAM9011-0-0	1	A
SCALE 2/1	SHEET 2 OF 5	DIST.	

DEC FORM NO. DRD 137

8

7

6

5

4

3

0-0-1175110 2

1

D

C

B

A

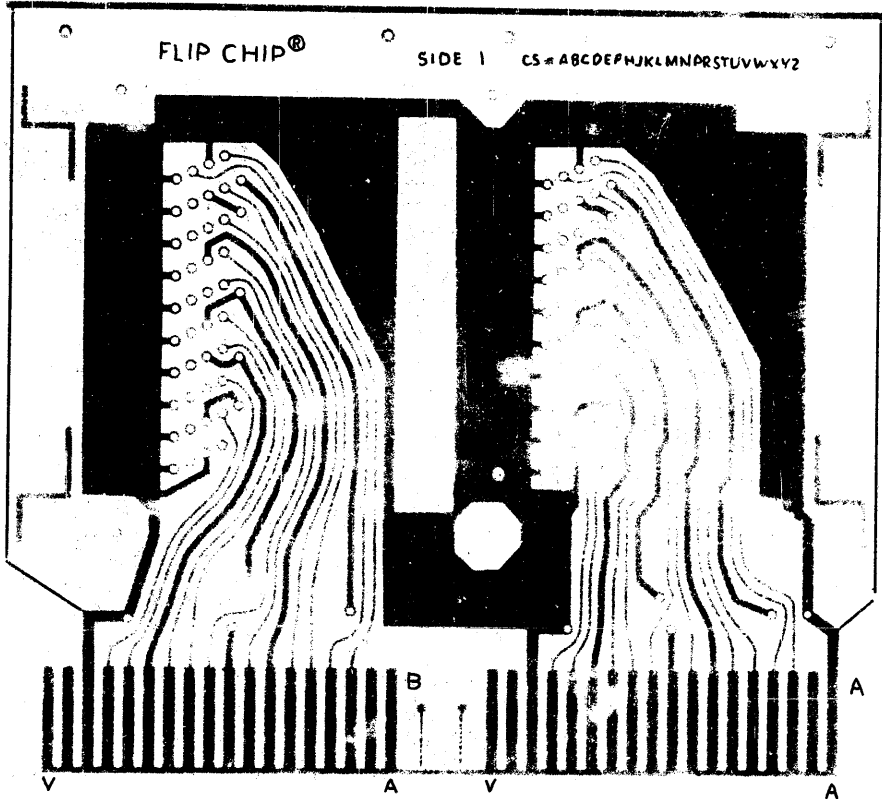
D

C

B

A

MS30073 5011457B M9011



D U A M 9 0 1 1 - 0 - 0

B

TITLE CABLE CONNECTOR

SIZE CODE DUA M9011-0-0

NUMBER

REV

SHEET 3 of 5

8

7

6

5

4

3

2

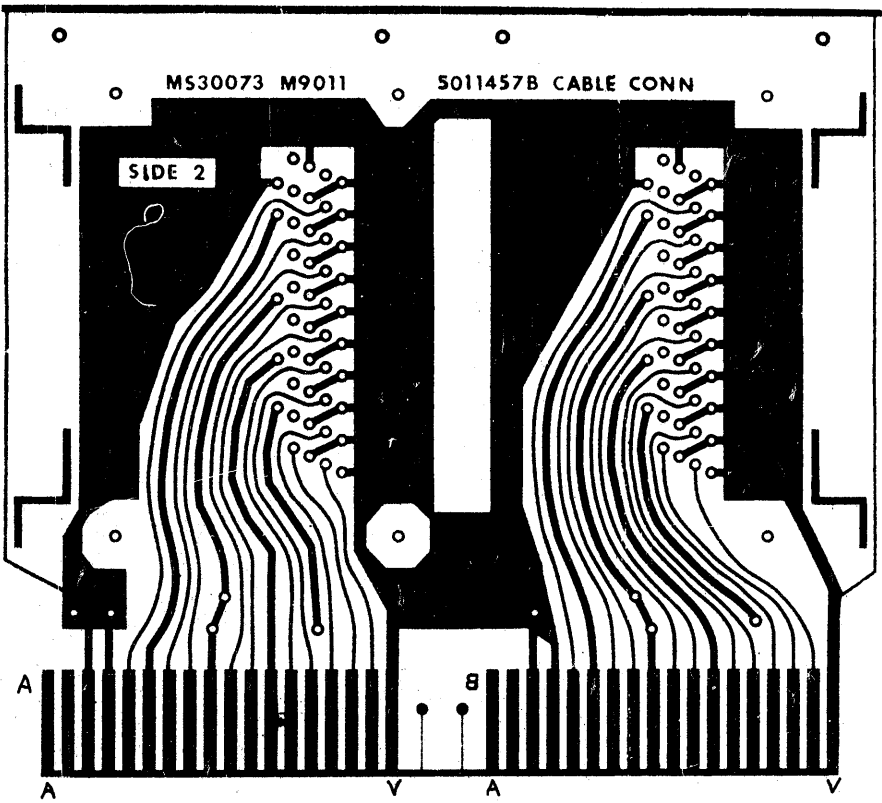
1

8 7 6 5 4 3 2 1

DUA M9011-0-0 2

D
C
B
A

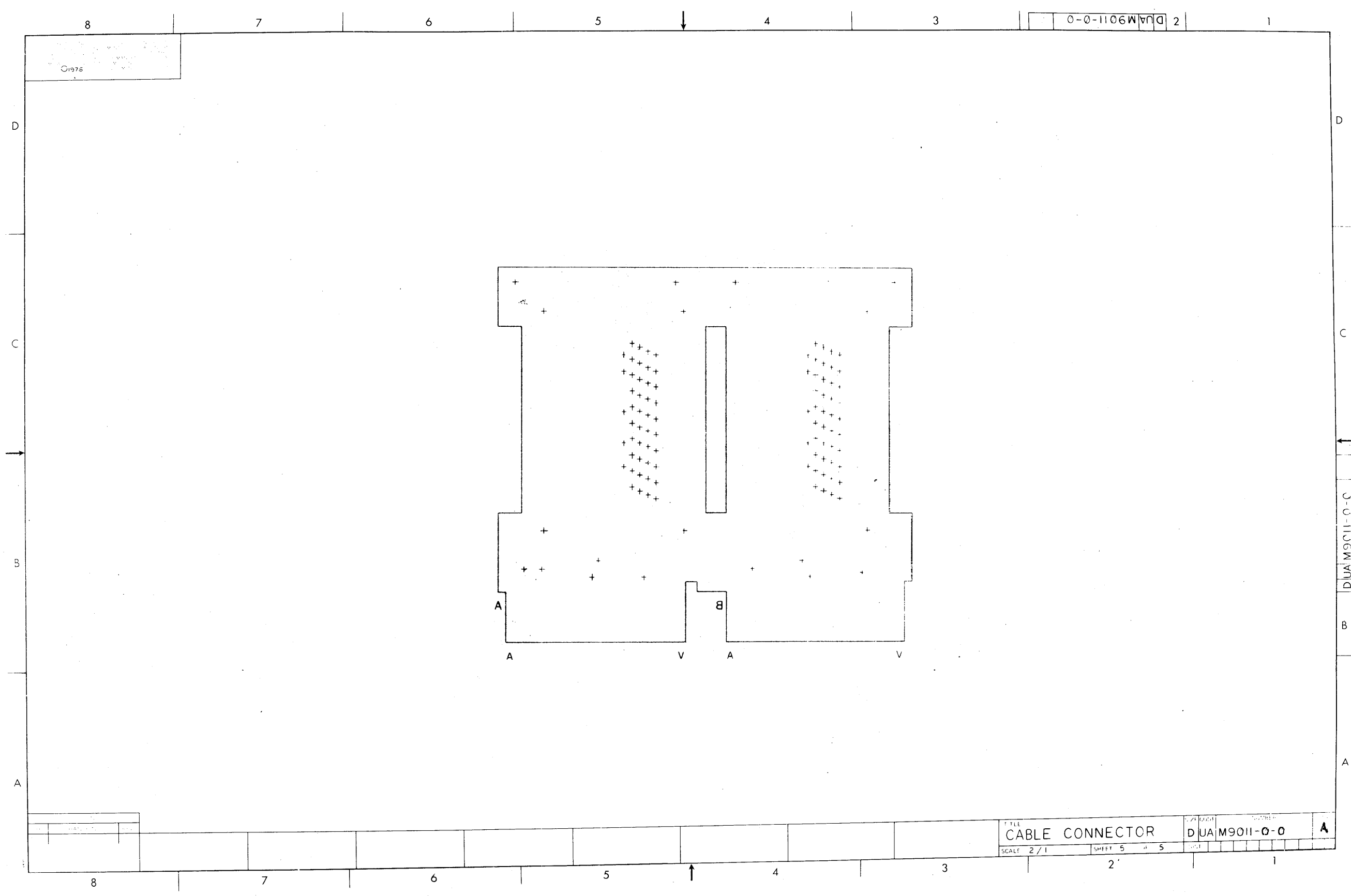
D
C
B
A



DUA M9011-0-0

TITLE	SYSA COMB	NUMBER	REV
CABLE CONNECTOR	DUA M9011-0-0		
	4 of 5		

8 7 6 5 4 3 2 1



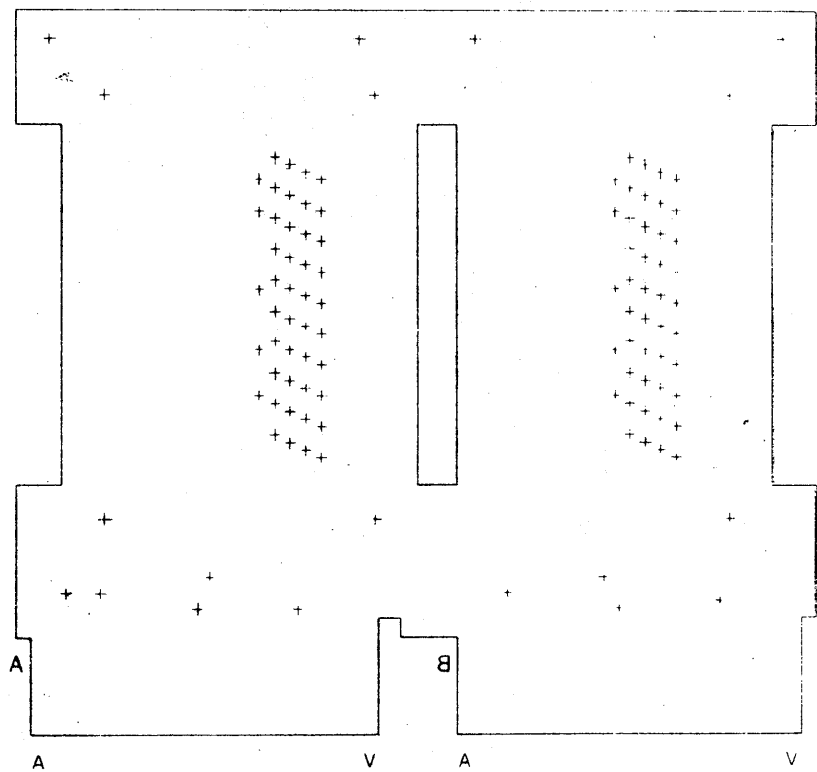
8 7 6 5 4 3 2 1

1975

DUA M9011-0-0 2

D
C
B
A

D
C
B
A



A V A V

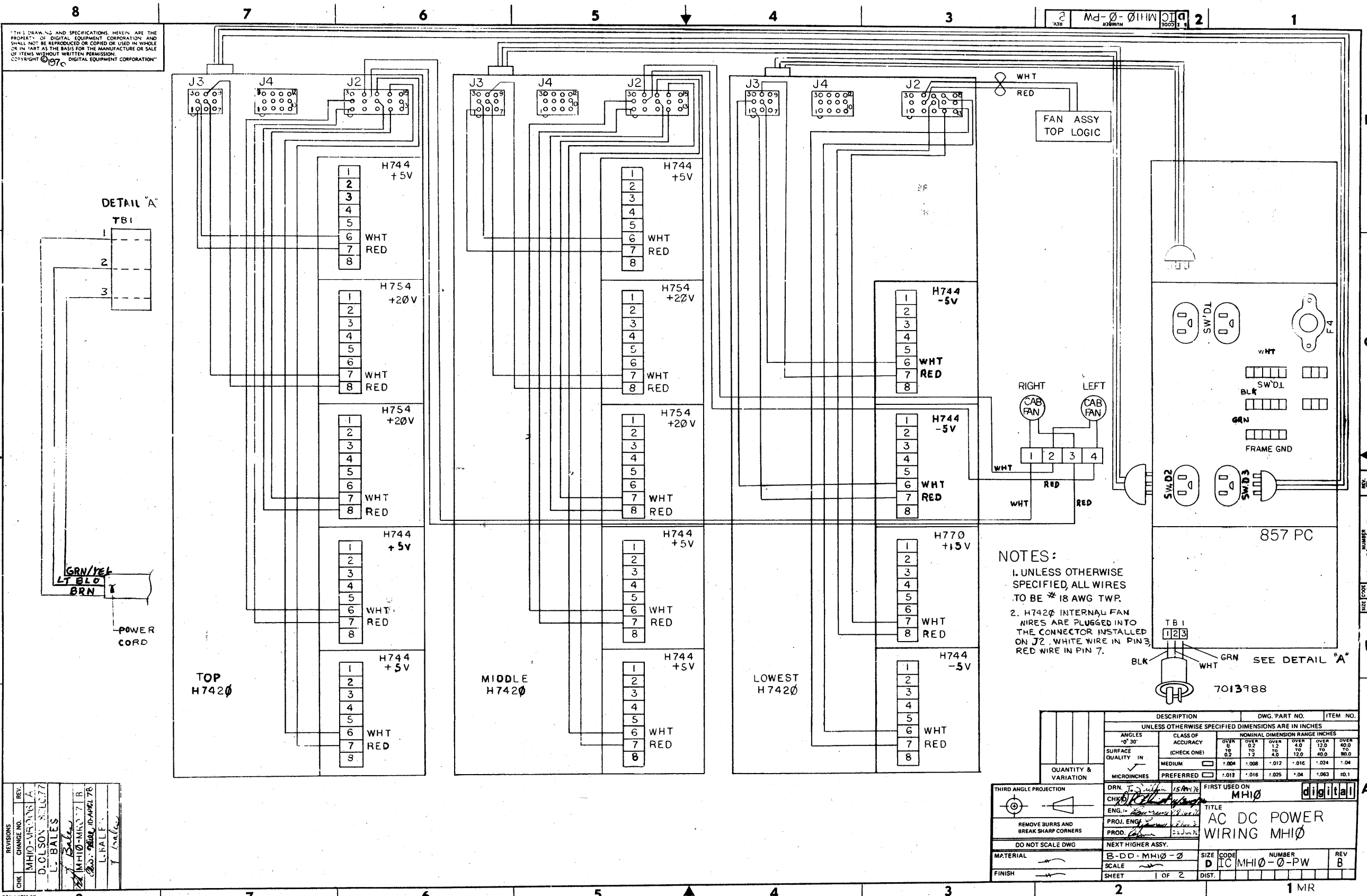
DUA M9011-0-0

8 7 6 5 4 3 2 1

TITLE
CABLE CONNECTOR
SCALE 2/1 SHEET 5 OF 5

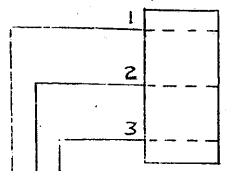
DUA M9011-0-0

A



THIS DRAWING AND SPECIFICATIONS HEREIN ARE THE PROPERTY OF DIGITAL EQUIPMENT CORPORATION AND SHALL NOT BE REPRODUCED OR COPIED OR USED IN WHOLE OR IN PART AS THE BASIS FOR THE MANUFACTURE OR SALE OF ITEMS WITHOUT WRITTEN PERMISSION. COPYRIGHT © 1976 DIGITAL EQUIPMENT CORPORATION.

DETAIL 'A'



GRN/YEL
LT BLO
BRN

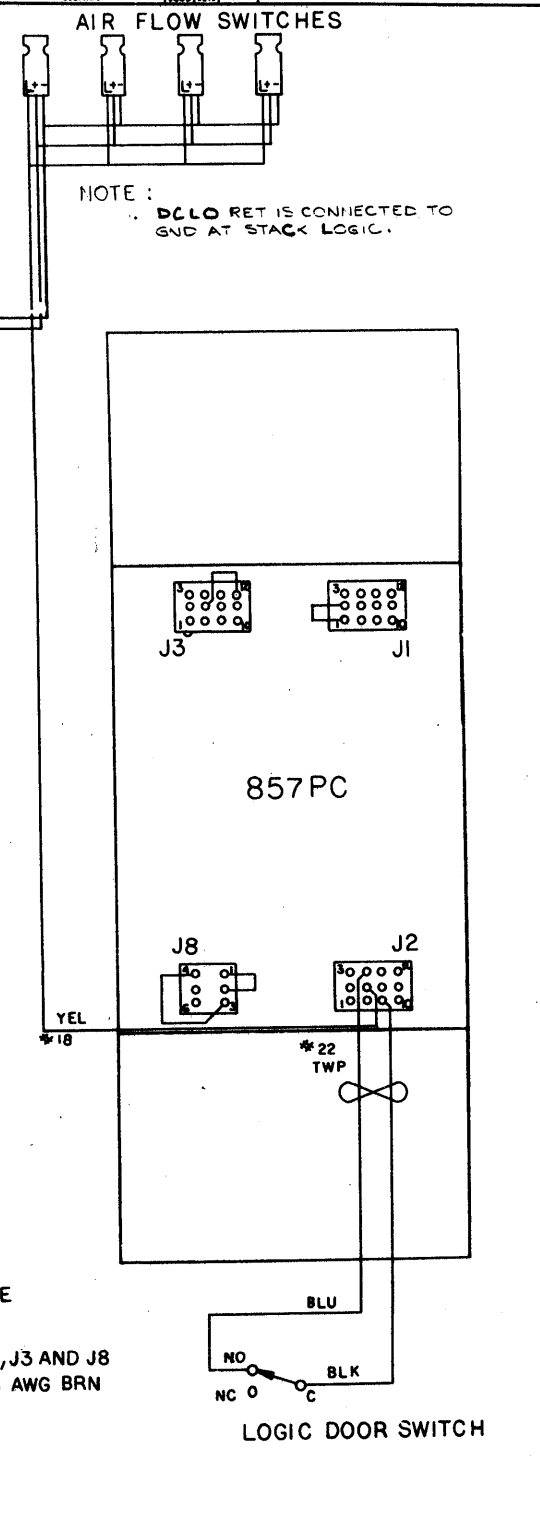
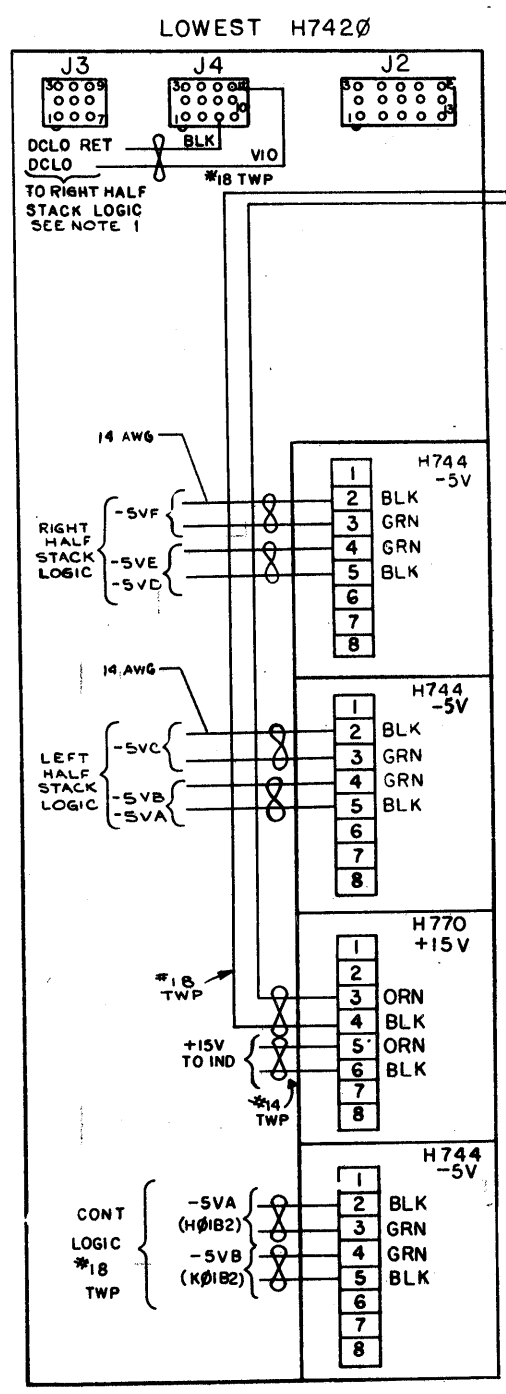
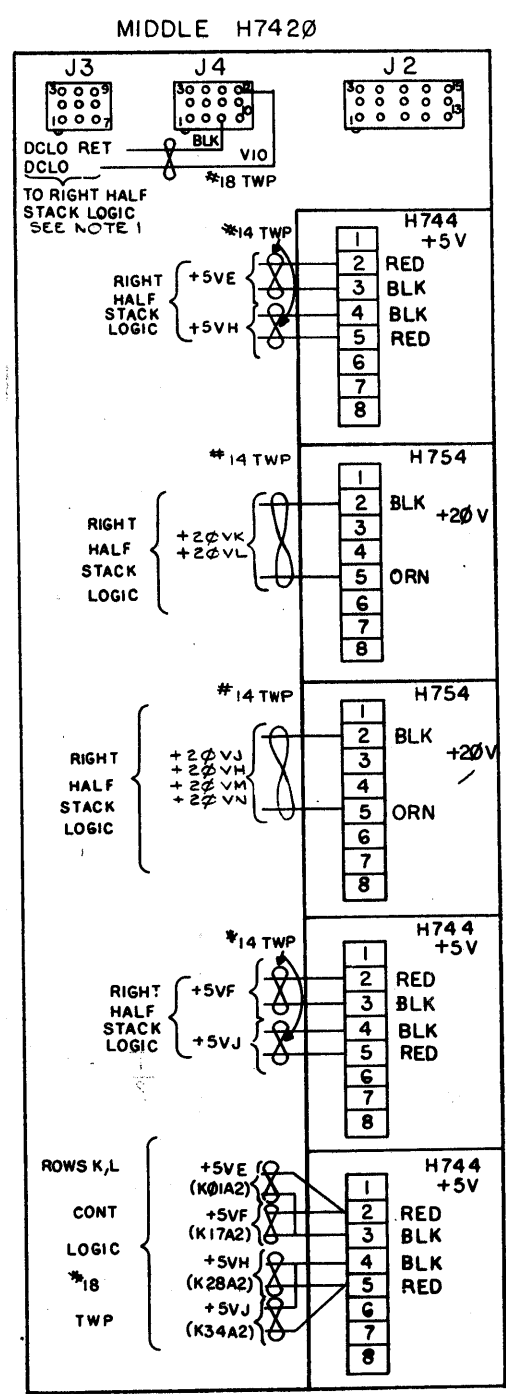
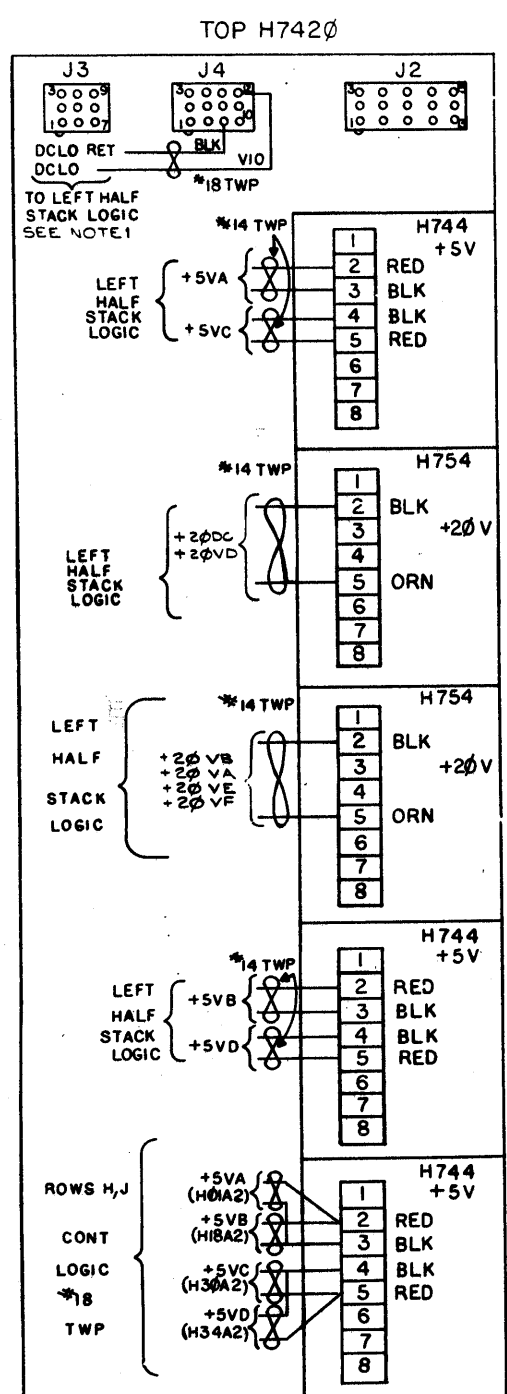
POWER CORD

- NOTES:
- UNLESS OTHERWISE SPECIFIED, ALL WIRES TO BE *18 AWG TWP.
 - H7420 INTERNAL FAN WIRES ARE PLUGGED INTO THE CONNECTOR INSTALLED ON J2. WHITE WIRE IN PIN 3, RED WIRE IN PIN 7.

REV.	CHG	NO.	DATE	BY	CHK
1					
2					
3					
4					
5					
6					
7					
8					

QUANTITY & VARIATION	DESCRIPTION	DWG. PART NO.	ITEM NO.
	UNLESS OTHERWISE SPECIFIED DIMENSIONS ARE IN INCHES		
	ANGLES +0° 30'	CLASS OF ACCURACY	NOMINAL DIMENSION RANGE INCHES
	SURFACE QUALITY	(CHECK ONE)	OVER 4.0 TO 12.0 OVER 12.0 TO 40.0 OVER 40.0 TO 80.0
	IN	MEDIUM	±.004 ±.008 ±.012 ±.016 ±.024 ±.04
	MICROINCHES	PREFERRED	±.012 ±.016 ±.025 ±.04 ±.063 ±.1
THIRD ANGLE PROJECTION	DRN. J. Wilson 12/5/76	FIRST USED ON	MHI0
REMOVE BURRS AND BREAK SHARP CORNERS	PROJ. ENG. J. Wilson	TITLE	AC DC POWER WIRING MHI0
DO NOT SCALE DWG	PROD. J. Wilson	SIZE	D
MATERIAL	B-DD-MHI0-0	SCALE	1 MR
FINISH	SHEET 1 OF 2	DIST.	

THIS DRAWING AND SPECIFICATIONS HEREIN ARE THE PROPERTY OF DIGITAL EQUIPMENT CORPORATION AND SHALL NOT BE REPRODUCED OR COPIED OR USED IN WHOLE OR IN PART AS THE BASIS FOR THE MANUFACTURE OR SALE OF ITEMS WITHOUT WRITTEN PERMISSION. COPYRIGHT © 1976 DIGITAL EQUIPMENT CORPORATION.



WIRING SIDE

REF: JUMPER ON J1, J3 AND J8 (857) TO BE 18 AWG BRN

REVISIONS		
CHK	CHANGE NO	REV


This drawing and specifications, herein, are the property of Digital Equipment Corporation and shall not be reproduced or copied or used in whole or in part as the basis for the manufacture or sale of items without written permission. COPYRIGHT © 1976

DIGITAL EQUIPMENT CORPORATION

MH1ØPL.NCA
 MH1ØNG.NCA
 MHTANC.B1
 MHTATP.B1
 MHTATP.B2
 MHTATP.B12

NOTE:

1. LIST OF PAPER TAPE FILES USED

FIRST USED ON OPTION MODEL	QTY.	DESCRIPTION	PART NO.	ITEM NO.	
MH1Ø		PARTS LIST			
DRN.		DATE	 digital EQUIPMENT CORPORATION MAYNARD, MASSACHUSETTS		
CHK'D.		DATE			
ENG.		DATE			
PROJ. ENG.		DATE			
PROD.		DATE			
NEXT HIGHER ASSEMBLY					TITLE
D-AD-7012667-0-0			WIRED ASSY (CONTROL)		
SCALE	H	SIZE	CODE	NUMBER	REV.
SHEET	1	K	WL	MH1Ø-Ø-CONT	A
	1	OF	1	DIST.	

4

3

2

1

This drawing and specifications, herein, are the property of Digital Equipment Corporation and shall not be reproduced or copied or used in whole or in part as the basis for the manufacture or sale of items without written permission. COPYRIGHT © 1976

DIGITAL EQUIPMENT CORPORATION

MHSTK.NCA
MHSTK.TPA

NOTE:

- 1. LIST OF PAPER TAPE FILES USED

FIRST USED ON OPTION MODEL	QTY.	DESCRIPTION	PART NO.	ITEM NO.
MH1Ø		PARTS LIST		
DRN.		DATE	digital EQUIPMENT CORPORATION MAYNARD, MASSACHUSETTS TITLE WIRED ASSY (STACK)	
CHK'D.		DATE		
ENG.		DATE		
PROJ. ENG.		DATE		
PROD.		DATE		
NEXT HIGHER ASSEMBLY				
E-AD-7012693-C -C		SIZE CODE	NUMBER	REV.
SCALE <i>H</i>		K WL	MH1Ø-Ø-STK	A
SHEET 1 OF 1		DIST.		

REVISIONS	REV.	
	CHANGE NO.	
	CHK	

4

3

2

1

THIS DRAWING AND SPECIFICATIONS HEREIN ARE THE PROPERTY OF DIGITAL EQUIPMENT CORPORATION AND SHALL NOT BE REPRODUCED OR COPIED OR USED IN WHOLE OR IN PART AS THE BASIS FOR THE MANUFACTURE OR SALE OF ITEMS WITHOUT WRITTEN PERMISSION
 COPYRIGHT © 1975 DIGITAL EQUIPMENT CORPORATION

NOTES:

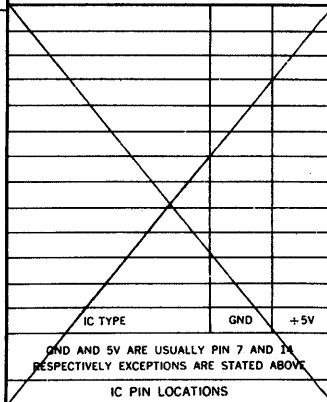
- FOR DRAWING DIRECTORY, REFER TO: B-DD-5412246-0
- CONN BLOCKS J1 THRU J4 ARE TO BE MOUNTED .25 ± .02 OFF ETCH SIDE (SIDE 2) OF ETCH BOARD ITEM NO. 1
- SWITCHES ARE NOT TRI COMPATABLE
- USE MOUNTING HARDWARE SUPPLIED WITH S1 THRU S37
- INSTALL S37 SO THAT THE MOMENTARY POSITION IS DOWN

DATE CODE DUA 5412246-0-0
 NUMBER 5412246-0-0
 REV. 0

QTY	REF. DESIGNATION	DESCRIPTION	PART NO.	ITEM NO.
1		ETCHED CIRCUIT BOARD	5008546	1
20	S1 THRU S7, S18 THRU S22, S25 THRU S32	TOGGLE SWITCH, DPDT	1209592	2
5	S8, S9, S23, S24, S33 THRU S36	TOGGLE SWITCH, SPDT	1209590	3
8	S10 THRU S17	TOGGLE SWITCH, DPDT	1209593	4
1	S37	TOGGLE SWITCH, SPDT	1209591	5
4	J1 THRU J4	CONN BLOCK, 36 PIN	B-1A-7407466-0-0	6
4	C1 THRU C4	CAP., 10uf, 100V DISC	1001610-01	7
1		SWITCH PLATE NO. 1	C-1A-7412840-0-0	8
1		SWITCH PLATE NO. 2	C-1A-7412841-0-0	9
1		SWITCH PLATE NO. 3	C-1A-7416534-0-0	10
1		SWITCH PLATE NO. 4	C-1A-7412843-0-0	11
37		WASHER, NYLON, .250 X .375 X .03	9006712	12
1		LABEL, SELF-STICK, ADH BACK	9009255	13

D
C
B
A

D
C
B
A



FIRST USED ON OPTION MODEL: MH10

ETCH BOARD-REV

DRN. DATE	DATE	
ENGR. DATE	DATE	
PROJ. ENR. DATE	DATE	
PROD. DATE	DATE	
NEXT HIGHER ASSY	DATE	

TITLE: SWITCH PLATE ASSY

D-UA-MH10-0-0

SCALE: NONE

SEMICONDUCTOR CONVERSION CHART

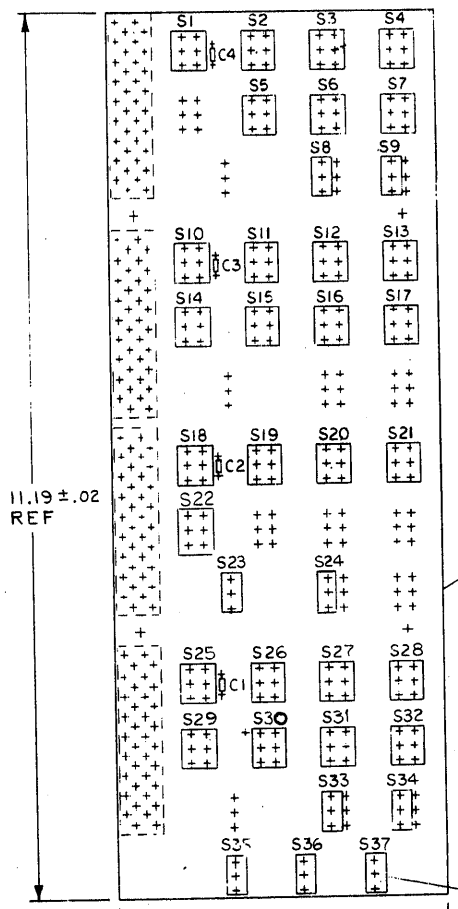
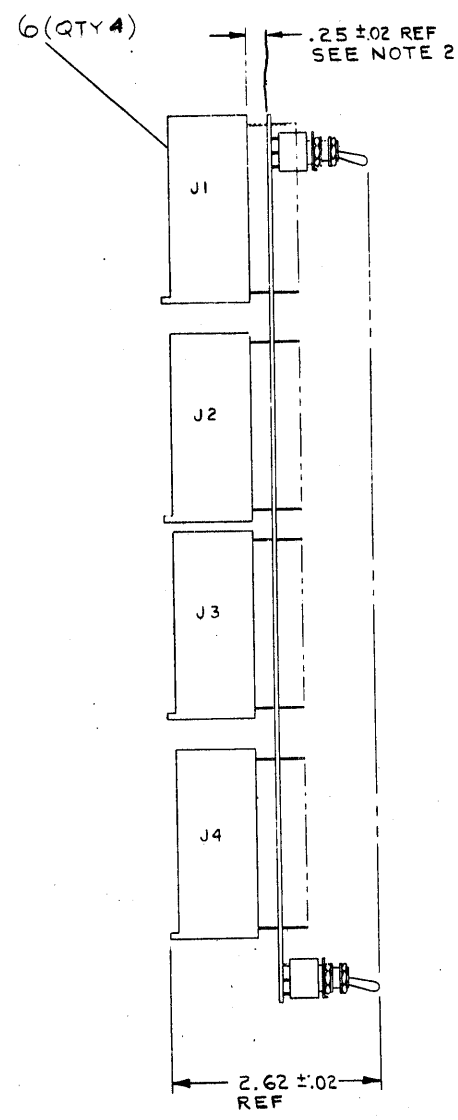
SHEET 1 OF 5

DATE CODE: DUA 5412246-0-0

NUMBER: 5412246-0-0

REV. 0

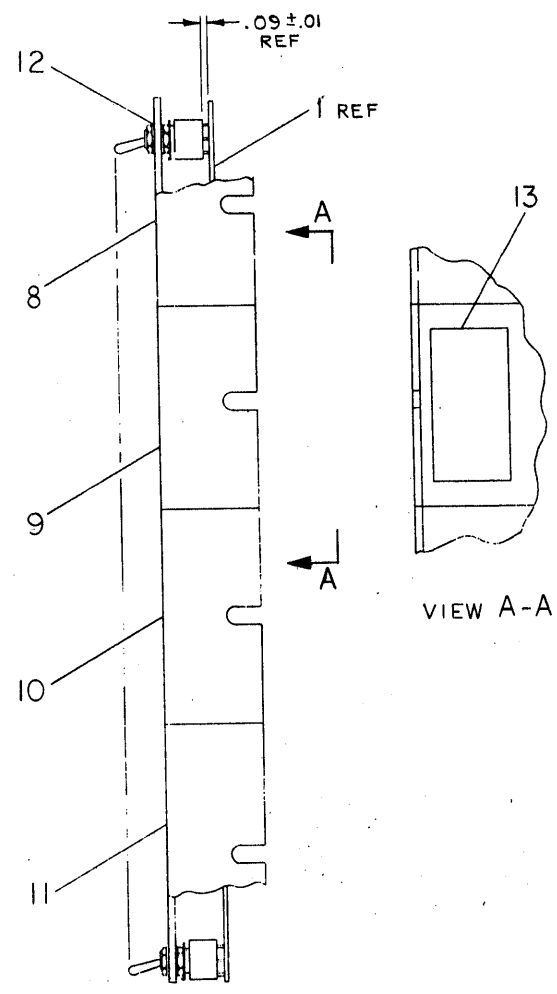
THE DRAWING AND SPECIFICATIONS HEREIN ARE THE PROPERTY OF DIGITAL EQUIPMENT CORPORATION, AND SHALL NOT BE REPRODUCED OR COPIED OR USED IN WHOLE OR IN PART AS THE BASIS FOR THE MANUFACTURE OF LIKE OR TEMPORARILY WITHOUT WRITTEN PERMISSION FROM DIGITAL EQUIPMENT CORPORATION.



(ITEMS 8,9,10 & 11 REMOVED FOR CLARITY)

SIDE 1

SEE NOTE 5



REVISIONS		
CHK	CHANGE NO	REV

TITLE	SIZE CODE	NUMBER	REV.
SWITCH PLATE ASSY	DJA	5412246-0-0	
SCALE 1/1	SHEET 2 OF 5	DIST.	

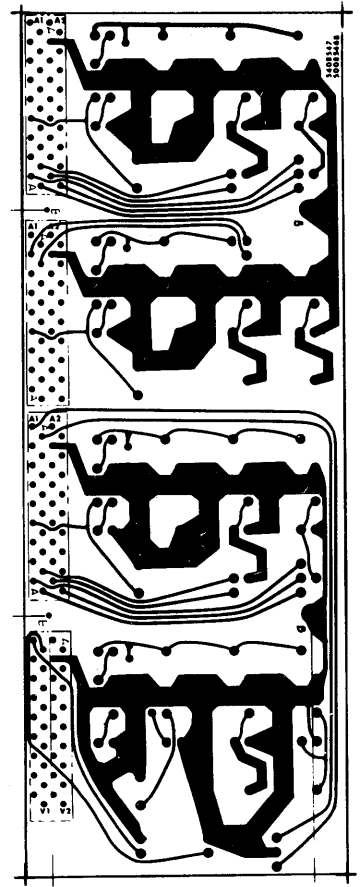
8 7 6 5 4 3 2 1

THIS DRAWING AND SPECIFICATION HEREBY ARE THE PROPERTY OF DIGITAL EQUIPMENT CORPORATION AND SHALL NOT BE REPRODUCED OR COPIED OR USED IN WHOLE OR IN PART AS THE BASIS FOR THE MANUFACTURE OF ANY OF THEIR EQUIPMENT WITHOUT PERMISSION OF DIGITAL EQUIPMENT CORPORATION.

DUA 5412246-0-0 2

D
C
B
A

D
C
B
A



SIDE 1

DUA 5412246-0-0

REVISIONS		
CHK	CHANGE NO	REV

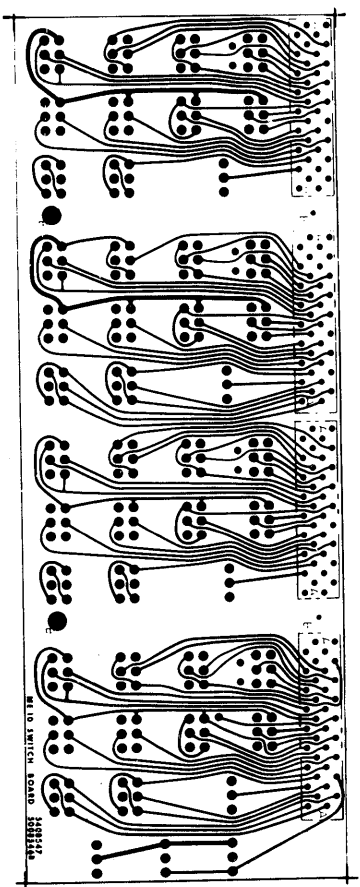
TITLE		SIZE CODE	NUMBER	REV
SWITCH PLATE ASSY		DUA	5412246-0-0	
SCALE	1 1	SHEET	3 OF 5	DIST

8 7 6 5 4 3 2 1

1. THIS DRAWING IS THE PROPERTY OF THE UNITED STATES GOVERNMENT AND IS LOANED TO YOUR ORGANIZATION. IT AND ITS CONTENTS ARE NOT TO BE DISTRIBUTED OUTSIDE YOUR ORGANIZATION.
 2. THIS DRAWING IS NOT TO BE REPRODUCED OR TRANSMITTED IN ANY FORM OR BY ANY MEANS, ELECTRONIC OR MECHANICAL, INCLUDING PHOTOCOPYING, RECORDING, OR BY ANY INFORMATION STORAGE AND RETRIEVAL SYSTEM.
 3. THIS DRAWING IS NOT TO BE USED IN ANY MANNER THAT MAY BE INJURIOUS TO THE INTERESTS OF THE UNITED STATES GOVERNMENT.
 4. THIS DRAWING IS NOT TO BE USED IN ANY MANNER THAT MAY BE INJURIOUS TO THE INTERESTS OF THE UNITED STATES GOVERNMENT.
 5. THIS DRAWING IS NOT TO BE USED IN ANY MANNER THAT MAY BE INJURIOUS TO THE INTERESTS OF THE UNITED STATES GOVERNMENT.
 6. THIS DRAWING IS NOT TO BE USED IN ANY MANNER THAT MAY BE INJURIOUS TO THE INTERESTS OF THE UNITED STATES GOVERNMENT.
 7. THIS DRAWING IS NOT TO BE USED IN ANY MANNER THAT MAY BE INJURIOUS TO THE INTERESTS OF THE UNITED STATES GOVERNMENT.
 8. THIS DRAWING IS NOT TO BE USED IN ANY MANNER THAT MAY BE INJURIOUS TO THE INTERESTS OF THE UNITED STATES GOVERNMENT.

D
C
B
A

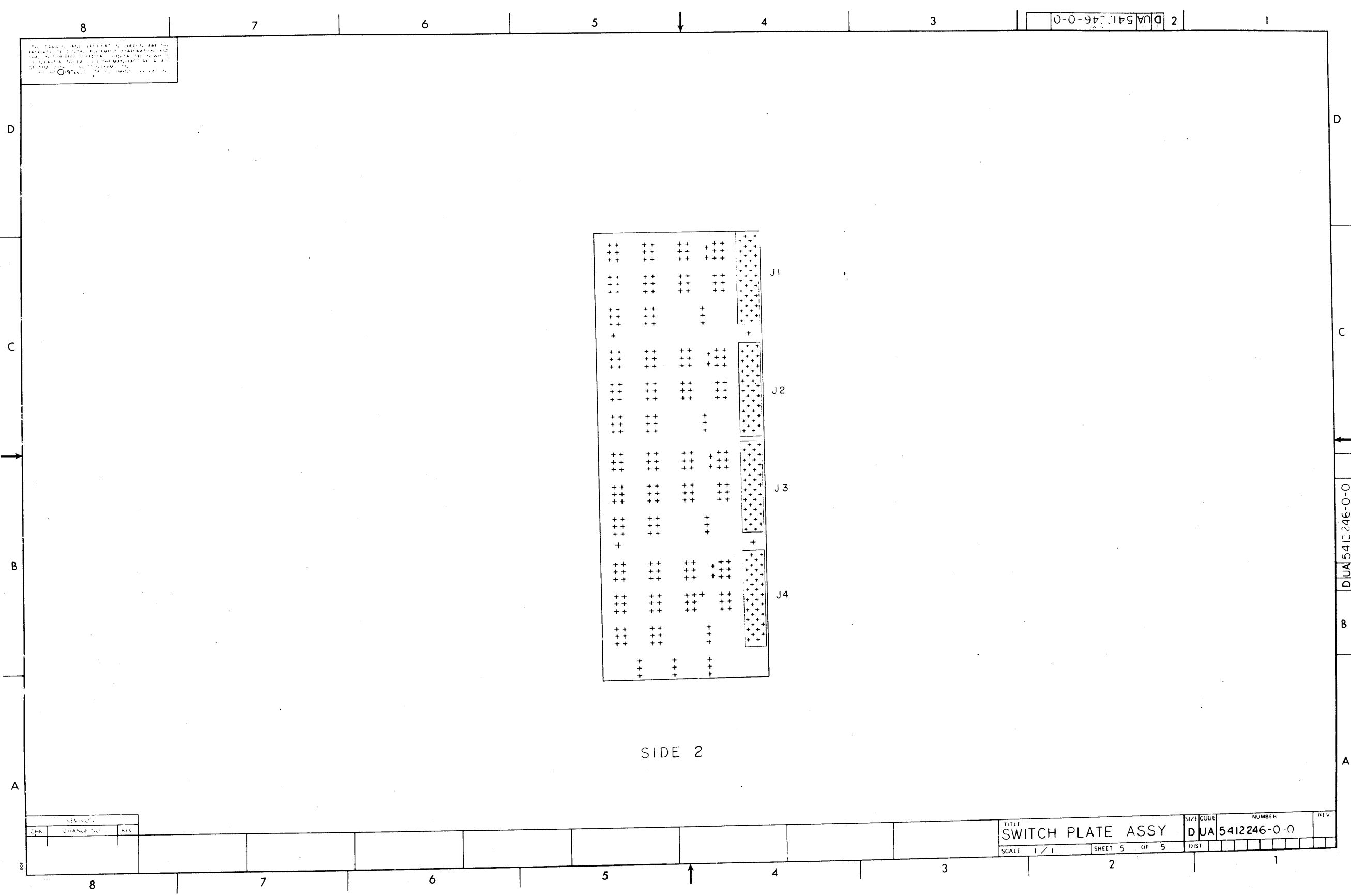
D
C
B
A



SIDE 2

CHK.	CHANGE NO.	REV.

TITLE	SWITCH PLATE ASSY	DUA 5412246-0-0	SCALE	1/1	SHEET	4	OF	5
-------	-------------------	-----------------	-------	-----	-------	---	----	---



THIS DRAWING AND SPECIFICATIONS ARE THE PROPERTY OF THE UNITED STATES GOVERNMENT AND ARE NOT TO BE REPRODUCED OR TRANSMITTED IN ANY FORM OR BY ANY MEANS, ELECTRONIC OR MECHANICAL, INCLUDING PHOTOCOPYING, RECORDING, OR BY ANY INFORMATION STORAGE AND RETRIEVAL SYSTEM.

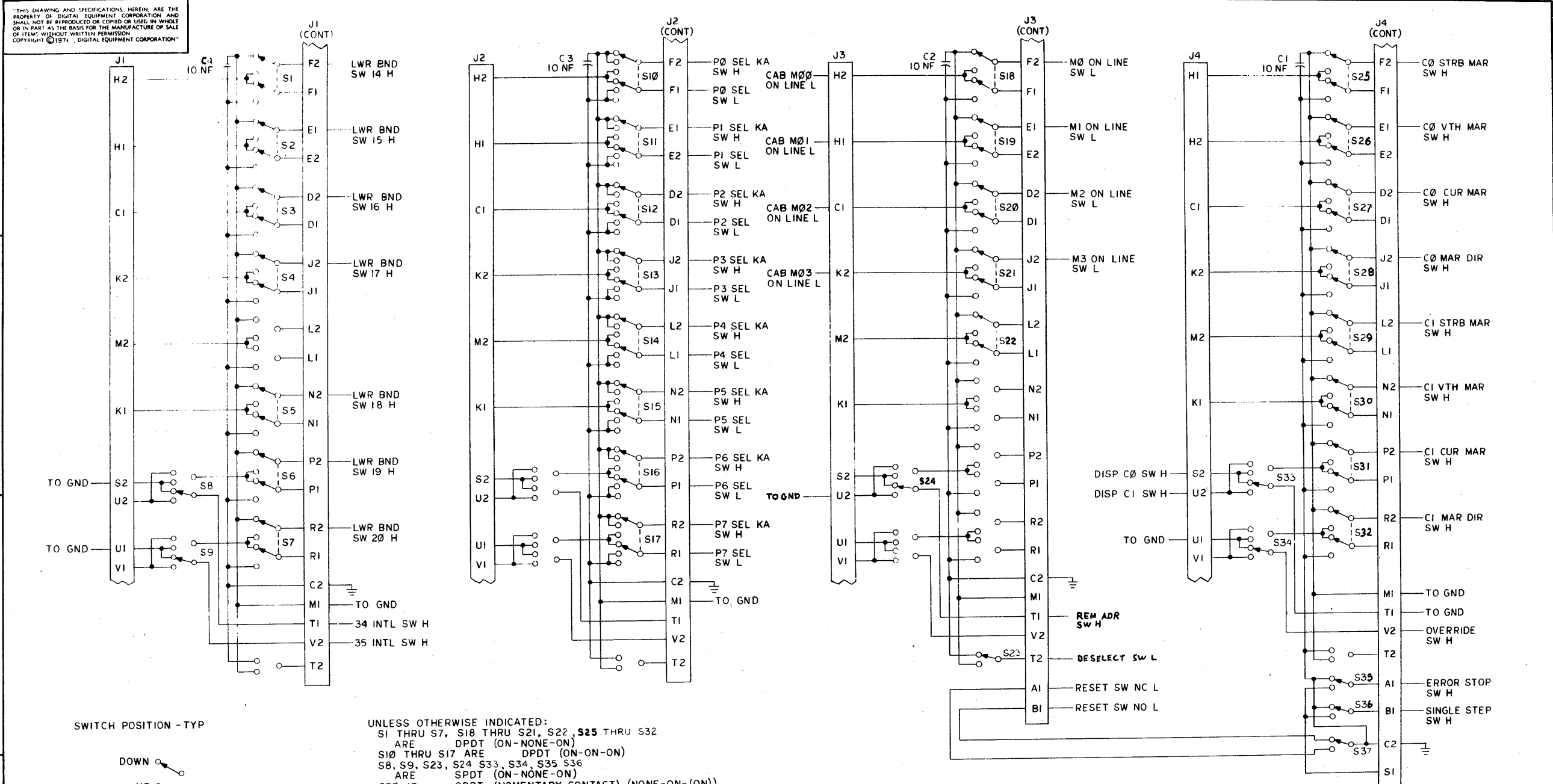
DUA 5412246-0-0 2

DUA 5412246-0-0

REV		
CHR	CHANGE	REV

TITLE		SIZE	CODE	NUMBER	REV
SWITCH PLATE ASSY		DUA	5412246-0-0		
SCALE	1 / 1	SHEET	5	OF	5
DIST					

SIDE 2



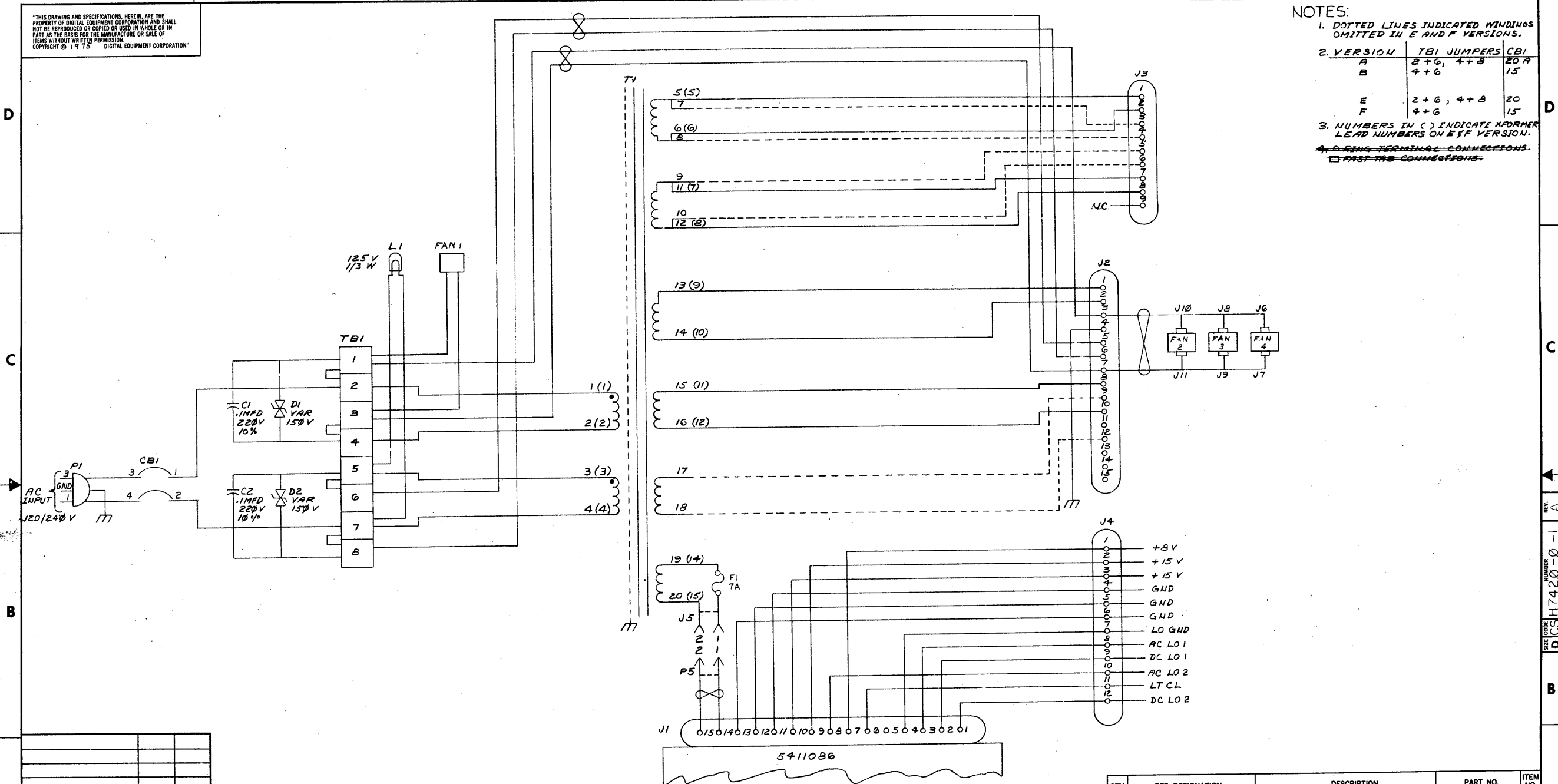
REVISIONS	REV.
CHANGE NO.	
CHK	

FIRST USED ON OPTION/MODEL		QTY.	DESCRIPTION	PART NO.	ITEM NO.
MHIØ			PARTS LIST		
DIMENSIONAL TOLERANCE		DRN.	DATE	digital	
DIMENSIONS ARE MILLIMETERS INCHES		CHKD.	DATE		
UNLESS OTHERWISE SPECIFIED		ENG.	DATE		
MILLIMETERS	INCHES	ANGLES	PROJ. ENG.	DATE	TITLE
.XXX = ± 0.10 XX = ± 0.5 X = ± 2.	.XXX = ± .005 .XX = ± .02 .X = ± .1	± 0° 30'	DATE	DATE	MHIØ SWITCH BOARD
THIRD ANGLE PROJECTION	REMOVE BURRS AND BREAK SHARP CORNERS SURFACE QUALITY	NEXT HIGHER ASSY.	PROD.	DATE	SIZE CODE
	MATERIAL	D-UA-5412246-0-0	M. P. ...	5-17-76	NUMBER
	FINISH				D CS 5412246-0-1
			SCALE	SHEET 1 OF 1	DIST.
					REV.
					*

"THIS DRAWING AND SPECIFICATIONS, HEREIN, ARE THE PROPERTY OF DIGITAL EQUIPMENT CORPORATION AND SHALL NOT BE REPRODUCED OR COPIED OR USED IN WHOLE OR IN PART AS THE BASIS FOR THE MANUFACTURE OR SALE OF ITEMS WITHOUT WRITTEN PERMISSION.
COPYRIGHT © 1975 DIGITAL EQUIPMENT CORPORATION"

REV. 1-17-75 H7420-0-1

NOTES:
 1. DOTTED LINES INDICATED WINDINGS OMITTED IN E AND F VERSIONS.
 2. VERSION | TBI JUMPERS | CBI
 A | 2+6, 4+8 | 20 A
 B | 4+6 | 15
 E | 2+6, 4+8 | 20
 F | 4+6 | 15
 3. NUMBERS IN () INDICATE XFORMER LEAD NUMBERS ON E/F VERSION.
 4. ~~0 RING TERMINAL CONNECTIONS.~~
~~FAST-TIE CONNECTIONS.~~



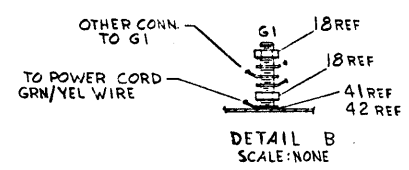
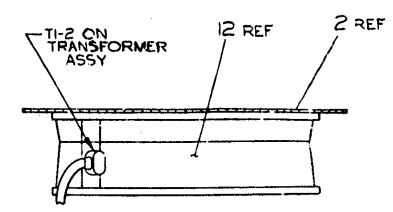
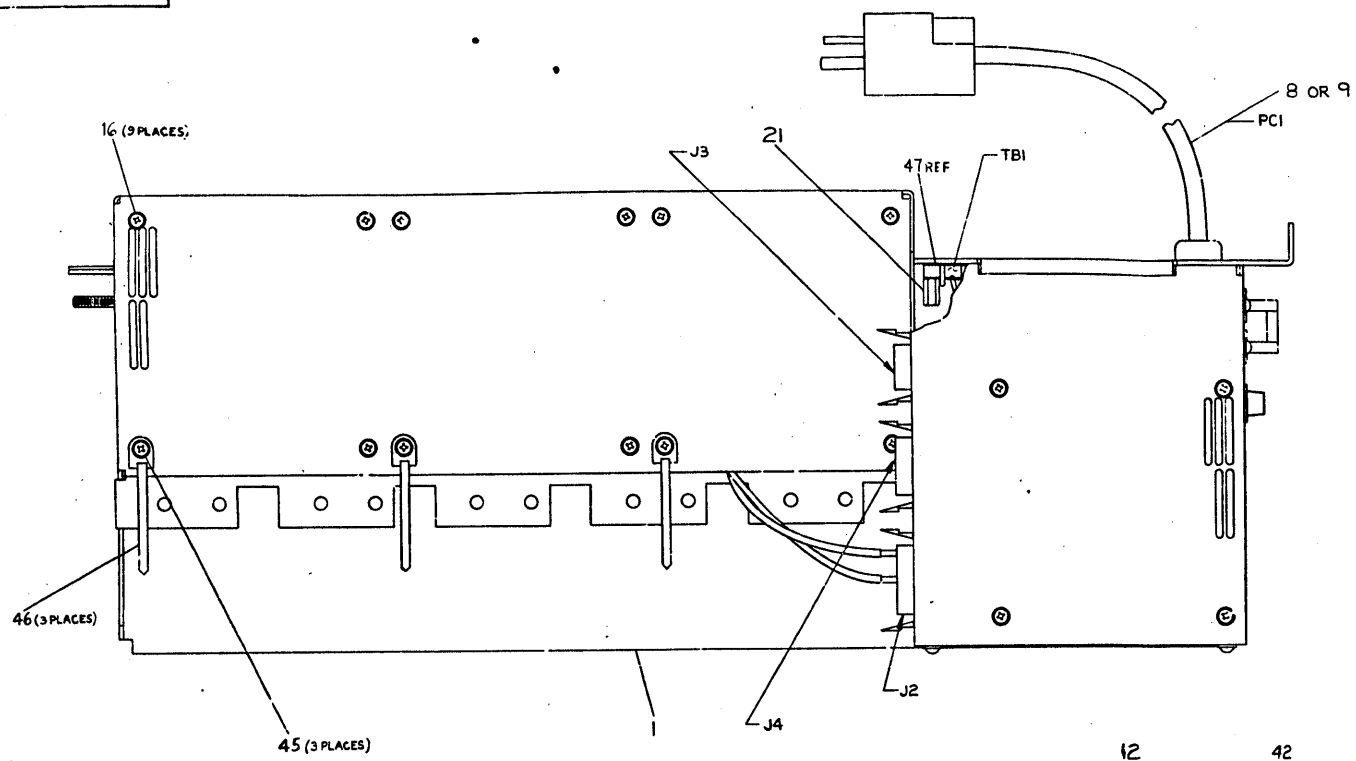
IC TYPE	GND	+5V
GND AND 5V ARE USUALLY PIN 7 AND 14 RESPECTIVELY EXCEPTIONS ARE STATED ABOVE		
IC PIN LOCATIONS		

FIRST USED ON OPTION MODEL				PARTS LIST			
QTY	REF. DESIGNATION	DESCRIPTION	PART NO.	ITEM NO.	QTY	REF. DESIGNATION	DESCRIPTION
	H7420						

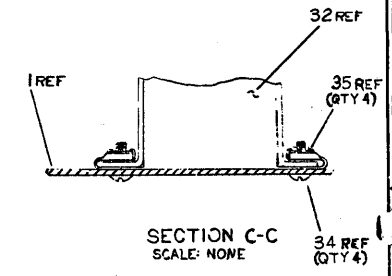
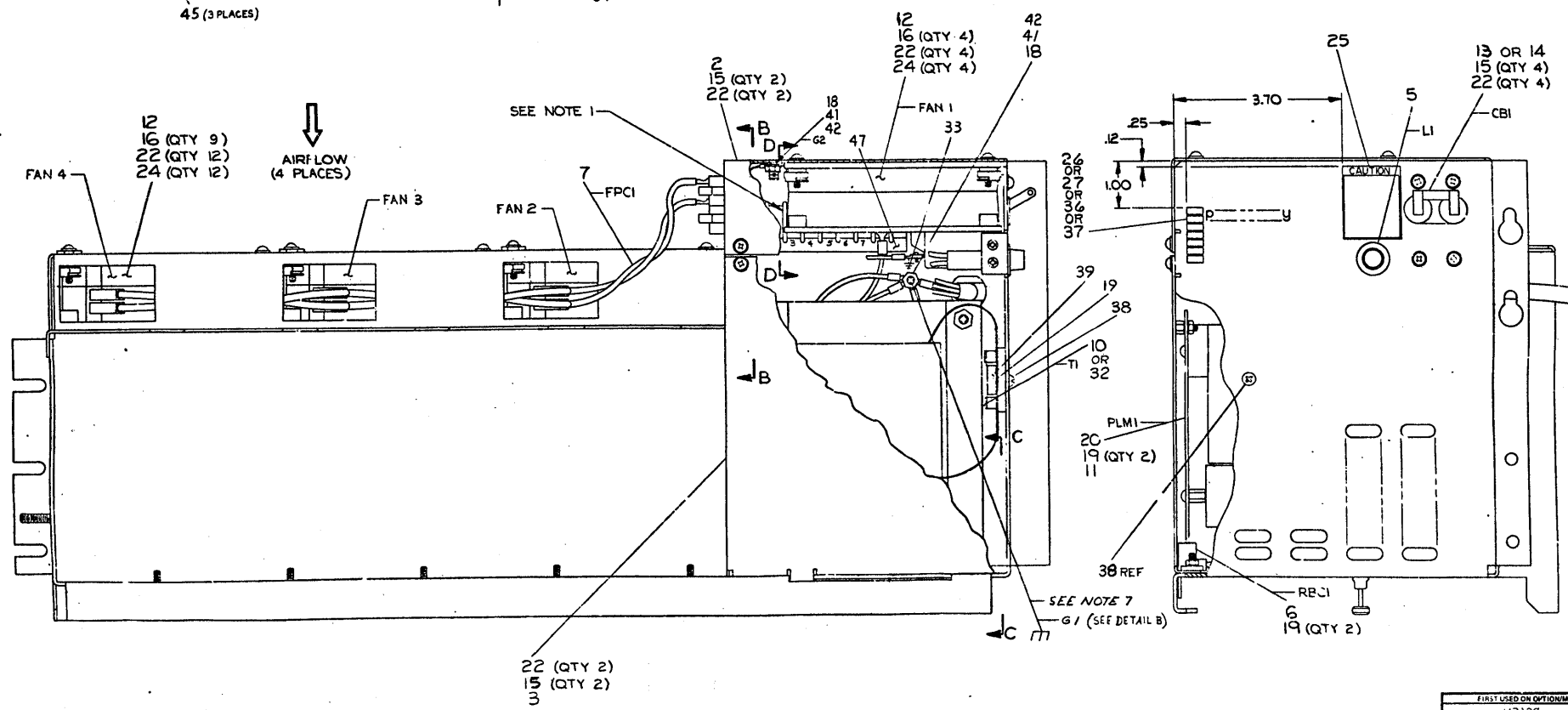
DRN. <i>M. Pierce</i>	DATE 1-17-75	
CHK'D. <i>Rappahanna</i>	DATE 2-21-75	
ENG. <i>Rappahanna</i>	DATE 2/17/75	
PRD. ENG. <i>Rappahanna</i>	DATE 2/2/75	
PRD. <i>Rappahanna</i>	DATE 2/3/75	
NEXT HIGHER ASSY		TITLE
		WIRING DIAGRAM
SCALE		SIZE CODE
SHEET 1 OF 1		NUMBER
SEMICONDUCTOR CONVERSION CHART		DIST.

REV. 1-17-75 H7420-0-1

THIS DRAWING AND ALL INFORMATION HEREON ARE THE PROPERTY OF DIGITAL EQUIPMENT CORPORATION AND ARE NOT TO BE REPRODUCED OR TRANSMITTED IN ANY FORM OR BY ANY MEANS, ELECTRONIC OR MECHANICAL, INCLUDING PHOTOCOPYING, RECORDING, OR BY ANY INFORMATION STORAGE AND RETRIEVAL SYSTEM. THE MANUFACTURE OF THIS DRAWING IS THE PROPERTY OF DIGITAL EQUIPMENT CORPORATION.



- NOTES:
1. AFTER TERMINAL BLOCK (PART OF TRANSFORMER ASSEMBLY) IS MOUNTED TO CHASSIS, CAPACITOR AND VARISTOR SHOULD BE BENT FORWARD TO ALLOW CLEARANCE FOR COVER.
 2. REV. D AND EARLIER TRANSFORMERS DO NOT HAVE THIS WIRE. REF ONLY.
 3. FILLER PANELS (D-1A-7413405-0-0) MAY BE USED IN UNFILLED REGULATOR SLOTS (REF).
 4. CABLE TIE MOUNTS TO BE MOUNTED AFTER TRANSFORMER ASSEMBLY IS INSTALLED.
 5. H7420-A+B ONLY.
 6. H7420 E+F ONLY.
 7. REMOVE PAINT MASK, APPLY CONDUCTIVE GREASE ITEM 42. PLACE ITEM 41 B-32 EXT TOOTH WASHER NEXT TO CHASSIS BEFORE INSTALLING REMAINING HARDWARE. DO THIS AT G1 AND G2. MAKE SAFETY GROUND CONNECTIONS PER DETAIL B.



REV	DATE	BY	CHKD
1	7/7/72
2
3
4
5
6
7
8
9
10
11
12
13
14
15
16
17
18
19
20
21
22
23
24
25
26
27
28
29
30
31
32
33
34
35
36
37
38
39
40
41
42
43
44
45
46
47
48
49
50

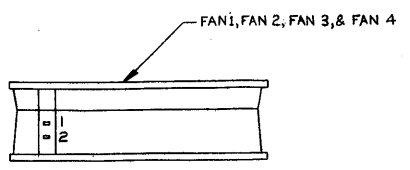
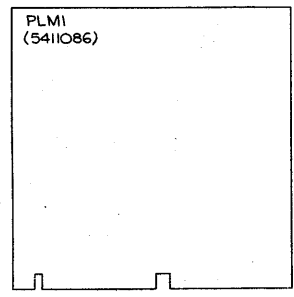
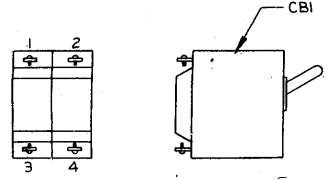
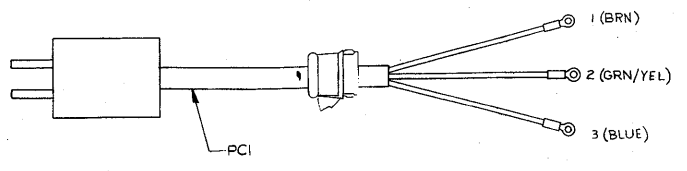
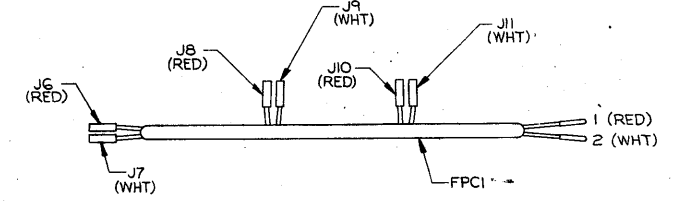
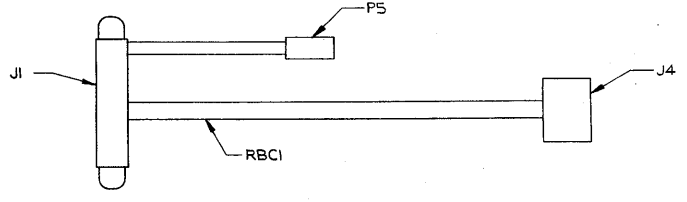
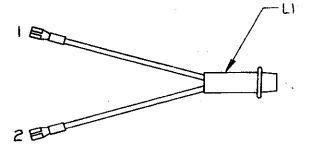
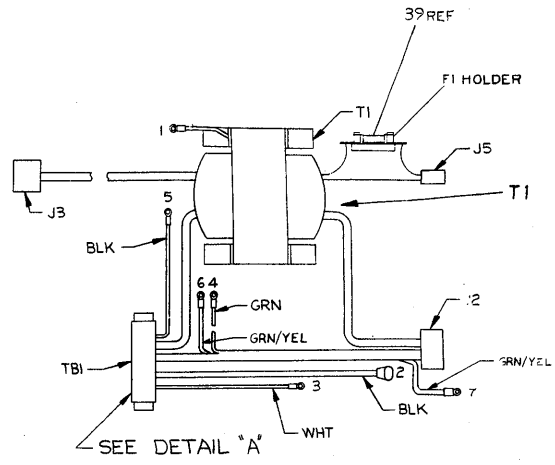
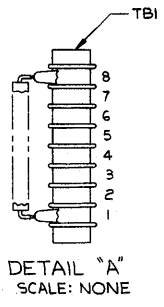
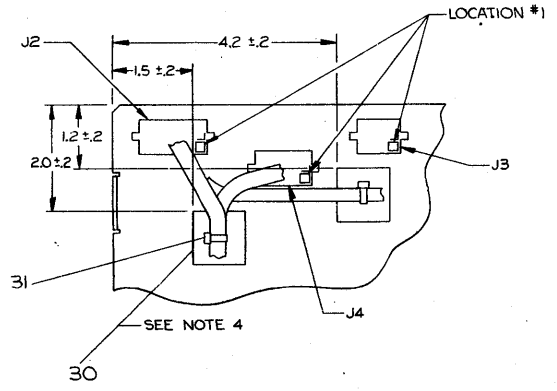
FIRST USED ON OPTION MODEL		QTY.	DESCRIPTION	PART NO.	ITEM NO.
H7420					
FOR PARTS LIST REFER TO A-P-H7420-J-0					
DIGITAL					
H7420 POWER SUPPLY					
EUA H7420-0-0					

THIS DRAWING AND SPECIFICATIONS HEREBY ARE THE PROPERTY OF THE UNITED STATES GOVERNMENT AND SHALL NOT BE REPRODUCED OR COPIED OR USED IN WHOLE OR IN PART AS THE BASIS FOR THE MANUFACTURE OF EQUIPMENT WITHOUT THE WRITTEN PERMISSION OF THE UNITED STATES GOVERNMENT.

DO NOT SCALE DRAWING

WIRE TABLE				
ITEM NO	DESCRIPTION	FROM	TO	REMARKS
10	14 GRN	T1-5	RBC1-PS	SEE NOTE 2&7
14	BLK	T1-2	FAN1-1 & 2	
14	WHT	T1-3	CBI-1	
14	GRN	T1-4	61	SEE NOTE 7
10	14 BLK	T1-5	CBI-2	
5	22 BLK	L1-1	TBI-5	
5	22 BLK	L1-2	TBI-7	
7	18 RED	FPC1-J6	FAN 4-1	
	WHT	FPC1-J7	FAN 4-2	
	RED	FPC1-J8	FAN 3-1	
	WHT	FPC1-J9	FAN 3-2	
	RED	FPC1-J10	FAN 2-1	
	WHT	FPC1-J11	FAN 2-2	
	RED	FPC1-1	J2-3	
7	18 WHT	FPC1-2	J2-7	
8/9	14 BRN	PCI-1	CBI-4	
8/9	14 GRN/YEL	PCI-2	61	SEE NOTE 7
8/9	14 BLU	PCI-3	CBI-3	
11	PLMI	RBC1-J1		
10	14 GRN/YEL	T1-6	G1	SEE NOTE 7
10	14 GRN/YEL	T1-7	G2	SEE NOTE 7

JUMPER TABLE					
ITEM NO	DESCRIPTION	FROM	TO	VARIATION	
29	14 BLK	TBI-2	TBI-6	H7420E #A	
29	14 BLK	TBI-4	TBI-6	H7420F #B	
29	14 BLK	TBI-4	TBI-6	H7420F #B	



REVISIONS		
CHR	CHANGE NO.	REV.

MAYNARD, MASSACHUSETTS

PARTS LIST

MADE BY R. THELLEN	CHECKED P. CAPPABIANCA	SECTION 1
DATE 1/17/75	DATE 2/3/75	
ENG R. WOLF	PROD J. BORENSTEIN	ISSUED SECT. 1
DATE 2/3/75	DATE 2/3/75	

ITEM NO.	DWG NO. / PART NO.	DESCRIPTION	H7420-A	H7420-B	H7420-H
1	E-IA-7010501-0-0	CHASSIS (H7420)	1	1	1
2	D-MD-7412459-0-0	COVER, CONTROL BOX	1	1	1
3	D-IA-7412461-0-0	BRKT, P.C. BOARD MTG.	1	1	1
4	C-IA-7413125-0-0	PLATE, ADAPTER (H7420)			
5	C-IA-7010730-0-0	POWER INDICATOR ASSEMBLY	1	1	1
6	D-IA-7010729-0-0	CABLE, REGULATOR BOARD	1	1	1
7	D-IA-7010728-0-0	CABLE, FAN POWER	1	1	1
8	C-IA-7010727-1-0	POWER CORD ASSY (120V)	1	-	-
9	C-IA-7010727-2-0	POWER CORD ASSY (240V)	-	1	-
10	C-IA-7010727-5-0	POWER CORD ASSY (120V)	-	-	1
11	D-CS-5411086-0-1	POWER LINE MONITOR	1	1	1
12	1209403-01	FAN	4	4	4
13	1210191-06	CIRCUIT BREAKER (20A)	1	-	-
14	1210191-03	CIRCUIT BREAKER (15A)	-	1	-
15	9006020-01	SCR, PHL PAN HAD #6-32 x .25	8	8	8
16	9006025-01	SCR, PHL PAN HD #6-32 x .62	13	13	13
17	9006563-00	NUT, KEP #10-32			
18	9006563-00	NUT, KEP #8-32	3	3	3
19	9008185-00	NUT, KEP #6-32	5	5	5
20	9006840-00	SPACER, #6-32 x .19	2	2	2
21	9006851-00	SPACER, #6-32 x .50	2	2	2
22	9006633-00	WASHER, INT. TOOTH LOCK #6	24	24	24

TITLE	ASSY NO.	SIZE CODE	NUMBER	REV.	ECO NO.
POWER SUPPLY H7420	E-UA-H7420-0-0	A PL	H7420-0-0	H	H7420-00007
	SHEET 1 OF 3	DIST.			

DEC FORM DEC 16 (325) 1031-N870
DRA 110DIGITAL EQUIPMENT CORPORATION
MAYNARD, MASSACHUSETTS
PARTS LIST

MADE BY R. THELLEN	CHECKED P. CAPPABIANCA	SECTION 1
DATE 1/17/75	DATE 2/3/75	
ENG R. WOLF	PROD J. BORENSTEIN	ISSUED SECT. 1
DATE 2/3/75	DATE 2/3/75	

ITEM NO.	DWG NO. / PART NO.	DESCRIPTION	H7420-A	H7420-B	H7420-H
23	9008509-00	RELIEF, STRAIN	1	1	
24	9009165-00	CLIP, FAN MOUNTING	16	16	16
25	A-DC-7413184-0-0	POWER SUPPLY DECAL (H7420)	1	1	1
26	7420763-0-0	POWER SUPPLY DECAL (H7420H)	-	-	1
27	A-DC-7413185-0-0	POWER SUPPLY DECAL (H7420F)			
28	9007969-00	TERMINAL, QUICK CONNECT	4	4	
29	7014353	JUMPER	2	1	2
30	9008264-00	MOUNT, CABLE TIE, ADHESIVE	2	2	2
31	9007880-00	TIE, CABLE	2	2	2
32	D-IA-7011211-0-0	TRANSFORMER ASSY	1	1	1
33	3612680-01	SAFETY GROUND DECAL	1	1	1
34	9006074-3	SCR, PH. HD. TRUSS 10x32x5/8	4	4	4
35	9006586	TINNERMAN SPEED NUT 10-32	4	4	4
36	A-DC-7413966-0-0	POWER SUPPLY DECAL (H7420A)	1	-	-
37	A-DC-7413967-0-0	POWER SUPPLY DECAL (H7420B)	-	1	-
38	9006021-1	SCR. PAN HD. 6-32x5/16	1	1	1
39	9007224	FUSE 7 AMP SLOW BLOW	1	1	1
40	9009768-01	RELIEF, STRAIN	1	1	
41	9008072	8-32 WASHER EXT. TOOTH	1	1	1
42	4901173-01	CONDUCTIVE GREASE	A/R/A/R		A/R
43	1212124-01	CIRCUIT BREAKER (20A) SCREW TERM	1	-	1
44	1212124-02	CIRCUIT BREAKER (15A) SCREW TERM	-	1	-

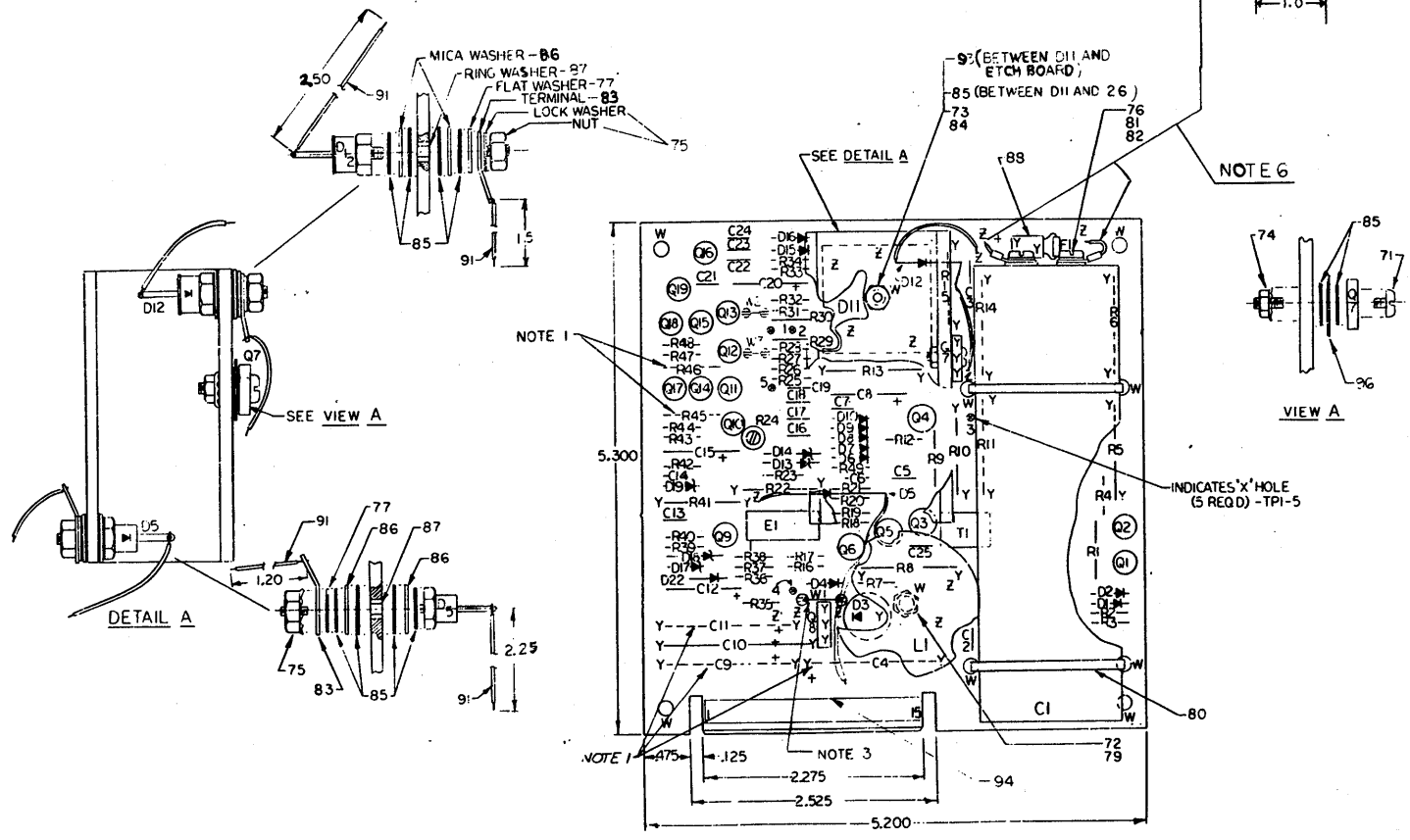
TITLE	ASSY NO.	SIZE CODE	NUMBER	REV.	ECO NO.
POWER SUPPLY H7420	E-UA-H7420-0-0	A PL	H7420-0-0	H	
	SHEET 2 OF 3	DIST.			

DEC FORM DEC 16 (325) 1031-N870
DRA 110

"THIS DRAWING AND SPECIFICATIONS HEREIN ARE THE PROPERTY OF DIGITAL EQUIPMENT CORPORATION AND SHALL NOT BE REPRODUCED OR COPIED OR USED IN WHOLE OR IN PART AS THE BASIS FOR THE MANUFACTURE OR SALE OF ITEMS WITHOUT WRITTEN PERMISSION. DIGITAL EQUIPMENT CORPORATION"

- NOTES:**
1. R45, R46, C4, C9, & C11 ARE NOT USED ON BASIC 5411086 BUT ARE RESERVED FOR PLANNED FUTURE MODULE VARIATIONS.
 2. ** TOTAL +15V AND +8V CURRENT NOT TO EXCEED 40 AMPERES.
 3. W1 (TEST JUMPER) MAYBE TEMPORARILY REMOVED WHILE TROUBLE-SHOOTING TO DETERMINE IF LOSS OF 15V IS DUE TO CROWBAR CIRCUITRY BUT MUST BE IN THE BOARD FOR NORMAL OPERATION.
 4. ~~NON-ITEMIZED PARTS SUPPLIED WITH D12.~~
 - 4 YA VERSION DOES NOT CONTAIN +15VDC REG.

5. A) FOR STANDARD VERSION USE SHEETS 1, 2, 3, & 4 OF THIS DWG.
B) FOR YA VERSION USE SHEETS 1, 2, & 3 OF THIS DWG.
6. WIRES MUST NOT EXTEND BEYOND THE DIMENSIONS OF THE BOARD.
7. JUMPERS (W2, W3) ARE 1/2" EACH OF ITEM #97.



REF	REF	X-Y COORDINATE HOLE LOCATION	K-CO-5411086-B-1	1	
REF	REF	ASSY/DRILLING HOLE LAYOUT	D-AM-5411086-B-5	2	
REF	REF	MODULE ECO HISTORY	B-MH-5411086-B-6	3	
1	1	ETCHED CIRCUIT BOARD	5011085	4	
0	1	C2	1000012	5	
4	4	C16, C17, C18, C21	1000023	6	
3	5	C3, C13, C19, C22, C23	1001610-01	7	
1	3	C8, C12, C15	1002431	8	
2	2	C6, C25	1002608	9	
1	1	C20	1009725	10	
4	4	C5, C7, C14, C24	1010274-0	11	
0	1	C10	1010509-01	12	
1	1	C1	1010851	13	
1	2	D2, D19	1100122	14	
0	1	D5	1100134	15	
0	1	D3	1103341	16	
7	8	D1, D6, D7, D8, D9, D15, D16, D22	1105275	17	
1	2	D10, D17	1105648	18	
0	1	D4	1105796	19	
0	1	D12	1109440	20	
0	1	D18	1110068	21	
2	2	D28, D31	1110324	22	
1	1	D11	1110714	23	
2	2	D13, D14	1110925	24	
0	1	F1	1205747	25	
0	1	FUSE PIC0 5A	1211986	26	
0	1	HEAT SINK	1300202	27	
0	1	R23	1300229	28	
0	2	R7, R40	1300232	29	
0	1	R41	1300271	30	
1	3	R4, R12, R49	1300278	31	
0	1	R14	1300348	32	
0	1	R11	1300365	33	
2	2	R18, R20	1300397	34	
0	1	R1	1300420	35	
0	1	R10	1300437	36	
1	1	R15	1300439	37	
0	1	R3	1300479	38	
2	2	R43, R47	1301317	39	
0	1	R37	1301401	40	
2	3	R2, R44, R48	1301424	41	
0	1	R38	1301808	42	
0	1	R16	1301952	43	
1	1	R13	1302253	44	
0	1	R9	1302394	45	
2	2	R19, R21	1302411	46	
0	1	R36	1302685	47	
0	1	R39	1303062	48	
1	1	R25	1303082	49	
1	1	R8	1303114	50	
1	2	R17, R28	1303303	51	
1	1	R31	1303312	52	
0	1	R42	1304854	53	
2	2	R33, R34	1304855	54	
1	1	R30			
YA	QTY	REF. DESIGNATION	DESCRIPTION	PART NO.	ITEM NO.

COMPONENT CHART - YA VERSION

QTY	REF. DESIGNATION	ITEM
3	C19, C22, C23	7
1	C8	8
1	D19	14
7	D6, D7, D8, D9, D15, D16, D22	17
1	D10	18
1	R49	30
2	R44, R48	40
1	R28	50
4	Q3, Q5, Q10, Q19	63
4	Q11, Q12, Q13, Q16	66

REVISIONS

REV	DATE	DESCRIPTION
1	7-24-77	ORIGINAL
2	10-27-77	REVISED
3	11-17-77	REVISED
4	1-17-78	REVISED
5	1-17-78	REVISED
6	1-17-78	REVISED
7	1-17-78	REVISED
8	1-17-78	REVISED
9	1-17-78	REVISED
10	1-17-78	REVISED
11	1-17-78	REVISED
12	1-17-78	REVISED
13	1-17-78	REVISED
14	1-17-78	REVISED
15	1-17-78	REVISED
16	1-17-78	REVISED
17	1-17-78	REVISED
18	1-17-78	REVISED
19	1-17-78	REVISED
20	1-17-78	REVISED
21	1-17-78	REVISED
22	1-17-78	REVISED
23	1-17-78	REVISED
24	1-17-78	REVISED
25	1-17-78	REVISED
26	1-17-78	REVISED
27	1-17-78	REVISED
28	1-17-78	REVISED
29	1-17-78	REVISED
30	1-17-78	REVISED
31	1-17-78	REVISED
32	1-17-78	REVISED
33	1-17-78	REVISED
34	1-17-78	REVISED
35	1-17-78	REVISED
36	1-17-78	REVISED
37	1-17-78	REVISED
38	1-17-78	REVISED
39	1-17-78	REVISED
40	1-17-78	REVISED
41	1-17-78	REVISED
42	1-17-78	REVISED
43	1-17-78	REVISED
44	1-17-78	REVISED
45	1-17-78	REVISED
46	1-17-78	REVISED
47	1-17-78	REVISED
48	1-17-78	REVISED
49	1-17-78	REVISED
50	1-17-78	REVISED
51	1-17-78	REVISED
52	1-17-78	REVISED
53	1-17-78	REVISED
54	1-17-78	REVISED

PARTS LIST

ETCH BOARD REV. D

DRN. J. Dimont DATE 10-9-74

CHKD. DATE 10-17-74

PROL. DATE 10-17-74

PROD. DATE 10-17-74

NEXT HIGHER ASSY

digital

TITLE PWR. LINE MONITOR/15V REG.

SIZE CODE NUMBER REV. DIST.

DCS 5411086-0-1 L

SEMICONDUCTOR CONVERSION CHART

DEC NO. EIA NO. DEC NO. EIA NO.

SHEET 1 OF 4

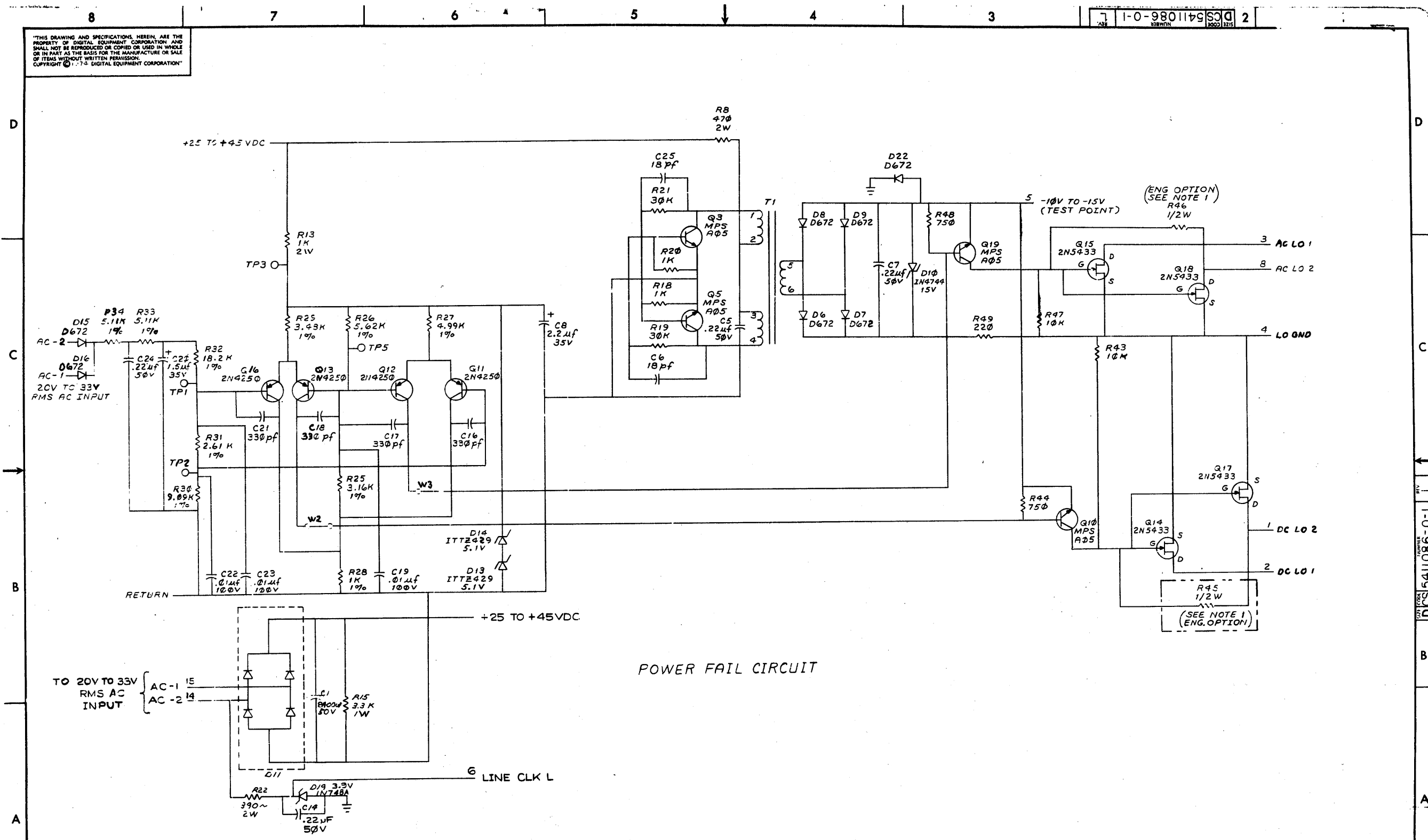
IC PIN LOCATIONS

IC TYPE	GND	+5V

GND AND 5V ARE USUALLY PIN 7 AND 14 RESPECTIVELY EXCEPTIUNS ARE STATED ABOVE

"THIS DRAWING AND SPECIFICATIONS HEREIN ARE THE PROPERTY OF DIGITAL EQUIPMENT CORPORATION AND SHALL NOT BE REPRODUCED OR COPIED OR USED IN WHOLE OR IN PART AS THE BASIS FOR THE MANUFACTURE OR SALE OF ITEMS WITHOUT WRITTEN PERMISSION. COPYRIGHT © 1970 DIGITAL EQUIPMENT CORPORATION"

DCS 5411086-0-1 L



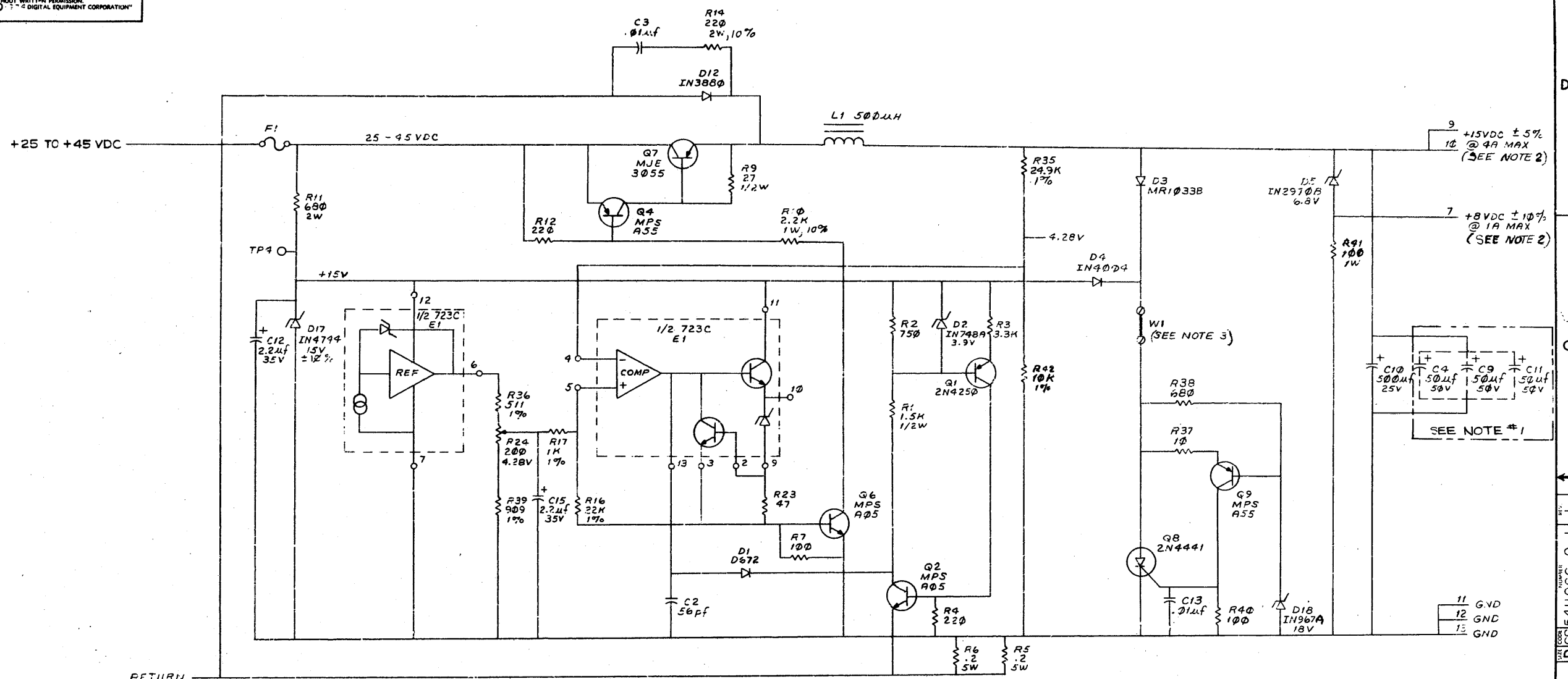
POWER FAIL CIRCUIT

REVISIONS		
CHK	CHANGE NO.	REV.

TITLE	PWR. LINE MONITOR/15V REG.	SIZE CODE	D	NUMBER	DCS 5411086-0-1	REV.	L
SCALE		SHEET	3	OF	4	DIST.	

"THIS DRAWING AND SPECIFICATIONS HEREIN ARE THE PROPERTY OF DIGITAL EQUIPMENT CORPORATION AND SHALL NOT BE REPRODUCED OR COPIED OR USED IN WHOLE OR IN PART AS THE BASIS FOR THE MANUFACTURE OR SALE OF ITEMS WITHOUT WRITTEN PERMISSION. COPYRIGHT © 1967 - DIGITAL EQUIPMENT CORPORATION"

1-0-980117950 2



15V REGULATOR
(SEE NOTE #4)

SEE NOTE #1

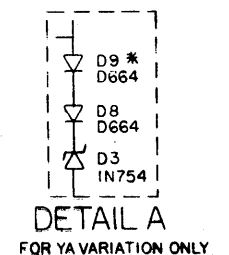
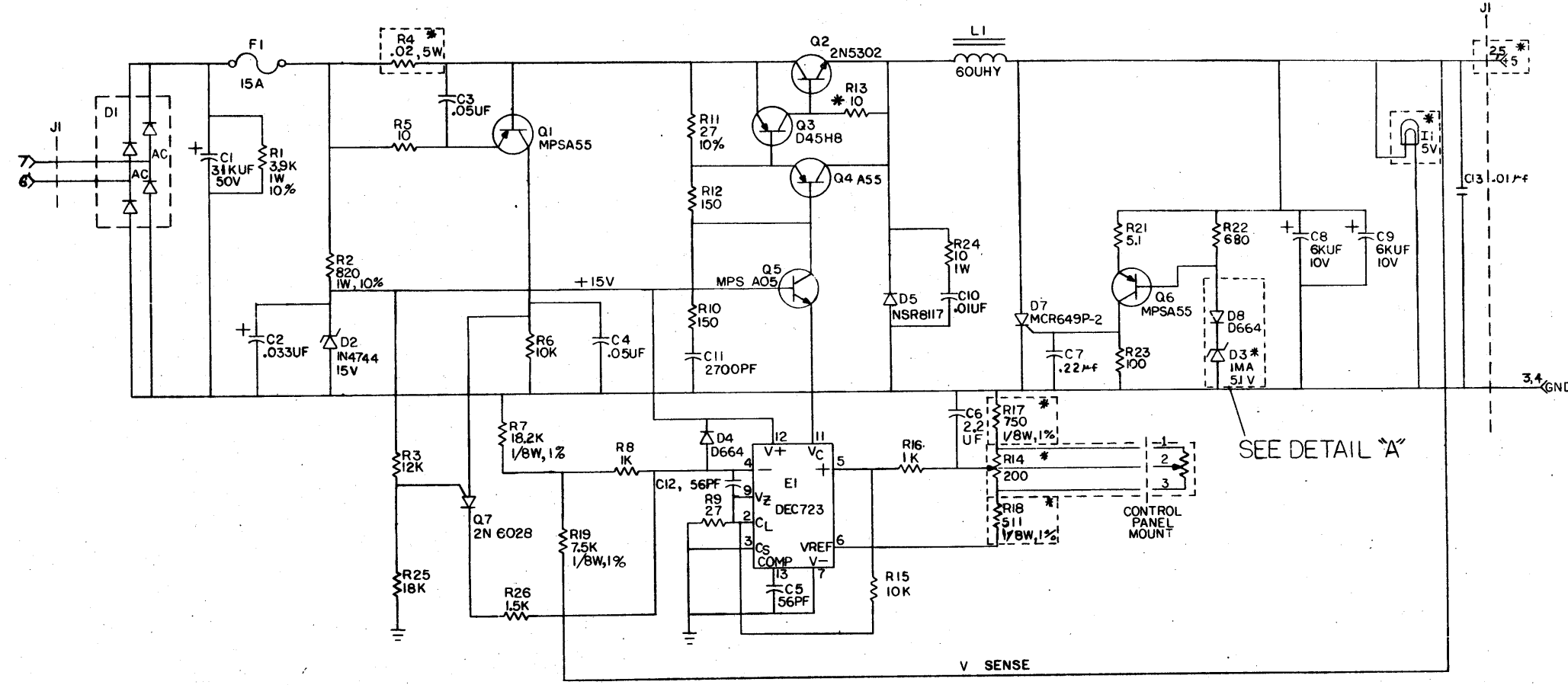
11 GND
12 GND
13 GND

REVISIONS		
CHK	CHANGE NO.	REV.

TITLE	PWR. LINE MONITOR/15V REG.	SIZE/CODE	D CS 5411086-0-1	NUMBER		REV.	
SCALE		SHEET	OF 4	DIST.			

DRAWING NUMBER: DCS 5411086-0-1

This drawing and specifications, herein, are the property of Digital Equipment Corporation and shall not be reproduced or copied in whole or in part as the basis for the manufacture or sale of items without written permission. © 1975 DIGITAL EQUIPMENT CORPORATION



* FOR YA VARIATION COMPONENT VALUES ARE AS FOLLOWS:
 R4 - .06 5W
 R14 - 1K 10 TURN
 R17 - 300 1/8W 1%
 R19 - 150 1/4W 5%
 D3 - IN754
 I1 - 15V
 J1-2,5 - +20-8.0V
 * D9 - D664 ADDED FOR YA VARIATION ONLY

UNLESS OTHERWISE INDICATED:
 RESISTORS ARE 1/4W, 5%

1	D. MARTEL	1-1-74
2	H744-00018	Y
3	H744-00018	Y
4	H744-00018	Y
5	H744-00018	Y
6	H744-00018	Y
7	H744-00018	Y
8	H744-00018	Y
9	H744-00018	Y
10	H744-00018	Y
11	H744-00018	Y
12	H744-00018	Y
13	H744-00018	Y
14	H744-00018	Y
15	H744-00018	Y
16	H744-00018	Y
17	H744-00018	Y
18	H744-00018	Y
19	H744-00018	Y
20	H744-00018	Y
21	H744-00018	Y
22	H744-00018	Y
23	H744-00018	Y
24	H744-00018	Y
25	H744-00018	Y
26	H744-00018	Y
27	H744-00018	Y
28	H744-00018	Y
29	H744-00018	Y
30	H744-00018	Y
31	H744-00018	Y
32	H744-00018	Y
33	H744-00018	Y
34	H744-00018	Y
35	H744-00018	Y
36	H744-00018	Y
37	H744-00018	Y
38	H744-00018	Y
39	H744-00018	Y
40	H744-00018	Y
41	H744-00018	Y
42	H744-00018	Y
43	H744-00018	Y
44	H744-00018	Y
45	H744-00018	Y
46	H744-00018	Y
47	H744-00018	Y
48	H744-00018	Y
49	H744-00018	Y
50	H744-00018	Y

QTY	REF DESIGNATION	DESCRIPTION	PART NO.	ITEM NO.
PARTS LIST				
	ETCH BOARD REV	F H		
	IN964A	SAME	MPSA55	
	D664	IN3606	2N5302	
	MCR649P-2		D45H8	
	IN751A	SAME	MPSA05	
	IN4744	SAME		
	NSR8117			
	2N6028			
	DEC NO.	EIA NO.	DEC NO.	EIA NO.
SEMICONDUCTOR CONVERSION CHART				
REVISIONS				
1	CHG	CHANGE NO.	REV	
2	CHG	CHANGE NO.	REV	
3	CHG	CHANGE NO.	REV	
4	CHG	CHANGE NO.	REV	
5	CHG	CHANGE NO.	REV	
6	CHG	CHANGE NO.	REV	
7	CHG	CHANGE NO.	REV	
8	CHG	CHANGE NO.	REV	
9	CHG	CHANGE NO.	REV	
10	CHG	CHANGE NO.	REV	
11	CHG	CHANGE NO.	REV	
12	CHG	CHANGE NO.	REV	
13	CHG	CHANGE NO.	REV	
14	CHG	CHANGE NO.	REV	
15	CHG	CHANGE NO.	REV	
16	CHG	CHANGE NO.	REV	
17	CHG	CHANGE NO.	REV	
18	CHG	CHANGE NO.	REV	
19	CHG	CHANGE NO.	REV	
20	CHG	CHANGE NO.	REV	
21	CHG	CHANGE NO.	REV	
22	CHG	CHANGE NO.	REV	
23	CHG	CHANGE NO.	REV	
24	CHG	CHANGE NO.	REV	
25	CHG	CHANGE NO.	REV	
26	CHG	CHANGE NO.	REV	
27	CHG	CHANGE NO.	REV	
28	CHG	CHANGE NO.	REV	
29	CHG	CHANGE NO.	REV	
30	CHG	CHANGE NO.	REV	
31	CHG	CHANGE NO.	REV	
32	CHG	CHANGE NO.	REV	
33	CHG	CHANGE NO.	REV	
34	CHG	CHANGE NO.	REV	
35	CHG	CHANGE NO.	REV	
36	CHG	CHANGE NO.	REV	
37	CHG	CHANGE NO.	REV	
38	CHG	CHANGE NO.	REV	
39	CHG	CHANGE NO.	REV	
40	CHG	CHANGE NO.	REV	
41	CHG	CHANGE NO.	REV	
42	CHG	CHANGE NO.	REV	
43	CHG	CHANGE NO.	REV	
44	CHG	CHANGE NO.	REV	
45	CHG	CHANGE NO.	REV	
46	CHG	CHANGE NO.	REV	
47	CHG	CHANGE NO.	REV	
48	CHG	CHANGE NO.	REV	
49	CHG	CHANGE NO.	REV	
50	CHG	CHANGE NO.	REV	

EQUIPMENT CORPORATION

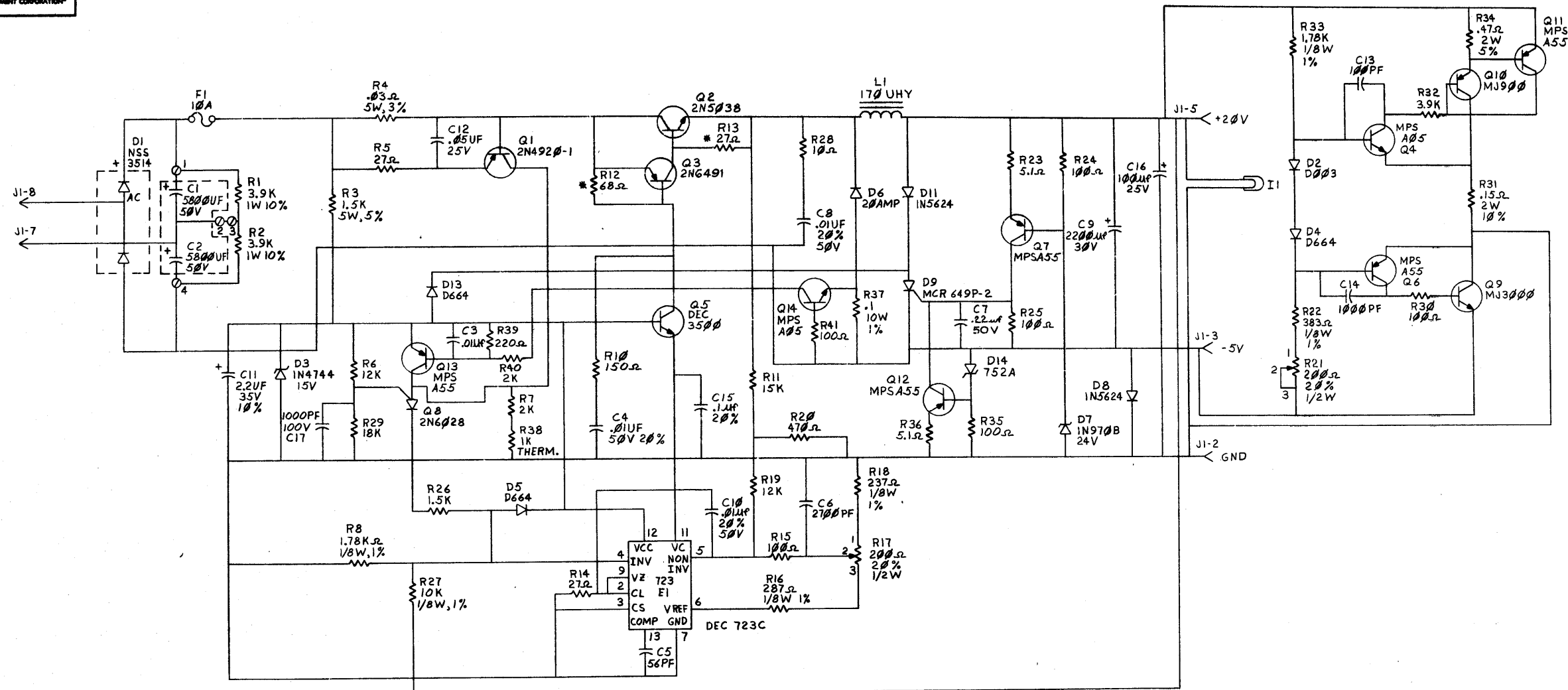
TITLE
5V REGULATOR

PART NO. H744-00018

REV. 1

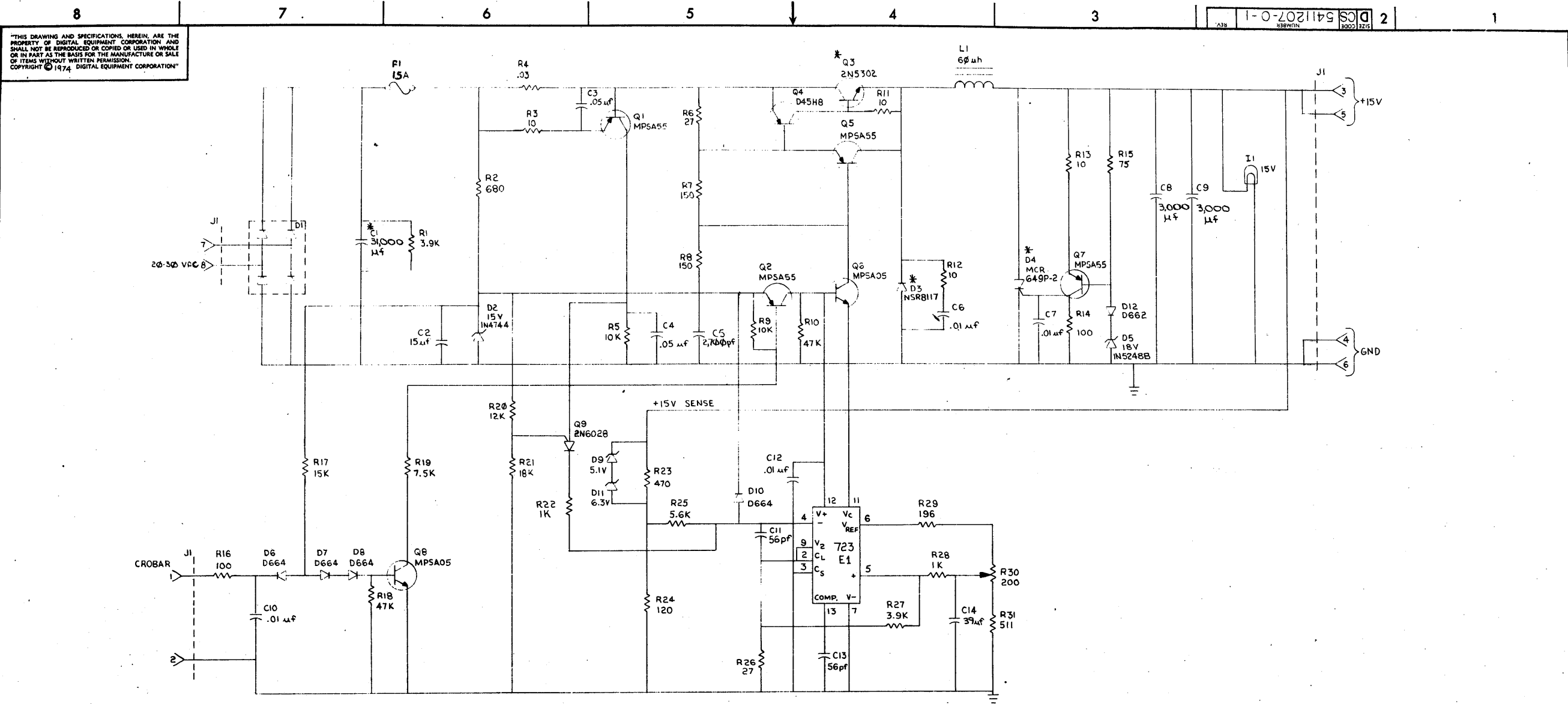
SHEET 1 OF 1

THIS DRAWING AND SPECIFICATIONS HEREIN ARE THE PROPERTY OF DIGITAL EQUIPMENT CORPORATION AND SHALL NOT BE REPRODUCED OR COPIED OR USED IN WHOLE OR IN PART AS THE BASIS FOR THE MANUFACTURE OR SALE OF ITEMS WITHOUT WRITTEN PERMISSION. COPYRIGHT © 1972, DIGITAL EQUIPMENT CORPORATION.



* FUSIBLE RESISTOR

DRN. BESSONNETTE 8-29-72	FIRST USED ON H754	digital
CHK'D R. VOWLES 12-17-72	TITLE	
ENG. R. BURTON 5-7-73	+20 VOLT REGULATOR	
PROJ. ENG. R. BURTON 5-7-73	SIZE CODE	NUMBER
PROD. L. BAPTISTE 5-9-73	D CS	H754-0-1
NEXT HIGHER ASSY.	SCALE	REV. U
	SHEET 2 OF 2	



NOTE:
 * INDICATES COMPONENTS (C1, Q3, D3, D4)
 INSTALLED AT NEXT LEVEL ASSY
 (E-UA-H770-0-0).

REV.	
CHANGE NO.	
REVISIONS	

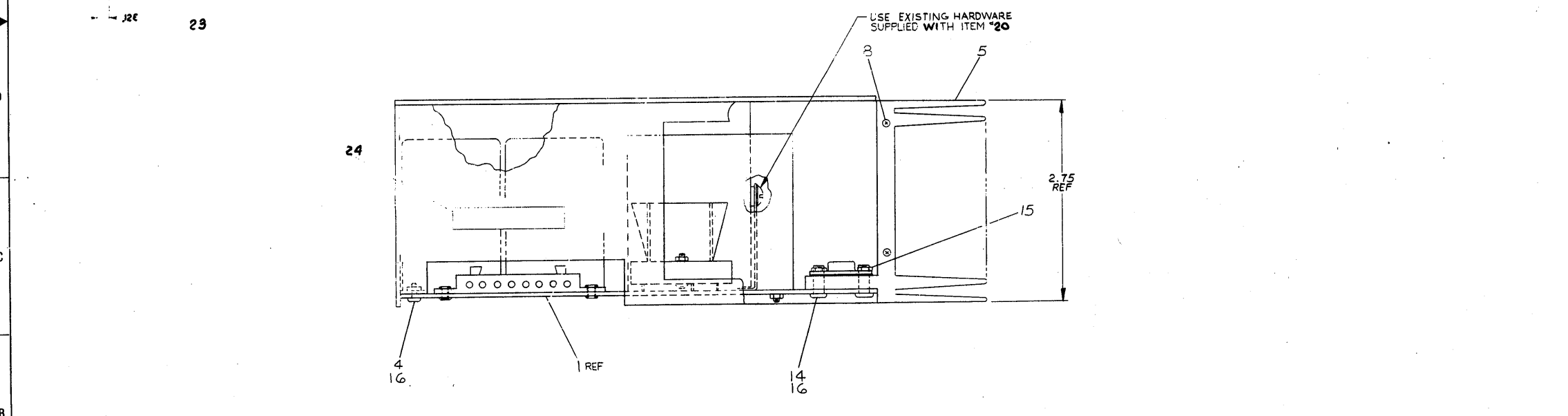
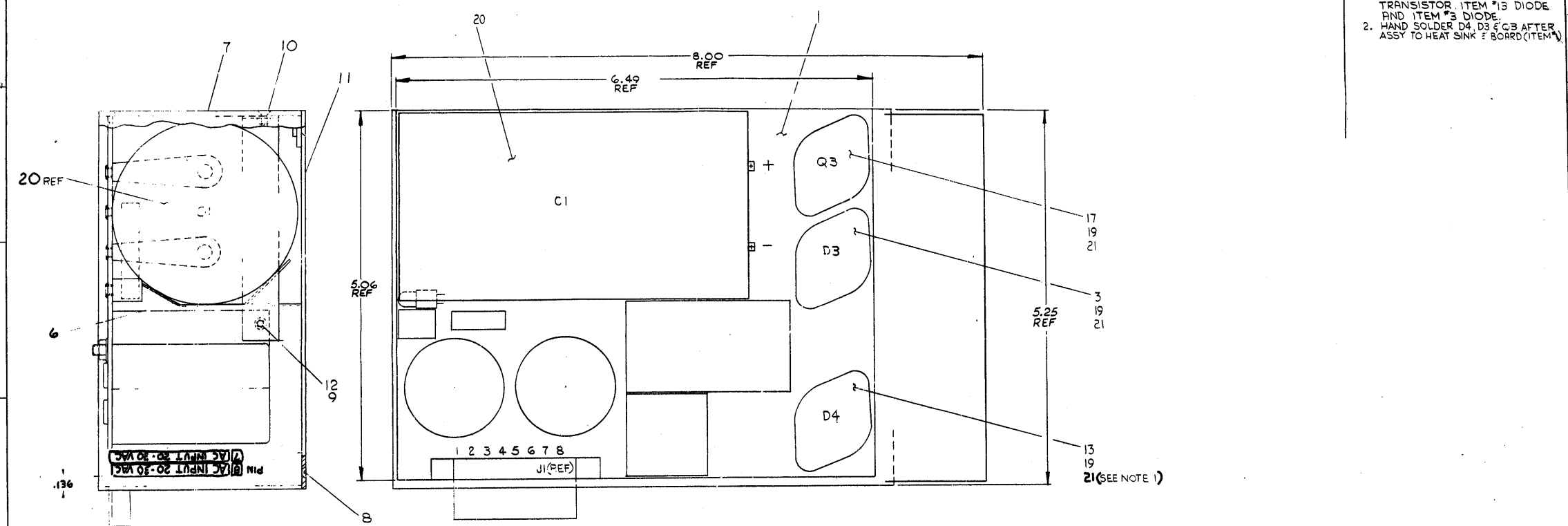
FIRST USED ON OPTION/MODEL	QTY.	DESCRIPTION	PART NO.	ITEM NO.
KL10				
DIMENSIONAL TOLERANCE		DRN.	DATE	digital
DIMENSIONS ARE MILLIMETERS UNLESS OTHERWISE SPECIFIED		CHK'D.	DATE	
MILLIMETERS INCHES ANGLES		ENG.	DATE	
X.XX ±0.10 .XX ±0.06 40° 30'		PROJ. ENG.	DATE	
THIRD ANGLE PROJECTION		PROD.	DATE	TITLE
REMOVE BURRS AND BREAK SHARP CORNERS SURFACE QUALITY		NEXT HIGHER ASSY.		+15V REGULATOR
MATERIAL		FINISH	SIZE/CODE	NUMBER
			E-UA-H770-0-0	DCS 5411207-0-1
			SHEET 1 OF 1	DIST.

8 7 6 5 4 3 1

THIS DRAWING AND SPECIFICATIONS DEFINE ALL THE PARTS TO BE MANUFACTURED OR PURCHASED AND SHALL BE THE PROPERTY OF DIGITAL EQUIPMENT CORPORATION. NO PART IS TO BE REPRODUCED OR USED IN WHOLE OR IN PART AS THE BASIS FOR THE MANUFACTURE OR SALE OF OTHER EQUIPMENT WITHOUT THE WRITTEN PERMISSION OF DIGITAL EQUIPMENT CORPORATION.

DO NOT SCALE DRAWING

NOTES:
 1. APPLY ITEM #21 THERMAL COMP-
 OUND TO BOTH SIDES OF ITEM #19
 WASHERS USED WITH ITEM #17
 TRANSISTOR ITEM #13 DIODE
 AND ITEM #3 DIODE.
 2. HAND SOLDER D4, D3 & Q3 AFTER
 ASSY TO HEAT SINK & BOARD (ITEM #1)



CAUTION - OFF SHEET PARTS LIST
 EXISTS A-PL-H770-0-0

FIRST USED ON OPTION/MODEL	QTY.	DESCRIPTION	PART NO.	ITEM NO.
K110				
PARTS LIST				
DIMENSIONAL TOLERANCE				
DIMENSIONS ARE UNLESS OTHERWISE SPECIFIED				
MILLIMETERS INCHES ANGLES				
XXX ±0.10	XXX ±1.00	90° 30'	DATE	
XX ±0.05	XX ±.05		DATE	
X ±.02	X ±.1		DATE	
THIRD ANGLE PROJECTION				
REMOVE BURRS AND BREAK SHARP CORNERS SURFACE QUALITY				
NEXT HIGHER ASSY.				
MATERIAL SEE PARTS LIST				
FINISH				
SCALE NONE				
SHEET OF 1				

A-PL-H770-0-0

A

DIGITAL EQUIPMENT CORPORATION MAYNARD, MASSACHUSETTS PARTS LIST				QUANTITY / VARIATION													
MADE BY V. Souza		CHECKED V. Souza		SECTION													
DATE 8/28/74		DATE 8/30/74															
ENG <i>R. Melanson</i>		PROD <i>J. Regek</i>		ISSUED SECT.													
DATE		DATE 7-16-74															
ITEM NO.	DWG NO. / PART NO.	DESCRIPTION				REF											
1	D-CS-5411207-0-1	+15V REGULATOR															
2	9009142-2	SCR, PHL FLT HD #4-40 x .31, SELF TAPPING				4											
3	1110715	DIODE NFR8117				1											
4	9008301-1	SCR, PHL PAN HD #4-40 x .25				2											
5	D-PS-1210737-0-0	HEAT SINK REGULATOR				1											
6	C-IA 7412388-0-0	HOLDER, CAPACITOR 2.5				1											
7	D-IA-5309756-09	BRACKET, REGULATOR				1											
8	9006010-2	SCR, PHL FLT HD #4-40 X .31				8											
9	9006633	WASHER, LOCK #6				1											
10	9006020-2	SCR, PHL FLT HD #6-32 x .25				1											
11	C-MD-5309760-0-0	COVER				1											
12	9006020-1	SCR, PHL PAN HD #6-32 x .25				1											
13	1109465	DIODE MCR649P-2				1											
14	9008033-1	SCR, PHL PAN HD #4-40 x .56				6											
15	9006557	NUT, KEPS #4-40				6											
16	9006632	WASHER, INT TOOTH #4				8											
17	1510196	TRANSISTOR 2N5302				1											
18	A-PI-3700074-0-0	PACKAGING INSTRUCTIONS				1											
19	9006721	INSULATOR, WASHER				3											
20	1010858	CAP 31,000 uf 50V				1											
21	9008268	H.S. COMPOUND				10Z											
22	D-UA-5411207-0-0	+15V REGULATOR				1											
TITLE +15V REGULATOR				ASSY NO. E-UA-H770-0-0		SIZE A	CODE PL	NUMBER H770-0-0				REV. C	ECO NO. H770-00003				
				SHEET 1 OF 2		DIST.											

DEC FORM DEC 16 (325) 1031 N870
DRA 110

DIGITAL EQUIPMENT CORPORATION MAYNARD, MASSACHUSETTS PARTS LIST				QUANTITY / VARIATION													
MADE BY V. SOUZA		CHECKED V. SOUZA		SECTION													
DATE 8-23-74		DATE 8-30-74															
ENG R. MELANSON		PROD D. REGEK		ISSUED SECT.													
DATE 9 8 74		DATE 9 3 74															
ITEM NO.	DWG NO. / PART NO.	DESCRIPTION				REF											
23	A DC 7416945-0-7	DECAL (H770)				1											
24	9009254	MANUFACTURING I.D. LABEL				1											
TITLE +15V REGULATOR				ASSY NO. E-UA-H770-0-0		SIZE A	CODE PL	NUMBER H770-0-0				REV. C	ECO NO.				
				SHEET 2 OF 2		DIST.											

DEC FORM DEC 16 (325) 1031 N870
DRA 110

8 7 6 5 4 3 2 1

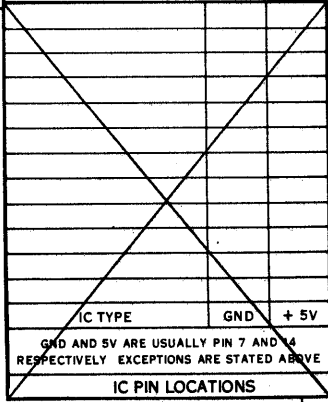
THIS DRAWING AND SPECIFICATIONS HERETO ARE THE PROPERTY OF DIGITAL EQUIPMENT CORPORATION AND SHALL NOT BE REPRODUCED OR COPIED OR USED IN WHOLE OR IN PART AS THE BASIS FOR THE MANUFACTURE OR SALE OF ITEMS WITHOUT WRITTEN PERMISSION. COPYRIGHT © 1974 DIGITAL EQUIPMENT CORPORATION

NOTES:

- 1 FOR DRAWING DIRECTORY REFER TO B DD 5411207 0
- 2 COMPONENTS (C1, Q3, Q3, Q4) INSTALLED AT NEXT LEVEL ASSY (E UA H770 B P)

QTY	REF DESIGNATION	DESCRIPTION	PART NO	ITEM NO.
1	E1	IC DEC 723	1810415	55
1	OZ	COMPOUND THERMAL JOINT	9006268	56
1		SCR PHL HD PAN#6-32 X.62	9006025-1	57
1		NUT KEP#6-32	9008185	58
1		SCR PHL HD PAN#6-40 X.31	9006010-1	59
1		NUT KEP#4-40	9006757	60
REF		CAP 31,000 μF 50V	1010658	

QTY	REF DESIGNATION	DESCRIPTION	PART NO.	ITEM NO.
1		ETCH CIRCUIT BOARD	5011206	1
REF	Q3	TRANSISTOR 2N5302	1510196	2
REF	D3	DIODE NFR8117	1110715	3
REF	D4	DIODE MCR649P-2	1109465	4
2	C11, C13	CAP 56pf 180V	1000012	5
1	C14	CAP 29 μF 10V 10% 2	1000076	6
4	C6, C7, C10, C12	CAP 10NF 180V 20%	1001810-00	7
1	C5	CAP 2,700pf 180V 5%	1001837	8
2	C3, C4	CAP 05uf 25V	1001774	9
1	C2	CAP 15uf 20V 10%	1004812	10
2	C8, C9	CAP 3,000uf 25V	1010703	11
2		FUSE CLIP	9007203	12
1	D12	DIODE D662	1100113	13
4	D6, D7, D8, D10	DIODE D664	1100114	14
1	D2	DIODE 1N4744 15V ZENER	1105648	15
2		STRAP CAPACITOR	C-MD-5308759-0 0	16
1	D9	DIODE 5 1V 2% ZENER	1110713	17
1	D1	DIODE BRIDGE	1110714	18
1	F1	FUSE 15A 32V	9007228	19
1	D5	DIODE 1N5248B 15V 5% ZENER	1110756	20
1	D11	DIODE D674 6 3V 2% ZENER	1110986	21
1	J1	CONN 8 PIN MATE N LOCK	1209340-00	22
1	I1	LAMP 15V	1209169	23
1		HEAT SINK BRIDGE	1210907	24
8		PIN, CONNECTOR	1209456	25
1	R12	RES 10, 1W 5%	1300171	26
2	R14, R16	RES 100, 1/4W 5%	1300229	27
1	R24	RES 120, 1/4W 5%	1300247	28
2	R7, R8	RES 150, 1/4W 5%	1300250	29
1	R23	RES 470, 1/4W 5%	1300318	30
1	R2	RES 680, 1W 10%	1300348	31
2	R22, R29	RES 1K, 1/4W 5%	1300365	32
1	R27	RES 3 9K, 1/4W 5%	1300444	33
1	R20	RES 12K, 1/4W 5%	1300468	34
1	R17	RES 15K, 1/4W 5%	1300486	35
2	R5, R9	RES 10K, 1/4W 5%	1300479	36
3	R3, R11, R13	RES 10, 1/4W 5%	1301317	37
1	R19	RES 7.5K, 1/4W 5%	1301422	38
2	R6, R26	RES 27, 1/4W 5%	1301522	39
2	R10, R18	RES 47K, 1/4W 5%	1302177	40
1	R15	RES 75, 1/4W 5%	1302379	41
1	R31	RES 511, 1/4W 1%	1302411	42
1	R1	RES 3 9K, 1W 10%	1302927	43
1	R29	RES 196, 1/4W 1%	1302956	44
1	R21	RES 18K, 1/4W 5%	1302485	45
1	R30	RES 200, POT 20%	1310952	46
1	R4	RES .03 5W 3%	1310876-1	47
1	R25	RES 5 6K, 1/4W 5%	1301874	48
6		EYELET	9008732	49
2	Q6, Q8	TRANSISTOR MPSA85	1510705	50
4	Q1, Q2, Q5, Q7	TRANSISTOR MPSA55	1510708	51
1	Q4	TRANSISTOR D45H8	1510709-0	52
1	Q9	TRANSISTOR 2N6029	1510877	53
1	L1	INDUCTOR 60uH	1810850	54



FIRST USED ON OPTION MODEL: H770

ETCH BOARD REV

DRN	DATE	8-15-74
CHKD	DATE	9-13-74
ENG	DATE	8-26-74
PROJ. ENG.	DATE	9-6-74
PROD.	DATE	12-16-74

TITLE: +15V REGULATOR

SIZE CODE: E-UA-H770-0-0

NUMBER: DUA 5411207-0-0

SCALE: NONE

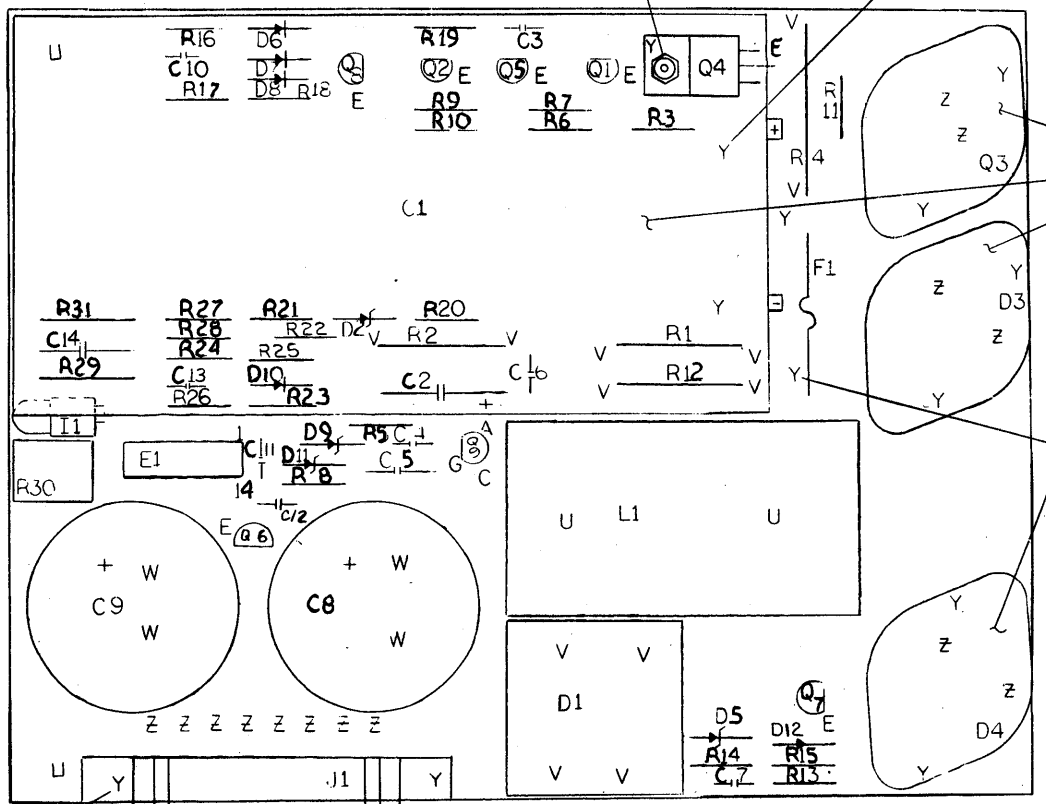
SHEET 1 OF 2

DIST.

8 7 6 5 4 3 2 1

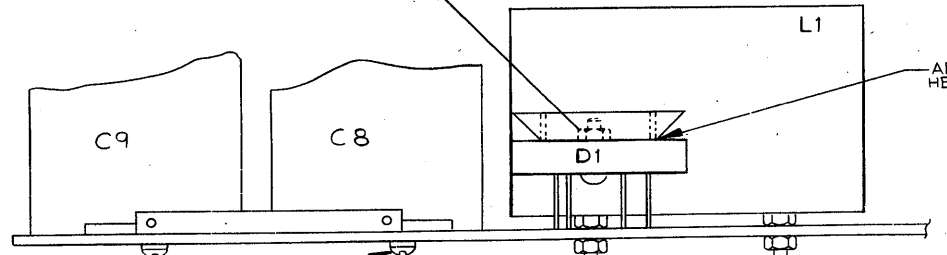
THIS DRAWING AND SPECIFICATIONS, HEREIN, ARE THE PROPERTY OF DIGITAL EQUIPMENT CORPORATION AND SHALL NOT BE REPRODUCED OR COPIED OR USED IN WHOLE OR IN PART AS THE BASIS FOR THE MANUFACTURE OR SALE OF ITEMS WITHOUT WRITTEN PERMISSION. COPYRIGHT © 1974 DIGITAL EQUIPMENT CORPORATION.

0-0-202115 2



22
49
25

58
57



USE EXISTING HARDWARE SUPPLIED WITH C8 & C9

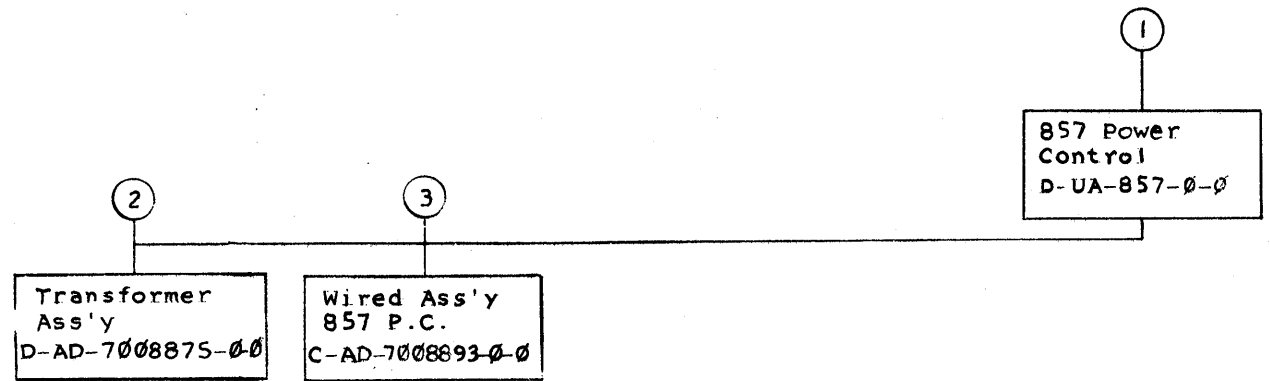
APPLY COMPOUND (ITEM*56) BETWEEN HEAT SINK (ITEM*24) & DIODE (ITEM*18)

SEE NOTE 2

REVISIONS		
CHK	CHANGE NO	REV

TITLE: +15V REGULATOR
 SCALE: 2/1 SHEET: 2 OF 2
 SIZE CODE: D UA 5411207-0-0
 NUMBER: 1
 REV: 1

DUA5411207-0-0



TITLE	SIZE	CODE	NUMBER	RFV
857 POWER CONTROL	B	DD	857 - 0	L

n/c

DIGITAL EQUIPMENT CORPORATION MAYNARD, MASSACHUSETTS PARTS LIST				QUANTITY / VARIATION											
MADE BY D. SIREEN		CHECKED D. HEALY		SECTION											
DATE 3/8/72		DATE 3/30/72		1											
ENG <i>D. Sireen</i>		PROD <i>M. Williams</i>		ISSUED SECT.											
DATE 5/22/72		DATE 5/23/72		1											
ITEM NO.	DWG NO. / PART NO.	DESCRIPTION													
1	E-IA-7409611-0-0	CHASSIS		1											
2	D-IA-7409619-0-0	HOUSING, CAPACITOR		1											
3	C-IA-7409607-0-0	COVER, PWR CONTROL		1											
4	D-IA-7409626-0-0	BRKT., CONN.		1											
5	C-MD-7409621-0-0	HINGE, COVER		1											
6	C-MD-7409614-0-0	OUTLET, PLATE		1											
7	D-MD-7409615-0-0	COVER		1											
8	C-MD-7409620-0-0	PLATE, END		1											
9	1209158-0	TERMINAL BLOCK 3 SEC #529 BUCHANAN		3											
10	1209158-1	END SECTION #530 BUCHANAN		1											
11	D-AD-7008875-0-0	TRANSFORMER ASSY		1											
12	E-AD-7008874-0-0	SWITCH CABLE ASSY		1											
13	E-IA-7008881-0-0	WIRE HARNESS 857 P.C.		1											
14	1209406-03	CONTACTOR 30A 2P SER/PAR OR USE 01		1											
15	1605147	FERRITE TUBE #56-261-30-3B		2											
16	1201219	CIRCUIT BREAKER 30A		1											
17	1201280	LAMP #1020-C55 125V RED LENS INDUS DEV		1											
18	1004874	CAPACITOR 160,000 20V		1											
19	1009493	CAPACITOR 6,500 25V		1											
20	1300172	RESISTOR 10Ω 2W 10%		2											
21	102153	CAPACITOR 2X 0.1 UF 1000 VDC		3											
22	1210584	IND SOCKET #59-52380-41-25 MARCO OAK		4											
TITLE 857 POWER CONTROL				ASSY NO. D-UA-857-0-0		SIZE CODE A PL		NUMBER 857-0-0				REV. F		ECO NO. 857 MRO09	
				SHEET 1 OF 5		DIST. G									

DEC FORM NO. DRA 110

MR

DIGITAL EQUIPMENT CORPORATION MAYNARD, MASSACHUSETTS PARTS LIST				QUANTITY / VARIATION											
MADE BY D. SIREEN		CHECKED D. HEALY		SECTION											
DATE 3/10/72		DATE 3/30/72		1											
ENG <i>D. Sireen</i>		PROD <i>M. Williams</i>		ISSUED SECT.											
DATE 5/22/72		DATE 5/23/72		1											
ITEM NO.	DWG NO. / PART NO.	DESCRIPTION													
23	9007231	BUSH. JUNC. TERM DC-202 (RED) HEYMAN		8											
24	9007235	BUSH. JUNC. TERM DC-202 (WHT) HEYMAN		8											
25	9007239	TERMINAL INSERT #T-202-D HEYMAN		21											
26	1205351	RECEPTICAL DEL #10103 115V 15A A.H.		2											
27	C-AD-7008893-0-0	WIRED ASSY 857 POWER CONTROL		1											
28	1210628-0-0	LAMP, INDICATOR 18V T-1-3/4 (CM370)		4											
29	9007013	GROMMET (GEN. CEMENT #1041)		1											
30	A-PS-3610267-0-0	STICKER, (DANGER HIGH VOLTAGE)		1											
31	9007917-0	CONN. ARK-LESS #50902 (RED)		11											
32	1209379-0-0	MATE-N-LOCK PIN 20-14 AWG		7											
33	9007237	BUSH JUNC TERM DC-202 BLK HEYMAN		5											
34	9007258	POP RIVET 1/8 DIA #AD4262 USMC		3											
35	9007928-0	CONN ARK-LESS#50364 (BLU)		3											
36	9107360-02	TUBING #18 AWG (BLK)		A/R											
37	9007930-0	CONN ARK-LES #50360-1 (RED)		5											
38	9107440-29	#14 AWG WIRE RED/WHT TWP		A/R											
39	9107370-99	#14 AWG WIRE STRD INS (WHT)		A/R											
40	9107370-22	#14 AWG WIRE STRD INS (RED)		A/R											
41	9107360-33	#18 AWG WIRE STRD INS (ORN)		A/R											
42	9107360-00	#18 AWG WIRE STRD INS (BLK)		A/R											
43	9107360-22	#18 AWG WIRE STRD INS (RED)		A/R											
44	9107360-11	#18 AWG WIRE STRD INS (BRN)		A/R											
TITLE 857 POWER CONTROL				ASSY NO. D-UA-857-0-0		SIZE CODE A PL		NUMBER 857-0-0				REV. F		ECO NO.	
				SHEET 2 OF 5		DIST. G									

DEC FORM NO. DRA 110

MR

MAYNARD, MASSACHUSETTS

PARTS LIST

MADE BY D. SIREEN	CHECKED D. HEALY	SECTION 1
DATE 3/10/72	DATE 3/30/72	ISSUED SECT. 1
ENG <i>D. Healy</i>	PROD <i>M. Sullivan</i>	
DATE 5/22/72	DATE 5/23/72	

ITEM NO.	DWG NO. / PART NO.	DESCRIPTION	
45	9107430-56	#18 AWG WIRE GRN/BLU TWP	A/R
46	9107430-11	#18 AWG WIRE BRN/BRN TWP	A/R
47	9007776	FASTON TAB #61349-1 AMP	2
48	9008892	TAB DBL FASTON W/#10 HOLE	2
49	D-MU-857-0-MUAD	MODULE UTILIZATION	REF
50	9008104	DOT FASTENER #48192 3/8HOLE	1
51	1209351-6	CONN 6-PIN MATE-N-LOK	1
52	9007880	TIE WRAP #SST-1.5M PANDUIT	A/R
53	9107278-09	TUBING 18AWG (WHT)	A/R
54	9006041-1	SCR. PHL HD PAN #8-32 X .75LG.	4
55	9006037-1	SCR. PHL HD PAN #8-32 X .38 LG.	6
56	9006021-1	SCR. PHL HD PAN #6-32 X .31 LG.	26
57	9006023-1	SCR. PHL HD PAN #6-32 X .44 LG.	2
58	G-DC-7409692-0-0	DECALS, 857 POWER CONTROL	1
59	9006022-f	SCR. PHL PAN HD #6-32 X .38 LG.	4
60	9006633	WASHER, LKG INT TOOTH #6	24
61	9006634	WASHER, LKG INT TOOTH #8	6
62	9006560	NUT KEPS #6-32	19
63	9006563	NUT KEPS #8-32	4
64	9006712	WASHER, NYLON 3/8 O.D. X 1/4 I.D. X 1/32 THK	2
65	9008091	WIRE SPLICER #34203 ARK-LES	3
66	9107360-99	#18 AWG WIRE STRD INS (WHT)	A/R

TITLE	ASSY NO.	SIZE	CODE	NUMBER	REV.	ECO NO.
857 POWER CONTROL	D-UA-857-0-0	A	PL	857-0-0	F	
	SHEET 3 OF 5	DIST.	6			

DEC FORM NO. DRA 110

MR

DIGITAL EQUIPMENT CORPORATION
MAYNARD, MASSACHUSETTS
PARTS LIST

QUANTITY / VARIATION

MADE BY D. SIREEN	CHECKED D. HEALY	SECTION 1
DATE 3/10/72	DATE 3/30/72	ISSUED SECT. 1
ENG <i>D. Healy</i>	PROD <i>M. Sullivan</i>	
DATE 5/22/72	DATE 5/23/72	

ITEM NO.	DWG NO. / PART NO.	DESCRIPTION	
67	9107370-00	#14 AWG STRD INS (BLK)	A/R
68	K614	QUAD INSULATED AC SWITCH (NOTE 1)	1
69	K683	8 LAMP DRIVERS	1
70	K522YA	DUAL SENSOR CONVERTER	3
71	K138	8 INVERTERS	2
72	K003	TRIPLE EXPANDER	2
73	W519	TIMING & CROWBAR	1
74	K113	TRIPLE INVERTER GATE	3
75	K303	TRIPLE TIMER (ONE SHOT)	2
76	K731	+5V REGULATOR & CONTROL	1
77	K732	+5V AUX REGULATOR	1
78	K026	TRIPLE AND/OR EXPANDER	1
79	K372	CLOCK CONTROL	1
80	9007834	TAPE #4032 1/2 WIDE 3M CO.	A/R
81	7411468-1	JUMPER PLUG FOR 857 POWER CONTROL (P1)	1
82	7411468-2	JUMPER PLUG FOR 857 POWER CONTROL (P3)	1
83	7411468-3	JUMPER PLUG FOR 857 POWER CONTROL (P8)	1
84	9008442	CABLE CLAMP	1
85	1211204	RECEPTICAL G.E. #40921 230V 15A.	*
86	9007926-01	CONN RING TERM #10 AWG YEL	11
87	9007920	CONN ARKLESS YELLOW	11
88	9007969	CONN ARKLESS #14 AWG (BLUE)	16

TITLE	ASSY NO.	SIZE	CODE	NUMBER	REV.	ECO NO.
857 POWER CONTROL	D-UA-857-0-0	A	PL	857-0-0	F	
	SHEET 4 OF 5	DIST.	G			

DEC FORM NO. 16-1031
DRA 110

MR

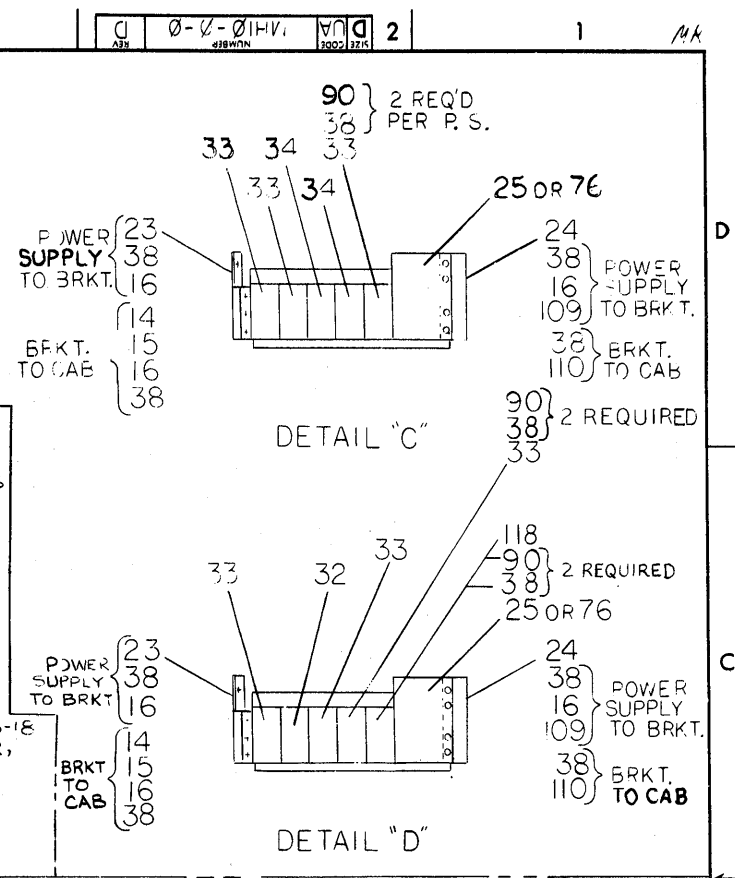
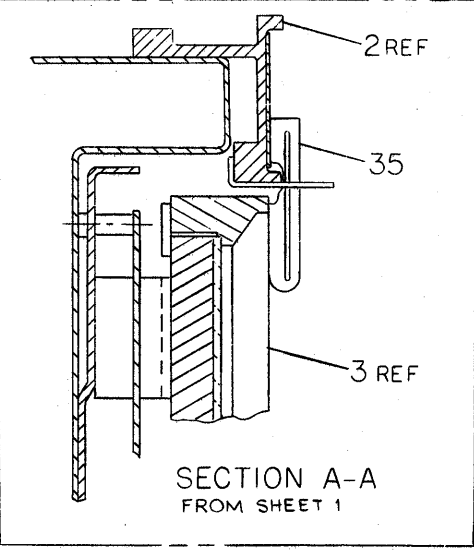
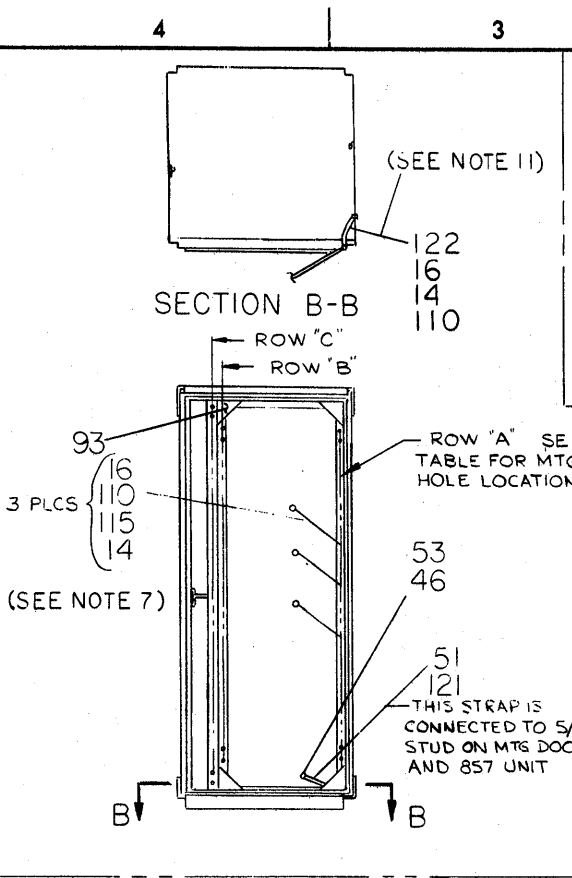
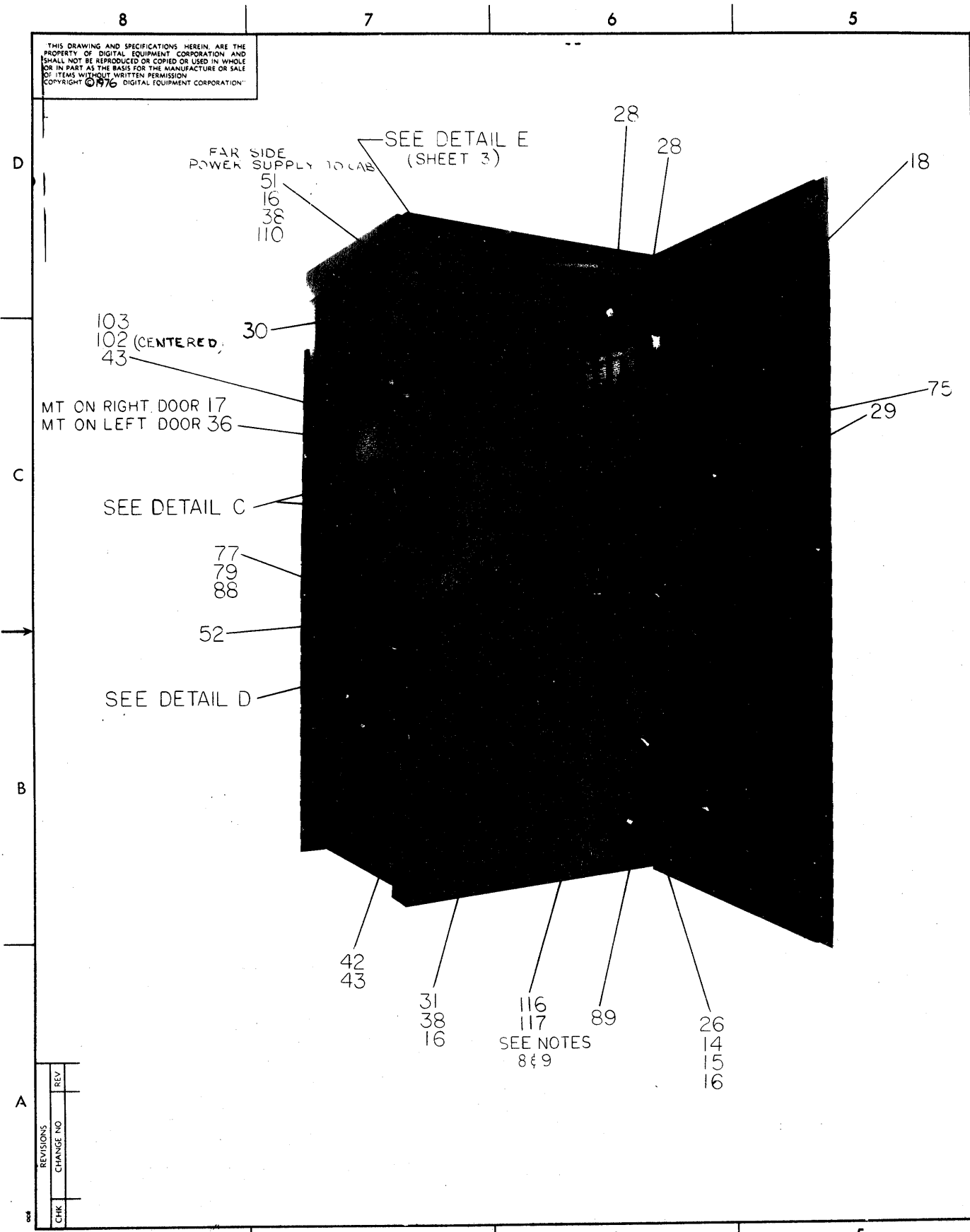
DIGITAL EQUIPMENT CORPORATION MAYNARD, MASSACHUSETTS PARTS LIST				QUANTITY / VARIATION											
MADE BY D. SIREEN		CHECKED D. HEALY		SECTION											
DATE 3/10/72		DATE 3/30/72		1											
ENG D. NEVALA		PROD R. HESSELTINE		ISSUED SECT.											
DATE 3/10/72		DATE 3/30/72		1											
ITEM NO.	DWG NO. / PART NO.	DESCRIPTION													
89	A-DC-7418808-0-0	DECAL WARNING		2											
90	A-DC-7417418-0-0	DECAL (NOT FOR EXTERNAL LOADS)		1											
91	A-DC-7418806-1	DECAL F1 15 AMP 250 VOLT		1											
92	A-DC-7418807-1	DECAL F2 15 AMP 250 VOLT		1											
93	1214185	FUSE 15 AMP 250 VOLT		3											
94	1214186	FUSE HOLDER		3											
95	9107390-99	#10 AWG WIRE INS STD (WHT)		A/R											
96	9107390-22	#10 AWG WIRE INS STD (RED)		A/R											
97	9006024-01	SCR PHL HD PAN 6-32 x 1/2		10											
98	9006793	SPACER 3/16, #6-32		4											
99	D-IA-7418783-0-0	CONTACTOR BRKT MTG		1											
100	9006074-03	SCR PHL TRUSS HD #10-32 X 5/8		2											
101	9007651	WASHER, LKG EXT TOOTH #10		2											
102	9007242	FUSE HOLDER 20 AMP HKP		1											
103	9008292	WASHER INTERNAL TOOTH		1											
104	9007216	FUSE 2 AMP SLO-BLOW		1											
105	A-DC-7418890-0-0	DECAL F3 2 AMP 250 VOLT		1											
106	A-DC-7420393-0-0	DECAL F4 15 AMP 250 VOLT		1											
107	9007193	DOUBLE FAST-ON CONNECTOR		2											
108	9107777-54	WIRE #14 AWG GRN/YEL		A/R											
109	9107779-54	WIRE #10 AWG GRN/YEL		A/R											
NOTE 1: K614 MUST BE		ETCH REV D & CS REV F OR LATER													
TITLE		ASSY NO.		SIZE	CODE	NUMBER		REV.	ECO NO.						
857 POWER CONTROL		D-UA-857-0-0		A	PL	857-0-0		F							
		SHEET 5 OF 5		DIST.											

DEC FORM DEC 16 (325) 1031 N870
DRA 110

MR

MR

THIS DRAWING AND SPECIFICATIONS HEREIN ARE THE PROPERTY OF DIGITAL EQUIPMENT CORPORATION AND SHALL NOT BE REPRODUCED OR COPIED OR USED IN WHOLE OR IN PART AS THE BASIS FOR THE MANUFACTURE OR SALE OF ITEMS WITHOUT WRITTEN PERMISSION. COPYRIGHT © 1976 DIGITAL EQUIPMENT CORPORATION.



LOCATION OF SPEED NUTS ITEM IS		
FRONT OF CABINETS TYP RIGHT AND LEFT SIDES		
1, 3, 17, 30, 33, 42, 54, 63, 77, 86, 90, 95 (RT ONLY), 100, 103, 107		
REAR MOUNTING DOOR HOLE LOCATIONS		
ROW 'C'	ROW 'B'	ROW 'A'
42, 48, 53, 55, 60, 66	3*16*	3*16* 42, 51* 54, 60
71, 73, 78, 84, 89		69* 72, 78, 87* 90
91		
* DENOTES HOLES WITH SPEED NUT		

FIRST USED ON OPTION/MODEL MH10	QTY.	DESCRIPTION	PART NO.	ITEM NO.
PARTS LIST				
UNLESS OTHERWISE SPECIFIED DIMENSION IN INCHES	DRN. T. Quillin	DATE: JUNE 76	digital EQUIPMENT CORPORATION MAYNARD MASSACHUSETTS	
TOLERANCES	ENG. DATE: 2/22/76	DATE: 2/22/76	TITLE: CORE MEMORY (MH10)	
DECIMALS .xxx = .005	PROJ. ENG. DATE: 2/22/76	DATE: 2/22/76	MATERIAL: --	
ANGLES .x = .1	PROD. DATE: 2/22/76	DATE: 2/22/76	FINISH: --	
REMOVE BURRS AND BREAK SHARP CORNERS SURFACE QUALITY V	NEXT HIGHER ASSY.	B-DD-MH10-0-0	SIZE CODE: DUA	NUMBER: MH10-0-0
	SCALE: NONE	SHEET: 2 OF 9	DIST.	REV. D

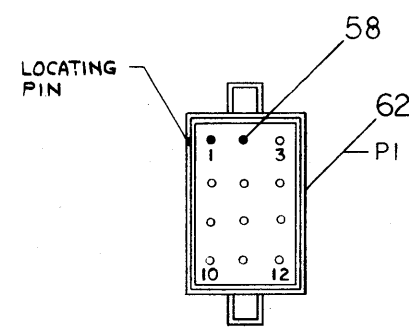
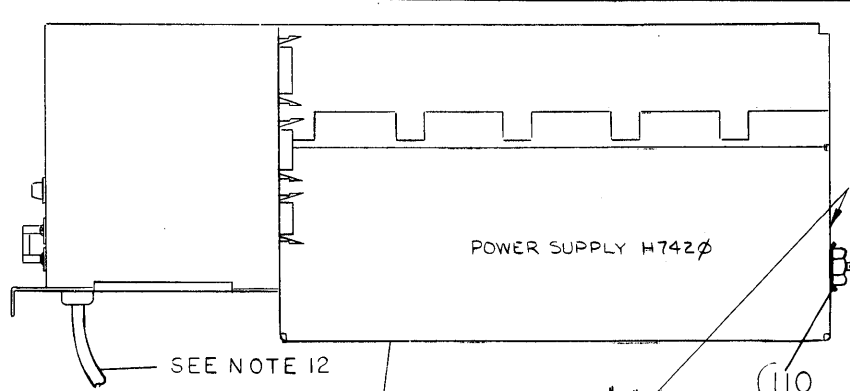
REV.	
CHANGE NO.	
CHK.	

REV. D
NUMBER
DUA MH10-0-0

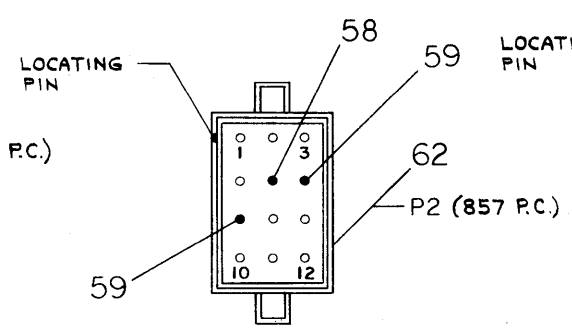
A

"THIS DRAWING AND SPECIFICATIONS, HEREIN, ARE THE PROPERTY OF DIGITAL EQUIPMENT CORPORATION AND SHALL NOT BE REPRODUCED OR COPIED OR USED IN WHOLE OR IN PART AS THE BASIS FOR THE MANUFACTURE OR SALE OF ITEMS WITHOUT WRITTEN PERMISSION. COPYRIGHT © 1976 DIGITAL EQUIPMENT CORPORATION"

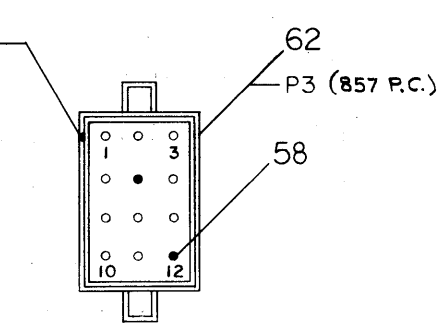
WIRE TABLE						
ITEM NO.	DESCRIPTION	FROM	TO	REMARKS		
NO.	AWG	COLOR	CONNECTION TERM	CONNECTION TERM	REMARKS	
54	18	BRN	P1-1 (857 P.C.)	58		
54	18	BRN	P3-5 (857 P.C.)	58		
54	18	BRN	P8-1 (857 P.C.)	58		
54	18	BRN	P8-3 (857 P.C.)	58		
55	18	YEL	P2-5 (857 P.C.)	58		
56	18	RED	P2-5 (H7420 P.S.)	58	LOWEST H7420	
56	TWP	WHT	P2-6 (H7420 P.S.)	58	(15 PIN CONN)	
57	22	BLU	P2-6 (857 P.C.)	59		
57	TWP	BLK	P2-7 (857 P.C.)	59		



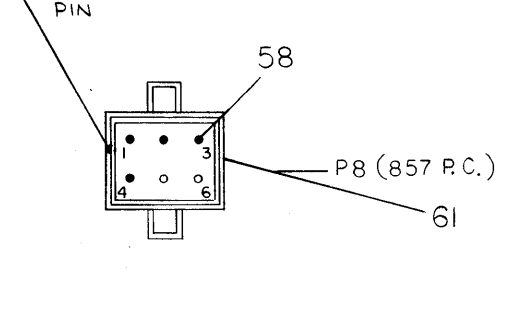
REAR VIEW
PIN INSERTION SIDE
SCALE: NONE



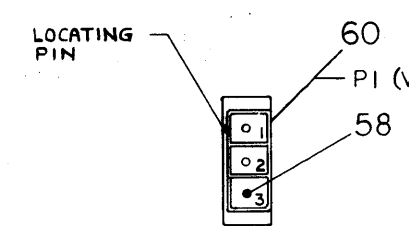
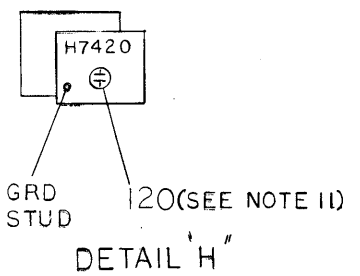
REAR VIEW
PIN INSERTION SIDE
SCALE: NONE



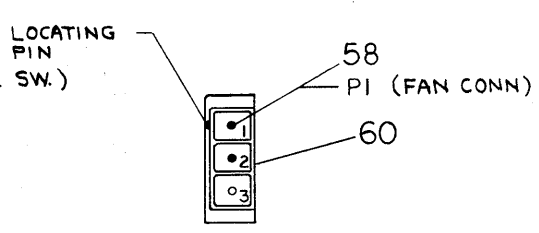
REAR VIEW
PIN INSERTION SIDE
SCALE: NONE



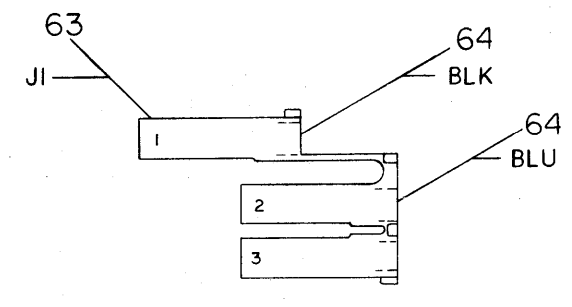
REAR VIEW
PIN INSERTION SIDE
SCALE: NONE



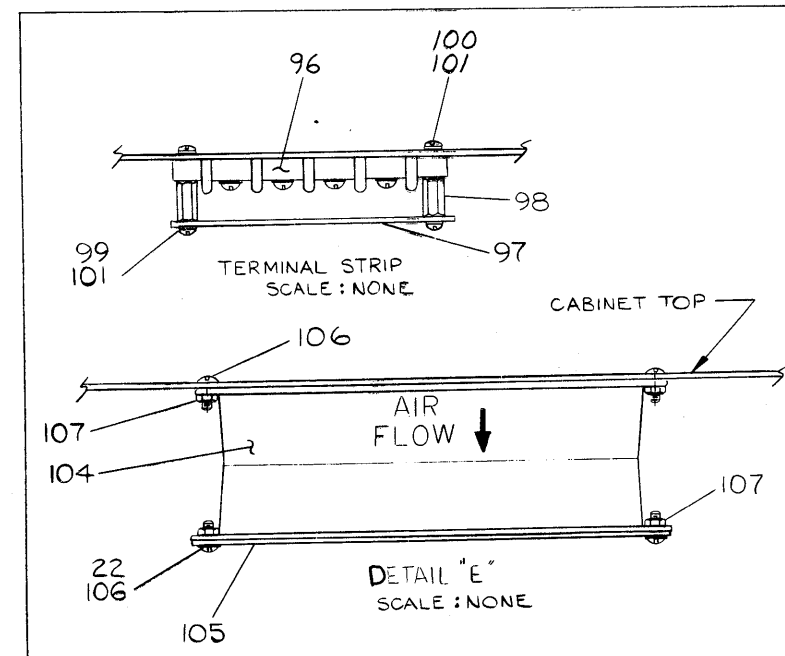
REAR VIEW
PIN INSERTION SIDE
SCALE: NONE



REAR VIEW
PIN INSERTION SIDE
SCALE: NONE



CONNECTOR
(LOGIC DOOR MIN. SW.)
SCALE: NONE

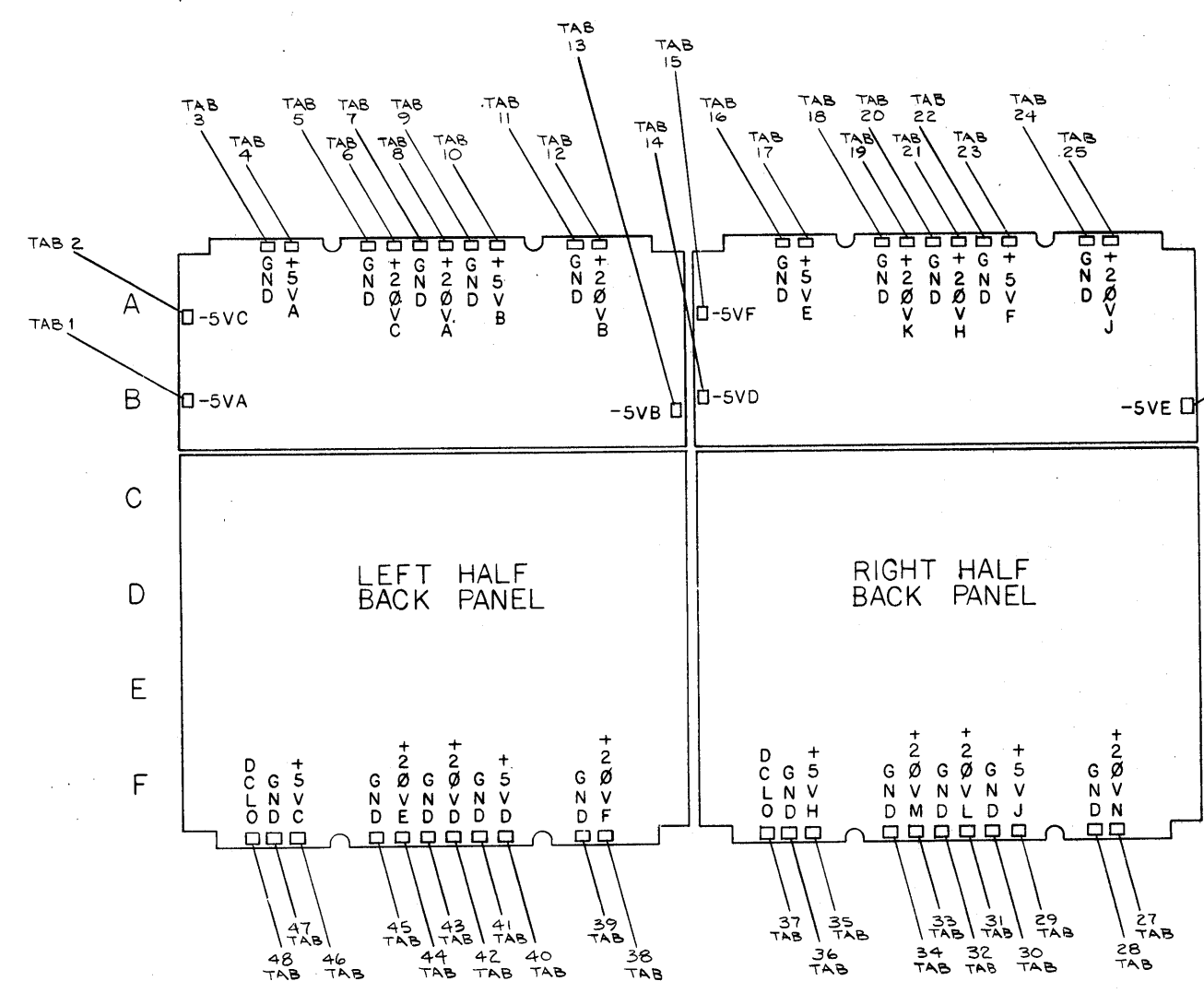


DETAIL "E"
SCALE: NONE

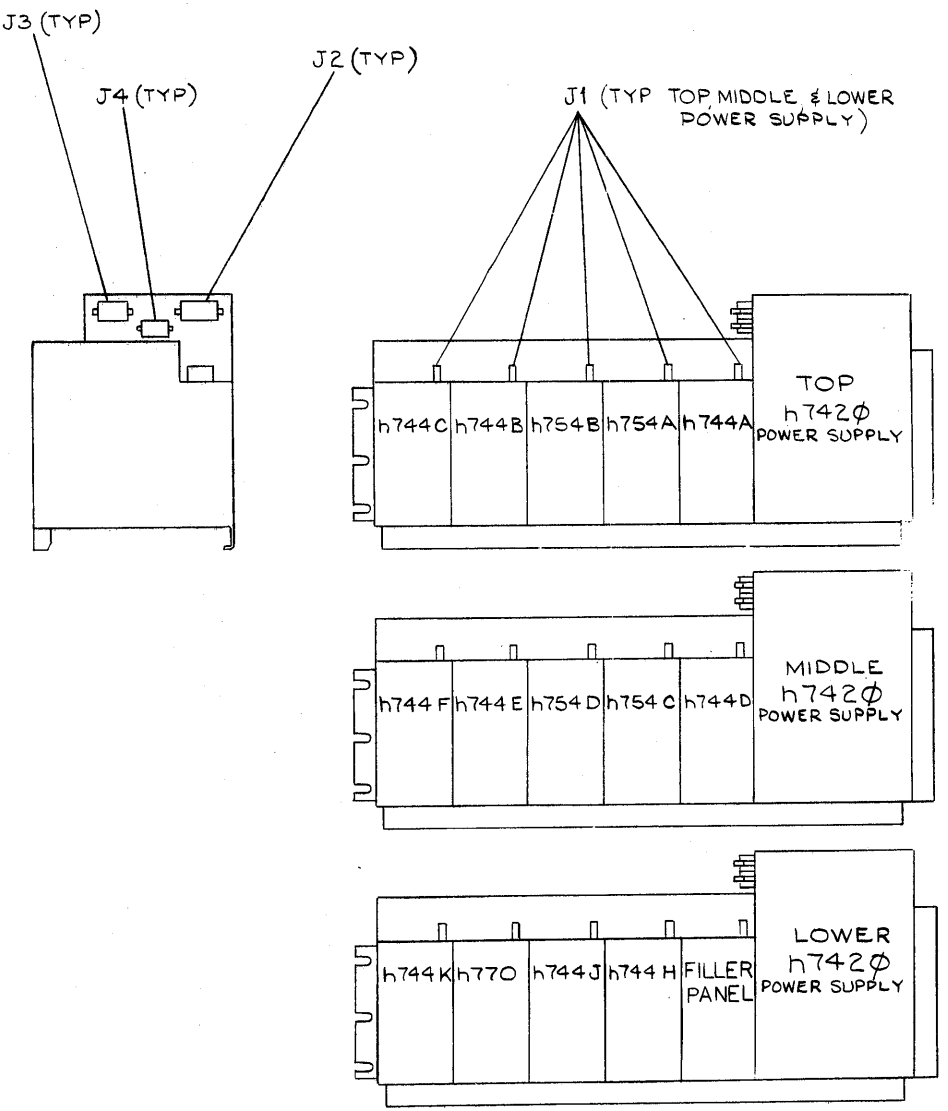
REVISIONS		
CHK	CHANGE NO.	REV.

TITLE	SIZE CODE	NUMBER	REV.
CORE MEMORY (MH10)	DUA	MH10-0-0	D
SCALE NONE	SHEET 3 OF 9	DIST.	1 MR

THIS DRAWING AND SPECIFICATIONS HEREIN ARE THE PROPERTY OF DIGITAL EQUIPMENT CORPORATION AND SHALL NOT BE REPRODUCED OR COPIED OR USED IN WHOLE OR IN PART AS THE BASIS FOR THE MANUFACTURE OR SALE OF ITEMS WITHOUT WRITTEN PERMISSION.
 COPYRIGHT © 1976 DIGITAL EQUIPMENT CORPORATION



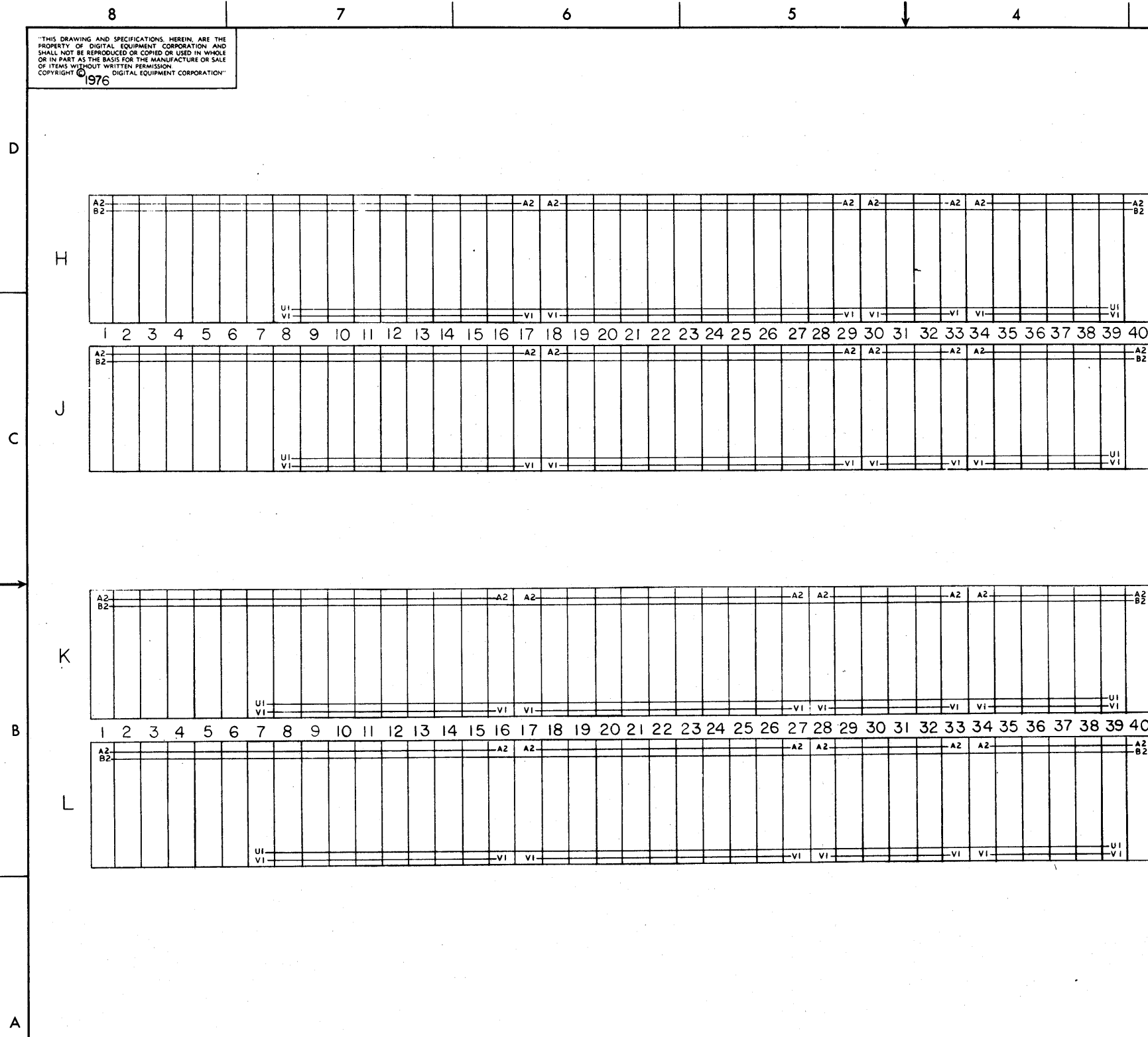
COLOR KEY:
 -5V = GREEN
 +5V = RED
 +20V = ORANGE
 DCLO = VIOLET
 GND = BLACK



REVISIONS		
CHK	CHANGE NO	REV

TITLE	CORE MEMORY (MH10)	SIZE CODE	DUA	NUMBER	MH10-0-0	REV.	D
SCALE	1" = 1"	SHEET	4 OF 9	DIST.			

"THIS DRAWING AND SPECIFICATIONS HEREIN ARE THE PROPERTY OF DIGITAL EQUIPMENT CORPORATION AND SHALL NOT BE REPRODUCED OR COPIED OR USED IN WHOLE OR IN PART AS THE BASIS FOR THE MANUFACTURE OR SALE OF ITEMS WITHOUT WRITTEN PERMISSION. COPYRIGHT © 1976 DIGITAL EQUIPMENT CORPORATION"



CONTROL LOGIC WIRE TABLE							
ITEM NO.	DESCRIPTION		FROM		TO		SIGNAL
	AWG	COLOR	CONN	WITH	CONN	WITH	
	24	RED	H08A2	---	H08VI	---	+5VA
			J08A2	---	J08VI	---	+5VA
			H09VI	---	J09A2	---	+5VA
			H20A2	---	H20VI	---	+5VB
			J20A2	---	J20VI	---	+5VB
			H21VI	---	J21A2	---	+5VB
			H31A2	---	H31VI	---	+5VC
			J31A2	---	J31VI	---	+5VC
			H32VI	---	J32A2	---	+5VC
			H36A2	---	H36VI	---	+5VD
			J36A2	---	J36VI	---	+5VD
			H37VI	---	J37A2	---	+5VD
			K07A2	---	K07VI	---	+5VE
			L07A2	---	L07VI	---	+5VE
			K08VI	---	L08A2	---	+5VE
			K19A2	---	K19VI	---	+5VF
			L19A2	---	L19VI	---	+5VF
			K20VI	---	L20A2	---	+5VF
			K30A2	---	K30VI	---	+5VH
			L30A2	---	L30VI	---	+5VH
			K31VI	---	L31A2	---	+5VH
			K36A2	---	K36VI	---	+5VJ
			L36A2	---	L36VI	---	+5VJ
		RED	K37VI	---	L37A2	---	+5VJ
		GRN	H08B2	---	H08UI	---	-5VA
			J08B2	---	J08UI	---	-5VA
			H09UI	---	J09B2	---	-5VA
			H09B2	---	H20UI	---	-5VA
			J09B2	---	J20UI	---	-5VA
			H21UI	---	J21B2	---	-5VA
			H31B2	---	H31UI	---	-5VA
			J31B2	---	J31UI	---	-5VA
			H32UI	---	J32B2	---	-5VA
			H36B2	---	H36UI	---	-5VA
			J36B2	---	J36UI	---	-5VA
			H37UI	---	J37B2	---	-5VA
			K07B2	---	K07UI	---	-5VB
			L07B2	---	L07UI	---	-5VB
			K08UI	---	L08B2	---	-5VB
			K19B2	---	K19UI	---	-5VB
			L19B2	---	L19UI	---	-5VB
			K20UI	---	L20B2	---	-5VB
			K30B2	---	K30UI	---	-5VB
			L30B2	---	L30UI	---	-5VB
			K31UI	---	L31B2	---	-5VB
			K36B2	---	K36UI	---	-5VB
			L36B2	---	L36UI	---	-5VB
			K37UI	---	L37B2	---	-5VB

REVISIONS		
CHK	CHANGE NO	REV.

TITLE	CORE MEMORY (MHI0)	SIZE CODE	DUA	NUMBER	MHI0-0-0	REV.	D
SCALE		SHEET	5	OF	9	DIST.	

THIS DRAWING AND SPECIFICATIONS HEREIN ARE THE PROPERTY OF DIGITAL EQUIPMENT CORPORATION AND SHALL NOT BE REPRODUCED OR COPIED OR USED IN WHOLE OR IN PART AS THE BASIS FOR THE MANUFACTURE OR SALE OF ITEMS WITHOUT WRITTEN PERMISSION. COPYRIGHT © 1976 DIGITAL EQUIPMENT CORPORATION

DC HARNESS CONNECTION TABLE				
ITEM NO.	FROM POINT	CONNECTION	TO CONNECTION	WITH
27		P1	LOWER h7420/J4	
		PI6	LOWER h7420/(h744 H) J1	
		PI7	LOWER h7420/(h744 J) J1	
		P4	LOWER h7420/(h770) J1	
		P5	LOWER h7420/(h744 K) J1	
		P2	MIDDLE h7420/J4	
		P6	MIDDLE h7420/(h744 D) J1	
		P7	MIDDLE h7420/(h754 C) J1	
		P8	MIDDLE h7420/(h754 D) J1	
		P9	MIDDLE h7420/(h744 E) J1	
		PI0	MIDDLE h7420/(h744 F) J1	
		P3	TOP h7420/J4	
		PI1	TOP h7420/(h744 A) J1	
		PI2	TOP h7420/(h754 A) J1	
		PI3	TOP h7420/(h754 B) J1	
		PI4	TOP h7420/(h744 B) J1	
		PI5	TOP h7420/(h744 C) J1	
66			INDICATOR PANEL /+15	
65			INDICATOR PANEL /GND	
105			STACK LOGIC / TAB 1	
106			STACK LOGIC / TAB 1	
107			STACK LOGIC / TAB 2	
108			STACK LOGIC / TAB 3	
109			STACK LOGIC / TAB 4	
110			STACK LOGIC / TAB 3	
111			STACK LOGIC / TAB 6	
112			STACK LOGIC / TAB 5	
113			STACK LOGIC / TAB 6	
114			STACK LOGIC / TAB 5	
115			TAB 8	
116			TAB 7	
117			TAB 8	
118			TAB 7	
119			TAB 9	
120			TAB 10	
121			TAB 9	
122			TAB 12	
123			TAB 11	
124			TAB 12	
125			TAB 11	
126			TAB 15	
129			TAB 13	
127			TAB 14	
128			TAB 14	
130			TAB 16	
131			TAB 16	
132			TAB 17	
133			TAB 19	
134			TAB 18	
135			TAB 19	
136			TAB 18	
137			STACK LOGIC / TAB 21	
138			STACK LOGIC / TAB 20	
139			STACK LOGIC / TAB 21	
27			STACK LOGIC / TAB 20	
140			STACK LOGIC / TAB 20	

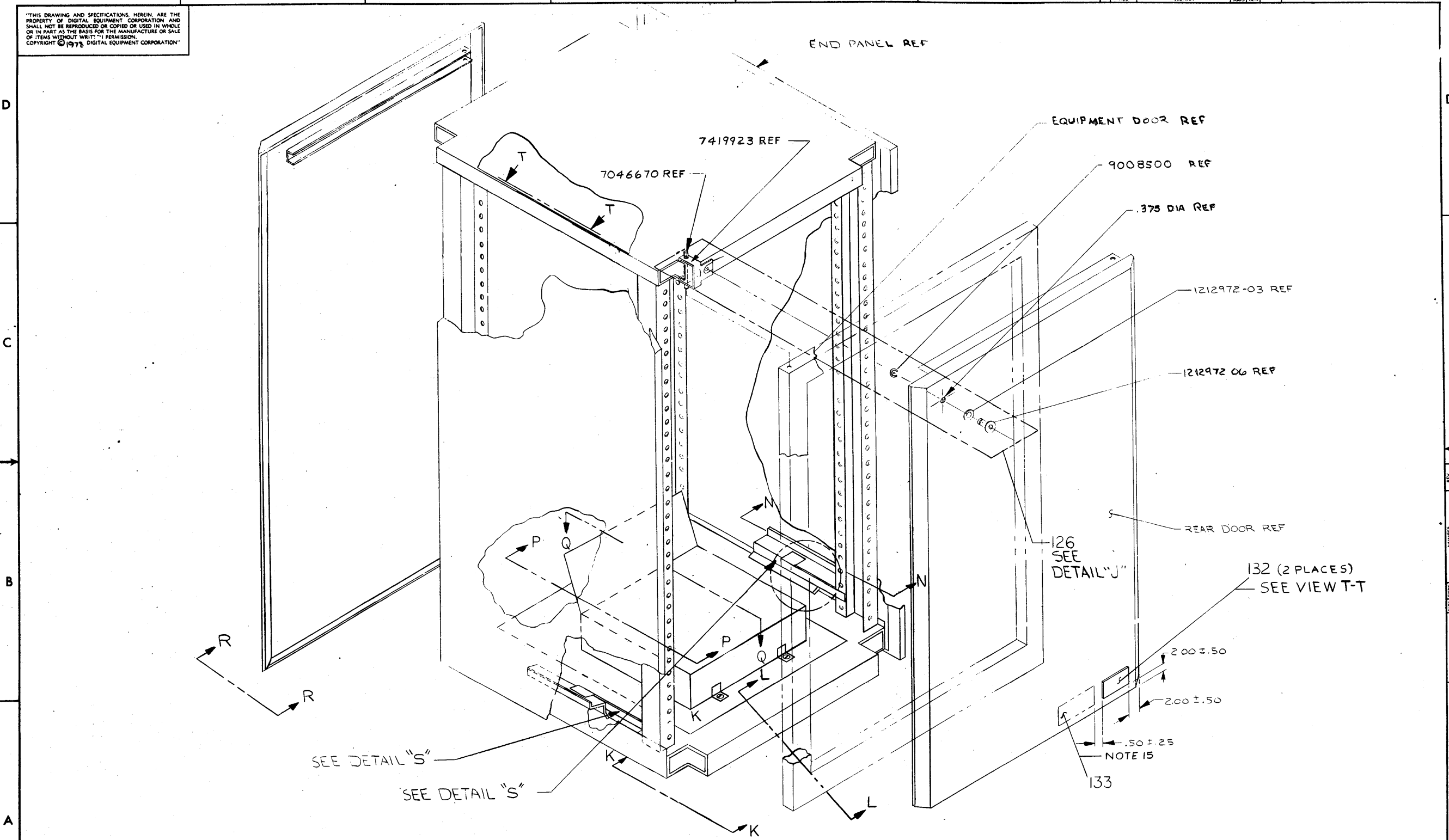
DC HARNESS CONNECTION TABLE				
ITEM NO.	FROM POINT	CONNECTION	TO CONNECTION	WITH
27	141		STACK LOGIC / TAB 22	
27	142		TAB 23	
	143		TAB 22	
	144		TAB 25	
	145		TAB 24	
	146		TAB 25	
	147		TAB 24	
	148		TAB 26	
	149		TAB 27	
	150		TAB 28	
	151		TAB 27	
	152		TAB 28	
	153		TAB 29	
	154		TAB 30	
	155		TAB 31	
	156		TAB 32	
	157		TAB 33	
	158		TAB 34	
	159		TAB 35	
	160		TAB 36	
89			TAB 36	
90			TAB 37	
91			TAB 38	
92			TAB 39	
93			TAB 40	
94			TAB 41	
95			TAB 42	
96			TAB 43	
97			TAB 44	
98			TAB 45	
99			TAB 44	
100			TAB 45	
101			TAB 46	
102			TAB 47	
103			TAB 47	
104			STACK LOGIC / TAB 48	
79			CONTROL LOGIC / HO1 B2	SOLDER ITEM 78
80			HO1 C2	
81			HO2 C2	
82			HO1 A2	
83			H17 C2	
84			H18 A2	
85			H30 A2	
86			H29 C2	
87			H34 A2	
88			H33 C2	
69			K01 C2	
70			K01 B2	
71			K02 C2	
72			K01 A2	
73			K17 C2	
74			K17 A2	
75			K28 A2	
27	76		K28 C2	SOLDER ITEM 78
27	77		CONTROL LOGIC / K34 A2	SOLDER ITEM 78

DC HARNESS CONNECTION TABLE				
ITEM NO.	FROM POINT	CONNECTION	TO CONNECTION	WITH
27	78		CONTROL LOGIC / K34 C2	SOLDER ITEM 78
27	67		AIR FLOW SWITCH / PI-2	SEE SHEET 43
27	68		AIR FLOW SWITCH / PI-1	SEE SHEET 43

A C HARNESS CONNECTION TABLE				
ITEM NO.	FROM POINT	CONNECTION	TO CONNECTION	WITH
29		P2	LOWER h7420/J2	
		P3	LOWER h7420/J3	
	16		LOWER h7420/(h744H)PI6-PIN6	SEE NOTE 4
	15		(h744H)PI6-PIN7	
	14		(h744J)PI7-PIN6	
	13		(h744J)PI7-PIN7	
	11		(h770)P4-PIN6	
	12		(h770)P4-PIN7	
	10		(h744K)P5-PIN6	
29	9		LOWER h7420/(h744K)P5-PIN7	
28		P2	MIDDLE h7420/J2	
		P3	MIDDLE h7420/J3	
	20		(h744D)P6-PIN6	
	19		(h744D)P6-PIN7	
	18		(h754C)P7-PIN7	
	17		(h754C)P7-PIN8	
	16		(h754D)P8-PIN7	
	15		(h754D)P8-PIN8	
	14		(h744E)P9-PIN6	
	13		(h744E)P9-PIN7	
	12		(h744F)PI0-PIN6	
	11		MIDDLE h7420/(h744F)PI0-PIN7	
		P2	TOP h7420/J2	
		P3	TOP h7420/J3	
	20		(h744A)PI1-PIN6	
	19		(h744A)PI1-PIN7	
	18		(h754A)PI2-PIN7	
	17		(h754A)PI2-PIN8	
	16		(h754B)PI3-PIN7	
	15		(h754B)PI3-PIN8	
	14		(h744B)PI4-PIN6	
	13		(h744B)PI4-PIN7	
	12		(h744C)PI5-PIN6	
28	11		TOP h7420/(h744C)PI5-PIN7	SEE NOTE 4
25 or 76	AC PLUG	TOP h7420	857 PC SWD 3 PLUG	
25 or 76	AC PLUG	MIDDLE h7420	857 PC SWD 2 PLUG	
25 or 76	AC PLUG	LOWEST h7420	857 PC TOP SWD 1 PLUG	

REVISIONS		
CHK	CHANGE NO.	REV.

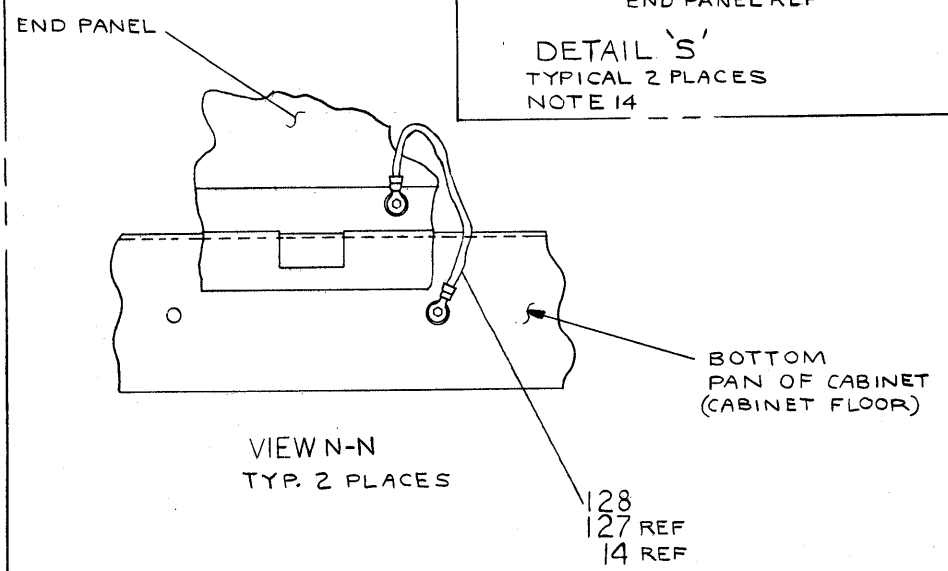
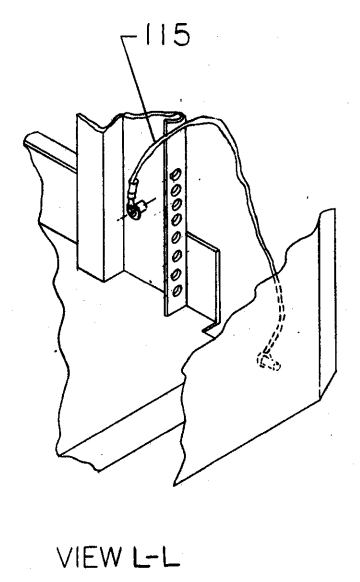
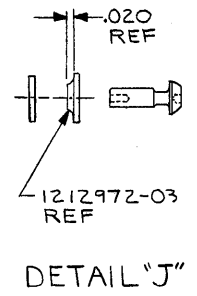
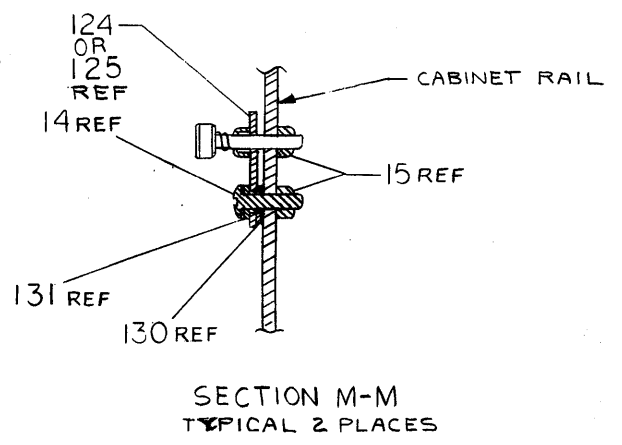
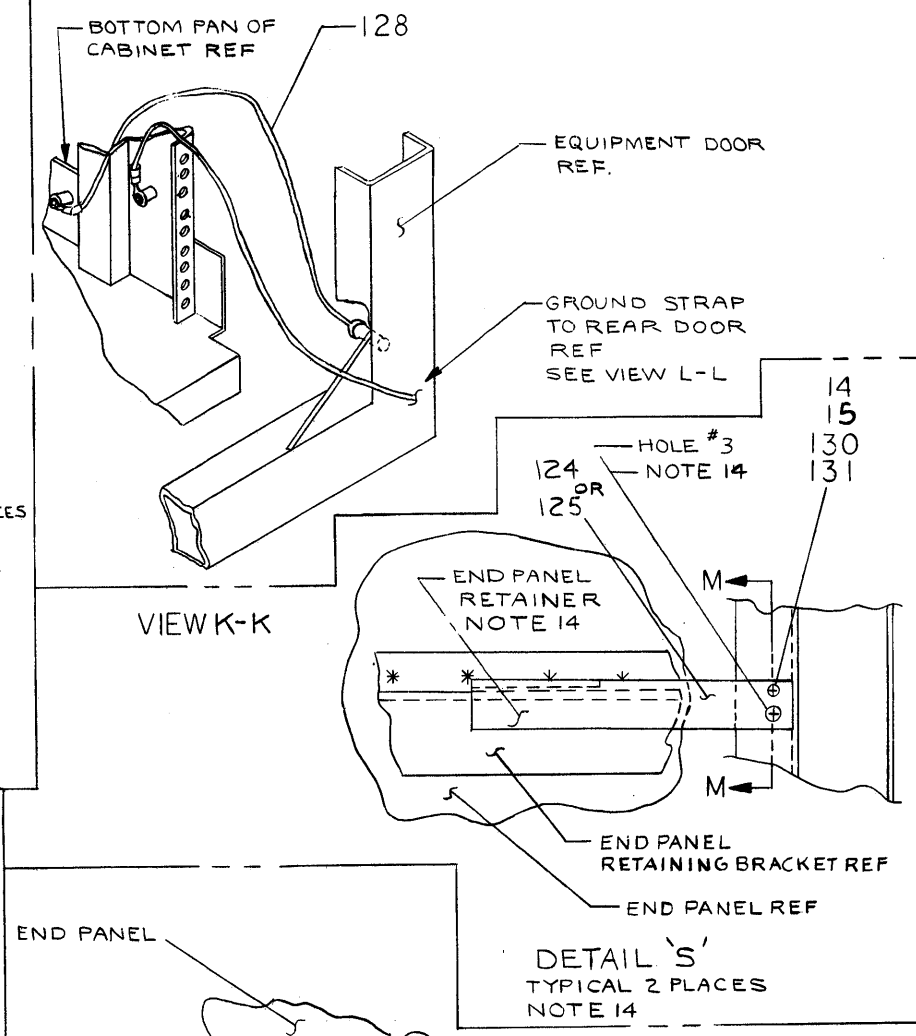
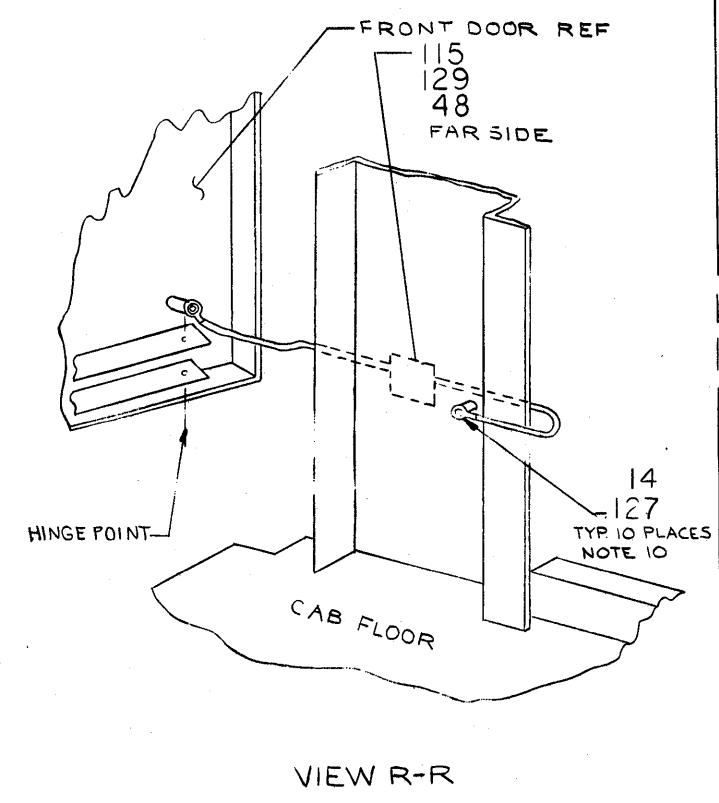
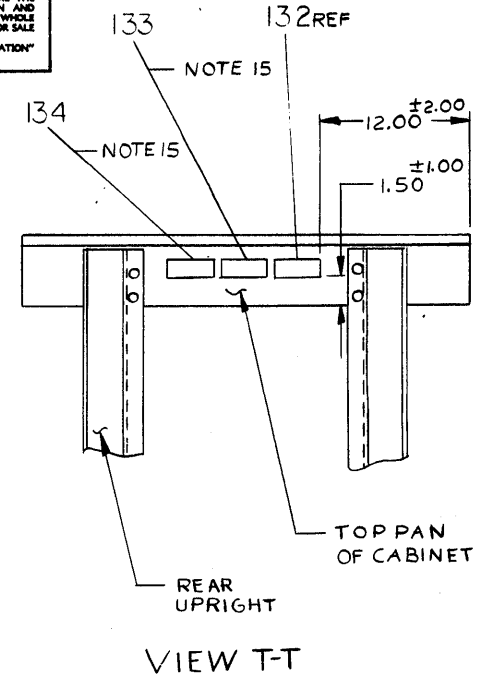
"THIS DRAWING AND SPECIFICATIONS, HEREIN, ARE THE PROPERTY OF DIGITAL EQUIPMENT CORPORATION AND SHALL NOT BE REPRODUCED OR COPIED OR USED IN WHOLE OR IN PART AS THE BASIS FOR THE MANUFACTURE OR SALE OF ITEMS WITHOUT WRITTEN PERMISSION. COPYRIGHT © 1977 DIGITAL EQUIPMENT CORPORATION"



REVISIONS		
CHK	CHANGE NO.	REV.

TITLE	SIZE CODE	NUMBER	REV.
CORE MEMORY (MHIØ)	DUA	MHIØ-Ø-Ø	D
SCALE NONE	SHEET 7 OF 9	DIST.	1

"THIS DRAWING AND SPECIFICATIONS HEREIN ARE THE PROPERTY OF DIGITAL EQUIPMENT CORPORATION AND SHALL NOT BE REPRODUCED OR COPIED OR USED IN WHOLE OR IN PART AS THE BASIS FOR THE MANUFACTURE OR SALE OF ITEMS WITHOUT WRITTEN PERMISSION. COPYRIGHT © 1970 DIGITAL EQUIPMENT CORPORATION"

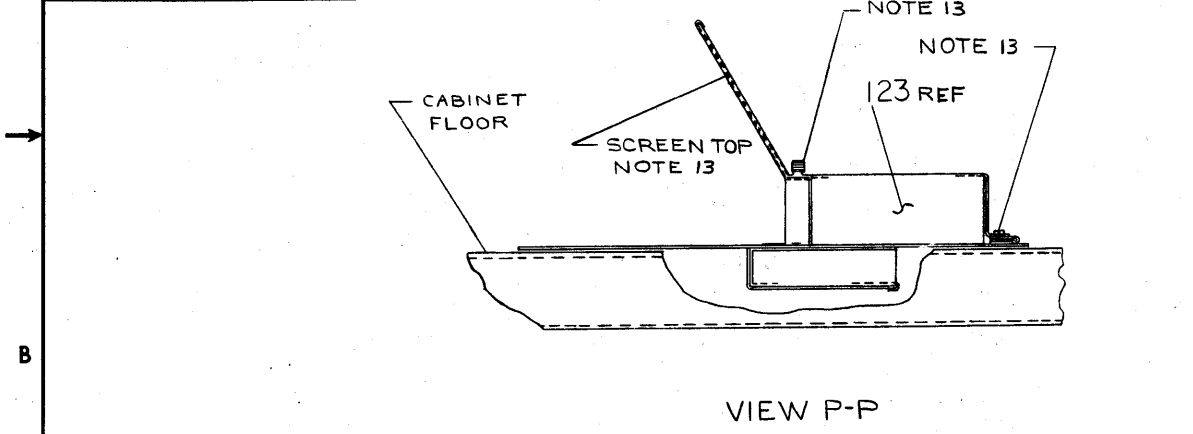
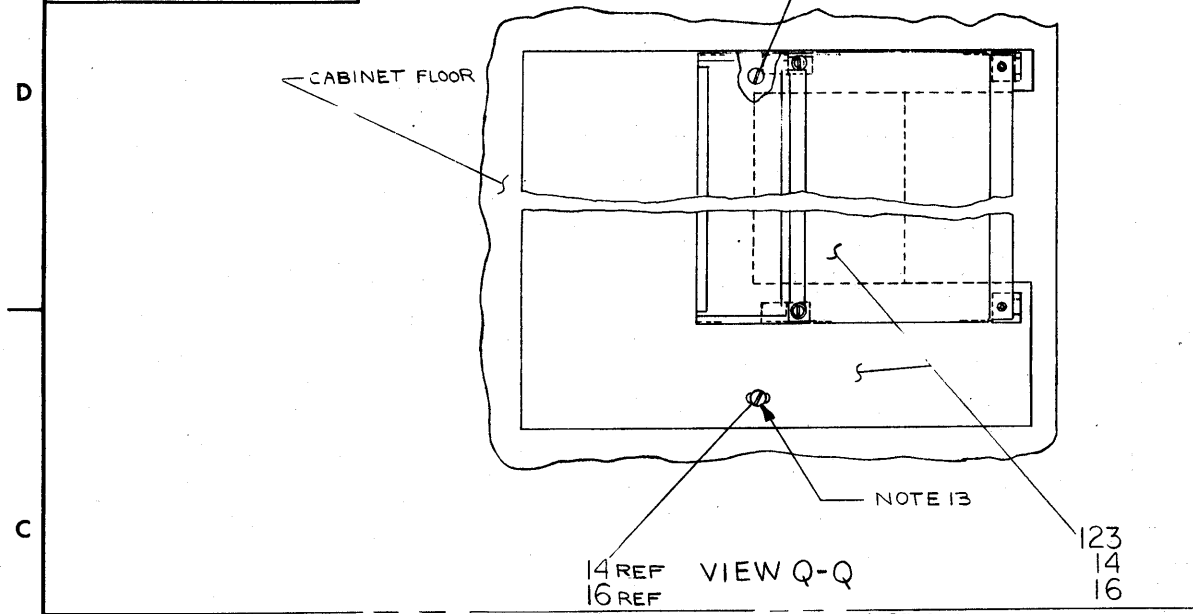


REV. D
REV. C
REV. B
REV. A
DUA MHI 0-0-0
DUA MHI 0-0-0

REVISIONS		
CHK	CHANGE NO.	REV.

TITLE	SIZE CODE	NUMBER	REV.
CORE MEMORY (MHI 0)	DUA	MHI 0-0-0	D
SCALE NONE	SHEET 8 OF 9	DIST.	1

"THIS DRAWING AND SPECIFICATIONS HEREIN, ARE THE PROPERTY OF DIGITAL EQUIPMENT CORPORATION AND SHALL NOT BE REPRODUCED OR COPIED OR USED IN WHOLE OR IN PART AS THE BASIS FOR THE MANUFACTURE OR SALE OF ITEMS WITHOUT WRITTEN PERMISSION. COPYRIGHT © 1970 DIGITAL EQUIPMENT CORPORATION"



REVISIONS		
CHK	CHANGE NO.	REV.

TITLE	CORE MEMORY (MHIØ)	SIZE CODE	DUA	NUMBER	MHIØ-Ø-Ø	REV.	D
SCALE	NONE	SHEET	9	OF	9	DIST.	

REV. D
NUMBER MHIØ-Ø-Ø
DUA

MR

DIGITAL EQUIPMENT CORPORATION MAYNARD, MASSACHUSETTS PARTS LIST				QUANTITY / VARIATION									
MADE BY T. Quillin		CHECKED <i>D. Schmidt</i>	SECTION	MH10-GA	MH10-HA	MH10-LA	MC10-G	MH10-E	MH10-GB	MH10-HB	MH10-LB		
DATE 31 MARCH 76	DATE	ISSUED SECT.											
ENG <i>T. Quillin</i>	PROD <i>Reform</i>	DATE 22 JUL 76											
DATE	DATE	DATE											
ITEM NO.	DWG NO. / PART NO.	DESCRIPTION											
1	E-AD-7008554-4-0	CABINET ASSY		1	1	1			1	1	1		
2	D-UA-H955-LA-0	H955-L LOGO (BLANK BLU)		1	1	1			1	1	1		
3	E-AD-7006671-8-0	INDICATOR PNL ASSY 30 IN		1	1	1			1	1	1		
4	E-AD-7012693-0-0	LOGIC ASSY STACK		1	1	1			1	1	1		
5	D-AD-7012667-0-0	LOGIC ASSY CONTROL WITH I/O ASSY		1	1	1			1	1	1		
6	E-IA-7010290-0-0	COOLING ASSY, MEMORY/LOGIC		1	1	1			1	1	1		
7	D-IA-7412844-0-0	SUPPORT, SWITCH PLATE		1	1	1			1	1	1		
8	D-UA-5412246-0-0	SWITCH PLATE ASSY		1	1	1			1	1	1		
9	C-MD-7412652-0-0	SPACER COVER		1	1	1			1	1	1		
10	D-MD-7412816-0-0	BAR SUPPORT, I/O CONN PLATE		1	1	1			1	1	1		
11	D-MD-7413001-0-0	FILLER PANEL		1	1	1			1	1	1		
12	D-UA-H952-AC-0	END PANEL (H952-A)		2	2	2			2	2	2		
13	D-UA-H951-HJ-0	SHORT DOOR ASSY		1	1	1			1	1	1		
14	9006074-3	SCREW PHL TRUSS HD #10-32 X .62 LG SST		57	57	57			57	57	57		
15	9007786	SPEEL NUT #C31758-1032-27 TINNEMAN		44	44	44			44	44	44		
16	9007651	WASH, EXT TOOTH LOCK #10		101	101	101			101	101	101		
17	B-DC-7416735-0-0	NAME PLATE DECAL (MH10)		1	1	1			1	1	1		
18	D-UA-H955-BA-2	30 IN FULL DOOR R.H. (H955-B)		1	1	1			1	1	1		
19	E-AD-7010359-0-0	FAN ASSY		1	1	1			1	1	1		
20	9006023-1	SCREW PHL PAN HD #6-32 X .44 SST		4	4	4			4	4	4		
21	9006633	WASH, INT TOOTH LOCK #6		4	4	4			4	4	4		
22	9006653	WASH, FLAT #6		12	12	12			12	12	12		
TITLE CORE MEMORY (MH10)			ASSY NO. D-UA-MH10-0-0	SIZE A	CODE PL	NUMBER MH10-0-0			REV. D	ECO NO. MH10- MR008			
SHEET 1 OF 7			DIST.										

DIGITAL EQUIPMENT CORPORATION MAYNARD, MASSACHUSETTS PARTS LIST				QUANTITY / VARIATION									
MADE BY T. Quillin		CHECKED <i>L. Schmidt</i>	SECTION	MH10-GA	MH10-HA	MH10-LA	MC10-G	MH10-E	MH10-GB	MH10-HB	MH10-LB		
DATE	DATE	ISSUED SECT.											
ENG <i>T. Quillin</i>	PROD <i>Reform</i>	DATE 22 JUL 76											
DATE	DATE	DATE											
ITEM NO.	DWG NO. / PART NO.	DESCRIPTION											
23	C-MD-7410940-0-0	SUPPORT POWER SUPPLY LEFT		3	3	3			3	3	3		
24	C-MD-7415246-0-0	SUPPORT POWER SUPPLY RIGHT		3	3	3			3	3	3		
25	E-UA-H7420-A-0	POWER SUPPLY H7420-A(115V AC 60 HZ)		3	3	3			-	-	-		
26	D-UA-857-0-0	857 POWER CONTROL		1	1	1			1	1	1		
27	J-IA-7012664-0-0	D.C. HARNESS		1	1	1			1	1	1		
28	D-IA-7010805-0-0	A.C. WIRING HARNESS ASSY #1		2	2	2			2	2	2		
29	D-IA-7012775-0-0	A.C. WIRING HARNESS ASSY #2		1	1	1			1	1	1		
30	D-AD-7010995-0-0	CABLE SET		1	1	1			1	1	1		
31	D-AD-7010358-0-0	VANE SWITCH ASSY		1	1	1			1	1	1		
32	E-UA-H770-0-0	REGULATOR H770		1	1	1			1	1	1		
33	E-UA-H744-0-0	POWER SUPPLY H744		9	9	9			9	9	9		
34	E-UA-H754-0-0	POWER SUPPLY H754		4	4	4			4	4	4		
35	C-IA-7409870-0-0	SHIPPING BRKT. (IND. PANEL)		1	1	1			1	1	1		
36	A-DC-7412561-0-0	POWER INTERLOCK DECAL		1	1	1			1	1	1		
37	9006075-1	SCREW, PHL HD PAN #10-32 X .75 SST		14	14	14			14	14	14		
38	9006071-1	SCREW, PHL HD PAN #10-32 X .38 SST		80	80	80			80	80	80		
39	9006120-6	SCREW, PHL HD FIL #8-32 X .62 POSI-DRIVE		2	2	2			2	2	2		
40	9006037-1	SCREW, PHL HD PAN #8-32 X .38 SST		3	3	3			3	3	3		
41	9006634	WASH, INT. TOOTH LOCK #8		3	3	3			3	3	3		
42	1210755	SWITCH, LEVER ACTUATED		1	1	1			1	1	1		
43	9006557	NUT, KEPS #4-40		6	6	6			6	6	6		
44	9006795	SPACER AL. .25 AF X .13 LG #10 HOLE		4	4	4			4	4	4		
TITLE CORE MEMORY			ASSY NO. D-UA-MH10-0-0	SIZE A	CODE PL	NUMBER MH10-0-0			REV. D	ECO NO.			
SHEET 2 OF 7			DIST.										

DIGITAL EQUIPMENT CORPORATION MAYNARD, MASSACHUSETTS PARTS LIST				QUANTITY / VARIATION															
MADE BY T. Quillin		CHECKED <i>N. Schmidt</i>		SECTION		MH10-GA	MH10-HA	MH10-LA	MC10-G	MH10-E	MH10-GB	MH10-HB	MH10-LB						
DATE		DATE		ISSUED SECT.															
ENG <i>P. Quillin</i>		PROD <i>John</i>																	
DATE 22 Jul 76		DATE 22 Jul 76																	
ITEM NO.	DWG NO. / PART NO.	DESCRIPTION																	
45	9006568	NUT KEPS 5/16-18 SST		1	1	1				1	1	1							
46	9006241-9	SCREW HEX HD UNSLOTTED 1/4-20 X .50 SST		1	1	1				1	1	1							
47	7005128	POWER CORD 15 FT (115V, 60HZ)		1	1	1				1	1	1							
48	9008264	MOUNT CABLE TIE, ADH. BACK		11	11	11				11	11	11							
49	9007880	TIE, CABLE, SST 1.5M		40	40	40				40	40	40							
50	1212462-2	GROUND STRAP 20 IN. JANCO		1	1	1				1	1	1							
51	9008887	GROUND STRAP 10 IN. JANCO		4	4	4				4	4	4							
52	A-DC-7417183-0-0	OPTION DECAL (MH10)		1	1	1				1	1	1							
53	9006724	WASH, EXT TOOTH LOCK 1/4		1	1	1				1	1	1							
54	9107360-11	WIRE, #18 AWG BRN		AR	AR	AR				AR	AR	AR							
55	9107360-44	WIRE, #18 AWG YEL		AR	AR	AR				AR	AR	AR							
56	9107430-29	WIRE, #18 TWP WHT/RED		AR	AR	AR				AR	AR	AR							
57	9107420-06	WIRE, #22 TWP BLU/BLK		AR	AR	AR				AR	AR	AR							
58	1209378-00	PIN, TERMINAL CONTACT		18	18	18				18	18	18							
59	1209378-03	PIN, TERMINAL CONTACT		2	2	2				2	2	2							
60	1209351-03	CONN, HSG, 3 PIN		2	2	2				2	2	2							
61	1209351-06	CONN, HSG, 6 PIN		1	1	1				1	1	1							
62	1209351-12	CONN, HSG, 12 PIN		3	3	3				3	3	3							
63	1700022	CONN, MINIATURE SWITCH		1	1	1				1	1	1							
64	9007647	TERM, QUICK CONN, FEMALE		2	2	2				2	2	2							
65	9007867	MOUNT, CABLE TIE		36	36	36				36	36	36							
66	9107240	WRAP, CABLE, .25 O.D. VINYL		AR	AR	AR				AR	AR	AR							
TITLE CORE MEMORY (MH10)				ASSY NO. D-UA-MH10-0-0		SIZE CODE A PL		NUMBER MH10-0-0				REV. D		ECO NO.					
SHEET 4 OF 7				DIST.															

DEC FORM DEC 16-(325)-1031-N870
DRA 110

MR

DIGITAL EQUIPMENT CORPORATION MAYNARD, MASSACHUSETTS PARTS LIST				QUANTITY / VARIATION															
MADE BY T. Quillin		CHECKED <i>N. Schmidt</i>		SECTION		MH10-GA	MH10-HA	MH10-LA	MC10-G	MH10-E	MH10-GB	MH10-HB	MH10-LB						
DATE		DATE		ISSUED SECT.															
ENG <i>P. Quillin</i>		PROD <i>John</i>																	
DATE 22 Jul 76		DATE 22 Jul 76																	
ITEM NO.	DWG NO. / PART NO.	DESCRIPTION																	
67	9007079	CLAMP, CABLE, 1/8		1	1	1				1	1	1							
68	9007081	CLAMP, CABLE, 1/4		2	2	2				2	2	2							
69	9007083	CLAMP, CABLE, 3/8		2	2	2				2	2	2							
70	9007084	CLAMP, CABLE, 7/16		4	4	4				4	4	4							
71	9007085	CLAMP, CABLE, 1/2		2	2	2				2	2	2							
72	9007087	CLAMP, CABLE, 5/8		3	3	3				3	3	3							
73	9007088	CLAMP, CABLE, 11/16		4	4	4				4	4	4							
74	9007032	TIE, CABLE, SST-2M		50	50	50				50	50	50							
75	A-PL-MB20-M-0	32K X 19 BIT MEMORY		4	8	16		4		4	8	16							
76	E-UA-H7420-B-0	POWER SUPPLY (230 AC 50HZ)		-	-	-				3	3	3							
77	G728-YA	JUMPER BOARD		2	2	2				2	2	2							
78	9107302-11	TUBING		A	RA	RA	R			A	RA	RA	R						
79	D-UA-M8565-0-0	TIMING		2	2	2				2	2	2							
80	D-UA-M8588-0-0	PARITY CHECK		8	8	8				8	8	8							
81	D-UA-M8566-0-0	CYCLE TIMING		2	2	2				2	2	2							
82	D-UA-M8590-0-0	PRIORITY CONTROL		2	2	2				2	2	2							
83	D-UA-M8591-0-0	ADDRESS RECEIVER		2	2	2	2			2	2	2							
84	D-UA-M8592-0-0	ADDRESS INTERFACE		2	2	2	2			2	2	2							
85	D-UA-M8593-0-0	DATA REGISTER		5	5	5				5	5	5							
86	D-UA-M8593-YA	ADDRESS REGISTER		2	2	2				2	2	2							
87	D-UA-M8594-0-0	DATA TRANSCIEVER		5	5	5	5			5	5	5							
88	D-UA-M9005	TERMINATOR		5	5	5				5	5	5							
TITLE CORE MEMORY (MH10)				ASSY NO. D-UA-MH10-0-0		SIZE CODE A PL		NUMBER MH10-0-0				REV. D		ECO NO.					
SHEET 4 OF 7				DIST.															

DEC FORM DEC 16-(325)-1031-N870
DRA 110

MR

DIGITAL EQUIPMENT CORPORATION MAYNARD, MASSACHUSETTS PARTS LIST				QUANTITY / VARIATION															
MADE BY T.Quillin		CHECKED <i>D. Schmidt</i>		SECTION		MH10-CA	MH10-HA	MH10-LA	MCI0-G	MH10-E	MH10-GB	MH10-HB	MH10-LB						
DATE		DATE <i>29 Jul 76</i>		ISSUED SECT.															
ENG		PROD <i>R. Sme</i>																	
DATE <i>22 Jul 76</i>		DATE <i>22 Jul 76</i>																	
ITEM NO.	DWG NO. / PART NO.	DESCRIPTION																	
89	5310919	WARNING STICKER																	
90	9006635	WASH, INT TOOTH LOCK #10		30	30	30				30	30	30							
91	7413875	UL PANEL		1	1	1				1	1	1							
92	7406371-1-0	DECAL (WHITE ON CLEAR)		A/RA	R	A/R				AR	AR	AR							
93	3612450	IDENTIFICATION MARKER		1	1	1				1	1	1							
94	9007035	GROMMET		AR	AR	AR				AR	AR	AR							
95	9007594	ADHESIVE		AR	AR	AR				AR	AR	AR							
96	9006902	TERMINAL STRIP		1	1	1				1	1	1							
97	B-MD-7404721-0-0	PROTECTION COVER, 541		1	1	1				1	1	1							
98	9006851	SPACER, HEX THREADED #6-32 X 1/2 LG		4	4	4				4	4	4							
99	9006021-1	SCR PHL PAN HD #6-32 X .31LG		4	4	4				4	4	4							
100	9006025-1	SCR PHL PAN HD #6-32 X .62LG		4	4	4				4	4	4							
101	9006633	WASH INT TOOTH LOCK #6		8	8	8				8	8	8							
102	B-MD-7413992-0-0	ROD		1	1	1				1	1	1							
103	9006655	WASHER FLAT #4		4	4	4				4	4	4							
104	1204826	FAN CLZL CARAVEL (115VAC)		2	2	2				2	2	2							
105	1209175	FINGER GUARD		2	2	2				2	2	2							
106	9006024-3	SCR PHL TRUSS HD 6-32 X 1/2 LG		16	16	16				16	16	16							
107	9006560	NUT KEP 6-32		16	16	16				16	16	16							
108	9007927-00	TERMINAL RING		8	8	8				8	8	8							
109	9006664	FLAT WASH		6	6	6				6	6	6							
110	9006565	10-32 KEP NUT		26	26	26				26	26	26							
TITLE CORE MEMORY (MH10)				ASSY NO. D-UA-MH10-0-0		SIZE CODE A PL		NUMBER MH10-0-0				REV. D		ECO NO.					
SHEET 5 OF 7				DIST.															

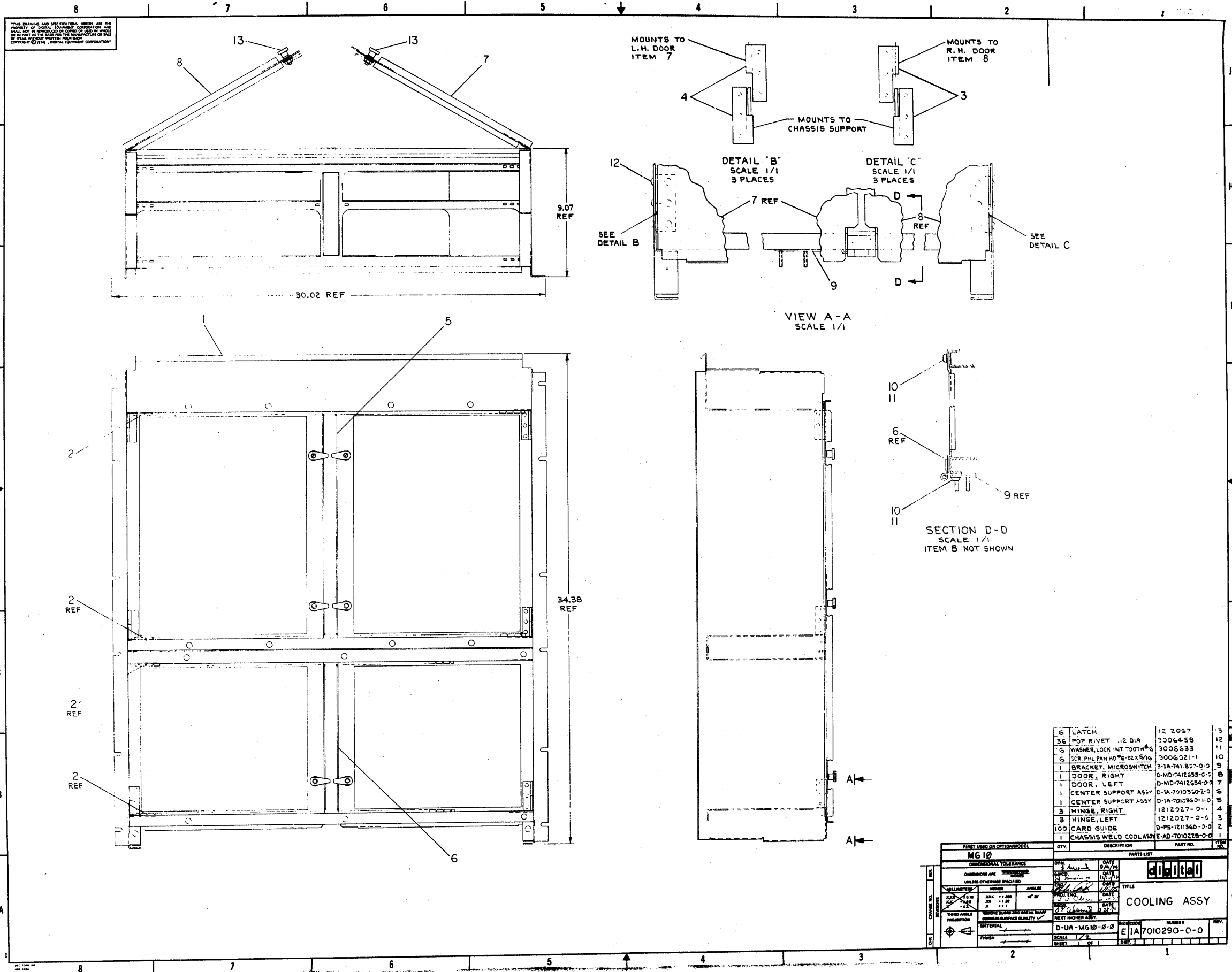
DEC FORM DEC 16 (325)-1031-N870
DRA 110

MR

DIGITAL EQUIPMENT CORPORATION MAYNARD, MASSACHUSETTS PARTS LIST				QUANTITY VARIATION															
MADE BY T.Quillin		CHECKED <i>D. Schmidt</i>		SECTION		MH10-GA	MH10-HA	MH10-LA	MCI0-S	MH10-E	MH10-GB	MH10-HB	MH10-LB						
DATE		DATE <i>29 Jul 76</i>		ISSUED SECT.															
ENG		PROD <i>R. Sme</i>																	
DATE <i>22 Jul 76</i>		DATE <i>22 Jul 76</i>																	
ITEM NO.	DWG NO. / PART NO.	DESCRIPTION																	
111	9007960-00	CONN SOLDERLESS BLU		3	3	3				3	3	3							
112	9107253-09	SHRINKABLE TUBING 1/4"		A/RA	RA	R				A/RA	RA	R							
113	00915-03	JUMPER		26	26	26				26	26	26							
114	B-CP-MH10-0-EC	EXTERNAL COMPONENTS LIST		1	1	1				1	1	1							
115	1213756-12	STRAP GROUND (12 IN)		5	5	5				5	5	5							
116	C-AD-7013988-0-0	POWER CORD ASSY.		1	1	1				1	1	1							
117	A-DC-3612675-0-0	CAUTION DECAL		1	1	1				1	1	1							
118	D-IA-7413405-0-0	PANEL, FILLER H7420		1	1	1				1	1	1							
119	D-SP-7013997-0-0	I.E.C. 435 SAFETY REGULATIONS		REF	REF	REF				REF	REF	REF							
120	3613272	LABEL, GROUND SYMBOL		3	3	3				3	3	3							
121	9007959	WASHER LOCK EXT. TOOTH		1	1	1				1	1	1							
122	1213756-07	STRAP GROUND (7 IN)		1	1	1				1	1	1							
123	D-AD-7014494-0-0	DRIP SCREEN ASSY		1	1	1				1	1	1							
124	D-IA-7420387-0-0	RETAINER END PANEL (LEFT HAND)		1	1	1				1	1	1							
125	D-IA-7420387-1-0	RETAINER END PANEL (RIGHT HAND)		1	1	1				1	1	1							
126	C-UA-H952-LB-0	H950 CAB REAR DOOR LOCKING KIT		1	1	1				1	1	1							
127	9007906	WASHER, LOCK HELICAL SPLIT #10		8	8	8				8	8	8							
128	1213756-20	GROUND STRAP		3	3	3				3	3	3							
129	9007031-0	TIE, CABLE		1	1	1				1	1	1							
130	9009619	WASHER, NYLON		2	2	2				2	2	2							
131	9009739	WASHER, SHOULDER		2	2	2				2	2	2							
132	3615180	LABEL, MACHINE I.D.		2	2	2				2	2	2							
TITLE CORE MEMORY (MH10)				ASSY NO. D-UA-MH10-0-0		SIZE CODE A PL		NUMBER MH10-0-0				REV. D		ECO NO.					
SHEET 6 OF 7				DIST.															

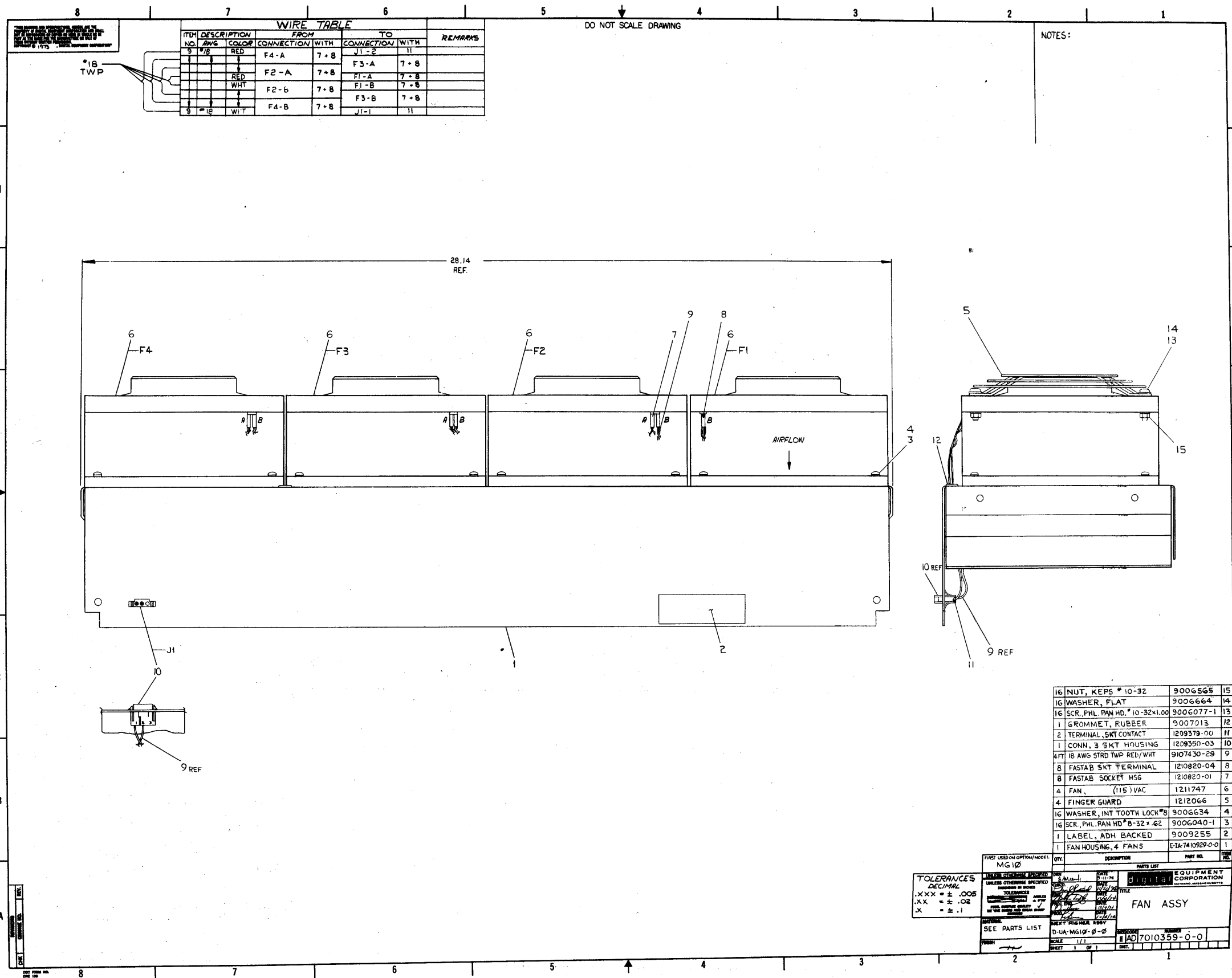
DEC FORM DEC 16 (325) 1031 N870
DRA 110

MR



QTY.	DESCRIPTION	PART NO.	REF.
6	LATCH	12 2067	13
36	POP RIVET .12 DIA	3006458	12
6	WASHER LOCK INT TOOTH	3006633	11
6	SCR. PHL PAN HD #6-32 x 5/16	3006021-1	10
1	BRACKET, MICROSWITCH	3-1A-7411-827-0-0	9
1	DOOR, RIGHT	D-MD-7412658-0-0	8
1	DOOR, LEFT	D-MD-7412654-0-0	7
1	CENTER SUPPORT ASSY	D-1A-7010360-1-0	6
1	CENTER SUPPORT ASSY	D-1A-7010360-1-0	5
3	HINGE, RIGHT	1212027-0-1	4
3	HINGE, LEFT	1212027-0-0	3
100	CARD GUIDE	D-PS-1211960-3-0	2
1	CHASSIS WELD COOL ASSY	E-AD-7010328-0-0	1

FIRST USED ON OPTION/MODEL		QTY.	DESCRIPTION	PART NO.	REF.
MG10					
DIMENSIONAL TOLERANCE		DATE	PARTS LIST		
DIMENSIONS ARE UNLESS OTHERWISE SPECIFIED		9/2/74	DIGITAL		
UNLESS OTHERWISE SPECIFIED		DATE	TITLE		
UNLESS OTHERWISE SPECIFIED		12/22/74	COOLING ASSY		
UNLESS OTHERWISE SPECIFIED		DATE	NUMBER		
UNLESS OTHERWISE SPECIFIED		12/22/74	E1A7010290-0-0		
UNLESS OTHERWISE SPECIFIED		DATE	REV.		
UNLESS OTHERWISE SPECIFIED		12/22/74	1		
UNLESS OTHERWISE SPECIFIED		DATE	SCALE		
UNLESS OTHERWISE SPECIFIED		12/22/74	1/2		
UNLESS OTHERWISE SPECIFIED		DATE	SHEET		
UNLESS OTHERWISE SPECIFIED		12/22/74	OF 1		



WIRE TABLE

ITEM NO.	DESCRIPTION	FROM		TO		REMARKS
		AWG	COLOR	CONNECTION WITH	CONNECTION WITH	
3	RED	18	RED	F4-A	J1-2	
4	RED	18	RED	F2-A	F3-A	7-8
5	WHT	18	WHT	F2-B	F1-A	7-8
6	WHT	18	WHT	F4-B	F1-B	7-8
7	WHT	18	WHT	F4-B	F3-B	7-8
8	WHT	18	WHT	F4-B	J1-1	II

NOTES:

28.14 REF.

AIRFLOW

QTY.	DESCRIPTION	PART NO.	REF.
16	NUT, KEPS #10-32	9006565	15
16	WASHER, FLAT	9006664	14
16	SCR. PHL. PAN HD. #10-32x1.00	9006077-1	13
1	GROMMET, RUBBER	9007013	12
2	TERMINAL, SMT CONTACT	1209379-00	11
1	CONN, 3 SMT HOUSING	1209350-03	10
4	18 AWG STRD TWP REL/WHT	9107430-29	9
8	FASTAB SKT TERMINAL	1210820-04	8
8	FASTAB SOCKET HSG	1210820-01	7
4	FAN, (115) VAC	1211747	6
4	FINGER GUARD	1212066	5
16	WASHER, INT TOOTH LOCK #8	9006634	4
16	SCR. PHL. PAN HD #8-32 x .62	9006040-1	3
1	LABEL, ADH BACKED	9009255	2
1	FAN HOUSING, 4 FANS	E1A7410929-0-0	1

TOLERANCES DECIMAL
 .XXX = ± .005
 .XX = ± .02
 X = ± .1

UNLESS OTHERWISE SPECIFIED

SEE PARTS LIST

AD7010359-0-0

FAN ASSY

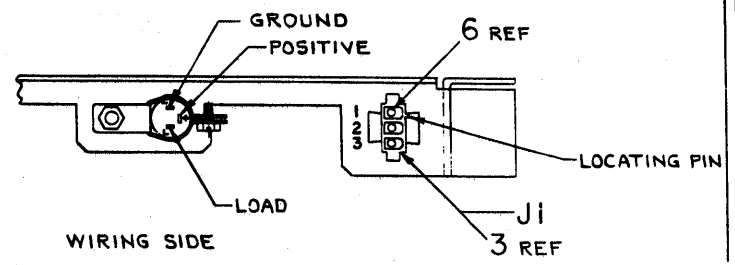
DIGITAL EQUIPMENT CORPORATION

DATE: 11/11/74
 DRAWN: [Signature]
 CHECKED: [Signature]
 APPROVED: [Signature]

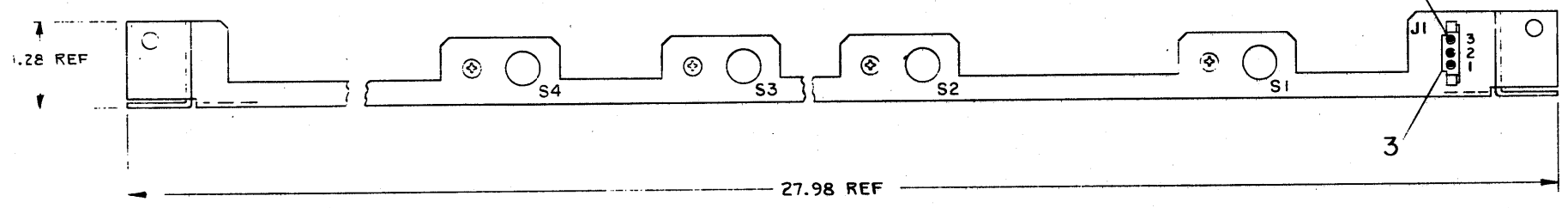
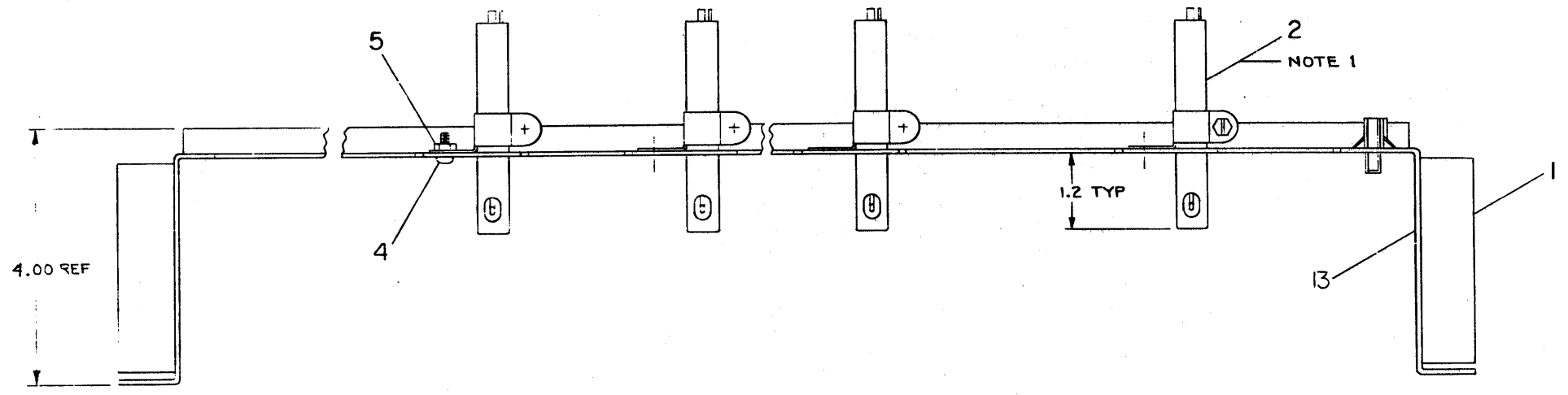
REV. 1 OF 1

"THIS DRAWING AND SPECIFICATIONS HEREIN ARE THE PROPERTY OF DIGITAL EQUIPMENT CORPORATION AND SHALL NOT BE REPRODUCED OR COPIED OR USED IN WHOLE OR IN PART AS THE BASIS FOR THE MANUFACTURE OR SALE OF ITEMS WITHOUT WRITTEN PERMISSION. COPYRIGHT © 1974, DIGITAL EQUIPMENT CORPORATION"

WIRE TABLE						
ITEM NO.	DESCRIPTION	FROM	TO			
			CONNECTION	TERM		
11	22 BLK	S4-G	7#8	S3-G	7#8	
		S2-G	7#8	S1-G		
11	BLK	J1-1	6			
10	CRN	S4-P	7#8	S3-P		
		S2-P	7#8	S1-P		
10	CRN	J1-2	6			
9	YEL	S4-L	7#8	S3-L		
		S2-L	7#8	S1-L		
9	22 YEL	J1-3	6			



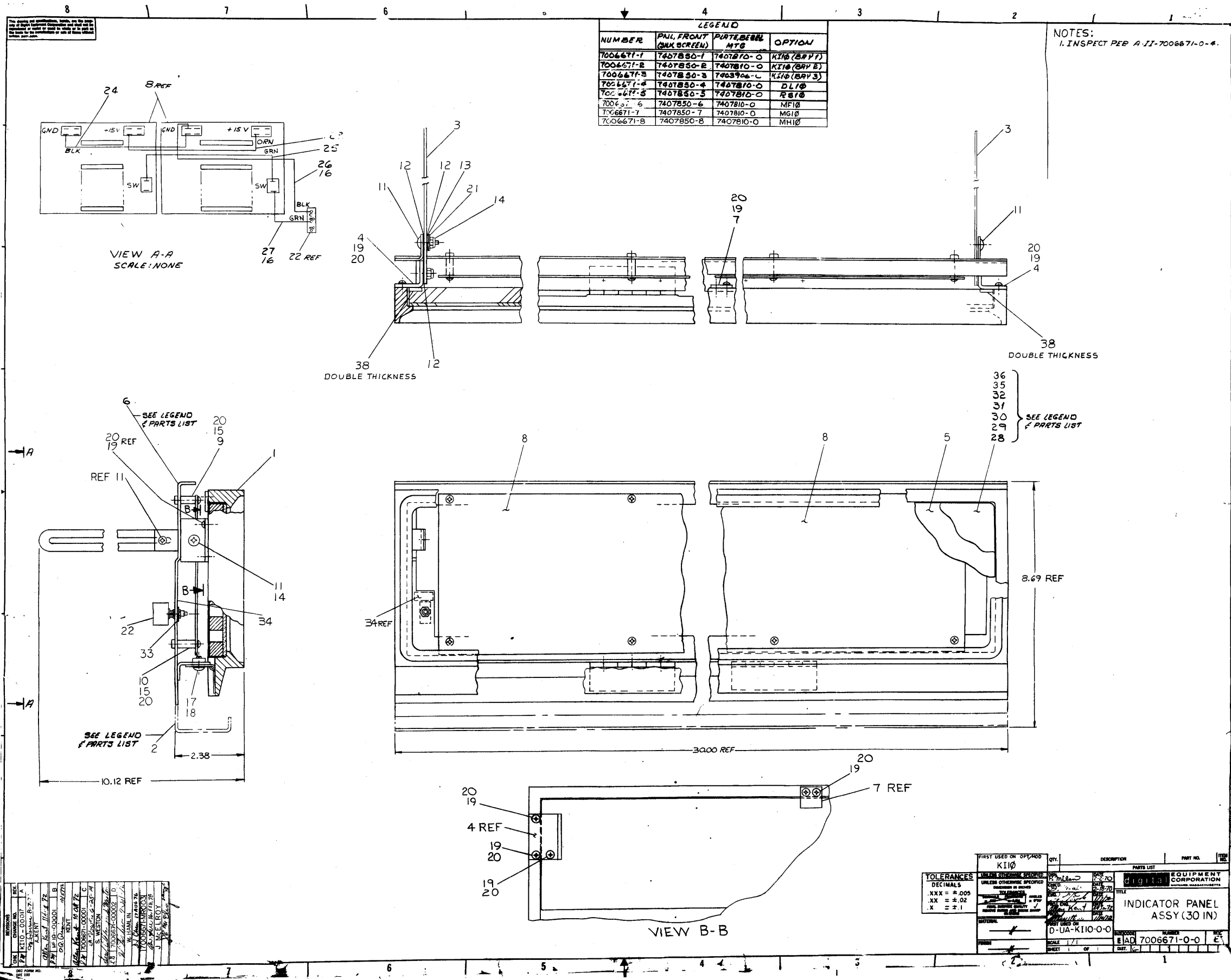
NOTES:
 1. USE EXISTING HARDWARE SUPPLIED WITH ITEM 2.
 2. LOCATE CABLE TIES (ITEM 12) TO SECURE WIRE RUNS TO BRACKET.



QTY.	DESCRIPTION	PART NO.	ITEM NO.
1	LABEL, ADHESIVE BACKING	9009255-00	13
6	CABLE TIES 3.75 X .094	9007031	12
4 FT	WIRE, 22 AWG BLK	9107350-00	11
4 FT	WIRE, 22 AWG ORN	9107350-33	10
4 FT	WIRE, 22 AWG YEL	9107350-44	9
12	TERMINAL QUICK CONNECT	9009137-00	8
12	SHRINKABLE TUBING RED	9107305-02	7
3	TERMINAL, PIN CONTACT	1209379-03	6
4	NUT, KEP 6-32	9006560	5
4	SCR, PH. PAN HD. 6-32 X .38	9006022-1	4
1	HOUSING, SOCKET 3 SKT	1209350-03	3
4	SW, SOLID STATE VANE	1210756	2
1	BRACKET, SWITCH	D-MD-7412817-0-0	1

REV.	CHANGE NO.	DATE	BY	CHKD.
1	1	11/18/74	AMASUK	
2	2	12/14/74	...	
3	3	12/13/74	...	
4	4	12/17/74	...	
5	5	1/3/75	...	

FIRST USED ON OPTION/MODEL		DATE	
MG10		11/18/74	
DIMENSIONAL TOLERANCE		DATE	
UNLESS OTHERWISE SPECIFIED		12/14/74	
INCHES	ANGLES	TITLE	
±.005	±.005	VANE SWITCH ASSY	
±.01	±.01	PARTS LIST	
±.02	±.02	DAD7010358-0-0	
THIRD ANGLE PROJECTION		SCALE 1/1	
REMOVE BURRS AND BREAK SHARP CORNERS SURFACE QUALITY		SHEET 1 OF 1	
MATERIAL		REV. A	
FINISH		DST.	



REV	DATE	BY	CHKD	DESCRIPTION
1	10/10/54	J. WELBY		INITIAL DESIGN
2	11/10/54	J. WELBY		REVISED TO SHOW CHANGES
3	12/10/54	J. WELBY		REVISED TO SHOW CHANGES
4	1/10/55	J. WELBY		REVISED TO SHOW CHANGES
5	2/10/55	J. WELBY		REVISED TO SHOW CHANGES
6	3/10/55	J. WELBY		REVISED TO SHOW CHANGES
7	4/10/55	J. WELBY		REVISED TO SHOW CHANGES
8	5/10/55	J. WELBY		REVISED TO SHOW CHANGES
9	6/10/55	J. WELBY		REVISED TO SHOW CHANGES
10	7/10/55	J. WELBY		REVISED TO SHOW CHANGES
11	8/10/55	J. WELBY		REVISED TO SHOW CHANGES
12	9/10/55	J. WELBY		REVISED TO SHOW CHANGES
13	10/10/55	J. WELBY		REVISED TO SHOW CHANGES
14	11/10/55	J. WELBY		REVISED TO SHOW CHANGES
15	12/10/55	J. WELBY		REVISED TO SHOW CHANGES
16	1/10/56	J. WELBY		REVISED TO SHOW CHANGES
17	2/10/56	J. WELBY		REVISED TO SHOW CHANGES
18	3/10/56	J. WELBY		REVISED TO SHOW CHANGES
19	4/10/56	J. WELBY		REVISED TO SHOW CHANGES
20	5/10/56	J. WELBY		REVISED TO SHOW CHANGES
21	6/10/56	J. WELBY		REVISED TO SHOW CHANGES
22	7/10/56	J. WELBY		REVISED TO SHOW CHANGES
23	8/10/56	J. WELBY		REVISED TO SHOW CHANGES
24	9/10/56	J. WELBY		REVISED TO SHOW CHANGES
25	10/10/56	J. WELBY		REVISED TO SHOW CHANGES
26	11/10/56	J. WELBY		REVISED TO SHOW CHANGES
27	12/10/56	J. WELBY		REVISED TO SHOW CHANGES
28	1/10/57	J. WELBY		REVISED TO SHOW CHANGES
29	2/10/57	J. WELBY		REVISED TO SHOW CHANGES
30	3/10/57	J. WELBY		REVISED TO SHOW CHANGES
31	4/10/57	J. WELBY		REVISED TO SHOW CHANGES
32	5/10/57	J. WELBY		REVISED TO SHOW CHANGES
33	6/10/57	J. WELBY		REVISED TO SHOW CHANGES
34	7/10/57	J. WELBY		REVISED TO SHOW CHANGES
35	8/10/57	J. WELBY		REVISED TO SHOW CHANGES
36	9/10/57	J. WELBY		REVISED TO SHOW CHANGES
37	10/10/57	J. WELBY		REVISED TO SHOW CHANGES
38	11/10/57	J. WELBY		REVISED TO SHOW CHANGES
39	12/10/57	J. WELBY		REVISED TO SHOW CHANGES
40	1/10/58	J. WELBY		REVISED TO SHOW CHANGES
41	2/10/58	J. WELBY		REVISED TO SHOW CHANGES
42	3/10/58	J. WELBY		REVISED TO SHOW CHANGES
43	4/10/58	J. WELBY		REVISED TO SHOW CHANGES
44	5/10/58	J. WELBY		REVISED TO SHOW CHANGES
45	6/10/58	J. WELBY		REVISED TO SHOW CHANGES
46	7/10/58	J. WELBY		REVISED TO SHOW CHANGES
47	8/10/58	J. WELBY		REVISED TO SHOW CHANGES
48	9/10/58	J. WELBY		REVISED TO SHOW CHANGES
49	10/10/58	J. WELBY		REVISED TO SHOW CHANGES
50	11/10/58	J. WELBY		REVISED TO SHOW CHANGES
51	12/10/58	J. WELBY		REVISED TO SHOW CHANGES
52	1/10/59	J. WELBY		REVISED TO SHOW CHANGES
53	2/10/59	J. WELBY		REVISED TO SHOW CHANGES
54	3/10/59	J. WELBY		REVISED TO SHOW CHANGES
55	4/10/59	J. WELBY		REVISED TO SHOW CHANGES
56	5/10/59	J. WELBY		REVISED TO SHOW CHANGES
57	6/10/59	J. WELBY		REVISED TO SHOW CHANGES
58	7/10/59	J. WELBY		REVISED TO SHOW CHANGES
59	8/10/59	J. WELBY		REVISED TO SHOW CHANGES
60	9/10/59	J. WELBY		REVISED TO SHOW CHANGES
61	10/10/59	J. WELBY		REVISED TO SHOW CHANGES
62	11/10/59	J. WELBY		REVISED TO SHOW CHANGES
63	12/10/59	J. WELBY		REVISED TO SHOW CHANGES
64	1/10/60	J. WELBY		REVISED TO SHOW CHANGES
65	2/10/60	J. WELBY		REVISED TO SHOW CHANGES
66	3/10/60	J. WELBY		REVISED TO SHOW CHANGES
67	4/10/60	J. WELBY		REVISED TO SHOW CHANGES
68	5/10/60	J. WELBY		REVISED TO SHOW CHANGES
69	6/10/60	J. WELBY		REVISED TO SHOW CHANGES
70	7/10/60	J. WELBY		REVISED TO SHOW CHANGES
71	8/10/60	J. WELBY		REVISED TO SHOW CHANGES
72	9/10/60	J. WELBY		REVISED TO SHOW CHANGES
73	10/10/60	J. WELBY		REVISED TO SHOW CHANGES
74	11/10/60	J. WELBY		REVISED TO SHOW CHANGES
75	12/10/60	J. WELBY		REVISED TO SHOW CHANGES
76	1/10/61	J. WELBY		REVISED TO SHOW CHANGES
77	2/10/61	J. WELBY		REVISED TO SHOW CHANGES
78	3/10/61	J. WELBY		REVISED TO SHOW CHANGES
79	4/10/61	J. WELBY		REVISED TO SHOW CHANGES
80	5/10/61	J. WELBY		REVISED TO SHOW CHANGES
81	6/10/61	J. WELBY		REVISED TO SHOW CHANGES
82	7/10/61	J. WELBY		REVISED TO SHOW CHANGES
83	8/10/61	J. WELBY		REVISED TO SHOW CHANGES
84	9/10/61	J. WELBY		REVISED TO SHOW CHANGES
85	10/10/61	J. WELBY		REVISED TO SHOW CHANGES
86	11/10/61	J. WELBY		REVISED TO SHOW CHANGES
87	12/10/61	J. WELBY		REVISED TO SHOW CHANGES
88	1/10/62	J. WELBY		REVISED TO SHOW CHANGES
89	2/10/62	J. WELBY		REVISED TO SHOW CHANGES
90	3/10/62	J. WELBY		REVISED TO SHOW CHANGES
91	4/10/62	J. WELBY		REVISED TO SHOW CHANGES
92	5/10/62	J. WELBY		REVISED TO SHOW CHANGES
93	6/10/62	J. WELBY		REVISED TO SHOW CHANGES
94	7/10/62	J. WELBY		REVISED TO SHOW CHANGES
95	8/10/62	J. WELBY		REVISED TO SHOW CHANGES
96	9/10/62	J. WELBY		REVISED TO SHOW CHANGES
97	10/10/62	J. WELBY		REVISED TO SHOW CHANGES
98	11/10/62	J. WELBY		REVISED TO SHOW CHANGES
99	12/10/62	J. WELBY		REVISED TO SHOW CHANGES
100	1/10/63	J. WELBY		REVISED TO SHOW CHANGES

This drawing and specifications, herein, are the property of Digital Equipment Corporation and shall not be reproduced or copied or used in whole or in part as the basis for the manufacture or sale of items without written permission.

DIGITAL EQUIPMENT CORPORATION							
MAYNARD, MASSACHUSETTS							
ENGINEERING SPECIFICATION					DATE <u>1/3/75</u>		
TITLE MCI0-G ADDITIONAL ACCESS PORT OPTION							
REVISIONS							
REV	DESCRIPTION	CHG NO	ORIG	DATE	APPD BY	DATE	
A	ECO CHANGE	00005	D.CHIN	11-76	<i>M. Chin</i>	11-76	
ENG/	<u>4-17-75</u>	APPD	<u>4-17-75</u>	SIZE	CODE	NUMBER	REV
<i>[Signature]</i>	<i>[Signature]</i>	<i>[Signature]</i>	<i>[Signature]</i>	A	SP	MCI0-G-AAP	A

DEC FORM NO. DRA 107

SHEET 1 OF 3

ENGINEERING SPECIFICATION				CONTINUATION SHEET																																								
TITLE MCI0-G ADDITIONAL ACCESS PORT OPTION																																												
<p>I. <u>SCOPE</u></p> <p>The MCI0-G is an option that provides two (2) additional access ports to MG10 memories in which all available ports are not utilized.</p>																																												
<p>II. <u>REQUIREMENTS</u></p> <p>The MCI0-G option consists of the following:</p> <ul style="list-style-type: none"> 5 M8594 Data Transceiver 2 M8592 Port Address Interface 2 M8591 ADR Receiver 2 BC10J-XX or BC10K-XX cables (dependent on system configuration, XX is specified at 10 Ft. unless otherwise specified. 																																												
<p>III. <u>DRAWINGS</u></p> <p>A MCI0-G drawing set consists of the following MG10 drawings.</p> <table style="width: 100%; border: none;"> <tr> <td style="width: 60%;">D-BS-MG10-0-DB0</td> <td>Data Bits 0-7</td> </tr> <tr> <td>D-BS-MG10-0-DB1</td> <td>Data Bits 8-15</td> </tr> <tr> <td>D-BS-MG10-0-DB2</td> <td>Data Bits 16-23</td> </tr> <tr> <td>D-BS-MG10-0-DB3</td> <td>Data Bits 24-31</td> </tr> <tr> <td>D-BS-MG10-0-DB4</td> <td>Data Bits 32-PAR</td> </tr> <tr> <td>D-BS-MG10-0-AB0</td> <td>Address Bits 21-28</td> </tr> <tr> <td>D-BS-MG10-0-AB1</td> <td>Address Bits 29-33 WR RQ, RD RQ</td> </tr> <tr> <td>D-BS-MG10-0-PR0</td> <td>Port Request Logic 0-3</td> </tr> <tr> <td>D-BS-MG10-0-PR1</td> <td>Port Request Logic 4-7</td> </tr> <tr> <td>D-MU-MG10-0-MUAF</td> <td>Module Utilization</td> </tr> <tr> <td>D-MU-MG10-0-MUHL</td> <td>Module Utilization</td> </tr> <tr> <td>D-IC-MG10-0-MBI</td> <td>Memory Bus Interface</td> </tr> <tr> <td>D-CS-M8594-0-DAT0</td> <td>MG10 Data Transceiver</td> </tr> <tr> <td>D-CS-M8594-0-DAT1</td> <td>MG10 Data Transceiver</td> </tr> <tr> <td>D-CS-M8592-0-PAD0</td> <td>MG10 Port Address</td> </tr> <tr> <td>D-CS-M8592-0-PAD1</td> <td>MG10 Port Address</td> </tr> <tr> <td>D-CS-M8592-0-PAD2</td> <td>MG10 Port Address</td> </tr> <tr> <td>D-CS-M8591-0-ADR0</td> <td>MG10 Address Receiver</td> </tr> <tr> <td>D-CS-M8591-0-ADR1</td> <td>MG10 Address Receiver</td> </tr> <tr> <td>D-CS-M8591-0-ADR2</td> <td>MG10 Address Receiver</td> </tr> </table>					D-BS-MG10-0-DB0	Data Bits 0-7	D-BS-MG10-0-DB1	Data Bits 8-15	D-BS-MG10-0-DB2	Data Bits 16-23	D-BS-MG10-0-DB3	Data Bits 24-31	D-BS-MG10-0-DB4	Data Bits 32-PAR	D-BS-MG10-0-AB0	Address Bits 21-28	D-BS-MG10-0-AB1	Address Bits 29-33 WR RQ, RD RQ	D-BS-MG10-0-PR0	Port Request Logic 0-3	D-BS-MG10-0-PR1	Port Request Logic 4-7	D-MU-MG10-0-MUAF	Module Utilization	D-MU-MG10-0-MUHL	Module Utilization	D-IC-MG10-0-MBI	Memory Bus Interface	D-CS-M8594-0-DAT0	MG10 Data Transceiver	D-CS-M8594-0-DAT1	MG10 Data Transceiver	D-CS-M8592-0-PAD0	MG10 Port Address	D-CS-M8592-0-PAD1	MG10 Port Address	D-CS-M8592-0-PAD2	MG10 Port Address	D-CS-M8591-0-ADR0	MG10 Address Receiver	D-CS-M8591-0-ADR1	MG10 Address Receiver	D-CS-M8591-0-ADR2	MG10 Address Receiver
D-BS-MG10-0-DB0	Data Bits 0-7																																											
D-BS-MG10-0-DB1	Data Bits 8-15																																											
D-BS-MG10-0-DB2	Data Bits 16-23																																											
D-BS-MG10-0-DB3	Data Bits 24-31																																											
D-BS-MG10-0-DB4	Data Bits 32-PAR																																											
D-BS-MG10-0-AB0	Address Bits 21-28																																											
D-BS-MG10-0-AB1	Address Bits 29-33 WR RQ, RD RQ																																											
D-BS-MG10-0-PR0	Port Request Logic 0-3																																											
D-BS-MG10-0-PR1	Port Request Logic 4-7																																											
D-MU-MG10-0-MUAF	Module Utilization																																											
D-MU-MG10-0-MUHL	Module Utilization																																											
D-IC-MG10-0-MBI	Memory Bus Interface																																											
D-CS-M8594-0-DAT0	MG10 Data Transceiver																																											
D-CS-M8594-0-DAT1	MG10 Data Transceiver																																											
D-CS-M8592-0-PAD0	MG10 Port Address																																											
D-CS-M8592-0-PAD1	MG10 Port Address																																											
D-CS-M8592-0-PAD2	MG10 Port Address																																											
D-CS-M8591-0-ADR0	MG10 Address Receiver																																											
D-CS-M8591-0-ADR1	MG10 Address Receiver																																											
D-CS-M8591-0-ADR2	MG10 Address Receiver																																											
	SIZE	CODE	NUMBER	REV																																								
	A	SP	MCI0-G-AAP	A																																								

DEC FORM NO. DRA 108 DEC 16-(381)-1022-N370

SHEET 2 OF 3

ENGINEERING SPECIFICATION



CONTINUATION SHEET

TITLE MCL0-G ADDITIONAL ACCESS PORT OPTION

IV. MODULE LOCATION

Module Type	Locations								Drawing
	P0	P1	P2	P3	P4	P5	P6	P7	
M8594	HJ18		HJ19		HJ20		HJ21		Data Bits 0-7, D-BS-MG10-0-DB0
M8594	HJ09		HJ10		HJ11		HJ12		Data Bits 8-15, D-BS-MG10-0-DB1
M8594	KL17		KL18		KL19		KL20		Data Bits 16-23, D-BS-MG10-0-DB2
M8594	KL12		KL13		KL14		KL15		Data Bits 24-31, D-BS-MG10-0-DB3
M8594	KL07		KL08		KL09		KL10		Data Bits 32-PAR, D-BS-MG10-0-DB4
M8592	HJ37		HJ35		HJ33		HJ31		Port Request Logic, D-BS-MG10-0-PR0
M8592		HJ36		HJ34		HJ32		HJ30	Port Request Logic, D-BS-MG10-0-PR1
M8591	KL39		KL38		KL37		KL36		Address Bits 21-28, D-BS-MG10-0-AB0
M8591	KL32		KL31		KL30		KL29		Address Bits 29-33, D-BS-MG10-0-AB1

V. DIAGNOSTIC TEST

Run diagnostic MAINDEC-10-DDMMD with switches 8, 9, 18, 20, 22, 25, 26 on for two (2) passes. No errors are acceptable.

SIZE A	CODE SP	NUMBER MCL0-G-AAP	REV A
-----------	------------	----------------------	----------

This drawing and specifications, herein, are the property of Digital Equipment Corporation and shall not be reproduced or copied or used in whole or in part as the basis for the manufacture or sale of items without written permission.

DIGITAL EQUIPMENT CORPORATION						
MAYNARD, MASSACHUSETTS						
ENGINEERING SPECIFICATION					DATE 14 AUG 72	
TITLE THE ACCEPTANCE TEST MEMORY SYSTEMS						
REVISIONS						
REV	DESCRIPTION	CHG NO	ORIG	DATE	APPD BY	DATE
A	ECO CHANGE	00006	D.CHIN	5-5-75		
B	ECO CHANGE	00007	J.PROVIDENT	11 OCT 75	J. Provident	18 OCT 76
C	ECO CHANGE	00005	D.CHIN	11-76	D. Chinn	11-76
ENG	APPD	SIZE	CODE	NUMBER	REV	
P. Sullivan	Alan Kent 14 Aug 72	A	SP	PDP 10-0-MEMS	C	

ENGINEERING SPECIFICATION	DIGITAL	CONTINUATION SHEET
TITLE THE ACCEPTANCE TEST MEMORY SYSTEM		
<p>A. Applicability</p> <p>This test is applicable to the following memory units:</p> <p style="text-align: right;">MA10 MB10 MD10 ME10 MF10 MG10 MH10</p>		
<p>B. Hardware Test</p> <ol style="list-style-type: none"> 1. Run MAIN DEC-10-DDQCB. DDQCB is a memory port interaction test. It provides a way of checking for multiport interference problems. The program runs in EXECT MODE only and with EXECT DDT to provide operator/program communication. No errors are acceptable. 2. Run the memory pattern exerciser MAINDEC-10-DIMMD with switches 8, 9, 18, 20, 22, 25, 26 on for 12 hours. This program exercises the worst case patterns throughout all of memory. No errors are acceptable. 3. The appropriate processor tests provide memory/processor speed verification and are not repeated here. 		
<p>C. Software Integration</p> <p>The software acceptance tests thoroughly exercise all aspects of memory system operation and further tests are not required.</p>		
	SIZE	CODE
	A	SP
	NUMBER	REV
	PDP10-0-MEMS	C

THIS DRAWING AND SPECIFICATIONS HEREIN ARE THE PROPERTY OF DIGITAL EQUIPMENT CORPORATION AND SHALL NOT BE REPRODUCED OR COPIED OR USED IN WHOLE OR IN PART AS THE BASIS FOR THE MANUFACTURE OR SALE OF ITEMS WITHOUT WRITTEN PERMISSION.
 COPYRIGHT © 1977 DIGITAL EQUIPMENT CORPORATION

REV. | B CPMH10-0-EC | 2 | 1

ITEM	TERM. VALUE	FROM PIN	POL	TO PIN	POL	SIGNAL NAME
1	1K OHMS	H28P2		H28A2		CYT CO CLR AW RQL

B

B

A

A

REV.	
CHANGE NO.	
CHK	

DRB 100A

1	TERMINATOR, 1K, 30 AWG	7407749	1
DESCRIPTION		DWG./PART NO.	ITEM NO.
UNLESS OTHERWISE SPECIFIED DIMENSIONS ARE IN INCHES			
QUANTITY	ANGLES ± 90° 30'	CLASS OF ACCURACY (CHECK ONE)	NOMINAL DIMENSION RANGE INCHES
		MEDIUM <input type="checkbox"/>	±.004 ±.008 ±.012 ±.016 ±.024 ±.04
SURFACE QUALITY IN	MICROINCHES	PREFERRED <input type="checkbox"/>	±.012 ±.016 ±.025 ±.04 ±.063 ±0.1
		FIRST USED ON	
THIRD ANGLE PROJECTION		TITLE	
REMOVE BURRS AND BREAK SHARP CORNERS		EXTERNAL COMPONENTS LIST	
DO NOT SCALE DWG		MATERIAL	
MATERIAL		SCALE	
FINISH		SHEET	
		SIZE CODE NUMBER REV.	
		B CPMH10-0-EC	
		DIST.	

4

3

2

1