

"THE MATERIAL HEREIN IS FOR INFORMATION PURPOSES ONLY AND IS SUBJECT TO CHANGE WITHOUT NOTICE. DIGITAL EQUIPMENT CORPORATION ASSUMES NO RESPONSIBILITY FOR ANY ERRORS WHICH MAY APPEAR HEREIN."

FIELD MAINTENANCE PRINT SET

"THIS DRAWING AND SPECIFICATIONS, HEREIN, ARE THE PROPERTY OF DIGITAL EQUIPMENT CORPORATION AND SHALL NOT BE REPRODUCED OR COPIED OR USED IN WHOLE OR IN PART AS THE BASIS FOR THE MANUFACTURE OR SALE OF ITEMS WITHOUT WRITTEN PERMISSION. COPYRIGHT © 1976 . DIGITAL EQUIPMENT CORPORATION."

TABLE OF CONTENTS

B-TC-1134A-0-1	FIELD MAINTENANCE PRINT SET (1134A)
E-UA-1134A-0-0	UNIT ASSEMBLY (1134A)
C-PL-1134A-0-0	PARTS LIST (1134A)
B-DD-1134A-0-0	DRAWING DIRECTORY (1134A)
MP00192	PRINT SET KD11-EA (COMPLETE SET)
D-CS-M9301-0-1	UNIBUS TERMINATOR/BOOT STRAP
D-CS-M9302-0-1	UNIBUS TERMINATOR
MP00017	PRINT SET KY11-LA (COMPLETE SET)
MP00015	PRINT SET KY11-LB (COMPLETE SET)
MP00106	PRINT SET DL11-W (COMPLETE SET)
B-CS-M7850-0-1	PARITY MODULE
B-CS-G727-0-1	GRANT CONTINUITY
MP00021	PRINT SET MS11-E (COMPLETE SET)
MP00032	PRINT SET MM11-D (COMPLETE SET)
MP000317	PRINT SET MM11-YP (COMPLETE SET)
B-DD-DD11-P	DRAWING DIRECTORY DD11-P (COMPLETE SET)
MP00018	PRINT SET BALL-L (COMPLETE SET)
E-UA-BALL-K-0	UNIT ASSY BALL-K
A-PL-BALL-K-0	UNIT ASSY BALL-K (PL)
B-DD-BALL-K	DRAWING DIRECTORY BALL-K
MP00270	PRINT SET 1134A P.S. (COMPLETE SET)
C-IA-7011413-0-0	EXTERNAL BOOT CABLE
C-IA-7011411-0-0	CONSOLE CABLE
D-IA-7011992-0-0	CONSOLE POWER HARNESS
A-PL-1134A-0-4	SHIPPING LIST (1134A)
D-CS-M9312-0-1	UNIBUS TERM. BOOT STRAP

		115V	230V
		UNIT VARIATIONS COVERED BY THIS PRINT SET	
5.25 Box		1134A-DC	1134A-DD
		1134A-HC	1134A-HD
		1134A-LC	1134A-LD
		1134A-MC	1134A-MD
		1134A-JC	1134A-JD
10.5 Box		1134A-DH	1134A-DJ
		1134A-HH	1134A-HJ
		1134A-LH	1134A-LJ
		1134A-MH	1134A-MJ
		1134A-DE	1134A-DF
		1134A-HE	1134A-HF
		1134A-LE	1134A-LF
		1134A-ME	1134A-MF
		1134A-JH	1134A-JJ
		1134A-JE	1134A-JF

**1134A
Field Maintenance
Print Set**

**Digital Equipment
Corporation**

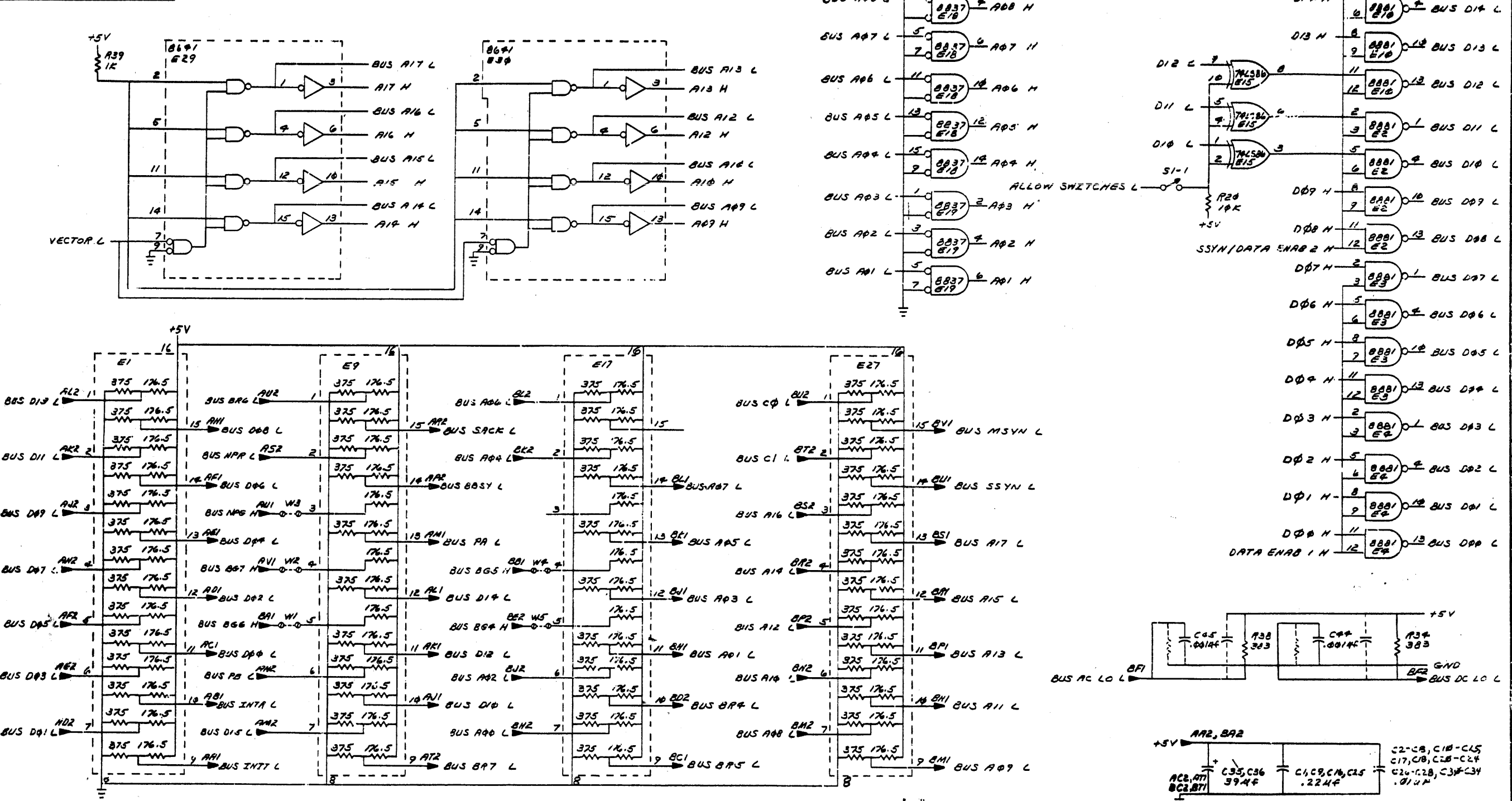
PRINT SET ORDER NO.
MP00190

REVISIONS			USED ON OPTION/MODEL		DRN.	DATE	digital			
DATE	CHG. NO.	REV.			D. HEALY	NOV 76				
12-77	1134A-7	A			CHK'D	DATE				
2-78	1134A-8	B			D. HEALY	NOV 76	SIZE B			
					PROJ. ENG.	DATE				
					DAVE MOBERLY	13JAN77	NUMBER 1134A-0-1			
					FIELD SERV.	DATE				
							DIST.			
			SHEET I OF I		ROY M EVANS	13JAN77				

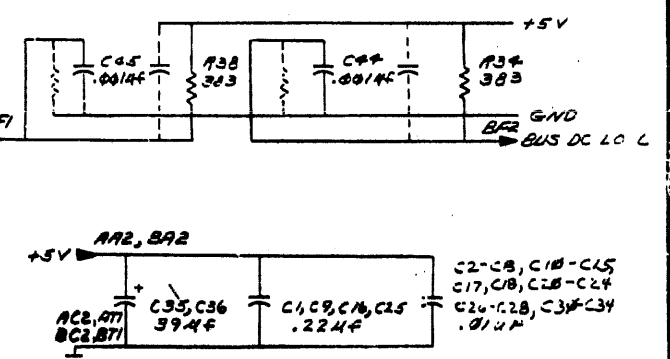
DRB EN-01124 16N675-1271

DIGITAL EQUIPMENT CORPORATION MAYNARD, MASSACHUSETTS PARTS LIST					QUANTITY / VARIATION																	
MADE BY D. HEALY		CHECKED D. HEALY		SECTION		DC, DD, IC, LD	HC, HD, MC, MD	DH, DJ, LH, LJ	EH, EJ, MH, MJ	DE, DF, LE, LF	HE, HF, ME, MF	EM, EN	JC, JD	JH, JJ	JE, JF							
DATE 15 DEC 76		DATE 16 DEC 76		1																		
ENG <i>D. Healy</i>		PROD <i>AB</i>		ISSUED SECT.																		
DATE 17 JAN 77		DATE 1/17/77		1																		
ITEM NO.	DWG NO. / PART NO.	DESCRIPTION																				
	MP00190	1134A FIELD MAINTENANCE PRINT SET																				
	EK-1134A-OP	1134A SYSTEM USERS MANUAL																				
	EK-KD11-EA-TM	KD11-EA PROCESSOR MANUAL *																				
	EK-MS11E-MM	MS11-E-J MOS MEMORY MAINTENANCE MANUAL *																				
	EK-MM11D-TM	MM11D/DP CORE MEMORY MANUAL *																				
	EK-MS11K-MM	MS11-K MOS MEMORY MAINTENANCE MANUAL *																				
	EK-BALLK-MM	BALL-K MAINTENANCE MANUAL *																				
	EK-BALLL-MM	BALL-L MAINTENANCE MANUAL *																				
	EK-M9301-TM	M9301 MAINTENANCE MANUAL * NOTE 1																				
	EK-M7850-MM	M7850 MAINTENANCE MANUAL *																				
	EK-DL11W-MM	DL11-W MAINTENANCE MANUAL *																				
	EK-KY11-LB-MM	KY11-LB MAINTENANCE MANUAL *																				
	ZJ010-RB	SOFTWARE LIBRARY KIT (PAPER TAPE)																				
	1211825	CHASSIS TRACKS AND MOUNTING HARDWARE																				
	7010059	SHIPPING BRACKET																				
	EK-MM11YP-TM	MM11YP MAINTENANCE MANUAL																				
	EK-M9312-MM	M9312 MAINT. MANUAL * NOTE 1																				
	23248F1	ROM, CONSOLE EMULATOR NOTE 2																				
	NOTE 1. MANUAL SHIPPED TO BE CONSISTENT WITH MODULE																					
	SHIPPED IN MACHINE.																					
	2. CONSOLE EMULATOR ROM IS TO BE SHIPPED ONLY IF M9312 IS SHIPPED.																					
	* Do not ship to OEM. customers.																					
TITLE 1134A SHIPPING LIST					ASSY NO. NONE					SIZE A		CODE PL		NUMBER 1134A-0-4					REV. B		ECO NO. 1134A-00008	
SHEET 1 OF 1					DIST.																	

THIS DRAWING AND SPECIFICATIONS HEREIN ARE THE PROPERTY OF SPATIAL EQUIPMENT CORPORATION AND SHALL NOT BE REPRODUCED OR COPIED OR USED IN WHOLE OR IN PART AS THE BASIS FOR THE MANUFACTURE OF SUCH EQUIPMENT WITHOUT WRITTEN PERMISSION.
 COPYRIGHT © 1977, SPATIAL EQUIPMENT CORPORATION



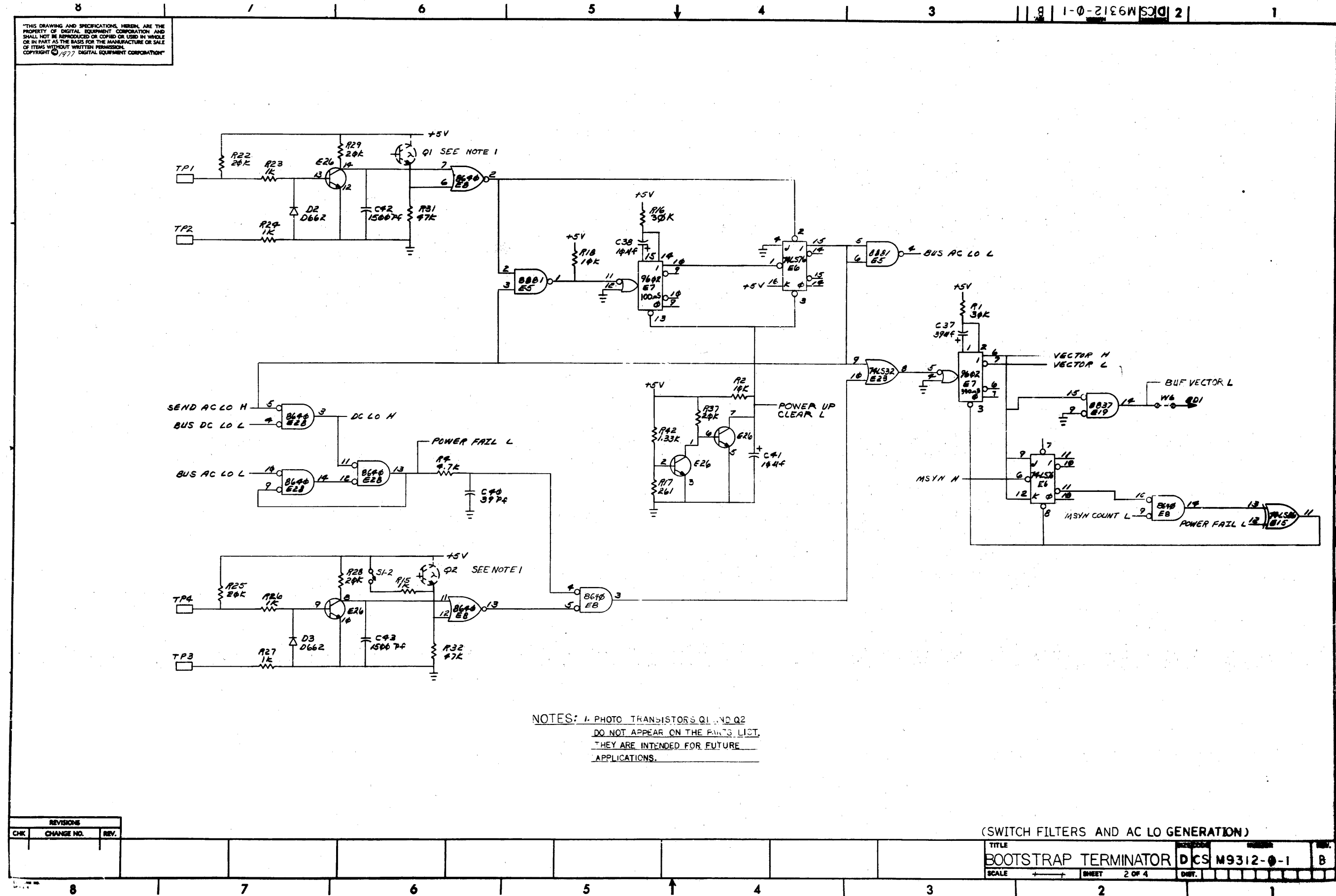
REV.	CHG.	NO.	DATE	BY
1	1	1	12-30-77	...



(BUS TERMINATOR, DRIVERS AND RECEIVERS)

DRN. <i>[Signature]</i>	12-29-77	FIRST DESIGN
CHK'D <i>[Signature]</i>	12-30-77	
ENG. <i>[Signature]</i>	12-30-77	
PROJ. ENG. <i>[Signature]</i>	1-26-78	
PROD. <i>[Signature]</i>	11-20-78	
NEXT HIGHER ASSY.		
SCALE	SIZE CODE	NUMBER
SHEET 1 OF 4	D CS	M9312-0-1
	DIST.	B

"THIS DRAWING AND SPECIFICATIONS, HEREIN, ARE THE PROPERTY OF DIGITAL EQUIPMENT CORPORATION AND SHALL NOT BE REPRODUCED OR COPIED OR USED IN WHOLE OR IN PART AS THE BASIS FOR THE MANUFACTURE OR SALE OF ITEMS WITHOUT WRITTEN PERMISSION. COPYRIGHT © 1977 DIGITAL EQUIPMENT CORPORATION"

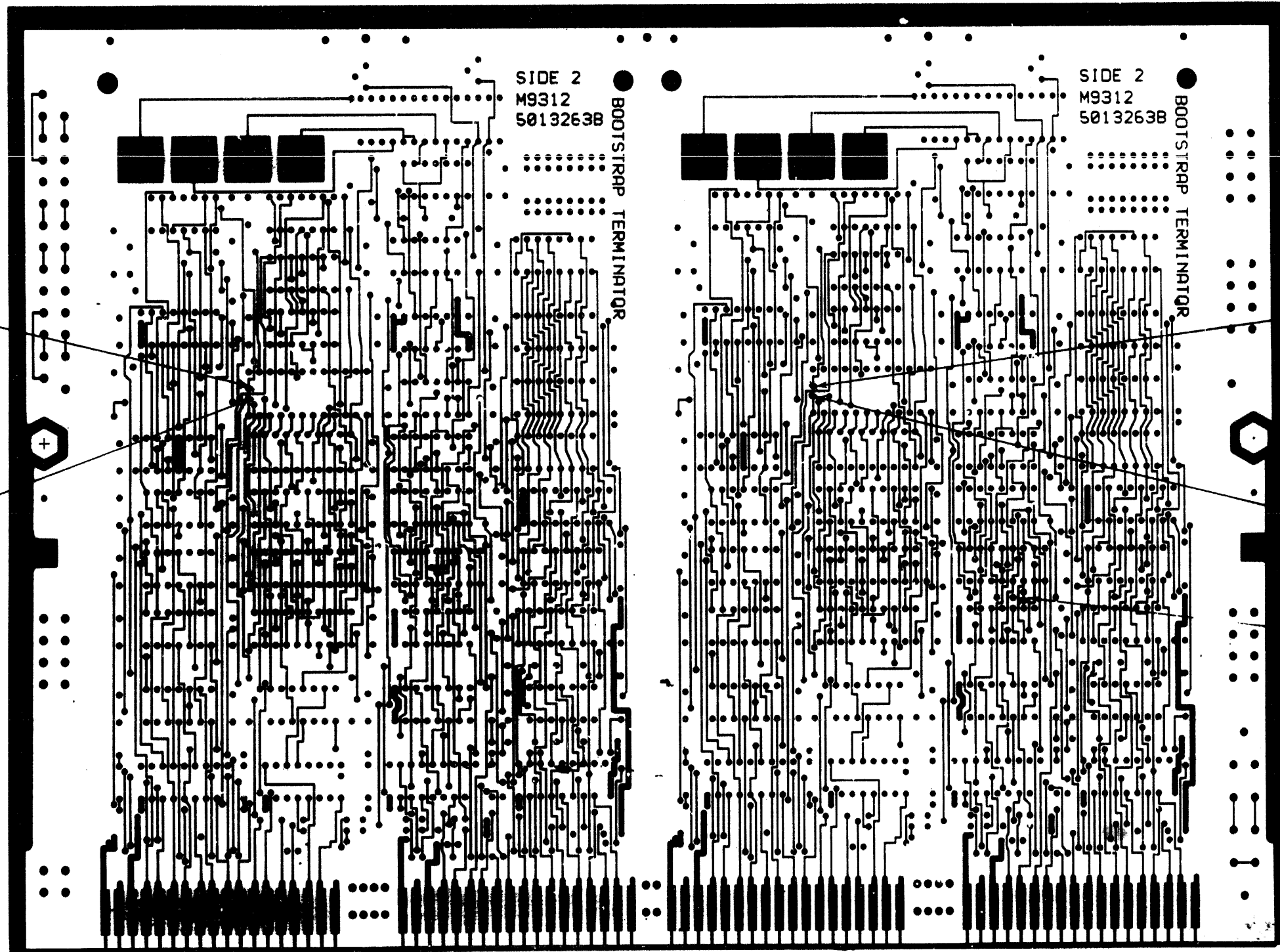


NOTES: 1. PHOTO TRANSISTORS Q1 AND Q2 DO NOT APPEAR ON THE PARTS LIST. THEY ARE INTENDED FOR FUTURE APPLICATIONS.

REVISIONS		
CHK	CHANGE NO.	REV.

(SWITCH FILTERS AND AC LO GENERATION)
 TITLE: BOOTSTRAP TERMINATOR DCS M9312-0-1 B
 SCALE: SHEET: 2 OF 4

THIS DRAWING AND SPECIFICATIONS HEREIN ARE THE PROPERTY OF DIGITAL EQUIPMENT CORPORATION AND SHALL NOT BE REPRODUCED OR COPIED OR USED IN WHOLE OR IN PART AS THE BASIS FOR THE MANUFACTURE OR SALE OF ITEMS WITHOUT WRITTEN PERMISSION OF DIGITAL EQUIPMENT CORPORATION

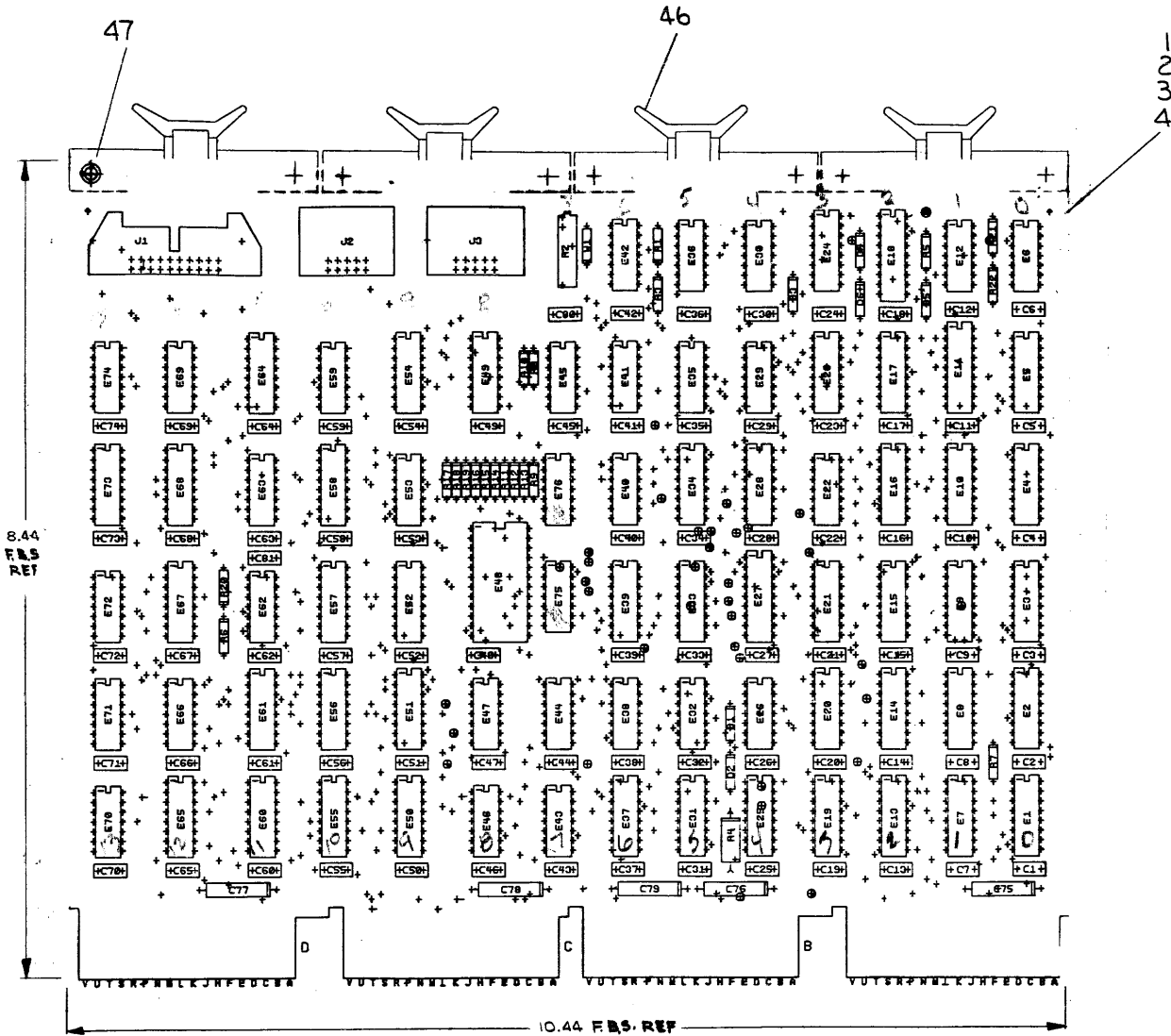


REVISIONS		
HK	CHANGE NO.	REV.

TITLE BOOTSTRAP TERMINATOR		SIZE CODE DUA	NUMBER M9312-0-0	REV. B
SCALE 2-1	SHEET 3 OF 4	DIST.		

NOTES:
 1. ALL DIMENSIONS ARE IN MILLIMETERS UNLESS OTHERWISE SPECIFIED.
 2. DIMENSIONS TO CENTER OF HOLE UNLESS OTHERWISE SPECIFIED.
 3. DIMENSIONS TO EDGE OF BOARD UNLESS OTHERWISE SPECIFIED.

NOTES:



4	E14,20,31,37	IC DEC 74173	1911330	52	REF
1	WI	JUMPER INSULATED	9009185	53	REF

QTY	REF. DESIGNATION	DESCRIPTION	PART NO.	ITEM NO.
		X-Y COORDINATE HOLE LOCATION	K-CO-M7859-D-4	1
		ASSY/DRILLING HOLE LAYOUT	D-AM-M7859-D-5	2
		MODULE ECO HISTORY	B-MN-M7859-D-6	3
1		ETCHED CIRCUIT BOARD	5011756	4
1	C80	CAPACITOR, 270pf, 100V, 5%	1000022	5
1	C81	CAPACITOR, 470pf, 100V, 5%	1000024	6
74	C1 THRU C74	CAPACITOR, .01uf, 100V, 20% DISC	1001810-01	7
5	C75 THRU C79	CAPACITOR, 6.8uf, 35V, 10%	1005306	8
1	D2	DIODE, 1N748 A	1100122	9
4	D3 THRU D6	DIODE, D672	1105275	10
1	D1	DIODE, 1N751 A	1110894	11
2	J2, J3	CONNECTOR, 10 PIN, 3M	1209941-05	12
1	J1	CONNECTOR, 20 PIN, 3M	1209941-06	13
1	E18	SOCKET I.C.	1211886	14
1	R20	RESISTOR, 100 OHM, 1/4W, 5%	1300229	15
1	R4	RESISTOR, 120 OHM, 1/2W, 5%	1300243	16
1	R21	RESISTOR, 220 OHM, 1/4W, 5%	1300271	17
3	R5, R6, R7	RESISTOR, 1K, 1/4W, 5%	1300365	18
12	R8 THRU R19	RESISTOR, 10K, 1/4W, 5%	1300479	19
1	R22	RESISTOR, 750 OHM, 1/4W, 5%	1301401	20
1	R3	RESISTOR, 6.8K, 1/4W, 5%	1301423	21
1	R1	RESISTOR, 5.8K, 1/4W, 5%	1301874	22
1	R2	RESISTOR, 10K, 3/4W, 10% FOT 76 PR	1309143-10	23
4	E6, E12, E63, E75	I.C. DEC 7474	1905547	24
2	E25, E36	I.C. DEC 7402	1909004	25
1	E36	I.C. DEC 7493	1909054	26
2	E40, E47	I.C. DEC 7404	1909086	27
1	E48	I.C. DEC 74154	1909701	28
1	E32	I.C. DEC 314	1909704	29
2	E43, E62	I.C. DEC 9881	1909705	30
3	E66, E69, E72	I.C. DEC 7417	1909929	31
1	E23	I.C. DEC 7442	1910046	32
3	E26, E53, E76	I.C. DEC 7408	1910155	33
16	E2, E4, E5, E9, E10, E15, E19, E28, E51, E52, E56, E57, E64, E67, E68, E73	I.C. DEC 74175	1910851	34
10	E35, E38, E41, E44, E45, E46, E59, E70, E71, E74	I.C. DEC 8093	1910837	35
1	E22	I.C. DEC 7427	1910878	36
1	E42	I.C. DEC MC4024 P	1911038	37
4	E1, E24, E49, E54	I.C. DEC 8837	1911116	38
9	E7, E8, E13, E25, E50, E55, E56, E61, E65	I.C. DEC 8641	1911579	39
1	E60	I.C. DEC 74S133	1911983	40
2	E16, E17	I.C. DEC 8833	1912098	41
2	E11, E27	I.C. DEC 85588	1912586	42
1	E18	I.C. DEC 8008-1	2111844	43
1		SPLIT LUG	9006735	44
1	E34	I.C. DEC PROM 32 x 8 TRI STATE	23123A1	45
4		HANDLE (FLIP CHIP)	9006337-0	46
8		EYELET	9006732	47
1	E33	I.C. DEC PROM 512 x 4 TRI STATE	23345A9	48
1	E39	I.C. DEC PROM 512 x 4 TRI STATE	23346A9	49
1	E3	I.C. DEC PROM 512 x 4 TRI STATE	23347A9	50
1	E21	I.C. DEC PROM 512 x 4 TRI STATE	23348A9	51

IC 74S133	8	16
IC 86A1	8	16
IC 8837	8	16
IC MC4024P	9	13
IC 74175	8	16
IC 7442	6	16
IC 314	1	8
IC 74154	12	24
IC 74173	10	5
IS TYPE	08D	+5V
GND AND BY ARE USUALLY PIN 7 AND 14 RESPECTIVELY EXCEPT WHERE SHOWN ABOVE		
IC PIN LOCATIONS		

FIRST USED ON OPTION MODEL

ETCH BOARD REV. D

DATE	1/24/75
CHKD.	[Signature]
DATE	1/24/75
ENG.	[Signature]
DATE	1/24/75
PROJ. ENG.	[Signature]
DATE	1/24/75
TEST. ENG.	[Signature]
DATE	1/24/75
NEXT HIGHER ADRY	

TITLE: INTERFACE PROGRAMMER'S CONSOLE

DATE CODE: DCSM7859-0-1

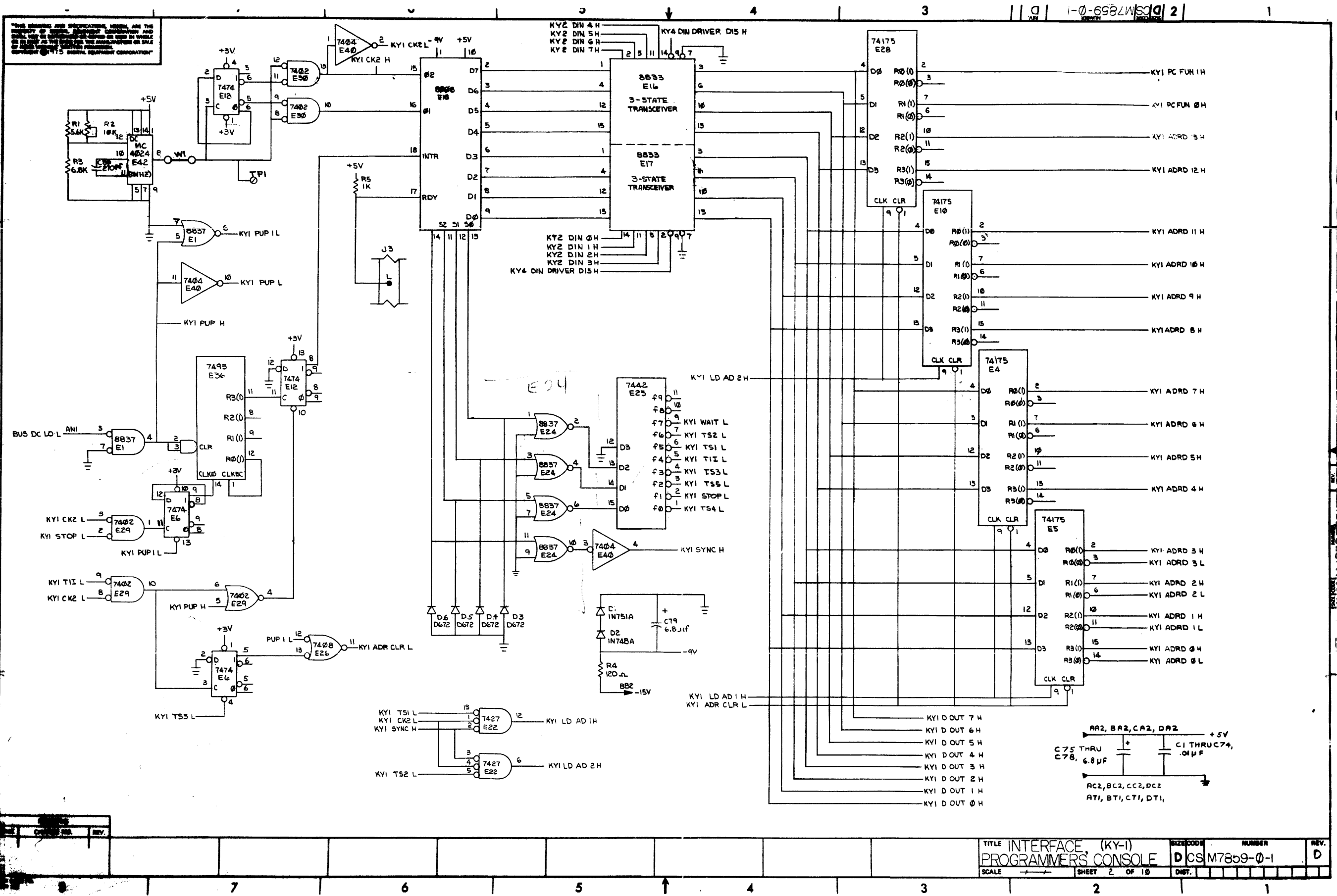
SCALE: 1:1

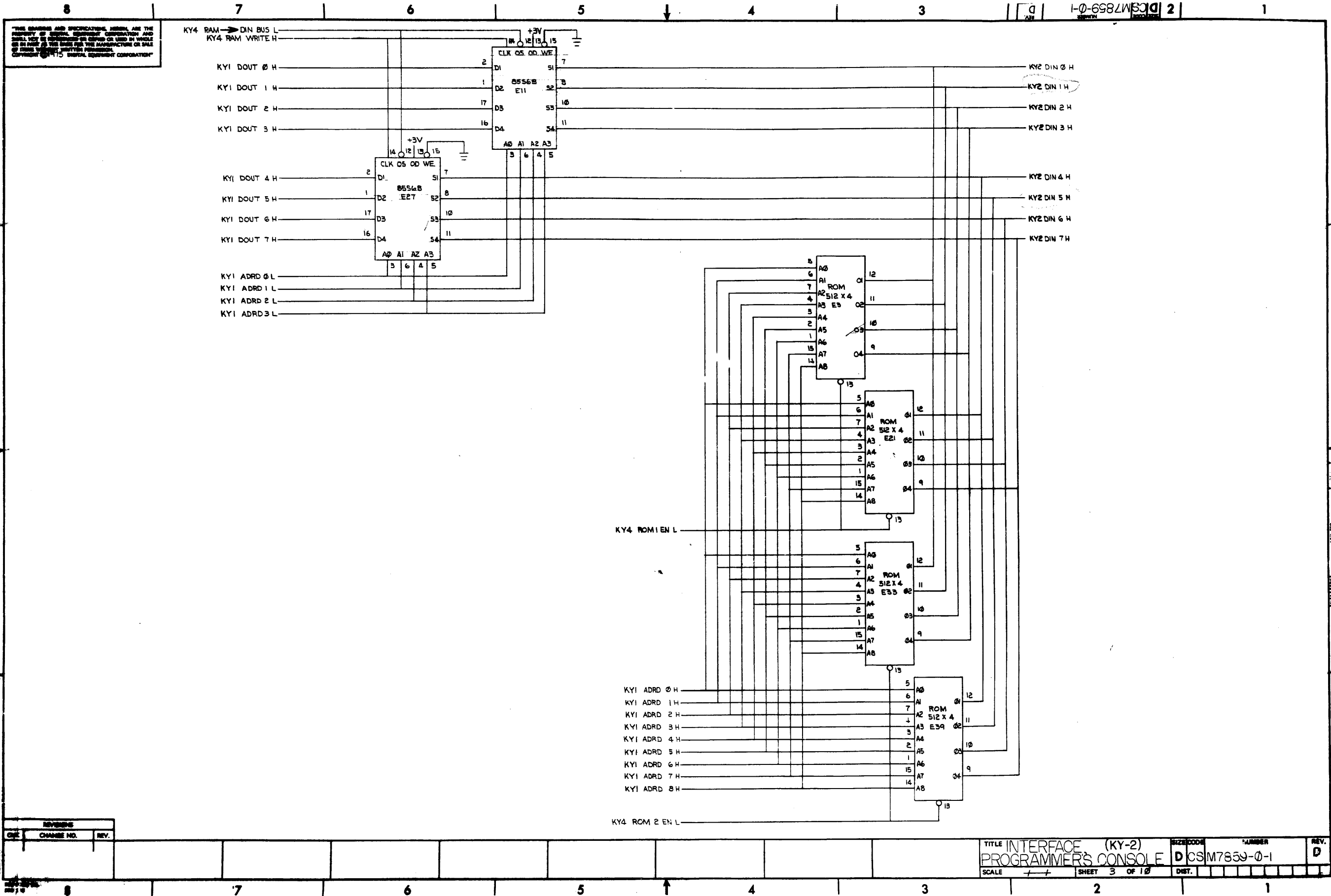
SHEET 1 OF 10

SEMICONDUCTOR CONVERSION CHART

DEC. NO.	EIA NO.	DEC. NO.	EIA NO.

THE DESIGN AND SPECIFICATION HEREIN ARE THE PROPERTY OF CONTROL ELECTRONICS CORPORATION AND SHALL BE KEPT CONFIDENTIAL UNLESS BY WRITING OR AS PART OF THE REGULAR COURSE OF BUSINESS OF CONTROL ELECTRONICS CORPORATION.



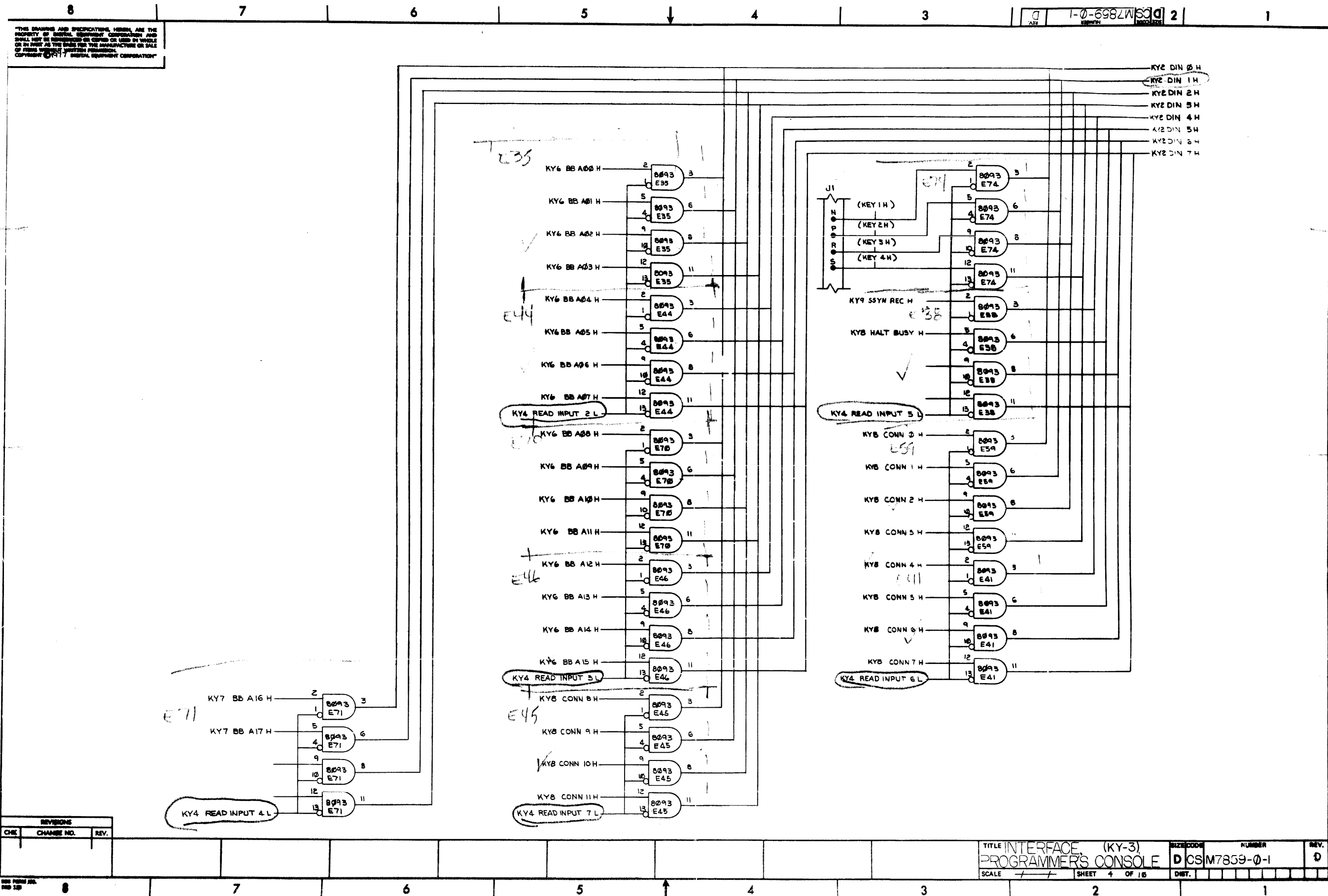


REVISE		
CHG	CHANGE NO.	REV.

I
 C
 B
 A

D
 C
 B
 A

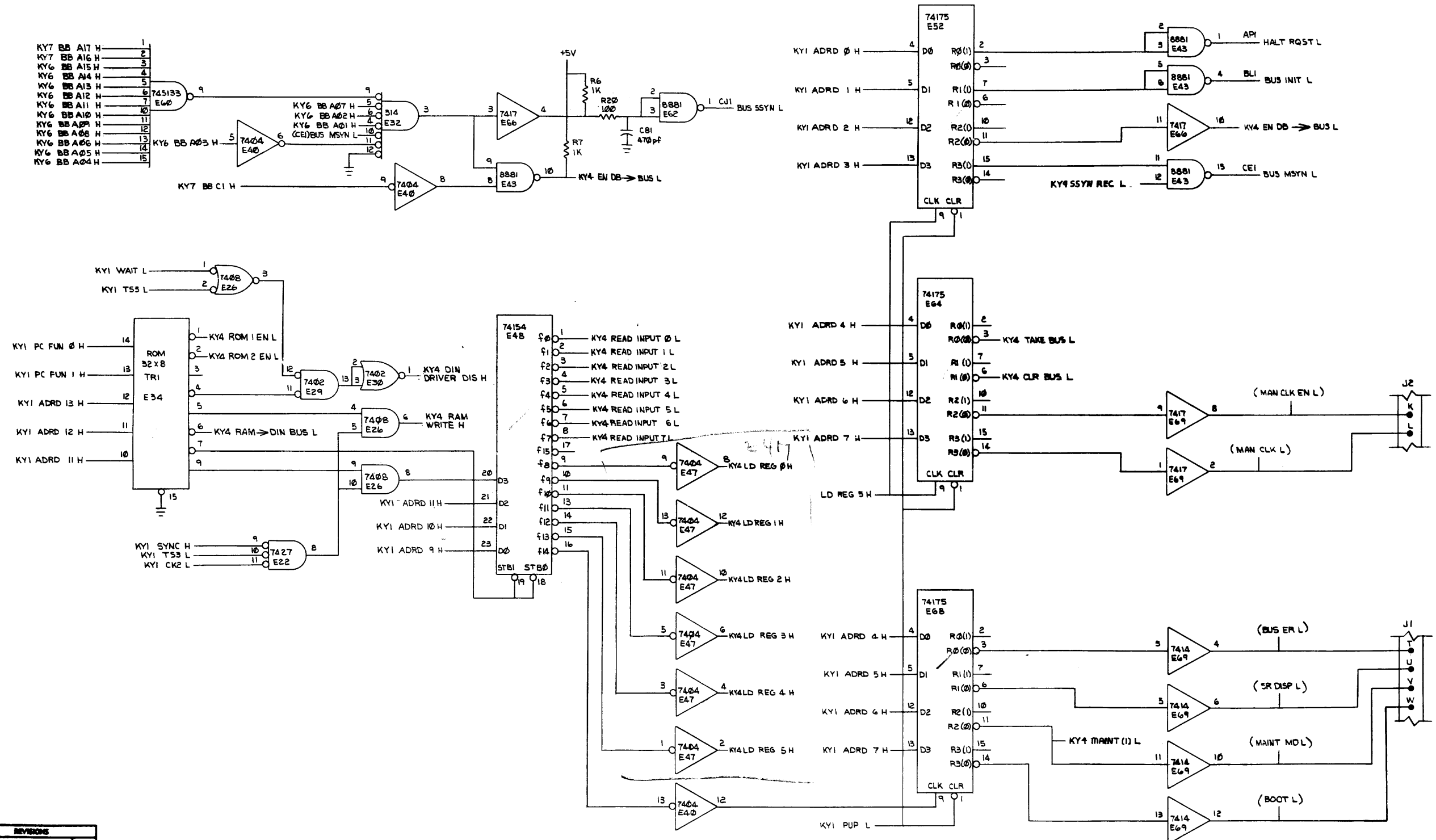
THIS DRAWING AND SPECIFICATIONS HEREIN ARE THE PROPERTY OF SPERRY GYROSCOPE CORPORATION AND SHALL NOT BE REPRODUCED OR COPIED OR USED IN WHOLE OR IN PART AS THE BASIS FOR THE MANUFACTURE OR SALE OF ITEMS UNLESS A WRITTEN PERMISSION IS OBTAINED FROM SPERRY GYROSCOPE CORPORATION.



REVISIONS		
CHK	CHANGE NO.	REV.

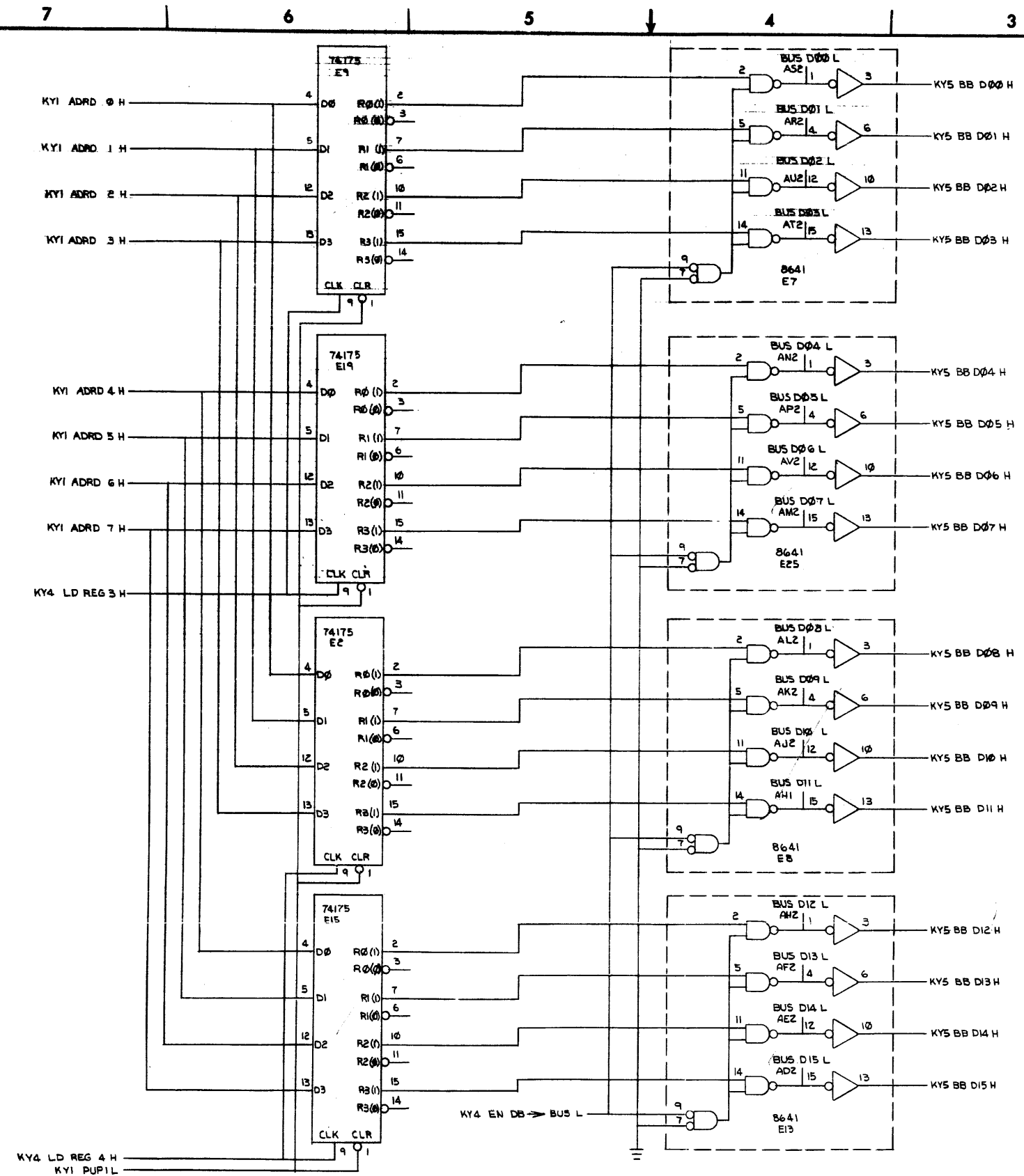
THE DRAWING AND SPECIFICATIONS HEREIN ARE THE PROPERTY OF SERIAL EQUIPMENT CORPORATION AND SHALL NOT BE REPRODUCED OR USED IN WHOLE OR IN PART AS THE BASIS FOR THE MANUFACTURE OR SALE OF ITEMS WITHOUT WRITTEN PERMISSION. COPYRIGHT © 1975 SERIAL EQUIPMENT CORPORATION

- KY7 BB A17 H 1
- KY7 BB A16 H 2
- KY6 BB A15 H 3
- KY6 BB A14 H 4
- KY6 BB A13 H 5
- KY6 BB A12 H 6
- KY6 BB A11 H 7
- KY6 BB A10 H 8
- KY6 BB A09 H 9
- KY6 BB A08 H 10
- KY6 BB A07 H 11
- KY6 BB A06 H 12
- KY6 BB A05 H 13
- KY6 BB A04 H 14
- KY6 BB A03 H 15



REVISIONS		
CHK	CHANGE NO.	REV.

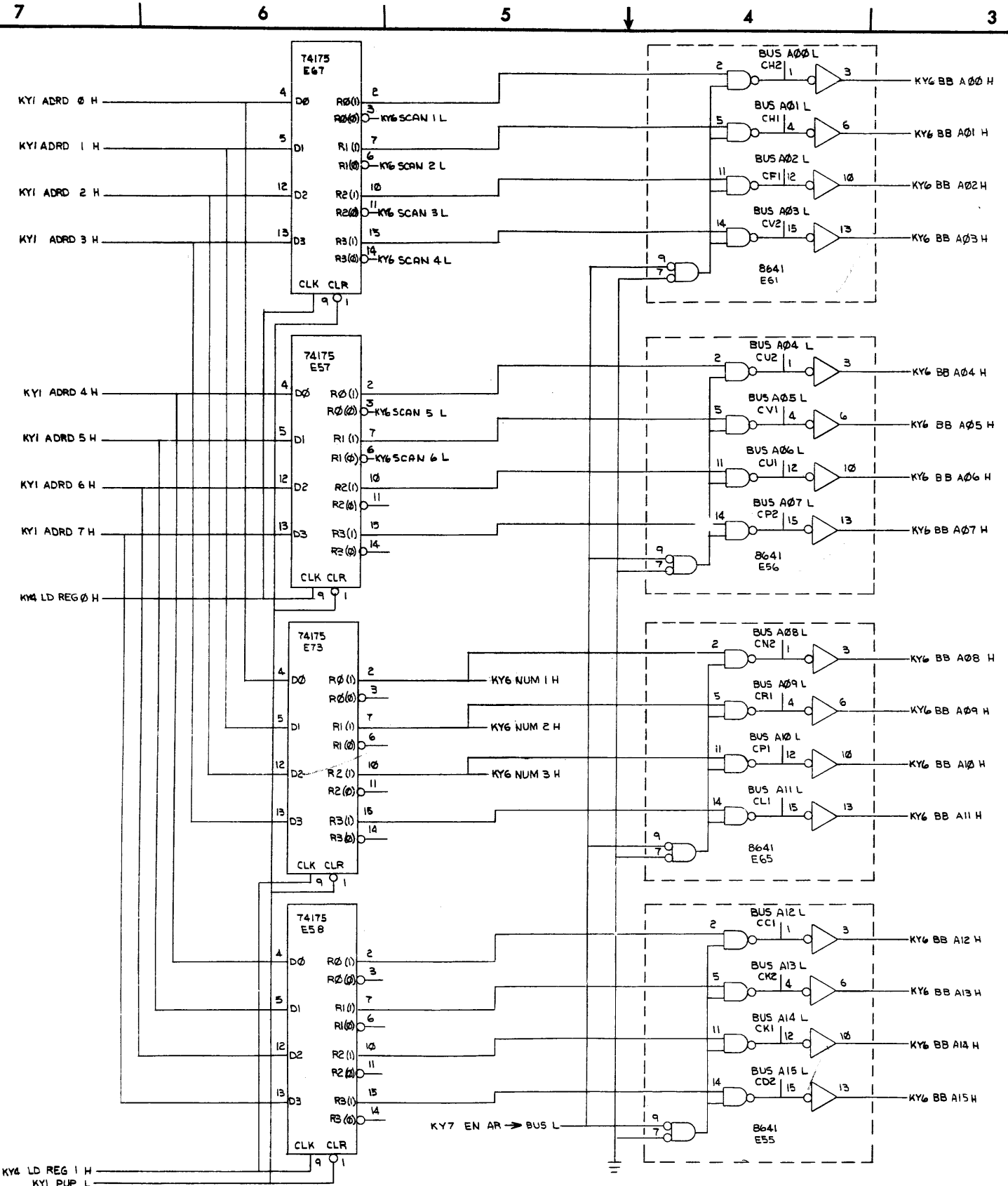
ALL LOGIC AND MECHANICAL SYMBOLS ARE THE PROPERTY OF THE DESIGNER AND SHOULD NOT BE REPRODUCED OR TRANSMITTED IN ANY FORM OR BY ANY MEANS, ELECTRONIC OR MECHANICAL, INCLUDING PHOTOCOPYING, RECORDING, OR BY ANY INFORMATION STORAGE AND RETRIEVAL SYSTEM.



REVISIONS		
CHK	CHANGE NO.	REV.

KY4 LD REG 4 H
KY1 PUPIL

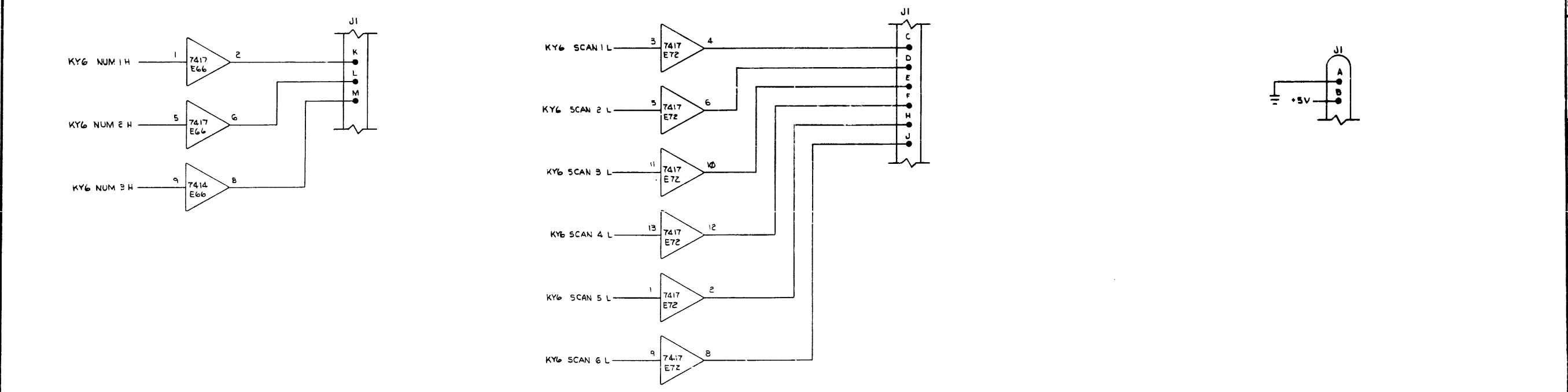
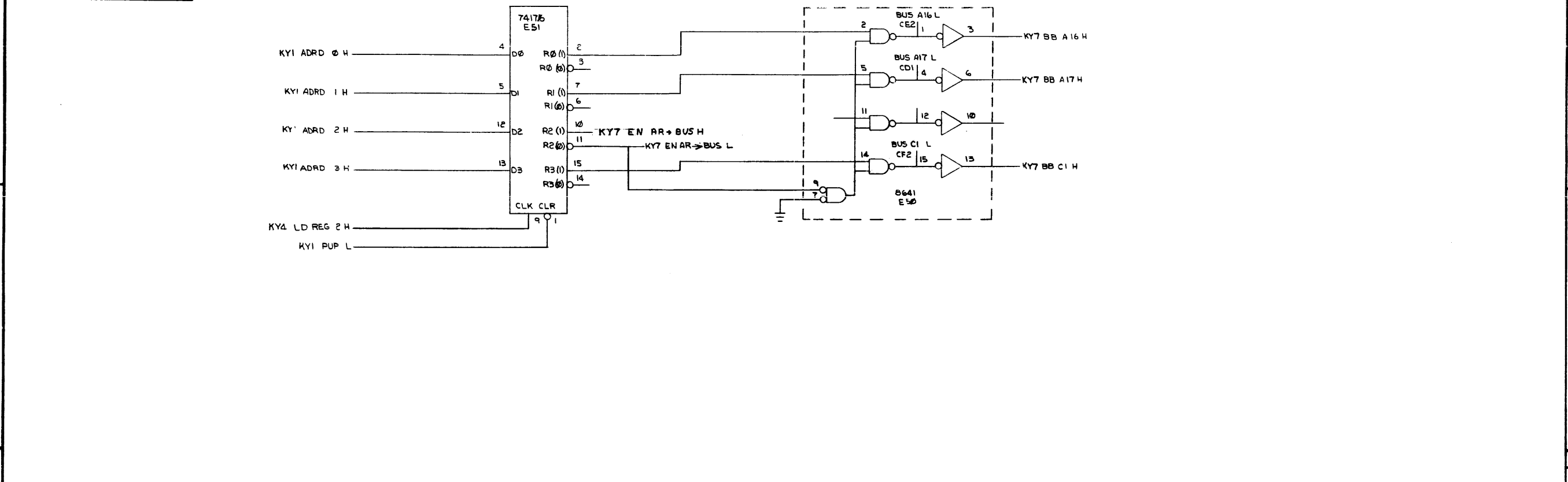
THE DRAWING AND SPECIFICATIONS HEREIN ARE THE PROPERTY OF DIGITAL EQUIPMENT CORPORATION AND SHALL NOT BE REPRODUCED OR COPIED OR USED IN WHOLE OR IN PART AS THE BASIS FOR THE MANUFACTURE OR SALE OF ITEMS WITHOUT WRITTEN PERMISSION. COPYRIGHT © 1975 DIGITAL EQUIPMENT CORPORATION



REVISIONS		
CHK	CHANGE NO.	REV.

KY4 LD REG 1 H
KY1 PUP L

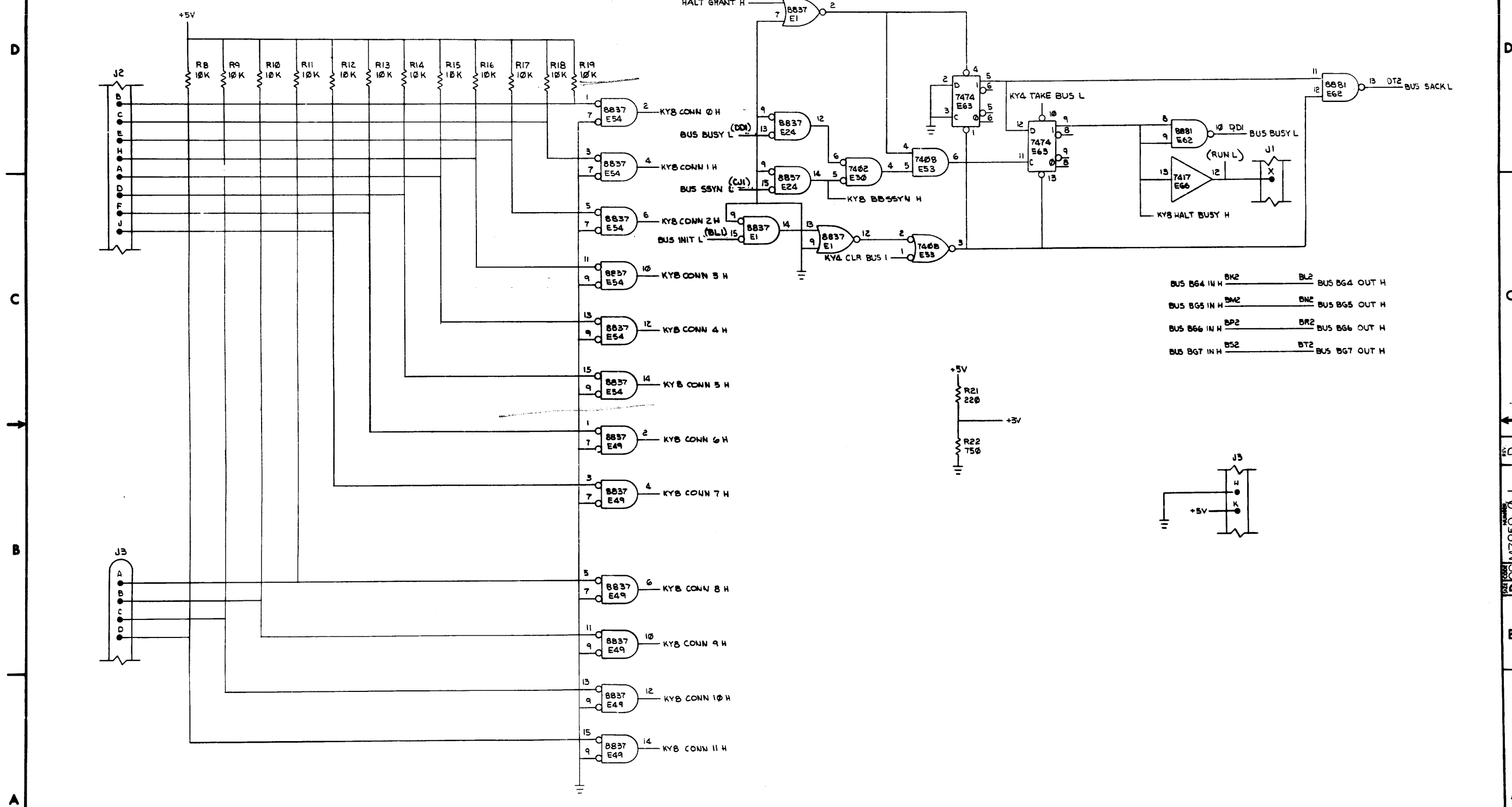
"THE DRAWING AND SPECIFICATIONS HEREIN ARE THE PROPERTY OF SORVAL EQUIPMENT CORPORATION AND SHALL NOT BE REPRODUCED OR COPIED OR USED IN WHOLE OR IN PART AS THE BASIS FOR THE MANUFACTURE OR SALE OF ITEMS WITHOUT WRITTEN PERMISSION. COPYRIGHT © PITS SORVAL EQUIPMENT CORPORATION"



REVISIONS		
CHK	CHANGE NO.	REV.

TITLE INTERFACE, (KY-7)
 PROGRAMMER'S CONSOLE DCSM7859-0-1
 SCALE 1/8 SHEET 8 OF 18 DWT.

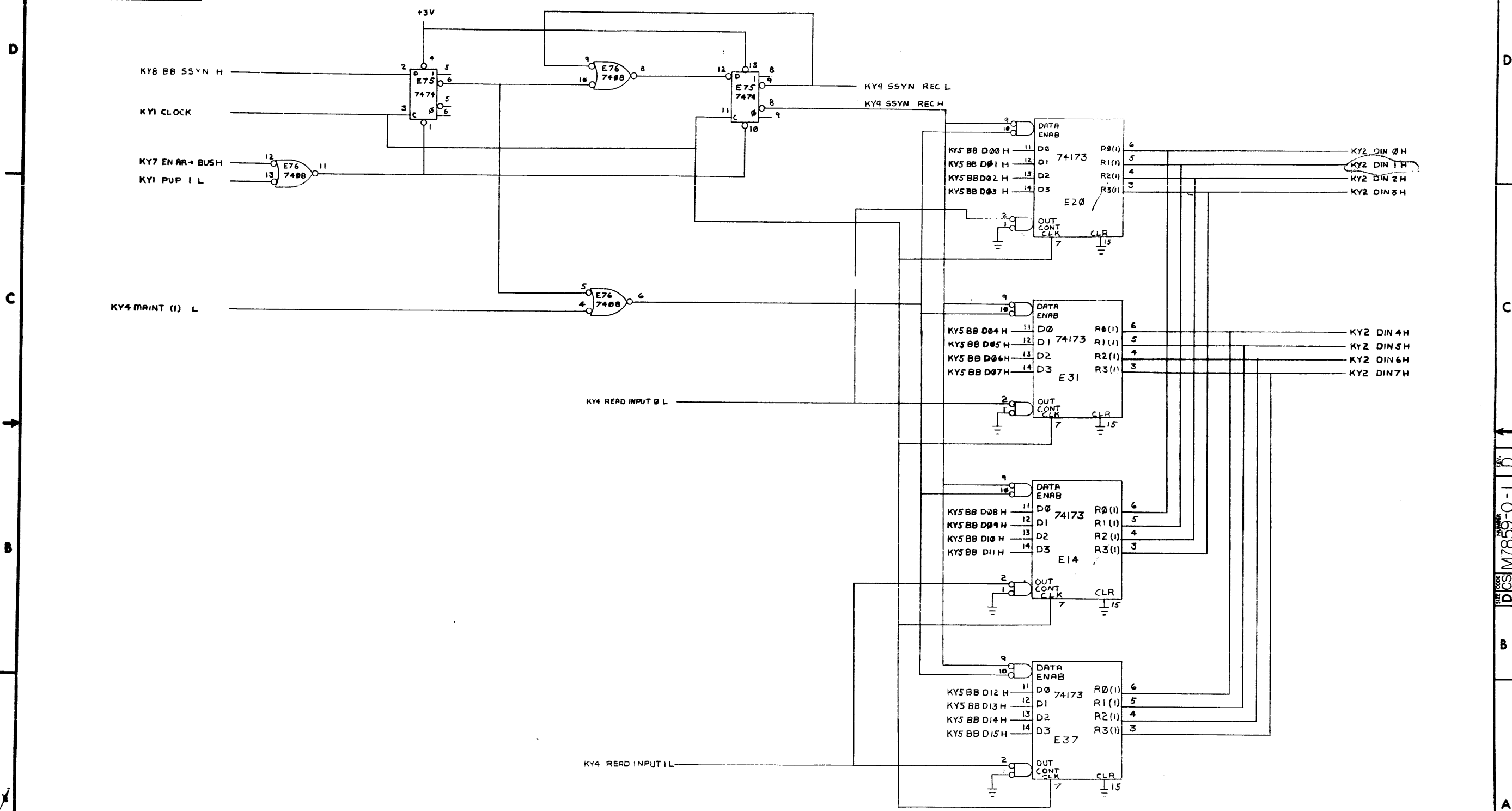
THIS DRAWING AND SPECIFICATIONS HEREIN ARE THE PROPERTY OF DIGITAL EQUIPMENT CORPORATION AND SHALL NOT BE REPRODUCED OR COPIED OR USED IN WHOLE OR IN PART AS THE BASIS FOR THE MANUFACTURE OR SALE OF ITEMS WITHOUT WRITTEN PERMISSION. COPYRIGHT © 1975 DIGITAL EQUIPMENT CORPORATION



- BUS B64 IN H BK2 BL2 BUS B64 OUT H
- BUS B65 IN H BK2 BL2 BUS B65 OUT H
- BUS B66 IN H BP2 BR2 BUS B66 OUT H
- BUS B67 IN H BS2 BT2 BUS B67 OUT H

REVISIONS		
CHK	CHANGE NO.	REV.

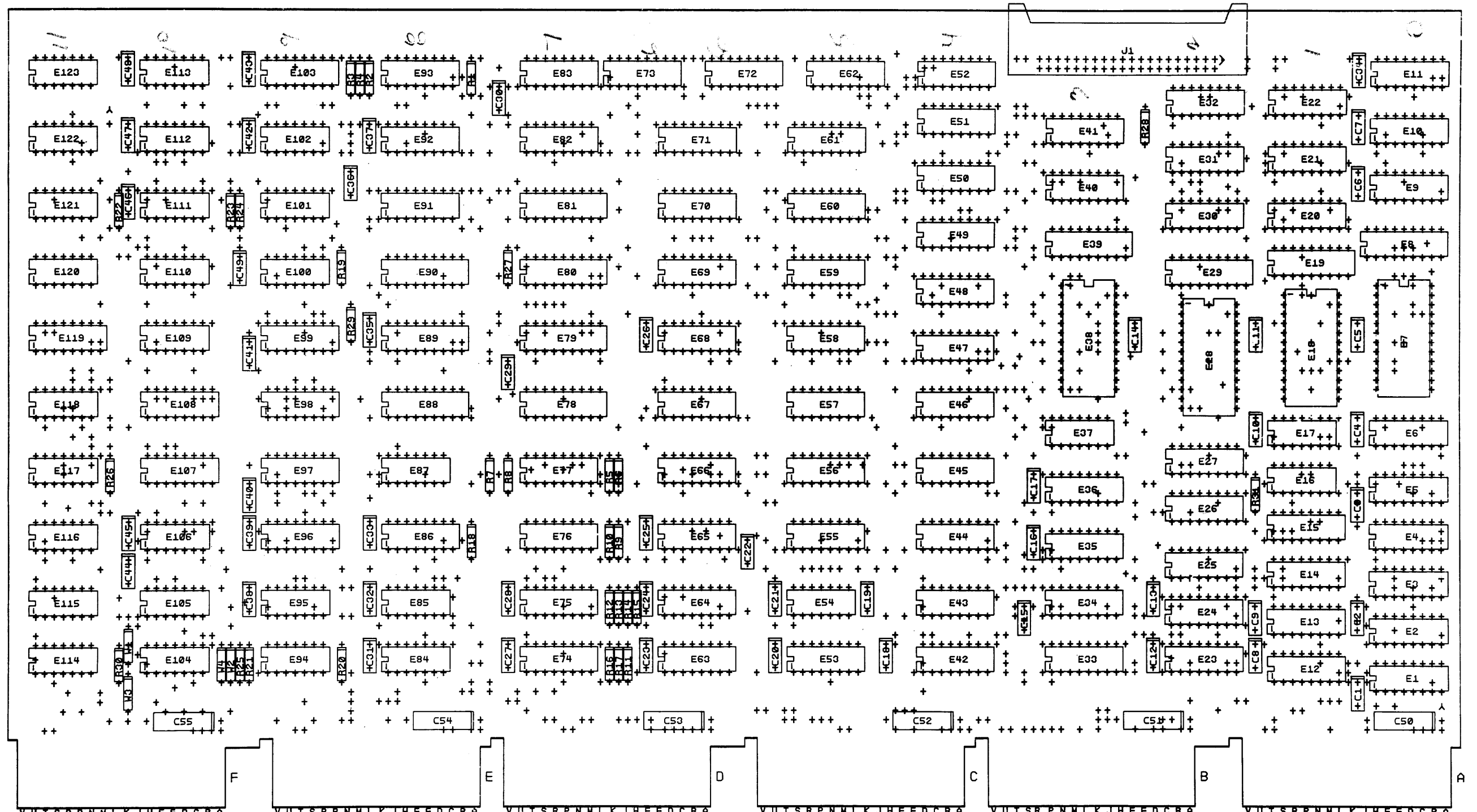
THIS DRAWING AND SPECIFICATION HEREIN ARE THE PROPERTY OF DIGITAL EQUIPMENT CORPORATION AND SHALL NOT BE REPRODUCED OR COPIED OR USED IN WHOLE OR IN PART AS THE BASIS FOR THE MANUFACTURE OR SALE OF PRODUCTS WITHOUT WRITTEN PERMISSION. COPYRIGHT © 1977 DIGITAL EQUIPMENT CORPORATION



REV.	CHANGE NO.	REV.

DCS M7859-0-1

COMPONENT SIDE VIEW



NOTES:

CHANGE NO	REV	DATE	BY	CHK'D
1	1	7-20-77	M. SULLIVAN	
2	1	7-20-77		
3	1			
4	1			
5	1			
6	1			
7	1			

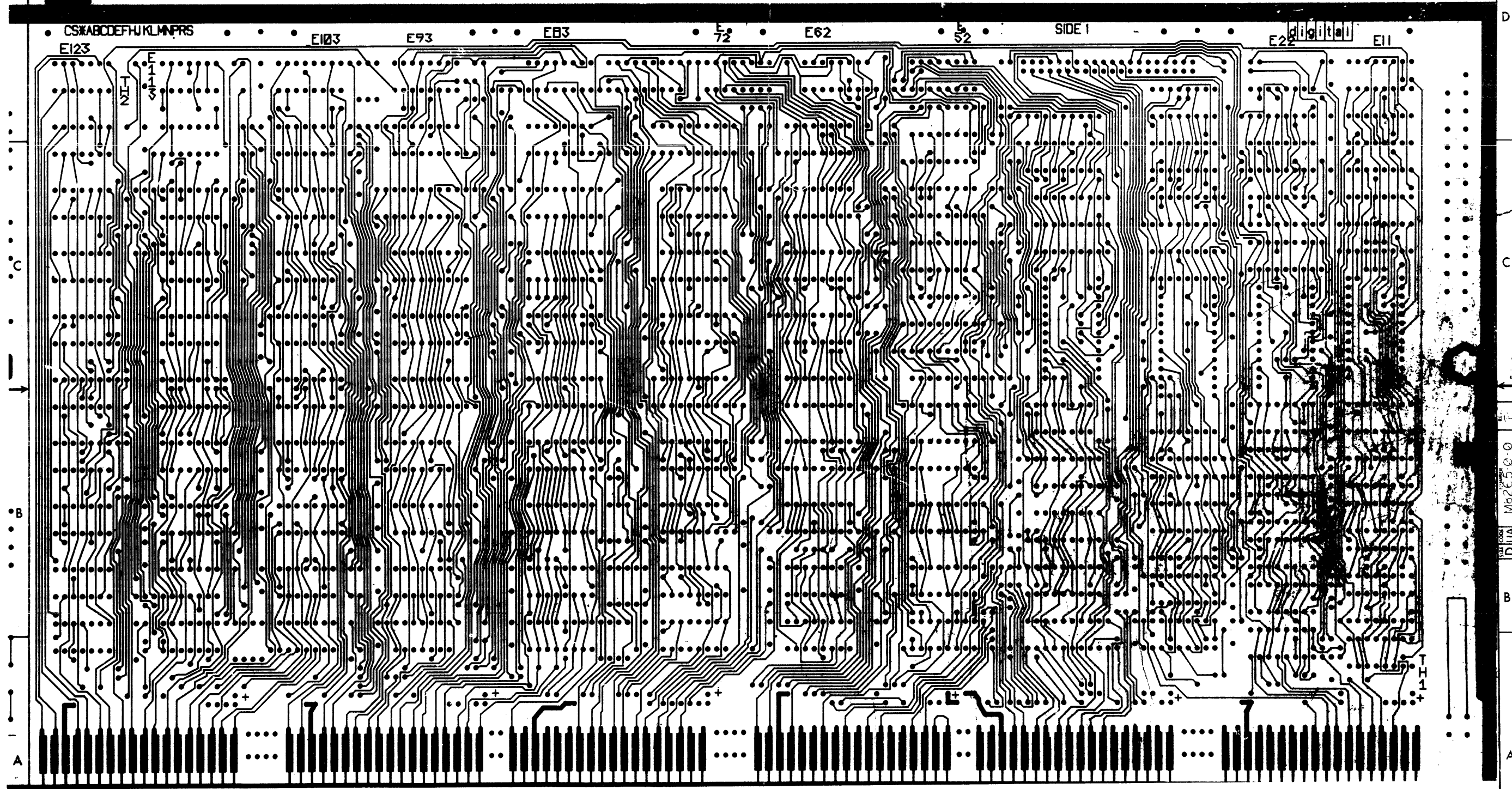
ETCH REV. B-PI
P.C. DESIGN DATA BASE REV.

SIGNATURES		DATE
DRN. D. BILODEAU		9-8-76
CHK'D. <i>[Signature]</i>		9-1-77
ENG. <i>[Signature]</i>		7-17-77
PROD. <i>[Signature]</i>		7-17-77
SCALE 2/1		
SHT. 1 OF 3		
NEXT HIGHER ASSY. B DD M8265-0-C		

digital
TITLE KD11-EA
DATA PATH
SIZE CODE D
NUMBER M8265-0-C
REV B

THIS DRAWING AND SPECIFICATIONS HEREIN ARE THE PROPERTY OF DIGITAL EQUIPMENT CORPORATION AND SHALL NOT BE REPRODUCED OR COPIED OR USED IN WHOLE OR IN PART AS THE BASIS FOR THE MANUFACTURE OR SALE OF ANY PRODUCT WITHOUT THE WRITTEN PERMISSION OF DIGITAL EQUIPMENT CORPORATION.

LAYER 1



REVISIONS		
CHK	CHANGE NO	REV

TITLE	KD11-EA DATA PATH	SIZE CODE	DUA	NUMBER	M8265-0-0	REV.	
SCALE	2/1	SHEET	2	OF	3	DIS	

8

7

6

5

4

3

1

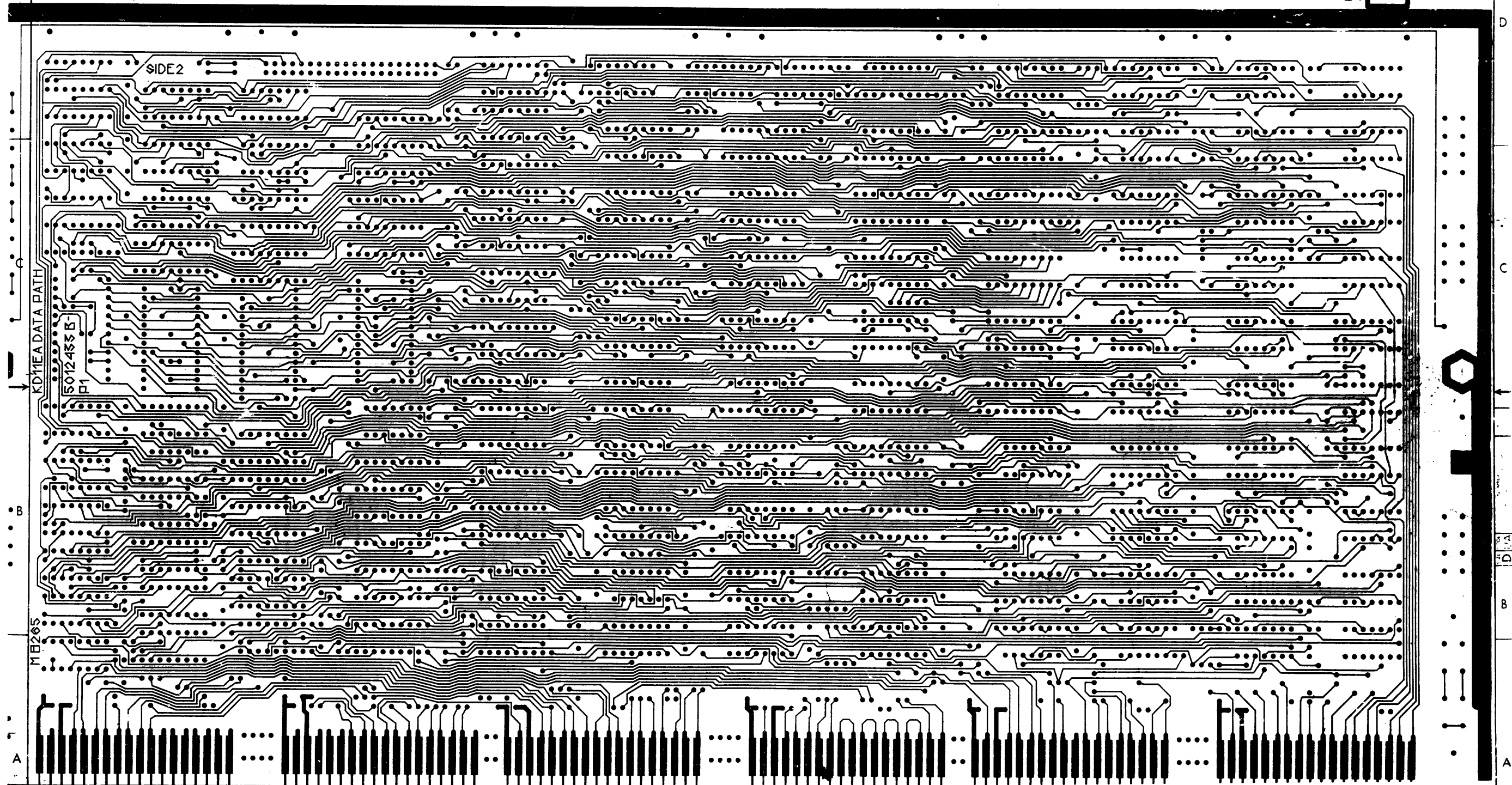
2

1

THIS DRAWING AND SPECIFICATIONS HEREIN ARE THE PROPERTY OF DIGITAL EQUIPMENT CORPORATION, AND SHALL NOT BE REPRODUCED OR COPIED OR USED IN WHOLE OR IN PART AS THE BASIS FOR THE MANUFACTURE OR SALE OF ITEMS WITHOUT WRITTEN PERMISSION. COPYRIGHT © 1977 DIGITAL EQUIPMENT CORPORATION

H 834AJ

L 4



REVISIONS		
C-K	CHANGE NO	REV

TITLE	SIZE CODE	NUMBER	REV.
SCALE 2/1	D UA	M8265-0-0	
SHEET 3 OF 3	DIS		

8

7

6

5

4

3

2

1

DIGITAL EQUIPMENT CORPORATION PARTS LIST				QUANTITY / VARIATION										NOTES:		
MADE BY F. GAROFALO DATE 7 SEPT 76		CHECKED RON FONTAINE DATE 7 SEPT 76														
ENG DATE <i>M. Sullivan</i> 7-18-77		PROD R. B. KING DATE 15-5-77														
ITEM NO.	DRAWING NO.	PART NO.	DESCRIPTION	M8265-0-0												REF DESIGNATION
1	D-MD-5012433-0-0	5012433	ETCHED BOARD	1												
2		1001610-00	CAPACITOR, .01 uf, 50V, 20% CER	48												C1 thru C48
3		1005306	CAPACITOR, 6.8 uf, 35V, 10%	6												C50 thru C55
4		1000021	CAPACITOR, 220 pf, 100V, 5%	1												C49
5		1300316	RESISTOR, 470 OHM, 1/4W, 5% CC	19												R1 thru R19
6		1300365	RESISTOR, 1K, 1/4W, 5% CC	8												R20 thru R23, R26 thru R29
7		1300202	RESISTOR, 47 OHM, 1/4W, 5% CC	1												R24
8		1300271	RESISTOR, 220 OHM, 1/4W, 5% CC	2												R25, R30
9		1300309	RESISTOR, 390 OHM 1/4W, 5% CC	1												R31
10		1210711-09	HANDLE, HEX MODULE	1												
11		1213506-01	RIGHT ANGLE HEADER	1												J1
12		1612463	DELAY LINE, 150 NS	1												E104
13		1911521	I.C. DEC 7432	1												E122
14		1905576	I.C. DEC 7410	1												E123
15		1909004	I.C. DEC 7402	3												E101, E102, E114
16		1909686	I.C. DEC 7404	1												E117
17		1910155	I.C. DEC 7408	1												E112
18		1905575	I.C. DEC 7400	1												E110
19		1911637	I.C. DEC 74132	1												E120
20		1905578	I.C. DEC 7430	2												E54 E87
21		1910091	I.C. DEC 7437	1												E116

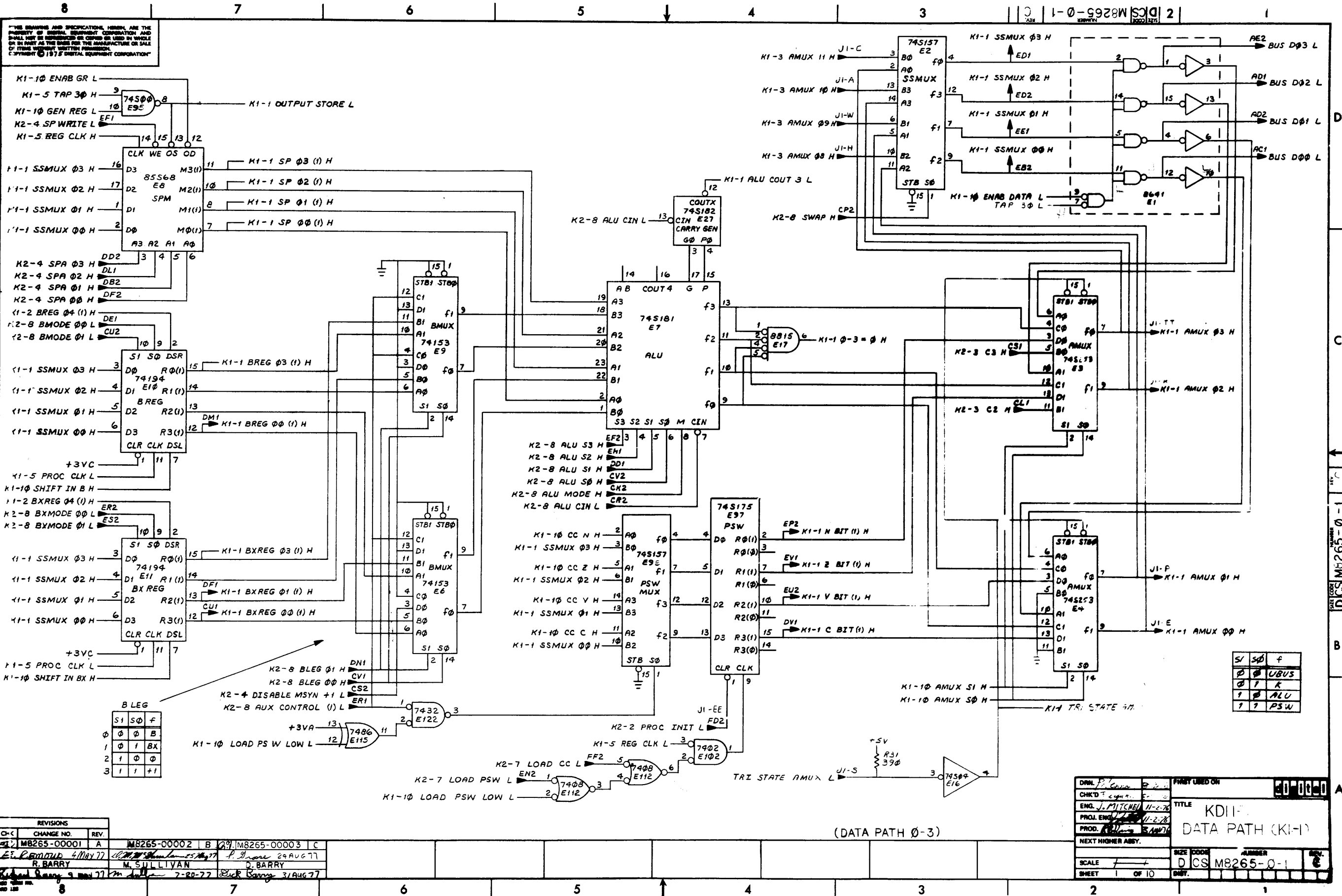
"THIS DRAWING AND SPECIFICATIONS, HEREIN, ARE THE PROPERTY OF DIGITAL EQUIPMENT CORPORATION AND SHALL NOT BE REPRODUCED OR COPIED OR USED IN WHOLE OR IN PART AS THE BASIS FOR THE MANUFACTURE OR SALE OF ITEMS WITHOUT WRITTEN PERMISSION. COPYRIGHT © DIGITAL EQUIPMENT CORPORATION"

TITLE
KD11E-A DATA PATH

ASSY NO.
D-UA-M8265-0-0
SHEET 1 OF 3

SIZE CODE NUMBER REV.
B PL M8265-0-0 B

INSERTION PARTS LIST DATA BASE REV

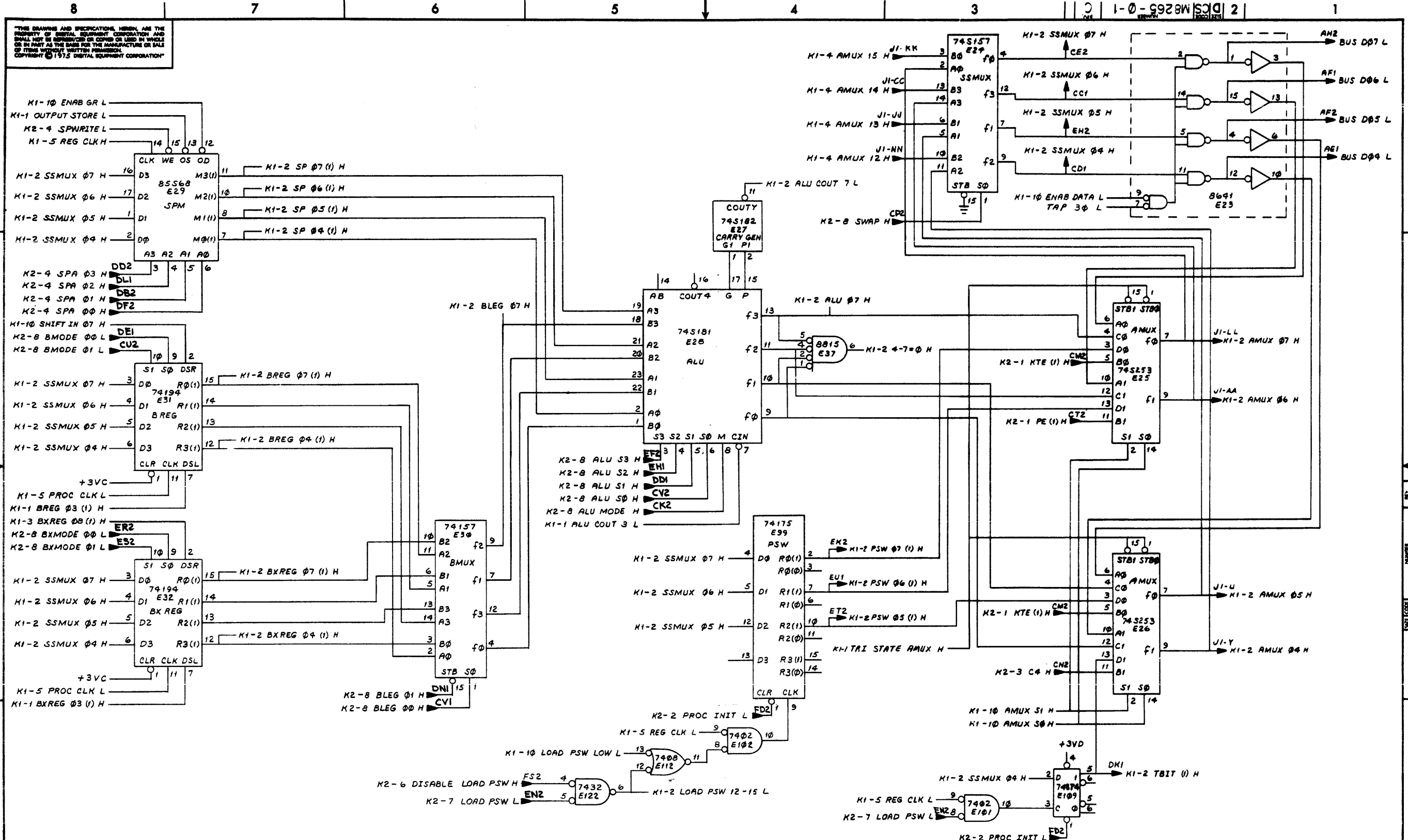


THE DRAWING AND SPECIFICATIONS HEREIN ARE THE PROPERTY OF DIGITAL EQUIPMENT CORPORATION AND SHALL NOT BE REPRODUCED OR COPIED OR USED IN WHOLE OR IN PART AS THE BASIS FOR THE MANUFACTURE OR SALE OF ITEMS WITHOUT WRITTEN PERMISSION. © 1972 DIGITAL EQUIPMENT CORPORATION

REVISIONS			
CHG	CHANGE NO.	REV.	
1	MB265-00001	A	MB265-00002 B 29 MB265-00003 C
2	4 May 77		P. Barry 29 AUG 77
3	R. BARRY		M. SULLIVAN D. BARRY
4	9 May 77		7-20-77 Dick Barry 31 AUG 77

DRN: J. Barry	DATE: 8/27/77	FIRST USED ON: 80-0000
CHK'D: J. Barry	DATE: 8/27/77	TITLE: KDIIF DATA PATH (KI-1)
ENG: J. MITCHELL	DATE: 11-2-76	
PROJ. ENG: J. MITCHELL	DATE: 11-2-76	
PROD. ENG: J. MITCHELL	DATE: 5/10/76	
NEXT HIGHER ASBY:		SIZE: DCS MB265-0-1
SCALE: 1/1	DATE: 8/27/77	SHEET: 1 OF 10

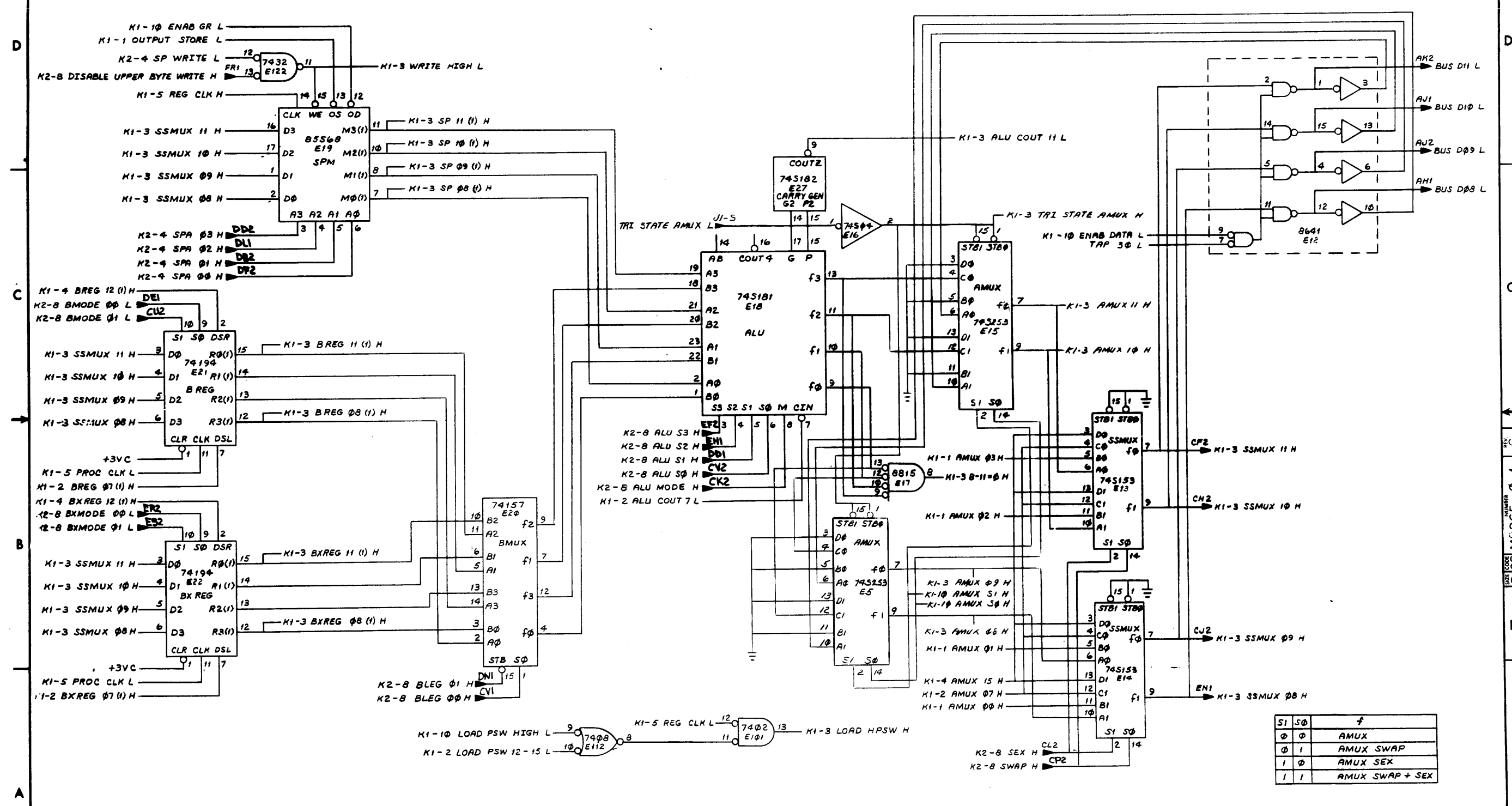
(DATA PATH 0-3)



REVISIONS		
CHK	CHANGE NO.	REV.

TITLE	KD11EA DATA PATH (K1-2)	SIZE CODE	DCS M8265-0-1	NUMBER		REV.	C
SCALE	1/1	SHEET	2 OF 10	DIST.			

THE DRAWING AND SPECIFICATIONS HEREIN ARE THE PROPERTY OF GENERAL ELECTRIC CORPORATION AND SHALL NOT BE REPRODUCED OR COPIED IN WHOLE OR IN PART AS THE BASIS FOR THE MANUFACTURE OR SALE OF OTHER EQUIPMENT WITHOUT PERMISSION. COPYRIGHT © 1975 DIGITAL EQUIPMENT CORPORATION

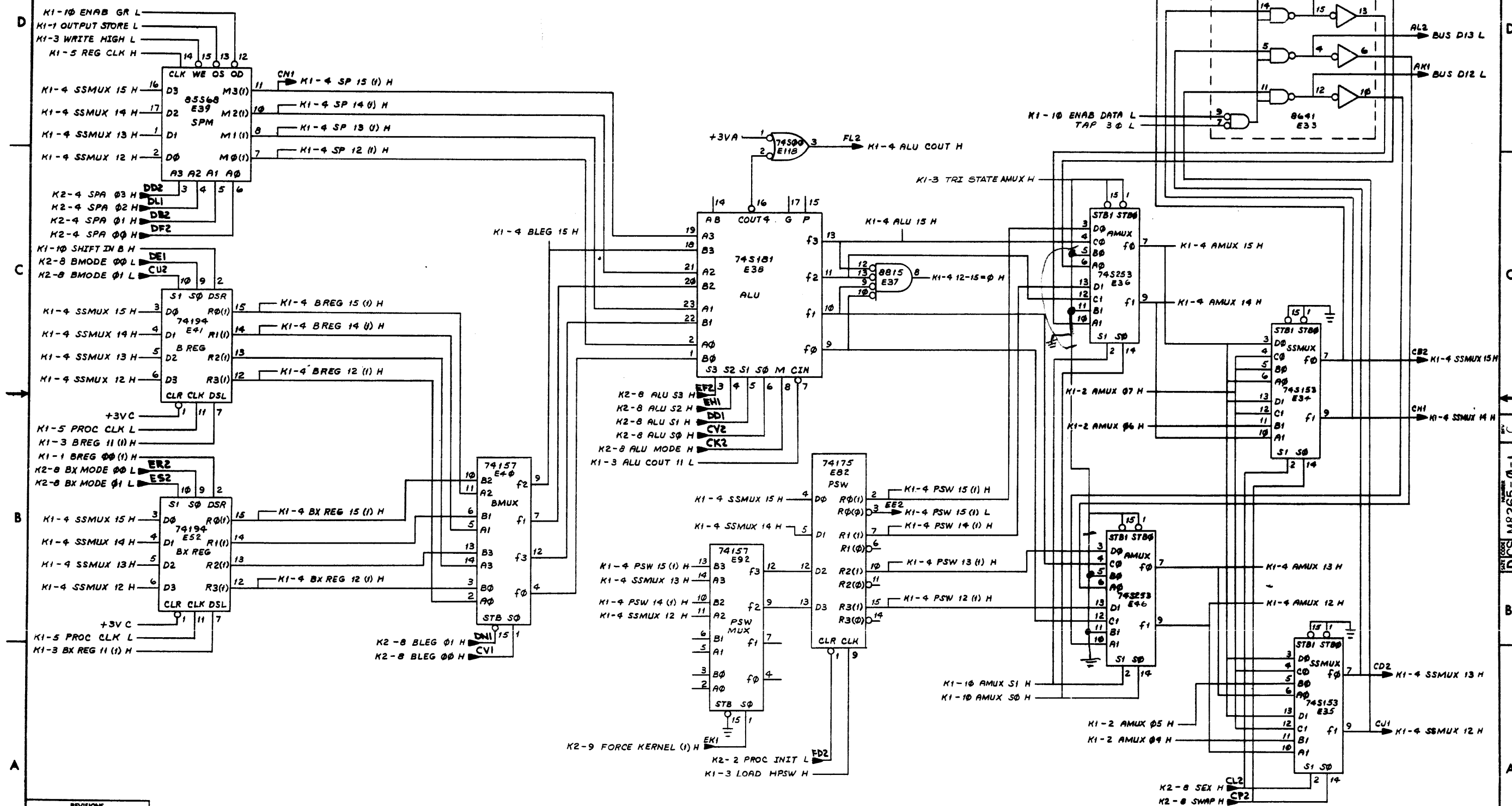


S1 S0	f
0 0	AMUX
0 1	AMUX SWAP
1 0	AMUX SEX
1 1	AMUX SWAP + SEX

(DATA PATH 8-11)

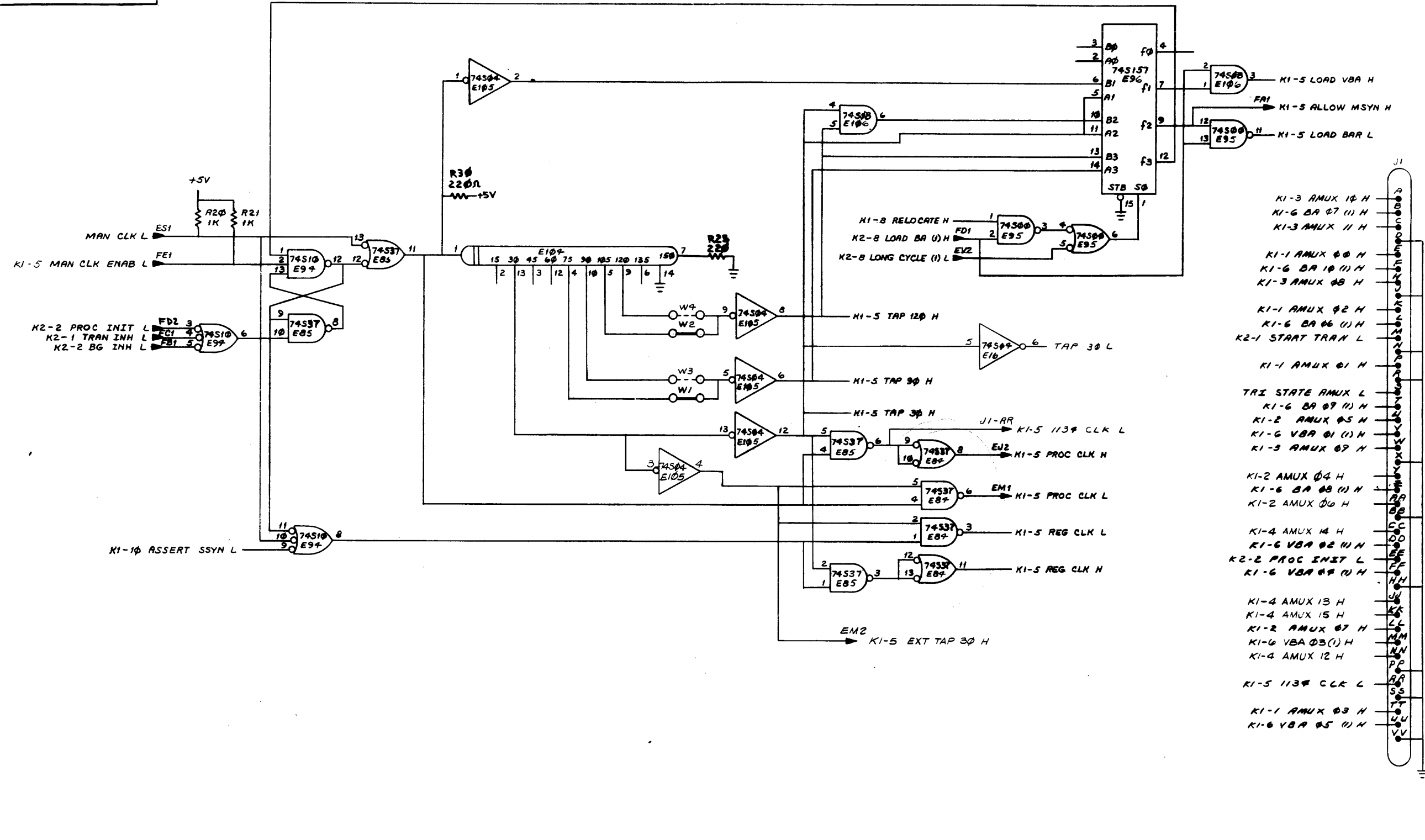
REVISIONS		
CHK	CHANGE NO.	REV.

"THE DRAWING AND SPECIFICATIONS HEREIN ARE THE PROPERTY OF DIGITAL EQUIPMENT CORPORATION AND SHALL NOT BE REPRODUCED OR COPIED OR USED IN WHOLE OR IN PART AS THE BASIS FOR THE MANUFACTURE OR SALE OF ITEMS WITHOUT WRITTEN PERMISSION. COPYRIGHT © 1975 DIGITAL EQUIPMENT CORPORATION"



REVISIONS		
CHK	CHANGE NO.	REV.

ALL DIMENSIONS AND SPECIFICATIONS HEREIN ARE THE PROPERTY OF DIGITAL EQUIPMENT CORPORATION AND SHALL BE KEPT IN CONFIDENCE OR USED IN WHOLE OR IN PART AS THE BASIS FOR THE MANUFACTURE OR SALE OF OTHER EQUIPMENT WITHOUT PERMISSION. COPYRIGHT © 1975 DIGITAL EQUIPMENT CORPORATION



- KI-3 AMUX 10 H
- KI-6 BA 07 (1) H
- KI-3 AMUX 11 H

- KI-1 AMUX 00 H
- KI-6 BA 10 (1) H
- KI-3 AMUX 08 H

- KI-1 AMUX 02 H
- KI-6 BA 06 (1) H
- K2-1 START TRAN L

- KI-1 AMUX 01 H

- TRX STATE AMUX L
- KI-6 BA 09 (1) H
- KI-2 AMUX 05 H
- KI-6 VBA 01 (1) H
- KI-3 AMUX 09 H

- KI-2 AMUX 04 H
- KI-6 BA 08 (1) H
- KI-2 AMUX 00 H

- KI-4 AMUX 14 H
- KI-6 VBA 02 (1) H
- K2-2 PROC INIT L
- KI-6 VBA 04 (1) H

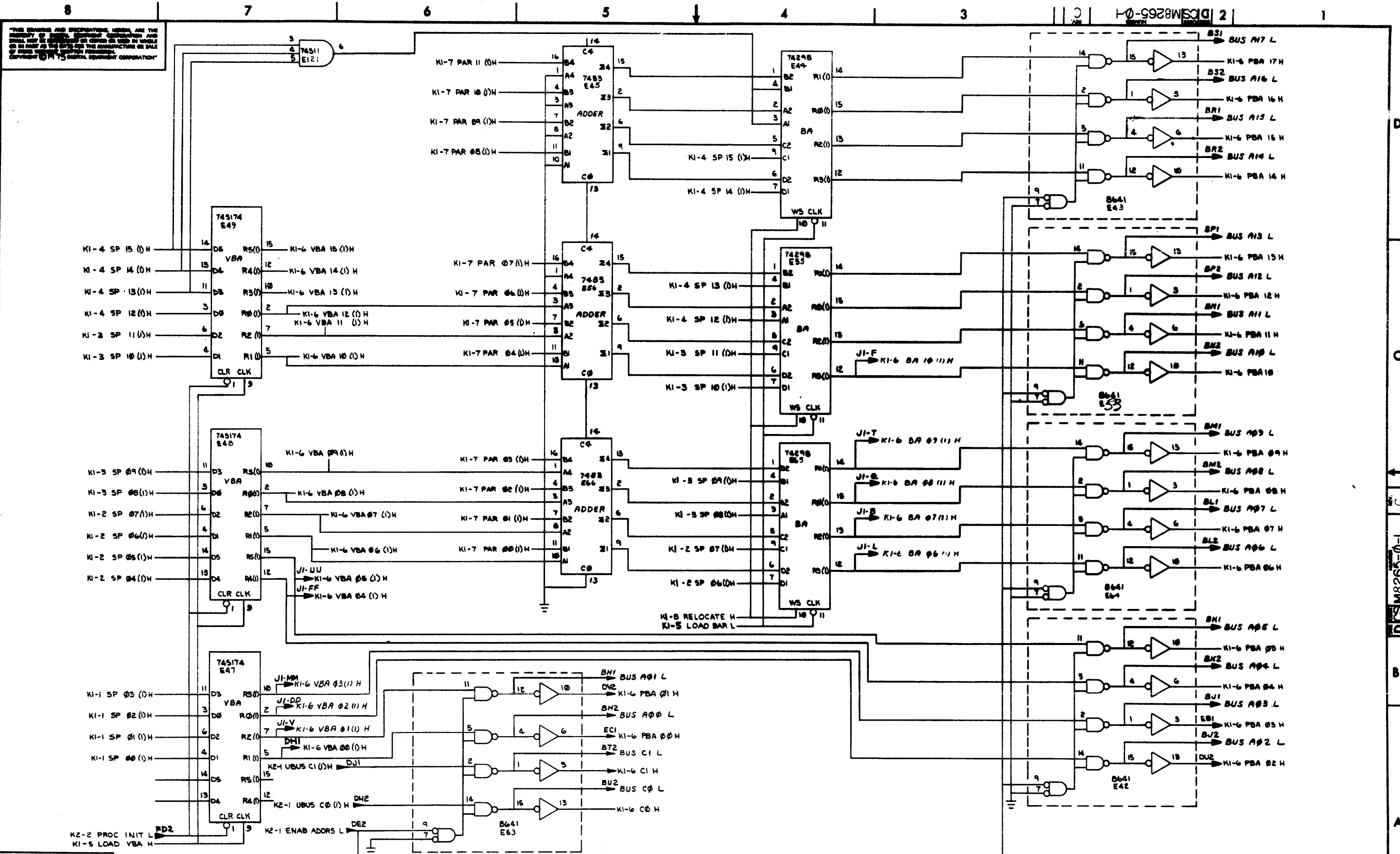
- KI-4 AMUX 13 H
- KI-4 AMUX 15 H
- KI-2 AMUX 07 H
- KI-6 VBA 03 (1) H
- KI-4 AMUX 12 H

- KI-5 113# CLK L

- KI-1 AMUX 03 H
- KI-6 VBA 05 (1) H

(CPU CLK)

REVISIONS		
CR	CHANGE NO.	REV.



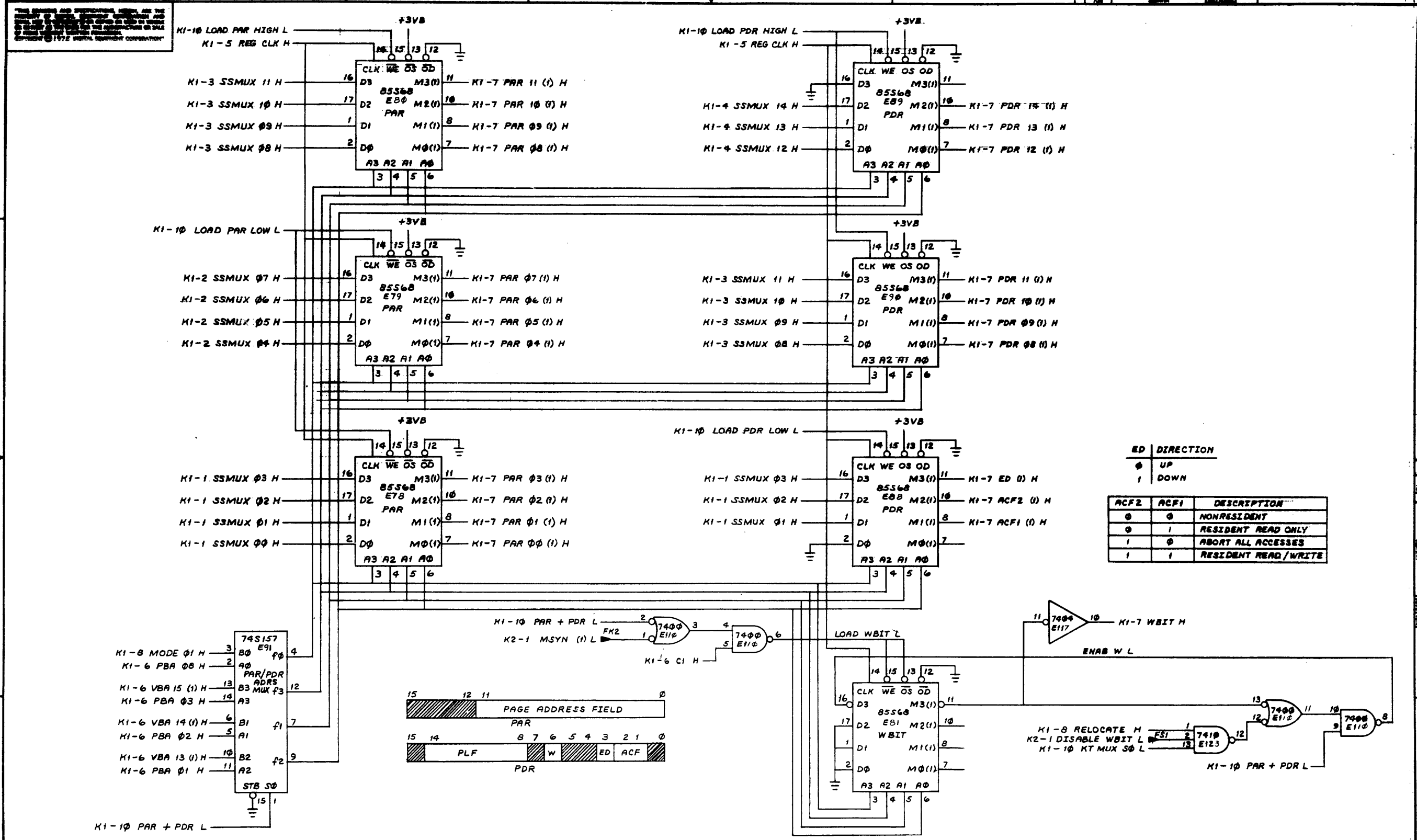
THIS DRAWING AND SPECIFICATIONS HEREIN ARE THE PROPERTY OF DIGITAL EQUIPMENT CORPORATION AND SHALL BE USED IN WHOLE OR IN PART AS THE BASIS FOR THE MANUFACTURE OR SALE OF PRODUCTS OF DIGITAL EQUIPMENT CORPORATION WITHOUT THE WRITTEN PERMISSION OF DIGITAL EQUIPMENT CORPORATION.

REVISIONS		
CHK	CHANGE NO.	REV.

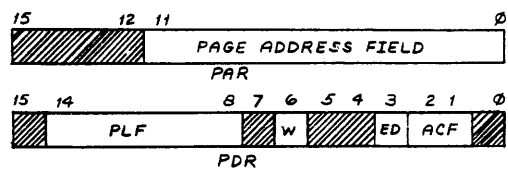
TITLE	SIZE CODE	NUMBER	REV.
KDIIEA DATA PATH (KI-6)	D	CSM8265-0-1	C
SCALE	SHEET	DIST.	
	6 OF 10		

IDCSM8265-0-1

(UNIBUS ADDRESS)

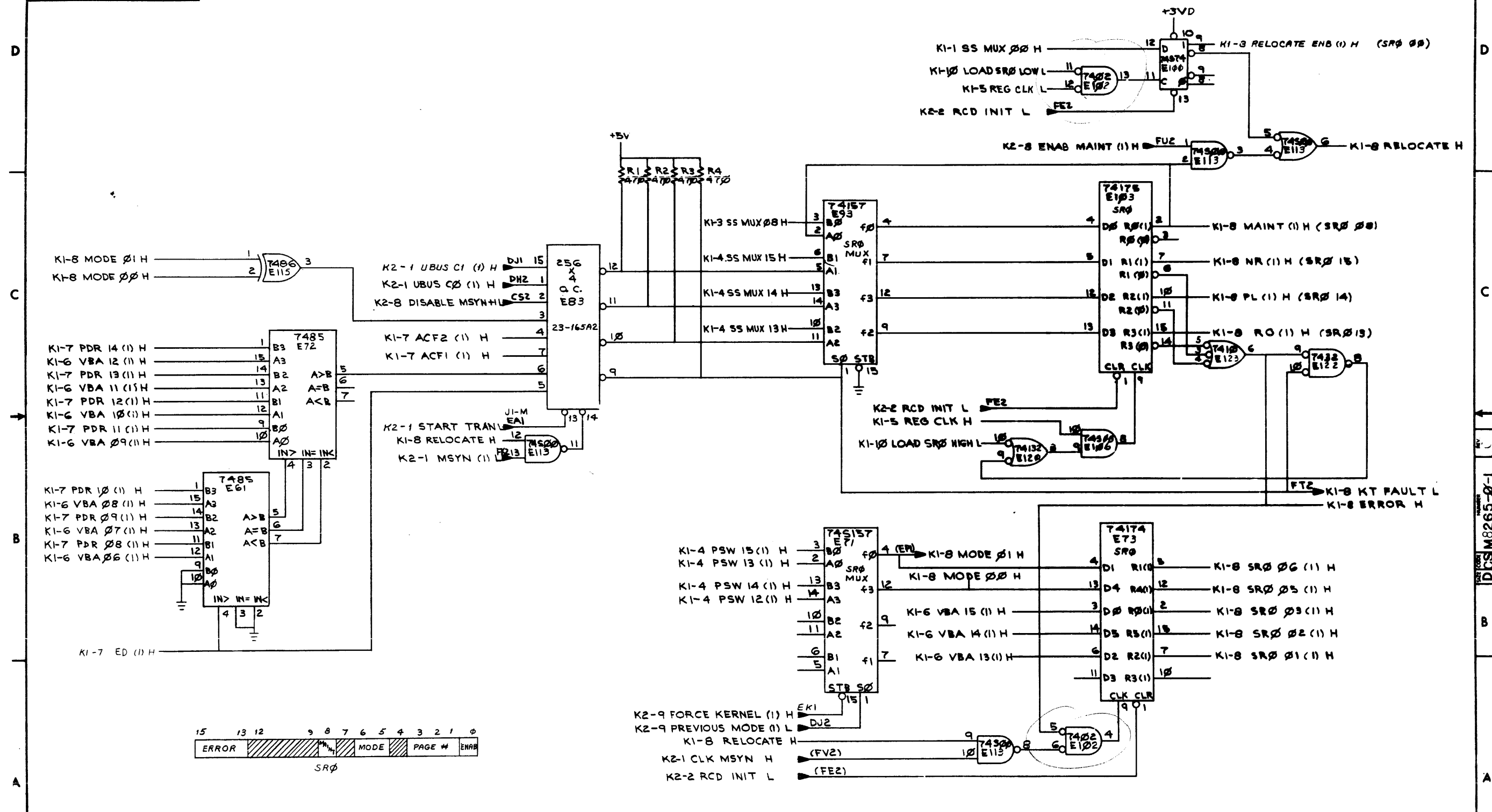


ED	DIRECTION	ACF2	ACF1	DESCRIPTION
0	UP	0	0	NONRESIDENT
0	DOWN	0	1	RESIDENT READ ONLY
1	UP	1	0	ABORT ALL ACCESSES
1	DOWN	1	1	RESIDENT READ/WRITE



CH	CHANGE NO.	REV.

"THIS DRAWING AND SPECIFICATIONS HEREIN ARE THE PROPERTY OF DIGITAL EQUIPMENT CORPORATION AND SHALL NOT BE REPRODUCED OR COPIED OR USED IN WHOLE OR IN PART AS THE BASIS FOR THE MANUFACTURE OR SALE OF ITEMS WITHOUT WRITTEN PERMISSION. COPYRIGHT © 1975 DIGITAL EQUIPMENT CORPORATION"

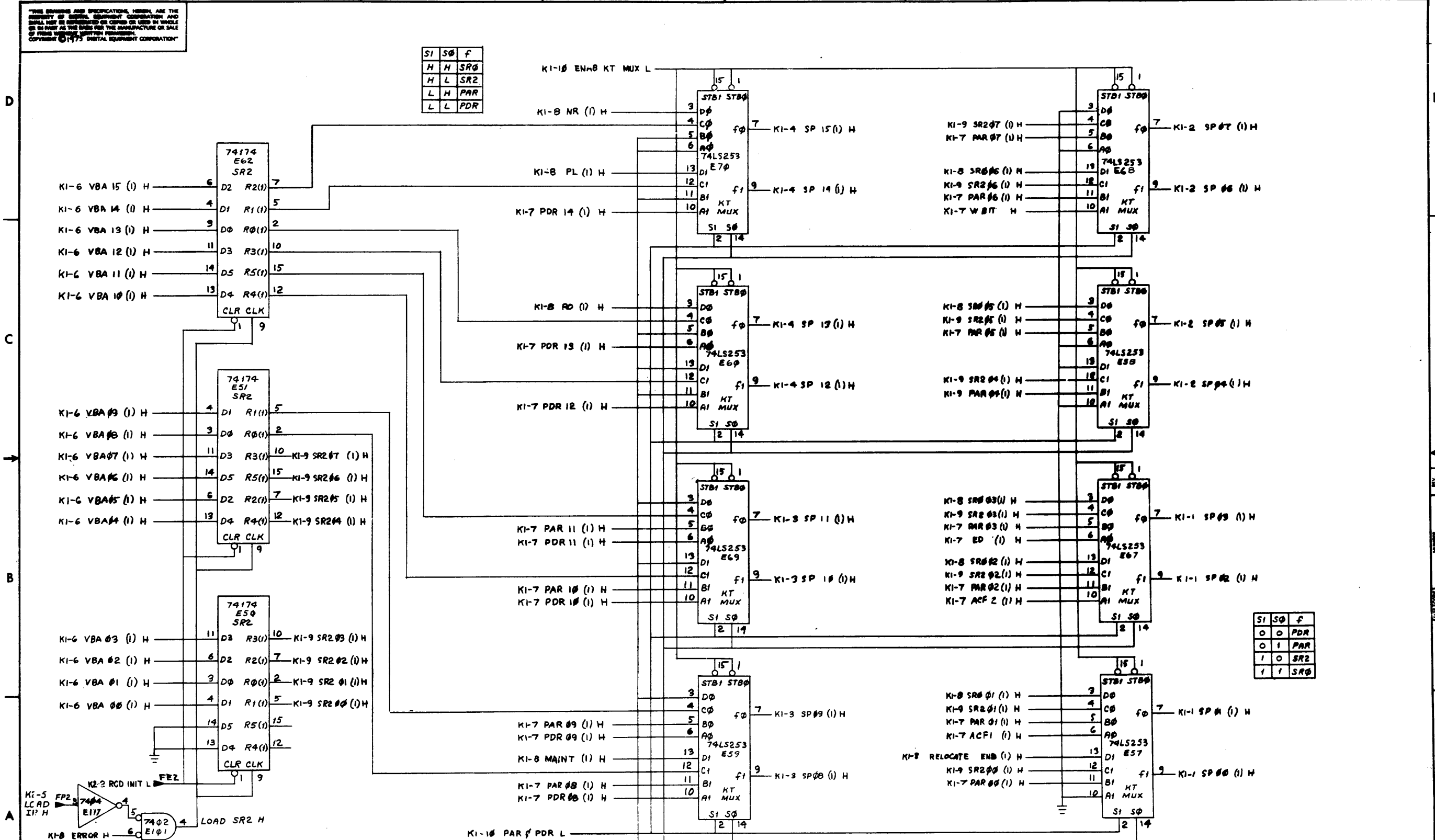


REVISIONS		
CHK	CHANGE NO.	REV.

TITLE	SIZE CODE	NUMBER	REV.
KI-8 DATA PATH (KI-8)	DCS M265-0-1		C
SCALE	SHEET	OF	DIST.
	8	10	

THE DRAWING AND SPECIFICATIONS HEREIN ARE THE PROPERTY OF DIGITAL EQUIPMENT CORPORATION AND SHALL NOT BE REPRODUCED OR COPIED OR USED IN WHOLE OR IN PART AS THE BASIS FOR THE MANUFACTURE OR SALE OF OTHER EQUIPMENT WITHOUT PERMISSION. COPYRIGHT © 1975 DIGITAL EQUIPMENT CORPORATION

SI	S0	F
H	H	SR0
H	L	SR2
L	H	PAR
L	L	PDR

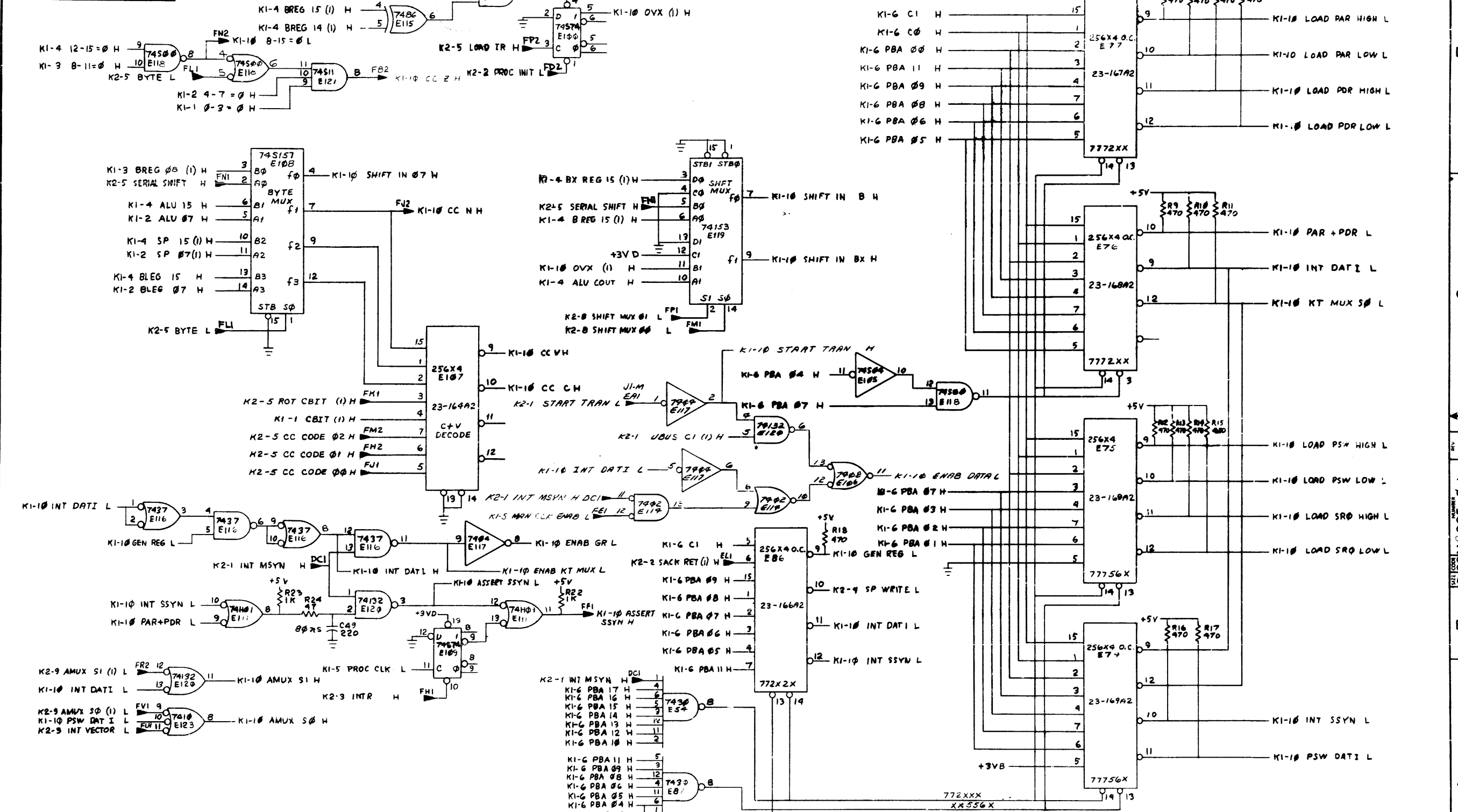


SI	S0	F
0	0	PDR
0	1	PAR
1	0	SR2
1	1	SR0

(SR2 AND KT MUX)

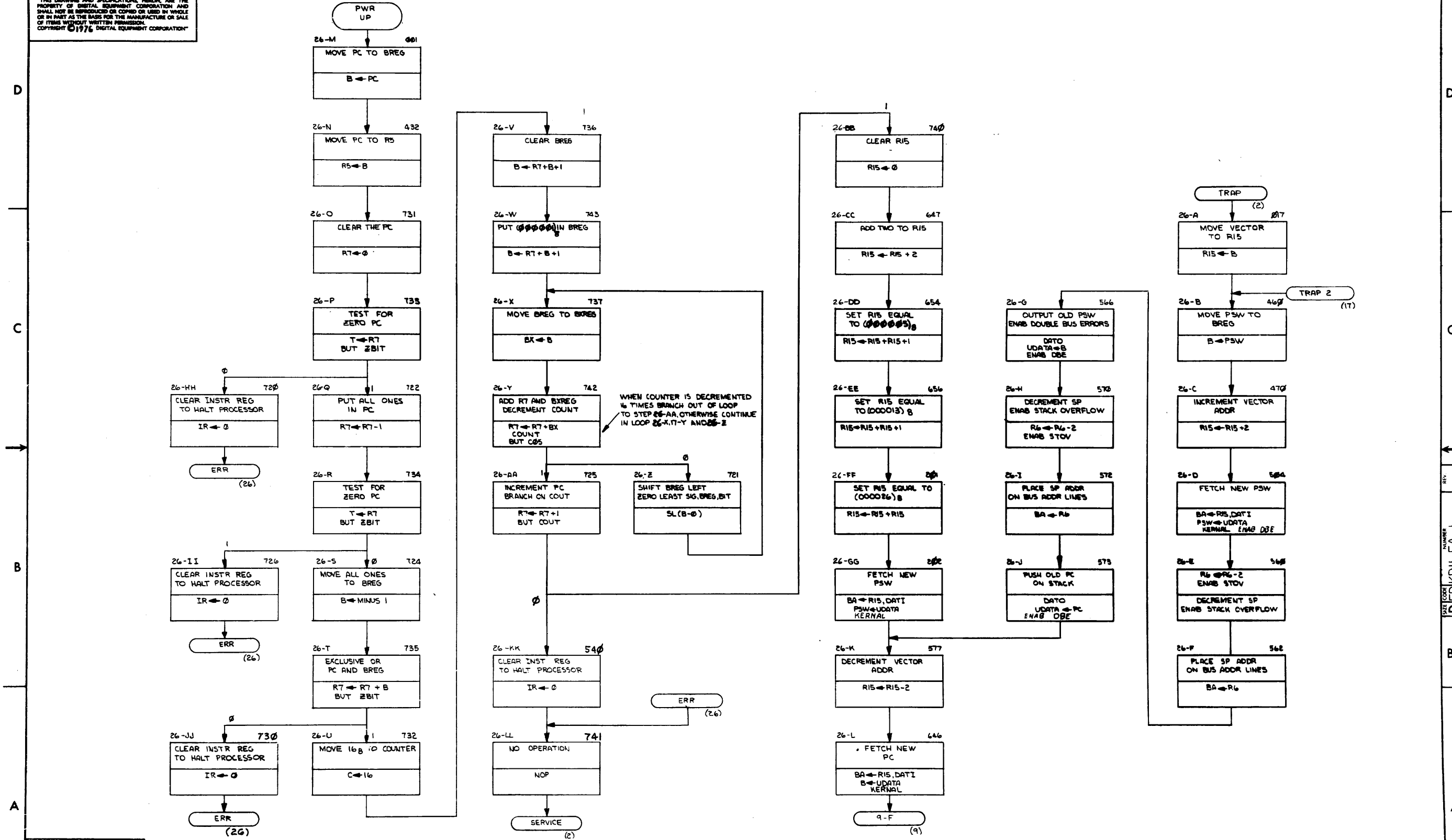
REVISIONS			TITLE		SIZE/SCALE	CODE	NUMBER	REV.
CHK	CHANGE NO.	REV.	KD11EA DATA PATH(KI-9)		+	D	CSM8265-0-1	C
			SCALE	SHEET	OF	DIST.		
			8	9	10			

THIS DRAWING AND SPECIFICATIONS HEREIN ARE THE PROPERTY OF DIGITAL EQUIPMENT CORPORATION AND SHALL NOT BE REPRODUCED OR COPIED OR USED IN WHOLE OR IN PART AS THE BASIS FOR THE MANUFACTURE OR SALE OF ITEMS WITHOUT WRITTEN PERMISSION. COPYRIGHT © 1975 DIGITAL EQUIPMENT CORPORATION.



REVISIONS		
CHK	CHANGE NO.	REV.

TITLE	KD11E-- DATA PATH(K1-10)	SIZE CODE	DCSM8265-0-1	NUMBER		REV.	C
SCALE		SHEET	10 OF 10	DIST.			

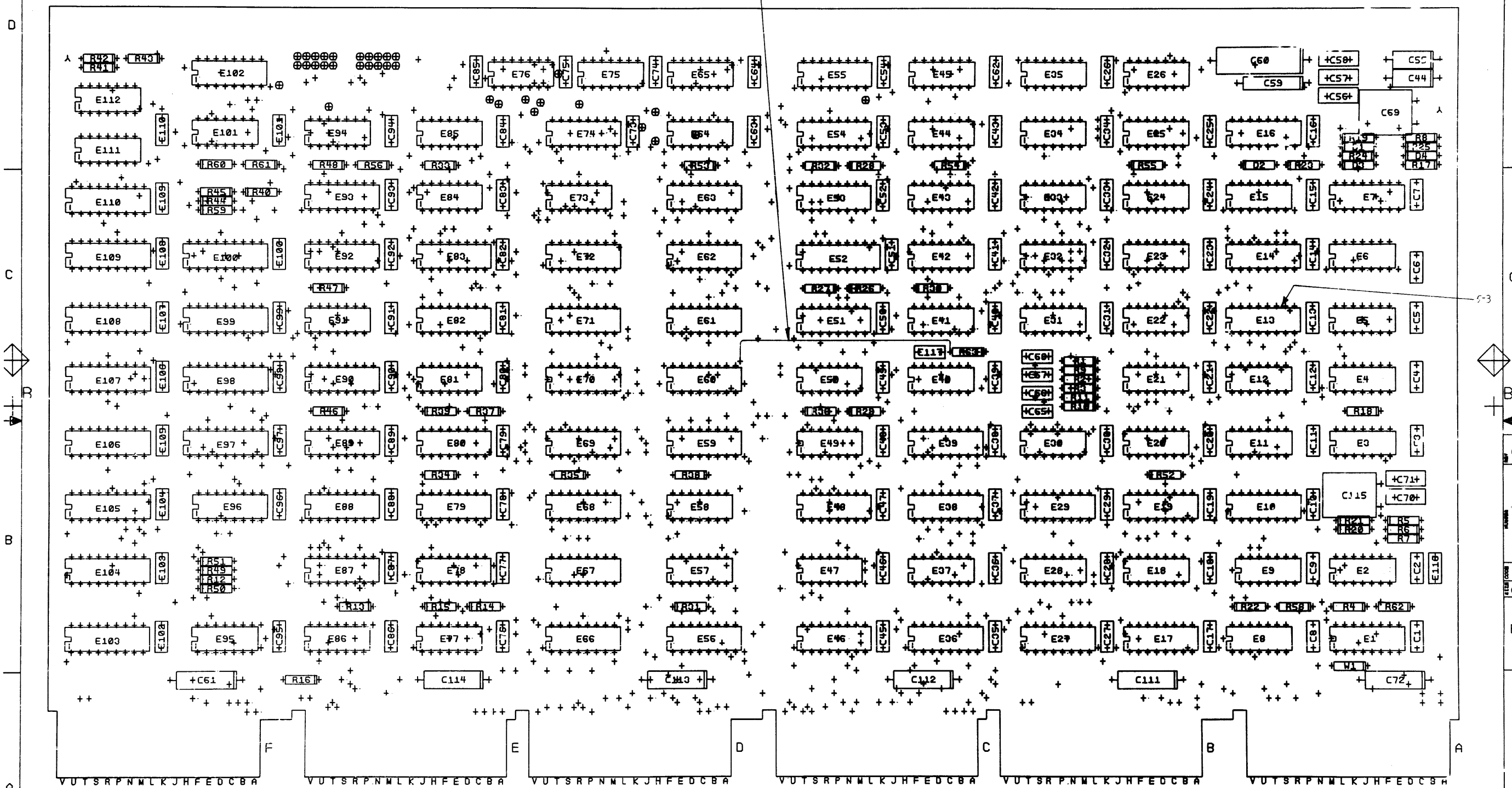


REVISIONS		
CHK	CHANGE NO.	REV.

THIS DRAWING AND INFORMATION HEREON ARE THE PROPERTY OF ANALOG DEPARTMENT COMPANY AND SHALL NOT BE REPRODUCED OR TRANSMITTED IN ANY FORM OR BY ANY MEANS, ELECTRONIC OR MECHANICAL, INCLUDING PHOTOCOPYING, RECORDING, OR BY ANY INFORMATION STORAGE AND RETRIEVAL SYSTEM, WITHOUT THE WRITTEN PERMISSION OF ANALOG DEPARTMENT COMPANY.

COMPONENT CODE VIEW

5-2



NOTES:

1. _____

2. _____

3. _____

4. _____

5. _____

6. _____

7. _____

8. _____

CHG	NO	REV	DATE	BY
1	1	D	8-18-77	DRN
2	2	D	8-18-77	CHK
3	3	D	8-18-77	ENG
4	4	D	8-18-77	PROJ
5	5	D	8-18-77	PROD

ETCH REV. B
P.C. DESIGN DATA BASE REV. C

SIGNATURES	DATE
DRN L. GIAMMARINO	8-18-77
CHK D. L. GIAMMARINO	8-18-77
ENG. M. SULLIVAN	8-18-77
PROJ. ENG. D. BARRY	8-18-77
PROD. D. BARRY	8-18-77

TITLE	SCALE	SIZE	CODE	NUMBER	REV
KDIE A CONTROL	2-1	D	UA	M8266-0-0	D

digital

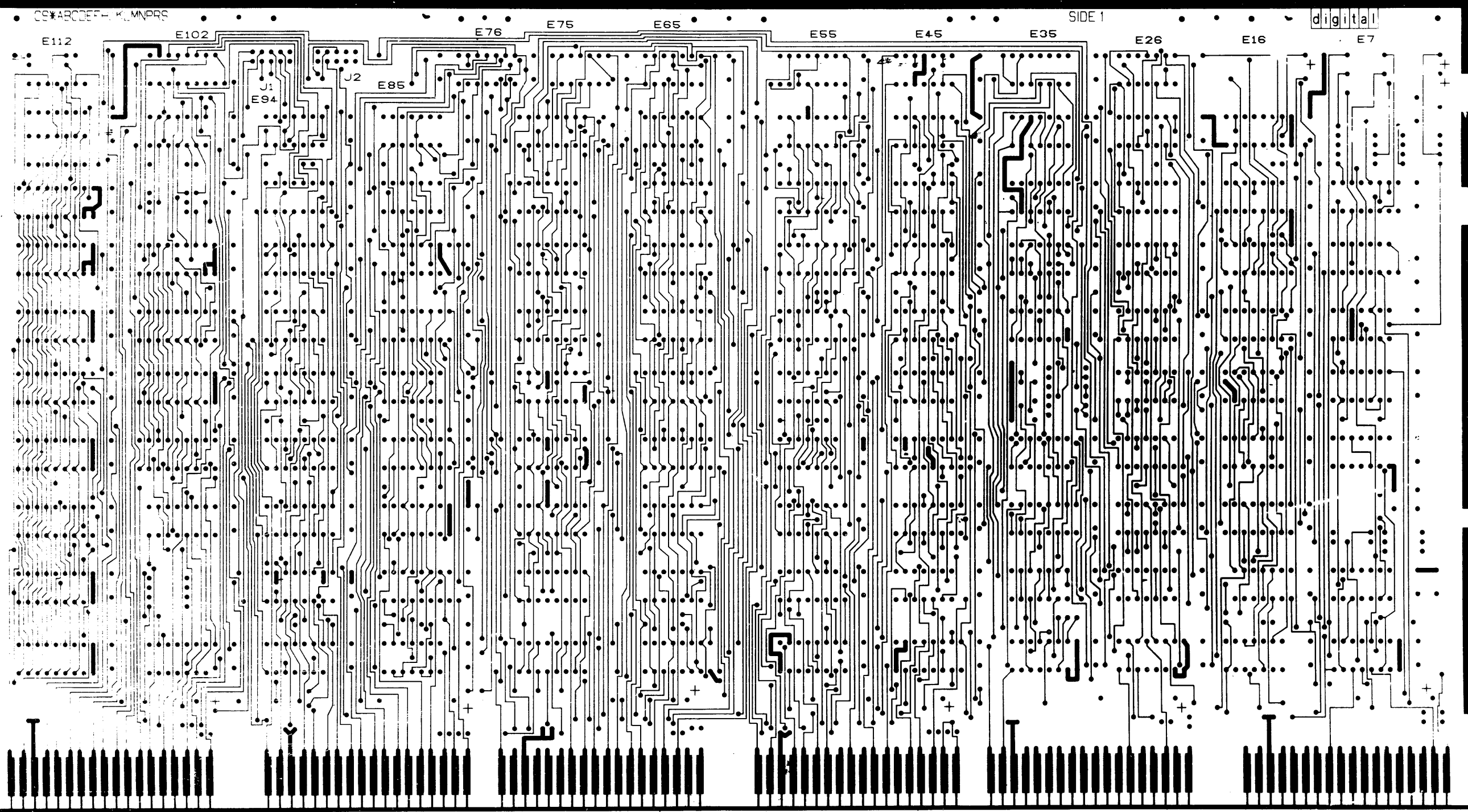
KDIE A CONTROL

SIZE CODE NUMBER REV
D UA M8266-0-0 D

ALL DIMENSIONS SPECIFICATIONS HEREIN ARE THE PROPERTY OF DIGITAL EQUIPMENT CORPORATION AND SHALL NOT BE REPRODUCED OR USED IN WHOLE OR IN PART AS THE BASIS FOR THE MANUFACTURE OR SALE OF ITEMS WITHOUT WRITTEN PERMISSION. COPYRIGHT © DIGITAL EQUIPMENT CORPORATION.

0 0-0-992811 70 2

LAYER 1



TITLE	KD11E-A CONTROL	SIZE CODE	D UA	NUMBER	M8266-0-0	REV.	D
SCALE	2-1	SHEET	2	OF	4	DIST.	

6 5 4 3 2 1

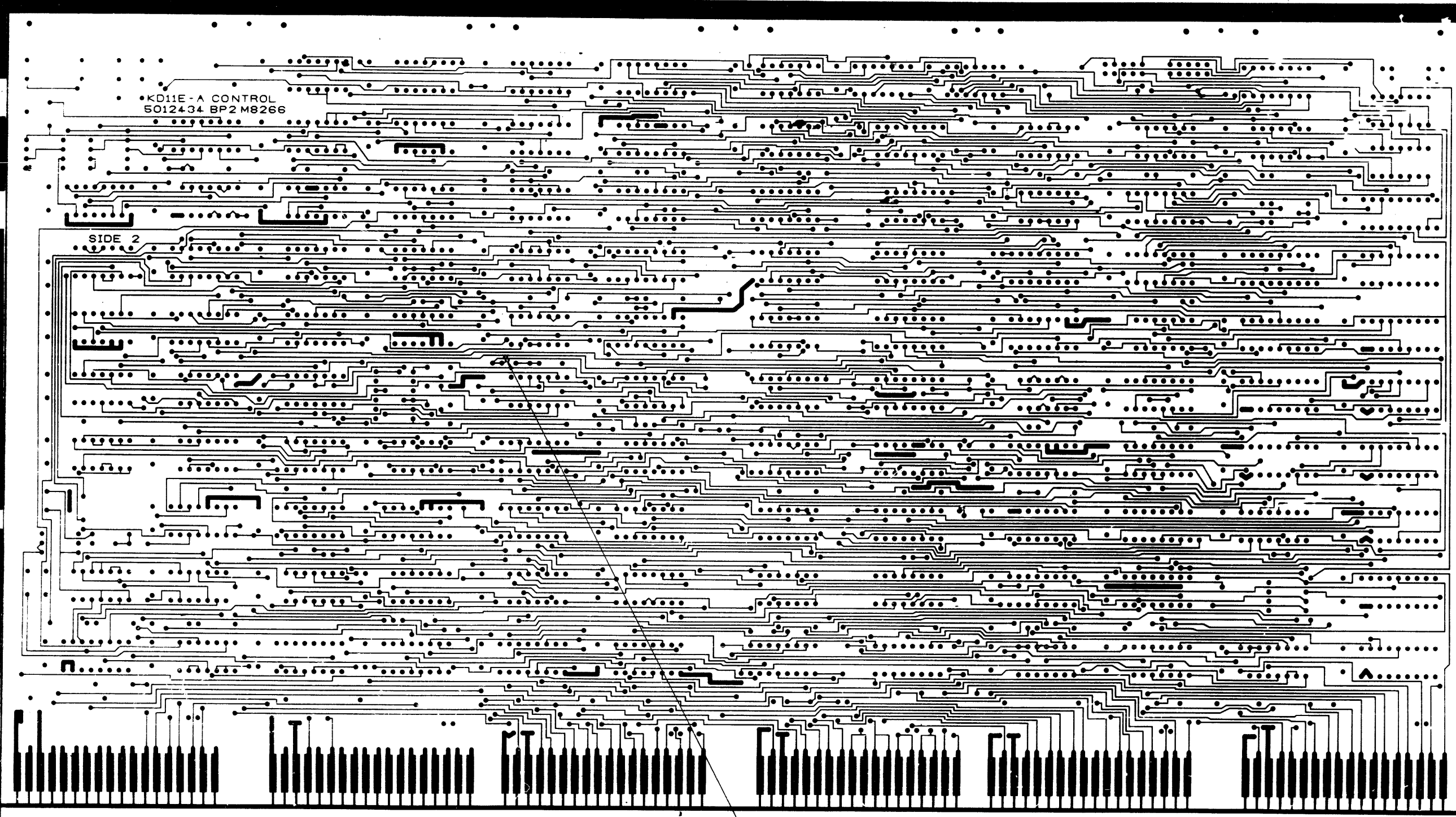
PROPERTY OF DIGITAL EQUIPMENT CORPORATION, INC.
THIS DRAWING IS UNCLASSIFIED UNLESS INDICATED OTHERWISE.
IT SHALL NOT BE REPRODUCED, COPIED, OR USED IN ANY MANNER
WHICH IS IN VIOLATION OF THE TERMS AND CONDITIONS OF THE
LICENSE AGREEMENT FOR THE MANUAL USE OF THIS DRAWING.
NO PART OF THIS DRAWING IS TO BE REPRODUCED OR TRANSMITTED
IN ANY FORM OR BY ANY MEANS, ELECTRONIC OR MECHANICAL,
INCLUDING PHOTOCOPYING, RECORDING, OR BY ANY INFORMATION
STORAGE AND RETRIEVAL SYSTEM, WITHOUT THE WRITTEN PERMISSION
OF DIGITAL EQUIPMENT CORPORATION.

H 83YA J

7-0-93261 12 2

KD11E-A CONTROL
5012434 BP2 M8266

SIDE 2



REVISIONS	
NO.	DESCRIPTION

TITLE	KD11E-A CONTROL	SIZE CODE	D JA	NUMBER	M8266-0-0	REV.	D
SCALE	2-1	SHEET	3	OF	4	DIST.	

REV. D
NUMBER M8266-0-0
D JA

8 7 6 5 4 3 2 1

"THE DIMENSIONS AND SPECIFICATIONS HEREIN ARE THE PROPERTY OF DIGITAL EQUIPMENT CORPORATION AND SHALL NOT BE REPRODUCED OR COPIED OR USED IN WHOLE OR IN PART AS THE BASIS FOR THE MANUFACTURE OR SALE OF ITEMS WITHOUT WRITTEN PERMISSION.
 COPYRIGHT © 1975 DIGITAL EQUIPMENT CORPORATION"

REWORK INSTRUCTIONS
 ECO #5
 ETCH CUTS SIDE 2:
 S-1. THE SLANTED ETCH RUN ABOVE AND TO THE LEFT OF E4φ-14
 WIRE ADDS SIDE 1:
 S-2. FROM R63 AT CHIT END TO PTH LOCATED ABOVE E6φ-9
 S-3. REMOVE E13 (P/N 1910651) AND REPLACE WITH E13 (P/N 1910957)

D
C
B
A

D
C
B
A

REVISIONS		
CHK	CHANGE NO.	REV.

TITLE	KDIE-A CONTROL	SIZE CODE	DUA	NUMBER	M8266-φ-φ	REV.	D
SCALE	++	SHEET	4 OF 4	DIST.			

8 7 6 5 4 3 2 1

DIGITAL EQUIPMENT CORPORATION PARTS LIST				QUANTITY / VARIATION									NOTES:	
MADE BY R. BARILONE DATE 19 JULY 77		CHECKED <i>A. DiAmmarino</i> DATE 9-6-77		SECTION									1001610-01 MAY BE SUBSTITUED BY 1001610-00.	
ENG <i>Mike Sullivan</i> DATE 16 FEB 78		PROD <i>B. King</i> DATE 16 FEB 78		ISSUED SECTION										
ITEM NO.	DRAWING NO.	PART NO.	DESCRIPTION	M8266-0-0									REF DESIGNATION	
1	D-MD-5012434-0-0	5012434	ETCH BOARD	1										
2		1000016	CAPACITOR, 100 pf, 100V, 5%	3									C58,C67,C68	
3		1000024	CAPACITOR, 470 pf, 100V, 5%	6									C56,C57,C65, C66,C71, C116	
4		1000055	CAPACITOR, 2200 pf, 250V, 20%	2									C69,C115	
5		1001476	CAPACITOR, 10 uf, 35V, 10%	1									C60	
6		1001610-01	CAPACITOR, .01 uf, 100V, DISC	93									C1 thru C43, C45 thru C54, C63, C64, C73 thru C110	
7		1004812	CAPACITOR, 15 uf, 20V, 10%	1									C59	
8		1005306	CAPACITOR, 6.8 uf, 35V 10%	6									C72, C111 thru C114, C61	
9		1009964	CAPACITOR, .68uf, 35V, 10%	2									C44, C55	
10		1000021	CAPACITOR, 220 pf, 100V, 5%	3									C62, C70, C117	
11		1100114	DIODE, D664	4									D1 thru D4	
12		1300202	RESISTOR, 47 OHM, 1/4W, 5%	6									R3, R4, R7, R11, R21, R63	
13		1300250	RESISTOR, 150 OHM, 1/4W, 5%	5									R10, R17, R18, R52, R1	
14		1300271	RESISTOR, 220 OHM, 1/4W, 5%	1									R62	
15		1300309	RESISTOR, 390 OHM 1/4W, 5%	12									R40 thru R48, R60, R54, R61	
16		1300316	RESISOTR, 470 OHM, 1/4W, 5%	20									R26 thru R31, R33 thru R39, R49 thru R51, R53, R56, R55, R9	
17		1300365	RESISTOR, 1K, 1/4W, 5%	5									R12, R32, R20, R59, R58	
18		1300479	RESISTOR, 10K 1/4W, 5%	1									R24	
19		1302394	RESISTOR, 30 K, 1/4W 5%	5									R8, R19, R23, R25, R5	
20		1311422	RESISTOR, 178 OHM, 1/4W, 5%	5									R13 thru R16, R22	
E.C.O. NO. 00003														
"THIS DRAWING AND SPECIFICATIONS, HEREIN, ARE THE PROPERTY OF DIGITAL EQUIPMENT CORPORATION AND SHALL NOT BE REPRODUCED OR COPIED OR USED IN WHOLE OR IN PART AS THE BASIS FOR THE MANUFACTURE OR SALE OF ITEMS WITHOUT WRITTEN PERMISSION. COPYRIGHT © 1977 DIGITAL EQUIPMENT CORPORATION"				TITLE KD11E-A CONTROL					ASSY NO. D-UA-M8266-0-0		SIZE B	CODE PL	NUMBER M8266-0-0	REV. C
				SHEET 1 OF 5					INSERTION PARTS LIST DATA BASE REV B-P2					

DIGITAL EQUIPMENT CORPORATION PARTS LIST				QUANTITY / VARIATION										NOTES:				
MADE BY R. BARILONE DATE 19 JULY 77		CHECKED <i>A. Giannarino</i> DATE 9-6-77		SECTION														
ENG DATE		PROD DATE		ISSUED SECTION														
ITEM NO.	DRAWING NO.	PART NO.	DESCRIPTION	M8266-0-0														REF DESIGNATION
21		1301401	RESISTOR, 750 OHM, 1/4W, 5%	1														R6
22		1213506-00	RIGHT ANGLE HEADER, 20 PIN	1														J1, J2
23		1905547	I.C. DEC 7474	5											X			E5, E12, E31, E32, E34
24		1905575	I.C. DEC 7400	5											X			E3, E15, E18, E28, E86
25		1905587	I.C. DEC 7473	2											X			E24, E45
26		1909004	I.C. DEC 7402	3											X			E22, E23, E43
27		1909705	I.C. DEC 8881	2											X			E8, E77
28		1909713	I.C. DEC 8815	2											X			E4, E30
29		1910533	I.C. DEC 74S03	5											X			E41, E64, E65, E76, E94
30		1909930	I.C. DEC 7405	2											X			E91, E101
31		1910018	I.C. DEC 74193	2											X			E78, E79
32		1911675	I.C. DEC 74S138	1											X			E89
33		1910091	I.C. DEC 7437	1											X			E81
34		1910155	I.C. DEC 7408	2											X			E11, E50
35		1910436	I.C. DEC 74123	3											X			E16, E7, E14
36		1910532	I.C. DEC 74S00	6											X			E25, E37, E47, E84, E6, E35
37		1910534	I.C. DEC 74S04	2											X			E111, E112
38		1910539	I.C. DEC 74S20	2											X			E57, E58
39		1910547	I.C. DEC 74S153	2											X			E46, E36
40		1910548	I.C. DEC S157	2											X			E10, E39

E.C.O. NO.

"THIS DRAWING AND SPECIFICATIONS, HEREIN, ARE THE PROPERTY OF DIGITAL EQUIPMENT CORPORATION AND SHALL NOT BE REPRODUCED OR COPIED OR USED IN WHOLE OR IN PART AS THE BASIS FOR THE MANUFACTURE OR SALE OF ITEMS WITHOUT WRITTEN PERMISSION. COPYRIGHT © 1977 DIGITAL EQUIPMENT CORPORATION"

TITLE
KD11E-A CONTROL

ASSY NO.
D-UA-M8266-0-0
SHEET 2 OF 5

SIZE CODE
B PL
NUMBER
M8266-0-0
INSERTION PARTS LIST DATA BASE REV B-P2

REV.
C

DIGITAL EQUIPMENT CORPORATION PARTS LIST

MADE BY R. BARILONE
DATE 19 JULY 77

CHECKED *L. Giammarino*
DATE 9-6-77

SECTION

ENG _____
DATE _____

PROD _____
DATE _____

ISSUED SECTION

QUANTITY / VARIATION

NOTES:

ITEM NO.	DRAWING NO.	PART NO.	DESCRIPTION	M8266-0-0	QUANTITY / VARIATION											REF DESIGNATION		
41		1910550	I.C. DEC 74S174	10														E19, E38, E66, E93, E71, E88, E90, E92, E96, E56
42		1910651	I.C. DEC 74175	1														E13
43		1910878	I.C. DEC 7427	1														E75
44		1910957	I.C. DEC 74S175	3														E48, E55, E67
45		1911116	I.C. DEC 8837	2														E1, E17
46		1911324	I.C. DEC 7414	1														E21
47		1911469	I.C. DEC 8640	1														E9
48		1911579	I.C. DEC 8641	1														E27
49		1911637	I.C. DEC 74132	2														E2, E42
50		1912388	I.C. DEC 74S02	3														E20, E73, E95
51		1912746	I.C. DEC 74S37	1														E26
52		1910544	I.C. DEC 74S74	2														E33, E49
53		1910536	I.C. DEC 74S10	2														E40, E85
54		1913340	I.C. DEC 74S32	1														E44
55		23106A1	I.C. ROM 32 x 8 TS	1														E51
56		23160A2	I.C. ROM 256 x 4 TS	1														E29
57		23175A2	I.C. ROM 256 x 4 OC	1														E53
58		23162A2	I.C. ROM 256 x 4 OC	1														E54
59		23174A2	I.C. ROM 256 x 4 OC	1														E59
60		23173A2	I.C. ROM 256 x 4 OC	1														E60
61		23161A2	I.C. ROM 256 x 4 TS	1														E61

E.C.O. NO. _____

"THIS DRAWING AND SPECIFICATIONS, HEREIN, ARE THE PROPERTY OF DIGITAL EQUIPMENT CORPORATION AND SHALL NOT BE REPRODUCED OR COPIED OR USED IN WHOLE OR IN PART AS THE BASIS FOR THE MANUFACTURE OR SALE OF ITEMS WITHOUT WRITTEN PERMISSION. COPYRIGHT © 1977 DIGITAL EQUIPMENT CORPORATION"

TITLE
KD11E-A CONTROL

ASSY NO.
D-UA-M8266-0-0

SIZE
B

CODE
PL

NUMBER
M8266-0-0

REV.
C

SHEET 3 OF 5

INSERTION PARTS LIST DATA BASE REV B-P2

DIGITAL EQUIPMENT CORPORATION PARTS LIST

MADE BY DATE	R. BARILONE 19 JULY 77	CHECKED DATE	<i>A. Giannarino</i> 9-6-77	SECTION
ENG DATE	PROD	ISSUED SECTION		

QUANTITY / VARIATION

NOTES:

ITEM NO.	DRAWING NO.	PART NO.	DESCRIPTION	M8266-Ø-Ø														REF DESIGNATION	
62		2317ØA2	I.C. ROM 256 x 4 OC	1														X	E62
63		23176A2	I.C. ROM 256 x 4 OC	1														X	E63
64		23014A9	I.C. ROM 512 x 4 TS	1														X	E68
65		23172A2	I.C. ROM 256 x 4 OC	1														X	E69
66		23349A9	I.C. ROM 512 x 4 OC	1														X	E70
67		23A22A2	I.C. ROM 256 x 4 OC	1														X	E72
68		2311ØA1	I.C. ROM 32 x 8 OC	1														X	E74
69		23163A2	I.C. ROM 256 x 4 TS	1															E80
70		231Ø8A1	I.C. ROM 32 x 8 TS	1															E82
71		231Ø7A1	I.C. ROM 32 x 8 TS	1															E83
72		231Ø9A1	I.C. ROM 32 x 8 TS	1															E87
73		23Ø22F1	I.C. ROM 1024 x 4 TS	1															E97
74		23Ø23F1	I.C. ROM 1024 x 4 TS	1															E98
75		23Ø21F1	I.C. ROM 1024 x 4 TS	1															E99
76		23Ø24F1	I.C. ROM 1024 x 4 TS	1															E100
77		23Ø11F1	I.C. ROM 1024 x 4 TS	1															E103
78		23Ø25F1	I.C. ROM 1024 x 4 TS	1															E104
79		23Ø27F1	I.C. ROM 1024 x 4 TS	1															E105
80		23Ø2ØF1	I.C. ROM 1024 x 4 TS	1															E106
81		23Ø19F1	I.C. ROM 1024 x 4 TS	1															E107
82		23Ø18F1	I.C. ROM 1025 x 4 TS	1															E108

E.C.O. NO.

THIS DRAWING AND SPECIFICATIONS, HEREIN, ARE THE PROPERTY OF DIGITAL EQUIPMENT CORPORATION AND SHALL NOT BE REPRODUCED OR COPIED OR USED IN WHOLE OR IN PART AS THE BASIS FOR THE MANUFACTURE OR SALE OF ITEMS WITHOUT WRITTEN PERMISSION. COPYRIGHT © 1977 DIGITAL EQUIPMENT CORPORATION

 TITLE
 KD11E-A CONTROL

 ASSY NO.
 D-UA-M8266-Ø-Ø

SHEET 4 OF 5

SIZE B	CODE PL	NUMBER M8266-Ø-Ø	
------------------	-------------------	---------------------	--

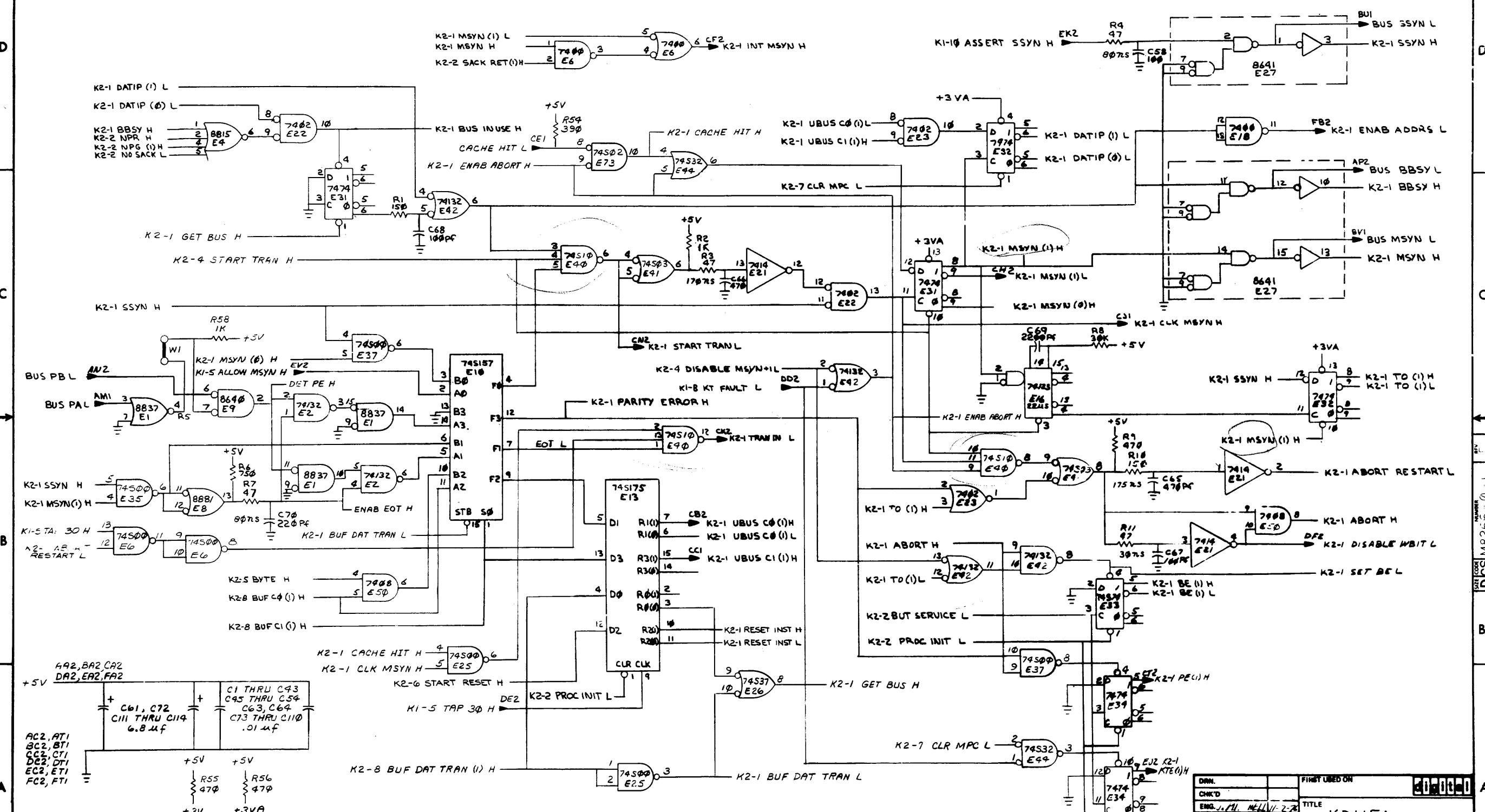
INSERTION PARTS LIST DATA BASE REV B-P2

REV. C

DIGITAL EQUIPMENT CORPORATION PARTS LIST				QUANTITY / VARIATION										NOTES:
MADE BY DATE		R. BARILONE 19 JULY 77		CHECKED DATE		<i>L. Gianmarino</i> 9-6-77		SECTION						REF DESIGNATION
ENG DATE		PROD DATE		ISSUED SECTION										
ITEM NO.	DRAWING NO.	PART NO.	DESCRIPTION	MB266-0-0										
83		23017F1	I.C. ROM 1024 x 4 TS	1									E109	
84		23016F1	I.C. ROM 1024 x 4 TS	1									E110	
85		23177A1	I.C. ROM 32 x 8 TS	1									E102	
86		23013F1	I.C. ROM 1024 x 4 TS	1								X	E52	
87		9009185	JUMPER, MACHINE INSERT, INSL.	1									W1	
88		9006732	EYELET, HANDLE GS4 - 7	12										
89		7417214	HANDLE ASSY	1										
90		1303114	RESISTOR 1K 1% 1/4W	1									R2	
91														
92														
93														

E.C.O. NO.	"THIS DRAWING AND SPECIFICATIONS, HEREIN, ARE THE PROPERTY OF DIGITAL EQUIPMENT CORPORATION AND SHALL NOT BE REPRODUCED OR COPIED OR USED IN WHOLE OR IN PART AS THE BASIS FOR THE MANUFACTURE OR SALE OF ITEMS WITHOUT WRITTEN PERMISSION. COPYRIGHT © 1977 DIGITAL EQUIPMENT CORPORATION"			TITLE KD11E-A CONTROL	ASSY NO. D-UA-M8266-0-0	SIZE B	CODE PL	NUMBER M8266-0-0	REV. C
	SHEET 5 OF 5		INSERTION PARTS LIST DATA BASE REV B-P2						

THIS DRAWING AND SPECIFICATIONS HEREIN ARE THE PROPERTY OF DIGITAL EQUIPMENT CORPORATION AND SHALL NOT BE REPRODUCED OR COPIED OR USED IN WHOLE OR IN PART AS THE BASIS FOR THE MANUFACTURE OR SALE OF ITEMS WITHOUT WRITTEN PERMISSION. COPYRIGHT © 1975 DIGITAL EQUIPMENT CORPORATION

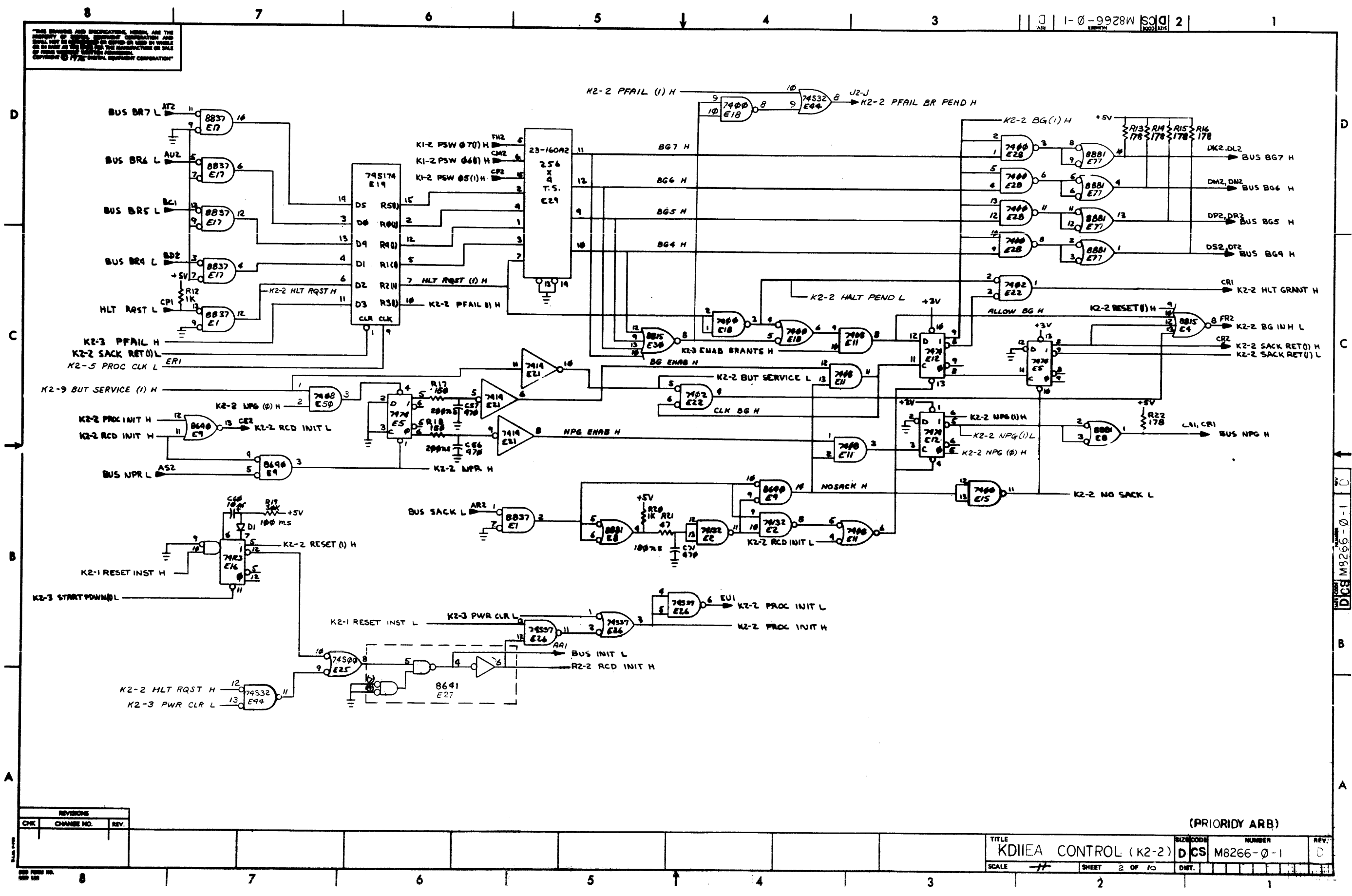


REV.	CHG.	NO.	DATE	BY	CHKD.
1					
2					
3					
4					
5					
6					
7					
8					
9					
10					

REV.	CHG.	NO.	DATE	BY	CHKD.
1					
2					
3					
4					
5					
6					
7					
8					
9					
10					

DRN.	FIRST USED ON	DATE
CHK'D		
ENG. J. M. MULLIN	TITLE	
PROJ. ENG. J. M. MULLIN	KD11EA	
PROD. R. BARRY	CONTROL (K2-1)	
NEXT HIGHER ASSY.	SIZE CODE	NUMBER
	DCS M8266-0-1	REV. D
SCALE		
SHEET 1	OF 10	

THIS DRAWING AND SPECIFICATIONS HEREIN ARE THE PROPERTY OF DIGITAL EQUIPMENT CORPORATION AND SHALL NOT BE REPRODUCED OR COPIED OR USED IN WHOLE OR IN PART AS THEY ARE OR FOR THE MANUFACTURE OR SALE OF OTHER EQUIPMENT WITHOUT THE WRITTEN PERMISSION OF DIGITAL EQUIPMENT CORPORATION © 1972

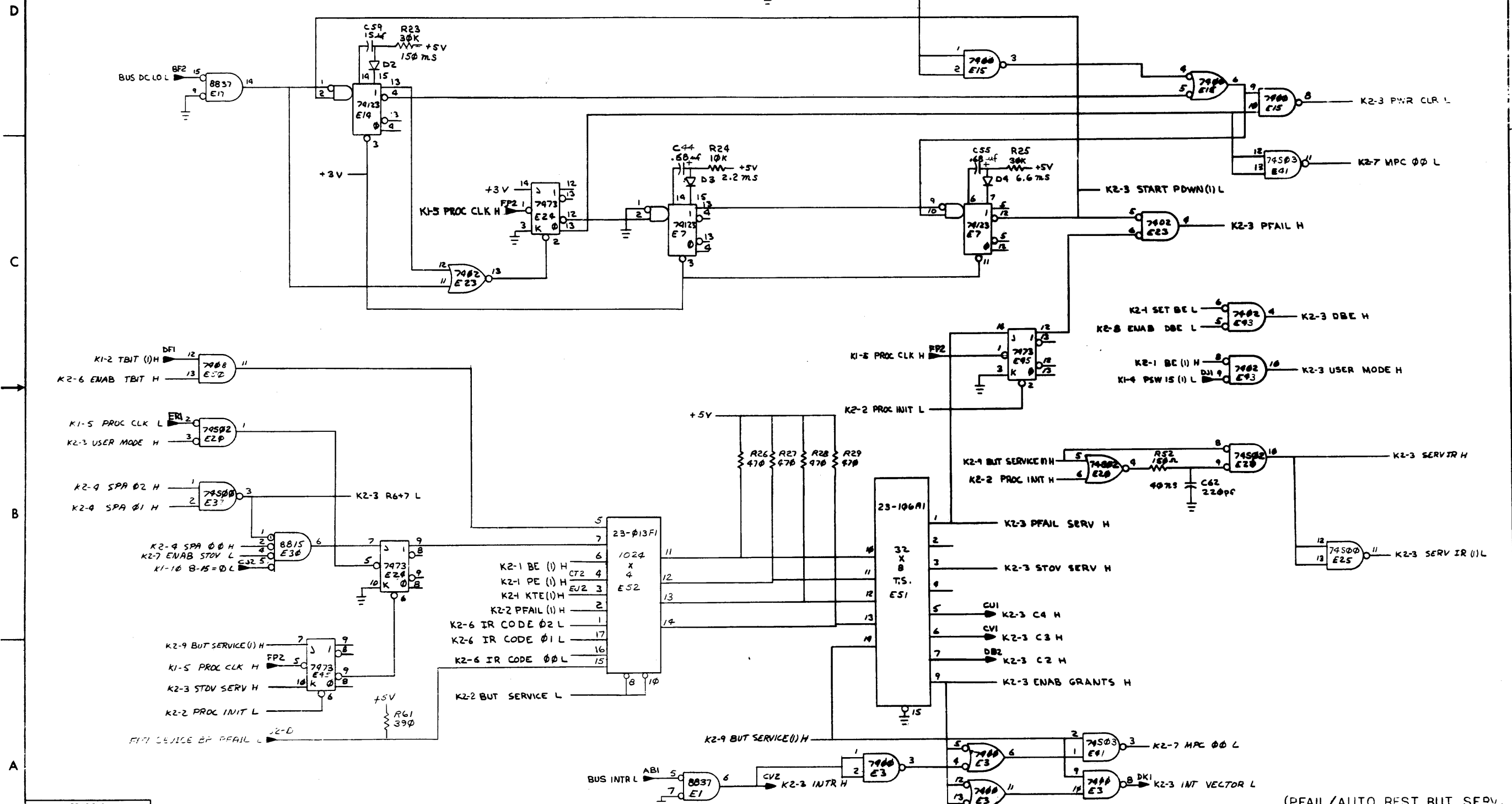
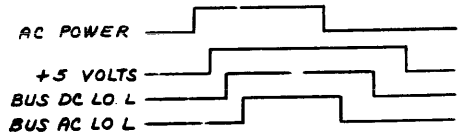


REVISIONS		
CHK	CHANGE NO.	REV.

TITLE		KDII EA CONTROL (K2-2)		SIZE CODE	NUMBER	REV.
SCALE		SHEET 2 OF 10		D CS	M8266-0-1	D

(PRIORITY ARB)

"THIS DRAWING AND SPECIFICATIONS, HEREIN, ARE THE PROPERTY OF DIGITAL EQUIPMENT CORPORATION AND SHALL NOT BE REPRODUCED OR COPIED OR USED IN WHOLE OR IN PART AS THE BASIS FOR THE MANUFACTURE OR SALE OF ITEMS WITHOUT WRITTEN PERMISSION. COPYRIGHT © 1975 DIGITAL EQUIPMENT CORPORATION"

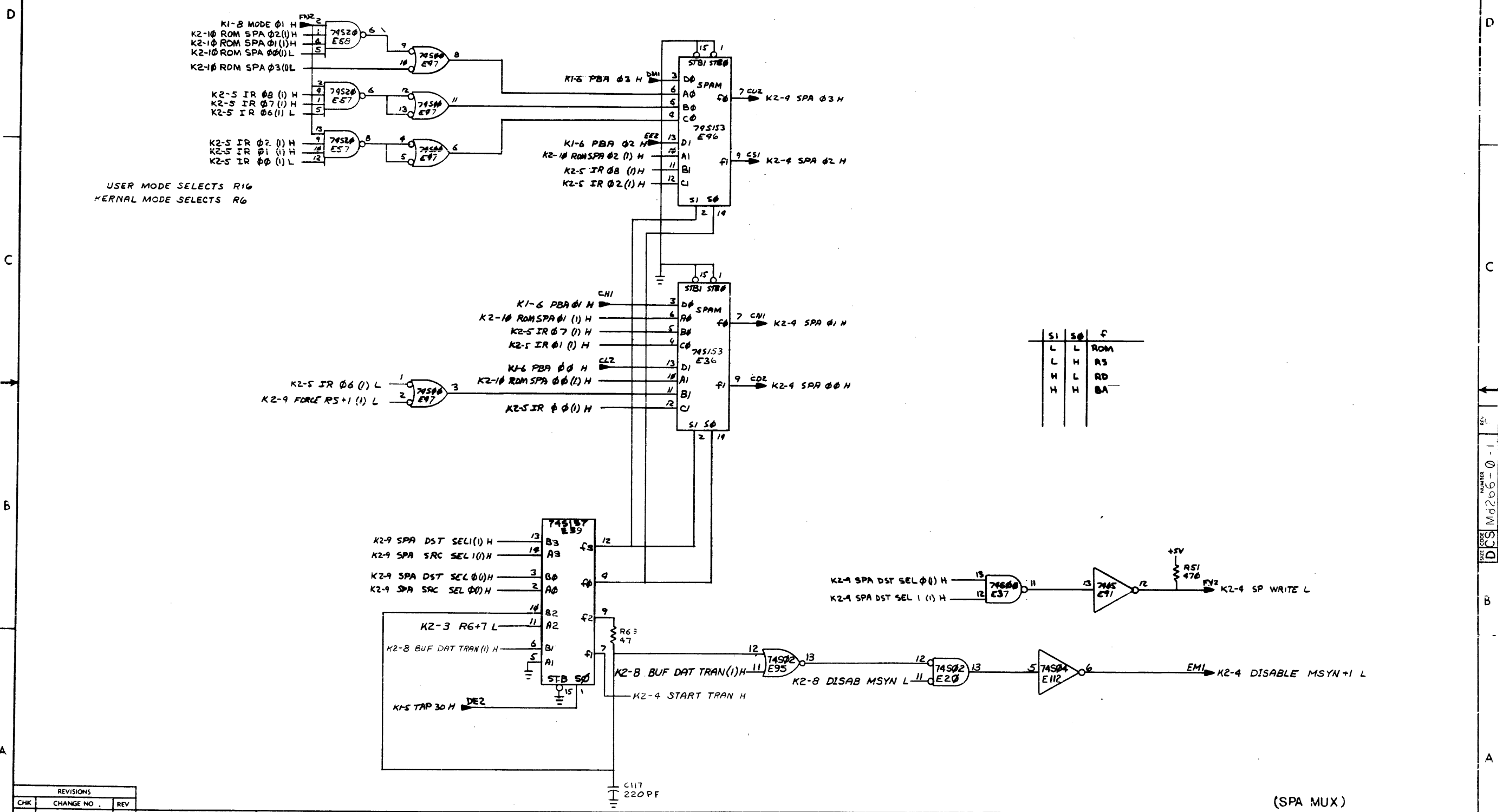


REVISIONS		
CHK	CHANGE NO.	REV

TITLE	KDIIEA CONTROL (K2-3)	SIZE CODE	DCS	NUMBER	M8266-0-1	REV.	
SCALE		SHEET	3 OF 10	DIST.			

REV. NUMBER M8266-0-1

THIS DRAWING AND SPECIFICATIONS HEREIN ARE THE PROPERTY OF DIGITAL EQUIPMENT CORPORATION AND SHALL NOT BE REPRODUCED OR COPIED OR USED IN WHOLE OR IN PART AS THE BASIS FOR THE MANUFACTURE OR SALE OF ITEMS WITHOUT WRITTEN PERMISSION. COPYRIGHT © 1975 DIGITAL EQUIPMENT CORPORATION



REVISIONS		
CHK	CHANGE NO.	REV

TITLE		SIZE CODE		NUMBER		REV.
KDIIEA CONTROL (K2-4)		D CS		M8266-0-1		
SCALE	SHEET	DIST.				
	4 OF 10					

8

7

6

5

4

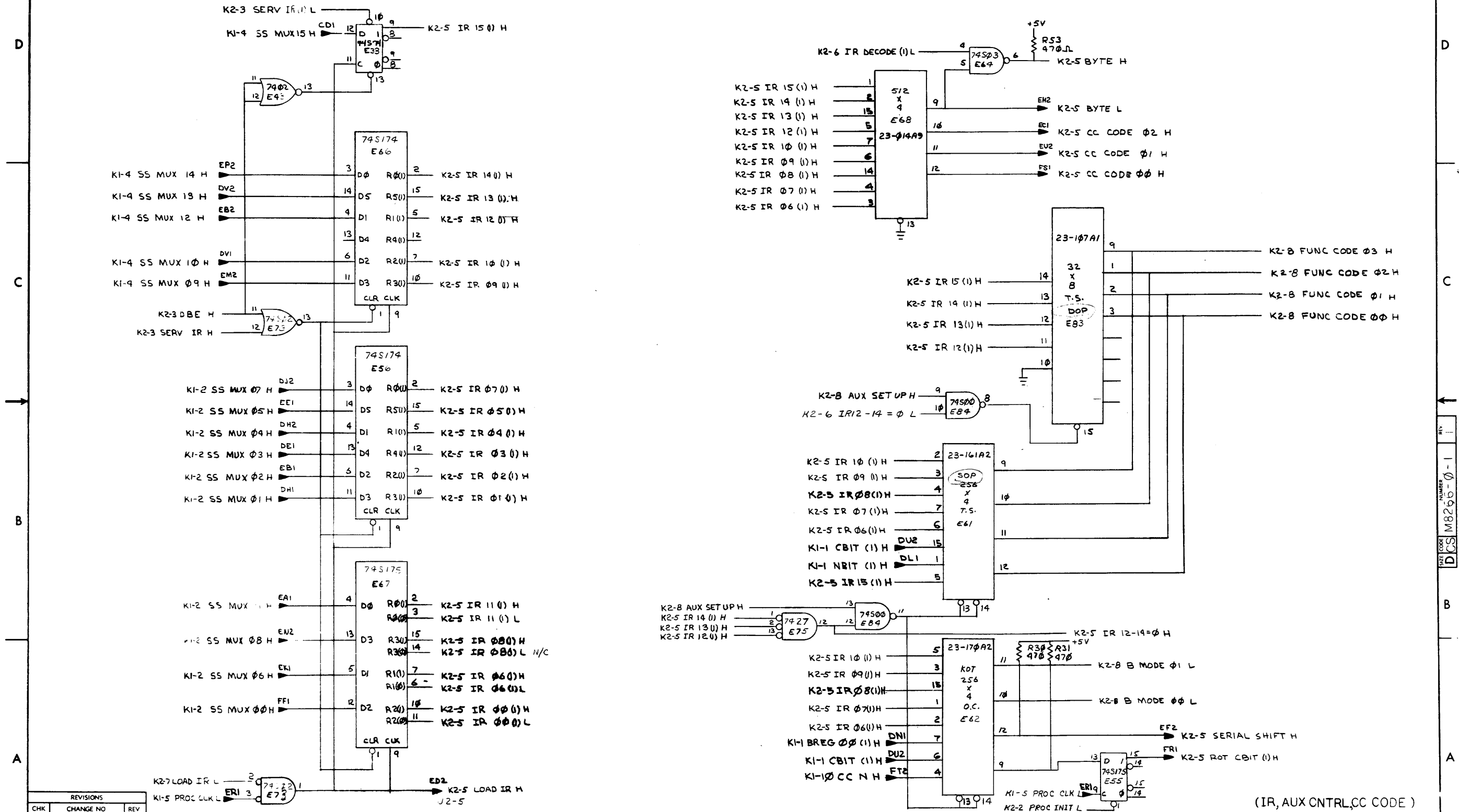
3

2

1

1-0-9928 M8266-0-1 2

THIS DRAWING AND SPECIFICATIONS HEREIN ARE THE PROPERTY OF DIGITAL EQUIPMENT CORPORATION AND SHALL NOT BE REPRODUCED OR COPIED OR USED IN WHOLE OR IN PART AS THE BASIS FOR THE MANUFACTURE OR SALE OF ITEMS WITHOUT WRITTEN PERMISSION. COPYRIGHT © 1975 DIGITAL EQUIPMENT CORPORATION.



REVISIONS		
CHK	CHANGE NO	REV

(IR, AUX CNTRL, CC CODE)

TITLE	KDIIEA CONTROL (K2-5)	SIZE CODE	D CS	NUMBER	M8266-0-1	REV.	
SCALE		SHEET	5	OF	10	DIST.	

DEC FORM NO. DFD 130

8

7

6

5

4

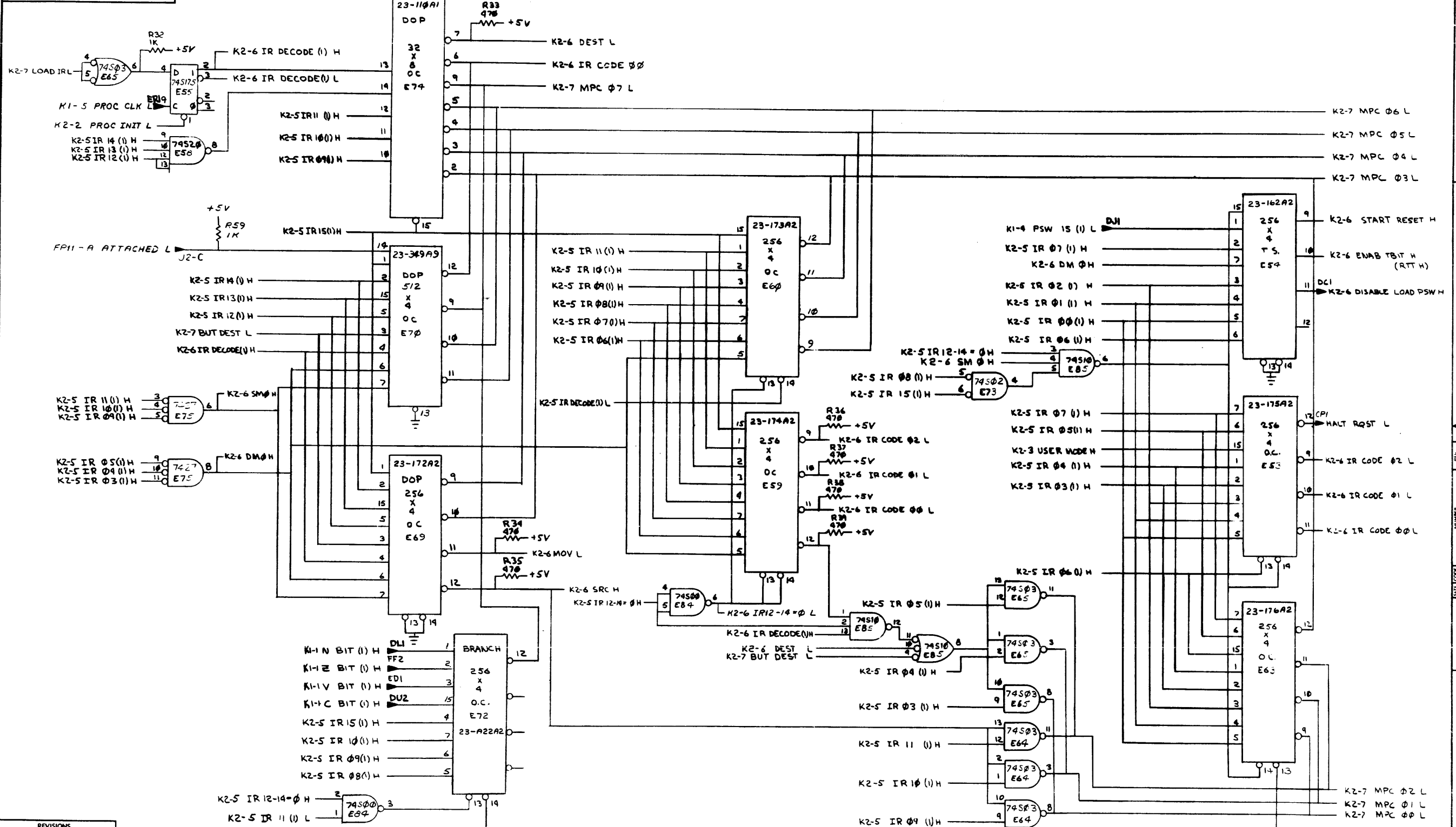
3

2

1

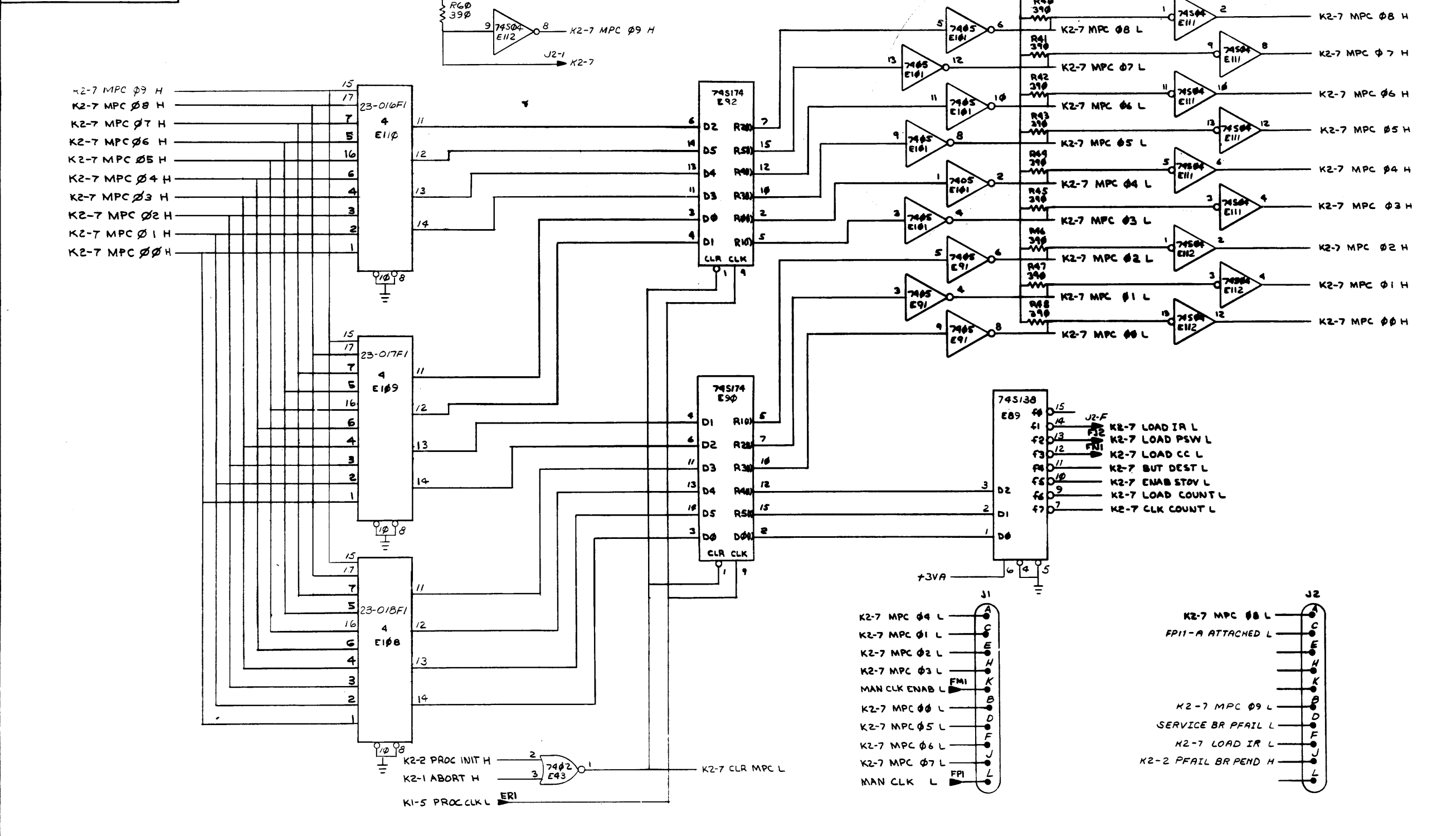
REV. NUMBER DCS M8266-0-1

THIS DRAWING AND SPECIFICATIONS HEREIN ARE THE PROPERTY OF DIGITAL EQUIPMENT CORPORATION AND SHALL NOT BE REPRODUCED OR COPIED OR USED IN WHOLE OR IN PART AS THE BASIS FOR THE MANUFACTURE OR SALE OF ITEMS WITHOUT WRITTEN PERMISSION. COPYRIGHT © 1973 DIGITAL EQUIPMENT CORPORATION.



REVISIONS		
CHK	CHANGE NO.	REV.

"THIS DRAWING AND SPECIFICATIONS HEREIN ARE THE PROPERTY OF DIGITAL EQUIPMENT CORPORATION AND SHALL NOT BE REPRODUCED OR COPIED OR USED IN WHOLE OR IN PART AS THE BASIS FOR THE MANUFACTURE OR SALE OF ITEMS WITHOUT WRITTEN PERMISSION. COPYRIGHT © 1975 DIGITAL EQUIPMENT CORPORATION"

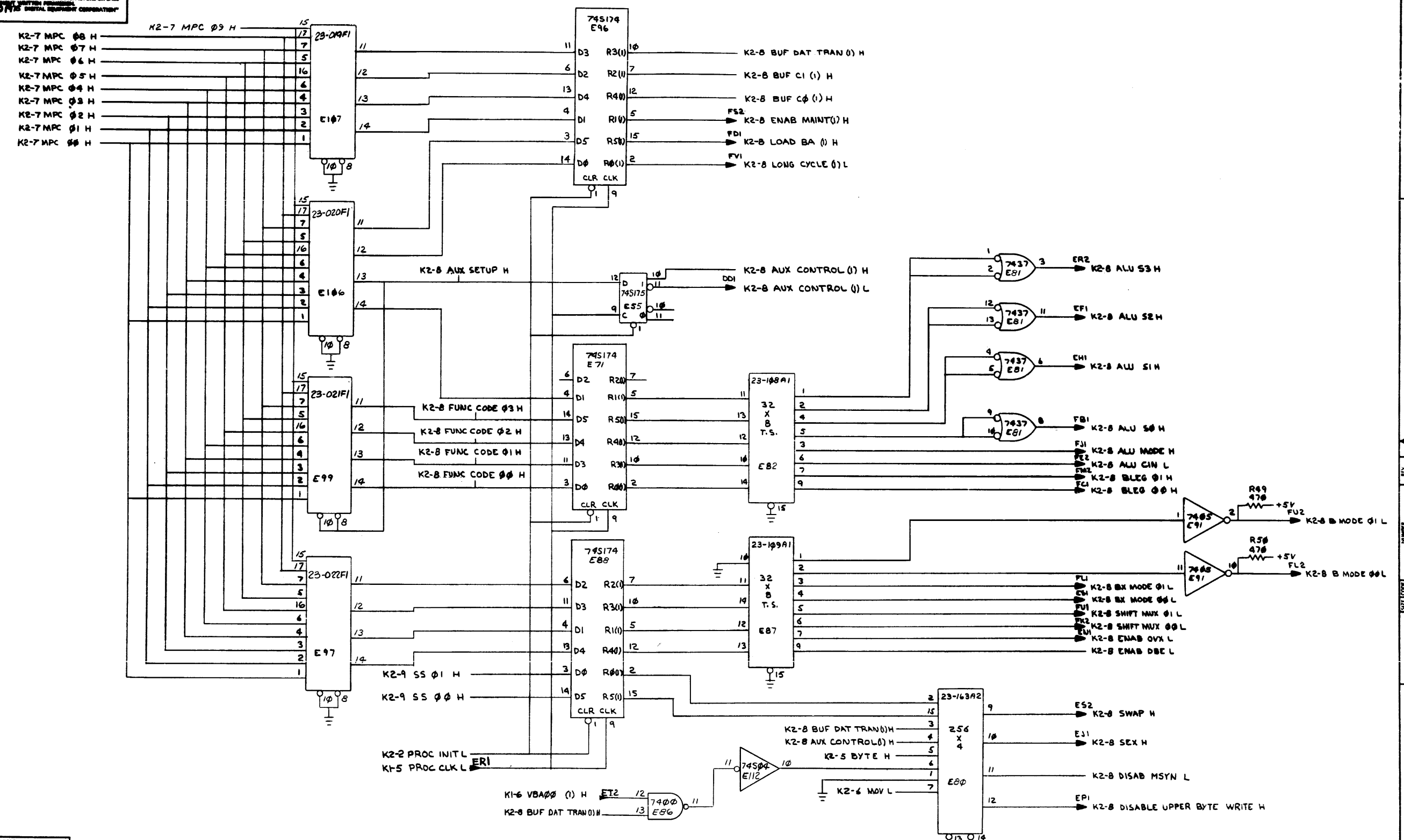


REVISIONS		
CHK	CHANGE NO.	REV.

TITLE		NUMBER		REV.
KDIII A CONTROL (K2-7)		D CS M8266-0-1		
SCALE	SHEET 7 OF 10	DIST.		

REV. 0-1
M8266-0-1
D CS

THE DRAWING AND SPECIFICATIONS HEREIN ARE THE PROPERTY OF DIGITAL EQUIPMENT CORPORATION AND SHALL NOT BE REPRODUCED OR COPIED IN WHOLE OR IN PART AS THE BASIS FOR THE MANUFACTURE OR SALE OF ITEMS UNLESS WRITTEN PERMISSION IS GRANTED BY DIGITAL EQUIPMENT CORPORATION.

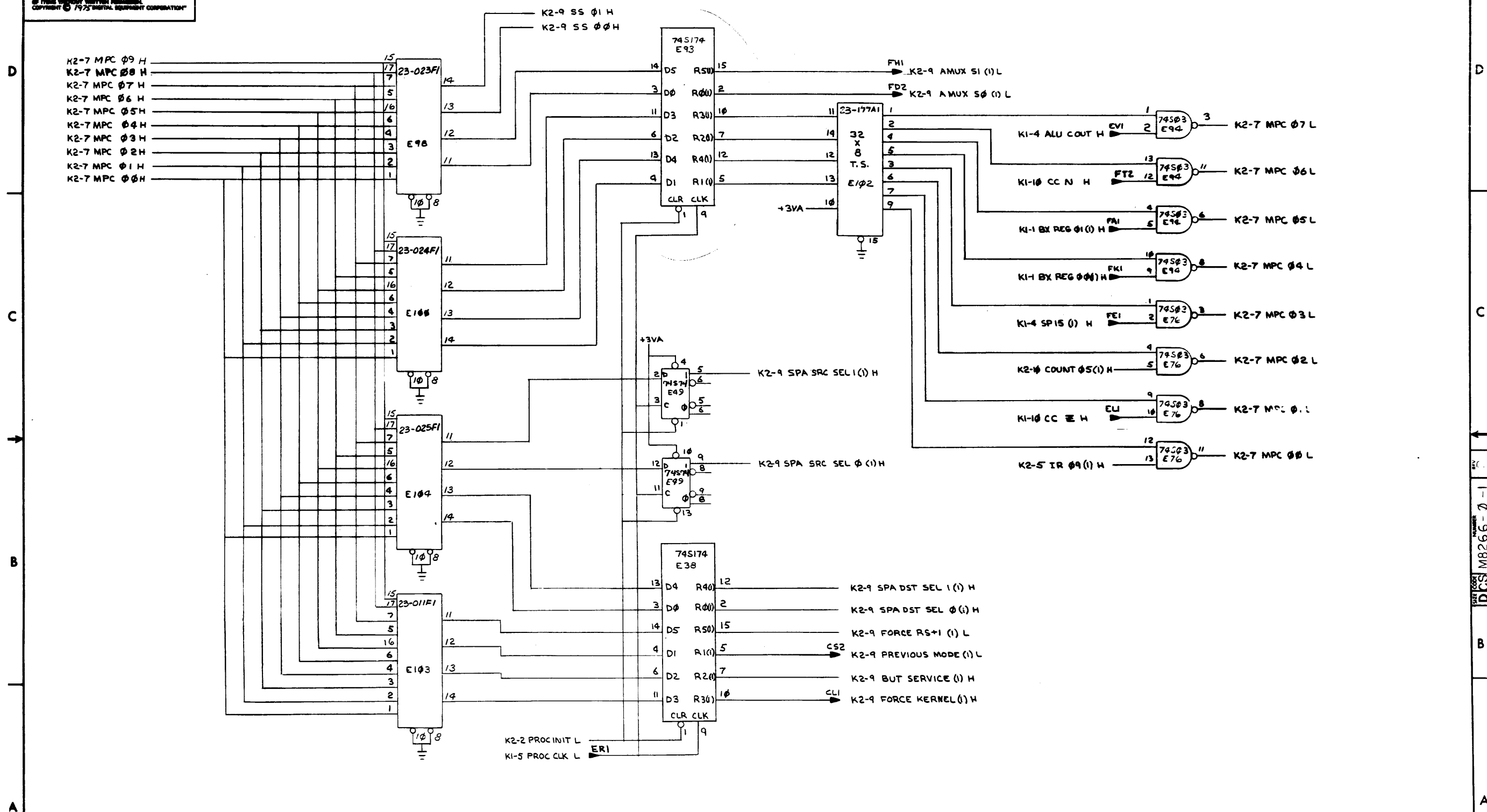


REVISIONS		
CHK	CHANGE NO.	REV.

TITLE		K2-8 CONTROL (K2-8)		SIZE CODE		NUMBER		REV.	
DCS		M8266-0-1		D		0			
SCALE		SHEET 8 OF 10		DIST.					

(MICRO STORE)

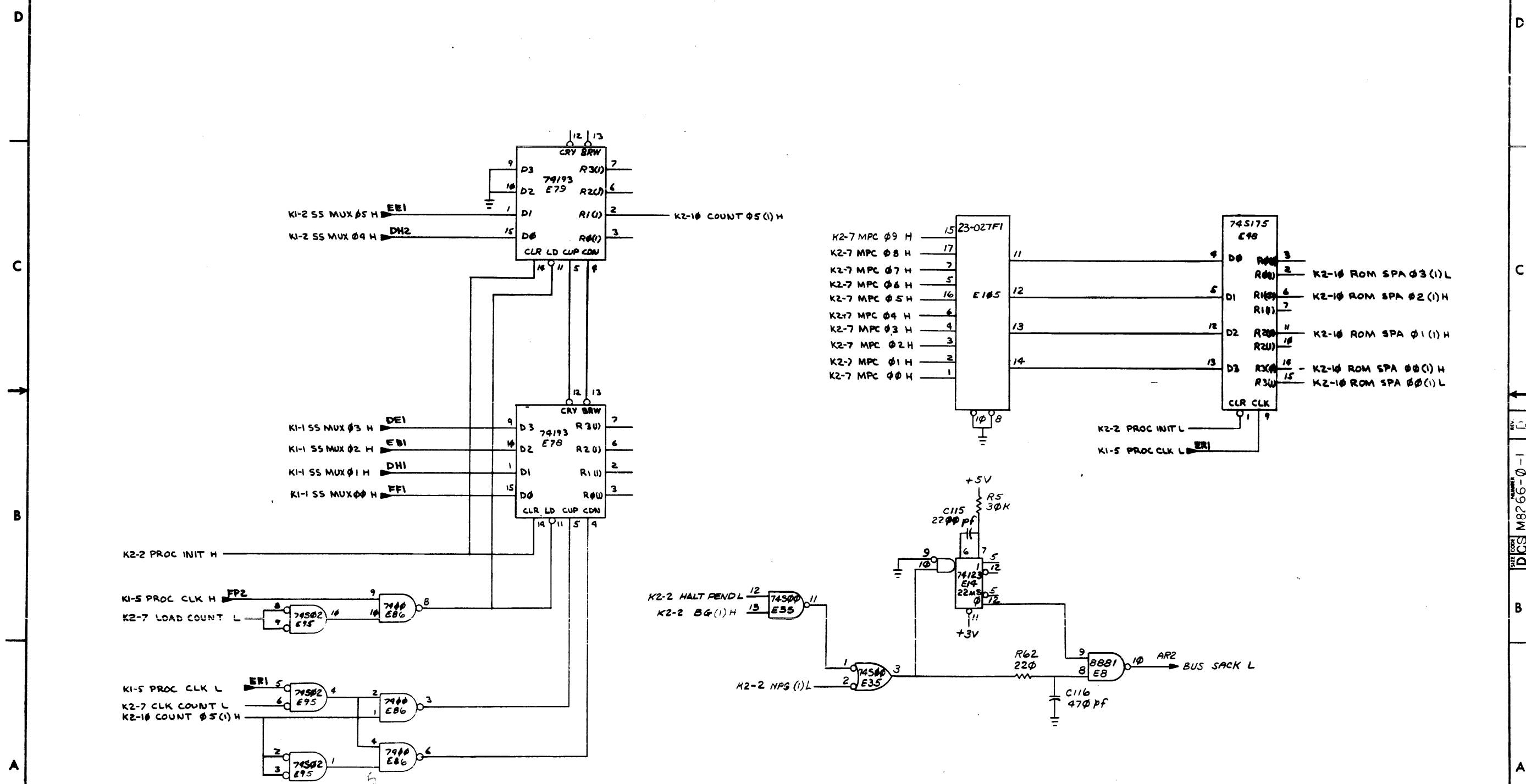
THE SYMBOLS AND SPECIFICATIONS HEREIN ARE THE PROPERTY OF GENERAL ELECTRIC CORPORATION AND SHALL NOT BE REPRODUCED OR COPIED OR USED IN WHOLE OR IN PART AS THE BASIS FOR THE MANUFACTURE OR SALE OF ITEMS WITHOUT WRITTEN PERMISSION. COPYRIGHT © 1975 GENERAL ELECTRIC CORPORATION



REVISIONS		
CHK	CHANGE NO.	REV.

TITLE		SIZE CODE	NUMBER	REV.
KDIIEA CONTROL (K2-9)		DCS	M8266-0-1	1
SCALE	SHEET	9 OF 10		DIST.

"THIS DRAWING AND SPECIFICATIONS HEREIN ARE THE PROPERTY OF DIGITAL EQUIPMENT CORPORATION AND SHALL NOT BE REPRODUCED OR COPIED OR USED IN WHOLE OR IN PART AS THE BASIS FOR THE MANUFACTURE OR SALE OF ITEMS WITHOUT WRITTEN PERMISSION. COPYRIGHT © 1972 DIGITAL EQUIPMENT CORPORATION"



REVISIONS		
CHK	CHANGE NO.	REV.

TITLE		NUMBER		REV.
KDI1EA CONTROL (K2-10)		M8266-0-1		D
SCALE	SHEET	OF	OF	