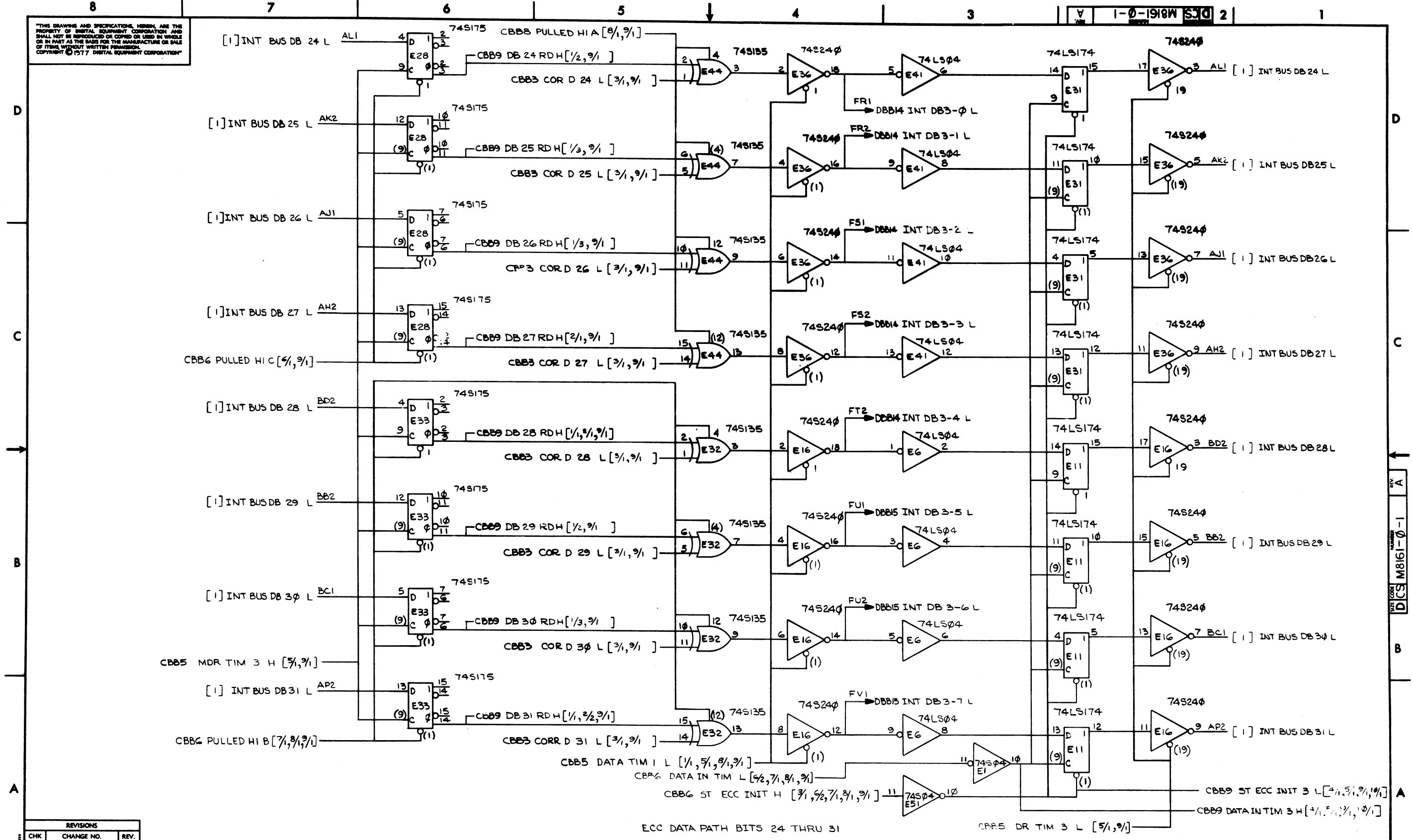


"THIS DRAWING AND SPECIFICATIONS HEREIN ARE THE PROPERTY OF DIGITAL EQUIPMENT CORPORATION AND SHALL NOT BE REPRODUCED OR COPIED OR USED IN WHOLE OR IN PART AS THE BASIS FOR THE MANUFACTURE OR SALE OF ITEMS WITHOUT WRITTEN PERMISSION. COPYRIGHT © 1977 DIGITAL EQUIPMENT CORPORATION"

1-0-1910W SCD 2

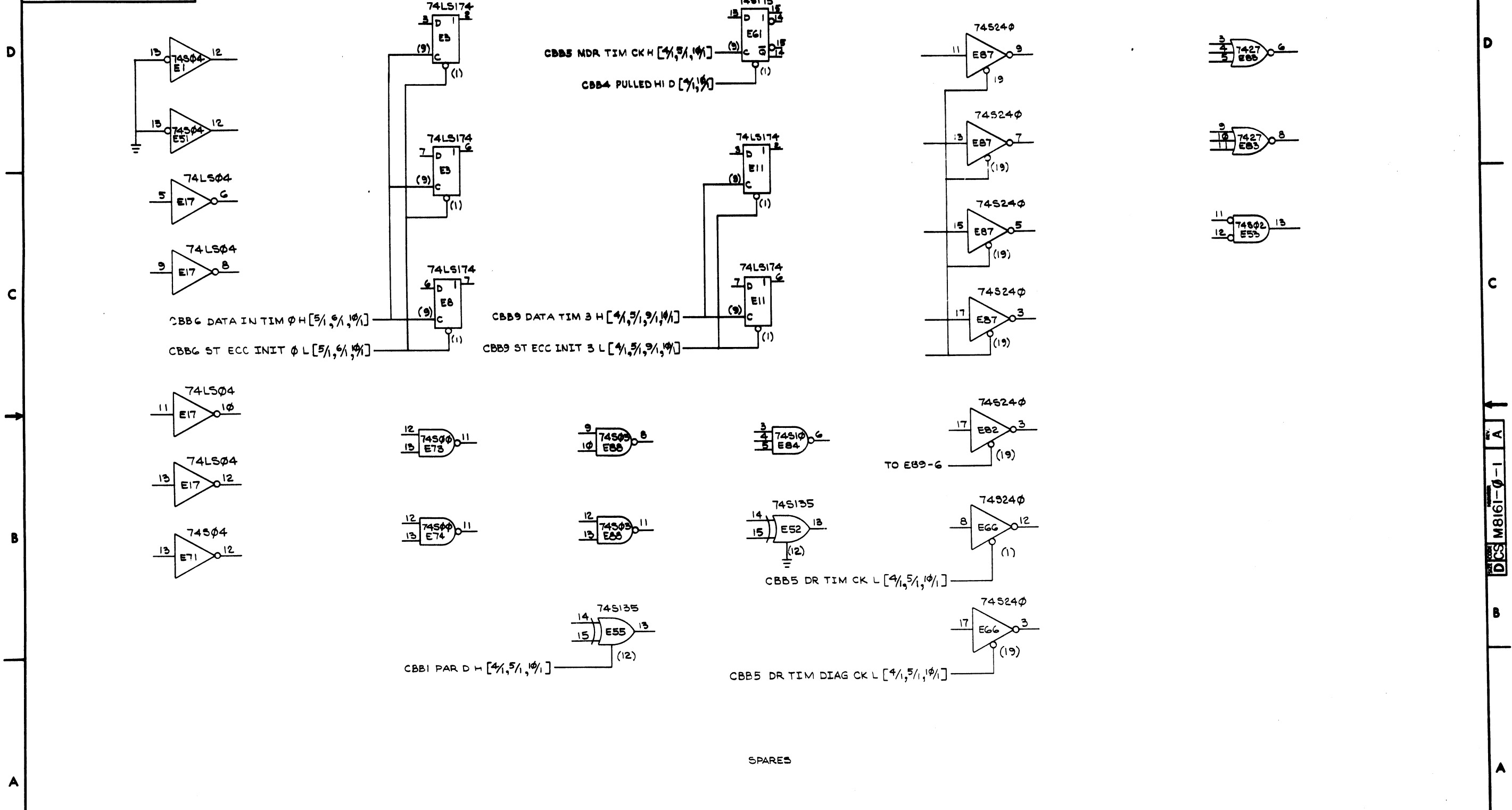


REVISIONS		
CHK	CHANGE NO.	REV.

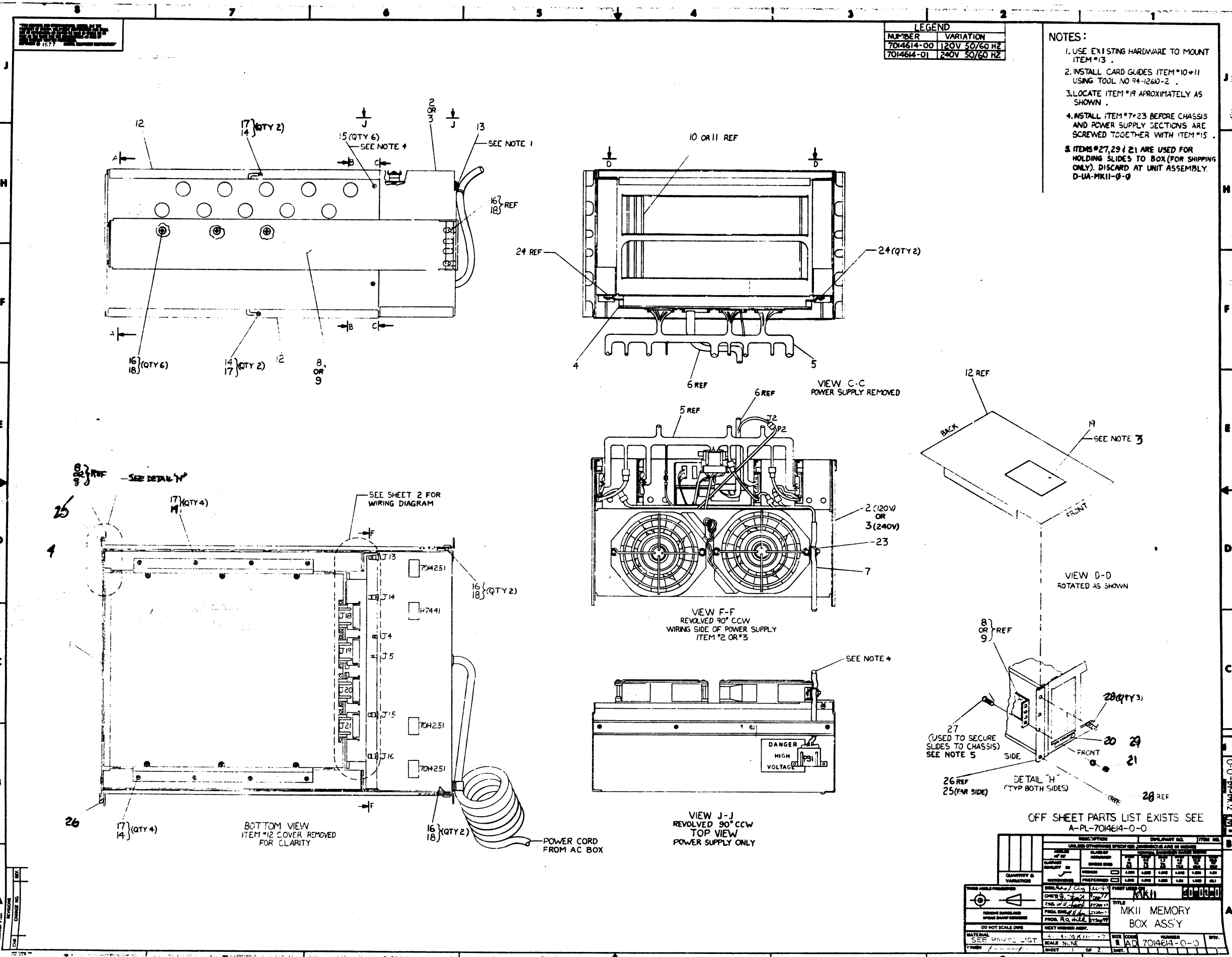
TITLE	MKII CONTROL B (CBB9)	SIZE CODE	D CS	NUMBER	M8161-0-1	REV.	A
SCALE		SHEET	9 OF 10	DIST.			

REV. A
D CS M8161-0-1

THIS DRAWING AND SPECIFICATIONS HEREIN ARE THE PROPERTY OF DIGITAL EQUIPMENT CORPORATION AND SHALL NOT BE REPRODUCED OR COPIED OR USED IN WHOLE OR IN PART AS THE BASIS FOR THE MANUFACTURE OR SALE OF ITEMS WITHOUT WRITTEN PERMISSION. COPYRIGHT © 1977 DIGITAL EQUIPMENT CORPORATION



REVISIONS		
CHK	CHANGE NO.	REV.



LEGEND

NUMBER	VARIATION
7014614-00	120V 50/60 HZ
7014614-01	240V 50/60 HZ

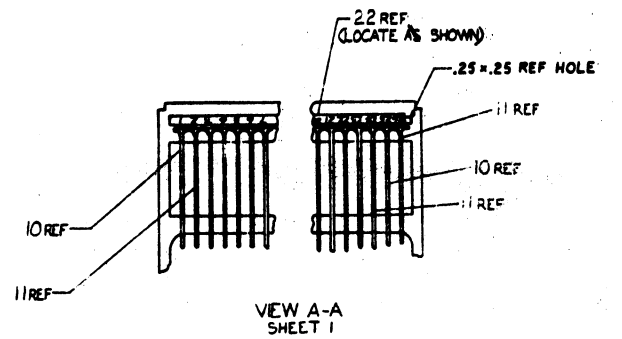
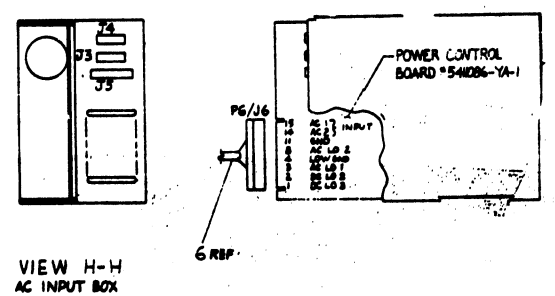
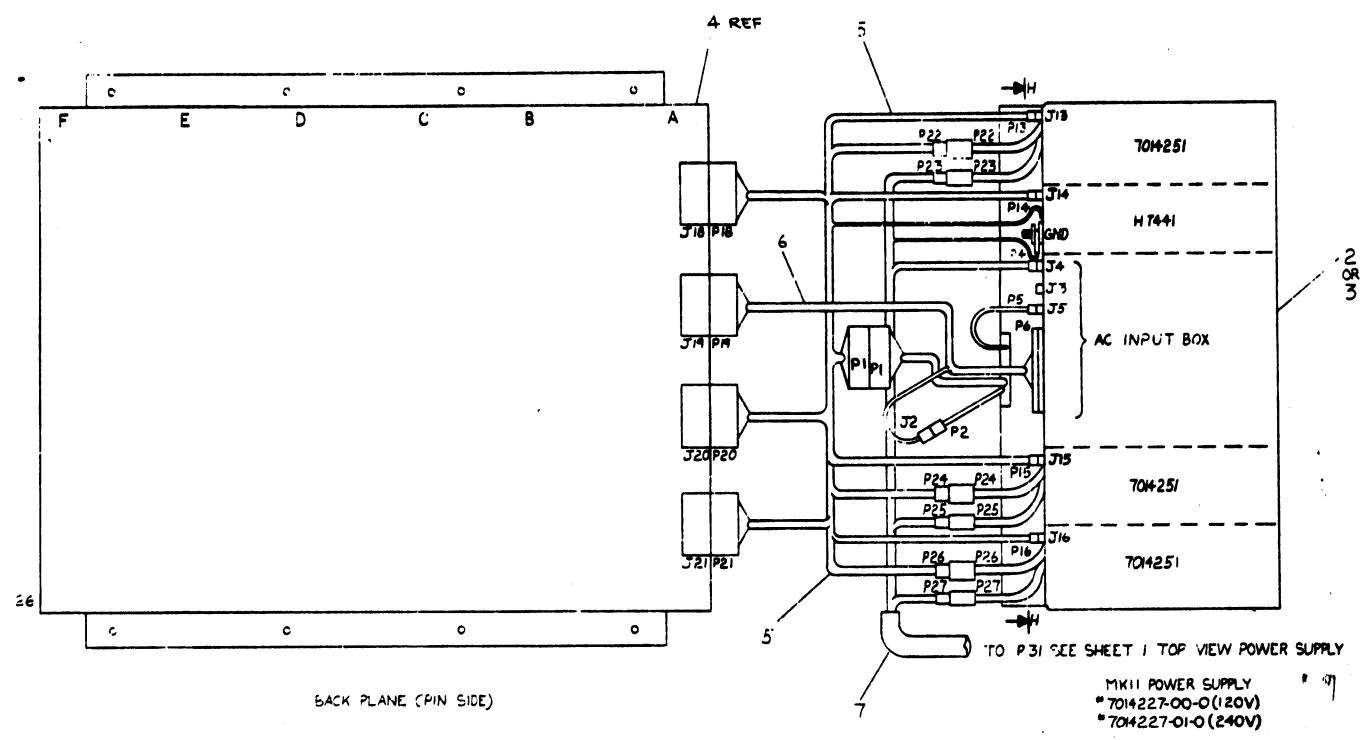
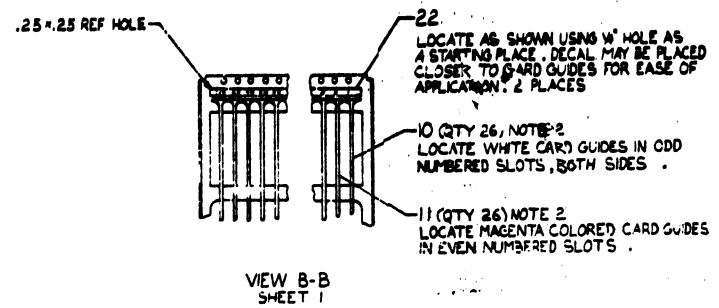
- NOTES:**
- USE EXISTING HARDWARE TO MOUNT ITEM #13.
 - INSTALL CARD GUIDES ITEM #10+11 USING TOOL NO 94-1260-2.
 - LOCATE ITEM #19 APPROXIMATELY AS SHOWN.
 - INSTALL ITEM #7+23 BEFORE CHASSIS AND POWER SUPPLY SECTIONS ARE SCREWED TOGETHER WITH ITEM #15.
 - ITEMS #27, 29 (21) ARE USED FOR HOLDING SLIDES TO BOX (FOR SHIPPING ONLY). DISCARD AT UNIT ASSEMBLY. D-UA-MKII-0-0

OFF SHEET PARTS LIST EXISTS SEE A-PL-7014614-0-0

QUANTITY & VARIATION	DESCRIPTION	QTY	UNIT	ITEM NO.
1	MEMORY BOX ASSY			MKII
1	POWER SUPPLY			

DATE: 11-19-77	DESIGNED BY: [Signature]	PROJ. NO.:	REV. NO.:
CHKD BY: [Signature]	PROJ. ENG.:	DATE:	BY:
PROJ. MGR.:	PROJ. Q.C.:	DATE:	BY:
DO NOT SCALE DIMS	NEXT NUMBER ASSY:		
MATERIAL: SEE PARTS LIST	SCALE: NONE	SHEET: 1 OF 2	REV.:

WIRE TABLE			
FROM	TO	REMARKS	
ITEM NO	CONN	ITEM NO	CONN
5	P1	2 OR 3	PS-P1
	P13		PS-J13
	P14		PS-J14
	P15		PS-J15
	P16		PS-J16
	P22		PS-P22
	P24		PS-P24
	P26	2 OR 3	PS-P26
	P18	4	BP-J18
	P20	4	BP-J20
5	P21	4	BP-J21
6	P19	4	BP-J19
6	P6	2 OR 3	J6
6	J2		PS-P2
7	P23		PS-P23
7	P25		PS-P25
7	P27		PS-P27
5	GND LUG		PS-GND
7	GND LUG		PS-GND
7	P31	2 OR 3	TOP-PS



DIGITAL EQUIPMENT CORPORATION PARTS LIST

MADE BY <i>Pedro Ortiz</i>	CHECKED <i>D. Walsh</i>	SECTION 1	QUANTITY / VARIATION				NOTES:
DATE <i>6/24/77</i>	DATE <i>9 SEP 77</i>						
ENG <i>W. H. Angell</i>	PROD <i>Ra Hill</i>	ISSUED SECTION 1					
DATE <i>27 SEP 77</i>	DATE <i>27 SEP 77</i>						

ITEM NO.	DRAWING NO.	PART NO.	DESCRIPTION	7014614-00	7014614-01											REF DESIGNATION		
1	E-IA-7009769-0-0		CHASSIS 10.5"	1	1													
2	E-AD-7014227-0-0		POWER SUPPLY, MK11 120V	1	1													
3	E-AD-7014227-1-0		POWER SUPPLY, MK11 240V	1	1													
4	E-AD-7014226-0-0		BACK PLANE, (MK11 MEMORY)	1	1													
5	D-IA-7014228-0-0		HARNESS, POWER MK11	1	1													
6	D-IA-7010581-0-0		HARNESS, AC/DC LO	1	1													
7	D-IA-7014312-0-0		HARNESS, BOX CONTROLLER, INTERNAL	1	1													
8	D-PS-1211825-1-0		SLIDE, 3 POSITION, TILT	LPR	LPR													
9																		
10	D-PS-1212405-0-0		CARD GUIDE, SINGLE, WHITE	26	26													
11	D-PS-1212405-1		CARD GUIDE, SINGLE, MAGENTA	26	26													
12	D-IA-7009768-0-0		COVER, CHASSIS	2	2													
13		9007086-00	CLAMP, CABLE	1	1													
14		9006022-03	SCR, PHL TRUSS HD #6-32 X .38	12	12													
15		9006073-02	SCR, PHL FLAT HD #10-32 X .50	6	6													
16		9006071-03	SCR, PHL TRUSS HD #10-32 X .38	10	10													
17		9006633-00	WASHER INT. TOOTH LOCK #6	8	8													
18		9007651-00	WASHER EXT. TOOTH LOCK #10	12	12													
19		3614422-00	MK11 MEMORY STICKER	1	1													
20		3612493-00	DECAL, WARNING, (DRAWER)	1	1													
21		9009005-00	NUT, HEX #10-32	2	2													
22		3613281-01	DECAL, (SLOT LOCATION)	2	2													

E.C.O. NO.																	
------------	--	--	--	--	--	--	--	--	--	--	--	--	--	--	--	--	--

"THIS DRAWING AND SPECIFICATIONS, HEREIN, ARE THE PROPERTY OF DIGITAL EQUIPMENT CORPORATION AND SHALL NOT BE REPRODUCED OR COPIED OR USED IN WHOLE OR IN PART AS THE BASIS FOR THE MANUFACTURE OR SALE OF ITEMS WITHOUT WRITTEN PERMISSION. COPYRIGHT © 1977 DIGITAL EQUIPMENT CORPORATION"	TITLE MK11 MEMORY BOX ASSY	ASSY NO. E-AD-7014614-0-0	SIZE B	CODE PL	NUMBER 7014614-0-0	REV.
			SHEET 1 OF 2		INSERTION PARTS LIST DATA BASE REV	

DIGITAL EQUIPMENT CORPORATION

PARTS LIST

QUANTITY / VARIATION

NOTES:

MADE BY PEDRO ORTIZ	CHECKED	SECTION
DATE 6/24/77	DATE	1
ENG W.H. Angelo	PROD R a Hill	ISSUED SECTION
DATE 27 SEP 77	DATE 27 SEP 77	1

ITEM NO.	DRAWING NO.	PART NO.	DESCRIPTION
23		9007031-0	CABLE TIE
24	C-MD-7413975-0-0		SPACER, SHIM
25	C-MD-7414018-0-0		PROTECTOR, RIGHT METAL EDGE
26	C-MD-7414016-0-0		PROTECTOR, LEFT METAL EDGE
27		9006074-03	SCR, PHL. TRUSS HD. #10- 32 X .62
28		9009715-00	SCR, PHL. TRUSS HD. #10- 32 X .25 LG. BLK OXIDE
29		9006708-00	WASHER, .38 O.D. X .19 I.D. X .03

7014614-00	7014614-01																		
1	1																		
2	2																		
1	1																		
1	1																		
2	2																		
6	6																		
2	2																		

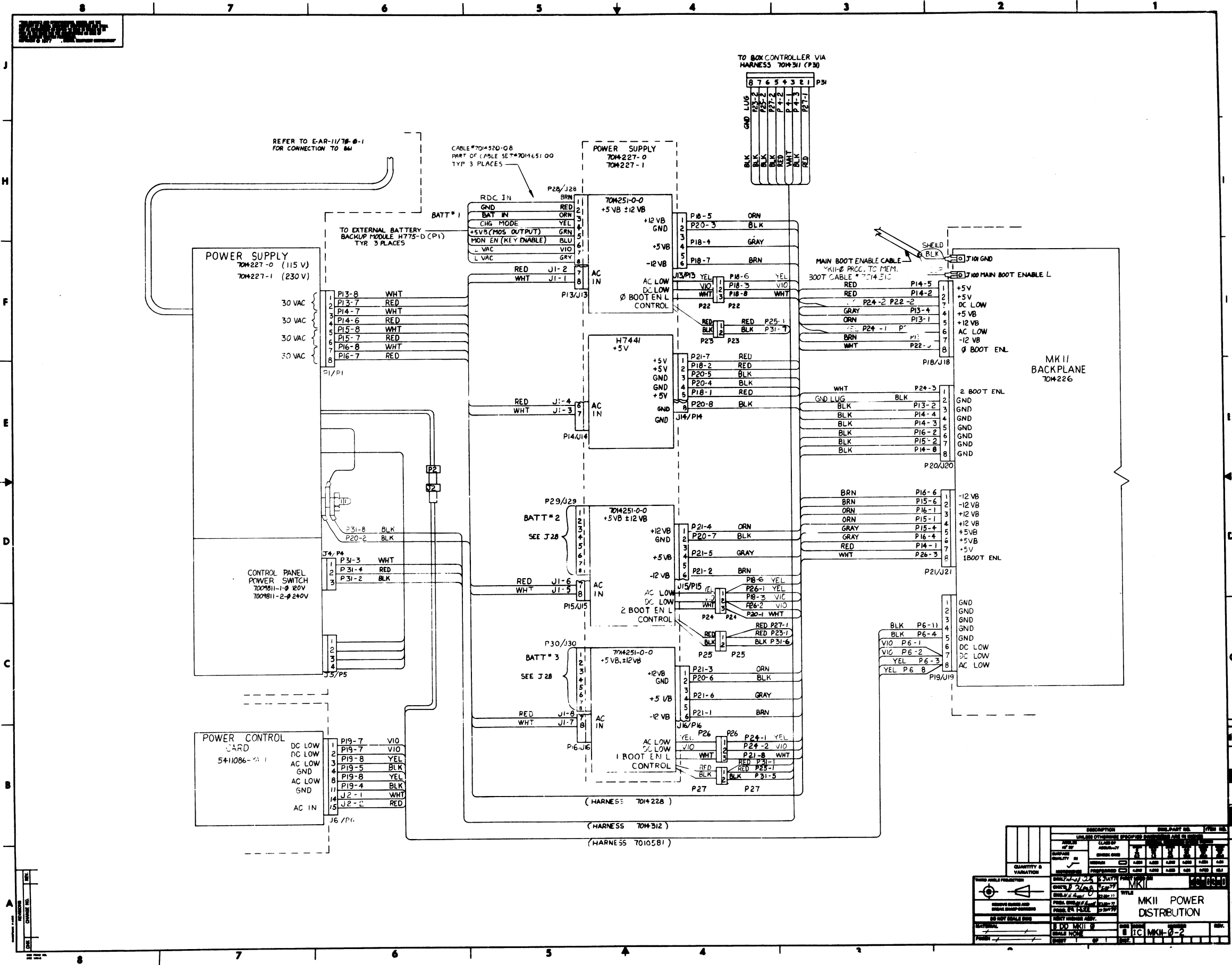
REF DESIGNATION

E.C.O. NO.

THIS DRAWING AND SPECIFICATIONS, HEREIN, ARE THE PROPERTY OF DIGITAL EQUIPMENT CORPORATION AND SHALL NOT BE REPRODUCED OR COPIED OR USED IN WHOLE OR IN PART AS THE BASIS FOR THE MANUFACTURE OR SALE OF ITEMS WITHOUT WRITTEN PERMISSION COPYRIGHT © 1977 DIGITAL EQUIPMENT CORPORATION EN-01140A-16-R276(325) DRB 125	TITLE	ASSY NO.	SIZE	CODE	NUMBER	REV
	MK11 MEMORY BOX ASSY.	E-AD-7014614-0-0	B	PL	7014614-0-0	

SHEET 2 OF 2

INSERTION PARTS LIST DATA BASE REV



REFER TO E-AR-11/76-0-1 FOR CONNECTION TO 861

CABLE 70M4520-08 PART OF CABLE SET 70M1651-00 TYP 3 PLACES

TO EXTERNAL BATTERY BACKUP MODULE H775-D (P1) TYR 3 PLACES

TO BOX CONTROLLER VIA HARNESS 70M31 (P30)

MAIN BOOT ENABLE CABLE *MIL-0 PRGC. TO MEM. BOOT CABLE *70M4510

MKII BACKPLANE 70M226

POWER SUPPLY 70M227-0 (115 V) 70M227-1 (230 V)

POWER SUPPLY 70M227-0 70M227-1

70M251-0-0 +5VB ±12VB

H744I +5V

70M251-0-0 +5VB ±12VB

70M251-0-0 +5VB ±12VB

POWER CONTROL CARD 54-11086-1

(HARNESS 70M228)

(HARNESS 70M312)

(HARNESS 70M581)

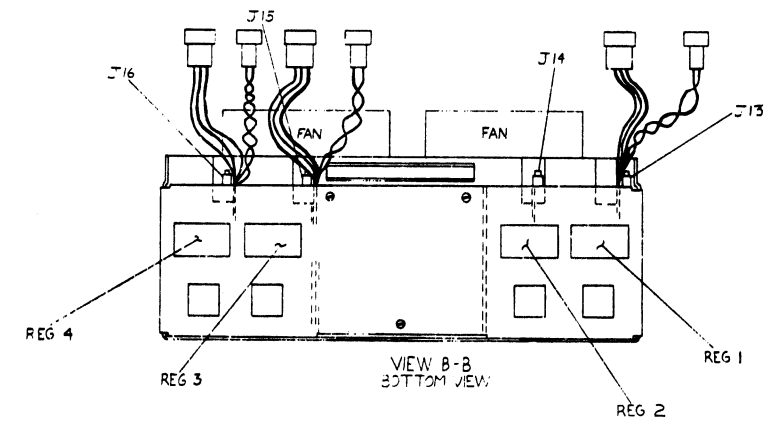
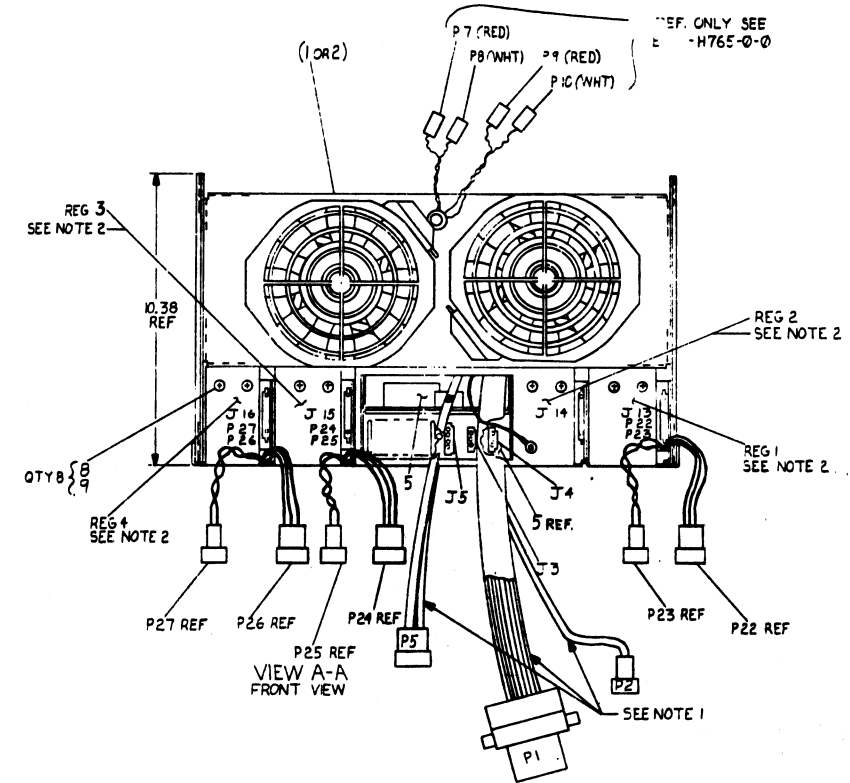
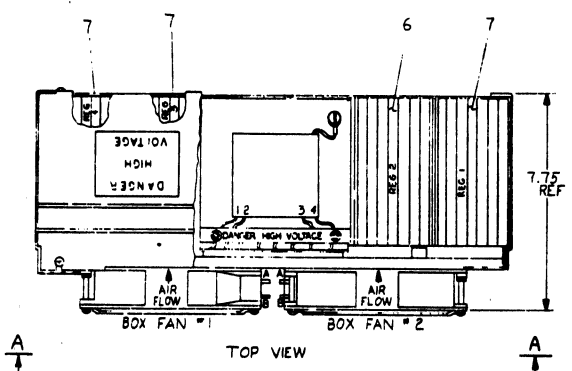
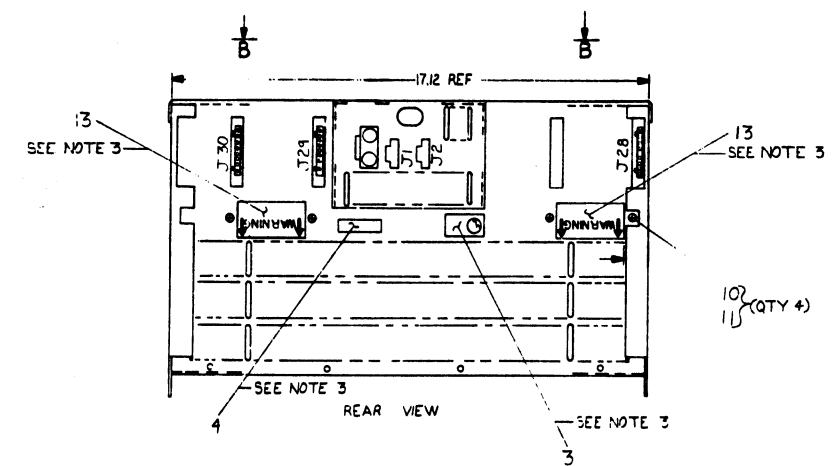
DESCRIPTION	QUANTITY	REVISION
70M227-0	1	1
70M227-1	1	1
70M251-0-0	3	1
54-11086-1	1	1
H744I	1	1
70M226	1	1
70M4520-08	3	1
70M31	1	1
70M581	1	1
70M4510	1	1

MKII POWER DISTRIBUTION
 DATE: 08-08-80
 DRAWN: [Signature]
 CHECKED: [Signature]
 APPROVED: [Signature]

704227-00
704227-01

LEGEND	
NUMBER	VARIATION
704227-00	120V 50/60 HZ
704227-01	240V 50/60 HZ

NOTES:
 1-LEADS FROM TRANSFORMER ASSEMBLY
 2-LABEL CHASSIS ADJACENT TO REGULATOR OR CONNECTORS APPROXIMATELY AS SHOWN USING ITEM #12 #14
 3-LOCATE LABELS (ITEM #3 #4 #13) APPROXIMATELY AS SHOWN.



1	PACKAGING INSTRUCTION	A-88-57094-0-0	15
1	DECAL (P)	A-88-704872-1-0	14
2	DECAL WARNING	344228-00	13
1	DECAL (T)	A-88-704873-1-0	12
4	WASH, INT TOOTH #6	906635	11
4	SCR, PH. HD, TRUSS 90-38-25	708628-5	10
8	WASH, INT TOOTH #10	906635	9
8	SCR, PH. HD, TRUSS 90-38-25	708627-3	8
3	BATTERY BACKUP REGULATOR AD-704851-0-0		7
1	5V REGULATOR	D-14-H7441-0-0	6
1	POWER LINE MONITOR	D-65-541086-1A-1	5
1	DECAL (N/P)	A-88-530945-0-0	4
1	DECAL (J)	A-88-530944-0-0	3
1	POWER SUPPLY CHASSIS 240VAC	UA-N768-R-0	2
1	POWER SUPPLY CHASSIS 120VAC	UA-N768-P-0	1

704227-00
704227-01

QUANTITY & VARIATION

QTY	DESCRIPTION	QTY	DESCRIPTION	QTY	DESCRIPTION	QTY	DESCRIPTION	QTY	DESCRIPTION
1	POWER SUPPLY, MKII	1	...	1	...	1	...	1	...

DATE: 5-17-71
 DRAWN BY: J. G. HALL
 CHECKED BY: J. G. HALL
 PROJ. ENG. BY: J. G. HALL
 PROJ. Q.C. BY: J. G. HALL

SEE PARTS LIST

POWER SUPPLY, MKII

AD-704227-0-0

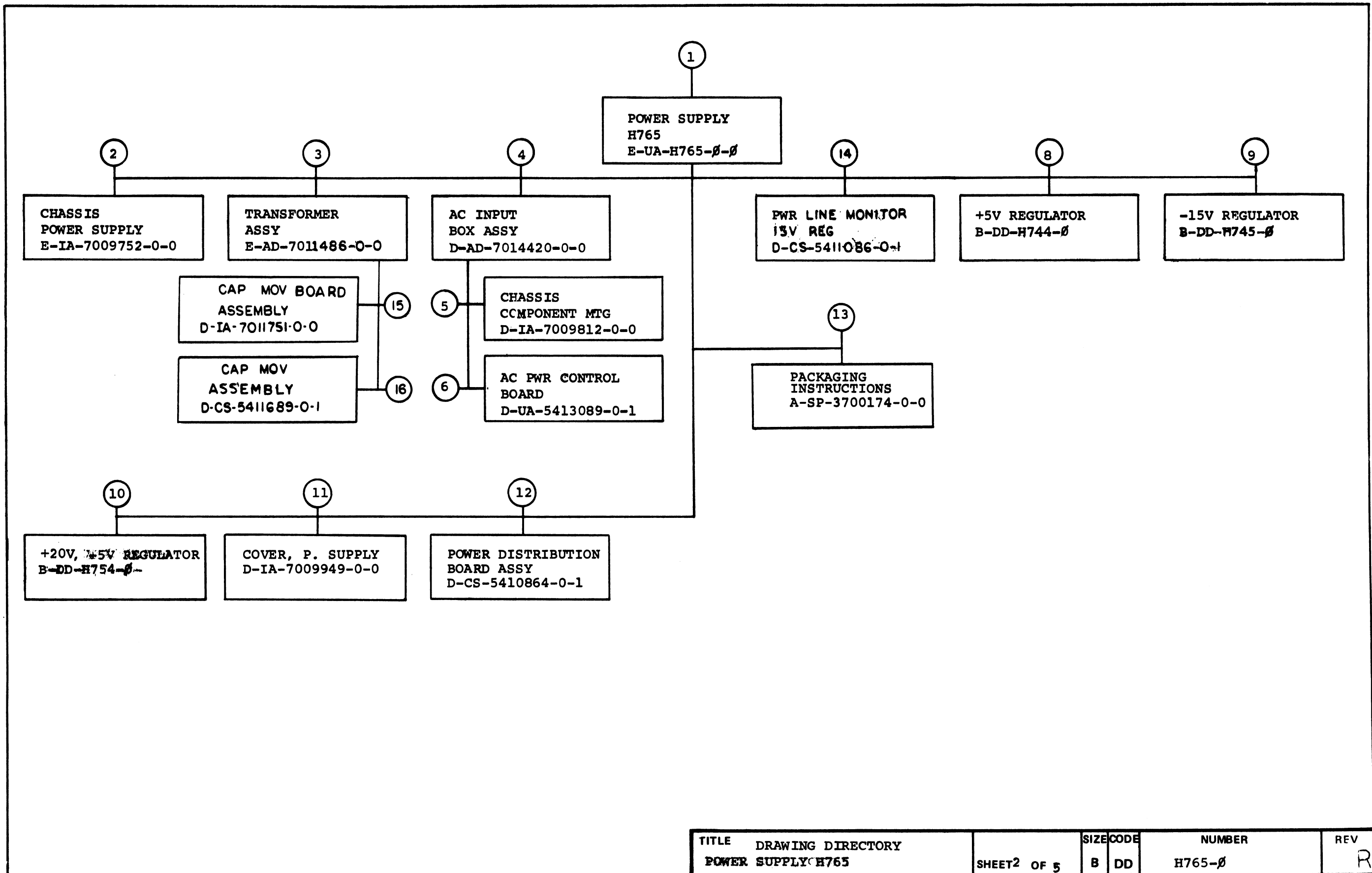
CUSTOMER PRINT SET INDEX

THIS IS PRINT SET

	SEQUENCE		SEQUENCE
DRAWING DIRECTORY H765	B-DD-H765-Ø	MFG. PRINT SET	A-SP-3700174-0-0
UNIT ASSY H765	E-UA-H765-Ø-Ø	PACKAGING INSTRUCTIONS	
AC INPUT BOX ASSY	D-AD-7014420-Ø-Ø		
AC PWR CONTROL BOARD	D-UA-5413089-Ø-1		
DRAWING DIRECTORY H744	B-DD-H744-Ø		
DRAWING DIRECTORY H745	B-DD-H745-Ø		
DRAWING DIRECTORY H754	B-DD-H754-Ø		
PWR DISTRIBUTION BOARD	D-CS-5410864-0-1		
AC POWER CORD	D-AD-7012500-0-0		
PWR LINE MONITOR/15V REG	D-CS-5411086-0-1		
TRANSFORMER ASSEMBLY	E-AD-7011486-0-0		

UNIT VARIATIONS		PRINT SET	
VAR	TITLE		
H765-A	120V 50/60 HZ	X	
H765-B	240V 50/60 HZ	X	
H765-C	120V 50/60 HZ NO H754 NO B.B.	X	
H765-D	240V 50/60 HZ NO H754 NO B.B.	X	
H765-P	120V 50/60 HZ NO REG	X	
H765-R	240V 50/60 HZ NO REG	X	

DEC 16 (1325) 1063-1A-8972	REVISIONS		USED ON OPTION/MODEL				DRN.		DATE		TITLE					
	DATE	CHG. NO.	REV								DRAWING DIRECTORY					
	CN	H765-3	A	11/35-S	BALL-X		J. FERGUSON	6/25/74	POWER SUPPLY H765							
	CN	H765-4	B				CHK'D.									
	SL	H765-6	C				D. HEALY	7/3/74								
	SL	H765-7	D				PROJ ENG.									
	RK	H765-8	E				<i>E. Boston</i>	8/4/74								
	RPB	H765-9	F				PROD.									
	RIP	H765-10	H				<i>R.V. Peter</i>	10/1/74	SIZE	CODE	NUMBER		REV			
	RIP	H765-11	J				FIELD SERV.		B	DD	H765-Ø		R			
	RIP	H765-12	K						DIST							
	RIP	H765-13	L													
	RIP	H765-14	M													
	RIP	H765-15	N													
	RIP	H765-16	P													
	RIP	H765-17	R													
					SHEET 1 OF 5				R.L.G. +s 9/13/74							



TITLE	DRAWING DIRECTORY	SIZE	CODE	NUMBER	REV
POWER SUPPLY H765	SHEET 2 OF 5	B	DD	H765-Ø	R

CUSTOMER PRINT SET		ELECTRICAL					CUSTOMER PRINT SET		ELECTRICAL									
1	MFG. SET	FIND NO.	DRAWING NO.	REV	NO OF SHT	DESCRIPTION	OPTION NO./FILE DATE	1	MFG. SET	FIND NO.	DRAWING NO.	REV	NO OF SHT	DESCRIPTION	OPTION NO./FILE DATE			
X		1	E-UA-H765-0-0 A-SP-H765-0-9	T	2	POWER SUPPLY H765 H765 POWER SUPPLY ASSEMBLY PROCEDURE		X		12	D-CS-5410864-0-1 D-IA-5010863-0-0 A-SP-5410864-0-8 A-SP-5410864-0-9	#	3 1	POWER DIST. BD. ASSY ETCHED CIRCUIT BOARD TEST PROCEDURE ASSEMBLY PROCEDURE				
X		3	E-AD-7011486-0-0 A-SP-7010014-0-8 A-CS-7010014-TA-1 A-UA-7010014-TA-0 A-PL-7010014-TA-0 A-SP-7011486-0-9	# A A A A		TRANSFORMER ASSY TEST PROCEDURE TESTER C.S. TESTER U.A. TESTER P.L. TRANSFORMER ASSY PROCEDURE		X		14	D-CS-5411086-0-1 A-SP-11/45-TA-2 A-SP-5411086-0-3 D-IA-7010138-0-0	#	4	PWR LINE MONITOR/15V REG TEST PROCEDURE ENGINEERING SPECIFICATION HARNESS INTERCONNECTION				
X		4	D-AD-7014420-0-0 A-SP-7009811-0-8 A-CS-7009811-TA-1 A-UA-7009811-TA-0 A-PL-7009811-TA-0 A-SP-7009811-0-9	#	2	AC INPUT BOX ASSY TEST PROCEDURE TESTER C.S. TESTER U. A. TESTER P.L. AC INPUT BOX ASSY PROCEDURE				15	D-IA-7011751-0-0			CAP MOV BOARD ASSY				
X		6	D-UA-5413089-0-0			PILOT CONTROL BOARD				16	D-CS-5411689-0-1			CAP MOV ASSY				
C		8	B-DD-H744-0	#	2	DRAWING DIRECTORY H744												
C		9	B-DD-H745-0	#	2	DRAWING DIRECTORY H745												
C		10	B-DD-H754-0	#	3	DRAWING DIRECTORY H754												
CUSTOMER PRINT SET CODES		X = PRINT OF DOCUMENT INCLUDED IN PRINT SET C = INCLUDES ALL PRINTS INDICATED ON DOCUMENT S = CONFIDENTIAL AUTHORIZED SIGNATURE REQUIRED					TITLE		DRAWING DIRECTORY POWER SUPPLY H765		SHEET 3 OF 5		SIZE CODE B DD		NUMBER H765-0		REV R	

CUSTOMER PRINT SET		MECHANICAL					CUSTOMER PRINT SET		MECHANICAL							
1	MFG. SET	FIND NO.	REV	NO OF SHT	DESCRIPTION	OPTION NO./FILE DATE	1	MFG. SET	FIND NO.	REV	NO OF SHT	DESCRIPTION	OPTION NO./FILE DATE			
		1	E-UA-H765- β - β	R	0	POWER SUPPLY H765			6	D-UA-5413089-0-0			PILOT CONTROL BOARD			
			D-IA-7009950-0-0		1	THROUGH WIRE										
		2	E-IA-7009752-0-0		1	CHASSIS, POWER SUPPLY										
			E-IA-7411682-0-0		1	CHASSIS, POWER SUPPLY										
			D-MD-7411685-0-0		1	SIDE, POWER SUPPLY										
			D-MD-7411684-0-0		1	HOUSING COMP. CHASSIS										
									8	B-DD-H744- β	2	DRAWING DIRECTORY H744				
		3	E-AD-7011486-0-0		2	TRANSFORMER ASSY										
			C-MD-7414301-0-0		1	COVER										
									9	B-DD-H745- β	2	DRAWING DIRECTORY H745				
		4	D-AD-7014420-0-0		2	AC INPUT BOX ASSY										
			A-DC-7412303-0-1		1	DECAL 115V										
X			D-AD-7012500-0-0		1	POWER CORD			10	B-DD-H754- β	3	DRAWING DIRECTORY H754				
			A-DC-7412380-0-1		1	DECAL 230V										
									11	D-IA-7009949-0-0	1	COVER, POWER SUPPLY				
										C-MD-7412473-0-0	1	STRIP, CLAMP				
		5	D-IA-7009812-0-0	A	1	CHASSIS COMPONENT MTG.										
			D-IA-7411765-0-0		1	PLATE SWITCH										
			D-IA-7411766-0-0	B	1	PLATE COMPONENT MTG.										
CUSTOMER PRINT SET CODES		X = PRINT OF DOCUMENT INCLUDED IN PRINT SET					TITLE		DRAWING DIRECTORY		SIZE CODE		NUMBER		P.V.	
		C = INCLUDES ALL PRINTS INDICATED ON DOCUMENT					DRAWING DIRECTORY		B DD		H765- β		R			
		S = CONFIDENTIAL AUTHORIZED SIGNATURE REQUIRED					POWER SUPPLY H765		SHEET 4 OF 5							

CUSTOMER PRINT SET		MECHANICAL					CUSTOMER PRINT SET								
1	MFG. SET	FIND NO.	DRAWING NO.	REV	NO OF SHT	DESCRIPTION	OPTION NO./FILE DATE		MFG. SET	FIND NO.	DRAWING NO.	REV	NO OF SHT	DESCRIPTION	OPTION NO./FILE DATE
		12	D-CS-5410864-0-1		3	POWER DIST. BD. ASSY									
			C-MD-7412192-0-0		1	SHIELD									
			D-MD-7411704-0-0		1	BRACKET, CONN. MTG.									
			C-IA-9305937-0-0			MATE-N-LOK FIXTURES									
			D-IA-5010863-0-0		1	ETCHED CIRCUIT BD.									
			K-CO-5410864-0-4			X-Y COORDINATE HOLE LOC.									
			D-AH-5410864-0-5		1	ASSY DRILLING HOLE LAYOUT									
			B-MH-5410864-0-6		1	MODULE ECO HISTORY									
			5010863		REP	ETCH CIRCUIT BOARD									
	K	13	A-SP-3700174-0-0	-	2	PACKAGING INSTRUCTIONS									
			A-PS-9905664-0-0	-	2	REGULAR SLOTTED CARTON									
			A-PS-9905665-0-0	-	2	LAMINATED BUILDUP									
		14	D-AH-5411086-0-5		1	ASSY DRILLING HOLE LAYOUT									
			B-MH-5411086-0-6		1	MODULE ECO HISTORY									
		15	D-AD-7011486-0-0		1	ASSEMBLY DRAWING									
		16	D-AH-5411689-0-5		1	ASSY DRILLING HOLE LAYOUT									
			D-MH-5411689-0-6		1	MODULE ECO HISTORY									

CUSTOMER PRINT SET CODES
X = PRINT OF DOCUMENT INCLUDED IN PRINT SET
C = INCLUDES ALL PRINTS INDICATED ON DOCUMENT
S = CONFIDENTIAL AUTHORIZED SIGNATURE REQUIRED

TITLE
DRAWING DIRECTORY
POWER SUPPLY H765

SHEET 5 OF 5
SIZE CODE
B DD

NUMBER
H765-Ø

REV
R

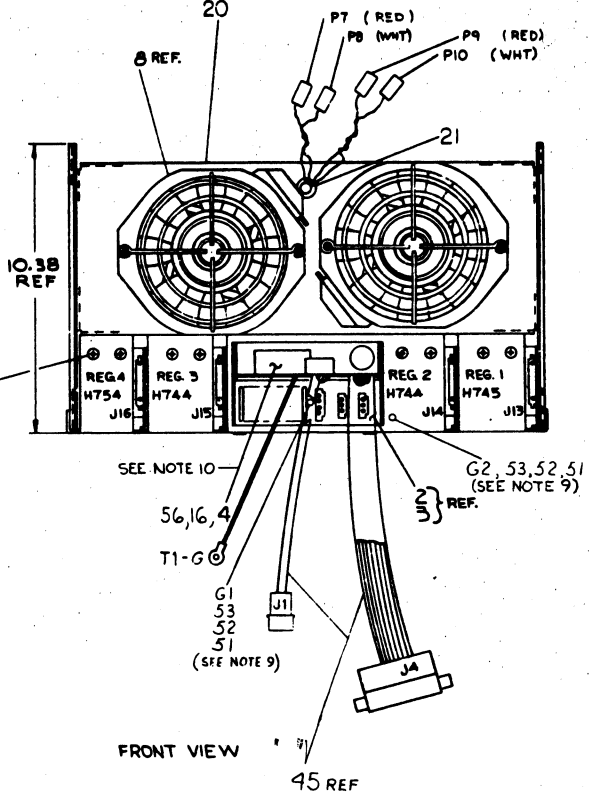
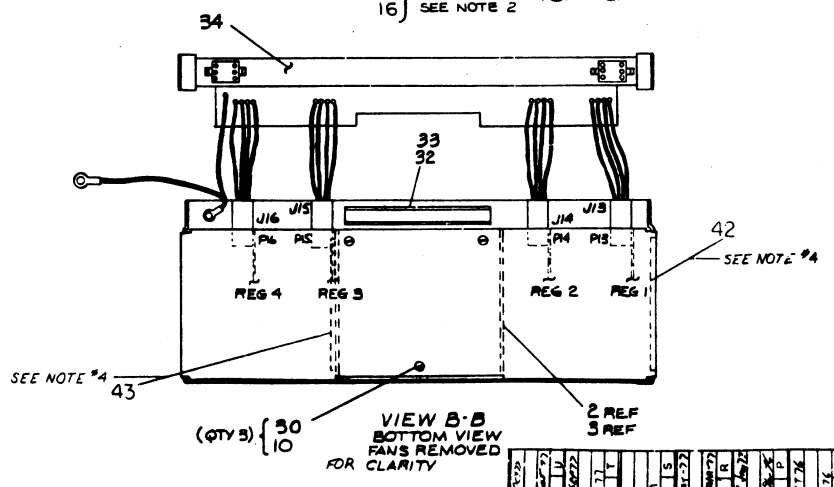
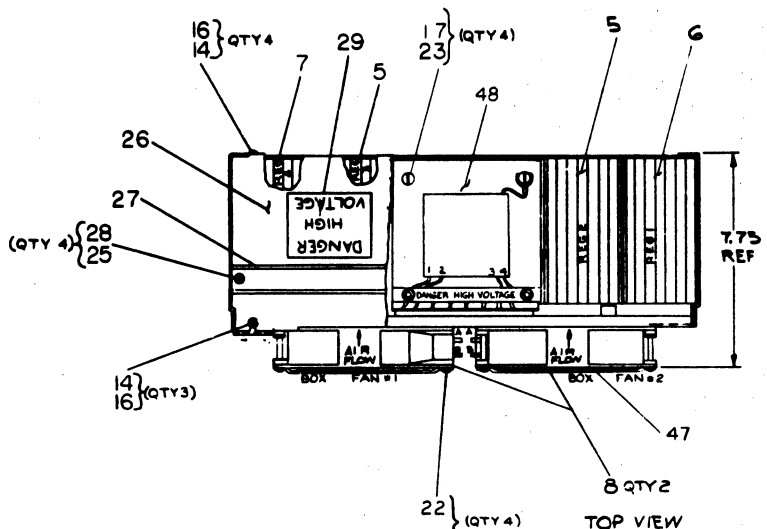
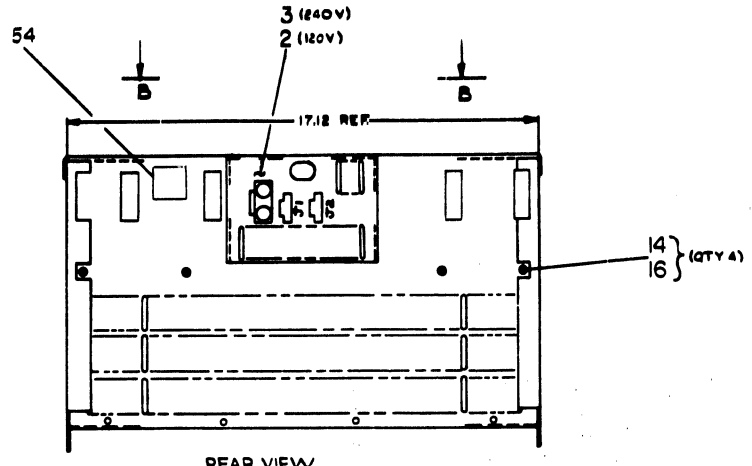
NUMBER	VARIATION
H765-A	20V 50/60 HZ
H765-B	240V 50/60 HZ
H765-C	120V 50/60 HZ NO HT84
H765-D	240V 50/60 HZ NO HT84
H765-P	120V 50/60 HZ NO HT84
H765-R	240V 50/60 HZ NO HT84

- NOTES**
1. TRANSFORMER ASSEMBLY TO BE USED TO MOUNT SCREWS (ITEM 4) IN AC INPUT BOX (ITEM 2 OR 3) IN A, B, C, D VERSION. IN PER VERSION, INSTALL SCREWS & WASHER IN MOUNTING HOLES. THEY WILL BE USED ON A HIGHER ASSEMBLY.
 2. TIGHTEN FAN SCREWS TO 10 IN-LBS WITH A TORQUE SCREW DRIVER.
 4. INSTALL A, B, S VINYL VIEW B-B ITEM #42 AND #43, CENTER 1/4 INCH FROM BOTTOM AND SIDES ON INSIDE WALL.
 8. ITEM 7 - H754 IS NOT USED IN VARIATIONS C & D.
 9. ITEM 53 IS TO BE USED TO PREVENT CORROSION OF CHASSIS AT GROUND STUD.

LEGEND

NOTES CONT.

10. ITEM 16 (SCREWS & WASHER) TO BE USED TO MOUNT 541086 (ITEM 4) IN AC INPUT BOX (ITEM 2 OR 3) IN A, B, C, D VERSION. IN PER VERSION, INSTALL SCREWS & WASHER IN MOUNTING HOLES. THEY WILL BE USED ON A HIGHER ASSEMBLY.



QTY	DESCRIPTION	PART NO.	REV.
4	SCR PH HD 4.32X.74	9006020-1	56
1	CABLE GND	7013825-02	55
1	DECAL	ADC-741826-0-0	54
A/R	GREASE CONDUCTOR	490173-01	53
2	WASHER LOC 1X1 T007H-32	9008012	52
2	NUT, REF #8-32	9005543	51
1	TRANSFORMER ASSEMBLY	AD-701408-0-0	48
2	FAN GUARD	1212361	47
1	HARNESS INTERCONN.	DIA-70038-0-0	45
1	A.B.S VINYL 4.75 X 3.5	1210984-03	43
1	A.B.S VINYL 4.75 X 6	1210984-04	42
REF	TEST PROCEDURE	A-SP-H765-0-1	40
REF	TESTER C.S.	A-CS-H765-7A-1	39
REF	TESTER U.A.	E-UA-H765-7A-1	38
REF	TESTER P.L.	A-PL-H765-7A-0	37
REF	H765 POWER SUPPLY ASSEMBLY PROCEDURE	A-SP-H765-C-9	36
REF	PACKAGING INSTRUCTIONS	A-SP-81007A-00	35
1	PWA DISTRIBUTION	B-D-3428A-0-1	34
A/R	PERMA BOND	9009157	33
A/R	GROMMET STRIP	9009291	32
4	TIE WRAP V&W	9007880	31
3	WASHER C.S. # 6	9008270	30
1	STICKER DANGER HIGH VOLTAGE	3610267	29
4	WASH INT TOOTHLOCK #8	9006634	28
1	TROUBLE WIRE	D-1A7009A-0-0	27
1	COVER, POWER SUPPLY	D-1A7009A-0-0	26
4	SCR PH HD TRUSS 6-32X.44	9006040-3	25
4	SCR PH HD TRUSS 10-32X.50	9006073-3	23
4	SCR PH HD TRUSS 6-32X.25	9006031-3	22
1	GROMMET .50 I.D.	9007016	21
1	CHASSIS, POWER SUPPLY	E-1A-7004782-0-0	20
1	CABLE	9006020-1	19
10	WASH INT TOOTH #10	9006635	17
11	WASH INT TOOTH #6	9006633	16
6	SCR PH HD TRUSS 10-32X.25	9006027-3	15
7	SCR PH HD TRUSS 6-32X.25	9006020-3	14
3	ACR, PH, PL, HD, 6-32X.3	9008404-2	10
2	FAN, 115 V AC 50/60 HZ	1211714	8
1	+20V REGULATOR (H784)	B-DD-H754-B	7
1	-15V REGULATOR (H749)	B-DD-H749-B	6
2	+5V REGULATOR (H744)	B-DD-H744-B	5
1	PWR. BD. (+15V REG.)	EIA-6411086	4
1	AC INPUT BOX ASSY 115V	D-AD-701420-2-0	3
1	AC INPUT BOX ASSY 115V	D-AD-701420-1-0	2

REV.	DATE	DESCRIPTION
1	10/1/75	ISSUED FOR PRODUCTION
2	10/1/75	REVISION
3	10/1/75	REVISION
4	10/1/75	REVISION
5	10/1/75	REVISION
6	10/1/75	REVISION
7	10/1/75	REVISION
8	10/1/75	REVISION
9	10/1/75	REVISION
10	10/1/75	REVISION
11	10/1/75	REVISION
12	10/1/75	REVISION
13	10/1/75	REVISION
14	10/1/75	REVISION
15	10/1/75	REVISION
16	10/1/75	REVISION
17	10/1/75	REVISION
18	10/1/75	REVISION
19	10/1/75	REVISION
20	10/1/75	REVISION
21	10/1/75	REVISION
22	10/1/75	REVISION
23	10/1/75	REVISION
24	10/1/75	REVISION
25	10/1/75	REVISION
26	10/1/75	REVISION
27	10/1/75	REVISION
28	10/1/75	REVISION
29	10/1/75	REVISION
30	10/1/75	REVISION
31	10/1/75	REVISION
32	10/1/75	REVISION
33	10/1/75	REVISION
34	10/1/75	REVISION
35	10/1/75	REVISION
36	10/1/75	REVISION
37	10/1/75	REVISION
38	10/1/75	REVISION
39	10/1/75	REVISION
40	10/1/75	REVISION
41	10/1/75	REVISION
42	10/1/75	REVISION
43	10/1/75	REVISION
44	10/1/75	REVISION
45	10/1/75	REVISION
46	10/1/75	REVISION
47	10/1/75	REVISION
48	10/1/75	REVISION
49	10/1/75	REVISION
50	10/1/75	REVISION
51	10/1/75	REVISION
52	10/1/75	REVISION
53	10/1/75	REVISION
54	10/1/75	REVISION
55	10/1/75	REVISION
56	10/1/75	REVISION
57	10/1/75	REVISION
58	10/1/75	REVISION
59	10/1/75	REVISION
60	10/1/75	REVISION
61	10/1/75	REVISION
62	10/1/75	REVISION
63	10/1/75	REVISION
64	10/1/75	REVISION
65	10/1/75	REVISION
66	10/1/75	REVISION
67	10/1/75	REVISION
68	10/1/75	REVISION
69	10/1/75	REVISION
70	10/1/75	REVISION
71	10/1/75	REVISION
72	10/1/75	REVISION
73	10/1/75	REVISION
74	10/1/75	REVISION
75	10/1/75	REVISION
76	10/1/75	REVISION
77	10/1/75	REVISION
78	10/1/75	REVISION
79	10/1/75	REVISION
80	10/1/75	REVISION
81	10/1/75	REVISION
82	10/1/75	REVISION
83	10/1/75	REVISION
84	10/1/75	REVISION
85	10/1/75	REVISION
86	10/1/75	REVISION
87	10/1/75	REVISION
88	10/1/75	REVISION
89	10/1/75	REVISION
90	10/1/75	REVISION
91	10/1/75	REVISION
92	10/1/75	REVISION
93	10/1/75	REVISION
94	10/1/75	REVISION
95	10/1/75	REVISION
96	10/1/75	REVISION
97	10/1/75	REVISION
98	10/1/75	REVISION
99	10/1/75	REVISION
100	10/1/75	REVISION

POWER SUPPLY, H765

REV. 0

DATE: 10/1/75

SCALE: NONE

SHEET: 1 OF 2

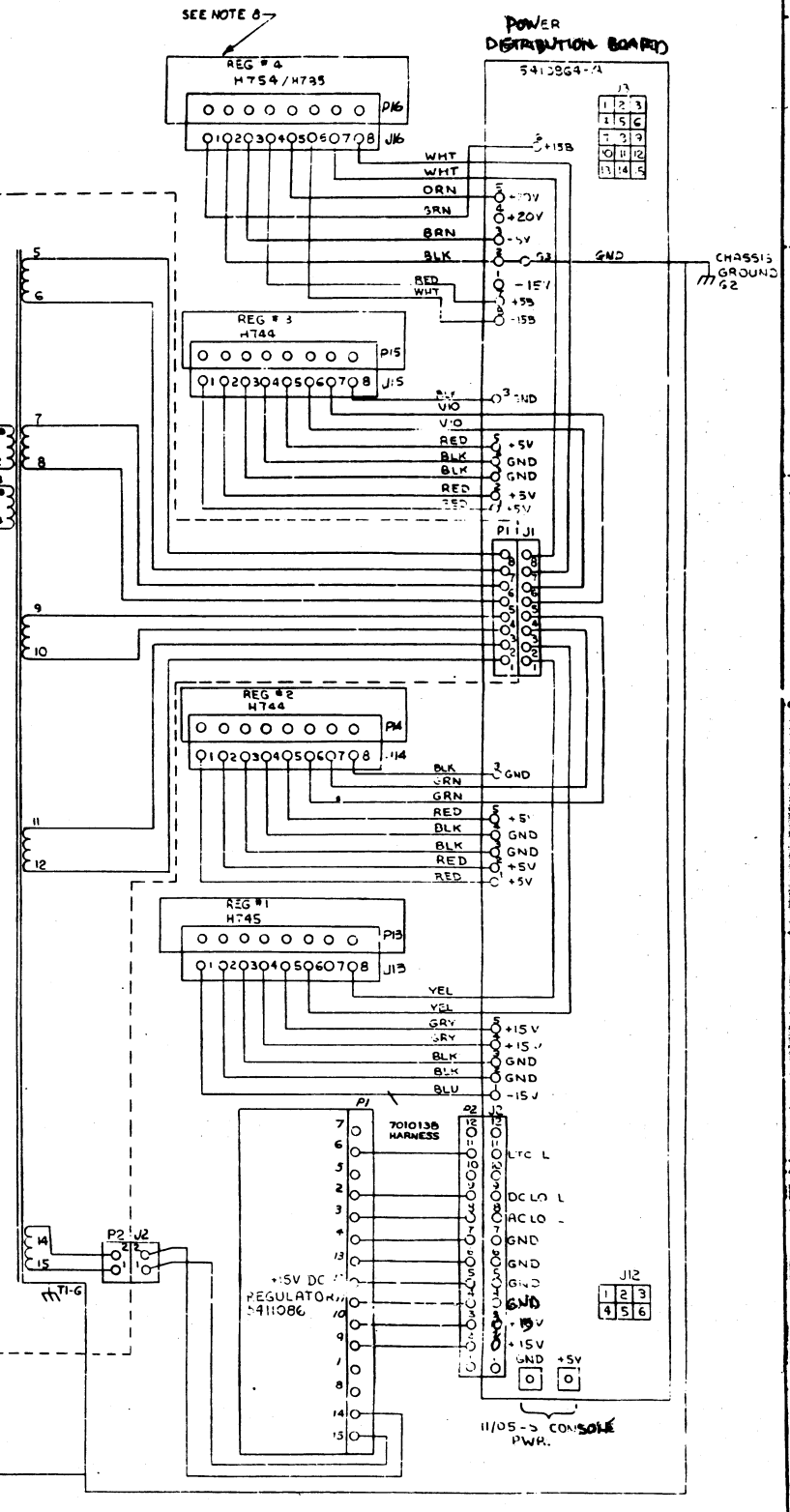
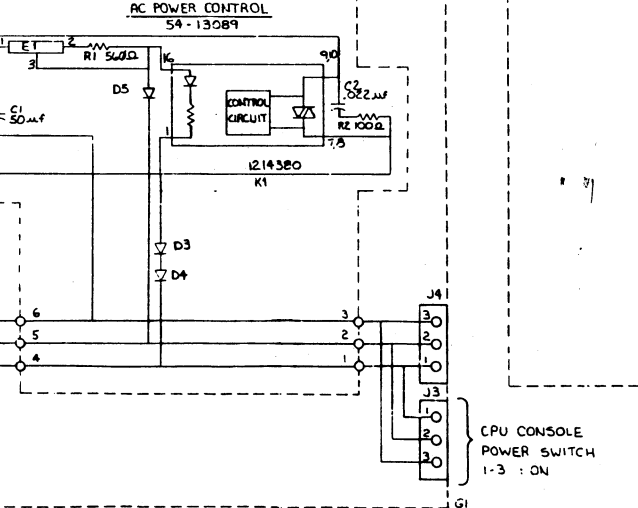
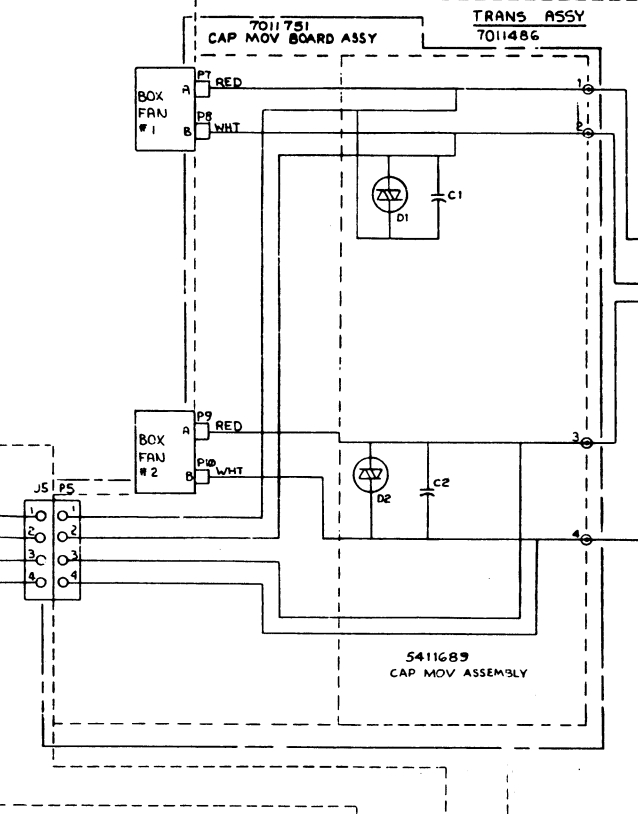
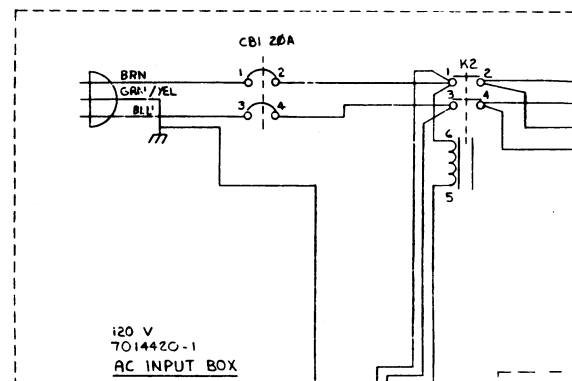
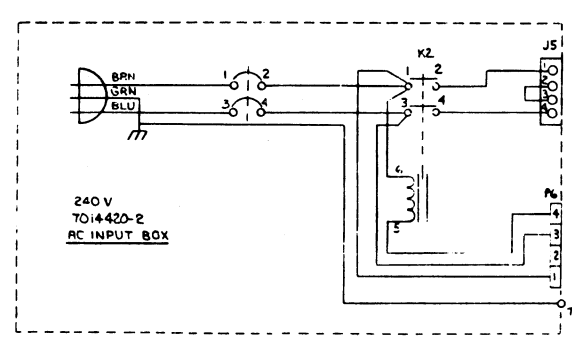
BY: EJA

CHECKED: [Signature]

APPROVED: [Signature]

THIS DRAWING IS UNCLASSIFIED, AND IS THE PROPERTY OF THE GOVERNMENT OF THE UNITED STATES OF AMERICA, AND IS TO BE REPRODUCED AND TRANSMITTED IN ANY FORM AND BY ANY MEANS, WITHOUT PERMISSION, UNLESS INDICATED OTHERWISE IN WRITING.

CONNECTION TABLE			CONNECTION TABLE		
FROM CONNECTION	TO CONNECTION	SIGNALS	FROM CONNECTION	TO CONNECTION	SIGNALS
P2 FROM TRANS. ASSY	J2 FROM +15V REG.	28 VAC	P4 FROM +15V REG.	J2 LOCATED ON PWR DIST BD	-15V, LTC L, AC LO L, DC LO L, GND
J16 FROM PWR. DIST. BD.	P16 LOCATED ON REG. #1 (H754)	GND, -5V, +20V, 28 VAC			
J15 FROM PWR. DIST. BD.	P15 LOCATED ON REG. #3 (H744)	GND, +5V, 28VAC			
J14 FROM PWR. DIST. BD.	P14 LOCATED ON REG. #2 (H744)	GND, +15V, 28VAC	P5 FROM TRANS. ASSY	J5 LOCATED ON AC INPUT BOX	120/240 VAC
J13 FROM PWR. DIST. BD.	P13 LOCATED ON REG. #1 (H745)	GND, +15V, -15V, 28 VAC	P7 (RED)	FAN #1 - A	120 VAC - HOT
GND LUG LOCATED ON PWR. DIST. BD. G3	G1 YEL LUG	SAFETY GROUND	P8 (WHT)	FAN #1 - B	120 VAC - NEUTRAL
P1 FROM TRANS. ASSY	J1 LOCATED ON PWR. DIST. BD.	28 VAC	P9 (RED)	FAN #2 - A	120 VAC - HOT
			P10 (WHT)	FAN #2 - B	120 VAC - NEUTRAL
			T1 - G	G1	SAFETY GROUND
			G1	G2	ITEM 55



COMMON SIGNAL NAMES FOR 6 PIN AND 15-PIN MATE-N-LOKS ON POWER DISTRIBUTION BOARD

6-PIN	15-PIN
1 - GND	1 - +5V
2 - LTC L	2 - +15V
3 - DC LO L	3 - +20V
4 - AC LO L	4 - +5V
5 - SPARE 4	5 - GND
6 - SPARE 5	6 - SPARE 1
	7 - GND
	8 - GND
	9 - GND
	10 - SPARE 2
	11 - GND
	12 - SPARE 3
	13 - -15V
	14 - -5V
	15 - SPARE 3

REMOTE POWER CONTROL
1-3 : ON
2-3 : OFF

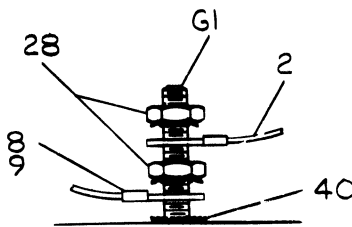
CPU CONSOLE POWER SWITCH
1-3 : ON

THE DRAWING AND SPECIFICATIONS HEREIN ARE THE PROPERTY OF DIGITAL EQUIPMENT CORPORATION AND SHALL NOT BE REPRODUCED OR COPIED OR USED IN WHOLE OR IN PART AS THE BASIS FOR THE MANUFACTURE OR SALE OF ITEMS WITHOUT WRITTEN PERMISSION. COPYRIGHT © 1974, DIGITAL EQUIPMENT CORPORATION.

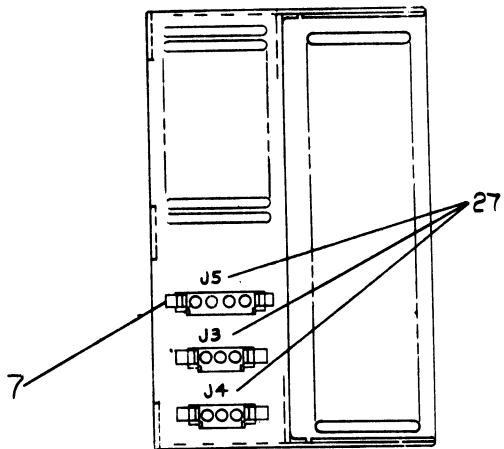
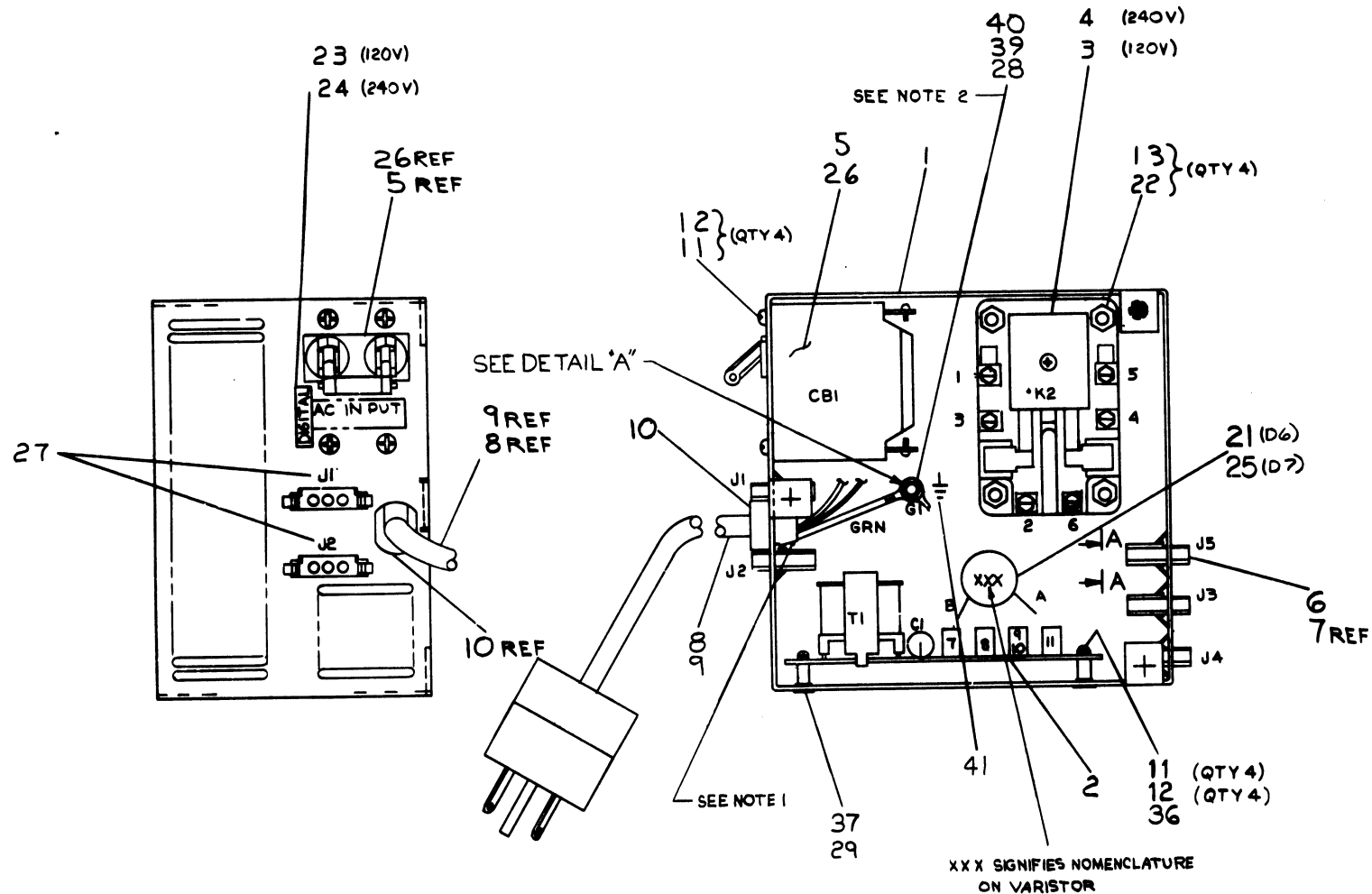
NOTES:

1. LEAVE .5 IN ±.2 IN OF OUTER INSULATION OF LINE CORD INSIDE BOX.
2. REMOVE PAINT MASK FROM G1 ONLY AND APPLY CONDUCTIVE GREASE TO AREA AROUND STUD G1 BEFORE INSTALLING ITEMS 40 (LOCKWASHER), LUG ON GRN/YEL WIRE, AND 28 (KEPNUT).
3. ENSURE THAT LUG CONNECTED TO GRN/YEL WIRE FROM LINE CORD, WASHER ITEM 40, AND KEPNUT ITEM 28 ARE THE FIRST ITEMS INSTALLED ON G1. SEE DETAIL A.

LEGEND	
NUMBER	VARIAT. JN
7009811-1	120V47-63HZ 12A
7009811-2	240V47-63HZ 6A



DETAIL "A"
SEE NOTE 3

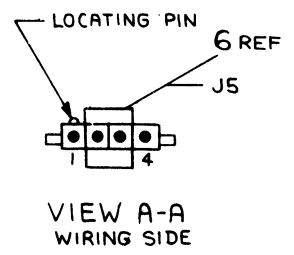
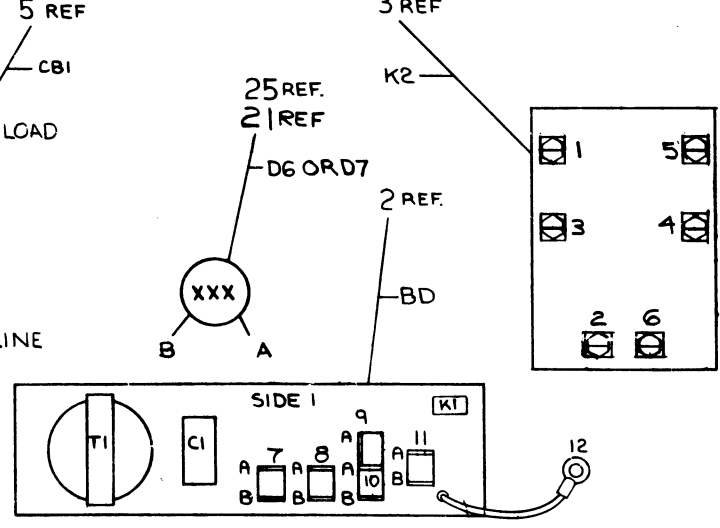
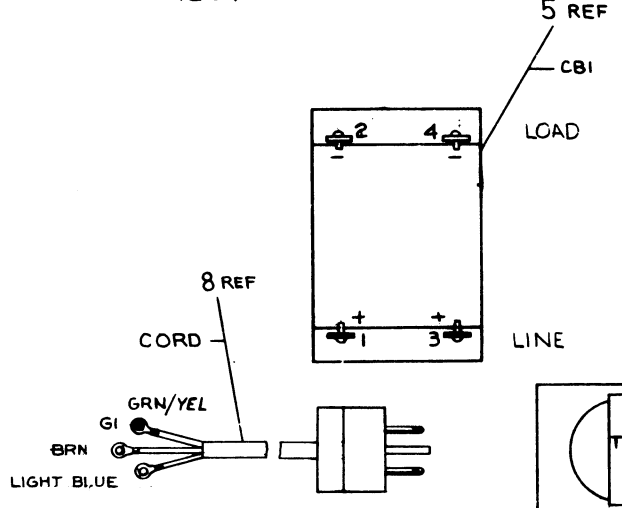
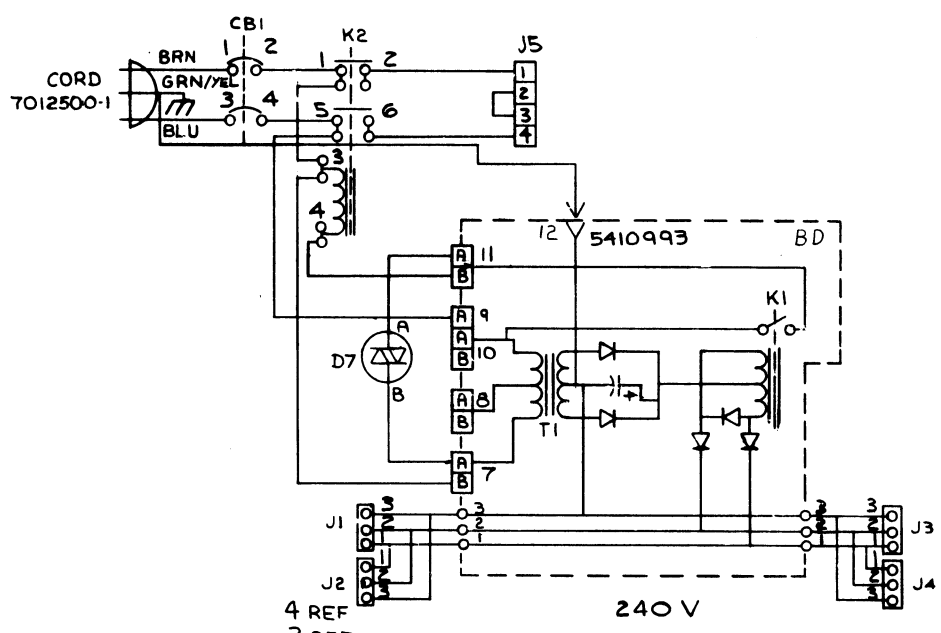
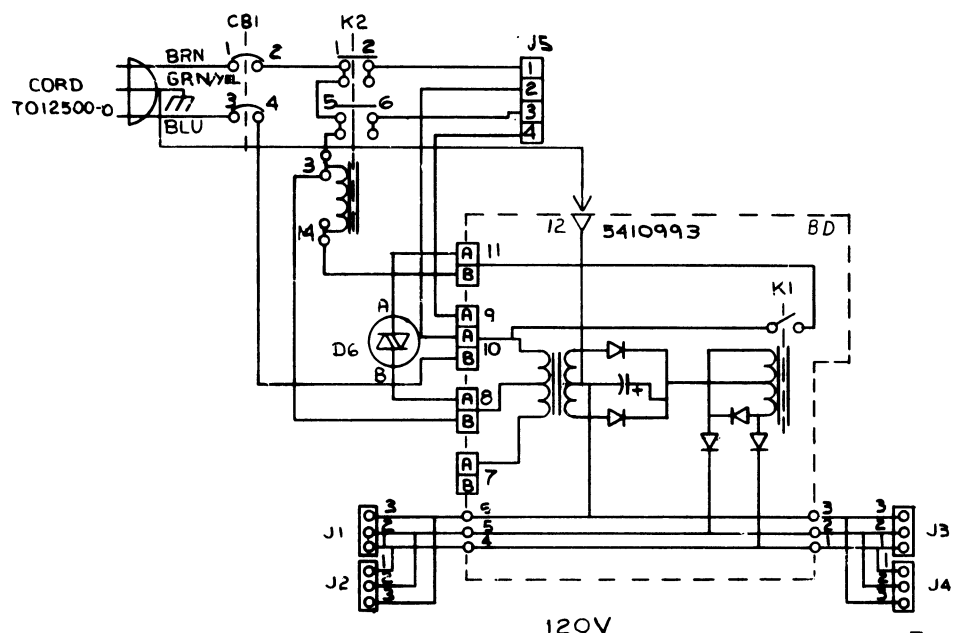


QTY.	DESCRIPTION	PART NO.	REV.
1	DECAL, SAFTY GROUND	A-DC-3612680-01	41
1	WASHER, EXT TOOTH #8	9008072	40
A/R	A/R GREASE, CONDUCTIVE	4901173-01	39
1	JUMPER, POWER (WHT)	7010301-8	38
4	SCR. PH. FL. HD. 6-32X1/4	9006020-02	37
4	WASHER, FLAT	9006653	36
REF	REF A.C. INPUT BOX ASSEMBLY PROCEDURE	A-SP-7009811-0-9	35
REF	REF TESTER PARTS LIST	A-PL-7009811-0-0	34
REF	REF TESTER TEST PROCEDURE	A-SP-7009811-0-8	33
REF	REF TESTER U.A.	A-UA-7009811-0-8	32
REF	REF TESTER C.S.	A-CS-7009811-0-8	31
4	SPACER 6-32X 3/8"	9006844	29
3	NUT, KEPS #8-32	9006563	28
1	DECAL	A-DC-7409873-0-0	27
1	CIRCUIT BRK 10 A	1212124-03	26
1	VARIATOR (D7) ASSY	C-IA-7010300-2-0	25
1	DECAL 230V47-63 HZ 6A	A-DC-7412300-0-0	24
1	DECAL 115V 47-63 HZ 12A	A-DC-7412303-0-0	23
4	SCR PH FL HD #6-32 X50	9006024-2	22
1	VARIATOR (D6) ASSY	C-IA-7010300-1-0	21
2	POWER JUMPER (BLK)	D-IA-7010301-8-0	20
1	POWER JUMPER (BLK)	D-IA-7010301-3-0	19
2	POWER JUMPER (BLK)	D-IA-7010301-4-0	18
1	POWER JUMPER (WHT)	D-IA-7010301-5-0	17
2	POWER JUMPER (WHT)	D-IA-7010301-6-0	16
1	POWER JUMPER (BRN)	D-IA-7010301-7-0	15
1	POWER JUMPER (BLK)	D-IA-7010301-1-0	14
4	NUT KEPS #6-32	9008185	13
8	WASHER, INT TOOTH #6	9006653	12
8	SCR PHL PAN HD #6-32X25	9006020-1	11
1	STRAIN RELIEF	9008509	10
1	POWER CORD 240V	D-AD-7012500-1	9
1	POWER CORD 120V	D-AD-7012500-0	8
1	PWR CONTROL HARN. 240V	D-IA-7010302-2-0	7
1	PWR CONTROL HARN 120V	D-IA-7010302-1-0	6
1	CIRCUIT BREAK 20A	1212124-05	5
1	RELAY 240V	1211222-02	4
1	RELAY 120V	1211222-01	3
1	AC PWR CONTR BOARD	D-CS-5410993-0-1	2
1	CHASSIS, COMP. MTG	D-IA-7009812-0-0	1

REV.	CHANGE NO.	BY	DATE
1	H765-00003	A	
2	H765-00004	B	
3	H765-00005	C	
4	H765-00006	D	
5	H765-00007	E	
6	H765-00008	F	
7	H765-00009	G	
8	H765-00010	H	
9	H765-00011	I	
10	H765-00012	J	
11	H765-00013	K	
12	H765-00014	L	
13	H765-00015	M	
14	H765-00016	N	
15	H765-00017	O	
16	H765-00018	P	
17	H765-00019	Q	
18	H765-00020	R	
19	H765-00021	S	
20	H765-00022	T	
21	H765-00023	U	
22	H765-00024	V	
23	H765-00025	W	
24	H765-00026	X	
25	H765-00027	Y	
26	H765-00028	Z	

FIRST USED ON OPTION/MODEL		QTY.	DESCRIPTION	PART NO.	REV.
B11-K					
DIMENSIONAL TOLERANCE					
DIMENSIONS ARE IN INCHES					
UNLESS OTHERWISE SPECIFIED					
MILLIMETERS	INCHES	ANGLES			
XXX ±0.10	XXX ±0.25	° 0'			
XX ±0.05	XX ±0.12	° 0'			
X ±0.2	X ±0.5	° 0'			
THIRD ANGLE PROJECTION					
REMOVE BURRS AND BREAK SHARP CORNERS SURFACE QUALITY					
MATERIAL SEE PARTS LIST					
FINISH					
DATE		DATE		DATE	
6-76-74		6-27-74		7-11-74	
DATE		DATE		DATE	
9-11-74		9-11-74		9-11-74	
TITLE					
AC INPUT BOX ASSY.					
SCALE NONE		SHEET 1 OF 3		REV. K	
PARTS LIST		E-UA-H 765-0-0		DAD 7009810-0	

"THIS DRAWING AND SPECIFICATIONS HEREIN ARE THE PROPERTY OF DIGITAL EQUIPMENT CORPORATION AND SHALL NOT BE REPRODUCED OR COPIED OR USED IN WHOLE OR IN PART AS THE BASIS FOR THE MANUFACTURE OR SALE OF ITEMS WITHOUT WRITTEN PERMISSION. COPYRIGHT © 1974, DIGITAL EQUIPMENT CORPORATION"



REVISIONS		
CHK	CHANGE NO.	REV

TITLE	AC INPUT BOX ASS'Y.	SIZE CODE	DAD	NUMBER	7009811-0-0	REV.	K
SCALE	NONE	SHEET	2 OF 3	DATE			

THIS DRAWING AND SPECIFICATIONS HEREIN ARE THE PROPERTY OF DIGITAL EQUIPMENT CORPORATION AND SHALL NOT BE REPRODUCED OR COPIED OR USED IN WHOLE OR IN PART AS THE BASIS FOR THE MANUFACTURE OR SALE OF ITEMS WITHOUT WRITTEN PERMISSION. COPYRIGHT © 1976 DIGITAL EQUIPMENT CORPORATION

WIRE TABLE (120V)							
ITEM NO.	DESCRIPTION		CONNECTION		CONNECTION		REMARKS
	AWG	COLOR	FROM	WITH	TO	WITH	
8	14	BRN	CORD	---	CBI-1(+)	---	
8	14	BLU	CORD	---	CBI-3(+)	---	
14		BLK	CBI-2(-)	---	K2-1	---	
18		BLK	K2-5	---	K2-3	---	
18		BLK		---		---	---
19		BLK	BD-3B	---		---	
17		WHT	CBI-4(-)	---	BD-10B	---	
6		WHT	BD-10A	---	J5-2(REF)	---	
6		WHT	BD-9A	---	J5-4(REF)	---	
15		BRN	K2-4	---	BD-11B	---	
6		BLK	K2-4	---	J5-3(REF)	---	
6	14	BLK	K2-2	---	J5-1(REF)	---	
21	22	RED	D6-A	---	BD-11A	---	
21	22	RED	D6-B	---	BD-8A	---	
8	14	GRN/YEL	CORD	---	G1	---	SEE NOTE 2
2	14	GRN/YEL	BD-12	---	G1	---	SEE DETAIL A AND NOTE 2

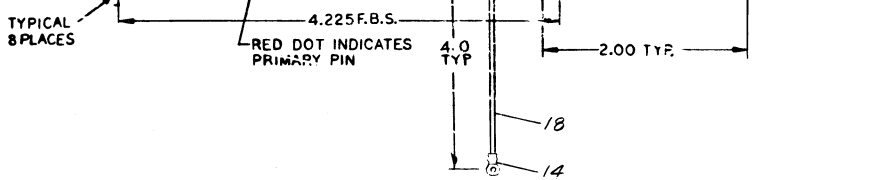
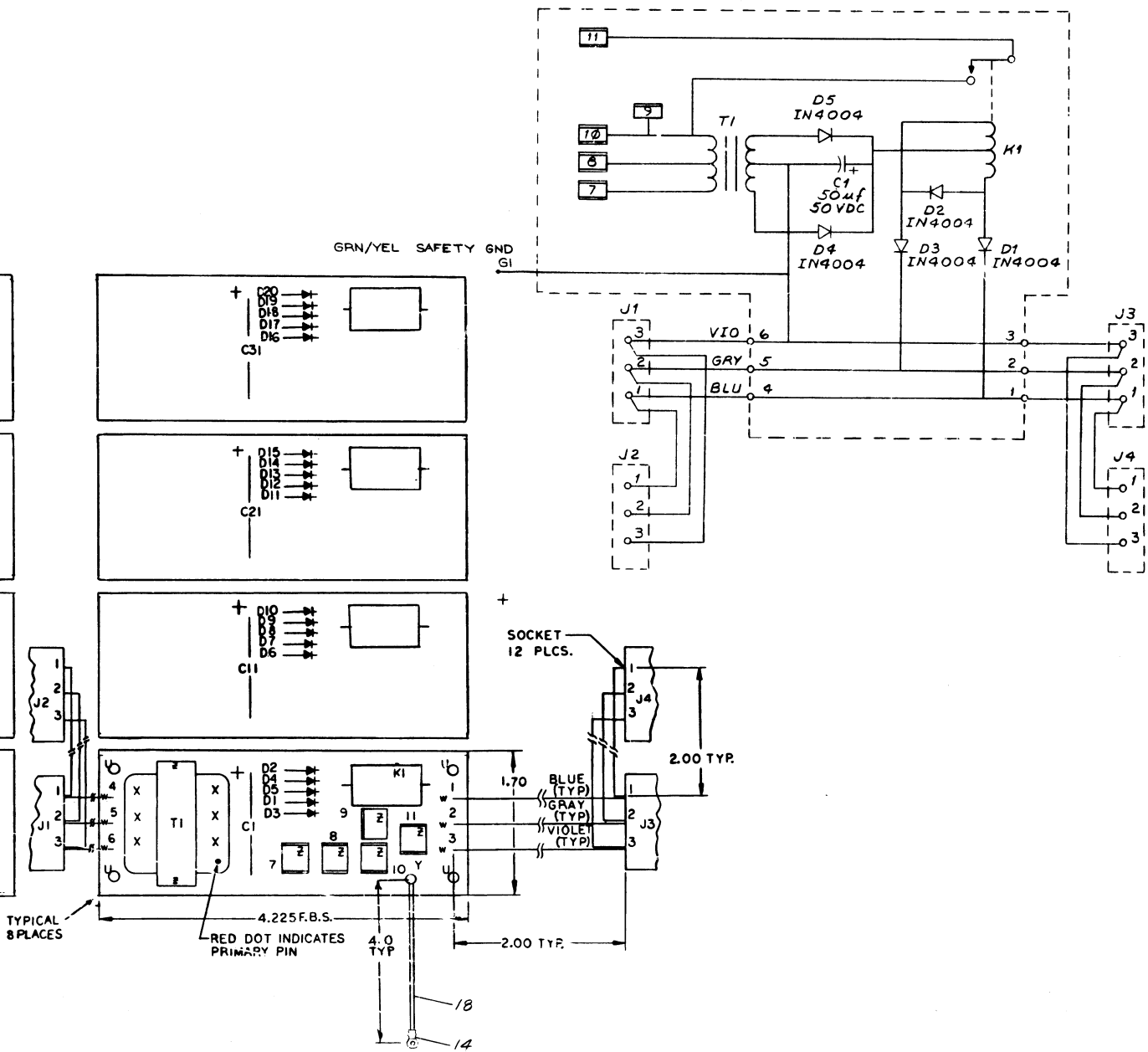
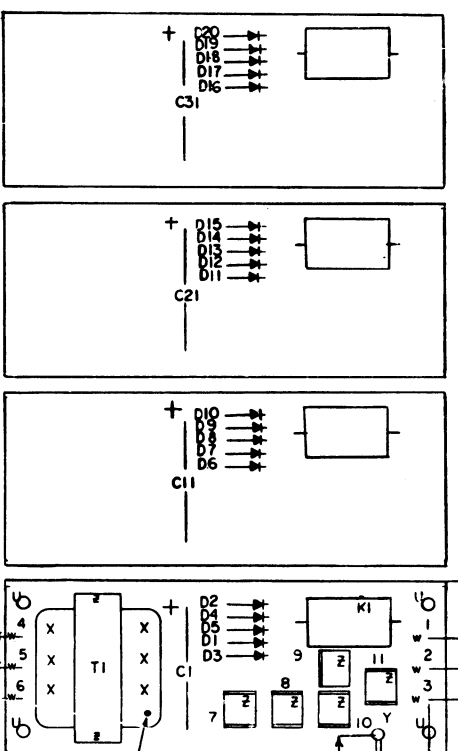
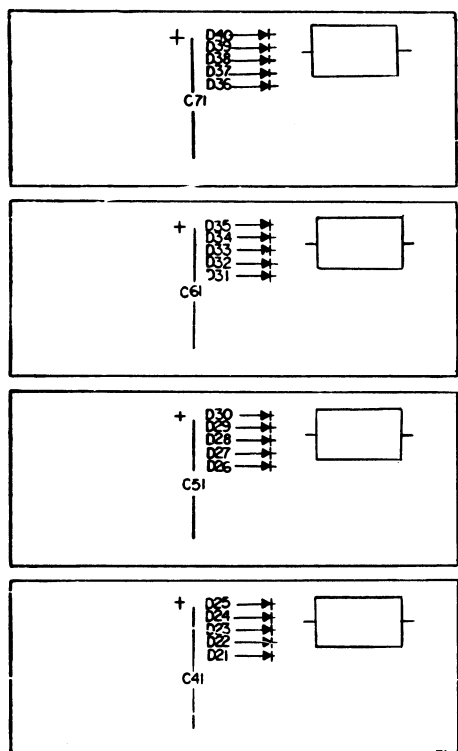
WIRE TABLE (240V)							
ITEM NO.	DESCRIPTION		CONNECTION		CONNECTION		REMARKS
	AWG	COLOR	FROM	WITH	TO	WITH	
8	14	BRN	CORD	---	CBI-1(+)	---	
8		BLU	CORD	---	CBI-3(+)	---	
14		BLK	CBI-2	---	K2-1	---	
20		BLK	K2-3	---		---	
19		BLK	---	---	BD-7B	---	
38		WHT	---	---	CBI-4(-)	---	
16		WHT	K2-5	---	BD-9A	---	
15		BRN	K2-4	---	BD-11B	---	
7		BLK	K2-2	---	J5-1(REF)	---	
7		BLK	J5-2(REF)	---	J5-3(REF)	---	
7	14	WHT	K2-6	---	J5-4(REF)	---	
25	22	RED	D7-A	---	BD-11A	---	
25	22	RED	D7-B	---	BD-7A	---	
8	14	GRN/YEL	CORD	---	G1	---	SEE NOTE 2
2	14	GRN/YEL	BD-12	---	G1	---	SEE DETAIL A AND NOTE 2

REVISIONS		
CHK	CHANGE NO.	REV.

TITLE	AC INPUT BOX ASSY	SIZE CODE	D AD	NUMBER	7009811-0-0	REV.	K
SCALE	NONE	SHEET	3 OF 3	DIST.			

THIS DRAWING AND SPECIFICATIONS HEREIN ARE THE PROPERTY OF DIGITAL EQUIPMENT CORPORATION AND SHALL NOT BE REPRODUCED OR COPIED OR USED IN WHOLE OR IN PART AS THE BASIS FOR THE MANUFACTURE OR SALE OF ITEMS WITHOUT WRITTEN PERMISSION.
COPYRIGHT © JULY 1974 DIGITAL EQUIPMENT CORPORATION

NOTES:



REF	DESCRIPTION	QTY	PART NO.	ITEM NO.
REF	X-Y COORDINATE HOLE LOCATION		K-CO-5410993-0-4	1
REF	ASSY/DRILLING HOLE LAYOUT		D-AH-5410993-0-5	2
REF	MODULE ECO HISTORY		B-MH-5410993-0-6	3
1	ETCHED CIRCUIT BOARD		5010992	4
1	C1	1	CAP. 50µf 50 VDC	5
5	D1 THRU D5	5	DIODE IN4004	6
1	K1	1	REED RELAY	7
4	J1 THRU J4	4	CONNECTOR, MATE-N-LOCK, 3 SKT	8
12		12	PIN, MATE-N-LOCK SKT, FEMALE	9
1	T1	1	TRANSFORMER	10
4	7, 8, 10, 11	4	FASTON TAB, DUEL	11
1	9	1	FASTON TAB, SINGLE	12
5		5	EYELET	13
1		1	RING TERMINAL BLUE	14
A/R			WIRE, #18 AWG, BLUE	15
A/R			WIRE, #18 AWG, VIOLET	16
A/R			WIRE, #18 AWG, GRAY	17
A/R			WIRE #14 AWG GRN/YEL	18

QTY	REF. DESIGNATION	DESCRIPTION	PART NO.	ITEM NO.
	H765	AC POWER CONTROL BOARD		

DRN. DATE	7-3-74		
CHKD. DATE	7-1-74		
ENG. DATE	7-1-74		
PROJ. ENG. DATE			
PROD. DATE			
NEXT HIGHER ASSY			
DEC NO.	EIA NO.	DEC NO.	EIA NO.
SCALE	NONE	SHEET	1 OF 1

IC TYPE	GND	+5V
GND AND 5V ARE USUALLY PIN 7 AND 14 RESPECTIVELY EXCEPTIENS ARE STATED ABOVE		
IC PIN LOCATIONS		

CHK	CHANGE NO.	REV
	1	1

SEMICONDUCTOR CONVERSION CHART



TITLE
AC POWER CONTROL BOARD

SIZE CODE NUMBER REV.
D CS 5410993-0-1 C

THIS DRAWING AND SPECIFICATIONS HEREBY ARE THE PROPERTY OF METAL EQUIPMENT CORPORATION AND SHALL NOT BE REPRODUCED OR COPIED OR USED IN WHOLE OR IN PART AS THE BASIS FOR THE MANUFACTURE OR SALE OF ITEMS WITHOUT WRITTEN PERMISSION. COPYRIGHT © 1976, METAL EQUIPMENT CORPORATION

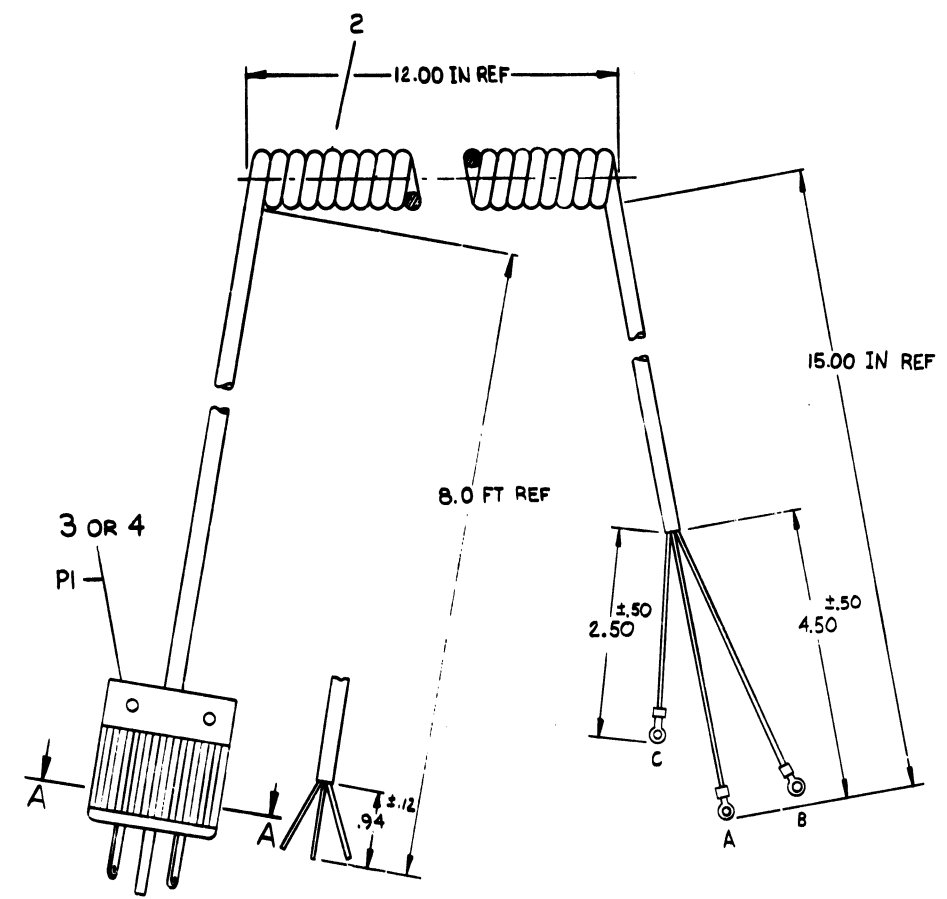
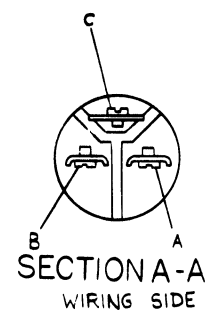
WIRE TABLE (7012500-0)

WIRE TABLE (7012500-1)

ITEM NO.	DESCRIPTION		FROM		TO		REMARKS	ITEM NO.	DESCRIPTION		FROM		TO		REMARKS
	AWG	COLOR	CONNECTION	WITH	CONNECTION	WITH			AWG	COLOR	CONNECTION	WITH	CONNECTION	WITH	
2	14	BRN	PI-B	---	B	G	AC LINE	2	14	BRN	PI-B	---	B	G	LINE
2	14	LT BLU	PI-A	---	A	G	AC NEUTRAL	2	14	LT BLU	PI-A	---	A	G	NEUTRAL
2	14	BRN/YEL	PI-C	---	C	G	AC SAFETY GND	2	14	GRN/YEL	PI-C	---	C	G	AC SAFETY GND

LEGEND

NUMBER	VARIATION
7012500-0	12CV
7012500-1	240V



3	3	TERMINAL RING TONGUE	9007929	6
2	2	TERMINAL QUICK CONNECT	9007919	6
1	1	PLUG, 240 V	9008853	4
1	1	PLUG, 120 V	9008938	3
1	1	POWER CORD	1700065-0	2
1	1	POWER CORD	1700065	2

DESCRIPTION	DWG./PART NO.	ITEM NO.
UNLESS OTHERWISE SPECIFIED DIMENSIONS ARE IN INCHES		
ANGLES	CLASS OF FINISH	MINIMUM ALLOWABLE RANGE INCHES
SURFACE QUALITY	CHECK CODE	1.000 1.000 1.000 1.000 1.000 1.000
ASSEMBLY	PREFERRED	0.015 0.015 0.025 0.025 0.04 0.04

THIRD ANGLE PROJECTION

REMOVE BURRS AND BREAK SHARP CORNERS

DO NOT SCALE DWG

MATERIAL SEE PARTS LIST

FINISH

DRN. E. Beasley 2-27-76

CHK'D. J. J. J. 3-2-76

ENGR. H. J. J. 3-2-76

PROG. J. J. J. 3-2-76

NEXT HIGHER ASSY.

SCALE NONE

SHEET 1 OF 1

FIRST USED ON 8A11-K

TITLE POWER CORD 120V 240V

SIZE CODE D 1A

NUMBER 7012500-0-0

REV. B

REV. A	DATE 10-11-76	BY R. WOLF
REV. B	DATE 10-11-76	BY R. WOLF
REV. C	DATE 10-11-76	BY R. WOLF
REV. D	DATE 10-11-76	BY R. WOLF
REV. E	DATE 10-11-76	BY R. WOLF
REV. F	DATE 10-11-76	BY R. WOLF
REV. G	DATE 10-11-76	BY R. WOLF
REV. H	DATE 10-11-76	BY R. WOLF
REV. I	DATE 10-11-76	BY R. WOLF
REV. J	DATE 10-11-76	BY R. WOLF
REV. K	DATE 10-11-76	BY R. WOLF
REV. L	DATE 10-11-76	BY R. WOLF
REV. M	DATE 10-11-76	BY R. WOLF
REV. N	DATE 10-11-76	BY R. WOLF
REV. O	DATE 10-11-76	BY R. WOLF
REV. P	DATE 10-11-76	BY R. WOLF
REV. Q	DATE 10-11-76	BY R. WOLF
REV. R	DATE 10-11-76	BY R. WOLF
REV. S	DATE 10-11-76	BY R. WOLF
REV. T	DATE 10-11-76	BY R. WOLF
REV. U	DATE 10-11-76	BY R. WOLF
REV. V	DATE 10-11-76	BY R. WOLF
REV. W	DATE 10-11-76	BY R. WOLF
REV. X	DATE 10-11-76	BY R. WOLF
REV. Y	DATE 10-11-76	BY R. WOLF
REV. Z	DATE 10-11-76	BY R. WOLF

THIS DRAWING AND SPECIFICATIONS, HEREIN ARE THE PROPERTY OF DIGITAL EQUIPMENT CORPORATION AND SHALL NOT BE REPRODUCED OR COPIED OR USED IN WHOLE OR IN PART AS THE BASIS FOR THE MANUFACTURE OR SALE OF ITEMS WITHOUT WRITTEN PERMISSION.
COPYRIGHT © 1974 - DIGITAL EQUIPMENT CORPORATION

NOTES:
 1. R45, R46, C4, C9, & C11 ARE NOT USED ON BASIC S411086 BUT ARE RESERVED FOR PLANNED FUTURE MODULE VARIATIONS.
 2. ** TOTAL +15V AND +5V CURRENT NOT TO EXCEED 40 AMPERES.
 3. W1 (TEST JUMPER) MAY BE TEMPORARILY REMOVED WHILE TROUBLE-SHOOTING TO DETERMINE IF LOSS OF 15V IS DUE TO CROW-BAR CIRCUITRY, BUT MUST BE IN THE BOARD FOR NORMAL OPERATION.
 4. NON-ITEMIZED PARTS SUPPLIED WITH D12.
 5. YA VERSION DOES NOT CONTAIN +15VDC RES.

5. A) FOR STANDARD VERSION USE SHEETS 1, 2, 3, & 4 OF THIS DWG.
 B) FOR YA VERSION USE SHEETS 1, 2, & 3 OF THIS DWG.
 6. WIRES MUST NOT EXTEND BEYOND THE DIMENSIONS OF THE BOARD.
 7. JUMPERS (W2, W3) ARE 1/2" EACH OF ITEM #97.

SEE COMPONENT CHART FOR YA VERSION REF DESIGNATIONS

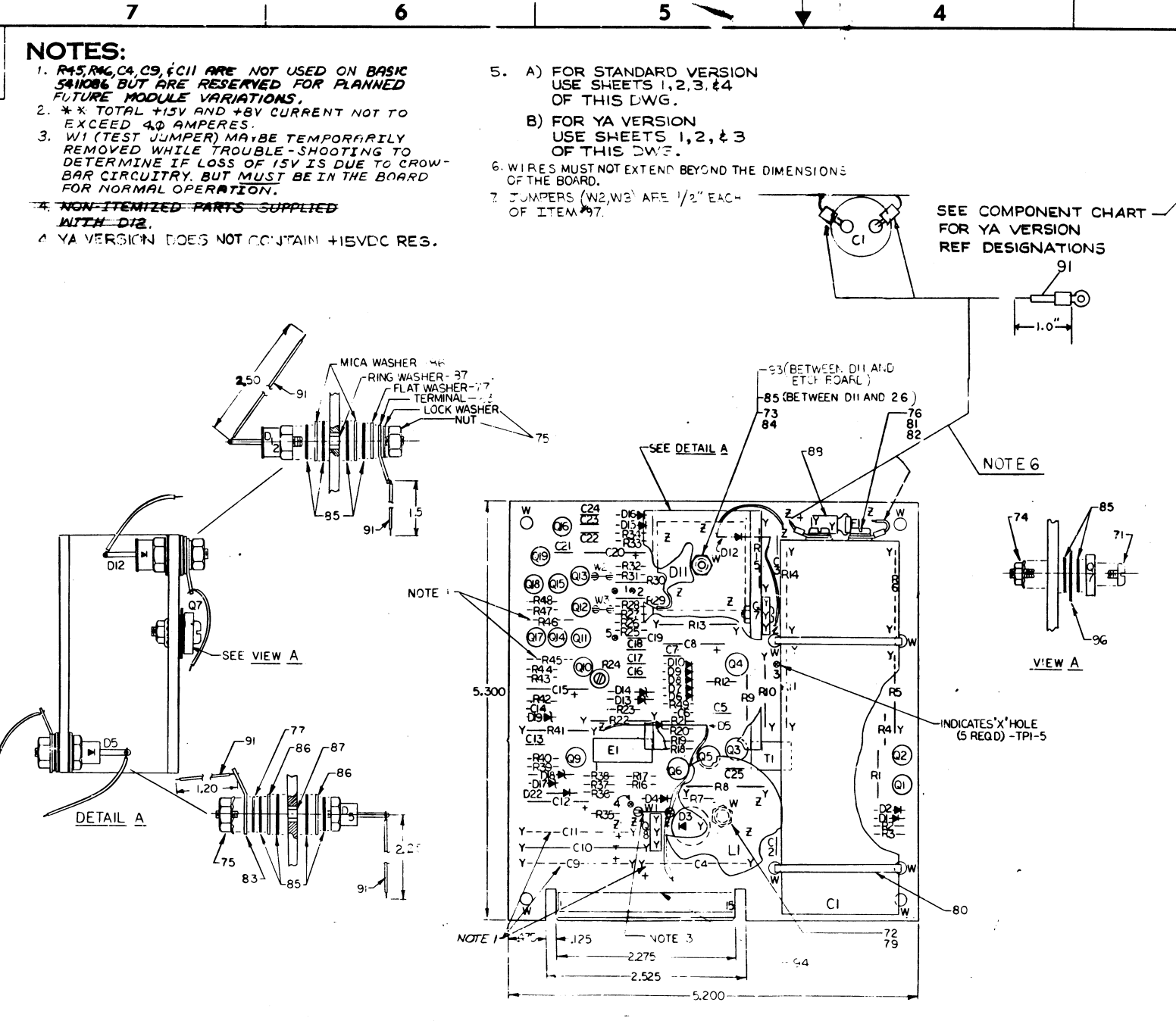
SEE DETAIL A

NOTE 6

NOTE 1

NOTE 3

INDICATES 'X' HOLE (5 REQ'D) - TPI-5



REF	REF	REF	REF	QTY	REF. DESIGNATION	DESCRIPTION	PART NO.	ITEM NO.
						X-Y COORDINATE HOLE LOCATION	K-CO-5411086-0-1	1
						ASSY/DRILLING HOLE LAYOUT	D-AH-5411086-0-5	2
						MODULE ECO HISTORY	B-MH-5411966-0-E	3
1	1					ETCHED CIRCUIT BOARD	5011085	4
0	1	C2				CAPACITOR 50PF 100V 5%	1000012	5
4	4	C18, C17, C18, C21				CAPACITOR 330PF 100V 5%	1000023	6
3	5	C3, C13, C19, C22, C23				CAPACITOR .01uf 100V 20%	1001610-01	7
1	3	C8, C12, C15				CAPACITOR 2.2uf 35V 10%	1002431	8
2	2	C6, C25				CAPACITOR 18PF 100V 5%	1002608	9
1	1	C20				CAPACITOR 1.5uf 35V 10%	1005725	10
4	4	C5, C7, C14, C24				CAPACITOR .22uf 50V -20% +80%	1010274-01	11
0	1	C10				CAPACITOR 500uf 25V -10% +75%	1010509-01	12
1	1	C1				CAPACITOR 8400uf 50V -10% +75%	1010851	13
1	2	D2, D19				DIODE 1N748A	1100122	14
0	1	D5				DIODE 1N2970B	1100134	15
0	1	D3				DIODE MR1033B	1103341	16
7	8	D1, D6, D7, D8, D9, D15, D16, D22				DIODE D672	1105275	17
1	2	D10, D17				DIODE 1N4744	1105648	19
0	1	D4				DIODE 1N4004	1105796	19
0	1	D12				DIODE 1N3888	1109440	20
0	1	D18				DIODE 1N967A	1110068	21
2	2	D28, D31				DIODE M53034-1 (LIGHT-EMITTING)	1110324	22
1	1	D11				DIODE BRIDGE 200V 20A	1110714	23
2	2	D13, D14				DIODE 11T2429	1110925	24
0	1	F1				FUSE PICO 5A	1205747	25
0	1					HEAT SINK	1211586	26
0	1	R23				RESISTOR 47 1/4W 5%	1300202	27
0	2	R7, R40				RESISTOR 100 1/4W 5%	1300229	28
0	1	R41				RESISTOR 100 1W 5%	1300232	29
1	3	R4, R12, R49				RESISTOR 220 1/4W 5%	1300271	30
0	1	R14				RESISTOR 220 2W 10%	1300278	31
0	1	R11				RESISTOR 680 2W 5%	1300348	32
2	2	R18, R20				RESISTOR 1K 1/4W 5%	1300365	33
0	1	R1				RESISTOR 1.5K 1/2W 5%	1300394	34
U	1	R10				RESISTOR 2.2K 1W 10%	1300420	35
1	1	R15				RESISTOR 3.3K 1W 10%	1300437	36
0	1	R3				RESISTOR 3.3K 1/4W 5%	1300439	37
2	2	R43, R47				RESISTOR 10K 1/4W 5%	1300419	39
U	1	R37				RESISTOR 10 1/4W 5%	1301317	39
2	3	R2, R44, R48				RESISTOR 750 1/4W 5%	1311401	40
0	1	R38				RESISTOR 680 1/4W 5%	1301424	41
0	1	R16				RESISTOR 22K 1/4W 5%	1301868	42
1	1	R13				RESISTOR 1K 2W 5%	1301952	43
0	1	R9				RESISTOR 27 1/2W 5%	1302253	44
2	2	R19, R21				RESISTOR 30K 1/4W 5%	1302394	45
0	1	R36				RESISTOR 511 1/4W 1%	1302411	46
0	1	R39				RESISTOR 909 1/4W 1%	1302685	47
1	1	R25				RESISTOR 3 16K 1/4W 1%	1303045	48
1	1	R8				RESISTOR 470 2W 5%	1303062	49
1	2	R17, R28				RESISTOR 1K 1/4W 1%	1303114	50
1	1	R31				RESISTOR 2.61K 1/4W 1%	1303303	51
0	1	R42				RESISTOR 10K 1/4W 1%	1303312	52
2	2	R33, R34				RESISTOR 5 11K 1/4W 1%	1304854	53
1	1	R30				RESISTOR 9.09K 1/4W 1%	1304855	54

COMPONENT CHART - YA VERSION

3	C19, C22, C23	7
1	C8	8
1	D19	14
7	D6, D7, D8, D9, D15, D16, D22	17
1	D10	18
1	R49	30
2	R44, R48	40
1	R28	50
4	Q3, Q5, Q10, Q19	63
4	Q11, Q12, Q13, Q16	66
QTY	REF. DESIGNATION	ITEM

REVISIONS

CHK	CHANGE NO.	REV.
5411086-00001	D	
5411086-00002	E	
5411086-00003	F	
5411086-00004	H	
5411086-00005	J	
5411086-00006	K	
5411086-00007	L	
5411086-00008	M	
5411086-00009	N	
5411086-00010	O	
5411086-00011	P	
5411086-00012	Q	
5411086-00013	R	
5411086-00014	S	
5411086-00015	T	
5411086-00016	U	
5411086-00017	V	
5411086-00018	W	
5411086-00019	X	
5411086-00020	Y	
5411086-00021	Z	
5411086-00022	A	
5411086-00023	B	
5411086-00024	C	
5411086-00025	D	
5411086-00026	E	
5411086-00027	F	
5411086-00028	G	
5411086-00029	H	
5411086-00030	I	

IC TYPE	GND	+5V
GND AND 5V ARE USUALLY PIN 7 AND 14 RESPECTIVELY EXCEPTONS ARE STATED ABOVE		
IC PIN LOCATIONS		

FIRST USED ON OPTION MODEL

ETCH BOARD REV. C

DRN. DATE 10-9-74

CHK. DATE 10-1-74

ENG. DATE 10-1-74

PROJ. ENG. DATE 10-1-74

PROD. DATE 10-1-74

NEXT HIGHER ASSY

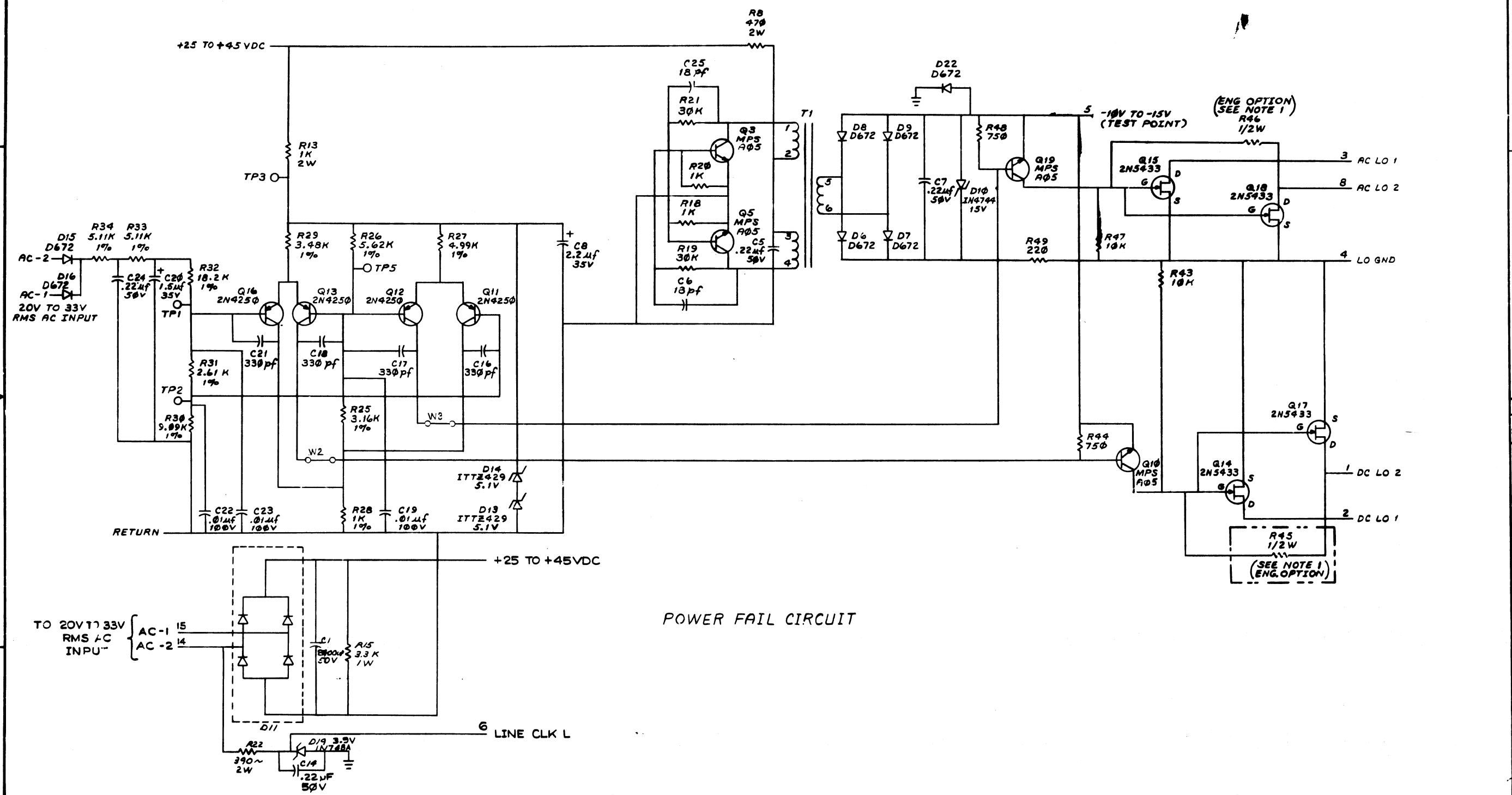
TITLE PWR. LINE MONITOR/15V REG.

SIZE CODE NUMBER REV. DCS 5411086-0-1 L

SHEET 1 OF 4

SEMICONDUCTOR CONVERSION CHART

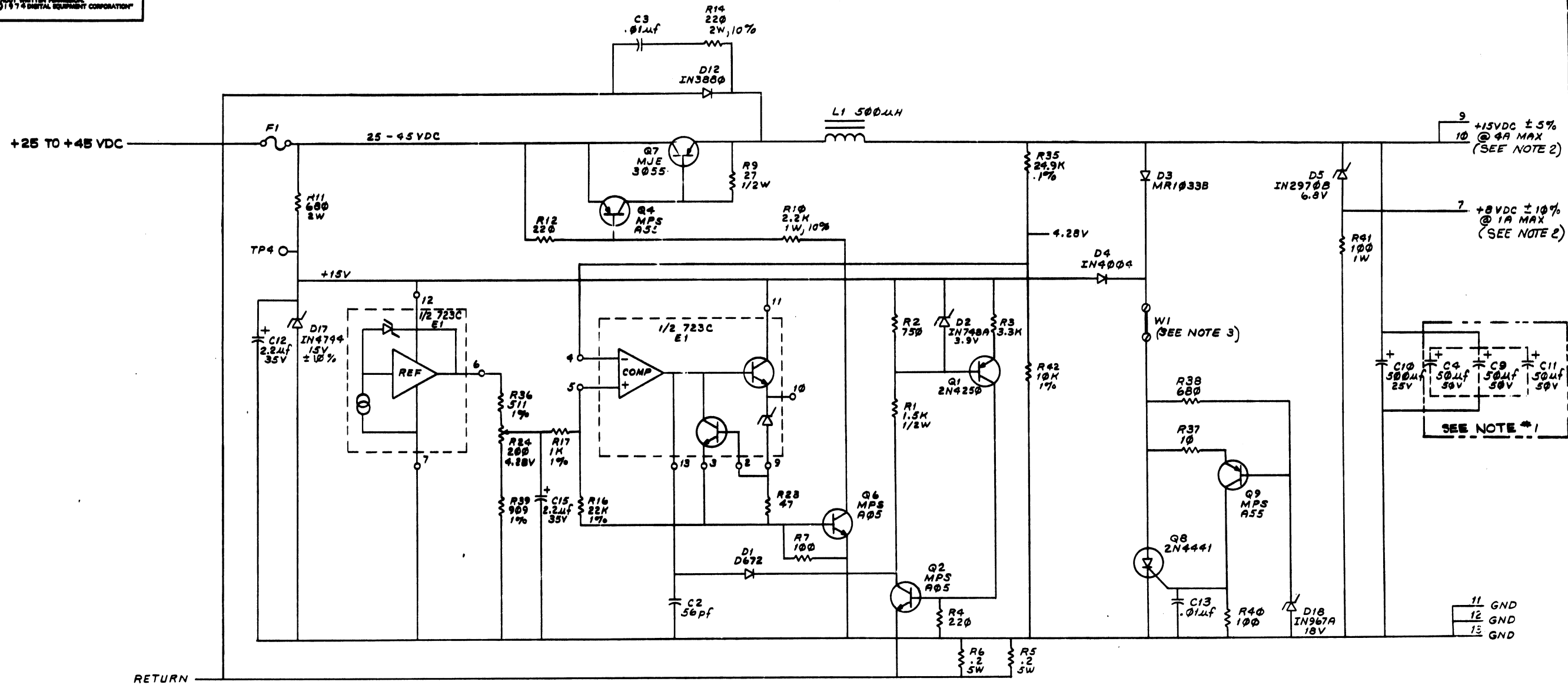
THE DIMENSIONS AND SPECIFICATIONS HEREIN ARE THE PROPERTY OF GEORGE EASTMAN CORPORATION AND SHALL NOT BE REPRODUCED OR USED IN WHOLE OR IN PART AS THE BASIS FOR THE MANUFACTURE OR SALE OF OTHER EQUIPMENT WITHOUT PERMISSION. COPYRIGHT © 1974 GEORGE EASTMAN CORPORATION



POWER FAIL CIRCUIT

REVISIONS		
CHK	CHANGE NO.	REV.

THIS DRAWING AND SPECIFICATIONS HEREIN ARE THE PROPERTY OF DIGITAL EQUIPMENT CORPORATION AND SHALL NOT BE REPRODUCED OR COPIED OR USED IN WHOLE OR IN PART AS THE BASIS FOR THE MANUFACTURE OR SALE OF ITEMS WITHOUT WRITTEN PERMISSION. COPYRIGHT © 1974 DIGITAL EQUIPMENT CORPORATION

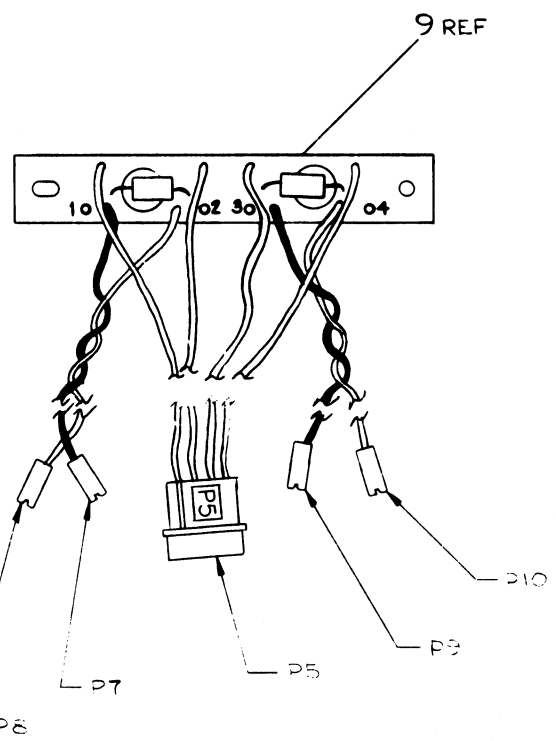
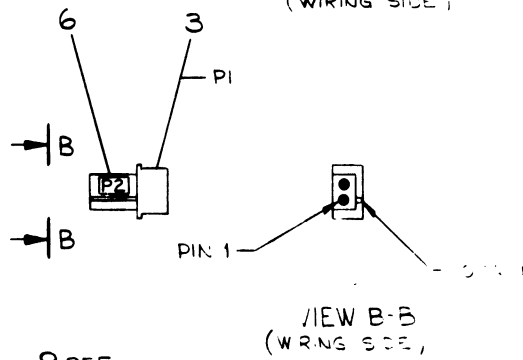
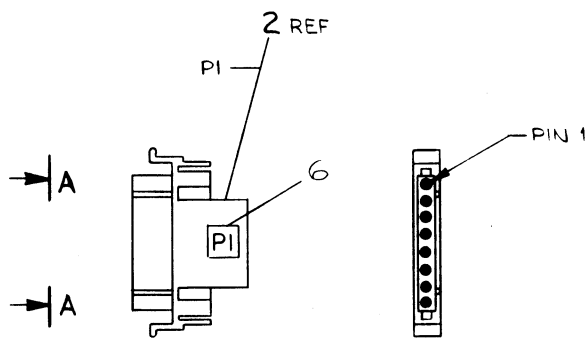
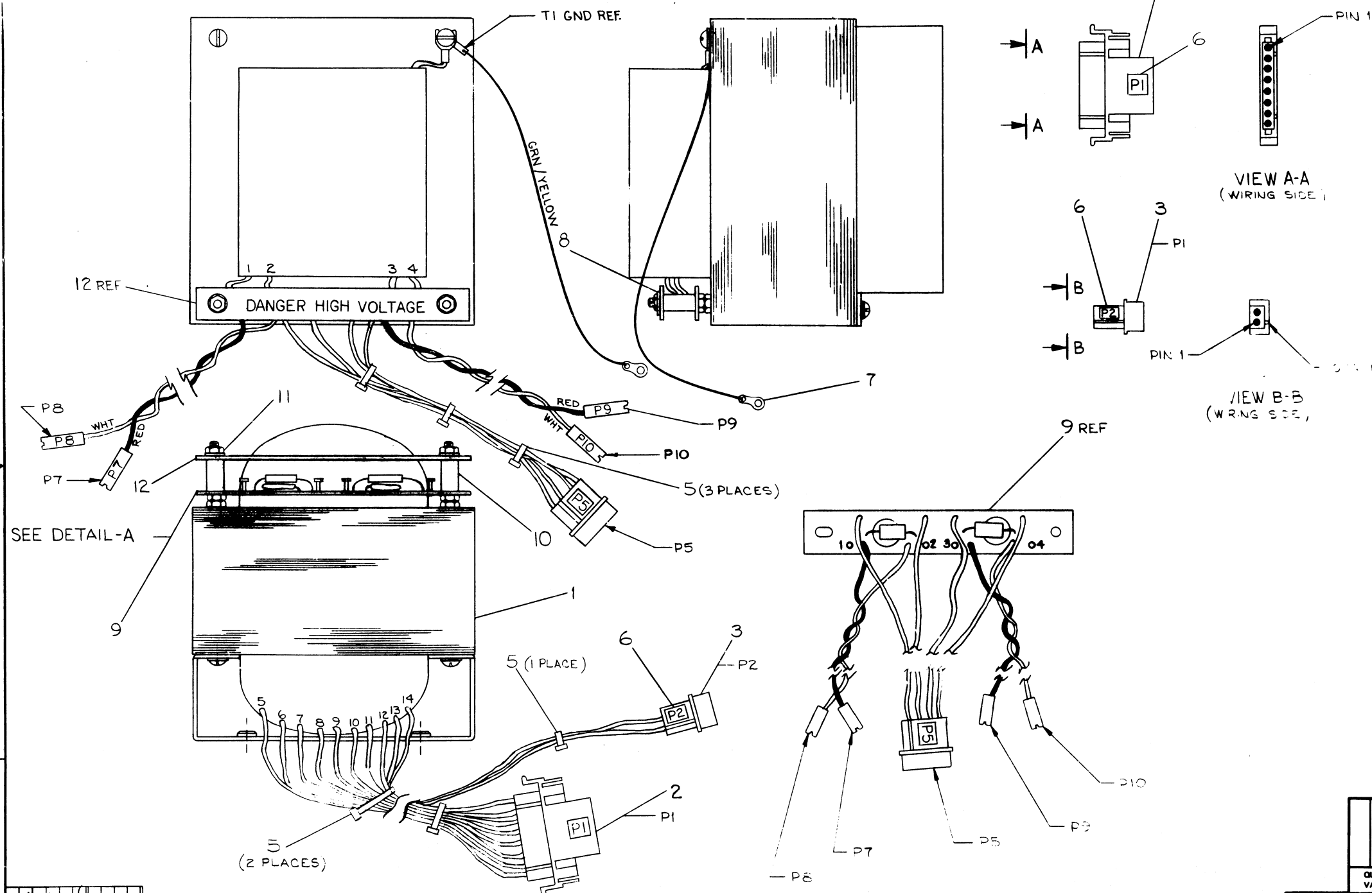


15V REGULATOR
(SEE NOTE #4)

REVISIONS		
CHK	CHANGE NO.	REV.

TITLE	PWR. LINE MONITOR/15V REG.	SIZE CODE	NUMBER
SCALE	SHEET	OF	4
DIST.			

THIS DRAWING AND SPECIFICATIONS, HEREIN, ARE THE PROPERTY OF DIGITAL EQUIPMENT CORPORATION AND SHALL NOT BE REPRODUCED OR COPIED OR USED IN WHOLE OR IN PART AS THE BASIS FOR THE MANUFACTURE OR SALE OF ITEMS WITHOUT WRITTEN PERMISSION. COPYRIGHT © 1975, DIGITAL EQUIPMENT CORPORATION.



REF	TRANSFORMER ASSY PROCEDURE	A-SP-7011486-0-9	13
1	COVER	C-1A-7414301-0-0	12
2	NUT, KEP #10 32	9006565	11
2	SPACER, 3/8 O.D. X 1/2 LG	9001831	10
1	CAP MOV BOARD ASSY	D-1A-7011751-0-0	9
2	WASHER, FLAT #37 X.218 ID	9006664	8
1	GROUND LUG	9008150	7
1	DECAL	A-DC-7409872-0-0	6
AVC	CABLE TIES 5/16 L X 1/3 W	9007880	5
10	PIN, MALE	1209378-1	4
1	CONN., 2 PIN	1210822-2	3
1	CONN., 8 PIN	1209340-01	2
1	TRANSFORMER	1612524	1

DESCRIPTION		QTY		DIM		MATERIAL		FINISH	
ANGLE	CLASS OF ACCURACY	1	2	3	4	5	6	7	8
SURFACE QUALITY	IN MICRONS	1.00	1.50	2.00	3.00	4.00	5.00	6.00	7.00
QUANTITY & VARIATION	PREFERRED	1.00	1.50	2.00	3.00	4.00	5.00	6.00	7.00
THIRD ANGLE PROJECTION	DRN. T. DATE	CHK'D.	DATE	ENGR.	DATE	PROJ. ENGR.	DATE	PROD. ENGR.	DATE
REMOVE BURRS AND BREAK SHARP CORNERS	DO NOT SCALE DWG	NEXT HIGHER ASSY.		FIRST USED ON		TITLE		SIZE CODE NUMBER	
MATERIAL	SCALE	D-1A-H782-0-0		H782		TRANSFORMER ASSY		D AD 7011486-0-0	
FINISH	SHEET	1		OF 2		DWT.			

CHK	CHANGE NO.	REV.
1	7011486-00001	A
2	7011486-00002	B

REVISIONS

CHANGED BY: B. WOLF

DATE: 1-10-75

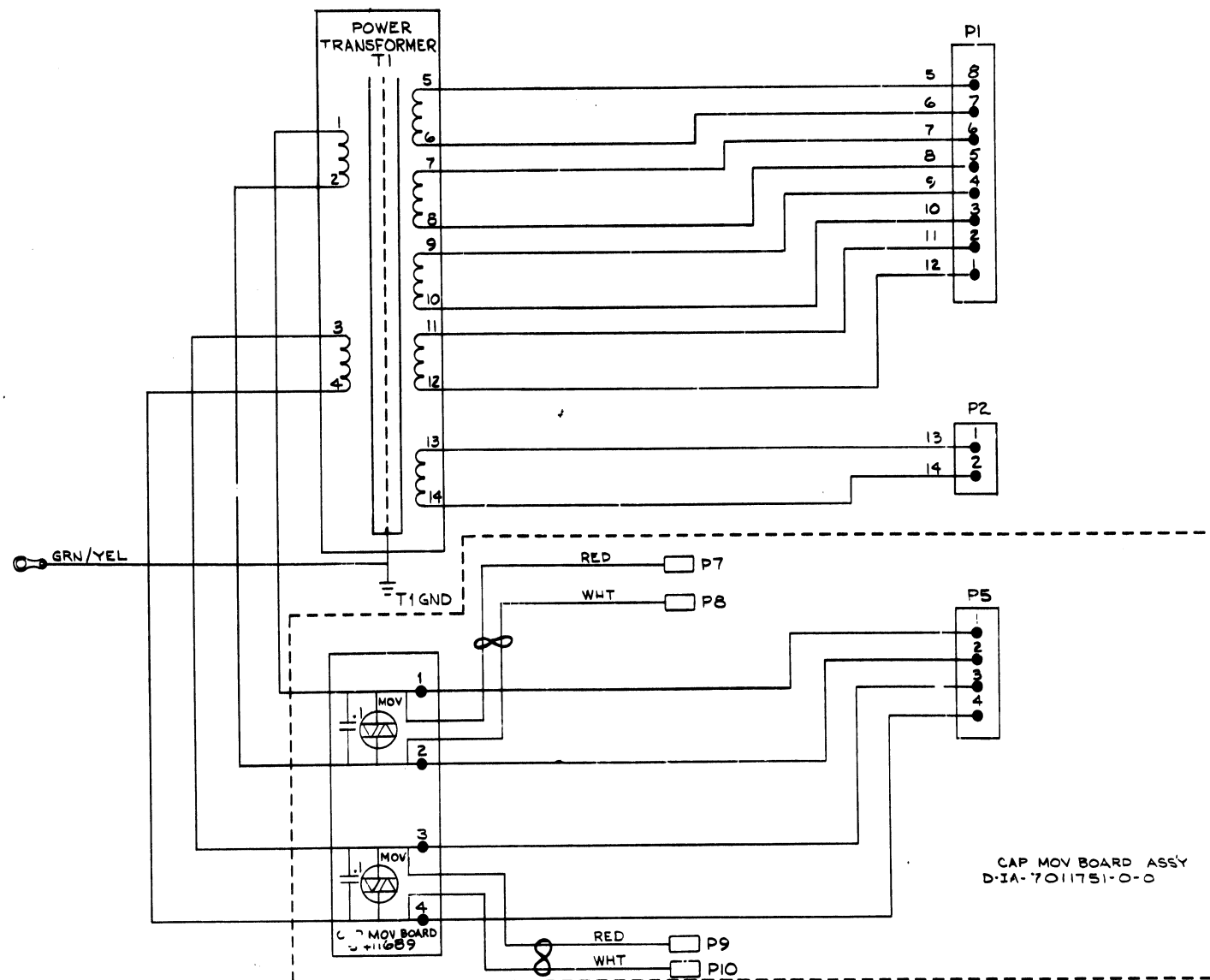
APPROVED BY: R. KENNEDY

DATE: 1-10-75

"THIS DRAWING AND SPECIFICATIONS HEREIN ARE THE PROPERTY OF DIGITAL EQUIPMENT CORPORATION AND SHALL NOT BE REPRODUCED OR COPIED OR USED IN WHOLE OR IN PART AS THE BASIS FOR THE MANUFACTURE OR SALE OF ITEMS WITHOUT WRITTEN PERMISSION. COPYRIGHT © 1975 DIGITAL EQUIPMENT CORPORATION"

WIRE TABLE

ITEM NO.	DESCRIPTION		FROM		TO		WIRE LENGTH
	AWG	COLOR	CONNECTION	WITH	CONNECTION	WITH	
1	14	BLK	T1-1	---	CAP MOV BD-1	SOLDER	1.5 IN
			T1-2	---	CAP MOV BD-2	SOLDER	2.0 IN
			T1-3	---	CAP MOV BD-3	SOLDER	2.0 IN
			T1-4	---	CAP MOV BD-4	SOLDER	1.5 IN
			T1-5	---	PI-8	ITEM 4	12.0 IN
			T1-6	---	PI-7		
			T1-7	---	PI-6		
			T1-8	---	PI-5		
			T1-9	---	PI-4		
			T1-10	---	PI-3		
			T1-11	---	PI-2		
			T1-12	---	PI-1	ITEM 4	
			T1-13	---	P2-1	ITEM 4	
1	14	BLK	T1-14	---	P2-2	ITEM 4	12.0 IN
1	14	GRN/YEL	T1-GND	---	GND LUG (ITEM 7)	SOLDER	16.0 IN



REVISIONS		
CHK	CHANGE NO	REV.

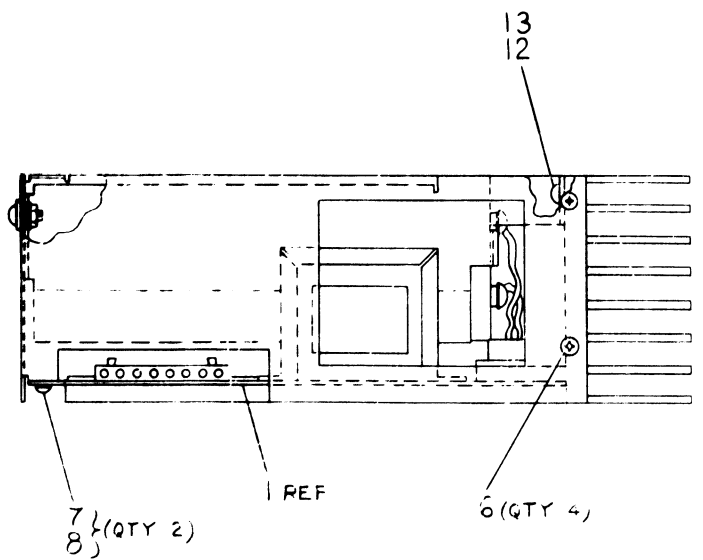
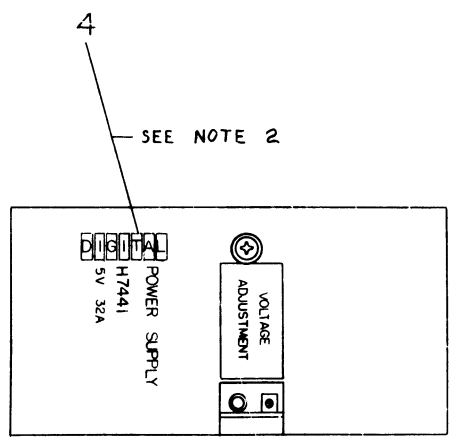
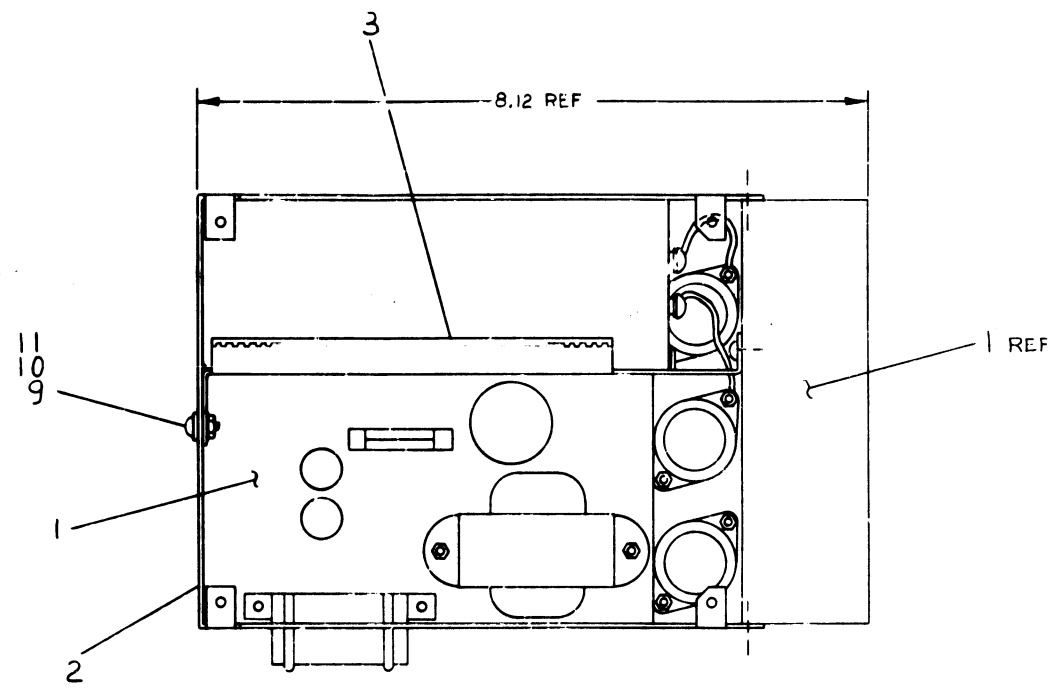
TITLE TRANSFORMER ASSY
 SIZE CODE D
 NUMBER AD7011486-0-0
 SHEET 2 OF 2
 REV. B

PART 7011486-C-0



"THIS DRAWING AND SPECIFICATIONS, HEREIN, ARE THE PROPERTY OF DIGITAL EQUIPMENT CORPORATION AND SHALL NOT BE REPRODUCED OR COPIED OR USED IN WHOLE OR IN PART AS THE BASIS FOR THE MANUFACTURE OR SALE OF ITEMS WITHOUT WRITTEN PERMISSION. COPYRIGHT © 1976, DIGITAL EQUIPMENT CORPORATION"

NOTES:
~~1. ATTACH (RED) WIRE FROM ITEM (#1) REG TO POSITIVE (+) TERM OF CAPACITOR ITEM (#5).~~
~~ATTACH REMAINING (BLK) WIRE TO THE (-) TERMINAL OF THE CAP (ITEM 5).~~
 2. PEEL AND ATTACH ITEM 4 TO ITEM 2 AS SHOWN.



DESCRIPTION	DWG. PART NO.	ITEM NO.
1 WASHER, LOCK INT. TOOTH #6	9006633	13
1 SCR, PHL PAN HD. #6-32X.38	9006022-01	12
1 NUT, KEPS #6-32X.31	9006560	11
1 WASHER, FLAT #6	9006659	10
1 SCR, PHL PAN HD. #6-32X.31	9006021-01	9
2 WASHER FLAT #4	9008172	8
2 SCR, PHL PAN HD #4-40X.25	9008301-01	7
4 SCR, SELF TAPPING #4-40X.31	9009142-2	6
1 CAPACITOR, 24K, 50 VDC	1010702-00	5
1 DECAL	B-1A-7416945-10	4
1 BRACKET, CAPACITOR	D-1A-7417543-0-0	3
1 BRACKET, REGULATOR	D-1A-5309756-0-0	2
1 REGULATOR, +5V, 32 A	D-UA-5412441-0-0	1

REV.	CHANGE NO.	DATE	BY	CHK'D
A	H7441-00001	31 JAN 77	R. DAY	
B	H7441-00003	13 FEB 77	D. ZWICKER	
C	H7441-00004	13 FEB 77	B. GIST	
			E. CROCKER	

THIRD ANGLE PROJECTION	DRN. <i>R. Day</i>	14 JAN 76	FIRST USED ON	1134A	digital
REMOVE BURRS AND BREAK SHARP CORNERS	CHK'D <i>R. Day</i>	2 JAN 76	TITLE	H7441	
DO NOT SCALE DWG	ENG. <i>R. Day</i>		UNIT ASSY		
MATERIAL	PROJ. ENG.		SIZE	CODE	NUMBER
SEE PARTS LIST	PROD.		SCALE	NONE	H7441-0-0
FINISH			SHEET	OF	DIST.

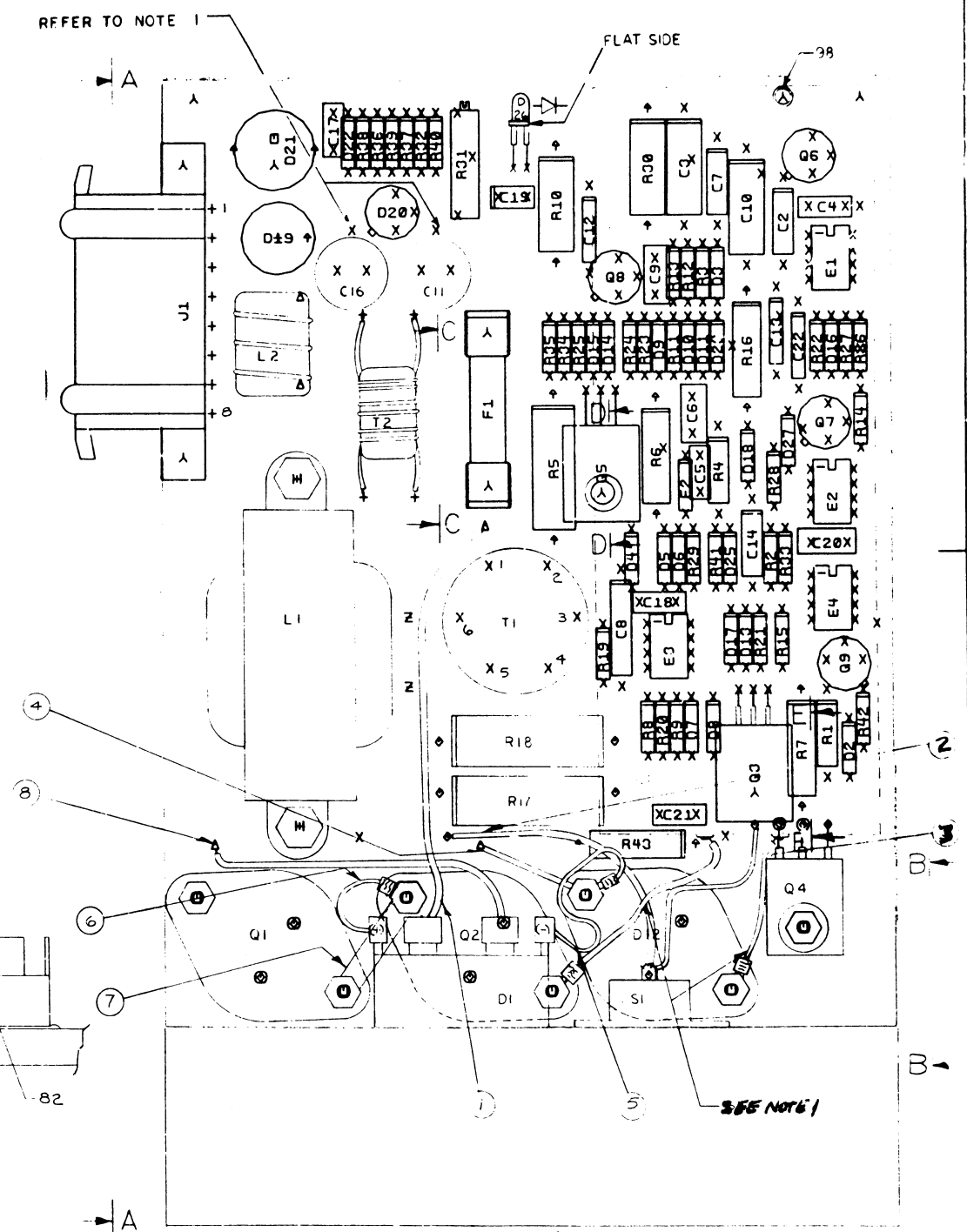
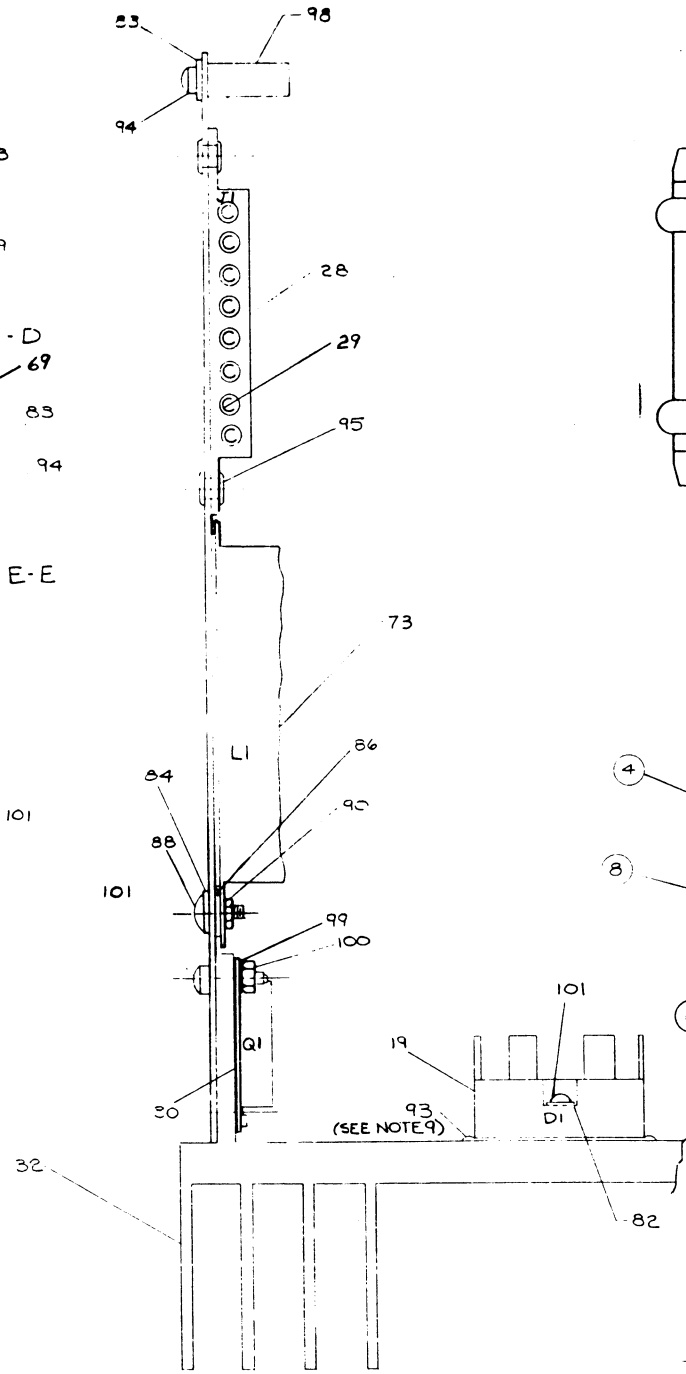
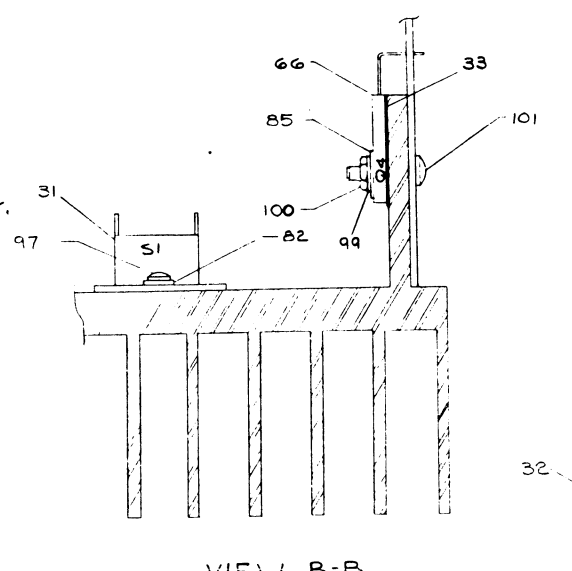
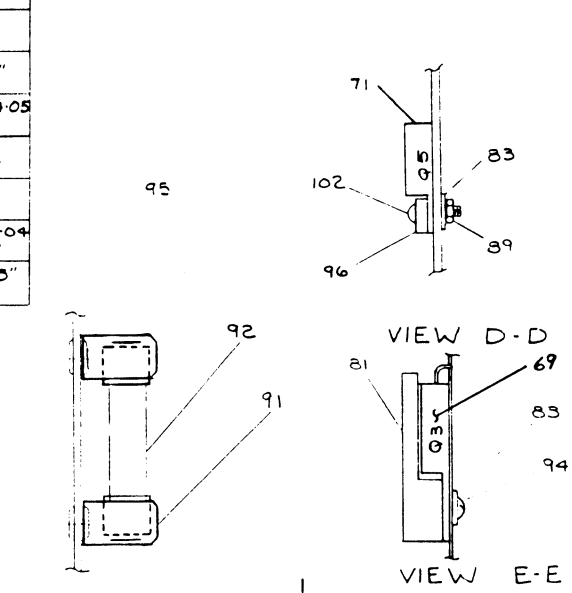
THIS DRAWING AND SPECIFICATIONS, HEREIN, ARE THE PROPERTY OF ORSITA ELECTRONIC CORPORATION AND SHALL NOT BE REPRODUCED OR COPIED IN WHOLE OR IN PART AS THE BASIS FOR THE MANUFACTURE OR SALE OF ITEMS EXCEPT BY THE AUTHORITY OF ORSITA ELECTRONIC CORPORATION.

COMPONENT SIDE VIEW

WIRE & BUS STRAP RUNS

NO	FROM	TO	WIRE OR BUS LENGTH
①	FEEDTHRU AT F1	TERMINAL D1	#14 AWG 4" SEE NOTE 3
②	S1	FEEDTHRU SHOWN	#18 AWG 3"
③	S1	FEEDTHRU SHOWN	#18 AWG 2.5"
④	D12	FEEDTHRU SHOWN	DEC PT. #1214074-05 SEE NOTE 4
⑤	TERMINAL D1	D12	#14 AWG 3" SEE NOTE 5
⑥	TERMINAL D1	Q2	#14 AWG 2" SEE NOTE 6
⑦	Q2	Q1	DEC PT. #1214074-04 SEE NOTE 7
⑧	TERMINAL D1	FEEDTHRU SHOWN	#14 AWG 2.75" SEE NOTE 2

- NOTES:
1. MOUNT WIRES PER I.A. DRAWING NO. IA 7013274. RED WIRE TO CASE Q2 AND POSITIVE TERMINAL C1 & BLACK WIRE TO CASE D12 AND NEGATIVE TERMINAL C1.
 2. WIRE RUN ② IS SOLDERED AT D1.
 3. WIRE RUN ③ IS SOLDERED AT D1.
 4. STRAP ④ (ITEM #26) IS SOLDERED AT FEEDTHROUGH SHOWN AND MOUNTED UNDER RING LUG OF D12.
 5. WIRE RUN ⑤ IS SOLDERED AT D1 AND CRIMPED TO RING LUG ITEM #87 OF D12.
 6. WIRE RUN ⑥ IS SOLDERED AT D1 AND CRIMPED TO RING LUG ITEM #87 OF Q2.
 7. BUS STRAP ⑦ (ITEM #25) IS MOUNTED UNDER RING LUG OF Q2 AND ON CASE OF Q1.
 8. TORQUE HARDWARE ON Q1, Q2, Q4 AND D12 TO 5 INCH-LBS. FROM NUT SIDE ONLY. TORQUE OTHER HARDWARE TO DEC STD. VALUES.
 9. APPLY THERMAL COMPOUND TO D1 (ITEM 19) ONLY.



NOTES:

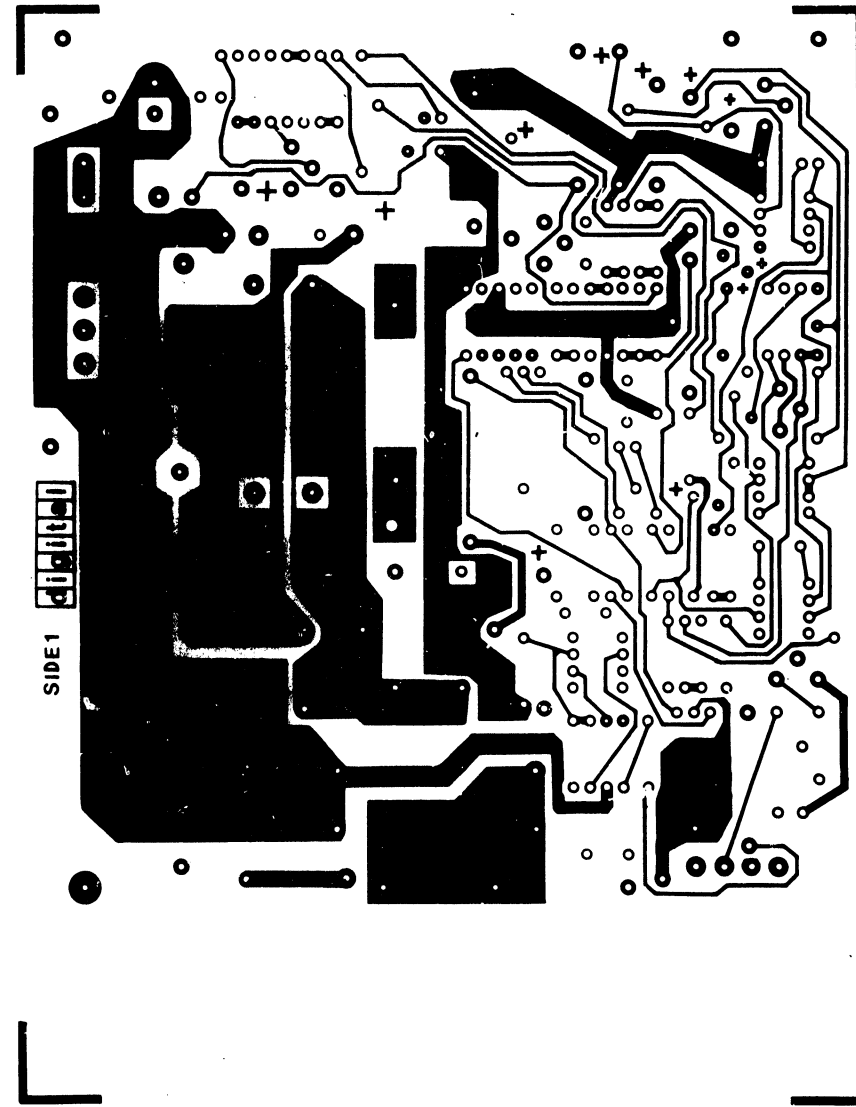
1. INDICATED DRILL POINTS AT C11 AND C16 SHOULD NOT BE USED FOR DRILL ALIGNMENT DURING MANUFACTURE. THESE OVERSIZED PADS WILL NOT CENTER WITH DRILL BORING.

CHANGE NO	REV	DATE	BY	CHK'D
1	1	12/1/71	BIGIST	
2	1	12/1/71	BIGIST	
3	1	12/1/71	BIGIST	
4	1	12/1/71	BIGIST	
5	1	12/1/71	BIGIST	
6	1	12/1/71	BIGIST	
7	1	12/1/71	BIGIST	
8	1	12/1/71	BIGIST	
9	1	12/1/71	BIGIST	
10	1	12/1/71	BIGIST	

ETCH REV. P	P.C. DESIGN DATA BASE REV. B-P4
-------------	---------------------------------

SIGNATURES	DATE	TITLE
DRN. B. J. ...	5/20/71	digital
CHK'D. ...	12/1/71	
ENG. ...	12/1/71	
PROJ. ENG. ...	12/1/71	
PROD. ...	12/1/71	
SCALE 2/1	SIZE CODE 0	NUMBER UA
SHT. 1 OF 3		5412441-2-0
NEXT HIGHER ASSY. B-DD-5412441-0		

PROPERTY OF THE U.S. GOVERNMENT
THIS DOCUMENT IS UNCLASSIFIED
DATE 01-13-01 BY 60322 UCBAW/KST/STP



REVISIONS

CHK	DRAWING NO.	REV.

+5V, 32AMP, REGULATOR

D UA 5412441-0-0 J

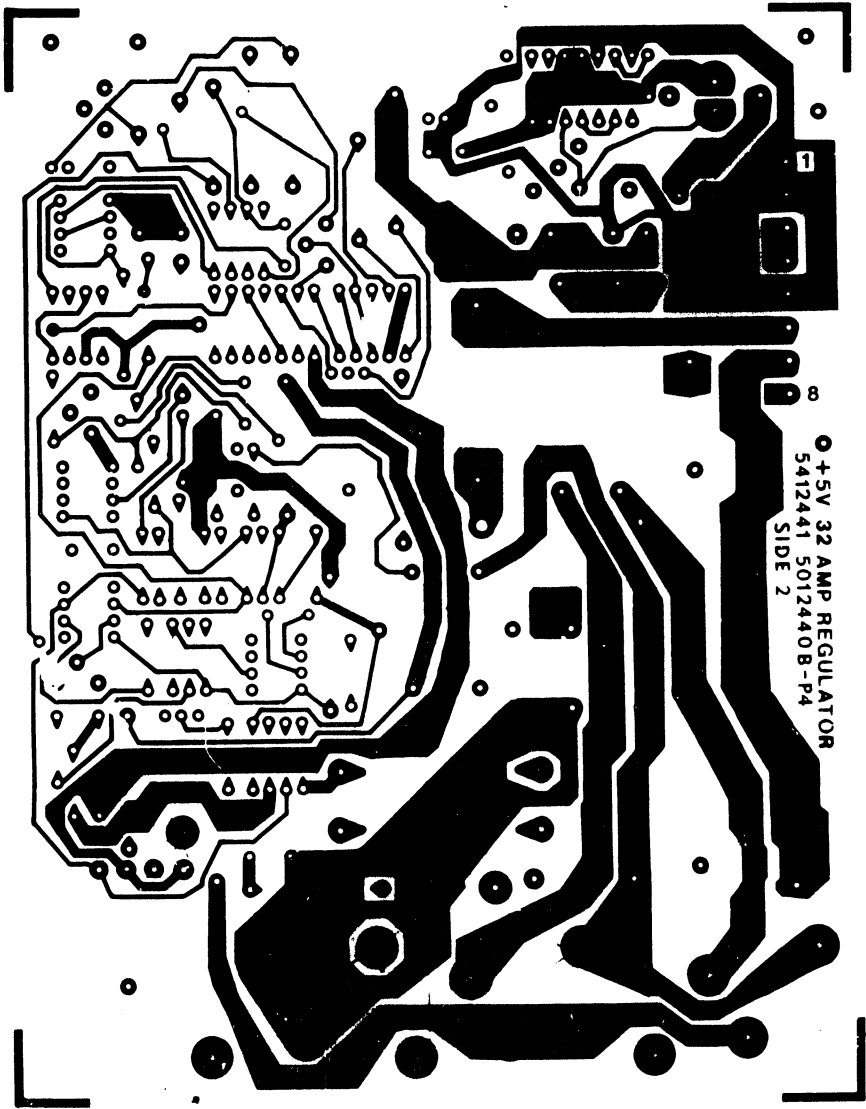
2/1

2

3

J

THE DRAWINGS AND ALL INFORMATION HEREIN ARE THE PROPERTY OF THE UNITED STATES GOVERNMENT AND SHALL NOT BE REPRODUCED OR TRANSMITTED IN ANY FORM OR BY ANY MEANS, ELECTRONIC OR MECHANICAL, INCLUDING PHOTOCOPYING, RECORDING, OR BY ANY INFORMATION STORAGE AND RETRIEVAL SYSTEM, WITHOUT PERMISSION IN WRITING FROM THE UNITED STATES GOVERNMENT.



REVISIONS		
CHK	CHANGE NO.	REV.

FILE	+5V, 32AMP REGULATOR	REV	D UA	5412441-0-0	REV	J
DATE	2/1	SHEET	3	OF	3	

LINE	ITEM	DOCUMENT NO.	PART NO.	DESCRIPTION	QTY	REFERENCE DESIGNATORS
1	1	D-MD-5012440-0-0	5012440-00	5412441	1	
2	2		1000009-00	33.0 MMF 100V 5X200PPM DM15S (10-00	1	C20
3	3		1000021-00	220.0 MMF 100V 5X200PPM DM15S (10-00	1	C9
4	4		1001610-01	.01 MFD 100V DR 50V Z5U DISC/800PF MIN	5	C4,C5,C17,C18,C21
5	5		1002627-00	2.2MFD 20V 10% 150D S.TA (10	2	C2,C7
6	6		1004813-00	10 MFD 20V 10% 150D S.TA (10-00	1	C8
7	7		1010279-00	.47 MFD 25V 20% 2C023 CER.	1	C19
8	8		1010646-00	.015 MFD 50V 2% M.POLYCARB	2	C3,C10
9	9		1010702-00	24,000 MFD 50V GX 36D AL EL	1	C1
10	10		1012607-00	560 MFD 20V HX 672D AL EL	1	C11
11	11		1012607-01	1200 MFD 6.3V HX 672D AL EL	1	C16
12	12		1009964-00	.68 MFD 35V 10% 150D S.TA	1	C12
13	13		1001776-00	1 MFD 35V 10% 150D S.TA (10-00	3	C13,C14,C22
14	14		1000024-00	470.0 MMF 100V 5X200PPM DM15S (10-00	1	C6
15	15		1105508-00	1N 823 VZ= 6.2 5% .40W Y	1	D18
16	16		1102808-00	1N 752A VZ= 5.6 5% .40W P	1	D22
17	17		1103341-00	MR1033B PIV=300 I= 3A Z44 SM	1	D19
18	18		1105275-00	D 672 TR= 15NS FIV= 60V SP	15	D3-D6,D9-D11,D13-D17,D23,D25, CONT D27
19	19		1110051-00	DM 16 ASSY@200V & 25A @990-3	1	D1
20	20		1110324-00	LED 1MCD@10MA @MV5054-1@HP4882	1	D26
21	21		1110836-00	1N 759A VZ= 12.0 5% .40W P	1	D2
22	22		1110968-00	2N 5062 SCR@100V I=.8A T092	1	D20
23	23		1112595-01	A114B PIV=200 I= 1A	2	D7,D8
24	24		1113496-00	UES602R PIV=100 I=30A T03	1	D12
25	25		1214074-04	STRAP,THERMAL 2 HOLE	1	
26	26		1214074-05	STRAP,THERMAL LUG .815	1	
27	27		1209070-00	FUSE, SUB-MINI, 5.000A, 125V, RADIAL LEAD	1	F2
28	28		1209340-00	MATE-N-LOK 8PIN,HOUSING,SKT	1	J1
29	29		1209456-01	MATE-N-LOK SKT PCB TAB LOOSE	8	

REVISION HISTORY			VARIATIONS FOR THIS ASSY.		FIRST USED ON:		DIGITAL EQUIPMENT CORPORATION MAYNARD, MASSACHUSETTS		
CHK	ECO NO	REV			MADE BY:	DATE:	TITLE		
SC	00008	J	00		D.SIREEN	10-MAR-78	PARTS LIST		
					F.GAROFALO	10-MAR-78	+5V 32 AMP REGULATOR		
					R.DAY	10-MAR-78		SIZE	CODE
					R.B.KING	10-MAR-78		DOCUMENT NUMBER	REV
					R.DAY	10-MAR-78		K	PL
								5412441-0-0	J
									EDIT#
								D-UA-5412441-0-0	6

THIS DRAWING AND SPECIFICATIONS HEREIN, ARE THE PROPERTY OF DIGITAL EQUIPMENT CORPORATION AND SHALL NOT BE REPRODUCED OR COPIED OR USED IN WHOLE OR IN PART AS THE BASIS FOR THE MANUFACTURE OR SALE OF ITEMS WITHOUT WRITTEN PERMISSION.
COPYRIGHT 1978. DIGITAL EQUIPMENT CORP OFATION

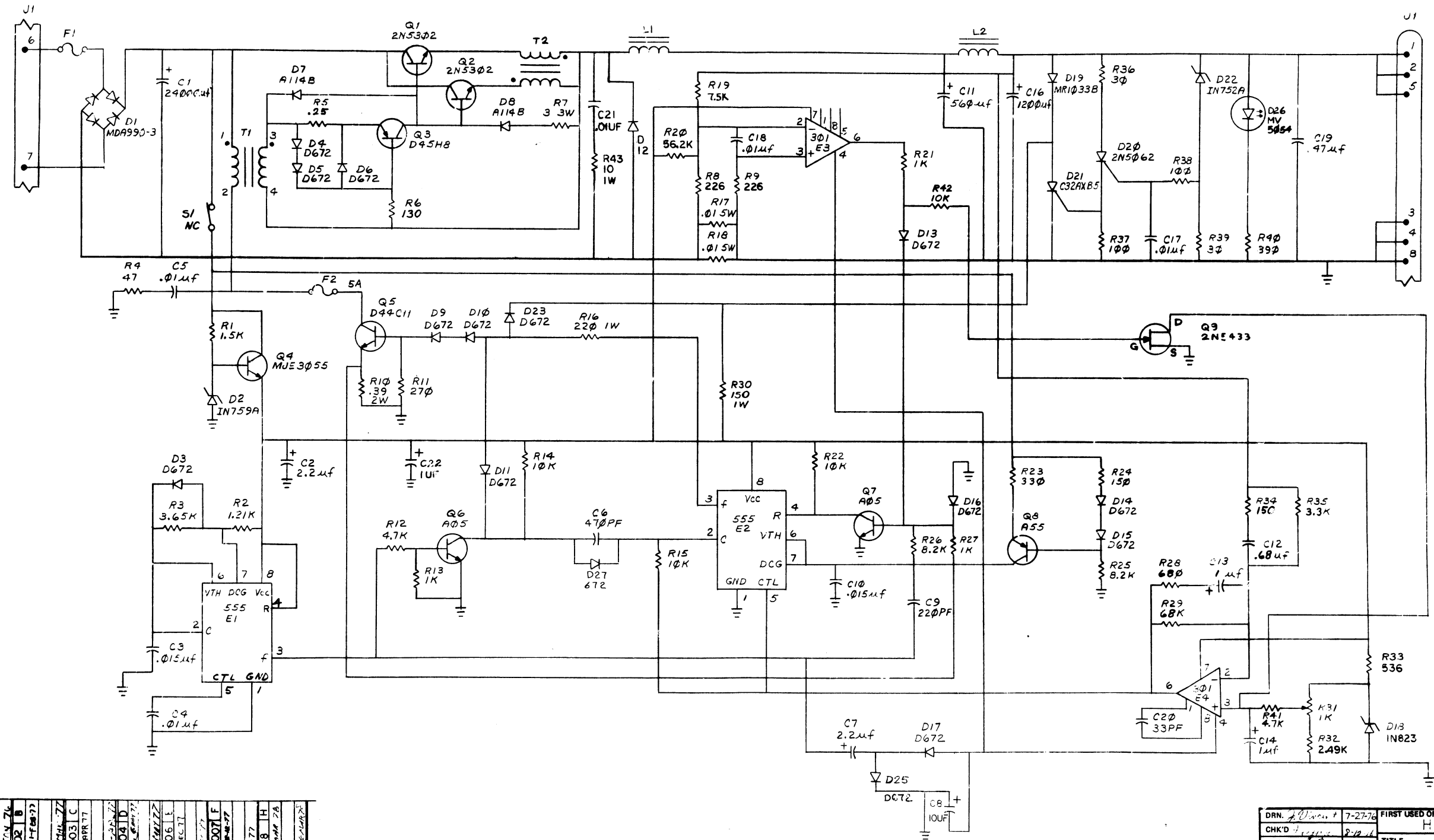
LINE	ITEM	DOCUMENT NO.	PART NO.	DESCRIPTION	QTY	REFERENCE DESIGNATORS
30	30		1213071-02	INSULATOR,RUBBER SILICONE SM	3	
31	31		1212787-00	THERMOSTAT,00212,C0182,NC	1	S1
32	32		1210737-02	HEAT SINK,REGULATOR	1	
33	33		1213071-06	INSULATOR,RUBBER SILICONE	1	
34	34		1312626-00	2.49 K 1/4W 1% RN55D-F 100PPM	(13-00) 1	R32
35	35		1300229-00	100 1/4W 5% CC	(13-00) 2	R37,R38
36	36		1300250-00	150 1/4W 5% CC	(13-00) 2	R24,R34
37	37		1305322-00	7.5 K 1/4W 1% RN55D-F 100PPM	(13-00) 1	R19
38	38		1300295-00	330 1/4W 5% CC	(13-00) 1	R23
39	39		1301424-00	680 1/4W 5% CC	(13-00) 1	R28
40	40		1301327-00	68 K 1/4W 5% CC	(13-00) 1	R29
41	41		1300439-00	3.3 K 1/4W 5% CC	(13-00) 1	R35
42	42		1310219-00	.25 3W 1% WW	(13-00) 1	R5
43	43		1300248-00	130 1W 5% CC	(13-00) 1	R6
44	44		1302644-00	226 1/4W 1% RN55D-F 100PPM	(13-00) 2	R8,R9
45	45		1300277-00	220 1W 10% CC	(13-00) 1	R16
46	46		1300309-00	390 1/4W 5% CC	(13-00) 1	R40
47	47		1312922-00	536 1/4W 1% RN55D-F 100PPM	(13-00) 1	R33
48	48		1300365-00	1 K 1/4W 5% CC	(13-00) 3	R13,R21,R27
49	49		1300394-00	1.5 K 1/2W 5% CC	(13-00) 1	R1
50	50		1300447-00	4.7 K 1/4W 5% CC	(13-00) 2	R12,R41
51	51		1300479-00	10 K 1/4W 5% CC	(13-00) 4	R14,R15,R22,R42
52	52		1301695-00	47 1/2W 5% CC	(13-00) 1	R4
53	53		1301972-00	270 1/4W 5% CC	(13-00) 1	R11
54	54		1312747-00	56.2 K 1/4W 1% RN55D-F 100PPM	(13-00) 1	R20
55	55		1302751-00	30 1/4W 5% CC	(13-00) 2	R36,R39
56	56		1302871-00	1.21 K 1/4W 1% RN55D-F 100PPM	(13-00) 1	R2
57	57		1303179-00	8.2 K 1/4W 5% CC	(13-00) 2	R25,R26
58	58		1305337-00	3.65 K 1/4W 1% RN55D-F 100PPM	(13-00) 1	R3
59	59		1309143-07	1 K 3/4W10% POT 100PPM	(13-00) 1	R31
60	60		1310868-00	.39 2W 5% WW	(13-00) 1	R10
61	61		1313712-00	.01 5W 3% WW	(13-00) 2	R17,R18
62	62		1312682-00	3 3W 5% WW	(13-00) 1	R7
63	63		1300256-00	150 1W 10% CC	(13-00) 1	R30
64	64		1300171-00	10 1W 5% CC	(13-00) 1	R43
65	65		1510196-00	2N 5302/HSNPN 200WC SI 60 40 M	2	Q1,Q2
66	66		1510555-00	MJE3055 NPN 90WC SI 60 20 Y	1	Q4
67	67		1510705-00	XA 05 NPN 500MW SI 60 50 P	2	Q6,Q7
68	68		1510706-00	XA 55 PNP 500MW SI 60 50 P	1	Q8
69	69		1510708-00	D 45H8 PNP 50WT SI 60 60 Y	1	Q3
70	70		1510928-00	C32AX135 SCR@100V I=25A	1	D21
71	71		1512790-00	D 44C11 NPN 30W SI 80 40	1	Q5
72	72		1511686-00	DECS433 FET N 350MW 10 25 1A 20U	1	Q9
73	73		1612584-00	50 UH 30A	1	L1
74	74		1612592-00	PULSE XFMR,RATIO 4:1	1	T1
75	75		1613713-00	CHOKE, 5 UH 32A	1	L2
76	76		1613714-00	2 UH 20A	1	T2
77	77		1910282-00	301AN OP AMP	2	E3,E4

DIGITAL EQUIPMENT CORPORATION MAYNARD, MASSACHUSETTS	TITLE PARTS LIST +5V 32 AMP REGULATOR	SIZE K	CODE PL	DOCUMENT NUMBER 5412441-0-0	REV J
---	---	-----------	------------	--------------------------------	----------

LINE ITEM	DOCUMENT NO.	PART NO.	DESCRIPTION	QTY	REFERENCE DESIGNATORS
78	78	1911944-00	555CN TIMER,FUNCT.BLOCK	2	E1,E2
79	79	7013274-00	JUMPER CAP TRAWS	1	
80	80	7013274-01	JUMPER CAP TRAWS	1	
81	81	7414765-00	HEATSINK	1	
82	82	9006633-00	WASHER,LOCK,INT,.280OD X .146ID X .018 THK	3	
83	83	9008172-00	WASHER, FLAT,SS .250 OD X .125 ID X .022 T	3	
84	84	9006660-00	WASHER, FLAT, .375 O.D. X .187 I.D. X .036	2	
85	85	9006653-00	WASHER, FLAT, .375 O.D. X .156 I.D. X .036	1	
86	86	9008082-00	WASHER, FLAT, FIBER OD: 1/2	2	
87	87	9007927-00	TERM RING 1POS INSULATED,16-14AWG,ROLL	2	
88	88	9006037-03	SCREW,TRUS,PHIL, 8-32X 3/8 SS/PAS	2	
89	89	9006557-00	NUT,KEP , 4-40X 1/4 AF CS	1	
90	90	9006563-00	NUT,KEP , 8-32 X11/32AF CS	2	
91	91	9007203-00	CLIP, FUSE, WITH STOP, SCREW MOUNTED	2	
92	92	9007226-00	FUSE, REG BLOW, 15.000A, 32V, GLASS	1	F1
93	93	9008268-00	COMPOUND, THERMAL JOINT	A/R	
94	94	9006012-01	SCREW,PAN ,PHIL, 4-40X 7/16 SS/PAS	2	
95	95	9009000-00	EYELET, ROLLED FLANGE, .121 OD X .156 LG	4	
96	96	9009769-00	WASHER, RECTANGULAR .405X.225X.060	1	
97	97	9006021-01	SCREW,PAN ,PHIL, 6-32X 5/16 SS/PAS	2	
98	98	9007660-00	SPACER, FIBER, RND, 4-40, .250 X .500 LG	1	
99	99	9007801-00	WASHER, LOCK, S.S. #6	7	
100	100	9008957-00	NUT,HEX , 6-32X 1/4 AF X 3/32 THK SS	7	
101	101	9007793-01	SCREW,PAN ,PHIL, 6-32X 9/16 SS/PAS	8	
102	102	9006010-01	SCREW,PAN ,PHIL, 4-40X 5/16 SS/PAS	1	
103	103	9107360-99	WIRE,STRND,18AWG,IPVC UL1429 (91-00 A/R		
104	104	9107370-00	WIRE,STRND,14AWG,IPVC UL1534 (91-00 A/R		

DIGITAL EQUIPMENT CORPORATION MAYNARD, MASSACHUSETTS	TITLE +5V 32 AMP REGULATOR	PARTS LIST	SIZE K	CODE PL	DOCUMENT NUMBER 5412441-0-0	REV J
---	-------------------------------	------------	-----------	------------	--------------------------------	----------

THIS DRAWING AND SPECIFICATIONS, HEREIN, ARE THE PROPERTY OF DIGITAL EQUIPMENT CORPORATION AND SHALL NOT BE REPRODUCED OR COPIED OR USED IN WHOLE OR IN PART AS THE BASIS FOR THE MANUFACTURE OR SALE OF ITEMS WITHOUT WRITTEN PERMISSION OF DIGITAL EQUIPMENT CORPORATION. COPYRIGHT © 1976, DIGITAL EQUIPMENT CORPORATION.



REV.	CHG.	BY	DATE	DESCRIPTION
1				
2				
3				
4				
5				
6				
7				
8				
9				
10				
11				
12				
13				
14				
15				
16				
17				
18				
19				
20				
21				
22				
23				
24				
25				
26				
27				
28				
29				
30				
31				
32				
33				
34				
35				
36				
37				
38				
39				
40				
41				
42				
43				
44				
45				
46				
47				
48				
49				
50				
51				
52				
53				
54				
55				
56				
57				
58				
59				
60				
61				
62				
63				
64				
65				
66				
67				
68				
69				
70				
71				
72				
73				
74				
75				
76				
77				
78				
79				
80				
81				
82				
83				
84				
85				
86				
87				
88				
89				
90				
91				
92				
93				
94				
95				
96				
97				
98				
99				
100				

DRN. 7-27-76	FIRST USED ON 7-27-76
CHK'D 8-12-76	H.7441
ENG. 8-24-76	TITLE +5V 32 AMP REGULATOR
PROJ. ENG. 8-24-76	NUMBER D CS 5412441-0-1
PROD. 8-24-76	REV. H
NEXT HIGHER ASSY.	SCALE
SHEET 1 OF 1	DIST.

"THE MATERIAL HEREIN IS FOR INFORMATION PURPOSES ONLY AND IS SUBJECT TO CHANGE WITHOUT NOTICE. DIGITAL EQUIPMENT CORPORATION ASSUMES NO RESPONSIBILITY FOR ANY ERRORS WHICH MAY APPEAR HEREIN."

FIELD MAINTENANCE PRINT SET

"THIS DRAWING AND SPECIFICATIONS, HEREIN, ARE THE PROPERTY OF DIGITAL EQUIPMENT CORPORATION AND SHALL NOT BE REPRODUCED OR COPIED OR USED IN WHOLE OR IN PART AS THE BASIS FOR THE MANUFACTURE OR SALE OF ITEMS WITHOUT WRITTEN PERMISSION. COPYRIGHT © 1977, DIGITAL EQUIPMENT CORPORATION."

TABLE OF CONTENTS

B-TC-7014251-0-1	7014251 REGULATOR BATTERY BACK UP (TC)
E-UA-7014251-0-0	7014251 REGULATOR BATTERY BACK UP
E-UA-5413075-0-0	MK11 POWER SUPPLY BATTERY BACK UP REGULATOR
B-PL-5413075-0-0	MK11 POWER SUPPLY BATTERY BACK UP REGULATOR (PL)
D-CS-5413075-0-1	MK11 POWER SUPPLY BATTERY BACK UP REGULATOR (CS)
E-UA-5413073-0-0	MK11 POWER SUPPLY CONTROL
B-PL-5413073-0-0	MK11 POWER SUPPLY CONTROL (PL)
D-CS-5413073-0-0	MK11 POWER SUPPLY CONTROL (CS)
D-UA-5412411-0-0	INPUT RECTIFIER BOARD
B-PL-5412411-0-0	INPUT RECTIFIER BOARD (PL)
D-CS-5412411-0-1	INPUT RECTIFIER BOARD (CS)

UNIT VARIATIONS COVERED BY THIS PRINT SET

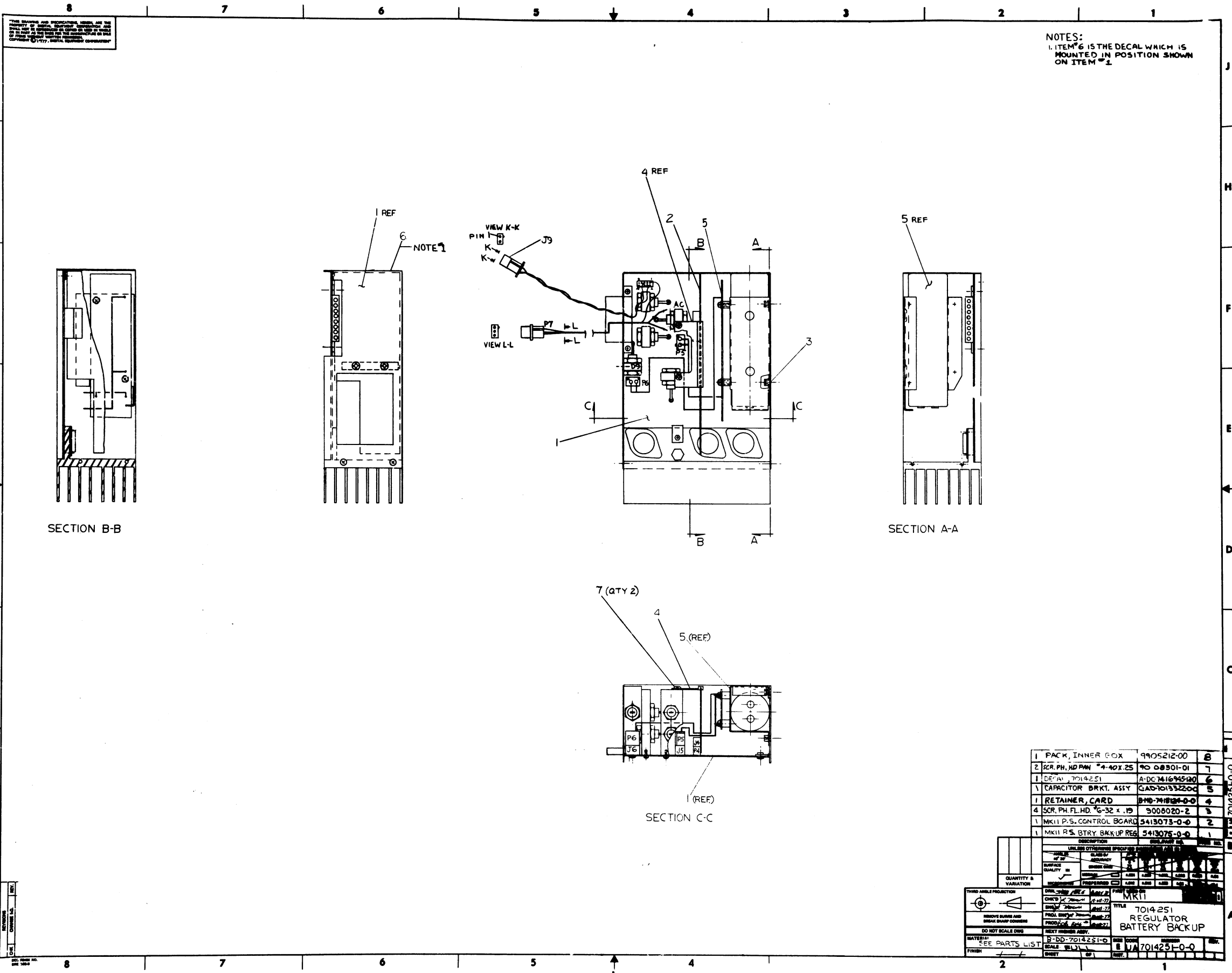
MK11

7014251-0
**Field Maintenance
 Print Set**

**Digital Equipment
 Corporation**

PRINT SET ORDER NO.
 MP00555

REVISIONS	REV.		USED ON OPTION/MODEL	DRN.	DATE	digital		
	CHG. NO.		MK11	D. HEALY	DEC 77		TITLE: 7014251 REGULATOR BATTERY BACK UP	
	DATE			CHK'D D. HEALY	DEC 77			
					PROJ. ENG. <i>Joe Mercanti</i>		DEC 77	SIZE B CODE TC NUMBER 7014251-0-1 REV.
					FIELD SERV.			
			SHEET I OF <u>1</u>	<i>Dwight</i>	21 Dec 77	DIST.		



THIS DRAWING AND SPECIFICATIONS HEREON ARE THE PROPERTY OF MILITARY ELECTRONIC CORPORATION AND ARE TO BE KEPT IN CONFIDENCE AT ALL TIMES. NO REPRODUCTION OR TRANSMISSION OF THIS DRAWING OR INFORMATION CONTAINED HEREIN IS TO BE MADE WITHOUT THE WRITTEN CONSENT OF MILITARY ELECTRONIC CORPORATION.

NOTES:
1. ITEM 6 IS THE DECAL WHICH IS MOUNTED IN POSITION SHOWN ON ITEM #1.

SECTION B-B

SECTION A-A

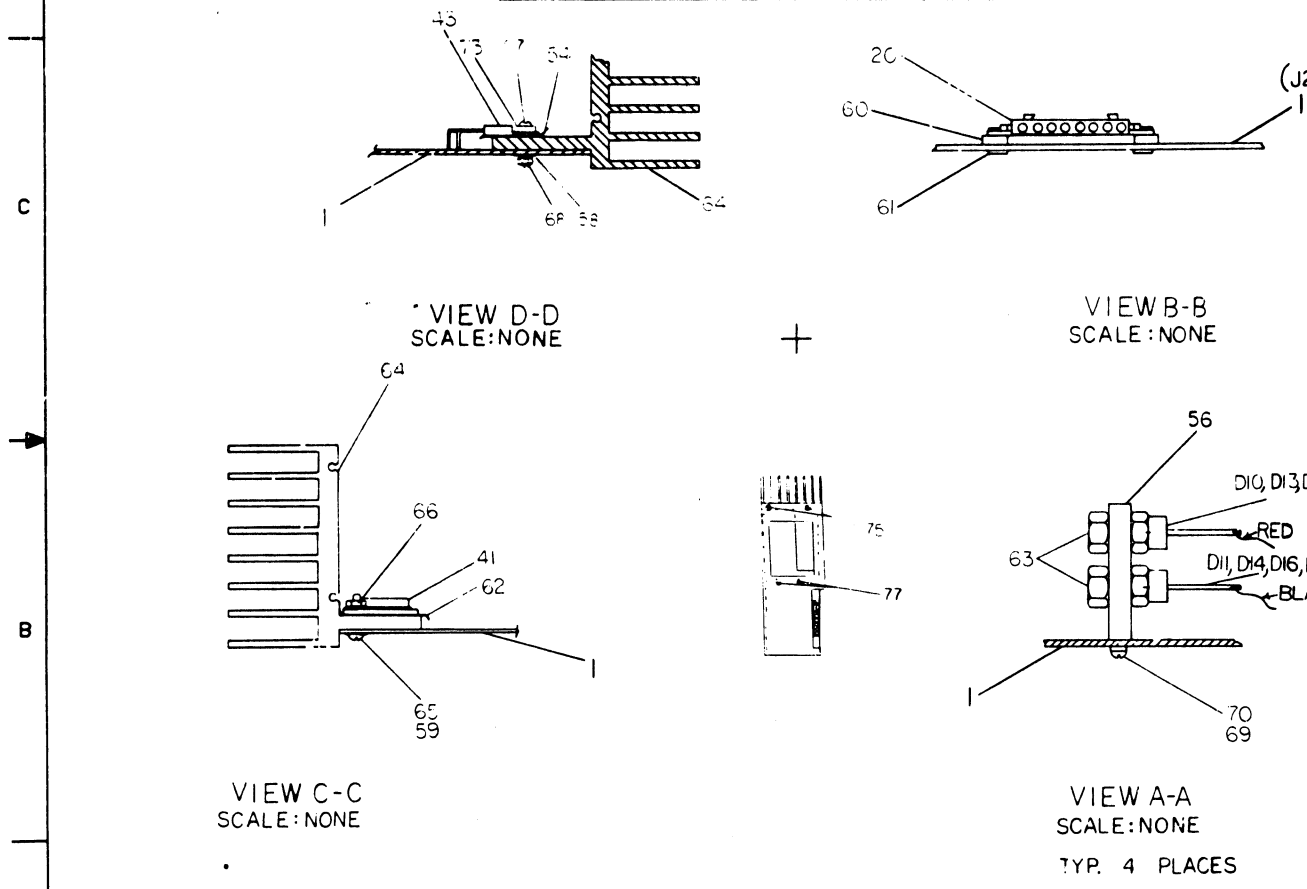
SECTION C-C

QTY	DESCRIPTION	PART NO.	REV.
1	PACK, INNER COX	9905212-00	8
2	SCR. PH. HD PWR #4-40X.25	90 08301-01	7
1	DETAI, 7014251	A-DC-1416945120	6
1	CAPACITOR BRKT. ASSY	GAD-10133220C	5
1	RETAINER, CARD	BND-71824-0-0	4
4	SCR. PH. FL. HD #6-32 x .19	3008020-2	3
1	MKII P.S. CONTROL BOARD	5413073-0-0	2
1	MKII P.S. BTRY BACKUP REG	5413075-0-0	1

THIRD ANGLE PROJECTION	DATE: 10/1/51	REV. 8	PART USED ON: MKII
DESIGNED BY: [Signature]	CHIEF ENGINEER: [Signature]	PROJ. ENGR: [Signature]	PROD. ENGR: [Signature]
TITLE: 7014251 REGULATOR BATTERY BACKUP		SCALE: 1:1	
MATERIAL: 15-DD-7014251-0		REV. 8	
FINISH: [Blank]		SHEET 1 OF 1	

WIRE TABLE									
ITEM NO	RUN NO	AWG	COLOR	FROM	TO	7014251	LENGTH		
71	75	18TWP	BLK	D11 ANODE	PAD 1		4.50		
	76	18	RED	D10 ANODE	PAD 2		4.50		
77	18	RED	D9 CATHODE	PAD 3			3.00		
	78	18	RED	D12 CATHODE	PAD 10		3.75		
71	79	18TWP	BLK	D16 ANODE	PAD 11		1.50		
	80	18TWP	RED	D15 ANODE	PAD 6		2.00		
71	81	18TWP	BLK	D7 CATHODE	PAD 7		2.75		
	82	18TWP	RED	D8 CATHODE	PAD 5		2.75		
71	83	18TWP	RED	D13 ANODE	D18 CAT		3.50		
	84	18TWP	BLK	D14 ANODE	D17 CAT		3.50		
85	18	BLK	D9 ANODE	PAD 9			3.00		

UNTWIST ITEM NO 71 AND USE PROPER COLOR.

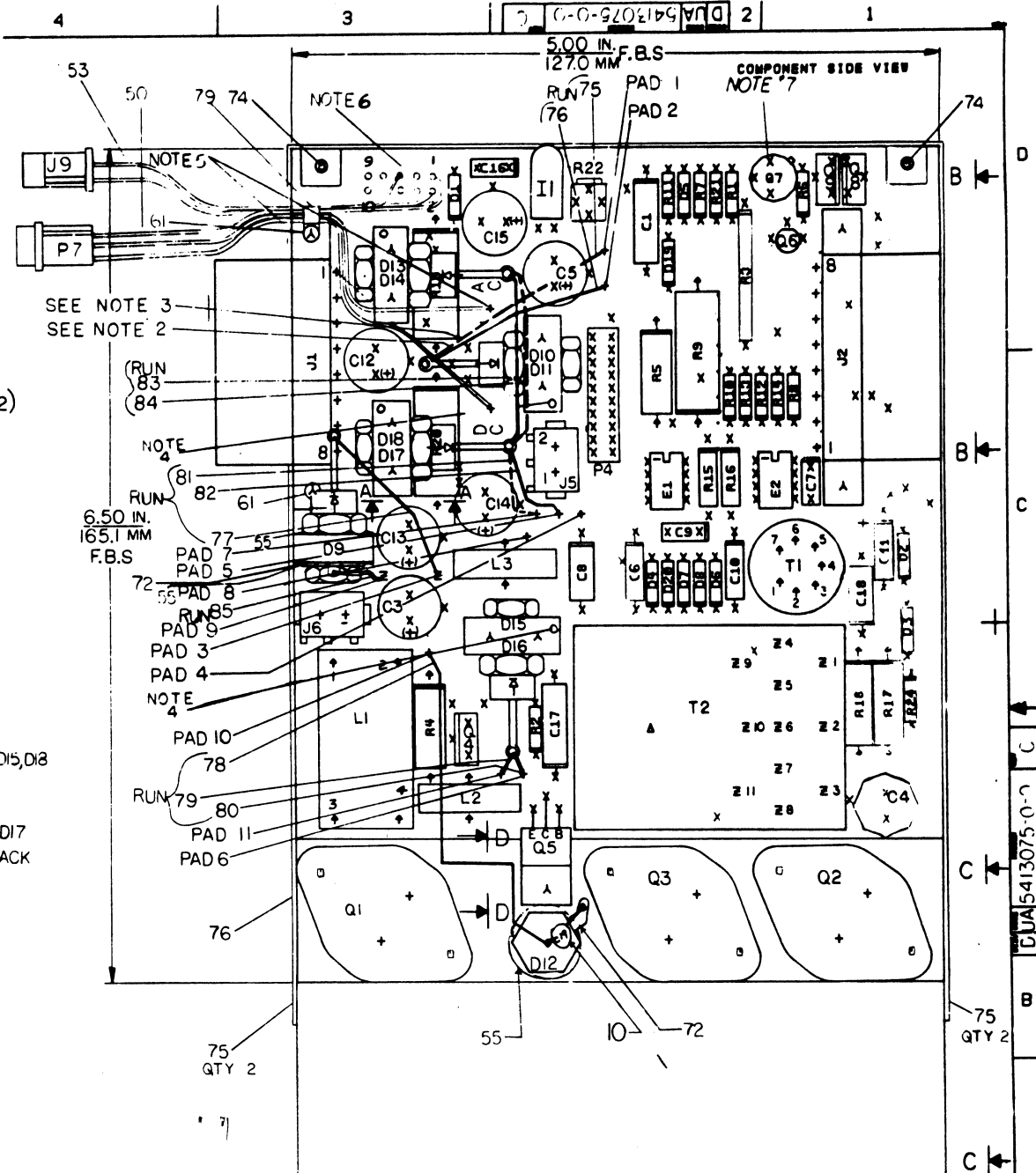


- NOTES:
- SEE SHEET 4 OF 4 FOR DIODE WIRING.
 - SOLID LINE INDICATES WIRE FROM THE TOP DIODE.
 - DASHED LINE INDICATES WIRE FROM BOTTOM DIODE.
 - TYPED HOLE AT TOP OF HEATSINKS MUST FACE PROPER WAY TO ALLOW INSERTION OF CARD GUIDE.

- CABLE #7014303 SOLDER YELLOW WIRE TO PTH MARKED AC, SOLDER WHITE WIRE TO PTH MARKED DC. SOLDER WHITE WIRE TO PTH'S (SEE NOTE 6 FOR LOCATION OF PTH'S).
- SOLDER TO PTH HOLE #5 RED WIRE SOLDER TO PTH HOLE #8 BLACK WIRE OF CABLE #7014301 ITEM #53.
- ADD TRIM PART 90-01201 ITEM #13.
- REV W/IN DOES NOT EXIST THE CAPUT IS IDENTICAL TO REV 7 W/IN.

9. TORQUE SPECIFICATIONS
- Q1-Q3 10 IN-LBS INSPECT TO MIN OF 6 TORQUE FROM SCREW HEAD
- Q5 8 IN-LBS INSPECT TO MIN OF 5 TORQUE FROM SCREW HEAD
- D9-D18 16 IN-LBS INSPECT TO MIN OF 12 TORQUE FROM NUT SIDE

REV	DATE	BY	CHK
1			
2			
3			
4			
5			
6			
7			
8			
9			



REV	DATE	BY	CHK
1			
2			
3			
4			
5			
6			
7			
8			
9			

SIGNATURES	DATE	digital
DRN. STEVE K. THE	6/20/71	
CHK'D. G. GIBBINS	9/10/71	
ENG. J. MURPHY	12/20/71	
PROJ. ENG. J. HANCOCK	12/20/71	
PROD. S. KING	12/20/71	
SCALE 2-1		
SHT 1 OF 4		
NEXT NUMBER-PLSY. 8-00-5413075-9		

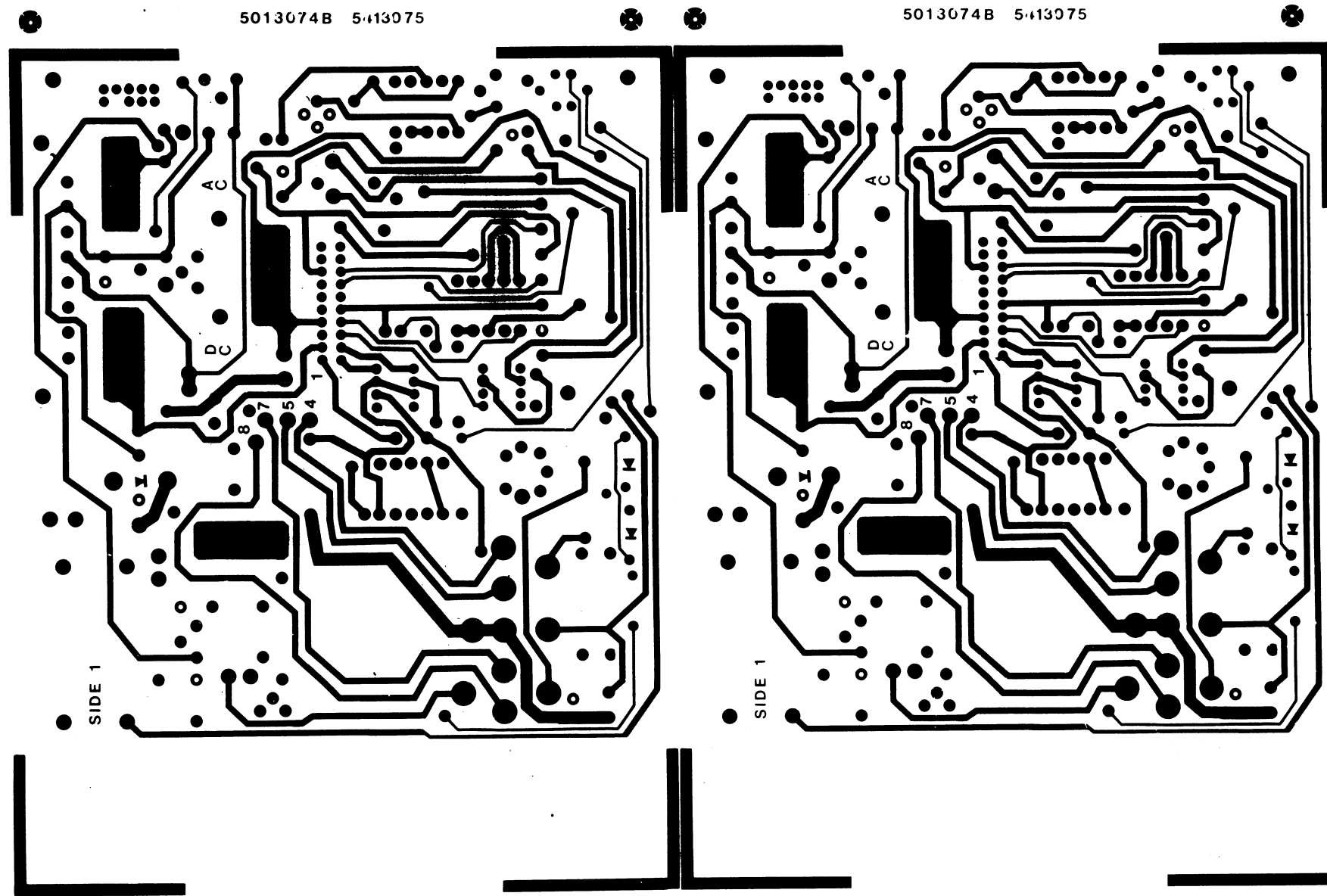
TITLE MK-II P.S. BATTERY BACKUP REGULATOR

SIZE CODE NUMBER REV

UA 5413075-0-0 C

"THIS DRAWING AND SPECIFICATIONS HEREIN ARE THE PROPERTY OF DIGITAL EQUIPMENT CORPORATION AND SHALL NOT BE REPRODUCED OR COPIED OR USED IN WHOLE OR IN PART AS THE BASIS FOR THE MANUFACTURE OR SALE OF ITEMS WITHOUT WRITTEN PERMISSION. COPYRIGHT © DIGITAL EQUIPMENT CORPORATION"

REV 0
DUA5413075-0-0
SIZE CODE 2



D
C
B
A

D
C
B
A

REVISIONS		
CHK	CHANGE NO.	REV

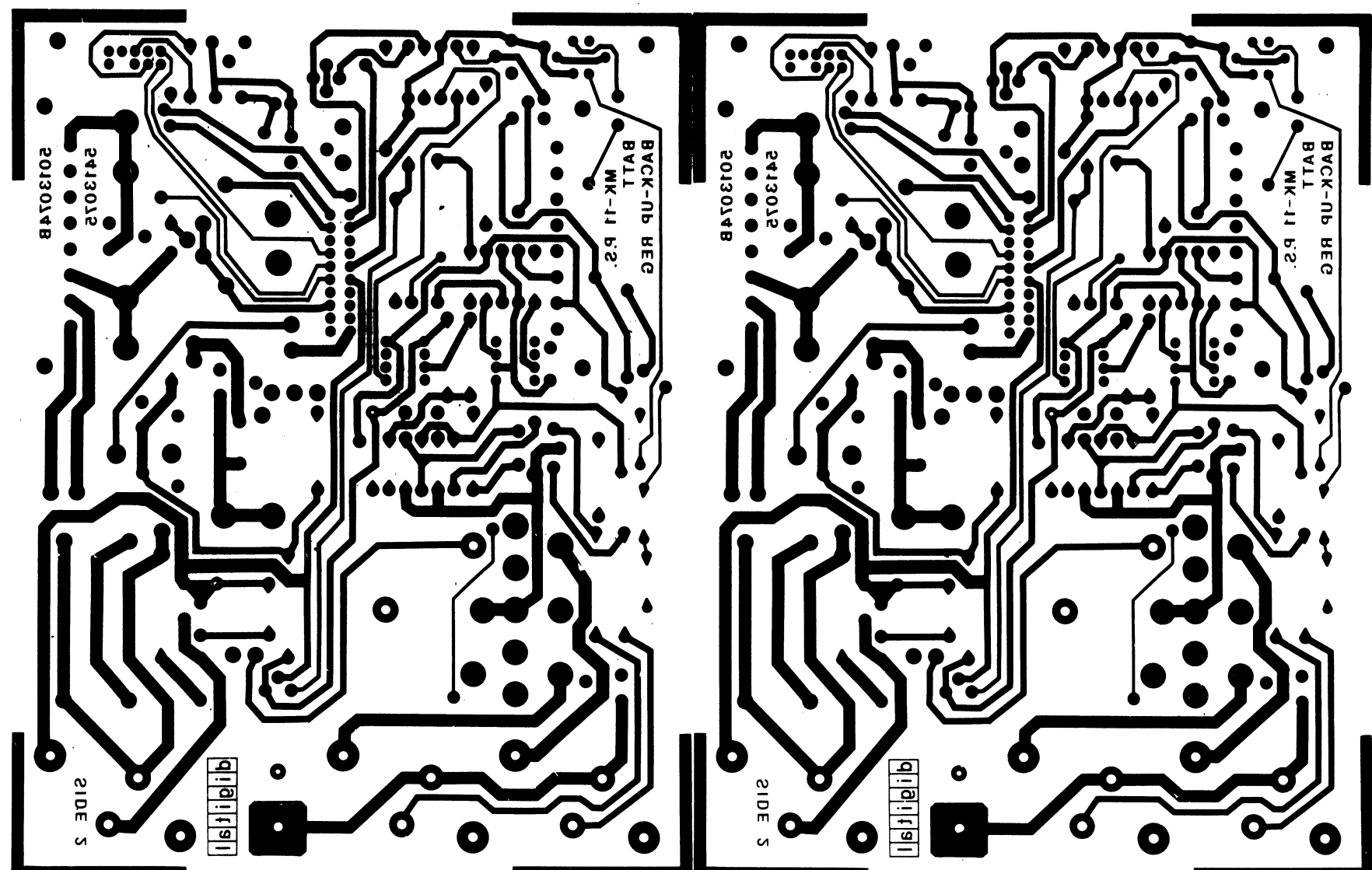
TITLE MK-II BATTERY BACKUP REGULATOR
 SCALE 2-1 SHEET 2 OF 4
 SIZE CODE DUA5413075-0-0
 NUMBER
 REV. C

REV C
 DUA5413075-0-0
 NUMBER

DEC FORM NO 500 137

8 7 6 5 4 3 2 1

"THIS DRAWING AND SPECIFICATIONS HEREIN ARE THE PROPERTY OF DIGITAL EQUIPMENT CORPORATION AND SHALL NOT BE REPRODUCED OR COPIED OR USED IN WHOLE OR IN PART AS THE BASIS FOR THE MANUFACTURE OR SALE OF ITEMS WITHOUT WRITTEN PERMISSION. COPYRIGHT © DIGITAL EQUIPMENT CORPORATION"



D
C
B
A

D
C
B
A

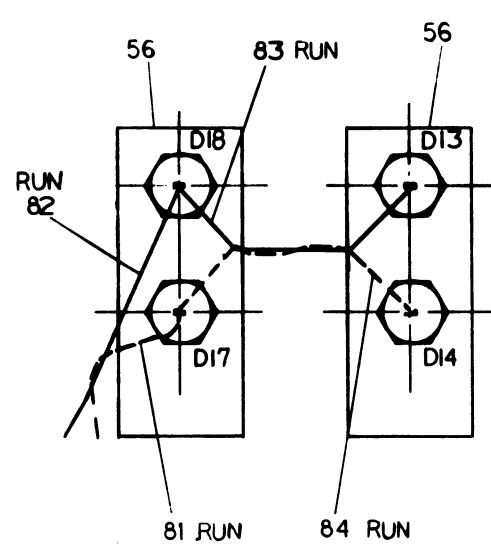
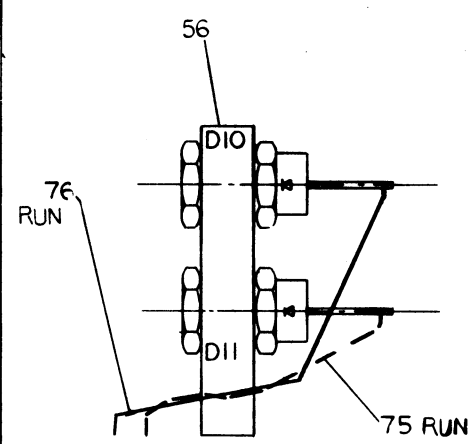
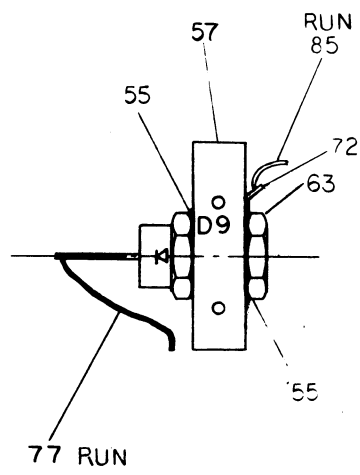
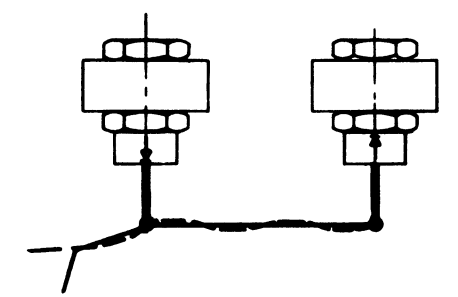
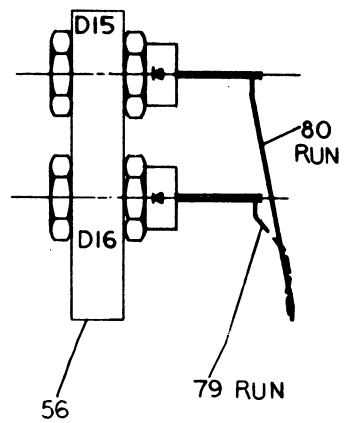
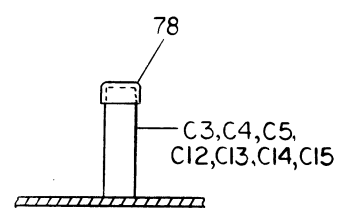
REVISIONS		
CHK	CHANGE NO	REV

TITLE	MK-11 BATTERY BACKUP REGULATOR	SIZE CODE	NUMBER	REV.
SCALE	2-1	SHEET	3 OF 4	D
DIST.				

7 6 5 4 3 2 1

THIS DRAWING AND SPECIFICATIONS HEREIN ARE THE PROPERTY OF DIGITAL EQUIPMENT CORPORATION AND SHALL NOT BE REPRODUCED OR COPIED OR USED IN WHOLE OR IN PART AS THE BASIS FOR THE MANUFACTURE OR SALE OF ITEMS WITHOUT WRITTEN PERMISSION. COPYRIGHT © 1977 DIGITAL EQUIPMENT CORPORATION

NOTES:
 1. WIRING INFORMATION IS ON SHEET 1 OF 4.
 2. DIODES TO BE ASSEMBLED TO HEAT-SINKS AND WIRED AS SHOWN BEFORE INSTALLING TO BOARD.



REVISIONS		
CHK	CHANGE NO.	REV.

LINE	ITEM	DOCUMENT NO.	PART NO.	DESCRIPTION	QTY	REFERENCE DESIGNATORS
1	1	D-MD-5013074-0-0	5013074-00	MK11 PS BATTERY BACKUP REGULATOR	1	
2	2		1002431-00	2.2MFD 35V 10% 1500 S.TA (10-00)	1	C10
3	3		1012607-02	100 MFD 50V H% 672D AL EL	3	C3-C5
4	4		1000042-00	1000.0 MMF 100V 5%200PPM DM158 (10-00)	1	C7
5	5		1010646-00	.015 MFD 50V 2% M.POLYCARB	1	C8
6	6		1000024-00	470.0 MMF 100V 5%200PPM DM158 (10-00)	1	C9
7	7		1001776-00	1 MFD 35V 10% 1500 S.TA (10-00)	2	C6,C11
8	8		1012607-00	560 MFD 20V H% 672D AL EL	3	C12,C13,C14
9	9		1012607-01	1200 MFD 6.3V H% 672D AL EL	1	C15
10	10		1010621-00	.1 MFD 50V 20% Z5U DISC	2	C16,C19
11	11		1004813-00	10 MFD 20V 10% 1500 S.TA (10-00)	2	C1,C17
12	12		1000030-00	.1 MFD 100V 20% Z5U DISC	1	C18
13	13		9007201-00	TRANSIPADS #10253	1	
14	14		1100125-00	1N 750A VZ= 10.0 5% .40W PPER S.A.V.E.C	2	D2,D3
15	15		1105275-00	D 672 TR= 15NS PIV= 60V SP	7	D1,D4-D8,D20
16	16		1109440-00	1N 3800 PIV=100 I= 6A D04 SM	6	D10,D11,D13,D14,D15,D16
17	17		1113366-00	1N 3800R PIV=100 I=6A S	4	D17,D18,D9,D12
18	18		1105648-00	1N 4744 VZ= 15.0 10% 1W Y	1	D19
19	19		1211004-02	SOCKET,100 20POS EDGE MOUNT	1	P4
20	20		1209340-00	MATE-N-LOK 8PIN,HOUSING,SKT	2	J1,J2
21	21		1209456-01	MATE-N-LOK SKT PCB TAB LOOSE	16	
22	22		1211342-02	MATE-N-LOK 2PIN PC TYPE	2	J5,J6
23	23		1209219-01	LAMP 6V0200MA,T1-3/4PINS#2319	1	I1
24	24		1300202-00	47 1/4W 5% CC (13-00)	1	R2
25	25		1309639-00	200 5W 5% WW (13-00)	1	R3
26	26		1312682-00	3 3W 5% (13-00)	1	R4
27	27		1302950-00	1.2 K 1W 10% CC (13-00)	1	R5
28	28		1300426-00	2.7 K 1/4W 5% CC (13-00)	2	R6,R7
29	29		1309680-00	2.7 M 1/4W 5% CC (13-00)	1	RR
30	30		1313712-00	.01 5W 3% WW (13-00)	1	R9

REVISION HISTORY			VARIATIONS FOR THIS ASSY.		FIRST USED ON: 5413075		DIGITAL EQUIPMENT CORPORATION MAYNARD, MASSACHUSETTS			
CHK	ECO NO	REV					SIZE	CODE	DOCUMENT NUMBER	REV
---	INIT	A			MADE BY:	S KITTLE				
S.C	00001	B			DATE:	18-NOV-77			TITLE	PARTS LIST
---	ML002	C			CHECKED:	G GIDDINGS				MK-11 BATTERY
BN	ML002	C								BACKUP REGULATOR
					DSN,ENG.:	JOE MERCURI				
					DATE:	18-NOV-77				
					PROD.:	BOB KING				
					DATE:	18-NOV-77	K	PL	5413075-0-DRP	C
					RESP,ENG.:	JOE MERCURI				
					DATE:	18-NOV-77			ASSY. NO.:	D-UA-5413075-0-0
										EDIT#
										19

"THIS DRAWING AND SPECIFICATIONS HEREIN, ARE THE PROPERTY OF DIGITAL EQUIPMENT CORPORATION AND SHALL NOT BE REPRODUCED OR COPIED OR USED IN WHOLE OR IN PART AS THE BASIS FOR THE MANUFACTURE OR SALE OF ITEMS WITHOUT WRITTEN PERMISSION. COPYRIGHT 1978, DIGITAL EQUIPMENT CORPORATION"

LINE	ITEM	DOCUMENT NO.	PART NO.	DESCRIPTION	QTY	REFERENCE DESIGNATORS
31	31		1300365-00	1 K 1/4W 5% CC (13-00)	2	R1,R11
32	32		1300229-00	100 1/4W 5% CC (13-00)	1	R12
33	33		1302466-00	100 K 1/4W 5% CC (13-00)	2	R13,R14
34	34		1312404-00	2.21 K 1/2W 1% RN60D-F 100PPM (13-00)	2	R15,R16
35	35		1313579-00	1.5 3W 5% WW (13-00)	2	R17,R18
36	36		1309855-00	300 2W 5% CC (13-00)	2	R19,R20
37	37		1300479-00	10 K 1/4W 5% CC (13-00)	1	R21
38	38		1310852-00	200 20% POT \$	1	R22
39	39		1300391-00	1.5 K 1/4W 5% CC (13-00)	1	R10
40	40		1300316-00	470 1/4W 5% CC (13-00)	1	R24
41	41		1510969-00	2N 5038 NPN 140WC SI 90 50 Y	3	Q1-Q3
42	42		1510708-00	D 45H0 PNP 50WT SI 60 60 Y	2	Q4,Q8
43	43		1512790-00	D 44C11 NPN 30W SI 80 40	2	Q5,Q9
44	44		1511686-00	DEC5433 FET N 350MW 10 25 1A 20U	1	Q6
45	45		1510959-00	2N 3725 NPN 3.5WC SI 50 60 P	1	Q7
46	46		1612593-00	500 UH 6A \$	1	L1
47	47		1613874-00	CHOKER,15UH 4A	2	L2,L3
48	48		1613876-00	XFMR,POWER,RATIO 1:2 7PIN \$	1	T1
49	49		1613875-00	XFMR,POWER,RATIO 1:2:3 100UH	1	T2
50	50		7014303-00	AC/DC LOW BOOT ENABLE CABLE	1	
51	51		1911944-00	555CN TIMER,FUNCT,BLOCK	1	E1
52	52		1910282-00	301AN OP AMP	1	E2
53	53		7014301-00	DC CABLE	1	
54	54		1213071-06	INSULATOR,RUBBER SILICONE	1	
55	55		1213071-05	INSULATOR,RUBBER THERMAL	3	
56	56		7417414-00	HEAT SINK (DUAL)	4	
57	57		7417413-00	HEAT SINK (SINGLE)	1	
58	58		9006655-00	WASHER, FLAT, .312 O.D. X .125 ID X .025 T	1	
59	59		9006656-00	WASHER, FLAT, .312 O.D. X .156 I.D. X .027	6	
60	60		9006706-00	WASHER, NYLON, FLAT #4 .375 OD X .031 THK	2	
61	61		9006745-00	EYFLET, ROLLED FLANGE, .120 OD X .260 LG	4	
62	62		1213071-02	INSULATOR,RUBBER SILICONE 8M	3	
63	63		9006565-00	NUT,KEP , 10-32X 3/8 AF CS/	10	
64	64		1210737-04	HEAT SINK,REGULATOR	1	
65	65		9007793-04	SCREW,BIND,SLOT, 6-32X 9/16 SS/PAS	6	
66	66		9008185-00	NUT,KEP , 6-32X1/4 AF CS/	6	
67	67		9008033-01	SCREW,PAN ,PHIL, 4-40X 9/16 SS/PAS	1	
68	68		9006557-00	NUT,KEP , 4-40X 1/4 AF CS	1	
69	69		9006632-00	WASHER,LOCK,INT,.260OD X .120ID X .015 THK	8	
70	70		9006010-04	SCREW,BIND,SLOT, 4-40X 5/16 SS/PAS	8	
71	71		9107430-02	WIRE,STRND,18AWG,IPVC (UL1429) (91-00) A/R		
72	72		9009909-00	TERM LUG 1POS SOLDER,FLAT .196 HOLE	2	
73	73		9009769-00	WASHER, RECTANGULAR .405X.225X.060	1	
74	74		9006010-01	SCREW,PAN ,PHIL, 4-40X 5/16 SS/PAS	2	
75	75		9009142-02	SCREW, PHILLIPS FLAT HEAD, SELF TAP, 4-40	4	
76	76		7417410-00	REGULATOR BRACKET	1	
77	77		9008404-02	SCREW,FLAT,PHIL, 6-32X 5/16 SS/PAS 100D	2	
78	78		9009731-03	CAP,PLASTIC	7	

DIGITAL EQUIPMENT CORPORATION MAYNARD, MASSACHUSETTS	TITLE MK-11 BATTERY BACKUP REGULATOR	PARTS LIST	SIZE CODE K PL	DOCUMENT NUMBER 5413075-0-DBP	REV 1C
---	--	------------	-------------------	----------------------------------	-----------

AUTOMATED BY PRTLST 1C(4)

PARTS LIST

SHEET 3 OF 3

LINE ITEM DOCUMENT NO.

PART NO.

DESCRIPTION

QTY REFERENCE DESIGNATORS

79 79

9007031-00

TIE, CABLE, SST1 M

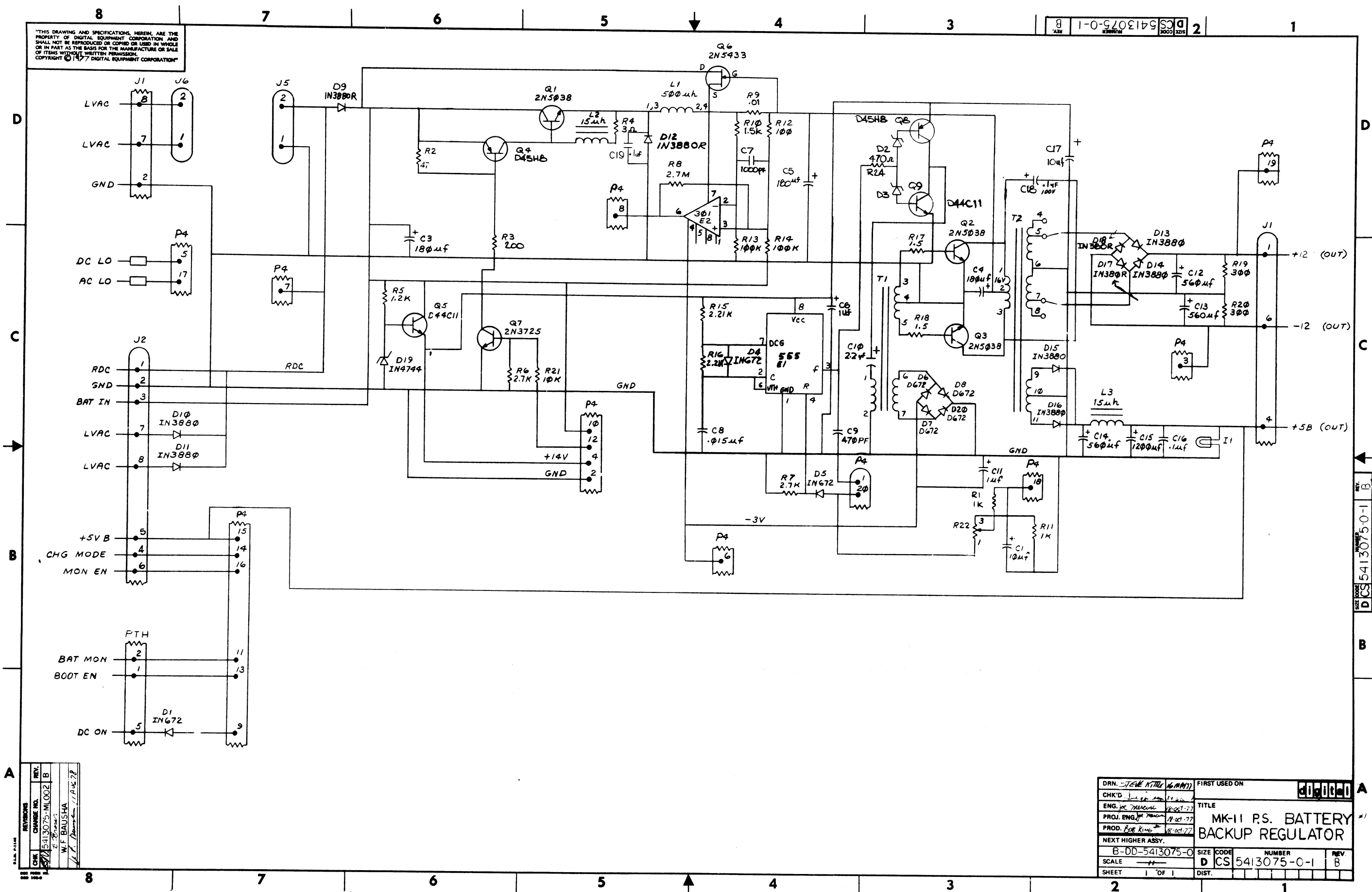
0

1

DIGITAL EQUIPMENT CORPORATION WAYNARD, MASSACHUSETTS	TITLE PARTS LIST	MK-11 BATTERY BACKUP REGULATOR	SIZE K	CODE PL	DOCUMENT NUMBFR 5413075-0-DRP	REV C
---	---------------------	-----------------------------------	-----------	------------	----------------------------------	----------

THIS DRAWING AND SPECIFICATIONS, HEREIN, ARE THE PROPERTY OF DIGITAL EQUIPMENT CORPORATION AND SHALL NOT BE REPRODUCED OR COPIED OR USED IN WHOLE OR IN PART AS THE BASIS FOR THE MANUFACTURE OR SALE OF ITEMS WITHOUT WRITTEN PERMISSION. COPYRIGHT © 1977 DIGITAL EQUIPMENT CORPORATION

CS 5413075-0-1

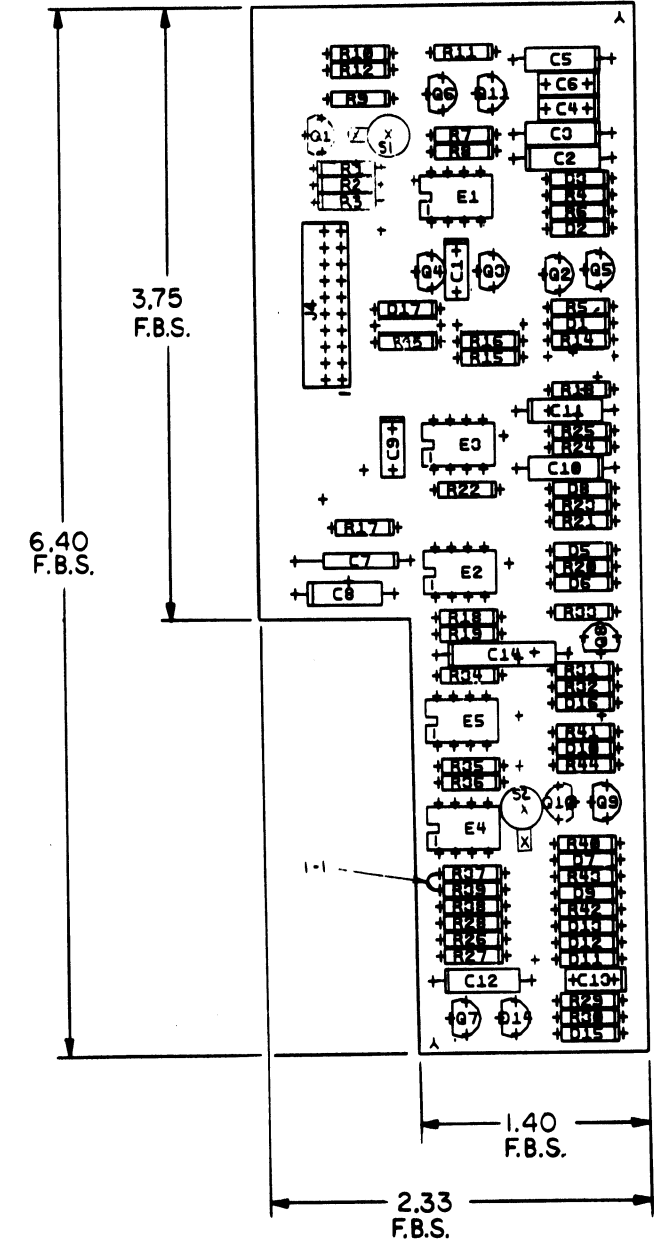


REV. 1	5413075-1M002	1B
REV. 2	5413075-1M002	1B
REV. 3	5413075-1M002	1B

DRN. STEVE NITEL (6/11/77)	FIRST USED ON	digital
CHK'D		
ENG. JOE MERRILL (8/22/77)	TITLE	MK-II P.S. BATTERY BACKUP REGULATOR
PROJ. ENG. JOE MERRILL (8/22/77)		
PROD. BOB KING (8/22/77)	NEXT HIGHER ASSY.	
	B-DD-5413075-0	SIZE CODE
SCALE	D	NUMBER
SHEET 1 OF 1	DIST.	CS 5413075-0-1
		REV. B

COMPONENT SIDE VIEW

REWORK INSTRUCTIONS
 ECO #1
 WIRE ADDS SIDE 1:
 1-1. BETWEEN R37 AND R39 AT THE R37
 END THAT CONNECTS TO E4-3.



NOTES:
 1. REV "A" UA DOES NOT EXIST. THE LAYOUT IS IDENTICAL TO REV "A" UA.
 2. C1, C8, C11, C12 TO BE HAND INSERTED.
 3. C15, D1, D2 NOT USED.

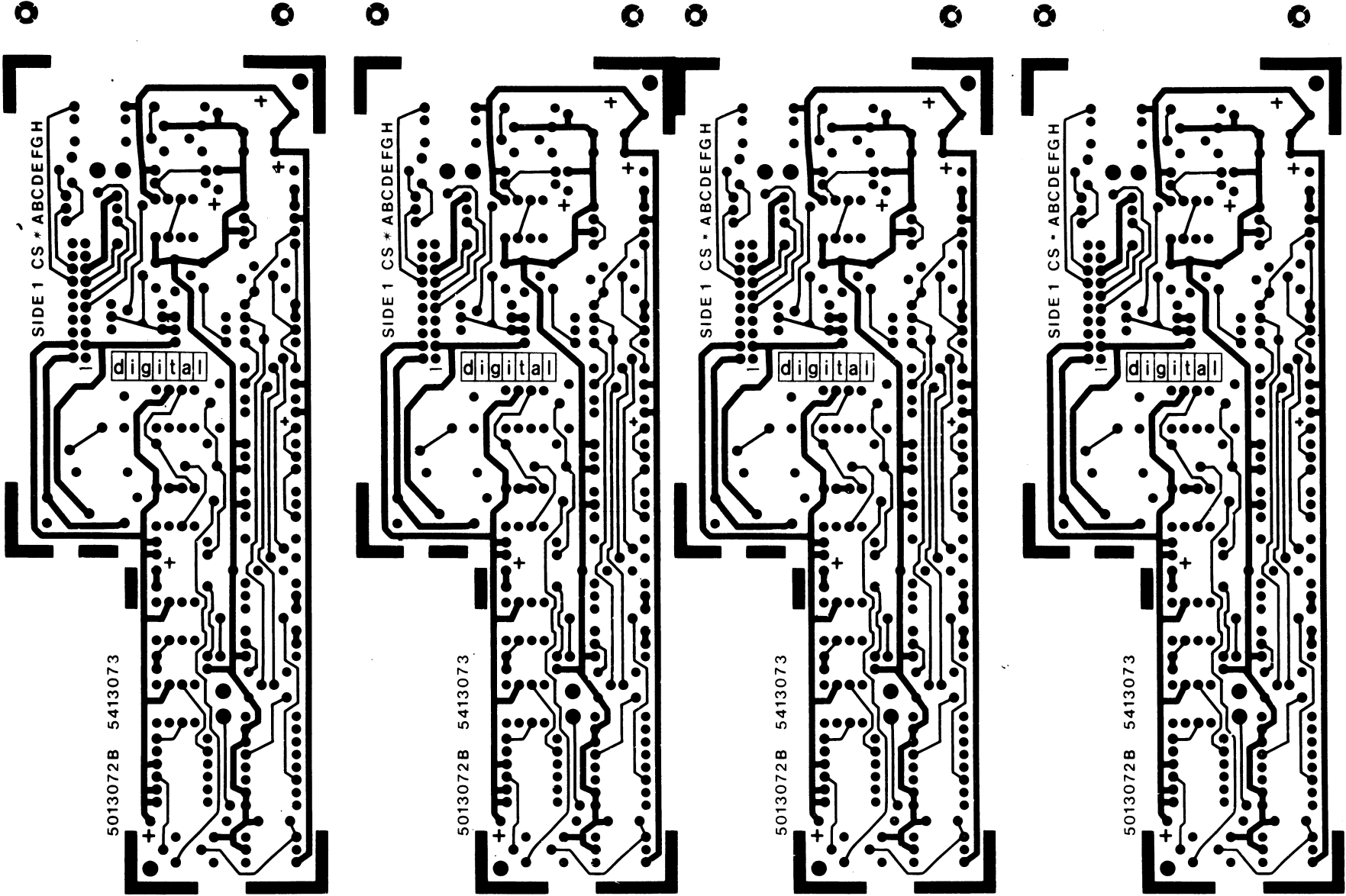
CHG	NO	REV	DATE	BY
5413073-1	B			
J. MERCURI				
J. MERCURI				

ETCH REV.	DATE	BY
P.C. DESIGN DATA BASE REV.		

SIGNATURES	DATE	TITLE
DRN. <i>[Signature]</i>	26 MAY 78	MK-II P.S. CONTROL BD.
CHK'D. <i>[Signature]</i>	9 MAY 78	
ENG. <i>[Signature]</i>	26 MAY 78	
PROJ. ENG. <i>[Signature]</i>	26 MAY 78	
PROD. <i>[Signature]</i>	26 MAY 78	
SCALE 2/1		SIZE CODE NUMBER
SHT. 1 OF 3		D UA 5413073-0-0 C
NEXT HIGHER ASSY. B-00-5413073-0		

"THIS DRAWING AND SPECIFICATIONS HEREIN ARE THE PROPERTY OF DIGITAL EQUIPMENT CORPORATION AND SHALL NOT BE REPRODUCED OR COPIED OR USED IN WHOLE OR IN PART AS THE BASIS FOR THE MANUFACTURE OR SALE OF ITEMS WITHOUT WRITTEN PERMISSION. COPYRIGHT © DIGITAL EQUIPMENT CORPORATION"

REV. 2
 SIZE CODE D
 NUMBER UA5413073

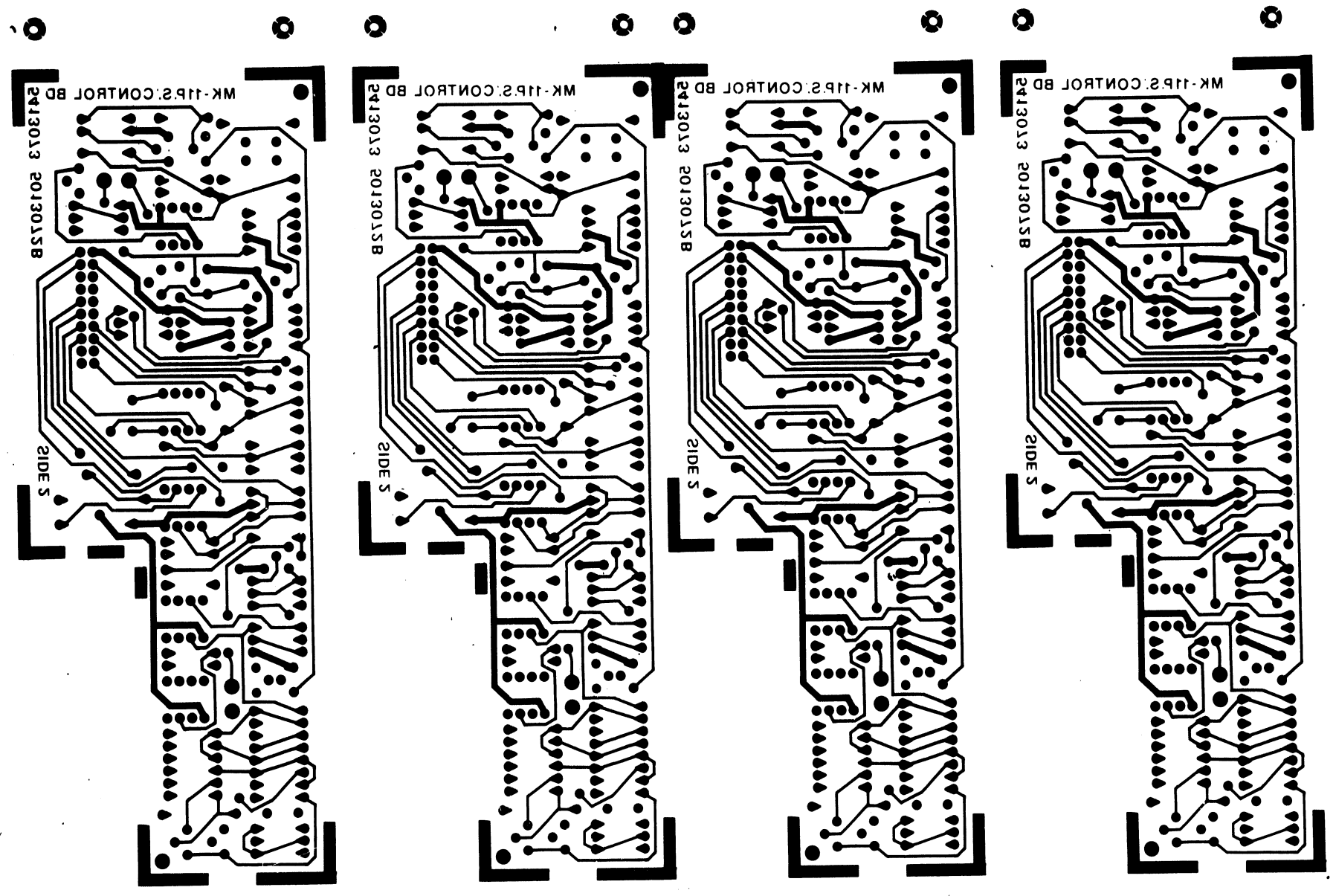


REVISIONS		
CHK	CHANGE NO.	REV.

TITLE	MK-11 P.S. CONTROL BOARD	SIZE CODE	D	NUMBER	UA5413073-0-0	REV.	C
SCALE	2 - 1	SHEET	2	OF	3	DIST.	

DEC 1977

"THIS DRAWING AND SPECIFICATIONS, HEREIN, ARE THE PROPERTY OF DIGITAL EQUIPMENT CORPORATION AND SHALL NOT BE REPRODUCED OR COPIED OR USED IN WHOLE OR IN PART AS THE BASIS FOR THE MANUFACTURE OR SALE OF ITEMS WITHOUT WRITTEN PERMISSION. COPYRIGHT © DIGITAL EQUIPMENT CORPORATION"



REVISIONS		
CHK	CHANGE NO.	REV.

TITLE	MK-11 P.S. CONTROL BOARD	SIZE CODE	DUA5413073-0-0	NUMBER	C	REV.	C
SCALE	2-1	SHEET	3	OF	3	DIST.	

LINE	ITEM	DOCUMENT NO.	PART NO.	DESCRIPTION	QTY	REFERENCE DESIGNATORS
1	1	D-MD-5013072-0-0	5013072-00	5413073	1	
2	2		1001610-01	.01 MFD 100V DR 50V Z5U DISC/800PF MIN	4	C1,C4,C6,C13
3	3		1004813-00	10 MFD 20V 10% 150D S.TA (10-00)	1	C2
4	4		1001776-00	1 MFD 35V 10% 150D S.TA (10-00)	3	C5,C11,C3
5	5		1000061-00	8200.0 MMF 100V 10% 663UM MYLR (10-00)	1	C7
6	6		1005965-00	.47 MFD 35V 10% 150D S.TA (10-00)	3	C8,C10,C12
7	7		1000009-00	33.0 MMF 100V 5%200PPM DM15S (10-00)	1	C9
8	8		1005306-00	6.8MFD 35V 10% 150D S.TA (10-00)	1	C14
9	9		1105275-00	D 672 TR= 15NS FIV= 60V SF	9	D1,D2,D3,D5,D6,D9,D10,D12,D13
10	10		1109990-00	1N 757A VZ= 9.1 5% .40W P	1	D8
11	11		1102808-00	1N 752A VZ= 5.6 5% .40W P	2	D11,D15
12	12		1110968-00	2N 5062 SCR@100V I=.8A T092	1	D14
13	13		1110713-00	SZ710910 VZ= 5.1 2% M	1	D7
14	14		1114913-00	VZ= 18.0 10% 1W	1	D16
15	15		1100125-00	1N 758A VZ= 10.0 5% .40W PPER S.A.U.E/	1	D17
16	16		1300398-00	1.8 K 1/4W 5% CC (13-00)	1	R38
17	17		1300479-00	10 K 1/4W 5% CC (13-00)	11	R1,R13,R18,R19,R20,R21,R28, CONT R31,R42-R44
18	18		1300229-00	100 1/4W 5% CC (13-00)	5	R3,R5,R25,R29,R45
19	19		1300432-00	3 K 1/4W 5% CC (13-00)	1	R23
20	20		1301322-00	180 1/4W 5% CC (13-00)	1	R4
21	21		1302177-00	47 K 1/4W 5% CC (13-00)	1	R6
22	22		1302394-00	30 K 1/4W 5% CC (13-00)	1	R7
23	23		1302091-00	330 K 1/4W 5% CC (13-00)	1	R8
24	24		1300365-00	1 K 1/4W 5% CC (13-00)	6	R9,R12,R14,R37,R40,R2
25	25		1300426-00	2.7 K 1/4W 5% CC (13-00)	1	R16
26	26		1302092-00	220 K 1/4W 5% CC (13-00)	1	R15
27	27		1301423-00	6.8 K 1/4W 5% CC (13-00)	1	R17
28	28		1302871-00	1.21 K 1/4W 1% RN55D-F 100PPM (13-00)	1	R35
29	29		1302955-00	750 1/4W 1% RN55D-F 100PPM (13-00)	1	R34

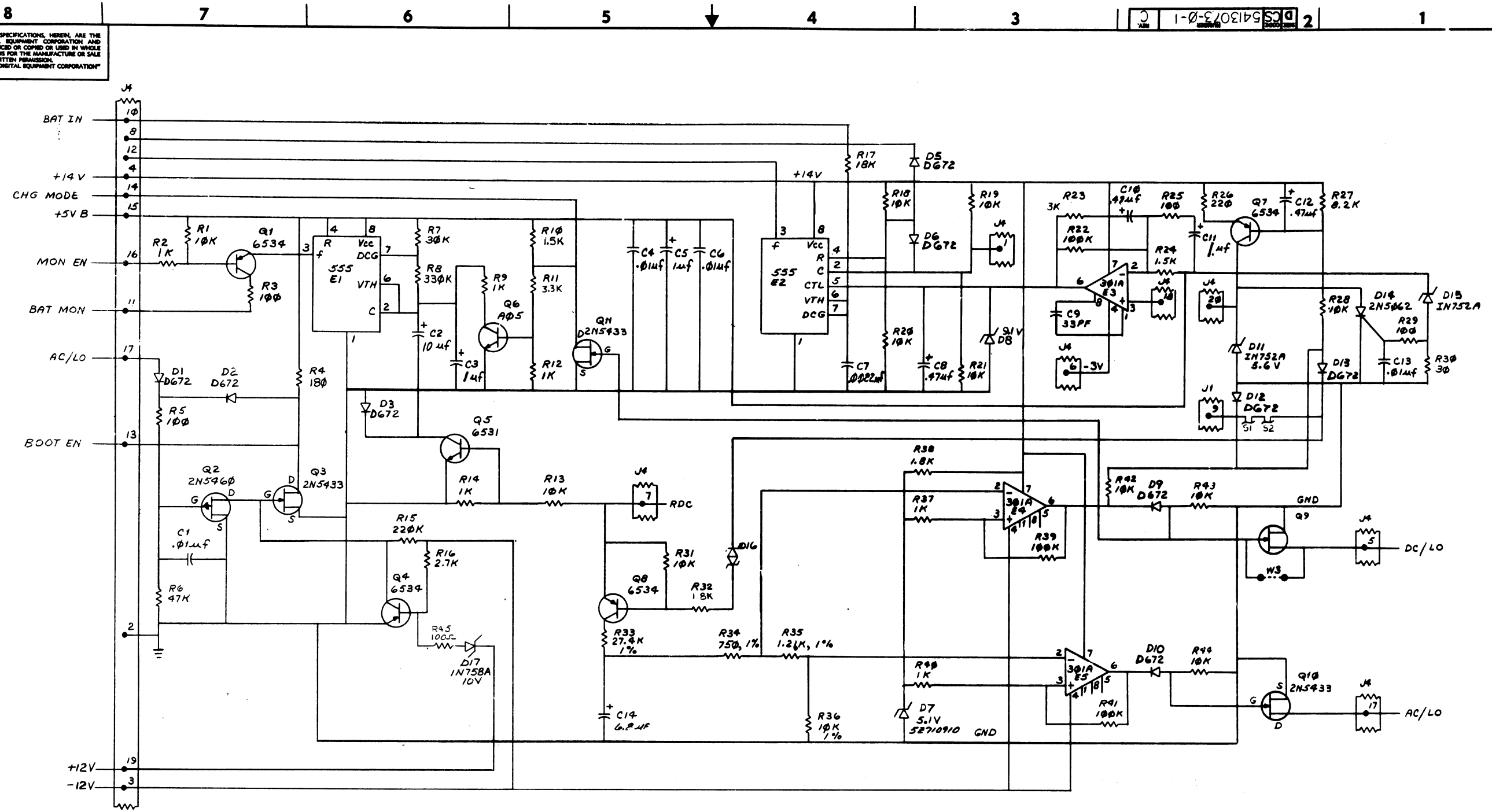
REVISION HISTORY			VARIATIONS FOR THIS ASSY.		
CHK	ECO NO	REV	FIRST USED ON: 5413073		
---	INIT	A	MADE BY: S KITTLE DATE: 24-OCT-77		
F.S	00001	B	CHECKED: F SMART DATE: 24-OCT-77		
PG	00002	C	DSN.ENG.: JOE MERCURI DATE: 24-OCT-77		
			PROD.: BOB KING DATE: 24-OCT-77		
			RESP.ENG.: JOE MERCURI DATE: 24-OCT-77		
			DIGITAL EQUIPMENT CORPORATION MAYNARD, MASSACHUSETTS		
			TITLE PARTS LIST		
			MK11-PS CONTROL BOARD		
			SIZE	CODE	DOCUMENT NUMBER
			K	PL	5413073-0-0
					REV
					11
			ASSY.NO.: D-UA-5413073-0-0		

*THIS DRAWING AND SPECIFICATIONS HEREIN, ARE THE PROPERTY OF DIGITAL EQUIPMENT CORPORATION AND SHALL NOT BE REPRODUCED OR COPIED OR USED IN WHOLE OR IN PART AS THE BASIS FOR THE MANUFACTURE OR SALE OF ITEMS WITHOUT WRITTEN PERMISSION.
COPYRIGHT 1978. DIGITAL EQUIPMENT CORPORATION *

LINE	ITEM	DOCUMENT NO.	PART NO.	DESCRIPTION	QTY	REFERENCE DESIGNATORS
30	30		1303312-00	10.0 K 1/4W 1% RN55D-F 100PPM (13-00	1	R36
31	31		1302466-00	100 K 1/4W 5% CC (13-00	3	R22,R39,R41
32	32		1300271-00	220 1/4W 5% CC (13-00	1	R24
33	33		1302751-00	30 1/4W 5% CC (13-00	1	R30
34	34		1309417-00	27.4 K 1/4W 1% RN55D-F 100PPM (13-00	1	R33
35	35		1503409-00	DEC6534D PNP 310MW SI 40 90 P	4	Q1,Q4,Q7,Q8
36	36		1510233-00	2N 5460 FET 310MW SIP CHNML	1	Q2
37	37		1511686-00	DEC5433 FET N 350MW 10 25 1A 20U	4	Q3,Q9,Q10,Q11
38	38		1509338-00	DEC6531B NPN 310MW SI 40 90 P	1	Q5
39	39		1510705-00	XA 05 NPN 500MW SI 60 50 P	1	Q6
40	40		1911944-00	555CN TIMER,FUNCT.BLOCK	2	E1,E2
41	41		1910282-00	DEC 301AN OP AMP	3	E3,E4,E5
42	42		1300398-00	1.8 K 1/4W 5% CC (13-00	1	R32
43	43		1300391-00	1.5 K 1/4W 5% CC (13-00	2	R10,R24
44	44		1213335-00	HEADER 20POS RT ANGLE FOR 12-1333A	1	J4
45	45		9009185-00	***** THIS ITEM IS NOT USED *****	0	
46	46		1300439-00	3.3 K 1/4W 5% CC (13-00	1	R11
47	47		1212416-03	THERMOSTAT,00170,140,SPST	2	S1,S2
48	48		1303179-00	8.2 K 1/4W 5% CC (13-00	1	R27
49	49		9107560-01	WIRE,BUSS,22AWG		A/R

DIGITAL EQUIPMENT CORPORATION MAYNARD, MASSACHUSETTS	TITLE	PARTS LIST	SIZE	CODE	DOCUMENT NUMBER	REV
		MK11-PS CONTROL BOARD	K	PL	5413073-0-0	C

"THIS DRAWING AND SPECIFICATIONS HEREIN ARE THE PROPERTY OF DIGITAL EQUIPMENT CORPORATION AND SHALL NOT BE REPRODUCED OR COPIED OR USED IN WHOLE OR IN PART AS THE BASIS FOR THE MANUFACTURE OR SALE OF ITEMS WITHOUT WRITTEN PERMISSION. COPYRIGHT © 1977, DIGITAL EQUIPMENT CORPORATION"



NOTES:
 1. W3 IS AN ENGINEERING OPTION TO BE DETERMINED AT A LATER DATE.
 2. C15, D4 & W1 NOT USED.

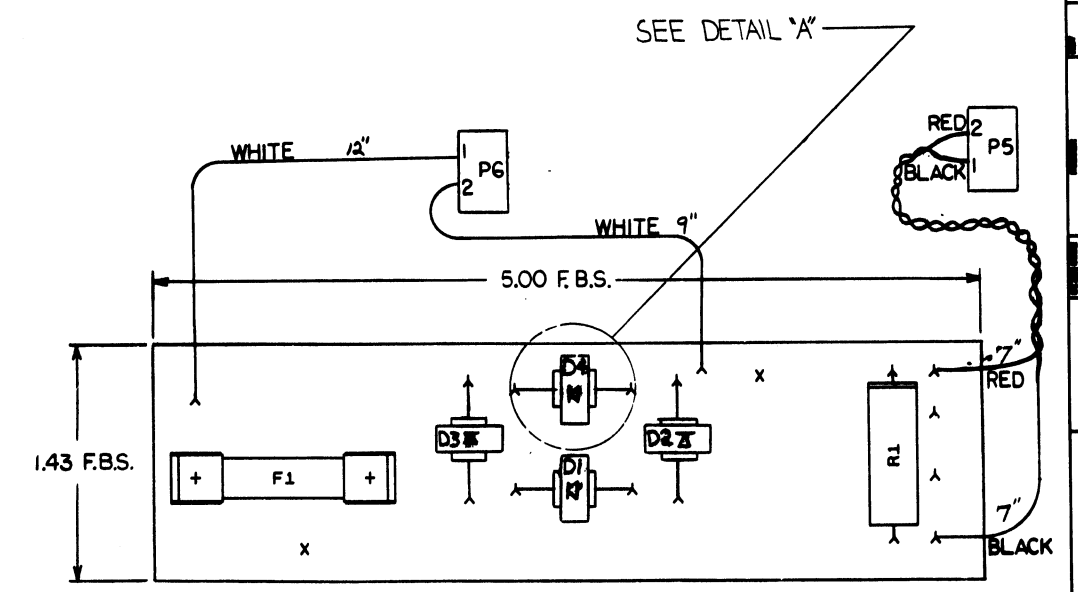
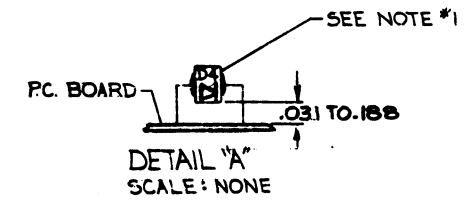
REV.	CHG.	NO.	DATE	BY
1		5413073-0002	11-18-77	J. MERCURI
2		5413073-0002	3-27-78	J. MERCURI

DRN: <i>REV. TITLE</i>	DATE: <i>11-18-77</i>	FIRST USED ON	<i>5413073-0002</i>
CHK'D BY: <i>MEASUREMENT</i>	DATE: <i>11-23-77</i>	TITLE	MK-II P.S. CONTROL BOARD
ENG. BY: <i>MEASUREMENT</i>	DATE: <i>11-23-77</i>	SIZE	D
PROJ. ENG. BY: <i>MEASUREMENT</i>	DATE: <i>11-23-77</i>	CODE	CS
PROD. BY: <i>BOB KING</i>	DATE: <i>11-23-77</i>	NUMBER	5413073-0-1
NEXT HIGHER ASSY.		REV.	C
B-DD-5413073-0		SCALE	
SHEET 1 OF 1		DIST.	

3 0-0-116215 10 2 1

COMPONENT SIDE VIEW

NOTES:
 1. DIODES D1 THRU D4 MUST BE RAISED FROM THE P.C. BOARD .031 TO .100



NOTES:

CHANGE NO	REV	DATE	BY	CHK'D
001	C			
002	D			
003	E			
004	F			
005	G			

ETCH REV. C
P.C. DESIGN DATA BASE REV. C

SIGNATURES	DATE	TITLE
DRN. <i>[Signature]</i>	9-21-76	digital INPUT RECTIFIER BOARD
CHK'D. <i>[Signature]</i>	9-21-76	
ENG. <i>[Signature]</i>	11-5-76	
PROJ. ENG. <i>[Signature]</i>	11-5-76	
PROD. <i>[Signature]</i>	12-2-76	
SCALE 2/1		SIZE CODE NUMBER
SHT. 2 OF 3		d UA 541241-0-0
NEXT HIGHER ASSY.		REV 6

8

7

6

5

4

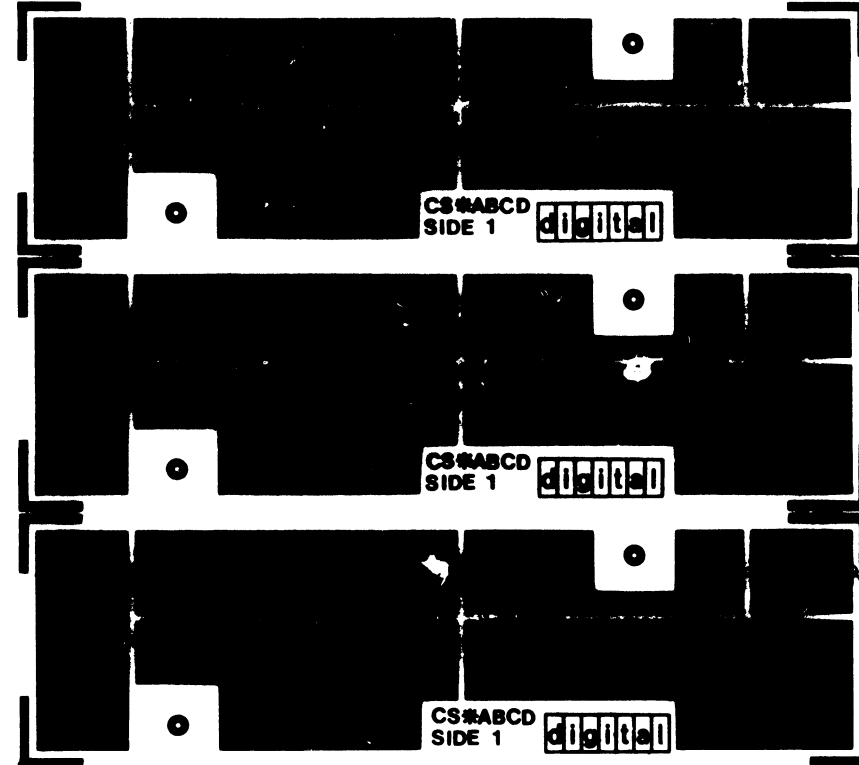
3

1

THIS DRAWING AND SPECIFICATION HEREIN ARE THE PROPERTY OF DIGITAL EQUIPMENT CORPORATION AND SHALL NOT BE REPRODUCED OR COPIED OR USED IN WHOLE OR IN PART AS THE BASIS FOR THE MANUFACTURE OR SALE OF ITEMS WITHOUT WRITTEN PERMISSION. COPYRIGHT © 1976 DIGITAL EQUIPMENT CORPORATION.

1	5412411-0-0	D	2
---	-------------	---	---

ADDRESS 5412411C 5412411



D

C

E

B

A

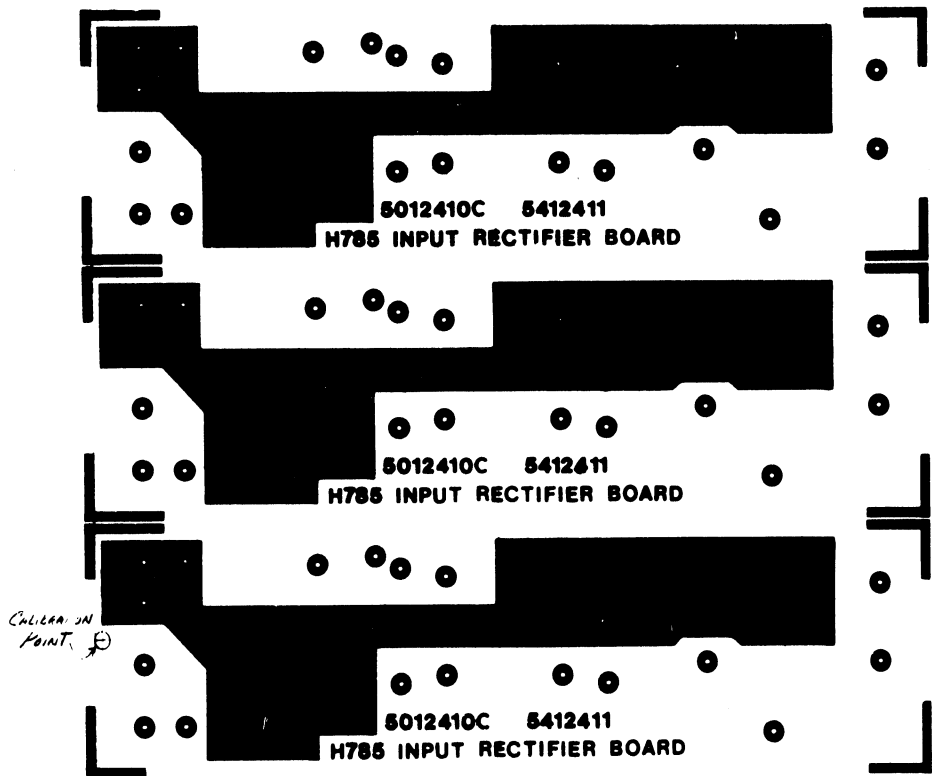


5412411-0-0
D

REVISIONS		
CHK	CHANGE NO.	REV.

TITLE	SIZE CODE	NUMBER	REV.
INPUT RECTIFIER BOARD	D 1A	5412411-0-0	E
SCALE 2/1	SHEET 2 OF 3	DIST	

"THIS DRAWING AND SPECIFICATIONS HEREIN ARE THE PROPERTY OF DIGITAL EQUIPMENT CORPORATION, AND SHALL NOT BE REPRODUCED OR COPIED OR USED IN WHOLE OR IN PART AS THE BASIS FOR THE MANUFACTURE OF SALE OF ITEMS WITHOUT WRITTEN PERMISSION. COPYRIGHT © 1972 DIGITAL EQUIPMENT CORPORATION"



REVISIONS		
CHK	CHANGE NO	REV

TITLE	INPUT RECTIFIER BOARD	SIZE CODE	DUA	NUMBER	5412411-0-0	REV.	E
SCALE	2/1	SHEET	3 OF 3	DIST.			

LINE	ITEM	DOCUMENT NO.	PART NO.	DESCRIPTION	QTY	REFERENCE DESIGNATORS
1	1	D-MD-5012410-0-0	5012410-00	5412411	1	
2	2		1110615-00	MR 752 PIV=200 I=22A A264 SM	4	D1-D4
3	3		1210821-02	MATE-N-LOK 2PIN,HOUSING,SKT	2	P5,P6
4	4		1209379-01	MATE-N-LOK PIN 20-14AWG LOOSE	4	
5	5		1302609-00	4.7 K 2W 10% CC (13-00	1	R1
6	6		9009000-00	EYELET, ROLLED FLANGE, .121 OD X .156 LG	2	
7	7		9008390-00	FUSE, REG BLOW, 10.000A, 250V, CERAMIC	1	
8	8		9007203-00	CLIP, FUSE, WITH STOP, SCREW MOUNTED	2	
9	9		9107360-99	WIRE,STRND,18AWG,IPVC UL1429 (91-00 A/R		
10	10		9107430-02	WIRE,STRND,18AWG,IPVC (UL1429) (91-00 A/R		

11 NOTE: MS60954 ETCH REV C CS REV B

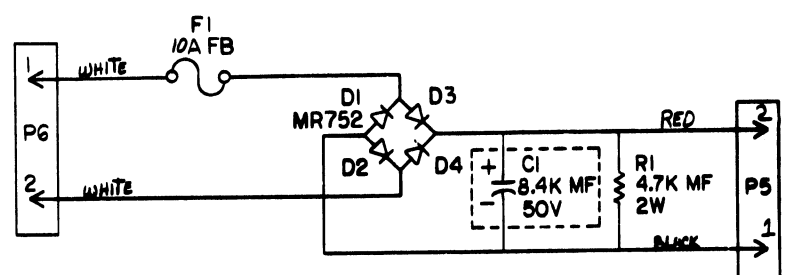
REVISION HISTORY			VARIATIONS FOR THIS ASSY.		FIRST USED ON:		DIGITAL EQUIPMENT CORPORATION MAYNARD, MASSACHUSETTS	
CHK	ECO NO	REV			MADE BY:	DATE:	TITLE	
---	00003	E	00		D.BILODEAU	08-MAR-78	PARTS LIST	
					F.GAROFALO	08-MAR-78	INPUT RECTIFIER BOARD	
					J.MERCURI	08-MAR-78		
					R.B.KING	08-MAR-78		
					J.MERCURI	08-MAR-78		
							SIZE: K PL	DOCUMENT NUMBER: 5412411-0-0
								REV: E
							ASSY.NO.: D-UA-5412411-0-0	EDIT# 3

*THIS DRAWING AND SPECIFICATIONS HEREIN, ARE THE PROPERTY OF DIGITAL EQUIPMENT CORPORATION AND SHALL NOT BE REPRODUCED OR COPIED OR USED IN WHOLE OR IN PART AS THE BASIS FOR THE MANUFACTURE OR SALE OF ITEMS WITHOUT WRITTEN PERMISSION. COPYRIGHT 1978. DIGITAL EQUIPMENT CORPORATION *

"THIS DRAWING AND SPECIFICATIONS HEREIN ARE THE PROPERTY OF DIGITAL EQUIPMENT CORPORATION AND SHALL NOT BE REPRODUCED OR COPIED OR USED IN WHOLE OR IN PART AS THE BASIS FOR THE MANUFACTURE OR SALE OF ITEMS WITHOUT WRITTEN PERMISSION.
 COPYRIGHT © 1976 DIGITAL EQUIPMENT CORPORATION"

NOTES:

1. C1 WILL BE CONNECTED TO BOARD AT NEXT HIGHER ASSEMBLY.



IC TYPE	GND	+5V

GND AND 5V ARE USUALLY PIN 7 AND 14 RESPECTIVELY. EXCEPTIONS ARE STATED ABOVE.

IC PIN LOCATIONS

FIRST USED ON OPTION MODEL		QTY	REF. DESIGNATION	DESCRIPTION	PART NO.	ITEM NO.																	
ETCH BOARD REV. C		PARTS LIST																					
JAMERICURI	DATE	<table border="1"> <tr> <td>DRY</td> <td>DATE</td> <td>7-15-76</td> </tr> <tr> <td>CHK</td> <td>DATE</td> <td>-7-76</td> </tr> <tr> <td>ENG</td> <td>DATE</td> <td>9-15-76</td> </tr> <tr> <td>PRJL ENG</td> <td>DATE</td> <td>11-3-76</td> </tr> <tr> <td>PRJL ENG</td> <td>DATE</td> <td>11-3-76</td> </tr> <tr> <td>PRJL</td> <td>DATE</td> <td>19 Dec 76</td> </tr> </table>				DRY	DATE	7-15-76	CHK	DATE	-7-76	ENG	DATE	9-15-76	PRJL ENG	DATE	11-3-76	PRJL ENG	DATE	11-3-76	PRJL	DATE	19 Dec 76
DRY	DATE	7-15-76																					
CHK	DATE	-7-76																					
ENG	DATE	9-15-76																					
PRJL ENG	DATE	11-3-76																					
PRJL ENG	DATE	11-3-76																					
PRJL	DATE	19 Dec 76																					
5412411-00003	REV. C	TITLE INPUT RECTIFIER BOARD																					
CHR	CHANGE NO.	DEC NO.	EIA NO.	DEC NO.	EIA NO.																		
SEMICONDUCTOR CONVERSION CHART			SCALE 1/1	SIZE CODE D CS NUMBER 5412411-0-1 REV. C																			
SHEET			OF	DST.																			

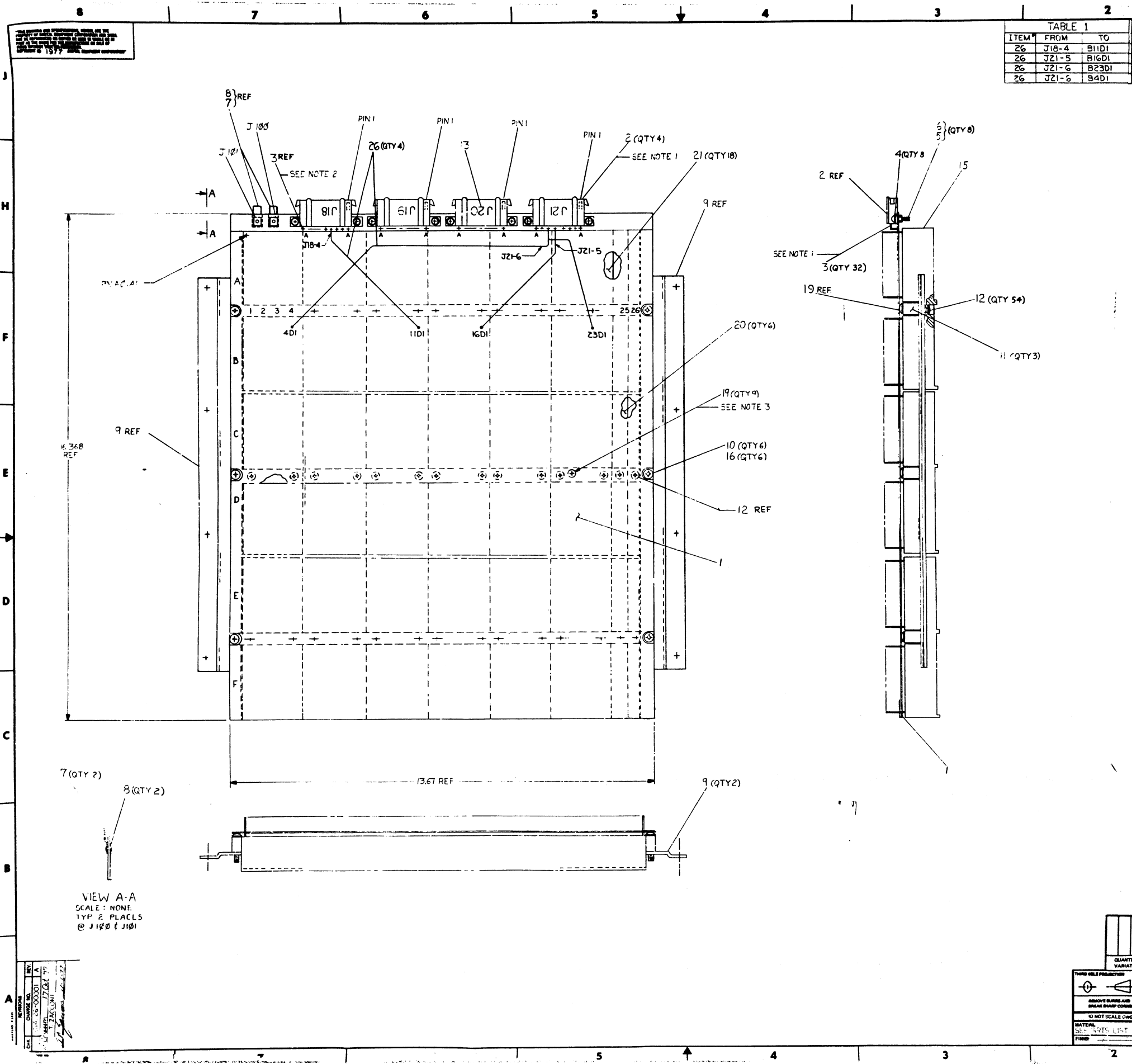
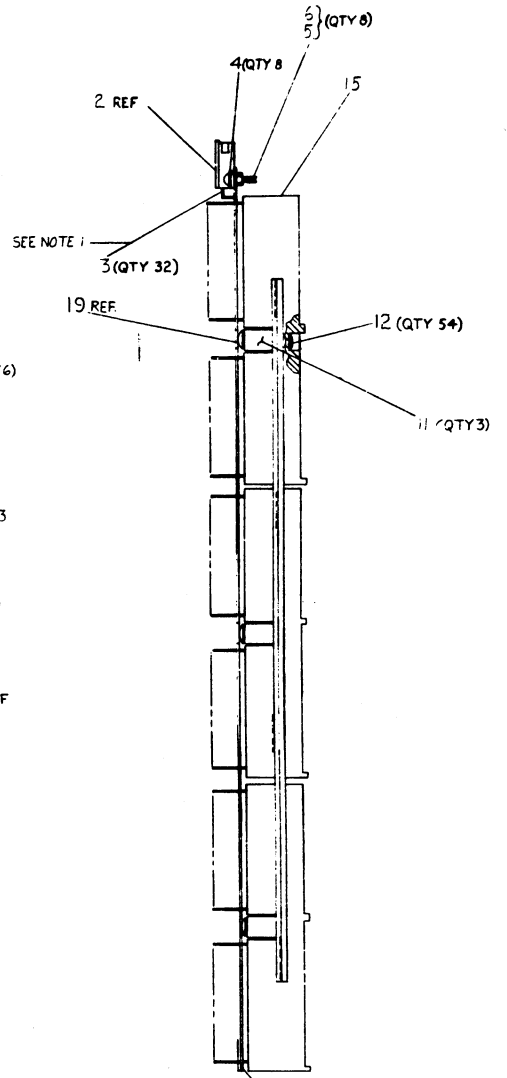


TABLE 1

ITEM	FROM	TO
26	J18-4	B11D1
26	J21-5	B16D1
26	J21-6	B23D1
26	J21-6	B4D1

NOTES

- 1- SOCKETS (PINS) ITEM # 3 LOCATED ON ITEM # 1 TO BE SOLDERED TO BOARD.
- 2- MARK 32 HOLES MARKED 'A' BEFORE SOLDER OPERATION.
- 3- REMOVE ITEM # 3 AFTER SOLDER OPERATION.
- 4- FOR ASSEMBLY PROCESS SEE DOCUMENT NUMBER A-SP-14K11-0-PSA.
- 5- ADD JUMPERS PER TABLE 1 USING ITEM # 26. INSTALL ITEM # 26 BEFORE AWT.



VIEW A-A
SCALE: NONE
TYP & PLACLS
@ 181R & 181B

REF	DESCRIPTION	QTY	ITEM NO
AW	WIRE, #24 AWG SOLID GRN	5107600-55	26
REF	WIRE LIST	A-ME-704226-0-1	25
REF	PACKAGING INSTRUCTION	A-SP-3700196-0-0	24
1	COMPRESS -O- CARTON	790506-5	23
REF	CIRCUIT SCHEMATIC	D-CS-9412637-0-1	22
18	288 PIN CONN BLOCK, SLOT	180258-01	21
6	72 PIN CONN BLOCK, SLOT	1211425-00	20
9	SCR PH HD PAN SST #4-40-.50	9006013-4	19
AW	WIRE #30 AWG SOLID YEL	3105740-44	18
REF	DRILL & ETCH DWG	D-DA-5412637-0-0	17
5	WASHER, INT TOOTH #8	9006634-00	16
1	DECAL ASSY REV	A-DC-7411881-0-0	15
REF	AWT REV STATUS	A-WT-704226-0	14
AW	DECALS (U)	A-DC-7405873-2-0	13
5+	SCR PHL HD FIL 8-32*.62	9004120-06	12
3	MEMORY MTG BAR	C-MD-7412943-0-0	11
6	SCR PHL PAN HD #2-32*.64	9007846-1	10
2	MEMORY MTG BRKT	C-MD-7412933-0-0	9
1	EYELET	9005110-00	8
1	TERM, QUICK DISCONNECT	9007112-00	7
8	SCR, PHL PAN #4-40*.38	9006011-1	6
8	NUT KEPS #4-40	9006557-00	5
3	WASHER, FLAT .125 ID	9006655-00	4
32	SOCKET TERM PG 20 MOUNT	1207456-01	3
+	CONN, SPIN FEMALE	1207340-00	2
1	ETCH ROUT BOARD	D-DA-5412637-0-0	1

QUANTITY & VARIATION

THIRD GEAR PRODUCTION

REMOVE BURRS AND BREAK SHARP CORNERS

DO NOT SCALE DIMS

MATERIAL SPECIFICATIONS LIST

FINISH

DESCRIPTION: BACK PLANE ASSY MK II (MEMORY) IV70

DATE: 12/22/77

SCALE: 1/1

SHEET: 1 OF 1

REV.	NUMBER	DD	B
	0-282779		

DRAWING NO.	NO. OF SHTS.	PART NO.	DESCRIPTION	REVISIONS																		
B-DD-5412637-0	1		MK11 SP MOS BACKPLANE	*	A																	
D-CS-5412637-0-1	1		MK11 SP MOS BACKPLANE	B	B																	
E-UA-5412637-0-0	5		MK11 SP MOS BACKPLANE	B	B																	
E-MD-5012636-0-0	6		DRILL & ETCH DRAWING	B	C																	
		5012636	ETCHED BOARD	C	C																	
5412637-0-L			P.C. DESIGN DATA BASE	REF																		
B-PL-5412637-0-0	1		MK11 SP. MOS BACKPLANE	B	B																	

NOTES:

REVISIONS		DATE	CHG NO.	REV.

"THIS DRAWING AND SPECIFICATIONS, HEREIN, ARE THE PROPERTY OF DIGITAL EQUIPMENT CORPORATION AND SHALL NOT BE REPRODUCED OR COPIED OR USED IN WHOLE OR IN PART AS THE BASIS FOR THE MANUFACTURE OR SALE OF ITEMS WITHOUT WRITTEN PERMISSION.
 COPYRIGHT © 1977 DIGITAL EQUIPMENT CORPORATION



USED ON OPTION/MODEL		DRN.	P. BOSSMAN	7/19/77	TITLE		MK11 SP MOS BACKPLANE	
MK11		CHK'D	P. Bossman	7/21/77	SIZE	CODE	NUMBER	REV.
		ENG.	W. Angell	8/8/77	B	DD	5412637-0	A
		PROD.	R.A. Hill	8/10/77	SHEET 1 OF 1			

DIGITAL EQUIPMENT CORPORATION PARTS LIST	QUANTITY / VARIATION	NOTES:
---	----------------------	--------

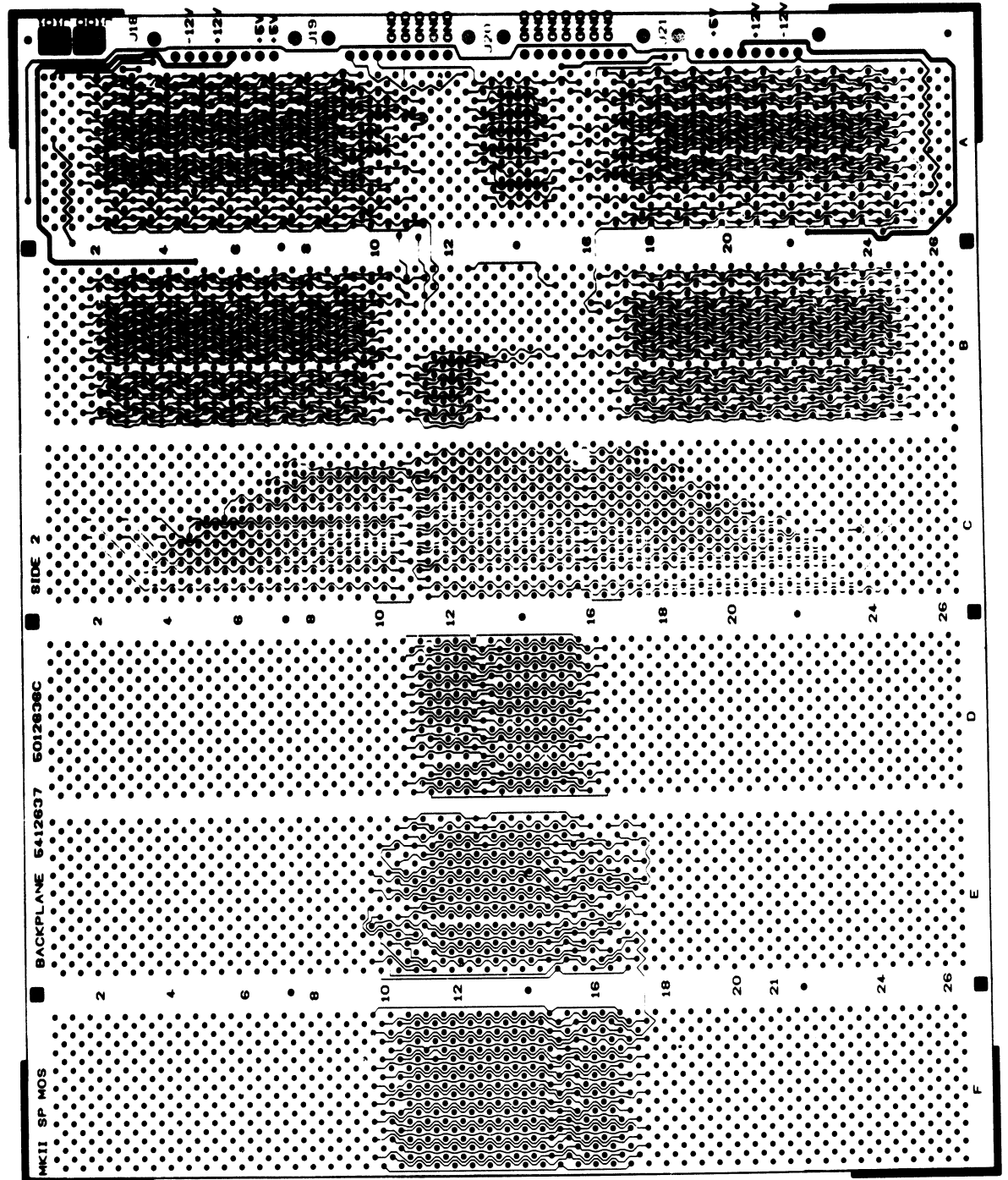
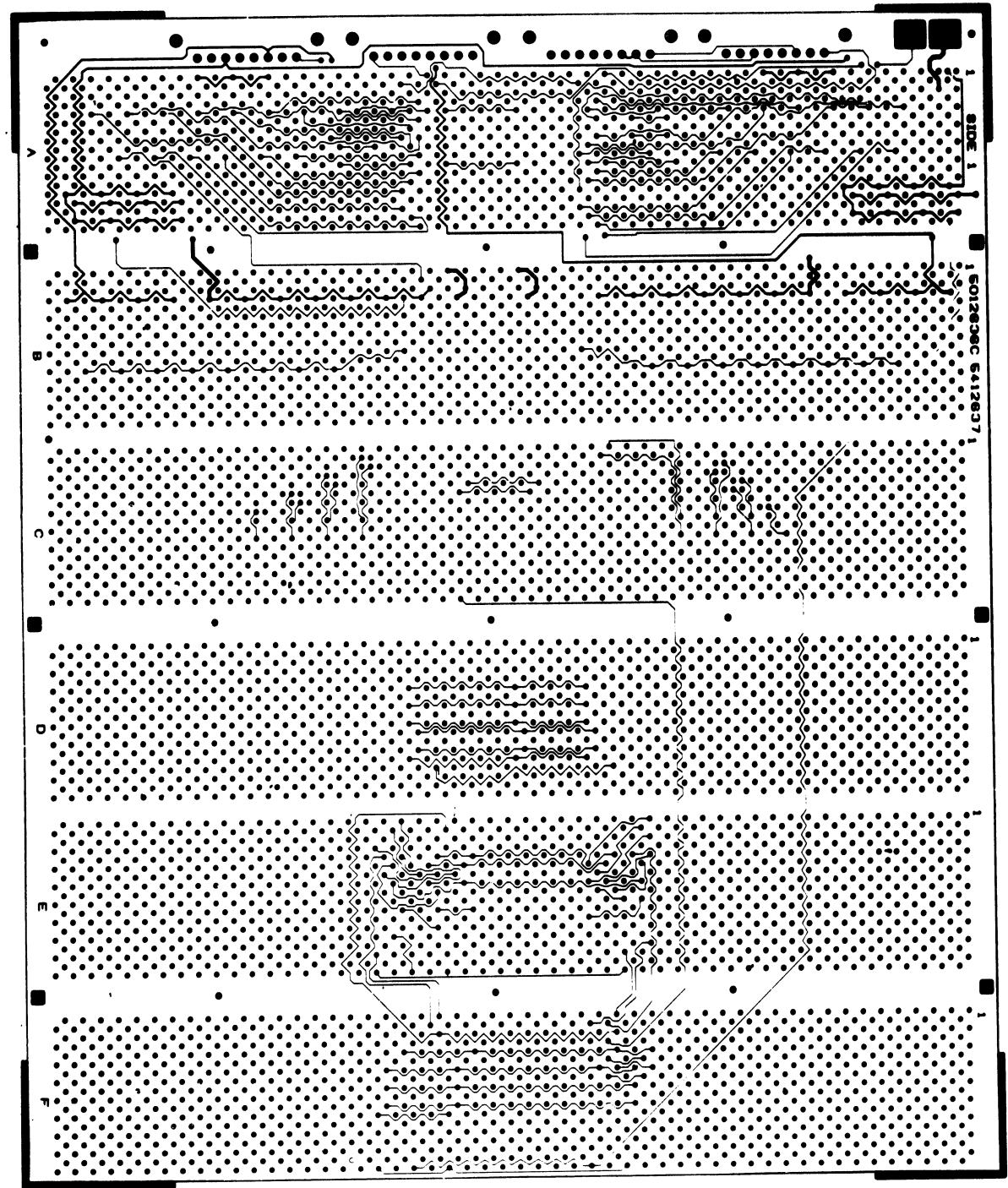
MADE BY H. WEINBRENNER DATE 6/24/77	CHECKED W. ANGELL DATE 6/30/77	SECTION 1	USED ON: OPTION/MODEL MK11
ENG DATE W. Angell 8/13/77	PROD RA Hill DATE 8/10/77	ISSUED SECTION 1	

ITEM NO.	DRAWING NO.	PART NO.	DESCRIPTION	REF	REF	REF	REF	REF	REF	REF	REF	REF DESIGNATION	
1	D-CS-5412637-0-1	5012636	CIRCUIT SCHEMATIC	REF									
	E-UA-5412637-0-0		UNIT ASSEMBLY	REF									
	B-DD-5412637-0		DRAWING DIRECTORY	REF									
	E-MD-5012636-0-0		DRILL & ETCH DRAWING	REF									
			ETCHED BOARD	1									

E.C.O. NO.	
------------	--

THIS DRAWING AND SPECIFICATIONS, HEREIN, ARE THE PROPERTY OF DIGITAL EQUIPMENT CORPORATION AND SHALL NOT BE REPRODUCED OR COPIED OR USED IN WHOLE OR IN PART AS THE BASIS FOR THE MANUFACTURE OR SALE OF ITEMS WITHOUT WRITTEN PERMISSION. COPYRIGHT © 1977 DIGITAL EQUIPMENT CORPORATION	TITLE MK11 SP. MOS BACKPLANE	ASSY NO. E-UA-5412637-0-0	SIZE B	CODE PL	NUMBER 5412637-0-0	REV. B
		SHEET 1 OF 1	INSERTION PARTS LIST DATA BASE REV			

THIS DRAWING AND SPECIFICATIONS, HEREIN, AND THE PROPERTY OF DIGITAL EQUIPMENT CORPORATION AND SHALL NOT BE REPRODUCED OR COPIED IN WHOLE OR IN PART AS THE BASIS FOR THE CONSTRUCTION OF ANY OTHER DRAWING WITHOUT WRITTEN PERMISSION.
 COPYRIGHT © 1977 DIGITAL EQUIPMENT CORPORATION



NOTES:

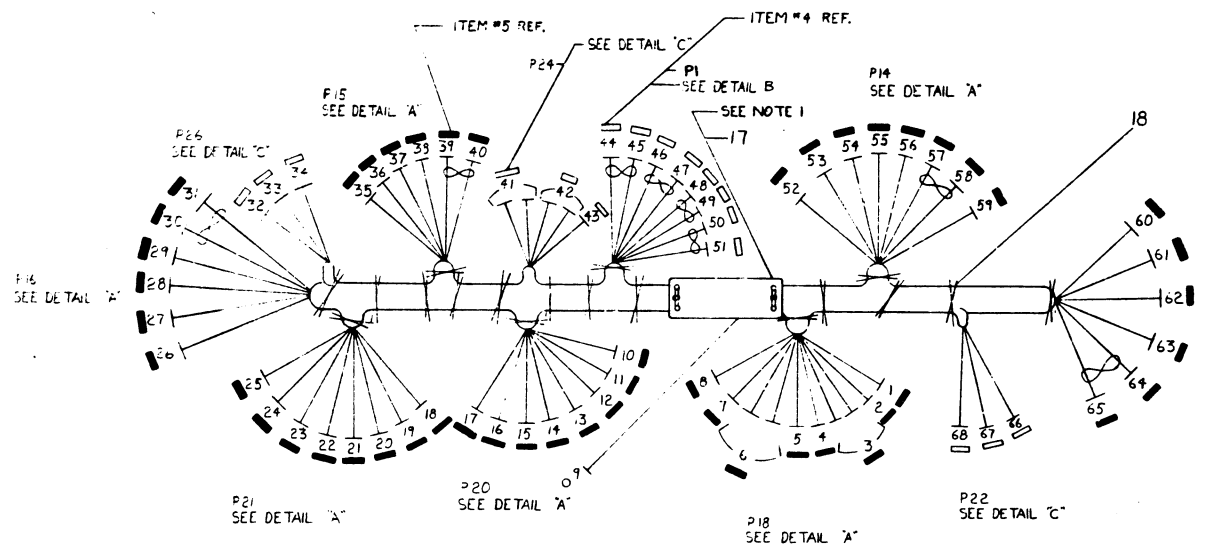
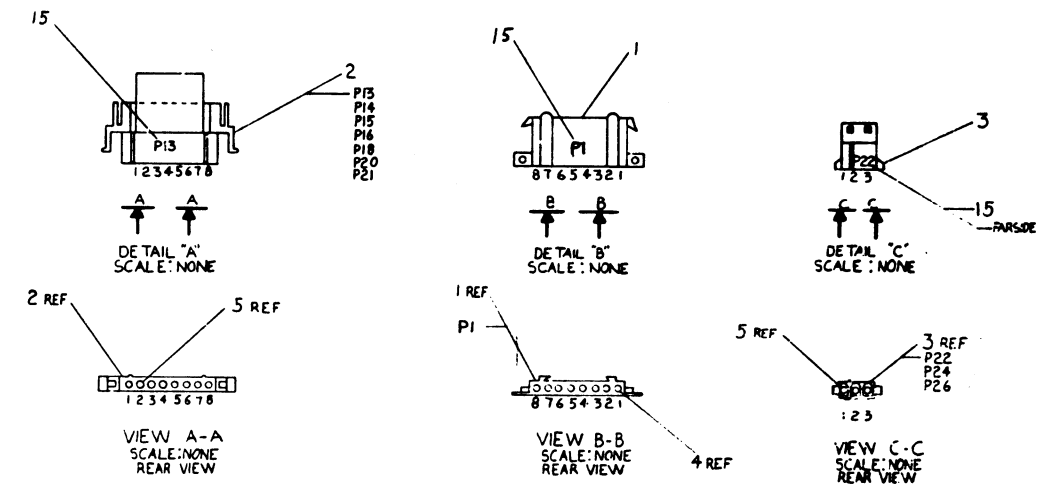
CHG	NO	REV

SIGNATURES		DATE	digital
DRN. <i>C. Brown</i>		7/29/77	
CHK'D. <i>J. Brown</i>		7/29/77	TITLE MKII SP MOS BACKPLANE
ENG. <i>W. Angell</i>		8/8/77	
PROJ. ENG. <i>W. Angell</i>		8/8/77	SIZE CODE NUMBER REV
PROD. <i>R. Hill</i>		8/10/77	
SCALE	1-1	D	CS 5412637-0-1 B
SHT.	1 OF 1	ETCH REV C FIRST USED ON MKII	

D 5412637-C-1 B

WIRE TABLE								
ITEM NO.	AWG	COLOR	POINT	CONNECTION	WIDTH	POINT	CONNECTION	WIDTH
10	14	RED	1	P18-1	5	56	P14-5	5
10	14	RED	2	P18-2	5	53	P14-2	5
10	14	RED	24	P21-7	4	52	P14-1	5
11		GRAY	4	P18-4	5	62	P15-4	5
11		GRAY	22	P21-5	4	37	P15-4	5
11		GRAY	23	P21-6	4	28	P16-4	5
9		ORN	5	P18-3	5	60	P13-1	5
9		ORN	20	P21-3	4	26	P16-1	5
9		ORN	21	P21-4	4	35	P15-1	5
8		BRN	7	P18-7	5	63	P13-6	5
8		BRN	18	P21-1	4	29	P16-6	5
8		BRN	19	P21-2	4	38	P15-6	5
1		BLK	12	P20-3	4	61	P13-2	5
1		BLK	13	P20-4	4	55	P14-4	5
1		BLK	14	P20-5	4	54	P14-3	5
1		BLK	15	P20-6	4	27	P16-2	5
1		BLK	16	P20-7	4	36	P15-2	5
19		BLK	17	P20-8	4	59	P14-8	5
12	14	RED	30	P16-7	4	44	P1-8	4
12	TWP	WHT	31	P16-8	4	43	P1-7	4
14	14	RED	39	P15-7	4	46	P1-6	4
12	TWP	WHT	40	P15-8	4	47	P1-5	4
14	14	RED	57	P14-6	4	48	P1-4	4
12	TWP	WHT	58	P14-7	4	49	P1-3	4
12	TWP	WHT	65	P13-8	4	51	P1-2	4
14	14	RED	34	P24-3	4	25	P21-8	5
14	14	RED	43	P24-3	4	10	P20-1	5
14	14	RED	66	P22-3	4	8	P18-8	5
7		BLK	11	P20-2	4	9	LUG	6
2		VIO	32	P24-2	4	41	P24-2	4
2		VIO	3	P18-3	5	68	P22-2	5
13		VEL	33	P24-1	4	42	P24-1	4
13	18	VEL	6	P18-6	5	67	P22-1	4

NOTES:
 1-MOUNT LABEL W/RY (ITEM #17) APPROX. AS SHOWN USING CABLE TIES (ITEM #8)
 2-STRIP + CRIMP PER DWG # 7665267-0-0



DO NOT REDUCE SCALE 6IN 12IN
 FOR MANUFACTURING PURPOSES ONLY

SYMBOL	DESCRIPTION	QUANTITY	UNIT
W	WIRE #18 STRD. INS VIO #07360-77	20	
W	WIRE #18 STRD. INS BLK #07370-00	14	
X	WIRE CABLE #00703-00	18	
L	LABEL, HARNS. IDENT. #089532-00	17	
W	WIRE #18 STRD. INS WHT #07360-77	14	
W	WIRE #18 STRD. INS RED #07360-44	13	
W	WIRE #18 STRD. INS GRAY #07370-28	11	
W	WIRE #18 STRD. INS ORN #07370-33	8	
W	WIRE #18 STRD. INS BRN #07370-11	8	
W	WIRE #18 STRD. INS BLK #07360-09	7	
O	TERMINAL IS HOLE #007139-01	6	
O	TERMINAL (MALE) #04378-01	5	
O	TERMINAL (FEMALE) #2091579-00	4	
O	CONNECTOR (FEMALE) 5 PIN #20827-03	3	
O	CONNECTOR (MALE) 5 PIN #20840-01	3	
O	CONNECTOR (FEMALE) 5 PIN #009340-00	2	

SYMBOLS

QUANTITY & VARIATION

DATE: 2008-08-08

REV: 1

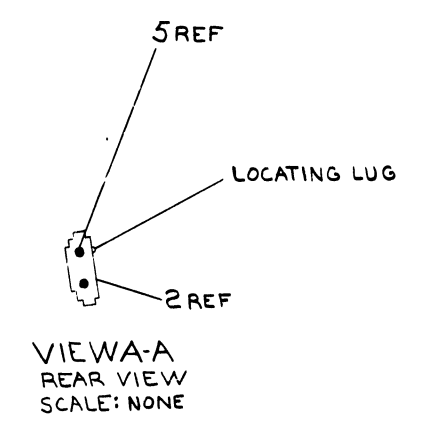
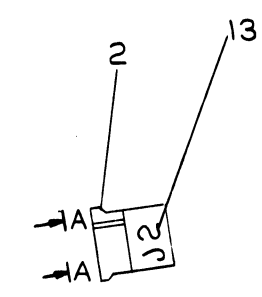
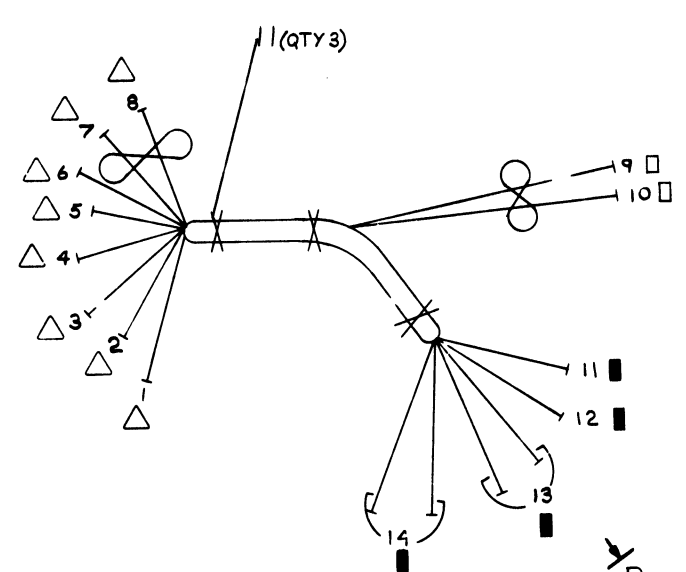
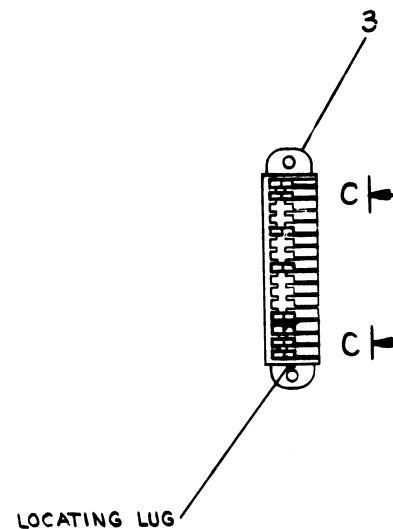
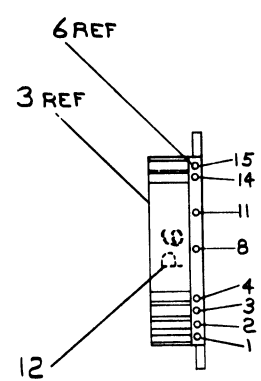
TITLE: PWR HARNESS MKII

SCALE: 1/1

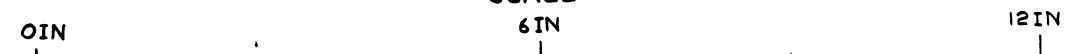
SHEET: 1 OF 1

This drawing and specifications herein are the property of Digital Equipment Corporation and shall not be reproduced or copied in whole or in part without written permission. COPYRIGHT © 1974 DIGITAL EQUIP CORP.

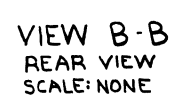
WIRE TABLE								
ITEM NO	DESCRIPTION	FROM			TO			TERM
		AWG	COLOR	POINT	CONNECTION	POINT	CONNECTION	
10	18	VIO	1	P6-1	6	13	P19-7	4
10	18	VIO	2	P6-2	6	13	P19-7	4
9	18	YEL	3	P6-3	6	14	P19-8	4
9	18	YEL	5	P6-8	6	12	P19-5	4
8	18	BLK	4	P6-4	6	12	P19-5	4
8	18	BLK	6	P6-11	6	11	P19-4	4
7	18	WHT	7	P6-14	6	10	J2-1	5
TWP	18	RED	8	P6-15	6	9	J2-2	5



DO NOT REDUCE SCALE



FOR MANUFACTURING PURPOSES ONLY



A/R	DESCRIPTION	PART NO.	QTY
A/R	PWR HARN. DECAL (J)	A-DC7409873-00	13
A/R	PWR HARN. DECAL (P)	A-DC7409872-00	12
3	TIE, CABLE	9007880	11
70"	WIRE, *18AWG, VIOLET	9107360-77	10
70"	WIRE, *18AWG, YEL	9107360-44	9
70"	WIRE, *18AWG, BLK	9107360-00	8
70"	WIRE, TWP *18AWG, RED/WHT	9107430-29	7
△	TERMINAL, RIGHT ANGLE	1210381	6
□	TERMINAL, FEMALE	1209379-01	5
■	TERMINAL, MALE	1209378-01	4
1	HOUSING, TERMINAL	1210380-07	3
1	CONN. 2PIN FEMALE	1210821-2	2
1	CONN. 8PIN MALE	1209340-01	1

OPTION / MODEL	SYM	QTY.	DESCRIPTION	PART NO.	ITEM NO.
MJ11-A					

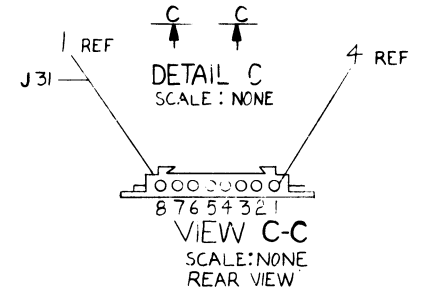
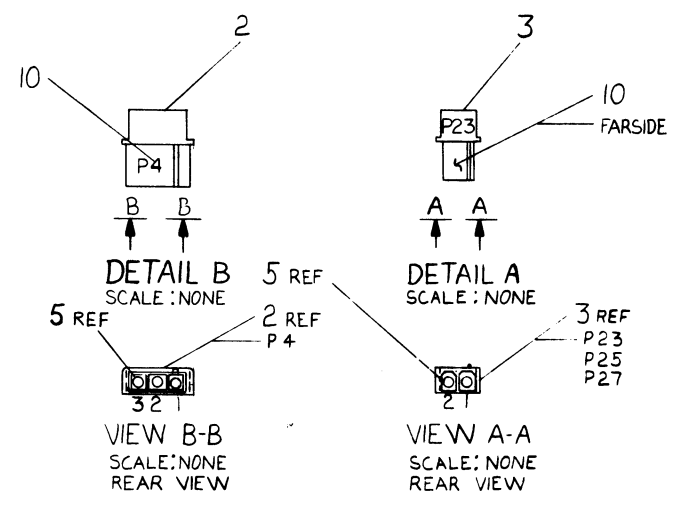
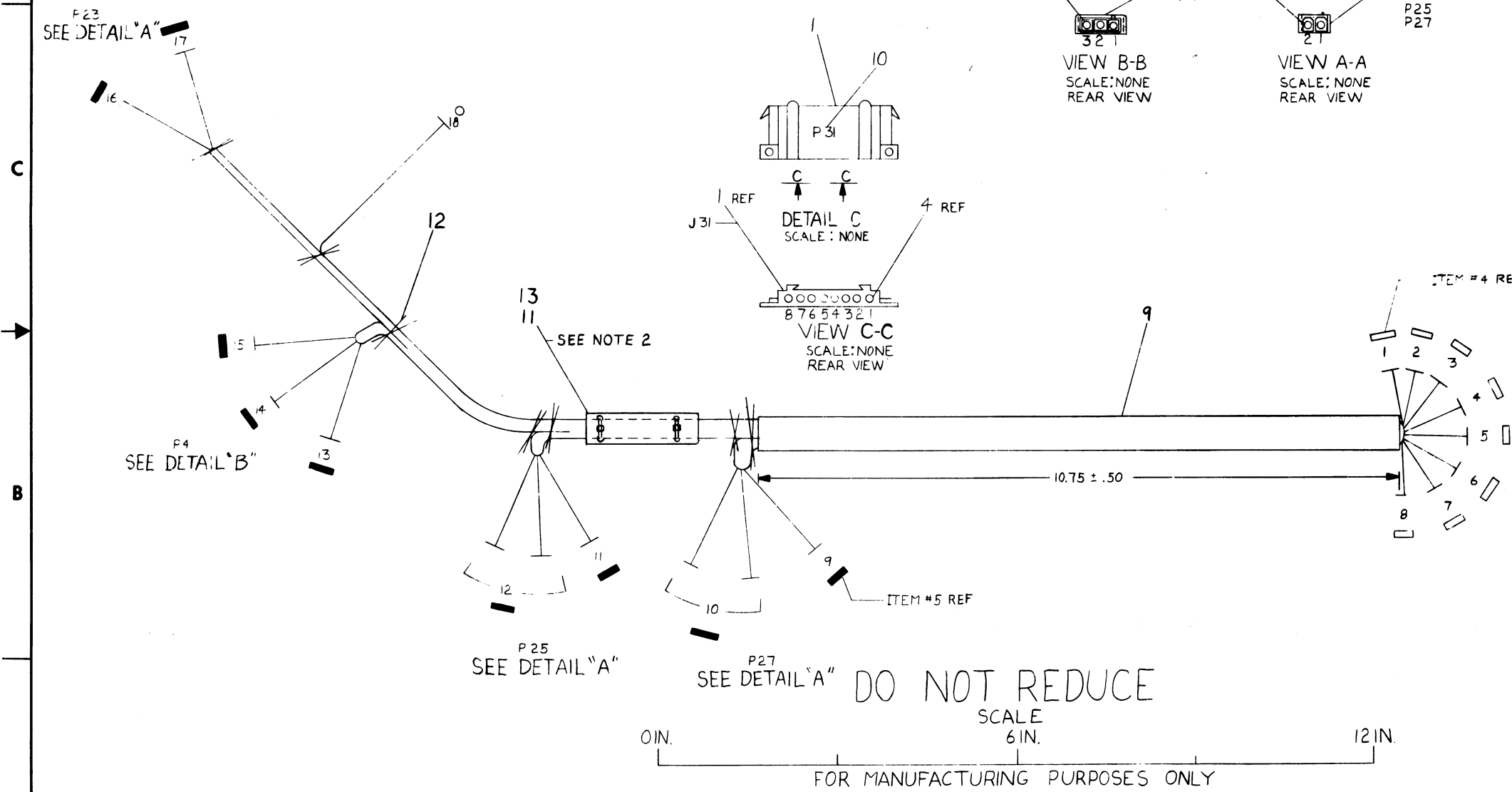
UNLESS OTHERWISE SPECIFIED DIMENSION IN INCHES. TOLERANCES	DRN: [Signature]	DATE: 11/17/77	EQUIPMENT CORPORATION WIRE HARNESS A.C./D.C. LOW (MJ11-A)
DECIMALS ANGLES	CHK: [Signature]	DATE:	
.XXX - .006 .XX - .02 .X - .1	ENG: [Signature]	DATE: 1/18/78	
REMOVE BURRS AND BREAK SHARP CORNERS SURFACE QUALITY	PROJ. ENG: [Signature]	DATE: 1/18/78	
MATERIAL	NEXT HIGHER ASSY.	SCALE: 1/1	FINISH: //
SEE PARTS LIST	D-UA-MJ11-A-φ	SHEET 1 OF 1	DIST. []

REV.	CHANGE NO.

THIS DRAWING AND SPECIFICATIONS HEREIN ARE THE PROPERTY OF DIGITAL EQUIPMENT CORPORATION AND SHALL NOT BE REPRODUCED OR COPIED OR USED IN WHOLE OR IN PART AS THE BASIS FOR THE MANUFACTURE OR SALE OF ITEMS WITHOUT WRITTEN PERMISSION. COPYRIGHT © 1977, DIGITAL EQUIPMENT CORPORATION

WIRE TABLE										
ITEM NO	DESCRIPTION			FROM			TO			REMARKS
	AWG	COLOR	POINT	CONNECTOR	WITH	POINT	CONNECTOR	WITH		
7	18	RED	17	P23-1	5	12	P25-1	5		
		RED	10	P27-1	5	8	P31-1	4		
7		RED	15	P4-2		6	P31-4			
6		BLK	16	P23-2		2	P31-7			
		BLK	13	P4-3		7	P31-2			
		BLK	11	P25-2		3	P31-6			
		BLK	9	P27-2		4	P31-5			
6		BLK	1	P31-8		18	LUG	13		
8	18	WHT	14	P4-1	5	5	P31-3	4		

NOTES
 1. STRIP+CRIMP PER DWG 765267-0-C
 2. MOUNT SERIAL TAG (ITEM#11) APPROX. AS SHOWN USING CABLE TIES (ITEM#12) CABLE TIES TO BE SNUG, DO NOT CRUSH CABLE.



SEE DETAIL "C"

ITEM	DESCRIPTION	DWG./PART NO.	ITEM NO.
1	TERMINAL, 10 HOLE	9207930-00	13
X	A/R TIE, CABLE	9007031-00	12
	LABEL, HARNESS IDENT	9009532-00	11
A/R	DECALS (P)	A DC 7409872-2-0	10
A/R	SLEEVING, .425 DIA	9107444-00	9
A/R	WIRE, #18 STRD, NS WHT	9107559-19	8
A/R	WIRE, #18 STRD, NS RED	9107750-22	7
A/R	WIRE, #18 STRD, NS BLK	9107550-00	6
9	TERMINAL (MALE)	1209376-01	5
8	TERMINAL (FEMALE)	1209379-01	4
3	CONNECTOR (MALE) 2 PIN	1210922-02	3
1	CONNECTOR (MALE) 3 PIN	1207351-03	2
1	CONNECTOR (FEMALE) 3 PIN	1207340-00	1

SYMBOLS	DESCRIPTION	DWG./PART NO.	ITEM NO.
QUANTITY & VARIATION	UNLESS OTHERWISE SPECIFIED DIMENSIONS ARE IN INCHES		
THIRD ANGLE PROJECTION	DRN. P. [Signature]	15 MAY 77	FIRST USED ON MK II
REMOVE BURRS AND BREAK SHARP CORNERS	CHK'D [Signature]	20 MAR 77	TITLE HARNESS, BOX CONTROL, INTERNAL (MK II)
DO NOT SCALE DWG	PROJ. ENG. [Signature]	27 MAR 77	DIGITAL
MATERIAL SEE PARTS LIST	PROD. Q. [Signature]	27 SEP 77	D-AD-7014614-0-0
FINISH	NEXT HIGHER ASSY.		SIZE CODE IA
			NUMBER 7014312-0-0
			REV.

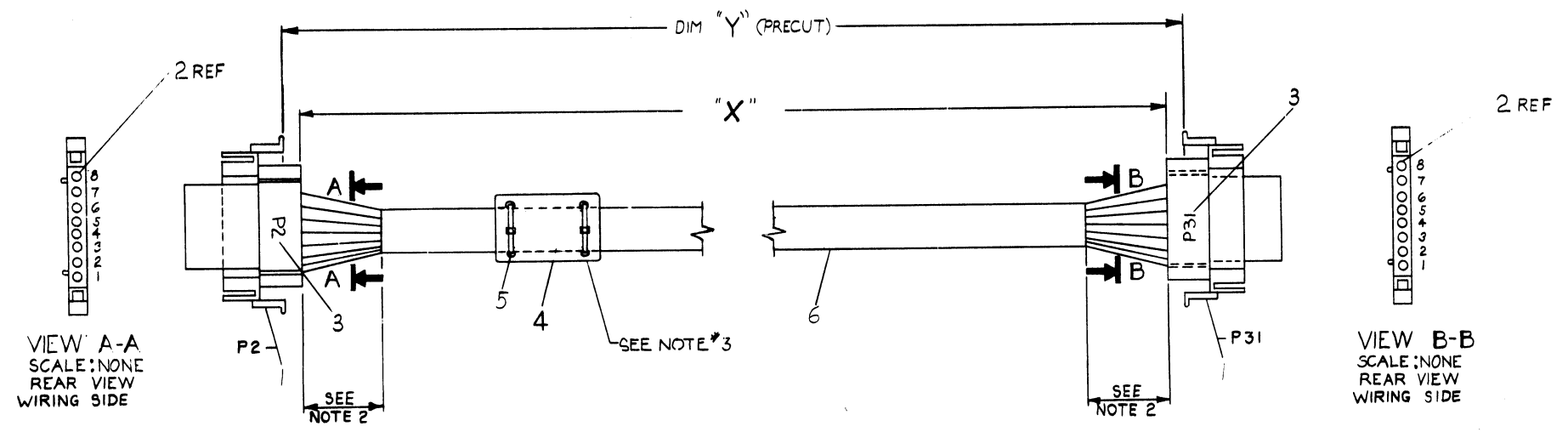
REV.	CHANGE NO.

"THIS DRAWING AND SPECIFICATIONS HEREIN ARE THE PROPERTY OF DIGITAL EQUIPMENT CORPORATION AND SHALL NOT BE REPRODUCED OR COPIED OR USED IN WHOLE OR IN PART AS THE BASIS FOR THE MANUFACTURE OR SALE OF ITEMS WITHOUT WRITTEN PERMISSION.
COPYRIGHT © 1977, DIGITAL EQUIPMENT CORPORATION"

WIRE TABLE						
ITEM NO.	DESCRIPTION	FROM	TO	WITH	CONNECTION	WITH
6	18	BROWN	P2-1	2	P31-1	2
	↑	RED	P2-2	↑	P31-2	↑
		ORN	P2-3		P31-3	
		YEL	P2-4		P31-4	
		GRN	P2-5		P31-5	
		BLUE	P2-6		P31-6	
	↓	VIO	P2-7	↓	P31-7	↓
	18	GREY	P2-8	2	P31-8	2

LEGEND		
NUMBER	DIM "X" VARIATION	DIM "Y" (PRECUT) REF
7014311-9F	9 FT 6IN±2IN	9 FT 6.5 IN
7014311-1F	1 FT 6IN±2IN	1 FT 6.5 IN
7014311-4F	4 FT 6IN±2IN	4 FT 6.5 IN

- NOTES:
1. STRIP # CRIMP PER DWG NO 7665267-0-0
 2. LENGTH OF SLIT 1.25 INCHES
 3. MOUNT LABEL, CABLE APPRX. AS SHOWN USING CABLE TIES ITEM#5. CABLE TIES TO BE SNUB, DO NOT CRUSH CABLE



QTY.	DESCRIPTION	DWG. PART NO.	ITEM NO.
4/R	CABLE FLAT & COND. STRD #18AWG	1700098-01	6
2	TIE, CABLE	9:07091-00	5
1	LABEL, CABLE IDENT	9009592-00	4
A/R	DECAL (P)	A DC-7409872-2-0	3
16	TERMINAL (MALE)	1209378-01	
2	CONNECTOR, MALE	1209340-01	1

UNLESS OTHERWISE SPECIFIED DIMENSIONS ARE IN INCHES		FIRST USED ON	
ANGLES 20° 30°	CLASS OF ACCURACY	DRN. 6-10-77	MKII
SURFACE QUALITY IN	(CHECK ONE)	CHK'D. 9-58-77	
MEDIUM	<input type="checkbox"/>	ENG. A. 10-28-77	
PREFERRED	<input checked="" type="checkbox"/>	PROJ. ENG. 11-29-77	
MICROINCHES		PROD. 1-11-78	
THIRD ANGLE PROJECTION		NEXT HIGHER ASSY.	
REMOVE BURRS AND BREAK SHARP CORNERS		MATERIAL	
DO NOT SCALE DWG		SEE PARTS LIST	
FINISH		SCALE 1/1	
SHEET 1 OF 1		DIST.	

REV.	CHG.	DATE	BY	APP.
1	A	5/24/76	R. WOLF	

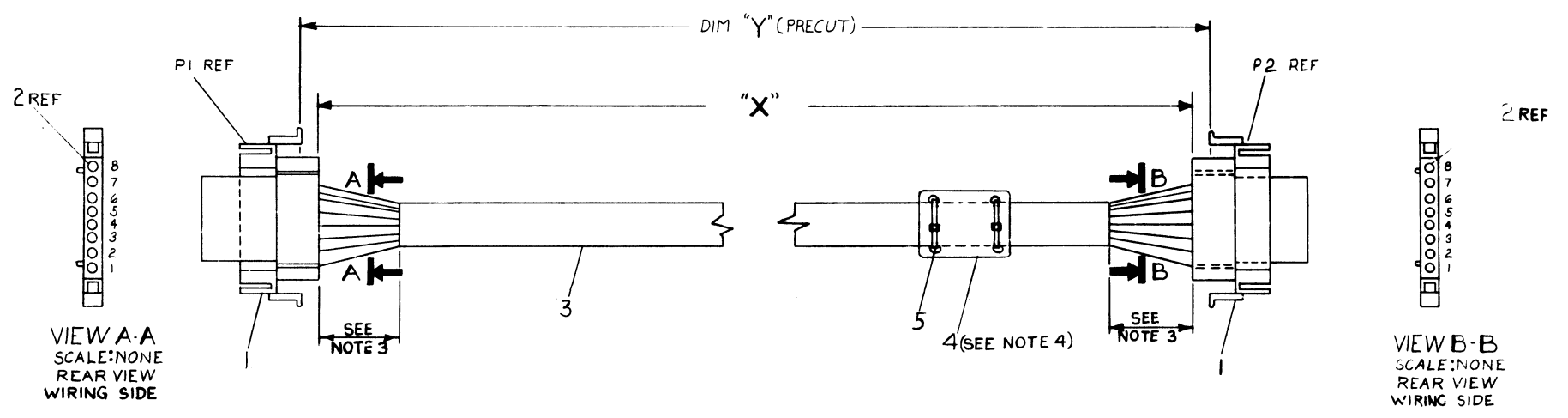
7014311-0-0

THIS DRAWING AND SPECIFICATIONS HEREIN ARE THE PROPERTY OF DIGITAL EQUIPMENT CORPORATION AND SHALL NOT BE REPRODUCED OR COPIED OR USED IN WHOLE OR IN PART AS THE BASIS FOR THE MANUFACTURE OR SALE OF ITEMS WITHOUT WRITTEN PERMISSION. COPYRIGHT © 1977, DIGITAL EQUIPMENT CORPORATION

WIRE TABLE						
ITEM NO.	DESCRIPTION	FROM		TO		
		CONNECTION	WITH	CONNECTION	WITH	
5	14	BROWN	P1-1	2	P2-1	2
		RED	-2		-2	
		ORN	-3		-3	
		YEL	-4		-4	
		GRN	-5		-5	
		BLUE	-6		-6	
		VIO	-7		-7	
5	14	GREY	P1-8	2	P2-8	2

LEGEND		
NUMBER	DIM "X" VARIATION	DIM "Y" (PRECUT) REF.
7014520-08	8 FT 0 IN ± 2 IN	8 FT. 5 IN
7014520-05	5 FT 0 IN ± 2 IN	5 FT. 5 IN

- NOTES:
1. STRIP & CRIMP PER DWG NO 7665267-0-0
 2. SLITTING FIXTURE
 3. LENGTH OF SLIT 1.25 INCHES
 4. MOUNT LABEL, CABLE APPROX AS SHOWN USING CABLE TIES ITEM #5. CABLE TIES TO BE SNUG, DO NOT CRUSH CABLE.



VIEW A-A
SCALE: NONE
REAR VIEW
WIRING SIDE

VIEW B-B
SCALE: NONE
REAR VIEW
WIRING SIDE

QTY	DESCRIPTION	DWG./PART NO.	ITEM NO.
2	TIE CABLE	9007031-00	5
1	LABEL, CABLE IDENT.	9009532-00	4
1	CABLE, FLAT SCOND #14 AWG	1700098-00	3
1	TERMINAL (MALE)	1209378-01	2
2	CONNECTOR (MALE)	1209340-01	1

UNLESS OTHERWISE SPECIFIED DIMENSIONS ARE IN INCHES					
ANGLES 30° 30'	CLASS OF ACCURACY	NOMINAL DIMENSION RANGE INCHES			
		OVER 0 TO 1.25	OVER 1.25 TO 2.5	OVER 2.5 TO 4	OVER 4 TO ∞
SURFACE QUALITY IN	MEDIUM	±.004	±.005	±.007	±.010
QUANTITY & VARIATION	PREFERRED	±.012	±.015	±.020	±.025

THIRD ANGLE PROJECTION

REMOVE BURRS AND BREAK SHARP CORNERS

DO NOT SCALE DWG

MATERIAL SEE PARTS LIST

FINISH

DRN. *John* 6-10-77
CHK'D. *Noon* 7-5-77
ENG. *L. P. Smith* 9-20-77
PROJ. *John* 9-20-77

FIRST USED ON MK11

TITLE CABLE, POWER BATTERY BACKUP

SIZE D CODE TA NUMBER 7014520-0-0 REV. A

SHEET 1 OF 1 DIST.

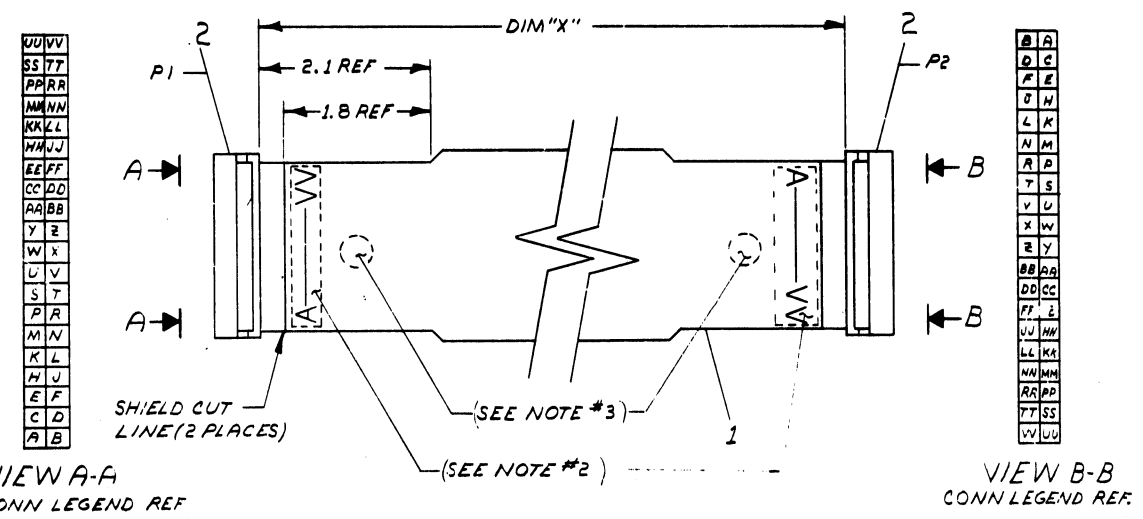
REV.	CHANGE NO.	DESCRIPTION
1	1	INITIAL DESIGN
2	2	REVISED

"THIS DRAWING AND SPECIFICATIONS, HEREIN, ARE THE PROPERTY OF DIGITAL EQUIPMENT CORPORATION AND SHALL NOT BE REPRODUCED OR COPIED OR USED IN WHOLE OR IN PART AS THE BASIS FOR THE MANUFACTURE OR SALE OF ITEMS WITHOUT WRITTEN PERMISSION. COPYRIGHT © 1976 DIGITAL EQUIPMENT CORPORATION"

WIRE TABLE			
FROM	TO	FROM	TO
P1-A	P2-VV	P1-Y	P2-X
P1-B	P2-UU	P1-Z	P2-VV
P1-C	P2-TT	P1-AA	P2-V
P1-D	P2-SS	P1-BB	P2-U
P1-E	P2-RR	P1-CC	P2-T
P1-F	P2-PP	P1-DD	P2-S
P1-H	P2-NN	P1-EE	P2-R
P1-J	P2-MM	P1-FF	P2-P
P1-K	P2-LL	P1-HH	P2-N
P1-L	P2-KK	P1-JJ	P2-M
P1-M	P2-JJ	P1-KK	P2-L
P1-N	P2-HH	P1-LL	P2-K
P1-P	P2-FF	P1-MM	P2-J
P1-R	P2-EE	P1-NN	P2-H
P1-S	P2-DD	P1-PP	P2-F
P1-T	P2-CC	P1-RR	P2-E
P1-U	P2-BB	P1-SS	P2-D
P1-V	P2-AA	P1-TT	P2-C
P1-W	P2-Z	P1-UU	P2-B
P1-X	P2-Y	P1-VV	P2-A

LEGEND		
NUMBER	DIM "X"	PRECUT LENGTH
BCØBR-Ø1	1.00 FT.	1.00FT.1.5IN±.00IN
BCØBR-Ø2	2.00 FT.	2.00FT.1.5IN±.00IN
BCØBR-Ø3	3.00 FT.	3.00FT.1.5IN±.00IN
BCØBR-Ø4	4.00 FT.	4.00FT.1.5IN±.00IN
BCØBR-Ø5	5.00 FT.	5.00FT.1.5IN±.00IN
BCØBR-Ø6	6.00 FT.	6.00FT.1.5IN±.00IN
BCØBR-Ø7	7.00 FT.	7.00FT.1.5IN±.00IN
BCØBR-Ø8	8.00 FT.	8.00FT.1.5IN±.00IN
BCØBR-Ø9	9.00 FT.	9.00FT.1.5IN±.00IN
BCØBR-10	10.00 FT.	10.00FT.1.5IN±.00IN
BCØBR-11	11.00 FT.	11.00FT.1.5IN±.00IN
BCØBR-12	12.00 FT.	12.00FT.1.5IN±.00IN
BCØBR-13	13.00 FT.	13.00FT.1.5IN±.00IN
BCØBR-14	14.00 FT.	14.00FT.1.5IN±.00IN
BCØBR-15	15.00 FT.	15.00FT.1.5IN±.00IN
BCØBR-16	16.00 FT.	16.00FT.1.5IN±.00IN
BCØBR-17	17.00 FT.	17.00FT.1.5IN±.00IN
BCØBR-18	18.00 FT.	18.00FT.1.5IN±.00IN
BCØBR-19	19.00 FT.	19.00FT.1.5IN±.00IN
BCØBR-20	20.00 FT.	20.00FT.1.5IN±.00IN
BCØBR-25	25.00 FT.	25.00FT.1.5IN±.00IN
BCØBR-30	30.00 FT.	30.00FT.1.5IN±.00IN
BCØBR-35	35.00 FT.	35.00FT.1.5IN±.00IN
BCØBR-50	50.00 FT.	50.00FT.1.5IN±.00IN
BCØBR-60	60.00 FT.	60.00FT.1.5IN±.00IN
BCØBR-75	75.00 FT.	75.00FT.1.5IN±.00IN
BCØBR-100	100.00 FT.	100.00FT.1.5IN±.00IN
BCØBR-130	130.00 FT.	130.00FT.1.5IN±.00IN
BCØBR-160	160.00 FT.	160.00FT.1.5IN±.00IN

1. ASSEMBLE THIS CABLE PER PROCESS SPEC #7606485-Ø-Ø.
2. CONNECTOR LEGEND IDENTIFICATION TO BE PLACED ON SHIELD SIDE OF CABLE IN THIS AREA AS SHOWN.
3. INSPECTION & TEST STAMPS TO BE PLACED AT EACH END OF THE CABLE ASSY.
4. STRIP LENGTH SHOULD BE .62 ± 4/32.



REV.	CHG.	NO.	BY	DATE
1	1	1	S. HOLMES	11-22-70
2	1	1	P. GARDNER	11-22-70
3	1	1	P. GARDNER	11-22-70

2	CONNECTOR, 4P SOCKET	1211206	2
1	AIR CABLE, 4Ø COND. FLAT W/SHIELD	1700004	1
UNLESS OTHERWISE SPECIFIED DIMENSIONS ARE IN INCHES			
ANGLES ±0° 30'	CLASS OF ACCURACY (CHECK ONE)	NOMINAL DIMENSION RANGE INCHES	
SURFACE QUALITY IN	MEDIUM <input type="checkbox"/> PREFERRED <input checked="" type="checkbox"/>	OVER 0 TO 0.2	OVER 0.2 TO 0.5
		OVER 0.5 TO 1.0	OVER 1.0 TO 1.5
QUANTITY & VARIATION	MICROINCHES	±.004	±.008
		±.012	±.016
		±.025	±.04
		±.063	±.1
THIRD ANGLE PROJECTION	DRND. FONTAINE 9-28-70	FIRST USED ON	
REMOVE BURRS AND BREAK SHARP CORNERS	CHK'D FLEMING 9-3-70	TITLE BCØBR	
DO NOT SCALE DWG	ENGR. GARDNER 9-2-70	1Ø CABLE	
	PROD. DONALL 9-4-70		
MATERIAL	NEXT HIGHER ASSY.	SIZE CODE	NUMBER
FINISH		D UA	BCØBR-Ø-Ø
		DIST.	M