

digital

MS11-E

Engineering Drawings

Digital Equipment Corporation

The material herein is for information purposes only and is subject to change without notice. Digital Equipment Corporation assumes no responsibility for any errors which may appear herein.

These drawings and specifications herein are the property of Digital Equipment Corporation and shall not be reproduced or copied or used in whole or in part as the basis for the manufacture or sale of items without written permission.

Copyright © 1975, Digital Equipment Corporation

"THIS DRAWING AND SPECIFICATIONS, HEREIN, ARE THE PROPERTY OF DIGITAL EQUIPMENT CORPORATION AND SHALL NOT BE REPRODUCED OR COPIED OR USED IN WHOLE OR IN PART AS THE BASIS FOR THE MANUFACTURE OR SALE OF ITEMS WITHOUT WRITTEN PERMISSION. COPYRIGHT © 1977 DIGITAL EQUIPMENT CORPORATION"

NOTES:
 1. DEC PART NO. 1001610-00 IS AN ACCEPTABLE REPLACEMENT FOR DEC PART NO. 1001610-01 (ITEM 14).
 2. VARIATIONS YA THRU YJ. ITEM 21; D1 DIODE, ZENER IN757A, 5.1V 5% (1110994-00)
 ITEM 28; R2 RES 270, 1/4W, 5% CC (1301872-00)
 VARIATIONS BA THRU BJ. ITEM 05; MOSTEK 4088 (21-12728-00)
 CA THRU CJ, DA THRU DJ. D1 DIODE, ZENER IN751A, 5.1V, 5% (1110984-00)
 EA THRU EJ. R2 580 1/4W, 5% CC (1301880-00)
 VARIATIONS YA THRU YJ. ITEM 05; 4K16 PIN MOSRAM Y88 -0V(21-11748-00)
 VARIATIONS BA THRU BJ. ITEM 05; MOSTEK 4088 (21-12728-00)
 VARIATIONS CA THRU CJ. ITEM 05; FUJITSU 8224 (21-13787-01)
 VARIATIONS DA THRU DJ. ITEM 05; MOSTEK 4027 (21-13735-01)
 VARIATIONS EA THRU EJ. ITEM 05; INTEL 2104A (21-13785-01)

PARTS LIST											
QTY	QTY	QTY	QTY	QTY	QTY	QTY	QTY	REF DESIGNATION	DESCRIPTION	PART NO.	ITEM NO
1	1	1	1	1	1	1	1		DATA BASE TAPE	5011215-0-0	1
-	-	-	-	-	-	-	-		DATA BASE TAPE	M7847-YA-0	2
-	-	-	-	-	-	-	-		DATA BASE TAPE	M7847-YB-0	3
-	-	-	-	-	-	-	-		DATA BASE TAPE	M7847-YC-0	4
-	-	-	-	-	-	-	-		DATA BASE TAPE	M7847-YD-0	5
-	-	-	-	-	-	-	-		DATA BASE TAPE	M7847-YE-0	6
-	-	-	-	-	-	-	-		DATA BASE TAPE	M7847-YF-0	7
-	-	-	-	-	-	-	-		DATA BASE TAPE	M7847-YH-0	8
-	-	-	-	-	-	-	-		DATA BASE TAPE	M7847-YJ-0	9
REF	REF	REF	REF	REF	REF	REF	REF		ASSY LAYOUT	D-M7847-0-5	10
REF	REF	REF	REF	REF	REF	REF	REF		DRILLING HOLE LAYOUT	D-M-5011215-0-5	11
REF	REF	REF	REF	REF	REF	REF	REF		MODULE ECD HISTORY	B-M7847-0-8	12
1	1	1	1	1	1	1	1		ETCHED CIRCUIT BOARD	5011215	13
57	57	57	57	57	57	57	57	C2, C3, C8, C5, C14, C15, C24, C25, C30, C31, C36, C81, C82, C87, C76, C77, C82, C87, C83, C88-C184, C186-C128, C123-C127, C131-C137, C139, C148, C142, C143	CAP .01UF, 100V, 20% DISC	1001610-01 (SEE NOTE 1)	14
-	-	-	-	37	37	37	37	C6, C7, C12, C13, C18, C19, C22, C23, C28, C29, C34, C35, C41, C42, C45, C46, C49-C51, C54, C55, C58, C59, C65, C66, C70, C71, C74, C75, C80, C81, C85, C86, C89, C91, C96, C97	CAP .22UF, 50V CER	1010274-01	15
73	73	73	73	-	-	-	-	C4-C7, C10-C13, C16-C23, C26-C29, C32-C35, C39-C59, C63-C66, C68-C75, C78-C81, C83-C86, C88-C91, C94-C97			
7	7	7	7	7	7	7	7	C1, C36, C37, C89, C92, C105, C122	CAP 6.8UF, 35V, 18% S. TANT	1985308-00	16
2	2	2	2	2	2	2	2	C141, C146	CAP 47PF, 100V, 5% DM	1000011-00	17
4	4	4	4	4	4	4	4	C128-C138, C138	CAP 220PF, 100V, 1% DM	1012121-00	18
1	1	1	1	1	1	1	1	C121	CAP 220PF, 100V, 5% DM	1000021-00	19
2	2	2	2	2	2	2	2	C144, C145	CAP 560PF, 100V, 5% DM	1000025-00	20
1	1	1	1	1	1	1	1	D1	SEE NOTE #2		21
1	1	1	1	1	1	1	1	D2	DIODE, ZENER IN751A, 5.1V, 5%	1110994-00	22
13	13	13	13	13	13	13	13	R9-R20, R57	RES 18, 1/4W, 5%, CC	1302124-00	23
16	16	16	16	16	16	16	16	R7, R8, R21-R27, R30-R33, R52, R54, R55	RES 1K, 1/4W, 5%, CC	1300385-00	24
5	5	5	5	5	5	5	5	R3-P5, R28, R29	RES 560, 1/4W, 5%, CC	1301890-00	25
1	1	1	1	1	1	1	1	R2	SEE NOTE #2		26
1	1	1	1	1	1	1	1	R53	RES 390, 1/4W, 5%, CC	1300305-00	27
1	1	1	1	1	1	1	1	R1	RES 10K, 1/4W, 5%, CC	1300479-00	28
1	1	1	1	1	1	1	1	R48	RES 38K, 1/4W, 5%, CC	1302394-00	29
7	7	7	7	7	7	7	7	R37, R38, R41, R45, R47, R49, R50	RES 1K, 1/4W, 1%, MF	1303114-00	30
1	1	1	1	1	1	1	1	R34	RES 631, 1/4W, 1%, MF	1302872-00	31
3	3	3	3	3	3	3	3	R36, R46, R51	RES 4.7K, 1/4W, 5%, CC	1300447-00	32
1	1	1	1	1	1	1	1	R56	RES 100, 1/4W, 5%, CC	1300229-00	33
1	1	1	1	1	1	1	1	R43	RES 1.54K, 1/4W, 1%, MF	1312480-00	34
1	1	1	1	1	1	1	1	R40	RES 1.05K, 1/4W, 1%, MF	1312479-00	35
1	1	1	1	1	1	1	1	R35	RES 2.7K, 1/4W, 5%, CC	1300426-00	36
1	1	1	1	1	1	1	1	R39	RES 6.8K, 1/4W, 5%, CC	1301423-00	37
1	1	1	1	1	1	1	1	R44	RES 12K, 1/4W, 5%, CC	1300423-00	38
1	1	1	1	1	1	1	1	R42	RES 4.3K, 1/4W, 5%, CC	1302389-00	39
6	6	6	6	6	6	6	6	E2, E8, E14, E24, E30, E36	IC 74174	1910852-00	40
5	5	5	5	5	5	5	5	E1, E7, E13, E23, E29	IC 8641	1911579-00	41

REVISIONS		
CHK	CHANGE NO.	REV.

PARTS LIST											
QTY	QTY	QTY	QTY	QTY	QTY	QTY	QTY	REF DESIGNATION	DESCRIPTION	PART NO	ITEM NO
1	1	1	1	1	1	1	1	E35	IC 8801	1909705-00	42
6	6	6	6	6	6	6	6	E54, E55, E60, E61, E70, E71	IC 8840	1911489-00	43
2	2	2	2	2	2	2	2	E77, E135	IC 7474	1905547-00	44
1	1	1	1	1	1	1	1	E63	IC 74187	1910035-00	45
5	5	5	5	5	5	5	5	E76, E82, E88, E115, E119	IC 7475	1909050-00	46
3	3	3	3	3	3	3	3	E83, E88, E89	IC 74S153	1910547-00	47
6	6	6	6	6	6	6	6	E100-E103, E107, E109	IC 74S140	1910546-00	48
2	2	2	2	2	2	2	2	E104, E105	IC 7420	1905577-00	49
1	1	1	1	1	1	1	1	E106	IC 7483	1908832-00	50
3	3	3	3	3	3	3	3	E110, E113, E131	IC 7400	1905575-00	51
3	3	3	3	3	3	3	3	E112, E118, E123	IC 74S20	1910539-00	52
1	1	1	1	1	1	1	1	E117	IC 7486	1910011-00	53
1	1	1	1	1	1	1	1	E124	IC7489A	1910534-00	54
1	1	1	1	1	1	1	1	E125	IC 74S93	1910533-00	55
3	3	3	3	3	3	3	3	E127, E132, E133	IC 75107	1910288-00	56
1	1	1	1	1	1	1	1	E128	IC 74S85	1910535-00	57
1	1	1	1	1	1	1	1	E129	IC 7404	1908886-00	58
3	3	3	3	3	3	3	3	E114, E129, E122	IC 7440	1905579-00	59
1	1	1	1	1	1	1	1	E116	IC 74S11	1910537-00	60
1	1	1	1	1	1	1	1	E108	IC 7437	1910081-00	61
1	1	1	1	1	1	1	1	E41	IC 7812	1912040-01	62
1	1	1	1	1	1	1	1	E134	IC 74S10	1910538-00	63
1	1	1	1	1	1	1	1	E130	IC 74S74	1910544-00	64
-	-	-	-	-	-	-	-	16	E12, E18, E22, E28, E34, E40, E45, E48, E50, E55, E59, E65, E69, E75, E81, E87, E92, E97		65
-	-	-	-	-	-	-	-	18	E6, E12, E18, E22, E28, E34, E40, E45, E48, E53, E59, E65, E69, E75, E81, E87, E92, E97		
-	-	-	-	-	-	-	-	32	E11, E12, E17, E18, E21, E22, E27, E28, E33, E34, E39, E40, E44, E45, E48, E49, E58, E59, E64, E65, E68, E69, E74, E75, E80, E81, E86, E87, E91, E92, E96, E97		
-	-	-	-	-	-	-	-	36	E5, E6, E11, E12, E17, E18, E21, E22, E27, E28, E33, E34, E39, E40, E44, E45, E48, E49, E52, E53, E58, E59, E64, E65, E68, E69, E74, E75, E80, E81, E86, E87, E91, E92, E96, E97		
-	-	-	-	-	-	-	-	48	E10-E12, E16-E18, E20-E22, E28-E28, E32-E34, E38-E40, E43-E45, E47-E49, E57-E59, E63-E65, E67-E69, E73-E75, E79-E81, E85-E87, E89-E92, E95-E97	SEE NOTE #2	
-	-	-	-	-	-	-	-	54	E4-E8, E10-E12, E16-E18, E20-E22, E28-E28, E32-E34, E38-E40, E43-E45, E47-E49, E51-E53, E57-E59, E63-E65, E67-E69, E73-E75, E79-E81, E85-E87, E89-E92, E95-E97		
-	64	-	-	-	-	-	-	64	E9-E12, E15-E22, E25-E28, E31-E34, E37-E40, E42-E48, E56-E59, E62-E69, E72-E75, E78-E81, E84-E87, E89-E92, E94-E97		
72	-	-	-	-	-	-	-	72	E3-E8, E9-E12, E15-E22, E25-E28, E31-E34, E37-E40, E42-E48, E56-E59, E62-E69, E72-E75, E78-E81, E84-E87, E89-E92, E94-E97		

TITLE		UNIBUS MOS MEMORY		SIZE CODE	D CS	NUMBER	M7847-0-1	REV.	1
SCALE		SHEET 2 OF 16		DIST.					

"THIS DRAWING AND SPECIFICATIONS, HEREIN, ARE THE PROPERTY OF DIGITAL EQUIPMENT CORPORATION AND SHALL NOT BE REPRODUCED OR COPIED OR USED IN WHOLE OR IN PART AS THE BASIS FOR THE MANUFACTURE OR SALE OF ITEMS WITHOUT WRITTEN PERMISSION. COPYRIGHT © 1977 DIGITAL EQUIPMENT CORPORATION"

EJ	EH	EF	EE	ED	EC	EB	EA
DI	DH	DF	DE	DD	DC	DB	DA
CJ	CH	CF	CE	CD	CC	CB	CA
BJ	BH	BF	BE	BD	BC	BB	BA
YJ	YH	YF	YE	YD	YC	YB	YA

								PARTS LIST			
QTY	QTY	QTY	QTY	QTY	QTY	QTY	QTY	REF DESIGNATION	DESCRIPTION	PART NO.	ITEM NO.
1	1	1	1	1	1	1	1	E111	DIP SWITCH	1211184-04	66
6	6	6	6	6	6	6	6		SPLIT LUGS	9008735-00	67
1	1	1	1	1	1	1	1		HANDLE ASSY	1210711-02	68
12	12	12	12	12	12	12	12		EYELET	9008732-00	69
2	2	2	2	2	2	2	2		NUT, KEP #4-40	9006557-00	70
2	2	2	2	2	2	2	2		SCR, PPH, #4-40 x .31	9008010-01	71
A/R	A/R	A/R	A/R	A/R	A/R	A/R	A/R		THERMAL COMPOUND	9008288-00	72
A/R	A/R	A/R	A/R	A/R	A/R	A/R	A/R		WIRE, #22 AWG BUS	9107580-01	73
A/R	A/R	A/R	A/R	A/R	A/R	A/R	A/R		WIRE, #30 AWG WIRE WRAP	9105740-55	74

D
C
B
A

D
C
B
A

REVISIONS		
CHK	CHANGE NO.	REV.

TITLE	UNIBUS MOS MEMORY	SIZE CODE	DCS	NUMBER	M7847-0-1	REV.	H
SCALE		SHEET	3	OF	16	DIST.	

8

7

6

5

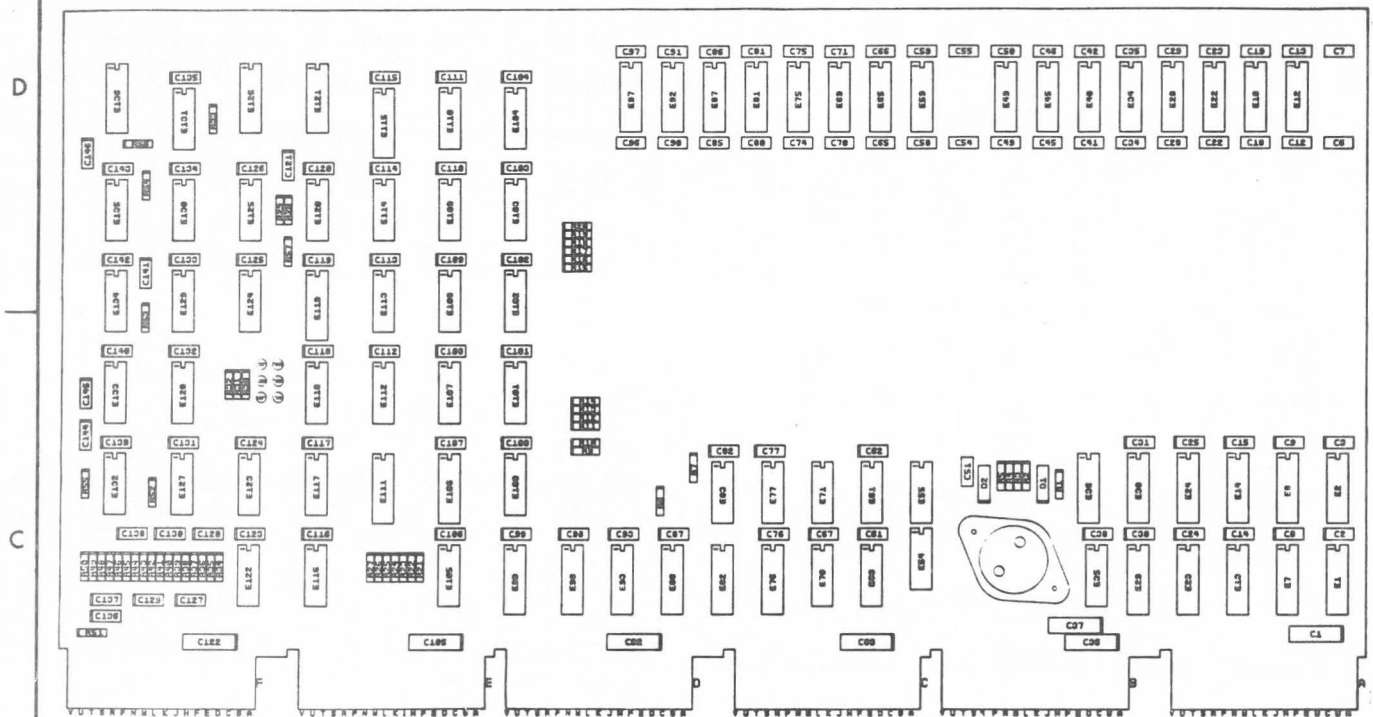
4

3

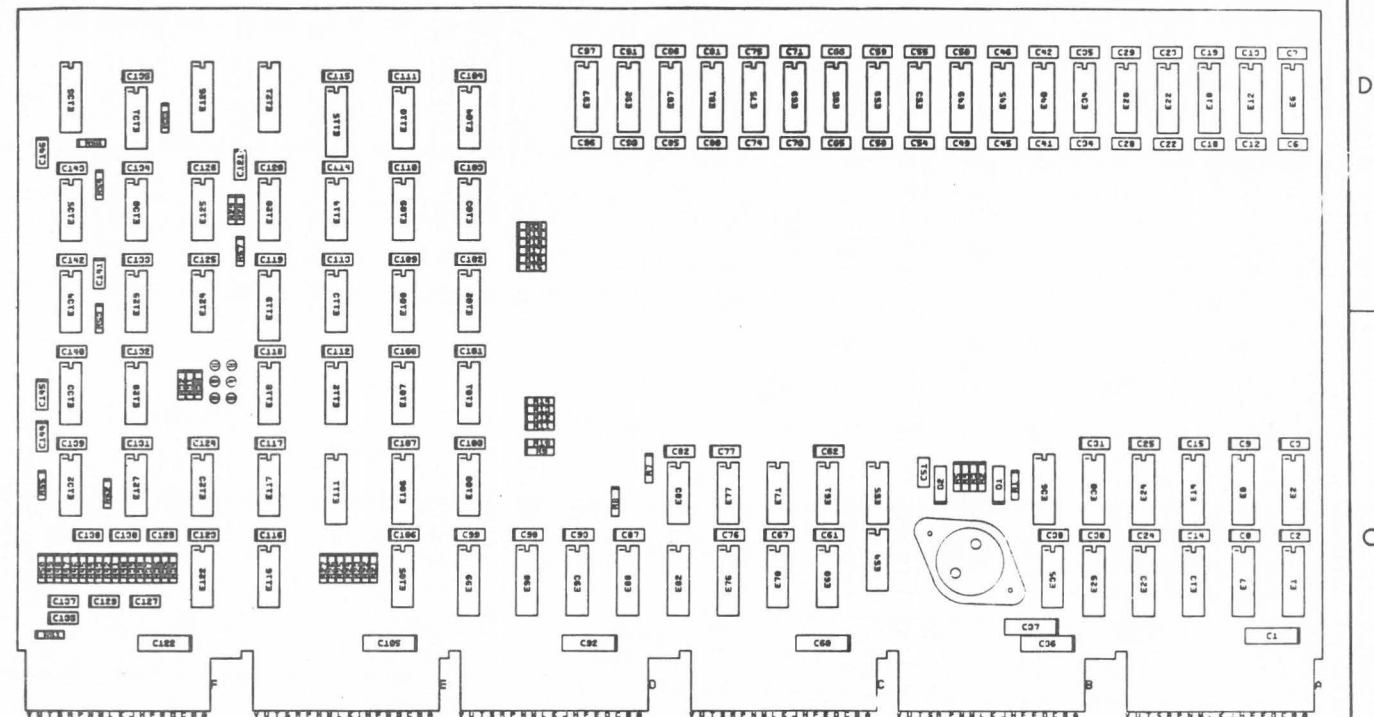
H 1-0-787WSD 2 DCS M7847-0-1

THIS DRAWING AND SPECIFICATIONS, HEREIN, ARE THE PROPERTY OF DIGITAL EQUIPMENT CORPORATION AND SHALL NOT BE REPRODUCED OR COPIED OR USED IN WHOLE OR IN PART AS THE BASIS FOR THE MANUFACTURE OR SALE OF ITEMS WITHOUT WRITTEN PERMISSION. COPYRIGHT © 1975, DIGITAL EQUIPMENT CORPORATION.

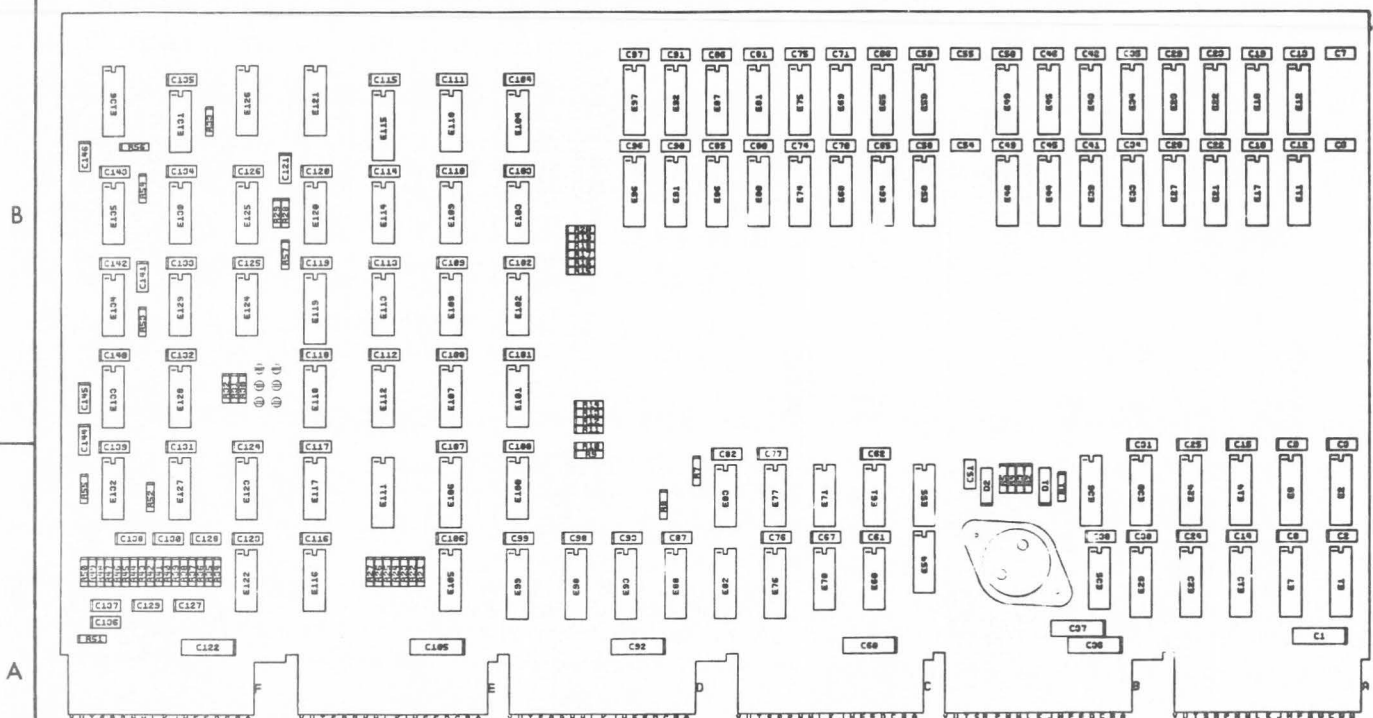
NOTE: THESE OVERLAYS ONLY TO INDICATE POSITIONS FOR 4K MOS MEMORY IC'S & .22UF CAPS.



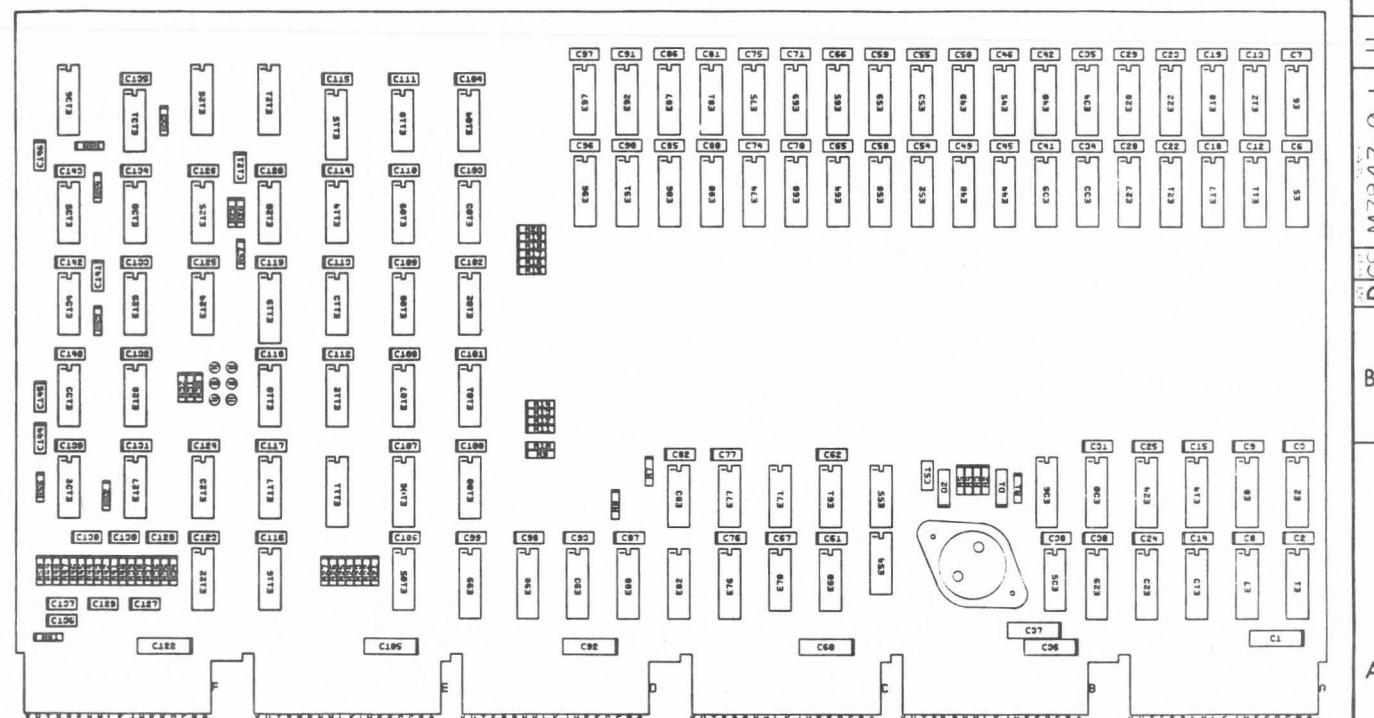
-YA, -BA, -CA, -DA -EA



-YB, -BB, -CB, -DB, -EB



-YC, -BC, -CC, -DC -EC



-YD, -BD, -CD, -DD -ED

REVISIONS		
CHK	CHANGE NO	REV

TITLE	UNIBUS MOS MEMORY	SIZE CODE	D CS	NUMBER	M7847-0-1	REV.	H
SCALE	1/8" = 1"	SHEET	4	OF	16	DIST.	

8

7

6

5

4

3

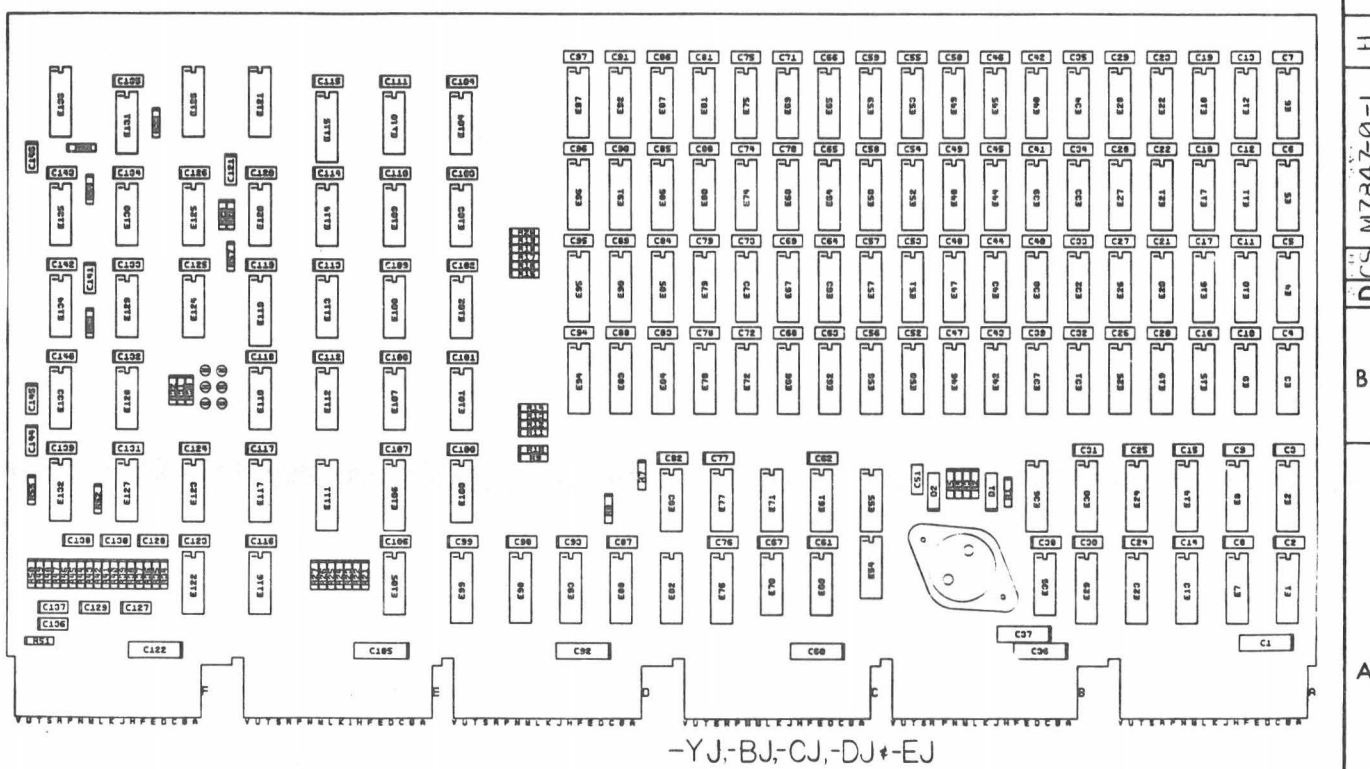
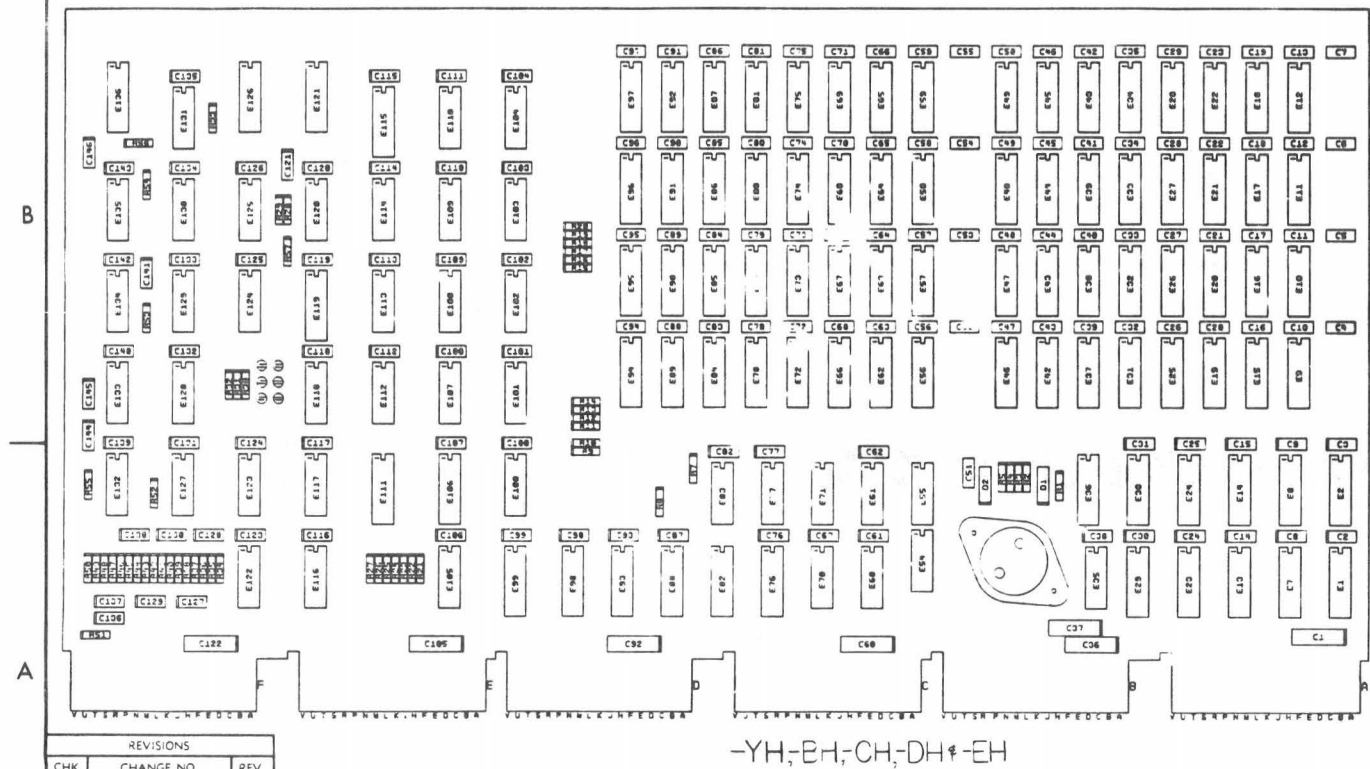
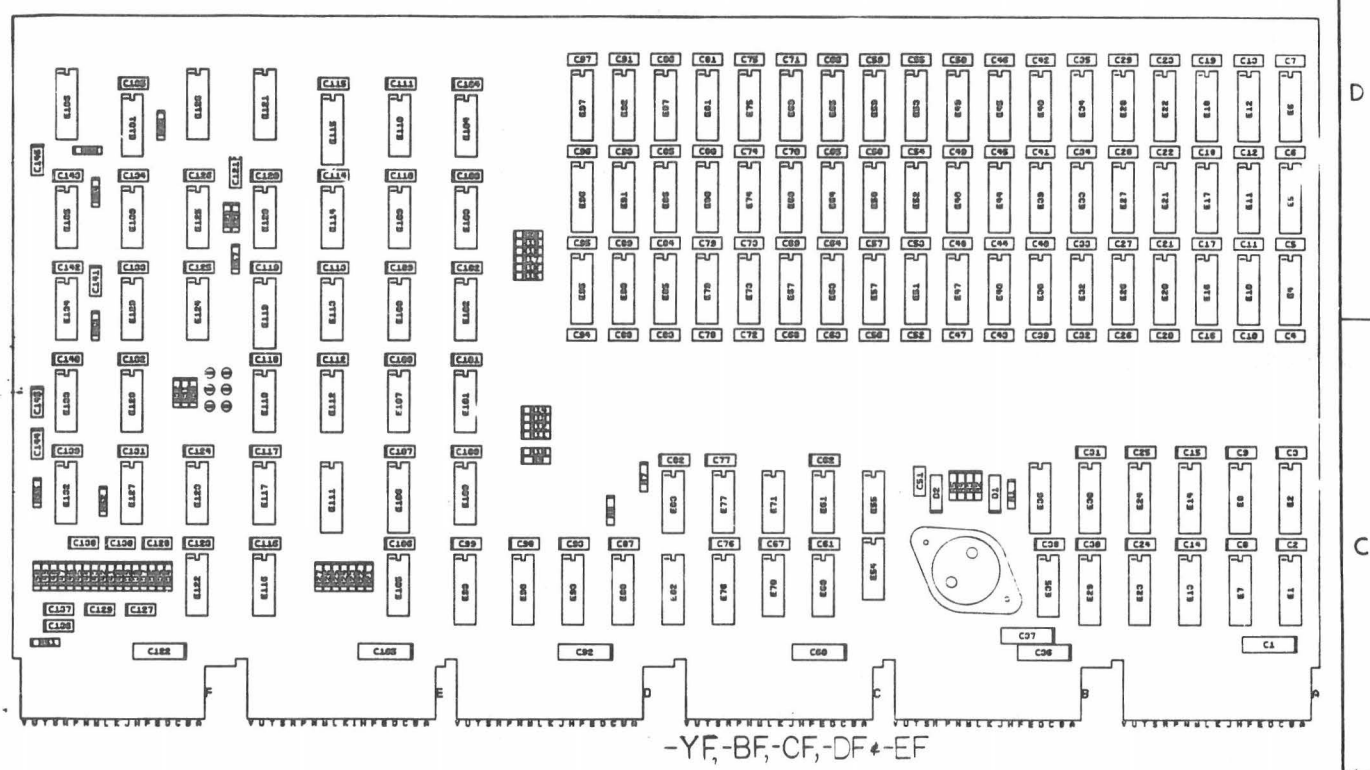
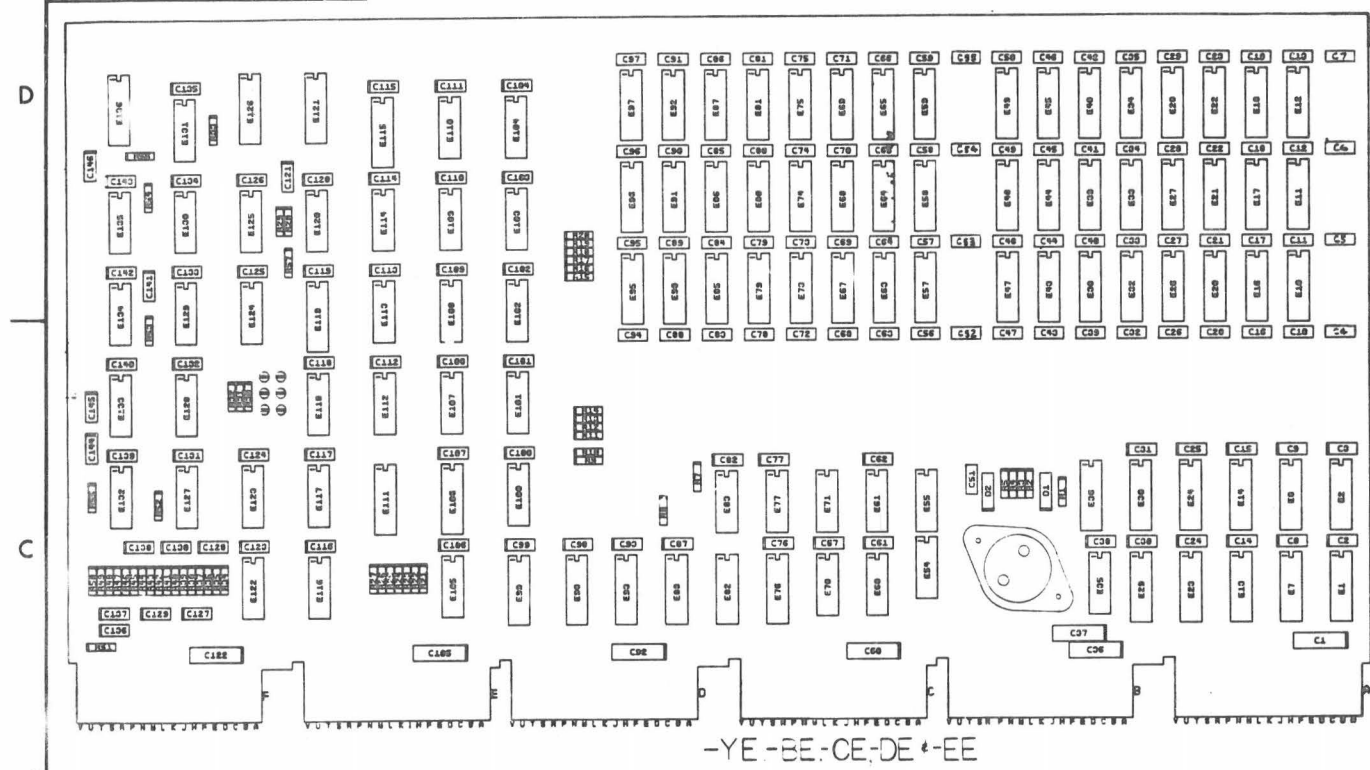
2

1

DCS M7847-0-1 II

THIS DRAWING AND SPECIFICATIONS HEREIN ARE THE PROPERTY OF DIGITAL EQUIPMENT CORPORATION AND SHALL NOT BE REPRODUCED OR COPIED OR USED IN WHOLE OR IN PART AS THE BASIS FOR THE MANUFACTURE OR SALE OF ITEMS WITHOUT WRITTEN PERMISSION. COPYRIGHT © 1975 DIGITAL EQUIPMENT CORPORATION

NOTE:
THESE OVERLAYS ONLY TO INDICATE POSITIONS FOR 4K MOS MEMORY IC'S AND .22UF CAPS.



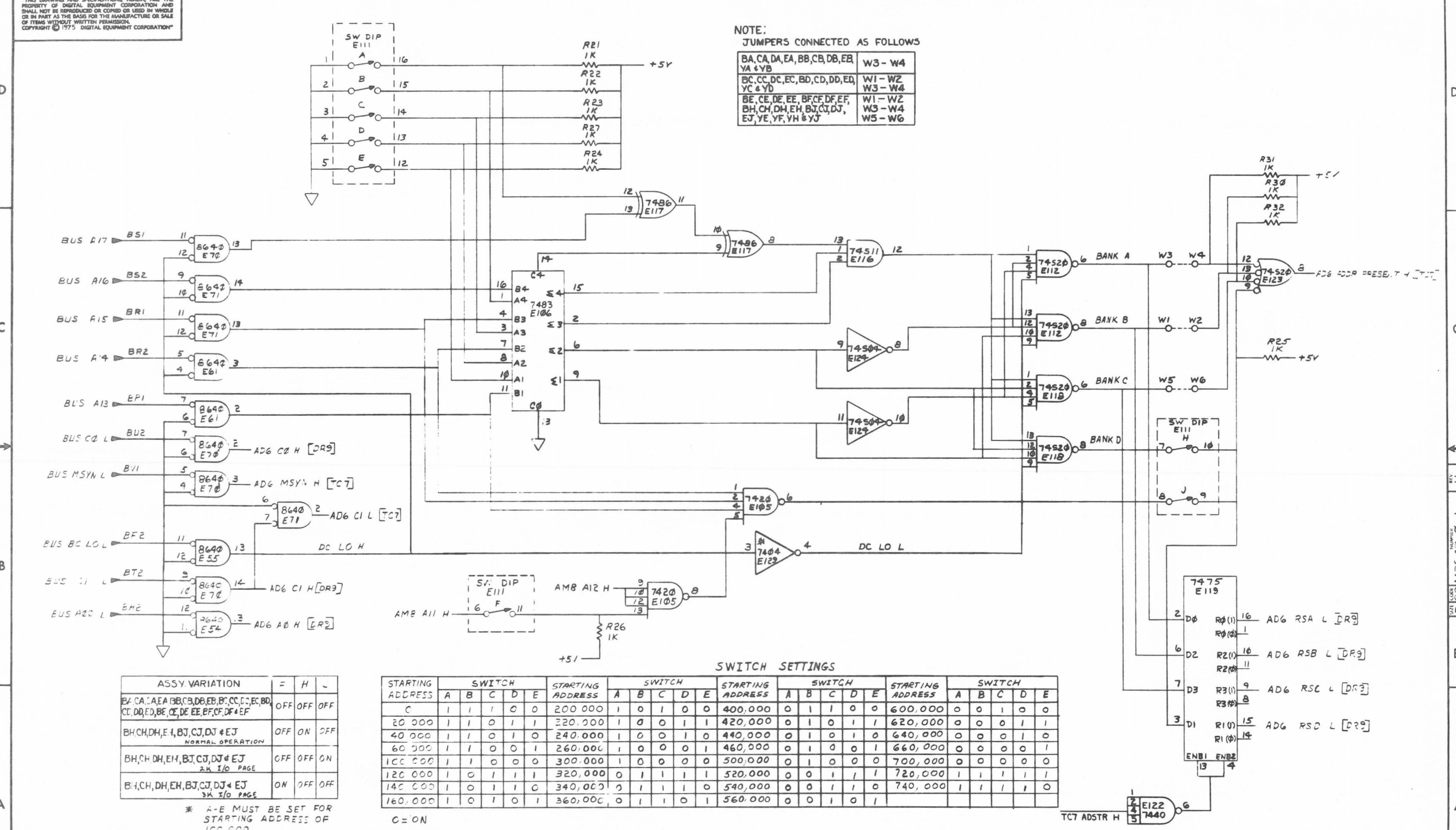
REVISIONS		
CHK	CHANGE NO	REV

TITLE	UNIBUS MOS MEMORY	SIZE CODE	DCS	NUMBER	M7847-0-1	REV.	H
SCALE	+	SHEET	5	OF	16	DIST.	

"THIS DRAWING AND SPECIFICATIONS HEREIN ARE THE PROPERTY OF DIGITAL EQUIPMENT CORPORATION AND SHALL NOT BE REPRODUCED OR COPIED OR USED IN WHOLE OR IN PART AS THE BASIS FOR THE MANUFACTURE OR SALE OF ITEMS WITHOUT WRITTEN PERMISSION. COPYRIGHT © 1975, DIGITAL EQUIPMENT CORPORATION"

NOTE:
JUMPERS CONNECTED AS FOLLOWS

BA, CA, DA, EA, BB, CB, DB, EB, VA + VB	W3 - W4
BC, CC, DC, EC, BD, CD, DD, ED, YC + YD	W1 - W2 W3 - W4
BE, CE, DE, EE, BF, CF, DF, EF, BH, CH, DH, EH, BJ, CJ, DJ, EJ, YE, YF, YH + YJ	W1 - W2 W3 - W4 W5 - W6



ASSY. VARIATION	F	H	J
BA, CA, DA, EA, BB, CB, DB, EB, BC, CC, DC, EC, BD, CD, DD, ED, BE, CE, DE, EE, BF, CF, DF, EF	OFF	OFF	OFF
BH, CH, DH, EH, BJ, CJ, DJ, EJ	OFF	ON	OFF
NORMAL OPERATION			
BH, CH, DH, EH, BJ, CJ, DJ, EJ	OFF	OFF	ON
2K 1/0 PAGE			
BH, CH, DH, EH, BJ, CJ, DJ, EJ	ON	OFF	OFF
3K 1/0 PAGE			

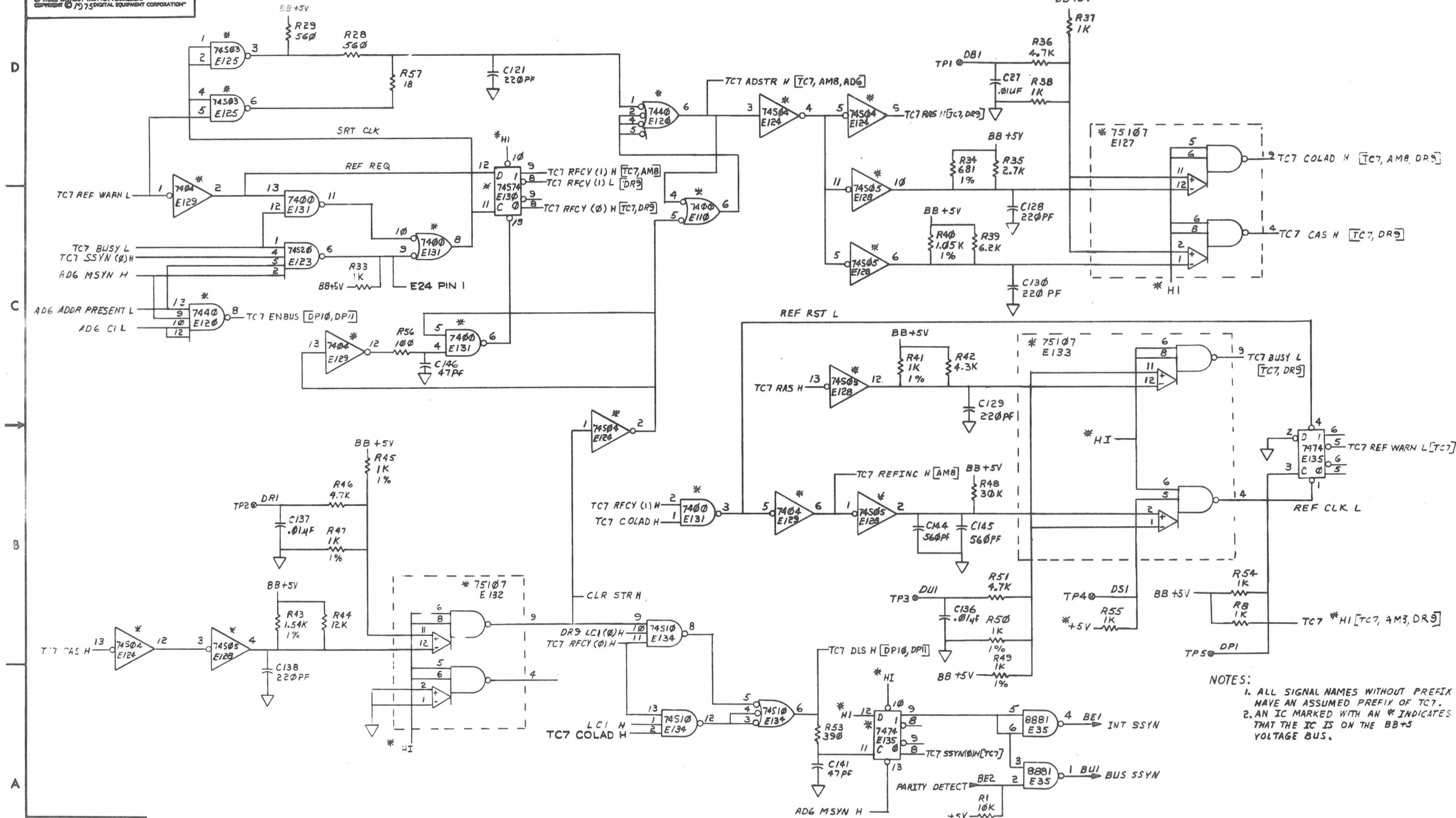
* A-E MUST BE SET FOR STARTING ADDRESS OF 100 000.

STARTING ADDRESS	SWITCH					STARTING ADDRESS	SWITCH					STARTING ADDRESS	SWITCH					STARTING ADDRESS	SWITCH										
	A	B	C	D	E		A	B	C	D	E		A	B	C	D	E		A	B	C	D	E						
C	1	1	1	0	0	200,000	1	0	1	0	0	400,000	0	1	1	0	0	600,000	0	0	1	0	0	800,000	0	0	1	0	0
20 000	1	1	0	1	1	220,000	1	0	0	1	1	420,000	0	1	0	1	1	620,000	0	0	0	1	1	820,000	0	0	0	1	1
40 000	1	1	0	1	0	240,000	1	0	0	1	0	440,000	0	1	0	1	0	640,000	0	0	0	1	0	840,000	0	0	0	1	0
60 000	1	1	0	0	1	260,000	1	0	0	0	1	460,000	0	1	0	0	1	660,000	0	0	0	0	1	860,000	0	0	0	0	1
100 000	1	1	0	0	0	300,000	1	0	0	0	0	500,000	0	1	0	0	0	700,000	0	0	0	0	0	900,000	0	0	0	0	0
120 000	1	0	1	1	1	320,000	0	1	1	1	1	520,000	0	0	1	1	1	720,000	1	1	1	1	1	920,000	1	1	1	1	1
140 000	1	0	1	1	0	340,000	0	1	1	1	0	540,000	0	0	1	1	0	740,000	1	1	1	0	0	940,000	1	1	1	0	0
160 000	1	0	1	0	1	360,000	0	1	1	0	1	560,000	0	0	1	0	1												

0 = ON
1 = OFF

REVISIONS		
CHK	CHANGE NO.	REV.

THIS DRAWING AND SPECIFICATIONS HEREIN ARE THE PROPERTY OF DIGITAL EQUIPMENT CORPORATION AND SHALL NOT BE REPRODUCED OR COPIED OR USED IN WHOLE OR IN PART AS THE BASIS FOR THE MANUFACTURE OR SALE OF ITEMS WITHOUT WRITTEN PERMISSION. COPYRIGHT © 1975 DIGITAL EQUIPMENT CORPORATION



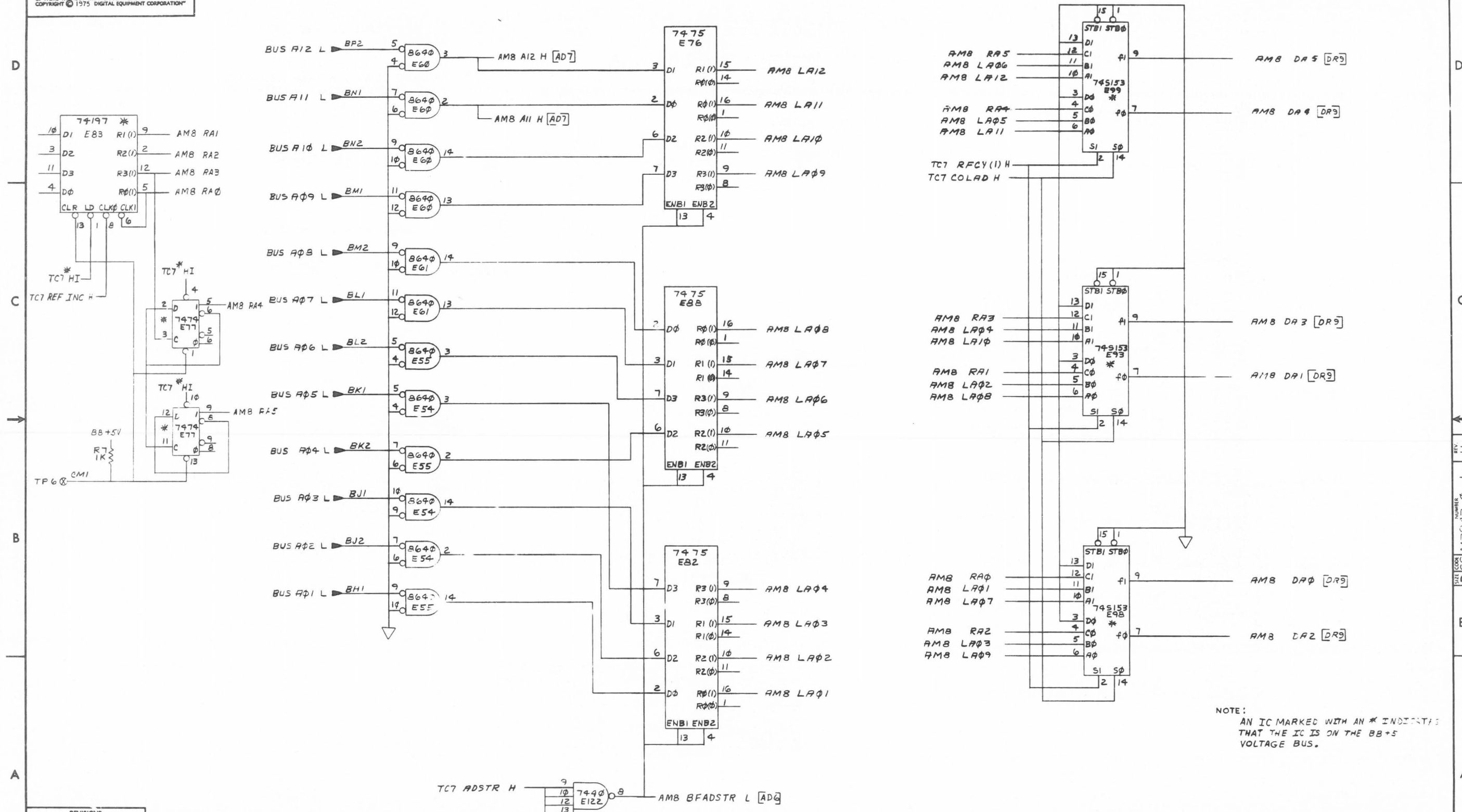
NOTES:
 1. ALL SIGNAL NAMES WITHOUT PREFIX HAVE AN ASSUMED PREFIX OF TCT.
 2. AN IC MARKED WITH AN * INDICATES THAT THE IC IS ON THE BB+5 VOLTAGE BUS.

(TIMING CHAIN)

REVISIONS		
CHK	CHANGE NO.	REV.

TITLE	UNIBUS MOS (TC7) MEMORY	SIZE CODE	D CS M7847-0-1	NUMBER	1	REV.	H
SCALE	++	SHEET	7	OF	16	DIST.	

"THIS DRAWING AND SPECIFICATIONS, HEREIN, ARE THE PROPERTY OF DIGITAL EQUIPMENT CORPORATION AND SHALL NOT BE REPRODUCED OR COPIED OR USED IN WHOLE OR IN PART AS THE BASIS FOR THE MANUFACTURE OR SALE OF ITEMS WITHOUT WRITTEN PERMISSION. COPYRIGHT © 1975 DIGITAL EQUIPMENT CORPORATION"

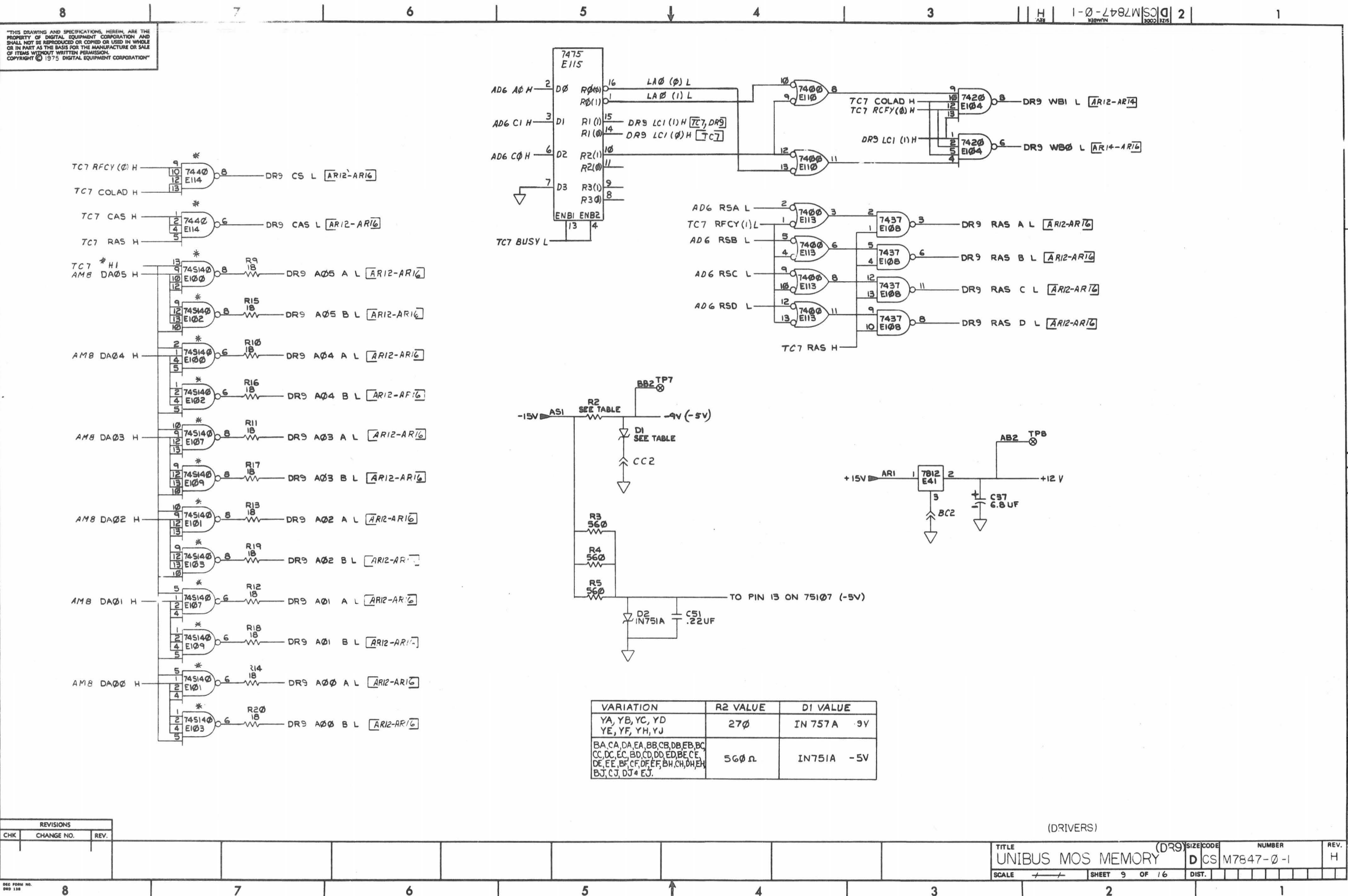


NOTE:
AN IC MARKED WITH AN * INDICATES THAT THE IC IS ON THE BB+5 VOLTAGE BUS.

REVISIONS		
CHK	CHANGE NO.	REV.

(ADDRESS MULTIPLEX)		TITLE	SIZE CODE	NUMBER	REV.
UNIBUS MCS MEMORY		(AMB)	DCS	M7847-0-1	H
SCALE	SHEET	OF		DIST.	
	8	16			

"THIS DRAWING AND SPECIFICATIONS, HEREIN, ARE THE PROPERTY OF DIGITAL EQUIPMENT CORPORATION AND SHALL NOT BE REPRODUCED OR COPIED OR USED IN WHOLE OR IN PART AS THE BASIS FOR THE MANUFACTURE OR SALE OF ITEMS WITHOUT WRITTEN PERMISSION. COPYRIGHT © 1975 DIGITAL EQUIPMENT CORPORATION"

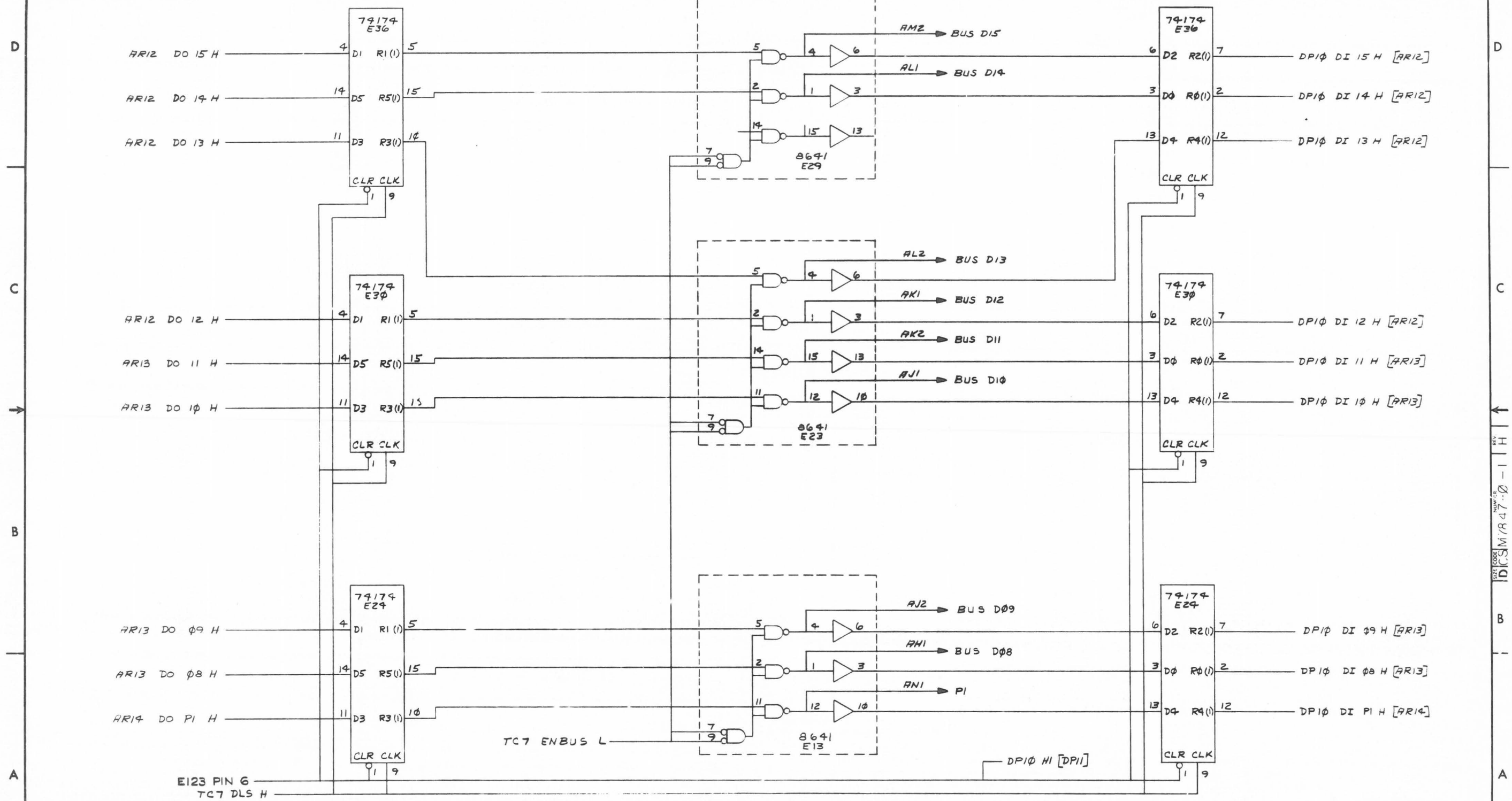


VARIATION	R2 VALUE	D1 VALUE
YA, YB, YC, YD YE, YF, YH, YJ	270	IN 757A -9V
BA, CA, DA, EA, BB, CB, DB, EB, BC CC, DC, EC, BD, CD, DD, ED, BE, CE, DE, EE, BF, CF, DF, EF, BH, CH, DH, EH, BJ, CJ, DJ, EJ	500 Ω	IN751A -5V

REVISIONS		
CHK	CHANGE NO.	REV.

TITLE		(DR9) SIZE CODE	NUMBER	REV.
UNIBUS MOS MEMORY		D CS	M7847-0-1	H
SCALE	SHEET 9 OF 16	DIST.		

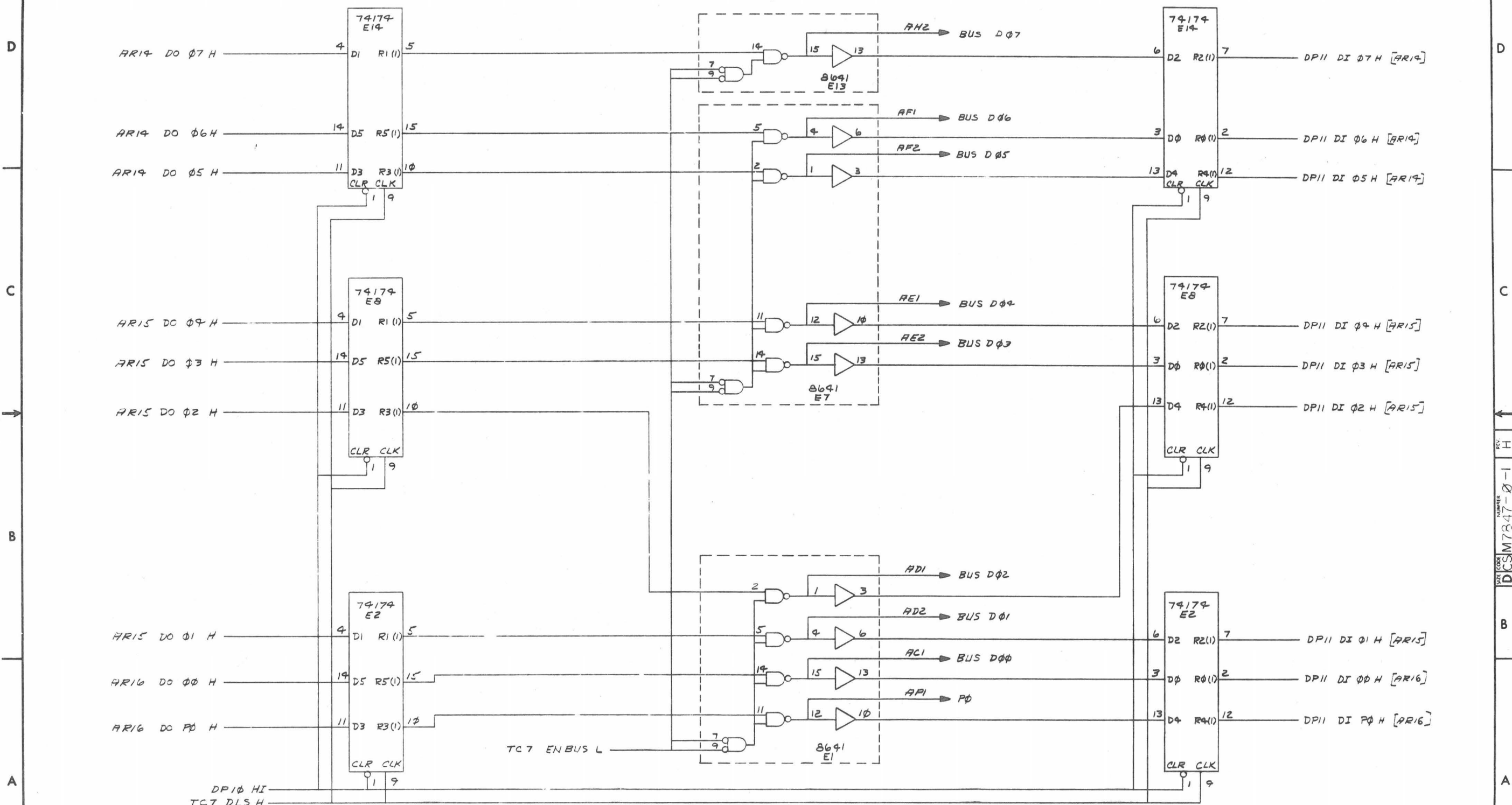
"THIS DRAWING AND SPECIFICATIONS, HEREIN, ARE THE PROPERTY OF DIGITAL EQUIPMENT CORPORATION AND SHALL NOT BE REPRODUCED OR COPIED OR USED IN WHOLE OR IN PART AS THE BASIS FOR THE MANUFACTURE OR SALE OF ITEMS WITHOUT WRITTEN PERMISSION. COPYRIGHT © 1975 DIGITAL EQUIPMENT CORPORATION"



REVISIONS		
CHK	CHANGE NO.	REV.

TITLE		(DPIφ)	SIZE CODE	NUMBER	REV.
UNIBUS MOS MEMORY		D	CS	M7847-0-1	H
SCALE	SHEET	OF		TOTAL	
	10	OF		16	

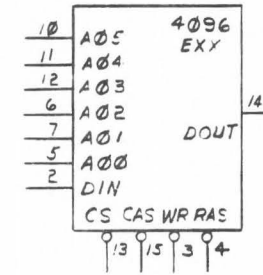
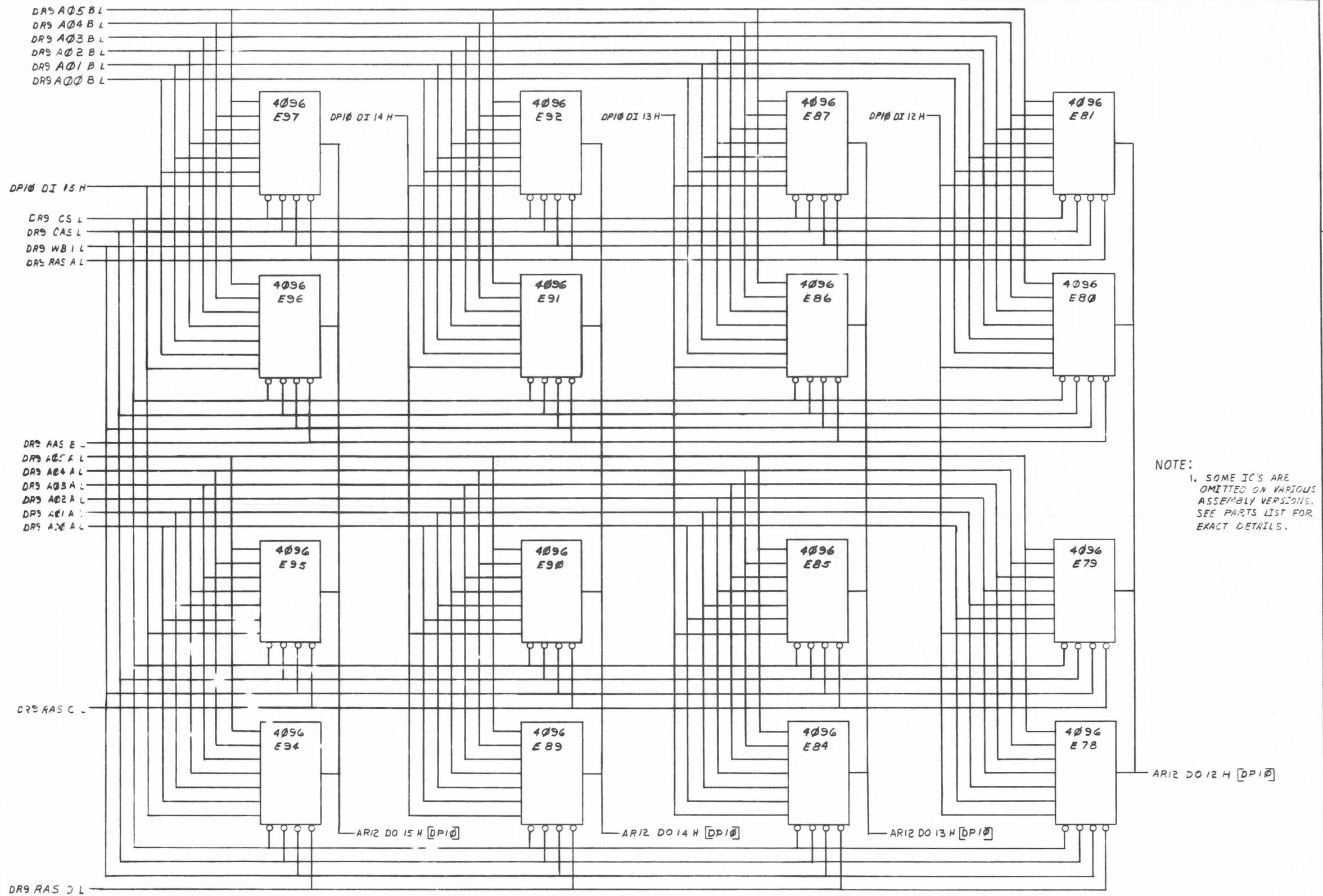
"THIS DRAWING AND SPECIFICATIONS, HEREIN, ARE THE PROPERTY OF DIGITAL EQUIPMENT CORPORATION AND SHALL NOT BE REPRODUCED OR COPIED OR USED IN WHOLE OR IN PART AS THE BASIS FOR THE MANUFACTURE OR SALE OF ITEMS WITHOUT WRITTEN PERMISSION. COPYRIGHT © 1975 DIGITAL EQUIPMENT CORPORATION"



REVISIONS		
CHK	CHANGE NO.	REV.

(DATA PATH)		(DP11)		SIZE	CODE	NUMBER	REV.
UNIBUS MOS MEMORY		DCS		M7847-0-1			H
SCALE		SHEET	11	OF	16	DIST.	

"THIS DRAWING AND SPECIFICATIONS, HEREIN, ARE THE PROPERTY OF DIGITAL EQUIPMENT CORPORATION AND SHALL NOT BE REPRODUCED OR COPIED OR USED IN WHOLE OR IN PART AS THE BASIS FOR THE MANUFACTURE OR SALE OF ITEMS WITHOUT WRITTEN PERMISSION. COPYRIGHT © 1975 DIGITAL EQUIPMENT CORPORATION"



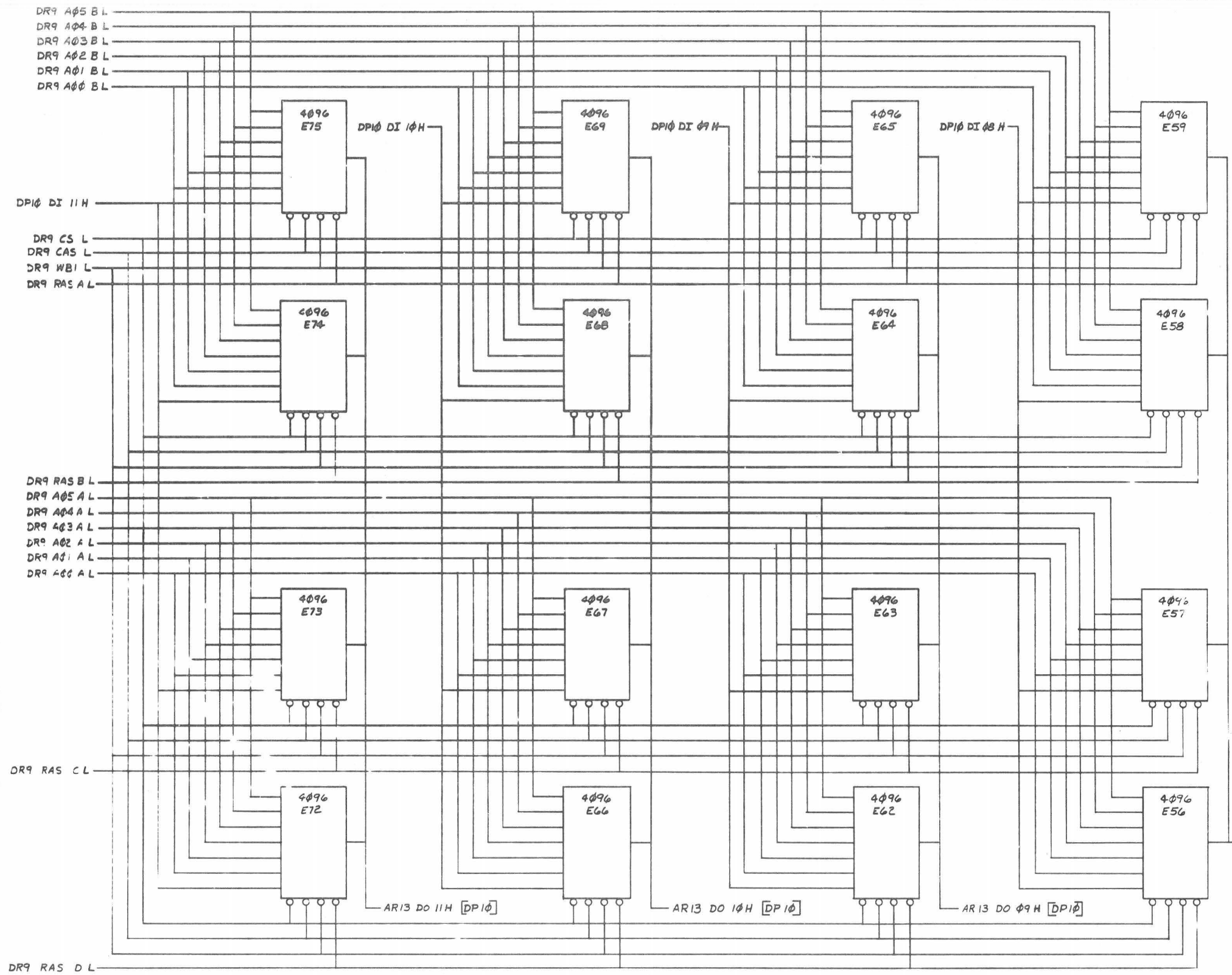
GND PIN 16
 (-5V) -9V PIN 1
 +12V PIN 8
 +5V PIN 9

NOTE:
 1. SOME IC'S ARE OMITTED ON VARIOUS ASSEMBLY VERSIONS. SEE PARTS LIST FOR EXACT DETAILS.

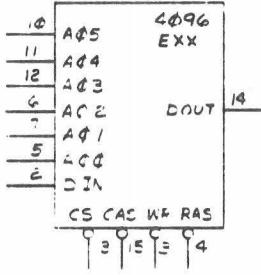
REVISIONS		
CHK	CHANGE NO.	REV.

(ARRAY)		TITLE	UNIBUS MOS MEMORY	(AR12)	SIZE CODE	D CS	NUMBER	M7847-0-1	REV.	1
SCALE	++	SHEET	12	OF	16	DIST.				

THIS DRAWING AND SPECIFICATIONS HEREIN ARE THE PROPERTY OF DIGITAL EQUIPMENT CORPORATION AND SHALL NOT BE REPRODUCED OR COPIED OR USED IN WHOLE OR IN PART AS THE BASIS FOR THE MANUFACTURE OR SALE OF ITEMS WITHOUT WRITTEN PERMISSION. COPYRIGHT © 1975 DIGITAL EQUIPMENT CORPORATION



NOTES:
 1. SOME IC'S ARE OMITTED ON VARIOUS ASSEMBLY VERSIONS. SEE PARTS LIST FOR EXACT DETAILS.



PIN 16 GND
 PIN 1 -9V (-5V)
 PIN 8 +12V
 PIN 9 +5V

REVISIONS		
CHK	CHANGE NO.	REV.

(ARRAY)		TITLE	UNIBUS MOS (AR13) MEMORY	SIZE CODE	D CS	NUMBER	M7847-0-1	REV.	H
SCALE	+	SHEET	13 OF 16	DIST.					

"THIS DRAWING AND SPECIFICATIONS, HEREIN, ARE THE PROPERTY OF DIGITAL EQUIPMENT CORPORATION AND SHALL NOT BE REPRODUCED OR COPIED OR USED IN WHOLE OR IN PART AS THE BASIS FOR THE MANUFACTURE OR SALE OF ITEMS WITHOUT WRITTEN PERMISSION. COPYRIGHT © 1975 DIGITAL EQUIPMENT CORPORATION"

DR9 A05 B L
 DR9 A07 B L
 DR9 A03 B L
 DR9 A02 B L
 DR9 A01 B L
 DR9 A00 B L

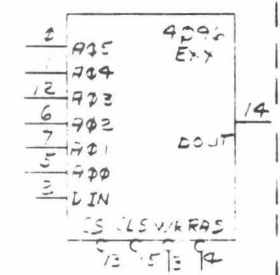
DR9 CS L
 DR9 CAS L
 DR9 WB1 L
 DR9 RAS A L

DR9 R73 B L
 DR9 A05 A L
 DR9 A04 A L
 DR9 A03 A L
 DR9 A02 A L
 DR9 A01 A L
 DR9 A00 A L

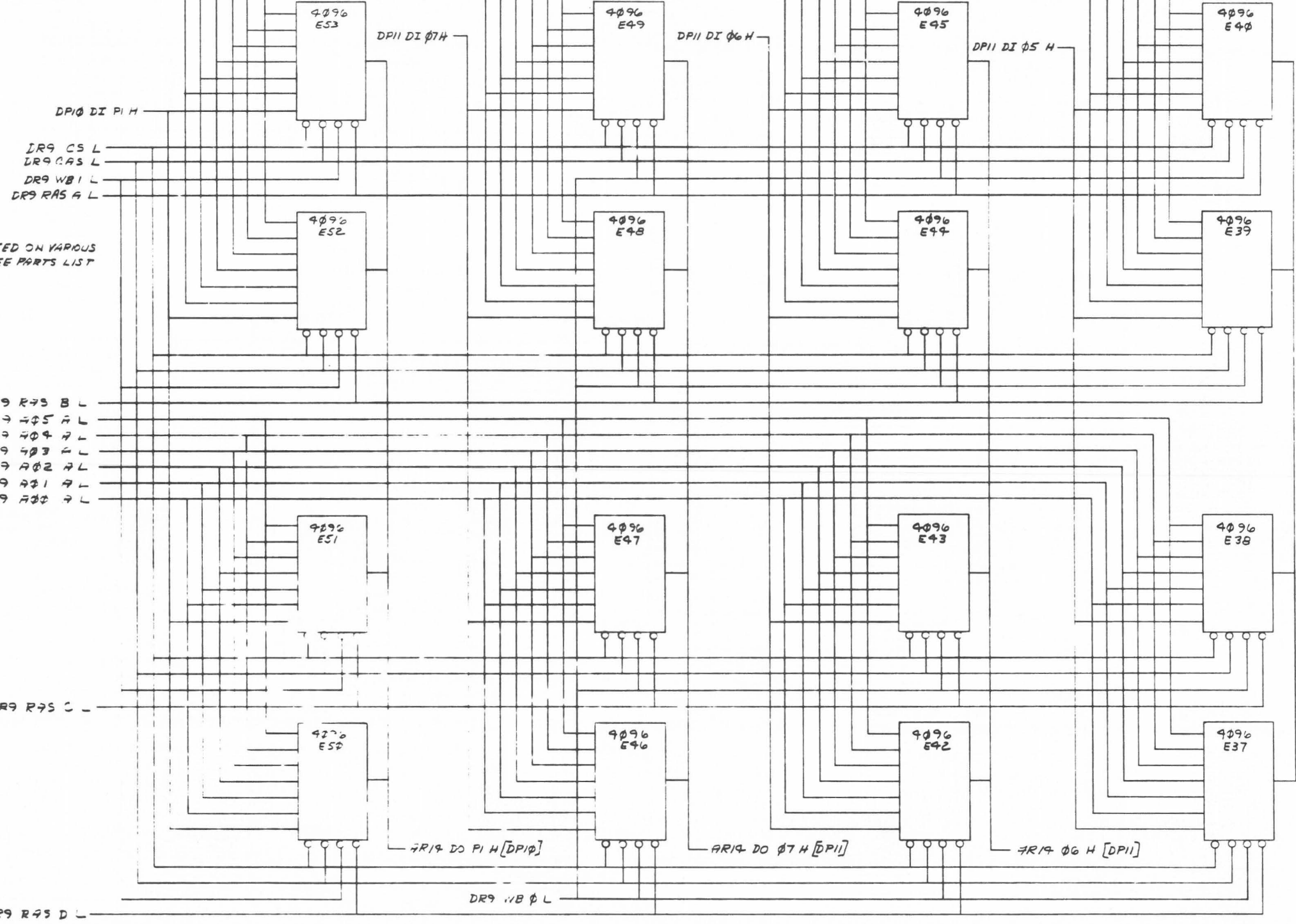
DR9 R75 C L

DR9 R75 D L

NOTE:
 SOME IC'S ARE OMITTED ON VARIOUS ASSEMBLY VERSIONS. SEE PARTS LIST FOR EXACT DETAILS.



3RD PIN 16
 -5V PIN 1
 +12V PIN 8
 +5V PIN 9



REVISIONS		
CHK	CHANGE NO.	REV.

8

7

6

5

4

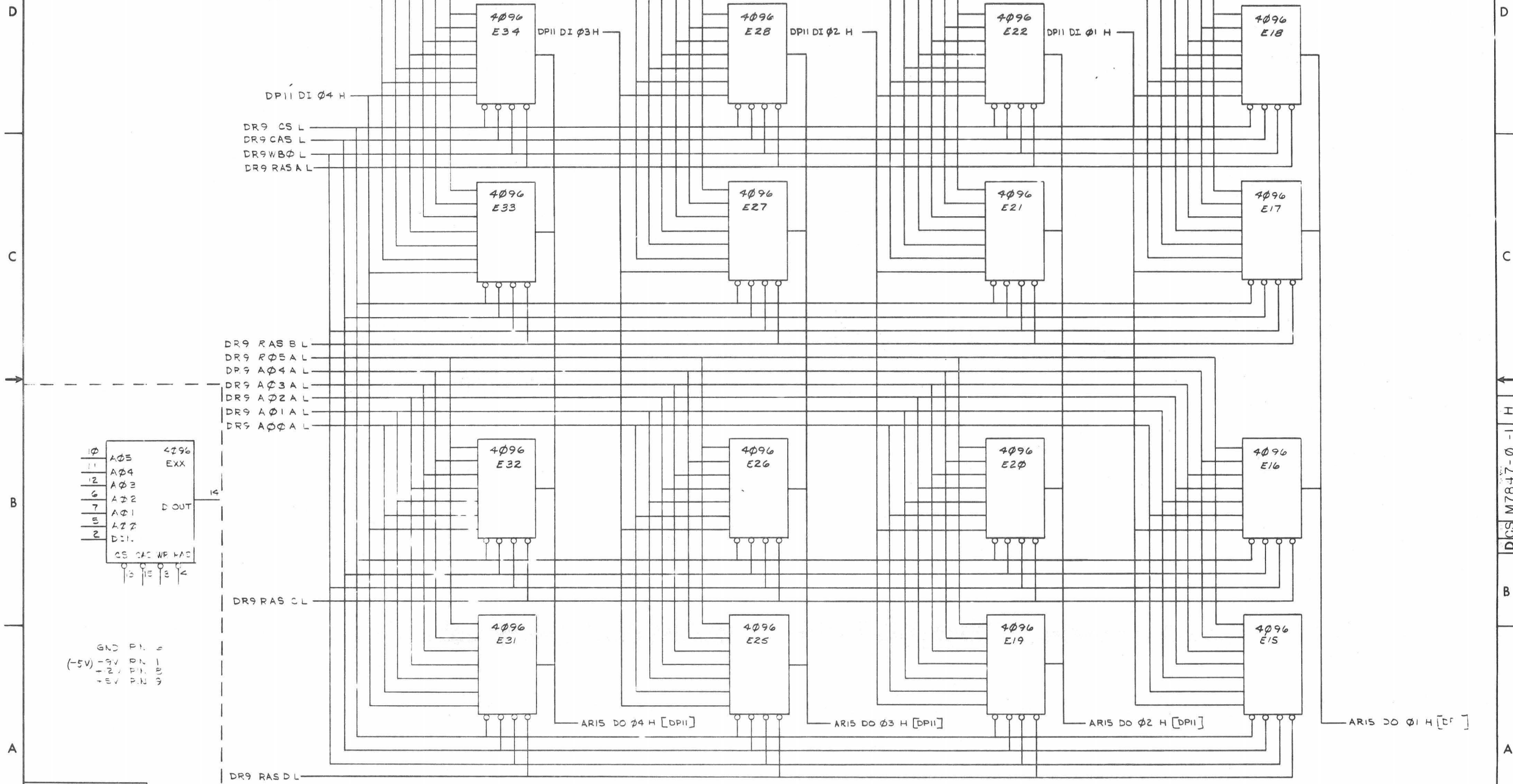
3

H 11-0-1 DCS M7847-0-1

1

"THIS DRAWING AND SPECIFICATIONS, HEREIN, ARE THE PROPERTY OF DIGITAL EQUIPMENT CORPORATION AND SHALL NOT BE REPRODUCED OR COPIED OR USED IN WHOLE OR IN PART AS THE BASIS FOR THE MANUFACTURE OR SALE OF ITEMS WITHOUT WRITTEN PERMISSION. COPYRIGHT © 1975 DIGITAL EQUIPMENT CORPORATION"

NOTE:
SOME IC'S ARE OMITTED ON VARIOUS ASSEMBLY LEFSONS. SEE PARTS LIST FOR EXACT DETAILS.



REVISIONS		
CHK	CHANGE NO	REV

(ARRAY)		(AR15)		SIZE CODE	NUMBER	REV.
UNIBUS MOS MEMORY		DCS		M7847-0-1	H	
SCALE	SHEET	OF	DIST.			

"THIS DRAWING AND SPECIFICATIONS, HEREIN, ARE THE PROPERTY OF DIGITAL EQUIPMENT CORPORATION AND SHALL NOT BE REPRODUCED OR COPIED OR USED IN WHOLE OR IN PART AS THE BASIS FOR THE MANUFACTURE OR SALE OF ITEMS WITHOUT WRITTEN PERMISSION. COPYRIGHT © 1975, DIGITAL EQUIPMENT CORPORATION."

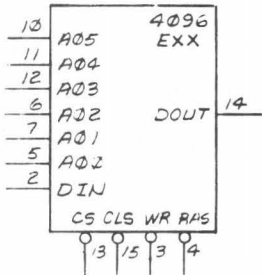
DR9 A05 B L
 DR9 A04 B L
 DR9 A03 B L
 DR9 A02 B L
 DR9 A01 B L
 DR9 A00 B L

DP11 DI P0 H
 DR9 CS L
 DR9 CAS L
 DR9 WB0 L
 DR9 RAS A L

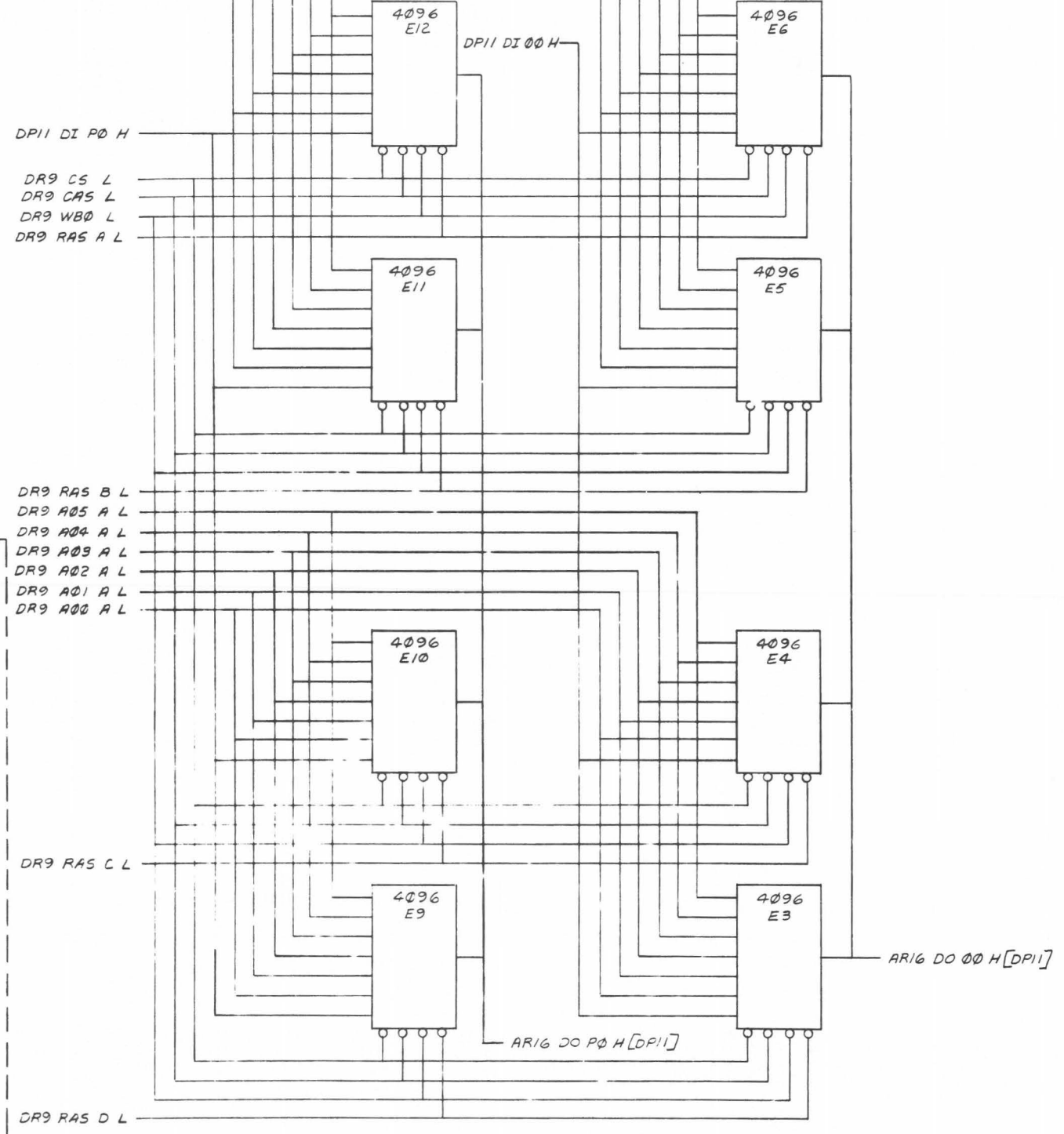
DR9 RAS B L
 DR9 A05 A L
 DR9 A04 A L
 DR9 A03 A L
 DR9 A02 A L
 DR9 A01 A L
 DR9 A00 A L

DR9 RAS C L

DR9 RAS D L



3ND PIN 16
 -5V PIN 1
 +12V PIN 8
 +5V PIN 9



NOTE:
 SOME IC'S ARE OMITTED ON
 VARIOUS ASSEMBLY VERSIONS.
 SEE PARTS LIST FOR
 EXACT DETAILS.

REVISIONS		
CHK	CHANGE NO	REV

(ARRAY)		TITLE	(AR16)	SIZE CODE	NUMBER	REV.
UNIBUS MOS MEMORY		DCS	M7847-0-1	H		
SCALE		SHEET	16	OF	16	DIST.