

ENGINEERING DRAWINGS
ENGINEERING DRAWINGS
ENGINEERING DRAWINGS
ENGINEERING DRAWINGS
ENGINEERING DRAWINGS

1982

PC350
Field Maintenance
Print Set

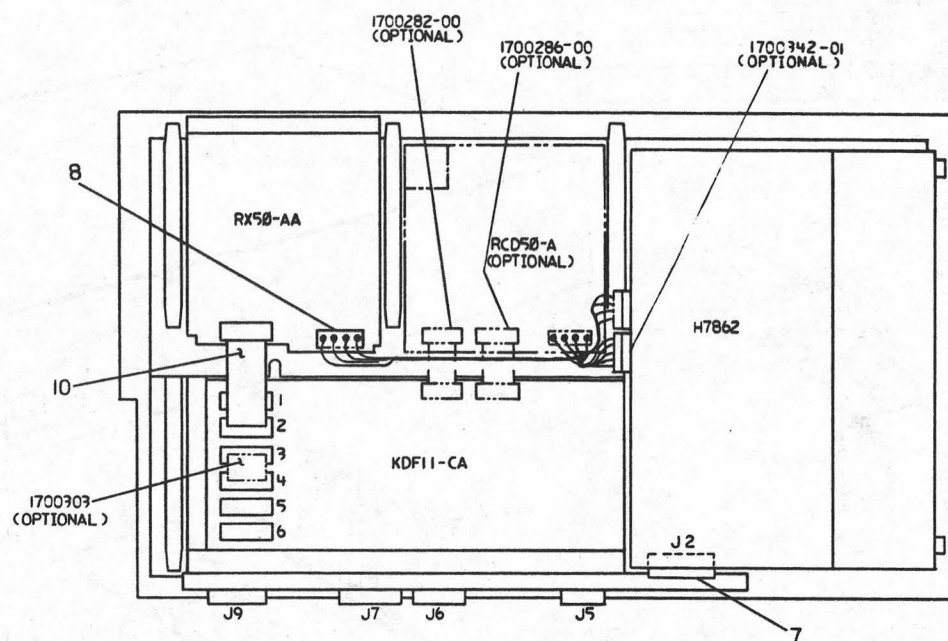
Digital Equipment
Corporation

Print Set Part Number MP-01394-00

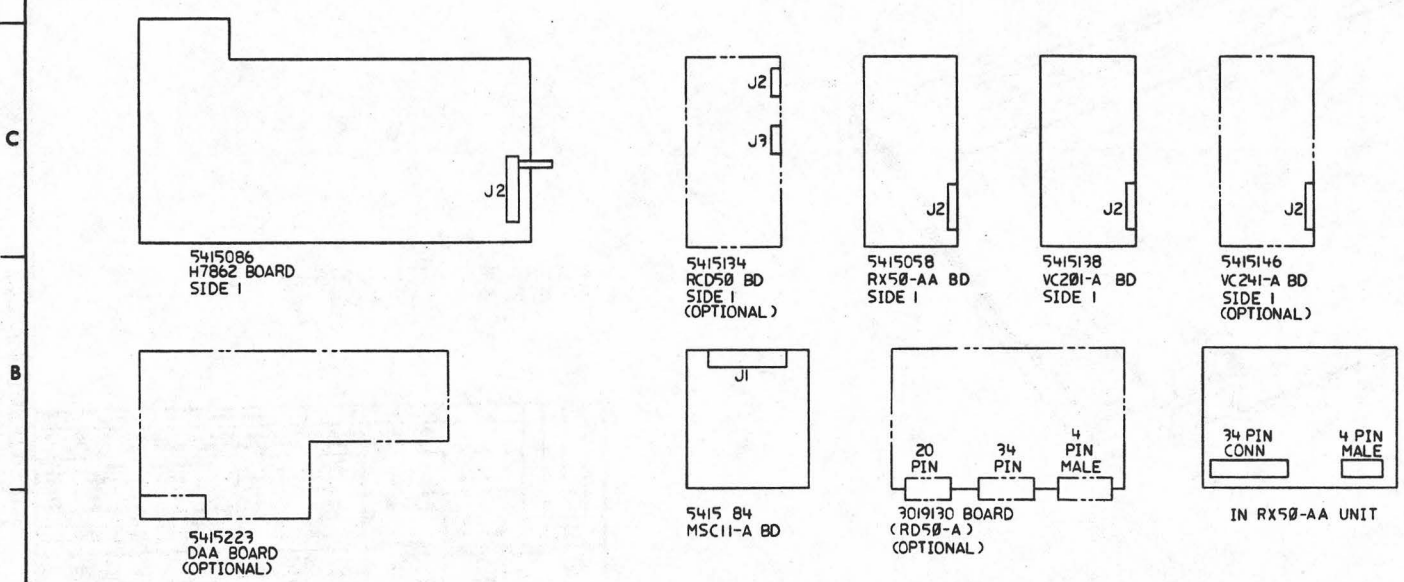
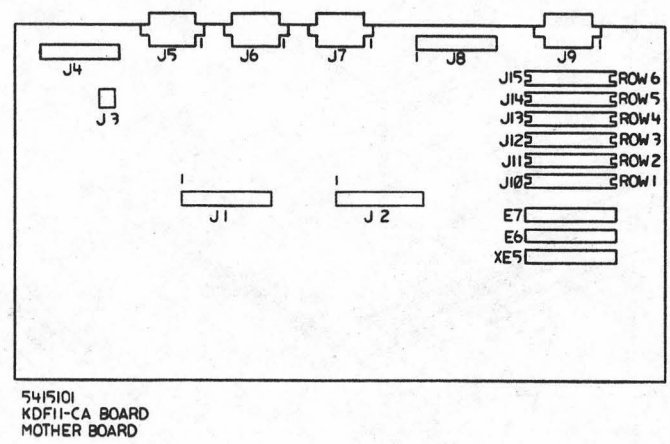
digital

THIS DRAWING AND SPECIFICATIONS HEREBY ARE THE PROPERTY OF SPERRY GYROSCOPE CORPORATION AND ARE TO BE USED ONLY FOR THE MANUFACTURE OR SALE OF THIS SPECIFIC EQUIPMENT.
COPYRIGHT 1962 SPERRY GYROSCOPE CORPORATION

CABLE & BOARD HOOKUP CHART			
ITEM NO	FROM	TO	REMARKS
4	J1 (5415084)	J1 (5415101)	MSC11-A RAM TO KDF11-CA MOTHER BOARD
4	J1 (5415084)	J2 (5415101) (OPTIONAL)	MSC11-A RAM TO KDF11-CA MOTHER BOARD
10	34 PIN CONN IN RX50-AA UNIT BOARD	J2 (5415058)	RX50-AA TO RCX50
8	4 PIN CONN IN RX50-AA UNIT BOARD	4 PIN CONN ON H7862	RX50-AA TO H7862 P.S.
1700342-01	4 PIN CONN IN RD50-A UNIT BOARD (OPTIONAL)	4 PIN CONN ON H7862	RD50-A TO H7862 P.S.
1700282-00 (OPTIONAL)	20 PIN CONN IN RD50-A UNIT BOARD	J2 (5415134) (OPTIONAL)	RD50-A TO RCD50
1700286-00 (OPTIONAL)	34 PIN CONN IN RD50-A UNIT BOARD	J3 (5415134) (OPTIONAL)	RD50-A TO RCD50
1700303-00 (OPTIONAL)	J2 (5415138) (VC201)	J2 (5415146) (OPTIONAL)	CABLE 1700303-00 IS PART OF (5415146)
7	J4 (5415101)	J2 (5415086) (H7862)	KDF11-CA MOTHER BOARD TO H7862 P.S.
—	BATTERY (KDF11-CA)	J3 (5415101)	BATTERY TO MOTHER BOARD (KDF11-CA)
—	KEF11-CA (OPTIONAL)	E5 (5415101)	KEF11-CA MOUNTS TO XE5 SOCKET ON MOTHER BOARD (KDF11-CA)
—	5415223-00 (DAA BOARD)	J8 (5415101) (OPTIONAL)	DAA BOARD TO KDF11-CA MOTHER BOARD
5	(5415138) (VC201)	J8 (5415101)	VC201 BD TO KDF11-CA MOTHER BOARD



TOP VIEW WITH ITEM #1 (TOP ENCLOSURE) REMOVED & UNITS ASSEMBLED IN PLACE



REVISION HISTORY		
DATE	ECO NUMBER	REV.

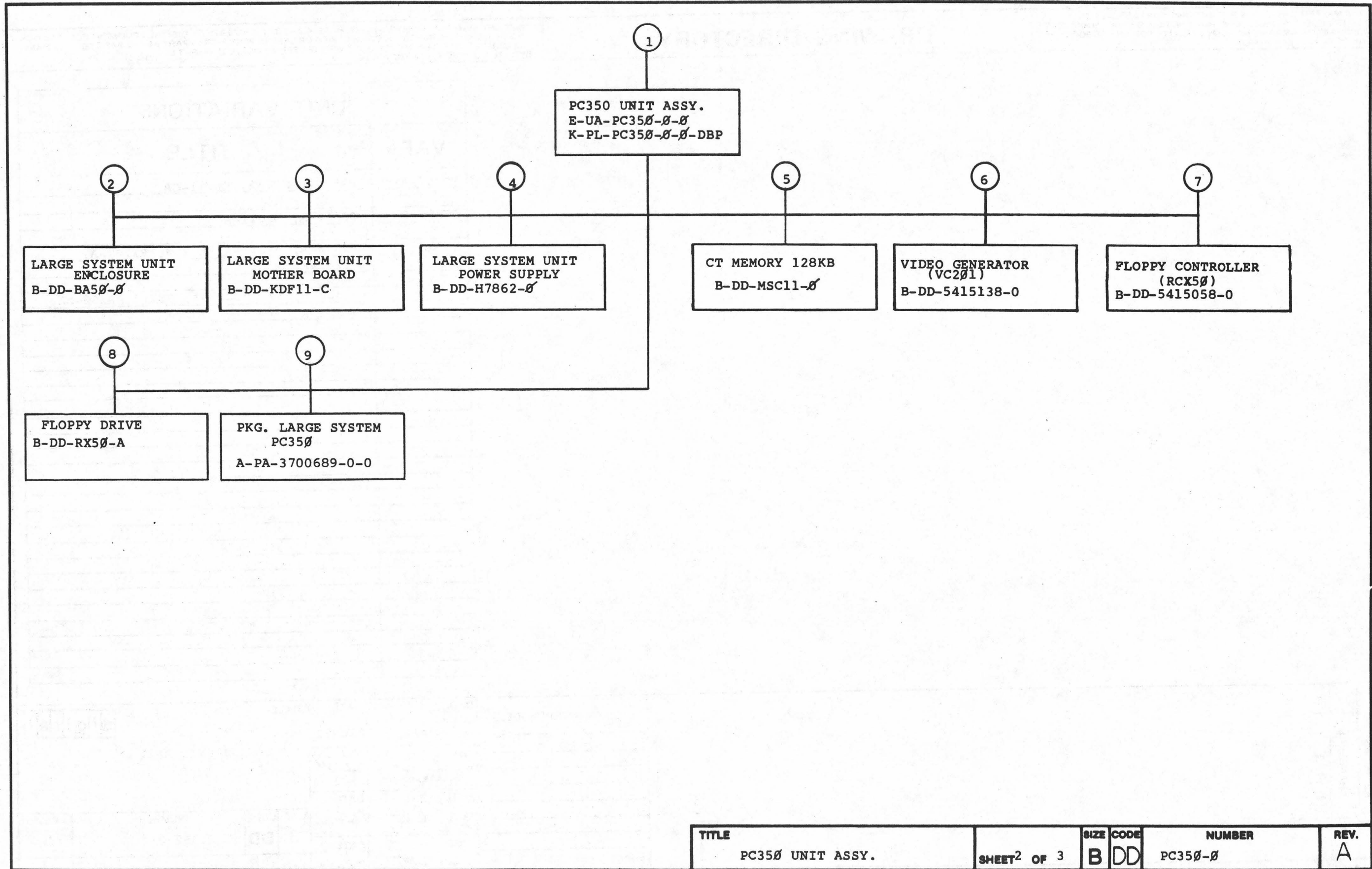
AUTOMATED BY PRTLST.3P(44)

PARTS LIST

SHEET A1 OF A1

LINE	ITEM	DOCUMENT NUMBER	PART NUMBER	DESCRIPTION	QUANTITY PER VARIATION			
					A	B	C	D
1	1	E-UA-BA50-0-0	OBA50-A	PC300 SYSTEM UNIT ENCLOSURE	1	-	-	-
2	2	E-UA-KDF11-C-0	KDF11-CA	PC350 MOTHER BD,F11 CPU+MMU,6 OP	1	-	-	-
3	3	E-UA-H7862-0-0	H7862-00	PC300 SYS UNIT POW SUP: 210WATTS	1	-	-	-
4	4	K-PL-MSC11-A-DBP	MSC11-A	128KB RAM DAUGHTER BOARD	-	-	1	2
5	5		5415138-00	CT100 VIDEO GENERATOR	-	-	1	1
6	6		5415058-00	RX50 CONTROLLER	-	-	1	1
7	7		1700280-00	CABLE ASSY 16COND. CT-150	1	-	-	-
8	8		1700342-02	CABLE ASSY,DC POWER 7.5"LG	-	-	1	1
9	9		ORX50-AA	DUAL 5.25" SINGLE SIDED FLOPPY D	-	-	1	1
10	10		1700285-00	CABLE,ASSY 34COND. CT150	-	-	1	1
11	11	E-UA-PC350-0-0	PC350-A	BA50-A,H7862,KDF11-CA,120V/240V	-	1	1	1
12	12		3620215-01	LABEL,PWR.RATING CT 100-120/220	1	1	1	1
13	13		1700283-00	CABLE,ASSY VIDEO B&W CT-150	-	-	1	1
14	14	A-PA-3700699-0-0	3700699-01	PKG LARGE SYSTEM PC 350	-	-	1	1
15	15	C-MD-7427726-0-0	7427726-01	SHIELD,CARD CAGE	1	-	-	-
16	16		1220933-01	SCREW,THUMB	4	-	-	-
17	17		1220932-01	SCREW,THUMB	3	-	-	-

REVISION HISTORY			BASIC PART NO: PC350		DRN: D. HEALY		DATE: 13-MAR-82		D I G I T A L			
ENG:	ECO NUMBER	REV	SECTION A OF A		CHK'D: D. HEALY		DATE: 23-JUN-82		TITLE PARTS LIST			
---	INITIAL	A	SECTION. VARIATION INDEX:		DES.ENG.: S. BOULAY		DATE: 23-JUN-82		DOCUMENT NUMBER			
SB	PC350-ML001	B	[A] A ,B ,C ,D		RESP.ENG.: D. BOUDREAU		DATE: 23-JUN-82		SIZE	CODE	NUMBER	REV
AT	PC350-ML002	C	[B]		MFG.ENG.: J. CRABTREE		DATE: 23-JUN-82		K	PL	PC350-0-DBP	C
			[C]		ASSEMBLY NUMBER:		TOP DOCUMENT NUMBER:		FILE NAME:		EDIT #	
			[D]		E-UA-PC350-0-0		#B-DD-PC350-0		Z4411C.PLS		22	
			[E]		"THIS DRAWING AND SPECIFICATIONS HEREIN, ARE THE PROPERTY OF DIGITAL EQUIPMENT CORPORATION AND SHALL NOT BE REPRODUCED OR COPIED OR USED IN WHOLE OR IN PART AS THE BASIS FOR THE MANUFACTURE OR SALE OF ITEMS WITHOUT WRITTEN PERMISSION. COPYRIGHT (C) 1983. DIGITAL EQUIPMENT CORPORATION "							
			[F]									

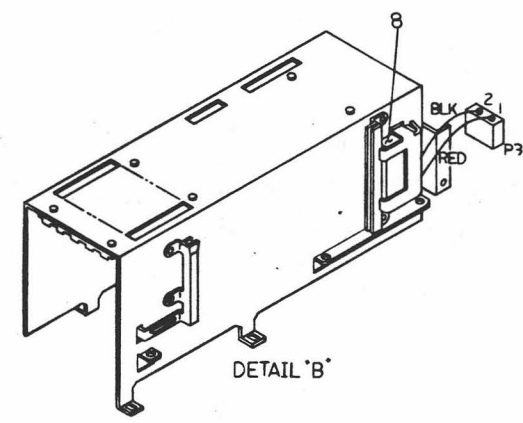
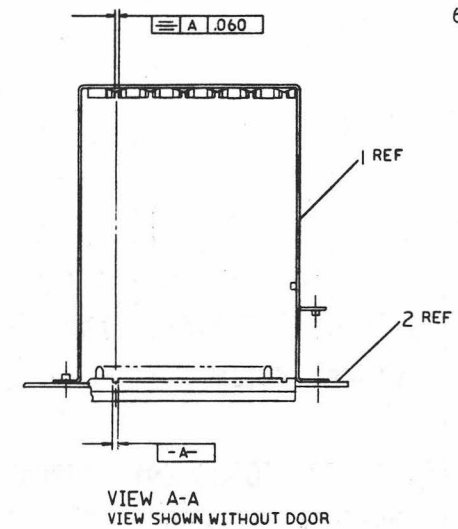
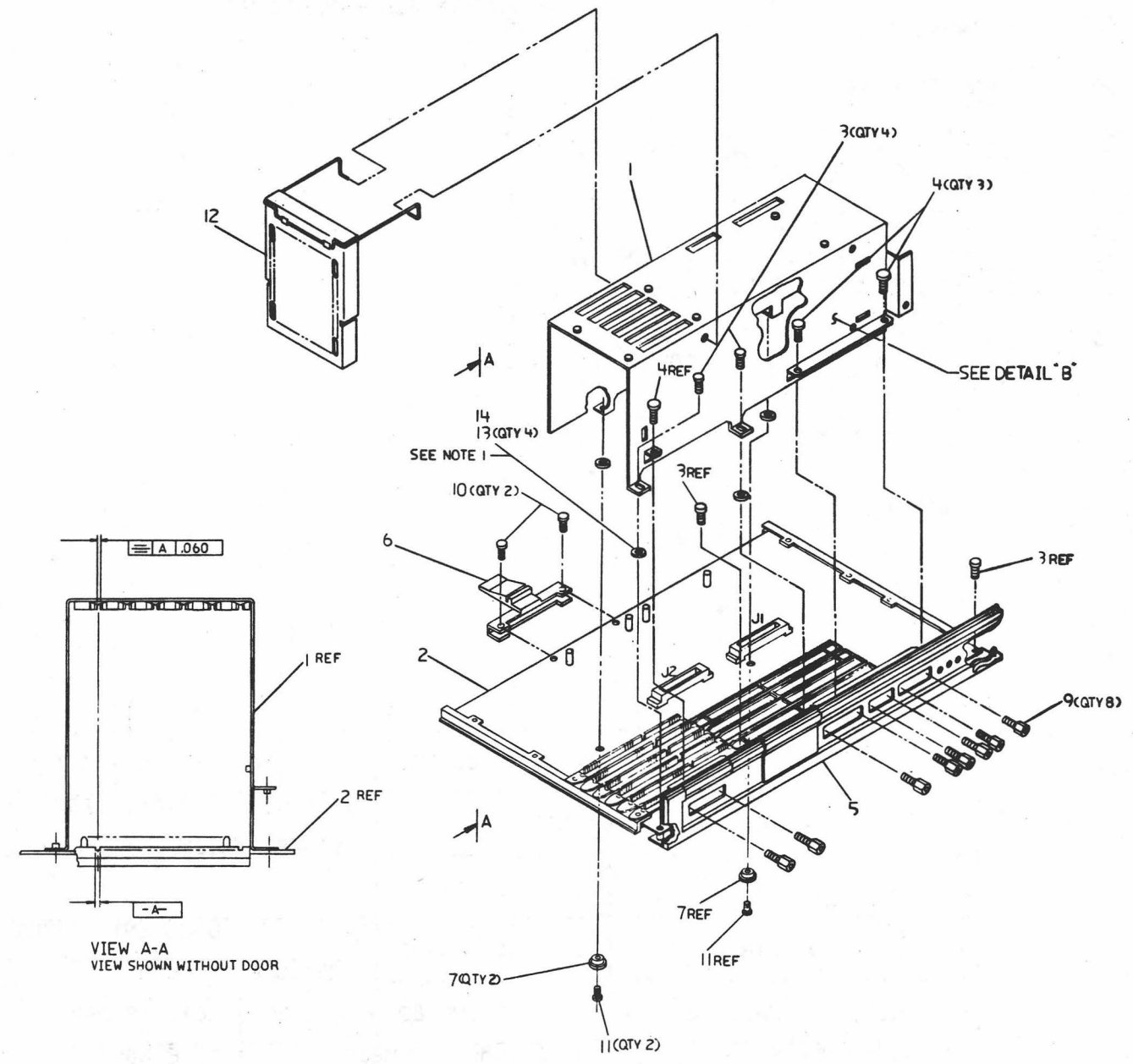


TITLE	SHEET	OF	SIZE	CODE	NUMBER	REV.
PC350 UNIT ASSY.	2	3	B	DD	PC350-0	A

THIS DRAWING AND INFORMATION HEREON ARE THE PROPERTY OF THE UNITED STATES GOVERNMENT AND ARE TO BE USED ONLY FOR THE PURPOSES AUTHORIZED BY THE CONTRACT UNDER WHICH THEY WERE PREPARED. NO PART OF THIS DRAWING IS TO BE REPRODUCED OR TRANSMITTED IN ANY FORM OR BY ANY MEANS, ELECTRONIC OR MECHANICAL, INCLUDING PHOTOCOPYING, RECORDING, OR BY ANY INFORMATION STORAGE AND RETRIEVAL SYSTEM, WITHOUT PERMISSION IN WRITING FROM THE UNITED STATES GOVERNMENT.

LEGEND	
NUMBER	VARIATION
KDFII-CA	LARGE SYSTEM UNIT MOTHER BOARD

NOTES:
 1. APPLY ITEM #13 (WASHER) TO ITEM #2 (BOARD) WITH ITEM #14 (ADHESIVE) BEFORE ASSEMBLY - 4 PLACES.



CAUTION: OFF SHEET PARTS LIST EXISTS. REFER TO K-PL-KDFII-C-DBP

REVISION HISTORY	INITIAL
DATE	

DESCRIPTION	DRAWING NO.	PART NO.	TEST NO.
UNLESS OTHERWISE SPECIFIED DIMENSIONS ARE IN INCHES AND THE FOLLOWING TOLERANCES APPLY (PER DEC STD 114)			
FIRST USED ON PC350			
DIMENSION RANGE IN INCHES			
APPLICABLE DIMENSION RANGE			
SURFACE QUALITY			
QUANTITY & VARIATION			
THIRD ANGLE PROJECTION			
DESIGNED BY	DATE	TITLE	SCALE
DON REGAN	1-19-82	LARGE SYSTEM UNIT MOTHER BOARD	1:1
DO NOT SCALE DRAWING	DATE	DOCUMENT NUMBER	
REMOVE BURRS AND BREAK SHARP CORNERS	6-23-82	EUA KDFII-C-B	
SEE PARTS LIST	DATE	SCALE	
FINISH NONE	8-23-82	NONE	
	REVISED BY	REV	
	EUA-PC350-B-8	1	
	ML 3		

AUTOMATED BY PRTLST.3P(44)

PARTS LIST

SHEET A1 OF A1

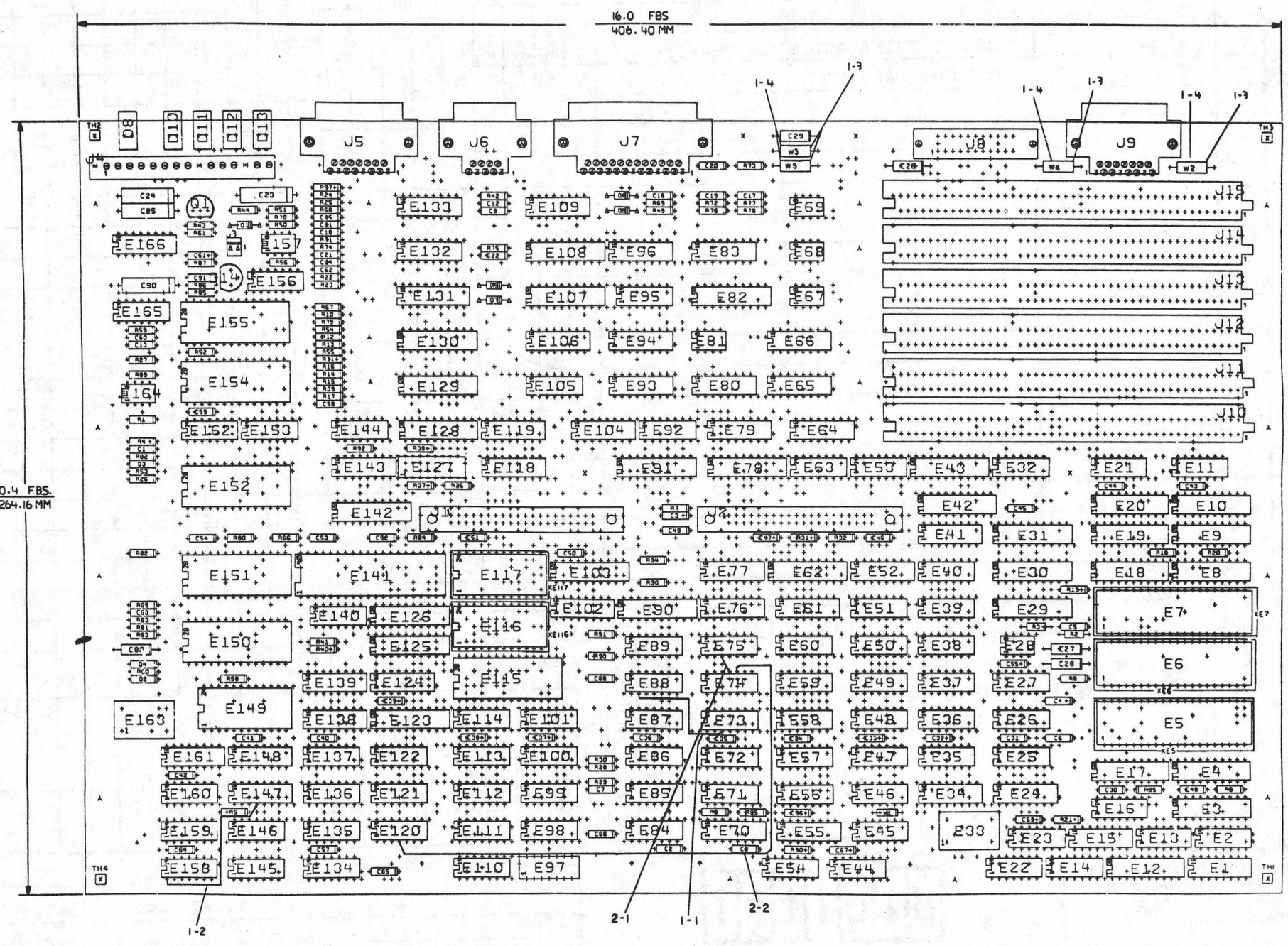
LINE	ITEM	DOCUMENT NUMBER	PART NUMBER	DESCRIPTION	QUANTITY PER VARIATION
1	1	D-IA-7018435-0-0	7018435-00	CARD CAGE ASSY.	1
2	2	D-UA-5415101-0-0	5415101-00	CT100 SYSTEM MODULE	1
3	3		9009984-00	SCREW,SEMS PAN PHIL	6-
4	4		9009708-00	SCREW,TAP PAN PHIL THD RL	6-
5	5	D-AD-7018611-0-0	7018611-00	CONNECTOR PANEL ASSY	1
6	6	C-MD-7425685-0-DBU	7425685-00	SNAP LATCH	1
7	7	C-MD-7426852-0-DBU	7426852-01	SPACER,PC BOARD SUPPORT	2
8	8		1219245-00	BATTERY,3CELL 3.75V .18MA NICAD	1
9	9		9008451-01	SCREW LOCK,STANDOFF ONLY .060TH	8
10	10		9010376-01	SCREW,TAP PAN PHIL	6-
11	11		9010089-03	SCREW,TAP PAN PHIL THD RL	6-
12	12	D-IA-7018436-0-0	7018436-00	CARD CAGE DOOR ASSY.	1
13	13		9006707-00	WASHER,FLAT NYLON	4
14	14		9009157-01	ADH,LIQ.RM.TEMP CURING COLORLESS	A/R
15	15	A-PA-3700697-0-0	3700697-01	PKG MOTHER BD. KDF11-CA	A/R

16 NOTE: ITEM 15 TO BE USED FOR FIELD SERVICE SPARES ONLY

REVISION HISTORY			BASIC PART NO: KDF11			D I G I T A L			
ENG	ECO NUMBER	REV	SECTION A OF A	DRN:	M. DUGGAN	DATE:	19-OCT-81	TITLE	
	INITIAL	A	SECTION VARIATION INDEX	CHK'D:	D. HEALY	DATE:	19-OCT-81	PARTS LIST	
			[A] CA					LARGE SYSTEM UNIT MOTHERBOARD	
			[B]	DES.ENG.:	R. SALETT	DATE:	19-OCT-81	DOCUMENT NUMBER	
			[C]	RESP.ENG.:	J. CYR	DATE:	30-JUN-82	SIZE	CODE
			[D]					NUMBER	REV
			[E]	MFG.ENG.:	J. CRABTREE	DATE:	30-JUN-82	K	PL
			[F]	ASSEMBLY NUMBER:	E-UA-KDF11-C-0	TOP DOCUMENT NUMBER:	E-UA-PC350-0-0	FILE NAME:	EDIT
								Z2509A.PLS	13

"THIS DRAWING AND SPECIFICATIONS HEREIN, ARE THE PROPERTY OF DIGITAL EQUIPMENT CORPORATION AND SHALL NOT BE REPRODUCED OR COPIED OR USED IN WHOLE OR IN PART AS THE BASIS FOR THE MANUFACTURE OR SALE OF ITEMS WITHOUT WRITTEN PERMISSION. COPYRIGHT (C) 1983. DIGITAL EQUIPMENT CORPORATION "

- REWORK INSTRUCTIONS**
ML001 WIRE ADDS SIDE 1
- 1-1 ADD WIRE FROM E08-2 TO E73-3
 - 1-2 ADD WIRE FROM E158-1 TO E147-4
- COMPONENT DELETES SIDE 1
- 1-3 DELETE F1 THRU F4
- COMPONENT ADDS SIDE 1
- 1-4 ADD JUMPERS W2 THRU W5
- ML002 WIRE ADDS SIDE 1
- 2-1 ADD WIRE FROM E75-3 TO E74-11.
 - 2-2 ADD WIRE FROM E74-10 TO E120-4.



DATE	1/10/68
DESIGNER	J. J. J.
CHECKED BY	J. J. J.
PROJECT	ML001
SCALE	1:1
REV. NO.	1
REV. DATE	
REV. BY	
REV. DESCRIPTION	
REV. NO.	
REV. DATE	
REV. BY	
REV. DESCRIPTION	

DATE	1/10/68
DESIGNER	J. J. J.
CHECKED BY	J. J. J.
PROJECT	ML001
SCALE	1:1
REV. NO.	1
REV. DATE	
REV. BY	
REV. DESCRIPTION	
REV. NO.	
REV. DATE	
REV. BY	
REV. DESCRIPTION	

DATE	1/10/68
DESIGNER	J. J. J.
CHECKED BY	J. J. J.
PROJECT	ML001
SCALE	1:1
REV. NO.	1
REV. DATE	
REV. BY	
REV. DESCRIPTION	
REV. NO.	
REV. DATE	
REV. BY	
REV. DESCRIPTION	

DATE	1/10/68
DESIGNER	J. J. J.
CHECKED BY	J. J. J.
PROJECT	ML001
SCALE	1:1
REV. NO.	1
REV. DATE	
REV. BY	
REV. DESCRIPTION	
REV. NO.	
REV. DATE	
REV. BY	
REV. DESCRIPTION	

DATE	1/10/68
DESIGNER	J. J. J.
CHECKED BY	J. J. J.
PROJECT	ML001
SCALE	1:1
REV. NO.	1
REV. DATE	
REV. BY	
REV. DESCRIPTION	
REV. NO.	
REV. DATE	
REV. BY	
REV. DESCRIPTION	

DATE	1/10/68
DESIGNER	J. J. J.
CHECKED BY	J. J. J.
PROJECT	ML001
SCALE	1:1
REV. NO.	1
REV. DATE	
REV. BY	
REV. DESCRIPTION	
REV. NO.	
REV. DATE	
REV. BY	
REV. DESCRIPTION	

DATE	1/10/68
DESIGNER	J. J. J.
CHECKED BY	J. J. J.
PROJECT	ML001
SCALE	1:1
REV. NO.	1
REV. DATE	
REV. BY	
REV. DESCRIPTION	
REV. NO.	
REV. DATE	
REV. BY	
REV. DESCRIPTION	

NOTES:
1. THIS BOARD MUST MEET SAFETY REQUIREMENTS FOR TYPE 2.
2. THIS BOARD MUST MEET SAFETY REQUIREMENTS FOR TYPE 2.

NOTES:
1. THIS BOARD MUST MEET SAFETY REQUIREMENTS FOR TYPE 2.
2. THIS BOARD MUST MEET SAFETY REQUIREMENTS FOR TYPE 2.

ML001-0-0

LINE	ITEM	DOCUMENT NUMBER	PART NUMBER	DESCRIPTION	QTY PER VARIATION 00	REFERENCE DESIGNATOR
1	1	D-MD-5015100-0-0	5015100-00	DRILL AND ETCH BD	1	
2	2		1001610-00	.01 MFD 50V +80-20% Z5U CER	3	C4-C6
3	3		1004812-00	15 MFD 20V 10% S.TANT	3	C23-C25
4	4		1004813-00	10 MFD 20V 10% S.TANT	1	C90
5	5		1012784-00	.047 MFD 50V +80-20% CER	41	C13,C30-C69
6	6		1013466-11	.22 MFD 50V +80-20% Z5U CER	5	C26-C29,C80
7	7		1013466-12	2200.0 MMF 50V 10% X7R CER	12	C9,C11,C12,C14-C22
8	8		1013466-45	220.0 MMF 50V 1%	6	C1-C3,C7,C8,C91
9	9		1110967-00	1N 4005 PIV=600 I= 1A D041 SI	5	D1,D5-D7,D9
10	10		1114117-00	1N 4152 PIV=40 I=75	3	D2-D4
11	11		1117373-00	LED ASSY GREEN	1	D8
12	12		1117373-01	LED ASSY RED	4	D10-D13
13	13		1209159-00	*** THIS ITEM IS NOT USED ***	-	
14	14		1210929-04	*** THIS ITEM IS NOT USED ***	-	
15	15		1215006-06	SKT,IC 24PIN DIP TIN SOLD	2	XE116,XE117
16	16		1215006-08	SKT,IC 40PIN DIP TIN SOLD	2	XE6,XE7
17	17		1218817-01	CARD EDGE 90PIN(2X45).100CC TBA	6	J10-J15
18	18		1219032-00	PCB HEADER 16PIN(1X16).156CC STR	1	J4
19	19		1219066-00	PCB HEADER 40PIN(2X20).100CC STR	2	J1,J2
20	20		1219251-00	PCB HEADER 02PIN(1X02).100CC STR	1	J3
21	21		1219517-01	CARD EDGE 22PIN(2X11).100CC STR	1	J8
22	22		1219678-01	SKT,IC 40PIN DIP MEMO	1	XE5
23	23		1219678-03	SKT,IC DUMMY PROTECTIVE COVE	1	
24	24		1219679-01	*** THIS ITEM IS NOT USED ***	-	
25	25		1219679-03	*** THIS ITEM IS NOT USED ***	-	
26	26		1219679-05	*** THIS ITEM IS NOT USED ***	-	
27	27		1219762-02	*** THIS ITEM IS NOT USED ***	-	
28	28		1219857-01	STANDOFF,NYLON	4	
29	29		1300250-00	150.0 .25 W 5.0 % CF	1	R21
30	30		1300271-00	220.0 .25 W 5.0 % CF	5	R22-R25,R61

REVISION HISTORY			BASIC PART NO: 5415101			D I G I T A L		
ENG	ECO NUMBER	REV	SECTION A OF A	DRN:	JOHN COTE	DATE:	10-JAN-82	
	INITIAL	A	SECTION VARIATION INDEX	CHK'D:	RON SALETT	DATE:	12-JAN-82	TITLE
RS	5415101-ML001	B	[A] 00					PARTS LIST
RS	5415101-ML003	C	[B]	DES.ENG:	RON SALETT	DATE:	10-JAN-82	CT100 SYSTEM MODULE
			[C]	RESP.ENG.:	RON SALETT	DATE:	10-JAN-82	DOCUMENT NUMBER
			[D]					SIZE CODE NUMBER REV
			[E]	MFG.ENG.:	R. E. POWERS	DATE:	02-MAR-82	K PL 5415101-0-DBP C
			[F]	ASSEMBLY NUMBER:	E-UA-5415101-0-0	TOP DOCUMENT NUMBER:	B-DD-5415101-0-0	FILE NAME: Z2546C.PLS
			[G]					EDIT # 16
			[H]	"THIS DRAWING AND SPECIFICATIONS HEREIN, ARE THE PROPERTY OF DIGITAL EQUIPMENT CORPORATION AND SHALL NOT BE REPRODUCED OR COPIED OR USED IN WHOLE OR IN PART AS THE BASIS FOR THE MANUFACTURE OR SALE OF ITEMS WITHOUT WRITTEN PERMISSION. COPYRIGHT (C) 1983. DIGITAL EQUIPMENT CORPORATION"				
			[I]					
			[J]					
			[K]					
			[L]					
			[M]					
			[N]					

LINE	ITEM	DOCUMENT NUMBER	PART NUMBER	DESCRIPTION	QTY	PER VARIATION	REFERENCE DESIGNATOR
					00		
31	31		1300316-00	470.0			R44
32	32		1300365-00	1.0 K			R8, R9, R53, R91, R93
33	33		1300391-00	1.50 K			R18-R20
34	34		1300432-00	3.0 K			R7, R43
35	35		1300479-00	10.0 K			R27, R36-R39, R56, R60, R76, R87, R89, R95
						CONT	
36	36		1301425-00	300.0			R26, R92
37	37		1301477-00	82.0			R4
38	38		1301972-00	270.0			R1, R5
39	39		1302377-00	39.0			R32, R34
40	40		1303110-00	19.60			R28
41	41		1304838-00	43.0 K			R6, R10-R17, R40, R41, R52, R54, R55, R57-R59, R63, R65, R66, R79-R84, R90
						CONT	
42	42		1304858-00	348.0			R29, R30
43	43		1309422-00	5.10			R2, R3
44	44		1309595-00	1.0 M			R49, R77, R78
45	45		1310636-00	82.50 K			R35
46	46		1313580-00	360.0			R31, R33
47	47		1313597-00	23.70 K			R42, R50, R51, R67-R75
48	48		1317404-00	249.0			R62
49	49		1319373-01	R NETWORK 14-330			E11, E21, E32
50	50		1319373-02	R NETWORK 14-1.5K			E63, E153
51	51		1319610-01	750.0 K			R85
52	52		1319645-01	487.0 K			R86
53	53		1510706-00	XA 55			Q1
54	54		1617533-00	DELAY= 250NS, 5TAPS			E97
55	55		1811660-02	OSCILLATOR, XTAL 5.0688			E163
56	56		1811660-20	OSCILLATOR, XTAL 26.666			E33
57	57		1818800-00	OSCILLATOR, XTAL 32.768KHZ			E166
58	58		1910532-00	*** THIS ITEM IS NOT USED ***			
59	59		1910533-00	74S03 NAND GATE-QUAD 2IN,0			E85
60	60		1910534-00	*** THIS ITEM IS NOT USED ***			
61	61		1910536-00	74S10 NAND GATE-TRIPLE 3IN			E27, E89
62	62		1910537-00	74S11 AND GATE-TRIPLE 3INP			E136
63	63		1910539-00	74S20 NAND GATE-DUAL 4INPU			E35
64	64		1910542-00	74S64 A-0-I GATE 4-2-3-2			E25
65	65		1910544-00	*** THIS ITEM IS NOT USED ***			
66	66		1910544-01	*** THIS ITEM IS NOT USED ***			
67	67		1910545-00	74S112 FF-JK DUAL, EDGE TRIG			E147
68	68		1910550-00	*** THIS ITEM IS NOT USED ***			
69	69		1910957-00	*** THIS ITEM IS NOT USED ***			
70	70		1911469-00	*** THIS ITEM IS NOT USED ***			
71	71		1911675-00	*** THIS ITEM IS NOT USED ***			
72	72		1911712-00	*** THIS ITEM IS NOT USED ***			
73	73		1912388-00	*** THIS ITEM IS NOT USED ***			
74	74		1912389-00	74S08 AND GATE-QUAD 2IN,PO			E73, E159
75	75		1912697-00	*** THIS ITEM IS NOT USED ***			
76	76		1912746-00	DEC 74S37 NAND GATE-QUAD 2IN			E60

D	I	G	I	T	A	L	TITLE	SECTION A	OF A	SIZE	CODE	DOCUMENT NUMBER	REV
							CT100 SYSTEM MODULE			K	PL	5415101-0-DBP	C

LINE	ITEM	DOCUMENT NUMBER	PART NUMBER	DESCRIPTION	QTY PER VARIATION 00	REFERENCE DESIGNATOR
77	77		1912799-00	LS00 NAND-GATE-QUAD 2IN,P	2	E120,E140
78	78		1912801-00	*** THIS ITEM IS NOT USED ***	-	
79	79		1912803-00	LS04 INVERTER GATE,HEX	3	E37,E74,E156
80	80		1912805-00	*** THIS ITEM IS NOT USED ***	-	
81	81		1912807-00	*** THIS ITEM IS NOT USED ***	-	
82	82		1912808-00	LS11 AND GATE-TRIPLE 3IN	1	E114
83	83		1912813-00	LS27 NOR GATE-TRIPLE 3IN	1	E99
84	84		1912815-00	LS30 NAND GATE-SINGLE 8IN	1	E40
85	85		1912816-00	*** THIS ITEM IS NOT USED ***	-	
86	86		1912824-00	*** THIS ITEM IS NOT USED ***	-	
87	87		1912842-00	LS138 DECODER-THREE INPUT,	4	E61,E124,E138,E139
88	88		1912853-00	*** THIS ITEM IS NOT USED ***	-	
89	89		1912858-00	*** THIS ITEM IS NOT USED ***	-	
90	90		1912862-00	LS266 X-NOR GATE-QUAD,OPN,	1	E95
91	91		1912870-00	LS353 MUX 1 OF 4 (DUAL)	2	E109,E132
92	92		1912871-00	*** THIS ITEM IS NOT USED ***	-	
93	93		1913340-00	74S32 OR GATE-QUAD 2IN	1	E49
94	94		1913462-00	*** THIS ITEM IS NOT USED ***	-	
95	95		1913671-00	*** THIS ITEM IS NOT USED ***	-	
96	96		1913777-00	*** THIS ITEM IS NOT USED ***	-	
97	97		1913887-00	74S258 MUX 1 OF 2(QUAD)TRI	2	E102,E118
98	98		1914085-00	74S260 NOR GATE-DUAL,POS	1	E111
99	99		1914140-01	LM 211P COMPARATOR,VOLTAGE	1	E164
100	100		1914214-00	*** THIS ITEM IS NOT USED ***	-	
101	101		1914451-00	*** THIS ITEM IS NOT USED ***	-	
102	102		1915123-03	*** THIS ITEM IS NOT USED ***	-	
103	103		1915193-00	*** THIS ITEM IS NOT USED ***	-	
104	104		1915218-00	*** THIS ITEM IS NOT USED ***	-	
105	105		1915219-00	*** THIS ITEM IS NOT USED ***	-	
106	106		1915415-00	*** THIS ITEM IS NOT USED ***	-	
107	107		1916028-01	9643 DRIVER,TTL TO MOS,D	1	E28
108	108		1918708-00	*** THIS ITEM IS NOT USED ***	-	
109	109		1918868-00	LS26 NAND GATE,2-IN,HIGH	1	E165
110	110		1919018-00	LS148 PRIORITY ENCODER,8 T	1	E79
111	111		1919684-01	LM 385B2 PREC VOLT REF. 1.23	1	D14
112	112		2112623-00	DUAL BAUD RATE GEN/PROG DIVIDER,	1	E131
113	113		2115542-01	DC 304 F11 MMU,FLOAT PT REG	1	E7
114	114		2117004-01	9519A UNIVERSAL INTERRUPT	3	E150-E152
115	115		2118623-00	2661-3COMMUNICATIONS,INTER	2	E154,E155
116	116		2118795-00	146818 CLOCK/CALENDAR/RAM	1	E149
117	117		2118856-00	CONTROLLER,MULTI-PROTOCOL SERIAL	1	E141
118	118		23061E4-00	*** THIS ITEM IS NOT USED ***	-	
119	119		23062E4-00	*** THIS ITEM IS NOT USED ***	-	
120	120		23076C6-00	C6-01	1	E115
121	121		23346A1-00	A1-07	1	E127
122	122		23625A2-00	A2-05	1	E104
123	123		5700000-01	DAT/CTL HYBRID ASSY W/FP,DCF11-A	1	E6
124	124		7425654-00	SLIDE, MOTHER BD. (LEFT SIDE)	1	

D	I	G	I	T	A	L	TITLE	CT100 SYSTEM MODULE	SECTION A	OF A	SIZE	CODE	DOCUMENT NUMBER	REV
											K	PL	5415101-0-DBP	C

LINE	ITEM	DOCUMENT NUMBER	PART NUMBER	DESCRIPTION	QTY	PER VARIATION	REFERENCE DESIGNATOR
					00		
125	125		7425706-00	MOTHER BOARD SLIDE (RIGHT)	1		
126	126		7425707-00	BRACKET, GUIDANCE, P.C. BOARD	1		
127	127		9006010-01	*** THIS ITEM IS NOT USED ***	-		
128	128		9000024-01	EYELET, ROLLED 0.1210DX0.192	12		
129	129		9008054-00	*** THIS ITEM IS NOT USED ***	-		
130	130		9009185-00	JUMPER, WIRE, INSULATED, BLACK B	5		W1-W5
131	131		1220365-01	CONN, D SUB 9PIN ASSY RT ANGLE W	1		J6
132	132		1220365-02	CONN, D SUB 15PIN ASSY RT ANGLE W	1		J5
133	133		1220398-03	CONN, D SUB 25PIN ASSY RT ANGLE	1		J7
134	134		1220399-01	CONN, D SUB 15SKT ASSY RT ANGLE	1		J9
135	135		23115E4-00	E4-01, E4-02, E4-03	1		E117
136	136		23116E4-00	E4-01, E4-02, E4-03	1		E116
137	137		9105740-55	WIRE(WRAP) 30AWG KYNAR UL14	A/R		
138	138		1910532-80	74S00 BURNED-IN NAND GATE-	5		E23, E71, E75, E101, E146
139	139		1910534-80	74S04 BURNED-IN INVERTER G	4		E16, E36, E58, E98
140	140		1910544-81	74S74 BURNED-IN FF-D	3		E84, E112, E137
141	141		1910550-80	74S174 BURNED-IN FF-D HEX	3		E24, E55, E64
142	142		1910957-80	74S175 BURNED-IN FF-D QUAD	4		E15, E34, E143, E148
143	143		1911469-80	8640 BURNED-IN RECEIVER, B	1		E92
144	144		1911675-80	74S138 BURNED-IN DECODER/DE	3		E1, E65, E66
145	145		1911712-80	74S51 BURNED-IN AND/OR GAT	3		E48, E51, E53
146	146		1912388-80	74S02 BURNED-IN NOR GATE-Q	5		E47, E57, E86, E100, E113
147	147		1912697-80	LS174 BURNED-IN FF-D HEX W	1		E161
148	148		1912801-80	LS02 BURNED-IN NOR GATE-Q	4		E38, E88, E122, E134
149	149		1912805-80	LS08 BURNED-IN AND GATE-Q	2		E2, E105
150	150		1912807-80	LS10 BURNED-IN NAND GATE-	2		E59, E72
151	151		1912816-80	LS30 BURNED-IN OR GATE-QU	1		E160
152	152		1912824-80	LS74 BURNED-IN FF-D DUAL-	5		E13, E22, E121, E145, E162
153	153		1912853-80	LS175 BURNED-IN FF-D, QUAD	2		E94, E106
154	154		1912858-80	LS221 BURNED-IN ONE SHOT, D	1		E70
155	155		1912871-80	LS357 BURNED-IN LATCH	7		E41, E52, E76, E77, E80, E93, E119
156	156		1913462-80	74S240 BURNED-IN OCTAL BUFF	6		E3, E12, E17, E42, E43, E142
157	157		1913671-80	74S374 BURNED-IN FF-D OCTAL	3		E4, E19, E30
158	158		1913777-80	LS240 BURNED-IN DRIVER, LIN	3		E90, E128, E129
159	159		1914214-80	LS374 BURNED-IN FF-D OCTAL	2		E9, E82
160	160		1914451-80	LS393 BURNED-IN COUNTER, BI	1		E144
161	161		1915123-83	26LS32-3 RECEIVER, LINE BURNE	3		E83, E96, E133
162	162		1915193-80	LS244 BURNED-IN DRIVER, LIN	9		E8, E18, E29, E91, E103, E107, E108,
						CONT	E123, E130
163	163		1915218-80	LS245 BURNED-IN TRANSCEIVE	2		E125, E126
164	164		1915219-80	LS373 BURNED-IN FF-O OCTAL	2		E62, E78
165	165		1915415-80	9636 BURNED-IN DRIVER, DUA	5		E67-E69, E81, E157
166	166		1918708-80	8307 BURNED-IN TRANSCEIVER	3		E10, E20, E31
167	167		1910544-80	74S74 BURNED-IN FF-D DUAL,	13		E14, E26, E39, E44-E46, E50, E54, E56,
						CONT	E87, E110, E135, E158

D	I	G	I	T	A	L	TITLE	SECTION A OF A	SIZE	CODE	DOCUMENT NUMBER	REV
							CT100 SYSTEM MODULE		K	PL	5415101-0-DBP	C

AUTOMATED BY PRTLST.3P(44)

PARTS LIST

SHEET A5 OF A5

LINE ITEM DOCUMENT NUMBER

PART NUMBER

DESCRIPTION

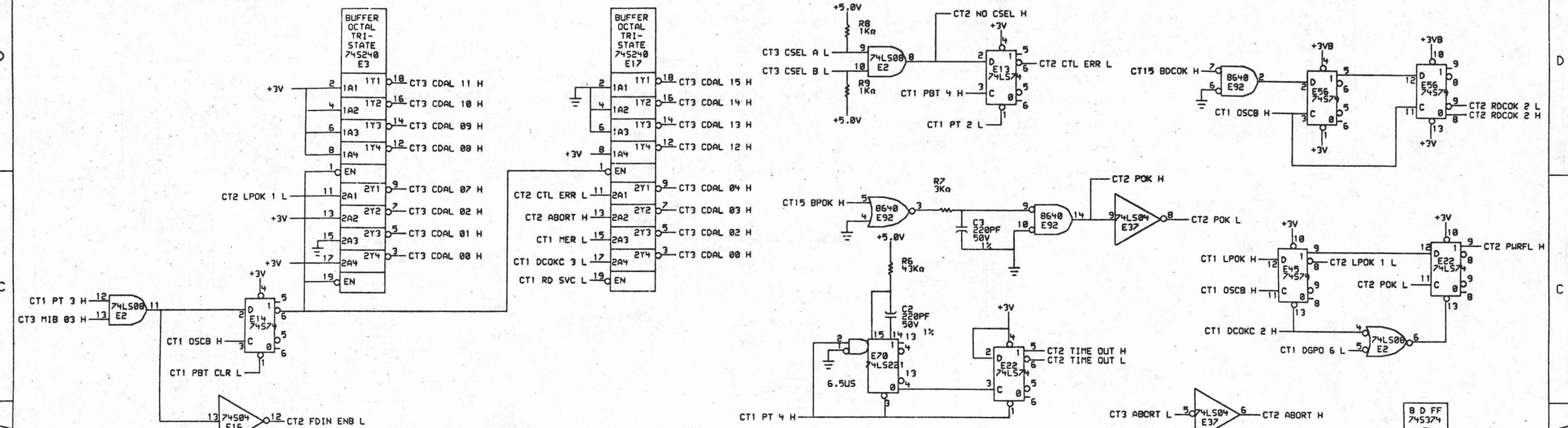
QTY PER VARIATION
00

REFERENCE DESIGNATOR

168 NOTE: XE5 SOCKET IS FOR FP11 OPTION (5700001-01)KEF11-AC MOUNTED ON SPECIAL SOCKET CARRIER (1219678-02).

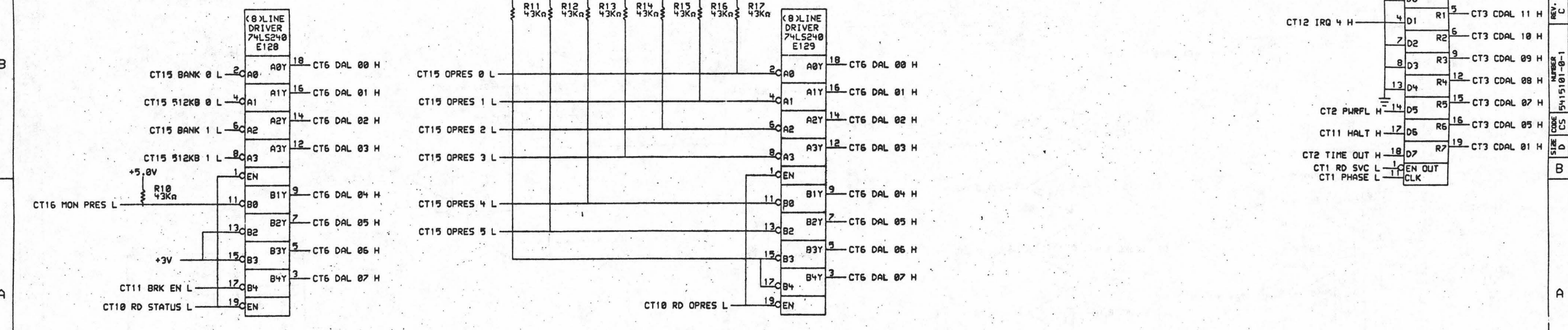
D	I	G	I	T	A	L	TITLE	SECTION A OF A	SIZE	CODE	DOCUMENT NUMBER	REV
							CT100 SYSTEM MODULE		K	PL	5415101-0-DBP	C

CPU CONTROL LOGIC



SYSTEM CSR

OPTION PRESENT REGISTER

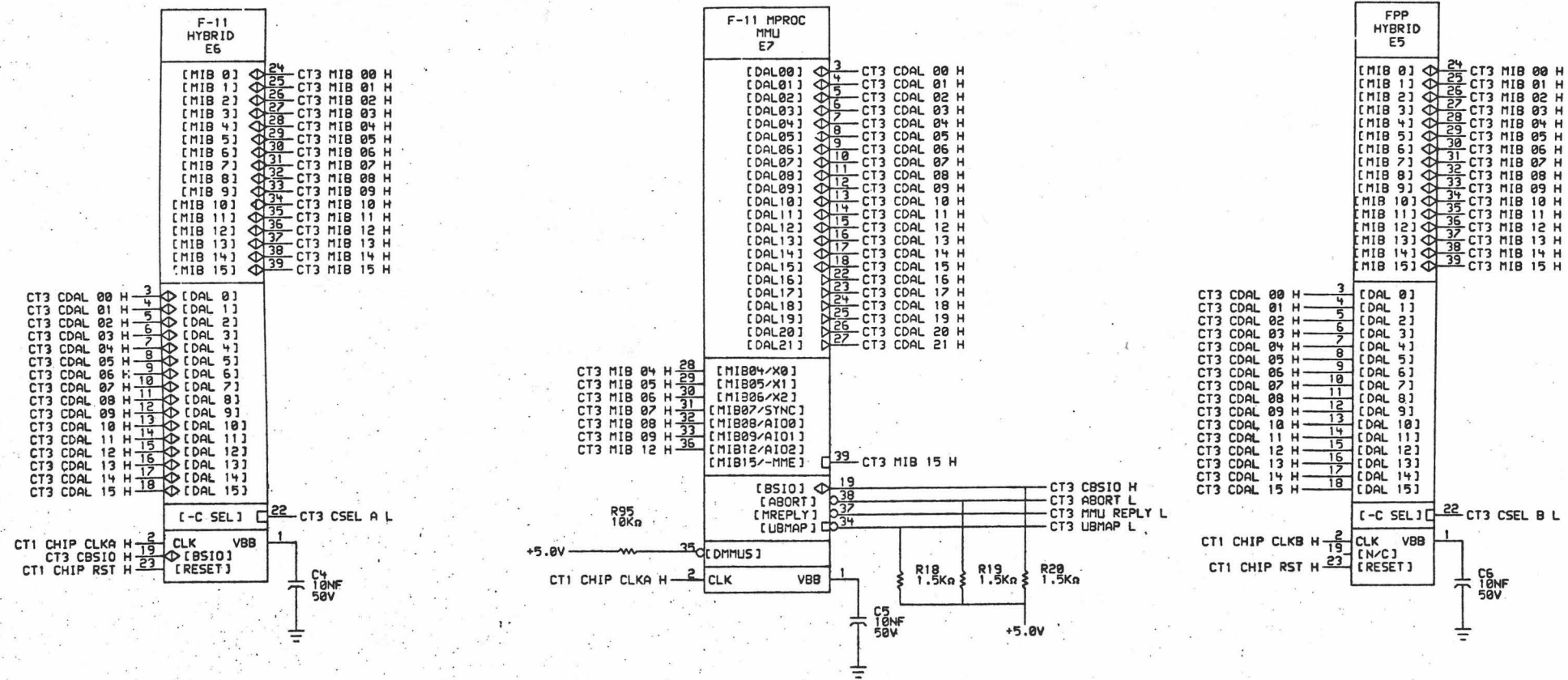


THIS DRAWING AND SPECIFICATIONS ARE THE PROPERTY OF DIGITAL EQUIPMENT CORPORATION AND SHALL NOT BE REPRODUCED OR COPIED OR USED IN WHOLE OR IN PART AS THE BASIS FOR THE MANUFACTURE OR SALE OF ITEMS WITHOUT WRITTEN PERMISSION. COPYRIGHT © 1982, DIGITAL EQUIPMENT CORPORATION.

REV.	CHG	NO.	REV.

DATE	02-DEC-82	ENG	R. SAETT	DATE	02-DEC-82	TITLE:	CT2 SYSTEM MODULE
DESIGNED BY	ANUSKIEWICZ	CHECKED BY	R. SAETT	DATE	02-DEC-82	SHEET	2 OF 16
FIRST USED ON OPTION/MODEL:	CT100	CT120/CT150	SIZE CODE	D CS	5415101-0-1	SYSTEM NUMBER	REV. C

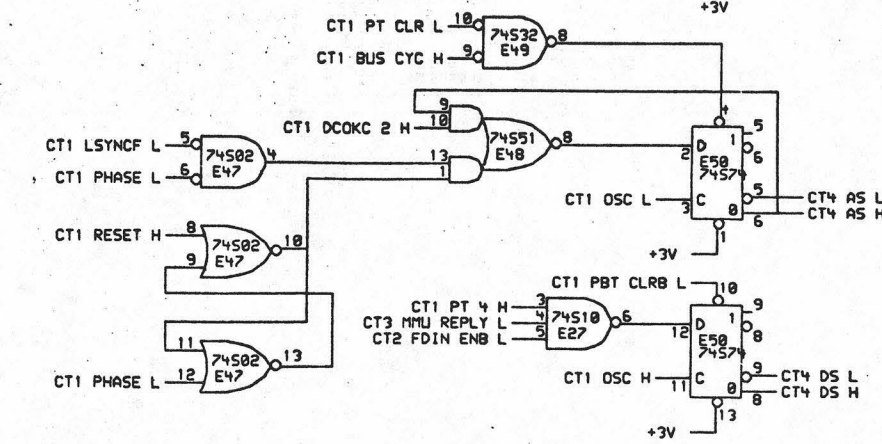
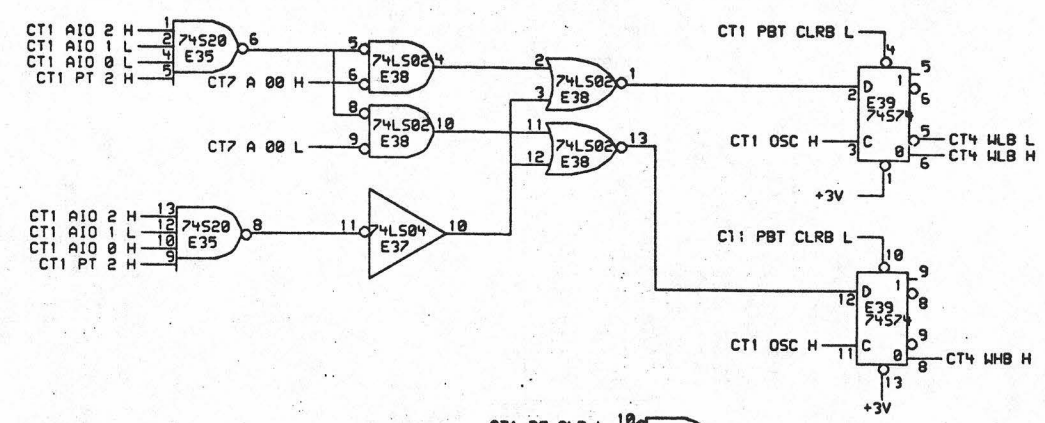
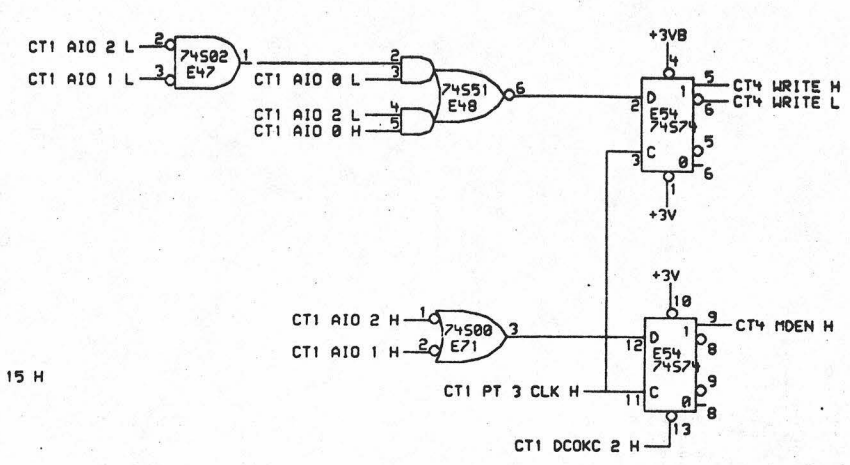
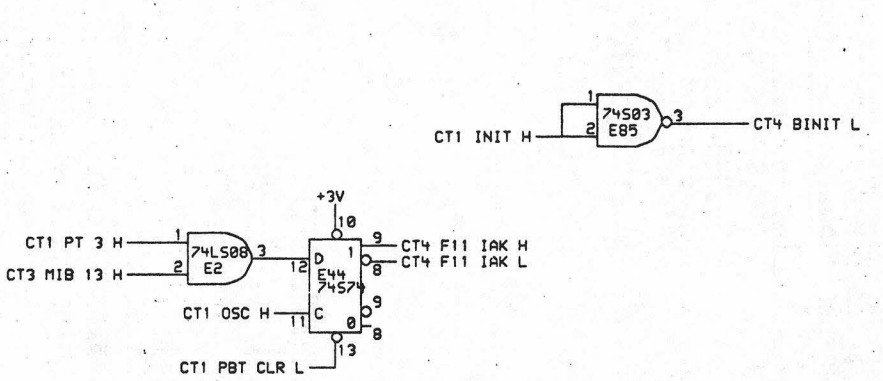
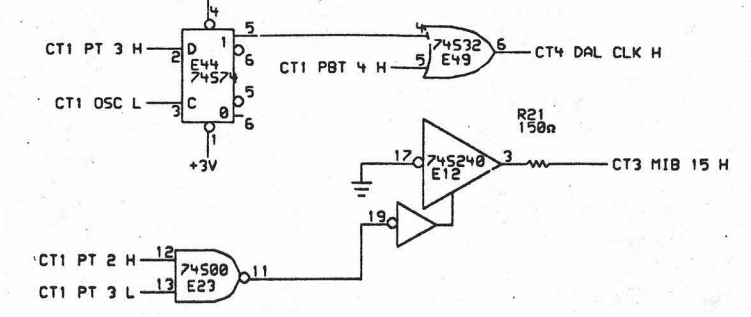
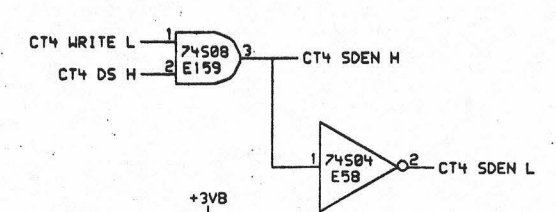
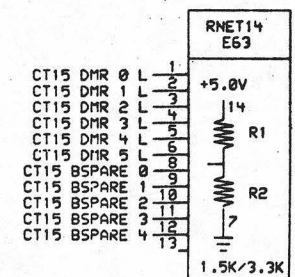
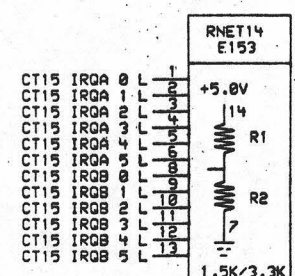
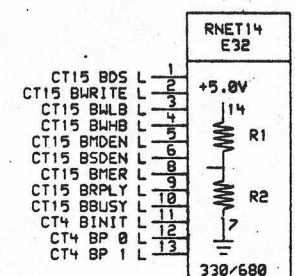
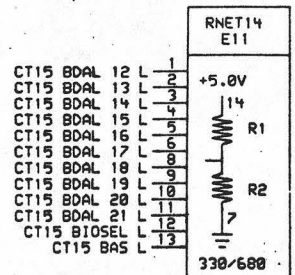
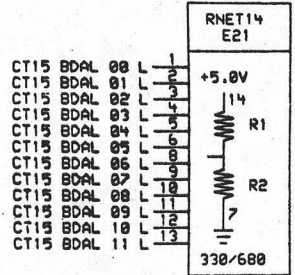
F11 CPU CHIP SET



THIS DRAWING AND SPECIFICATIONS
HEREIN ARE THE PROPERTY OF
DIGITAL EQUIPMENT CORPORATION AND
SHALL NOT BE REPRODUCED OR COPIED
OR USED IN WHOLE OR IN PART AS
THE BASIS FOR THE MANUFACTURE OR
SALE OF ITEMS WITHOUT WRITTEN
PERMISSION. COPYRIGHT © 1982
DIGITAL EQUIPMENT CORPORATION

CHK	CHANGE NO.	REV.

digital	DRN	DATE	ENG	DATE	TITLE
	B. JANUSKIEWICZ	02-DEC-82	B. SALETT	02-DEC-82	CT100
	CHK'D	DATE	BOARD LOCATION	CT3 SYSTEM MODULE	
	B. SALETT	02-DEC-82	SHEET	3	OF 16
FIRST USED ON OPT:ON/MODEL: CT100			NEXT HIGHER ASSEMBLY: CT120/CT150		
SIZE	CODE	NUMBER	REV.		
D	CS	5415101-0-1	C		



BUS CONTROL LOGIC AND TERMINATION

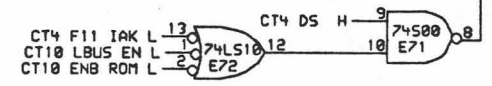
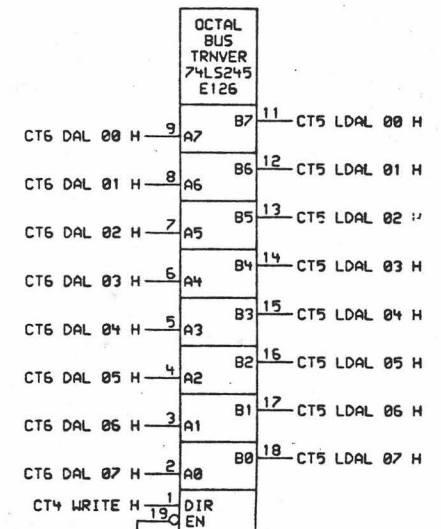
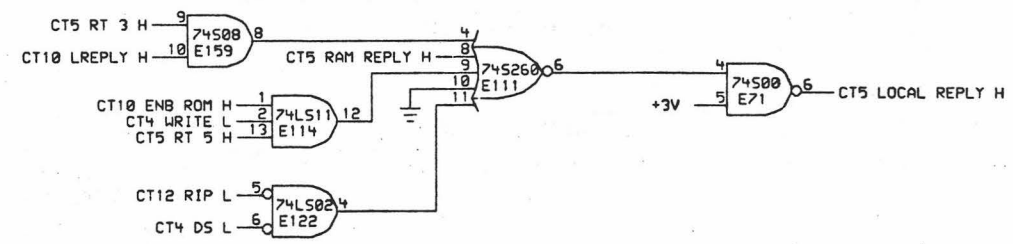
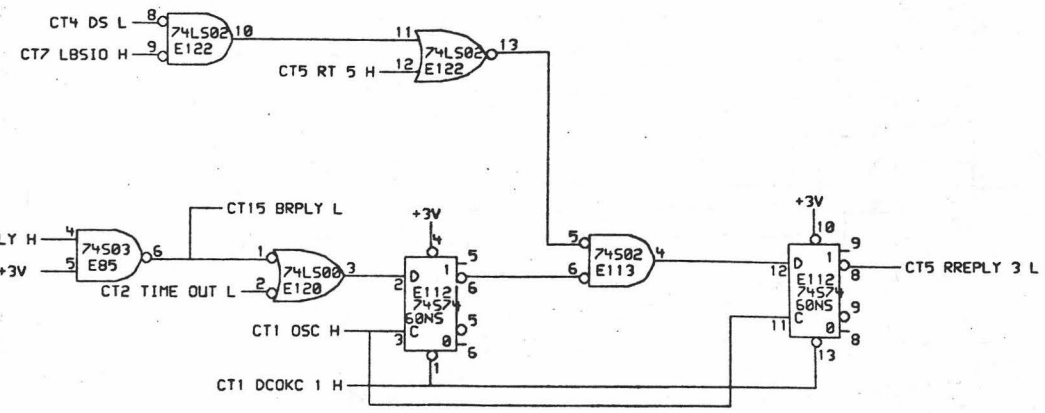
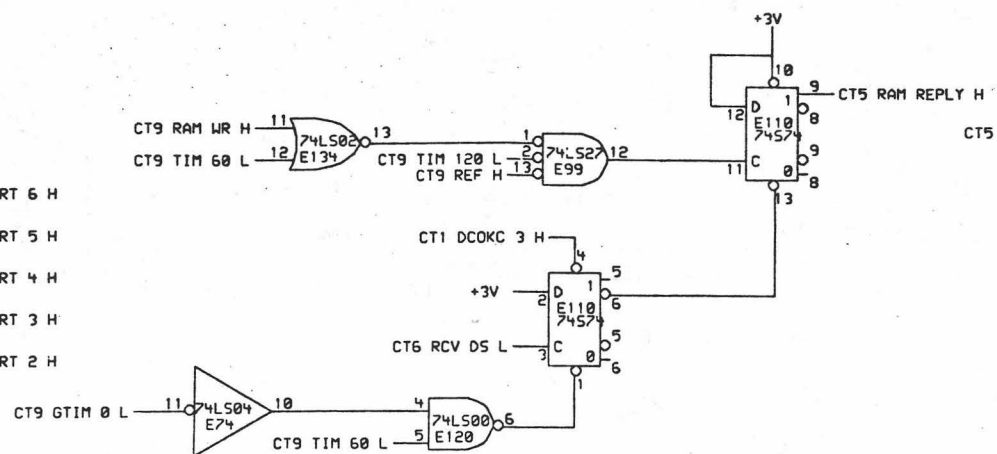
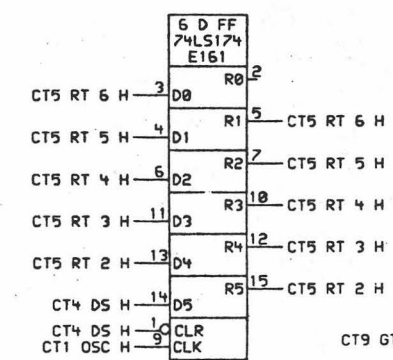
THIS DRAWING AND SPECIFICATIONS ARE THE PROPERTY OF DIGITAL EQUIPMENT CORPORATION AND SHALL NOT BE REPRODUCED OR COPIED IN WHOLE OR IN PART AS THE BASIS FOR THE MANUFACTURE OR SALE OF ITEMS WITHOUT WRITTEN PERMISSION. COPYRIGHT © 1982, DIGITAL EQUIPMENT CORPORATION.

REVISIONS	
CHK	CHANGE NO. REV.

digital	DRN. JANUSKIEWICZ	DATE 02-DEC-82	ENG. SALETT	DATE 02-DEC-82	TITLE: CT100 SYSTEM MODULE
	CHK. SALETT	DATE 02-DEC-82	BOARD LOCATION: 4 OF 16	SIZE CODE D CS	NUMBER 5415101-0-1
FIRST USED ON OPTION/MODEL: CT100		NEXT HIGHER ASSEMBLY: CT120/CT150		REV. C	

REV. C
 NUMBER 5415101-0-1
 SIZE CODE D CS

REPLY LOGIC



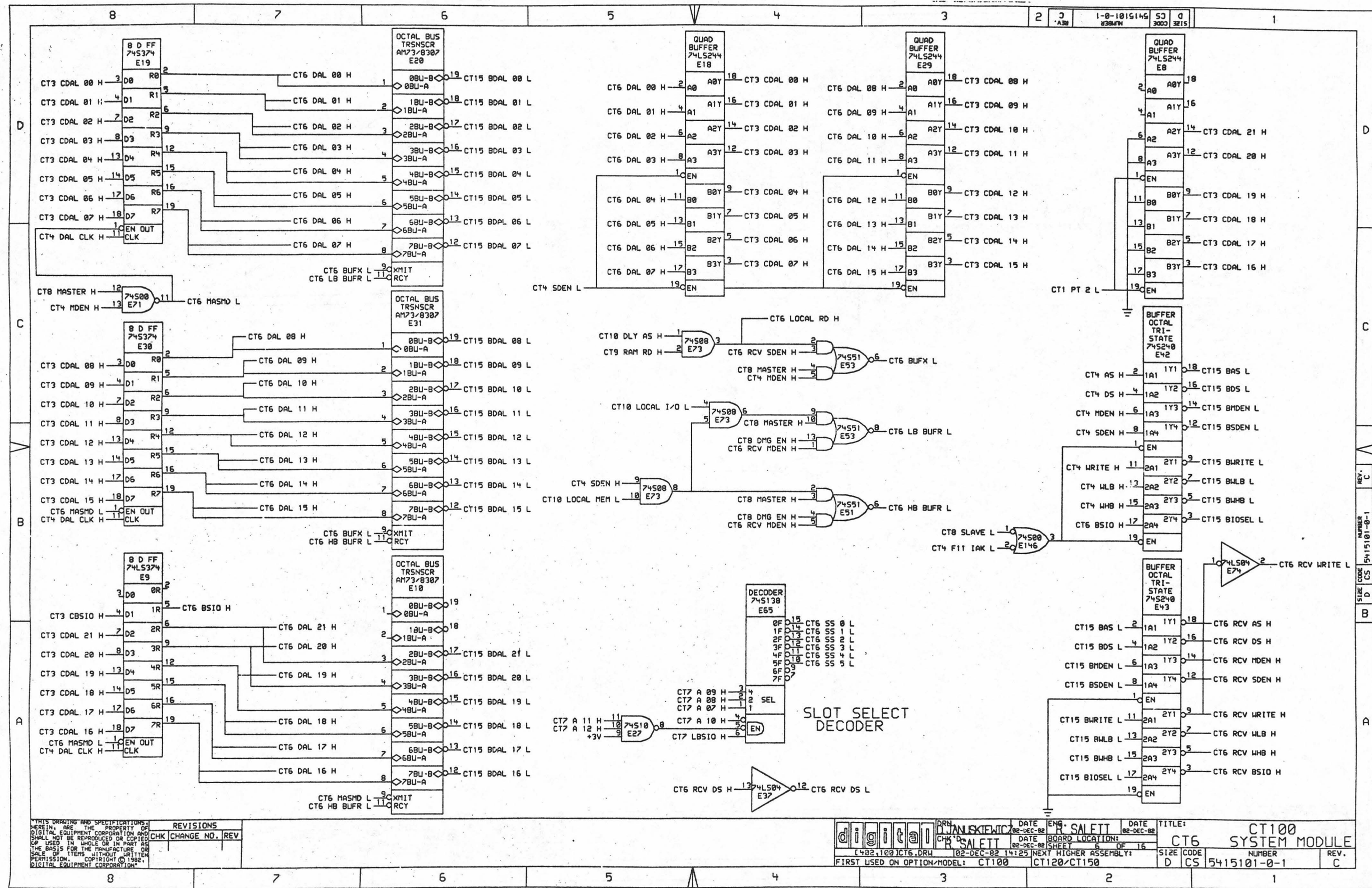
DAL/LDAL TRANSCEIVER

THIS DRAWING AND SPECIFICATIONS ARE THE PROPERTY OF DIGITAL EQUIPMENT CORPORATION AND SHALL NOT BE REPRODUCED OR COPIED OR USED IN WHOLE OR IN PART AS THE BASIS FOR THE MANUFACTURE OR SALE OF ITEMS WITHOUT WRITTEN PERMISSION. COPYRIGHT © 1982 DIGITAL EQUIPMENT CORPORATION.

REVISIONS	
CHK	CHANGE NO. REV

digital	DRN: DAN SKIEWICZ	DATE: 02-DEC-82	ENG: R. SALETT	DATE: 02-DEC-82	TITLE: CT100
	CHK: R. SALETT	DATE: 02-DEC-82	BOARD LOCATION: 5 OF 16		CT5 SYSTEM MODULE
(402.100)CT5.DRW	102-DEC-82 14:23	NEXT HIGHER ASSEMBLY: CT120/CT150		SIZE CODE: D CS	NUMBER: 5415101-0-1
FIRST USED ON OPTION/MODEL: CT100					REV: C

REV. C
NUMBER 5415101-0-1
SIZE CODE CS



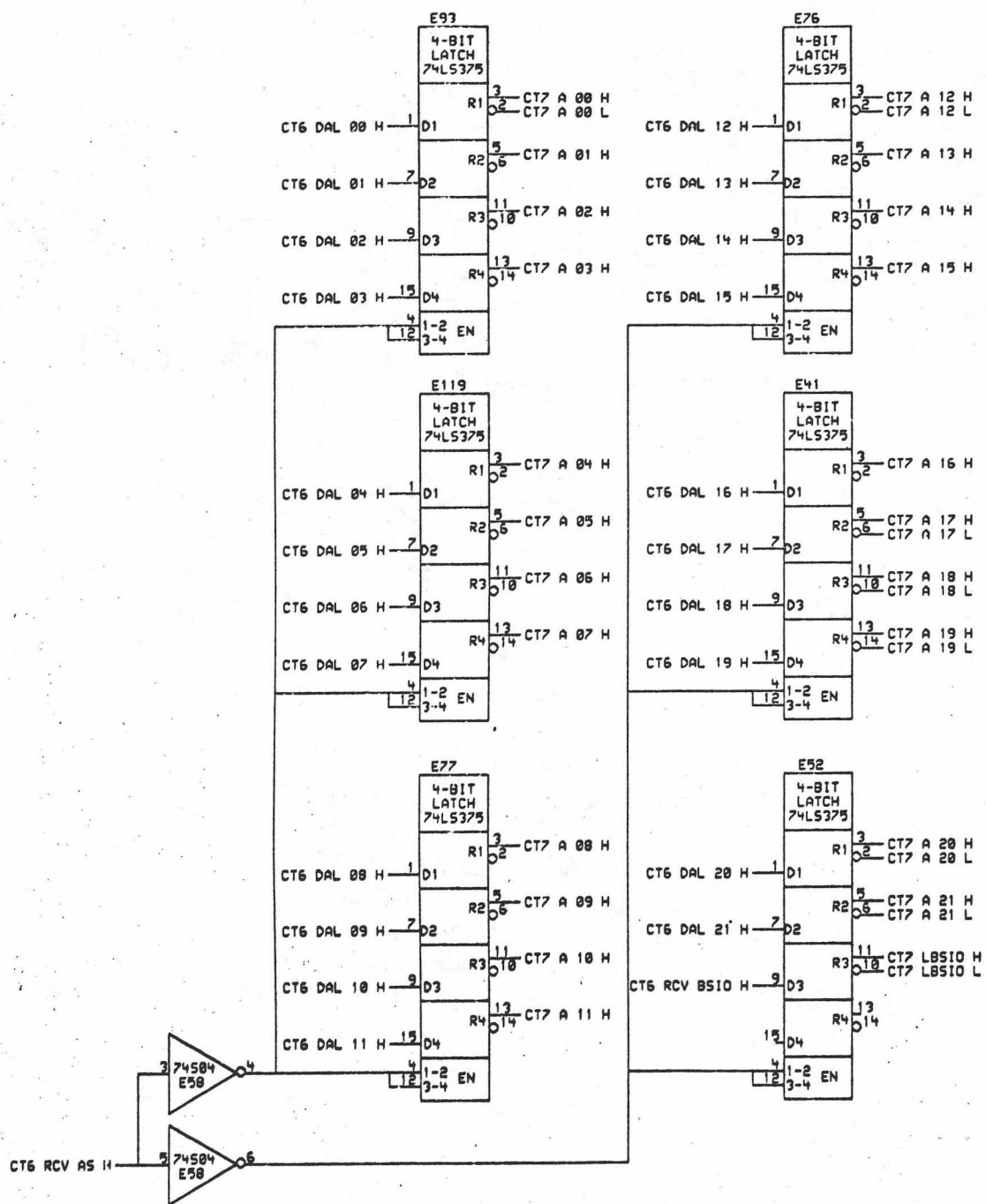
THIS DRAWING AND SPECIFICATIONS ARE THE PROPERTY OF DIGITAL EQUIPMENT CORPORATION AND SHALL NOT BE REPRODUCED OR COPIED IN WHOLE OR IN PART AS THE BASIS FOR THE MANUFACTURE OR SALE OF ITEMS WITHOUT WRITTEN PERMISSION. COPYRIGHT © 1982, DIGITAL EQUIPMENT CORPORATION.

REVISIONS	
CHK	CHANGE NO. REV

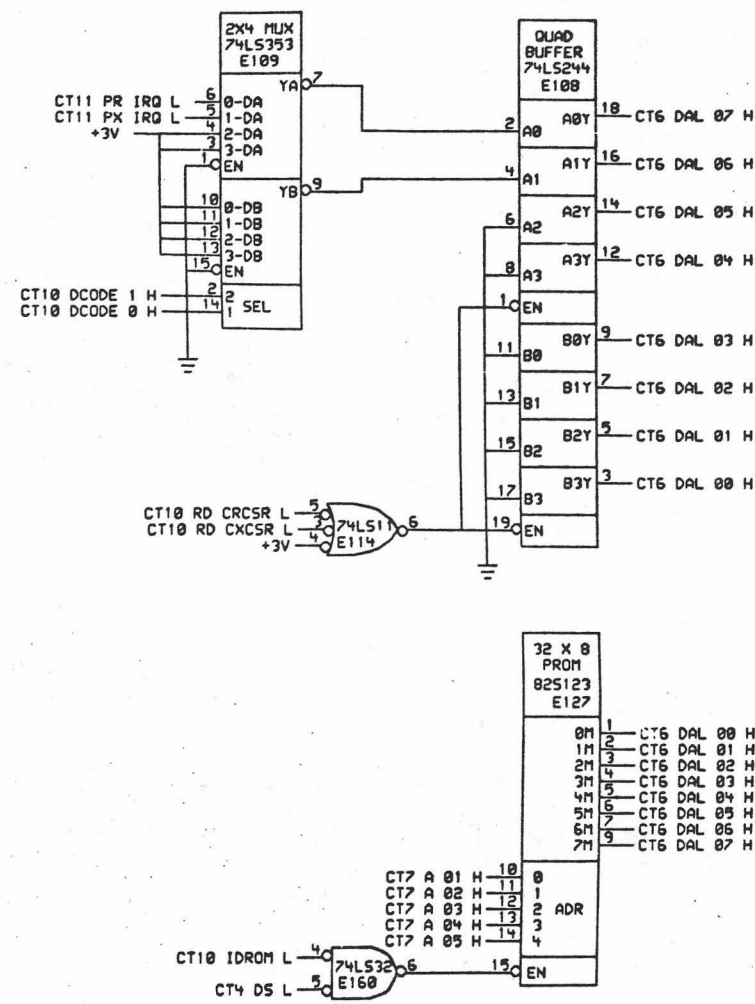
digital	DATE: 02-DEC-82	ENG: H. SALETT	DATE: 02-DEC-82	TITLE: CT100
DRN: J. ANUSKIEWICZ	CHK: H. SALETT	BOARD LOCATION: 6	SHEET: 16	CT6 SYSTEM MODULE
(1402,100)CT6.DRW	02-DEC-82 14:25	NEXT HIGHER ASSEMBLY: CT120/CT150	SIZE CODE: D CS	NUMBER: 5415101-0-1
FIRST USED ON OPTION/MODEL: CT100				REV. C

REV. C
NUMBER 5415101-0-1
SIZE CODE D CS

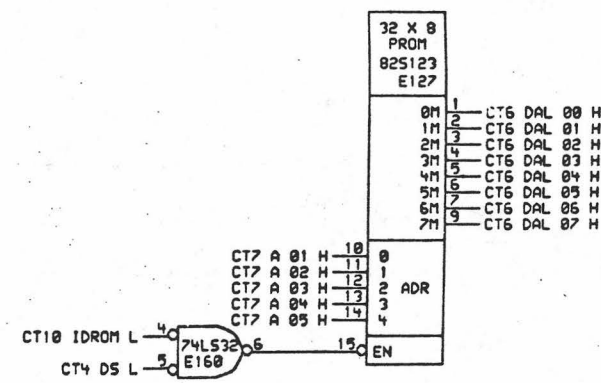
ADDRESS LATCHES



MAINTENANCE TERMINAL CSR'S



ID PROM

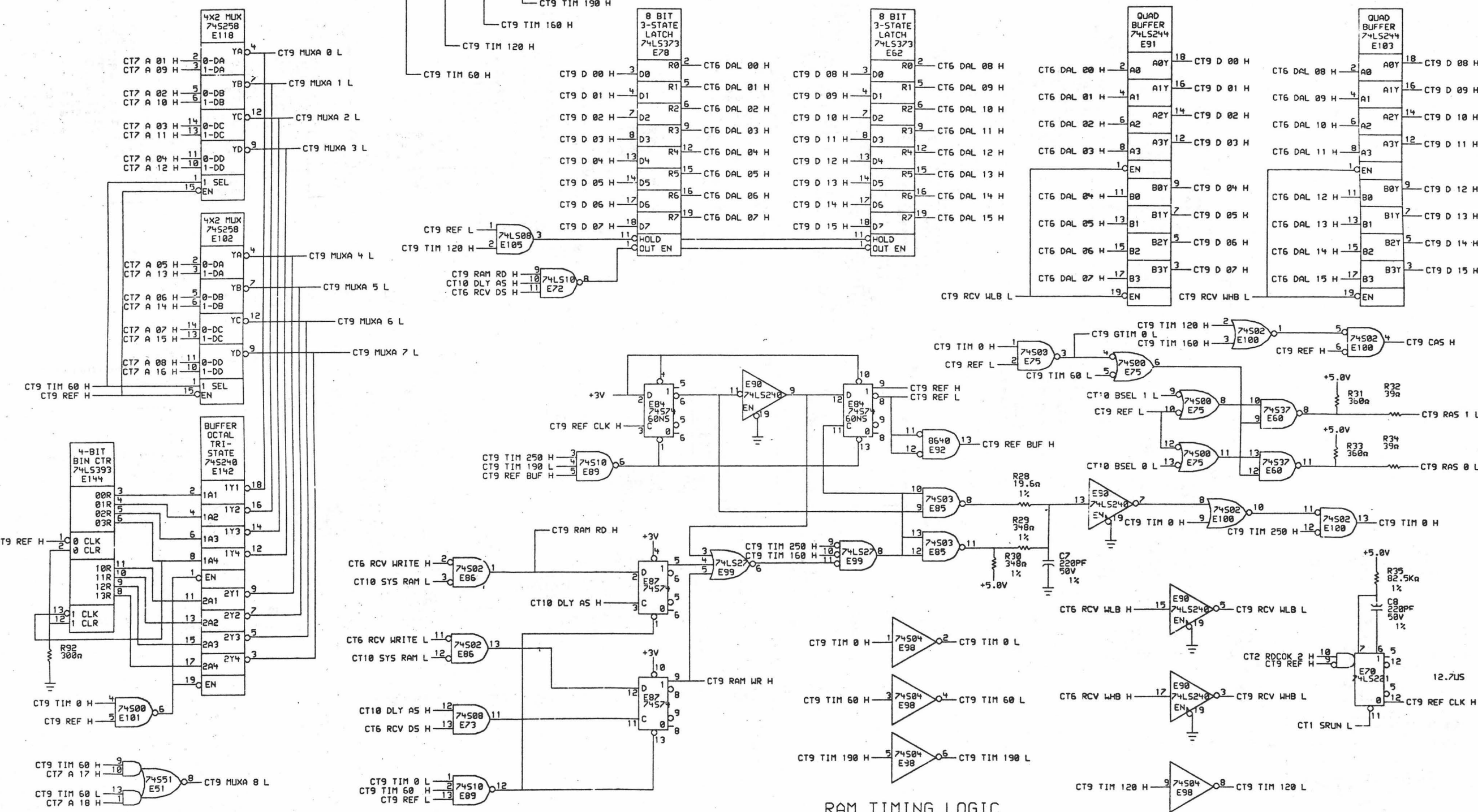


REVISIONS
CHK CHANGE NO, REV

digital	DATE 02-DEC-82	ENG SALETT	DATE 02-DEC-82	TITLE: CT100 SYSTEM MODULE
DRN L. ANUSKIEWICZ	DATE 02-DEC-82	BOARD LOCATION	OF 16	NUMBER 5415101-0-1
CHK'D R. SALETT	DATE 02-DEC-82	SHEET 7	NEXT HIGHER ASSEMBLY: CT120/CT150	REV. C
FIRST USED ON OPTION/MODEL: CT100				SIZE CODE D CS

RAM ADDRESS MUX

E97
 CT9 TIM 0 H 1 60NS 120NS 160NS 190NS 250NS 8 CT9 TIM 250 H



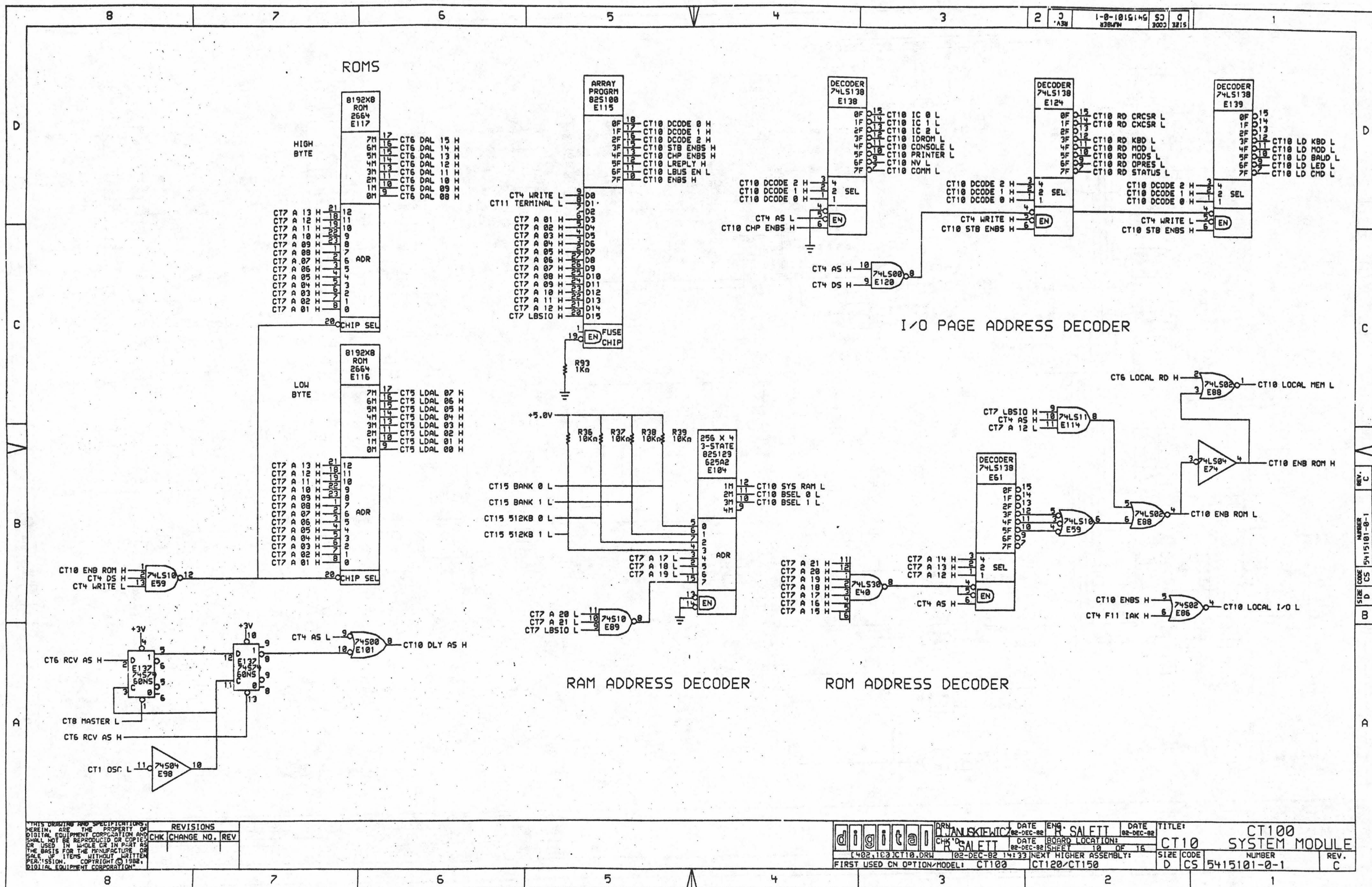
RAM TIMING LOGIC

THIS DRAWING AND SPECIFICATIONS
 HEREIN ARE THE PROPERTY OF
 DIGITAL EQUIPMENT CORPORATION AND
 SHALL NOT BE REPRODUCED OR COPIED
 OR USED IN WHOLE OR IN PART AS
 THE BASIS FOR THE MANUFACTURE OR
 SALE OF ITEMS WITHOUT WRITTEN
 PERMISSION. COPYRIGHT © 1982
 DIGITAL EQUIPMENT CORPORATION

REV.	CHK	CHANGE NO.	REV

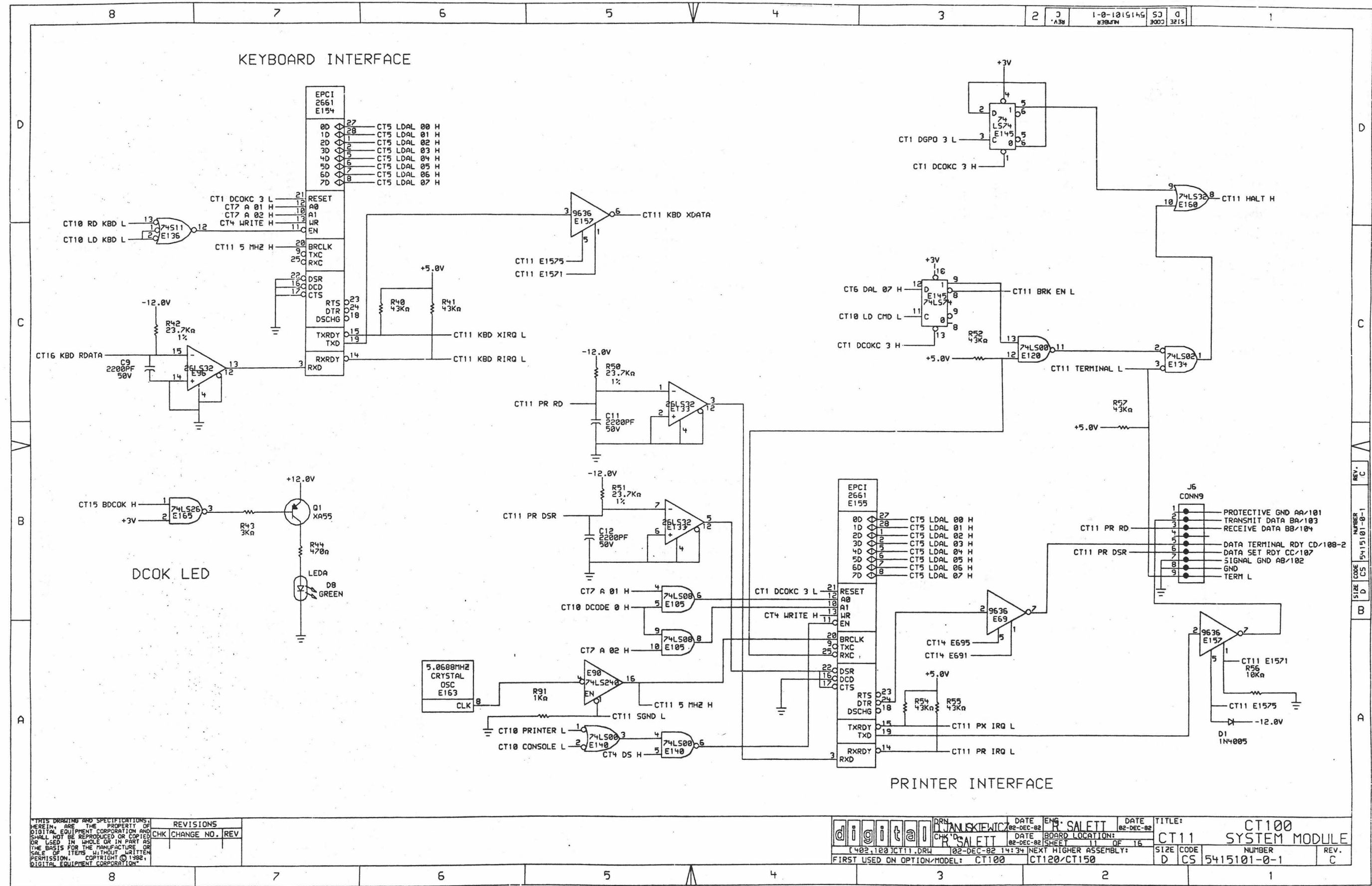
digital	DRN D. JANUSKIEWICZ	DATE 02-DEC-82	ENG. R. SALET	DATE 02-DEC-82	TITLE: CT100 SYSTEM MODULE
C402.100 CT9.DRW		DATE 02-DEC-82	BOARD LOCATION: SHEET 9 OF 16	SIZE CODE D CS	NUMBER 5415101-0-1
FIRST USED ON OPTION/MODEL: CT100		NEXT HIGHER ASSEMBLY: CT120/CT150		REV. C	

REV. C
 SIZE CODE CS 5415101-0-1



REVISIONS	
CHK	CHANGE NO. REV

	DRN	DATE	ENG.	DATE	TITLE
	SALETT	02-DEC-82	R SALETT	02-DEC-82	CT100 SYSTEM MODULE
[402.103]CT10.DRW		02-DEC-82 14:33	NEXT HIGHER ASSEMBLY:	SIZE	CODE
FIRST USED CN OPTION/MODEL: CT100		CT120/CT150		D	C5
				NUMBER	REV.
				5415101-0-1	C



KEYBOARD INTERFACE

PRINTER INTERFACE

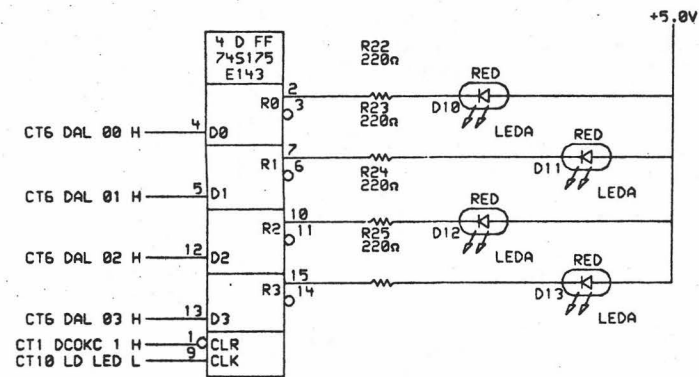
THIS DRAWING AND SPECIFICATIONS ARE THE PROPERTY OF DIGITAL EQUIPMENT CORPORATION AND SHALL NOT BE REPRODUCED OR COPIED OR USED IN WHOLE OR IN PART AS THE BASIS FOR THE MANUFACTURE OR SALE OF ITEMS WITHOUT WRITTEN PERMISSION. COPYRIGHT © 1982, DIGITAL EQUIPMENT CORPORATION.

REVISIONS
CHK CHANGE NO. REV

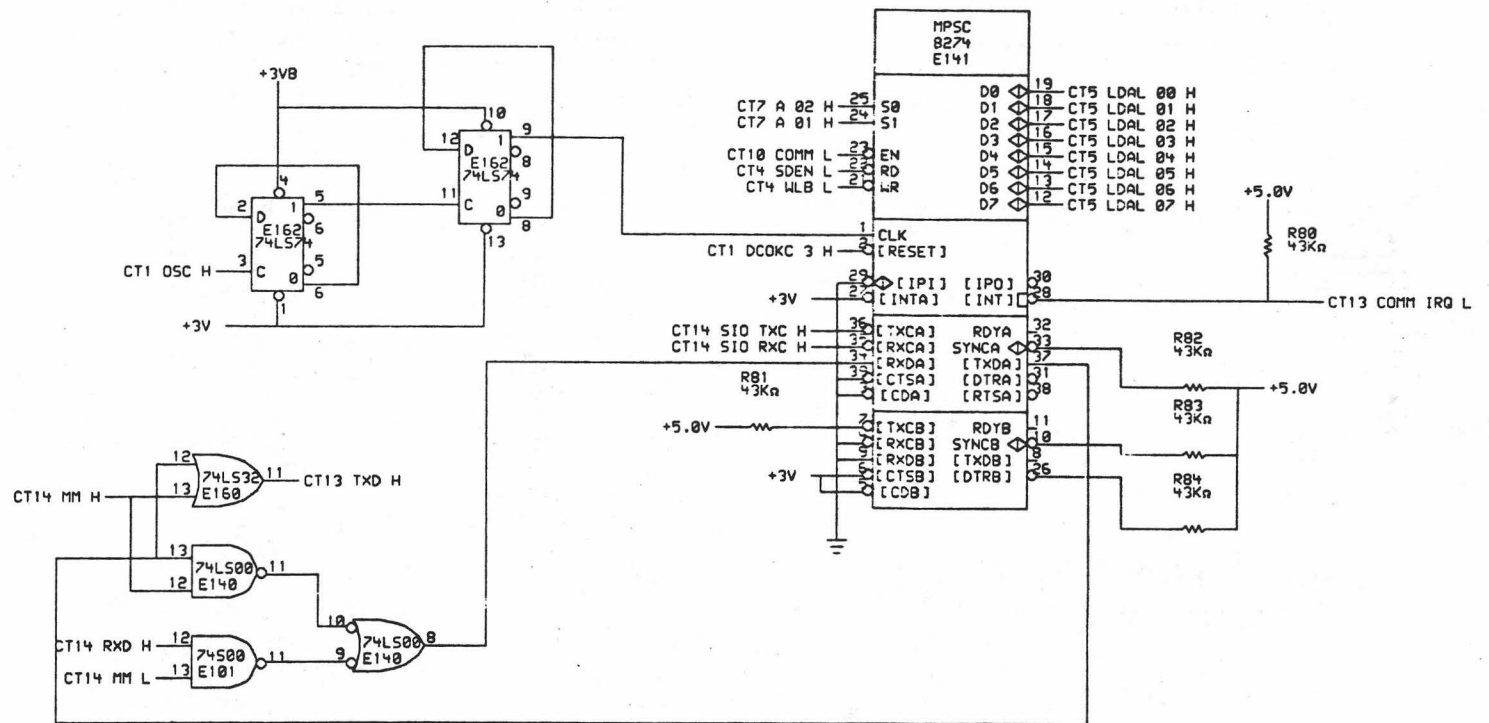
DRN	DATE	ENG.	DATE	TITLE:
JANUSKIEWICZ	82-DEC-82	R. SALETT	82-DEC-82	CT1100
CHK	DATE	BOARD LOCATION:	SHEET	OF
R. SALETT	82-DEC-82	11	16	
FIRST USED ON OPTION/MODEL:				CT100
				CT120/CT150

SIZE CODE	NUMBER	REV.
D CS	5415101-0-1	C

LED DISPLAY



COMM USART



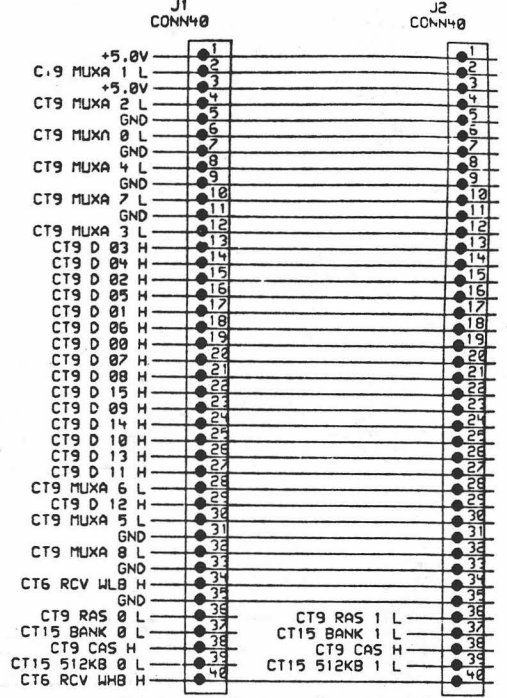
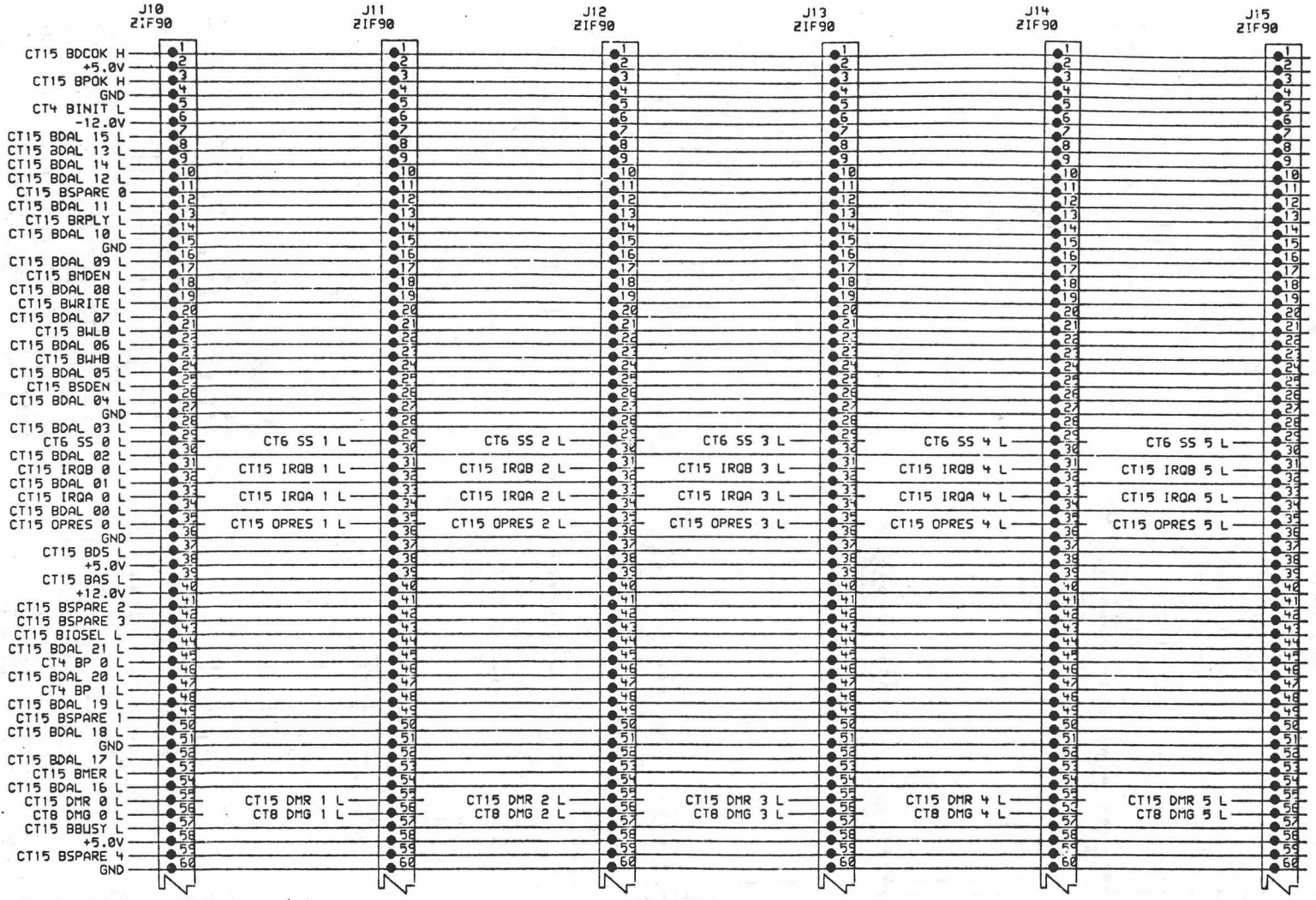
THIS DRAWING AND SPECIFICATIONS
 HEREIN ARE THE PROPERTY OF
 DIGITAL EQUIPMENT CORPORATION AND
 SHALL NOT BE REPRODUCED OR COPIED
 OR USED IN WHOLE OR IN PART AS
 THE BASIS FOR THE MANUFACTURE OR
 SALE OF ITEMS WITHOUT WRITTEN
 PERMISSION. COPYRIGHT © 1982,
 DIGITAL EQUIPMENT CORPORATION

REVISIONS		
CHK	CHANGE NO.	REV

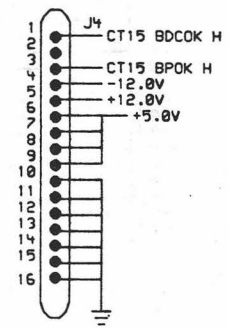
DRN: J. VAN SKIE, DATE: 02-DEC-82, ENG: R. SALETT, DATE: 02-DEC-82
 CHK: R. SALETT, DATE: 02-DEC-82, SHEET: 13 OF 16
 FIRST USED ON OPTION/MODEL: CT100 CT120/CT150

TITLE: CT100 SYSTEM MODULE
 CT13 SYSTEM MODULE
 SIZE CODE: D CS 5415101-0-1
 NUMBER: 5415101-0-1
 REV.: C

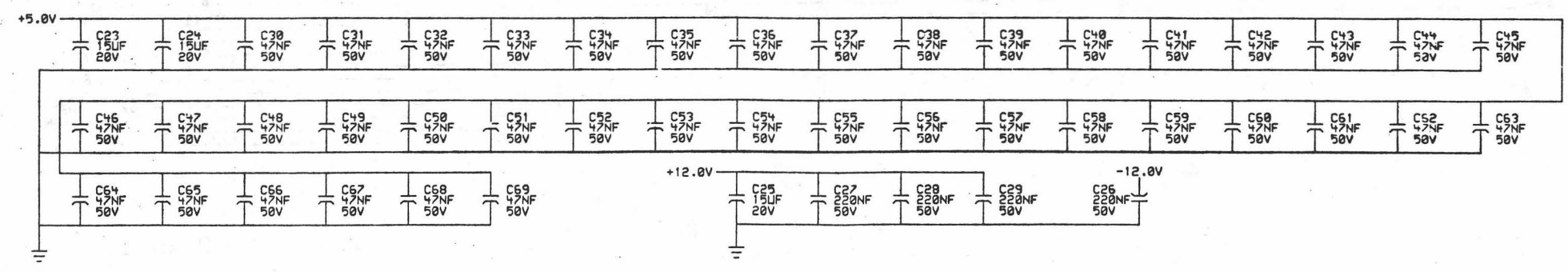
CT BACKPLANE CONNECTORS



RAM BOARD CONNECTORS



DC POWER CONN

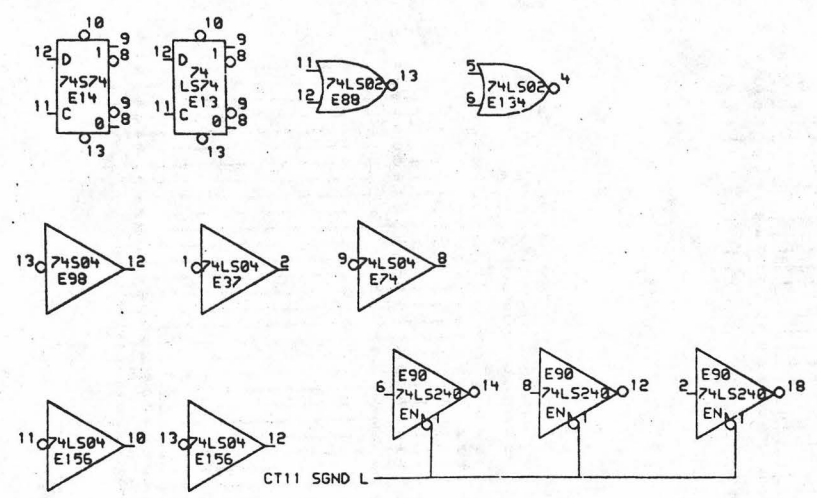


THIS DRAWING AND SPECIFICATIONS ARE THE PROPERTY OF DIGITAL EQUIPMENT CORPORATION AND SHALL NOT BE REPRODUCED OR COPIED OR USED IN WHOLE OR IN PART AS THE BASIS FOR THE MANUFACTURE OR SALE OF ITEMS WITHOUT WRITTEN PERMISSION. COPYRIGHT © 1982, DIGITAL EQUIPMENT CORPORATION.

REVISIONS	
CHK	CHANGE NO. REV.

digital	DRN	DATE	ENG.	DATE	TITLE:
	CHK	02-DEC-82	R. SALETT	02-DEC-82	CT100
402.100 CT15, DRW		DATE	BOARD LOCATION:	CT15 SYSTEM MODULE	
FIRST USED ON OPTION/MODEL: CT100		02-DEC-82 14:41	SHEET 15 OF 16	SIZE CODE	NUMBER
CT120/CT150		NEXT HIGHER ASSEMBLY:		D CS	5415101-0-1
					REV. C

SPARES

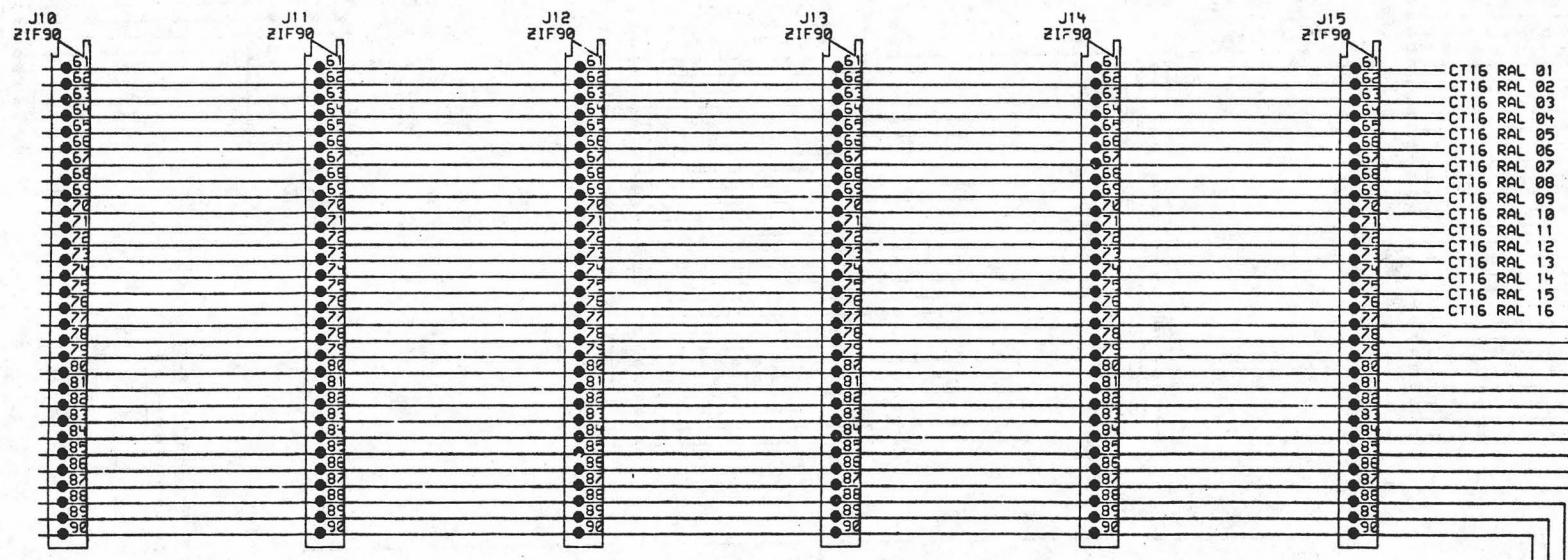
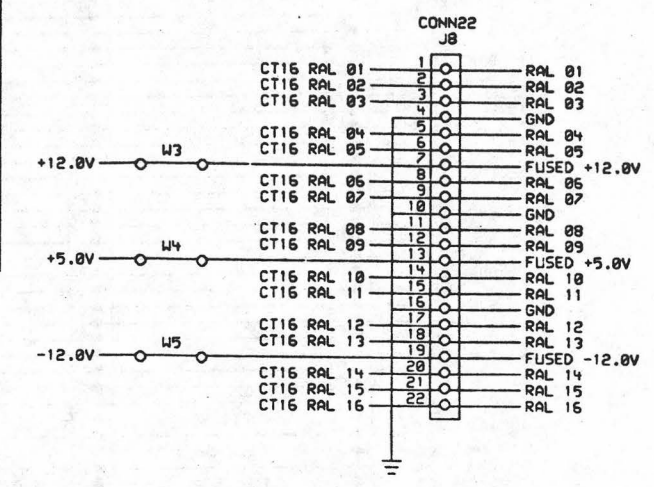


IC POWER PIN TABLE

DEVICE	+5V	+12V	-12V	GND	REF DESIGNATIONS
8640	8			1	E92
LM211	8			1,4	E164
9636		8	5*	4	E67-E69,E81,E157
9643	8			4	E28
5016	2	9		11	E131
F11 DAT/CTL	40	21		20	E6
F11 AMU	40	21		20	E7
F11 FP11	40	21		20	E5
2661	25			4	E154,E155
ALL OTHER 14 PIN IC'S	14			7	
ALL OTHER 16 PIN IC'S	16			8	
ALL OTHER 20 PIN IC'S	20			10	
ALL OTHER 24 PIN IC'S	24			12	
ALL OTHER 28 PIN IC'S	28			14	
ALL OTHER 40 PIN IC'S	40			20	

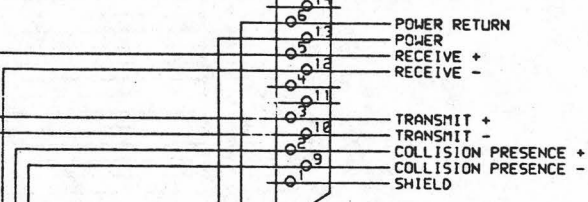
* -12V IS CONNECTED TO PIN 5 OF EACH 9636 THROUGH A DIODE.

REMOTE ACCESS CONN

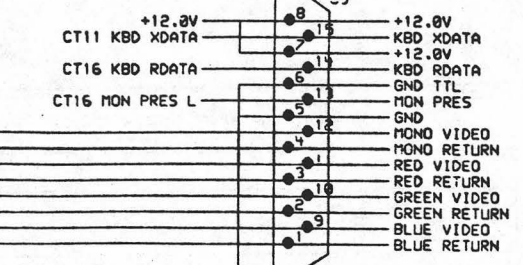


CT BACKPLANE CONNECTORS

CONN15A J9



NI CONN



VIDEO/KEYBOARD CONN

THIS DRAWING AND SPECIFICATIONS ARE THE PROPERTY OF DIGITAL EQUIPMENT CORPORATION AND SHALL NOT BE REPRODUCED OR COPIED OR USED IN WHOLE OR IN PART AS THE BASIS FOR THE MANUFACTURE OR SALE OF ITEMS WITHOUT WRITTEN PERMISSION. COPYRIGHT © 1984 DIGITAL EQUIPMENT CORPORATION.

REVISIONS
CHK CHANGE NO. REV

digital DRN: JANUSKIEWICZ DATE: 02-DEC-82 ENG: R. SALETT DATE: 02-DEC-82 TITLE: CT100
 CHK: R. SALETT DATE: 02-DEC-82 SHEET: 16 OF 16 BOARD LOCATION: CT16 SYSTEM MODULE
 FIRST USED ON OPTION/MODEL: CT100 CT120/CT150 SIZE CODE: D CS NUMBER: 5415101-0-1 REV: C

AUTOMATED BY PRTLST.4Q(46)

PARTS LIST

SHEET A1 OF A1

LINE	ITEM	DOCUMENT NUMBER	PART NUMBER	DESCRIPTION	QUANTITY PER VARIATION A
1	1	D-UA-5415138-0-0	5415138-00	CT100 VIDEO GENERATOR	1
2	2	A-PA-3700689-0-0	3700689-05	PKG UNIVERSAL MODULE	1

REVISION HISTORY		BASIC PART NO: VC201		DRN: M. THOMPSON	DATE: 3-JUN-82	D I G I T A L			
ENG:	ECO NUMBER	REV	SECTION A OF A	CHK'D: D. HEALY	DATE: 27-JUL-82	TITLE		PARTS LIST	
---	INITIAL	A	SECTION. VARIATION INDEX	DES.ENG.: W. ENGELSE	DATE: 27-JUL-82	BIT MAP VIDEO COMTROLLER			
			[A] A	RESP.ENG.: J. WISEMANN	DATE: 27-JUL-82	DOCUMENT NUMBER			
			[B]	MFG.ENG.: D. POWERS	DATE: 27-JUL-82	SIZE	CODE	NUMBER	REV
			[C]	ASSEMBLY NUMBER:	TOP DOCUMENT NUMBER:	K	PL	VC201-0-DBP	A
			[D]	K-PL-VC201-0-DBP	E-UA-PC350-0-0	FILE NAME:		EDIT #	
			[E]			Z4785A.PLS		5	
			[F]						
"THIS DRAWING AND SPECIFICATIONS HEREIN, ARE THE PROPERTY OF DIGITAL EQUIPMENT CORPORATION AND SHALL NOT BE REPRODUCED OR COPIED OR USED IN WHOLE OR IN PART AS THE BASIS FOR THE MANUFACTURE OR SALE OF ITEMS WITHOUT WRITTEN PERMISSION. COPYRIGHT (C) 1983. DIGITAL EQUIPMENT CORPORATION "									

DRAWING NO.	NO. OF SHTS.	PART NO.	DESCRIPTION	REVISIONS																			
				A	A	A	A	A															
		5415138-00	CT100 VIDEO GENERATOR	A	A	A	A	A															
D-UA-545138-0-0	1		CT100 VIDEO GENERATOR	A	A	B	C	C															
D-CS-5415138-0-1	5		CT100 VIDEO GENERATOR	A	B	C	D	D															
K-PL-5415138-0-DBP	3		CT100 VIDEO GENERATOR	A	B	C	D	E															
K-PC-5415138-0-DBC			P.C. DESIGN DATA BASE	C	C	C	C	C															
		5015137-00	ETCHED CIRCUIT BOARD	C	C	C	C	C															
D-MD-5015137-0-0	2		CIRCUIT DRILL AND ETCH DRAWINGS	A	A	A	A	A															
D-EC-5015137-0-0	2		ETCH CUT DRAWINGS	A	A	B	C	C															

NOTES:

REVISIONS		DATE	CHG NO.	INT.	REV.
		4-82		A	
		1-83	ML001	B	
		3-83	ML002	C	
		4-83	ML003	D	
		6-83	ML004	E	

"THIS DRAWING AND SPECIFICATIONS, HEREIN, ARE THE PROPERTY OF DIGITAL EQUIPMENT CORPORATION AND SHALL NOT BE REPRODUCED OR COPIED OR USED IN WHOLE OR IN PART AS THE BASIS FOR THE MANUFACTURE OR SALE OF ITEMS WITHOUT WRITTEN PERMISSION.
COPYRIGHT © 1982 DIGITAL EQUIPMENT CORPORATION



USED ON OPTION/MODEL CT100	DRN. J. COTE	4-4-82	TITLE CT100 VIDEO GENERATOR
	CHK'D R. RHOADES	4-4-82	
	ENG. W. ENGELSE	5-5-82	SIZE B DD
	PROD. R.E. POWERS	5-5-82	NUMBER 5415138-0
			REV. E
			SHEET 1 OF 1

THIS DRAWING AND SPECIFICATIONS, HEREIN, ARE THE PROPERTY OF DIGITAL EQUIPMENT CORPORATION AND SHALL NOT BE REPRODUCED OR COPIED OR USED IN WHOLE OR IN PART AS THE BASIS FOR THE MANUFACTURE OR SALE OF ITEMS WITHOUT WRITTEN PERMISSION.
 COPYRIGHT © 1982 DIGITAL EQUIPMENT CORPORATION

REWORK INSTRUCTIONS
 ML003 WIRE ADDS SIDE I AS SHOWN

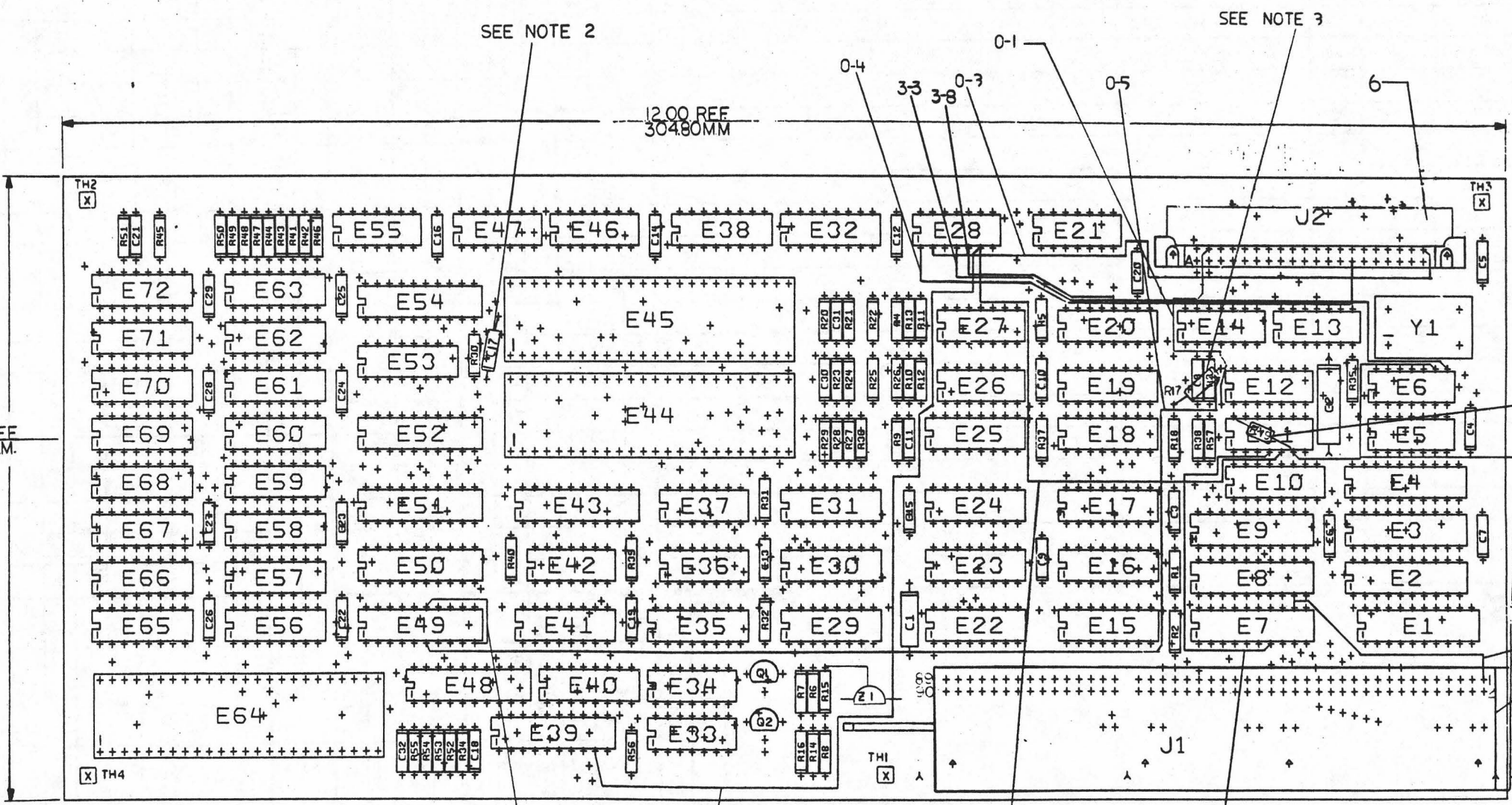
- 3-2 FROM E11 PIN 6 TO E6 PIN 9
- 3-3 FROM E6 PIN 8 TO E28 PIN 4
- 3-4 FROM E28 PIN 6 TO E11 PIN 5
- 3-5 FROM E28 PIN 6 TO E39 PIN 9
- 3-6 FROM E7 PIN 12 TO J1 PIN 1
- 3-7 FROM E7 PIN 7 TO E11 PIN 4
- 3-8 FROM E28 PIN 5 TO E20 PIN 12

COMPONENTS ADDS SIDE I

- 3-9 4.7K RESISTOR BETWEEN E11 PIN 6 AND E11 PIN 14

REWORK INSTRUCTIONS

- WIRE ADD SIDE I AS SHOWN
- 0-1 FROM J2 PIN 4 TO FEEDTHRU NEXT TO E12 PIN 1.
 - 0-2 FROM E49 PIN 15 TO E49 PIN 10.
 - 0-3 FROM E28 PIN 2 TO J2 PIN 40.
 - 0-4 FROM E28 PIN 1 TO J2 PIN 27.
 - 0-5 FROM E49 PIN 6 TO R17 PIN 1.
- COMPONENT ADDS
- 2-1 INSTALL 78L08 REGULATOR WITH FLAT EDGE OF REGULATOR FACING +12 VOLT ETCH.



- NOTES: R35, R36, R37 ARE NOT USED.
2. MOUNT C17 AS SHOWN ON SIDE I.
 3. MOUNT R17 AS SHOWN ON SIDE I.
 4. ITEM 57, MODULE NUMBER IS 001002 AND WILL BE HOT STAMPED ON THE BLANK HANDLE AT THE MODULE BUILD SITE.

STEP	E	→ Y AXIS	STEP	TIMES
REPEAT		→ X AXIS	STEP	TIMES

CHK	CHANGE	NO	REV	BY	DATE	REASON

ETCH REV.	C
-----------	---

SIGNATURES		DATE	digital
DRN.	<i>[Signature]</i>	12-21-81	
CHK'D.	<i>[Signature]</i>	12-21-81	
MECH. ENG.	<i>[Signature]</i>	5-20-82	
PROJ. ENG.	<i>[Signature]</i>	5-5-82	TITLE CT100 VIDEO GENERATOR
SCALE	2/1	SIZE CODE	NUMBER
SHT. 1	OF 1	D	UA
NEXT HIGHER ASSY. B-00-5415138-0		5415138-0-0 C	

LINE	ITEM	DOCUMENT NUMBER	PART NUMBER	DESCRIPTION	QTY	PER VARIATION	REFERENCE DESIGNATOR
					00		
1	1	D-MD-5015137-0-0	5015137-00	DRILL AND ETCH BOARD	1		
2	2		1012084-01	8 MFD 25V +75-10% AL EL	1		C2
3	3		1012312-00	.47 MFD 50V +80-20% CER	1		C1
4	4		1012784-00	.047 MFD 50V +80-20% CER	29		C3-C16,C18-C32
5	5		1013466-19	470.0 MMF 50V 5% CER	1		C17
6	6		1218762-04	PCB,HEADER 40PIN(2X20).100CC 90D	1		J2
7	7		1218818-01	CARD EDGE 90PIN(2X45).100CC 90D	1		J1
8	8		1300197-00	33.0 .25 W 5.0 % CF	11		R41-R51
9	9		1300219-00	68.0 .25 W 5.0 % CF	6		R52-R55,R7,R16
10	10		1300229-00	*** THIS ITEM IS NOT USED ***	-		
11	11		1300250-00	*** THIS ITEM IS NOT USED ***	-		
12	12		1300316-00	470.0 .25 W 5.0 % CF	2		R1,R38
13	13		1300391-00	1.50 K .25 W 5.0 % CF	1		R8
14	14		1300426-00	2.70 K .25 W 5.0 % CF	1		R13
15	15		1300447-00	4.70 K .25 W 5.0 % CF	15		R2-R5,R18,R30,R31,R34,R39,R40, R56,R57,R32,R17,R19
16	16		1300479-00	10.0 K .25 W 5.0 % CF	1	CONT	
17	17		1302379-00	75.0 .25 W 5.0 % CF	2		R12
18	18		1302602-00	56.0 .25 W 5.0 % CF	10		R14,R15
19	19		1302871-00	1.21 K .25 W 1.0 % RN55D-F10	1		R20-R29
20	20		1305324-00	4.99 K .25 W 1.0 % RN55D-F10	1		R9
21	21		1312626-00	2.49 K .25 W 1.0 % RN55D-F10	1		R11
22	22		1519860-01	2904A PNP 600MN 60V 600MA TO	2		R10
23	23		1811660-00	OSCILLATOR, XTAL 20.000 MHZ	1		Q1,Q2
24	24		1910532-00	*** THIS ITEM IS NOT USED ***	-		Y1
25	25		1910534-00	*** THIS ITEM IS NOT USED ***	-		
26	26		1910544-00	74S74 FF-D DUAL,EDGE TRIGG	2		E13,E42
27	27		1910547-00	*** THIS ITEM IS NOT USED ***	-		
28	28		1910550-00	*** THIS ITEM IS NOT USED ***	-		
29	29		1911675-00	*** THIS ITEM IS NOT USED ***	-		

REVISION HISTORY			BASIC PART NO: 5415138		DRN: DAVID DROZD		DATE: 17-AUG-81		D I G I T A L	
ENG	ECO NUMBER	REV	SECTION A OF A		CHK'D: MIKE FUNARO		DATE: 17-AUG-81		TITLE PARTS LIST	
	INITIAL	A	SECTION VARIATION INDEX		DES.ENG: WIM ENGELSE		DATE: 17-AUG-81		DOCUMENT NUMBER	
EM	5415138-ML001	B	[A]	00	RESP.ENG.: TONY JORDAN		DATE: 17-AUG-81		SIZE	CODE
JW	5415138-ML002	C	[B]		MFG.ENG.: PAT QUIGLEY		DATE: 5-FEB-82		K	PL
MB	5415138-ML003	D	[C]		ASSEMBLY NUMBER:		TOP DOCUMENT NUMBER:		NUMBER	REV
			[D]		D-UA-5415138-0-0		B-DD-5415138-0-0		5415138-0-DBP	D
			[E]		FILE NAME:		Z2963D.PLS			
			[F]		EDIT #					28
			[G]		"THIS DRAWING AND SPECIFICATIONS HEREIN, ARE THE PROPERTY OF DIGITAL EQUIPMENT CORPORATION AND SHALL NOT BE REPRODUCED OR COPIED OR USED IN WHOLE OR IN PART AS THE BASIS FOR THE MANUFACTURE OR SALE OF ITEMS WITHOUT WRITTEN PERMISSION. COPYRIGHT (C) 1983. DIGITAL EQUIPMENT CORPORATION "					

LINE	ITEM	DOCUMENT NUMBER	PART NUMBER	DESCRIPTION	QTY	PER VARIATION	REFERENCE DESIGNATOR
					OO		
30	30		1912697-00	*** THIS ITEM IS NOT USED ***	-		
31	31		1912799-00	*** THIS ITEM IS NOT USED ***	-		
32	32		1912805-00	*** THIS ITEM IS NOT USED ***	-		
33	33		1912807-00	*** THIS ITEM IS NOT USED ***	-		
34	34		1912816-00	*** THIS ITEM IS NOT USED ***	-		
35	35		1912820-00	LS51 A-O-I GATE 2-WIDE 2I	1		E12
36	36		1912824-00	*** THIS ITEM IS NOT USED ***	-		
37	37		1912842-00	LS138 DECODER-THREE INPUT,	2		E17,E19
38	38		1912847-00	*** THIS ITEM IS NOT USED ***	-		
39	39		1912851-00	*** THIS ITEM IS NOT USED ***	-		
40	40		1912853-00	*** THIS ITEM IS NOT USED ***	-		
41	41		1912863-00	*** THIS ITEM IS NOT USED ***	-		
42	42		1913340-00	74S32 OR GATE-QUAD 2IN	1		E36
43	43		1913462-00	*** THIS ITEM IS NOT USED ***	-		
44	44		1914082-00	*** THIS ITEM IS NOT USED ***	-		
45	45		1914084-00	*** THIS ITEM IS NOT USED ***	-		
46	46		1914214-00	*** THIS ITEM IS NOT USED ***	-		
47	47		1914888-00	74S09N AND-GATE-QUAD 2INPUT	1		E11
48	48		1915193-00	*** THIS ITEM IS NOT USED ***	-		
49	49		1915758-01	*** THIS ITEM IS NOT USED ***	-		
50	50		1918708-00	*** THIS ITEM IS NOT USED ***	-		
51	51		1918868-00	LS26 NAND GATE, 2-IN, HIGH	2		E28, E26
52	52		1919189-00	COMPARATOR, 8-BIT BIP	1		E8
53	53		1919191-00	DC 715 BIPOLAR, 400 GATE ARR	1		E44
54	54		1919192-00	DC 716 BIPOLAR, 400 GATE ARR	1		E64
55	55		1919193-00	DC 717 BIPOLAR, 400 GATE ARR	1		E45
56	56		2117247-04	2118 RAM, 16KX1, DYNAMIC, 10	16		E56-E63, E65-E72
57	57		7426552-01	HANDLE, ZIF CONNECTOR	1		
58	58		9105740-55	WIRE(WRAP) 30AWG KYNAR UL14	A/R		
59	59		1910532-B0	74S00 BURNED-IN NAND GATE-	1		E21
60	60		1910534-B0	74S04 BURNED-IN INVERTER G	3		E47, E55, E6
61	61		1910547-B0	74S153 BURNED-IN MUX 1 OF 4	1		E24
62	62		1910550-B0	74S174 BURNED-IN FF-D HEX	3		E15, E31, E32
63	63		1911675-B0	74S138 BURNED-IN DECODER/DE	2		E18, E20
64	64		1912697-B0	LS174 BURNED-IN FF-D HEX W	2		E10, E53
65	65		1912799-B0	LS00 BURNED-IN NAND GATE-	2		E14, E37
66	66		1912805-B0	LS08 BURNED-IN AND GATE-Q	1		E34
67	67		1912807-B0	LS10 BURNED-IN NAND GATE-	1		E5
68	68		1912816-B0	LS32 BURNED-IN OR GATE Q	2		E33, E46
69	69		1912824-B0	LS74 BURNED-IN FF-D DUAL-	1		E27
70	70		1912847-B0	LS157 BURNED-IN MUX 1 OF 2	1		E16
71	71		1912851-B0	LS169 BURNED-IN COUNTER, SY	4		E22, E23, E30, E35
72	72		1912853-B0	LS175 BURNED-IN FF-D, QUAD	1		E41
73	73		1912863-B0	LS273 BURNED-IN FF-D, OCTAL	1		E4
74	74		1913462-B0	74S240 BURNED-IN OCTAL BUFF	1		E9
75	75		1914082-B0	74S163 COUNTER, SYNCH UP/DOW	2		E25, E38
76	76		1914084-B0	74S299 BURNED-IN SHIFT REG.	2		E39, E43
77	77		1914214-B0	LS374 BURNED-IN FF-D OCTAL	2		E48, E51

D	I	G	I	T	A	L	TITLE	SECTION A	OF A	SIZE	CODE	DOCUMENT NUMBER	REV
							CT100 VIDEO GENERATOR			K	PL	5415138-0-DBP	D

AUTOMATED BY PRTLST.3P(44)

PARTS LIST

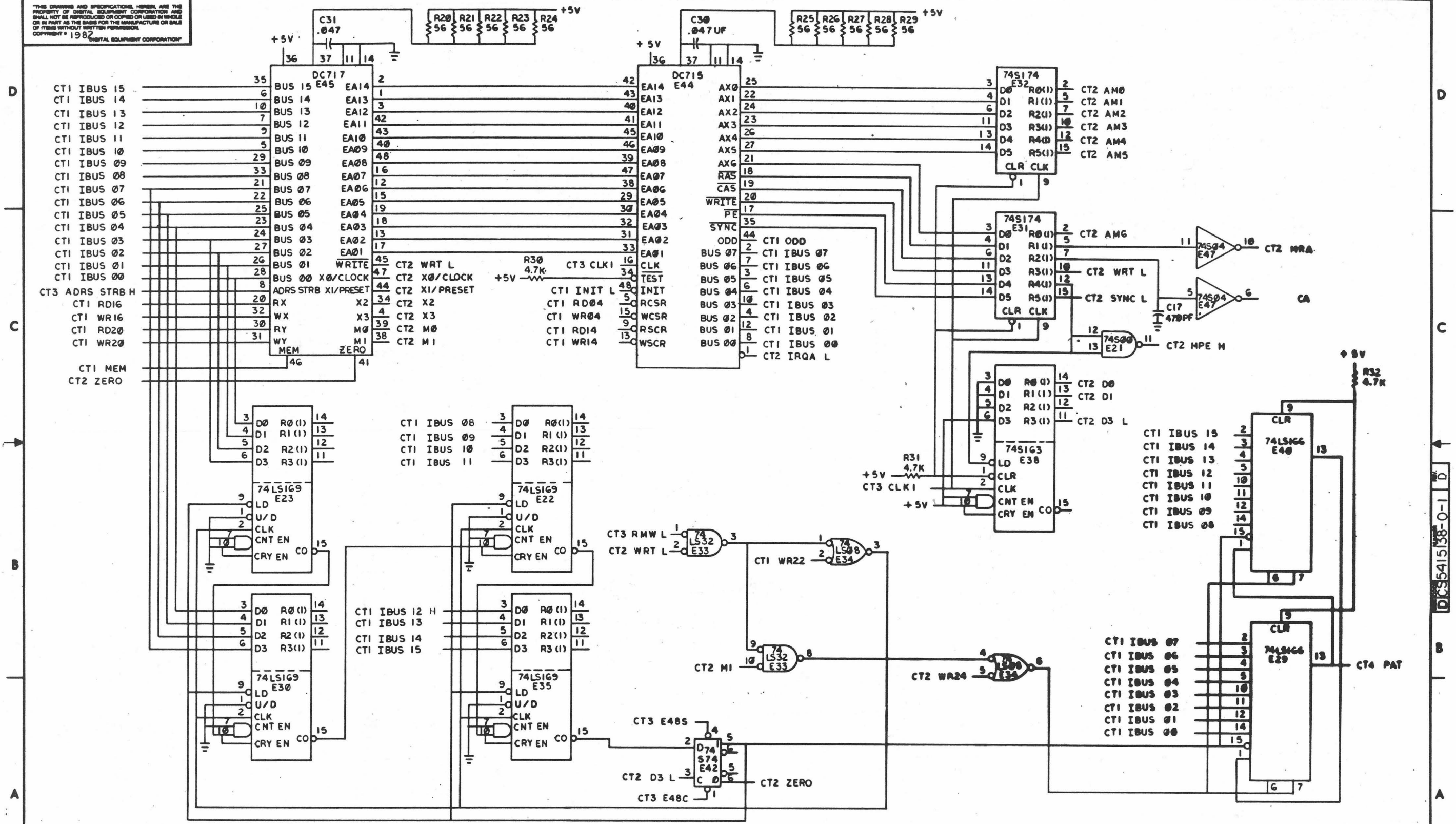
SHEET A3 OF A3

LINE	ITEM	DOCUMENT NUMBER	PART NUMBER	DESCRIPTION	QTY PER VARIATION 00	REFERENCE DESIGNATOR
78	78		1915193-80	LS244 BURNED-IN DRIVER,LIN	5	E3,E49,E50,E52,E54
79	79		1915758-80	LS166 BURNED-IN SHIFT REG.	2	E29,E40
80	80		1918708-80	8307 BURNED-IN TRANSCIVER	3	E1,E2,E7
81	81		1914471-00	78L08 VOLT REG, FIX +8V	1	Z1
82	82		1311522-00	200.0 .25 W 5.0 % CF	1	R6
83	83		9107267-00	TUBING,TEFLON .034ID	A/R	

84 NOTE: ITEM 57,MODULE NUMBER IS 001002 AND WILL BE HOT STAMPED ON HANDLE AT THE MODULE BUILD SITE.

D	I	G	I	T	A	L	TITLE	SECTION A OF A	SIZE	CODE	DOCUMENT NUMBER	REV
							CT100 VIDEO GENERATOR		K	PL	5415138-0-DBP	D

THE DRAWING AND SPECIFICATIONS HEREIN ARE THE PROPERTY OF DIGITAL EQUIPMENT CORPORATION AND SHALL NOT BE REPRODUCED OR COPIED OR USED IN WHOLE OR IN PART AS THE BASIS FOR THE MANUFACTURE OR SALE OF ITEMS WITHOUT WRITTEN PERMISSION.
 COPYRIGHT © 1982
 DIGITAL EQUIPMENT CORPORATION

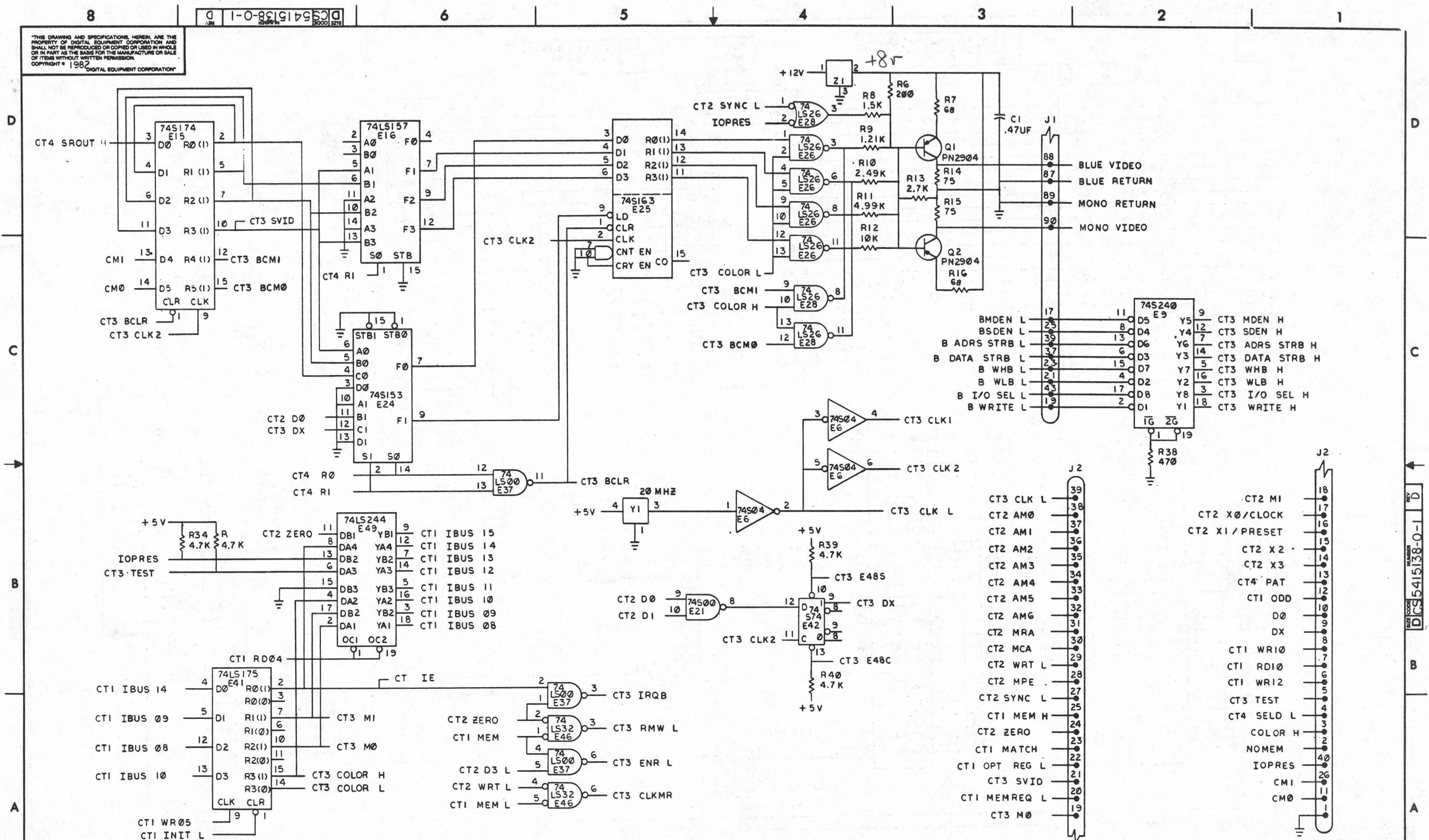


REVISION HISTORY		
DATE	ECO NUMBER	REV.

TITLE CT100 (CT2)
 VIDEO GENERATOR

DOCUMENT NUMBER		
SIZE	CODE	NUMBER

THIS DRAWING AND SPECIFICATIONS, HEREIN, ARE THE PROPERTY OF DIGITAL EQUIPMENT CORPORATION AND SHALL NOT BE REPRODUCED OR COPIED OR USED IN WHOLE OR IN PART AS THE BASIS FOR THE MANUFACTURE OR SALE OF ITEMS WITHOUT WRITTEN PERMISSION.
 COPYRIGHT © 1982 DIGITAL EQUIPMENT CORPORATION

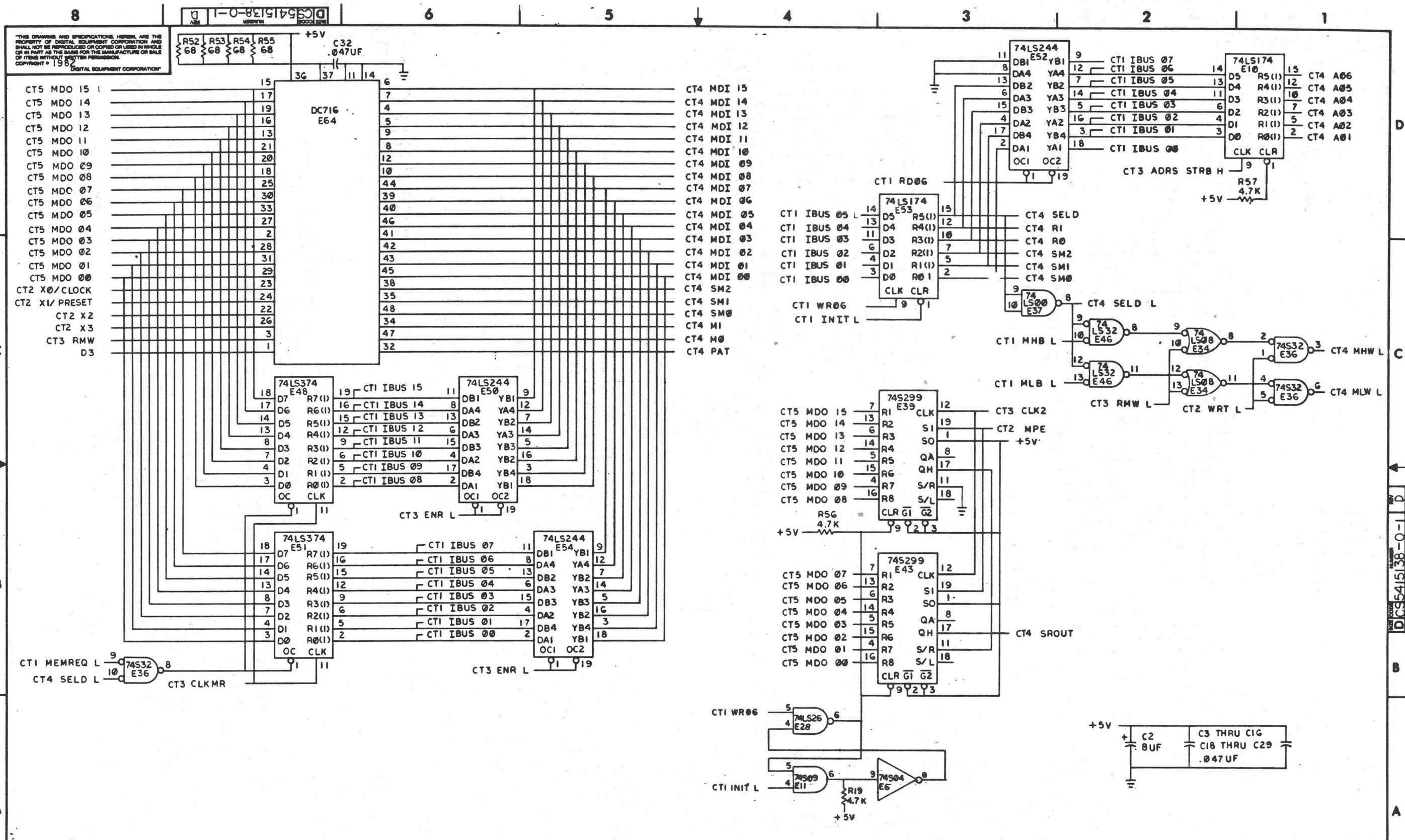


REVISION HISTORY		
DATE	ECO NUMBER	REV.

TITLE CT100 (CT3)
 VIDEO GENERATOR

DOCUMENT NUMBER		REV.
SIZE CODE	NUMBER	D
SCALE	SHEET 3 OF 5	

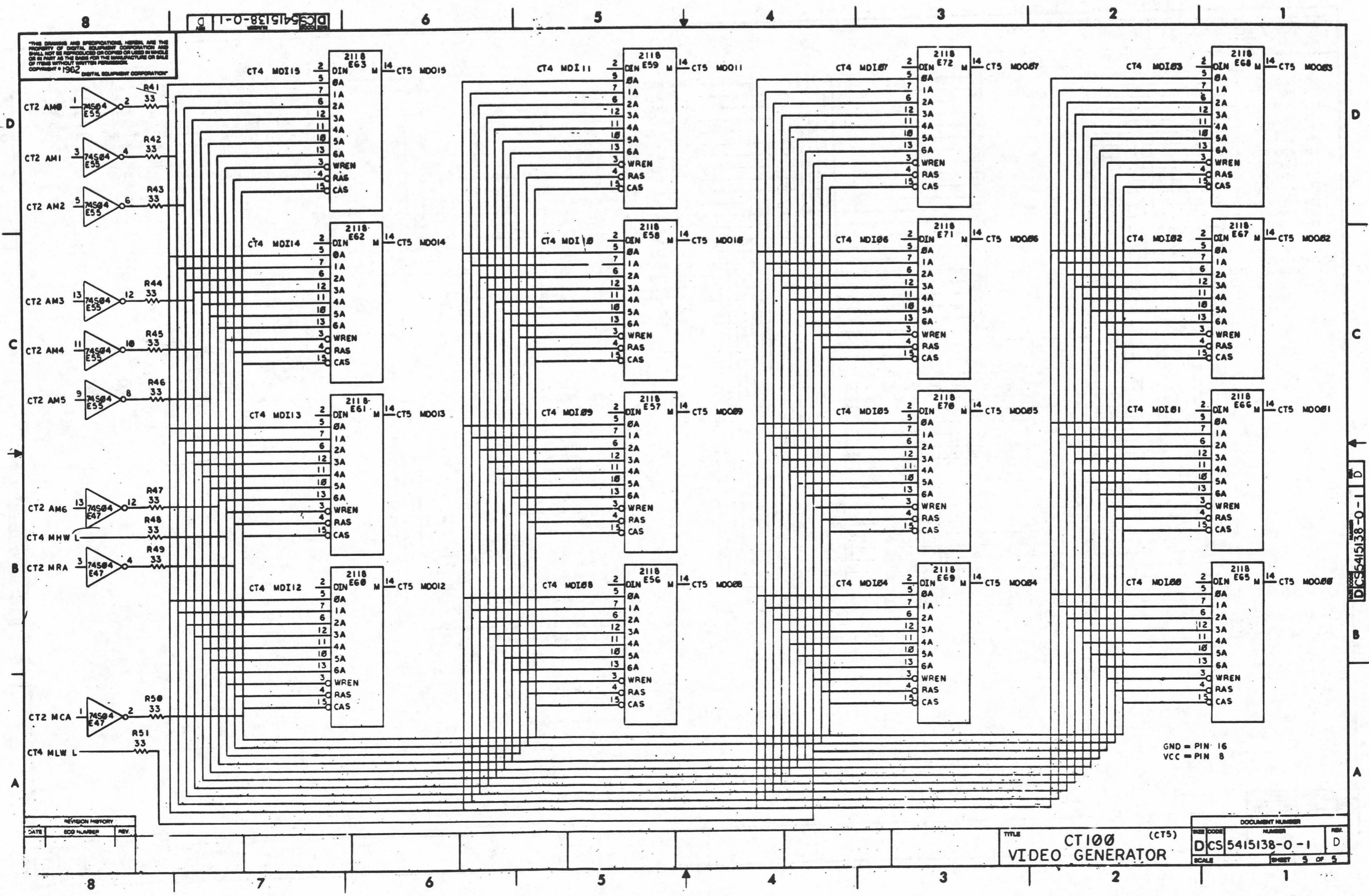
DCS 5415138-0-1



REVISION HISTORY		
DATE	ECO NUMBER	REV.

TITLE		DOCUMENT NUMBER	
CT100 (CT4) VIDEO GENERATOR		DCS 5415138-0-1	
SCALE	SHEET	REV.	REV.
	4 OF 5		

THIS DRAWING AND SPECIFICATIONS HEREIN ARE THE PROPERTY OF DIGITAL EQUIPMENT CORPORATION AND SHALL NOT BE REPRODUCED OR COPIED OR USED IN WHOLE OR IN PART AS THE BASIS FOR THE MANUFACTURE OR SALE OF ITEMS WITHOUT WRITTEN PERMISSION OF DIGITAL EQUIPMENT CORPORATION.



REVISION HISTORY		
DATE	ECO NUMBER	REV.

TITLE		DOCUMENT NUMBER	
CT100 (CT5) VIDEO GENERATOR		DCS 5415138-0-1	D
SCALE		SHEET 5 OF 5	

LINE ITEM	DOCUMENT NUMBER	PART NUMBER	DESCRIPTION	QUANTITY PER VARIATION
1	E-AD-7018970-0-DBU	7018970-00	CHASSIS ASSY.	1
2	E-MD-7426214-0-DBU	7426214-00	COVER	1
3	E-UA-5415086-0-0	5415086-00	H7862 CIRCUIT BOARD	1
4		9000049-35	SCREW,SEMS PAN PHIL THD RL 6-	4
5	D-IA-7019731-0-DBU	7019731-0L	CABLE ASSY, DC OUTPUT	1
6		9007649-00	WASHER,LOCK EXTERNAL STEEL	4
7		9000049-36	SCREW,SEMS PAN PHIL THD RL 6-	8
8		9008185-00	NUT,HEX EXT TOOTH LCKWSHR 6-32	2
9		9008264-00	MOUNT, CABLE TIE, ADHESIVE BACKE	2
10		9010245-01	SCREW,WASH PAN 6-	1
11	A-PS-3616930-0-0	3616930-00	LABEL,DANGER STORED HIGH VOLTAGE	1
12	A-PS-3620124-0-0	3620124-01	LABEL,CAUTION NO USER SERVICEABL	1
13		9007031-00	TIE,CABLE BUNDL.DIA 0- 3/4"=101	2

REVISION HISTORY		BASIC PART NO: H7862		DRN:	DATE:	DIGITAL			
ENG	ECO NUMBER	REV	SECTION A OF A	PETE FAVINI	15-JUL-81				
---	INITIAL	A	SECTION. VARIATION INDEX	F. HALLIDAY	13-JUL-82	TITLE PARTS LIST			
			[A] 00			H7862 POWER SUPPLY			
			[B]	DES.ENG.: ROBERT V. WHITE	13-JUL-82				
			[C]			DOCUMENT NUMBER			
			[D]	RESP.ENG.: ROBERT V. WHITE	13-JUL-82	SIZE	CODE	NUMBER	REV
			[E]	MFG.ENG.: LEE RIPPSTEN	13-JUL-82	K	PL	H7862-0-DBP	A
			[F]	ASSEMBLY NUMBER:	TOP DOCUMENT NUMBER:	FILE NAME:		EDIT #	
				E-UA-H7862-0-DBU	E-UA-H7862-0-DBU	Z2799A.PLS		27	
<p>*THIS DRAWING AND SPECIFICATIONS HEREIN, ARE THE PROPERTY OF DIGITAL EQUIPMENT CORPORATION AND SHALL NOT BE REPRODUCED OR COPIED OR USED IN WHOLE OR IN PART AS THE BASIS FOR THE MANUFACTURE OR SALE OF ITEMS WITHOUT WRITTEN PERMISSION. COPYRIGHT (C) 1982. DIGITAL EQUIPMENT CORPORATION *</p>									

LINE ITEM	DOCUMENT NUMBER	PART NUMBER	DESCRIPTION	QUANTITY PER VARIATION
				00
1	E-IA-7426213-0-DBU	7426213-00	CHASSIS	1
2	A-PS-1217051-0-0	1217051-04	SW,RKR 2PST ON-NONE-OFF 16A	1
3	A-PS-1216901-0-0	1216901-00	SW,SLIDE 2PDT 5A	1
4	A-PS-1219912-0-0	1219912-01	CKT BKR 6.0 A 250V 1F MAGNETIC	1
5	A-PS-1219046-0-0	1219046-00	FILTER,LINE 240V16A 47-63HZ	1
6	D-IA-7018969-0-DBU	7018969-00	HARNES, CHASSIS	1
7	A-PS-1213185-0-0	1213185-03	FAN,TUBE AXIAL 4.5" 70CFM 115V	1
8	A-PS-1210263-0-0	1210263-01	GUARD,FINGER 4.125 X 4.125 NO OF	1
9		9000049-37	SCREW,SEMS PAN PHIL,THD RL 6-3	5
10		9008185-00	NUT,HEX EXT TOOTH LCKWSHR 6-32	5
11		9010155-00	SCREW,SEMS PAN PHIL 6-	4
12		9006011-01	SCREW,MACH PAN PHIL 4-	2
13		9006557-00	NUT,HEX EXT TOOTH LCKWSHR 4-40	2
14		9006565-00	NUT,HEX EXT TOOTH LCKWSHR 10-32	2
15		3620122-01	LABEL,ELEC.RATING F/H7862 P.S.	1
16		9007649-00	WASHER,LOCK EXTERNAL STEEL	1
17		9007651-00	WASHER,LOCK EXTERNAL STEEL	1
18	D-MD-7426246-0-0	7426246-01	BEZEL,I/O SWITCH	1
19		3612680-00	DECAL, GROUND SIGN PER 3E6 *	1
20		3620123-01	LABEL,FUSE,BLK/YEL 4 LANGUAGES	1
21		3616157-00	LABEL,CORRECT VOLTAGE SETTING,CA	1

REVISION HISTORY		BASIC PART NO: 7018970		DRN:	B. VOWLES	DATE:	05-OCT-81	DIGITAL			
ENG	ECD NUMBER	REV	SECTION A OF A	CHK'D:	F. HALLIDAY	DATE:	13-JUL-82	TITLE	PARTS LIST		
	INITIAL	A	SECTION, VARIATION INDEX					CHASSIS ASSY, H7862			
			[A] 00								
			[B]	DES.ENG.:	ROBERT V. WHITE	DATE:	13-JUL-82				
			[C]					DOCUMENT NUMBER			
			[D]	RESP.ENG.:	ROBERT V. WHITE	DATE:	13-JUL-82	SIZE	CODE	NUMBER	REV
			[E]	MFG.ENG.:	L. RIPPSTEIN	DATE:	13-JUL-82	K	PL	7018970-0-DBP	A
			[F]	ASSEMBLY NUMBER:		TOP DOCUMENT NUMBER:		FILE NAME:	EDIT #		
				E-AD-7018970-0-DBU		E-AD-7018970-0-DBU		Z3204A.PLS	36		

"THIS DRAWING AND SPECIFICATIONS HEREIN, ARE THE PROPERTY OF DIGITAL EQUIPMENT CORPORATION AND SHALL NOT BE REPRODUCED OR COPIED OR USED IN WHOLE OR IN PART AS THE BASIS FOR THE MANUFACTURE OR SALE OF ITEMS WITHOUT WRITTEN PERMISSION. COPYRIGHT (C) 1982. DIGITAL EQUIPMENT CORPORATION"

AUTOMATED BY PRTLST.3P(44)

PARTS LIST

SHEET A1 OF A1

LINE	ITEM	DOCUMENT NUMBER	PART NUMBER	DESCRIPTION	QUANTITY PER VARIATION
1	1	A-PS-1212167-0-0	1212167-06	MATE-N-LOK 06SKT(2X03).250CC HSG	1
2	2	A-PS-1217000-0-0	1217000-00	TERM,QUICK .250TAB CRIMP 18-2	8
3	3	A-PS-1217000-0-0	1217000-05	TERM,QUICK .110TAB CRIMP 18-2	3
4	4	A-PS-1217000-0-0	1217000-01	TERM,QUICK .110TAB CRIMP 18-2	2
5	5	A-PS-1212170-0-0	1212170-00	MATE-N-LOK 01SKT 20-14AWG .0850D	5
6	6		9007930-00	TERM,RING #10STUD CRIMP 16-2	1
7	7		9107858-11	WIRE,SOLID 18AWG PVC 300V10	A/R
8	8		9107858-66	WIRE,SOLID 18AWG PVC 300V10	A/R
9	9		9107859-54	WIRE,SOLID 18AWG PVC 300V10	A/R
10	10		9007031-00	TIE,CABLE BUNDL.DIA 0- 3/4"=101	A/R
11	11		9007929-00	TERM,RING #5,6STUD CRIMP 16-2	1
12	12		9008356-01	WIRE MARKER,NUMERIC,1-48	1
13	13	A-PS-3616073-0-0	3616073-00	LABEL,ID W/COPY VERTICAL	1
14	14		9009507-00	TAPE,VINYL ADH .75 WDX .00	A/R

REVISION HISTORY			BASIC PART NO: 7018969			D I G I T A L		
ENG	ECO NUMBER	REV	SECTION A OF A	DRN:	B. VOWLES	DATE:	05-OCT-81	TITLE
	INITIAL	A	SECTION. VARIATION INDEX	CHK'D:	F. HALLIDAY	DATE:	13-JUL-82	PARTS LIST
			[A] 00					H7862 HARNESS ASSY, PRIMARY
			[B]	DES.ENG.:	ROBERT V. WHITE	DATE:	13-JUL-82	
			[C]	RESP.ENG.:	ROBERT V. WHITE	DATE:	13-JUL-82	DOCUMENT NUMBER
			[D]					SIZE CODE NUMBER REV
			[E]	MFG.ENG.:	L. RIPPSTEIN	DATE:	13-JUL-82	K PL 7018969-0-DBP A
			[F]	ASSEMBLY NUMBER:	D-IA-7018969-0-DBU	TOP DOCUMENT NUMBER:	D-IA-7018969-0-DBU	FILE NAME: Z3203A.PLS EDIT #
								8

"THIS DRAWING AND SPECIFICATIONS HEREIN, ARE THE PROPERTY OF DIGITAL EQUIPMENT CORPORATION AND SHALL NOT BE REPRODUCED OR COPIED OR USED IN WHOLE OR IN PART AS THE BASIS FOR THE MANUFACTURE OR SALE OF ITEMS WITHOUT WRITTEN PERMISSION. COPYRIGHT (C) 1983. DIGITAL EQUIPMENT CORPORATION "

LINE	ITEM	DOCUMENT NUMBER	PART NUMBER	DESCRIPTION	QUANTITY PER VARIATION
1	1	A-PS-1215306-0-0	1215306-00	CONN, IDC 09POS(1X09).156CC TIN	1
2	2	A-PS-1216650-0-0	1216650-02	CONN, IDC 9POS STANDARD COVER	1
3	3	A-PS-1215588-0-0	1215588-00	CONN, P+S KEYING PLUG USE W 12	1
4	4	A-PS-1209350-0-0	1209350-04	MATE-N-LOK 04SKT(1X04).200CC HSG	2
5	5	A-PS-1209379-0-0	1209379-00	MATE-N-LOK 01SKT 20-14AWG .0820D	8
6	6		9007929-00	TERM, RING #5, 6STUD CRIMP 16-2	4
7	7	A-PS-1700345-0-0	1700345-01	CABLE, 3 COND. 18AWG SHIELDED	A/R
8	8	A-PS-3616073-0-0	3616073-00	LABEL, ID W/COPY VERTICAL	1

REVISION HISTORY		BASIC PART NO: 7019731		DRN: ROBERT V. WHITE		DATE: 10-JUN-82		DIGITAL	
ENG	ECO NUMBER	REV	SECTION A OF A	CHK'D:	F. HALLIDAY	DATE:	13-JUL-82	TITLE	PARTS LIST
---	INITIAL	A	SECTION. VARIATION INDEX	CHK'D:	F. HALLIDAY	DATE:	13-JUL-82	CABLE ASSY, DC, OUTPUT	
			[A] OL	DES. ENG.:	R.V. WHITE	DATE:	13-JUL-82	DOCUMENT NUMBER	
			[B]	RESP. ENG.:	R.V. WHITE	DATE:	13-JUL-82	SIZE	CODE
			[C]	MFG. ENG.:	LEE RIPPSTEIN	DATE:	13-JUL-82	NUMBER	REV
			[D]	ASSEMBLY NUMBER:	D-IA-7019731-0-DBU	TOP DOCUMENT NUMBER:	D-IA-7019731-0-DBU	FILE NAME:	Z4668A.PLS
			[E]					EDIT #	5
			[F]						

"THIS DRAWING AND SPECIFICATIONS HEREIN, ARE THE PROPERTY OF DIGITAL EQUIPMENT CORPORATION AND SHALL NOT BE REPRODUCED OR COPIED OR USED IN WHOLE OR IN PART AS THE BASIS FOR THE MANUFACTURE OR SALE OF ITEMS WITHOUT WRITTEN PERMISSION. COPYRIGHT (C) 1982. DIGITAL EQUIPMENT CORPORATION"

ECO #5415086-ML001

COMPONENT DELETIONS

- 1-1. DELETE D25.
- 1-2. DELETE R14.
- 1-3. DELETE R96.
- 1-4. DELETE Q7.
- 1-5. DELETE D36.
- 1-6. DELETE D38.
- 1-7. DELETE R68.
- 1-8. DELETE R98.
- 1-9. DELETE D35.
- 1-10. DELETE R61.
- 1-11. DELETE C52.
- 1-12. DELETE R76.
- 1-13. DELETE C53.

COMPONENT ADDS SIDE 1

- ADD COMPONENTS AS SHOWN
- 1-14. ADD W2.
- 1-15. ADD R98.
- 1-16. ADD C52.
- 1-17. ADD D38. NOTICE THAT D38 IS A REVERSE POLARITY INSTALLATION. CATHODE END IS CLOSEST TO E12-8 AND ANODE IS CLOSEST TO E12-14.
- 1-18. ADD W1.
- 1-19. C47 MOUNT IN THE SAME HOLES AS THE IC LEADS. CONNECT C47 FROM E7-2 TO E7-7.
- 1-20. R68 MOUNT IN THE SAME HOLES AS THE IC LEADS. CONNECT R68 FROM ~~CONNECT R68 FROM~~ E6-10 TO E7-5. INSULATE LEADS OF R68 WITH THIN WALL TUBING [ITEM 162].
- 1-21. CONNECT R68 PIN 2 TO R100 PIN 1 WITH NO CONTACT TO PC ETCH.
- SEE WIRE ADDS NOTE 1-28
- 1-22. INSERT AND SOLDER C53 PIN 2 TO VIA NEAR E12-14 AND SOLDER C53 PIN 1 DIRECTLY TO ETCH RUNNING BETWEEN C36 AND C43.
- 1-23. SOLDER D35 DIRECTLY TO C36 AS SHOWN.
- 1-24. SOLDER R1 DIRECTLY TO ETCH PATH.

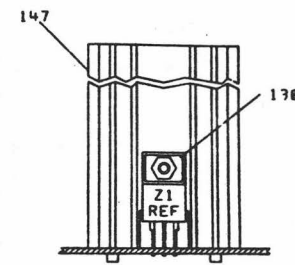
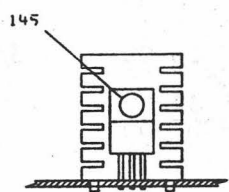
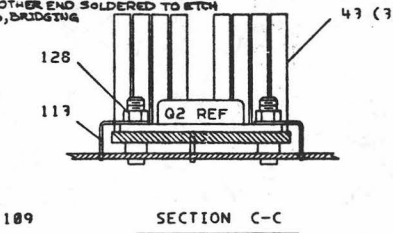
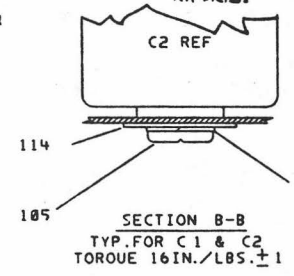
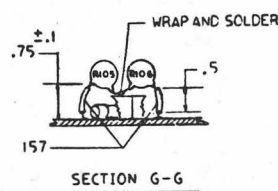
WIRE ADDS SIDE 1

- ADD JUMPER WIRES AS FOLLOWS
- 1-25. E10-4 TO E10-5
- 1-26. E4-11 TO E4-12
- 1-27. E12-10 TO E12-12
- 1-28. ADD WIRE FROM JUNCTION OF R68 & R100 TO FORMER LOCATION OF Q7 EMITTER AS SHOWN.
- 1-29. ADD WIRE FROM FORMER Q7 EMITTER TO FORMER Q7 COLLECTOR.
- 1-30. ADD WIRE FROM FORMER Q7 COLLECTOR TO FORMER Q7 BASE.

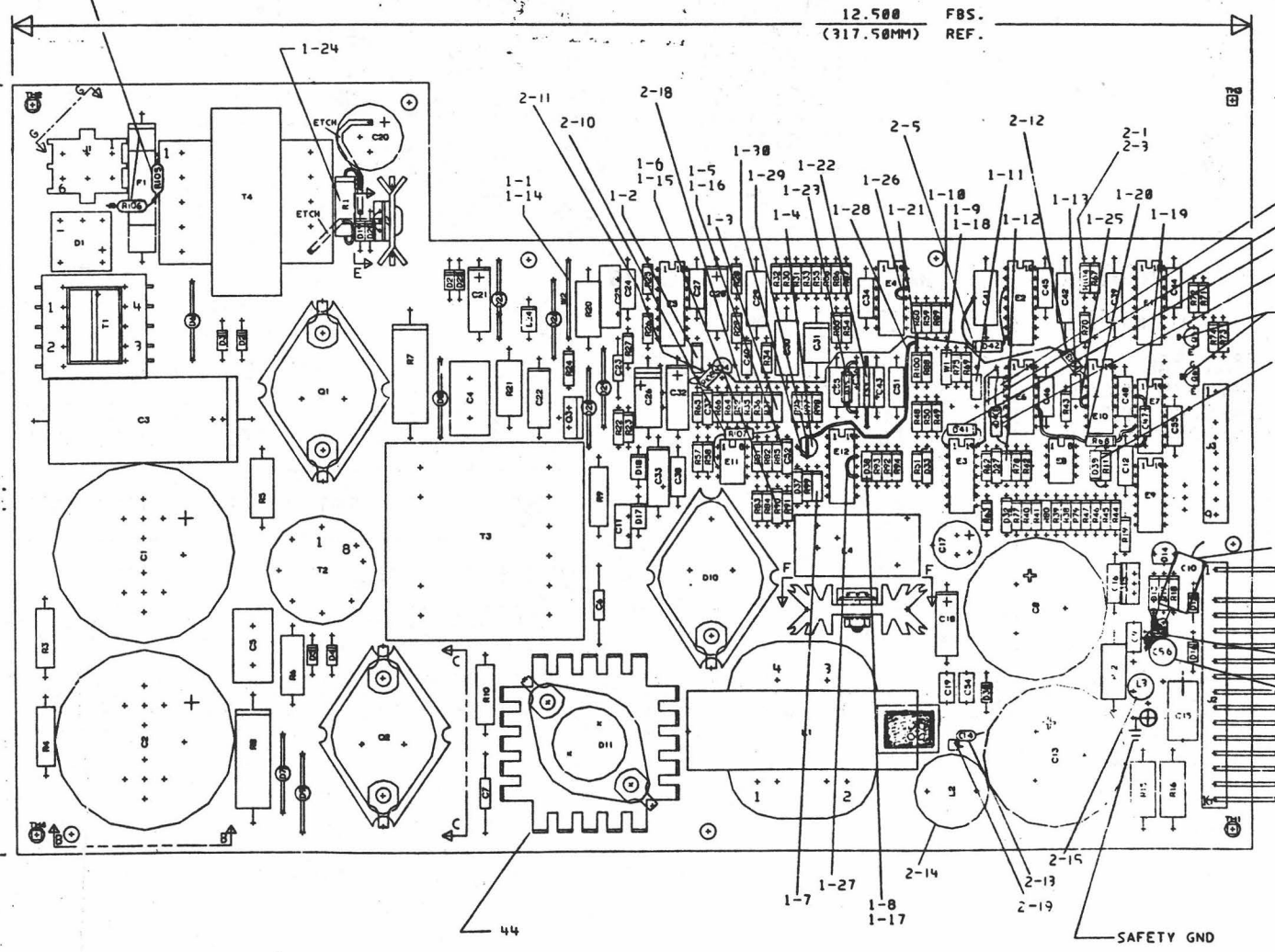
REWORK INSTRUCTIONS.
ECO #5415086-ML002
COMPONENT DELETIONS:
2-1. DELETE D31
2-9. DELETE C58
COMPONENT ADDS SIDE 11
2-2. ADD R108 & R106. INSULATE LEADS WITH TUBING (ITEM 162). SOLDER DIRECTLY TO ETCH LEADING TO T4-1 AND D1. REFERENCE SECTION G-G.
2-3. ADD R104 IN FORMER LOCATION OF D31.
2-4. ADD D39. PUSHBACK TO R11. D39 IS REVERSE POLARITY. CATHODE IS CLOSEST TO R46.
2-5. ADD D42 FROM E2-3 TO VIA NEXT TO C41. INSULATE LEADS WITH THIN WALL TUBING (ITEM 162) NOTE POLARITY.
2-6. ADD D41 FROM E3-1 (ANODE) TO E3-14 (CATHODE).
2-7. ADD D40 FROM EMPTY MTS HOLE BETWEEN D27 & E78 TO EMPTY MTS HOLE NEXT TO E6-1. INSULATE LEADS WITH TUBING (ITEM 162).

2-10. ADD R107 FROM E11-3 TO EMPTY MTS HOLE NEXT TO R37. INSULATE LEADS WITH TUBING (ITEM 162).
2-11. ADD R109 MOUNT ONE END INTO EMPTY MTS HOLE NEAR R35.
2-12. ADD D43. MOUNT CATHODE LEAD INTO LEAD HOLE WITH E10-2 LEAD.
2-13. RELOCATE C14 MOUNTED WITH ONE LEAD THRU DRILLED HOLE, SOLDERED TO GND PLANE. OTHER LEAD SOLDERED TO ETCH TO C15.
2-14. L2 MUST BE MOUNTED SO THAT THE LEAD CONNECTED TO L1-2 SPIRALS COUNTERCLOCKWISE WHEN VIEWED FROM ABOVE.
2-15. ADD L3 FROM END OF R12 SUCH THAT THE ETCH CUT IS BRIDGED.
2-16. ADD C56 NEG LEAD THRU DRILLED HOLE AND SOLDERED TO GND PLANE. POS LEAD SOLDERED TO ETCH BETWEEN D12 & D16.
2-17. C10 RELOCATED. ONE END INTO OR23 MTS HOLE NEAR R17. OTHER END SOLDERED TO ETCH BETWEEN J1 & J3, BRIDGING R17 & R18.

WIRE ADDS SIDE 1
2-8. ADD WIRE FROM E3-14 TO CATHODE OF D40 AT MTS HOLE.
2-18. CONNECT EXPOSED ENDS OF R108 AND D43 (ANODE) DRILL SIDE 2 AS SHOWN.
2-19. DRILL .030/#42 HOLE IN ETCH RELIEF FROM SIDE 2 AS SHOWN.
2-20. DRILL .030/#42 HOLE FROM SIDE 2 AS SHOWN.
2-21. IT IS REQUIRED THAT EACH OF THE FOLLOWING COMPONENTS BE INSPECTED AND RESOLDERED WITH A LARGE TIP HIGH WATTAGE IRON AS NECESSARY. NOTE THAT TOP SOLDERING MAY BE NECESSARY.
T3-5; T3-6; T3-7; T3-8; D10; D11; L1; L2; L3; C8; C13; C9; C14; R12; R16; R16; C56; C10; C15; J2; J3



COMPONENT SIDE VIEW



DATE	11/11/71	BY	W. J. HARRIS
CHK'D BY	W. J. HARRIS	DATE	11/11/71
REVISION	1	PROJ. NO.	5415086-ML002
PROJ. NAME	5415086-ML002	PROJ. TITLE	5415086-ML002
PROJ. OFF.	AVS	PROJ. MGR.	W. J. HARRIS
DATE	11/11/71	BY	W. J. HARRIS
CHK'D BY	W. J. HARRIS	DATE	11/11/71
REVISION	1	PROJ. NO.	5415086-ML002
PROJ. NAME	5415086-ML002	PROJ. TITLE	5415086-ML002
PROJ. OFF.	AVS	PROJ. MGR.	W. J. HARRIS
DATE	11/11/71	BY	W. J. HARRIS
CHK'D BY	W. J. HARRIS	DATE	11/11/71
REVISION	1	PROJ. NO.	5415086-ML002
PROJ. NAME	5415086-ML002	PROJ. TITLE	5415086-ML002
PROJ. OFF.	AVS	PROJ. MGR.	W. J. HARRIS

BEND LEADS 180° DIFFERENT THAN PART SPEC.

DATE	11/11/71	BY	W. J. HARRIS
CHK'D BY	W. J. HARRIS	DATE	11/11/71
REVISION	1	PROJ. NO.	5415086-ML002
PROJ. NAME	5415086-ML002	PROJ. TITLE	5415086-ML002
PROJ. OFF.	AVS	PROJ. MGR.	W. J. HARRIS
DATE	11/11/71	BY	W. J. HARRIS
CHK'D BY	W. J. HARRIS	DATE	11/11/71
REVISION	1	PROJ. NO.	5415086-ML002
PROJ. NAME	5415086-ML002	PROJ. TITLE	5415086-ML002
PROJ. OFF.	AVS	PROJ. MGR.	W. J. HARRIS

5415086-ML002

LINE	ITEM	DOCUMENT NUMBER	PART NUMBER	DESCRIPTION	QTY	PER VARIATION	REFERENCE DESIGNATOR
					00		
1	2		1000021-00	220.0 MMF 100V 5%200PPM MICA	1		C11
2	3		1000060-00	6800.0 MMF 200V 10% MYLR	1		C29
3	4		1002630-00	.015 MFD 100V 10% MYLR	1		C33
4	5		1005116-00	3300.0 MMF 200V 10% MET. MYLR	3		C23,C6,C7
5	6		1005507-00	1 MFD 100V +50-10% AL EL	1		C26
6	7		1005784-00	.01 MFD 100V 200V 10% MYL	2		C39,C42
7	8		1009957-00	.0022 MFD 100V 10% MYLR	1		C22
8	9		1010279-01	.47 MFD 25V 20% CER	4		C9,C14,C19,C54
9	10		1012607-00	560 MFD 20V+100-10% AL EL	1		C17
10	11		1013466-07	220.0 MMF 50V 5% CER	2		C37,C40
11	12		1013466-11	.22 MFD 50V +80-20% Z5U CER	14	CONT	C16,C24,C12,C27,C38,C34,C35,C46, C48,C44,C45,C51-C53 C47,C55
12	13		1013466-28	1000.0 MMF 50V 5% CER	2		
13	14		1013932-00	*** THIS ITEM IS NOT USED ***	-		
14	15		1014139-00	.0022 MFD 600V 10% POLYPROP	2		C4,C5
15	16		1014170-00	2700.0 MMF 100V 1% 70PPM MICA	1		C25
16	17		1015520-00	1 MFD 100V 5% MET. MYLR	2		C15,C10
17	18		1016390-00	1100 MFD 200V +50-10% AL EL	2		C1,C2
18	20		1016459-00	.18 MFD 100V 5% MET. MYLR	1		C30
19	21		1017472-00	10 MFD 35V +50-10% AL EL	4		C18,C21,C28,C32
20	22		1018971-00	10,000 MFD 16V 20% AL EL	1		C8
21	23		1018971-01	18,000 MFD 6.3V 20% AL EL	1		C13
22	24		1100114-00	PIV= 25 IO=135 MA	8		D27,D33,D35,D39-D43
23	25		1102808-00	VZ= 5.6 5% 400 MW 1N752A D	1		D32
24	27		1105796-00	PIV= 400 IO= 1.00A 1N4004 DO-41	7		D12,D19-D22,D16,D30
25	28		1105796-01	PIV= 400 IO= 1.00A DO-41	4		D2-D5
26	29		1105871-00	VZ= 5.15 1% 250 MW	1		D37
27	31		1110766-00	*** THIS ITEM IS NOT USED ***	-		
28	32		1112595-01	PIV= 200 IO= 1.00A AXIAL	4		D23,D26,D28,D29
29	33		1112595-02	PIV= 600 IO= 1.00A AXIAL	4		D6-D9

REVISION HISTORY		BASIC PART NO: 5415086		DRN: M. MC DONOUGH	DATE: 25-SEP-81	D I G I T A L	
ENG:	ECO NUMBER	REV	SECTION A OF A	CHK'D: D. BARRIERE	DATE: 25-SEP-81	TITLE PARTS LIST	
R.W.	INITIAL	A	SECTION VARIATION INDEX	DES.ENG: ROBERT WHITE	DATE: 02-MAR-82	DOCUMENT NUMBER	
RW	5415086-ML001	B	[A] 00	RESP.ENG.: ROBERT WHITE	DATE: 02-MAR-82	SIZE: K	CODE: PL
RW	5415086-ML002	C	[B]	MFG.ENG.: BILL LORD	DATE: 25-SEP-81	NUMBER: 5415086-0-DBP	REV: D
RW	5415086-ML004	D	[C] [D] [E] [F] [H] [J] [K] [L] [M] [N]	ASSEMBLY NUMBER: E-UA-5415086-0-0	TOP DOCUMENT NUMBER: B-DD-5415086-0-0	FILE NAME: Z2485D.PLS	EDIT #: 42
"THIS DRAWING AND SPECIFICATIONS HEREIN, ARE THE PROPERTY OF DIGITAL EQUIPMENT CORPORATION AND SHALL NOT BE REPRODUCED OR COPIED OR USED IN WHOLE OR IN PART AS THE BASIS FOR THE MANUFACTURE OR SALE OF ITEMS WITHOUT WRITTEN PERMISSION. COPYRIGHT (C) 1983. DIGITAL EQUIPMENT CORPORATION "							

LINE	ITEM	DOCUMENT NUMBER	PART NUMBER	DESCRIPTION	QTY PER VARIATION	REFERENCE DESIGNATOR
					00	
30	34		1119273-00	PIV= 45 IO=60.00A TO-3	1	D11
31	35		1118205-00	PIV= 420 IO= 6.00A	1	D1
32	36		1118982-00	VES 1003 RECT ASSY@150V 1A	3	D17,D18,D24
33	37		1119254-00	PIV= 50 IO=25.00A TO-3	1	D10
34	38		1212297-05	MATE-N-LOK 06PIN(2X03).250CC HDR	1	J1
35	39		1213921-03	*** THIS ITEM IS NOT USED ***	-	
36	40	USED ON Z2	1215228-00	HEAT SINKS,TO-220 01.25X0.87	1	
37	41		1218944-00	PCB HEADER 15PIN(1X16).156CC 90D	1	J2
38	42		1218944-02	*** THIS ITEM IS NOT USED ***	-	
39	43	USED ON Q1,Q2,D10	1219050-00	HEAT SINKS,TO-3 1.880X1.40	3	
40	44	USED ON D11	1219253-00	HEAT SINK,TO-3 1.780X1.78	1	
41	45		1300202-00	47.0 .25 W 5.0 % CF	1	R17
42	46		1300295-00	330.0 .25 W 5.0 % CF	4	R66,R22-R24
43	47		1300316-00	470.0 .25 W 5.0 % CF	3	R19,R77,R95
44	48		1300439-00	3.30 K .25 W 5.0 % CF	3	R65,R71,R73
45	49		1300479-00	10.0 K .25 W 5.0 % CF	16	R63,R48,R50-R52,R78,R81-R83,R85, R89,R94,R72,R74,R92,R93
						CONT
46	50		1319470-53	100.0 K 1.0 W 5.0 % M.OXIDE	2	R3,R4
47	51		1301317-00	10.0 .25 W 5.0 % CF	1	R18
48	52		1301874-00	5.60 K .25 W 5.0 % CF	1	R62
49	53		1312546-00	*** THIS ITEM IS NOT USED ***	-	
50	55		1303178-00	620.0 .25 W 5.0 % CF	2	R64,R90
51	56		1303313-00	12.10 K .25 W 1.0 % RN55D-F10	1	R55
52	57		1304693-00	*** THIS ITEM IS NOT USED ***	-	
53	58		1305322-00	7.50 K .25 W 1.0 % RN55D-F10	2	R32,R33
54	59		1305324-00	4.99 K .25 W 1.0 % RN55D-F10	6	R27,R56,R54,R58,R99,R107
55	60		1309595-00	1.0 M .25 W 5.0 % CF	7	R67,R69,R86,R87,R11,R101,R102
56	61		1311522-00	200.0 .25 W 5.0 % CF	1	R49
57	63		1313591-00	1.65 K .25 W 1.0 % RN55D-F10	1	R97
58	64		1313846-00	2.26 K .25 W 1.0 % RN55D-F10	1	R53
59	65		1319531-01	*** THIS ITEM IS NOT USED ***	-	
60	66		1314187-00	*** THIS ITEM IS NOT USED ***	-	
61	68		1314350-00	1.0 2.0 W10.0 % FUSE	2	R5,R6
62	69		1315052-00	500.0 5.0 W 5.0 % WW	2	R7,R8
63	70		1315437-00	237.0 K .25 W 1.0 % RN55D-F10	1	R29
64	71		1316638-00	2.49 K .25 W .10% RN55E-B 2	11	R26,R35,R37-R45
65	72		1317835-00	.01 3.0 W 3.0 % WW	3	R15,R16,R12
66	73		1318968-01	2.0 M .25 W 1.0 % RN55D-F10	1	R28
67	74		1318981-00	*** THIS ITEM IS NOT USED ***	-	
68	75		1318981-01	82.0 3.0 W 5.0 % WW	1	R20
69	76		1303226-00	*** THIS ITEM IS NOT USED ***	-	
70	77		1319221-00	3.48 K .25 W .10% RN55E-B 2	2	R25,R36
71	78		1319221-01	11.80 K .25W .10% RN55E-B 25	1	R34
72	79		1319242-00	750.0 K .25 W 5.0 % CF	1	R70
73	80		1501913-00	*** THIS ITEM IS NOT USED ***	-	
74	82		1510706-00	*** THIS ITEM IS NOT USED ***	-	
75	83		1510877-00	2N 6028 UJT 300MW R67B	1	D14
76	84		1517910-00	2N 6547 NPN TO-3	2	Q1,Q2

D	I	G	I	T	A	L	TITLE	H7862 PWR SUPPLY CIRCUIT BOARD	SECTION A OF A	SIZE	CODE	DOCUMENT NUMBER	REV
										K	PL	5415086-0-DBP	D

LINE	ITEM	DOCUMENT NUMBER	PART NUMBER	DESCRIPTION	QTY PER VARIATION	REFERENCE DESIGNATOR
					00	
77	85		1514271-00	D 44Q1 NPN 31W SI	1	Q3
78	86		1510705-00	XA 05 NPN 500MW SI 60 50 P	2	Q5,Q6
79	87		1618951-00	CHOKER,COMMON MODE 2A	1	T1
80	88		1618998-00	PULSE XFMR,BASE DRIVE	1	T2
81	89		1618999-00	XFMR P=AB S=20VDC@200MA	1	T4
82	90		1619000-00	XFMR P=240/360V S=MULTIPLE	1	T3
83	91		1619001-00	INDUCTOR,HIGH FREQUENCY,POWER 50	1	L4
84	92		1619002-00	INDUCTOR,HIGH FREQUENCY,COUPLED	1	L1
85	93		1912048-05	7812 VOLT REG,FIX +12V	1	Z2
86	94		1912108-00	339 VOLT CMPRTR,QUAD	3	E3,E4,E12
87	95		1914156-00	LM 393 VOLT COMPARATOR DUAL	1	E11
88	96		1914156-01	LM 393AN VOLT COMPARATOR,DUA	1	E8
89	97		1914517-01	7912 VOLT REG,FIX -12V	1	Z1
90	98		1916819-00	3527A MODULATOR,REGULATING	1	E5
91	99		2113633-00	4069UBINVERTER GATE-HEX	1	E10
92	100		2113634-00	4070B X-OR GATE-QUAD CMOS	1	E9
93	101		2113642-00	4081B AND GATE-QUAD 2IN CM	1	E6
94	102		2113644-00	4093B NAND GATE-QUAD 2IN C	1	E7
95	103		2113645-00	4098B MULTIVIBRATOR,DUAL M	2	E1,E2
96	104		5015085-00	DRILL AND ETCH BD.	1	
97	105		9000038-13	SCREW,MACH PAN PHIL 10-	4	
98	106		9009990-00	NUT,HEX EXT TOOTH LCKWSHR 4-40	1	
99	109		9007906-00	WASHER,HELICAL SPLIT STEEL	4	
100	111		9008301-01	*** THIS ITEM IS NOT USED ***	-	
101	113		9009676-00	TERM,SOLDER BARRIER STR	7	
102	114		9009950-01	WASHER,FLAT BRASS	4	
103	115		9010099-00	*** THIS ITEM IS NOT USED ***	-	
104	116		1319255-16	33.0 1.0 W 5.0 % M.OXIDE	2	R9,R10
105	118		1319326-01	1.80 M .25 W 5.0 % CF	2	R47,R46
106	119		1319327-01	1.30 K .25 W 1.0 % RN55D-F10	2	R98,R31
107	120		1319325-01	392.0 .25 W 1.0 % RN55D-F10	1	R30
108	121		1019368-01	.082 MFD 80V 10% MYLR	1	C31
109	123	D-CS-5415086-0-1		CIRCUIT SCHEMATIC	REF	
110	124	E-UA-5415086-0-0		UNIT ASSEMBLY	REF	
111	125	D-MD-5015085-0-0		CIRCUIT DRILL & ETCH	REF	
112	126	D-EC-5015085-0-0		ETCH CUT DRAWING	REF	
113	127		1619530-01	INDUCTOR,HIGH FREQUENCY,POWER	1	L2
114	128		9008185-00	NUT,HEX EXT TOOTH LCKWSHR 6-32	8	
115	129		9006458-00	*** THIS ITEM IS NOT USED ***	-	
116	130		9009769-00	WASHER,RECTNGLR STEEL	1	
117	131		9007201-00	*** THIS ITEM IS NOT USED ***	-	
118	132		1019537-01	1000 MFD 35V +50-10% AL EL	1	C20
119	133		1519536-01	SCR PIV= 50 IO= 8.00A	1	D15
120	134		1214415-01	*** THIS ITEM IS NOT USED ***	-	
121	135		1012783-00	.022 MFD 50V +80-20% CER	2	C36,C43
122	136		1302177-00	47.0 K .25 W 5.0 % CF	4	R68,R84,R104,R75
123	137		1300391-00	1.50 K .25 W 5.0 % CF	1	R91
124	138		9105740-55	WIRE(WRAP) 30AWG KYNAR UL14	A/R	

D	I	G	I	T	A	L	TITLE	H7862 PWR SUPPLY CIRCUIT BOARD	SECTION A OF A	SIZE	CODE	DOCUMENT NUMBER	REV
										K	PL	5415086-0-DBP	D

AUTOMATED BY PRTLST.3P(44)

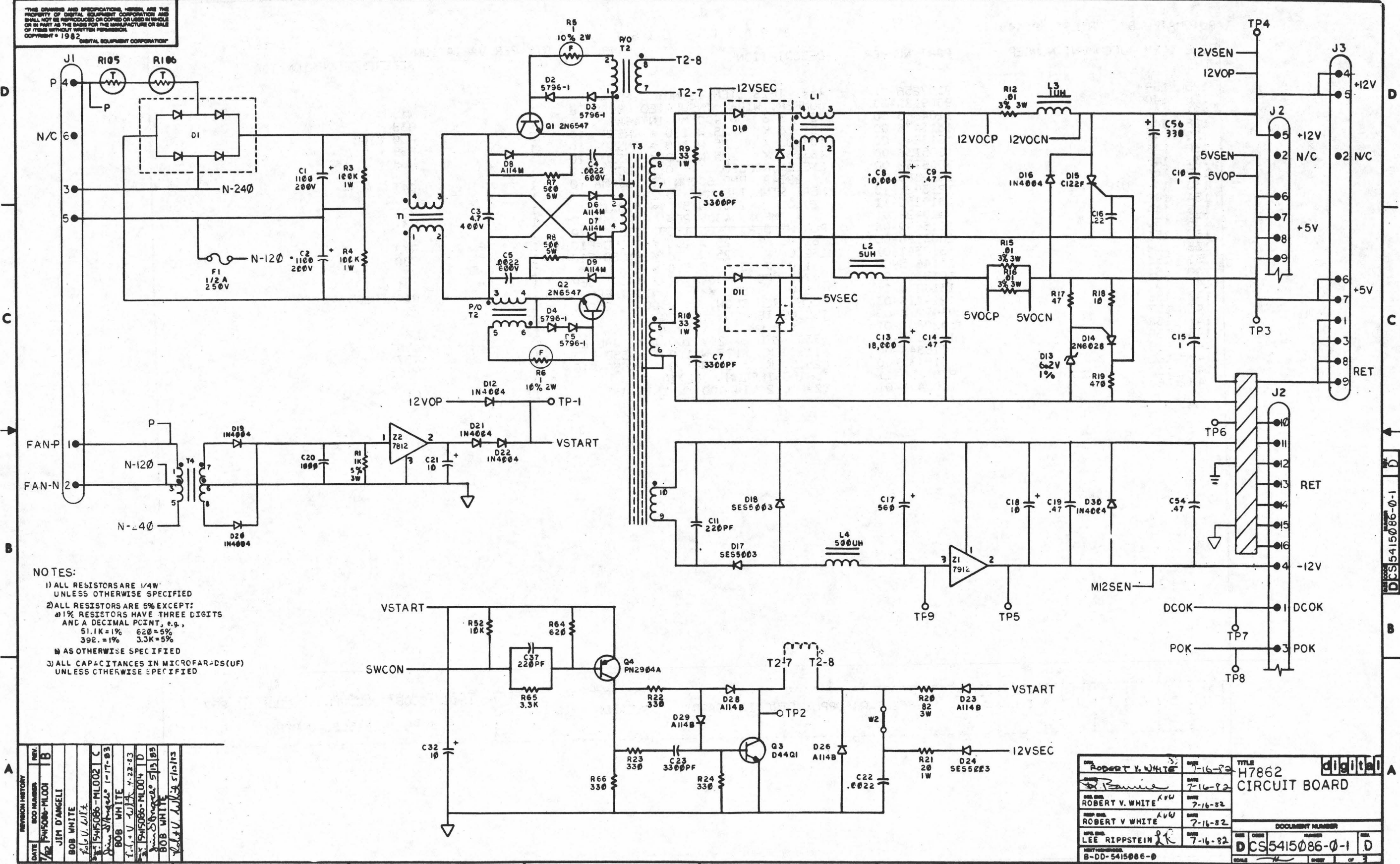
PARTS LIST

SHEET A4 OF A4

LINE	ITEM	DOCUMENT NUMBER	PART NUMBER	DESCRIPTION	QTY PER VARIATION OO	REFERENCE DESIGNATOR
125	139		9107256-01	*** THIS ITEM IS NOT USED ***	-	
126	140		9009185-00	JUMPER, WIRE, INSULATED, BLACK B	2	W1,W2
127	141		1104860-00	VZ= 3.3 5% 400 MW 1N746A	1	D38
128	142		1313476-00	51.10 K .25 W 1.0 % RN55D-F10	2	R60,R100
129	143		1313843-00	107.0 K .25 W 1.0 % RN55D-F10	1	R59
130	144		1305130-00	133.0 K .25 W 1.0 % RN55D-F10	1	R88
131	145		9006732-00	EYELET,ROLLED 0.1210DX0.219	1	
132	146		1519860-01	2904A PNP 600MN 60V 600MA TO	1	Q4
133	147	USE ON Z1	1213921-10	HEAT SINK,TAB MNT T0220	1	
134	148		1319255-11	20.0 1.0 W 5.0 % M.OXIDE	1	R21
135	149		1019422-01	4.7MFD 400V 20% MET. MYLR	1	C3
136	150		1215699-06	PCB,HEADER 8POS(1X09).156CC STR	1	J3
137	151		1303136-00	61.90 .25 W 1.0 % RN55D-F10	1	R79
138	152		1318341-01	162.0 .25 W 1.0 % RN55D-F10	1	R80
139	153		1314675-00	1.0 K 3.0 W 5.0 % WW	1	R1
140	154		1012312-00	.47 MFD 50V +80-20% CER	1	C41
141	155		1314270-01	5.0 15.0 % NTC THERM	2	R105,R106
142	156		1214415-03	FUSE, REG BLOW, .500 , 250V,	1	F1
143	157		9107278-09	TUBING,TEFLON .042ID	A/R	
144	158		1620807-01	1.0 UH 10A	1	L3
145	159		1013393-00	330 MFD 20V+100-10% AL EL	1	C56
146	160		1316843-00	13.70 K .25 W 1.0 % RN55D-F10	1	R57
147	161		1315435-00	25.50 K .25 W 1.0 % RN55D-F10	1	R108
148	162		9107256-11	TUBING,TEFLON .027ID	A/R	
149	163		1102421-01	VZ= 6.2 1% 400 MW 1N753A	1	D13

D	I	G	I	T	A	L	TITLE	H7862 PWR SUPPLY CIRCUIT BOARD	SECTION A	OF A	SIZE	CODE	DOCUMENT NUMBER	REV
											K	PL	5415086-0-DBP	D

THIS DRAWING AND SPECIFICATIONS HEREIN ARE THE PROPERTY OF DIGITAL EQUIPMENT CORPORATION AND SHALL NOT BE REPRODUCED OR COPIED OR USED IN WHOLE OR IN PART AS THE BASIS FOR THE MANUFACTURE OR SALE OF THIS WITHOUT WRITTEN PERMISSION. COPYRIGHT © 1982. DIGITAL EQUIPMENT CORPORATION



- NOTES:
- 1) ALL RESISTORS ARE 1/4W UNLESS OTHERWISE SPECIFIED
 - 2) ALL RESISTORS ARE 5% EXCEPT:
 - a) 1% RESISTORS HAVE THREE DIGITS AND A DECIMAL POINT, e.g., 51.1K=1% 620=5% 392.=1% 3.3K=5%
 - b) AS OTHERWISE SPECIFIED
 - 3) ALL CAPACITANCES IN MICROFARADS (UF) UNLESS OTHERWISE SPECIFIED

REVISION HISTORY	DATE	BY	REV.
1545086-ML001	7-16-82	PHYSICIST	B
1545086-ML002	7-16-82	JIM D'ANGELO	C
1545086-ML003	7-16-82	BOB WHITE	D
1545086-ML004	7-16-82	BOB WHITE	E
1545086-ML005	7-16-82	BOB WHITE	F
1545086-ML006	7-16-82	BOB WHITE	G
1545086-ML007	7-16-82	BOB WHITE	H
1545086-ML008	7-16-82	BOB WHITE	I
1545086-ML009	7-16-82	BOB WHITE	J
1545086-ML010	7-16-82	BOB WHITE	K
1545086-ML011	7-16-82	BOB WHITE	L
1545086-ML012	7-16-82	BOB WHITE	M

DESIGNED BY ROBERT V. WHITE	DATE 7-16-82	TITLE H7862	digital
DESIGNED BY ROBERT V. WHITE	DATE 7-16-82	TITLE CIRCUIT BOARD	
DESIGNED BY ROBERT V. WHITE	DATE 7-16-82		
DESIGNED BY LEE RIPPSTEIN	DATE 7-16-82		
DOCUMENT NUMBER DCS 5415086-0-1		REV. 1	

8

DCS 5415086-0-1

6

5

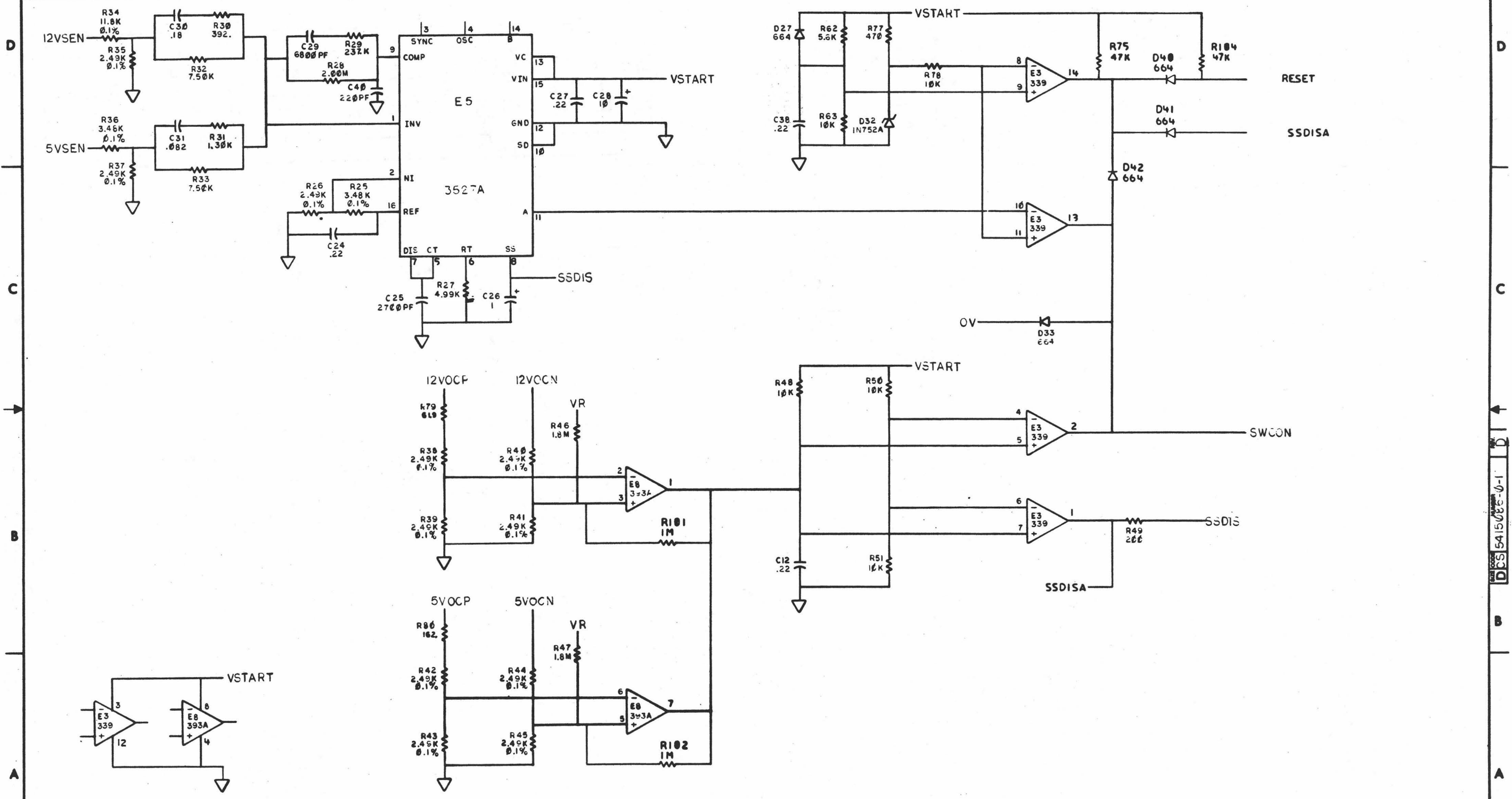
4

3

2

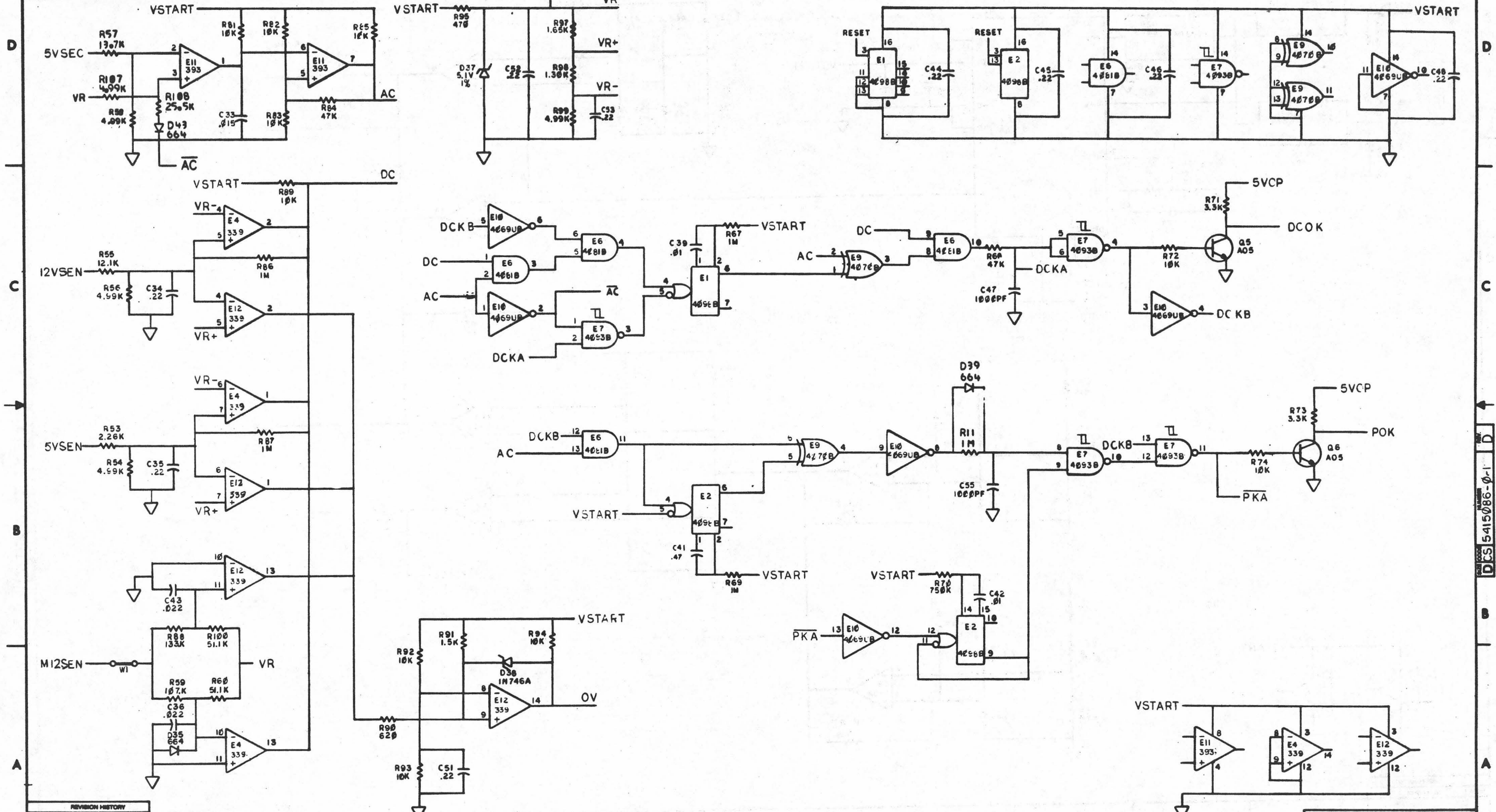
1

THIS DRAWING AND SPECIFICATIONS HEREBY ARE THE PROPERTY OF DIGITAL EQUIPMENT CORPORATION AND SHALL NOT BE REPRODUCED OR COPIED OR USED IN WHOLE OR IN PART AS THE BASIS FOR THE MANUFACTURE OR SALE OF ITEMS WITHOUT WRITTEN PERMISSION. COPYRIGHT © 1982. DIGITAL EQUIPMENT CORPORATION



REVISION HISTORY		
DATE	ECO NUMBER	REV.

THIS DRAWING AND SPECIFICATIONS HEREIN ARE THE PROPERTY OF DIGITAL EQUIPMENT CORPORATION AND SHALL NOT BE REPRODUCED OR COPIED OR USED IN WHOLE OR IN PART AS THE BASIS FOR THE MANUFACTURE OR SALE OF ITEMS WITHOUT WRITTEN PERMISSION.
 COPYRIGHT © 1982 DIGITAL EQUIPMENT CORPORATION



REVISION HISTORY		
DATE	DOC NUMBER	REV.

TITLE
 H7862 CIRCUIT BOARD

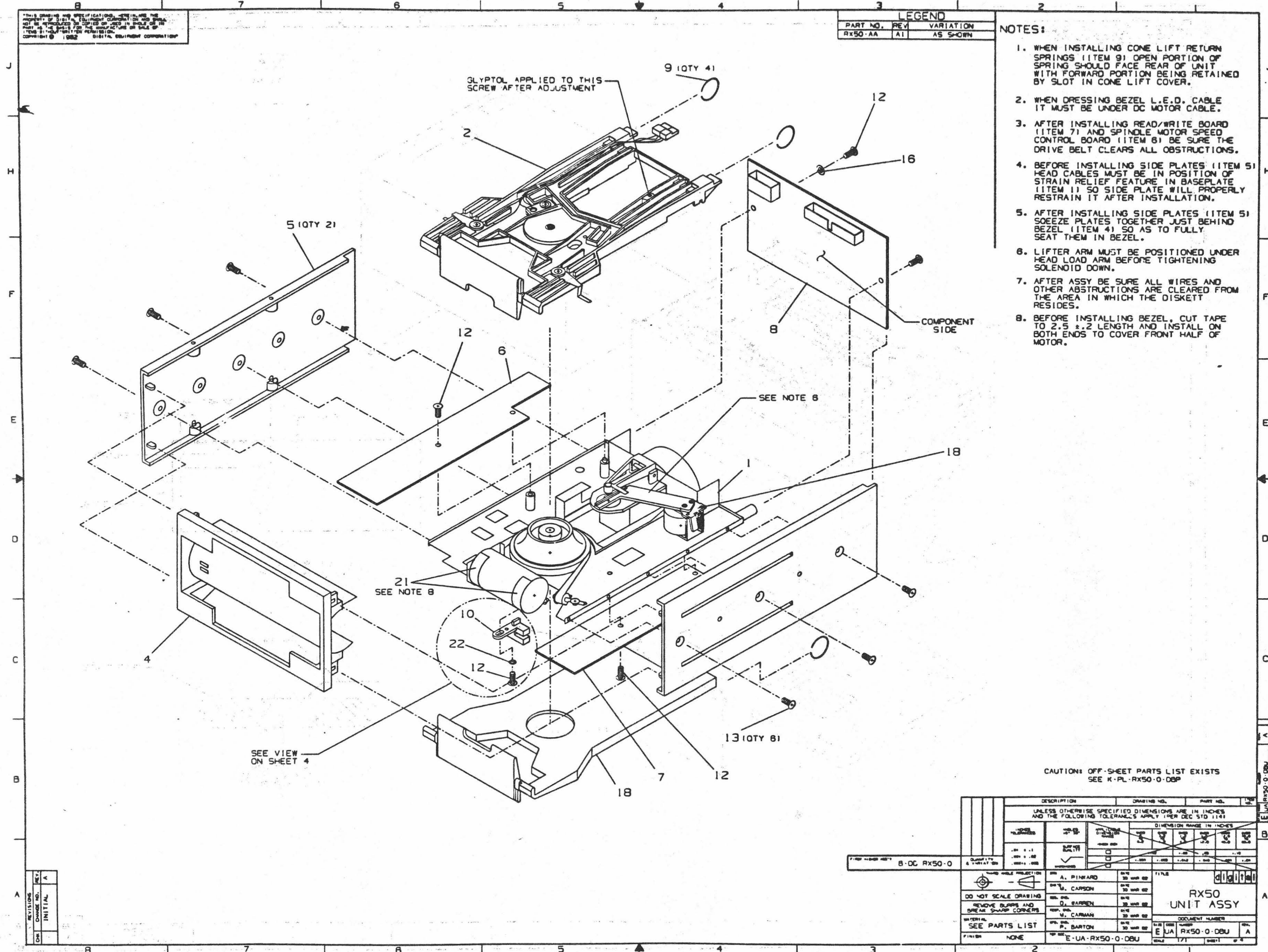
DOCUMENT NUMBER		
DOC CODE	NUMBER	REV.
DCS	5415086-0-1	0

THIS DRAWING AND SPECIFICATIONS, INCLUDING THE PROPERTY OF DIGITAL EQUIPMENT CORPORATION, DO NOT BE REPRODUCED OR TRANSMITTED IN ANY FORM OR BY ANY MEANS, ELECTRONIC OR MECHANICAL, INCLUDING PHOTOCOPYING, RECORDING, OR BY ANY INFORMATION STORAGE AND RETRIEVAL SYSTEM, WITHOUT PERMISSION IN WRITING FROM DIGITAL EQUIPMENT CORPORATION.
 COPYRIGHT © 1982 DIGITAL EQUIPMENT CORPORATION

LEGEND		
PART NO.	REV	VARIATION
RX50-AA	A1	AS SHOWN

NOTES:

1. WHEN INSTALLING CONE LIFT RETURN SPRINGS (ITEM 9) OPEN PORTION OF SPRING SHOULD FACE REAR OF UNIT WITH FORWARD PORTION BEING RETAINED BY SLOT IN CONE LIFT COVER.
2. WHEN DRESSING BEZEL L.E.D. CABLE IT MUST BE UNDER DC MOTOR CABLE.
3. AFTER INSTALLING READ/WRITE BOARD (ITEM 7) AND SPINDLE MOTOR SPEED CONTROL BOARD (ITEM 6) BE SURE THE DRIVE BELT CLEARS ALL OBSTRUCTIONS.
4. BEFORE INSTALLING SIDE PLATES (ITEM 5) HEAD CABLES MUST BE IN POSITION OF STRAIN RELIEF FEATURE IN BASEPLATE (ITEM 1) SO SIDE PLATE WILL PROPERLY RESTRAIN IT AFTER INSTALLATION.
5. AFTER INSTALLING SIDE PLATES (ITEM 5) SOEEZE PLATES TOGETHER JUST BEHIND BEZEL (ITEM 4) SO AS TO FULLY SEAT THEM IN BEZEL.
6. LIFTER ARM MUST BE POSITIONED UNDER HEAD LOAD ARM BEFORE TIGHTENING SOLENOID DOWN.
7. AFTER ASSY BE SURE ALL WIRES AND OTHER ABSTRUCTIONS ARE CLEARED FROM THE AREA IN WHICH THE DISKETT RESIDES.
8. BEFORE INSTALLING BEZEL, CUT TAPE TO 2.5 ±.2 LENGTH AND INSTALL ON BOTH ENDS TO COVER FRONT HALF OF MOTOR.



CAUTION: OFF-SHEET PARTS LIST EXISTS
 SEE K-PL-RX50-0-DBP

DESCRIPTION	DRAWING NO.	PART NO.	REV.
8-DC RX50-0			

DIMENSION RANGE IN INCHES	
FRAC.	DEC.
1/16	0.0005
1/8	0.0010
3/16	0.0015
1/4	0.0020
5/16	0.0025
3/8	0.0030
7/16	0.0035
1/2	0.0040
5/8	0.0045
3/4	0.0050
7/8	0.0055
1	0.0060

NO.	DATE	BY	CHKD.	TITLE
1	30 MAR 82	A. PINKARD		RX50 UNIT ASSY
2	30 MAR 82	M. CARSON		
3	30 SEP 82	D. BARREN		
4	30 MAR 82	M. CARMAN		
5	30 MAR 82	P. BARTON		

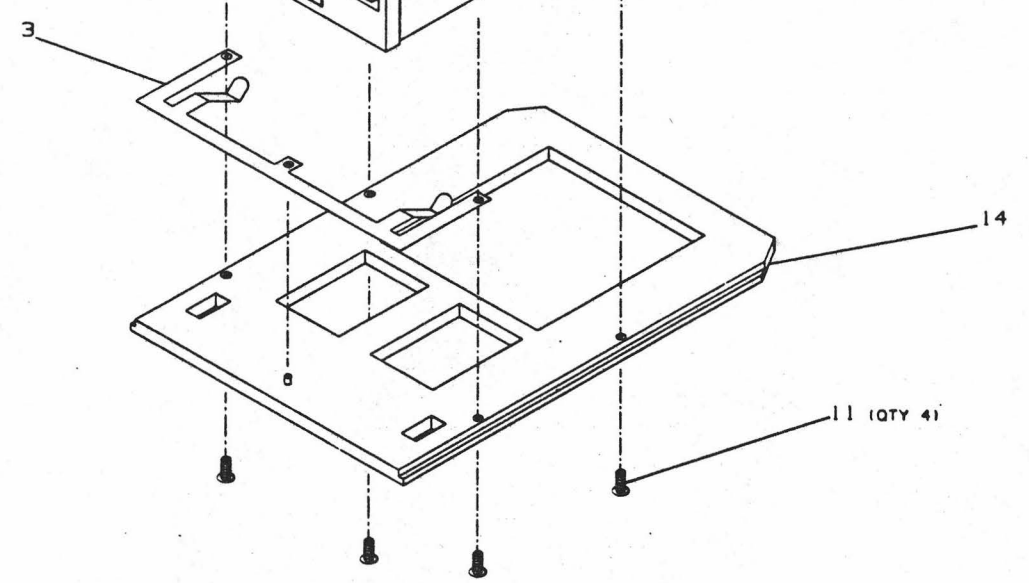
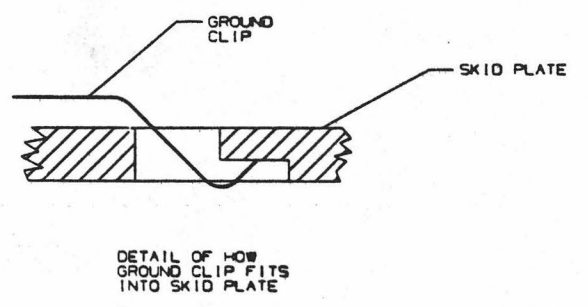
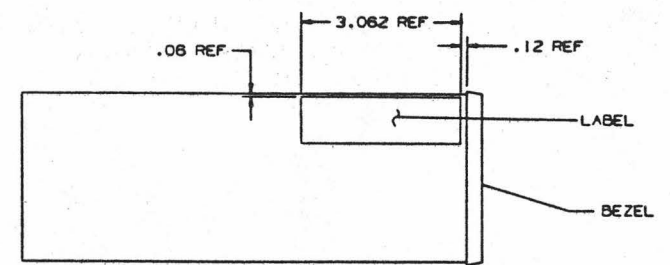
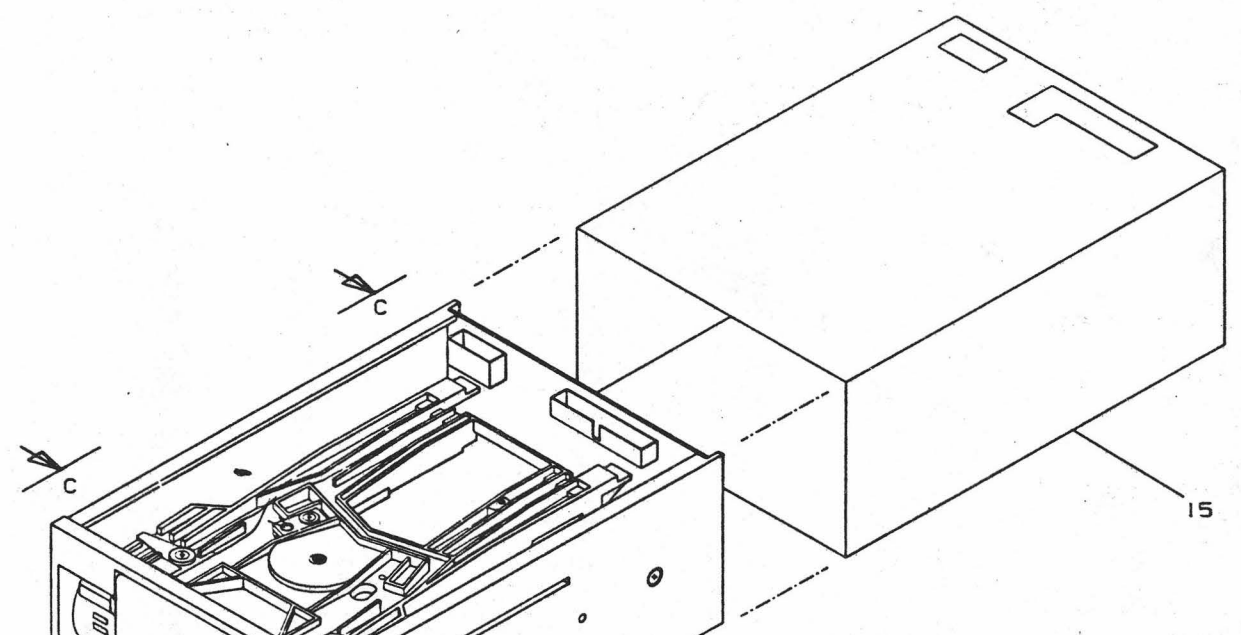
REV.	DATE	BY	CHKD.	DESCRIPTION
1	30 MAR 82	A. PINKARD		ISSUE
2	30 MAR 82	M. CARSON		REVISION
3	30 SEP 82	D. BARREN		REVISION
4	30 MAR 82	M. CARMAN		REVISION
5	30 MAR 82	P. BARTON		REVISION

REV.	DATE	BY	CHKD.	DESCRIPTION
1	30 MAR 82	A. PINKARD		ISSUE
2	30 MAR 82	M. CARSON		REVISION
3	30 SEP 82	D. BARREN		REVISION
4	30 MAR 82	M. CARMAN		REVISION
5	30 MAR 82	P. BARTON		REVISION

REV.	DATE	BY	CHKD.	DESCRIPTION
1				ISSUE

THIS DRAWING AND SPECIFICATIONS HEREAFTER ARE THE PROPERTY OF DIGITAL EQUIPMENT CORPORATION AND SHALL NOT BE REPRODUCED OR COPIED OR USED IN WHOLE OR IN PART AS THE BASIS FOR THE MANUFACTURE OR SALE OF THIS SKID PLATE OR OTHER EQUIPMENT.
 COPYRIGHT © 1982 DIGITAL EQUIPMENT CORPORATION

FIG. 0-05AM (1/3)



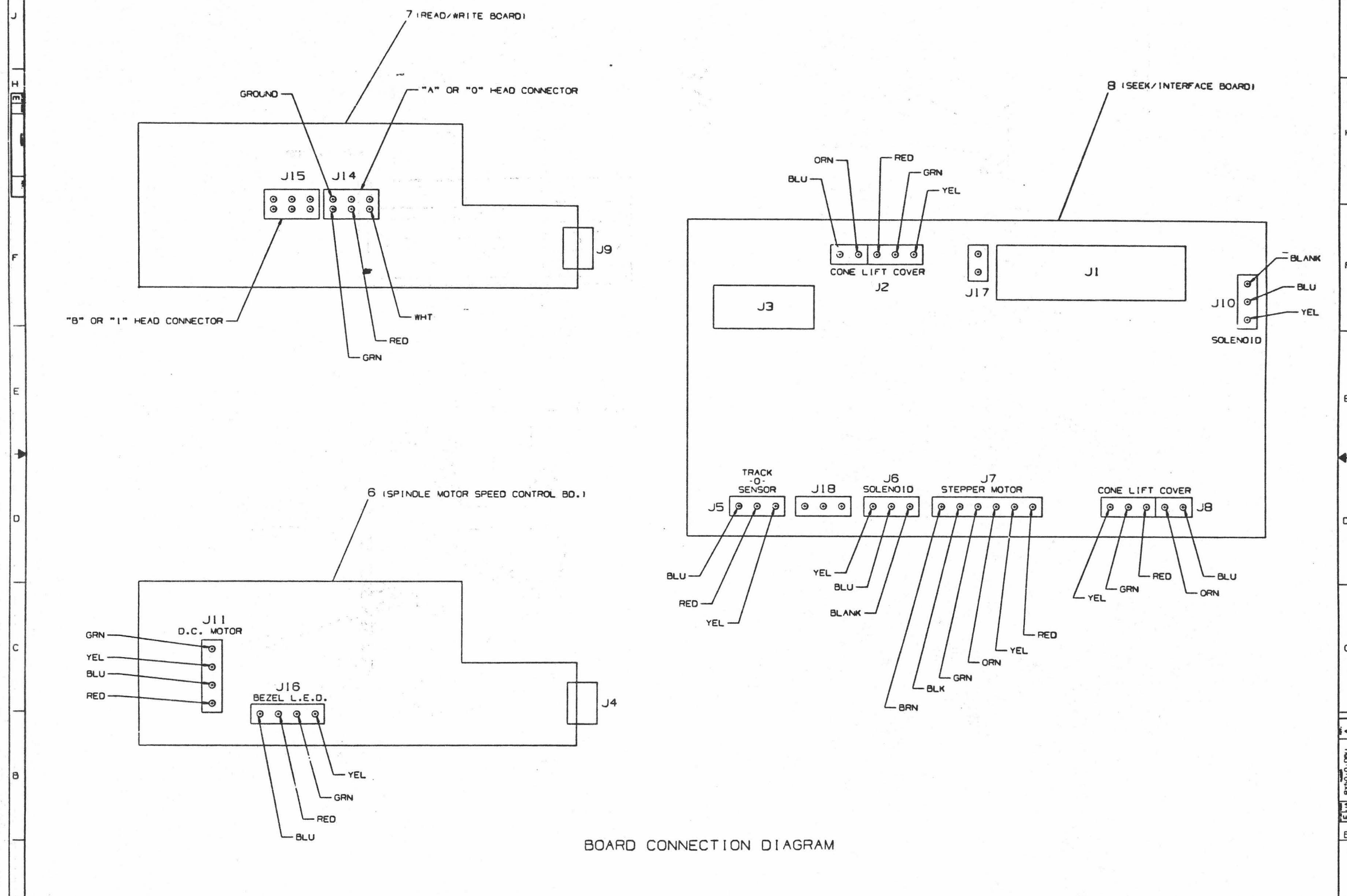
REVISION HISTORY		
DATE	ECO HISTORY	REV

TITLE
 RX50
 UNIT ASSY

DOCUMENT NUMBER		
ST/ECO	NUMBER	REV
EUA	RX50-0-DBU	A
SCALE 1/1	SHEET 2 OF 1	

THIS DRAWING AND SPECIFICATIONS HEREIN ARE THE PROPERTY OF DIGITAL EQUIPMENT CORPORATION AND SHALL NOT BE REPRODUCED OR USED IN WHOLE OR IN PART AS THE BASIS FOR THE MANUFACTURE OR SALE OF ITEMS WITHOUT WRITTEN PERMISSION.
 COPYRIGHT © 1982 DIGITAL EQUIPMENT CORPORATION

RX50-0-DBU (REV 3)



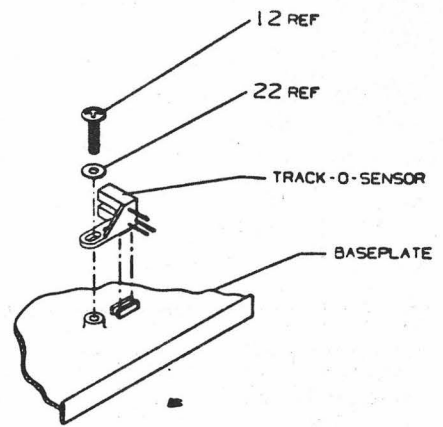
BOARD CONNECTION DIAGRAM

REVISION HISTORY		
DATE	EQ. HISTORY	REV.

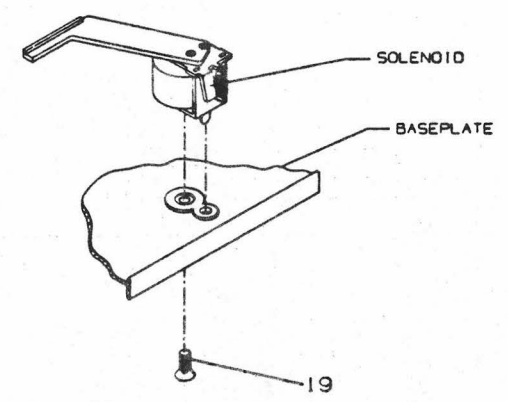
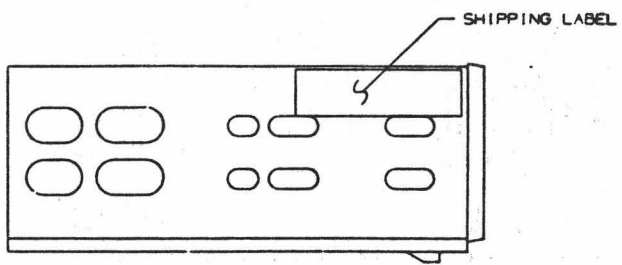
TITLE RX50 UNIT ASSY
 DOCUMENT NUMBER EUA RX50-0-DBU A
 SCALE 1/1 SHEET 3 OF 4

THIS DRAWING AND SPECIFICATION HEREBY ARE THE PROPERTY OF DIGITAL EQUIPMENT CORPORATION AND SHALL NOT BE REPRODUCED OR COPIED IN WHOLE OR IN PART WITHOUT WRITTEN PERMISSION. © 1982 DIGITAL EQUIPMENT CORPORATION

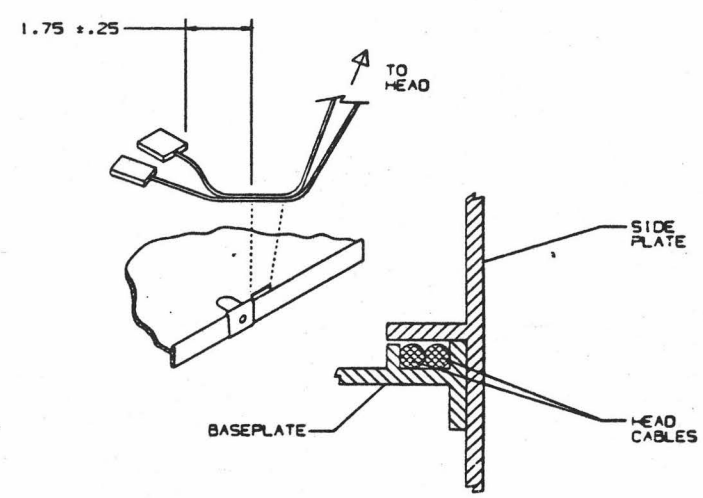
RX50-0-DBU 1/13



MOUNTING POSITION FOR TRACK-O-SENSOR



MOUNTING POSITION FOR SOLENOID

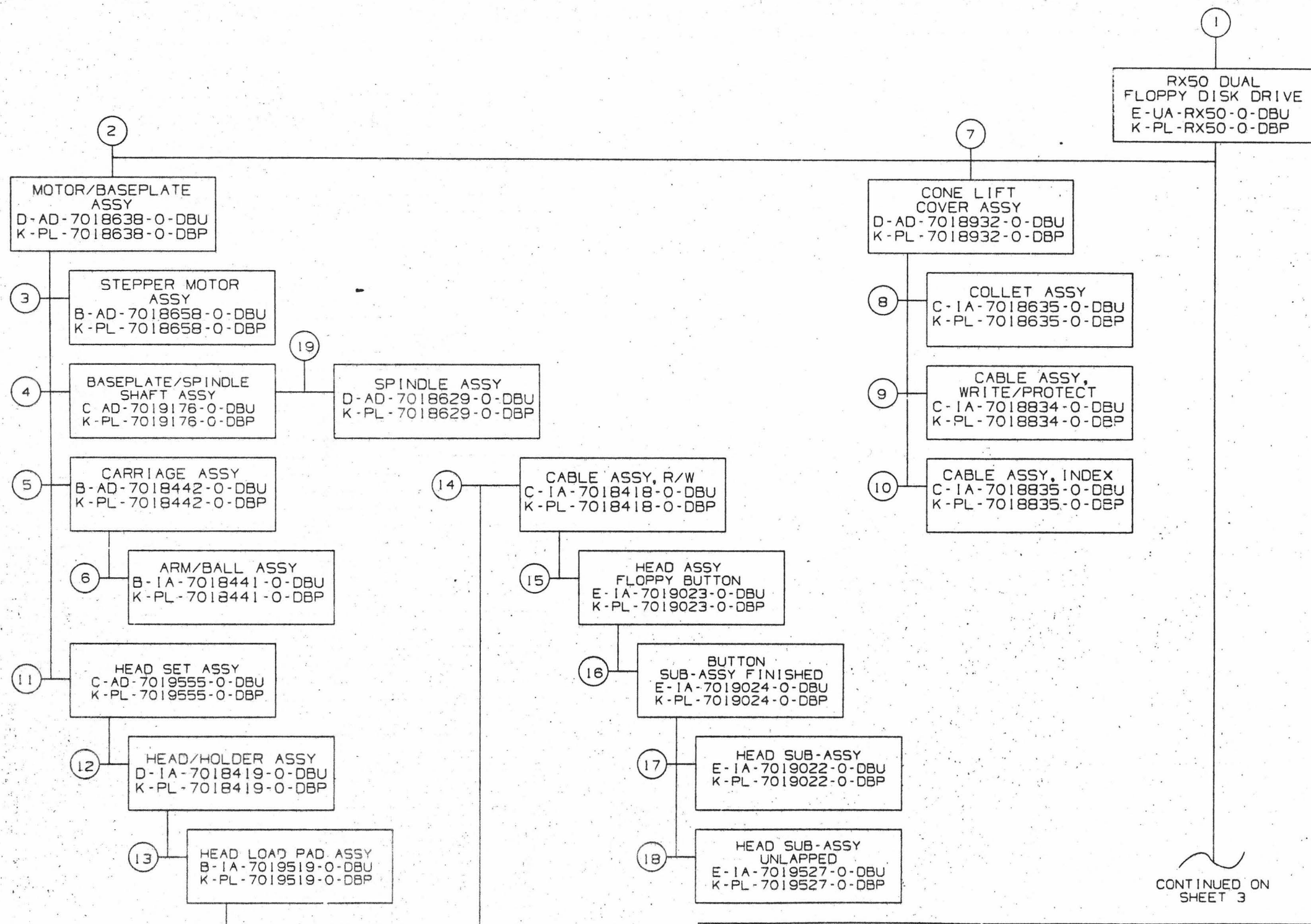


HEAD CABLE STRAIN RELIEF

REVISION HISTORY		
DATE	ECO HISTORY	REV

TITLE
RX50
UNIT ASSY

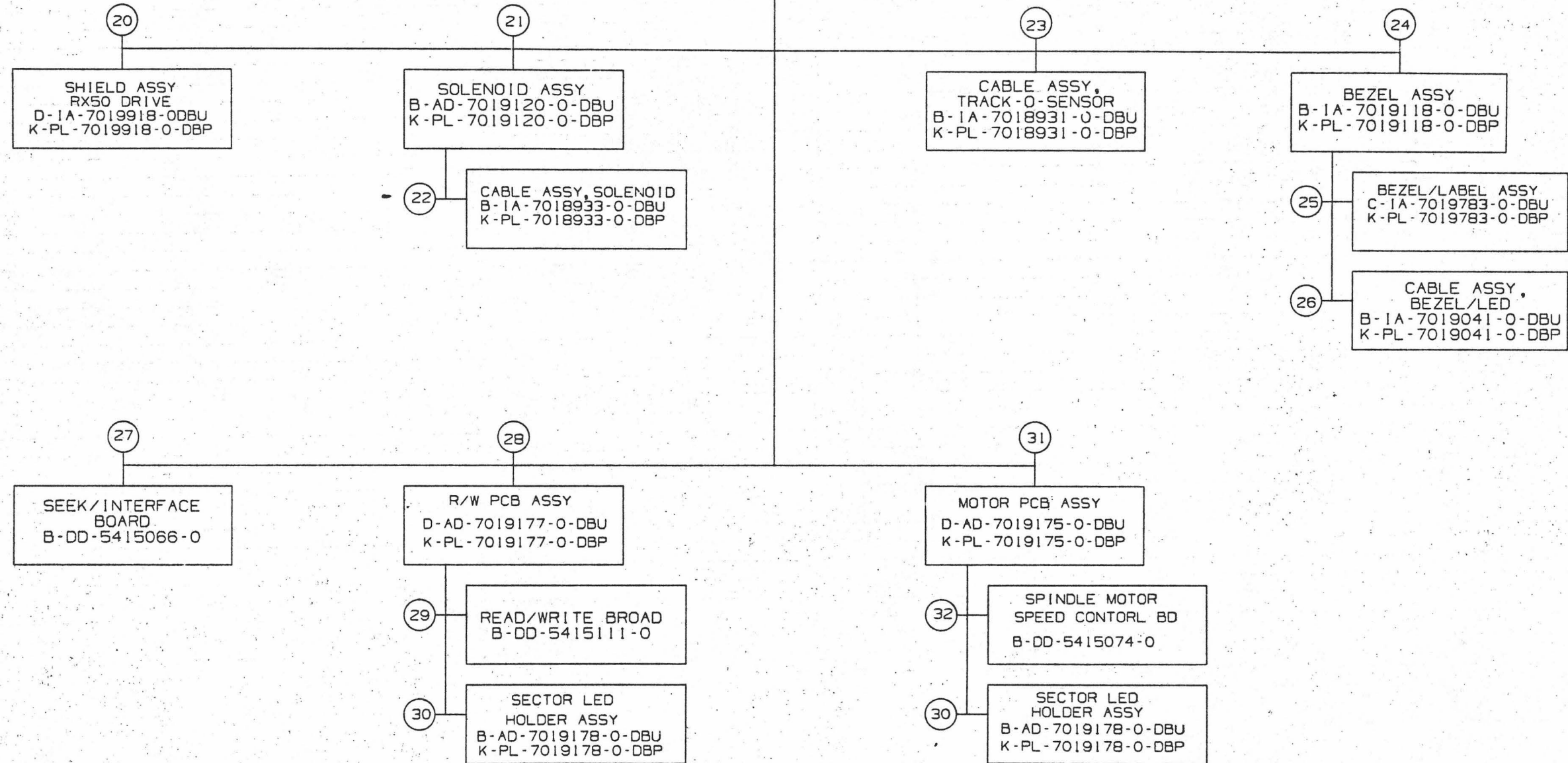
DOCUMENT NUMBER		
BY/REVISED	NUMBER	REV
EJA	RX50-0-DBU	A
SCALE 1/1 SHEET 4 OF 4		



CONTINUED ON SHEET 3

TITLE:	SIZE CODE	NUMBER	REV.
RX50 DUAL FLOPPY DISK DRIVE	BDD	RX50-0	A
SHEET 2 OF 6			

CONTINUED FROM
SHEET 2



TITLE: RX50 DUAL FLOPPY DISK DRIVE	SHEET 3 OF 6	SIZE CODE BDD	NUMBER RX50-0	REV. A
---------------------------------------	--------------	------------------	------------------	-----------

FIND NO.	DRAWING NO.	DESCRIPTION	TYPE	FIND NO.	DRAWING NO.	DESCRIPTION	TYPE
					C-MD-7426342-0-DBU	SHIELD, RX50 INNER	M
					B-MD-7426343-0-DBU	PIN, TERMINATION	M
					C-MD-7426997-0-DBU	BAR, ERASE BUTT (FLOPPY HEAD)	M
10	C-1A-7018835-0-DBU	CABLE ASSY, INDEX	E				
	K-PL-7018835-0-DBP	CABLE ASSY, INDEX (PL)	E				
	B-MD-7425235-0-DBU	HOLDER, SECTOR SENSOR	M				
				16	E-1A-7019024-0-DBU	BUTTON SUB-ASSY FINISHED	M
					K-PL-7019024-0-DBP	BUTTON SUB-ASSY FINISHED (PL)	M
					E-MD-7426349-0-DBU	BUTTON, PLASTIC FLOPPY	M
11	C-AD-7019555-0-DBU	HEAD SET ASSY, RX50	M				
	K-PL-7019555-0-DBP	HEAD SET ASSY, RX50 (PL)	M				
	C-MC-7426707-0-CBU	STRAIN RELIEF	M				
	1220021-0-0	RAT TAIL	M				
				17	E-1A-7019022-0-DBU	HEAD SUB-ASSY	M
					K-PL-7019022-0-DBP	HEAD SUB-ASSY (PL)	M
					E-MD-7426347-0-DBU	CORE ASSY R/W	M
					E-MD-7426348-0-DBU	CORE ASSY ERASE	M
					C-MD-7426346-0-DBU	SLIDER	M
12	D-1A-7018419-0-DBU	HEAD/HOLDER ASSY	E/M				
	K-PL-7018419-0-DBP	HEAD/HOLDER ASSY (PL)	E/M				
	D-MD-7425219-0-DBU	HOLDER, HEAD	M				
	D-MD-7425220-0-DBU	ARM HEAD LOAD	M				
	B-MD-7425222-0-DBU	SHAFT, LOAD ARM	M				
	D-MD-7425381-0-DBU	SPRING, TORSION	M				
	C-MD-7426979-0-DBU	SHIELD, HEAD, RX50	M				
				18	E-1A-7019527-0-DBU	HEAD SUB-ASSY UNLAPPED	M
					K-PL-7019527-0-DBP	HEAD SUB-ASSY UNLAPPED (PL)	M
					E-MD-7426347-0-DBU	CORE ASSY R/W	M
					E-MD-7426348-0-DBU	CORE ASSY ERASE	M
					C-MD-7426346-0-DBU	SLIDER	M
13	B-1A-7019519-0-DBU	HEAD LOAD PAD ASSY	M				
	K-PL-7019519-0-DBP	HEAD LOAD PAD ASSY (PL)	M				
	B-MD-7425245-0-DBU	PAD, HEAD LOAD	M				
	B-MD-7425221-0-DBU	HOLDER, HEAD LOAD PAD	M				
				19	D-AD-7018629-0-DBU	SPINDLE ASSY	M
					K-PL-7018629-0-DBP	SPINDLE ASSY (PL)	M
					E-MD-7425215-0-DBU	SPINDLE	M
					B-MD-7425249-0-DBU	SPACER, SPINDLE	M
14	C-1A-7018418-0-DBU	CABLE ASSY, R/W	E				
	K-PL-7018418-0-DBP	CABLE ASSY, R/W (PL)	E				
				20	E-1A-7019918-0-DBU	SHIELD ASSY RX50 DRIVE	M
					K-PL-7019918-0-DBP	SHIELD ASSY RX50 DRIVE (PL)	M
					E-MD-7427207-0-DBU	SHIELD, RX50 DRIVE	M
					D-MD-7427562-0-DBU	SHIELD, SOLENOID RX50	M
15	E-1A-7019023-0-DBU	HEAD ASSY FLOPPY BUTTON	E/M				
	K-PL-7019023-0-DBP	HEAD ASSY FLOPPY BUTTON (PL)	E/M				
	C-MD-7426344-0-DBU	SPRING BUTT BAR	M				
	C-MD-7426345-0-DBU	BAR R/W BUTT (FLOPPY HEAD)	M				

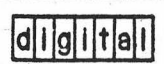
TYPE: E ELECTRICAL
M MECHANICAL
E/M ELECTRO/MECHANICAL



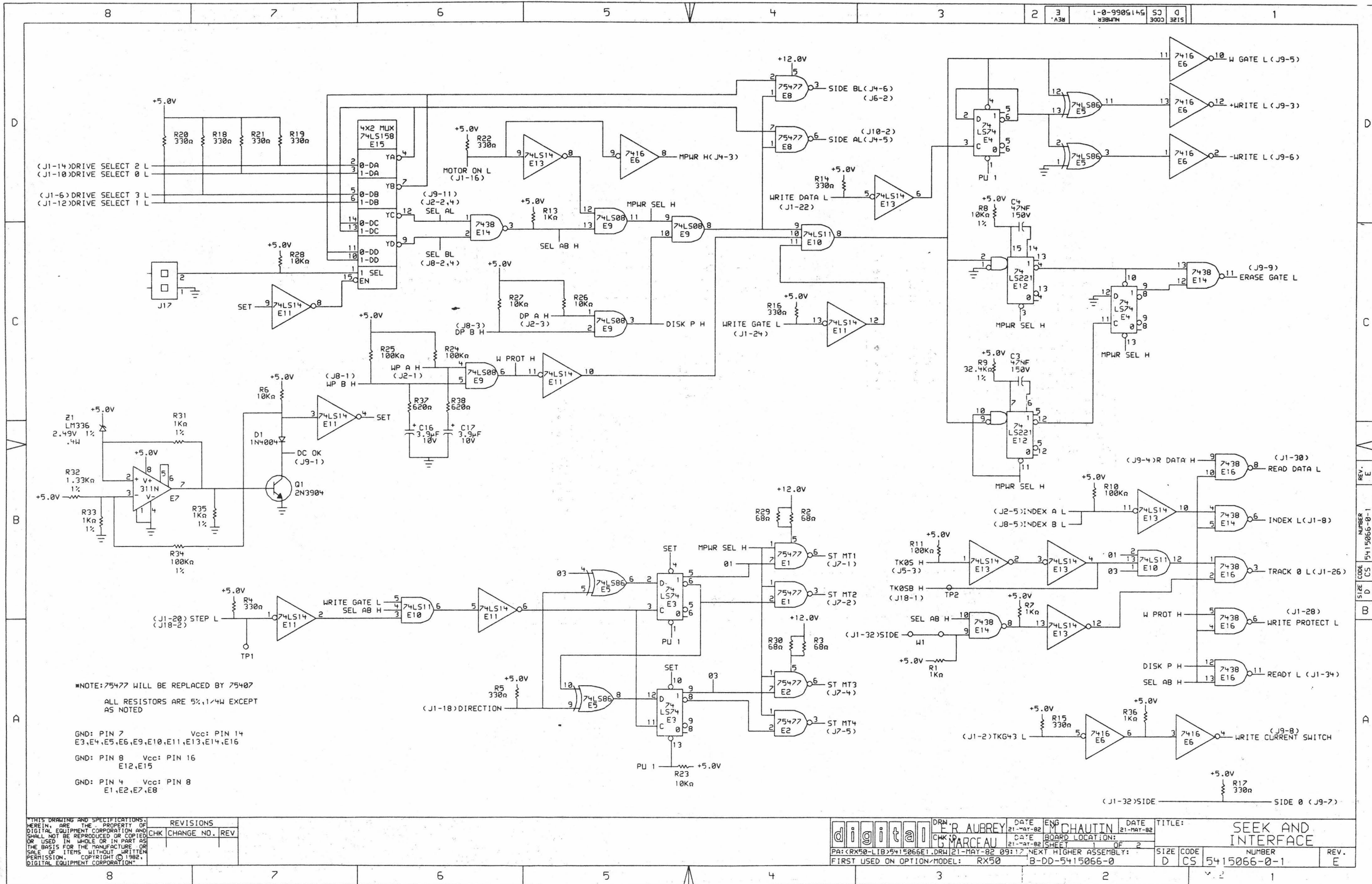
TITLE: RX50 DUAL FLOPPY DISK DRIVE SHEET 50F 6
SIZE CODE: BDD
NUMBER: RX50-0
REV.: A

FIND NO.	DRAWING NO.	DESCRIPTION	TYPE	FIND NO.	DRAWING NO.	DESCRIPTION	TYPE
21	B-AD-7019120-0-DBU	SOLENOID ASSY	E/M				
	K-PL-7019120-0-DBP	SOLENOID ASSY (PL)	E/M	29	B-DD-5415111-0	READ/WRITE BOARD	E/M
	C-MD-7425227-0-DBU	ARM, LIFTER	E/M				
22	B-1A-7018933-0-DBU	CABLE ASSY SOLENOID	E	30	B-AD-7019178-0-DBU	SECTOR LED HOLDER ASSY	E/M
	K-PL-7018933-0-DBP	CABLE ASSY SOLENOID (PL)	E		K-PL-7019178-0-DBP	SECTOR LED HOLDER ASSY (PL)	E/M
					D-MD-7425831-0-DBU	HOLDER, L.E.D.	M
23	B-1A-7018931-0-DBU	CABLE ASSY, TRACK-O-SENSOR	E	31	D-AD-7019175-0-DBU	MOTOR PCB ASSY	E/M
	K-PL-7018931-0-DBP	CABLE ASSY, TRACK-O-SENSOR (PL)	E		K-PL-7019175-0-DBU	MOTOR PCB ASSY (PL)	E/M
24	B-1A-7019118-0-DBU	BEZEL ASSY	M	32	B-DD-5415074-0	SPINDLE MOTOR SPEED CONTROL BOARD	E/M
	K-PL-7019118-0-DBP	BEZEL ASSY (PL)	M				
			M				
25	C-1A-7019783-0-DBU	BEZEL/LABEL ASSY	M				
	K-PL-7019783-0-DBP	BEZEL/LABEL ASSY (PL)	M				
	D-MD-7425242-0-DBU	BEZEL FRONT	M				
26	B-1A-7019041-0-DBU	CABLE ASSY BEZEL LED	E				
	K-PL-7019041-0-DBP	CABLE ASSY BEZEL LED (PL)	E				
27	B-DD-5415066-0	SEEK/INTERFACE BOARD	E/M				
28	D-AD-7019177-0-DBU	R/W PCB ASSY	E/M				
	K-PL-7019177-0-DBP	R/W PCB ASSY (PL)	E/M				

TYPE: E ELECTRICAL
M MECHANICAL
E/M ELECTRO/MECHANICAL



TITLE: RX50 DUAL FLOPPY DISK DRIVE
SHEET 6 OF 6
SIZE CODE BDD
NUMBER RX50-0
REV. A



NOTE: 75477 WILL BE REPLACED BY 75407
 ALL RESISTORS ARE 5%, 1/4W EXCEPT AS NOTED

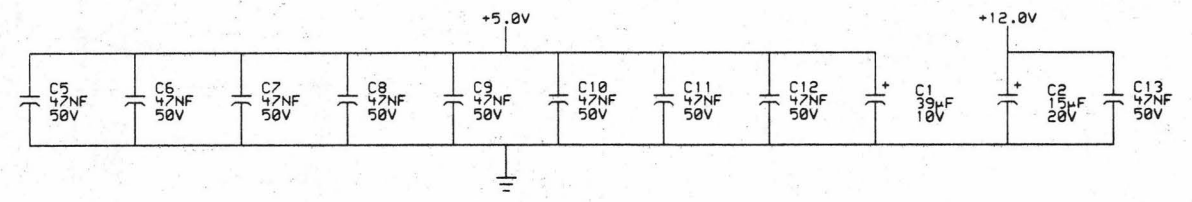
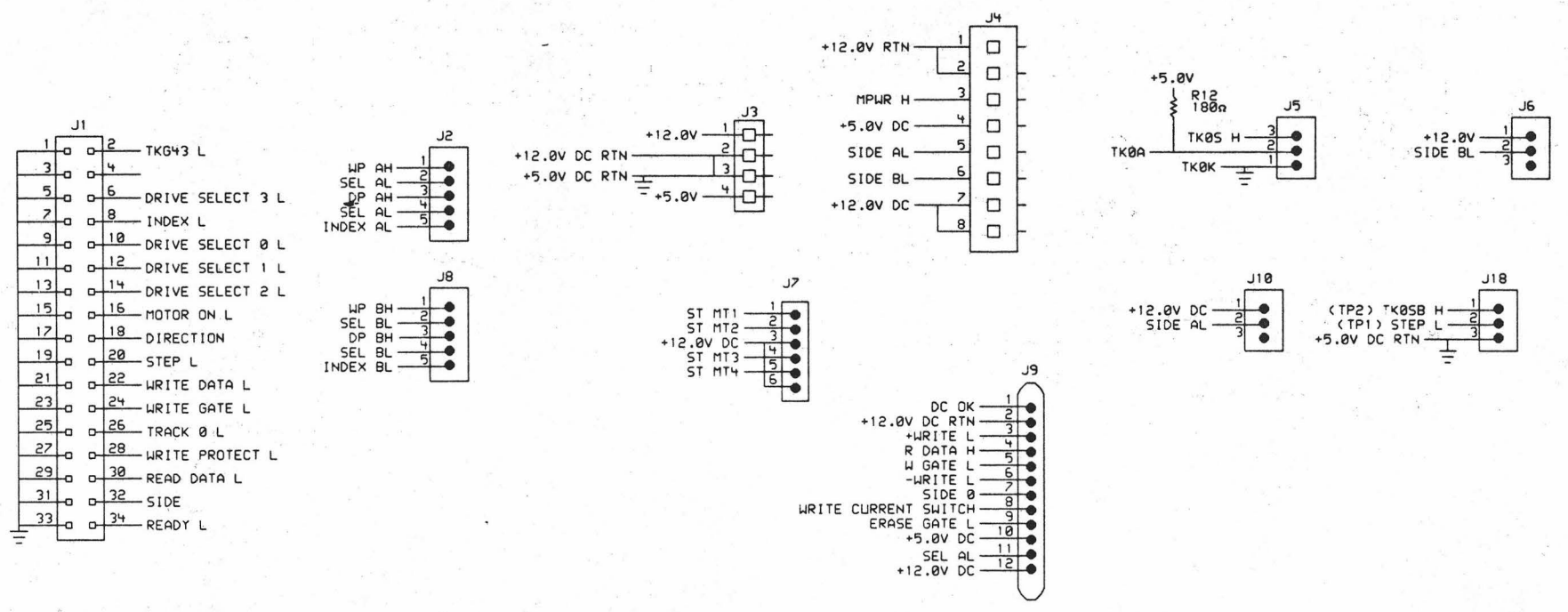
GND: PIN 7 Vcc: PIN 14
 E3, E4, E5, E6, E9, E10, E11, E13, E14, E16

GND: PIN 8 Vcc: PIN 16
 E12, E15

GND: PIN 4 Vcc: PIN 8
 E1, E2, E7, E8

REVISIONS	
CHK	CHANGE NO. REV

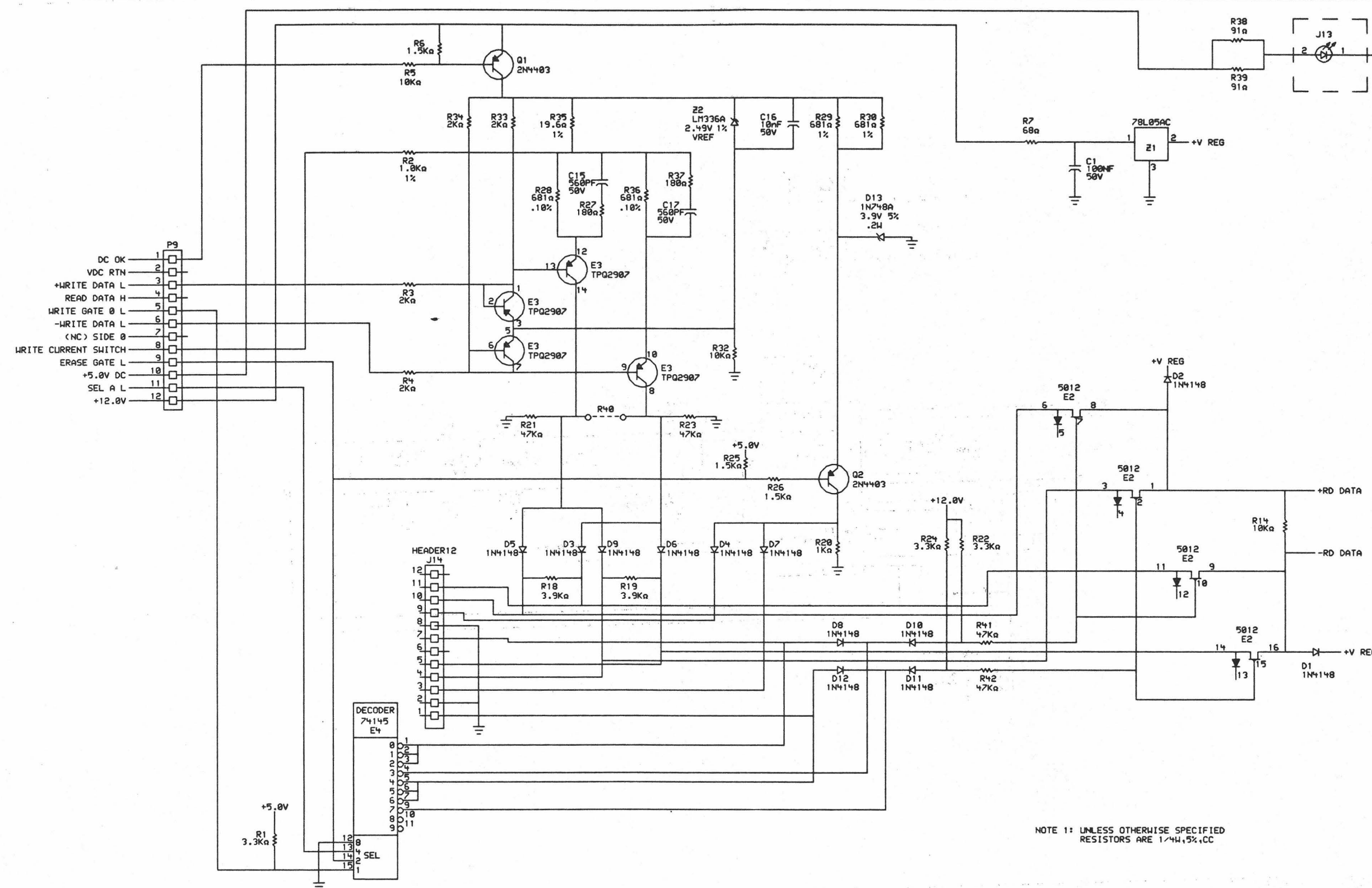
digital	DRN	R. AUBREY	DATE	21-MAY-82	ENG	J. CHAUVIN	DATE	21-MAY-82	TITLE:	SEEK AND INTERFACE					
	CHK'D	G. MARCEAU	DATE	21-MAY-82	BOARD LOCATION:										
FIRST USED ON OPTION/MODEL:		RX50		NEXT HIGHER ASSEMBLY:		B-DD-5415066-0		SIZE	D	CODE	CS	NUMBER	5415066-0-1	REV.	E



THIS DRAWING AND SPECIFICATIONS ARE THE PROPERTY OF DIGITAL EQUIPMENT CORPORATION AND SHALL NOT BE REPRODUCED OR COPIED OR USED IN WHOLE OR IN PART AS THE BASIS FOR THE MANUFACTURE OR SALE OF ITEMS WITHOUT WRITTEN PERMISSION. COPYRIGHT © 1982, DIGITAL EQUIPMENT CORPORATION.

REVISIONS		
CHK	CHANGE NO.	REV

digital	DRN. R AUBREY	DATE 21-MAY-82	ENG M CHAUTIN	DATE 21-MAY-82	TITLE: SEEK AND INTERFACE
	CHK. G MARCEAU	DATE 21-MAY-82	BOARD LOCATION: 2 OF 2	SHEET 2 OF 2	
PA: CRX50-LIB>5415066E2.DRW 21-MAY-82 09:18 NEXT HIGHER ASSEMBLY: B-DD-5415066-0					SIZE CODE D CS 5415066-0-1
FIRST USED ON OPTION/MODEL: RX50					NUMBER 5415066-0-1
					REV. E



THIS DRAWING AND SPECIFICATIONS ARE THE PROPERTY OF DIGITAL EQUIPMENT CORPORATION AND SHALL NOT BE REPRODUCED OR COPIED OR USED IN WHOLE OR IN PART AS THE BASIS FOR THE MANUFACTURE OR SALE OF ITEMS WITHOUT WRITTEN PERMISSION. COPYRIGHT © 1982, DIGITAL EQUIPMENT CORPORATION.

REVISIONS	
CHK	CHANGE NO. REV

digital	DRN	R. AUBREY	DATE	31-AUG-82	ENG	D. PAQUIN	DATE	31-AUG-82	TITLE:	RX50
	CHK'D	P. BOSSMAN	DATE	31-AUG-82			DATE	31-AUG-82	BOARD LOCATION:	
									SHEET	1 OF 2
									NEXT HIGHER ASSEMBLY:	
									SIZE CODE	K CS
									NUMBER	5415111-0-1
									REV.	F

8

7

6

5

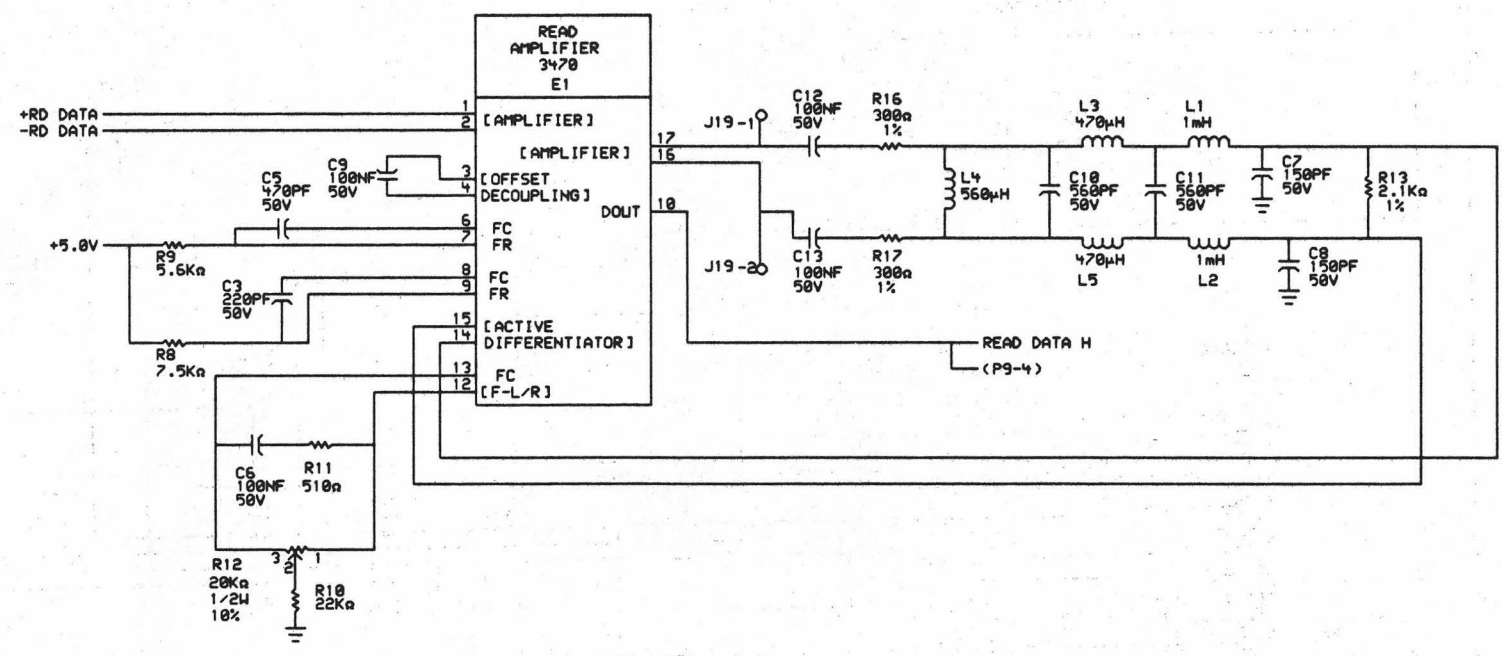
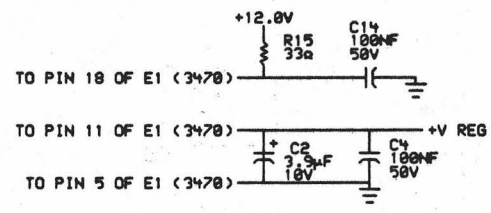
4

3

2

REV. 1-8-111511G CS K 300 325

1



THIS DRAWING AND SPECIFICATIONS ARE THE PROPERTY OF DIGITAL EQUIPMENT CORPORATION AND SHALL NOT BE REPRODUCED OR COPIED OR USED IN WHOLE OR IN PART AS THE BASIS FOR THE MANUFACTURE OR SALE OF ITEMS WITHOUT WRITTEN PERMISSION. COPYRIGHT © 1982, DIGITAL EQUIPMENT CORPORATION.

REVISIONS	
CHK	CHANGE NO. REV.

digital	DRW	E. R. AUBREY	DATE	31-AUG-82	ENG	G. PAQUIN	DATE	31-AUG-82	TITLE:	RX50
	CHK	P. BOSSMAN	DATE	31-AUG-82	BOARD LOCATION:	2	OF	2	READ/WRITE BD	
PARTS LIST: RX50-LIB 5415111F2.DRW 30-AUG-82 10:58 NEXT HIGHER ASSEMBLY: B-DD-5415111-0										
SIZE	CODE	NUMBER	REV.							
K	CS	5415111-0-1	F							

8

7

6

5

4

3

2

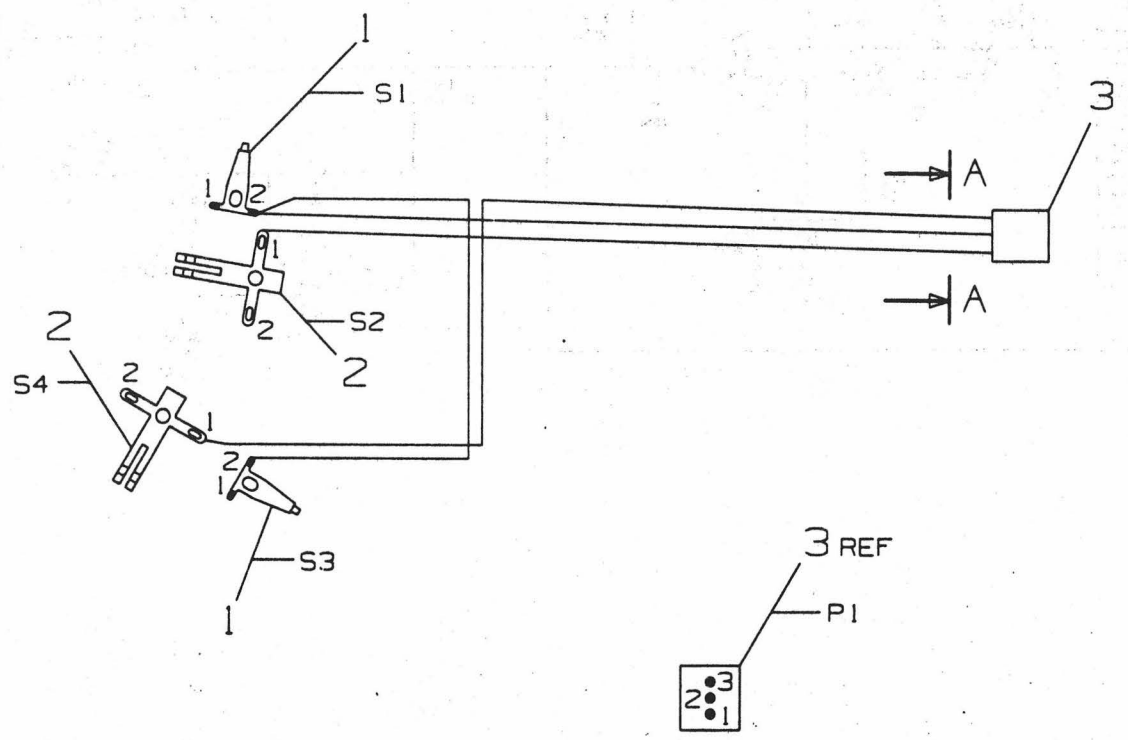
SHO

1

"THIS DRAWING AND SPECIFICATIONS HEREIN ARE THE PROPERTY OF DIGITAL EQUIPMENT CORPORATION AND SHALL NOT BE REPRODUCED OR COPIED OR USED IN WHOLE OR IN PART AS THE BASIS FOR THE MANUFACTURE OR SALE OF ITEMS WITHOUT WRITTEN PERMISSION.
 COPYRIGHT © 1982 DIGITAL EQUIPMENT CORPORATION"

WIRE TABLE							
ITEM NO.	AWG	COLOR	FROM		TO		PRECUT LENGTH
			CONN	WITH	CONN	WITH	
6	26	YEL	P1-1	---	S2-1	SLDR	7.38 ±.12
5	26	GRN	P1-2	---	S1-2	SLDR	7.38 ±.12
4	26	RED	P1-3	---	S4-1	SLDR	10.00 ±.12
5	26	GRN	S1-2	SLDR	S3-2	SLDR	7.70 ±.12

NOTES:



VIEW "A-A"

LEGEND		
PART NO.	REV	VARIATION
7018834-00	A1	AS SHOWN

LAYER 2 : FORMAT LAYER
 LAYER 1 : WORK LAYER
 PLOT AT : 1.00

CAUTION: OFF-SHEET PARTS LIST EXISTS
 SEE K-PL-7018834-0-DBP

REVISIONS	REV.	INITIAL
CHK	CHANGE NO.	
MC		A

FIRST HIGHER ASS'Y
 D-AD-7018932-0-DBU

DESCRIPTION	DRAWING NO.	PART NO.	ITEM NO.
UNLESS OTHERWISE SPECIFIED DIMENSIONS ARE IN INCHES AND THE FOLLOWING TOLERANCES APPLY (PER DEC STD 114)			
INCHES TOLERANCES .X = ±.1 .XX = ±.02 .XXX = ±.005	ANGLES ±0° 30'	APPLICABLE DIMENSION RANGE	
		DIMENSION RANGE IN INCHES	
SURFACE QUALITY <input type="checkbox"/> MICROINCHES	MICROINCHES	OVER 0 TO 0.2	OVER 0.2 TO 1.2
		OVER 1.2 TO 4.0	OVER 4.0 TO 12.0
		OVER 12.0 TO 40.0	OVER 40.0 TO 80.0
		±.004 ±.008 ±.012 ±.018 ±.024 ±.04	±.03 ±.05 ±.10 ±.12 ±.15 ±.20
THIRD ANGLE PROJECTION	DRN A. PINKARD	DATE 9 MAR 81	TITLE digital
DO NOT SCALE DRAWING	CHK'D M. CARMAN	DATE 12 MAR 82	CABLE ASSY, WRITE/PROTECT
REMOVE BURRS AND BREAK SHARP CORNERS	DES. ENG. D. WARREN	DATE 12 MAR 82	
MATERIAL	RESP. ENG. M. CARMAN	DATE 12 MAR 82	DOCUMENT NUMBER
SEE PARTS LIST	MFG. ENG. G. AIKEY	DATE 12 MAR 82	SIZE CODE NUMBER C IA 7018834-0-DBU
FINISH	TOP DOC. C-IA-7018834-0-DBU	SCALE NONE	REV. A

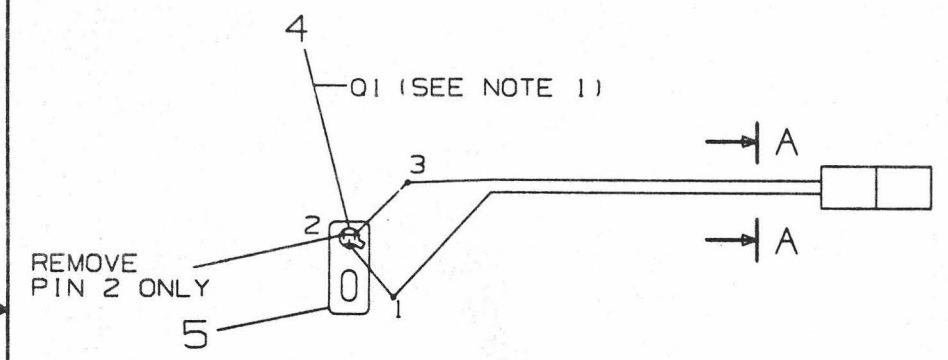
REV. A
 NUMBER
 CIA 7018834-0-DBU
 B

1 ML1

"THIS DRAWING AND SPECIFICATIONS HEREIN ARE THE PROPERTY OF DIGITAL EQUIPMENT CORPORATION AND SHALL NOT BE REPRODUCED OR COPIED OR USED IN WHOLE OR IN PART AS THE BASIS FOR THE MANUFACTURE OR SALE OF ITEMS WITHOUT WRITTEN PERMISSION.
 COPYRIGHT © 1982 DIGITAL EQUIPMENT CORPORATION"

WIRE TABLE							
ITEM NO.	DESCRIPTION		FROM		TO		PRECUT LENGTH
	AWG	COLOR	CONN	WITH	CONN	WITH	
2	26	ORN	PI-1	---	Q1-1	SLDR	6.00 ±.12
3	26	BLU	PI-2	---	Q1-3	SLDR	6.00 ±.12

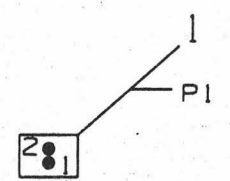
NOTES:
 1. ORIENT Q1 AS SHOWN.



LEGEND		
PART NO.	REV	VARIATION
7018835-00	A1	AS SHOWN

LAYER 2 : FORMAT LAYER
 LAYER 1 : WORK LAYER
 PLOT AT : 1.00

CAUTION: OFF-SHEET PARTS LIST EXISTS
 SEE K-PL-7018835-0-DBP



VIEW "A-A"

FIRST HIGHER ASS'Y
 D-AD-7018932-0-DBU

REV.	INITIAL
A	

DESCRIPTION	DRAWING NO.	PART NO.	ITEM NO.
UNLESS OTHERWISE SPECIFIED DIMENSIONS ARE IN INCHES AND THE FOLLOWING TOLERANCES APPLY (PER DEC STD 114)			
INCHES TOLERANCES	ANGLES ±0° 30'	APPLICABLE DIMENSION RANGE	
		CHECK ONE:	
SURFACE QUALITY	MICROINCHES	DIMENSION RANGE IN INCHES	
		OVER 0 TO 0.2	
THIRD ANGLE PROJECTION	DO NOT SCALE DRAWING	REMOVE BURRS AND BREAK SHARP CORNERS	
		MATERIAL	
FINISH	SEE PARTS LIST	DOCUMENT NUMBER	
		SCALE NONE SHEET 1 OF 1	

REV.	DATE	TITLE
A	6 MAR 81	CABLE ASSY, INDEX
B	12 MAR 82	
C	12 MAR 82	
D	12 MAR 82	
E	12 MAR 82	

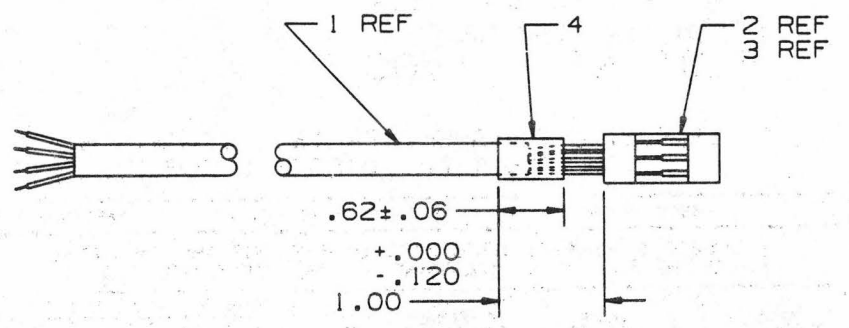
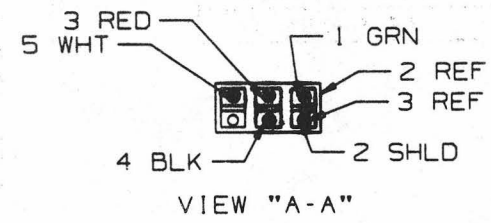
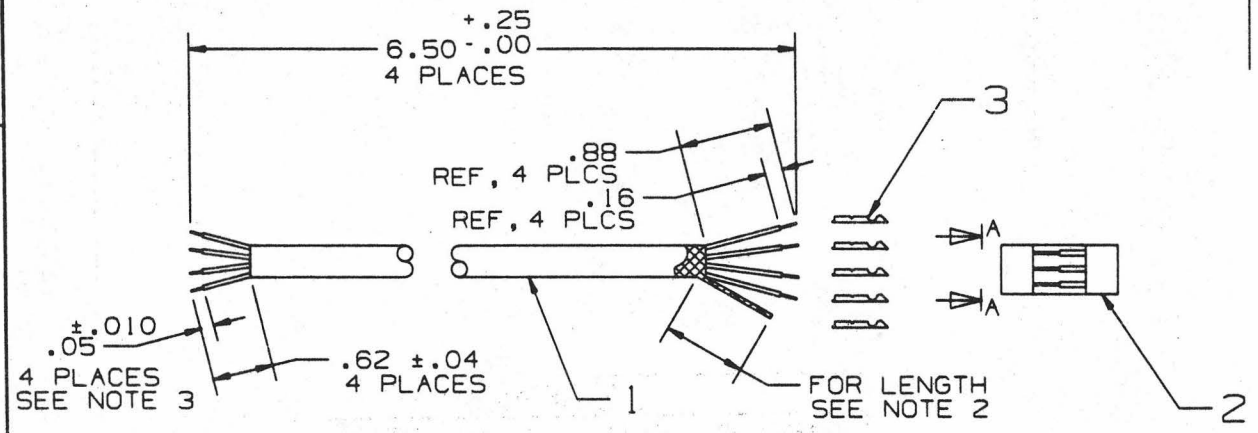
SIZE	CODE	NUMBER	REV.
C	IA	7018835-0-DBU	A

REV. A
 NUMBER 7018835-0-DBU
 SIZE CODE C IA
 SHEET 1 OF 1

"THIS DRAWING AND SPECIFICATIONS, HEREIN, ARE THE PROPERTY OF DIGITAL EQUIPMENT CORPORATION AND SHALL NOT BE REPRODUCED OR COPIED OR USED IN WHOLE OR IN PART AS THE BASIS FOR THE MANUFACTURE OR SALE OF ITEMS WITHOUT WRITTEN PERMISSION. COPYRIGHT © 1982 DIGITAL EQUIPMENT CORPORATION"

LEGEND		
PART NO.	REV	VARIATION
7018418-00	A2	AS SHOWN

- NOTES:
- CLEAR PLASTIC SHEATH OF ITEM 1 SHALL BE RECESSED A MAXIMUM OF .12 FROM BREAKOUT POINT.
 - SHIELD IS USED AS STRAIN RELIEF. WHEN CRIMP SOCKETS (ITEM 3) ARE INSERTED INTO CONNECTOR (ITEM 2), ALL WIRES EXCEPT SHIELD SHALL BE SLACK.
 - CONDUCTORS TO BE TWISTED AND TINNED FOR A LENGTH OF .03 MIN. .03 WILL BE MEASURED FROM END OF CONDUCTOR.



LAYER 2 : FORMAT LAYER
 LAYER 1 : WORK LAYER
 PLOT AT : 1.00
 CAUTION: OFF-SHEET PARTS LIST EXISTS
 SEE K-PL-7018418-0-DBP

REVISIONS	
REV.	CHG
A	INITIAL
B	7018418-00
C.W.FIELDS 2/2/83	
RALPH BERTHAUME	

FIRST HIGHER ASS'Y
 C-1A-7018708-0-DBU

DESCRIPTION	DRAWING NO.	PART NO.	ITEM NO.
UNLESS OTHERWISE SPECIFIED DIMENSIONS ARE IN INCHES AND THE FOLLOWING TOLERANCES APPLY (PER DEC STD 114)			
INCHES TOLERANCES	ANGLES 30° 30'	APPLICABLE DIMENSION RANGE	
		DIMENSION RANGE IN INCHES	
SURFACE QUALITY	MICROINCHES	OVER 0 TO 0.2	OVER 0.2 TO 1.2
		OVER 1.2 TO 4.0	OVER 4.0 TO 12.0
THIRD ANGLE PROJECTION	DO NOT SCALE DRAWING	REMOVE BURRS AND BREAK SHARP CORNERS	MATERIAL SEE PARTS LIST
DRN A. PINKARD	DATE 26 FEB 81	TITLE digital	
CHK'D R. PUDELKO	DATE 12 MAR 82	CABLE ASSY, R/W	
DES. ENG. D. WARREN	DATE 12 MAR 82	DOCUMENT NUMBER	
RESP. ENG. M. CARMAN	DATE 12 MAR 82	SIZE CODE	NUMBER
MFG. ENG. J. CHERNOVA	DATE 12 MAR 82	C	IA7018418-0-DBU
SCALE NONE		REV.	B
SHEET		1 OF 1	

REV. B
 NUMBER C IA 7018418-0-DBU

4 3 2 1

D C B A

4 3 2 1 SHO

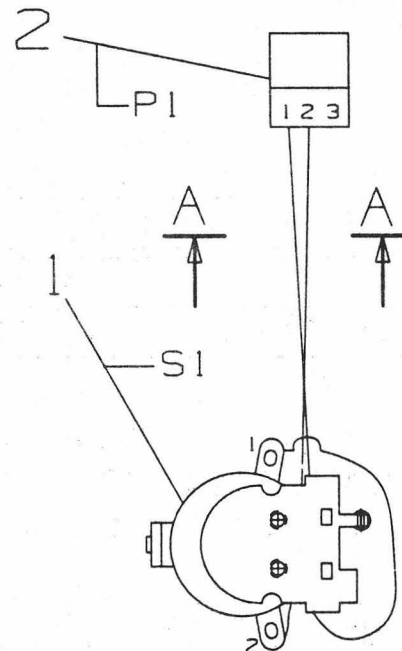
"THIS DRAWING AND SPECIFICATIONS, HEREIN, ARE THE PROPERTY OF DIGITAL EQUIPMENT CORPORATION AND SHALL NOT BE REPRODUCED OR COPIED OR USED IN WHOLE OR IN PART AS THE BASIS FOR THE MANUFACTURE OR SALE OF ITEMS WITHOUT WRITTEN PERMISSION.
 COPYRIGHT © 1982 DIGITAL EQUIPMENT CORPORATION"

WIRE TABLE

ITEM NO.	DESCRIPTION		FROM		TO		REMARKS (PRECUT LENGTH)
	AWG	COLOR	CONN	WITH	CONN	WITH	
3	26	BLU	PI-2	---	SI-2	SLDR	4.00 ±.12
4	26	YEL	PI-1	---	SI-1	SLDR	5.00 ±.12

NOTES:

- ROUTE BLUE WIRE BETWEEN FRAME & COIL HSG.
- ROUTE YELLOW WIRE AROUND BACK OF FRAME THEN BETWEEN FRAME & COIL HSG.



VIEW "A-A"

LEGEND		
PART NO.	REV	VARIATION
7018933-00	A1	AS SHOWN

LAYER 2: FORMAT LAYER
 LAYER 1: WORK LAYER
 PLOT AT: 1.00

CAUTION: OFF-SHEET PARTS LIST EXISTS
 SEE K-PL-7018933-0-DBP

REV. NO.	REV.	INITIAL
1	A	

FIRST HIGHER ASS'Y B-AD-7019120-0-DBU

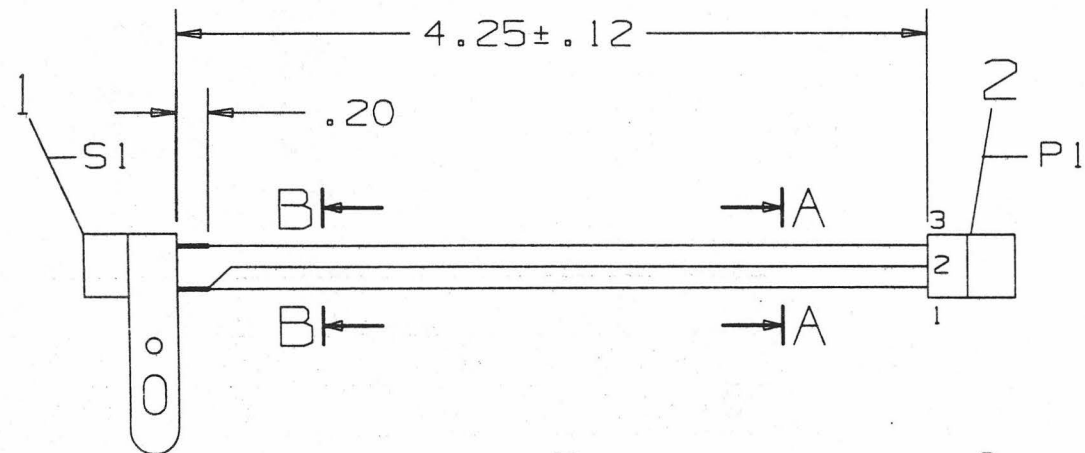
DESCRIPTION	DRAWING NO.	PART NO.	ITEM NO.
UNLESS OTHERWISE SPECIFIED DIMENSIONS ARE IN INCHES AND THE FOLLOWING TOLERANCES APPLY (PER DEC STD 114)			
INCHES TOLERANCES	DIMENSION RANGE IN INCHES		
	OVER 0.2 TO 0.3	OVER 0.3 TO 1.2	OVER 1.2 TO 4.0
ANGLES ±0° 30'	SURFACE QUALITY		
APPLICABLE DIMENSION RANGE	MICROINCHES		
DO NOT SCALE DRAWING	DRN A. PINKARD	DATE 13 NOV 81	TITLE CABLE ASSY SOLENOID
REMOVE BURRS AND BREAK SHARP CORNERS	CHK'D R. PUDELKO	DATE 12 MAR 82	DES. ENG. D. WARREN
MATERIAL SEE PARTS LIST	RESP. ENG. M. CARMAN	DATE 12 MAR 82	RES. ENG. M. CARMAN
FINISH NONE	MFG. ENG. G. AIKEY	DATE 12 MAR 82	MFG. ENG. G. AIKEY
	TOP DOC. B-1A-7018933-0-DBU	SCALE NONE	SHEET 1 OF 1

"THIS DRAWING AND SPECIFICATIONS, HEREIN, ARE THE PROPERTY OF DIGITAL EQUIPMENT CORPORATION AND SHALL NOT BE REPRODUCED OR COPIED OR USED IN WHOLE OR IN PART AS THE BASIS FOR THE MANUFACTURE OR SALE OF ITEMS WITHOUT WRITTEN PERMISSION.
 COPYRIGHT © 1982 DIGITAL EQUIPMENT CORPORATION"

WIRE TABLE

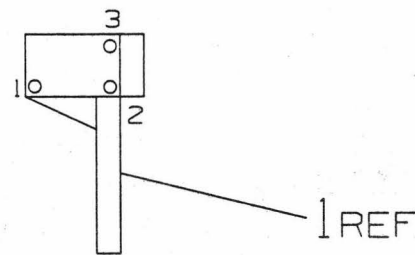
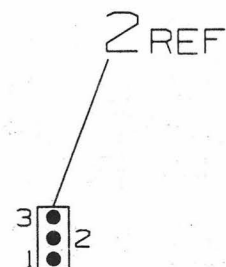
ITEM NO.	DESCRIPTION		FROM		TO		REMARKS (PRECUT LENGTH)
	AWG	COLOR	CONN	WITH	CONN	WITH	
3	26	YEL	P1-3	---	S1-3	SLDR	4.25 ± .12
4	26	RED	P1-2	---	S1-1	SLDR	4.25 ± .12
5	26	BLU	P1-1	---	S1-2	SLDR	4.25 ± .12

NOTES:



VIEW "A-A"

VIEW "B-B"



LEGEND		
PART NO.	REV	VARIATION
7018931-00	A1	AS SHOWN

LAYER 2: FORMAT LAYER
 LAYER 1: WORK LAYER
 PLOT AT : 1.00

CAUTION: OFF-SHEET PARTS LIST EXISTS
 SEE K-PL-7018931-0-DBP

REVISIONS	REV.	INITIAL
CHK	NO.	A
RP		

FIRST HIGHER ASS'Y E-UA-RX50-0-DBU

DESCRIPTION	DRAWING NO.	PART NO.	ITEM NO.
UNLESS OTHERWISE SPECIFIED DIMENSIONS ARE IN INCHES AND THE FOLLOWING TOLERANCES APPLY (PER DEC STD 114)			
INCHES TOLERANCES .X: ± .1 .XX: ± .02 .XXX: ± .005	ANGLES ±0° 30' SURFACE QUALITY <input checked="" type="checkbox"/> MICROINCHES	APPLICABLE DIMENSION RANGE	
		DIMENSION RANGE IN INCHES	
		OVER 0.2 TO 0.2	OVER 0.2 TO 1.2
		OVER 1.2 TO 3.0	OVER 3.0 TO 12.0
		OVER 12.0 TO 40.0	OVER 40.0 TO 80.0
		±.02	±.03
		±.05	±.10
		±.004	±.008
		±.012	±.018
		±.024	±.04
THIRD ANGLE PROJECTION 	DRN A. PINKARD DATE 12 NOV 81	TITLE CABLE ASSY, TRACK 0 SENSOR	
DO NOT SCALE DRAWING	CHK'D R. PUDELKO DATE 12 MAR 82	DOCUMENT NUMBER	
REMOVE BURRS AND BREAK SHARP CORNERS	DES. ENG. D. WARREN DATE 12 MAR 82	SCALE NONE	
MATERIAL SEE PARTS LIST	RESP. ENG. M. CARMAN DATE 12 MAR 82	SHEET 1 OF 1	
FINISH NONE	MFG. ENG. G. AIKEY DATE 12 MAR 82	REV. A	
	TOP DOC. B-1A-7018931-0-DBU	ML 1	

4

3

2

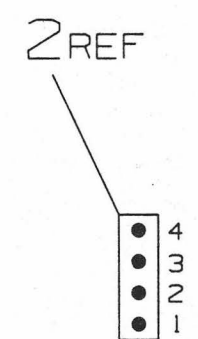
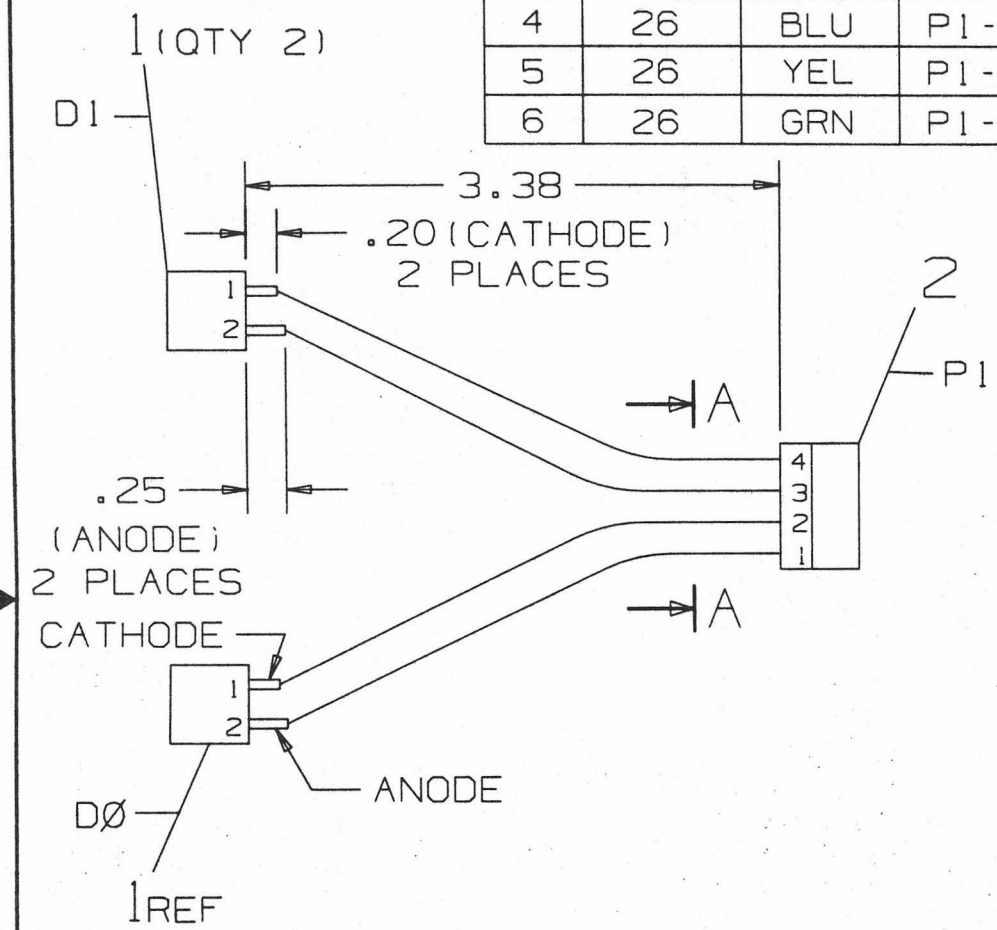
1 ML 1

"THIS DRAWING AND SPECIFICATIONS, HEREIN, ARE THE PROPERTY OF DIGITAL EQUIPMENT CORPORATION AND SHALL NOT BE REPRODUCED OR COPIED OR USED IN WHOLE OR IN PART AS THE BASIS FOR THE MANUFACTURE OR SALE OF ITEMS WITHOUT WRITTEN PERMISSION.
 COPYRIGHT © 1982 DIGITAL EQUIPMENT CORPORATION"

WIRE TABLE

ITEM NO.	DESCRIPTION		FROM		TO		REMARKS (PRECUT LENGTH)
	AWG	COLOR	CONN	WITH	CONN	WITH	
3	26	RED	P1-2	—	DØ-1	SLDR	3.50 ±.12
4	26	BLU	P1-1	—	DØ-2	SLDR	3.50 ±.12
5	26	YEL	P1-4	—	D1-1	SLDR	3.50 ±.12
6	26	GRN	P1-3	—	D1-2	SLDR	3.50 ±.12

NOTES:
 1. BEFORE SOLDERING, ADD ITEM 7 (SHRINK TUBING) 4 PLACES.



LEGEND		
PART NO.	REV	VARIATION
7019041-00	A1	AS SHOWN

LAYER 2: FORMAT LAYER
 LAYER 1: WORK LAYER
 PLOT AT: 1.00

CAUTION: OFF-SHEET PARTS LIST EXISTS
 SEE K-PL-7019041-0-DBP

REV.	INITIAL
A	

FIRST HIGHER ASS'Y B-1A-7019118-0-DBU

DESCRIPTION	DRAWING NO.	PART NO.	ITEM NO.
UNLESS OTHERWISE SPECIFIED DIMENSIONS ARE IN INCHES AND THE FOLLOWING TOLERANCES APPLY (PER DEC STD 114)			
INCHES TOLERANCES	DIMENSION RANGE IN INCHES		
	OVER 0 TO 0.2	OVER 0.2 TO 1.2	OVER 1.2 TO 4.0
APPLICABLE DIMENSION RANGE	OVER 4.0 TO 12.0	OVER 12.0 TO 40.0	OVER 40.0 TO 80.0
ANGLES ±0° 30'	SURFACE QUALITY		
QUANTITY & VARIATION	MICROINCHES		
THIRD ANGLE PROJECTION	DRN A. PINKARD	DATE 13 NOV 81	TITLE digital
DO NOT SCALE DRAWING	CHK'D R. PUDELKO	DATE 12 MAR 82	CABLE ASSY
REMOVE BURRS AND BREAK SHARP CORNERS	DES. ENG. D. WARREN	DATE 12 MAR 82	BEZEL LED
MATERIAL	RESP. ENG. M. CARMAN	DATE 12 MAR 82	DOCUMENT NUMBER
SEE PARTS LIST	MFG. ENG. G. AIKEY	DATE 12 MAR 82	SIZE CODE NUMBER B IA 7019041-0-DBU
FINISH NONE	TOP DOC. B-1A-7019041-0-DBU	SCALE NONE	REV. A SHEET 1 OF 1

AUTOMATED BY PRTLST.4Q(46)

PARTS LIST

SHEET A1 OF A1

LINE ITEM	DOCUMENT NUMBER	PART NUMBER	DESCRIPTION	QUANTITY PER VARIATION
1	1 D-UA-5415084-0-0	5415084-FA	C.T. RAM 128 KB	1

- 2 NOTE: 5415084-FA IS A PRIMARY VARIATION (NOT A MODULE TYPE).
- 3 NOTE: 5415084-FC IS A MODULE TYPE USING FUJITSU 64K MOS DEVICES.
- 4 NOTE: 5415084-FF IS A MODULE TYPE USING HITACHI 64K MOS DEVICES.
- 5 NOTE: 5415084-FH IS A MODULE TYPE USING NEC 64K MOS DEVICES.

REVISION HISTORY		BASIC PART NO: MSC11		DRN: M. THOMPSON		DATE: 3-JUN-82		D I G I T A L			
ENG:	ECO NUMBER	REV	SECTION A OF A	CHK'D:	D. HEALY	DATE:	24-JUN-82	TITLE PARTS LIST			
---	INITIAL	A	SECTION VARIATION INDEX					CT MEMORY, 128 KB			
			[A] A	DES.ENG.:	L. CHISVIN	DATE:	24-JUN-82	DOCUMENT NUMBER			
			[B]	RESP.ENG.:	R. ELY	DATE:	24-JUN-82	SIZE	CODE	NUMBER	REV
			[C]	MFG.ENG.:	R. SCHAAF	DATE:	24-JUN-82	K	PL	MSC11-A-DBP	A
			[D]	ASSEMBLY NUMBER:	#B-DD-MS11-A	TOP DOCUMENT NUMBER:	E-UA-PC350-0-0	FILE NAME:		Z4787A.PLS	EDIT #
			[E]								10
			[F]	"THIS DRAWING AND SPECIFICATIONS HEREIN, ARE THE PROPERTY OF DIGITAL EQUIPMENT CORPORATION AND SHALL NOT BE REPRODUCED OR COPIED OR USED IN WHOLE OR IN PART AS THE BASIS FOR THE MANUFACTURE OR SALE OF ITEMS WITHOUT WRITTEN PERMISSION. COPYRIGHT (C) 1983. DIGITAL EQUIPMENT CORPORATION "							

DRAWING NO.	NO. OF SHTS.	PART NO.	DESCRIPTION	REVISIONS															
		5415084	CT RAM	A	A														
D-UA-5415084-0-0	1		CT RAM	A	A														
D-CS-5415084-0-RAM1	1		CT RAM	A	A														
D-CS-5415084-0-RAM2	1		CT RAM	A	A														
K-PL-5415084-0-DBP	1		PARTS LIST DATA BASE	A	INA														
K-PC-5415084-0-DBC	-		P.C. DESIGN DATA BASE	A	A														
		5015083	ETCHED BOARD	D	D														
D-MD-5015083-0-0	1		CIRCUIT DRILL & ETCH	A	A														
D-EC-5015083-0-0	1		ETCH CUT DWG.	A	A														
K-CS-5415084-0-DBS	-		CIRCUIT SCHEMATIC DATA BASE	A	A														
K-PL-5415084-FA-DBP	1		PARTS LIST DATA BASE	-	B														

NOTES:

REVISIONS		DATE	CHG NO.	REV.
		9MAR82	ORIG	A
		11/82	SH001	B

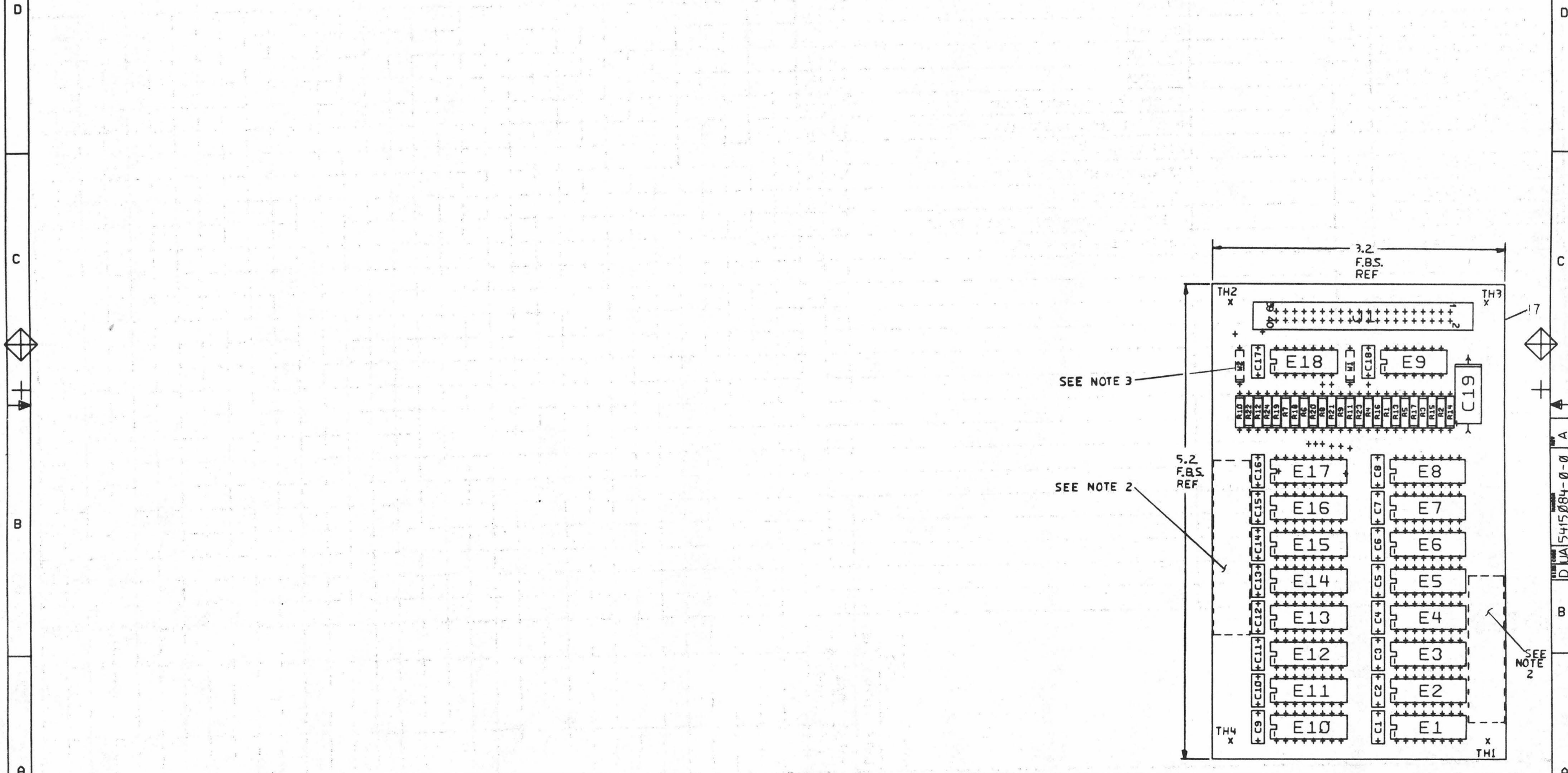
"THIS DRAWING AND SPECIFICATIONS, HEREIN, ARE THE PROPERTY OF DIGITAL EQUIPMENT CORPORATION AND SHALL NOT BE REPRODUCED OR COPIED OR USED IN WHOLE OR IN PART AS THE BASIS FOR THE MANUFACTURE OR SALE OF ITEMS WITHOUT WRITTEN PERMISSION.
 COPYRIGHT © 1982 DIGITAL EQUIPMENT CORPORATION



USED ON OPTION/MODEL	DRN. V. MANGAUDIS	23 FEB 82	TITLE	CT RAM, 128 KB
MSC11-A	CHK'D P. Bosman	23 MAR 82	SIZE	DD
	ENG. Richard J. Ely	11/30/82	NUMBER	5415084-0
	PROD. Bob Schoof	20 APR 82	REV.	B
			SHEET 1 OF 1	

8 7 6 5 4 3 2 1

THIS DRAWING AND SPECIFICATIONS, HEREIN, ARE THE PROPERTY OF DIGITAL EQUIPMENT CORPORATION AND SHALL NOT BE REPRODUCED OR COPIED IN WHOLE OR IN PART AS THE BASIS FOR THE CONSTRUCTION OR SALE OF ITEMS WITHOUT WRITTEN PERMISSION. COPYRIGHT © 1982 DIGITAL EQUIPMENT CORPORATION



NOTES: 1. THIS BOARD MEETS REQUIREMENTS FOR UL RATING 94V0.
 2. THIS SPACE MUST BE LEFT CLEAR FOR BAR CODE LABEL SIDE 2.
 3. W1 & W2 ARE NOT TO BE INSTALLED.

STEP E	→ Y AXIS 3.20	STEP J	TIMES
REPURT	→ X AXIS 3.20	STEP 4	TIMES

CHG	NO	REV

ETCH REV. D

SIGNATURES		DATE	digital
DRN. V. Mangano		21 MAR 82	
CHK'D. P. Swann		23 MAR 82	TITLE CT RAM
MECH. ENG. P. Swann		23 MAR 82	
PROJ. ENG. P. Swann		23 MAR 82	
PROD. B. Swann		23 MAR 82	SIZE CODE NUMBER REV D UA 5415084-0-0 A
SCALE 2/1			
SHT. 1 OF 1			ML2 1 WO#160312
NEXT HIGHER ASSY. B-DD-5415084-0			

8 7 6 5 4 3 2 1

AUTOMATED BY PRTLST.3P(44)

PARTS LIST

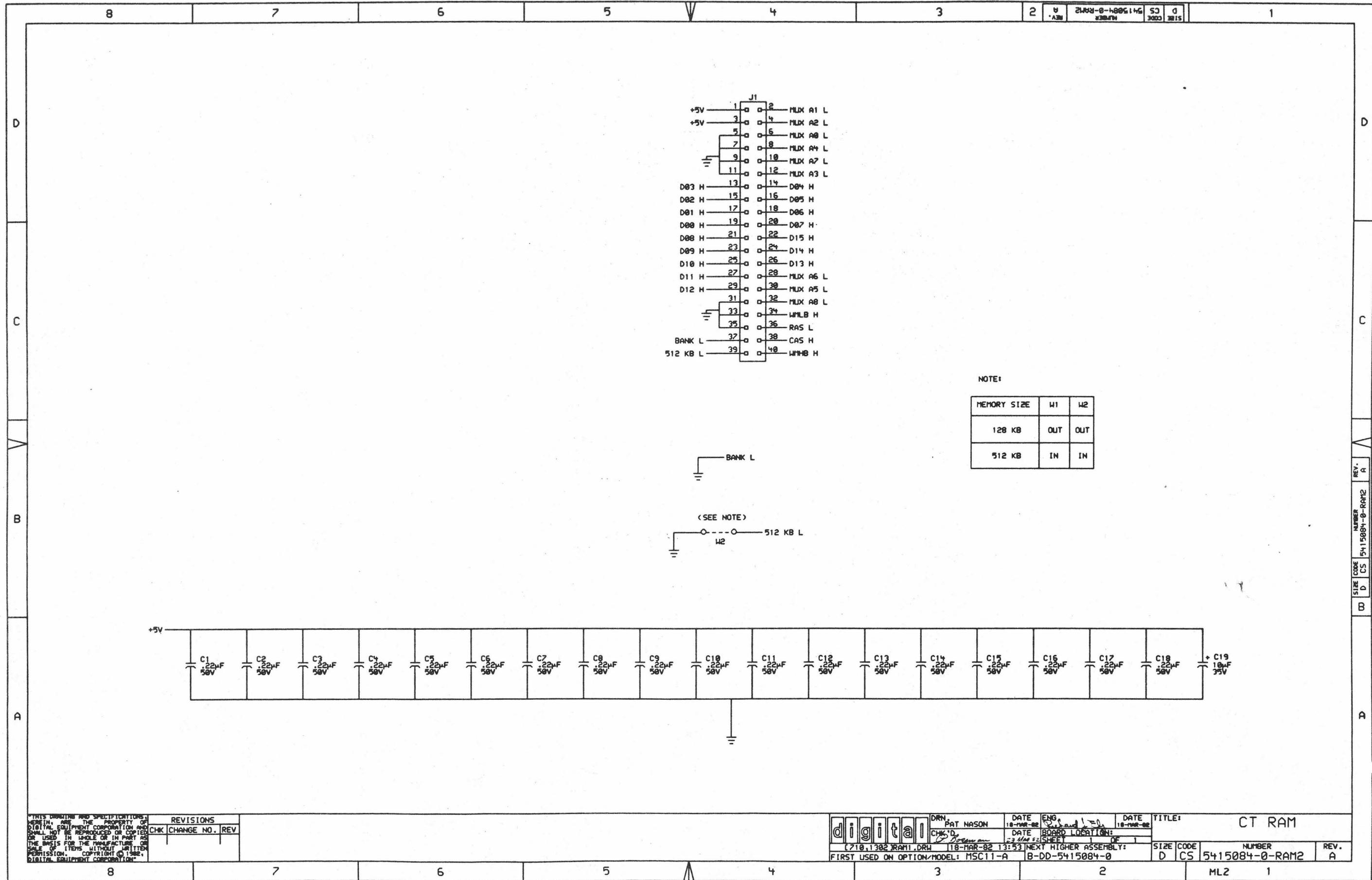
SHEET A1 OF A1

LINE	ITEM	DOCUMENT NUMBER	PART NUMBER	DESCRIPTION	QTY PER VARIATION			REFERENCE DESIGNATOR
					FC	FF	FH	
1	1	B-DD-5415084-0		DRAWING DIRECTORY	REF	REF	REF	
2	2	D-UA-5415084-0-0		UNIT ASSY	REF	REF	REF	
3	3	D-MD-5015083-0-0		CIRCUIT DRILL & ETCH	REF	REF	REF	
4	4	D-EC-5015083-0-0		ETCH CUT DRAWING	REF	REF	REF	
5	5	D-CS-5415084-0-RAM1		CIRCUIT SCHEMATIC	REF	REF	REF	
6	6	D-CS-5415084-0-RAM2		CIRCUIT SCHEMATIC	REF	REF	REF	
7	7		1014265-00	.22 MFD 50V +80-20% CER	18	18	18	C1-C18
8	8		1017472-00	10 MFD 35V +50-10% AL EL	1	1	1	C19
9	9		1219065-00	CONN,P+S 40POS	1	1	1	J1
10	10		1300202-00	47.0 .25 W 5.0 % CF	11	11	11	R13-R21,R23,R24
11	11		1300365-00	1.0 K .25 W 5.0 % CF	12	12	12	R1-R12
12	12		1301969-00	22.0 .25 W 5.0 % CF	1	1	1	R22
13	13		1910534-00	74504 INVERTER GATE-HEX 1I	2	2	2	E9,E18
14	14		2118467-01	8264-20 RAM 64K X1,200NS 1	16	-	-	E1-E8,E10-E17
15	15		2118470-01	4864-1 MOS RAM 64K X1,200	-	16	-	E1-E8,E10-E17
16	16		2118472-01	4164-2 MOS RAM 64K X1,200	-	-	16	E1-E8,E10-E17
17	17		5015083-00	DRILL AND ETCH BD.	1	1	1	

- 18 NOTE: 5415084-FA IS A PRIMARY VARIATION (NOT A MODULE TYPE).
- 19 NOTE: 5415084-FC IS A MODULE TYPE USING FUJITSU 64K MOS DEVICES.
- 20 NOTE: 5415084-FF IS A MODULE TYPE USING HITACHI 64K MOS DEVICES.
- 21 NOTE: 5415084-FH IS A MODULE TYPE USING NEC 64K MOS DEVICES.

REVISION HISTORY			BASIC PART NO: 5415084		D I G I T A L	
ENG:	ECO NUMBER	REV	SECTION A OF A	DRN:	D.DINGELDEIN	DATE: 19-OCT-81
RE	INITIAL	A	SECTION VARIATION INDEX	CHK'D:	P.BOSSMAN	DATE: 19-OCT-81
R.E	5415084-SH001	B	[A] FC,FF,FH	DES.ENG:	R.ELY	DATE: 19-OCT-81
			[B]	RESP.ENG.:	R.ELY	DATE: 19-OCT-81
			[C]	MFG.ENG.:	B.HELLAWELL	DATE: 19-OCT-81
			[D]	ASSEMBLY NUMBER:	D-UA-5415084-0-0	TOP DOCUMENT NUMBER:
			[E]			#B-DD-5415084-0
			[F]			FILE NAME:
			[G]			Z2484B.PLS
			[H]			EDIT #:
			[J]			14
			[K]			
			[L]			
			[M]			
			[N]			

"THIS DRAWING AND SPECIFICATIONS HEREIN, ARE THE PROPERTY OF DIGITAL EQUIPMENT CORPORATION AND SHALL NOT BE REPRODUCED OR COPIED OR USED IN WHOLE OR IN PART AS THE BASIS FOR THE MANUFACTURE OR SALE OF ITEMS WITHOUT WRITTEN PERMISSION. COPYRIGHT (C) 1983. DIGITAL EQUIPMENT CORPORATION "



THIS DRAWING AND SPECIFICATIONS HEREIN ARE THE PROPERTY OF DIGITAL EQUIPMENT CORPORATION AND SHALL NOT BE REPRODUCED OR COPIED OR USED IN WHOLE OR IN PART AS THE BASIS FOR THE MANUFACTURE OR SALE OF ITEMS WITHOUT WRITTEN PERMISSION. COPYRIGHT © 1982, DIGITAL EQUIPMENT CORPORATION.

REVISIONS		
CHK	CHANGE NO.	REV.

digital	DRN: PAT NASON	DATE: 18-MAR-82	ENG: [Signature]	DATE: 18-MAR-82	TITLE: CT RAM
	CHK'D: [Signature]	DATE: 23-MAR-82	BOARD LOCATION: 1 OF 1		
FIRST USED ON OPTION/MODEL: MSC11-A			NEXT HIGHER ASSEMBLY: B-DD-5415084-0		
SIZE CODE: D CS	NUMBER: 5415084-0-RAM2	REV.: A			