

digital

UC15-Ø

Engineering Drawings

Digital Equipment Corporation

The material herein is for information purposes only and is subject to change without notice. Digital Equipment Corporation assumes no responsibility for any errors which may appear herein.

These drawings and specifications herein are the property of Digital Equipment Corporation and shall not be reproduced or copied or used in whole or in part as the basis for the manufacture or sale of items without written permission.

Copyright © 1975, Digital Equipment Corporation

DRAWING DIRECTORY

CUSTOMER PRINT SET INDEX

THIS IS PRINT SET

SEQUENCE		SEQUENCE	
DRAWING DIRECTORY UC15		UNIBUS POWER FAIL	
UNICHANNEL 15 (UC15)	B-DD-UC15-0	DRIVERS	D-CS-M688-0-1
UNICHANNEL 15 (UC15)(PL)	D-UA-UC15-0-0	UNIBUS DRIVERS	B-CS-M783-0-1
ENGINEERING SPEC.	A-PL-UC15-0-0	UNIBUS DRIVERS (PL)	A-PL-M783-0-0
CUST. ACPT. PROCEDURE	A-SP-UC15-0-1	UNIBUS RECEIVERS	B-CS-M784-0-1
ACCESSORY LIST	A-SP-UC15-0-4	UNIBUS RECEIVERS (PL)	A-PL-M784-0-0
SOFTWARE LIST	A-AL-UC15-0-5		
	A-SL-UC15-0-6		
MX CONTROL		I/O CABLE (BC08R)	
11 ARRIVING (LOW ORDER BITS)	D-BS-MX15-B-01	BC08A CABLE	C-UA-BC08R-0-0
11 ARRIVING (HIGH ORDER BITS)	D-BS-MX15-B-02	BC09B CABLE ASSY	D-UA-BC08A-0-0
UNIBUS DATA	D-BS-MX15-B-03	CABLE ASSY (BC11A)	D-UA-BC09B-0-0
15 PORT	D-BS-MX15-B-04	CABLE INTERFACE BC01S	D-UA-BC11A-0-0
MEMORY BUS	D-BS-MX15-B-05	AWT REV. STATUS	C-UA-BC01S-0-0
PROCESSOR BUS	D-IC-MX15-B-06	LOGIC ASSY MX15-B	A-WT-7009165-0
BYTE REGISTER	D-IC-MX15-B-07	WIRED ASSY MX15-B	C-AD-7009164-0-0
MODULE UTILIZATION	D-IC-MX15-B-08	LOGIC ASSY DR15-C	D-AD-7009165-0-0
MODULE UTILIZATION (PL)	D-MU-MX15-B-09	WIRED ASSY DR15-C	C-AD-7009167-0-0
WIRE LIST (MX15-B)	A-PL-MX15-B-09	PANEL ASSY (TERM STRIP) (PL)	D-AD-7009166-0-0
	K-WL-MX15-B-WL	PANEL ASSY (TERM STRIP) (PL)	D-AD-7006803-0-0
I/O BUS	D-IC-DR15-C-01	XMER MTG PANEL ASSY	A-PL-7006803-0-0
I/O BUS IN	D-BS-DR15-C-02	XMER MTG PANEL ASSY (PL)	D-AD-7006060-0-0
CONTROL IN	D-BS-DR15-C-03	PRIORITY JUMPER LEVEL #7	A-PL-7006060-0-0
TASK CONTROL BLOCK POINTER	D-BS-DR15-C-04	CIRCUIT SCHEMATIC	C-IA-5408782-0-0
API CONTROL	D-BS-DR15-C-05		B-CS-5408782-0-1
API ADDRESS	D-BS-DR15-C-06		
PI CONTROL	D-BS-DR15-C-07		
INTERFACE CABLES	D-IC-DR15-C-08		
MODULE UTILIZATION	D-MU-DR15-C-09		
MODULE UTILIZATION (PL)	A-PL-DR15-C-09		
WIRE LIST (DR15-C)	K-WL-DR15-C-WL		
DISK SELECTION	C-CS-G740-0-1		
DISK SELECTION	A-PL-G740-0-0		
5-D FLIP FLOPS	C-CS-M246-0-1		

UNIT VARIATIONS		PRINT SET TYPE			
VARIATION	TITLE	UC15-0			
UC15-FA	UNICHANNEL 15 (UC15) 4K 50/60HZ 115V	X			
UC15-FB	UNICHANNEL 15 (UC15) 4K 50/60HZ 230V	X			
UC15-FE	UNICHANNEL 15 (UC15) 8K 50/60HZ 115V	X			
UC15-FF	UNICHANNEL 15 (UC15) 8K 50/60HZ 230V	X			
UC15-HE	UNICHANNEL 15 (UC15) 8K 50/60HZ 115V	X			
UC15-HF	UNICHANNEL 15 (UC15) 8K 50/60HZ 230V	X			
UC15-HK	UNICHANNEL 15 (UC15) 12K 50/60HZ 115V	X			
UC15-HL	UNICHANNEL 15 (UC15) 12K 50/60HZ 115V	X			
UC15-JE	UNICHANNEL 15 (UC15) 8K 50/60HZ 115V	X			
UC15-JF	UNICHANNEL 15 (UC15) 8K 50/60HZ 230V	X			
UC15-JK	UNICHANNEL 15 (UC15) 12K 50/60HZ 115V	X			
UC15-JL	UNICHANNEL 15 (UC15) 12K 50/60HZ 230V	X			
UC15-KA	UNICHANNEL 15 (UC15) 12K 50/60HZ 115V	X			
UC15-KB	UNICHANNEL 15 (UC15) 12K 50/60HZ 230V	X			
UC15-MK	UNICHANNEL 15 (UC15) 12K 50/60HZ 115V	X			
UC15-ML	UNICHANNEL 15 (UC15) 12K 50/60HZ 230V	X			
UC15-MM	UNICHANNEL 15 (UC15) 16K 50/60HZ 115V	X			
UC15-MN	UNICHANNEL 15 (UC15) 16K 50/60HZ 230V	X			
UC15-PM	UNICHANNEL 15 (UC15) 16K 50/60HZ 115V	X			
UC15-PN	UNICHANNEL 15 (UC15) 16K 50/60HZ 230V	X			
UC15-PR	UNICHANNEL 15 (UC15) 16K 50/60HZ 115V	X			
UC15-PS	UNICHANNEL 15 (UC15) 16K 50/60HZ 230V	X			
UC15-RM	UNICHANNEL 15 (UC15) 16K 50/60HZ 115V	X			
UC15-RN	UNICHANNEL 15 (UC15) 16K 50/60HZ 230V	X			

REV	REVISIONS											
	CHG. NO.	A	B	C	D	E	F	H	J	K	L	
3-73	MX15B-1											
4-73	MX15B-2											
7-73	UC15F-1											
10-73	UC15F-2											
5-74	UC15F-3											
1-75	MX15B-4											
4-75	UC15-1											
9-75	UC15-2											
4-76	UC15-3											
8-76	UC15-4											

USED ON OPTION/MODEL	DRN <i>[Signature]</i>	DATE 12-18-72	TITLE UC15 DRAWING DIRECTORY
	CHK'D. <i>[Signature]</i>	DATE 2/20/73	
	PROJ ENG <i>[Signature]</i>	DATE 1/31/73	
	PROD. <i>[Signature]</i>	DATE 2/5/73	
	FIELD SERV. <i>[Signature]</i>	DATE 1/5/73	
	SHEET 1 OF 8	DIST	NUMBER UC15-0
			REV L

MANUFACTURING SET

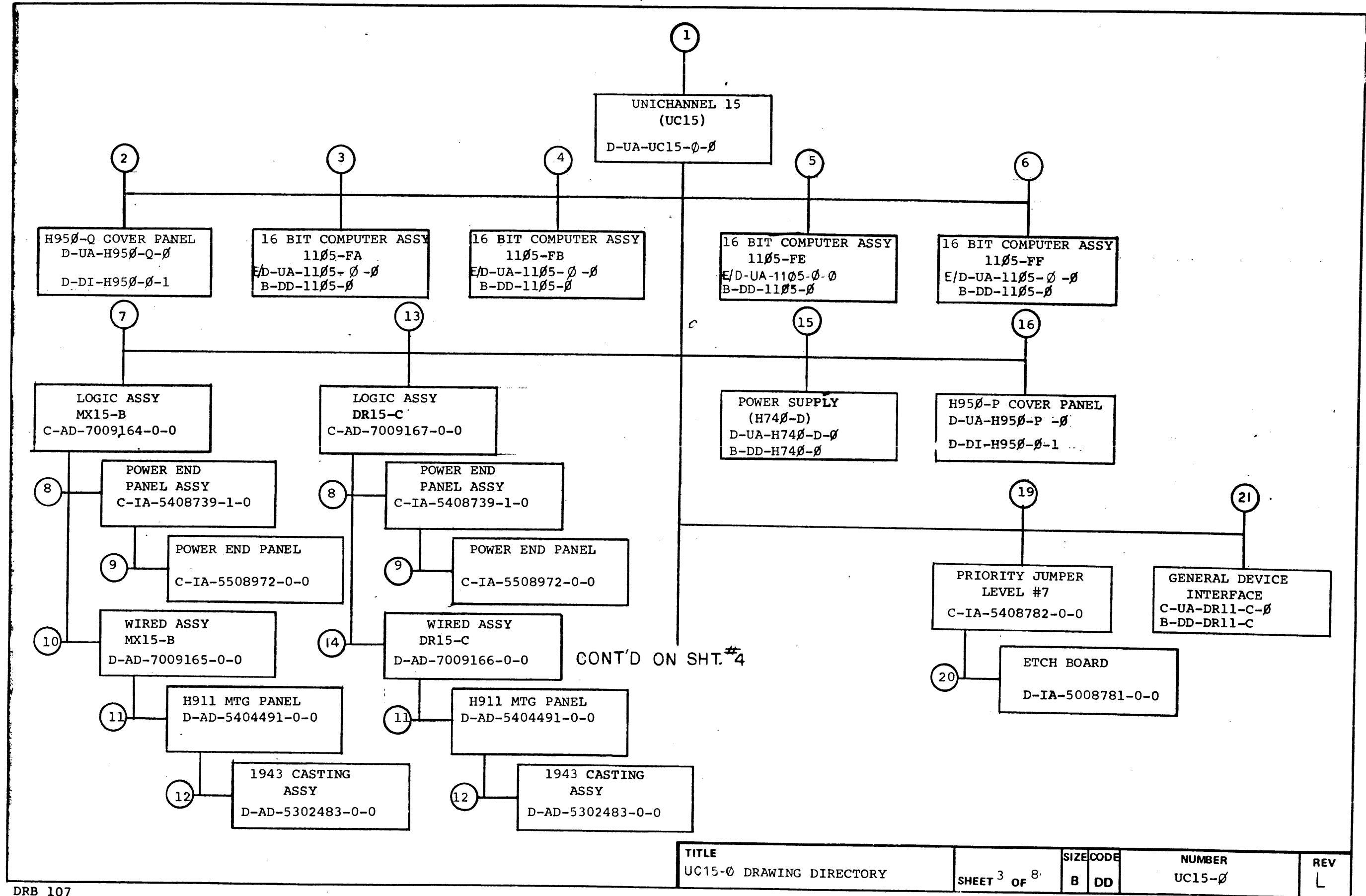
THIS IS PRINT SET

SEQUENCE	SEQUENCE	SEQUENCE	SEQUENCE
UNICHANNEL 15 (UC15)(PL) A-PL-UC15-0-0	UNICHANNEL 15 (UC15) D-UA-UC15-0-0	BC08A CABLE D-UA-BC08A-0-0	
ACCEPTANCE PROCEDURE A-SP-UC15-0-2		BC09B CABLE ASSY D-UA-BC09B-0-0	
CHECKOUT PROCEDURE A-SP-UC15-0-3		CABLE ASSY (BC11A) D-UA-BC11A-0-0	
ENGINEERING SPEC A-SP-UC15-0-1		CABLE INTERFACE BC01S C-UA-BC01S-0-0	
MX CONTROL D-BS-MX15-B-01			
11 ARRIVING (LOW ORDER BITS) D-BS-MX15-B-02			
11 ARRIVING (HIGH ORDER BITS) D-BS-MX15-B-03			
UNIBUS DATA D-BS-MX15-B-04	PANEL ASSY (TERM STRIP) D-AD-7006803-0-0		
15 PORT D-BS-MX15-B-05	PANEL ASSY (TERM STRIP) (PL) A-PL-7006803-0-0		
MEMORY BUS D-IC-MX15-B-06	XMER MTG PANEL ASSY D-AD-7006060-0-0		
PROCESSOR BUS D-IC-MX15-B-07	XMER MTG PANEL ASSY (PL) A-PL-7006060-0-0		
BYTE REGISTER D-BS-MX15-B-08	PRIORITY JUMPER LEVEL #7 C-IA-5408782-0-0		
MODULE UTILIZATION D-MU-MX15-B-09	CIRCUIT SCHEMATIC B-CS-5408782-0-1		
MODULE UTILIZATION (PL) A-PL-MX15-B-09			
WIRE LIST (MX15-B) K-WL-MX15-B-WL			
I/O BUS D-IC-DR15-C-01	16 BIT COMPUTER ASSY E/D-UA-11/05-0-0		
I/O BUS IN D-BS-DR15-C-02	16 BIT COMPUTER ASSY (PL) C-PL-11/05-0-0		
CONTROL IN D-BS-DR15-C-03	H950-K SHORT DOOR D-UA-H950-K-0		
TASK CONTROL BLOCK D-BS-DR15-C-04	H950-K SHORT DOOR(PL) A PL H950 K 0		
POINTER D-BS-DR15-C-05	AC RECEPTACLE STRIP ASSY D-AD-7008853-0-0		
API CONTROL D-BS-DR15-C-06			
API ADDRESS D-BS-DR15-C-06			
PI CONTROL D-BS-DR15-C-07			
INTERFACE CABLES D-IC-DR15-C-08			
MODULE UTILIZATION D-MU-DR15-C-09			
MODULE UTILIZATION (PL) A-PL-DR15-C-09			
WIRE LIST (DR15-C) K-WL-DR15-C-WL			
LOGIC ASSY MX15-B C-AD-7009164-0-0			
WIRED ASSY MX15-B D-AD-7009165-0-0			
LOGIC ASSY DR15-C C-AD-7009167-0-0			
WIRED ASSY DR15-C D-AD-7009166-0-0			
I/O CABLE (BC08R) C-UA-BC08R-0-0			

UNIT VARIATIONS		PRINT SET TYPE			
VARIATION	TITLE				

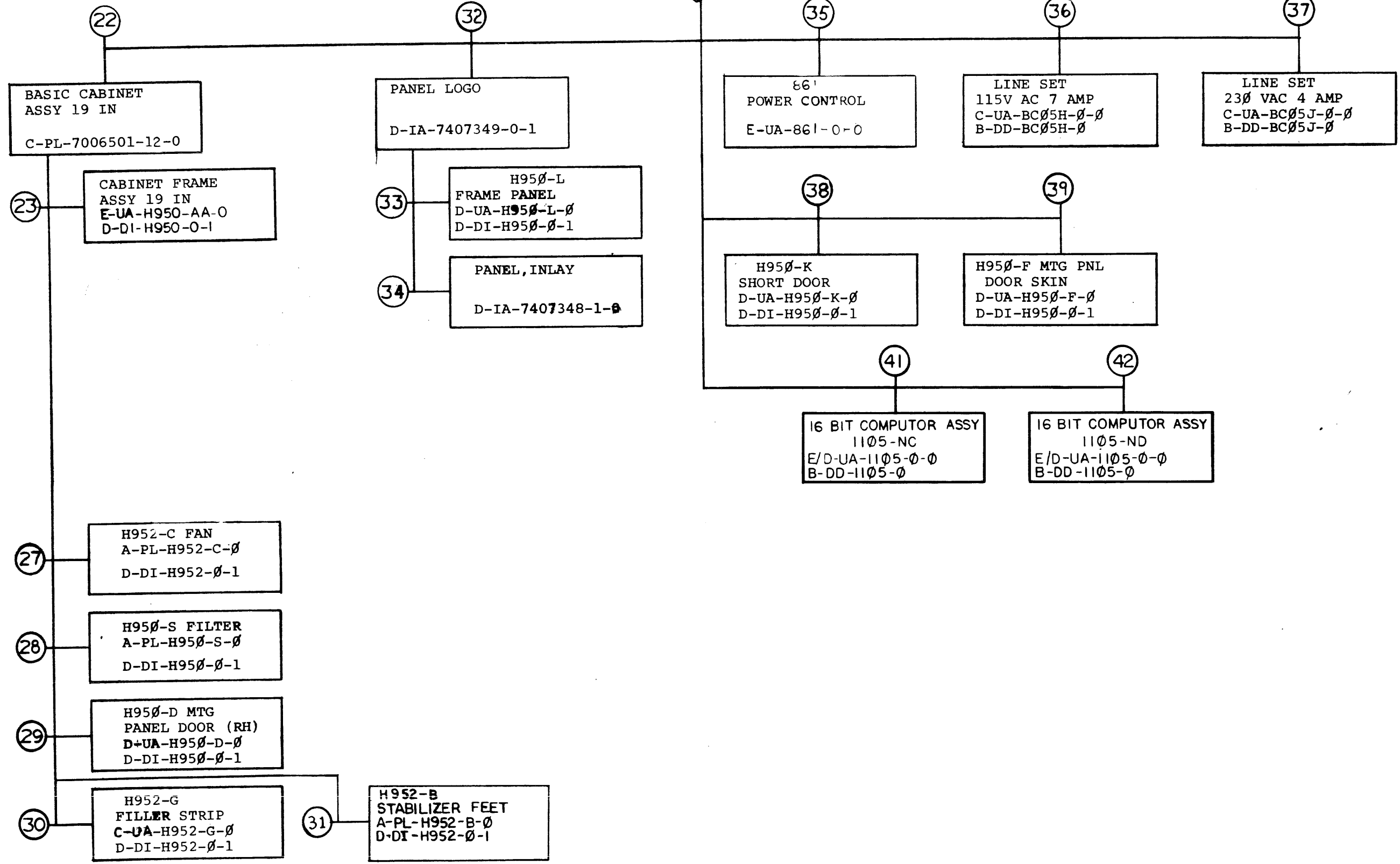
REV	
CHG. NO.	
DATE	

USED ON OPTION/MODEL	DRN <i>[Signature]</i>	DATE 12/18/72	TITLE UC15 DRAWING DIRECTORY											
	<i>[Signature]</i>	DATE 12/18/72	<table style="width: 100%; border-collapse: collapse;"> <tr> <td style="text-align: center;">SIZE</td> <td style="text-align: center;">CODE</td> <td style="text-align: center;">NUMBER</td> <td style="text-align: center;">REV</td> </tr> <tr> <td style="text-align: center;">B</td> <td style="text-align: center;">DD</td> <td style="text-align: center;">UC15-0</td> <td style="text-align: center;">L</td> </tr> </table>				SIZE	CODE	NUMBER	REV	B	DD	UC15-0	L
SIZE	CODE	NUMBER					REV							
B	DD	UC15-0					L							
	PROJ. ENG. RC Gray	DATE 1/31/73												
	PROD. <i>[Signature]</i>	DATE 2/5/73												
	FIELD SERV. <i>[Signature]</i>	DATE 1/31/73	SHEET	2	OF	8								
			DIST											



TITLE	SHEET	OF	SIZE	CODE	NUMBER	REV
UC15-0 DRAWING DIRECTORY	3	8	B	DD	UC15-0	L

CONT'D FROM SHT 3



TITLE	SHEET	OF	SIZE	CODE	NUMBER	REV
UC15-0 DRAWING DIRECTORY	4	8	B	DD	UC15-0	L

CUSTOMER PRINT SET		ELECTRICAL					CUSTOMER PRINT SET		ELECTRICAL						
UC15-0	MFG. SET	FIND NO.	DRAWING NO.	REV	NO OF SHT	DESCRIPTION	OPTION NO./FILE DATE	UC15-0	MFG. SET	FIND NO.	DRAWING NO.	REV	NO OF SHT	DESCRIPTION	OPTION NO./FILE DATE
X		X 1	D-BS-MX15-B-01	#	2	MX CONTROL									
X		X	D-BS-MX15-B-02	#	1	11 ARRIVING (LOW ORDER BITS)									
X		X	D-BS-MX15-B-03	#	1	11 ARRIVING (HIGH ORDER BITS)		X	X	14	D-AD-7009166-0-0	#	1	WIRED ASSY DR15-C	
X		X	D-BS-MX15-B-04	#	1	UNIBUS DATA									
X		X	D-BS-MX15-B-05	#	1	15 PORT									
X		X	D-IC-MX15-B-06	#	1	MEMORY BUS									
X		X	D-IC-MX15-B-07	#	1	PROCESSOR BUS									
X		X	D-BS-MX15-B-08	#	1	BYTE REGISTER		X	X	19	B-CS-5408782-0-1	#	1	CIRCUIT SCHEMATIC	
X		X	D-MU-MX15-B-09	#	1	MODULE UTILIZATION									
X		X	A-PL-MX15-B-09	#	1	MODULE UTILIZATION (PL)									
X		X	K-WL-MX15-B-WL	#	1	WIRE LIST (MX15-B)									
X		X	D-IC-DR15-C-01	#	1	I/O BUS									
X		X	D-BS-DR15-C-02	#	1	I/O BUS IN									
X		X	D-BS-DR15-C-03	#	1	CONTROL IN									
X		X	D-BS-DR15-C-04	#	1	TASK CONTROL BLOCK POINTER									
X		X	D-BS-DR15-C-05	#	1	API CONTROL									
X		X	D-BS-DR15-C-06	#	1	API ADDRESS									
X		X	D-BS-DR15-C-07	#	1	PI CONTROL									
X		X	D-IC-DR15-C-08	#	1	INTERFACE CABLES									
X		X	D-MU-DR15-C-09	#	1	MODULE UTILIZATION									
X		X	A-PL-DR15-C-09	#	1	MODULE UTILIZATION (PL)									
X		X	K-WL-DR15-C-WL	#	1	WIRE LIST (DR15-C)									
X			C-CS-G740-0-1	#	1	DISK SELECTION									
X			A-PL-G740-0-0	#	1	DISK SELECTION (PL)									
X			C-CS-M246-0-1	#	1	5-D FLIP FLOPS									
X			D-CS-M688-0-1	#	2	UNIBUS POWER FAIL DRIVERS									
X			B-CS-M783-0-1	#	1	UNIBUS DRIVERS									
X			A-PL-M783-0-0	#	1	UNIBUS DRIVERS (PL)									
X			B-CS-M784-0-1	#	1	UNIBUS RECEIVERS									
X			A-PL-M784-0-0	#	1	UNIBUS RECEIVERS (PL)									
X		X	A-SP-UC15-0-1	D	25	ENGINEERING SPEC									
X			A-SP-UC15-0-4	B	4	CUST. ACPT. PROCEDURE									
X			A-AL-UC15-0-5	B	1	ACCESSORY LIST									
X			A-SL-UC15-0-6	B	1	SOFTWARE LIST									
X		X 10	D-AD-7009165-0-0	#	1	WIRED ASSY MX15-B									
			A-WT-7009165-0	#	1	AWT REVISION STATUS									

CUSTOMER PRINT SET CODES
X = PRINT OF DOCUMENT INCLUDED IN PRINT SET
C = INCLUDES ALL PRINTS INDICATED ON DOCUMENT
S = CONFIDENTIAL AUTHORIZED SIGNATURE REQUIRED

TITLE
UC15-0 DRAWING DIRECTORY
SHEET 5 OF 8
SIZE CODE B DD
NUMBER UC15-0
REV L

CUSTOMER PRINT SET		MECHANICAL					CUSTOMER PRINT SET		MECHANICAL							
UC15-0	MFG. SET	FIND NO.	DRAWING NO.	REV	NO OF SHT	DESCRIPTION	OPTION NO./FILE DATE	UC15-0	MFG. SET	FIND NO.	DRAWING NO.	REV	NO OF SHT	DESCRIPTION	OPTION NO./FILE DATE	
X	X	1	D-UA-UC15-0-0	E	2	UNICHANNEL 15 (UC15)				6	E/D-UA-11/05-0-0		6	16 BIT COMPUTER ASSY(11/05-FF)		
X	X		C-UA-BC08R-0-0	#	1	I/O CABLE (BC08R)					C-PL-11/05-0-0		2	16 BIT COMPUTER ASSY (PL)		
X	X		D-UA-BC08A-0-0	#	1	BC08A CABLE					B-DD-11/05-0		7	DWG. DIRECTORY (11/05FF)		
X	X		D-UA-BC09B-0-0	#	2	BC09B CABLE ASSY										
X	X		D-UA-BC11A-0-0	#	1	CABLE ASSY (BC11A)										
X	X		C-UA-BC01S-0-0	#	1	CABLE INTERFACE BC01S										
			D-MD-7407841-0-0		1	MTG. PANEL (841-B)										
			C-AD-7006419-0-0		1	CABLE ASSY		X	X	7	C-AD-7009164-0-0	#	1	LOGIC ASSY MX15-B		
	X		A-SP-UC15-0-2	A	4	ACCEPTANCE PROCEDURE										
	X		A-SP-UC15-0-3	A	7	CHECKOUT PROCEDURE										
X	X		A-PL-UC15-0-0	F	3	UNICHANNEL 15 (UC15) (PL)										
		2	D-UA-H950-0-0		1	H950-0 COVER PANEL										
			A-PL-H950-0-0		1	H950-0 COVER PANEL (PL)										
			D-DI-H950-0-1		1	DWG INDEX H950				8	C-IA-5408739-1-0		1	POWER END PANEL ASSY		
	X	3	E/D-UA-11/05-0-0	#	6	16 BIT COMPUTER ASSY(11/05-FA)				9	C-IA-5508972-1-0		1	POWER END PANEL		
	X		C-PL-11/05-0-0	#	2	16 BIT COMPUTER ASSY (PL)					A-SS-5508972-0-1		1	SILK SCREEN		
			B-DD-11/05-0	#	7	DWG DIRECTORY (11/05 FA)					C-MD-5302485-0-0		1	PANEL, LEFT END		
		4	E/D-UA-11/05-0-0		6	16 BIT COMPUTER ASSY(11/05-FB)				10	D-AD-7009165-0-0		1	WIRED ASSY MX15-B		
			C-PL-11/05-0-0		2	16 BIT COMPUTER ASSY (PL)					A-DC-7406371-0-0		1	LOGIC FRAME DECALS		
			B-DD-11/05-0		7	DWG DIRECTORY (11/05 FB)										
		5	E/D-UA-11/05-0-0		6	16 BIT COMPUTER ASSY(11/05-FE)				11	D-AD-5404491-0-0		1	H911 MTG PANEL		
			C-PL-11/05-0-0		2	16 BIT COMPUTER ASSY (PL)					A-PL-5404491-0-0		1	H911 MTG PANEL (PL)		
			B-DD-11/05-0		7	DWG DIRECTORY (11/05 FE)					E-SC-1205346-0-0		1	288 PIN BLOCK		
										12	D-AD-5302483-0-0		1	1943 CASTING ASSY		
											A-PL-5302483-0-0		1	1943 CASTING ASSY (PL)		
											E-MD-1202885-0-0		1	1943 FRAME CASTING		
CUSTOMER PRINT SET CODES		X = PRINT OF DOCUMENT INCLUDED IN PRINT SET C = INCLUDES ALL PRINTS INDICATED ON DOCUMENT S = CONFIDENTIAL AUTHORIZED SIGNATURE REQUIRED					TITLE		SIZE		CODE		NUMBER		REV	
							UC15-0 DRAWING DIRECTORY		SHEET 6 OF 8		B DD		UC15-0		L	

DRB 108

DEC 16-(325)-1062-2B-R972

CUSTOMER PRINT SET		MECHANICAL					CUSTOMER PRINT SET		MECHANICAL							
UC15-0	MFG. SET	FIND NO.	DRAWING NO.	REV	NO OF SHT	DESCRIPTION	OPTION NO./FILE DATE	UC15-0	MFG. SET	FIND NO.	DRAWING NO.	REV	NO OF SHT	DESCRIPTION	OPTION NO./FILE DATE	
X	X	13	C-AD-7009167-0-0	#	1	LOGIC ASSY DR15-C		X	X	19	C-IA-5408782-0-0	#	1	PRIORITY JUMPER LEVEL #7		
		14	D-AD-7009166-0-0 A-DC-7406371-0-0		1 1	WIRED ASSY DR15-C LOGIC FRAME DECALS				20	D-IA-5008781-0-0 C-AH-5408782-0-5 PC-5008781		1 1 1	ETCH BOARD ASSY/DRILLING HOLE LAYOUT PC ETCH PATTERN		
		15	D-UA-H740-D-0 A-PL-H740-D-0 B-DD-H740-0		2 1 3	POWER SUPPLY (H740-D) POWER SUPPLY (H740-D) (PL) DWG. DIRECTORY (H740-D)				21	C-UA-DR11-C-0 B-DD-DR11-C		1 3	GENERAL DEVICE INTERFACE GENERAL DEVICE INTERFACE		
		16	D-UA-H950-P-0 A-PL-H950-P-0 D-DI-H950-0-1		1 1 1	H950-P COVER PANEL H950-P COVER PANEL (PL) DWG INDEX H950				22	C-PL-7006501-12-0 C-MD-7406782-0-0 D-PS-1210568-0-0		1 1 1	BASIC CABINET ASSY 19 IN KICK PLATE SHIPPING SKID CUSHIONED		
										23	E-UA-H950-AA-0 D-DI-H950-0-1		5 1	CABINET FRAME ASSY 19 IN DRG. INDEX H950		
										41	E/D-UA-11/05-0-0 C-PL-11/05-0-0 B-DD-11/05-0		6 2 7	16 BIT COMPUTOR ASSY (11/05-NC) 16 BIT COMPUTOR ASSY (PL) DWG DIRECTORY (11/05-NC)		
										42	E/D-UA-11/05-0-0 C-PL-11/05-0-0 B-DD-11/05-0		6 2 7	16 BIT COMPUTOR ASSY (11/05-ND) 16 BIT COMPUTOR ASSY (PL) DWG DIRECTORY (11/05-ND)		
CUSTOMER PRINT SET CODES	X = PRINT OF DOCUMENT INCLUDED IN PRINT SET C = INCLUDES ALL PRINTS INDICATED ON DOCUMENT S = CONFIDENTIAL AUTHORIZED SIGNATURE REQUIRED						TITLE	UC15-0 DRAWING DIRECTORY		SHEET 7 OF 8	SIZE CODE	B DD	NUMBER	UC15-0	REV	L

CUSTOMER PRINT SET		MECHANICAL				CUSTOMER PRINT SET		MECHANICAL							
UC15-0	MFG. SET	FIND NO.	DRAWING NO.	REV	NO OF SHT	DESCRIPTION	OPTION NO./FILE DATE	UC15-0	MFG. SET	FIND NO.	DRAWING NO.	REV	NO OF SHT	DESCRIPTION	OPTION NO./FILE DATE
										34	D-IA-7407348-1-0		1	PANEL, INLAY	
										35	E-UA-861-0-0		1	861 POWER CONTROL	
		27	A-PL-H952-C-0		1	H952-C FAN									
			D-DI-H952-0-1		1	DWG INDEX H952									
		28	A-PL-H950-S-0		1	H950-S FILTER									
			D-DI-H950-0-1		1	DWG INDEX H950									
		29	D-UA-H950-D-0		1	H950-D MTG PNL DOOR (RH)									
			A-PL-H950-D-0		1	H950-D MTG PNL DOOR (PL)				36	C-UA-BC05H-0-0		1	LINE SET 115 VAC 7 AMP	
			D-DI-H950-0-1		1	DWG INDEX H950					B-DD-BC05H-0		3	DWG DIRECTORY BC05H	
		30	C-UA-H952-G-0		1	H952-G FILLER STRIP				37	C-UA-BC05J-0-0		1	LINE SET 230 VAC 4 AMP	
			A-PL-H952-G-0		1	H952-G FILLER STRIP					B-DD-BC05J-0		3	DWG DIRECTORY BC05J	
			D-DI-H952-0-1		1	DWG INDEX H952				X 38	D-UA-H950-K-0		1	H950-K SHORT DOOR	
		31	A-PL-H952-B-0		1	H952-B STABILIZER FEET				X	A-PL-H950-K-0		1	H950-K SHORT DOOR (PL)	
			D-DI-H952-0-1		1	DWG INDEX H952					D-DI-H950-0-1		1	DWG INDEX H950	
		32	D-IA-7407349-1-0		1	PANEL LOGO									
		33	D-UA-H950-L-0		2	H950-L FRAME PANEL				39	D-UA-H950-F-0		1	H950-F MTG PANEL DOOR SKIN	
			A-PL-H950-L-0		1	H950-L FRAME PANEL (PL)					A-PL-H950-F-0		1	H950-F MTG PANEL DOOR SKIN (PL)	
			D-DI-H950-0-1		1	DWG INDEX H950					D-DI-H950-0-1		1	DWG INDEX H950	

DRB 108
DEC 16 (325)-1062-2B-R972

CUSTOMER PRINT SET CODES	X = PRINT OF DOCUMENT INCLUDED IN PRINT SET C = INCLUDES ALL PRINTS INDICATED ON DOCUMENT S = CONFIDENTIAL AUTHORIZED SIGNATURE REQUIRED	TITLE	UC15-0 DRAWING DIRECTORY	SHEET	8 OF 8	SIZE CODE	B DD	NUMBER	UC15-0	REV	1
--------------------------	--	-------	--------------------------	-------	--------	-----------	------	--------	--------	-----	---

This drawing and specifications, herein, are the property of Digital Equipment Corporation and shall not be reproduced or copied or used in whole or in part as the basis for the manufacture or sale of items without written permission. © OCT 1972

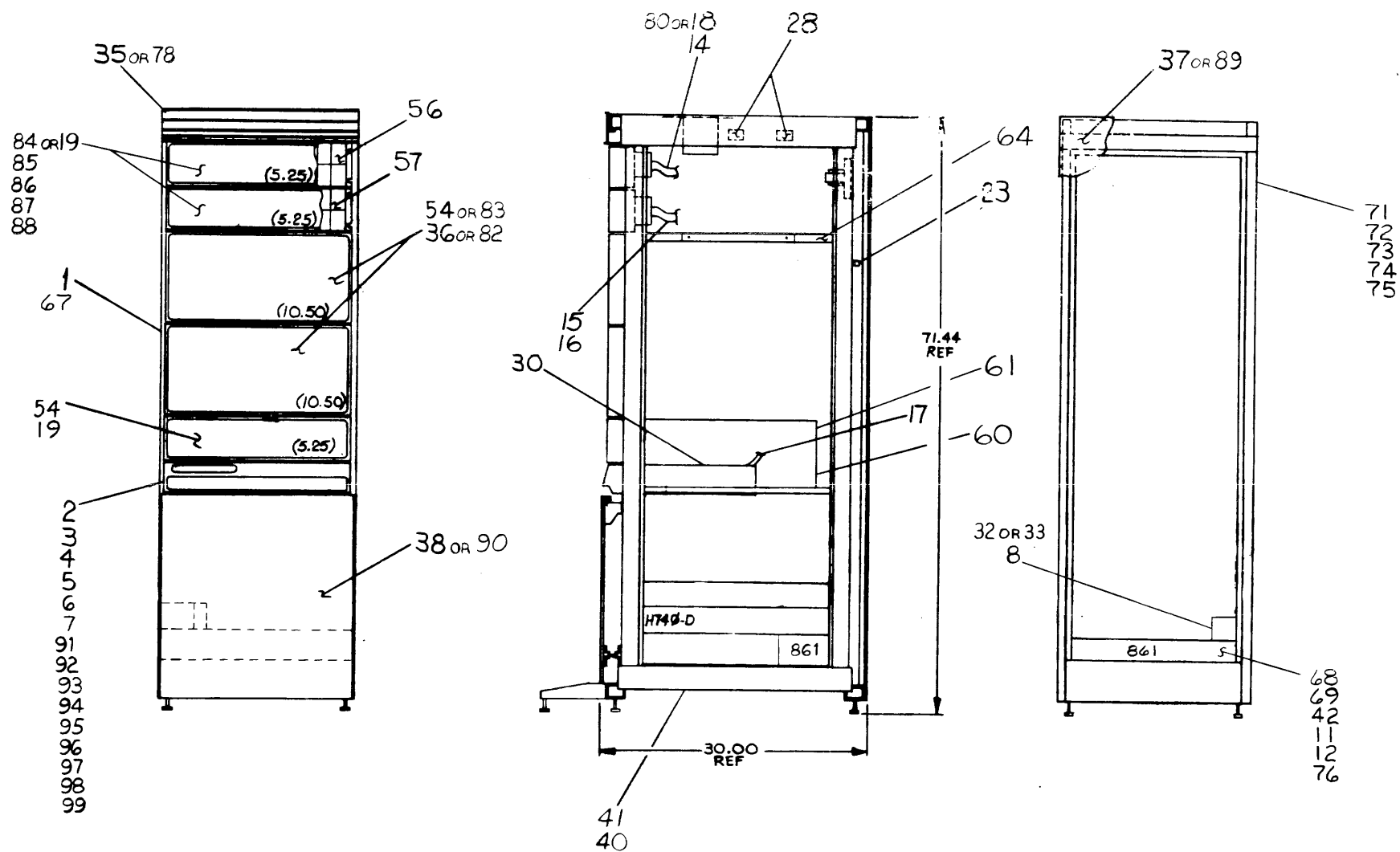
LOCATION OF SPEED NUTS ITEM #13
 LOCATE ALL NUTS BY COUNTING HOLES UP FROM BOTTOM OF CABINET FRAME

* FRONT HOLE NUMBERS	INSIDE REAR DOOR HOLE NOS
3,7,32,34,38,39,41,44,48,52,57,61	
66,70,75,79,84,88,93,97,102,106	LEFT SIDE HOLE NUMBERS
BOTH SIDES	
RIGHT SIDE HOLE NUMBERS	* REAR HOLE NUMBERS
13,10,21 BOTH SIDES	21,38,39,41,44,52,3,7

* 5" 11/05 BOLTS IN HOLE 38,39
 10" 11/05 BOLTS IN HOLE 41,44

NOTES:

- FOR DRAWING DIRECTORY REFER TO B-DD-UC15-0
- FOR CABLE CONNECTIONS (ITEMS #15 THRU #18) AND LENGTHS, REFER TO ENG. SPEC. A-SP-UC15-0-1
- CONNECT BC015-3 (ITEM #18) BETWEEN PDP-15 CONSOLE TTY CABLE AND TTY MODULE (W076) OF PDP15 PROCESSOR (SLOT K02).
- WHEN CONSOLE TTY IS CONNECTED TO PDP 11/05 FOR UNIBUS MAINT. PROCEDURE, ITEMS #46, #47 & #48 (SEE SH1#2) ARE PLACED IN TTY END OF BC015-3 CABLE, IN PLACE OF PDP15 CONSOLE TTY.
- PRIORITY JUMPER (ITEM #29) WILL BE INSTALLED IN P.C. BOARD OF DR11-C. SEE MAINT. MANUAL.



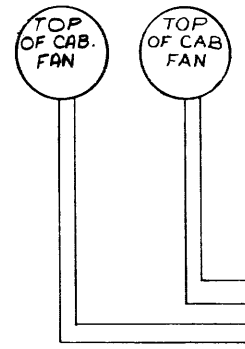
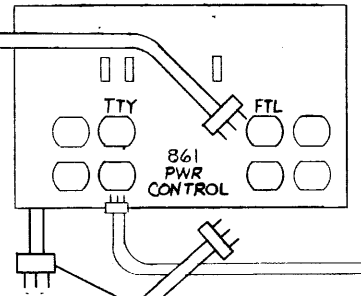
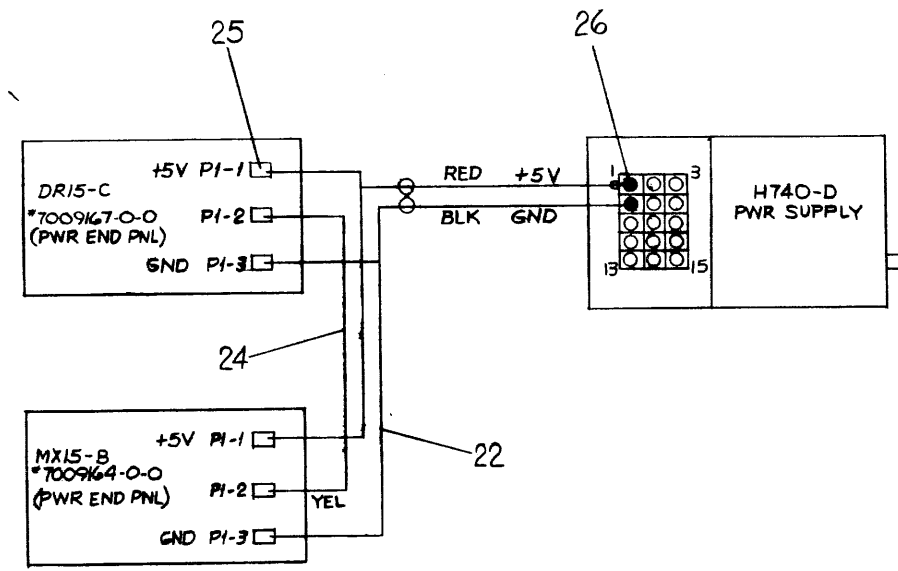
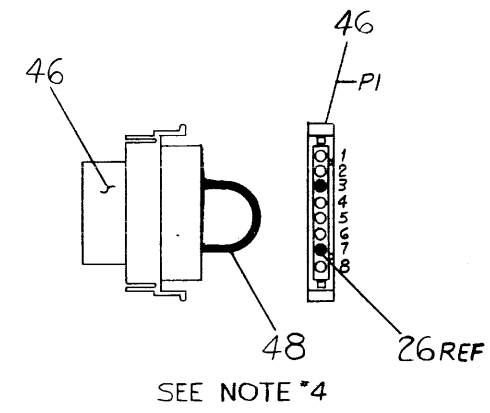
REV	CHG	NO	DATE	BY	CHKD	DATE
A	MX	15B-00002				
B	UC15F-00001					
C	UC15F-00003					
D	UC15-00001					
E	UC15-00002					
F	UC15-00003					
G	UC15-00004					
H	UC15-00004					

FIRST USED ON OPTION/MODEL	DESCRIPTION	PART NO.	ITEM NO.
PDP15			
PARTS LIST			
UNLESS OTHERWISE SPECIFIED DIMENSION IN INCHES			
DECIMALS	ANGLES	TITLE	
XXX - .005	±0° 30'	digital EQUIPMENT CORPORATION	
XX - .02		UNICHANNEL 15	
X - .1		(UC15)	
REMOVE BURRS AND BREAK SHARP CORNERS SURFACE QUALITY ✓			
MATERIAL			
NEXT HIGHER ASSY.			
FINISH			
SCALE		SIZE CODE	NUMBER
SHEET 1 OF 2		DUA UC15-0-0	REV H
		DIST.	

This drawing and specifications, herein, are the property of Digital Equipment Corporation and shall not be reproduced or copied in whole or in part as the basis for the manufacture or sale of items without written permission. NOV 1972

UNIVERSITY MICROFILMS
SERIALS ACQUISITION
300 N ZEEB RD
ANN ARBOR MI 48106

ITEM NO		DESCRIPTION	FROM	TO	WIRE LENGTH (PRE CUT)		
48	22	BLK	PI-3	ITEM#47	PI-7	ITEM#47	2.5 IN



AC/DC POWER WIRING

FIRST USED ON OPTION/MODEL	QTY.	DESCRIPTION	PART NO.	ITEM NO.
PDP15				
PARTS LIST				
UNLESS OTHERWISE SPECIFIED DIMENSION IN INCHES TOLERANCES				
DECIMALS	ANGLES	TITLE		
xxx - .005	± 0° 30'	UNI CHANNEL 15 (UC15)		
xx - .02				
x - .1				
REMOVE BURRS AND BREAK SHARP CORNERS SURFACE QUALITY				
MATERIAL	NEXT HIGHER ASSY.	SIZE CODE	NUMBER	REV.
FINISH		B-DD-UC15-0	DUA UC15-0-0	H
		SCALE	DIST.	
		SHEET 2 OF 2		

BRUNING 40-107 1584M
REVISIONS
CHANGE NO
CHK

REV H
NUMBER
DUA UC15-F-0

DIGITAL EQUIPMENT CORPORATION
MAYNARD, MASSACHUSETTS
PARTS LIST

MADE BY V. SOUZA
DATE 10/21/72
ENG R. GRAY
DATE 1/31/73

CHECKED P. LEBLANC
DATE 12/14/72
PROD D. SBREGA
DATE 2/5/73

SECTION
1
ISSUED SECT.
2

ITEM NO.	DWG NO. / PART NO.	DESCRIPTION
1	C-PL-7006501-12	BASIC CAB. ASSY 19 IN
2	E/D-UA-1105-FA-0	16 BIT COMPUTER ASSY (1105)
3	E/D-UA-1105-FB-0	"
4	E/D-UA-1105-FE-0	"
5	E/D-UA-1105-FF-0	"
6	E/D-UA-1110-NC-0	"
7	E/D-UA-1110-ND-0	"
8	D-UA-H740-D-0	POWER SUPPLY (H740-D)
9	D-AD-7006803-0-0	PANEL ASSY (TERM STRIP)
10	D-AD-7006060-0-0	POWER MFG PANEL ASSY
11	9006074-3	SCR PHL HD TRUSS " 10-32 x 5/8
12	9007651	WASHER, EXT TOOTH #10
13	9007786	NUT, TINNER MAN #10-32
14	D-UA-BC08R-10-0	I/O CABLE (BC08R)
15	D-UA-BC08A-3-0	CABLE BC08A
16	D-UA-BC08A-5-0	CABLE BC08A
17	D-UA-BC11A-8F-0	CABLE ASSY (BC11-A)
18	D-UA-BC09B-10-0	CABLE ASSY (BC09B)
19	D-UA-H950-PB-0	COVER PANEL 5 1/4
20	9009110	BARREL CONN (SPLICE)
21	9107440-29	WIRE #14 AWG TWP RED/WHT
22	9107440-02	WIRE #14 AWG TWP BLK/RED

TITLE UC15 UNIT ASSY
SIZE CODE A PL
ASSY NO. D-UA-UC15-0-0
SHEET 1 OF 10
DIST.

DEC FORM DEC 16-(325)-1031-N870
DRA 110

QUANTITY / VARIATION											
UC15-PA	UC15-FB	UC15-FE	UC15-FF	UC15-FH	UC15-HF	UC15-HK	UC15-HL	UC15-JB	UC15-JF	UC15-JK	UC15-JL
1	1	1	1	1	1	1	1	1	1	1	1
1	-	-	-	-	-	-	-	-	-	-	-
-	1	-	-	-	-	-	-	-	-	-	-
-	-	1	-	-	-	-	-	-	-	-	-
-	-	-	1	-	-	-	-	-	-	-	-
-	-	-	-	1	-	-	-	-	-	-	-
-	-	-	-	-	1	-	-	-	-	-	-
1	1	1	1	1	1	1	1	1	1	1	1
1	-	-	-	-	-	-	-	-	-	-	-
-	-	-	-	-	-	-	-	-	-	-	-
A/R	A/RA	FA/RA	HA/RA	RA/RA	RA/RA	RA/RA	RA/RA	A/R	A/R	A/R	A/R
A/R	A/RA	FA/RA	HA/RA	RA/RA	RA/RA	RA/RA	RA/RA	A/R	A/R	A/R	A/R
A/RA	FA/RA	HA/RA	RA/RA	RA/RA	RA/RA	RA/RA	RA/RA	A/R	A/R	A/R	A/R
4	4	4	4	4	4	4	4	4	4	4	4
2	2	2	2	2	2	2	2	-	-	-	-
2	2	2	2	2	2	2	2	-	-	-	-
1	1	1	1	1	1	1	1	NOTE 2	-	-	-
1	1	1	1	1	1	1	1	-	-	-	-
3	3	3	3	2	2	2	2	-	-	-	-
2	2	2	2	2	2	2	2	-	-	-	-
A/RA	FA/RA	HA/RA	RA/RA	RA/RA	RA/RA	RA/RA	RA/RA	A/R	A/R	A/R	A/R
A/R	A/RA	FA/RA	HA/RA	RA/RA	RA/RA	RA/RA	RA/RA	A/R	A/R	A/R	A/R

DIGITAL EQUIPMENT CORPORATION
MAYNARD, MASSACHUSETTS
PARTS LIST

MADE BY V. SOUZA
DATE 10/21/72
ENG R. GRAY
DATE 1/31/73

CHECKED P. LEBLANC
DATE 12/14/72
PROD D. SBREGA
DATE 2/5/73

SECTION
1
ISSUED SECT.
2

ITEM NO.	DWG NO. / PART NO.	DESCRIPTION
23	9007867	CABLE TIE MOUNT
24	9107370-44	WIRE #14 AWG IPVC YEL
25	9007917	SOLDERLESS CONN
26	1209378-01	PIN, MATE-N-LOK
27	9007928	SOLDERLESS CONN
28	9008264	BACK MOUNT
29	C-IA-5408782-0-0	PRIORITY JUMPER LEVEL #7
30	C-UA-DR11-C-0	GEN. DEVICE INTERFACE
31	D-UA-841-C-0	POWER CONTROL 841-C
32	C-UA-BC05H-0-0	LINE SET 115VAC 7 AMP
33	C-UA-BC05J-0-0	LINE SET 230 VAC 4 AMP
34	D-AD-7407841-0-0	MFG PANEL 841
35	D-IA-7407349-0-1	PANEL LOGO (PDP15)
36	D-UA-H950-0B-0	COVER PANEL 10 1/4
37	D-UA-H950-FA-0	MFG PANEL DOOR SKIN (H950-F)
38	D-UA-H950-KA-0	SHORT DOOR H950-K
39	9107673-25	POWER CORD 25 FT
40	9006568	NUT KEPS #5/16-18
41	9008883	GROUND STRAP
42	9006565	NUT KEPS #10-32
43	9007088	CABLE CLAMP NYLON
44	9107243	TUBING BLK 1/2 IN

TITLE UC15 UNIT ASSY
SIZE CODE A PL
ASSY NO. D-UA-UC15-0-0
SHEET 2 OF 10
DIST.

QUANTITY / VARIATION											
UC15-PA	UC15-FB	UC15-FE	UC15-FF	UC15-FH	UC15-HF	UC15-HK	UC15-HL	UC15-JB	UC15-JF	UC15-JK	UC15-JL
A/R	A/RA	FA/RA	HA/RA	RA/RA	RA/RA	RA/RA	RA/RA	A/R	A/R	A/R	A/R
A/R	A/RA	FA/RA	HA/RA	RA/RA	RA/RA	RA/RA	RA/RA	A/R	A/R	A/R	A/R
12	12	12	12	12	12	12	12	3	3	3	3
4	4	4	4	4	4	4	4	2	2	2	2
7	7	7	7	7	7	7	7	4	4	4	4
2	2	2	2	2	2	2	2	2	2	2	2
1	1	1	1	1	1	1	1	1	1	1	1
2	2	2	2	2	2	2	2	2	2	2	2
1	1	1	1	1	1	1	1	-	-	-	-
1	-	-	-	-	-	-	-	1	-	-	-
-	1	-	-	-	-	-	-	-	-	-	-
-	-	1	-	-	-	-	-	-	-	-	-
1	1	1	1	1	1	1	1	1	1	1	1
1	1	1	1	1	1	1	1	1	1	1	1
A/RA	FA/RA	HA/RA	RA/RA	RA/RA	RA/RA	RA/RA	RA/RA	A/R	A/R	A/R	A/R
A/RA	FA/RA	HA/RA	RA/RA	RA/RA	RA/RA	RA/RA	RA/RA	A/R	A/R	A/R	A/R
A/RA	FA/RA	HA/RA	RA/RA	RA/RA	RA/RA	RA/RA	RA/RA	A/R	A/R	A/R	A/R

DEC FORM DEC 16-(325)-1031-N870
DRA 110

**DIGITAL EQUIPMENT CORPORATION
MAYNARD, MASSACHUSETTS
PARTS LIST**

MADE BY V. SOUZA
 DATE 10/21/72
 ENG R. GRAY
 DATE 1/31/73

CHECKED P. LEBLANC
 DATE 12/14/72
 PROD D. SBREGA
 DATE 2/5/73

SECTION 1
 ISSUED SECT. 2

ITEM NO.	DWG NO. / PART NO.	DESCRIPTION	QUANTITY / VARIATION											
45	9007031	TIE WRAP	UC15-FA	UC15-FB	UC15-FE	UC15-FF	UC15-HE	UC15-HF	UC15-HK	UC15-HL	UC15-JE	UC15-JF	UC15-JK	UC15-JL
46	1209340-01	CONN HSG MATE-N-LOK (MALE)	A/R	A/R	A/R	A/R	A/R	A/R	A/R	A/R	A/R	A/R	A/R	A/R
47	C-UA-BCØ1S-3-Ø	CABLE INTERFACE (BCØ1S)	1	1	1	1	1	1	1	1	1	1	1	1
48	9107350-0	WIRE #22 IPVC BLK	A/R	A/R	A/R	A/R	A/R	A/R	A/R	A/R	A/R	A/R	A/R	A/R
49	C-AD-7005128-0-0	CABLE ASSY	1	1	1	1	1	1	1	1	1	1	1	1
50	C-AD-7006419-0-0	CABLE ASSY	1	1	1	1	1	1	1	1	1	1	1	1
51	7008053-Ø	A-C RECEPTICLE STRIP ASSY	1	1	1	1	1	1	1	1	1	1	1	1
52	7008053-4	A-C RECEPTICLE STRIP ASSY	1	1	1	1	1	1	1	1	1	1	1	1
53	9107673-3	3 FOOT EXTENSION CORD	1	1	1	1	1	1	1	1	1	1	1	1
54	1211386	THICK LATCH MOLDING	14	14	14	14	12	12	12	12				
55	H95Ø-Ø	COVER PANEL 8-1/4	1	1	1	1	1	1	1	1	1	1	1	1
56	C-AD-7009167-0-0	LOGIC ASSY (DR15C)	1	1	1	1	1	1	1	1	1	1	1	1
57	C-AD-7009164-0-0	LOGIC ASSY (MX15B)	1	1	1	1	1	1	1	1	1	1	1	1
58	A-PL-DD11-B-Ø	PERIPHERAL MOUNTING PANEL	-	-	-	-	1	1	1	1	1	1	1	1
59	A-PL-MM11-M-Ø	MEMORY 4K	-	-	-	-	-	-	1	1	1	1	1	1
60	9008007-3	SCR PHL MD TRUSS #10-32 x 1/4	-	-	-	-	2	2	2	2	2	2	2	2
61	9006046-1	SCR PHL HD PAN #8-32 x 1 3/4	4	-	-	-	2	2	2	2	2	2	2	2
62	C-PS-3611275-5-0	LOGO (UC15)	-	-	-	-	1	1	1	1	1	1	1	1
63	D-IA-7409431-4-0	PANEL CONTROL (UC15)	-	-	-	-	1	1	1	1	1	1	1	1
64	C-MD-7409312-0-0	BRACKET	2	2	2	2	2	2	2	2	2	2	2	2
65	7406748	FILLER STRIP	1	1	1	1	1	1	1	1	1	1	1	1
66	7406749	FILLER STRIP	1	1	1	1	1	1	1	1	1	1	1	1

DEC FORM DEC 16-(325)-1031-N870
 DRA 110

TITLE UC15 UNIT ASSY
 ASSY NO. D-UA-UC15-Ø-Ø
 SHEET 3 OF 10
 SIZE CODE A PL
 NUMBER UC15-Ø-Ø
 REV. H
 ECO NO.

**DIGITAL EQUIPMENT CORPORATION
MAYNARD, MASSACHUSETTS
PARTS LIST**

MADE BY FRED DODD
 DATE 3/18/75
 ENG FRED DOLL
 DATE 3/18/75

CHECKED P. LEBLANC
 DATE 3/18/75
 PROD FRED DOLL
 DATE 3/18/75

SECTION 1
 ISSUED SECT. 2

ITEM NO.	DWG NO. / PART NO.	DESCRIPTION	QUANTITY / VARIATION											
67	C-PL-7006501-27	BASIC CAB ASSY 19 IN.	UC15-FA	UC15-FB	UC15-FE	UC15-FF	UC15-HE	UC15-HF	UC15-HK	UC15-HL	UC15-JE	UC15-JF	UC15-JK	UC15-JL
68	861-B	POWER CONTROL 230VAC	-	1	-	1	-	1	-	1	-	1	-	1
69	861-C	POWER CONTROL 115VAC	1	-	1	-	1	-	1	-	1	-	1	-
70	BCØ5U-06	LINE SET 230VAC	-	1	-	1	-	1	-	1	-	1	-	1
71	90-06899	TERMINAL BLOCK 4 TERM	1	1	1	1	1	1	1	1	1	1	1	1
72	74-06707	PLATE, JONES STRIP	1	1	1	1	1	1	1	1	1	1	1	1
73	90-06560	NUT KEPS #6-32	4	4	4	4	4	4	4	4	4	4	4	4
74	90-06026-3	SCR PHL TRUSS HD #6-32 X 3/4	4	4	4	4	4	4	4	4	4	4	4	4
75	91-07673-6	POWER CORD	1	1	1	1	1	1	1	1	1	1	1	1
76	7008288-3F	CABLE ASSY	1	1	1	1	1	1	1	1	1	1	1	1
77	D-UA-H95Ø-KF	SHORT DOOR H95Ø-K	-	-	-	-	-	-	-	-	-	-	-	-
78	C-IA-7406694-1	PANEL FRAME	-	-	-	-	-	-	-	-	1	1	1	1
79	D-IA-7009099	HARNES	-	-	-	-	1	1	1	1	1	1	1	1
80	D-UA-BCØ9B-7	CABLE ASSY (BCØ9B)	-	-	-	-	-	-	-	-	1	1	1	1
81	D-UA-BC11A-10	CABLE ASSY (BC11A)	-	-	-	-	-	-	-	-	-	1	1	1
82	E-IA-7010297-1	PANEL ASSY	-	-	-	-	-	-	-	-	1	1	1	1
83	D-MD-7414905	BRACKET	-	-	-	-	-	-	-	-	2	2	2	2
84	D-AD-7011786-1	PANEL ASSY	-	-	-	-	-	-	-	-	1	1	1	1
85	C-IA-7011732	BRACKET	-	-	-	-	-	-	-	-	2	2	2	2
86	9009712	EASTENER	-	-	-	-	-	-	-	-	16	16	16	16
87	9008020-1	SCR PHL HD PAN 6-32 X 3/16	-	-	-	-	-	-	-	-	16	16	16	16
88	9006074-1	SCR PHL HD PAN 10-32 X 5/8	-	-	-	-	-	-	-	-	4	4	4	4

DEC FORM DEC 16-(325)-1031-N870
 DRA 110

TITLE UC15 UNIT ASSY
 ASSY NO. D-UA-UC15-0-0
 SHEET 4 OF 10
 SIZE CODE A PL
 NUMBER UC15-0-0
 REV. H
 ECO NO.

DIGITAL EQUIPMENT CORPORATION
MAYNARD, MASSACHUSETTS
PARTS LIST

MADE BY F. Doll
 DATE 2/18/75
 ENG F. Doll
 DATE 2/18/75
 CHECKED P. LeBlanc
 DATE 3/18/75
 PROD F. Doll
 DATE 3/18/75
 SECTION 1
 ISSUED SECT. 2

ITEM NO.	DWG NO. / PART NO.	DESCRIPTION	UC15-FA	UC15-FB	UC15-FE	UC15-FF	UC15-FH	UC15-HF	UC15-HK	UC15-HL	UC15-JE	UC15-JF	UC15-JK	UC15-JL
89	D-AD-70-10 532-0-0	FULL DOOR UNIT ASSY	-	-	-	-	-	-	-	-	1	1	1	1
90	D-UA-H950-HY-0	SHORT DOOR ASSY	-	-	-	-	-	-	-	-	1	1	1	1
91	D-UA-11/40-AC	COMPUTER ASSY (11/40)	-	-	-	-	-	-	-	-	-	-	-	-
92	D-UA-11/40-AD	COMPUTER ASSY (11/40)	-	-	-	-	-	-	-	-	-	-	-	-
93	D-UA-11/40-AH	COMPUTER ASSY (11/40)	-	-	-	-	-	-	-	-	-	-	-	-
94	D-UA-11/40-AJ	COMPUTER ASSY (11/40)	-	-	-	-	-	-	-	-	-	-	-	-
95	C-UA-DL11-A	ASYNCHRONOUS LINE INTERFACE	-	-	-	-	-	-	-	-	-	-	-	-
96	E-UA-11/34-DH	COMPUTER ASSY (11/34)	-	-	-	-	-	-	-	-	-	-	-	-
97	E-UA-11/34-DJ	COMPUTER ASSY (11/34)	-	-	-	-	-	-	-	-	-	-	-	-
98	D-UA-KY11-LB	PROGRAMMERS CONSOLE (11/34)	-	-	-	-	-	-	-	-	-	-	-	-
99	B-CS-M7856	DL11-W SERIAL LINE & LINE CLOCK	-	-	-	-	-	-	-	-	-	-	-	-
100	E-UA-11/34-HH	COMPUTER ASSY 11/34	-	-	-	-	-	-	-	-	-	-	-	-
101	E-UA-11/34-HJ	COMPUTER ASSY 11/34	-	-	-	-	-	-	-	-	-	-	-	-

TITLE UC15 UNIT ASSY
 ASSY NO. D-UA-UC15-0-0
 SIZE CODE A PL
 SHEET 5 OF 10
 NUMBER UC15-0-0
 REV. ECO NO. H

DIGITAL EQUIPMENT CORPORATION
MAYNARD, MASSACHUSETTS
PARTS LIST

MADE BY F. Doll
 DATE 2/18/75
 ENG F. Doll
 DATE 2/18/75
 CHECKED P. LeBlanc
 DATE 3/18/75
 PROD F. Doll
 DATE 3/18/75
 SECTION 2
 ISSUED SECT. 2

ITEM NO.	DWG NO. / PART NO.	DESCRIPTION	UC15-MK	UC15-ML	UC15-MM	UC15-MN	UC15-PM	UC15-PN	UC15-KA	UC15-KB	UC15-PR	UC15-PS	UC15-RM	UC15-RN
1	C-PL-7006501-12	BASIC CAB. ASSY 19 IN	1	-	1	-	1	-	1	-	1	-	-	-
2	E/D-UA-1105-FA-0	16 BIT COMPUTER ASSY (1105)	-	-	-	-	-	-	-	-	-	-	-	-
3	E/D-UA-1105-FB-0	16 BIT COMPUTER ASSY (1105)	-	-	-	-	-	-	-	-	-	-	-	-
4	E/D-UA-1105-FE-0	16 BIT COMPUTER ASSY (1105)	-	-	-	-	-	-	-	-	-	-	-	-
5	E/D-UA-1105-FF-0	16 BIT COMPUTER ASSY (1105)	-	-	-	-	-	-	-	-	-	-	-	-
6	E/D-UA-1110-NC-0	16 BIT COMPUTER ASSY (1105)	-	-	-	-	-	-	-	-	-	-	-	-
7	E/D-UA-1110-ND-0	16 BIT COMPUTER ASSY (1105)	-	-	-	-	-	-	-	-	-	-	-	-
8	D-UA-H740-D-0	POWER SUPPLY (H740-D)	1	1	1	1	1	1	1	1	1	1	1	1
9	D-AD-7006803-0-0	PANEL ASSY (TERM STRIP)	-	-	-	-	-	-	-	-	-	-	-	-
10	D-AD-7006060-0-0	XMPR MTG PANEL ASSY	-	-	-	-	-	-	-	-	-	-	-	-
11	9006074-3	SCR PHL HD TRUSS " 10-32 X 5/8	A/RA/R	A/R	A/RA/R	A/R	A/RA/R	A/R	A/RA/R	A/R	A/RA/RA/RA/RA/R	A/RA/RA/RA/RA/R	A/RA/RA/RA/RA/R	A/RA/RA/RA/RA/R
12	9007651	WASHER, EXT TOOTH #10	A/RA/R	A/R	A/RA/R	A/R	A/RA/R	A/R	A/RA/R	A/R	A/RA/RA/RA/RA/R	A/RA/RA/RA/RA/R	A/RA/RA/RA/RA/R	A/RA/RA/RA/RA/R
13	9007786	NUT, TINNER MAN #10-32	A/RA/R	A/R	A/RA/R	A/R	A/RA/R	A/R	A/RA/R	A/R	A/RA/RA/RA/RA/R	A/RA/RA/RA/RA/R	A/RA/RA/RA/RA/R	A/RA/RA/RA/RA/R
14	D-UA-BC08R-10-0	I/O CABLE (BC08R)	4	4	4	4	4	4	4	4	4	4	4	4
15	D-UA-BC08A-3-0	CABLE BC08A	-	-	-	-	-	-	-	-	-	-	-	-
16	D-UA-BC08A-5-0	CABLE BC08A	-	-	-	-	-	-	-	-	-	-	-	-
17	D-UA-BC11A-8F-0	CABLE ASSY (BC11-A)	-	-	-	-	-	-	-	-	-	-	-	-
18	D-UA-BC09B-10-0	CABLE ASSY (BC09B)	-	-	-	-	-	-	-	-	-	-	-	-
19	D-UA-H950-PB-0	COVER PANEL 5 1/4	-	-	-	-	-	-	-	-	-	-	-	-
20	9009110	BARREL CONN (SPLICE)	-	-	-	-	-	-	-	-	-	-	-	-
21	9107440-29	WIRE #14 AWG TWP RED/WHT	-	-	-	-	-	-	-	-	-	-	-	-
22	9107440-02	WIRE #14 AWG TWP BLK/RED	A/RA/R	A/R	A/RA/R	A/R	A/RA/R	A/R	A/RA/R	A/R	A/RA/RA/RA/RA/R	A/RA/RA/RA/RA/R	A/RA/RA/RA/RA/R	A/RA/RA/RA/RA/R

TITLE UC15 UNIT ASSY
 ASSY NO. D-UA-UC15-0-0
 SIZE CODE A PL
 SHEET 6 OF 10
 NUMBER UC15-0-0
 REV. ECO NO. H

**DIGITAL EQUIPMENT CORPORATION
MAYNARD, MASSACHUSETTS
PARTS LIST**

MADE BY F. DOLL
DATE 2/18/75
ENG F. DOLL
DATE 2/18/75

CHECKED P. LEBLANC
DATE 3/18/75
PROD F. DOLL
DATE 3/18/75

SECTION 2
ISSUED SECT. 2

QUANTITY / VARIATION

ITEM NO.	DWG NO. / PART NO.	DESCRIPTION	UC15-MK	UC15-ML	UC15-MM	UC15-MN	UC15-PM	UC15-PN	UC15-KA	UC15-KB	UC15-PR	UC15-PS	UC15-RM	UC15-RN
23	9007867	CABLE TIE MOUNT	A/R	A/R	A/R	A/R	A/R	A/R	A/R	A/R	A/R	A/R	A/R	A/R
24	9107370-44	WIRE #14 AWG EPVC YEL	-	-	-	-	-	-	-	-	-	-	-	-
25	9007917	SOLDERLESS CONN	3	3	3	3	3	3	3	3	3	3	12	12
26	1209378	PIN, MATE-N-LOK	2	2	2	2	2	2	2	2	2	2	4	4
27	9007928	SOLDERLESS CONN	4	4	4	4	4	4	4	4	4	4	7	7
28	9008264	BACK MOUNT	2	2	2	2	2	2	2	2	2	2	2	2
29	C-IA-5408782-0-0	PRIORITY JUMPER LEVEL #7	1	1	1	1	1	1	1	1	1	1	1	1
30	C-UA-DR11-C-0	GEN. DEVICE INTERFACE	2	2	2	2	2	2	2	2	2	2	2	2
31	D-UA-841-C-Ø	POWER CONTROL 841-C	-	-	-	-	-	-	-	-	-	-	-	-
32	C-UA-EC05H-0-0	LINE SET 115VAC 7 AMP	1	1	1	1	1	1	1	1	1	1	1	1
33	C-UA-BC05J-0-0	LINE SET 230VAC 4 AMP	-	1	-	1	-	1	-	1	-	1	-	1
34	D-MD-7407841-0-0	MTG PANEL 841	-	-	-	-	-	-	-	-	-	-	-	-
35	D-IA-7407349-0-1	PANEL LOGO (PDP15)	-	-	-	-	-	-	-	-	-	-	1	1
36	D-UA-H95Ø-ØB-Ø	COVER PANEL 10½	-	-	-	-	-	-	-	-	-	-	2	2
37	D-UA-H95Ø-FA-Ø	MTG PANEL DOOR SKIN (H95Ø-F)	-	-	-	-	-	-	-	-	-	-	-	-
38	D-UA-H95Ø-KA-Ø	SHORT DOOR H95Ø-K	1	1	1	1	1	1	1	1	1	1	1	1
39	9107673-25	POWER CORD 25FT	-	-	-	-	-	-	-	-	-	-	-	-
40	9006568	NUT KEPS #5/16-18	1	1	1	1	1	1	1	1	1	1	1	1
41	9008887	GROUND STRAP	1	1	1	1	1	1	1	1	1	1	1	1
42	9006565	NUT KEPS #10-32	A/R	A/R	A/R	A/R	A/R	A/R	A/R	A/R	A/R	A/R	A/R	A/R
43	9007088	CABLE CLAMP NYLON	A/R	A/R	A/R	A/R	A/R	A/R	A/R	A/R	A/R	A/R	A/R	A/R
44	9107243	TUBING BLK 1/4 IN	A/R	A/R	A/R	A/R	A/R	A/R	A/R	A/R	A/R	A/R	A/R	A/R

TITLE UC15 UNIT ASSY
ASSY NO. D-UA-UC15-0-0
SHEET 7 OF 10
SIZE CODE A PL
DIST. UC15-0-0
REV. H
ECO NO.

DEC FORM DEC 16-(325)-1031-N870
DRA 110

**DIGITAL EQUIPMENT CORPORATION
MAYNARD, MASSACHUSETTS
PARTS LIST**

MADE BY Fred Doll
DATE 2/18/75
ENG Fred Doll
DATE 2/18/75

CHECKED P. LEBLANC
DATE 3/18/75
PROD F. DOLL
DATE 3/18/75

SECTION 2
ISSUED SECT. 2

QUANTITY / VARIATION

ITEM NO.	DWG NO. / PART NO.	DESCRIPTION	UC15-MK	UC15-ML	UC15-MM	UC15-MN	UC15-PM	UC15-PN	UC15-KA	UC15-KB	UC15-PR	UC15-PS	UC15-RM	UC15-RN
45	9007031	TIE WRAP	A/R	A/R	A/R	A/R	A/R	A/R	A/R	A/R	A/R	A/R	A/R	A/R
46	1209340-01	CONN HSG MATE-N-LOK (MALE)	1	1	1	1	1	1	1	1	1	1	1	1
47	C-UA-BC015-3-0	CABLE INTERFACE (BC015)	-	-	-	-	-	-	-	-	-	-	-	-
48	9107350-0	WIRE #22 IPVC BLK	A/R	A/R	A/R	A/R	A/R	A/R	A/R	A/R	A/R	A/R	A/R	A/R
49	C-AD-7005128-0-0	CABLE ASSY	-	-	-	-	-	-	-	-	-	-	-	-
50	C-AD-7006419-0-0	CABLE ASSY	-	-	-	-	-	-	-	-	-	-	-	-
51	7008853-3	A.C. RECEPTICLE STRIP ASSY	-	-	-	-	-	-	-	-	-	-	-	-
52	7008853-4	A.C. RECEPTICLE STRIP ASSY	-	-	-	-	-	-	-	-	-	-	-	-
53	9107673-3	3 FOOT EXTENSION CORD	-	-	-	-	-	-	-	-	-	-	-	-
54	1211386	THICK LATCH MOLDING	-	-	-	-	-	-	-	-	-	-	12	12
55	H95Ø-PB	COVER PANEL 5-1/4	-	-	-	-	-	-	-	-	-	-	-	-
56	C-AD-7009167-0-0	LOGIC ASSY (DR15C)	1	1	1	1	1	1	1	1	1	1	1	1
57	C-AD-7009164-0-0	LOGIC ASSY (MX15B)	-	-	-	-	-	-	-	-	-	-	1	1
58	A-PL-DD11-B-0	PERIPHERAL MOUNTING PANEL	1	1	1	1	1	1	1	1	1	1	1	1
59	A-PL-MM11-M-0	MEMORY 4K	1	1	1	1	1	1	1	1	1	1	1	1
60	9008007-3	SCR PHL HD TRUSS #10-32 X 1/2	2	2	2	2	2	2	2	2	2	2	2	2
61	9006046-1	SCR PHL HD PAN #8-32 X 1-3/4	2	2	2	2	2	2	2	2	2	2	2	2
62	C-PS-3611275-5-0	LOGO (UC15)	1	1	1	1	1	1	1	1	1	1	1	1
63	D-IA-7409431-4-0	PANEL CONTROL (UC15)	1	1	1	1	1	1	1	1	1	1	1	1
64	C-MD-7409312-0-0	BRACKET	2	2	2	2	2	2	2	2	2	2	2	2
65	7406748	FILLER STRIP	1	1	1	1	1	1	1	1	1	1	1	1
66	7406749	FILLER STRIP	1	1	1	1	1	1	1	1	1	1	1	1

TITLE UC15 UNIT ASSY
ASSY NO. D-UA-UC15-0-0
SHEET 8 OF 10
SIZE CODE A PL
DIST. UC15-0-0
REV. H
ECO NO.

DEC FORM DEC 16-(325)-1031-N870
DRA 110

DIGITAL EQUIPMENT CORPORATION
MAYNARD, MASSACHUSETTS
PARTS LIST

MADE BY F. DOLL
DATE 2/18/75
ENG F. DOLL
DATE 2/18/75
CHECKED P. LEBLANC
DATE 3/18/75
SECTION 2
PROD F. DOLL
DATE 3/18/75
ISSUED SECT. 2

ITEM NO.	DWG NO. / PART NO.	DESCRIPTION	UC15-MK	UC15-MI	UC15-MM	UC15-MN	UC15-PM	UC15-PN	UC15-KA	UC15-KB	UC15-PR	UC15-PS	UC15-RM	UC15-RN
67	C-PL-7006501-27	Basic Cab Assy 19 In.	-	1	-	1	-	1	-	1	-	1	-	1
68	861-B	Power Control 230 VAC	-	1	-	1	-	1	-	1	-	1	-	1
69	861-C	Power Control 115 VAC	1	-	1	-	1	-	1	-	1	-	1	-
70	BC05U-06	Line Set 230 VAC	-	1	-	1	-	1	-	1	-	1	-	1
71	90-06899	Terminal Block 4 Term	1	1	1	1	1	1	1	1	1	1	1	1
72	74-06707	Plate, Jones Strip	1	1	1	1	1	1	1	1	1	1	1	1
73	90-06560	Nut Keps #6-32	4	4	4	4	4	4	4	4	4	4	4	4
74	90-06026-3	SCR PHL Truss HD #6-32 X 3/4	4	4	4	4	4	4	4	4	4	4	4	4
75	91-07673-6	Power Cord	1	1	1	1	1	1	1	1	1	1	1	1
76	7008288-3F	Cable Assy	1	1	1	1	1	1	1	1	1	1	1	1
77	D-UA-H950-KH	SHORT DOOR H950-K	-	-	-	-	-	-	-	-	-	-	-	-
78	C-IA-7406694-1	Panel Frame	1	1	1	1	1	1	1	1	1	1	1	1
79	D-IA-7009099	Harness	1	1	1	1	1	1	1	1	1	1	1	1
80	D-UA-BC09B-7	Cable Assy (BC09B)	1	1	1	1	1	1	1	1	1	1	1	1
81	D-UA-BC11A-10	Cable Assy (BC11A)	1	1	1	1	1	1	1	1	1	1	1	1
82	E-IA-701029701	Panel Assy	1	1	1	1	1	1	1	1	1	1	1	1
83	D-MD-7414905	Bracket	2	2	2	2	2	2	2	2	2	2	2	2
84	D-AD-7011786-1	Panel Assy	1	1	1	1	1	1	1	1	1	1	1	1
85	C-IA-7011732	Bracket	2	2	2	2	2	2	2	2	2	2	2	2
86	9009712	Fastener	16	16	16	16	16	16	16	16	16	16	16	16
87	9008020-1	SCR PHL HD Pan 6-32 X 3/16	16	16	16	16	16	16	16	16	16	16	16	16
88	9006074-1	SCR PHL HD Pan 10-32 X 5/8	4	4	4	4	4	4	4	4	4	4	4	4

TITLE UC15 UNIT ASSY
UC15 UNIT ASSY
SIZE CODE A PL
ASSY NO. D-UA-UC15-0-0
DUA-UC15-0-0
REV. ECO NO. H
SHEET 9 OF 10
NUMBER UC15-0-0
DIST.

DEC FORM DEC 16-(325)-1031-N870
DRA 110

DIGITAL EQUIPMENT CORPORATION
MAYNARD, MASSACHUSETTS
PARTS LIST

MADE BY F. DOLL
DATE 2/18/75
ENG F. DOLL
DATE 2/18/75
CHECKED P. LEBLANC
DATE 3/18/75
SECTION 2
PROD F. DOLL
DATE 3/18/75
ISSUED SECT. 2

ITEM NO.	DWG NO. / PART NO.	DESCRIPTION	UC15-MK	UC15-MI	UC15-MM	UC15-MN	UC15-PM	UC15-PN	UC15-KA	UC15-KB	UC15-PR	UC15-PS	UC15-RM	UC15-RN
89	D-AD-7010532-0-0	Full Door Unit Assy	1	1	1	1	1	1	1	1	1	1	1	1
90	D-UA-H950-HY-0	Short Door Assy	1	1	1	1	1	1	1	1	1	1	1	1
91	D-UA-11/40-AC	Computer Assy (11/40)	1	-	-	-	-	-	-	-	-	-	-	-
92	D-UA-11/40-AD	Computer Assy (11/40)	-	1	-	-	-	-	-	-	-	-	-	-
93	D-UA-11/40-AH	Computer Assy (11/40)	-	-	1	-	-	-	-	-	-	-	-	-
94	D-UA-11/40-AJ	Computer Assy (11/40)	-	-	-	1	-	-	-	-	-	-	-	-
95	C-UA-DL11-A	Asynchronous Line Interface	1	1	1	1	1	1	1	1	1	1	1	1
96	E-UA-11/34-DH	Computer Assy (11/34)	-	-	-	-	1	-	-	-	-	-	-	-
97	E-UA-11/34-DJ	Computer Assy (11/34)	-	-	-	-	-	1	-	-	-	-	-	-
98	D-UA-KY11-LB	Programmers Console (11/34)	-	-	-	-	-	-	-	-	-	-	-	-
99	B-CS-M7856	DL11-W Serial Line + Line Clock	-	-	-	-	-	-	-	-	-	-	-	-
100	E-UA-11/34-HH	COMPUTER ASSY (11/34)	-	-	-	-	-	-	-	-	-	-	-	-
101	E-UA-11/34-HJ	COMPUTER ASSY (11/34)	-	-	-	-	-	-	-	-	-	-	-	-

TITLE UC15 UNIT ASSY
UC15 UNIT ASSY
SIZE CODE A PL
ASSY NO. D-UA-UC15-0-0
DUA-UC15-0-0
REV. ECO NO. H
SHEET 10 OF 10
NUMBER UC15-0-0
DIST.

DEC FORM DEC 16-(325)-1031-N870
RA 110

This drawing and specifications, herein, are the property of Digital Equipment Corporation and shall not be reproduced or copied or used in whole or in part as the basis for the manufacture or sale of items without written permission.

DIGITAL EQUIPMENT CORPORATION
MAYNARD, MASSACHUSETTS

ENGINEERING SPECIFICATION

DATE 1/22/73

TITLE UNI CHANNEL 15 ENGINEERING SPECIFICATION

REVISIONS

REV	DESCRIPTION	CHG NO	ORIG	DATE	APPD BY	DATE
A	ECO CHANGE	UC15F-3	F. DOLL	4/74	<i>F. Doll</i>	7/27/74
B	ECO CHANGE	UC15-1	F. DOLL	4/75	<i>F. Doll</i>	4/16/75
C	ECO CHANGE	UC15-2	F. DOLL	9/75	<i>F. Doll</i>	9/17/75
D	ECO CHANGE	UC15-3	F. DOLL	4/76	<i>F. Doll</i>	4-76

ENG <i>RC Gray</i>	APPD <i>RC Gray</i>	SIZE A	CODE SP	NUMBER UC15-0-1	REV D
--------------------	---------------------	------------------	------------	--------------------	-----------------

DEC 16-(392)-1079-N971
DRA 107

SHEET 1 OF 25

ENGINEERING SPECIFICATION

CONTINUATION SHEET

TITLE UNI CHANNEL 15

0. Overall Description

Unichannel 15 (UC15) is a new peripheral processor for the PDP-15 utilizing the PDP-11/05 minicomputer. It provides the PDP-15 with a second general purpose processor and a second high speed I/O bus: the UNIBUS. This UNIBUS is an 18-bit pathway permitting transfer of 18-bit PDP-15 words 16-bit PDP-11 words, or two eight-bit bytes.

The UC15 makes the PDP-15 a more powerful medium scale computer:

.It reduces the cost of expanding PDP-15 systems by making selected UNIBUS controllers and options usable on the PDP-15.

.Expandability is enhanced by providing two high speed I/O busses, we allow PDP-15 configurations to be larger.

.Software supported, dual processor capability

There are three major components of the UC15:

1. A PDP-11/05 computer with 4K,8K or 12K of PDP-11 Memory.
- * 2. An MX15-B memory multiplexer which allows both the PDP-15 processor and the PDP-11 processor to share common memory. The shared memory is ordinary 18-bit PDP-15 core memory.
3. An "interrupt link" to provide a second means of inter-processor communications.

A PDP-15 with 12K or more of memory is a prerequisite for a UC15 addition.

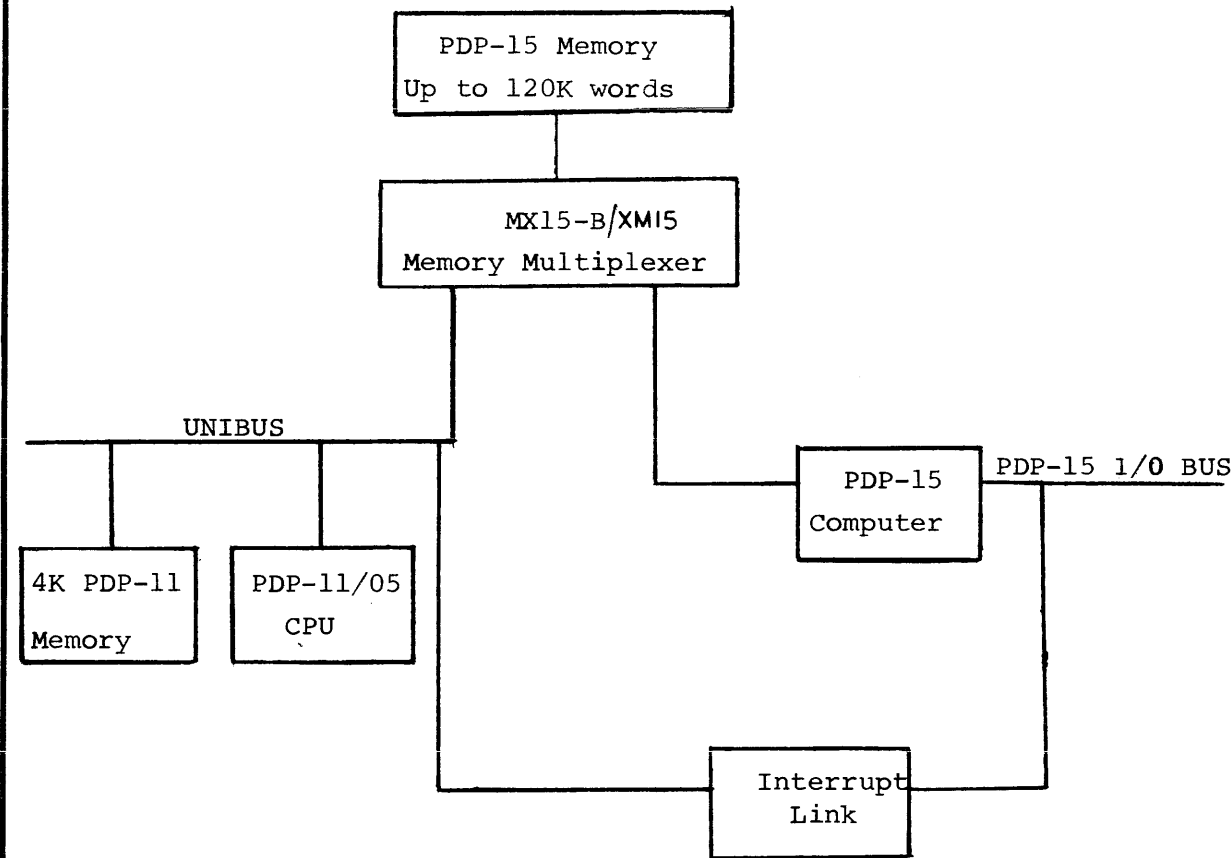
* Unichannels connected to XM15's do not utilize the MX15B. The memory multiplexer is in the XM15.

SIZE A	CODE SP	NUMBER UC15-0-1	REV D
------------------	------------	--------------------	-----------------

DEC FORM NO DEC 16-(381)-1022-N370
DRA 108

SHEET 2 OF 25

TITLE



Components of Unichannel 15

1. General Specification

1.1 Definition of basic system.

The basic system includes a PDP11 processor, a memory bus multiplexer, an interrupt link, a cabinet, power supply, power controls and all cables needed to integrate the UC15 into a PDP15 system

It does not include a TTY.

1.2 List of included options.

SIZE	CODE	NUMBER	REV
A	SP	UC15-0-1	D

TITLE

UNI CHANNEL 15

1.2.1 A UC15 consists of the following major items.

Quantity	Option #	Description
1	MX15-B	Memory Bus Multiplexer
1	DR15-C	15 I/O Bus Interface
2	DR11-C	11 Gen. Pur. Interface
1	PDP-11/05	Computer
1	UC15	Cabinet
1	861	Power Controller
1	H740-D	Power Supply

1.2.2 Option Numbers.

Unichannel.

UC15-FA = (4K memory, 115V 50/60 Hz) PDP-11/05-FA, cabinet, MX25-B, 2 DR11-C, DR15-C.

UC15-FB = (4K memory, 230 V 50/60 Hz) PDP-11/05-FB, cabinet MX15-B, 2 DR11-C, DR15-C.

UC15-FE = (8K memory, 115 V 50/60 Hz) PDP-11/05-FE, cabinet MX15-B, 2 DR11-C, DR15-C.

UC15-FF = (8K memory, 230 V 50/60 Hz) PDP-11/05-FF, cabinet, MX15-B, 2DR11-C, DR15-C.

UC15-HE = (8K memory, 115 V 50/60 Hz) PDP-11/05-NC, Cabinet, MX15-B, 2DR11-C, DR15-C, DD11-B.

UC15-HF = same except 230 V and 11/05-ND

UC15-HG = (8K memory, 115 V 50/60 Hz) PDP-11/05-NC, MM11K, cabinet MX15-B, 2DR11-C, DR15-C, DD11-B

UC15-HL = same except 230 V and 11/05-ND

UC15-JE = (8K memory, 115 V 50/60 Hz) PDP-11/05-NC, Cabinet 2DR11-C, DR15-C, DD11-B.

UC15-JF = same except 230 V and 11/05-ND.

UC15-JK = (8K memory, 115 V 50/60 Hz) PDP-11/05-NC, MM11K Cabinet, 2DR11-C, DR15-C, DD11-B.

UC15-JL = same except 230 V and 11/05-ND.

SIZE	CODE	NUMBER	REV
A	SP	UC15-0-1	D

ENGINEERING SPECIFICATION

digital

CONTINUATION SHEET

TITLE UNICHANNEL 15

- UC15-KA = 115V 50/60 HZ cabinet, 2DR11-C, DR15-C,DD11-B.
- UC15-KB = 230V 50/60 HZ cabinet, 2DR11-C, DR15-C,DD11-B.
- UC15-MK = (12K memory, 115 V 50/60 Hz) PDP11/40 Cabinet, 2DR11-C, DR15-C, DD11-B.
- UC15-ML = (12K memory, 230 V 50/60 Hz) PDP11/40 Cabinet, 2DR11-C, DR15-C, DD11-B.
- UC15-MM = (16K memory, 115 V 50/60 Hz) PDP11/40 Cabinet, 2DR11-C, DR15-C, DD11-B.
- UC15-MN = (16K memory, 230 V 50/60 Hz) PDP11/40 Cabinet, 2DR11-C, DR15-C, DD11-B.
- UC15-PM = (16K memory, 115 V 50/60 Hz) PDP11/34 Cabinet, 2DR11-C, DR15-C, DD11-B.
- UC15-PN = (16K memory, 230 V 50/60 Hz) PDP11/34 Cabinet, 2DR11-C, DR15-C, DD11-B.

1.3 Mechanical Packaging

MX15-B occupies a standard rack panel of M Series logic. DR15-C occupies a standard rack panel of M Series logic. UC15 cabinet bolts to left of PDP-15 processor cab in normal configurations. Options are mounted in cabinet as shown in Figure 1-1.

1.3.1 Cable Specifications

BC08R - 10	DR11-C #1 CONN2	DR15-C B 18
BC08R - 10	DR11-C #1 CONN1	DR15-C B 17
BC08R - 10	DR11-C #0 CONN2	DR15-C A 18
BC08R - 10	DR11-C #0 CONN1	DR15-C A 17
BC11A - 8F	PDP11/05 A7/B7	MX15-B A01B01
BC11A - 10	PDP11/05 A7/B8	XM15 A01B01

SIZE	CODE	NUMBER	REV
A	SP	UC15-0-1	D

ENGINEERING SPECIFICATION

digital

CONTINUATION SHEET

TITLE UNI CHANNEL 15

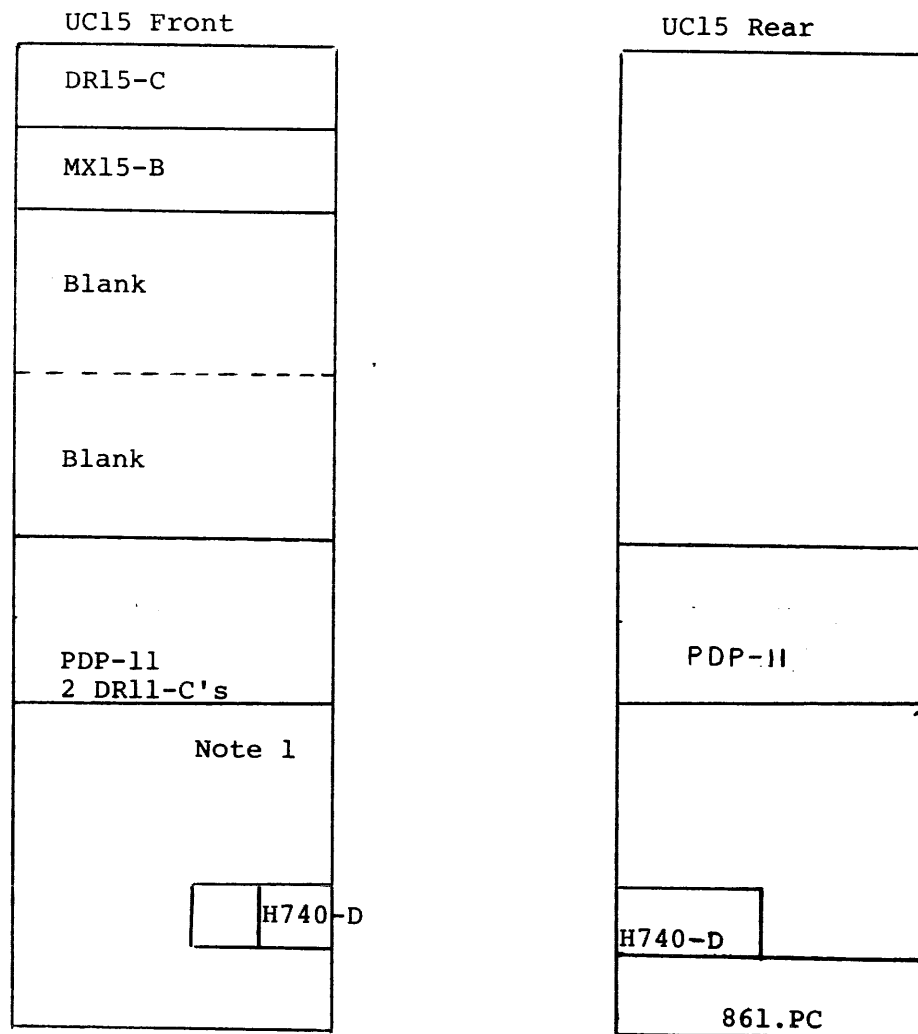


Figure 1.1

Note 1: This space may be used to mount a BALL expander box. If an RK15 has previously been mounted in the space, the fan assembly, mounting frame, and RK11-E must be removed and the RK11-E remounted inside the BALL box. See Note 4 on drawing D-UA-RK15-F Sheet 2 of 2.

SIZE	CODE	NUMBER	REV
A	SP	UC15-0-1	D

ENGINEERING SPECIFICATION

CONTINUATION SHEET

TITLE UNI CHANNEL 15

General Description

The UC15 configuration Specifications are designed to be an aid in installing the memory data line (MDL), I/O bus and UNIBUS cables. Under no circumstances should any section of MDL exceed 25 feet.

1.3.1.1 MDL Configurations

This section gives a breakdown of the various MDL cable configurations. The cables are listed in the order in which they must be run in the system. All cables are BC08A's unless otherwise noted. H8519 #1 connector block is the block insert for the first 48K, H8519, #2 is the block used for the second 48K. REFERENCE XM15 SPEC. WHEN UC15 IS CONNECTED TO XM15.

15 MDL Cables from KP to MX15B

15 without KM/KT15 or FP15

From		To		Cable Length
Device	LOC	Device	LOC	
KP15	JO2	MX15B	A17	3'
KP15	JO3	MX15B	B17	3'

15 with KM/KT 15

KP15	JO2	BB15	B02	5'
KP15	JO3	BB15	B03	5'
BB15	A02	MX15B	A17	5'
BB15	A03	MX15B	B17	5'

15 with FP15

KP15	JO2	FP15	H29	5'
KP15	JO3	FP15	H30	5'

SIZE A	CODE SP	NUMBER UC15-0-1	REV D
------------------	------------	--------------------	-----------------

ENGINEERING SPECIFICATION

CONTINUATION SHEET

TITLE UNI CHANNEL 15

FP15	J29	MX15B	A17	6'
FP15	J30	MX15B	B17	6'

15 with KM/KT15 and FP15

KP15	JO2	FP15	H29	6'
KP15	JO3	FP15	H30	6'
FP15	J29	BB15	B02	3'
FP15	J30	BB15	B03	3'
BB15	A02	MX15B	A17	6'
BB15	A03	MX15B	B17	6'

1.3.1.2 MDL Cables from MX15B to Memory

Up to 32K MM15

MX15B	A08	MM15A	B02	3'
MX15B	B08	MM15A	B03	3'
MM15A	A02	MM15B	A02	3'
MM15A	A03	MM15B	A03	3'

MM15B	B02	MM15C	A02	5 1/4" (7006907-0F)
MM15B	B03	MM15C	A03	5 1/4" (7006907-0F)

One MX15 A up to 56K MM15

MX15B	A08	MX15A#1	-	6'
MX15B	B08	MX15A#1	-	6'

SIZE A	CODE SP	NUMBER UC15-0-1	REV D
------------------	------------	--------------------	-----------------

ENGINEERING SPECIFICATION

CONTINUATION SHEET

TITLE UNI CHANNEL 15

The MDL cables continue to any memory not accessed through the MX15A

MX15A	MM15A	7'
MX15A	MM15A	8'

Two MX15A up to 80K MM15

From		to		Cable Length
Device	Loc	Device	Loc	
MX15B	A08	MX15A#1	-	6'
MX15B	B08	MX15A#1	-	6'
MX15A#1		MX15A#2		5 1/4" (7006907-CP)
MX15A		MM15A		7'
MX15A		MM15B		8'

Up to 48K ME15

MX15B	A08	H8519	TOP	5'
MX15B	B08	H8519	BOT	5'

48 to 96K ME15

MX15B	A09 <i>A08</i>	H8519	TOP	5'
MX15B	B09 <i>B08</i>	H8519	BOT	5'
H8519#1	TOP	H8519#2	TOP	3'
H8519#2	BOT	H8519#2	BOT	3'

Up to 48K ME15 with one MM15

MX15B	A08	MM15A	BO2	3'
MX15B	B08	MM15A	BO3	3'
MM15A	A02	H8519#1	TOP	4'
MM15A	A03	H8519#1	BOT	4'

SIZE	CODE	NUMBER	REV
A	SP	UC15-0-1	D

ENGINEERING SPECIFICATION

CONTINUATION SHEET

TITLE UNI CHANNEL

48 to 96K ME15 with one MM15.

FROM		TO		Cable Length
Device	Loc	Device	Loc	
MX15B	A08	MM15A	BO2	3'
MX15B	B08	MM15A	BO3	3'
MM15A	A02	H8519#1	TOP	4'
MM15A	A03	H8519#1	BOT	4'
H8519#1	TOP	H8519#2	TOP	3'
H8519#2	BOT	H8519#2	BOT	3'

Up to 48K ME15 with two MM15's

MX15B	A08	MM15A	BO2	3'
MX15B	B08	MM15A	BO3	3'
MM15A	BO2	MM15B	A02	3'
MM15A	A03	MM15B	A03	3'
MM15B	BO2	H8519	TOP	3'
MM15B	BO3	H8519	BOT	3'

48 to 96K ME15 with two MM15's

MX15B	A08	H8519	TOP	5'
MX15B	B08	H8519	BOT	5'
H8519	TOP	MM15A	BO2	6'
H8519	BOT	MM15A	BO3	6'
MM15A	A02	MM15B	A02	3'
MM15A	A03	MM15B	A03	3'
MM15B	BO2	H8519	TOP	3'
MM15B	BO3	H8519	BOT	3'

SIZE	CODE	NUMBER	REV
A	SP	UC15-0-1	D

ENGINEERING SPECIFICATION

CONTINUATION SHEET

TITLE UNI CHANNEL 15

Up to 48K ME15 with three MM15's

FROM		TO		Cable Length
Device	Loc	Device	Loc	
MX15B	A08	H8519	TOP	5'
MX15B	B08	H8519	BOT	5'
H8519	TOP	MM15A	B02	6'
H8519	BOT	MM15A	B03	6'
MM15A	A02	MM15B	A02	3'
MM15A	A03	MM15B	A03	3'
MM15B	B02	MM15C	A02	5 1/4" (7006907-OF)
MM15B	B03	MM15C	A03	5 1/4" (7006907-OF)

All other configurations.

Other configurations are so varied that it is impossible to break them down into a list such as the preceding sections. There are some guidelines which should be followed when configuring the system. Cable length should be kept to a minimum. In no case should any section of MDL cable exceed 25 feet.

1.3.1.3

I/O Bus Configuration

Input Bus

FROM		TO		Length	TYPE
Device	Loc	Device	Loc		
KP15	MN 2,3	DR15C	AB1,2	5'	BC09B
BB15	CD 4,5	DR15C	AB1,2	7'	"
BA15	AB 4,5	DR15C	AB1,2	8'	"
DW15	AB 4,5	DR15C	AB1,2	8'	"
XVM SYSTEM					
BA15	CD 4,5	DR15C	AB1,2	7'	BC09B

SIZE	CODE	NUMBER	REV
A	SP	UC15-0-1	D

ENGINEERING SPECIFICATION

CONTINUATION SHEET

TITLE UNI CHANNEL 15

Output Bus

The Output I/O bus (BC09B) connects from DR15C slot AB 3,4 to:

First Option Cabinet	One Extended Memory Cabinet	Two Extended Memory Cabinets	No BA15 Cabinet
Left of UC15 (RP15, RF15)	6'	8'	10'
Right of UC15 (RC15, LP15, VT15)	10'	-	8'

1.3.1.4 UNIBUS Restrictions

Standard UNIBUS rules must be followed concerning its length and loading. When installing additional cabinets which contain PDP11 peripherals, the cabinet normally connects to the left side of the far left cabinet. This prevents extending the PDP15 I/O Bus beyond the 80 ft. limit. Parity is not allowed as "PA" and "PB" are used as the upper two data bits.

1.4 Environmental and Power Requirements

DR15-C/MX15-B

Temperature 50°F to 122°F

Humidity 20% to 90%

Power

MX15-B	7 amps @ 5 volts
DR15-C	2.amps @ 5 volts

UC15 Bay

Power

7 amps @ 115v
3 .5 amps @ 230 v

Weight

250 lbs.

SIZE	CODE	NUMBER	REV
A	SP	UC15-0-1	D

ENGINEERING SPECIFICATION

CONTINUATION SHEET

TITLE UNI CHANNEL 15

Note both power and weight increase as options replace blank areas in the UC15 cabinet.

1.5

Bus Loading

MX15-B

15 Input load = 2 unit loads

Unibus input load = 1 unit load

Output = 2 unit loads

SIZE	CODE	NUMBER	REV
A	SP	UC15-0-1	D

ENGINEERING SPECIFICATION

CONTINUATION SHEET

TITLE UNI CHANNEL 15

2.0

Vendor supplied equipment

None

SIZE	CODE	NUMBER	REV
A	SP	UC15-0-1	D

ENGINEERING SPECIFICATION

CONTINUATION SHEET

TITLE UNI CHANNEL 15

3.1.1 MX15-B Specifications

A. Output - PDP-15 Memory Bus.

Will connect to MM15, MX15-A, and ME15 memories.

B. Inputs

PDP-11: modified UNIBUS with PA and PB used as D16 and D17 respectively. It meets all other UNIBUS specs. Defined as UNIBUS/18, input would have a lower address bound that could be fixed to any 4K multiple address 0-128K. This would be specified by jumpers. Note only 4 or 8K of local memory will be supported by diagnostics and systems programs. Hence, the maximum commonly addressable memory (11 processor) will be 24 or 20K. An upper limit would be provided as 124K.

The addresses presented from the PDP-11 are relocated to prevent location 0 being the same physical address on each machine. The PDP-11 will be able to be relocated by 4K increments to 124K. Local PDP-11 memory is restricted to 4K increments. Note that the PDP-11/05 has "local" memory.

Note that any "write" operation to a common memory location by 8 bit or 16 bit UNIBUS devices causes PDP-15 data bits 0 and 1 of the location to be forced 0.

PDP-15: standard 15 memory bus interface - no upper and lower bounds. No relocation. Emphasis will be on minimum delay through multiplexer for this port.

When the PDP-15 issues DCH SYNC (during Data Channel interrupts) it will have top priority (uninterrupted memory use). The PDP-15 must not issue DCH SYNC for a period longer than the PDP-11/05 "time-out". If this occurs, the PDP-11/05 will "time-out" and may "hang" the system in the process. Hence, this type of "time-out", not due to non-existent memory, must not occur. In some cases, the "time-out" delay will have to be lengthened. If both processors request at the same time, PDP-15 will get use of the memory. When requests are not simultaneous, a first-come, first-served mode operates. Practically, this all means

SIZE	CODE	NUMBER	REV
A	SP	UC15-0-1	D

ENGINEERING SPECIFICATION

CONTINUATION SHEET

TITLE UNI CHANNEL 15

that the 15 and 11 will alternate accesses to common memory except under the special conditions described above. Note no local memory is allowed on the PDP-15.

3.1.2 DR15-C Specifications

This section describes the IOT's of the DR15-C and the registers of the two DR11-C's.

3.1.2.1 Register Descriptions (PDP-11)

(CSR) 767770 Bit 6 - when bit 6 is a 1, it will enable an interrupt on BR5 to TV 300, if the API DONE flag is set in bit 7 of 767770.

Bit 7 - API DONE - set to 1 whenever none of the 4 API channels has a request pending.

NOTE: Neither of these bits is expected to be used in normal systems programming.

(ODB) 767772 Low byte - contains the API address for an API level 0 break. Loading a new value in this byte causes the appropriate API* flag to be set in the DR15-C and an API break in the PDP-15 will occur, if the API is enabled and no higher activity is occurring. It also will cause a PI interrupt if API is not installed.

High byte - contains the API address for an API level 1 break. Same conditions as low byte.

(IDB) 767774 Bit 0 - contains bit "2" of the Task Control Block Pointer (TCBP). See note under bit 1.

Bit 1 - contains bit "1" of the TCBP.

NOTE: That reading 767774 does not effect the New TCBP flag in bit 7 of 767760.

SIZE	CODE	NUMBER	REV
A	SP	UC15-0-1	D

ENGINEERING SPECIFICATION

digital

CONTINUATION SHEET

TITLE UNI CHANNEL 15

Bit 6 - API 2 DONE flag - when a 1 indicates that there is no API level 2 request pending before the PDP-15. When a 1 also indicates the 767762 low byte may be loaded with a new API level 2 address to cause a new API interrupt level 2 and set the API 2 flag in the DR15-C.

Bit 7 - API 0 DONE flag - when a 1 indicates that there is no API level 0 request pending before the PDP-15. When a 1 also indicates that 767772, low byte may be loaded with a new API level 0 and set the API 0 flag in the DR15-C.

Bit 8 - Local Memory Size bit 0 - the least significant bit of a two bit field which specifies the number of 4K word memory banks are connected to the UNIBUS.

Bit 9 - Local Memory Size bit 1 - the most significant bit of a two bit field which specifies that number of 4K memory banks are connected to the UNIBUS.

LMS2	LMS1	LMS0	
0	0	0	0 Local Memory
0	0	1	4K Local Memory
0	1	0	8K Local Memory
0	1	1	12K Local Memory
1	0	0	16K LOCAL MEMORY

Bit 14 - API 3 DONE flag - when a 1 indicates that there is no API level 3 request pending before the PDP-15. When a 1 also indicates that 767762 high byte may be loaded with a new API level 3 address to cause a new API interrupt at level 3 and set the API 3 flag in the DR15-C.

Bit 15 - API 1 DONE flag - when a 1 indicates that there is no API level request pending before the PDP-15. When a 1 also indicates that 767772 high byte may be loaded with a new API level 1 address to cause a new API interrupt at level 1 and set the API1 in the DR15-C.

SIZE	CODE	NUMBER	REV
A	SP	UC15-0-1	D

ENGINEERING SPECIFICATION

digital

CONTINUATION SHEET

TITLE UNI CHANNEL 15

Bit 6 - API 2 DONE flag - when a 1 indicates that there is no API level 2 request pending before the PDP-15. When a 1 also indicates that 767762 low byte may be loaded with a new API level 2 address to cause a new API interrupt at level 2 and set the API 2 flag in the DR15-C.

Bit 7 - API 0 DONE flag - when a 1 indicates that there is no API level 0 request pending before the PDP-15. When a 1 also indicates that 767772, low byte may be loaded with a new API level 0 address to cause a new API interrupt at level 0 and set the API0 flag in the DR15-C.

Bit 14 - API 3 DONE flag - when a 1 indicates that there is no API level 3 request pending before the PDP-15. When a 1 also indicates that 767762 high byte may be loaded with a new API level 3 address to cause a new API interrupt at level 3 and set the API3 flag in the DR15-C.

Bit 15 - API 1 DONE flag - when a 1 indicates that there is no API level request pending before the PDP-15. When a 1 also indicates that 767772 high byte may be loaded with a new API level 1 address to cause a new API interrupt at level 1 and set the API1 in the DR15-C.

SIZE	CODE	NUMBER	REV
A	SP	UC15-0-1	D

ENGINEERING SPECIFICATION

CONTINUATION SHEET

TITLE UNI CHANNEL 15

(CSR) 767760 Bit 6 - ENABLE TCBP (Task Control Block Pointer) INTERRUPT - when a 1 allows an interrupt on BR level 7 to TV 310 upon receipt of a new TCBP from the PDP-15.

Bit 7 - NEW TCBP flag - is set to a 1 whenever the PDP-15 issues IOT 706006 thus placing a new TCBP in 767764 and bits 0 and 1 of 767774. It is cleared by the PDP-11 doing a DATI to location 767764.

(ODB) 767762 Low byte - contains the API address for an API level 2 break. Same conditions as 767772 low byte.

High byte - contains the API address for an API level 3 break. Same conditions as 767772.

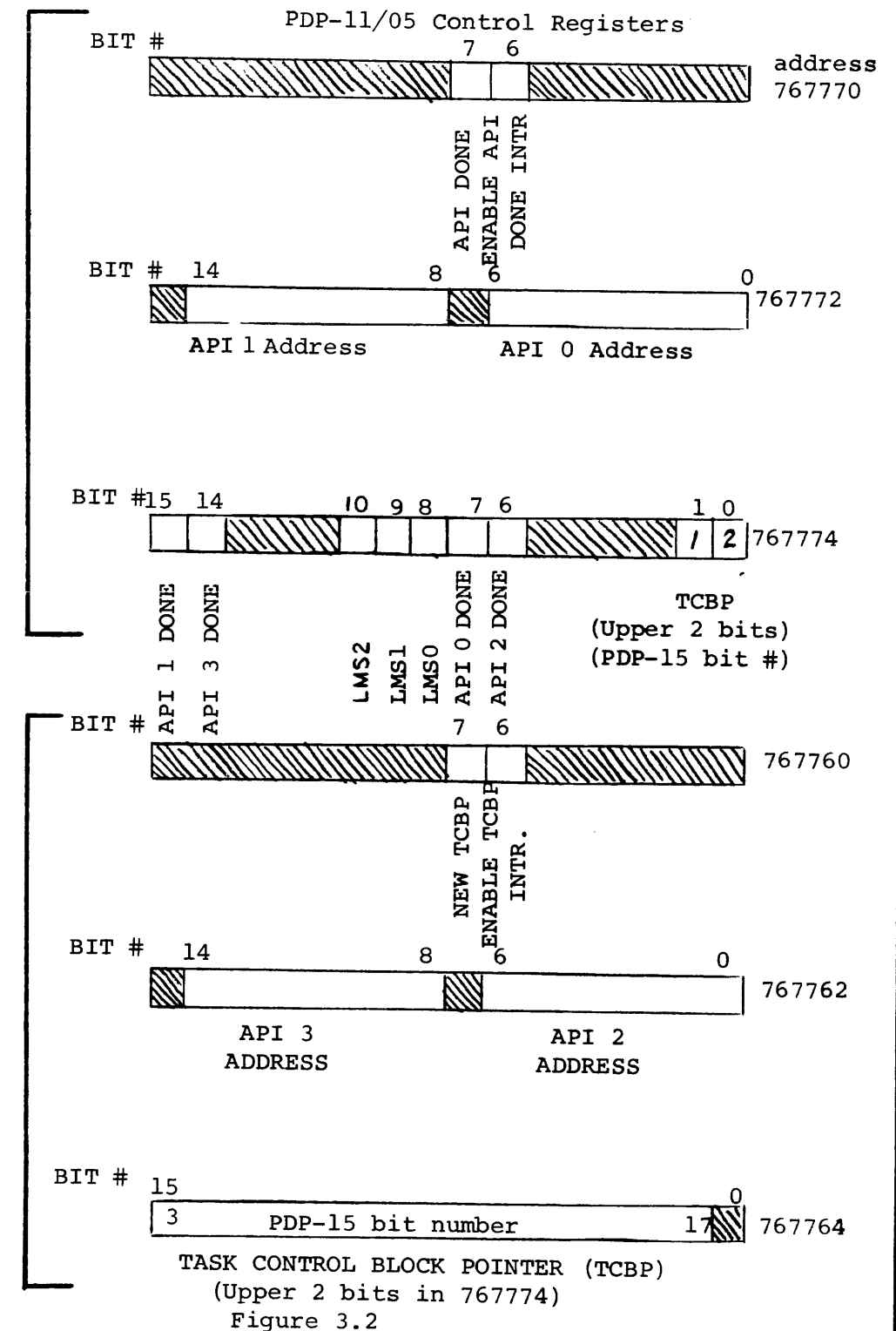
SIZE	CODE	NUMBER	REV
A	SP	UC15-0-1	D

ENGINEERING SPECIFICATION

CONTINUATION SHEET

TITLE UNI CHANNEL 15

DR11-C #0
TV = 300
BR = 5



DR11-C #1
TV = 310
BR = 7

SIZE	CODE	NUMBER	REV
A	SP	UC15-0-1	D

ENGINEERING SPECIFICATION

CONTINUATION SHEET

TITLE UNI CHANNEL 15

(IDB) 767764 TCBP (Task Control Block Pointer) - bits 3-17. This contains the lowest 15 bits of the address sent by the PDP-15. Note that address is "word" aligned. Note also that doing a DATI to this register lowers the New TCBP flag (767760 bit 7) and also sets the Done flag cleared by IOT 706002 in the PDP-15.

3.1.2.2 PDP-15 IOT'S

706001 SIOA - Skip I/O data Accepted. Tests whether the TCBP done flag is set indicating the PDP-11 has read the TCBP and skips the next location if the done flag is a 1.

706002 CIOD - Clear I/O Done. Clears the TCBP done flag.

706006 LIOR - Load I/O Register and clear TCBP done flag. Places the contents of the PDP-15 "AC" into an 18 bit buffer register. The output of the buffer register is seen by the PDP-11 as TCBP at location 767764 and bits 0 and 1 767774. This IOT also causes the TCBP done flag to be cleared and in the PDP-11 causes bit 7 to be set in location 767760 which in turn causes the PDP-11 to do an Interrupt at BR 7 to TV location 310.

706112 RDRS - Read Status register. Clears the AC and loads the contents of the DR15-C status register into the AC. (This effectively moves the DR15-C enable interrupt bit into bit 17 of the AC.)

706122 LDRS - Load Status register. Loads the contents of the AC into the DR15-C status register. (Places value of AC bit 17 in the DR15-C "enable interrupts" bit.)

706104 CAPI0 - Clear API0 flag in DR15-C.

706124 CAPI1 - Clear API1 flag in DR15-C.

706144 CAPI2 - Clear API2 flag in DR15-C.

SIZE	CODE	NUMBER	REV
A	SP	UC15-0-1	D

ENGINEERING SPECIFICATION

CONTINUATION SHEET

TITLE UNI CHANNEL 15

706164 CAPI3 - Clear API3 flag in DR15-C.

706101 SAPI0 - Test the API0 flag in the DR15-C and skips the next instruction if the flag is 1.

706121 SAPI1 - Tests the API1 flag in the DR15-C and skips the next instruction if the flag is 1.

706141 SAPI2 - Tests the API2 flag in the DR15-C and skips the next instruction if the flag is 1.

706161 SAPI3 - Tests the API3 flag in the DR15-C and skips the next instruction if the flag is 1.

15 Status Register DR15-C

Bit 17 - enable PI/API interrupts. When a 1 enables interrupts, when 0 disables interrupts from the PDP-11 processor. Note this bit is set to a 1 by Initialize and the CAF instruction. It can only be cleared by using the LDRS (IOT 706122) instruction.

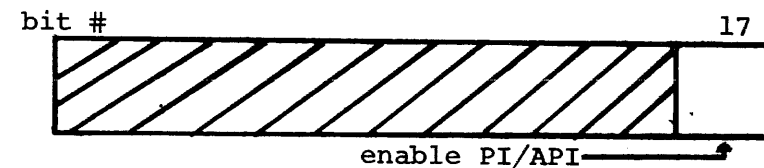


Figure 3.1

3.1.2.4 Hardware Configuration

Figure 3.2 shows the accessible registers in the PDP-11. Note that there are two DR11-C options attached to the PDP-11. One is used for API levels 0 and 1, the second for API levels 2 and 3. The cables from the DR11-C's will go to a DR15-C to cause the API interrupts in the 15 and to receive the TCBP from the 15.

3.2 Special Maintenance Instructions

See section 3.1.2.1, address 767770, bits 6 and 7.

3.3 Data Formats

SIZE	CODE	NUMBER	REV
A	SP	UC15-0-1	D

ENGINEERING SPECIFICATION

digital

CONTINUATION SHEET

TITLE UNI CHANNEL 15

None, other than described in section 3.1.2.4

3.4 CAF/RESET Limitations

The following timing considerations are of interest to programmers.

A RESET instruction may cause the PDP-15 to incorrectly read the API address. The Console RESET and CAF instruction may violate UNIBUS specifications. Hence, random "initialize" pulses may cause system malfunctions. The following guidelines must always be followed:

1. CAF must not be executed while there is a Task Control Block Pointer (TCBP) waiting to be read by the PDP-11/05.
2. RESET must not be executed while there are API requests pending for the PDP-15.
3. RESET must not be executed if there is any NPR activity on the UNIBUS. All active NPR devices must be shut down in a power fail sequence prior to executing RESET.

Following Power Up, the PDP-11/05 processor must wait a minimum of 1 second before attempting to access common PDP15 memory.

3.5 Operator Controls

None on DR15-C, MX15-B, or DR11-C.

SIZE	CODE	NUMBER	REV
A	SP	UC15-0-1	D

ENGINEERING SPECIFICATION

digital

CONTINUATION SHEET

TITLE UNI CHANNEL 15

3.6.0 Programming Specifications

The DEC CHANNEL 15 specifications are designed to establish the PDP-15 as the "master" processor and the PDP-11 as the slave. It is assumed that tasks to be run on the PDP-11 are "set up" and "requested" by the PDP-15.

Briefly, the communication between the PDP-15 and the PDP-11 would be as follows.

First, set up Task Control Block in common memory with PDP-15. Information for a disk transfer would be: disk sector ~~desired~~, starting memory address, API level and address to signal completion and device code specifying disk, etc. The address of the first word in the TCB would be put in the AC and moved to the 11 with IOT LIOR (706006) and becomes the TCBP.

The PDP-11 would be interrupted, read the TCBP, use it to obtain the Task priority from the TCB and queue the task in the proper queue and return to the routine that was interrupted.

Eventually the PDP-11 will execute the task, in this case, the disk transfer would be complete, and the PDP-11 will use the TCB to obtain an API address and level and interrupt the PDP-15 at that address and level.

Note that up to 4 such interrupts may be requested without the PDP-15 having to respond. Note also that since each API level request sets a separate flag, 4 "skip flags" are available for systems without API.

SIZE	CODE	NUMBER	REV
A	SP	UC15-0-1	D

ENGINEERING SPECIFICATION

010113

CONTINUATION SHEET

TITLE UNI CHANNEL 15

4. Interface specifications

All interfaces are standard to the Particular options of which they are a part.

SIZE	CODE	NUMBER	REV
A	SP	UC15-0-1	D

This drawing and specifications, herein, are the property of Digital Equipment Corporation and shall not be reproduced or copied or used in whole or in part as the basis for the manufacture or sale of items without written permission.

DIGITAL EQUIPMENT CORPORATION MAYNARD, MASSACHUSETTS							
						DATE 1/25/73	
TITLE UC15 CUSTOMER ACCEPTANCE PROCEDURE							
REVISIONS							
REV	DESCRIPTION	CHG NO	ORIG	DATE	APPD BY	DATE	
A	ECO CHANGE	UC15F-3	F. DOLL	4/74	<i>F. Doll</i>	7/20/74	
B	ECO CHANGE	UC15-3	F. DOLL	4-76	<i>F. Doll</i>	2/2/76	
1.0	<u>SCOPE</u>						
1.1	The following steps will be followed to accept and insure that all necessary paper work, diagnostics, etc., are included with the UC15.						
2.0	<u>HARDWARE AND SOFTWARE</u>						
2.1	Refer to Appendix I and II for a complete list of the necessary hardware and software.						
3.0	<u>TEST SOFTWARE</u>						
3.1	ABSL-11 Loader.						
3.2	UC15 Diagnostics.						
3.3	PDP-15 System Exercisor with UC15 Module.						
3.4	DEC X-11 Exercisor with UC15 Module.						
3.5	The following procedure will be followed step by step to insure the quality of the option.						
3.5.1	Visually inspect for loose bolts, power plugs, modules, punched cables or bent pins.						
3.5.2	Insure that all modules and cables are in their proper slots and well inserted.						
3.5.3	Insure that all fans in the cabinet operate.						
3.5.4	Load the UC15 diagnostic. Start the test and allow it to make five passes, error free, in sequential mode. Set PDP-15 AC switch 10 to a one for random test operation. Run the test for two passes.						
3.5.5	When all devices have been checked, load and run system exercisor with all options that are on the system for at least fifteen minutes.						
ENG	<i>RC Gray</i>	APPD	<i>RC Gray</i>	SIZE	CODE	NUMBER	REV
	A		SP	A	SP	UC15-0-4	B

DEC FORM NO.
DRA 107A

SHEET 1 OF 4

ENGINEERING SPECIFICATION		CONTINUATION SHEET
TITLE UC15 CUSTOMER ACCEPTANCE PROCEDURE		
<p>3.5.6 At the completion of these steps, the acceptance of the UC15 will be complete.</p> <p><u>NOTE:</u> All PDP-11 diagnostic are loaded with the ABS-11 loader. For a printout, disconnect the 15 console TTY and connect it to the 11/05. Connect the dummy TTY plug to the 15 console TTY cable to prevent constant interrupts from occurring on the PDP-15. Without the TTY plug installed, the hardware read in will not work on the 15.</p>		
ENG	APPD	REV
		B
SIZE	CODE	NUMBER
A	SP	UC15-0-4

DEC FORM NO DEC 16-(381)-1022-N370
DRA 108

SHEET 2 OF 4

ENGINEERING SPECIFICATION

CONTINUATION SHEET

TITLE UC15 CUSTOMER ACCEPTANCE PROCEDURE

APPENDIX I

Hardware Checklist for UC15

- One PDP11 with UC15 Logo (7410674-0-0).
- One MX15B ON NON XVM UC15.
- One DR15C.
- One UC15 cabinet with a ground strap mounted.
- Two DR11C's with priority jumper, level #7 (5408782) on DR11 #1 and priority jumper level #5 (5408778) on DR11 #0.
- One level #5 (5408778) priority jumper for DR11C test.
- One 861 power control.
- One H740-D power supply.
- One panel assembly 7006803 (7006060 for 240V).
- One AC remote power control cable.
- One dummy TTY plug.
- One BC01S-03 TTY extention cable.
- Four BC08R-10 DR11 cables.
- Two BC08R-1 DR11C test cables.
- One 7008360 Berg to TTY cable assembly.
- One BC11A-8F Unibus cable.
- MDL cables as specified in UC15 configuration specification.
- I/O bus as specified in UC15 configuration specification.
- One H950-P cover panel.
- Two H950-Q if no options are above 11/05.
- One H950-KA "pop off" short door.
- One rear door.
- One box 5A fuses.
- One box 7A fuses.

SIZE A	CODE SP	NUMBER UC15-0-4	REV B
------------------	------------	--------------------	----------

ENGINEERING SPECIFICATION

CONTINUATION SHEET

TITLE UC15 CUSTOMER ACCEPTANCE PROCEDURE

APPENDIX II

Software Check List for UC15

- Keysheet with ECO status contained.
- Customer Acceptance Form.
- Installation report.
- Items on A-AL-UC15-0-5
- Items on A-SL-UC15-0-6

SIZE A	CODE SP	NUMBER UC15-0-4	REV B
------------------	------------	--------------------	----------

DIGITAL EQUIPMENT CORPORATION MAYNARD, MASSACHUSETTS			LEGEND		QUANTITY / VARIATION														
ACCESSORY LIST			D	DOCUMENT	UC15 (F-J)	UC15-K	UC15-M	UC15-P					KIT CHECK	BY	DATE	INSTALLATION CHECK	BY	DATE	
			DN	DOCUMENT CHANGE NOTICE															PA
MADE BY V. SOUZA DATE 1/19/73		CHECKED <i>J. E. Blane</i> DATE 1-20-73		SECTION 1															
ENG DATE <i>A. HELENUS</i>		PROD <i>D. Souza</i> DATE 2/5/73		ISSUED SECT. 1															
ITEM NO.	DWG NO. / PART NO.	DESCRIPTION			UC15 (F-J)	UC15-K	UC15-M	UC15-P											
1	D-UA-UC15-0-0	DUMMY TTY PLUG			1	-	-	-											
2	C-UA-BC01S-03-0	TTY EXTENTION CABLE			1	-	-	-											
3	D-IA-7008360-0-0	BERG TO TTY CABLE ASSY			1	-	-	-											
4	D-UA-BC08R-01-0	BERG TO BERG CABLE ASSY			2	2	2	2											
5	C-IA-5408778-0-0	LEVEL 5 PRIORITY JUMPER PLUG			1	-	-	-											
6	DEC-11-H05AA-A-D	PDP 11/05 MAINTENANCE MANUAL			1	-	-	-											
7	DEC-11-HDRCA-A-D	DR11-C MAINTENANCE MANUAL			1	-	-	-											
8	DEC-11-HUCMA-A	UC15 MAINTENANCE MANUAL			1	-	-	-											
9	B-DD-11/05-0	PDP 11/05 CUSTOMER PRINT SET			1	-	-	-											
10	B-DD-DR11-C	DR11-C CUSTOMER PRINT SET			1	-	-	-											
11	B-DD-UC15-0	UC15 CUSTOMER PRINT SET			1	-	-	-											
12	B-DD-H740-D	H740 CUSTOMER PRINT SET			1	-	-	-											
13	B-DD-861-0	861 CUSTOMER PRINT SET			1	-	-	-											
14	9007221	FUSE 5 AMP GLASS			5	5	5	5											
15	9007224	FUSE 7 AMP GLASS			5	5	5	5											
16	9107673-6	CORD 14/3 WIRE (BLACK)			1	-	-	-											
17	A-AL-11/40-0-4	11/40 ACCESSORY LIST			-	-	-	-											
18	A-SH-11/34-0-0	11/34 ACCESSORY LIST			-	-	-	-											
TITLE ACCESSORY LIST UC15-0				ASSY. NO. D-UA-UC15-0-0	SIZE A	CODE AL	NUMBER UC15-0-5						REV. B	ECO NO UC15 - 00003					
SHEET 1 OF 1				DIST.															

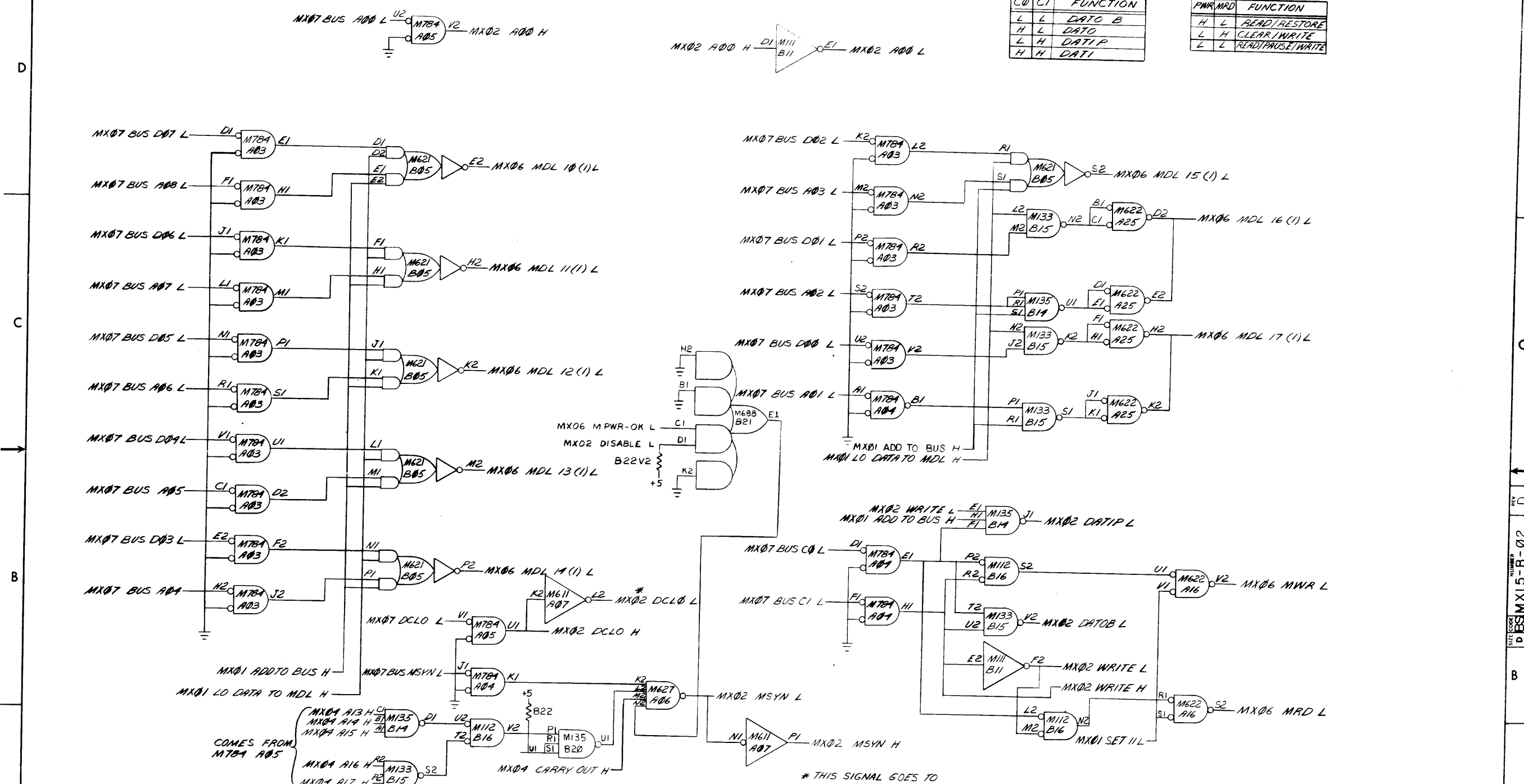
DIGITAL EQUIPMENT CORPORATION MAYNARD, MASSACHUSETTS SOFTWARE LIST				QUANTITY / VARIATION											
MADE BY <i>V.E. Longo</i>		CHECKED <i>R.J. Gleason</i>		SECTION											
DATE <i>1/19/73</i>		DATE <i>1-20-73</i>		1											
ENG <i>A. HELENIUS</i>		PROD <i>Da. Sluga</i>		ISSUED SECT.											
DATE		DATE <i>2/5/73</i>		1											
ITEM NO.	DWG NO. / PART NO.	DESCRIPTION		UC15-FA	UC15-FB	UC15-FE	UC15-FF	UC15-H	UC15-J	UC15-K	UC15-M	UC15-P			
1	LIBKIT 11/05 BASEA-A-K	PDP-11/05 Basic Diagnostic Kit		1	1	1	1	1	1	1	-	-			
2	LIBKIT-11-DR11C-Ø1	DR11-C Diagnostic Kit		1	1	1	1	1	1	1	1	-			
3	LIBKIT-15-UC15A-A-K	UC15 Diagnostic Kit - 4K Paper Tape		1	1	-	-	-	-	-	-	-			
4	LIBKIT-15-UC15B-A-K	UC15 Diagnostic Kit - 8K Paper Tape		-	-	1	1	1	1	1	-	-			
5	LIBKIT-15-UC15D-A-K	UC15 Diagnostic Kit - Paper Tape Modular		NOTE 1											
6	LIBKIT-11/40 BASE	PDP-11/4Ø DIAGNOSTIC KIT		-	-	-	-	-	-	-	1	-			
7	LIBKIT-ZJØØ-RB	PDP-11/34 DIAGNOSTIC KIT		-	-	-	-	-	-	-	-	1			
8	LIBKIT-ZM 146	XVM SYSTEM EXERCISER		-	-	-	-	-	1	1	1	1			
		NOTE 1: Ship when Paper Tape Reader/Punch is also shipped with UC15.													
TITLE UNICHANNEL 15 SOFTWARE LIST		ASSY NO. D-UA-UC15-Ø-Ø		SIZE A	CODE SL	NUMBER UC15-Ø-6		REV. B		ECO NO. UC15-00003					
		SHEET \ OF \		DIST.											

This drawing and specifications, herein, are the property of Digital Equipment Corporation and shall not be reproduced or copied or used in whole or in part as the basis for the manufacture or sale of items without written permission.

MX15-B-02

C0	C1	FUNCTION
L	L	DATA B
H	L	DATA
L	H	DATA/P
H	H	DATA

PWR/MRD	FUNCTION
H L	READ/RESTORE
L H	CLEAR/WRITE
L L	READ/PAUSE/WRITE



REV	DATE	BY	CHKD
1	1-11-73	B. GRAY	
2	1-11-73	R. C. [unclear]	
3	1-11-73	E. REMOND	
4	1-11-73	F. DOLL	
5	1-11-73	F. DOLL	
6	1-11-73	F. DOLL	
7	1-11-73	F. DOLL	
8	1-11-73	F. DOLL	

FIRST USED ON OPTION / MODEL UC15

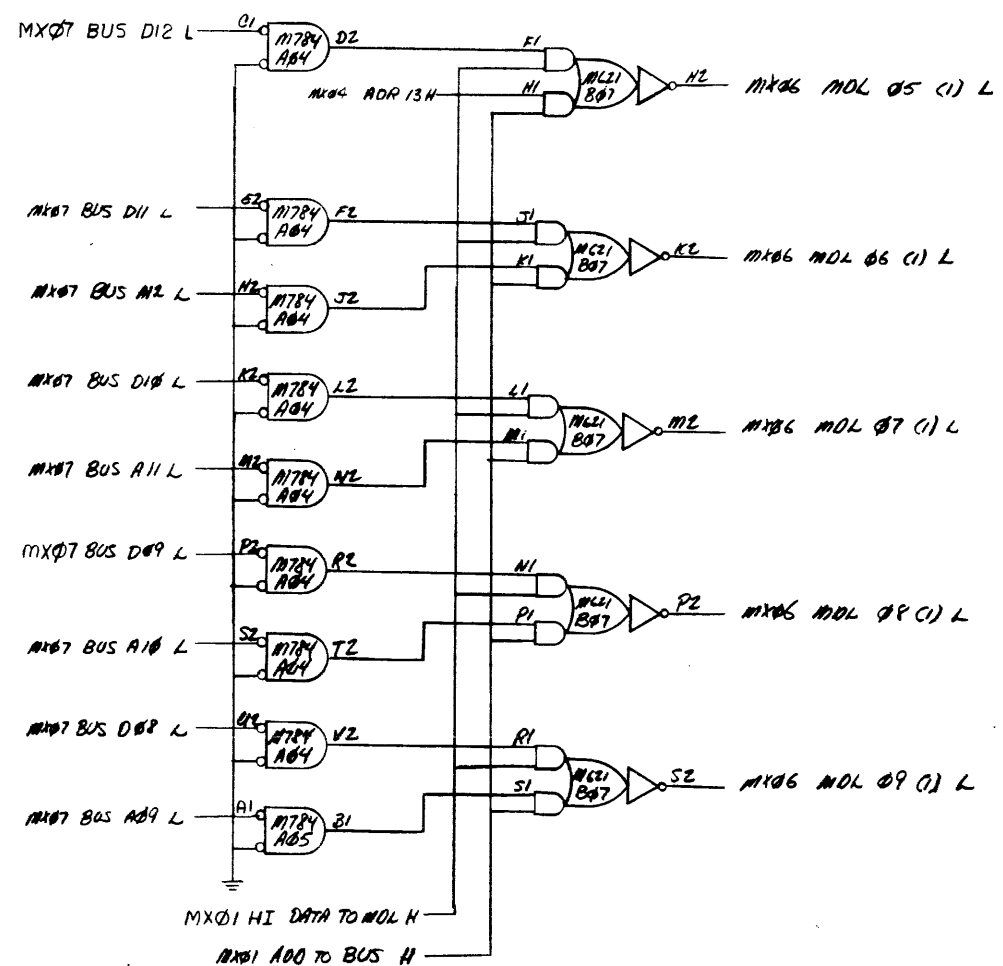
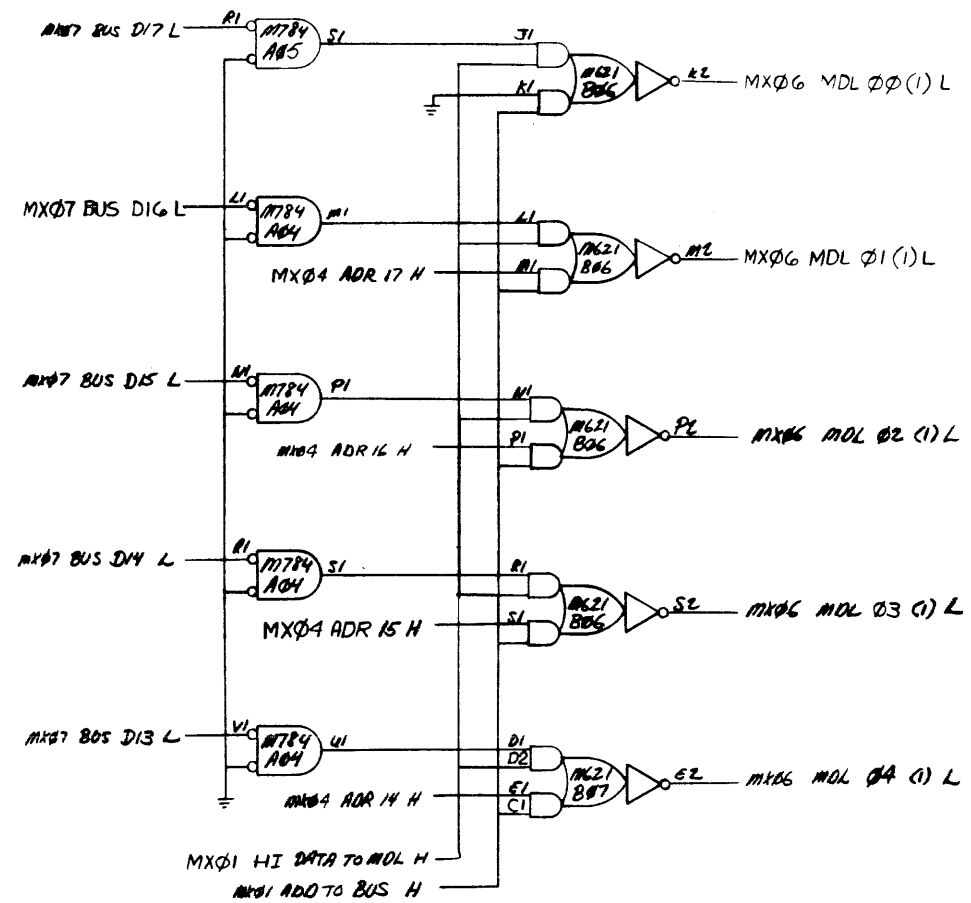
DO NOT SCALE DRAWING
UNLESS OTHERWISE SPECIFIED
DIMENSION IN INCHES
TOLERANCES
DECIMALS FRACTIONS ANGLES
= .005 = 1/64 = 0°30'
FINAL SURFACE QUALITY
REMOVE BURRS AND BREAK SHARP CORNERS

QTY.	DESCRIPTION	PART NO.	ITEM NO.

DRN A. HELENIUS DATE 12-23-72	DATE 12-14-72	
CHK'D P.J. LeBlanc	DATE 1-31-73	
ENG. A. HELENIUS	DATE 1-31-73	TITLE 11 ARRIVING (LOW ORDER BITS)
PROJ. ENG. J.C. GAFF	DATE 1-31-73	
PROD. D.A. SBREGA	DATE 2-5-73	
NEXT HIGHER ASSY B-DD-UC15-0	SCALE 1 OF 1	SIZE CODE DBS
		NUMBER MX15-B-02
		REV 0

DEC FORM NO. 101

The drawing and specifications, based on the principles of digital equipment construction and shall not be reproduced or copied or used in whole or in part in any form for the manufacture of any of these without written permission. © OCT. 1972

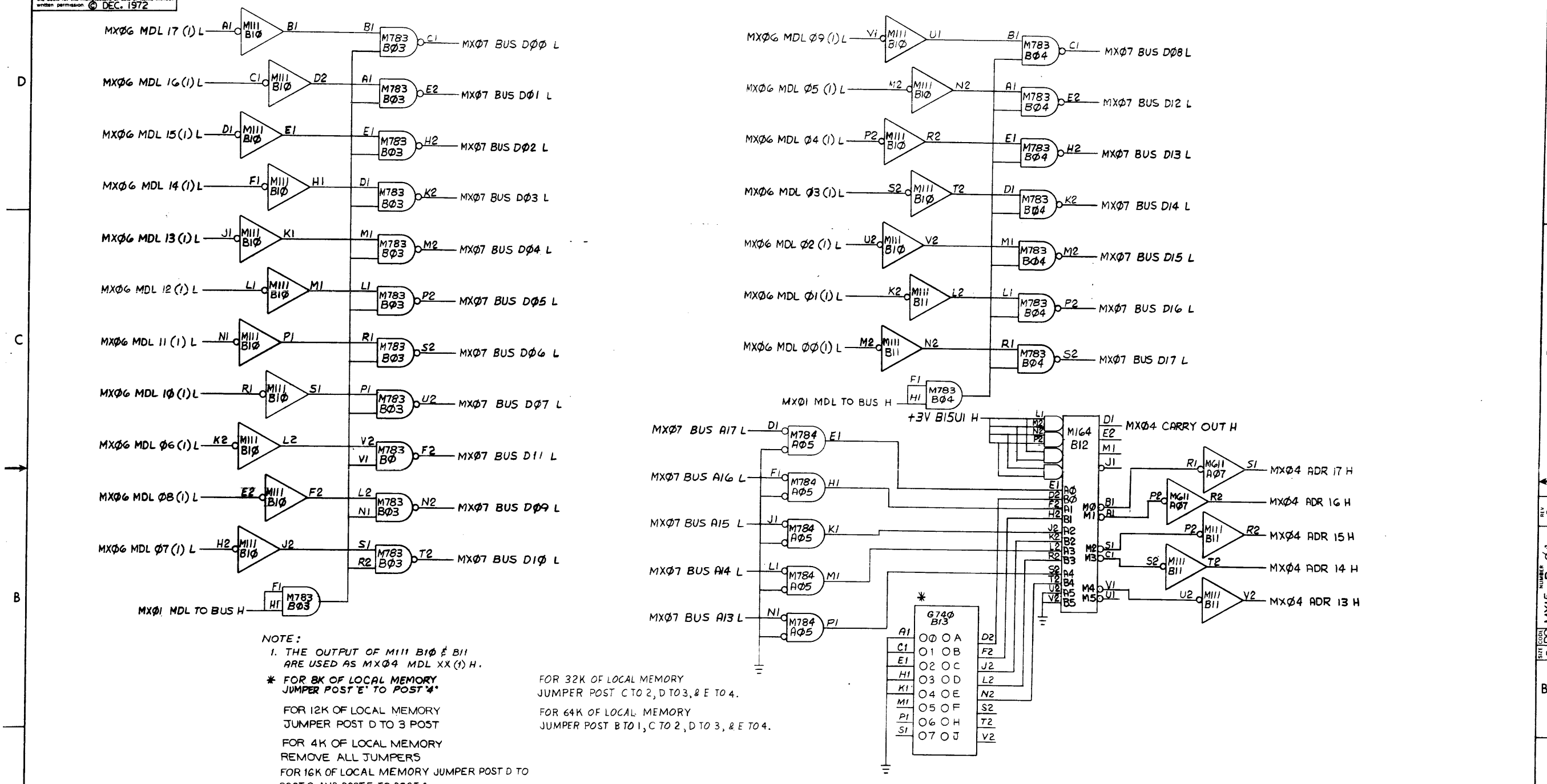


REV	A
CHANGE NO.	1
DATE	11/1/72
BY	E. ESTERLINE
CHKD	F. DOLL
DATE	11/1/72

FIRST USED ON OPT/MOD	QTY.	DESCRIPTION	PART NO.	ITEM NO.
UC15				
UNLESS OTHERWISE SPECIFIED				
DIMENSION IN INCHES				
TOLERANCES				
DECIMALS	FRACTIONS	ANGLES		
± .005	± 1/64	± 0°30'		
FINAL SURFACE QUALITY				
REMOVE BURRS AND BREAK SHARP CORNERS				
MATERIAL				
FINISH				
DATE		PARTS LIST		
DRN	DATE	digital CORPORATION		
CHK'D	DATE	MAYNARD, MASSACHUSETTS		
ENG	DATE	TITLE		
PROJ. ENG.	DATE	11 ARRIVING		
PROD.	DATE	(HIGH ORDER BITS)		
NEXT HIGHER ASSY		SIZE CODE	NUMBER	REV.
B-DD-UC15-0		D	BS MX15-B-03	A
SCALE		SHEET 1 OF 1		
DIST.				

This drawing and specifications, herein, are the property of Digital Equipment Corporation and shall not be reproduced or copied or used in whole or in part as the basis for the manufacture or sale of items without written permission. © DEC. 1972

BS MX15-B-04 2



NOTE:
1. THE OUTPUT OF M111 B10 & B11 ARE USED AS MX04 MDL XX (1) H.

* FOR 32K OF LOCAL MEMORY JUMPER POST E TO POST 4.

FOR 12K OF LOCAL MEMORY JUMPER POST D TO 3 POST

FOR 4K OF LOCAL MEMORY REMOVE ALL JUMPERS

FOR 16K OF LOCAL MEMORY JUMPER POST D TO POST 3 AND POST E TO POST 4.

FOR 32K OF LOCAL MEMORY JUMPER POST C TO 2, D TO 3, & E TO 4.

FOR 64K OF LOCAL MEMORY JUMPER POST B TO 1, C TO 2, D TO 3, & E TO 4.

REV	CHG	NO	DATE	BY
A	UC15-F-00003			
B	UC15-00002			
C	UC15-00004			
D	UC15-00004			

FIRST USED ON OPTION/MODEL	QTY.	DESCRIPTION	PART NO.	ITEM NO.
UC15				
PARTS LIST				
UNLESS OTHERWISE SPECIFIED DIMENSION IN INCHES TOLERANCES		DATE 12-11-72	digital EQUIPMENT CORPORATION WATUARD MASSACHUSETTS	
DECIMALS	ANGLES	DATE 1/2/73	TITLE UNIBUS DATA	
xxx - 005	± 0° 30'	DATE 1/2/73		
xx - 02		DATE 1/2/73		
x - 1		DATE 1/2/73		
REMOVE BURRS AND BREAK SHARP CORNERS SURFACE QUALITY				
MATERIAL		NEXT HIGHER ASSY.		
FINISH		SCALE		
		SHEET OF		
		DIST.		
		SIZE CODE NUMBER REV.		
		D BS MX15-B-04 C		

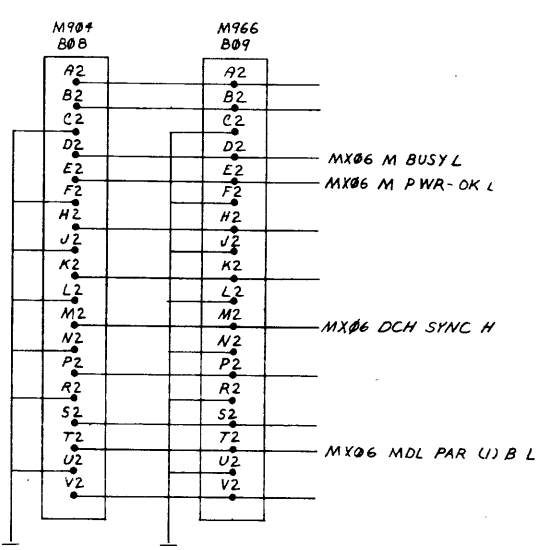
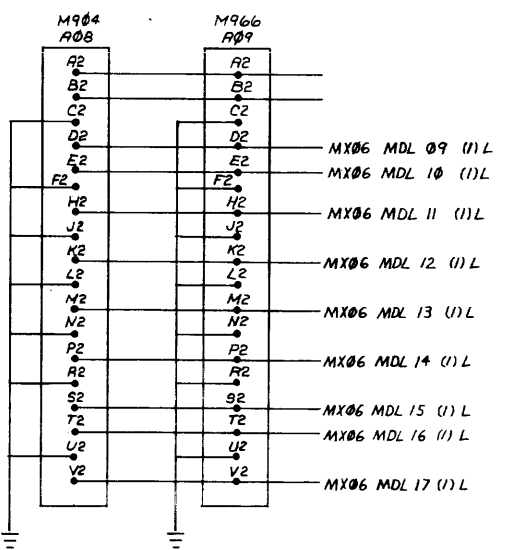
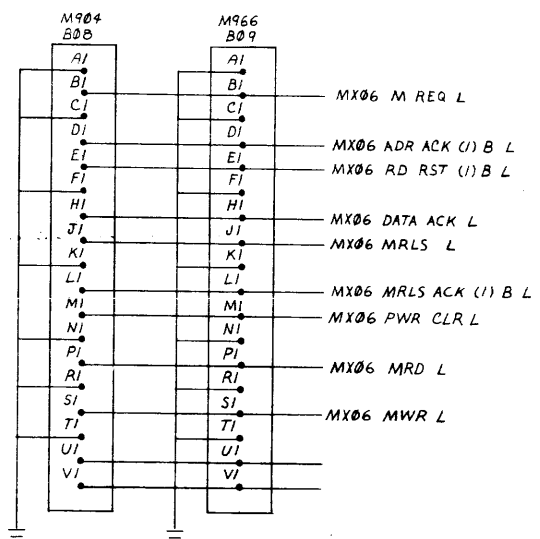
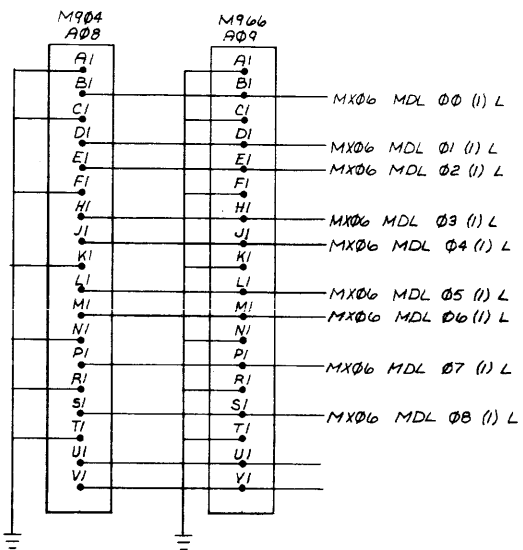
This drawing and specifications, herein, are the property of Digital Equipment Corporation and shall not be reproduced or copied or used in whole or in part as the basis for the manufacture or sale of items without written permission © DEC 1972



REV	DATE	BY	CHKD	DESCRIPTION
1	3/14/72	B. GRAY		MX15B-00001 A
2	5/10/72	R. C. ALLEN		MX15B-00002 B
3	5/10/72	B. GRAY		UC15F-00003 C
4	6/17/72	F. J. DOLL		UC15F-00004 D

FIRST USED ON OPTION/MODEL	QTY.	DESCRIPTION	PART NO.	ITEM NO.
UC15				
PARTS LIST				
UNLESS OTHERWISE SPECIFIED DIMENSION IN INCHES TOLERANCES		DRN D. Counter	DATE 12-8-72	digital EQUIPMENT CORPORATION WATYARD MASSACHUSETTS
DECIMALS	ANGLES	CHK'D R. C. ALLEN	DATE 12/8/72	
XXX - 005	±0° 30'	ENG A. HALEVANS	DATE 11/21/72	
XX - 02		PROJ ENGR R. C. ALLEN	DATE 11/21/72	
REMOVE BURRS AND BREAK SHARP CORNERS SURFACE QUALITY		PROD. D. S. ALLEN	DATE 5/17/72	TITLE 15 PORT
MATERIAL		NEXT HIGHER ASSY.		
FINISH		SCALE NONE		
SHEET		OF		SIZE CODE D BS
				NUMBER MX15-B-05
				REV C

This drawing and specifications, herein, are the property of Digital Equipment Corporation and shall not be reproduced or copied or used in whole or in part as the basis for the manufacture or sale of items without written permission. © DEC 1972



REV.	CHANGE NO.	DATE
1	MX15B-00001	3-23-72
2	B. GRAY	3/14/73
3	R.C. Gray	3/14/73
4	UC15F-00003	A
5	E. P. B. Gray	4-17-74
6	F. DOLL	7-27-74

FIRST USED ON OPTION/MODEL	QTY.	DESCRIPTION	PART NO.	ITEM NO.
UC15				
PARTS LIST				
UNLESS OTHERWISE SPECIFIED DIMENSION IN INCHES TOLERANCES	DRN D Counter	DATE 12-8-72	 digital EQUIPMENT CORPORATION MAYNARD, MASSACHUSETTS	
DECIMALS	CHKP. K.J. B. Gray	DATE 1/11/73		
ANGLES	ENG. R. C. Gray	DATE 1/11/73		
.XXX = .005 .XX = .02 .X = .1	PBJ, ENG. R.C. Gray	DATE 1/11/73		
REMOVE BURRS AND BREAK SHARP CORNERS SURFACE QUALITY	PROD. D.A. Gray	DATE 2/5/73	TITLE MEMORY BUS	
MATERIAL	NEXT HIGHER ASSY.		SIZE CODE D I C	NUMBER MX15-B-06
FINISH	SCALE		SHEET	REV. B
	SHEET		OF	

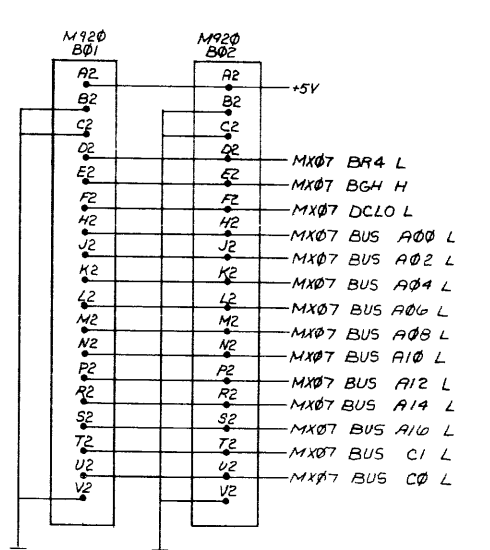
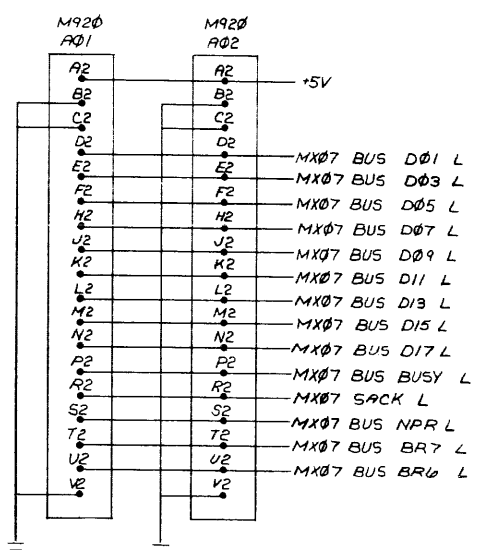
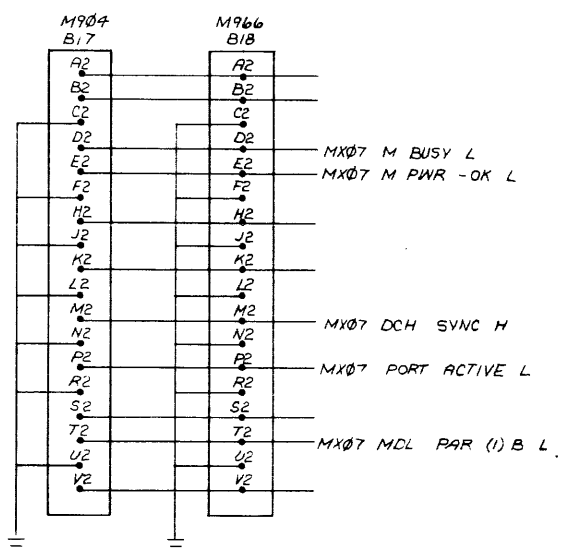
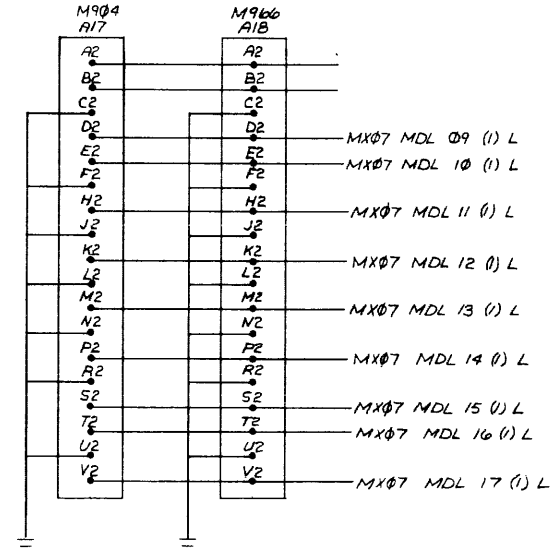
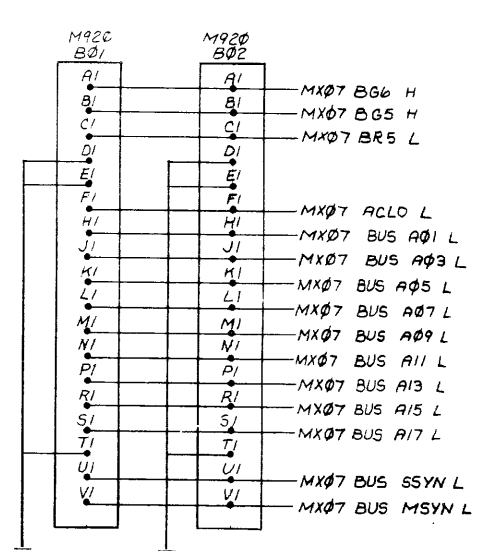
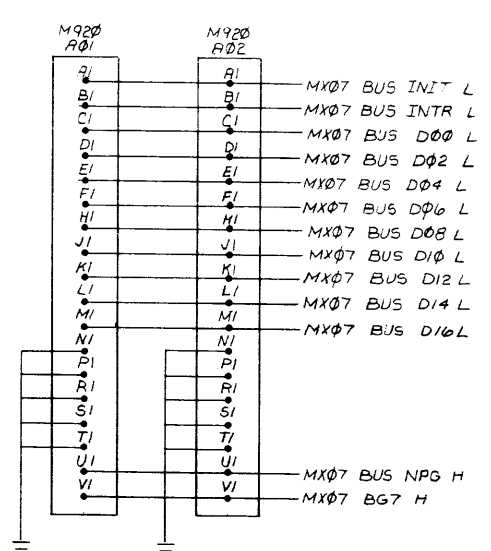
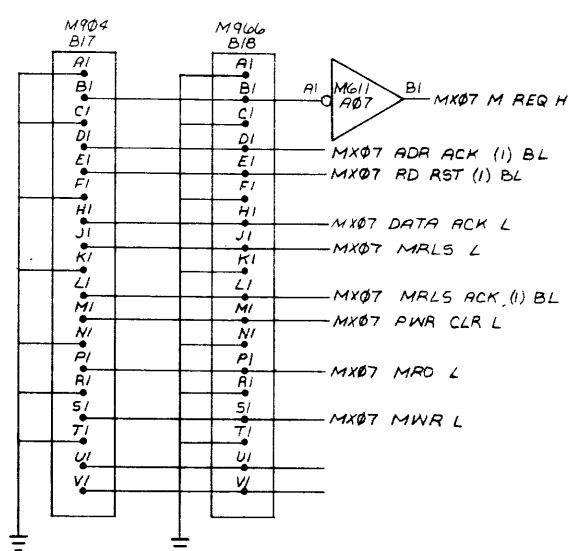
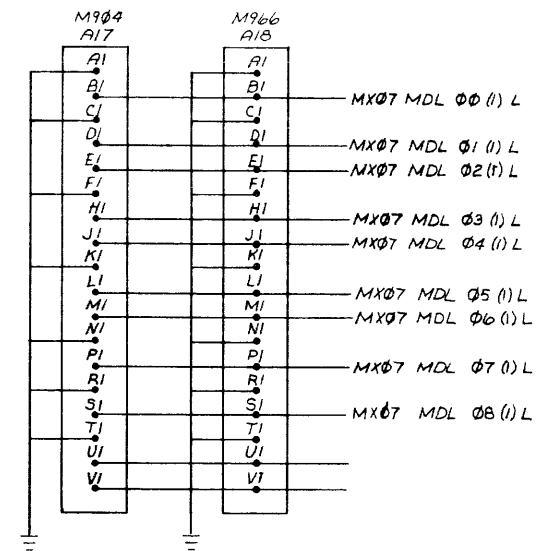
SHEET NO. 2
 PART NO. MX15-B-06
 REV. B

This drawing and specifications herein are the property of Digital Equipment Corporation and shall not be reproduced or copied or used in whole or in part as the basis for the manufacture or sale of items without written permission. © DEC 1972

V 134 L0-B-SIXM JIC 2

D
C
B
A

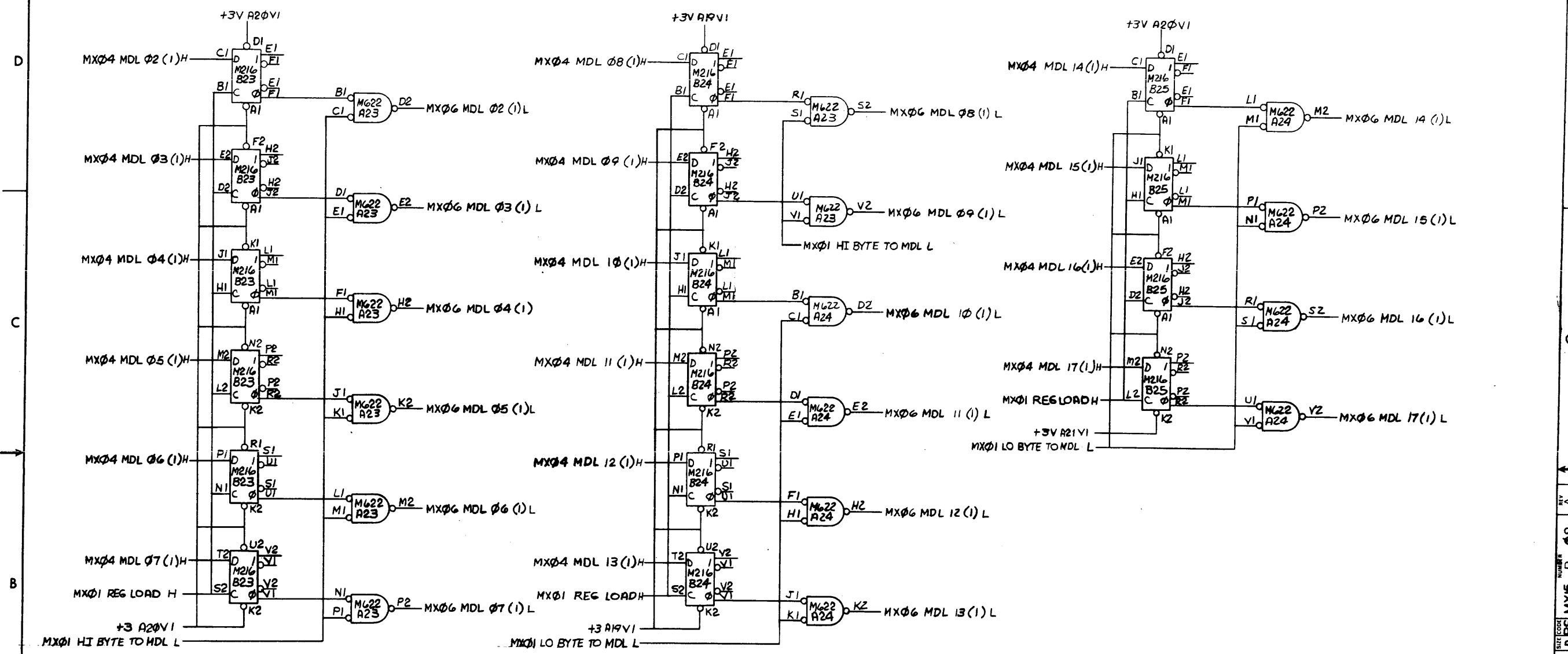
D
C
B
A



REV	CHANGE NO	DATE
1	UC15-F-00003	12/7/72
2		2/2/73

FIRST USED ON OPTION/MODEL UC15	QTY.	DESCRIPTION	PART NO.	ITEM NO.
PARTS LIST				
UNLESS OTHERWISE SPECIFIED DIMENSION IN INCHES TOLERANCES		DATE 12-7-72		
DECIMALS	ANGLES	digital EQUIPMENT CORPORATION		
XXX - .005	±0° 30'	MAYNARD MASSACHUSETTS		
XX - .02		TITLE		
X - .1		PROCESSOR BUS		
REMOVE BURRS AND BREAK SHARP CORNERS SURFACE QUALITY		DATE 2/5/73		
MATERIAL	NEXT HIGHER ASSY.	SIZE CODE	NUMBER	REV
		D I C	MX15-B-07	A
FINISH	SCALE	NONE		
	SHEET	OF		

The drawings and specifications herein are the property of Digital Equipment Corporation and shall not be reproduced or copied or used in whole or in part as the basis for the manufacture or sale of items without written permission. © OCT 1972



REV	DATE	BY	CHK
A	1/13/74	E. J.
B

FIRST USED ON OPTION/MODEL	QTY.	DESCRIPTION	PART NO.	ITEM NO.
UC15		BYTE REGISTER		
PARTS LIST				
UNLESS OTHERWISE SPECIFIED DIMENSION IN INCHES TOLERANCES				
DECIMALS	ANGLES	digital EQUIPMENT CORPORATION		
.XX - .005	± 0° 30'	MAYNARD MASSACHUSETTS		
.XX - .02		TITLE		
X - .1		BYTE REGISTER		
REMOVE BURRS AND BREAK SHARP CORNERS SURFACE QUALITY				
MATERIAL				
NEXT HIGHER ASSY.				
FINISH				
B-DD-UC15-0		SIZE CODE	NUMBER	REV
		D	BS MX15-B-08	A
SCALE		SHEET 1 OF 1		
		DIST.		

This drawing and specifications herein are the property of Digital Equipment Corporation and shall not be reproduced or copied in whole or in part as the basis for the manufacturing or sale of items without written permission. © DEC 1972

	1	2	3	4	5	6	7	8	9	10	11	12	13	14	15	16	17	18	19	20	21	22	23	24	25	26	27	28	29	30	31	32	33	34	35	36	37	38	39	40	41	42	43	44										
	M920	M920	M784	M784	M784	M627	M611	M904	M966	M622	M622	M622	M622	M622	M622	M622	M904	M966	M246	M246	M246	M311	M622	M622	M622																													
	CABLE	CABLE						CABLE									CABLE																																					
A	INT BUS CONN.	INT BUS CONN.	UNI-BUS RCVR	UNI-BUS RCVR	UNI-BUS RCVR	PWR AMPLIFIER MODULE	HIGH SPEED PWR INV	CONN	RES TERM	BUS DRIVER	BUS DRIVER	BUS DRIVER	BUS DRIVER	BUS DRIVER	BUS DRIVER	BUS DRIVER	CONN	RES TERM	5D FLIP FLOPS	5D FLIP FLOPS	5D FLIP FLOPS	TAP DELAY	BUS DRIVER	BUS DRIVER	BUS DRIVER																													
B	INT BUS CONN.	INT BUS CONN.	UNI-BUS DRIVER	UNI-BUS DRIVER	DATA BUS DRIVER	DATA BUS DRIVER	DATA BUS DRIVER	CONN	RES TERM	INV-ENTER	INV-ENTER	BIT ADDER	DISK SELECTION MODULE	3 INPUT NAND GATE	10-2 INPUT NAND GATES	NOR GATE	CONN	RES TERM	DELAY MODULE	3 INPUT NAND GATE	UNIBUS PWR FAIL DRIVER	PWR AMPLIFIER MODULE	SIX FLIP-FLOPS	SIX FLIP-FLOPS	SIX FLIP-FLOPS																													

	1	2	3	4	5	6	7	8	9	10	11	12	13	14	15	16	17	18	19	20	21	22	23	24	25	26	27	28	29	30	31	32	33	34	35	36	37	38	39	40	41	42	43	44													

REV	A
CHANGE NO.	UC15-00003
DATE	6-17-72
BY	F. DOLL

UNLESS OTHERWISE SPECIFIED	DRN	DATE
UNLESS OTHERWISE SPECIFIED	CHKD	DATE
DIMENSION IN INCHES	ENG	DATE
TOLERANCES	PROJ. ENG.	DATE
ANGLES = 0°30'	PRD	DATE
FINAL SURFACE QUALITY		
REMOVE BURRS AND BREAK SHARP CORNERS		
MATERIAL		
FINISH		

TITLE MODULE UTILIZATION MX15-B	
SIZE CODE DMU	NUMBER MX15-B-09
REV. A	DIST.

REV A
NUMBER B-09
SIZE CODE D
DMU MX15-B-09

DIGITAL EQUIPMENT CORPORATION MAYNARD, MASSACHUSETTS			QUANTITY / VARIATION										
PARTS LIST													
MADE BY V. SOUZA		CHECKED <i>P. S. LeBlond</i>		SECTION 1									
DATE 11/17/72		DATE 18 DEC 72											
ENG A. HELGNIUS		PROD <i>D. A. Souza</i>		ISSUED SECT. 1									
DATE		DATE 2/5/73											
ITEM NO.	DWG NO. / PART NO.	DESCRIPTION											
1	M111	INVERTER		2									
2	M112	NOR GATE		1									
3	M133	TWO-INPUT NAND GATES		1									
4	M135	THREE-INPUT NAND GATES		2									
5	M164	6 BIT ADDER		1									
6	M216	SIX FLIP FLOPS		3									
7	M246	5 D FLIP FLOPS		3									
8	M311	TAP DELAY		1									
9	M312	DELAY MODULE		1									
10	M611	HIGH SPEED POWER INVERTER		1									
11	M621	DATA BUS DRIVER		3									
12	M622	BUS DRIVER		10									
13	M627	POWER AMPLIFIER MODULE		2									
14	M688	UNIBUS POWER FAIL DRIVER		1									
15	M783	UNIBUS DRIVERS		2									
16	M784	UNIBUS RECEIVER		3									
17	M904	CONNECTOR (COAXIAL)		4									
18	M920	INTERNAL BUS CONNECTOR		4									
19	M966	RESISTOR TERMINAL		4									
20	G740	DISK SELECTOR MODULE		1									
TITLE		ASSY NO.		SIZE CODE		NUMBER		REV.		ECO NO.			
MODULE UTILIZATION MX15-B		D-MU-MX15-B-09		A PL		MX15-B-09		A		UC15F-00003			
		SHEET 1 OF 1		DIST.									

This drawing and specifications, herein, are the property of Digital Equipment Corporation and shall not be reproduced or copied or used in whole or in part as the basis for the manufacture or sale of items without written permission. © DEC. 1972

REV. E
NUMBER
SIZE CODE K WL
MX15-B-WL

B

B



FIRST USED ON OPTION MODEL	QTY.	DESCRIPTION	PART NO.	ITEM NO.
UC15				

REVISIONS	CHANGE NO.	REV.
1	MX15B-00001	A
<i>Chassis 73 3-13-73</i>		
B. GRAY		
2	MX15B-00002	B
<i>RC Gray 3/19/73</i>		
<i>F. Doll 4/27/73</i>		
B. GRAY		
3	UC15F-00003	C
<i>RC Gray 5/10/73</i>		
<i>E. Romanow 6-17-74</i>		
F. DOLL		
<i>F. Doll 7/25/74</i>		
4	MX15B-00003	D
<i>F. Doll 11-25-74</i>		
F. DOLL		
<i>F. Doll 11-26-74</i>		
5	MX15B-00004	E
<i>R. Vukobratovic 1-23-75</i>		
F. DOLL		
<i>F. Doll 1-24-75</i>		

DRN.	DATE
<i>[Signature]</i>	12/12/72
CHK'D.	DATE
<i>[Signature]</i>	2/28/73
ENG.	DATE
<i>A. Helgans</i>	1/31/73
PROJ. ENG.	DATE
<i>RC Gray</i>	1/31/73
PROD.	DATE
<i>Da Souza</i>	2/5/73

digital EQUIPMENT CORPORATION
MAYNARD, MASSACHUSETTS

TITLE
**WIRE LIST
(MX15-B)**

NEXT HIGHER ASSEMBLY
D-AD-7009165-0-0

SCALE	++	SIZE CODE	K WL	NUMBER	MX15-B-WL	REV.	E
SHEET	1	OF	1	DIST.			

4

3

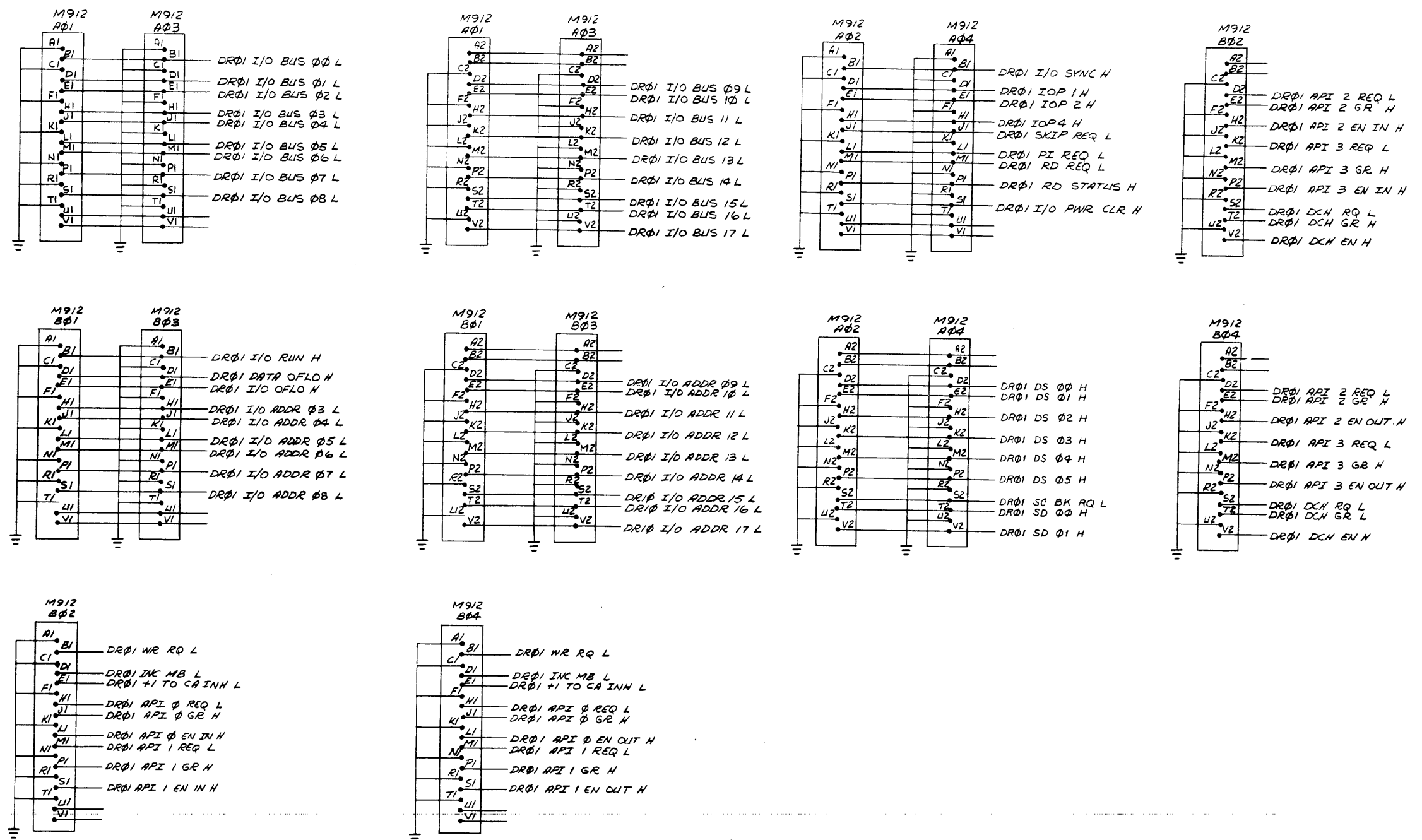
2

1



This drawing and specifications, herein, are the property of Digital Equipment Corporation and shall not be reproduced or copied or used in whole or in part as the basis for the manufacture or sale of items without written permission. © DEC 1972

10-C-01 DR15-C-01 2



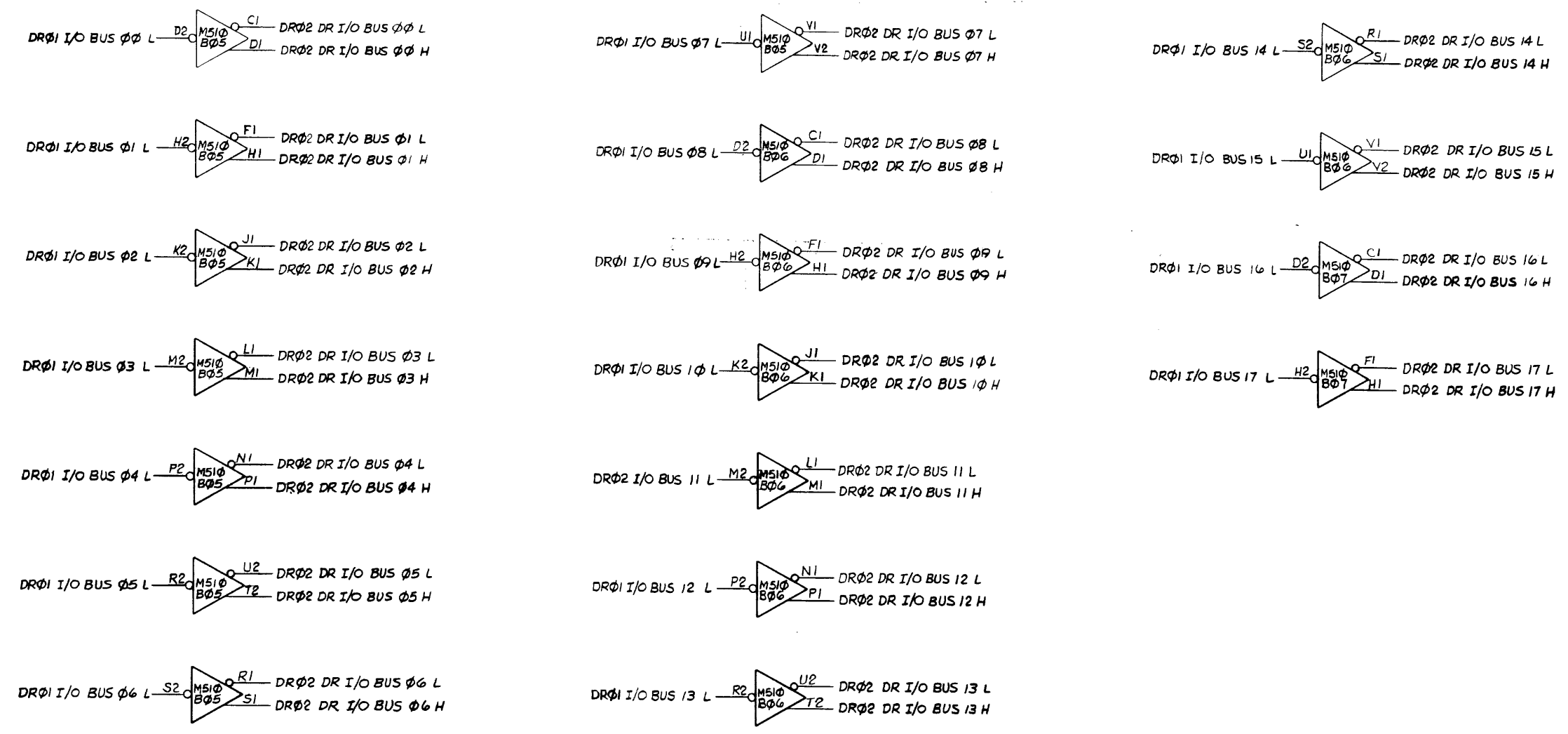
BRUNING 40-522 19840

REV	CHANGE NO	DATE
1	UC15F-00003	A
2	E. REMOND 6-17-74	
3	F. DOLL	

DEC FORM NO DRD 102-B

FIRST USED ON OPTION/MODEL	QTY.	DESCRIPTION	PART NO	ITEM NO.
UC15				
PARTS LIST				
UNLESS OTHERWISE SPECIFIED DIMENSION IN INCHES TOLERANCES	DRW W. Hertz	DATE 12-7-74	digital EQUIPMENT CORPORATION	
DECIMALS .005	APPROD P. G. B. / m	DATE 12-20	WATUARD MASSACHUSETTS	
ANGLES 10° 30'	ENG A. Helgenius	DATE 12/1/74	TITLE I/O BUS	
REMOVE BURRS AND BREAK SHARP CORNERS SURFACE QUALITY	PROJ ENG P. J.	DATE 1/31/75		
MATERIAL	DRD B. A. Sluga	DATE 2/5/75		
FINISH	NEXT HIGHER ASSY	SIZE CODE	NUMBER	REV
	B-DD-UC15-0	DIC	DR15-C-Ø1	A
	SCALE NONE	DIST.		
	SHEET 1 OF 1			

This drawing and specifications herein are the property of Digital Equipment Corporation and shall not be reproduced or copied or used in whole or in part as the basis for the manufacture or sale of items without written permission.
 © DEC. 1972



BRUNING 40-532 15840

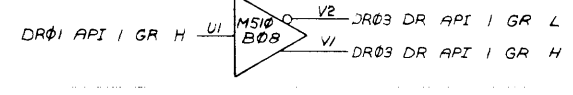
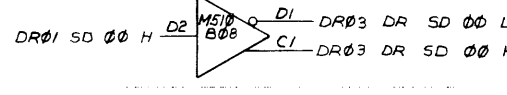
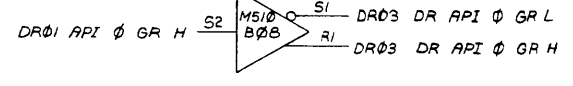
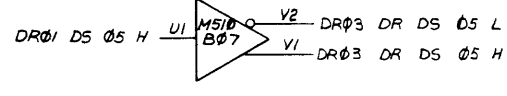
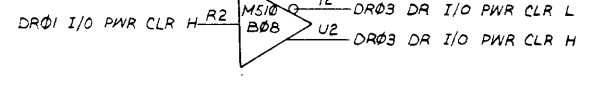
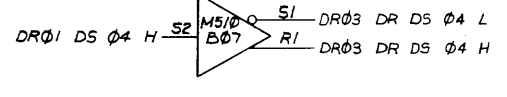
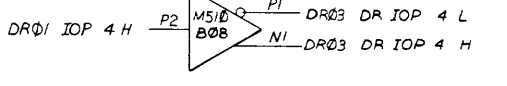
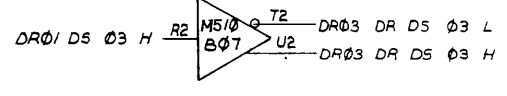
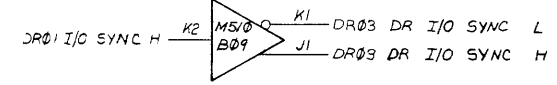
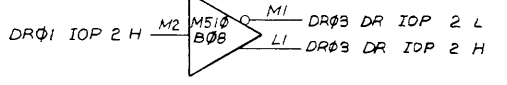
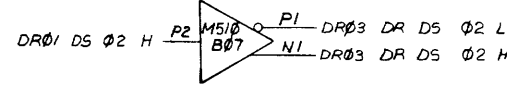
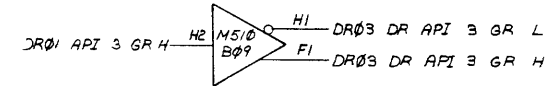
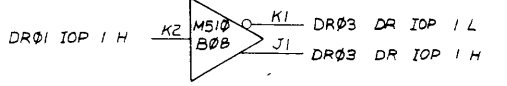
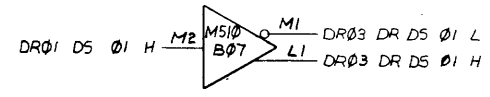
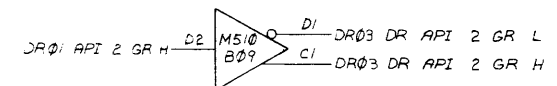
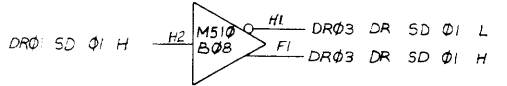
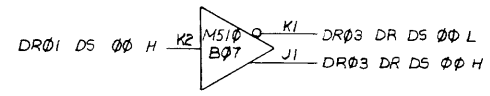
REV.	CHANGE NO.	DATE
A	UC15F-000003	12-8-72
	E. RETMAN	1/13/73
	F. DOLL	1/13/73
	F. D. Y.	1-23-74

DEC. DRW. NO. DRD 102-B

FIRST USED ON OPTION/MODEL	QTY.	DESCRIPTION	PART NO.	ITEM NO.
UC15				
PARTS LIST				
UNLESS OTHERWISE SPECIFIED DIMENSION IN INCHES TOLERANCES	DRN. <i>R. Brown</i>	DATE 12-8-72	digital EQUIPMENT CORPORATION <small>MAYNARD MASSACHUSETTS</small> TITLE <h3>I/O BUS IN</h3>	
DECIMALS	CRS. <i>R. Brown</i>	DATE 1/13/73		
ANGLES	ENG. <i>A. Helanakis</i>	DATE 1/13/73		
XXX + .005 XX + .02 X + .1	PROJ. ENG. <i>R. C. May</i>	DATE 1/13/73		
	PROD. <i>D. A. Ortega</i>	DATE 1/13/73		
REMOVE BURRS AND BREAK SHARP CORNERS SURFACE QUALITY	NEXT HIGHER ASSY.		SIZE CODE	NUMBER
MATERIAL	B-DD-UC15-0		DBS	DR15-C-02
FINISH	SCALE	++	REV.	A
	SHEET	1	DIST.	

This drawing and specifications herein are the property of Digital Equipment Corporation and shall not be reproduced or copied in whole or in part as the basis for the manufacture or sale of items without written permission. © DEC 1972

REV 2
 BS
 DR15-C-03
 33871715

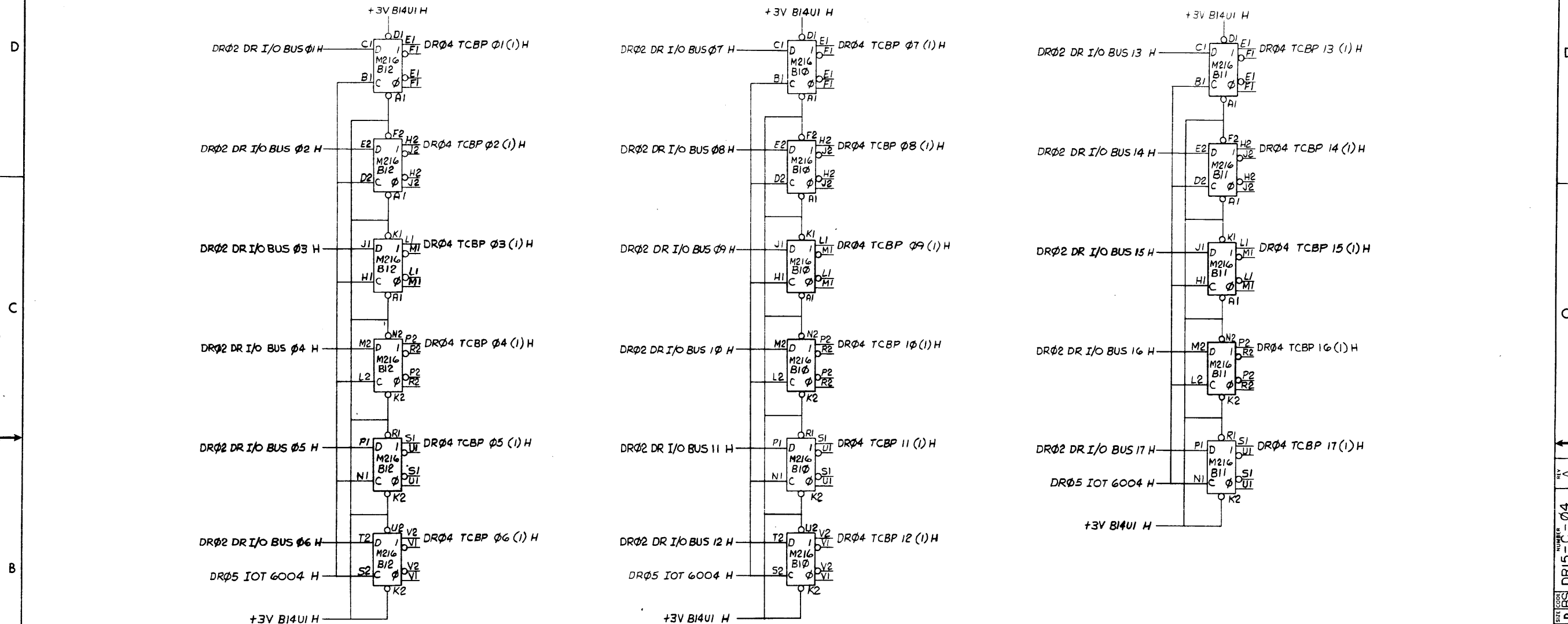


BRUNING 40-922 15840	REV	REV
CHG	CHANGE NO	REV
UC15F-00003	A	
S. BERLAND 6/17/74		
F. DOLL		
/		
DEC FORM NO	8	
DRD 102-B		

FIRST USED ON OPTION/MODEL	QTY.	DESCRIPTION	PART NO	ITEM NO
UC15				
PARTS LIST				
UNLESS OTHERWISE SPECIFIED DIMENSION IN INCHES TOLERANCES	DRN D. Caunter	DATE 12-7-72	digital EQUIPMENT CORPORATION MAYNARD MASSACHUSETTS	
DECIMALS	ANGLES	ENG J. E. P. [Signature]	DATE 1/2/73	TITLE CONTROL IN
XXX - 005 XX - 02 X - 1	± 0° 30'	PROJ ENG R. C. Gray	DATE 1/31/73	
REMOVE BURRS AND BREAK SHARP CORNERS SURFACE QUALITY		PROD D. A. [Signature]	DATE 2/5/73	
MATERIAL	NEXT HIGHER ASSY.		SIZE CODE	NUMBER
+ + +	B-DD-UC15-0		D BS	DR15-C-03
FINISH	SCALE	NONE	DIST	REV.
+ + +	SHEET	OF		A

REV A
 NUMBER DR15-C-03
 SIZE CODE D BS
 REV B

This drawing and specifications, herein, are the property of Digital Equipment Corporation and shall not be reproduced or copied or used in whole or in part as the basis for the manufacture or sale of items without written permission © DEC. 1972

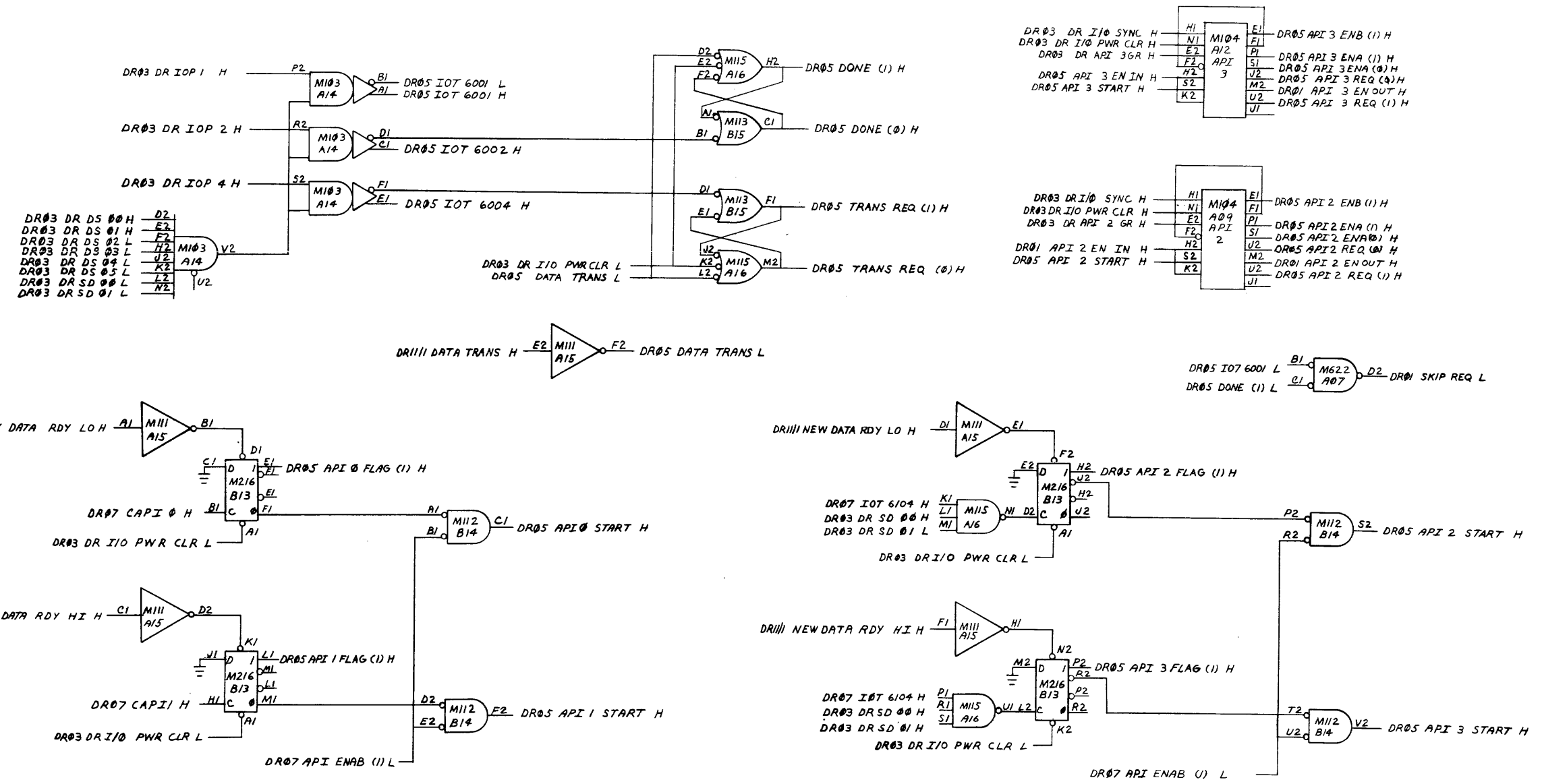


REV	CHG	NO	DATE
1	UC15F-00003	A	
2	E. ALLEN	6/17/74	
3	F. DOLL	1/20/75	

FIRST USED ON OPTION/MODEL	QTY.	DESCRIPTION	PART NO.	ITEM NO.
UC15				
PARTS LIST				
UNLESS OTHERWISE SPECIFIED DIMENSION IN INCHES TOLERANCES		DRN	DATE	digital EQUIPMENT CORPORATION MAYNARD MASSACHUSETTS
DECIMALS .XXX = .005 .XX = .02 .X = .1		DATE	DATE	
ANGLES ± 0° 30'		ENG	DATE	TITLE
REMOVE BURRS AND BREAK SHARP CORNERS SURFACE QUALITY ✓		PROJ. ENG.	DATE	TASK CONTROL BLOCK POINTER
MATERIAL		PROD.	DATE	
FINISH		DATE	DATE	
NEXT HIGHER ASSY		SIZE CODE NUMBER REV.		
B-DD-UC15-0		D BS DR15-C-04 A		
SCALE		SHEET 1 OF 1 DIST		

This drawing and specifications herein are the property of Digital Equipment Corporation and shall not be reproduced or copied or used in whole or in part as the basis for the manufacture or sale of parts without written permission. © NOV 1972

90-C-0180 SB a 2
438 438MMN 1000 3215



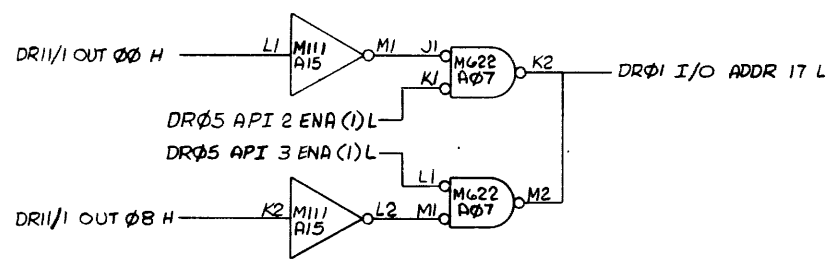
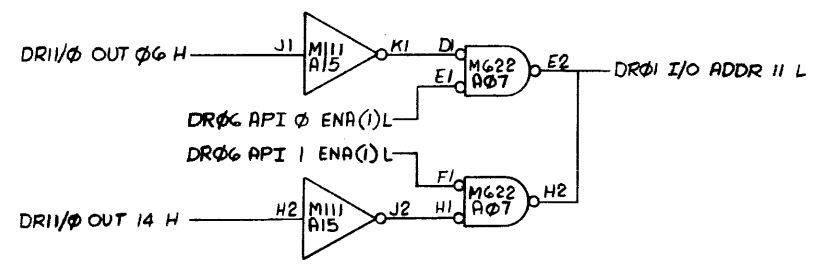
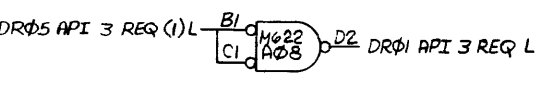
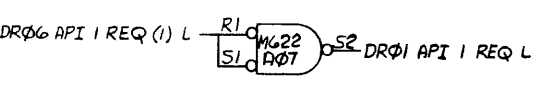
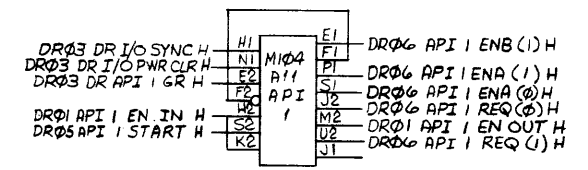
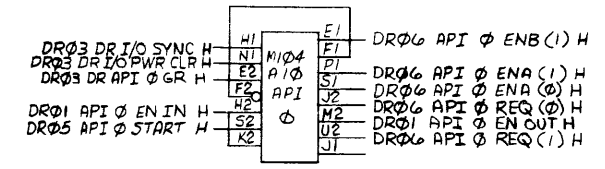
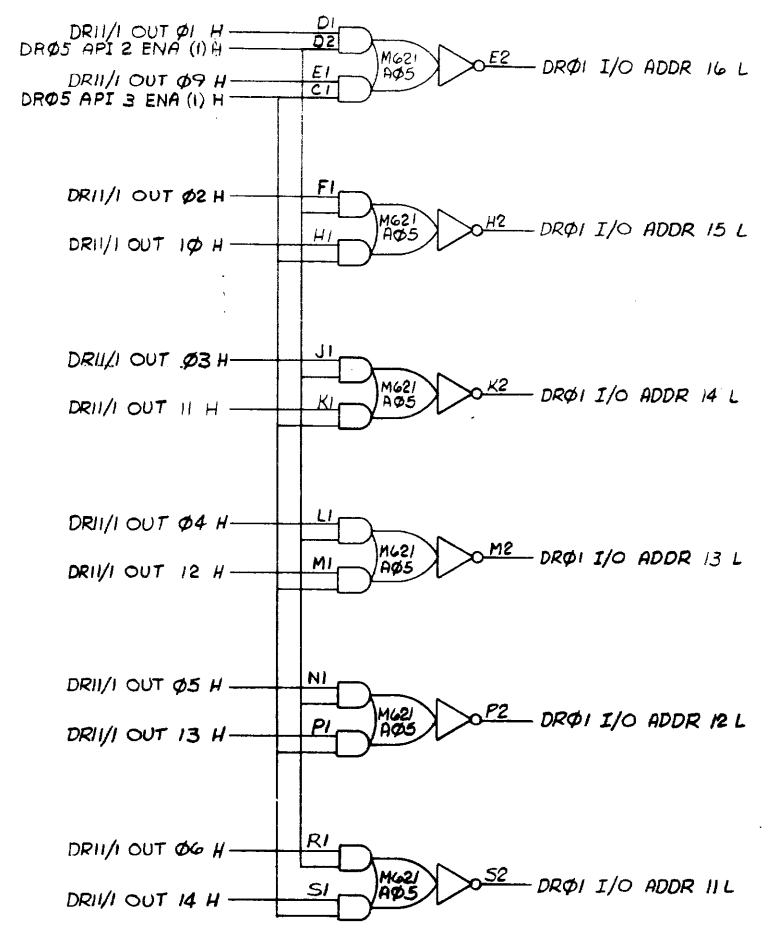
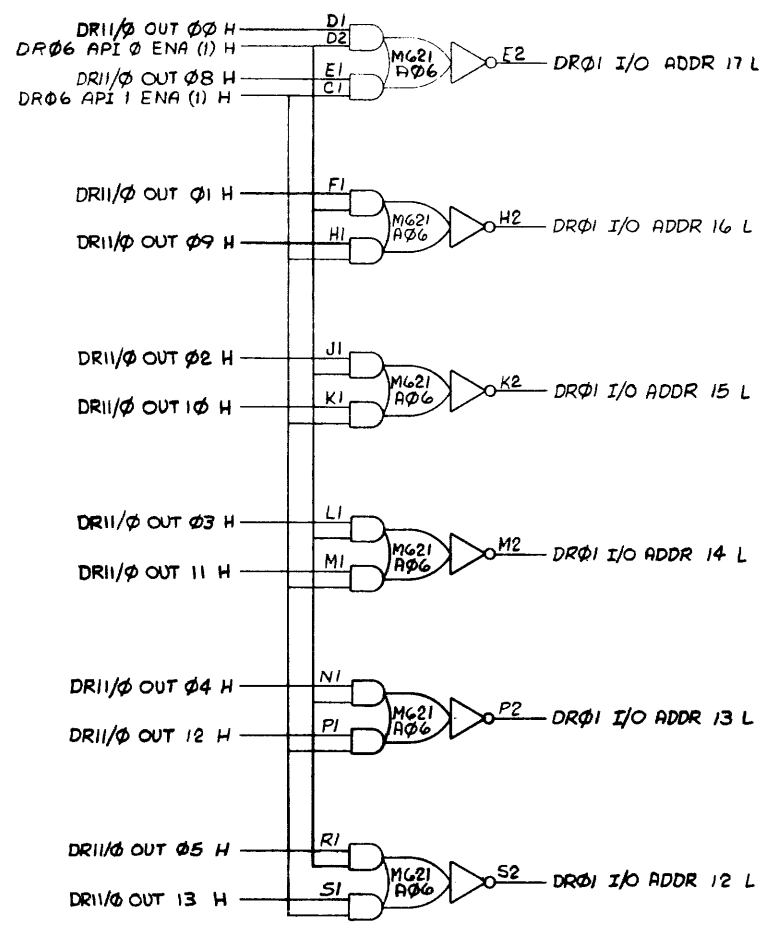
BRUNING 40-322 15840

REV	CHANGE NO	DATE
1	UC15F-00003 A	11/12/72
2	E. REBALANO 6-18-74	1/31/73
3	F. DOLL	1/31/73

DEC 10AM NO
DRD 102-B

FIRST USED ON OPTION/MODEL	QTY	DESCRIPTION	PART NO	ITEM NO
UC15				
PARTS LIST				
UNLESS OTHERWISE SPECIFIED DIMENSION IN INCHES TOLERANCES		DATE 11-12-72	digital EQUIPMENT CORPORATION MAYNARD MASSACHUSETTS	
DECIMALS	ANGLES	DATE 1/31/73	TITLE	
XXX - .005	± 0° 30'	DATE 1/31/73	API CONTROL	
XX - .02		DATE 1/31/73		
X - .1		DATE 1/31/73		
REMOVE BURRS AND BREAK SHARP CORNERS SURFACE QUALITY				
MATERIAL				
NEXT HIGHER ASSY.				
B-DD-UC15-0		SIZE CODE	NUMBER	REV
SCALE		D BS DR15-C-05		A
SHEET		OF	DIST	

This drawing and specifications, herein, are the property of Digital Equipment Corporation and shall not be reproduced or copied or used in whole or in part as the basis for the manufacture or sale of items without written permission © DEC 1972



FIRST USED ON OPTION/MODEL	QTY.	DESCRIPTION	PART NO.	ITEM NO.
UC15				
PARTS LIST				
UNLESS OTHERWISE SPECIFIED DIMENSION IN INCHES TOLERANCES	DRN	DATE	digital EQUIPMENT CORPORATION MAYNARD MASSACHUSETTS	
DECIMALS	CHK'D	DATE		
ANGLES	ENG.	DATE		
XXX - .005 XX - .02 X - .1	PROJ. ENG.	DATE		
REMOVE BURRS AND BREAK SHARP CORNERS SURFACE QUALITY	PROD.	DATE	TITLE API ADDRESS	
MATERIAL	NEXT HIGHER ASSY.			
FINISH	B-DD-UC15-0	SCALE	SIZE CODE	NUMBER
			D B S	DR15-C-06
	SHEET 1 OF 1	DIST		REV A

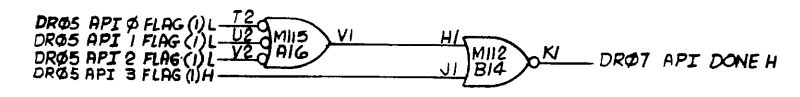
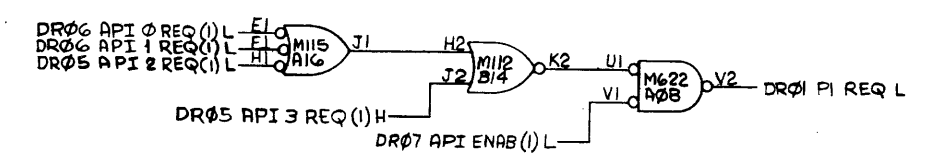
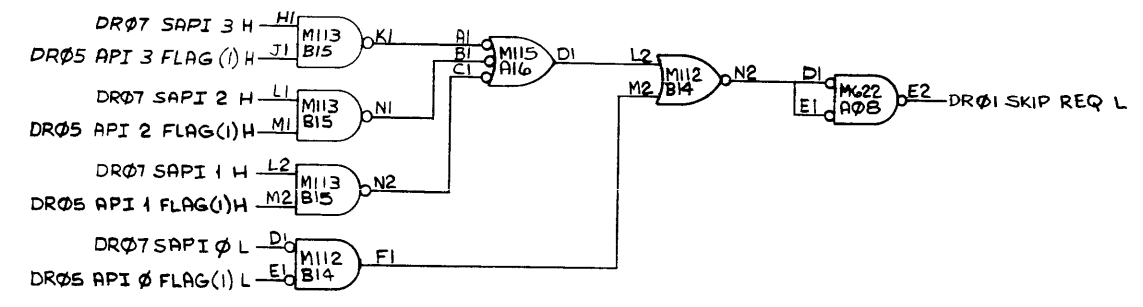
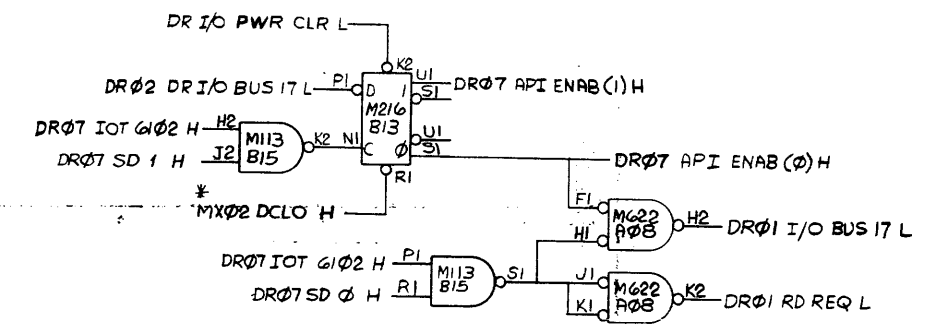
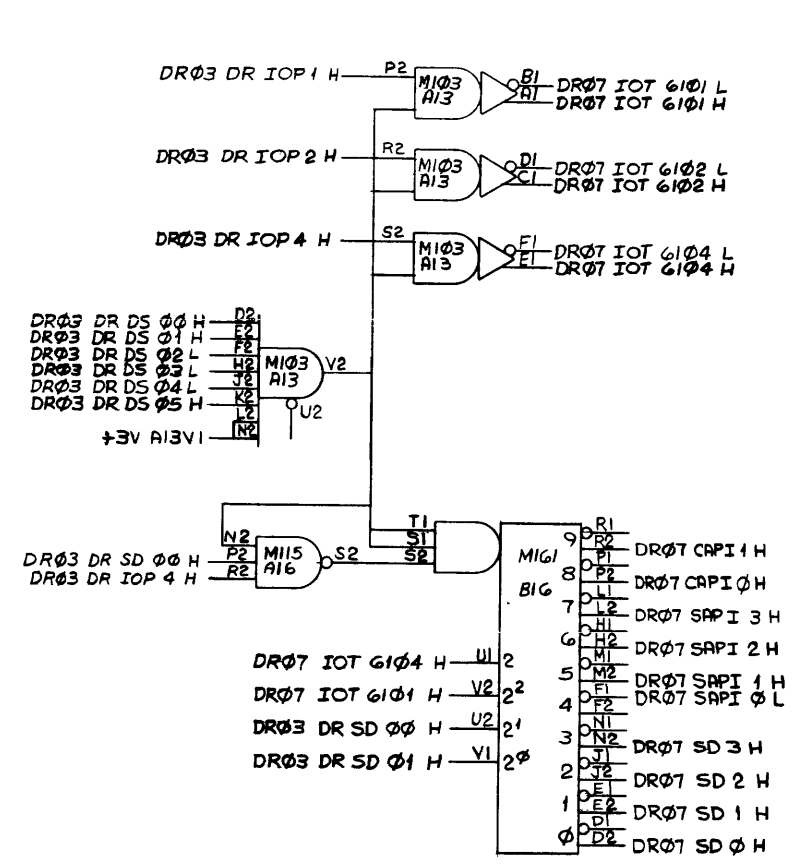
REV	CHANGE NO.	DATE
1	UC15F-00003	A
2	E. BROWN	1/17/74
3	F. DOLL	7/27/74

This drawing and specifications, herein, are the property of Digital Equipment Corporation and shall not be reproduced or copied or used in whole or in part as the basis for the manufacture or sale of items without written permission. © NOV 1972

SIZE CODE NUMBER 2
D B S D R 15 - C - 07

D
C
B
A

D
C
B
A



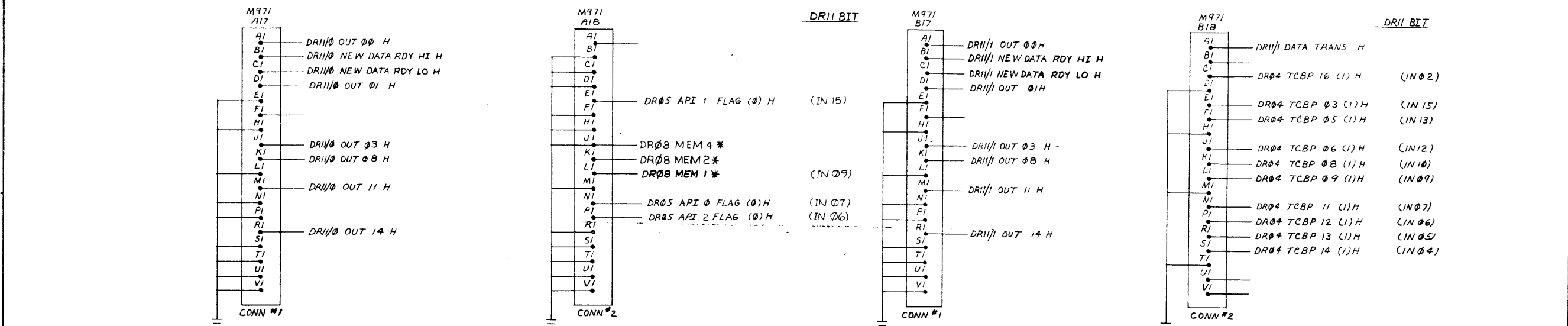
* THIS SIGNAL COMES FROM
MX15-B (A07-L2) OR +3V B15V1
ON XVM SYSTEMS

REV	REV
1	UC15F-00003 A
2	UC15F-00002 B

BRUNING 40-322 15840
DEC FORM NO
DRD 102-B

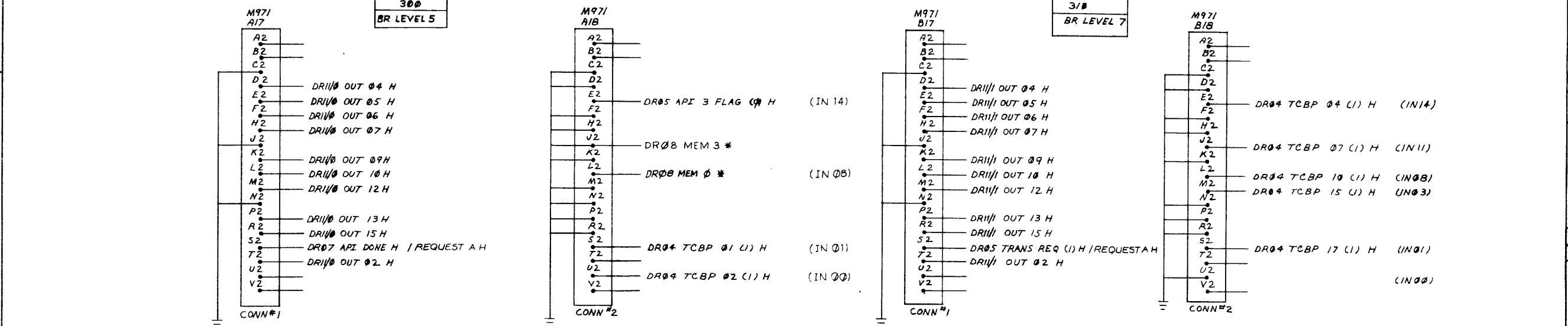
FIRST USED ON OPTION/MODEL	QTY.	DESCRIPTION	PART NO	ITEM NO
UC15				
UNLESS OTHERWISE SPECIFIED DIMENSION IN INCHES TOLERANCES				
DECIMALS	ANGLES	PARTS LIST		
.XXX + .005	± 0' 30"	TITLE		
.XX + .02		PI CONTROL		
.X + .1		PARTS LIST		
REMOVE BURRS AND BREAK SHARP CORNERS SURFACE QUALITY				
MATERIAL				
NEXT HIGHER ASSY				
FINISH				
B-DD-UC15-0		SIZE CODE	NUMBER	REV
SCALE		D B S D R 15 - C - 07		B
SHEET		DIST		

The drawing and specifications herein are the property of Digital Equipment Corporation and shall not be reproduced or copied or used in whole or in part as the basis for the manufacture or sale of items without written permission © DEC 1972



DR11 #0
76777#
300
BR LEVEL 5

DR11 #1
76776#
310
BR LEVEL 7



*NOTE:
 4K OF LOCAL MEMORY
 1) JUMPER A18L1 TO A19C2
 2) JUMPER A18L2 TO A13L2
 8K OF LOCAL MEMORY
 1) JUMPER A18L1 TO A19C2
 2) JUMPER A18L2 TO A19C2
 12K OF LOCAL MEMORY
 1) JUMPER A18L1 TO A13L2
 2) JUMPER A18L1 TO A18L2
 16K OF LOCAL MEMORY
 1) JUMPER A18L1 TO A19C2
 2) JUMPER A18L2 TO A18L1
 32K OF LOCAL MEMORY
 1) JUMPER A18K1 TO A19C2
 2) JUMPER A18L1 TO A18L2
 3) JUMPER A18K1 TO A18L1
 4) JUMPER A18J2 TO A13L2
 64K OF LOCAL MEMORY
 1) JUMPER A18J2 TO A18K1
 2) JUMPER A18J2 TO A19C2
 3) JUMPER A18L1 TO A18L2
 4) JUMPER A18K1 TO A18L1
 5) JUMPER A18J1 TO A13L2

REV	CHG	NO	DATE	BY
1	UC15F-00003	A		
2	UC15F-00004	B		
3	UC15F-00004	C		
4	UC15F-00004	C		
5	UC15F-00004	C		

FIRST USED ON OPTION/MODEL	QTY.	DESCRIPTION	PART NO.	ITEM NO.
UC15				
PARTS LIST				
UNLESS OTHERWISE SPECIFIED DIMENSION IN INCHES TOLERANCES		DATE 12/1/72 DATE 14 Dec 72 DATE 1/31/73 DATE 2/5/73		
DECIMALS	ANGLES	TITLE		
XXX = .006	± 0° 30'	INTERFACE CABLES		
REMOVE BURRS AND BREAK SHARP CORNERS SURFACE QUALITY				
MATERIAL	NEXT HIGHER ASSY.		SIZE CODE	NUMBER
	B-DD-UC15-0		DIC	DR15-C-08
FINISH	SCALE	SHEET	OF	REV
				C


BRUNING 40532 19840
 DEC 1972
 DRD 102-B

The drawing and specifications, herein, are the property of Digital Equipment Corporation and shall not be reproduced or copied or used in whole or in part as the basis for the manufacture or sale of items without written permission. DEC 1972

SIZE CODE NUMBER
DMU DR15-C-09 2

8				7				6				5				4				3				2				1																																																																																																																																																			
M912				M912				M912				M912				M621				M622				M104				M103				M111				M115				M971				M971																																																																																																																																			
I/O BUS CARD				I/O BUS CARD				I/O BUS CARD				I/O BUS CARD				DATA BUS DRIVER				DATA BUS DRIVER				BUS DRIVER				BUS DRIVER				I/O BUS MULTI- PLEXER				I/O BUS MULTI- PLEXER				I/O BUS MULTI- PLEXER				I/O BUS MULTI- PLEXER				DEVICE SELEC- TOR				DEVICE SELEC- TOR				16 INPUT NOR GATES				4 INPUT NOR GATES				CABLE INTER- FACE				CABLE INTER- FACE																																																																																																											
M912				M912				M912				M510				M510				M510				M510				M510				M216				M216				M216				M216				M112				M113				M161				M971				M971																																																																																																															
I/O BUS CARD				I/O BUS CARD				I/O BUS CARD				I/O BUS CARD				I/O BUS RCVR				I/O BUS RCVR				I/O BUS RCVR				I/O BUS RCVR				I/O BUS RCVR				I/O BUS RCVR				6 D FLIP FLOPS				6 D FLIP FLOPS				6 D FLIP FLOPS				6 D FLIP FLOPS				2 INPUT NOR GATES				2 INPUT NAND GATES				BINARY TO OCTAL/ DECIMAL DECODER				CABLE INTER- FACE				CABLE INTER- FACE																																																																																																							
1				2				3				4				5				6				7				8				9				10				11				12				13				14				15				16				17				18				19				20				21				22				23				24				25				26				27				28				29				30				31				32				33				34				35				36				37				38				39				40				41				42				43				44			

REV	CHG	NO	DATE
A	UC15E-00003	1	12/6/72
B	UC15E-00003	2	12/11/72
C	UC15E-00003	3	12/11/72
D	UC15E-00003	4	12/11/72
E	UC15E-00003	5	12/11/72
F	UC15E-00003	6	12/11/72

UNLESS OTHERWISE SPECIFIED UNLESS OTHERWISE SPECIFIED DIMENSION IN INCHES TOLERANCES ANGLES FINAL SURFACE QUALITY REMOVE BURRS AND BREAK SHARP CORNERS		DRN <i>J. Leland</i>	DATE 12/6/72	 digital EQUIPMENT CORPORATION MAINTARD MASSACHUSETTS
MATERIAL		CHK <i>J. Leland</i>	DATE 12/11/72	
NEXT HIGHER ASSY.		ENG <i>A. Helman</i>	DATE 12/11/72	
FINISH		PROJ ENG <i>R. C. Han</i>	DATE 12/11/72	
FIRST USED ON OPTION MODEL UC15		PROD <i>R. C. Han</i>	DATE 12/11/72	TITLE MODULE UTILIZATION DR15-C
SCALE		B-DD-UC15-0		SIZE CODE DMU DR15-C-09
SHEET		OF 1		NUMBER 1
				REV A

DEC FORM NO DRD 105

8 7 6 5 4 3 2 1

DIGITAL EQUIPMENT CORPORATION
MAYNARD, MASSACHUSETTS

PARTS LIST

QUANTITY / VARIATION

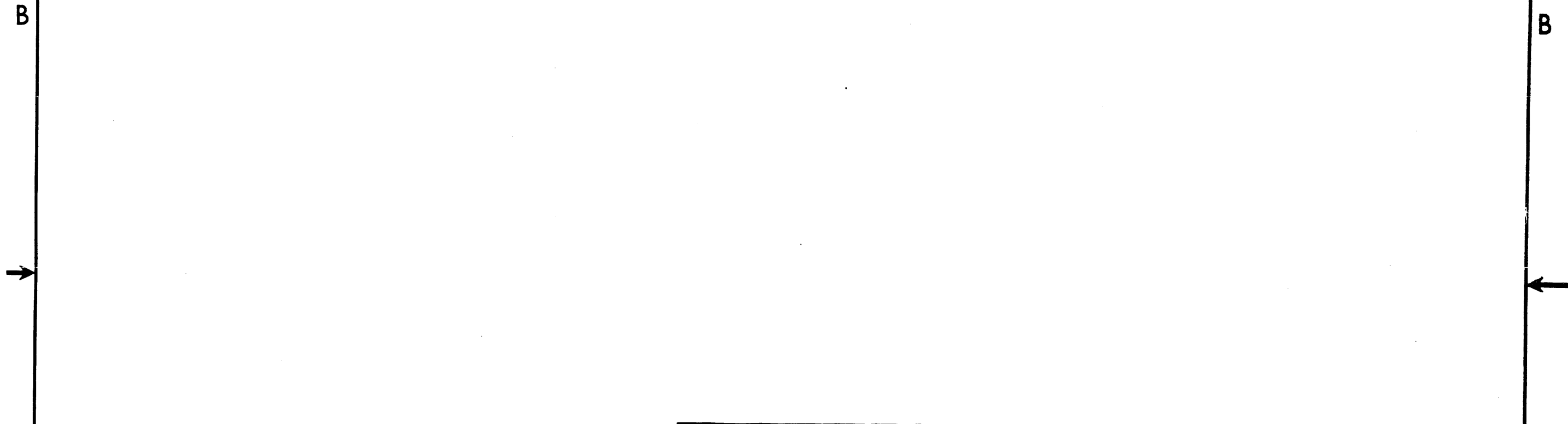
MADE BY V. SOUZA	CHECKED <i>[Signature]</i>	SECTION 1
DATE 11/17/72	DATE 18 DEC 72	
ENG A. HELENIUS	PROD V. Souza	ISSUED SECT. 1
DATE	DATE 2/5/73	

ITEM NO.	DWG NO. / PART NO.	DESCRIPTION													
1	M103	DEVICE SELECTOR	2												
2	M104	I/O BUS MULTIPLEXER	4												
3	M111	INVERTER	1												
4	M112	NOR GATE	1												
5	M113	10-2 INPUT NAND GATES	1												
6	M115	8-3 INPUT NAND GATES	1												
7	M161	BINARY TO OCTAL/DECIMAL DECODER	1												
8	M216	SIX FLIP FLOPS	4												
9	M510	I/O BUS RECEIVER	5												
10	M621	DATA BUS DRIVER	2												
11	M622	BUS DRIVER	2												
12	M912	I/O BUS CONNECTOR CARD	8												
13	M971	CABLE INTERFACE	4												

TITLE MODULE UTILIZATION DR15-C	ASSY NO. D-MU-DR15-C-09	SIZE A	CODE PL	NUMBER DR15-C-09	REV. A	ECO NO. UC15F-00003
	SHEET 1 OF 1	DIST.				

This drawing and specifications, herein, are the property of Digital Equipment Corporation and shall not be reproduced or copied or used in whole or in part as the basis for the manufacture or sale of items without written permission. © DEC. 1972

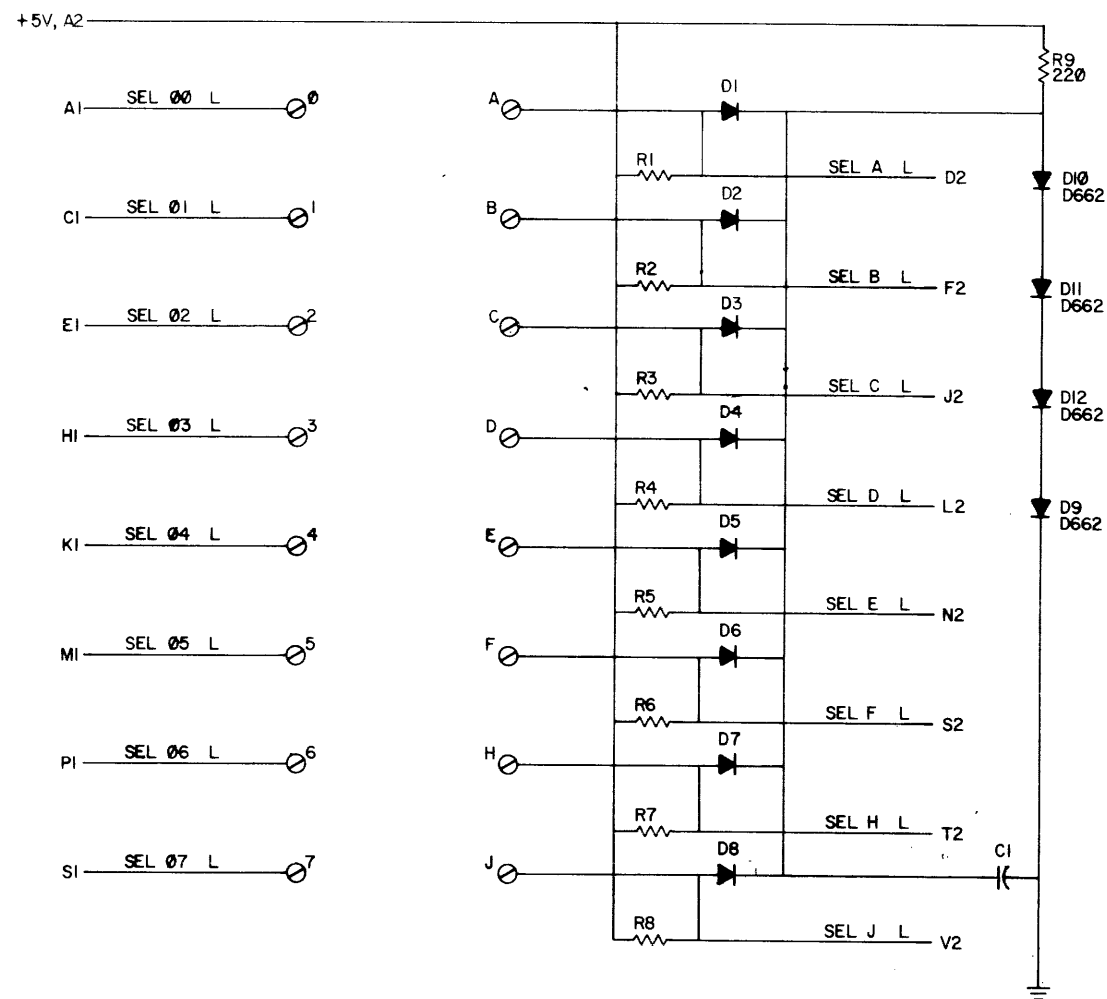
REV. A NUMBER WL DRI5-C-WL SIZE CODE K WL 2



FIRST USED ON OPTION MODEL	QTY.	DESCRIPTION	PART NO.	ITEM NO.		
UC15						
PARTS LIST						
DRN. <i>P. S. Blau</i>	DATE 12-12-72	digital EQUIPMENT CORPORATION <small>MAYNARD, MASSACHUSETTS</small>				
CHK'D <i>P. S. Blau</i>	DATE 12-20-72					
ENG. <i>A. Helanus</i>	DATE 11/30/73					
PROJ. ENG. <i>R. C. Gray</i>	DATE 1/31/73					
PROD. <i>Da Silva</i>	DATE 2/5/73					
NEXT HIGHER ASSEMBLY D-AD-7009166-0-0		TITLE WIRE LIST (DRI5-C)				
SCALE ++	SIZE CODE K WL				NUMBER DRI5-C-WL	REV. A
SHEET 1 OF 1	DIST.					

REVISIONS	
CHANGE NO.	REV.
UC15 F-00003	A
<i>E. Remon</i> 6-17-74	
<i>F. Doll</i> 7/25/74	

THIS SCHEMATIC IS FURNISHED ONLY FOR TEST AND MAINTENANCE PURPOSES. THE CIRCUITS ARE PROPRIETARY IN NATURE AND SHOULD BE TREATED ACCORDINGLY. COPYRIGHT 1970 BY DIGITAL EQUIPMENT CORPORATION



UNLESS OTHERWISE INDICATED:
 RESISTORS ARE 10K, 1/4W, 5%
 CAPACITORS ARE .01UF, 100V, 20%
 DIODES ARE D664
 ⊕ = SPLIT LUG
 GND = C2, T1

REVISIONS CHK'G NO. REV. A	DRN. joanne french	DATE 8/27/70	TRANSISTOR & DIODE CONVERSION CHART		digital EQUIPMENT CORPORATION MAYNARD, MASSACHUSETTS	TITLE DISK SELECTION G740	
	CHK'D <i>Curran</i>	DATE 9/18/70	DEC D664	EIA IK3806		SIZE C	CODE CS
	ENG. <i>B. P. ...</i>	DATE 10/27/70	DEC D662	EIA IN415			REV. A
	TEST. <i>...</i>	DATE 11/11/70					PRINTED CIRCUIT REV. A

DEC FORM NO. DRC 102

DIST. 324,434,435 3

5 PINK

G740-0-1

DIGITAL EQUIPMENT CORPORATION
MAYNARD, MASSACHUSETTS
PARTS LIST

MADE BY <i>E. Yates</i>	CHECKED <i>S. Stimpson</i>	SECTION
DATE <i>9-4-70</i>	DATE <i>4/2/70</i>	
ENG <i>E. Atkins</i>	PROD <i>S. Stimpson</i>	ISSUED SECT.
DATE <i>9/24-70</i>	DATE <i>2/9/71</i>	

QUANTITY/VARIATION	
ITEM NO.	DWG NO./PART NO.
	C-CS-G740-0-1
	K-CO-G740-0-4
	C-AH-G740-0-5
	5009114
	1001610
	1100113
	1100114
	1202258
	1300271
	1300479
	9006731
	9006732
	9006735

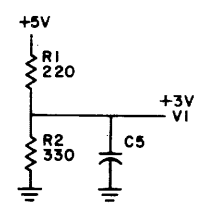
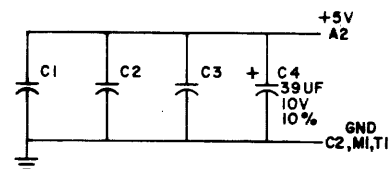
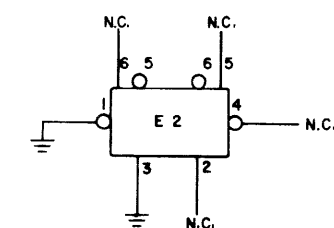
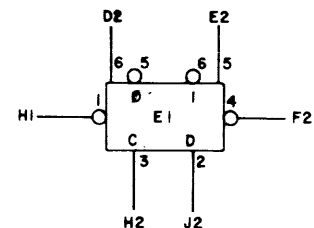
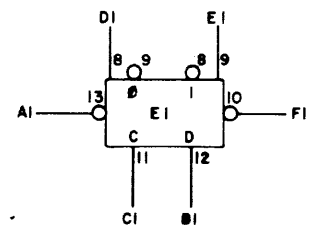
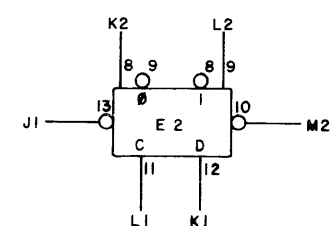
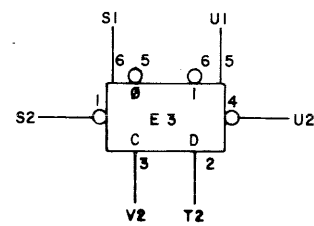
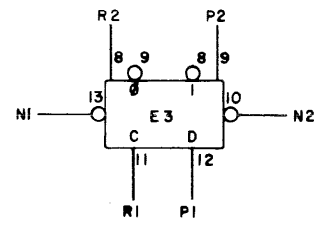
ITEM NO.	DWG NO./PART NO.	DESCRIPTION
	C-CS-G740-0-1	CIRCUIT SCHEMATIC
	K-CO-G740-0-4	X-Y COORDINATE HOLE LOCATION
	C-AH-G740-0-5	ASSY/DRILLING HOLE LAYOUT
	5009114	ETCHED CIRCUIT BOARD
	1001610	CAP. .01UF 100V. 20% DISC
	1100113	DIODE D662
	1100114	DIODE D664
	1202258	HANDLE FLIP CHIP - GREEN
	1300271	RES. 220 $\frac{1}{2}$ W. 5%
	1300479	RES. 10K. $\frac{1}{2}$ W. 5%
	9006731	FEED THRU EYELET
	9006732	EYELET #GS4-7 E. B. STIMPSON
	9006735	SPLIT LUGS

TITLE DISK SELECTION. G740	ASSY NO.	SIZE CODE A PL	NUMBER G740-0-0	REV. A	ECO NO. G740-00001
SHEET 1 OF 1		DIST. <i>324 434 435 3</i>			

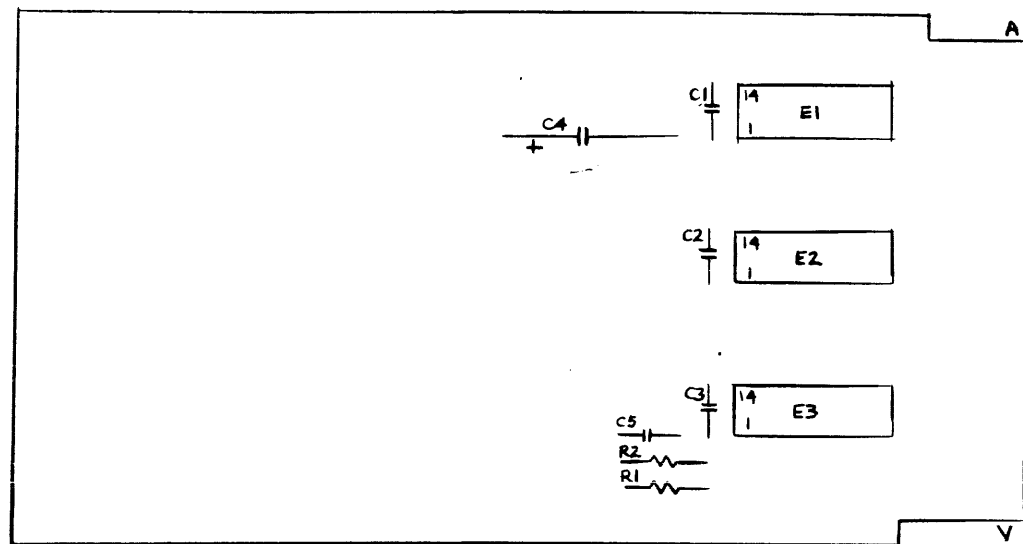
DEC FORM NO.16-1031
DRA 110

5 PINK

THIS SCHEMATIC IS FURNISHED ONLY FOR TEST AND MAINTENANCE PURPOSES. THE CIRCUITS ARE PROPRIETARY IN NATURE AND SHOULD BE TREATED ACCORDINGLY. COPYRIGHT 1970 BY DIGITAL EQUIPMENT CORPORATION



UNLESS OTHERWISE INDICATED:
RESISTORS ARE 1/4W, 5%
CAPACITORS ARE .01UF, 100V, 20%
IC'S ARE DEC107MH7M
PIN 7 = GND
PIN 14 = +5V ON EACH IC



ITEM NO.	DEC PART NO.	DESCRIPTION	QTY.
11	9008337-06	HANDLE, FLIP CHIP - MAGENTA	1
10	9006732	EYELET #GS 4-7	2
9	1940553	I.C. DEC107MH7M	3
8	1300295	RES. 330, 1/4W, 5% CC	1
7	1300271	RES. 220, 1/4W, 5% CC	1
6	1001610	CAP. .01UF, 100V, 20% DISC	4
5	1000076	CAP. 39UF, 10V, 10% S. TANT	1
4	5009357	ETCHED CIRCUIT BOARD	1
3	B-MH-M246-0-6	MODULE ECO HISTORY	
2	C-AH-M246-0-5	ASSY/DRILLING HOLE LAYOUT	
1	K-CO-M246-0-4	X-Y COORDINATE HOLE LOCATION	

PARTS LIST

REV.	CHG. NO.	REV.
1	000001	A

DRM	DATE
S. Cooper	12/18/70
CHK'D	DATE
W. M. Miller	1-12-71
ENG.	DATE
PROD.	DATE

TRANSISTOR & DIODE CONVERSION CHART			
DEC	EIA	DEC	EIA

digital EQUIPMENT CORPORATION
MAYNARD, MASSACHUSETTS

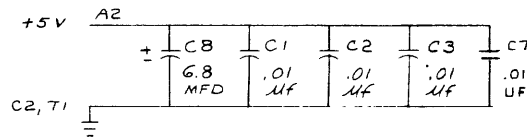
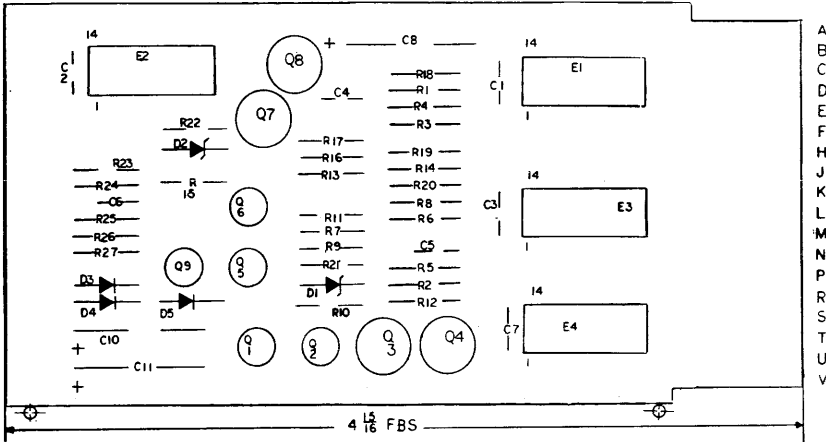
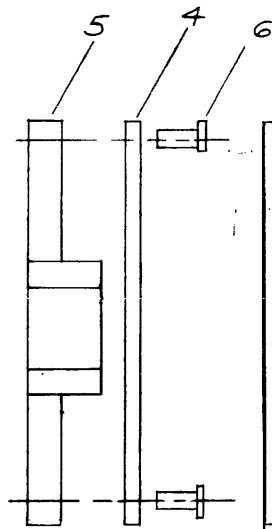
TITLE: 5 D FLIP FLOPS M246
NUMBER: M246-0-1
PRINTED CIRCUIT REV: A

REV. A
NUMBER M246-0-1
CS

Print. 1

This drawing and specifications, herein, are the property of Digital Equipment Corporation and shall not be reproduced or copied or used in whole or in part as the basis for the manufacture or sale of items without written permission.

NOTES:



IC TYPE	GND	+5V
GND AND 5V ARE USUALLY PIN 7 AND 14 RESPECTIVELY. EXCEPTIONS ARE STATED ABOVE.		
IC PIN LOCATIONS		

DESIGNED BY	DATE
CHKD BY	DATE
ENG BY	DATE
PROJ. ENG.	DATE
PRODY.	DATE
NEXT HIGHER ASSY	
DEC NO.	EIA NO.
DEC NO.	EIA NO.

FIRST USED ON OPTION MODEL
PDP 11

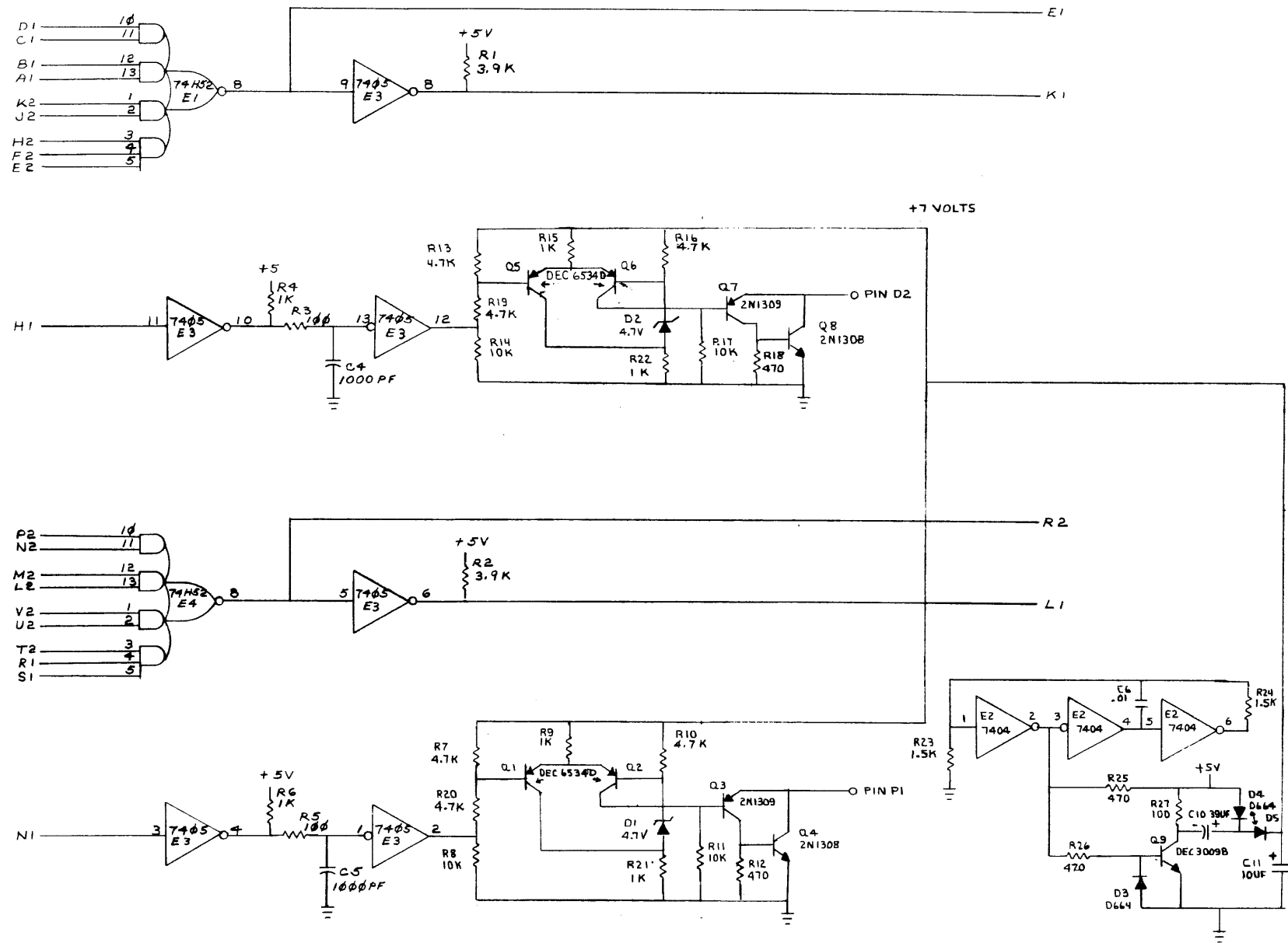
ETCH BOARD REV		B
PARTS LIST		
DBN	DATE	<p>TITLE UNIBUS POWER FAIL DRIVERS</p>
CHKD	DATE	
ENG	DATE	
PROJ. ENG.	DATE	
PRODY.	DATE	
DEC NO.	EIA NO.	SIZE CODE
DEC NO.	EIA NO.	NUMBER
SEMICONDUCTOR CONVERSION CHART		REV.
SCALE	NONE	E
SHEET	OF 2	DIST

QTY	REF DESIGNATION	DESCRIPTION	PART NO.	ITEM NC
4	Q3, Q4, Q7, Q8	TRANSIPADS	8007200	31
1	C11	CAP. 10UF 20V 10%	1004813	30
1	C10	CAP. 39UF 10V 10%	1000076	29
6	R7, R13, R19, R20, R10, R16	RES. 4.7K 1/4W 5%	1300447	28
2	R23, R24	RES. 1.5K 1/4W 5%	1300391	27
4	R12, R18, R25, R26	RES. 470 1/4W 5%	1300316	26
1	Q9	TRANSISTOR DEC 3009B	1503100	24
3	D3, D4, D5	DIODE D664	1100114	23
1	E2	IC DEC 7404	1909686	22
5	C1, C2, C3, C6, C7	CAP. .01UF 100V 20% DIS.	1001610	21
1	C8	CAP. 6.8UF 35V 20% TANT	1000067	20
2	C4, C5	CAP. 1000PF 100V 5% MICA	1000042	19
2	D1, D2	DIODE IN750A 4.7V ZENER	1100124	18
4	R8, R11, R14, R17,	RES. 10K 1/4 5%	1300479	16
2	R1, R2	RES. 3.9K 1/4 5%	1300444	15
6	R4, R6, R15, R9, R21, R22	RES. 1K 1/4, 5%	1300365	14
3	R3, R5, R27	RES. 100 1/4, 5%	1300229	13
4	Q1, Q2, Q5, Q6	TRANS. DEC 6534D	1503409	12
2	Q3, Q7	TRANS. 2N1309	1501311	11
2	Q4, Q8	TRANS. 2N1308	1500583	10
1	E3	IC DEC 7405	1909930	9
2	E1, E4	IC DEC 74H52	1909061	8
2		EYELET	9006732	7
1		HANDLE, FLIP CHIP MARGENTA	9008337-06	6
1		ETCHED CKT BD	5010085	4
REF		MODULE ECO HISTORY	B-MH-M688-C-1	3
REF		ASSY/DRILLING HOLE LAYOUT	D-9H-M688-C-1	2
REF		X-Y COORDINATE HOLE LOCATION	K-CO-M688-C-1	1

BRUNING 40-532 16819
DEC FORM NO. DND-135A

This drawing and specifications herein are the property of Digital Equipment Corporation and shall not be reproduced or copied or used in whole or in part as the basis for the manufacture or sale of items without written permission.

DCS M688-0-1

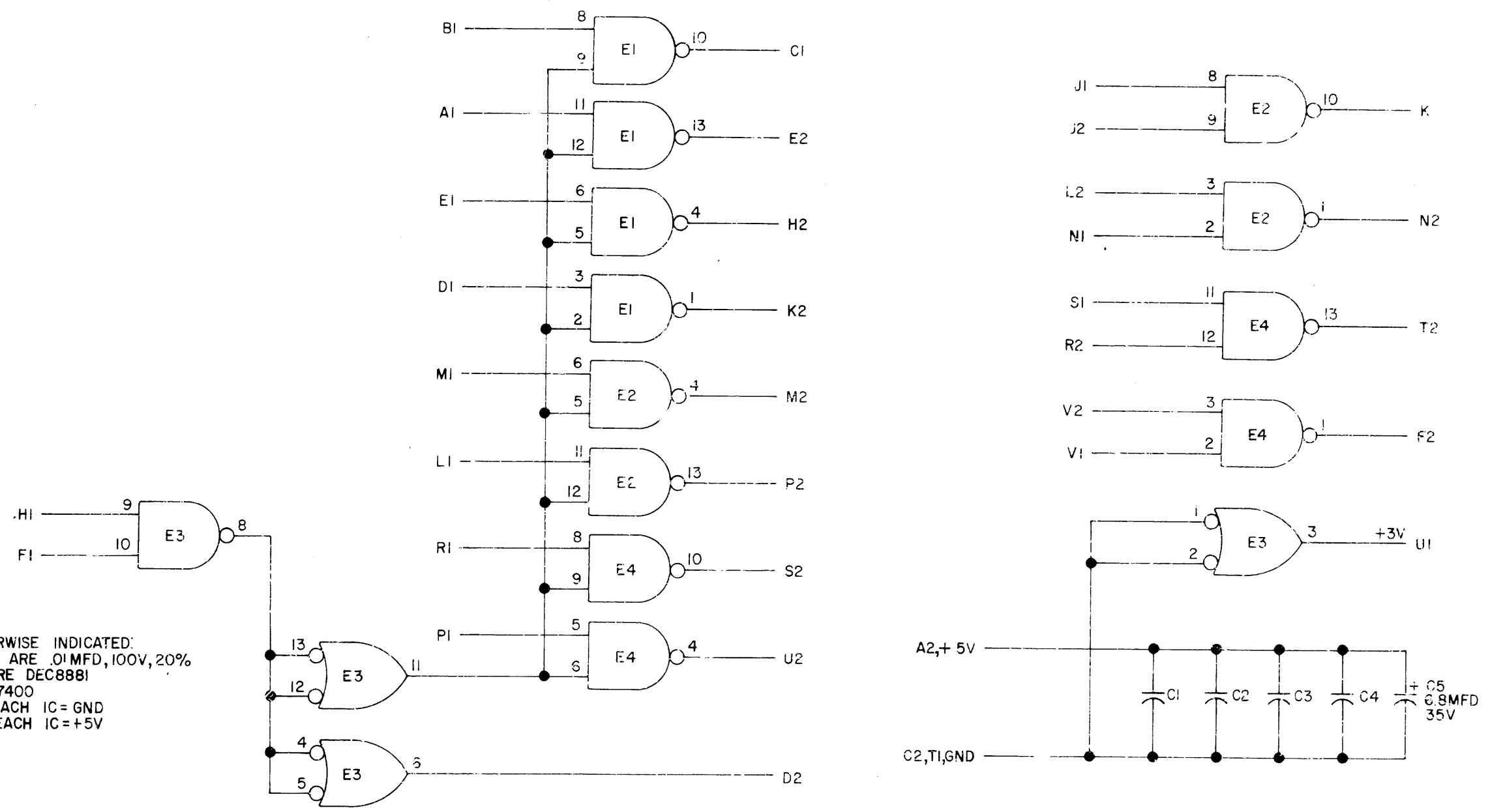


REV	NO
CHG	NO
CHANGE NO	
REVISIONS	
40-523-15840	

FIRST USED ON OPTION/MODEL	QTY.	DESCRIPTION	PART NO.	ITEM NO.
PDP 11				
PARTS LIST				
UNLESS OTHERWISE SPECIFIED DIMENSION IN INCHES	DRN 5/18/72	DATE	digital EQUIPMENT CORPORATION MAYNARD MASSACHUSETTS	
TOLERANCES	CHKD 6/1/72	DATE	TITLE	
DECIMALS	ENGR 6/1/72	DATE	UNIBUS POWER FAIL DRIVERS	
ANGLES	PROJ ENGR 6-1-72	DATE	REV	
XXX - 006			E	
XX - 02			SIZE CODE NUMBER	
X = 1			DCS M688-0-1	
REMOVE BURRS AND BREAK SHARP CORNERS SURFACE QUALITY	PROJ. ENGR 6/1/72	DATE	REV	
MATERIAL	NEXT HIGHER ASSY		E	
FINISH	SCALE NONE		DIST.	
	SHEET 2 OF 2			

REV M783-0-1 B CS

THIS SCHEMATIC IS FURNISHED ONLY FOR TEST AND MAINTENANCE PURPOSES. THE CIRCUITS ARE PROPRIETARY IN NATURE AND SHOULD BE TREATED ACCORDINGLY. COPYRIGHT 1969 BY DIGITAL EQUIPMENT CORPORATION.



UNLESS OTHERWISE INDICATED:
 CAPACITORS ARE .01MFD, 100V, 20%
 E1, E2, E4 ARE DEC8881
 E3 IS DEC7400
 PIN 7 ON EACH IC = GND
 PIN 14 ON EACH IC = +5V

REVISIONS CHK CHG NO. REV	DRN <i>A. Riley</i>	DATE 11-21-69	TRANSISTOR & DIODE CONVERSION CHART		TITLE UNIBUS DRIVERS M783	
	CHK'D <i>[Signature]</i>	DATE	DEC	EIA		DEC
	ENG <i>[Signature]</i>	DATE 1/25/70				
	PROD	DATE				
			digital		SIZE CODE NUMBER	
			EQUIPMENT CORPORATION		B CS M783-0-1	
			MAYNARD, MASSACHUSETTS		PRINTED CIRCUIT REV	
					A B	

DEC FORM NO DRB 102

5 DISH 344 114 1155 Pink

DIGITAL EQUIPMENT CORPORATION
MAYNARD, MASSACHUSETTS
PARTS LIST

MS-513-P3

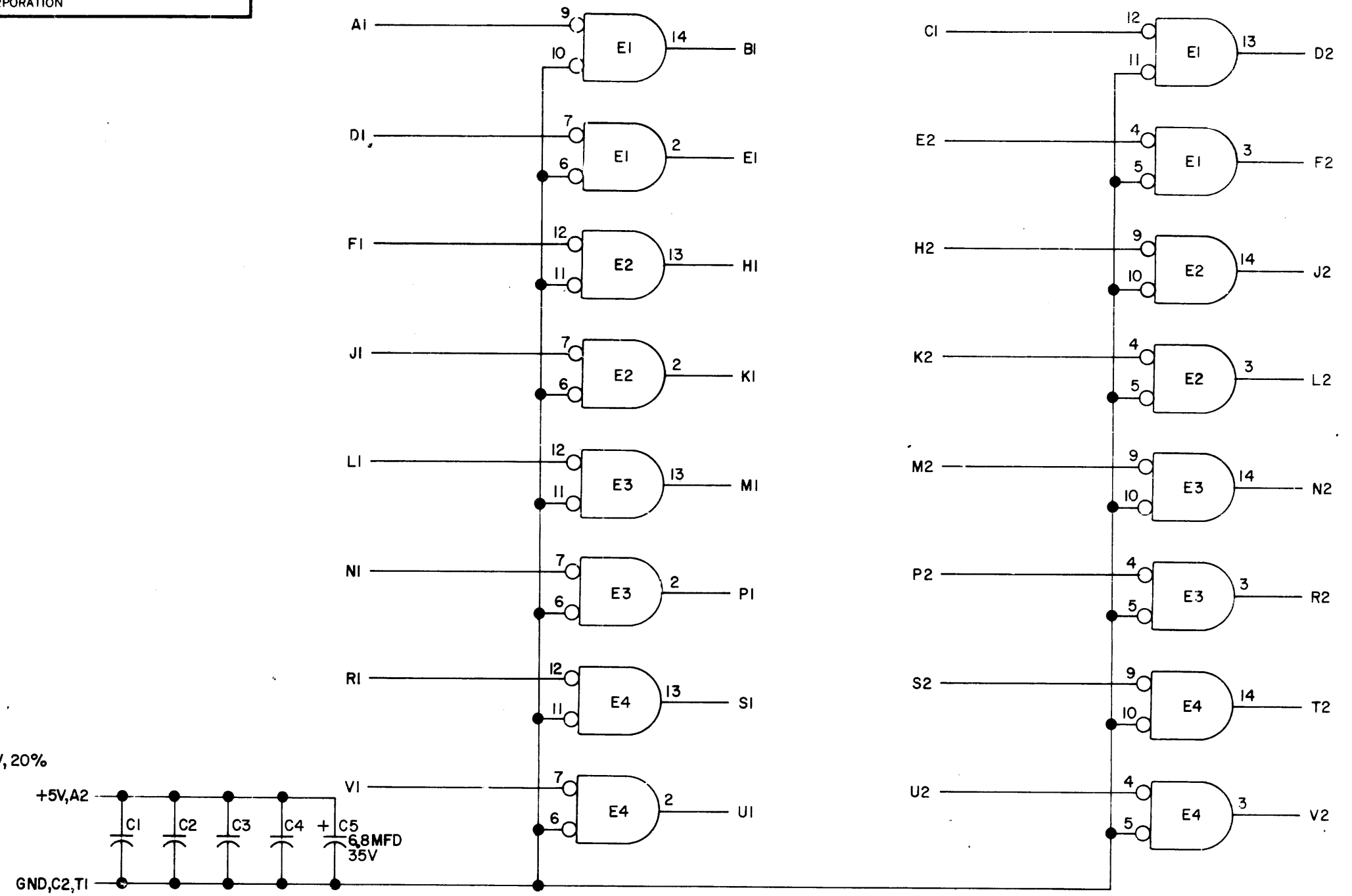
MADE BY <i>Patty Graves</i>	CHECKED <i>P. Liberman</i>	SECTION
DATE <i>1-7-70</i>	DATE <i>1-7-70</i>	
ENG <i>P. E. Janson</i>	PROD <i>P. Liberman</i>	ISSUED SECT.
DATE <i>2/25/70</i>	DATE <i>3/11/70</i>	

ITEM NO.	DWG NO. / PART NO. CL BASIC VAR.	DESCRIPTION	QTY/VAR			UNIT COST	UNIT QUANTITY	QUANTITY ISSUED
	B-CS-M783-0-1	CIRCUIT SCHEMATIC					1	
	K-CO-M783-0-4	X-Y COORDINATE HOLE LOCATION					1	
	D-AH-M783-0-5	ASSY/DRILLING HOLE LAYOUT					1	
	5008729	ETCHED CKT. BD.					1	
	1001610	CAP. .01 MFD, 100V, 20%					4	
	1000067	CAP. 6.8 MF, 35V, 20%					1	
	1205725	HANDLE, FLIP CHIP- MAGENTA					1	
	1905575	I.C. DEC 7400					1	
	1909705	I.C. DEC 8881					3	
	9006732	EYELET # GS 4-7 E. B. STIMPSON					2	

TITLE UNIBUS DRIVERS M783		ASSY NO.	SIZE CODE A PL	NUMBER M783-0-0	REV.	ECO NO.
SHEET 1 OF 1		DIST.	324	434	435	

THIS SCHEMATIC IS FURNISHED ONLY FOR TEST AND MAINTENANCE PURPOSES. THE CIRCUITS ARE PROPRIETARY IN NATURE AND SHOULD BE TREATED ACCORDINGLY. COPYRIGHT 1969 BY DIGITAL EQUIPMENT CORPORATION

NOTE:
FOR YA ONLY
IC'S ARE DEC 384.



UNLESS OTHERWISE INDICATED:
CAPACITORS ARE .01MFD, 100V, 20%
IC'S ARE DEC 8640
PIN 1 ON EACH IC=GND
PIN 8 ON EACH IC=+5V

REVISIONS	CHK	CHG NO.	REV.
		00001	A
		00002	B
		00003	C
		00004	D

DRM	<i>G. Miley</i>	DATE	11-18-69
CHK'D	<i>F. Mitrowski</i>	DATE	1-7-70
ENGR	<i>P. E. Jones</i>	DATE	3/11/70
PROD.		DATE	

TRANSISTOR & DIODE CONVERSION CHART			
DEC	EIA	DEC	EIA



TITLE				UNIBUS RECEIVERS			
				M784			
SIZE	CODE	NUMBER		REV			
B	CS	M784-0-1		D			
PRINTED CIRCUIT REV.				A	B	C	

DIGITAL EQUIPMENT CORPORATION
MAYNARD, MASSACHUSETTS
PARTS LIST

MADE BY <i>Patty Harco</i>	CHECKED BY <i>M.H. Jones</i>	SECTION
DATE <i>1-7-78</i>	DATE <i>1-7-70</i>	
ENG <i>P. Janon</i>	PROD <i>o wall</i>	ISSUED SECT.
DATE <i>3/11/70</i>	DATE <i>2/6/70</i>	

QTY/VAR

MS 641-P5

ITEM NO.	DWG NO./PART NO. CL BASIC VAR.	DESCRIPTION	M784-YA	UNIT COST	UNIT QUANTITY	QUANTITY ISSUED
	B-CS-M784-0-1	CIRCUIT SCHEMATIC	1		1	
	K-CO-M784-0-4	X-Y COORDINATE HOLE LOCATION	1		1	
	D-AH-M784-0-5	ASSY/DRILLING HOLE LAYOUT	1		1	
	5008730	ETCHED CKT. BD.	1		1	
	1000067	CAP. 6.8 MFD, 35V, 20%	1		1	
	1001610	CAP. .01 MFD, 100V, 20%	4		4	
	1205725	HANDLE, FLIP CHIP-MAGENTA	1		1	
	1911469	I.C. DEC 8640	0		4	
	9006732	EYELET # GS 4-7 E. B. STIMPSON	2		2	
	9006735	FEBD THRU EYELETS	22		22	
	1909486	IC DEC 384	4		0	

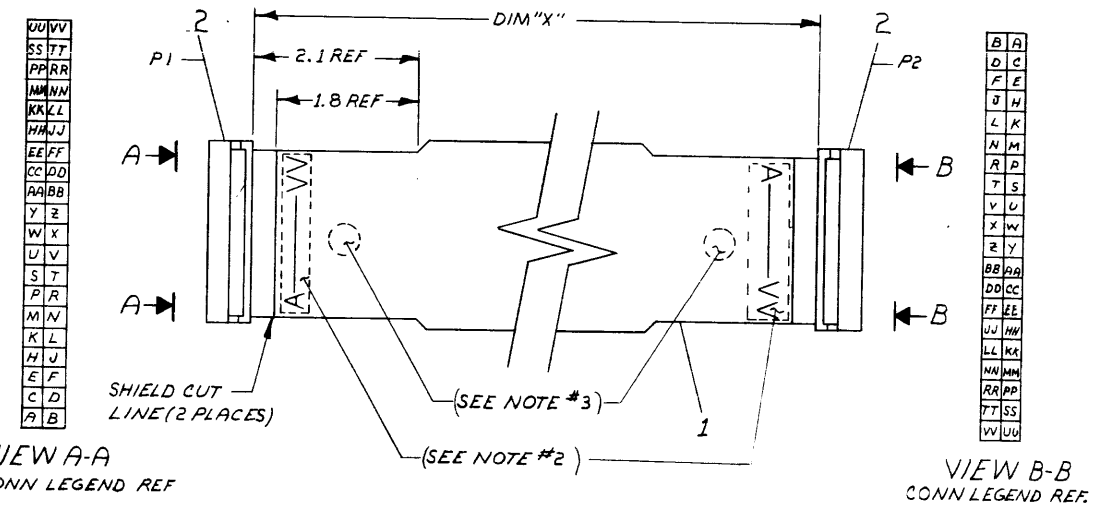
TITLE UNIBUS RECEIVERS M784	ASSY NO.	SIZE A	CODE PL	NUMBER M784-0-0	REV E	ECO NO. M784-00005
SHEET 1 OF 1		DIST. 324 434 435 ³				

THIS DRAWING AND SPECIFICATIONS HEREIN ARE THE PROPERTY OF DIGITAL EQUIPMENT CORPORATION AND SHALL NOT BE REPRODUCED OR COPIED OR USED IN WHOLE OR IN PART AS THE BASIS FOR THE MANUFACTURE OR SALE OF ITEMS WITHOUT WRITTEN PERMISSION. COPYRIGHT © 1976 DIGITAL EQUIPMENT CORPORATION

WIPE TABLE			
FROM	TO	FROM	TO
P1-A	P2-VV	P1-Y	P2-X
P1-B	P2-UU	P1-Z	P2-W
P1-C	P2-TT	P1-AA	P2-V
P1-D	P2-SS	P1-BB	P2-U
P1-E	P2-RR	P1-CC	P2-T
P1-F	P2-PP	P1-DD	P2-S
P1-H	P2-NN	P1-EE	P2-R
P1-J	P2-MM	P1-FF	P2-P
P1-K	P2-LL	P1-HH	P2-N
P1-L	P2-KK	P1-JJ	P2-M
P1-M	P2-JJ	P1-KK	P2-L
P1-N	P2-HH	P1-LL	P2-K
P1-P	P2-FF	P1-MM	P2-J
P1-R	P2-EE	P1-NN	P2-H
P1-S	P2-DD	P1-PP	P2-F
P1-T	P2-CC	P1-RR	P2-E
P1-U	P2-BB	P1-SS	P2-D
P1-V	P2-AA	P1-TT	P2-C
P1-W	P2-Z	P1-UU	P2-B
P1-X	P2-Y	P1-VV	P2-A

LEGEND		
NUMBER	DIM "X"	PREP'G LENGTH
BC0BR-01	1.00 FT.	1.00 FT. 1.5 IN. ± .001 IN.
BC0BR-02	2.00 FT.	2.00 FT. 1.5 IN. ± .001 IN.
BC0BR-03	3.00 FT.	3.00 FT. 1.5 IN. ± .001 IN.
BC0BR-04	4.00 FT.	4.00 FT. 1.5 IN. ± .001 IN.
BC0BR-05	5.00 FT.	5.00 FT. 1.5 IN. ± .001 IN.
BC0BR-06	6.00 FT.	6.00 FT. 1.5 IN. ± .001 IN.
BC0BR-07	7.00 FT.	7.00 FT. 1.5 IN. ± .001 IN.
BC0BR-08	8.00 FT.	8.00 FT. 1.5 IN. ± .001 IN.
BC0BR-09	9.00 FT.	9.00 FT. 1.5 IN. ± .001 IN.
BC0BR-10	10.00 FT.	10.00 FT. 1.5 IN. ± .001 IN.
BC0BR-11	11.00 FT.	11.00 FT. 1.5 IN. ± .001 IN.
BC0BR-12	12.00 FT.	12.00 FT. 1.5 IN. ± .001 IN.
BC0BR-13	13.00 FT.	13.00 FT. 1.5 IN. ± .001 IN.
BC0BR-14	14.00 FT.	14.00 FT. 1.5 IN. ± .001 IN.
BC0BR-15	15.00 FT.	15.00 FT. 1.5 IN. ± .001 IN.
BC0BR-16	16.00 FT.	16.00 FT. 1.5 IN. ± .001 IN.
BC0BR-17	17.00 FT.	17.00 FT. 1.5 IN. ± .001 IN.
BC0BR-18	18.00 FT.	18.00 FT. 1.5 IN. ± .001 IN.
BC0BR-19	19.00 FT.	19.00 FT. 1.5 IN. ± .001 IN.
BC0BR-20	20.00 FT.	20.00 FT. 1.5 IN. ± .001 IN.
BC0BR-25	25.00 FT.	25.00 FT. 1.5 IN. ± .001 IN.
BC0BR-30	30.00 FT.	30.00 FT. 1.5 IN. ± .001 IN.
BC0BR-35	35.00 FT.	35.00 FT. 1.5 IN. ± .001 IN.
BC0BR-50	50.00 FT.	50.00 FT. 1.5 IN. ± .001 IN.
BC0BR-60	60.00 FT.	60.00 FT. 1.5 IN. ± .001 IN.
BC0BR-75	75.00 FT.	75.00 FT. 1.5 IN. ± .001 IN.
BC0BR-90	90.00 FT.	90.00 FT. 1.5 IN. ± .001 IN.
BC0BR-A3	130.00 FT.	130.00 FT. 1.5 IN. ± .001 IN.
BC0BR-A6	160.00 FT.	160.00 FT. 1.5 IN. ± .001 IN.

1. APPLY THIS CABLE PER PROCESS SPEC #7606445-0-0.
2. CONNECTOR LEGEND IDENTIFICATION TO BE PLACED ON SHIELD SIDE OF CABLE IN THIS AREA AS SHOWN.
3. INSPECTION & TEST STAMPS TO BE PLACED AT EACH END OF THE CABLE ASSY.
4. STRIP LENGTH SHOULD BE .62 ± 4/32.



REV.	CHANGE NO.	BY	DATE
1	BC0BR-0000	L	
2	REVISED & REDRAWN		
3	REVISED		
4	REVISED		
5	REVISED		
6	REVISED		
7	REVISED		
8	REVISED		

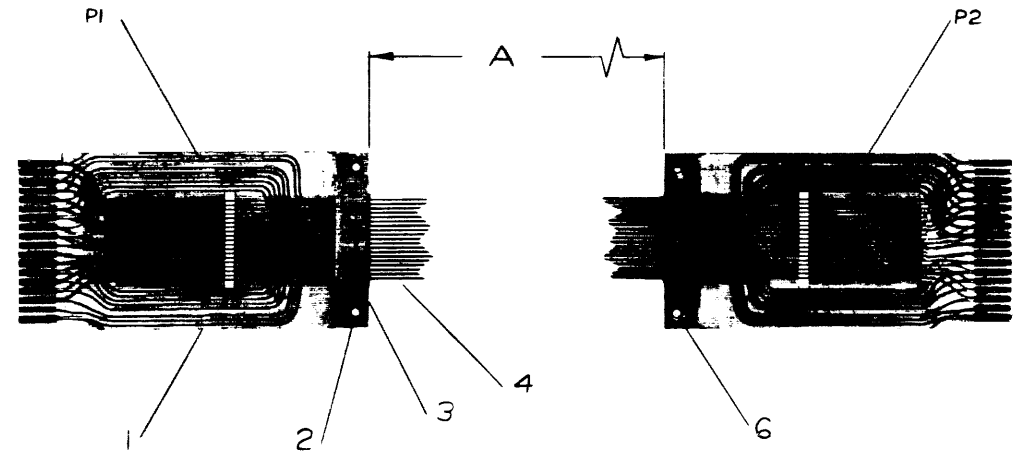
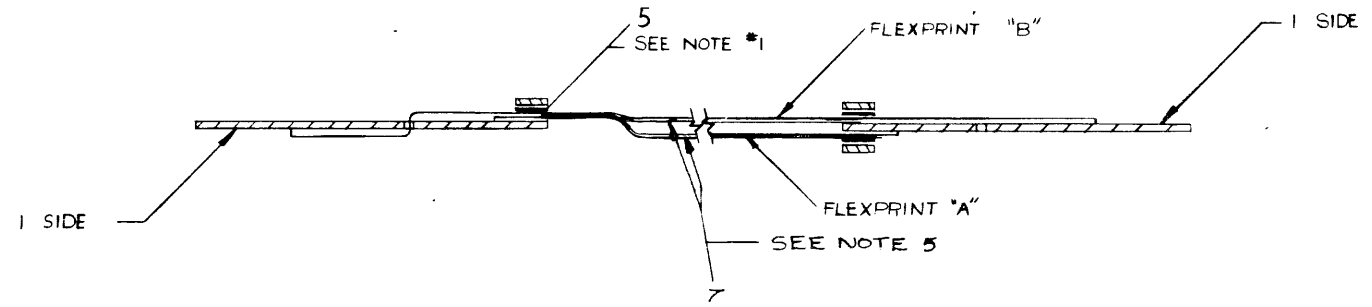
2	CONNECTOR, 40 SOCKET	1211206	2
1	40R CABLE, 40 COND. FLAT W/SHIELD	1700004	1
DESCRIPTION		DWG. PART NO	ITEM NO.
UNLESS OTHERWISE SPECIFIED DIMENSIONS ARE IN INCHES			
ANGLES ± 30'	CLASS OF ACCURACY	NOMINAL DIMENSION RANGE INCHES	
SURFACE QUALITY	(CHECK ONE)	OVER 0 TO 0.2	OVER 0.2 TO 1.2
IN	MEDIUM	OVER 1.2 TO 4.0	OVER 4.0 TO 12.0
VARIATION	PREFERRED	OVER 12.0 TO 40.0	OVER 40.0 TO 80.0
QUANTITY & VARIATION	MICROINCHES	± .004	± .008
		± .012	± .016
		± .025	± .04
		± .063	± .1
THIRD ANGLE PROJECTION	DRND. CONTAIN. (2R 71)	FIRST USED ON	
REMOVE BURRS AND BREAK SHARP CORNERS	CHK'D J. FLEMING	digital	
DO NOT SCALE DWG	ENG. P. GARDNER	TITLE	
	PROD. D. WALL	BC0BR	
	NEXT HIGHER ASSY.	IO CABLE	
MATERIAL	SCALE	SIZE	CODE
FINISH	SHEET	D	JA
	OF	NUMBER	REV.
	DIST.		M

This drawing and specifications, herein, are the property of Digital Equipment Corporation and shall not be reproduced or copied or used in whole or in part as the basis for the manufacture or sale of items without written permission.

PART NO.	DIM "A"
BC08A-1	1 FT
BC08A-2	2 FT
BC08A-3	3 FT
BC08A-4	4 FT
BC08A-5	5 FT
BC08A-6	6 FT
BC08A-7	7 FT
BC08A-8	8 FT
BC08A-9	9 FT
BC08A-10	10 FT
BC08A-3A	3 1/2 FT
BC08A-15	15 FT

SEE NOTE #2

- NOTES:
- ATTACH ITEM #5 (TAPE) TO ITEM #3 (FLEX PRINT CLAMP) THEN ASSEMBLE ITEM #3 TO ITEM #1 (FLIP CHIP) WITH ITEM #2 OR #6 (EYELETS).
 - FLEXPRINT IS TO BE CUT TO THE FOLLOWING LENGTHS, PRIOR TO FABRICATION:
 FLEXPRINT "A" - DIM "A" PLUS 1 3/4 INCHES
 FLEXPRINT "B" - DIM "A" PLUS 7-3/8"
 FLEXPRINT "C" - DIM "A" PLUS 1-1/4"
 3. P1 IS WIRED TO P2 ON THE SAME PINS, EXAMPLE: P1-A1 IS WIRED TO P2-A1 AND P1-B2 IS WIRED TO P2-B2 AND SO ON.
 - TOLERANCES: (STD. CABLE)
 0 TO 2 1/2 FT ± 1/2 INCH
 2 7/8" TO 5 FT ± 1 INCH
 5 1/4" TO 10 FT ± 2 INCHES
 GREATER THAN 10 FT ± 2%
 5 FLEXPRINT "C" (ITEM #7) IS NOT ELECTRICALLY CONNECTED.



REV.	CHANGE NO.	REV.
1	BC08A-00001	A
2	BC08A-00002	B

OLOUGHLIN
D. WHITE

FIRST USED ON OPTION / MODEL	QTY.	DESCRIPTION	PART NO.	ITEM NO.
PDP-8I				
PARTS LIST				
UNLESS OTHERWISE SPECIFIED	DRN	DATE	digital EQUIPMENT CORPORATION MAYNARD, MASSACHUSETTS	
UNLESS OTHERWISE SPECIFIED	CHK'D	DATE	TITLE	
DIMENSION IN INCHES	ENG	DATE	BC08A CABLE	
TOLERANCES	PROJ. ENG	DATE	REV. B	
DECIMALS FRACTIONS ANGLES	PROF	DATE	SIZE CODE NUMBER	
± .005 ± 1/64 ± 0°30'			DUA BC08A-0-0	
FINE SURFACE QUALITY			SCALE NONE	
REMOVE BURRS AND BREAK SHARP CORNERS			SHEET 1 OF 1	
MATERIAL			DIST. C	
FINISH				

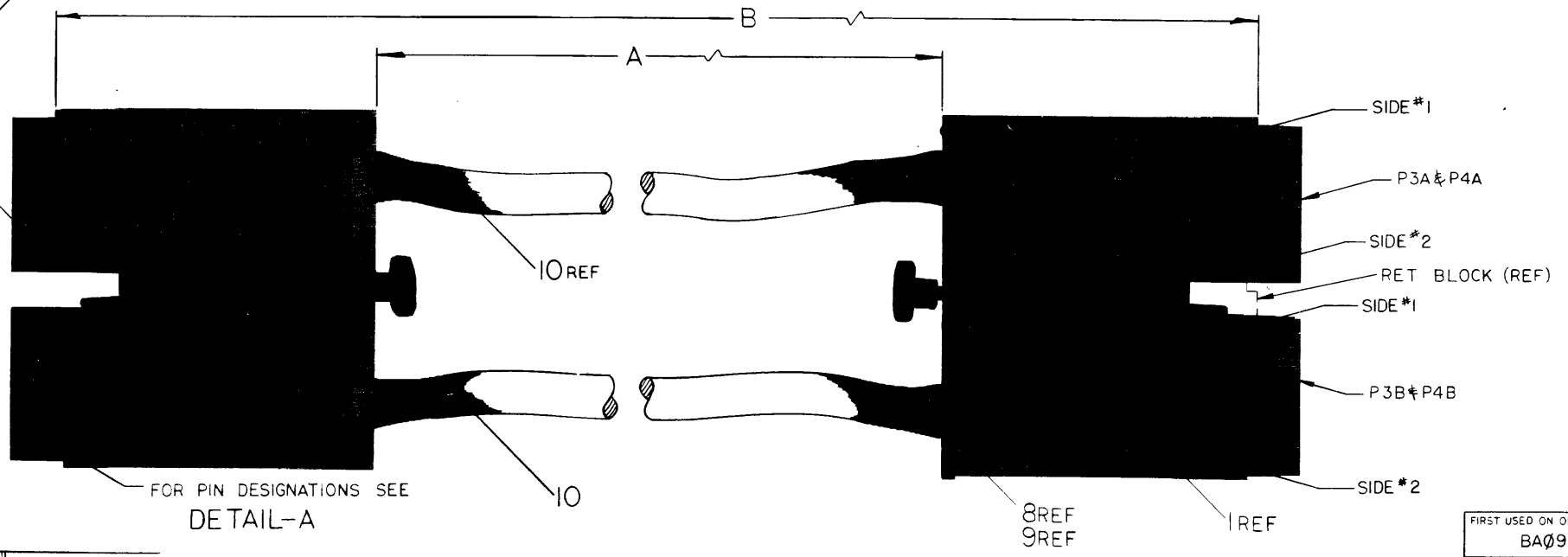
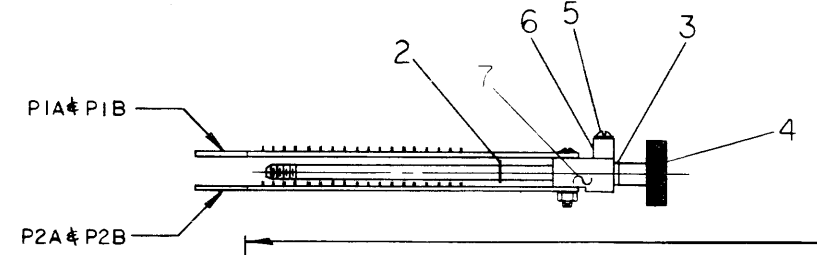
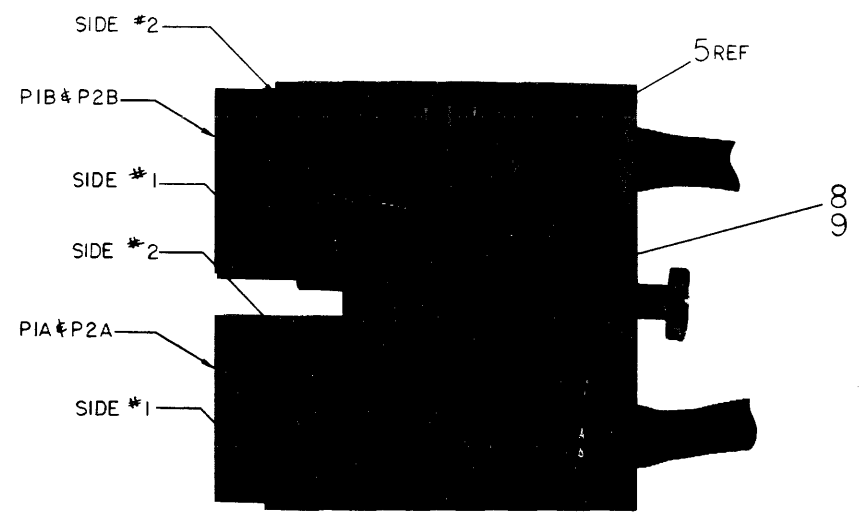
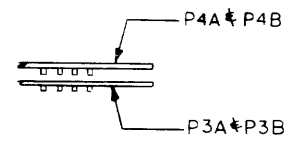
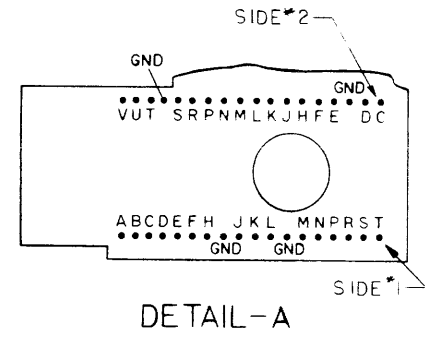
REV. B
DUA BC08A-0-0

This drawing and specifications, herein, are the property of Digital Equipment Corporation and shall not be reproduced or copied in whole or in part on the basis for the manufacture or sale of items without written permission.

0-0-86008 2

NUMBER	VARIATION	
	DIM-A*	DIM-B (PRECUT) REF
BC09B-02	2 FT ± 1/2 IN	2 FT 8 IN ± 1/2 IN
BC09B-03	3 FT ± 1 IN	3 FT 8 IN ± 1 IN
BC09B-04	4 FT ± 1 IN	4 FT 8 IN ± 1 IN
BC09B-05	5 FT ± 1 IN	5 FT 8 IN ± 1 IN
BC09B-07	7 FT ± 2 IN	7 FT 8 IN ± 2 IN
BC09B-10	10 FT ± 2 IN	10 FT 8 IN ± 2 IN
BC09B-12	12 FT ± 3 IN	12 FT 8 IN ± 3 IN
BC09B-15	15 FT ± 4 IN	15 FT 8 IN ± 4 IN
BC09B-25	25 FT ± 6 IN	25 FT 8 IN ± 6 IN
BC09B-50	50 FT ± 1 FT	50 FT 8 IN ± 1 FT
BC09B-A0	100 FT ± 2 FT	100 FT 8 IN ± 2 FT

NOTES:
1. CUT DRAIN SHIELDS, DRAIN WIRES AND OUTER INSULATION AT THE SAME POINT.



A/R	QTY.	DESCRIPTION	PART NO.	ITEM NO.
10		CABLE P/N 61010-6	9107599	10
8		NUT KEPS 4-40 SST	9006557	9
8		SCR PHL H PAN #4-40 X 3/4 LG SST	9006015-1	8
2		MODULE HOLDER	C-SC-420-377-10	7
2		CABLE CLAMP	B-MD-7405639-200	6
8		SCR PHL H PAN #6-32 X 1/2 LG SST SELF TAPPING	9008181	5
2		SCR, MODULE RET	C-MD-7405642-0-0	4
2		WASH 3/8 X 1/4 X 1/32 NYLON	9006712	3
2		RET RING 5133-18 WALDES	9007913	2
4		ETCH BOARD ASSY	M9:2	1

FIRST USED ON OPT./MOD.	DATE	BY	DATE
BA09	3/5/69	COOK	3/5/69
UNLESS OTHERWISE SPECIFIED	DATE	BY	DATE
UNLESS OTHERWISE SPECIFIED	DATE	BY	DATE
DIMENSION IN INCHES	DATE	BY	DATE
TOLERANCES	DATE	BY	DATE
DECIMALS FRACTIONS ANGLES	DATE	BY	DATE
± .005 ± 1/64 ± 0°30'	DATE	BY	DATE
FINAL SURFACE QUALITY REMOVE BURRS AND BREAK SHARP CORNERS	DATE	BY	DATE
MATERIAL	DATE	BY	DATE
FINISH	DATE	BY	DATE

PARTS LIST

DRN: COOK DATE: 3/5/69

CHK'D: RUSS DATE: 3/7/69

ENG: ELIA-SHAOUL DATE: 7-10-69

PROJ ENG: ELIA-SHAOUL DATE: 4-13-69

PROD: ANTONUCCIO DATE: 4/5/69

FIRST USED ON: _____

SCALE: _____ OF 2

SHEET: _____ OF 2

SIZE CODE: DUA NUMBER: BC09B-0-0 REV: C

TITLE: BC09B CABLE ASSY

REV.	CHANGE NO.	BY	DATE
1	BC09B-00002	B	
2	BC09B-00003	C	
3	BC09B-00004	C	
4	BC09B-00005	C	
5	BC09B-00006	C	
6	BC09B-00007	C	
7	BC09B-00008	C	
8	BC09B-00009	C	

8		7		6		5		4		3		2		1									
<p>This drawing and specifications, herein, are the property of Digital Equipment Corporation and shall not be reproduced or copied or used in whole or in part as the basis for the manufacture or sale of items without written permission.</p>																							
PIA-SIDE #2 TO P3A-SIDE #2				PIA-SIDE #1 TO P3A-SIDE #1				PIB-SIDE #2 TO P3B-SIDE #2				PIB-SIDE #1 TO P3B-SIDE #1											
ITEM NO.	DESCRIPTION	CONNECTIONS		REMARKS	ITEM NO.	DESCRIPTION	CONNECTIONS		REMARKS	ITEM NO.	DESCRIPTION	CONNECTIONS		REMARKS	ITEM NO.	DESCRIPTION	CONNECTIONS		REMARKS				
13	24	GRN/WHT	PIA-C2	P3A-C2	TWP	13	24	BRN	PIA-A1	P3A-A1	TWP	13	24	GRN/WHT	PIB-C2	P3B-C2	TWP	13	24	BRN	PIB-A1	P3B-A1	TWP
		WHT	D2	D2				YEL	B1	B1				WHT	D2	D2				YEL	B1	B1	
		BRN/WHT	GND2	GND2				SLA	C1	C1				BRN/WHT	GND2	GND2				SLA	C1	C1	
		WHT	E2	E2				YEL	D1	D1				WHT	E2	E2				YEL	D1	D1	
		SLA/WHT	F2	F2				PUR	E1	E1				SLA/WHT	F2	F2				PUR	E1	E1	
		WHT	H2	H2				BLU	F1	F1				WHT	H2	H2				BLU	F1	F1	
		BLU/WHT	J2	J2				PUR	H1	H1				BLU/WHT	J2	J2				PUR	H1	H1	
		RED	K2	K2				ORN	GND1	GND1				RED	K2	K2				ORN	GND1	GND1	
		ORN/WHT	L2	L2				PUR	J1	J1				ORN/WHT	L2	L2				PUR	J1	J1	
		RED	M2	M2				GRN	K1	K1				RED	M2	M2				GRN	K1	K1	
		GRN/WHT	N2	N2				PUR	L1	L1				GRN/WHT	N2	N2				PUR	L1	L1	
		RED	P2	P2				BRN	GND1	GND1				RED	P2	P2				BRN	GND1	GND1	
		BRN/WHT	R2	R2				PUR	M1	M1				BRN/WHT	R2	R2				PUR	M1	M1	
		RED	S2	S2				SLA	N1	N1				RED	S2	S2				SLA	N1	N1	
		SLA/WHT	GND2	GND2				WHT	P1	P1				SLA/WHT	GND2	GND2				WHT	P1	P1	
		RED	T2	T2				BLU/WHT	R1	R1				RED	T2	T2				BLU/WHT	R1	R1	
		BLU/WHT	U2	U2	TWP			WHT	S1	S1	TWP			BLU/WHT	U2	U2	TWP			WHT	S1	S1	TWP
13	24	BLK	PIA-V2	P3A-V2	TWP	13	24	ORN/WHT	PIA-T1	P3A-T1	TWP	13	24	BLK	PIB-V2	P3B-V2	TWP	13	24	ORN/WHT	PIB-T1	P3B-T1	TWP
P2A-SIDE #2 TO P4A-SIDE #2				P2A-SIDE #1 TO P4A-SIDE #1				P2B-SIDE #2 TO P4B-SIDE #2				P2B-SIDE #1 TO P4B-SIDE #1											
ITEM NO.	DESCRIPTION	CONNECTIONS		REMARKS	ITEM NO.	DESCRIPTION	CONNECTIONS		REMARKS	ITEM NO.	DESCRIPTION	CONNECTIONS		REMARKS	ITEM NO.	DESCRIPTION	CONNECTIONS		REMARKS				
13	24	SLA	P2A-C2	P4A-C2	TWP	13	24	BLU	P2A-A1	P4A-A1	TWP	13	24	SLA	P2B-C2	P4B-C2	TWP	13	24	BLU	P2B-A1	P4B-A1	TWP
		RED	D2	D2				WHT	B1	B1				RED	D2	D2				WHT	B1	B1	
		BLU	GND2	GND2				ORN	C1	C1				BLU	GND2	GND2				ORN	C1	C1	
		BLK	E2	E2				WHT	D1	D1				BLK	E2	E2				WHT	D1	D1	
		ORN	F2	F2				WHT	E1	E1				ORN	F2	F2				WHT	E1	E1	
		BLK	H2	H2				GRN	F1	F1				BLK	H2	H2				GRN	F1	F1	
		GRN	J2	J2				WHT	H1	H1				GRN	J2	J2				WHT	H1	H1	
		BLK	K2	K2				BRN	GND1	GND1				BLK	K2	K2				BRN	GND1	GND1	
		BRN	L2	L2				WHT	J1	J1				BRN	L2	L2				WHT	J1	J1	
		BLK	M2	M2				SLA	K1	K1				BLK	M2	M2				SLA	K1	K1	
		SLA	N2	N2				RED	L1	L1				SLA	N2	N2				RED	L1	L1	
		BLK	P2	P2				BLU	GND1	GND1				BLK	P2	P2				BLU	GND1	GND1	
		BLU	R2	R2				RED	M1	M1				BLU	R2	R2				RED	M1	M1	
		YEL	S2	S2				ORN	N1	N1				YEL	S2	S2				ORN	N1	N1	
		ORN	GND2	GND2				RED	P1	P1				ORN	GND2	GND2				RED	P1	P1	
		YEL	T2	T2				GRN	R1	R1				YEL	T2	T2				GRN	R1	R1	
		GRN	U2	U2	TWP			RED	S1	S1	TWP			GRN	U2	U2	TWP			RED	S1	S1	TWP
13	24	YEL	P2A-V2	P4A-V2	TWP	13	24	BRN	P2A-T1	P4A-T1	TWP	13	24	YEL	P2B-V2	P4B-V2	TWP	13	24	BRN	P2B-T1	P4B-T1	TWP

WIRE TABLE

FIRST USED ON OPTION/MODEL	QTY.	DESCRIPTION	PART NO.	ITEM NO.
BA09				
UNLESS OTHERWISE SPECIFIED				
DRN	DATE	PARTS LIST		
ALC	3/6/69	digital EQUIPMENT CORPORATION MAYNARD, MASSACHUSETTS		
CHKD	DATE	TITLE		
W. Ross	3/9/69	BC09B CABLE ASSY		
ENG	DATE	SIZE CODE NUMBER		
W. Ross	3/9/69	DUA BC09B-0-0		
PROJ. ENG	DATE	REV		
M. P. S. S. S. S.	3/11/69			
PROJ. MGR	DATE	SCALE		
W. Ross	3/11/69	SHEET 2 OF 2		
MATERIAL				
NEXT HIGHER ASSY				
FINISH				
DIST.				

REV	NO.	DATE	BY

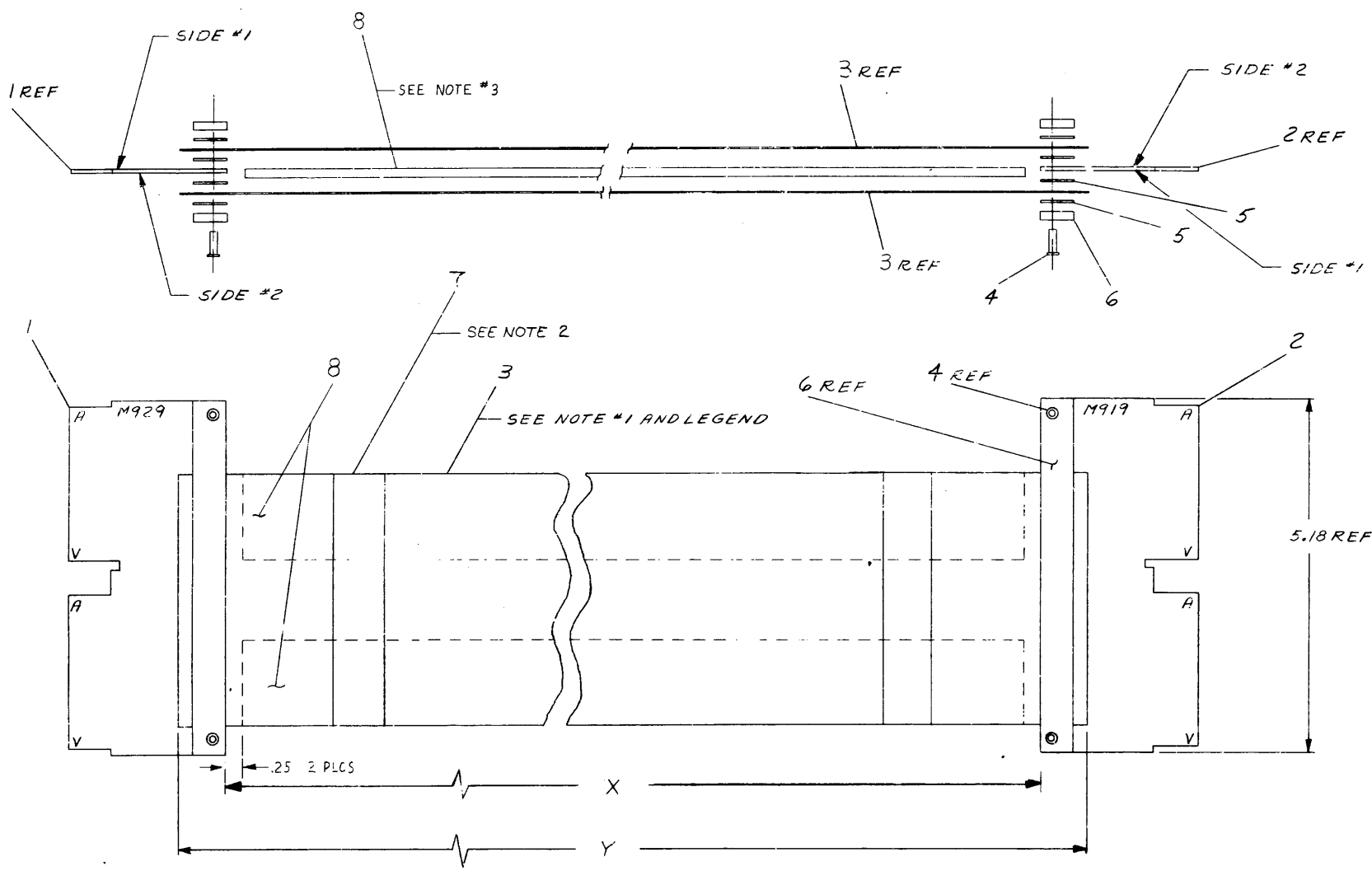
REV C
 NUMBER
 DUA BC09B-0-0
 REV B
 REV A

This drawing and specifications, herein, are the property of Digital Equipment Corporation and shall not be reproduced or copied in whole or in part as the basis for the manufacture of parts or items without written permission.

0-0-1118-0-0 2

NOTES:
 1. VARIATIONS AND LENGTHS SHOWN IN LEGEND ARE STANDARD. OTHER THAN STANDARD VARIATIONS WILL BE SPECIFIED BY ALPHANUMERIC DESIGNATION. FOR LENGTHS OTHER THAN FOOT INCREMENTS FROM ONE (1) FOOT THRU NINE (9) FEET ELEVEN (11) INCHES.
 A=1" G=7"
 B=2" H=8"
 C=3" J=9"
 D=4" K=10"
 E=5" L=11"
 F=6"
 EXAMPLE: BC11A-3D=3'4". LENGTHS WILL BE IN FOOT INCREMENTS FROM TEN (10) FEET ON, AND WILL BE SPECIFIED BY THE CORRESPONDING NUMERICAL DESIGNATION.
 EXAMPLE: BC11A-11=11 FEET. THE TOLERANCE ON DIMENSION "A" WILL BE 2% OF THE FOOT INCREMENT.

2. FLEXPRINTS TO BE BOUND TOGETHER BY WRAPPING WITH BLACK ELECTRICAL TAPE (ITEM 7) EVERY 18 INCHES.
 3. INSTALL 2 PIECES OF FOAM TAPE (ITEM 8) BETWEEN FLEX PRINT CABLES AS SHOWN.



QTY.	DESCRIPTION	PART NO.	ITEM NO.
8	A/R GRAY FOAM	9008931	8
7	A/R BLK ELECTRICAL TAPE	9009260	7
6	CLAMP, CABLE	C-SC-120976-000	6
5	A/R TAPE #4032 1/2 W X 3 11/16 LG	9007834	5
7	EYELET GS-4-11 STIM 5011	9006750	7
3	CABLE, FLEXPRINT	1700002-01	3
2	EXT. BUS CONN	A-PL-M919-0-0	2
1	BUS CONN	A-PL-M929-0-0	1

REV	CHANGE NO.	REV
A	BC11A-00001	A
B	BC11A-00002	B
C	BC11A-00003	C
D	BC11A-00004	D
E	BC11A-00005	E
F	BC11A-00006	F

FIRST USED ON OPTION/MODEL PDPII

DO NOT SCALE DRAWING
 UNLESS OTHERWISE SPECIFIED
 DIMENSION IN INCHES
 TOLERANCES
 DECIMALS FRACTIONS ANGLES
 ± .005 ± 1/64 ± 90°
 FINAL SURFACE QUALITY
 REMOVE BURRS AND BREAK SHARP CORNERS

DATE: 11/14/69
 DATE: 11/17/69
 DATE: 11/18/69
 DATE: 11/19/69
 DATE: 11/20/69

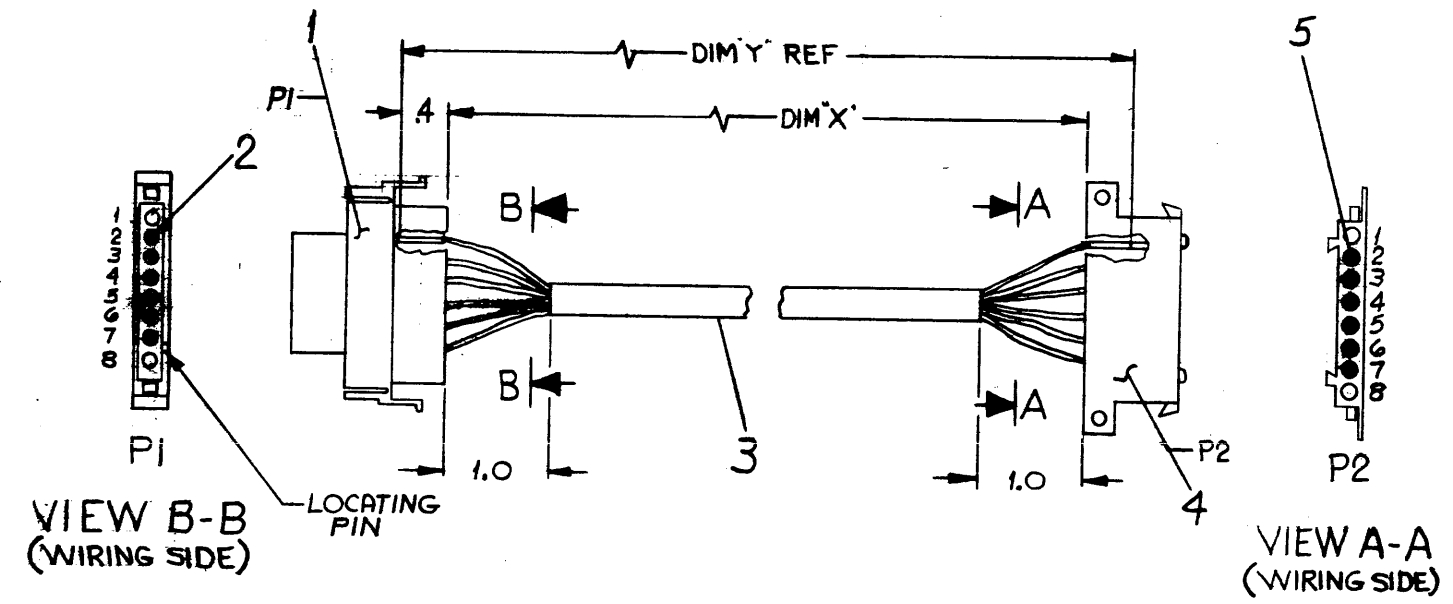
digital EQUIPMENT CORPORATION
 MAYNARD MASSACHUSETTS
 TITLE: CABLE ASSY (BC11A)
 SIZE CODE: DUA
 NUMBER: BC11A-0-0
 SHEET: 1 OF 2

REV F
 NUMBER
 DUA BC11A-0-0

This drawing and specifications, herein, are the property of Digital Equipment Corporation and shall not be reproduced or copied or used in whole or in part as the basis for the manufacture or sale of items without written permission. © NOV. 1972

LEGEND		
NUMBER	DIM'X' VARIATION	DIM'Y' (PRECUT) REF
BCØIS-Ø3	3 FT ± 1 IN	3 FT 1 IN ± 1 IN
↑ -Ø6	6 FT ± 2 IN	6 FT 1 IN ± 2 IN
↑ -1Ø	1Ø FT ± 2 IN	1Ø FT 1 IN ± 2 IN
↑ -15	15 FT ± 3 IN	15 FT 1 IN ± 3 IN
↑ -25	25 FT ± 3 IN	25 FT 1 IN ± 3 IN
↓ -5Ø	5Ø FT ± 12 IN	5Ø FT 1 IN ± 12 IN
BCØIS-Ø5	1ØØ FT ± 24 IN	1ØØ FT 1 IN ± 24 IN

WIRE TABLE						
ITEM NO	DESCRIPTION		FROM		TO	
	AWG	COLOR	CONN	WITH	CONN	WITH
3	18	BLK	PI-2	ITEM*2	P2-2	ITEM*5
	↑	RED	PI-3	↑	P2-3	↑
	↑	BLU	PI-4	↑	P2-4	↑
	↑	WHT	PI-5	↑	P2-5	↑
	↓	ORN	PI-6	↓	P2-6	↓
	↓	GRN	PI-7	ITEM*2	P2-7	ITEM*5



QTY.	DESCRIPTION	PART NO.	ITEM NO.
6	CONN SOCKET MATE-N-LOK	1209379-01	5
1	CONN HSG, MATE-N-LOK	1209340-00	4
A/R	CABLE, 6 CONDUCTOR	1700012	3
6	CONN PIN, MATE-N-LOK	1209378-01	2
1	CONN HSG, MATE-N-LOK (MALE)	1209340-01	1

FIRST USED ON OPTION/MODEL UC15		DATE 11/16/72		 digital EQUIPMENT CORPORATION <small>MAYNARD MASSACHUSETTS</small>
UNLESS OTHERWISE SPECIFIED DIMENSION IN INCHES. TOLERANCES		DRN. <i>R.C. Gray</i>	DATE 11/16/72	
DECIMALS	ANGLES	CHKD. <i>R.S. Blane</i>	DATE 5/26/72	TITLE CABLE INTERFACE BCØIS
.xxx = .005	± 0° 30'	ENG. <i>R.C. Gray</i>	DATE 1/9/73	
.xx = .02		PROJ. ENG. <i>W. Jackson</i>	DATE 11/21/73	
.x = .1		REMOVE BURRS AND BREAK SHARP CORNERS SURFACE QUALITY ✓	PROD. <i>R.K. Peterson</i>	DATE 11/17/73
MATERIAL		NEXT HIGHER ASSY.		
FINISH		D-UA-UC15-F-Ø	SIZE CODE	NUMBER
		SCALE	C UA	BCØIS-Ø-Ø
		SHEET 1 OF 1	DIST. G	REV.

REV.	CHANGE NO.

This drawing and specifications, herein, are the property of Digital Equipment Corporation and shall not be reproduced or copied or used in whole or in part as the basis for the manufacture or sale of items without written permission.

DRAWING NUMBER	INIT REL			AUTOMATIC WIRE TESTER (AWT) REVISION STATUS																				REV E		
	T5	D	E																							
K-WL-MX15-B-WL	C	D	E																							NUMBER 7009165-0
D-AD-7009165-0-0	A	A	A																							SIZE CODE WT A

REVISIONS	CHANGE NO.	REV.
	MX15B-00003	D
	ORIGINATED	
	MX15B-00004	E

DRN. <i>F. Doll</i>	DATE 11-74	digital EQUIPMENT CORPORATION MAYNARD, MASSACHUSETTS
CHK'D <i>F. Doll</i>	DATE 11-79	
ENG. F. Doll	DATE 9/18/74	
PROJ. ENG. F. Doll	DATE 9/18	
PROD. F. Doll	DATE 9/18	TITLE
FIRST USED ON		MX15-B
		AWT REVISION STATUS
SCALE <i>1:1</i>	SIZE CODE A WT	NUMBER
		7009165-0
SHEET 1 OF 1	DIST.	REV. E

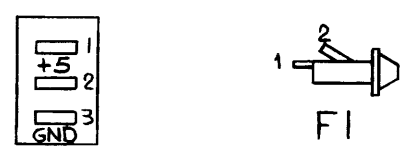
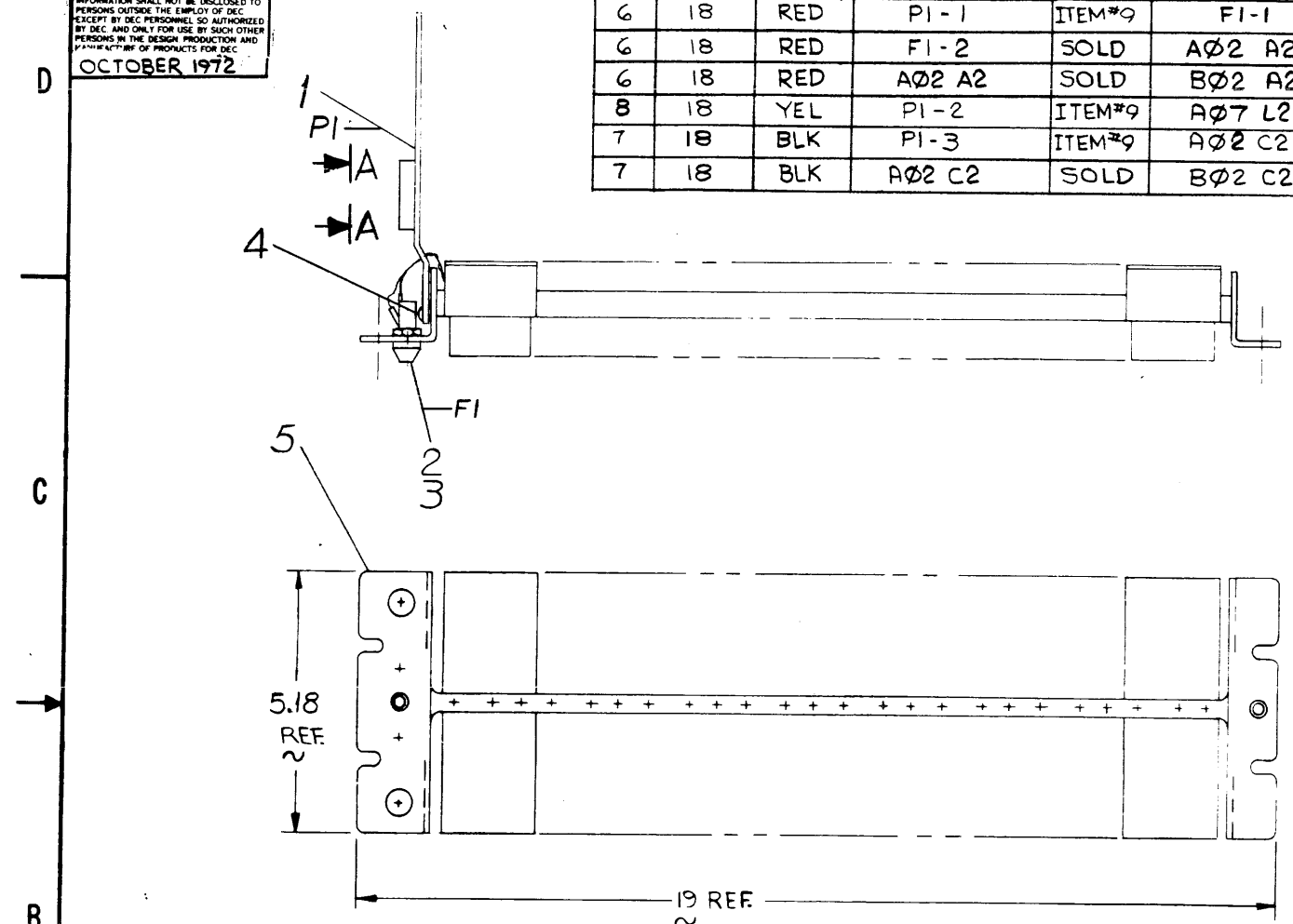
DRA 123
 DEC 16-(325)-1097-N174

This drawing and specifications, herein, are the property of Digital Equipment Corporation and shall not be reproduced or copied or used in whole or in part as the basis for the manufacture or sale of items without written permission.

THIS DOCUMENT CONTAINS CONFIDENTIAL PROPRIETARY INFORMATION OF DEC. THIS INFORMATION SHALL NOT BE DISCLOSED TO PERSONS OUTSIDE THE EMPLOY OF DEC EXCEPT BY DEC PERSONNEL SO AUTHORIZED BY DEC. AND ONLY FOR USE BY SUCH OTHER PERSONS IN THE DESIGN, PRODUCTION AND MAINTENANCE OF PRODUCTS FOR DEC.

OCTOBER 1972

WIRE TABLE						
ITEM NO.	DESCRIPTION	AWG	COLOR	FROM CONNECTION	TO CONNECTION	WITH
6	18	RED	PI-1	ITEM#9	FI-1	SOLD
6	18	RED	FI-2	SOLD	AØ2 A2	SOLD
6	18	RED	AØ2 A2	SOLD	BØ2 A2	SOLD
8	18	YEL	PI-2	ITEM#9	AØ7 L2	SOLD
7	18	BLK	PI-3	ITEM#9	AØ2 C2	SOLD
7	18	BLK	AØ2 C2	SOLD	BØ2 C2	SOLD



VIEW A-A

QTY.	DESCRIPTION	PART NO.	ITEM NO.
1	MODULE UTILIZATION (PL)	A-PL-MX15-B-09	11
14	MODULE HOLDER	1209856-02	10
3	SOLDERLESS CONN	9007917	9
A/R	*18 AWG WIRE IPVC STRD (YEL)	9107360-44	8
A/R	*18 AWG WIRE IPVC STRD (BLK)	9107360-00	7
A/R	*18 AWG WIRE IPVC STRD (RED)	9107360-22	6
1	WIRED ASSY (MX15-B)	D-AD-7009165-0-0	5
4	POP RIVET	9006460	4
1	FUSE 5 AMP	9007222	3
1	FUSE POST	9006994	2
1	POWER END PANEL ASSY	CIA-5408739-1-0	1

FIRST USED ON OPTION/MODEL UC15	QTY.	DESCRIPTION	PART NO.	ITEM NO.
PARTS LIST				
UNLESS OTHERWISE SPECIFIED DIMENSION IN INCHES. TOLERANCES	DRN <i>[Signature]</i> DATE 10/10/72			
DECIMALS XXX - .005 XX - .02 X - .1	CHK'D <i>[Signature]</i> DATE 5 DEC 72	TITLE LOGIC ASSY (MX15-B)		
ANGLES ±0° 30'	ENG <i>[Signature]</i> DATE 11/31/72	MATERIAL NEXT HIGHER ASSY.		
REMOVE BURRS AND BREAK SHARP CORNERS SURFACE QUALITY ✓	PROJ. ENG. <i>[Signature]</i> DATE 1/31/73	FINISH SCALE		
	PROD <i>[Signature]</i> DATE 2/3/73	SIZE CODE C AD		
		NUMBER 7009164-0-0		
		REV A		
		SHEET 1 OF 1		

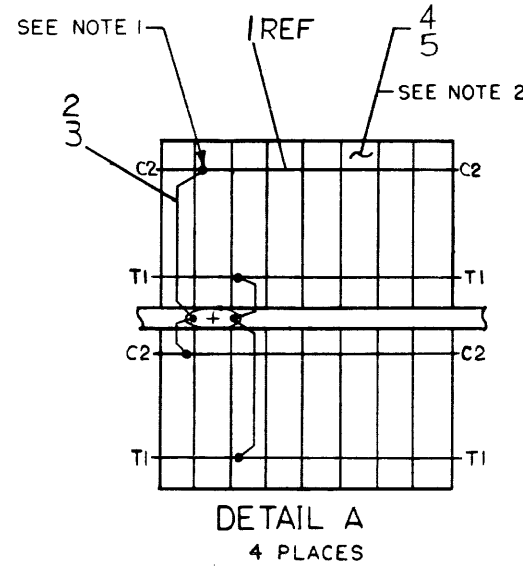
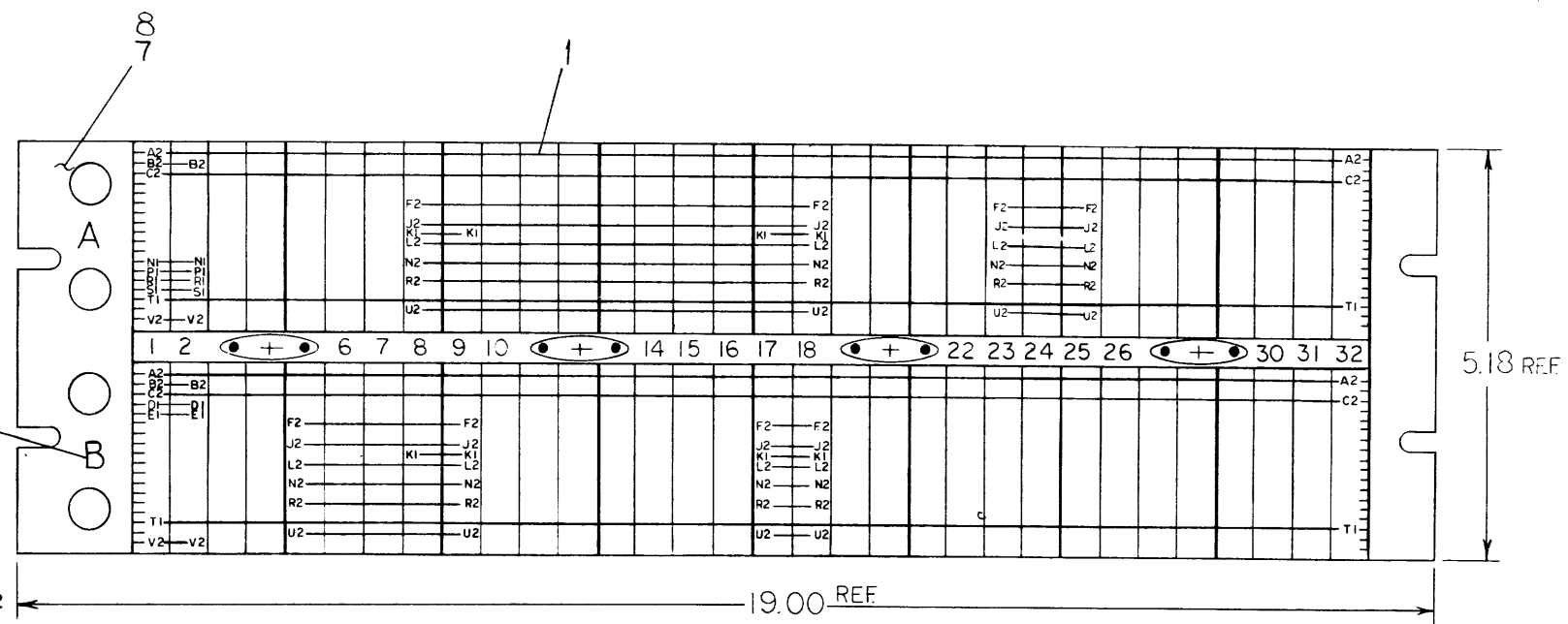
REV.	CHANGE NO.	DESCRIPTION
A	UC15F-1003A	F. SCL

BRUNING 40-107 15968

This drawing and specifications, herein, are the property of Digital Equipment Corporation and shall not be reproduced or copied or used in whole or in part as the basis for the manufacture or sale of items without written permission.

THIS DOCUMENT CONTAINS CONFIDENTIAL PROPRIETARY INFORMATION OF DEC. THIS INFORMATION SHALL NOT BE DISCLOSED TO PERSONS OUTSIDE THE EMPLOY OF DEC. EXCEPT BY DEC PERSONNEL SO AUTHORIZED BY DEC. AND ONLY FOR USE BY SUCH OTHER PERSONS IN THE DESIGN, PRODUCTION AND MANUFACTURE OF PRODUCTS FOR DEC.
OCTOBER 1972

- NOTES:
- CONNECTIONS ON ITEMS 2 & 3 TO BE LOCATED AT MINIMUM PRACTICAL HEIGHT ABOVE BLOCKS.
 - USE YELLOW WIRE (ITEM "4") FOR MACHINE WRAPPED AND BLUE WIRE (ITEM "5") FOR HAND WRAPPED.



REF	WIRE LIST	MX15-B	K-WL-MX15-B-	8
1	H911 MTG PANEL		D-AD-540449-0-0	7
A/R	LOGIC FRAME DECALS		A-DC-7406371-0-0	6
A/R	#30AWG KYNAR INS WIRE (BLU)		9105740-66	5
A/R	#30AWG KYNAR INS WIRE (YEL)		9105740-44	4
A/R	#22 TUBING, TEFLON WHT		9107265-09	3
A/R	#22 BUS WIRE		9107560-01	2
A/R	BUS STRIP		1205541	1

FIRST USED ON OPTION/MODEL UC15		QTY.	DESCRIPTION	PART NO	ITEM NO
UNLESS OTHERWISE SPECIFIED DIMENSION IN INCHES TOLERANCES					
DECIMALS	ANGLES	PARTS LIST			
xxx - .005	+0° 30'	DRW	DATE	digital EQUIPMENT CORPORATION MAYNARD, MASSACHUSETTS	
xx - .02		CHKD	DATE	TITLE	
x - .1		ENG	DATE	WIRED ASS'Y. (MX15-B)	
REMOVE BURRS AND BREAK SHARP CORNERS SURFACE QUALITY		PROJ. ENG.	DATE	SIZE CODE	
		PROD.	DATE	NUMBER	
MATERIAL		NEXT HIGHER ASSY		REV	
		C-AD-7009164-0-0		DAD 7009165-0-0	
FINISH		SCALE	SHEET	OF	DIST
		1		1	

REV	
REVISIONS	
CHANGE NO	
CHK	

DAD 7009165-0-0

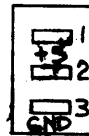
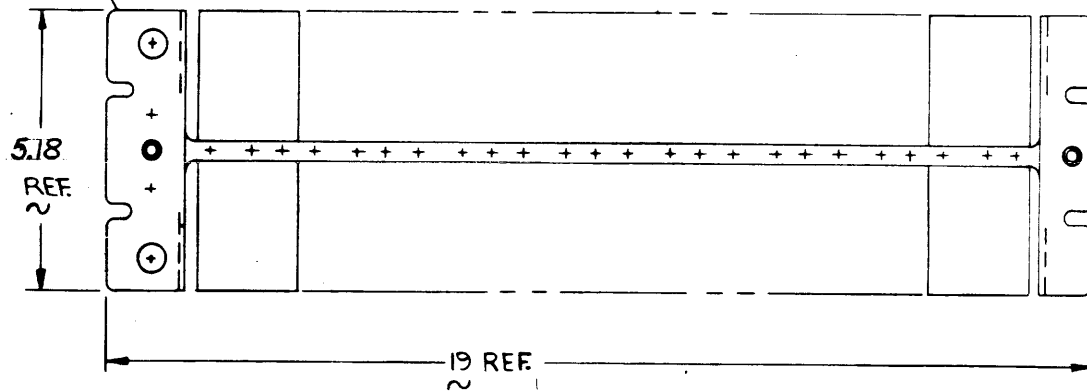
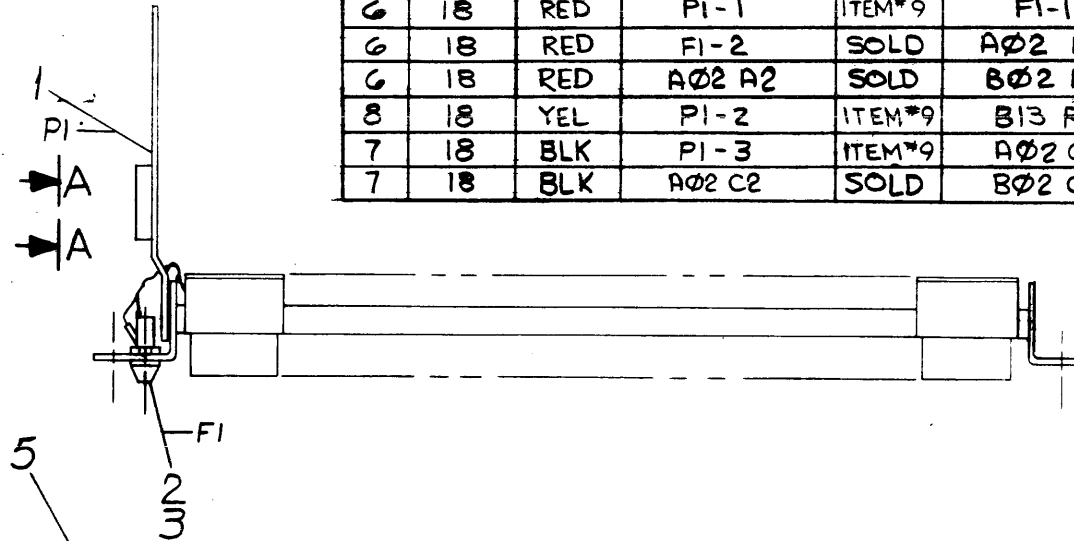
This drawing and specifications, herein, are the property of Digital Equipment Corporation and shall not be reproduced or copied or used in whole or in part as the basis for the manufacture or sale of items without written permission.

THIS DOCUMENT CONTAINS CONFIDENTIAL PROPRIETARY INFORMATION OF DEC. THIS INFORMATION SHALL NOT BE DISCLOSED TO PERSONS OUTSIDE THE EMPLOY OF DEC EXCEPT BY DEC PERSONNEL SO AUTHORIZED BY DEC AND ONLY FOR USE BY SUCH OTHER PERSONS IN THE DESIGN, PRODUCTION AND MANUFACTURE OF PRODUCTS FOR DEC.

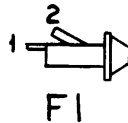
OCTOBER 1972

WIRE TABLE

ITEM NO.	DESCRIPTION		FROM		TO	
	AWG	COLOR	CONNECTION	WITH	CONNECTION	WITH
6	18	RED	PI-1	ITEM*9	F1-1	SOLD
6	18	RED	F1-2	SOLD	AØ2 A2	SOLD
6	18	RED	AØ2 A2	SOLD	BØ2 A2	SOLD
8	18	YEL	PI-2	ITEM*9	B13 R1	SOLD
7	18	BLK	PI-3	ITEM*9	AØ2 C2	SOLD
7	18	BLK	AØ2 C2	SOLD	BØ2 C2	SOLD



PI
VIEW A-A



QTY.	DESCRIPTION	PART NO.	ITEM NO.
1	MODULE UTILIZATION (PL)	A-PL-DR15-C-09	12
1	UNIVERSAL BLOCK	1209850	11
14	MODULE HOLDER	1209856-02	10
3	SOLDERLESS CONN	9007917	9
A/R	#18 AWG WIRE IPVC STRD (YEL)	9107360-44	8
A/R	#18 AWG WIRE IPVC STRD (BLK)	9107360-00	7
A/R	#18 AWG WIRE IPVC STRD (RED)	9107360-22	6
1	WIRED ASSY (DR15-C)	D-AD-7009166-00	5
4	POP RIVET	9006460	4
1	FUSE 5 AMP	9007222	3
1	FUSE POST	9006994	2
1	POWER END PANEL ASSY	GIA-5408791-0	1

FIRST USED ON OPTION/MODEL	QTY.	DESCRIPTION	PART NO.	ITEM NO.
UC15				
UNLESS OTHERWISE SPECIFIED DIMENSION IN INCHES. TOLERANCES				
DECIMALS	ANGLES			
.XXX = .005	±0° 30'			
.XX = .02				
.X = .1				
REMOVE BURRS AND BREAK SHARP CORNERS SURFACE QUALITY ✓				
MATERIAL	NEXT HIGHER ASSY.			
	D-UA-UC15-Ø-Ø			
FINISH	SCALE			
	SHEET 1 OF 1			
TITLE		PARTS LIST		
DRN: <i>[Signature]</i> DATE: 10/72 CHK: <i>[Signature]</i> DATE: 10/72 ENG: <i>[Signature]</i> DATE: 10/72 PROJ. ENG: <i>[Signature]</i> DATE: 10/72 PROD: <i>[Signature]</i> DATE: 3/5/73		digital EQUIPMENT CORPORATION MAYNARD, MASSACHUSETTS		
LOGIC ASSY (DR15-C)		SIZE CODE: C AD NUMBER: 7009167-0-0 REV: A		

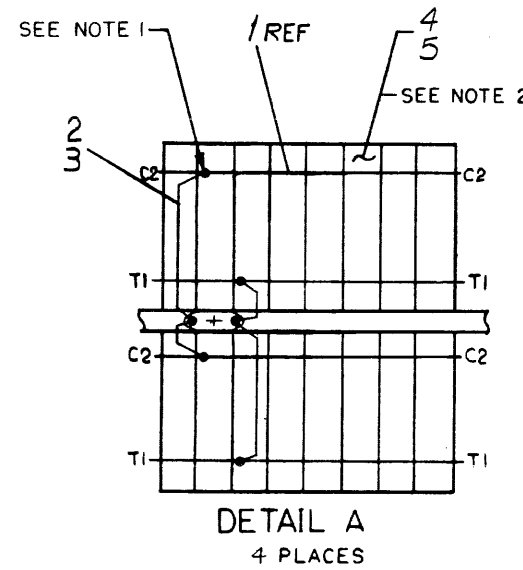
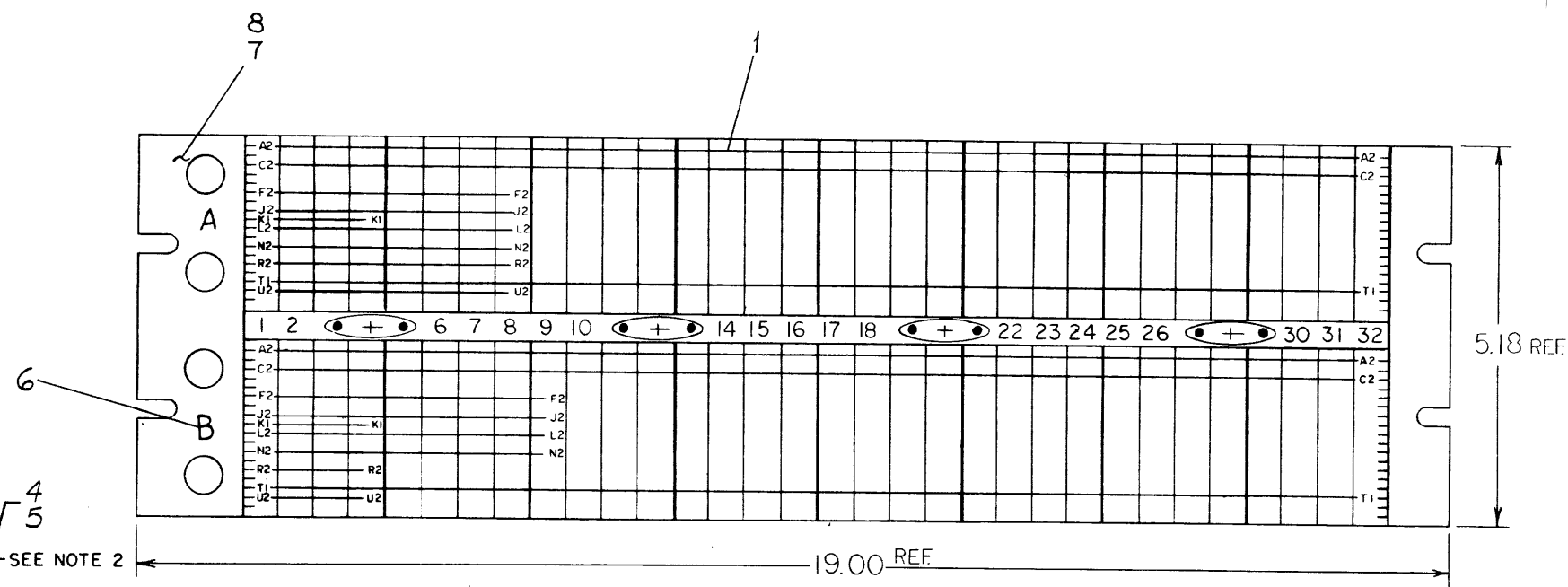
REV.	CHANGE NO.	DATE	BY
A	UC15F-0003A	6-7-74	E. REMOND
			F. DOLL
			J. DOLL

BRUNING 40-107 15948

drawing and specifications, herein, are the property of Digital Equipment Corporation and shall not be reproduced or copied or used in whole or in part as the basis for the manufacture or sale of items without written permission.

THIS DOCUMENT CONTAINS CONFIDENTIAL PROPRIETARY INFORMATION OF DEC. THIS INFORMATION SHALL NOT BE DISCLOSED TO PERSONS OUTSIDE THE EMPLOY OF DEC. EXCEPT BY DEC PERSONNEL SO AUTHORIZED BY DEC. AND ONLY FOR USE BY SUCH OTHER PERSONS IN THE DESIGN, PRODUCTION AND MANUFACTURE OF PRODUCTS FOR DEC.
OCTOBER 1972

- NOTES:
- CONNECTIONS ON ITEMS 2 & 3 TO BE LOCATED AT MINIMUM PRACTICAL HEIGHT ABOVE BLOCKS.
 - USE YELLOW WIRE (ITEM "4") FOR MACHINE WRAPPED AND BLUE WIRE (ITEM "5") FOR HAND WRAPPED.



A/R	DESCRIPTION	PART NO	ITEM NO
A/R	COMPRESS-O-CARTON	9905016-4	12
REF	PACKAGING INSTRUCTIONS	3700040-0-0	11
I	DECAL LOGIC ASSY	A-DC-7411881-0-1	10
REF	AWT REVISION STATUS	A-WT-7009166-0	9
REF	WIRE LIST DR15-C	K-WL-DR15-C-WL	8
I	H911 MTG PANEL	D-AD-540491-0-0	7
A/R	LOGIC FRAME DECALS	A-DC-7406371-0-0	6
A/R	30 AWG KYNAR INS (BLU)	9105740-66	5
A/R	30 AWG KYNAR INS (YEL)	9105740-44	4
A/R	22 TUBING, TEFLON WHT	9107256-09	3
A/R	22 AWG BUS WIRE	9107560-01	2
A/R	BUS STRIP	9008428	1

FIRST USED ON OPTION/MODEL		QTY.	DESCRIPTION	PART NO	ITEM NO
UC15					
UNLESS OTHERWISE SPECIFIED DIMENSION IN INCHES TOLERANCES		PARTS LIST			
DECIMALS	ANGLES	digital EQUIPMENT CORPORATION MAYNARD MASSACHUSETTS			
xxx - .005	± 0° 30'	TITLE			
xx - .02		WIRED ASS'Y.			
x - .1		(DR15-C)			
REMOVE BURRS AND BREAK SHARP CORNERS SURFACE QUALITY		MATERIAL			
		NEXT HIGHER ASSY.			
		D-AD-7009167-0-0			
		SCALE			
		SHEET OF DIST			
		SIZE CODE NUMBER REV			
		DAD 7009166-0-0 A			

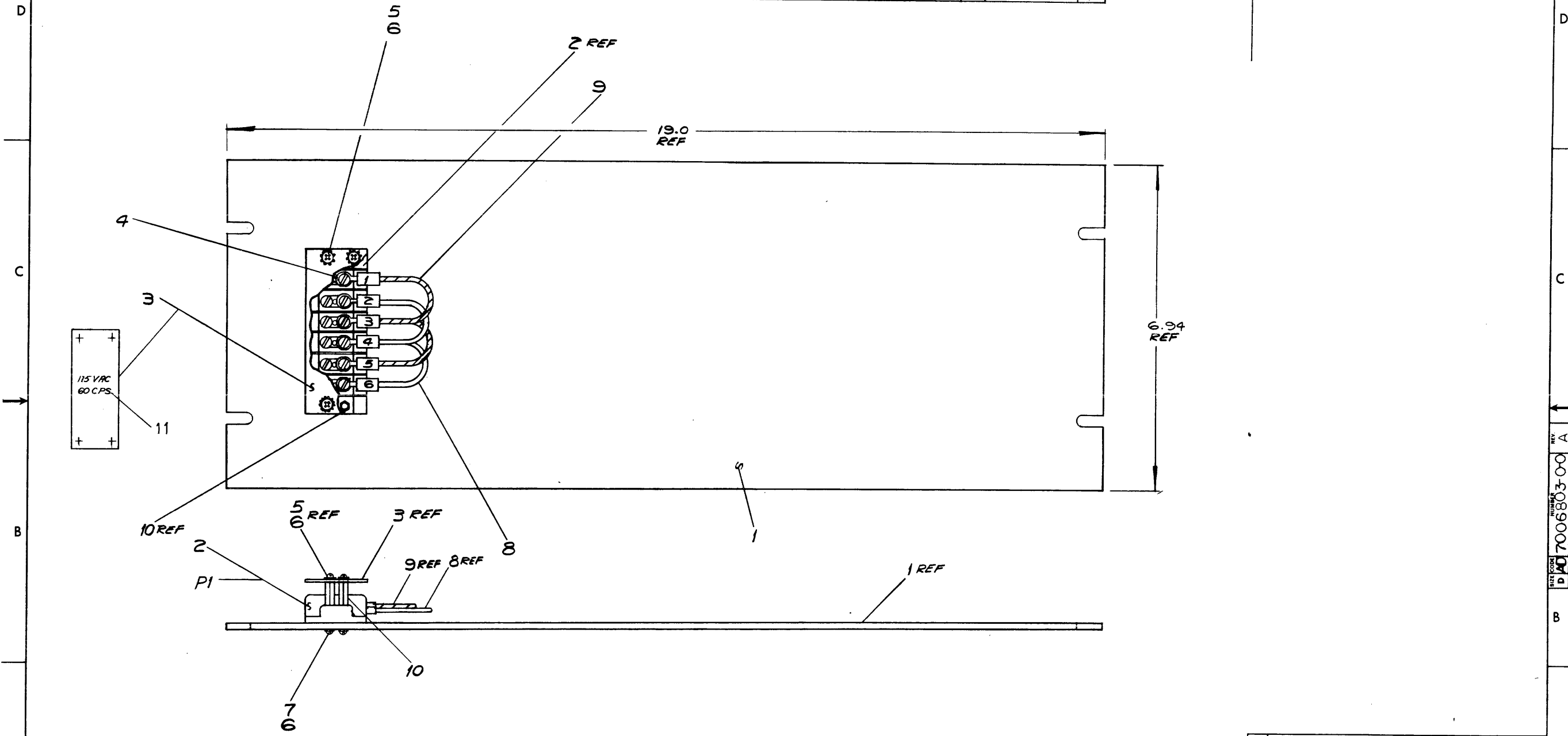
REV	CHANGE NO	DATE	BY	CHK
A	7009166-00001			

REV A
PART NUMBER
DAD 7009166-0-0

This drawing and specifications, herein, are the property of Digital Equipment Corporation and shall not be reproduced or copied or used in whole or in part as the basis for the manufacture or sale of items without written permission.

0-03089004 2

WIRE TABLE						
ITEM NO	AWG	COLOR	FROM CONNECTION	WITH CONNECTION	TO CONNECTION	WITH CONNECTION
5	14	BLK	P1-1	4	P1-3	4
9	14	BLK	P1-3	4	P1-5	4
8	14	WHT	P1-2	4	P1-4	4
8	14	WHT	P1-4	4	P1-6	4



REV	CHANGE NO.	DATE
1	VT04-00005	4-21-70
2	HALIO	4-24-70

FIRST USED ON OPTION/MODEL
VT04

DO NOT SCALE DRAWING
UNLESS OTHERWISE SPECIFIED
DIMENSION IN INCHES

TOLERANCES
DECIMAL

.XXX = ± .005
.XX = ± .02
.X = ± .1

DRN: [Signature] DATE: 3-21-70
CHK: [Signature] DATE: 3/25/70
ENG: [Signature] DATE: 4/2/70
PROJ. ENG: [Signature] DATE: 4/2/70
PRDY: [Signature] DATE: 4/2/70

UNLESS OTHERWISE SPECIFIED
DIMENSION IN INCHES
TOLERANCES
ANGLES
FINAL SURFACE QUALITY
REMOVE BURRS AND BREAK SHARP CORNERS

MATERIAL: //

FINISH: //

QTY.	DESCRIPTION	PART NO.	ITEM NO.
	PARTS LIST		
	digital EQUIPMENT CORPORATION MAYNARD, MASSACHUSETTS		
	TITLE: PANEL, ASSY (TERM. STRIP)		
	SIZE CODE: D	NUMBER: 7006803-0-0	REV: A
	SHEET: 1 OF 1	DIST. KG	

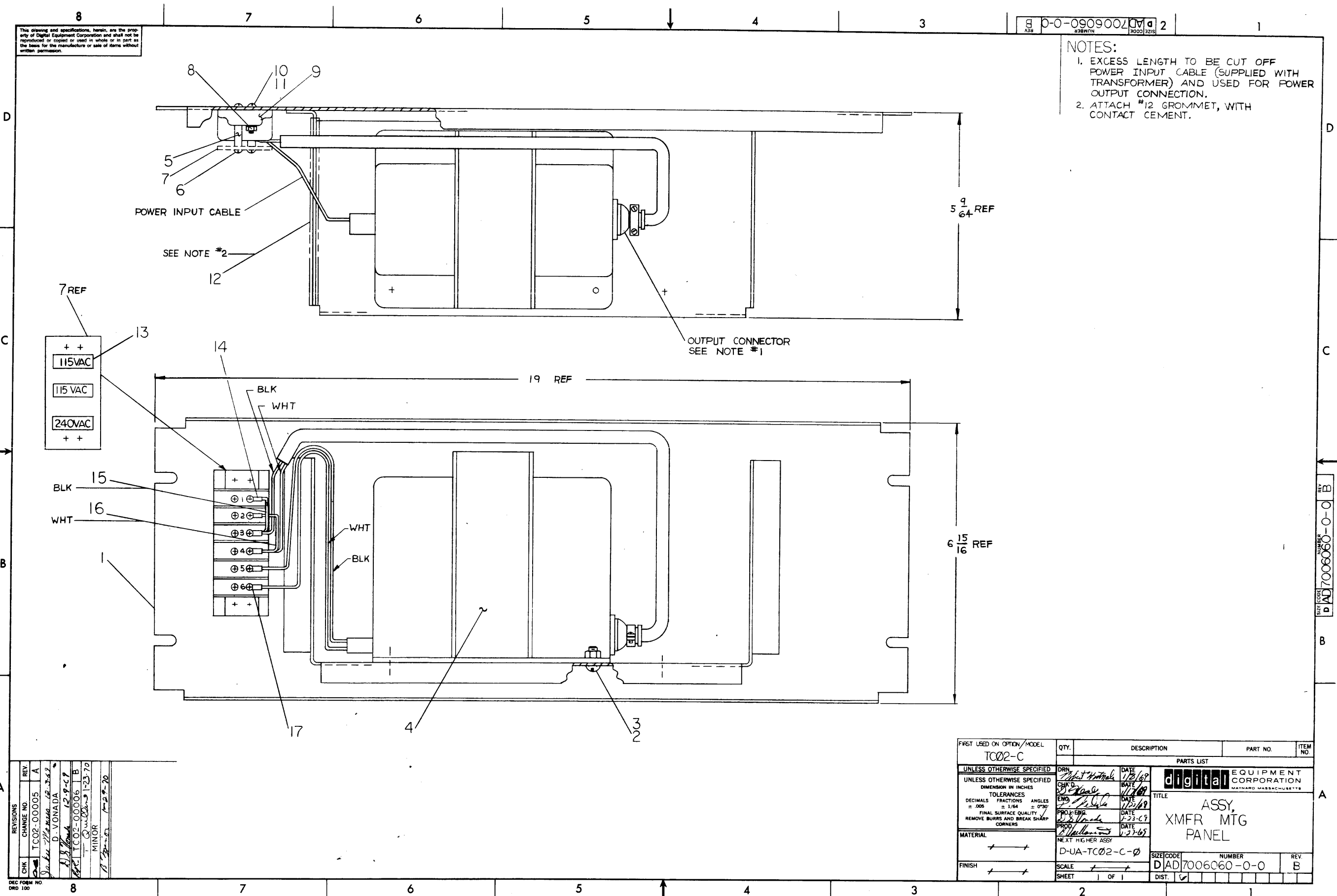
DATE CODE: D AD NUMBER: 7006803-00 REV: A

DIGITAL EQUIPMENT CORPORATION MAYNARD, MASSACHUSETTS PARTS LIST					QUANTITY / VARIATION															
MADE BY J. DEVIN		CHECKED <i>K. Russo</i>		SECTION																
DATE 3/21/70		DATE 3/27/70		1																
ENG <i>J. Hales</i>		PROD <i>H. Burdy</i>		ISSUED SECT.																
DATE 4/2/70		DATE 4-2-70		1																
ITEM NO.	DWG NO. / PART NO.	DESCRIPTION																		
1.	D-MD-7408089-0-0	PANEL # TERM STRIP			1															
2.	9006904	BARRIER TERMINAL STRIP #6-541 C.J.			1															
3.	B-MD-7405436-0-0	COVER, TERMINAL STRIP			1															
4.	9007928	SOLDERLESS CONN, ARKLESS #50364			8															
5.	9006020-1	SCR, PHL, HD PAN #6-32 X 1/2 LG			4															
6.	9007649	LOCKWASHER EXT TOOTH #6			8															
7.	9006026-1	SCR, PHL, HD PAN #6-32 X 3/4 LG			4															
8.	9107370-99	WIRE #14 AWG STRD TEF INS WHT			A/R															
9.	9107370-00	WIRE #14 AWG STRD TEF INS BLK			A/R															
10.	9006851	SPACER, HEX 1/4 AF X 1/2 6-32 THO			4															
11.	A-DC-7406960-0-0	DECAL 1.5V AC 60CPS			1															
TITLE		ASSY NO.		SIZE	CODE	NUMBER		REV.	ECO NO.											
PANEL ASSY (TERM. STRIP)		D-AD-7006803-0-0		A	PL	7006803-0-0		A	VT04-00005											
		SHEET 1 OF 1		DIST.	3															

This drawing and specifications, herein, are the property of Digital Equipment Corporation and shall not be reproduced or copied or used in whole or in part as the basis for the manufacture or sale of items without written permission.

REV. B D-0-0-0909002 2

- NOTES:
1. EXCESS LENGTH TO BE CUT OFF POWER INPUT CABLE (SUPPLIED WITH TRANSFORMER) AND USED FOR POWER OUTPUT CONNECTION.
 2. ATTACH #12 GROMMET, WITH CONTACT CEMENT.



REV.	CHANGE NO.	DESCRIPTION
A	TC02-00005	12-3-69
B	TC02-00006	12-9-69
C	TC02-00007	1-23-70
MINOR		

FIRST USED ON OPTION/MODEL	QTY.	DESCRIPTION	PART NO.	ITEM NO.
TC02-C				
PARTS LIST				
UNLESS OTHERWISE SPECIFIED	DRN	DATE	digital EQUIPMENT CORPORATION MAYNARD, MASSACHUSETTS	
UNLESS OTHERWISE SPECIFIED	CHK'D	DATE	TITLE	
TOLERANCES	ENG	DATE	ASSY. XMFR MTG PANEL	
DECIMALS FRACTIONS ANGLES	PROF	DATE	SIZE CODE NUMBER REV.	
± .005 ± 1/64 ± 0°30'	PROD	DATE	DAD7006060-0-0 B	
FINAL SURFACE QUALITY			SCALE	
REMOVE BURRS AND BREAK SHARP CORNERS			SHEET 1 OF 1	
MATERIAL			NEXT HIGHER ASSY	
			D-UA-TC02-C-0	
FINISH			DIST. <input checked="" type="checkbox"/>	

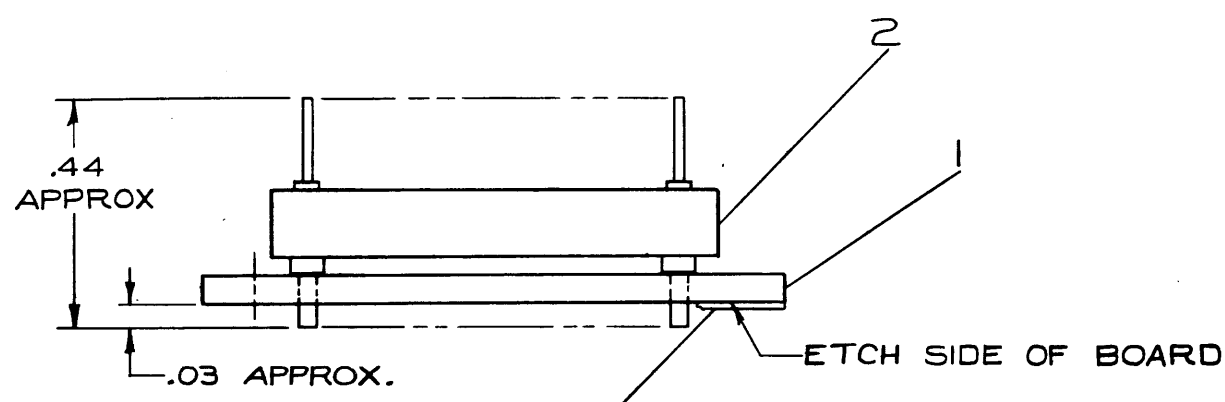
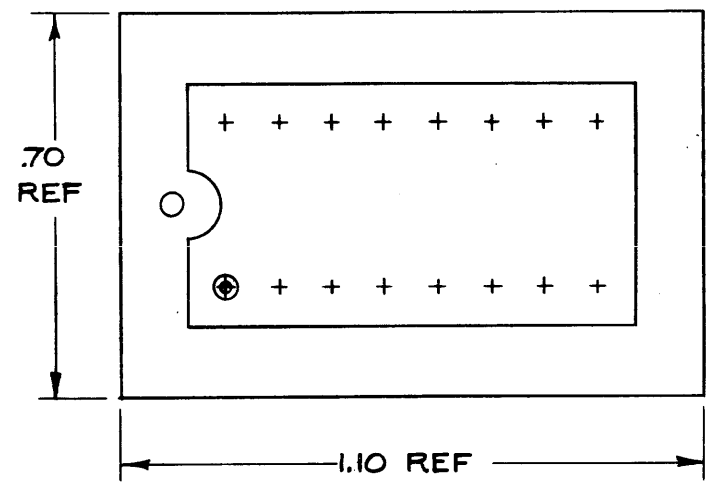
REV. B DAD7006060-0-0

DIGITAL EQUIPMENT CORPORATION MAYNARD, MASSACHUSETTS PARTS LIST					QUANTITY / VARIATION																		
MADE BY R. HUTNAK		CHECKED D. HEALY		SECTION	7006060-0																		
DATE 11/26/68		DATE 12/3/68		1																			
ENG <i>D. Healy</i>		PROD <i>E. Jallan</i>		ISSUED SECT.																			
DATE 11/2/68		DATE 1/27/68		1																			
ITEM NO.	DWG NO. / PART NO.	DESCRIPTION																					
1	C-MD-7407072-0-0	PANEL, XMFR MTF			1																		
2	9006071-1	SCR, PHL PAN HD #10-32 x 3/8 SST			4																		
3	9006565	NUT KEPS #10-32 SST			4																		
4	1602283	TRANSFORMER, STEP DOWN #N-9M TRIAD			1																		
5	9006851	SPACER #6 THREADED 1/2 D x 1/2 SST			2																		
6	9006020-1	SCR PHL PAN HD #6-32 x 1/4 SST			2																		
7	B-MD-7405436-0-0	COVER PROTECTION (541) 6 TERM			1																		
8	9006560	NUT KEPS #6-32 SST			2																		
9	9006904	TERMINAL STRIP 6-541 CINCH JONES			1																		
10	9006025-1	SCR PHL PAN HD #6-32 x 5/8 SST			4																		
11	9006633	LOCK WASHER #6 INT TOOTH			4																		
12	9007035	GROMMET #22-37-1000 PANDUIT			1																		
13		DECAL, BLK LTRS WHT BACKGROUND			A/R																		
14	9007928	CONN # 50364-1 ARK-LES			4																		
15	9107370-00	#14 AWG STRD TEF (BLK)			A/R																		
16	9107970-99	#14 AWG STRD TEF (WHT)			A/R																		
17	9007926	conn. #50368-1 ARK-LES			4																		
TITLE XMFR MTF PANEL ASSY				ASSY NO. C-AD-7006060-0-0	SIZE A	CODE PL	NUMBER 7006060-0-0				REV. B	ECO NO. TC02-00006											
				SHEET 1 OF 1	DIST.	6																	

DEC FORM NO. DRA 110 X

This drawing and specifications, herein, are the property of Digital Equipment Corporation and shall not be reproduced or copied or used in whole or in part as the basis for the manufacture or sale of items without written permission.

NOTES:
1. CUT OFF EXCESS LENGTH OF PRONGS BEFORE SOLDERING.



TOLERANCES
DECIMAL
XXX = .005
XX = .02
X = .1

FIRST USED ON OPTION/MODEL
M78φ

UNLESS OTHERWISE SPECIFIED
DIMENSION IN INCHES
TOLERANCES

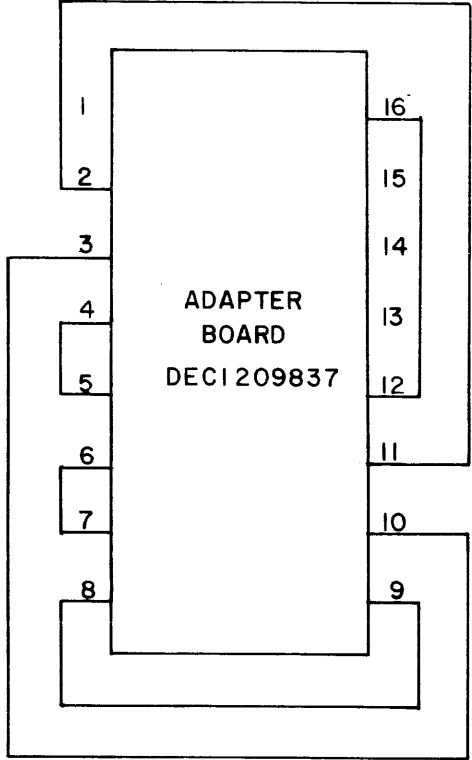
FINISH
/ /

REF	CIRCUIT SCHEMATIC	B-65-5408782-0-1	
A/R	TAPE VINYL 3M TRANSPARENT .75 X 1.12	9008269	3
1	PLUG, 16 PRONG, AUGAT	1209837	2
1	ETCH BOARD	D-IA-5008781-0-0	1
QTY.	DESCRIPTION	PART NO.	ITEM NO.
PARTS LIST			
DRN	W.F. McCarthy	DATE	5/18/70
CHK'D	J.F. Blum	DATE	5-22-70
ENG.	C.R. Blum	DATE	6/26/70
PROJ. ENG.	R.E. Janson	DATE	6-26-70
PROD.	Ther. Donald	DATE	6/29/70
NEXT HIGHER ASSY		M78φ	
SCALE	5/1	SIZE CODE	CIA5408782-0-0
SHEET	1 OF 1	DIST.	G
TITLE		PRIORITY JUMPER LEVEL # 7	
MATERIAL		SEE PARTS LIST	
UNLESS OTHERWISE SPECIFIED		FINAL SURFACE QUALITY REMOVE BURRS AND BREAK SHARP CORNERS	
UNLESS OTHERWISE SPECIFIED		ANGLES ± 0°30'	
UNLESS OTHERWISE SPECIFIED		DIMENSION IN INCHES	
UNLESS OTHERWISE SPECIFIED		TOLERANCES	
UNLESS OTHERWISE SPECIFIED		M78φ	
UNLESS OTHERWISE SPECIFIED		MAYNARD, MASSACHUSETTS	
UNLESS OTHERWISE SPECIFIED		EQUIPMENT CORPORATION	
UNLESS OTHERWISE SPECIFIED		digital	
UNLESS OTHERWISE SPECIFIED		REV. A	
UNLESS OTHERWISE SPECIFIED		NUMBER	
UNLESS OTHERWISE SPECIFIED		SIZE CODE	

REVISIONS	REV.	DATE
CHG	5408782-00001 A	
CHG	5408782-00001 A	8/28/70
CHG	JANSON	8/31/70

NUMBER
 CIA 5408782-0-0
 REV. A

THIS SCHEMATIC IS FURNISHED ONLY FOR TEST AND MAINTENANCE PURPOSES. THE CIRCUITS ARE PROPRIETARY IN NATURE AND SHOULD BE TREATED ACCORDINGLY. COPYRIGHT 1970 BY DIGITAL EQUIPMENT CORPORATION



REVISIONS CHK CHG NO REV.	00001	A	DRN. <i>Janne Keady</i>	DATE 5/19/70	TRANSISTOR & DIODE CONVERSION CHART				 EQUIPMENT CORPORATION MAYNARD, MASSACHUSETTS	TITLE PRIORITY JUMPER LEVEL #7 5408782				
			CHK'D <i>F. Mitrano</i>	DATE 5/18/70	DEC	EIA	DEC	EIA		SIZE B	CODE CS	NUMBER 5408782-0-1	REV. A	
			ENG. <i>J. J. ...</i>	DATE 5/12/70						PRINTED CIRCUIT REV.	A	B		
			PROD.	DATE										

MS 7DE - P1

5

DIST. 324,434,435³ PINK -