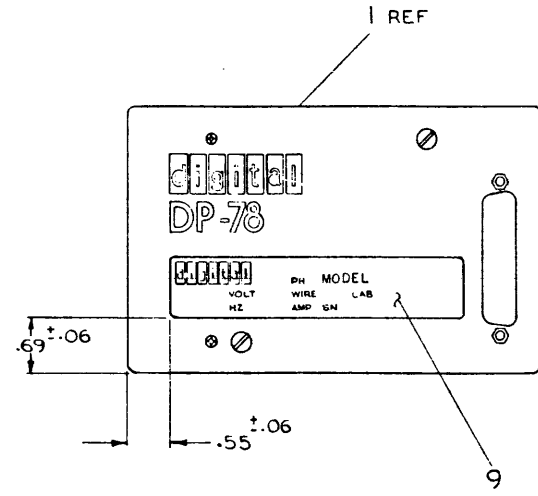
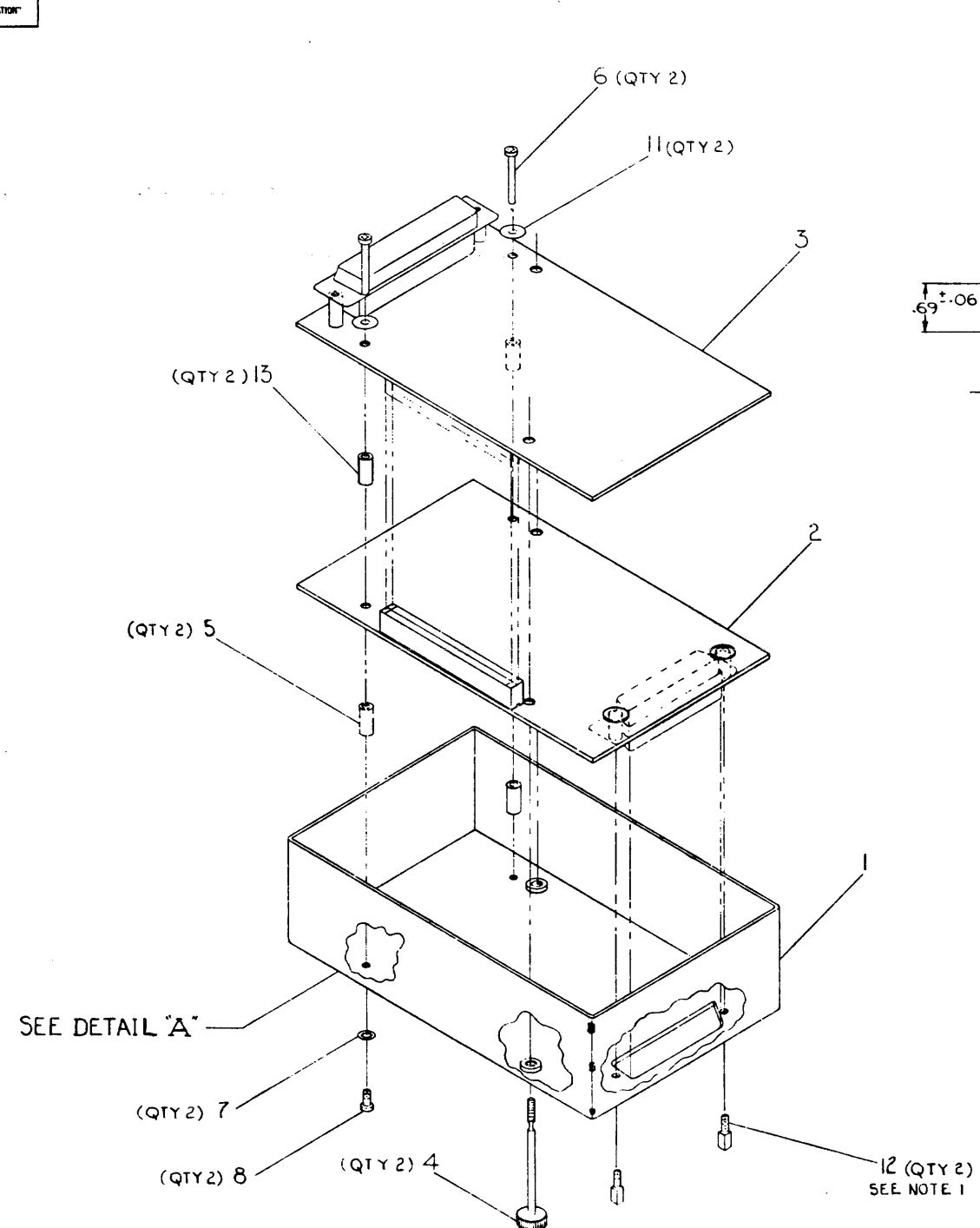


THIS DRAWING AND SPECIFICATIONS, HEREIN, ARE THE PROPERTY OF DIGITAL EQUIPMENT CORPORATION AND SHALL NOT BE REPRODUCED OR COPIED OR USED IN WHOLE OR IN PART AS THE BASIS FOR THE MANUFACTURE OR SALE OF ITEMS WITHOUT WRITTEN PERMISSION.
 COPYRIGHT © 1972, DIGITAL EQUIPMENT CORPORATION

NOTES:
 1. INSTALL ITEM 12 (SCREW LOCK ASSY) WITHOUT WASHERS AND NUTS.



DETAIL "A"
 (BOTTOM SIDE OF ENCLOSURE)

CAUTION OFF SHEETS PARTS LIST
 EXIST B-PL-DP78-0-0

REV	CHANGE NO.	DATE	BY	APP
1			B. MEEHAN	

THIRD ANGLE PROJECTION		DESCRIPTION		DWG. PART NO.	ITEM NO.
UNLESS OTHERWISE SPECIFIED DIMENSIONS ARE IN INCHES					
ANGLS 30° 30'	CLASS OF ACCURACY	NOMINAL DIMENSION RANGE INCHES			
SURFACE QUALITY IN	(CHECK ONE)	OVER 0 TO 0.2	OVER 0.2 TO 0.5	OVER 0.5 TO 1.0	OVER 1.0 TO 4.0
		±.004	±.008	±.012	±.016
QUANTITY & VARIATION	PREFERRED	±.012	±.016	±.025	±.04
DRN: [Signature]		FIRST USED ON		DP78	
CHK'D: [Signature]		TITLE		DP78 UNIT ASSY	
ENG: [Signature]		NEXT HIGHER ASSY.			
PROJ. ENG: [Signature]		MATERIAL		SIZE	CODE
PROD. [Signature]		SEE PARTS LIST		D	UA
DO NOT SCALE THIS		FINISH		NUMBER	REV.
NONE		SCALE 1/1		DP78-0-0	A
SHEET		SHEET		DIST.	
OF		OF		1 23/	

DIGITAL EQUIPMENT CORPORATION PARTS LIST

QUANTITY / VARIATION

NOTES:

MADE BY DATE	A. COLON 5 OCT 78	CHECKED DATE	SECTION 1
ENG DATE	PROD DATE	ISSUED SECTION DATE	1

ITEM NO.	DRAWING NO.	PART NO.	DESCRIPTION	QUANTITY	VARIATION	REF	DESIGNATION
1	D-IA-7422274-0-0	7422274-00	COVER ENCLOSURE	1			
2	D-UA-5413540-0-0	5413540-00	DP78 COMM. BOARD	1			
3	D-UA-5413542-0-0	5413542-00	DP78 INTERFACE BOARD	1			
4		9010111-00	SCREW, CAPTIVE 8-32 X 2.00 LG	2			
5		9009306-00	SPACER, FIBER 4-40, .250 X .44 LG	2			
6		9006015-04	SCREW BINDER HD 4-40 X .75 LG	2			
7		9006632-00	WASHER, LOCK INT. TOOTH #4	2			
8		9008301-01	SCREW, PAN HD, 4-40 X .25 LG	2			
9	A-PS-3613210-0-0	3613210-01	LABEL, ELECTRICAL DATA	1			
10	A-SP-3700399-0-0	3700399-00	PACKAGING INSTRUCTION	REF			
11		9006706-00	WASHER, FLAT NYLON #4	2			
12		9008451-00	SCREW LOCK ASSY	2			
13		9007613-00	SPACER, FIBER CLEAR #6 X .44 LG	2			

E.C.O. NO.

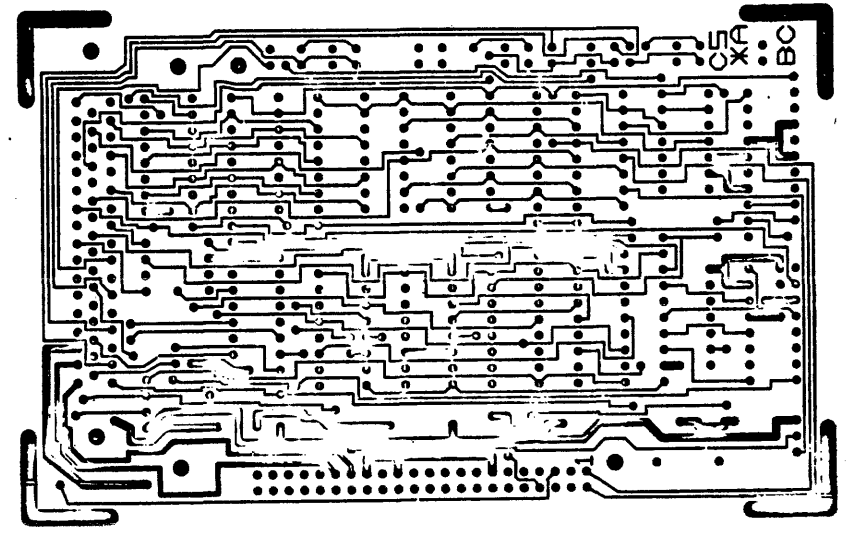
"THIS DRAWING AND SPECIFICATIONS, HEREIN, ARE THE PROPERTY OF DIGITAL EQUIPMENT CORPORATION AND SHALL NOT BE REPRODUCED OR COPIED OR USED IN WHOLE OR IN PART AS THE BASIS FOR THE MANUFACTURE OR SALE OF ITEMS WITHOUT WRITTEN PERMISSION. COPYRIGHT © 1978 DIGITAL EQUIPMENT CORPORATION"	TITLE <p style="text-align: center;">DP78 UNIT ASSY</p>	ASSY NO. <p style="text-align: center;">D-UA-DP78-0-0</p>	SIZE <p style="text-align: center;">B</p>	CODE <p style="text-align: center;">PL</p>	NUMBER <p style="text-align: center;">DP78-0-0</p>	REV.
		SHEET 1 OF 1	INSERTION PARTS LIST DATA BASE REV			

8 7 6 5 4 3 2 1

ALL DRAWINGS AND SPECIFICATIONS ARE THE PROPERTY OF DIGITAL EQUIPMENT CORPORATION, AND SHALL NOT BE REPRODUCED OR TRANSMITTED IN ANY FORM OR BY ANY MEANS, ELECTRONIC OR MECHANICAL, INCLUDING PHOTOCOPYING, RECORDING, OR BY ANY INFORMATION STORAGE AND RETRIEVAL SYSTEM, WITHOUT WRITTEN PERMISSION FROM DIGITAL EQUIPMENT CORPORATION.

DUAL5413542-C-0 2

L1 5013541C 5413542



REVISIONS		
CHK	CHANGE NO	REV

TITLE	SIZE CODE	NUMBER	REV.
DP78 INTERFACE BD.	DUAL5413542-C-0	B	
SCALE 2-	SHEET 2 OF 3	DIST.	

8 7 6 5 4 3 2 1

234

DUAL5413542-C-0 B

8

7

6

5

4

3

9

0

0

2

1

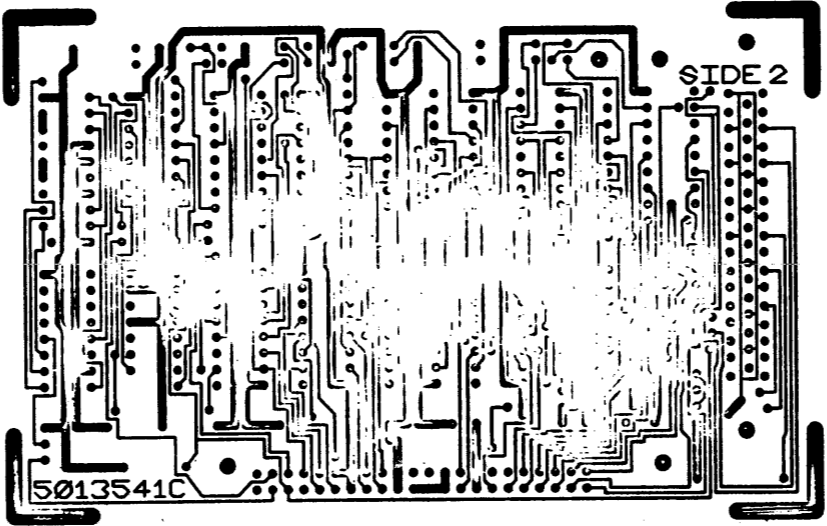
D

2

1

THIS DRAWING IS THE PROPERTY OF THE
 UNITED STATES GOVERNMENT AND IS
 LOANED TO YOU BY THE NATIONAL BUREAU OF
 STANDARDS. IT IS TO BE USED ONLY FOR THE
 PURPOSES FOR WHICH IT WAS LOANED AND
 IS NOT TO BE REPRODUCED OR TRANSMITTED
 IN ANY FORM OR BY ANY MEANS, ELECTRONIC
 OR MECHANICAL, INCLUDING PHOTOCOPYING,
 RECORDING, OR BY ANY INFORMATION
 STORAGE AND RETRIEVAL SYSTEM.

5413542 L2



SIDE 2

5013541C

D

C

B

A

D

C

B

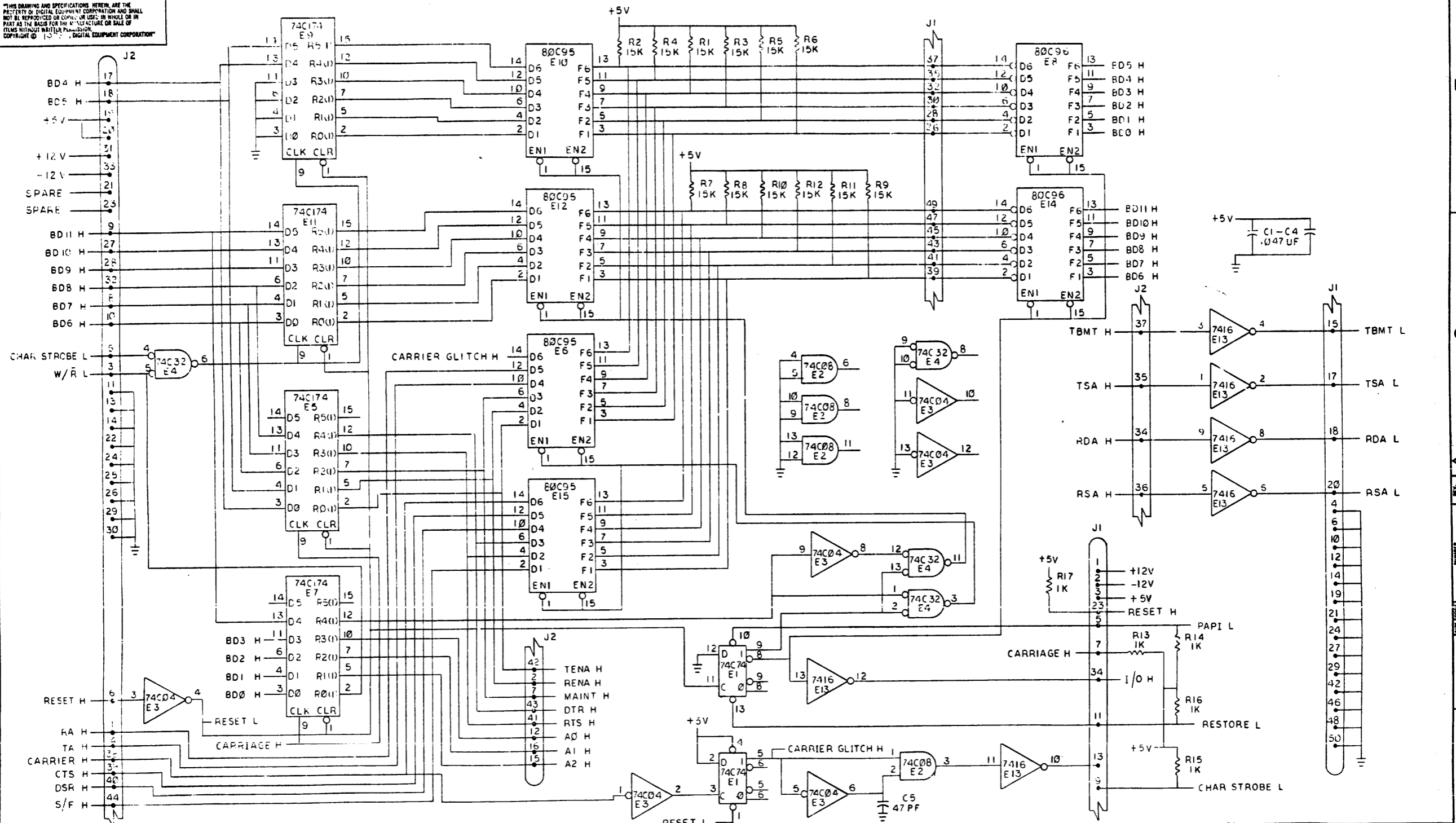
A

REVISIONS		
CHK	CHANGE NO.	REF.

TITLE	DP78 INTERFACE BD.	SIZE CODE	D	NUMBER	05413542-0-0	REV.	B
SCALE	2-1	SHEET	3	OF	3	DATE	

D 05413542-0-0 B

THIS DRAWING AND SPECIFICATIONS HEREIN ARE THE PROPERTY OF DIGITAL EQUIPMENT CORPORATION AND SHALL NOT BE REPRODUCED OR COPIED IN WHOLE OR IN PART AS THE BASIS FOR THE MANUFACTURE OR SALE OF FILMS WITHOUT WRITTEN PERMISSION. COPYRIGHT © 1977, DIGITAL EQUIPMENT CORPORATION



REV.	CHANGE NO.	REVISIONS

DRN. <i>W. J. ...</i>	9-78	FIRST USED ON	DP78
CHK'D <i>P. ...</i>	10-20-78	TITLE	DP78 INTERFACE BOARD
ENG. <i>P. ...</i>	11-20-78	SIZE	D
PROJ. ENG. <i>P. ...</i>	11-20-78	SCALE	NONE
PROD. <i>P. ...</i>	11-20-78	SHEET	1 OF 1
NEXT HIGHER ASSY.		NUMBER	5413542-0-1
D-00-5413542-0		REV.	B

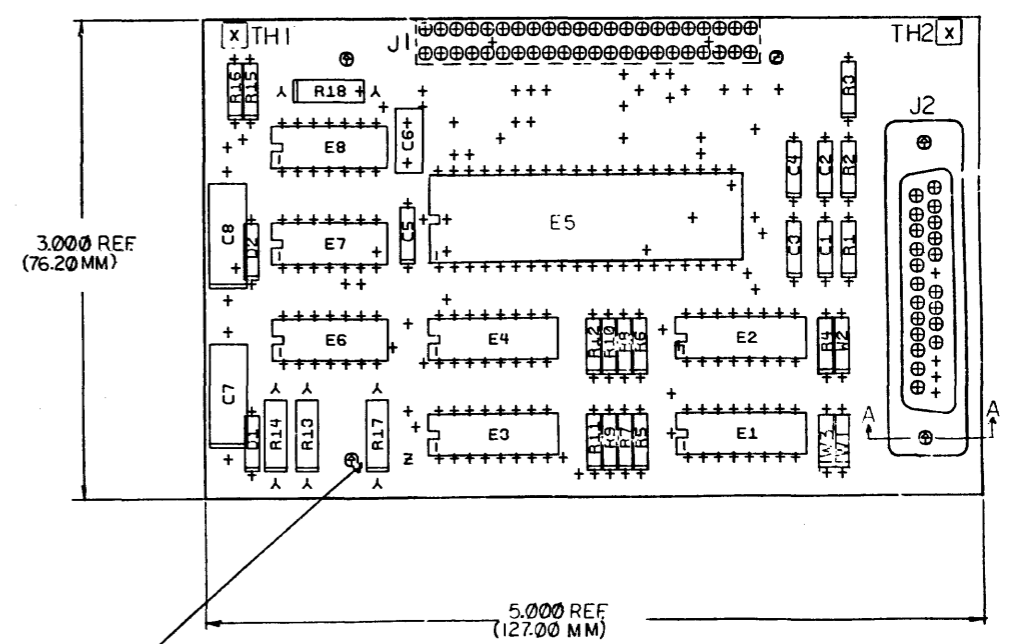
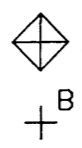
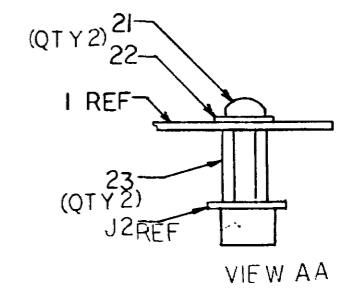
LINE	ITEM	DOCUMENT NUMBER	PART NUMBER	DESCRIPTION	QTY	REFERENCE DESIGNATOR
1	1	D-MD-5013541-0-0	5013541-00	ETCHED CIRCUIT BD.	1	
2	2		1000011-00	47.0 MNF 100V 5%200PPM DM15S	1	C5
3	3		1012784-00	.047 MFD 50V -20+80 CER	4	C1-C4
4	4		1213488-03	CONN 44POS	1	J2
5	5		1214874-00	CONN 50POS	1	J1
6	6		1300496-00	15 K 1/4W 5% CC	12	R1-R12
7	7		1909928-00	7416 INVERTER GATE-HEX 1I	1	E13
8	8		2112145-00	MM 74C04 HEX INVRTR GATE	1	E3
9	9		2114018-00	MM 74C74 FF-D DUAL 10MHZ,CMOS	1	E1
10	10		2114663-00	MM 80C95 BUFFER-GATE-HEX TRIS	4	E6,E10,E12,E15
11	11		2114665-00	MM 74C32 OR GATE-QUAD 2IN CMO	1	E4
12	12		2114669-00	MM 74C08 AND GATE-QUAD 2IN CM	1	E2
13	13		2114760-00	MM 80C96 INVERTER GATE-HEX CM	2	E8,E14
14	14		2114807-00	MM 74C174 FF-D HEX,CMOS	4	E5,E7,E9,E11
15	15		9006010-01	SCREW,PAN,PHIL, 4-40X 5/16	2	
16	16		9006706-00	WASHER, NYLON, FLAT #4 .375 OD	2	
17	17		9009306-00	SPACER, FIBER, HEX, 4-40, .250 X	2	
18	18		1300365-00	1 K 1/4W 5% CC	5	R13-R17

REVISION HISTORY			SECTION 1 OF 1	RESP.ENG.: BRUCE MEACHAM	DATE: 05-DEC-78	D I G I T A L				
ENGR	ECO NUMBER	REV	SECTION, VARIATION INDEX	MADE BY: MIKE CICCONE	DATE: 05-DEC-78	TITLE	PARTS LIST			
	INIT	B	1.00			DP78 INTERFACE BOARD				
			2.	CHECKED: R NICHOLSON	DATE: 05-DEC-78					
			3.							
			4.							
			5.							
			6.	DSN.ENG.: AL TSHUDY	DATE: 05-DEC-78					
			7.							
			8.			SIZE CODE DOCUMENT NUMBER REV				
			9.	PROD.: B DAVILLI	DATE: 05-DEC-78	K PL 5413542-0-DBP				B
			10.							
			11.							EDIT #
			12.	ASSEMBLY NUMBER: D-UA-5413542-0-0		PART NUMBER: 5413542				3

"THIS DRAWING AND SPECIFICATIONS HEREIN, ARE THE PROPERTY OF DIGITAL EQUIPMENT CORPORATION AND SHALL NOT BE REPRODUCED OR COPIED OR USED IN WHOLE OR IN PART AS THE BASIS FOR THE MANUFACTURE OR SALE OF ITEMS WITHOUT WRITTEN PERMISSION. COPYRIGHT 1978. DIGITAL EQUIPMENT CORPORATION"

THIS DRAWING AND SPECIFICATIONS, HEREIN, AND THE PROPERTY OF BENTON ELECTRONIC CORPORATION AND SHALL NOT BE REPRODUCED OR COPIED OR USED IN WHOLE OR IN PART OR IN ANY MANNER WITHOUT THE WRITTEN PERMISSION OF BENTON ELECTRONIC CORPORATION. COPYRIGHT © 1978 BENTON ELECTRONIC CORPORATION

COMPONENT SIDE VIEW



SEE NOTE 1

NOTES:

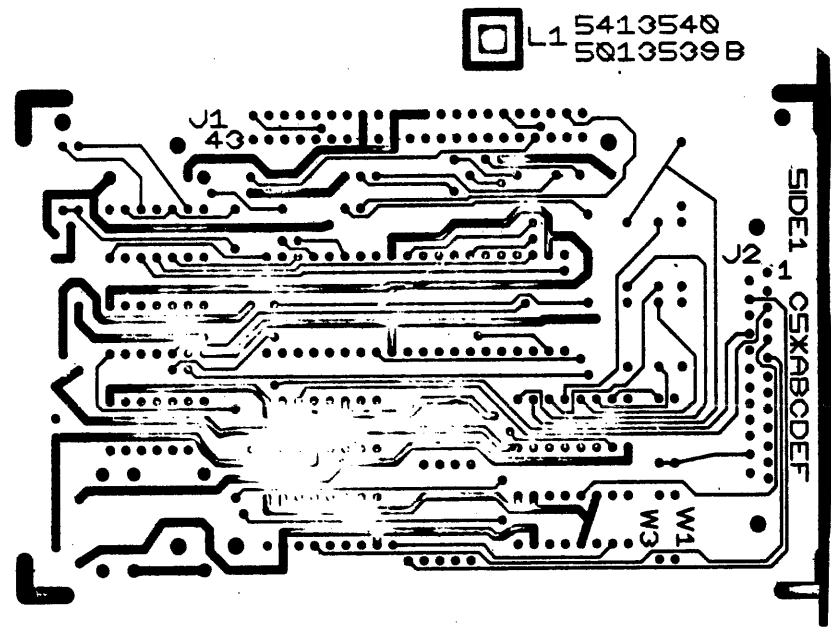
- * 1. R17 MUST BE HAND-INSERTED *
- 2. DO NOT INSERT W1 & W2
- * ALLOW .125 CLEARANCE BETWEEN THRU HOLE CENTER AND R17

CHANGE NO	REV

ETCH REV.	B
P.C. DESIGN DATA BASE REV.	B

SIGNATURES		DATE	digital
DRN.	<i>[Signature]</i>	7/1/78	
CHK'D.	<i>[Signature]</i>	7/1/78	
ENG.	<i>[Signature]</i>	7/1/78	
APP'D.	<i>[Signature]</i>	7/1/78	
SCALE	2/1		
SHEET	1 OF 3		
P.C. DESIGN DATA BASE REV. B-00-5413540-0-0			
TITLE	DP78 COMM. BD.	SIZE	NUMBER
		D	UA 5413540-0-0
			REV A

ALL DIMENSIONS ARE IN MILLIMETERS UNLESS OTHERWISE SPECIFIED. DIMENSIONS IN PARENTHESES ARE FOR INFORMATION ONLY. DIMENSIONS IN SQUARE BRACKETS ARE FOR INFORMATION ONLY. DIMENSIONS IN CIRCLES ARE FOR INFORMATION ONLY.

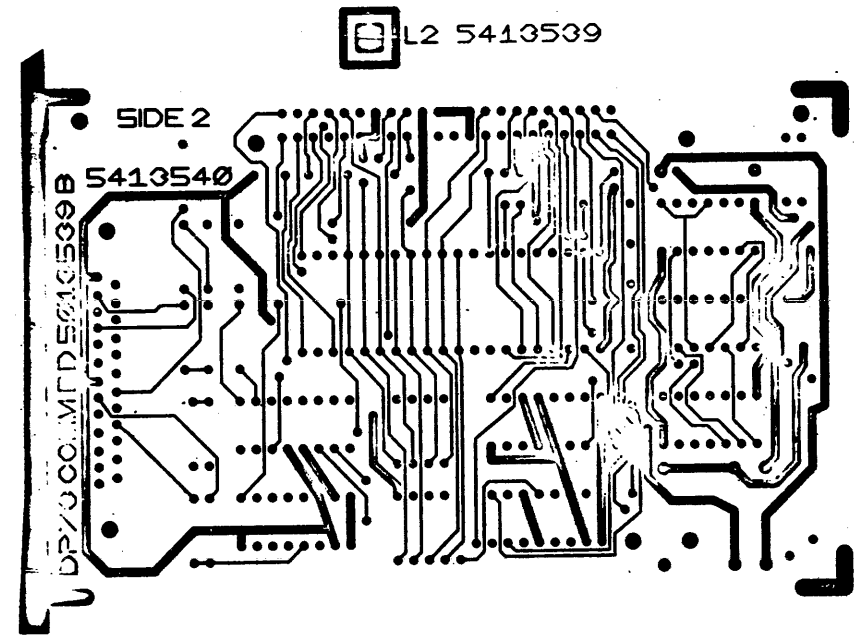


REV'S OK'S		
CHK	CHANGE NO	REV

TITLE	SIZE CODE	NUMBER	REV.
DP78 COMM. BD.	DLA 5413540-0-0 A		
SCALE 2-1	SHEET 2 OF 3	DIST	

240

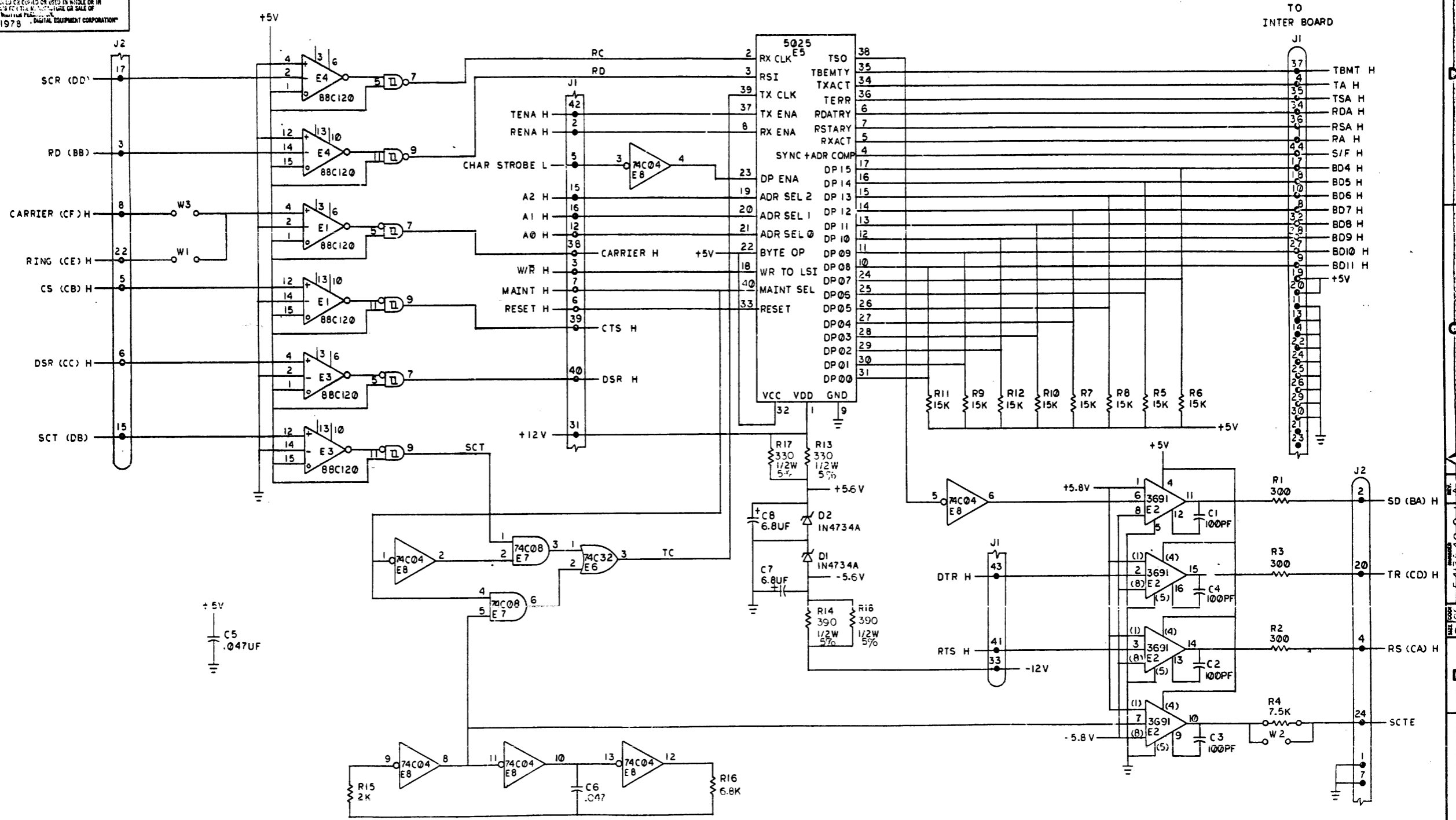
THE DRAWING AND SPECIFICATIONS ARE THE PROPERTY OF THE U.S. GOVERNMENT AND ARE TO BE REPRODUCED IN WHOLE OR IN PART BY ANY PERSON OR ORGANIZATION AT THE U.S. GOVERNMENT'S RISK WITHOUT FURTHER WRITTEN PERMISSION FROM THE U.S. GOVERNMENT.



REVISIONS		
CHK	CHANGE NO.	REV.

TITLE	DP78 COMM. RD.	SIZE CODE	D	NUMBER	5413540-0-0	REV.	A
SCALE	2 -	SHEET	3	OF	3	LIST	

THIS DRAWING AND SPECIFICATIONS, HEREIN ARE THE PROPERTY OF DIGITAL EQUIPMENT CORPORATION AND SHALL NOT BE REPRODUCED OR COPIED OR USED IN WHOLE OR IN PART AS THE BASIS FOR THE DESIGN, CONSTRUCTION OR SALE OF ITEMS WITHOUT WRITTEN PERMISSION OF DIGITAL EQUIPMENT CORPORATION © 1978



REV.	REV.	DRN.	6-12-78	FIRST USED ON	DP78
CHK.	CHK.	CHK'D.		TITLE	DP78 COMM BOARD
REVISIONS	CHANGE NO.	ENG.		SIZE	CODE
		PROJ. ENG.		NUMBER	REV.
		PROD.		D CS	5413540-0-1
		NEXT HIGHER ASSY.		SCALE	
		B-D7-5413540-1		SHEET	OF
				DIST.	

REV. A

NUMBER 5413540-0

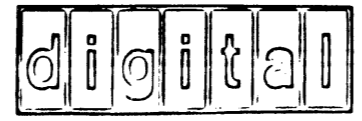
SIZE B CODE DD

DRAWING NO.	NO. OF SHTS.	PART NO.	DESCRIPTION	REVISIONS																			
D-UA-5413540-0-0	3		DP78 COMM BD.	A																			
K-PL-5413540-0-DBP	-		PARTS LIST DATA BASE	A																			
D-CS-5413540-0-1	1		DP78 COMM BD.	A																			
D-MD-5013539-0-0	4		DRILL & ETCHED DRAWING	A																			
		5013539	ETCHED BOARD	B																			
K-PC-5413540-0-DBG	-		P.C. DESIGN DATA BASE	B																			

NOTES:

		REVISIONS
DATE	CHG NO.	REV.

"THIS DRAWING AND SPECIFICATIONS, HEREIN, ARE THE PROPERTY OF DIGITAL EQUIPMENT CORPORATION AND SHALL NOT BE REPRODUCED OR COPIED OR USED IN WHOLE OR IN PART AS THE BASIS FOR THE MANUFACTURE OR SALE OF ITEMS WITHOUT WRITTEN PERMISSION.



COPYRIGHT © 1978 DIGITAL EQUIPMENT CORPORATION

USED ON OPTION/MODEL DP78	DRN. PEG TESLA	9JUN78	TITLE DP78 COMM BD
	CHK'D <i>peg tesla</i>	<i>12/13/78</i>	SIZE B
	ENG. <i>peg tesla</i>	<i>11/22/78</i>	CODE DD
	PROD. <i>to will</i>	<i>12/1/78</i>	NUMBER 5413540-0
			REV. A
			SHEET 1 OF 1

LINE	ITEM	DOCUMENT NUMBER	PART NUMBER	DESCRIPTION	QTY	REFERENCE DESIGNATOR
1	1	D-MD-5013539-0-0	5013539-00	ETCHED CIRCUIT BD.	1	
2	2		1013466-06	100.0 MMF 50V 5% CER.	4	C1,C2,C3,C4
3	3		1005306-00	6.8MFD 35V 10% S.TANT	2	C7,C8
4	4		1010978-32	.047 MFD 50V 10% 2C067CER.	1	C6
5	5		1012784-00	.047 MFD 50V -20+80 CER	1	C5
6	6		1109197-00	1N 4734A VZ= 5.6 5% 1W Y	2	D1,D2
7	7		1211044-03	SOCKET,100 44POS	1	J1
8	8		1211352-02	CONN,D SUB 25PIN SOCKET PC MNT	1	J2
9	9		1300296-00	330 1/2W 5% CC	2	R13,R17
10	10		1301423-00	6.8 K 1/4W 5% CC	1	R16
11	11		1300496-00	15 K 1/4W 5% CC	8	R5-R12
12	12		1301422-00	7.5 K 1/4W 5% CC	1	R4
13	13		1301425-00	300 1/4W 5% CC	3	R1,R2,R3
14	14		1302388-00	2 K 1/4W 5% CC	1	R15
15	15		1915125-00	3691 DRIVER,QUAD,EIA RS-	1	E2
16	16		2112145-00	MM 74C04 HEX INVRTR GATE	1	E8
17	17		2112517-50	RECEIVER/TRANSMITTER	1	E5
18	18		2114665-00	MM 74C32 OR GATE-QUAD 2IN CMO	1	E6
19	19		2114669-00	MM 74C08 AND GATE-QUAD 2IN CM	1	E7
20	20		2114806-00	88C120 RECEIVER,DUAL,EIA R	3	E1,E3,E4
21	21		9006010-01	SCREW,PAN ,PHIL, 4-40X 5/16	2	
22	22		9006706-00	WASHER, NYLON, FLAT #4 .375 OD	2	
23	23		9009306-00	SPACER, FIBER, HEX, 4-40, .250 X	2	
24	24		9009185-00	JUMPER, WIRE, INSULATED, BLACK B	1	W3
25	25		1300308-00	390 1/2W 5% CC	2	R14,R18

REVISION HISTORY			SECTION 1 OF 1	RESP.ENG.: B MEACHAM	DATE: 05-DEC-78	DIGITAL				
ENG	ECO NUMBER	REV	SECTION. VARIATION INDEX	MADE BY: MIKE CICCONE	DATE: 05-DEC-78	TITLE		PARTS LIST		
	INIT	A	1.00			DP78 COMM. BOARD				
			2.	CHECKED: R NICHOLSON	DATE: 05-DEC-78					
			3.							
			4.							
			5.	DSN.ENG.: A TSHUDY	DATE: 05-DEC-78					
			6.							
			7.							
			8.	PROD.: P LASKOW	DATE: 15-DEC-78	K	PL	5413540-0-DBP	A	
			9.							
			10.							
			11.	ASSEMBLY NUMBER: D-UA-5413540-0-0		PART NUMBER: 5413540		EDIT #		
			12.					2		

"THIS DRAWING AND SPECIFICATIONS HEREIN, ARE THE PROPERTY OF DIGITAL EQUIPMENT CORPORATION AND SHALL NOT BE REPRODUCED OR COPIED OR USED IN WHOLE OR IN PART AS THE BASIS FOR THE MANUFACTURE OR SALE OF ITEMS WITHOUT WRITTEN PERMISSION. COPYRIGHT 1978. DIGITAL EQUIPMENT CORPORATION"