

TITLE	SIZE	CODE	NUMBER	REV
DRAWING DIRECTORY POWER SUPPLY H765	B	DD	H765-Ø	R
SHEET 2 OF 5				

CUSTOMER PRINT SET		ELECTRICAL					CUSTOMER PRINT SET		ELECTRICAL									
1	MFG. SET	FIND NO.	DRAWING NO.	REV	NO OF SHT	DESCRIPTION	OPTION NO./FILE DATE	1	MFG. SET	FIND NO.	DRAWING NO.	REV	NO OF SHT	DESCRIPTION	OPTION NO./FILE DATE			
X		1	E-UA-H765-0-0 A-SP-H765-0-9	T	2	POWER SUPPLY H765 H765 POWER SUPPLY ASSEMBLY PROCEDURE		X		12	D-CS-5410864-0-1 D-IA-5010863-0-0 A-SP-5410864-0-8 A-SP-5410864-0-9	#	3 # 1	POWER DIST. BD. ASSY ETCHED CIRCUIT BOARD TEST PROCEDURE ASSEMBLY PROCEDURE				
X		3	E-AD-7011486-0-0 A-SP-7010014-0-8 A-CS-7010014-TA-1 A-UA-7010014-TA-0 A-PL-7010014-TA-0 A-SP-7011486-0-9	# A A A		TRANSFORMER ASSY TEST PROCEDURE TESTER C.S. TESTER U.A. TESTER P.L. TRANSFORMER ASSY PROCEDURE		X		14	D-CS-5411086-0-1 A-SP-11/45-TA-2 A-SP-5411086-0-3 D-IA-7010138-0-0	#	4	PWR LINE MONITOR/15V REG TEST PROCEDURE ENGINEERING SPECIFICATION HARNESS INTERCONNECTION				
X		4	D-AD-7014420-0-0 A-SP-7009811-0-8 A-CS-7009811-TA-1 A-UA-7009811-TA-0 A-PL-7009811-TA-0 A-SP-7009811-0-9	#	2	AC INPUT BOX ASSY TEST PROCEDURE TESTER C.S. TESTER U. A. TESTER P.L. AC INPUT BOX ASSY PROCEDURE				15	D-IA-7011751-0-0			CAP MOV BOARD ASSY				
X		6	D-UA-5413089-0-0			PILOT CONTROL BOARD				16	D-CS-5411689-0-1			CAP MOV ASSY				
C		8	B-DD-H744-0	#	2	DRAWING DIRECTORY H744												
C		9	B-DD-H745-0	#	2	DRAWING DIRECTORY H745												
C		10	B-DD-H754-0	#	3	DRAWING DIRECTORY H754												
CUSTOMER PRINT SET CODES		X = PRINT OF DOCUMENT INCLUDED IN PRINT SET C = INCLUDES ALL PRINTS INDICATED ON DOCUMENT S = CONFIDENTIAL AUTHORIZED SIGNATURE REQUIRED					TITLE		DRAWING DIRECTORY POWER SUPPLY H765		SHEET 3 OF 5		SIZE CODE D D7		NUMBER H765-0		REV R	

CUSTOMER PRINT SET		MECHANICAL					CUSTOMER PRINT SET										
		MFG. SET	FIND NO.	DRAWING NO.	REV	NO OF SHT	DESCRIPTION	OPTION NO./FILE DATE			MFG. SET	FIND NO.	DRAWING NO.	REV	NO OF SHT	DESCRIPTION	OPTION NO./FILE DATE
1			12	D-CS-5410864-0-1		3	POWER DIST. BD. ASSY										
				C-MD-7412192-0-0		1	SHIELD										
				D-MD-7411704-0-0		1	BRACKET, CONN. MTG.										
				C-IA-9305937-0-0			MATE-N-LOK FIXTURES										
				D-IA-5010863-0-0		1	ETCHED CIRCUIT BD.										
				K-CO-5410864-0-4			X-Y COORDINATE HOLE LOC.										
				D-AH-5410864-0-5		1	ASSY DRILLING HOLE LAYOUT										
				B-MH-5410864-0-6		1	MODULE ECO HISTORY										
				5010863		REP	ETCH CIRCUIT BOARD										
		X	13	A-SP-3700174-0-0	-	2	PACKAGING INSTRUCTIONS										
				A-PS-9905664-0-0	-	2	REGULAR SLOTTED CARTON										
				A-PS-9905665-0-0	-	2	LAMINATED BULDUP										
			14	D-AH-5411086-0-5		1	ASSY DRILLING HOLE LAYOUT										
				B-MH-5411086-0-6		1	MODULE ECO HISTORY										
			15	D-AD-7011486-0-0		1	ASSEMBLY DRAWING										
			16	D-AH-5411689-0-5		1	ASSY DRILLING HOLE LAYOUT										
				D-MH-5411689-0-6		1	MODULE ECO HISTORY										

CUSTOMER PRINT SET CODES
X = PRINT OF DOCUMENT INCLUDED IN PRINT SET
C = INCLUDES ALL PRINTS INDICATED ON DOCUMENT
S = CONFIDENTIAL AUTHORIZED SIGNATURE REQUIRED

TITLE
DRAWING DIRECTORY
POWER SUPPLY H765

SHEET 5 OF 5
SIZE CODE B DD
NUMBER H765-Ø
REV R

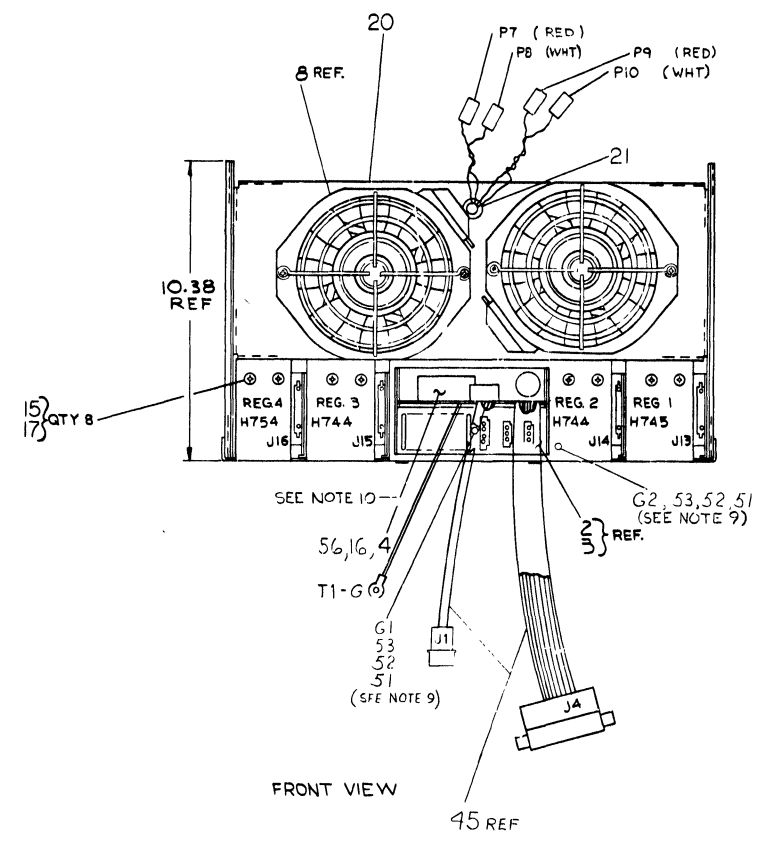
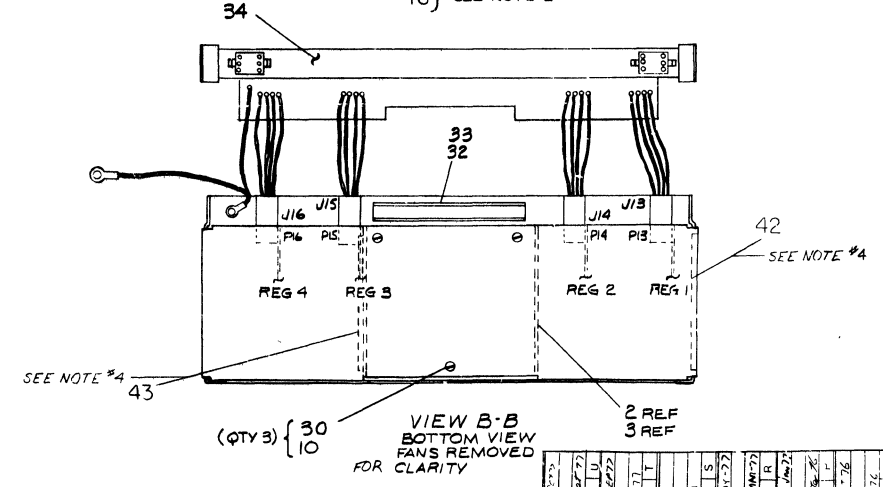
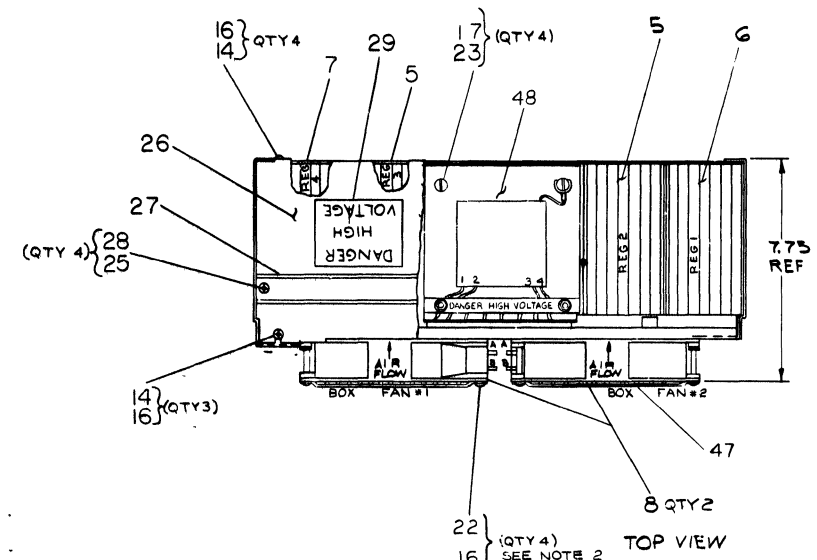
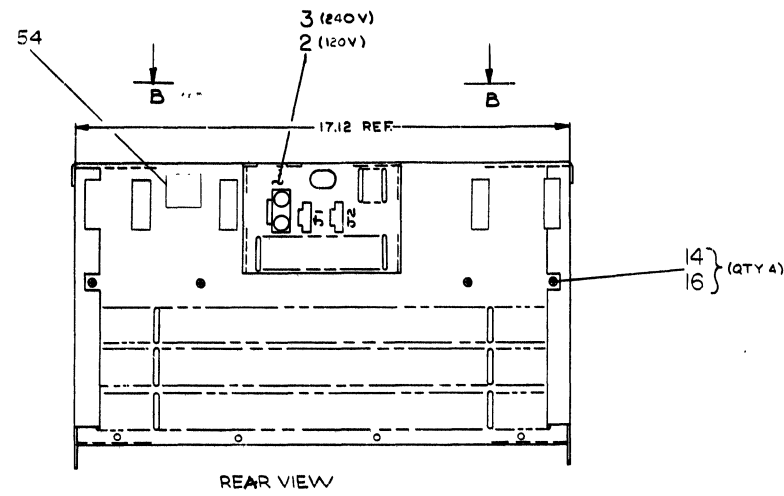
THIS DRAWING AND SPECIFICATIONS HEREIN ARE THE PROPERTY OF DIGITAL EQUIPMENT CORPORATION AND SHALL NOT BE REPRODUCED OR COPIED IN WHOLE OR IN PART AS THE BASIS FOR THE MANUFACTURE OR SALE OF ITEMS WITHOUT WRITTEN PERMISSION. COPYRIGHT © 1971, DIGITAL EQUIPMENT CORPORATION

NUMBER	VARIATION
H765-A	120V 50/60 HZ
H765-B	240V 50/60 HZ
H765-C	120V 50/60 HZ NO H754
H765-D	240V 50/60 HZ NO H754
H765-P	120V 50/60 HZ NO REG
H765-R	240V 50/60 HZ NO REG

- NOTES**
- SEE TRANSFORMER ASSY E-AD TO HOOD SHEET 2 FOR ISOMETRIC ORIENTATION OF CLAMP & PLUG WIRES.
 - TIGHTEN FAN SCREWS TO 10 IN-LBS WITH A TORQUE SCREW DRIVER.
 - USE ITEM #41 IN PLACE OF ITEM #42 WHEN USING ROTON FANS.
 - INSTALL A.B.S. VINYL, VIEW B-B ITEM #42 AND #43, CENTER 1/4 INCH FROM BOTTOM AND SIDES ON INSIDE WALL.
 - USE EXTERNAL TOOTH WASHER UNDER MOUNTING SCREW HEAD OF REGD TRANSFORMERS ONLY.
 - GREEN/YEL GROUND WIRE FROM TRANSFORMERS TO BE FASTENED UNDER REGULATOR MOUNTING SCREWS.
 - IN EARLIER VERSIONS OF THE TRANSFORMER ASSEMBLY A CABLE CLAMP WAS USED IN PLACE OF THE 3 THE WIRTS TO DRESS THE TRANSFORMER WIRES ALONG THE TRANSFORMER BODY.
 - ITEM 7 - H754 IS NOT USED IN VARIATIONS C & D.
 - ITEM 53 IS TO BE USED TO PREVENT CORROSION OF CHASSIS AT GROUND STUD.

NOTES CON'T

10. ITEM 16 #56 (SCREW & WASHER) TO BE USED TO MOUNT 54110B (ITEM 4) IN AC INPUT BOX (ITEM 2 OR 3) IN A.B.C.D VERSION. IN P/R VERSION INSTALL SCREW & WASHER IN MOUNTING HOLES. THEY WILL BE USED ON A HIGHER ASSEMBLY.



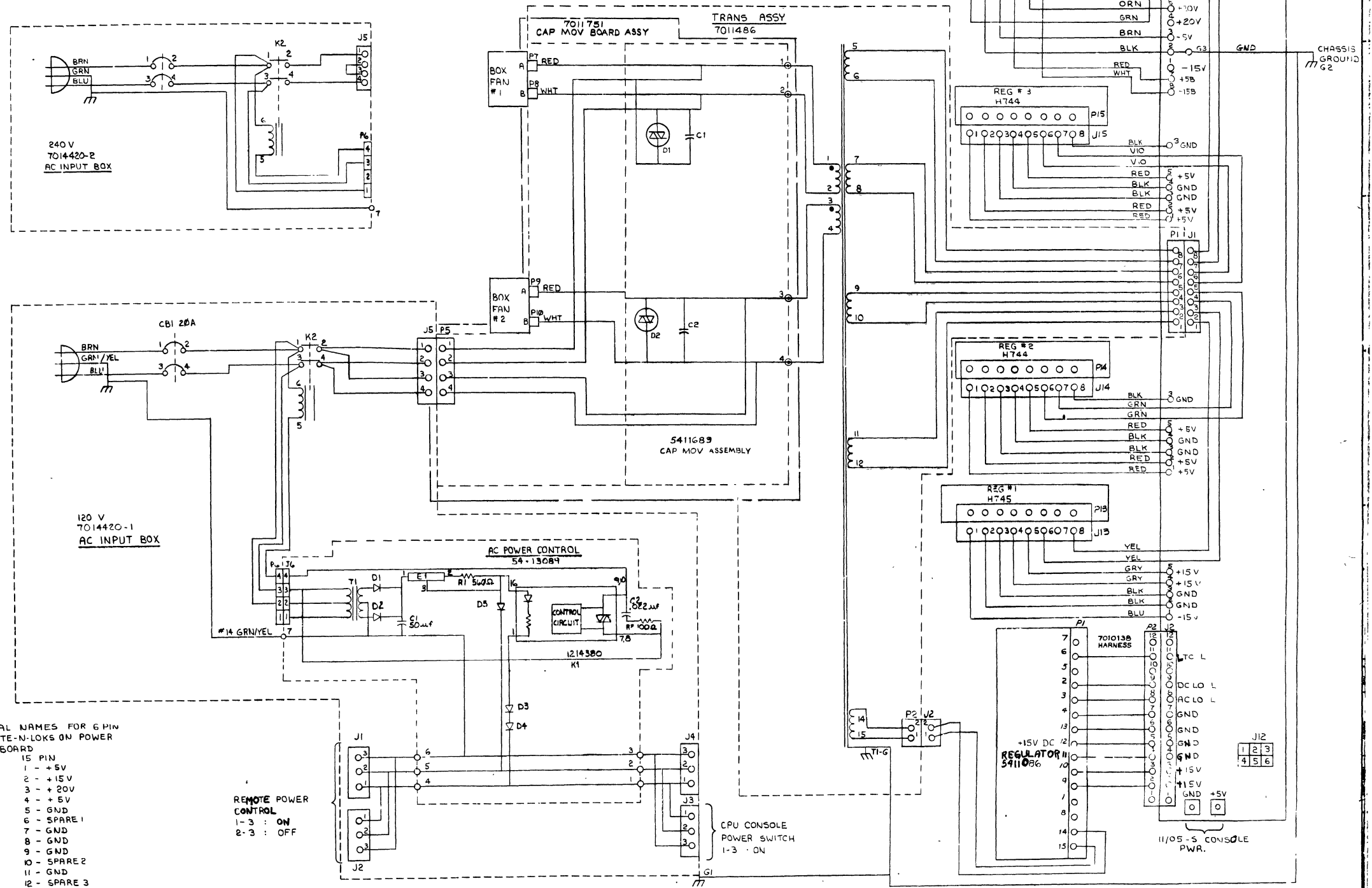
QTY	DESCRIPTION	PART NO	ITEM NO
4	SCR PH HD 4-32x1/4	9006020-1	56
1	CABLE GND	7013825-02	55
1	DECAL	A DC 7418241-0	54
A/R	GREASE CONDUCTOR	4901173-01	53
2	WASHER 10X INT TOOTH #32	9006072	52
2	NUT, KEP #8-32	9006563	51
2	TERMINAL RING BLUE	9003222	50
W/R	WIRE, GAUGE GEN/VOL	9101377-34	49
1	TRANSFORMER ASSEMBLY E AD 711486-0	48	48
2	FAN GUARD	1212561	47
1	SCR PH HD 4-32x1/4	9006020-1	46
1	HARNESS INTERCONN	D-IA-7010133-0	45
1	WASHER INT TOOTH #10	9006635	44
1	A.B.S. VINYL 4.75 X 3.5	1210984-03	43
1	A.B.S. VINYL 4.75 X 6	1210984-04	42
1	SCR PH HD 4-32x1/4	9006020-1	41
REF	TEST PROCEDURE	A-SP-H765-0-1	40
REF	TESTER C.S.	A-CS-H765-TA-1	39
REF	TESTER U.A.	E-UA-H765-TA-1	38
REF	TESTER P.L.	A-PL-H765-TA-0	37
REF	H765 POWER SUPPLY ASSEMBLY PROCEDURE	A-SP-H765-0-9	36
REF	PACKAGING INSTRUCTIONS	A-SP-370074-00	35
1	PWR DISTRIBUTION BD	D-CS-51084-0-1	34
A/R	PERMA BOND	9009157	33
A/R	GROMMET STRIP	9008291	32
4	TIE WRAP 1/8 W	9007880	31
3	WASH, C'SK # 6	9008270	30
1	STICKER DANGER HIGH VOLTAGE	3610267	29
4	WASH, INT TOOTHLOCK #8	9006634	28
1	TROUGH WIRE	D-IA-7009450-0	27
1	COVER, POWER SUPPLY	D-IA-7009449-0	26
4	SCR PH HD TRUSS #32x1/4	9006040-3	25
1	WASHER INT TOOTH #10	9006635	24
4	SCR PH HD TRUSS 10-32x25	9006072-3	23
4	SCR PH HD TRUSS 6-32x11.75	9006031-3	22
1	GROMMET 50 I D	9007016	21
1	CHASSIS, POWER SUPPLY	E-IA-7009752-0	20
1	CLAMP CABLE	E-IA-7009751-0	19
1	SCR PH HD 4-32x1/4	9006020-1	18
10	WASH INT TOOTH #10	9006635	17
11	WASH INT TOOTH #6	9006633	16
6	SCR PH HD TRUSS 10-32x25	9006072-3	15
7	SCR PH HD TRUSS 6-32x25	9006031-3	14
1	DECAL NEPA	A DC 5109413-0	13
1	WASHER INT TOOTH #10	9006635	12
1	SCR PH HD TRUSS 10-32x25	9006072-3	11
3	SCR PH FLT HD #32x3	9008404-2	10
1	WASHER INT TOOTH #10	9006635	9
2	FAN, 115 V AC 50/60HZ	1211714	8
1	+20V REGULATOR (H754)	B-DD-H754-0	7
1	+15V REGULATOR (H745)	B-DD-H745-0	6
2	+5V REGULATOR (H744)	B-DD-H744-0	5
1	PWR BD (+15V REG)	E-IA-5411086	4
1	AC INPUT BOX ASSY 230V	D-AD-754420-2-0	3
1	AC INPUT BOX ASSY 115V	D-AD-754420-1-0	2
1	TRANSFORMER ASSEMBLY E AD 711486-0	48	48

FIRST USED ON OPTION/MODEL	QTY	DESCRIPTION	PART NO	ITEM NO
B-11-K				

DIMENSIONAL TOLERANCE		DATE	TITLE
DIMENSIONS ARE UNLESS OTHERWISE SPECIFIED	DATE	6/24/74	POWER SUPPLY, H765
MILLIMETERS	INCHES	DATE	
XXX ± .008	XX ± .01	DATE	
XX ± .01	X ± .02	DATE	
X ± .02	± .05	DATE	
THIRD ANGLE PROJECTION	REMOVE BURRS TO BREAK SHARP CORNERS SURFACE QUALITY	DATE	
MATERIAL	FINISH	DATE	
SEE PARTS LIST	SCALE NONE	DATE	
	SHEET 1 OF 2	DATE	

THIS DRAWING AND SPECIFICATIONS HEREON ARE THE PROPERTY OF DIGITAL EQUIPMENT CORPORATION AND SHALL NOT BE REPRODUCED OR COPIED IN WHOLE OR IN PART WITHOUT THE WRITTEN PERMISSION OF DIGITAL EQUIPMENT CORPORATION.

CONNECTION TABLE			CONNECTION TABLE		
FROM CONNECTION	TO CONNECTION	SIGNALS	FROM CONNECTION	TO CONNECTION	SIGNALS
P2 FROM TRANS. ASSY	J2 FROM +15V REG.	28 VAC	P4 FROM +15V REG.	J2 LOCATED ON PWR. DIST. BD	-15V, LTC L, AC LO L, DC LO L, GND
J16 FROM PWR. DIST. BD	P16 LOCATED ON REG. #4 (H754)	GND, -5V, +20V, 28 VAC			
J15 FROM PWR. DIST. BD	P15 LOCATED ON REG. #3 (H744)	GND, +5V, 28VAC	P5 FROM TRANS. ASSY	J5 LOCATED ON AC INPUT BOX	120/240 VAC
J14 FROM PWR. DIST. BD	P14 LOCATED ON REG. #2 (H744)	GND, +5V, 28VAC	P7 (RED)	FAN #1-A	120 VAC - HOT
J13 FROM PWR. DIST. BD	P13 LOCATED ON REG. #1 (H745)	GND, +15V, -15V, 28 VAC	P8 (WHT)	FAN #1-B	120 VAC - NEUTRAL
GND LUG LOCATED ON PWR. DIST. BD, G3	G1 YEL LUG	SAFETY GROUND	P9 (RED)	FAN #2-A	120 VAC - HOT
P1 FROM TRANS. ASSY	J1 LOCATED ON PWR. DIST. BD	28 VAC	P10 (WHT)	FAN #2-B	120 VAC - NEUTRAL
			T1 G	G1	SAFETY GROUND
			G1	G2	ITEM 55

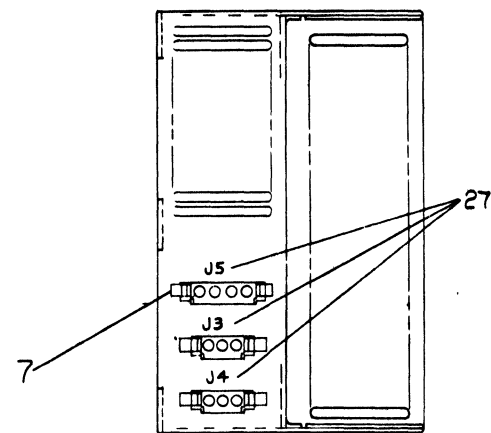
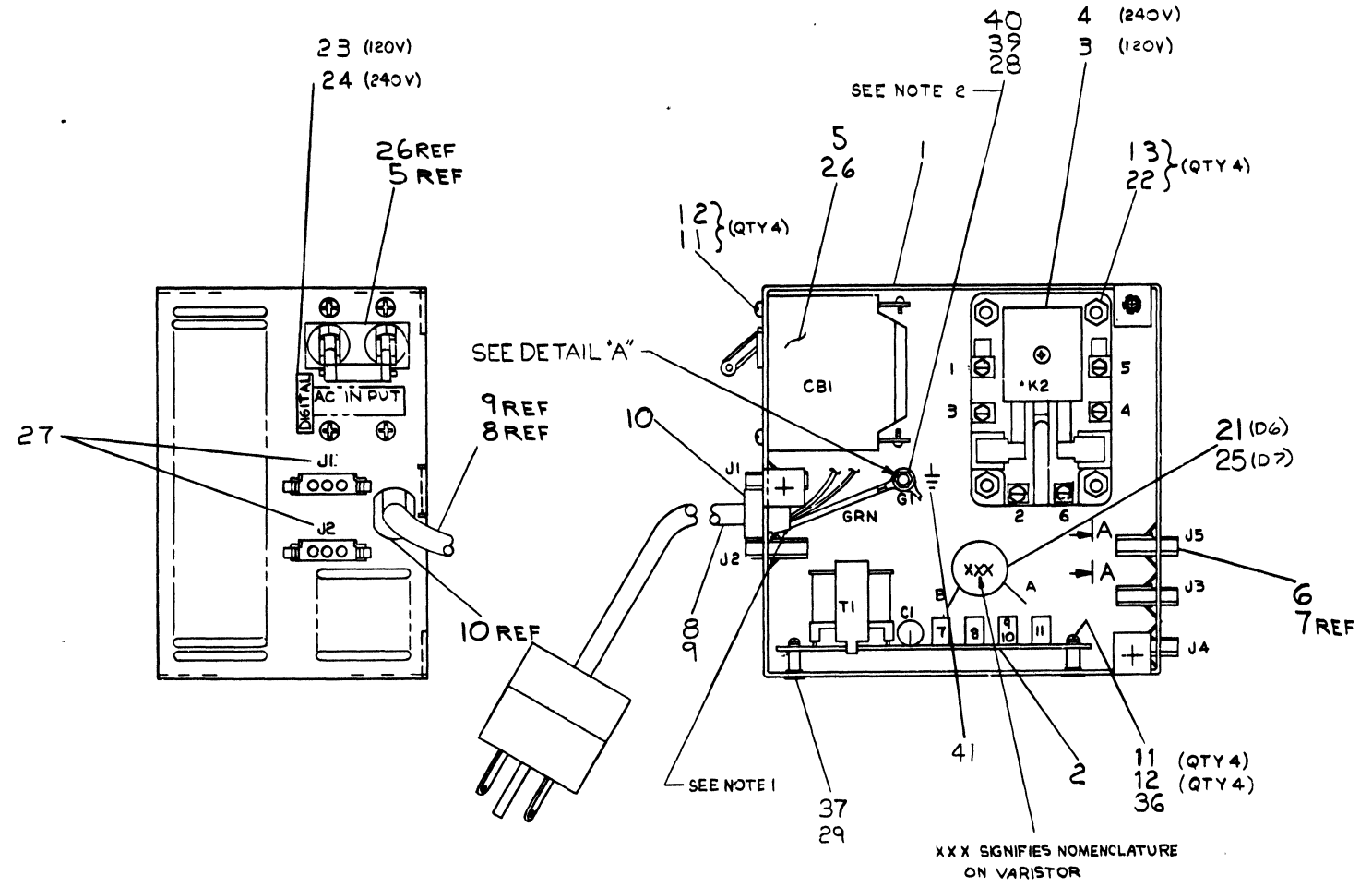
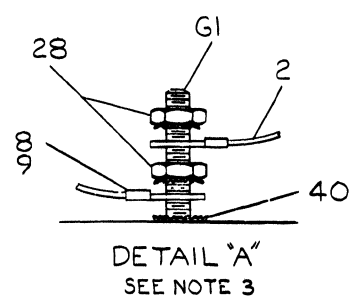


- COMMON SIGNAL NAMES FOR 6-PIN AND 15-PIN MATE-N-LOKS ON POWER DISTRIBUTION BOARD
- | | |
|-------------|--------------|
| 6-PIN | 15-PIN |
| 1 - GND | 1 - +5V |
| 2 - LTC L | 2 - +15V |
| 3 - DC LO L | 3 - +20V |
| 4 - AC LO L | 4 - +5V |
| 5 - SPARE 4 | 5 - GND |
| 6 - SPARE 5 | 6 - SPARE 1 |
| | 7 - GND |
| | 8 - GND |
| | 9 - GND |
| | 10 - SPARE 2 |
| | 11 - GND |
| | 12 - SPARE 3 |
| | 13 - -15V |
| | 14 - -5V |
| | 15 - SPARE 3 |
- REMOTE POWER CONTROL
1-3 : ON
2-3 : OFF

THIS DRAWING AND SPECIFICATIONS HEREIN ARE THE PROPERTY OF DIGITAL EQUIPMENT CORPORATION AND SHALL NOT BE REPRODUCED OR COPIED OR USED IN WHOLE OR IN PART AS THE BASIS FOR THE MANUFACTURE OR SALE OF ITEMS WITHOUT WRITTEN PERMISSION. COPYRIGHT © 1974, DIGITAL EQUIPMENT CORPORATION

- NOTES:
1. LEAVE .5 IN ±2 IN OF OUTER INSULATION OF LINE CORD INSIDE BOX.
 2. REMOVE PAINT MASK FROM G1 ONLY AND APPLY CONDUCTIVE GREASE TO AREA AROUND STUD G1 BEFORE INSTALLING ITEMS 40 (LOCKWASHER), LUG ON GRN/YEL WIRE, AND 28 (KEPNUT).
 3. ENSURE THAT LUG CONNECTED TO GRN/YEL WIRE FROM LINE CORD, WASHER ITEM 40, AND KEPNUT ITEM 28 ARE THE FIRST ITEMS INSTALLED ON G1. SEE DETAIL A.

LEGEND	
NUMBER	VARIATION
7009811-1	120V47-63HZ 12A
7009811-2	240V47-63HZ 6A



QTY.	DESCRIPTION	PART NO.	ITEM NO.
1	DECAL, SAFTY GROUND	A-DC-3612680-01	41
1	WASHER, EXT TOOTH #8	9008072	40
A/R	A/R GREASE, CONDUCTIVE	4901173-01	39
1	JUMPER, POWER (WHT)	7010301-8	38
4	SCR PH. FL. HD. 6-32X1/4	9006020-02	37
4	WASHER, FLAT	9006653	36
REF	A.C. INPUT BOX ASSEMBLY PROCEDURE	A-SP-7009811-0-9	35
REF	TESTER PARTS LIST	A-PL-7009811-7A-0	34
REF	TESTER TEST PROCEDURE	A-SP-7009811-0-8	33
REF	TESTER U.A.	A-UA-7009811-0-8	32
REF	TESTER C.S.	A-CS-7009811-0-8	31
4	SPACER 6-32X 3/8"	9006844	29
3	NUT, KEPS #8-32	9006963	28
1	DECAL	A-DC-7409873-0-0	27
1	CIRCUIT BRK 10A	1212124-03	26
1	VARISTOR (D7) ASSY	C-IA-7010300-2-0	25
1	DECAL 230V 47-63HZ 6A	A-DC-7412300-0-0	24
1	DECAL 115V 47-63HZ 12A	A-DC-7412303-0-0	23
4	SCR PH FL HD #6-32 X50	9006024-2	22
1	VARISTOR (D6) ASSY	C-IA-7010300-1-0	21
2	POWER JUMPER (BLK)	D-IA-7010301-2-0	20
1	POWER JUMPER (BLK)	D-IA-7010301-3-0	19
2	POWER JUMPER (BLK)	D-IA-7010301-4-0	18
1	POWER JUMPER (WHT)	D-IA-7010301-5-0	17
2	POWER JUMPER (WHT)	D-IA-7010301-6-0	16
1	POWER JUMPER (BRN)	D-IA-7010301-7-0	15
1	POWER JUMPER (BLK)	D-IA-7010301-1-0	14
4	NUT KEPS #6-32	9008185	13
8	WASHER, INT TOOTH #6	9006633	12
8	SCR PHL PAN HD #6-32X25	9006020-1	11
1	STRAIN RELIEF	9008309	10
1	POWER CORD 240V	D-AD-7012500-1	9
1	POWER CORD 120V	D-AD-7012500-0	8
1	PWR CONTROL HARN 240V	D-IA-7010302-2-0	7
1	PWR CONTROL HARN 120V	D-IA-7010302-1-0	6
1	CIRCUIT BREAK 20A	1212124-05	5
1	RELAY 240V	1211222-02	4
1	RELAY 120V	1211222-01	3
1	AC PWR CONTR BOARD	D-CS-5410993-0-1	2
1	CHASSIS, COMP MTG	D-IA-7009812-0-0	1

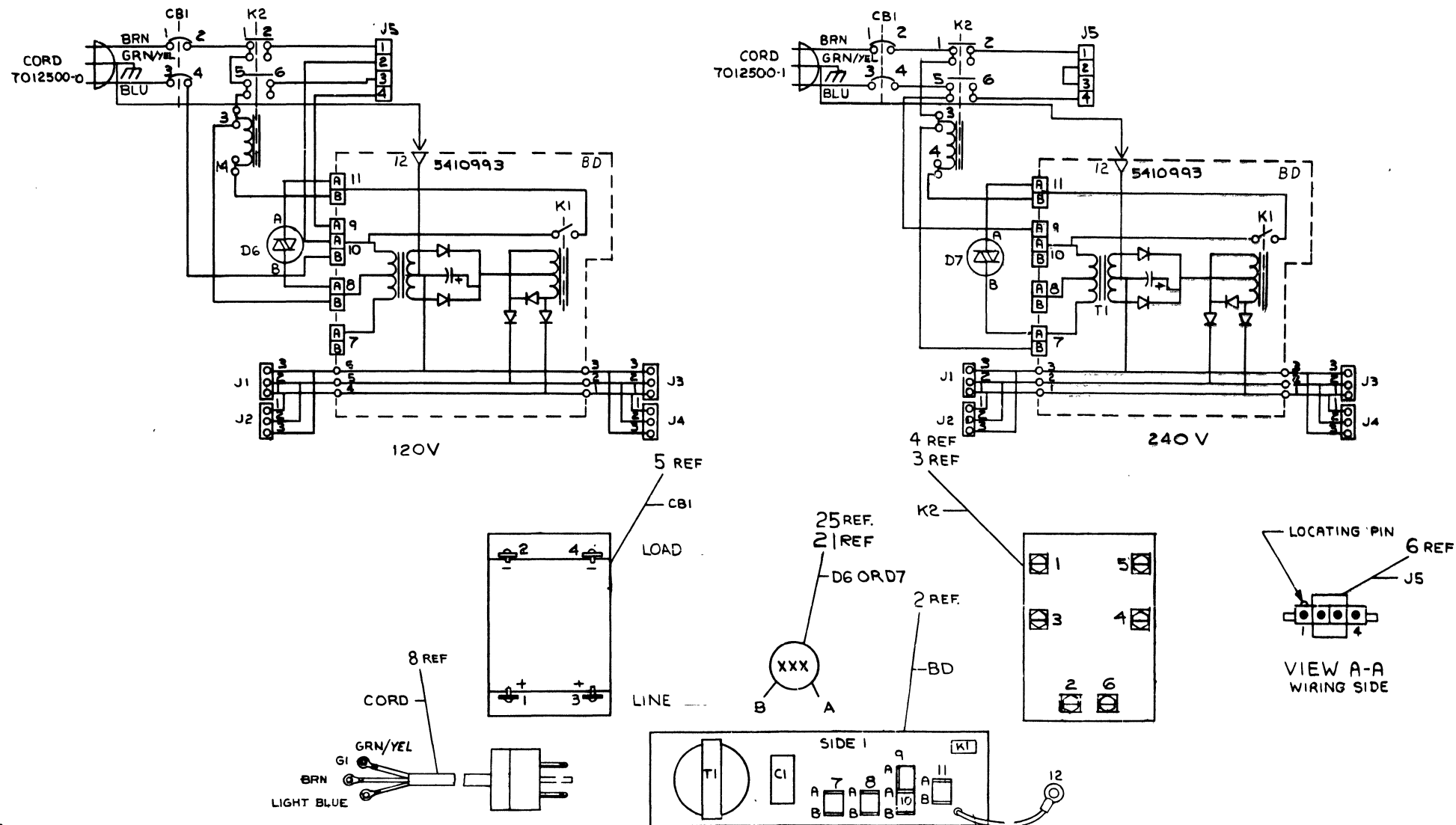
XXX SIGNIFIES NOMENCLATURE ON VARISTOR

REV.	CHANGE NO.	REV.	BY	DATE
1	HT65-00003	A		
2	HT65-00003	B		
3	HT65-00003	C		
4	HT65-00003	D		
5	HT65-00003	E		
6	HT65-00003	F		
7	HT65-00003	G		
8	HT65-00003	H		
9	HT65-00003	I		
10	HT65-00003	J		
11	HT65-00003	K		
12	HT65-00003	L		
13	HT65-00003	M		
14	HT65-00003	N		
15	HT65-00003	O		
16	HT65-00003	P		
17	HT65-00003	Q		
18	HT65-00003	R		
19	HT65-00003	S		
20	HT65-00003	T		
21	HT65-00003	U		
22	HT65-00003	V		
23	HT65-00003	W		
24	HT65-00003	X		
25	HT65-00003	Y		
26	HT65-00003	Z		

FIRST USED ON OPTION/MODEL		QTY.	DESCRIPTION	PART NO.	ITEM NO.
B11-K					
DIMENSIONAL TOLERANCE		DATE 6-76			
DIMENSIONS ARE UNLESS OTHERWISE SPECIFIED		DATE 6-27-74			
MILLIFITS	INCHES	TITLE			
XXX ±0.10	XXX ±0.02	AC INPUT BOX ASSY			
XX ±0.05	XX ±0.01	SIZE CODE NUMBER REV.			
THIRD ANGLE PROJECTION	MATERIAL FINISH	DAD 7009811-0-0			
SEE PARTS LIST		K			

"THIS DRAWING AND SPECIFICATIONS, HEREIN, ARE THE PROPERTY OF DIGITAL EQUIPMENT CORPORATION AND SHALL NOT BE REPRODUCED OR COPIED OR USED IN WHOLE OR IN PART AS THE BASIS FOR THE MANUFACTURE OR SALE OF ITEMS WITHOUT WRITTEN PERMISSION. COPYRIGHT © 1974, DIGITAL EQUIPMENT CORPORATION"

D AD 7009811-0-0 2



REVISIONS		
CHK	CHANGE NO	REV

TITLE: AC INPUT BOX ASS'Y. SIZE CODE: D AD NUMBER: 7009811-0-0 REV: K
 SCALE: NOTE SHEET 2 OF 3

"THIS DRAWING AND SPECIFICATIONS HEREIN ARE THE PROPERTY OF DIGITAL EQUIPMENT CORPORATION AND SHALL NOT BE REPRODUCED OR COPIED OR USED IN WHOLE OR IN PART AS THE BASIS FOR THE MANUFACTURE OR SALE OF ITEMS WITHOUT WRITTEN PERMISSION. COPYRIGHT © 1976 DIGITAL EQUIPMENT CORPORATION"

WIRE TABLE (120V)						
ITEM NO.	DESCRIPTION	CONNECTION FROM	CONNECTION WITH	CONNECTION TO	CONNECTION WITH	REMARKS
8	14 BRN	CORD	---	CBI-1(+)	---	
8	14 BLU	CORD	---	CBI-3(+)	---	
14	BLK	CBI-2(-)	---	K2-1	---	
18	BLK	K2-5	---	K2-3	---	
19	BLK	BD-8B	---	K2-3	---	
17	WHT	CBI-4(-)	---	BD-10B	---	
6	WHT	BD-10A	---	J5-2(REF)	---	
6	WHT	BD-9A	---	J5-4(REF)	---	
15	BRN	K2-4	---	BD-11B	---	
6	BLK	K2-6	---	J5-3(REF)	---	
6	14 BLK	K2-2	---	J5-1(REF)	---	
21	22 RED	D6-A	---	BD-11A	---	
21	22 RED	D6-B	---	BD-8A	---	
8	14 GRN/YEL	CORD	---	G1	---	SEE NOTE 2
2	14 GRN/YEL	BD-12	---	G1	---	SEE DETAIL A AND NOTE 2-3

WIRE TABLE (240V)						
ITEM NO.	DESCRIPTION	CONNECTION FROM	CONNECTION WITH	CONNECTION TO	CONNECTION WITH	REMARKS
8	14 BRN	CORD	---	CBI-1(+)	---	
8	14 BLU	CORD	---	CBI-3(+)	---	
14	BLK	CBI-2	---	K2-1	---	
20	BLK	K2-3	---	K2-1	---	
19	BLK	K2-3	---	BD-7B	---	
38	WHT	K2-5	---	CBI-4(-)	---	
16	WHT	K2-5	---	BD-9A	---	
15	BRN	K2-4	---	BD-11B	---	
7	BLK	K2-2	---	J5-1(REF)	---	
7	BLK	J5-2(REF)	---	J5-3(REF)	---	
7	14 WHT	K2-6	---	J5-4(REF)	---	
25	22 RED	D7-A	---	BD-11A	---	
25	22 RED	D7-B	---	BD-7A	---	
8	14 GRN/YEL	CORD	---	G1	---	SEE NOTE 2
2	14 GRN/YEL	BD-12	---	G1	---	SEE DETAIL A AND NOTE 2-3

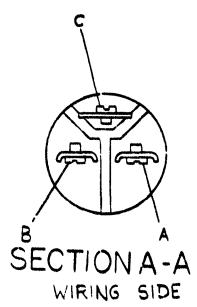
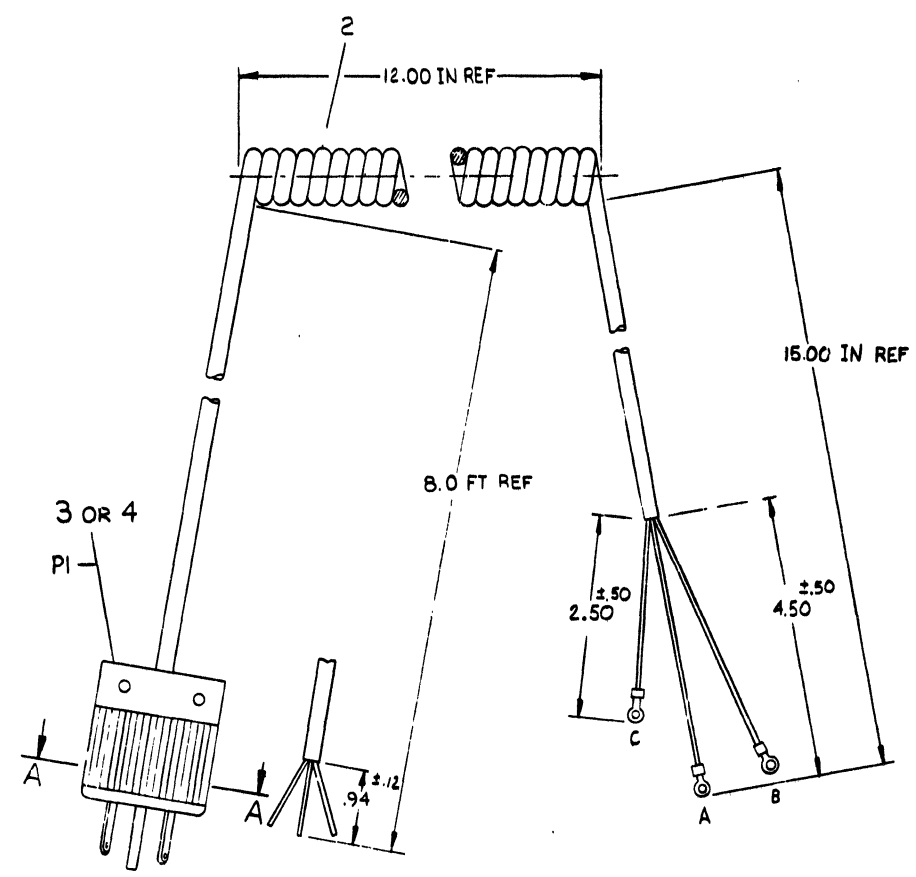
REVISIONS		
CHK	CHANGE NO.	REV.

"THIS DRAWING AND SPECIFICATIONS HEREIN ARE THE PROPERTY OF DIGITAL EQUIPMENT CORPORATION AND SHALL NOT BE REPRODUCED OR COPIED OR USED IN WHOLE OR IN PART AS THE BASIS FOR THE MANUFACTURE OR SALE OF ITEMS WITHOUT WRITTEN PERMISSION. COPYRIGHT © 1976, DIGITAL EQUIPMENT CORPORATION"

LEGEND	
NUMBER	VARIATION
7012500-0	120V
7012500-1	240V

WIRE TABLE (7012500-0)							
ITEM NO.	DESCRIPTION	COLOR	CONNECTION	WITH	CONNECTION	WITH	REMARKS
2	14	BRN	PI-B	---	B	6	AC LINE
2	14	LT BLU	PI-A	---	A	6	AC NEUTRAL
2	14	BRN/YEL	PI-C	---	C	6	AC SAFETY GND

WIRE TABLE (7012500-1)							
ITEM NO.	DESCRIPTION	COLOR	CONNECTION	WITH	CONNECTION	WITH	REMARKS
2	14	BRN	PI-B	---	B	6	LINE
2	14	LT BLU	PI-A	---	A	6	NEUTRAL
2	14	GRN/YEL	PI-C	---	C	6	AC SAFETY GND



QTY	DESCRIPTION	DWG./PART NO.	ITEM NO.
3	TERMINAL RING TORQUE	9007929	6
2	TERMINAL QUICK CONNECT	9007919-0	5
1	PLUG, 240 V	9008853	4
1	PLUG, 120 V	9008938	3
1	POWER CORD	1700065-0	2
1	POWER CORD	1700065-1	1

UNLESS OTHERWISE SPECIFIED DIMENSIONS ARE IN INCHES	CLASS OF ACCURACY		NOMINAL DIMENSION RANGE INCHES			
	0.001	0.002	0.001	0.002	0.005	OVER 0.005
ANGLES 90° 30'	±0.004	±0.008	±0.004	±0.008	±0.016	±0.024
SURFACE QUALITY IN	±0.004	±0.008	±0.004	±0.008	±0.016	±0.024
MICROINCHES	±0.012	±0.016	±0.025	±0.04	±0.069	±0.1

THIRD ANGLE PROJECTION

REMOVE BURRS AND BREAK SHARP CORNERS

DO NOT SCALE DWG

MATERIAL SEE PARTS LIST

FINISH

DRN. R 3/24/76 2-27 76

CHK'D BY [Signature] 3/24/76

ENG. [Signature] 3/24/76

PROJ. ENG. [Signature] 3/24/76

PROD. [Signature] 3/24/76

FIRST USED ON 3A11-K

TITLE POWER CORD 120V 240V

SIZE CODE D IA

NUMBER 7012500-0-0

REV. B

SHEET 1 OF 1

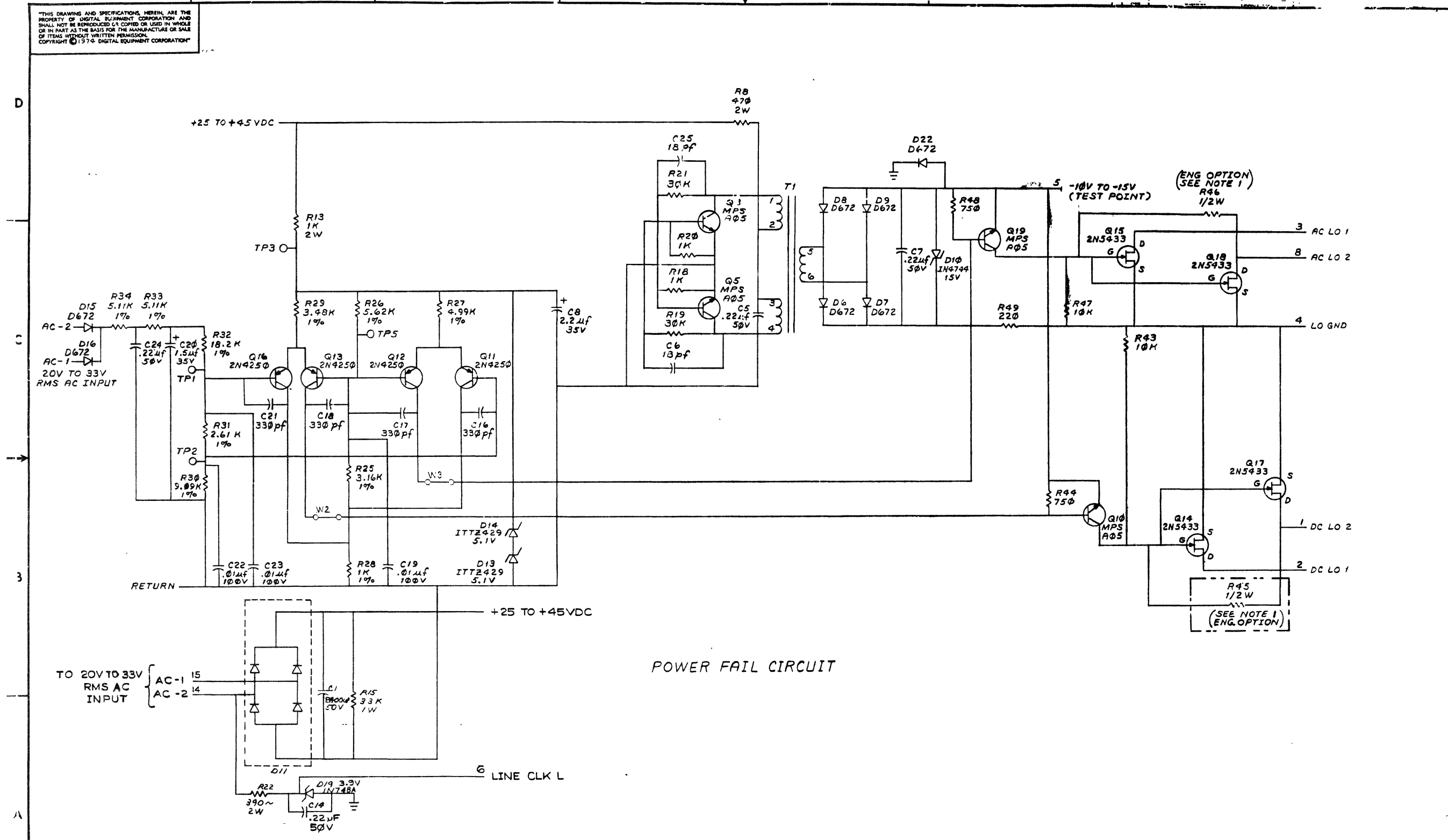
DIST.

REV.	DESCRIPTION	DATE
1	INITIAL DESIGN	3/24/76
2	CHANGE NO. 1	3/24/76
3	CHANGE NO. 2	3/24/76
4	CHANGE NO. 3	3/24/76
5	CHANGE NO. 4	3/24/76
6	CHANGE NO. 5	3/24/76
7	CHANGE NO. 6	3/24/76
8	CHANGE NO. 7	3/24/76
9	CHANGE NO. 8	3/24/76
10	CHANGE NO. 9	3/24/76
11	CHANGE NO. 10	3/24/76
12	CHANGE NO. 11	3/24/76
13	CHANGE NO. 12	3/24/76
14	CHANGE NO. 13	3/24/76
15	CHANGE NO. 14	3/24/76
16	CHANGE NO. 15	3/24/76

SIZE CODE D IA
 NUMBER 7012500-0-0
 REV. B

"THIS DRAWING AND SPECIFICATIONS, HEREIN, ARE THE PROPERTY OF DIGITAL EQUIPMENT CORPORATION AND SHALL NOT BE REPRODUCED OR COPIED OR USED IN WHOLE OR IN PART AS THE BASIS FOR THE MANUFACTURE OR SALE OF ITEMS WITHOUT WRITTEN PERMISSION. COPYRIGHT © 1974 DIGITAL EQUIPMENT CORPORATION"

1-0-98011-01-01 2



POWER FAIL CIRCUIT

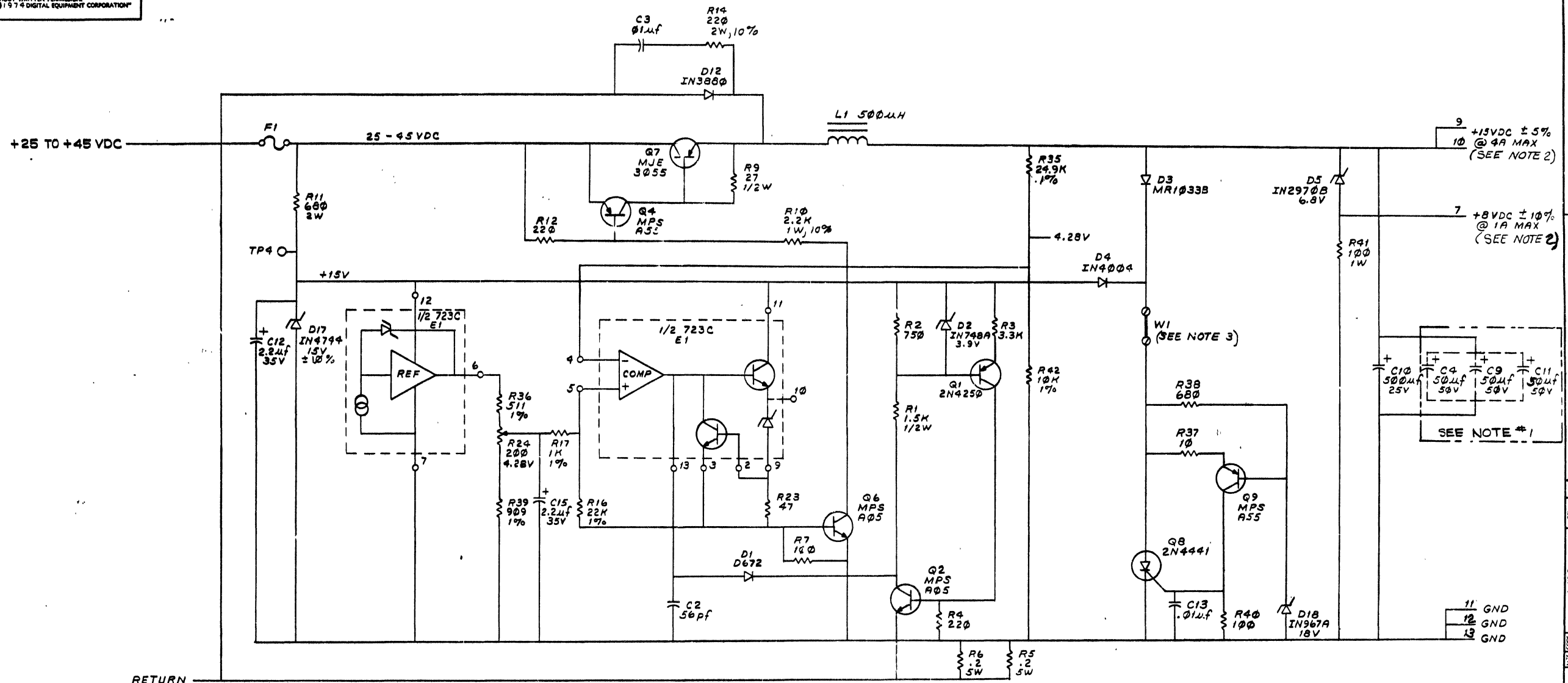
REVISIONS		
CHK	CHANGE NO	REV.

TITLE	PWR. LINE MONITOR/15V REG.	SIZE CODE	N/MBE1	REV.
SCALE	SHEET 3 OF 4	DIST.	DCS 5411086-0-1	

8 7 6 5 4 3 2 1

"THIS DRAWING AND SPECIFICATIONS, HEREIN, ARE THE PROPERTY OF DIGITAL EQUIPMENT CORPORATION AND SHALL NOT BE REPRODUCED OR COPIED OR USED IN WHOLE OR IN PART AS THE BASIS FOR THE MANUFACTURE OR SALE OF ITEMS WITHOUT WRITTEN PERMISSION. COPYRIGHT © 1974 DIGITAL EQUIPMENT CORPORATION"

DCS5411086-0-1 2



15V REGULATOR
(SEE NOTE #4)

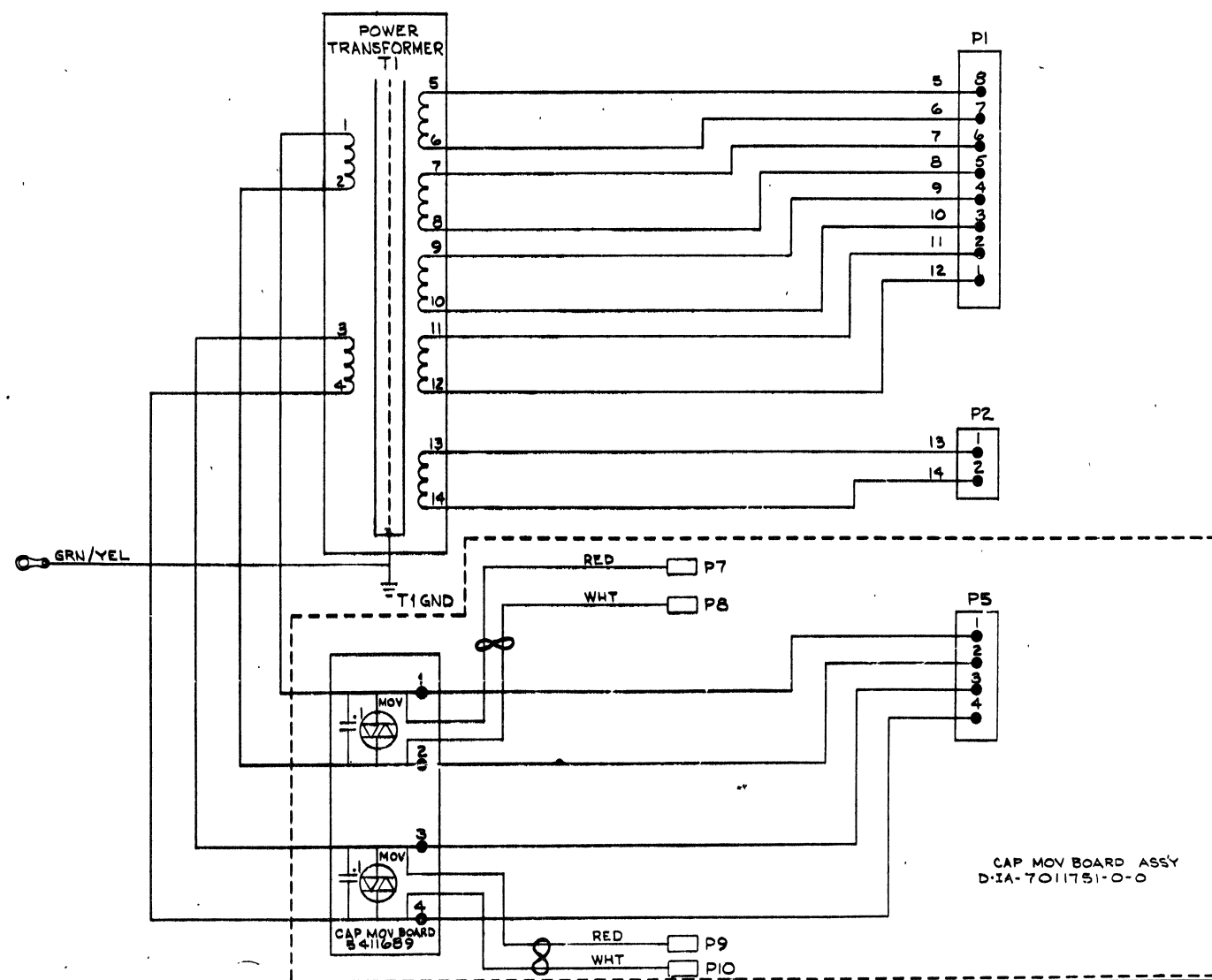
REVISIONS		
CHK	CHANGE NO.	REV.

TITLE	PWR. LINE MONITOR/15V REG.	SIZE CODE	NUMBER	REV.
SCALE	1/1	SHEET	2 OF 4	1
DISTR.		DCS5411086-0-1		

DCS5411086-0-1

"THIS DRAWING AND SPECIFICATIONS, HEREIN, ARE THE PROPERTY OF DIGITAL EQUIPMENT CORPORATION AND SHALL NOT BE REPRODUCED OR COPIED OR USED IN WHOLE OR IN PART AS THE BASIS FOR THE MANUFACTURE OR SALE OF ITEMS WITHOUT WRITTEN PERMISSION. COPYRIGHT © 1975 DIGITAL EQUIPMENT CORPORATION"

WIRE TABLE							
ITEM NO.	DESCRIPTION		FROM		TO		WIRE LENGTH
	AWG	COLOR	CONNECTION	WITH	CONNECTION	WITH	
↑	14	BLK	T1-1	---	CAP MOV BD-1	SOLDER	1.5 IN
↑	↑	↑	T1-2	---	CAP MOV BD-2	SOLDER	2.0 IN
↑	↑	↑	T1-3	---	CAP MOV BD-3	SOLDER	2.0 IN
↑	↑	↑	T1-4	---	CAP MOV BD-4	SOLDER	1.5 IN
			T1-5	---	P1-8	ITEM 4	12.0 IN
			T1-6	---	P1-7	↑	↑
			T1-7	---	P1-6	↑	↑
			T1-8	---	P1-5	↑	↑
			T1-9	---	P1-4	↑	↑
			T1-10	---	P1-3	↑	↑
			T1-11	---	P1-2	↑	↑
			T1-12	---	P1-1	ITEM 4	↑
↓	↓	↓	T1-13	---	P2-1	ITEM 4	↓
↓	14	BLK	T1-14	---	P2-2	ITEM 4	12.0 IN
↓	14	GRN/YEL	T1-GND	---	GND LUG (ITEM 7)	SOLDER	16.0 IN



REVISIONS		
CHK	CHANGE NO	REV.

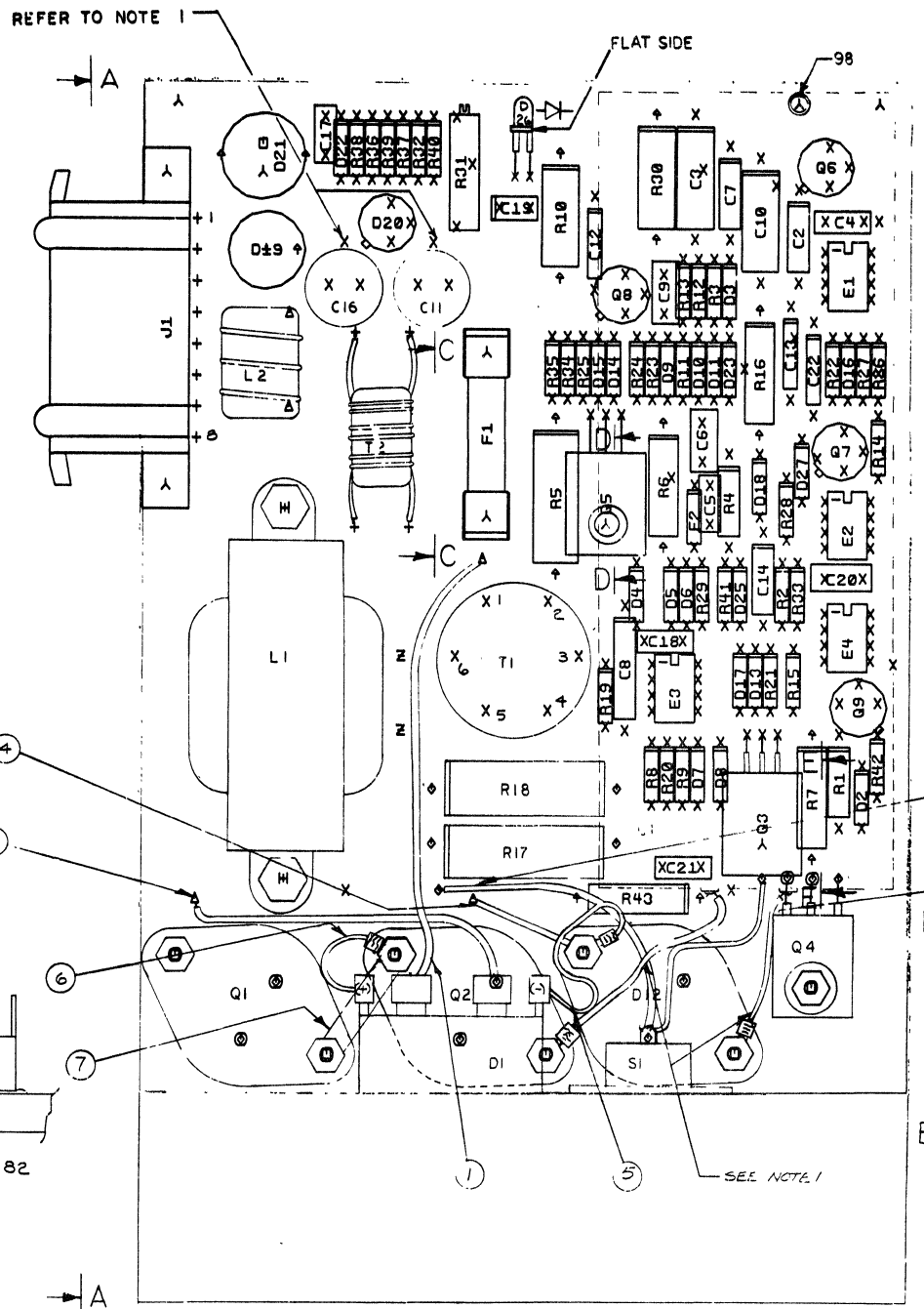
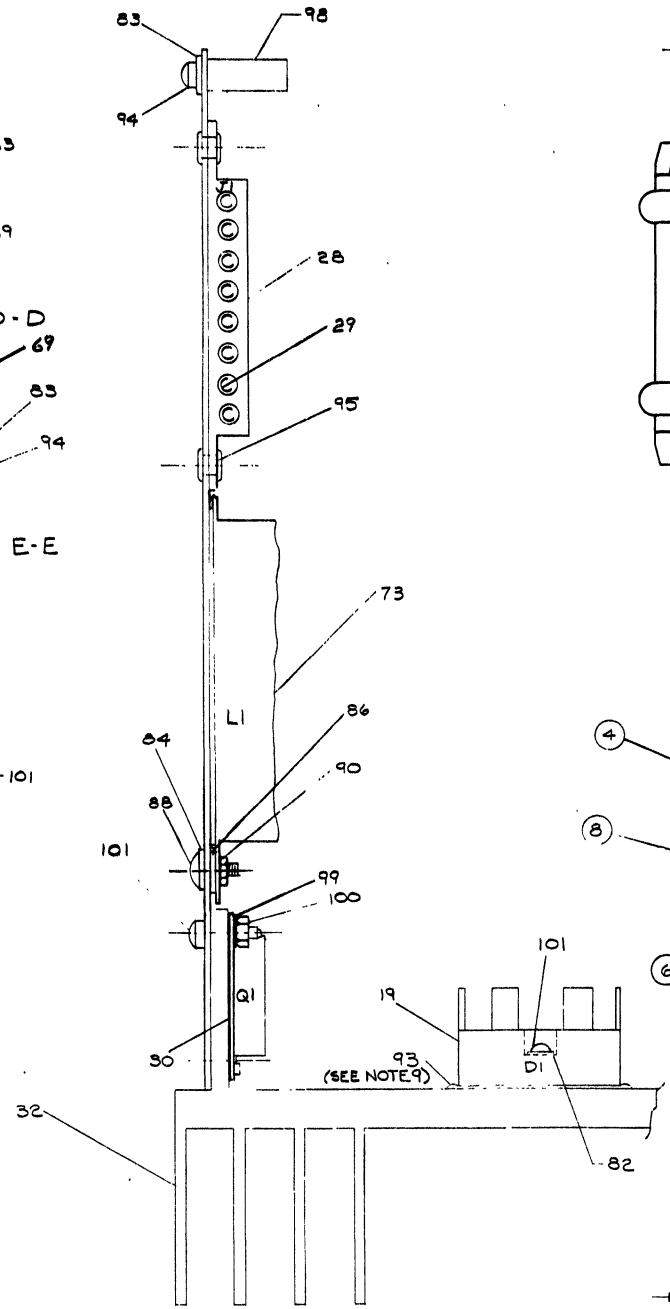
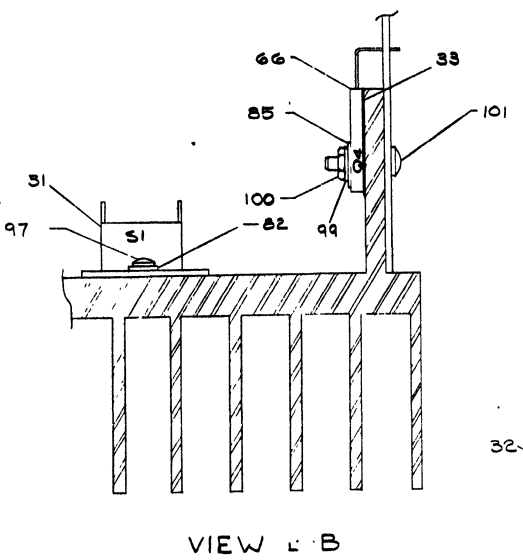
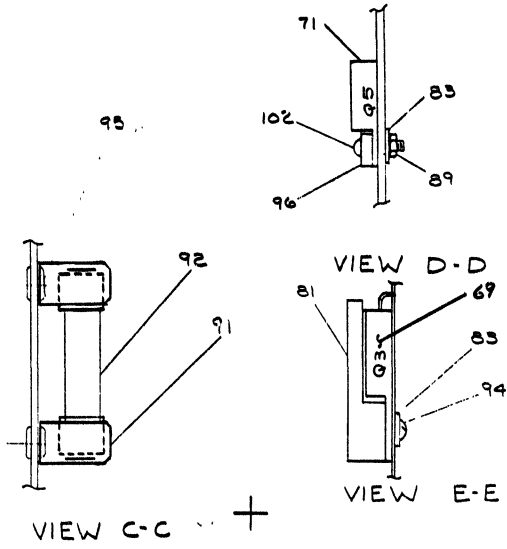
TITLE: TRANSFORMER ASSY
 SIZE CODE: D
 NUMBER: AD7011486-0-0
 REV: B
 SCALE: / / SHEET 2 OF 2

THIS DRAWING AND SPECIFICATIONS, HEREIN, ARE THE PROPERTY OF WESTINGHOUSE ELECTRIC AND MANUFACTURING COMPANY, and shall not be used, in whole or in part, for any other purpose without the written consent of the company.

WIRE & BUS STRAP RUNS

NO	FROM	TO	WIRE OR BUS LENGTH
①	FEEDTHRU AT F1	TERMINAL D1	#14 AWG 4" SEE NOTE 3
②	S1	FEEDTHRU SHOWN	#18 AWG 3"
③	S1	FEEDTHRU SHOWN	#18 AWG 2.5"
④	D12	FEEDTHRU SHOWN	DEC PT #1214074-05 SEE NOTE 4
⑤	TERMINAL D1	D12	#14 AWG 3" SEE NOTE 5
⑥	TERMINAL D1	Q2	#14 AWG 2" SEE NOTE 6
⑦	Q2	Q1	DEC PT #1214074-04 SEE NOTE 7
⑧	TERMINAL D1	FEEDTHRU SHOWN	#14 AWG 2.75" SEE NOTE 2

NOTES: 1. MOUNT WIRES PER IA DRAWING NO. IA 7013274. RED WIRE TO CASE Q2 AND POSITIVE TERMINAL C1 & BLACK WIRE TO CASE D12 AND NEGATIVE TERMINAL C1.
 2. WIRE RUN ② IS SOLDERED AT D1
 3. WIRE RUN ③ IS SOLDERED AT D1
 4. STRAP ④ (ITEM #26) IS SOLDERED AT FEEDTHROUGH SHOWN AND MOUNTED UNDER RING LUG OF D12.
 5. WIRE RUN ⑤ IS SOLDERED AT D1 AND CRIMPED TO RING LUG ITEM #87 OF D12
 6. WIRE RUN ⑥ IS SOLDERED AT D1 AND CRIMPED TO RING LUG ITEM #87 OF Q2.
 7. BUS STRAP ⑦ (ITEM #25) IS MOUNTED UNDER RING LUG OF Q2 AND ON CASE OF Q1.
 8. TORQUE HARDWARE ON Q1, Q2, Q4 AND D12 TO BINCH-LBS. FROM NUT SIDE ONLY. TORQUE OTHER HARDWARE TO DEC STD VALUES.
 9. APPLY THERMAL COMPOUND TO D1 (ITEM 19) ONLY.



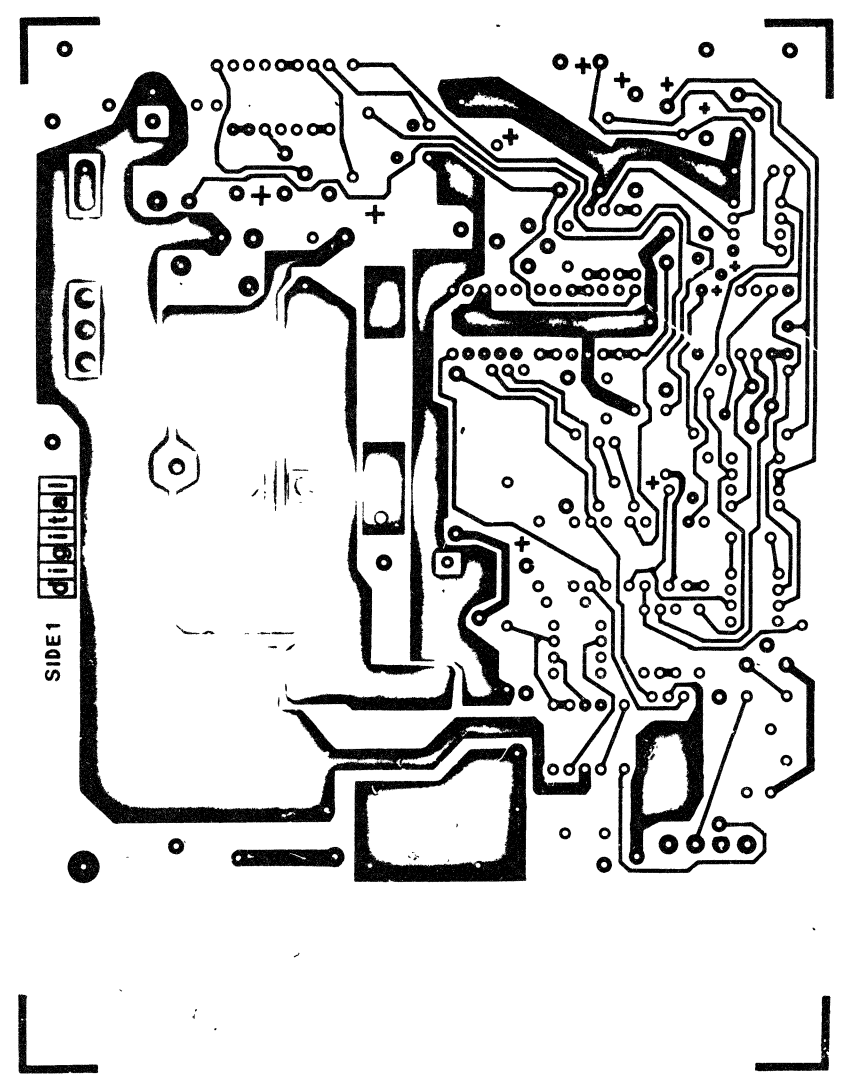
NOTES:
 1. INDICATED DRILL POINTS AT C11 AND C16 SHOULD NOT BE USED FOR DRILL ALIGNMENT DURING MANUFACTURE. THESE OVERSIZED PADS WILL NOT CENTER WITH DRILL BORING.

CHANGE NO	REV	DATE	BY	CHK'D	APP'D
1	1	5/20/77	B.G.	B.G.	B.G.
2	1	5/20/77	B.G.	B.G.	B.G.
3	1	5/20/77	B.G.	B.G.	B.G.
4	1	5/20/77	B.G.	B.G.	B.G.
5	1	5/20/77	B.G.	B.G.	B.G.
6	1	5/20/77	B.G.	B.G.	B.G.
7	1	5/20/77	B.G.	B.G.	B.G.
8	1	5/20/77	B.G.	B.G.	B.G.
9	1	5/20/77	B.G.	B.G.	B.G.
10	1	5/20/77	B.G.	B.G.	B.G.

ETCH REV. F.
 P.C. DESIGN DATA BASE REV. B-P4

SIGNATURES	DATE	TITLE	SIZE	CODE	NUMBER	REV
DRN. Burt G. H.	5/20/77	-5V, 32 AMP	D	UA	5412441-00	J
CHK'D. B.G.	5/20/77	REGULATOR				
ENG. B.G.	5/20/77					
PROJ. ENG. B.G.	5/20/77					
PROD. B.G.	5/20/77					
SCALE 2/1						
SHT. 1 OF 3						
NEXT HIGHER ASSY. B-27-5412441-0						

THIS DRAWING AND ALL RIGHTS HEREIN ARE THE PROPERTY OF DIGITAL CORPORATION AND SHALL NOT BE REPRODUCED OR TRANSMITTED IN ANY FORM OR BY ANY MEANS WITHOUT THE WRITTEN PERMISSION OF DIGITAL CORPORATION.

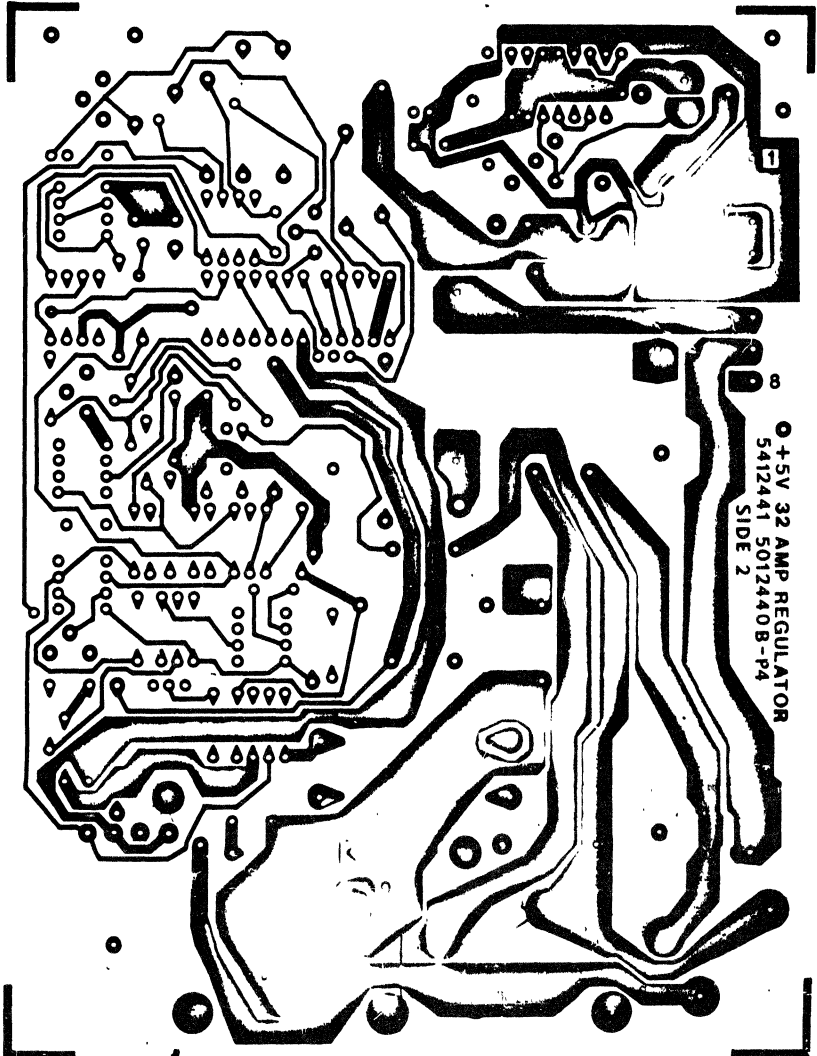


UNIVERSITY MICROFILMS

REVISIONS		
CHK	CHANGE NO	REV

+5V, 32AMP, REGULATOR DUA 5412441-0-0 J
 271 2 3

THIS DRAWING AND SPECIFICATIONS HEREIN ARE THE PROPERTY OF DUAL INC. AND ARE NOT TO BE REPRODUCED OR TRANSMITTED IN ANY FORM OR BY ANY MEANS, ELECTRONIC OR MECHANICAL, INCLUDING PHOTOCOPYING, RECORDING, OR BY ANY INFORMATION STORAGE AND RETRIEVAL SYSTEM, WITHOUT THE WRITTEN PERMISSION OF DUAL INC.



REVISIONS		
CHK	CHANGE NO	REV

+5V, 32AMP REGULATOR. D UA 5412441-0-0 J
 2/1 3 3

LINE ITEM	DOCUMENT NO.	PART NO.	DESCRIPTION	QTY	REFERENCE DESIGNATORS
1	1	D-MD-5012440-0-0	5012440-00	5412441	1
2	2		1000009-00	33.0 MMF 100V 5%200PPM DM15S (10-00	1 C20
3	3		1000021-00	220.0 MMF 100V 5%200PPM DM15S (10-00	1 C9
4	4		1001610-01	.01 MFD 100V DR 50V Z5U DISC/800PF MIN	5 C4,C5,C17,C18,C21
5	5		1002627-00	2.2MFD 20V 10% 150D S.TA (10	2 C2,C7
6	6		1004813-00	10 MFD 20V 10% 150D S.TA (10-00	1 C8
7	7		1010279-00	.47 MFD 25V 20% 2C023 CER.	1 C19
8	8		1010646-00	.015 MFD 50V 2% M.POLYCARB	2 C3,C10
9	9		1010702-00	24,000 MFD 50V GZ 36D AL EL	1 C1
10	10		1012607-00	560 MFD 20V HZ 672D AL EL	1 C11
11	11		1012607-01	1200 MFD 6.3V HZ 672D AL EL	1 C16
12	12		1009964-00	.68 MFD 35V 10% 150D S.TA	1 C12
13	13		1001776-00	1 MFD 35V 10% 150D S.TA (10-00	3 C13,C14,C22
14	14		1000024-00	470.0 MMF 100V 5%200PPM DM15S (10-00	1 C6
15	15		1105508-00	1N 823 VZ= 6.2 5% .40W Y	1 D18
16	16		1102808-00	1N 752A VZ= 5.6 5% .40W P	1 D22
17	17		1103341-00	MR1033B PIV=300 I= 3A Z44 SM	1 D19
18	18		1105275-00	D 672 TR= 15NS FIV= 60V SP	15 D3-D6,D9-D11,D13-D17,D23,D25, CONT D27
19	19		1110051-00	DM 16 ASSY@200V & 25A #990-3	1 D1
20	20		1110324-00	LED 1MCD@10MA #MV5054-1#HP4882	1 D26
21	21		1110836-00	1N 759A VZ= 12.0 5% .40W P	1 D2
22	22		1110968-00	2N 5062 SCR@100V I=.8A T092	1 D20
23	23		1112595-01	A114B PIV=200 I= 1A	2 D7,D8
24	24		1113496-00	UES602R PIV=100 I=30A T03	1 D12
25	25		1214074-04	STRAP,THERMAL 2 HOLE	1
26	26		1214074-05	STRAP,THERMAL LUG .815	1
27	27		1209070-00	FUSE, SUB-MINI, 5.000A, 125V, RADIAL LEAD	1 F2
28	28		1209340-00	MATE-N-LOK 8PIN,HOUSING,SKT	1 J1
29	29		1209456-01	MATE-N-LOK SKT PCB TAB LOOSE	8

REVISION HISTORY			VARIATIONS FOR THIS ASSY.		DIGITAL EQUIPMENT CORPORATION MAYNARD, MASSACHUSETTS			
CHK	ECO NO	REV	FIRST USED ON:		TITLE			
SC	00008	1	MADE BY: D.SIREEN		DATE: 10-MAR-78	PARTS LIST		
			CHECKED: F.GAROFALO		DATE: 10-MAR-78	+5V 32 AMP REGULATOR		
			DSN.ENG.: R.DAY		DATE: 10-MAR-78	SIZE	CODE	DOCUMENT NUMBER
			PROD.: R.B.KING		DATE: 10-MAR-78	K	PL	5412441-0-0
			RESP.ENG.: R.DAY		DATE: 10-MAR-78	ASSY.NO.: D-UA-5412441-0-0		REV
								J
								EDIT#
								6

*THIS DRAWING AND SPECIFICATIONS HEREIN, ARE THE PROPERTY OF DIGITAL EQUIPMENT CORPORATION AND SHALL NOT BE REPRODUCED OR COPIED OR USED IN WHOLE OR IN PART AS THE BASIS FOR THE MANUFACTURE OR SALE OF ITEMS WITHOUT WRITTEN PERMISSION.
COPYRIGHT 1978, DIGITAL EQUIPMENT CORPORATION *

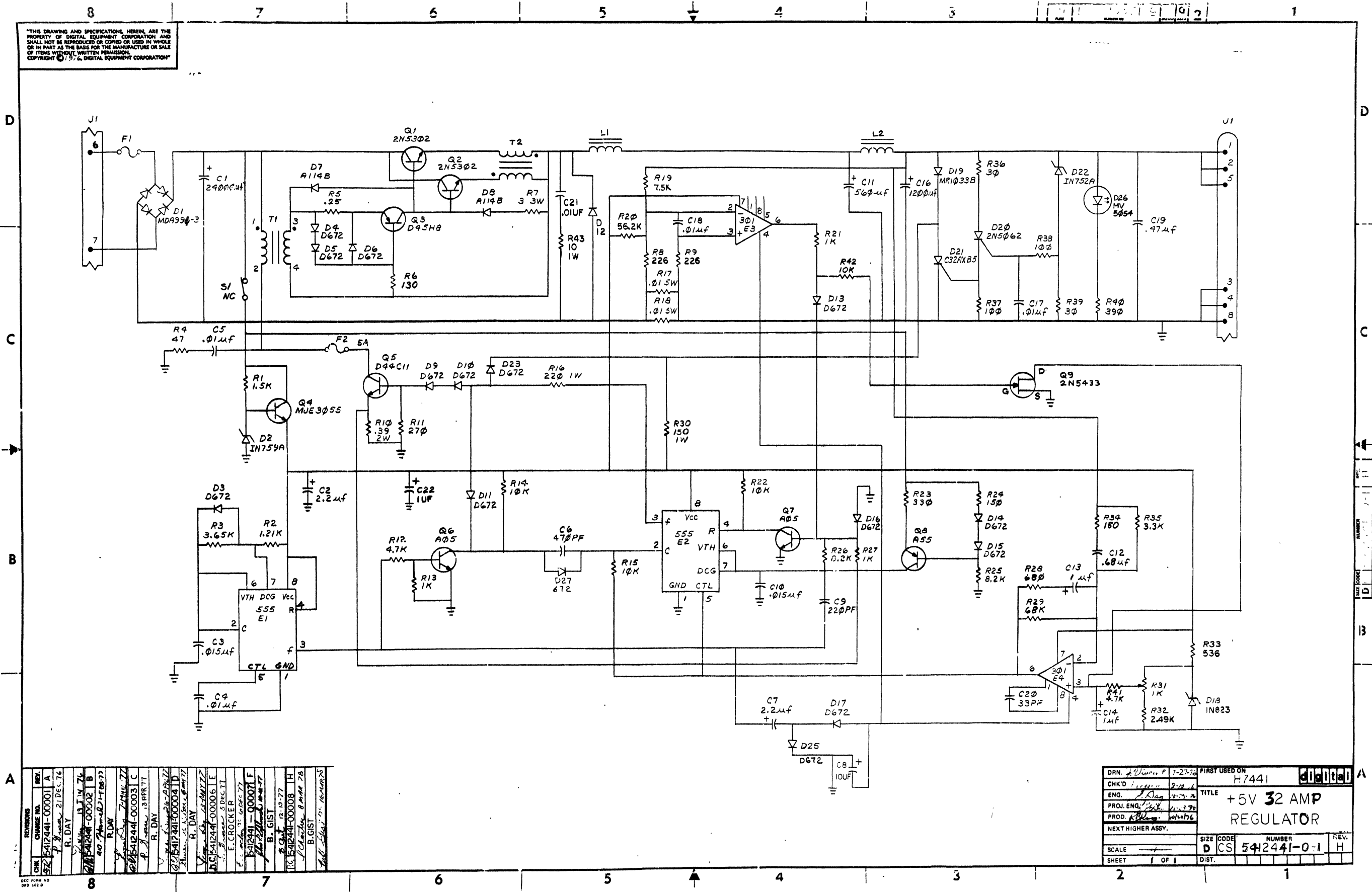
LINE ITEM	DOCUMENT NO.	PART NO.	DESCRIPTION	QTY	REFERENCE DESIGNATORS
30	30	1213071-02	INSULATOR,RUBBER SILICONE SM	3	
31	31	1212787-00	THERMOSTAT,00212,C0182,NC	1	S1
32	32	1210737-02	HEAT SINK,REGULATOR	1	
33	33	1213071-06	INSULATOR,RUBBER SILICONE	1	
34	34	1312626-00	2.49 K 1/4W 1% RN55D-F 100PPM	1	R32
35	35	1300229-00	100 1/4W 5% CC	2	R37,R38
36	36	1300250-00	150 1/4W 5% CC	2	R24,R34
37	37	1305322-00	7.5 K 1/4W 1% RN55D-F 100PPM	1	R19
38	38	1300295-00	330 1/4W 5% CC	1	R23
39	39	1301424-00	680 1/4W 5% CC	1	R28
40	40	1301327-00	68 K 1/4W 5% CC	1	R29
41	41	1300439-00	3.3 K 1/4W 5% CC	1	R35
42	42	1310219-00	.25 3W 1% WW	1	R5
43	43	1300248-00	130 1W 5% CC	1	R6
44	44	1302644-00	226 1/4W 1% RN55D-F 100PPM	2	R8,R9
45	45	1300277-00	220 1W 10% CC	1	R16
46	46	1300309-00	390 1/4W 5% CC	1	R40
47	47	1312922-00	536 1/4W 1% RN55D-F 100PPM	1	R33
48	48	1300365-00	1 K 1/4W 5% CC	3	R13,R21,R27
49	49	1300394-00	1.5 K 1/2W 5% CC	1	R1
50	50	1300447-00	4.7 K 1/4W 5% CC	2	R12,R41
51	51	1300479-00	10 K 1/4W 5% CC	4	R14,R15,R22,R42
52	52	1301695-00	47 1/2W 5% CC	1	R4
53	53	1301972-00	270 1/4W 5% CC	1	R11
54	54	1312747-00	56.2 K 1/4W 1% RN55D-F 100PPM	1	R20
55	55	1302751-00	30 1/4W 5% CC	2	R36,R39
56	56	1302871-00	1.21 K 1/4W 1% RN55D-F 100PPM	1	R2
57	57	1303179-00	8.2 K 1/4W 5% CC	2	R25,R26
58	58	1305337-00	3.65 K 1/4W 1% RN55D-F 100PPM	1	R3
59	59	1309143-07	1 K 3/4W10% POT 100PPM	1	R31
60	60	1310868-00	.39 2W 5% WW	1	R10
61	61	1313712-00	.01 5W 3% WW	2	R17,R18
62	62	1312682-00	3 3W 5% CC	1	R7
63	63	1300256-00	150 1W 10% CC	1	R30
64	64	1300171-00	10 1W 5% CC	1	R43
65	65	1510196-00	2N 5302/HSNPN 200WC SI 60 40 M	2	Q1,Q2
66	66	1510555-00	MJE3055 NPN 90WC SI 60 20 Y	1	Q4
67	67	1510705-00	XA 05 NPN 500MW SI 60 50 P	2	Q6,Q7
68	68	1510706-00	XA 55 PNP 500MW SI 60 50 P	1	Q8
69	69	1510708-00	D 45H8 PNP 50WT SI 60 60 Y	1	Q3
70	70	1510928-00	C32AX135 SCR@100V I=25A	1	D21
71	71	1512790-00	D 44C11 NPN 30W SI 80 40	1	Q5
72	72	1511686-00	DECS433 FET N 350MW 10 25 1A 20U	1	Q9
73	73	1612584-00	50 UH 30A	1	L1
74	74	1612592-00	PULSE XFMR,RATIO 4:1	1	T1
75	75	1613713-00	CHOKER, 5 UH 32A	1	L2
76	76	1613714-00	2 UH 20A	1	T2
77	77	1910282-00	301AN OP AMP	2	E3,E4

DIGITAL EQUIPMENT CORPORATION MAYNARD, MASSACHUSETTS	TITLE +5V 32 AMP REGULATOR	PARTS LIST	SIZE K	CODE FL	DOCUMENT NUMBER 5412441-0-0	REV J
---	-------------------------------	------------	-----------	------------	--------------------------------	----------

LINE ITEM	DOCUMENT NO.	PART NO.	DESCRIPTION	QTY	REFERENCE DESIGNATORS
78	78	1911944-00	555CN TIMER,FUNCT.BLOCK	2	E1,E2
79	79	7013274-00	JUMPER CAP TRAWS	1	
80	80	7013274-01	JUMPER CAP TRAWS	1	
81	81	7414765-00	HEATSINK	1	
82	82	9006633-00	WASHER,LOCK,INT,.2800D X .146ID X .018 THK	3	
83	83	9008172-00	WASHER, FLAT,SS .250 OD X .125 ID X .022 T	3	
84	84	9006660-00	WASHER, FLAT, .375 O.D. X .187 I.D. X .036	2	
85	85	9006653-00	WASHER, FLAT, .375 O.D. X .156 I.D. X .036	1	
86	86	9008082-00	WASHER, FLAT, FIBER OD. 1/2	2	
87	87	9007927-00	TERM RING 1POS INSULATED,16-14AWG,ROLL	2	
88	88	9006037-03	SCREW,TRUS,PHIL, 8-32X 3/8 SS/PAS	2	
89	89	9006557-00	NUT,KEP , 4-40X 1/4 AF CS	1	
90	90	9006563-00	NUT,KEP , 8-32 X11/32AF CS	2	
91	91	9007203-00	CLIP, FUSE, WITH STOP, SCREW MOUNTED	2	
92	92	9007226-00	FUSE, REG BLOW, 15.000A, 32V, GLASS	1	F1
93	93	9008268-00	COMPOUND, THERMAL JOINT		A/R
94	94	9006012-01	SCREW,PAN PHIL, 4-40X 7/16 SS/PAS	2	
95	95	9009000-00	EYELET, ROLLED FLANGE, .121 OD X .156 LG	4	
96	96	9009769-00	WASHER, RECTANGULAR .405X.225X.060	1	
97	97	9006021-01	SCREW,PAN PHIL, 6-32X 5/16 SS/PAS	2	
98	98	9007660-00	SPACER, FIBER, RND, 4-40, .250 X .500 LG	1	
99	99	9007801-00	WASHER, LOCK, S.S. #6	7	
100	100	9008957-00	NUT,HEX , 6-32X 1/4 AF X 3/32 THK SS	7	
101	101	9007773-01	SCREW,PAN PHIL, 6-32X 9/16 SS/PAS	8	
102	102	9006010-01	SCREW,PAN PHIL, 4-40X 5/16 SS/PAS	1	
103	103	9107360-99	WIRE,STRND,18AWG,IPVC UL1429 (91-00 A/R		
104	104	9107370-00	WIRE,STRND,14AWG,IPVC UL1534 (91-00 A/R		

DIGITAL EQUIPMENT CORPORATION MAYNARD, MASSACHUSETTS		TITLE PARTS LIST +5V 32 AMP REGULATOR	SIZE CODE K PL	DOCUMENT NUMBER 5412441-0-0	REV J

"THIS DRAWING AND SPECIFICATIONS, HEREIN, ARE THE PROPERTY OF DIGITAL EQUIPMENT CORPORATION AND SHALL NOT BE REPRODUCED OR COPIED OR USED IN WHOLE OR IN PART AS THE BASIS FOR THE MANUFACTURE OR SALE OF ITEMS WITHOUT WRITTEN PERMISSION. COPYRIGHT © 1974, DIGITAL EQUIPMENT CORPORATION"



REV.	DATE	BY	CHK'D
1	12-17-77	B. GIST	B. GIST
2	12-17-77	B. GIST	B. GIST
3	12-17-77	B. GIST	B. GIST
4	12-17-77	B. GIST	B. GIST
5	12-17-77	B. GIST	B. GIST
6	12-17-77	B. GIST	B. GIST
7	12-17-77	B. GIST	B. GIST
8	12-17-77	B. GIST	B. GIST

DRN. 1-2770	FIRST USED ON	7-27-70
CHK'D 1-2770	H7441	
ENG. 1-2770	TITLE	+5V 32 AMP
PROJ. ENG. 1-2770	REGULATOR	
PROD. 1-2770		
NEXT HIGHER ASSY.		
SCALE	SIZE CODE	NUMBER
SHEET 1 OF 1	D CS	542441-0-1
	DIST.	REV. H