







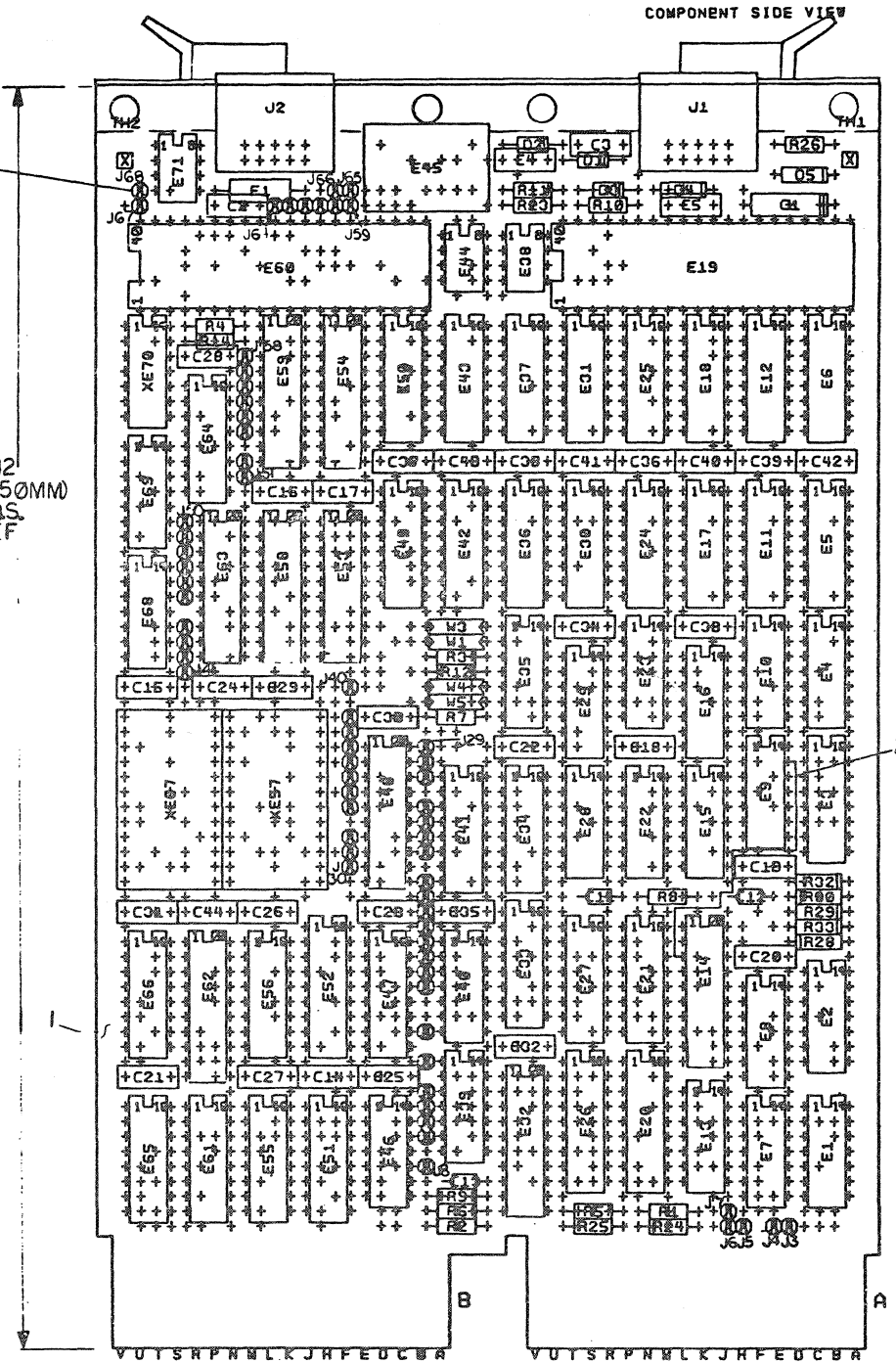
FROM BOARD FOR THE PRODUCTION OF THIS BOARD. THE BOARD IS THE PROPERTY OF THE U.S. GOVERNMENT AND IS TO BE REPRODUCED OR TRANSMITTED IN ANY FORM OR BY ANY MEANS, ELECTRONIC OR MECHANICAL, INCLUDING PHOTOCOPYING, RECORDING, OR BY ANY INFORMATION STORAGE AND RETRIEVAL SYSTEM, WITHOUT PERMISSION IN WRITING FROM THE U.S. GOVERNMENT PRINTING OFFICE: 1975 O-273-750

CONFIGURATION	WIRE WRAP PINS		LEVEL
	FROM	TO	
RAM BANK B	J30	J31	L1
	J32	J33	L1
	J31	J32	L2
CH <sub>2</sub> ADDRESS 17R500	J23	J19	L1
	J24	J19	L1
CH <sub>1</sub> ADDRESS 177580	J29	J19	L2
	J28	J15	L1
	J25	J14	L1
	J27	J13	L1
ROW (TUS8 BOOT)	J37	J38	L1
	J21	J22	L1
	J34	J37	L2
	J33	J38	L2
	J29	J15	L2
BAUD RATES	J49 (CH0)	J50 (39.4K)	L1
	J48 (CH1)	J49 (9800)	L1
VECTORS (CH0, 398CH1, 80)	J53	J57	L1
	J54	J52	L1
	J58	J51	L1
	J54	J55	L2
BREAK DETECTION (HALT)	J6	J7	L1
CRYSTAL CLOCK	J68	J67	L1
SLU PARAMETERS (8 DATA BITS, NO PARITY, ONE STOP BIT)	J89	J81	L1
	J82	J84	L1
	J88	J83	L1
	J81	J82	L2
	J59	J88	L2
	J83	J85	L2

**REWORK INSTRUCTIONS**  
**ECO #2**  
 ETCH- CUT SIDE 1, AS SHOWN:  
 2-1 AT F9-2  
 WIRE ADD SIDE 1, AS SHOWN:  
 2-2 FROM E9-13 TO E14-3

(QTY 66)

8.42  
(210.50MM)  
FBS. REF



THIS DRAWING AND INFORMATION HEREON ARE THE PROPERTY OF DIGITAL EQUIPMENT CORPORATION AND SHALL NOT BE REPRODUCED OR COPIED IN ANY MANNER OR IN ANY MANNER AS THE BASIS FOR THE MANUFACTURE OR SALE OF ITEMS WITHOUT WRITTEN PERMISSION. COPYRIGHT © 1973 DIGITAL EQUIPMENT CORPORATION.

50-13554-D

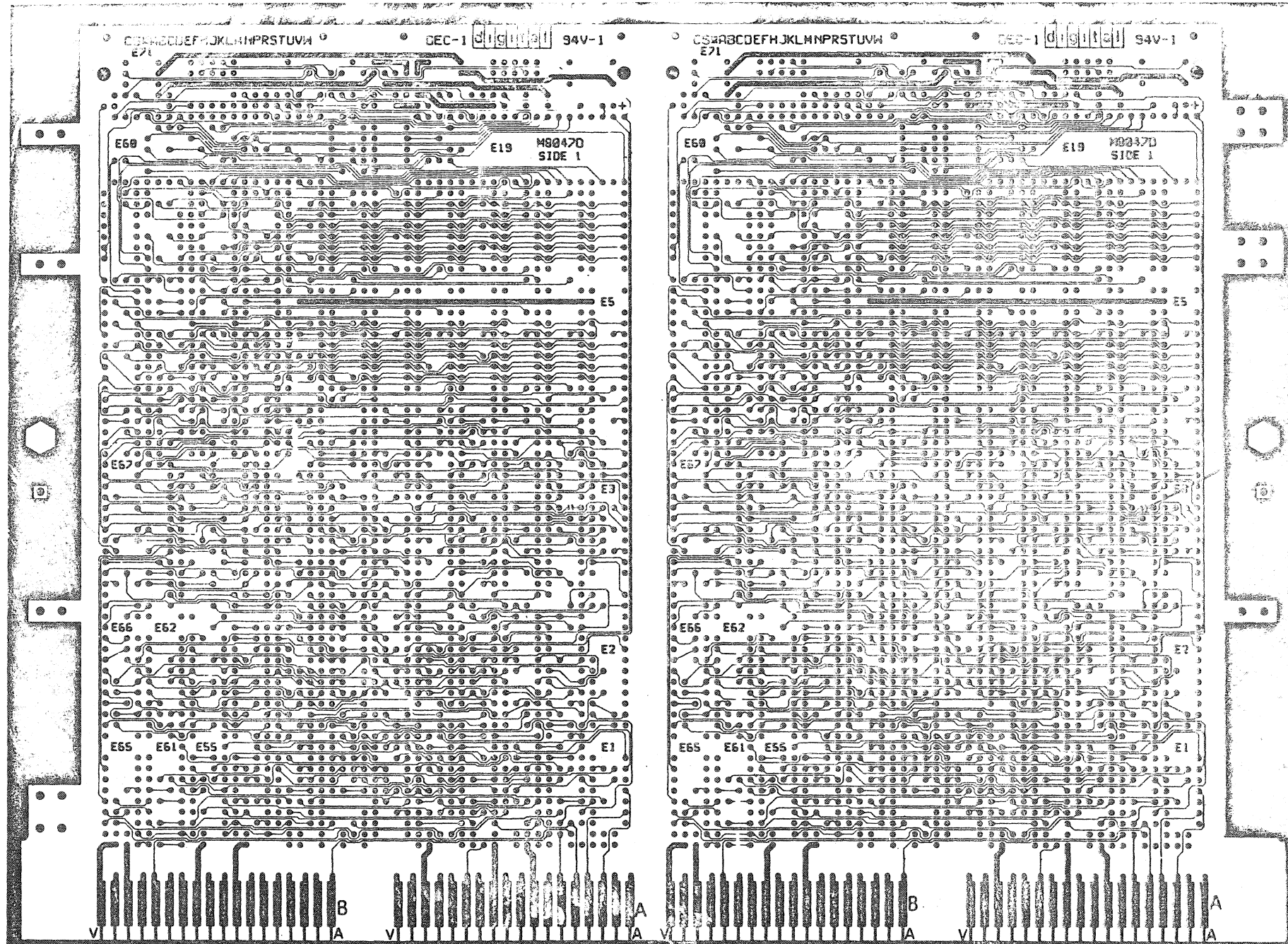
M8047

LAYER 1

50-13554-D

M8047

L1



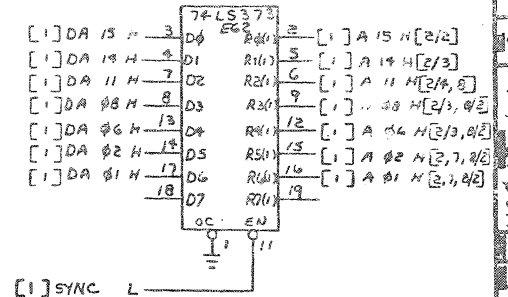
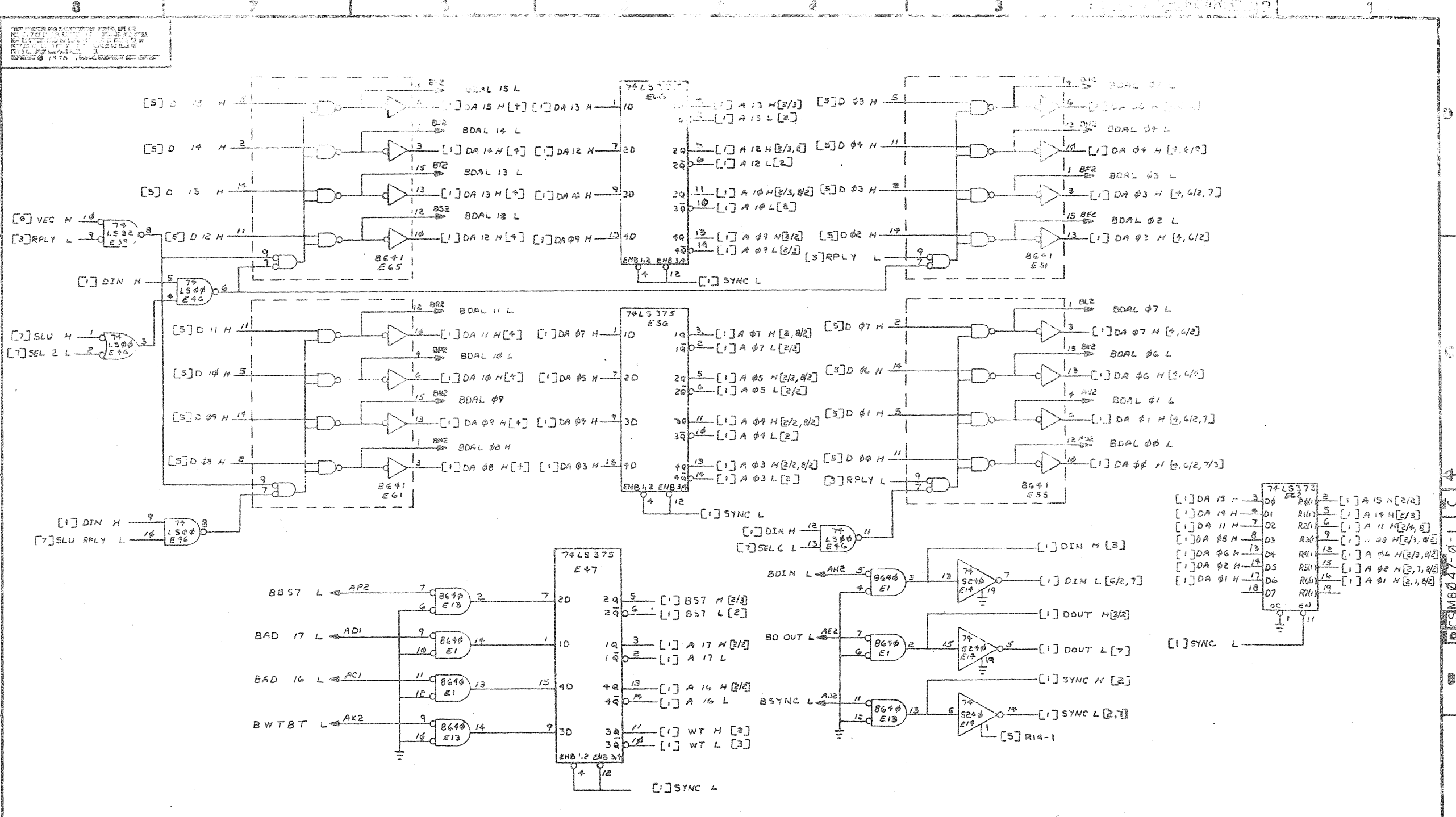
REVISIONS		
CHK	CHANGE NO	REV

TITLE	SIZE/COOE	NUMBER	REV.
LSIII MEM & I/O	DUA	M8047-0-0	B
SCALE 2/1	SHEET 2 OF 3	DIST.	

MR 1

DUA M8047-0-0



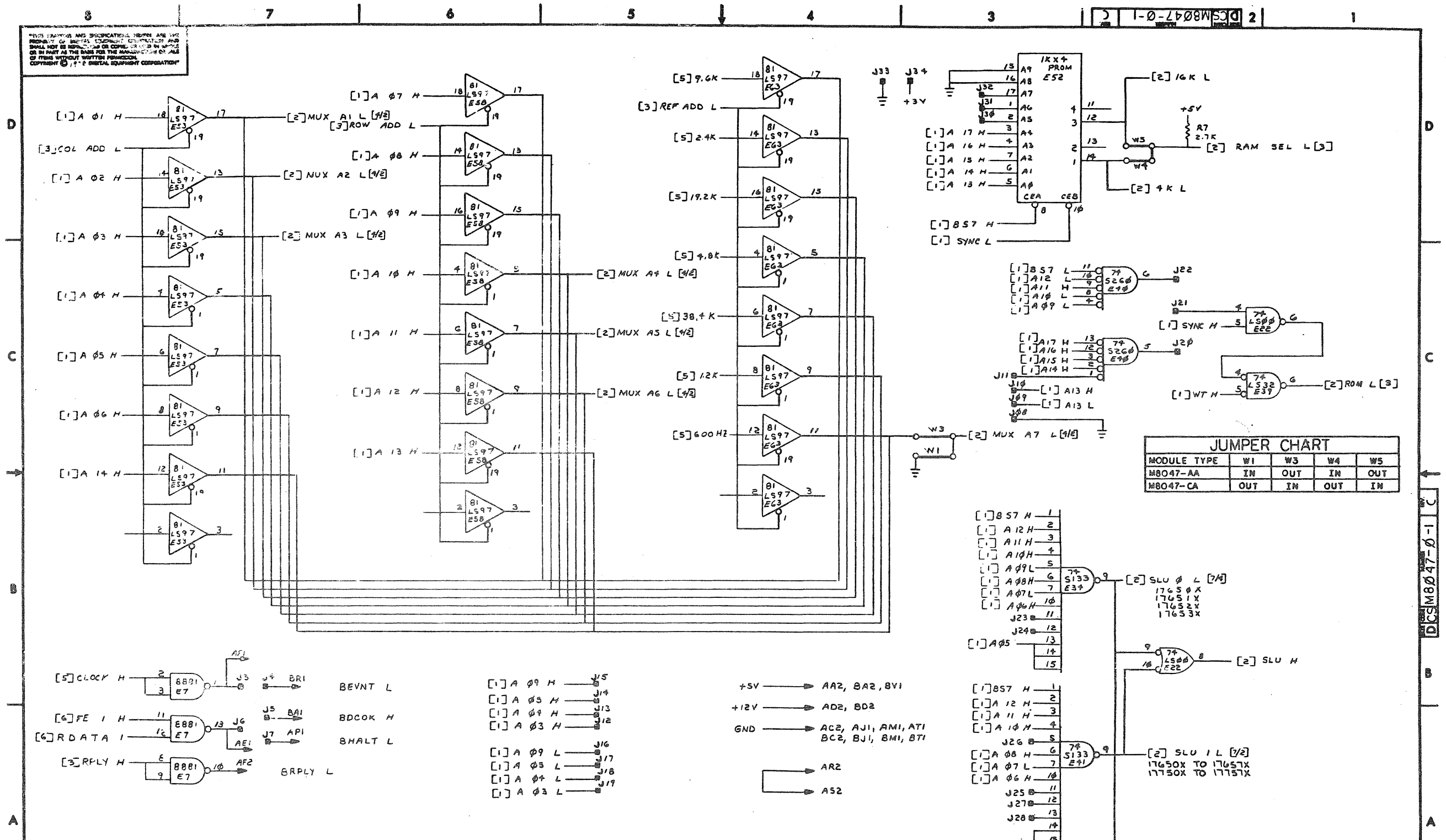


REV	DATE	BY	CHKD
1	10/15/78	A. FITCH	
2	11/15/78	B. LOCKE	

ORIG. AUTHOR	22/6/78	FIRST USED ON	MXVII-A
CHKD. BY	22/6/78	TITLE	LSI-11 MEM AND I/O
ENGR. BY	22/6/78	SCALE	NCNE
PROJ. ENGR.	22/6/78	SIZE	CODE
PROD. ENGR.	22/6/78	NUMBER	D CSM8047-0-1
NEXT HIGHER ASSY.		SHEET	1 OF 8
B-DD-ME047-0		MR	

D CSM8047-0-1

THIS DRAWING AND SPECIFICATIONS HEREBY ARE THE PROPERTY OF BENTON CORPORATION. REPRODUCTION AND SALE HERE OF HEREON OR IN ANY MANNER OR IN PART AS THE BASIS FOR THE MANUFACTURE OF ANY OF THESE WITHOUT WRITTEN PERMISSION. COPYRIGHT © 1978 BENTON CORPORATION

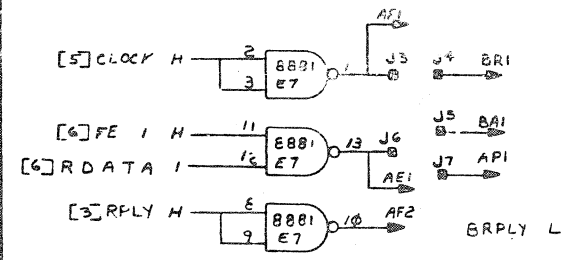


**JUMPER CHART**

MODULE TYPE	W1	W3	W4	W5
M8047-AA	IN	OUT	IN	OUT
M8047-CA	OUT	IN	OUT	IN

- [1] B57 H 1
- [1] A12 H 2
- [1] A11 H 3
- [1] A10 H 4
- [1] A09 L 5
- [1] A08 H 6
- [1] A07 L 7
- [1] A06 H 10
- J23 11
- J24 12
- [1] A05 13
- 14
- 15

- [1] B57 H 1
- [1] A12 H 2
- [1] A11 H 3
- [1] A10 H 4
- J26 5
- [1] A08 H 6
- [1] A07 L 7
- [1] A06 H 10
- J25 11
- J27 12
- J28 13
- 14
- 15



- +5V → AA2, BA2, BV1
- +12V → AD2, BD2
- GND → AC2, AJ1, AM1, AT1, BC2, BJ1, BM1, BT1
- AR2
- AS2

- [1] A09 H J5
- [1] A05 H J14
- [1] A09 H J13
- [1] A03 H J12
- [1] A09 L J16
- [1] A05 L J17
- [1] A04 L J18
- [1] A03 L J19

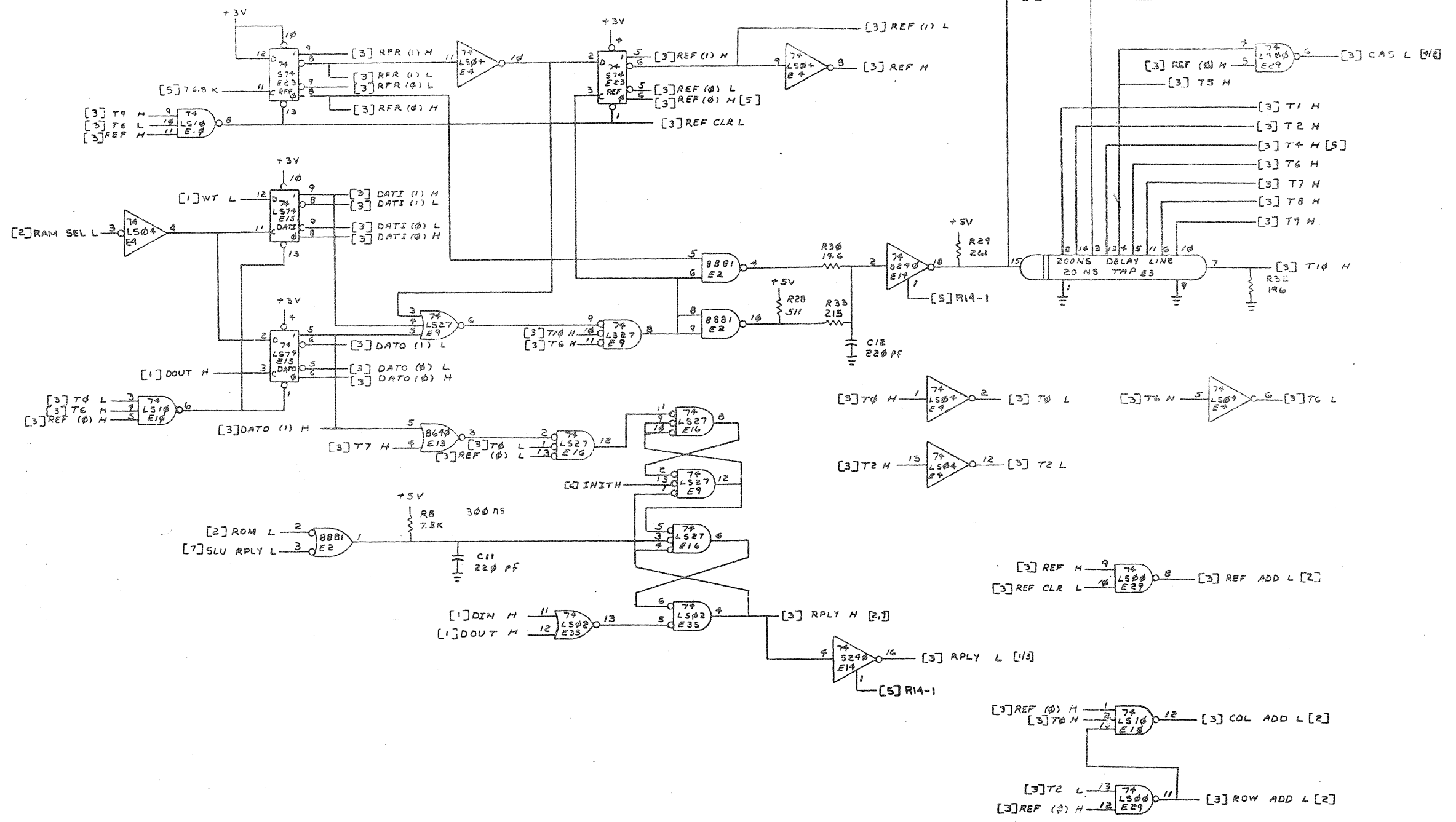
- [2] SLU 0 L [24]
- 17650X
- 17651X
- 17652X
- 17653X

- [2] SLU H
- [2] SLU 1 L [1/2]
- 17650X TO 17657X
- 17750X TO 17757X



THIS DRAWING AND SPECIFICATIONS HEREBY ARE THE PROPERTY OF DIGITAL EQUIPMENT CORPORATION AND SHALL NOT BE REPRODUCED OR COPIED IN WHOLE OR IN PART AS THE BASIS FOR THE REPRODUCTION OR SALE OF ITEMS IDENTICAL WITH THE ORIGINAL. COPYRIGHT © 1976 DIGITAL EQUIPMENT CORPORATION

NOTE:  
 RPLY ON T3 FOR DOUT  
 RPLY ON T1 FOR DIN  
 ON LATCH DATA ON T4  
 AND NOT REF

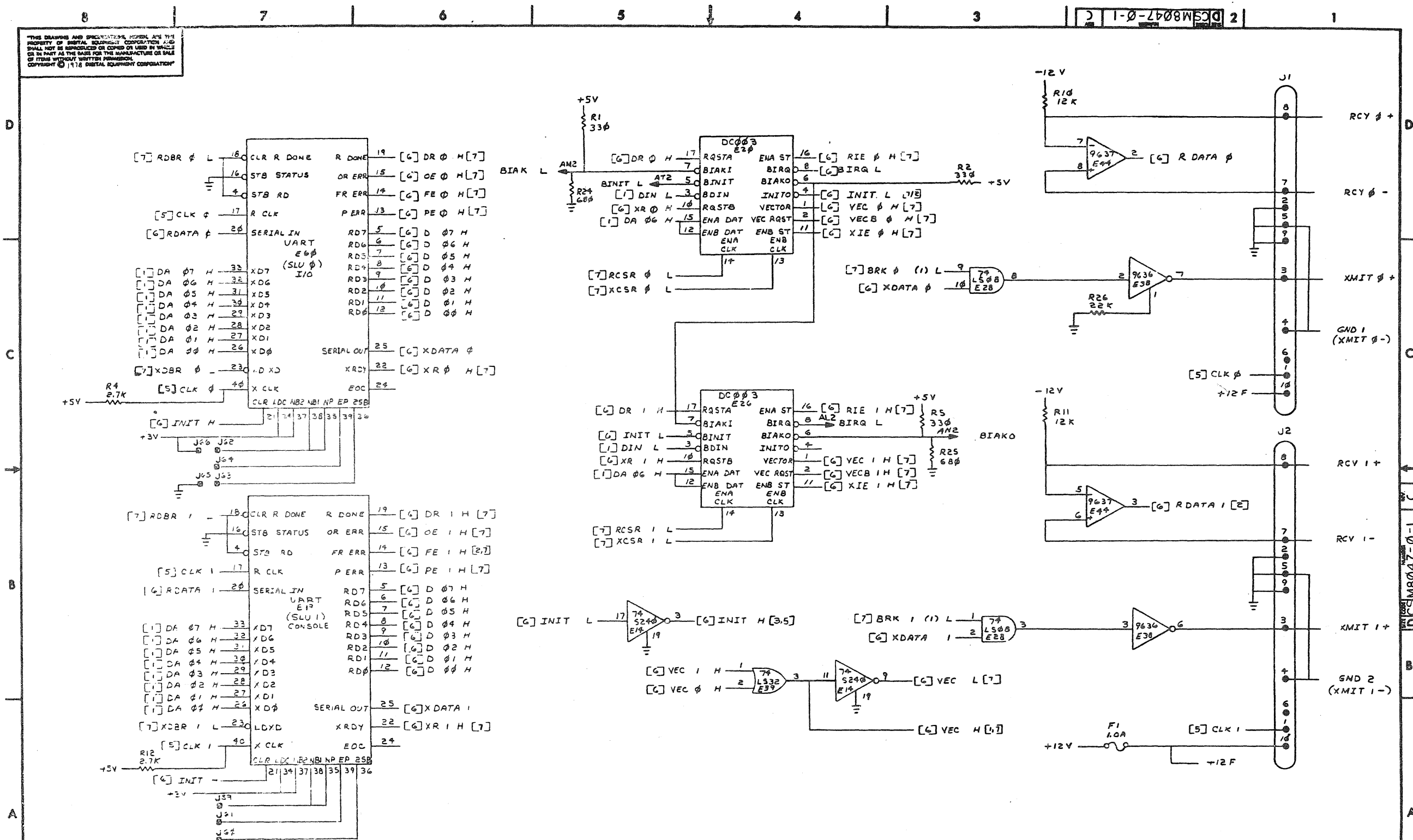


REVISIONS		
CHK	CHANGE NO.	REV.

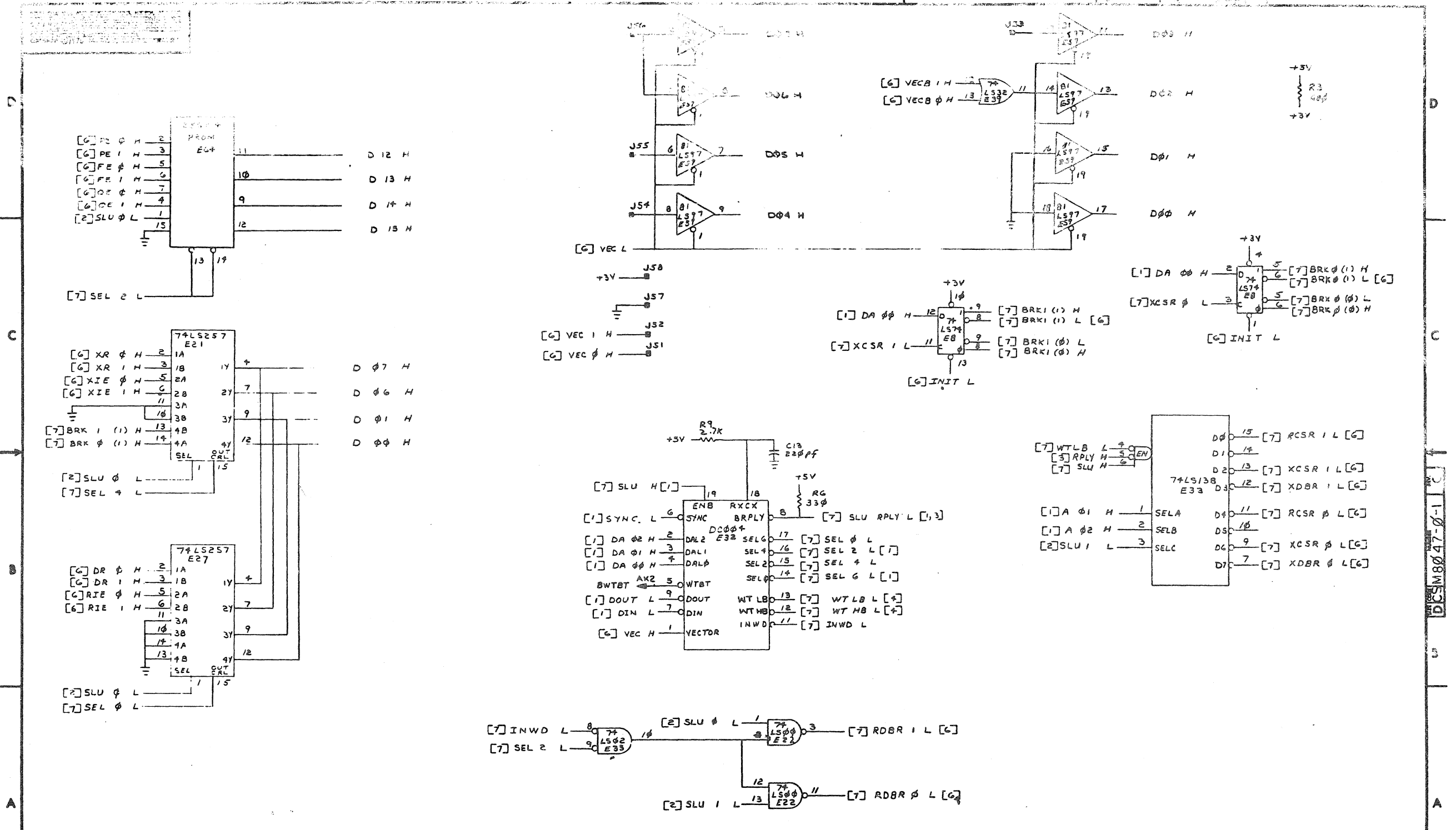




THIS DRAWING AND SPECIFICATIONS FORMERLY THE PROPERTY OF DIGITAL EQUIPMENT CORPORATION AND SHALL NOT BE REPRODUCED OR COPIED OR USED IN WHOLE OR IN PART AS THE BASIS FOR THE MANUFACTURE OR SALE OF ITEMS WITHOUT WRITTEN PERMISSION. COPYRIGHT © 1978 DIGITAL EQUIPMENT CORPORATION



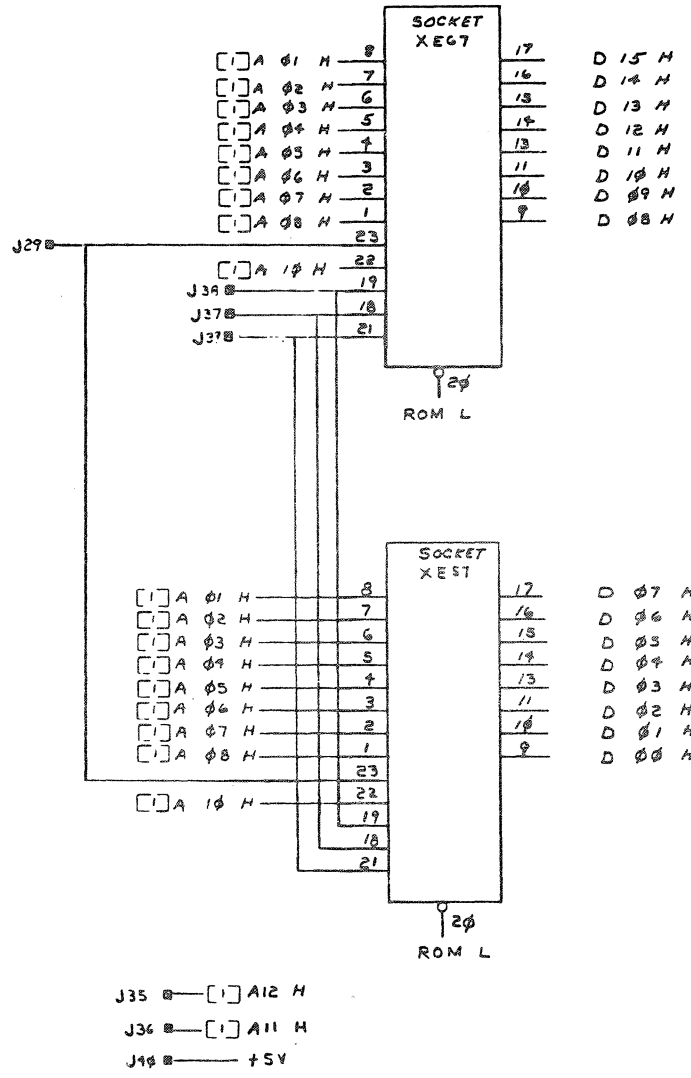
CHK	CHANGE NO.	REV.



REVISIONS			TITLE		SIZE CODE		NUMBER		REV.
CHK	CHANGE NO.	REV.	LSI-11 MEM AND I/O		DCSM8047-0-1		7 OF 8		C
							MR		

DCSM8047-0-1

THIS DRAWING AND SPECIFICATIONS HEREIN ARE THE PROPERTY OF DIGITAL EQUIPMENT CORPORATION AND SHALL NOT BE REPRODUCED OR COPIED OR USED IN WHOLE OR IN PART AS THE BASIS FOR THE MANUFACTURE OR SALE OF ITEMS WITHOUT WRITTEN PERMISSION OF DIGITAL EQUIPMENT CORPORATION. COPYRIGHT © 1978 DIGITAL EQUIPMENT CORPORATION



REVISIONS		
CHK	CHANGE NO.	REV.

DCSM8047-0-1 C

LINE ITEM	DOCUMENT NUMBER	PART NUMBER	DESCRIPTION	QTY PER VARIATION				REFERENCE DESIGNATOR
				AB	BC	AD	AE	
1	D=MD=8013564-0-0	5013564-00	RTCH CREDIT BOARD	1	1	1	1	
2		1000064-00	3.9MFD 10V 10% S,TANT	1	1	1	1	C1
3		1010279-01	.47 MFD 25V 20% CER	12	12	12	12	C2-C5,C36-C43
4		1013466-07	220.0 MMF 50V 5% CER	3	3	3	3	C11-C13
5		1012784-00	.047 MFD 50V +80-20% CER	23	23	23	23	C14-C35,C44
6		1100114-00	D 664 QS\75PCB PIV= 25V SP	3	3	3	3	D1-D3
7		1105871-00	1/4M5.1AZ1 = 5.1 1% .25W N	1	1	1	1	D4
8		1109977-00	1N 749A VZ= 4.3 5%	1	1	1	1	D5
9		1300295-00	330.0 .25 W 5.0 % CC	4	4	4	4	R1,R2,R5,R6
10		1301424-00	680.0 .25 W 5.0 % CC	4	4	4	4	R3,R23=R25
11		1300426-00	2.70 K .25 W 5.0 % CC	4	4	4	4	R4,R7,R9,R12
12		1301422-00	7.50 K .25 W 5.0 % CC	1	1	1	1	R8
13		1300488-00	12.0 K .25 W 5.0 % CC	2	2	2	2	R10,R11
14		1300229-00	100.0 .25 W 5.0 % CC	1	1	1	1	R14
15		1301808-00	22.0 K .25 W 5.0 % CC	1	1	1	1	R26
16		1302411-00	511.0 .25 W 1.0 % RN55D=F10	1	1	1	1	R28
17		1302874-00	*** THIS ITEM IS NOT USED ***					
18		1303110-00	19.60 .25 W 1.0 % RN55D=F10	1	1	1	1	R30
19		1305123-00	215.0 .25 W 1.0 % RN55D=F10	1	1	1	1	R33
20		1305124-00	*** THIS ITEM IS NOT USED ***					
21		1215006-06	SOCKET 24PIN IC LOW PROFILE	2	2	2	2	XE57,XE67
22		1215006-01	SOCKET 14PIN IC LOW PROFILE	1	1	1	1	XE70
23		1213506-03	*** THIS ITEM IS NOT USED ***					
24		1210929-02	FUSE, SUB=MINI 1,000A, 125V, A	1	1	1	1	F1
25		1213543-01	HANDLE, UNIBUS MODULE, MAGENTA	1	1	1	1	
26		1911469-00	DEC 8640 RECEIVER, BUS, QUAD, U	2	2	2	2	E1,E13
27		1909705-00	DEC 8001 NAND GATE=QUAD 2IN O	2	2	2	2	E2,E7
28		1613120-00	DELAY= 200NS, 10TAPS	1	1	1	1	E3
29		1913414-00	*** THIS ITEM IS NOT USED ***					
30		1912024-00	LS74 FF=D DUAL, EDGE TRIGG	2	2	2	2	E8,E15

REVISION HISTORY			BASIC PART NO:	M8047		DRN:	E, WILSON	DATE:	15-MAR-79	DIGITAL			
ENG	ECO NUMBER	REV	SECTION A OF C	CHK'D:	R, W, CAUNTER	DATE:	15-MAR-79	TITLE					PARTS LIST
---	INITIAL	A	SECTION, VARIATION INDEX	DES, ENG:	R, FITCH <td>DATE:</td> <td>15-MAR-79</td> <td colspan="5">M8047</td> <td></td>	DATE:	15-MAR-79	M8047					
RF	M8047-MR001	B	[A] AB, AC, AD, AE	RESP, ENG, :	R, FITCH <td>DATE:</td> <td>15-MAR-79</td> <td colspan="5">LSI-11 MEM AND I/O</td> <td></td>	DATE:	15-MAR-79	LSI-11 MEM AND I/O					
BL	M8047-MR002	C	[B] CB, CC, CD, CE					DOCUMENT NUMBER					
			[C] CF					SIZE   CODE   NUMBER					REV
			[D]					MFG, ENG, :					C
			[E]					K   PL   M8047-0-DBP					
			[F]					ASSEMBLY NUMBER:					EDIT #
			[G]					TOP DOCUMENT NUMBER:					
			[H]					FILE NAME:					
			[I]					D=UA=M8047-0-0					48
			[J]					Z0448C, PLS					
			[K]										
			[L]										
			[M]										
			[N]										

\*THIS DRAWING AND SPECIFICATIONS HEREIN, ARE THE PROPERTY OF DIGITAL EQUIPMENT CORPORATION AND SHALL NOT BE REPRODUCED OR COPIED OR USED IN WHOLE OR IN PART AS THE BASIS FOR THE MANUFACTURE OR SALE OF ITEMS WITHOUT WRITTEN PERMISSION. COPYRIGHT (C) 1981, DIGITAL EQUIPMENT CORPORATION \*

LINE	ITEM	DOCUMENT NUMBER	PART NUMBER	DESCRIPTION	QTY PER VARIATION				REFERENCE DESIGNATOR
					AB	AC	AD	AE	
31	31		1912813-00	LS27 NOR GATE=TRIPLE 3IN	2	2	2	2	E9,E16
32	32		1912807-00	LS10 NAND GATE=TRIPLE 3IN	1	1	1	1	E10
33	33		1913462-00	74S240 OCTAL BUFFER, INVERTI	1	1	1	1	E14
34	34		2113937-00	UART 125K BUAD	2	2	2	2	E19,F60
35	35		1912730-00	DC 003 INTERRUPT, 2 CIRCUIT	2	2	2	2	E20,F26
36	36		1912647-00	LS257 MUX 1 OF 2 (QUAD)	2	2	2	2	E21,E27
37	37		1912799-00	LS00 NAND-GATE=QUAD 2IN,P	3	3	3	3	E22,E29,E46
38	38		1910544-01	74S74=60GG=D DUAL, EDGE TRIG	1	1	1	1	E23
39	39		1912805-00	LS08 AND GATE=QUAD 2IN,PO	1	1	1	1	E28
40	40		1912729-00	DC 004 PROTOCOL, REG, SELECT	1	1	1	1	E32
41	41		1912842-00	LS138 DECODER=THREE INPUT,	1	1	1	1	E33
42	42		1911983-00	74S133 NAND GATE=POSITIVE 1	2	2	2	2	E34,F41
43	43		1912801-00	LS02 NOR-GATE=QUAD 2IN	1	1	1	1	E35
44	44		1915415-00	9636 DRIVER, DUAL, EIA RS=	1	1	1	1	E38
45	45		1912816-00	LS32 OR GATE=QUAD 2IN, POS	1	1	1	1	E39
46	46		1914085-00	74S260 NOR GATE=DUAL, POS	1	1	1	1	E40
47	47		1915416-00	9637 RECEIVER, DUAL, RS=42	1	1	1	1	E44
48	48		1815860-00	OSCILLATOR, XTAL 19,6608 MHZ	1	1	1	1	E45
49	49		1912871-00	LS375 LATCH	3	3	3	3	E47,E56,E66
50	50		1915219-00	LS373 FF=D OCTAL=TRANSPARE	3	3	3	3	E48,E54,E62
51	51		1911579-00	8641 TRANSCEIVER, BUS, QUA	4	4	4	4	E51,E55,E61,E65
52	52	SEE NOTE #3	23195F1-00	F1-01	1	1	1	1	E52
53	53		1914213-00	81LS97 BUFFER GATE=OCTAL 2I	4	4	4	4	E53,E58,E59,E63
54	54		23496A2-00	A2-05	1	1	1	1	E64
55	55		1914451-00	74LS393 COUNTER, BINARY, 4BIT	2	2	2	2	E68,E69
56	56		1912830-00	LS90 COUNTER, ASYNCH UP, DE	1	1	1	1	E70
57	57		1912098-00	0026 DRIVER, MOS CLOCK, 2	1	1	1	1	E71
58	58		9009185-00	JUMPER, WIRE, INSULATED, BLACK B	2	2	2	2	W1,W4
59	59		9009149-01	PIN, STAKING, P.C. BOARD, .025 SQU	66	66	66	66	J3=J68
60	60		9006732-00	EYELET, ROLLED FLANGE, .121 OD X	4	4	4	4	
61	61		9105740-55	WIRE(WRAP)30AWG UL1423	A/R	A/R	A/R	A/R	
62	62	VENDOR:MOSTEK	2113735-01	4K MOS RAM 200NS 1	16	0	0	0	E5,E6,E11,E12,E17,E18,E24,E25, CONT E30,E31,E36,E37,E42,E43,E49,E50
63	63	VENDOR:FUJITSU	2114475-01	4K MOS RAM 200NS 1	0	16	0	0	E5,E6,E11,E12,E17,E18,E24,E25, CONT E30,E31,E36,E37,E42,E43,E49,E50
64	64	VENDOR:DEC	2113914-01	4K MOS RAM 200NS 1	0	0	16	0	E5,E6,E11,E12,E17,E18,E24,E25, CONT E30,E31,E36,E37,E42,E43,E49,E50
65	65	VENDOR:MOTOROLA	2114114-01	4K MOS RAM 200NS 1	0	0	0	16	E5,E6,E11,E12,E17,E18,E24,E25, CONT E30,E31,E36,E37,E42,E43,E49,E50
66	66	VENDOR:MOSTEK	2113825-01	16K MOS RAM 200NS 1	0	0	0	0	
67	67	VENDOR:FUJITSU	2114408-01	16K MOS RAM 200NS 1	0	0	0	0	
68	68	VENDOR:INTEL	2114895-01	16K MOS RAM 200NS 1	0	0	0	0	
69	69	VENDOR:T.I.	2114927-01	16K MOS RAM 200NS 1	0	0	0	0	
70	70	VENDOR:HITACHI	2114897-01	16K MOS RAM 200NS 1	0	0	0	0	
71	71		1912803-00	774LS04 INVERTER GATE, HEX	1	1	1	1	E4
72	72		1302956-00	196.0 .25 W 1.0 % RN55D=F10	1	1	1	1	R32
73	73		1302873-00	261.0 .25 W 1.0 % RN55D=F10	1	1	1	1	R29
74	74		1213506-04	HEADER 10POS RT ANGLE W/3 SI	2	2	2	2	J1,J2

D	I	G	I	T	A	L	TITLE	SECTION A OF C	SIZE	CODE	DOCUMENT NUMBER	REV
							M8047					
							LSI=11 MEM AND I/O					
									K	PL	M8047-0-DBP	C



LINE ITEM DOCUMENT NUMBER

PART NUMBER

DESCRIPTION

QTY PER VARIATION

AB AC AD AE REFERENCE DESIGNATOR

- 75 NOTE: 1. M8047-AA IS THE PRIMARY VARIATION OF THE 4K MODULE, M8047-AA IS AN M8047-AB, AC, AD OR AE.
- 76 NOTE: 2. M8047-CA IS THE PRIMARY VARIATION OF THE 16K MODULE, M8047-CA IS AN M8047-CB, CC, CD, CE OR CF
- 77 NOTE: 3. IF ITEM #52(P/N 23195F1-00) IS NOT AVAILABLE, 23216F1-00 CAN BE USED ON THIS MODULE.
- 78 NOTE: 4. IF ITEM #74 (P/N 1213506-04) IS NOT AVAILABLE, A P/N 1213506-03 CAN BE USED BY CLIPPING/REMOVING
- 79 NOTE: PIN 6.

D	I	G	I	T	A	L	TITLE	M8047	SECTION A OF C	SIZE	CODE	DOCUMENT NUMBER	REV
							LSI-11 MEM AND I/O			K	PL	M8047-Q-DBP	C

LINE ITEM	DOCUMENT NUMBER	PART NUMBER	DESCRIPTION	QTY PER VARIATION				REFERENCE DESIGNATOR
				CB	CC	CD	CE	
1	D=MD=5013564-0-0	5013564-00	ETCH CIRCUIT BOARD	1	1	1	1	
2		1000064-00	3.9MFD 10V 10% S.TANT	1	1	1	1	C1
3		1010279-01	.47 MFD 25V 20% CER	12	12	12	12	C2-C5,C36-C43
4		1013466-07	220.0 MMF 50V 5% CER	3	3	3	3	C11-C13
5		1012784-00	.047 MFD 50V +80-20% CER	23	23	23	23	C14-C35,C44
6		1100114-00	D 664 QS\75PCB PIV= 25V SP	3	3	3	3	D1-D3
7		1105871-00	1/4H5.1A21 = 5.1 1% .25W N	1	1	1	1	D4
8		1109977-00	1N 749A VZ= 4.3 5%	1	1	1	1	D5
9		1300295-00	330.0 .25 W 5.0 % CC	4	4	4	4	R1,R2,R5,R6
10		1301424-00	680.0 .25 W 5.0 % CC	4	4	4	4	R3,R23-R25
11		1300426-00	2.70 K .25 W 5.0 % CC	4	4	4	4	R4,R7,R9,R12
12		1301422-00	7.50 K .25 W 5.0 % CC	1	1	1	1	R8
13		1300488-00	12.0 K .25 W 5.0 % CC	2	2	2	2	R10,R11
14		1300229-00	100.0 .25 W 5.0 % CC	1	1	1	1	R14
15		1301808-00	22.0 K .25 W 5.0 % CC	1	1	1	1	R26
16		1302411-00	511.0 .25 W 1.0 % RN55D-F10	1	1	1	1	R28
17		1302874-00	*** THIS ITEM IS NOT USED ***	-	-	-	-	
18		1303110-00	19.60 .25 W 1.0 % RN55D-F10	1	1	1	1	R30
19		1305123-00	215.0 .25 W 1.0 % RN55D-F10	1	1	1	1	R33
20		1305124-00	*** THIS ITEM IS NOT USED ***	-	-	-	-	
21		1215006-06	SOCKET 24PIN IC LOW PROFILE	2	2	2	2	XE57,XE67
22		1215006-01	SOCKET 14PIN IC LOW PROFILE	1	1	1	1	XE70
23		1213506-03	*** THIS ITEM IS NOT USED ***	-	-	-	-	
24		1210929-02	FUSE, SUB=MINI 1.000A, 125V, A	1	1	1	1	F1
25		1213543-01	HANDLE,UNIBUS MODULE,MAGENTA	1	1	1	1	
26		1911469-00	DEC 8640 RECEIVER,BUS,QUAD,U	2	2	2	2	E1,E13
27		1909705-00	DEC 8881 NAND GATE=QUAD 2IN O	2	2	2	2	E2,E7
28		1613120-00	DELAY= 200NS,10TAPS	1	1	1	1	E3
29		1913414-00	*** THIS ITEM IS NOT USED ***	-	-	-	-	
30		1912824-00	LS74 FF=D DUAL,EDGE TRIGG	2	2	2	2	E8,E15

REVISION HISTORY		BASIC PART NO:	M8047		DRN:	E,WILSON	DATE:	15-MAR-79	ID	INITIAL	
ENG:	ECO NUMBER	REV	SECTION B OF C	CHK'D:	R,W,CAUNTER	DATE:	15-MAR-79	TITLE	PARTS LIST		
---	INITIAL	A	SECTION VARIATION INDEX	DES,ENG:	R,FITCH	DATE:	15-MAR-79	M8047	LSI=11 MEM AND I/O		
RF	M8047-MR001	B	(A) AB,AC,AD,AE	RESP,ENG:	R,FITCH	DATE:	15-MAR-79	DOCUMENT NUMBER			
BL	M8047-MR002	C	(B) CB,CC,CD,CE	MFG,ENG:	C,DEVERLEY	DATE:	15-MAR-79	SIZE	CODE	NUMBER	REV
			(C) CF	ASSEMBLY NUMBER:		TOP DOCUMENT NUMBER:		K	PL	M8047-0-DBP	C
			(D)	D=UA=M8047-0-0						Z0448C,PLS	48
			(E)								
			(F)								
			(H)								
			(J)								
			(K)								
			(L)								
			(M)								
			(N)								

"THIS DRAWING AND SPECIFICATIONS HEREIN, ARE THE PROPERTY OF DIGITAL EQUIPMENT CORPORATION AND SHALL NOT BE REPRODUCED OR COPIED OR USED IN WHOLE OR IN PART AS THE BASIS FOR THE MANUFACTURE OR SALE OF ITEMS WITHOUT WRITTEN PERMISSION. COPYRIGHT (C) 1981, DIGITAL EQUIPMENT CORPORATION"

LINE ITEM	DOCUMENT NUMBER	PART NUMBER	DESCRIPTION	QTY PER VARIATION				REFERENCE DESIGNATOR
				CB	CC	CD	CE	
31	31	1912813-00	LS27 NOR GATE=TRIPLE 3IN	2	2	2	2	E9,E16
32	32	1912807-00	LS10 NAND GATE=TRIPLE 3IN	1	1	1	1	E10
33	33	1913462-00	74S240 OCTAL BUFFER,INVERTI	1	1	1	1	E14
34	34	2113937-00	UART 125K BUAD	2	2	2	2	E19,E60
35	35	1912730-00	DC 003 INTERRUPT,2 CIRCUIT	2	2	2	2	E20,E26
36	36	1912647-00	LS257 MUX 1 OF 2 (QUAD)	2	2	2	2	E21,E27
37	37	1912799-00	LS00 NAND=GATE=QUAD 2IN,P	3	3	3	3	E22,E29,E46
38	38	1910544-01	74S74-60GG=D DUAL,EDGE TRIG	1	1	1	1	E23
39	39	1912805-00	LS08 AND GATE=QUAD 2IN,PO	1	1	1	1	E28
40	40	1912729-00	DC 004 PROTOCOL,REG, SELECT	1	1	1	1	E32
41	41	1912842-00	LS138 DECODER=THREE INPUT,	1	1	1	1	F33
42	42	1911983-00	74S133 NAND GATE=POSITIVE 1	2	2	2	2	E34,E41
43	43	1912801-00	LS02 NOR=GATE=QUAD 2IN	1	1	1	1	E35
44	44	1915415-00	9636 DRIVER,DUAL,EIA RS=	1	1	1	1	E38
45	45	1912816-00	LS32 OR GATE=QUAD 2IN,POS	1	1	1	1	E39
46	46	1914085-00	74S260 NOR GATE=DUAL,POS	1	1	1	1	E40
47	47	1915416-00	9637 RECEIVER,DUAL,RS=42	1	1	1	1	E44
48	48	1815860-00	OSCILLATOR, XTAL 19,6608 MHZ	1	1	1	1	E45
49	49	1912871-00	LS375 LATCH	3	3	3	3	E47,E56,E66
50	50	1915219-00	LS373 FF=D OCTAL=TRANSPARE	3	3	3	3	E48,E54,E62
51	51	1911579-00	8641 TRANSCEIVER,BUS,QUA	4	4	4	4	E51,E55,E61,E65
52	52	SEE NOTE #3	23195F1-00 F1=01	1	1	1	1	F52
53	53		1914213-00 81LS97 BUFFER GATE=OCTAL 2I	4	4	4	4	E53,E58,E59,E63
54	54		23496A2-00 A2=05	1	1	1	1	E64
55	55		1914451-00 74LS393 COUNTER,BINARY,4BIT	2	2	2	2	E68,E69
56	56		1912830-00 LS90 COUNTER,ASYNCH UP,DF	1	1	1	1	E70
57	57		1912098-00 0026 DRIVER,MOS CLOCK,2	1	1	1	1	E71
58	58		9009185-00 JUMPER, WIRE, INSULATED, BLACK B	2	2	2	2	W3,W5
59	59		9009149-01 PIN, STAKING, P.C.BOARD ,025 SQU	66	66	66	66	J3=J68
60	60		9006732-00 EYELET, ROLLED FLANGE, .121 OD X	4	4	4	4	
61	61		9105740-55 WIRE(WRAP)30AWG UL1423	A/R	A/R	A/R	A/R	
62	62	VENDOR;MOSTEK	2113735-01 4K MOS RAM 200NS 1	0	0	0	0	
63	63	VENDOR;FUJITSU	2114475-01 4K MOS RAM 200NS 1	0	0	0	0	
64	64	VENDOR;DEC	2113914-01 4K MOS RAM 200NS 1	0	0	0	0	
65	65	VENDOR;MOTOROLA	2114114-01 4K MOS RAM 200NS 1	0	0	0	0	
66	66	VENDOR;MOSTEK	2113825-01 16K MOS RAM 200NS 1	16	0	0	0	E5,E6,E11,E12,E17,E18,E24,E25, CONT E30,E31,E36,E37,E42,E43,E49,E50
67	67	VENDOR;FUJITSU	2114408-01 16K MOS RAM 200NS 1	0	16	0	0	E5,E6,E11,E12,E17,E18,E24,E25, CONT E30,E31,E36,E37,E42,E43,E49,E50
68	68	VENDOR;INTEL	2114895-01 16K MOS RAM 200NS 1	0	0	16	0	E5,E6,E11,E12,E17,E18,E24,E25, CONT E30,E31,E36,E37,E42,E43,E49,E50
69	69	VENDOR;T,I,	2114927-01 16K MOS RAM 200NS 1	0	0	0	16	E5,E6,E11,E12,E17,E18,E24,E25, CONT E30,E31,E36,E37,E42,E43,E49,E50
70	70	VENDOR;HITACHI	2114897-01 16K MOS RAM 200NS 1	0	0	0	0	
71	71		1912803-00 774LS04 INVERTER GATE, HEX	1	1	1	1	E4
72	72		1302956-00 196,0 .25 W 1,0 & RN55D-F10	1	1	1	1	R32
73	73		1302873-00 261,0 .25 W 1,0 & RN55D-F10	1	1	1	1	R29
74	74		1213506-04 HEADER 10POS RT ANGLE W/3 SI	2	2	2	2	J1,J2

D	I	G	I	T	A	L	TITLE	SECTION B OF C	SIZE	CODE	DOCUMENT NUMBER	REV
							M8047					
							LSI=11 MEM AND I/O					
									K	PL	M8047-0-DBP	C

LINE ITEM DOCUMENT NUMBER

PART NUMBER

DESCRIPTION

QTY PER VARIATION

CB CC CD CE REFERENCE DESIGNATOR

- 75 NOTE: 1. M8047-AA IS THE PRIMARY VARIATION OF THE 4K MODULE, M8047-AA IS AN M8047-AB,AC,AD OR AE,
- 76 NOTE: 2. M8047-CA IS THE PRIMARY VARIATION OF THE 16K MODULE, M8047-CA IS AN M8047-CB,CC,CD,CE OR CF
- 77 NOTE: 3. IF ITEM #52(P/N 23195F1-00) IS NOT AVAILABLE, 23216F1-00 CAN BE USED ON THIS MODULE,
- 78 NOTE: 4. IF ITEM #74 (P/N 1213506-04) IS NOT AVAILABLE, A P/N 1213506-03 CAN BE USED BY CLIPPING/REMOVING
- 79 NOTE: PIN 6.

D	I	G	I	T	A	L	TITLE	SECTION B OF C	SIZE	CODE	DOCUMENT NUMBER	REV
							M8047 LSI-11 MEM AND I/O				M8047-0-DBP	C
									K	PL		

LINE	ITEM	QUANTITY	DESCRIPTION	UNIT	REFERENCE DESIGNATOR
1	1	D=MD=3013554-0-0	5013554-00	ETCH CIRCUIT BOARD	1
2	2		1000064-00	3.9MFD 50V 10% S,TANT	1
3	3		1010279-01	.47 MFD 35V 20% CER	12
4	4		1013466-07	220.0 MMF 50V 5% CER	3
5	5		1012784-00	.047 MFD 50V +80-20% CER	23
6	6		1100114-00	D 664 GS175PCB PIV= 25V SP	3
7	7		1105871-00	1/4MS, 1A21 = 5,1 1% .25W N	1
8	8		1109977-00	1N 749A VZ= 4,3 5%	1
9	9		1300295-00	330.0 .25 W 5.0 % CC	4
10	10		1301424-00	680.0 .25 W 5.0 % CC	4
11	11		1300426-00	2.70 K .25 W 5.0 % CC	4
12	12		1301422-00	7.50 K .25 W 5.0 % CC	1
13	13		1300488-00	12.0 K .25 W 5.0 % CC	2
14	14		1300229-00	100.0 .25 W 5.0 % CC	1
15	15		1301808-00	22.0 K .25 W 5.0 % CC	1
16	16		1302411-00	511.0 .25 W 1.0 % RN55D-F10	1
17	17		1302874-00	*** THIS ITEM IS NOT USED ***	-
18	18		1303110-00	19.60 .25 W 1.0 % RN55D-F10	1
19	19		1305123-00	215.0 .25 W 1.0 % RN55D-F10	1
20	20		1305124-00	*** THIS ITEM IS NOT USED ***	-
21	21		1215006-06	SOCKET 24PIN IC LOW PROFILE	2
22	22		1215006-01	SOCKET 14PIN IC LOW PROFILE	1
23	23		1213506-03	*** THIS ITEM IS NOT USED ***	-
24	24		1210929-02	FUSE, SUB-MINI 1,000A, 125V, A	1
25	25		1213543-01	HANDLE, UNIBUS MODULE, MAGENTA	1
26	26		1911469-00	DEC 8640 RECEIVER, BUS, QUAD, U	2
27	27		1909705-00	DEC 8881 NAND GATE=QUAD 2IN O	2
28	28		1613120-00	DELAY= 200NS, 10TAPS	1
29	29		1913414-00	*** THIS ITEM IS NOT USED ***	-
30	30		1912824-00	LS74 FF=D DUAL, EDGE TRIGG	2

REVISION HISTORY			BASIC PART NO:	DRN:	DATE:	DIGITAL			
ENG	ECO NUMBER	REV	SECTION C OF C	E, WILSON	15-MAR-79	PARTS LIST			
---	INITIAL	A	SECTION, VARIATION INDEX	R, W, CAUNTER	15-MAR-79	TITLE			
RF	M8047-MR001	B	(A) AP, AC, AD, AE			M8047			
BL	M8047-MR002	C	(B) CB, CC, CD, CE			LSI=11 MEM AND I/O			
			(C) CF	DES, ENG: R, FITCH	15-MAR-79	DOCUMENT NUMBER			
			(D)			SIZE CODE NUMBER REV			
			(E)	RESP, ENG, : R, FITCH	15-MAR-79				
			(F)						
			(H)	WFB, ENG, : C, BEVERLEY	15-MAR-79	K	PL	M8047-0-DBP	C
			(J)						
			(K)	ASSEMBLY NUMBER:	TOP DOCUMENT NUMBER:	FILE NAME:		EDIT #	
			(L)	M8047-0-0		Z0448C, PLS		48	
			(M)						
			(N)						

"THIS DRAWING AND SPECIFICATIONS HEREIN, ARE THE PROPERTY OF DIGITAL EQUIPMENT CORPORATION AND SHALL NOT BE REPRODUCED OR COPIED OR USED IN WHOLE OR IN PART AS THE BASIS FOR THE MANUFACTURE OR SALE OF ITEMS WITHOUT WRITTEN PERMISSION, COPYRIGHT (C) 1981, DIGITAL EQUIPMENT CORPORATION"

LINE	ITEM	DOCUMENT NUMBER	PART NUMBER	DESCRIPTION	QTY	PER VARIATION	REFERENCE DESIGNATOR
					CF		
31	31		1912813=00	LS27 NOR GATE=TRIPLE 3IN	2		E9,E16
32	32		1912807=00	LS10 NAND GATE=TRIPLE 3IN	1		E10
33	33		1913462=00	74S240 OCTAL BUFFER,INVERTI	1		F14
34	34		2113937=00	UART 125K BUAD	2		F19,E60
35	35		1912730=00	DC 003 INTERRUPT,2 CIRCUIT	2		E20,E26
36	36		1912647=00	LS257 MUX 1 OF 2 (QUAD)	2		E21,E27
37	37		1912799=00	LS00 NAND=GATE=QUAD 2IN,P	3		E22,E29,E46
38	38		1910544=01	74S74=60GG=D DUAL,EDGE TRIG	1		E23
39	39		1912805=00	LS08 AND GATE=QUAD 2IN,PO	1		E28
40	40		1912729=00	DC 004 PROTOCOL,REG, SELECT	1		E32
41	41		1912842=00	LS138 DECODER=THREE INPUT,	1		E33
42	42		1911983=00	74S133 NAND GATE=POSITIVE 1	2		E34,E41
43	43		1912801=00	LS02 NOR=GATE=QUAD 2IN	1		E35
44	44		1915415=00	9636 DRIVER,DUAL,EIA RS=	1		E38
45	45		1912816=00	LS32 OR GATE=QUAD 2IN,POS	1		E39
46	46		1914085=00	74S260 NOR GATE=DUAL,POS	1		E40
47	47		1915416=00	9637 RECEIVER,DUAL,RS=42	1		E44
48	48		1815860=00	OSCILLATOR, XTAL 19,6608 MHZ	1		E45
49	49		1912871=00	LS375 LATCH	3		E47,E56,E66
50	50		1915219=00	LS373 FF=D OCTAL=TRANSPARE	3		E48,E54,E62
51	51		1911579=00	8641 TRANSCEIVER,BUS,GUA	4		E51,E55,E61,E65
52	52	SEE NOTE #3	23195F1=00	F1=01	1		E52
53	53		1914213=00	81LS97 BUFFER GATE=OCTAL 2I	4		E53,E58,E59,E63
54	54		23498A2=00	A2=05	1		E64
55	55		1914451=00	74LS393 COUNTER,BINARY,4BIT	2		E68,E69
56	56		1912830=00	LS90 COUNTER,ASYNCH UP,DE	1		E70
57	57		1912098=00	0026 DRIVER,MOS CLOCK,2	1		E71
58	58		9009185=00	JUMPER, WIRE, INSULATED, BLACK B	2		W3,W5
59	59		9009149=01	PIN, STAKING, P.C.BOARD .025 SQU	66		J3=J68
60	60		9006732=00	EYELET, ROLLED FLANGE, .121 OD X	4		
61	61		9105740=55	WIRE(WRAP)30AWG UL1423	A/R		
62	62	VENDOR:MOSTEK	2113735=01	4K MOS RAM 200NS	1	0	
63	63	VENDOR:FUJITSU	2114475=01	4K MOS RAM 200NS	1	0	
64	64	VENDOR:DEC	2113914=01	4K MOS RAM 200NS	1	0	
65	65	VENDOR:MOTOROLA	2114114=01	4K MOS RAM 200NS	1	0	
66	66	VENDOR:MOSTEK	2113825=01	16K MOS RAM 200NS	1	0	
67	67	VENDOR:FUJITSU	2114408=01	16K MOS RAM 200NS	1	0	
68	68	VENDOR:INTEL	2114895=01	16K MOS RAM 200NS	1	0	
69	69	VENDOR:T.I.	2114927=01	16K MOS RAM 200NS	1	0	
70	70	VENDOR:HITACHI	2114897=01	16K MOS RAM 200NS	1	16	
71	71		1912803=00	774LS04 INVERTER GATE, HEX	1		CONT E5,E6,E11,E12,E17,E18,E24,E25,E30,E31,E36,E37,E42,E43,E49,E50
72	72		1302956=00	196.0 .25 W 1.0 % RN55D=F10	1		E4 R32
73	73		1302873=00	261.0 .25 W 1.0 % RN55D=F10	1		R29
74	74		1213506=04	HEADER 10POS RT ANGLE W/3 SI	2		J1,J2

D I G I T A L				TITLE	SECTION C OF C				SIZE	CODE	DOCUMENT NUMBER	REV
				M8047								
				LSI=11 MEM AND I/O								
									K	PL	M8047-0=DBG	C

LINE ITEM DOCUMENT NUMBER PART NUMBER DESCRIPTION QTY PER VARIATION REFERENCE DESIGNATOR

- 75 NOTE: 1. M8047-AA IS THE PRIMARY VARIATION OF THE 4K MODULE, M8047-AA IS AN M8047-AB,AC,AD OR AE.
- 76 NOTE: 2. M8047-CA IS THE PRIMARY VARIATION OF THE 16K MODULE, M8047-CA IS AN M8047-CB,CC,CD,CE OR CF
- 77 NOTE: 3. IF ITEM #52(P/N 23195F1-00) IS NOT AVAILABLE, 23216F1-00 CAN BE USED ON THIS MODULE.
- 78 NOTE: 4. IF ITEM #74 (P/N 1213506-04) IS NOT AVAILABLE, A P/N 1213506-03 CAN BE USED BY CLIPPING/REMOVING
- 79 NOTE: PIN 6.

D I G I T A L						TITLE	SECTION C OF C		SIZE	CODE	DOCUMENT NUMBER	REV
						M8047			K	PL	M8047-0-DBP	C
						LSI-11 MEM AND I/O						