

THIS DRAWING AND THE SPECIFICATIONS CONTAINED HEREIN ARE CONFIDENTIAL AND PROPRIETARY. THEY ARE THE PROPERTY OF DIGITAL EQUIPMENT CORPORATION AND SHALL NOT BE REPRODUCED OR COPIED OR USED IN WHOLE OR IN PART AS THE BASIS FOR MANUFACTURING OR SALE OF ITEMS WITHOUT WRITTEN PERMISSION. THIS IS AN UNPUBLISHED WORK PROTECTED UNDER THE FEDERAL COPYRIGHT LAWS.

FIELD MAINTENANCE PRINT SET

TABLE OF CONTENTS

K-TC-DPV11-0-1 FIELD MAINTENANCE PRINT SET
 K-DD-DPV11-0 DRAWING DIRECTORY DPV11
 K-PL-DPV11-0-0 DPV11 OPTION
 B-DD-M8020-0 DRAWING DIRECTORY (M8020)
 D-UA-M8020-0-0 DPV11
 K-PL-M8020-0-0 DPV11
 D-CS-M8020-0-1 DPV11 LOGIC DIAGRAM

UNIT VARIATIONS
 COVERED BY THIS
 PRINT SET

DPV11-M

DPV11

FIELD MAINTENANCE PRINT SET

DIGITAL EQUIPMENT CORPORATION

PRINT SET ORDER NO.

MP00992-01 REV A1

REVISION HISTORY

CONT. REVISION HISTORY

MADE BY: R. ROBICHAUD

DATE: 26 SEP 83

d i s s i l t a i l

REVI	ECD NUMBER	DATE	REVI	ECD NUMBER	DATE
A	INITIAL	26 SEP 83			

CHECKED BY: J. FALKOWSKI

DATE: 26 SEP 83

TITLE: FIELD MAINTENANCE PRINT SET

PROJECT ENGR: R. BERGERON

DATE: 26 SEP 83

DPV11

RSPBLE ENGR: M. LAWRENCE

DATE: 26 SEP 83

FIELD SERVICE: S. CRANSTON

DATE: 26 SEP 83

SIZE | CODE | DOCUMENT NUMBER | REV.

K | TC | DPV11-0-1 | A

SHEET 1 OF 1

MK

"THE MATERIAL HEREIN IS FOR INFORMATION PURPOSES ONLY AND IS SUBJECT TO CHANGE WITHOUT NOTICE. DIGITAL EQUIPMENT CORPORATION ASSUMES NO RESPONSIBILITY FOR ANY ERRORS WHICH MAY APPEAR HEREIN."

DRAWING DIRECTORY

"THIS DRAWING AND SPECIFICATIONS, HEREIN, ARE THE PROPERTY OF DIGITAL EQUIPMENT CORPORATION AND SHALL NOT BE REPRODUCED OR COPIED OR USED IN WHOLE OR IN PART AS THE BASIS FOR THE MANUFACTURE OR SALE OF ITEMS WITHOUT WRITTEN PERMISSION. COPYRIGHT (C) 1983 DIGITAL EQUIPMENT CORPORATION"

FOR FIELD MAINTENANCE PRINT SET REFER TO K-TC-DPV11-0-1

UNIT VARIATIONS

VARIATION	TITLE
DPV11-M	SINGLE LINE SYNC CNTRL BASE OPTION (M8020)
DPV11-AP	SYSTEM INTEGRATED DPV11-M

REVISION HISTORY	USED ON OPTION/MODEL	RESPONSIBLE ENG.	DATE	INITIALS
ENG ECO NUMBER REV		: M. LAWRENCE	: 26 SEP 83	
---	INITIAL A			
	DPV11	MADE BY : R. ROBICHAUD	DATE : 26 SEP 83	TITLE DRAWING DIRECTORY
		CHECKED BY : J. FALKOWSKI	DATE : 26 SEP 83	DPV11
		DESIGN ENGINEER : R. BERGERON	DATE : 26 SEP 83	
		PRODUCTION ENG. : W. LADNER	DATE : 26 SEP 83	SIZE CODE DOCUMENT NUMBER REV.
				K DD DPV11-0 A
				SHEET 1 OF 2 EDIT # 0001

F
I
N
D

T
Y
P
E

F
I
N
D

T
Y
P
E

#	DRAWING NUMBER	DESCRIPTION	T Y P E	#	DRAWING NUMBER	DESCRIPTION	T Y P E
1	MPO0992-01 K-TC-DPV11-0-1 K-PL-DPV11-0-0 K-AR-CKCKREF-0-0	FIELD MAINT PRINTSET DPV11 (MP) F.M.P.S. DPV11 (TC) DPV11 OPTION FLEXIBLE OPTION PLAN	- - E/M -				
2	B-DD-M8020-0	DRAWING DIRECTORY DPV11	-				
3	K-PL-7018185-0-0	SHIPPING LIST DPV11	-				
4	B-DD-H3260-0	TURNAROUND TESTER BOARD	REF				

TYPE: E ELECTRICAL								TITLE	DRAWING DIRECTORY		SIZE		CODE		DOCUMENT NUMBER		REV.					
M MECHANICAL		d		i		s		i		t		a		l		K		DD		DPV11-0		A
E/M ELECTRO/MECHANICAL									DPV11		SHEET 2 OF 2			EDIT # 0001								

LINE ITEM	TOP DOCUMENT	PART NUMBER	MIN REV	DESCRIPTION	QTY PER VARIATION	
					M	AP
1	D-UA-M8020-0-0	M8020-00		1-LINE PROG BIT STUFF/CHAR ORIEN	1	1
2	K-PL-CKDPV11-0-0	CKDPV11-00		CABKIT REF TO K-AR-CKCKREF-0-0	-	1
3	K-PL-7018185-0-0	7018185-01		SHIPPING LIST DPV11	1	1

4 NOTE: CKDPV11-00 IS A REFERENCE VARIANT ONLY. SEE K-AR-CKCKREF-0-0 FOR EXACT VARIANT APPLICATION.

REVISION HISTORY		BASIC PART NO: DPV11		DRN: R. ROBICHAUD	DATE: 26-SEP-83	D I G I T A L				
ENG	ECO NUMBER	REV	SECTION A OF A	CHK'D: <i>J. Falkowski</i>	DATE: 19 AUG 85	TITLE		PARTS LIST		
---	INITIAL	A	SECTION VARIATION INDEX	J. FALKOWSKI	DATE: 26-SEP-83	DPV11 OPTION				
ML	DPV11-MK001	B	[A] M, AP			DOCUMENT NUMBER				
			[B]	DES. ENG: R. BERGERON	DATE: 26-SEP-83	SIZE	CODE	NUMBER	REV	
			[C]	RESP. ENG.: <i>M. Lawrence</i>	DATE: 19 AUG 85	K	PL	DPV11-0-0	B	
			[D]		DATE: 26-SEP-83	RELEASE DATE:		12-AUG-85		
			[E]	MFG. ENG.: W. LADNER	DATE: 26-SEP-83	TOP DOCUMENT NUMBER:		FILE NAME:		EDIT #
			[F]	ASSEMBLY NUMBER:		#K-DD-DPV11-0		MK1016.PLS		6

"THIS DRAWING AND THE SPECIFICATIONS CONTAINED HEREIN ARE CONFIDENTIAL AND PROPRIETARY. THEY ARE THE PROPERTY OF DIGITAL EQUIPMENT CORPORATION AND SHALL NOT BE REPRODUCED OR COPIED OR USED IN WHOLE OR IN PART AS THE BASIS FOR THE MANUFACTURE OR SALE OF ITEMS WITHOUT WRITTEN PERMISSION. THIS IS AN UNPUBLISHED WORK PROTECTED UNDER THE FEDERAL COPYRIGHT LAWS."

DRAWING NO.	NO. SHTS	PART NO.	DESCRIPTION	REVISIONS
		M8020-00	DPV11	A B C * C1 C1 -
		M8020-PA	DPV11-S SYNC LINE CONT.	- - - - - A1
D-UA-M8020-0-0	2		DPV11	A B B C C D D
D-CS-M8020-0-1	4		DPV11	A B C C C C C
K-PL-M8020-0-09P	2		DPV11	A B C D D E E
K-PC-M8020-0-09C			PC DESIGN DATA BASE	B B C C C C C
		5013958	PC BOARD	B B B B B B B
D-MD-5013958-0-0	3		DRILL AND ETCH DRAWING	A A A A A A A
D-EC-5013958-0-0	3		ETCH CUT DRAWING	A A A A A A A
D-UA-M8020-P-03U	1		DPV11-S UNIT ASSEMBLY	- - - - - A
B-HD-M8020-P-08U	1		DPV11-S HIERARCHICAL DRAWING	- - - - - A

NOTES:
1. * SHOULD BE C1.

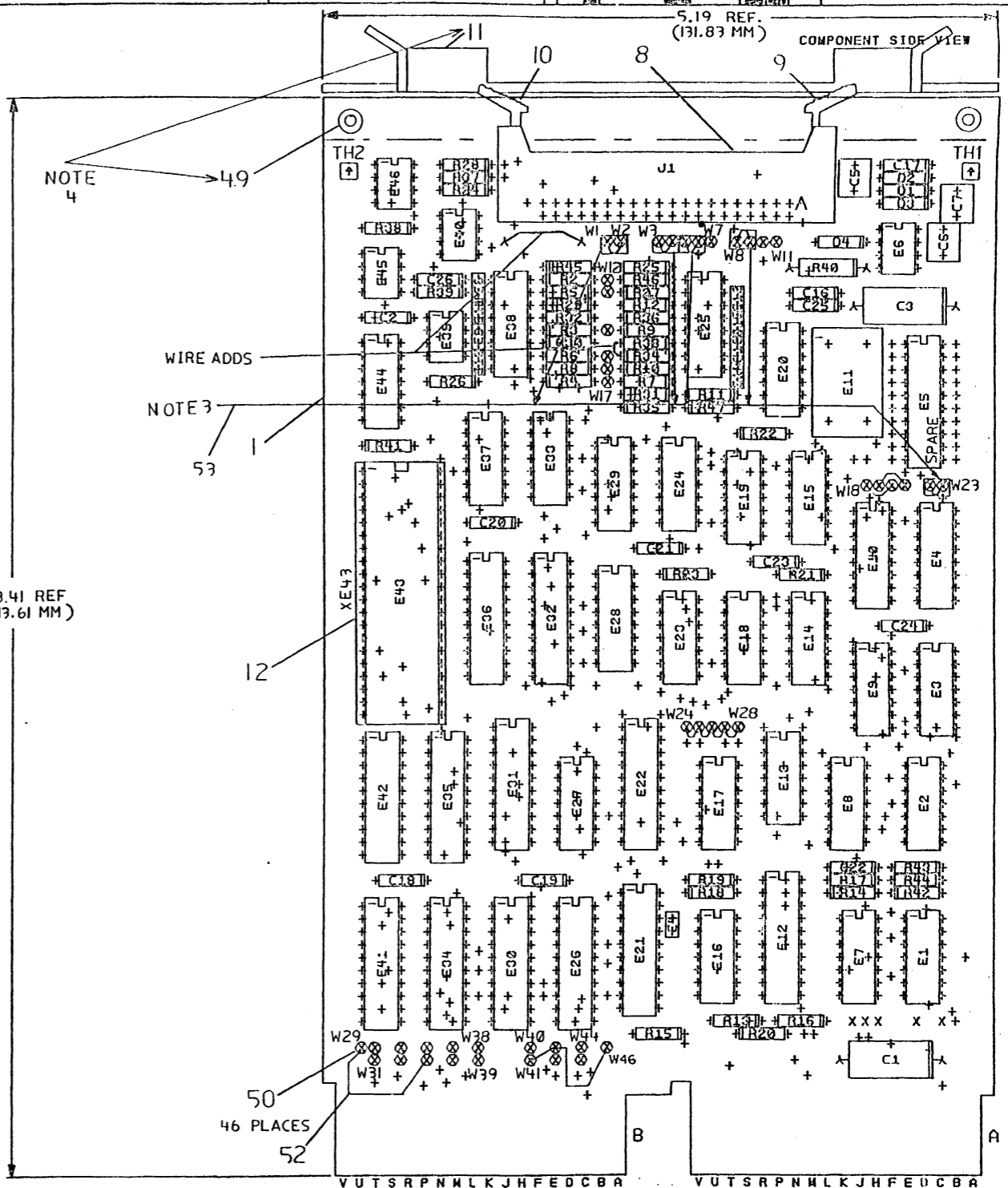
REVISION	A	B	C	D	E	F	F
E I C O T N O	I N T	M K O	M K O	M K O	M K O	M K O	M K O
D A T E	0 / 8 / 0	0 / 8 / 0	0 / 2 / 4	0 / 7 / 5	0 / 3 / 8	0 / 6 / 8	0 / 6 / 7

THIS DRAWING AND THE SPECIFICATIONS CONTAINED HEREIN ARE CONFIDENTIAL AND PROPRIETARY. THEY ARE THE PROPERTY OF DIGITAL EQUIPMENT CORPORATION AND SHALL NOT BE REPRODUCED OR COPIED OR USED IN WHOLE OR IN PART AS THE BASIS FOR THE MANUFACTURE OR SALE OF ITEMS WITHOUT WRITTEN PERMISSION. THIS IS AN UNPUBLISHED WORK PROTECTED UNDER THE FEDERAL COPYRIGHT LAWS.

DRN: H. DENSMORE	DATE: 16-MAY-80	d i g i t a l	
CHK'D: B. TREMBLAY	DATE: 07-JUL-80	TITLE DPV11	
DES.ENG.: J. MCCOY	DATE: 30-MAY-80	SHEET 1 OF 1	EDIT: 3
RESP.ENG.: J. MCCOY	DATE: 30-MAY-80	DOCUMENT NUMBER	
<i>B. Blanchette</i>	30-JUN-87	DD FILENAME: M8020F.DDF	
MFG.ENG.: B. CLEVELAND	DATE: 30-MAY-80	SIZE CODE NUMBER	REV F
		K DD M8020-0-0	

THIS DRAWING AND SPECIFICATIONS, HEREIN, ARE THE PROPERTY OF DIGITAL EQUIPMENT CORPORATION AND SHALL NOT BE REPRODUCED OR COPIED IN WHOLE OR IN PART WITHOUT WRITTEN PERMISSION BY ONE OF THE OFFICIALS OF DIGITAL EQUIPMENT CORPORATION. COPYRIGHT © 1980

DUA M8020-0-0 2 1



NOTE 4

WIRE ADDS

NOTE 3

8.41 REF (213.61 MM)

5.19 REF (131.83 MM)

COMPONENT SIDE VIEW



NOTES: 1. E5 IS A SPARE IC LOCATION.
 2. C4 IS NOT USED.
 3. WIRE WRAP AT THESE LOCATIONS MAY BE REPLACED BY JUMPERS. 12-18783-00 AS REQUIRED.
 4. USE ONLY ON M8020-00 VARIATIONS.

STEP #	↑ Y AXIS	--- STEP #	TIMES
REPEAT	→ X AXIS	5.250	STEP 1

CHKCHANGE NO	REV	BY	DATE	REASON
02	M8020-NK02	B		
		J. MCGOY		
		M. LAURENCE		
		T. M. MACHROT		

ETCH REV.	B
-----------	---

SIGNATURES		DATE	digital
DRN. M. Fawcett		5/27/80	
CHK'D. G. Vachon		5/27/80	
MECH. ENG. J. M. G.		5/27/80	
PROJ. ENG. W. J. C.		5/27/80	
PROD. B. G. G.		6/27/80	
SCALE 2/1			TITLE
SHT. 1 OF 2			DPV 11
NEXT HIGHER ASSY. K-DD-M8020-0-0			SIZE CODE
			NUMBER
			REV
			D

MKO 1 MS# 302225

THIS DRAWING AND SPECIFICATIONS HEREIN, ARE THE PROPERTY OF DIGITAL EQUIPMENT CORPORATION AND SHALL NOT BE REPRODUCED OR COPIED OR USED IN WHOLE OR IN PART AS THE BASIS FOR THE MANUFACTURE OR SALE OF ITEMS WITHOUT WRITTEN PERMISSION.
 COPYRIGHT © 1980 DIGITAL EQUIPMENT CORPORATION

M8020 REWORK:

ETCH CUT SIDE 1:

1. REFER TO D-EC-5013958-0-0

WIRE ADD SIDE 1:

1. ADD WIRE FROM PIN 2 OF R33 TO PIN 1 OF R34.
(USE #30 AWG INSULATED WIRE, P/N 9105740-55).
2. ADD WIRE FROM LARGE PAD, NEXT TO E40 PIN 6, TO LARGE PAD NEXT TO W1

D

D

C

C

B

B

A

A

REVISIONS		
CHK	CHANGE NO.	REV.

TITLE	DPV11	SIZE CODE	D JA	NUMBER	M8020-0-0	REV.	D
SCALE	NONE	SHEET	2	OF 2		DIST.	

D JA M8020-0-0
 D

LINE	ITEM	TOP DOCUMENT	PART NUMBER	MIN REV	DESCRIPTION	QTY	PER	VAR/REV	REFERENCE DESIGNATORS
				REV		QTY	PA		
						C1	A1		
1	1	D-00-5013953-0-0	50-13953-00		DRILL AND ETCH BRD. DPV11	1	1		
2	2		10-10279-00		0.47 MFD 25V +/-20% Z5U C	3	3		C5-C7
3	3		10-11740-02		1800 PFD 50V +/-10% X7R C	8	8		C8-C15
4	4		10-12044-01		2.0 MFD 25V +/-75/-10% ALU	2	2		C1,C3
5	5		10-12734-00		0.047MFD 50V +/-80/-20% Z5U C	12	12		C2,C16-C26
6	6		11-00114-00		PIV= 25 IJ=135 MA	3	3		D1-D3
7	7		11-09977-00		VZ= 4.3 5X 1N749A	1	1		D4
8	8		12-09941-02		PCB,HEADER 40PIN(2X20).100CC 90D	1	1		J1
9	9		12-09941-03		PCB,HEADER LATCH	1	1		
10	10		12-09941-04		PCB,HEADER LATCH	1	1		
11	11		12-13543-01		HANDLE,UNIBUS MODULE,MAGENTA	1	-		
12	12		12-15006-03		SKT,IC 40PIN DIP TIN SOLD	1	1		XE43
13	13		13-00228-00		100.0 .50 W 5.0 X CF	1	1		R40
14	14		13-00229-00		100.0 .25 W 5.0 X CF	3	3		R2-R4
15	15		13-00271-00		220.0 .25 W 5.0 X CF	8	8		R5-R12
16	16		13-00295-00		330.0 .25 W 5.0 X CF	2	2		R13,R14
17	17		13-00310-00		470.0 .25 W 5.0 X CF	1	1		R15
18	18		13-00365-00		1.0 K .25 W 5.0 X CF	10	10		R18-R23,R41-R44
19	19		13-00447-00		4.70 K .25 W 5.0 X CF	8	8		R24-R28,R45-R47
20	20		13-01424-00		680.0 .25 W 5.0 X CF	2	2		R16,R17
21	21		13-02391-00		20.0 K .25 W 5.0 X CF	3	3		R37-R39
22	22		13-04837-00		24.0 K .25 W 5.0 X CF	3	3		R29-R36
23	23		16-15860-00		OSCILLATOR, XTAL 19.0008 MHZ	1	1		E11
24	24		19-09705-00		DEC 4951 NAND GATE-QUAD 2IN 0	1	1		E1
25	25		19-11469-00		DEC 6640 RECEIVER,BUS,QUAD,UN	1	1		E7
26	26		19-12093-00		0026 DRIVER,MOS CLOCK,2 P	1	1		E6
27	27		19-12097-00		LS174 FF-0 HEX W/CLEAR	1	1		E29
28	28		19-12729-00		DC 004 PROTOCOL,REG. SELECT	1	1		E21
29	29		19-12730-00		DC 003 INTERRUPT,2 CIRCUIT	1	1		E12
30	30		19-12799-00		LS00 NAND-GATE-QUAD 2IN,P	3	3		E9,E19,E20
31	31		19-12801-00		LS02 NOR-GATE-QUAD 2IN	2	2		E2,E13
32	32		19-12803-00		LS04 INVERTER GATE,HEX	2	2		E6,E44

REVISION HISTORY			KPL MODULE FORMAT!SECTION A OF A!DRN: N.LANDRY			DIGITAL				
ENG	ECO NUMBER	REV	SECTION/VARIATION INDEX			DATE: 06-FEB-80	TITLE PARTS LIST			
JM	MK001	B	[A]	00,PA	[M]	CHK'D: J.FALKOWSKI	DPV11			
FR	MK020-MK002	C	[B]		[N]	DATE: 14-APR-80				
ML	MK020-MK003	D	[C]		[P]	DES.ENG: J.MCCOY				
ML	MK020-MK005	E	[D]		[Q]	DATE: 06-FEB-80	DOCUMENT NUMBER			
			[E]		[R]		SIZE!CODE!	NUMBER	REV	
			[F]		[S]	RESP.ENG: M.LAWRENCE				
			[G]		[T]	DATE: 06-AUG-84	K	PL	M8020-J-D9P	E
			[H]		[U]	<i>J. Landry 20 JUN 87</i>				
			[I]		[V]	MFG.ENG: BAY EVELAND	RELEASE DATE: 23-JUN-87			
			[J]		[W]	DATE: 06-AUG-84	RELEASE STATUS: RELEASED			
			[K]		[X]					
			[L]		[Y]					
PARTIC PART NUMBER: M8020			ASSEMBLY NUMBER: D-UA-M8020-0-0			TOP DOCUMENT NUMBER: K-00-M8020-0-0			FILE NAME: M8020E.PLS	
									EDIT # 5	

"THIS DRAWING AND THE SPECIFICATIONS CONTAINED HEREIN ARE CONFIDENTIAL AND PROPRIETARY. THEY ARE THE PROPERTY OF DIGITAL EQUIPMENT CORPORATION AND SHALL NOT BE REPRODUCED OR COPIED OR USED IN WHOLE OR IN PART AS THE BASIS FOR THE MANUFACTURE OR SALE OF ITEMS WITHOUT WRITTEN PERMISSION. THIS IS AN UNPUBLISHED WORK PROTECTED UNDER THE FEDERAL COPYRIGHT LAWS."

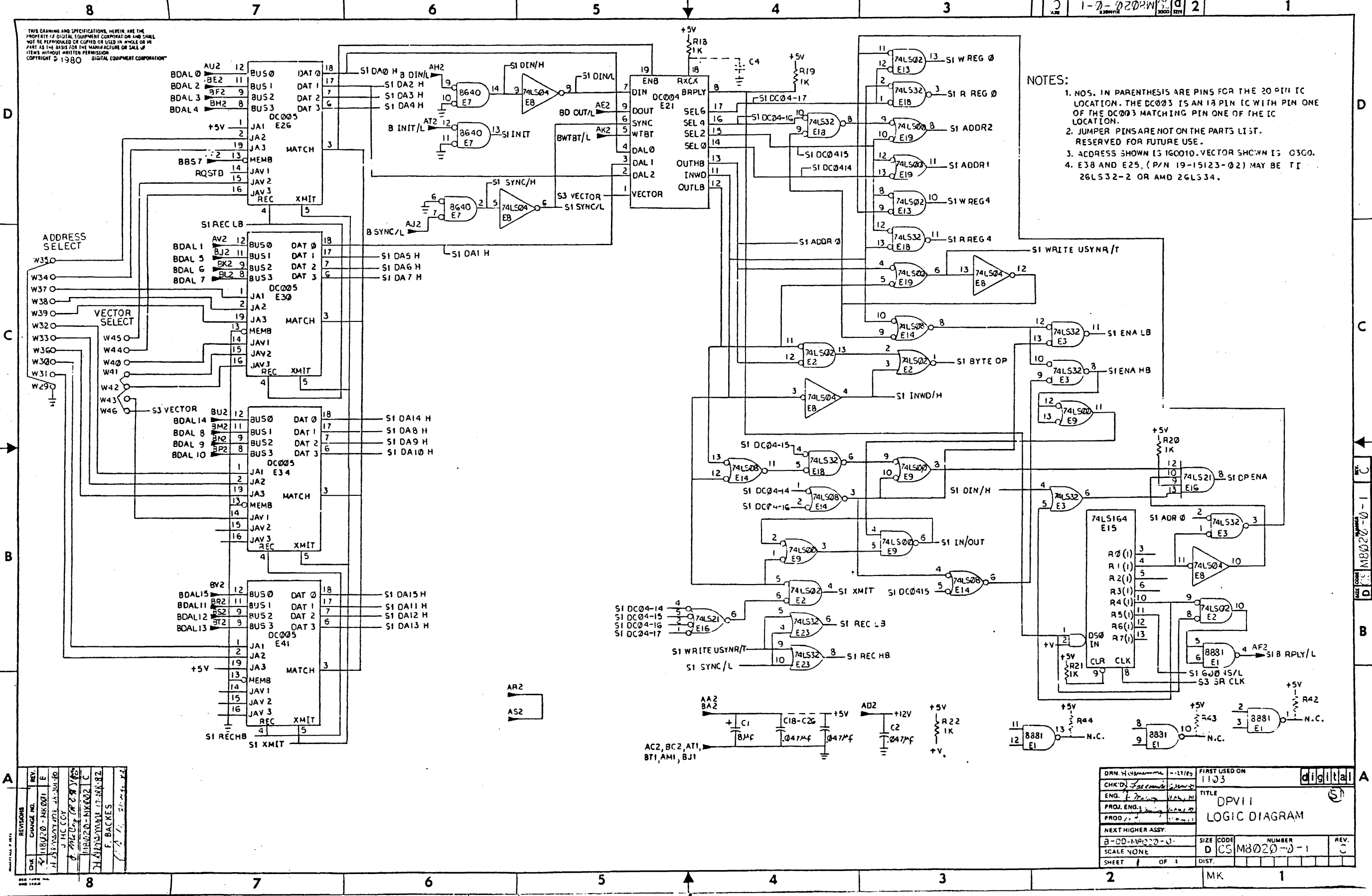
LINE	ITEM	TOP DOCUMENT	PART NUMBER	MIN REV	DESCRIPTION	QTY	PER	VAR/REV	REFERENCE DESIGNATORS
						00	PA		
						C1	A1		
33	33		19-12805-00		LS08 AND GATE-QUAD 2IN,PO	2	2		E14,E29
34	34		19-12811-00		LS21 AND GATE-DUAL 4IN,PO	1	1		E16
35	35		19-12816-00		LS32 OR GATE-QUAD 2IN,POS	3	3		E3,E18,E23
36	36		19-12820-00		LS51 A-O-I GATE 2-WIDE 2I	1	1		E37
37	37		19-12824-00		LS74 FF-D DUAL,EDGE TRIGG	3	3		E24,E27,E33
38	38		19-12850-00		LS164 SHIFT REG. 8BIT SERI	1	1		E15
39	39		19-12862-00		LS266 X-NOR GATE-QUAD,OPM,	1	1		E17
40	40		19-12863-00		LS273 FF-D OCTAL W/CLEAR	1	1		E22
41	41		19-13040-00	DC	005 TRANSCEIVER 4BIT	4	4		E26,E30,E34,E41
42	42		19-15123-02		26LS32-2 RECEIVER,LINE,12K T	2	2		E25,E38
43	43		19-15193-00		LS244 DRIVER,LINE,OCTAL,TR	3	3		E31,E32,E35
44	44		19-15218-00		LS245 TRANSCEIVER,BUS,OCTA	2	2		E36,E42
45	45		19-15234-00		LS390 COUNTER,DECADE,DUAL,	2	2		E4,E10
46	46		19-15415-00		9636 DRIVER,DUAL,EIA RS-4	3	3		E39,E45,E46
47	47		19-15417-00		9638 DRIVER,DUAL,EIA RS-4	1	1		E40
48	48		21-12517-00		LSI COMM. DEVICE,SYNCHRONOUS	1	1		E43
49	49		90-06732-00		EYELET,ROLLED 0.1210DX0.219	2	-		
50	50		90-09149-00		PIN,STAKNG 0.0250DX0.345LG SQUAR	66	66		W1-W46
51	51	SEE NOTE	91-05740-55		WIRE(WRAP) 30AWG KYNAR UL14	3	3		
52	52	SEE NOTE	91-05740-44		WIRE(WRAP) 30AWG KYNAR UL14	12	12		
53	53		12-18783-00		JUMPER 02POS(1X02).100CC	5	5		
54	54		36-26883-14		LABEL,MODULE NUMBER,S-BOX,M8020-	-	1		
55	55		70-24225-01		CABLE ASSY, FILETERED, 25 POS.	-	1		
56	56		70-23741-07		BULKHEAD RECESSED ASSY DLVE1/DPV	-	1		
57	57		74-33507-01		PANEL BLANK DUAL	-	1		
58	58		74-34150-01		COVER,BULKHEAD	-	1		
59	59		90-C0024-01		EYELET,ROLLED 0.1210DX0.192	-	4		
60	60		90-C0340-00		CLIP,CABLE HARNESS W/ADM.BACK	-	3		
61	61		90-C9643-02		SCREW,SEMS PAN PHIL 4-	-	2		
62	62		90-C9701-00		SCREW,SEMS PAN PHIL 6-	-	2		
63	63	SEE NOTE	37-00931-01		PKG MODULE 1 IN. HEIGHT CUS	-	1		

1 GEN: ITEM #51 AND #52; QTY. IS IN INCHES.

2 GEN: ITEM #63; IS THE REQUIRED INDIVIDUAL PACKAGE; FOR INTERPLANT SHIPMENT, REFERENCE BULK MULTIPACK VARIATIONS 3700931-02/03.

DIGITAL					TITLE	SECTION A OF A			SIZE	CODE	DOCUMENT NUMBER	REV
					DPV11				K	PL	M8020-0-DBP	E

THIS DRAWING AND SPECIFICATIONS, HEREIN, ARE THE PROPERTY OF DIGITAL EQUIPMENT CORPORATION AND SHALL NOT BE REPRODUCED OR COPIED OR USED IN WHOLE OR IN PART AS THE BASIS FOR THE MANUFACTURE OR SALE OF ITEMS WITHOUT WRITTEN PERMISSION
 COPYRIGHT © 1980 DIGITAL EQUIPMENT CORPORATION

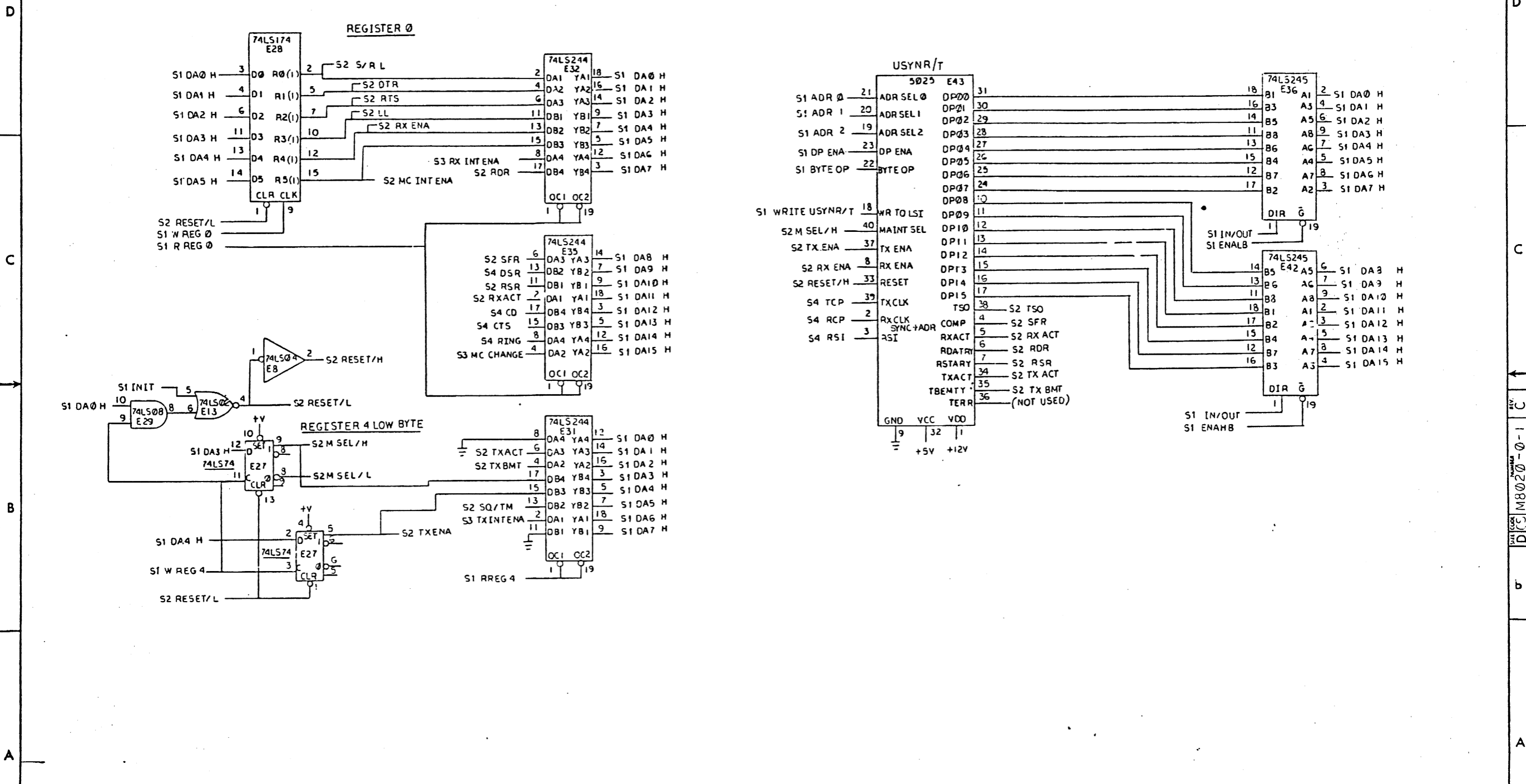


- NOTES:
1. NOS. IN PARENTHESIS ARE PINS FOR THE 20 PIN IC LOCATION. THE DC003 IS AN 18 PIN IC WITH PIN ONE OF THE DC003 MATCHING PIN ONE OF THE IC LOCATION.
 2. JUMPER PINS ARE NOT ON THE PARTS LIST. RESERVED FOR FUTURE USE.
 3. ADDRESS SHOWN IS 160010. VECTOR SHOWN IS 03C0.
 4. E38 AND E25, (P/N 19-15123-02) MAY BE TI 26LS32-2 OR AMD 26LS34.

REV.	CHANGE NO.	DATE	BY	CHK
1	118020-NK001	11-10-80	J.H.C.C.C.Y.	
2	118020-NK002	12-17-82	F. BACKES	

DRM: 118020-0-1	FIRST USED ON: 1103	digital
CHK'D: J.H.C.C.C.Y.	ENG: J.H.C.C.C.Y.	TITLE: DPV11 LOGIC DIAGRAM
PROJ. ENG: J.H.C.C.C.Y.	PROD: J.H.C.C.C.Y.	NEXT HIGHER ASSY: B-00-M8020-0
SCALE: NONE	SHEET: 1 OF 3	SIZE: D (CS M8020-0-1)
		NUMBER: 1
		REV. C

THIS DRAWING AND SPECIFICATIONS HEREIN ARE THE PROPERTY OF DIGITAL EQUIPMENT CORPORATION AND SHALL NOT BE REPRODUCED OR COPIED OR USED IN WHOLE OR IN PART AS THE BASIS FOR THE MANUFACTURE OR SALE OF ITEMS WITHOUT WRITTEN PERMISSION. COPYRIGHT © 1980 DIGITAL EQUIPMENT CORPORATION

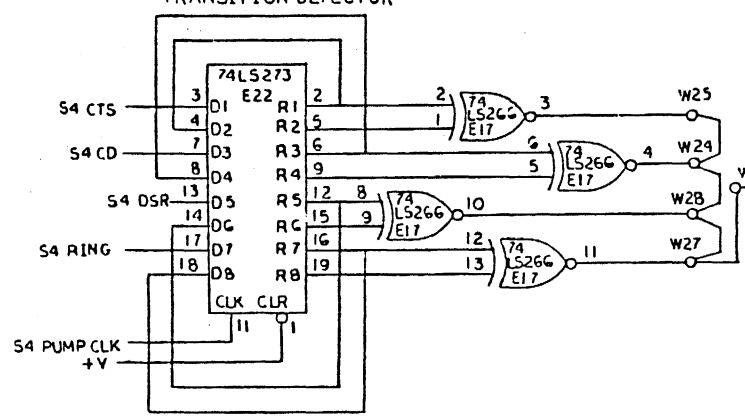


REVISIONS		
CHK	CHANGE NO.	REV.

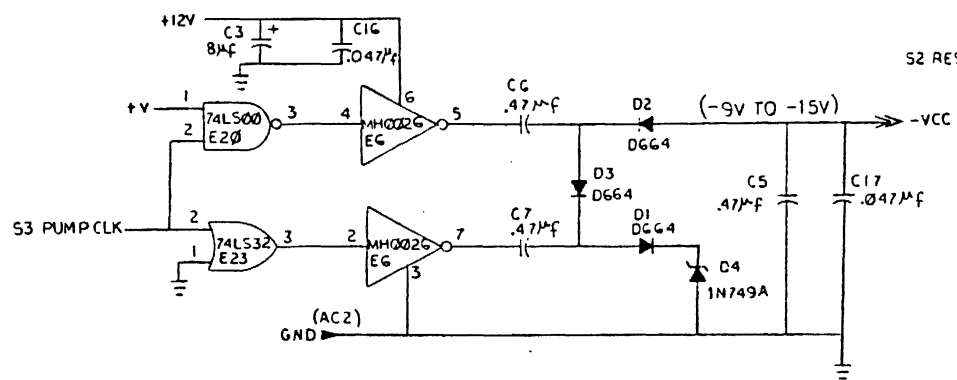
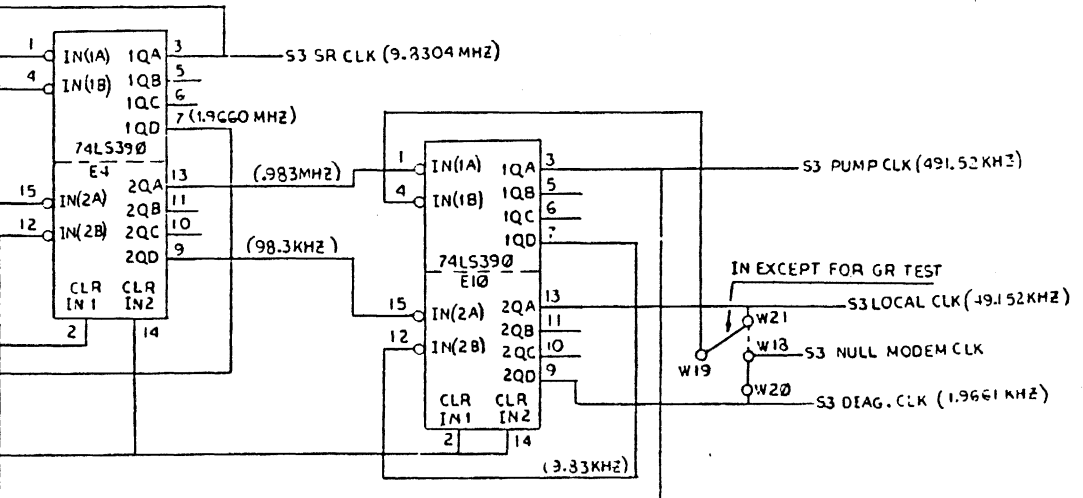
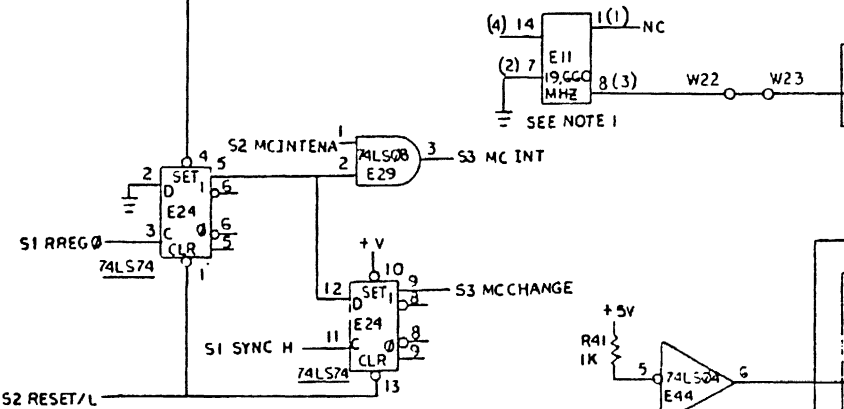
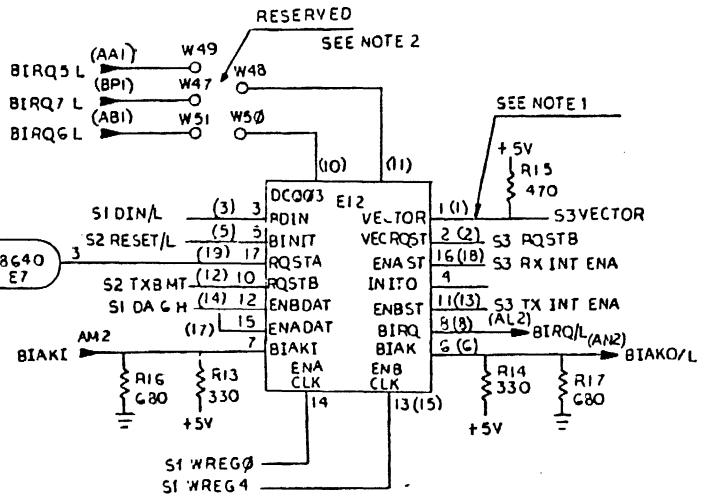
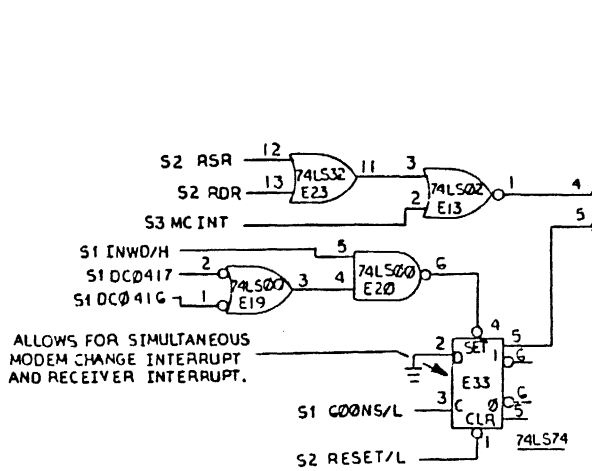
TITLE	DPV11, LOGIC DIAGRAM	SIZE CODE	D CS	NUMBER	M8020-0-1	REV.	C
SCALE	NONE	SHEET	2	OF	4	DIST.	

THIS DRAWING AND SPECIFICATIONS HEREIN ARE THE PROPERTY OF DIGITAL EQUIPMENT CORPORATION AND SHALL NOT BE REPRODUCED OR COPIED IN WHOLE OR IN PART AS THE BASIS FOR THE MANUFACTURE OR SALE OF ITEMS WITHOUT WRITTEN PERMISSION. COPYRIGHT © 1980 DIGITAL EQUIPMENT CORPORATION

TRANSITION DETECTOR



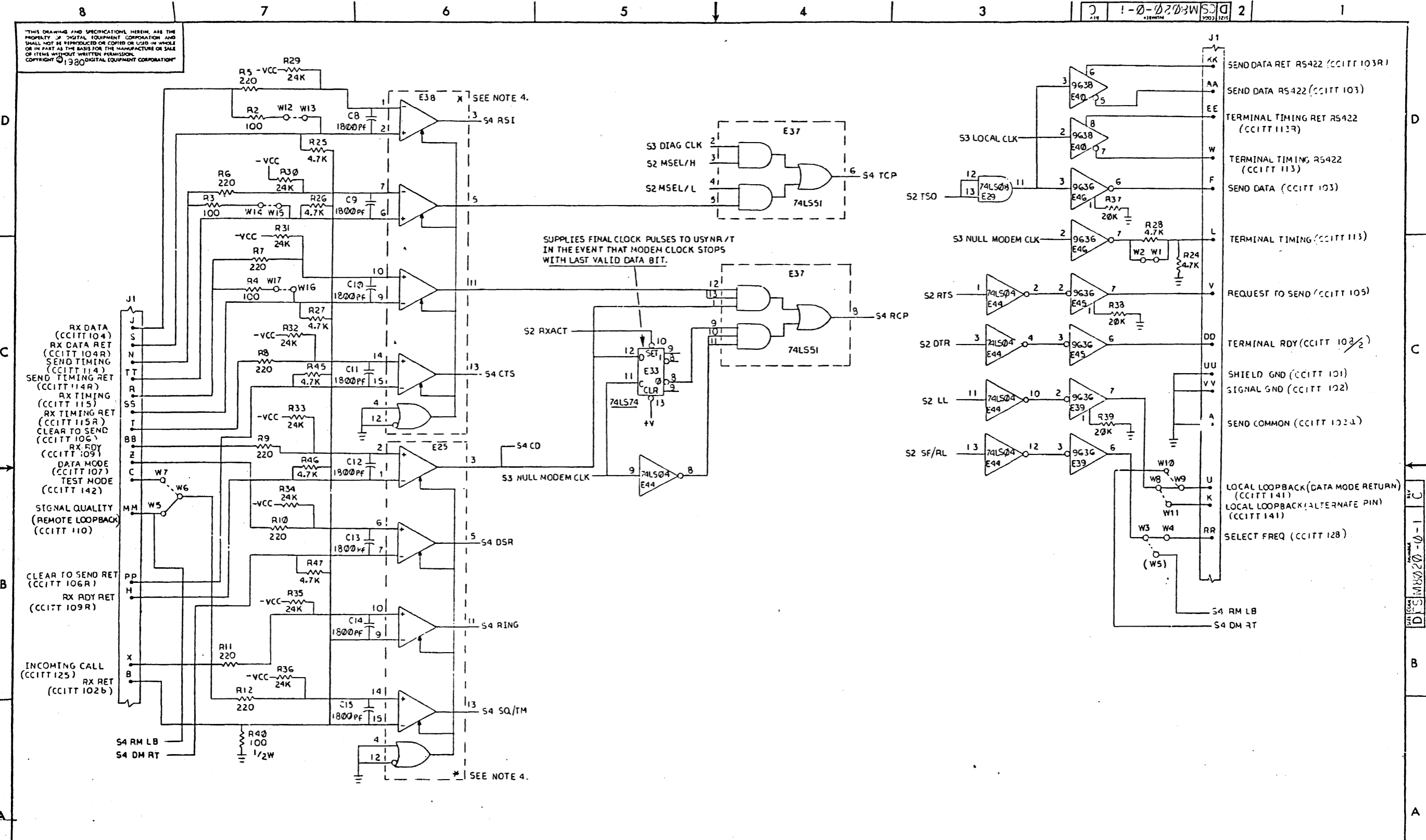
+5V
R23
1K



REVISIONS		
CHK	CHANGE NO.	REV.

TITLE	DPV 11, LOGIC DIAGRAM	SIZE CODE	DCS	NUMBER	MS020-0-1	REV.	C
SCALE	NONE	SHEET	3	OF	4	DIST.	

THIS DRAWING AND SPECIFICATIONS HEREIN ARE THE PROPERTY OF DIGITAL EQUIPMENT CORPORATION AND SHALL NOT BE REPRODUCED OR COPIED OR USED IN WHOLE OR IN PART AS THE BASIS FOR THE MANUFACTURE OR SALE OF ITEMS WITHOUT WRITTEN PERMISSION. COPYRIGHT © 1980 DIGITAL EQUIPMENT CORPORATION



SUPPLIES FINAL CLOCK PULSES TO USYNR/T IN THE EVENT THAT MODEM CLOCK STOPS WITH LAST VALID DATA BIT.

SEE NOTE 4.

SEE NOTE 4.

REVISIONS		
CHK	CHANGE NO.	REV.

TITLE	DPV11, LOGIC DIAGRAM	SIZE CODE	D CS	NUMBER	1	REV.	C
SCALE	NONE	SHEET	4 OF 4	DIST.			

DCS 18020-0-1
 MK