

THIS DRAWING AND THE SPECIFICATIONS CONTAINED HEREIN ARE CONFIDENTIAL AND PROPRIETARY. THEY ARE THE PROPERTY OF DIGITAL EQUIPMENT CORPORATION AND SHALL NOT BE REPRODUCED OR COPIED OR USED IN WHOLE OR IN PART AS THE BASIS FOR MANUFACTURING OR SALE OF ITEMS WITHOUT WRITTEN PERMISSION. THIS IS AN UNPUBLISHED WORK PROTECTED UNDER THE FEDERAL COPYRIGHT LAWS.
 COPYRIGHT 1987
 FIELD MAINTENANCE PRINT SET

TABLE OF CONTENTS

K-TC-RQDX3-0-0
 K-PL-RQDX3-0-DBP
 K-DD-RQDX3-0-0
 B-DD-M9058-0-0
 K-PL-M9058-0-DBP
 D-CS-M9058-0-1
 D-UA-M9058-0-0
 B-DD-M7555-0-DBU
 K-PL-M7555-0-DBP
 D-UA-M7555-0-0
 D-CS-M7555-0-1
 D-IA-BC02D-0-0
 K-PL-BC02D-0-DBP
 A-PS-1701520-0-0
 A-PS 17008'2-0-0

RQDX3 QBUS DISK CONTROLLER (TC)
 RQDX3 QBUS DISK CONTROLLER (PL)
 RQDX3 QBUS DISK CONTROLLER (DD ONLY)
 SIGNAL DISTRB.
 SIGNAL DISTRB. (PL)
 SIGNAL DISTRB.
 SIGNAL DISTRB.
 RD/RX CONTROLLER (DD ONLY)
 RD/RX CONTROLLER (PL)
 RD/RX CONTROLLER
 RD/RX CONTROLLER (SHEET 28 THRU 37 ONLY)
 CABLE ASSY. 50 COND.
 CABLE ASSY. 50 COND. (PL)
 CABLE ASSY. 50 COND.
 CABLE ASSY. I.O

UNIT VARIATIONS COVERED BY THIS PRINT S :

RQDX3-AA
 RQDX3-3A
 RQDX3-M

FIELD MAINTENANCE PRINT SET

 DIGITAL EQUIPMENT CORPORATION
 PRINT SET ORDER NO .
 MPO2259-01 REV-A2

REVISION HISTORY			CONT. REVISION HISTORY		
REV	ECO NUMBER	DATE	REV	ECO NUMBER	DATE
A	INITIAL	- -			
B	RQDX3-MK001	05-MAY-87			

MADE BY : D. HEALY
 DATE : 18-SEP-85

 CHECKED BY : D. HEALY
 DATE : 18-OCT-85

 PROJECT ENGR : N. WARCHOL
 DATE : 18-OCT-85

 RSPBLE ENGR : J. SERBIA
 DATE : 18-OCT-85

 FIELD SERVICE : J. KEARNS
 DATE : 19-OCT-85

d | i | g | i | t | a | l
 TITLE: FIELD MAINTENANCE PRINT SET
 RQDX3 QBUS DISK CONTROLLER
 SIZE | CODE | DOCUMENT NUMBER | REV.
 K | TC | RQDX3-0-0 | B
 SHEET 1 OF 1 | EDIT : 3
 TC FILENAME: RQDX3B.TCF

R. Healy
7-30-87

DRAWING NO.	NO. SHTS	PART NO.	DESCRIPTION	REVISIONS		
		RQDX3-AA	M7555 (RD/RX CTRL) + BC02D-ID CABLE + PKG FOR BA23	A1 A1		
		RQDX3-BA	M7555 (RD/RX) + M9058 (DISTRB PNL) + CABLES + PKG FOR BA123	A1 B1		
		RQDX3-M	M7555 + PKG FOR QBUS DISK CONTROLLER	A1 A1		
K-PL-RQDX3-0-DBP	1		RQDX3 QBUS DISK CONTROLLER	A B		
K-TC-RQDX3-0-0			RQDX3 QBUS DISK CONTROLLER (TC)	- B		
		MP-02259-01	FIELD MAINTENANCE PRINT SET	A1 A2		
NOTES:				A B		
				R E V		
			R E V I S I O N Y	E I N K O O 1		
				D A T E		
				M A Y 8 7		
FILE NAME: DD-RQDX3-0-DBUA						
THIS DRAWING AND THE SPECIFICATIONS CONTAINED HEREIN ARE CONFIDENTIAL AND PROPRIETARY. THEY ARE THE PROPERTY OF DIGITAL EQUIPMENT CORPOR- ATION AND SHALL NOT BE REPRODUCED OR COPIED OR USED IN WHOLE OR IN PART AS THE BASIS FOR THE MANUFACTURE OR SALE OF ITEMS WITHOUT WRIT- TEN PERMISSION. THIS IS AN UNPUBLISHED WORK PROTECTED UNDER THE FEDERAL COPYRIGHT LAWS. COPYRIGHT 1987			DRN: D. HEALY	DATE: 18-SEP-85	d i g i t a l	
			CHK'D: D. HEALY	DATE: 18-OCT-85	TITLE RQDX3 QBUS DISK CONTROLLER	
			DES. ENG.: N. MARCHOL	DATE: 18-OCT-85	SHEET 1 OF 1	EDIT: 3
			RESP. ENG.: J. SERBAI <i>J. Serbai</i>	DATE: 18-OCT-85 <i>10-20-87</i>	DOCUMENT NUMBER	
			MFG. ENG.: J. VEGA	DATE: 18-OCT-85	SIZE CODE NUMBER REV K DD RQDX3-0-0 B	

AUTOMATED BY VAXKPL (V1.3)

PARTS LIST

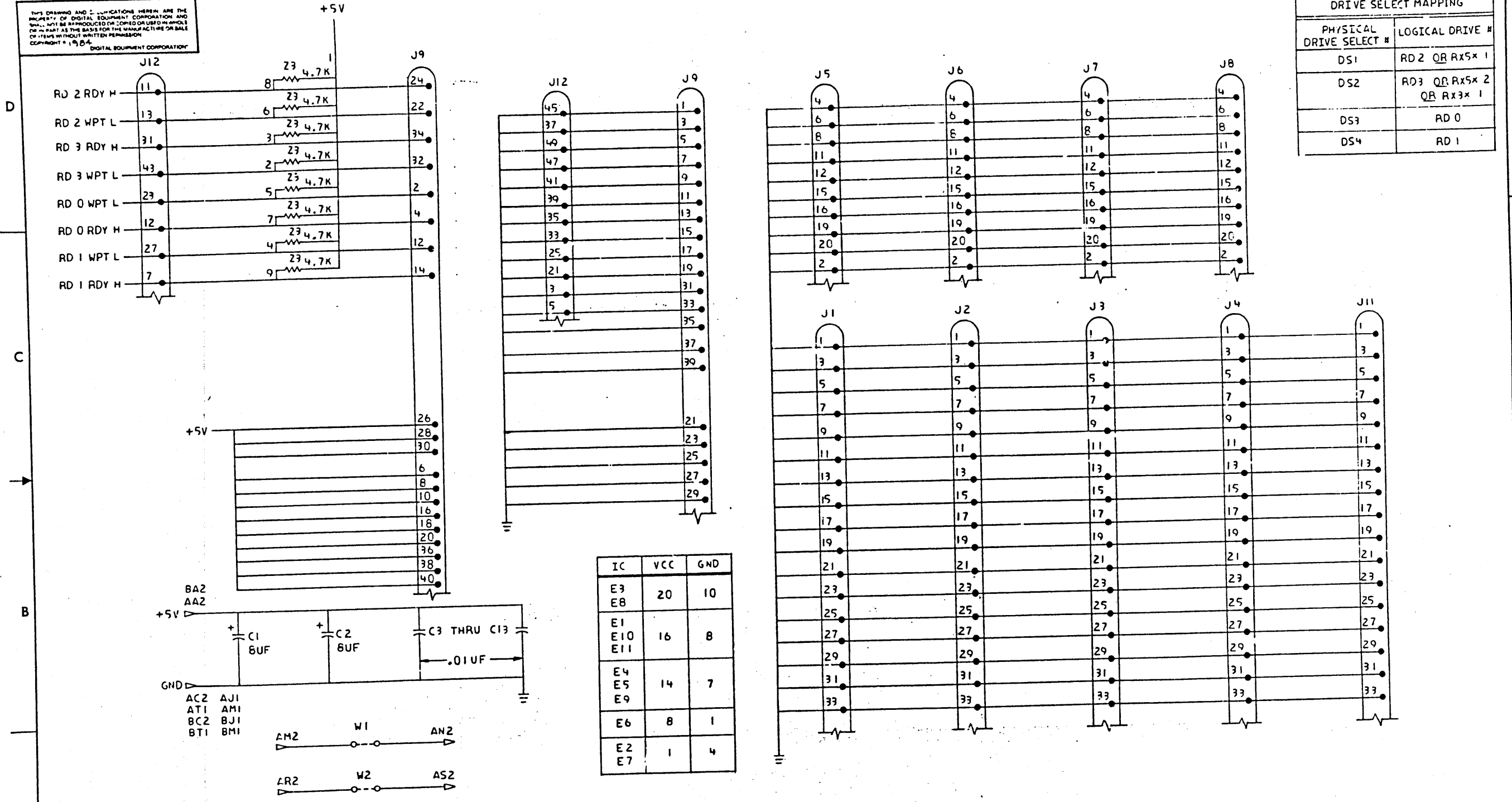
LINE	ITEM	TOP DOCUMENT	PART NUMBER	MIN REV	DESCRIPTION	QTY	PER VAR/REV	REFERENCE DESIGNATORS
1	1	D-MD-5016673-0-0	50-16673-01		CIRCUIT DRILL AND ETCH BOARD	1		
2	2		12-13543-01		HANDLE, UNIBUS MODULE, MAGENTA	1		
3	3		10-12784-00		*** THIS ITEM IS NOT USED ***	-		
4	4		12-16832-03		PCB, HEADER 50POS(2X25).100CC 90D	1		J12
5	5		10-12084-01		8.0 MFD 25V +75/-10% ALU	2		C1, C2
6	6		19-15123-00		26LS32 RECEIVER, QUAD, EIA RS	1		E11
7	7		19-15417-00		9638 DRIVER, DUAL, EIA RS-4	2		E2, E7
8	8		12-16832-02		PCB, HEADER 40POS(2X20).100CC 90D	1		J9
9	9		12-15341-06		PCB HEADER 34PIN(2X17).100CC STR	5		J1-J4, J11
10	10		12-15341-09		PCB HEADER 20PIN(2X10).100CC STR	4		J5-J8
11	11		19-20572-01		74F244 BUFFER/LINE DRIVER, 0	2		E3, E8
12	12		19-11116-00		DEC 8837 RECEIVER, BUS, HEX, UNI	1		E1
13	13		13-18110-00		R. NET 330.0 -11 680.0 -11 5.0	2		Z1, Z2
14	14		90-09149-00		PIN, STAKNG 0.0250DX0.345LG SQUAR	6		TP1-TP6
15	15		90-09185-00		JUMPER, WIRE, INSULATED, BLACK B	4		W3-W6
16	16		19-11469-00		DEC 8640 RECEIVER, BUS, QUAD, UN	1		E6
17	17		19-12848-00		LS158 MUX 1 OF 2 (QUAD)	1		E10
18	18		19-09928-00		7416 INVERTER GATE-HEX 11	2		E5, E9
19	19		19-12838-00		LS132 NAND GATE-QUAD 2IN P	1		E4
20	20		13-00229-00		100.0 .25 I. 5.0 % CF	4		R1-R4
21	21		90-06732-00		EYELET, ROLLED 0.1210DX0.219	4		
22	22		12-18783-00		JUMPER 02POS(1X02).100CC	2		
23	23		13-16395-00		R. NET 4.7K- 9 2.0	1		Z3
24	24		10-01610-00		0.010MFD 50V +80/-20% Z5U C	11		C3-C13

REVISION HISTORY		KPL MODULE FORMAT		SECTION A OF A	DRN: M. FUNARO	D I G I T A L		
ENG	ECO NUMBER	REV	SECTION/VARIATION INDEX		DATE: 10-SEP-84	TITLE PARTS LIST		
---	INITIAL	A	(A)	00	(M)	RQDX SIGNAL DIST. BD.		
JP	M9058-ML001	B	(B)		(N)	DOCUMENT NUMBER		
			(C)		(P)	SIZE	CODE	NUMBER
			(D)		(Q)	K	PL	M9058-0-DBP
			(E)		(R)			REV
			(F)		(S)			B
			(H)		(T)	RELEASE DATE: 30-APR-87		
			(J)		(V)	RELEASE STATUS: RELEASED		
			(K)		(W)	FILE NAME: ML352B.PLS		
			(L)		(Y)	EDIT # 2		
BASIC PART NUMBER: M9058		ASSEMBLY NUMBER: D-UA-M9058-0-0		TOP DOCUMENT NUMBER: B-DD-M9058-0-0		FILE NAME: ML352B.PLS		

"THIS DRAWING AND THE SPECIFICATIONS CONTAINED HEREIN ARE CONFIDENTIAL AND PROPRIETARY. THEY ARE THE PROPERTY OF DIGITAL EQUIPMENT CORPORATION AND SHALL NOT BE REPRODUCED OR COPIED OR USED IN WHOLE OR IN PART AS THE BASIS FOR THE MANUFACTURE OR SALE OF ITEMS WITHOUT WRITTEN PERMISSION. THIS IS AN UNPUBLISHED WORK PROTECTED UNDER THE FEDERAL COPYRIGHT LAWS."

THIS DRAWING AND ALL INDICATIONS HEREIN ARE THE PROPERTY OF DIGITAL EQUIPMENT CORPORATION AND SHALL NOT BE REPRODUCED OR COPIED OR USED IN WHOLE OR IN PART AS THE BASIS FOR THE MANUFACTURE OR SALE OF ITEMS WITHOUT WRITTEN PERMISSION. COPYRIGHT © 1974 DIGITAL EQUIPMENT CORPORATION.

1-0-6506W (S) Q



PHYSICAL DRIVE SELECT #	LOGICAL DRIVE #
DS1	RD2 OR RX5* 1
DS2	RD3 OR RX5* 2 OR RX3* 1
DS3	RD 0
DS4	RD 1

DATE	ECO NUMBER	REV
3/9/87	M9058-ML001	B
5/6/87		

JIM PADGETT

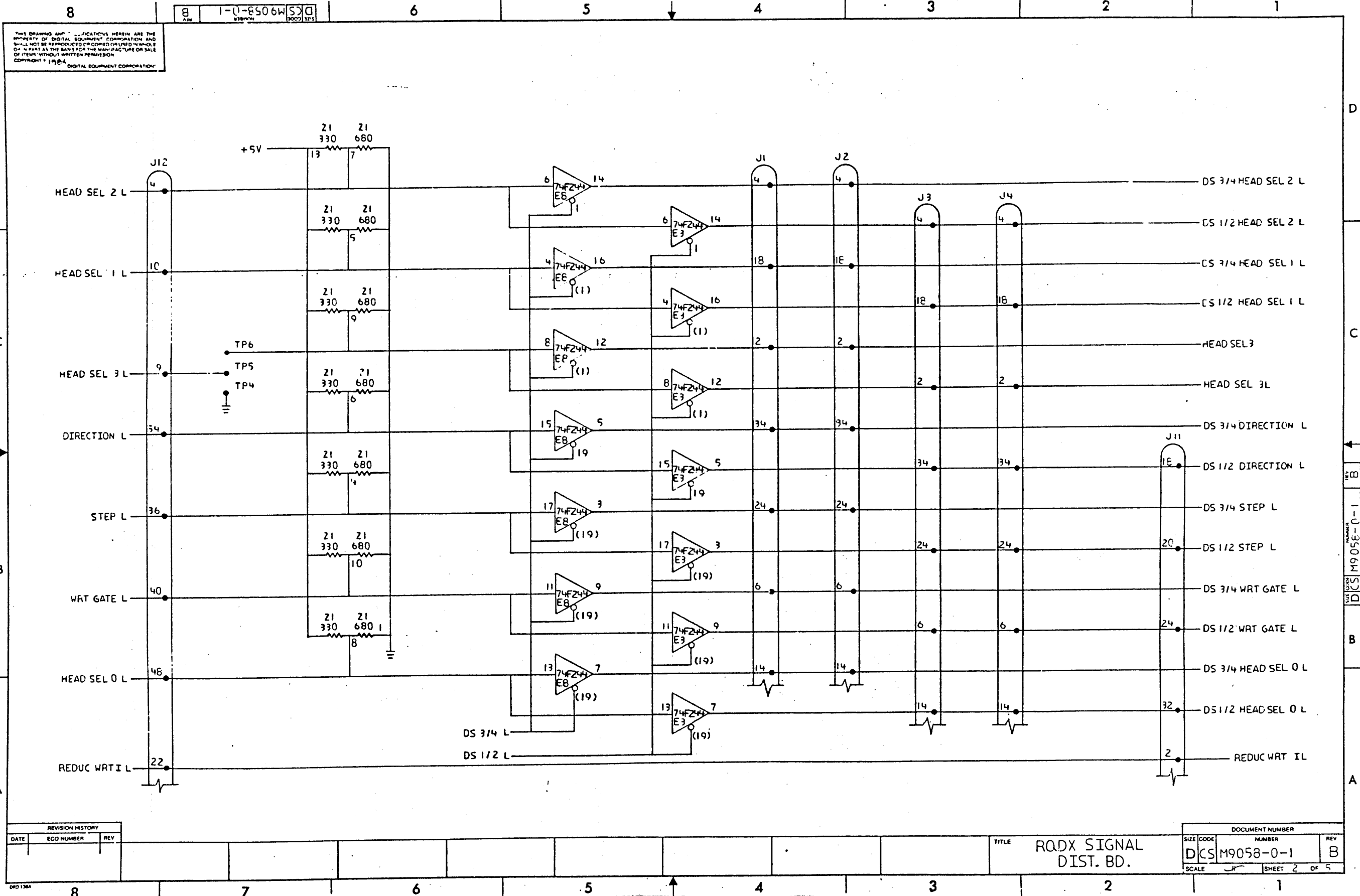
DATE	DATE	DATE	DATE	DATE	DATE
20 SEP 84					

TITLE: RQDX SIGNAL DIST. BD.

DOCUMENT NUMBER: DCS M9058-0-1 3

SCALE: 1 OF 2

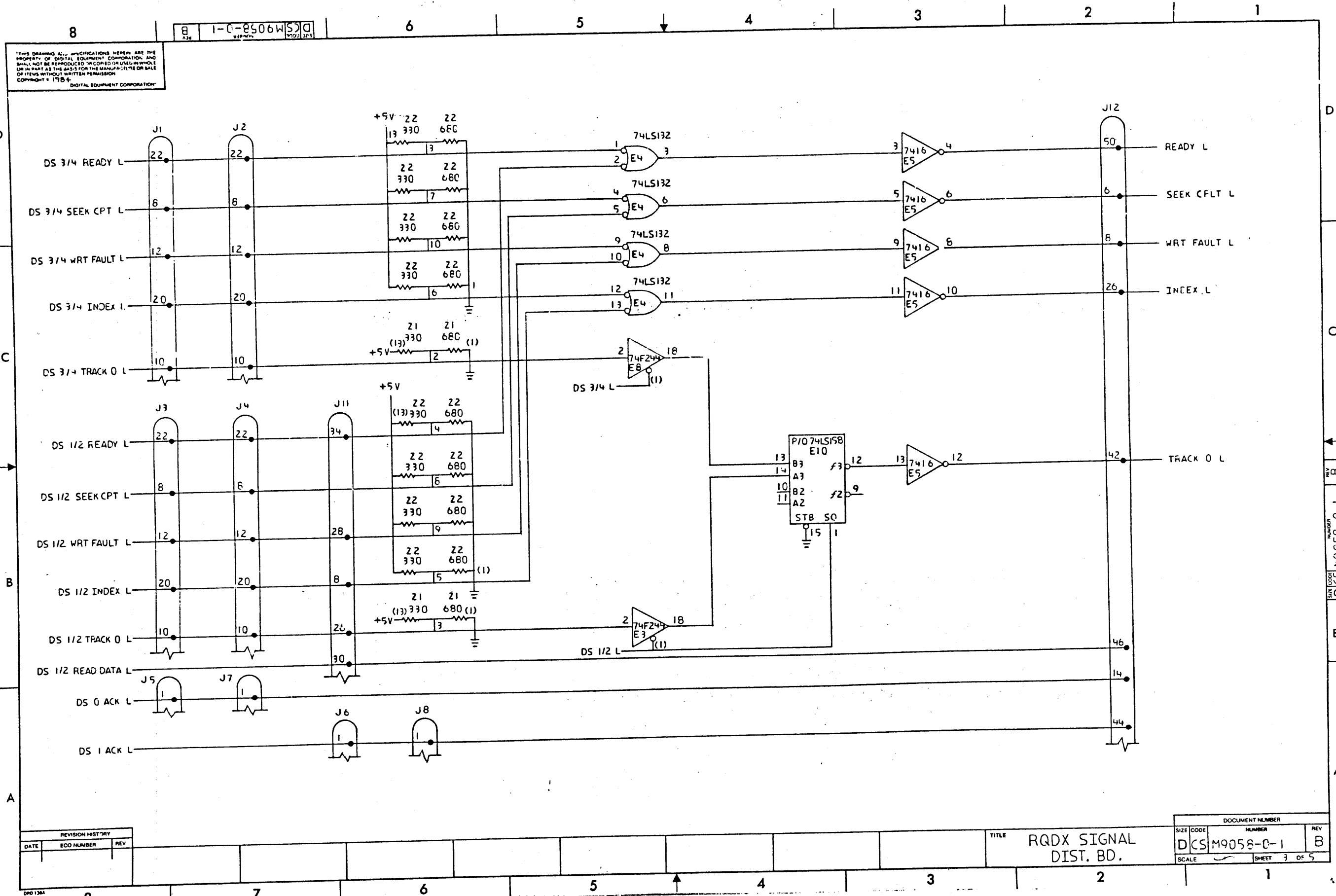
REV B DCS M9058-0-1



THIS DRAWING AND SPECIFICATIONS HEREIN ARE THE PROPERTY OF DIGITAL EQUIPMENT CORPORATION AND SHALL NOT BE REPRODUCED OR COPIED OR USED IN WHOLE OR IN PART AS THE BASIS FOR THE MANUFACTURE OR SALE OF ITEMS WITHOUT WRITTEN PERMISSION. COPYRIGHT © 1964 DIGITAL EQUIPMENT CORPORATION.

REVISION HISTORY		
DATE	ECD NUMBER	REV

TITLE		DOCUMENT NUMBER	
RQDX SIGNAL DIST. BD.		SIZE CODE	NUMBER
		DCS	M9058-0-1
		SCALE	SHEET 2 OF 5
			REV B

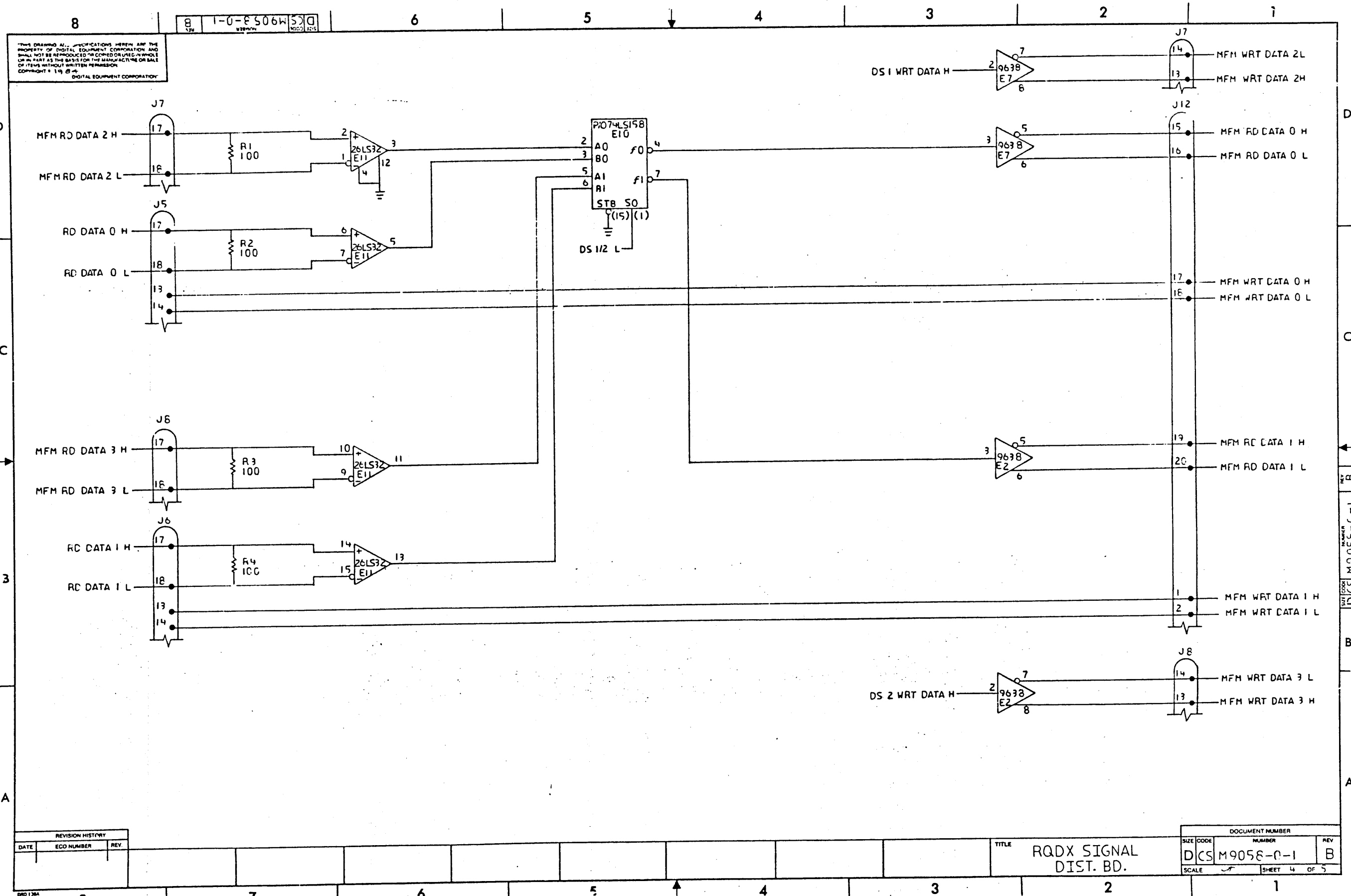


REVISION HISTORY		
DATE	ECO NUMBER	REV

TITLE RQDX SIGNAL
DIST. BD.

DOCUMENT NUMBER			REV
SIZE	CODE	NUMBER	
DCS	M9058-0-1		B
SCALE		SHEET 3 OF 5	

SIZE CODE DCS M9058-0-1
 PART NUMBER

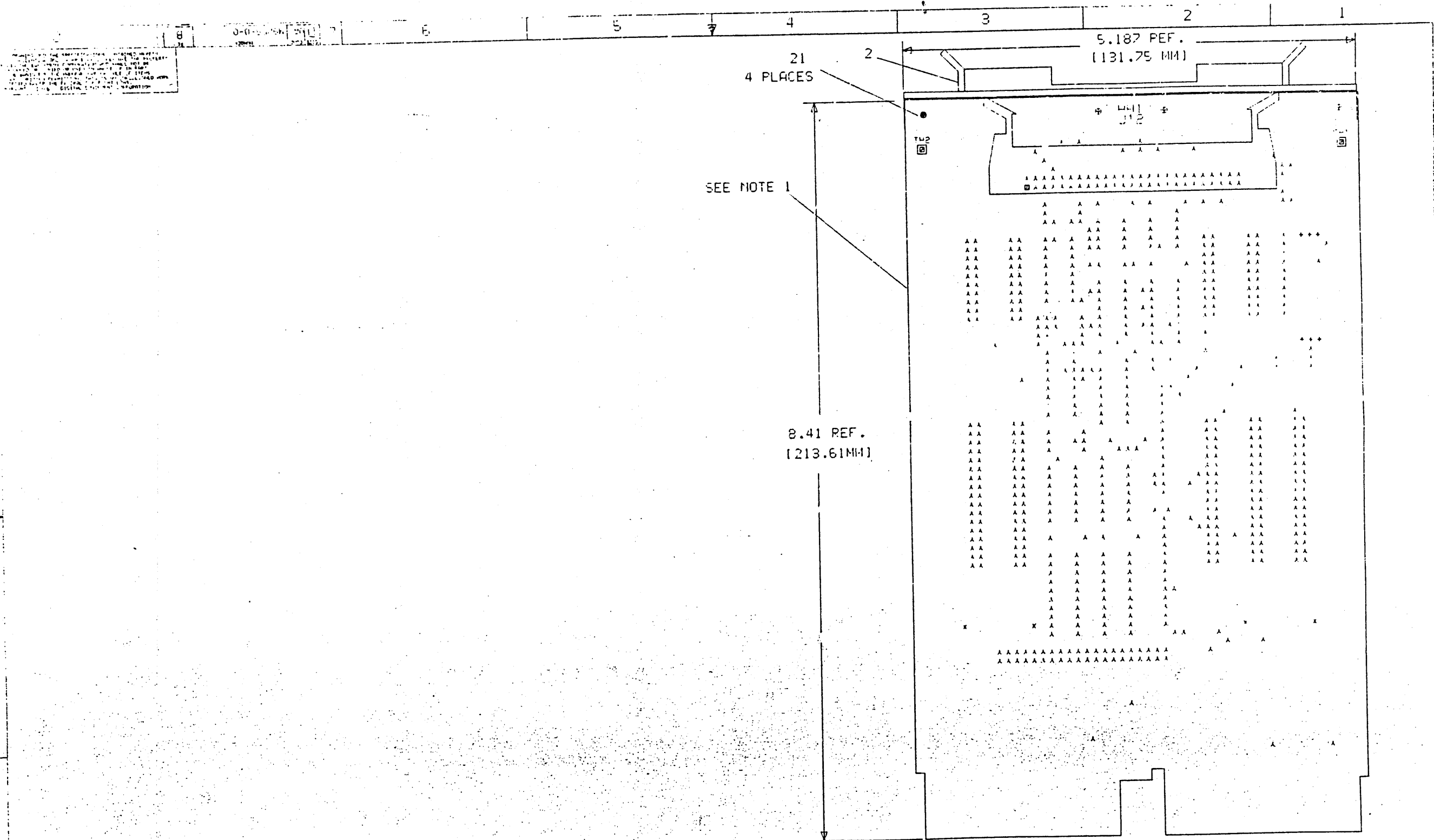


REVISION HISTORY		
DATE	ECO NUMBER	REV.

DOCUMENT NUMBER		
SIZE CODE	NUMBER	REV.
DCS	M9058-C-1	B
SCALE	SHEET 4 OF 5	

TITLE
RQDX SIGNAL
DIST. BD.

ALL DIMENSIONS ARE IN MILLIMETERS UNLESS OTHERWISE SPECIFIED.
 DIMENSIONS TO CENTER UNLESS OTHERWISE SPECIFIED.
 DIMENSIONS TO FACE UNLESS OTHERWISE SPECIFIED.



CHK	DESIGN BY	ENGINEER	CHANGE NO	DATE	REV
133	J. Padgett	J. Padgett	M9058-0-0	5/1/87	E
			MLOOI	5/1/87	

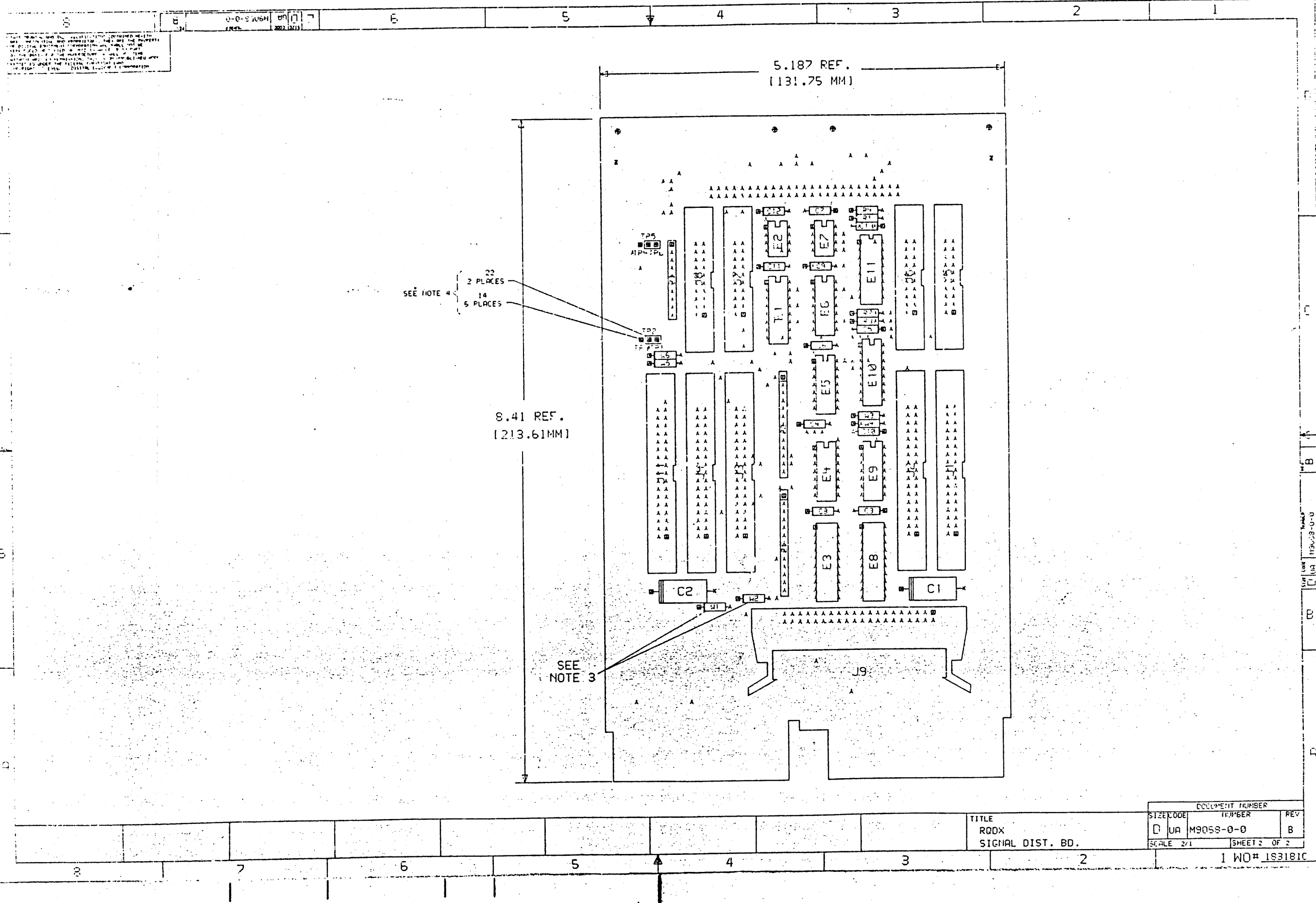
CHK	DRANN BY	ENGINEER	CHANGE NO	DATE	REV

NOTES
 1. ALL COMPONENTS ARE ON SIDE 2 EXCEPT J12
 2. ON SIDE 1 IDENTIFY POINT OF MANUFACTURE.
 DATE CODE AND REVISION LEVEL.
 3. H1 AND H2 NOT INSTALLED.
 4. ITEM 22 TO BE INSTALLED BETWEEN
 TP1 AND TP2, AND BETWEEN TP5 AND TP6.

SIGNATURES		DATE	TITLE ROOM
DRAWN AND CHECKED		2-11-87	
CHECKED <i>J. Padgett</i>		5-5-87	
MECH ENG <i>J. Padgett</i>		5-2-87	
PROD ENG <i>J. Padgett</i>		5-4-87	
PROD <i>Joe Break</i>		6-11-87	
SCALE 2/1			
SHEET 1 OF 2			
TOP DOC NO B-DD-M9058-0-0			

digital
 E

THIS DRAWING AND THE INFORMATION CONTAINED HEREIN ARE UNCLASSIFIED EXCEPT WHERE SHOWN OTHERWISE. DATE 08-14-2013 BY 60322/UC/STP



SEE NOTE 4
 22
 2 PLACES
 14
 5 PLACES

8.41 REF.
 [213.61MM]

5.187 REF.
 [131.75 MM]

TITLE		DOCUMENT NUMBER	
RQDX		SIZE CODE	NUMBER
SIGNAL DIST. BD.		UA	M9053-0-0
SCALE 2/1		SHEET 2 OF 2	
1 WO# 1S3181C			

DRAWING NO.	NO. OF SHTS.	PART NO.	DESCRIPTION	REVISIONS															
				A1	BI	CI	DI	D2											
		M7555-00	MICROVAX Q-BUS DISK CONTROLLER																
D-UA-M7555-0-0	1		MICROVAX Q-BUS DISK CONTROLLER UNIT ASSEMBLY	A	B	B	C	--											
D-CS-M7555-0-1	37		MICROVAX Q-BUS DISK CONTROLLER SCHEMATIC	A	B	B	C	C											
K-PL-M7555-0-DBP	2		MICROVAX Q-BUS DISK CONTROLLER PARTS LIST	A	B	C	D	--											
K-PC-M7555-0-DBJ	1		P.C. DESIGN DATA BASE	C	C	C	C	D											
		5016674-01	ETCHED CIRCUIT BOARD	C1	C1	C1	C1	D1											
B-DD-5016674-0-0	1		DRAWING DIRECTORY	A	B	B	C	C											
D-UA-M7555-0-1	1		MICROVAX Q-BUS DISK CONTROLLER UNIT ASSEMBLY	--	--	--	--	A											
K-PL-M7555-1-DBP	2		MICROVAX Q-BUS DISK CONTROLLER PARTS LIST	--	--	--	--	A											

NOTES:

REVISION HISTORY		A	B	C	D	D
DATE	ECO NO.					
4/22	INIT					
11-11-85	M7555-TW001					
3/86	M7555-MLO02					
5/86	M7555-MLO03					
5/86	M7555-MLO03					

THIS DRAWING AND THE SPECIFICATIONS CONTAINED HEREIN ARE CONFIDENTIAL AND PROPRIETARY. THEY ARE THE PROPERTY OF DIGITAL EQUIPMENT CORPORATION AND SHALL NOT BE REPRODUCED OR COPIED OR USED IN WHOLE OR IN PART AS THE BASIS FOR THE MANUFACTURE OR SALE OF ITEMS WITHOUT WRITTEN PERMISSION. THIS IS AN UNPUBLISHED WORK PROTECTED UNDER THE FEDERAL COPYRIGHT LAWS, 1985



DRN. B. CORMIER	DATE 4/23/85	TITLE MICROVAX Q-BUS DISK CONTROLLER
CHK'D E. LANDRY	DATE 4/23/85	
DES. ENG. N. WARCHOL	DATE 4/23/85	DOCUMENT NUMBER
RESP. ENG. N. WARCHOL	DATE 4/23/85	SIZE B CODE DD NUMBER M7555-0-0 REV. D
MFG. ENG. <i>John Yrdem</i>	DATE 5/14/85	SHEET 1 OF 1

LINE	ITEM	TOP DOCUMENT	PART NUMBER	MIN REV	DESCRIPTION	QTY PER VAR/REV	REFERENCE DESIGNATORS
						00 D1	
1	1	D-MD-5016674-0-0	50-16674-01		CIRCUIT DRILL AND ETCH	1	
2	2		10-02427-00		15 PFD 100V +/- 5% 200PP	1	C5
3	3		10-13466-07		220 PFD 50V +/- 5% NP0 C	1	C6
4	4		10-13466-58		0.068MFD 50V +/- 5% X7R C	1	C3
5	5		10-14265-00		0.22 MFD 50V +80/-20% Z5U C	22	C12-C14,C16-C34
6	6		10-15268-00		*** THIS ITEM IS NOT USED ***	-	
7	7		10-15573-01		5600 PFD 50V +/- 5% X7R C	1	C7
8	8		10-17472-00		10 MFD 35V +75/-10% ALU	3	C8-C10
9	9		10-24600-01		200 PFD 100V +/- 5% 200PP	1	C4
10	10		11-11577-00		PIV= 50 IO=200 MA - 4NS 1N4454	4	D1-D3,D5
11	11		11-14136-01		LED 6.5MA 5V 1.2MCD	1	D4
12	12		12-13506-13		PCB HEADER 50PIN(2X25).100CC 90D	1	J1
13	13		12-13543-01		HANDLE,UNIBUS MODULE,MAGENTA	1	
14	14		12-15006-07		SKT,IC 28PIN DIP TIN SOLD	5	XE18-XE22
15	15		12-15006-08		SKT,IC 40PIN DIP TIN SOLD	2	XE29,XE37
16	16		12-16862-06		PCB,HEADER 02POS(2X01).100CC STR	4	
17	17		12-16862-07		PCB,HEADER 08POS(2X04).100CC STR	1	
18	18		12-16862-08		PCB,HEADER 22POS(2X11).100CC STR	1	
19	19		12-18783-00		JUMPER 02POS(1X02).100CC	6	W2,W4,W5,W9,W11,W23
20	20		13-00197-00		33.0 .25 W 5.0 % CF	1	R36
21	21		13-00229-00		100.0 .25 W 5.0 % CF	2	R4,R5
22	22		13-00295-00		330.0 .25 W 5.0 % CF	3	R3,R7,R10
23	23		13-00365-00		1.0 K .25 W 5.0 % CF	9	R1,R2,R13,R15,R18,R19,R23,R28,
24	24		13-01972-00		270.0 .25 W 5.0 % CF	2	CONT R31
25	25		13-02602-00		56.0 .25 W 5.0 % CF	5	R11,R12
26	26		13-02955-00		750.0 .25 W 1.0 % RN55D-F10	1	R34,R35,R37-R39
27	27		13-02956-00		196.0 .25 W 1.0 % RN55D-F10	1	R33
28	28		13-03114-00		1.0 K .25 W 1.0 % RN55D-F10	2	R29
29	29		13-03312-00		10.0 K .25 W 1.0 % RN55D-F10	2	R6,R24
30	30		13-04725-00		300.0 .25 W 1.0 % RN55D-F10	1	R16,R27
31	31		13-12922-00		536.0 .25 W 1.0 % RN55D-F10	1	R30 R22

REVISION HISTORY			KPL MODULE FORMAT SECTION A OF A		DRN: JIM CUNNINGHAM	DIGITAL				
ENG	ECO NUMBER	REV	SECTION/VARIATION INDEX		DATE: 14-SEP-84					
---	INITIAL	A	[A]	00	[M]	CHK'D: DAVID DROZD	TITLE PARTS LIST			
AT	M7555-TW001	B	[B]		[N]	DATE: 14-SEP-84	RQDX3			
NW	M7555-ML002	C	[C]		[P]	DES.ENG: NICK WARCHOL	QBUS DISK CTRL			
JS	M7555-ML003	D	[D]		[Q]	DATE: 12-MAY-86	DOCUMENT NUMBER			
			[E]		[R]	RESP.ENG.: E. PABELLON	SIZE	CODE	NUMBER	REV
			[F]		[S]	DATE: 12-MAY-86	K	PL	M7555-0-DBP	D
			[H]		[T]	MFG.ENG: JORGE VEGA	RELEASE DATE: 12-MAY-86			
			[J]		[V]	DATE: 14-SEP-84	RELEASE STATUS: RELEASED			
			[K]		[W]		BASIC PART NUMBER:		ASSEMBLY NUMBER:	
			[L]		[Y]		M7555			
							TOP DOCUMENT NUMBER:		FILE NAME:	
							B-DD-M7555-0-0		ML374D.PLS	
									EDIT #	
									10	

"THIS DRAWING AND THE SPECIFICATIONS CONTAINED HEREIN ARE CONFIDENTIAL AND PROPRIETARY. THEY ARE THE PROPERTY OF DIGITAL EQUIPMENT CORPORATION AND SHALL NOT BE REPRODUCED OR COPIED OR USED IN WHOLE OR IN PART AS THE BASIS FOR THE MANUFACTURE OR SALE OF ITEMS WITHOUT WRITTEN PERMISSION. THIS IS AN UNPUBLISHED WORK PROTECTED UNDER THE FEDERAL COPYRIGHT LAWS."

LINE	ITEM	TOP DOCUMENT	PART NUMBER	MIN REV	DESCRIPTION	QTY PER VAR/REV	REFERENCE DESIGNATORS
						00 D1	
32	32		13-13590-00	1.50 K	.25 W 1.0 % RN55D-F10	1	R21
33	33		13-13591-00	1.65 K	.25 W 1.0 % RN55D-F10	1	R26
34	34		13-16395-00	R. NET	4.7K- 9 2.0	1	Z1
35	35		13-16839-00	715.0	.25 W 1.0 % RN55D-F10	1	R25
36	36		13-16841-00	2.05 K	.25 W 1.0 % RN55D-F10	1	R17
37	37		13-17399-00	6.49 K	.25 W 1.0 % RN55D-F10	1	R20
38	38		13-21219-01	R. NET	330.0 - 4 680.0 - 4 2.0	1	Z2
39	39		13-24050-01	R. NET	220.0 - 8 330.0 - 8 2.0	1	Z3
40	40		15-09524-00	2N 3904	NPN 310MW SI 40 40 M	10	Q1-Q7,Q9-Q11
41	41		15-09525-00	2N 3906	PNP 310MW SI 40100 Y	4	Q12-Q15
42	42		16-23214-01	DELAY=	50NS,5TAPS,14PIN DIP	2	E6,E26
43	43		16-24610-01	DELAY=	1000NS,10TAP	1	E11
44	44		18-11660-01	OSCILLATOR,	XTAL 10.000 MHZ	1	Y1
45	45		18-11660-67	OSCILLATOR,	XTAL 15.000 MHZ	1	Y2
46	46		19-12536-01	7805	VOLT REG, FIX +5V	1	Q8
47	47		19-12803-00	LS04	INVERTER GATE, HEX	1	E7
48	48		19-12805-00	LS08	AND GATE-QUAD 2IN, PO	1	E4
49	49		19-12842-00	LS138	DECODER-THREE INPUT,	1	E45
50	50		19-12863-00	LS273	FF-D OCTAL W/CLEAR	3	E14,E27,E35
51	51		19-13040-00	DC 005	TRANSCEIVER 4BIT	4	E28,E32,E36,E40
52	52		19-13414-00	LS14	INVERTER GATE-HEX SC	1	E43
53	53		19-13777-00	LS240	DRIVER, LINE, OCTAL, TR	3	E23,E31,E44
54	54		19-14987-00	8641-2	TRANSCEIVER, UNIBUS,	4	E10,E13,E16,E17
55	55		19-15219-00	LS373	FF-D OCTAL-TRANSPARE	2	E41,E42
56	56		19-15416-00	9637	RECEIVER, DUAL, RS-422	1	E38
57	57		19-15417-00	9638	DRIVER, DUAL, EIA RS-4	1	E39
58	58		19-16581-00	347	OP AMP, QUAD, JFET	1	E3
59	59		19-19015-00	DC 021	BUS TRANSCEIVER, 20PI	4	E12,E15,E24,E25
60	60		19-20442-01	74F374	FF-D, OCTAL, TRI-STATE	2	E1,E5
61	61		19-20895-01	LS626	OSCILLATOR, DUAL, VOLT	1	E9
62	62		19-21307-01	74F04	HEX INVERTER	1	E34
63	63		19-21318-01	74F151	MUX, 8-IN	1	E30
64	64		21-17311-01	T-11	MICROPROCESSOR W/LSI-	1	E37
65	65		21-21384-03		RAM 8KX8, STATIC 120	2	E19,E20
66	66			*** THIS ITEM IS NOT USED ***		-	
67	67		21-24145-01		DATA PATH GATE ARRAY	1	E33
68	68		21-24192-01		CONTROLLER, DISK	1	E29
69	69		23-12L3 -00	L3-01		1	E2
70	70		23-54L1 -00	L1-01		1	E18
71	71			*** THIS ITEM IS NOT USED ***		-	
72	72			*** THIS ITEM IS NOT USED ***		-	
73	73		90-06732-00	EYELET, ROLLED	0.1210DX0.219	2	
74	74		10-01631-00	390	PFD 100V +/- 5% 200PP	1	C35
75	75		13-14763-00	4.12 K	.25 W 1.0 % RN55D-F10	1	R40
76	76		90-09217-00	POST,	WIRE WRAP	1	
77	77		91-07256-11	TUBING,	TEFLON .027ID	A/R	
78	78		21-24144-02	DC 7021B	CMOS GAD	1	E8
79	79		23-216E5-00	*** THIS ITEM IS NOT USED ***		-	
80	80		23-217E5-00	*** THIS ITEM IS NOT USED ***		-	
81	81		23-243E5-00	E5-01,E5-02,E5-03	ROM	1	E21

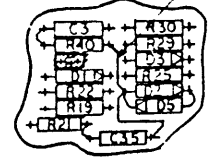
D	I	G	I	T	A	L	TITLE	SECTION A	OF A	SIZE	CODE	DOCUMENT NUMBER	REV
							RQDX3 QBUS DISK CTRL			K	PL	M7555-0-DBP	D

LINE	ITEM	TOP DOCUMENT	PART NUMBER	MIN REV	DESCRIPTION	QTY 00 D1	PER VAR/REV	REFERENCE DESIGNATORS
82	82		23-244E5-00	E5-01 E5-02 E5-03	ROM	1		E22

D	I	G	I	T	A	L	TITLE		SECTION A OF A	SIZE	CODE	DOCUMENT NUMBER	REV
							RQDX3 QBUS DISK CTRL			K	PL	M7555-0-DBP	D

THIS DRAWING AND SPECIFICATIONS, HEREIN, ARE THE PROPERTY OF SILENA EQUIPMENT CORPORATION AND SHALL NOT BE REPRODUCED OR COPIED OR USED IN WHOLE OR IN PART IN THE MANUFACTURE OR SALE OF ITEMS WITHOUT WRITTEN PERMISSION. SILENA EQUIPMENT CORPORATION, BOSTON, MASS. © 1955

1/4" TUBING
P/N 90-07256-11



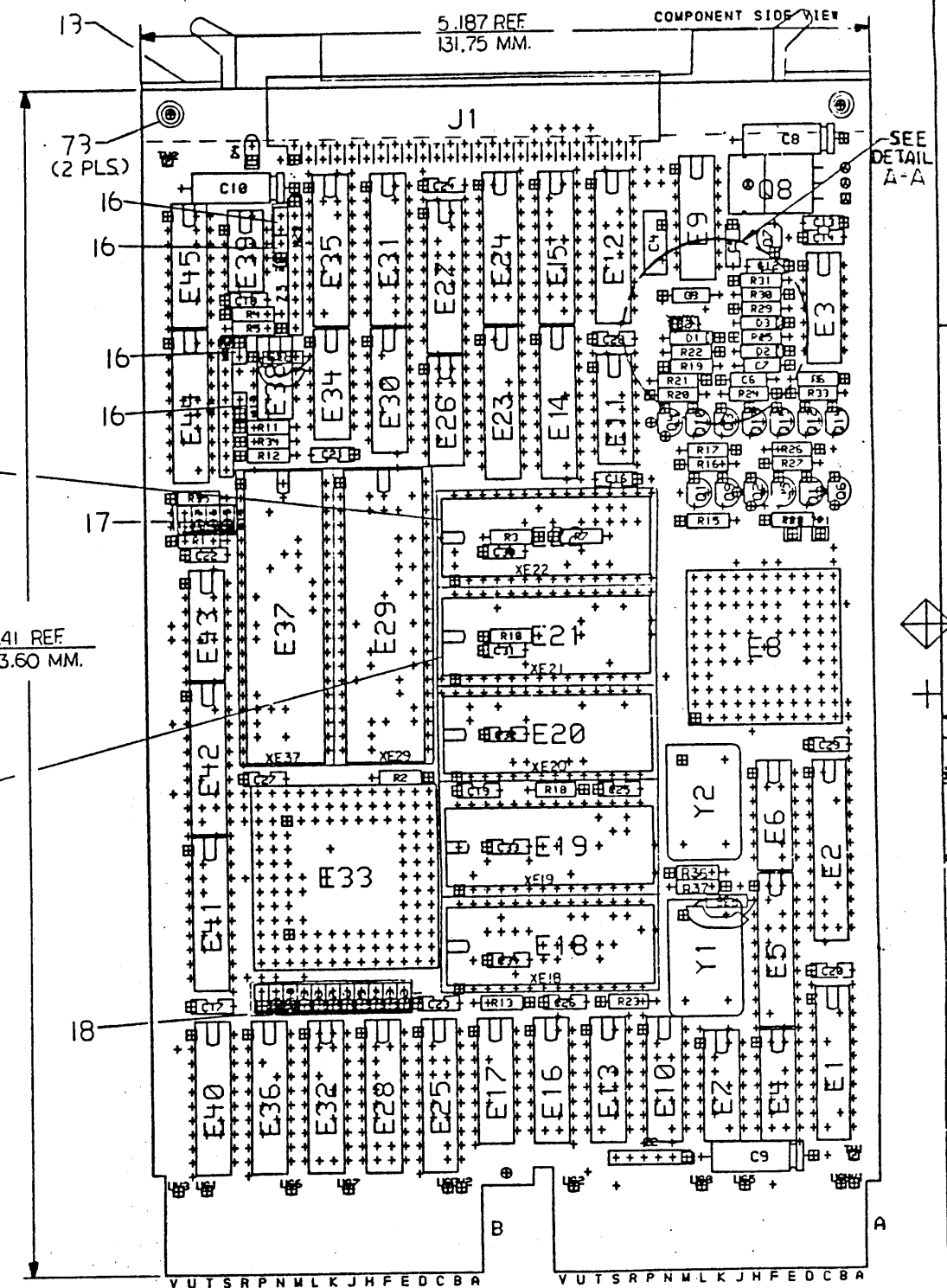
DETAIL A-A



NOTES:

STEP E	+ Y AXIS	STEP	TIMES
REPEAT	+ X AXIS	STEP	TIMES

CHANGE NO	REV	DATE	BY
77	A	1/27/55	J. WOOD
77	B	2/1/55	J. WOOD
77	C	2/1/55	J. WOOD
77	D	2/1/55	J. WOOD
77	E	2/1/55	J. WOOD
77	F	2/1/55	J. WOOD
77	G	2/1/55	J. WOOD
77	H	2/1/55	J. WOOD
77	I	2/1/55	J. WOOD
77	J	2/1/55	J. WOOD
77	K	2/1/55	J. WOOD
77	L	2/1/55	J. WOOD
77	M	2/1/55	J. WOOD
77	N	2/1/55	J. WOOD
77	O	2/1/55	J. WOOD
77	P	2/1/55	J. WOOD
77	Q	2/1/55	J. WOOD
77	R	2/1/55	J. WOOD
77	S	2/1/55	J. WOOD
77	T	2/1/55	J. WOOD
77	U	2/1/55	J. WOOD
77	V	2/1/55	J. WOOD
77	W	2/1/55	J. WOOD
77	X	2/1/55	J. WOOD
77	Y	2/1/55	J. WOOD
77	Z	2/1/55	J. WOOD



ETCH REV.	C1
-----------	----

SIGNATURES	DATE	TITLE
DRN. J. CUNNINGHAM	2/1/55	digital
CHK'D. J. WOOD	2/1/55	RGDX3
MECH. ENG. J. WOOD	2/1/55	
PROJ. ENG. J. WOOD	2/1/55	
PROD. J. WOOD	2/1/55	

SCALE	2/1	SIZE	CODE	NUMBER	REV
SHT.	1	OF	2	D UR	M7555-0-0
NEXT HIGHER ASSY. 8-DD-M7555-0-0					

1 MS# 275352

ECO *1

COMPONENT ADDS

LIFT E5-P2
 ADD 1/4" TUBING P/N 90-07256-11 TO ONE SIDE OF R38
 56 OHM RES. P/N 13-02602-00.
 SOLDER RESISTER LEG WITH TUBING TO THE E5.2.
 SOLDER THE OTHER RESISTER LEG TO THE E5.2 PIN FEED-THRU.
 REPEAT OPERATION FOR R39 CONNECTING IT TO E34.2.

LIFT LEG OF D2 NEXT TO R22, PLACE WIRE WRAP POST IN THE FEED THRU HOLE BOTTOM UP.
 SOLDER DIODE LEG TO THE POST.
 SOLDER D5 RIGHT ON TOP OF D2 (REVERSE POLARITY).
 ADD TO 4.12K RES. 1/4 TUBING SOLDER TO POST ON D2. SOLDER THE OTHER LEG TO FEED THRU OF DELETED C2 (LEFT SIDE).
 SOLDER 390 PF TO THE POST AND TACK SOLDER THE OTHER LEG TO R21 FEED THRU NEXT TO C6.

WIRE ADDS

ADD 30 AWG WIRE ON SIDE 2 FROM FEED THRU R22 NEXT TO ETCH CUT (SIDE 1) TO E3.13 (PTH UNDER R25).
 ADD WIRE FROM E29.2 TO W-17 (SIDE 2).

ECO M7555 ML003

COMPONENT DELETES SIDE 1 (AS SHOWN)

3-1 DELETE COMPONENT E21 PART 23-46E5-00

3-2 DELETE COMPONENT E22 PART 23-217E5-00

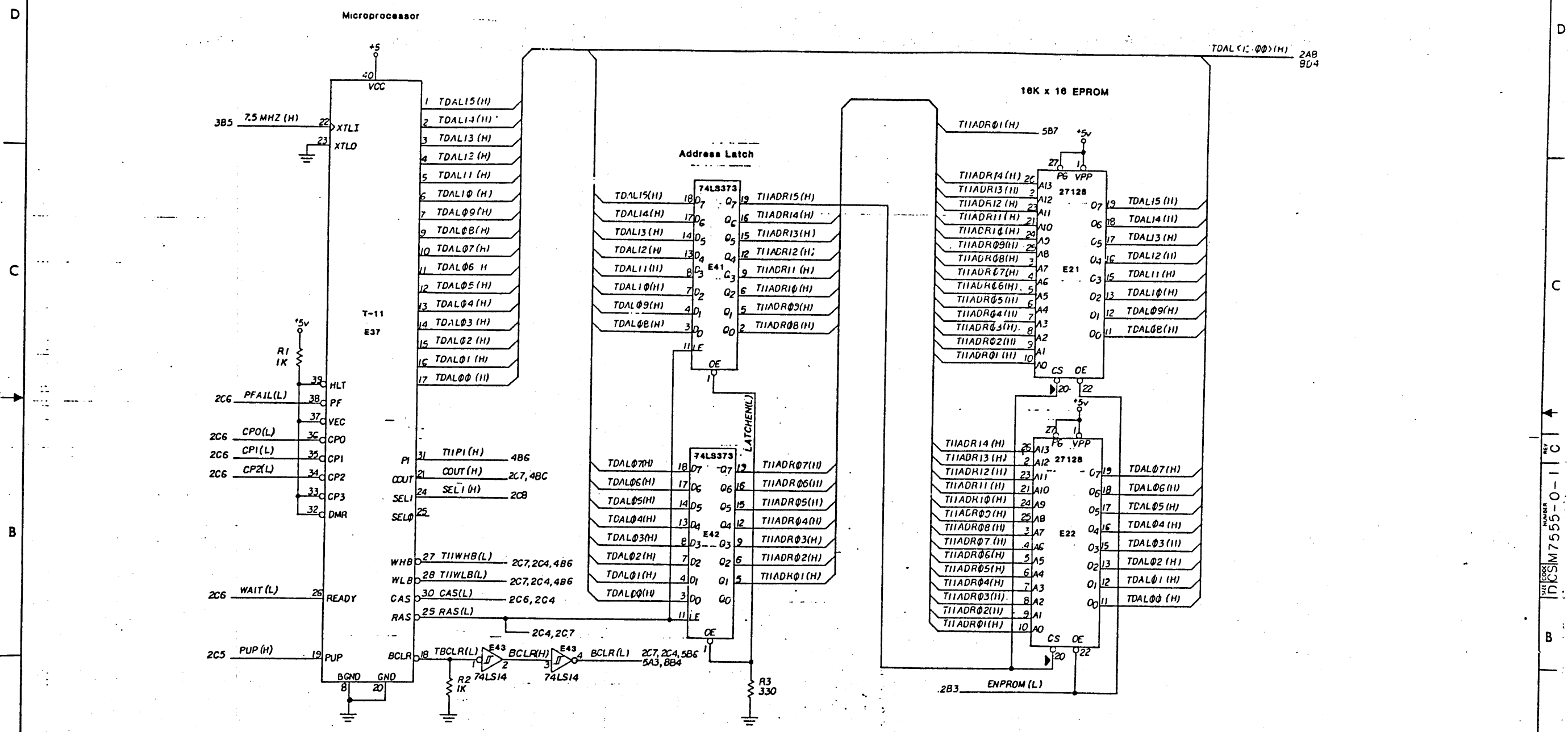
COMPONENT ADDS SIDE 1 (AS SHOWN)

3-3 ADD COMPONENT E21 PART 23-243E5-00

3-4 ADD COMPONENT E22 PART 23-244E5-00

REVISION HISTORY		
REV	ECO NUMBER	DATE

ORD 137C
 EN-01254-16-REV A1200



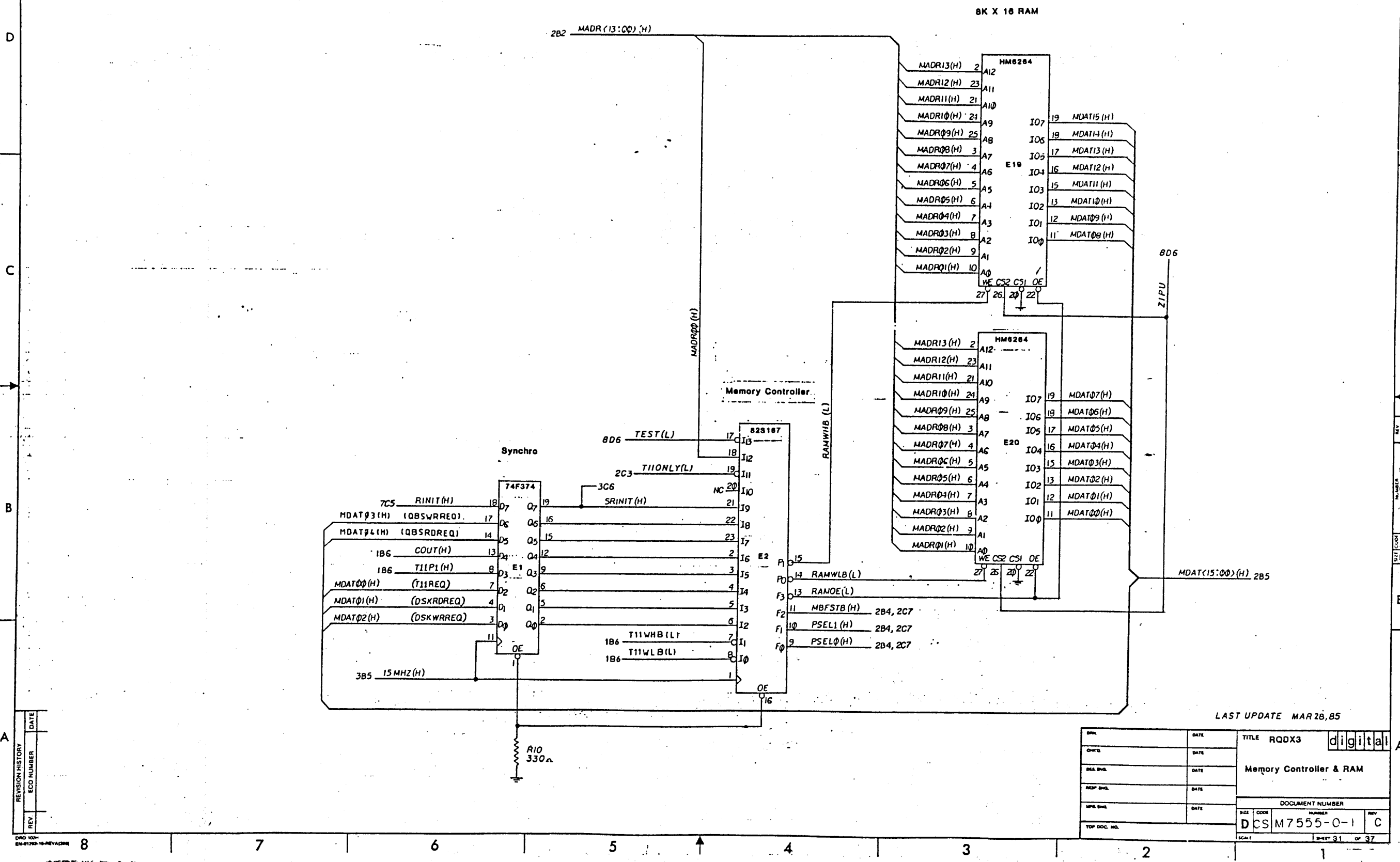
REV	ECO NUMBER	DATE

DWG NO: 8
REV: 1

LAST UPDATE MAR 4, 85		TITLE RQDX3 digital	
DATE 5-7-85	DATE 5-7-85	T11 & EPROM	
DATE 5-14-85	DATE 5-14-85	DOCUMENT NUMBER	
DATE 5-14-85	DATE 5/14/85	SIZE CODE	NUMBER
TOP DOC. NO. B-DD-M7555-0-0		SCALE	28 37

THIS DRAWING AND THE SPECIFICATIONS CONTAINED HEREIN ARE CONFIDENTIAL AND PROPRIETARY. THEY ARE THE PROPERTY OF DIGITAL EQUIPMENT CORPORATION AND SHALL NOT BE REPRODUCED OR COPIED OR USED IN WHOLE OR IN PART AS THE BASIS FOR MANUFACTURE OR SALE OF ITEMS WITHOUT WRITTEN PERMISSION. THIS IS AN UNCLASSIFIED WORK PROTECTED UNDER THE FEDERAL COPYRIGHT LAW 1985

J 1-0-999ZWSJD



REV	REVISION HISTORY	DATE

DATE	DATE	TITLE
		RQDX3 digital
		Memory Controller & RAM

DATE	DATE	DATE	DATE	DATE

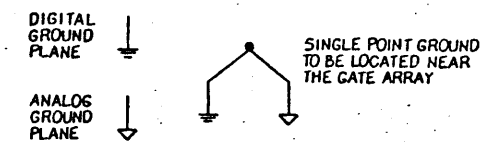
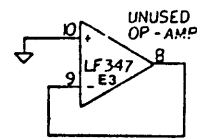
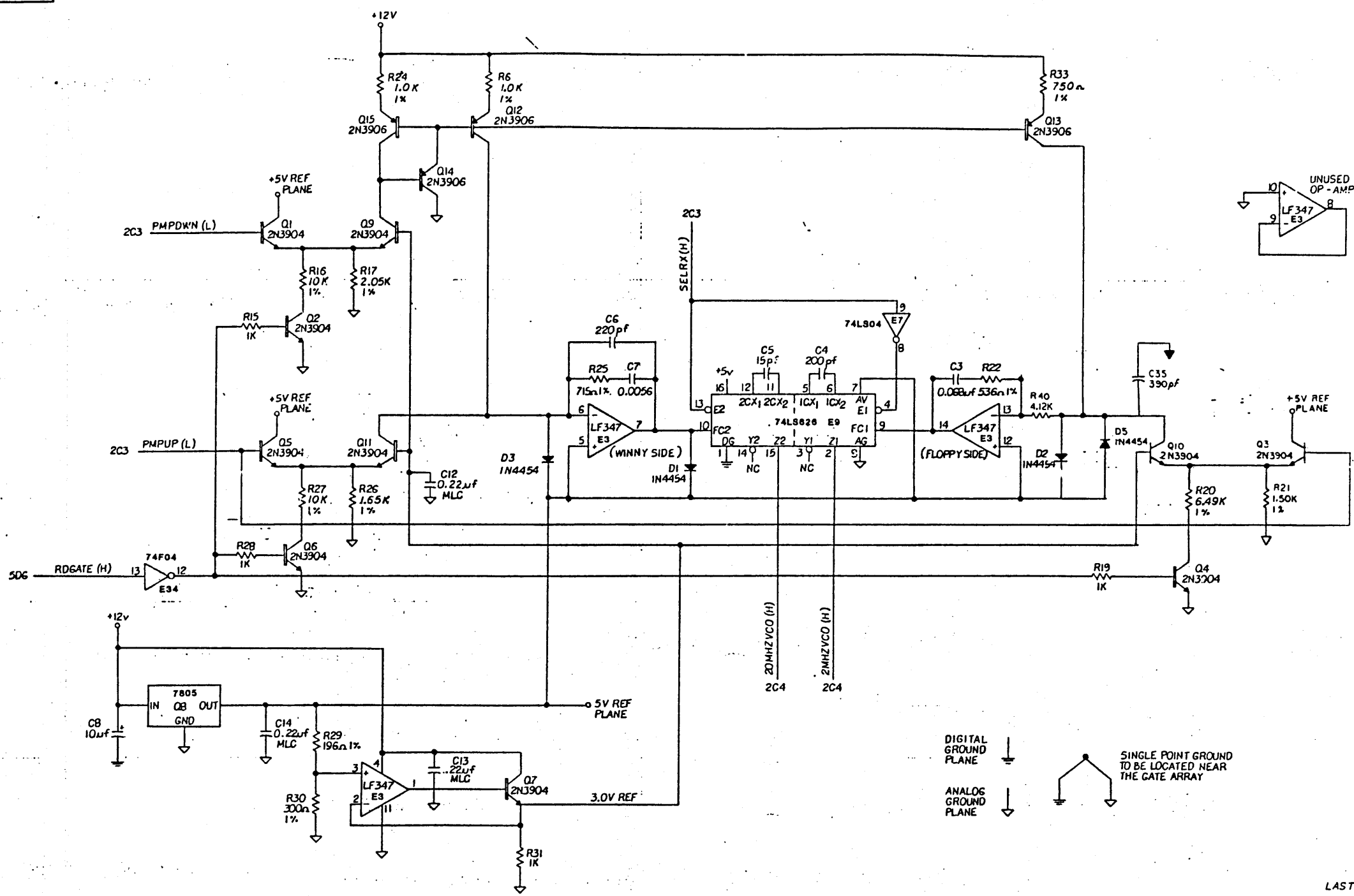
SIZE	CODE	NUMBER	REV
D	CS	M7555-0-1	C

LAST UPDATE MAR 28, 85

SCALE: SHEET 31 OF 37

D/CSM7555-0-1 C

THIS DRAWING AND THE SPECIFICATIONS CONTAINED HEREIN ARE CONFIDENTIAL AND PROPRIETARY. THEY ARE THE PROPERTY OF DIGITAL EQUIPMENT CORPORATION AND SHALL NOT BE REPRODUCED OR COPIED OR USED IN WHOLE OR IN PART AS THE BASIS FOR MANUFACTURE OR SALE OF ITEMS WITHOUT WRITTEN PERMISSION. THIS IS AN UNPUBLISHED WORK PROTECTED UNDER THE FEDERAL COPYRIGHT LAWS. 1.7.85



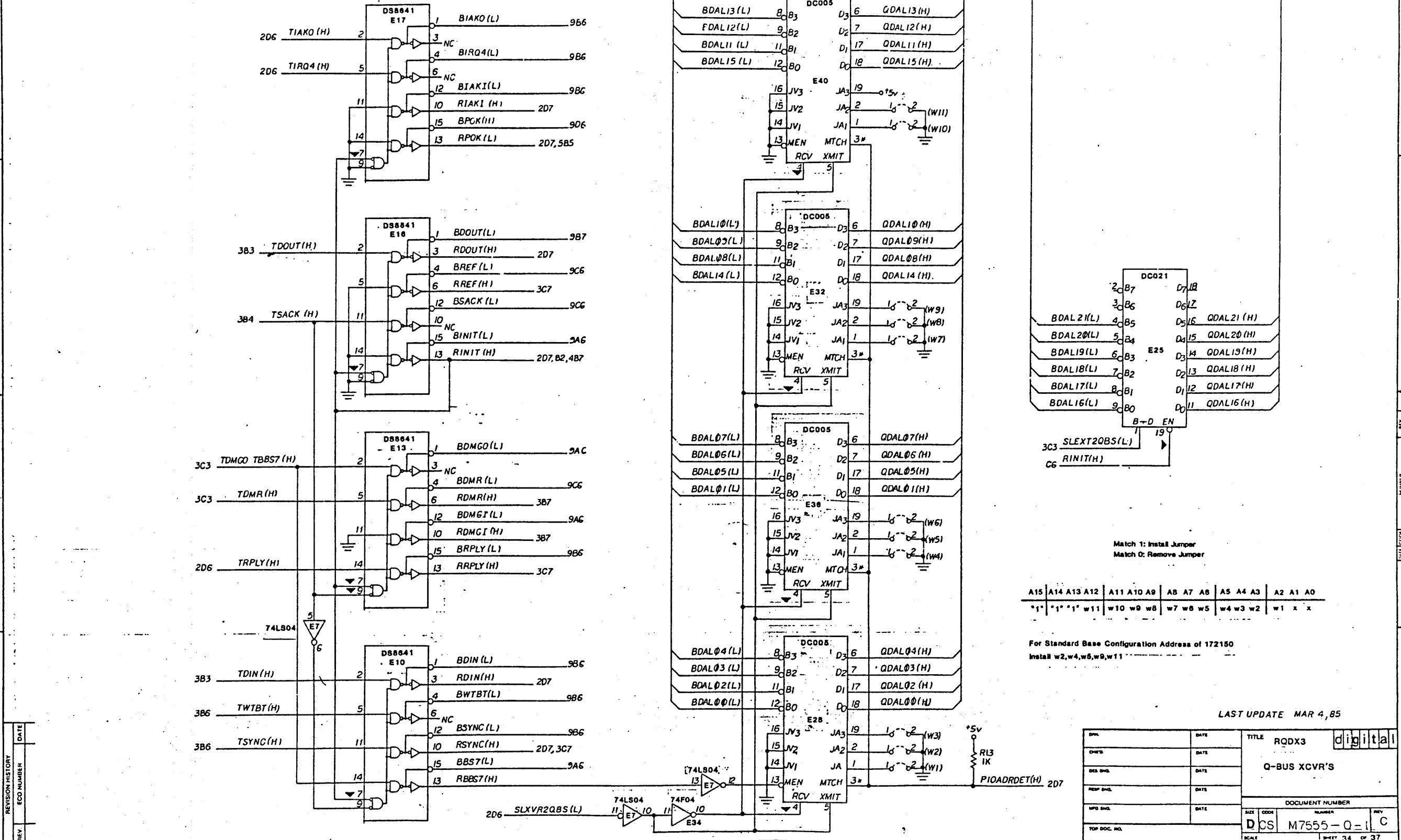
LAST UPDATE MAR 4, 85

REV	ECO NUMBER	DATE

DATE	DATE	TITLE	digital
DES. ENG.	DATE	RODX3	
APP. ENG.	DATE	Charge Pump, Active Filter, VCO	
TEST. ENG.	DATE		
TOP DOC. NO.	DATE	DOCUMENT NUMBER	
		D CS M7555-0-1 C	
		SCALE	1 SHEET 33 OF 37

THIS DRAWING AND THE SPECIFICATIONS CONTAINED HEREIN ARE CONFIDENTIAL AND PROPRIETARY. THEY ARE THE PROPERTY OF DIGITAL EQUIPMENT CORPORATION AND SHALL NOT BE REPRODUCED OR COPIED OR USED IN WHOLE OR IN PART AS THE BASIS FOR MANUFACTURE OR SALE OF ITEMS WITHOUT WRITTEN PERMISSION. THIS IS AN UNCLASSIFIED WORK PROTECTED UNDER THE FEDERAL COPYRIGHT LAWS 1-3-65

1-0-999ZM DCS M7555-0-1 C



A15	A14	A13	A12	A11	A10	A9	A8	A7	A6	A5	A4	A3	A2	A1	A0
*1	*1	*1	w11	w10	w9	w8	w7	w6	w5	w4	w3	w2	w1	x	x

For Standard Base Configuration Address of 172150
Install w2,w4,w6,w9,w11

Match 1: Install Jumper
Match 0: Remove Jumper

LAST UPDATE MAR 4, 85

DATE	DATE	TITLE	digital
CHG	DATE	Q-BUS XCVR'S	
DES. ENG.	DATE	DOCUMENT NUMBER	
PREP. ENG.	DATE	DCS	M7555-0-1 C
WFO. ENG.	DATE	SCALE	SHEET 34 OF 37
TOP DOC. NO.	DATE		

REV	ECO NUMBER	DATE

8

7

6

5

4

3

2

1

DCS M7555-0-1 C

8
 THIS DRAWING AND THE SPECIFICATIONS CONTAINED HEREIN ARE CONFIDENTIAL AND PROPRIETARY. THEY ARE THE PROPERTY OF DIGITAL EQUIPMENT CORPORATION AND SHALL NOT BE REPRODUCED OR COPIED OR USED IN WHOLE OR IN PART AS THE BASIS FOR MANUFACTURE OR SALE OF ITEMS WITHOUT WRITTEN PERMISSION. THIS IS AN UNCLASSIFIED DOCUMENT PROTECTED UNDER THE FEDERAL COPYRIGHT LAWS OF 1985.

1-0-5555-0-1
 DCS M7556-0-1

SA/IP BASE ADDRESS

15	14	13	12	11	10	09	08	07	06	05	04	03	02	01	00
1	1	1	w11	w10	w9	w8	w7	w6	w5	w4	w3	w2	w1	x	x

1 : Install Jumper
 0 : Remove Jumper

For Standard Base Configuration Address of 172150
 Install w2, w4, w6, w9, w11

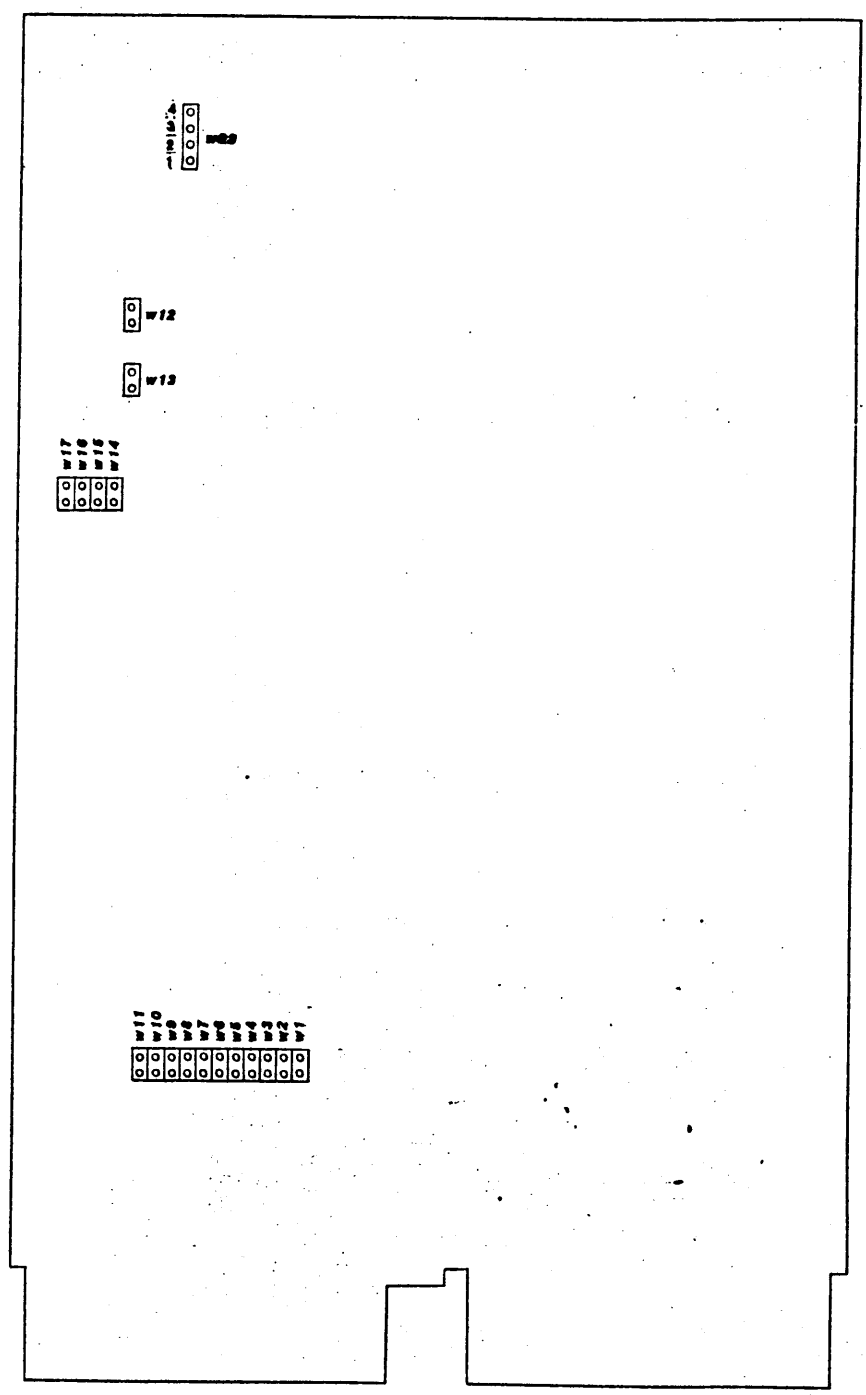
LOGICAL UNIT NUMBER (LUN)

5	4	3	2	1	0
w17	w18	w15	w14	w13	w12

1 : Install Jumper
 0 : Remove Jumper
 Factory Configuration=00

HEAD SELECT 3

Distribution Board	w23
BA23	0 0 0 0
BAxx	0 0 0 0
	4 3 2 1



REVISION HISTORY

REV	ECO NUMBER	DATE

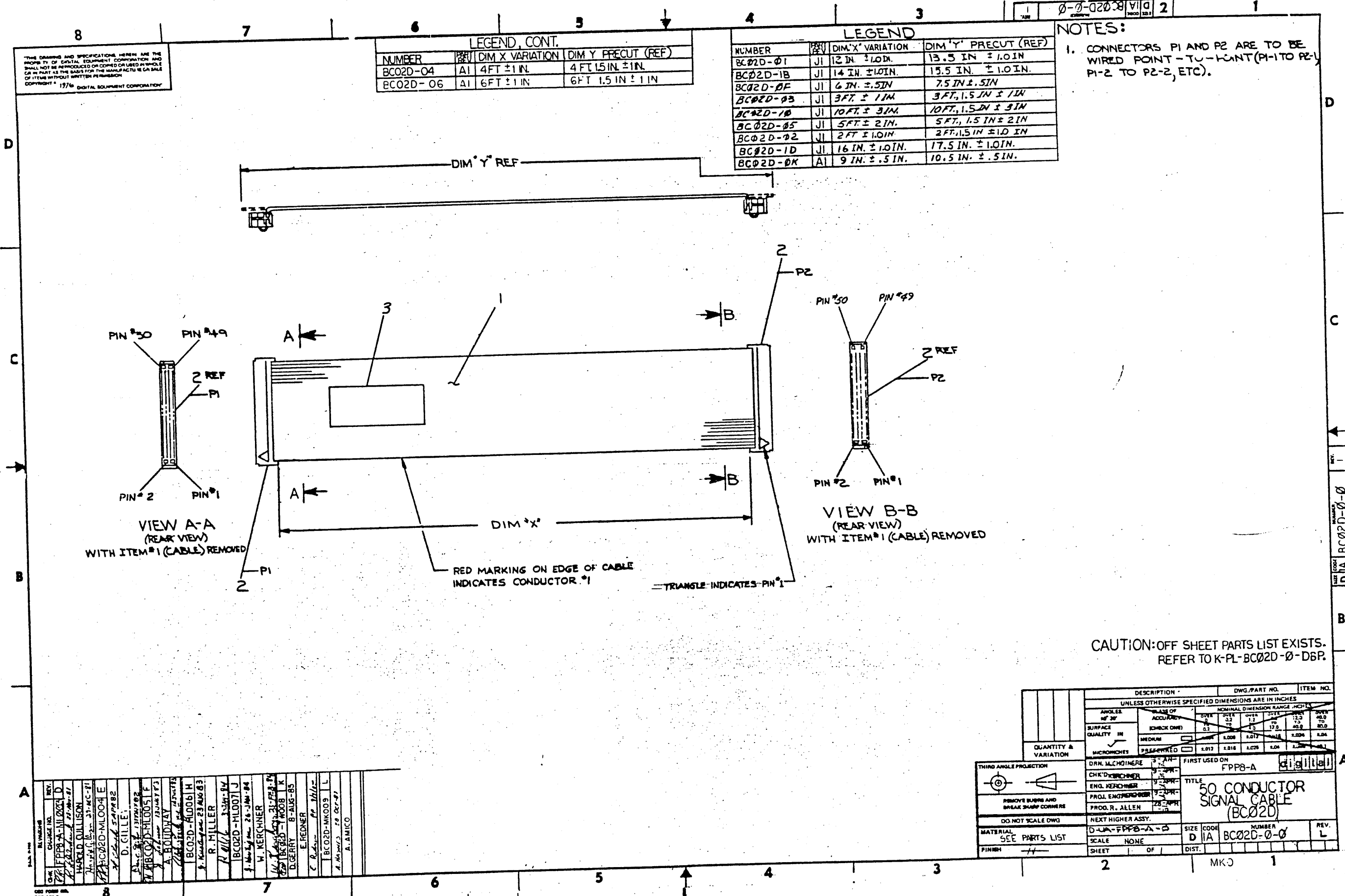
DRW	DATE	TITLE	RQDX3 digital
CHKD	DATE	Jumper Locations	
DES. ENG.	DATE	DOCUMENT NUMBER	
RESP. ENG.	DATE	SIZE	CODE
WKS. ENG.	DATE	D	CS
TOP DOC. NO.		NUMBER	M7556-0-1
		REV	C
		SCALE	SHEET 37 OF 37

THIS DRAWING AND SPECIFICATIONS HEREIN ARE THE PROPERTY OF DIGITAL EQUIPMENT CORPORATION AND SHALL NOT BE APPROVED OR COPIED OR USED IN WHOLE OR IN PART AS THE BASIS FOR THE MANUFACTURE OR SALE OF ITEMS WITHOUT WRITTEN PERMISSION.
COPYRIGHT © 1976 DIGITAL EQUIPMENT CORPORATION

LEGEND, CONT.			
NUMBER	TYPE	DIM X VARIATION	DIM Y PRECUT (REF)
BC02D-04	AI	4 FT ± 1 IN	4 FT 1.5 IN ± 1 IN
BC02D-06	AI	6 FT ± 1 IN	6 FT 1.5 IN ± 1 IN

LEGEND			
NUMBER	TYPE	DIM X VARIATION	DIM Y PRECUT (REF)
BC02D-01	J1	12 IN ± 1.0 IN	13.5 IN ± 1.0 IN
BC02D-1B	J1	14 IN ± 1.0 IN	15.5 IN ± 1.0 IN
BC02D-0F	J1	6 IN ± .5 IN	7.5 IN ± .5 IN
BC02D-03	J1	3 FT ± 1 IN	3 FT, 1.5 IN ± 1 IN
BC02D-10	J1	10 FT ± 3 IN	10 FT, 1.5 IN ± 3 IN
BC02D-05	J1	5 FT ± 2 IN	5 FT, 1.5 IN ± 2 IN
BC02D-02	J1	2 FT ± 1.0 IN	2 FT, 1.5 IN ± 1.0 IN
BC02D-1D	J1	16 IN ± 1.0 IN	17.5 IN ± 1.0 IN
BC02D-0K	AI	9 IN ± .5 IN	10.5 IN ± .5 IN

NOTES:
1. CONNECTORS P1 AND P2 ARE TO BE WIRED POINT-TO-POINT (P1-1 TO P2-1, P1-2 TO P2-2, ETC).



REV	BY	DATE	DESCRIPTION
1	ALLEN	10/28/76	INITIAL DESIGN
2	ALLEN	11/10/76	REVISED TO ADD PINS 30 & 49
3	ALLEN	11/10/76	REVISED TO ADD PINS 1 & 2
4	ALLEN	11/10/76	REVISED TO ADD PINS 1 & 2
5	ALLEN	11/10/76	REVISED TO ADD PINS 1 & 2
6	ALLEN	11/10/76	REVISED TO ADD PINS 1 & 2
7	ALLEN	11/10/76	REVISED TO ADD PINS 1 & 2
8	ALLEN	11/10/76	REVISED TO ADD PINS 1 & 2

CAUTION: OFF SHEET PARTS LIST EXISTS. REFER TO K-PL-BC02D-0-D6P.

DRN. MACHINER	3-A	FIRST USED ON	FPP8-A
CHK'D. CHECKER	3-PPN	TITLE	50 CONDUCTOR SIGNAL CABLE (BC02D)
ENGR. REVISION	9-PPR	SIZE	D
PROJ. ENGINEER	7-PPR	CODE	IA
PROG. R. ALLEN	28-PPR	NUMBER	BC02D-0-0
DO NOT SCALE DWG	NEXT HIGHER ASSY.	REV.	L
MATERIAL	D-IA-FPP8-A-0	DIST.	
FINISH	SCALE NONE		
	SHEET 1 OF 1		

AUTOMATED BY VAXKPL (V1,3)

PARTS LIST

SHEET A1 OF A1

LINE ITEM	TOP DOCUMENT	PART NUMBER	MIN REV	DESCRIPTION	QUANTITY PER VARIATION/REVISION									
					01 J1	02 J1	03 J1	04 A1	05 J1	06 A1	07 J1	08 A1	09 J1	10 J1
1	1 # SEE NOTE	91-07747-04		CABLE,RIBBON BOND 50COND 30AWG	14	26	38	50	62	74	8	11	122	16
2	2	12-11664-00		CONN,IDC 50POS(1X25).100CC GOLD	2	2	2	2	2	2	2	2	2	2
3	3	36-16073-00		LABEL,ID W/COPY VERTICAL	1	1	1	1	1	1	1	1	1	1

1 GEN: QUANTITY OF ITEMS 1 IS GIVEN IN INCHES

REVISION HISTORY			KPL MATRIX FORMAT		SECTION A OF B	DRN: M. CHOINERE	DIGITAL			
ENG	ECO NUMBER	REV	SECTION/VARIATION INDEX		DATE: 06-JAN-76	TITLE PARTS LIST				
HC	FPP8-A-ML003	D	[A]	01,02,03,04,05,06,07,08,09,10,11,12	DATE: 09-APR-76	50 COND. SIGNAL (BC02D)				
DG	BC02D-ML004	E	[B]	1D	DES.ENG: W. KERCHNER	DOCUMENT NUMBER				
AB	BC02D-ML005	F	[C]		DATE: 09-APR-76	SIZE	CODE	NUMBER		REV
RM	BC02D-ML006	H	[D]		RESP.ENG.: W. KERCHNER	K	PL	BC02D-0-DBP		L
WK	BC02D-ML007	J	[E]		DATE: 09-APR-76	RELEASE DATE: 28-OCT-87				
ER	BC02D-TW008	K	[F]		MFG.ENG: R. ALLEN	RELEASE STATUS: RELEASED				
AA	BC02D-MK009	L	[H]		DATE: 28-APR-76					
			[J]							
			BASIC PART NUMBER:	ASSEMBLY NUMBER:	TOP DOCUMENT NUMBER:	FILE NAME:		EDIT #		
			BC02D	D-IA-BC02D-0-0	D-UA-FPP8-A-0	BC02DL.PLS		2		

"THIS DRAWING AND THE SPECIFICATIONS CONTAINED HEREIN ARE CONFIDENTIAL AND PROPRIETARY. THEY ARE THE PROPERTY OF DIGITAL EQUIPMENT CORPORATION AND SHALL NOT BE REPRODUCED OR COPIED OR USED IN WHOLE OR IN PART AS THE BASIS FOR THE MANUFACTURE OR SALE OF ITEMS WITHOUT WRITTEN PERMISSION. THIS IS AN UNPUBLISHED WORK PROTECTED UNDER THE FEDERAL COPYRIGHT LAWS."

LINE ITEM	TOP DOCUMENT	PART NUMBER	MIN REV	DESCRIPTION	1D
1	1 # SEE NOTE	91-07747-04		CABLE,RIBBON BOND 50COND 30AWG	18
2	2	12-11664-00		CONN, IDC 50POS(1X25).100CC GOLD	2
3	3	36-16073-00		LABEL, ID W/COPY VERTICAL	1

1 GEN: QUANTITY OF ITEMS 1 IS GIVEN IN INCHES

REVISION HISTORY			KPL MATRIX FORMAT		SECTION B OF B	DRN: M. CHOINERE	D I G I T A L			
ENG	ECO NUMBER	REV	SECTION/VARIATION INDEX			DATE: 06-JAN-76				
HC	FPP8-A-ML003	D	[A]	01,02,03,04,05,06,0F,0K,10,1B		CHK'D: W. KERCHNER	TITLE PARTS LIST			
DG	BC02D-ML004	E	[B]	1D		DATE: 09-APR-76	50 COND. SIGNAL (BC02D)			
AB	BC02D-ML005	F	[C]			DES.ENG: W. KERCHNER				
RM	BC02D-ML006	H	[D]			DATE: 09-APR-76	DOCUMENT NUMBER			
WK	BC02D-ML007	J	[E]				SIZE	CODE	NUMBER	REV
ER	BC02D-TW008	K	[F]			RESP.ENG.: W. KERCHNER	K	PL	BC02D-0-DBP	L
AA	BC02D-MK009	L	[H]			DATE: 09-APR-76				
			[J]			MFG.ENG: R. ALLEN	RELEASE DATE: 28-OCT-87			
						DATE: 28-APR-76	RELEASE STATUS: RELEASED			
			BASIC PART NUMBER:	ASSEMBLY NUMBER:	TOP DOCUMENT NUMBER:	FILE NAME:	EDIT #			
			BC02D	D-IA-BC02D-0-0	D-UA-FPP8-A-0	BC02DL.PLS	2			

"THIS DRAWING AND THE SPECIFICATIONS CONTAINED HEREIN ARE CONFIDENTIAL AND PROPRIETARY. THEY ARE THE PROPERTY OF DIGITAL EQUIPMENT CORPORATION AND SHALL NOT BE REPRODUCED OR COPIED OR USED IN WHOLE OR IN PART AS THE BASIS FOR THE MANUFACTURE OR SALE OF ITEMS WITHOUT WRITTEN PERMISSION. THIS IS AN UNPUBLISHED WORK PROTECTED UNDER THE FEDERAL COPYRIGHT LAWS."