









B-DD-5414387-0

ROM EXPANDER BOARD

D-UA-5414387-0

ROM EXPANDER BOARD

K-PL-5414387-0-DBP

ROM EXPANDER BOARD

D-CS-5414387-0

ROM EXPANDER BOARD

B-PL-7017627-0-0

LA34/LA38 USER KIT ASSY

TITLE	SHEET 2 OF 2	SIZE CODE	NUMBER	REV
LA34 UNIT ASSEMBLY		B TC	LA34-0-1	C



"THIS DRAWING AND SPECIFICATIONS, HEREIN, ARE THE PROPERTY OF DIGITAL EQUIPMENT CORPORATION AND SHALL NOT BE REPRODUCED OR COPIED OR USED IN WHOLE OR IN PART AS THE BASIS FOR THE MANUFACTURE OR SALE OF ITEMS WITHOUT WRITTEN PERMISSION.  
 COPYRIGHT © 78 DIGITAL EQUIPMENT CORPORATION"

1  
 LA34 UNIT ASSY.  
 E-UA-LA34-0-0  
 B-PL-LA34-0-0

2  
 PRINTER MECH/COVER ASSY.  
 E-AD-7015724-0-0  
 B-PL-7015724-0-0

21  
 PACKAGING INSTRUCTIONS  
 A-SP-3700392-0-0

22  
 LA34 OPTIONS  
 LAX34-0-0

3  
 KEYBOARD BEZEL ASSY.  
 D-AD-7015730-0-0

7  
 PRINTER MECH. ASSY.  
 E-UA-7015729-0-0  
 B-PL-7015729-0-0

12  
 SERVO MOTOR/ENCODER ASSY.  
 D-AD-7015737-0-0

13  
 GEAR/PULLEY CLUSTER ASSY.  
 B-IA-7015744-0-0

14  
 CARRIAGE ASSY.  
 D-AD-7015734-0-0

15  
 PULLEY IDLER ASSY.  
 C-AD-7015735-0-0

16  
 FRICTION ASSY.  
 D-AD-7015733-0-0

17  
 BAIL BAR ASSY.  
 C-AD-7015738-0-0

18  
 PLATEN ASSY.  
 C-AD-7015727-0-0

19  
 LA34 LOGIC BOARD  
 B-DD-5413374-0

20  
 PRINthead ADJ. ASSY.  
 B-IA-7016303-0-0

23  
 LA34 CONTROL BOARD  
 B-DD-5413747-0

24  
 ROM EXPANDER BOARD  
 B-DD-5414387-0

4  
 KEYBOARD/KEYCAP ASSY.  
 D-AD-7015514-0-0

8  
 PLATE SIDE ASSY. (LEFT HAND)  
 D-AD-7015732-0-0

9  
 PLATE SIDE ASSY. (RIGHT HAND)  
 D-AD-7015731-0-0

10  
 POWER SUPPLY H7834  
 B-DD-H7834-0

11  
 LA34 PRINT HEAD ASSY  
 B-DD-7015490-0

5  
 SPACER BAR ASSY.  
 D-AD-7015050-0-0

6  
 KEYBOARD MODULE ASSY.  
 B-DD-5413284-0

25  
 USERS KIT ASSY  
 B-PL-7017627-0-0

J  
 LA34-PN071  
 SKINNER 17 MAR 80  
 J. BITTO  
 19/8/80  
 LA34-PN072  
 SKINNER 17 MAR 80  
 J. BITTO (C.F.A.) 23 MAY 80











FIND NO.	DRAWING NO.	DESCRIPTION	TYPE	FIND NO.	DRAWING NO.	DESCRIPTION	TYPE
19	B-DD-5413374-0	LA34 LOGIC BOARD	E/M				
20	B-IA-7016303-0-0 1216035-0-0 B-MD-7421769-0-0	PRINT HEAD ADJ. ASSY SLIDE, HD. ADJUSTMENT LEVER, HD. ADJ.	M M M				
21	A-SP-3700392-0-0	INSTRUCTIONS, PACKAGING	M				
22	LAX34-0-0 B-DD-LAX34-AL B-DD-LAX34-CL B-DD-LAX34-KL B-DD-LAX34-LL B-DD-LAX34-ML B-DD-LAX34-PL B-DD-LAX34-RL B-DD-LAX34-SL B-DD-LAX34-SN B-DD-LAX34-XL B-DD-LAX34-UP B-DD-LAX34-PC	OPTIONS LA34 TRACTOR OPTION 20 MA OPTION KEYPAD PAPER LOW OPTION MODEM/DAA OPTION PAPER OUT SWITCH KIT ROLL PAPER HOLDER STAND LA34/LA38 HARDWARE KIT FOR LAX34-SL EXTENDED LOGIC UPGRADE KIT PAPER CATCHER	E/M E/M E/M E/M E/M E/M E/M E/M E/M E/M E/M E/M M				
23	B-DD-5413747-0-0	LA34 CONTROL BOARD	E/M				
24	B-DD-5414387-0-0 D-IA-701370-0-0	ROM EXPANDER BOARD CABLE ASSEMBLY					
25	B-PL-7017627-0-0	USERS KIT ASSY	M				

TYPE: E ELECTRICAL  
M MECHANICAL  
E/M ELECTRO/MECHANICAL

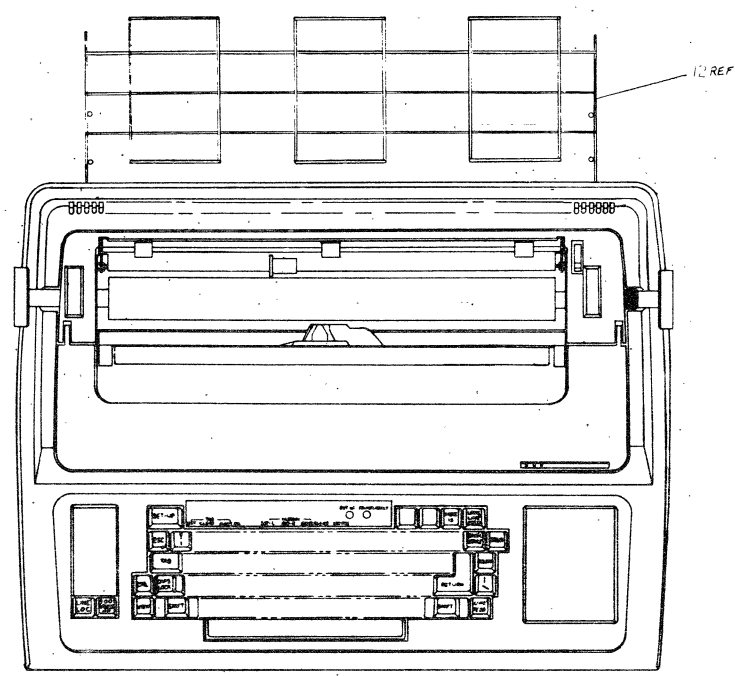
digital

TITLE LA34 UNIT ASSY. SHEET 6 OF 6 SIZE CODE B DD NUMBER LA34-Ø REV K

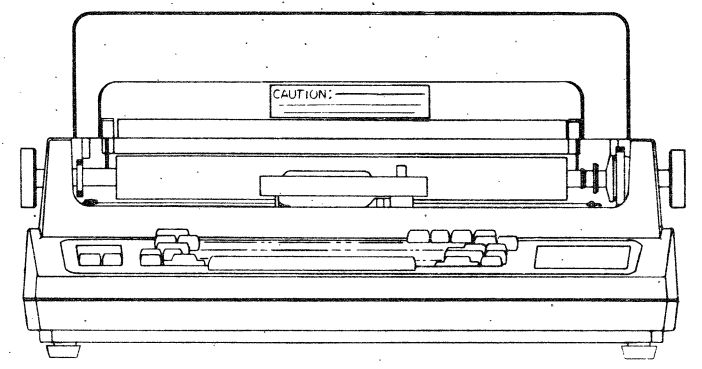
EN-01062-2C-15-R376-(325)

THIS DRAWING AND INFORMATION HEREON ARE THE PROPERTY OF BUSH-BERNESE CORPORATION AND SHALL NOT BE REPRODUCED OR COPIED IN WHOLE OR IN PART, IN ANY MANNER, WITHOUT THE WRITTEN PERMISSION OF BUSH-BERNESE CORPORATION.

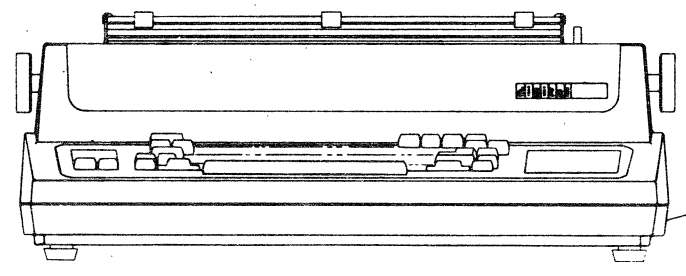
- NOTES:
- FOR INTERCONNECTION DIAGRAM REFER TO D-IC-LA34-0-2.
  - MOVE CARRIAGE TO LEFT HAND STOP. SECURE WITH CABLE TIE ITEM #3. TIE PRINTED "AUIIKIN" HANG TIE (ITEM #4) SECURELY TO THE CABLE TIE.
  - PLACE AC POWER CORD ITEM #2. POWER REQUIREMENT LABEL ITEM #10 AND FUSE (PART OF ITEM 1) IN SEPARATE PACKAGE PER PACKING INSTRUCTIONS ITEM 8.
  - ITEM 12, PAPER CATCHER, IS OPTIONAL.
  - ITEM 15, FCC CARTON LABEL, IS REFERENCED ON THE PACKAGE INSTRUCTION, P/N 3700392-0-0.



TOP VIEW

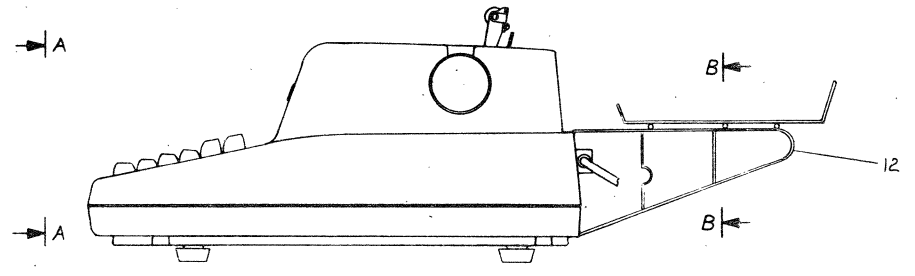


VIEW A-A  
VIEW SHOWN WITH ACCESS COVER RAISED

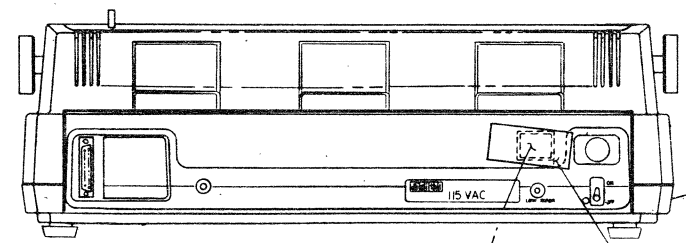


FRONT VIEW

- 11 OR
- 1 OR
- 13 OR
- 6 OR
- 14

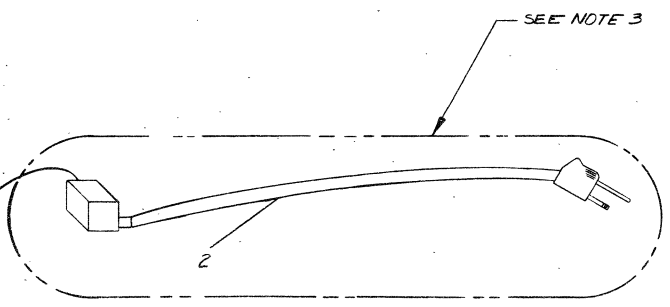


SIDE VIEW



VIEW B-B

- 11 REF
- OR
- 1 REF
- OR
- 13 REF
- OR
- 6 REF
- OR
- 14 REF



REV	DESCRIPTION	DATE	BY	CHKD
1	LA34 - PHOTO A	7/24/79	J. DESUA	
2	LA34 - PHOTO B	8/1/79	J. DESUA	
3	LA34 - PHOTO C	8/1/79	J. DESUA	
4	LA34 - PHOTO D	8/1/79	J. DESUA	
5	LA34 - PHOTO E	8/1/79	J. DESUA	
6	LA34 - PHOTO F	8/1/79	J. DESUA	
7	LA34 - PHOTO G	8/1/79	J. DESUA	
8	LA34 - PHOTO H	8/1/79	J. DESUA	

FOR PARTS LIST SEE K-PL-LA34-0-DBP

DESCRIPTION	QTY	UNIT	REF
LA34	1	UNIT	0

THIRD ANGLE PROJECTION	DATE: 7/24/79	BY: J. DESUA	CHKD: J. DESUA
REVISE BURRO AND BREAK SHAW CORNER	ENG: J. DESUA	DRG: J. DESUA	APP: J. DESUA
DO NOT SCALE DIMS	SCALE: 1/2"	SHEET: 1 OF 1	REV: H

TITLE: LA34 UNIT ASSY

MATERIAL: SEE K-PL

FINISH: /

LINE	ITEM	DOCUMENT NUMBER	PART NUMBER	DESCRIPTION	QUANTITY PER VARIATION				
					DA	PA	JA	AA	PB
1	1	E-AD-7015724-0-0	7015724-00	PRINTER MECH/COVER ASSY	1	-	-	-	-
2	2	B-PL-7017627-0-0	7017627-DA	USER'S KIT ASSY. (LA34-DA)	1	-	-	-	-
3	3		9007032-00	TIE,CABLE BUNDL,DIA 0-1-3/4"=101	1	1	1	1	1
4	4	B-PL-7017627-0-0	7017627-PA	USER'S KIT ASSY. (LA34-PA)	-	1	-	-	-
5	5	B-PL-7017627-0-0	7017627-JA	USER'S KIT ASSY. (LA34-JA)	-	-	1	-	-
6	6	E-AD-7015724-0-0	7015724-03	PRINTER MECH COVER ASSY LA34	-	-	-	1	-
7	7	B-PL-7017627-0-0	7017627-AA	USER'S KIT ASSY. (LA34-AA)	-	-	-	1	-
8	8	A-SP-3700392-0-0	3700392-00	INSTR PKG PRINTER,LA34 DECWRITER	1	1	1	1	1
9	9	D-IC-LA34-0-2		DIAGRAM, INTERCONNECTION	REF	REF	REF	REF	REF
10	10	B-PL-7017627-0-0	7017627-PB	USER'S KIT ASSY. (LA34-PB)	-	-	-	-	1
11	11	E-AD-7015724-0-0	7015724-01	PRINTER MECH/COVER ASSY (DARK)	-	1	-	-	-
12	12	D-IA-7423841-0-0	7423841-00	PAPER CATCHER	A/R	A/R	A/R	A/R	A/R
13	13	E-AD-7015724-0-0	7015724-02	PRINTER MECH/COVER ASSY, JA	-	-	1	-	-
14	14	E-AD-7015724-0-0	7015724-04	PRINTER MECH COVER ASSY	-	-	-	-	1
15	15		3618331-01	LABEL,FCC CARTON	1	1	-	1	1

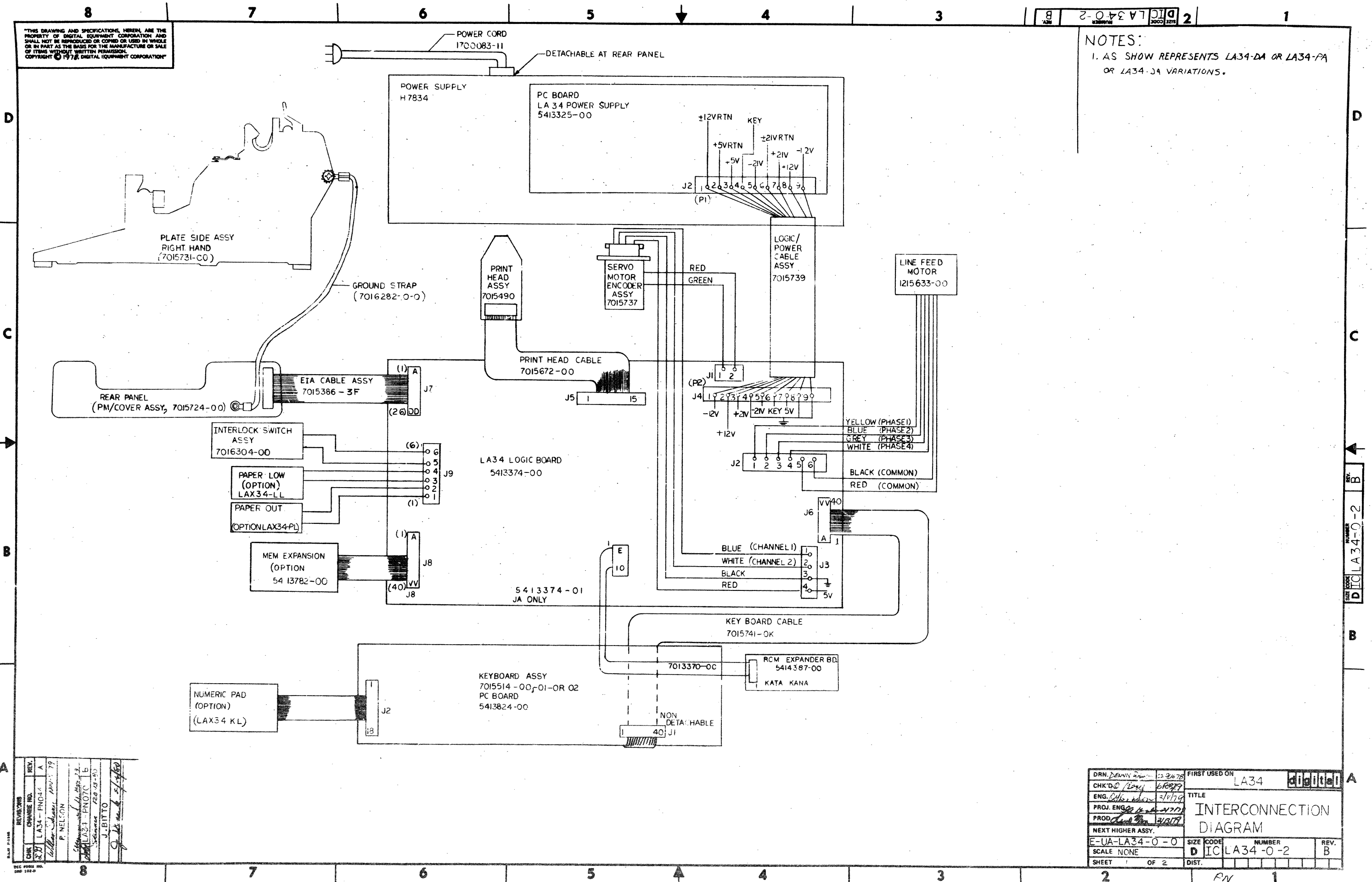
16 NOTE: 1 ITEM NUMBER 12 PAPER CATCHER IS OPTIONAL.

REVISION HISTORY			BASIC PART NO: OLA34	DRN: D, PUDELKO	DATE: 21-FEB-80	D I G I T A L				
ENG	ECO NUMBER	REV	SECTION A OF A	CHK'D: D HEALY	DATE: 21-FEB-80	TITLE PARTS LIST				
---	INITIAL	D	SECTION, VARIATION INDEX	DES.ENG.: R COURTEMANCHE <td>DATE: 21-FEB-80</td> <td colspan="5">LA34 UNIT ASSY.</td>	DATE: 21-FEB-80	LA34 UNIT ASSY.				
JB	LA34-PN070	D	[A] DA,PA,JA,AA,PB							
JB	LA34-PN071	E	[B]							
JB	LA34-PN072	F	[C]							
JB	LA34-PN073	H	[D]	RESP.ENG.: R COURTEMANCHE <td>DATE: 21-FEB-80 <td colspan="5">DOCUMENT NUMBER</td> </td>	DATE: 21-FEB-80 <td colspan="5">DOCUMENT NUMBER</td>	DOCUMENT NUMBER				
			[E]			SIZE	CODE	NUMBER	REV	
			[F]	MFG.ENG.: L MION <td>DATE: 21-FEB-80 <td>K</td> <td>PL</td> <td>LA34-0-DBP</td> <td>H</td> <td></td> </td>	DATE: 21-FEB-80 <td>K</td> <td>PL</td> <td>LA34-0-DBP</td> <td>H</td> <td></td>	K	PL	LA34-0-DBP	H	
			ASSEMBLY NUMBER:	TOP DOCUMENT NUMBER:		FILE NAME:			EDIT #	
			E-UA-LA34-0-0	B-DD-LA34-0-0		LA34H,PLS			23	

"THIS DRAWING AND SPECIFICATIONS HEREIN, ARE THE PROPERTY OF DIGITAL EQUIPMENT CORPORATION AND SHALL NOT BE REPRODUCED OR COPIED OR USED IN WHOLE OR IN PART AS THE BASIS FOR THE MANUFACTURE OR SALE OF ITEMS WITHOUT WRITTEN PERMISSION. COPYRIGHT (C) 1981, DIGITAL EQUIPMENT CORPORATION"

THIS DRAWING AND SPECIFICATIONS, HEREIN, ARE THE PROPERTY OF DIGITAL EQUIPMENT CORPORATION AND SHALL NOT BE REPRODUCED OR COPIED OR USED IN WHOLE OR IN PART AS THE BASIS FOR THE MANUFACTURE OR SALE OF ITEMS WITHOUT WRITTEN PERMISSION. COPYRIGHT © 1978, DIGITAL EQUIPMENT CORPORATION

NOTES:  
1. AS SHOWN REPRESENTS LA34-DA OR LA34-PA OR LA34-JA VARIATIONS.

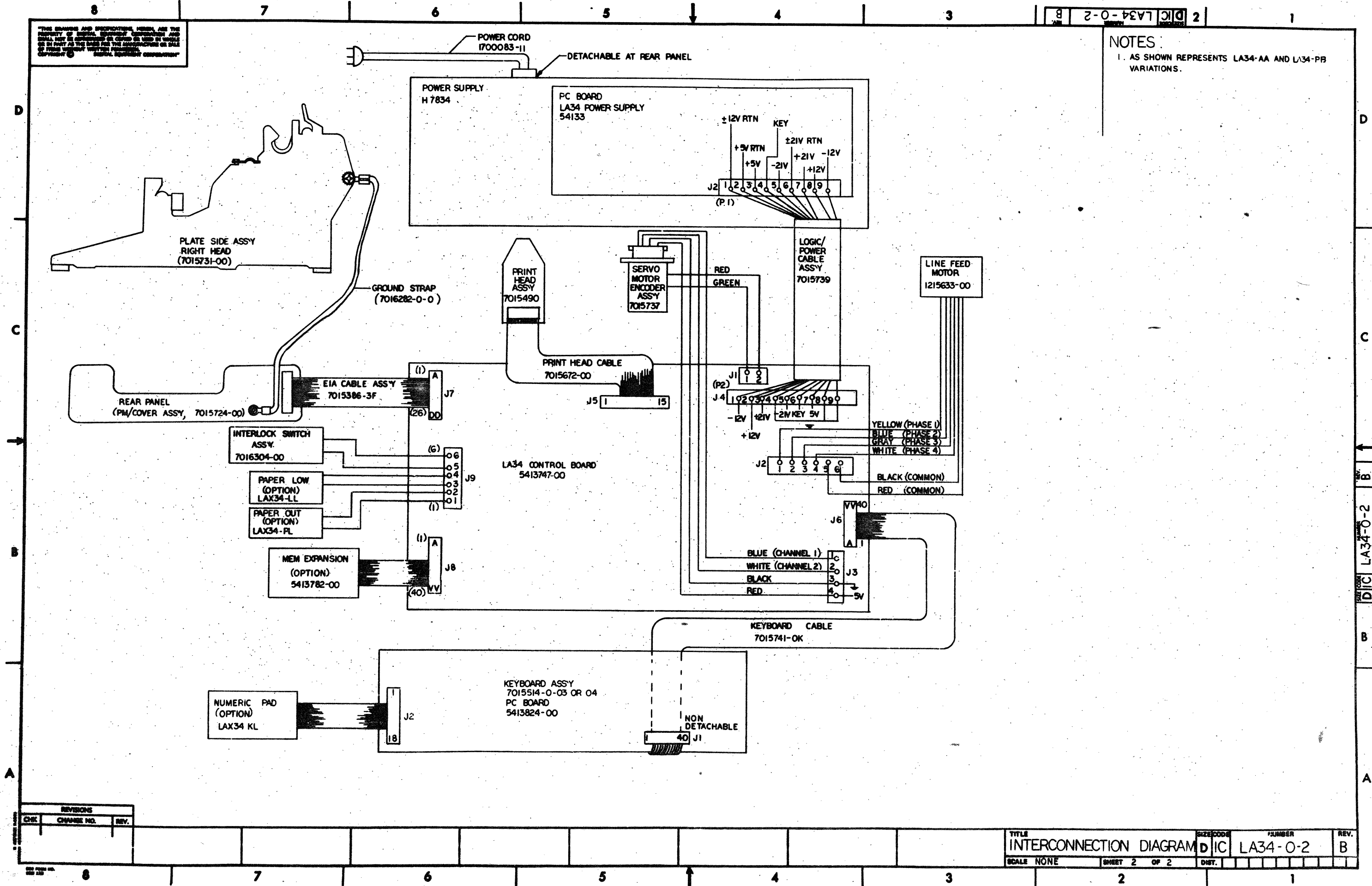


REV. A	REV. A
CHANGE NO. 1	LA34-PN04
DATE 11/18/78	LA34-PN07C
DESIGNED BY P. NELSON	LA34-PN07C
CHECKED BY J. BITTO	LA34-PN07C
APPROVED BY J. BITTO	LA34-PN07C

DRN. DENNIS	22 2/78	FIRST USED ON	LA34	digital
CHK'D BY	6/8/79	TITLE	INTERCONNECTION DIAGRAM	
ENG. DENNIS	2/1/79	SCALE	NONE	REV. B
PROD. ENG. J. BITTO	2/1/79	SHEET	1	OF 2
NEXT HIGHER ASSY.	E-UA-LA34-0-0	SIZE	D	CODE
		NUMBER	LA34-0-2	
		DIST.		

THIS DRAWING AND SPECIFICATIONS HEREIN ARE THE PROPERTY OF BUSH BROS. COMPANY AND SHALL NOT BE REPRODUCED OR USED IN WHOLE OR IN PART AS THE BASIS FOR THE MANUFACTURE OR SALE OF OTHER EQUIPMENT WITHOUT THE WRITTEN CONSENT OF BUSH BROS. COMPANY.

NOTES:  
1. AS SHOWN REPRESENTS LA34-AA AND LA34-PB VARIATIONS.



REVISIONS		
CHK	CHANGE NO.	REV.



DRAWING NO.	NO. OF SHTS.	PART NO.	DESCRIPTION	REVISIONS																									
				A	B	C	D	E	F	G	H	I	J	K	L	M	N	O	P	Q	R	S	T	U	V	W	X	Y	Z
			MODULE REVISION	*	A	B	-	-	-	-	-	-	-	-	-	-	-	-	-	-	-	-	-	-	-	-	-	-	
B-DD-5413374-0	1		LA34 LOGIC BD.	*	A	B	C	D	E	F	G	H	I	J	K	L	M	N	P	R	S	T	U						
D-UA-5413374-0-0	3		LA34 LOGIC BD.	C	D	E	F	G	H	I	J	K	L	M	P	R	S	S	T	U	U	U							
D-CS-5413374-0-1	5		LA34 LOGIC BD.	C	D	E	F	F	H	J	K	L	M	P	R	S	T	U	V	W	Y								
D-MD-5013373-0-0	4		DRILL & ETCH DRAWING	C	D	D	E	E	E	E	E	E	E	E	E	E	E	E	E	E	F	F	F						
		5013373	ETCHED BOARD	D	D	D	E	E	E	E	E	E	E	E	E	E	E	E	E	E	E	E							
K-PL-5413374-0-DBP	-		PARTS LIST DATA BASE(5413374)	C	D	E	F	H	J	K	L	M	N	P	R	S	T	U	V	V	W								
K-PC-5413374-0-DBC	-		P.C. DESIGN DATA BASE(5413374)	A	A	A	B	B	B	B	B	B	B	B	B	B	B	B	B	E	E	E	E						
D-CS-5013373-0-0	1		ETCH CUT DRAWING	-	-	-	-	-	-	-	-	-	-	-	-	-	-	-	-	-	-	-	A	A					

**NOTES:**

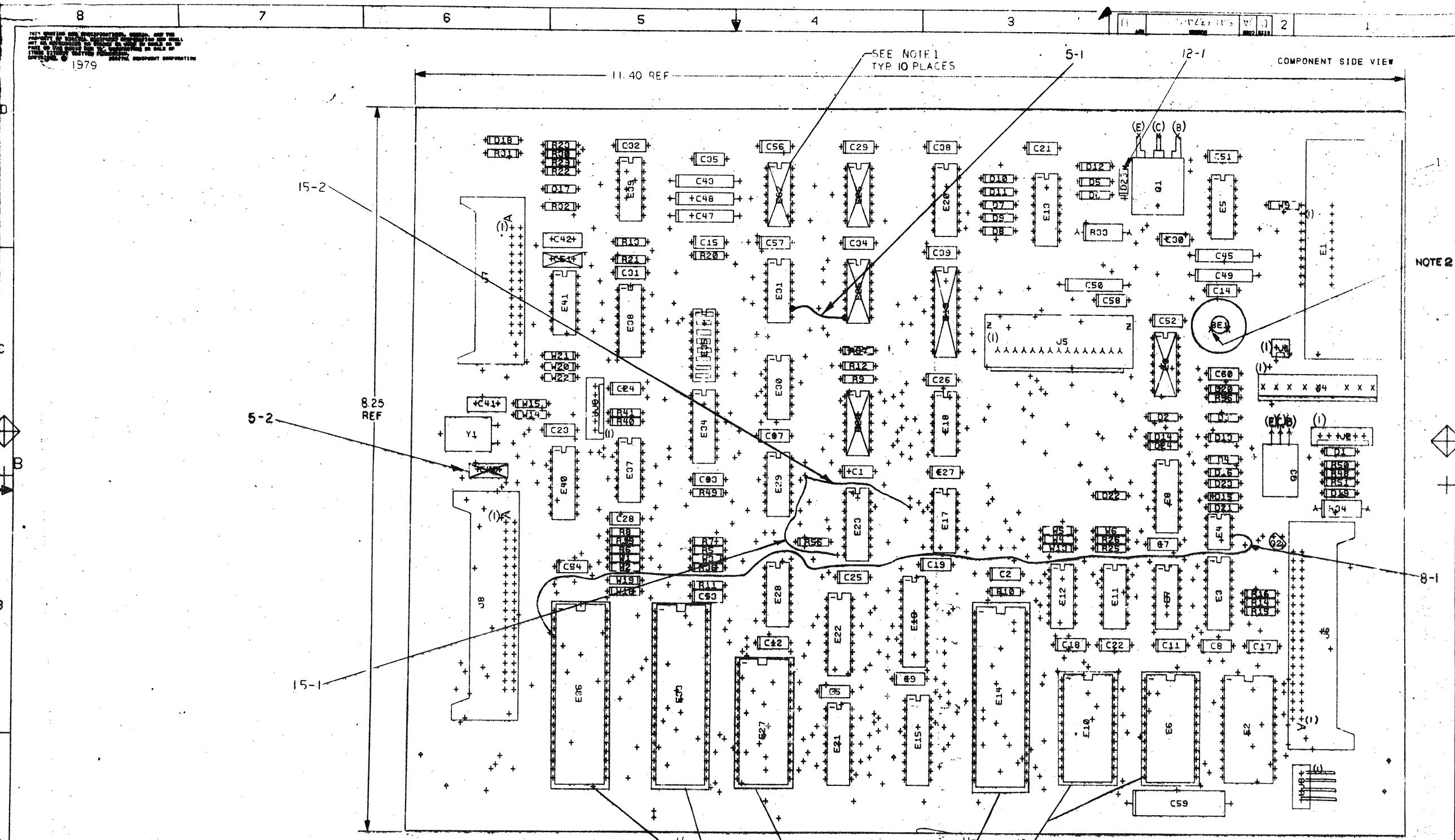
REVISIONS		DATE	CHG NO.	ORIG.	REV.	*	A	B	C	D	E	F	G	H	I	J	K	L	M	N	P	Q	R	S	T	U
		6/79				*																				
		1/79	PN001				A																			
		6/79	PN002				B																			
		6-79	PN003				C																			
		6-79	PN004				D																			
		7-79	PN005				E																			
		11-79	PN006				F																			
		1-80	PN007				G																			
		2-80	PN008				H																			
		2-80	PN009				I																			
		3-80	PN010				J																			
		3-80	PN011				K																			
		4-80	PN012				L																			
		8-80	PN013				M																			
		10-80	PN014				N																			
		1-81	PN015				O																			
		4-81	PN016				P																			
		10-81	PN017				Q																			

"THIS DRAWING AND SPECIFICATIONS, HEREIN, ARE THE PROPERTY OF DIGITAL EQUIPMENT CORPORATION AND SHALL NOT BE REPRODUCED OR COPIED OR USED IN WHOLE OR IN PART AS THE BASIS FOR THE MANUFACTURE OR SALE OF ITEMS WITHOUT WRITTEN PERMISSION.  
 COPYRIGHT © 1978 DIGITAL EQUIPMENT CORPORATION  
 DRB 126



USED ON OPTION/MODEL		DRN.	TITLE	
LA34		P. BOSSMAN	6/28/78	LA34 LOGIC BOARD
		CHK'D <i>P. Bossman</i>	29 JUN 78	
		ENG. <i>P. Bossman</i>	8/10/78	SIZE CODE NUMBER REV
		PROD. <i>P. Bossman</i>	8/10/78	B DD 5413374-0 U
SHEET 1 OF 1				

PN



NOTES:

- (1) C61, R37, C40, E26, E24, E25, E32, E9, & E19 ARE NOT INSTALLED.
- (2) INSTALL BEL (BELL) WITH SHORT LEAD IN HOLE CLOSEST TO E9
- (3) W2, W3, W5, W14, W20, W22 ARE OPTIONAL JUMPERS

CHANGE NO	REV	DESCRIPTION
1	1	INITIAL DESIGN
2	1	REVISED FOR MANUFACTURING
3	1	REVISED FOR MANUFACTURING
4	1	REVISED FOR MANUFACTURING
5	1	REVISED FOR MANUFACTURING
6	1	REVISED FOR MANUFACTURING
7	1	REVISED FOR MANUFACTURING
8	1	REVISED FOR MANUFACTURING
9	1	REVISED FOR MANUFACTURING
10	1	REVISED FOR MANUFACTURING
11	1	REVISED FOR MANUFACTURING
12	1	REVISED FOR MANUFACTURING
13	1	REVISED FOR MANUFACTURING
14	1	REVISED FOR MANUFACTURING
15	1	REVISED FOR MANUFACTURING
16	1	REVISED FOR MANUFACTURING
17	1	REVISED FOR MANUFACTURING
18	1	REVISED FOR MANUFACTURING
19	1	REVISED FOR MANUFACTURING
20	1	REVISED FOR MANUFACTURING
21	1	REVISED FOR MANUFACTURING
22	1	REVISED FOR MANUFACTURING
23	1	REVISED FOR MANUFACTURING
24	1	REVISED FOR MANUFACTURING
25	1	REVISED FOR MANUFACTURING
26	1	REVISED FOR MANUFACTURING
27	1	REVISED FOR MANUFACTURING
28	1	REVISED FOR MANUFACTURING
29	1	REVISED FOR MANUFACTURING
30	1	REVISED FOR MANUFACTURING
31	1	REVISED FOR MANUFACTURING
32	1	REVISED FOR MANUFACTURING
33	1	REVISED FOR MANUFACTURING
34	1	REVISED FOR MANUFACTURING
35	1	REVISED FOR MANUFACTURING
36	1	REVISED FOR MANUFACTURING
37	1	REVISED FOR MANUFACTURING
38	1	REVISED FOR MANUFACTURING
39	1	REVISED FOR MANUFACTURING
40	1	REVISED FOR MANUFACTURING
41	1	REVISED FOR MANUFACTURING
42	1	REVISED FOR MANUFACTURING
43	1	REVISED FOR MANUFACTURING
44	1	REVISED FOR MANUFACTURING
45	1	REVISED FOR MANUFACTURING
46	1	REVISED FOR MANUFACTURING
47	1	REVISED FOR MANUFACTURING
48	1	REVISED FOR MANUFACTURING
49	1	REVISED FOR MANUFACTURING
50	1	REVISED FOR MANUFACTURING
51	1	REVISED FOR MANUFACTURING
52	1	REVISED FOR MANUFACTURING
53	1	REVISED FOR MANUFACTURING
54	1	REVISED FOR MANUFACTURING
55	1	REVISED FOR MANUFACTURING
56	1	REVISED FOR MANUFACTURING
57	1	REVISED FOR MANUFACTURING
58	1	REVISED FOR MANUFACTURING
59	1	REVISED FOR MANUFACTURING
60	1	REVISED FOR MANUFACTURING
61	1	REVISED FOR MANUFACTURING
62	1	REVISED FOR MANUFACTURING
63	1	REVISED FOR MANUFACTURING
64	1	REVISED FOR MANUFACTURING
65	1	REVISED FOR MANUFACTURING
66	1	REVISED FOR MANUFACTURING
67	1	REVISED FOR MANUFACTURING
68	1	REVISED FOR MANUFACTURING
69	1	REVISED FOR MANUFACTURING
70	1	REVISED FOR MANUFACTURING
71	1	REVISED FOR MANUFACTURING
72	1	REVISED FOR MANUFACTURING
73	1	REVISED FOR MANUFACTURING
74	1	REVISED FOR MANUFACTURING
75	1	REVISED FOR MANUFACTURING
76	1	REVISED FOR MANUFACTURING
77	1	REVISED FOR MANUFACTURING
78	1	REVISED FOR MANUFACTURING
79	1	REVISED FOR MANUFACTURING
80	1	REVISED FOR MANUFACTURING
81	1	REVISED FOR MANUFACTURING
82	1	REVISED FOR MANUFACTURING
83	1	REVISED FOR MANUFACTURING
84	1	REVISED FOR MANUFACTURING
85	1	REVISED FOR MANUFACTURING
86	1	REVISED FOR MANUFACTURING
87	1	REVISED FOR MANUFACTURING
88	1	REVISED FOR MANUFACTURING
89	1	REVISED FOR MANUFACTURING
90	1	REVISED FOR MANUFACTURING
91	1	REVISED FOR MANUFACTURING
92	1	REVISED FOR MANUFACTURING
93	1	REVISED FOR MANUFACTURING
94	1	REVISED FOR MANUFACTURING
95	1	REVISED FOR MANUFACTURING
96	1	REVISED FOR MANUFACTURING
97	1	REVISED FOR MANUFACTURING
98	1	REVISED FOR MANUFACTURING
99	1	REVISED FOR MANUFACTURING
100	1	REVISED FOR MANUFACTURING

ETCH REV. E-P
P.C. DESIGN DATA BASE REV. E-L

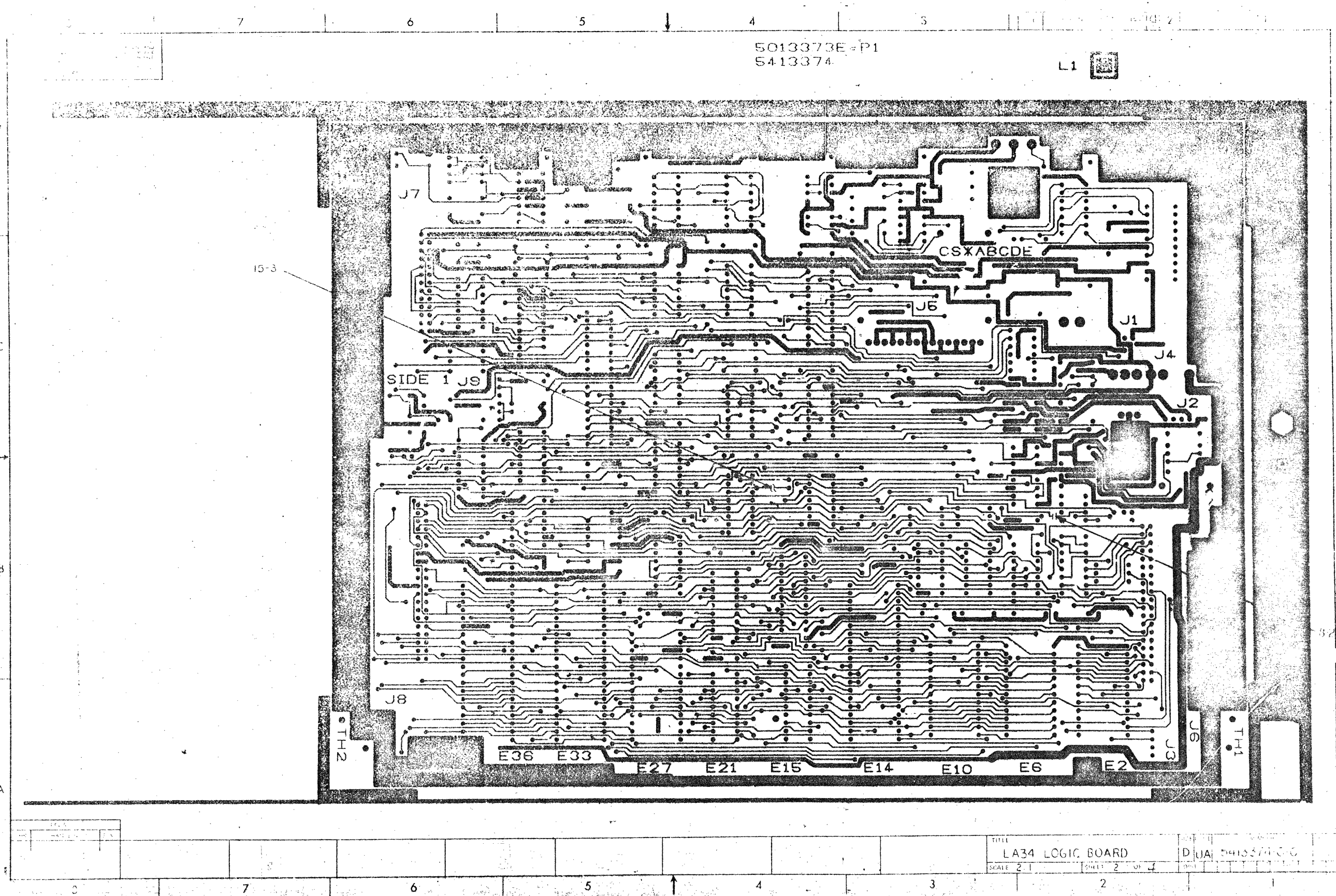
SIGNATURES	DATE
DRN. D POWERS	2-15-79
CHK'D. J. [Signature]	2/15/79
ENG. [Signature]	2-16-79
PROJ. ENG. [Signature]	2-16-79
PROD. [Signature]	2-16-79

TITLE	LA34 LOGIC BOARD
SIZE CODE	0 JUA 5413374-0-C
NUMBER	1
REV	1

1 MS#

D JUA 5413374-0-0





5013373E-P1  
5413374

L1

CSXABCDE

SIDE 1 J9

TH2

E36 E33 E27 E21 E15 E14 E10 E6 E2

TH1

TITLE  
LA34 LOGIC BOARD  
SCALE 2:1  
SHEET 2 OF 4  
D: JJA  
5413374-C  
DATE: 11/68  
DRAWN BY: JJA  
CHECKED BY: JJA  
APPROVED BY: JJA







LINE	ITEM	DOCUMENT NUMBER	PART NUMBER	DESCRIPTION	QTY PER VARIATION		REFERENCE DESIGNATOR
					00	01	
1	1		5013373-00	LA34 LOGIC BOARD	1	1	
2	2		1000055-00	2200.0 MMF 250V 20% Y5S DISC	1	1	C42
3	3		1000079-00	47 MFD 20V 20% S.TANT	1	1	C59
4	4		1001610-00	.01 MFD 50V +80-20% Z5U CER	39	39	C1,C2,C5,C7-C9,C11,C12,C14,C15, C17-C19,C21-C35,C37-C39,C51-C54, CONT CONT C56-C58,C60 C47-C49,C50,C45
5	5		1005306-00	6.8MFD 35V 10% S.TANT	5	5	C41
6	6		1005820-00	22.0 MMF 100V 5%200PPM MICA	1	1	C43
7	7		1005636-00	22 MFD 6V 10% S.TANT	1	1	D20-D24
8	8		1105275-00	D 672 TR= 15NS PIV= 60V SI	5	5	D18
9	9		1101938-00	1N 4370A VZ= 2.4 5% .40W	1	1	D1-D17,D19
10	10		1105796-00	1N 4004 PIV=400 I= 1A D041 SP	18	18	
11	11	USED FOR E33,E36	1215006-08	SKT,IC 40PIN DIP TIN PLATE	2	2	
12	12	USED FOR E6,E10	1215006-06	SKT,IC 24PIN DIP TIN PLATE	2	2	
13	13		1211164-04	SW,DIP 1P 1A 8POS	1	1	E35
14	14		1215323-02	CONN, 2POS POLARIZING & LO	1	1	J1
15	15		1215323-00	CONN, 6POS POLARIZING & LO	2	2	J2,J9
16	16		1215324-00	CONN 15POS GOLD PLATED	1	1	J5
17	17		1215699-00	HEADER 9POS STRAIGHT	1	1	J4
18	18		1215635-01	TRANSDUCER,MINATURE AUDIO FOR LA	1	1	BE1
19	19		1215921-00	CONN, 4PIN WAFER,RIGHT ANG	1	1	J3
20	20		1209941-02	HEADER 100 40POS RT ANGLE	2	2	J6,J8
21	21		1209941-09	HEADER 26POS RT ANGLE RCPT	1	1	J7
22	22		1300247-00	120.0 .25 W 5.0 % CC	1	1	R31
23	23		1300295-00	330.0 .25 W 5.0 % CC	4	4	R14,R15,R5,R16
24	24		1300365-00	1.0 K .25 W 5.0 % CC	7	7	R36,R49,R19,R29,R40,R41,R55
25	25		1300415-00	2.20 K .50 W 5.0 % CC	1	1	R33
26	26		1300479-00	10.0 K .25 W 5.0 % CC	10	10	R10,R7,R6,R11,R12,R8,R22,R21, CONT R13,R9
27	27		1300488-00	12.0 K .25 W 5.0 % CC	1	1	R32

REVISION HISTORY			BASIC PART NO: 5413374			DRN: J. LIZOTTE			DATE: 14-JUN-78			D I G I T A L		
ENG	ECO NUMBER	REV	SECTION A OF A	CHK'D:	R. WONG	DATE:	05-JUL-78	TITLE	PARTS LIST					
JB	PN006	K	SECTION.VARIATION INDEX					LA34 LOGIC BOARD						
JB	5413374-PN007	L	[A] 00,01											
JB	5413374-PN008	M	[B]											
JB	5413374-PN009	N	[C]	DES.ENG:	D.DODSON	DATE:	05-JUL-78							
JB	5413374-PN010	P	[D]											
JD	5413374-PN011	R	[E]	RESP.ENG.:	D. DODSON	DATE:	14-JUN-78	DOCUMENT NUMBER						
JB	5413374-PN012	S	[F]					SIZE	CODE	NUMBER	REV			
JB	5413374-PN012	S	[H]					K	PL	5413374-0-DBP	W			
JB	5413374-PN013	T	[J]											
JB	5413374-PN014	U	[K]	MFG.ENG.:	L.MION	DATE:	05-JUL-78							
JB	5413374-PN015	V	[L]											
NG	5413374-PN017	W	[M]	ASSEMBLY NUMBER:		TOP DOCUMENT NUMBER:		FILE NAME:	EDIT #					
			[N]	D-UA-RE13374-0-0		LA34		13374W.PLS	32					

\*THIS DRAWING AND SPECIFICATIONS HEREIN, ARE THE PROPERTY OF DIGITAL EQUIPMENT CORPORATION AND SHALL NOT BE REPRODUCED OR COPIED OR USED IN WHOLE OR IN PART AS THE BASIS FOR THE MANUFACTURE OR SALE OF ITEMS WITHOUT WRITTEN PERMISSION. COPYRIGHT (C) 1981. DIGITAL EQUIPMENT CORPORATION \*

LINE	ITEM	DOCUMENT NUMBER	PART NUMBER	DESCRIPTION	QTY PER VARIATION		REFERENCE DESIGNATOR
					00	01	
28	28		1302388-00	2.0 K .25 W 5.0 % CC	1	1	R51
29	29		1302466-00	100.0 K .25 W 5.0 % CC	2	2	R23,R20
30	30		1301890-00	560.0 .25 W 5.0 % CC	1	1	R48
31	31		1301423-00	6.80 K .25 W 5.0 % CC	3	3	R25,R26,R30
32	32		1300005-07	R NETWORK 15-4.7K 5.0 % 16PIN	1	1	E34
33	33		1300439-00	3.30 K .25 W 5.0 % CC	1	1	R50
34	34		1315676-00	300.0 3.0 W 5.0 % MW 9	1	1	R34
35	37		1515370-00	TIP146 PNP DARLINGTON-CONNECTED	1	1	Q1
36	38		1514509-00	TIP 125 PNP 65W SI 60 500 8A	1	1	Q3
37	39		1510706-00	XA 55 PNP 500MW SI 60 50 P	1	1	Q2
38	40		1812396-03	XTAL 4.000 MHZ	1	1	Y1
39	41		1915636-00	DRIVER,SWITCHING MOT	1	1	E1
40	42		1913130-00	DEC 1489A RECEIVER,LINE,QUAD,	1	1	E41
41	43		1912863-00	LS273 FF-D OCTAL W/CLEAR	1	1	E15
42	44		1912846-00	LS155 DECODER,2 OF 4(DUAL)	1	1	E40
43	45		1910322-00	DEC 1488L DRIVER,LINE,QUAD,EI	1	1	E31
44	46		1910741-00	7406 INVERTER GATE-HEX 1I	1	1	E5
45	47		1912108-00	339 VOLT CMPRTR,QUAD	1	1	E39
46	48		1912801-00	LS02 NOR-GATE-QUAD 2IN	1	1	E7
47	49		1912803-00	74LS04 INVERTER GATE,HEX	3	3	E30,E18,E17
48	50		1912805-00	LS08 AND GATE-QUAD 2IN,PO	1	1	E29
49	51		1913777-00	LS240 DRIVER,LINE,OCTAL,T	1	1	E16
50	52		1914072-00	74159 DECODER-4 TO 16 OPN	1	1	E2
51	53	USED FOR E27	1215006-07	SKT,IC 28PIN DIP TIN PLATE	1	1	
52	54		1915261-00	DEC 2841B DRIVER,1.5A QUAD	3	3	E13,E20,E8
53	55		1914560-00	LS368 DRIVER,BUS,HEX,TRI-	1	1	E38
54	56		1913471-00	LS367 DRIVER,BUS,HEX,TRI-	1	1	E23
55	57		1912807-00	LS10 NAND GATE-TRIPLE 3IN	1	1	E37
56	58		1912816-00	LS32 OR GATE-QUAD 2IN,POS	2	2	E11,E28
57	59		1912824-00	LS74 FF-D DUAL,EDGE TRIGG	1	1	E12
58	60		1910406-00	75451 DRIVER,PERIPH,DUAL,	1	1	E4
59	61		1913950-00	LS156 DECODER,2 OF 4(DUAL)	1	1	E3
60	62		2113107-01	P 8251A PUSART COMM. INTERFA	1	1	E27
61	63		2113954-00	DC 305 INTERFACE CHIP	1	1	E14
62	64		2114212-00	P 2114-2 RAM,1024X4,STATIC	2	2	E21,E22
63	65		2114963-00	UP,8-BIT NMOS	1	1	E36
64	66		23001B9-00	B9-01	1	-	E33
65	67		23059E2-00	E2-01	1	-	E6
66	68		23131E2-00	E2-01	1	-	E10
67	69		9009185-00	JUMPER, WIRE, INSULATED, BLACK B	9	-	W21,W15,W19,W18,W13,W9,W6,W4,W1
			CONT		-	9	W21,W25,W19,W18,W13,W9,W6,W4,W2
68	70		9105740-55	WIRE(WRAP)30AWG UL1423	A/R	A/R	
69	71		1302602-00	56.0 .25 W 5.0 % CC	1	1	R56
70	72		23011B9-00	B9-02	-	1	E33
71	73		23232E2-00	E2-04	-	1	E6
72	74		1110854-00	1N 5353B VZ= 16.0V 5% .40W M	1	1	D25

D	I	G	I	T	A	L	TITLE	SECTION A OF A	SIZE	CODE	DOCUMENT NUMBER	REV
							LA34 LOGIC BOARD		K	PL	5413374-0-DBP	W

AUTOMATED BY PRTLST.2D(16)

PARTS LIST

SHEET A3 OF A3

LINE ITEM DOCUMENT NUMBER

PART NUMBER

DESCRIPTION

QTY PER VARIATION  
00 01

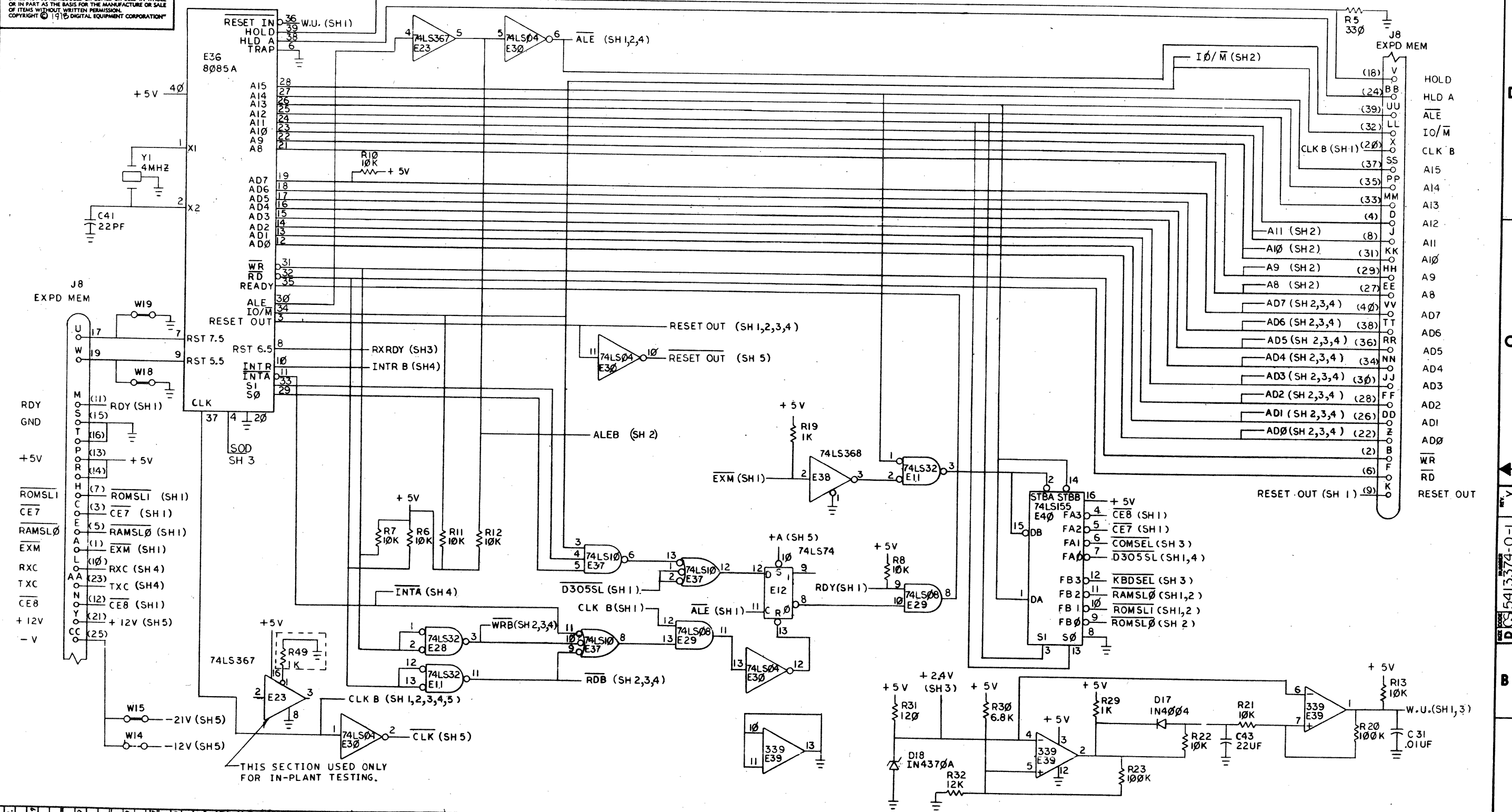
REFERENCE DESIGNATOR

73 NOTE: IF 2114212-00 IS NOT AVAILABLE 2114212-01 CAN BE USED.

D	I	G	I	T	A	L	TITLE	LA34 LOGIC BOARD	SECTION A OF A	SIZE	CODE	DOCUMENT NUMBER	REV
										K	PL	5413374-0-DBP	W

THIS DRAWING AND SPECIFICATIONS HEREIN ARE THE PROPERTY OF DIGITAL EQUIPMENT CORPORATION AND SHALL NOT BE REPRODUCED OR COPIED OR USED IN WHOLE OR IN PART AS THE BASIS FOR THE MANUFACTURE OR SALE OF ITEMS WITHOUT WRITTEN PERMISSION. COPYRIGHT © 1975 DIGITAL EQUIPMENT CORPORATION

LA34 5413374-0-1



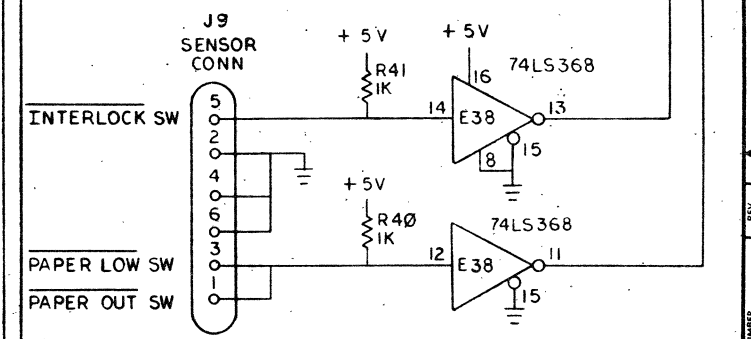
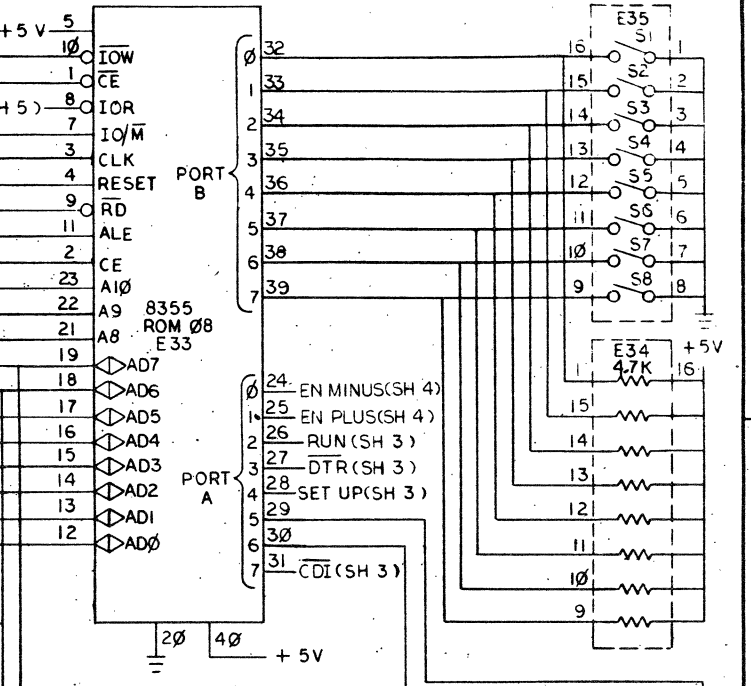
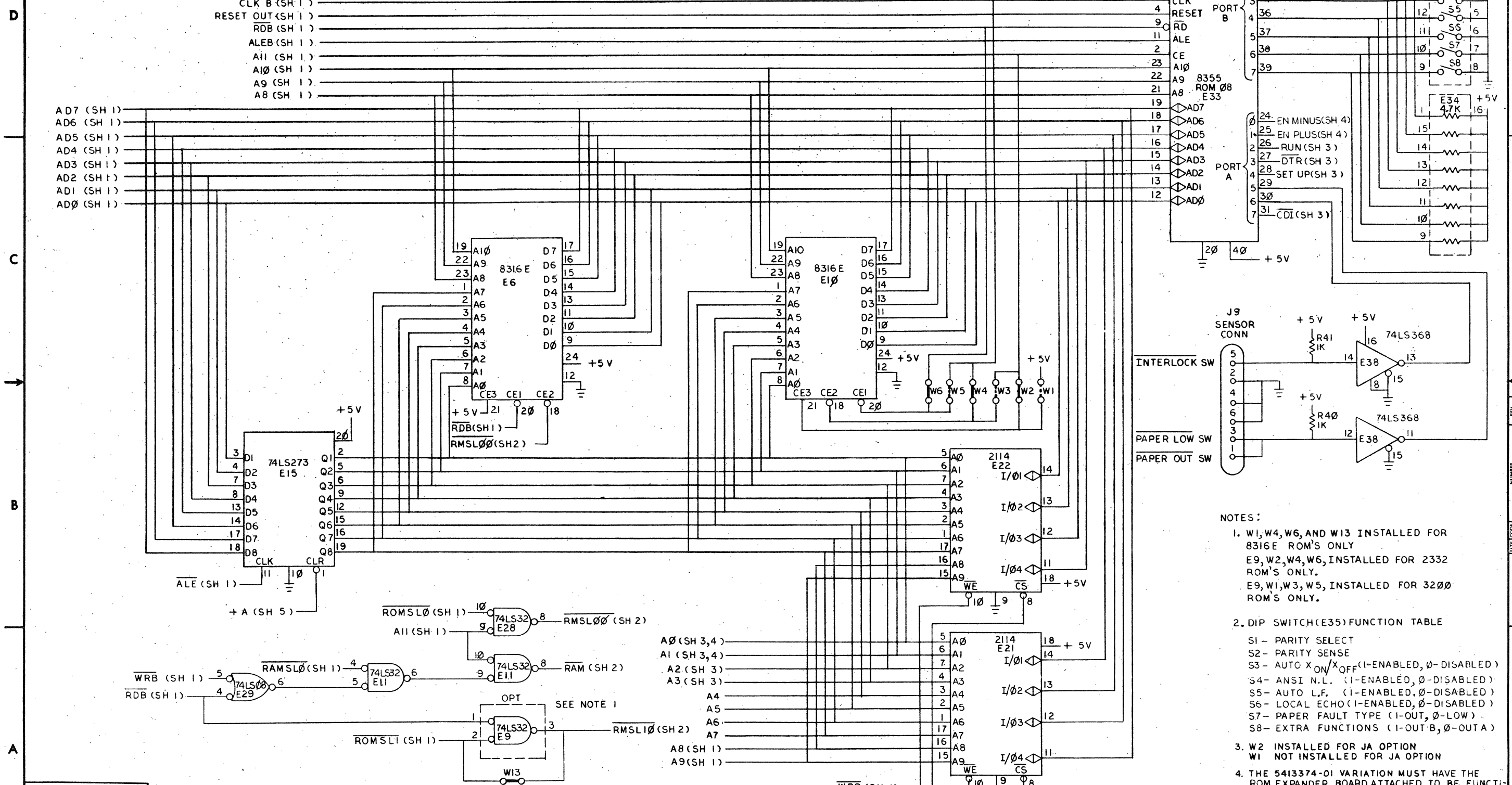
THIS SECTION USED ONLY FOR IN-PLANT TESTING.

REV.	CHG.	BY	DATE	DESCRIPTION
1	5413374-PN001	D	10-21-77	INITIAL RELEASE
2	5413374-PN002	E	12-10-77	CHANGE TO 20-20-77
3	5413374-PN003	F	12-23-77	CHANGE TO 23-11-77
4	5413374-PN005	H	12-28-77	CHANGE TO 12-28-77
5	5413374-PN006	J	12-28-77	CHANGE TO 12-28-77
6	5413374-PN007	K	12-28-77	CHANGE TO 12-28-77
7	5413374-PN008	L	12-28-77	CHANGE TO 12-28-77
8	5413374-PN009	M	12-28-77	CHANGE TO 12-28-77
9	5413374-PN010	P	12-28-77	CHANGE TO 12-28-77
10	5413374-PN011	R	12-28-77	CHANGE TO 12-28-77
11	5413374-PN012	S	12-28-77	CHANGE TO 12-28-77
12	5413374-PN013	T	12-28-77	CHANGE TO 12-28-77
13	5413374-PN014	U	12-28-77	CHANGE TO 12-28-77
14	5413374-PN015	V	12-28-77	CHANGE TO 12-28-77
15	5413374-PN016	W	12-28-77	CHANGE TO 12-28-77
16	5413374-PN017	Y	12-28-77	CHANGE TO 12-28-77
17	5413374-PN018	Z	12-28-77	CHANGE TO 12-28-77
18	5413374-PN019	AA	12-28-77	CHANGE TO 12-28-77
19	5413374-PN020	AB	12-28-77	CHANGE TO 12-28-77
20	5413374-PN021	AC	12-28-77	CHANGE TO 12-28-77
21	5413374-PN022	AD	12-28-77	CHANGE TO 12-28-77
22	5413374-PN023	AE	12-28-77	CHANGE TO 12-28-77
23	5413374-PN024	AF	12-28-77	CHANGE TO 12-28-77
24	5413374-PN025	AG	12-28-77	CHANGE TO 12-28-77
25	5413374-PN026	AH	12-28-77	CHANGE TO 12-28-77
26	5413374-PN027	AI	12-28-77	CHANGE TO 12-28-77
27	5413374-PN028	AJ	12-28-77	CHANGE TO 12-28-77
28	5413374-PN029	AK	12-28-77	CHANGE TO 12-28-77
29	5413374-PN030	AL	12-28-77	CHANGE TO 12-28-77
30	5413374-PN031	AM	12-28-77	CHANGE TO 12-28-77
31	5413374-PN032	AN	12-28-77	CHANGE TO 12-28-77
32	5413374-PN033	AO	12-28-77	CHANGE TO 12-28-77
33	5413374-PN034	AP	12-28-77	CHANGE TO 12-28-77
34	5413374-PN035	AQ	12-28-77	CHANGE TO 12-28-77
35	5413374-PN036	AR	12-28-77	CHANGE TO 12-28-77
36	5413374-PN037	AS	12-28-77	CHANGE TO 12-28-77
37	5413374-PN038	AT	12-28-77	CHANGE TO 12-28-77
38	5413374-PN039	AU	12-28-77	CHANGE TO 12-28-77
39	5413374-PN040	AV	12-28-77	CHANGE TO 12-28-77
40	5413374-PN041	AW	12-28-77	CHANGE TO 12-28-77
41	5413374-PN042	AX	12-28-77	CHANGE TO 12-28-77
42	5413374-PN043	AY	12-28-77	CHANGE TO 12-28-77
43	5413374-PN044	AZ	12-28-77	CHANGE TO 12-28-77
44	5413374-PN045	BA	12-28-77	CHANGE TO 12-28-77
45	5413374-PN046	BB	12-28-77	CHANGE TO 12-28-77
46	5413374-PN047	BC	12-28-77	CHANGE TO 12-28-77
47	5413374-PN048	BD	12-28-77	CHANGE TO 12-28-77
48	5413374-PN049	BE	12-28-77	CHANGE TO 12-28-77
49	5413374-PN050	BF	12-28-77	CHANGE TO 12-28-77
50	5413374-PN051	BG	12-28-77	CHANGE TO 12-28-77
51	5413374-PN052	BH	12-28-77	CHANGE TO 12-28-77
52	5413374-PN053	BI	12-28-77	CHANGE TO 12-28-77
53	5413374-PN054	BJ	12-28-77	CHANGE TO 12-28-77
54	5413374-PN055	BK	12-28-77	CHANGE TO 12-28-77
55	5413374-PN056	BL	12-28-77	CHANGE TO 12-28-77
56	5413374-PN057	BM	12-28-77	CHANGE TO 12-28-77
57	5413374-PN058	BN	12-28-77	CHANGE TO 12-28-77
58	5413374-PN059	BO	12-28-77	CHANGE TO 12-28-77
59	5413374-PN060	BP	12-28-77	CHANGE TO 12-28-77
60	5413374-PN061	BQ	12-28-77	CHANGE TO 12-28-77
61	5413374-PN062	BR	12-28-77	CHANGE TO 12-28-77
62	5413374-PN063	BS	12-28-77	CHANGE TO 12-28-77
63	5413374-PN064	BT	12-28-77	CHANGE TO 12-28-77
64	5413374-PN065	BU	12-28-77	CHANGE TO 12-28-77
65	5413374-PN066	BV	12-28-77	CHANGE TO 12-28-77
66	5413374-PN067	BW	12-28-77	CHANGE TO 12-28-77
67	5413374-PN068	BX	12-28-77	CHANGE TO 12-28-77
68	5413374-PN069	BY	12-28-77	CHANGE TO 12-28-77
69	5413374-PN070	BZ	12-28-77	CHANGE TO 12-28-77
70	5413374-PN071	CA	12-28-77	CHANGE TO 12-28-77
71	5413374-PN072	CB	12-28-77	CHANGE TO 12-28-77
72	5413374-PN073	CC	12-28-77	CHANGE TO 12-28-77
73	5413374-PN074	CD	12-28-77	CHANGE TO 12-28-77
74	5413374-PN075	CE	12-28-77	CHANGE TO 12-28-77
75	5413374-PN076	CF	12-28-77	CHANGE TO 12-28-77
76	5413374-PN077	CG	12-28-77	CHANGE TO 12-28-77
77	5413374-PN078	CH	12-28-77	CHANGE TO 12-28-77
78	5413374-PN079	CI	12-28-77	CHANGE TO 12-28-77
79	5413374-PN080	CJ	12-28-77	CHANGE TO 12-28-77
80	5413374-PN081	CK	12-28-77	CHANGE TO 12-28-77
81	5413374-PN082	CL	12-28-77	CHANGE TO 12-28-77
82	5413374-PN083	CM	12-28-77	CHANGE TO 12-28-77
83	5413374-PN084	CN	12-28-77	CHANGE TO 12-28-77
84	5413374-PN085	CO	12-28-77	CHANGE TO 12-28-77
85	5413374-PN086	CP	12-28-77	CHANGE TO 12-28-77
86	5413374-PN087	CQ	12-28-77	CHANGE TO 12-28-77
87	5413374-PN088	CR	12-28-77	CHANGE TO 12-28-77
88	5413374-PN089	CS	12-28-77	CHANGE TO 12-28-77
89	5413374-PN090	CT	12-28-77	CHANGE TO 12-28-77
90	5413374-PN091	CU	12-28-77	CHANGE TO 12-28-77
91	5413374-PN092	CV	12-28-77	CHANGE TO 12-28-77
92	5413374-PN093	CW	12-28-77	CHANGE TO 12-28-77
93	5413374-PN094	CX	12-28-77	CHANGE TO 12-28-77
94	5413374-PN095	CY	12-28-77	CHANGE TO 12-28-77
95	5413374-PN096	CA	12-28-77	CHANGE TO 12-28-77
96	5413374-PN097	CB	12-28-77	CHANGE TO 12-28-77
97	5413374-PN098	CC	12-28-77	CHANGE TO 12-28-77
98	5413374-PN099	CD	12-28-77	CHANGE TO 12-28-77
99	5413374-PN100	CE	12-28-77	CHANGE TO 12-28-77
100	5413374-PN101	CF	12-28-77	CHANGE TO 12-28-77

DRN	LA34	FIRST USED ON	LA34
CHK'D		TITLE	LA34
ENG.		LOGIC BOARD	
PROJ. ENG.			
PROD. I.			
NEXT HIGHER ASSY.			
B-DD-5413374-0	SIZE CODE	NUMBER	REV.
SCALE	D	CS 5413374-0-1	Y
SHEET 1	OF 5	DIST.	



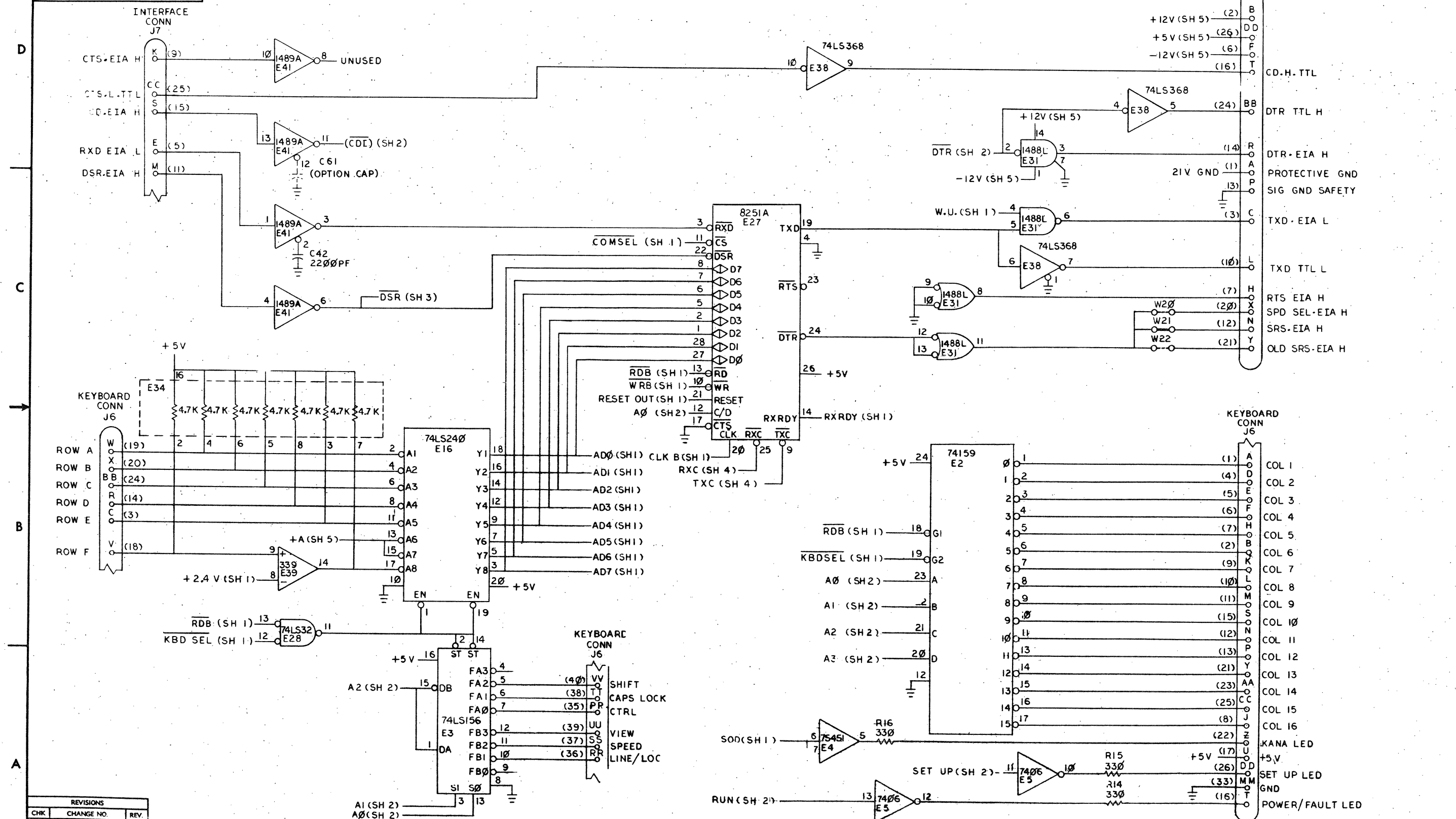
THIS DRAWING AND SPECIFICATIONS HEREIN ARE THE PROPERTY OF DIGITAL EQUIPMENT CORPORATION AND SHALL NOT BE REPRODUCED OR COPIED OR USED IN WHOLE OR IN PART AS THE BASIS FOR THE MANUFACTURE OR SALE OF ITEMS WITHOUT WRITTEN PERMISSION. COPYRIGHT © 1978 DIGITAL EQUIPMENT CORPORATION



- NOTES:**
- W1, W4, W6, AND W13 INSTALLED FOR 8316E ROM'S ONLY  
E9, W2, W4, W6, INSTALLED FOR 2332 ROM'S ONLY.  
E9, W1, W3, W5, INSTALLED FOR 3200 ROM'S ONLY.
  - DIP SWITCH (E35) FUNCTION TABLE  
S1 - PARITY SELECT  
S2 - PARITY SENSE  
S3 - AUTO X ON/X OFF (1-ENABLED, 0-DISABLED)  
S4 - ANSI N.L. (1-ENABLED, 0-DISABLED)  
S5 - AUTO L.F. (1-ENABLED, 0-DISABLED)  
S6 - LOCAL ECHO (1-ENABLED, 0-DISABLED)  
S7 - PAPER FAULT TYPE (1-OUT, 0-LOW)  
S8 - EXTRA FUNCTIONS (1-OUT-B, 0-OUT-A)
  - W2 INSTALLED FOR JA OPTION  
W1 NOT INSTALLED FOR JA OPTION
  - THE 5413374-01 VARIATION MUST HAVE THE ROM EXPANDER BOARD ATTACHED TO BE FUNCTIONAL.

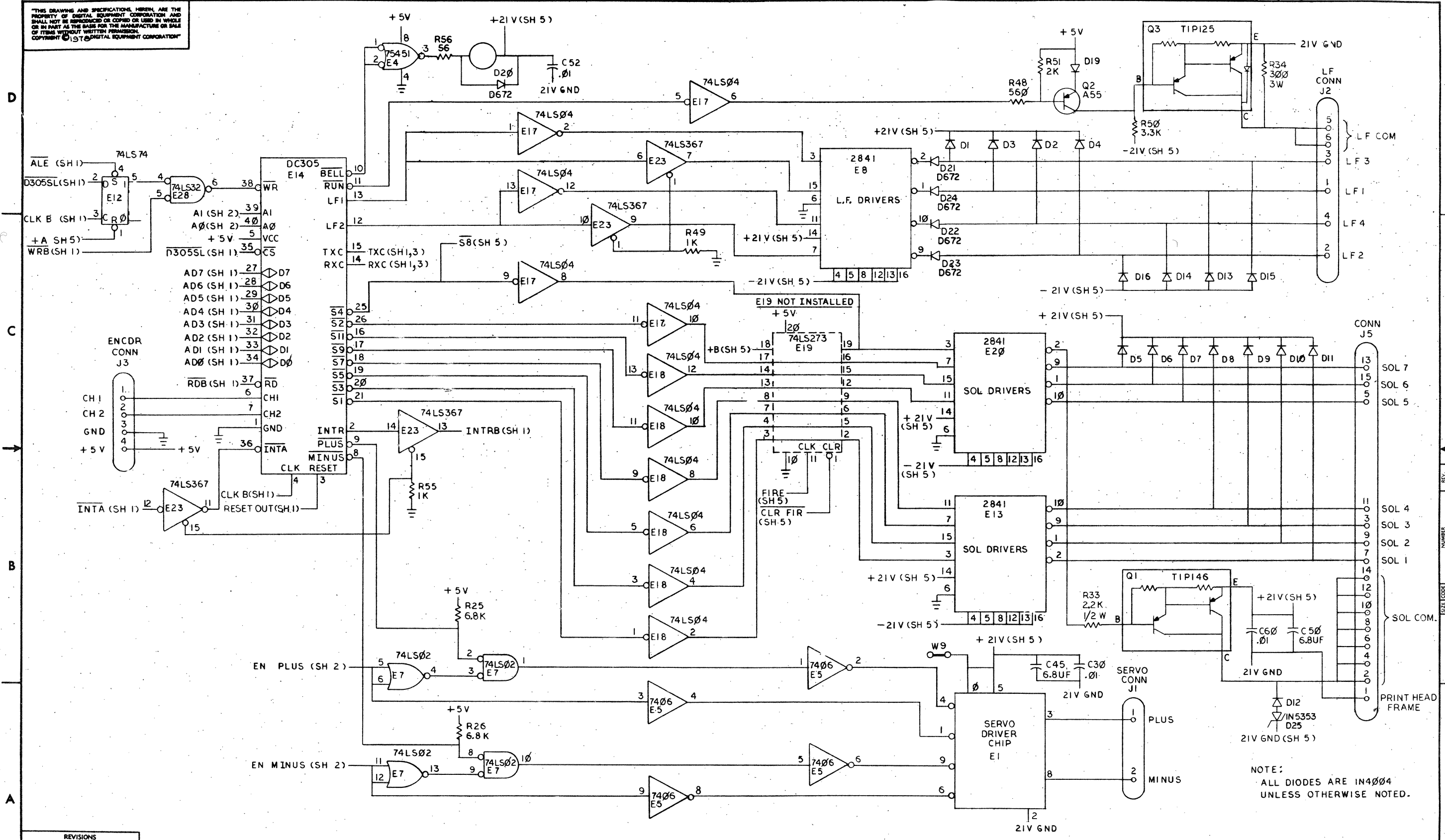
REVISIONS		
CHK	CHANGE NO.	REV.

"THIS DRAWING AND SPECIFICATIONS, HEREIN, ARE THE PROPERTY OF DIGITAL EQUIPMENT CORPORATION AND SHALL NOT BE REPRODUCED OR COPIED OR USED IN WHOLE OR IN PART AS THE BASIS FOR THE MANUFACTURE OR SALE OF ITEMS WITHOUT WRITTEN PERMISSION. COPYRIGHT © 1975 DIGITAL EQUIPMENT CORPORATION"



REVISIONS		
CHK	CHANGE NO.	REV.

THIS DRAWING AND SPECIFICATIONS, HEREIN, ARE THE PROPERTY OF DIGITAL EQUIPMENT CORPORATION AND SHALL NOT BE REPRODUCED OR COPIED OR USED IN WHOLE OR IN PART AS THE BASIS FOR THE MANUFACTURE OR SALE OF ITEMS WITHOUT WRITTEN PERMISSION. COPYRIGHT © 1971 DIGITAL EQUIPMENT CORPORATION



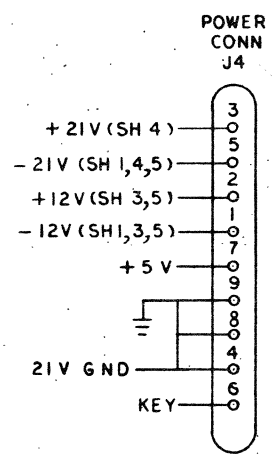
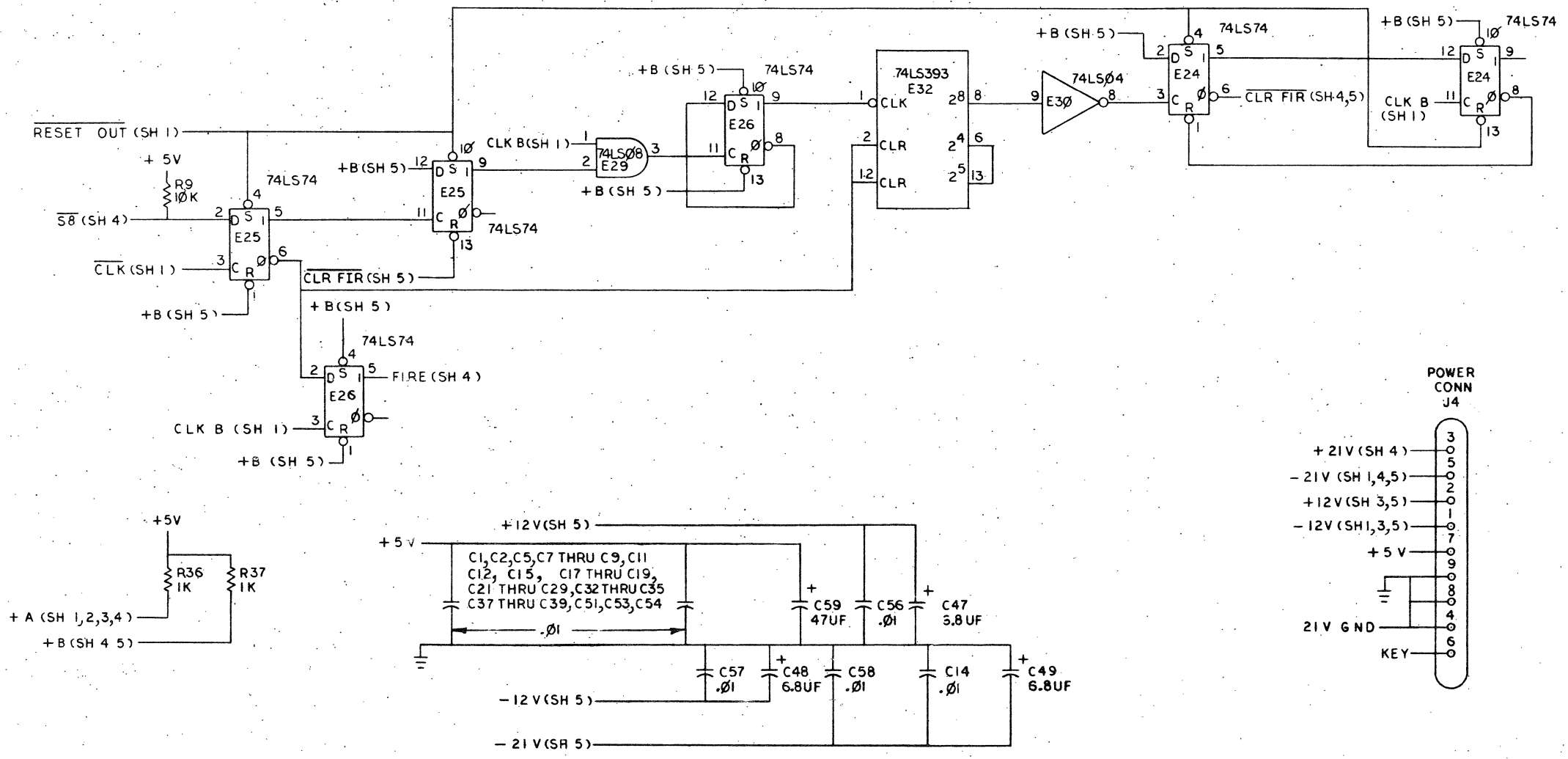
NOTE: ALL DIODES ARE IN4004 UNLESS OTHERWISE NOTED.

REVISIONS		
CHK	CHANGE NO.	REV.

TITLE	LA34 LOGIC BOARD	SIZE CODE	D	NUMBER	CS 5413374-0-1	REV.	Y
SCALE	1:1	SHEET	4	OF	5	DIST.	

"THIS DRAWING AND SPECIFICATIONS, HEREIN, ARE THE PROPERTY OF DIGITAL EQUIPMENT CORPORATION AND SHALL NOT BE REPRODUCED OR COPIED OR USED IN WHOLE OR IN PART AS THE BASIS FOR THE MANUFACTURE OR SALE OF ITEMS WITHOUT WRITTEN PERMISSION. COPYRIGHT © 1978 DIGITAL EQUIPMENT CORPORATION"

NOTE:  
IC'S E24, E25, 26, E32 AND R37 NOT INSTALLED.

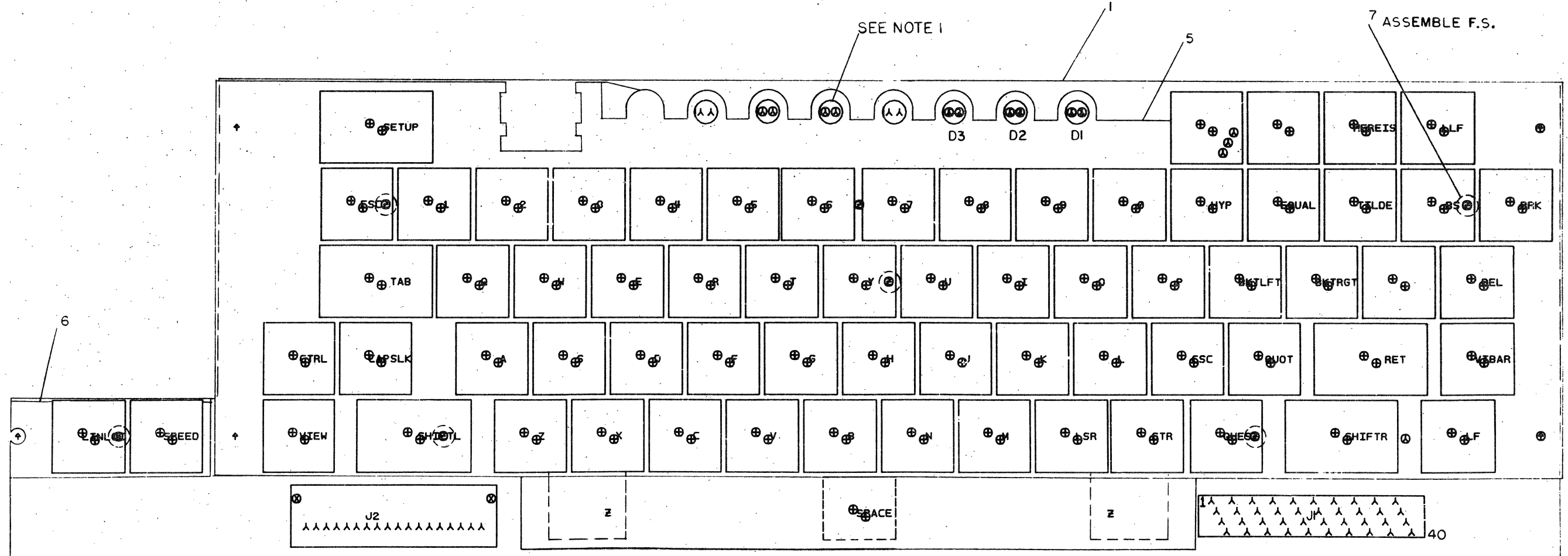


REVISIONS		
CHK	CHANGE NO.	REV.



THIS DRAWING AND SPECIFICATIONS, HEREON, ARE THE PROPERTY OF DIGITAL EQUIPMENT CORPORATION AND SHALL NOT BE REPRODUCED OR COPIED IN WHOLE OR IN PART OR THE SUBJECT OF THE SUBSTITUTION IN WHOLE OR IN PART WITHOUT WRITTEN PERMISSION.  
 DEPARTMENT OF JAN 1978 DIGITAL EQUIPMENT CORPORATION

COMPONENT SIDE VIEW



NOTES: 1. D4 THRU D7 ARE NOT USED.

CHANGE NO	REV


SIGNATURES	DATE	TITLE
DRN. M. Beley	6-8-78	LA 34 KEYBOARD MOD
CHK'D. B. E. Donahue	2-28-78	
ENG. B. Donahue	10-2-77	
PROJ. ENG. B. Donahue	10-2-77	SIZE CODE NUMBER
PROD. V. Laskin	8/2/78	d UA 5413284-0-0 E
SCALE 2/1	SHT. 1 OF 3	REV
ETCH REV. E	P.C. DESIGN DATA BRSE REV. EL	NEXT HIGHER ASSY. B-00-5413284-0-0



INFORMATIONAL: THIS DOCUMENT IS UNCLASSIFIED  
DATE 08-14-2013 BY 60322 UCBAW/SJS  
REASON: EXECUTIVE ORDER 13526, PARAGRAPH 1.A  
EXEMPT FROM AUTOMATIC DOWNGRADING AND  
DECLASSIFICATION  
© 1978

L1

5013283E 5413284

SIDE 1

digital

1 ..... 18 J2

D7 D6 D5 D4 D3 D2 D1

CS\*ABCDEFHJ  
40 J1

L1

5013283E 5413284

SIDE 1

digital

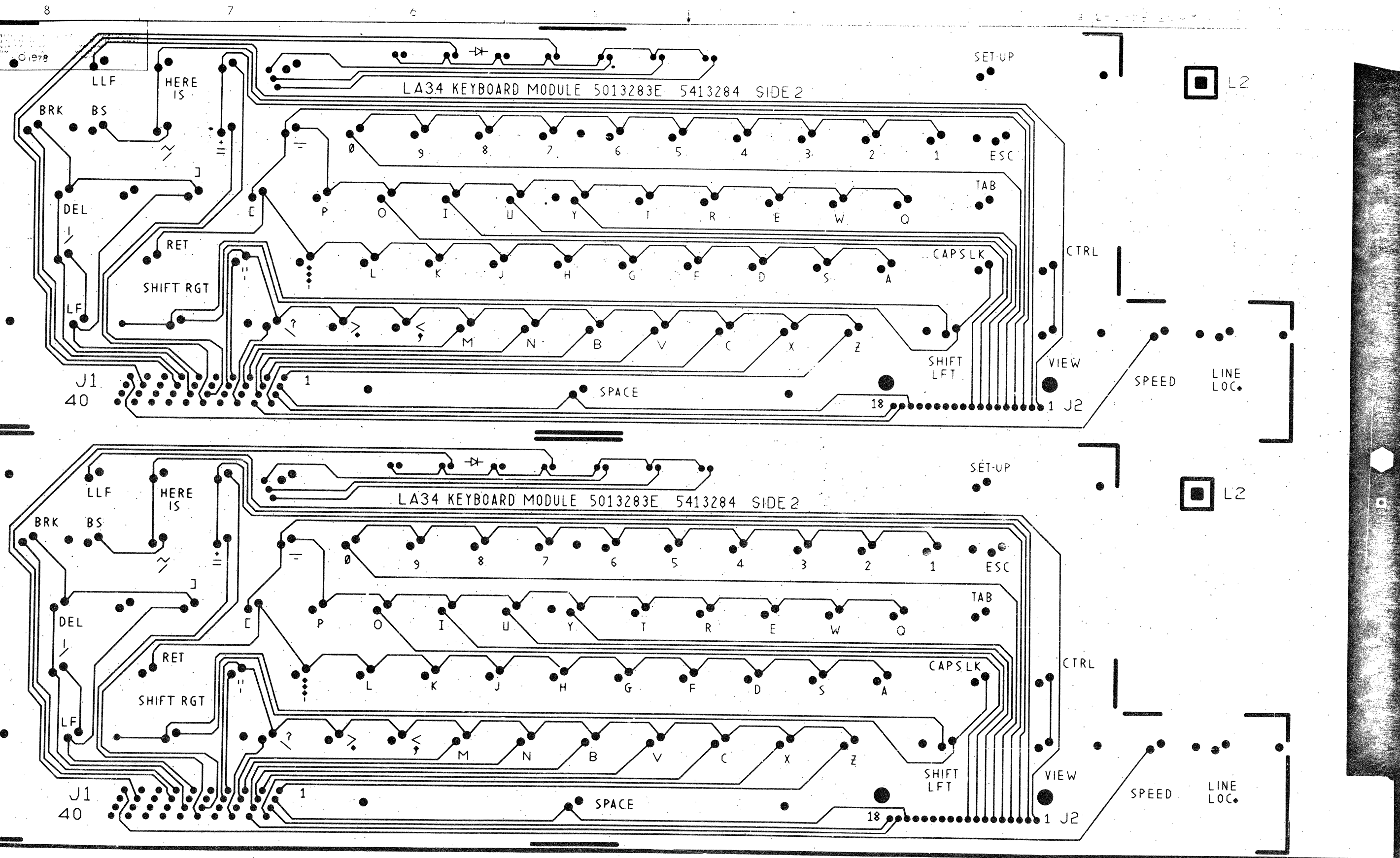
1 ..... 18 J2

D7 D6 D5 D4 D3 D2 D1

CS\*ABCDEFHJ  
40 J1

FILE	LA34 KEYBOARD MODULE		SUB CODE	DUA 5413284-0-E		REV	E
LAYER	2/1	SHEET	2	OF	3	REV	





LA34 KEYBOARD MODULE 5013283E 5413284 SIDE 2

LA34 KEYBOARD MODULE 5013283E 5413284 SIDE 2

8 7 6 5 4 3 2 1

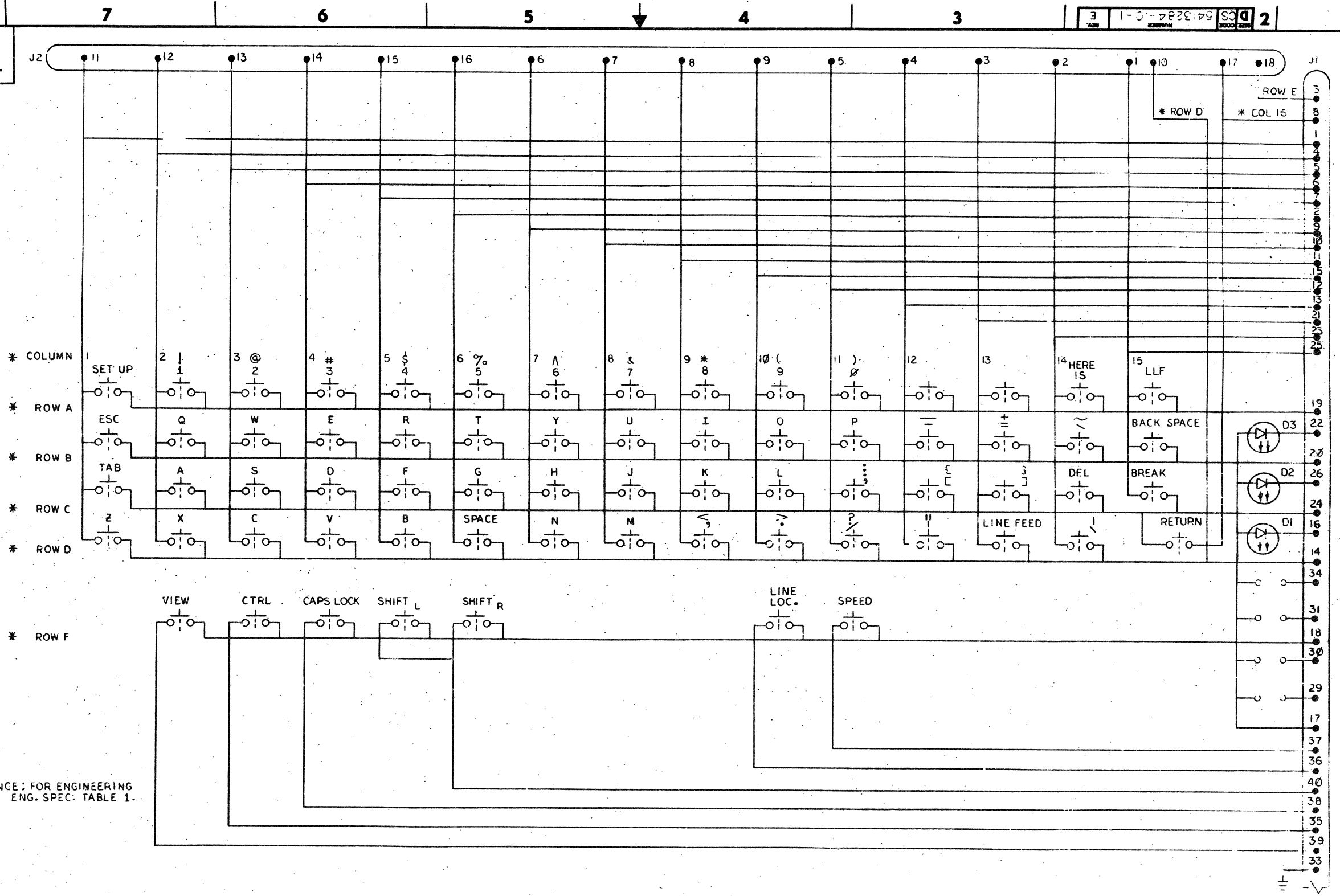
LINE	ITEM	DOCUMENT NUMBER	PART NUMBER	DESCRIPTION	QTY	REFERENCE DESIGNATOR
1	1		5013283-00	ETCH BOARD FOR 5413284	1	
2	2		1110864-00	LED 2MCD@10MA	3	D1-D3
3	3		1210073-00	CONN 40POS INSUL PIERCING	1	J1
4	4		1215324-01	CONN 18POS GOLD PLATED	1	J2
5	5		7013910-00	KEYBOARD ARRAY ASSY	1	
6	6		7015527-00	OPERATOR SWITCH ASSY	1	
7	7		9010033-00	SCREW,PAN,PHILLIPS, 4*24 X 3/8	6	

REVISION HISTORY			SECTION 1 OF 1	RESP. ENG.: B, DONOHUE	DATE: 22-JUN-78	D I G I T A L				
ENG	ECO NUMBER	REV	SECTION, VARIATION INDEX	MADE BY: M, RIPLEY	DATE: 17-MAY-78	TITLE	PARTS LIST			
---	INIT	1D								
LG	5413284-PN001	E	1,00			LA34 KEYBOARD MODULE				
			2.							
			3.	CHECKED: B, DONOHUE	DATE: 22-JUN-78					
			4.							
			5.							
			6.	DSN, ENG.: B, DONOHUE	DATE: 22-JUN-78					
			7.			SIZE: CODE: DOCUMENT NUMBER	REV			
			8.							
			9.	PROD.: L, MIDN	DATE: 22-JUN-78	K	PL	5413284-0-DBP	E	
			10.							
			11.							
			12.	ASSEMBLY NUMBER: D-UA-5413284-0-0		PART NUMBER: 5413284			EDIT #	15

"THIS DRAWING AND SPECIFICATIONS HEREIN, ARE THE PROPERTY OF DIGITAL EQUIPMENT CORPORATION AND SHALL NOT BE REPRODUCED OR COPIED OR USED IN WHOLE OR IN PART AS THE BASIS FOR THE MANUFACTURE OR SALE OF ITEMS WITHOUT WRITTEN PERMISSION. COPYRIGHT 1978, DIGITAL EQUIPMENT CORPORATION"

THIS DRAWING AND SPECIFICATIONS, HEREIN ARE THE PROPERTY OF DIGITAL EQUIPMENT CORPORATION AND SHALL NOT BE REPRODUCED OR COPIED OR USED IN WHOLE OR IN PART IN THE DESIGN FOR THE MANUFACTURE OR SALE OF OTHER EQUIPMENT WITHOUT PERMISSION.  
 COPYRIGHT © 1978, DIGITAL EQUIPMENT CORPORATION

3 1-0-782379 SQD 2



NOTE:  
 1. \* REFERENCE: FOR ENGINEERING USE, SEE ENG. SPEC. TABLE 1.

REV.	REV.
7	5413284-PN001 E
J. BITTO	10/17/78

DRN	10/17/78	FIRST USED ON	LA34	digit
CHK'D	10/17/78	TITLE	LA34	
ENG.	10/17/78	KEYBOARD MODULE		
PROJ. ENGR.	10/17/78			
PROV.	10/17/78			
NEXT HIGHER ASSY.				
D-BE-5413284-0	SIZE	CODE	NUMBER	REV
SCALE	D	CS	5413284-0-1	E
SHEET	OF	DIST.		



<b>DIGITAL EQUIPMENT CORPORATION</b> MAYNARD, MASSACHUSETTS		DATE June, 1978	
<b>ENGINEERING SPECIFICATION</b>			
TITLE H7834 POWER SUPPLY			
REVISIONS			
REV	DESCRIPTION	CHG NO	ORIG DATE APPD BY DATE
ENG Ralph MacKenzie EN-1078-15-8374(381) DRA 106		SIZE CODE A SP	NUMBER H7834-2-2
SHEET 1 OF 9		REV	

<b>ENGINEERING SPECIFICATION</b>		CONTINUATION SHEET	
TITLE H7834 POWER SUPPLY			
1.0 Characteristics			
1.1 Performance			
1.1.1 Inputs			
The module shall perform as specified herein when supplied with the inputs described in the following paragraphs.			
1.1.1.1 Voltage			
The AC input voltage shall be one phase, two wire, switch selectable in two ranges: 87 - 128 VRMS 174 - 256 VRMS			
1.1.1.2 Frequency			
The frequency of the AC input voltage shall be 47 - 63 Hz.			
1.1.1.3 Current			
The input current shall be as follows: 1.3 A RMS maximum at 87 VRMS 0.7 A RMS maximum at 174 VRMS			
1.1.1.4 Inrush Current			
The input inrush current shall be as follows: 50A peak for 1/2 cycle at 128 VRMS 50A peak for 1/2 cycle at 256 VRMS			
1.1.1.5 Power			
The input power shall be 65 watts maximum. Apparent input power shall be 110 VA maximum.			
1.1.1.6 Power Factor			
The power factor shall be 0.6 minimum at full load and 87 VRMS.			
1.1.1.7 Leakage Current			
When installed in the LA34 terminal the leakage current shall be 0.5 MA RMS max each line to ground at 250V RMS sine, 50 Hz.			
DEC FORM NO EN-0102-15-8374(381) DRA 106		SIZE CODE A SP	NUMBER H7834-2-2
SHEET 2 OF 9		REV	

<b>ENGINEERING SPECIFICATION</b>		CONTINUATION SHEET	
TITLE H7834 POWER SUPPLY			
1.1.1.8 Overcurrent			
The input overcurrent protection is provided by a user accessible 3A normal blow fuse.			
1.1.1.9 Electromagnetic Interference/Susceptibility			
When installed in the LA34 the conducted or radiated interference/susceptibility shall be as follows:			
1.1.1.9.1 Conducted Transients			
System degradation shall not be caused by a single 300V, 0.2 watt sec. maximum voltage transient. Survival level for a single voltage transient shall be 1000V at 2.5 watt-sec max. Survival level for an average power transient shall be 0.5W maximum.			
1.1.1.9.2 Conducted CW Noise			
Conducted CW noise shall not exceed the following: 10 KHz to 3 MHz 3VRMS max. 3 MHz to 500 MHz 1VRMS max. 500 MHz to 1 GHz 0.5VRMS max.			
1.1.1.9.3 RF Field Susceptibility			
The following RF fields shall not cause system degradation (with the power supply installed in the terminal) 10 KHz to 30 MHz 1V/M max. 30 MHz to 1 GHz 10V/M max.			
1.1.1.10 Power Line Disturbances			
With the module installed in the terminal, the performance with power line disturbances shall be as follows:			
1.1.1.10.1 Overvoltage			
The H7834 power supply shall withstand for one second 117% of the rated maximum input voltage specified in 1.1.1.1 without causing system degradation or damage.			
DEC FORM NO EN-0102-15-8374(381) DRA 106		SIZE CODE A SP	NUMBER H7834-2-2
SHEET 3 OF 9		REV	

<b>ENGINEERING SPECIFICATION</b>		CONTINUATION SHEET	
TITLE H7834 POWER SUPPLY			
1.1.1.10.2 Undervoltage			
The H7834 power supply module shall withstand undervoltage and power interruptions without sustaining damage or causing damage to the LA34.			
1.1.1.10.3 Ride Through			
At 87VRMS input and full load, all outputs shall remain within their specified limits for 20 milliseconds minimum.			
1.1.1.11 Electromagnetic Interference			
With the module installed in the terminal, the conducted and radiated emissions level shall be as follows:			
1.1.1.11.1 Conducted Emission			
The conducted emissions shall satisfy the VDE A limit.			
1.1.1.11.2 Radiated Emissions			
The radiated emissions shall satisfy the VDE A limit.			
1.1.1.12 Dielectric Withstanding			
With the AC power disconnected the module shall withstand the application of the following high voltage direct current levels without damage or arcing.			
1.1.1.12.1 Input to Frame			
The module shall withstand 2.5 KV DC from input to frame for one minute.			
1.1.1.12.2 Input to Output			
The module shall withstand 2.5 KV DC from input to output for one minute.			
DEC FORM NO EN-0102-15-8374(381) DRA 106		SIZE CODE A SP	NUMBER H7834-2-2
SHEET 4 OF 9		REV	



ENGINEERING SPECIFICATION		CONTINUATION SHEET	
TITLE H783A POWER SUPPLY			
1.1.2 Outputs			
The models shall provide outputs as defined in the following paragraphs. All outputs are defined at the output connector J2.			
1.1.2.1 Currents			
The output currents shall meet the requirements of a single LA00 terminal.			
+5.1 VDC at 0.5A minimum to 3.0A maximum			
+12 VDC at 0.02A minimum to 0.2A maximum			
-12VDC at 0.02A minimum to 0.2A maximum			
+21 VDC at 0A minimum to 1.0A maximum			
-21 VDC at 0.1A minimum to 1.0A maximum			
The total average power from the +21V and -21V outputs is limited to 21 watts.			
1.1.2.2 Voltages			
The output voltages shall have the following tolerances under the specified loads.			
1.1.2.2.1 +5.1 volt Output			
The +5.1 volt output shall have the following characteristics as measured at Pin 3 (Pin 2 return) of J2:			
a) Overall regulation: $\pm 5\%$			
b) Initial tolerance: $\pm 1\%$			
c) Static line regulation: $\pm 0.5\%$			
d) Static load regulation: $\pm 1.5\%$			
e) Long term stability: $\pm 0.1\%/1000$ hrs.			
f) Thermal drift: $-0.01 \pm .01\%/^{\circ}\text{C}$			
g) Ripple: 200 mV p-p for $f \leq 20$ KHz			
h) Noise: 200 mV peak to peak at $f \leq 100$ KHz			
i) Dynamic load regulation: TBDL			
1.1.2.2.2 -21 Volt Output			
The -21 volt output shall have the following characteristics as measured at Pin 7 (Pin 6 return) of J2:			
a) Overall regulation: $\pm 10\%$			

DEC FORM NO EN-91022-14-77(101)  
DRA 108

SIZE CODE  
A SP

NUMBER  
H7834-B-2

REV  
9

SHEET 5 OF 9

ENGINEERING SPECIFICATION		CONTINUATION SHEET	
TITLE H783A POWER SUPPLY			
1.1.2.2.2 (continued)			
b) Initial tolerance $\pm 3\%$			
c) Static line regulation: $\pm 0.5\%$			
d) Static load regulation: $\pm 4\%$			
e) Long term stability: $\pm 0.1\%/1000$ hrs.			
f) Thermal drift: $-0.05 \pm .05\%/^{\circ}\text{C}$			
g) Ripple: 200 mV p-p max. for $f \leq 20$ KHz			
h) Noise: 12 peak at $f \leq 100$ KHz			
i) Dynamic load regulation: $\pm 3.5\%$ based upon any one of the following load conditions			
1) $2 \pm 0.25A$ load switched at 50% duty cycle at a PRF of 5 to 500 Hz (minimum loading on -21V output during this time).			
2) Triangular pulsed load of $7 \pm 1A$ peak amplitude, average value of $3.5 \pm 0.25A$ pulse width of $1 \pm 0.1$ msec (at base of triangle), and a PRF of 0 to 140 Hz (identical loading on -21V output during this time).			
3) Triangular pulsed load of $2 \pm 0.25A$ peak amplitude, average value of $1 \pm 0.1A$ , pulse width of $1 \pm 0.1$ msec (at base of triangle), and a PRF of 0 to 500 Hz (identical loading on -21V output during this time).			
1.1.2.2.3 -21 Volt Output			
The -21 volt output shall have the following characteristics as measured at Pin 5 (Pin 6 return) of J2:			
a) Overall regulation: $\pm 10\%$			
b) Initial tolerance: $\pm 3\%$			
c) Static line regulation: $\pm 0.5\%$			
d) Static load regulation: $\pm 4\%$			
e) Long term stability: $\pm 0.1\%/1000$ hrs.			
f) Thermal drift: $-0.05 \pm 0.5\%/^{\circ}\text{C}$			
g) Ripple: 200 mV p-p maximum for $f \leq 20$ KHz			

DEC FORM NO EN-91022-14-77(101)  
DRA 108

SIZE CODE  
A SP

NUMBER  
H7834-B-2

REV  
9

SHEET 6 OF 9

ENGINEERING SPECIFICATION		CONTINUATION SHEET	
TITLE H783A POWER SUPPLY			
1.1.2.2.3 (continued)			
h) Noise: 12 peak at $f \leq 100$ KHz			
i) Dynamic load regulation: $\pm 3.5\%$ based upon any one of the following load conditions			
1) $2 \pm 0.25A$ load switched at 50% duty cycle at a PRF of 5 to 500 Hz (minimum loading on +21V output during this time).			
2) Triangular pulse load of $7 \pm 1A$ peak amplitude, average value of $3.5 \pm 0.25A$ , pulse width of $1 \pm 0.1$ msec (at base of triangle), and a PRF of 0 to 140 Hz (identical loading on +21V output during this time).			
3) Triangular pulsed load of $2 \pm 0.25A$ peak amplitude, average value of $1 \pm 0.1A$ , pulse width of $1 \pm 0.1$ msec (at base of triangle) and a PRF of 0 to 500 Hz (identical loading on +21V output during this time).			
1.1.2.2.4 +12 Volt Output			
The +12 volt output shall have the following characteristics as measured at Pin 8 (Pin 1 return) of J2:			
a) Overall regulation: $\pm 5\%$			
b) Initial tolerance: $\pm 4\%$			
c) Static line regulation: $\pm 0.25\%$			
d) Static load regulation: $\pm 0.25\%$			
e) Long term stability: $\pm 0.2\%/1000$ hrs			
f) Thermal drift: $\pm .004\%/^{\circ}\text{C}$			
g) Ripple: 2.0 mV p-p max for $f \leq 20$ KHz			
h) Noise: 12 peak at $f \leq 100$ KHz			
i) Dynamic load regulation: TBDL			

DEC FORM NO EN-91022-14-77(101)  
DRA 108

SIZE CODE  
A SP

NUMBER  
H7834-B-2

REV  
9

SHEET 7 OF 9

ENGINEERING SPECIFICATION		CONTINUATION SHEET	
TITLE H783A POWER SUPPLY			
1.1.2.2.5 -12 Volt Output			
The -12 volt output shall have the following characteristics as measured at Pin 9 (Pin 1 return) of J2:			
a) Overall regulation: $\pm 5\%$			
b) Initial tolerance: $\pm 3.5\%$			
c) Static line regulation: $\pm 0.2\%$			
d) Static load regulation: $\pm 0.7\%$			
e) Long term stability: $\pm 0.2\%/1000$ hrs.			
f) Thermal drift: $\pm .002\%/^{\circ}\text{C}$			
g) Ripple: 2.0 mV p-p max for $f \leq 20$ KHz			
h) Noise: 12 peak at $f \leq 100$ KHz			
i) Dynamic load regulation: TBDL			
1.1.2.3 Overload Protection			
Overload protection is provided for all outputs.			
1.1.2.3.1 +5V Output			
Current limit point: $3.5 \pm 0.3A$			
Short circuit current ( $R \leq .050$ ohms): $2.0A$ maximum			
1.1.2.3.2 +21V Output			
Current limit point: $2.8 \pm 0.3A$			
Short circuit current ( $R \leq .050$ ohms): $6.0A$ maximum			
1.1.2.3.3 -21V Output			
Current limit point: $2.8 \pm 0.3A$			
Short circuit current ( $R \leq .050$ ohms): $6.0A$ maximum			
1.1.2.3.4 +12V Output			
Current limit point: $0.4 \pm 0.1A$			
Short circuit current: $0.65A$ maximum			

DEC FORM NO EN-91022-14-77(101)  
DRA 108

SIZE CODE  
A SP

NUMBER  
H7834-B-2

REV  
9

SHEET 8 OF 9

**ENGINEERING SPECIFICATION** CONTINUATION SHEET

TITLE H7834 POWER SUPPLY

1.1.2.3.5 -12V Output

Current limit point:  $0.4 \pm 0.1A$   
 Short circuit current: 0.65A maximum

1.1.2.4 Overvoltage Protection

Overvoltage protection is provided for the +5.0V output.

Overvoltage limit point:  $+5.4 \pm 0.1 VDC$

1.2 Environmental Conditions

The H7834 power supply module shall perform as specified herein when installed in the LA34 terminal under the following environmental conditions:

1.2.1 Ambient Temperature

- a) Operating: 0 to 40°C
- b) Non-operating: -40 to +85°C

1.2.2 Temperature Shock

1°C/sec

1.2.3 Humidity

Per DEC Standard 102 Class B and Paragraph 3.1 and 3.2

1.2.4 Shock

Per DEC Standard 102 Class B and Paragraph 5.1 and 5.2

1.2.5 Vibration

Per DEC Standard 102 Class and Paragraph 6.1 and 6.2

1.3 Design and Construction

Design and construction of the power supply module shall be in accordance with drawing E-UA-H7834-0-0 and this specification.

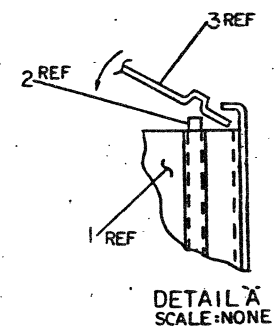
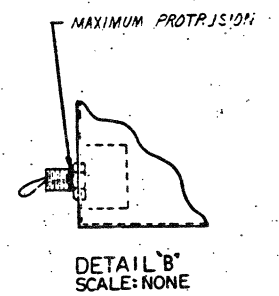
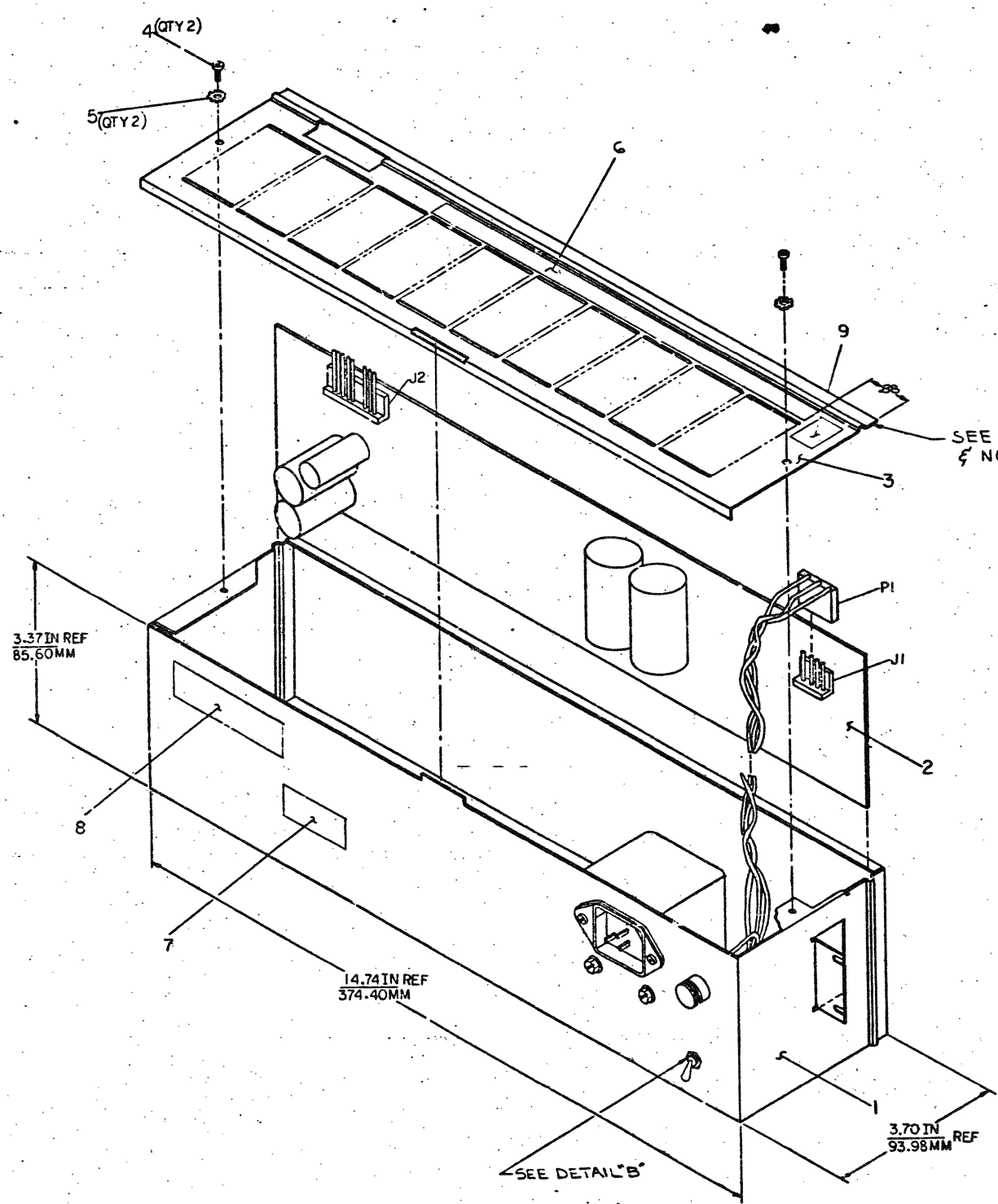
1.4 Operational Failure Rate

The calculated effective failure rate shall be  $MGT 20 \times 10^{-6}$  failures per hour.

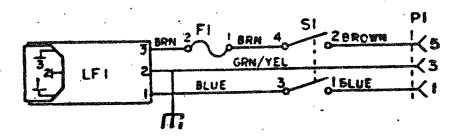
SIZE	CODE	NUMBER	REV
A	SP	H7834-3-2	

THIS DRAWING AND SPEC. C. 208, 209, 210, 211, 212, 213, 214, 215, 216, 217, 218, 219, 220, 221, 222, 223, 224, 225, 226, 227, 228, 229, 230, 231, 232, 233, 234, 235, 236, 237, 238, 239, 240, 241, 242, 243, 244, 245, 246, 247, 248, 249, 250, 251, 252, 253, 254, 255, 256, 257, 258, 259, 260, 261, 262, 263, 264, 265, 266, 267, 268, 269, 270, 271, 272, 273, 274, 275, 276, 277, 278, 279, 280, 281, 282, 283, 284, 285, 286, 287, 288, 289, 290, 291, 292, 293, 294, 295, 296, 297, 298, 299, 300, 301, 302, 303, 304, 305, 306, 307, 308, 309, 310, 311, 312, 313, 314, 315, 316, 317, 318, 319, 320, 321, 322, 323, 324, 325, 326, 327, 328, 329, 330, 331, 332, 333, 334, 335, 336, 337, 338, 339, 340, 341, 342, 343, 344, 345, 346, 347, 348, 349, 350, 351, 352, 353, 354, 355, 356, 357, 358, 359, 360, 361, 362, 363, 364, 365, 366, 367, 368, 369, 370, 371, 372, 373, 374, 375, 376, 377, 378, 379, 380, 381, 382, 383, 384, 385, 386, 387, 388, 389, 390, 391, 392, 393, 394, 395, 396, 397, 398, 399, 400, 401, 402, 403, 404, 405, 406, 407, 408, 409, 410, 411, 412, 413, 414, 415, 416, 417, 418, 419, 420, 421, 422, 423, 424, 425, 426, 427, 428, 429, 430, 431, 432, 433, 434, 435, 436, 437, 438, 439, 440, 441, 442, 443, 444, 445, 446, 447, 448, 449, 450, 451, 452, 453, 454, 455, 456, 457, 458, 459, 460, 461, 462, 463, 464, 465, 466, 467, 468, 469, 470, 471, 472, 473, 474, 475, 476, 477, 478, 479, 480, 481, 482, 483, 484, 485, 486, 487, 488, 489, 490, 491, 492, 493, 494, 495, 496, 497, 498, 499, 500, 501, 502, 503, 504, 505, 506, 507, 508, 509, 510, 511, 512, 513, 514, 515, 516, 517, 518, 519, 520, 521, 522, 523, 524, 525, 526, 527, 528, 529, 530, 531, 532, 533, 534, 535, 536, 537, 538, 539, 540, 541, 542, 543, 544, 545, 546, 547, 548, 549, 550, 551, 552, 553, 554, 555, 556, 557, 558, 559, 560, 561, 562, 563, 564, 565, 566, 567, 568, 569, 570, 571, 572, 573, 574, 575, 576, 577, 578, 579, 580, 581, 582, 583, 584, 585, 586, 587, 588, 589, 590, 591, 592, 593, 594, 595, 596, 597, 598, 599, 600, 601, 602, 603, 604, 605, 606, 607, 608, 609, 610, 611, 612, 613, 614, 615, 616, 617, 618, 619, 620, 621, 622, 623, 624, 625, 626, 627, 628, 629, 630, 631, 632, 633, 634, 635, 636, 637, 638, 639, 640, 641, 642, 643, 644, 645, 646, 647, 648, 649, 650, 651, 652, 653, 654, 655, 656, 657, 658, 659, 660, 661, 662, 663, 664, 665, 666, 667, 668, 669, 670, 671, 672, 673, 674, 675, 676, 677, 678, 679, 680, 681, 682, 683, 684, 685, 686, 687, 688, 689, 690, 691, 692, 693, 694, 695, 696, 697, 698, 699, 700, 701, 702, 703, 704, 705, 706, 707, 708, 709, 710, 711, 712, 713, 714, 715, 716, 717, 718, 719, 720, 721, 722, 723, 724, 725, 726, 727, 728, 729, 730, 731, 732, 733, 734, 735, 736, 737, 738, 739, 740, 741, 742, 743, 744, 745, 746, 747, 748, 749, 750, 751, 752, 753, 754, 755, 756, 757, 758, 759, 760, 761, 762, 763, 764, 765, 766, 767, 768, 769, 770, 771, 772, 773, 774, 775, 776, 777, 778, 779, 780, 781, 782, 783, 784, 785, 786, 787, 788, 789, 790, 791, 792, 793, 794, 795, 796, 797, 798, 799, 800, 801, 802, 803, 804, 805, 806, 807, 808, 809, 810, 811, 812, 813, 814, 815, 816, 817, 818, 819, 820, 821, 822, 823, 824, 825, 826, 827, 828, 829, 830, 831, 832, 833, 834, 835, 836, 837, 838, 839, 840, 841, 842, 843, 844, 845, 846, 847, 848, 849, 850, 851, 852, 853, 854, 855, 856, 857, 858, 859, 860, 861, 862, 863, 864, 865, 866, 867, 868, 869, 870, 871, 872, 873, 874, 875, 876, 877, 878, 879, 880, 881, 882, 883, 884, 885, 886, 887, 888, 889, 890, 891, 892, 893, 894, 895, 896, 897, 898, 899, 900, 901, 902, 903, 904, 905, 906, 907, 908, 909, 910, 911, 912, 913, 914, 915, 916, 917, 918, 919, 920, 921, 922, 923, 924, 925, 926, 927, 928, 929, 930, 931, 932, 933, 934, 935, 936, 937, 938, 939, 940, 941, 942, 943, 944, 945, 946, 947, 948, 949, 950, 951, 952, 953, 954, 955, 956, 957, 958, 959, 960, 961, 962, 963, 964, 965, 966, 967, 968, 969, 970, 971, 972, 973, 974, 975, 976, 977, 978, 979, 980, 981, 982, 983, 984, 985, 986, 987, 988, 989, 990, 991, 992, 993, 994, 995, 996, 997, 998, 999, 1000.

NOTES:  
 1. WHEN ASSEMBLING COVER TO CHASSIS COVER MUST SLIP UNDER LIP ON CHASSIS AS SHOWN IN DETAIL 'A'.



SEE DETAIL 'A' & NOTE 1



SEE K-PL-47834-0-DBP

1	HIGH VOLTAGE WIPING LABEL	1361EAS-00	3
2	EXTERNAL COSTA LOCKWASHER	900515-00	3
2	SCR. PHL PAN HD. ST. W/SH. 2.5	2200-018-01	4
1	COVER	2200-018-01	3
1	LA34 POWER SUPPLY	2200-018-01	2
1	CHASSIS ASSY	2200-018-01	2

QUANTITY & VARIATION	DESCRIPTION	DWG PART NO.	ITEM NO.
1	LA34 POWER SUPPLY	2200-018-01	2
1	CHASSIS ASSY	2200-018-01	2

UNLESS OTHERWISE SPECIFIED DIMENSIONS ARE IN INCHES

ANGLE	CLASS OF FINISH	NOMINAL DIMENSION	TOLERANCE
90°	AS-BUILT	INCHES	±.005
120°	AS-BUILT	INCHES	±.005
150°	AS-BUILT	INCHES	±.005
180°	AS-BUILT	INCHES	±.005
210°	AS-BUILT	INCHES	±.005
240°	AS-BUILT	INCHES	±.005
270°	AS-BUILT	INCHES	±.005
300°	AS-BUILT	INCHES	±.005
330°	AS-BUILT	INCHES	±.005
360°	AS-BUILT	INCHES	±.005

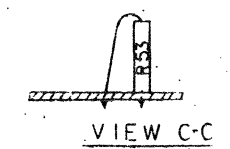
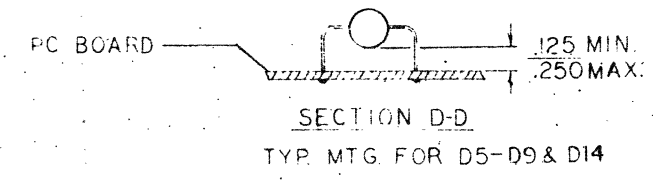
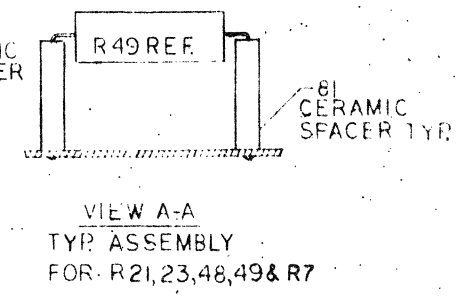
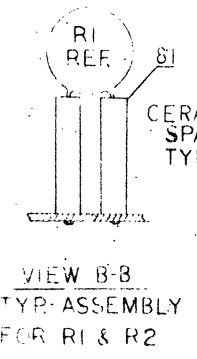
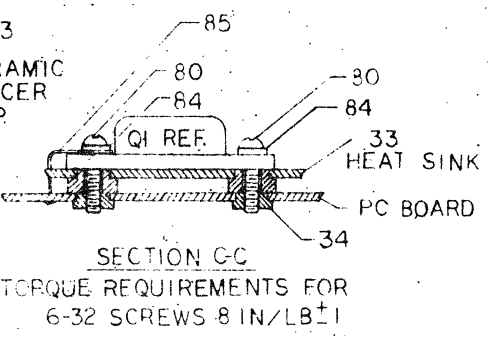
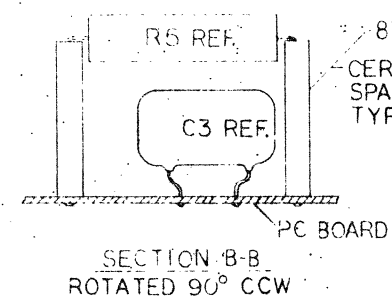
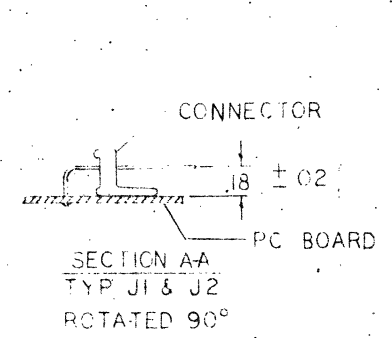
THIRD ANGLE PROJECTION

DESIGNED BY	DATE	TITLE
ENGR. BY		POWER SUPPLY
DRW. BY		H7834
CHKD. BY		
APP. BY		
DATE		

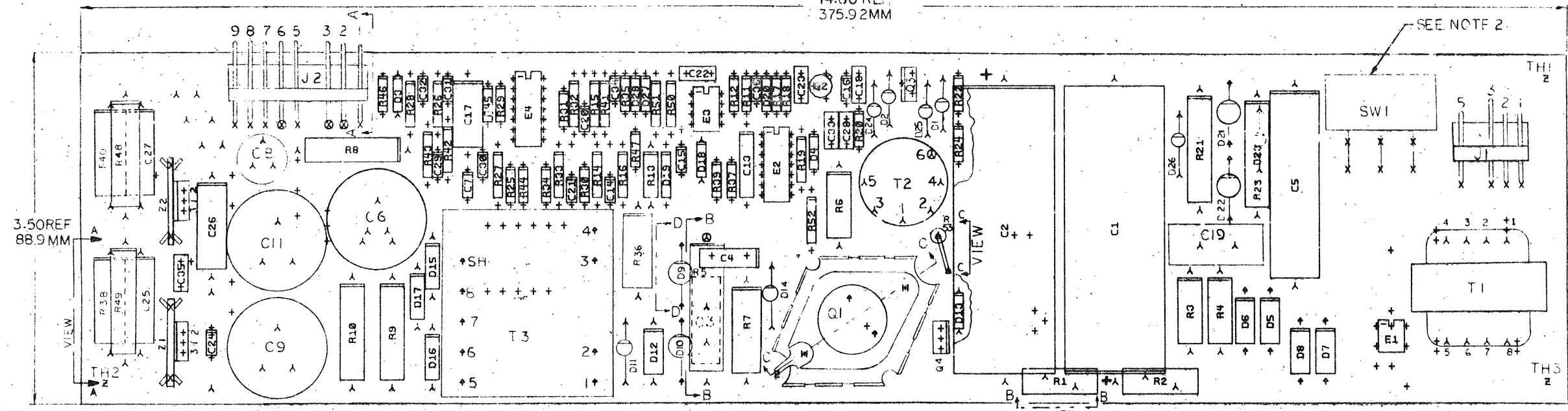
MATERIAL: 7075-T6 ALUMINUM  
 FINISH: ANODIZED

THIS DRAWING AND SPECIFICATIONS, DRAWINGS, AND THE PROPERTY OF BILTM. NO PART OF THIS DRAWING OR SPECIFICATIONS SHALL BE REPRODUCED OR TRANSMITTED IN ANY FORM OR BY ANY MEANS, ELECTRONIC OR MECHANICAL, INCLUDING PHOTOCOPYING, RECORDING, OR BY ANY INFORMATION STORAGE AND RETRIEVAL SYSTEM, WITHOUT THE WRITTEN PERMISSION OF BILTM.

COMPONENT SIDE VIEW



14.80 REF.  
375.92MM



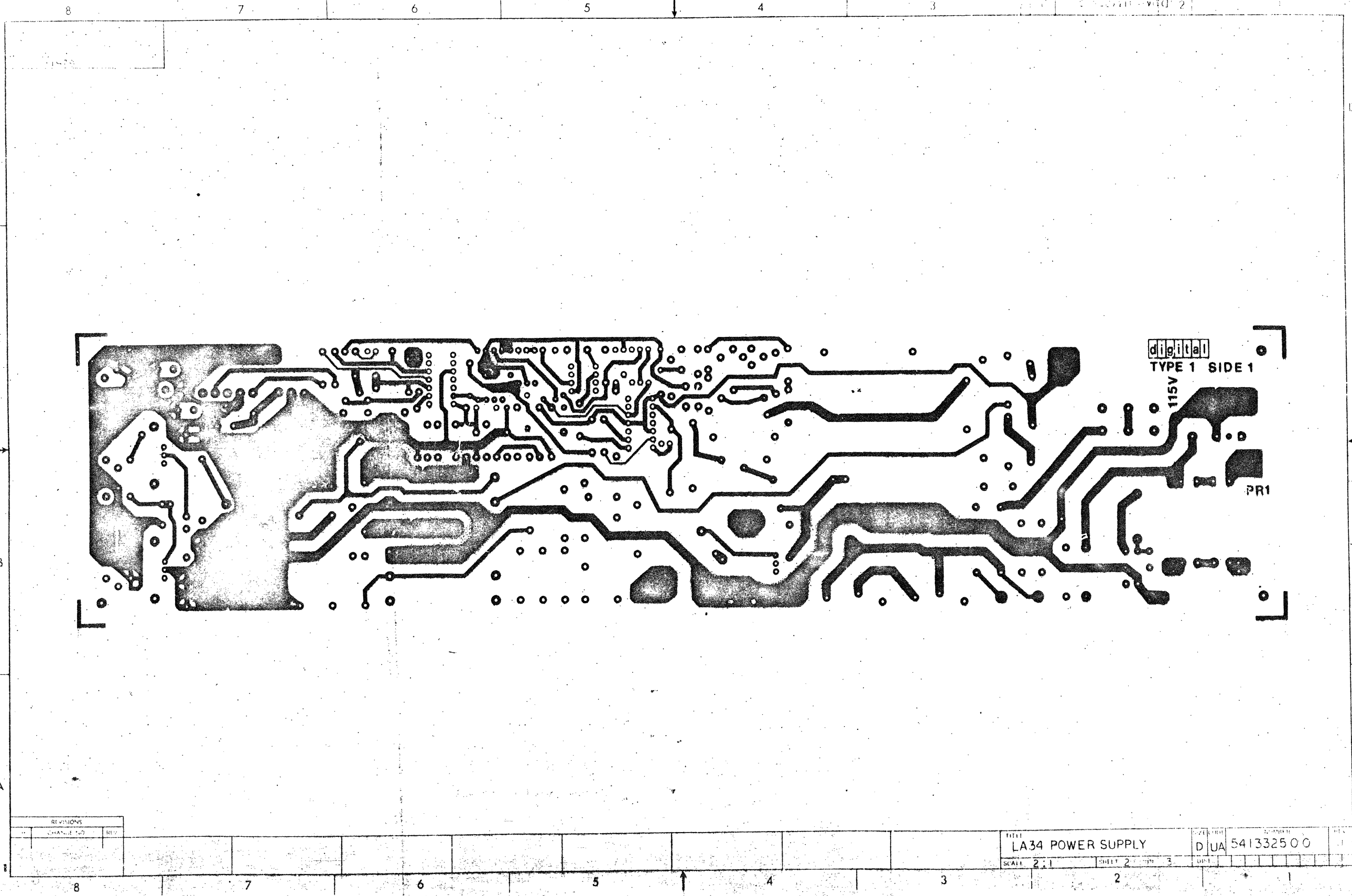
NOTES:  
1. THIS BOARD MUST MEET U/L REQ.  
2. SW1 MUST BE HAND INSERTED AND HAND SOLDERED AFTER WAVE SOLDER.

CHANGE NO	REV	DATE	BY	CHKD
1	1	1-29-79	J. BITTO	
2	2	1-29-79	J. BITTO	
3	3	3-5-79	J. BITTO	
4	4	6-3-79	J. BITTO	

DATE	BY	CHKD
1-29-79	J. BITTO	
1-29-79	J. BITTO	
3-5-79	J. BITTO	
6-3-79	J. BITTO	

SIGNATURES	DATE	TITLE
DRN. COSTA	1-29-79	
CHK'D. COSTA	1-29-79	
ENG. RALPH M. MACKENZIE	3-5-79	
PROJ. ENG. R. M. MACKENZIE	3-5-79	
PROD. V. FROEKIAN	6-3-79	

digital  
TITLE LA34  
POWER SUPPLY  
SIZE CODE NUMBER REV  
0 UA 5413325-0-0

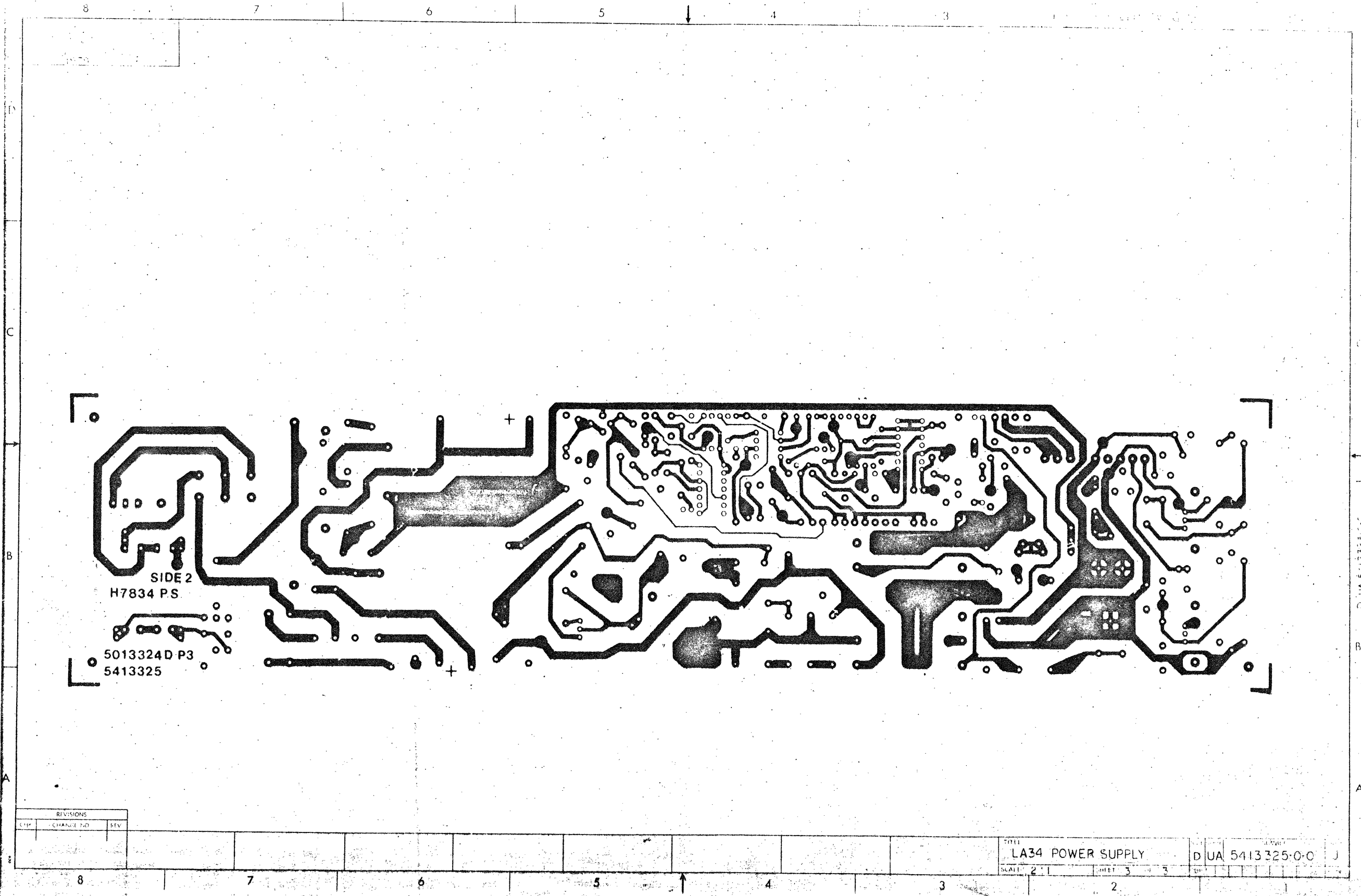


REVISIONS	
NO.	DESCRIPTION
1	CHANGE TWO
2	REV.

TITLE	LA34 POWER SUPPLY	REV. NO.	D	QUANTITY	541332500
SCALE	2:1	SHEET	2	TOTAL	3

D:UA 5413325-0-0





SIDE 2  
H7834 PS

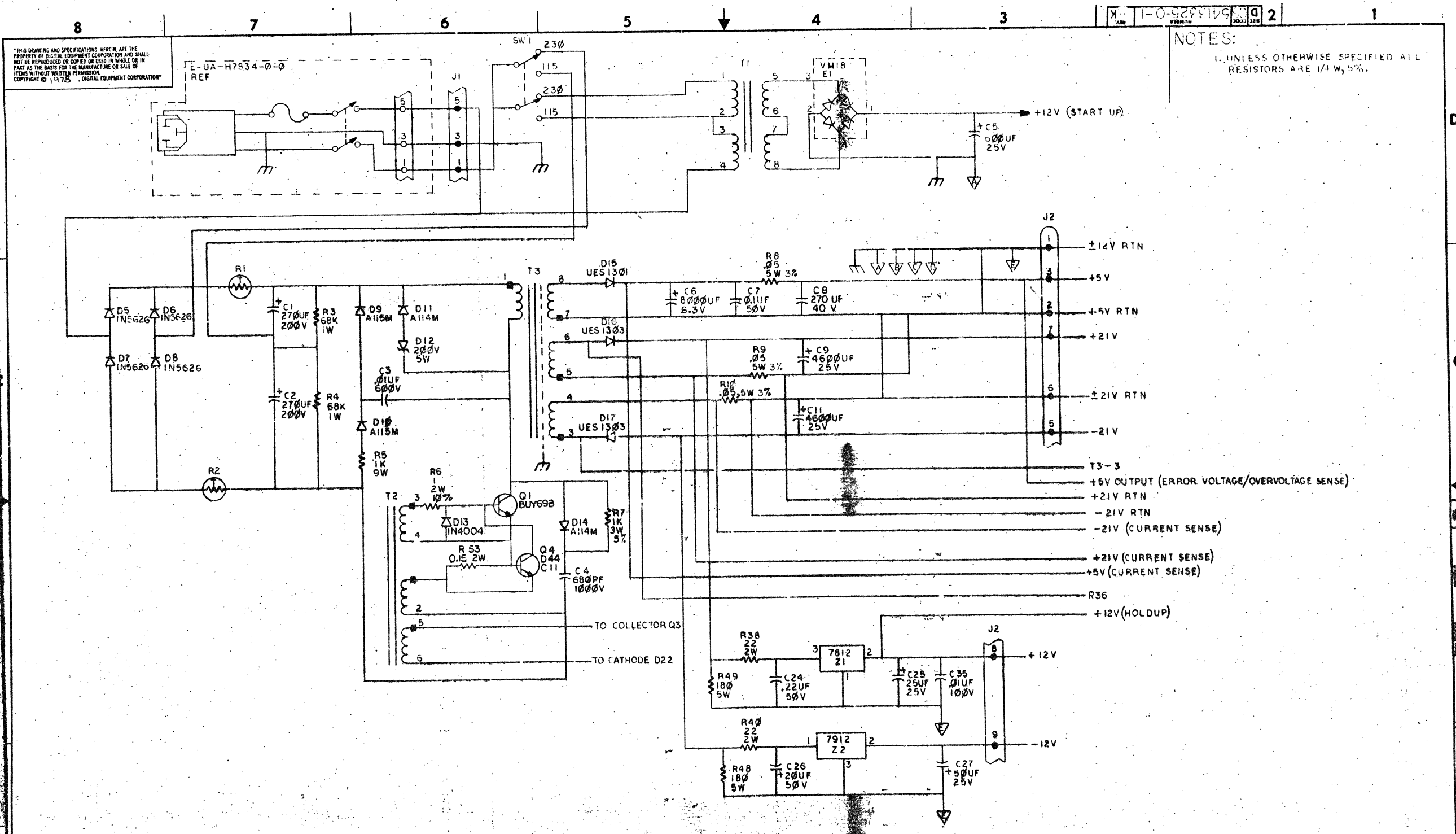
5013324D P3  
5413325

REVISIONS		
CHG	CHANGE NO	REV

LA34 POWER SUPPLY  
D UA 5413 325-0-0

8 7 6 5 4 3 2 1

D UA 5413 325-0-0



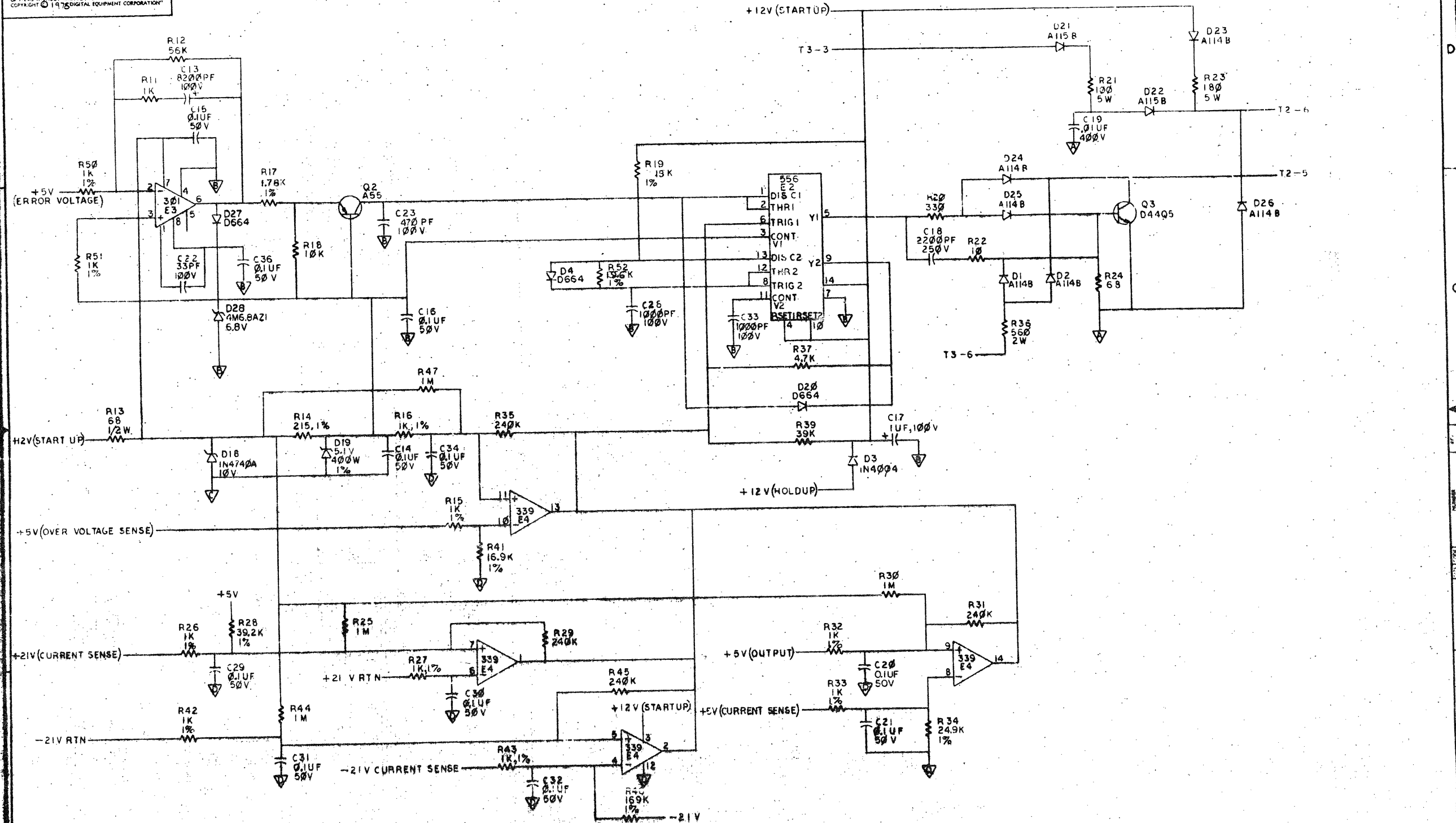
THIS DRAWING AND SPECIFICATIONS HEREIN ARE THE PROPERTY OF DIGITAL EQUIPMENT CORPORATION AND SHALL NOT BE REPRODUCED OR COPIED OR USED IN WHOLE OR IN PART AS THE BASIS FOR THE MANUFACTURE OR SALE OF ITEMS WITHOUT WRITTEN PERMISSION. COPYRIGHT © 1978 DIGITAL EQUIPMENT CORPORATION

NOTES:  
UNLESS OTHERWISE SPECIFIED ALL RESISTORS ARE 1/4 W, 5%.

REV	DESCRIPTION	DATE	BY	CHKD
1	ISSUED FOR PRODUCTION	11/15/78	J. DESUR	J. DESUR
2	REVISION	11/15/78	J. DESUR	J. DESUR
3	REVISION	11/15/78	J. DESUR	J. DESUR
4	REVISION	11/15/78	J. DESUR	J. DESUR
5	REVISION	11/15/78	J. DESUR	J. DESUR
6	REVISION	11/15/78	J. DESUR	J. DESUR
7	REVISION	11/15/78	J. DESUR	J. DESUR
8	REVISION	11/15/78	J. DESUR	J. DESUR

DRN	5413325-0-1	FIRST USED ON	LA34
CHK'D	J. DESUR	TITLE	LA34
ENG	J. DESUR	NUMBER	POWER SUPPLY
PROJ. ENG.	J. DESUR	REV	1
PROD.	J. DESUR	SCALE	AV
NEXT HIGHER ASSY.		SHEET	2
SIZE CODE	D	DIST.	

THIS DRAWING AND SPECIFICATIONS, HEREIN, ARE THE PROPERTY OF DIGITAL EQUIPMENT CORPORATION AND SHALL NOT BE REPRODUCED OR COPIED IN WHOLE OR IN PART AS THE BASIS FOR THE MANUFACTURE OR SALE OF ITEMS WITHOUT WRITTEN PERMISSION. COPYRIGHT © 1975 DIGITAL EQUIPMENT CORPORATION



REVISIONS		
CHK	CHANGE NO.	REV.

TITLE	LA34 POWER SUPPLY	SIZE CODE	DCS	NUMBER	5413325-0-1	REV.	K
SCALE		SHEET	2 OF 2	DIST.			

LINE	ITEM	DOCUMENT NUMBER	PART NUMBER	DESCRIPTION	QTY	PER VARIATION	REFERENCE DESIGNATOR
1	1	D-MD-5013324-0-0		LA34 POWER SUPPLY	1		
2	2		1000009-00	33.0 MMF 100V 55200PPM MICA	1		C22
3	3		1000042-00	1000.0 MMF 100V 5%200PPM MICA	2		C28,C33
4	4		1000055-00	2200.0 MMF 250V 20% Y5S DISC	1		C18
5	5		1000061-00	.0082 MFD 100V 10% MYLR	1		C13
6	6		1000075-00	25 MFD 25V +75-10% AL EL	1		C25
7	7		1001610-01	.01 MFD50/100V +80-20% DISC	1		C35
8	8		1001796-00	50 MFD 25V +75-10% AL EL	1		C27
9	9		1002839-00	20 MFD 50V +75-10% AL EL	1		C26
10	10		1005507-00	1 MFD 100V +50-10% AL EL	1		C17
11	11		1011847-01	.01 MFD 400V 10% POLYPROP	1		C19
12	12		1011847-02	.01 MFD 600V 10% POLYPROP	1		C3
13	13		1011849-01	600 MFD 25V +75-10% AL EL	1		C5
14	14		1013280-00	680.0 MMF 1000V 5%200PPM MICA	1		C4
15	15		1014265-00	.22 MFD 50V +80-20% CER	1		C24
16	16		1014265-01	.1 MFD 50V +80-20% CER	12		C7,C14,C15,C16,C21,C29,C30,C31,C32,C34,C36,C20
17	17		1015466-00	3000 MFD 6.3V +75-10% AL EL	1	CONT	C6
18	18		1015377-00	4600 MFD 25V +75-10% AL EL	2		C9,C11
19	19		1015519-00	270 MFD 200V +50-10% AL EL	2		C1,C2
20	20		1100114-00	I 664 QS\75PCB PIV= 25V SP	3		D4,D20,D27
21	21		1105796-00	IN 4004 PIV=400 I= 1A D041 SP	2		D3,D13
22	22		1105873-00	4M5-1A21 VZ= 5.1 1% .400W	1		D19
23	23		1112594-01	A115B PIV=200 I= 3A	2		D21,D22
24	24		1112594-02	A115M PIV=600 I= 3A	2		D9,D10
25	25		1112595-01	A114B PIV=200 I= 1A	6		D1,D2,D23-D25,D26
26	26		1112595-02	A114M PIV=600 I= 1A	2		D11,D14
27	27		1113123-00	1.5K3200 VOLT.TRANS.SUPPRESS. 220	1		D12
28	28		1114377-00	IN 4740A VZ= 10.0 5% 1W	1		D18
29	29		1114893-00	UES1301 PIV= 50 I= 6A	1		D15

REVISION HISTORY			BASIC PART NO: 5413325								
ENG	ECO NUMBER	REV	SECTION A OF A	DRN:	R E JOSEPHSON	DATE:	21-FEB-78	DIGITAL			
INIT		B	SECTION VARIATION INDEX	CHK'D:	T. SHETRAWSKI	DATE:	7-JUN-78	PARTS LIST			
JD	IPN001	C	[A] 00					H7834 POWER SUPPLY MODULE			
JB	IPN003	D	[B]								
JB	IPN002	E	[C]	DES.ENG:	RALP MACKENZIE	DATE:	7-JUN-78				
JB	IPN004	F	[D]								
JB	IPN005	H	[E]								
GC	IPN007	J	[F]	RESP.ENG.:	R MACKENZIE	DATE:	7-JUN-78	DOCUMENT NUMBER			
			[G]					SIZE	CODE	NUMBER	REV
			[H]	MFG.ENG.:	DON BEVINS	DATE:	7-JUN-78	K	PL	5413325-0-DBP	J
			[I]	ASSEMBLY NUMBER:		TOP DOCUMENT NUMBER:		FILE NAME:		EDIT #	
			[J]	IE-UA-5413325-0-0		IB-DD-5413325-0-0		13325J.PLS		32	

\*THIS DRAWING AND SPECIFICATIONS HEREIN, ARE THE PROPERTY OF DIGITAL EQUIPMENT CORPORATION AND SHALL NOT BE REPRODUCED OR COPIED OR USED IN WHOLE OR IN PART AS THE BASIS FOR THE MANUFACTURE OR SALE OF ITEMS WITHOUT WRITTEN PERMISSION. COPYRIGHT (C) 1981, DIGITAL EQUIPMENT CORPORATION



LINE	ITEM	DOCUMENT NUMBER	PART NUMBER	DESCRIPTION	QTY	PER VARIATION	REFERENCE DESIGNATOR
					00		
30	30		1115182-00	1N 5626 PIV=600 I=3A	4		D5-D8
31	31		1115272-00	UES1303 PIV=150 I=6A	2		D16,D17
32	32		1115369-00	VM 18 PIV=100 I=1A	1		E1
33	33		1213426-04	HEAT SINK TO-3 CLEAR ANODIZED	1		
34	34		1214789-00	INSERT, THREADED 6-32, BRASS, ELEC	2		
35	35		1215307-00	HEADER 9POS RIGHT ANGLE	1		J2
36	36		1215307-01	HEADER 5POS RIGHT ANGLE	1		J1
37	37		1216064-00	SW, LOCK 2P RIGHT ANGLE TEK	1		SW1
38	38		1300219-00	.68.0 .25 W 5.0 % CC	1		R24
39	39		1300295-00	330.0 .25 W 5.0 % CC	1		R20
40	40		1300365-00	1.0 K .25 W 5.0 % CC	1		R11
41	41		1300447-00	4.70 K .25 W 5.0 % CC	1		R37
42	42		1300479-00	10.0 K .25 W 5.0 % CC	1		R18
43	43		1301317-00	10.0 .25 W 5.0 % CC	1		R22
44	44		1314675-00	1.0 K 3.0 W 5.0 % WW	1		R7
45	45		1301546-00	22.0 2.0 W 5.0 % CC	2		R38,R40
46	46		1301927-00	560.0 2.0 W 5.0 % CC	1		R36
47	47		1302395-00	56.0 K .25 W 5.0 % CC	1		R12
48	48		1302514-00	39.0 K .25 W 5.0 % CC	1		R39
49	49		1303114-00	1.0 K .25 W 1.0 % RN55D-F10	10		R15,R16,R26,R27,R32,R33,R42,R43, R50,R51
50	50		1302612-00	1.78 K .25 W 1.0 % RN55D-F10	1	CONT	R17
51	51		1305123-00	215.0 .25 W 1.0 % RN55D-F10	1		R14
52	52		1305265-00	39.20 K .25 W 1.0 % RN55D-F10	1		R28
53	53		1305405-00	24.90 K .25 W 1.0 % RN55D-F10	1		R34
54	54		1309094-00	100.0 5.0 W 5.0 % WW	1		R21
55	55		1309405-00	68.0 .50 W 5.0 % CC	1		R13
56	56		1313752-00	15.0 K .25 W 1.0 % RN55D-F10	1		R19
57	57		1309595-00	1.0 M .25 W 5.0 % CC	4		R25,R30,R44,R47
58	58		1310876-03	.05 5.0 W 3.0 % WW	3		R8-R10
59	59		1312618-00	16.90 K .25 W 1.0 % RN55D-F10	1		R41
60	60		1312655-00	180.0 5.0 W 5.0 % WW	3		R23,R48,R49
61	61		1312925-00	169.0 K .25 W 1.0 % RN55D-F10	1		R46
62	62		1313191-00	1.0 K 9.0 W 5.0 % WW	1		R5
63	63		1314253-00	240.0 K .25 W 5.0 % CC	4		R29,R31,R35,R45
64	64		1314270-00	5.0 15.0 % NTC THERM	2		R1,R2
65	65		1314350-00	1.0 2.0 W10.0 % FUSE	1		R6
66	66		1315585-00	68.0 K 1.0 W 5.0 % CC	2		R3,R4
67	67		1510706-00	XA 55 PNP 500MW SI 60 50 P	1		Q2
68	68		1512782-00	NPN 100W SI325 I5	1		Q1
69	69		1514271-01	D 44Q5 NPN 31W SI225 30	1		Q3
70	70		1614778-00	XFMR P-AB S=6.0@ 100MA	1		T1
71	71		1612920-02	PULSE XFMR 30KHZ VT61	1		T2
72	72		1615559-01	XFMR P=240/360DC 54-13325	1		T3
73	73		1910282-00	301AN OP AMP	1		E3
74	74		1912048-01	*** THIS ITEM IS NOT USED ***	-		
75	75		1912108-00	339 VOLT CMPTR, QUAD	1		E4
76	76		1914392-00	556 TIMER-DUAL	1		E2

D	I	G	I	T	A	I	T	I	T	I	T	I	I	I	I	I	I	I	I	I
TITLE											SECTION A OF A				SIZE	CODE	DOCUMENT NUMBER	REV		
H7834 POWER SUPPLY MODULE															K	PL	5413325-0-DBP	J		



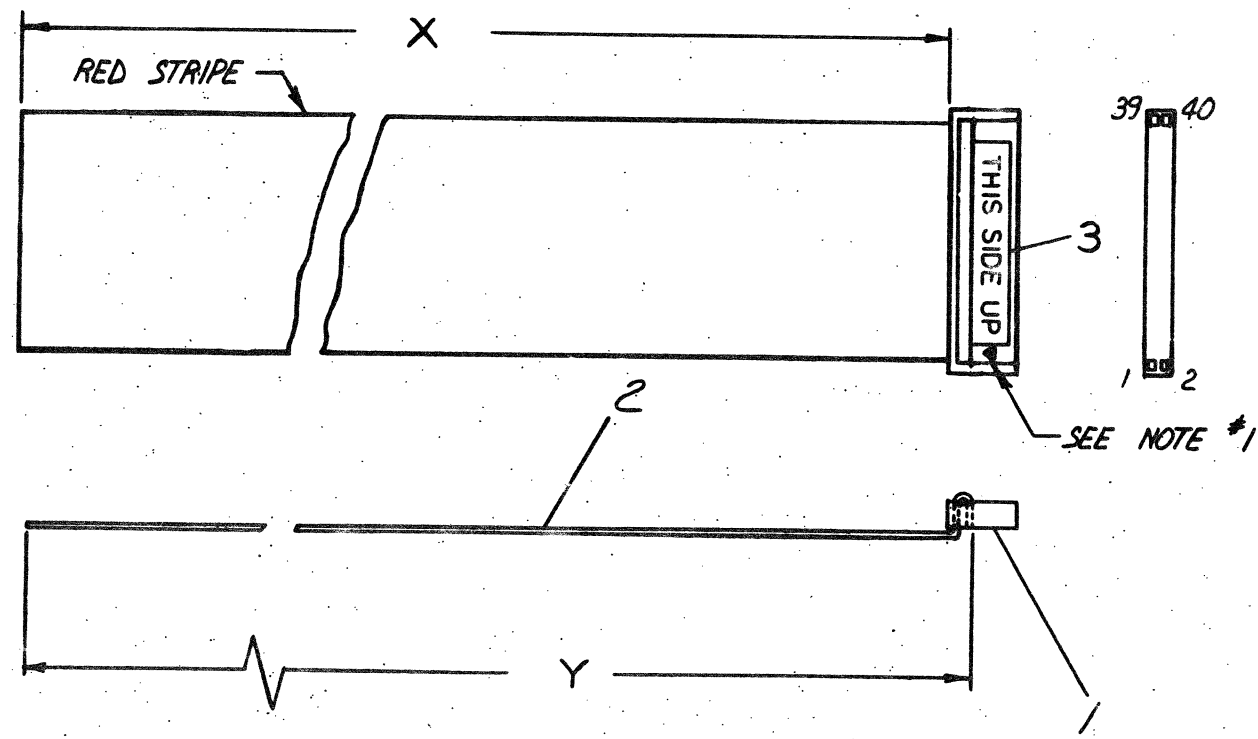
LINE	ITEM	DOCUMENT NUMBER	PART NUMBER	DESCRIPTION	QTY PER VARIATION 00	REFERENCE DESIGNATOR
77	77		1914517-01	*** THIS ITEM IS NOT USED ***	-	
78	78		7015917-00	HEAT SINK ASSY	1	Z1
79	79		7015917-01	HEAT SINK ASSY	1	Z2
80	80		9003023-01	SCREW,PAN,PHIL 6-32X 7/16 SS	2	
81	81		9009798-00	SPACER, CERAMIC, .186 ODX.078 ID	14	
82	82		9009798-01	*** THIS ITEM IS NOT USED ***	-	
83	83		9009798-02	SPACER, CERAMIC, .186 ODX.078 ID	2	
84	84		9009882-00	WASHER, LOCK, INT TOOTH #3	2	
85	85		9009676-00	TERM LUG 1POS SOLDER	1	
86	86		1309419-00	19.60 K .25 W 1.0 % RN55D-F10	1	R52
87	87		1000020-00	*** THIS ITEM IS NOT USED ***	-	
88	88		1310147-00	.15 2.0 W10.0 % WW	1	R53
89	89		1109991-01	4M6.8AZ1 VZ= 6.8 1% .40W	1	D28
90	90		1512790-00	D 44C12 NPN 30W SI	1	D4
91	91		1012607-04	270 MFD 40V+100-10% AL EL	1	C8
92	92		1000024-00	470.0 MMF 100V 5%200PPM MICA	1	C23

D	I	G	I	T	A	L	TITLE	H7834 POWER SUPPLY MODULE	SECTION A OF A	SIZE	CODE	DOCUMENT NUMBER	REV
										K	PL	5413325-0-DBP	J

"THIS DRAWING AND SPECIFICATIONS, HEREIN, ARE THE PROPERTY OF DIGITAL EQUIPMENT CORPORATION AND SHALL NOT BE REPRODUCED OR COPIED OR USED IN WHOLE OR IN PART AS THE BASIS FOR THE MANUFACTURE OR SALE OF ITEMS WITHOUT WRITTEN PERMISSION. COPYRIGHT © 1978, DIGITAL EQUIPMENT CORPORATION"

LEGEND		
NUMBER	DMX VARIATION	DMY (PRECUT) REF
7015741-OK	B.5 IN ±.5 IN	9.0 IN

NOTES:  
1. ARROW OR INDEX MARK ON ITEM #1 INDICATES CONTACT POSITION #1



ITEM NO.	DESCRIPTION	DWG./PART NO.	ITEM NO.
1	LABEL, CABLE I.D.	3616989-00	4
1	LABEL	3611567-00	3
1/4	CABLE, 40 COND FLAT	9107738-01	2
1	CONN, 40 POSITION	1211206-00	1

REV.	CHANGE NO.	CHK	DATE
A	LA34-PN030	R.D.	12 SEP 79
B	PN001	F. A. DIGLIO	24 SEP 79
B	PN001	J. BITTO	15 MAY 80 (REV. 2)

UNLESS OTHERWISE SPECIFIED DIMENSIONS ARE IN INCHES		NOMINAL DIMENSION RANGE INCHES					
ANGLES	CLASS OF ACCURACY	OVER 0 TO 0.2	OVER 0.2 TO 1.2	OVER 1.2 TO 4.0	OVER 4.0 TO 12.0	OVER 12.0 TO 40.0	OVER 40.0 TO 80.0
30° 30'	(CHECK ONLY)	±.004	±.006	±.012	±.016	±.024	±.04
SURFACE QUALITY IN	MEDIUM	±.004	±.006	±.012	±.016	±.024	±.04
MICRONS	PREFERRED	±.012	±.016	±.024	±.04	±.06	±.1

THIRD ANGLE PROJECTION	DRN <i>[Signature]</i>	FIRST USED ON	LA 34
REMOVE BURRS AND BREAK SHARP CORNERS	CHK'D <i>[Signature]</i>	TITLE	CABLE KEYBOARD ASSY
DO NOT SCALE DWG	PROJ. ENG. <i>[Signature]</i>	NUMBER	7015741-0-0
MATERIAL	PROD. <i>[Signature]</i>	REV.	B
FINISH	SEE PARTS LIST	SIZE CODE	C IA
		DIST.	

REV. B  
NUMBER  
C IA 7015741-0-0



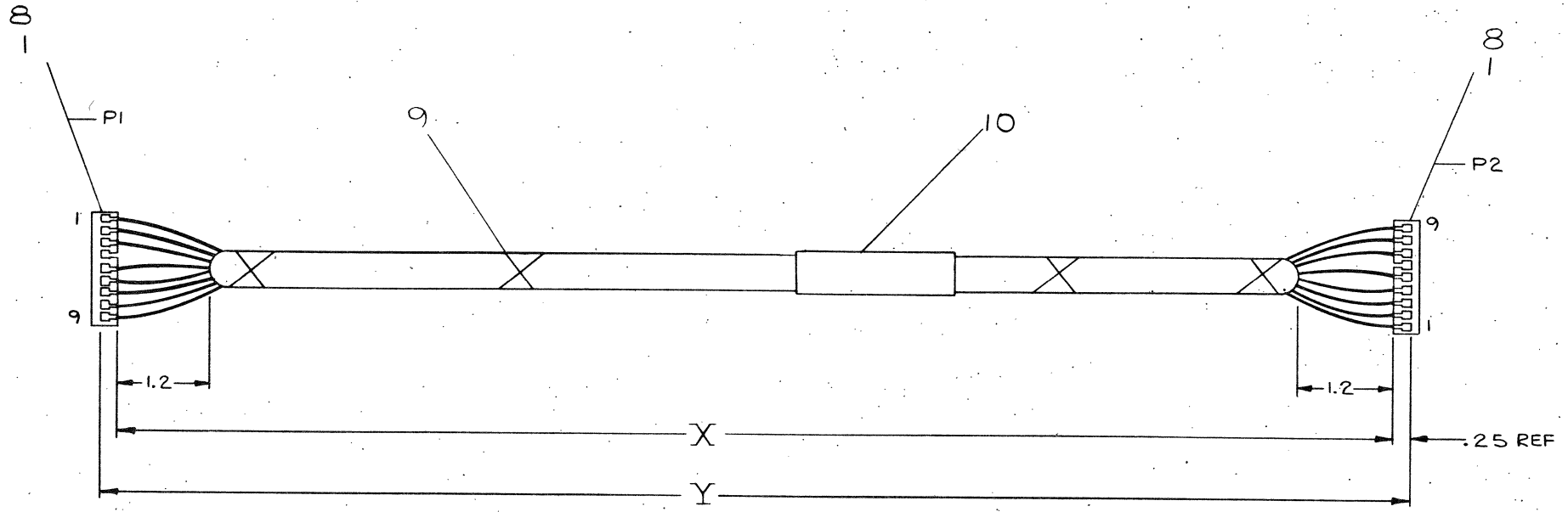
THIS DRAWING AND SPECIFICATIONS, HEREIN, ARE THE PROPERTY OF DIGITAL EQUIPMENT CORPORATION AND SHALL NOT BE REPRODUCED OR COPIED OR USED IN WHOLE OR IN PART AS THE BASIS FOR THE MANUFACTURE OR SALE OF ITEMS WITHOUT WRITTEN PERMISSION.  
 COPYRIGHT © 1975, DIGITAL EQUIPMENT CORPORATION

8 0-0-6229102 1 2

WIRED TABLE						
ITEM NO.	DESCRIPTION	FROM	TO	LENGTH	SIGNAL	
4	18 BLK	P1-1	P2-9	16.88	GND	
4	18 BLK	P1-2	P2-8	16.88	GND	
3	18 RED	P1-3	P2-7	16.88	+5V	
8	-	P1-4	-	-	KEY	
5	18 BLUE	P1-5	P2-5	16.88	-21V	
4	18 BLK	P1-6	P2-4	16.88	GND	
2	18 ORN	P1-7	P2-3	16.88	+21V	
6	18 WHT	P1-8	P2-2	16.88	+12V	
7	18 VIO	P1-9	P2-1	16.88	-12V	
8	-	P2-6	-	-	KEY	

LEGEND		
NUMBER	DIM 'X' VARIATION	DIM 'Y' (PRECUT) REF
7015739-1E	16.38 IN. ± 1.0 IN	16.88 IN

- NOTES:
- USE CABLE TIES (X) ITEM 9 APPROXIMATELY EVERY FOUR (4) INCHES.
  - NO STRIPPING OR TINNING REQUIRED.
  - KEY PLUG ITEM #8 TO BE INSERTED INTO P2-6 AND P1-4.



SEE K-PL-7015739-0-DBP, PARTS LIST

ITEM NO.	DESCRIPTION	DWG./PART NO.	ITEM NO.
1	LABEL, ADHESIVE	3616073-00	10
A/R	TIE, CABLE	9010190-00	9
2	KEY PLUG	1215588-00	8
A/R	WIRE, 18 AWG VIOLET STRD	9107360-77	7
A/R	WIRE, 18 AWG WHITE STRD	9107360-99	6
A/R	WIRE, 18 AWG BLUE STRD	9107360-66	5
A/R	WIRE, 18 AWG BLACK STRD	9107360-00	4
A/R	WIRE, 18 AWG RED STRD	9107360-22	3
A/R	WIRE, 18 AWG ORANGE STRD	9107360-33	2
2	HOUSING, PLUG (9 PIN)	1215306-00	1

DESCRIPTION	DWG./PART NO.	ITEM NO.
UNLESS OTHERWISE SPECIFIED DIMENSIONS ARE IN INCHES		
ANGLES ±0° 30'	CLASS OF ACCURACY	NOMINAL DIMENSION RANGE INCHES
SURFACE QUALITY IN	(CHECK ONE)	OVER 0 TO 0.2
	MEDIUM	OVER 0.2 TO 4.0
MICROINCHES	PREFERRED	OVER 4.0 TO 12.0
		OVER 12.0 TO 40.0
		OVER 40.0 TO 80.0
		OVER 80.0 TO 10.1

THIRD ANGLE PROJECTION

REMOVE BURRS AND BREAK SHARP CORNERS

DO NOT SCALE DWG

MATERIAL SEE PARTS LIST

FINISH

DRN. DENNIS B. BROWN 12/24/78

CHK'D. D. ALBERT 1/5/79

ENG. W. J. BROWN 1/5/79

PROJ. ENG. J. H. BROWN 2/7/79

PROD. J. H. BROWN 3/1/79

FIRST USED ON LA34

TITLE CABLE ASSY. LOGIC / POWER

E-AD-7015739-0-0

SCALE NONE

SHEET 1 OF 1

SIZE CODE D

NUMBER IA 7015739-0-0

REV. B

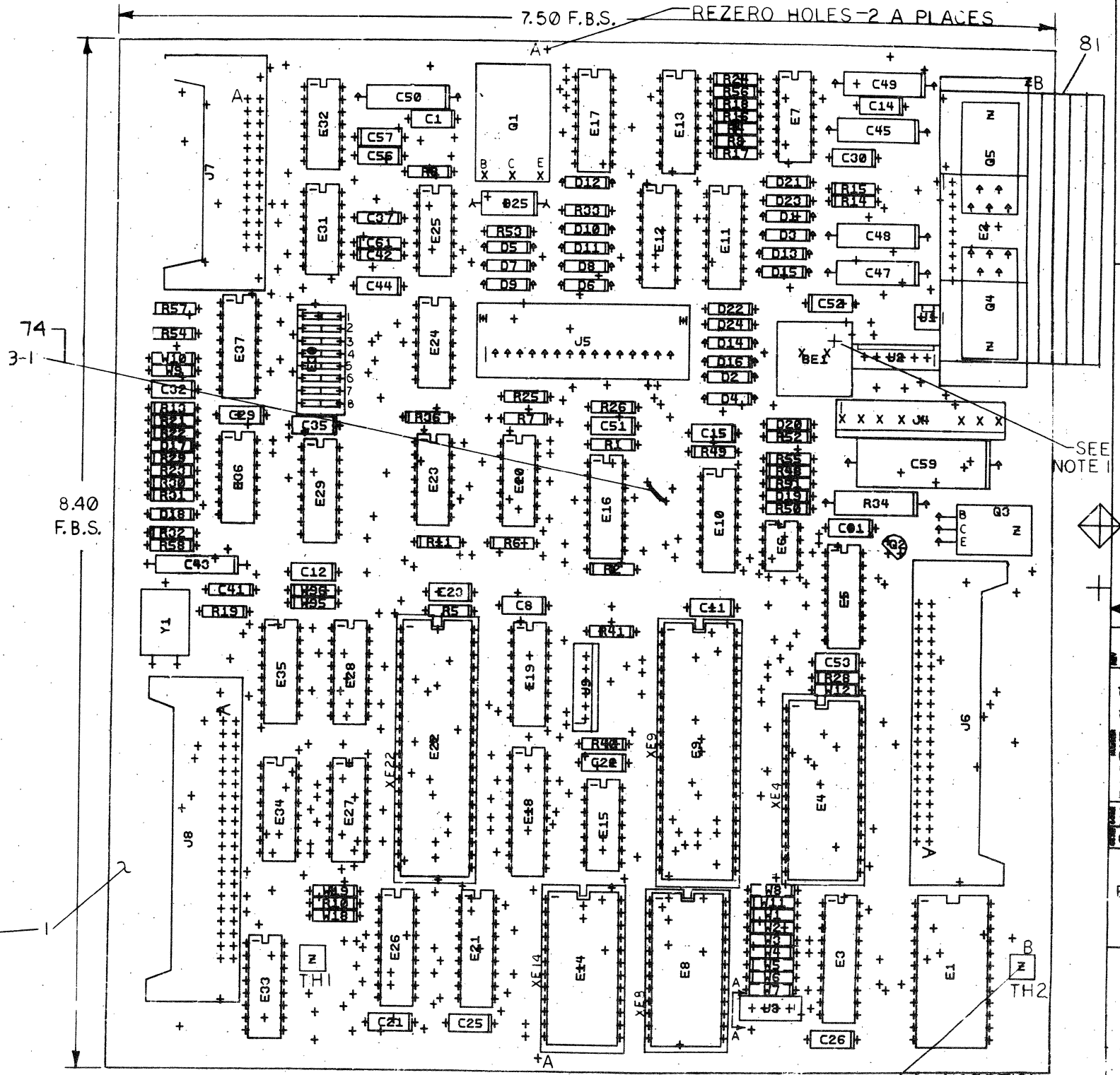
REV.	DATE	BY	CHKD.	DESCRIPTION
A	1/16/80	J. BITTO	J. BITTO	REVISED
B	1/21/79	J. BITTO	J. BITTO	REVISED



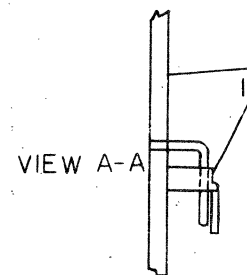


THIS DRAWING IS UNCLASSIFIED, EXCEPT FOR THE PORTION OF THE DRAWING WHICH IS IDENTIFIED AS ALL INFORMATION CONTAINED HEREIN IS UNCLASSIFIED EXCEPT WHERE SHOWN OTHERWISE IN FULL OR PART. DATE 08-01-01 BY 60322 UC/ML/STP

COMPONENT SIDE VIEW



74  
 3-1  
 8.40  
 F.B.S.



SEE NOTE 1

NOTES: 1. LONG LEAD OF BE1 IS ON PLUS (+) SIDE.  
 2. DO NOT INSTALL C6, E8, XE8, Q4, Q5, W2, 4, 5, 7, 8, & W10.

STEP #	+ Y AXIS	STEP - TIMES
REPORT	+ X AXIS	STEP - TIMES

CHANGE NO.	REV.	DATE	BY	CHKD.
1	1		J. BITTO	
2	1		J. BITTO	
3	1		J. BITTO	
4	1		J. BITTO	
5	1		J. BITTO	
6	1		J. BITTO	
7	1		J. BITTO	
8	1		J. BITTO	
9	1		J. BITTO	
10	1		J. BITTO	
11	1		J. BITTO	
12	1		J. BITTO	
13	1		J. BITTO	
14	1		J. BITTO	
15	1		J. BITTO	
16	1		J. BITTO	
17	1		J. BITTO	
18	1		J. BITTO	
19	1		J. BITTO	
20	1		J. BITTO	
21	1		J. BITTO	
22	1		J. BITTO	
23	1		J. BITTO	
24	1		J. BITTO	
25	1		J. BITTO	
26	1		J. BITTO	
27	1		J. BITTO	
28	1		J. BITTO	
29	1		J. BITTO	
30	1		J. BITTO	

ETCH REV. E
-------------

SIGNATURES	DATE
DRN. 01	10-77
CHK. 01	10-77
MECH. ENG.	10-77
PROJ. ENG.	10-77
PROD. 1	10-77
SCALE 2:1	
SHT. 1 OF 2	
NEXT HIGHER REV. 6-00-5413747-0	

INSERTION HOLES 2 B PLACES

digital	TITLE	LA54
	CONTROL BOARD	
SIZE CODE	NUMBER	REV
0	UA 5413747-0-0	M

"THIS DRAWING AND SPECIFICATIONS, HEREIN, ARE THE PROPERTY OF DIGITAL EQUIPMENT CORPORATION AND SHALL NOT BE REPRODUCED OR COPIED OR USED IN WHOLE OR IN PART AS THE BASIS FOR THE MANUFACTURE OR SALE OF ITEMS WITHOUT WRITTEN PERMISSION. COPYRIGHT © DIGITAL EQUIPMENT CORPORATION"

REWORK INSTRUCTIONS

ECO # 3

WIRE, ADD SIDE ONE

1. AFTER BOARD HAS BEEN BUILT AND TESTED, TWO ETCHES MUST BE CUT AND A JUMPER WIRE (9105740-55) ADDED TO THE BOARD. ON SIDE ONE CUT, THE ETCH AT E10 PINS 2 AND 3. ADD A JUMPER WIRE BETWEEN THE TWO FEED THROUGH HOLES IN THE ETCH RUNS FROM E10 PINS 2 AND 3.

REVISIONS		
CHK.	CHANGE NO.	REV.

TITLE	SIZE/CODE	NUMBER	REV.
LA34 CONTROL BOARD	D UA	5413747-0 0	M
SCALE 2/1	SHEET 2 OF 2	DIST.	

REV. 2 DUA 5413747-0-0

LINE	ITEM	DOCUMENT NUMBER	PART NUMBER	DESCRIPTION	QTY PER VARIATION				REFERENCE DESIGNATOR
					00	99	01	02	
1	1	D-MD-5013746-0-0	5013746-00	DRILL&ETCH BOARD	1	1	1	1	
2	2		1001610-00	.01 MFD 50V +80-20% 25U CER	1	1	1	1	C32
3	3		1005636-00	22 MFD 6V 10% S.TANT	1	1	1	1	C43
4	4		1012084-01	8 MFD 25V +75-10% AL EL	5	5	5	5	C45,C47-C49,C50
5	5		1012219-00	47 MFD 30V +75-10% AL EL	1	1	1	1	C59
6	6		1012784-00	.047 MFD 50V +80-20% CER	21	21	21	21	C1,C8,C11,C12,C14,C15,C21-C23, CONT C25,C26,C29,C30,C31,C35,C44, CONT C51-C53,C56,C57
7	7		1013466-12	2200.0 MMF 50V 10% X7R CER	1	1	1	1	C42
8	8		1013466-18	330.0 MMF 50V 5% CER	1	1	1	1	C37
9	9		1013466-31	15.0 MMF 50V 5% CER	1	1	1	1	C41
10	10		1101938-00	1N 4370A VZ= 2.4 5% .40W	1	1	1	1	D18
11	11		1105275-00	D 672 TR= 15NS PIV= 60V SI	7	7	7	7	D17,D19-D24
12	12		1105796-00	1N 4004 PIV=400 I= 1A D041 SP	16	16	16	16	D1-D16
13	13		1110854-00	1N 5353B VZ= 16.0V 5% .40W M	1	1	1	1	D25
14	14		1209941-02	HEADER 100 40POS RT ANGLE	2	2	2	2	J6,J8
15	15		1209941-09	HEADER 26POS RT ANGLE RCPT	1	1	1	1	J7
16	16		1211164-04	SW,DIP 1P 1A 8POS	1	1	1	1	E30
17	17		1215921-00	CONN, 4PIN WAFER,RIGHT ANG	1	1	1	1	J3
18	18		1215006-06	SKT,IC 24PIN DIP TIN PLATEE	1	1	1	1	XE14
19	19		1215006-08	SKT,IC 40PIN DIP TIN PLATEE	2	2	2	2	XE22,XE9
20	20		1215323-00	CONN, 6POS POLARIZING & LO	2	2	2	2	J9,J2
21	21		1215323-02	CONN, 2POS POLARIZING & LO	1	1	1	1	J1
22	22		1215324-00	CONN 15POS GOLD PLATED	1	1	1	1	J5
23	23		1215635-01	TRANSDUCER,MINATURE AUDIO FOR LA	1	1	1	1	BE1
24	24		1215699-00	HEADER 9POS STRAIGHT	1	1	1	1	J4
25	25		1300005-07	R NETWORK 15=4.7K 5.0 % 16PIN	1	1	1	1	E29
26	26		1300247-00	120.0 .25 W 5.0 % CC	1	1	1	1	R31
27	27		1300295-00	330.0 .25 W 5.0 % CC	8	8	8	8	R5,R14,R15,R28,R49,R54-R56
28	28		1300365-00	1.0 K .25 W 5.0 % CC	7	7	7	7	R13,R19,R29,R36,R40,R41,R53

REVISION HISTORY			BASIC PART NO: 5413747		DRN: DAVID DROZD	DATE: 21-MAR-80	DIGITAL			
ENGR	ECO NUMBER	REV	SECTION A	OF B	CHK'D: TONY SHEWTRASKI	DATE: 21-MAR-80	TITLE PARTS LIST			
---	INITIAL	D	SECTION VARIATION INDEX				54-13747 BOARD			
JB	15413747-PN001	F	[A]	00,99,01,02						
JB	15413747-PN002	F	[B]	03						
JB	15413747-PN003	H	[C]		DES.ENG: DON DODSON	DATE: 21-MAR-80				
JB	15413747-PN004	J	[D]				DOCUMENT NUMBER			
JB	15413747-PN005	K	[E]				SIZE	CODE	NUMBER	REV
JB	15413747-PN006	L	[F]		RESP.ENG.: DON DODSON	DATE: 21-MAR-80	K	PL	5413747-0-DBP	7
JB	15413747-PN007	M	[H]							
			[J]		MFG.ENG.: JOHN MCSHANE	DATE: 21-MAR-80				
			[K]							
			[L]		ASSEMBLY NUMBER:	TOP DOCUMENT NUMBER:			FILE NAME:	EDIT #
			[M]		D-UA=5413747-0-0				13747M.PLS	7
			[N]							

"THIS DRAWING AND SPECIFICATIONS HEREIN, ARE THE PROPERTY OF DIGITAL EQUIPMENT CORPORATION AND SHALL NOT BE REPRODUCED OR COPIED OR USED IN WHOLE OR IN PART AS THE BASIS FOR THE MANUFACTURE OR SALE OF ITEMS WITHOUT WRITTEN PERMISSION. COPYRIGHT (C) 1981, DIGITAL EQUIPMENT CORPORATION"

LINE	ITEM	DOCUMENT NUMBER	PART NUMBER	DESCRIPTION	QTY PER VARIATION				REFERENCE DESIGNATOR
					00	99	01	02	
29	29		1300417-00	2.20 K .25 W 5.0 % CC	1	1	1	1	R33
30	30		1300439-00	3.30 K .25 W 5.0 % CC	1	1	1	1	R50
31	31		1300479-00	10.0 K .25 W 5.0 % CC	7	7	7	7	R6-R8,R10,R11,R21,R22
32	32		1300488-00	12.0 K .25 W 5.0 % CC	1	1	1	1	R32
33	33		1301423-00	5.80 K .25 W 5.0 % CC	11	11	11	11	R1-R4,R16-R18,R24-R26,R30
34	34		1301890-00	560.0 .25 W 5.0 % CC	1	1	1	1	R48
35	35		1302388-00	2.0 K .25 W 5.0 % CC	1	1	1	1	R51
36	36		1302466-00	100.0 K .25 W 5.0 % CC	2	2	2	2	R23,R58
37	37		1302602-00	56.0 .25 W 5.0 % CC	1	1	1	1	R52
38	38		1312452-00	3.74 K .25 W 1.0 % RM55D-F10	1	1	1	1	R57
39	39		1315676-00	300.0 3.0 W 5.0 % W 9	1	1	1	1	R34
40	40		1510706-00	XA 55 PNP 500MW SI 60 50 P	1	1	1	1	Q2
41	41		1514509-00	TIP 125 PNP 65W SI 60 500 BA	1	1	1	1	Q3
42	42		1515370-00	TIP146 PNP DARLINGTON-CONNECTED	1	1	1	1	Q1
43	43		1812396-03	XTAL 4.000 MHZ	1	1	1	1	Y1
44	44		1910322-00	DEC 1488L DRIVER,LINE,QUAD,EI	1	1	1	1	E32
45	45		1910406-00	75451 DRIVER,PERIPH,DUAL,	1	1	1	1	E6
46	46		1910741-00	7406 INVERTER GATE-HEX 1I	1	1	1	1	E7
47	47		1912108-00	339 VOLT CMPRTR,QUAD	1	1	1	1	E36
48	48		1912697-00	LS174 FF-D HEX W/CLEAR	1	1	1	1	E34
49	49		1912799-00	LS00 NAND-GATE-QUAD 2IN,P	1	1	1	1	E15
50	50		1912805-00	LS08 AND GATE-QUAD 2IN,PO	1	1	1	1	E25
51	51		1912807-00	LS10 NAND GATE-TRIPLE 3IN	1	1	1	1	E23
52	52		1912816-00	LS32 OR GATE-QUAD 2IN,POS	1	1	1	1	E20
53	53		1912824-00	LS74 FF-D DUAL,EDGE TRIGG	1	1	1	1	E24
54	54		1912842-00	LS138 DECODER-THREE INPUT,	1	1	1	1	E35
55	55		1912843-00	LS139 DECODER, 2 OF 4(DUAL	1	1	1	1	E19
56	56		1912846-00	LS155 DECODER,2 OF 4(DUAL)	1	1	1	1	E33
57	57		1912863-00	LS273 FF-D OCTAL W/CLEAR	1	1	1	1	E18
58	58		1913130-00	DEC 1489A RECEIVER,LINE,QUAD,	1	1	1	1	E31
59	59		1913471-00	LS367 DRIVER,BUS,HEX,TRI-	3	3	3	3	E10,E28,E27
60	60		1913777-00	LS240 DRIVER,LINE,OCTAL,T	1	1	1	1	E3
61	61		1913950-00	LS156 DECODER,2 OF 4(DUAL)	1	1	1	1	E5
62	62		1914072-00	74159 DECODER-4 TO 16 OPR	1	1	1	1	E1
63	63		1914560-00	LS368 DRIVER,BUS,HEX,TRI-	3	3	3	3	E13,E16,E37
64	64		1915261-00	DEC 2841B DRIVER,1.5A QUAD	3	3	3	3	E11,E12,E17
65	65		1915636-00	*** THIS ITEM IS NOT USED ***	-	-	-	-	
66	66		2113107-01	P 8251A PUSART CONN, INTERFA	1	1	1	1	E4
67	67		2113954-00	DC 305 INTERFACE CHIP NT	1	1	1	1	E9
68	68		2114212-01	P 2114 RAM,1024X4,STATIC 18	2	2	2	2	E21,E26
69	69		2114963-00	UP,8-BIT NMOS GL	1	1	1	1	E22
70	70	SEE NOTE 1	23021E4-00	E4-01,E4-02,E4-03	1	-	-	-	E14
71	71		9009185-00	JUMPER, WIRE, INSULATED, BLACK B	10	10	10	10	W1,W3,W6,W9,W11,W12,W18,W19,W95,
72	72		1215006-07	SKT,IC 28PIN DIP TIN PLATEE	-	-	-	-	COMT W96
73	73	SEE NOTE 2	23030E4-00	E4-01,E4-03	1	1	1	1	XE4
74	74		9105740-55	WIRE(WPAP)30AWG UL1423	-	-	1	-	E14
75	75	SEE NOTE 3	23034E4-00	E4-01,E4-02,E4-03	A/R	A/R	A/R	A/R	E14

D	I	G	I	T	A	L	TITLE	SECTION A OF B	SIZE	CODE	DOCUMENT NUMBER	REV
							54-13747 BOARD		K	PL	5413747-0-DRP	M

LINE ITEM	DOCUMENT NUMBER	PART NUMBER	DESCRIPTION	QTY PER VARIATION				REFERENCE DESIGNATOR
				00	99	01	02	
76	76	SEE NOTE 4	23033E4-00					
77	77		1916002-00					
78	78		9006023-01					Q4,Q5
79	79		9008185-00					
80	80		9008268-00					
81	81		7424745-00					

- 82 NOTE: 1. PT#23021E4-00 CAN HAVE A 01 OR AN 03 VARIATION.
- 83 NOTE: 2. PT#23030E4-00 CAN HAVE A 00 THRU 03 VARIATION.
- 84 NOTE: 3. PT#23034E4-00 CAN HAVE A 00 THRU 03 VARIATION.
- 85 NOTE: 4. PT#23033E4-00 CAN HAVE A 00 THRU 03 VARIATION.

D	I	G	I	T	A	L	TITLE	SECTION A OF B	SIZE	CODE	DOCUMENT NUMBER	REV
							54-13747 BOARD		K	PL	5413747-0-DBP	M



LINE ITEM	DOCUMENT NUMBER	PART NUMBER	DESCRIPTION	QTY PER VARIATION 03	REFERENCE DESIGNATOR
1	D-MD-5013746-0-0	5013746-00	DRILL&ETCH BOARD	1	
2		1001610-00	.01 MFD 50V +80-20% Z5U CER	1	C32
3		1005636-00	22 MFD 6V 10% S.TANT	1	C43
4		1012084-01	8 MFD 25V +75-10% AL EL	5	C45,C47-C49,C50
5		1012219-00	47 MFD 30V +75-10% AL EL	1	C59
6		1012784-00	.047 MFD 50V +80-20% CER	21	C1,C8,C11,C12,C14,C15,C21-C23, CONT C25,C26,C29,C30,C31,C35,C44, CONT C51-C53,C56,C57
7		1013466-12	2200.0 MMF 50V 10% X7R CER	1	C42
8		1013466-18	330.0 MMF 50V 5% CER	1	C37
9		1013466-31	15.0 MMF 50V 5% CER	1	C41
10		1101938-00	1N 4370A VZ= 2.4 5% .40W	1	D18
11		1105275-00	D 672 TR= 15NS PIV= 60V SI	7	D17,D19-D24
12		1105796-00	1N 4004 PIV=400 I= 1A D041 SP	16	D1-D16
13		1110854-00	1N 5353B VZ= 16.0V 5% .40W M	1	D25
14		1209941-02	HEADER 100 40POS RT ANGLE	2	J6,J8
15		1209941-09	HEADER 26POS RT ANGLE RCPT	1	J7
16		1211164-04	SW,DIP 1P 1A 8POS	1	E30
17		1215921-00	CONN, 4PIN WAFER,RIGHT ANG	1	J3
18		1215006-06	SKT,IC 24PIN DIP TIN PLATE	1	XE14
19		1215006-08	SKT,IC 40PIN DIP TIN PLATE	2	XE22,XE9
20		1215323-00	CONN, 6POS POLARIZING & LO	2	J9,J2
21		1215323-02	CONN, 2POS POLARIZING & LO	1	J1
22		1215324-00	CONN 15POS GOLD PLATED	1	J5
23		1215635-01	TRANSDUCER,MINATURE AUDIO FOR LA	1	BE1
24		1215699-00	HEADER 9POS STRAIGHT	1	J4
25		1300005-07	R NETWORK 15-4.7K 5.0 % 16PIN	1	E29
26		1300247-00	120.0 .25 W 5.0 % CC	1	R31
27		1300295-00	330.0 .25 W 5.0 % CC	8	R5,R14,R15,R28,R49,R54-R56
28		1300365-00	1.0 K .25 W 5.0 % CC	7	R13,R19,R29,R36,R40,R41,R53

REVISION HISTORY		BASIC PART NO: 5413747		DRN:	DAVID DROZD	DATE:	21-MAR-80	DIGITAL			
ENG	ECO NUMBER	REV	SECTION B OF B	CHK'D:	TONY SHEWTRASKI	DATE:	21-MAR-80	PARTS LIST			
	INITIAL	D	SECTION VARIATION INDEX					54-13747 BOARD			
JB	5413747-PN001	E	[A] 00,99,01,02								
JB	5413747-PN002	F	[B] 03								
JB	5413747-PN003	H	[C]	DES.ENG:	DON DODSON	DATE:	21-MAR-80				
JB	5413747-PN004	J	[D]								
JB	5413747-PN005	K	[E]					DOCUMENT NUMBER			
JB	5413747-PN006	L	[F]	RESP.ENG.:	DON DODSON	DATE:	21-MAR-80	SIZE	CODE	NUMBER	REV
JB	5413747-PN007	M	[H]								
ING	5413747-PN009	N	[J]	MFG.ENG.:	JOHN MCSHANE	DATE:	21-MAR-80	K	PL	5413747-0-DBP	N
			[K]								
			[L]	ASSEMBLY NUMBER:		TOP DOCUMENT NUMBER:		FILE NAME:		EDIT #	
			[M]	D-UA-5413747-0-0				13747N.PLS		10	
			[N]								

THIS DRAWING AND SPECIFICATIONS HEREIN, ARE THE PROPERTY OF DIGITAL EQUIPMENT CORPORATION AND SHALL NOT BE REPRODUCED OR COPIED OR USED IN WHOLE OR IN PART AS THE BASIS FOR THE MANUFACTURE OR SALE OF ITEMS WITHOUT WRITTEN PERMISSION. COPYRIGHT (C) 1981. DIGITAL EQUIPMENT CORPORATION

PARTS LIST

LINE	ITEM	DOCUMENT NUMBER	PART NUMBER	DESCRIPTION	QTY PER VARIATION	REFERENCE DESIGNATOR
29	29		1300417-00	2.20 K .25 W 5.0 % CC	1	
30	30		1300439-00	3.30 K .25 W 5.0 % CC	1	R33
31	31		1300479-00	10.0 K .25 W 5.0 % CC	1	R50
32	32		1300488-00	12.0 K .25 W 5.0 % CC	7	R6-R8,R10,R11,R21,R22
33	33		1301423-00	6.80 K .25 W 5.0 % CC	1	R32
34	34		1301890-00	560.0 .25 W 5.0 % CC	11	R1-R3,R16-R18,R24-R26,R30
35	35		1302388-00	2.0 K .25 W 5.0 % CC	1	R
36	36		1302466-00	100.0 K .25 W 5.0 % CC	1	R
37	37		1302602-00	56.0 .25 W 5.0 % CC	2	R
38	38		1312452-00	3.74 K .25 W 1.0 % RN55H-F10	1	R R33
39	39		1315676-00	300.0 3.0 W 5.0 % WW 9	1	R52
40	40		1510706-00	XA 55 PNP 500MW SI 60 50 P	1	R57
41	41		1514509-00	TIP 125 PNP 65W SI 60 500 BA	1	R34
42	42		1515370-00	TIP146 PNP DARLINGTON-CONNECTED	1	Q2
43	43		1812396-03	XTAL 4.000 MHZ	1	Q3
44	44		1910322-00	DEC 1488L DRIVER,LINE,QUAD,EI	1	Q1
45	45		1910406-00	75451 DRIVER,PERIPH,DUAL,	1	Y1
46	46		1910741-00	7406 INVERTER GATE-HEX 1I	1	E32
47	47		1912108-00	339 VOLT CHPRTR,QUAD	1	E6
48	48		1912697-00	LS174 FF-D HEX W/CLEAR	1	E7
49	49		1912799-00	LS00 NAND-GATE-QUAD 2IN,P	1	E36
50	50		1912805-00	LS08 AND GATE-QUAD 2IN,PO	1	E34
51	51		1912807-00	LS10 NAND GATE-TRIPLE 3IN	1	E15
52	52		1912816-00	LS32 OR GATE-QUAD 2IN,POS	1	E25
53	53		1912824-00	LS74 FF-D DUAL,EDGE TRIGG	1	E23
54	54		1912842-00	LS138 DECODER-THREE INPUT,	1	E20
55	55		1912843-00	LS139 DECODER, 2 OF 4(DUAL)	1	E24
56	56		1912846-00	LS155 DECODER,2 OF 4(DUAL)	1	E35
57	57		1912863-00	LS273 FF-D OCTAL W/CLEAR	1	E19
58	58		1913130-00	DEC 1489A RECEIVER,LINE,QUAD,	1	E33
59	59		1913471-00	LS367 DRIVER,BUS,HEX,TRI-	1	E18
60	60		1913777-00	LS240 DRIVER,LINE,OCTAL,T	3	E31
61	61		1913950-00	LS156 DECODER,2 OF 4(DUAL)	1	E10,E28,E27
62	62		1914072-00	74159 DECODER-4 TO 16 OPN	1	E3
63	63		1914560-00	LS368 DRIVER,BUS,HEX,TRI-	1	E5
64	64		1915261-00	DEC 2841B DRIVER,1.5A QUAD	3	E1
65	65		1915636-00	*** THIS ITEM IS NOT USED ***	-	E13,E16,E37
66	66		2113107-01	P 8251A PUSART COMM. INTERFA	1	E11,E12,E17
67	67		2113954-00	DC 305 INTERFACE CHIP	1	E4
68	68	SEE NOTE 5	2114212-00	P 2114-2 RAM,1024X4,STATIC	1	E9
69	69		2114963-00	UP,8-BIT NMOS	2	E21,E26
70	70	SEE NOTE 1	23021E4-00	*** THIS ITEM IS NOT USED ***	1	E22
71	71		9009185-00	JUMPER, WIRE, INSULATED, BLACK B	10	
72	72		1215006-07	SKT,IC 28PIN DIP TIN PLATE	1	CONT W1,W3,W6,W9,U11,W12,W18,W19,W95,
73	73	SEE NOTE 2	23030E4-00	*** THIS ITEM IS NOT USED ***	-	W96
74	74		9105740-55	WIRE(WRAP)30AWG UL1423	-	XE4
75	75	SEE NOTE 3	23034E4-00	*** THIS ITEM IS NOT USED ***	-	

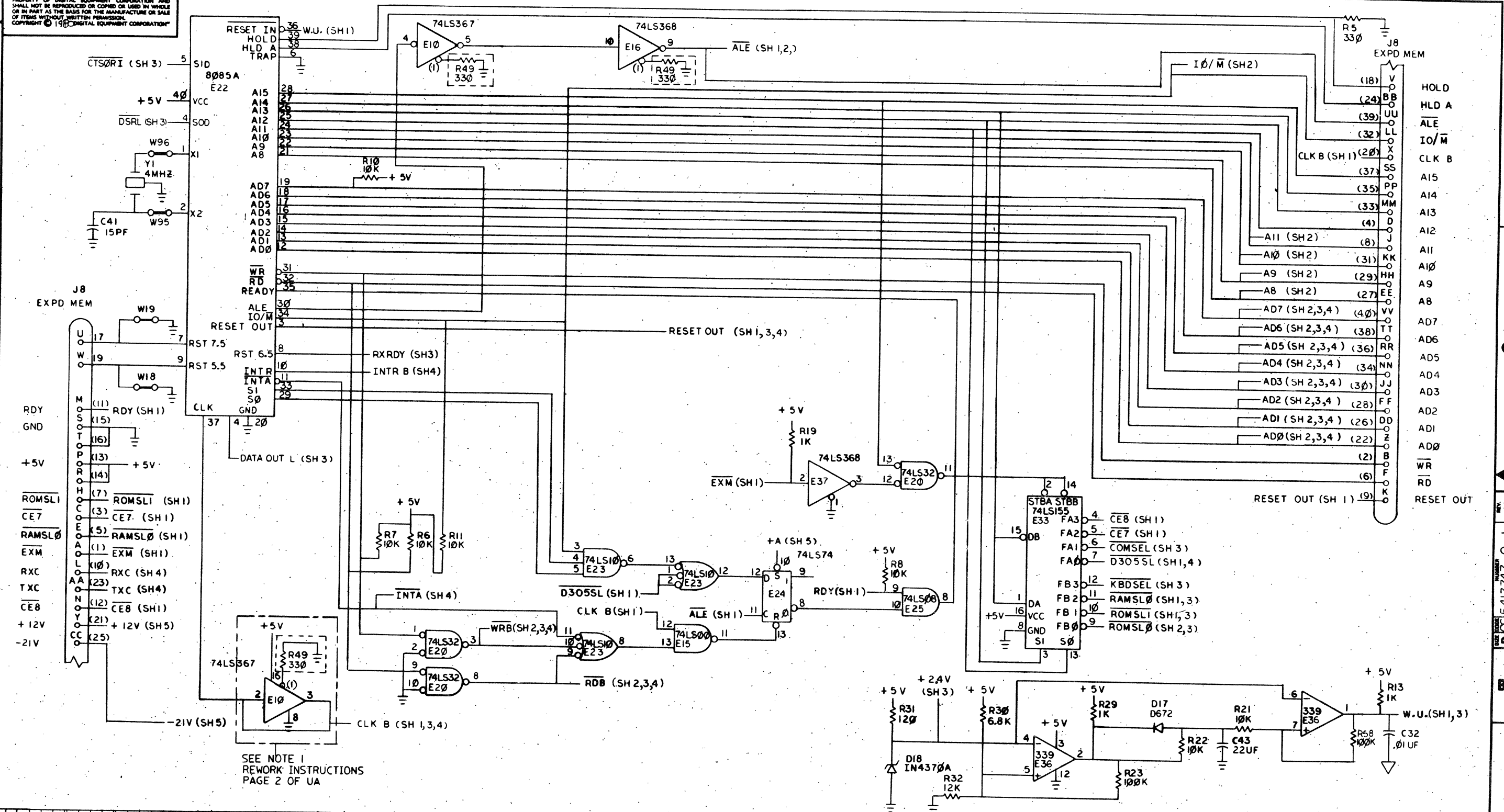
TITLE				SECTION B OF B			
54-13747 DBP				SIZE CODE			
				DOCUMENT NUMBER			
				REV			
				K PL 5413747-0-DBP			
				N			

LINE ITEM	DOCUMENT NUMBER	PART NUMBER	DESCRIPTION	QTY PER VARIATION	REFERENCE DESIGNATOR
76	76	23033E4-00	E4-01, E4-02, E4-03	1	
77	77	1916002-00	DRIVER, MOTOR CONTROL	2	E14
78	78	9006023-01	SCREW, PAN, PHIL 6-32X 7/16 SS	2	04, 05
79	79	9008185-00	NUT, KEP 6-32X 1/4 AF	2	
80	80	9008268-00	COMPOUND, THERMAL JOINT	A/R	
81	81	7424745-00	HEAT SINK H DRIVERS	1	

- 82 NOTE: 1. PT#23021E4-00 CAN HAVE A 01 OR AN 03 VARIATION.  
 83 NOTE: 2. PT#23030E4-00 CAN HAVE A 00 THRU 03 VARIATION.  
 84 NOTE: 3. PT#23034E4-00 CAN HAVE A 00 THRU 03 VARIATION.  
 85 NOTE: 4. PT#23033E4-00 CAN HAVE A 00 THRU 03 VARIATION.  
 86 NOTE: 5. IF 2114212-00 IS NOT AVAILABLE 2114212-01 CAN BE USED.

D	I	G	I	T	A	L	TITLE	54-13747 BOARD	SECTION B OF B	SIZE	CODE	DOCUMENT NUMBER	REV
										K	PL	5413747-0-DBP	N

"THIS DRAWING AND SPECIFICATIONS, HEREIN, ARE THE PROPERTY OF DIGITAL EQUIPMENT CORPORATION AND SHALL NOT BE REPRODUCED OR COPIED OR USED IN WHOLE OR IN PART AS THE BASIS FOR THE MANUFACTURE OR SALE OF ITEMS WITHOUT WRITTEN PERMISSION. COPYRIGHT © 1978 DIGITAL EQUIPMENT CORPORATION"

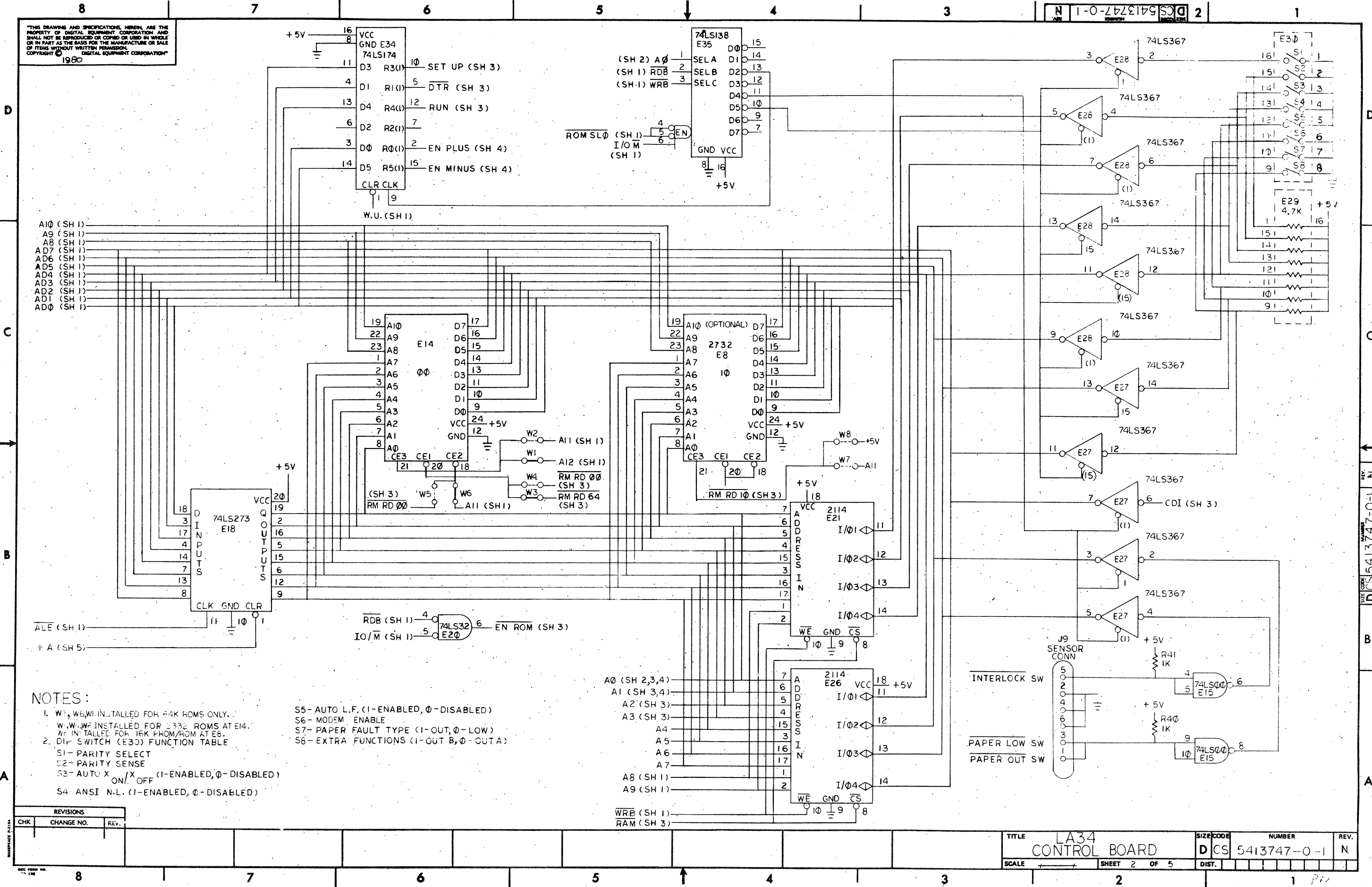


REV.	CHG.	NO.	BY	DATE
1	3	5413747-PN001	J. BITTO	10/27/78
2	1	5413747-PN002	J. BITTO	11/1/78
3	1	5413747-PN003	J. BITTO	11/1/78
4	1	5413747-PN004	J. BITTO	11/1/78
5	1	5413747-PN005	J. BITTO	11/1/78
6	1	5413747-PN006	J. BITTO	11/1/78
7	1	5413747-PN007	J. BITTO	11/1/78
8	1	5413747-PN008	J. BITTO	11/1/78
9	1	5413747-PN009	J. BITTO	11/1/78
10	1	5413747-PN010	J. BITTO	11/1/78
11	1	5413747-PN011	J. BITTO	11/1/78
12	1	5413747-PN012	J. BITTO	11/1/78
13	1	5413747-PN013	J. BITTO	11/1/78
14	1	5413747-PN014	J. BITTO	11/1/78
15	1	5413747-PN015	J. BITTO	11/1/78
16	1	5413747-PN016	J. BITTO	11/1/78
17	1	5413747-PN017	J. BITTO	11/1/78
18	1	5413747-PN018	J. BITTO	11/1/78
19	1	5413747-PN019	J. BITTO	11/1/78
20	1	5413747-PN020	J. BITTO	11/1/78

DRN. J. Vincent	5 JAN 79	FIRST USED ON	LA34
CHK. J. Vincent	6 JAN 79	TITLE	LA34 CONTROL BOARD
ENG. J. Vincent	6 JAN 79	SIZE CODE	D
PROJ. ENG. J. Vincent	6 JAN 79	NUMBER	5413747-0-1
PROD. M. J. Vincent	6 JAN 79	REV.	1
NEXT HIGHER ASSY.		SCALE	
B-DD-5413747-0		SHEET 1 OF 5	
DIST.		REV. N	

CS 5413747-0-1

THIS DRAWING AND SPECIFICATIONS, HEREIN, ARE THE PROPERTY OF DIGITAL EQUIPMENT CORPORATION AND SHALL NOT BE REPRODUCED OR COPIED OR USED IN WHOLE OR IN PART AS THE BASIS FOR THE MANUFACTURE OR SALE OF ITEMS WITHOUT WRITTEN PERMISSION. DIGITAL EQUIPMENT CORPORATION. COPYRIGHT © 1980



**NOTES:**

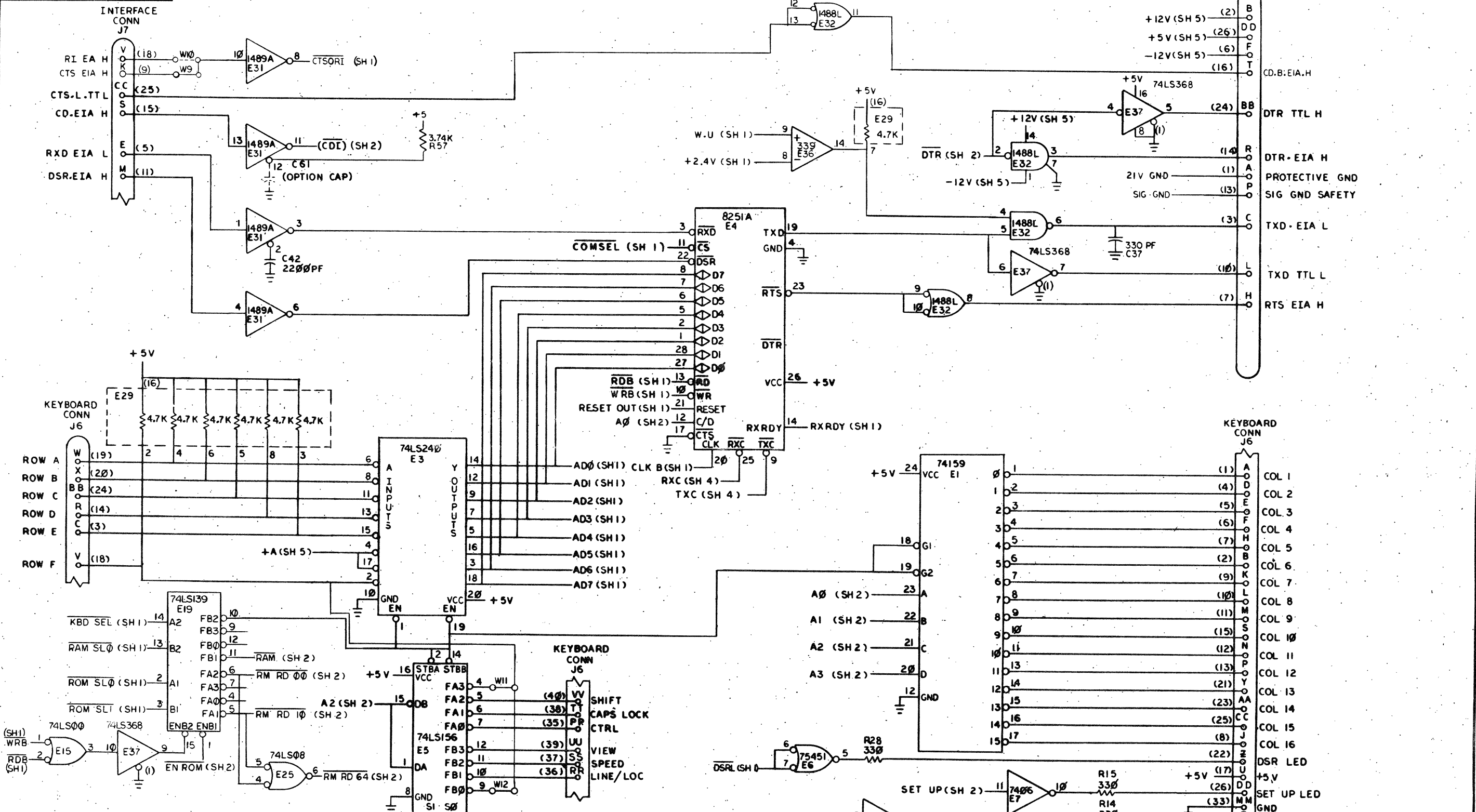
- 1. W2, W6 WILL BE INSTALLED FOR 16K ROMS ONLY.
- W1, W4, W5 INSTALLED FOR 32K ROMS AT E14.
- W3 INSTALLED FOR 16K PROM/ROM AT E8.
- 2. DIP SWITCH (E30) FUNCTION TABLE
- S1- PARITY SELECT
- S2- PARITY SENSE
- S3- AUTO X ON/X OFF (1-ENABLED, 0-DISABLED)
- S4- ANSI N.L. (1-ENABLED, 0-DISABLED)
- S5- AUTO L.F. (1-ENABLED, 0-DISABLED)
- S6- MODEM ENABLE
- S7- PAPER FAULT TYPE (1-OUT, 0-LOW)
- S8- EXTRA FUNCTIONS (1-OUT B, 0-OUT A)

REVISIONS		
CHK	CHANGE NO.	REV.



THIS DRAWING AND SPECIFICATIONS HEREIN ARE THE PROPERTY OF DIGITAL EQUIPMENT CORPORATION AND SHALL NOT BE REPRODUCED OR COPIED OR USED IN WHOLE OR IN PART AS THE BASIS FOR THE MANUFACTURE OR SALE OF ITEMS WITHOUT WRITTEN PERMISSION. COPYRIGHT © 1970 DIGITAL EQUIPMENT CORPORATION

DCS 5413747-0-1



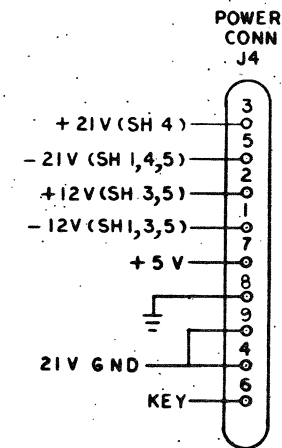
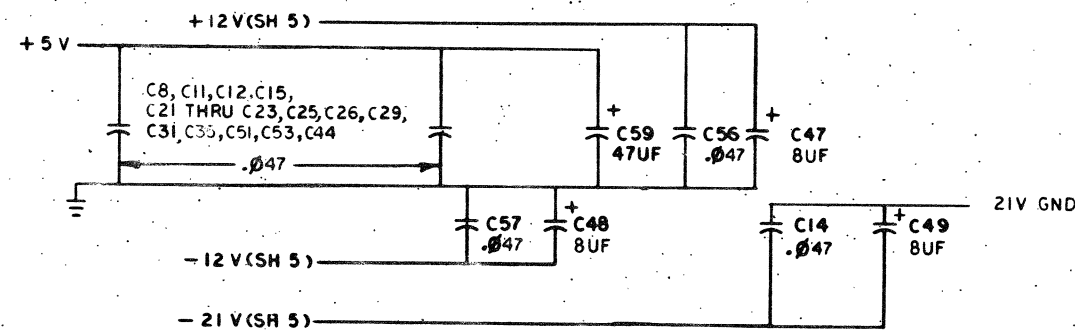
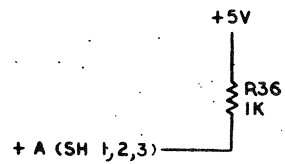
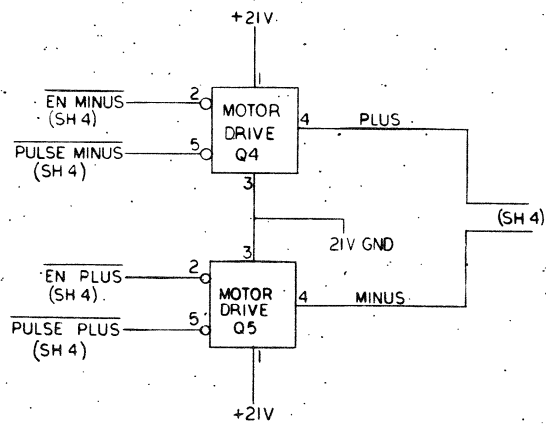
REVISIONS		
CHK	CHANGE NO.	REV.

REV. N  
DCS 5413747-0-1



THIS DRAWING AND SPECIFICATIONS HEREIN ARE THE PROPERTY OF DIGITAL EQUIPMENT CORPORATION AND SHALL NOT BE REPRODUCED OR COPIED OR USED IN WHOLE OR IN PART AS THE BASIS FOR THE MANUFACTURE OR SALE OF ITEMS WITHOUT WRITTEN PERMISSION. COPYRIGHT © 1970 DIGITAL EQUIPMENT CORPORATION

DCS 5413747-0-1 N 2



NOTE:  
1. Q4 AND Q5 MAY BE USED IN PLACE OF E2

REVISIONS		
CHK	CHANGE NO.	REV.

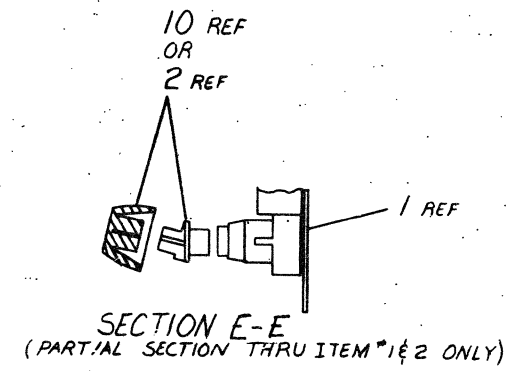
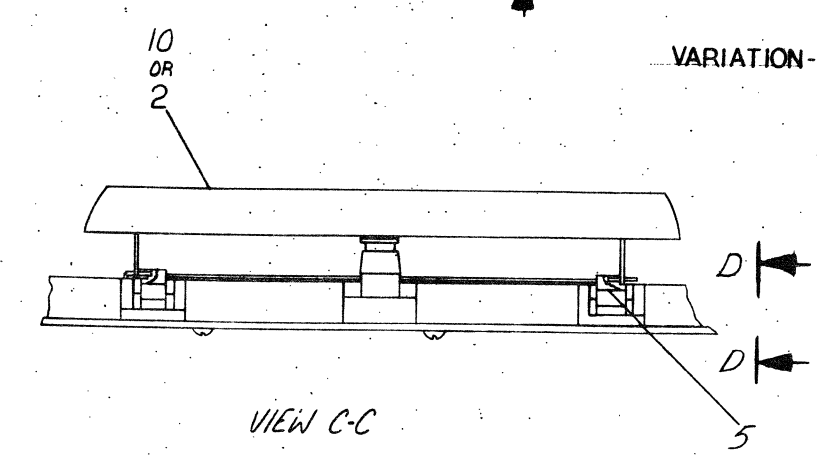
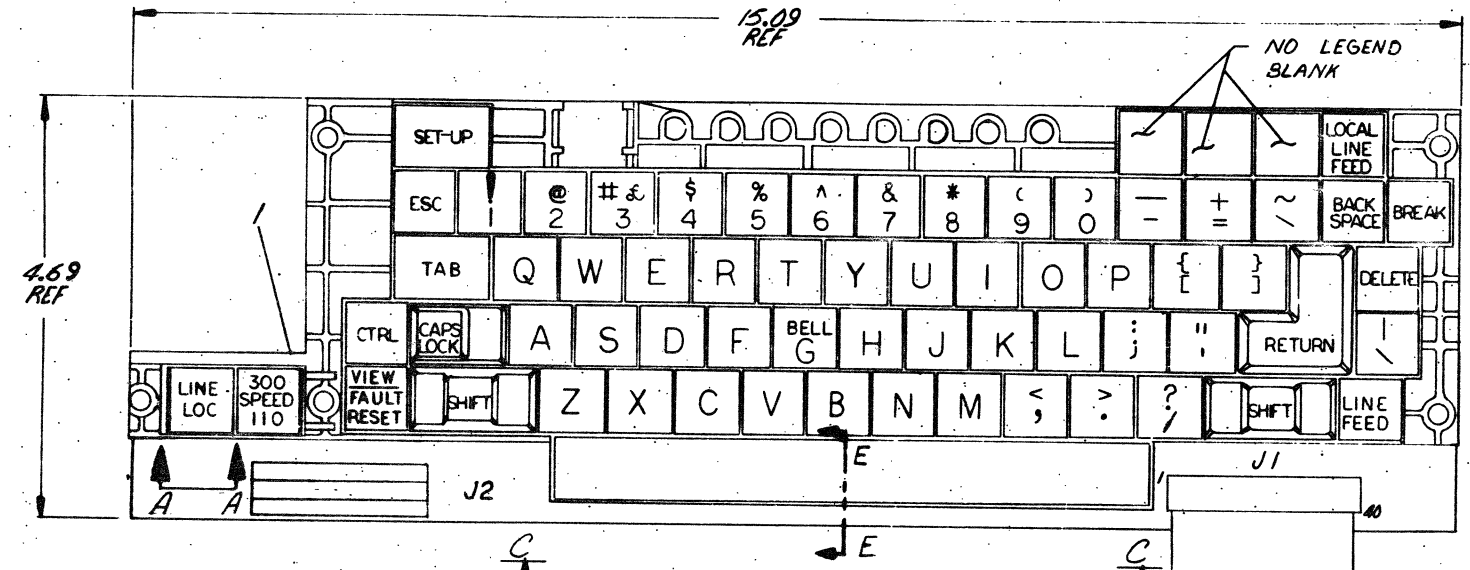
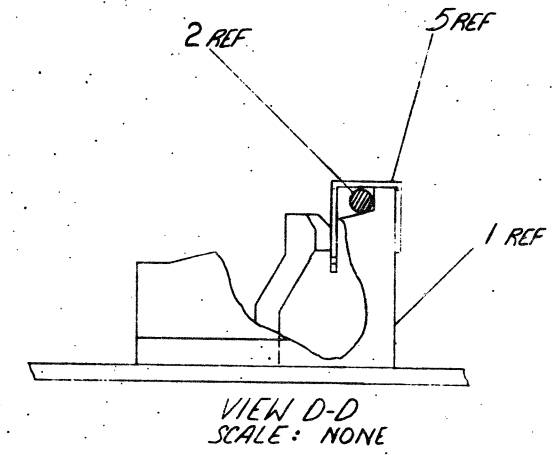
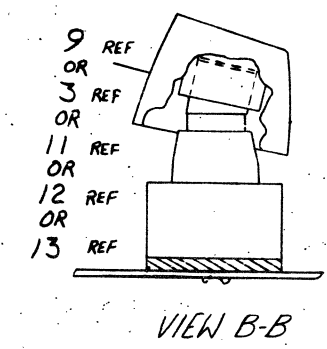
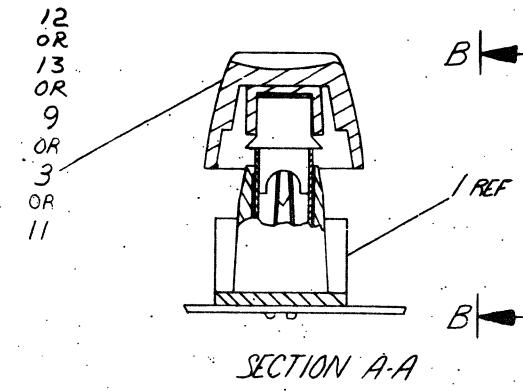
TITLE	LA34 CONTROL BOARD	SIZE CODE	D CS	NUMBER	5413747-0-1	REV.	N
SCALE	1:1	SHEET	5 OF 5	DIST.			

DCS 5413747-0-1 N

**LEDGEND**

VARIATION	SHEET NO.
7015514-00 AND 01	SHEET NO.1
7015514-02	SHEET NO.2
7015514-03 AND 04	SHEET NO.3

- NOTES:**
- FOR 7015514-02 VARIATION CONFIGURATION SEE SHEET 2.
  - DRAWING AS SHOWN REPRESENTS A KEYBOARD KEYCAP ASSY. 7015514-02 AND 7015514-01 WHICH CONTAIN THE BASIC SET MAIN ARRAY 1214333-95 CHARCOAL OR SPECIAL SET 1214333-4B GREY.
  - FOR INDIVIDUAL FIELD SERVICE / CUSTOMER SPARES SHIPMENTS USE PACKAGING INSTRUCTION A-SP-3700456-0-0 VARIATION -10, FOR BULK INTERPLANT SHIPMENTS USE PACKAGING INSTRUCTION A-SP-3700439-0-0 VARIATION -00.



SEE K-PL-7015514-0-DBP

QTY	DESCRIPTION	DWG. PART NO.	ITEM NO.
-	CAP, KEY SET KANA KATA	A-PS-1214333-EZ	11
-	SPACE BAR ASSY (GREY)	D-AD-7015050-0-01	10
-	CAP, KEY SET (GREY)	1214333-4B	9
REF	TEST SPECS	A-SP-7015514-0-2	8
REF	ENGINEERING SPECS	A-SP-7015514-0-1	7
1	KEYBOARD CABLE ASSY	C-IA-7015741-00-0	6
2	CLIP, EQUALIZER	C-AD-702020-00-0	5
68	ADAPTER, KEY CAP	1214332-00	4
-	CAP, KEY SET (CHARCOAL)	1214333-95	3
1	SPACE BAR ASSY (CHAR)	D-AD-7015050-0-0	2
1	KEYBOARD MODULE ASSY	A-PA-5413284-0-0	1

UNLESS OTHERWISE SPECIFIED DIMENSIONS ARE IN INCHES	
ANGLES 30° 30'	CLASS OF ACCURACY (CHECK ONE)
SURFACE QUALITY IN	MEDIUM
QUANTITY & VARIATION	MICRONCHES

THIRD ANGLE PROJECTION

DRN: *[Signature]* DATE: *[Date]* FIRST USED ON: *[Date]*

CHK'D: *[Signature]* DATE: *[Date]*

ENG: *[Signature]* DATE: *[Date]*

PROL. ENG: *[Signature]* DATE: *[Date]*

PROD. *[Signature]* DATE: *[Date]*

REMOVE BURRS AND BREAK SHARP CORNERS

DO NOT SCALE DWG

NEXT HIGHER ASSY.

MATERIAL: *[Material]*

SCALE: NONE

SHEET: 1 OF 3

TITLE: **KEYBOARD / KEYCAP ASSY.**

SIZE: D AD

CODE: 7015514-0-0

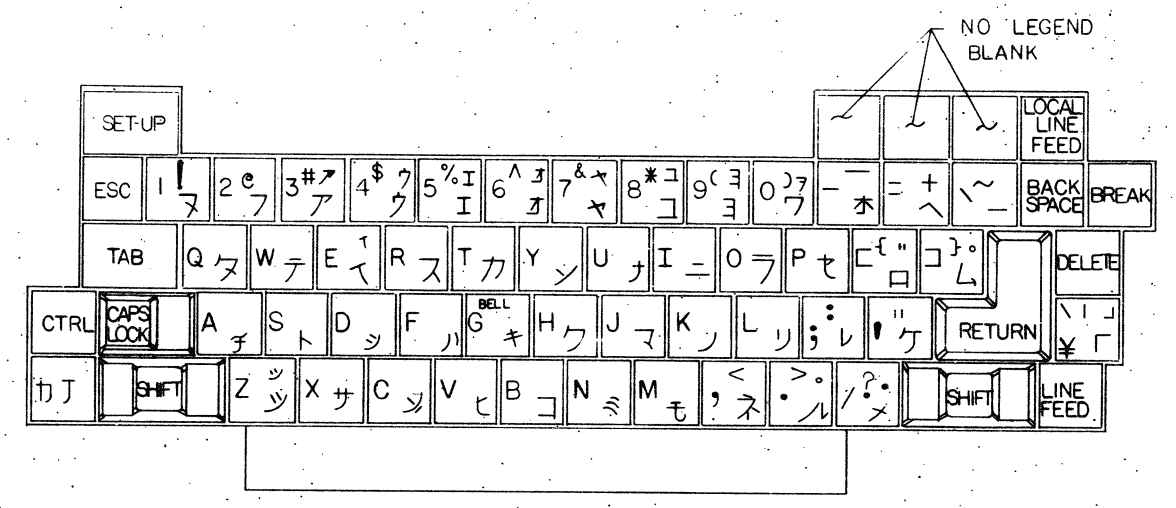
NUMBER: H

REV.:

REV.	DATE	BY	APP.	DESCRIPTION
1	27 Nov 77	J. BITTO		LA34-PN023 A
2	27 Nov 77	J. BITTO		LA34-PN033 B
3	27 Nov 77	P. NELSON		LA34-PN059 C
4	27 Nov 77	J. BITTO		7015514-PN001 D
5	27 Nov 77	J. BITTO		7015514-PN002 E
6	27 Nov 77	J. BITTO		7015514-PN003 F
7	27 Nov 77	J. BITTO		7015514-PN004 H
8	18 May 81	F. KING		7015514-PN004 H

"THIS DRAWING AND SPECIFICATIONS HEREAFTER ARE THE PROPERTY OF DIGITAL EQUIPMENT CORPORATION AND SHALL NOT BE REPRODUCED OR COPIED OR USED IN WHOLE OR IN PART AS THE BASIS FOR THE MANUFACTURE OR SALE OF ITEMS WITHOUT WRITTEN PERMISSION. COPYRIGHT © 1979 DIGITAL EQUIPMENT CORPORATION"

H 0-0-0 7015514-0-0 DAD 2



VARIATION 02

REVISIONS		
CHK	CHANGE NO.	REV.

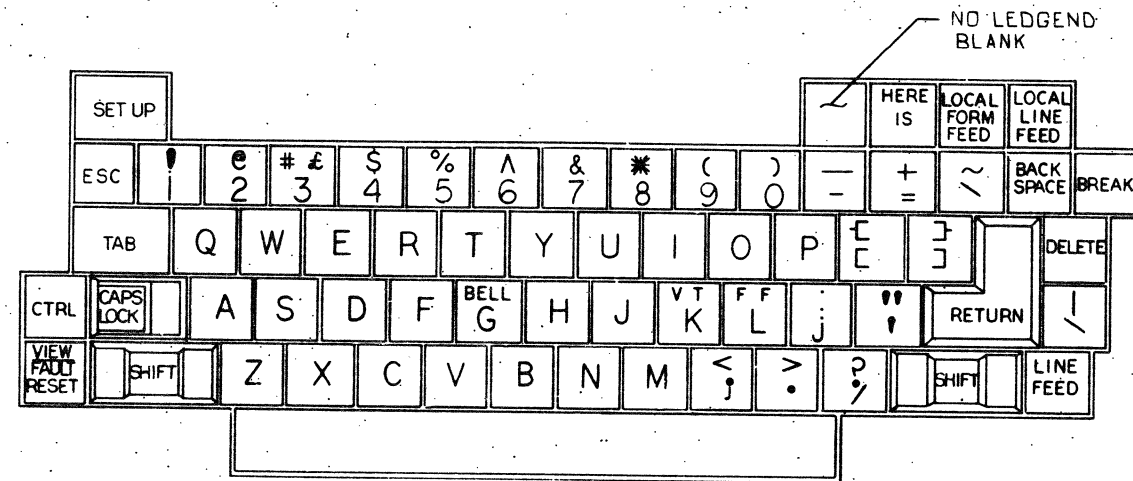
TITLE	KEYBOARD/KEYCAP ASSY.	SIZE CODE	DAD	NUMBER	7015514-0-0	REV.	H
SCALE	NONE	SHEET	2	OF	3	DIST.	



"THIS DRAWING AND SPECIFICATIONS, HEREIN, ARE THE PROPERTY OF DIGITAL EQUIPMENT CORPORATION AND SHALL NOT BE REPRODUCED OR COPIED OR USED IN WHOLE OR IN PART AS THE BASIS FOR THE MANUFACTURE OR SALE OF ITEMS WITHOUT WRITTEN PERMISSION. COPYRIGHT © 1980 DIGITAL EQUIPMENT CORPORATION"

H: 7015514-0-0 DAD 2

NOTES:  
 1. DRAWING AS SHOWN REPRESENTS A KEYBOARD KEYCAP ASSY. 7015514-03 AND 7015514-04 WHICH CONTAIN THE BASIC SET MAIN ARRAY 1219333-JS CHARCOAL OR SPECIAL SET 1219333-JT GRAY.

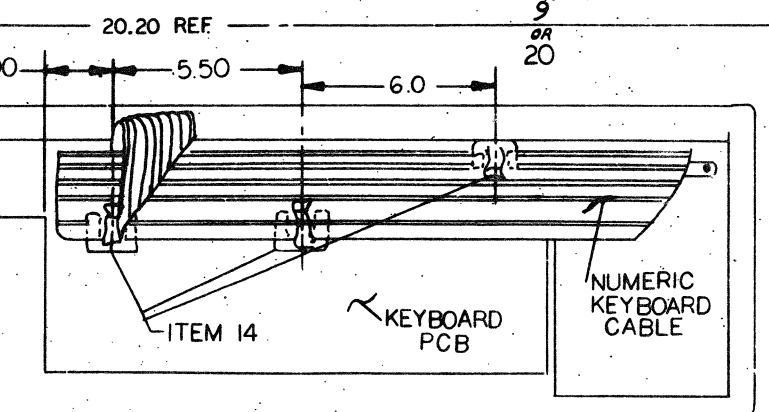
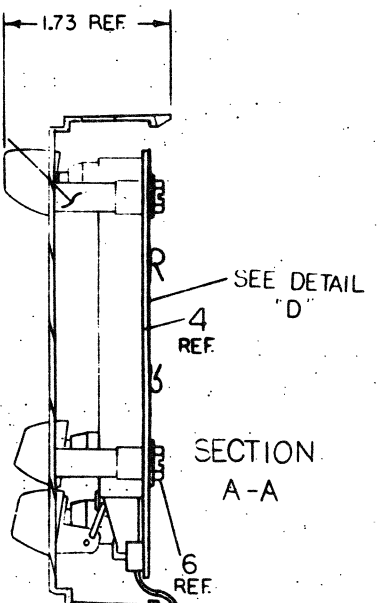
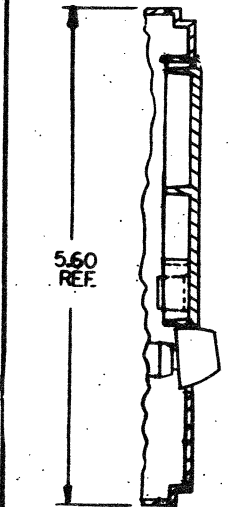
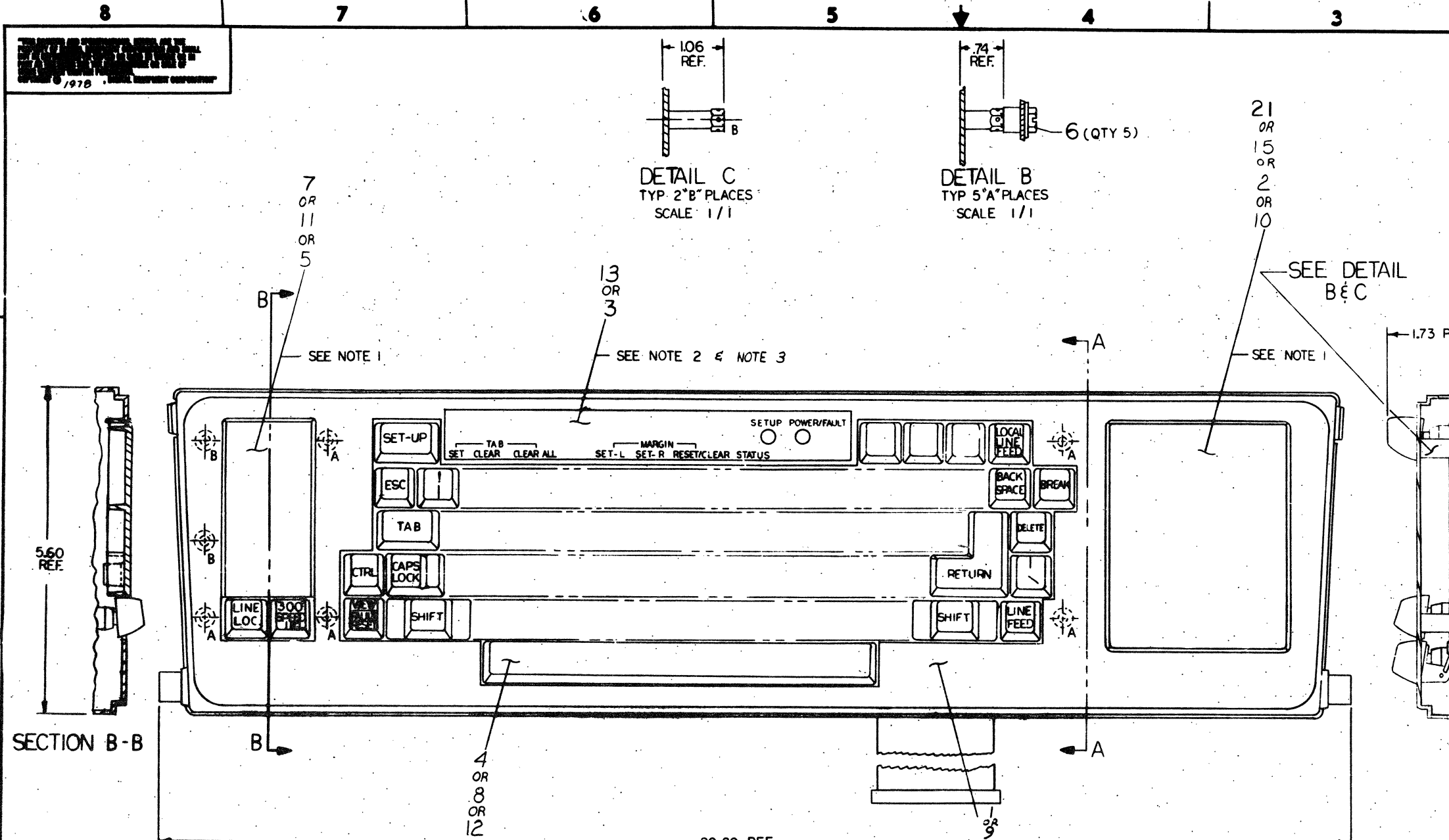


VARIATION - 03 AND 04

REVISIONS		
CHK	CHANGE NO.	REV.

TITLE	KEYBOARD/KEYCAP ASSY.	SIZE CODE	DAD	NUMBER	7015514-0-0	REV.	H
SCALE	NONE	SHEET	3	OF	3	DIST.	

- NOTES**
- ITEM 2, 5, 10, 11, 15, 21 AND 7 ARE SNAPPED INTO PLACE.
  - FASTEN ITEM 3, 13 OR 16 TO ITEM 1, 9 OR 20 SUCH THAT NO BUBBLES, WAVINESS, RAISED EDGES OR OTHER INDICATIONS OF POOR ADHESION ARE EVIDENT.
  - KEYBOARD PICTURE SHOWN HERE IS -00, -01, -03 AND -06 VARIATION (-02 VARIATION IS KATA KANA).
  - FOR BULK INTERPLANT SHIPMENTS USE PACKAGING INSTRUCTIONS A-SP-3700430-0-0 VAR-00.



DETAIL 'D' VAR. 03  
FAR SIDE OF KEYBOARD

SEE K-PL-7015730-0-DBP

QTY	DESCRIPTION	DWG. PART NO.	ITEM NO.
1	NUMERIC KEY PAD	7016653-0-0	15
3	CLAMP, CABLE	9010016-00	14
1	LEGEND STRIP	3616927-00	13
1	KEYBOARD KEYCAP ASSY.	D-AD-7015514-02	12
1	PLUG, KEY SWITCH (GREY)	1215295-01	11
1	CLOSURE, OPTION (GREY)	1215053-01	10
1	BEZEL, KEYBOARD (GREY)	1215297-01	9
1	KEYBOARD ASSY. (GREY)	D-AD-7015514-01	8
REF	INSPECTION PROCEDURE	A-II-7015730-0-1	7
5	SCR. SLOTTED HEX WASHDR 632 5/16	9010097	6
1	PLUG, KEY SWITCH	1215296-00	5
1	KEYBOARD ASSY.	D-AD-7015514-0-0	4
1	LEGEND STRIP	3615450-00	3
1	CLOSURE, OPTION	1215053-00	2
1	BEZEL, KEYBOARD	1215297-00	1

REV.	DATE	BY	CHKD.	APP'D.	DESCRIPTION
1	27 Jul 77	J. DESUK			LA34 - PNO25 B
2	27 Jul 77	J. DESUK			LA34 - PNO25 B
3	27 Jul 77	J. DESUK			LA34 - PNO25 B
4	27 Jul 77	J. DESUK			LA34 - PNO25 B
5	27 Jul 77	J. DESUK			LA34 - PNO25 B
6	27 Jul 77	J. DESUK			LA34 - PNO25 B
7	27 Jul 77	J. DESUK			LA34 - PNO25 B
8	27 Jul 77	J. DESUK			LA34 - PNO25 B
9	27 Jul 77	J. DESUK			LA34 - PNO25 B
10	27 Jul 77	J. DESUK			LA34 - PNO25 B
11	27 Jul 77	J. DESUK			LA34 - PNO25 B
12	27 Jul 77	J. DESUK			LA34 - PNO25 B
13	27 Jul 77	J. DESUK			LA34 - PNO25 B
14	27 Jul 77	J. DESUK			LA34 - PNO25 B
15	27 Jul 77	J. DESUK			LA34 - PNO25 B
16	27 Jul 77	J. DESUK			LA34 - PNO25 B
17	27 Jul 77	J. DESUK			LA34 - PNO25 B
18	27 Jul 77	J. DESUK			LA34 - PNO25 B
19	27 Jul 77	J. DESUK			LA34 - PNO25 B
20	27 Jul 77	J. DESUK			LA34 - PNO25 B
21	27 Jul 77	J. DESUK			LA34 - PNO25 B
22	27 Jul 77	J. DESUK			LA34 - PNO25 B
23	27 Jul 77	J. DESUK			LA34 - PNO25 B
24	27 Jul 77	J. DESUK			LA34 - PNO25 B
25	27 Jul 77	J. DESUK			LA34 - PNO25 B
26	27 Jul 77	J. DESUK			LA34 - PNO25 B
27	27 Jul 77	J. DESUK			LA34 - PNO25 B
28	27 Jul 77	J. DESUK			LA34 - PNO25 B
29	27 Jul 77	J. DESUK			LA34 - PNO25 B
30	27 Jul 77	J. DESUK			LA34 - PNO25 B
31	27 Jul 77	J. DESUK			LA34 - PNO25 B
32	27 Jul 77	J. DESUK			LA34 - PNO25 B
33	27 Jul 77	J. DESUK			LA34 - PNO25 B
34	27 Jul 77	J. DESUK			LA34 - PNO25 B
35	27 Jul 77	J. DESUK			LA34 - PNO25 B
36	27 Jul 77	J. DESUK			LA34 - PNO25 B
37	27 Jul 77	J. DESUK			LA34 - PNO25 B
38	27 Jul 77	J. DESUK			LA34 - PNO25 B
39	27 Jul 77	J. DESUK			LA34 - PNO25 B
40	27 Jul 77	J. DESUK			LA34 - PNO25 B
41	27 Jul 77	J. DESUK			LA34 - PNO25 B
42	27 Jul 77	J. DESUK			LA34 - PNO25 B
43	27 Jul 77	J. DESUK			LA34 - PNO25 B
44	27 Jul 77	J. DESUK			LA34 - PNO25 B
45	27 Jul 77	J. DESUK			LA34 - PNO25 B
46	27 Jul 77	J. DESUK			LA34 - PNO25 B
47	27 Jul 77	J. DESUK			LA34 - PNO25 B
48	27 Jul 77	J. DESUK			LA34 - PNO25 B
49	27 Jul 77	J. DESUK			LA34 - PNO25 B
50	27 Jul 77	J. DESUK			LA34 - PNO25 B

UNLESS OTHERWISE SPECIFIED DIMENSIONS ARE IN INCHES

CLASS OF ACCURACY	NOMINAL DIMENSION RANGE			
	0.00 - 0.25	0.25 - 0.50	0.50 - 1.00	1.00 - 2.00
ASSEMBLY	±0.005	±0.005	±0.005	±0.005
FINISH	±0.005	±0.005	±0.005	±0.005

THIRD ANGLE PROJECTION

REMOVE BURRS AND BREAK SHARP CORNERS

DO NOT SCALE DWG

MATERIAL: SEE PARTS LIST

FINISH: NONE

DRAWN: [Signature]

CHKD: [Signature]

ENG: [Signature]

PROJ. ENGR: [Signature]

PREPARED: [Signature]

NEXT HIGHER ASSY.

D-AD-7015730-0-0

SCALE: NONE

SHEET 2 OF 2

FIRST USED ON: LA34

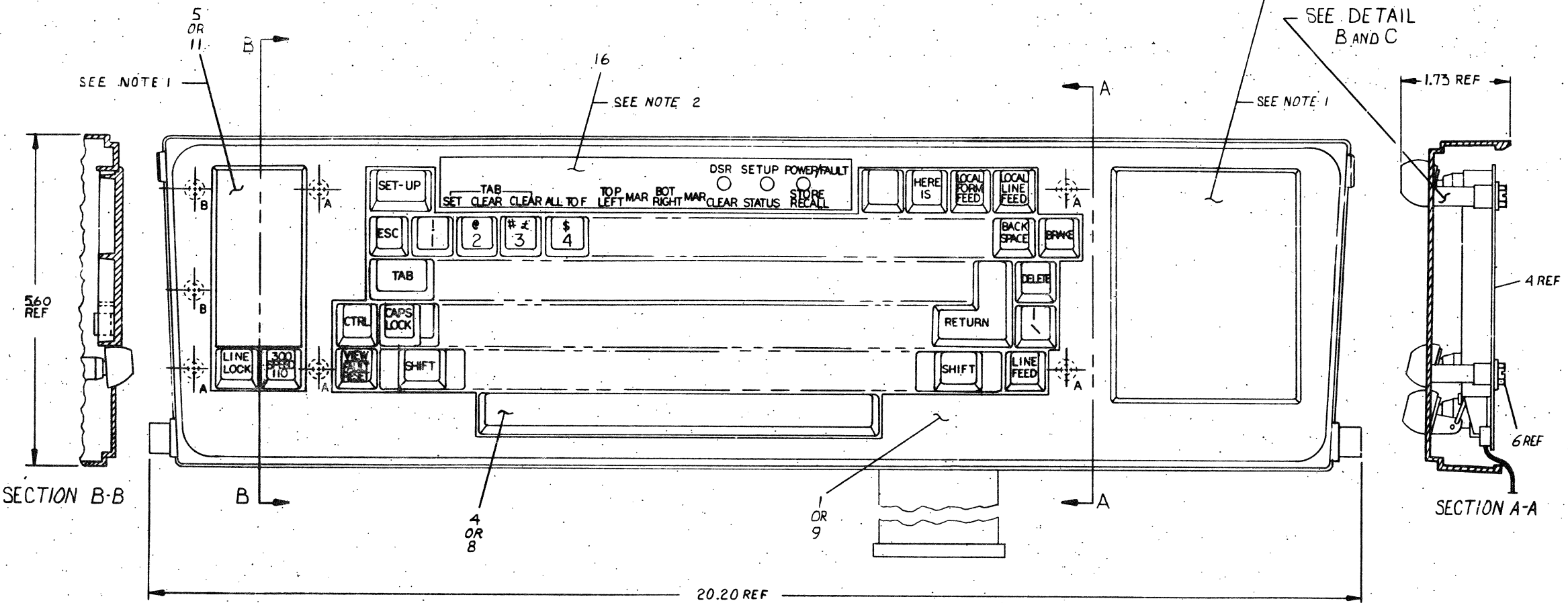
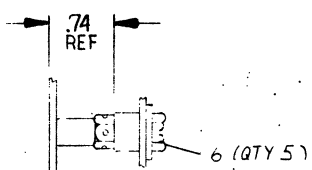
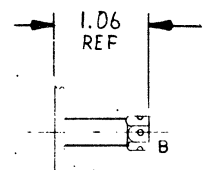
TITLE: KEYBOARD BEZEL ASSY.

SIZE CODE: D

NUMBER: AD 7015730-0-0

REV. J

THIS DRAWING AND SPECIFICATIONS HEREBY ARE THE PROPERTY OF THE UNITED STATES GOVERNMENT AND SHALL BE LOANED TO YOU FOR YOUR INFORMATION AND USE ONLY. IT IS TO BE RETURNED TO THE OFFICE OF ORIGIN AT THE END OF THE LOAN PERIOD.



DRAWING AS SHOWN REPRESENTS  
7015.730-04, 05 AND 07 VARIATIONS

DESCRIPTION		DRAW/PART NO.		DATE/REV.	
UNLESS OTHERWISE SPECIFIED DIMENSIONS ARE IN INCHES					
ANGLES	CLOSURE	1.0	1.5	2.0	2.5
ADDS	ACCURACY	0.1	0.2	0.3	0.4
SURFACE	FINISH	0.005	0.010	0.015	0.020
QUALITY	IN	0.005	0.010	0.015	0.020
QUANTITY	VARIATION	0.005	0.010	0.015	0.020
THIRD ANGLE PROJECTION		DRG. JOSEPH 9-5-78		FIRST USED ON	
		ENR'D HEALY 2-6-79		LA34	
		ENR. HARVEY 7-4-79		TITLE	
		PROJ. ENR. DIGILIO 10-7-79		KEYBOARD BEZEL	
		PROJ. ERDEKIAN 10-7-79		ASSY.	
		NEXT NUMBER ASSY.		REV.	
MATERIAL		D-AD-7015730-0-0		D AD	
FINISH		SCALE NONE		7015730-0-0	
		QTY 2 @ 2		J	



# DIGITAL EQUIPMENT CORPORATION PARTS LIST

MADE BY <i>D. Neagy</i>	CHECKED <i>D. Neagy</i>	SECTION 1
DATE <i>27 MAR 79</i>	DATE <i>28 MAR 79</i>	
ENG <i>D. Neagy</i>	PROD <i>A. Murray</i>	ISSUED SECTION 1
DATE <i>6 April 79</i>	DATE <i>12/4/79</i>	

QUANTITY / VARIATION

NOTES:

ITEM NO.	DRAWING NO.	PART NO.	DESCRIPTION
1	C-IA-7016653-0-0	7016653-00	NUMERIC KEYPAD ASSY, LAX34
2		9010016-00	CLAMP, CABLE ADH. BACK
3	C-AR-LAX34-KL-Ø		NUMERIC KEYPAD OPTION (ARRANGEMENT)

LAX34-KL

1  
3  
REF

REF DESIGNATION

E.C.O. NO.

"THIS DRAWING AND SPECIFICATIONS, HEREIN, ARE THE PROPERTY OF DIGITAL EQUIPMENT CORPORATION AND SHALL NOT BE REPRODUCED OR COPIED OR USED IN WHOLE OR IN PART AS THE BASIS FOR THE MANUFACTURE OR SALE OF ITEMS WITHOUT WRITTEN PERMISSION. COPYRIGHT © DIGITAL EQUIPMENT CORPORATION"

TITLE  
NUMERIC KEYPAD OPTION

ASSY NO.  
NONE

SIZE	CODE	NUMBER
B	PL	LAX34-KL-Ø

REV.

SHEET 1 OF 1

INSERTION PARTS LIST DATA BASE REV



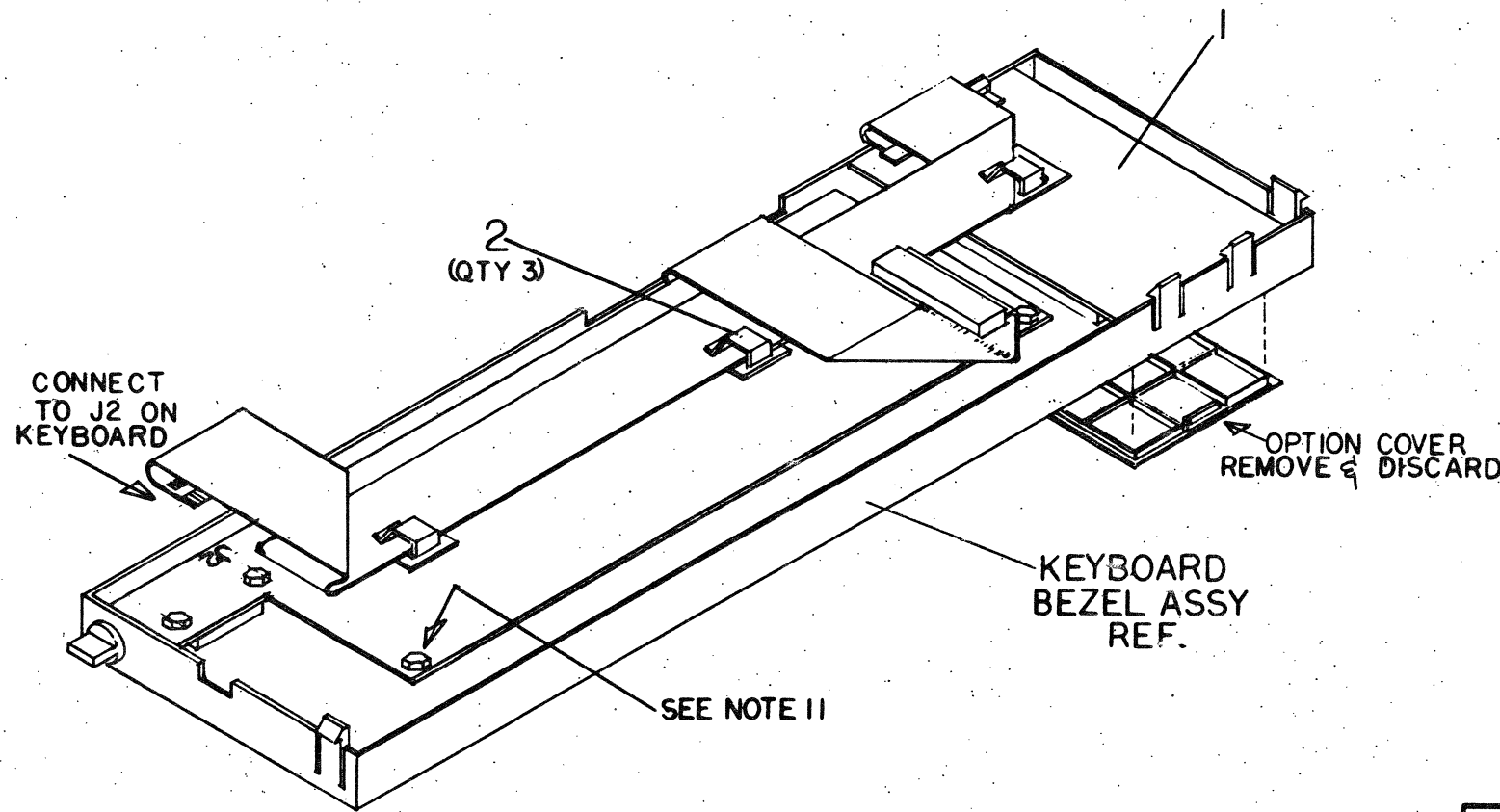
"THIS DRAWING AND SPECIFICATIONS, HEREIN, ARE THE PROPERTY OF DIGITAL EQUIPMENT CORPORATION AND SHALL NOT BE REPRODUCED OR COPIED OR USED IN WHOLE OR IN PART AS THE BASIS FOR THE MANUFACTURE OR SALE OF ITEMS WITHOUT WRITTEN PERMISSION.  
COPYRIGHT © 1979 DIGITAL EQUIPMENT CORPORATION"

12. REMOVE OPTION CLOSURE BY DEPRESSING RETAINING CLIPS AT BOTH ENDS.
13. CAREFULLY SNAP NUMERIC KEYPAD ASSEMBLY INTO PLACE.
14. CONNECT CONNECTOR ON THE NUMERIC KEYPAD TO J2 ON MAIN KEYBOARD. APPLY CABLE CLAMPS AS SHOWN.
15. REINSTALL KEYBOARD AND REASSEMBLE BY PERFORMING STEPS 1-10 IN REVERSE ORDER.
16. PARTS LIST SHOWN FOR ORIENTATION PURPOSES ONLY.

**NUMERIC KEYPAD INSTALLATION**

USE THE FOLLOWING PROCEDURE TO INSTALL THE NUMERIC KEYPAD OPTION.

1. REMOVE POWER FROM TERMINAL AND DISCONNECT THE AC PLUG.
2. REMOVE PAPER HOLDER OR TRACTORS OPTION (IF INSTALLED), AND REMOVE PAPER.
3. REMOVE THE ACCESS COVER BY DEPRESSING THE TWO ACCESS COVER RETAINER CLIPS.
4. REMOVE THE RIBBON CARTRIDGE.
5. LIFT BAIL BAR TO GAIN ACCESS TO PLATEN. REMOVE PLATEN BY SIMULTANEOUSLY DEPRESSING THE TWO PLATEN RELEASE LEVERS. LIFT PLATEN STRAIGHT OUT.
6. WITH A SMALL BLADE SCREWDRIVER, RELEASE THE FOUR POP FASTENERS THAT SECURE THE HOUSING COVER TO BASE ASSEMBLY.
7. REMOVE HOUSING COVER BY LIFTING STRAIGHT UP.
8. DEPRESS BEZEL RETAINER CLIPS AND ROTATE KEYBOARD BEZEL ASSEMBLY TOWARD THE FRONT OF TERMINAL.
9. REMOVE KEYBOARD CONNECTOR FROM J6 ON THE LOGIC BOARD.
10. LIFT KEYBOARD BEZEL ASSEMBLY STRAIGHT OUT OF THE HOUSING BASE ASSEMBLY.
11. TURN KEYBOARD BEZEL ASSEMBLY UPSIDE DOWN ON A PIECE OF FOAM OR BUBBLE PLASTIC AND REMOVE FIVE HEX HD SCREWS RETAINING KEYBOARD TO BEZEL.



AIR	CLAMP, CABLE	9010016-00	2
AIR	NUMERIC KEYPAD ASSY.	GIA7016653-0-0	1

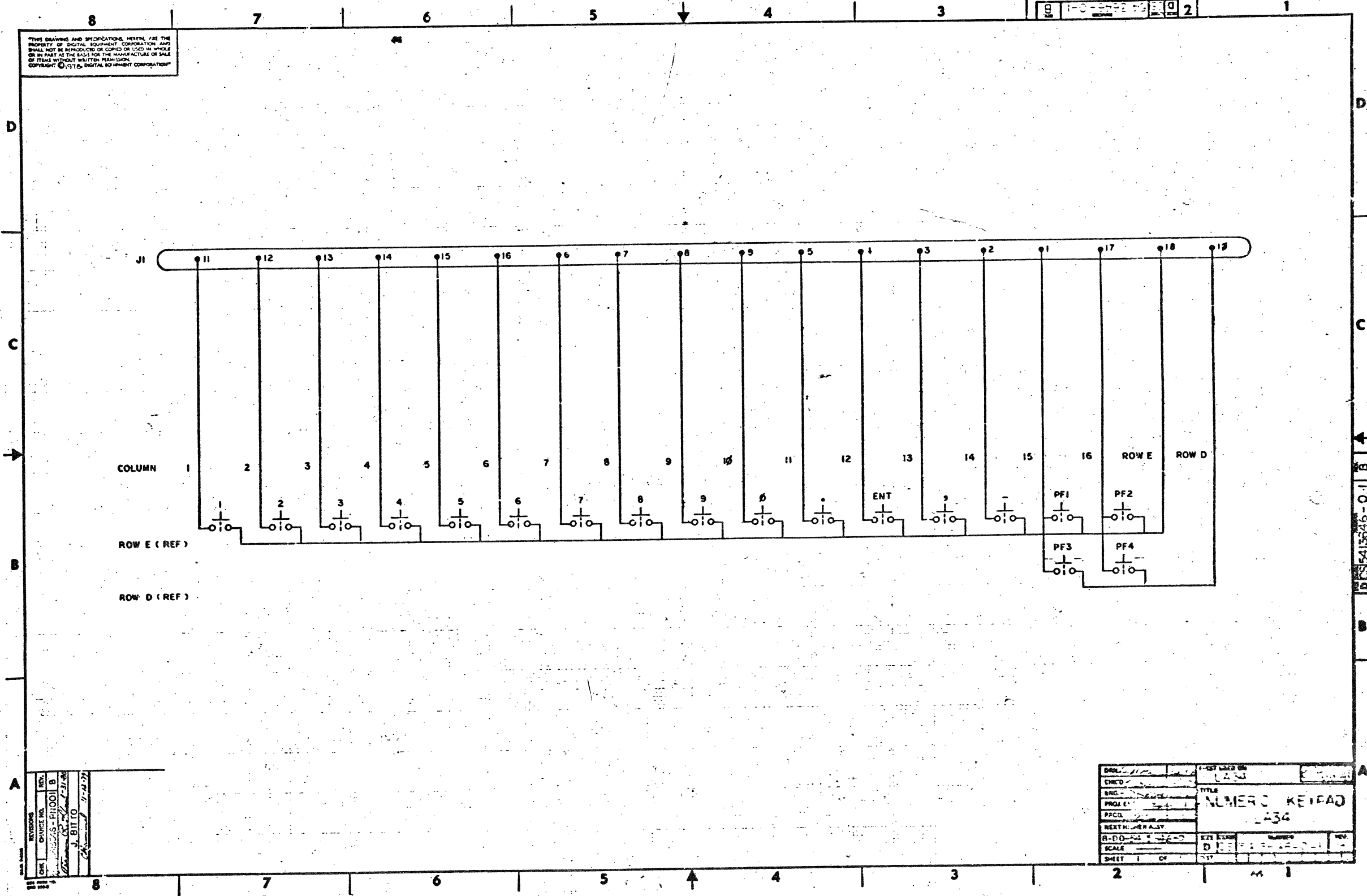
THIRD ANGLE PROJECTION		DRN: <i>Tanica</i>	DATE: <i>12/78</i>	FIRST USED ON	
REMOVE BURRS AND BREAK SHARP CORNERS		CHK: <i>D. Hoag</i>	DATE: <i>12/78</i>	LA34/38 <b>digital</b>	
DO NOT SCALE DWG		ENG: <i>J. B. ...</i>	DATE: <i>11/77</i>	TITLE	
NEXT HIGHER ASSY.		PROJ. ENG: <i>J. B. ...</i>	DATE: <i>11/77</i>	NUMERIC KEYPAD OPTION	
MATERIAL: <i>11</i>	SCALE: <i>NONE</i>	SIZE CODE: <b>C AR</b>		NUMBER: <b>LAX34-KL-2</b>	REV.
FINISH: <i>11</i>	SHEET: <i>1 OF 1</i>	DIST.			

REV.	
CHANGE NO.	
CHK	

DOC FORM NO. 002 100-C

PART NUMBER: LAX34-KL-2

THIS DRAWING AND SPECIFICATIONS HERIN ARE THE PROPERTY OF DIGITAL EQUIPMENT CORPORATION AND SHALL NOT BE REPRODUCED OR COPIED OR USED IN WHOLE OR IN PART AS THE BASIS FOR THE MANUFACTURE OR SALE OF ITEMS WITHOUT WRITTEN PERMISSION. COPYRIGHT © 1972, DIGITAL EQUIPMENT CORPORATION



DATE	1-1-73	DESIGNED BY	
ENGR		CHECKED BY	
PROJ. NO.		TITLE	NUMERIC KEYPAD
PROJ. NAME		REV.	1
SCALE		DATE	1-1-73
SHEET	1 OF 1		

REV.	DATE	BY	APP.
1	1-1-73	J. BITTIG	
2	1-1-73	J. BITTIG	

DES 5413346-0-1 B



THIS DRAWING AND SPECIFICATIONS, WHETHER AND THE  
PROPERTY OF THE UNITED STATES GOVERNMENT AND SHALL  
NOT BE RELEASED OR DISTRIBUTED OUTSIDE OF THE  
DEFENSE SECURITY AGENCY WITHOUT THE WRITTEN PERMISSION OF  
THE SECRETARY OF DEFENSE. 1977 MILITARY STANDARD

8 0-0-000000 2

1

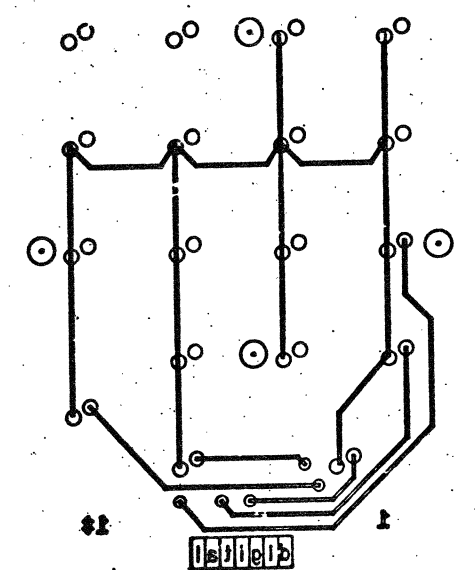
2013812C 2413848



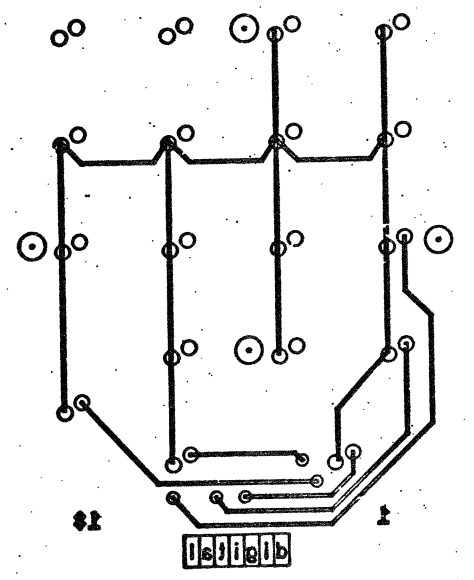
2013812C 2413848



SIDE 1  
00-2VBCDEH1



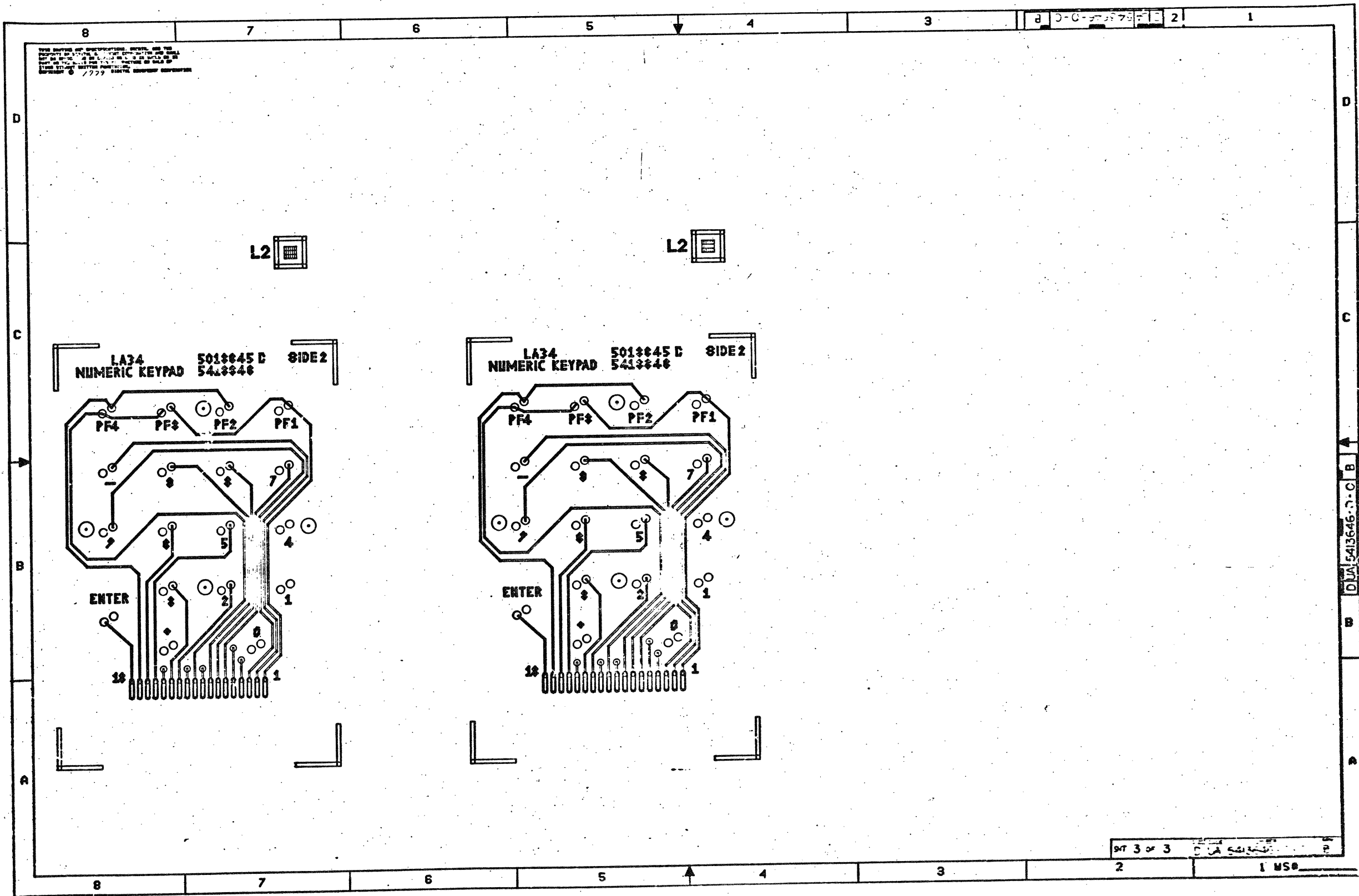
SIDE 1  
00-2VBCDEH1



DJA 5413546-0-0 B

2 3

MSA



THIS DRAWING IS UNCLASSIFIED UNLESS THE INFORMATION CONTAINED HEREIN IS DETERMINED TO BE UNCLASSIFIED AND IS SUBJECT TO THE AUTOMATICALLY APPLIED DECLASSIFICATION AND DOWNGRADING SCHEDULE. DATE 07/27/99 BY 7777

LA34 NUMERIC KEYPAD 5013645 D 5413646 SIDE 2

LA34 NUMERIC KEYPAD 5013645 D 5413646 SIDE 2

3 of 3 1 MS#

DIA 5413646-D-C-B







AUTOMATED BY PRTLST.3L(40)

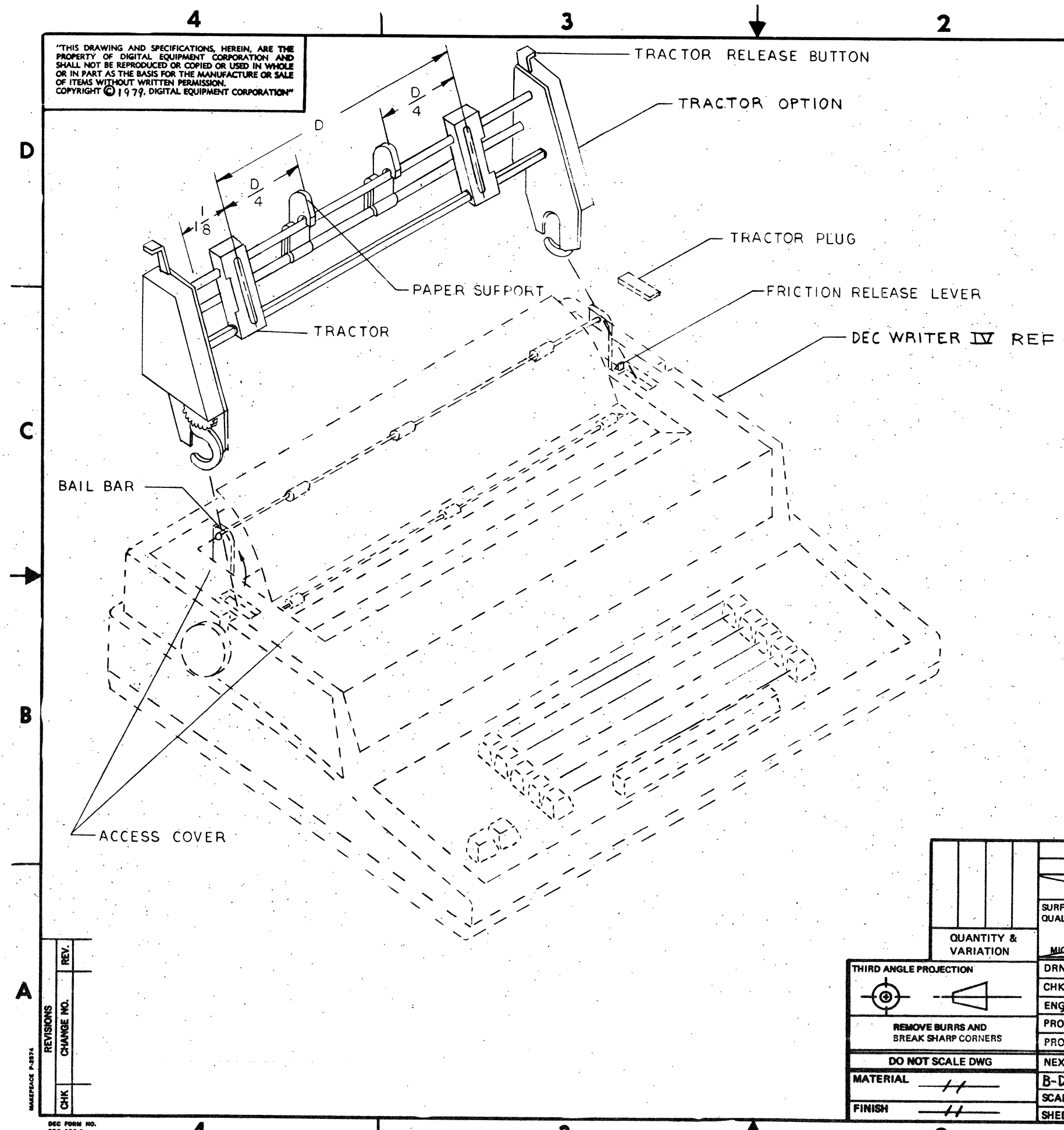
PARTS LIST

ET A1 OF A1

LINE ITEM	DOCUMENT NUMBER	PART NUMBER	DESCRIPTION	QUANTITY PER VARIATION
1	D=AD-7016260-0=0	7016260=00	TRACTOR PREP	1
2	D=AR=LAX34=AL=1		TRACTOR OPTION ARRANGEMENT	REF
3	A=SP-3700530-0=0	3700530=11	GENERAL PURPOSE SHRINK PACKAGE	1

REVISION HISTORY		BASIC PART NO: LAX34	DRN: D HEALY	DATE: 28-MAR-79	DIGITAL	
ENG: ECD NUMBER	REV	SECTION A OF A	CHK'D: D HEALY	DATE: 28-MAR-79	TITLE PARTS LIST	
--- INITIAL	A	SECTION, VARIATION INDEX			TRACTOR OPTION	
JB LAX34-PN012	A	(A) AL			DOCUMENT NUMBER	
		(B)	DES. ENG. R COURTENMANCHE	DATE: 26-JUL-79	SIZE CODE	NUMBER
		(C)				REV
		(D)	RESP. ENG. R COURTENMANCHE	DATE: 4-DEC-79	K PL	LAX34-AI-DBP
		(E)				A
		(F)	MFG. ENG. L MIER	DATE: 26-JUL-79	ASSEMBLY NUMBER	TOP DOCUMENT NUMBER
					B=DD=LAX34=AL=0	FILE NAME: ZX34AL.PLS
<p>"THIS DRAWING AND SPECIFICATIONS HEREIN, ARE THE PROPERTY OF DIGITAL EQUIPMENT CORPORATION AND SHALL NOT BE REPRODUCED OR COPIED OR USED IN WHOLE OR IN PART AS THE BASIS FOR THE MANUFACTURE OR SALE OF ITEMS WITHOUT WRITTEN PERMISSION. COPYRIGHT (C) 1980, DIGITAL EQUIPMENT CORPORATION"</p>						

"THIS DRAWING AND SPECIFICATIONS, HEREIN, ARE THE PROPERTY OF DIGITAL EQUIPMENT CORPORATION AND SHALL NOT BE REPRODUCED OR COPIED OR USED IN WHOLE OR IN PART AS THE BASIS FOR THE MANUFACTURE OR SALE OF ITEMS WITHOUT WRITTEN PERMISSION. COPYRIGHT © 1979, DIGITAL EQUIPMENT CORPORATION"



- NOTES:**
1. REMOVE THE ACCESS COVER BY PRESSING THE RETAINER CLIPS AT BOTH ENDS OF ASSY.
  2. POPOUT THE TRACTOR PLUGS FROM THE ACCESS COVER.
  3. REINSTALL THE ACCESS COVER.
    - A. LIFT BAIL BAR TO THE BACK UPPER POSITION.
    - B. BRING THE FRICTION RELEASE LEVER TO THE FORWARD (ROLLER DISENGAGED) POSITION.
  4. PRESS THE TRACTOR RELEASE BUTTONS AND SNAP THE TRACTOR OPTION INTO PLACE ON THE PLATTEN (SEE DWG). TO REMOVE REVERSE PROCEDURE.
  5. OPERATION REQUIREMENTS: LOCATE THE PAPER SUPPORTS APPROX. 1/4 THE TRACTOR TO TRACTOR SPACING. CLAMP THE L.H. TRACTOR APPROX. 1/8 INCHES FROM THE SIDE PLATE. EXCESSIVE LATERAL PAPER TENSION IS NOT REQUIRED OR RECOMMENDED WHEN CLAMPING THE R.H. TRACTOR.

REVISIONS	REV.
CHANGE NO.	
CHK	

DESCRIPTION		DWG./PART NO.		ITEM NO.					
UNLESS OTHERWISE SPECIFIED DIMENSIONS ARE IN INCHES									
ANGLES ±0° 30'	CLASS OF ACCURACY	NOMINAL DIMENSION RANGE INCHES							
SURFACE QUALITY IN	(CHECK ONE)	OVER 0 TO 0.2	OVER 0.2 TO 1.2	OVER 1.2 TO 4.0	OVER 4.0 TO 12.0	OVER 12.0 TO 40.0	OVER 40.0 TO 80.0		
		±.004	±.008	±.012	±.016	±.024	±.04		
✓	MEDIUM	±.012	±.016	±.025	±.04	±.080	±.1		
QUANTITY & VARIATION	MICROMETRES		PREFERRED	±.012	±.016	±.025	±.04	±.080	±.1
THIRD ANGLE PROJECTION	DRN. <i>R. B. Smith</i>	27 MAR 79	FIRST USED ON	LA34/38	digital				
REMOVE BURRS AND BREAK SHARP CORNERS	CHK'D. <i>D. Hoagy</i>	28 MAR 79	TITLE	TRACTOR OPTION					
DO NOT SCALE DWG	ENG. <i>R. B. Smith</i>	25 JUL 79	PROJ. ENG. <i>J. H. Smith</i>	4/1/79					
MATERIAL	NEXT HIGHER ASSY.		SIZE	CODE	NUMBER	REV.			
FINISH	B-DD-LAX34-AL		C	AR	LAX34-AL-2				
	SCALE	NONE	SHEET	1	OF	1			

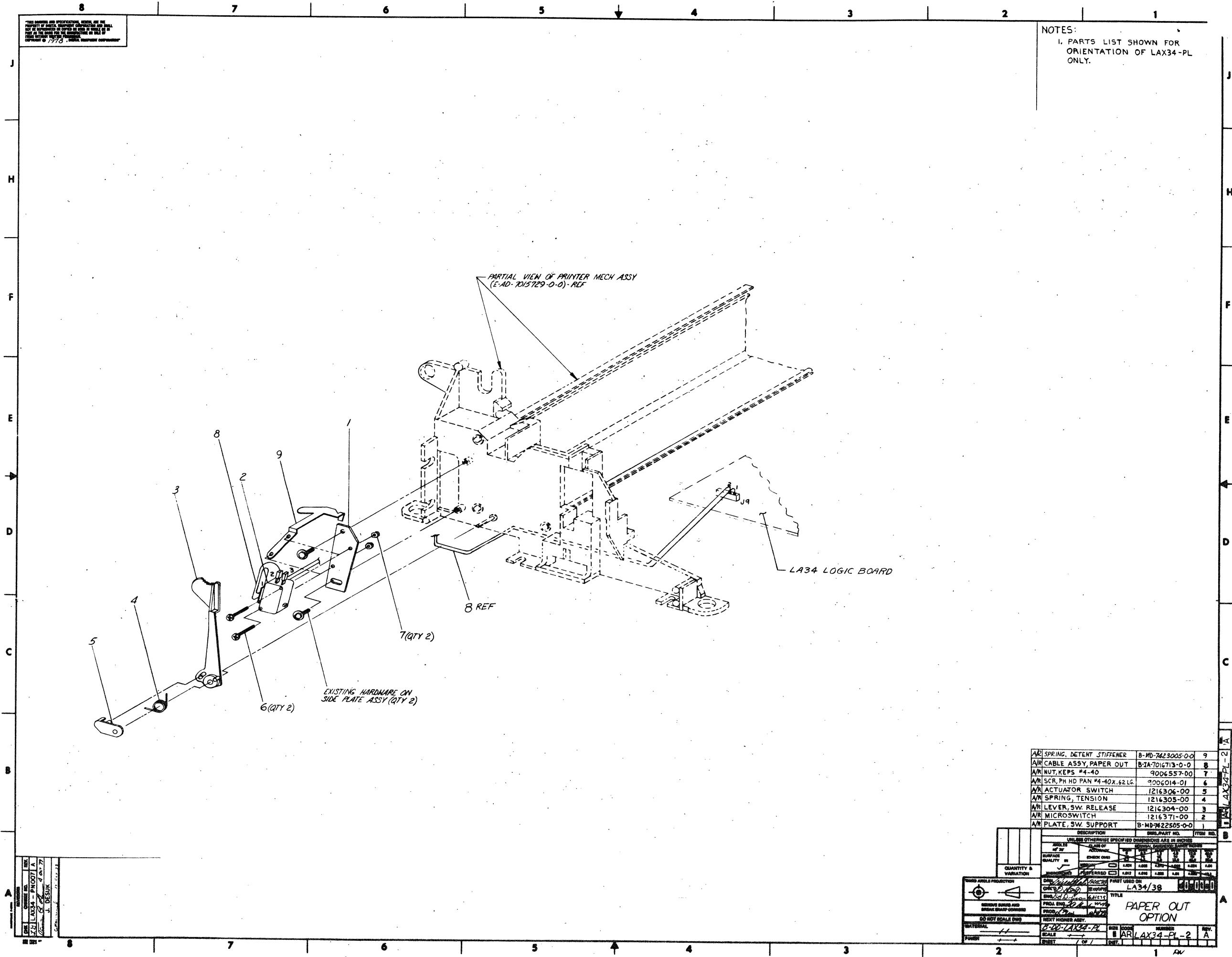
CASE CODE: CAR LAX34-AL-2  
 NUMBER: X91





THIS DRAWING AND SPECIFICATIONS HEREBY ARE THE PROPERTY OF BUSH BROS. COMPANY AND SHALL BE KEPT IN CONFIDENCE AS LONG AS THERE IS A NEED FOR THE SAME AND NOT TO BE REPRODUCED OR TRANSMITTED IN ANY FORM OR BY ANY MEANS, ELECTRONIC OR MECHANICAL, INCLUDING PHOTOCOPYING, RECORDING, OR BY ANY INFORMATION STORAGE AND RETRIEVAL SYSTEM. © 1978 BUSH BROS. COMPANY

NOTES:  
1. PARTS LIST SHOWN FOR ORIENTATION OF LAX34-PL ONLY.



DESCRIPTION	QTY	ITEM NO.
AVR SPRING, DETENT STIFFENER	8-MD-7423005-0-0	9
AVR CABLE ASSY, PAPER OUT	B-1A-7016713-0-0	8
AVR NUT, KEYS #4-40	9006557-00	7
AVR SCR, PH HD PAN #4-40X.62 LG.	9006014-01	6
AVR ACTUATOR SWITCH	1216306-00	5
AVR SPRING, TENSION	1216305-00	4
AVR LEVER, SW. RELEASE	1216304-00	3
AVR MICROSWITCH	1216371-00	2
AVR PLATE, SW. SUPPORT	B-MD-7422505-0-0	1

UNLESS OTHERWISE SPECIFIED DIMENSIONS ARE IN INCHES	
ANGLE OF CUTTING	UNLESS OTHERWISE SPECIFIED
SURFACE QUALITY	UNLESS OTHERWISE SPECIFIED
QUANTITY & VARIATION	UNLESS OTHERWISE SPECIFIED
THIRD ANGLE PROJECTION	UNLESS OTHERWISE SPECIFIED
DESIGNER'S NAME AND ORGANIZATION	DATE
DO NOT SCALE DIMS	FIRST USED ON
MATERIAL	TITLE
FIGURE	SCALE

DATE: 10/10/78  
 FIRST USED ON: LAX34/38  
 TITLE: PAPER OUT OPTION  
 SCALE: B-D-D-LAX34-PL  
 SHEET: 1 OF 1  
 DRAWING NO.: B-D-D-LAX34-PL-2  
 REV. A

1. LAX34 - PNOOT1 A  
 J. DESUR  
 10/10/78

# DIGITAL EQUIPMENT CORPORATION PARTS LIST

QUANTITY / VARIATION

NOTES:

MADE BY DATE	B. HALE 20 DEC 78	CHECKED DATE	SECTION
ENG DATE	B. H. Anderson 6 April 79	PROD DATE	ISSUED SECTION
		<i>D. N. Bag</i> 27 MAR 79	1
		<i>L. Min</i> 12/4/79	1

ITEM NO.	DRAWING NO.	PART NO.	DESCRIPTION	LAX34-PL	REF DESIGNATION
1	B-MD-7422505-0-0	7422505-00	PLATE, SWITCH SUPPORT	1	
2		1216371-00	MICROSWITCH	1	
3		1216304-00	LEVER, SWITCH RELEASE	1	
4		1216305-00	SPRING, TORSION	1	
5		1216306-00	ACTUATOR, SWITCH	1	
6		9006014-01	SCR, PHL PAN HD #4-40 X .62 LG	2	
7		9006557-00	NUT, KEP #4-40	2	
8	B-IA-7016713-0-0	7016713-00	CABLE ASSY, PAPER OUT	1	
9	B-MD-7423005-0-0	7423005-00	SPRING, DETENT STIFFENER	1	
10	E-AR-LAX34-PL-2		PAPER OUT OPTION (ARRANGMENT)	REF	

E.C.O. NO. PNO07

THIS DRAWING AND SPECIFICATIONS, HEREIN, ARE THE PROPERTY OF DIGITAL EQUIPMENT CORPORATION AND SHALL NOT BE REPRODUCED OR COPIED OR USED IN WHOLE OR IN PART AS THE BASIS FOR THE MANUFACTURE OR SALE OF ITEMS WITHOUT WRITTEN PERMISSION. COPYRIGHT © 1978 DIGITAL EQUIPMENT CORPORATION

TITLE  
PAPER OUT OPTION

ASSY NO.  
NONE  
SHEET 1 OF 1

SIZE	CODE	NUMBER	REV.
B	PL	LAX34-PL-Ø	A

INSERTION PARTS LIST DATA BASE REV