

"THE MATERIAL HEREIN IS FOR INFORMATION PURPOSES ONLY AND IS SUBJECT TO CHANGE WITHOUT NOTICE. DIGITAL EQUIPMENT CORPORATION ASSUMES NO RESPONSIBILITY FOR ANY ERRORS WHICH MAY APPEAR HEREIN."

# FIELD MAINTENANCE PRINT SET

"THIS DRAWING AND SPECIFICATIONS, HEREIN, ARE THE PROPERTY OF DIGITAL EQUIPMENT CORPORATION AND SHALL NOT BE REPRODUCED OR COPIED OR USED IN WHOLE OR IN PART AS THE BASIS FOR THE MANUFACTURE OR SALE OF ITEMS WITHOUT WRITTEN PERMISSION. COPYRIGHT © 1978 DIGITAL EQUIPMENT CORPORATION."

## TABLE OF CONTENTS

B-TC-VT105-0-1  
E-UA-VT105-0-0  
B-PL-VT105-0-0  
D-UA-M7071-0-0  
D-CS-M7071-0-1  
MP00633

FIELD MAINT. PRINT SET T.C.  
VT105 GRAPHICS TERM  
VT105 GRAPHICS TERM P.L.  
VT105 WAVE FORM GENERATOR  
VT105 WAVE FORM GENERATOR C.S.  
VT100 FIELD MAINT PRINT SET

UNIT VARIATIONS  
COVERED BY THIS  
PRINT SET

VT105-AA  
VT105-AB  
VT105-MA  
VT105-MB

### VT105 Field Maintenance Print Set

### Digital Equipment Corporation

MP00642

REVISIONS	
DATE	CHG. NO.
10NOV78	VT105-1R001 A
2JUL79	VT105-MF003 B

USED ON OPTION/MODEL	
VT100	

DRN.	DATE
D. OLSEN	27MAY78
CHK'D	DATE
[Signature]	27MAY78
PROJ. ENG.	DATE
[Signature]	8/28/78
FIELD SERV.	DATE
[Signature]	8/29/78

TITLE:			
VT105 UNIT ASSY			
SIZE	CODE	NUMBER	REV.
B	TC	VT105-0-1	B
DIST.			

digital

SHEET 1 OF 1

REV. B  
SIZE CODE B TC  
NUMBER VT105-0-1

THIS DRAWING AND SPECIFICATIONS SHALL BE THE PROPERTY OF THE U.S. GOVERNMENT AND SHALL BE LOANED TO YOU BY THE U.S. GOVERNMENT. IT IS TO BE USED ONLY FOR THE PURPOSES AUTHORIZED BY THE U.S. GOVERNMENT. IT IS TO BE RETURNED TO THE U.S. GOVERNMENT AT THE END OF THE LOAN PERIOD.

- NOTES:
- 1 REMOVE EXISTING VT100 LOGO & REPLACE WITH VT105 LOGO ITEM NO. 6 USING ITEM NO. 5.
  - 2 USE UPPER 16 CONNECTING PINS, BOTTOM 2 PINS NOT USED.
  - 3 REMOVE EXISTING SERIAL TAG, REPLACE WITH VT105 SERIAL TAG (ITEM NO. 13)
  - 4 TORQUE FOR SCREWS ON WART BOX COVER SHOULD BE 28 IN. OZ.

RED LINE ON CABLE MUST BE IN POSITION AS SHOWN

SEE NOTE 2

DETAIL 'B'

SEE DETAIL 'B'

SEE NOTE 1

SEE DETAIL 'C' (REAR SURFACE)

SEE DETAIL 'A'

DETAIL 'C' REAR SURFACE BASE

SECTION A-A SCALE 1/1

DETAIL 'A'

DESCRIPTION		DWG. PART NO.		ITEM NO.	
UNLESS OTHERWISE SPECIFIED DIMENSIONS ARE IN INCHES					
ANGLE	FINISH	SCALE	DATE	BY	CHKD.
SURFACE	QUALITY	QUANTITY	DATE	BY	CHKD.
QUANTITY & VARIATION	DESCRIPTION	DATE	BY	CHKD.	APPROVED
DRN. J. C. ... FIRST USED ON VT100					
TITLE VT105 GRAPHICS TERMINAL					
MATERIAL 8-PP-VT105-0					
SCALE 1/2					
SHEET 1 OF 2					

REV.	DESCRIPTION	DATE	BY	CHKD.
1	...	...	...	...
2	...	...	...	...

VT105-0-0 B

A

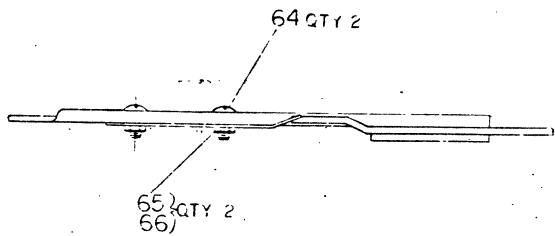
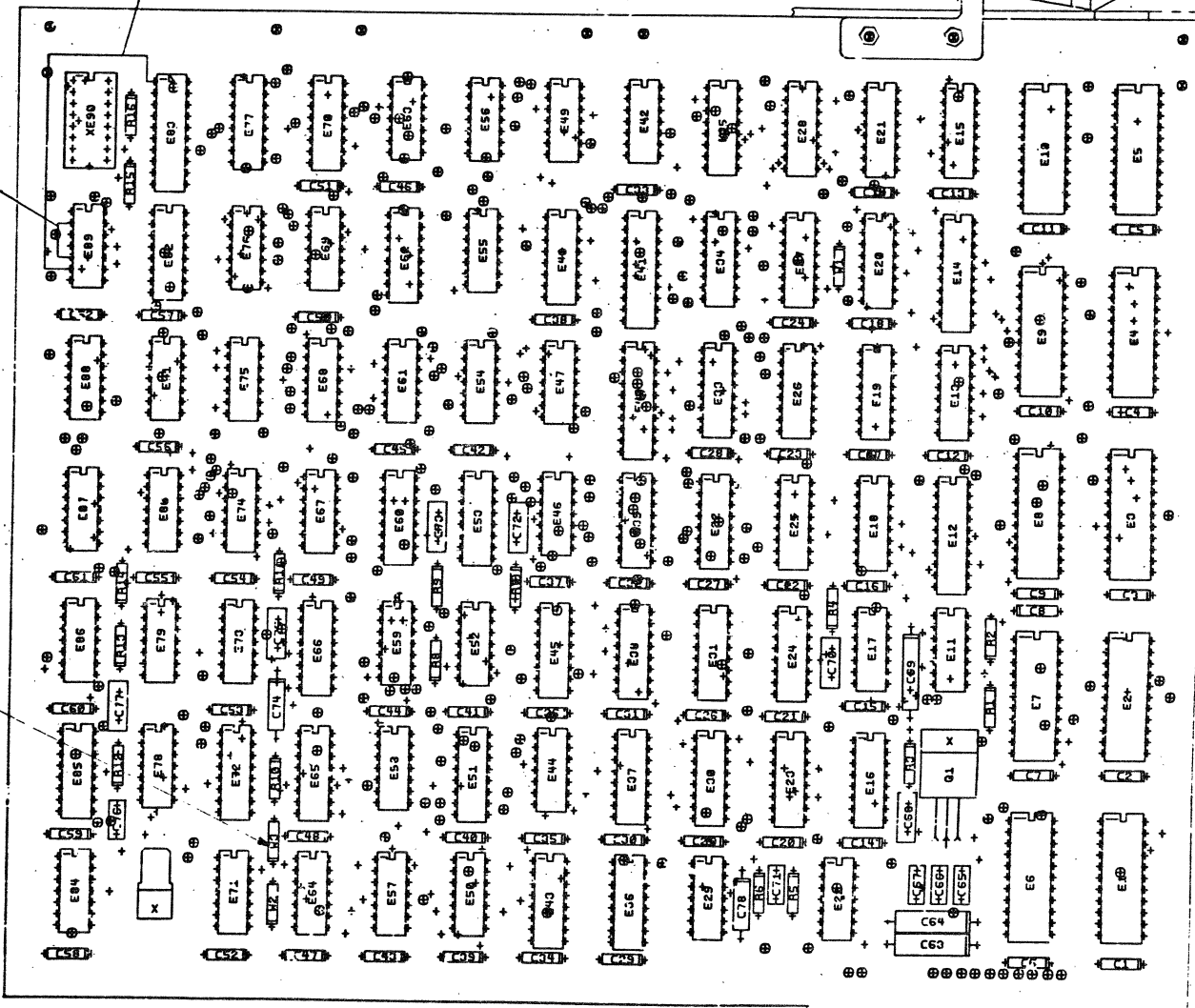
**DIGITAL EQUIPMENT CORPORATION  
PARTS LIST**

ITEM NO.	DRAWING NO.	PART NO.	DESCRIPTION	QUANTITY / VARIATION				NOTES:
				VT105-AA	VT105-AB	VT105-MA	VT105-MB	
1	E-UA-VT105-β-β	VT105-AA	DKDB CRT EIA, USA 115 V/60 HZ	1	-	1	-	REF DESIGNATION
2	E-UA-VT105-β-β	VT105-AB	DKDB CRT EIA USA 230 V/60 HZ	-	1	-	1	
3	D-UA-M7071-β-β	M7071	VT105 WAVZ FORM GENERATOR	1	1	1	1	
4	D-UA-5413384-0-0	5413384	EXPANSION BACKPLANE	1	1	1	1	
5		9009257-00	RETAINING RING .160/.152	2	2	2	2	
6		1215421	LOGO VT105	1	1	1	1	
7	C-IA-7008612-0-0	7008612-DF	CABLE, KEYBOARD	1	1	1	1	
8		1212405	CARD GUIDES	2	2	2	2	
9	E-UA-5413097-0-0	5413097	ADVANCED VIDEO MODULE	-	-	1	1	
10		9006557	KEPS RUT 4-40	4	4	4	4	
11		9006970	SPACER, #4 HOLE .25 LG	2	2	2	2	
12		9006013-01	SCREW PHIL, PAN HD 4-40 x 1/2 LG	4	4	4	4	
13		3613210-00	SERIAL TAG	1	1	1	1	
14		3700324	PACKING INSTRUCTIONS	1	1	1	1	
15		9009747-03	SUPPORT, CIRCUIT BOARD	-	-	4	4	

ECO NO. VT105- MR001 VT105- MR002 VT105- MR004	<small>"THIS DRAWING AND SPECIFICATIONS, HEREIN, ARE THE PROPERTY OF DIGITAL EQUIPMENT CORPORATION AND SHALL NOT BE REPRODUCED OR COPIED OR USED IN WHOLE OR IN PART AS THE BASIS FOR THE MANUFACTURE OR SALE OF ITEMS WITHOUT WRITTEN PERMISSION. COPYRIGHT © 1978 DIGITAL EQUIPMENT CORPORATION"</small>	TITLE VT105 GRAPHICS TERMINAL	ASSY NO. E-UA-VT105-β-β	SIZE B	CODE PL	NUMBER VT105-β-β	REV. C
<small>MRS 128</small>			SHEET 1 OF 1	<small>INSERTION PARTS LIST DATA BASE REV</small>			

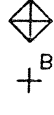
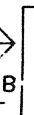
ECO 9  
 ETCH CUTS SIDE AS SHOWN  
 9-1. AT E 69-2  
 9-2. AT E 69-2  
 WIRE ADDS SIDE AS SHOWN  
 9-3. FROM E 71-1 TO E 69-2  
 9-4. FROM E 59-2 TO E 69-2

COMPONENT SIDE VIEW



SIGNATURES		DATE	REV
DRN. J. J. [Signature]	11/14/68	1	1
CHK. D. [Signature]			
ENG. [Signature]			
PROJ. ENG. [Signature]			
PROD. [Signature]			
SMY. [Signature]			
NEXT HIGHER ASSY. [Signature]			
TITLE		NUMBER	REV
digital		1714	1
WAVEFORM			
SIZE CODE			
E 1			

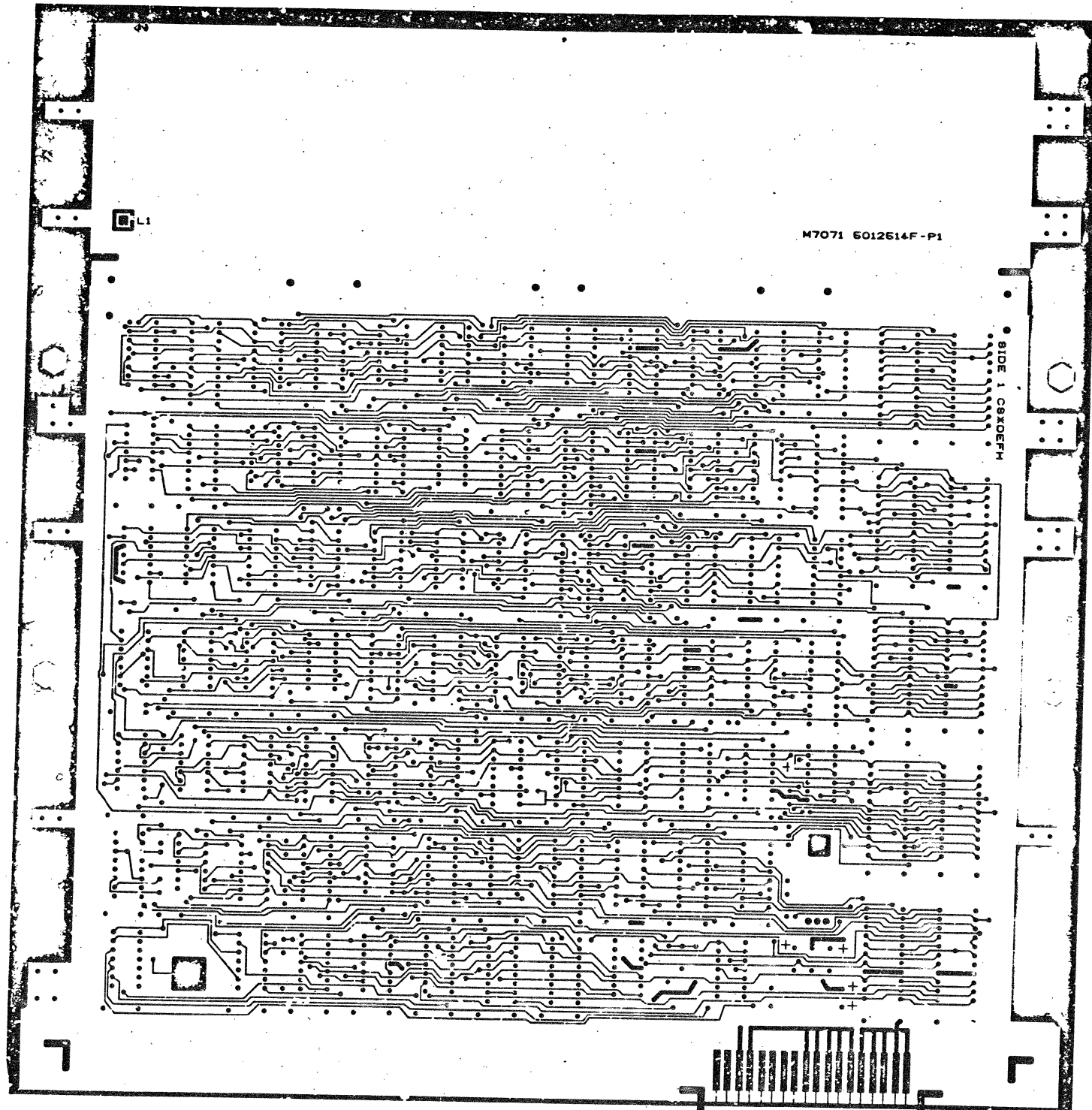
CHANGE NO. REV.	
1	1
2	1
3	1
4	1
5	1
6	1
7	1
8	1
9	1
10	1
11	1
12	1
13	1
14	1
15	1
16	1
17	1
18	1
19	1
20	1
21	1
22	1
23	1
24	1
25	1
26	1
27	1
28	1
29	1
30	1
31	1
32	1
33	1
34	1
35	1
36	1
37	1
38	1
39	1
40	1
41	1
42	1
43	1
44	1
45	1
46	1
47	1
48	1
49	1
50	1
51	1
52	1
53	1
54	1
55	1
56	1
57	1
58	1
59	1
60	1
61	1
62	1
63	1
64	1
65	1
66	1
67	1
68	1
69	1
70	1
71	1
72	1
73	1
74	1
75	1
76	1
77	1
78	1
79	1
80	1
81	1
82	1
83	1
84	1
85	1
86	1
87	1
88	1
89	1
90	1
91	1
92	1
93	1
94	1
95	1
96	1
97	1
98	1
99	1



NOTES:  
 E UA 1707

DATE: 11/11/68  
DRAWN BY: J. J. ...  
CHECKED BY: ...

LAYER 1



DATE: 11/11/68  
DRAWN BY: J. J. ...  
CHECKED BY: ...

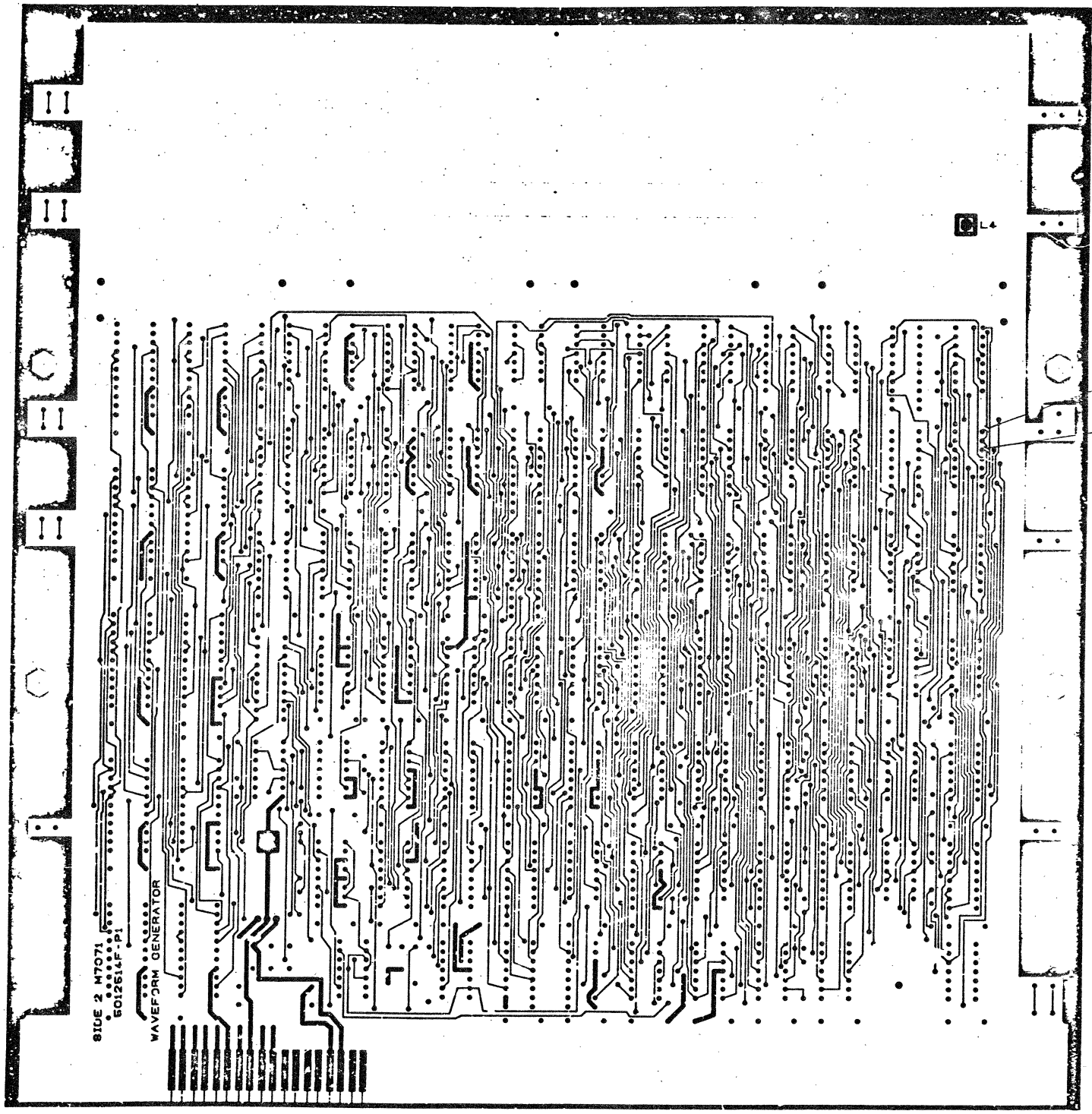
DATE: 11/11/68  
DRAWN BY: J. J. ...  
CHECKED BY: ...

DATE: 11/11/68  
DRAWN BY: J. J. ...  
CHECKED BY: ...

DATE	11/11/68	DRAWN BY	J. J. ...	CHECKED BY	...
TITLE	WAVEFORM GENERATOR		SIZE	EDGE	REV
SCALE	2/1	SHEET	2	OF	2
EUA M7C71-0-C			REV	N	

UNCLASSIFIED//FOR OFFICIAL USE ONLY  
THIS DOCUMENT IS UNCLASSIFIED  
DATE 01-11-2011 BY 60322 UCBAW/SJS

REVISED



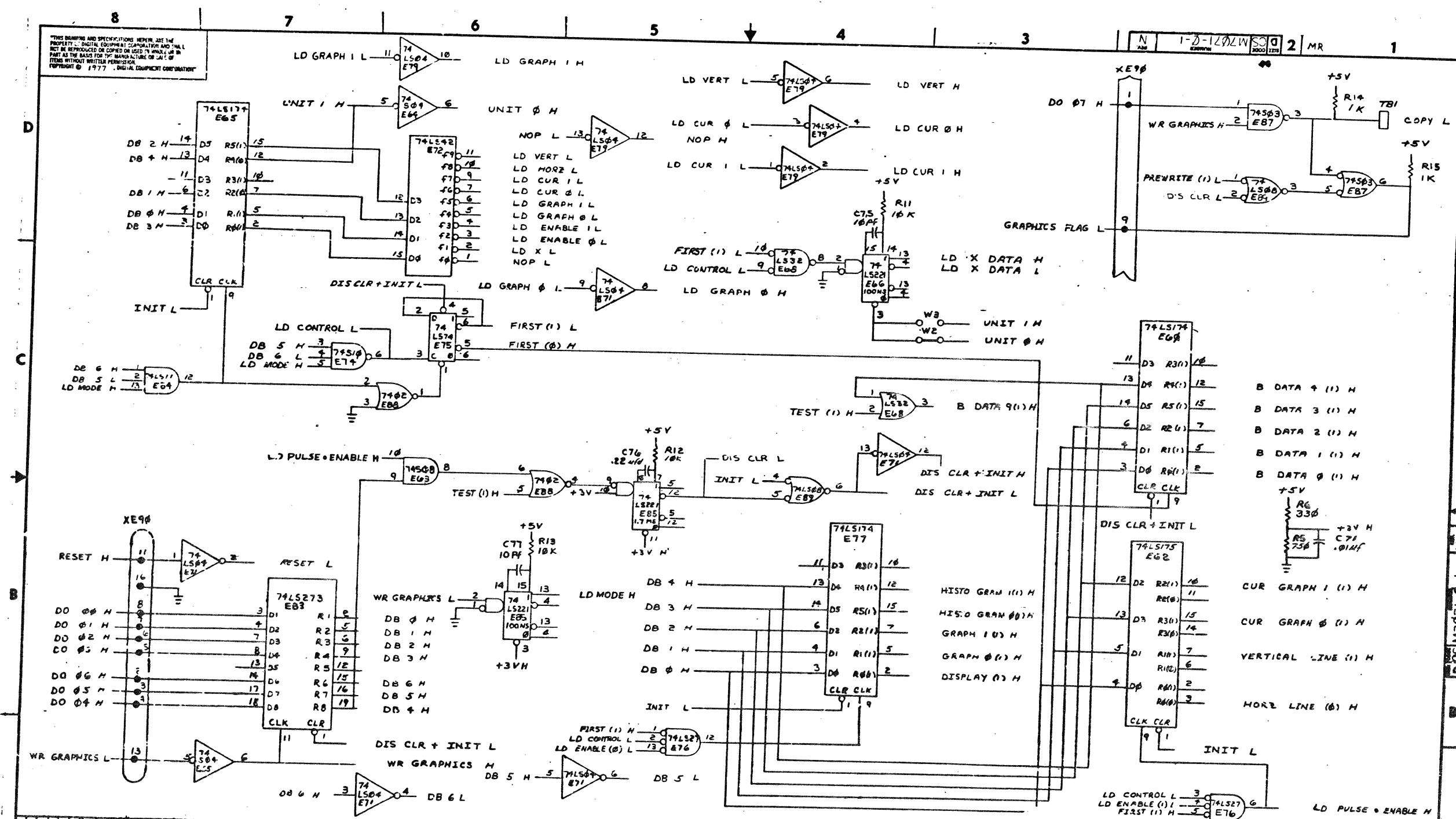
SIDE 2 M7074  
5012614F-P1  
WAVEFORM GENERATOR

9-1  
9-2

DATE  
BY

TITLE	WAVEFORM GENERATOR	SIZE/FORM	NUMBER	REV
SCALE	2/1	SHEET	3 OF 3	DIST
				1
				N

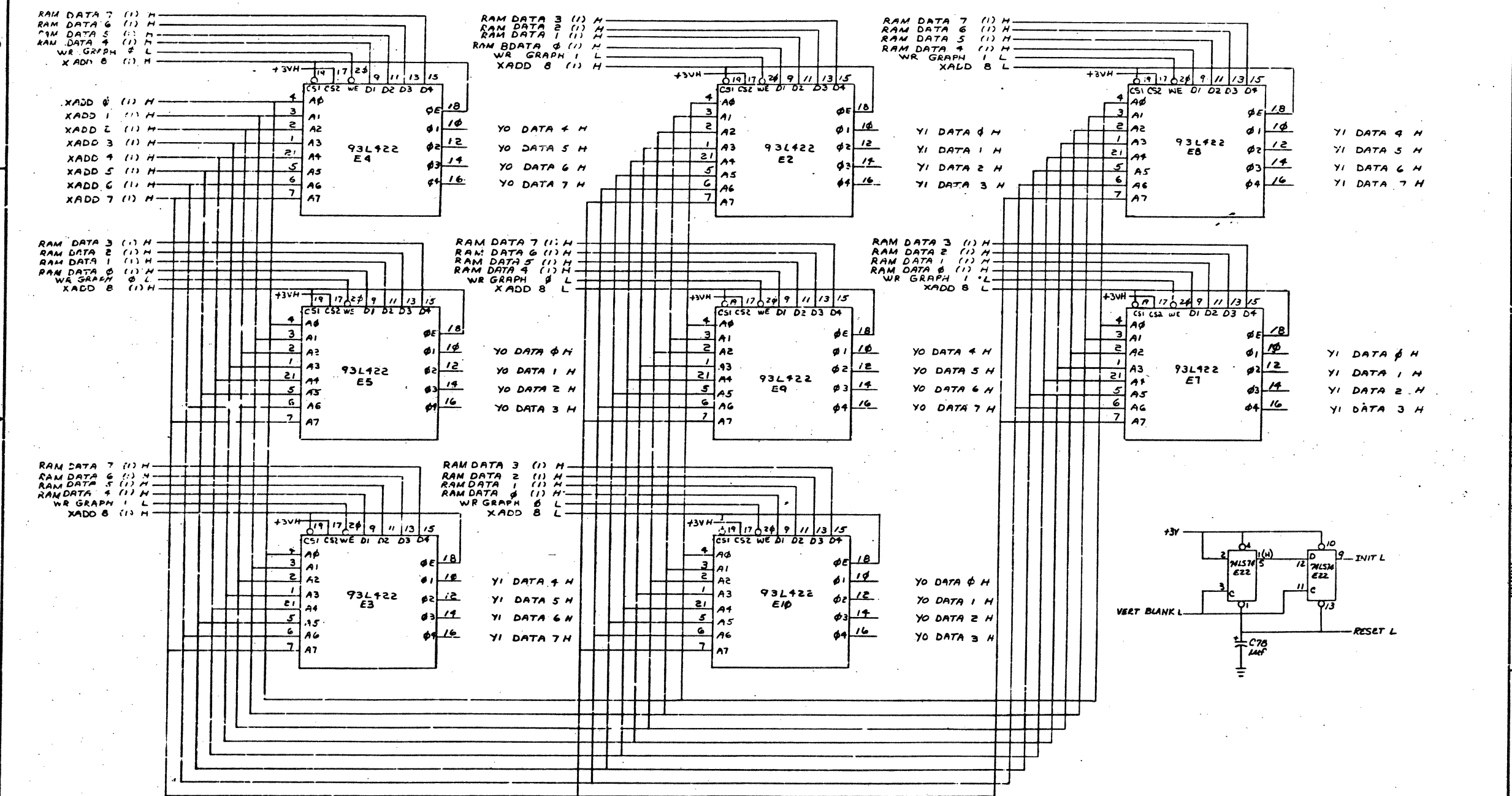
THIS DRAWING AND SPECIFICATIONS HEREBY ARE THE PROPERTY OF DIGITAL EQUIPMENT CORPORATION AND SHALL NOT BE REPRODUCED OR COPIED OR USED IN WHOLE OR IN PART AS THE BASIS FOR THE MANUFACTURE OR SALE OF ITEMS WITHOUT WRITTEN PERMISSION.  
 COPYRIGHT © 1977, DIGITAL EQUIPMENT CORPORATION



REV	DATE	BY	CHK	APP	DESCRIPTION
1	11/13/77	J. ZEMCIK	J. ZEMCIK		INITIAL DESIGN
2	11/13/77	J. ZEMCIK	J. ZEMCIK		REVISED TO ADD TEST POINTS
3	11/13/77	J. ZEMCIK	J. ZEMCIK		REVISED TO ADD COMPONENTS
4	11/13/77	J. ZEMCIK	J. ZEMCIK		REVISED TO ADD WAVEFORMS
5	11/13/77	J. ZEMCIK	J. ZEMCIK		REVISED TO ADD CONTROLS
6	11/13/77	J. ZEMCIK	J. ZEMCIK		REVISED TO ADD POWER SUPPLY
7	11/13/77	J. ZEMCIK	J. ZEMCIK		REVISED TO ADD LABELS

DRAWN BY: J. ZEMCIK	DATE: 11/13/77	FIRST USED ON: VT105
CHKD BY: J. ZEMCIK	DATE: 11/13/77	TITLE: WAVEFORM GENERATOR
PROJ. ENG. BY: J. ZEMCIK	DATE: 11/13/77	SCALE: NONE
PROD. BY: J. ZEMCIK	DATE: 11/13/77	SHEET 1 OF 8
NEXT HIGHER ASSY:	SIZE: DD-M7071-0	CODE: D
	NUMBER: CSIM7071-0-1	REV: N

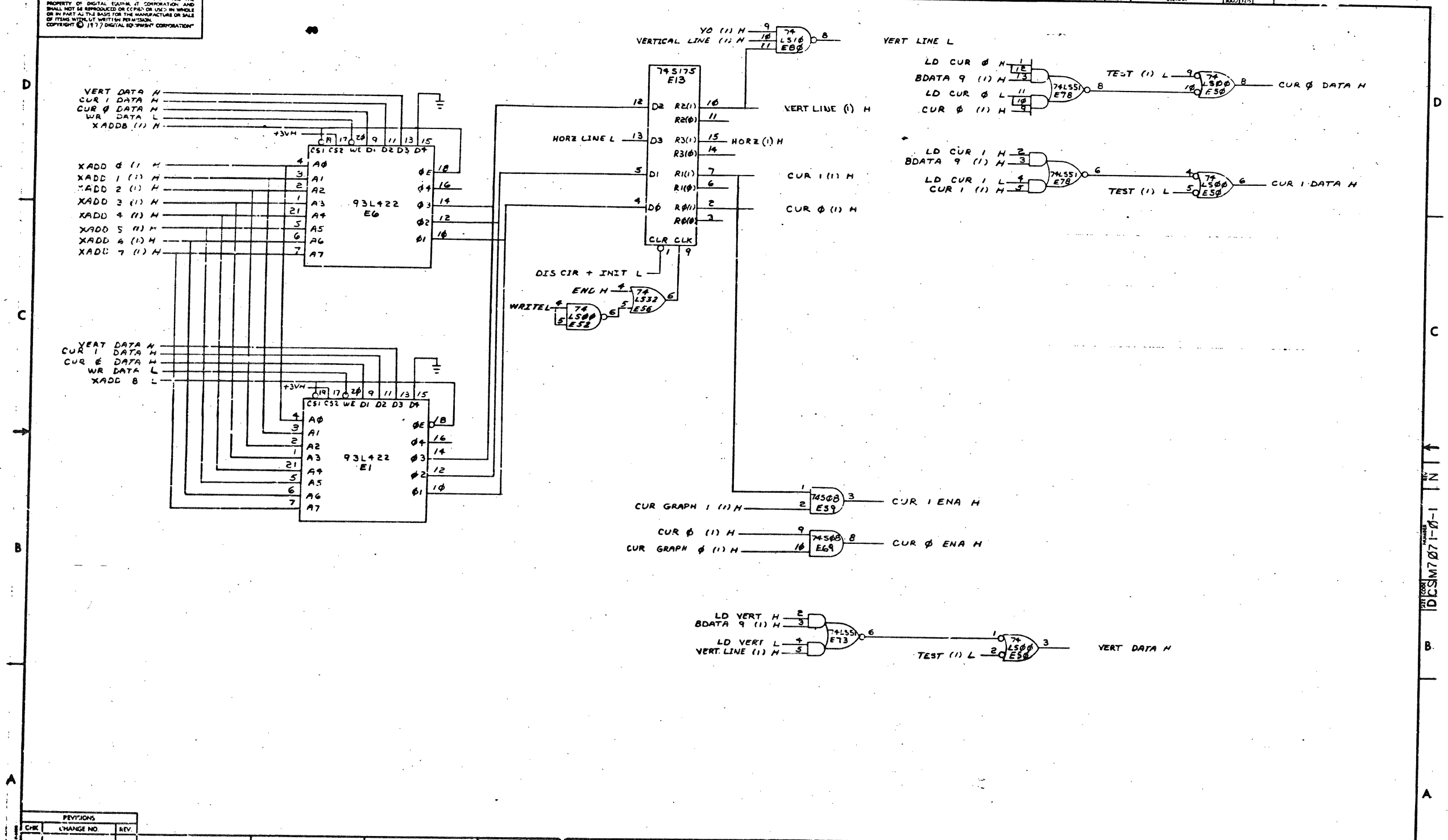
THIS DRAWING AND SPECIFICATIONS HEREIN ARE THE PROPERTY OF DIGITAL EQUIPMENT CORPORATION AND SHALL NOT BE REPRODUCED OR COPIED OR USED IN WHOLE OR IN PART AS THE BASIS FOR THE MANUFACTURE OR SALE OF ITEMS WITHOUT WRITTEN PERMISSON OF DIGITAL EQUIPMENT CORPORATION.



REVISIONS		
CH	CHANGE NO	REV



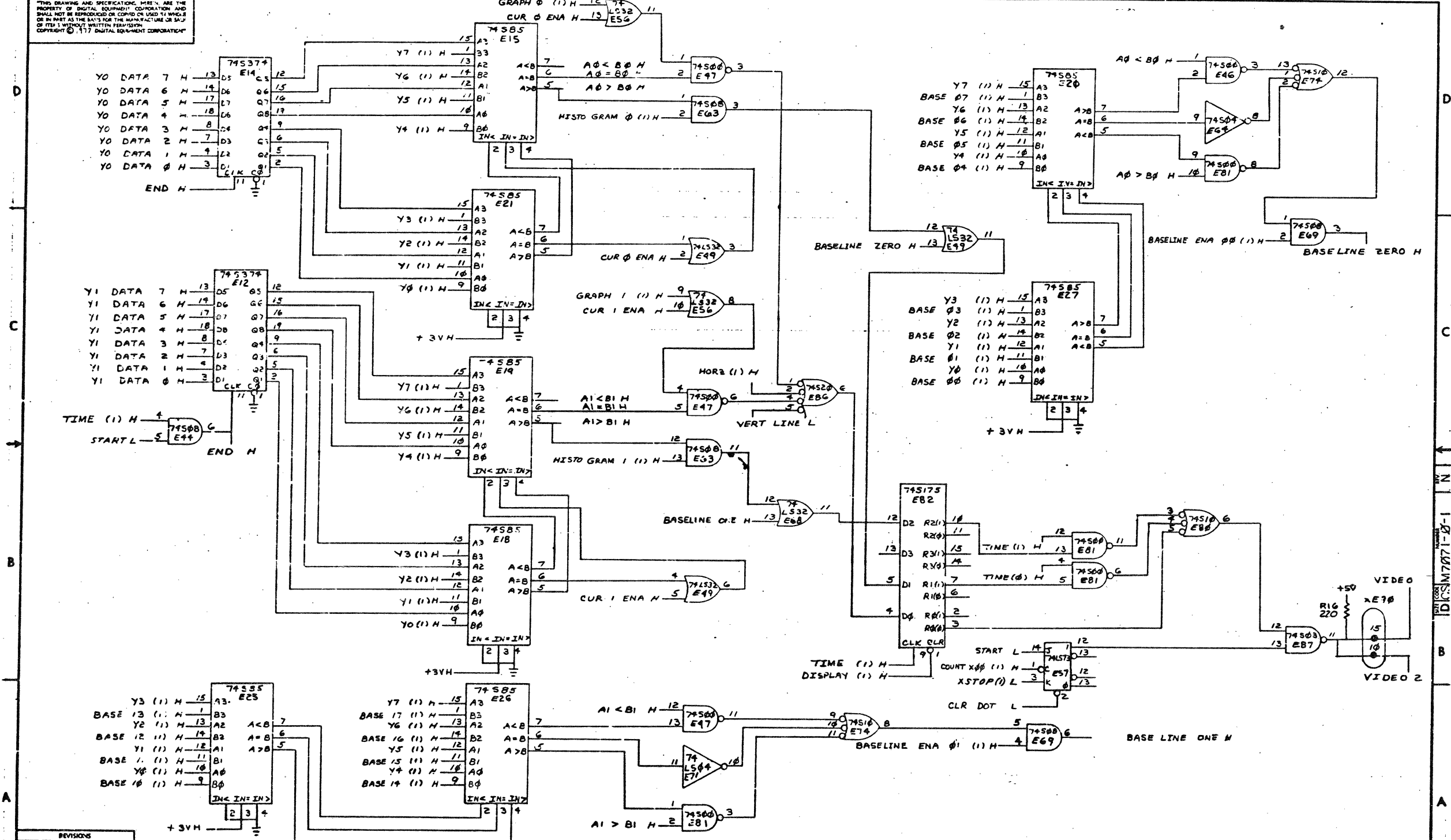
THIS DRAWING AND SPECIFICATIONS HEREIN ARE THE PROPERTY OF DIGITAL EQUIPMENT CORPORATION AND SHALL NOT BE REPRODUCED OR COPIED OR USED IN WHOLE OR IN PART AS THE BASIS FOR THE MANUFACTURE OR SALE OF ITEMS WITHOUT WRITTEN PERMISSION. COPYRIGHT © 1977 DIGITAL EQUIPMENT CORPORATION



REVISIONS		
CHK	CHANGE NO.	REV.

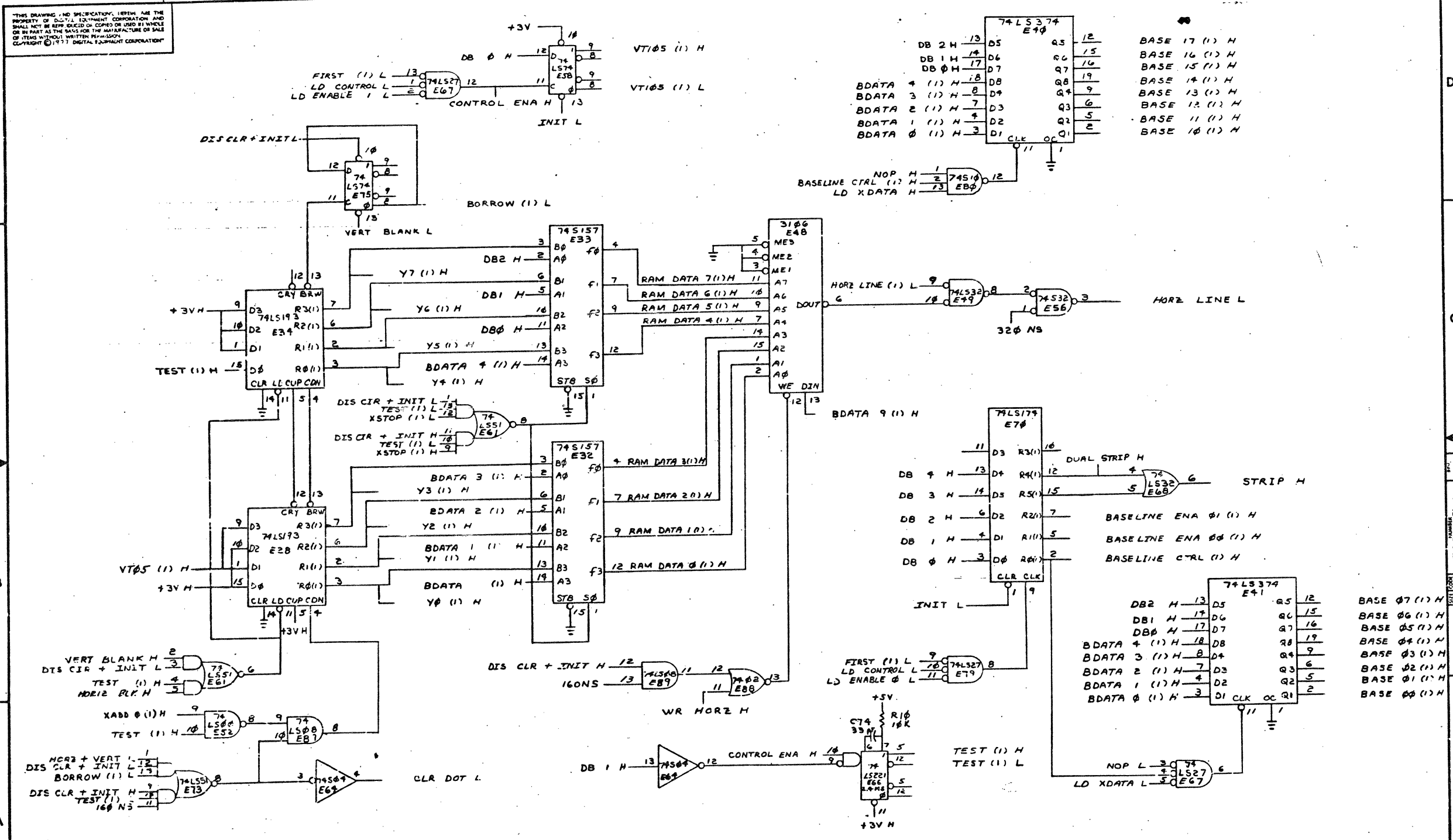
DCS M7071-0-1

THIS DRAWING AND SPECIFICATIONS HEREIN ARE THE PROPERTY OF DIGITAL EQUIPMENT CORPORATION AND SHALL NOT BE REPRODUCED OR COPIED OR USED IN WHOLE OR IN PART AS THE BASIS FOR THE MANUFACTURE OR SALE OF ITEMS WITHOUT WRITTEN PERMISSION. COPYRIGHT © 1977 DIGITAL EQUIPMENT CORPORATION



REV.	CHG.	REV.

THIS DRAWING AND SPECIFICATIONS HEREIN ARE THE PROPERTY OF DIGITAL EQUIPMENT CORPORATION AND SHALL NOT BE REPRODUCED OR COPIED OR USED IN WHOLE OR IN PART AS THE BASIS FOR THE MANUFACTURE OR SALE OF ITEMS WITHOUT WRITTEN PERMISSION. COPYRIGHT © 1977 DIGITAL EQUIPMENT CORPORATION

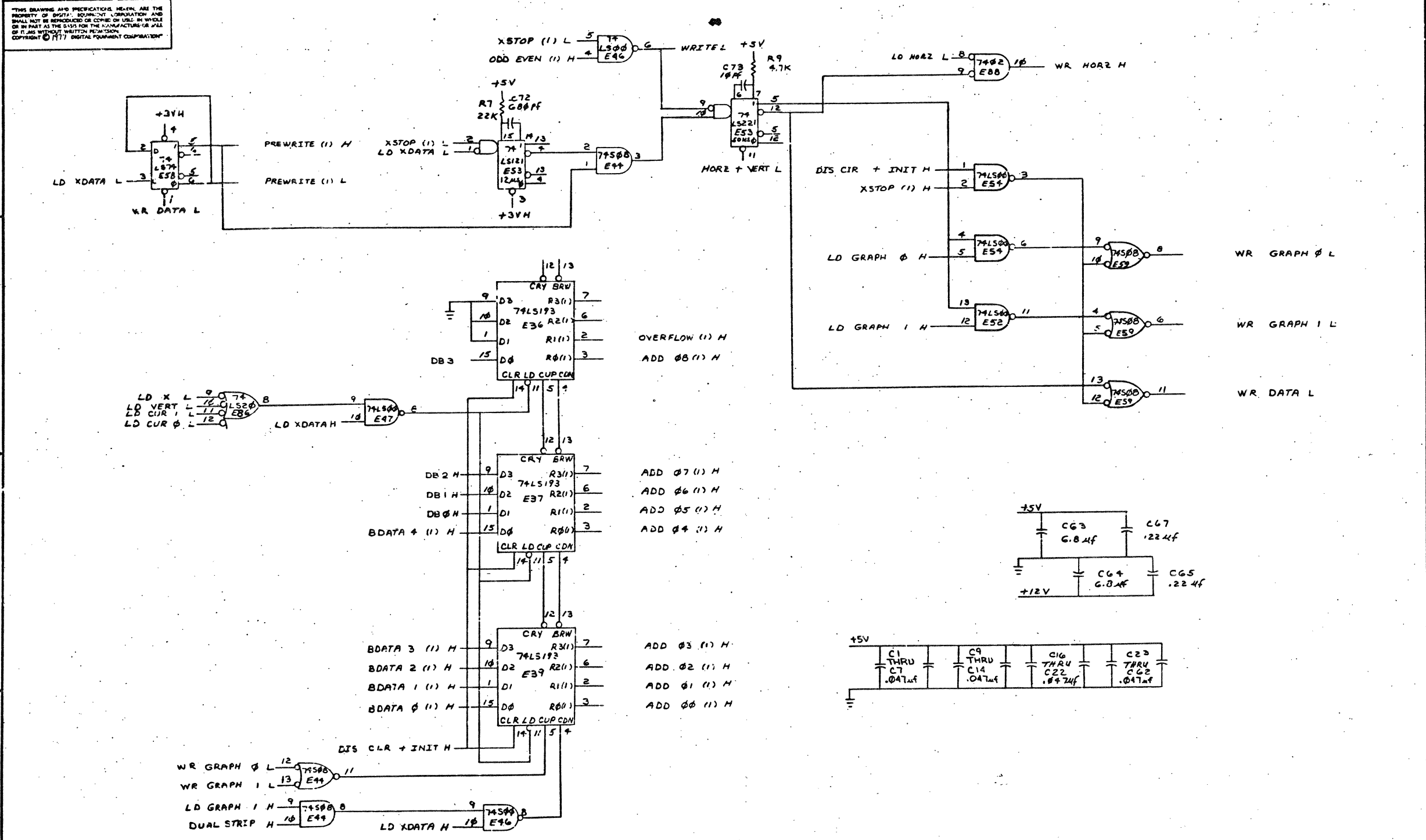


DB 2 H	13	D5	Q5	12	BASE 17 (1) H
DB 1 H	14	D6	Q6	15	BASE 16 (1) H
DB 0 H	17	D7	Q7	16	BASE 15 (1) H
BDATA 4 (1) H	18	D8	Q8	19	BASE 14 (1) H
BDATA 3 (1) H	8	D9	Q9	9	BASE 13 (1) H
BDATA 2 (1) H	7	D3	Q3	6	BASE 12 (1) H
BDATA 1 (1) H	4	D2	Q2	5	BASE 11 (1) H
BDATA 0 (1) H	3	D1	Q1	2	BASE 10 (1) H

DB 4 H	13	D4	R4(1)	12	DUAL STRIP H
DB 3 H	14	D5	R5(1)	15	STRIP H
DB 2 H	6	D2	R2(1)	7	BASELINE ENA 01 (1) H
DB 1 H	4	D1	R1(1)	5	BASELINE ENA 00 (1) H
DB 0 H	3	D0	R0(1)	2	BASELINE CTRL (1) H

DB 2 H	13	D5	Q5	12	BASE 07 (1) H
DB 1 H	14	D6	Q6	15	BASE 06 (1) H
DB 0 H	17	D7	Q7	16	BASE 05 (1) H
BDATA 4 (1) H	18	D8	Q8	19	BASE 04 (1) H
BDATA 3 (1) H	8	D4	Q4	9	BASE 03 (1) H
BDATA 2 (1) H	7	D3	Q3	6	BASE 02 (1) H
BDATA 1 (1) H	4	D2	Q2	5	BASE 01 (1) H
BDATA 0 (1) H	3	D1	Q1	2	BASE 00 (1) H

THIS DRAWING AND SPECIFICATIONS HEREIN, ARE THE PROPERTY OF DIGITAL EQUIPMENT CORPORATION AND SHALL NOT BE REPRODUCED OR COPIED IN WHOLE OR IN PART AS THE BASIS FOR THE MANUFACTURE OR SALE OF ITEMS WITHOUT WRITTEN PERMISSION. COPYRIGHT © 1977 DIGITAL EQUIPMENT CORPORATION

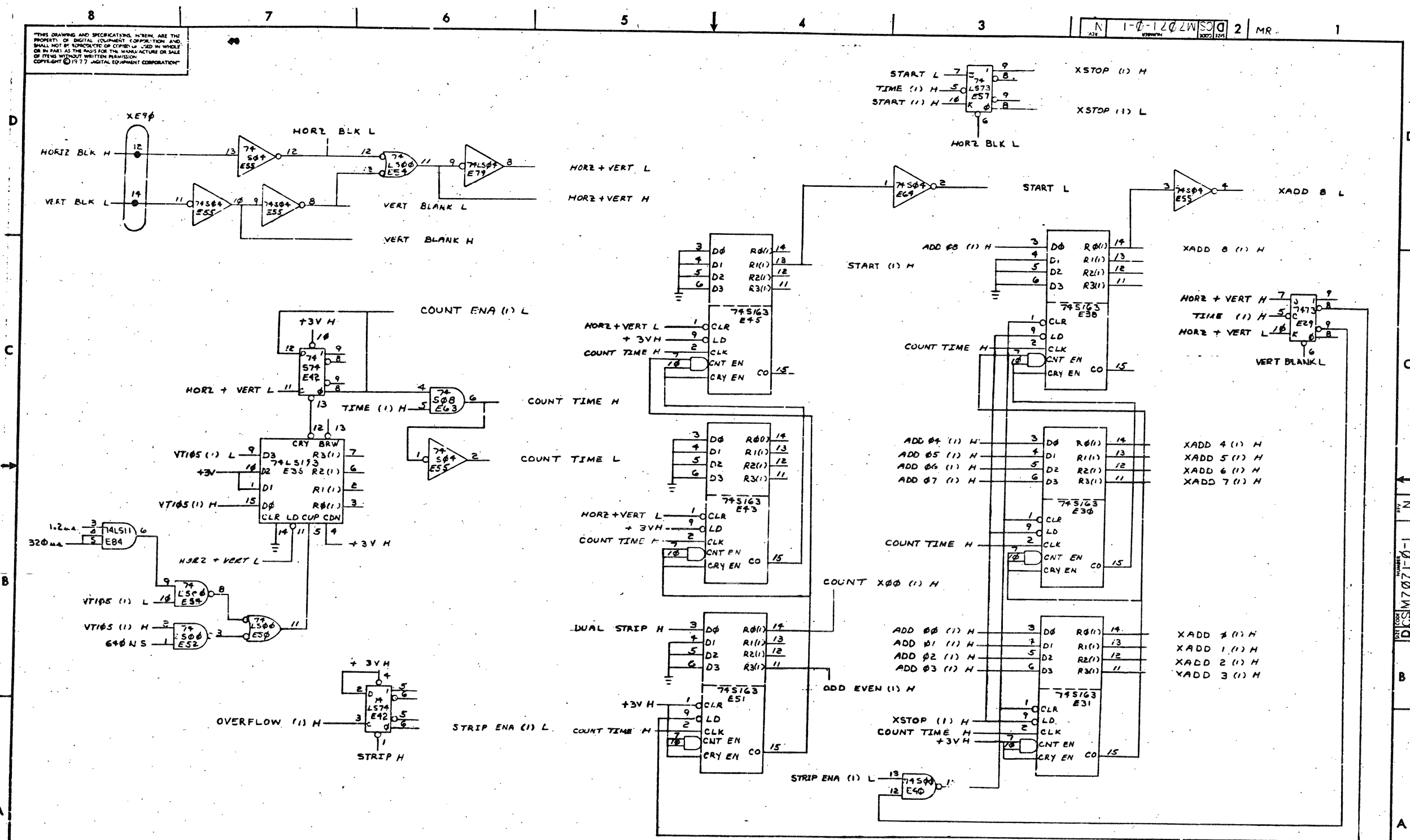


CHK	CHANGE NO.	REV

TITLE	WAVEFORM GENERATOR	SIZE/CODE	NUMBER	REV.
SCALE	SHEET 6 OF 8	DIST.	DCSM7071-0-1	N

THIS DRAWING AND SPECIFICATIONS HEREIN ARE THE PROPERTY OF DIGITAL EQUIPMENT CORPORATION AND SHALL NOT BE REPRODUCED OR COPIED IN WHOLE OR IN PART AS THE BASIS FOR THE MANUFACTURE OR SALE OF ITEMS WITHOUT WRITTEN PERMISSION. COPYRIGHT © 1977 DIGITAL EQUIPMENT CORPORATION.

N 1-0-1202W SQD 2 MR 1

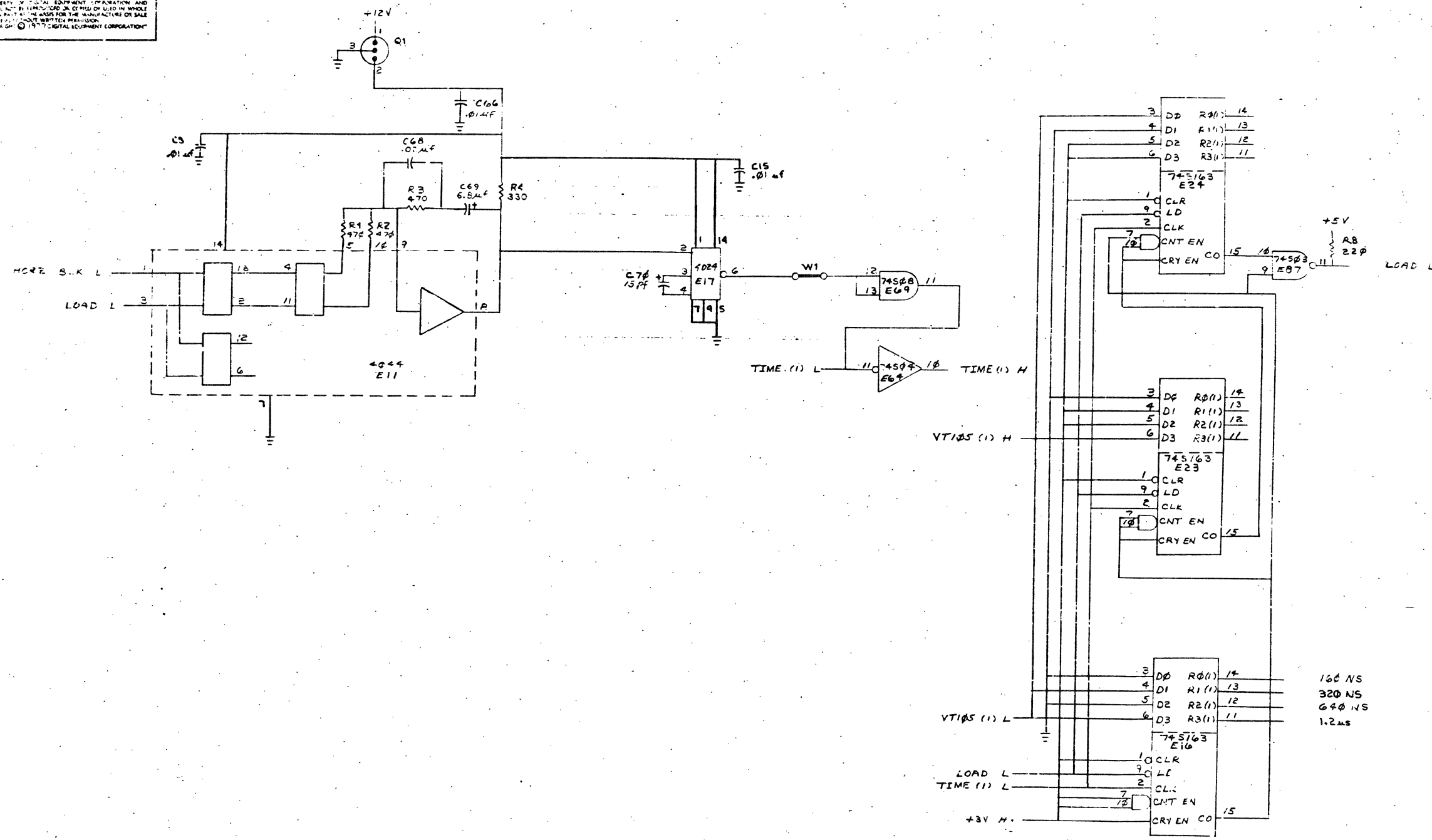


REVISIONS		
CHK	CHANGE NO	REV

TITLE WAVEFORM GENERATOR  
 SCALE SHEET 7 OF 8  
 SIZE CODE DCSM7071-0-1  
 NUMBER N  
 REV. N

DCSM7071-0-1

THIS DRAWING AND SPECIFICATIONS HEREIN ARE THE PROPERTY OF DIGITAL EQUIPMENT CORPORATION AND SHALL NOT BE REPRODUCED OR USED IN WHOLE OR IN PART AS THE BASIS FOR THE MANUFACTURE OR SALE OF IDENTICAL OR SIMILAR DEVICES WITHOUT THE WRITTEN PERMISSION OF DIGITAL EQUIPMENT CORPORATION.



REVISIONS		
CHG	CHANGE NO	REV

TITLE	WAVEFORM GENERATOR	SIZE CODE	DCS	NUMBER	M7071-0-1	REV.	N
SCALE		SHEET	8 OF 8	DIST.			