

THE MATERIAL HEREIN IS FOR INFORMATION PURPOSES ONLY AND IS SUBJECT TO CHANGE WITHOUT NOTICE. DIGITAL EQUIPMENT CORPORATION ASSUMES NO RESPONSIBILITY FOR ANY ERRORS WHICH MAY APPEAR HEREIN.

# FIELD MAINTENANCE PRINT SET

"THIS DRAWING AND SPECIFICATIONS, HEREIN, ARE THE PROPERTY OF DIGITAL EQUIPMENT CORPORATION AND SHALL NOT BE REPRODUCED OR COPIED OR USED IN WHOLE OR IN PART AS THE BASIS FOR THE MANUFACTURE OR SALE OF ITEMS WITHOUT WRITTEN PERMISSION. COPYRIGHT © DIGITAL EQUIPMENT CORPORATION." 1983

## TABLE OF CONTENTS

B-TC-VT240-0-1	FIELD MAINTENANCE PRINT SET(MP)
B-DD-VT240-0-0	UNIT ASSY VT240(DD)
K-PL-VT240-0-00P	UNIT ASSY VT240(pl)
MP-01597-00	PRINT SET VS240
MP-01395-00	PRINT SET LK201
MP-01410-00	PRINT SET VR201
B-PL-VT240-0-0	SHIPPING LIST

UNIT VARIATIONS COVERED BY THIS PRINT SET
VT240-A
VT240-B
VT240-C

VT240  
**Field Maintenance  
Print Set**  
  
**Digital Equipment  
Corporation**

Print Set Part Number MP- 01807-01

REV. A  
VT240-0-1  
TC  
B

REVISION HISTORY	REV.	A	TITLE		digital			
	ECO NUMBER	INITIAL	DRN.	S. Gilcher	DATE	19 OCT 83		
	DATE	19OCT83	CHK'D.	R. Lester	DATE	19 OCT 83		
			DES. ENG.	J. Spano	DATE	19 OCT 83		
			RESP. ENG.	J. Spano	DATE	19 OCT 83		
			FIELD SERVICE	D. Sanborn	DATE	19 OCT 83		
			NEXT HIGHER DOC.	B-DD-VT240-0-0		DOCUMENT NUMBER		
			SIZE	CODE	NUMBER	REV.		
			B	TC	VT240-0-1	A		
							SHEET 1 OF 1	



DRAWING NO.	NO. OF SHTS.	PART NO.	DESCRIPTION	REVISIONS															
				A1	A2														
		VT240-A	VS240-A(SYS BOX, UNIV PWR) VR201-A (B/W) REQS VT24K-XX	A1	A2														
K-PL-VT240-O-DBP	1		UNIT ASSY VT240	A	B														
A-SP-VT240-O-0	459		VT240 SPECIFICATION	A	A														
B-PL-VT240-O-0	1		SHIPPING LIST	A	A														
		MP01807-01	PRINT SET	REF	REF														
B-TC-VT240-O-1	1		TABLE OF CONTENTS	A	A														
		VT240-B	VS240-A(SYS BOX, UNIV PWR) VR201-B (B/GREEN) REQS VT24K-XX	A1	A2														
K-PL-VT240-O-DBP	1		UNIT ASSY VT240	A	B														
A-SP-VT240-O-0	459		VT240 SPECIFICATIONS	A	A														
B-PL-VT240-O-0	1		SHIPPING LIST	A	A														
		MP01807-01	PRINT SET	REF	REF														
B-TC-VT240-O-1			TABLE OF CONTENTS	A	A														
		VT240-C	VS240-A(SYS BOX, UNIV PWR) VR201-C (B/Amber) REQS VT24K-XX	A1	A2														
K-PL-VT240-O-DBP	1		UNIT ASSY VT240	A1	B														
A-SP-VT240-O-0	459		VT240 SPECIFICATION	A	A														
B-PL-VT240-O-0	1		SHIPPING LIST	A	A														
		MP01807-01	PRINT SET	REF	REF														
B-TC-VT240-0-1	1		TABLE OF CONTENTS	A	A														

**NOTES:**

REVISION HISTORY		DATE	ECO NO.	REV.	INITIAL
		19 OCT 83		A	
		03 MAR 84	ML001	B	

THIS DRAWING AND THE SPECIFICATIONS CONTAINED HEREIN ARE CONFIDENTIAL AND PROPRIETARY. THEY ARE THE PROPERTY OF DIGITAL EQUIPMENT CORPORATION AND SHALL NOT BE REPRODUCED OR COPIED OR USED IN WHOLE OR IN PART AS THE BASIS FOR THE MANUFACTURE OR SALE OF ITEMS WITHOUT WRITTEN PERMISSION. THIS IS AN UNPUBLISHED WORK PROTECTED UNDER THE FEDERAL COPYRIGHT LAWS. 1983



DRN. S. Gilcher	DATE 19 OCT 83	TITLE	
CHK'D R. Lester	DATE 19 OCT 83	UNIT ASSY VT240	
DES. ENG. J. Spano	DATE 19 OCT 83	DOCUMENT NUMBER	
RESP. ENG. J. Spano	DATE 19 OCT 83	SIZE B	CODE DD
MFG. ENG. C. Morris	DATE 19 OCT 83	NUMBER VT240-0-0	REV. B
		SHEET 1	OF 1

AUTOMATED BY PRTLST.4Q(50)

PARTS LIST

SHEET A1 OF A1

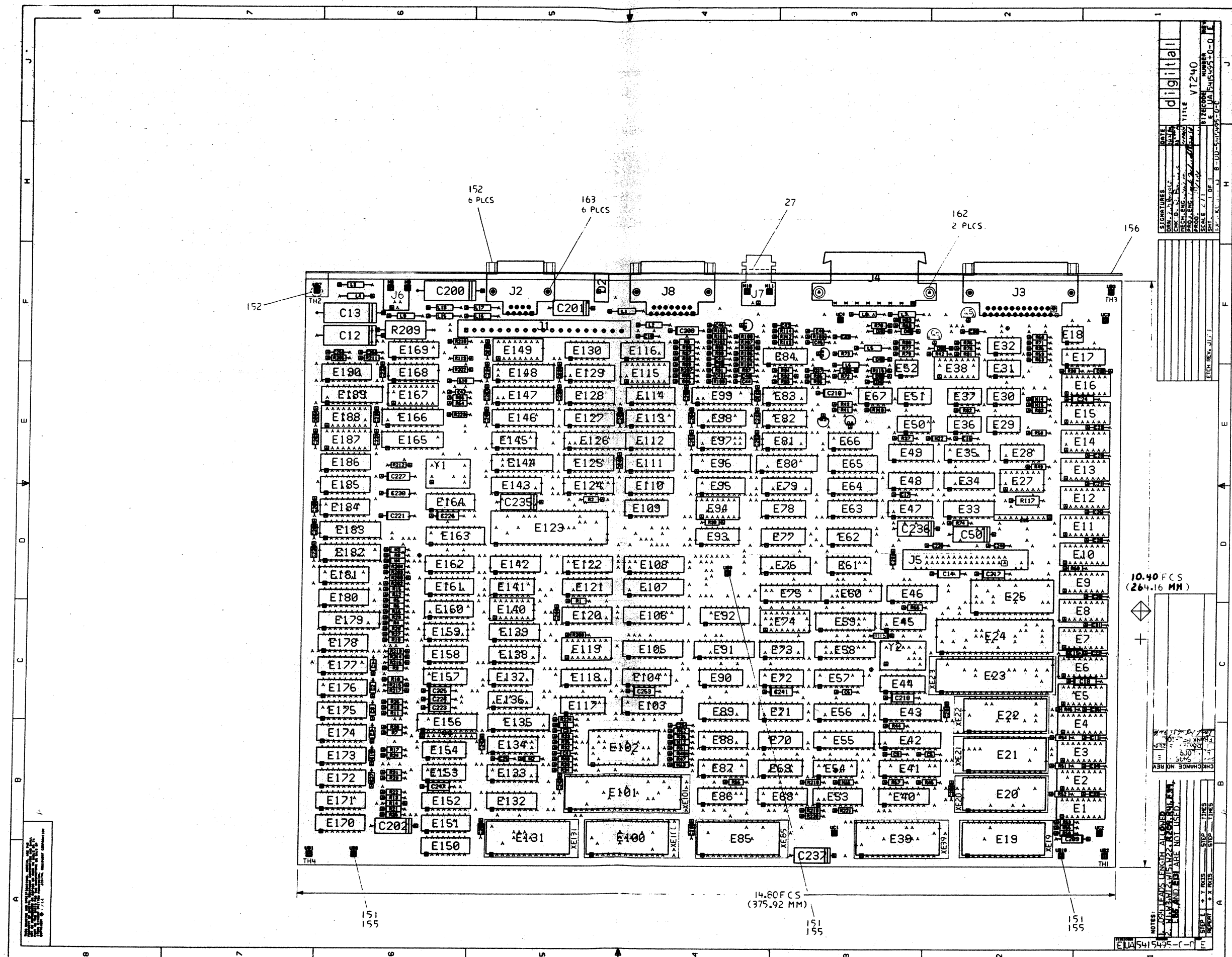
LINE	ITEM	TOP DOCUMENT	PART NUMBER	MIN REV	DESCRIPTION	QTY PER VARIATION		
						A	B	C
1	1	K-PL-VS240-0-DBP	VS240-A	B	CONTROL FOR VT240 W DC310(21-173	1	1	1
2	2	K-PL-VR201-0-DBP	VR201-A		12" QUARTER PAGE MONOCHROME MONI	1	-	-
3	3	K-PL-VR201-0-DBP	VR201-B		12" QUARTER PAGE MONOCHROME MONI	-	1	-
4	4	K-PL-VR201-0-DBP	VR201-C		12" QUARTER PAGE MONOCHROME MON, A	-	-	1
5	5		BCC02-02		VR201 MONITOR CABLE, 2 FT	1	1	1
6	6	K-PL-VT24K-A-DBP			VT24K KEYBOARD COUNTRY KIT	1	1	1

VARIATION REVISION LEVEL:

7 NOTE: FOR APPLICABLE COUNTRY KIT REFER TO PARTS LIST INDICATED IN ITEM #6

REVISION HISTORY			BASIC PART NO: VT240		DRN: M. HUNT		DATE: 19-OCT-83		D I G I T A L	
ENG	ECO NUMBER	REV	SECTION A OF A	CHK'D:	R. LESTER	DATE:	19-OCT-83	TITLE PARTS LIST		
FM	VT240-0-MLO01	B	SECTION VARIATION INDEX [A] A, B, C	DES. ENG:	J. SPANO	DATE:	17-OCT-83	SIZE:	CODE:	DOCUMENT NUMBER
			[B]	RESP. ENG.:	J. SPANO	DATE:	17-OCT-83	K	PL	VT240-0-DBP
			[C]	MFG. ENG.:	C. MORRIS	DATE:	17-OCT-83	RELEASE DATE: 12-MAR-84		
			[D]	ASSEMBLY NUMBER:	K-PL-VT240-0-DBP	TOP DOCUMENT NUMBER:	B-DD-VT240-0-0	FILE NAME:	Z8036B.PLS	EDIT #:
			[E]							16
			[F]							

THIS DRAWING AND THE SPECIFICATIONS CONTAINED HEREIN ARE CONFIDENTIAL AND PROPRIETARY. THEY ARE THE PROPERTY OF DIGITAL EQUIPMENT CORPORATION AND SHALL NOT BE REPRODUCED OR COPIED OR USED IN WHOLE OR IN PART AS THE BASIS FOR THE MANUFACTURE OR SALE OF ITEMS WITHOUT WRITTEN PERMISSION. THIS IS AN UNPUBLISHED WORK PROTECTED UNDER THE FEDERAL COPYRIGHT LAWS.



DATE	DESIGNED BY	DATE	DESIGNED BY
10/1/72	...	10/1/72	...
CHK'D BY	...	CHK'D BY	...
10/1/72	...	10/1/72	...
PROJ. ENG.	...	PROJ. ENG.	...
10/1/72	...	10/1/72	...
SCALE	1:1	SCALE	1:1
SHEET	1 OF 1	SHEET	1 OF 1
PROJECT	VT240	PROJECT	VT240
REV.	001	REV.	001
DATE	10/1/72	DATE	10/1/72
BY	...	BY	...
CHK'D BY	...	CHK'D BY	...
DATE	10/1/72	DATE	10/1/72
BY	...	BY	...

10.40 FCS  
(264.16 MM)

14.60 FCS  
(375.92 MM)

NOTES:  
1. ALL LEADS LENGTH ALLOWED  
2. DIMENSIONS MUST BE TO CENTER OF PINS  
3. DIMENSIONS MUST BE TO CENTER OF PINS  
4. DIMENSIONS MUST BE TO CENTER OF PINS  
5. DIMENSIONS MUST BE TO CENTER OF PINS  
6. DIMENSIONS MUST BE TO CENTER OF PINS  
7. DIMENSIONS MUST BE TO CENTER OF PINS  
8. DIMENSIONS MUST BE TO CENTER OF PINS  
9. DIMENSIONS MUST BE TO CENTER OF PINS  
10. DIMENSIONS MUST BE TO CENTER OF PINS

151  
155

AUTOMATED BY PRTLST.4Q(50)

PARTS LIST

SHEET A1 OF A5

LINE	ITEM	TOP DOCUMENT	PART NUMBER	MIN REV	DESCRIPTION	QTY	PER VARIATION	REFERENCE DESIGNATOR
					VARIATION REVISION LEVEL:	E1		
1	1		5015494-01		CIRCUIT DRILL AND ETCH	1		
2	2		1001610-00		.01 MFD 50V +80-20% Z5U CER	1		C38
3	3		1010274-02		1 MFD 50V +80-20% CER	1		C15
4	4		1012084-03		150 MFD 15V +75-10% AL EL	1		C12
5	5		1013466-07		220.0 MMF 50V 5% CER	5		C43-C46,C48
6	6		1013466-11		.22 MFD 50V +80-20% Z5U CER	18		C14,C18,C24,C208-C210,C217,C218, C221,C223-C227,C230,C253,C241, C247
7	7		1013466-22		.1 MFD 50V +80-20% Z5U CER	25		C3-C6,C11,C16,C17,C20-C23,C25, C26,C28,C29,C31,C33-C35,C39-C42, C254,C255
8	8		1013466-30		560.0 MMF 50V 5% CER	5		C9,C10,C220,C240,C256
9	9		1013466-40		270.0 MMF 50V 5% NPO CER	2		C36,C37
10	10		1014052-00		100 MFD 25V+100-10% AL EL	2		C13,C200
11	11		1014265-00		.22 MFD 50V +80-20% CER	36		C203-C207,C211-C216,C219,C222, C228,C229,C231,C238,C239, C242-C244,C246,C248-C252,C258, C259,C264,C1,C2,C7,C19,C8,C27
12	12		1016553-00		4.7MFD 25V +75-10% AL EL	5		C201,C202,C235-C237
13	13		1105275-00		PIV= 60 IO=300 MA -15NS	2		D5,D6
14	14		1105610-00		CURRENT LIMIT 1.0 MA	1		D3
15	15		1109443-00		VZ= 5.1 5% 50 W 1N5231B	1		D1
16	16		1113003-00		PIV= 55 IO=200 MA - 4NS 1N5282	1		D4
17	17		1113117-00		VZ= 6.0 5% 1 W 1N4745A	1		D7
18	18		1117373-00		LED ASSY GREEN	1		D2
19	19		1209340-00		MATE-N-LOK 08SKT(1X08) HSG	1		J4
20	20	USED ON J4	1209456-01		MATE-N-LOK 01SKT 20-18AWG .0870D	8		
21	21		1215006-17		SKT,IC 28PIN DIP TIN SOLD	8		XE100,XE131,XE20-XE22,XE19,XE39, XE85
22	22		1215006-18		SKT,IC 40PIN DIP TIN SOLD	2		XE23,XE101

REVISION HISTORY			BASIC PART NO: 5415495			DRN: WALT SUPINSKI			DATE: 10-JUN-83			D I G I T A L					
ENG	ECO NUMBER	REV	SECTION A OF A			CHK'D:	D. BARRIERE			DATE:	10-JUN-83			TITLE	PARTS LIST		
	INITIAL	A	SECTION VARIATION INDEX														
FM	5415495-ML002	B	[A] 01														
FM	5415495-ML003	C	[B]														
FM	5415495-ML004	D	[C]			DES.ENG:	F. MEDRICK			DATE:	10-JUN-83			DOCUMENT NUMBER			
FM	5415495-ML006	E	[D]											SIZE	CODE	NUMBER	REV
FM	5415495-ML007	F	[E]			RESP.ENG.:	F. MEDRICK			DATE:	10-JUN-83			K	PL	5415495-0-DBP	H
FM	5415495-ML009	H	[F]														
			[J]														
			[K]			MFG.ENG.:	M. LUNSTRA			DATE:	10-JUN-83			RELEASE DATE: 11-JUN-84			
			[L]														
			[M]			ASSEMBLY NUMBER:				TOP DOCUMENT NUMBER:				FILE NAME:	EDIT #		
			[N]			E-UA-5415495-0-0				B-DD-5415495-0-0				Z4439H.PLS	29		

"THIS DRAWING AND THE SPECIFICATIONS CONTAINED HEREIN ARE CONFIDENTIAL AND PROPRIETARY. THEY ARE THE PROPERTY OF DIGITAL EQUIPMENT CORPORATION AND SHALL NOT BE REPRODUCED OR COPIED OR USED IN WHOLE OR IN PART AS THE BASIS FOR THE MANUFACTURE OR SALE OF ITEMS WITHOUT WRITTEN PERMISSION. THIS IS AN UNPUBLISHED WORK PROTECTED UNDER THE FEDERAL COPYRIGHT LAWS."

LINE	ITEM	TOP DOCUMENT	PART NUMBER	MIN REV	DESCRIPTION	VARIATION REVISION LEVEL:	QTY PER VARIATION	REFERENCE DESIGNATOR
							01	
							E1	
23	23		1218826-00		CONN,PHONE JACK 04 POS		1	J6
24	24		1219066-04		PCB HEADER 30PIN(2X15).100CC STR		1	J5
25	25		1219678-04		*** THIS ITEM IS NOT USED ***		-	
26	26		1219678-05		*** THIS ITEM IS NOT USED ***		-	
27	27		1222292-01		CONN,COAX BNC RCPT 90		1	J7
28	28		1220398-01		CONN,D SUB 9PIN ASSY RT ANGLE		1	J2
29	29		1220398-02		CONN,D SUB 15PIN ASSY RT ANGLE		1	J8
30	30		1220398-03		CONN,D SUB 25PIN ASSY RT ANGLE		1	J3
31	31		1300005-03		R NETWORK 13-10K 5.0 % 14PIN		1	E38
32	32		1300005-07		R NETWORK 15-4.7K 5.0 % 16PIN		1	E63
33	33		1300197-00		33.0 .25 W 5.0 % CF		14	R49-R61,R28
34	34		1300229-00		100.0 .25 W 5.0 % CF		1	R81
35	35		1300250-00		150.0 .25 W 5.0 % CF		1	R71
36	36		1300271-00		220.0 .25 W 5.0 % CF		1	R38
37	37		1300309-00		390.0 .25 W 5.0 % CF		7	R73,R80,R218-R221,R66
38	38		1300316-00		470.0 .25 W 5.0 % CF		2	R32,R33
39	39		1300365-00		1.0 K .25 W 5.0 % CF		7	R1,R35,R69,R70,R65,R30,R31
40	40		1300391-00		1.50 K .25 W 5.0 % CF		1	R74
41	41		1300426-00		*** THIS ITEM IS NOT USED ***		-	
42	42		1300439-00		3.30 K .25 W 5.0 % CF		1	R43
43	43		1300444-00		3.90 K .25 W 5.0 % CF		1	R75
44	44		1300447-00		4.70 K .25 W 5.0 % CF		4	R37,R62,R115,R224
45	45		1300539-00		120.0 K .25 W 5.0 % CF		1	R77
46	46		1301322-00		180.0 .25 W 5.0 % CF		32	R2,R3,R34,R36,R39,R40,R44,R45, R47,R48,R64,R85,R86,R118,R119, R200,R202-R205,R207,R208, R210-R217,R222,R223
47	47		1301327-00		68.0 K .25 W 5.0 % CF		1	R72
48	48		1301401-00		750.0 .25 W 5.0 % CF		1	R76
49	49		1301422-00		7.50 K .25 W 5.0 % CF		1	R78
50	50		1301522-00		27.0 .25 W 5.0 % CF		1	R79
51	51		1301890-00		560.0 .25 W 5.0 % CF		1	R114
52	52		1301972-00		270.0 .25 W 5.0 % CF		1	R42
53	53		1302379-00		75.0 .25 W 5.0 % CF		7	R109,R112,R113,R91,R103,R116,R92
54	54		1318341-19		274.0 .25 W 1.0 % RN550-F10		1	R106
55	55		1302875-00		82.50 .25 W 1.0 % RN55D-F10		4	R89,R94,R98,R104
56	56		1302962-00		200.0 .25 W .10% RN55C-B 5		1	R108
57	57		1303114-00		1.0 K .25 W 1.0 % RN55D-F10		1	R46
58	58		1304837-00		24.0 K .25 W 5.0 % CF		3	R68,R82,R83
59	59		1304841-00		75.0 K .25 W 5.0 % CF		1	R63
60	60		1304858-00		348.0 .25 W 1.0 % RN55D-F10		2	R90,R102
61	61		1305121-00		38.30 .25 W 1.0 % RN55D-F10		4	R93,R99,R105,R190
62	62		1314551-00		442.0 .25 W 1.0 % RN55D-F10		1	R107
63	63		1309293-00		866.0 .25 W .10% RN55E-B 2		3	R88,R97,R101
64	64		1316395-00		R NETWORK 9-4.7K 2.0 % 10PIN		2	E26,E155
65	65		1316837-00		412.0 .25 W 1.0 % RN55D-F10		3	R87,R96,R100
66	66		1318341-23		332.0 .25 W 1.0 % RN550-F10		1	R95
67	67		1503409-00		DEC6534D PNP 310MW SI 40 90		1	Q2

D	I	G	I	T	A	L	TITLE	SECTION A	OF A	SIZE	CODE	DOCUMENT NUMBER	REV
							VT240			K	PL	5415495-0-DBP	H

AUTOMATED BY PRTLST.4Q(50)

PARTS LIST

SHEET A3 OF A5

LINE	ITEM	TOP DOCUMENT	MIN	PART NUMBER	REV	DESCRIPTION	QTY	PER VARIATION	REFERENCE DESIGNATOR
						VARIATION REVISION LEVEL:	01		
							E1		
68	68			1509338-00		DEC6531B NPN 310MW SI 40 90 P	2		Q5,Q6
69	69			1509524-00		2N 3904 NPN 310MW SI 40 40 M	1		Q1
70	70			1510705-00		XA 05 NPN 500MW SI 60 50 P	1		Q4
71	71			1510706-00		XA 55 PNP 500MW SI 60 50 P	1		Q3
72	72			1517999-00		3906 PNP 900MW ARRAY 14PIN	1		E84
73	73			1618238-02		BEAD,FERRITE .1380DX.330LG	13		L1-L8,L15-L18,L9
74	74			1811660-47		OSCILLATOR, XTAL 16.09728 MHZ	1		Y1
75	75			1820210-01		OSCILLATOR, XTAL 7.3728&3.68	1		Y2
76	76			1910532-00		74S00 NAND GATE-QUAD 2IN	3		E49,E159,E109
77	77			1910534-00		74S04 INVERTER GATE-HEX 1I	1		E141
78	78			1910544-00		74S74 FF-D DUAL,EDGE TRIGG	2		E157,E116
79	79			1910545-00		74S112 FF-JK DUAL,EDGE TRIG	1		E160
80	80			1910548-00		74S157 MUX 1 OF 2 (QUAD)	1		E164
81	81			1911641-00	SN	74S257 MUX,QUAD 2 TO 1	6		E129,E87,E120,E128,E132,E151
82	82			1911676-00		74S139 DECODER-DUAL TWO-INP	1		E138
83	83			1911712-00		74S51 AND-OR GATE-INVERT D	1		E140
84	84			1911998-00		4N26 OPTO COUPLED ISLTR	2		E18,E52
85	85			1912096-00	DEC	74S86 XOR GATE,QUAD 2IN	1		E94
86	86			1912389-00		74S08 AND GATE-QUAD 2IN,PO	3		E28,E130,E145
87	87			1912536-00		*** THIS ITEM IS NOT USED ***	-		
88	88			1912646-00		LS253 MUX 1 OF 4 (DUAL)	1		E139
89	89			1912647-00		LS257 MUX 1 OF 2 (QUAD)	7		E86,E152,E88,E104,E118,E190,E186
90	90			1912649-00		LS75 LATCH 4BIT,BISTABLE	2		E64,E122
91	91			1912661-00		74S189 MEMORY READ/WRITE	6		E134,E98,E97,E133,E185,E184
92	92			1912799-00		LS00 NAND-GATE-QUAD 2IN,P	1		E47
93	93			1912801-00		LS02 NOR-GATE-QUAD 2IN	1		E70
94	94			1912803-00		LS04 INVERTER GATE,HEX	7		E61,E44,E117,E78,E77,E137,E153
95	95			1912805-00		LS08 AND GATE-QUAD 2IN,PO	2		E72,E66
96	96			1912815-00		LS30 NAND GATE-SINGLE 8IN	1		E154
97	97			1912816-00		LS32 OR GATE-QUAD 2IN,POS	4		E136,E71,E90,E69
98	98			1912820-00		LS51 A-0-I GATE 2-WIDE 2I	1		E93
99	99			1912824-00		LS74 FF-D DUAL,EDGE TRIGG	2		E73,E158
100	100			1912833-00		LS109 FF-JK DUAL,POS EDGE	1		E46
101	101			1912834-00		LS112 FF-JK,DUAL,EDGE TRIG	2		E119,E121
102	102			1912842-00		LS138 DECODER-THREE INPUT,	3		E57,E76,E68
103	103			1912843-00		LS139 DECODER, 2 OF 4(DUAL	2		E89,E34
104	104			1912845-00		LS153 MUX 1 OF 4 (DUAL)	1		E33
105	105			1912846-00		LS155 DECODER,2 OF 4(DUAL)	2		E92,E150
106	106			1912847-00		LS157 MUX 1 OF 2(QUAD)	2		E161,E162
107	107			1912849-00		LS161 COUNTER,SYNCHR,4BIT	1		E169
108	108			1912851-00		LS169 COUNTER,SYNCH. UP/DO	1		E65
109	109			1912863-00		LS273 FF-D OCTAL W/CLEAR	3		E96,E59,E163
110	110			1912867-00		LS298 MUX 1 OF 4,2IN W/S	4		E125,E127,E124,E114
111	111			1913340-00		74S32 OR GATE-QUAD 2IN	3		E35,E48,E62
112	112			1913471-00		LS367 DRIVER,BUS,HEX,TRI-	2		E95,E40
113	113			1913777-00		LS240 DRIVER,LINE,OCTAL,T	2		E80,E135
114	114			1913839-00		LS165 SHIFT REG.,8BIT	1		E79
115	115			1913939-00		LS191 COUNTER,SYNCHR. UP/D	5		E110-E113,E178

D	I	G	I	T	A	L	TITLE	SECTION A	OF A	SIZE	CODE	DOCUMENT NUMBER	REV
							VT240			K	PL	5415495-0-DBP	H



AUTOMATED BY PRTLST.4Q(50)

PARTS LIST

SHEET A4 OF A5

LINE	ITEM	TOP DOCUMENT	PART NUMBER	MIN REV	DESCRIPTION	QTY	PER VARIATION	REFERENCE DESIGNATOR
					VARIATION REVISION LEVEL:	01		
						E1		
116	116		1913948-00		LS40 NAND BUFFER-DUAL 4IN	1		E54
117	117		1914082-00		74S163 COUNTER,SYNCH UP/DOW	1		E168
118	118		1914084-00		74S299 SHIFT REG.,8BIT RIGH	4		E147,E146,E166,E165
119	119		1914214-00		LS374 FF-D OCTAL EDGE TRIG	2		E105,E106
120	120		1914560-00		LS368 DRIVER,BUS,HEX,TRI-	1		E167
121	121		1914845-00		2918 FF-D QUAD TRI-STATE	1		E115
122	122		1915193-00		LS244 DRIVER,LINE,OCTAL,T	3		E60,E58,E179
123	123		1915218-00		LS245 TRANSCEIVER,BUS,OCT	3		E107,E108,E55
124	124		1915219-01		LS373 FF-D,OCTAL,TRI-STATE	9		E126,E144,E41-E43,E91,E103,E75, E156
							CONT	
125	125		1915415-00		9636 DRIVER,DUAL,EIA RS-	4		E31,E51,E29,E32
126	126		1916139-00		LS126A BUS DRIVER,QUAD	1		E45
127	127		1918194-00		LS92 COUNTER,DIVIDE BY 12	1		E27
128	128		1918868-00		LS26 NAND GATE,2-IN,HIGH	1		E17
129	129		1919542-01		9639 RECEIVER,LINE,DUAL	4		E37,E30,E36,E67
130	130		1920442-01		74F374 FF-D,OCTAL,TRI-STATE	3		E189,E99,E148
131	131		2113107-01	P	8251A PUSART COMM. INTERFA	1		E25
132	132		2114897-01		16K MOS RAM 200NS 1	16		E1-E16
133	133		2116962-00		UP,8-BTT NMOS 8MICRO SEC. INSTR	1		E101
134	134		2117311-01		T-11 MICROPROCESSOR W/LSI-	1		E23
135	135		2117872-02		RAM 2KX8 I/O MUXD 12	1		E102
136	136		2118470-02		4864-2 MOS RAM 64K X1,150	8		E170-E177
137	137		2119771-01		CONTROLLER,GRAPHICS	1		E123
138	138		2120068-01		2681 REC./TRANS.,ASYNC.,D	1		E24
139	139		2120263-01		2212 RAM 256X4 NON-VOLATI	1		E56
140	140		23E5 -02		*** THIS ITEM IS NOT USED ***	-		
141	141		23087J5-00	J5-01	PAL,LOGIC DRIV	2		E182,E183
142	142		23351A1-00	A1-08		1		E149
143	143		23352A1-00	A1-08		1		E187
144	144		23369A1-00	A1-08		1		E53
145	145		23370A1-00	A1-08		1		E188
146	146		23994A9-00	A9-01		1		E74
147	147		9009185-00		JUMPER, WIRE, INSULATED, BLACK B	6		W2,W4,W13,W14,W16,W23
148	148		1216652-13		PCB,HEADER 19PIN(1X19).156CC STR	1		J1
149	149		1913887-00		74S258 MUX 1 OF 2(QUAD)TRI	2		E180,E181
150	150		1912848-00		LS158 MUX 1 OF 2 (QUAD)	2		E142,E143
151	151		9009966-00		GROMMET,SNAP-IN POLYCARBONAT	3		
152	152		9008451-06		SCREW,JACK HEX WASHER	7		
153	153		9006655-00		*** THIS ITEM IS NOT USED ***	-		
154	154		9009280-00		*** THIS ITEM IS NOT USED ***	-		
155	155		9009963-00		PLUNGER, 1/4 DIA	3		
156	156		7428423-01		PLATE,RETAINER	1		
157	157		1911637-00		74132 NAND GATE-QUAD 2 IN	3		E81,E82,E83
158	158		1013466-04		33.0 MMF 50V 5% CER	1		C47
159	159		1302602-00		56.0 .25 W 5.0 % CF	25		R4-R27,R29
160	160		1219857-03		STANDOFF,NYLON	4		UC1,UC2,UC3,UC4
161	161	BLANK				0		
162	162		9000024-01		EYELET,ROLLED 0.1210DX0.192	2		

D	I	G	I	T	A	L	TITLE	VT240	SECTION A	OF A	SIZE	CODE	DOCUMENT NUMBER	REV
											K	PL	5415495-0-DBP	H

AUTOMATED BY PRTLST.4Q(50)

PARTS LIST

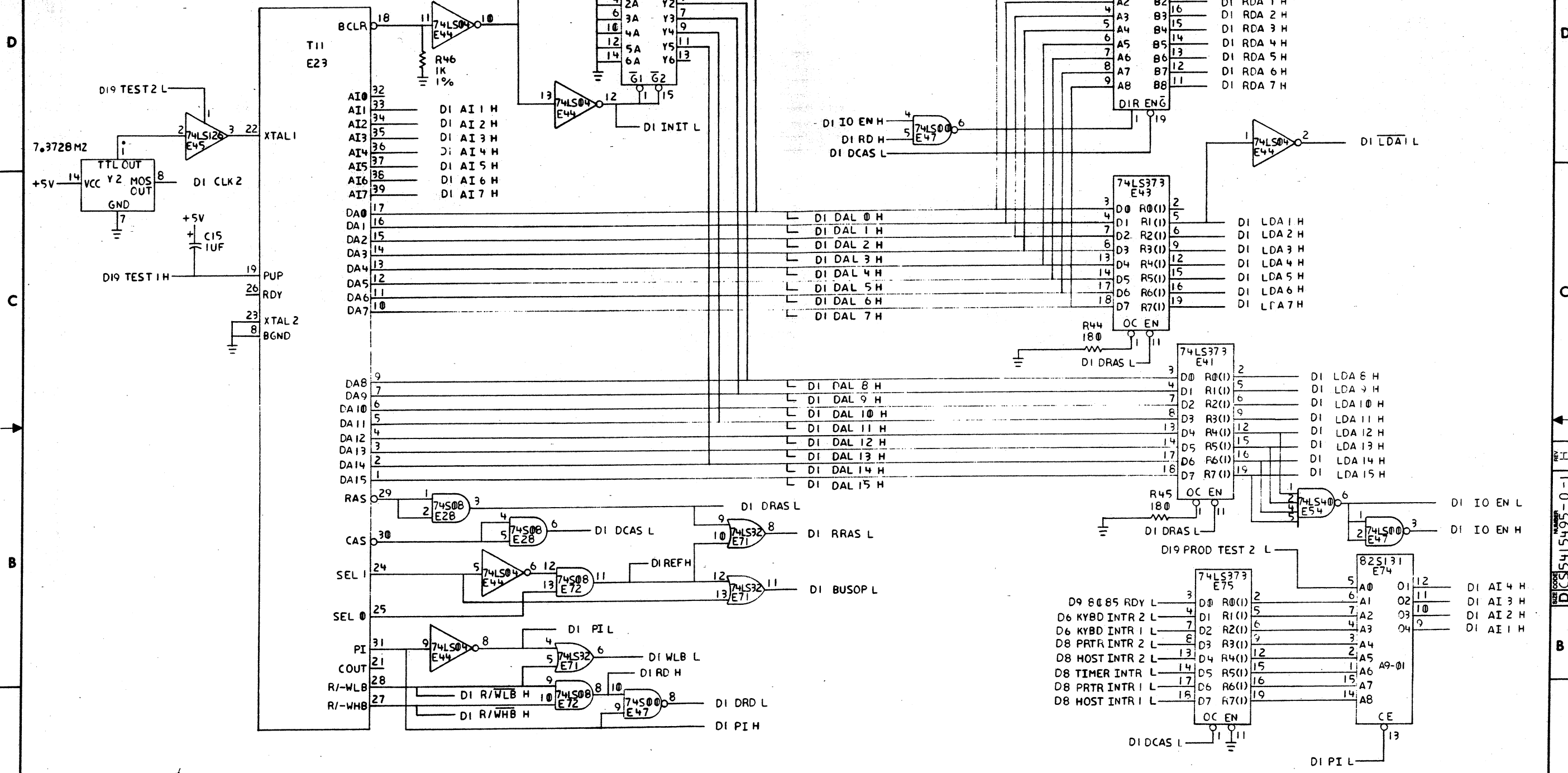
SHEET A5 OF A5

LINE	ITEM	TOP DOCUMENT	PART NUMBER	MIN REV	DESCRIPTION	QTY	PER VARIATION	REFERENCE DESIGNATOR
					VARIATION REVISION LEVEL:	01		
						E1		
163	163		9006732-00		EYELET,ROLLED 0.1210DX0.219	6		
164	164		1105796-00		PIV= 400 IO= 1.00A 1N4004 DO-41	1		D8
165	165		1016549-00		47 MFD 10V +50-10% AL EL	1		C50
166	166		1302336-00		39.0 .50 W 5.0 % CF	1		R117
167	167		1217000-00		*** THIS ITEM IS NOT USED ***	-		
168	168		9107560-01		WIRE,BUSS 22AWG TIN BARE	A/R		
169	169		1618437-00		BEAD,FERRITE .23600X.394LG	1		L10
170	170		23003E5-00		*** THIS ITEM IS NOT USED ***	-		
171	171		23004E5-00		*** THIS ITEM IS NOT USED ***	-		
172	172		23005E5-00		*** THIS ITEM IS NOT USED ***	-		
173	173		23006E5-00		*** THIS ITEM IS NOT USED ***	-		
174	174		23007E5-00		*** THIS ITEM IS NOT USED ***	-		
175	175		23008E5-00		*** THIS ITEM IS NOT USED ***	-		
176	176		23009E5-00		*** THIS ITEM IS NOT USED ***	-		
177	177		23010E5-00		*** THIS ITEM IS NOT USED ***	-		
178	178		9105740-55		*** THIS ITEM IS NOT USED ***	-		
179	179		1919542-02		DEC 9639 RECEIVER,LINE,DUAL	1		E50
180	180		23002E6-00	A	E6-01	1		E22
181	181		23001E6-00	A	E6-01	1		E20
182	182		23048E5-00	A	*** THIS ITEM IS NOT USED ***	-		
183	183		23049E5-00	A	*** THIS ITEM IS NOT USED ***	-		
184	184		23003E6-00	A	E6-01	1		E100
185	185		9107267-11		*** THIS ITEM IS NOT USED ***	-		
186	186		23071E5-00		E5-01	1		E19
187	187		23072E5-00		E5-01	1		E21

- 188 NOTE: XJ2,XJ8,XJ3 INSTALL 2 PART NUMBER 9006732-00.
- 189 NOTE: P/N 21-14927-01 IS AN ALT. FOR PRIME P/N 21-14897-01. MIXING OF PRIME AND ALT. PARTS NOT ALLOWED.
- 190 NOTE: NOTE 3A - P/N 2118472-02 AND 2118467-02 IS AN ALT. PART FOR PRIME P/N 2118470-02,
- 191 NOTE: NOTE 3B - MIXING OF PRIME AND/OR ALT. PARTS NOT ALLOWED.
- 192 NOTE: XJA INSTALL 2 PART 9000024.01
- 193 NOTE: 4- X1618437-00 USES 9107560-01 WIRE FOR 1.5 TURN BEAD.

D I G I T A L	TITLE	SECTION A OF A	SIZE	CODE	DOCUMENT NUMBER	REV
	VT240		K	PL	5415495-0-DBP	H

THIS DRAWING AND SPECIFICATIONS HEREIN ARE THE PROPERTY OF DIGITAL EQUIPMENT CORPORATION AND SHALL NOT BE REPRODUCED OR COPIED OR USED IN WHOLE OR IN PART AS THE BASIS FOR THE MANUFACTURE OR SALE OF ITEMS WITHOUT WRITTEN PERMISSION.  
 COPYRIGHT © 1983 DIGITAL EQUIPMENT CORPORATION



REV.	ECO NUMBER	DATE	BY
B	5415495-M1002	7/73	F. MEDRICK
C	5415495-M1003	1/74	F. MEDRICK
D	5415495-M1004	3/74	F. MEDRICK
E	5415495-M1005	3-7-84	F. MEDRICK
F	5415495-M1006	3-21-84	F. MEDRICK
G	5415495-M1007	3-21-84	F. MEDRICK
H	5415495-M1008	3-21-84	F. MEDRICK
I	5415495-M1009	3-21-84	F. MEDRICK
J	5415495-M1010	3-21-84	F. MEDRICK
K	5415495-M1011	3-21-84	F. MEDRICK
L	5415495-M1012	3-21-84	F. MEDRICK
M	5415495-M1013	3-21-84	F. MEDRICK
N	5415495-M1014	3-21-84	F. MEDRICK
O	5415495-M1015	3-21-84	F. MEDRICK
P	5415495-M1016	3-21-84	F. MEDRICK
Q	5415495-M1017	3-21-84	F. MEDRICK
R	5415495-M1018	3-21-84	F. MEDRICK
S	5415495-M1019	3-21-84	F. MEDRICK
T	5415495-M1020	3-21-84	F. MEDRICK

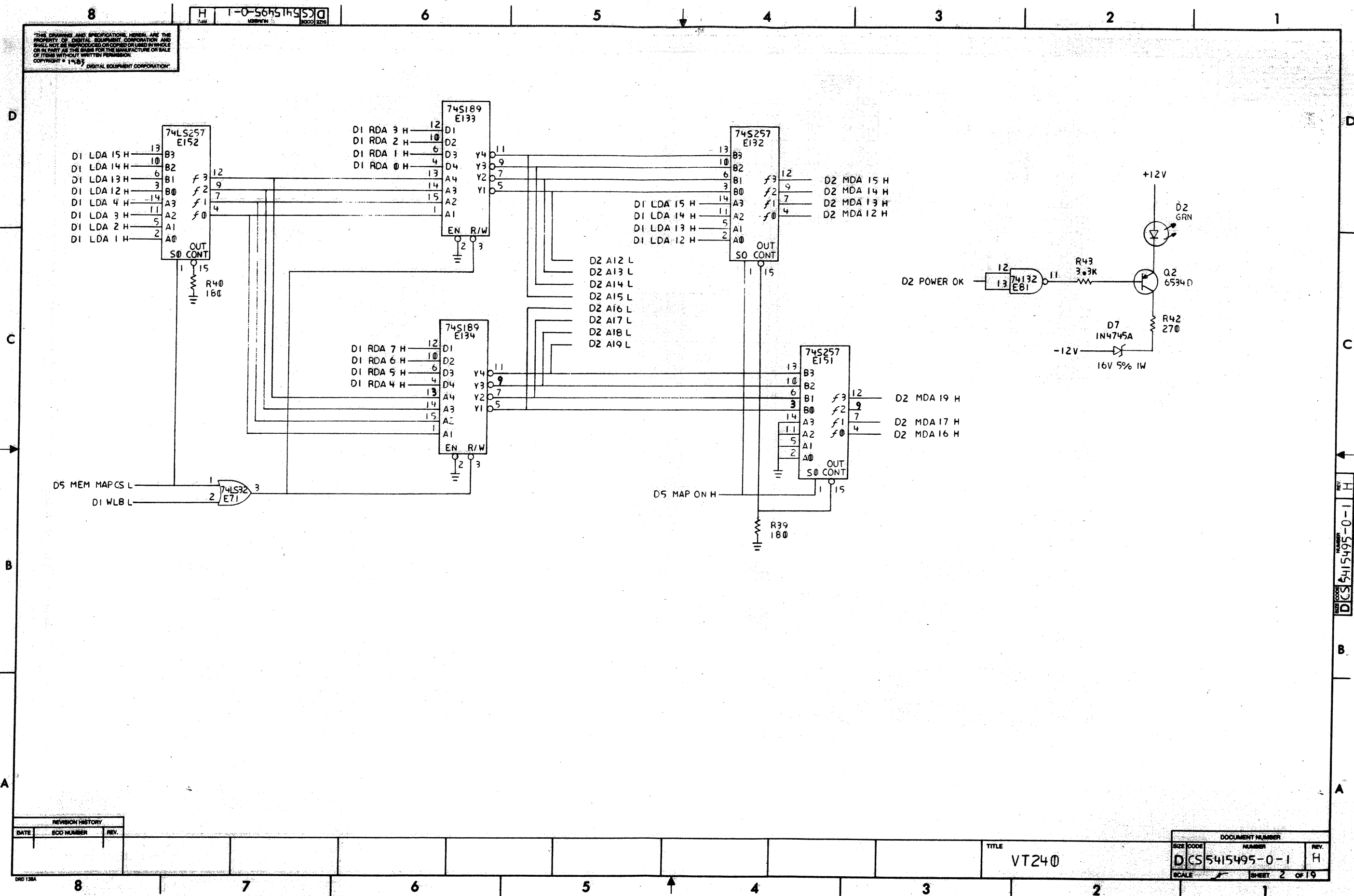
DRW. S. D'Angeli	DATE 16 FEB 83	TITLE digital
CHKD. /	DATE	VT240
DES. ENG. /	DATE	
REP. ENG. /	DATE	
MFG. ENG. /	DATE	
TEST. ENG. /	DATE	
DOCUMENT NUMBER		
SIZE CODE	FLAG	REV.
D	CS	5415495-0-1
B-DD-5415495-0		H
SCALE NONE	SHEET	OF 19

REV. H  
DCS 5415495-0-1

B

A

THE DRAWING AND SPECIFICATIONS HEREIN ARE THE PROPERTY OF DIGITAL EQUIPMENT CORPORATION AND SHALL NOT BE REPRODUCED OR COPIED IN WHOLE OR IN PART AS THE BASIS FOR THE MANUFACTURE OR SALE OF ITEMS WITHOUT WRITTEN PERMISSION. COPYRIGHT © 1973 DIGITAL EQUIPMENT CORPORATION.



REVISION HISTORY		
DATE	ECO NUMBER	REV.

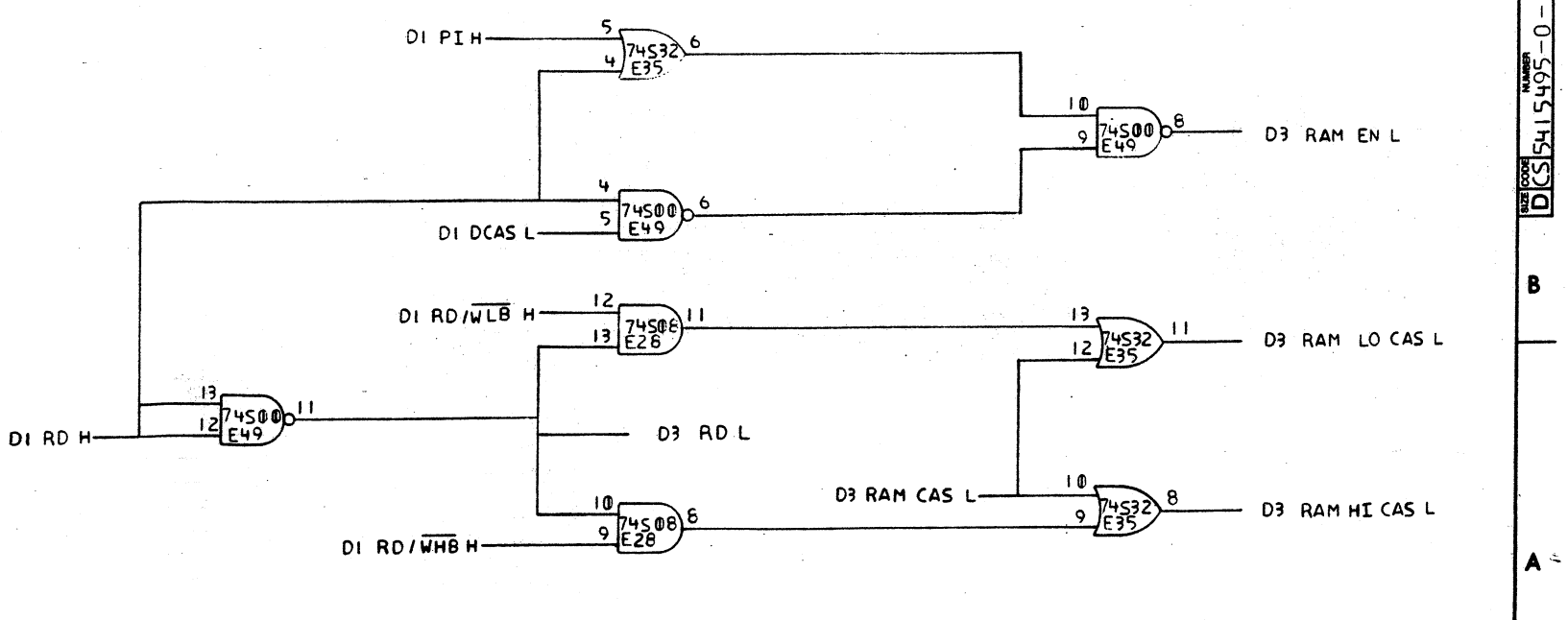
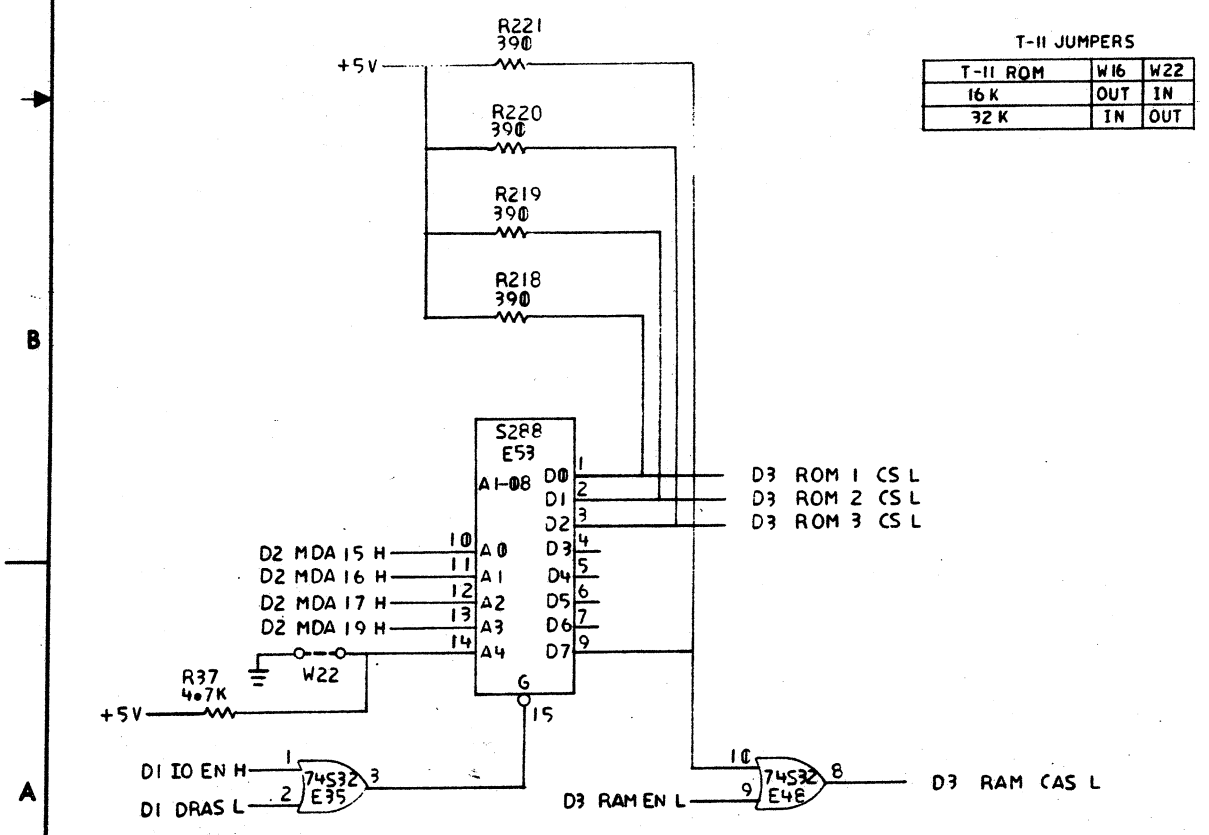
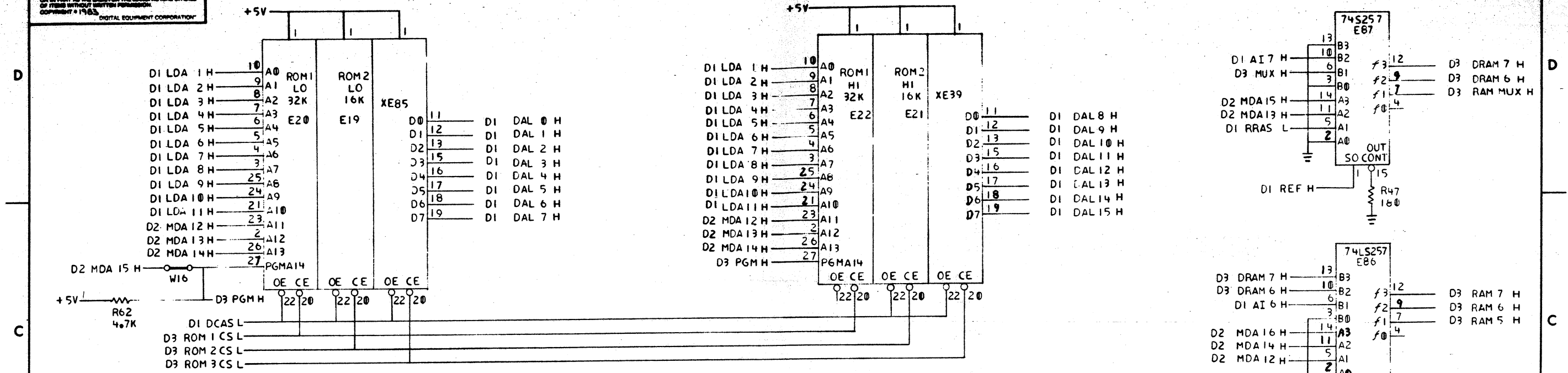
TITLE  
VT240

DOCUMENT NUMBER		
SIZE CODE	NUMBER	REV.
D	CS5415495-0-1	H
SCALE	SHEET 2 OF 19	

DCS 5415495-0-1 H  
 REV. H

THIS DRAWING AND SPECIFICATIONS HEREIN ARE THE PROPERTY OF DIGITAL EQUIPMENT CORPORATION AND SHALL NOT BE REPRODUCED OR COPIED OR USED IN WHOLE OR IN PART AS THE BASIS FOR THE MANUFACTURE OR SALE OF ITEMS WITHOUT WRITTEN PERMISSION. COPYRIGHT © 1983. DIGITAL EQUIPMENT CORPORATION

H 1-0-56h51h550

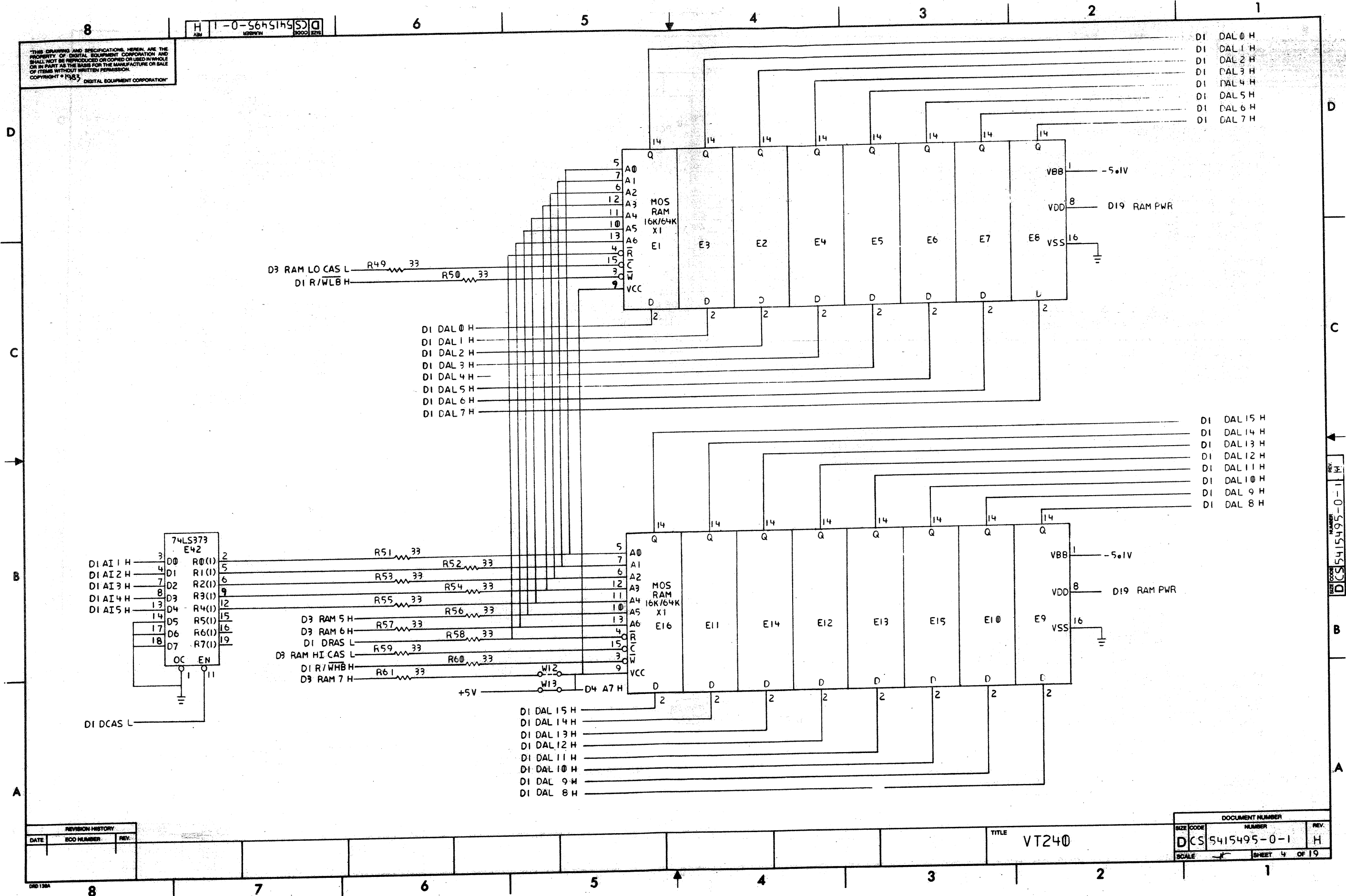


REVISION HISTORY		
DATE	ECO NUMBER	REV.

DCS 5415495-0-1 H

THIS DRAWING AND SPECIFICATIONS HEREIN ARE THE PROPERTY OF DIGITAL EQUIPMENT CORPORATION AND SHALL NOT BE REPRODUCED OR COPIED OR USED IN WHOLE OR IN PART AS THE BASIS FOR THE MANUFACTURE OR SALE OF ITEMS WITHOUT WRITTEN PERMISSION.  
 COPYRIGHT © 1985  
 DIGITAL EQUIPMENT CORPORATION

H 1-0-565145 [S] [D]  
 180000 0205



DI DAL 0 H  
 DI DAL 1 H  
 DI DAL 2 H  
 DI DAL 3 H  
 DI DAL 4 H  
 DI DAL 5 H  
 DI DAL 6 H  
 DI DAL 7 H

DI DAL 0 H  
 DI DAL 1 H  
 DI DAL 2 H  
 DI DAL 3 H  
 DI DAL 4 H  
 DI DAL 5 H  
 DI DAL 6 H  
 DI DAL 7 H

DI DAL 15 H  
 DI DAL 14 H  
 DI DAL 13 H  
 DI DAL 12 H  
 DI DAL 11 H  
 DI DAL 10 H  
 DI DAL 9 H  
 DI DAL 8 H

DI AI 1 H  
 DI AI 2 H  
 DI AI 3 H  
 DI AI 4 H  
 DI AI 5 H  
 DI DCAS L

D3 RAM 5 H  
 D3 RAM 6 H  
 DI DRAS L  
 D3 RAM HI CAS L  
 DI R/WB H  
 D3 RAM 7 H

DI DAL 15 H  
 DI DAL 14 H  
 DI DAL 13 H  
 DI DAL 12 H  
 DI DAL 11 H  
 DI DAL 10 H  
 DI DAL 9 H  
 DI DAL 8 H

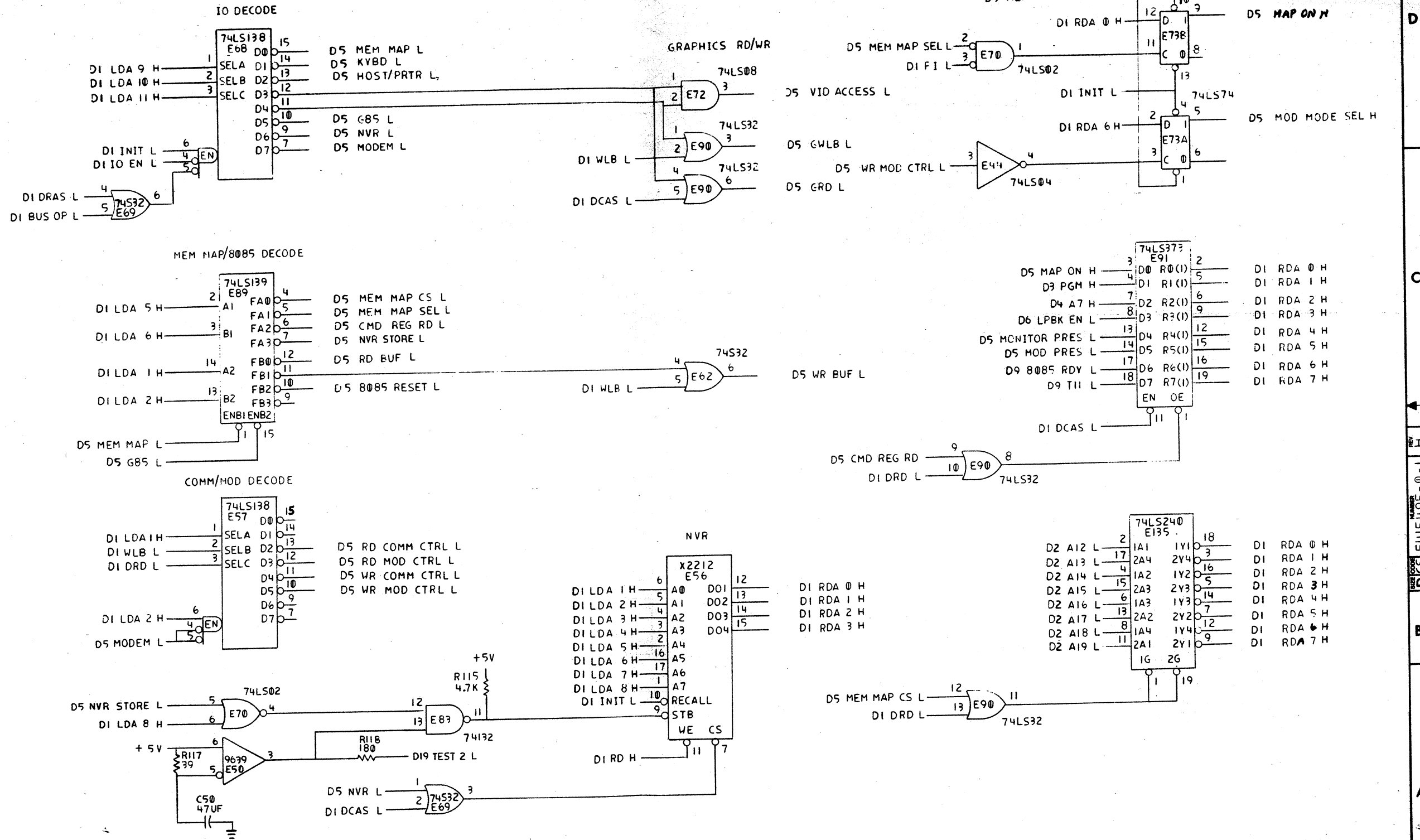
REVISION HISTORY		
DATE	ECC NUMBER	REV.

TITLE VT240

DOCUMENT NUMBER		
SIZE CODE	NUMBER	REV.
DCS	5415495-0-1	H
SCALE	SHEET 4 OF 19	

REV. NAME NUMBER DCS 5415495-0-1 H

THIS DRAWING AND SPECIFICATIONS HEREIN ARE THE PROPERTY OF DIGITAL EQUIPMENT CORPORATION AND SHALL NOT BE REPRODUCED OR COPIED OR USED IN WHOLE OR IN PART AS THE BASIS FOR THE MANUFACTURE OR SALE OF ITEMS WITHOUT WRITTEN PERMISSION.  
COPYRIGHT © 1983 DIGITAL EQUIPMENT CORPORATION



REVISION HISTORY		
DATE	ECO NUMBER	REV.

THIS DRAWING AND SPECIFICATIONS HEREIN ARE THE PROPERTY OF DIGITAL EQUIPMENT CORPORATION AND SHALL NOT BE REPRODUCED OR COPIED OR LENT IN WHOLE OR IN PART AS THE BASIS FOR THE MANUFACTURE OR SALE OF ITEMS WITHOUT WRITTEN PERMISSION.  
 COPYRIGHT © 1983 DIGITAL EQUIPMENT CORPORATION

8

H 1-0-56h51h5 S D

6

5

4

3

2

D

D

C

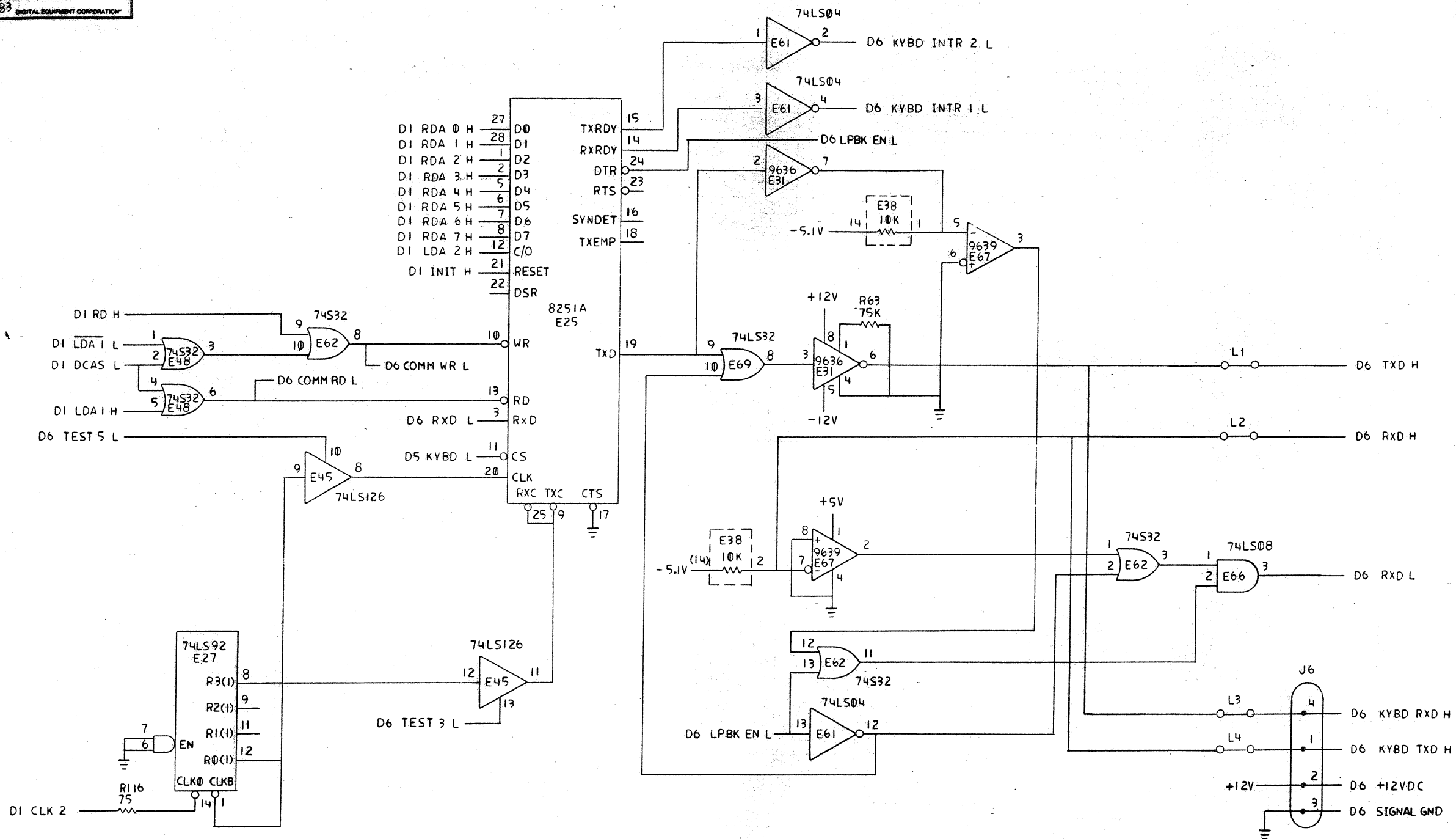
C

B

B

A

A



REVISION HISTORY		
DATE	ECO NUMBER	REV.

TITLE VT240

DOCUMENT NUMBER		
REV.	NUMBER	REV.
D	CS 5415495-0-1	H

SCALE 1/1 SHEET 6 OF 19

8

7

6

5

4

3

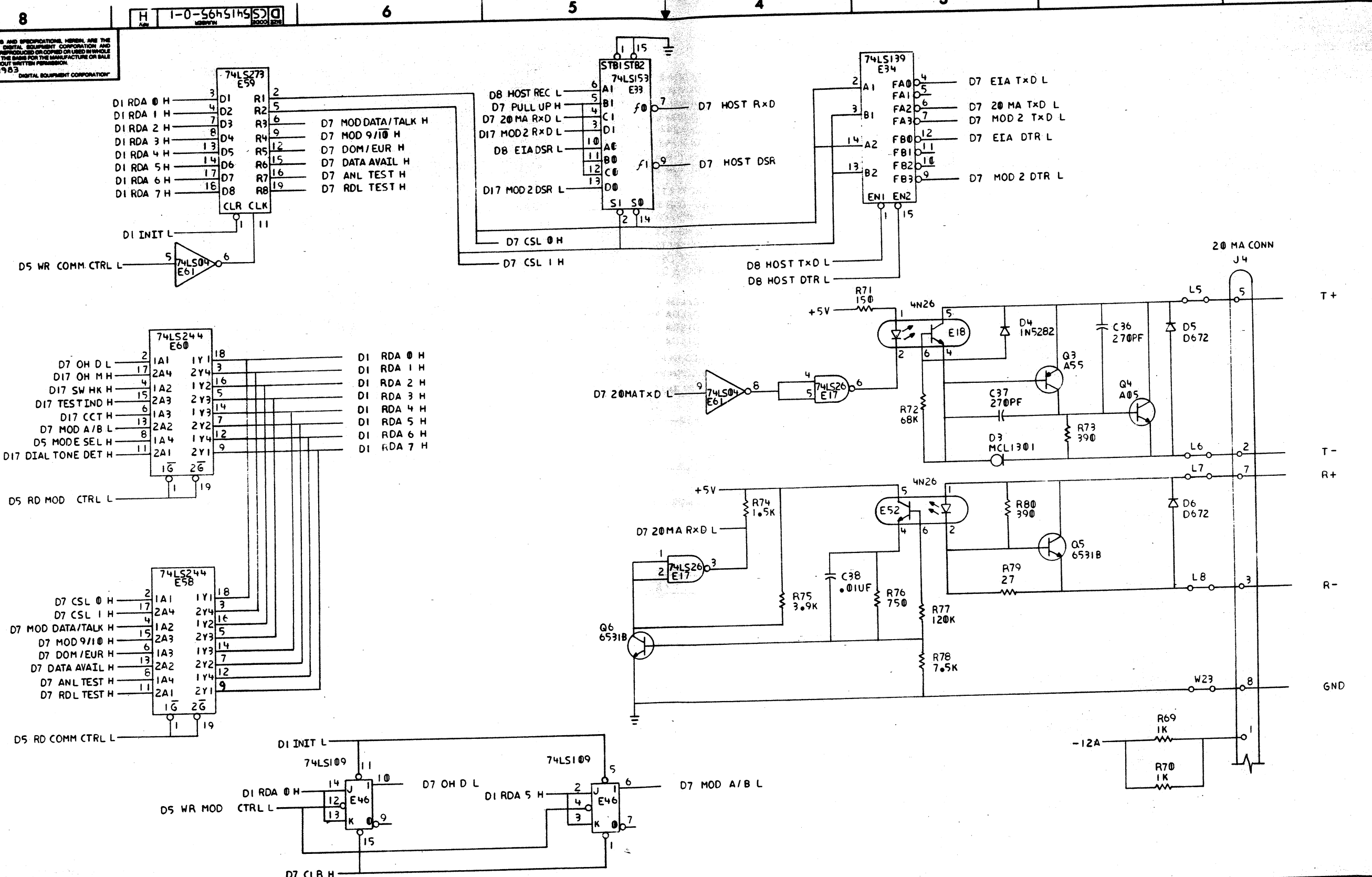
2

1

DCS 5415495-0-1 H



THIS DRAWING AND SPECIFICATIONS HEREIN ARE THE PROPERTY OF DIGITAL EQUIPMENT CORPORATION AND SHALL NOT BE REPRODUCED OR COPIED OR USED IN WHOLE OR IN PART AS THE BASIS FOR THE MANUFACTURE OR SALE OF ITEMS WITHOUT WRITTEN PERMISSION.  
 COPYRIGHT © 1983  
 DIGITAL EQUIPMENT CORPORATION



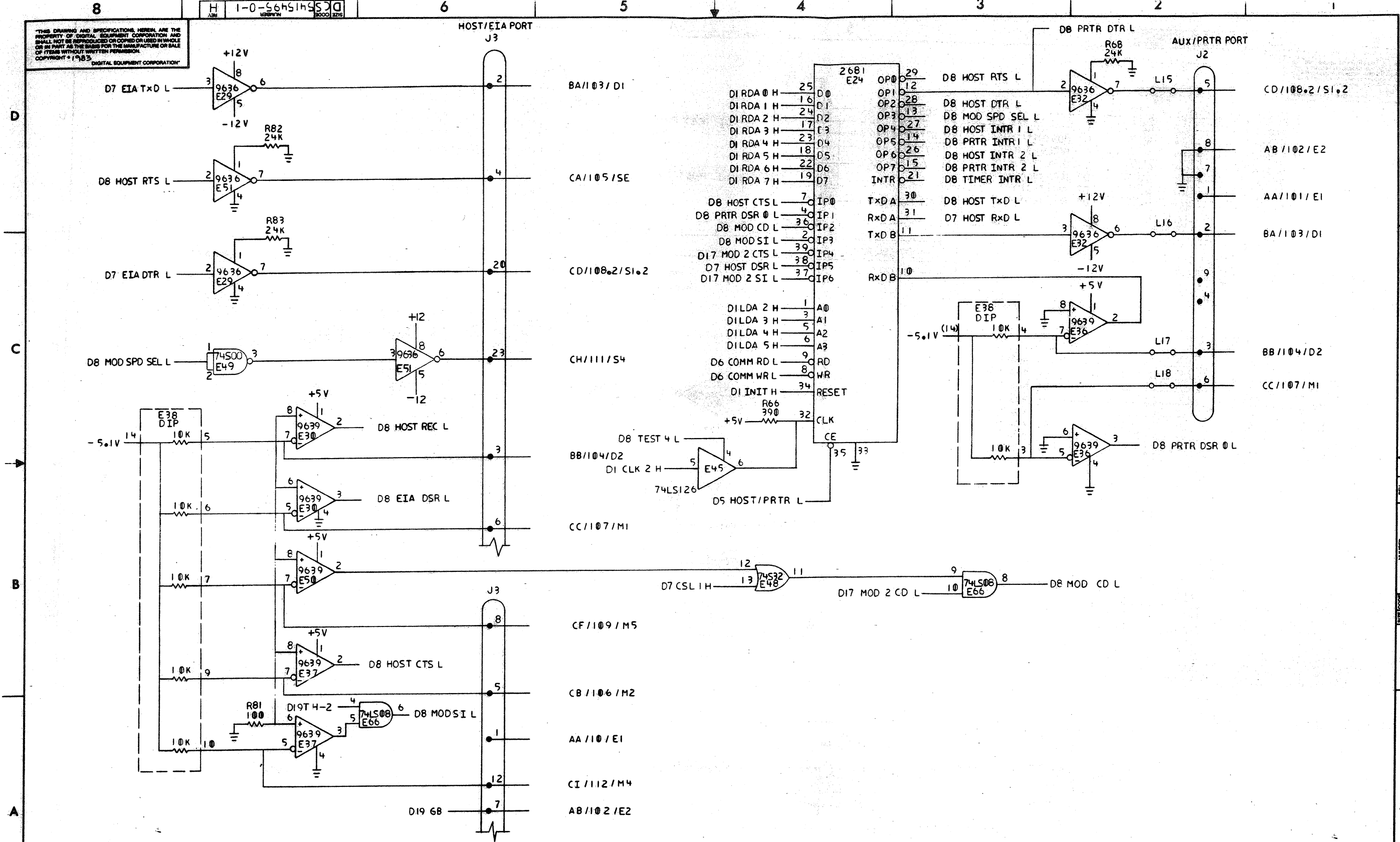
REVISION HISTORY		
DATE	ECO NUMBER	REV.

TITLE  
 VT240

DOCUMENT NUMBER		
SIZE CODE	NUMBER	REV.
D	CS 5415495-0-1	H
SCALE	SHEET 7 OF 19	

DCS 5415495-0-1 H  
 REV. H  
 NUMBER 5415495-0-1  
 SIZE CODE D

THIS DRAWING AND SPECIFICATIONS HEREIN ARE THE PROPERTY OF DIGITAL EQUIPMENT CORPORATION AND SHALL NOT BE REPRODUCED OR COPIED IN WHOLE OR IN PART AS THE BASIS FOR THE MANUFACTURE OR SALE OF ITEMS WITHOUT WRITTEN PERMISSION. COPYRIGHT © 1975 DIGITAL EQUIPMENT CORPORATION



REVISION HISTORY		
DATE	ECO NUMBER	REV.

DOCUMENT NUMBER			
SIZE	CODE	NUMBER	REV.
DCS	5415495-0-1	H	
SCALE		SHEET 8 OF 19	

TITLE  
VT240

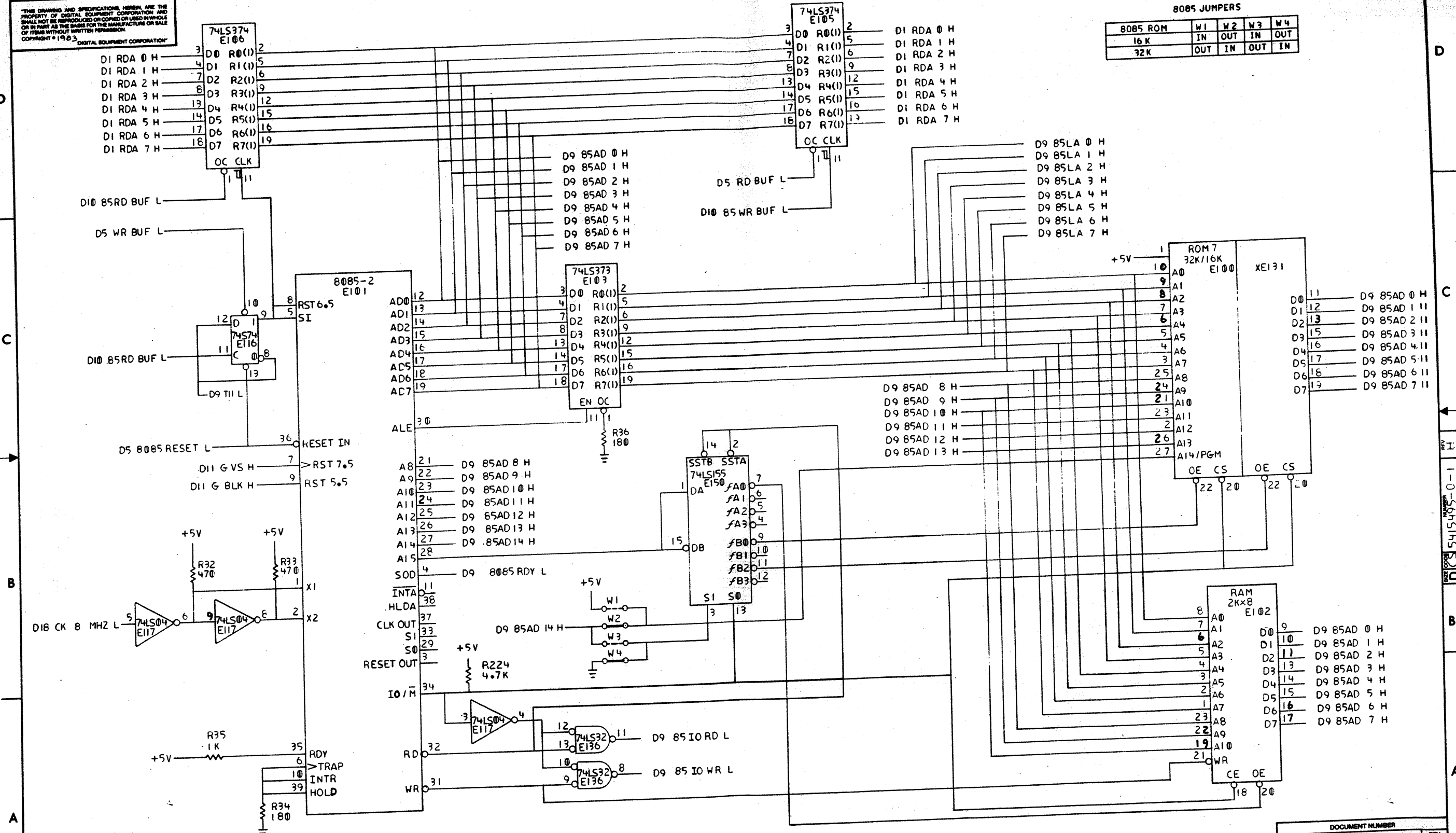
DCS 5415495-0-1 H

THIS DRAWING AND SPECIFICATIONS HEREIN ARE THE PROPERTY OF DIGITAL EQUIPMENT CORPORATION AND SHALL NOT BE REPRODUCED OR COPIED OR USED IN WHOLE OR IN PART AS THE BASIS FOR THE MANUFACTURE OR SALE OF ITEMS WITHOUT WRITTEN PERMISSION. COPYRIGHT © 1983. DIGITAL EQUIPMENT CORPORATION

H 1-0-56h51h530

8085 JUMPERS

8085 ROM	W1	W2	W3	W4
16 K	IN	OUT	IN	OUT
32 K	OUT	IN	OUT	IN



REVISION HISTORY

DATE	ECO NUMBER	REV.

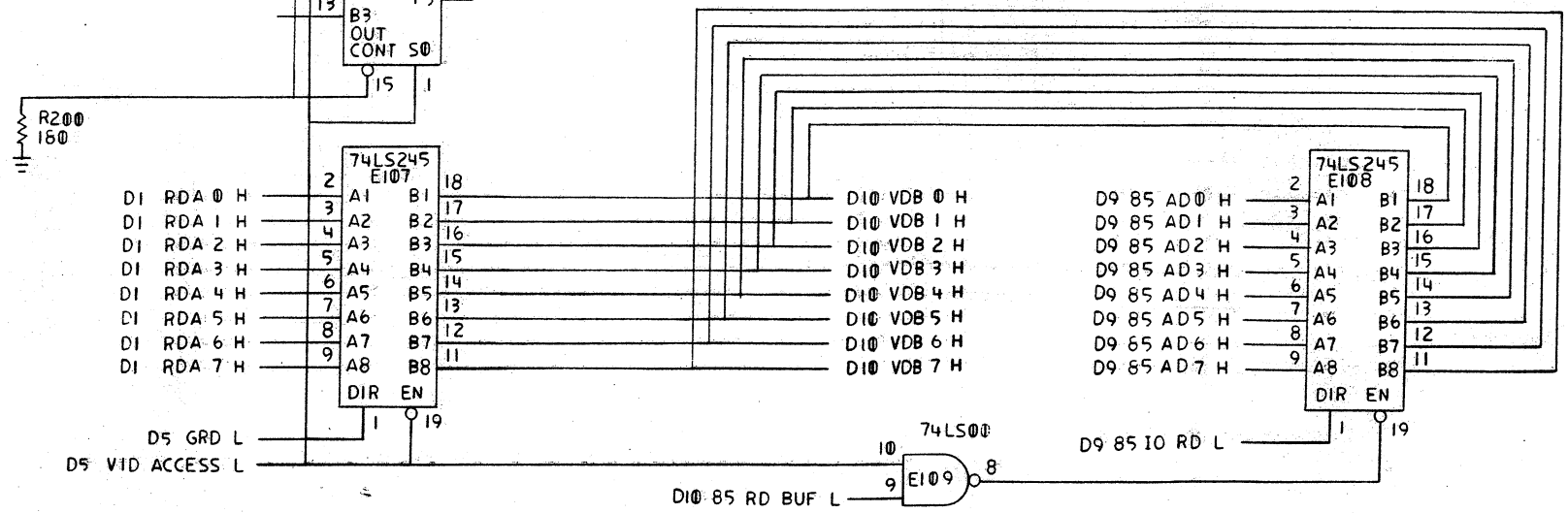
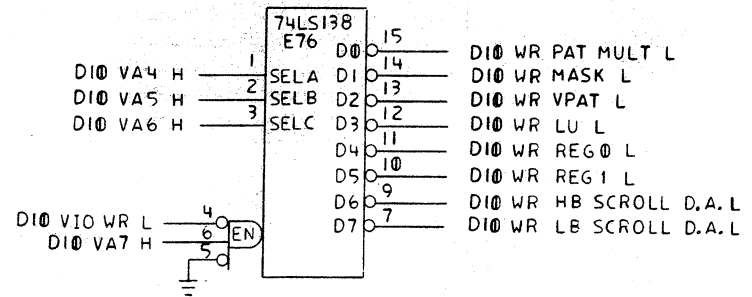
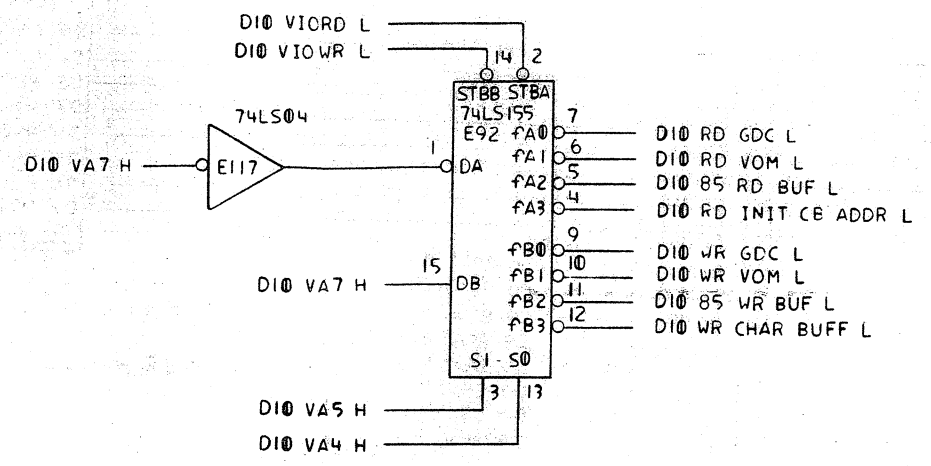
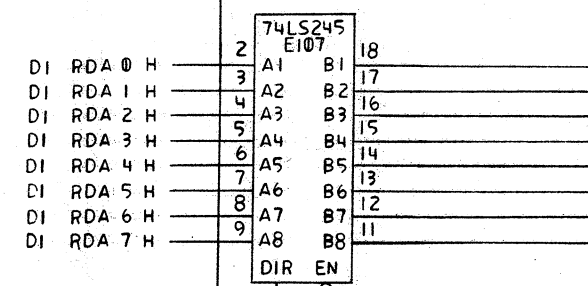
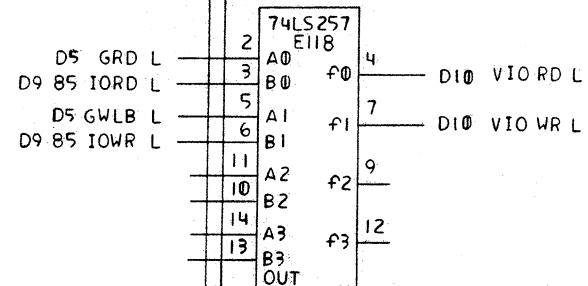
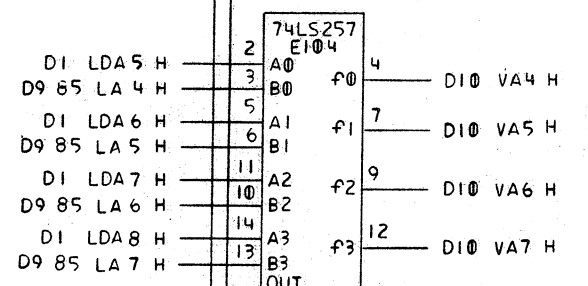
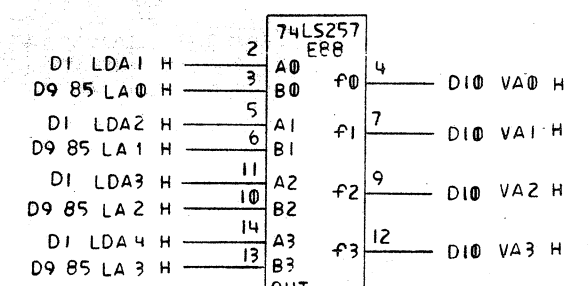
TITLE VT240

DOCUMENT NUMBER

SIZE	CODE	NUMBER	REV.
D	CS	5415495-0-1	H

SCALE SHEET 9 OF 19

THIS DRAWING AND SPECIFICATIONS HEREIN ARE THE PROPERTY OF DIGITAL EQUIPMENT CORPORATION AND SHALL NOT BE REPRODUCED OR COPIED OR USED IN WHOLE OR IN PART AS THE BASIS FOR THE MANUFACTURE OR SALE OF ITEMS WITHOUT WRITTEN PERMISSION.  
 COPYRIGHT © 1983 DIGITAL EQUIPMENT CORPORATION



REVISION HISTORY		
DATE	ECO NUMBER	REV.

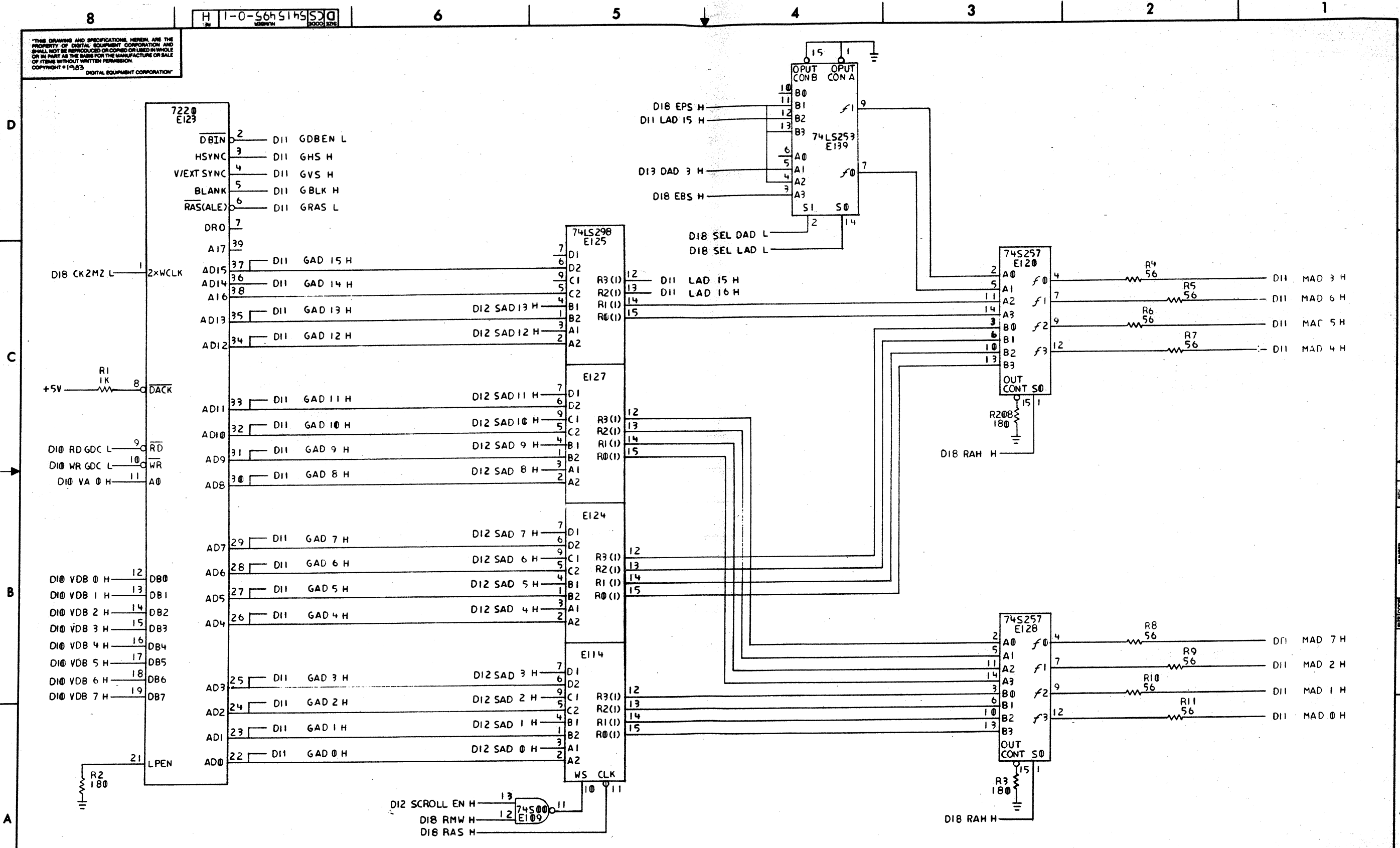
TITLE  
VT240

DOCUMENT NUMBER		
SIZE CODE	NUMBER	REV.
DCS	5415495-0-1	H
SCALE	SHEET 10 OF 19	

DCS 5415495-0-1 H

THIS DRAWING AND SPECIFICATIONS, HEREIN, ARE THE PROPERTY OF DIGITAL EQUIPMENT CORPORATION AND SHALL NOT BE REPRODUCED OR COPIED OR USED IN WHOLE OR IN PART AS THE BASIS FOR THE MANUFACTURE OR SALE OF ITEMS WITHOUT WRITTEN PERMISSION.  
 COPYRIGHT © 1985  
 DIGITAL EQUIPMENT CORPORATION

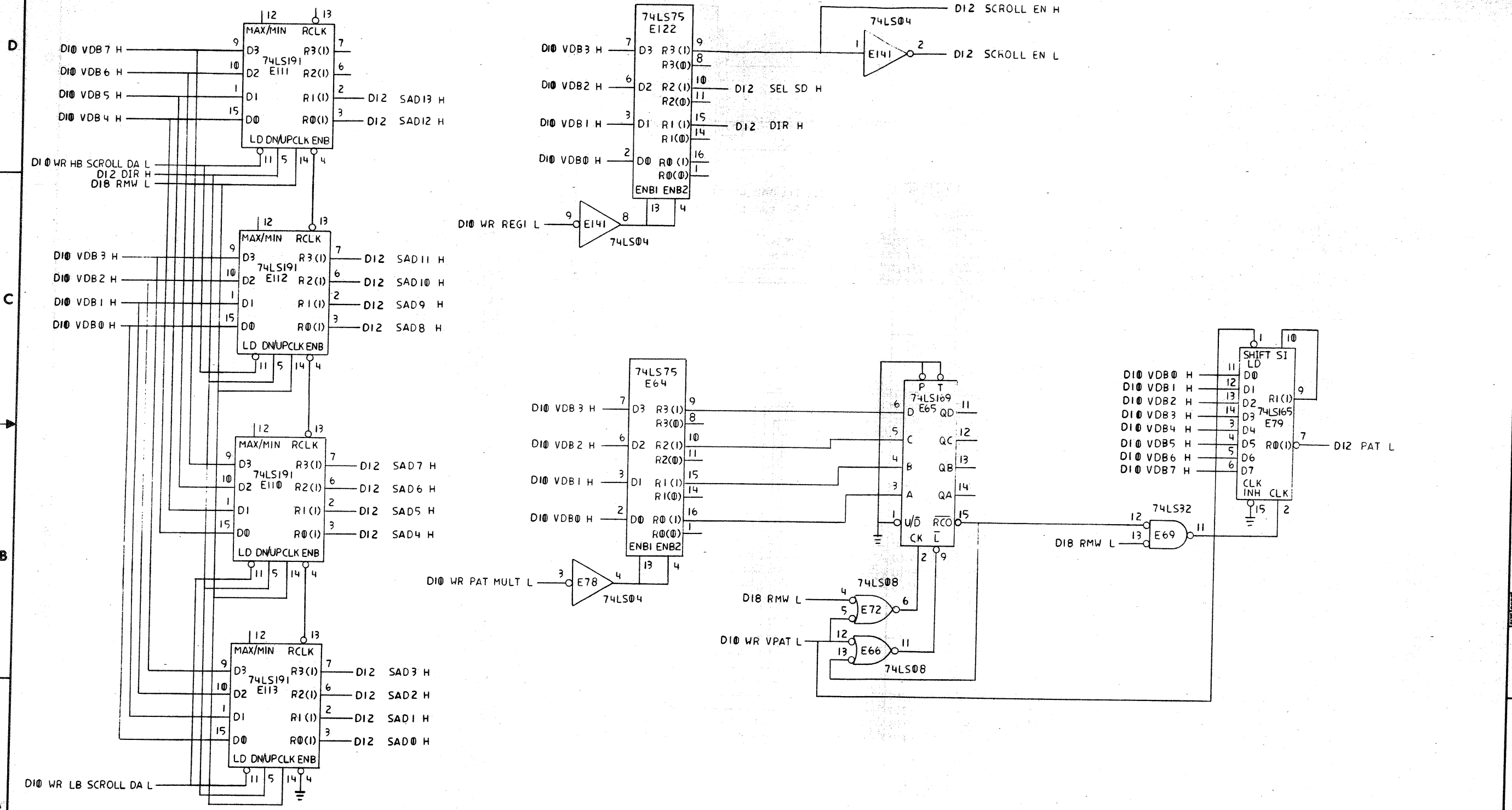
H 1-0-56451HS3D



REVISION HISTORY		
DATE	ECO NUMBER	REV.

DCS 5415495-0-1 H

THIS DRAWING AND SPECIFICATIONS HEREIN ARE THE PROPERTY OF DIGITAL EQUIPMENT CORPORATION AND SHALL NOT BE REPRODUCED OR COPIED OR USED IN WHOLE OR IN PART AS THE BASIS FOR THE MANUFACTURE OR SALE OF ITEMS WITHOUT WRITTEN PERMISSION. COPYRIGHT © 1983 DIGITAL EQUIPMENT CORPORATION

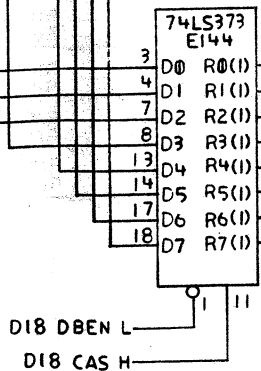
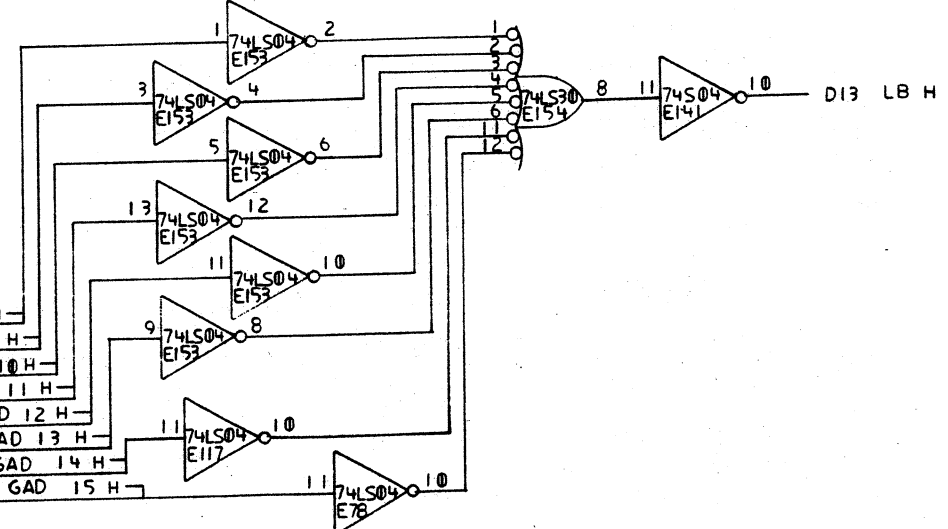
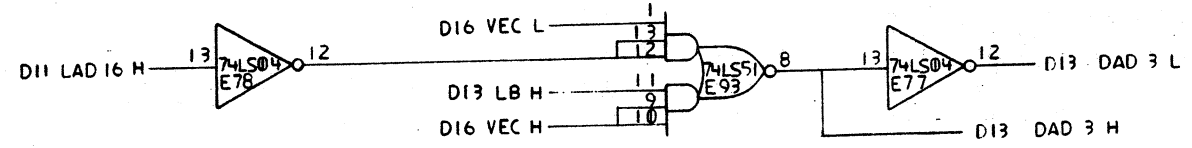
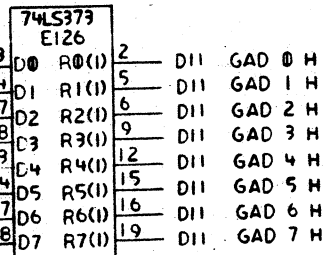
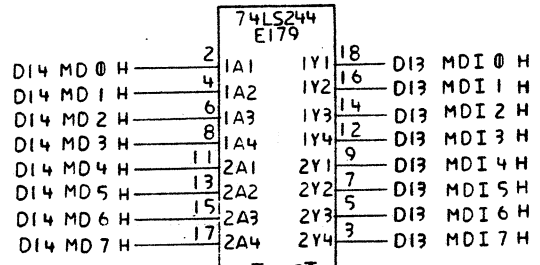
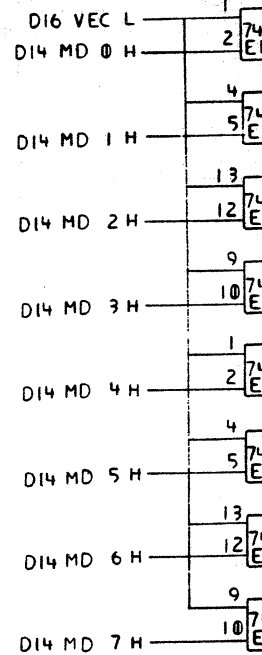
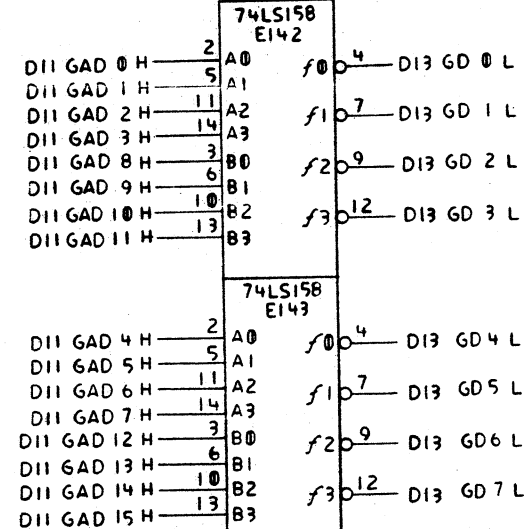


REVISION HISTORY		
DATE	ECO NUMBER	REV.

DCS 5415495-0-1 H

THIS DRAWING AND SPECIFICATIONS HEREIN ARE THE PROPERTY OF DIGITAL EQUIPMENT CORPORATION AND SHALL NOT BE REPRODUCED OR COPIED OR USED IN WHOLE OR IN PART AS THE BASIS FOR THE MANUFACTURE OR SALE OF ITEMS WITHOUT WRITTEN PERMISSION. COPYRIGHT © 1987 DIGITAL EQUIPMENT CORPORATION

H 1-0-5645145 S3 Q  
 1280774 3000 3215



REVISION HISTORY		
DATE	ECO NUMBER	REV.

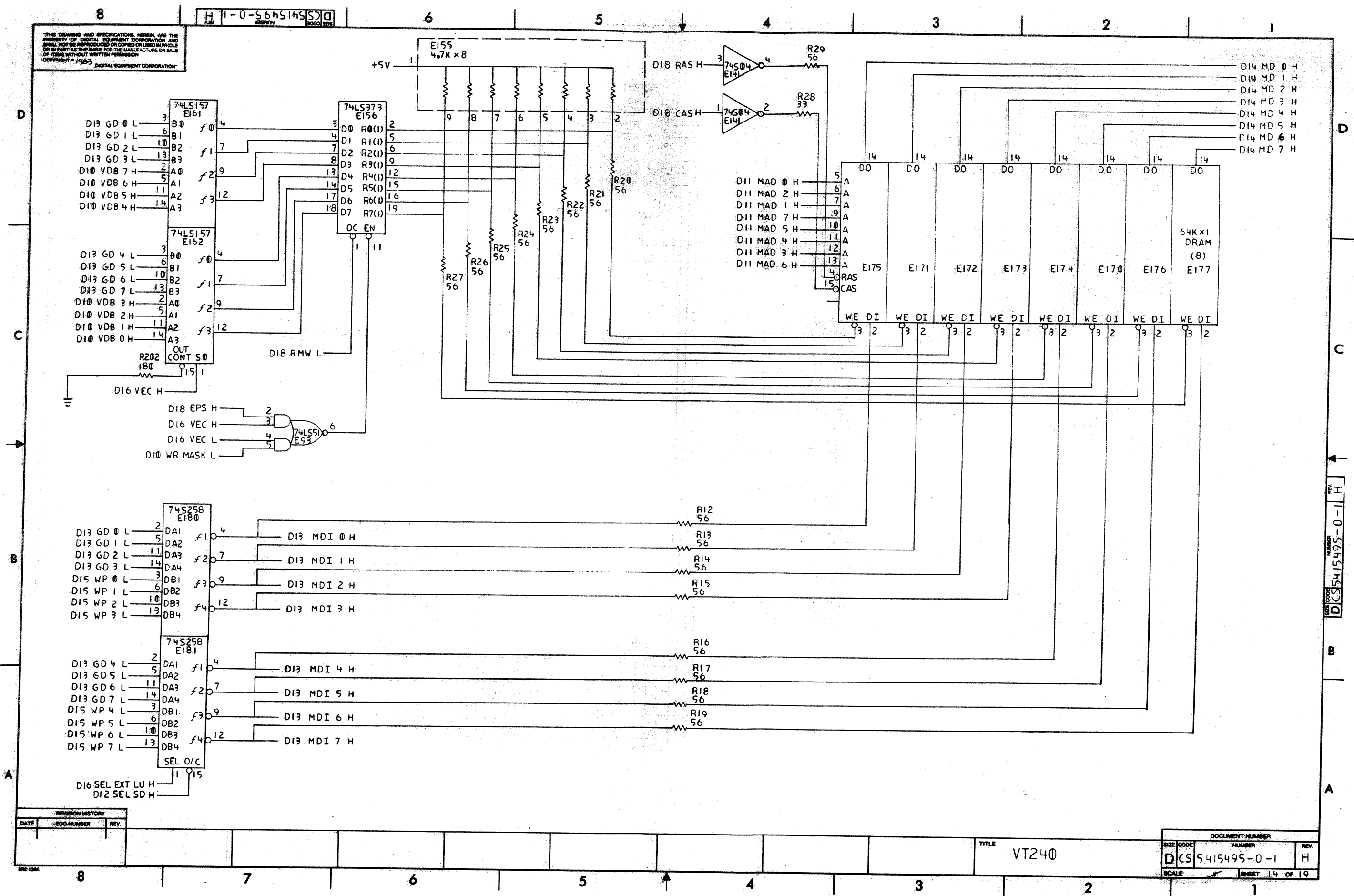
TITLE VT240

DOCUMENT NUMBER		
SIZE CODE	NUMBER	REV.
DCS	5415495-0-1	H
SCALE	SHEET 13 OF 19	

DCS 5415495-0-1 H

THIS DRAWING AND SPECIFICATIONS HEREIN ARE THE PROPERTY OF DIGITAL EQUIPMENT CORPORATION AND SHALL NOT BE REPRODUCED OR COPIED OR USED IN WHOLE OR IN PART AS THE BASIS FOR THE MANUFACTURE OR SALE OF ITEMS WITHOUT WRITTEN PERMISSION.  
 COPYRIGHT © 1983 DIGITAL EQUIPMENT CORPORATION

H 1-0-56h51h5SD



REVISION HISTORY		
DATE	ECO NUMBER	REV.

TITLE VT240

DOCUMENT NUMBER		
SIZE	NUMBER	REV.
DCS	5415495-0-1	H
SCALE	SHEET 14 OF 19	

H 1-0-56h51h5SD

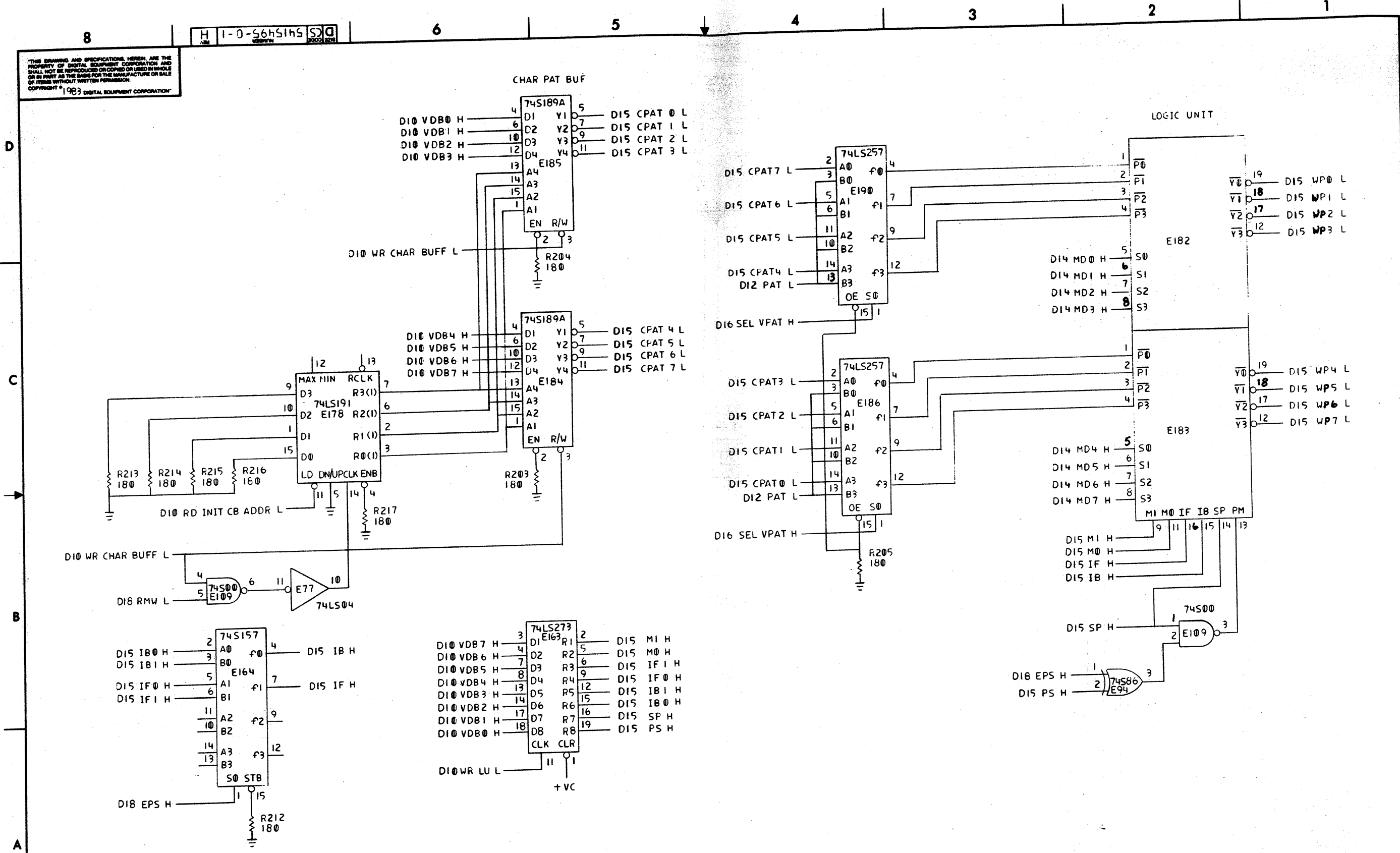
B

A



THIS DRAWING AND SPECIFICATIONS HEREIN ARE THE PROPERTY OF DIGITAL EQUIPMENT CORPORATION AND SHALL NOT BE REPRODUCED OR COPIED OR USED IN WHOLE OR IN PART AS THE BASIS FOR THE MANUFACTURE OR SALE OF ITEMS WITHOUT WRITTEN PERMISSION.  
 COPYRIGHT © 1983 DIGITAL EQUIPMENT CORPORATION

H 1-0-56h51h5 SQ

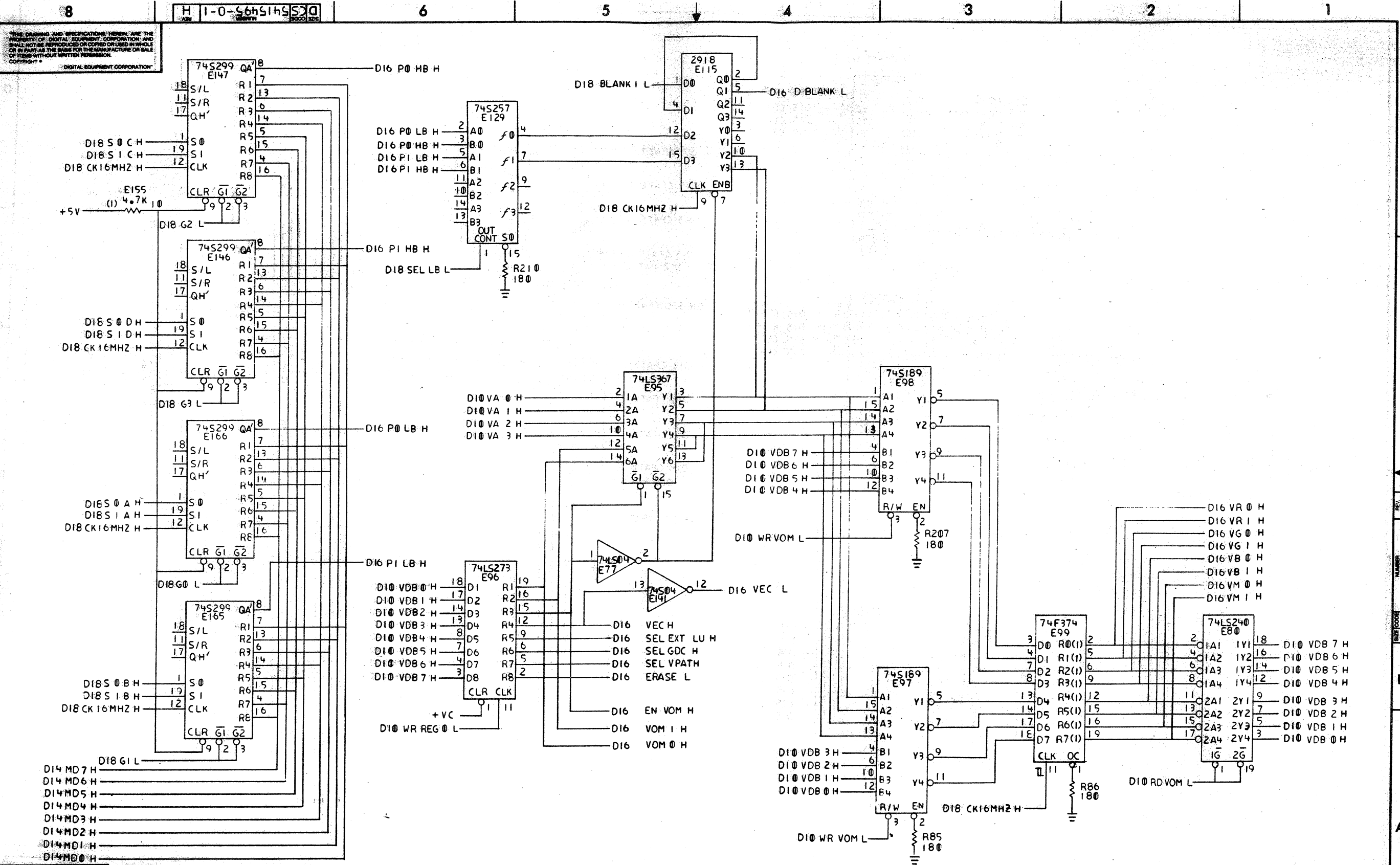


REVISION HISTORY		
DATE	ECD NUMBER	REV.

TITLE VT240

DOCUMENT NUMBER		
SIZE	NUMBER	REV.
DCS	5415495-0-1	4
SCALE	SHEET 15 OF 19	

REV I  
 NUMBER 5415495-0-1  
 DCS

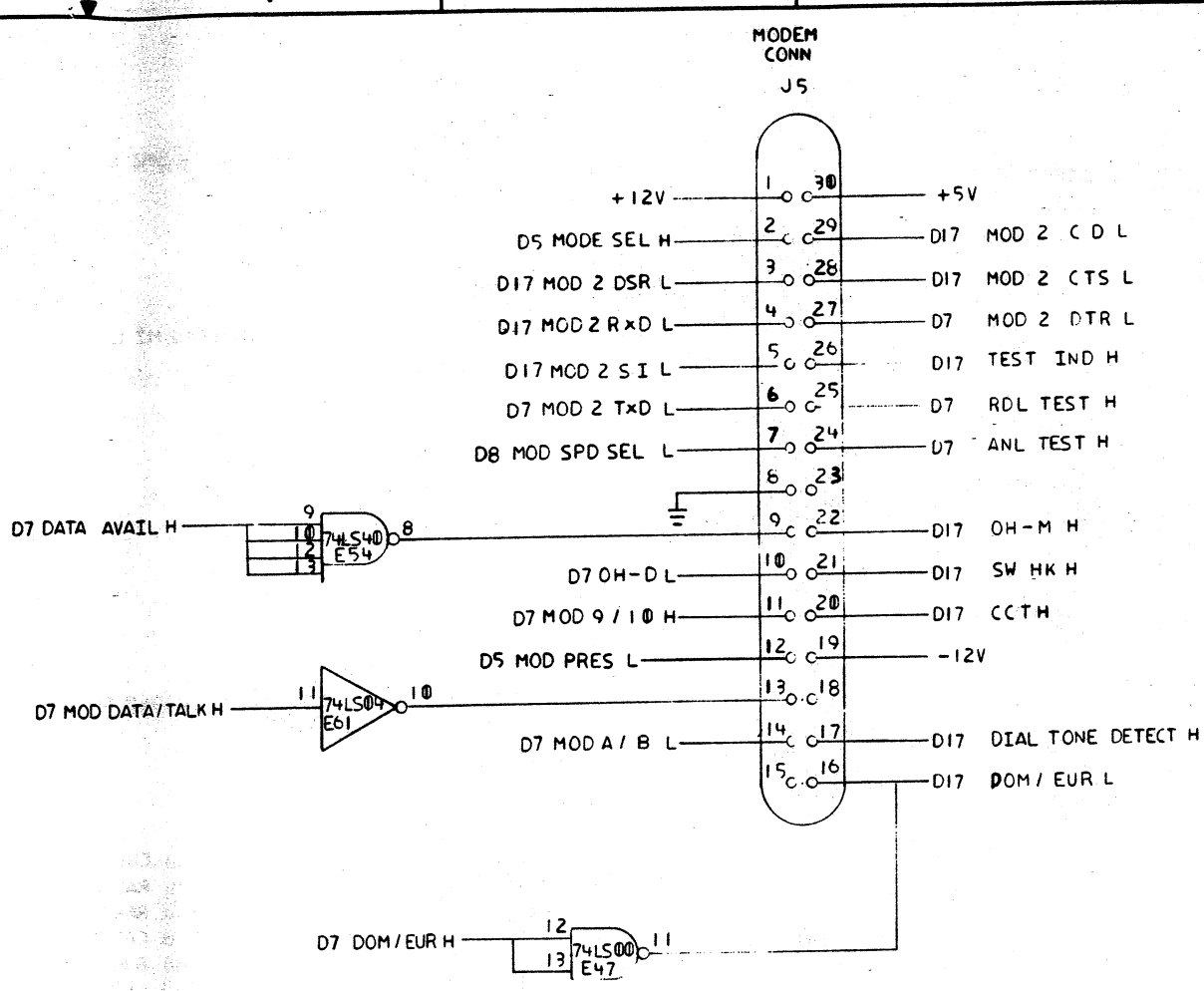
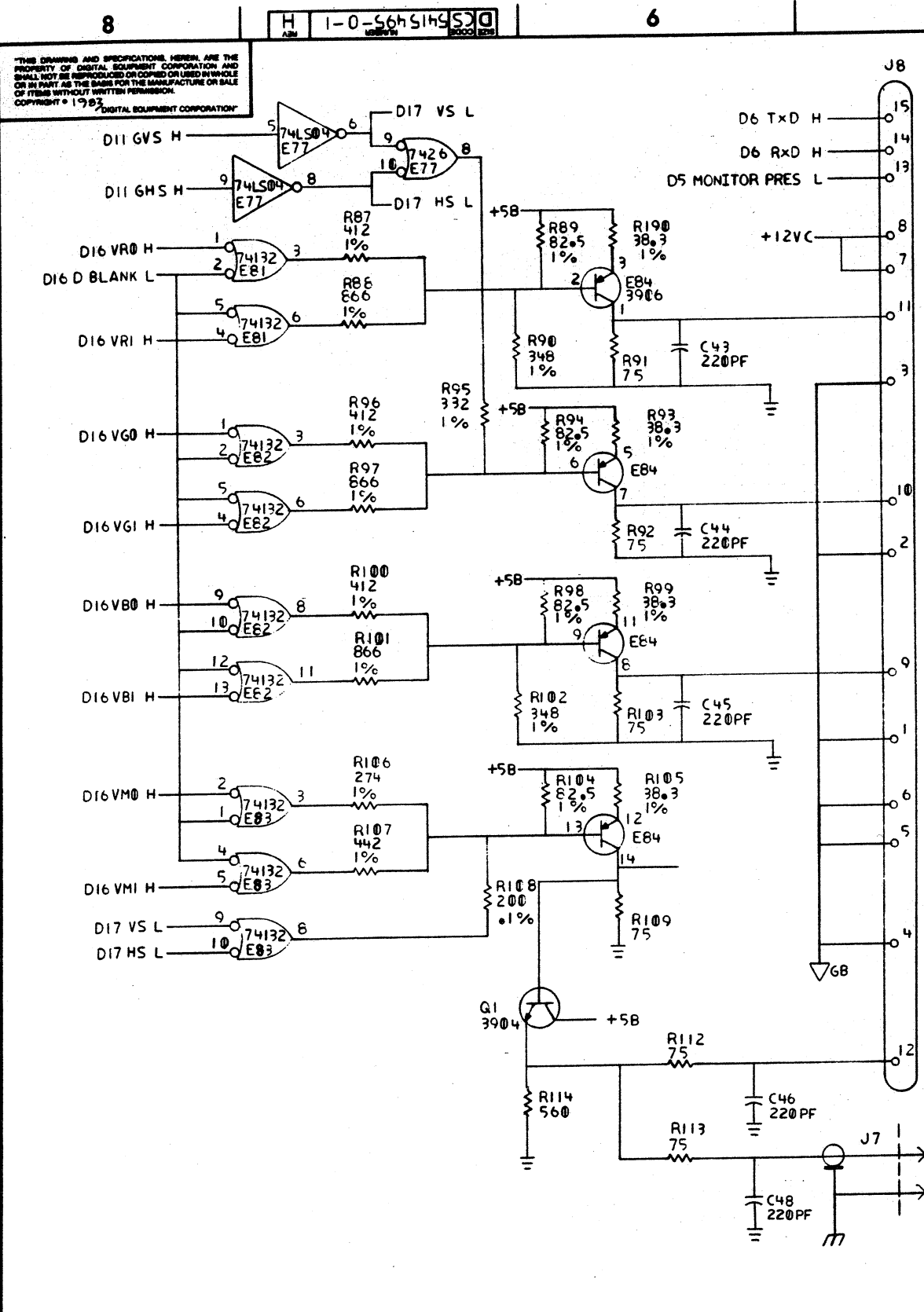


REVISION HISTORY		
DATE	ECO NUMBER	REV.

TITLE  
VT240

DOCUMENT NUMBER		
SIZE	NUMBER	REV.
DCS	5415495-0-1	H
SCALE	SHEET 16 OF 19	

REV. H  
DCS 5415495-0-1

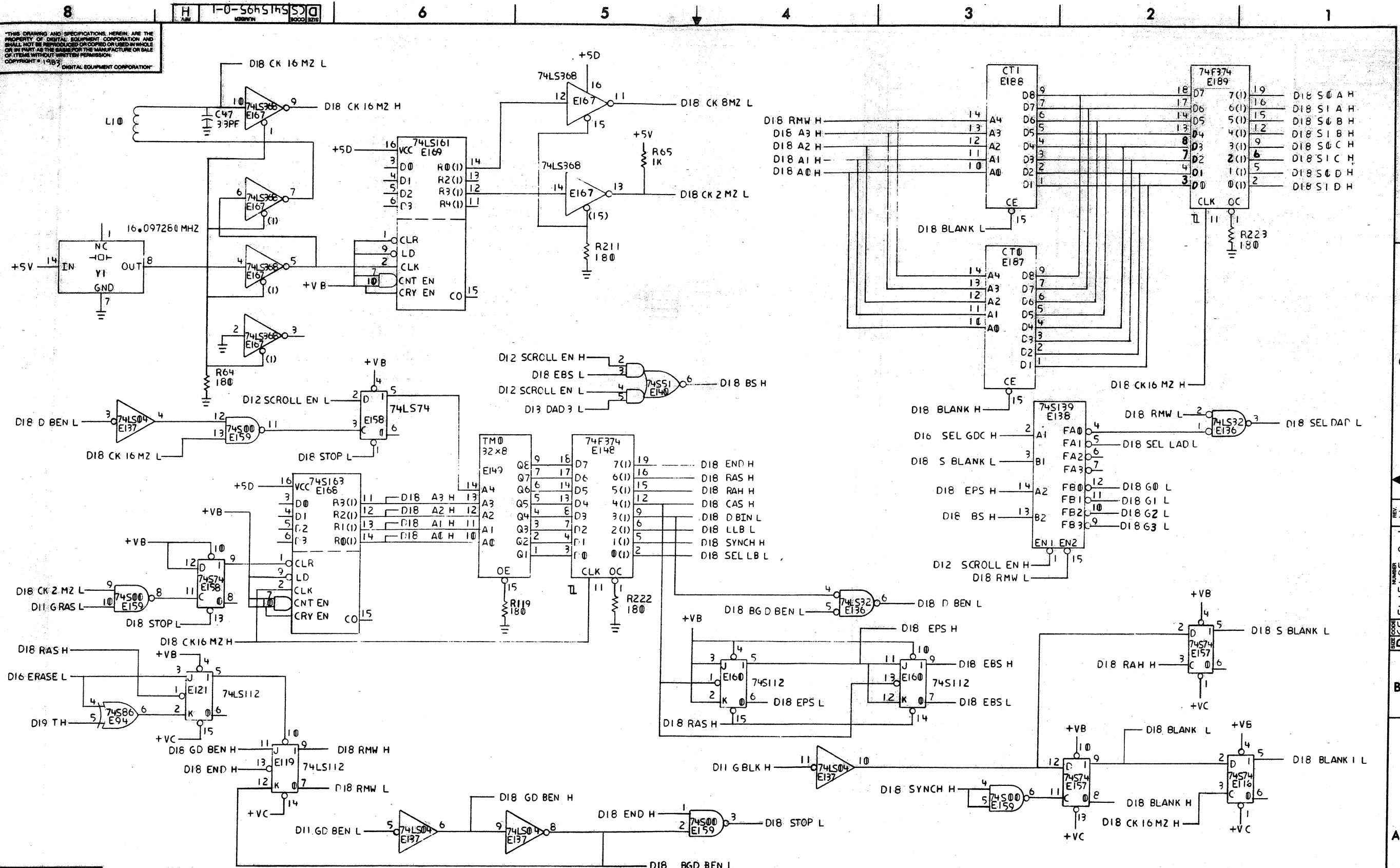


REVISION HISTORY		
DATE	ECO NUMBER	REV.

TITLE  
VT240

DOCUMENT NUMBER		
SIZE CODE	NUMBER	REV.
D	CS 5415495-0-1	H
SCALE	SHEET 17 OF 19	

DCS 5415495-0-1 H  
 REV. 1



REVISION HISTORY		
DATE	ECO NUMBER	REV.

TITLE  
VT240

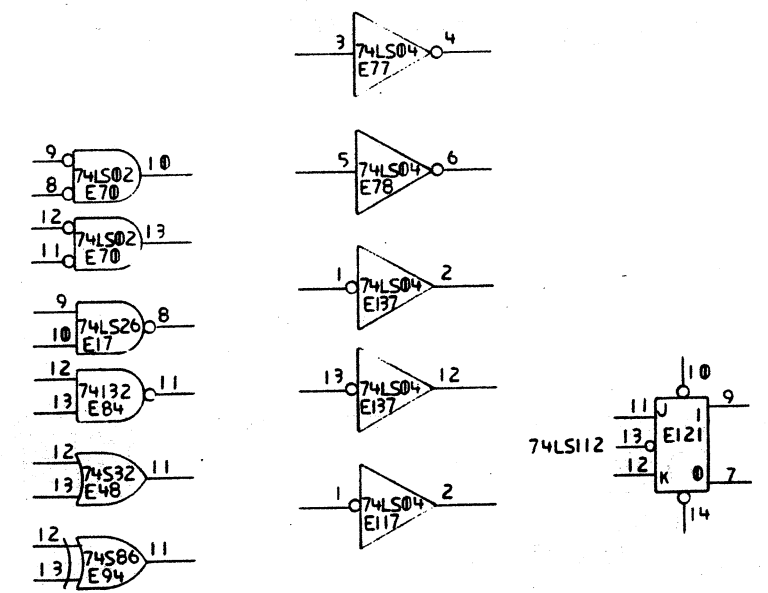
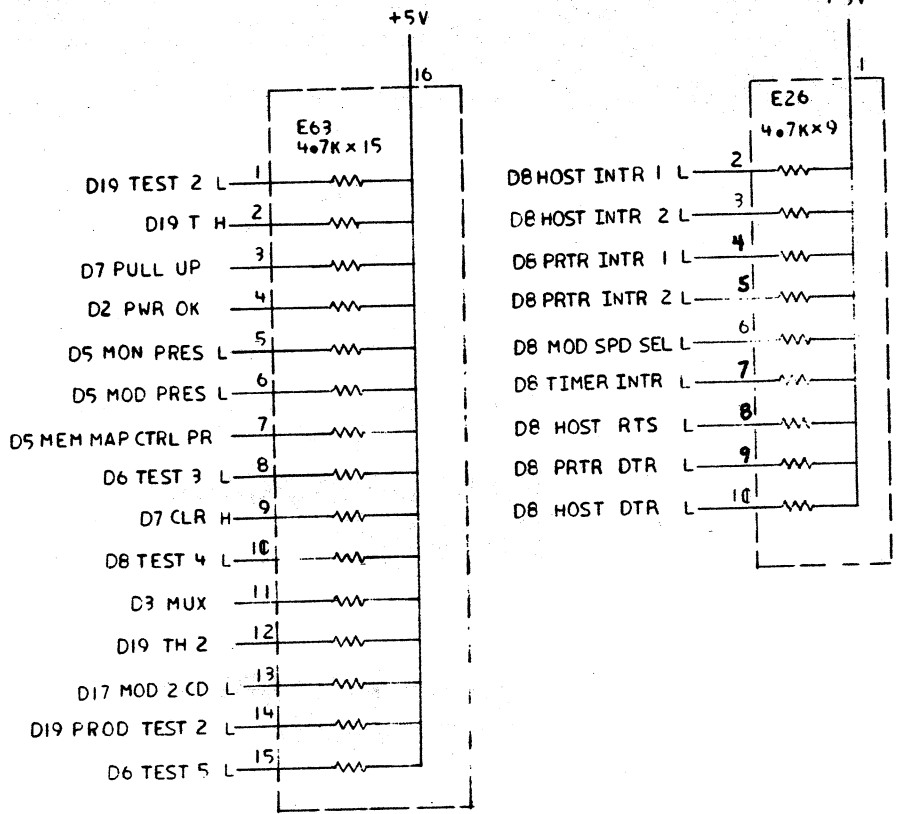
DOCUMENT NUMBER		
SIZE CODE	NUMBER	REV.
DCS	5415495-0-1	H

SCALE: SHEET 18 OF 19

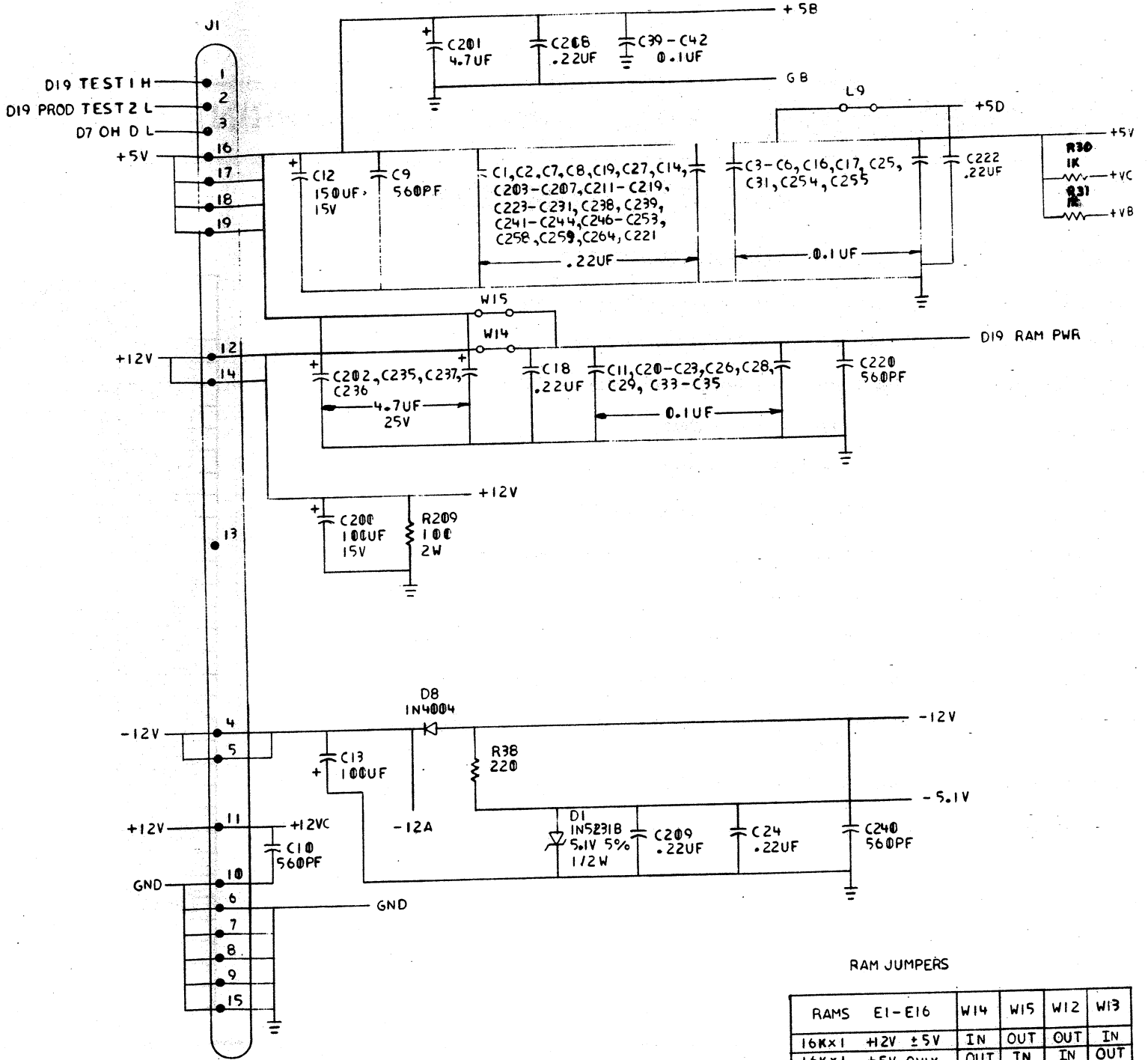
REV. H 5415495-0-1

THIS DRAWING AND SPECIFICATIONS HEREIN ARE THE PROPERTY OF DIGITAL EQUIPMENT CORPORATION AND SHALL NOT BE REPRODUCED OR COPIED IN WHOLE OR IN PART AS THE BASIS FOR THE MANUFACTURE OR SALE OF ITEMS WITHOUT WRITTEN PERMISSION. COPYRIGHT © 1983 DIGITAL EQUIPMENT CORPORATION

H 1-0-564519 S3 D



SPARES



RAM JUMPERS

RAMS	E1-E16	W14	W15	W12	W13
16Kx1	+12V ±5V	IN	OUT	OUT	IN
16Kx1	+5V ONLY	OUT	IN	IN	OUT
64Kx1		OUT	IN	IN	OUT

T. I. & MOSTEK 64K RAMS CANNOT BE USED  
R209 INSTALLED W/SIN6L VOLTAGE RAMS

REVISION HISTORY		
DATE	ECO NUMBER	REV.

TITLE VT240

DOCUMENT NUMBER			
SIZE	CODE	NUMBER	REV.
DCS	5415495-0-1	H	
SCALE		SHEET 19 OF 19	

DCS 5415495-0-1 H

"THE MATERIAL HEREIN IS FOR INFORMATION PURPOSES ONLY AND IS SUBJECT TO CHANGE WITHOUT NOTICE. DIGITAL EQUIPMENT CORPORATION ASSUMES NO RESPONSIBILITY FOR ANY ERRORS WHICH MAY APPEAR HEREIN."

## FIELD MAINTENANCE PRINT SET

"THIS DRAWING AND SPECIFICATIONS HEREIN ARE THE PROPERTY OF DIGITAL EQUIPMENT CORPORATION AND SHALL NOT BE REPRODUCED OR COPIED OR USED IN WHOLE OR IN PART AS THE BASIS FOR THE MANUFACTURE OR SALE OF ITEMS WITHOUT WRITTEN PERMISSION. COPYRIGHT © 1982 DIGITAL EQUIPMENT CORPORATION."

### TABLE OF CONTENTS

B-TC-LK201-A-1	FIELD MAINTENANCE PRINT SET
B-DD-LK201-A	LK201-A (DRAWING DIRECTORY ONLY)
E-UA-LK201-A-0	UNIT ASSY. LK201-A KEYBOARD
K-PL-LK201-A-DBP	UNIT ASSY. LK201-A KEYBOARD (PL)
B-PL-LK201-A	SHIPPING LIST LK201-A
E-UA-5415148-0-0	ENCODING MODULE ASSY
D-CS-5415148-0-1	ENCODING MODULE (SCHEMATIC)
B-DD-5415148-0	ENCODING MODULE (DRAWING DIRECTORY ONLY)
K-PL-5415148-0-DBP	ENCODING MODULE (PL)
E-IA-5415172-0-DBU	MEMBRANE ASSY, SWITCH ARRAY, LK201 KEYBOARD
K-PL-5415172-0-DBP	MEMBRANE ASSY, SWITCH ARRAY, LK201 KEYBOARD (PL)
D-CS-5415172-0-1	MEMBRANE ASSY, SWITCH ARRAY, LK201 KEYBOARD (SCHEMATIC)
B-DD-5415172-0	MEMBRANE ASSY, SWITCH ARRAY, (DRAWING DIRECTORY ONLY)
A-PA-3700698-0-0	PKG. KEYBOARD LK201-A

UNIT VARIATIONS COVERED BY THIS PRINT SET
LK201-A
LK201-A
LK201-AC
LK201-AD
LK201-AE
LK201-AF
LK201-AG
LK201-AH
LK201-AI
LK201-AJ
LK201-AK
LK201-AL
LK201-AM
LK201-AN
LK201-AP
LK201-AS
LK201-AB
LK201-AZ
LK201-BA
LK201-CA
LK201-CE
LK201-CG
LK201-CP
LK201-BE
LK201-BZ
LK201-AT

LK 201-A - 1  
Field Maintenance Print Set

Digital Equipment Corporation

Print Set Part Number MP- 01395

REVISION HISTORY		DATE	ECO NUMBER	REV.	DRN.	DATE	TITLE	SIZE	CODE	NUMBER	REV.	
		6-15-82	INITIAL	A	M. Thompson	21 MAY 82	digital	B	TC	LK201-A-1	E	
		11-3-82	LK201-ML002	B	C. Larson	23 June 82		UNIT ASSY (LK201)				
		5-23-83	LK201-MLO06	C	R. Leitemann	23 June 82		DOCUMENT NUMBER				
		7-22-83	LK201-A-ML007	D	A. Len	23 June 82						
		10-27-83	LK201-MLO08	E	B. Welch	23 June 82						
					NEXT HIGHER DOC.							
					B-DD-LK201-A							
								SHEET 1	OF 1			

REV. E  
NUMBER LK201-A-1  
CODE B TC

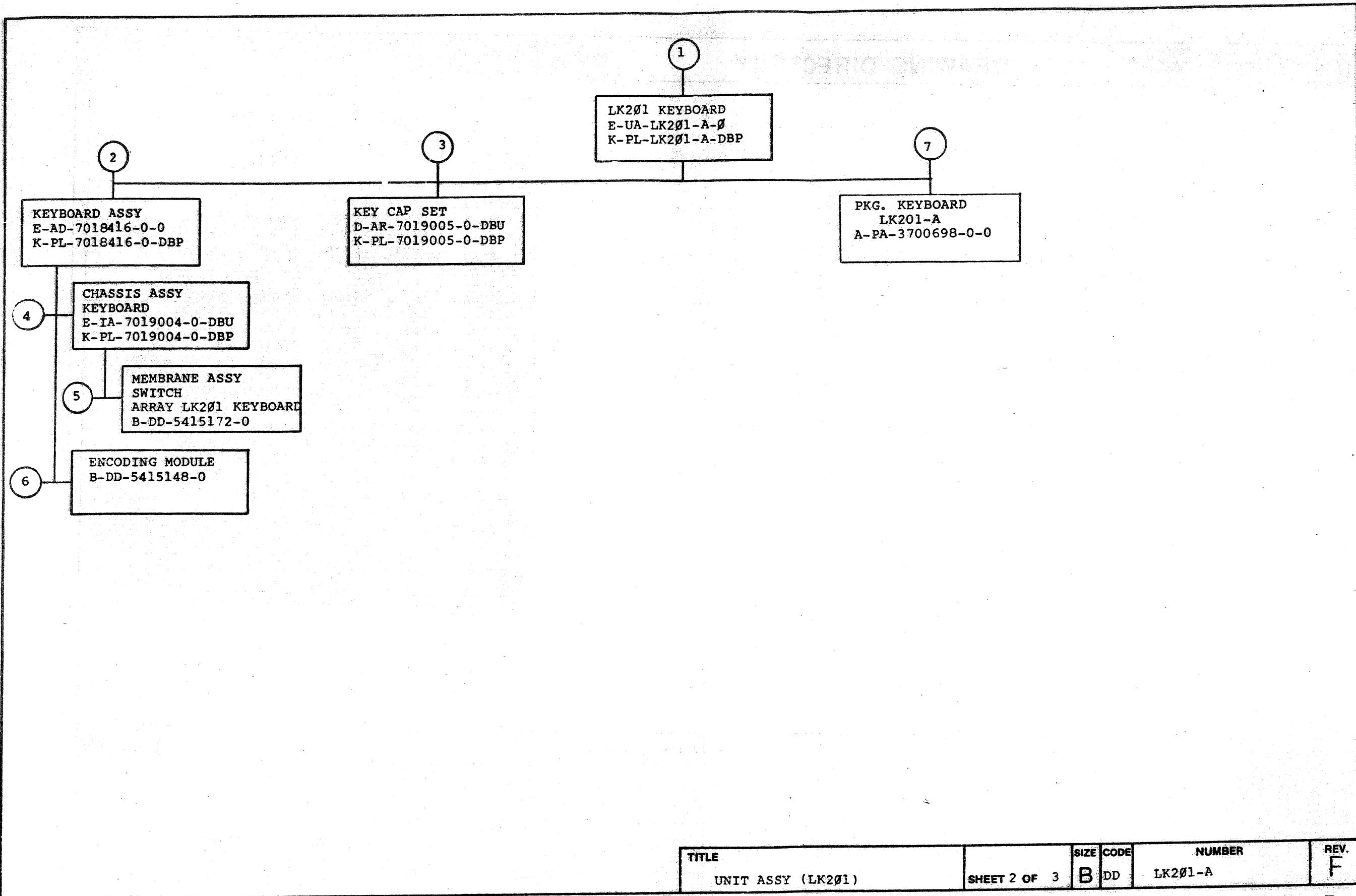
"THE MATERIAL HEREIN IS FOR INFORMATION PURPOSES ONLY AND IS SUBJECT TO CHANGE WITHOUT NOTICE. DIGITAL EQUIPMENT CORPORATION ASSUMES NO RESPONSIBILITY FOR ANY ERRORS WHICH MAY APPEAR HEREIN."

# DRAWING DIRECTORY

"THIS DRAWING AND SPECIFICATIONS, HEREIN, ARE THE PROPERTY OF DIGITAL EQUIPMENT CORPORATION AND SHALL NOT BE REPRODUCED OR COPIED OR USED IN WHOLE OR IN PART AS THE BASIS FOR THE MANUFACTURE OR SALE OF ITEMS WITHOUT WRITTEN PERMISSION. COPYRIGHT © 1982 DIGITAL EQUIPMENT CORPORATION."

UNIT VARIATIONS	
VAR	TITLE
LK201-A	LK201 KEYBOARD BASIC UNIT
LK201-AA	LK201 KEYBOARD W/US KEYCAPS
LK201-AC	LK201 KEYBOARD W/CANADA (FRENCH) KEYCAPS
LK201-AD	LK201 KEYBOARD W/DANISH KEYCAPS
LK201-AE	LK201 KEYBOARD W/U.K. KEYCAPS
LK201-AF	LK201 KEYBOARD W/FINNISH KEYCAPS
LK201-AG	LK201 KEYBOARD W/GERMAN KEYCAPS
LK201-AH	LK201 KEYBOARD W/DUTCH KEYCAPS
LK201-AI	LK201 KEYBOARD W/ITALIAN KEYCAPS
LK201-AJ	LK201 KEYBOARD W/KATAKANA KEYCAPS
LK201-AK	LK201 KEYBOARD W/SWISS FRENCH KEYCAPS
LK201-AL	LK201 KEYBOARD W/SWISS GERMAN KEYCAPS
LK201-AM	LK201 KEYBOARD W/SWEDISH KEYCAPS
LK201-AN	LK201 KEYBOARD W/NORWEGIAN KEYCAPS
LK201-AP	LK201 KEYBOARD W/FRENCH KEYCAPS
LK201-AS	LK201 KEYBOARD W/SPANISH KEYCAPS
LK201-AB	LK201 KEYBOARD W/FLEMISH KEYCAPS
LK201-AZ	LK201 KEYBOARD W/U.S. KEYCAPS
LK201-BA	LK201 KEYBOARD W/DECMATE (U.S.) KEYCAPS
LK201-CA	LK201 KEYBOARD (VAX STN.) W/U.S. KEYCAPS
LK201-CE	LK201 KEYBOARD (VAX STN.) W/UK KEYCAPS
LK201-CG	LK201 KEYBOARD (VAX STN.) W/GERMAN KEYCAPS
LK201-CP	LK201 KEYBOARD (VAX STN.) W/FRENCH KEYCAPS
LK201-BE	LK201 KEYBOARD (DECMATE) W/UK KEYCAPS
LK201-BZ	LK201 KEYBOARD (DECMATE) W/US KEYCAPS
LK201-AT	LK201 KEYBOARD W/HEBREW CAPS

REVISIONS	CHK	CHANGE NO.	REV.	A	B	C	D	E	F	USED ON OPTION/MODEL	DRN.	DATE	TITLE	<div style="border: 1px solid black; padding: 2px;">digital</div> UNIT ASSY. (LK201)			
	6-15-82	INITIAL									M. THOMPSON	21MAY82					
	11/3/82	LK201-ML002									CHK'D.	DATE					
	1/31/83	LK201-ML003									PROJ. ENG.	DATE					
	5-21-83	LK201-ML006									PRD.	DATE					
7-11-83	LK201-A-ML007											SIZE	CODE	NUMBER	REV		
													B	DD	LK 201-A	F	
													DIST.				



TITLE	SHEET 2 OF 3	SIZE	CODE	NUMBER	REV.
UNIT ASSY (LK201)		B	DD	LK201-A	F



FIND NO.	DRAWING NO.	DESCRIPTION	TYPE	FIND NO.	DRAWING NO.	DESCRIPTION	TYPE
1	MP-01395	LK201 KEYBOARD (MP)	-		D-MD-7426169-0-DBU	KEYSWITCH, HOUSE/GUIDE, 1½ TRIAD	M
	B-TC-LK201-A-1	LK201 KEYBOARD (TC)	-		E-MD-7425488-0-DBU	SPRING, LEAF, ONE POSITION FORMED	M
	E-UA-LK201-A-0	LK201 KEYBOARD	E/M		D-MD-7426703-0-DBU	PAD, NITRILE	M
	K-PL-LK201-A-DBP	LK201 KEYBOARD (PL)	E/M				
	E-MD-7426051-0-DBU	SPACE BAR, LOW PROFILE, LT GREY	M				
	C-MD-7427103-0-DBU	EQUALIZER, SPACEBAR	M				
	B-MD-7426989-0-DBU	BAR, EQUALIZER, DOUBLE KEY	M				
	D-MD-7427577-0-DBU	FOOT, KEYBOARD, SLOPE	M				
2	E-AD-7018416-0-0	KEYBOARD ASSY	E/M	5	B-DD-5415172-0	MEMBRANE, ASSY, SWITCH ARRAY, LK201 KEYBOARD	E/M
	K-PL-7018416-0-DBP	KEYBOARD ASSY	E/M				
	E-MD-7426054-0-DBU	BOTTOM ENCLOSURE, KEYBOARD	M				
	D-MD-7426053-0-DBU	TOP ENCLOSURE, KEYBOARD	M				
	D-MD-7426222-0-DBU	DOOR, KEYBOARD, TRANSPARENT, (2-17)	M				
3	D-AR-7019005-0-DBU	KEYCAP SET, ARRANGEMENT DRAWING	M	6	B-DD-5415148-0	ENCODING MODULE, LK200 KEYBOARD	E/M
4	E-IA-7019004-0-DBU	CHASSIS ASSY, KEYBOARD	E/M				
	K-PL-7019004-0-DBP	CHASSIS ASSY, KEYBOARD	E/M				
	D-MD-7426055-0-DBU	CHASSIS, KEYBOARD	M				
	D-MD-7425992-0-DBU	KEYSWITCH, HOUSING/GUIDE, EXTENDED	M				
	D-MD-7425176-0-DBU	KEYSWITCH, HOUSING/GUIDE	M				
	D-MD-7426052-0-DBU	SWITCH GUIDE, SPACEBAR, LOW PROFILE	M				
	D-MD-7426166-0-DBU	KEYBOARD, HOUSE/GUIDE, RETURN	M				
	D-MD-7426167-0-DBU	KEYSWITCH, HOUSE/GUIDE, ROW 1 DOUBLE	M				
	D-MD-7426168-0-DBU	KEYSWITCH, HOUSE/GUIDE, VERTICAL	M				
				7	A-PA-3700698-0-0	PKG, KEYBOARD LK201-A	M

TYPE: E ELECTRICAL  
M MECHANICAL  
E/M ELECTRO/MECHANICAL



TITLE UNIT ASSY (LK201)

SHEET 3 OF 5

SIZE CODE B DD

NUMBER LK201-A

REV. F

LEGEND	
NUMBER	VARIATION
LK201-A	BASIC UNIT
LK201-AA	AS SHOWN

- NOTES:
- KEYCAPS ARRANGED ACCORDING TO ARRANGEMENT DRAWING D-AD-7019005-0-DBU.
  - DELETED
  - ITEM 5 IS USED ON SWITCHES A21 & A99 (THE TWO DOUBLE KEYS IN FIRST ROW) ON ARRANGEMENT DRAWING D-AD-7019005-0-DBU.
  - APPLY THIN FILM OF LUBRICANT (ITEM 11) ON PLUNGER AREA OF 5 KEYS PRIOR TO ADDING THEM TO THE KEYBOARD. KEYS IDENTIFIED BY LOCATIONS B99, B11, A23, C17 AND G16 ON KEYCAP ARRANGEMENT DRAWING D-AD-7019005-0-DBU. LUBRICANT MUST BE KEPT OFF VISIBLE (TEXTURED) SURFACES OF KEYS.

VIEW A-A  
(NO SCALE)

46 (QTY 2)  
NOTE: FEET SHIPPED IN SAME CONTAINER WITH KEYBOARD ASSEMBLY AS LOOSE PART

CAUTION:  
OFF SHEET PARTS LIST EXISTS.  
SEE K-PL-LK201-A-DBP.

9, 41 THRU 45  
NOTE: POWER CORD SHIPPED IN SAME CONTAINER WITH KEYBOARD ASSY AS A LOOSE PART.

ITEM	DESCRIPTION	QUANTITY	UNIT
1	KEYCAP	1	EA
2	KEYCAP	1	EA
3	KEYCAP	1	EA
4	KEYCAP	1	EA
5	KEYCAP	1	EA
6	KEYCAP	1	EA
7	KEYCAP	1	EA
8	KEYCAP	1	EA
9	KEYCAP	1	EA
10	KEYCAP	1	EA
11	KEYCAP	1	EA
12	KEYCAP	1	EA
13	KEYCAP	1	EA
14	KEYCAP	1	EA
15	KEYCAP	1	EA
16	KEYCAP	1	EA
17	KEYCAP	1	EA
18	KEYCAP	1	EA
19	KEYCAP	1	EA
20	KEYCAP	1	EA
21	KEYCAP	1	EA
22	KEYCAP	1	EA
23	KEYCAP	1	EA
24	KEYCAP	1	EA
25	KEYCAP	1	EA
26	KEYCAP	1	EA
27	KEYCAP	1	EA
28	KEYCAP	1	EA
29	KEYCAP	1	EA
30	KEYCAP	1	EA
31	KEYCAP	1	EA
32	KEYCAP	1	EA
33	KEYCAP	1	EA
34	KEYCAP	1	EA
35	KEYCAP	1	EA
36	KEYCAP	1	EA
37	KEYCAP	1	EA
38	KEYCAP	1	EA
39	KEYCAP	1	EA
40	KEYCAP	1	EA
41	KEYCAP	1	EA
42	KEYCAP	1	EA
43	KEYCAP	1	EA
44	KEYCAP	1	EA
45	KEYCAP	1	EA

DESCRIPTION		DRAWING NO.		PART NO.		REV.	
UNLESS OTHERWISE SPECIFIED DIMENSIONS ARE IN INCHES AND THE FOLLOWING TOLERANCES APPLY PER DEC STD 114							
SIZE	TOLERANCE	APPLICABLE DIMENSION	FR.	FIN.	FR.	FIN.	FR.
1:1		SURFACE QUALITY	12	10	10	10	10
2:1							
3:1							
4:1							
5:1							
6:1							
7:1							
8:1							
9:1							
10:1							
11:1							
12:1							
13:1							
14:1							
15:1							
16:1							
17:1							
18:1							
19:1							
20:1							
21:1							
22:1							
23:1							
24:1							
25:1							
26:1							
27:1							
28:1							
29:1							
30:1							
31:1							
32:1							
33:1							
34:1							
35:1							
36:1							
37:1							
38:1							
39:1							
40:1							
41:1							
42:1							
43:1							
44:1							
45:1							
46:1							
47:1							
48:1							
49:1							
50:1							
51:1							
52:1							
53:1							
54:1							
55:1							
56:1							
57:1							
58:1							
59:1							
60:1							
61:1							
62:1							
63:1							
64:1							
65:1							
66:1							
67:1							
68:1							
69:1							
70:1							
71:1							
72:1							
73:1							
74:1							
75:1							
76:1							
77:1							
78:1							
79:1							
80:1							
81:1							
82:1							
83:1							
84:1							
85:1							
86:1							
87:1							
88:1							
89:1							
90:1							
91:1							
92:1							
93:1							
94:1							
95:1							
96:1							
97:1							
98:1							
99:1							
100:1							

AUTOMATED BY PRTLST.3P(44)

PARTS LIST

SHEET A1 OF A2

LINE	ITEM	TOP DOCUMENT	PART NUMBER	MIN REV	DESCRIPTION	QTY PER VARIATION												
						A	AA	AC	AD	AE	AF	AG	AH	AI	AJ	AK	AL	
1	1	E-AD-7018416-0-0	7018416-00		KEYBOARD ASSY	1	1	1	1	1	1	1	1	1	1	1	1	1
2	2	D-AR-7019005-0-DBU	7019005-00		KEYCAP SET WITH U.S. LEGENDS	-	1	-	-	-	-	-	-	-	-	-	-	-
3	3	E-MD-7426051-0-DBU	7426051-00		SPACE BAR LOW-PROFILE	1	1	1	1	1	1	1	1	1	1	1	1	1
4	4	C-MD-7427103-0-DBU	7427103-01		EQUALIZER, SPACE BAR	1	1	1	1	1	1	1	1	1	1	1	1	1
5	5	B-MD-7426989-0-DBU	7426989-01		BAR, EQUALIZER, DOUBLE KEY	2	2	2	2	2	2	2	2	2	2	2	2	2
6	6		3620219-01		LABEL, KEYBOARD, W/ADH, AMERICAN	-	1	-	-	1	-	-	-	-	-	-	-	-
7	7		3620312-01		LABEL, SERIAL/REGULATORY	1	1	1	1	1	1	1	1	1	1	1	1	1
8	8		1700294-00		CABLE, ASSY, CT150 KEYBOARD	1	1	1	1	1	1	1	1	1	1	1	1	1
9	9		1700083-09		PWR CORD, TERM 3-18 SJT 125	-	1	1	-	-	-	-	-	-	-	-	-	-
10	10	A-PA-3700698-0-0	3700698-01		PKKG KEYBOARD LK201-A	-	1	1	1	1	1	1	1	1	1	1	1	1
11	11	SEE NOTE	4901569-01		LUBRICANT, SILICONE	A/R	A/R	A/R	A/R	A/R	A/R	A/R	A/R	A/R	A/R	A/R	A/R	A/R
12	12		1220374-01		SPRING, COMPRESSION .4200DX .250	5	5	5	5	5	5	5	5	5	5	5	3	5
13	13		1220374-02		SPRING, COMPRESSION HIGH FORCE	3	3	3	3	3	3	3	3	3	3	3	-	3
14	14	D-AR-7019005-0-DBU	7019005-01		KEYCAP SET W/CAN (FRENCH) LEGEND	-	-	1	-	-	-	-	-	-	-	-	-	-
15	15	D-AR-7019005-0-DBU	7019005-02		KEYCAP SET W/DANISH LEGENDS	-	-	-	1	-	-	-	-	-	-	-	-	-
16	16	D-AR-7019005-0-DBU	7019005-03		KEYCAP SET W/ U.K. LEGENDS	-	-	-	-	1	-	-	-	-	-	-	-	-
17	17	D-AR-7019005-0-DBU	7019005-04		KEYCAP SET W/FINNISH LEGENDS	-	-	-	-	-	1	-	-	-	-	-	-	-
18	18	D-AR-7019005-0-DBU	7019005-05		KEYCAP SET W/GERMAN LEGENDS	-	-	-	-	-	-	1	-	-	-	-	-	-
19	19	D-AR-7019005-0-DBU	7019005-06		KEYCAP SET W/HOLLAND LEGENDS	-	-	-	-	-	-	-	1	-	-	-	-	-
20	20	D-AR-7019005-0-DBU	7019005-07		KEYCAP SET W/ITALIAN LEGENDS	-	-	-	-	-	-	-	-	1	-	-	-	-
21	21	D-AR-7019005-0-DBU	7019005-08		REPLACED BY 7021081-01	-	-	-	-	-	-	-	-	-	-	1	-	-
22	22	D-AR-7019005-0-DBU	7019005-09		KEYCAP SET W/SWISS-FRENCH LEGEND	-	-	-	-	-	-	-	-	-	-	-	-	1
23	23	D-AR-7019005-0-DBU	7019005-10		KEYCAP SET W/SWISS-GERMAN LEGEND	-	-	-	-	-	-	-	-	-	-	-	-	1
24	24	D-AR-7019005-0-DBU	7019005-11		*** THIS ITEM IS NOT USED ***	-	-	-	-	-	-	-	-	-	-	-	-	-
25	25	D-AR-7019005-0-DBU	7019005-12		*** THIS ITEM IS NOT USED ***	-	-	-	-	-	-	-	-	-	-	-	-	-
26	26	D-AR-7019005-0-DBU	7019005-13		*** THIS ITEM IS NOT USED ***	-	-	-	-	-	-	-	-	-	-	-	-	-
27	27	D-AR-7019005-0-DBU	7019005-14		*** THIS ITEM IS NOT USED ***	-	-	-	-	-	-	-	-	-	-	-	-	-
28	28	D-AR-7019005-0-DBU	7019005-15		*** THIS ITEM IS NOT USED ***	-	-	-	-	-	-	-	-	-	-	-	-	-
29	29	D-AR-7019005-0-DBU	7019005-16		*** THIS ITEM IS NOT USED ***	-	-	-	-	-	-	-	-	-	-	-	-	-
30	30	A-PS-3620219-0-0	3620219-02		LABEL, KEYBOARD, W/ADH, AUSTRIAN/GE	-	-	-	-	-	-	1	-	-	-	-	-	1

REVISION HISTORY			BASIC PART NO: LK201			DRN: D. HEALY			DATE: 18-MAR-82			DIGITAL		
ENG:	ECO NUMBER	REV	SECTION A OF C			CHK'D: C. LARSON			DATE: 19-MAY-82			TITLE PARTS LIST		
	INITIAL	A	SECTION VARIATION INDEX			DES. ENG: R. LIETERMANN			DATE: 19-MAY-82			DOCUMENT NUMBER		
AL	LK201-ML001	B	[A]A, AA, AC, AD, AE, AF,			RESP. ENG.: A. LEN			DATE: 19-MAY-82			SIZE: CODE: NUMBER REV		
AL	LK201-ML002	C	AG, AH, AI, AJ, AK, AL			MFG. ENG.: L. QUARLES			DATE: 19-MAY-82			K PL LK201-A-DBP J		
AL	LK201-ML003	D	[B]AM, AN, AP, AS, AB, AZ,			ASSEMBLY NUMBER:			TOP DOCUMENT NUMBER:			FILE NAME:		
AL	LK201-A-ML004	E	BA, CA, CE, CG, CP, BE			E-UA-LK201-A-0			#B-DD-LK201-A			Z4412J.PLS		
AL	LK201-ML006	F	[C]BZ, AT									RELEASE DATE:		
AL	LK201-A-ML007	H	[D]											
AL	LK201-ML008	J	[E]											
			[F]											
<p>"THIS DRAWING AND THE SPECIFICATIONS CONTAINED HEREIN ARE CONFIDENTIAL AND PROPRIETARY. THEY ARE THE PROPERTY OF DIGITAL EQUIPMENT CORPORATION AND SHALL NOT BE REPRODUCED OR COPIED OR USED IN WHOLE OR IN PART AS THE BASIS FOR THE MANUFACTURE OR SALE OF ITEMS WITHOUT WRITTEN PERMISSION. THIS IS AN UNPUBLISHED WORK PROTECTED UNDER THE FEDERAL COPYRIGHT LAWS."</p>														

AUTOMATED BY PRTLST.3P(44)

PARTS LIST

SHEET A2 OF A2

LINE	ITEM	TOP DOCUMENT	PART NUMBER	MIN REV	DESCRIPTION	QTY PER VARIATION																	
						A	AA	AC	AD	AE	AF	AG	AH	AI	AJ	AK	AL						
31	31	A-PS-3620219-0-0	3620219-03		LABEL,KEYBOARD,W/ADH,DANISH	-	-	-	1	-	-	-	-	-	-	-	-	-	-	-	-	-	-
32	32	A-PS-3620219-0-0	3620219-04		LABEL,KEYBOARD,W/ADH,FRENCH	-	-	1	-	-	-	-	-	-	-	-	-	-	-	-	1	-	-
33	33	A-PS-3620219-0-0	3620219-05		LABEL,KEYBOARD,W/ADH,FINNISH	-	-	-	-	-	-	1	-	-	-	-	-	-	-	-	-	-	-
34	34	A-PS-3620219-0-0	3620219-06		LABEL,KEYBOARD,W/ADH,DUTCH	-	-	-	-	-	-	-	-	-	1	1	-	-	-	-	-	-	-
35	35	A-PS-3620219-0-0	3620219-07		*** THIS ITEM IS NOT USED ***	-	-	-	-	-	-	-	-	-	-	-	-	-	-	-	-	-	-
36	36	A-PS-3620219-0-0	3620219-08		*** THIS ITEM IS NOT USED ***	-	-	-	-	-	-	-	-	-	-	-	-	-	-	-	-	-	-
37	37	A-PS-3620219-0-0	3620219-09		*** THIS ITEM IS NOT USED ***	-	-	-	-	-	-	-	-	-	-	-	-	-	-	-	-	-	-
38	38	A-PS-3620219-0-0	3620219-10		*** THIS ITEM IS NOT USED ***	-	-	-	-	-	-	-	-	-	-	-	-	-	-	-	-	-	-
39	39	A-PS-3620219-0-0	3620219-11		LABEL,KEYBOARD,W/ADH,KATAKANA	-	-	-	-	-	-	-	-	-	-	-	-	-	-	1	-	-	-
40	40	A-PS-3620219-0-0	3620219-13		*** THIS ITEM IS NOT USED ***	-	-	-	-	-	-	-	-	-	-	-	-	-	-	1	-	-	-
41	41		1700209-00		PWR CORD,TERM 3-.75MM 5A 250	-	-	-	-	-	1	-	-	-	-	-	-	-	-	-	-	-	-
42	42		1700199-00		PWR CORD,TERM 3 250	-	-	-	-	-	-	1	1	1	-	-	-	-	-	-	-	-	-
43	43		1700310-01		PWR CORD,TERM 3-.75MM 250	-	-	-	1	-	-	-	-	-	-	-	-	-	-	-	-	-	-
44	44		1700210-00		PWR CORD,TERM 3-.75MM 250V 6	-	-	-	-	-	-	-	-	-	-	-	-	-	-	-	1	1	-
45	45		1700198-00		*** THIS ITEM IS NOT USED ***	-	-	-	-	-	-	-	-	-	-	-	-	-	-	-	-	-	-
46	46	D-MD-7427577-0-DBU	7427577-01		FOOT,KEYBOARD SLOPE,5 DEGREES	-	2	2	2	2	2	2	2	2	2	2	2	2	2	2	2	2	2
47	47		1700364-01		PWR CORD,TERM 3-.75MM 250V	-	-	-	-	-	-	-	-	-	-	-	-	-	1	-	-	-	-
48	48	A-PS-3620219-0-0	3620219-17		*** THIS ITEM IS NOT USED ***	-	-	-	-	-	-	-	-	-	-	-	-	-	-	-	-	-	-
49	49	A-PS-3620219-0-0	3620219-18		*** THIS ITEM IS NOT USED ***	-	-	-	-	-	-	-	-	-	-	-	-	-	-	-	-	-	-
50	50		1700397-01		*** THIS ITEM IS NOT USED ***	-	-	-	-	-	-	-	-	-	-	-	-	-	-	-	-	-	-
51	51	D-AR-7019005-0-DBU	7019005-17		*** THIS ITEM IS NOT USED ***	-	-	-	-	-	-	-	-	-	-	-	-	-	-	-	-	-	-
52	52	D-AR-7019005-0-DBU	7019005-18		*** THIS ITEM IS NOT USED ***	-	-	-	-	-	-	-	-	-	-	-	-	-	-	-	-	-	-
53	53	D-AR-7019005-0-DBU	7019005-19		*** THIS ITEM IS NOT USED ***	-	-	-	-	-	-	-	-	-	-	-	-	-	-	-	-	-	-
54	54	D-AR-7019005-0-DBU	7019005-20		*** THIS ITEM IS NOT USED ***	-	-	-	-	-	-	-	-	-	-	-	-	-	-	-	-	-	-
55	55		3620312-03		*** THIS ITEM IS NOT USED ***	-	-	-	-	-	-	-	-	-	-	-	-	-	-	-	-	-	-
56	56		1700083-26		*** THIS ITEM IS NOT USED ***	-	-	-	-	-	-	-	-	-	-	-	-	-	-	-	-	-	-
57	57	K-PL-7019005-0-DBP	7019005-21		KEYCAP SET W/DECMATE UK LEGENDS	0	0	0	0	0	0	0	0	0	0	0	0	0	0	0	0	0	0
58	58	D-AR-7019005-0-DBU	7019005-22		*** THIS ITEM IS NOT USED ***	-	-	-	-	-	-	-	-	-	-	-	-	-	-	-	-	-	-
59	59	A-PS-3620219-0-0	3620219-19		*** THIS ITEM IS NOT USED ***	-	-	-	-	-	-	-	-	-	-	-	-	-	-	-	-	-	-

60 NOTE: QUANTITY OF ITEM #11 IS .0002 GALS.

D I G I T A L	TITLE	SECTION A OF C	SIZE	CODE	DOCUMENT NUMBER	REV
	LK201 KEYBOARD		K	PL	LK201-A-DBP	J

LINE	ITEM	TOP DOCUMENT	PART NUMBER	MIN REV	DESCRIPTION	QTY PER VARIATION											
						AM	AN	AP	AS	AB	AZ	BA	CA	CE	CG	CP	BE
1	1	E-AD-7018416-0-0	7018416-00		KEYBOARD ASSY	1	1	1	1	1	1	1	1	1	1	1	1
2	2	D-AR-7019005-0-DBU	7019005-00		KEYCAP SET WITH U.S. LEGENDS	-	-	-	-	-	1	-	-	-	-	-	-
3	3	E-MD-7426051-0-DBU	7426051-00		SPACE BAR LOW-PROFILE	1	1	1	1	1	1	1	1	1	1	1	1
4	4	C-MD-7427103-0-DBU	7427103-01		EQUALIZER, SPACE BAR	1	1	1	1	1	1	1	1	1	1	1	1
5	5	B-MD-7426989-0-DBU	7426989-01		BAR, EQUALIZER, DOUBLE KEY	2	2	2	2	2	2	2	2	2	2	2	2
6	6		3620219-01		LABEL, KEYBOARD, W/ADH, AMERICAN	-	-	-	-	-	1	-	-	-	-	-	-
7	7		3620312-01		LABEL, SERIAL/REGULATORY	1	1	1	1	1	1	1	-	-	-	-	1
8	8		1700294-00		CABLE, ASSY, CT150 KEYBOARD	1	1	1	1	1	1	1	-	-	-	-	1
9	9		1700083-09		PWR CORD, TERM 3-18 SJT	125	-	-	-	-	-	1	-	-	-	-	-
10	10	A-PA-3700698-0-0	3700698-01		PKKG KEYBOARD LK201-A	1	1	1	1	1	1	1	1	1	1	1	1
11	11	SEE NOTE	4901569-01		LUBRICANT, SILICONE	A/R	A/R	A/R	A/R	A/R	A/R	A/R	A/R	A/R	A/R	A/R	A/R
12	12		1220374-01		SPRING, COMPRESSION 4200DX .250	5	5	5	5	5	5	5	5	5	5	5	5
13	13		1220374-02		SPRING, COMPRESSION HIGH FORCE	3	3	3	3	3	3	3	3	3	3	3	3
14	14	D-AR-7019005-0-DBU	7019005-01		*** THIS ITEM IS NOT USED ***	-	-	-	-	-	-	-	-	-	-	-	-
15	15	D-AR-7019005-0-DBU	7019005-02		*** THIS ITEM IS NOT USED ***	-	-	-	-	-	-	-	-	-	-	-	-
16	16	D-AR-7019005-0-DBU	7019005-03		*** THIS ITEM IS NOT USED ***	-	-	-	-	-	-	-	-	-	-	-	-
17	17	D-AR-7019005-0-DBU	7019005-04		*** THIS ITEM IS NOT USED ***	-	-	-	-	-	-	-	-	-	-	-	-
18	18	D-AR-7019005-0-DBU	7019005-05		*** THIS ITEM IS NOT USED ***	-	-	-	-	-	-	-	-	-	-	-	-
19	19	D-AR-7019005-0-DBU	7019005-06		*** THIS ITEM IS NOT USED ***	-	-	-	-	-	-	-	-	-	-	-	-
20	20	D-AR-7019005-0-DBU	7019005-07		*** THIS ITEM IS NOT USED ***	-	-	-	-	-	-	-	-	-	-	-	-
21	21	D-AR-7019005-0-DBU	7019005-08		*** THIS ITEM IS NOT USED ***	-	-	-	-	-	-	-	-	-	-	-	-
22	22	D-AR-7019005-0-DBU	7019005-09		*** THIS ITEM IS NOT USED ***	-	-	-	-	-	-	-	-	-	-	-	-
23	23	D-AR-7019005-0-DBU	7019005-10		*** THIS ITEM IS NOT USED ***	-	-	-	-	-	-	-	-	-	-	-	-
24	24	D-AR-7019005-0-DBU	7019005-11		KEYCAP SET W/SWEDISH LEGENDS	1	-	-	-	-	-	-	-	-	-	-	-
25	25	D-AR-7019005-0-DBU	7019005-12		KEYCAP SET W/NORWEGIAN LEGEND	-	1	-	-	-	-	-	-	-	-	-	-
26	26	D-AR-7019005-0-DBU	7019005-13		KEYCAP SET W/FRENCH LEGENDS	-	-	1	-	-	-	-	-	-	-	-	-
27	27	D-AR-7019005-0-DBU	7019005-14		KEYCAP SET W/SPAIN LEGENDS	-	-	-	1	-	-	-	-	-	-	-	-
28	28	D-AR-7019005-0-DBU	7019005-15		KEYCAP SET W/DECMATE II LEGEND	-	-	-	-	-	-	1	-	-	-	-	-
29	29	D-AR-7019005-0-DBU	7019005-16		KEYCAP SET/FLEMISH LEGENDS	-	-	-	-	1	-	-	-	-	-	-	-
30	30	A-PS-3620219-0-0	3620219-02		*** THIS ITEM IS NOT USED ***	-	-	-	-	-	-	-	-	-	-	-	-

REVISION HISTORY			BASIC PART NO: LK201		DRN: D. HEALY	DATE: 18-MAR-82	D I G I T A L		
ENG:	ECO NUMBER	REV	SECTION B OF C	CHK'D: C. LARSON	DATE: 19-MAY-82	TITLE PARTS LIST			
	INITIAL	A	SECTION VARIATION INDEX	DES. ENG: R. LIETERMANN	DATE: 19-MAY-82	DOCUMENT NUMBER			
AL	LK201-ML001	B	[A]A,AA,AC,AD,AE,AF,	RESP. ENG.: A. LEN	DATE: 19-MAY-82	SIZE	CODE	NUMBER	REV
AL	LK201-ML002	C	AG,AH,AI,AJ,AK,AL	MFG. ENG.: L. QUARLES	DATE: 19-MAY-82	K	PL	LK201-A-DBP	J
AL	LK201-ML003	D	[B]AM,AN,AP,AS,AB,AZ,	ASSEMBLY NUMBER:	TOP DOCUMENT NUMBER:	FILE NAME:		EDIT #	
AL	LK201-A-ML004	E	BA,CA,CE,CG,CP,BE	E-UA-LK201-A-0	#B-DD-LK201-A	Z4412J.PLS		6	
AL	LK201-ML006	F	[C]BZ,AT	RELEASE DATE:					
AL	LK201-A-ML007	H	[D]						
AL	LK201-ML008	J	[E]						
			[F]						

"THIS DRAWING AND THE SPECIFICATIONS CONTAINED HEREIN ARE CONFIDENTIAL AND PROPRIETARY. THEY ARE THE PROPERTY OF DIGITAL EQUIPMENT CORPORATION AND SHALL NOT BE REPRODUCED OR COPIED OR USED IN WHOLE OR IN PART AS THE BASIS FOR THE MANUFACTURE OR SALE OF ITEMS WITHOUT WRITTEN PERMISSION. THIS IS AN UNPUBLISHED WORK PROTECTED UNDER THE FEDERAL COPYRIGHT LAWS."

AUTOMATED BY PRTLST.3P(44)

PARTS LIST

SHEET B2 OF B2

LINE	ITEM	TOP DOCUMENT	PART NUMBER	MIN REV	DESCRIPTION	VARIATION REVISION LEVEL:	QTY PER VARIATION																
							AM	AN	AP	AS	AB	AZ	BA	CA	CE	CG	CP	BE					
31	31	A-PS-3620219-0-0	3620219-03		*** THIS ITEM IS NOT USED ***		-	-	-	-	-	-	-	-	-	-	-	-	-	-	-	-	-
32	32	A-PS-3620219-0-0	3620219-04		LABEL,KEYBOARD,W/ADH,FRENCH		-	-	1	-	-	-	-	-	-	-	-	-	-	-	-	-	-
33	33	A-PS-3620219-0-0	3620219-05		*** THIS ITEM IS NOT USED ***		-	-	-	-	-	-	-	-	-	-	-	-	-	-	-	-	-
34	34	A-PS-3620219-0-0	3620219-06		LABEL,KEYBOARD,W/ADH,DUTCH		-	-	-	-	1	-	-	-	-	-	-	-	-	-	-	-	-
35	35	A-PS-3620219-0-0	3620219-07		*** THIS ITEM IS NOT USED ***		-	-	-	-	-	-	-	-	-	-	-	-	-	-	-	-	-
36	36	A-PS-3620219-0-0	3620219-08		LABEL,KEYBOARD,W/ADH,SPANISH		-	-	-	-	1	-	-	-	-	-	-	-	-	-	-	-	-
37	37	A-PS-3620219-0-0	3620219-09		LABEL,KEYBOARD,W/ADH,SWEDISH		1	-	-	-	-	-	-	-	-	-	-	-	-	-	-	-	-
38	38	A-PS-3620219-0-0	3620219-10		LABEL,KEYBOARD,W/ADH,NORWEIGN		-	1	-	-	-	-	-	-	-	-	-	-	-	-	-	-	-
39	39	A-PS-3620219-0-0	3620219-11		*** THIS ITEM IS NOT USED ***		-	-	-	-	-	-	-	-	-	-	-	-	-	-	-	-	-
40	40	A-PS-3620219-0-0	3620219-13		LABEL,KEYBOARD,DECMATE II		-	-	-	-	-	-	-	1	-	-	-	-	-	-	-	-	1
41	41		1700209-00		PWR CORD,TERM 3-.75MM 5A 250		-	-	-	-	-	-	-	-	-	-	1	-	-	-	-	-	1
42	42		1700199-00		PWR CORD,TERM 3 250		1	1	1	1	1	-	-	-	-	-	-	1	1	-	-	-	-
43	43		1700310-01		*** THIS ITEM IS NOT USED ***		-	-	-	-	-	-	-	-	-	-	-	-	-	-	-	-	-
44	44		1700210-00		*** THIS ITEM IS NOT USED ***		-	-	-	-	-	-	-	-	-	-	-	-	-	-	-	-	-
45	45		1700198-00		PWR CORD,TERM 3-18 250		-	-	-	-	-	-	1	-	-	-	-	-	-	-	-	-	-
46	46	D-MD-7427577-0-DBU	7427577-01		FOOT,KEYBOARD SLOPE,5 DEGREES		2	2	2	2	2	2	2	2	2	2	2	2	2	2	2	2	2
47	47		1700364-01		*** THIS ITEM IS NOT USED ***		-	-	-	-	-	-	-	-	-	-	-	-	-	-	-	-	-
48	48	A-PS-3620219-0-0	3620219-17		LABEL,KEYBOARD,ENGLISH,VAXSTATIO		-	-	-	-	-	-	-	-	-	1	1	-	-	-	-	-	-
49	49	A-PS-3620219-0-0	3620219-18		LABEL,KEYBOARD,FOREIGN,VAXSTATIO		-	-	-	-	-	-	-	-	-	-	-	1	1	-	-	-	-
50	50		1700397-01		CABLE ASSY,COIL CORD 14' LG		-	-	-	-	-	-	-	-	-	1	1	1	1	-	-	-	-
51	51	D-AR-7019005-0-DBU	7019005-17		REPLACED BY 7021081-01		-	-	-	-	-	-	-	-	-	1	-	-	-	-	-	-	-
52	52	D-AR-7019005-0-DBU	7019005-18		KEYCAP SET W/VAX UK LEGENDS		-	-	-	-	-	-	-	-	-	-	1	-	-	-	-	-	-
53	53	D-AR-7019005-0-DBU	7019005-19		KEYCAP SET W/VAX GERMAN LEGENDS		-	-	-	-	-	-	-	-	-	-	-	1	-	-	-	-	-
54	54	D-AR-7019005-0-DBU	7019005-20		KEYCAP SET W/VAX FRENCH LEGENDS		-	-	-	-	-	-	-	-	-	-	-	1	1	1	1	-	-
55	55		3620312-03		LABEL,SERIAL/REGULATORY LK201-CA		-	-	-	-	-	-	-	-	-	1	1	1	1	-	-	-	-
56	56		1700083-26		PWR CORD,TERM 3-18 SJT 125V		-	-	-	-	-	-	-	-	-	1	-	-	-	-	-	-	-
57	57	K-PL-7019005-0-DBP	7019005-21		KEYCAP SET W/DECMATE UK LEGENDS		0	0	0	0	0	0	0	0	0	0	0	0	0	0	0	0	0
58	58	D-AR-7019005-0-DBU	7019005-22		*** THIS ITEM IS NOT USED ***		-	-	-	-	-	-	-	-	-	-	-	-	-	-	-	-	-
59	59	A-PS-3620219-0-0	3620219-19		*** THIS ITEM IS NOT USED ***		-	-	-	-	-	-	-	-	-	-	-	-	-	-	-	-	-

60 NOTE: QUANTITY OF ITEM #11 IS .0002 GALS.

D I G I T A L	TITLE	LK201 KEYBOARD	SECTION B OF C	SIZE	CODE	DOCUMENT NUMBER	REV
				K	PL	LK201-A-DBP	J

AUTOMATED BY PRTLST.3P(44)

PARTS LIST

SHEET C1 OF C2

LINE	ITEM	TOP DOCUMENT	PART NUMBER	MIN REV	DESCRIPTION	QTY BZ	PER AT	VARIATION
1	1	E-AD-7018416-0-0	7018416-00		KEYBOARD ASSY	1	1	
2	2	D-AR-7019005-0-DBU	7019005-00		*** THIS ITEM IS NOT USED ***	-	-	
3	3	E-MD-7426051-0-DBU	7426051-00		SPACE BAR LOW-PROFILE	1	1	
4	4	C-MD-7427103-0-DBU	7427103-01		EQUALIZER, SPACE BAR	1	1	
5	5	B-MD-7426989-0-DBU	7426989-01		BAR, EQUALIZER, DOUBLE KEY	2	2	
6	6		3620219-01		*** THIS ITEM IS NOT USED ***	-	-	
7	7		3620312-01		LABEL, SERIAL/REGULATORY	1	1	
8	8		1700294-00		CABLE, ASSY, CT150 KEYBOARD	1	1	
9	9		1700083-09		PWR CORD, TERM 3-18 SJT	125	1	
10	10	A-PA-3700698-0-0	3700698-01		PKKG KEYBOARD LK201-A	-	1	
11	11	SEE NOTE	4901569-01		LUBRICANT, SILICONE	A/R	A/R	
12	12		1220374-01		SPRING, COMPRESSION .4200DX .250	5	5	
13	13		1220374-02		SPRING, COMPRESSION HIGH FORCE	3	3	
14	14	D-AR-7019005-0-DBU	7019005-01		*** THIS ITEM IS NOT USED ***	-	-	
15	15	D-AR-7019005-0-DBU	7019005-02		*** THIS ITEM IS NOT USED ***	-	-	
16	16	D-AR-7019005-0-DBU	7019005-03		*** THIS ITEM IS NOT USED ***	-	-	
17	17	D-AR-7019005-0-DBU	7019005-04		*** THIS ITEM IS NOT USED ***	-	-	
18	18	D-AR-7019005-0-DBU	7019005-05		*** THIS ITEM IS NOT USED ***	-	-	
19	19	D-AR-7019005-0-DBU	7019005-06		*** THIS ITEM IS NOT USED ***	-	-	
20	20	D-AR-7019005-0-DBU	7019005-07		*** THIS ITEM IS NOT USED ***	-	-	
21	21	D-AR-7019005-0-DBU	7019005-08		*** THIS ITEM IS NOT USED ***	-	-	
22	22	D-AR-7019005-0-DBU	7019005-09		*** THIS ITEM IS NOT USED ***	-	-	
23	23	D-AR-7019005-0-DBU	7019005-10		*** THIS ITEM IS NOT USED ***	-	-	
24	24	D-AR-7019005-0-DBU	7019005-11		*** THIS ITEM IS NOT USED ***	-	-	
25	25	D-AR-7019005-0-DBU	7019005-12		*** THIS ITEM IS NOT USED ***	-	-	
26	26	D-AR-7019005-0-DBU	7019005-13		*** THIS ITEM IS NOT USED ***	-	-	
27	27	D-AR-7019005-0-DBU	7019005-14		*** THIS ITEM IS NOT USED ***	-	-	
28	28	D-AR-7019005-0-DBU	7019005-15		KEYCAP SET W/DECMATE II LEGEND	1	-	
29	29	D-AR-7019005-0-DBU	7019005-16		*** THIS ITEM IS NOT USED ***	-	-	
30	30	A-PS-3620219-0-0	3620219-02		*** THIS ITEM IS NOT USED ***	-	-	

REVISION HISTORY		BASIC PART NO: LK201		DRN: D. HEALY	DATE: 18-MAR-82	D I G I T A L		
ENG:	ECO NUMBER	REV	SECTION C OF C	CHK'D: C. LARSON	DATE: 19-MAY-82	TITLE PARTS LIST		
	INITIAL	A	SECTION VARIATION INDEX	DES. ENG: R. LIETERMANN	DATE: 19-MAY-82	DOCUMENT NUMBER		
AL	LK201-ML001	B	[A]A, AA, AC, AD, AE, AF,	RESP. ENG.: A. LEN	DATE: 19-MAY-82	SIZE: K	CODE: PL	NUMBER: LK201-A-DBP
AL	LK201-ML002	C	AG, AH, AI, AJ, AK, AL	MFG. ENG.: L. QUARLES	DATE: 19-MAY-82	RELEASE DATE:		
AL	LK201-ML003	D	[B]AM, AN, AP, AS, AB, AZ,	ASSEMBLY NUMBER:	TOP DOCUMENT NUMBER:	FILE NAME:	EDIT #	
AL	LK201-A-ML004	E	BA, CA, CE, CG, CP, BE	E-UA-LK201-A-0	#B-DD-LK201-A	Z4412J.PLS	6	
AL	LK201-ML006	F	[C]BZ, AT					
AL	LK201-A-ML007	H	[D]					
AL	LK201-ML008	J	[E]					
			[F]					

"THIS DRAWING AND THE SPECIFICATIONS CONTAINED HEREIN ARE CONFIDENTIAL AND PROPRIETARY. THEY ARE THE PROPERTY OF DIGITAL EQUIPMENT CORPORATION AND SHALL NOT BE REPRODUCED OR COPIED OR USED IN WHOLE OR IN PART AS THE BASIS FOR THE MANUFACTURE OR SALE OF ITEMS WITHOUT WRITTEN PERMISSION. THIS IS AN UNPUBLISHED WORK PROTECTED UNDER THE FEDERAL COPYRIGHT LAWS."

AUTOMATED BY PRTLST.3P(44)

PARTS LIST

SHEET C2 OF C2

LINE	ITEM	TOP DOCUMENT	PART NUMBER	MIN REV	DESCRIPTION	VARIATION REVISION LEVEL:	QTY PER BZ	PER AT	VARIATION
31	31	A-PS-3620219-0-0	3620219-03		*** THIS ITEM IS NOT USED ***		-	-	
32	32	A-PS-3620219-0-0	3620219-04		*** THIS ITEM IS NOT USED ***		-	-	
33	33	A-PS-3620219-0-0	3620219-05		*** THIS ITEM IS NOT USED ***		-	-	
34	34	A-PS-3620219-0-0	3620219-06		*** THIS ITEM IS NOT USED ***		-	-	
35	35	A-PS-3620219-0-0	3620219-07		*** THIS ITEM IS NOT USED ***		-	-	
36	36	A-PS-3620219-0-0	3620219-08		*** THIS ITEM IS NOT USED ***		-	-	
37	37	A-PS-3620219-0-0	3620219-09		*** THIS ITEM IS NOT USED ***		-	-	
38	38	A-PS-3620219-0-0	3620219-10		*** THIS ITEM IS NOT USED ***		-	-	
39	39	A-PS-3620219-0-0	3620219-11		*** THIS ITEM IS NOT USED ***		-	-	
40	40	A-PS-3620219-0-0	3620219-13		*** THIS ITEM IS NOT USED ***		-	-	
41	41		1700209-00		*** THIS ITEM IS NOT USED ***		-	-	
42	42		1700199-00		*** THIS ITEM IS NOT USED ***		-	-	
43	43		1700310-01		*** THIS ITEM IS NOT USED ***		-	-	
44	44		1700210-00		*** THIS ITEM IS NOT USED ***		-	-	
45	45		1700198-00		*** THIS ITEM IS NOT USED ***		-	-	
46	46	D-MD-7427577-0-DBU	7427577-01		FOOT, KEYBOARD SLOPE, 5 DEGREES		-	2	
47	47		1700364-01		*** THIS ITEM IS NOT USED ***		-	-	
48	48	A-PS-3620219-0-0	3620219-17		*** THIS ITEM IS NOT USED ***		-	-	
49	49	A-PS-3620219-0-0	3620219-18		*** THIS ITEM IS NOT USED ***		-	-	
50	50		1700397-01		*** THIS ITEM IS NOT USED ***		-	-	
51	51	D-AR-7019005-0-DBU	7019005-17		*** THIS ITEM IS NOT USED ***		-	-	
52	52	D-AR-7019005-0-DBU	7019005-18		*** THIS ITEM IS NOT USED ***		-	-	
53	53	D-AR-7019005-0-DBU	7019005-19		*** THIS ITEM IS NOT USED ***		-	-	
54	54	D-AR-7019005-0-DBU	7019005-20		*** THIS ITEM IS NOT USED ***		-	-	
55	55		3620312-03		*** THIS ITEM IS NOT USED ***		-	-	
56	56		1700083-26		*** THIS ITEM IS NOT USED ***		-	-	
57	57	K-PL-7019005-0-DBP	7019005-21		KEYCAP SET W/DECMATE UK LEGENDS		0	0	
58	58	D-AR-7019005-0-DBU	7019005-22		REPLACED BY 7021081-01		-	1	
59	59	A-PS-3620219-0-0	3620219-19		LABEL, KEYBOARD, W/ADH, HEBREW		-	1	

60 NOTE: QUANTITY OF ITEM #11 IS .0002 GALS.

D I G I T A L	TITLE	SECTION C OF C	SIZE	CODE	DOCUMENT NUMBER	REV
	LK201 KEYBOARD		K	PL	LK201-A-DBP	J



**digital**

**PARTS LIST**

DRN. P. MOLLE DATE 5-14-82	DES. ENG. R. LEITTERMANN DATE 7-1-82	MFG. ENG. L. QUARLES 7-1-82
CHK'D. C. LARSEN DATE 5-21-82	RESP. ENG. ARTHUR LEN DATE 7-1-82	NEXT HIGHER DOC. B-DD-LK201-A

QUANTITY / VARIATION

NOTES:

ITEM NO.	DRAWING NO.	PART NO.	DESCRIPTION	LK201-A	LK201-AA	LK201-AC	LK201-AD	LK201-AE	LK201-AF	LK201-AG	LK201-AH	LK201-AI	LK201-AJ	LK201-AK	LK201-AL
1	E-UA-LK201-A-0	LK201-A	LK201 KEYBOARD	1	-	-	-	-	-	-	-	-	-	-	-
2	E-UA-LK201-A-0	LK201-AA	LK201A KEYBOARD W/US KEYCAPS	-	1	-	-	-	-	-	-	-	-	-	-
3	E-UA-LK201-A-0	LK201-AC	LK201 KEYBOARD W/CANADA (FRENCH) KEYCAPS	-	-	1	-	-	-	-	-	-	-	-	-
4	E-UA-LK201-A-0	LK201-AD	LK201 KEYBOARD W/DANISH KEYCAPS	-	-	-	1	-	-	-	-	-	-	-	-
5	E-UA-LK201-A-0	LK201-AE	LK201 KEYBOARD W/U.K. KEYCAPS	-	-	-	-	1	-	-	-	-	-	-	-
6	E-UA-LK201-A-0	LK201-AF	LK201 KEYBOARD W/FINNISH KEYCAPS	-	-	-	-	-	1	-	-	-	-	-	-
7	E-UA-LK201-A-0	LK201-AG	LK201 KEYBOARD W/GERMAN KEYCAPS	-	-	-	-	-	-	1	-	-	-	-	-
8	E-UA-LK201-A-0	LK201-AH	LK201 KEYBOARD W/DUTCH KEYCAPS	-	-	-	-	-	-	-	1	-	-	-	-
9	E-UA-LK201-A-0	LK201-AI	LK201 KEYBOARD W/ITALIAN KEYCAPS	-	-	-	-	-	-	-	-	1	-	-	-
10	E-UA-LK201-A-0	LK201-AJ	LK201 KEYBOARD W/KATAKANA KEYCAPS	-	-	-	-	-	-	-	-	-	1	-	-
11	E-UA-LK201-A-0	LK201-AK	LK201 KEYBOARD W/SWISS FRENCH KEYCAPS	-	-	-	-	-	-	-	-	-	-	1	-
12	E-UA-LK201-A-0	LK201-AL	LK201 KEYBOARD W/SWISS GERMAN KEYCAPS	-	-	-	-	-	-	-	-	-	-	-	1

REFERENCE DESIGNATORS

ECO NO.  
ML002  
ML006  
ML007  
ML008

"THIS DRAWING AND SPECIFICATIONS, HEREIN, ARE THE PROPERTY OF DIGITAL EQUIPMENT CORPORATION AND SHALL NOT BE REPRODUCED OR COPIED OR USED IN WHOLE OR IN PART AS THE BASIS FOR THE MANUFACTURE OR SALE OF ITEMS WITHOUT WRITTEN PERMISSION.  
COPYRIGHT © 1982 DIGITAL EQUIPMENT CORPORATION"

TITLE  
**SHIPPING LIST**

ASSY. NO. \_\_\_\_\_

SIZE CODE  
**B PL**

NUMBER  
LK201-A

REV.  
**E**

SECTION 1 OF 1

SHEET 1 OF 3

**digital****PARTS LIST**

## QUANTITY / VARIATION

NOTES:

DRN. P. MOLLE DATE 5-14-82	DES. ENG. R. LEITTMANN DATE 7-1-82	MFG. ENG. L. QUARLES DATE 7-1-82
CHK'D. C. LARSEN DATE 5-21-82	RESP. ENG. ARTHUR LEN DATE 7-1-82	NEXT HIGHER DOC. D-DD-LK201-A

LK201-AM	LK201-AN	LK201-AP	LK201-AS	LK201-AB	LK201-AZ	LK201-BA	LK201-CA	LK201-CE	LK201-CG	LK201-CP
----------	----------	----------	----------	----------	----------	----------	----------	----------	----------	----------

ITEM NO.	DRAWING NO.	PART NO.	DESCRIPTION	LK201-AM	LK201-AN	LK201-AP	LK201-AS	LK201-AB	LK201-AZ	LK201-BA	LK201-CA	LK201-CE	LK201-CG	LK201-CP	REFERENCE DESIGNATORS
----------	-------------	----------	-------------	----------	----------	----------	----------	----------	----------	----------	----------	----------	----------	----------	-----------------------

13	E-UA-LK201-A-0	LK201-AM	LK201 KEYBOARD W/SWEDISH KEYCAPS	1	-	-	-	-	-	-	-	-	-	-	
14	E-UA-LK201-A-0	LK201-AN	LK201 KEYBOARD W/NORWEGIAN KEYCAPS	-	1	-	-	-	-	-	-	-	-	-	
15	E-UA-LK201-A-0	LK201-AP	LK201 KEYBOARD W/FRENCH KEYCAPS	-	-	1	-	-	-	-	-	-	-	-	
16	E-UA-LK201-A-0	LK201-AS	LK201 KEYBOARD W/SPANISH KEYCAPS	-	-	-	1	-	-	-	-	-	-	-	
17	E-UA-LK201-A-0	LK201-AB	LK201 KEYBOARD W/FLEMISH KEYCAPS	-	-	-	-	1	-	-	-	-	-	-	
18	E-UA-LK201-A-0	LK201-AZ	LK201 KEYBOARD W/U.S. KEYCAPS	-	-	-	-	-	1	-	-	-	-	-	
19	E-UA-LK201-A-0	LK201-BA	LK201 KEYBOARD W/DECMATE (U.S.) KEYCAPS	-	-	-	-	-	-	1	-	-	-	-	
20	E-UA-LK201-A-0	LK201-CA	LK201 KEYBOARD (VAX STATION) W/U.S. KEYCAPS	-	-	-	-	-	-	-	1	-	-	-	
21	E-UA-LK201-A-0	LK201-CE	LK201 KEYBOARD (VAX STATION) W/UK KEYCAPS	-	-	-	-	-	-	-	-	1	-	-	
22	E-UA-LK201-A-0	LK201-CG	LK201 KEYBOARD (VAX STATION) W/GERMAN KEYCAPS	-	-	-	-	-	-	-	-	-	1	-	
23	E-IA-LK201-A-0	LK201-CP	LK201 KEYBOARD (VAX STATION) W/FRENCH KEYCAPS	-	-	-	-	-	-	-	-	-	-	1	

ECO NO.

THIS DRAWING AND SPECIFICATIONS, HEREIN, ARE THE PROPERTY OF DIGITAL EQUIPMENT CORPORATION AND SHALL NOT BE REPRODUCED OR COPIED OR USED IN WHOLE OR IN PART AS THE BASIS FOR THE MANUFACTURE OR SALE OF ITEMS WITHOUT WRITTEN PERMISSION.  
 COPYRIGHT © 1982 DIGITAL EQUIPMENT CORPORATION

TITLE  
SHIPPING LIST

ASSY. NO.  
NONE

SIZE  
B PL

NUMBER  
LK201-A

REV.  
E

SECTION OF

SHEET 2 OF 3

# digital PARTS LIST

DRN. P. MOLLE DATE 5-14-82	DES. ENG. R. LEITTMAN DATE 7-1-82	MFG. ENG. L. QUARTLES DATE 7-1-82
CHK'D. C. LARSEN DATE 5-21-82	RESP. ENG. ARTHUR LEN DATE 7-1-82	NEXT HIGHER DOC. B-DD-LK201-A

## QUANTITY / VARIATION

NOTES:

ITEM NO.	DRAWING NO.	PART NO.	DESCRIPTION	QUANTITY / VARIATION										REFERENCE DESIGNATORS			
				LK201-BE	LK201-BZ	LK201-AT											
24	E-UA-LK201-A-0	LK201-BE	LK201 KEYBOARD (DECMATE II) W/UK KEYCAPS	1	-	-											
25	E-UA-LK201-A-0	LK201-BZ	LK201 KEYBOARD (DECMATE II) W/US KEYCAPE	-	1	-											
26	E-UA-LK201-A-0	LK201-AT	LK201 KEYBOARD WITH HEBREW KEYCAPS	-	-	1											

ECO NO.

THIS DRAWING AND SPECIFICATIONS, HEREIN, ARE THE PROPERTY OF DIGITAL EQUIPMENT CORPORATION AND SHALL NOT BE REPRODUCED OR COPIED OR USED IN WHOLE OR IN PART AS THE BASIS FOR THE MANUFACTURE OR SALE OF ITEMS WITHOUT WRITTEN PERMISSION.  
COPYRIGHT © 1983 DIGITAL EQUIPMENT CORPORATION

TITLE  
**SHIPPING LIST**

ASSY. NO.

SIZE CODE  
**B PL**

NUMBER  
LK201-A

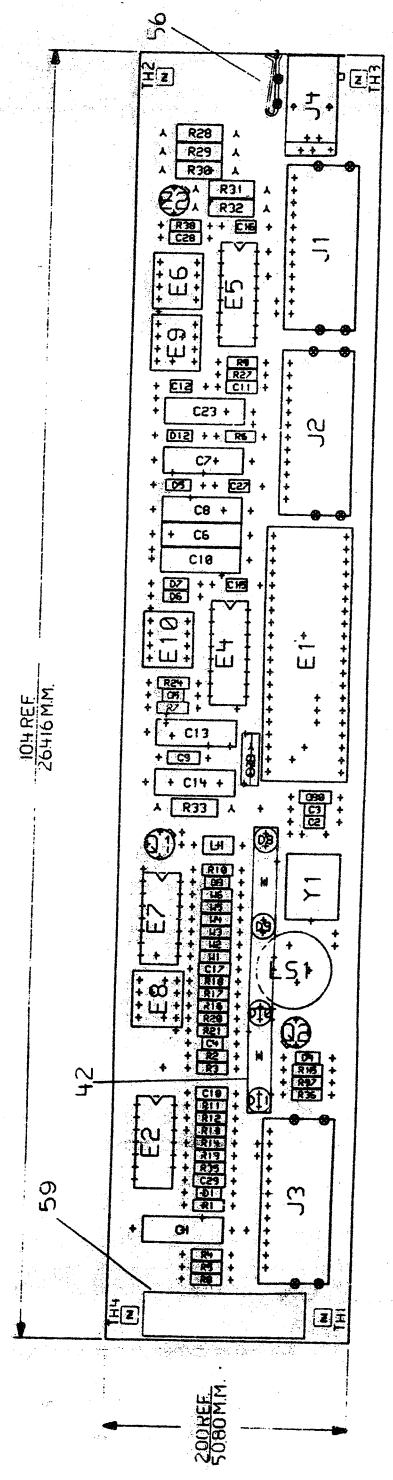
REV.  
**E**

SECTION OF

SHEET 3 OF 3

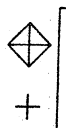
A B C D E F H J

104 REF. 26416 MM.



NOTES:

STEP	DESCRIPTION	DATE	BY
1	DESIGN		
2	MANUFACTURE		
3	DISASSEMBLY		
4	TESTS		
5	CHANGE NO. REV.		

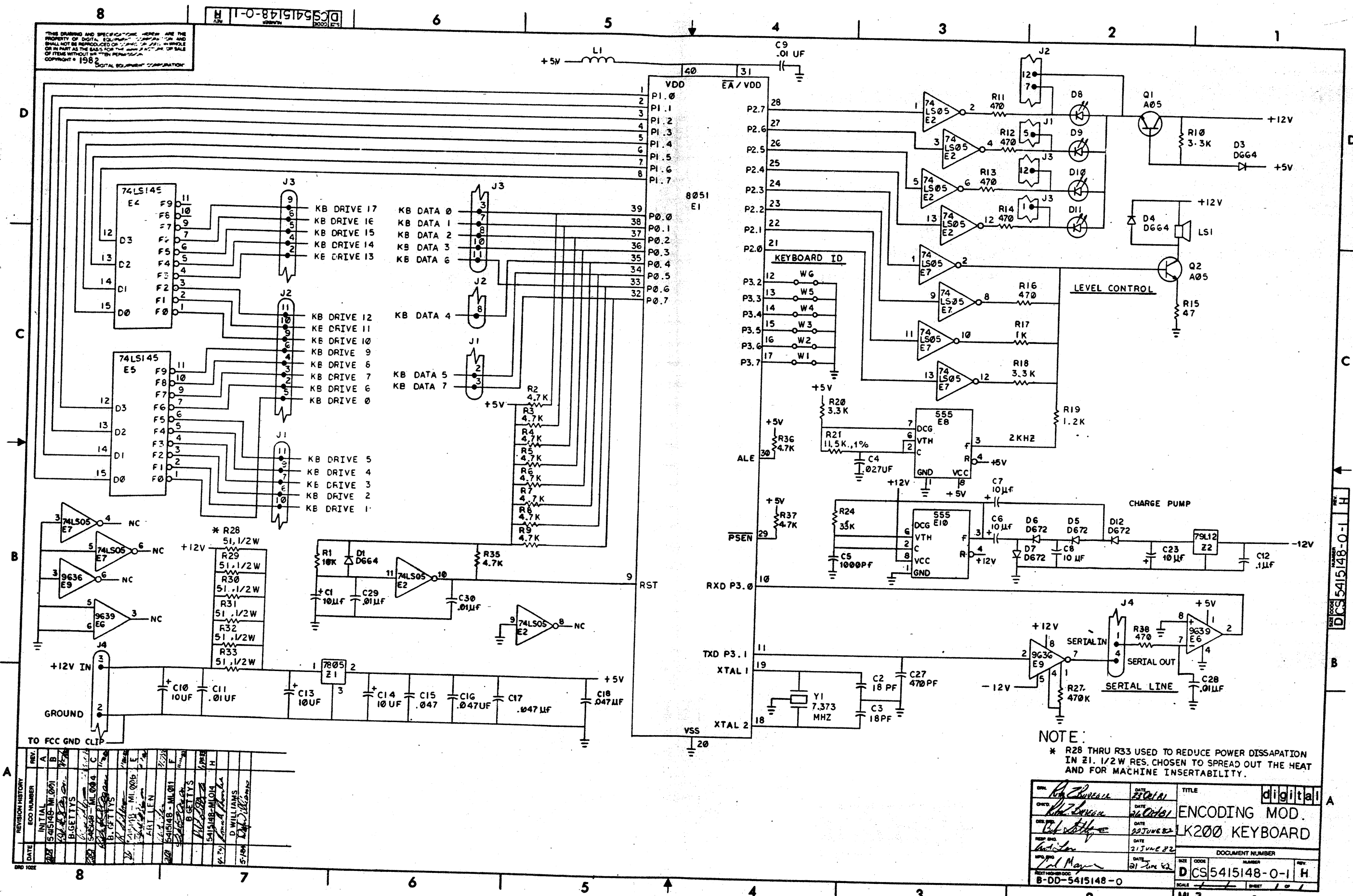


STEP	DESCRIPTION	DATE	BY
1	DESIGN		
2	MANUFACTURE		
3	DISASSEMBLY		
4	TESTS		
5	CHANGE NO. REV.		

SIGNATURES	DATE	digital
DRN. [Signature]		
CHK. BY [Signature]		
DESIGNER		
PROJ. ENG.		
SCALE		
SHEET 1 OF 1		
NEXT HIGHER REV. BY [Signature]		

A B C D E F H J

THIS DRAWING AND SPECIFICATIONS HEREON ARE THE PROPERTY OF DIGITAL EQUIPMENT CORPORATION AND SHALL NOT BE REPRODUCED OR TRANSMITTED IN ANY FORM OR BY ANY MEANS, ELECTRONIC OR MECHANICAL, INCLUDING PHOTOCOPYING, RECORDING, OR BY ANY INFORMATION STORAGE AND RETRIEVAL SYSTEM, WITHOUT THE WRITTEN PERMISSION OF DIGITAL EQUIPMENT CORPORATION. COPYRIGHT © 1982



NOTE:  
 \* R28 THRU R33 USED TO REDUCE POWER DISSIPATION IN Z1. 1/2W RES. CHOSEN TO SPREAD OUT THE HEAT AND FOR MACHINE INSERTABILITY.

REV.	ECO NUMBER	INITIAL	DATE	DESCRIPTION
A				
B				
C				
D				

DESIGNED BY <i>Bob Chavira</i>	DATE <i>2/20/81</i>	TITLE <b>digital</b>
CHECKED BY <i>Bob Chavira</i>	DATE <i>2/20/81</i>	ENCODING MOD.
DESIGNED BY <i>Bob Chavira</i>	DATE <i>2/20/81</i>	K200 KEYBOARD
REVISION BY <i>Bob Chavira</i>	DATE <i>2/20/81</i>	DOCUMENT NUMBER
REVISION BY <i>Bob Chavira</i>	DATE <i>2/20/81</i>	DCS 5415148-0-1 H
REVISION BY <i>Bob Chavira</i>	DATE <i>2/20/81</i>	SCALE ML3

DRAWING NO.	NO. OF SHTS.	PART NO.	DESCRIPTION	REVISIONS															
				A	B	B	C	D	D	E	F	F	F	F2	H1	H2	H3	H4	
		5415148-00	ENCODING MOD. LK200 KEYBOARD	A	B	B	C	D	D	E	F	F	F	F2	H1	H2	H3	H4	
E-UA-5415148-0-0	1		ENCODING MOD. LK200 KEYBOARD	A	B	B	C	C	D	E	F	H	J	K	L	M	N	N	
D-CS-5415148-0-1	1		ENCODING MOD. LK200 KEYBOARD	A	B	B	C	D	E	E	E	E	F	F	F	H	H		
K-PL-5415148-0-DBP	2		ENCODING MOD. LK200 KEYBOARD	A	B	C	D	D	E	F	H	J	K	L	M	N	P	R	
K-PC-5415148-0-DBJ			P.C. DESIGN DATA BASE	J	K	K	L	L	L	M	M	M	M	N	N	P	R	R	
		5015147-00	ETCHED CIRCUIT BOARD	J	K	K	L	L	L	M	M	M	M	N	N	P	R	R	
B-DD-5015147-0-0	1		DRAWING CIRECTORY	-	-	-	-	-	-	A	A	A	A	B	B	C	D	D	
		5015147-01	ETCHED CIRCUIT BOARD	-	-	-	-	-	-	-	-	-	-	N	I	N	I	N	

**NOTES:**  
 501547-01 WAS CREATED IN ERROR AT ML011.  
 THIS UNIT MAY BE SUBSTITUTED FOR 5015147-00.

REVISIONS		DATE	CHG NO.	REV.	A	B	C	D	E	F	H	J	K	L	M	N	P	R	S
		5-82	INT																
		9-82	ML001																
		10-82	ML002																
		11-82	ML004																
		1-83	ML005																
		2-83	ML006																
		3-83	ML007																
		6-83	ML008																
		6-83	ML009																
		7-83	ML010																
		11-83	ML011																
		3-84	ML012																
		2-84	ML013																
		4-84	ML014																
		10-84	ML015																

THIS DRAWING AND SPECIFICATIONS, HEREIN, ARE THE PROPERTY OF DIGITAL EQUIPMENT CORPORATION AND SHALL NOT BE REPRODUCED OR COPIED OR USED IN WHOLE OR IN PART AS THE BASIS FOR THE MANUFACTURE OR SALE OF ITEMS WITHOUT WRITTEN PERMISSION.  
 COPYRIGHT © 1982 DIGITAL EQUIPMENT CORPORATION



USED ON OPTION/MODEL	DRN. J. COTE	16DEC8	TITLE	ENCODING MOD. LK200 KEYBOARD
LK201	CHK'D D. DROZD	16DEC8	SIZE	B DD
	ENG. R. GETTYS	26JAN82	CODE	DD
	PROD. L. QUARLES	26JAN82	NUMBER	5415148-0
			REV	S
			SHEET	1 OF 1

LINE	ITEM	TOP DOCUMENT	PART NUMBER	MIN REV	DESCRIPTION	QTY	PER VARIATION	REFERENCE DESIGNATOR
					VARIATION REVISION LEVEL:	00		
						R1		
1	1	D-MD-5015147-0-0	5015147-00		54-15148 DRILL AND ETCH BOARD	1		
2	2		1001610-00		.01 MFD 50V +80-20% Z5U CER	5		C9,C11,C28-C30
3	3		1012312-00		*** THIS ITEM IS NOT USED ***	-		
4	4		1012784-00		.047 MFD 50V +80-20% CER	4		C15-C18
5	5		1013466-02		18.0 MMF 50V 5% CER	2		C2,C3
6	6		1013466-14		*** THIS ITEM IS NOT USED ***	-		
7	7		1013466-19		470.0 MMF 50V 5% CER	1		C27
8	8		1015573-00		.027 MFD 50V 5% CER	1		C4
9	9		1016549-00		*** THIS ITEM IS NOT USED ***	-		
10	10		1017472-00		10 MFD 35V +75-10% AL EL	8		C1,C6-C8,C10,C13,C14,C23
11	11		1100114-00		PIV= 25 IO=135 MA	3		D1,D3,D4
12	12		1105796-00		*** THIS ITEM IS NOT USED ***	-		
13	13		1120252-01		RED-ULTRA BRIGHT LED-T1 3/4 12MC	4		D8-D11
14	14		1215006-08		*** THIS ITEM IS NOT USED ***	-		
15	15		1217477-00		TRANSDUCER,MINIATURE AUDIO,1.5V	1		LS1
16	16		1218826-00		CONN,PHONE JACK 04 POS	1		J4
17	17		1218827-00		CONN,ZIP 12POS STND FORCE CONN C	3		J1-J3
18	18		1300202-00		47.0 .25 W 5.0 % CF	1		R15
19	19		1300316-00		470.0 .25 W 5.0 % CF	6		R11-R14,R16,R38
20	20		1300365-00		1.0 K .25 W 5.0 % CF	1		R17
21	21		1300426-00		*** THIS ITEM IS NOT USED ***	-		
22	22		1300439-00		3.30 K .25 W 5.0 % CF	3		R10,R18,R20
23	23		1300447-00		4.70 K .25 W 5.0 % CF	11		R2-R9,R35-R37
24	24		1300479-00		10.0 K .25 W 5.0 % CF	1		R1
25	25		1301320-00		1.20 K .25 W 5.0 % CF	1		R19
26	26		1302378-00		51.0 .50 W 5.0 % CF	6		R28-R33
27	27		1302398-00		470.0 K .25 W 5.0 % CF	1		R27
28	28		1309415-00		11.50 K .25 W 1.0 % RN55D-F10	1		R21
29	29		1309417-00		*** THIS ITEM IS NOT USED ***	-		
30	30		1510705-00		XA 05 NPN 500MW SI 60 50 P	2		Q1,Q2

REVISION HISTORY			BASIC PART NO: 5415148		DRN:	R.Z.BUREAU	DATE:	26-MAR-82	DIGITAL			
ENG	ECO NUMBER	REV	SECTION A OF A		CHK'D:	DAVID DROZD	DATE:	26-MAR-82	TITLE PARTS LIST			
EM	5415148-ML002	C	SECTION VARIATION INDEX		DES.ENG:	BOB GETTYS	DATE:	26-MAR-82	DOCUMENT NUMBER			
BG	5415148-ML004	D	[A] 00		RESP.ENG.:	ART LEN	DATE:	27-MAR-82	K	PL	5415148-0-DBP	R
AL	5415148-ML006	E	[B]		MFG.ENG.:	LEROY QUARLES	DATE:	25-MAY-82	RELEASE DATE: 01-OCT-84			
A.L	5415148-ML007	F	[C]		ASSEMBLY NUMBER:	D-UA-5415148-0-0	TOP DOCUMENT NUMBER:	#B-DD-5415148-0	FILE NAME:	Z3085R.PLS	EDIT #:	30
CC	5415148-ML008	H	[D]									
BG	5415148-ML009	J	[E]									
DW	5415148-ML010	K	[F]									
BG	5415148-ML011	L	[H]									
DW	5415148-ML012	M	[J]									
BG	5415148-ML013	N	[K]									
DW	5415148-ML014	P	[L]									
AJ	5415148-ML015	R	[M]									
			[N]									

"THIS DRAWING AND THE SPECIFICATIONS CONTAINED HEREIN ARE CONFIDENTIAL AND PROPRIETARY. THEY ARE THE PROPERTY OF DIGITAL EQUIPMENT CORPORATION AND SHALL NOT BE REPRODUCED OR COPIED OR USED IN WHOLE OR IN PART AS THE BASIS FOR THE MANUFACTURE OR SALE OF ITEMS WITHOUT WRITTEN PERMISSION. THIS IS AN UNPUBLISHED WORK PROTECTED UNDER THE FEDERAL COPYRIGHT LAWS."

AUTOMATED BY PRTLST.3P(44)

PARTS LIST

SHEET A2 OF A2

LINE	ITEM	TOP DOCUMENT	PART NUMBER	MIN REV	DESCRIPTION	QTY	PER VARIATION	REFERENCE DESIGNATOR
						00		
						R1		
						VARIATION REVISION LEVEL:		
31	31		1603421-00		*** THIS ITEM IS NOT USED ***	-		
32	32		1618238-02		*** THIS ITEM IS NOT USED ***	-		
33	33		1812396-13		XTAL 7.373 MHZ	1		Y1
34	34		1912536-01		7805 VOLT REG.FIX +5V	1		Z1
35	35		1912804-00		LS05 INVERTER GATE-HEX 1I	2		E2,E7
36	36		1914392-00		*** THIS ITEM IS NOT USED ***	-		
37	37		1915415-00		*** THIS ITEM IS NOT USED ***	-		
38	38		1916028-00		*** THIS ITEM IS NOT USED ***	-		
39	39		1919542-01		9639 RECEIVER,LINE,DUAL	1		E6
40	40		1919580-01		LS145 DECODER,BCD/DECIMAL	2		E4,E5
41	41		23004M1-00		*** THIS ITEM IS NOT USED ***	-		
42	42		7426223-01		SUPPORT,FOR LED,PC MOUNT	1		
43	43		9009185-00		JUMPER, WIRE, INSULATED, BLACK B	6		W1-W6
44	44		1620585-01		*** THIS ITEM IS NOT USED ***	-		
45	45		1916028-B0		*** THIS ITEM IS NOT USED ***	-		
46	46		1915415-B0		9636 BURNED-IN DRIVER,DUA	1		E9
47	47		1312496-00		*** THIS ITEM IS NOT USED ***	-		
48	48		1215006-18		*** THIS ITEM IS NOT USED ***	-		
49	49		1621534-01		BEAD,FERRITE,HIGH PERM	1		L1
50	50		1013466-09		1000.0 MMF 50V 10% X7R CER	1		C5
51	51		1013466-22		.1 MFD 50V +80-20% Z5U CER	1		C12
52	52		1105275-00		PIV= 60 IO=300 MA -15NS	4		D5-D7,D12
53	53		1313349-00		33.0 K .25 W 5.0 % CF	1		R24
54	54		1911944-00		555CN TIMER,FUNCT.BLOCK	2		E8,E10
55	55		1922163-01		79L12 VOLT REG 12V	1		Z2
56	56		7429488-01		CLIP,CHASSIS GROUND	1		
57	57		4840010-01		*** THIS ITEM IS NOT USED ***	-		
58	58		3612911-00		*** THIS ITEM IS NOT USED ***	-		
59	59		3621711-08		LABEL,BAR CODE 1.375X .312	1		
60	60		23004M2-00		M2-01	1		E1

61 NOTE: PART NUMBER 23004M1 IS AN ACCEPTABLE ALTERNATE FOR ITEM 60

D	I	G	I	T	A	L	TITLE	SECTION A	OF	A	SIZE	CODE	DOCUMENT NUMBER	REV
							LK200 KEYBOARD ENCODING MODULE				K	PL	5415148-0-DBP	R

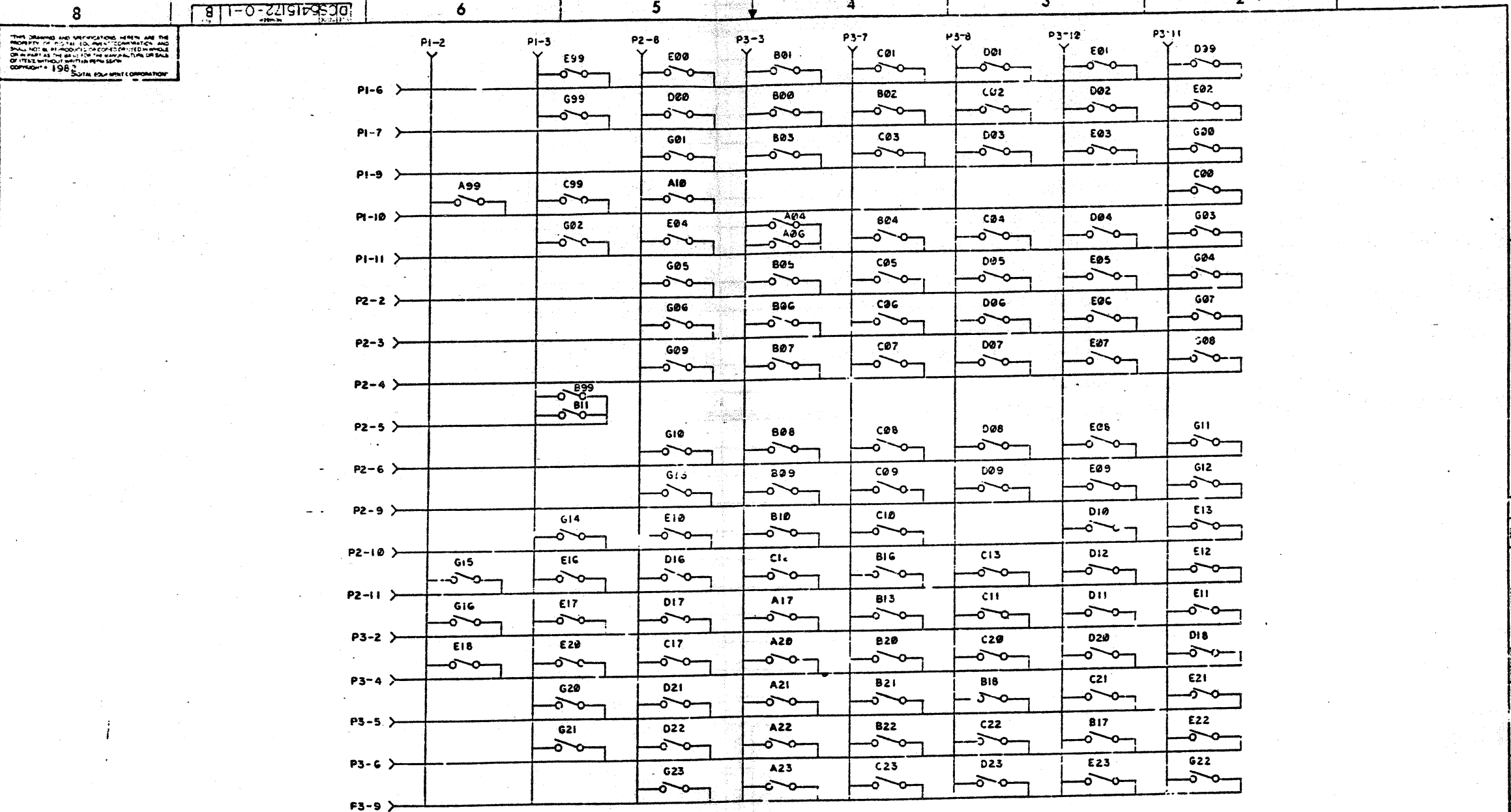




LTNE	ITEM	TOP DOCUMENT	PART NUMBER	MIN REV	DESCRIPTION	QTY	PER VARIATION
1	1	E-MD-5015171-0-DBU	5015171-00		CIRCUIT DRILL & ETCH	1	
2	2	E-MD-7426056-0-DBU	7426056-00		SPACER, SWITCH ARRAY, KEYBOARD	1	

3 NOTE: REV F IS THE MINIMUM ACCEPTABLE REVISION FOR ITEM 1.  
 4 NOTE: REV C IS THE MINIMUM ACCEPTABLE REVISION FOR ITEM 2.

REVISION HISTORY			BASIC PART NO: 5415172		DRN: JOHN COTE		DATE: 9-APR-82		D I G I T A L			
ENG:	ECO NUMBER	REV	SECTION A	OF A	CHK'D:	C. LARSEN	DATE:	19-MAY-82	TITLE PARTS LIST			
	INITIAL	A	SECTION VARIATION INDEX						MEMBRANE ASSY. SWITCH ARRAY			
RL	5415172-MLO01	B	[A]	00	DES. ENG.:	R. LEITERMANN	DATE:	MAY-82	DOCUMENT NUMBER			
RL	5415172-MLO02	C	[B]						SIZE	CODE	NUMBER	REV
AJ	5415172-MLO03	D	[C]		RESP. ENG.:	A. LEN	DATE:	19-MAY-82	K	PL	5415172-0-DBP	D
			[D]		MFG. ENG.:	J. FAY	DATE:	19-MAY-82	RELEASE DATE:			
			[E]		ASSEMBLY NUMBER:	E-IA-5415172-0-DBU	TOP DOCUMENT NUMBER:	#B-DD-5415172-0	FILE NAME:	73254D.PLS	EDIT #:	10
			[F]		"THIS DRAWING AND THE SPECIFICATIONS CONTAINED HEREIN ARE CONFIDENTIAL AND PROPRIETARY. THEY ARE THE PROPERTY OF DIGITAL EQUIPMENT CORPORATION AND SHALL NOT BE REPRODUCED OR COPIED OR USED IN WHOLE OR IN PART AS THE BASIS FOR THE MANUFACTURE OR SALE OF ITEMS WITHOUT WRITTEN PERMISSION. THIS IS AN UNPUBLISHED WORK PROTECTED UNDER THE FEDERAL COPYRIGHT LAWS."							



THIS DRAWING AND SPECIFICATIONS HEREBY ARE THE PROPERTY OF DIGITAL EQUIPMENT CORPORATION AND SHALL NOT BE REPRODUCED OR COPIED IN WHOLE OR IN PART AS THE BASIS FOR THE MANUFACTURE OF SUCH OF THIS WITHOUT WRITTEN PERMISSION FROM DIGITAL EQUIPMENT CORPORATION. 1967

DCS5415172-0-1 B

DCS5415172-0-1 B

DATE	REVISION HISTORY	REV
	INITIALS	A
	5415172-0-1 B	B
	LEN	

DATE	7-11-67	TITLE	digital
DATE	20 MAY 67	MEMBRANE ASSY,	
DATE	20 MAY 67	SW. ARRAY	
DATE		1K201 KEYBD.	
DATE		DOCUMENT NUMBER	
DATE		DCS5415172-0-1 B	

ML3

DRAWING NO.	NO. OF SHTS.	PART NO.	DESCRIPTION	REVISIONS															
				A	B	C	D	E	F	G	H	I	J	K	L	M	N	O	P
		5415172-00	MEMBRANE ASSY SWITCH ARRAY	A	B	C	D												
			LK201 KEYBOARD																
E-IA-5415172-0-DBU	1		MEMBRANE ASSY SWITCH ARRAY	A	B	C	D												
			LK201 KEYBOARD																
K-PL-5415172-0-DBP	1		MEMBRANE ASSY SWITCH ARRAY	A	B	C	D												
			LK201 KEYBOARD																
D-CS-5415172-0-1	1		MEMBRANE ASSY SWITCH ARRAY	A	A	B	B												
			LK201 KEYBOARD																
K-PC-5415172-0-DBG	-		PC DESIGN DATA BASE	C	D	E	E												
		5015171-00	FLEXCIRCUIT SWITCH ARRAY	C	D	E	F												
E-MD-5015171-0-DBU	2		FLEXCIRCUIT SWITCH ARRAY	B	C	C	D												
			LK201 KEYBOARD																
E-MD-5015171-0-0	1		FLEXCIRCUIT SWITCH ARRAY	B	C	D	D												
			LK201																
<del>E-MD-5425026-0-DBU</del>	<del>2</del>		<del>SPACER SWITCH ARRAY</del>	<del>A</del>	<del>B</del>	<del>B</del>													

**NOTES:**

REVISIONS		DATE	CHG NO.	REV.	A	B	C	D									
	INITIAL	6-15-82			A	B	C	D									
	MLOO1	07-82															
	MLOO2	2-8-83															
	MLOO3	2-9-84															

"THIS DRAWING AND SPECIFICATIONS, HEREIN, ARE THE PROPERTY OF DIGITAL EQUIPMENT CORPORATION AND SHALL NOT BE REPRODUCED OR COPIED OR USED IN WHOLE OR IN PART AS THE BASIS FOR THE MANUFACTURE OR SALE OF ITEMS WITHOUT WRITTEN PERMISSION.  
COPYRIGHT© 1982 DIGITAL EQUIPMENT CORPORATION



USED ON OPTION/MODEL		DRN.	C. Larsen	3JUN82	TITLE			MEMBRANE ASSY
LK201-A		CHK'D	C. Larsen	21JUN82	SWITCH ARRAY LK201 KEYBOARD			
LK201-AA		ENG.	R. Gettys	14JUN82	SIZE	CODE	NUMBER	REV.
		PROD.	L. Quarles	21JUN82	B	DD	5415172-0	D
					SHEET 1 OF 1			

**DIGITAL EQUIPMENT CORPORATION  
MAYNARD MASSACHUSETTS**

**PACKAGING INSTRUCTION**

TITLE  
PKG KEYBOARD LK201-A

REV \_\_\_\_\_ DATE \_\_\_\_\_  
\_\_\_\_\_  
\_\_\_\_\_

**LEGEND**

VARIATION PART	REV	PACKAGE TYPE	REMARKS
3700698-01	A1	CUSTOMER	LK201 KEYBOARD SERIES A, B AND C EXCEPT BZ
3700698-02	A1	PALLETIZED/80 PAK	LK201 & RFLK201-AA
3700698-03	A1	CUSTOMER	RFLK201-AA KEYBOARD

PARTS LIST 3700698-01 THRU 3700698-03

REFER TO OFF-SHEET PARTS LIST K-PL-3700698-0-DBP, REV A

PACKAGING ASSEMBLIES 3700698-01 THRU 3700698-03

REFER TO FIGURES 1 AND 2 FOR PICTORIAL PROCEDURE

PACKAGING ASSEMBLIES (3700698-01 AND 3700698-03)  
FIGURE 1

**STEP PROCEDURE**

1. SET UP DIE CUT CARTON (9907139-01 {ITEM #2}).
2. FIX THERMOFORMED TRAY (9907137-01 {ITEM #3}) OVER THE KEYBOARD.
3. ATTACH ONE WHITE POLYSTYRENE END CAP ON EACH END OF THE KEYBOARD.
4. PLACE KEYBOARD WITH END CAPS AND TRAY INTO DIE CUT CARTON.

2 SHEETS ARE "C" SIZE

ING	APPD	SIZE	CODE	NUMBER	REV
<i>J. Bettis</i>	<i>J. Bettis</i>	A	PA	3700698-0-0	A
				SHEET 1 OF 4	

**PACKAGING INSTRUCTION**

CONTINUATION SHEET

TITLE

PKG KEYBOARD KL201-A

5. PLACE RUBBER FEET (7427577-01), ENCLOSED IN POLY BAG, AND SPECIFIC COUNTRY POWER CORD INTO THE DIE CUT CARTON (9907139-01 {ITEM #2}).
6. APPLY TWO (2) BAR CODE LABELS (3618460-04 {ITEM #6}) WITH MATCHING POWER CORD VARIATIONS ONTO CARTON--ONE ON END PANEL AND ONE ON SIDE PANEL.
7. PLACE PACKAGED KEYBOARD ON CONVEYOR SO THAT IT TRAVELS TO THE CARTON SEALER, WHICH WILL APPLY 31 INCHES OF CLEAR PRESSURE SENSITIVE TAPE (9906487-02 {ITEM #5}).
8. FOR VARIATION -03 ONLY:  
ADHERE THREE (3) RFLK201-AA LABELS (3623790-01 {ITEM #11}) ONTO THE CARTON, COMPLETELY COVERING THE DIGITAL LOGOS PER FIGURE 1.
9. FOR FIELD SERVICE RETROFITS AND MANUAL OPERATIONS:  
THE REGULAR SLOTTED CARTON (9907008-01 {ITEM #12}) MAY BE USED IN PLACE OF THE DIE CUT CARTON.

PACKAGING ASSEMBLY (3700698-02)  
FIGURE 2

**STEP PROCEDURE**

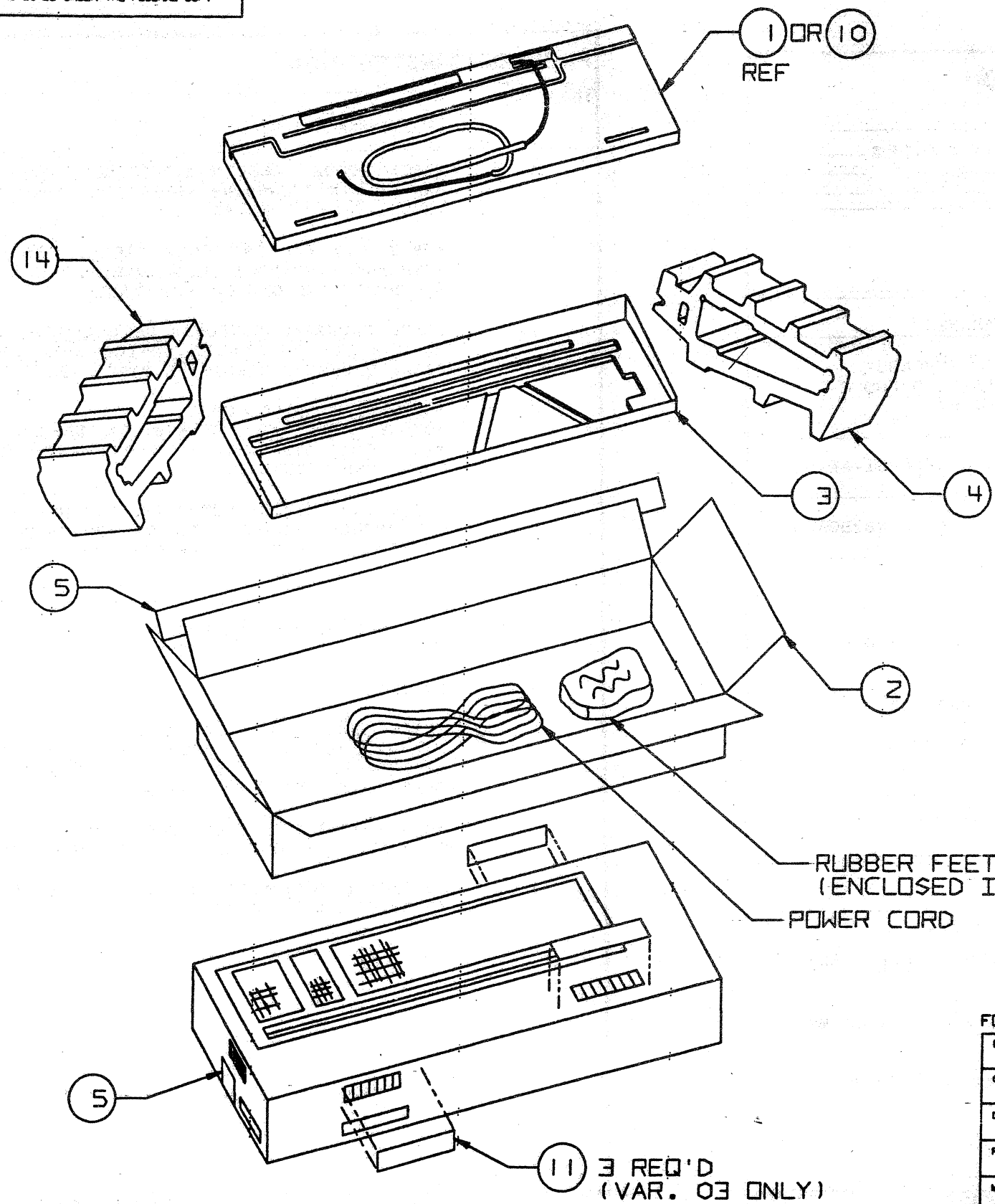
1. PLACE EIGHTY (80) PACKAGED KEYBOARDS (3700698-01 {ITEM #7} OR 3700698-03 {ITEM #13}) ONTO THE SHIPPING PALLET (9906199-01 {ITEM #8}). ARRANGEMENT TO BE EIGHT (8) CARTONS PER TIER (2 X 4) WITH TEN (10) TIERS HIGH.
2. WHEN STACKING THE KEYBOARDS ONTO THE PALLET, MAKE SURE THAT THE BAR CODE LABEL/S IS ALWAYS VISIBLE.
3. TO SECURE KEYBOARDS TO PALLET, USE STRETCH WRAP MATERIAL (9906553-00 {ITEM #9}).

EN-01190-16-REV A(331)

SHEET 2 OF 4

THIS DRAWING AND THE SPECIFICATIONS CONTAINED HEREIN ARE CONFIDENTIAL AND PROPRIETARY. THEY ARE THE PROPERTY OF DIGITAL EQUIPMENT CORPORATION AND SHALL NOT BE REPRODUCED OR COPIED OR USED IN WHOLE OR IN PART AS THE BASIS FOR THE MANUFACTURE OR SALE OF ITEMS WITHOUT WRITTEN PERMISSION. THIS IS AN UNPUBLISHED WORK PROTECTED UNDER THE FEDERAL COPYRIGHT LAWS.

REV. A  
 0-0-BB9007E  
 C PA  
 SIZE  
 4  
 3  
 2  
 1  
 A  
 B  
 C  
 D



PACKAGE DIMENSIONS, WEIGHTS & PLASTIC PACKING MATERIAL

	USA	METRIC
WEIGHT	5.00 LBS.	2.272 KG.
LENGTH	23.75 IN.	603 MM.
WIDTH	10.38 IN.	264 MM.
HEIGHT	4.25 IN.	108 MM.
CUBE	.61 CU.FT.	0.017 CU.M.
DENSITY	9.84 LBS/CU.FT.	160 KG/CU.M.
*PLASTIC	15% <sup>†</sup>	* <sup>†</sup> EPS TYPE

\*% VOLUME (EXPANDED)  
 % WEIGHT (UNEXPANDED)

FIGURE 1  
 EO & 10-BB900-7E

RUBBER FEET  
 (ENCLOSED IN POLY BAG)  
 POWER CORD

LAYER 1/C TO  
 PLOT AT .25

FOR OFF SHEET PARTS LIST SEE K-PL-3700698-0-DBP

DRW	T. DOMBROWSKI	DATE	B/22/84	TITLE	digital
CHK'D	R.P. SPINELLI	DATE	B/22/84	PKG KEYBOARD LK201-A	DOCUMENT NUMBER
DES. ENG.	J. LAVIGNE	DATE	B/22/84		
RESP. ENG.	J. LAVIGNE	DATE	B/22/84	C PA	3700698-0-0
MFG. ENG.	C. KNIGHT	DATE	B/22/84		
TOP DOC. NO.				SCALE	NONE
				SHEET	3 of 4

REV. A  
 0-0-BB9007E  
 C PA  
 SIZE

THIS DRAWING AND THE SPECIFICATIONS CONTAINED HEREIN ARE CONFIDENTIAL AND PROPRIETARY. THEY ARE THE PROPERTY OF DIGITAL EQUIPMENT CORPORATION AND SHALL NOT BE REPRODUCED OR COPIED OR USED IN WHOLE OR IN PART AS THE BASIS FOR THE MANUFACTURE OR SALE OF ITEMS WITHOUT WRITTEN PERMISSION. THIS IS AN UNPUBLISHED WORK PROTECTED UNDER THE FEDERAL COPYRIGHT LAWS.

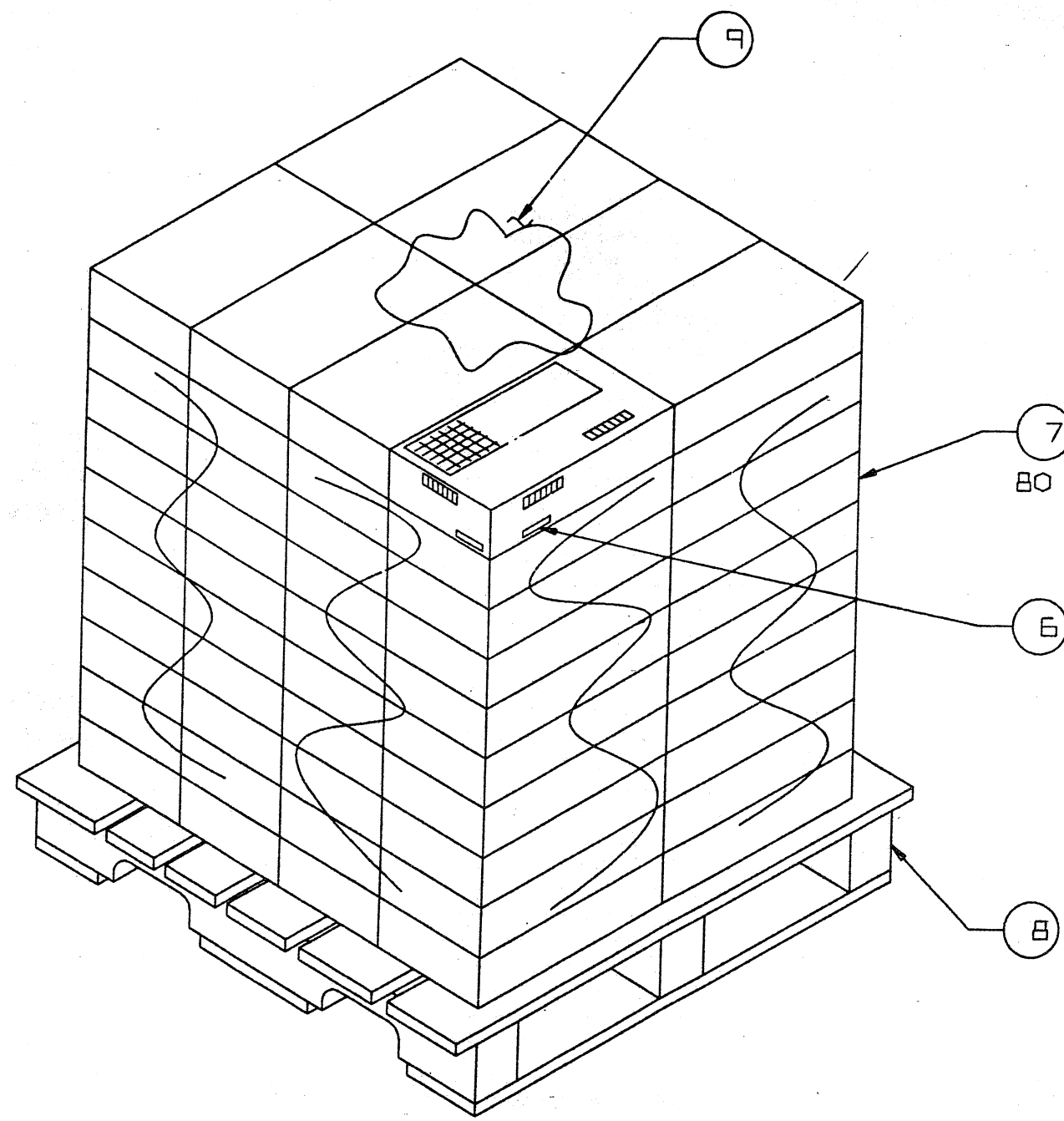
SIZE CODE NUMBER  
 C PA  
 3700698-0-0  
 REV. A

PACKAGE DIMENSIONS, WEIGHTS & PLASTIC PACKING MATERIAL

	USA	METRIC
WEIGHT	530 LBS.	240 KG.
LENGTH	48.00 IN.	1219 MM.
WIDTH	42.00 IN.	1067 MM.
HEIGHT	47.50 IN.	1207 MM.
CUBE	55.40 CU.FT.	1.57 CU.M.
DENSITY	9.57 LBS/CU.FT.	153 KG/CU.M.
*PLASTIC	x% L	x% T
		TYPE

\*% VOLUME (EXPANDED)  
 % WEIGHT (UNEXPANDED)

8 CARTONS / TIER  
 10 TIERS / PALLET  
 80 CARTONS / PALLET



7 OR 13  
 80 REQ'D

6 (2 REQ'D)  
 BAR CODE LABELS SHOULD BE  
 VISIBLE WHEN STACKED ON PALLET

8

FIGURE 2  
 20-8900-7E

LAYER 2/C TD  
 PLOT AT .143

REV	ECO NUMBER	DATE

STRETCH WRAP DETAIL

FOR OFF SHEET PARTS LIST SEE K-PL-3700698-0-DBP

DRN T. DOMBROWSKI	DATE 8/22/84	TITLE digital
CHK'D R.P. SPINELLI	DATE 8/22/84	PKG KEYBOARD LK201-A
DES. ENG. J. LAVIGNE	DATE 8/22/84	
RESP. ENG. J. LAVIGNE	DATE 8/22/84	DOCUMENT NUMBER
MFG. ENG. C. KNIGHT	DATE 8/22/84	SIZE CODE NUMBER C PA 3700698-0-0
TOP DOC. NO.		REV. A
SCALE NONE		SHEET 4 of 4

REV. A  
 0-0-BP900E  
 3700698-0-0  
 C PA

"THE MATERIAL HEREIN IS FOR INFORMATION PURPOSES ONLY AND IS SUBJECT TO CHANGE WITHOUT NOTICE. DIGITAL EQUIPMENT CORPORATION ASSUMES NO RESPONSIBILITY FOR ANY ERRORS WHICH MAY APPEAR HEREIN."

**FIELD MAINTENANCE PRINT SET**

"THIS DRAWING AND SPECIFICATIONS, HEREIN, ARE THE PROPERTY OF DIGITAL EQUIPMENT CORPORATION AND SHALL NOT BE REPRODUCED OR COPIED OR USED IN WHOLE OR IN PART AS THE BASIS FOR THE MANUFACTURE OR SALE OF ITEMS WITHOUT WRITTEN PERMISSION. COPYRIGHT © 1982 DIGITAL EQUIPMENT CORPORATION."

**TABLE OF CONTENTS**

B-TC-VR201-0-1	MONITOR ASSY. (TC)
E-UA-VR201-0-0	MONITOR ASSY.
K-PL-VR201-0-DBP	MONITOR ASSY. (PL)
B-DD-5415500-0	VR201 MONITOR BD
E-UA-5415500-0-0	VR201 MONITOR BD
K-PL-5415500-0-DBP	VR201 MONITOR BD (PL)
D-CS-5415500-0-1	VR201 MONITOR BD
E-AD-7019578-0-0	BEZEL ASSY
K-PL-7019578-0-DBP	BEZEL ASSY (PL)
D-IA-7019722-0-0	CRT & YOKE ASSY
K-PL-7019722-0-DBP	CRT & YOKE ASSY (PL)
D-IA-7019721-0-0	YOKE ASSY
K-PL-7019721-0-DBP	YOKE ASSY (PL)

UNIT VARIATIONS COVERED BY THIS PRINT SET
VR201-A
VR201-B
VR201-C

**VR201  
Field Maintenance  
Print Set**

**Digital Equipment  
Corporation**

PRINT SET PART NO  
MP-01410-00

REVISIONS	REV.	A		USED ON OPTION/MODEL	DRN.	DATE	TITLE: <b>digital</b> MONITOR ASSY.																															
	CHG. NO.																																					
	INITIAL																																					
DATE																																						

EN-01124-16-1076-1327

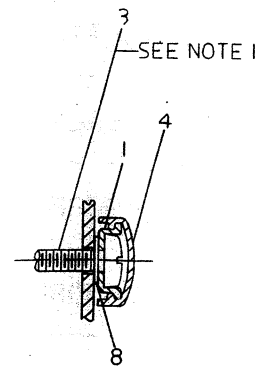
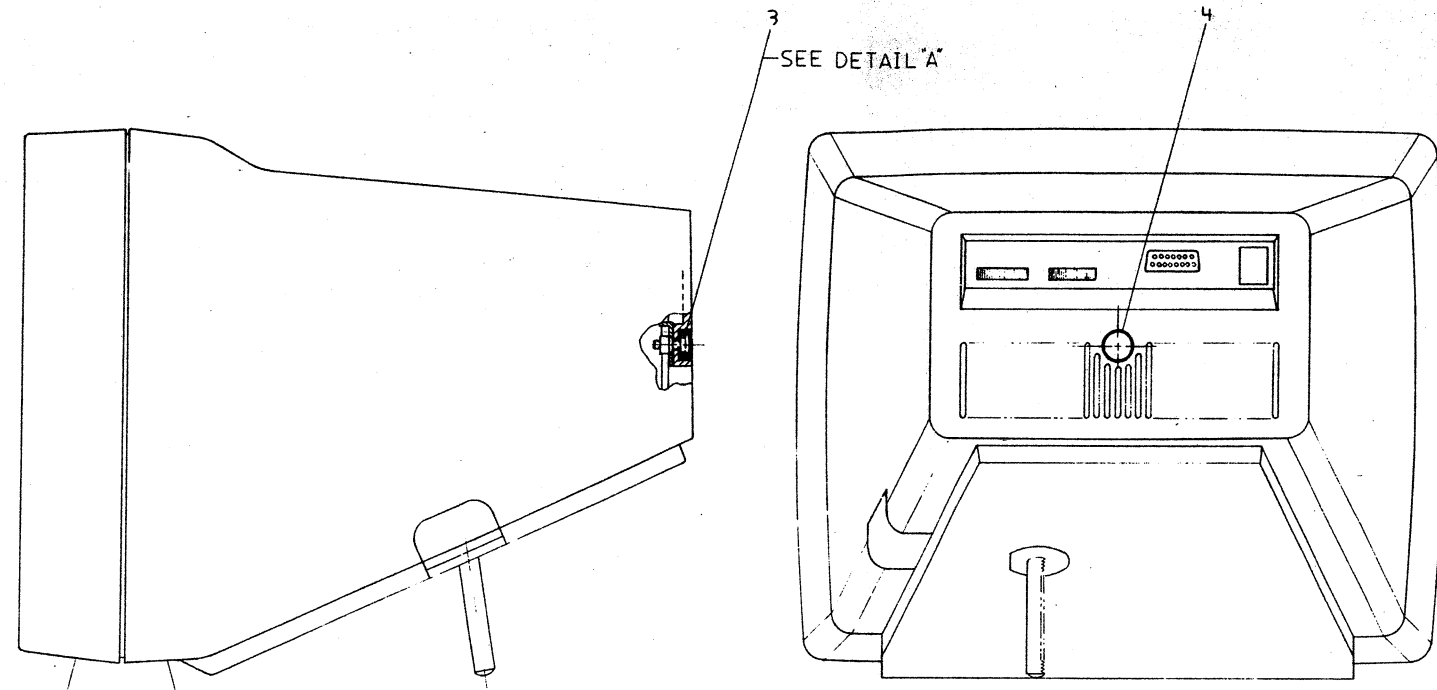


THIS DRAWING AND SPECIFICATIONS, HEREIN, ARE THE PROPERTY OF DIGITAL EQUIPMENT CORPORATION AND SHALL REMAIN THE PROPERTY OF THAT CORPORATION IN WHOLE OR IN PART AS LONG AS THEY ARE USED IN CONNECTION WITH THE MANUFACTURE OR SALE OF THE MONITOR DESCRIBED HEREIN.

B-00-102-0A VI 1

NUMBER	VARIATION
VR201-A	12" MONOCHROME MONITOR W/P4 WHT PHOS
VR201-B	12" MONOCHROME MONITOR W/P31 GRN PHOS
VR201-C	12" MONOCHROME MONITOR W/P174 AMBER PHOS

NOTES:  
 1. ASSEMBLE ITEM #3 (SCREW) TO ITEM #1 (WASHER) & TORQUE PER FOLLOWING: 6.0 IN-LBS.  
 2. ASSEM. ITEM #4 (SNAP CAP) AFTER WASHER & SCREW ARE TORQUED IN PLACE.



DETAIL "A"  
SCALE:NONE

CAUTION:OFF SHEET PARTS LIST EXISTS.  
SEE K-PL-VR201-0-DBP.

REVISIONS

DATE	INITIAL	DESCRIPTION
		A
		VR201-PL004 B
		24 MAR 82
		B. NOTT
		24 MAR 82

DESCRIPTION		DRAWING NO.	PART NO.	REV.
MONITOR ASSY		PC 350		
UNLESS OTHERWISE SPECIFIED DIMENSIONS ARE IN INCHES AND THE FOLLOWING TOLERANCES APPLY PER ISO STD 1101				
INCHES TOLERANCES	ANGLES	APPLICABLE DIMENSION RANGE	OVER	UNDER
			0 TO .12	.12 TO .25
SURFACE QUALITY	CHECK ONE	0 TO .12	.12 TO .25	.25 TO .50
	<input type="checkbox"/>	0 TO .12	.12 TO .25	.25 TO .50
QUANTITY & VARIATION		0 TO .12	.12 TO .25	.25 TO .50
<input type="checkbox"/>		0 TO .12	.12 TO .25	.25 TO .50
THIRD ANGLE PROJECTION	DATE	26 APR 82	TITLE	
DO NOT SCALE DRAWING	DATE	26 APR 82	MONITOR ASSY	
REMOVE BURRS AND BREAK SHARP CORNERS	DATE	26 APR 82	DOCUMENT NUMBER	
SEE PARTS LIST	DATE	26 APR 82	EUA VR201-0-0 B	
FINISH	DATE	26 APR 82	SCALE 1:1	
B-00-VR201-0			ML 3	

LINE ITEM	DOCUMENT NUMBER	PART NUMBER	DESCRIPTION	QUANTITY PER VARIATION		
				A	B	C
1		1220292-01	WASHER,CUP			
2	E-AD-7019579-0-0	7019579-00	REAR COVER ASSY			
3		9006025-01	SCREW,MACH PAN PHIL 6-			
4		1220293-01	CAP,SNAP OFF WHITE FOR 12-20292-			
5	E-AD-7019578-0-0	7019578-00	BEZEL ASSY.			
6	E-AD-7019578-0-0	7019578-01	BEZEL ASSY, (GRN POS)			
7	E-AD-7019578-0-0	7019578-02	BEZEL ASSY, (AMBER POS)			
8		9006659-00	WASHER,FLAT			
9	A-PA-3700688-0-0	3700688-01	PKG. MONITOR VR201			

REVISION HISTORY		BASIC PART NO: VR201		DRN: B. NETTO	DATE: 3-MAY-82	D I G I T A L				
ENG	ECO NUMBER	REV	SECTION A OF A	CHK'D: D. HEALY	DATE: 4-MAY-82	TITLE		PARTS LIST		
BN	VR201-ML004	A B	SECTION. VARIATION INDEX: [A] A ,B ,C [B] [C] [D] [E] [F]	DES.ENG.: D. MOORE	DATE: 4-MAY-82	MONITOR ASSY				
				RESP.ENG.: D. BOUDREAU	DATE: 4-MAY-82	DOCUMENT NUMBER				
				MFG.ENG.: G. WU	DATE: 04-MAY-82	SIZE: K	CODE: PL	NUMBER: VR201-0-DBP	REV: B	
				ASSEMBLY NUMBER: E-UA-VR201-0-0	TOP DOCUMENT NUMBER: #PC350	FILE NAME: Z4564B.PLS		EDIT #: 13		

"THIS DRAWING AND SPECIFICATIONS HEREIN, ARE THE PROPERTY OF DIGITAL EQUIPMENT CORPORATION AND SHALL NOT BE REPRODUCED OR COPIED OR USED IN WHOLE OR IN PART AS THE BASIS FOR THE MANUFACTURE OR SALE OF ITEMS WITHOUT WRITTEN PERMISSION. COPYRIGHT (C) 1983. DIGITAL EQUIPMENT CORPORATION "

y&hk HH :3

DRAWING NO.	NO. OF SHTS.	PART NO.	DESCRIPTION	REVISIONS															
				A	A	A	A	A	A	A	A	A	A	J1	J1	J2	J3	K	I
		5415500-00	VR201 MONITOR	A	A	A	A	A	A	A	A	A	J1	J1	J2	J3	K	I	
E-UA-5415500-0-0	1		VR201 MONITOR	A	B	C	C	D	D	E	F	H	H	H	J	J	K		
D-CS-5415500-0-1	1		VR201 MONITOR	A	B	C	D	D	E	F	F	H	J	J	K	K	L		
K-PL-5415500-0-DBP	4		VR201 MONITOR	A	B	C	D	E	F	H	J	K	L	L	L	M	N		
K-PC-5415500-0-DBG			P.C. DESIGN DATA BASE	C	C	C	C	C	C	D	D	D	D	D	D	D	E		
		5015499-00	ETCHED CIRCUIT BOARD	C	C	C	C	C	C	D	D	D	D1	D1	D1	D1	E	I	
B-DD-5015499-0-0	1		DRAWING DIRECTORY	-	-	-	-	-	-	-	-	-	-	-	-	A	B		

**NOTES:**

REVISION HISTORY		REV.	A	B	C	D	E	F	H	J	K	L	M	N	P	R
DATE	ECO NO.															
6-82	INIT															
9-82	ML001															
11-82	ML002															
11/82	ML003															
12/82	ML004															
12/82	ML005															
1/83	ML006															
9/83	ML007															
10/83	ML008															
11/83	ML009															
2/84	RETYPED ML010															
3/84	ML011															
3/84	RETYPED ML012															
8/84	ML013															

THIS DRAWING AND THE SPECIFICATIONS CONTAINED HEREIN ARE CONFIDENTIAL AND PROPRIETARY. THEY ARE THE PROPERTY OF DIGITAL EQUIPMENT CORPORATION AND SHALL NOT BE REPRODUCED OR COPIED OR USED IN WHOLE OR IN PART AS THE BASIS FOR THE MANUFACTURE OR SALE OF ITEMS WITHOUT WRITTEN PERMISSION. THIS IS AN UNPUBLISHED WORK PROTECTED UNDER THE FEDERAL COPYRIGHT LAWS. 1982



DRN. JOHN COTE	DATE 22 JUN 82
CHK. JOHN COTE	DATE 28 JUN 82
DES. ENG. BILL NOTT	DATE 28 JUN 82
RESP. ENG. BILL NOTT	DATE 28 JUN 82
MFG. ENG. CLYDE TANNER	DATE 28 JUN 82

TITLE		VR2101 MONITOR	
DOCUMENT NUMBER			
SIZE B	CODE DD	NUMBER 5415500-0-0	REV. R
		SHEET 1 OF 1	

**REWORK INSTRUCTION**

ECO 5415500-ML006

WIRE ADD SIDE 2 AS SHOWN

6-1 FROM E1-4 TO Q9 COLLECTOR HOLES PROVIDED  
COMPONENT ADD SIDE 1 AS SHOWN

6-2 C16 LAP SOLDER LEADS TO R64 (2) AND Q9 (BASE)  
KEEP LEADS AS SHORT AS POSSIBLE

COMPONENT SIDE VIEW

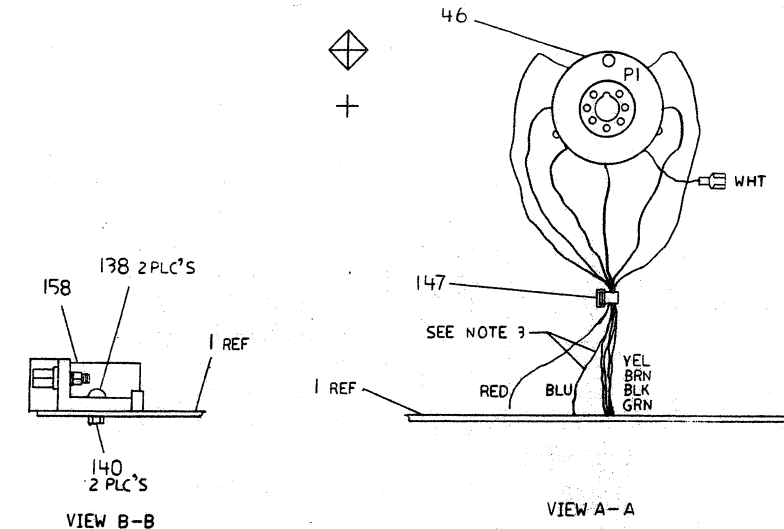
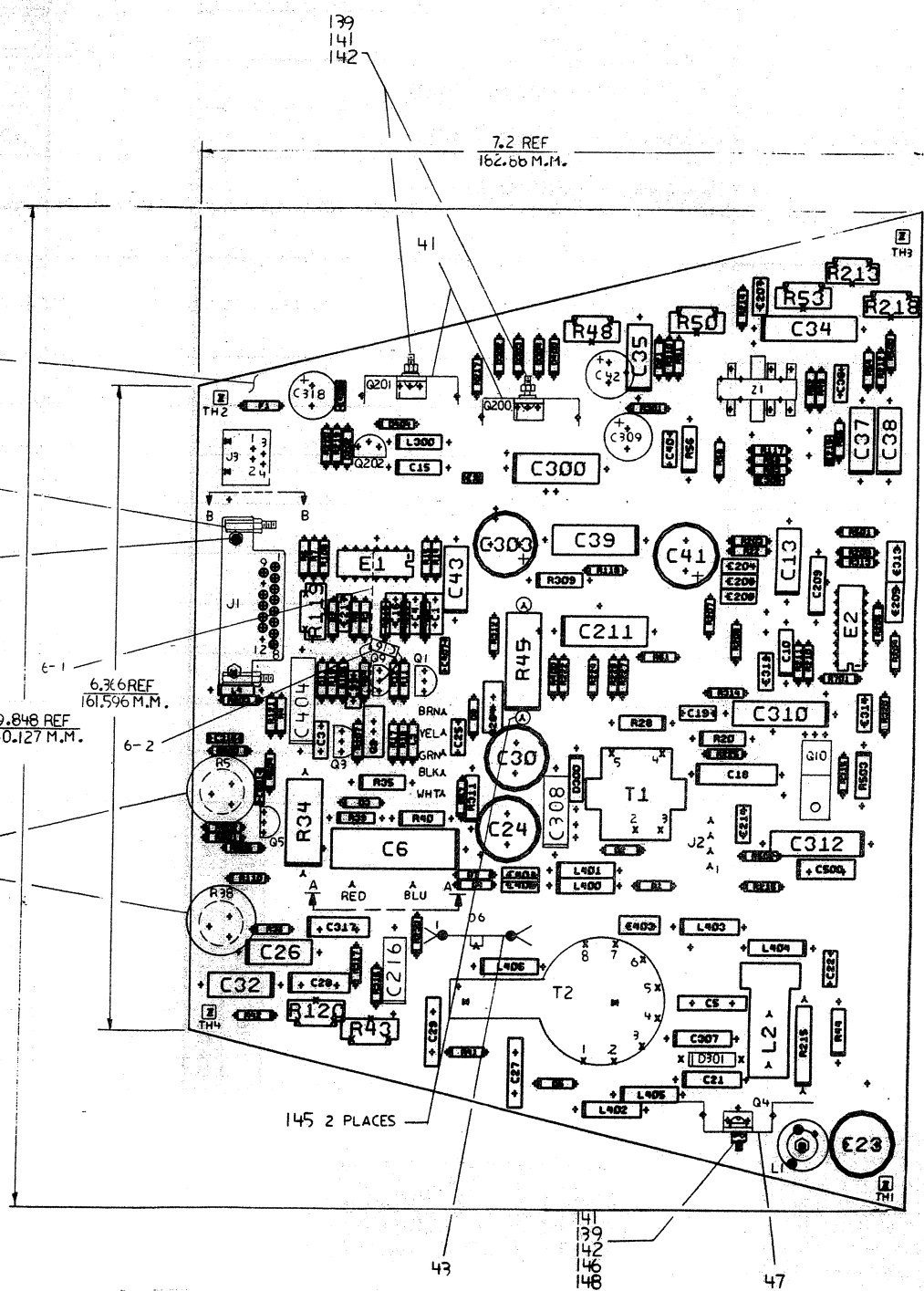
DESIGNER	DATE	
CHECKED	BY	
PROJ. ENGR.		
DATE		
SHEET	OF	
TITLE	digital	
PROJECT	VR201	
DRAWN	MONITOR	
CHECKED		
DATE		
SHEET	OF	
TITLE		
PROJECT		

ETCH REV.	E-1
REV. NO.	
REV. DATE	
REV. BY	
REV. DESCRIPTION	

CHANGE NO.	REV.	DATE
1		
2		
3		
4		
5		

DATE	BY	CHKD.
MATERIALS TO BE OBTAINED AS SHOWN IN		
DRAWING AND TO BE AVAILABLE WITH INSTRUCTIONS		
FOR ORDERING AND TO BE AVAILABLE WITH INSTRUCTIONS		
FOR ORDERING AND TO BE AVAILABLE WITH INSTRUCTIONS		
FOR ORDERING AND TO BE AVAILABLE WITH INSTRUCTIONS		
REP.	Y. R. B.	STOP
REP.	X. R. B.	STOP

EIA-5415500-0-0



J  
I  
H  
G  
F  
E  
D  
C  
B  
A

0  
1  
2  
3  
4  
5  
6  
7  
8  
9

AUTOMATED BY PRTLST.3P(44)

PARTS LIST

SHEET A1 OF A4

LINE	ITEM	TOP DOCUMENT	PART NUMBER	MIN REV	DESCRIPTION	QTY	PER VARIATION	REFERENCE DESIGNATOR
					VARIATION REVISION LEVEL:	00		
						K1		
1	1	D-MD-5015499-0-0	5015499-00		CIRCUIT DRILL & ETCH	1		
2	2		1000009-00		33.0 MMF 100V 5%200PPM MICA	1		C36
3	3		1000016-00		100.0 MMF 100V 5%200PPM MICA	1		C206
4	4		1000060-00		6800.0 MMF 200V 10% MYLR	1		C307
5	5		1001631-00		390.0 MMF 100V 5%200PPM MICA	1		C99
6	6		1004813-00		10 MFD 20V 10% S.TANT	2		C15,C43
7	7		1009312-00		.0047 MFD 100V 1% MYLR	1		C13
8	8		1010274-02		1 MFD 50V +80-20% CER	1		C601
9	9		1010978-36		.1 MFD 50V 10% CER	5		C306,C314,C316,C406,C407
10	10		1010978-40		.22 MFD 50V 10% CER	3		C204,C205,C200
11	11		1012219-00		47 MFD 30V +75-10% AL EL	1		C211
12	12		1012312-01		.47 MFD 50V +80-20% CER	8		C1,C3,C4,C16,C207,C311,C313,C217
13	13		1012784-00		.047 MFD 50V +80-20% CER	1		C214
14	14		1013280-00		680.0 MMF 1000V 5%200PPM MICA	1		C500
15	15		1013291-00		*** THIS ITEM IS NOT USED ***	-		
16	16		1013669-02		.10 MFD 150V 5% M.POLYPROP	3		C35,C37,C38
17	17		1013963-00		3300.0 MMF 500V 20% Z5U DISC	3		C400,C401,C403
18	18		1014052-00		100 MFD 25V+100-10% AL EL	5		C34,C310,C312,C404,C39
19	19		1016544-00		.1 MFD 100V 10% MYLR	4		C19,C22,C25,C40
20	20		1016546-00		.22 MFD 660V 10% MET. MYLR	2		C216,C308
21	21		1016547-00		*** THIS ITEM IS NOT USED ***	-		
22	22		1016548-00		1000 MFD 16V +50-10% AL EL	4		C24,C30,C41,C303
23	23		1016553-00		4.7MFD 25V +75-10% AL EL	1		C209
24	24		1016555-00		22 MFD 50V +50-10% AL EL	4		C18,C26,C32,C300
25	25		1016557-00		470 MFD 16V +50-10% AL EL	3		C42,C309,C318
26	26		1016558-00		10 MFD 25V 20% AL EL	1		C23
27	27		1016571-00		.02 MFD 500V +80-20%Z5U DISC	1		C5
28	28		1017891-02		.01 MFD 50V 5% POLYPROP	1		C10
29	29		1019559-01		.02 MFD 1000V +80-20% CER	3		C27,C29,C317
30	30		1020166-01		10 MFD 250V +50-10% AL EL	1		C6

REVISION HISTORY			BASIC PART NO: 5415500			DRN: R.Z. BUREAU			DATE: 03-MAY-82			D I G I T A L		
ENG	ECO NUMBER	REV	SECTION A OF A			CHK'D: JOHN COTE			DATE: 22-JUN-82			TITLE PARTS LIST		
---	INITIAL	A	SECTION VARIATION INDEX			DES.ENG: BILL NOTT			DATE: 22-JUN-82			VR201 MONITOR		
JF	5415500-ML001	B	[A] 00			RESP.ENG.: BILL NOTT			DATE: 22-JUN-82			DOCUMENT NUMBER		
BN	5415500-ML002	C	[B]			MFG.ENG.: CLYDE TANNER			DATE: 24-JUN-82			SIZE CODE NUMBER REV		
JF	5415500-ML003	D	[C]			ASSEMBLY NUMBER:			TOP DOCUMENT NUMBER:			FILE NAME:		
CT	5415500-ML004	E	[D]			D-UA-5415500-0-0			#B-DD-5415500-0			Z4454N.PLS		
CT	5415500-ML005	F	[E]			RELEASE DATE: 30-JUL-84			EDIT #			36		
BN	5415500-ML006	H	[F]											
BN	5415500-ML007	J	[H]											
BN	5415500-ML008	K	[J]											
AJ	5415500-ML009	L	[K]											
AJ	5415500-ML012	M	[L]											
AJ	5415500-ML013	N	[M]											
			[N]											

"THIS DRAWING AND THE SPECIFICATIONS CONTAINED HEREIN ARE CONFIDENTIAL AND PROPRIETARY. THEY ARE THE PROPERTY OF DIGITAL EQUIPMENT CORPORATION AND SHALL NOT BE REPRODUCED OR COPIED OR USED IN WHOLE OR IN PART AS THE BASIS FOR THE MANUFACTURE OR SALE OF ITEMS WITHOUT WRITTEN PERMISSION. THIS IS AN UNPUBLISHED WORK PROTECTED UNDER THE FEDERAL COPYRIGHT LAWS."

PARTS LIST

LINE	ITEM	TOP DOCUMENT	PART NUMBER	MIN REV	DESCRIPTION	QTY	PER VARIATION	REFERENCE DESIGNATOR
					VARIATION REVISION LEVEL:	00		
						K1		
31	31		1105796-00		PIV= 400 IO= 1.00A 1N4004 D0-41	6		D3,D21,D302-D304,D400
32	32		1109443-00		VZ= 5.1 5% 50 W 1N5231B	1		D11
33	33		1109502-00		VZ= 12.0 10% 1 W 1N4742	1		D9
34	34		1109988-00		VZ= 13.0 5% 400 MW 1N964B	1		D404
35	35		1112594-02		PIV= 600 IO= 3.00A	2		D6,D301
36	36		1112595-01		PIV= 200 IO= 1.00A AXIAL	4		D1,D2,D4,D7
37	37		1112595-02		PIV= 600 IO= 1.00A AXIAL	1		D300
38	38		1115112-00		RECT,ULTRA FAST PIV= 800 IO= 1.0	1		D5
39	39		1120091-01		VZ= 9.6 1% 500 MW	1		D202
40	40		1210929-05		FUSE, SUB-MINI, 2.500A, 125V, A	1		F1
41	41		1212487-02		HEAT SINK 01.18X01.	2		
42	42		1214460-01		*** THIS ITEM IS NOT USED ***	-		
43	43		1215228-03		HEAT SINKS,T0-220 1.250X0.87	1		
44	44		1216521-00		PCB,HEADER 04PIN(1X04).156CC STR	1		J2
45	45		1218826-00		CONN,PHONE JACK 04 POS	1		J3
46	46		1219608-01		CONN,HI V 07POS SOCKET CRT	1		P1
47	47		1220128-01		HEAT SINK,T0-202 1.450X01.	1		
48	48		1300168-00		10.0 .50 W 5.0 % CF	1		R20
49	49		1300197-00		33.0 .25 W 5.0 % CF	1		R19
50	50		1300228-00		100.0 .50 W 5.0 % CF	1		R44
51	51		1300229-00		100.0 .25 W 5.0 % CF	1		R108
52	52		1300249-00		150.0 .50 W 5.0 % CF	1		R311
53	53		1300250-00		150.0 .25 W 5.0 % CF	1		R57
54	54		1300271-00		220.0 .25 W 5.0 % CF	3		R600,R603,R601
55	55		1300274-00		220.0 .50 W 5.0 % CF	1		R35
56	56		1300316-00		470.0 .25 W 5.0 % CF	3		R6,R7,R227
57	57		1300348-00		680.0 2.0 W 5.0 % CC	1		R34
58	58		1300365-00		1.0 K .25 W 5.0 % CF	1		R225
59	59		1300398-00		*** THIS ITEM IS NOT USED ***	-		
60	60		1300417-00		*** THIS ITEM IS NOT USED ***	-		
61	61		1300426-00		*** THIS ITEM IS NOT USED ***	-		
62	62		1300439-00		3.30 K .25 W 5.0 % CF	1		R39
63	63		1300444-00		*** THIS ITEM IS NOT USED ***	-		
64	64		1300445-00		4.70 K .50 W 5.0 % CF	1		R40
65	65		1300447-00		4.70 K .25 W 5.0 % CF	3		R117,R501,R209
66	66		1300521-00		*** THIS ITEM IS NOT USED ***	-		
67	67		1301310-00		270.0 K .25 W 5.0 % CF	1		R224
68	68		1301317-00		10.0 .25 W 5.0 % CF	2		R106,R605
69	69		1301320-00		*** THIS ITEM IS NOT USED ***	-		
70	70		1301477-00		*** THIS ITEM IS NOT USED ***	-		
71	71		1301969-00		22.0 .25 W 5.0 % CF	2		R107,R216
72	72		1301972-00		270.0 .25 W 5.0 % CF	3		R12,R61,R502
73	73		1302092-00		220.0 K .25 W 5.0 % CF	1		R36
74	74		1302379-00		75.0 .25 W 5.0 % CF	1		R8
75	75		1302391-00		20.0 K .25 W 5.0 % CF	1		R214
76	76		1302395-00		*** THIS ITEM IS NOT USED ***	-		
77	77		1302396-00		150.0 K .25 W 5.0 % CF	1		R500
78	78		1302397-00		180.0 K .25 W 5.0 % CF	1		R204

D	I	G	I	T	A	L	TITLE	SECTION A OF A	SIZE	CODE	DOCUMENT NUMBER	REV
							VR201 MONITOR		K	PL	5415500-0-DBP	N

LINE	ITEM	TOP DOCUMENT	PART NUMBER	MIN REV	DESCRIPTION	QTY	PER VARIATION	REFERENCE DESIGNATOR
						00		
						K1		
79	79		1302411-00		511.0 .25 W 1.0 % RN55D-F10	1		R10
80	80		1302465-00		*** THIS ITEM IS NOT USED ***	-		
81	81		1302466-00		100.0 K .25 W 5.0 % CF	6		R210,R217,R230,R316,R317,R602
82	82		1302887-00		130.0 .25 W 1.0 % RN55D-F10	2		R219,R503
83	83		1303114-00		1.0 K .25 W 1.0 % RN55D-F10	1		R319
84	84		1303177-00		2.40 K .25 W 5.0 % CF	1		R228
85	85		1303187-00		820.0 K .25 W 5.0 % CF	1		R320
86	86		1303219-00		82.0 K .25 W 5.0 % CF	3		R110,R212,R54
87	87		1304833-00		1.96 K .25 W 1.0 % RN55D-F10	1		R14
88	88		1304841-00		75.0 K .25 W 5.0 % CF	3		R206,R222,R400
89	89		1304855-00		9.09 K .25 W 1.0 % RN55D-F10	1		R211
90	90		1304868-00		2.74 K .25 W 1.0 % RN55D-F10	2		R17,R18
91	91		1305131-00		*** THIS ITEM IS NOT USED ***	-		
92	92		1305890-00		*** THIS ITEM IS NOT USED ***	-		
93	93		1309386-00		*** THIS ITEM IS NOT USED ***	-		
94	94		1309405-00		68.0 .50 W 5.0 % CF	1		R28
95	95		1309422-00		5.10 .25 W 5.0 % CF	1		R315
96	96		1309595-00		1.0 M .25 W 5.0 % CF	2		R207,R208
97	97		1309680-00		2.70 M .25 W 5.0 % CF	2		R41,R42
98	98		1311422-00		178.0 .25 W 1.0 % RN55D-F10	2		R2,R3
99	99		1311845-00		487.0 .25 W 1.0 % RN55D-F10	1		R220
100	100		1312482-00		2.70 .25 W 5.0 % CF	2		R301,R314
101	101		1312747-00		*** THIS ITEM IS NOT USED ***	-		
102	102		1312989-00		*** THIS ITEM IS NOT USED ***	-		
103	103		1313151-00		3.60 K .25 W 5.0 % CF	1		R313
104	104		1313580-00		360.0 .25 W 5.0 % CF	1		R312
105	105		1313589-00		1.40 K .25 W 1.0 % RN55D-F10	1		R64
106	106		1313794-00		787.0 .25 W 1.0 % RN55D-F10	1		R15
107	107		1315725-00		.50 5.0 W 3.0 % WW	1		R45
108	108		1316012-00		.10 2.0 W 5.0 % WW	1		R215
109	109		1316522-01		100.0 K .25 W20.0 % POT	2		R48,R53
110	110		1316522-02		5.0 M .25 W20.0 % POT	2		R43,R120
111	111		1316522-03		1.0 K .25 W20.0 % POT	1		R119
112	112		1316522-05		250.0 K .25 W20.0 % POT	2		R218,R50
113	113		1316522-06		25.0 K .25 W20.0 % POT	1		R213
114	114		1316836-00		402.0 .25 W 1.0 % RN55D-F10	1		R318
115	115		1316845-00		3.30 .50 W 5.0 % CF	2		R56,R309
116	116		1317522-00		1.0 .25 W 5.0 % CF	1		R118
117	117		1318430-00		165.0 .25 W 1.0 % RN55D-F10	1		R11
118	118		1320082-01		250.0 .25 W30.0 % POT	1		R5
119	119		1320082-02		100.0 K .25 W10.0 % POT	1		R38
120	120		1509524-00		2N 3904 NPN 310MW SI 40 40 M	1		Q3
121	121		1509525-00		2N 3906 PNP 310MW SI 40100 Y	3		Q1,Q9,Q5
122	122		1516490-00		MPSU05 NPN 10W SI 2A	1		Q10
123	123		1519535-01		D40D7 NPN 50MW 60V 1A	1		Q2
124	124		1520089-01		MDS 20 NPN 2W 250V 1.5A	1		Q204
125	125		1520090-01		13006 NPN 80W 300V 8A	1		Q4
126	126		1520092-01		MTP5N05 FET T0-220	2		Q200,Q201

D	I	G	I	T	A	L	TITLE	SECTION A	OF	A	SIZE	CODE	DOCUMENT NUMBER	REV
							VR201 MONITOR				K	PL	5415500-0-DBP	N

AUTOMATED BY PRTLST.3P(44)

PARTS LIST

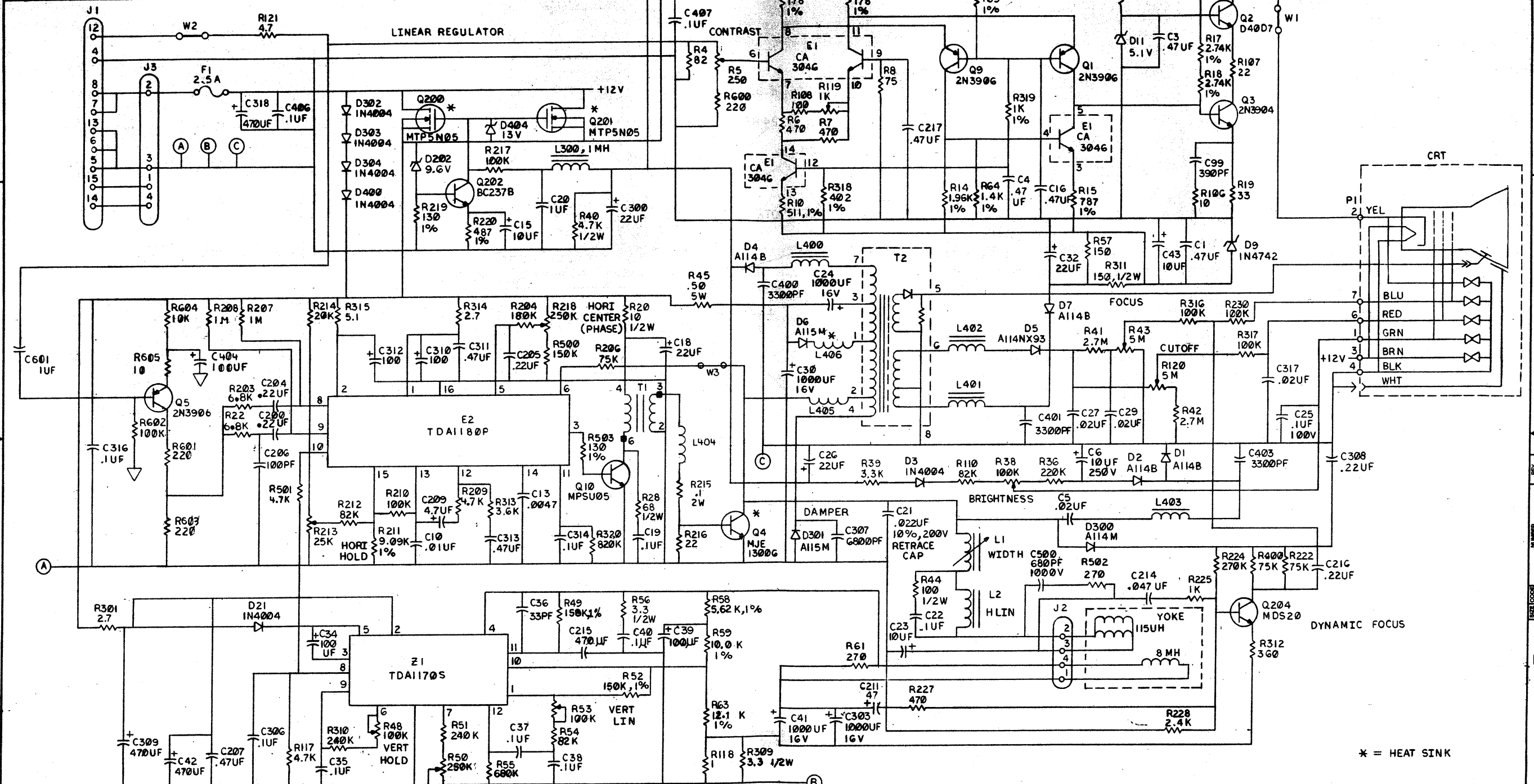
SHEET A4 OF A4

LINE	ITEM	TOP DOCUMENT	PART NUMBER	MIN REV	DESCRIPTION	QTY	PER VARIATION	REFERENCE DESIGNATOR
					VARIATION REVISION LEVEL:	00		
						K1		
127	127		1520093-01		BC237B NPN T0-92	1		Q202
128	128		1602723-00		1000 UH 10% 125MA	1		L300
129	129		1616309-02		XFMR,HORIZONTAL DRIVE	1		T1
130	130		1616536-00		XFMR HORIZONTAL WIDTH	1		L1
131	131		1616538-00		COIL,HORIZONTAL,LINEAR	1		L2
132	132		1618238-02		BEAD,FERRITE .1380DX.330LG	7		L400-L406
133	133		1620097-01		XFMR,FLYBACK,HIGH VOLTAGE	1		T2
134	134		1913017-00		3046 XSISTOR ARRAY,3 ISOL	1		E1
135	135		1919235-00		TDA 1170 AMP,VERTICAL DEFLECT	1		Z1
136	136		1920088-01		1180 PROCESSOR,TV HORIZ.,	1		E2
137	137		7427002-01		THUMBWHEEL	2		
138	138		9006010-01		SCREW,MACH PAN PHIL 4-	2		
139	139		9006557-00		NUT,HEX EXT T00TH LCKWSHR 4-40	7		
140	140		9008054-00		NUT,HEX SLF LCKNG NYL INS 4-40	2		
141	141		9008268-00		COMPOUND, THERMAL JOINT	A/R		
142	142		9008301-01		SCREW,MACH PAN PHIL 4-	3		
143	143		9008451-00		SCREW LOCK,ASSY .060TH	1		
144	144		9009185-00		JUMPER, WIRE, INSULATED, BLACK B	2		W1,W2
145	145		9009798-01		SPACER,CLEAR HOLE RND CERAM .07	2		
146	146		9009993-01		WASHER,INSUL,TRANSISTOR PLASTIC	1		
147	147		9009996-00		TIE,CABLE PRELOADED MAG.100 EA	1		
148	148		9010057-00		WASHER,SHOULDER INSULATG PPS	1		
149	149		9105740-55		WIRE(WRAP) 30AWG KYNAR UL14	A/R		
150	150		1314253-00		240.0 K .25 W 5.0 % CF	2		R51,R310
151	151		1310867-00		680.0 K .25 W 5.0 % CF	1		R55
152	152		1316444-00		150.0 K .25 W 1.0 % RN55D-F10	1		R52
153	153		1303313-00		12.10 K .25 W 1.0 % RN55D-F10	1		R63
154	154		1303312-00		10.0 K .25 W 1.0 % RN55D-F10	1		R59
155	155		1305128-00		5.62 K .25 W 1.0 % RN55D-F10	1		R58
156	156		1314990-00		158.0 K .25 W 1.0 % RN55D-F10	1		R49
157	157		1000024-00		470.0 MMF 100V 5%200PPM MICA	1		C215
158	158		1220959-01		CONN,D SUB 15PIN ASSY PC MNT	1		J1
159	159		9006012-01		*** THIS ITEM IS NOT USED ***	-		
160	160		9006706-00		*** THIS ITEM IS NOT USED ***	-		
161	161		9107253-00		TUBING,SHRINK .250ID EXP	A/R		
162	162		1300479-00		10.0 K .25 W 5.0 % CF	2		R604,R701
163	163		1301423-00		6.80 K .25 W 5.0 % CF	2		R203,R22
164	164		1018000-14		1 MFD 63V +50-10% AL EL	1		C20
165	165		1313008-00		5.11 .25 W 1.0 % RN55D-F10	1		R121
166	166		1302875-00		82.50 .25 W 1.0 % RN55D-F10	1		R4
167	167		1021480-05		.022 MFD 250V 5% POLYPROP	1		C21

D	I	G	I	T	A	L	TITLE	SECTION A OF A	SIZE	CODE	DOCUMENT NUMBER	REV
							VR201 MONITOR		K	PL	5415500-0-DBP	N



THE DRAWING AND SPECIFICATIONS HEREIN ARE THE PROPERTY OF DIGITAL EQUIPMENT CORPORATION AND SHALL NOT BE REPRODUCED OR COPIED OR USED IN WHOLE OR IN PART AS THE BASIS FOR THE MANUFACTURE OR SALE OF ITEMS WITHOUT WRITTEN PERMISSION.  
 COPYRIGHT © 1982  
 DIGITAL EQUIPMENT CORPORATION



REV.	DESCRIPTION	DATE	BY	CHKD.
A	REVISED	28 JUN 82	J. HAGERMAN	J. HAGERMAN
B	REVISED	28 JUN 82	J. HAGERMAN	J. HAGERMAN
C	REVISED	28 JUN 82	J. HAGERMAN	J. HAGERMAN
D	REVISED	28 JUN 82	J. HAGERMAN	J. HAGERMAN
E	REVISED	28 JUN 82	J. HAGERMAN	J. HAGERMAN
F	REVISED	28 JUN 82	J. HAGERMAN	J. HAGERMAN
G	REVISED	28 JUN 82	J. HAGERMAN	J. HAGERMAN
H	REVISED	28 JUN 82	J. HAGERMAN	J. HAGERMAN
I	REVISED	28 JUN 82	J. HAGERMAN	J. HAGERMAN
J	REVISED	28 JUN 82	J. HAGERMAN	J. HAGERMAN
K	REVISED	28 JUN 82	J. HAGERMAN	J. HAGERMAN
L	REVISED	28 JUN 82	J. HAGERMAN	J. HAGERMAN
M	REVISED	28 JUN 82	J. HAGERMAN	J. HAGERMAN
N	REVISED	28 JUN 82	J. HAGERMAN	J. HAGERMAN
O	REVISED	28 JUN 82	J. HAGERMAN	J. HAGERMAN
P	REVISED	28 JUN 82	J. HAGERMAN	J. HAGERMAN
Q	REVISED	28 JUN 82	J. HAGERMAN	J. HAGERMAN
R	REVISED	28 JUN 82	J. HAGERMAN	J. HAGERMAN
S	REVISED	28 JUN 82	J. HAGERMAN	J. HAGERMAN
T	REVISED	28 JUN 82	J. HAGERMAN	J. HAGERMAN
U	REVISED	28 JUN 82	J. HAGERMAN	J. HAGERMAN
V	REVISED	28 JUN 82	J. HAGERMAN	J. HAGERMAN
W	REVISED	28 JUN 82	J. HAGERMAN	J. HAGERMAN
X	REVISED	28 JUN 82	J. HAGERMAN	J. HAGERMAN
Y	REVISED	28 JUN 82	J. HAGERMAN	J. HAGERMAN
Z	REVISED	28 JUN 82	J. HAGERMAN	J. HAGERMAN

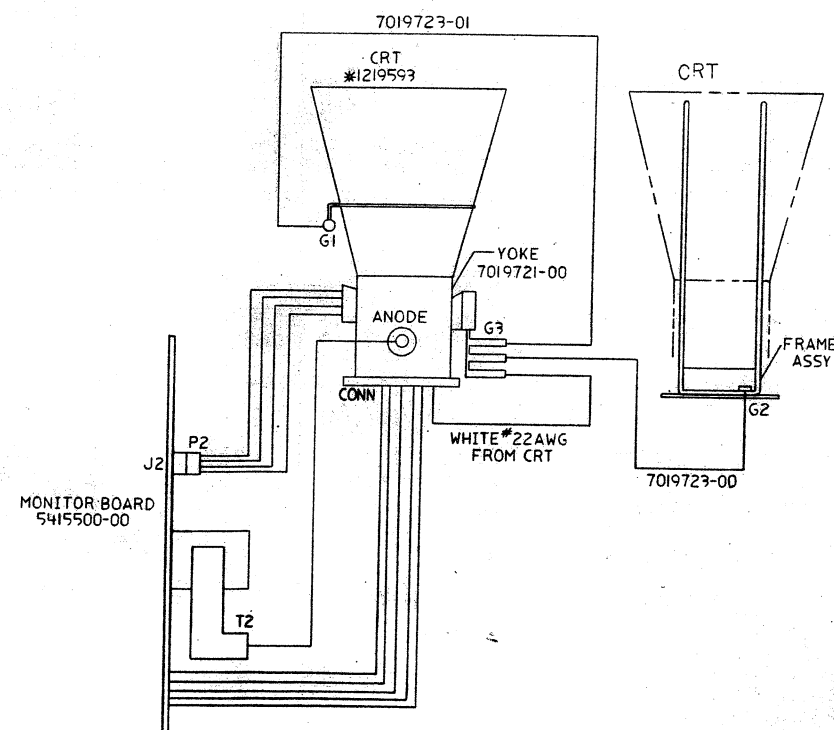
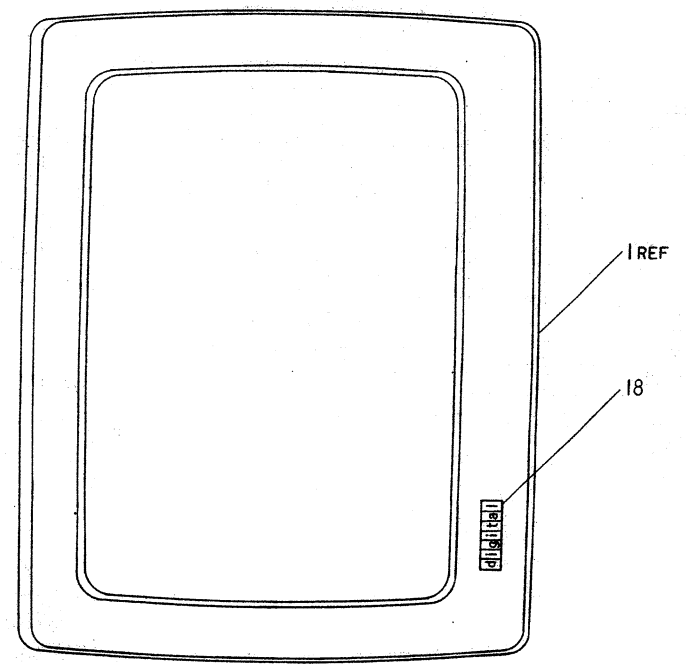
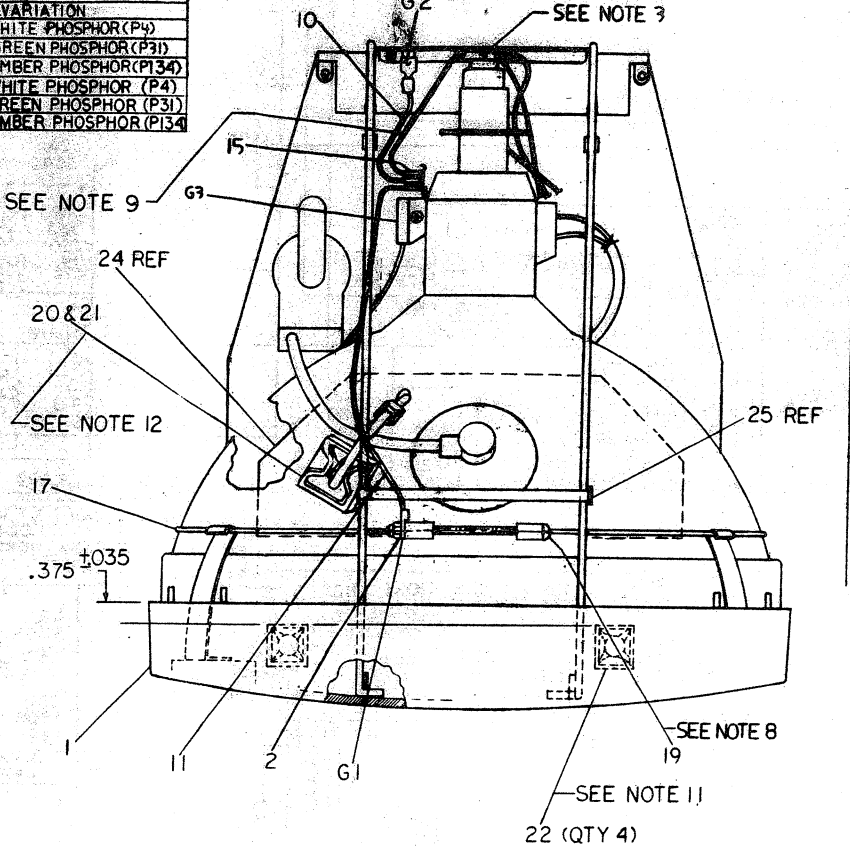
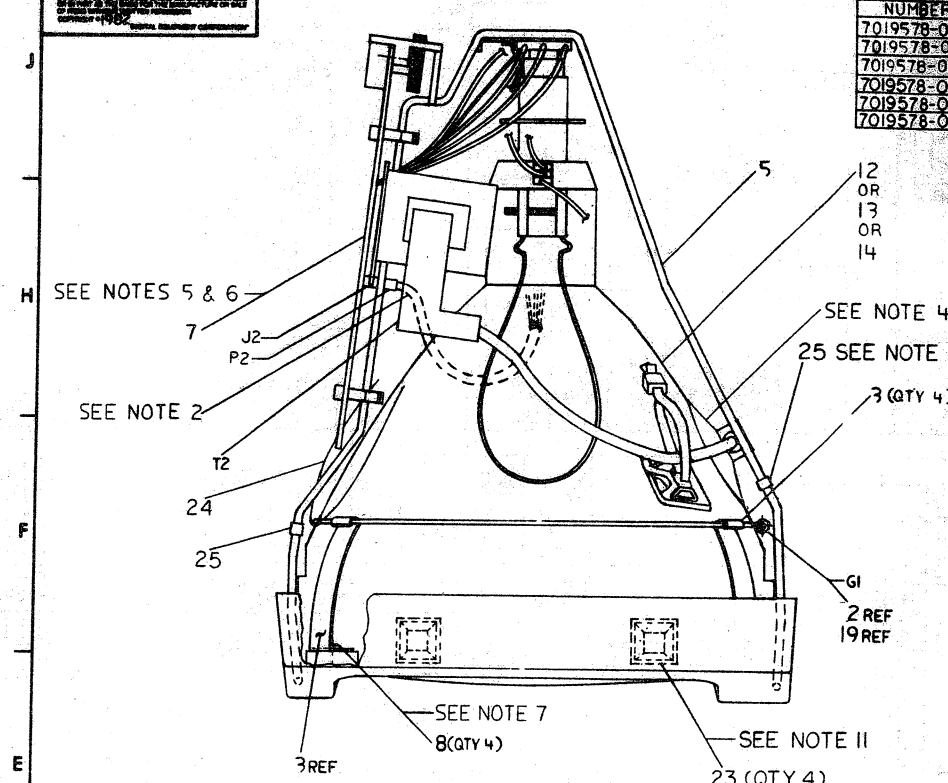
DATE	REV.	DATE	REV.	DATE	REV.
28 JUN 82	1	28 JUN 82	2	28 JUN 82	3
28 JUN 82	4	28 JUN 82	5	28 JUN 82	6
28 JUN 82	7	28 JUN 82	8	28 JUN 82	9
28 JUN 82	10	28 JUN 82	11	28 JUN 82	12
28 JUN 82	13	28 JUN 82	14	28 JUN 82	15
28 JUN 82	16	28 JUN 82	17	28 JUN 82	18
28 JUN 82	19	28 JUN 82	20	28 JUN 82	21
28 JUN 82	22	28 JUN 82	23	28 JUN 82	24
28 JUN 82	25	28 JUN 82	26	28 JUN 82	27
28 JUN 82	28	28 JUN 82	29	28 JUN 82	30
28 JUN 82	31	28 JUN 82	32	28 JUN 82	33
28 JUN 82	34	28 JUN 82	35	28 JUN 82	36
28 JUN 82	37	28 JUN 82	38	28 JUN 82	39
28 JUN 82	40	28 JUN 82	41	28 JUN 82	42
28 JUN 82	43	28 JUN 82	44	28 JUN 82	45
28 JUN 82	46	28 JUN 82	47	28 JUN 82	48
28 JUN 82	49	28 JUN 82	50	28 JUN 82	51
28 JUN 82	52	28 JUN 82	53	28 JUN 82	54
28 JUN 82	55	28 JUN 82	56	28 JUN 82	57
28 JUN 82	58	28 JUN 82	59	28 JUN 82	60
28 JUN 82	61	28 JUN 82	62	28 JUN 82	63
28 JUN 82	64	28 JUN 82	65	28 JUN 82	66
28 JUN 82	67	28 JUN 82	68	28 JUN 82	69
28 JUN 82	70	28 JUN 82	71	28 JUN 82	72
28 JUN 82	73	28 JUN 82	74	28 JUN 82	75
28 JUN 82	76	28 JUN 82	77	28 JUN 82	78
28 JUN 82	79	28 JUN 82	80	28 JUN 82	81
28 JUN 82	82	28 JUN 82	83	28 JUN 82	84
28 JUN 82	85	28 JUN 82	86	28 JUN 82	87
28 JUN 82	88	28 JUN 82	89	28 JUN 82	90
28 JUN 82	91	28 JUN 82	92	28 JUN 82	93
28 JUN 82	94	28 JUN 82	95	28 JUN 82	96
28 JUN 82	97	28 JUN 82	98	28 JUN 82	99
28 JUN 82	100	28 JUN 82	101	28 JUN 82	102
28 JUN 82	103	28 JUN 82	104	28 JUN 82	105
28 JUN 82	106	28 JUN 82	107	28 JUN 82	108
28 JUN 82	109	28 JUN 82	110	28 JUN 82	111
28 JUN 82	112	28 JUN 82	113	28 JUN 82	114
28 JUN 82	115	28 JUN 82	116	28 JUN 82	117
28 JUN 82	118	28 JUN 82	119	28 JUN 82	120
28 JUN 82	121	28 JUN 82	122	28 JUN 82	123
28 JUN 82	124	28 JUN 82	125	28 JUN 82	126
28 JUN 82	127	28 JUN 82	128	28 JUN 82	129
28 JUN 82	130	28 JUN 82	131	28 JUN 82	132
28 JUN 82	133	28 JUN 82	134	28 JUN 82	135
28 JUN 82	136	28 JUN 82	137	28 JUN 82	138
28 JUN 82	139	28 JUN 82	140	28 JUN 82	141
28 JUN 82	142	28 JUN 82	143	28 JUN 82	144
28 JUN 82	145	28 JUN 82	146	28 JUN 82	147
28 JUN 82	148	28 JUN 82	149	28 JUN 82	150

\* = HEAT SINK

DCS 5415500-0-1

D-0-8/5510/03

NUMBER	VARIATION
7019578-00	WHITE PHOSPHOR(P4)
7019578-01	GREEN PHOSPHOR(P31)
7019578-02	AMBER PHOSPHOR(P134)
7019578-03	WHITE PHOSPHOR (P4)
7019578-04	GREEN PHOSPHOR (P31)
7019578-05	AMBER PHOSPHOR (P134)



NOTES:

- DELETED
- P2 FROM YOKE(PART OF ITEM 12 OR 13 OR 14) PLUGS INTO J2 OF P.C.B.D.(ITEM 7).
- CONN(PART OF ITEM 7) ATTACHES TO END OF ITEM 12 OR 13 OR 14.
- ANODE CONNECTOR (PART OF ITEM 7) IS INSERTED IN ANODE HOLE IN ITEM 12 OR 13 OR 14.
- ITEM 7 SHOWN WITHOUT COMPONENTS FOR CLARITY(EXCEPT TRANSFORMER T2).
- ITEM 7 ATTACHES TO ITEM 5 WITH WIRE CLIPS (PART OF ITEM 7).
- TORQUE ITEM 8 AS FOLLOWS(4 PLACES): USING SCREWDRIVER: 8.0 IN.-LBS.
- TORQUE ITEM 19 AS FOLLOWS USING SCREWDRIVER: 6.0 IN.-LBS.
- ON WHITE WIRE FROM TUBE CONN. ITEM 12, 13 OR 14: STRIP .19±0.03 & CRIMP ITEM 15 TO WIRE.
- ITEMS SHALL NOT DEFORM MORE THAN 0.050 WHILE INSTALLING ITEM 25.
- ITEM 1 SHALL NOT BE DEFORMED MORE THAN 0.010 WHILE INSTALLING ITEMS 22 AND 23. ITEMS 22 AND 23 SHALL BE LOCATED AS SHOWN.
- HIGH VOLTAGE LEAD TO BE SECURED USING ITEM 20. ATTACH ITEM 21 (CABLE TIE) TO FORM APPROX 1" DIA LOOP AROUND THE LEAD. ITEM 21 MUST NOT BE PULLED TIGHT.

CAUTION:  
OFF SHEET PARTS LIST EXISTS  
SEE K-PL-7019578-0-DBP

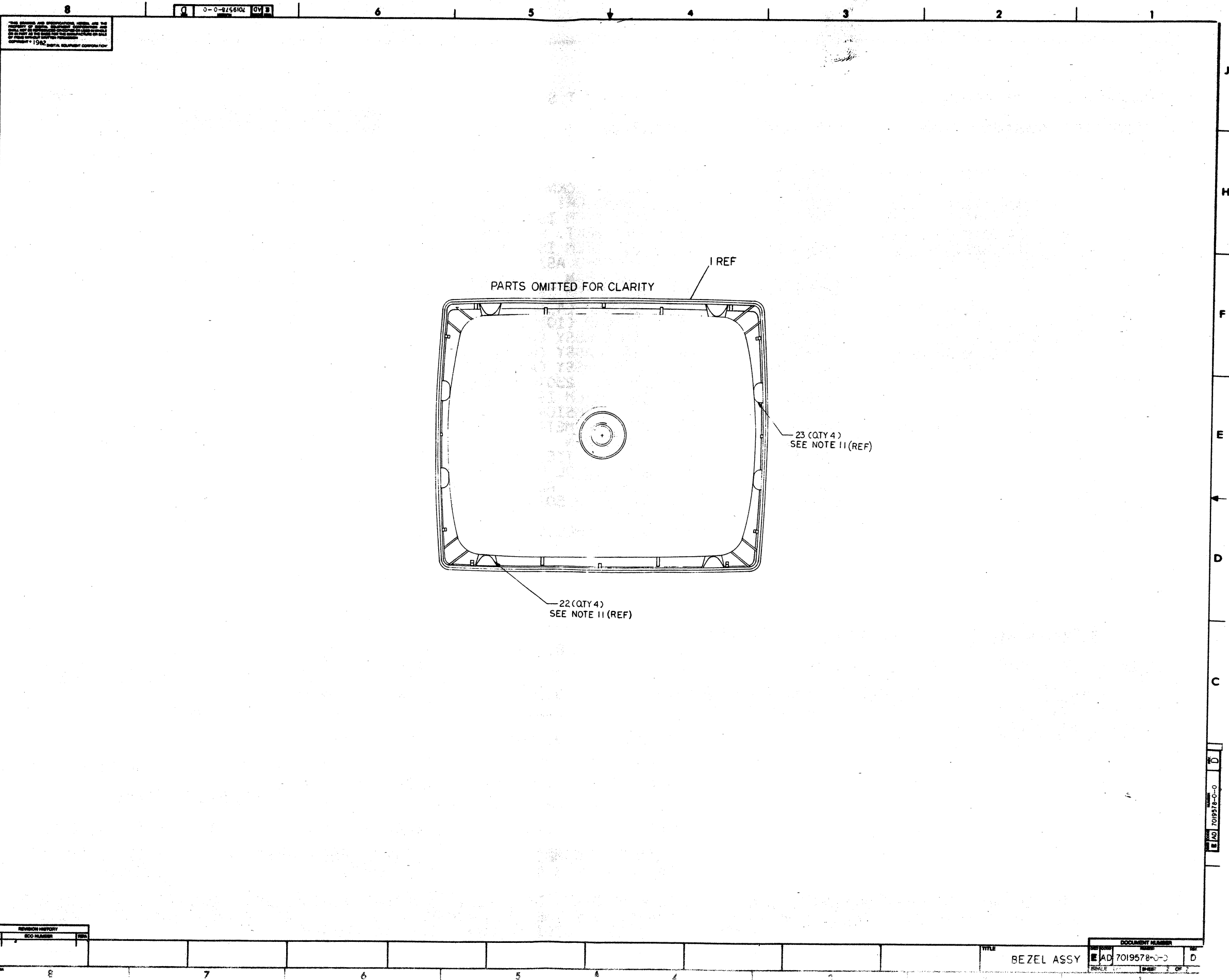
- \* 1219593-00 = P4 WHITE ANTI GLARE
- 1219593-01 = P31 GREEN
- 1219593-02 = P134 AMBER

REV	DESCRIPTION	DATE	BY	CHKD
1	ISSUE			
2	REVISED			
3	REVISED			
4	REVISED			
5	REVISED			
6	REVISED			
7	REVISED			
8	REVISED			

REV	DESCRIPTION	DATE	BY	CHKD
1	ISSUE			
2	REVISED			
3	REVISED			
4	REVISED			
5	REVISED			
6	REVISED			
7	REVISED			
8	REVISED			

BEZEL ASSY

7019578-0-0



THIS DRAWING AND INFORMATION HEREON ARE THE PROPERTY OF DIGITAL EQUIPMENT CORPORATION AND ARE TO BE USED FOR THE MANUFACTURE OF THIS EQUIPMENT ONLY. NO PART OF THIS DRAWING OR INFORMATION HEREON IS TO BE REPRODUCED OR TRANSMITTED IN ANY FORM OR BY ANY MEANS, ELECTRONIC OR MECHANICAL, INCLUDING PHOTOCOPYING, RECORDING, OR BY ANY INFORMATION STORAGE AND RETRIEVAL SYSTEM, WITHOUT THE WRITTEN PERMISSION OF DIGITAL EQUIPMENT CORPORATION.

0-0-825610 0V 3

PARTS OMITTED FOR CLARITY

1 REF

23 (QTY 4)  
SEE NOTE 11 (REF)

22 (QTY 4)  
SEE NOTE 11 (REF)

REVISION HISTORY			
DATE	ECO NUMBER	BY	CHK

TITLE  
BEZEL ASSY

DOCUMENT NUMBER  
AD 7019578-0-3 D

AD 7019578-0-0

SCALE 1:1 SHEET 2 OF 2

AUTOMATED BY PRTLST.3P(44)

PARTS LIST

SHEET A1 OF A1

LINE	ITEM	DOCUMENT NUMBER	PART NUMBER	DESCRIPTION	QUANTITY PER VARIATION					
					00	01	02	03	04	05
1	1	E-MD-7426539-C-DBU	7426539-01	BEZEL,CRT	1	1	1	1	1	1
2	2		9008055-00	NUT,HEX SLF LCKNG NYL INS 6-32	1	1	1	1	1	1
3	3	B MD-7426542-0-DBU	7426542-01	CLIP,SPRING,CRT	4	4	4	4	4	4
4	4	C-MD-7426541-0-DBU	7426541-01	*** THIS ITEM IS NOT USED ***	-	-	-	-	-	-
5	5	D-IA-7019524-0-DBU	7019524-00	WIRE FORM BRKT. WELDMNT	1	1	1	-	-	-
6	6	C-MD-7426953-0-DBU	7426953-01	*** THIS ITEM IS NOT USED ***	-	-	-	-	-	-
7	7	D-AD-7019584-0-DBU	7019584-00	MONITOR BOARD ASSY	1	1	1	-	-	-
8	8		9009800-02	SCREW,TAP PAN PHIL THD RL 6-	4	4	4	4	4	4
9	9		9007818-01	*** THIS ITEM IS NOT USED ***	-	-	-	-	-	-
10	10	D-IA-7019723-0-0	7019723-00	WIRE, GROUND (4INS)	1	1	1	-	-	-
11	11	B-IA-7019723-0-0	7019723-01	WIRE, GROUND (10INS)	1	1	1	1	1	1
12	12	D-IA-7019722-0-0	7019722-00	CRT 6 YOKE ASSY (WHT POS)	1	-	-	1	-	-
13	13	D-IA-7019722-0-0	7019722-01	CRT 6 YOKE ASSY (GPN POS)	-	1	-	-	1	-
14	14	D-IA-7019722-0-0	7019722-02	CRT 6 YOKE ASSY (AMBER POS)	-	-	1	-	-	1
15	15		9007925-01	TERM,QUICK .250TAB 2POS 18-2	1	1	1	1	1	1
16	16		9006659-00	*** THIS ITEM IS NOT USED ***	-	-	-	-	-	-
17	17	D-IA-7019798-0-DBU	7019798-00	WELDMNT, TENSION WIRE	1	1	1	1	1	1
18	18	B-MD-7427428-0-DBU	7427428-01	LOGO,DIGITAL,METAL	1	1	1	1	1	1
19	19		9007658-01	SCREW,MACH PAN PHIL 6-	1	1	1	1	1	1
20	20		9008264-00	MOUNT, CABLE TIE, ADHESIVE BACKE	1	1	1	1	1	1
21	21		9007880-00	TIE,CABLE BUNDL DIA C-1.14"=101	1	1	1	-	-	-
22	22		9009624-00	BUMPER,SQUARE ADH BACK RUBBER	4	4	4	4	4	4
23	23		1209750-01	RUBBER BUMPER 5023 BLK	4	4	4	4	4	4
24	24	C-MD-7427754-0-DBU	7427754-01	INSULATOR,CRT	1	1	1	1	1	1
25	25		9009617-00	TIE,CABLE BUNDL.DIA C-3"TYPE=101	2	2	2	-	-	-

REVISION HISTORY			BASIC PART NO: 7019578			DRN: B. NETTO			DATE: 3-MAY-82			D I G I T A L		
ENG	ECO NUMBER	REV	SECTION A OF A	CHK'D:	D. HEALY	DATE:	13 MAY 82	TITLE			PARTS LIST			
	INITIAL	A	SECTION VARIATION INDEX	DES.ENG.:	D. MOORE	DATE:	13 MAY 82	DOCUMENT NUMBER						
W	7019578-ML001	B	[A] 00,01,02,03,04,05	RESP.ENG.:	D. BOUDREAU	DATE:	13 MAY 82	SIZE	CODE	NUMBER	REV			
WN	7019578-ML002	C	[B]	MFG.ENG.:	G. WU	DATE:	13 MAY 82	K	PL	7019578-0-DBP	D			
BN	7019578-ML003	D	[C]	ASSEMBLY NUMBER:	E-AD-7019578-0-0	TOP DOCUMENT NUMBER:	E-UA-VR201-0-0	FILE NAME:			EDIT #			
			[D]					Z4562D.PLS			4			
			[E]											
			[F]											

"THIS DRAWING AND SPECIFICATIONS HEREIN, ARE THE PROPERTY OF DIGITAL EQUIPMENT CORPORATION AND SHALL NOT BE REPRODUCED OR COPIED OR USED IN WHOLE OR IN PART AS THE BASIS FOR THE MANUFACTURE OR SALE OF ITEMS WITHOUT WRITTEN PERMISSION. COPYRIGHT (C) 1983. DIGITAL EQUIPMENT CORPORATION"

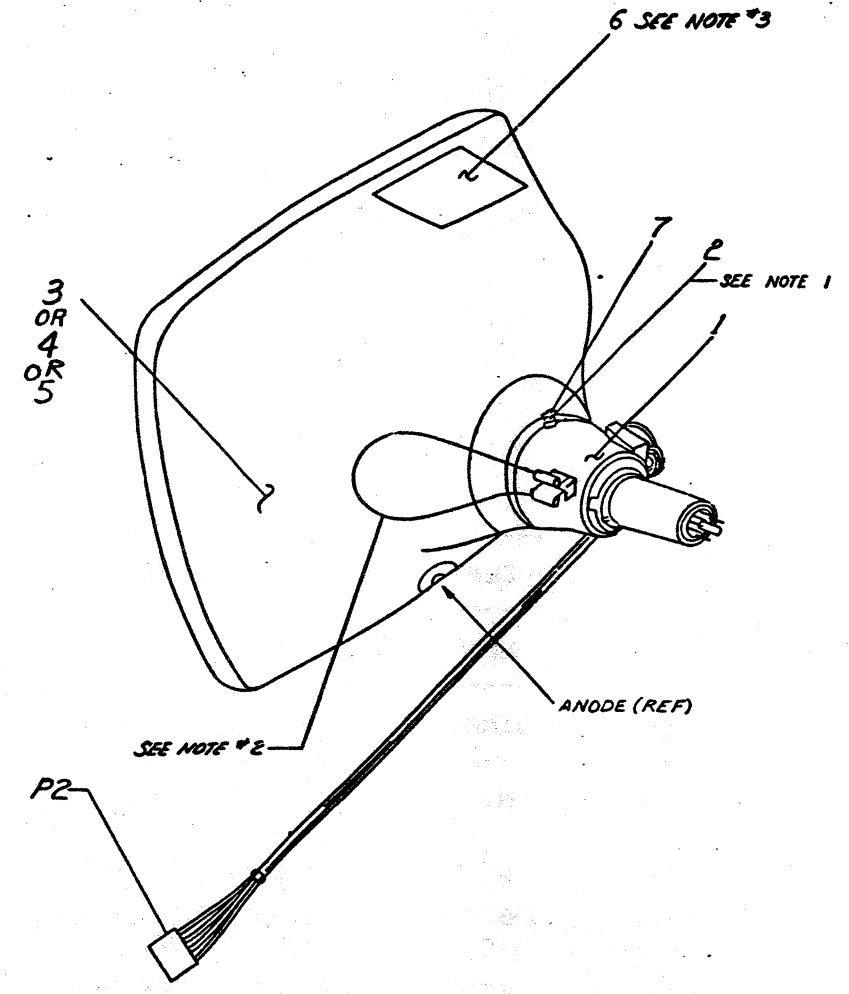
THIS DRAWING AND OPERATIONAL MANUAL ARE THE PROPERTY OF THE COMPANY. REPRODUCTION AND DISTRIBUTION OF THIS DRAWING OR OPERATIONAL MANUAL IS PROHIBITED WITHOUT THE WRITTEN PERMISSION OF THE COMPANY. © 1982, MILITARY ELECTRONICS CORPORATION

0-0-2216101 2

LEGEND	
NUMBER	VARIATION
7019722-00	CRT & YOKE ASSY (WHITE PHOSPHOR) P4
7019722-01	CRT & YOKE ASSY (GREEN PHOSPHOR) P31
7019722-02	CRT & YOKE ASSY (AMBER PHOSPHOR) P13A

**NOTES:**

- USE AS REQUIRED THE FOLLOWING MAGNETICS FOR PINCUSHION CORRECTION:  
 1216530-00 - 2.5 GAUSS  
 1216530-01 - 3.5 GAUSS  
 1216530-02 - 4.5 GAUSS  
 1216530-03 - 6.5 GAUSS  
 1216530-04 - 10. GAUSS  
 SET IN PLACE USING HOT WAX GLUE ITEM 7.
- FORM SPRING TO CONTACT AQUADAGS IN TWO PLACES.
- LABEL POSITION IS FOR REFERENCE ONLY. POSITION MAY VARY.



CAUTION: OFF SHEET PARTS LIST EXISTS, SEE K-PL-7019722-0-DBP

REV	INITIAL
1	A

QUANTITY & VARIATION	DESCRIPTION	DWG. PART NO.	ITEM NO.
	UNLESS OTHERWISE SPECIFIED DIMENSIONS ARE IN INCHES		
	ANGLES OF 90°		
	SURFACE QUALITY		
	FINISH		
	THIRD ANGLE PROJECTION		
	REMOVE BURRS AND BREAK SHARP CORNERS		
	DO NOT SCALE DWG		
	MATERIAL		
	FINISH		
	DRN. <i>[Signature]</i>	FIRST USED ON	VR201
	CHK'D	TITLE	CRT AND YOKE ASSEMBLY
	ENG. <i>[Signature]</i>	SIZE	D IA
	PROD. <i>[Signature]</i>	NUMBER	7019722-0-0
	NEXT HIGHER ASSY.	REV.	A
	SCALE NONE	SHEET	1 OF 1
	DIST.		

DIA 7019722-0-0 A

ML3

AUTOMATED BY PRTLST.3P(44)

PARTS LIST

SHEET A1 OF A1

LINE	ITEM	DOCUMENT NUMBER	PART NUMBER	DESCRIPTION	QUANTITY PER VARIATION		
					00	01	02
1	1	D-AD-7019721-0-0	7019721-00	YOKE ASSY	1	1	1
2	2	SEE NOTE #1			A/R	A/R	A/R
3	3		1219593-03	CRT,12" P134 PHOSPHOR	-	-	1
4	4		1219593-01	CRT,12" P4 PHOSPHORUS,ANTI GLARE	1	-	-
5	5		1219593-02	CRT,12" P31 PHOSPHOR	-	1	-
6	6		3610267-00	DECAL, ADHESIVE BACK -DANGER HIG	1	1	1
7	7		4901303-00	WAX	A/R	A/R	A/R

8 NOTE: SEE NOTE #1 ON D-IA-7019722-0-0

REVISION HISTORY		BASIC PART NO: 7019722		DRN: B. CLARK	DATE: 13-MAY-82	D I G I T A L	
ENG:	ECO NUMBER	REV	SECTION A OF A	CHK'D: D. HEALY	DATE: 13-MAY-82	TITLE PARTS LIST	
	INITIAL	A	SECTION. VARIATION INDEX [A] 00,01,02	DES.ENG.: J.DIMACK	DATE: 13-MAY-82	CRT AND YOKE ASSEMBLY	
			[B]	RESP.ENG.: B. NOTT	DATE: 13-MAY-82	DOCUMENT NUMBER	
			[C]	MFG.ENG.: G. WU	DATE: 13-MAY-82	SIZE: K	CODE: PL
			[D]	ASSEMBLY NUMBER: D-IA-7019722-0-0	TOP DOCUMENT NUMBER: E-AD-7019578-0-0	NUMBER: 7019722-0-DBP	REV: A
			[E]			FILE NAME: Z4605A.PLS	EDIT #: 17
			[F]				
<p>"THIS DRAWING AND SPECIFICATIONS HEREIN, ARE THE PROPERTY OF DIGITAL EQUIPMENT CORPORATION AND SHALL NOT BE REPRODUCED OR COPIED OR USED IN WHOLE OR IN PART AS THE BASIS FOR THE MANUFACTURE OR SALE OF ITEMS WITHOUT WRITTEN PERMISSION. COPYRIGHT (C) 1983. DIGITAL EQUIPMENT CORPORATION"</p>							

**WIRE TABLE**

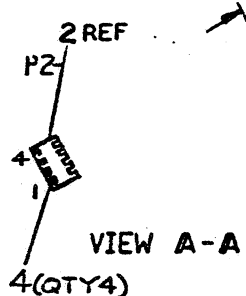
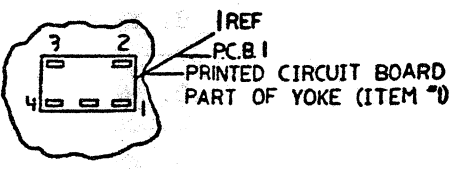
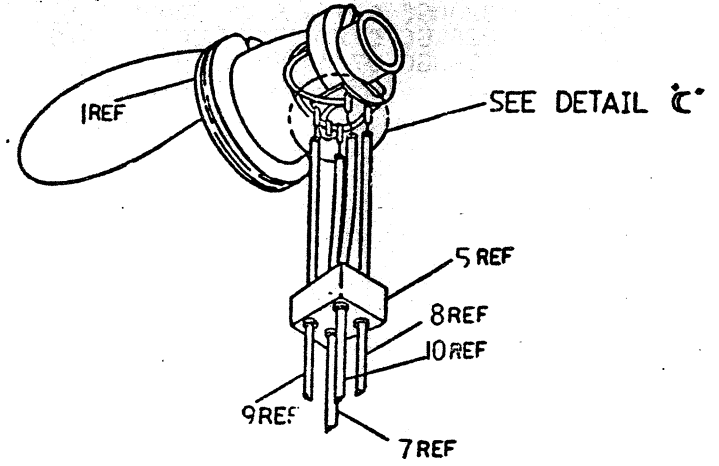
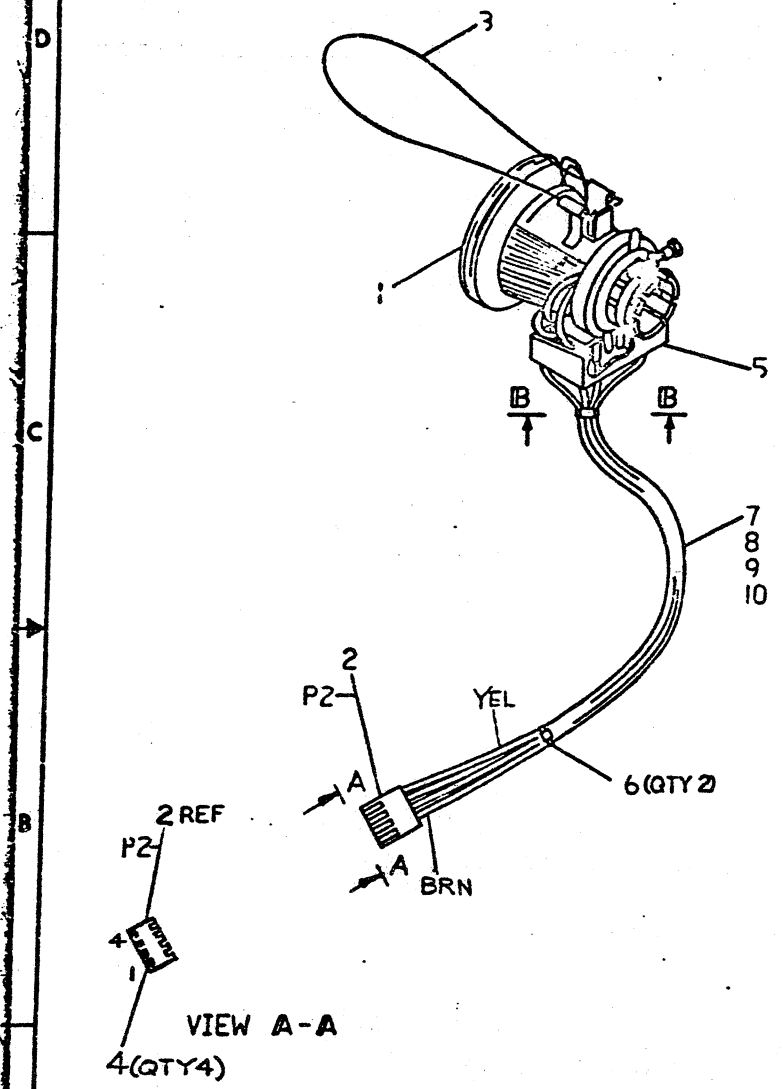
ITEM NO	AWG	COLOR	FROM CONNECTION	WITH	TO CONNECTION	WITH	WIRE LENGTHS
9	22	YEL	P.C.B.I-4	*	P2-4	4	10 IN
10	22	GRN	P.C.B.I-3	*	P2-2	4	10 IN
8	22	RED	P.C.B.I-2	*	P2-3	4	10 IN
7	22	BRN	P.C.B.I-1	*	P2-1	4	10 IN

\* INDICATES SOLDER

**NOTES:**

- SLIDE TERMINAL COVER (ITEM #5) OVER WIRES, SOLDER WIRES TO TERMINALS AS SPECIFIED BY COLOR, USING WIRE TABLE.

THIS DRAWING AND INSTRUCTIONS HEREBY ARE THE PROPERTY OF THE AIR FORCE. ALL RIGHTS ARE RESERVED. NO PART OF THIS DRAWING IS TO BE REPRODUCED OR TRANSMITTED IN ANY FORM OR BY ANY MEANS, ELECTRONIC OR MECHANICAL, INCLUDING PHOTOCOPYING, RECORDING, OR BY ANY INFORMATION STORAGE AND RETRIEVAL SYSTEM, WITHOUT PERMISSION IN WRITING FROM THE AIR FORCE. THE AIR FORCE ASSUMES NO LIABILITY FOR DAMAGE TO OR LOSS OF THIS DRAWING OR FOR CONSEQUENCES OF ANY SUCH DAMAGE OR LOSS.



CAUTION: OFF SHEET PARTS LIST EXISTS. REFER TO K-PL-7019721-0-DBP

QUANTITY & VARIATION	DESCRIPTION	ENG PART NO.	ITEM NO.
4(QTY 4)	TERMINAL BLOCK	P2	A
1	TERMINAL COVER	5	A
1	YOKE BODY	3	A
1	PRINTED CIRCUIT BOARD PART OF YOKE	PC.B.I	A
1	CABLE JACKET	6	A
1	BRAID	7	A
1	INSULATION	8	A
1	INSULATION	9	A
1	INSULATION	10	A

INITIAL A

AUTOMATED BY PRTLST.3P(44)

PARTS LIST

SHEET A1 OF A1

LINE	ITEM	DOCUMENT NUMBER	PART NUMBER	DESCRIPTION	QUANTITY PER VARIATION
1	1		1220096-01	YOKE	1
2	2		1216520-01	CONN,P+S 04POS(1X04) HSG	1
3	3		1216518-02	SPRING,GROUNDNG WIR .0430DX11.31	1
4	4		1216519-00	CONN,P+S 01POS 24-18AWG CANTIL	4
5	5	C-MD-7425911-0-0	7425911-00	COVER,TERMINAL (49-TA306-00)	1
6	6		9009996-00	TIE,CABLE PRELOADED MAG.100 EA	2
7	7	SEE NOTE	9107804-11	WIRE, 22AWG( 07/30)PVC 600V1	10
8	8	SEE NOTE	9107804-22	WIRE, 22AWG( 07/30)PVC 600V1	10
9	9	SEE NOTE	9107804-44	WIRE, 22AWG( 07/30)PVC 600V1	10
10	10	SEE NOTE	9107804-55	WIRE, 22AWG( 07/30)PVC 600V1	10

11 NOTE: QTY OF ITEMS 7, 8, 9, 10, GIVEN IN INCHES.

REVISION HISTORY		BASIC PART NO: 7019721		DRN:	B. CLARK	DATE:	DIGITAL				
ENG:	ECO NUMBER	REV	SECTION A OF A	CHK'D:	D. HEALY	DATE:	PARTS LIST				
	INITIAL	A	SECTION. VARIATION INDEX			DATE:	YOKE ASSY.				
			[A] 00			DATE:					
			[B]	DES.ENG.:	J. DIMACK	DATE:					
			[C]			DATE:					
			[D]	RESP.ENG.:	B. NOTT	DATE:	DOCUMENT NUMBER				
			[E]			DATE:	SIZE:	CODE:	NUMBER	REV	
			[F]	MFG.ENG.:	G. WU	DATE:	K	PL	7019721-0-DBP	A	
				ASSEMBLY NUMBER:	D-AD-7019721-0-0	TOP DOCUMENT NUMBER:	E-AD-7019578-0-0		FILE NAME:	Z4604A.PLS	EDIT #
										6	

"THIS DRAWING AND SPECIFICATIONS HEREIN, ARE THE PROPERTY OF DIGITAL EQUIPMENT CORPORATION AND SHALL NOT BE REPRODUCED OR COPIED OR USED IN WHOLE OR IN PART AS THE BASIS FOR THE MANUFACTURE OR SALE OF ITEMS WITHOUT WRITTEN PERMISSION. COPYRIGHT (C) 1983. DIGITAL EQUIPMENT CORPORATION "





# PARTS LIST

DRN. S. Gilcher	DES. ENG. J. Spano	MFG. ENG. C. Morris
DATE 19 Oct 83	DATE 19 Oct 83	
CHK'D. R. Lester	RESP. ENG. J. Spano	NEXT HIGHER DOC.
DATE 19 Oct 83	DATE 19 Oct 83	B-DD-VT240-0-0

## QUANTITY / VARIATION

### NOTES:

1. For applicable country kit refer to parts list indicated in item 6

ITEM NO.	DRAWING NO.	PART NO.	DESCRIPTION	QUANTITY / VARIATION											REFERENCE DESIGNATORS		
				VT240-A	VT240-B	VT240-C											
1	K-PL-VS240-0-DBP	VS240-A	Control for VT240 W DC310 (21-17311), 120/240V	1	1	1											
2	K-PL-VR201-0-DBP	VR201-A	12" Quarter Page Monitor, P4 white Phosphor	1	-	-											
3	K-PL-VR201-0-DBP	VR201-B	12" Quarter Page Monitor, P31 green Phosphor	-	1	-											
4	K-PL-VR201-0-DBP	VR201-C	12" Quarter Page Monitor, amber/orange Phosphor (P134)	-	-	1											
5		BCC02-02	VR201 Monitor Cable, 2ft.	1	1	1											
6	K-PL-VT24K-A-DBP		VT24K Keyboard Country Kit	1	1	1											

ECO NO.

"THIS DRAWING AND SPECIFICATIONS, HEREIN, ARE THE PROPERTY OF DIGITAL EQUIPMENT CORPORATION AND SHALL NOT BE REPRODUCED OR COPIED OR USED IN WHOLE OR IN PART AS THE BASIS FOR THE MANUFACTURE OR SALE OF ITEMS WITHOUT WRITTEN PERMISSION. COPYRIGHT © 1983 DIGITAL EQUIPMENT CORPORATION"	TITLE <b>SHIPPING LIST VT240</b>	ASSY. NO. B-DD-VT240-0-0	SIZE <b>B</b>	CODE <b>PL</b>	NUMBER VT240-0-0	REV. A
		SECTION <b>A1</b> OF <b>A1</b>	SHEET <b>1</b> OF <b>1</b>			

			PARTS LIST	QUANTITY
			1.000	1.000
			1.000	1.000
			1.000	1.000
			1.000	1.000
			1.000	1.000
			1.000	1.000
			1.000	1.000
			1.000	1.000
			1.000	1.000
			1.000	1.000
			1.000	1.000



DRAWING NO.	NO. OF SHTS.	PART NO.	DESCRIPTION	REVISIONS													
				A1	B1	B2	B3	B3									
		VS240-A	CONTROL FOR VT240 W DC 310 (21-17311) 120/240V	A	B	C	D	D									
E-UA-VS240-0-DBU	1		UNIT ASSY VS240	A	B	C	D	D									
K-PL-VS240-0-DBP	1		UNIT ASSY VS240	A	B	C	D	D									
MP01597-00			PRINT SET	REF	REF	REF	REF	REF									
B-TC-VS240-0-1	1		TABLE OF CONTENTS	A	A	A	A	B									

**NOTES:**

REVISION HISTORY		DATE	ECO NO.	INITIAL	REV.
		19 OCT 83			A
		06 FEB 1984	VS240-		B
		10 MAR 84	ML001		
		06 JUN 84	VS240-0-		C
		03 AUG 84	ML002		
			VS240-0-		D
			ML003		
			VS240-0-		E
			ML005		

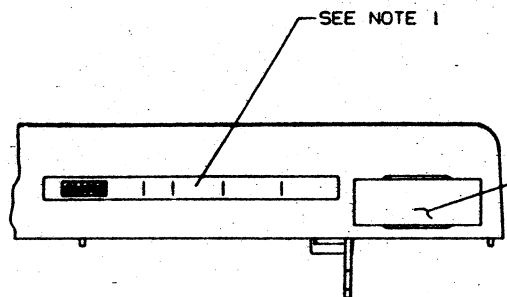
THIS DRAWING AND THE SPECIFICATIONS CONTAINED HEREIN ARE CONFIDENTIAL AND PROPRIETARY. THEY ARE THE PROPERTY OF DIGITAL EQUIPMENT CORPORATION AND SHALL NOT BE REPRODUCED OR COPIED OR USED IN WHOLE OR IN PART AS THE BASIS FOR THE MANUFACTURE OR SALE OF ITEMS WITHOUT WRITTEN PERMISSION. THIS IS AN UNPUBLISHED WORK PROTECTED UNDER THE FEDERAL COPYRIGHT LAWS.

1983

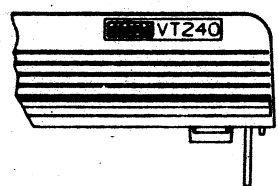


DRN. S. Gilcher	DATE 19OCT83	TITLE	
CHK'D R. Lester	DATE 19OCT83	UNIT ASSY VS240	
DES. ENG. J. Spano	DATE 19OCT83	DOCUMENT NUMBER	
RESP. ENG. J. Spano	DATE 19OCT83	SIZE B	CODE DD
MFG. ENG. C. Morris	DATE 19OCT83	NUMBER VS240-0-0	REV. E
		SHEET 1 OF 1	

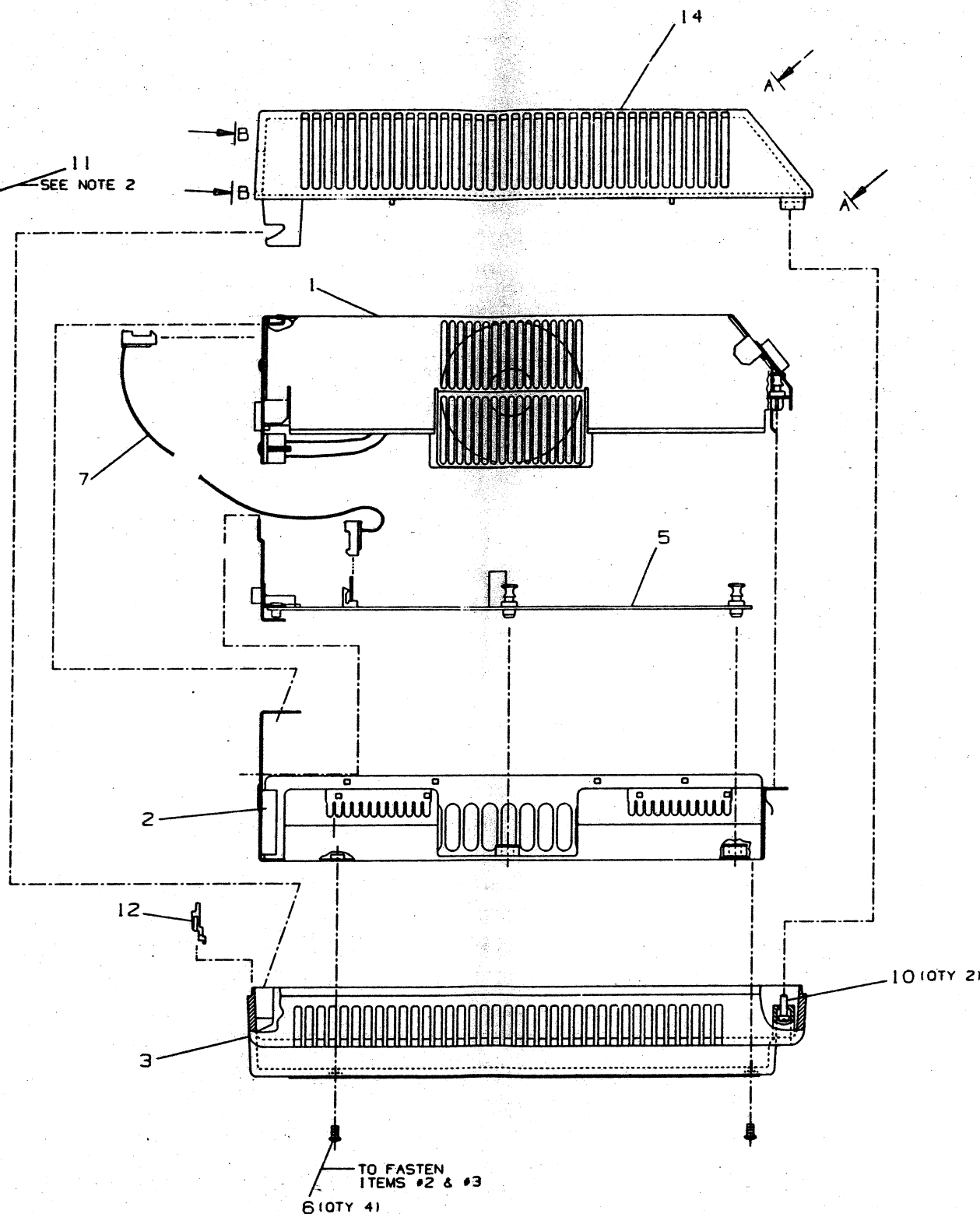
THIS DRAWING AND SPECIFICATIONS HEREIN ARE THE PROPERTY OF DIGITAL EQUIPMENT CORPORATION AND SHALL NOT BE REPRODUCED OR COPIED OR USED IN WHOLE OR IN PART AS THE BASIS FOR THE MANUFACTURE OR SALE OF THIS DRAWING WITHOUT WRITTEN PERMISSION.  
 COPYRIGHT © 1983 DIGITAL EQUIPMENT CORPORATION



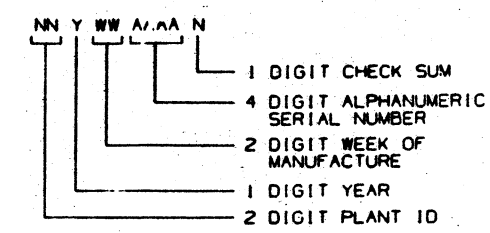
VIEW B-B



VIEW A-A



NOTES:  
 1. THE SERIAL NUMBER APPLIED SHALL BE MACHINE AND HUMAN READABLE AS FOLLOWS:



2. GENERAL AREA OF ITEM 4 TO BE FREE FROM DIRT AND GREASE.

CAUTION: OFF SHEETS PARTS LIST EXISTS. REFER TO K-PL-VS240-0-DBP

REV	DATE	BY	CHKD	DESCRIPTION
1		INITIAL		
2		VS240-0-DBU		
3		VS240-0-DBU		
4		VS240-0-DBU		
5		VS240-0-DBU		
6		VS240-0-DBU		

DESCRIPTION		DRAWING NO.	PART NO.	TYPE																				
UNLESS OTHERWISE SPECIFIED DIMENSIONS ARE IN INCHES FIRST USED VS240 AND THE FOLLOWING TOLERANCES APPLY (PER DEC STD 114)																								
TOLERANCES DIMENSIONS	DIMENSION RANGE IN INCHES																							
	0.001	0.005	0.005 - 1.000	1.000 - 10.000																				
DIAGONAL 0.001	0.005	0.005 - 1.000	1.000 - 10.000	10.000 - 100.000																				
ANGLE 0.001	0.005	0.005 - 1.000	1.000 - 10.000	10.000 - 100.000																				
SURFACE QUALITY	MAX. FINISH	8.0	7.0	6.0																				
	AVERAGE FINISH	8.0	7.0	6.0																				
QUANTITY & VARIATION	MIN. QUANTITY	1	100	1000																				
	MAX. QUANTITY	100	1000	10000																				
THIRD ANGLE PROJECTION	<table border="0"> <tr> <td>DATE</td> <td>7 FEB 83</td> <td>DATE</td> <td>7 FEB 83</td> </tr> <tr> <td>DESIGNED BY</td> <td>M. MOYNIHAN</td> <td>CHECKED BY</td> <td>R. LESTER</td> </tr> <tr> <td>DRAWN BY</td> <td>J. SPANG</td> <td>DATE</td> <td>20 SEPT 83</td> </tr> <tr> <td>REV. DATE</td> <td></td> <td>DATE</td> <td>3 FEB 83</td> </tr> <tr> <td>REV. DATE</td> <td></td> <td>DATE</td> <td>3 FEB 83</td> </tr> </table>				DATE	7 FEB 83	DATE	7 FEB 83	DESIGNED BY	M. MOYNIHAN	CHECKED BY	R. LESTER	DRAWN BY	J. SPANG	DATE	20 SEPT 83	REV. DATE		DATE	3 FEB 83	REV. DATE		DATE	3 FEB 83
DATE	7 FEB 83	DATE	7 FEB 83																					
DESIGNED BY	M. MOYNIHAN	CHECKED BY	R. LESTER																					
DRAWN BY	J. SPANG	DATE	20 SEPT 83																					
REV. DATE		DATE	3 FEB 83																					
REV. DATE		DATE	3 FEB 83																					
DO NOT SCALE DRAWING REMOVE BURRS AND BREAK SHARP CORNERS	<table border="0"> <tr> <td>REV. DATE</td> <td></td> <td>DATE</td> <td>3 FEB 83</td> </tr> <tr> <td>REV. DATE</td> <td></td> <td>DATE</td> <td>3 FEB 83</td> </tr> </table>		REV. DATE		DATE	3 FEB 83	REV. DATE		DATE	3 FEB 83	TITLE <b>VS240 UNIT ASSY.</b>													
REV. DATE		DATE	3 FEB 83																					
REV. DATE		DATE	3 FEB 83																					
MATERIAL SEE PARTS LIST	<table border="0"> <tr> <td>REV. DATE</td> <td></td> <td>DATE</td> <td>20 SEPT 83</td> </tr> <tr> <td>REV. DATE</td> <td></td> <td>DATE</td> <td>20 SEPT 83</td> </tr> </table>		REV. DATE		DATE	20 SEPT 83	REV. DATE		DATE	20 SEPT 83	DOCUMENT NUMBER <b>E UA VS240-0-DBU</b>													
REV. DATE		DATE	20 SEPT 83																					
REV. DATE		DATE	20 SEPT 83																					
FINISH NONE	<table border="0"> <tr> <td>REV. DATE</td> <td></td> <td>DATE</td> <td>20 SEPT 83</td> </tr> <tr> <td>REV. DATE</td> <td></td> <td>DATE</td> <td>20 SEPT 83</td> </tr> </table>		REV. DATE		DATE	20 SEPT 83	REV. DATE		DATE	20 SEPT 83	SCALE 1:1 SHEET 4 OF 4													
REV. DATE		DATE	20 SEPT 83																					
REV. DATE		DATE	20 SEPT 83																					

AUTOMATED BY PRTLST.4Q(50)

PARTS LIST

SHEET A1 OF A1

LINE	ITEM	TOP DOCUMENT	PART NUMBER	MIN REV	DESCRIPTION	QTY PER VARIATION
1	1	E-AD-7019499-0-DBU	7019499-00		CHASSIS ASSY	1
2	2	D-AD-7020481-0-DBU	7020481-01		PAN ASSY	1
3	3	D-AD-7020690-0-DBU	7020690-01		BOTTOM ENCLOSURE ASSY	1
4	4	E-IA-7426676-0-DBU	7426676-01		*** THIS ITEM IS NOT USED ***	-
5	5	SEE NOTE	5415495-01		VT240	1
6	6		9010174-00		SCREW,SEMS PAN PHIL 6-	4
7	7		1700428-01		CABLE ASSY 16COND 18AWG 19CIRCUIT	1
8	8		3621237-01		*** THIS ITEM IS NOT USED ***	-
9	9		3620760-01		*** THIS ITEM IS NOT USED ***	-
10	10		9009327-06		SCREW,MACH FILL SLOT 6-	2
11	11		3617905-07		LABEL,EQUIP SET 100-120V ENG,FR,	1
12	12	D-MD-7427628-0-DBU	7427628-01		PANEL,FILLER,BLANK	1
13	13		3622281-01		*** THIS ITEM IS NOT USED ***	-
14	14		3700700-01		PKG SYSTEM VS240	1
15	15	D-AD-7021291-0-DBU	7021291-01		TOP ENCLOSURE ASSY	1

16 NOTE: REV "C2" IS THE MINIMUM ACCEPTABLE REVISION FOR ITEM NO. 5.

REVISION HISTORY			BASIC PART NO: VS240		DRN:	M. DUGGAN	DATE:	28-JUL-82	D I G I T A L			
ENG	ECO NUMBER	REV	SECTION A OF A		CHK'D:	R. LESTER	DATE:	20-SEP-83	TITLE PARTS LIST			
---	INITIAL	A	SECTION VARIATION INDEX		DES.ENG:	J. SPANO	DATE:	10-JAN-83	VS240 UNIT ASSY			
AJ	VS240-0-ML001	B	(A)A		RESP.ENG.:	J. SPANO	DATE:	10-JAN-83	DOCUMENT NUMBER			
JS	VS240-0-ML002	C	(B)		ASSEMBLY NUMBER:	E-UA-VS240-0-DBU	TOP DOCUMENT NUMBER:	B-DD VS240-0-0	SIZE	CODE	NUMBER	REV
FM	VS240-0-ML003	D	(C)		MFG.ENG.:	C. MORRIS	DATE:	20-SEP-83	K	PL	VS240-0-DBP	D
			(D)		RELEASE DATE:			19-JUL-84				
			(E)									
			(F)									

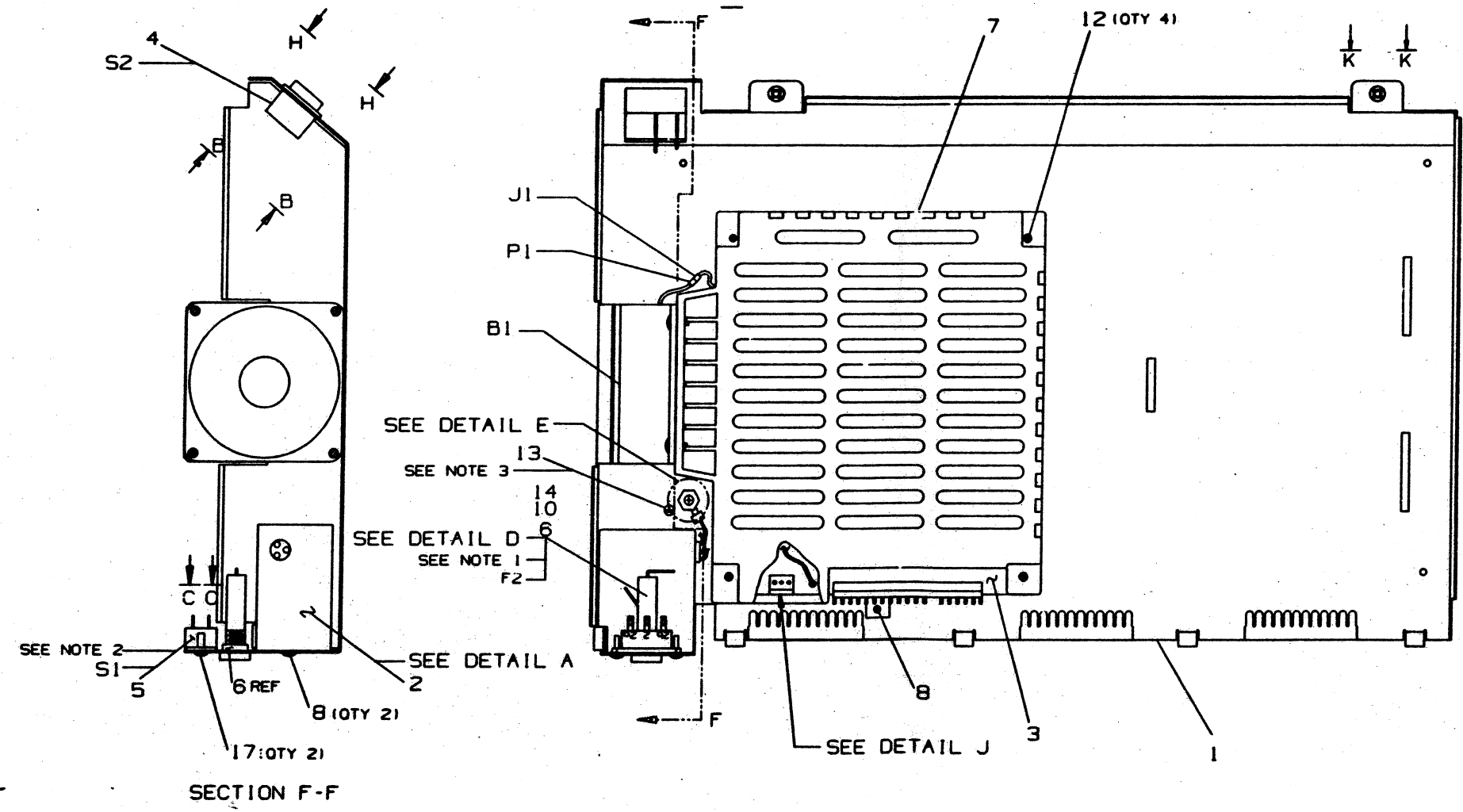
THIS DRAWING AND THE SPECIFICATIONS CONTAINED HEREIN ARE CONFIDENTIAL AND PROPRIETARY. THEY ARE THE PROPERTY OF DIGITAL EQUIPMENT CORPORATION AND SHALL NOT BE REPRODUCED OR COPIED OR USED IN WHOLE OR IN PART AS THE BASIS FOR THE MANUFACTURE OR SALE OF ITEMS WITHOUT WRITTEN PERMISSION. THIS IS AN UNPUBLISHED WORK PROTECTED UNDER THE FEDERAL COPYRIGHT LAWS.

PROPERTY OF DIGITAL EQUIPMENT CORPORATION AND SHALL NOT BE REPRODUCED OR COPIED IN WHOLE OR IN PART FOR THE BASIS FOR THE MANUFACTURE OR SALE OF ITEMS WITHOUT WRITTEN PERMISSION.  
 COPYRIGHT © 1982 DIGITAL EQUIPMENT CORPORATION

WIRE TABLE						
ITEM NO	AWG	COLOR	FROM		TO	
			LOCATION	ITEM NO	LOCATION	ITEM NO
---	---	BRN	LF1	2	F2-2	6
---	---	BLU	LF1	2	S2-5	4
---	---	GRN/YEL	LF1	2	GND 1	1
---	---	GRN/YEL	PSI	3	GND 1	1
---	---	---	PSI-J1	3	B1-P1	7
---	---	BLU	PSI-115V	3	S1-2A	5
---	---	BLK	PSI-COM	3	S1-2	5
---	---	BLU/WHT	PSI-J3-N	3	S2-4	4
---	---	BRN/WHT	PSI-J3-L	3	S2-1	4
---	---	BRN	S2-2	4	F2-1	6

LEGEND		
PART NO.	REV	VARIATION
7019499-001A2		AS SHOWN

- NOTES:
- INSULATE ITEM #6 WITH ITEM #14 AFTER WIRES ARE SOLDERED
  - 2<sup>nd</sup> TERMINAL OF ITEM #5 SHALL BE INSULATED USING ITEM #11
  - ITEM #1 TO BE FREE FROM DIRT, OIL AND GREASE PRIOR TO APPLYING ITEM 13



CAUTION: OFF SHEETS PARTS LIST EXISTS. REFER TO K-PL-7019499-0-DBP

REV	DATE	INITIALS	DESCRIPTION

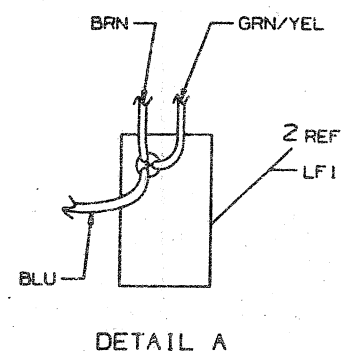
DESCRIPTION	DRAWING NO.	PART NO.	REV
CHASSIS ASSY	7019499-0-DBU B	7019499-0-DBU B	E AD

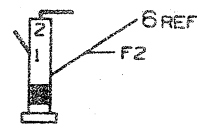
DATE	BY	TITLE
20 JUL 82	B GURBAN	
20 SEPT 82	B LESTER	
20 JUL 82	J GREGORY	
18 JUN 82	J SERRA	
20 SEPT 82	C MORRIS	

THIS DRAWING AND SPECIFICATIONS, HEREIN, ARE THE PROPERTY OF DIGITAL EQUIPMENT CORPORATION AND SHALL NOT BE REPRODUCED OR COPIED OR USED IN WHOLE OR IN PART AS THE BASIS FOR THE MANUFACTURE OR SALE OF THIS OR ANY OTHER EQUIPMENT WITHOUT WRITTEN PERMISSION. COPYRIGHT © 1964 DIGITAL EQUIPMENT CORPORATION

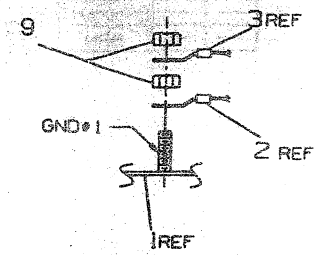
7019499-0-DBU B



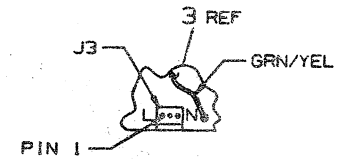
DETAIL A



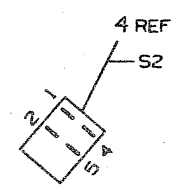
DETAIL D



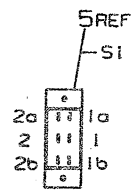
DETAIL E



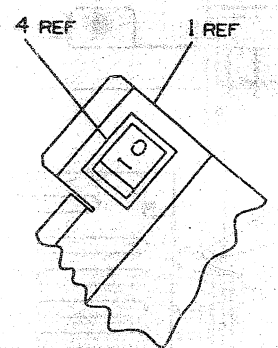
DETAIL J



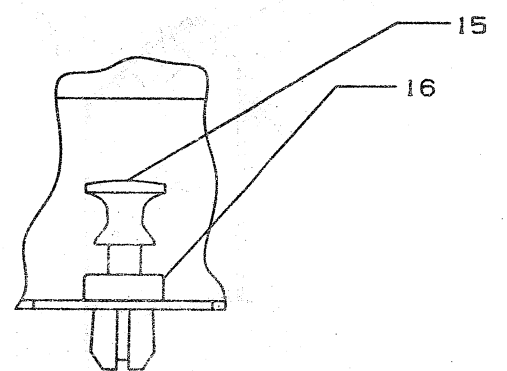
VIEW B-B  
REAR (WIRING) VIEW



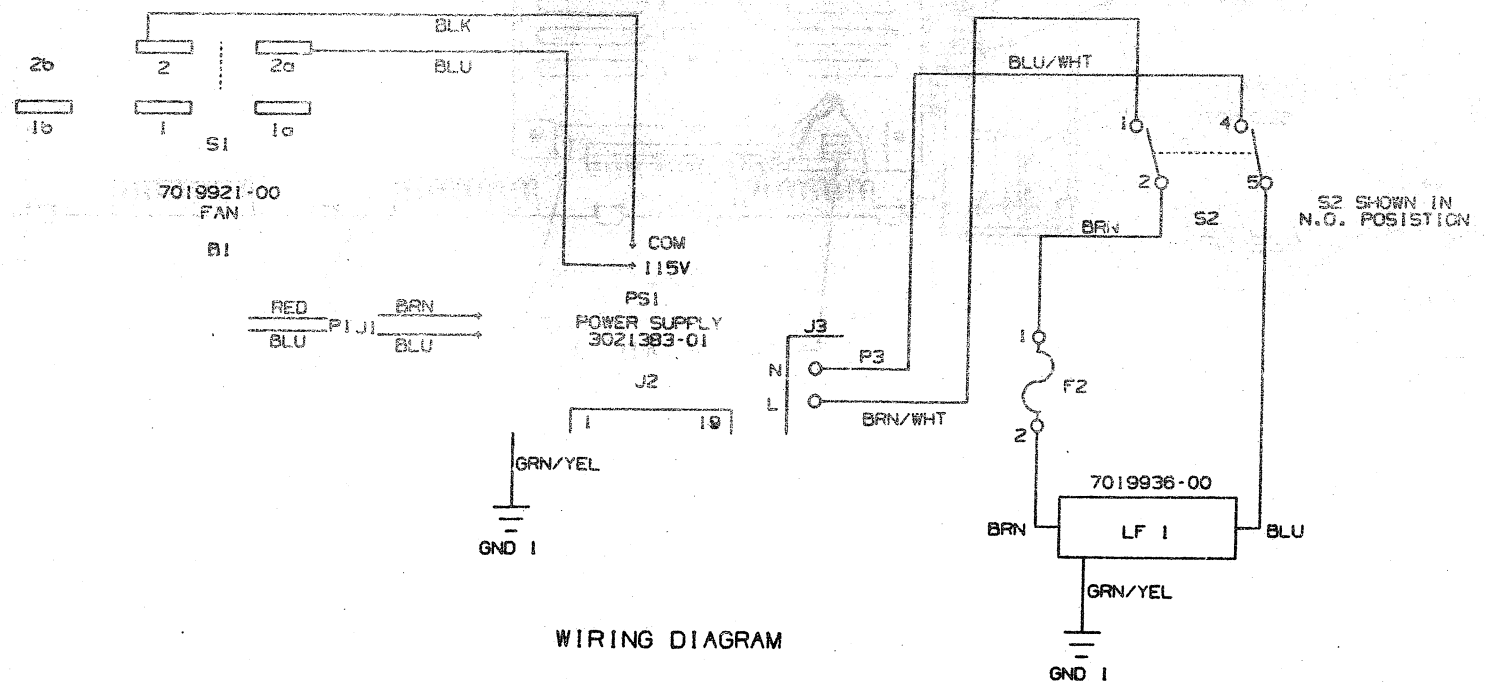
VIEW C-C  
REAR (WIRING) VIEW



VIEW H-H



VIEW K-K  
SCALE 4/1  
TYP 2 PLCS



WIRING DIAGRAM

REVISION HISTORY		
DATE	EDD HISTORY	REV

TITLE  
CHASSIS  
ASSY

DOCUMENT NUMBER  
7019499-0-DBU B



PARTS LIST

LINE	ITEM	TOP DOCUMENT	PART NUMBER	MIN REV	DESCRIPTION	QTY	PER VARIATION
						00	
VARIATION REVISION LEVEL:							
1	1	E-AD-7020813-0-DBU	7020813-01		SHIELDING ASSY	1	
2	2	D-IA-7019936-0-DBU	7019936-00		LINE FILTER ASSY.	1	
3	3		3021383-01		P.S. 75W MULTI OUTPUT	1	
4	4		1217051-05		SW,RKR 2PST ON-NONE-OFF 16A	1	
5	5		1216901-01		SW,SLIDE 2PDT 6A	1	
6	6		1216391-00		FUSEHOLDER, 12A, 250V,W/NUT&3AG	1	
7	7	D-AD-7019921-0-DBU	7019921-00		PS SHIELD ASSY.	1	
8	8		9010174-00		SCREW,SEMS PAN PHIL 6-	3	
9	9		9006565-00		NUT,HEX EXT TOOTH LCKWSHR 10-32	2	
10	10		9007217-00		FUSE,REG BLO 3 A,250V GLASS	1	
11	11		9107829-00		TUBING,SHRINK .093ID EXP	A/R	
12	12		9009701-00		SCREW,SEMS PAN PHIL 6-	4	
13	13		3612680-03		DECAL, GROUND SIGN W/CIRCLE,WHT	1	
14	14		9107685-00		TUBING,SHRINK .500ID EXP	A/R	
15	15		9010476-01		PLUNGER,SNAP-IN	2	
16	16		9009966-03		GROMMET,SNAP-IN, 5/16DIA	2	
17	17		9010419-01		SCREW, PAN PHIL THD RL 8-	2	

REVISION HISTORY			BASIC PART NO: 7019499		DRN: MP DUGGAN		DATE: 28-JUL-82		D I G I T A L		
ENG	ECO NUMBER	REV	SECTION A OF A	CHK'D:	R. LESTER	DATE:	20-SEP-83	TITLE PARTS LIST			
---	INITIAL	A	SECTION VARIATION INDEX	DES.ENG:	J GREGORY	DATE:	28-JUL-82	DOCUMENT NUMBER			
JS	VS240-0-ML002	B	(A)00	RESP.ENG.:	J. SPANO	DATE:	10-JAN-83	SIZE	CODE	NUMBER	REV
			(B)	MFG.ENG.:	C. MORRIS	DATE:	20-SEP-83	K	PL	7019499-0-DBP	B
			(C)	ASSEMBLY NUMBER:	E-AD-7019499-0-DBU	TOP DOCUMENT NUMBER:	E-AD-7019499-0-DBU	FILE NAME:	Z4212B.PLS	EDIT #	22
			(D)					RELEASE DATE:	10-MAR-84		
			(E)								
			(F)								

"THIS DRAWING AND THE SPECIFICATIONS CONTAINED HEREIN ARE CONFIDENTIAL AND PROPRIETARY. THEY ARE THE PROPERTY OF DIGITAL EQUIPMENT CORPORATION AND SHALL NOT BE REPRODUCED OR COPIED OR USED IN WHOLE OR IN PART AS THE BASIS FOR THE MANUFACTURE OR SALE OF ITEMS WITHOUT WRITTEN PERMISSION. THIS IS AN UNPUBLISHED WORK PROTECTED UNDER THE FEDERAL COPYRIGHT LAWS."

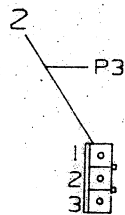
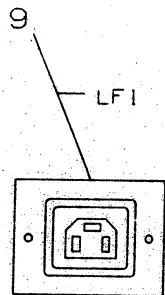
THIS DRAWING AND SPECIFICATIONS HEREIN ARE THE PROPERTY OF DIGITAL EQUIPMENT CORPORATION AND SHALL NOT BE REPRODUCED OR COPIED OR USED IN WHOLE OR IN PART AS THE BASIS FOR THE MANUFACTURE OR SALE OF ITEMS WITHOUT WRITTEN PERMISSION.  
COPYRIGHT © 1983 DIGITAL EQUIPMENT CORPORATION

WIRE TABLE										
ITEM NO.	AWG	COLOR	FROM			TO			REMARKS	WIRE LENGTH (REF.)
			POINT	CONN	TERM	POINT	CONN	TERM		
4	#18	BLU/WHT	2	P3-3	2	5	---	1	---	12.5±.25
7	#18	BRN/WHT	2	P3-1	---	4	---	1	---	12.5±.25
3	#18	BRN	1	---	---	3	---	1	SEE NOTE 2	13.5±.25
9	#18	BRN	---	---	---	6	---	---	SEE NOTE 1&2	5.0±.5
	#18	BLU	---	---	---	7	---	1	SEE NOTE 1	11.0±.5
	#18	GRN/YEL	---	---	---	8	---	8	SEE NOTE 1	3.4±.5

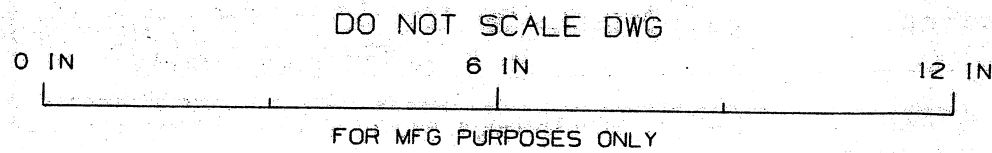
LEGEND		
PART NO.	REV.	VARIATION
7019936-00	A1	AS SHOWN

NOTES:

1. WIRE LENGTHS ON ITEM 9 ARE PRECUT.
2. STRIP AND TIN END .25



REAR VIEW



CAUTION: OFF SHEETS PARTS LIST EXISTS.  
REFER TO K-PL-7019936-0-DBP

REVISIONS	NO.	REV.	INITIAL
CHK	1	A	

DESCRIPTION	DRAWING NO.	PART NO.	ITEM NO.																																																																																																																																			
UNLESS OTHERWISE SPECIFIED DIMENSIONS ARE IN INCHES FIRST USED ON V1240																																																																																																																																						
<table border="1"> <thead> <tr> <th rowspan="2">DIMENSION RANGE IN INCHES</th> <th colspan="5">TOLERANCES</th> </tr> <tr> <th>OVER TO</th> <th>OVER TO</th> <th>OVER TO</th> <th>OVER TO</th> <th>OVER TO</th> </tr> </thead> <tbody> <tr> <td>0.000 - 0.005</td> <td>±.005</td> <td>±.005</td> <td>±.005</td> <td>±.005</td> <td>±.005</td> </tr> <tr> <td>0.005 - 0.010</td> <td>±.005</td> <td>±.005</td> <td>±.005</td> <td>±.005</td> <td>±.005</td> </tr> <tr> <td>0.010 - 0.015</td> <td>±.005</td> <td>±.005</td> <td>±.005</td> <td>±.005</td> <td>±.005</td> </tr> <tr> <td>0.015 - 0.020</td> <td>±.005</td> <td>±.005</td> <td>±.005</td> <td>±.005</td> <td>±.005</td> </tr> <tr> <td>0.020 - 0.030</td> <td>±.005</td> <td>±.005</td> <td>±.005</td> <td>±.005</td> <td>±.005</td> </tr> <tr> <td>0.030 - 0.040</td> <td>±.005</td> <td>±.005</td> <td>±.005</td> <td>±.005</td> <td>±.005</td> </tr> <tr> <td>0.040 - 0.060</td> <td>±.005</td> <td>±.005</td> <td>±.005</td> <td>±.005</td> <td>±.005</td> </tr> <tr> <td>0.060 - 0.100</td> <td>±.005</td> <td>±.005</td> <td>±.005</td> <td>±.005</td> <td>±.005</td> </tr> <tr> <td>0.100 - 0.250</td> <td>±.005</td> <td>±.005</td> <td>±.005</td> <td>±.005</td> <td>±.005</td> </tr> <tr> <td>0.250 - 0.500</td> <td>±.005</td> <td>±.005</td> <td>±.005</td> <td>±.005</td> <td>±.005</td> </tr> <tr> <td>0.500 - 1.000</td> <td>±.005</td> <td>±.005</td> <td>±.005</td> <td>±.005</td> <td>±.005</td> </tr> <tr> <td>1.000 - 2.000</td> <td>±.005</td> <td>±.005</td> <td>±.005</td> <td>±.005</td> <td>±.005</td> </tr> <tr> <td>2.000 - 5.000</td> <td>±.005</td> <td>±.005</td> <td>±.005</td> <td>±.005</td> <td>±.005</td> </tr> <tr> <td>5.000 - 10.000</td> <td>±.005</td> <td>±.005</td> <td>±.005</td> <td>±.005</td> <td>±.005</td> </tr> <tr> <td>10.000 - 25.000</td> <td>±.005</td> <td>±.005</td> <td>±.005</td> <td>±.005</td> <td>±.005</td> </tr> <tr> <td>25.000 - 50.000</td> <td>±.005</td> <td>±.005</td> <td>±.005</td> <td>±.005</td> <td>±.005</td> </tr> <tr> <td>50.000 - 100.000</td> <td>±.005</td> <td>±.005</td> <td>±.005</td> <td>±.005</td> <td>±.005</td> </tr> <tr> <td>100.000 - 250.000</td> <td>±.005</td> <td>±.005</td> <td>±.005</td> <td>±.005</td> <td>±.005</td> </tr> <tr> <td>250.000 - 500.000</td> <td>±.005</td> <td>±.005</td> <td>±.005</td> <td>±.005</td> <td>±.005</td> </tr> <tr> <td>500.000 - 1000.000</td> <td>±.005</td> <td>±.005</td> <td>±.005</td> <td>±.005</td> <td>±.005</td> </tr> </tbody> </table>				DIMENSION RANGE IN INCHES	TOLERANCES					OVER TO	OVER TO	OVER TO	OVER TO	OVER TO	0.000 - 0.005	±.005	±.005	±.005	±.005	±.005	0.005 - 0.010	±.005	±.005	±.005	±.005	±.005	0.010 - 0.015	±.005	±.005	±.005	±.005	±.005	0.015 - 0.020	±.005	±.005	±.005	±.005	±.005	0.020 - 0.030	±.005	±.005	±.005	±.005	±.005	0.030 - 0.040	±.005	±.005	±.005	±.005	±.005	0.040 - 0.060	±.005	±.005	±.005	±.005	±.005	0.060 - 0.100	±.005	±.005	±.005	±.005	±.005	0.100 - 0.250	±.005	±.005	±.005	±.005	±.005	0.250 - 0.500	±.005	±.005	±.005	±.005	±.005	0.500 - 1.000	±.005	±.005	±.005	±.005	±.005	1.000 - 2.000	±.005	±.005	±.005	±.005	±.005	2.000 - 5.000	±.005	±.005	±.005	±.005	±.005	5.000 - 10.000	±.005	±.005	±.005	±.005	±.005	10.000 - 25.000	±.005	±.005	±.005	±.005	±.005	25.000 - 50.000	±.005	±.005	±.005	±.005	±.005	50.000 - 100.000	±.005	±.005	±.005	±.005	±.005	100.000 - 250.000	±.005	±.005	±.005	±.005	±.005	250.000 - 500.000	±.005	±.005	±.005	±.005	±.005	500.000 - 1000.000	±.005	±.005	±.005	±.005	±.005
DIMENSION RANGE IN INCHES	TOLERANCES																																																																																																																																					
	OVER TO	OVER TO	OVER TO	OVER TO	OVER TO																																																																																																																																	
0.000 - 0.005	±.005	±.005	±.005	±.005	±.005																																																																																																																																	
0.005 - 0.010	±.005	±.005	±.005	±.005	±.005																																																																																																																																	
0.010 - 0.015	±.005	±.005	±.005	±.005	±.005																																																																																																																																	
0.015 - 0.020	±.005	±.005	±.005	±.005	±.005																																																																																																																																	
0.020 - 0.030	±.005	±.005	±.005	±.005	±.005																																																																																																																																	
0.030 - 0.040	±.005	±.005	±.005	±.005	±.005																																																																																																																																	
0.040 - 0.060	±.005	±.005	±.005	±.005	±.005																																																																																																																																	
0.060 - 0.100	±.005	±.005	±.005	±.005	±.005																																																																																																																																	
0.100 - 0.250	±.005	±.005	±.005	±.005	±.005																																																																																																																																	
0.250 - 0.500	±.005	±.005	±.005	±.005	±.005																																																																																																																																	
0.500 - 1.000	±.005	±.005	±.005	±.005	±.005																																																																																																																																	
1.000 - 2.000	±.005	±.005	±.005	±.005	±.005																																																																																																																																	
2.000 - 5.000	±.005	±.005	±.005	±.005	±.005																																																																																																																																	
5.000 - 10.000	±.005	±.005	±.005	±.005	±.005																																																																																																																																	
10.000 - 25.000	±.005	±.005	±.005	±.005	±.005																																																																																																																																	
25.000 - 50.000	±.005	±.005	±.005	±.005	±.005																																																																																																																																	
50.000 - 100.000	±.005	±.005	±.005	±.005	±.005																																																																																																																																	
100.000 - 250.000	±.005	±.005	±.005	±.005	±.005																																																																																																																																	
250.000 - 500.000	±.005	±.005	±.005	±.005	±.005																																																																																																																																	
500.000 - 1000.000	±.005	±.005	±.005	±.005	±.005																																																																																																																																	
QUANTITY & VARIATION	FIRST HIGH ASSY E-AD-7019499-0-DBU																																																																																																																																					
THIRD ANGLE PROJECTION	DRW. M. DUGGAN	DATE 28 JUL 83	TITLE LINE FILTER ASSY																																																																																																																																			
DO NOT SCALE DRAWING	CHK'D R. LESTER	DATE 12 SEP 83	digital																																																																																																																																			
REMOVE BURRS AND BREAK SHARP CORNERS	DES. ENG. J. SPANO	DATE 10 JAN 83																																																																																																																																				
MATERIAL	RESP. ENG. J. SPANO	DATE 10 JAN 83																																																																																																																																				
SEE PARTS LIST	MFG. ENG. C. MORRIS	DATE 12 SEP 83																																																																																																																																				
FINISH NONE	TOP DEC. B-00-V5240-0-DBU																																																																																																																																					
	STN. CODE D 1A	NAME 7019936-0-DBU	REV. A																																																																																																																																			
	SCALE 1:1	SHEET 1 OF 1																																																																																																																																				

LINE	ITEM	DOCUMENT NUMBER	PART NUMBER	DESCRIPTION	QUANTITY PER VARIATION
					00
1	1		1217000-00	TERM,QUICK .250TAB CRIMP 18-2	4
2	2		1216651-10	CONN, IDC 03SKT(1X03).156CC	1
3	3		9107786-11	WIRE, 18AWG( 19/30)IPVC 300V1	A/R
4	4		9107828-69	WIRE, 18AWG( 19/30)IPVC 300V1	A/R
5	5		9007031-00	TIE,CABLE BUNDL DIA 0- 3/4"=101	3
6	6		9009255-00	LABEL, POWER SUPPLY, 2-15/16 " L	1
7	7		9107828-19	WIRE, 18AWG( 19/30)IPVC 300V1	A/R
8	8		9007930-00	TERM,RING #10STUD CRIMP 16-2	1
9	9		1216382-01	FILTER,LINE 120-240V 12A,EMI	1

REVISION HISTORY			BASIC PART NO: 7019936			D I G I T A L					
ENG:	ECO NUMBER	REV	SECTION A OF A	DRN:	M. DUGGAN	DATE:	28-JUL-82	TITLE PARTS LIST			
	INITIAL	A	SECTION. VARIATION INDEX	CHK'D:	R. LESTER	DATE:	12-SEP-83	LINE FILTER ASSY			
			[A] 00					DOCUMENT NUMBER			
			[B]	DES.ENG.:	J. SPANO	DATE:	28-JUL-82	SIZE	CODE	NUMBER	REV
			[C]	RESP.ENG.:	J. SPANO	DATE:	28-JUL-82	K	PL	7019936-0-DBP	A
			[D]	MFG.ENG.:	C. MORRIS	DATE:	12-SEP-83	TOP DOCUMENT NUMBER:		FILE NAME:	EDIT #
			[E]	ASSEMBLY NUMBER:	D-IA-7019936-0-DBU	B-DD-VS240-0-DBU		Z5209A.PLS		13	
			[F]	"THIS DRAWING AND SPECIFICATIONS HEREIN, ARE THE PROPERTY OF DIGITAL EQUIPMENT CORPORATION AND SHALL NOT BE REPRODUCED OR COPIED OR USED IN WHOLE OR IN PART AS THE BASIS FOR THE MANUFACTURE OR SALE OF ITEMS WITHOUT WRITTEN PERMISSION. COPYRIGHT (C) 1983. DIGITAL EQUIPMENT CORPORATION "							

DRAWING NO.	NO. OF SHTS.	PART NO.	DESCRIPTION	REVISIONS															
				A1	B1	B2	C1	C2	D2	E1	E2	E3							
		5415495-01	VT24ø																
E-UA-5415495-0-0	1		VT24ø	A	A	B	B	C	D	E	E	E							
D-CS-5415495-0-1	19		VT24ø	A	A	B	C	D	E	F	F	H							
K-PL-5415495-0-DBP	5		VT24ø	A	A	B	C	D	E	F	F	H							
K-PC-5415495-0-DBI			P.C. DESIGN DATA BASE	A	A	A	A	A	A	B	B	B							
		5015494-01	ETCHED CIRCUIT BOARD	H1	H1	H1	H1	H1	H1	J1	J1	J1							
B-DD-5015494-0-0	1		DRAWING DIRECTORY	A	B	C	C	C	C	D	D	D							
		5015494-01																	
E-UA-5415495-0-0	1		VT240								H1	H1							
D-CS-5415495-0-1	19		VT240								D1	D1							
K-PL-5415495-0-DBP1	5		VT240								E1	E1							
											E1	E1							

**NOTES:**

REVISIONS		DATE	CHG NO.	REV.	A	B	C	D	E	F	H	J	K
		6/83	INIT	A									
		9/83	ML001	B									
		9/83	ML002	C									
		11/83	ML003	D									
		1-84	ML004	E									
		3-84	ML006	F									
		3-84	ML007	H									
		5-84	ML008	J									
		6-84	ML009	K									

"THIS DRAWING AND SPECIFICATIONS, HEREIN, ARE THE PROPERTY OF DIGITAL EQUIPMENT CORPORATION AND SHALL NOT BE REPRODUCED OR COPIED OR USED IN WHOLE OR IN PART AS THE BASIS FOR THE MANUFACTURE OR SALE OF ITEMS WITHOUT WRITTEN PERMISSION.  
 COPYRIGHT© 1983 DIGITAL EQUIPMENT CORPORATION



USED ON OPTION/MODEL		DRN.	PEG LENNON	09JUN83	TITLE			
		CHK'D	PEG LENNON	09JUN83	VT24ø			
		ENG.	F. MEDRICK	09JUN83	SIZE	CODE	NUMBER	REV.
		PROD.	F. MEDRICK	09JUN83	B	DD	5415495-0-0	K
					SHEET 1 OF 1			