

"THIS DOCUMENT AND SPECIFICATION HEREIN, ARE THE PROPERTY OF DIGITAL EQUIPMENT CORPORATION AND SHALL NOT BE REPRODUCED OR COPIED OR USED IN WHOLE OR IN PART AS THE BASIS FOR THE MANUFACTURE OR SALE OF ITEMS WITHOUT WRITTEN PERMISSION."  
 COPYRIGHT (C) 1987, DIGITAL EQUIPMENT CORPORATION

TABLE OF CONTENTS, FIELD MAINTENANCE PRINT SET PART NO. MP02411-01

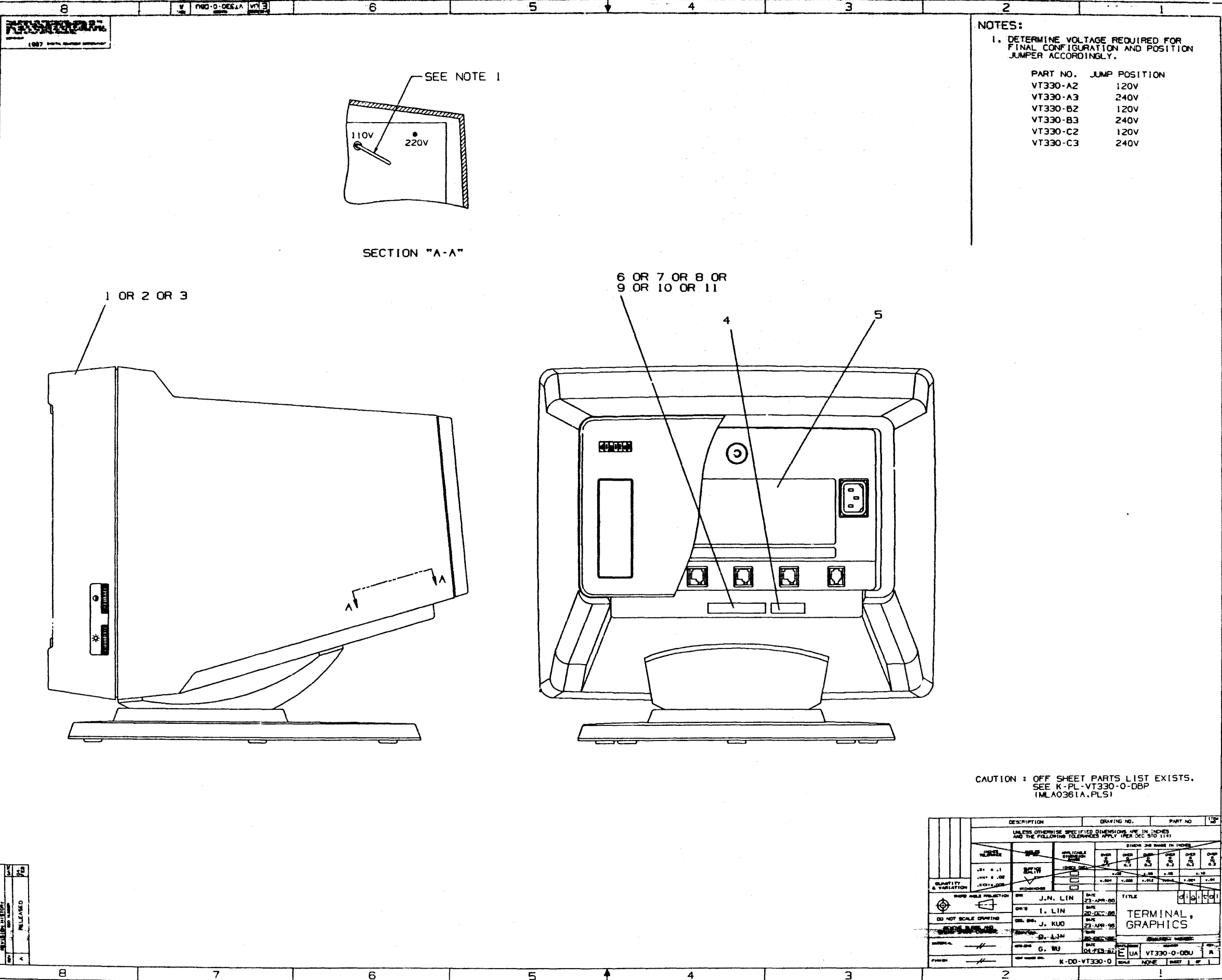
		UNIT VARIATIONS COVERED BY THIS PRINT SET					
	VT330-A2	VT330-A3	VT330-B2	VT330-B3	VT330-C2	VT330-C3	
K-TC-VT330-0-1		TABLE OF CONTENTS		C-AD-7022618-0-DBU		ASSY DWG, CONTROL/BRKT ASSY	
K-DD-VT330-0		DWG DIR, GRAPHIC TERMINAL		K-PL-7022618-0-DBP		PARTS LIST	
E-UA-VT330-0-DBU		UNIT ASSY					
K-PL-VT330-0-DBP		PARTS LIST		C-AD-7022620-0-DBU		ASSY DWG, INLET/SWITCH ASSY	
				K-PL-7022620-0-DBP		PARTS LIST	
B-DD-5416905-0-0		DWG DIR, PWR SUP/MONITOR MODULE					
K-PL-5416905-0-DBP		PARTS LIST					
D-UA-5416905-0-0		UNIT ASSY					
B-CS-5416905-0-1		SCHEMATIC					
B-DD-5416909-0-0		DWG DIR, CPU MODULE					
K-PL-5416909-0-DBP		PARTS LIST					
D-UA-5416909-0-0		UNIT ASSY					
B-CS-5416909-0-1		SCHEMATIC					
C-AD-7022623-0-DBU		ASSY DWG, ROM CARTRIDGE, VT330/340					
K-PL-7022623-0-DBP		PARTS LIST					
B-DD-5416903-0-0		DWG DIR, BITMAP MODULE					
K-PL-5416903-0-DBP		PARTS LIST					
D-UA-5416903-0-0		UNIT ASSY					
B-CS-5416903-0-1		SCHEMATIC					
B-DD-5416907-0-0		DWG DIR, VIDEO AMPLIFIER MODULE					
K-PL-5416907-0-DBP		PARTS LIST					
D-UA-5416907-0-0		UNIT ASSY					
B-CS-5416907-0-1		SCHEMATIC					
E-AD-7022617-0-DBU		ASSY DWG, CRT/CHASSIS/BEZEL ASSY					
K-PL-7022617-0-DBP		PARTS LIST					
E-AD-7022622-0-DBU		ASSY DWG, REAR ENCLOSURE/BASE ASSY					
K-PL-7022622-0-DBP		PARTS LIST					
D-MD-7432389-0-DBU		MECH DETAIL, PANEL, REAR					

REVISION HISTORY

DATE	ECO NUMBER	REV	DATE	ECO NUMBER	REV	DATE	ECO NUMBER	REV	DATE	ECO NUMBER	REV
3 Feb 87	INITIAL	A									

D	I	G	I	T	A	L	DRN: Bruce Harvey	DATE	1 Jan 87	TITLE:	TABLE OF CONTENTS		
							CHK'D: Oliver Lin	DATE	3 Feb 87		VT330 GRAPHIC TERMINAL		
							DEG. ENG: Oliver Lin	DATE	3 Feb 87				
							FIELD SERVICE: Bob Welch	DATE	3 Feb 87	SECTION	SHEET	DOCUMENT NUMBER	REV
							MPG. ENG: Gordon Wu	DATE	3 Feb 87	A OF A	1 OF 1	K-TC-VT330-0-1	A





NOTES:  
 1. DETERMINE VOLTAGE REQUIRED FOR FINAL CONFIGURATION AND POSITION JUMPER ACCORDINGLY.

PART NO.	JUMP POSITION
VT330-A2	120V
VT330-A3	240V
VT330-B2	120V
VT330-B3	240V
VT330-C2	120V
VT330-C3	240V

CAUTION : OFF SHEET PARTS LIST EXISTS.  
 SEE K-PL-VT330-0-DBP  
 (MLA0361A.PLS)

DESCRIPTION	DRAWING NO.	PART NO.	1174																																																																																																		
UNLESS OTHERWISE SPECIFIED DIMENSIONS ARE IN INCHES AND THE FOLLOWING TOLERANCES APPLY (PER SEC STD 111)																																																																																																					
<table border="1"> <thead> <tr> <th colspan="2"></th> <th colspan="5">DIMENSIONS ARE BASED IN INCHES</th> </tr> <tr> <th></th> <th>APPLICABLE</th> <th>FRONT</th> <th>TOP</th> <th>SIDE</th> <th>DIAM</th> <th>ROUND</th> </tr> <tr> <th>FRONT</th> <th>TOP</th> <th>FRONT</th> <th>TOP</th> <th>FRONT</th> <th>TOP</th> <th>FRONT</th> </tr> </thead> <tbody> <tr> <td>±.005</td> <td>±.010</td> <td>±.005</td> <td>±.010</td> <td>±.005</td> <td>±.010</td> <td>±.005</td> </tr> <tr> <td>±.010</td> <td>±.020</td> <td>±.010</td> <td>±.020</td> <td>±.010</td> <td>±.020</td> <td>±.010</td> </tr> <tr> <td>±.020</td> <td>±.040</td> <td>±.020</td> <td>±.040</td> <td>±.020</td> <td>±.040</td> <td>±.020</td> </tr> <tr> <td>±.050</td> <td>±.100</td> <td>±.050</td> <td>±.100</td> <td>±.050</td> <td>±.100</td> <td>±.050</td> </tr> <tr> <td>±.100</td> <td>±.200</td> <td>±.100</td> <td>±.200</td> <td>±.100</td> <td>±.200</td> <td>±.100</td> </tr> <tr> <td>±.200</td> <td>±.400</td> <td>±.200</td> <td>±.400</td> <td>±.200</td> <td>±.400</td> <td>±.200</td> </tr> <tr> <td>±.400</td> <td>±.800</td> <td>±.400</td> <td>±.800</td> <td>±.400</td> <td>±.800</td> <td>±.400</td> </tr> <tr> <td>±.800</td> <td>±.1600</td> <td>±.800</td> <td>±.1600</td> <td>±.800</td> <td>±.1600</td> <td>±.800</td> </tr> <tr> <td>±.001</td> <td>±.002</td> <td>±.001</td> <td>±.002</td> <td>±.001</td> <td>±.002</td> <td>±.001</td> </tr> <tr> <td>±.002</td> <td>±.005</td> <td>±.002</td> <td>±.005</td> <td>±.002</td> <td>±.005</td> <td>±.002</td> </tr> <tr> <td>±.005</td> <td>±.010</td> <td>±.005</td> <td>±.010</td> <td>±.005</td> <td>±.010</td> <td>±.005</td> </tr> </tbody> </table>						DIMENSIONS ARE BASED IN INCHES						APPLICABLE	FRONT	TOP	SIDE	DIAM	ROUND	FRONT	TOP	FRONT	TOP	FRONT	TOP	FRONT	±.005	±.010	±.005	±.010	±.005	±.010	±.005	±.010	±.020	±.010	±.020	±.010	±.020	±.010	±.020	±.040	±.020	±.040	±.020	±.040	±.020	±.050	±.100	±.050	±.100	±.050	±.100	±.050	±.100	±.200	±.100	±.200	±.100	±.200	±.100	±.200	±.400	±.200	±.400	±.200	±.400	±.200	±.400	±.800	±.400	±.800	±.400	±.800	±.400	±.800	±.1600	±.800	±.1600	±.800	±.1600	±.800	±.001	±.002	±.001	±.002	±.001	±.002	±.001	±.002	±.005	±.002	±.005	±.002	±.005	±.002	±.005	±.010	±.005	±.010	±.005	±.010	±.005
		DIMENSIONS ARE BASED IN INCHES																																																																																																			
	APPLICABLE	FRONT	TOP	SIDE	DIAM	ROUND																																																																																															
FRONT	TOP	FRONT	TOP	FRONT	TOP	FRONT																																																																																															
±.005	±.010	±.005	±.010	±.005	±.010	±.005																																																																																															
±.010	±.020	±.010	±.020	±.010	±.020	±.010																																																																																															
±.020	±.040	±.020	±.040	±.020	±.040	±.020																																																																																															
±.050	±.100	±.050	±.100	±.050	±.100	±.050																																																																																															
±.100	±.200	±.100	±.200	±.100	±.200	±.100																																																																																															
±.200	±.400	±.200	±.400	±.200	±.400	±.200																																																																																															
±.400	±.800	±.400	±.800	±.400	±.800	±.400																																																																																															
±.800	±.1600	±.800	±.1600	±.800	±.1600	±.800																																																																																															
±.001	±.002	±.001	±.002	±.001	±.002	±.001																																																																																															
±.002	±.005	±.002	±.005	±.002	±.005	±.002																																																																																															
±.005	±.010	±.005	±.010	±.005	±.010	±.005																																																																																															
QUANTITY & VARIATION	QTY	VARIATION	QTY																																																																																																		
DO NOT SCALE DRAWING																																																																																																					
DATE																																																																																																					
BY	J.N. LIN	DATE	23-APR-85																																																																																																		
CHECKED BY	I. LIN	DATE	20-DEC-85																																																																																																		
DESIGNED BY	J. KUO	DATE	23-APR-85																																																																																																		
APPROVED BY	G. WU	DATE	04-FEB-85																																																																																																		
TITLE	TERMINAL GRAPHICS																																																																																																				
SCALE	NONE																																																																																																				
FIG. NO.	K-00-VT330-0																																																																																																				
SHEET NO.	SHEET 1 OF 1																																																																																																				

REVISIONS:  
 1. RELEASED

VT330-0-DBU

LINE ITEM	TOP DOCUMENT	PART NUMBER	MIN REV	DESCRIPTION	QUANTITY PER VARIATION/REVISION					
					A2 A1	A3 A1	B2 A1	B3 A1	C2 A1	C3 A1
1	E-AD-7023716-0-DBU	70-23716-01	A	TERMINAL SUB-ASSY	1	1	-	-	-	-
2	E-AD-7023716-0-DBU	70-23716-02	A	TERMINAL SUB-ASSY TEXT, GRN	-	-	1	1	-	-
3	E-AD-7023716-0-DBU	70-23716-03	A	TERMINAL SUB-ASSY TEXT, AMB	-	-	-	-	1	1
4		36-18460-01	A	LABEL, BAR CODE BLANK .38 X1.5	1	1	1	1	1	1
5		36-26330-05	A	LABEL, REGULATORY VT-330 CLASS A W/	1	1	1	1	1	1
6		36-26331-07	A	LABEL, SERIAL VT330-A2	1	-	-	-	-	-
7		36-26331-08	A	LABEL, SERIAL VT330-A3	-	1	-	-	-	-
8		36-26331-09	A	LABEL, SERIAL VT330-B2	-	-	1	-	-	-
9		36-26331-10	A	LABEL, SERIAL VT330-B3	-	-	-	1	-	-
10		36-26331-11	A	LABEL, SERIAL VT330-C2	-	-	-	-	1	-
11		36-26331-12	A	LABEL, SERIAL VT330-C3	-	-	-	-	-	1
12		37-00967-01		PKG MONITOR VT330 INTERPLANT	1	1	1	1	1	1

REVISION HISTORY			KPL MATRIX FORMAT		SECTION A OF A	DRN: J.N. LIN	DIGITAL			
ENG	ECO NUMBER	REV	SECTION/VARIATION INDEX			DATE: 29-APR-86				
---	INITIAL	A	[A]	A2,A3,B2,B3,C2,C3		CHK'D: I. LIN	TITLE PARTS LIST			
			[B]			DATE: 20-DEC-86	TERMINAL, GRAPHICS			
			[C]			DES. ENG: J. KUO				
			[D]			DATE: 29-APR-86	DOCUMENT NUMBER			
			[E]				SIZE	CODE	NUMBER	REV
			[F]			RESP. ENG.: O. LIN	K	PL	VT330-0-DBP	A
			[H]			DATE: 20-DEC-86				
			[J]			MFG. ENG: G. WU	RELEASE DATE: 20-FEB-87			
						DATE: 04-FEB-87	RELEASE STATUS: RELEASED			
			BASIC PART NUMBER:	ASSEMBLY NUMBER:	TOP DOCUMENT NUMBER:	FILE NAME:	EDIT #			
			VT330	K-DD-VT330-0	K-DD-VT330-0	MLA0361A.PLS	19			

"THIS DRAWING AND THE SPECIFICATIONS CONTAINED HEREIN ARE CONFIDENTIAL AND PROPRIETARY. THEY ARE THE PROPERTY OF DIGITAL EQUIPMENT CORPORATION AND SHALL NOT BE REPRODUCED OR COPIED OR USED IN WHOLE OR IN PART AS THE BASIS FOR THE MANUFACTURE OR SALE OF ITEMS WITHOUT WRITTEN PERMISSION. THIS IS AN UNPUBLISHED WORK PROTECTED UNDER THE FEDERAL COPYRIGHT LAWS."

DRAWING NO.	NO OF SHTS.	PART NO.	DESCRIPTION	REVISIONS																	
				1	2	3	4	5	6	7	8	9	10	11	12	13					
		54-16905-01	PWR SUP/MONITOR MODULE	A1																	
D-UA-5416905-0-0	1		UNIT ASSY	A																	
B-CS-5416905-0-1	2		SCHEMATIC	A																	
K-PL-5416905-0-DBP	5		PARTS LIST	A																	
K-PC-5416905-0-DBV	1		P.C. DESIGN DATA BASE	A																	
K-CS-5416905-0-DBX	1		VALID DATA BASE	A																	
		50-16904-01	ETCH CIRCUIT BOARD	J1																	
B-DD-5016904-0-0	1		DRAWING DIRECTORY	A																	

**NOTES:**

REVISION HISTORY  
DATE ECO NO. REV.  
FEB '87 RELEASED A

THIS DRAWING AND THE SPECIFICATIONS CONTAINED HEREIN ARE CONFIDENTIAL AND PROPRIETARY. THEY ARE THE PROPERTY OF DIGITAL EQUIPMENT CORPORATION AND SHALL NOT BE REPRODUCED OR COPIED OR USED IN WHOLE OR IN PART AS THE BASIS FOR THE MANUFACTURE OR SALE OF ITEMS WITHOUT WRITTEN PERMISSION. THIS IS AN UNPUBLISHED WORK PROTECTED UNDER THE FEDERAL COPYRIGHT LAWS.



1987

DRN.	F. LIU	DATE	5-MAY-86
CHK'D	B. CHEN	DATE	5-MAY-86
DES. ENG.	K. WU/C. Y. LIN	DATE	5-MAY-86
RESP. ENG.	J. B. LOU	DATE	5-MAY-86
MFG. ENG.	<i>[Signature]</i>	DATE	3 March 87

TITLE	DWG DIR, PWR SUP/MONITOR MODULE		
DOCUMENT NUMBER	NUMBER 5416905-0-0 REV A		
SIZE	CODE	NUMBER	REV
B	DD	5416905-0-0	A
SHEET		1 OF 1	

LINE	ITEM	TOP DOCUMENT	PART NUMBER	MIN REV	DESCRIPTION	QTY PER VAR/REV	REFERENCE DESIGNATORS
						01 A1	
1	1	B-DD-5016904-0-0	50-16904-01	J	CIRCUIT DRILL AND ETCH BOARD	1	
2	2		10-00020-00		180 PFD 100V +/- 5% 200PP	1	C113
3	3		10-05784-00		0.010MFD 100V +/-10% MYLAR	1	C231
4	4		10-12312-01		0.47 MFD 50V +80/-20% Z5U C	6	C203,C211,C526,C527,C529,C530
5	5		10-12784-00		0.047MFD 50V +80/-20% Z5U C	1	C532
6	6		10-13466-06		100 PFD 50V +/- 5% NP0 C	1	C106
7	7		10-13466-10		3300 PFD 50V +/- 5% NP0 C	1	C507
8	8		10-13466-11		0.22 MFD 50V +80/-20% Z5U C	2	C504,C520
9	9		10-13466-19		470 PFD 50V +/- 5% NP0 C	3	C107,C506,C510
10	10		10-13466-22		0.10 MFD 50V +80/-20% Z5U C	4	C101,C205,C206,C218
11	11		10-13466-28		1000 PFD 50V +/- 5% NP0 C	1	C533
12	12		10-13466-34		4700 PFD 50V +/- 5% X7R C	1	C202
13	13		10-13466-43		0.010MFD 50V +/- 5% X7R C	3	C200,C508,C509
14	14		10-13669-02		0.10 MFD 150V +/- 5% M.POL	3	C103,C108,C109
15	15		10-15202-01		1800 PFD 1600V +/-10% POLYP	1	C512
16	16		10-15573-00		0.027MFD 50V +/- 5% X7R C	1	C207
17	17		10-16544-00		0.10 MFD 100V +/-10% MYLAR	3	C111,C518,C528
18	18		10-16548-00		1000 MFD 16V +50/-10% ALU	1	C514
19	19		10-16553-00		4.7 MFD 25V +75/-10% ALU	1	C230
20	20		10-16572-00		300 PFD 500V +/-10% X5F/X	1	C521
21	21		10-18000-07		10 MFD 63V +50/-20% ALU	1	C217
22	22		10-18000-13		100 MFD 35V +50/-20% ALU	1	C511
23	23		10-18000-28		1.0 MFD 100V +50/-20% ALU	2	C400,C519
24	24		10-18000-29		10 MFD 25V +75/-20% ALU	1	C120
25	25		10-18000-30		330 MFD 50V +50/-20% ALU	1	C525
26	26		10-18000-32		10 MFD 160V +50/-20% ALU	1	C215
27	27		10-18000-33		100 MFD 25V +50/-20% ALU	1	C102
28	28		10-18000-34		100 MFD 100V +50/-20% ALU	1	C216
29	29		10-19559-01		0.020MFD 1000V +80/-20% Y5U/Z	1	C213
30	30		10-19559-03		1500 PFD 1000V +/-20% Y5U/Z	1	C222
31	31		10-19559-04		0.010MFD 2000V +/-20% Y5U/Z	1	C214
32	32		10-20604-13		1.5 MFD 100V +/- 5% MET M	1	C210

REVISION HISTORY		KPL MODULE FORMAT		SECTION A OF A		DRN: F. LIU		D I G I T A L		
ENG	ECO NUMBER	REV	SECTION/VARIATION INDEX		DATE: 05-MAY-86		TITLE PARTS LIST			
---	INITIAL	A	[A] 01	[M]	CHK'D: B. CHEN		POWER SUPPLY/MONITOR MODULE			
			[B]	[N]	DATE: 05-MAY-86		DOCUMENT NUMBER			
			[C]	[P]	DES.ENG: K WU/CY LIN		SIZE CODE NUMBER REV			
			[D]	[Q]	DATE: 05-MAY-86		K	PL	5416905-0-DBP	A
			[E]	[R]	RESP.ENG.: JB LOU		RELEASE DATE: 04-MAR-87			
			[F]	[S]	DATE: 05-MAY-86		RELEASE STATUS: RELEASED			
			[H]	[T]	MFG.ENG: G. CHRISTIANSEN					
			[J]	[V]	DATE: 25-FEB-87					
			[K]	[W]						
			[L]	[Y]						
BASIC PART NUMBER:		ASSEMBLY NUMBER:		TOP DOCUMENT NUMBER:		FILE NAME:		EDIT #		
5416905		D-UA-5416905-0-0		B-DD-5416905-0-0		GH432A.PLS		45		

"THIS DRAWING AND THE SPECIFICATIONS CONTAINED HEREIN ARE CONFIDENTIAL AND PROPRIETARY. THEY ARE THE PROPERTY OF DIGITAL EQUIPMENT CORPORATION AND SHALL NOT BE REPRODUCED OR COPIED OR USED IN WHOLE OR IN PART AS THE BASIS FOR THE MANUFACTURE OR SALE OF ITEMS WITHOUT WRITTEN PERMISSION. THIS IS AN UNPUBLISHED WORK PROTECTED UNDER THE FEDERAL COPYRIGHT LAWS."

LINE	ITEM	TOP DOCUMENT	PART NUMBER	MIN REV	DESCRIPTION	QTY PER VAR/REV	REFERENCE DESIGNATORS
						01 A1	
33	33		10-21205-01	1000	MFD 10V +30/-10% ALU	1	C516
34	34		10-23486-03	22	MFD 16V +/-20% ALU	1	C110
35	35		10-26456-01	2200	PFD 100V 1% POLYPROP	1	C201
36	36		10-26457-02	0.015	MFD 1000V +/-5% POLYPR	1	C208
37	37		10-26575-01	470	MFD 25V +/-20% ALUM	2	C219,C524
38	38		10-26576-01	330	MFD 250 + 30/-20% ALU	1	C501
39	39		10-26577-01	2200	MFD 10V +/-20% ALU	4	C513,C515,C523,C531
40	40		10-26578-01	330	MFD 25V +/-20% ALU	2	C503,C517
41	41		10-26646-01	0.10	MFD 250V +/-10% MYLAR	1	C121
42	42		10-26860-01	470	MFD 16V +50/-10% ALU	2	C100,C204
43	43		10-26938-01	2200	MFD 16V +/-20% ALUM	1	C112
44	44		10-26959-01	2200	PFD 100V +/-5% POLYPR	1	C522
45	45		10-27721-01	330	MFD 400V +/-20% ALU	1	C502
46	46		11-02808-01	VZ= 5.6	1% 400 MW 1N752	1	D512
47	47		11-05796-00	PIV= 400	IO= 1.00A 1N4004 D0-41	3	D100,D502,D507
48	48		11-12594-01	PIV= 200	IO= 3.00A	1	D513
49	49		11-12594-02	PIV= 600	IO= 3.00A	1	D206
50	50		11-12595-01	PIV= 200	IO= 1.00A AXIAL	4	D503,D504,D506,D509
51	51		11-12595-02	PIV= 600	IO= 1.00A AXIAL	2	D204,D205
52	52		11-16475-00	PIV= 75	- 4NS 1N4148	7	D120,D401-D403,D505,D514,D515
53	53		11-20828-01	PIV=1000	IO= 1.50A	1	D508
54	54		11-21435-01	RECT. ASSY	PIV= 600 IO= 2.00A	1	D501
55	55		11-21581-01	PIV=1500	IO= 60MA	1	D203
56	56		11-24037-01	VZ= 36.0	5% 400 MW 1N974B D0-35	9	D611-D619
57	57		11-24210-01	SCHOTTKY	PIV= 45 IO=15.00A T022	1	D511
58	58		11-26397-01	PIV=100	IO=3.0 A 150NS	1	D510
59	59		11-26743-01	TRANS SUPP	600W 10V +/-	4	D601-D604
60	60		11-26743-02	TRANS SUPP	600W 22V +/-	6	D605-D610
61	61		12-10929-02	FUSE PICO	1.0 A 125V AXIAL LEA	1	F501
62	62		12-13071-06	INSULATOR,RUBBER	SILICONE	3	
63	63		12-13071-21	INSULATOR,RUBBER	THERMAL	1	
64	64		12-15228-00	HEAT SINKS,T0-220	01.25X0.87	1	H502
65	65		12-15323-00	PCB HEADER	06PIN(1X06).100CC STR	1	J104
66	66		12-15323-02	PCB HEADER	02PIN(1X02).100CC STR	1	J400
67	67		12-15323-05	PCB HEADER	03PIN(1X03).100CC STR	1	J102
68	68		12-17485-01	MATE-N-LOK	03SKT(1X03).250CC ASS	1	J501
69	69		12-18826-07	CONN,PHONE	JACK 04POS	1	J4
70	70		12-21439-01	PCB,HEADER	03PIN(1X03).200CC STR	1	J201
71	71		12-23192-08	FUSE 5X20	3.0 A 250V FAST ACTI	1	F500
72	72		12-23433-02	CONN,LAN	JACK 06 POS	3	J1-J3
73	73		12-24261-01	PCB HEADER	PIN .1250D TIN	2	J503,J504
74	74		12-26619-01	FUSECLIP	5MM	2	
75	75		12-26771-01	HEAT SINK		1	H504
76	76		12-26771-02	HEAT SINK		1	H503
77	77		12-27598-01	HEAT SINK		1	H203
78	78		12-27759-01	HEAT SINK		1	H510
79	79		13-00197-00	33.0	.25 W 5.0 % CF	1	R212
80	80		13-00202-00	47.0	.25 W 5.0 % CF	1	R520
81	81		13-00229-00	100.0	.25 W 5.0 % CF	4	R233,R522,R524,R534
82	82		13-00243-00	120.0	.50 W 5.0 % CF	2	R210,R215

D	I	G	I	T	A	L	TITLE	SECTION A	OF A	SIZE	CODE	DOCUMENT NUMBER	REV
							POWER SUPPLY/MONITOR MODULE			K	PL	5416905-0-DBP	A

LINE	ITEM	TOP DOCUMENT	PART NUMBER	MIN REV	DESCRIPTION	QTY	PER VAR/REV	REFERENCE DESIGNATORS
						01		
						A1		
83	83		13-00247-00	120.0	.25 W 5.0 % CF	1		R206
84	84		13-00271-00	220.0	.25 W 5.0 % CF	2		R515,R536
85	85		13-00274-00	220.0	.50 W 5.0 % CF	1		R514
86	86		13-00295-00	330.0	.25 W 5.0 % CF	1		R407
87	87		13-00364-00	1.0 K	.50 W 5.0 % CF	1		R115
88	88		13-00365-00	1.0 K	.25 W 5.0 % CF	3		R510,R513,R535
99	89		13-00439-00	3.30 K	.25 W 5.0 % CF	1		R328
90	90		13-00479-00	10.0 K	.25 W 5.0 % CF	1		R120
91	91		13-00385-00	1.20 K	.50 W 5.0 % CF	1		R523
92	92		13-00391-00	1.50 K	.25 W 5.0 % CF	1		R200
93	93		13-00398-00	1.80 K	.25 W 5.0 % CF	1		R208
94	94		13-00417-00	2.20 K	.25 W 5.0 % CF	2		R121,R207
95	95		13-00426-00	2.70 K	.25 W 5.0 % CF	1		R205
96	96		13-00444-00	3.90 K	.25 W 5.0 % CF	1		R401
97	97		13-00447-00	4.70 K	.25 W 5.0 % CF	1		R101
98	98		13-00478-00	10.0 K	.50 W 5.0 % CF	1		R533
99	99		13-01317-00	10.0	.25 W 5.0 % CF	3		R117,R216,R521
100	100		13-01320-00	1.20 K	.25 W 5.0 % CF	2		R100,R122
101	101		13-01327-00	68.0 K	.25 W 5.0 % CF	1		R531
102	102		13-01522-00	27.0	.25 W 5.0 % CF	1		R516
103	103		13-01981-00	2.94 K	.25 W 1.0 % RN55C-F 5	1		R108
104	104		13-02092-00	220.0 K	.25 W 5.0 % CF	4		R227-R229,R410
105	105		13-02396-00	150.0 K	.25 W 5.0 % CF	2		R106,R203
106	105		13-02398-00	470.0 K	.25 W 5.0 % CF	4		R123,R400,R402,R403
107	107		13-02443-00	39.0 K	.50 W 5.0 % CF	1		R214
108	108		13-02465-00	18.0 K	.25 W 5.0 % CF	3		R406,R511,R529
109	109		13-03179-00	8.20 K	.25 W 5.0 % CF	3		R204,R408,R412
110	110		13-03205-00	7.20 K	.25 W 0.10% RN55E-B 2	1		R113
111	111		13-03219-00	82.0 K	.25 W 5.0 % CF	1		R411
112	112		13-04838-00	43.0 K	.25 W 5.0 % CF	1		R110
113	113		13-04841-00	75.0 K	.25 W 5.0 % CF	1		R225
114	114		13-05128-00	5.62 K	.25 W 1.0 % RN55D-F10	1		R114
115	115		13-05131-00	274.0 K	.25 W 1.0 % RN55D-F10	2		R102,R104
116	116		13-05346-00	27.0 K	.25 W 5.0 % CF	1		R508
117	117		13-10867-00	680.0 K	.25 W 5.0 % CF	2		R405,R507
118	118		13-11996-02	VARISTOR	275VAC VOLT TRANS SUP	1		R545
119	119		13-12618-00	16.90 K	.25 W 1.0 % RN55D-F10	1		R202
120	120		13-13349-00	33.0 K	.25 W 5.0 % CF	4		R409,R509,R525,R530
121	121		13-13476-00	51.10 K	.25 W 1.0 % RN55D-F10	1		R512
122	122		13-13596-00	20.0 K	.25 W 1.0 % RN55D-F10	1		R527
123	123		13-14950-00	130.0 K	.25 W 5.0 % CF	1		R532
124	124		13-14951-00	390.0 K	.25 W 5.0 % CF	4		R537-R540
125	125		13-16441-00	2.40 M	.25 W 5.0 % CF	1		R223
126	126		13-16522-01	100.0 K	.25 W20.0 % POT	1		R111
127	127		13-16522-05	250.0 K	.25 W20.0 % POT	1		R105
128	128		13-16522-08	5.0 K	.25 W20.0 % POT	2		R201,R318
129	129		13-16522-09	100.0	.25 W20.0 % POT	1		R211
130	130		13-17494-00	22.10 K	.25 W 1.0 % RN55D-F10	1		R109
131	131		13-18201-01	4.75 K	.25 W 1.0 % RN55D-F10	1		R526
132	132		13-19242-00	750.0 K	.25 W 5.0 % CF	1		R112

D	I	G	U	N	I	T	A	T	1	TITLE	SECTION A OF A	SIZE	CODE	DOCUMENT NUMBER	REV
										POWER SUPPLY/MONITOR MODULE		K	PL	5416905-0-DBP	A



LINE ITEM	TOP DOCUMENT	PART NUMBER	MIN REV	DESCRIPTION	QTY PER VAR/REV	REFERENCE DESIGNATORS
					01 A1	
133	133	13-19327-01	1.30 K	.25 W 1.0 % RN55D-F10	1	R528
134	134	13-19470-53	100.0 K	1.0 W 5.0 % M.OXIDE	1	R503
135	135	13-19471-44	100.0 K	2.0 W 5.0 % M.OXIDE	1	R504
136	136	13-19471-77	36.0 K	2.0 W 5.0 % M.OXIDE	2	R505,R506
137	137	13-19563-01	5.0 M	.20 W20.0 % POT	1	R224
138	138	13-19563-04	2.50 M	.33 W20.0 % POT	1	R221
139	139	13-19930-01	1.50	.25 W 5.0 % CF	1	R103
140	140	13-20607-01	1.0	.50 W 5.0 % CF	1	R213
141	141	13-20608-01	3.30	.25 W 5.0 % CF	1	R107
142	142	13-20663-01	6.80	.50 W 5.0 % CF	1	R209
143	143	13-20712-01	360.0 K	.50 W 5.0 % CF	1	R222
144	144	13-21411-01	330.0	5.0 W 5.0 % M.OXIDE	2	R518,R519
145	145	13-27007-01		THERMISTOR NTC 10. 15%	2	R501,R502
146	146	13-27013-05	0.36	3.0 W 2.0 % M.OXIDE	1	R517
147	147	13-27013-06	15.0	3.0 W 5.0 % M.OXIDE	1	R542
148	148	15-09525-00	2N 3906	PNP 310MW SI 40100 Y	1	Q400
149	149	15-10706-00	XA 55	PNP 500MW SI 60 50 P	1	Q502
150	150	15-12976-00	MPSA43	NPN 625MW SI200 50	1	Q120
151	151	15-16490-00	MPSU05	NPN 10W SI 2A	3	Q200,Q501,Q505
152	152	15-19536-01	SCR	PIV= 50 IO= 8.00A	1	Q504
153	153	SEE NOTE 1	15-26861-01	NPN 800V IC=4A T0-3PB	1	Q503
154	154		15-27609-01	BU406 NPN 400V 60W T0220	1	Q203
155	155		16-09756-00	2.2 UH 10% 760MA #DD2.20	15	L620-L634
156	156		16-13898-02	39.0 UH INDUCTOR	2	L613,L615
157	157		16-16309-02	XFMR,HORIZONTAL DRIVE	1	T203
158	158		16-18238-02	BEAD,FERRITE .1380DX.330LG	1	L614
159	159		16-21807-01	COIL,WIDTH,VARIABLE INDUCTOR	1	L201
160	160		16-26496-01	XFMR,TRIGGER 31.5KHZ	1	T502
161	161		16-26508-01	COIL,HORIZONTAL LINEARY	1	L202
162	162		16-26863-01	XFMR,DYNAMIC FOCUS	1	T202
163	163		16-26873-01	XFMR,FLYBACK 31.5KHZ	1	T201
164	164		16-26919-01	XFMR,CONVERTER	1	T501
165	165		16-27344-01	CHOKE 7UH 5A SLUG CORE	1	L504
166	166		16-27345-01	CHOKE 30UH 0.65A SLUG CORE	3	L501,L503,L505
167	167		16-27681-01	CHOKE,3UH	1	L502
168	168		17-01408-01	CABLE ASSY, FLAT,40(2X20)	1	P302
169	169		19-14156-00	LM 393 VOLT.COMPARATOR DUAL	1	E400
170	170		19-21337-01	OPTOISLTR,XSTR,CTR=50%@IF10MA VC	1	E503
171	171		19-21463-01	1391 TV HORIZ. PROCESSOR	1	E200
172	172		19-22024-02	PREC. VOLT REF, 36V	1	E504
173	173		19-23626-01	PWM OFF-LINE CURRENT	1	E501
174	174		19-27621-01	VERT DEFLECTION CHIP	1	E100
175	175		19-27847-01	FIX VOLTAGE REGULATO	1	E502
176	176	D-IA-7022361-0-0	70-22361-0C A	JUMPER VOLTAGE SELECTOR	1	P503
177	177	C-IA-7023762-0-DBU	70-23762-01 A	11 PIN WIRE ASSY	1	P502
178	178	C-MD-7431615-0-DBU	74-31615-01 A	SPACER,PCB	1	
179	179	C-MD-7432385-0-DBU	74-32385-01 A	COVER, HEAT SINK	1	
180	180	C-MD-7434861-0-DBU	74-34861-01	CLIP,GROUNDING	2	
181	181		90-06010-01	SCREW,MACH PAN PHIL	4- 2	
182	182		90-06013-01	SCREW,MACH PAN PHIL	4- 2	

D	I	G	I	T	A	L	TITLE	SECTION A	OF	A	SIZE	CODE	DOCUMENT NUMBER	REV
							POWER SUPPLY/MONITOR MODULE				K	PL	5416905-0-DBP	A

AUTOMATED BY VAXKPL (V1.3)

P A R T S L I S T

SHEET A5 OF A5

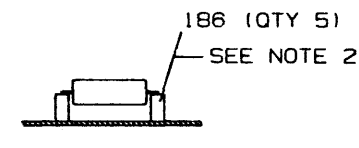
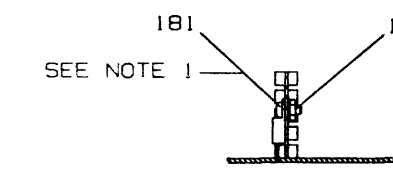
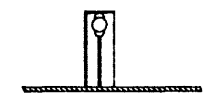
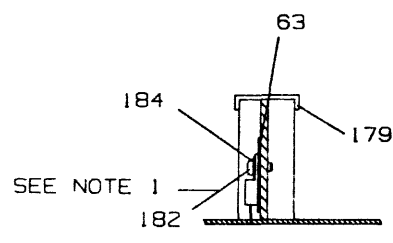
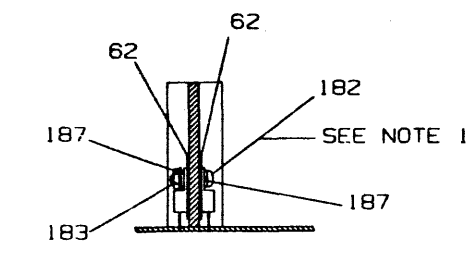
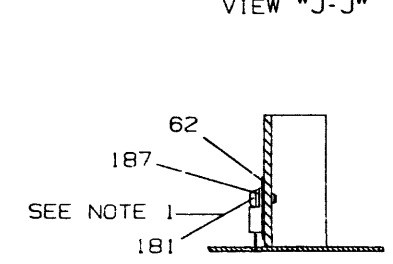
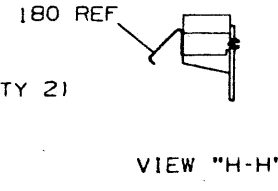
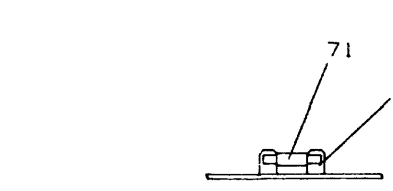
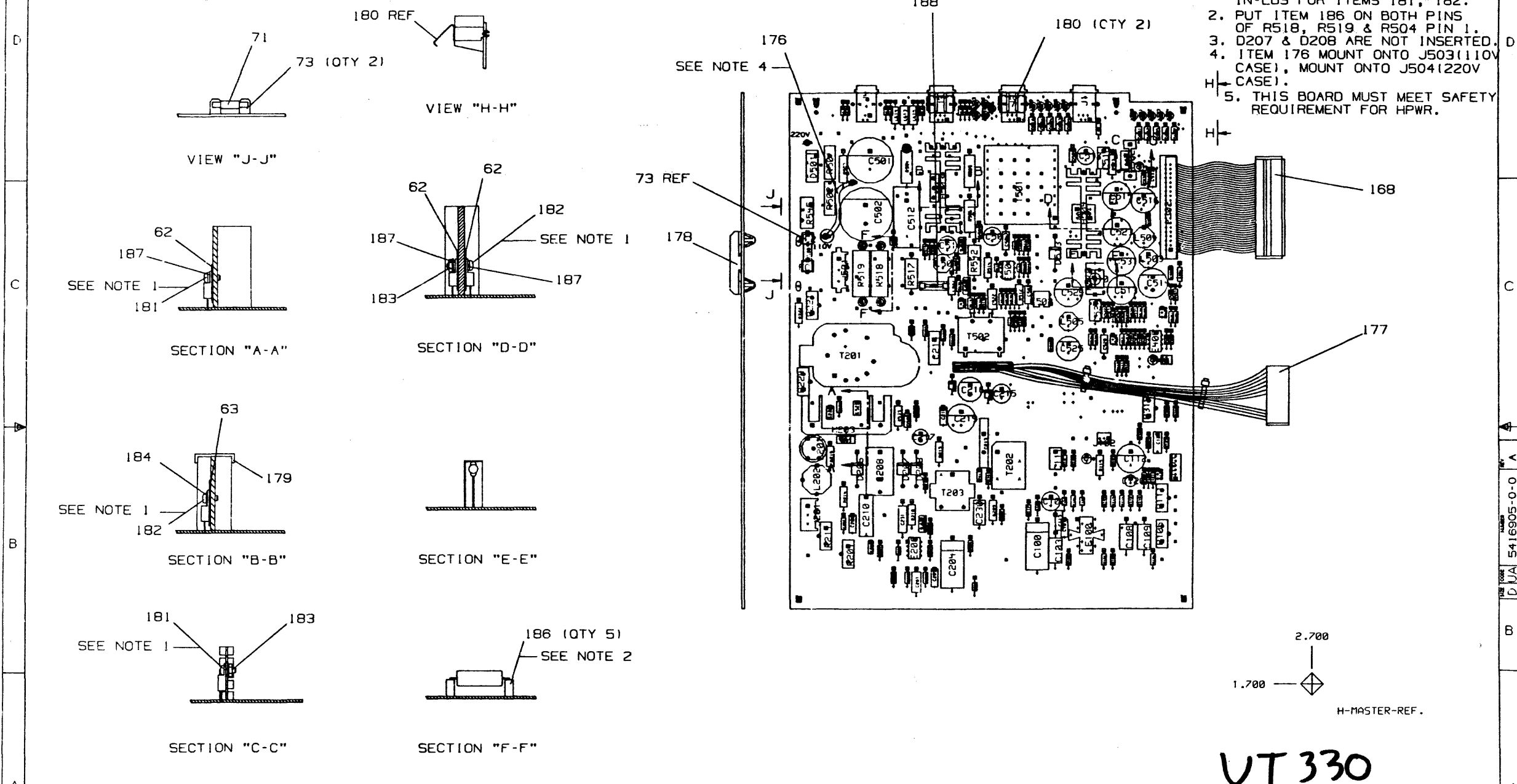
LINE	ITEM	TOP DOCUMENT	PART NUMBER	MIN REV	DESCRIPTION	QTY PER 01 A1	VAR/REV	REFERENCE DESIGNATORS
183	183		90-06557-00		NUT,HEX EXT TOOTH LCKWSHR 4-40	2		
184	184		90-06632-00		WASHER,LOCK INTERNAL STEEL	1		
185	185		90-09185-00		JUMPER, WIRE, INSULATED, BLACK B	1		W1
186	186		90-09798-01		SPACER,CLEAR HOLE RND CERAM .07	5		
187	187		90-10057-00		WASHER,SHOULDER INSULATG PPS	3		
188	188		90-10793-01		STANDOFF,TWIST	1		

1 GEN: ITEM 153 15-26861-01 CAN BE SUBSTITUTED BY 15-27597-01 2SC3460.

D	I	G	I	T	A	L	TITLE	SECTION A	OF A	SIZE	CODE	DOCUMENT NUMBER	REV
							POWER SUPPLY/MONITOR MODULE			K	PL	5416905-0-DBP	A

THIS DRAWING AND THE SPECIFICATIONS CONTAINED HEREIN ARE CONFIDENTIAL AND PROPRIETARY. THEY ARE THE PROPERTY OF DIGITAL EQUIPMENT CORPORATION AND SHALL NOT BE REPRODUCED OR USED IN WHOLE OR IN PART AT THE BASIS FOR THE MANUFACTURE OR SALE OF THIS EQUIPMENT WITHOUT WRITTEN PERMISSION. THIS IS AN UNCLASSIFIED DOCUMENT. USE THE FEDERAL GOVERNMENT CLASSIFICATION SYSTEM. 1987 DIGITAL EQUIPMENT CORPORATION

- NOTES:
1. TORQUE REQUIREMENTS 4-6 IN-LBS FOR ITEMS 181, 182.
  2. PUT ITEM 186 ON BOTH PINS OF R518, R519 & R504 PIN 1.
  3. D207 & D208 ARE NOT INSERTED.
  4. ITEM 176 MOUNT ONTO J503(110V CASE), MOUNT ONTO J504(220V CASE).
  5. THIS BOARD MUST MEET SAFETY REQUIREMENT FOR HPWR.



VT 330

CHK	DRAWN BY	ENGINEER	CHANGE NO	DATE	REV	CHK	DRAWN BY	ENGINEER	CHANGE NO	DATE	REV
			RELEASED FEB-87 A								

NOTES 50/PART REV 1 J1

STEP	↑ Y AXIS	STEP	TIMES
REPEAT	→ X AXIS	STEP	TIMES

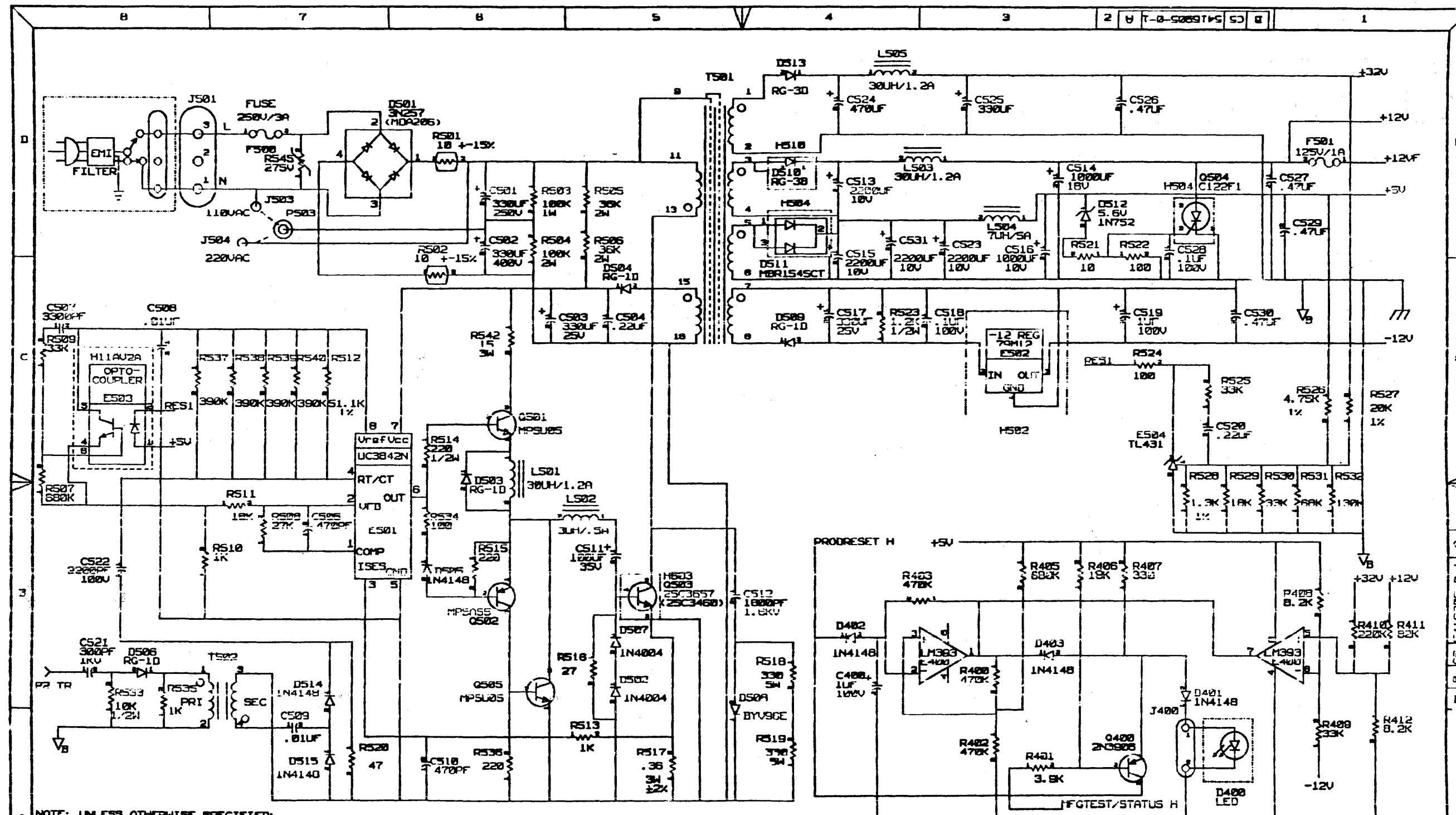
SIGNATURES		DATE
DRAWN	C. K. LIAO	9-20-88
CHECKED	B. CHEN	9-20-88
MECH ENG	O. LIN	9-20-88
PROD ENG	J. B. LOU	9-20-88
PROD	H. ZHANG	11-2-88

SCALE 1/1

SHEET 1 OF 1

TOP DOC NO B-00-5416905-0-0

SIZE	CODE	NUMBER	REV
D	UA	5416905-0-0	A



- NOTE: UNLESS OTHERWISE SPECIFIED:
1. ALL RESISTORS ARE EXPRESSED IN OHMS AND ARE 1/4W, +5%
  2. THE VOLTAGE OF ALL CAPACITORS ARE 50V
  3. EXPRESS (OFF THE BOARD).
  4. EXPRESS (COMPONENTS LOCATE IN PACKAGE).
  5. EXPRESS (HEAT SINK).
  6. EXPRESS (COMPONENT NOT INSERT).

7. ONE OR MORE OF R537, R538, R539 & R540 MAY BE CUT, WHEN THE FREE RUNNING FREQ. OF ES01 IS OUT OF CONTROL RANGE.
8. ONE OR MORE OF R529, R530, R531 & R532 MAY BE CUT, WHEN THE OUTPUT VOLTAGE IS OUT OF SPEC.

VT 330

THIS DRAWING IS THE PROPERTY OF  
 SPECTRA ELECTRONIC CORPORATION AND  
 SHALL NOT BE REPRODUCED OR  
 COPIED IN ANY MANNER OR IN ANY  
 MEDIUM WITHOUT THE WRITTEN  
 PERMISSION OF SPECTRA ELECTRONIC  
 CORPORATION

REVISION	DESCRIPTION
001	RELEASED

ORIGINATOR	DATE	DESIGNER	DATE	CHECKED	DATE	APPROVED	DATE
STAN HSIEH	14-JUL-88	JAMES CHENG	14-JUL-88				
Y. J. MU	14-JUL-88						



TOP DOCUMENT NUMBER:  
 B-DD-5416905-0-0

SIZE	CODE	NUMBER	REV.
B	CS	5416905-0-1	A

TITLE: SCHEMATIC,  
 PWR SUP/MONITOR MODULE

BPOI







LINE	ITEM	TOP DOCUMENT	PART NUMBER	MIN REV	DESCRIPTION	QTY PER VAR/REV	REFERENCE DESIGNATORS
32	32		15-09525-00		2N 3906 PNP 310MW SI 40100 Y	1	Q1
33	33		15-10705-00		XA 05 NPN 500MW SI 60 50 P	1	Q2
34	34		16-18238-02		BEAD,FERRITE .1380DX.330LG	14	L1-L7,L10,L11,L16-L20
35	35		16-20182-03		5.6 UH 10% 565MA	5	L8,L9,L13-L15
36	36		18-11660-45		OSCILLATOR, XTAL 12.00 MHZ	1	Y1
37	37		19-12646-00		LS253 MUX 1 OF 4 (DUAL)	4	E24,E25,E32,E33
38	38		19-12803-00		LS04 INVERTER GATE,HEX	1	E21
39	39		19-12810-00		LS20 NAND GATE-DUAL 4IN	1	E18
40	40		19-12816-00		LS32 OR GATE-QUAD 2IN,POS	1	E23
41	41		19-12824-00		LS74 FF-D DUAL,EDGE TRIGG	1	E8
42	42		19-15019-00		74S38 NAND BUFFER-QUAD 2IN	1	E14
43	43		19-15218-00		LS245 TRANSCEIVER,BUS,OCTA	1	E16
44	44		19-15219-00		LS373 FF-D OCTAL-TRANSPARE	4	E17,E26,E28,E29
45	45		19-15415-00		9636 DRIVER,DUAL,EIA RS-4	2	E4,E5
46	46		19-20572-01		74F244 BUFFER/LINE DRIVER,0	2	E19,E27
47	47		19-21314-01		74F74 FF-D,DUAL,POS.,EDGE	1	E9
48	48		19-23889-01		EIA OCTAL LINE DRIVE	1	E2
49	49		19-23890-01		EIA OCTAL LINE RECEI	2	E1,E3
50	50		19-27277-01		74ALS74 FLIP FLOP,DUAL D-TYP	1	E7
51	51		19-27862-01		74ALS02 DIP,14PIN QUAD 2-INP	1	E10
52	52		21-20068-01		2681 REC./TRANS.,ASYNC.,D	1	E11
53	53		21-20115-01		8031C MICROPROCESSOR W/O P	2	E12,E22
54	54		21-24412-02		RAM,64KX4,DYNAMIC 15	2	E30,E31
55	55		21-26375-01		ASYNCHRONBUS COMMUNI	1	E6
56	56		23-1N2 -00	N2-01		1	E13
57	57		23-168K5-00	K5-03	PAL	1	E15
58	58		23-335J5-00	J5-03	PAL OCTAL AND	1	E20
59	59	B-AD-7024320-0-DBU	70-24320-01		CONN/BAFFLE ASSY	1	J2
60	60	D-IA-7432559-0-DBU	74-32559-01		BRKT,GROUND	1	
61	61	B-MD-7434244-0-DBU	74-34244-01		INSULATOR	1	
62	62	C-IA-7434794-0-DBU	74-34794-01		BRACKET,CARTRIDGE	1	
63	63	B-MD-7435395-0-DBU	74-35395-01		SPACER	1	
64	64		90-09800-10		SCREW,THD RL,PAN PHIL F/PLAS	2	
65	65		90-09185-00		JUMPER, WIRE, INSULATED, BLACK B	1	W1

1 GEN: ITEM 18 12-26580-01 CAN BE SUBSTITUTED BY 12-26580-02 48 PIN PCB HEADER.

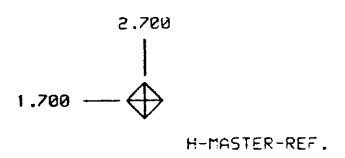
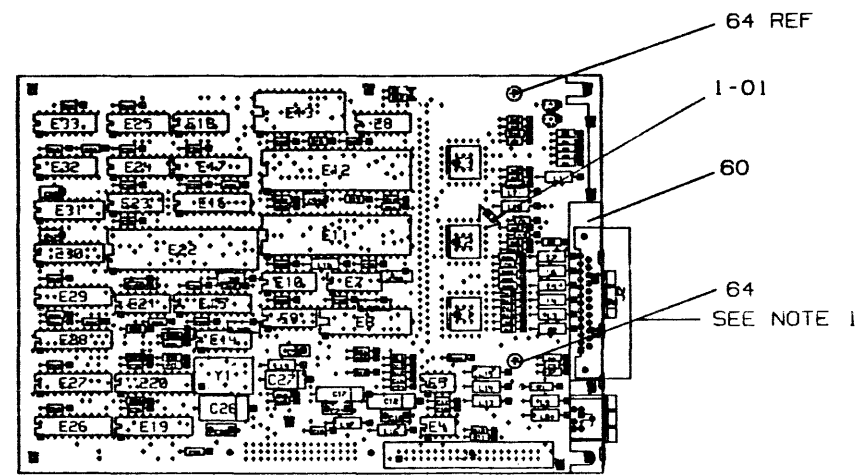
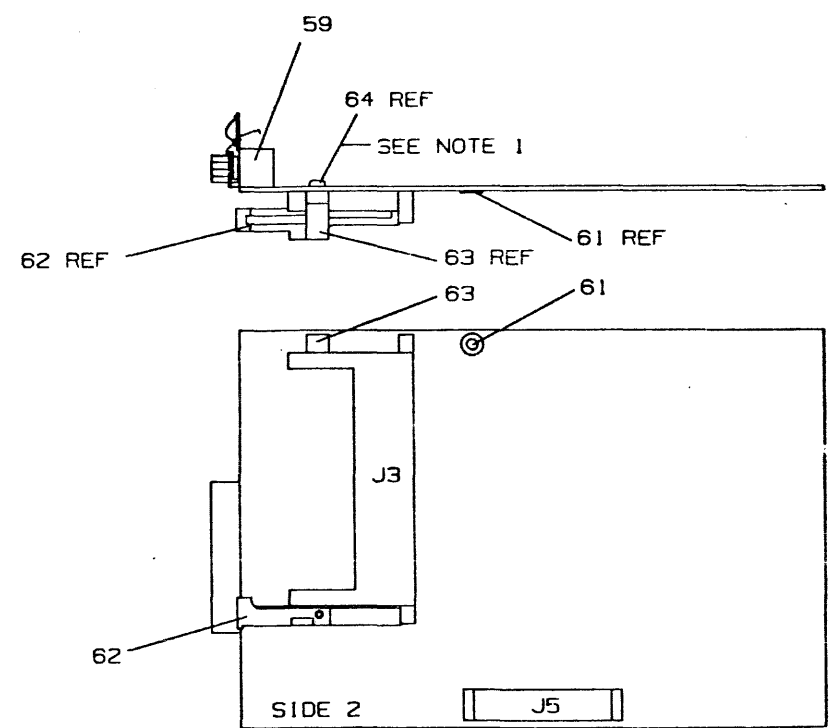
D	I	G	I	T	A	L	TITLE	SECTION A	OF	A	SIZE	CODE	DOCUMENT NUMBER	REV
							CPU MODULE				K	PL	5416909-0-DBP	A



THIS DRAWING AND THE SPECIFICATIONS CONTAINED HEREIN ARE CONFIDENTIAL AND PROPRIETARY. THEY ARE THE PROPERTY OF DIGITAL EQUIPMENT CORPORATION AND SHALL NOT BE REPRODUCED OR COPIED OR USED IN WHOLE OR IN PART AT THE ... FOR THE MANUFACTURE OR SALE OF ITEMS ... UNLESS ... IN WRITING FROM DIGITAL EQUIPMENT CORPORATION. 3/1987. DIGITAL EQUIPMENT CORPORATION

- NOTES:
1. TORQUE REQUIREMENTS 4-6 IN-LBS FOR ITEM 64.
  2. R8 IS NOT INSERTED.
  3. C56 MOUNTED BENEATH E15.

REWORK INSTRUCTIONS:  
 COMPONENT ADDS SIDE ONE (AS SHOWN).  
 1-01. ADD W1 PN 90-09185-00  
 W1 PIN 1 TO E2 PIN 18  
 W1 PIN 2 TO E2 PIN 19.



CHK	DRAWN BY	ENGINEER	CHANGE NO	DATE	REV	CHK	DRAWN BY	ENGINEER	CHANGE NO	DATE	REV
			RELEASED	FEB-87	A						

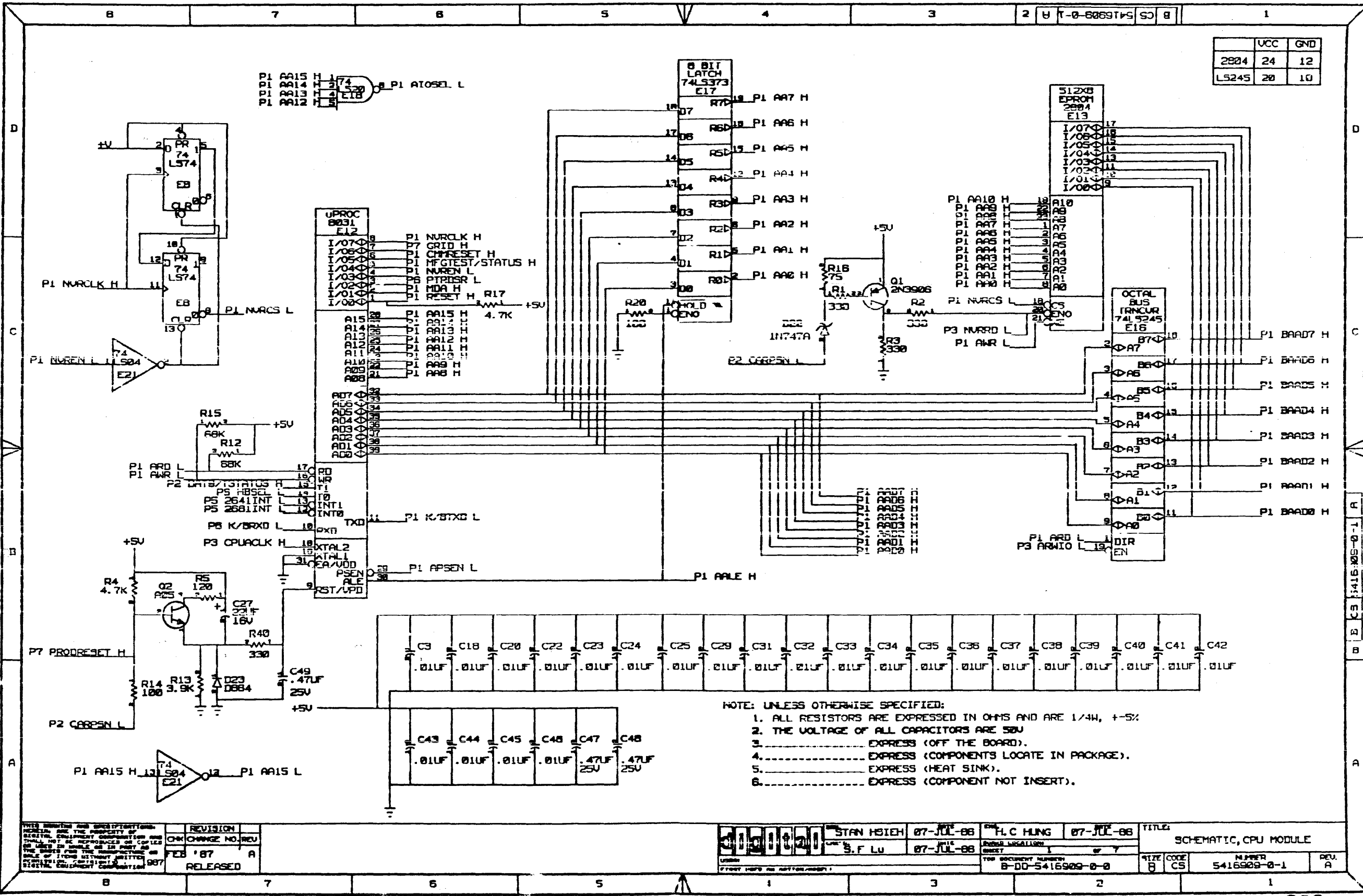
NOTES 50/PART REV1 W1

STEP	↑ Y AXIS	STEP	TIMES
REPEAT	→ X AXIS	STEP	TIMES

SIGNATURES		DATE	digital
DRAWN	K. J. SONG		
CHECKED	B. CHEN		
MECH ENG	O. LIN		
PROJ ENG	S. W. CHENG		
SCALE	1/1		
SHEET	1 OF 1		
TOP DOC NO	B-00-5416909-0-0		

TITLE	SIZE	CODE	NUMBER	REV
UNIT ASSY, CPU MODULE	D	UA	5416909-0-0	A

1 WO# 4901



	UCC	GND
2804	24	12
L5245	20	10

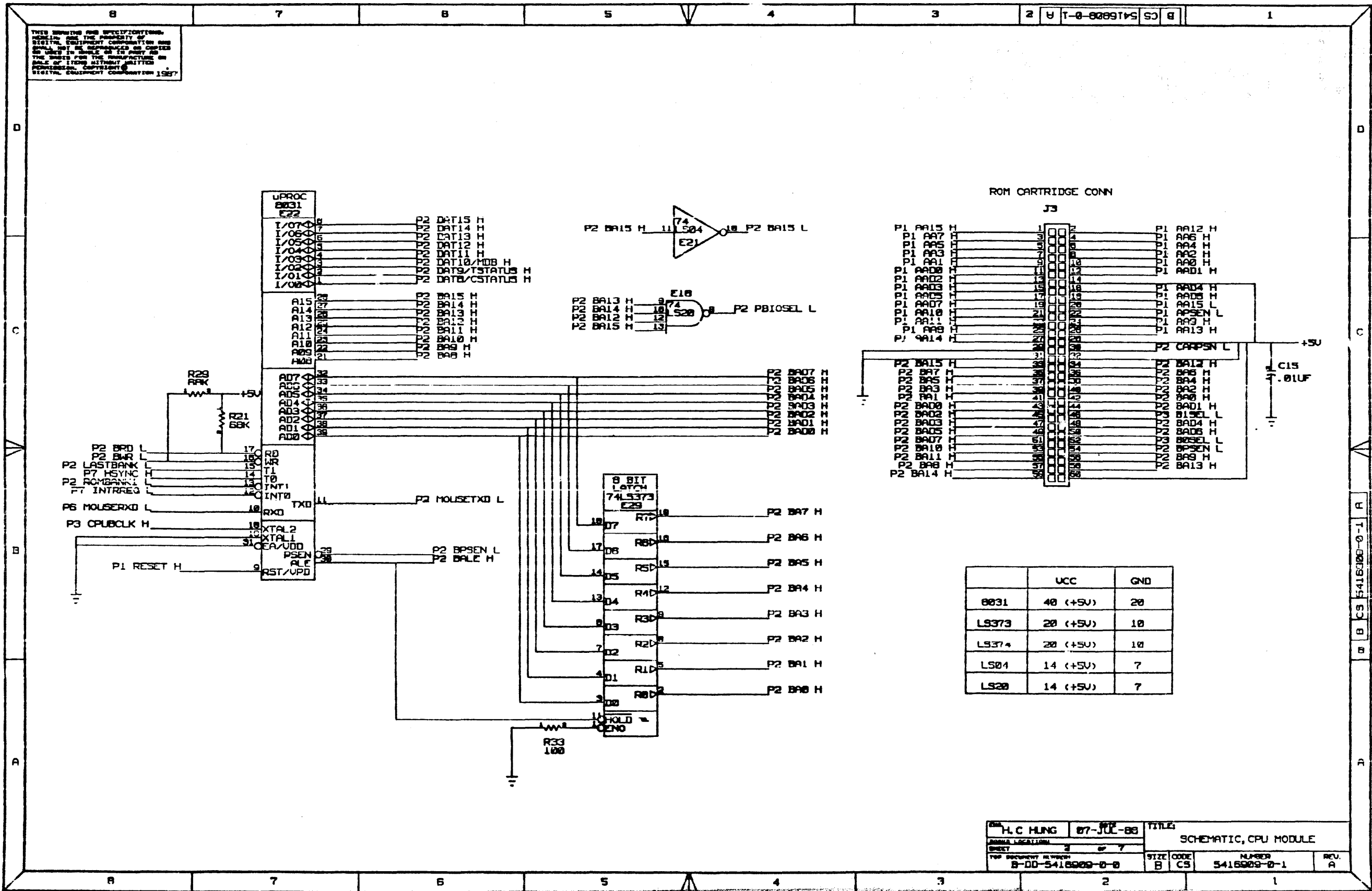
- NOTE: UNLESS OTHERWISE SPECIFIED:
1. ALL RESISTORS ARE EXPRESSED IN OHMS AND ARE 1/4W, ±5%
  2. THE VOLTAGE OF ALL CAPACITORS ARE 50V
  3. ----- EXPRESS (OFF THE BOARD).
  4. ----- EXPRESS (COMPONENTS LOCATE IN PACKAGE).
  5. ----- EXPRESS (HEAT SINK).
  6. ----- EXPRESS (COMPONENT NOT INSERT).

THIS DRAWING AND SPECIFICATIONS ARE THE PROPERTY OF THE COMPANY AND ARE NOT TO BE REPRODUCED OR COPIED IN ANY MANNER WITHOUT THE WRITTEN PERMISSION OF THE COMPANY.	REVISION
CHG	CHANGE NO. REV
FEB '87	A
RELEASED	

STAN HSIEH	07-JUL-88	F.C HUNG	07-JUL-88	TITLE:
S.F Lu	07-JUL-88	DATE LEGALIZED		SHEET
THE DOCUMENT NUMBER				SIZE
B-D0-5416929-0-0				B
NUMBER				REV.
5416929-0-1				A

BRO!

THIS DRAWING AND SPECIFICATIONS ARE THE PROPERTY OF DIGITAL EQUIPMENT CORPORATION AND SHOULD BE REPRODUCED OR COPIED IN WHOLE OR IN PART AS THE BASIS FOR THE MANUFACTURE OR SALE OF ITEMS WITHOUT WRITTEN PERMISSION. COPYRIGHT © DIGITAL EQUIPMENT CORPORATION 1987

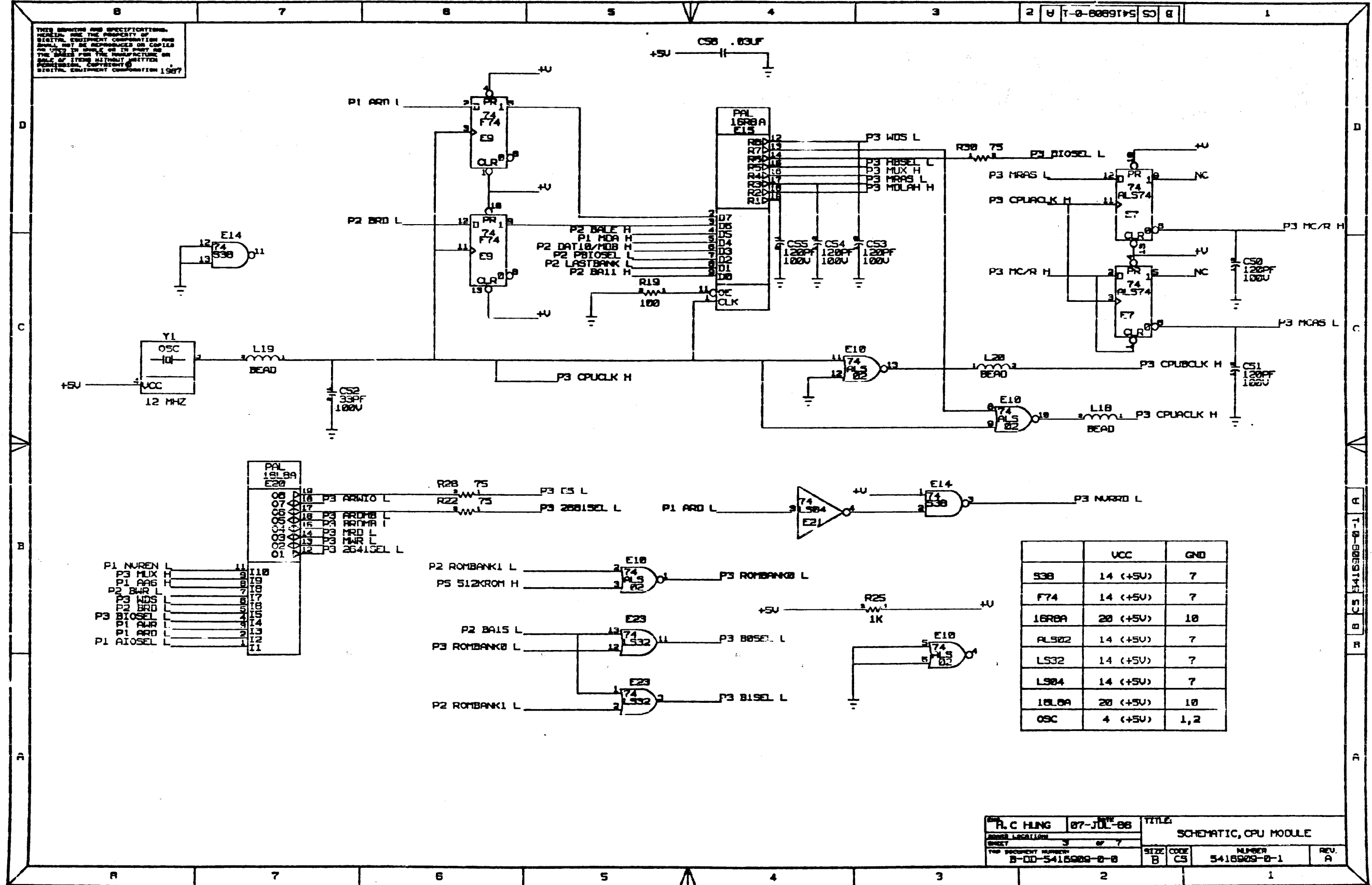


	UCC	GND
8031	40 (+5V)	20
LS373	20 (+5V)	10
LS374	20 (+5V)	10
LS24	14 (+5V)	7
LS28	14 (+5V)	7

DESIGNER	H. C. HUNG	DATE	07-JUL-88	TITLE	SCHEMATIC, CPU MODULE		
DESIGN LOCATION				SIZE	B	CODE	CS
DRY				NUMBER	5416909-0-1		REV.
TOP DOCUMENT REFERENCE				B-DD-5416909-0-0			

BPOI

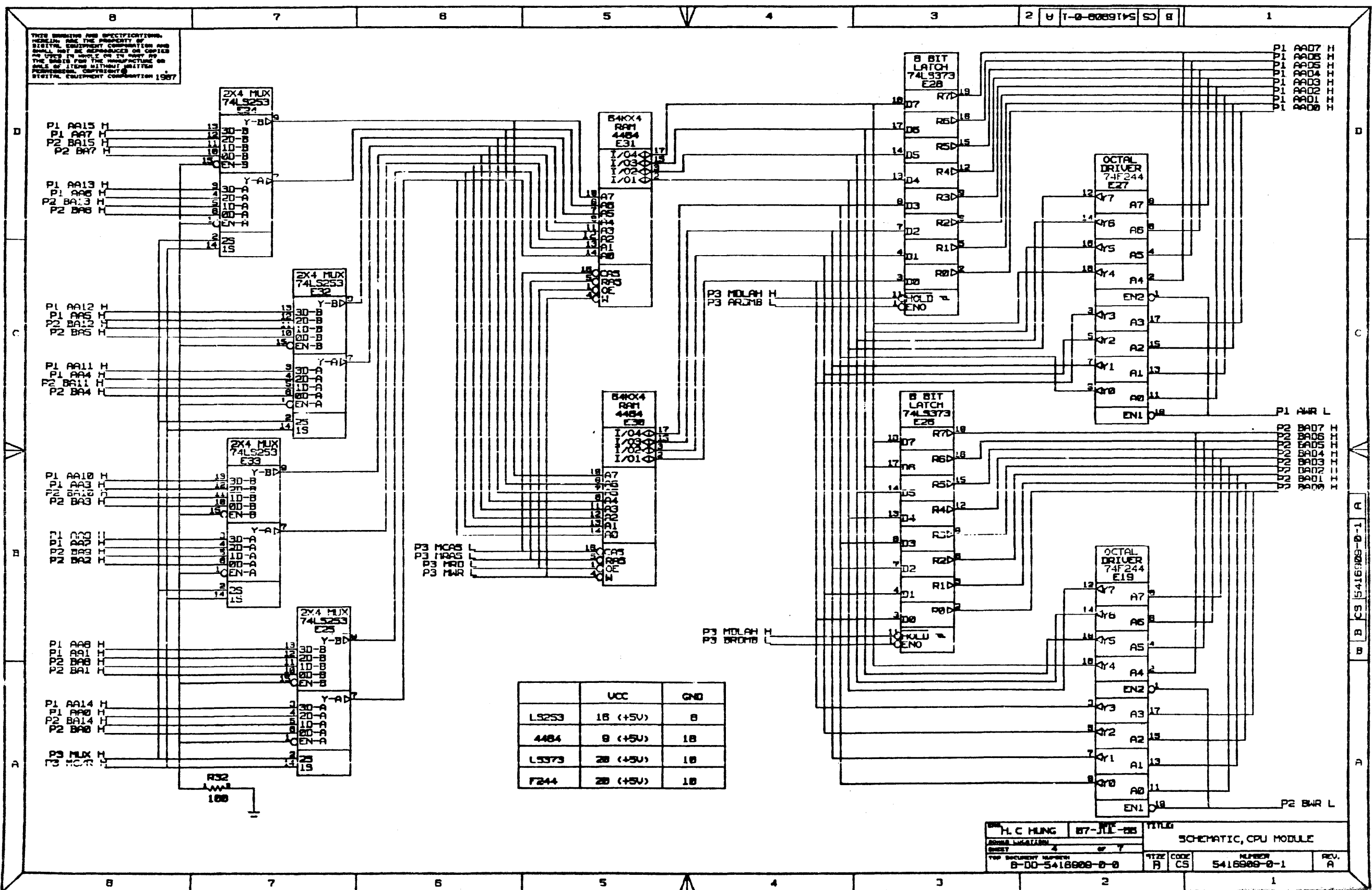
THIS DRAWING AND SPECIFICATIONS SHALL BE THE PROPERTY OF DIGITAL EQUIPMENT CORPORATION AND SHALL NOT BE REPRODUCED OR COPIED IN ANY MANNER WITHOUT WRITTEN PERMISSION OF DIGITAL EQUIPMENT CORPORATION 1987



P.L.C HUNG 07-JUL-88 TITLE: SCHEMATIC, CPU MODULE  
 SHEET 5 OF 7  
 THE PROJECT NUMBER: B-00-5416908-0-0 SIZE: B CODE: CS NUMBER: 5416908-0-1 REV: A

BPOI

THIS DRAWING AND SPECIFICATIONS HEREIN ARE THE PROPERTY OF DIGITAL EQUIPMENT CORPORATION AND SHALL NOT BE REPRODUCED OR COPIED IN ANY MANNER OR IN ANY MANNER ON THE BASIS FOR THE MANUFACTURE OR SALE OF ITEMS WITHOUT WRITTEN PERMISSION. COPYRIGHT © DIGITAL EQUIPMENT CORPORATION 1987



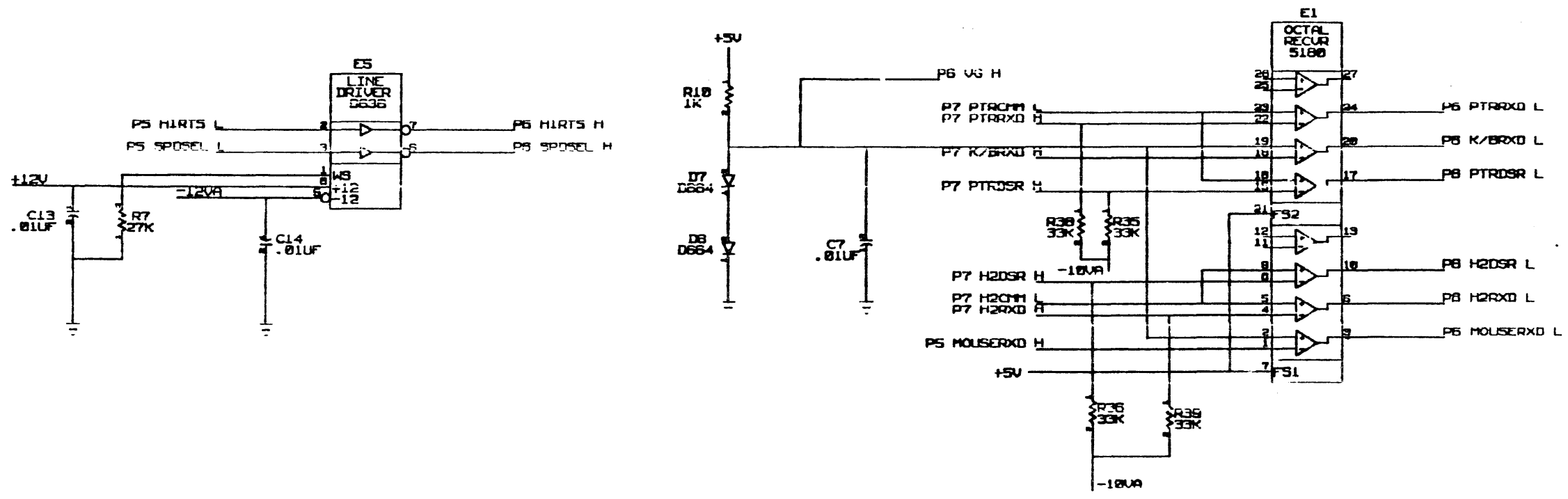
H. C. HUNG 87-JUL-88 TITLE SCHEMATIC, CPU MODULE  
 DRAWN BY H. C. HUNG  
 CHECKED BY H. C. HUNG  
 THE DOCUMENT NUMBER 8-00-5416888-0-0  
 SIZE CODE B CS  
 NUMBER 5416888-0-1  
 REV. A

BPO1



THIS DRAWING AND SPECIFICATIONS, HEREIN, ARE THE PROPERTY OF DIGITAL EQUIPMENT CORPORATION AND SHALL NOT BE REPRODUCED OR COPIED OR USED IN WHOLE OR IN PART AS THE BASIS FOR THE MANUFACTURE OR REPRODUCTION OF ANY ITEM WITHOUT WRITTEN PERMISSION. COPYRIGHT © DIGITAL EQUIPMENT CORPORATION 1967

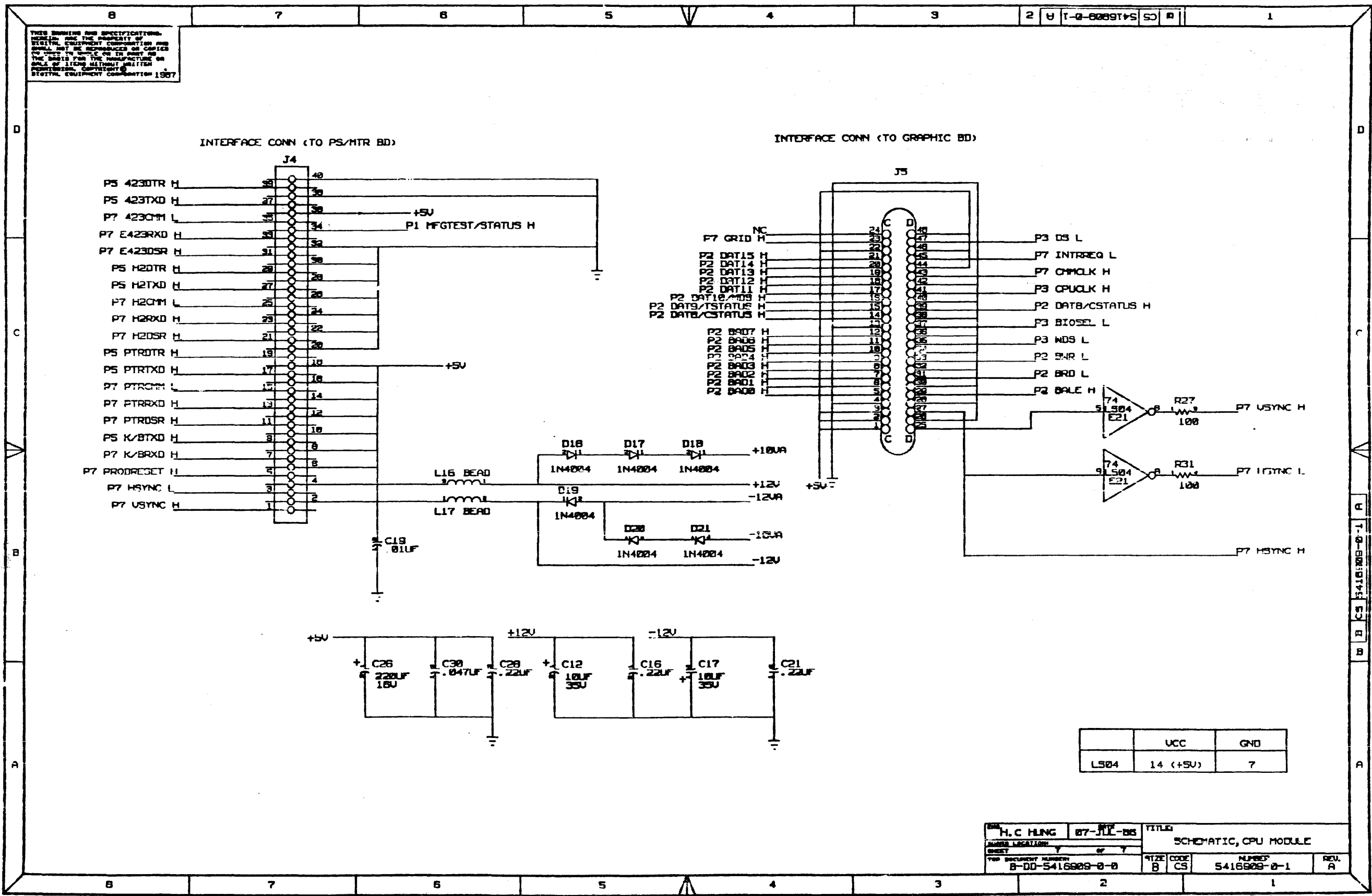
	VCC	GND
5188	26 (+5V)	14
9836	8 (+12V)	4



DESIGNER	H. C. HUNG	DATE	07-JUL-68	TITLE	SCHEMATIC, CPU MODULE		
FORM LOCATION	8		OF 7	SIZE	R	CODE	CS
TOP SECRET NUMBER	B-00-5416909-0-0		NUMBER	5416909-0-1		REV.	A

BPOI

THIS DRAWING AND SPECIFICATIONS  
HEREIN ARE THE PROPERTY OF  
DIGITAL EQUIPMENT CORPORATION AND  
SHALL NOT BE REPRODUCED OR CAPICD  
IN ANY MANNER OR IN ANY MEDIUM  
WITHOUT THE WRITTEN PERMISSION  
OF DIGITAL EQUIPMENT CORPORATION  
REVISED, COPYRIGHT  
DIGITAL EQUIPMENT CORPORATION 1987



BPOI

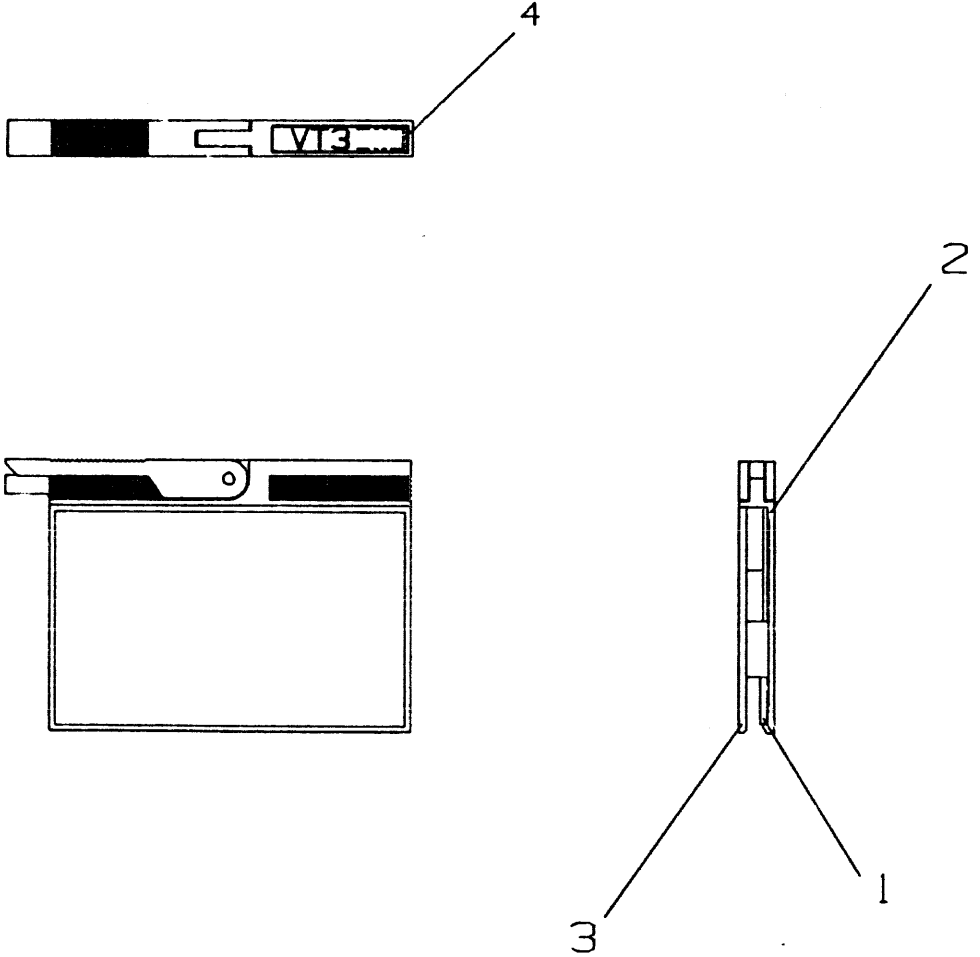


CAD  
7022623-0-DBU  
REV. A

THIS DRAWING AND SPECIFICATIONS HEREIN ARE THE PROPERTY OF DIGITAL EQUIPMENT CORPORATION AND SHALL NOT BE REPRODUCED OR COPIED OR USED IN WHOLE OR IN PART AS THE BASIS FOR THE MANUFACTURE OR SALE OF ITEMS WITHOUT WRITTEN PERMISSION.  
COPYRIGHT 1987 DIGITAL EQUIPMENT CORPORATION

LEGEND		
PART NO	REV.	DESCRIPTION
7022623-04	A01	AS SHOWN

NOTES:  
1. ASSEMBLING PROCEDURE:  
ATTACH ITEM 2 AND ITEM 3 USING  
CHLOROFORM TO DISSOLVE AT JOINT.



CAUTION : OFF SHEET PARTS LIST EXISTS.  
SEE K-PL-7022623-0-DBP  
(GH307A.PLS)

REVISION HISTORY		DATE
REV	ECO NUMBER	21-JAN
A	RELEASED	

DESCRIPTION	DRAWING NO.	PART NO.	ITEM NO.
UNLESS OTHERWISE SPECIFIED DIMENSIONS ARE IN INCHES AND THE FOLLOWING TOLERANCES APPLY (PER DEC STD 114)			
INCHES TOLERANCES	ANGLES TO-90°	APPLICABLE DIMENSION RANGE (CHECK SHEET)	DIMENSIONS RANGE IN INCHES
.XX ±.02 .XXX ±.005	±.1 ±.02 ±.005	<input type="checkbox"/>	OVER 0 TO .2 OVER .2 TO 1.2 OVER 1.2 TO 4.0 OVER 4.0 TO 12.0 OVER 12.0 TO 40.0 OVER 40.0 TO 80.0
QUANTITY & VARIATION	SURFACE QUALITY	<input type="checkbox"/>	±.02 ±.03 ±.05 ±.10
<input type="checkbox"/>	MICROINCHES	<input type="checkbox"/>	±.004 ±.008 ±.012 ±.016 ±.024 ±.04
THIRD ANGLE PROJECTION	DRW J.N. LIN	DATE 30-APR-86	TITLE digital
DO NOT SCALE DRAWING	CHK'D I. LIN	DATE 05-JAN-87	ROM CARTRIDGE
REMOVE BURRS AND BREAK SHARP CORNERS	DES ENO J. KUO	DATE 30-APR-88	
SUPPLEMENT -//-	RESP ENO O. LIN	DATE 05-JAN-87	
FINISH -//-	MFG ENO G. WU	DATE 23-JAN-87	DOCUMENT NUMBER
	TOP DOC. NO. C-AD-7022623-0-DBU	SCALE 1/1	SHEET OF

SIZE CODE C AD  
NUMBER 7022623-0-DBU  
REV. A

LINE	ITEM	TOP DOCUMENT	PART NUMBER	MIN REV	DESCRIPTION	04 A1	QUANTITY PER VARIATION/REVISION
1	1	B-DD-5416967-0-0	54-16967-02	A	VT330/VT340 ROM CARTRIDGE MODULE	1	
2	2	C-IA-7023975-0-DBU	70-23975-01	A	CARTRIDGE BOTTOM/HANDLE ASSY	1	
3	3	C-MD-7432558-0-DBU	74-32558-01	A	COVER, CARTRIDGE	1	
4	4		36-26789-04		LABEL,ROM CARTRIDGE VT330/340	1	

REVISION HISTORY		KPL MATRIX FORMAT		SECTION A OF A		DRN: J.N. LIN		D I G I T A L		
ENG	ECO NUMBER	REV	SECTION/VARIATION INDEX		DATE: 19-APR-86		TITLE PARTS LIST			
---	INITIAL	A	[A]	04	CHK'D: I. LIN		ROM CARTRIDGE			
			[B]		DATE: 18-DEC-86					
			[C]		DES.ENG: J. KUO		DOCUMENT NUMBER			
			[D]		DATE: 19-APR-86		SIZE	CODE	NUMBER	REV
			[E]		RESP.ENG.: O. LIN		K	PL	7022623-0-DBP	A
			[F]		DATE: 18-DEC-86		RELEASE DATE: 18-FEB-87			
			[H]		MFG.ENG: GORDON WU		RELEASE STATUS: RELEASED			
			[J]		DATE: 26-JAN-87					
BASIC PART NUMBER:		ASSEMBLY NUMBER:		TOP DOCUMENT NUMBER:		FILE NAME:		EDIT #		
7022623		C-AD-7022623-0-DBU		C-AD-7022623-0-DBU		GH307A.PLS		41		

"THIS DRAWING AND THE SPECIFICATIONS CONTAINED HEREIN ARE CONFIDENTIAL AND PROPRIETARY. THEY ARE THE PROPERTY OF DIGITAL EQUIPMENT CORPORATION AND SHALL NOT BE REPRODUCED OR COPIED OR USED IN WHOLE OR IN PART AS THE BASIS FOR THE MANUFACTURE OR SALE OF ITEMS WITHOUT WRITTEN PERMISSION. THIS IS AN UNPUBLISHED WORK PROTECTED UNDER THE FEDERAL COPYRIGHT LAWS."

DRAWING NO.	NO OF SHTS.	PART NO.	DESCRIPTION	REVISIONS																		
				REV	DATE	BY	REASON	REV	DATE	BY	REASON	REV	DATE	BY	REASON							
		54-16903-01	BITMAP MODULE	A1																		
D-UA-5416903-0-0	1		UNIT ASSY	A																		
B-CS-5416903-0-1	7		SCHEMATIC	A																		
K-PL-5416903-0-DBP	2		PARTS LIST	A																		
K-PC-5416903-0-DBV	1		P.C. DESIGN DATA BASE	A																		
K-CS-5416903-0-DBX	1		VALID DATA BASE	A																		
		50-16902-01	ETCH CIRCUIT BOARD	L1																		
B-DD-5016902-0-0	1		DRAWING DIRECTORY	A																		
NOTES:																						

THIS DRAWING AND THE SPECIFICATIONS CONTAINED HEREIN ARE CONFIDENTIAL AND PROPRIETARY. THEY ARE THE PROPERTY OF DIGITAL EQUIPMENT CORPORATION AND SHALL NOT BE REPRODUCED OR COPIED OR USED IN WHOLE OR IN PART AS THE BASIS FOR THE MANUFACTURE OR SALE OF ITEMS WITHOUT WRITTEN PERMISSION. THIS IS AN UNPUBLISHED WORK PROTECTED UNDER THE FEDERAL COPYRIGHT LAWS.

1987



DRN.	F. LIU	DATE	5-MAY-86
CHK'D	B. CHEN	DATE	5-MAY-86
DES. ENG.	H. C. HONG	DATE	5-MAY-86
RESP. ENG.	S. W. CHENG	DATE	5-MAY-86
MFG. ENG.	<i>Ray Chiu</i>	DATE	3 March 87

TITLE	DWG DIR, BITMAP MODULE		
DOCUMENT NUMBER	SIZE	CODE	NUMBER
	B	DD	5416903-0-0
REV.			A
SHEET	1	OF	1

DRB 126C  
EN-01242-16-REVA(3/86)

LINE	ITEM	TOP DOCUMENT	PART NUMBER	MIN REV	DESCRIPTION	QTY PER VAR/REV	REFERENCE DESIGNATORS
1	1	B-DD-5016902-0-0	50-16902-01	L	CIRCUIT DRILL AND ETCH BOARD	1	
2	2		10-00010-00	39	PFD 100V +/- 5% 200PP	1	C8
3	3		10-00020-00	180	PFD 100V +/- 5% 200PP	1	C10
4	4		10-01610-00		0.010MFD 50V +80/-20% Z5U C	29	C1,C4-C7,C9,C13,C15-C26,C31, CONT C32,C38-C43,C48,C49
5	5		10-02608-00	18	PFD 100V +/- 5% 200PP	1	C2
6	6		10-10274-00	0.22	MFD 50V +80/-20% Z5U C	1	C11
7	7		10-10279-01	0.47	MFD 25V +/-20% Z5U C	12	C27-C30,C33-C36,C44-C47
8	8		10-13466-23	22	PFD 50V +/- 5% NPO C	4	C12,C66-C68
9	9		10-13466-24	47	PFD 50V +/- 5% NPO C	1	C37
10	10		10-20446-11	470	MFD 6.3V +50/-10% ALU	1	C3
11	11		10-26289-01	0.02	MFD 50V+100/-25% Z5U C	3	C62-C64
12	12		10-26289-02	0.03	MFD 50V+100/-25% Z5U C	4	C57-C60
13	13		10-26289-03	0.03	MFD 50V+100/-25% Z5U C	1	C65
14	14		12-15006-07		SKT,IC 28PIN DIP TIN SOLD	1	XE19
15	15		12-15323-05		PCB HEADER 03PIN(1X03).100CC STR	1	J1
16	16		12-22063-05		SHIELD,EMI/RFI FINGERS	1	
17	17	SEE NOTE 1	12-26581-01		PCB HEADER 48PIN(3X16) 90D	1	J2
18	18		12-27817-01		PAD,FOAM,ACOUSTIC ADH BK POLYU	1	
19	19		12-27817-02		PAD,FOAM,ACOUSTIC ADH BK POLYU	1	
20	20		13-00197-00	33.0	.25 W 5.0 % CF	15	R6,R8-R10,R14-R17,R19,R21-R26
21	21		13-00202-00	47.0	.25 W 5.0 % CF	1	R2
22	22		13-00229-00	100.0	.25 W 5.0 % CF	7	R3-R5,R11,R18,R20,R27
23	23		13-00365-00	1.0	K .25 W 5.0 % CF	1	R13
24	24		13-00447-00	4.70	K .25 W 5.0 % CF	2	R7,R12
25	25		16-18238-02		BEAD,FERRITE .1380DX.330LG	6	L1,L3,L4,L6-L8
26	26		18-11660-75		OSCILLATOR,XTAL 32.3174 MHZ	1	Y1
27	27		19-10545-00		74S112 FF-JK DUAL,EDGE TRIG	1	E12
28	28		19-12096-00		DEC 74S86 XOR GATE,QUAD 2IN	1	E13
29	29		19-14214-00		LS374 FF-D OCTAL EDGE TRIG	1	E7
30	30		19-15219-00		LS373 FF-D OCTAL-TRANSPARE	1	E17
31	31		19-21010-01		74F373 OCTAL TRANSPARENT LA	4	E25,E26,E33,E34

REVISION HISTORY		KPL MODULE FORMAT		SECTION A OF A		DRN: F. LIU		D I G I T A L			
ENG	ECO NUMBER	REV	SECTION/VARIATION INDEX		DATE: 05-MAY-86		TITLE PARTS LIST				
---	INITIAL	A	[A]	01	[M]	CHK'D: B. CHEN		BITMAP MODULE			
			[B]		[N]	DATE: 05-MAY-86					
			[C]		[P]	DES.ENG: HC HONG					
			[D]		[Q]	DATE: 05-MAY-86		DOCUMENT NUMBER			
			[E]		[R]	RESP.ENG.: SW CHENG		SIZE	CODE	NUMBER	REV
			[F]		[S]	DATE: 05-MAY-86		K	PL	5416903-0-DBP	A
			[H]		[T]	MFG.ENG: G. CHRISTIANSEN		RELEASE DATE: 04-MAR-87			
			[J]		[V]	DATE: 25-FEB-87		RELEASE STATUS: RELEASED			
			[K]		[W]			BASIC PART NUMBER:		ASSEMBLY NUMBER:	
			[L]		[Y]			5416903		!D-UA-5416903-0-0	
								TOP DOCUMENT NUMBER:		FILE NAME:	
								!B-DD-5416903-0-0		!GH431A.PLS	
										EDIT #	
										40	

"THIS DRAWING AND THE SPECIFICATIONS CONTAINED HEREIN ARE CONFIDENTIAL AND PROPRIETARY. THEY ARE THE PROPERTY OF DIGITAL EQUIPMENT CORPORATION AND SHALL NOT BE REPRODUCED OR COPIED OR USED IN WHOLE OR IN PART AS THE BASIS FOR THE MANUFACTURE OR SALE OF ITEMS WITHOUT WRITTEN PERMISSION. THIS IS AN UNPUBLISHED WORK PROTECTED UNDER THE FEDERAL COPYRIGHT LAWS."

LINE	ITEM	TOP DOCUMENT	PART NUMBER	MIN REV	DESCRIPTION	QTY PER VAR/REV	REFERENCE DESIGNATORS
32	32		19-21308-01		74F08 AND GATE, QUAD, 2-IN	1	E6
33	33		19-21312-01		74F32 OR GATE, QUAD, 2-IN	2	E31, E39
34	34		19-21323-01		74F174 FF-D, HEX	4	E2, E5, E9, E10
35	35		19-21324-01		74F175 FF-D, QUAD	1	E8
36	36		19-21327-01		74F194 SHIFT REG, UNIV, BIDIR	2	E3, E4
37	37		19-21329-01		74F253 MUX, DUAL, 4-IN	1	E1
38	38		19-23441-02		74ALS374 FLIP-FLOP, EDGE TRIGG	1	E15
39	39		19-26323-01		74ALS00 ADV LO-PWR SCHOTTKY,	1	E16
40	40		21-21552-05	DC	322 VIPER, 68CRQD GULLWIN	2	E24, E32
41	41		21-21553-02	DC	323-CA ADDER II ZMOS	1	E14
42	42		21-24412-02		RAM, 64KX4, DYNAMIC 15	12	E20-E23, E27-E30, E35-E38
43	43		21-25643-01		DC7051 TIMING GENERATOR + C	1	E11
44	44		23-236E6-00	E6-02	UV	1	E19
45	45		23-336J5-00	J5-03	PAL OCTAL AND	1	E18
46	46	D-MD-7434526-0-DBU	74-34526-01		BASE, SHIELD	1	
47	47	D-MD-7434661-0-DBU	74-34661-01		COVER, SHIELD	1	U3
48	48	C-MD-7434861-0-DBU	74-34861-02		CLIP, GROUNDING	2	
49	49		90-09185-00		JUMPER, WIRE, INSULATED, BLACK B	1	W2
50	50		90-10798-01		STANDOFF, SNAP TOP	1	

1 GEN: ITEM 17 12-26581-01 CAN BE SUBSTITUTED BY 12-26581-02 48 PIN RECEPTACLE.

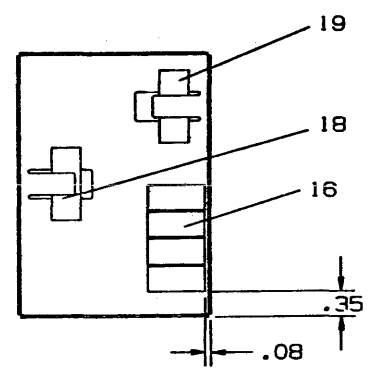
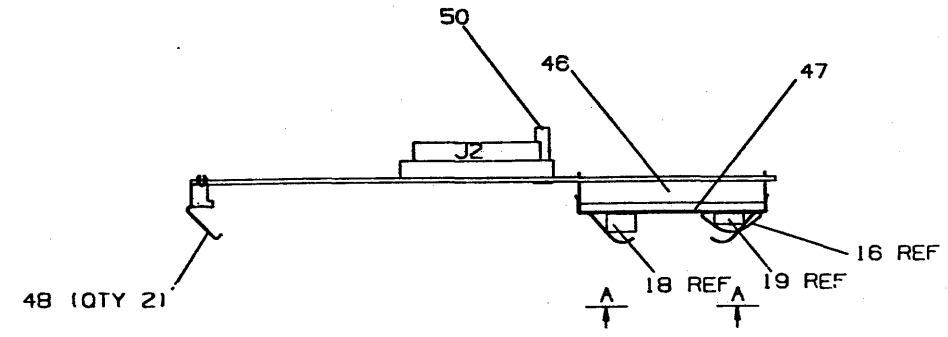
D	I	G	I	T	A	L	TITLE	SECTION A	OF A	SIZE	CODE	DOCUMENT NUMBER	REV
							BITMAP MODULE			K	PL	5416903-0-DBP	A

THIS DRAWING AND THE SPECIFICATIONS CONTAINED HEREIN ARE CONFIDENTIAL AND PROPRIETARY. THEY ARE THE PROPERTY OF DIGITAL EQUIPMENT CORPORATION AND SHALL NOT BE REPRODUCED OR TRANSMITTED IN ANY FORM OR BY ANY MEANS, ELECTRONIC OR MECHANICAL, INCLUDING PHOTOCOPYING, RECORDING, OR BY ANY INFORMATION STORAGE AND RETRIEVAL SYSTEM, WITHOUT THE WRITTEN PERMISSION OF DIGITAL EQUIPMENT CORPORATION.

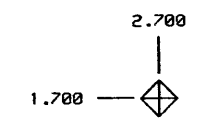
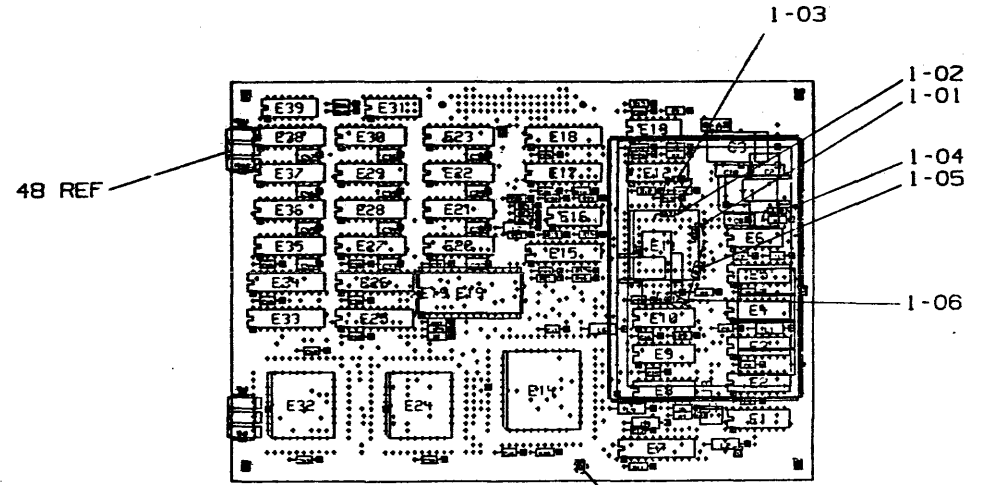
- NOTES:
1. L2, R1 & W1 ARE NOT INSERTED.
  2. C62, C63 & C64 ARE MOUNTED BENEATH E6, E31 & E39. C57, C58, C59 & C60 ARE MOUNTED BENEATH E2, E5, E9 & E10. C65 IS MOUNTED BENEATH E15.

REWORK INSTRUCTIONS:

- COMPONENTS ADD SIDE ONE (AS SHOWN).
- 1-01. ADDS C66 PN 10-13466-23  
C66 PIN 1 TO E11 PIN 38  
C66 PIN 2 TO E11 PIN 35.
  - 1-02. ADDS C67 PN 10-13466-23  
C67 PIN 1 TO E11 PIN 54  
C67 PIN 2 TO C13 PIN 1.
  - 1-03. ADDS C68 PN 10-13466-23  
C68 PIN 1 TO E11 PIN 53  
C68 PIN 2 TO C13 PIN 1.
  - 1-04. ADDS L8 PN 16-18238-02  
L8 PIN 1 TO THE LOCATION OF R1 PIN 1  
L8 PIN 2 TO THE LOCATION OF R1 PIN 2.
- COMPONENT RELOCATED SIDE ONE (AS SHOWN).
- 1-05. CONNECT R2 PIN 1 TO E11 PIN 36 (LIFT R2 PIN 1)  
SURROUND R2 PIN 2 WITH TUBING PN 91-07256-11.
  - 1-06. CONNECT C12 PIN 1 TO E10 PIN 9 (LIFT C12 PIN 1).
- CUT ETCH REFER D-EC-5016902-0-0.



VIEW "A-A"



H-MASTER-REF.

CHK	DRAWN BY	ENGINEER	CHANGE NO	DATE	REV	CHK	DRAWN BY	ENGINEER	CHANGE NO	DATE	REV
			RELEASED FEB-87		A						

NOTES 50/PART REV 1.1

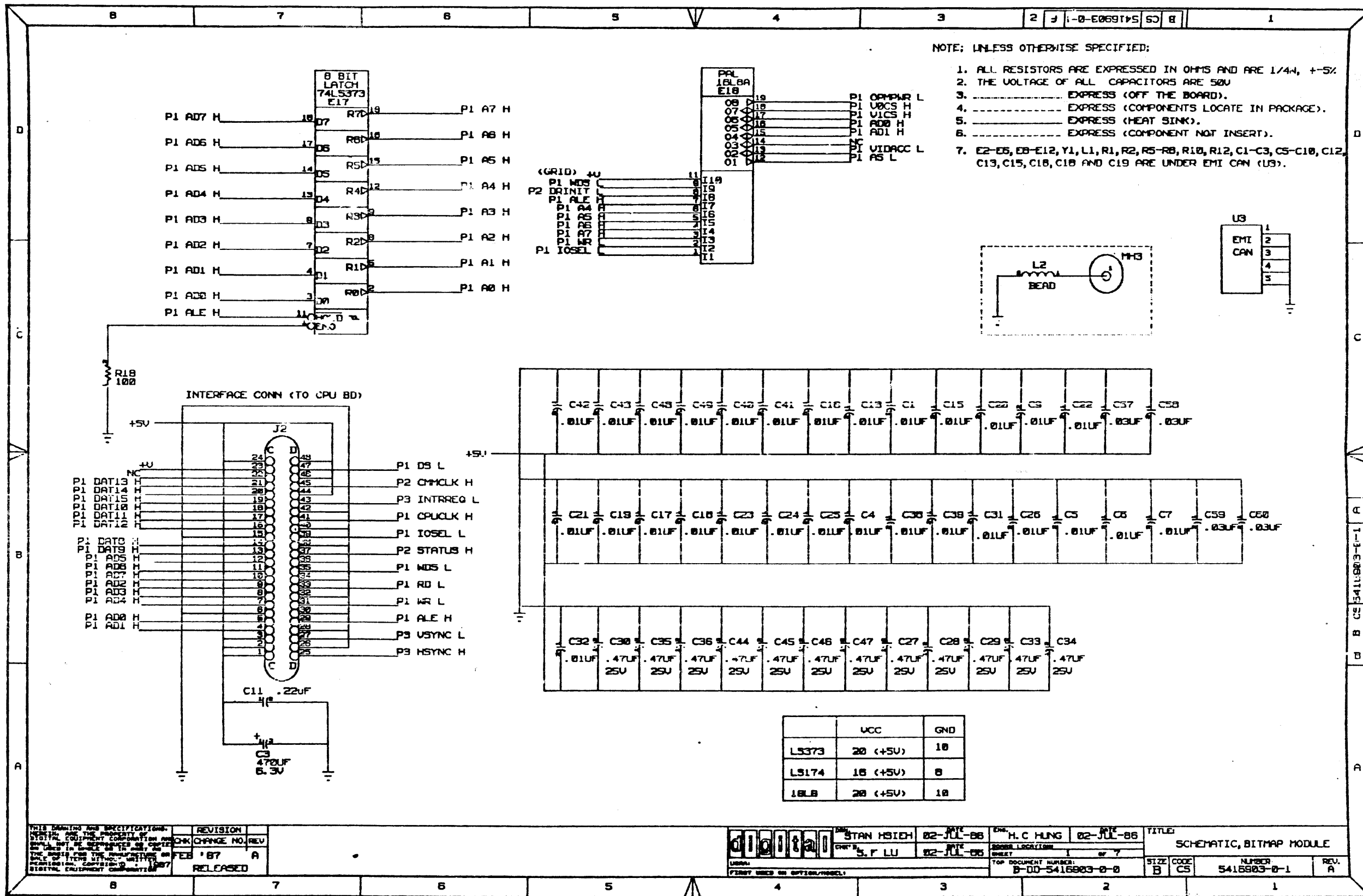
STEP #	↑ Y AXIS	STEP	TIMES
REPEAT	→ X AXIS	STEP	TIMES

SIGNATURES		DATE
DRAWN	C. H. YU	8-MAY-88
CHECKED	B. CHEN	8-MAY-88
MECH ENG	O. LIN	8-MAY-88
PROJ ENG	S. W. CHENG	8-MAY-88
PROD		

SCALE 1/1  
SHEET 1 OF 1  
TOP DOC NO B-00-5416903-0-0

digital		
TITLE UNIT ASSY, BITMAP MODULE		
SIZE	CODE	NUMBER
D	'JA	5416903-0-0
REV	A	

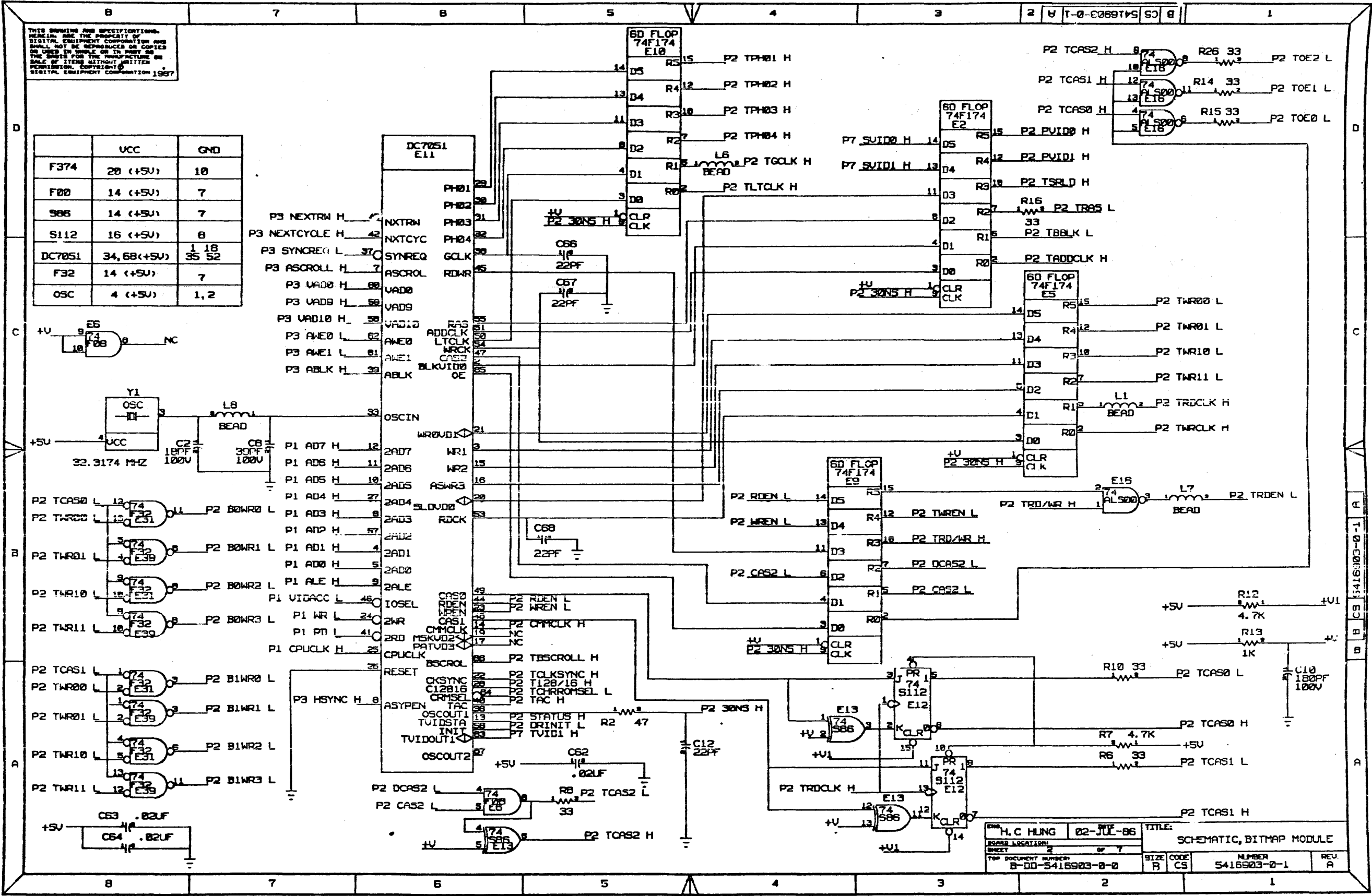
1 WO# EP-1



BPO1

THIS DRAWING AND SPECIFICATIONS, INCLUDING THE PROPERTY OF DIGITAL EQUIPMENT CORPORATION AND SHALL NOT BE REPRODUCED OR COPIED OR USED IN WHOLE OR IN PART OR THE PARTS THEREOF FOR THE MANUFACTURE OR SALE OF ITEMS WITHOUT WRITTEN PERMISSION, COPYRIGHT © DIGITAL EQUIPMENT CORPORATION 1987

	UCC	GND
F374	20 (+5V)	10
F00	14 (+5V)	7
S86	14 (+5V)	7
S112	16 (+5V)	8
DC7051	34, 68 (+5V)	1, 18, 35, 52
F32	14 (+5V)	7
OSC	4 (+5V)	1, 2

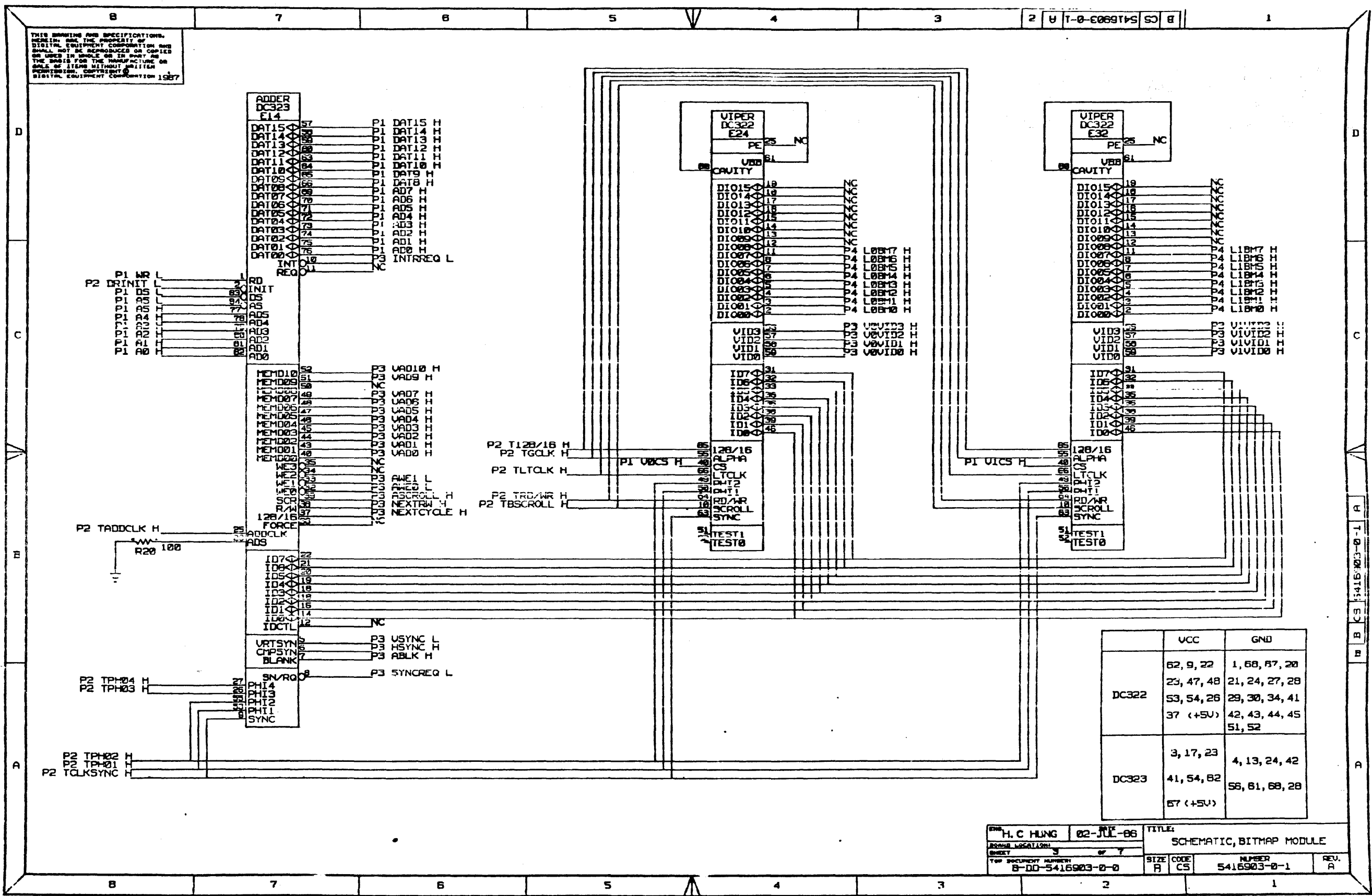


DESIGN	H. C HUNG	DATE	02-JUL-86	TITLE	SCHEMATIC, BITMAP MODULE		
BOARD LOCATION				SIZE	CODE	NUMBER	REV.
DRAWN				B	CS	5416903-0-1	A
TOP DOCUMENT NUMBER	B-DD-5416903-0-0						

BPO



THIS DRAWING AND SPECIFICATIONS, HEREIN, ARE THE PROPERTY OF DIGITAL EQUIPMENT CORPORATION AND SHALL NOT BE REPRODUCED OR COPIED OR USED IN WHOLE OR IN PART AS THE BASIS FOR THE MANUFACTURE OR SALE OF ITEMS WITHOUT WRITTEN PERMISSION. COPYRIGHT © DIGITAL EQUIPMENT CORPORATION 1987



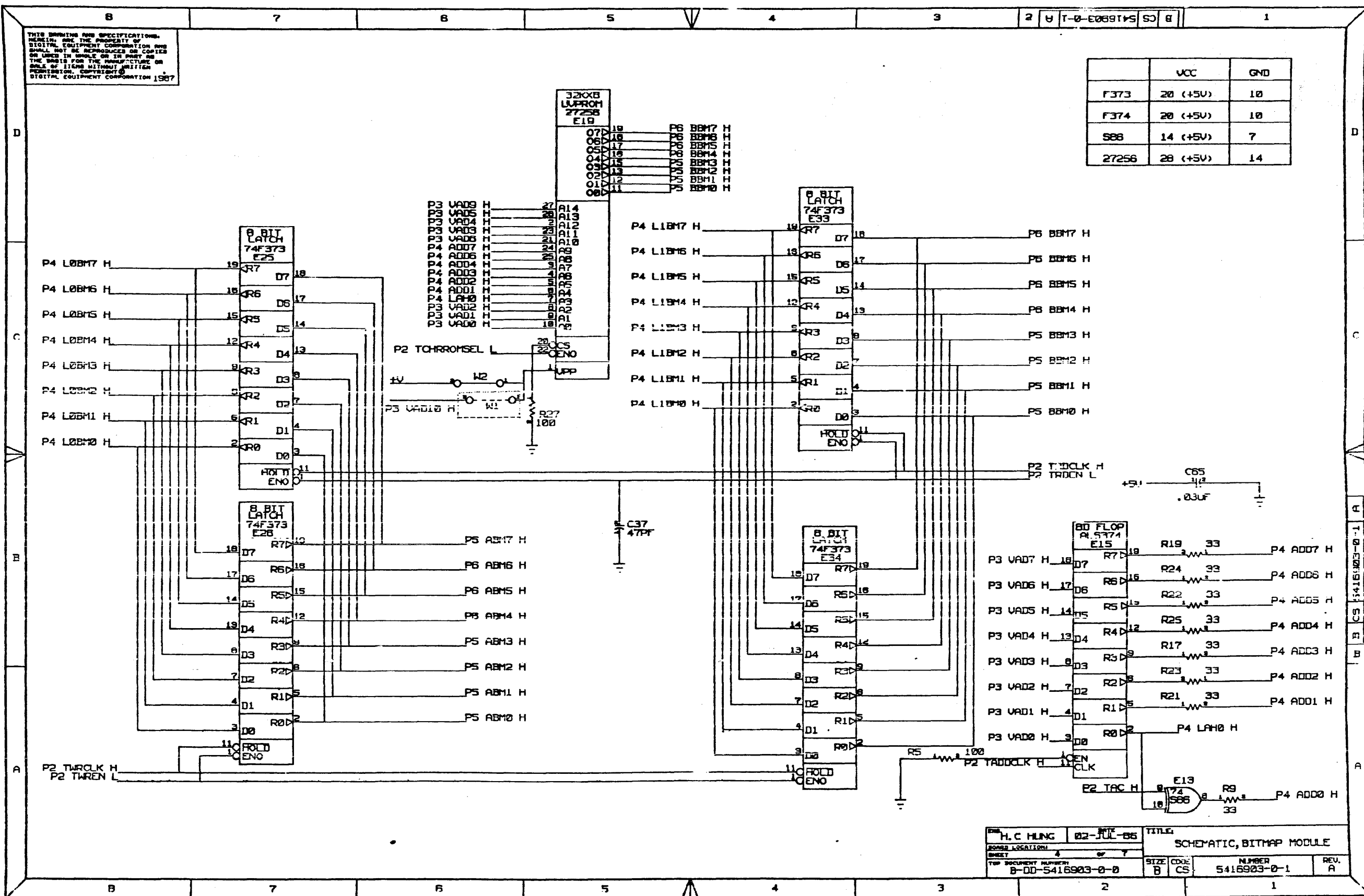
	VCC	GND
DC322	62, 9, 22	1, 68, 87, 20
	23, 47, 48	21, 24, 27, 28
	53, 54, 26	29, 30, 34, 41
	37 (+5V)	42, 43, 44, 45 51, 52
DC323	3, 17, 23	4, 13, 24, 42
	41, 54, 62	55, 61, 68, 28
	67 (+5V)	

DESIGNER: H. C. HUNG	DATE: 02-JUL-86	TITLE: SCHEMATIC, BITMAP MODULE
APPROVAL: [Signature]	SIZE: A	CODE: CS
TOP DOCUMENT NUMBER: B-DD-5416903-0-0	NUMBER: 5416903-0-1	REV. A

BPOI

THIS DRAWING AND SPECIFICATIONS HEREIN ARE THE PROPERTY OF DIGITAL EQUIPMENT CORPORATION AND SHALL NOT BE REPRODUCED OR COPIED OR USED IN WHOLE OR IN PART OR THE BASIS FOR THE MANUFACTURE OR SALE OF ITEMS WITHOUT WRITTEN PERMISSION. COPYRIGHT © DIGITAL EQUIPMENT CORPORATION 1987

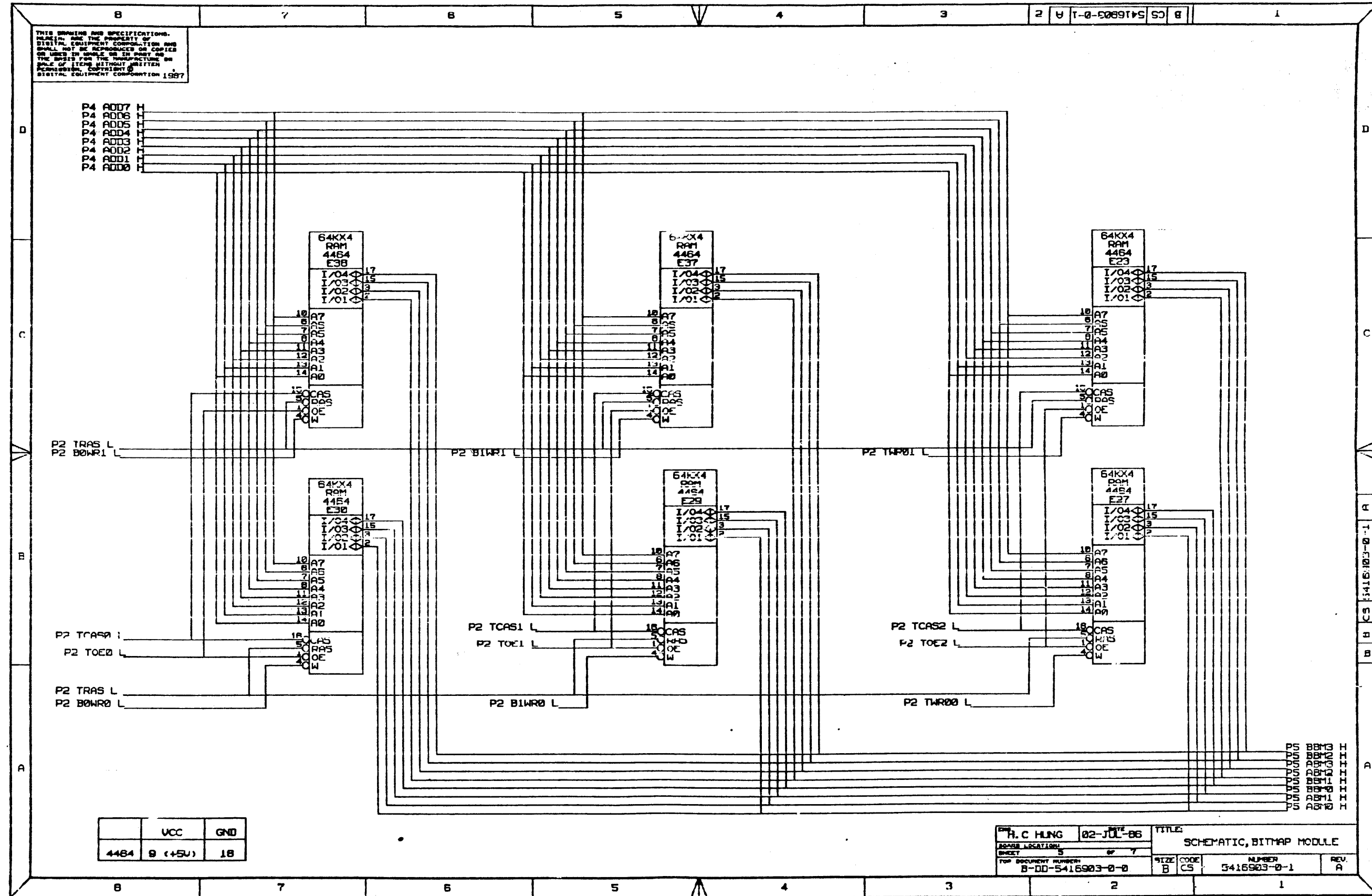
	VCC	GND
F373	20 (+5V)	10
F374	20 (+5V)	10
S88	14 (+5V)	7
27256	28 (+5V)	14



DESIGNER	H. C. HUNG	DATE	02-JUL-85	TITLE	SCHEMATIC, BITMAP MODULE		
WORKS LOCATION	A			SIZE	B	CODE	CS
TOP DOCUMENT NUMBER	B-DD-5416903-0-0			NUMBER	5416903-0-1		REV.
							A

BPC1

THIS DRAWING AND SPECIFICATIONS ARE THE PROPERTY OF DIGITAL EQUIPMENT CORPORATION AND SHALL NOT BE REPRODUCED OR COPIED OR USED IN WHOLE OR IN PART AS THE BASIS FOR THE MANUFACTURE OR SALE OF ITEMS WITHOUT WRITTEN PERMISSION. COPYRIGHT © DIGITAL EQUIPMENT CORPORATION 1987

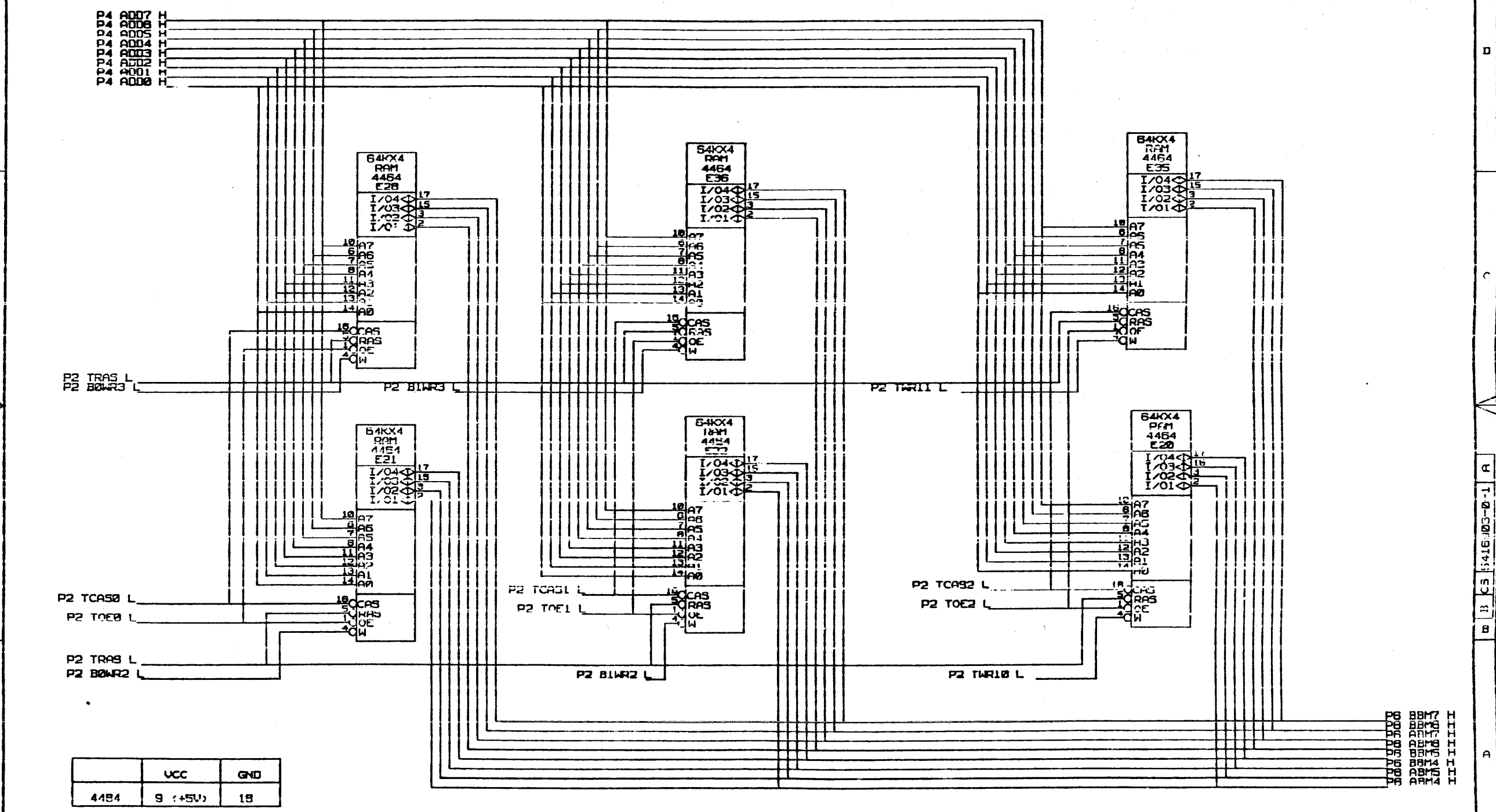


	UCC	GND
4464	9 (+5V)	18

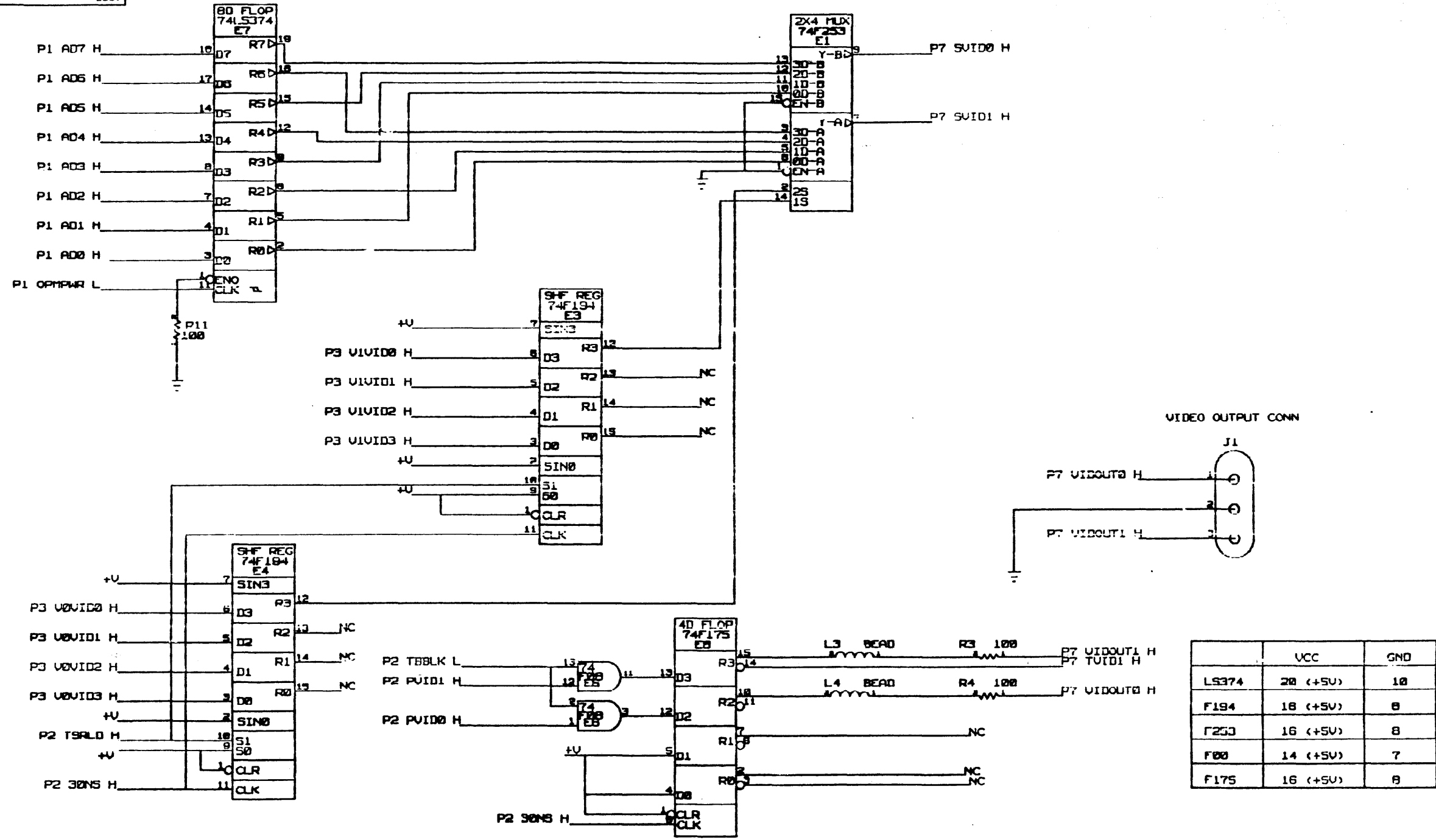
DESIGNER	H. C HUNG	DATE	02-JUL-86	TITLE	SCHEMATIC, BITMAP MODULE		
BOARD LOCATION	5			SIZE	B	CODE	CS
SHEET	5			NUMBER	5416903-0-1		
TOP DOCUMENT NUMBER	B-DD-5416903-0-0			REV	A		

BPOI

THIS DRAWING AND SPECIFICATIONS  
HEREIN ARE THE PROPERTY OF  
DIGITAL EQUIPMENT CORPORATION AND  
SHALL NOT BE REPRODUCED OR COPIED  
OR USED IN ANY MANNER OR IN ANY  
THE BASIS FOR THE MANUFACTURE OR  
SALE OF ITEMS WITHOUT WRITTEN  
PERMISSION. COPYRIGHT  
DIGITAL EQUIPMENT CORPORATION 1987



THIS DRAWING AND SPECIFICATIONS  
 HEREBY ARE THE PROPERTY OF  
 DIGITAL EQUIPMENT CORPORATION AND  
 SHALL NOT BE REPRODUCED OR COPIED  
 IN ANY MANNER OR BY ANY MEANS  
 WITHOUT THE WRITTEN PERMISSION OF  
 DIGITAL EQUIPMENT CORPORATION 1987



	UCC	GND
LS374	20 (+5V)	10
F194	18 (+5V)	8
F253	16 (+5V)	8
F00	14 (+5V)	7
F175	16 (+5V)	8

DESIGNED BY: H. C HUNG    DATE: 02-JUL-88    TITLE: SCHEMATIC, BITMAP MODULE  
 CHECKED BY: \_\_\_\_\_  
 TSP DOCUMENT NUMBER: B-D0-5416903-0-0    SIZE: B    CODE: CS    NUMBER: 5416903-0-1    REV: A

BPOI

B DD B  
 REV CODE SIZE  
 0-0-2089 S  
 NUMBER 5416907-0-0

DRAWING NO.	NO. OF SHTS.	PART NO.	DESCRIPTION	REVISIONS															
				A1	B1														
		54-16907-01	VIDEO AMPLIFIER MODULE																
D-UA-5416907-0-0	1		UNIT ASSY	A	B														
B-CS-5416907-0-1	1		SCHEMATIC	A	A														
K-PL-5416907-0-DBP	2		PARTS LIST	A	B														
K-PC-5416907-0-DBV	1		P.C. DESIGN DATA BASE	A	A														
K-CS-5416907-0-DBX	1		VALID DATA BASE	A	A														
		50-16906-01	ETCH CIRCUIT BOARD	J1	J1														
B-DD-5016906-0-0	1		DRAWING DIRECTORY	A	A														

**NOTES:**

REVISION HISTORY		DATE	ECO NO.	REV.
		FEB '87	RELEASED	A
		10/87	MLOO1	B

THIS DRAWING AND THE SPECIFICATIONS CONTAINED HEREIN ARE CONFIDENTIAL AND PROPRIETARY. THEY ARE THE PROPERTY OF DIGITAL EQUIPMENT CORPORATION AND SHALL NOT BE REPRODUCED OR COPIED OR USED IN WHOLE OR IN PART AS THE BASIS FOR THE MANUFACTURE OR SALE OF ITEMS WITHOUT WRITTEN PERMISSION. THIS IS AN UNPUBLISHED WORK PROTECTED UNDER THE FEDERAL COPYRIGHT LAWS.



1987

DRN.	F. LIU	DATE	5-MAY-88
CHK'D	B. CHEN	DATE	5-MAY-88
DES. ENG.	K. WU	DATE	5-MAY-88
RESP. ENG.	J. B. LOU	DATE	5-MAY-88
MFG. ENG.	<i>[Signature]</i>	DATE	3 March 87

TITLE			
DWG DIR, VIDEO AMPLIFIER MODULE			
DOCUMENT NUMBER			
SIZE	CODE	NUMBER	REV
B	DD	5416907-0-0	R
SHEET		1	OF 1

AUTOMATED BY VAXKPL (V1.3)

PARTS LIST

SHEET A1 OF A2

LINE	ITEM	TOP DOCUMENT	PART NUMBER	MIN REV	DESCRIPTION	QTY	PER VAR/REV	REFERENCE DESIGNATORS
						01		
						B1		
1	1	B-DD-5016906-0-0	50-16906-01	J	CIRCUIT DRILL AND ETCH BOARD	1		
2	2		10-00020-00		180 PFD 100V +/- 5% 200PP	1		C311
3	3		10-13466-22		0.10 MFD 50V +80/-20% Z5U C	4		C301,C303,C304,C306
4	4		10-16544-00		0.10 MFD 100V +/-10% MYLAR	1		C309
5	5		10-16557-00		470 MFD 16V +50/-20% ALU	1		C305
6	6		10-16570-00		1000 PFD 500V +80/-20% X5S/Z	1		C313
7	7		10-18000-34		100 MFD 100V +50/-20% ALU	1		C310
8	8		10-23486-02		10 MFD 16V +/-20% ALU	1		C302
9	9		10-27628-01		0.047MFD 1000V +80/-20% Z5V	2		C315,C316
10	10		11-20828-01		PIV=1000 IO= 1.50A	1		D301
11	11		11-21581-01		PIV=1500 IO= 60MA	1		D303
12	12		11-27611-01		DIA SURGE ABSORBER 300V +/-15%	1		D314
13	13		12-15323-05		PCB HEADER 03PIN(1X03).100CC STR	1		J303
14	14		12-15323-08		PCB HEADER 16PIN(1X16).100CC STR	1		J301
15	15		12-27032-01		SKT,CRT 07POS W/SPARKGAP	1		J103
16	16		13-00229-00		100.0 .25 W 5.0 % CF	1		R300
17	17		13-00271-00		220.0 .25 W 5.0 % CF	7		R304-R307,R310,R311,R333
18	18		13-00274-00		220.0 .50 W 5.0 % CF	1		R312
19	19		13-00296-00		330.0 .50 W 5.0 % CF	1		R328
20	20		13-00309-00		390.0 .25 W 5.0 % CF	2		R320,R321
21	21		13-00365-00		1.0 K .25 W 5.0 % CF	4		R322,R323,R331,R332
22	22		13-00426-00		2.70 K .25 W 5.0 % CF	1		R309
23	23		13-01317-00		10.0 .25 W 5.0 % CF	1		R317
24	24		13-01424-00		680.0 .25 W 5.0 % CF	3		R308,R316,R324
25	25		13-01775-00		820.0 .25 W 5.0 % CF	1		R334
26	26		13-01785-00		22.0 K .50 W 5.0 % CF	2		R313,R314
27	27		13-02177-00		47.0 K .25 W 5.0 % CF	1		R330
28	28		13-02957-00		121.0 .25 W 1.0 % RN55D-F10	1		R302
29	29		13-10881-01		330.0 .25 W 1.0 % MF FUS	1		R301
30	30		13-12930-00		5.10 K .25 W 5.0 % CF	1		R319
31	31		13-16839-00		715.0 .25 W 1.0 % RN55D-F10	1		R326
32	32		13-27013-07		390.0 5.0 W 5.0 % M.OXIDE	1		R315

REVISION HISTORY			KPL MODULE FORMAT		SECTION A OF A		DRN: F. LIN		DIGIT A L			
ENG	ECO NUMBER	REV	SECTION/VARIATION INDEX		DATE: 05-MAY-86		CHK'D: B. CHEN		TITLE PARTS LIST			
	INITIAL	A	[A]	01	[M]	DATE: 05-MAY-86		VIDEO AMPLIFIER MODULE				
BB	5416907-ML001	B	[B]		[N]	DES.ENG: K. WU		DOCUMENT NUMBER				
			[C]		[P]	DATE: 05-MAY-86		SIZE	CODE	NUMBER	REV	
			[D]		[Q]	RESP.ENG.: JB LOU		K	PL	5416907-0-DBP	B	
			[E]		[R]	DATE: 05-MAY-86		RELEASE DATE: 26-OCT-87				
			[F]		[S]	MFG.ENG: G. CHRISTIANSEN		RELEASE STATUS: RELEASED				
			[H]		[T]	DATE: 25-FEB-87						
			[J]		[V]							
			[K]		[W]							
			[L]		[Y]							
BASIC PART NUMBER:			ASSEMBLY NUMBER:		TOP DOCUMENT NUMBER:		FILE NAME:		EDIT #			
5416907			D-UA-5416907-0-0		B-DD-5416907-0-0		GH433B.PLS		2			

"THIS DRAWING AND THE SPECIFICATIONS CONTAINED HEREIN ARE CONFIDENTIAL AND PROPRIETARY. THEY ARE THE PROPERTY OF DIGITAL EQUIPMENT CORPORATION AND SHALL NOT BE REPRODUCED OR COPIED OR USED IN WHOLE OR IN PART AS THE BASIS FOR THE MANUFACTURE OR SALE OF ITEMS WITHOUT WRITTEN PERMISSION. THIS IS AN UNPUBLISHED WORK PROTECTED UNDER THE FEDERAL COPYRIGHT LAWS."

AUTOMATED BY VAXKPL (V1.3)

PARTS LIST

SHEET A2 OF A2

LINE ITEM	TOP DOCUMENT	PART NUMBER	MIN REV	DESCRIPTION	QTY PER VAR/REV	REFERENCE DESIGNATORS
33	33	15-19535-01		D40D7 NPN 50MH 60V 1A	1	Q300
34	34	15-21002-01		2N 2369A NPN 200MA 15V TO-18	7	Q301-Q307
35	35	16-13898-02		39.0 UH INDUCTOR	2	L304,L305
36	36 B-IA-7023276-0-DBU	16-18238-02		BEAD,FERRITE .1380DX.330LG	4	L301,L302,L306,L307
37	37 B-IA-7023276-0-DBU	70-23276-02		GROUNDING WIRE	1	P301
38	38 B-IA-7023276-0-DBU	70-23276-03		*** THIS ITEM IS NOT USED ***	-	
39	49 B-IA-7024554-0-DBU	70-24554-01 A		GROUNDING WIRE	1	P302

D	I	G	I	T	A	L	TITLE	SECTION A OF A	SIZE	CODE	DOCUMENT NUMBER	REV
							VIDEO AMPLIFIER MODULE		K	PL	5416907-0-DBP	P

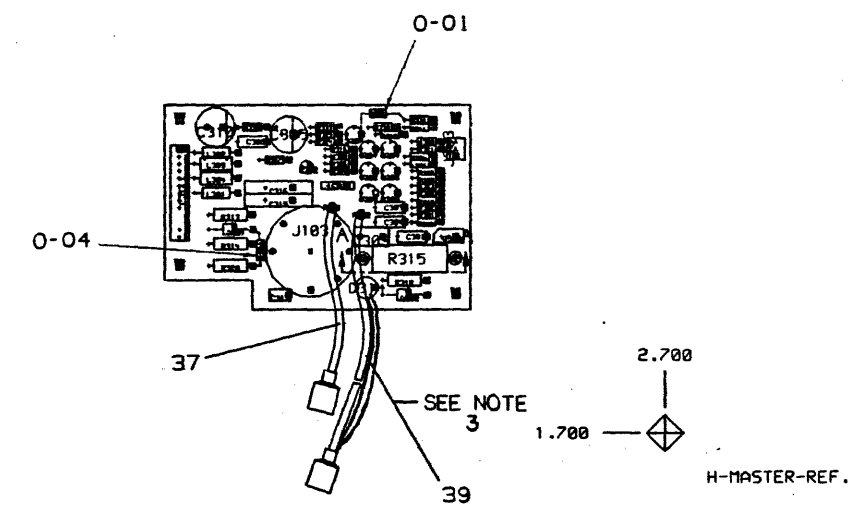
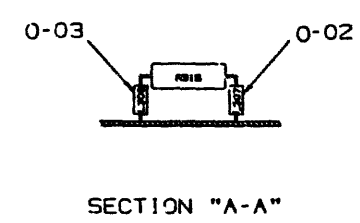


THIS DRAWING AND THE INFORMATION CONTAINED HEREIN ARE CONFIDENTIAL AND PROPRIETARY. ANY DISCLOSURE, REPRODUCTION, OR TRANSMISSION OF THIS INFORMATION IS STRICTLY PROHIBITED. THIS INFORMATION IS UNCLASSIFIED AND CONTROLLED UNDER E.O. 13526, DATE 12/08/2001, BY 60322 UCBAW/SAB/STP/STP. CONTROL NO. 5416907-0-0

- NOTES:
1. R325 & D302 ARE NOT INSERTED.
  2. THIS BOARD MUST MEET SAFETY REQUIREMENT FOR HPWR.
  3. INSERT BOTH ENDS OF ITEM 39 INTO P302 THEN SOLDER BOARD.

REWORK INSTRUCTIONS:

- COMPONENT ADDS SIDE ONE (AS SHOWN).
- 0-01. ADD R334 PN ~~13-01775-00~~ 13-01775-00  
R334 PIN 1 TO R331 PIN 2  
R334 PIN 2 TO Q307 PIN 1.
  - 0-02. ADD L307 PN 16-18238-02  
L307 PIN 1 TO R315 PIN 1 HOLE  
L307 PIN 2 TO R315 PIN 1 (LIFT R315 PIN 1).
  - 0-03. ADD L306 PN 16-18238-02  
L306 PIN 1 TO R315 PIN 2 HOLE  
L306 PIN 2 TO R315 PIN 2 (LIFT R315 PIN 2).
  - 0-04. ADD D303 PN 11-21591-01  
D303 PIN 1 TO D301 PIN 1  
D303 PIN 2 TO R328 PIN 1.



CHK	DRAWN BY	ENGINEER	CHANGE NO	DATE	REV
			RELEASED	REV-87/A	
			ML001	RC/87/B	

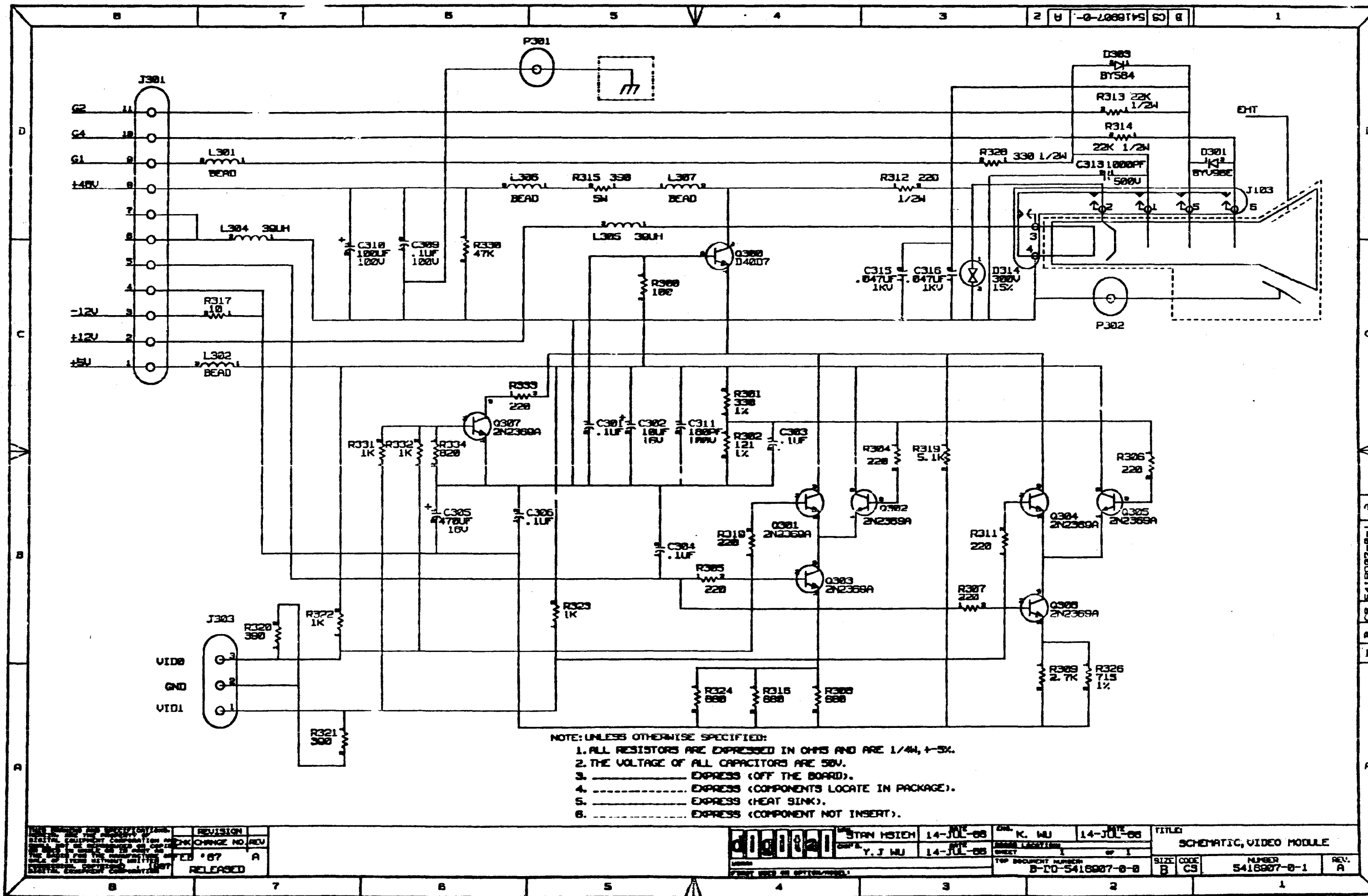
CHK	DRAWN BY	ENGINEER	CHANGE NO	DATE	REV

NOTES 50/PART REV: J1

STEP	↑ Y AXIS	STEP	TIMES
REPEAT	→ X AXIS	STEP	TIMES


SIGNATURES		DATE
DRAWN	C. K. LIAO	8-19-88
CHECKED	B. CHEN	8-19-88
MECH ENG	O. LIN	8-19-88
PROJ ENG	J. B. LOU	8-19-88
SCALE 0 1/1		
SHEET 1 OF 1		
TOP DOC NO	B-00-5416907-0-0	

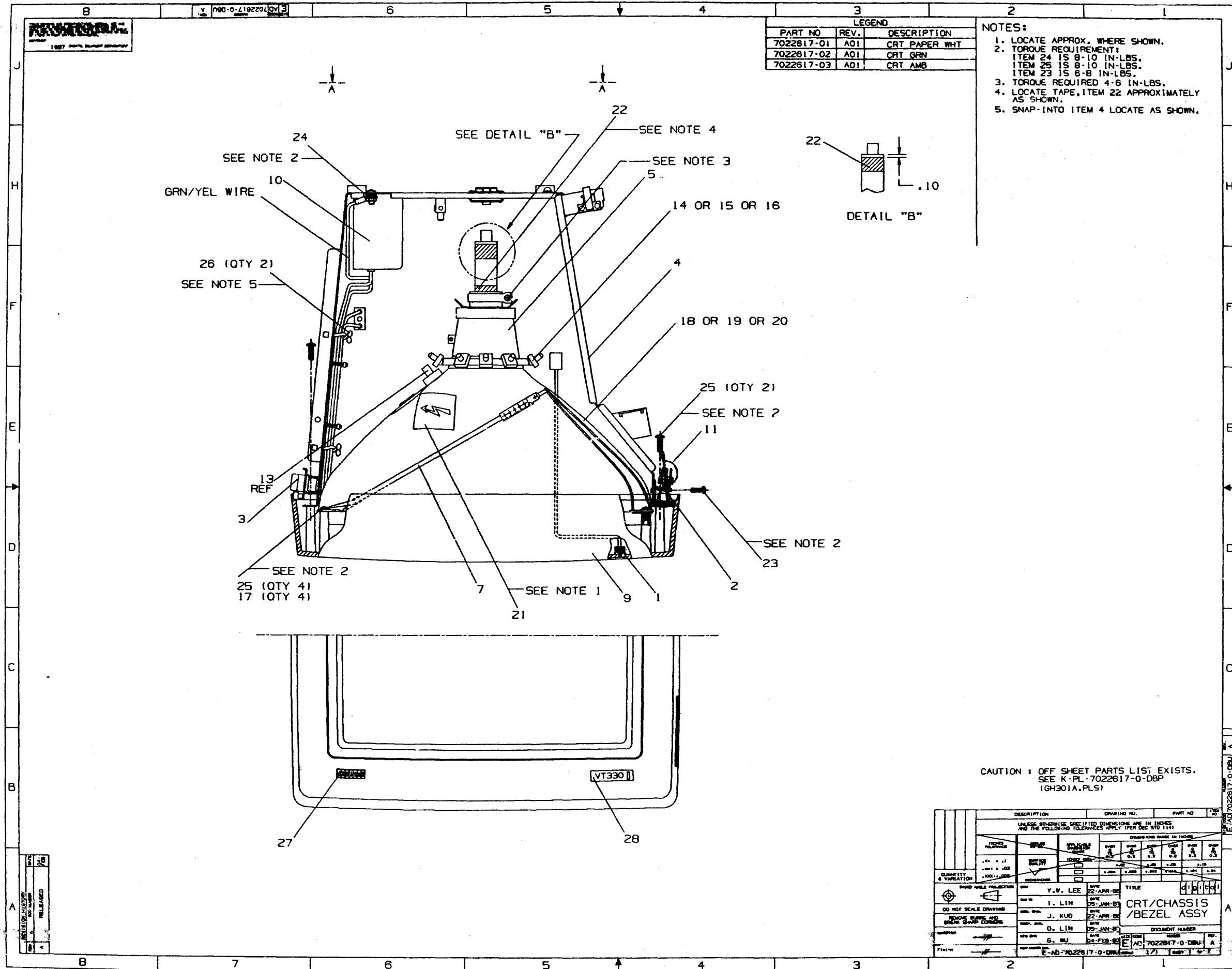
digital		
TITLE	UNIT ASSY, VIDEO AMPLIFIER MODULE	
SIZE	CODE	NUMBER
D	UA	5416907-0-0
REV	R	



REVISION	NO	REV
1	7	A
RELEASED		

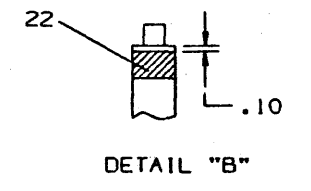
DESIGNED BY	STAN HSICH	DATE	14-JUL-68	CHKD BY	K. WU	DATE	14-JUL-68	TITLE	SCHEMATIC, VIDEO MODULE
DRAWN BY	Y. J. WU	DATE	14-JUL-68	APPROVED BY		DATE		TOP DOCUMENT NUMBER	B-CO-5416907-8-8
SIZE	B	CODE	CS	NUMBER	5416907-8-1	REV.	A		

BPOI



LEGEND		
PART NO	REV.	DESCRIPTION
7022617-01	A01	CRT PAPER WHT
7022617-02	A01	CRT GRN
7022617-03	A01	CRT AMB

- NOTES:
1. LOCATE APPROX. WHERE SHOWN.
  2. TORQUE REQUIREMENT:  
ITEM 24 IS 8-10 IN-LBS.  
ITEM 25 IS 8-10 IN-LBS.  
ITEM 23 IS 6-8 IN-LBS.
  3. TORQUE REQUIRED 4-6 IN-LBS.
  4. LOCATE TAPE, ITEM 22 APPROXIMATELY AS SHOWN.
  5. SNAP-INTO ITEM 4 LOCATE AS SHOWN.



CAUTION : OFF SHEET PARTS LIST EXISTS.  
SEE K-PL-7022617-0-DBP  
(GH301A,PLS)

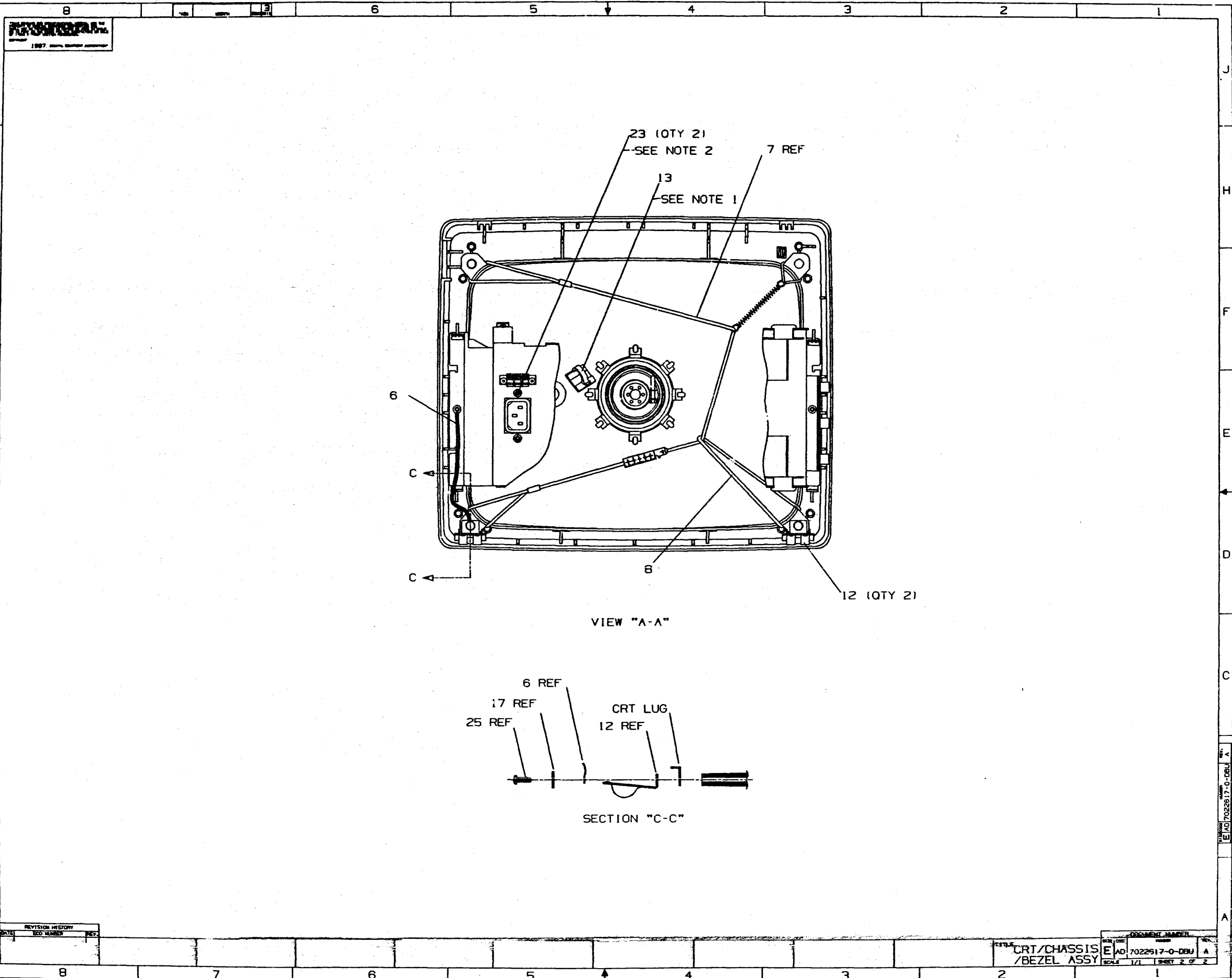
DESCRIPTION	DRAWING NO.	PART NO	REV.
CRT/CHASSIS /BEZEL ASSY	E-NO 7022617-0-DBP	171	2

DATE	BY	CHKD BY	APP'D BY	TITLE
22-APR-68	Y. W. LEE			design
25-JAN-67	I. LIN			
22-APR-68	J. KUO			
25-JAN-67	O. LIN			
25-FEB-67	G. SHU			

QUANTITY	DESCRIPTION	UNIT
1	CRT/CHASSIS /BEZEL ASSY	EA



1987  
 1987

REVISION HISTORY		
DATE	ECO NUMBER	REV.

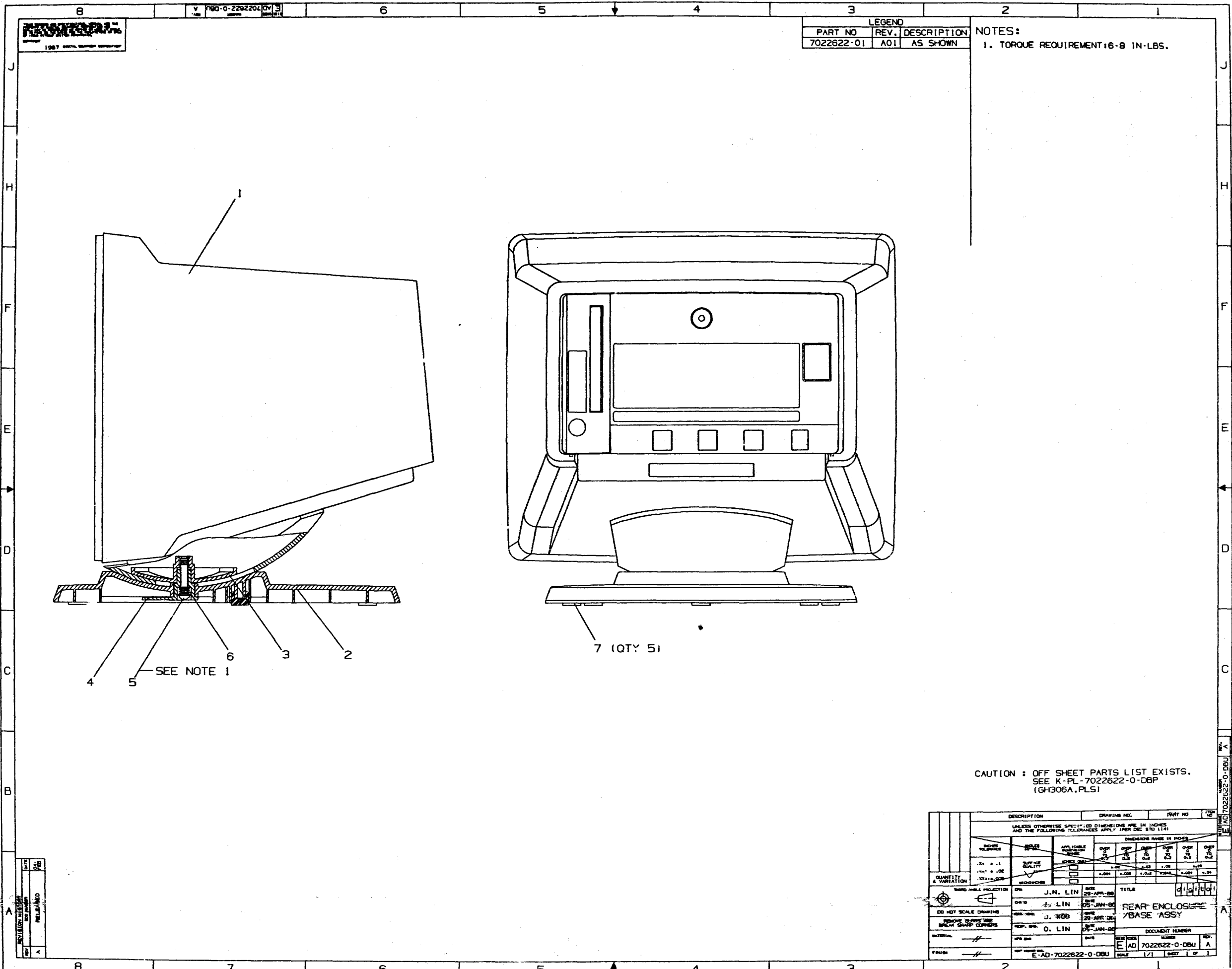
TITLE: CRT/CHASSIS /BEZEL ASSY  
 DOCUMENT NUMBER: 7022617-0-DBU A  
 SCALE: 1/1  
 SHEET 2 OF 2

LINE ITEM	TOP DOCUMENT	PART NUMBER	MIN REV	DESCRIPTION	QUANTITY PER VARIATION/REVISION		
					01 A1	02 A1	03 A1
1	C-IA-7020773-0-0	70-20773-01	A	LED ASSY	1	1	1
2	C-AD-7022618-0-DBU	70-22618-01	A	CONTROL/BRACKET ASSY	1	1	1
3	C-AD-7022620-0-DBU	70-22620-01	A	INLET/SWITCH ASSY	1	1	1
4	E-AD-7022621-0-DBU	70-22621-01	A	CHASSIS ASSY	1	1	1
5	D-AD-7022619-0-DBU	70-22619-01	A	YOKE ASSY	1	1	1
6	B-IA-7023735-0-DBU	70-23735-01	A	CRT GROUND CABLE ASSY	1	1	1
7	B-IA-7024226-0-DBU	70-24226-01	A	STRAP/GROUND ASSY	1	1	1
8	B-IA-7024507-0-DBU	70-24507-01	A	GROUNDING BRAID ASSY	1	1	1
9	E-MD-7432382-0-DBU	74-32382-01	A	BEZEL,FRONT	1	1	1
10	C-MD-7434218-0-DBU	74-34218-01	A	SHIELD,EMI FILTER	1	1	1
11	E-IA-7434914-0-DBU	74-34914-01	A	BRACKET,GROUNDING	1	1	1
12	C-IA-7435082-0-DBU	74-35082-01	A	BRACKET,GROUNDING	2	2	2
13		12-21249-04		CLIP,WIRE ROUTING W/ACRYLIC ADH	1	1	1
14		12-23217-01		MAGNET,PINCUSHION 6.0 GAUSS	A/R	A/R	A/R
15		12-23217-02		MAGNET,PINCUSHION 8.5 GAUSS	A/R	A/R	A/R
16		12-23217-03		MAGNET,PINCUSHION 15.5 GAUSS	A/R	A/R	A/R
17		12-26940-01		WASHER,LOCK	4	4	4
18		12-27299-02	A	CRT,14" FLAT GREEN	-	1	-
19		12-27299-03	A	CRT,14" FLAT AMBER	-	-	1
20		12-27760-01	A	CRT,FLAT 14"	1	-	-
21		36-10267-00		LABEL,DANGER HIGH VOLTAGE,SMOOTH	1	1	1
22	SEE NOTE 1	36-15670-01		TAPE,FIBGLAS ADH 1.0 WDX .007T	8	8	8
23		90-00049-24		SCREW,SEMS PAN PHIL 6-32	3	3	3
24		90-06565-01		NUT,HEX EXT TOOTH LCKWSHR 10-32X	1	1	1
25		90-09800-08		SCREW,THD RL,PAN PHIL F/PLAS	6	6	6
26		90-10355-01		TIE,TWIST,W/STANDOFF	2	2	2
27	B-IA-7433851-0-DBU	74-33851-01	A	LOGO,DIGITAL	1	1	1
28	B-IA-7433852-0-DBU	74-33852-01	A	NAMEPLATE,VT330	1	1	1

1 GEN: QTY OF ITEM 22 IS IN INCHES.

REVISION HISTORY		KPL MATRIX FORMAT		SECTION A OF A	DRN: Y. W. LEE	DIGITAL		
ENG	ECO NUMBER	REV	SECTION/VARIATION INDEX		DATE: 29-APR-86			
---	INITIAL	A	[A]	01,02,03	CHK'D: I. LIN	TITLE PARTS LIST		
			[B]		DATE: 29-APR-86	CRT/CHASSIS/BEZEL ASSY		
			[C]		DES.ENG: J. KUO			
			[D]		DATE: 29-APR-86	DOCUMENT NUMBER		
			[E]		RESP.ENG.: O. LIN	SIZE	CODE	NUMBER
			[F]		DATE: 29-APR-86	K	PL	7022617-0-DBP
			[H]		MFG.ENG: G. WU	RELEASE DATE: 02-MAR-87		
			[J]		DATE: 04-FEB-87	RELEASE STATUS: RELEASED		
BASIC PART NUMBER:		ASSEMBLY NUMBER:		TOP DOCUMENT NUMBER:		FILE NAME:		EDIT #
7022617		E-AD-7022617-0-DBU		E-AD-7022617-0-DBU		GH301A.PLS		37

THIS DRAWING AND THE SPECIFICATIONS CONTAINED HEREIN ARE CONFIDENTIAL AND PROPRIETARY. THEY ARE THE PROPERTY OF DIGITAL EQUIPMENT CORPORATION AND SHALL NOT BE REPRODUCED OR COPIED OR USED IN WHOLE OR IN PART AS THE BASIS FOR THE MANUFACTURE OR SALE OF ITEMS WITHOUT WRITTEN PERMISSION. THIS IS AN UNPUBLISHED WORK PROTECTED UNDER THE FEDERAL COPYRIGHT LAWS.



LEGEND		
PART NO.	REV.	DESCRIPTION
7022622-01	A01	AS SHOWN

NOTES:  
1. TORQUE REQUIREMENT: 6-8 IN.-LBS.

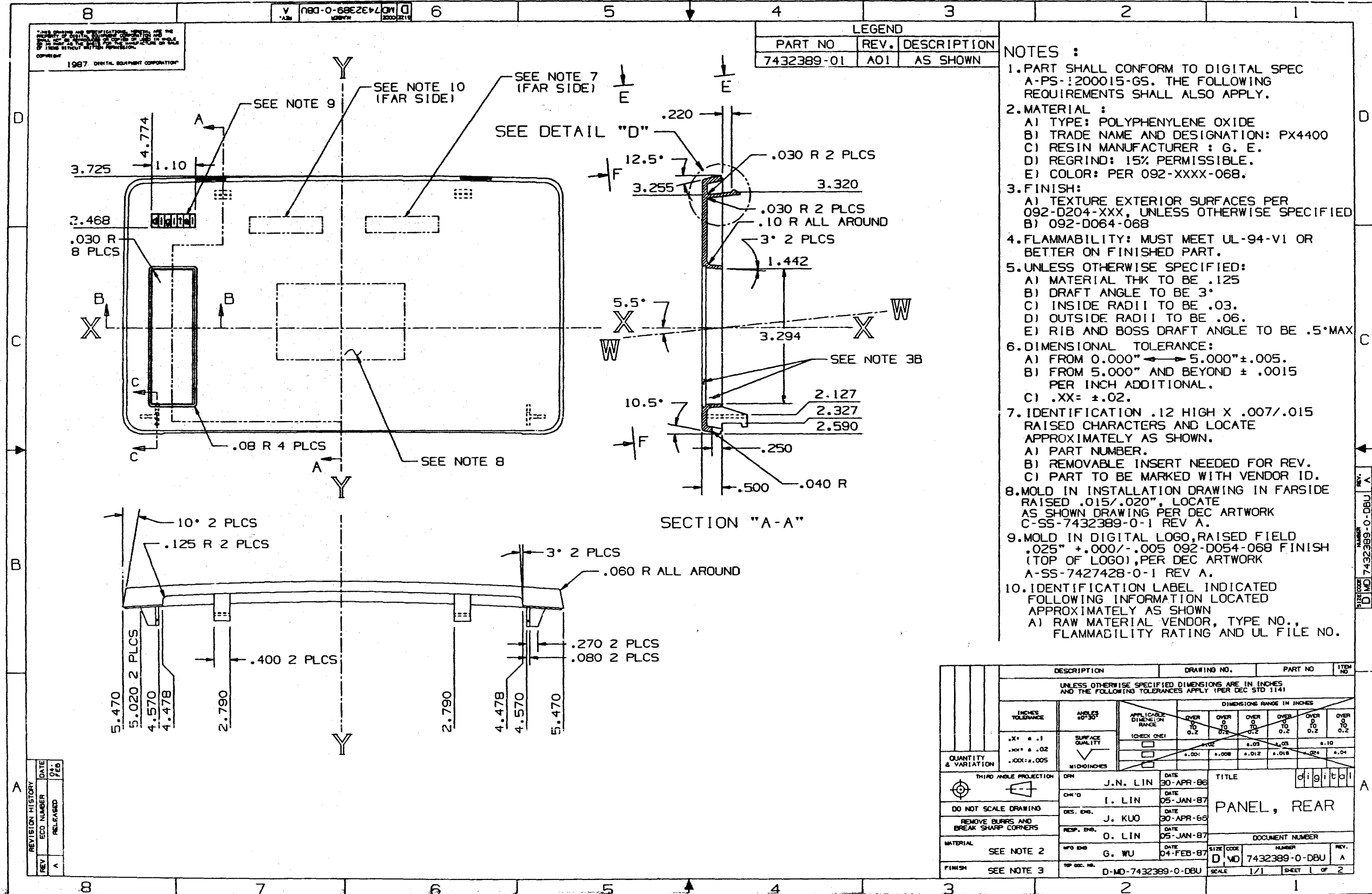
CAUTION : OFF SHEET PARTS LIST EXISTS.  
SEE K-PL-7022622-0-DBP  
(GH306A, PLS)

DESCRIPTION	DRAWING NO.	PART NO.	REV.
UNLESS OTHERWISE SPECIFIED DIMENSIONS ARE IN INCHES AND THE FOLLOWING TOLERANCES APPLY UNLESS OTHERWISE SPECIFIED			
FINISH	APPLICABLE TOLERANCES	DIMENSIONS MADE IN INCHES	
±.01 ±.02	±.01 ±.02 ±.03 ±.04 ±.05 ±.06 ±.07 ±.08 ±.09 ±.10 ±.12 ±.15 ±.20 ±.25 ±.30 ±.35 ±.40 ±.50 ±.60 ±.70 ±.80 ±.90 ±1.00 ±1.25 ±1.50 ±2.00 ±2.50 ±3.00 ±4.00 ±5.00 ±6.00 ±8.00 ±10.00	±.01	±.02
QUANTITY & VARIATION	QUANTITY	DESCRIPTION	REVISION
1	1	REAR ENCLOSURE	1
1	1	BASE ASSY	1
DATE	BY	DATE	BY
28-APR-88	J.N. LIN	05-JAN-88	J. WOOD
20-APR-88	D. LIN	05-JAN-88	
TITLE		DOCUMENT NUMBER	
REAR ENCLOSURE		7022622-0-DBU	
BASE ASSY		REV. A	
DRAWN BY		SCALE	
E-AD-7022622-0-DBU		1/1	

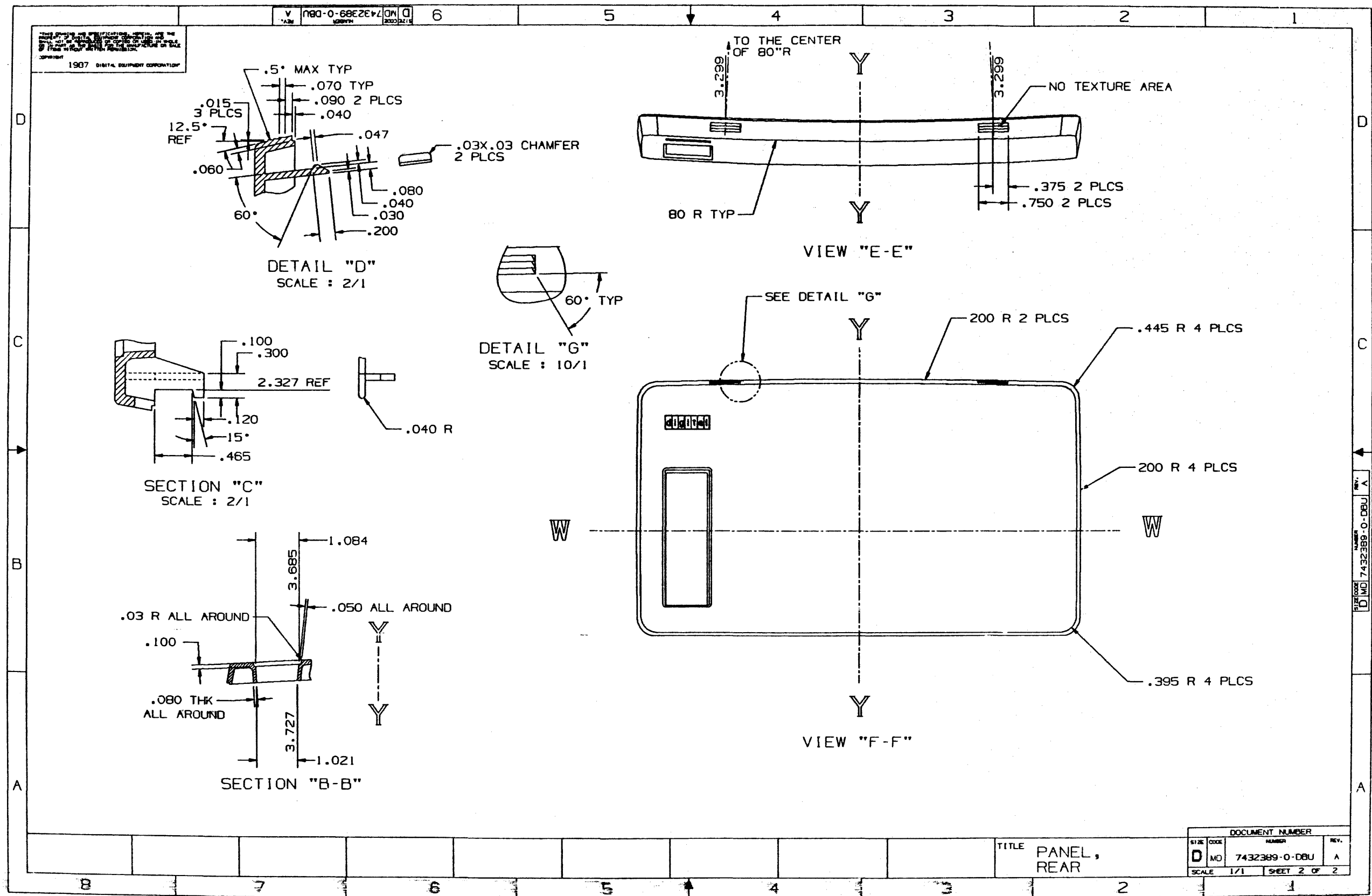
LINE ITEM	TOP DOCUMENT	PART NUMBER	MIN REV	DESCRIPTION	QUANTITY PER VARIATION/REVISION
1	E-IA-7023761-0-DBU	70-23761-01	A	REAR ENCLOSURE/SCREEN ASSY	1
2	E-MD-7432386-0-DBU	74-32386-01	A	BASE, SWIVEL	1
3	D-IA-7432392-0-DBU	74-32392-01	A	BRAKE, SWIVEL	1
4	C-MD-7432557-0-DBU	74-32557-01	A	PIVOT, SWIVEL	1
5		12-26952-01		SCREW, THD RL PHIL F/METAL	1
6		12-26967-01		SPRING, SWIVEL	1
7		12-26968-01		BUMPER RUBBER	5

REVISION HISTORY		KPL MATRIX FORMAT		SECTION A OF A		DRN: J.N. LIN		DIGITAL	
ENG	ECO NUMBER	REV	SECTION/VARIATION INDEX	DATE	CHK'D:	TITLE	DOCUMENT NUMBER	SIZE	CODE
	INITIAL	A	[A] 01	19-APR-86	I. LIN	REAR ENCLOSURE/BASE ASSY			
			[B]	05-JAN-87	J. KUO				
			[C]	19-APR-86	O. LIN				
			[D]	05-JAN-87	G. WU				
			[E]						
			[F]						
			[H]						
			[J]						
BASIC PART NUMBER:		ASSEMBLY NUMBER:		TOP DOCUMENT NUMBER:		FILE NAME:		EDIT #	
7022622		E-AD-7022622-0-DBU		E-AD-7022622-0-DBU		GH306A.PLS		23	

"THIS DRAWING AND THE SPECIFICATIONS CONTAINED HEREIN ARE CONFIDENTIAL AND PROPRIETARY. THEY ARE THE PROPERTY OF DIGITAL EQUIPMENT CORPORATION AND SHALL NOT BE REPRODUCED OR COPIED OR USED IN WHOLE OR IN PART AS THE BASIS FOR THE MANUFACTURE OR SALE OF ITEMS WITHOUT WRITTEN PERMISSION. THIS IS AN UNPUBLISHED WORK PROTECTED UNDER THE FEDERAL COPYRIGHT LAWS."







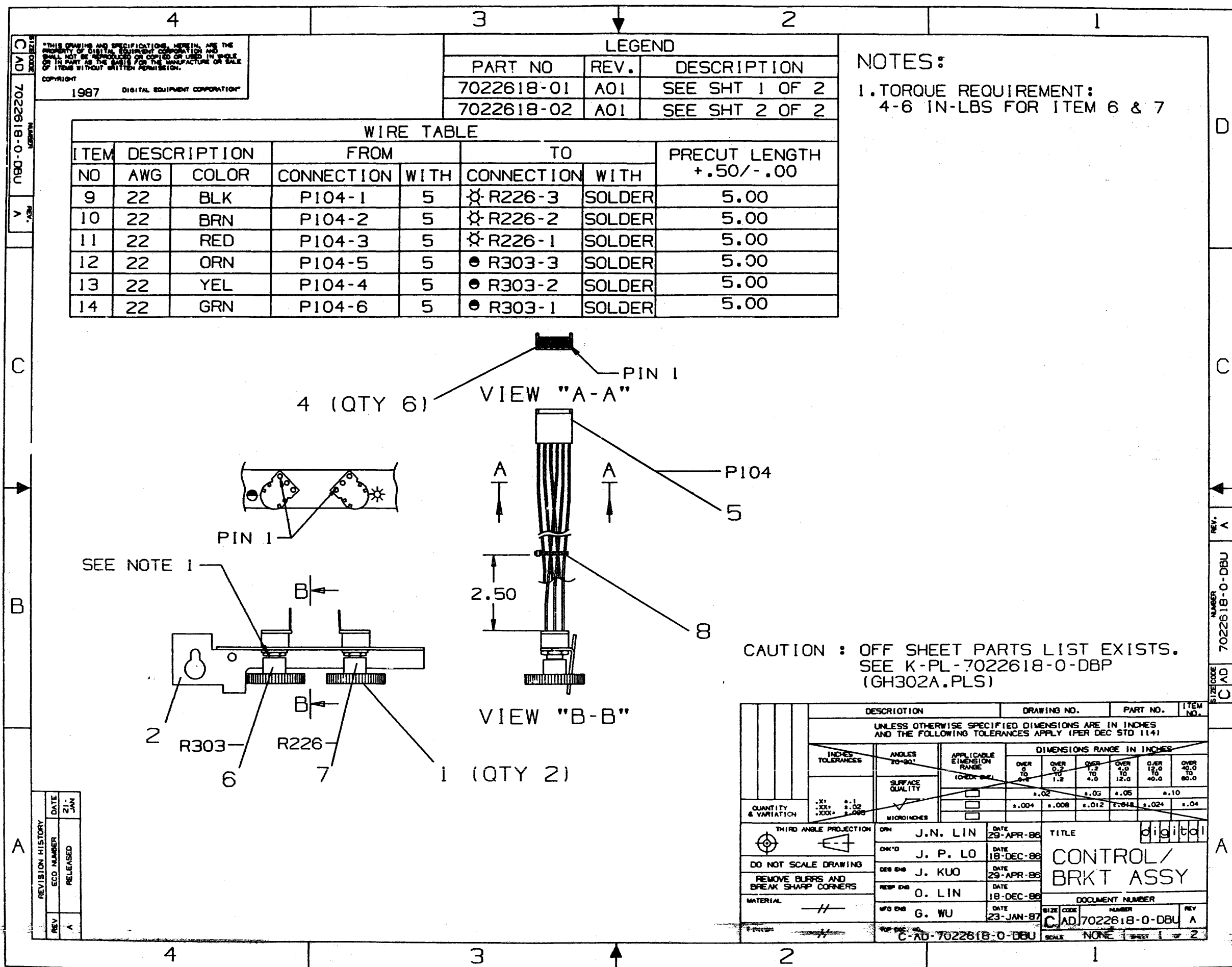
THIS DRAWING AND ALL INFORMATION CONTAINED HEREIN ARE THE PROPERTY OF DIGITAL EQUIPMENT CORPORATION. IT IS TO BE USED FOR THE SPECIFIC PURPOSE OF SALE OF THIS EQUIPMENT ONLY.

1987 DIGITAL EQUIPMENT CORPORATION

V 7432389-0 DBU 6 5 4 3 2 1

TITLE PANEL, REAR

DOCUMENT NUMBER			
SIZE	CODE	NUMBER	REV.
D	MO	7432389-0-DBU	A
SCALE 1/1		SHEET 2 OF 2	



THIS DRAWING AND SPECIFICATIONS HEREIN ARE THE PROPERTY OF DIGITAL EQUIPMENT CORPORATION AND SHALL NOT BE REPRODUCED OR COPIED OR USED IN WHOLE OR IN PART AS THE BASIS FOR THE MANUFACTURE OF SALE ITEMS WITHOUT WRITTEN PERMISSION.  
 COPYRIGHT 1987 DIGITAL EQUIPMENT CORPORATION

LEGEND		
PART NO	REV.	DESCRIPTION
7022618-01	A01	SEE SHT 1 OF 2
7022618-02	A01	SEE SHT 2 OF 2

WIRE TABLE							
ITEM NO	DESCRIPTION	FROM	TO	PRECUT LENGTH			
		CONNECTION	CONNECTION	+ .50 / - .00			
9	22 BLK	P104-1	5 ♂ R226-3	SOLDER 5.00			
10	22 BRN	P104-2	5 ♂ R226-2	SOLDER 5.00			
11	22 RED	P104-3	5 ♂ R226-1	SOLDER 5.00			
12	22 ORN	P104-5	5 ● R303-3	SOLDER 5.00			
13	22 YEL	P104-4	5 ● R303-2	SOLDER 5.00			
14	22 GRN	P104-6	5 ● R303-1	SOLDER 5.00			

NOTES:  
 1. TORQUE REQUIREMENT:  
 4-6 IN-LBS FOR ITEM 6 & 7

CAUTION : OFF SHEET PARTS LIST EXISTS.  
 SEE K-PL-7022618-0-DBP  
 (GH302A.PLS)

DESCRIPTION	DRAWING NO.	PART NO.	ITEM NO.
UNLESS OTHERWISE SPECIFIED DIMENSIONS ARE IN INCHES AND THE FOLLOWING TOLERANCES APPLY (PER DEC STD 114)			
INCHES TOLERANCES	ANGLES TO 90°	APPLICABLE DIMENSION RANGE	DIMENSIONS RANGE IN INCHES
			OVER 0 TO 0.2
			OVER 0.2 TO 0.4
			OVER 0.4 TO 0.8
			OVER 0.8 TO 1.2
			OVER 1.2 TO 4.0
			OVER 4.0 TO 12.0
			OVER 12.0 TO 40.0
			OVER 40.0 TO 80.0
SURFACE QUALITY			
QUANTITY & VARIATION			
THIRD ANGLE PROJECTION	DATE 29-APR-86	TITLE digital	
DO NOT SCALE DRAWING	DATE 18-DEC-86	CONTROL / BRKT ASSY	
REMOVE BURRS AND BREAK SHARP CORNERS	DATE 29-APR-86	DOCUMENT NUMBER	
MATERIAL	DATE 18-DEC-86	C-AD-7022618-0-DBU	
	DATE 23-JAN-87	SCALE NONE	SHEET 1 OF 2

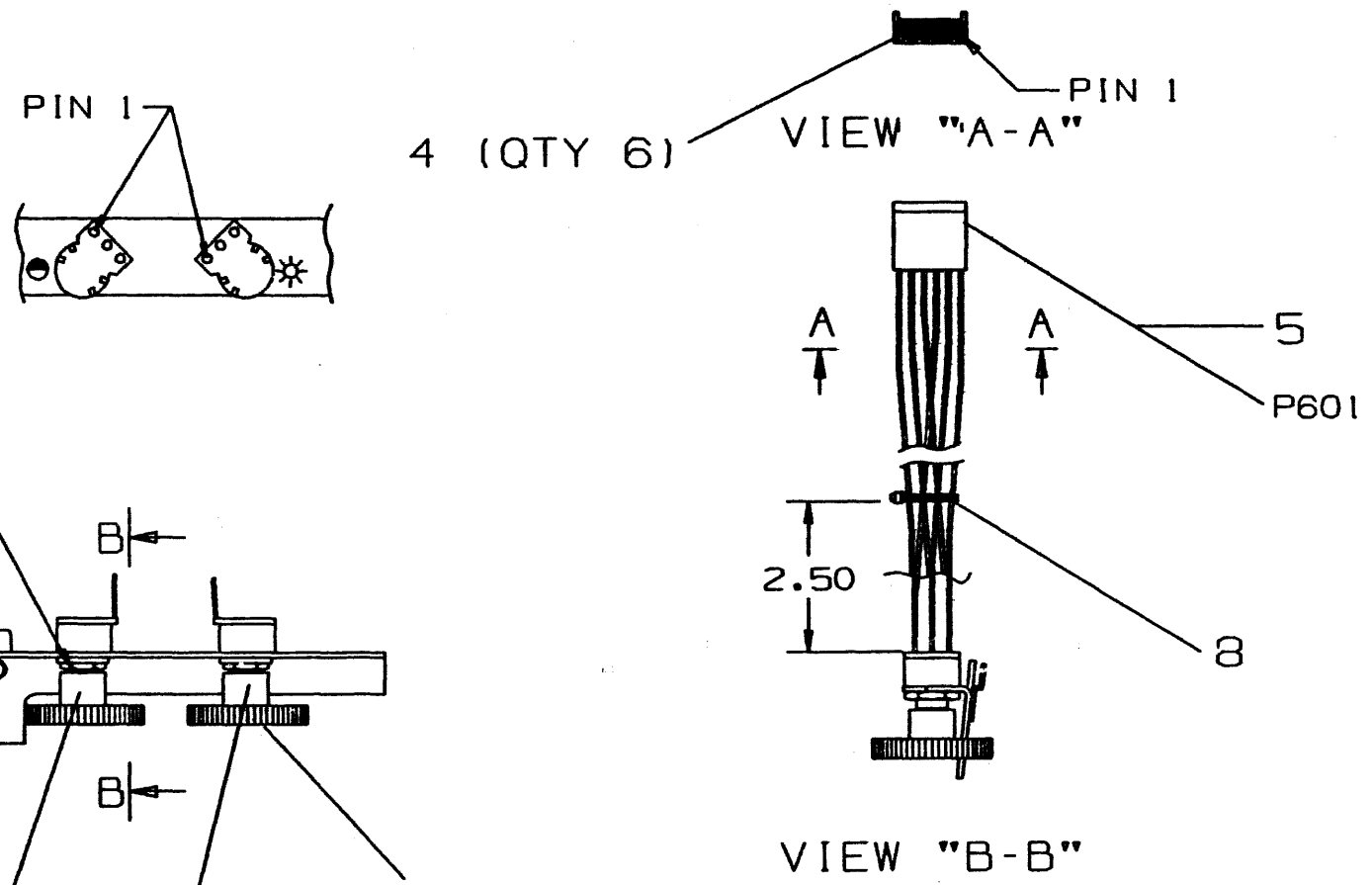
REVISION HISTORY		DATE	BY
REV	ECO NUMBER	21-JAN	
A			

7022618-0-DBU

7022618-0-DBU

"THIS DRAWING AND SPECIFICATIONS HEREIN ARE THE PROPERTY OF DIGITAL EQUIPMENT CORPORATION AND SHALL NOT BE REPRODUCED OR COPIED OR USED IN WHOLE OR IN PART AS THE BASIS FOR THE MANUFACTURE OR SALE OF ITEMS WITHOUT WRITTEN PERMISSION.  
 COPYRIGHT 1987 DIGITAL EQUIPMENT CORPORATION"

WIRE TABLE								
ITEM NO	DESCRIPTION	AWG	COLOR	FROM		TO		PRECUT LENGTH +.50/- .00
				CONNECTION	WITH	CONNECTION	WITH	
9	22	22	BLK	P601-6	5	Ø R622-3	SOLDER	8.50
10	22	22	BRN	P601-5	5	Ø R622-2	SOLDER	8.50
11	22	22	RED	P601-4	5	Ø R622-1	SOLDER	8.50
12	22	22	ORN	P601-1	5	Ø R631-3	SOLDER	8.50
13	22	22	YEL	P601-2	5	Ø R631-2	SOLDER	8.50
14	22	22	GRN	P601-3	5	Ø R631-1	SOLDER	8.50



DATE	ECD NUMBER	REV
REVISION HISTORY		

TITLE CONTROL BRKT ASSY

DOCUMENT NUMBER			
SIZE	CODE	NUMBER	REV.
C	AD	7022618-0-DBU	A
SCALE NONE		SHEET 2 OF 2	

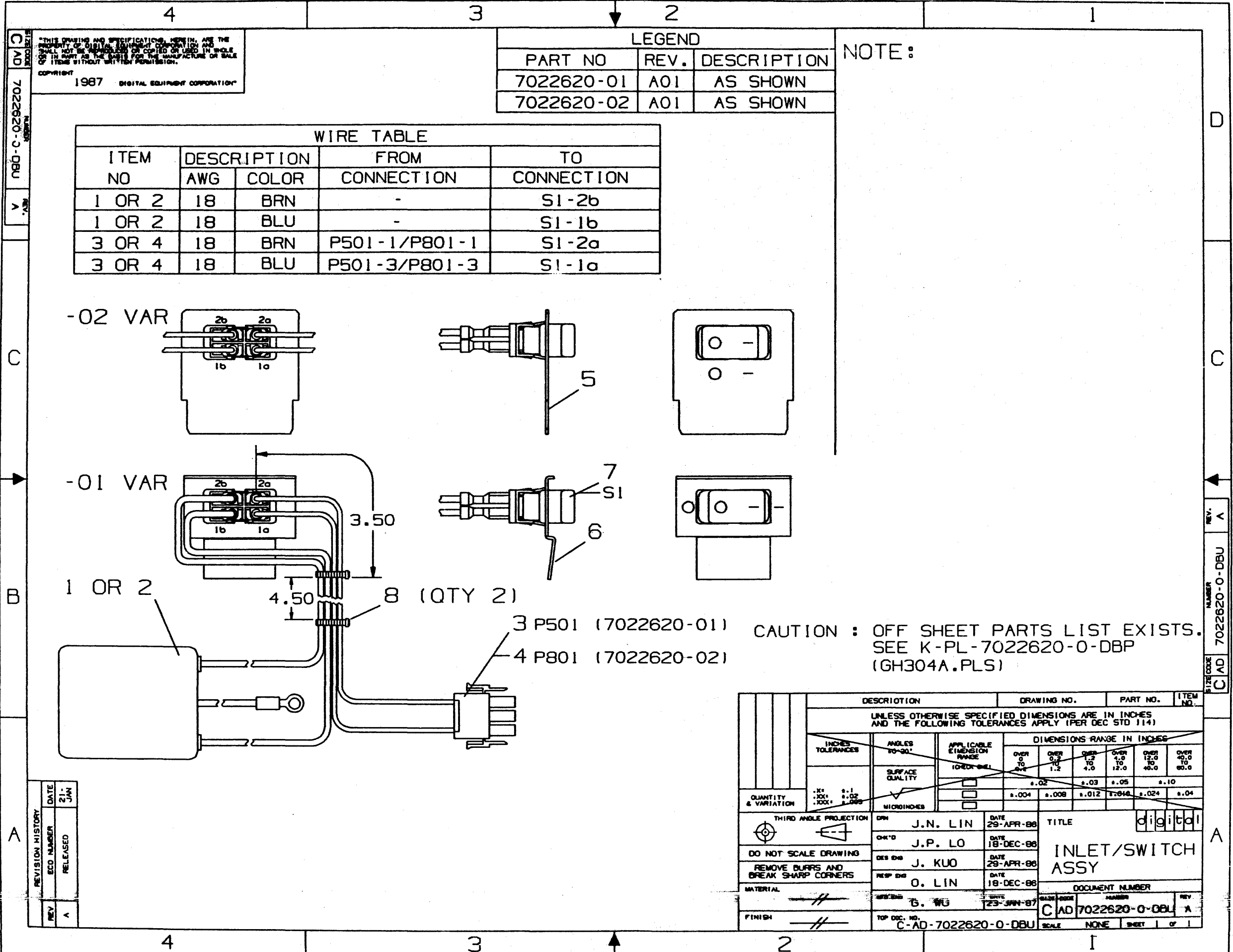
REV. A  
 NUMBER 7022618-0-DBU  
 C AD

LINE ITEM	TOP DOCUMENT	PART NUMBER	MIN REV	DESCRIPTION	QUANTITY PER VARIATION/REVISION	
					01 A1	02 A1
1	1 C-MD-7432393-0-DBU	74-32393-01 A		THUMBWHEEL	2	2
2	2 C-IA-7432396-0-DBU	74-32396-01 A		BRKT W/O CONN	1	-
3	3 C-IA-7432396-0-DBU	74-32396-02 A		BRACKET,W/CONNECTOR	-	1
4	4	12-14979-01		CONN,P+S 02PIN 30-22AWG .06	6	6
5	5	12-15322-00		CONN,P+S 06POS(1X06).100CC HSG	1	1
6	6	13-27574-01		10.0 K .05 W20.0 % POT	1	1
7	7	13-27574-02		50.0 K .05 W20.0 % POT	1	1
8	8	90-09996-00		TIE,CABLE PRELOADED MAG.100 EA	1	1
9	9 SEE NOTE 1	91-07900-00		WIRE, 22AWG(07/30) PVC 300V 8	6	9
10	10 SEE NOTE 1	91-07900-11		WIRE, 22AWG(07/30) PVC 300V 8	6	9
11	11 SEE NOTE 1	91-07900-22		WIRE, 22AWG(07/30) PVC 300V 8	6	9
12	12 SEE NOTE 1	91-07900-33		WIRE, 22AWG(07/30) PVC 300V 8	6	9
13	13 SEE NOTE 1	91-07900-44		WIRE, 22AWG(07/30) PVC 300V 8	6	9
14	14 SEE NOTE 1	91-07900-55		WIRE, 22AWG(07/30) PVC 300V 8	6	9

1 GEN: QTY FOR ITEMS 9 THRU 14 IS IN INCHES.

REVISION HISTORY		KPL MATRIX FORMAT		SECTION A OF A		DRN: J.N. LIN		D I G I T A L		
ENG	ECO NUMBER	REV	SECTION/VARIATION INDEX		DATE	CHK'D	TITLE PARTS LIST			
	INITIAL	A	[A]	01,02	29-APR-86	J. P. LO	CONTROL/BRACKET ASSY			
			[B]		18-DEC-86					
			[C]			J. KUO				
			[D]		29-APR-86		DOCUMENT NUMBER			
			[E]				SIZE	CODE	NUMBER	REV
			[F]			O. LIN	K	PL	7022618-0-DBP	A
			[H]		18-DEC-86		RELEASE DATE: 18-FEB-87			
			[J]			GORDON WU	RELEASE STATUS: RELEASED			
					26-JAN-87					
		BASIC PART NUMBER:		ASSEMBLY NUMBER:		TOP DOCUMENT NUMBER:		FILE NAME:		EDIT #
		7022618		C-AD-7022618-0-DBU		C-AD-7022618-0-DBU		GH302A.PLS		33

THIS DRAWING AND THE SPECIFICATIONS CONTAINED HEREIN ARE CONFIDENTIAL AND PROPRIETARY. THEY ARE THE PROPERTY OF DIGITAL EQUIPMENT CORPORATION AND SHALL NOT BE REPRODUCED OR COPIED OR USED IN WHOLE OR IN PART AS THE BASIS FOR THE MANUFACTURE OR SALE OF ITEMS WITHOUT WRITTEN PERMISSION. THIS IS AN UNPUBLISHED WORK PROTECTED UNDER THE FEDERAL COPYRIGHT LAWS.



7022620-0-DBU  
 REV. A

THIS DRAWING AND SPECIFICATIONS HEREIN ARE THE PROPERTY OF DIGITAL EQUIPMENT CORPORATION AND SHALL NOT BE REPRODUCED OR COPIED OR USED IN WHOLE OR IN PART AS THE BASIS FOR THE MANUFACTURE OR SALE OF ITEMS WITHOUT WRITTEN PERMISSION.  
 COPYRIGHT 1987 DIGITAL EQUIPMENT CORPORATION

LEGEND		
PART NO	REV.	DESCRIPTION
7022620-01	A01	AS SHOWN
7022620-02	A01	AS SHOWN

NOTE:

WIRE TABLE				
ITEM NO	DESCRIPTION		FROM CONNECTION	TO CONNECTION
	AWG	COLOR		
1 OR 2	18	BRN	-	SI-2b
1 OR 2	18	BLU	-	SI-1b
3 OR 4	18	BRN	P501-1/P801-1	SI-2a
3 OR 4	18	BLU	P501-3/P801-3	SI-1a

CAUTION: OFF SHEET PARTS LIST EXISTS. SEE K-PL-7022620-0-DBP (GH304A.PLS)

REVISION HISTORY		DATE	BY
REV	ECO NUMBER	RELEASED	21 JAN
A			

DESCRIPTION	DRAWING NO.	PART NO.	ITEM NO.
UNLESS OTHERWISE SPECIFIED DIMENSIONS ARE IN INCHES AND THE FOLLOWING TOLERANCES APPLY (PER DEC STD 114)			
INCHES TOLERANCES	ANGLES 90-90°	APPLICABLE DIMENSION RANGE	DIMENSIONS RANGE IN INCHES
.X" ±.1 .XX" ±.02 .XXX" ±.005	<input type="checkbox"/> SURFACE QUALITY <input type="checkbox"/> MICROFINISH	<input type="checkbox"/> 1000-5000 <input type="checkbox"/> 5000-10000	OVER 0 TO 1.2 ±.02
			OVER 1.2 TO 4.0 ±.03
			OVER 4.0 TO 12.0 ±.05
			OVER 12.0 TO 40.0 ±.08
			OVER 40.0 TO 60.0 ±.10
QUANTITY & VARIATION	THIRD ANGLE PROJECTION	DATE	TITLE
		J.N. LIN 29-APR-88	digital
DO NOT SCALE DRAWING	DATE	J.P. LO 18-DEC-88	INLET/SWITCH ASSY
REMOVE BURRS AND BREAK SHARP CORNERS	DATE	J. KUO 29-APR-88	
MATERIAL	DATE	O. LIN 18-DEC-88	DOCUMENT NUMBER
		G. WU 23-JUN-87	C AD 7022620-0-DBU
FINISH	TOP DEC. NO.	C-AD-7022620-0-DBU	SCALE NONE SHEET 1 OF 1

AUTOMATED BY VAXKPL (V1.3)

PARTS LIST

SHEET A1 OF A1  
QUANTITY PER VARIATION/REVISION

LINE ITEM	TOP DOCUMENT	PART NUMBER	MIN REV	DESCRIPTION	01 A1	02 A1
1	B-IA-7023755-0-DBU	70-23755-01	A	FILTER ASSY	1	-
2	B-IA-7023755-0-DBU	70-23755-02	A	FILTER ASSY	-	1
3	C-IA-7024292-0-DBU	70-24292-01	A	PWR WIRE ASSY	1	-
4	C-IA-7024292-0-DBU	70-24292-02	A	PWR WIRE ASSY	-	1
5	B-MD-7432631-0-DBU	74-32631-01	A	BRACKET, POWER SWITCH	-	1
6	C-MD-7432952-0-DBU	74-32952-01	A	BRACKET, POWER SWITCH	1	-
7		12-26116-01		SW,RKR, DPST	16A12	1
8		90-09996-00		TIE,CABLE PRELOADED MAG.100 EA	2	-

REVISION HISTORY		KPL MATRIX FORMAT		SECTION A OF A		DRN: J. N. LIN		DIGITAL			
ENG	ECO NUMBER	REV	SECTION/VARIATION INDEX		DATE:	CHK'D: J. P. LO		TITLE PARTS LIST			
	INITIAL	A	[A]	01,02	29-APR-86	DATE: 18-DEC-86		INLET/SWITCH ASSY			
			[B]			DES.ENG: J. KUO		DOCUMENT NUMBER			
			[C]			DATE: 29-APR-86		SIZE	CODE	NUMBER	REV
			[D]			RESP.ENG.: O. LIN		K	PL	7022620-0-DBP	A
			[E]			DATE: 18-DEC-86		RELEASE DATE: 18-FEB-87			
			[F]			MFG.ENG: G. WU		RELEASE STATUS: RELEASED			
			[H]			DATE: 26-JAN-87					
			[J]								
BASIC PART NUMBER:		ASSEMBLY NUMBER:		TOP DOCUMENT NUMBER:		FILE NAME:		EDIT #			
7022620		C-AD-7022620-0-DBU		C-AD-7022620-0-DBU		GH304A.PLS		12			

"THIS DRAWING AND THE SPECIFICATIONS CONTAINED HEREIN ARE CONFIDENTIAL AND PROPRIETARY. THEY ARE THE PROPERTY OF DIGITAL EQUIPMENT CORPORATION AND SHALL NOT BE REPRODUCED OR COPIED OR USED IN WHOLE OR IN PART AS THE BASIS FOR THE MANUFACTURE OR SALE OF ITEMS WITHOUT WRITTEN PERMISSION. THIS IS AN UNPUBLISHED WORK PROTECTED UNDER THE FEDERAL COPYRIGHT LAWS."