

digital

DMC11

Engineering Drawings (ANNOTATED)

Digital Equipment Corporation

The material herein is for information purposes only and is subject to change without notice. Digital Equipment Corporation assumes no responsibility for any errors which may appear herein.

These drawings and specifications herein are the property of Digital Equipment Corporation and shall not be reproduced or copied or used in whole or in part as the basis for the manufacture or sale of items without written permission.
Copyright © 1975, Digital Equipment Corporation

CUSTOMER PRINT SET		ELECTRICAL					CUSTOMER PRINT SET		MECHANICAL						
MFG. SET	FIND NO.	DRAWING NO.	REV	NO OF SHT	DESCRIPTION	OPTION NO./FILE DATE	MFG. SET	FIND NO.	DRAWING NO.	REV	NO OF SHT	DESCRIPTION	OPTION NO./FILE DATE		
	1	D-UA-DMC11-0-0		3	INTERPROCESSOR LINK			1	D-UA-DMC11-0-0		3	INTERPROCESSOR LINK			
		A-PL-DMC11-0-7		1	DMC11 SHIPPING LIST										
		B-TC-DMC11-0-8		1	FIELD MAINTENANCE PRINT SET										
		A-SP-DMC11-0-5		30	TEST AND ACCEPTANCE SPECIFICATION										
								5	C-UA-BC08S-0-0		1	CABLE, BC08S			
	2	B-DD-M8200-0		1	INTERPROCESSOR LINK UP			6	D-UA-BC05C-0-0		1	CABLE, BC05C			
								7	C-UA-BC05Z-0-0		1	CABLE, BC05Z			
	3	B-DD-M8201-0		1	IPL SLU LOW										
								9	C-UA-BC03N-0-0		1	CABLE, BC03N			
								10	A-SP-3700283-0-0			PACKAGING INSTRUCTIONS			
									A-PS-9906040-0-0			FULL TELESCOPE CARTON ASSY.			
									A-PS-9905816-0-0			BOX, FOLDING, REVERSE TUCK			
									A-PS-9905809-0-0			FULL TELESCOPE CARTON ASSY.			
									A-PS-9905729-0-0			TAPE, CARTON SEALING			
								11	D-UA-H3250		1	H3250 TEST CONNECTOR			
	8	D-CS-H325-0-0		1	H325 TEST CONNECTOR										
CUSTOMER PRINT SET CODES		X = PRINT OF DOCUMENT INCLUDED IN PRINT SET C = INCLUDES ALL PRINTS INDICATED ON DOCUMENT S = CONFIDENTIAL AUTHORIZED SIGNATURE REQUIRED					TITLE		INTERPROCESSOR LINK		SIZE CODE		NUMBER		REV
									SHEET 3 OF 3		B DD		DMC11-0		C

DRB 108

digital

EN-01062-2B-16-R972-(325)

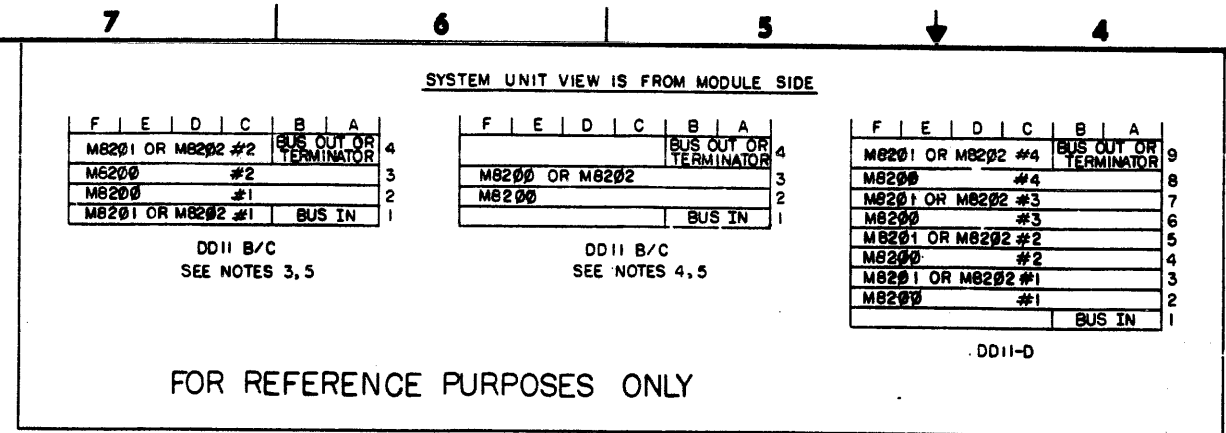
Dme-C

8
7
6
5
4
3
2
1

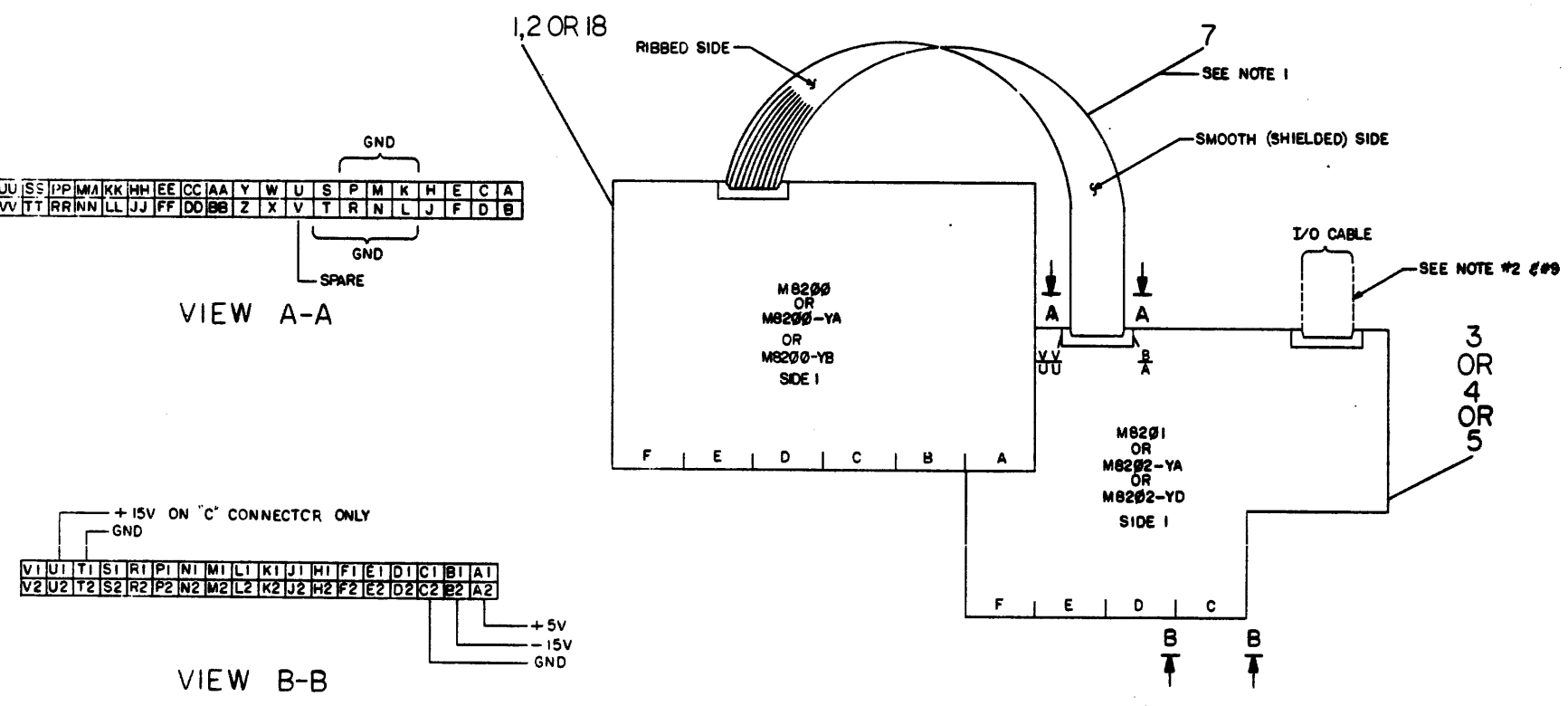
THIS DRAWING AND SPECIFICATIONS, HEREIN, ARE THE PROPERTY OF DIGITAL EQUIPMENT CORPORATION AND SHALL NOT BE REPRODUCED OR COPIED OR USED IN WHOLE OR IN PART AS THE BASIS FOR THE MANUFACTURE OR SALE OF ITEMS WITHOUT THE WRITTEN PERMISSION OF DIGITAL EQUIPMENT CORPORATION.

REV. 1
REV. 2
REV. 3
REV. 4
REV. 5
REV. 6
REV. 7
REV. 8

DEC FORM NO. 100-C



- NOTES:
- IF CABLE BC055 (ITEM #7) IS NOT AVAILABLE USE I/O CABLE ASSEMBLY C-1A-BC05R-1-0.
 - I/O CABLE (ITEM NO'S 6 OR 8) CAN CONSIST OF ANY VARIATION.
 - IF LESS THAN 2 1/2 INCH MODULES ARE IN SLOTS A1, B1 AND/OR IN THE LAST SLOT.
 - IF GREATER THAN 2 1/2 INCH MODULES ARE IN SLOTS A1, B1 AND/OR IN THE LAST SLOT.
 - DDII-B MUST BE REV "E" OR LATER.
 - M8200 MODULES (ITEM NO'S 1, 2 & 3) MAY BE USED WITHOUT A LINE UNIT (UNIBUS SCAN). IN THIS CASE M8200'S MAY BE INSTALLED IN ANY AVAILABLE POSITION.
 - POWER NOTE**
MULTIPLE M8200'S (ITEM NO'S 1, 2 & 3) AND M8201/2'S (ITEM NO'S 3, 4 & 5) MAY EXCEED REGULATOR RATINGS UNLESS THE DDII'S ARE POSITIONED TO SPLIT THE LOAD BETWEEN ADJACENT REGULATORS.
 - INSTALLATION NOTE**
THE NPR GRANT JUMPER (CA1 TO CB1) MUST BE REMOVED BEFORE INSTALLING THE M8200 (ITEM NO'S 1, 2 & 3). THIS JUMPER MUST BE REPLACED IF ANY M8200 IS REMOVED FROM THE SYSTEM.
 - WHEN USING M8201 (ITEM #3) WITH THE BC05C (ITEM #6) USE THE H325 TEST CONN (ITEM #10) OR M8201 WITH BC05E USE H325 AND WHEN USING THE M8202 (ITEM NO'S 4 & 5) USE THE CONN. RECEPTACLE (ITEM #9).
 - ASTERISKS (*) INDICATE THE BC03N (ITEM #11) IS OPTIONAL EQUIPMENT.



REF	QTY	DESCRIPTION	DWG. PART NO.	ITEM NO.
-	-	CONN. TEST KIT	D-UA-H325	24
-	-	DMCII SHIPPING LIST	A-PL-DMCII-AR-7	23
-	-	DMCII SHIPPING LIST	A-PL-DMCII-AL-7	22
-	-	DMCII SHIPPING LIST	A-PL-DMCII-AM-7	21
-	-	DMCII SHIPPING LIST	A-PL-DMCII-AN-7	20
-	-	DMCII SHIPPING LIST	A-PL-DMCII-AO-7	19
-	-	DMCII SHIPPING LIST	A-PL-DMCII-AP-7	18
-	-	DMCII SHIPPING LIST	A-PL-DMCII-AQ-7	17
-	-	DMCII SHIPPING LIST	A-PL-DMCII-AA-7	16
-	-	DMCII SHIPPING LIST	A-PL-DMCII-AB-7	15
-	-	DMCII SHIPPING LIST	A-PL-DMCII-AC-7	14
-	-	DMCII SHIPPING LIST	A-PL-DMCII-AD-7	13
-	-	DMCII SHIPPING LIST	A-PL-DMCII-AE-7	12
-	-	CABLE, MODEM	D-1A-BC03N-A0-0	11
-	-	H325 TEST CONNECTOR	D-CS-H325-0-1	10
-	-	CONNECTOR, RECEPTACLE	1212525-00	9
-	-	CABLE, MODEM BC05E	D-UA-BC05E-25-0	8
-	-	CABLE, I/O BC055	C-UA-BC055-1-0	7
-	-	CABLE, MODEM BC05C	C-UA-FC05C-25-0	6
-	-	IPL SLU HI	C-UA-M8202-YD-0	5
-	-	IPL SLU HI	D-UA-M8202-YA-0	4
-	-	IPL SLU LOW	D-UA-M8201-0-0	3
-	-	INTERPROCESSOR LINK MICROPROCESSOR	D-UA-M8200-YA-0	2
-	-	INTERPROCESSOR LINK MICROPROCESSOR	D-1A-M8200-0-0	1

ASSEMBLY	CLASS OF ACCURACY	SURFACE QUALITY	QUANTITY & VARIATION	FINISH
ASSEMBLY	CLASS OF ACCURACY	SURFACE QUALITY	QUANTITY & VARIATION	FINISH
ASSEMBLY	CLASS OF ACCURACY	SURFACE QUALITY	QUANTITY & VARIATION	FINISH

THIRD ANGLE PROJECTION

REMOVE BURRS AND BREAK SHARP CORNERS

DO NOT SCALE DWG

MATERIAL SEE PARTS LISTS

FINISH

DRN. P. [Signature] 11-18-75

CHK'D. [Signature] 9-26-76

ENG. R. [Signature] 3-26-76

PROL. ENG. [Signature] 1-26-77

PROD. [Signature] 3-26-78

FIRST USED ON DMC II

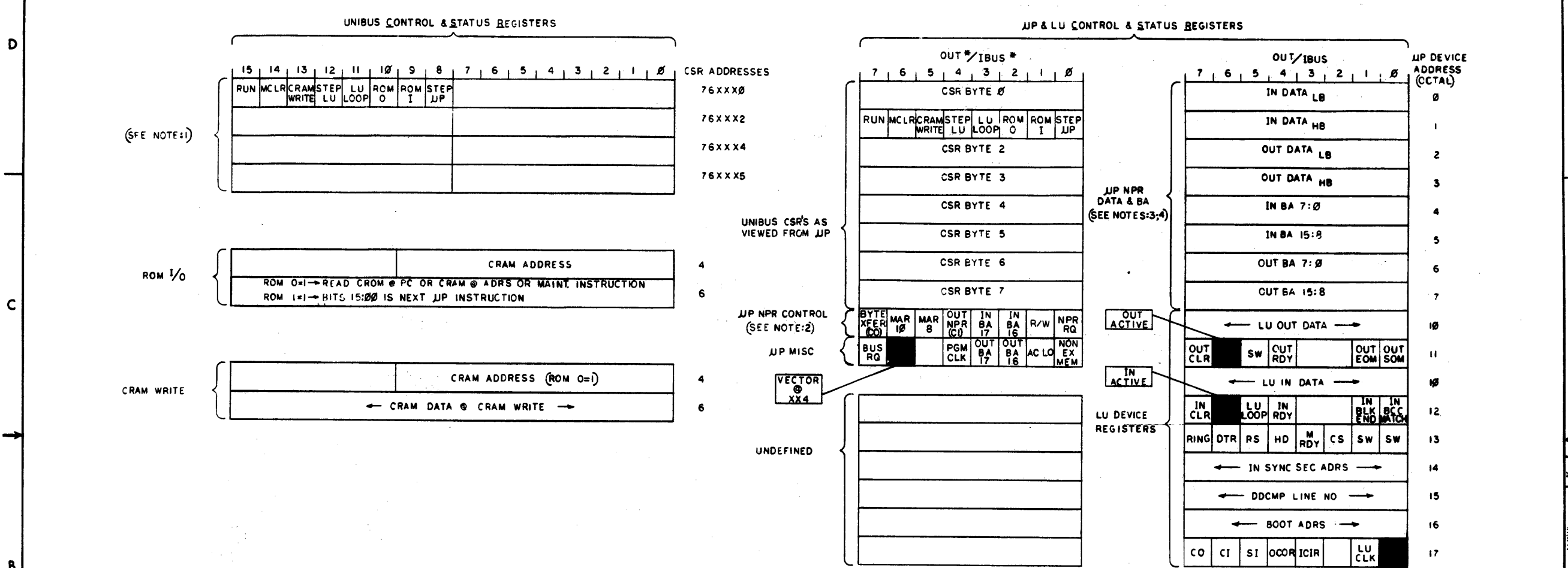
TITLE INTERPROCESSOR LINK

SIZE CODE NUMBER REV. D UA DMCII-0-0 C

SHEET 1 OF 3

DMC-d

"THIS DRAWING AND SPECIFICATIONS, HEREIN, ARE THE PROPERTY OF DIGITAL EQUIPMENT CORPORATION AND SHALL NOT BE REPRODUCED OR COPIED OR USED IN WHOLE OR IN PART AS THE BASIS FOR THE MANUFACTURE OR SALE OF ITEMS WITHOUT WRITTEN PERMISSION. COPYRIGHT © 1976, DIGITAL EQUIPMENT CORPORATION"



NOTES: 1. UNIBUS CSR REGISTERS ARE RAM. PROGRAM FUNCTIONS MAY BE ASSIGNED TO BITS AT RANDOM EXCEPT FOR BYTE ONE. BYTE ADDRESS ONE HAS GATES AND FLIP FLOPS WHICH IMAGE THE RAM AND FUNCTIONS DIRECTLY WITH THE LOGIC FOR MAINTENANCE FUNCTIONS. BYTE ADDRESSES 4,5,6,7 ALSO HAS A FLIP FLOP IMAGE BUT IS ONLY USED AS MAINTENANCE FUNCTIONS FOR DIAGNOSTIC GENERATED INSTRUCTIONS. REFERENCE MAINTENANCE MANUAL PROGRAMMING SECTION ON BYTE ONE FOR MORE DETAILS. THE JIP DOES NOT HAVE ACCESS TO THE GATES AND FLIP FLOPS IN BYTES 1,4,5,6,7; HOWEVER, THE JIP CAN ALTER THE RAM IN ANY CSR BYTE.

2. MAR 8 AND MAR 10 BIT FUNCTIONS ARE FOR M8204 ONLY.

3. NPR DATA AND BA REGISTERS ARE RAM; HOWEVER, ADDRESS ASSIGNMENTS ARE HARDWIRED AND CANNOT BE RE-DEFINED.

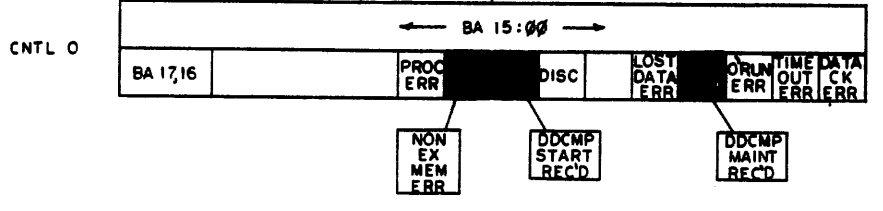
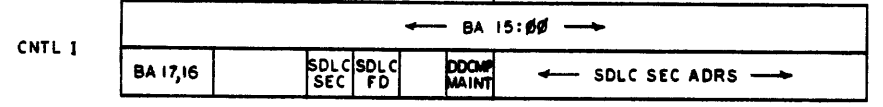
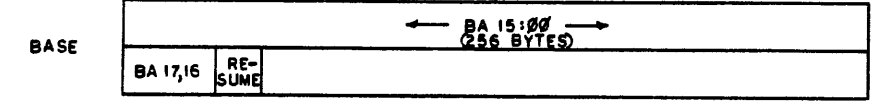
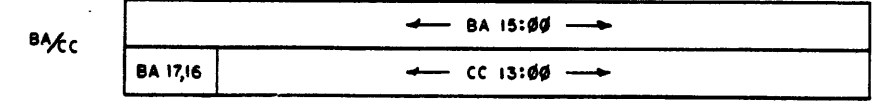
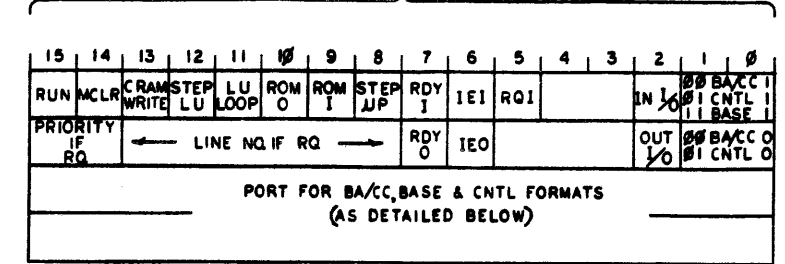
4. THE JIP IS REFERENCE POINT FOR ALL TRANSFERS.
 OUT: IS DATA FROM JIP (EX...TRANSFER TO PDP11)
 IN: IS DATA TO JIP (EX...TRANSFER FROM PDP11)

DMC-E

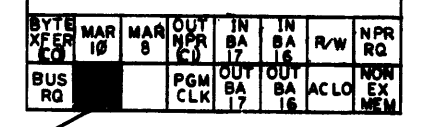
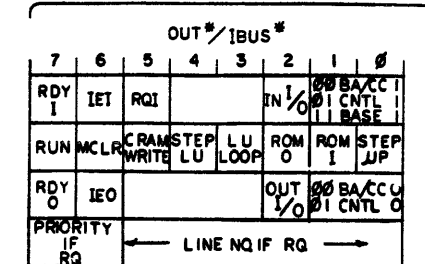
THIS DRAWING AND SPECIFICATIONS HEREIN ARE THE PROPERTY OF DIGITAL EQUIPMENT CORPORATION AND SHALL NOT BE REPRODUCED OR COPIED OR USED IN WHOLE OR IN PART AS THE BASIS FOR THE MANUFACTURE OR SALE OF ITEMS WITHOUT WRITTEN PERMISSION. COPYRIGHT © 1976 DIGITAL EQUIPMENT CORPORATION

0-0-110MWD 110 2

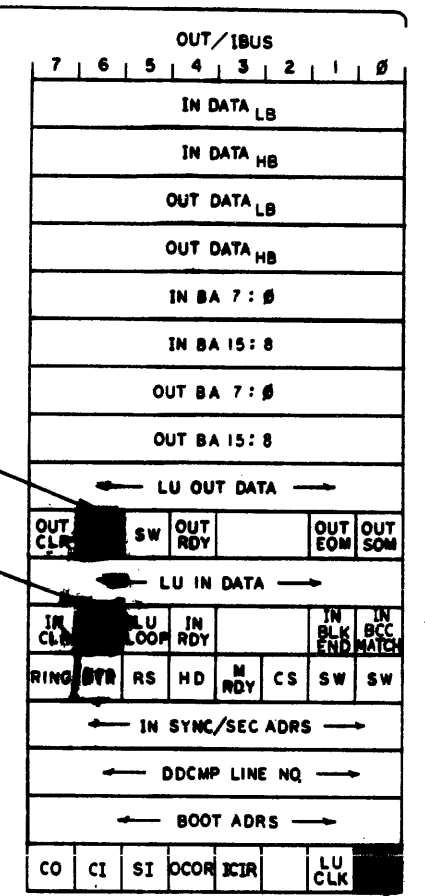
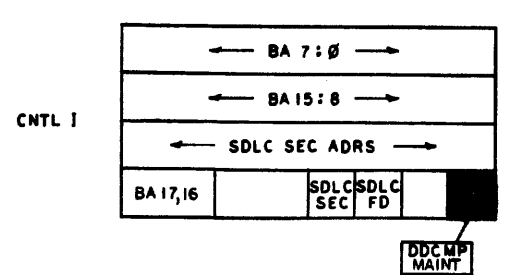
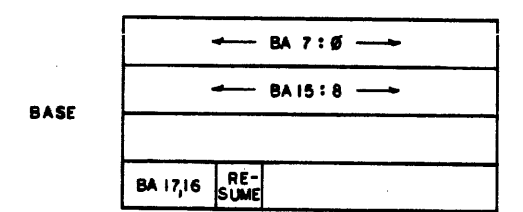
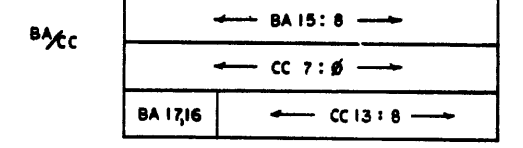
UNIBUS CONTROL & STATUS REGISTERS



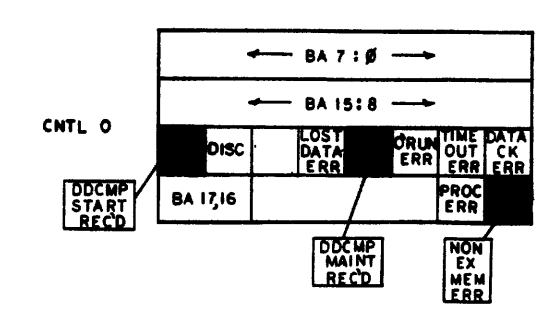
JIP & LU CONTROL & STATUS REGISTERS



VECTOR @ XX4



DDCMP MODE



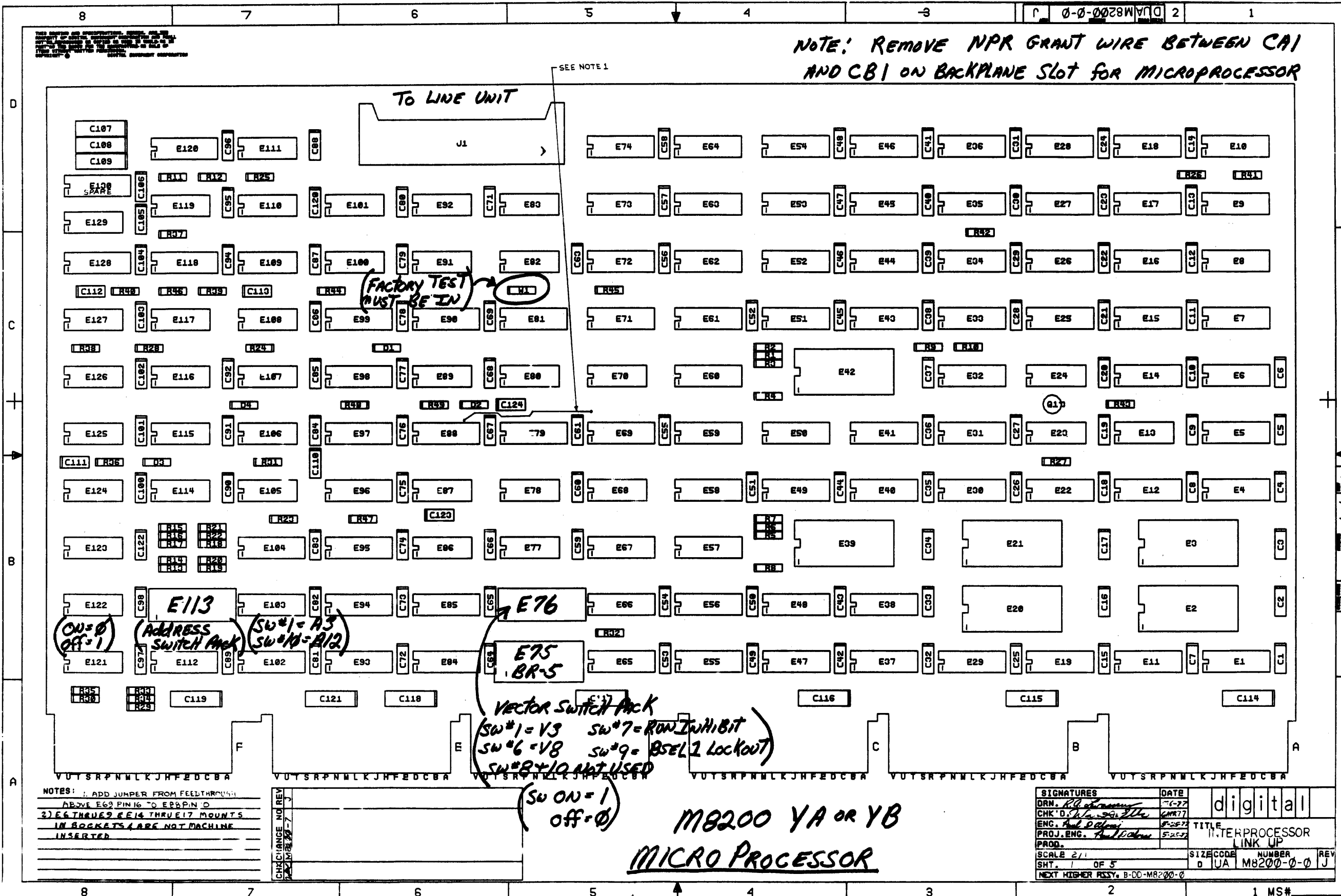
REVISIONS		
CHK	CHANGE NO.	REV.

(BIT MAP FOR DDCMP PROTOCL)

TITLE	INTERPROCESSOR LINK JIP	SIZE CODE	DUA	NUMBER	DMC 11-0-0	REV.	C
SCALE	SHEET 3 OF 3	DIST.					

DMC-D

NOTE: REMOVE NPR GRANT WIRE BETWEEN CA1 AND CBI ON BACKPLANE SLOT FOR MICROPROCESSOR



NOTES:
 1) ADD JUMPER FROM FEEDTHROUGH ABOVE E69 PIN 16 TO ERAPIN 10
 2) E6 THRU E9 & E14 THRU E17 MOUNTS IN SOCKETS ARE NOT MACHINE INSERTED

VECTOR SWITCH PACK
 SW*1 = V3 SW*7 = ROW INHIBIT
 SW*6 = V8 SW*9 = BSEL 2 LOCKOUT
 SW*8 & 10 NOT USED
 (SW ON = 1 OFF = 0)

M8200 YA OR YB
 MICRO PROCESSOR

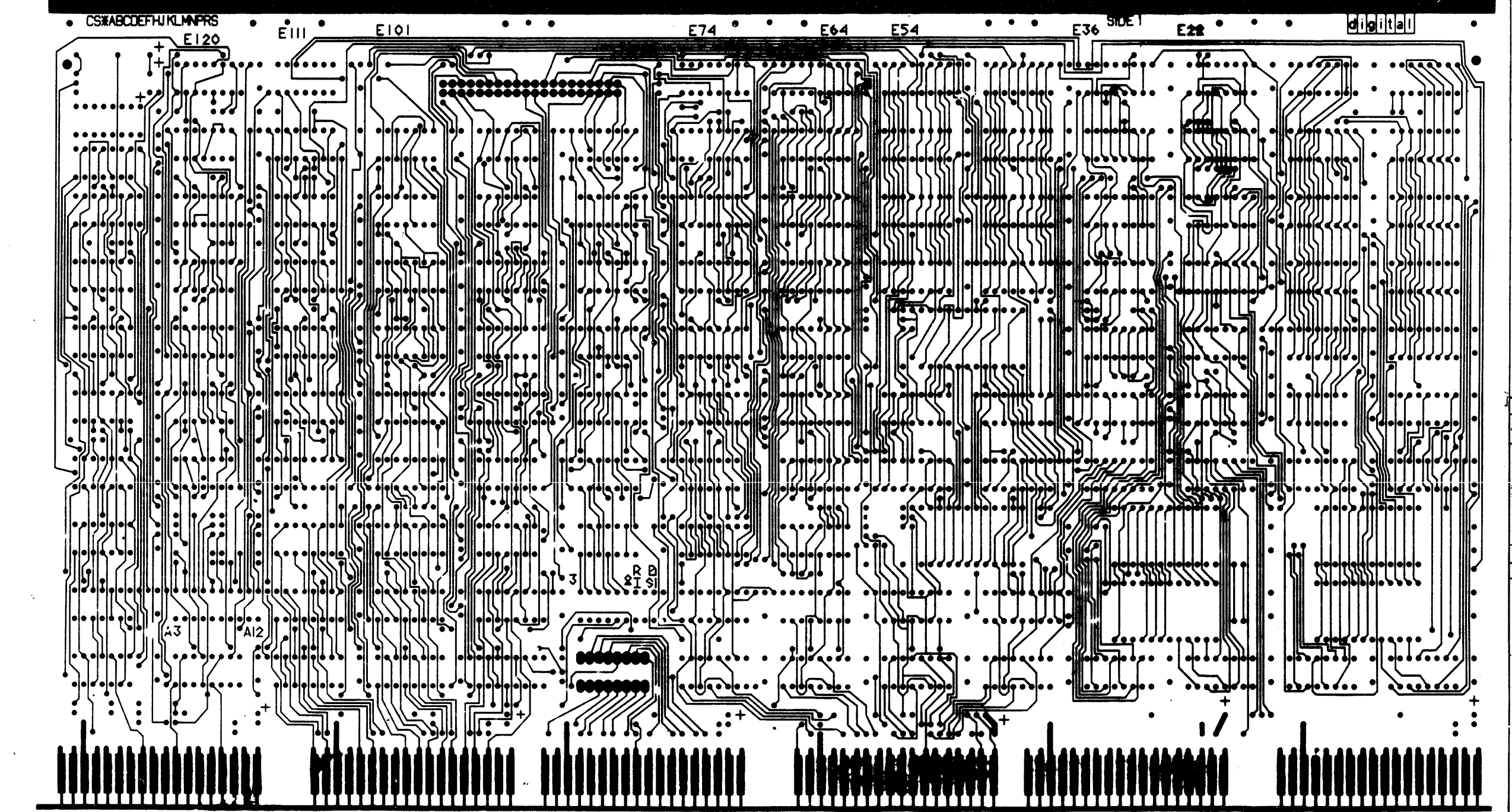
SIGNATURES		DATE	digital
DRN. R. R. [Signature]	CHK'D. S. L. [Signature]	5-27-77	
PROJ. ENG. [Signature]		5-25-77	
TITLE: INTERPROCESSOR LINK UP			
SCALE 2:1	SIZE CODE	NUMBER	REV
SHT. 1 OF 5	d UA	M8200-0-0	J
NEXT HIGHER ASSY. B-00-M8200-0			

THIS DRAWING AND SPECIFICATIONS HEREIN ARE THE PROPERTY OF THE RAND CORPORATION AND SHALL NOT BE REPRODUCED OR USED IN WHOLE OR IN PART FOR THE MANUFACTURE OR SALE OF ANY INSTRUMENT OR EQUIPMENT CORPORATION.



LAYER 1

M8200 5011242E-P2

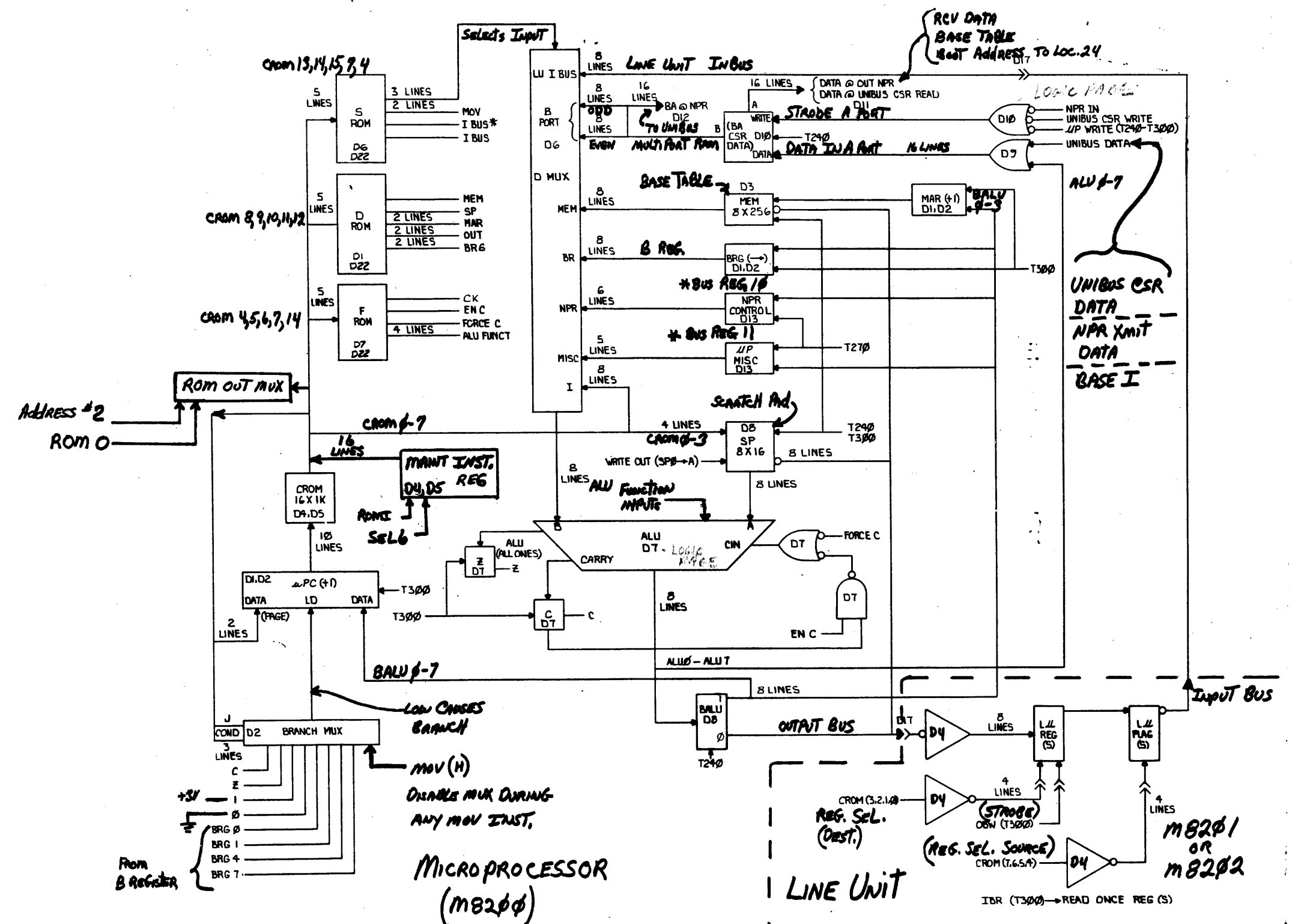


REVISIONS		
CHK	CHANGE NO	REV

TITLE	INTER-PROCESSOR LINK-UP	D U A	M8200-0-0	5
DATE	2/1	SHEET	2	OF 5

Dmc-f

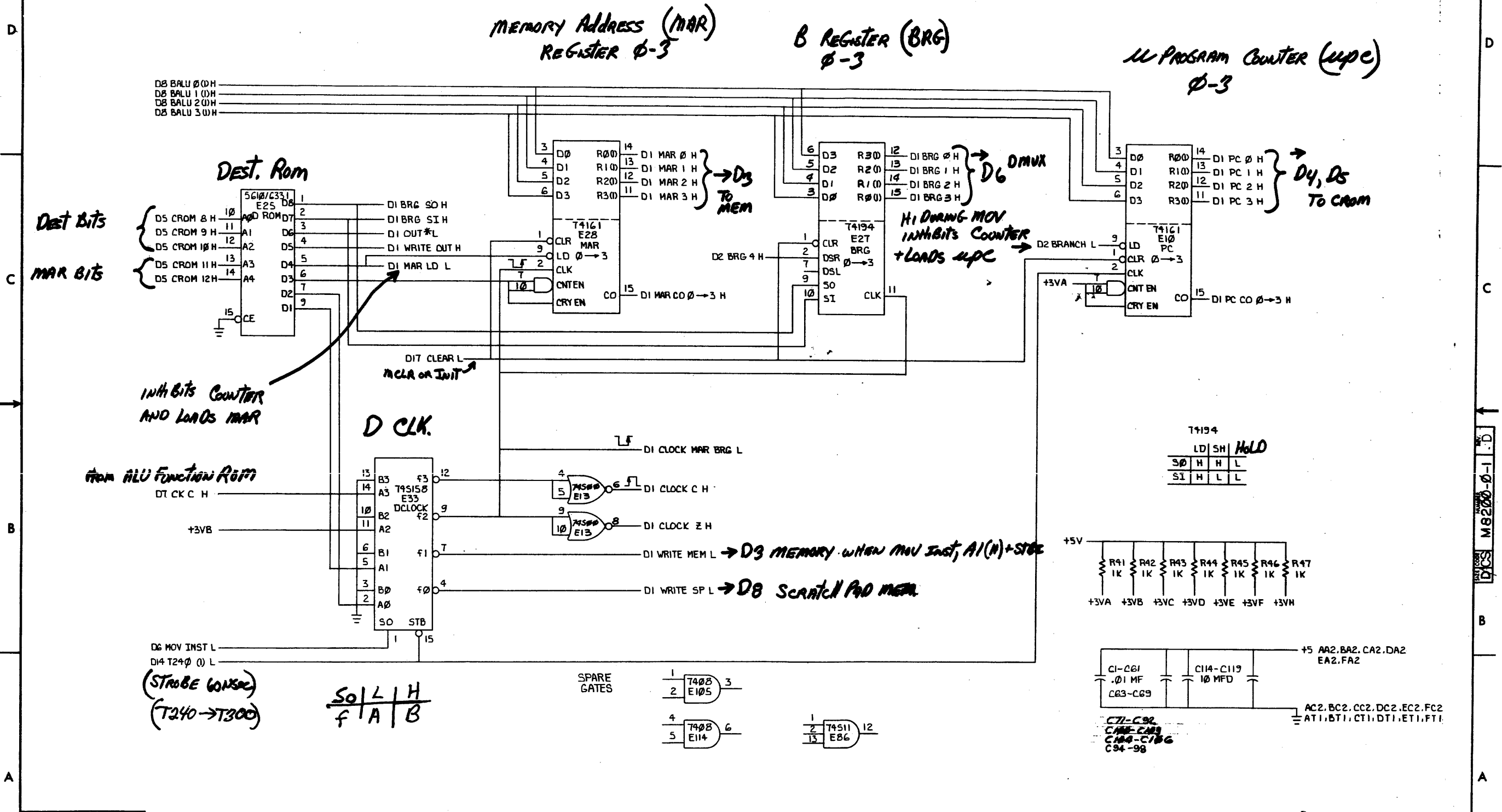
BLOCK DIAGRAM



REV.	CHANGE NO.	REV.
C	00001	
D	00003	
E	00004	
F	00005	
G	00006	
H	00007	
I	00008	
J	00009	
K	00010	
L	00011	
M	00012	
N	00013	
O	00014	
P	00015	
Q	00016	
R	00017	
S	00018	
T	00019	
U	00020	
V	00021	
W	00022	
X	00023	
Y	00024	
Z	00025	
AA	00026	
AB	00027	
AC	00028	
AD	00029	
AE	00030	
AF	00031	
AG	00032	
AH	00033	
AI	00034	
AJ	00035	
AK	00036	
AL	00037	
AM	00038	
AN	00039	
AO	00040	
AP	00041	
AQ	00042	
AR	00043	
AS	00044	
AT	00045	
AU	00046	
AV	00047	
AW	00048	
AX	00049	
AY	00050	
AZ	00051	
BA	00052	
BB	00053	
BC	00054	
BD	00055	
BE	00056	
BF	00057	
BG	00058	
BH	00059	
BI	00060	
BJ	00061	
BK	00062	
BL	00063	
BM	00064	
BN	00065	
BO	00066	
BP	00067	
BQ	00068	
BR	00069	
BS	00070	
BT	00071	
BU	00072	
BV	00073	
BW	00074	
BX	00075	
BY	00076	
BZ	00077	
CA	00078	
CB	00079	
CC	00080	
CD	00081	
CE	00082	
CF	00083	
CG	00084	
CH	00085	
CI	00086	
CJ	00087	
CK	00088	
CL	00089	
CM	00090	
CN	00091	
CO	00092	
CP	00093	
CQ	00094	
CR	00095	
CS	00096	
CT	00097	
CU	00098	
CV	00099	
CV	00100	

REV.	CHANGE NO.	REV.
C	00001	
D	00003	
E	00004	
F	00005	
G	00006	
H	00007	
I	00008	
J	00009	
K	00010	
L	00011	
M	00012	
N	00013	
O	00014	
P	00015	
Q	00016	
R	00017	
S	00018	
T	00019	
U	00020	
V	00021	
W	00022	
X	00023	
Y	00024	
Z	00025	
AA	00026	
AB	00027	
AC	00028	
AD	00029	
AE	00030	
AF	00031	
AG	00032	
AH	00033	
AI	00034	
AJ	00035	
AK	00036	
AL	00037	
AM	00038	
AN	00039	
AO	00040	
AP	00041	
AQ	00042	
AR	00043	
AS	00044	
AT	00045	
AU	00046	
AV	00047	
AW	00048	
AX	00049	
AY	00050	
AZ	00051	
BA	00052	
BB	00053	
BC	00054	
BD	00055	
BE	00056	
BF	00057	
BG	00058	
BH	00059	
BI	00060	
BJ	00061	
BK	00062	
BL	00063	
BM	00064	
BN	00065	
BO	00066	
BP	00067	
BQ	00068	
BR	00069	
BS	00070	
BT	00071	
BU	00072	
BV	00073	
BW	00074	
BX	00075	
BY	00076	
BZ	00077	
CA	00078	
CB	00079	
CC	00080	
CD	00081	
CE	00082	
CF	00083	
CG	00084	
CH	00085	
CI	00086	
CJ	00087	
CK	00088	
CL	00089	
CM	00090	
CN	00091	
CO	00092	
CP	00093	
CQ	00094	
CR	00095	
CS	00096	
CT	00097	
CU	00098	
CV	00099	
CV	00100	

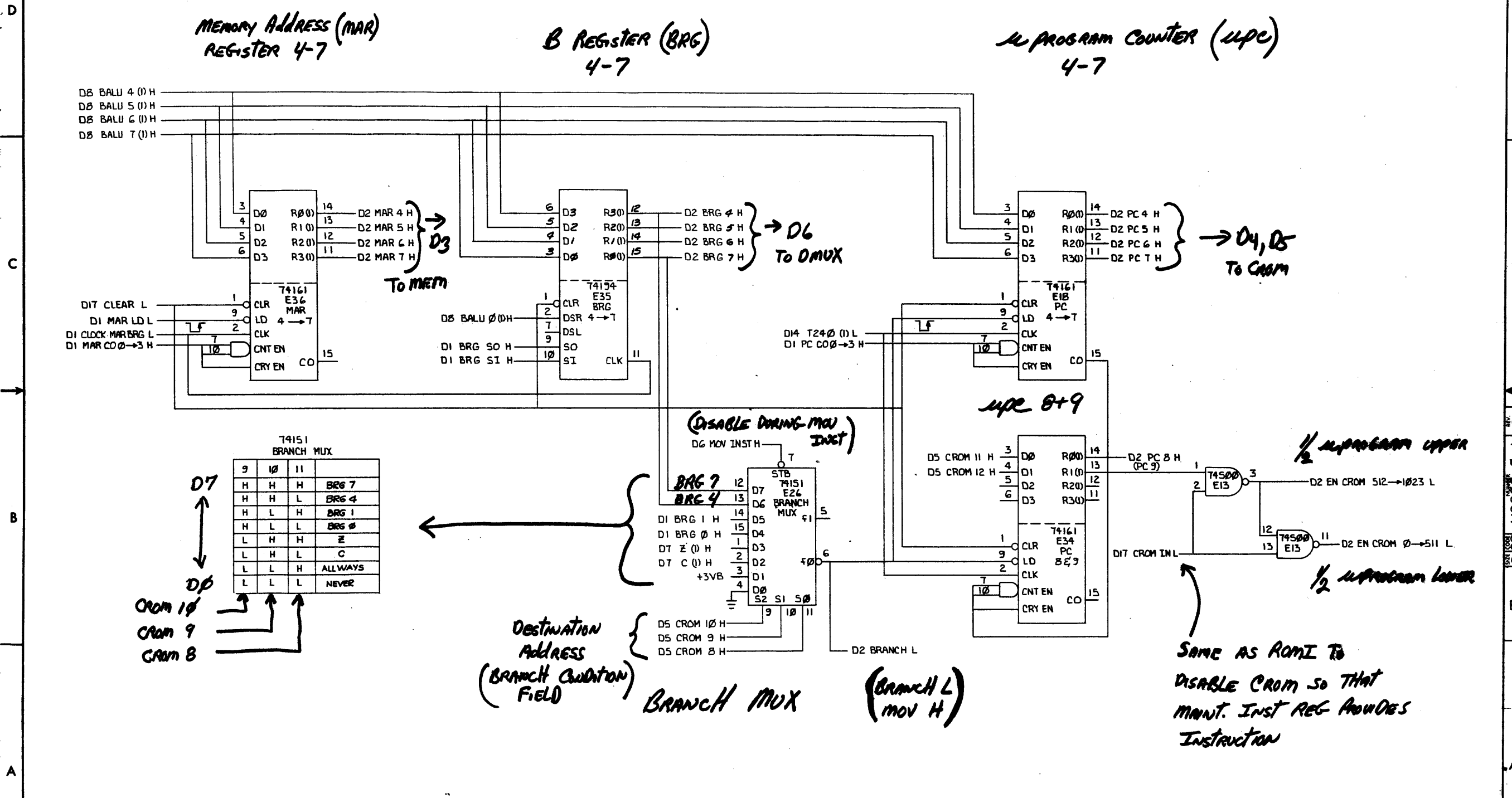
"THIS DRAWING AND SPECIFICATIONS, HEREIN, ARE THE PROPERTY OF DIGITAL EQUIPMENT CORPORATION AND SHALL NOT BE REPRODUCED OR COPIED OR USED IN WHOLE OR IN PART AS THE BASIS FOR THE MANUFACTURE OR SALE OF ITEMS WITHOUT WRITTEN PERMISSION. COPYRIGHT © 1975 DIGITAL EQUIPMENT CORPORATION"



REVISIONS			TITLE		NUMBER		REV.
CHK	CHANGE NO.	REV.	INTERPROCESSOR LINK		M8200-0-1		D
			IPL				
DEC FORM NO. 8			SHEET 2 OF 22		D.C.S.		

Dmc-1

THIS DRAWING AND SPECIFICATIONS HEREIN ARE THE PROPERTY OF DIGITAL EQUIPMENT CORPORATION AND SHALL NOT BE REPRODUCED OR COPIED OR USED IN WHOLE OR IN PART AS THE BASIS FOR THE MANUFACTURE OR SALE OF ITEMS WITHOUT WRITTEN PERMISSION. COPYRIGHT © 1975 DIGITAL EQUIPMENT CORPORATION

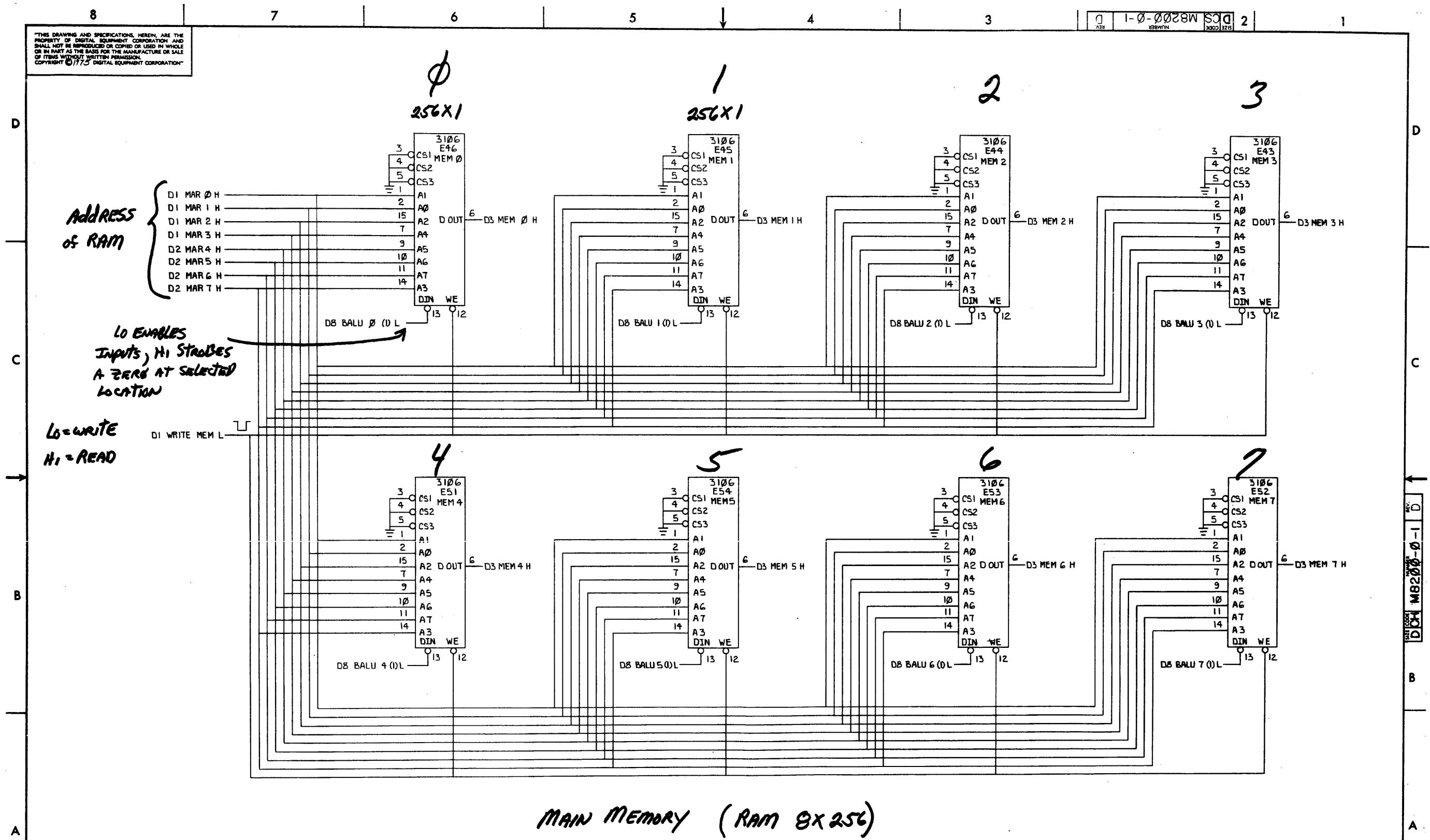


REVISIONS		
CHK	CHANGE NO.	REV.

D2

TITLE INTERPROCESSOR LINK		SIZE CODE (D2)	NUMBER DCS M8200-0-1	REV. D
SCALE	SHEET 3 OF 22	DIST.		

THIS DRAWING AND SPECIFICATIONS, HEREIN, ARE THE PROPERTY OF DIGITAL EQUIPMENT CORPORATION AND SHALL NOT BE REPRODUCED OR COPIED OR USED IN WHOLE OR IN PART AS THE BASIS FOR THE MANUFACTURE OR SALE OF ITEMS WITHOUT WRITTEN PERMISSION. COPYRIGHT © 1975 DIGITAL EQUIPMENT CORPORATION

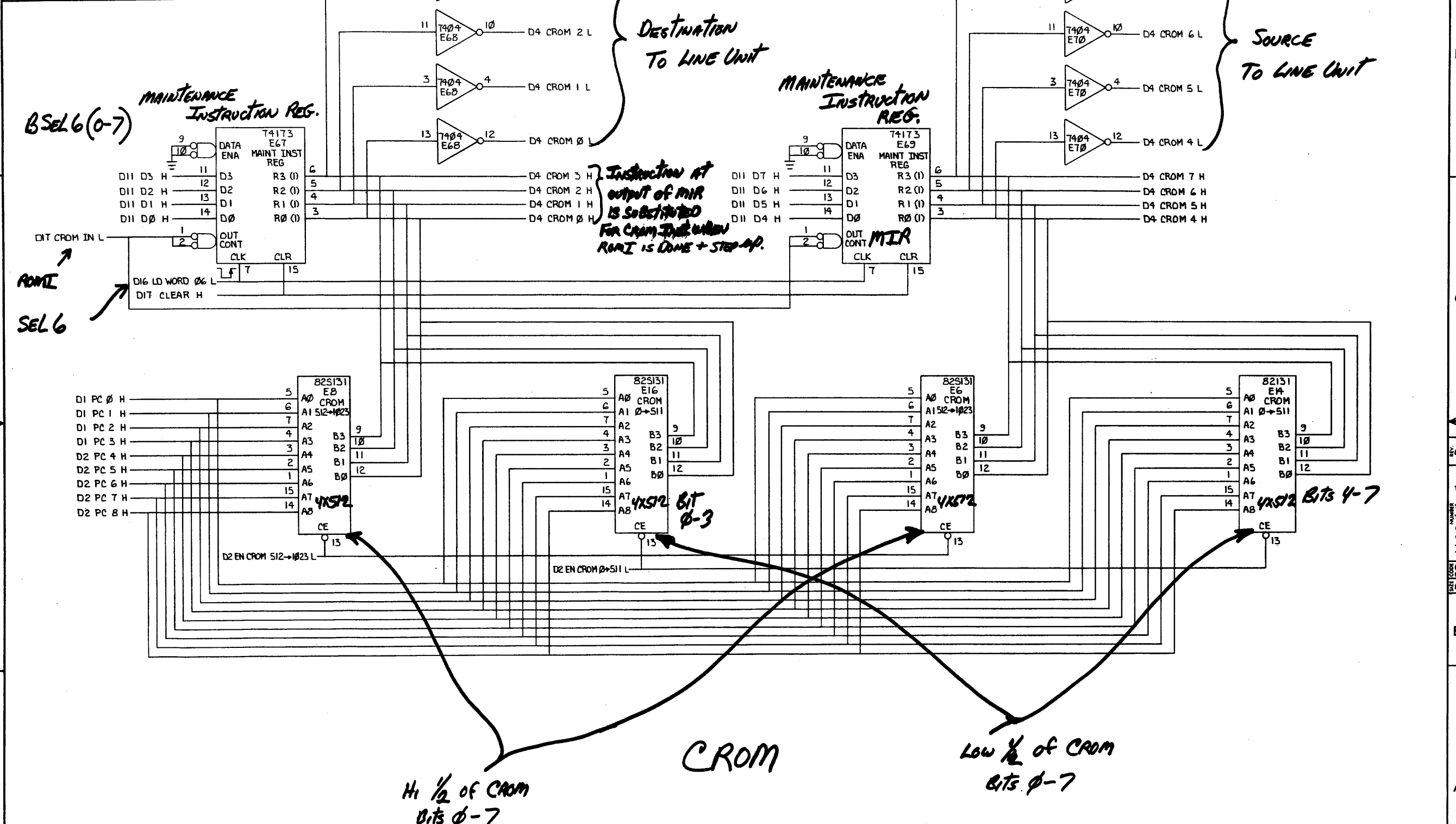


REVISIONS		
CHK	CHANGE NO.	REV.

TITLE INTERPROCESSOR LINK		SIZE CODE DCS	NUMBER M8200-0-1	REV. D
SCALE 1/1		SHEET 4 OF 22		DIST.

DMC-3

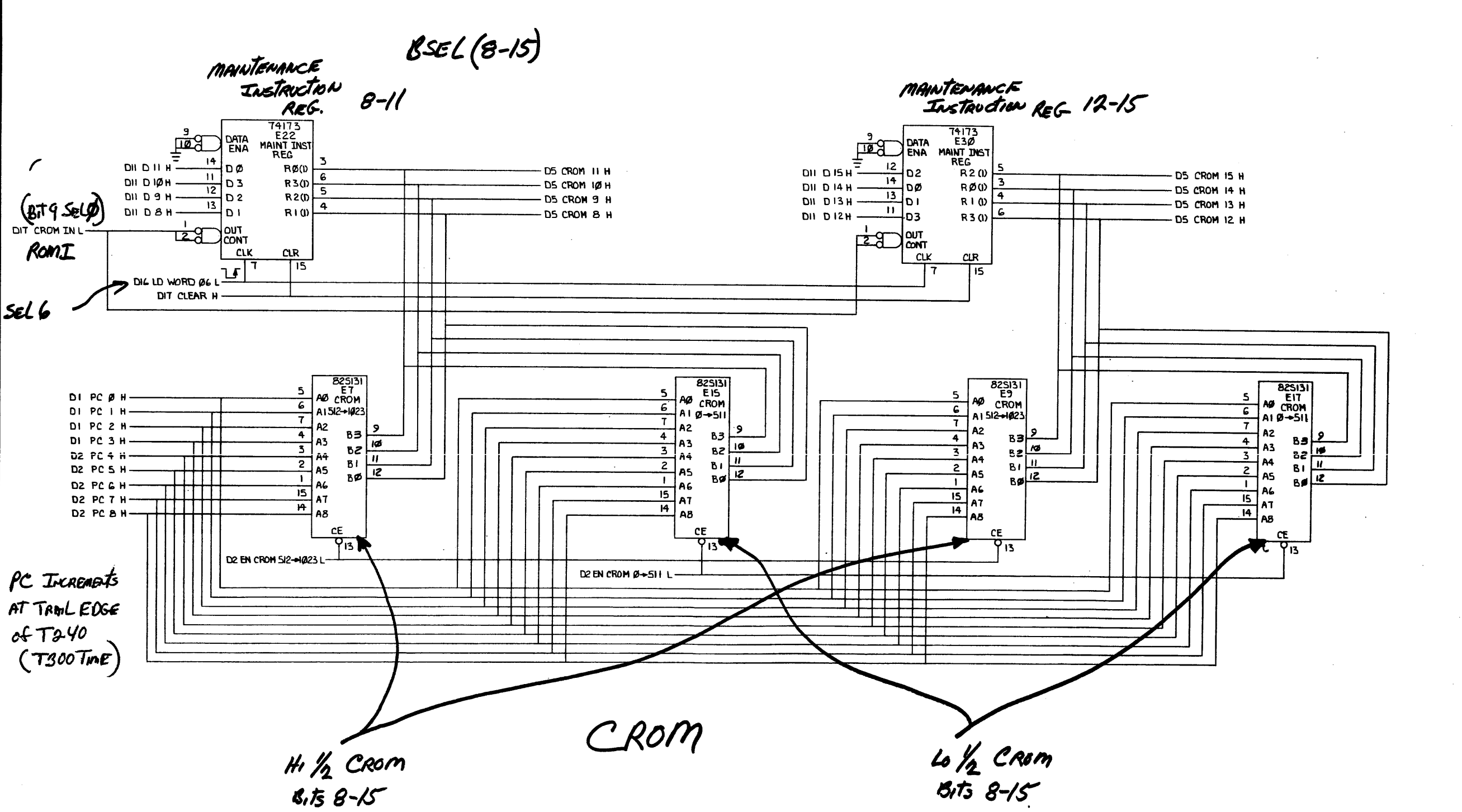
"THIS DRAWING AND SPECIFICATIONS, HEREIN, ARE THE PROPERTY OF DIGITAL EQUIPMENT CORPORATION AND SHALL NOT BE REPRODUCED OR COPIED OR USED IN WHOLE OR IN PART AS THE BASIS FOR THE MANUFACTURE OR SALE OF ITEMS WITHOUT WRITTEN PERMISSION. COPYRIGHT © 1975 DIGITAL EQUIPMENT CORPORATION"



REVISIONS			TITLE		NUMBER		REV.
CHK	CHANGE NO.	REV.	INTERPROCESSOR LINK		M8200-0-1		D
			D4				
			SHEET 5 OF 22		DIST.		

DMC-4

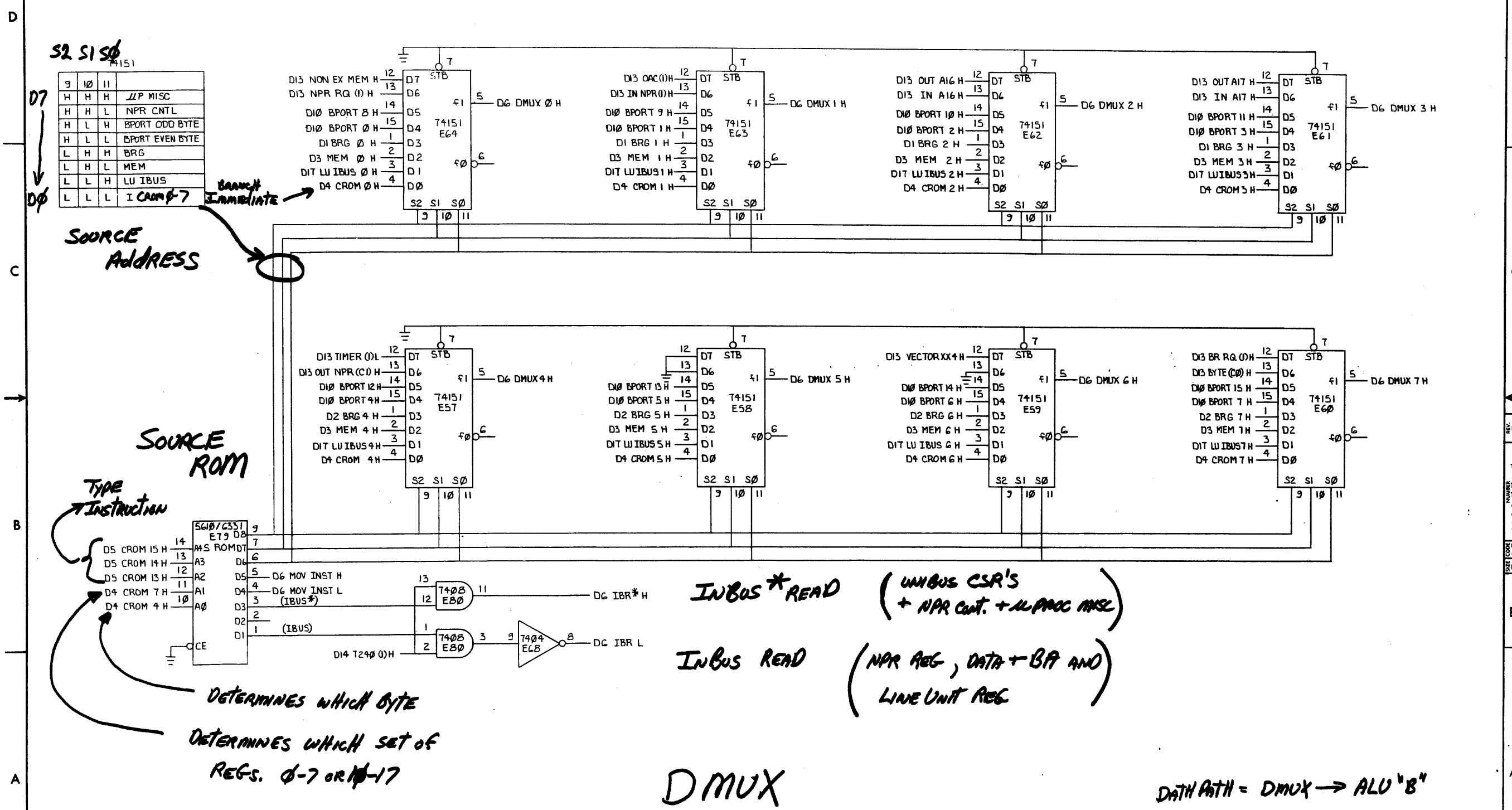
"THIS DRAWING AND SPECIFICATIONS, HEREIN, ARE THE PROPERTY OF DIGITAL EQUIPMENT CORPORATION AND SHALL NOT BE REPRODUCED OR COPIED OR USED IN WHOLE OR IN PART AS THE BASIS FOR THE MANUFACTURE OR SALE OF ITEMS WITHOUT WRITTEN PERMISSION. COPYRIGHT © 1975 DIGITAL EQUIPMENT CORPORATION"



REVISIONS		
CHK	CHANGE NO.	REV.

DMC-5

"THIS DRAWING AND SPECIFICATIONS, HEREIN, ARE THE PROPERTY OF DIGITAL EQUIPMENT CORPORATION AND SHALL NOT BE REPRODUCED OR COPIED OR USED IN WHOLE OR IN PART AS THE BASIS FOR THE MANUFACTURE OR SALE OF ITEMS WITHOUT WRITTEN PERMISSION. COPYRIGHT © 1975 DIGITAL EQUIPMENT CORPORATION"



S2 S1 S0
#151

9	10	11	
H	H	H	LLP MISC
H	H	L	NPR CNTL
H	L	H	BPORT ODD BYTE
H	L	L	BPORT EVEN BYTE
L	H	H	BRG
L	H	L	MEM
L	L	H	LU IBUS
L	L	L	I CROM 7

SOURCE ADDRESS

SOURCE ROM

9	560/6351
8	E79 D8
7	MS ROMDT
6	A3
5	A2
4	A1
3	A0
2	
1	
0	

Type Instruction

14	D5 CROM 15 H
13	D5 CROM 14 H
12	D5 CROM 13 H
11	D4 CROM 7 H
10	D4 CROM 4 H

DETERMINES WHICH BYTE
DETERMINES WHICH SET OF REGS. 0-7 OR 8-17

INBUS* READ (UNBUS CSR'S + NPR CNT. + ALU PROC INSE)

INBUS READ (NPR REG, DATA + BR AND) LINE UNIT REG

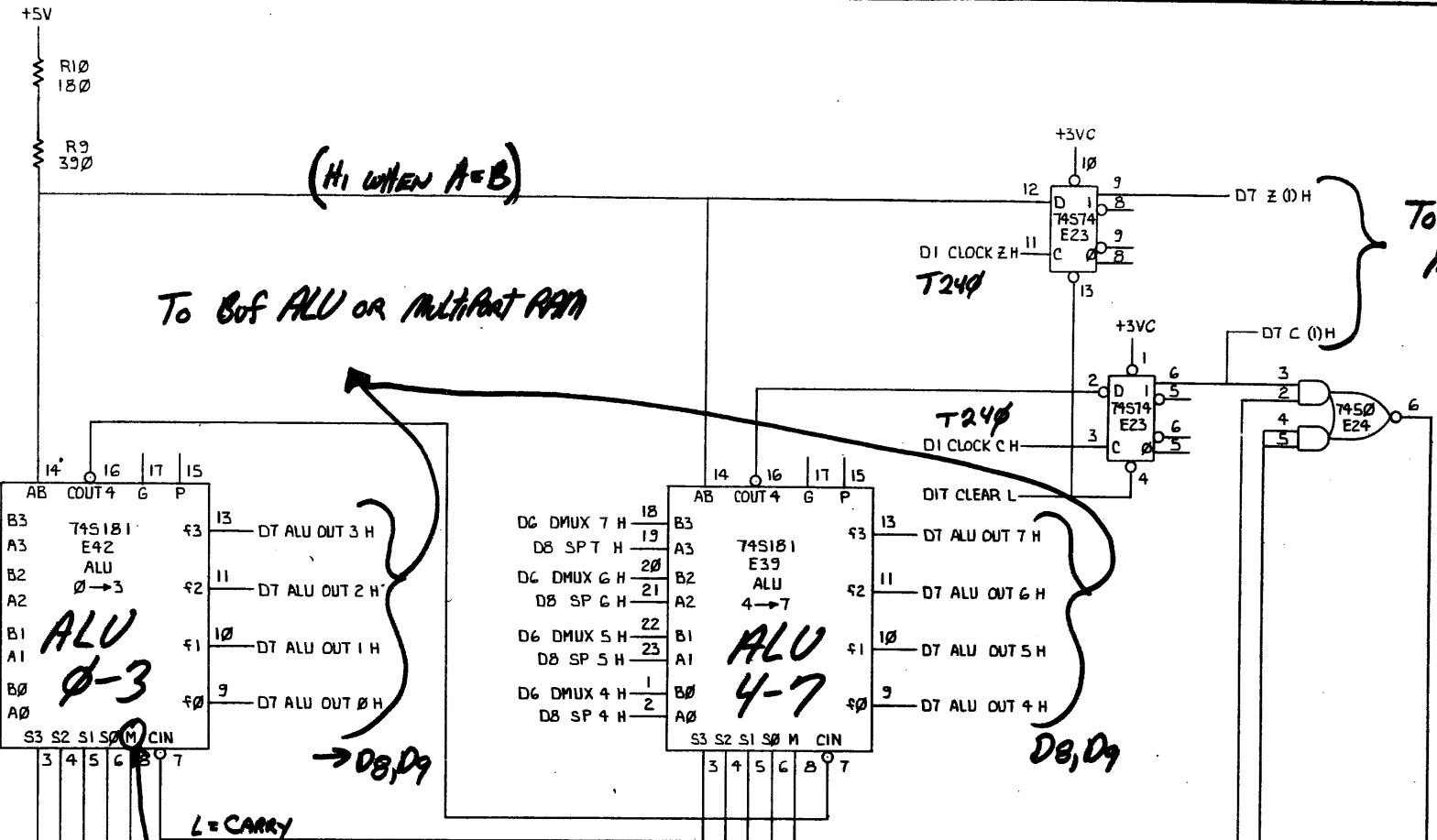
DMUX

DATA PATH = DMUX -> ALU * 8

REVISIONS			TITLE		SIZE CODE	NUMBER	REV.
CHK	CHANGE NO.	REV.	INTEPPROCESSOR LINK		(06) DCS	M8200-0-1	0
			LLP				
			SCALE	SHEET	OF	DIST.	
			++	7	22		

"THIS DRAWING AND SPECIFICATIONS, HEREIN, ARE THE PROPERTY OF DIGITAL EQUIPMENT CORPORATION AND SHALL NOT BE REPRODUCED OR COPIED OR USED IN WHOLE OR IN PART AS THE BASIS FOR THE MANUFACTURE OR SALE OF ITEMS WITHOUT WRITTEN PERMISSION. COPYRIGHT © 1975 DIGITAL EQUIPMENT CORPORATION"

1-0-0028W SOD 2

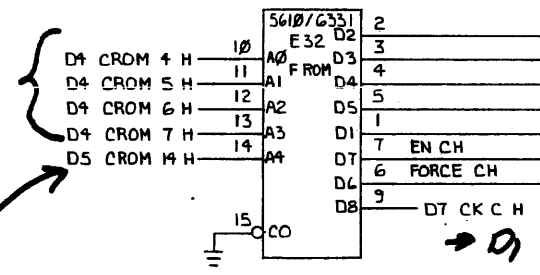


A input -
SCRATCH PAD
B input -
DMUX

- D6 DMUX 3 H — 18
- D8 SP 3 H — 19
- D6 DMUX 2 H — 20
- D8 SP 2 H — 21
- D6 DMUX 1 H — 22
- D8 SP 1 H — 23
- D6 DMUX 0 H — 1
- D8 SP 0 H — 2

ALU Function ROM

ALU Function



ASSERTED WHEN USING
ALU ON BOTH MOV + BRANCH
INSTRUCTIONS

ALU 0-7

REVISIONS		
CHK	CHANGE NO.	REV.

DEC FORM NO. DRD 136

D7

(ALU 0-7, C, Z, FROM)		TITLE	SIZE/	NUMBER	REV.
INTERPROCESSOR LINK		DCS	(07)	M8200-0-1	D
SCALE	++	SHEET	8	OF	22

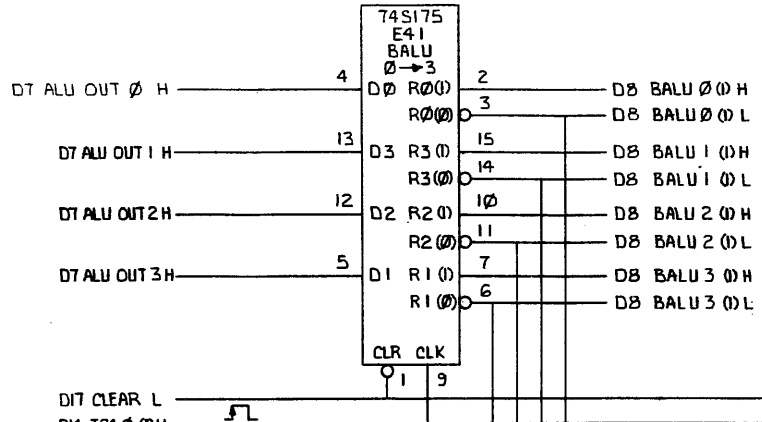
DMC-7

"THIS DRAWING AND SPECIFICATIONS, HEREIN, ARE THE PROPERTY OF DIGITAL EQUIPMENT CORPORATION AND SHALL NOT BE REPRODUCED OR COPIED OR USED IN WHOLE OR IN PART AS THE BASIS FOR THE MANUFACTURE OR SALE OF ITEMS WITHOUT WRITTEN PERMISSION. COPYRIGHT © 1975 DIGITAL EQUIPMENT CORPORATION"

Buffered ALU

BALU 0-3

BALU 4-7



To MAIN MEM,
LINE UNIT, B REG,
NPR Cont, UP MSG,
MAR
→ D1+D2, D3, D13
D17

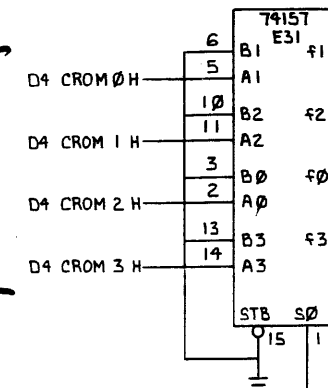
MOV Inst ONLY

SP Address MUX

SCRATCH PAD MEM

To ALU
A INPUTS
D7

SCRATCH PAD ADDRESS



T340

DI WRITE SP L

ENB WR

D1 M1

D2 E5

D3 0-3

D0 M0

A0 A1 A2 A3

1 15 14 13

2 3

7 9 11 5

DB SP 0 H

DB SP 1 H

DB SP 2 H

DB SP 3 H

+5V

R4 R3 R2 R1

1K 1K 1K 1K

+5V

R8 R7 R6 R5

1K 1K 1K 1K

ENB WR

D1 M1

D2 E4

D3 4-7

D0 M0

A0 A1 A2 A3

1 15 14 13

6 12 10 4

DB SP 4 H

DB SP 5 H

DB SP 6 H

DB SP 7 H

FORCE TO ZERO
ON WRITE OUT

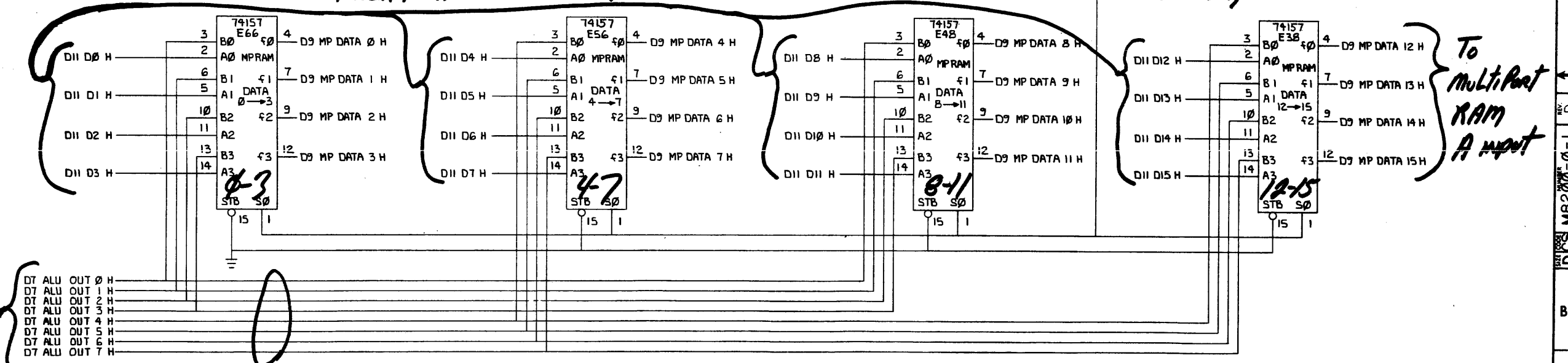
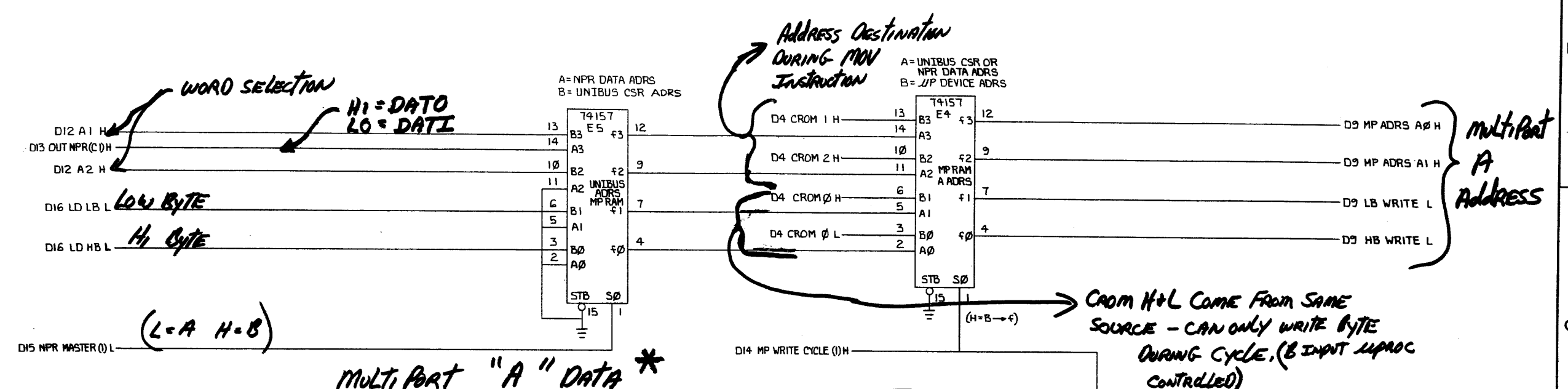
REVISIONS		
CHK	CHANGE NO.	REV.

TITLE: INTERPROCESSOR LINK		SIZE CODE: DCS	NUMBER: M8200-0-1	REV.: D
SCALE: ++		SHEET: 9 OF 22		DIST.

D8

"THIS DRAWING AND SPECIFICATIONS, HEREIN, ARE THE PROPERTY OF DIGITAL EQUIPMENT CORPORATION AND SHALL NOT BE REPRODUCED OR COPIED OR USED IN WHOLE OR IN PART AS THE BASIS FOR THE MANUFACTURE OR SALE OF ITEMS WITHOUT WRITTEN PERMISSION. COPYRIGHT © 1975 DIGITAL EQUIPMENT CORPORATION"

1-0-0028W DCS M8200-0-1 2



MULTI PORT "A" DATA *

MULTI PORT DATA MUX

ALU INPUTS

THESE LINES GO TO LO & HI BYTES CAUSE UPROC CAN ONLY WRITE BYTES

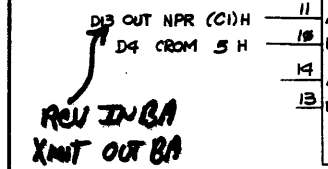
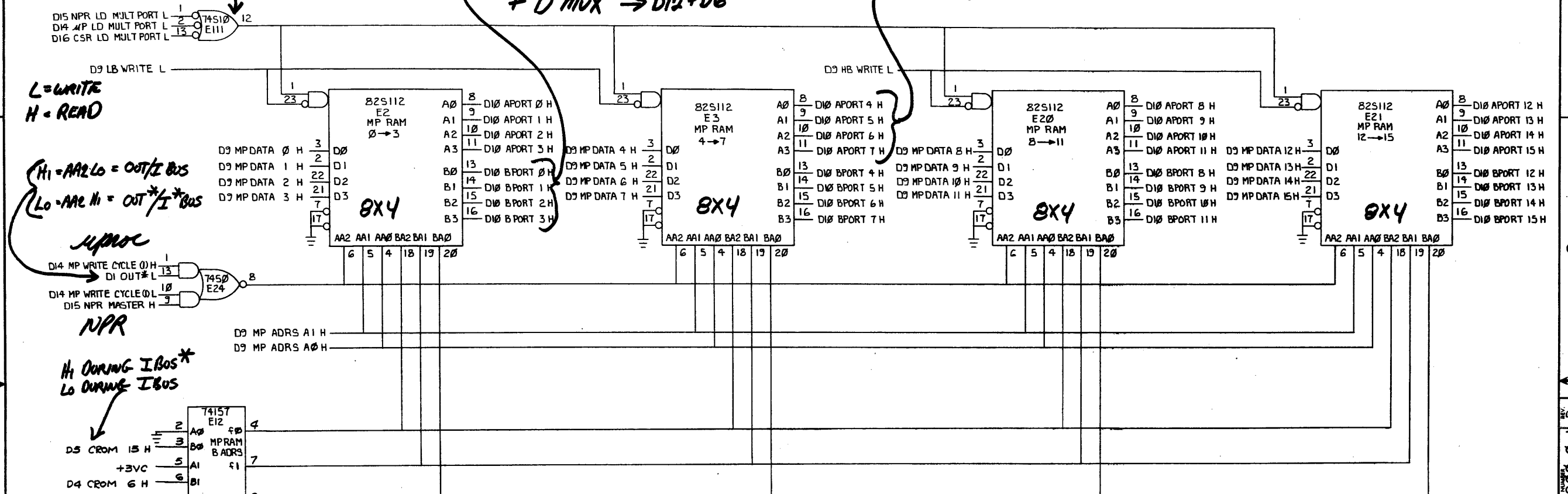
* UNIBUS CSR DATA OR NPR DATA OR BASE I

REVISIONS			TITLE INTERPROCESSOR LINK (MP RAM "A" ADRS & DATA)		SIZE CODE	NUMBER	REV.
CHK	CHANGE NO.	REV.	DCS M8200-0-1		(D9)	DCS M8200-0-1	D
					++	SHEET 10 OF 22	

DMC-9

THIS DRAWING AND SPECIFICATIONS, HEREIN, ARE THE PROPERTY OF DIGITAL EQUIPMENT CORPORATION AND SHALL NOT BE REPRODUCED OR COPIED OR USED IN WHOLE OR IN PART AS THE BASIS FOR THE MANUFACTURE OR SALE OF ITEMS WITHOUT WRITTEN PERMISSION. COPYRIGHT © 1975 DIGITAL EQUIPMENT CORPORATION

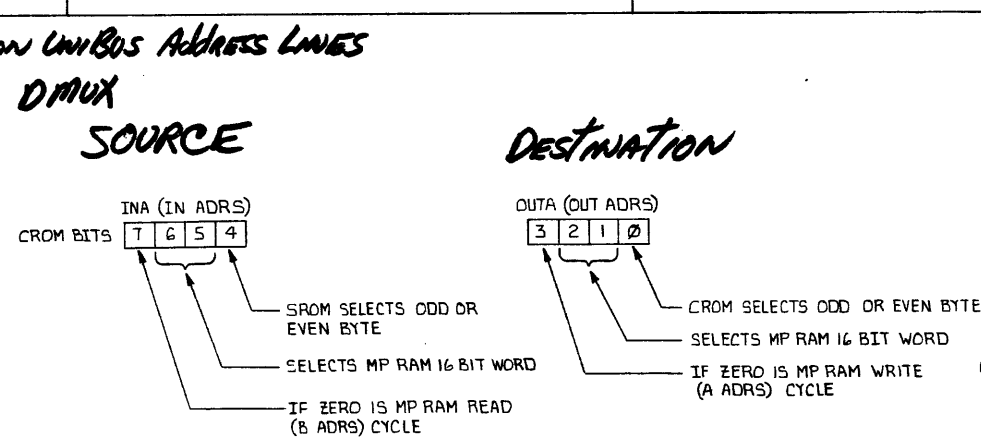
1. LOAD IN DATA DURING NPR WRITE
 2. LOADED BY MPRC WRITE
 3. LOADED BY PDP11 INSTRUCTION.
- B Port Goes To UNIBUS ADDR LINES + D MUX → D12+D6
- A Port Goes To → D11 UNIBUS DATA LINES



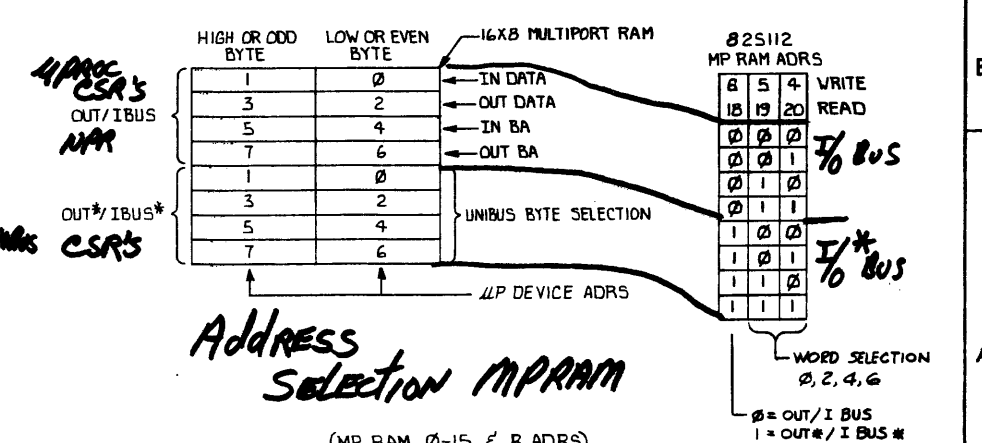
MPORT B Address

WHEN LO GIVES ADDRESS OF BA'S DEPENDING ON OUT NPR (A2)

RAM ADDR 2 = IN BA
3 = OUT BA



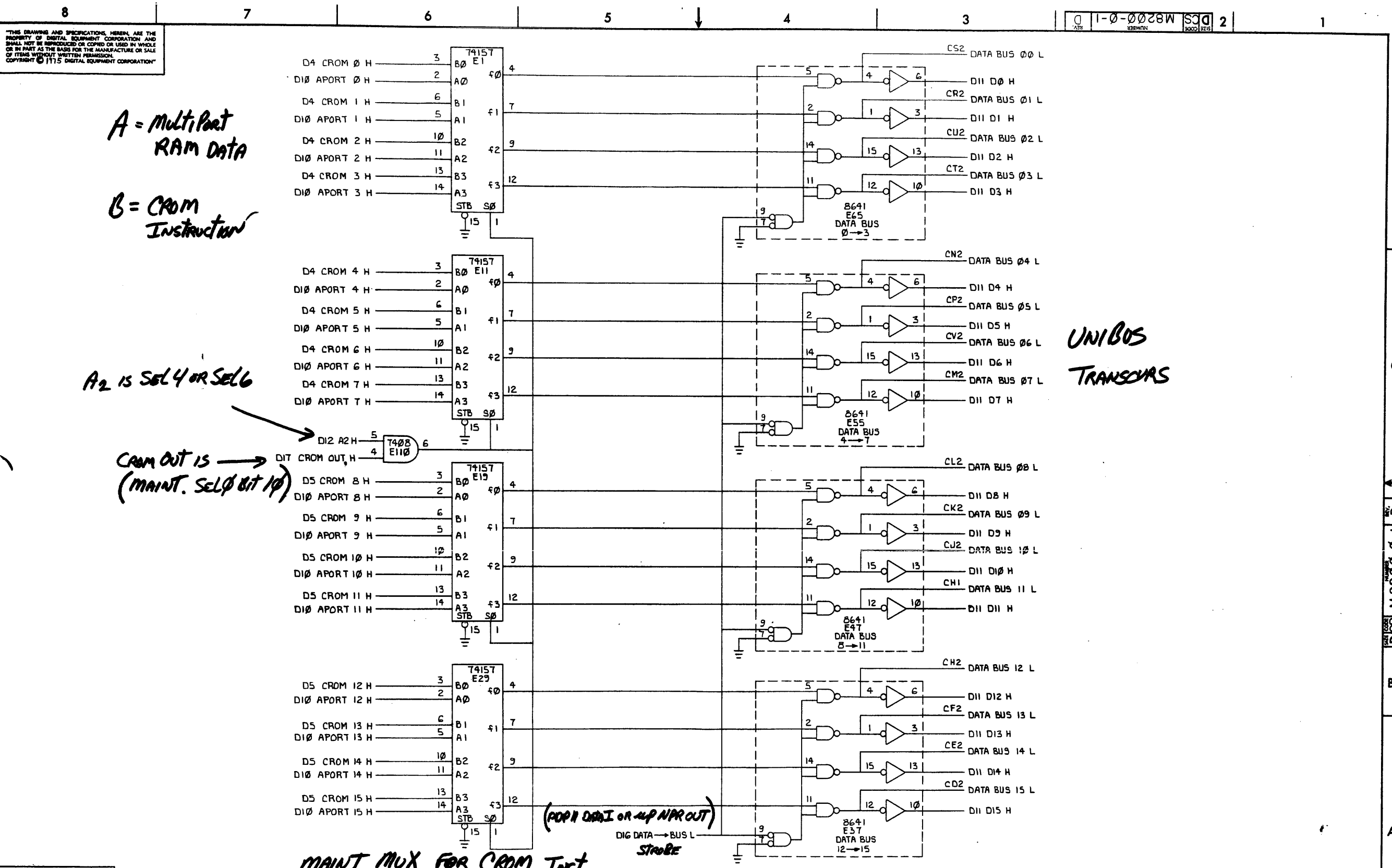
MULTI PORT RAM



Address Selection MPRAM

CHK	CHANGE NO.	REV.	TITLE	SIZE	CODE	NUMBER	REV.
			INTERPROCESSOR LINK	(D10)	DCS	M8200-0-1	D
			LLP				
			SCALE	++	SHEET	OF 22	DIST.

THIS DRAWING AND SPECIFICATIONS HEREIN ARE THE PROPERTY OF DIGITAL EQUIPMENT CORPORATION AND SHALL NOT BE REPRODUCED OR COPIED OR USED IN WHOLE OR IN PART AS THE BASIS FOR THE MANUFACTURE OR SALE OF ITEMS WITHOUT WRITTEN PERMISSION. COPYRIGHT © 1975 DIGITAL EQUIPMENT CORPORATION



*A = Multiport
RAM Data*

*B = CROM
Instruction*

A2 is SEL4 or SEL6

*CROM OUT IS
(MAINT. SEL0 BIT 10)*

MAINT MUX FOR CROM Inst.

*UNI-BUS
TRANSURS*

(POP IN DATA OR UP N/A OUT)

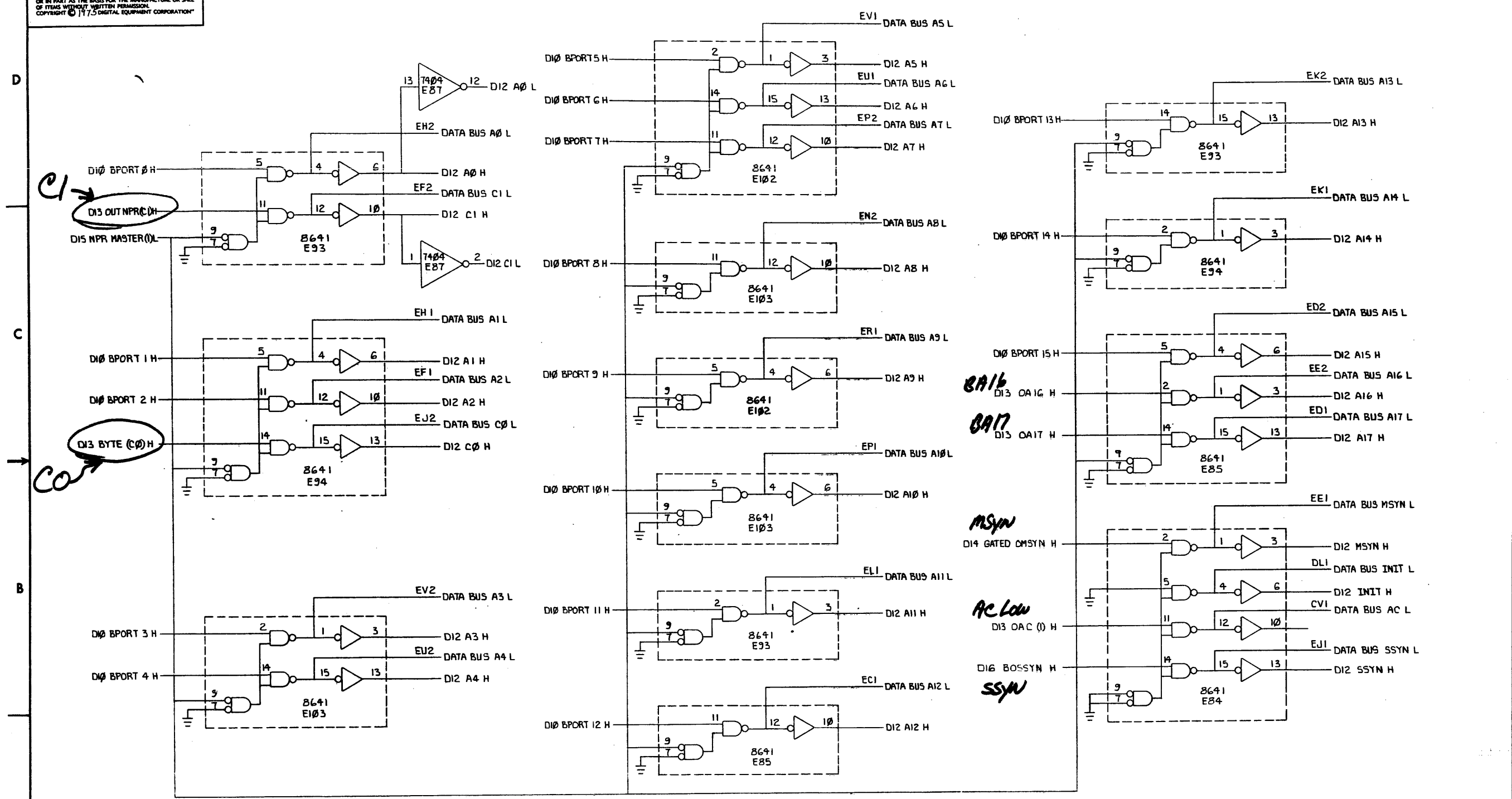
*DIG DATA → BUS L
Strobe*

(DATA → BUS 0-15)

REVISIONS		
CHK	CHANGE NO.	REV.

DMC-11

THIS DRAWING AND SPECIFICATIONS, HEREIN, ARE THE PROPERTY OF DIGITAL EQUIPMENT CORPORATION AND SHALL NOT BE REPRODUCED OR COPIED OR USED IN WHOLE OR IN PART AS THE BASIS FOR THE MANUFACTURE OR SALE OF ITEMS WITHOUT WRITTEN PERMISSION. COPYRIGHT © 1975 DIGITAL EQUIPMENT CORPORATION



Address + OTHER BUS TRANSCEIVERS

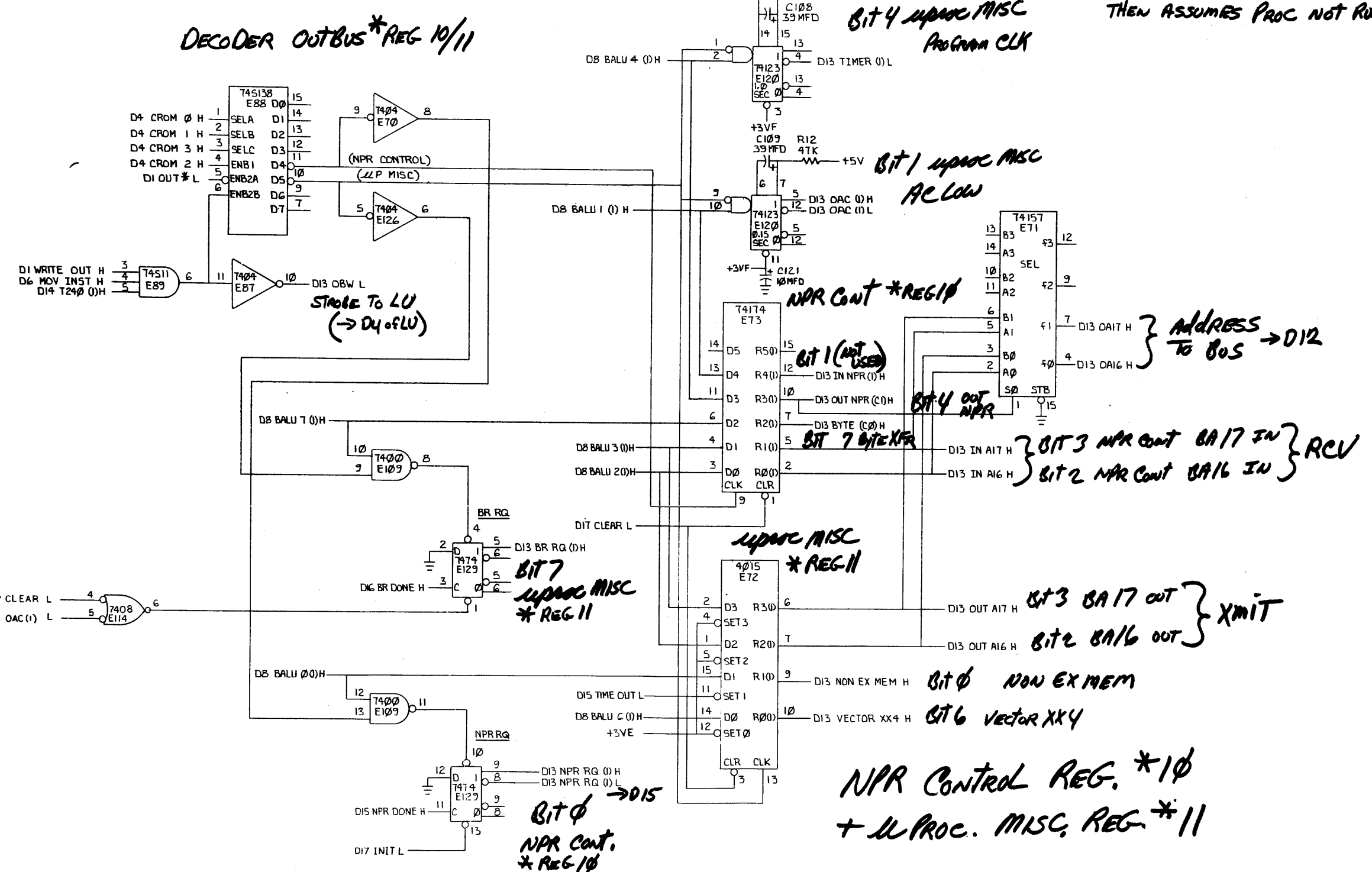
C1	C0		
0	0	DATA	
0	1	DATA	
1	0	DATA	
1	1	DATA 8	

CHK	CHANGE NO.	REV.	TITLE	SIZE CODE	NUMBER	REV.
			INTERPROCESSOR LINK <i>LLP</i>	D CS	M8200-0-1	0
			SCALE	SHEET 13 OF 22		

D12

THIS DRAWING AND SPECIFICATIONS, HEREIN, ARE THE PROPERTY OF DIGITAL EQUIPMENT CORPORATION AND SHALL NOT BE REPRODUCED OR COPIED OR USED IN WHOLE OR IN PART AS THE BASIS FOR THE MANUFACTURE OR SALE OF ITEMS WITHOUT WRITTEN PERMISSION. COPYRIGHT © 1975 DIGITAL EQUIPMENT CORPORATION

FOR REMOTE LOAD DETECT, TAKES NPR IF NO NPG WITHIN TIMER THEN ASSUMES PROC NOT RUNNING.

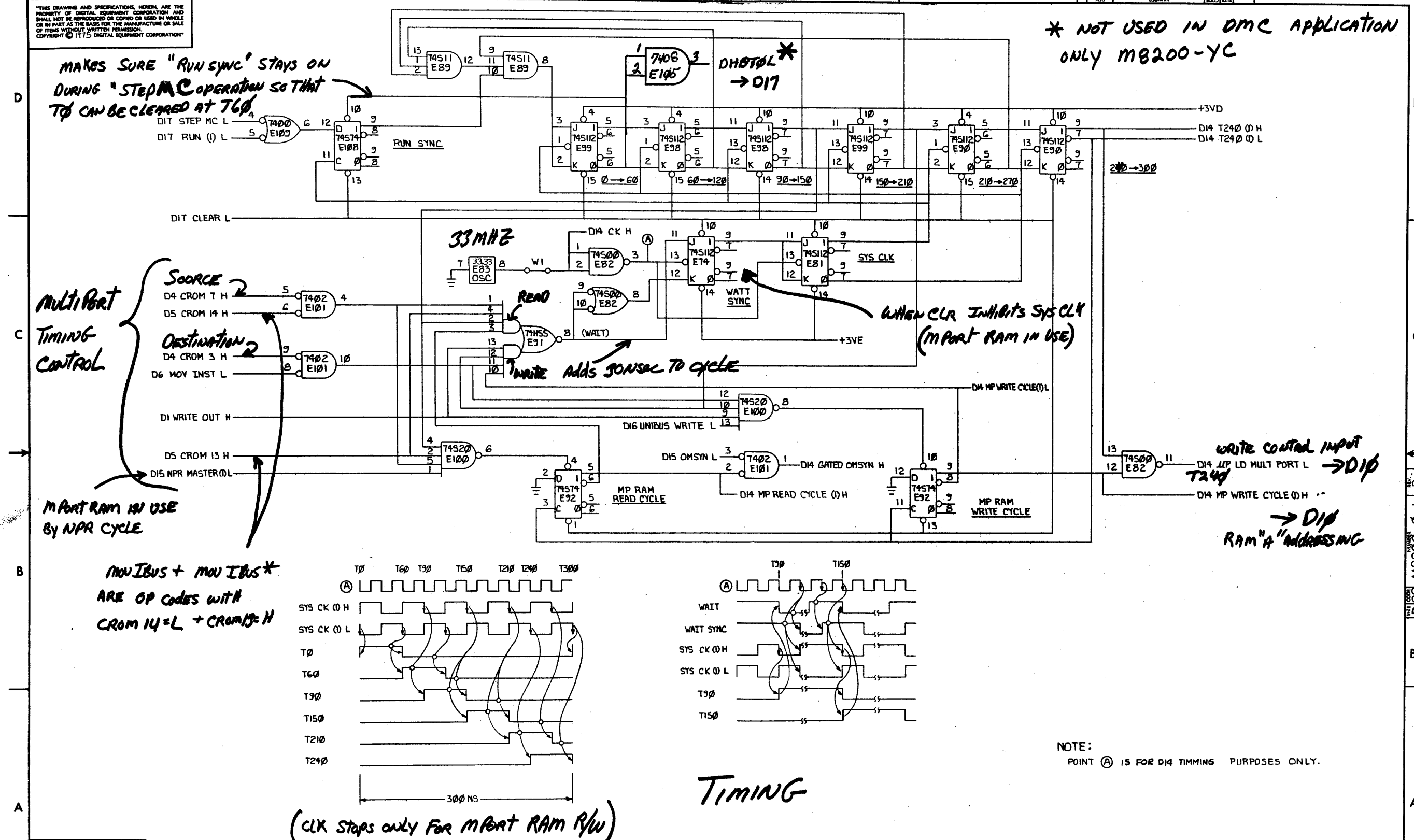


REVISIONS		
CHK	CHANGE NO.	REV.

DEC FORM NO. DED 130	8	7	6	5	4	3	2	1	
TITLE INTERPROCESSOR LINK LLP							SIZE CODE (D13) DCS	NUMBER M8200-0-1	REV. D
SCALE ++							SHEET 14 OF 22	DIST.	

DMC-13

THIS DRAWING AND SPECIFICATIONS HEREIN ARE THE PROPERTY OF DIGITAL EQUIPMENT CORPORATION AND SHALL NOT BE REPRODUCED OR COPIED OR USED IN WHOLE OR IN PART AS THE BASIS FOR THE MANUFACTURE OR SALE OF ITEMS WITHOUT WRITTEN PERMISSION.
 COPYRIGHT © 1975 DIGITAL EQUIPMENT CORPORATION

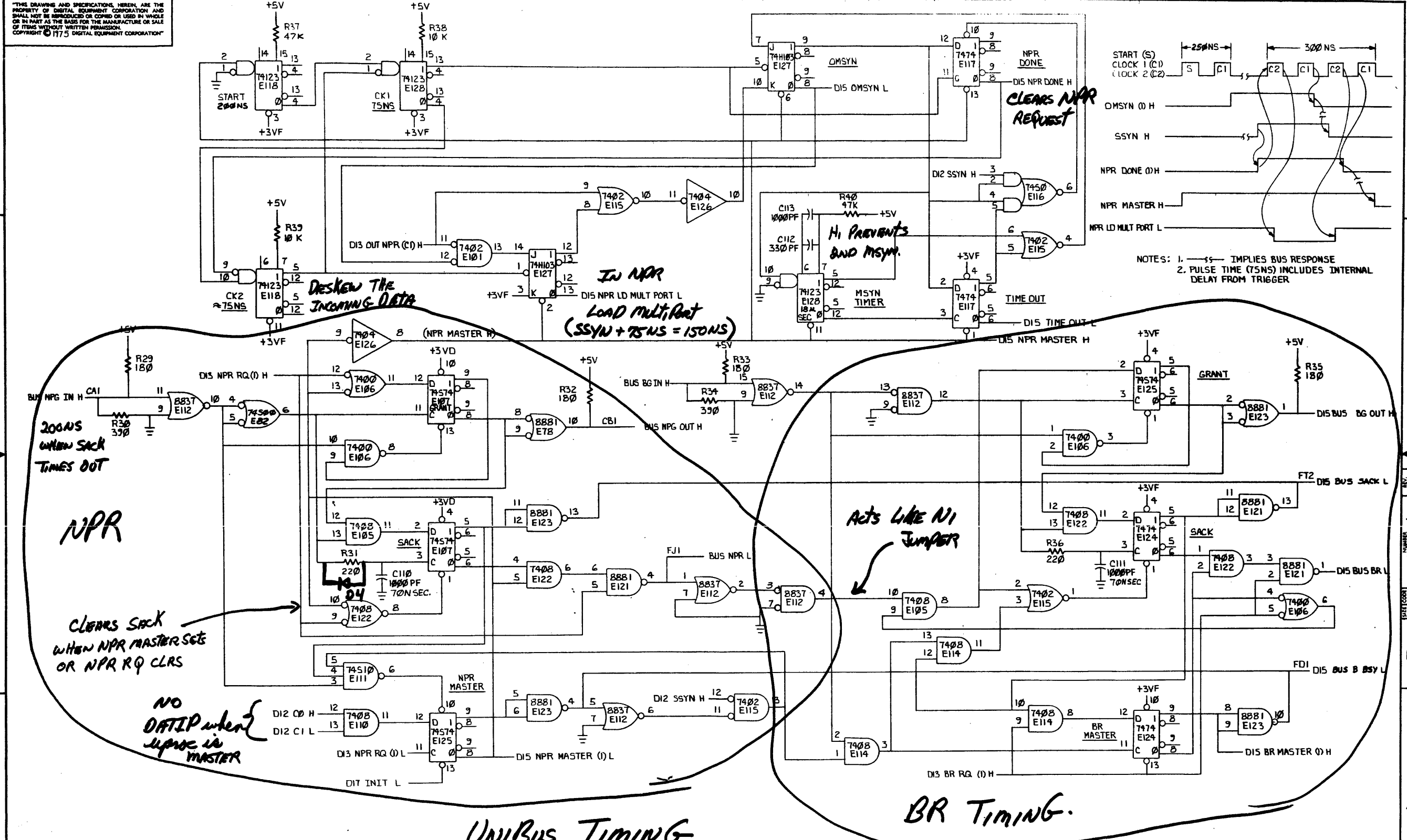


CHK	CHANGE NO.	REV.

D14

TITLE	INTERPROCESSOR LINK	SIZE CODE	NUMBER	REV.
	LLP	D14	M8200-0-1	D
SCALE	SHEET	OF	DIST.	
	15	22		

THIS DRAWING AND SPECIFICATIONS HEREIN ARE THE PROPERTY OF DIGITAL EQUIPMENT CORPORATION AND SHALL NOT BE REPRODUCED OR COPIED OR USED IN WHOLE OR IN PART AS THE BASIS FOR THE MANUFACTURE OR SALE OF ITEMS WITHOUT WRITTEN PERMISSION. COPYRIGHT © 1975 DIGITAL EQUIPMENT CORPORATION



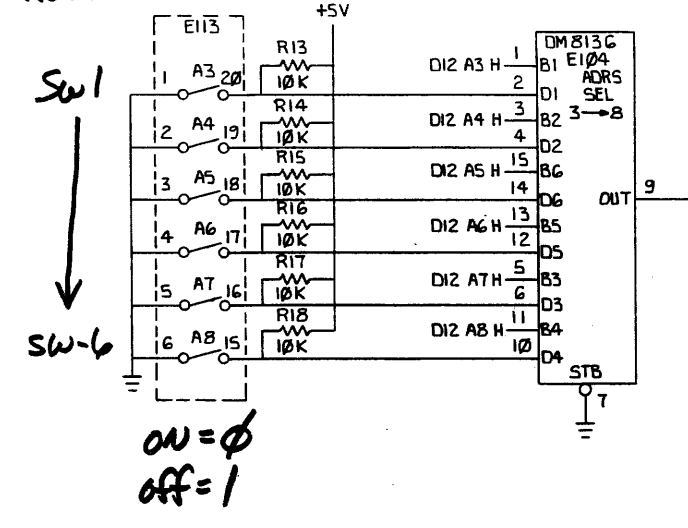
REVISIONS			TITLE		SIZE CODE		NUMBER		REV.
CHK	CHANGE NO.	REV.	D15		D CS		M8200-0-1		D
			INTERPROCESSOR LINK		(D15)				
DEC FORM NO. 8			SCALE ++		SHEET 16 OF 22		DIST.		

"THIS DRAWING AND SPECIFICATIONS, HEREIN, ARE THE PROPERTY OF DIGITAL EQUIPMENT CORPORATION AND SHALL NOT BE REPRODUCED OR COPIED OR USED IN WHOLE OR IN PART AS THE BASIS FOR THE MANUFACTURE OR SALE OF ITEMS WITHOUT WRITTEN PERMISSION. COPYRIGHT © 1975 DIGITAL EQUIPMENT CORPORATION"

C1	C0	FUNCT.
0	0	DATA
0	1	DATIP
1	0	DATO
1	1	DATOB

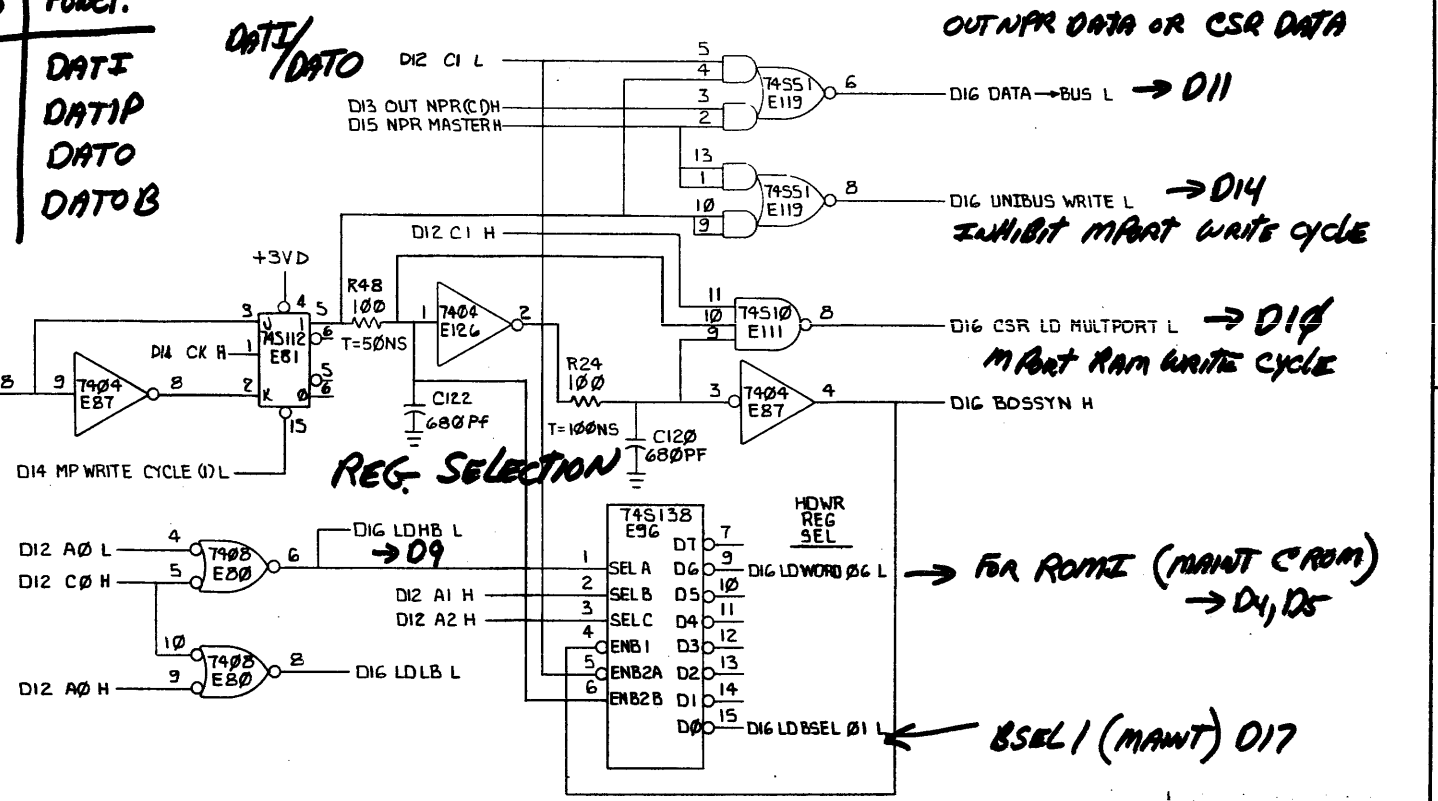
DEVICE ADDRESS

DEVICE SELECTION

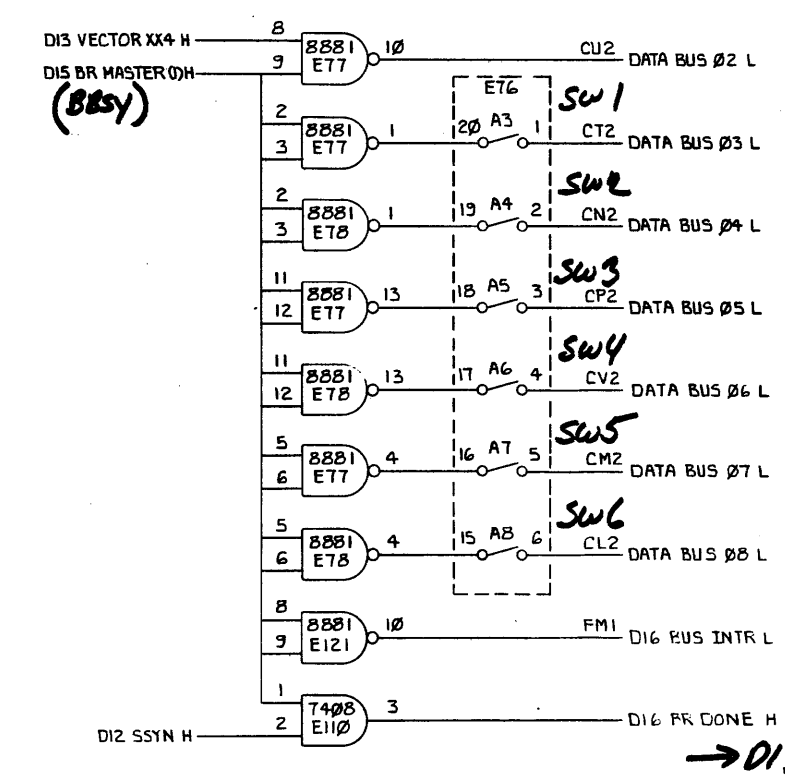


Inhibits SSYN while apoc user MPART during WRITE cycle

DATA/DATO



VECTOR SELECTION

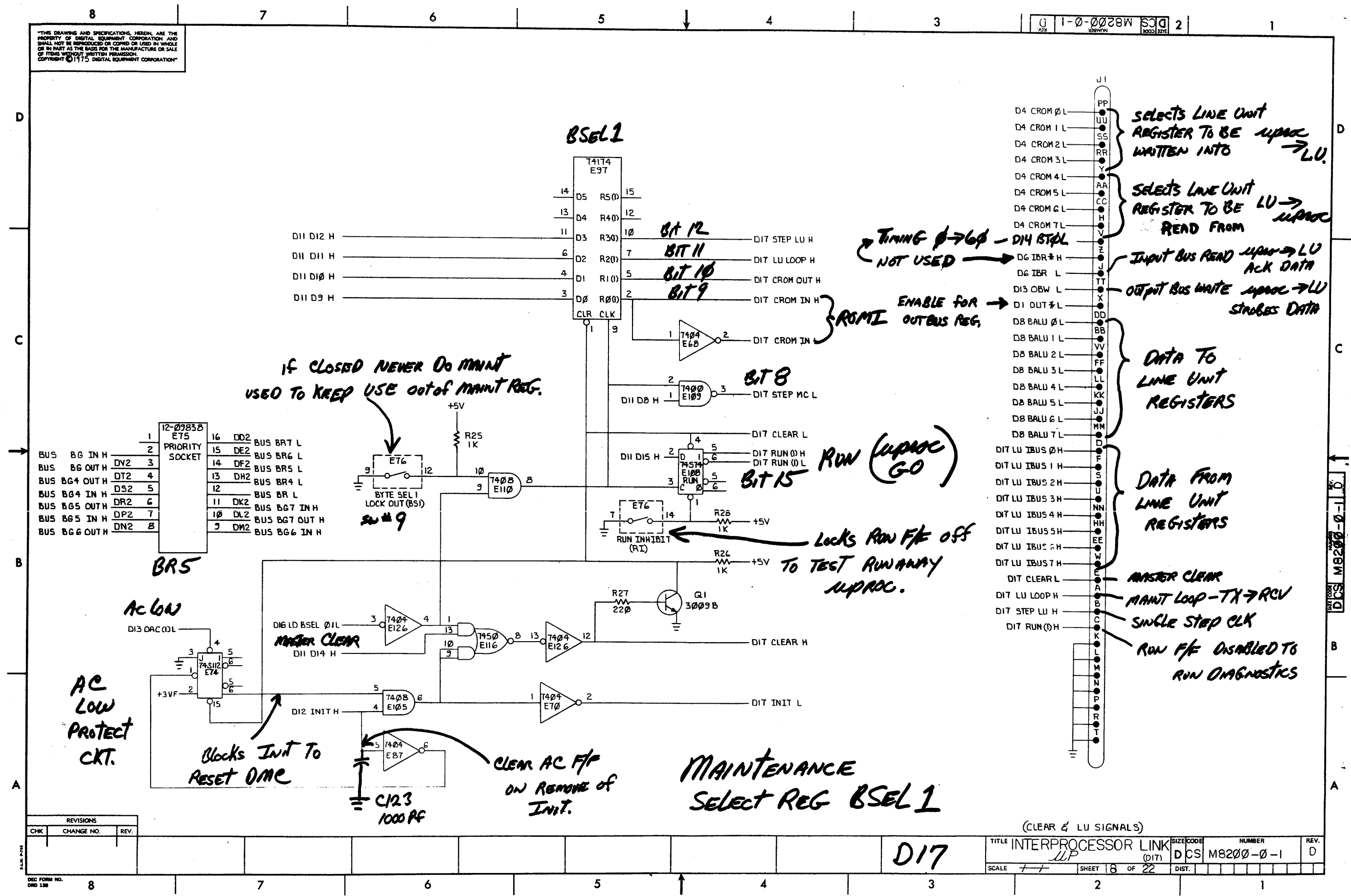


REVISIONS		
CHK	CHANGE NO.	REV.

D16

TITLE	INTERPROCESSOR LINK	SIZE CODE	(D16)	NUMBER	DCS M8200-0-1	REV.	D
SCALE	++	SHEET	17	OF	22	DIST.	

THIS DRAWING AND SPECIFICATIONS, HEREIN, ARE THE PROPERTY OF DIGITAL EQUIPMENT CORPORATION AND SHALL NOT BE REPRODUCED OR COPIED OR USED IN WHOLE OR IN PART AS THE BASIS FOR THE MANUFACTURE OR SALE OF ITEMS WITHOUT WRITTEN PERMISSION. COPYRIGHT © 1975 DIGITAL EQUIPMENT CORPORATION



REVISIONS		
CHK	CHANGE NO.	REV.

TITLE INTERPROCESSOR LINK (D17)		SIZE CODE DCS	NUMBER M8200-0-1	REV. D
SCALE ++	SHEET 18	OF 22	DIST.	

DMC-17

THIS DRAWING AND SPECIFICATIONS HEREIN ARE THE PROPERTY OF DIGITAL EQUIPMENT CORPORATION AND SHALL NOT BE REPRODUCED OR COPIED OR USED IN WHOLE OR IN PART AS THE BASIS FOR THE MANUFACTURE OR SALE OF ITEMS WITHOUT WRITTEN PERMISSION. COPYRIGHT © 1975 DIGITAL EQUIPMENT CORPORATION

IS J1 CONNECTOR PINNING ONLY

DRAWING NUMBERS AND NUMBER OF CONNS

Table with columns for connector groups (D1-D17) and rows for signal names and pin connections. Includes sub-sections for D11, D12, D13, D14, D15, D16, and D17.

REVISIONS table with columns: CHG., CHANGE NO., REV.

(INTERCONNECT LIST)

Table with columns: TITLE, SIZE CODE, NUMBER, REV. Content: INTERPROCESSOR LINK (019), DCS, M8200-0-1, H.

SCALE: ++ SHEET 21 OF 22

8

7

6

5

4

3

2

1

DMC-19

"THIS DRAWING AND SPECIFICATIONS HEREIN ARE THE PROPERTY OF DIGITAL EQUIPMENT CORPORATION AND SHALL NOT BE REPRODUCED OR COPIED OR USED IN WHOLE OR IN PART AS THE BASIS FOR THE MANUFACTURE OR SALE OF ITEMS WITHOUT WRITTEN PERMISSION. COPYRIGHT © 1975 DIGITAL EQUIPMENT CORPORATION"

NOTE:
 ① INPUT PINS 14 13 12 11 10 CORRESPOND TO
 C ROM { 14 7 6 5 4 F ROM
 BITS { 12 11 10 9 8 D ROM
 { 15 14 13 7 4 S ROM

② DMUX SRC PINS 9 7 6
 0 0 0 1 LU I BUS
 0 0 1 0 MEM
 0 1 1 0 BRG
 1 0 0 0 SPORT EVEN BYTE
 1 0 1 0 SPORT ODD BYTE
 1 1 0 0 NPR CNTL
 1 1 1 0 UP MISC

③ SI SO
 1 1 1 LOAD
 0 1 1 SHFT ←7→C
 1 1 0 NOT PROGRAMED
 0 0 0 HOLD

① PROM/ROM ADRS INPUT PINS	S ROM PINS	D ROM PINS	F ROM PINS	
14 13 12 11 10	9 7 6 5 4 3 2 1	9 7 6 5 4 3 2 1	9 7 6 5 4 3 2 1	
0 0 0 0 0	0 0 0 1 0 0 0 0	0 0 0 1 0 1 0 0	0 0 0 0 1 0 1 1	SEL B (B)
0 0 0 0 1	0 0 0 1 0 0 0 0	0 0 0 1 0 1 1 1	0 0 0 0 1 0 1 1	
0 0 0 1 0	0 0 0 1 0 0 0 0	0 0 0 1 1 0 0 0	0 0 0 0 1 0 1 1	
0 0 0 1 1	0 0 0 1 0 0 0 0	0 0 0 1 0 1 0 1	0 0 0 0 1 0 1 1	
0 0 1 0 0	1 0 0 1 0 0 0 1	0 0 0 1 1 1 0 0	0 0 0 0 1 0 1 1	
0 0 1 0 1	1 0 1 1 0 0 0 1	1 0 1 1 0 1 0 0	0 0 0 0 1 0 1 1	
0 0 1 1 0	0 0 1 1 0 0 0 1	0 1 0 1 0 1 0 0	0 0 0 0 1 0 1 1	
0 0 1 1 1	0 0 1 1 0 0 0 1	0 1 0 1 0 1 1 1	0 0 0 0 1 0 1 1	
0 1 0 0 0	0 1 0 1 0 0 0 0	0 0 1 1 0 1 0 0	0 0 0 0 1 0 1 1	
0 1 0 0 1	0 1 0 1 0 0 0 0	0 0 1 1 0 1 1 1	0 0 0 0 1 0 1 1	
0 1 0 1 0	0 1 0 1 0 0 0 0	0 0 1 1 1 0 0 0	0 0 0 0 1 0 1 1	
0 1 0 1 1	0 1 0 1 0 0 0 0	0 0 1 1 1 0 1 0	0 0 0 0 1 0 1 1	
0 1 1 0 0	0 1 1 1 0 0 0 0	0 0 1 1 1 1 0 0	0 0 0 0 1 0 1 1	
0 1 1 0 1	0 1 1 1 0 0 0 0	0 0 1 1 1 1 1 0	0 0 0 0 1 0 1 1	
0 1 1 1 0	0 1 1 1 0 0 0 0	0 1 0 1 0 1 0 0	0 0 0 0 1 0 1 1	
0 1 1 1 1	0 1 1 1 0 0 0 0	0 1 0 1 0 1 1 1	0 0 0 0 1 0 1 1	
1 0 0 0 0	0 0 0 0 1 0 0 0	0 0 0 0 0 1 0 0	1 0 0 1 0 0 1 0	ADD (A,B)
1 0 0 0 1	0 0 0 0 1 0 0 0	0 0 0 0 0 1 1 1	1 1 0 1 0 0 1 0	ADD W/C (A,B,C)
1 0 0 1 0	0 0 0 0 1 0 0 0	0 0 0 0 1 0 0 0	1 1 0 0 1 1 0 0	SUB W/C (A-B-C)
1 0 0 1 1	0 0 0 0 1 0 0 0	0 0 0 0 0 1 0 1	1 0 1 0 0 0 0 0	INC A (A+1)
1 0 1 0 0	1 0 0 1 0 1 0 0	0 0 0 0 1 1 0 0	1 1 0 0 0 0 0 0	A PLUS C (A,C)
1 0 1 0 1	1 0 1 1 0 1 0 0	1 0 0 0 0 1 0 0	1 0 0 0 0 1 1 0	2A (A,A)
1 0 1 1 0	1 1 0 1 0 1 0 0	0 1 0 0 0 1 0 0	1 1 0 0 0 1 1 0	2A W/C (A,A,C)
1 0 1 1 1	1 1 1 1 0 1 0 0	0 1 0 0 0 1 1 1	1 0 0 1 1 1 1 0	DEC A (A-1)
1 1 0 0 0	0 1 0 0 1 0 0 0	0 0 1 1 0 1 0 0	0 0 0 1 1 1 1 1	SEL A (A)
1 1 0 0 1	0 1 0 0 1 0 0 0	0 0 1 1 0 1 1 1	0 0 0 0 1 0 1 1	SEL B (B)
1 1 0 1 0	0 1 0 0 1 0 0 0	0 0 1 1 1 0 0 0	0 0 0 1 0 1 1 1	A OR B (A+B)
1 1 0 1 1	0 1 0 0 1 0 0 0	0 0 1 1 1 0 1 0	0 0 0 1 1 0 1 1	A AND B (A,B)
1 1 1 0 0	0 1 1 0 1 0 0 0	0 0 1 1 1 1 0 0	0 0 0 0 1 1 1 1	A OR B (A+B)
1 1 1 0 1	0 1 1 0 1 0 0 0	1 0 1 1 0 1 0 0	0 0 0 0 1 1 0 1	A XOR B (A,B)
1 1 1 1 0	0 1 1 0 1 0 0 0	0 1 1 1 0 1 0 0	1 0 1 0 1 1 0 0	SUB (A-B)
1 1 1 1 1	0 1 1 0 1 0 0 0	0 1 1 1 0 1 1 1	1 0 0 0 1 1 0 0	2 nd COMP SUB (A-B-C)
MSB	DMUX SRC	WRITE MEM H	CK C H	
LSB	MOV INST H	WRITE SP H	EN C H	
	MOV INST L	MAR INC EN L	FORCE C H	
	IBUS = H	MAR LD EN H	S0 L	
	IBUS H	WRITE OUT H	S1 L	
		OUT = L	S2 L	
		BRG LD/SH	S3 L	
			M	

REVISIONS		
CHK	CHANGE NO.	REV.

(S-D-F ROM PATTERNS)

TITLE	INTERPROCESSOR LINK	SIZE/EDD	020	NUMBER	DCS M8200-0-1	REV.	H
SCALE	++	SHEET	22	OF	22	DWT.	

DIGITAL EQUIPMENT CORPORATION

PARTS LIST

QUANTITY / VARIATION

NOTES:

MADE BY R. KOPPENAL	CHECKED K. GLEEZEN	SECTION 1
DATE 12-5-75	DATE 1-27-76	
ENG R. Luce	PROD R. Wall	ISSUED SECTION 1
DATE 3-12-76	DATE 3-12-76	

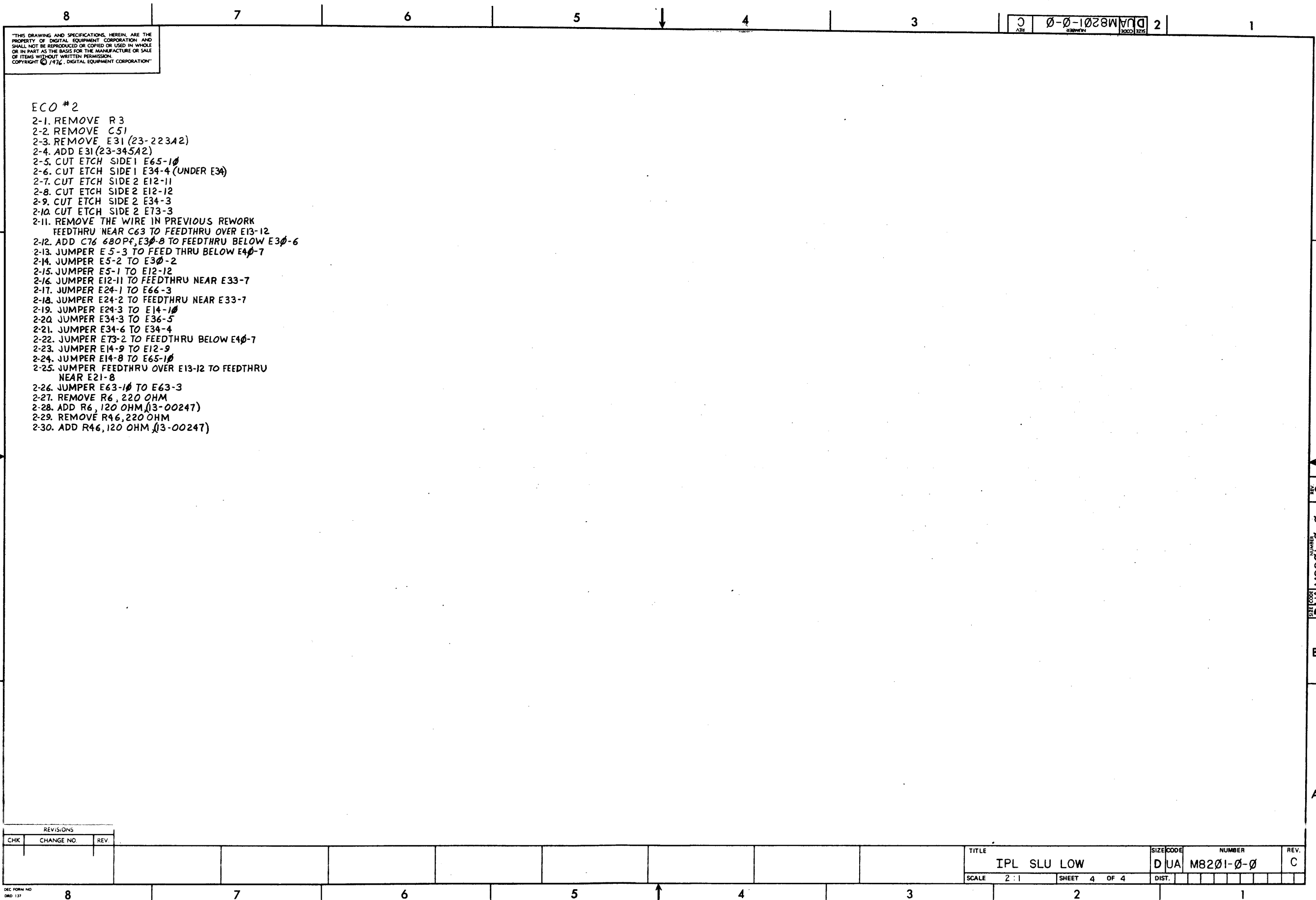
ITEM NO.	DRAWING NO.	PART NO.	DESCRIPTION	QUANTITY / VARIATION												REF DESIGNATION	
				M8200	M8200-YA	M8200-YB											
1	D-CS-M8200-0-1		CIRCUIT SCHEMATIC	REF	REF	REF											
2	K-CO-M8200-0-4		X-Y COORDINATE HOLE LOCATION	REF	REF	REF											
3	D-AH-M8200-0-5		ASSY/DRILLING HOLE LAYOUT	REF	REF	REF											
4	B-MH-M8200-0-6		MODULE ECO HISTORY	REF	REF	REF											
5		5011842	ETCHED CIRCUIT BOARD	1	1	1											
6		1000023	CAP, 330 Pf, 100V	1	1	1											C112,
7		1001610	CAP, .01 UF, 50V	102	102	102											C1-C61, C63-C69, C100-C102, C71-C92, C94-C98, C104-C106, C103
8		1000076	CAP, 39 Uf, 10V	3	3	3											C107, C108, C109
9		1000042	CAP, 1000 Pf, 100V	4	4	4											C110, C111, C113, C123
10		1004813	CAP, 10 Uf, 20V	7	7	7											C121, C114-C119
11		1905547	IC, 7474	3	3	3											E117, E124, E129
12		1905575	IC, 7400	2	2	2											E106, E109
13		1905580	IC, 7450	2	2	2											E24, E116
14		1909004	IC, 7402	2	2	2											E101, E115
15		1909063	IC, 74H55	1	1	1											E91
16		1909686	IC, 7404	4	4	4											E68, E70, E87, E126
17		1909705	IC, 8881	4	4	4											E77, E78, E121, E123
18		1909936	IC, 74151	9	9	9											E26, E57-E64
19		1910087	IC, 4015	1	1	1											E72
20		1910155	IC, 7408	5	5	5											E80, E105, E110, E114, E122
21		1910409	IC, 74H103	1	1	1											E127

E.C.O. NO.	00002	00003	00004	00005	00006	00007
------------	-------	-------	-------	-------	-------	-------

THIS DRAWING AND SPECIFICATIONS, HEREIN, ARE THE PROPERTY OF DIGITAL EQUIPMENT CORPORATION AND SHALL NOT BE REPRODUCED OR COPIED OR USED IN WHOLE OR IN PART AS THE BASIS FOR THE MANUFACTURE OR SALE OF ITEMS WITHOUT WRITTEN PERMISSION. COPYRIGHT © 1976 DIGITAL EQUIPMENT CORPORATION	TITLE	ASSY NO.	SIZE	CODE	NUMBER	REV.
	INTERPROCESSOR LINK UP	D-11A-M8200-0-0	B	PL	M8200-0-0	J
		SHEET 1 OF 5	INSERTION PARTS LIST DATA BASE REV C			

FN-01140A-16 (2/6/75) DR: 125

Dmc-21



"THIS DRAWING AND SPECIFICATIONS, HEREIN, ARE THE PROPERTY OF DIGITAL EQUIPMENT CORPORATION AND SHALL NOT BE REPRODUCED OR COPIED OR USED IN WHOLE OR IN PART AS THE BASIS FOR THE MANUFACTURE OR SALE OF ITEMS WITHOUT WRITTEN PERMISSION. COPYRIGHT © 1976, DIGITAL EQUIPMENT CORPORATION"

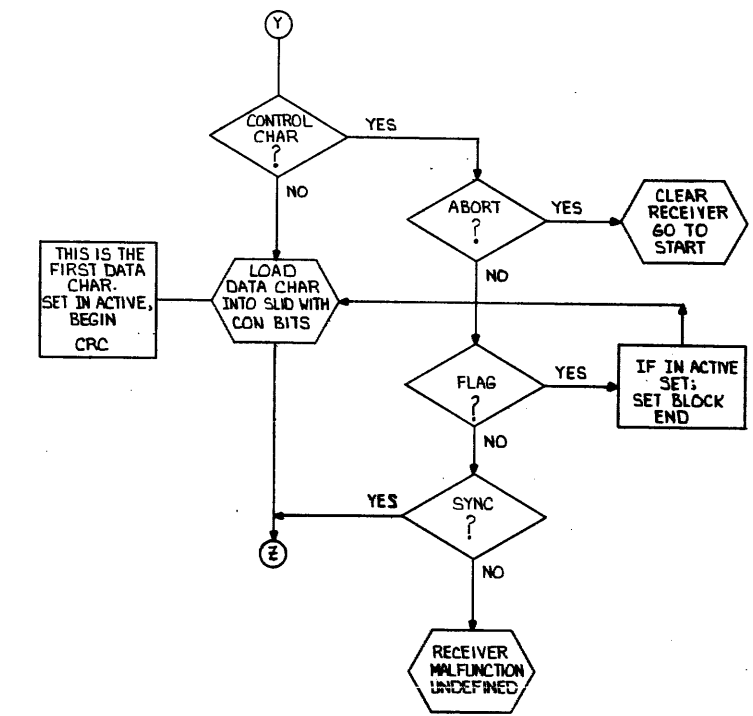
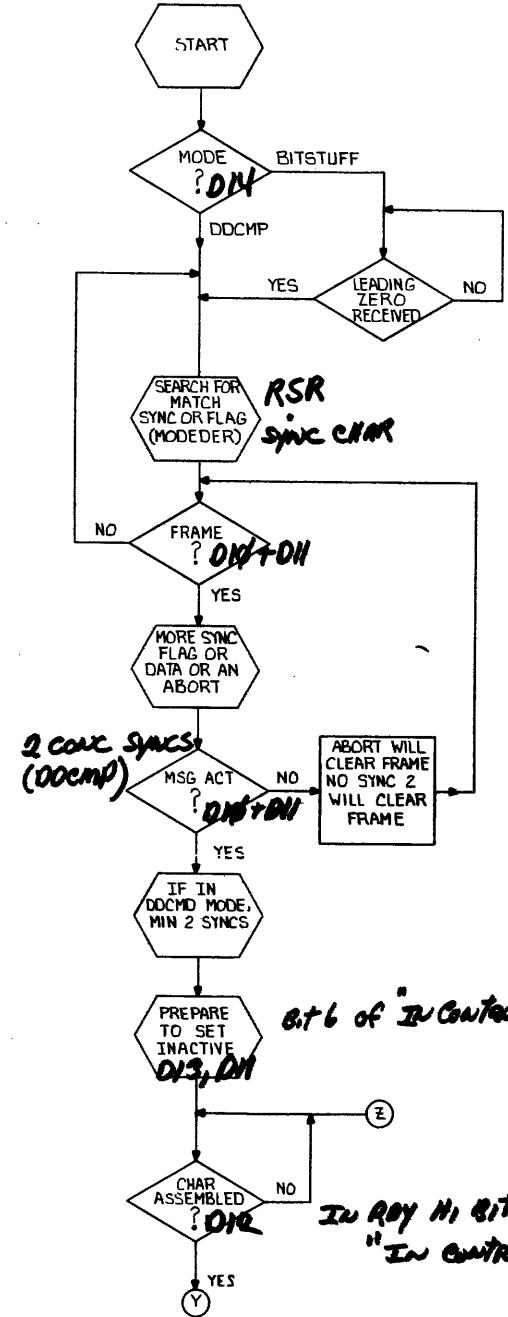
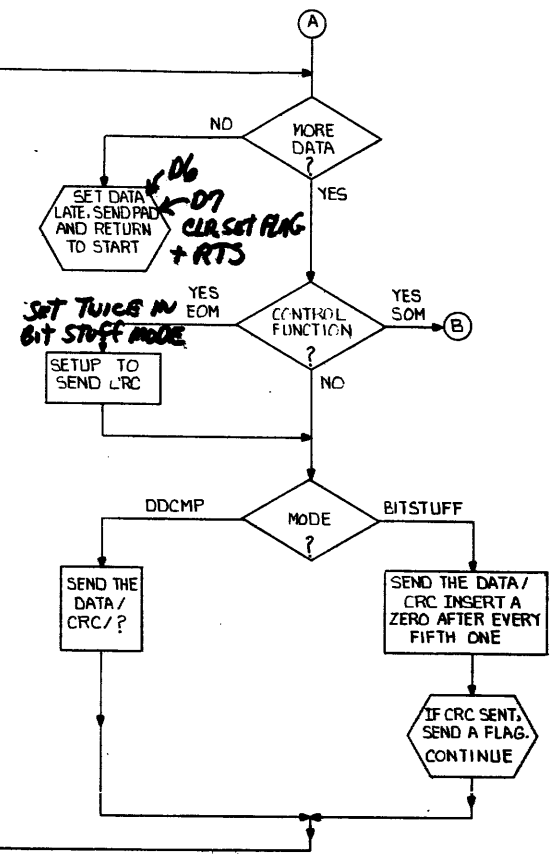
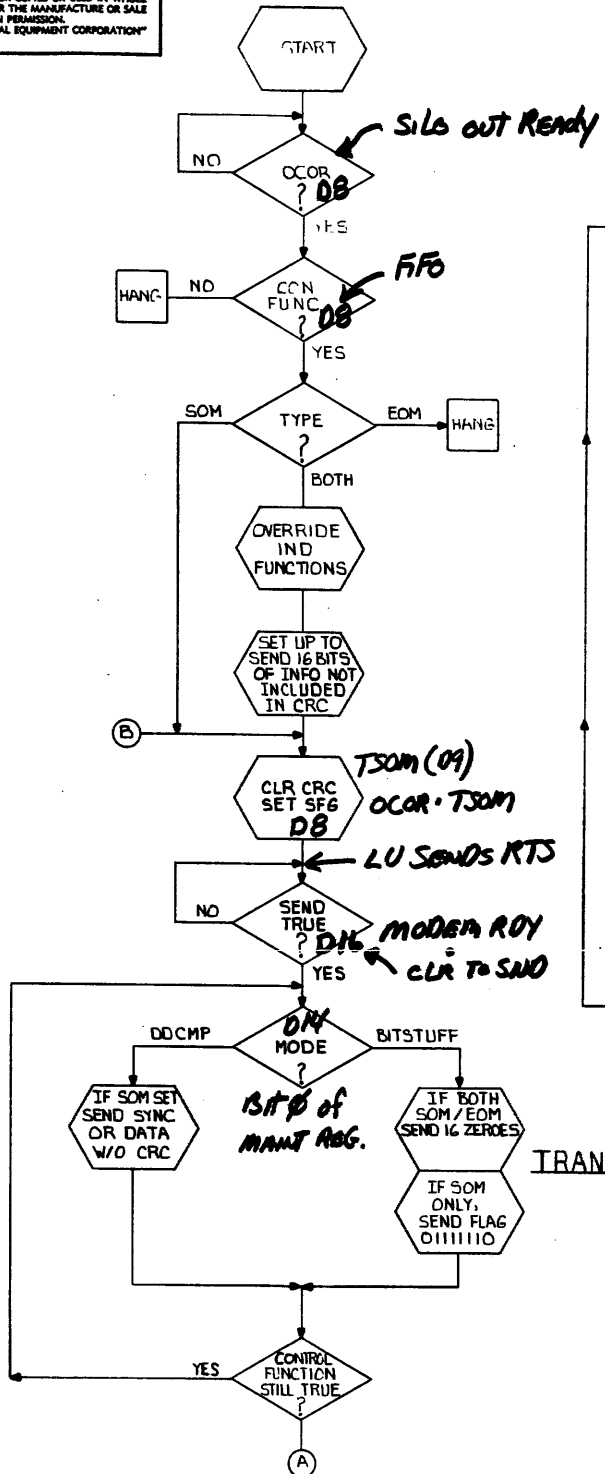
REV. C
SIZE CODE
DUA M8201-0-0
NUMBER
2

- ECO #2
- 2-1. REMOVE R3
 - 2-2. REMOVE C51
 - 2-3. REMOVE E31 (23-223A2)
 - 2-4. ADD E31 (23-345A2)
 - 2-5. CUT ETCH SIDE 1 E65-10
 - 2-6. CUT ETCH SIDE 1 E34-4 (UNDER E3A)
 - 2-7. CUT ETCH SIDE 2 E12-11
 - 2-8. CUT ETCH SIDE 2 E12-12
 - 2-9. CUT ETCH SIDE 2 E34-3
 - 2-10. CUT ETCH SIDE 2 E73-3
 - 2-11. REMOVE THE WIRE IN PREVIOUS REWORK
FEEDTHRU NEAR C63 TO FEEDTHRU OVER E13-12
 - 2-12. ADD C76 680PF, E30-8 TO FEEDTHRU BELOW E30-6
 - 2-13. JUMPER E5-3 TO FEED THRU BELOW E40-7
 - 2-14. JUMPER E5-2 TO E30-2
 - 2-15. JUMPER E5-1 TO E12-12
 - 2-16. JUMPER E12-11 TO FEEDTHRU NEAR E33-7
 - 2-17. JUMPER E24-1 TO E66-3
 - 2-18. JUMPER E24-2 TO FEEDTHRU NEAR E33-7
 - 2-19. JUMPER E24-3 TO E14-10
 - 2-20. JUMPER E34-3 TO E36-5
 - 2-21. JUMPER E34-6 TO E34-4
 - 2-22. JUMPER E73-2 TO FEEDTHRU BELOW E40-7
 - 2-23. JUMPER E14-9 TO E12-9
 - 2-24. JUMPER E14-8 TO E65-10
 - 2-25. JUMPER FEEDTHRU OVER E13-12 TO FEEDTHRU NEAR E21-8
 - 2-26. JUMPER E63-10 TO E63-3
 - 2-27. REMOVE R6, 220 OHM
 - 2-28. ADD R6, 120 OHM (13-00247)
 - 2-29. REMOVE R46, 220 OHM
 - 2-30. ADD R46, 120 OHM (13-00247)

REVISIONS		
CHK	CHANGE NO.	REV.

TITLE IPL SLU LOW	SIZE CODE DUA	NUMBER M8201-0-0	REV. C
SCALE 2:1	SHEET 4	OF 4	DIST.

THIS DRAWING AND SPECIFICATIONS, HEREIN, ARE THE PROPERTY OF DIGITAL EQUIPMENT CORPORATION AND SHALL NOT BE REPRODUCED OR COPIED OR USED IN WHOLE OR IN PART AS THE BASIS FOR THE MANUFACTURE OR SALE OF ITEMS WITHOUT WRITTEN PERMISSION. COPYRIGHT © 1976, DIGITAL EQUIPMENT CORPORATION



REV.	CHG	BY	DATE
1	C	B. SMITH	21 AUG 76
2	C	B. SMITH	17 SEP 76

DRN R. W. 1-12-76	FIRST USED ON	digital
CHKD. 2-27-76	TITLE	IPL SLU LOW
ENG. 2-27-76	PROJ. ENG. 2-27-76	PROD. R. W. 2-27-76
NEXT HIGHER ASSY.		
SCALE ++	SIZE CODE D CS	NUMBER M8201-0-1
SHEET OF 16	DIST.	REV. C

DMC-23

DIGITAL EQUIPMENT CORPORATION PARTS LIST				QUANTITY / VARIATION										NOTES:		
MADE BY R. KOPPENAL DATE 12-5-75		CHECKED K. GLEEZEN DATE 1-27-76		SECTION 1												
ENG R. LISEE DATE 3-12-76		PROD R. WALL DATE 3-12-76		ISSUED SECTION 1												
ITEM NO.	DRAWING NO.	PART NO.	DESCRIPTION	M8200	M8200-YA	M8200-YB										REF DESIGNATION
83		23414A9	CROM,512-1023 Bits 4-7	-	1	-										E6
84		23415A9	CROM,512-1023 Bits 8-11	-	1	-										E7
85		23416A9	CROM,512-1023 Bits 0-3	-	1	-										E8
86		23417A9	CROM,512-1023 Bits 12-15	-	1	-										E9
87		23418A9	CROM,0-511 Bits 4-7	-	1	-										E14
88		23419A9	CROM,0-511 Bits 8-11	-	1	-										E15
89		23420A9	CROM,0-511 Bits 0-3	-	1	-										E16
90		23421A9	CROM,0-511 Bits 12-15	-	1	-										E17
		PRIOR TO ECO #10														

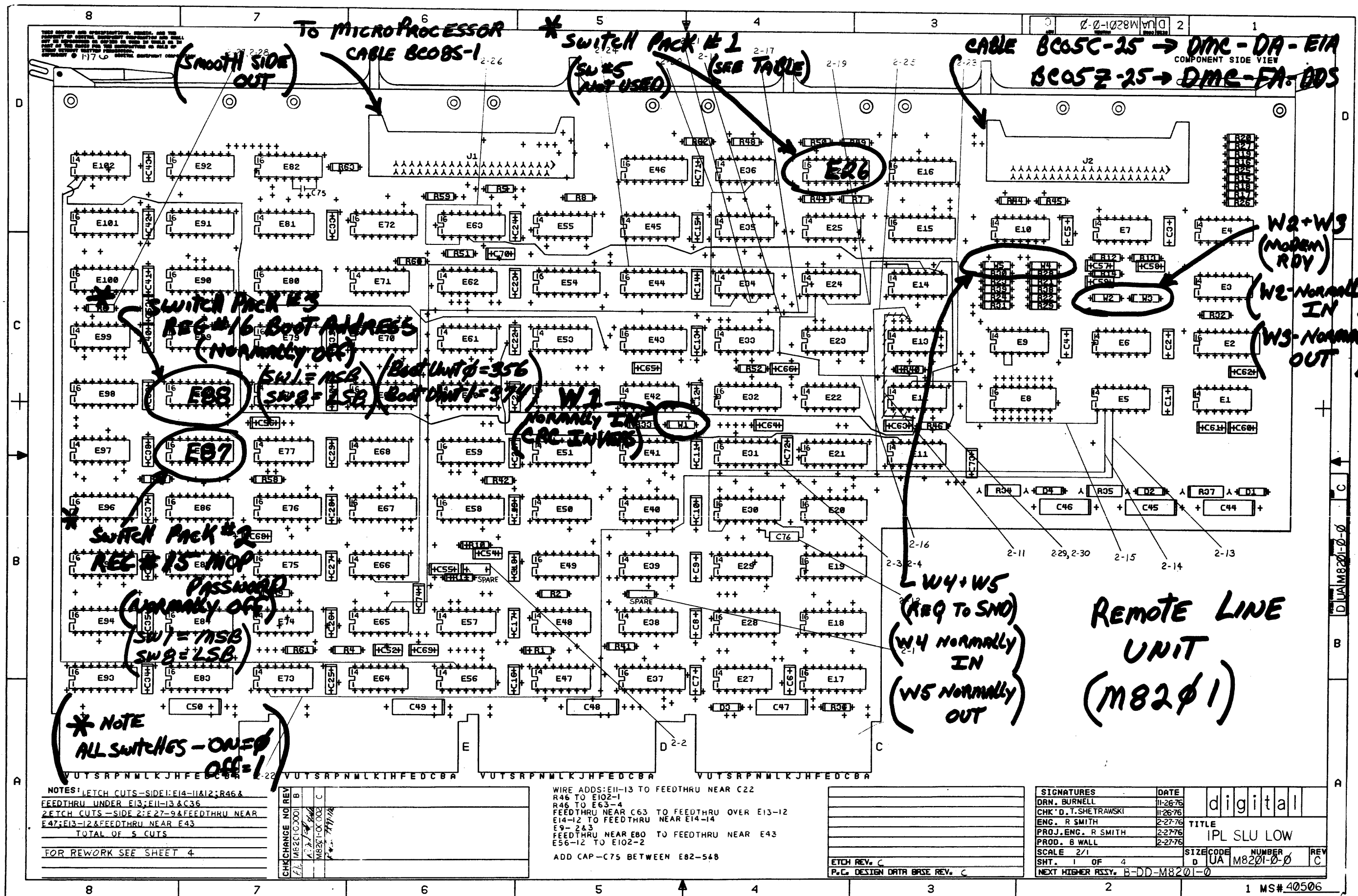
E.C.O. NO.

THIS DRAWING AND SPECIFICATIONS, HEREIN, ARE THE PROPERTY OF DIGITAL EQUIPMENT CORPORATION AND SHALL NOT BE REPRODUCED OR COPIED OR USED IN WHOLE OR IN PART AS THE BASIS FOR THE MANUFACTURE OR SALE OF ITEMS WITHOUT WRITTEN PERMISSION. COPYRIGHT © 1976 DIGITAL EQUIPMENT CORPORATION

TITLE
INTERPROCESSOR LINK UP

ASSY NO.
D-UA-M8200-0-0
SHEET 5 OF 5

SIZE CODE NUMBER REV.
B PL M8200-0-0 E
INSERTION PARTS LIST DATA BASE REV



NOTES: 1.ETCH CUTS-SIDE1: E14-11&12; R46 & FEEDTHRU UNDER E13; E11-13 & C36
 2.ETCH CUTS-SIDE 2: F27-9 & FEEDTHRU NEAR E47; E13-12 & FEEDTHRU NEAR E43
 TOTAL OF 5 CUTS
 FOR REWORK SEE SHEET 4

CHK	CHANGE NO	REV	DATE	BY
	1	1	11-26-76	DRN
	2	1	11-26-76	CHK'D
	3	1	2-27-76	ENG.
	4	1	2-27-76	PROJ. ENG.
	5	1	2-27-76	PROD. B WALL

WIRE ADDS: E11-13 TO FEEDTHRU NEAR C22
 R46 TO E102-1
 R46 TO E63-4
 FEEDTHRU NEAR C63 TO FEEDTHRU OVER E13-12
 E14-12 TO FEEDTHRU NEAR E14-14
 E9-2 & 3
 FEEDTHRU NEAR E80 TO FEEDTHRU NEAR E43
 E56-12 TO E102-2
 ADD CAP-C75 BETWEEN E82-548

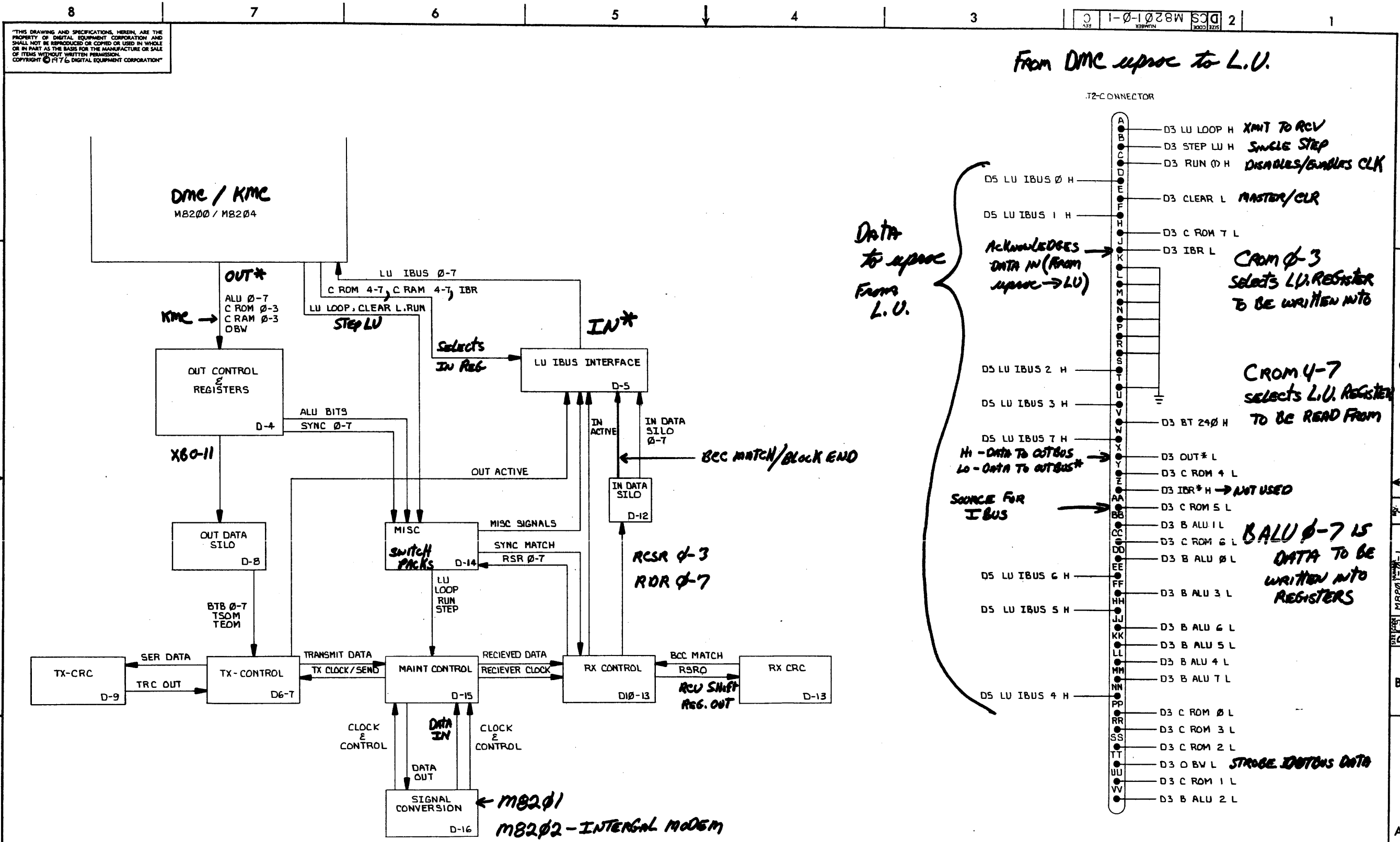
ETCH REV.	DATE	BY
C		
C		

SIGNATURES	DATE	TITLE
DRN. BURNELL	11-26-76	digital
CHK'D. T. SHETRAWSKI	11-26-76	
ENG. R SMITH	2-27-76	
PROJ. ENG. R SMITH	2-27-76	IPL SLU LOW
PROD. B WALL	2-27-76	

SCALE 2/1
 SHT. 1 OF 4
 NEXT HIGHER ASSY. B-DD-M8201-0

DMC-25

1 MS# 40506



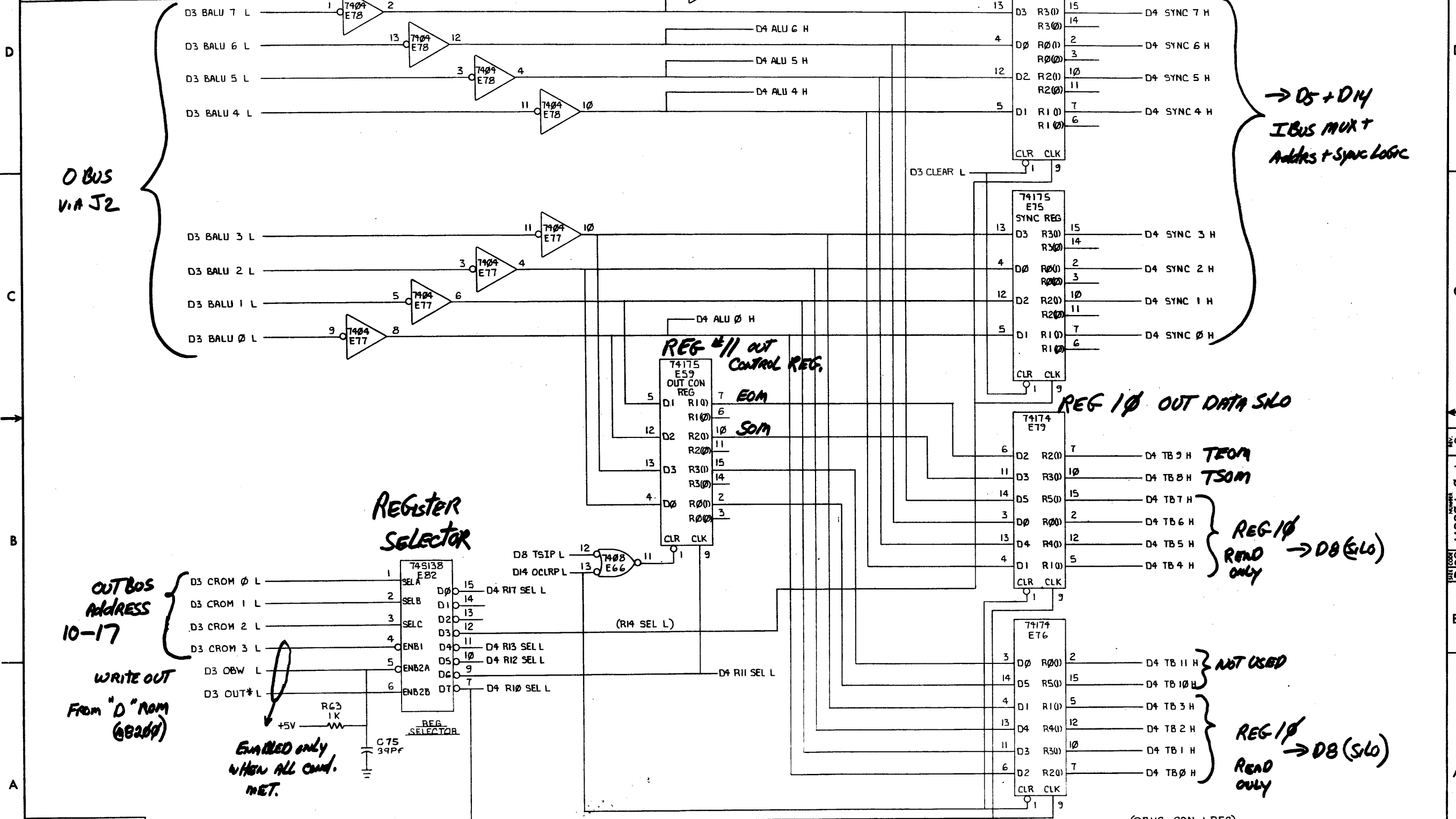
REVISIONS		
CHK	CHANGE NO.	REV.

D3

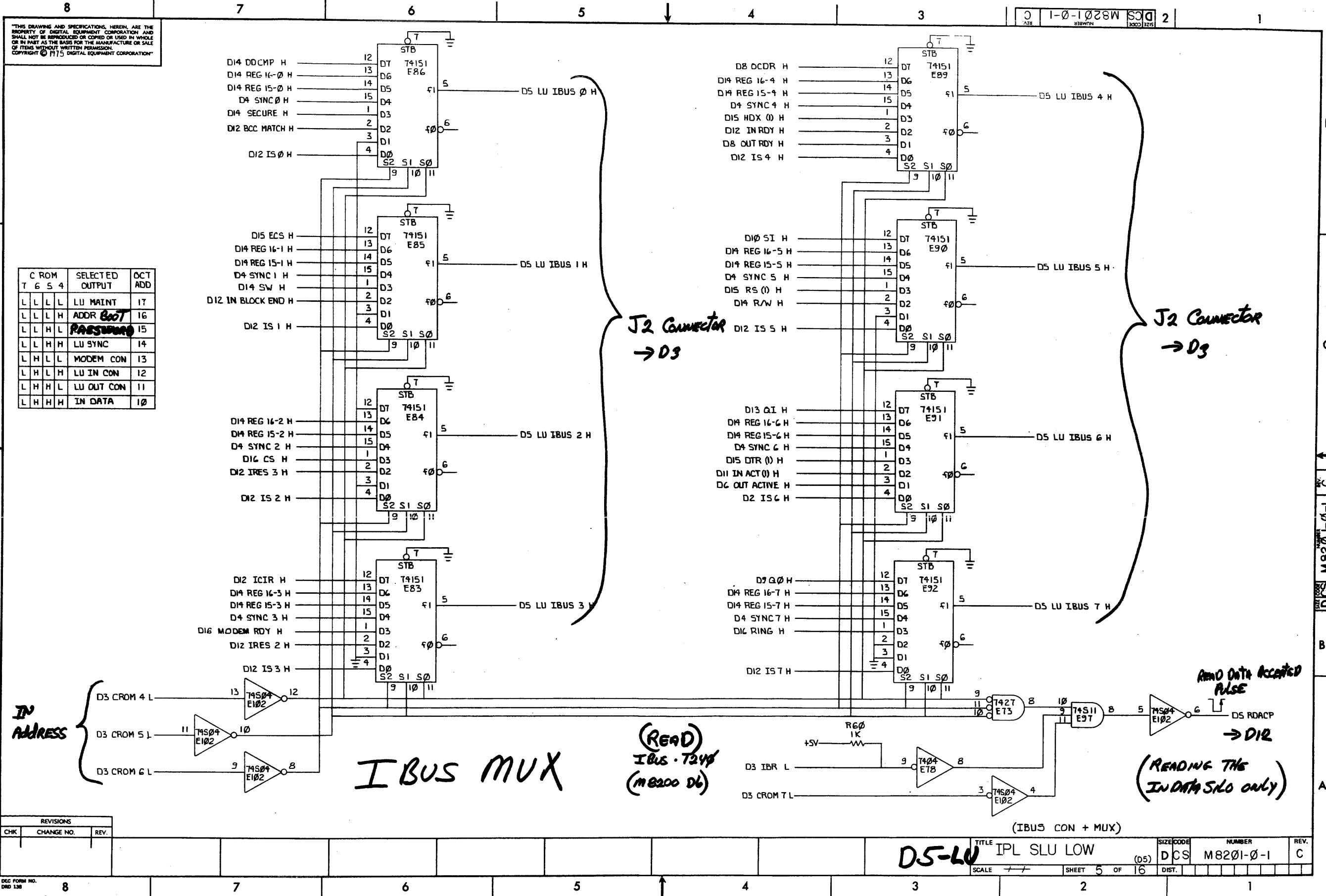
TITLE	IPL SLU LOW	SIZE CODE	D CS	NUMBER	M8201-0-1	REV.	C
SCALE	++	SHEET	3 OF 16	DIST.			

DMC-27

THIS DRAWING AND SPECIFICATIONS, HEREIN, ARE THE PROPERTY OF DIGITAL EQUIPMENT CORPORATION AND SHALL NOT BE REPRODUCED OR COPIED OR USED IN WHOLE OR IN PART AS THE BASIS FOR THE MANUFACTURE OR SALE OF ITEMS WITHOUT WRITTEN PERMISSION. COPYRIGHT © 1975 DIGITAL EQUIPMENT CORPORATION

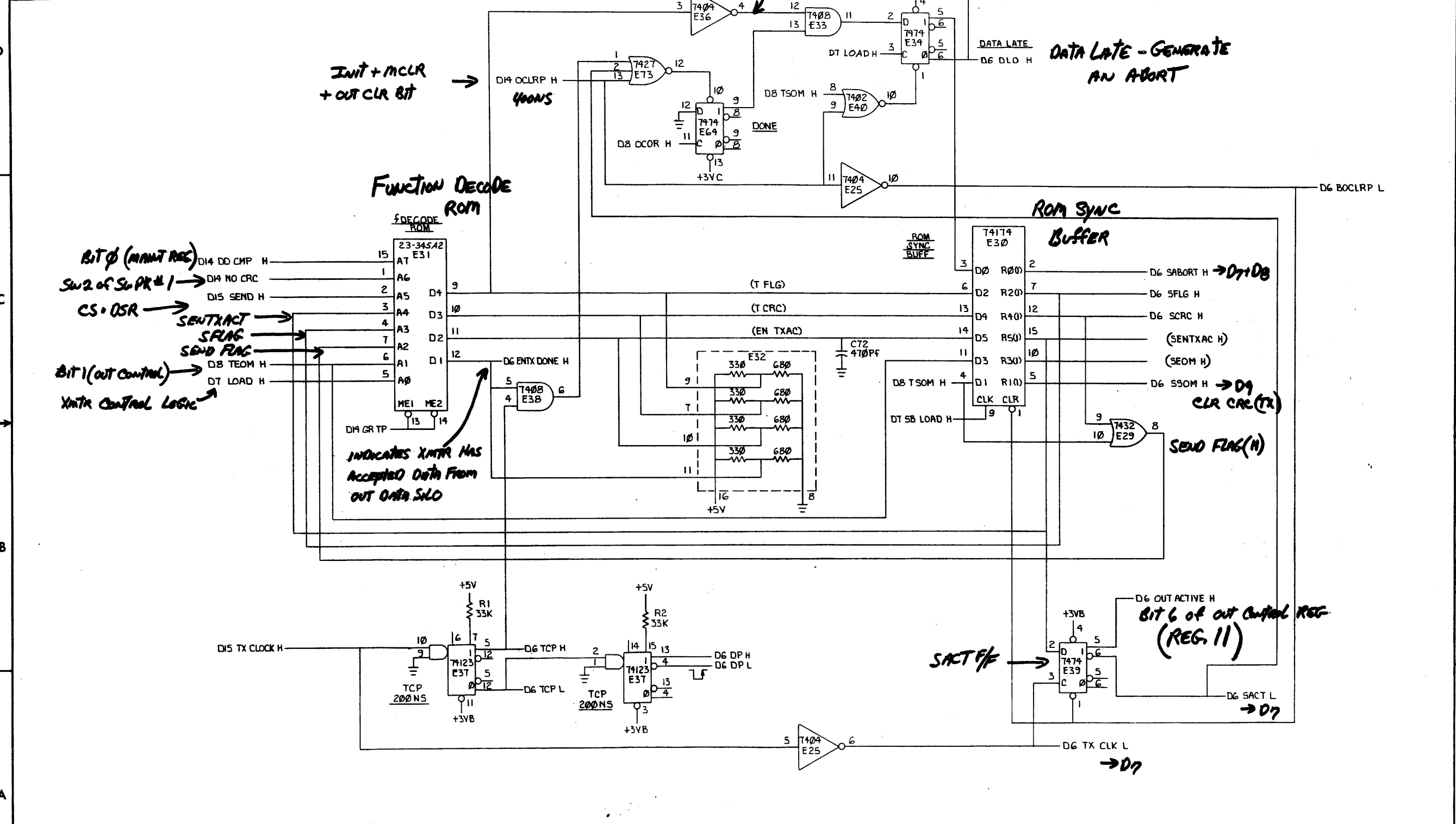


REVISIONS			TITLE		SIZE	CODE	NUMBER		REV.
CHK	CHANGE NO.	REV.	D4-LU IPL SLU LOW		(D4)	DCS	M8201-0-1	C	
			SCALE	++	SHEET	4	OF	16	
					DIST.				



DMC-29

"THIS DRAWING AND SPECIFICATIONS, HEREIN, ARE THE PROPERTY OF DIGITAL EQUIPMENT CORPORATION AND SHALL NOT BE REPRODUCED OR COPIED OR USED IN WHOLE OR IN PART AS THE BASIS FOR THE MANUFACTURE OR SALE OF ITEMS WITHOUT WRITTEN PERMISSION. COPYRIGHT © 1975 DIGITAL EQUIPMENT CORPORATION"



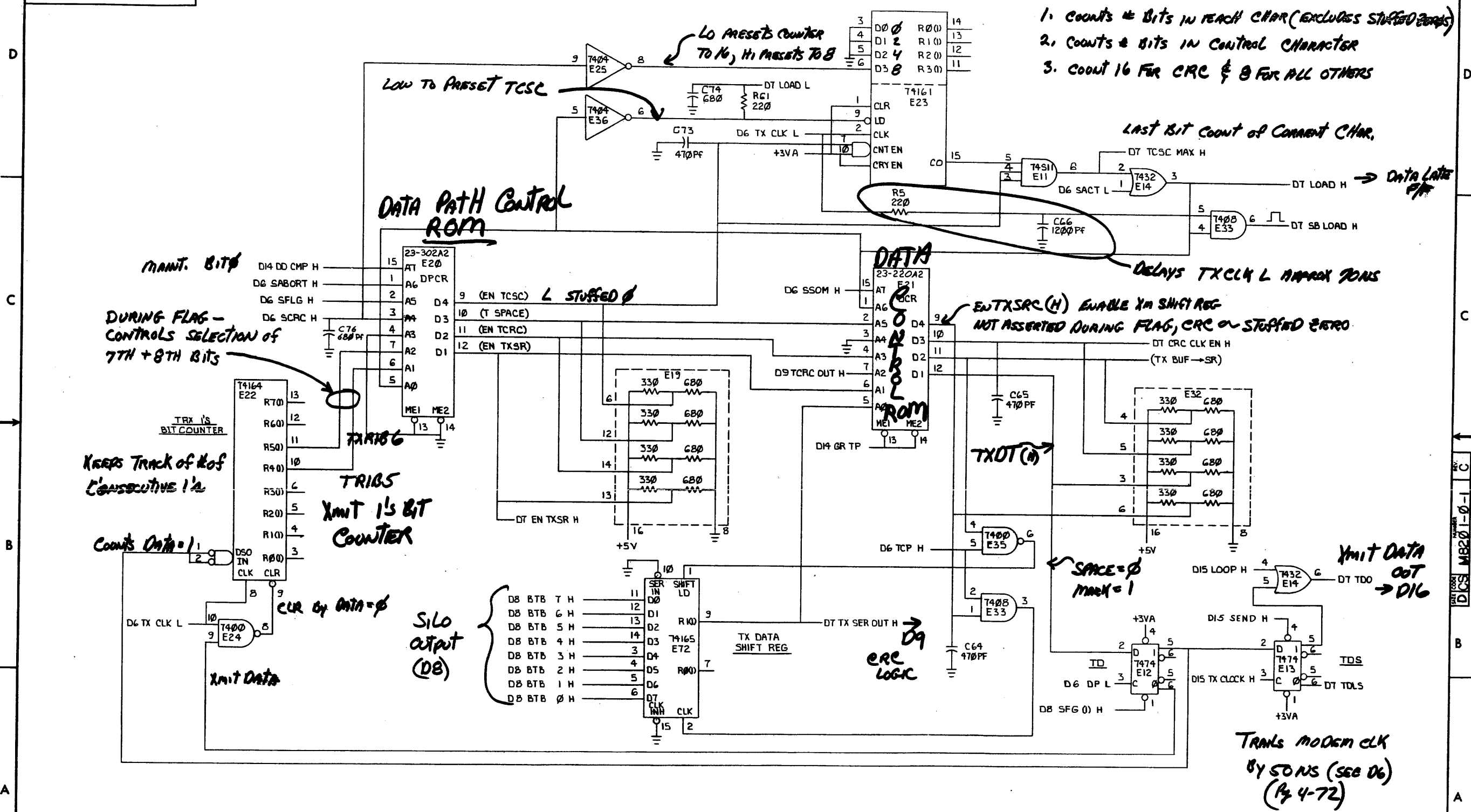
REVISIONS			TITLE		SIZE CODE	NUMBER	REV.
CHK	CHANGE NO.	REV.	D6-LU		(D6)	DCS M8201-0-1	C
			IPL SLU LOW				
			SCALE	SHEET	OF	DIST.	
				6	16		

DMC-30

"THIS DRAWING AND SPECIFICATIONS HEREIN ARE THE PROPERTY OF DIGITAL EQUIPMENT CORPORATION AND SHALL NOT BE REPRODUCED OR COPIED OR USED IN WHOLE OR IN PART AS THE BASIS FOR THE MANUFACTURE OR SALE OF ITEMS WITHOUT WRITTEN PERMISSION. COPYRIGHT © 1975 DIGITAL EQUIPMENT CORPORATION"

TCSC TX CHARACTER SERIALIZATION COUNTER

1. COUNTS # BITS IN EACH CHAR (EXCLUDES STUFFED ZEROS)
2. COUNTS # BITS IN CONTROL CHARACTER
3. COUNT 16 FOR CRC & 8 FOR ALL OTHERS



MAINT. BIT#
 D14 DD CMP H
 D6 SABORT H
 D6 SFLG H
 D6 SCRC H

DURING FLAG - CONTROLS SELECTION OF 7TH + 8TH BITS

TRX 1'S BIT COUNTER
 KEEPS TRACK OF # OF CONSECUTIVE 1'S

Counts Data = 1
CLR by DATA = 0
Xmit DATA

TRIBS XMIT 1'S BIT COUNTER

Silo output (DB)

DB BTB 7 H
 DB BTB 6 H
 DB BTB 5 H
 DB BTB 4 H
 DB BTB 3 H
 DB BTB 2 H
 DB BTB 1 H
 DB BTB 0 H

TX DATA SHIFT REG
 DT TX SER OUT H

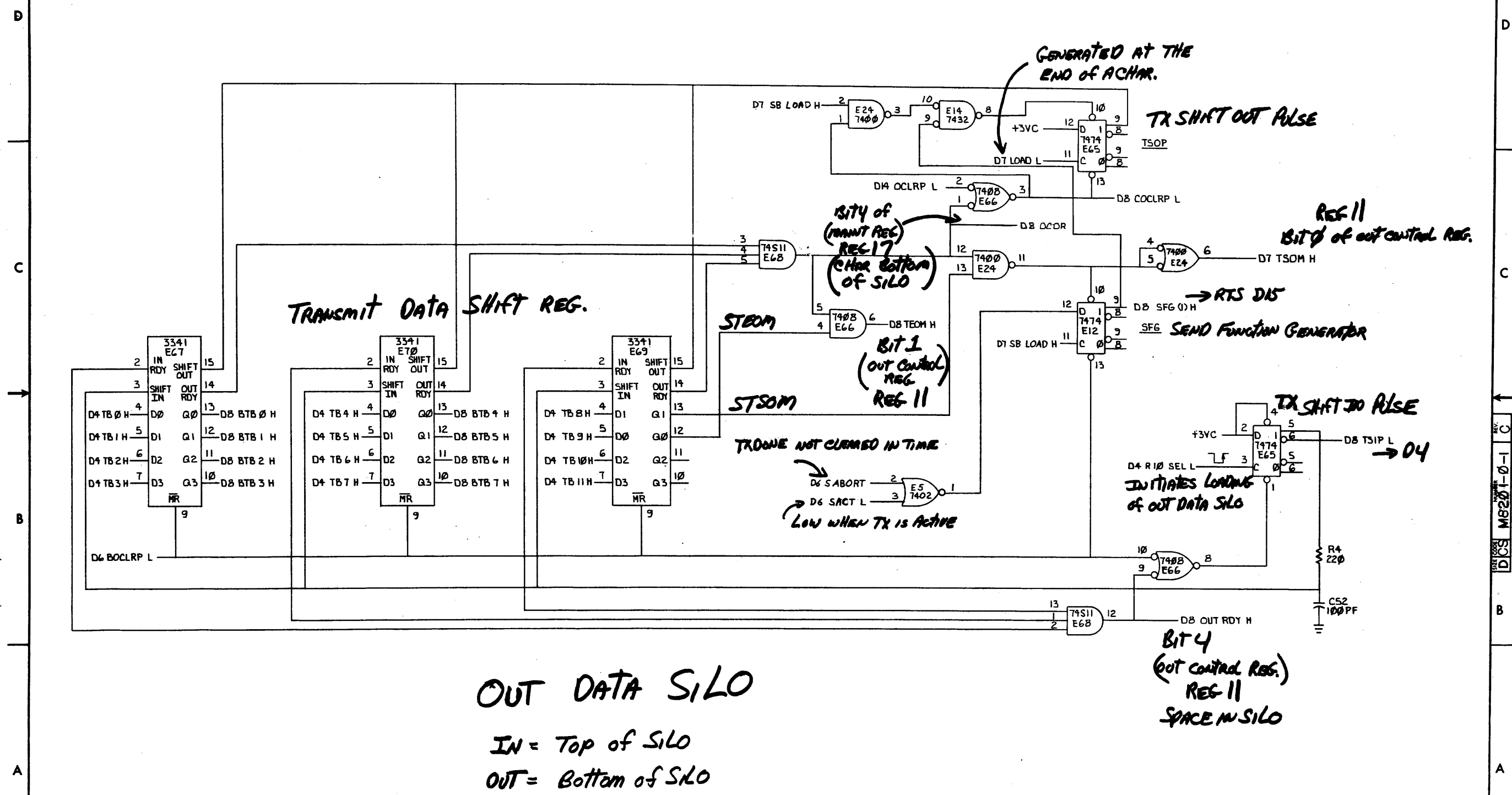
TXOUT (DB)
 SPACE = 0
 MAX = 1

Xmit DATA OUT
 DT TDO → D16

TRANS MODGM CLK
 BY 50NS (SEE D6)
 (Pg 4-72)

REVISIONS		
CHK	CHANGE NO.	REV.

THIS DRAWING AND SPECIFICATIONS, HEREIN, ARE THE PROPERTY OF DIGITAL EQUIPMENT CORPORATION AND SHALL NOT BE REPRODUCED OR COPIED OR USED IN WHOLE OR IN PART AS THE BASIS FOR THE MANUFACTURE OR SALE OF ITEMS WITHOUT WRITTEN PERMISSION. COPYRIGHT © 1975 DIGITAL EQUIPMENT CORPORATION.

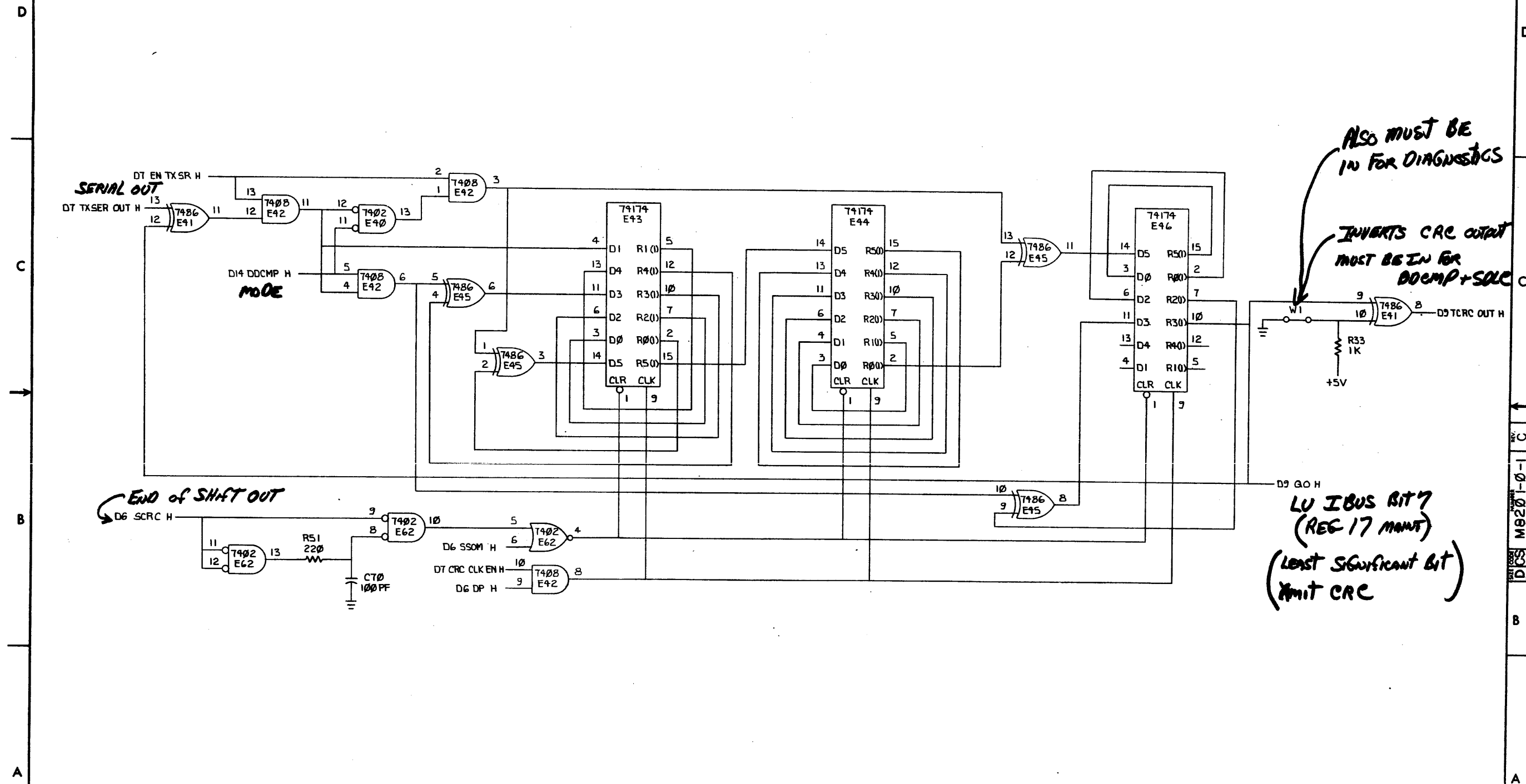


OUT DATA SILO
 IN = Top of SILO
 OUT = Bottom of SILO

REVISIONS		
CHK	CHANGE NO.	REV.

TITLE	IPL SLU LOW		SIZE CODE	NUMBER	REV.
	(DB)				
SCALE		SHEET	8	OF	16
D8-LU			DIST.		

"THIS DRAWING AND SPECIFICATIONS HEREIN ARE THE PROPERTY OF DIGITAL EQUIPMENT CORPORATION AND SHALL NOT BE REPRODUCED OR COPIED OR USED IN WHOLE OR IN PART AS THE BASIS FOR THE MANUFACTURE OR SALE OF ITEMS WITHOUT WRITTEN PERMISSION. COPYRIGHT © 1975 DIGITAL EQUIPMENT CORPORATION"



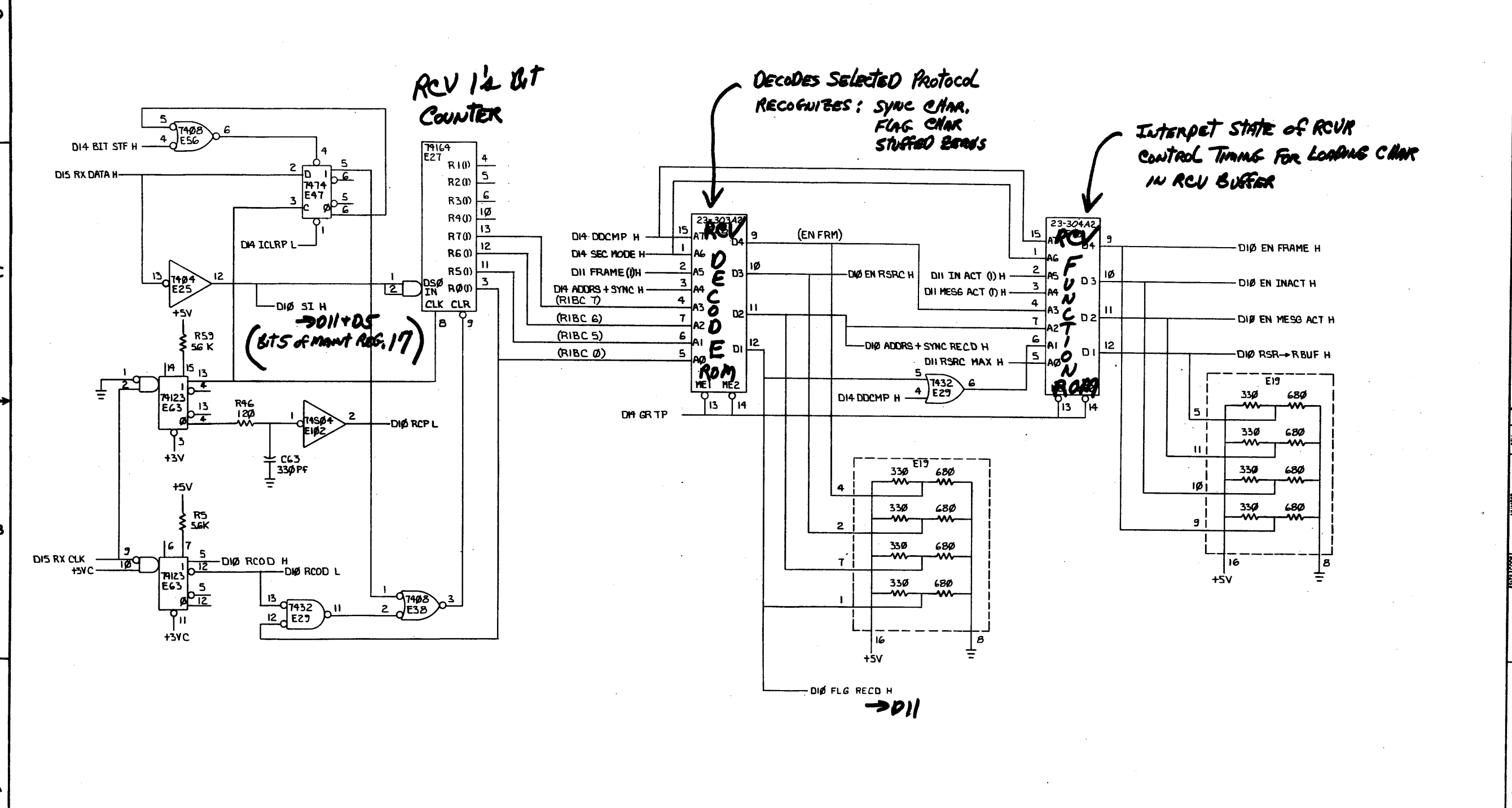
REVISIONS		
CHK	CHANGE NO.	REV.

D9-LU		(TX CRC CONTROL)		TITLE	IPL SLU LOW	SIZE CODE	NUMBER	REV.
						(09)	DCS M8201-0-1	C
				SCALE		SHEET	9 OF 16	

DMC-33

THIS DRAWING AND SPECIFICATIONS HEREIN ARE THE PROPERTY OF DIGITAL EQUIPMENT CORPORATION AND SHALL NOT BE REPRODUCED OR COPIED OR USED IN WHOLE OR IN PART AS THE BASIS FOR THE MANUFACTURE OR SALE OF ITEMS WITHOUT WRITTEN PERMISSION. COPYRIGHT © 1975 DIGITAL EQUIPMENT CORPORATION

DCS M8201-0-1 2



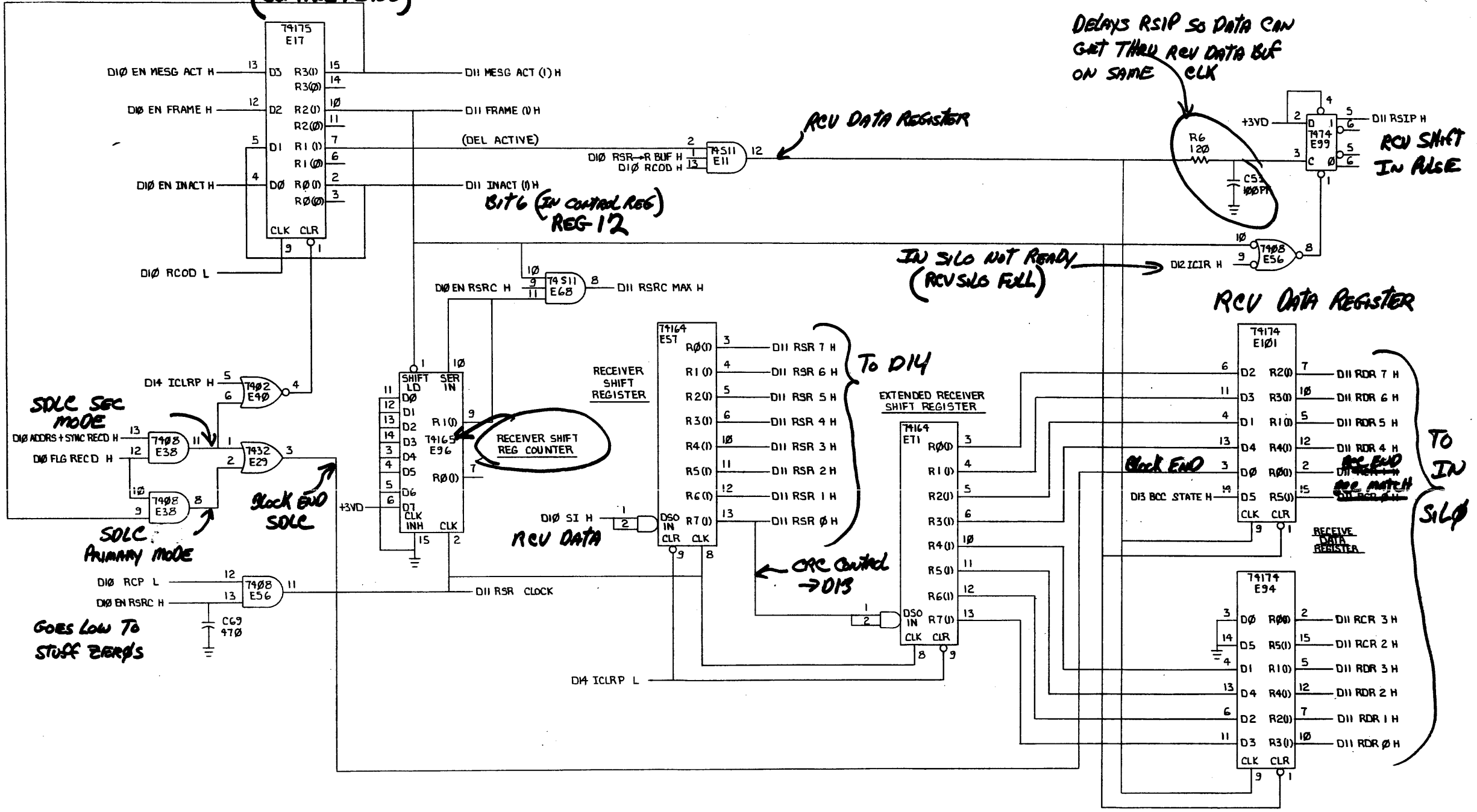
REVISIONS			TITLE		SIZE/	NUMBER	REV.
CHK	CHANGE NO.	REV.	IPL SLU LOW (D10)		DCS	M8201-0-1	C
			SCALE	++	SHEET	10 OF 16	

DEC FORM NO. 080 100

DMC-34

"THIS DRAWING AND SPECIFICATIONS, HEREIN, ARE THE PROPERTY OF DIGITAL EQUIPMENT CORPORATION AND SHALL NOT BE REPRODUCED OR COPIED OR USED IN WHOLE OR IN PART AS THE BASIS FOR THE MANUFACTURE OR SALE OF ITEMS WITHOUT WRITTEN PERMISSION. COPYRIGHT © 1975 DIGITAL EQUIPMENT CORPORATION"

RCV Control Sync REG. (CONTROL FLAGS)



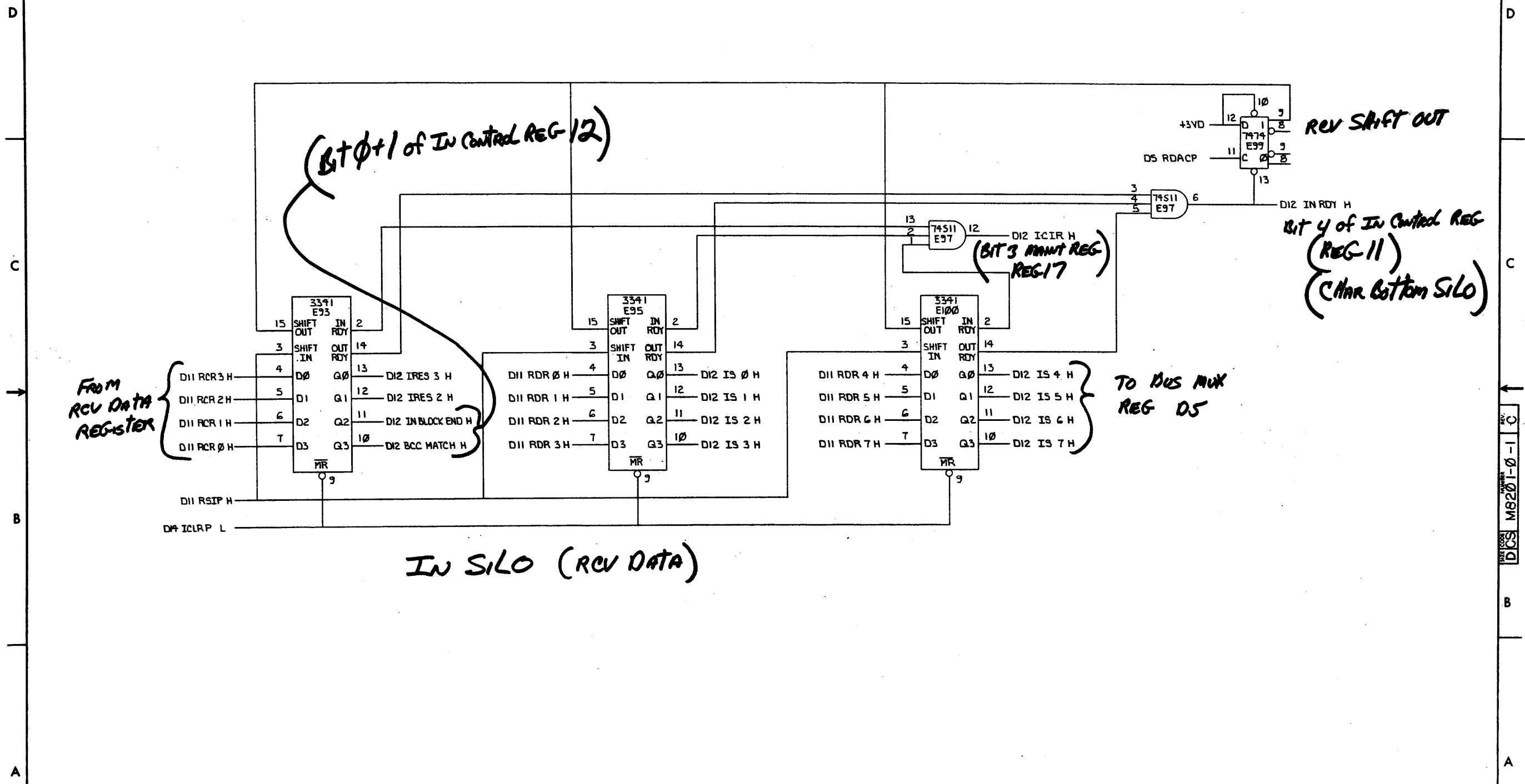
(RX CONTROL II)

DII-LU	TITLE	IPL SLU LOW	SIZE CODE	NUMBER	REV.
	SCALE	++	SHEET	OF	6

REVISIONS		
CHK	CHANGE NO.	REV.

Dmc-35

THIS DRAWING AND SPECIFICATIONS HEREIN ARE THE PROPERTY OF DIGITAL EQUIPMENT CORPORATION AND SHALL NOT BE REPRODUCED OR COPIED OR USED IN WHOLE OR IN PART AS THE BASIS FOR THE MANUFACTURE OR SALE OF ITEMS WITHOUT WRITTEN PERMISSION. COPYRIGHT © 1975 DIGITAL EQUIPMENT CORPORATION



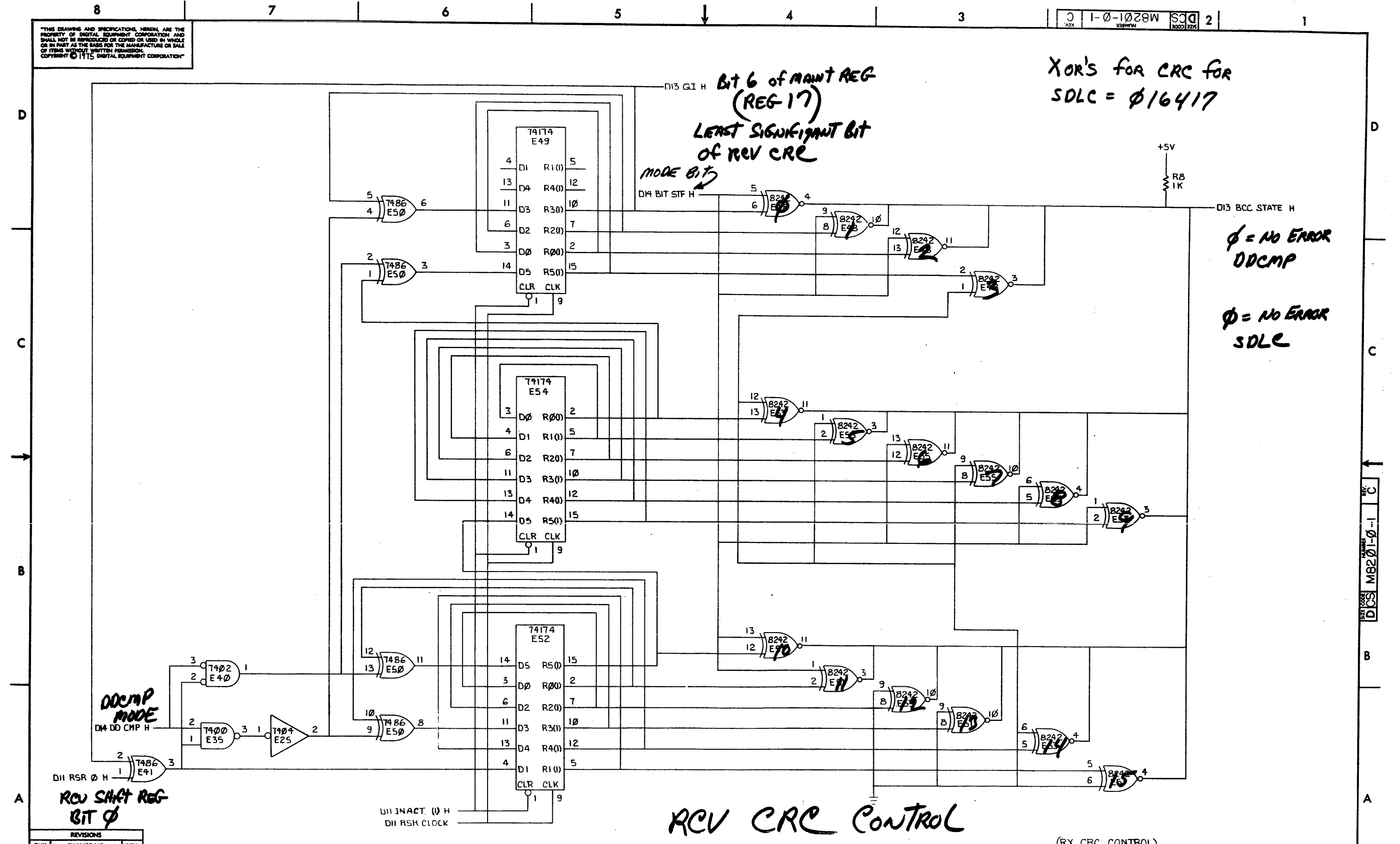
REVISIONS		
CHK	CHANGE NO.	REV.

DEC FORM NO. 010 138

DMC-36

"THIS DRAWING AND SPECIFICATIONS, HEREIN, ARE THE PROPERTY OF DIGITAL EQUIPMENT CORPORATION AND SHALL NOT BE REPRODUCED OR COPIED OR USED IN WHOLE OR IN PART AS THE BASIS FOR THE MANUFACTURE OR SALE OF ITEMS WITHOUT WRITTEN PERMISSION. COPYRIGHT © 1975 DIGITAL EQUIPMENT CORPORATION"

REV. C 1-0-01-028W DCS M8201-0-1 2



ϕ = NO ERROR
DDCMP

ϕ = NO ERROR
SDLC

REV CRC CONTROL

(RX CRC CONTROL)

D13-LU

TITLE IPL SLU LOW

SIZE CODE DCS NUMBER M8201-0-1

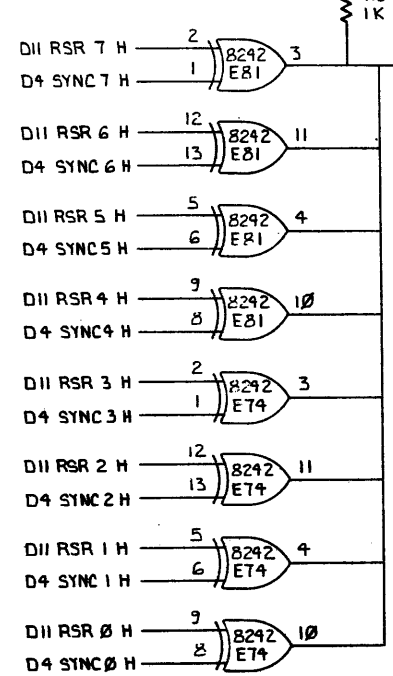
REV. C

REVISIONS

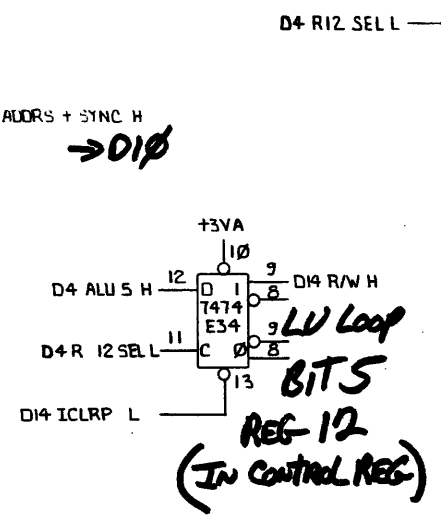
CHK	CHANGE NO.	REV.

"THIS DRAWING AND SPECIFICATIONS HEREIN ARE THE PROPERTY OF DIGITAL EQUIPMENT CORPORATION AND SHALL NOT BE REPRODUCED OR COPIED OR USED IN WHOLE OR IN PART AS THE BASIS FOR THE MANUFACTURE OR SALE OF ITEMS WITHOUT WRITTEN PERMISSION. COPYRIGHT © 1975 DIGITAL EQUIPMENT CORPORATION"

SYNC + ADDR COMPARE

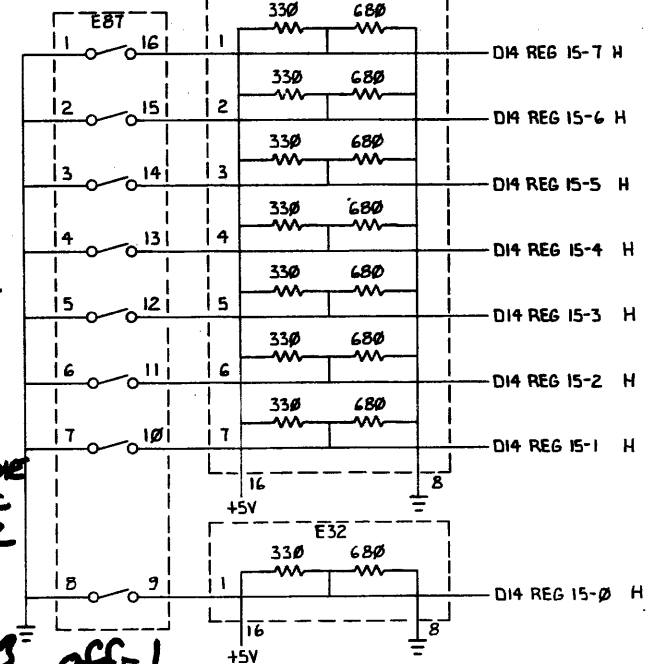


IN control REG SEL.



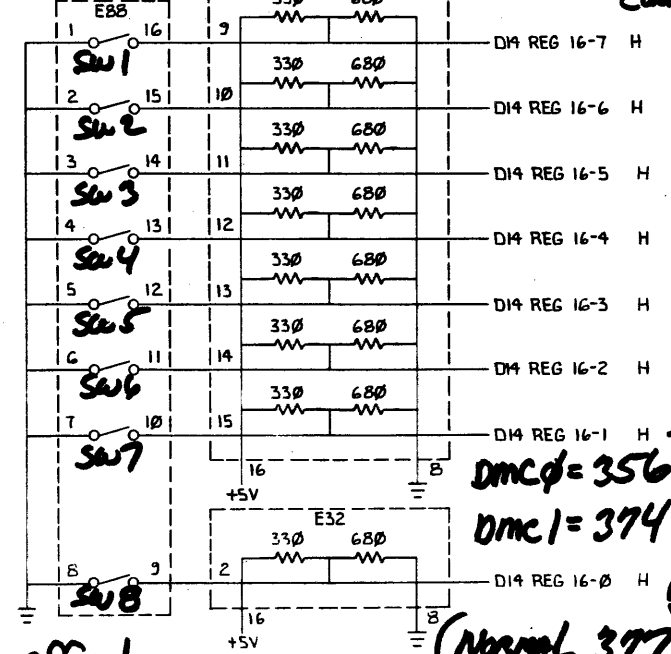
(REG. 15)

SW PACK #2 MOP PASSWORD



(OUT CLR ALSE) XMIT

SW PACK #3

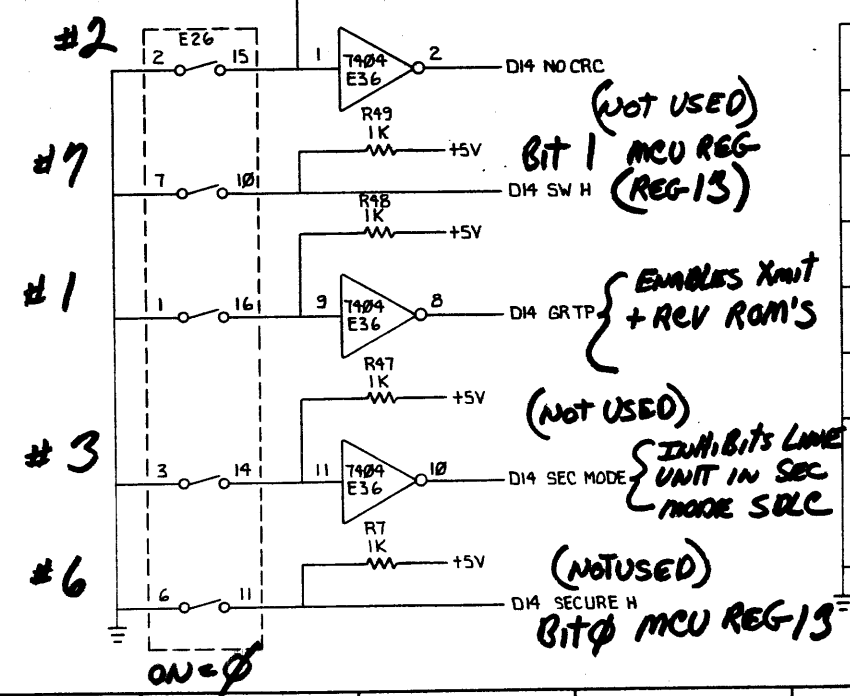


(REG. 16)

Boot Address

Boot Addr 15
175,000 +
contents of
Santel.
BIT 7

SW Pack #1



DMC 0 = 356 } M9501-YJ
DMC 1 = 374 }
(Normal 377)
BIT 0

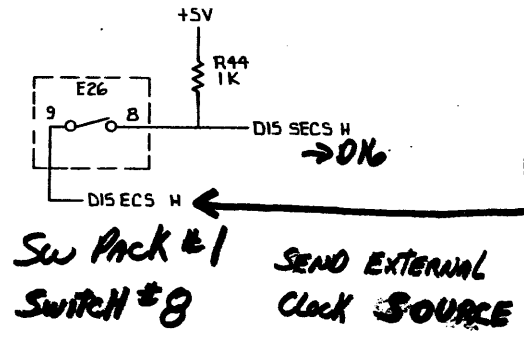
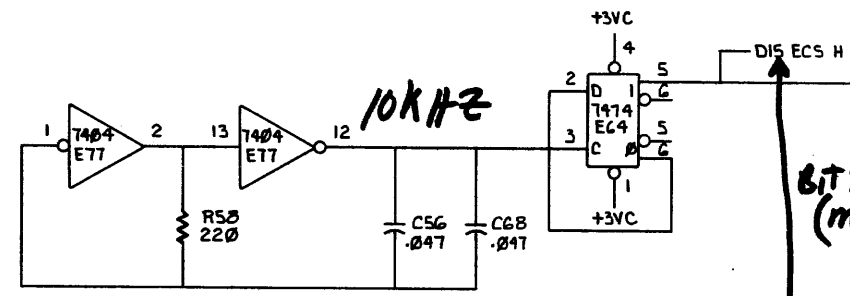
REVISIONS		
CHK	CHANGE NO.	REV.

D14-LU		TITLE	IPL SLU LOW (D14)	SIZE CODE	DCS	NUMBER	M8201-0-1	REV.	C
SCALE	++	SHEET	4	OF	16	DIST.			

"THIS DRAWING AND SPECIFICATIONS HEREIN ARE THE PROPERTY OF DIGITAL EQUIPMENT CORPORATION AND SHALL NOT BE REPRODUCED OR COPIED OR USED IN WHOLE OR IN PART AS THE BASIS FOR THE MANUFACTURE OR SALE OF ITEMS WITHOUT WRITTEN PERMISSION. COPYRIGHT © 1975 DIGITAL EQUIPMENT CORPORATION"

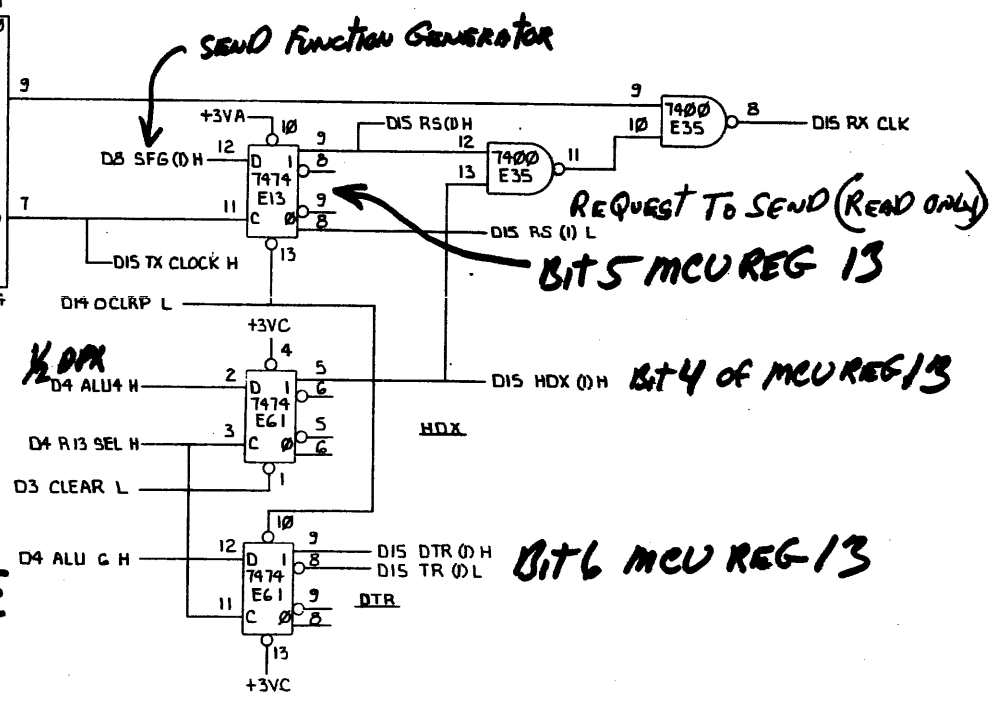
ONLINE/LOOP MUX

DT TDLS	L=1	13	B3	f3	12	L=1	DIS RX DATA
D16 RDATA	L=1	14	A3	f3			
+3VA		10	B2	f2	9	L=ON	DIS RTS
D15 RS (0) L	L=ON	11	A2	f2			
D15 RS (1) H	H=ON	6	B1	f1	7	H=ON	DIS SEND H → D6 (Function Mem)
D16 SEND (0) H	H=ON	5	A1	f1			
+3VA		3	B0	f0	4	L=ON	DIS DTR
D15 TR (0) L	L=ON	2	A0	f0			
			S0	STB	1		



BIT 2 REG 17 (MANT.)

RUN=S1	Loop=S0	Funct.
1	0	A+C
1	1	D
0	1	B

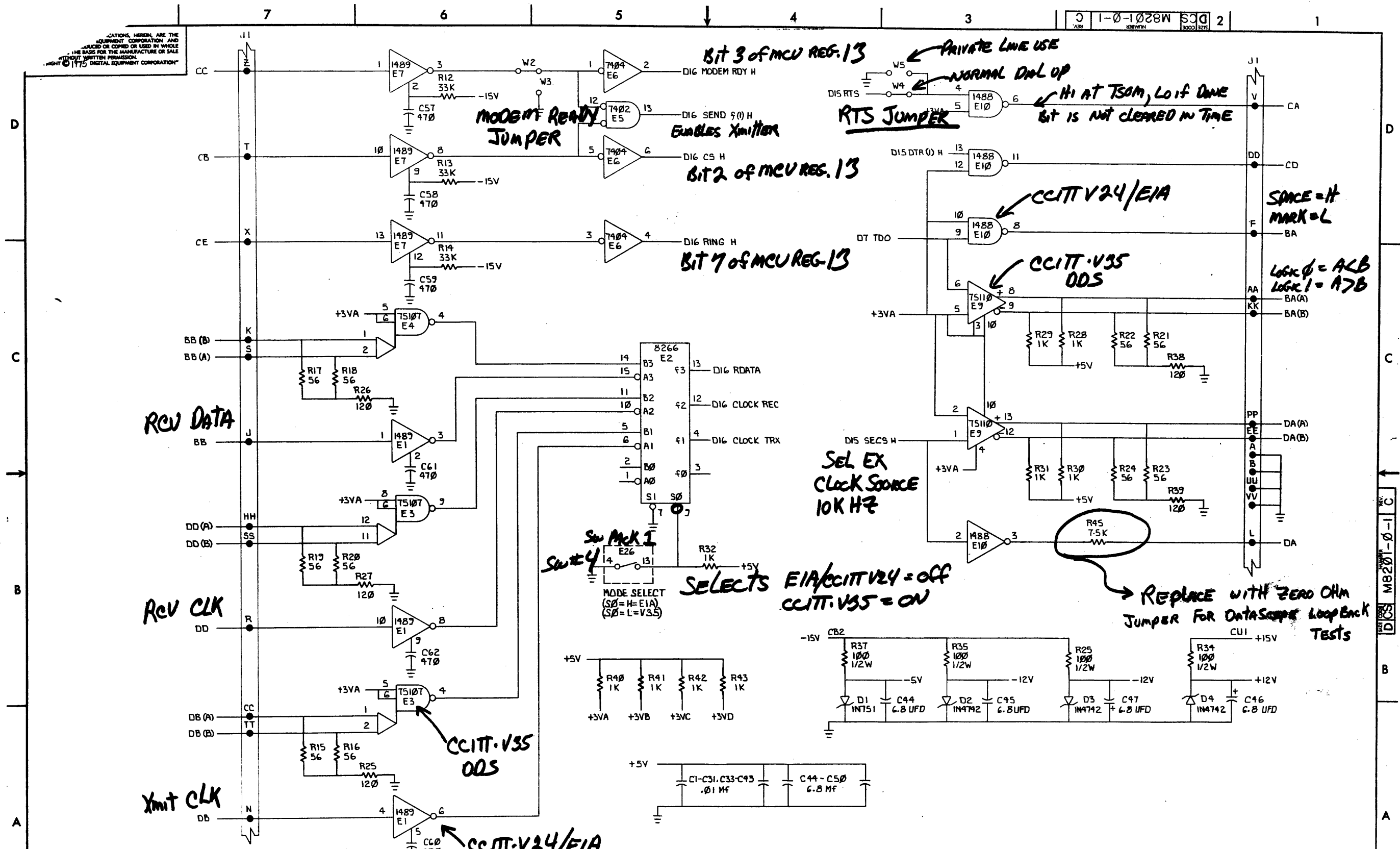


Sw Pack #1 SEND EXTERNAL
Switch #8 Clock SOURCE

REVISIONS		
CHK	CHANGE NO.	REV.

DMC-39

NOTATIONS HEREIN ARE THE PROPERTY OF DIGITAL EQUIPMENT CORPORATION AND SHOULD NOT BE REPRODUCED OR COPIED OR USED IN WHOLE OR IN PART WITHOUT WRITTEN PERMISSION FROM DIGITAL EQUIPMENT CORPORATION.



REVISIONS		
CHK	CHANGE NO.	REV.

D16-LU		TITLE IPL SLU LOW (D16)		SIZE CODE DCS	NUMBER M8201-0-1	REV. C
SCALE		SHEET 16	OF 16	DIST.		

DIGITAL EQUIPMENT CORPORATION

PARTS LIST

QUANTITY / VARIATION

NOTES: ** Any variation is acceptable

MADE BY R. KOPPENAL	CHECKED KENT GLEEZEN	SECTION 1
DATE 1-12-76	DATE 3-2-76	
ENG R. M. SMITH	PROD R. WALL	ISSUED SECTION 1
DATE 3-2-76	DATE 3-2-76	

ITEM NO.	DRAWING NO.	PART NO.	DESCRIPTION	QUANTITY	REF DESIGNATION
1	D-MD-5011711	5011711	ETCHED CIRCUIT BOARD	1	
2		1000016	CAP, 100 PF, 100V	5	C52-C55, C70
3		1000024	CAP, 470 PF, 100V	11	C57-C62, C64, C65, C69, C72, C73
4		1001610 **	CAP, .01 MF, 50V	43	C1-C31, C71, C33-C43
5		1005306	CAP, 6.8 MF, 35V	7	C44-C50
6		1010978-32	CAP, .047 MF, 50V	2	C56, C68
7		1109502	DIODE, IN4742	3	D2-D4
8		1110994	DIODE, IN751A	1	D1
9		1905547	IC, 7474	9	E12, E13, E34, E39, E47, E61, E64, E65, E99
10		1905575	IC, 7400	2	E35, E24
11		1909004	IC, 7402	4	E62, E40, E60, E5
12		1909686	IC, 7404	5	E6, E25, E36, E77, E78
13		1909712	IC, 8242	6	E48, E51, E53, E55, E74, E81
14		1909934	IC, 8266	1	E2
15		1909936	IC, 74151	8	E83-E86, E89-E92
16		1909937	IC, 74153	1	E15
17		1910011	IC, 7486	3	E41, E45, E50
18		1910041	IC, 74164	4	E71, E22, E27, E57
19		1910155	IC, 7408	5	E33, E38, E42, E56, E66
20		1910268	IC, 75107	2	E3, E4
21		1910322	IC, 1488L	1	E10

E.C.O. NO.	M8201-1	M8201-2
------------	---------	---------

THIS DRAWING AND SPECIFICATIONS, HEREIN, ARE THE PROPERTY OF DIGITAL EQUIPMENT CORPORATION AND SHALL NOT BE REPRODUCED OR COPIED OR USED IN WHOLE OR IN PART AS THE BASIS FOR THE MANUFACTURE OR SALE OF ITEMS WITHOUT WRITTEN PERMISSION. COPYRIGHT © 1976, DIGITAL EQUIPMENT CORPORATION.	TITLE	ASSY NO.	SIZE	CODE	NUMBER	REV.
	IPL SLU LOW	D-UA-M8201-0-0	B	PL	M8201-0-0	C
		SHEET 1 OF 3	INSERTION PARTS LIST DATA BASE REV C			

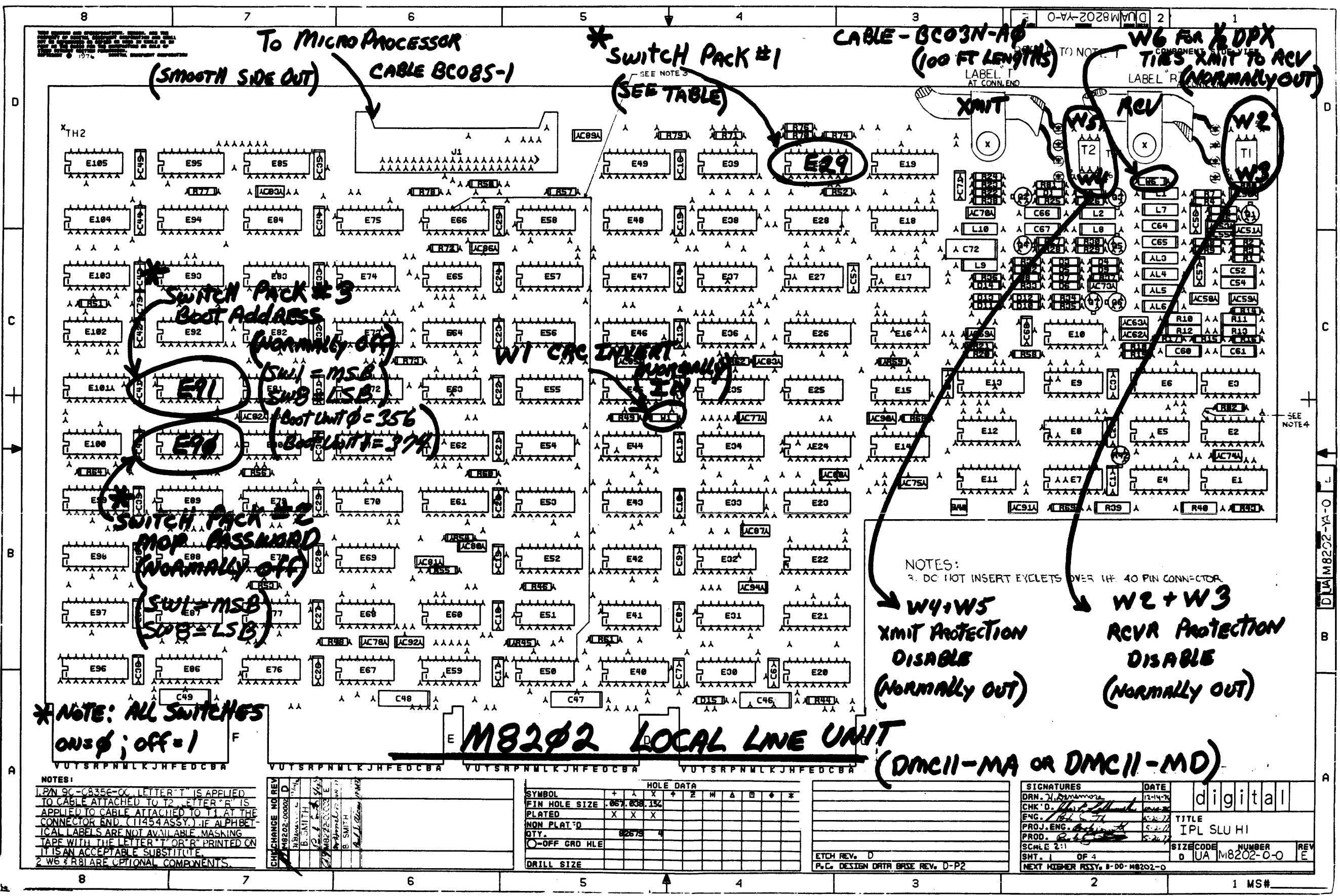
DMC-41

DIGITAL EQUIPMENT CORPORATION				QUANTITY / VARIATION										NOTES:		
PARTS LIST																
MADE BY R. KOPPENAL		CHECKED KENT GLEEZEN														
DATE 1-12-76		DATE 3-2-76														
ENG R. M. SMITH		PROD R. WALL														
DATE 3-2-76		DATE 3-2-76														
ITEM NO.	DRAWING NO.	PART NO.	DESCRIPTION											REF DESIGNATION		
42		1300247	RES, 120, 1/4W, 5%	7												R25-R27, R38, R39, R6, R46
43		1302602	RES, 56, 1/4W, 5%	10												R15 - R24
44		1311003-02	RES, PACK	3												E19, E32, E98
45		1301422	RES, 7.5K, 1/4W, 5%	1												R45
46		1000023	CAP, 330 Pf	1												C63
47		1301874	RES, 5.6K, 1/4W, 5%	1												R5
48		1302395	RES, 56K, 1/4W, 5%	1												R59
49		1000010	CAP, 39 Pf	1												C75
50		23-345A2	ROM 256 X 4 OC (T1)	1												E31
51		23-220A2	ROM 256 X 4 OC (T3)	1												E21
52		23-302A2	ROM 256 X 4 OC (T2)	1												E20
53		23-303A2	ROM 256 X 4 OC (R1)	1												E28
54		23-304A2	ROM 256 X 4 OC (R2)	1												E18
55		1002424	CAP, 1200 Pf, 100V	1												C66
56		9107256-10	CLEAR TUBING	A/R												
57		1000026	CAP, 680 Pf, 100V	2												C74, C76
58		9003185	INSULATED JUMPERS	3												W1, W2, W4
59		1209941-02	CONNECTOR	2												J1, J2
60		1210711-02	HEX HANDLE	1												
61		9103740-55	30 AWG WIRE	A/R												
62		9006732	EYELETTES	12												
63		1211164-04	SWITCH PACK - 8 PER PACK	3												E26, E87, E88

E.C.O. NO.

THIS DRAWING AND SPECIFICATIONS, HEREIN, ARE THE PROPERTY OF DIGITAL EQUIPMENT CORPORATION AND SHALL NOT BE REPRODUCED OR COPIED OR USED IN WHOLE OR IN PART AS THE BASIS FOR THE MANUFACTURE OR SALE OF ITEMS WITHOUT WRITTEN PERMISSION. COPYRIGHT © 1976 DIGITAL EQUIPMENT CORPORATION.				TITLE IPL SLU LOW		ASSY NO. D-UA-M8201-0-0		SIZE CODE B PL		NUMBER M8201-0-0		REV. C	
EN-01140A-16-R276(325) DRB 125						SHEET 3 OF 3		INSERTION PARTS LIST DATA BASE REV C					

DMC-42



* NOTE: ALL SWITCHES ON = 0; OFF = 1

NOTES:
 3. DO NOT INSERT EXCLETS OVER THE 40 PIN CONNECTOR.
 W4+W5 XMIT PROTECTION DISABLE (NORMALLY OUT)
 W2+W3 RCVR PROTECTION DISABLE (NORMALLY OUT)

NOTES:
 1. PIN 9C-C8356-C0, LETTER "T" IS APPLIED TO CABLE ATTACHED TO T2. LETTER "E" IS APPLIED TO CABLE ATTACHED TO Y1 AT THE CONNECTOR END (11454 ASSY.) IF ALPHABETICAL LABELS ARE NOT AVAILABLE, MASKING TAPE WITH THE LETTER "T" OR "R" PRINTED ON IT IS AN ACCEPTABLE SUBSTITUTE.
 2. W6 & R81 ARE OPTIONAL COMPONENTS.

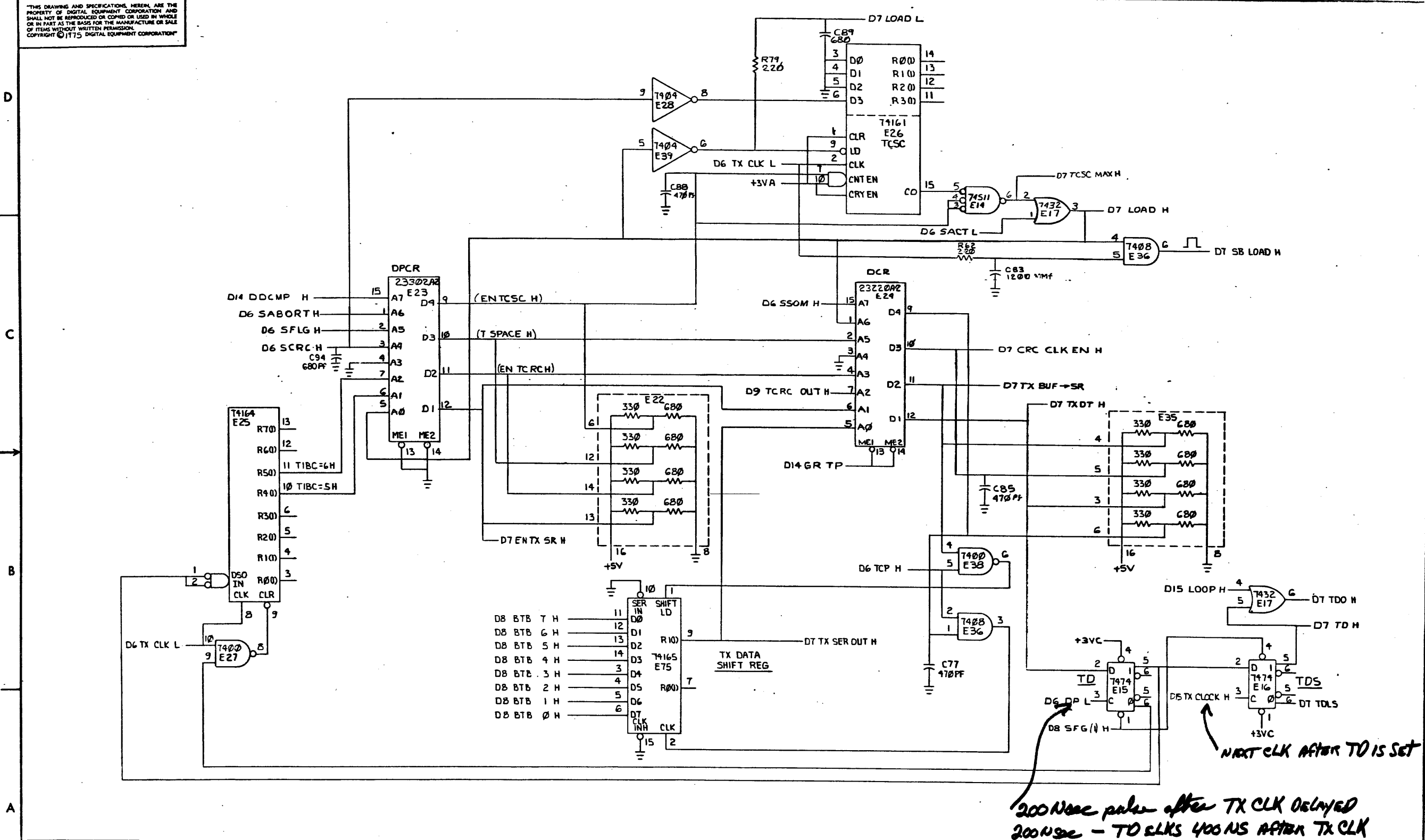
CHANCE NO	REV	DATE	BY	APP
M8202-00002	D	12-14-74	B. SMITH	

HOLE DATA									
SYMBOL	+	-	+	-	+	-	+	-	+
FIN HOLE SIZE	.067	.038	.152						
PLATED	X	X	X						
NON PLAT'D									
QTY.			82675	4					
Q-OFF GRD HLE									
DRILL SIZE									

ETCH REV. D
 P.C. DESIGN DATA BRSE REV. D-P2

SIGNATURES		DATE	digital	
DRN. J. Simmons		12-14-74		
CHK'D. [Signature]				
ENG. [Signature]				
PROJ. ENG. [Signature]				
PROD. [Signature]				
SCALE 2:1				
SHT. 1 OF 4				
NEXT HIGHER ASSY. P-00-M8202-0				

THIS DRAWING AND SPECIFICATIONS HEREIN ARE THE PROPERTY OF DIGITAL EQUIPMENT CORPORATION AND SHALL NOT BE REPRODUCED OR COPIED OR USED IN WHOLE OR IN PART AS THE BASIS FOR THE MANUFACTURE OR SALE OF ITEMS WITHOUT WRITTEN PERMISSION. COPYRIGHT © 1975 DIGITAL EQUIPMENT CORPORATION

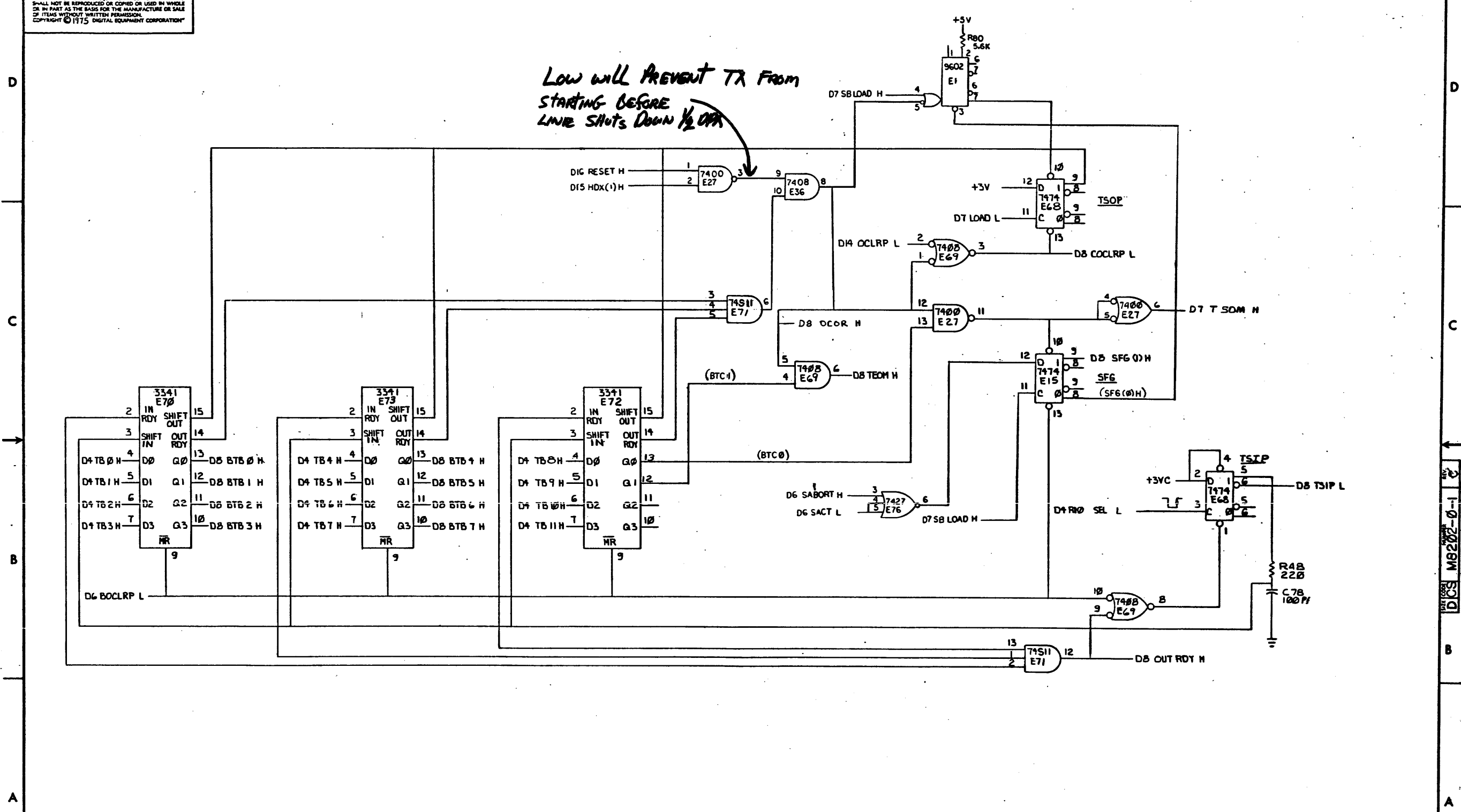


REVISIONS		
CHK	CHANGE NO.	REV.

DMC-44

THIS DRAWING AND SPECIFICATIONS, HEREIN, ARE THE PROPERTY OF DIGITAL EQUIPMENT CORPORATION AND SHALL NOT BE REPRODUCED OR COPIED OR USED IN WHOLE OR IN PART AS THE BASIS FOR THE MANUFACTURE OR SALE OF ITEMS WITHOUT WRITTEN PERMISSION. COPYRIGHT © 1975 DIGITAL EQUIPMENT CORPORATION

Low will prevent TX from starting before LINE SHUTS DOWN 1/2 OFF



REVISIONS		
C- <i>C</i>	CHANGE NO.	REV.

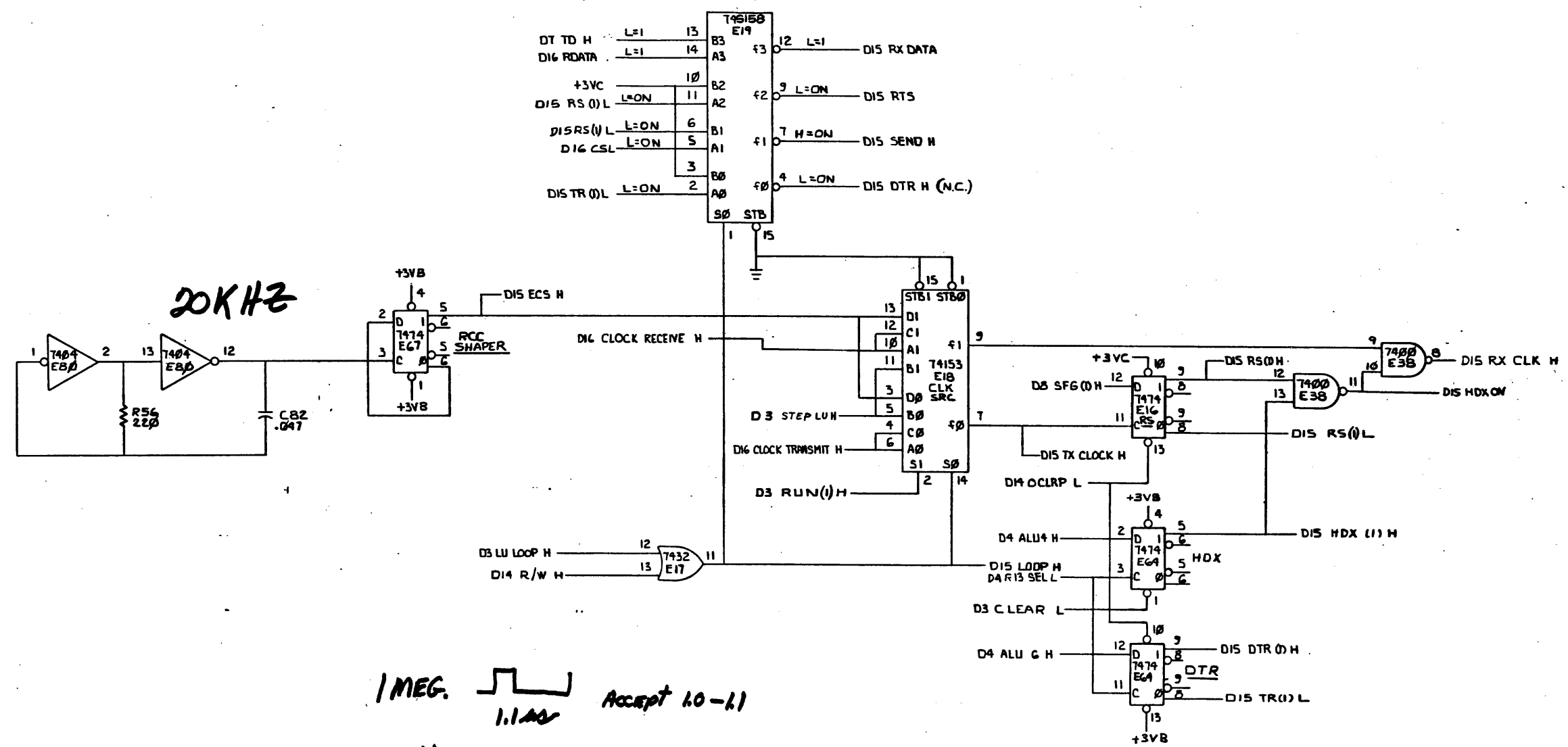
(OUT DATA SILO)
D8-40 HI TITLE **IPL SLU HI** (D8)
 SIZE CODE **DCS** NUMBER **M8202-0-1** REV. **C**
 SCALE **---** SHEET **8** OF **16** DIST. **---**

DMC-45

THIS DRAWING AND SPECIFICATIONS HEREIN ARE THE PROPERTY OF DIGITAL EQUIPMENT CORPORATION AND SHALL NOT BE REPRODUCED OR COPIED OR USED IN WHOLE OR IN PART AS THE BASIS FOR THE MANUFACTURE OR SALE OF ITEMS WITHOUT WRITTEN PERMISSION. COPYRIGHT © 1975 DIGITAL EQUIPMENT CORPORATION

REV. 1-0-2028W DCS M8202-0-1 2

ONLINE/LOOP MUX



DT TD H	L=1	13	B3	f3	12	L=1	DIS RX DATA
DIG RDATA	L=1	14	A3	f3	12	L=1	DIS RX DATA
+3VC		10	B2	f2	9	L=ON	DIS RTS
DIS RS (0) L	L=ON	11	A2	f2	9	L=ON	DIS RTS
DIS RS (1) L	L=ON	6	B1	f1	7	H=ON	DIS SEND H
DIG CSL	L=ON	5	A1	f1	7	H=ON	DIS SEND H
		3	B0	f0	4	L=ON	DIS DTR H (N.C.)
DIS TR (0) L	L=ON	2	A0	f0	4	L=ON	DIS DTR H (N.C.)

REVISIONS		
CHK	CHANGE NO.	REV.

D15-LU

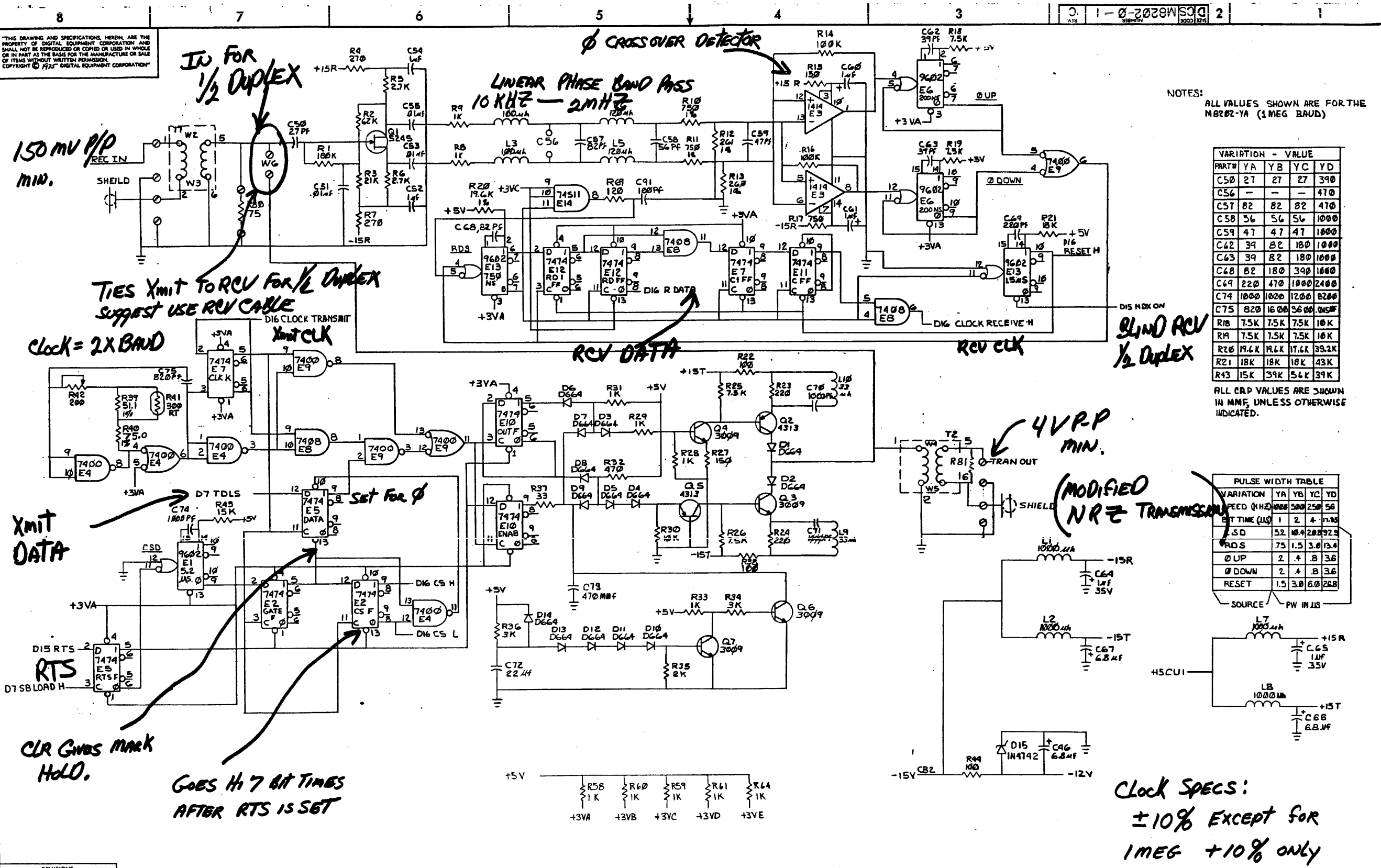
(MAINT & MODERN CONTROL)

TITLE **IPL SLU HI** (D15) SIZE CODE **DCS** NUMBER **M8202-0-1** REV. **C**

SCALE **1/1** SHEET **15** OF **16** DIST.

DMC-46

THIS DRAWING AND SPECIFICATIONS, HEREIN, ARE THE PROPERTY OF DIGITAL EQUIPMENT CORPORATION AND SHALL NOT BE REPRODUCED OR COPIED OR USED IN WHOLE OR IN PART AS THE BASIS FOR THE MANUFACTURE OR SALE OF ITEMS WITHOUT WRITTEN PERMISSION. COPYRIGHT © 1975 DIGITAL EQUIPMENT CORPORATION.



NOTES: ALL VALUES SHOWN ARE FOR THE M8202-YA (1MEG BAUD)

VARIATION - VALUE				
PART#	YA	YB	YC	YD
C50	27	27	27	390
C56	-	-	-	470
C57	82	82	82	470
C58	56	56	56	1000
C59	47	47	47	1000
C62	39	82	180	1000
C63	39	82	180	1000
C68	82	180	390	1000
C69	220	470	1000	2400
C74	1000	1000	1200	8200
C75	820	1600	3600	0.05PF
R18	7.5K	7.5K	7.5K	10K
R19	7.5K	7.5K	7.5K	10K
R20	19.6K	19.6K	17.6K	33.2K
R21	18K	18K	18K	43K
R43	15K	39K	56K	39K

PULSE WIDTH TABLE				
VARIATION	YA	YB	YC	YD
SPEED (KHZ)	4000	5000	2500	50
SET TIME (US)	1	2	4	17.45
LSO	32	10.4	20.8	92.5
RDS	75	1.5	3.0	13.4
Ø UP	2	4	8	3.6
Ø DOWN	2	4	8	3.6
RESET	1.5	3.0	6.0	26.8

SOURCE PW IN US

Clock Specs:
±10% EXCEPT FOR
1MEG +10% ONLY

REVISIONS		
CHK	CHANGE NO.	REV.

DIG-LU HI
TITLE TPL SLU HI
SCALE SHEET 16 OF 16
D C S M8202-0-1
REV. C

DMC-47

8 7 6 5 4 3 2 1

THIS DRAWING AND SPECIFICATIONS HEREIN ARE THE PROPERTY OF DIGITAL EQUIPMENT CORPORATION AND SHALL NOT BE REPRODUCED OR COPIED OR USED IN WHOLE OR IN PART AS THE BASIS FOR THE MANUFACTURE OR SALE OF ITEMS WITHOUT WRITTEN PERMISSION. COPYRIGHT © 1978, DIGITAL EQUIPMENT CORPORATION

LEGEND		
NUMBER	DIM. X VARIATION	DIM. Y (PRECUT) REF
BC03N-A0	99 FT ± 2 FT.	100 FT

WIRE TABLE									
ITEM NO	DESCRIPTION	FROM			TO				
		AWG	COLOR	POINT	CONNECTION	TERM	POINT	CONNECTION	TERM
1	SOLID NEUTRAL				PI-1	4		P2-1	4
1	SHIELD				PI-2	4		P2-3	4
1	SHIELD				PI-3	4		P2-2	4

NOTES:

- SLIT SHIELDING INTO TWO SEPARATE WINDINGS, ATTACH PIN ITEM 4 AS SHOWN.
- TRIM INSULATION AROUND WIRE .38 BACK. TRIM TO A SUITABLE DIA. TO FIT INTO PIN ITEM 4 AND INTO CONNECTOR ITEM 3.
- FOR PROPER STRAIN RELIEF ON CABLE ATTACH CLAMP NO. 3 SUPPLIED WITH CLAMP ASSY ITEM NO. 2.
- FOR PROPER ASSEMBLY OF PIN (ITEM 4) TO CABLE (ITEM 1) THESE TOOLS SHOULD BE USED:
 - CRIMPING TOOL, AMP#90277-01
 - EXTRACTION TOOL # 305183
 - INSERTION TOOL # 91002-1 (FOR 070 INS DIA OR LESS)

QTY	DESCRIPTION	DWG./PART NO.	ITEM NO.
X 2	TIE WRAP	9007031	7
1	CABLE LABEL	9009532	6
2	PIN MALE TYPE XI	1212001-02	5
4	PIN MALE, TYPE VI	1212001-00	4
2	RECEPTACLE, FREE HANGING	1212527-00	3
2	CLAMP ASSY CABLE	1211430-00	2
AR	COAX CABLE RG59A/U	9107534	1

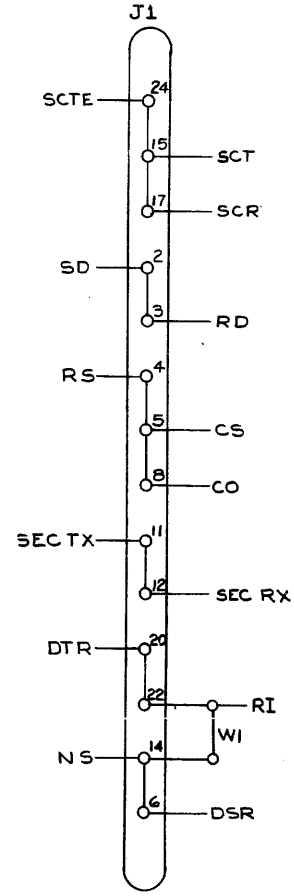
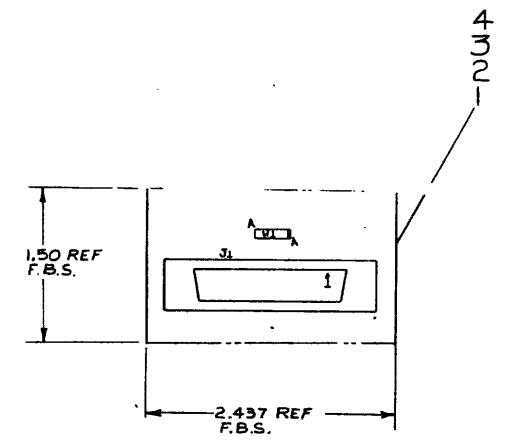
UNLESS OTHERWISE SPECIFIED DIMENSIONS ARE IN INCHES	
ANGLES ± 30°	GLASS OF ACCURACY
SURFACE QUALITY IN	NOMINAL DIMENSION RANGE INCHES
QUANTITY & VARIATION	

THIRD ANGLE PROJECTION	DRN	FIRST USED ON	DMC11
REMOVE BURRS AND BREAK SHARP CORNERS	CHKD	TITLE	CABLE, MODEM
DO NOT SCALE DWG	ENG	SCALE	1/1
MATERIAL SEE PARTS LIST	PROJ. ENG.	SIZE	D 11
FINISH	PROD.	CODE	1A
		NUMBER	BC03N-0-0
		REV.	A
		SHEET	1 OF 1

REV. 1	CHANGE NO. 00001	A
REV. 2	11/11/77	29 AUG 77
REV. 3	P. ALLOISI	

"THIS DRAWING AND SPECIFICATIONS, HEREIN, ARE THE PROPERTY OF DIGITAL EQUIPMENT CORPORATION AND SHALL NOT BE REPRODUCED OR COPIED OR USED IN WHOLE OR IN PART AS THE BASIS FOR THE MANUFACTURE OR SALE OF ITEMS WITHOUT WRITTEN PERMISSION.
COPYRIGHT © 1978 DIGITAL EQUIPMENT CORPORATION"

NOTES:



REF	X-Y COORDINATE HOLE LOC.	KCO-H325-0-4	1
REF	ASSY/DRILLING HOLE LAYOUT	D:AH-H325-0-5	2
REF	MODULE ECO HISTORY	B-MH-H325-0-6	3
I	ETCHED CIRCUIT BOARD	5011698	4
I	CONNECTOR	1210247	5
I	INSULATED JUMPER WIRE	9009185	6

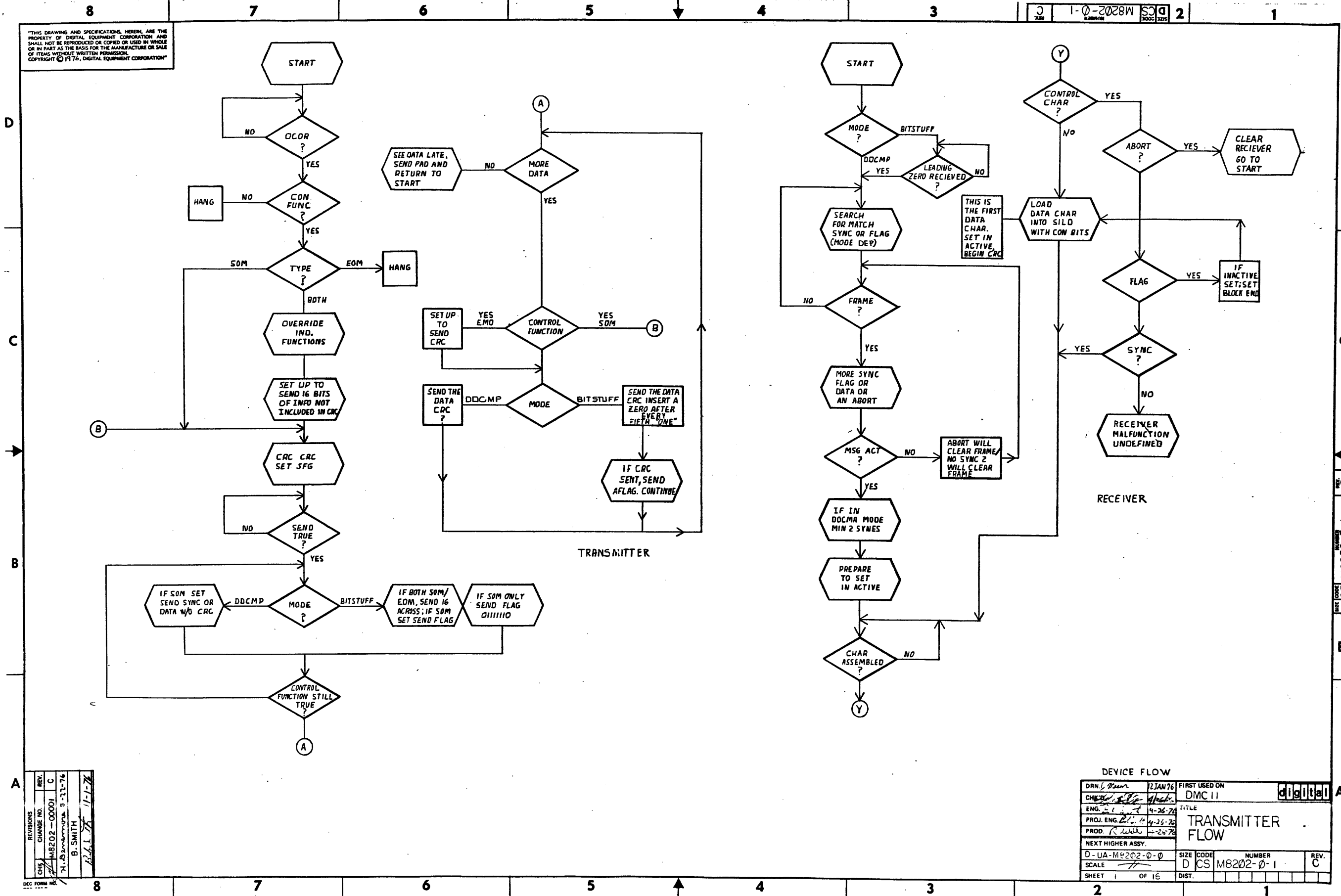
QTY	REF. DESIGNATION	DESCRIPTION	PART NO.	ITEM NO.
	DVII	ETCH BOARD REV. C		

DRN. DATE	1/23/78		
CHKD. DATE	4/2/78		
ENG. DATE	12/1/75		
PROJ. ENGR. DATE	4/24/75		
PROD. DATE	7-24-75	TITLE	H325 TEST CONNECTOR
NEXT HIGHER ASSY	DUA-DVII-0-0	SIZE CODE	D CS
DEC NO.	EIA NO.	DEC NO.	EIA NO.
SEMICONDUCTOR CONVERSION CHART		NUMBER	H325-0-1
SHEET 1 OF 1		REV.	B

IC TYPE	GND	+5V
GND AND 5V ARE USUALLY PIN 7 AND 14 RESPECTIVELY EXCEPTIONS ARE STATED ABOVE		
IC PIN LOCATIONS		

DMC-49

"THIS DRAWING AND SPECIFICATIONS, HEREIN, ARE THE PROPERTY OF DIGITAL EQUIPMENT CORPORATION AND SHALL NOT BE REPRODUCED OR COPIED OR USED IN WHOLE OR IN PART AS THE BASIS FOR THE MANUFACTURE OR SALE OF ITEMS WITHOUT WRITTEN PERMISSION. COPYRIGHT © 1976, DIGITAL EQUIPMENT CORPORATION"



REV. C	11-1-76
REV. B	11-1-76
REV. A	11-1-76
CHG. NO. MB202-00001	
DATE 9-23-76	
BY B. SMITH	

DEVELOPER		DATE		FIRST USED ON		digital
DRM, Dean		22 JAN 76		DMC 11		
ENGINEER		DATE		TITLE		TRANSMITTER FLOW
CHRY...		4-26-76				
PROJECT ENGINEER		DATE		NUMBER		REV. C
PROJ. ENG. R. WILLIAMS		4-26-76		M8202-0-1		
NEXT HIGHER ASSY.		SCALE		DIST.		
D-UA-M8202-0-0		D CS		M8202-0-1		
SHEET 1 OF 16						

DMC-50