

NOTES:

1. TERMINATOR ASSY (ITEM #2) TO BE INSTALLED IN CABLE OUT LOCATION IN LAST DRIVE OF SUB-SYSTEM.
2. FOR INSTALLATION IN BAFFLE EXPANSION BOX: a. CUT TIE WRAP AND UNFOLD POWER HARNESS b. ADD EXTENSION POWER CABLE TO SHORT LEG OF HARNESS
3. WHEN INSTALLED IN BAFFLE EXPANSION BOX, BCGR CABLE (ITEM #3) SHOULD BE FOLDED 90° AND ROUTED UP OUT OF THE BOX AS SHOWN.
4. WHEN ALTERNATE MOUNTING POSITION IS USED, CONNECTOR IN TRANSITION BRACKET MUST BE INVERTED SO THAT I/O CABLE FROM DRIVE WILL HANG IN A DOWNWARD POSITION AS SHOWN.
5. ITEMS #11 THRU #21 ARE NOT ASSEMBLED AT THIS POINT BUT MUST BE SHIPPED WITH UNIT FOR ASSEMBLY AT A LATER TIME.
6. PRIORITY JUMPER ASSY (ITEM #19) TO BE PLUGGED INTO M1790, LOC #14.
7. THE ALTERNATE BRACKET MOUNTING POSITION MAY BE USED WITH ANY EXPANSION BOX TO SIMPLIFY INSTALLATION.

REV	DESCRIPTION	DATE
1	INITIAL DESIGN	11/15/74
2	REVISED FOR MANUFACTURE	12/10/74
3	REVISED FOR MANUFACTURE	1/10/75
4	REVISED FOR MANUFACTURE	2/10/75
5	REVISED FOR MANUFACTURE	3/10/75
6	REVISED FOR MANUFACTURE	4/10/75
7	REVISED FOR MANUFACTURE	5/10/75

REF	PACKAGING INST.	QTY	ITEM NO.
1	LABEL, ALUM	3013210-00	22
2	WASHER, INT TOOTH #10	9006635-00	21
4	SCREW, PHL PAN #10x3/16 LG	9006043-01	20
PRIORITY JUMPER ASSY			
1	UNIT SELECT PLUG KIT	A-PL-701364-0-0	18
2	SCREW, PHL TRS HD #10x3/16 LG	9006613-05	17
2	NUT, SPRING #10-32	9007786	16
1	SCREW, TAP-TITE #6x3/16 LG	9006416-01	15
1	CLAMP, CABLE	9007061-00	14
1	TRANSITION BRACKET ASSY	CAD-7012415-0-0	13
1	TERMINATOR ASSY	D-1A-7012293-0-0	12
1	CABLE, POWER EXTENSION	C-1A-7012574-0-0	11
1	JUNIBUS JUMPER	E-1A-701202-0-0	10
1	CABLE, BCGR I/O	D-1A-BC06R-00	9
3	GRANT CONTINUITY CARD	D-C5-6727-0-1	8
REF MODULE UTILIZATION			
1	JUNIBUS INTERFACE	D-1A-M7500-0-0	6
1	REGISTER BOARD, RK06	D-1A-M7501-0-0	5
1	CONTROL BOARD	D-1A-M7502-0-0	4
1	DATA MODULE, RK06	D-1A-M7503-0-0	3
1	DRIVE INTERFACE, RK06	D-1A-M7504-0-0	2
1	WIRING ASSEMBLY POWER HARNESS	D-1A-7012414-0-0	1

THIRD ANGLE PROJECTION

REMOVE BURRS AND BREAK SHARP CORNERS

DO NOT SCALE DRAWING

UNLESS OTHERWISE SPECIFIED DIMENSIONS ARE IN INCHES

CLASS OF ACCURACY	0.125	0.25	0.50	1.00	2.00	5.00	10.00
PRECISION	10	12	15	20	30	50	100
MEDIUM	10	12	15	20	30	50	100
PREFERRED	10	12	15	20	30	50	100

DRN. NO. 5 FEB 75 FIRST USED ON

ENG. TITLE: **RK06 CONTROLLER**

MATERIAL: SEE PARTS LIST

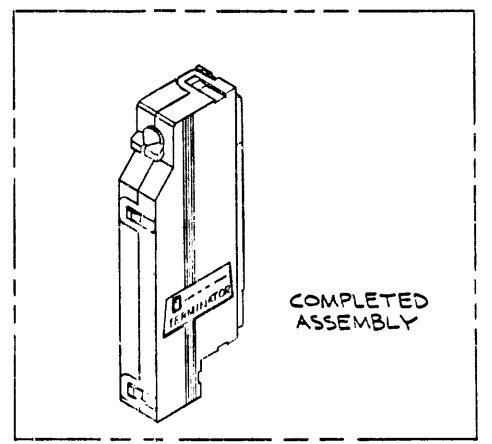
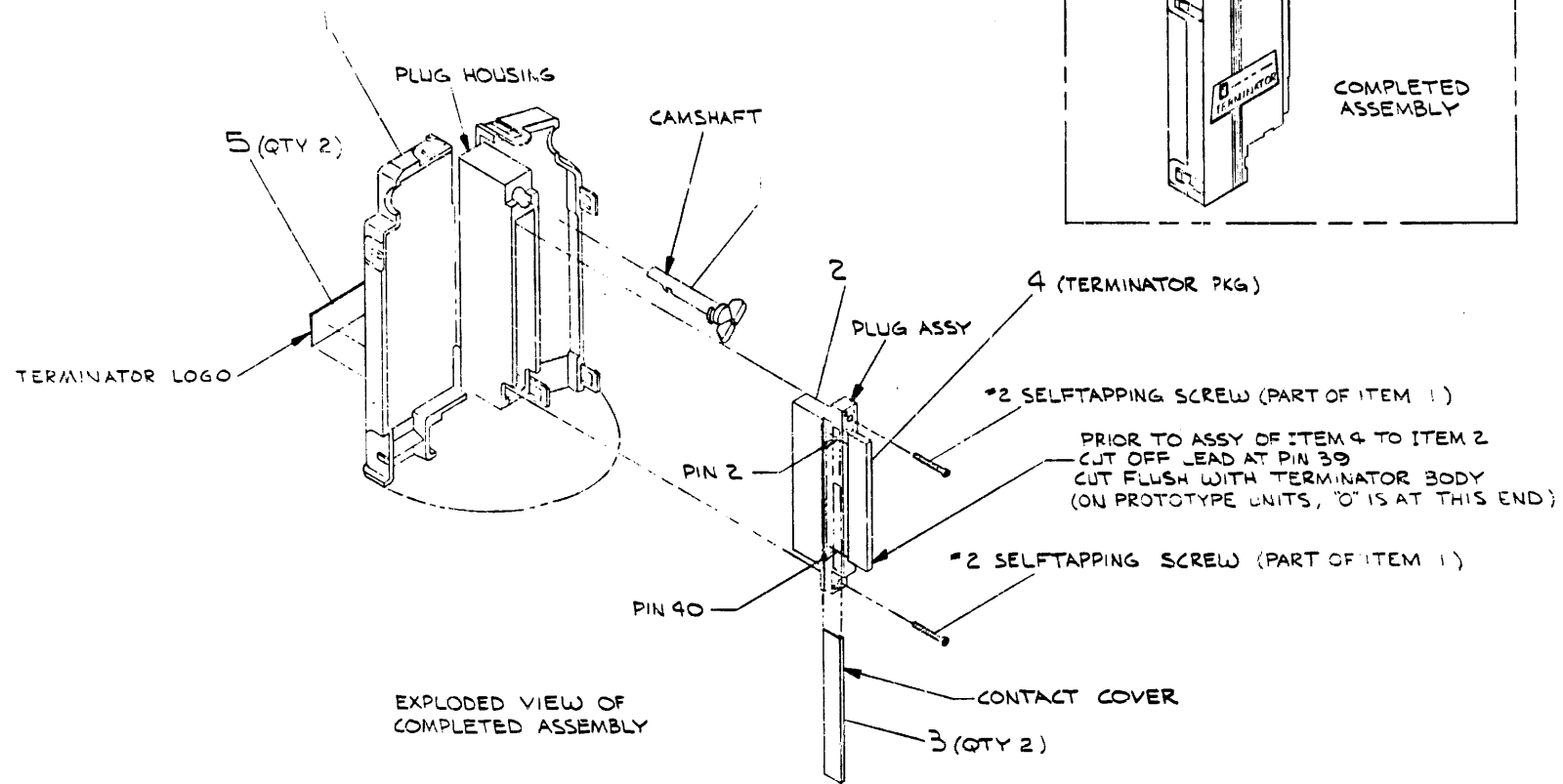
SCALE: NONE

SHEET 1 OF 1

"THIS DRAWING AND SPECIFICATIONS, HEREIN, ARE THE PROPERTY OF DIGITAL EQUIPMENT CORPORATION AND SHALL NOT BE REPRODUCED OR COPIED OR USED IN WHOLE OR IN PART AS THE BASIS FOR THE MANUFACTURE OR SALE OF ITEMS WITHOUT WRITTEN PERMISSION. COPYRIGHT © 1976, DIGITAL EQUIPMENT CORPORATION"

8 7 6 5 4 3 2 1

D
C
B
A



ITEM NO.	DESCRIPTION	DWG./PART NO.	ITEM NO.
2	LOGO, TERMINATOR	A-DC-7416678-0-0	5
1	TERMINATOR PKG	1313242-00	4
2	COVER, CONTACT	1211591-11	3
1	PLUG ASSY	1211591-07	2
1	CONN PLUG HSG & CAMSHAFT KIT	1211591-34	1

QUANTITY & VARIATION	7012293-0	DESCRIPTION	DWG./PART NO.	ITEM NO.
UNLESS OTHERWISE SPECIFIED DIMENSIONS ARE IN INCHES				
ANGLES ±0° 30'	CLASS OF ACCURACY	NOMINAL DIMENSION RANGE INCHES		
SURFACE QUALITY IN	(CHECK ONE)	OVER 0 TO 0.2	OVER 0.2 TO 0.5	OVER 0.5 TO 1.2
✓ MEDIUM	<input type="checkbox"/> ±.004	<input type="checkbox"/> ±.008	<input type="checkbox"/> ±.012	<input type="checkbox"/> ±.016
MICROINCHES	<input type="checkbox"/> ±.012	<input type="checkbox"/> ±.016	<input type="checkbox"/> ±.020	<input type="checkbox"/> ±.024
THIRD ANGLE PROJECTION	DRN: <i>[Signature]</i>	FIRST USED ON		
REMOVE BURRS AND BREAK SHARP CORNERS	CHK'D: <i>[Signature]</i>	RKDG		
DO NOT SCALE DWG	ENG: <i>[Signature]</i>	TITLE		
MATERIAL SEE PARTS LIST	PROD. <i>[Signature]</i>	TERMINATOR ASSY		
FINISH	NEXT HIGHER ASSY.	SIZE	CODE	NUMBER
	E-LA-RK611-Φ-Φ	D	IA7012293-0-0	A
	SCALE: NONE	SHEET	OF 1	DIST.

REVISIONS	REV.
CHANGE NO.	DATE
7012293-00001 A	
W. DUNHAM	9/19/76

REV. A
NUMBER
DIA7012293-0-0

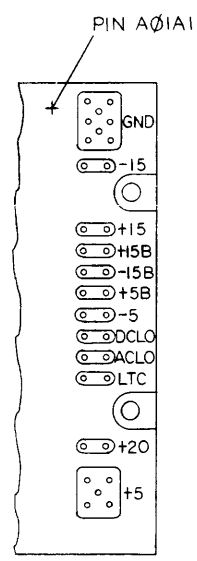
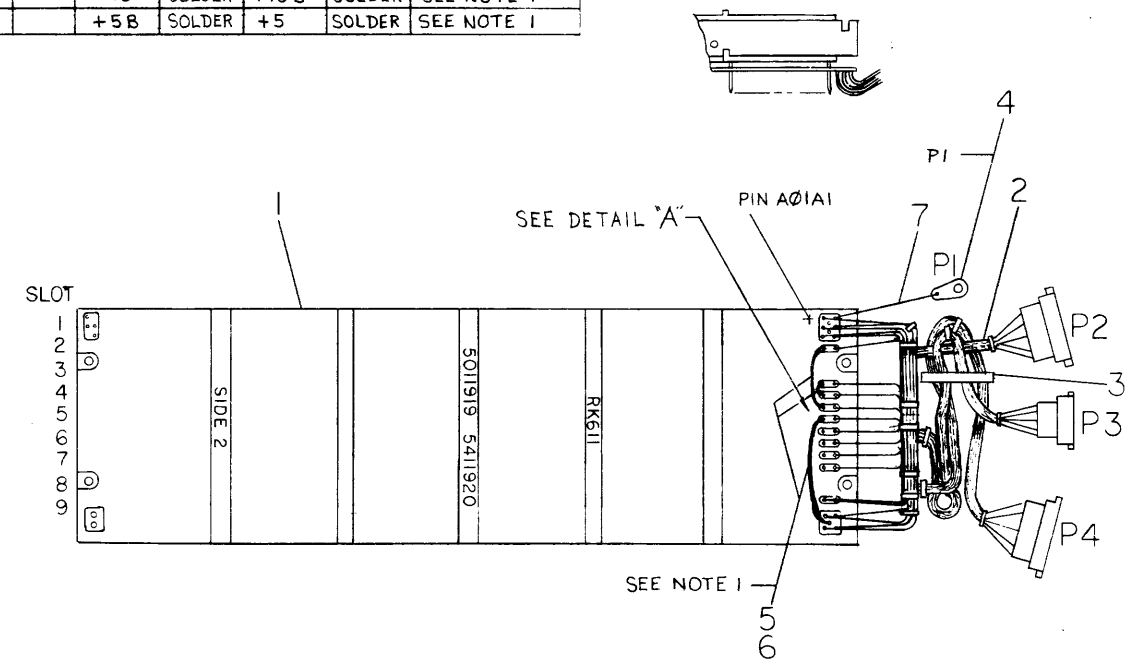
8 7 6 5 4 3 2 1

"THIS DRAWING AND SPECIFICATIONS, HEREIN, ARE THE PROPERTY OF DIGITAL EQUIPMENT CORPORATION AND SHALL NOT BE REPRODUCED OR COPIED OR USED IN WHOLE OR IN PART AS THE BASIS FOR THE MANUFACTURE OR SALE OF ITEMS WITHOUT WRITTEN PERMISSION. COPYRIGHT © 1976, DIGITAL EQUIPMENT CORPORATION"

WIRE TABLE

ITEM NO	AWG	COLOR	FROM		TO		REMARKS
			POINT	WITH	POINT	WITH	
2	18	BLU	P4-13	ITEM 2	-15V	SOLDER	
4	14	RED	P4-4		+5V		
	14	RED	P4-1		+5V		
	14	BLK	P4-8		GND		
	14	ORG	P4-3		+20V		
	14	BLK	P4-9		GND		
	18	WHT	P4-6		+15B		
	18	GRN	P4-15		-15B		
	18	YEL	P3-4		ACLO		
	14	BLK	P3-1		GND		
	18	BRN	P3-2		LTC		
	18	VIO	P3-3		DCLO		
	14	RED	P2-4		+5V		
	14	RED	P2-1		+5V		
	14	BRN	P2-14		-5V		
	14	BLK	P2-8		GND		
	18	GRY	P2-2		+15		
	14	ORG	P2-3		+20		
	14	BLK	P2-9		GND		
2	14	RED	P2-12	ITEM 2	+5B	SOLDER	
7	14	BLK	P1	ITEM 4	GND	SOLDER	SEE NOTE 2 & 4
5	22		-15	SOLDER	-15B	SOLDER	SEE NOTE 1
5	22		+15	SOLDER	+15B	SOLDER	SEE NOTE 1
5	22		+5B	SOLDER	+5	SOLDER	SEE NOTE 1

- NOTES:
1. WHEN THE RKG11 IS USED WITH ANY EXPANSION BOX WITHOUT BATTERY BACK UP, INSTALL THE THREE JUMPERS LISTED IN WIRE TABLE. USE #22 BUS WIRE (ITEM 5) AND TUBING (ITEM 6) ON SIDE 2. THIS WILL PROVIDE POWER TO THE MOS MEMORY VOLTAGE LOGIC IN SLOTS 2 & 3.
 2. INSTALL ITEM 4 UNDER LOGIC FRAME MOUNTING SCREW TO TIE LOGIC GROUND TO CHASSIS GROUND.
 3. HARNESS BRANCHES WHICH LEAD TO CONNECTORS P3 & P4 ARE TO BE FOLDED AND SECURED WITH TIE WRAP (ITEM #3) SO AS TO BE APPROXIMATELY THE SAME LENGTH AS P2 BRANCH.
 4. STRIP BACK 2" LONG #14 AWG BLACK WIRE TO .125 ± .030 ONE END, REMAINING END .250 ± .030, SOLDER TIN BOTH ENDS. SOLDER ITEM #4 TO THE .250 STRIPPED END.



QTY	DESCRIPTION	DWG./PART NO.	ITEM NO.
1	WIRE, BLK, STRD #14 (2" LONG)	9107370-00	7
1	TUBING #22 (BLUE) (6" LONG)	9107256-06	6
1	WIRE BUS #22 (6" LONG)	9107560-01	5
1	TERMINAL, SOLDER	900E150-00	4
1	TIE WRAP	9007032-00	3
1	POWER HARNESS	D-IA-7012575-0-0	2
1	WIRED ASSY RKG11	C-IA-7012413-0-0	1

THIRD ANGLE PROJECTION		DRN. W. J. [Signature]	23 JAN 76	FIRST USED ON	RKG11 digital
REMOVE BURRS AND BREAK SHARP CORNERS		CHK'D [Signature]	17 MAR 76	TITLE WIRED ASSY AND POWER HARNESS	
DO NOT SCALE DWG		ENG. T. F. FAVA	30 APR 76	MATERIAL SEE PARTS LIST	
NEXT HIGHER ASSY.		PROJ. ENG. [Signature]	31 APR 76	SCALE NONE	
MATERIAL		PROD. [Signature]	30 APR 76	FINISH	
SCALE		E-UR-RKG11-0-0		SIZE	D IA
FINISH		SHEET OF		NUMBER	7012414-0-0
		DIST.		REV.	B

REV.	CHANGE NO.	DATE	BY	APP.
1	00001	A	T. FAVA	4-8-77
2	7012414-00001	A	R. BERTHAUME	1/8/77

REV. B
NUMBER 7012414-0-0
SIZE CODE D IA

This drawing and specifications, herein, are the property of Digital Equipment Corporation and shall not be reproduced or copied or used in whole or in part as the basis for the manufacture or sale of items without written permission.

COPYRIGHT © 1976
DIGITAL EQUIPMENT CORPORATION

REV. F NUMBER 1-0-1 KWL RK611-0-1 SIZE CODE 2

REVISIONS		REV.
CHK	CHANGE NO.	
MOR	RK611-00002	A
TFF	RK611-00003	B
TFF	RK611-00004	C
TFF	RK611-00007	D
QZ	RK611-00008	E
MIR	RK611-00009	F

FIRST USED ON OPTION MODEL	QTY.	DESCRIPTION	PART NO.	ITEM NO.
RK611				
PARTS LIST				
DRN. W. J. Green	DATE 31 MAR 76	digital EQUIPMENT CORPORATION MAYNARD, MASSACHUSETTS TITLE WIRE LIST (RK611)		
CHK'D. L. Chabry	DATE 30 MAR 76			
ENG. TFFAVA	DATE 30 APR 76			
PROJ. ENG. D. Ellis	DATE 30 APR 76			
PROD. C. Powell	DATE 30 APR 76			
NEXT HIGHER ASSEMBLY C-IA-7012413-0-0		SIZE CODE K WL	NUMBER RK611-0-1	REV. F
SCALE ++	SHEET	OF	DIST.	

RK611.F
RUN NAME

WRAPD .V35(102)-1 03-JUN-77
A/P PIN ORDER BAY = Q DRAW RV RG Y X Z
NAME PIN ORDER OPT

18-AUG-77

15131 PAGE 1
NC LENGTH EXCEPTIONS
FLAG

RUN
NUMBER

Run Name	A/P	PIN	ORDER	BAY	Q	DRAW	RV	RG	Y	X	Z	REMARKS	NC	LENGTH	EXCEPTIONS	RUN NUMBER
+15E		A02P1	1-01	*	P						1		1			1
+15P		A03P1	1-02	*	P											1
+15R			1										1-0/8			1
+15V		A04D2	1-01	*	P						1		3-2/8			2
+15V		B04D2	1-02	*	P						2		3			2
+15V		C04D2	1-03	*	P						2		3			2
+15V		C01U1	1-04	*	P						2		1			2
+15V		C02U1	1-05	*	P						2		1			2
+15V		C03U1	1-06	*	P						2		1-7/8			2
+15V		D04D2	1-07	*	P						2		3			2
+15V		E04D2	1-08	*	P						2		3-2/8			2
+15V		F04D2	1-09	*	P											2
+15V			1										19-3/8			2
+20V		A02U1	1-01	*	P						1		0-1/8			3
+20V		A02V1	1-02	*	P						2		0-4/8			3
+20V		A02V2	1-03	*	P						2		0-1/8			3
+20V		A03U1	1-04	*	P						2		0-1/8			3
+20V		A03V1	1-05	*	P						2		0-4/8			3
+20V		A03V2	1-06	*	P											3
+20V			1										1-3/8			3
+5B		B02D1	1-01	*	P						1		1			4
+5E		B03D1	1-02	*	P											4
+5B			1										1-0/8			4
+5V		A01A2	1-01	*	P						1		1			5
+5V		A02A2	1-02	*	P						2		1			5
+5V		A03A2	1-03	*	P						2		1			5
+5V		A04A2	1-04	*	P						2		1			5
+5V		A05A2	1-05	*	P						2		1			5
+5V		A06A2	1-06	*	P						2		1			5
+5V		A07A2	1-07	*	P						2		1			5
+5V		A08A2	1-08	*	P						2		1			5
+5V		A09A2	1-09	*	P						2		3-2/8			5
+5V		B09A2	1-10	*	P						2		1			5
+5V		B08A2	1-11	*	P						2		1			5
+5V		B07A2	1-12	*	P						2		1			5
+5V		B06A2	1-13	*	P						2		1			5
+5V		B05A2	1-14	*	P						2		1			5
+5V		B04A2	1-15	*	P						2		1			5
+5V		B03A2	1-16	*	P						2		1			5
+5V		B02A2	1-17	*	P						2		1			5
+5V		B01A2	1-18	*	P						2		3			5
+5V		C01A2	1-19	*	P						2		1			5
+5V		C02A2	1-20	*	P						2		1			5
+5V		C03A2	1-21	*	P						2		1			5
+5V		C04A2	1-22	*	P						2		1			5
+5V		C05A2	1-23	*	P						2		1			5
+5V		C06A2	1-24	*	P						2		1			5
+5V		C07A2	1-25	*	P						2		1			5
+5V		C08A2	1-26	*	P						2		1			5
+5V		C09A2	1-27	*	P						2		3-2/8			5
+5V		D09A2	1-28	*	P						2		1			5
+5V		D08A2	1-29	*	P						2		1			5

RK611.F RUN NAME	WRAPD .V35(102)-1 A/P PIN ORDER BAY - Q DRAW RV PG Y X Z NAME PIN ORDER OPT	03-JUN-77	REMARKS	18-AUG-77	15131 NC LENGTH EXCEPTIONS FLAG	PAGE 6	RUN NUMBER
BUS A15 L	B01R1	1-01 * P			1		24
BUS A15 L	B02R1	1-02 * P			2		24
BUS A15 L	B03R1	1-03 * H			2	7-5/8	24
BUS A15 L	E01D2	1-04 * P			2	1	24
BUS A15 L	E02D2	1-05 * P			2	1	24
BUS A15 L	E03D2	1-06 * H			2	9-1/8	24
BUS A15 L	B08R1	1-07 * P			2	1	24
BUS A15 L	B09R1	1-08 * P					24
BUS A15 L		1				21-6/8	24
BUS A16 L	B01S2	1-01 * P			1	1	25
BUS A16 L	B02S2	1-02 * P			2	1	25
BUS A16 L	B03S2	1-03 * H			2	7-7/8	25
BUS A16 L	E01E2	1-04 * P			2	1	25
BUS A16 L	E02E2	1-05 * P			2	1	25
BUS A16 L	E03E2	1-06 * H			2	9-3/8	25
BUS A16 L	B08S2	1-07 * P			2	1	25
BUS A16 L	B09S2	1-08 * P					25
BUS A16 L		1				22-2/8	25
BUS A17 L	B01S1	1-01 * P			1	1	26
BUS A17 L	B02S1	1-02 * P			2	1	26
BUS A17 L	B03S1	1-03 * H			2	7-5/8	26
BUS A17 L	E01D1	1-04 * P			2	1	26
BUS A17 L	E02D1	1-05 * P			2	1	26
BUS A17 L	E03D1	1-06 * H			2	9-1/8	26
BUS A17 L	B08S1	1-07 * P			2	1	26
BUS A17 L	B09S1	1-08 * P					26
BUS A17 L		1				21-6/8	26
BUS AC LO L	B01F1	1-01 * P			1	1	27
BUS AC LO L	B02F1	1-02 * P			2	1	27
BUS AC LO L	B03F1	1-03 * H			1	5-3/8	27
BUS AC LO L	C01V1	1-04 * P			2	1	27
BUS AC LO L	C02V1	1-05 * P			2	1	27
BUS AC LO L	C03V1	1-06 * H			1	6-7/8	27
BUS AC LO L	B08F1	1-07 * P			2	1	27
BUS AC LO L	B09F1	1-08 * P					27
BUS AC LO L		1				17-2/8	27
BUS BRSY L	A01P2	1-01 * P			1	1	28
BUS BRSY L	A02P2	1-02 * P			2	1	28
BUS BRSY L	A03P2	1-03 * H			2	13-5/8	28
BUS BRSY L	F01D1	1-04 * P			2	1	28
BUS BRSY L	F02D1	1-05 * P			2	1	28
BUS BRSY L	F03D1	1-06 * H			2	15-1/8	28
BUS BRSY L	A08P2	1-07 * P			2	1	28
BUS BRSY L	A09P2	1-08 * P					28
BUS BRSY L		1				33-6/8	28
BUS BG4 1 IN H	B01E2	1-01 * H			1	7	29
BUS BG4 1 IN H	D01S2	1-02 * H					29
BUS BG4 1 IN H		1				7-0/8	29

RK611.F RUN NAME	WRAPD .V35(102)-1 A/P PIN ORDER BAY - Q DRAW RV PG Y X Z NAME PIN ORDER OPT	03-JUN-77	REMARKS	18-AUG-77	15131 NC LENGTH EXCEPTIONS FLAG	PAGE 7	RUN NUMBER
BUS BG4 2 IN H	D01T2	1-01 * P			1	0-5/8	30
BUS BG4 2 IN H	D02S2	1-02 * P					30
BUS BG4 2 IN H		1				0-5/8	30
BUS BG4 3 IN H	D02T2	1-01 * P			1	0-5/8	31
BUS BG4 3 IN H	D03S2	1-02 * P					31
BUS BG4 3 IN H		1				0-5/8	31
BUS BG4 4 IN H	D03T2	1-01 * H			1	6-7/8	32
BUS BG4 4 IN H	C08F2	1-02 * H					32
BUS BG4 4 IN H		1				6-7/8	32
BUS BG4 OUT H	B09E2	1-01 * P			1	1	33
BUS BG4 OUT H	B08E2	1-02 * P					33
BUS BG4 OUT H		1				1-0/8	33
BUS BG5 1 IN H	B01B1	1-01 * H			1	7-1/8	34
BUS BG5 1 IN H	D01P2	1-02 * H					34
BUS BG5 1 IN H		1				7-1/8	34
BUS BG5 2 IN H	D01R2	1-01 * P			1	0-5/8	35
BUS BG5 2 IN H	D02P2	1-02 * P					35
BUS BG5 2 IN H		1				0-5/8	35
BUS BG5 3 IN H	D02R2	1-01 * P			1	0-5/8	36
BUS BG5 3 IN H	D03P2	1-02 * P					36
BUS BG5 3 IN H		1				0-5/8	36
BUS BG5 4 IN H	D03R2	1-01 * H			1	6-5/8	37
BUS BG5 4 IN H	C08D1	1-02 * H					37
BUS BG5 4 IN H		1				6-5/8	37
BUS BG5 OUT H	B09B1	1-01 * P			1	1	38
BUS BG5 OUT H	B08B1	1-02 * P					38
BUS BG5 OUT H		1				1-0/8	38
BUS BG6 1 IN H	B01A1	1-01 * H			1	7-1/8	39
BUS BG6 1 IN H	D01M2	1-02 * H					39
BUS BG6 1 IN H		1				7-1/8	39
BUS BG6 2 IN H	D01N2	1-01 * P			1	0-5/8	40
BUS BG6 2 IN H	D02M2	1-02 * P					40
BUS BG6 2 IN H		1				0-5/8	40
BUS BG6 3 IN H	D02N2	1-01 * P			1	0-5/8	41
BUS BG6 3 IN H	D03M2	1-02 * P					41
BUS BG6 3 IN H		1				0-5/8	41
BUS BG6 4 IN H	D03N2	1-01 * H			1	3-6/8	42
BUS BG6 4 IN H	E08K2	1-02 * H					42
BUS BG6 4 IN H		1				3-6/8	42
BUS BG6 OUT H	B09A1	1-01 * P			1	1	43
BUS BG6 OUT H	B08A1	1-02 * P					43
BUS BG6 OUT H		1				1-0/8	43

RK611.F RUN NAME	WRAPD .V35(102)-1 A/P PIN ORDER PIN	03-JUN-77 RAY - Q ORDER	DPAW RV RG Y OPT	X Z	REMARKS	18-AUG-77	15131 NC LENGTH FLAG	PAGE 8 EXCEPTIONS	RUN NUMBER
BUS BG7 1 IN H	A01V1	1-01 * H		1			7-3/8		44
BUS BG7 1 IN H	D01K2	1-02 * H					7-3/8		44
BUS BG7 1 IN H		1							45
BUS BG7 2 IN H	D01L2	1-01 * P		1			0-5/8		45
BUS BG7 2 IN H	D02K2	1-02 * P					0-5/8		45
BUS BG7 2 IN H		1							46
BUS BG7 3 IN H	D02L2	1-01 * P		1			0-5/8		46
BUS BG7 3 IN H	D03K2	1-02 * P					0-5/8		46
BUS BG7 3 IN H		1							47
BUS BG7 4 IN H	D03L2	1-01 * H		1			6-1/8		47
BUS BG7 4 IN H	C08C1	1-02 * H					6-1/8		47
BUS BG7 4 IN H		1							48
BUS BG7 OUT H	A09V1	1-01 * P		1			1		48
BUS BG7 OUT H	A08V1	1-02 * P					1-0/8		48
BUS BG7 OUT H		1							49
BUS BR4 L	B01D2	1-01 * P		1			1		49
BUS BR4 L	B02D2	1-02 * P		2			1		49
BUS BR4 L	B03D2	1-03 * P		1			7-1/8		49
BUS BR4 L	D01H2	1-04 * P		2			1		49
BUS BR4 L	D02H2	1-05 * P		2			1		49
BUS BR4 L	D03H2	1-06 * P		1			8-5/8		49
BUS BR4 L	B08D2	1-07 * P		2			1		49
BUS BR4 L	B09D2	1-08 * P					20-6/8		49
BUS BR4 L		1							50
BUS BR5 L	B01C1	1-01 * P		1			1		50
BUS BR5 L	B02C1	1-02 * P		2			1		50
BUS BR5 L	B03C1	1-03 * P		1			6-5/8		50
BUS BR5 L	D01F2	1-04 * P		2			1		50
BUS BR5 L	D02F2	1-05 * P		2			1		50
BUS BR5 L	D03F2	1-06 * P		1			8-1/8		50
BUS BR5 L	B08C1	1-07 * P		2			1		50
BUS BR5 L	B09C1	1-08 * P					19-6/8		50
BUS BR5 L		1							51
BUS BR6 L	A01U2	1-01 * P		1			1		51
BUS BR6 L	A02U2	1-02 * P		2			1		51
BUS BR6 L	A03U2	1-03 * P		1			7-7/8		51
BUS BR6 L	D01E2	1-04 * P		2			1		51
BUS BR6 L	D02E2	1-05 * P		2			1		51
BUS BR6 L	D03E2	1-06 * P		1			9-3/8		51
BUS BR6 L	A08U2	1-07 * P		2			1		51
BUS BR6 L	A09U2	1-08 * P					22-2/8		51
BUS BR6 L		1							51

RK611.F RUN NAME	WRAPD .V35(102)-1 A/P PIN ORDER PIN	03-JUN-77 RAY - Q ORDER	DRAW RV RG Y OPT	X Z	REMARKS	18-AUG-77	15131 NC LENGTH FLAG	PAGE 9 EXCEPTIONS	RUN NUMBER
BUS BR7 L	A01T2	1-01 * P		1			1		52
BUS BR7 L	A02T2	1-02 * P		2			1		52
BUS BR7 L	A03T2	1-03 * P		1			7-7/8		52
BUS BR7 L	D01D2	1-04 * P		2			1		52
BUS BR7 L	D02D2	1-05 * P		2			1		52
BUS BR7 L	D03D2	1-06 * P		1			9-3/8		52
BUS BR7 L	A08T2	1-07 * P		2			1		52
BUS BR7 L	A09T2	1-08 * P					22-2/8		52
BUS BR7 L		1							53
BUS C0 L	B01U2	1-01 * P		1			1		53
BUS C0 L	B02U2	1-02 * P		2			1		53
BUS C0 L	B03U2	1-03 * P		1			7-7/8		53
BUS C0 L	E01J2	1-04 * P		2			1		53
BUS C0 L	E02J2	1-05 * P		2			1		53
BUS C0 L	E03J2	1-06 * P		1			9-3/8		53
BUS C0 L	B08U2	1-07 * P		2			1		53
BUS C0 L	B09U2	1-08 * P					22-2/8		53
BUS C0 L		1							54
BUS C1 L	B01T2	1-01 * P		1			1		54
BUS C1 L	B02T2	1-02 * P		2			1		54
BUS C1 L	B03T2	1-03 * P		1			7-7/8		54
BUS C1 L	E01F2	1-04 * P		2			1		54
BUS C1 L	E02F2	1-05 * P		2			1		54
BUS C1 L	E03F2	1-06 * P		1			9-3/8		54
BUS C1 L	B08T2	1-07 * P		2			1		54
BUS C1 L	B09T2	1-08 * P					22-2/8		54
BUS C1 L		1							55
BUS D00 L	A01C1	1-01 * P		1			1		55
BUS D00 L	A02C1	1-02 * P		2			1		55
BUS D00 L	A03C1	1-03 * H		2			7-7/8		55
BUS D00 L	C01S2	1-04 * P		2			1		55
BUS D00 L	C02S2	1-05 * P		2			1		55
BUS D00 L	C03S2	1-06 * H		2			9-3/8		55
BUS D00 L	A08C1	1-07 * P		2			1		55
BUS D00 L	A09C1	1-08 * P					22-2/8		55
BUS D00 L		1							56
BUS D01 L	A01D2	1-01 * P		1			1		56
BUS D01 L	A02D2	1-02 * P		2			1		56
BUS D01 L	A03D2	1-03 * H		2			7-7/8		56
BUS D01 L	C01R2	1-04 * P		2			1		56
BUS D01 L	C02R2	1-05 * P		2			1		56
BUS D01 L	C03R2	1-06 * H		2			9-3/8		56
BUS D01 L	A08D2	1-07 * P		2			1		56
BUS D01 L	A09D2	1-08 * P					22-2/8		56
BUS D01 L		1							56

RK611.F RUN NAME	WRAPD .V35(102)-1 A/P PIN ORDER NAME PIN	03-JUN-77 PAY - O ORDER	DRAW RV RG Y X Z	REMARKS	18-AUG-77	15:31 NC LENGTH FLAG	PAGE 10 EXCEPTIONS	RUN NUMBER
BUS D02 L	A01D1	1-01 * P				1		57
BUS D02 L	A02D1	1-02 * P				2		57
BUS D02 L	A03D1	1-03 * H				2	8-1/8	57
BUS D02 L	C01U2	1-04 * P				2	1	57
BUS D02 L	C02U2	1-05 * P				2	1	57
BUS D02 L	C03U2	1-06 * H				2	7-7/8	57
BUS D02 L	F01E2	1-07 * P				2	1	57
BUS D02 L	F02E2	1-08 * P				2	1	57
BUS D02 L	F03E2	1-09 * H				2	16-1/8	57
BUS D02 L	A08D1	1-10 * P				2	1	57
BUS D02 L	A09D1	1-11 *						57
BUS D02 L		1					39-1/8	57
BUS D03 L	A01E2	1-01 * P				1		58
BUS D03 L	A02E2	1-02 * P				2	1	58
BUS D03 L	A03E2	1-03 * H				2	7-7/8	58
BUS D03 L	C01T2	1-04 * P				2	1	58
BUS D03 L	C02T2	1-05 * P				2	1	58
BUS D03 L	C03T2	1-06 * H				2	8-7/8	58
BUS D03 L	F01L1	1-07 * P				2	1	58
BUS D03 L	F02L1	1-08 * P				2	1	58
BUS D03 L	F03L1	1-09 * H				2	16-7/8	58
BUS D03 L	A08E2	1-10 * P				2	1	58
BUS D03 L	A09E2	1-11 *						58
BUS D03 L		1					40-5/8	58
BUS D04 L	A01E1	1-01 * P				1		59
BUS D04 L	A02E1	1-02 * P				2	1	59
BUS D04 L	A03E1	1-03 * H				2	7-1/8	59
BUS D04 L	C01N2	1-04 * P				2	1	59
BUS D04 L	C02N2	1-05 * P				2	1	59
BUS D04 L	C03N2	1-06 * H				2	9-3/8	59
BUS D04 L	F01N2	1-07 * P				2	1	59
BUS D04 L	F02N2	1-08 * P				2	1	59
BUS D04 L	F03N2	1-09 * H				2	16-5/8	59
BUS D04 L	A08E1	1-10 * P				2	1	59
BUS D04 L	A09E1	1-11 *						59
BUS D04 L		1					40-1/8	59
BUS D05 L	A01F2	1-01 * P				1		60
BUS D05 L	A02F2	1-02 * P				2	1	60
BUS D05 L	A03F2	1-03 * H				2	7-5/8	60
BUS D05 L	C01P2	1-04 * P				2	1	60
BUS D05 L	C02P2	1-05 * P				2	1	60
BUS D05 L	C03P2	1-06 * H				2	8-5/8	60
BUS D05 L	F01F1	1-07 * P				2	1	60
BUS D05 L	F02F1	1-08 * P				2	1	60
BUS D05 L	F03F1	1-09 * H				2	16-3/8	60
BUS D05 L	A08F2	1-10 * P				2	1	60
BUS D05 L	A09F2	1-11 *						60
BUS D05 L		1					39-5/8	60

RK611.F RUN NAME	WRAPD .V35(102)-1 A/P PIN ORDER NAME PIN	03-JUN-77 PAY - O ORDER	DRAW RV RG Y X Z	REMARKS	18-AUG-77	15:31 NC LENGTH FLAG	PAGE 11 EXCEPTIONS	RUN NUMBER
BUS D06 L	A01F1	1-01 * P				1		61
BUS D06 L	A02F1	1-02 * P				2		61
BUS D06 L	A03F1	1-03 * H				2	7-7/8	61
BUS D06 L	C01V2	1-04 * P				2	1	61
BUS D06 L	C02V2	1-05 * P				2	1	61
BUS D06 L	C03V2	1-06 * H				2	7-7/8	61
BUS D06 L	F01F2	1-07 * P				2	1	61
BUS D06 L	F02F2	1-08 * P				2	1	61
BUS D06 L	F03F2	1-09 * H				2	15-7/8	61
BUS D06 L	A08F1	1-10 * P				2	1	61
BUS D06 L	A09F1	1-11 *						61
BUS D06 L		1					38-5/8	61
BUS D07 L	A01H2	1-01 * P				1		62
BUS D07 L	A02H2	1-02 * P				2	1	62
BUS D07 L	A03H2	1-03 * H				2	7-1/8	62
BUS D07 L	C01M2	1-04 * P				2	1	62
BUS D07 L	C02M2	1-05 * P				2	1	62
BUS D07 L	C03M2	1-06 * H				2	9-1/8	62
BUS D07 L	F01H1	1-07 * P				2	1	62
BUS D07 L	F02H1	1-08 * P				2	1	62
BUS D07 L	F03H1	1-09 * H				2	16-3/8	62
BUS D07 L	A08H2	1-10 * P				2	1	62
BUS D07 L	A09H2	1-11 *						62
BUS D07 L		1					39-5/8	62
BUS D08 L	A01H1	1-01 * P				1		63
BUS D08 L	A02H1	1-02 * P				2	1	63
BUS D08 L	A03H1	1-03 * H				2	6-5/8	63
BUS D08 L	C01L2	1-04 * P				2	1	63
BUS D08 L	C02L2	1-05 * P				2	1	63
BUS D08 L	C03L2	1-06 * H				2	9-5/8	63
BUS D08 L	F01K1	1-07 * P				2	1	63
BUS D08 L	F02K1	1-08 * P				2	1	63
BUS D08 L	F03K1	1-09 * H				2	16-3/8	63
BUS D08 L	A08H1	1-10 * P				2	1	63
BUS D08 L	A09H1	1-11 *						63
BUS D08 L		1					39-5/8	63
BUS D09 L	A01J2	1-01 * P				1		64
BUS D09 L	A02J2	1-02 * P				2	1	64
BUS D09 L	A03J2	1-03 * H				2	6-7/8	64
BUS D09 L	C01K2	1-04 * P				2	1	64
BUS D09 L	C02K2	1-05 * P				2	1	64
BUS D09 L	C03K2	1-06 * H				2	8-3/8	64
BUS D09 L	A08J2	1-07 * P				2	1	64
BUS D09 L	A09J2	1-08 *						64
BUS D09 L		1					20-2/8	64

RK611.F RUN NAME	WRAPD .V35(102)-1 A/P PIN ORDER NAME PIN	03-JUN-77 RAY - Q ORDER	DRAW RV RG Y OPT	X Z	REMARKS	18-AUG-77	15131 NC LENGTH FLAG	PAGE 12 EXCEPTIONS	RUN NUMBER
BUS D10 L	A01J1	1-01 * P		1			1		65
BUS D10 L	A02J1	1-02 * P		2			1		65
BUS D10 L	A03J1	1-03 * H		2			6-3/8		65
BUS D10 L	C01J2	1-04 * P		2			1		65
BUS D10 L	C02J2	1-05 * P		2			1		65
BUS D10 L	C03J2	1-06 * H		2			7-7/8		65
BUS D10 L	A08J1	1-07 * P		2			1		65
BUS D10 L	A09J1	1-08 *							65
BUS D10 L		1					19-2/8		65
BUS D11 L	A01K2	1-01 * P		1			1		66
BUS D11 L	A02K2	1-02 * P		2			1		66
BUS D11 L	A03K2	1-03 * H		2			6-5/8		66
BUS D11 L	C01H1	1-04 * P		2			1		66
BUS D11 L	C02H1	1-05 * P		2			1		66
BUS D11 L	C03H1	1-06 * H		2			8-1/8		66
BUS D11 L	A08K2	1-07 * P		2			1		66
BUS D11 L	A09K2	1-08 *							66
BUS D11 L		1					19-6/8		66
BUS D12 L	A01K1	1-01 * P		1			1		67
BUS D12 L	A02K1	1-02 * P		2			1		67
BUS D12 L	A03K1	1-03 * H		2			6-1/8		67
BUS D12 L	C01H2	1-04 * P		2			1		67
BUS D12 L	C02H2	1-05 * P		2			1		67
BUS D12 L	C03H2	1-06 * H		2			7-5/8		67
BUS D12 L	A08K1	1-07 * P		2			1		67
BUS D12 L	A09K1	1-08 *							67
BUS D12 L		1					18-6/8		67
BUS D13 L	A01L2	1-01 * P		1			1		68
BUS D13 L	A02L2	1-02 * P		2			1		68
BUS D13 L	A03L2	1-03 * H		2			6-1/8		68
BUS D13 L	C01F2	1-04 * P		2			1		68
BUS D13 L	C02F2	1-05 * P		2			1		68
BUS D13 L	C03F2	1-06 * H		2			7-5/8		68
BUS D13 L	A08L2	1-07 * P		2			1		68
BUS D13 L	A09L2	1-08 *							68
BUS D13 L		1					18-6/8		68
BUS D14 L	A01L1	1-01 * P		1			1		69
BUS D14 L	A02L1	1-02 * P		2			1		69
BUS D14 L	A03L1	1-03 * H		2			5-7/8		69
BUS D14 L	C01E2	1-04 * P		2			1		69
BUS D14 L	C02E2	1-05 * P		2			1		69
BUS D14 L	C03E2	1-06 * H		2			7-3/8		69
BUS D14 L	A08L1	1-07 * P		2			1		69
BUS D14 L	A09L1	1-08 *							69
BUS D14 L		1					18-2/8		69

RK611.F RUN NAME	WRAPD .V35(102)-1 A/P PIN ORDER NAME PIN	03-JUN-77 RAY - Q ORDER	DRAW RV RG Y OPT	X Z	REMARKS	18-AUG-77	15131 NC LENGTH FLAG	PAGE 13 EXCEPTIONS	RUN NUMBER
BUS D15 L	A01M2	1-01 * P		1			1		70
BUS D15 L	A02M2	1-02 * P		2			1		70
BUS D15 L	A03M2	1-03 * H		2			5-5/8		70
BUS D15 L	C01D2	1-04 * P		2			1		70
BUS D15 L	C02D2	1-05 * P		2			1		70
BUS D15 L	C03D2	1-06 * H		2			7-1/8		70
BUS D15 L	A08M2	1-07 * P		2			1		70
BUS D15 L	A09M2	1-08 *							70
BUS D15 L		1					17-6/8		70
BUS D16 L	A01M1	1-01 * P		1			1		71
BUS D16 L	A02M1	1-02 * P		2			1		71
BUS D16 L	A03M1	1-03 * H		2			5-5/8		71
BUS D16 L	C01C1	1-04 * P		2			1		71
BUS D16 L	C02C1	1-05 * P		2			1		71
BUS D16 L	C03C1	1-06 * H		2			7-1/8		71
BUS D16 L	A08M1	1-07 * P		2			1		71
BUS D16 L	A09M1	1-08 *							71
BUS D16 L		1					17-6/8		71
BUS D17 L	A01N2	1-01 * P		1			1		72
BUS D17 L	A02N2	1-02 * P		2			1		72
BUS D17 L	A03N2	1-03 * H		2			7-3/8		72
BUS D17 L	C01S1	1-04 * P		2			1		72
BUS D17 L	C02S1	1-05 * P		2			1		72
BUS D17 L	C03S1	1-06 * H		2			8-7/8		72
BUS D17 L	A08N2	1-07 * P		2			1		72
BUS D17 L	A09N2	1-08 *							72
BUS D17 L		1					21-2/8		72
BUS DC LO L	B01F2	1-01 * P		1			1		73
BUS DC LO L	B02F2	1-02 * P		2			1		73
BUS DC LO L	B03F2	1-03 * H		1			4-7/8		73
BUS DC LO L	C01N1	1-04 * P		2			1		73
BUS DC LO L	C02N1	1-05 * P		2			1		73
BUS DC LO L	C03N1	1-06 * H		1			5		73
BUS DC LO L	B08F2	1-07 * P		2			1		73
BUS DC LO L	B09F2	1-08 *							73
BUS DC LO L		1					14-7/8		73
BUS INIT L	A01A1	1-01 * P		1			1		74
BUS INIT L	A02A1	1-02 * P		2			1		74
BUS INIT L	A03A1	1-03 * H		1			10-3/8		74
BUS INIT L	D01L1	1-04 * P		2			1		74
BUS INIT L	D02L1	1-05 * P		2			1		74
BUS INIT L	D03L1	1-06 * H		1			11-7/8		74
BUS INIT L	A08A1	1-07 * P		2			1		74
BUS INIT L	A09A1	1-08 *							74
BUS INIT L		1					27-2/8		74

RK611.F RUN NAME	WRAPD .V35(102)-1 A/P PIN ORDER NAME PIN	03-JUN-77 BAY - Q DRAW RV RG Y X Z ORDER OPT	REMARKS	18-Aug-77	15:31 NC LENGTH EXCEPTIONS FLAG	PAGE 16	RUN NUMBER
CN2 INC SEC CNT L	A07P1	1-01 *			11-5/8		92
CN2 INC SEC CNT L	E06S1	1-02 *			11-5/8		92
CN2 INC SEC CNT L		1					
CN2 INC TRK CNT L	A07U1	1-01 *			10-7/8		93
CN2 INC TRK CNT L	E06T2	1-02 *			10-7/8		93
CN2 INC TRK CNT L		1					
CN2 SET COE L	C07C1	1-01 *			3-5/8		94
CN2 SET COE L	D06D1	1-02 *			3-5/8		94
CN2 SET COE L		1					
CN3 DR0 ATTN(1) H	C06F2	1-01 *			1		95
CN3 DR0 ATTN(1) H	C07F2	1-02 *			1-0/8		95
CN3 DR0 ATTN(1) H		1					
CN3 DR1 ATTN(1) H	C06L1	1-01 *			1-4/8		96
CN3 DR1 ATTN(1) H	C07D2	1-02 *			1-4/8		96
CN3 DR1 ATTN(1) H		1					
CN3 DR2 ATTN(1) H	C06M1	1-01 *			1-4/8		97
CN3 DR2 ATTN(1) H	C07E2	1-02 *			1-4/8		97
CN3 DR2 ATTN(1) H		1					
CN3 DR3 ATTN(1) H	C07F1	1-01 *			3-1/8		98
CN3 DR3 ATTN(1) H	D06A1	1-02 *			3-1/8		98
CN3 DR3 ATTN(1) H		1					
CN3 DR4 ATTN(1) H	C06H2	1-01 *			1-5/8		99
CN3 DR4 ATTN(1) H	C07R2	1-02 *			1-5/8		99
CN3 DR4 ATTN(1) H		1					
CN3 DR5 ATTN(1) H	C06H1	1-01 *			1-5/8		100
CN3 DR5 ATTN(1) H	C07L2	1-02 *			1-5/8		100
CN3 DR5 ATTN(1) H		1					
CN3 DR6 ATTN(1) H	C06K2	1-01 *			1		101
CN3 DR6 ATTN(1) H	C07M2	1-02 *			1-0/8		101
CN3 DR6 ATTN(1) H		1					
CN3 DR7 ATTN(1) H	C06F1	1-01 *			1-7/8		102
CN3 DR7 ATTN(1) H	C07R1	1-02 *			1-7/8		102
CN3 DR7 ATTN(1) H		1					
CN3 DRIVE ATTN L	D06N1	1-01 *			6-1/8		103
CN3 DRIVE ATTN L	F08K1	1-02 *			6-1/8		103
CN3 DRIVE ATTN L		1					
CN3 MSG(0) H	A07D1	1-01 *			14-5/8		104
CN3 MSG(0) H	F06J1	1-02 *			14-5/8		104
CN3 MSG(0) H		1					
CN3 POLL ADDR 0 H	A04C1	1-01 *			9-3/8		105
CN3 POLL ADDR 0 H	D06C1	1-02 *			9-3/8		105
CN3 POLL ADDR 0 H		1					

RK611.F RUN NAME	WRAPD .V35(102)-1 A/P PIN ORDER NAME PIN	03-JUN-77 BAY - Q DRAW RV RG Y X Z ORDER OPT	REMARKS	18-Aug-77	15:31 NC LENGTH EXCEPTIONS FLAG	PAGE 17	RUN NUMBER
CN3 POLL ADDR 1 H	A04P2	1-01 *			8-3/8		106
CN3 POLL ADDR 1 H	D06D2	1-02 *			8-3/8		106
CN3 POLL ADDR 1 H		1					
CN3 POLL ADDR 2 H	A04E2	1-01 *			8-7/8		107
CN3 POLL ADDR 2 H	D06B1	1-02 *			8-7/8		107
CN3 POLL ADDR 2 H		1					
CN3 RCV ENABLE(0) H	B04K2	1-01 *			8-1/8		108
CN3 RCV ENABLE(0) H	E06C1	1-02 *			8-1/8		108
CN3 RCV ENABLE(0) H		1					
CN3 SELCTD DR ATTN L	B07F2	1-01 *			3-7/8		109
CN3 SELCTD DR ATTN L	C06L2	1-02 *			3-7/8		109
CN3 SELCTD DR ATTN L		1					
CN3 SFNB+RENB L	D06F2	1-01 *			3-5/8		110
CN3 SFNB+RENB L	E07K2	1-02 *			3-5/8		110
CN3 SFNB+RENB L		1					
CN3 STROBE OUT(1) H	A06L2	1-01 *			12-5/8		111
CN3 STROBE OUT(1) H	E04R1	1-02 *			12-5/8		111
CN3 STROBE OUT(1) H		1					
CN4 BAD SECTOR ERR H	B06P2	1-01 *			10-7/8		112
CN4 BAD SECTOR ERR H	F07J2	1-02 *			10-7/8		112
CN4 BAD SECTOR ERR H		1					
CN4 HDR*FIND HDR L	B06V2	1-01 *			7-5/8		113
CN4 HDR*FIND HDR L	E07L2	1-02 *			7-5/8		113
CN4 HDR*FIND HDR L		1					
CN4 HVRC ERROR H	A06L1	1-01 *			5-3/8		114
CN4 HVRC ERROR H	C07E1	1-02 *			5-3/8		114
CN4 HVRC ERROR H		1					
CN4 OPI(1) H	A06K1	1-01 *			6-1/8		115
CN4 OPI(1) H	C07K1	1-02 *			6-1/8		115
CN4 OPI(1) H		1					
CN4 SR CNT L	A07M1	1-01 *			5-7/8		116
CN4 SR CNT L	C06M2	1-02 *			5-7/8		116
CN4 SR CNT L		1					
CN5 CLK SR A L	C06N1	1-01 *			2-7/8		117
CN5 CLK SR A L	D07H1	1-02 *			2-7/8		117
CN5 CLK SR A L		1					
CN5 CLK SR B L	C06N2	1-01 *			5-7/8		118
CN5 CLK SR B L	E07M2	1-02 *			5-7/8		118
CN5 CLK SR B L		1					
CN5 CLR SEC/IND SEP L	A06T2	1-01 *			13-3/8		119
CN5 CLR SEC/IND SEP L	F04D1	1-02 *			13-3/8		119
CN5 CLR SEC/IND SEP L		1					

RK611.F RUN NAME	WRAPD .V35(102)-1 A/P PIN NAME ORDER PIN	03-JUN-77 BAY - Q DRAW RV RG Y X Z OPT	18-AUG-77	REMARKS	15:31 NC LENGTH FLAG	PAGE 20 EXCEPTIONS	RUN NUMBER
DA4 ADDRESS TO BUS L	A05L2	1-01 *	1		13-1/8		148
DA4 ADDRESS TO BUS L	E08U2	1-02 *					148
DA4 ADDRESS TO BUS L		1			13-1/8		148
DA4 DATA RQST(1) L	B05M2	1-01 *	1		12-1/8		149
DA4 DATA RQST(1) L	F08L1	1-02 *					149
DA4 DATA RQST(1) L		1			12-1/8		149
DA4 END CYCLE(0) H	A05A1	1-01 *	1		10-1/8		150
DA4 END CYCLE(0) H	D06T1	1-02 *	2		3-5/8		150
DA4 END CYCLE(0) H	C07L1	1-03 *					150
DA4 END CYCLE(0) H		1			13-6/8		150
DA4 MSYN CLR(1) H	D05J2	1-01 *	1		6-7/8		151
DA4 MSYN CLR(1) H	F07P1	1-02 *					151
DA4 MSYN CLR(1) H		1			6-7/8		151
DA4 MSYN(1) L	A05E2	1-01 *	1		16-1/8		152
DA4 MSYN(1) L	F08S1	1-02 *					152
DA4 MSYN(1) L		1			16-1/8		152
DA4 NEM(1) H	A05J1	1-01 *	1		7-1/8		153
DA4 NEM(1) H	C07N1	1-02 *					153
DA4 NEM(1) H		1			7-1/8		153
DA5 CLR RD HDR L	B05J2	1-01 *	1		12-3/8		154
DA5 CLR RD HDR L	F06V1	1-02 *					154
DA5 CLR RD HDR L		1			12-3/8		154
DA5 SHIFT REG 00 H	F05H2	1-01 *	1		4-7/8		155
DA5 SHIFT REG 00 H	F04U2	1-02 *					155
DA5 SHIFT REG 00 H		1			4-7/8		155
DA6 DATA FIELD H	B04P2	1-01 *	1		5-3/8		156
DA6 DATA FIELD H	D05H2	1-02 *					156
DA6 DATA FIELD H		1			5-3/8		156
DA6 DATA H	D05B1	1-01 *	1		7-1/8		157
DA6 DATA H	F04M2	1-02 *					157
DA6 DATA H		1			7-1/8		157
DA6 ECC FIELD L	C05V2	1-01 *	1		7-3/8		158
DA6 ECC FIELD L	F04F2	1-02 *					158
DA6 ECC FIELD L		1			7-3/8		158
DA6 HEADER DATA L	C06U2	1-01 *	2		2-1/8		159
DA6 HEADER DATA L	D05F2	1-02 *	1		6-3/8		159
DA6 HEADER DATA L	F04J2	1-03 *					159
DA6 HEADER DATA L		1			8-4/8		159
DA6 HEADER H	D05C1	1-01 *	1		4-5/8		160
DA6 HEADER H	E04T2	1-02 *					160
DA6 HEADER H		1			4-5/8		160

RK611.F RUN NAME	WRAPD .V35(102)-1 A/P PIN NAME ORDER PIN	03-JUN-77 BAY - Q DRAW RV RG Y X Z OPT	18-AUG-77	REMARKS	15:31 NC LENGTH FLAG	PAGE 21 EXCEPTIONS	RUN NUMBER
DA6 POSTAMBLE H	B04T2	1-01 *	2		3-1/8		161
DA6 POSTAMBLE H	C05U1	1-02 *	1		8-5/8		161
DA6 POSTAMBLE H	F06S1	1-03 *					161
DA6 POSTAMBLE H		1			11-6/8		161
DA6 RD GT WINDOW L	C05H2	1-01 *	1		3-3/8		162
DA6 RD GT WINDOW L	D04T2	1-02 *					162
DA6 RD GT WINDOW L		1			3-3/8		162
DA6 SET DATA FLD H	D05L2	1-01 *	1		6-7/8		163
DA6 SET DATA FLD H	F04S2	1-02 *					163
DA6 SET DATA FLD H		1			6-7/8		163
DA6 SET HDR DATA H	C05J2	1-01 *	1		9-7/8		164
DA6 SET HDR DATA H	F04T2	1-02 *					164
DA6 SET HDR DATA H		1			9-7/8		164
DA6 SET POSTAMBLE H	D05M2	1-01 *	1		3-7/8		165
DA6 SET POSTAMBLE H	F04P1	1-02 *					165
DA6 SET POSTAMBLE H		1			3-7/8		165
DA7 MODULE OUT DD H	E05V1	1-01 *	1		2-7/8		166
DA7 MODULE OUT DD H	F04M1	1-02 *					166
DA7 MODULE OUT DD H		1			2-7/8		166
DA7 MSG SEL 0(1) H	E07M1	1-01 *	1		3-7/8		167
DA7 MSG SEL 0(1) H	F05N2	1-02 *					167
DA7 MSG SEL 0(1) H		1			3-7/8		167
DA7 MSG SEL 1(1) H	E07L1	1-01 *	1		3-7/8		168
DA7 MSG SEL 1(1) H	F05L2	1-02 *					168
DA7 MSG SEL 1(1) H		1			3-7/8		168
DA7 MSG SEL 2(1) H	E07K1	1-01 *	1		3-5/8		169
DA7 MSG SEL 2(1) H	F05H2	1-02 *					169
DA7 MSG SEL 2(1) H		1			3-5/8		169
DA7 MSG SEL 3(1) H	E07J1	1-01 *	1		3-5/8		170
DA7 MSG SEL 3(1) H	F05E2	1-02 *					170
DA7 MSG SEL 3(1) H		1			3-5/8		170
DA7 START DATA XFR H	A05T2	1-01 *	1		11-3/8		171
DA7 START DATA XFR H	E06U2	1-02 *					171
DA7 START DATA XFR H		1			11-3/8		171
DEV1 RG IN H	D01U2	1-01 *	1		3-7/8		172
DEV1 RG IN H	F01B1	1-02 *					172
DEV1 RG IN H		1			3-7/8		172
DEV1 BG OUT H	D01V2	1-01 *	1		3-7/8		173
DEV1 BG OUT H	F01A1	1-02 *					173
DEV1 BG OUT H		1			3-7/8		173

RK611.F RUN NAME	WRAPD .V35(102)-1 A/P PIN ORDER NAME PIN	03-JUN-77 RAY - Q ORDER	DRAW RV RG Y X Z	REMARKS	18-AUG-77	15:31 NC LENGTH FLAG	PAGE 24 EXCEPTIONS	RUN NUMBER
DEV2 IN H	D02H1	1-01 *				3-4/8		200
DEV2 IN H	E02M1	1-02 *				3-4/8		200
DEV2 IN H		1						200
DEV2 INIT A H	D02N1	1-01 *				6-3/8		201
DEV2 INIT A H	F02U1	1-02 *				6-3/8		201
DEV2 INIT A H		1						201
DEV2 INIT R H	C02J1	1-01 *				8-5/8		202
DEV2 INIT R H	F02K2	1-02 *				8-5/8		202
DEV2 INIT R H		1						202
DEV2 INT EM6 (B) H	C02L1	1-01 *				8-1/8		203
DEV2 INT EM6 (B) H	F02H2	1-02 *				8-1/8		203
DEV2 INT EM6 (B) H		1						203
DEV2 INT EM6(A) H	D02M1	1-01 *				6-5/8		204
DEV2 INT EM6(A) H	F02V1	1-02 *				6-5/8		204
DEV2 INT EM6(A) H		1						204
DEV2 OUT HIGH H	D02K1	1-01 *				3-3/8		205
DEV2 OUT HIGH H	E02M2	1-02 *				3-3/8		205
DEV2 OUT HIGH H		1						205
DEV2 OUT LOW H	D02D1	1-01 *				4		206
DEV2 OUT LOW H	E02N1	1-02 *				4-0/8		206
DEV2 OUT LOW H		1						206
DEV2 SFLCCT 0 H	D02F1	1-01 *				4-1/8		207
DEV2 SELECT 0 H	E02S2	1-02 *				4-1/8		207
DEV2 SELECT 0 H		1						207
DEV2 SFLCCT 2 H	D02J1	1-01 *				4-1/8		208
DEV2 SELECT 2 H	F02T2	1-02 *				4-1/8		208
DEV2 SELECT 2 H		1						208
DEV2 SFLCCT 4 H	D02F1	1-01 *				4-3/8		209
DEV2 SELECT 4 H	F02R2	1-02 *				4-3/8		209
DEV2 SELECT 4 H		1						209
DEV2 SELECT 6 H	D02C1	1-01 *				4-4/8		210
DEV2 SELECT 6 H	E02S1	1-02 *				4-4/8		210
DEV2 SELECT 6 H		1						210
DEV2 SSYN INHIBIT L	D02V1	1-01 *				1		211
DEV2 SSYN INHIBIT L	E02R1	1-02 *				1-0/8		211
DEV2 SSYN INHIBIT L		1						211
DEV3 RG IN H	D03U2	1-01 *				3-7/8		212
DEV3 RG IN H	F03P1	1-02 *				3-7/8		212
DEV3 RG IN H		1						212
DEV3 RG OUT H	D03V2	1-01 *				3-7/8		213
DEV3 RG OUT H	F03A1	1-02 *				3-7/8		213
DEV3 RG OUT H		1						213

RK611.F RUN NAME	WRAPD .V35(102)-1 A/P PIN ORDER NAME PIN	03-JUN-77 RAY - Q ORDER	DRAW RV RG Y X Z	REMARKS	18-AUG-77	15:31 NC LENGTH FLAG	PAGE 25 EXCEPTIONS	RUN NUMBER
DEV3 BR OUT L	D03J2	1-01 *				6-5/8		214
DEV3 BR OUT L	F03P1	1-02 *				1		214
DEV3 BR OUT L	F03U2	1-03 *				7-5/8		214
DEV3 BR OUT L		1						214
DEV3 F03L2	F03L2	1-01 *				1		215
DEV3 F03L2	F03R1	1-02 *				1-0/8		215
DEV3 F03L2		1						215
DEV3 F03M2	F03M2	1-01 *				1		216
DEV3 F03M2	F03S1	1-02 *				1-0/8		216
DEV3 F03M2		1						216
DEV3 F03N1	F03D2	1-01 *				1-5/8		217
DEV3 F03N1	F03N1	1-02 *				0-4/8		217
DEV3 F03N1	F03R2	1-03 *				2-1/8		217
DEV3 F03N1		1						217
DEV3 F03P2	F03P2	1-01 *				0-4/8		218
DEV3 F03P2	F03S2	1-02 *				0-4/8		218
DEV3 F03P2		1						218
DEV3 F03V2	F03E1	1-01 *				2-3/8		219
DEV3 F03V2	F03V2	1-02 *				2-3/8		219
DEV3 F03V2		1						219
DEV3 IN H	D03H1	1-01 *				3-4/8		220
DEV3 IN H	E03M1	1-02 *				3-4/8		220
DEV3 IN H		1						220
DEV3 INIT A H	D03N1	1-01 *				6-3/8		221
DEV3 INIT A H	F03U1	1-02 *				6-3/8		221
DEV3 INIT A H		1						221
DEV3 INIT R H	C03J1	1-01 *				8-5/8		222
DEV3 INIT R H	F03K2	1-02 *				8-5/8		222
DEV3 INIT R H		1						222
DEV3 INT EM6(A) H	D03M1	1-01 *				6-5/8		223
DEV3 INT EM6(A) H	F03V1	1-02 *				6-5/8		223
DEV3 INT EM6(A) H		1						223
DEV3 INT EM6(B) H	C03L1	1-01 *				8-1/8		224
DEV3 INT EM6(B) H	F03H2	1-02 *				8-1/8		224
DEV3 INT EM6(B) H		1						224
DEV3 OUT HIGH H	D03K1	1-01 *				3-3/8		225
DEV3 OUT HIGH H	E03M2	1-02 *				3-3/8		225
DEV3 OUT HIGH H		1						225
DEV3 OUT LOW H	D03D1	1-01 *				4		226
DEV3 OUT LOW H	E03N1	1-02 *				4-0/8		226
DEV3 OUT LOW H		1						226

WK611.F RUN NAME	WRAPD .V35(102)-1 A/P PIN ORDER NAME PIN	03-JUN-77 RAY - Q ORDER	DRAW RV RG Y X Z OPT	REMARKS	18-Aug-77	15:31 NC LENGTH FLAG	PAGE 26 EXCEPTIONS	RUN NUMBER
DEV3 SELECT 0 H	D03F1	1-01 *				4-1/8		227
DEV3 SELECT 0 H	E03S2	1-02 *						227
DEV3 SELECT 0 H		1				4-1/8		227
DEV3 SELECT 2 H	D03J1	1-01 *				4-1/8		228
DEV3 SELECT 2 H	E03T2	1-02 *						228
DEV3 SELECT 2 H		1				4-1/8		228
DEV3 SELECT 4 H	D03E1	1-01 *				4-3/8		229
DEV3 SELECT 4 H	E03R2	1-02 *						229
DEV3 SELECT 4 H		1				4-3/8		229
DEV3 SELECT 6 H	D03C1	1-01 *				4-4/8		230
DEV3 SELECT 6 H	E03S1	1-02 *						230
DEV3 SELECT 6 H		1				4-4/8		230
DEV3 SSYN INHIBIT L	D03V1	1-01 *				1		231
DEV3 SSYN INHIBIT L	E03R1	1-02 *						231
DEV3 SSYN INHIBIT L		1				1-0/8		231
DR1 DISABLE PLO OUT L	F04H2	1-01 *				0-4/8		232
DR1 DISABLE PLO OUT L	F04K2	1-02 *						232
DR1 DISABLE PLO OUT L		1				0-4/8		232
DR2 CONTR DATA CLK H	E04H2	1-01 *				1-7/8		233
DR2 CONTR DATA CLK H	E05S2	1-02 *						233
DR2 CONTR DATA CLK H		1				1-7/8		233
DR2 CONTR INDEX H	F04I2	1-01 *				5-1/8		234
DR2 CONTR INDEX H	F06V2	1-02 *						234
DR2 CONTR INDEX H		1				5-1/8		234
DR2 CONTR SEC PULSE H	A05R2	1-01 *				7-5/8		235
DR2 CONTR SEC PULSE H	D06H1	1-02 *				4-1/8		235
DR2 CONTR SEC PULSE H	E04N2	1-03 *						235
DR2 CONTR SEC PULSE H		1				11-6/8		235
DR2 DIAG MODE(1) H	A05V1	1-01 *				3-1/8		236
DR2 DIAG MODE(1) H	B07L1	1-02 *				10-3/8		236
DR2 DIAG MODE(1) H	F08R1	1-03 *				2		236
DR2 DIAG MODE(1) H	F06H1	1-04 *				2-5/8		236
DR2 DIAG MODE(1) H	E04U2	1-05 *						236
DR2 DIAG MODE(1) H		1				18-1/8		236
DR2 M RD DATA(1) H	B05S1	1-01 *				7-5/8		237
DR2 M RD DATA(1) H	E04K2	1-02 *						237
DR2 M RD DATA(1) H		1				7-5/8		237
DR2 M SEC PUL(1) H	A05R1	1-01 *				11-1/8		238
DR2 M SEC PUL(1) H	F04P2	1-02 *						238
DR2 M SEC PUL(1) H		1				11-1/8		238
DR2 MAINT CLK(1) H	B05V1	1-01 *				7-1/8		239
DR2 MAINT CLK(1) H	E04J2	1-02 *						239
DR2 MAINT CLK(1) H		1				7-1/8		239

WK611.F RUN NAME	WRAPD .V35(102)-1 A/P PIN ORDER NAME PIN	03-JUN-77 RAY - Q ORDER	DRAW RV RG Y X Z OPT	REMARKS	18-Aug-77	15:31 NC LENGTH FLAG	PAGE 27 EXCEPTIONS	RUN NUMBER
DR2 MAINT IND(1) H	A05N1	1-01 *				11-1/8		240
DR2 MAINT IND(1) H	E04M2	1-02 *						240
DR2 MAINT IND(1) H		1				11-1/8		240
DR2 NRZ RD DATA(1) H	F06M2	1-01 *				1-5/8		241
DR2 NRZ RD DATA(1) H	B05V2	1-02 *				10-7/8		241
DR2 NRZ RD DATA(1) H	F04N1	1-03 *						241
DR2 NRZ RD DATA(1) H		1				12-4/8		241
DR2 PAR TEST(1) H	B05J1	1-01 *				3-7/8		242
DR2 PAR TEST(1) H	C06P1	1-02 *				4-3/8		242
DR2 PAR TEST(1) H	D04U2	1-03 *						242
DR2 PAR TEST(1) H		1				8-2/8		242
DR2 RD DATA CLK H	A06V1	1-01 *				4-3/8		243
DR2 RD DATA CLK H	C05E2	1-02 *				10-3/8		243
DR2 RD DATA CLK H	F04S1	1-03 *						243
DR2 RD DATA CLK H		1				14-6/8		243
DR2 TMNG CLK B(0) H	B05N2	1-01 *				10-3/8		244
DR2 TMNG CLK B(0) H	F04A1	1-02 *						244
DR2 TMNG CLK B(0) H		1				10-3/8		244
DR2 TMNG CLK B(1) H	C05P2	1-01 *				6-7/8		245
DR2 TMNG CLK B(1) H	E04L1	1-02 *						245
DR2 TMNG CLK B(1) H		1				6-7/8		245
DR3 ADVANCE H	B05L2	1-01 *				4-5/8		246
DR3 ADVANCE H	C04U1	1-02 *						246
DR3 ADVANCE H		1				4-5/8		246
DR3 DELAY H	C04V2	1-01 *				4-1/8		247
DR3 DELAY H	E05E1	1-02 *						247
DR3 DELAY H		1				4-1/8		247
DR3 MFM WRT DATA L	A34T2	1-01 *				3-1/8		248
DR3 MFM WRT DATA L	B05P2	1-02 *						248
DR3 MFM WRT DATA L		1				3-1/8		248
DR4 BAD RD DATA(1) H	D04J2	1-01 *				1-7/8		249
DR4 BAD RD DATA(1) H	D06U2	1-02 *						249
DR4 BAD RD DATA(1) H		1				1-7/8		249
DR4 DCK ERROR H	C07P2	1-01 *				4-2/8		250
DR4 DCK ERROR H	D04M1	1-02 *						250
DR4 DCK ERROR H		1				4-2/8		250
DR4 ECC CLK H	B05L1	1-01 *				8-7/8		251
DR4 ECC CLK H	E04M1	1-02 *						251
DR4 ECC CLK H		1				8-7/8		251
DR4 ECH(1) H	A04F2	1-01 *				14-7/8		252
DR4 ECH(1) H	F07H1	1-02 *						252
DR4 ECH(1) H		1				14-7/8		252

RK611,F RUN NAME	WRAPD .V35(102)-1 A/P PIN ORDER PIN	03-JUN-77 BAY - Q	DRAW OPT	RV RG Y	X Z	REMARKS	18-Aug-77	15131 NC LENGTH FLAG	PAGE 28 EXCEPTIONS	RUN NUMBER
DR6 COMBINED ERROR L	D08F2	1-01 *			1			5-4/8		253
DR6 COMBINED ERROR L	E04N1	1-02 *						5-4/8		253
DR6 COMBINED ERROR L		1								253
DR6 CONTROL CLOCK H	H06A1	1-01 *			1			9-7/8		254
DR6 CONTROL CLOCK H	E04J1	1-02 *						9-7/8		254
DR6 CONTROL CLOCK H		1								254
DR6 DTE(1) H	C07N2	1-01 *			1			8-1/8		255
DR6 DTE(1) H	E04U1	1-02 *						8-1/8		255
DR6 DTE(1) H		1								255
DR7 BEGIN SECTOR(1) H	H05E1	1-01 *			1			9-7/8		256
DR7 BEGIN SECTOR(1) H	E04V2	1-02 *						9-7/8		256
DR7 BEGIN SECTOR(1) H		1								256
DR7 RD GATE H	D05U1	1-01 *			1			4-5/8		257
DR7 RD GATE H	F04E1	1-02 *						4-5/8		257
DR7 RD GATE H		1								257
DR7 RD OF WRCHCK H	C05N2	1-01 *			1			8-1/8		258
DR7 RD OF WRCHCK H	F04F2	1-02 *						8-1/8		258
DR7 RD OF WRCHCK H		1								258
DR7 WRT GATE H	H04S2	1-01 *			1			6-5/8		259
DR7 WRT GATE H	D05V2	1-02 *						6-5/8		259
DR7 WRT GATE H		1								259
DR8 ATTN LINE H	A04R2	1-01 *			1			6-7/8		260
DR8 ATTN LINE H	C06V1	1-02 *						6-7/8		260
DR8 ATTN LINE H		1								260
DR8 DRIVE SACK H	A04T2	1-01 *			2			4-1/8		261
DR8 DRIVE SACK H	H07K1	1-02 *			1			12-3/8		261
DR8 DRIVE SACK H	F06U1	1-03 *						16-4/8		261
DR8 DRIVE SACK H		1								261
DR8 MESSAGE A IN H	A06U1	1-01 *			2			3-7/8		262
DR8 MESSAGE A IN H	B04U2	1-02 *			1			7-3/8		262
DR8 MESSAGE A IN H	E07A1	1-03 *						11-2/8		262
DR8 MESSAGE A IN H		1								262
DR8 MESSAGE B IN H	A06U2	1-01 *			2			3-5/8		263
DR8 MESSAGE B IN H	B04R2	1-02 *			1			8-7/8		263
DR8 MESSAGE B IN H	E07J2	1-03 *						12-4/8		263
DR8 MESSAGE B IN H		1								263
DR8 MUL DR SEL H	B04E2	1-01 *			1			4-5/8		264
DR8 MUL DR SEL H	C07J1	1-02 *						4-5/8		264
DR8 MUL DR SEL H		1								264
DR8 RCV STROBE H	B04J2	1-01 *			1			5-7/8		265
DR8 RCV STROBE H	D06E1	1-02 *						5-7/8		265
DR8 RCV STROBE H		1								265

RK611,F RUN NAME	WRAPD .V35(102)-1 A/P PIN ORDER PIN	03-JUN-77 BAY - Q	DRAW OPT	RV RG Y	X Z	REMARKS	18-Aug-77	15131 NC LENGTH FLAG	PAGE 29 EXCEPTIONS	RUN NUMBER
GND 01	A01R2	1-01 *	P		1			0-1/8		266
GND 01	A01C2	1-02 *	P		2			1-5/8		266
GND 01	A01N1	1-03 *	P		2			0-1/8		266
GND 01	A01P1	1-04 *	P		2			0-1/8		266
GND 01	A01R1	1-05 *	P		2			0-1/8		266
GND 01	A01S1	1-06 *	P		2			0-1/8		266
GND 01	A01T1	1-07 *	P		2			0-4/8		266
GND 01	A01V2	1-08 *	P		2			1-2/8		266
GND 01	B01B2	1-09 *	P		2			0-1/8		266
GND 01	B01C2	1-10 *	P		2			0-1/8		266
GND 01	H01D1	1-11 *	P		2			0-1/8		266
GND 01	H01E1	1-12 *	P		2			1-7/8		266
GND 01	B01T1	1-13 *	P		2			0-4/8		266
GND 01	B01V2	1-14 *	P		2			1-1/8		266
GND 01	C01C2	1-15 *	P		2			2-1/8		266
GND 01	C01T1	1-16 *	P		2			1-5/8		266
GND 01	D01C2	1-17 *	P		2			2-1/8		266
GND 01	D01T1	1-18 *	P		2			1-3/8		266
GND 01	E01C2	1-19 *	P		2			2-1/8		266
GND 01	E01T1	1-20 *	P		2			1-5/8		266
GND 01	F01C2	1-21 *	P		2			2-1/8		266
GND 01	F01T1	1-22 *	P		2			5-1/8		266
GND 01	E01A1	1-23 *	P		2			4-3/8		266
GND 01	F01J2	1-24 *	P		2					266
GND 01		1						30-4/8		266
GND 02	A02C2	1-01 *	P		1			2-1/8		267
GND 02	A02T1	1-02 *	P		2			1-5/8		267
GND 02	B02C2	1-03 *	P		2			2-1/8		267
GND 02	B02T1	1-04 *	P		2			1-3/8		267
GND 02	C02C2	1-05 *	P		2			2-1/8		267
GND 02	C02T1	1-06 *	P		2			1-5/8		267
GND 02	D02C2	1-07 *	P		2			2-1/8		267
GND 02	D02T1	1-08 *	P		2			1-1/8		267
GND 02	E02A1	1-09 *	P		2			0-4/8		267
GND 02	E02C2	1-10 *	P		2			2-1/8		267
GND 02	E02T1	1-11 *	P		2			1-5/8		267
GND 02	F02C2	1-12 *	P		2			1-1/8		267
GND 02	F02J2	1-13 *	P		2			1-5/8		267
GND 02	F02T1	1-14 *	P		2					267
GND 02		1						21-2/8		267

WKAPD .V35(102)-1	03-JUN-77	18-AUG-77	15:31	PAGE 30	NC LENGTH	EXCEPTIONS	FLAG	RUN NUMBER
RK611.F RUN NAME	A/P PJN ORDER PIN	BAY - Q DRAW RV RG Y X Z	REMARKS					
GND 03	A03C2	1-01 * P					2-1/8	268
GND 03	A03T1	1-02 * P					1-5/8	268
GND 03	B03C2	1-03 * P					2-1/8	268
GND 03	B03T1	1-04 * P					1-3/8	268
GND 03	C03C2	1-05 * P					2-1/8	268
GND 03	C03T1	1-06 * P					1-5/8	268
GND 03	D03C2	1-07 * P					2-1/8	268
GND 03	D03T1	1-08 * P					1-1/8	268
GND 03	E03A1	1-09 * P					0-4/8	268
GND 03	E03C2	1-10 * P					2-1/8	268
GND 03	E03T1	1-11 * P					1-5/8	268
GND 03	F03C2	1-12 * P					2-1/8	268
GND 03	F03T1	1-13 * P					1-5/8	268
GND 03	F03J2	1-14 * P					22-2/8	268
GND 03		1						268
GND 04	A04C2	1-01 * P					2-1/8	269
GND 04	A04T1	1-02 * P					1-5/8	269
GND 04	B04C2	1-03 * P					2-1/8	269
GND 04	B04T1	1-04 * P					1-3/8	269
GND 04	C04C2	1-05 * P					2-1/8	269
GND 04	C04T1	1-06 * P					1-5/8	269
GND 04	D04C2	1-07 * P					2-1/8	269
GND 04	D04T1	1-08 * P					1-3/8	269
GND 04	E04C2	1-09 * P					2-1/8	269
GND 04	E04T1	1-10 * P					1-5/8	269
GND 04	F04C2	1-11 * P					2-1/8	269
GND 04	F04T1	1-12 * P					20-3/8	269
GND 04		1						269
GND 05	A05C2	1-01 * P					2-1/8	270
GND 05	A05T1	1-02 * P					1-5/8	270
GND 05	B05C2	1-03 * P					2-1/8	270
GND 05	B05T1	1-04 * P					1-3/8	270
GND 05	C05C2	1-05 * P					2-1/8	270
GND 05	C05T1	1-06 * P					1-5/8	270
GND 05	D05C2	1-07 * P					2-1/8	270
GND 05	D05T1	1-08 * P					1-3/8	270
GND 05	E05C2	1-09 * P					2-1/8	270
GND 05	E05T1	1-10 * P					1-5/8	270
GND 05	F05C2	1-11 * P					2-1/8	270
GND 05	F05T1	1-12 * P					20-3/8	270
GND 05		1						270

WKAPD .V35(102)-1	03-JUN-77	18-AUG-77	15:31	PAGE 31	NC LENGTH	EXCEPTIONS	FLAG	RUN NUMBER
RK611.F RUN NAME	A/P PJN ORDER PIN	BAY - Q DRAW RV RG Y X Z	REMARKS					
GND 06	A06C2	1-01 * P					2-1/8	271
GND 06	A06T1	1-02 * P					1-5/8	271
GND 06	B06C2	1-03 * P					2-1/8	271
GND 06	B06T1	1-04 * P					1-3/8	271
GND 06	C06C2	1-05 * P					2-1/8	271
GND 06	C06T1	1-06 * P					1-5/8	271
GND 06	D06C2	1-07 * P					2-1/8	271
GND 06	D06T1	1-08 * P					1-3/8	271
GND 06	E06C2	1-09 * P					2-1/8	271
GND 06	E06T1	1-10 * P					1-5/8	271
GND 06	F06C2	1-11 * P					2-1/8	271
GND 06	F06T1	1-12 * P					20-3/8	271
GND 06		1						271
GND 07	A07C2	1-01 * P					2-1/8	272
GND 07	A07T1	1-02 * P					1-5/8	272
GND 07	B07C2	1-03 * P					2-1/8	272
GND 07	B07T1	1-04 * P					1-3/8	272
GND 07	C07C2	1-05 * P					2-1/8	272
GND 07	C07T1	1-06 * P					1-5/8	272
GND 07	D07C2	1-07 * P					2-1/8	272
GND 07	D07T1	1-08 * P					1-3/8	272
GND 07	E07C2	1-09 * P					2-1/8	272
GND 07	E07T1	1-10 * P					1-5/8	272
GND 07	F07C2	1-11 * P					2-1/8	272
GND 07	F07T1	1-12 * P					20-3/8	272
GND 07		1						272
GND 08	A08C2	1-01 * P					2-1/8	273
GND 08	A08T1	1-02 * P					1-5/8	273
GND 08	B08C2	1-03 * P					2-1/8	273
GND 08	B08T1	1-04 * P					1-3/8	273
GND 08	C08C2	1-05 * P					2-1/8	273
GND 08	C08T1	1-06 * P					1-5/8	273
GND 08	D08C2	1-07 * P					2-1/8	273
GND 08	D08T1	1-08 * P					1-3/8	273
GND 08	E08C2	1-09 * P					2-1/8	273
GND 08	E08T1	1-10 * P					1-5/8	273
GND 08	F08C2	1-11 * P					2-1/8	273
GND 08	F08T1	1-12 * P					20-3/8	273
GND 08		1						273

WK611.F RUN NAME	WRAPD .V35(102)-1 A/P PIN ORDER NAME PIN	03-JUN-77 BAY - Q ORDER	DRAW RV RG Y X Z OPT	REMARKS	18-Aug-77	15131 NC LENGTH FLAG	PAGE 34 EXCEPTIONS	RUN NUMBER
RG7 RD HDR L	A07T2	1-01 *				1-5/8		296
RG7 RD HDR L	A05S2	1-02 *				5-1/8		296
RG7 RD HDR L	C04F1	1-03 *				9-5/8		296
RG7 RD HDR L	F06F2	1-04 *						296
RG7 RD HDR L		1				16-3/8		296
RG7 READ L	A07P1	1-01 *				2-7/8		297
RG7 READ L	B05E2	1-02 *				11-7/8		297
RG7 READ L	F04L2	1-03 *				2-4/8		297
RG7 READ L	F08L2	1-04 *						297
RG7 READ L		1				17-2/8		297
RG7 SELECT CMND L	A05L1	1-01 *				2-1/8		298
RG7 SELECT CMND L	A07F2	1-02 *						298
RG7 SELECT CMND L		1				2-1/8		298
RG7 WRT CHK L	A07P2	1-01 *				3-1/8		299
RG7 WRT CHK L	B05F2	1-02 *				11-7/8		299
RG7 WRT CHK L	F04J1	1-03 *						299
RG7 WRT CHK L		1				15-0/8		299
RG7 WRT HDR L	A07S2	1-01 *				13-1/8		300
RG7 WRT HDR L	F06J2	1-02 *						300
RG7 WRT HDR L		1				13-1/8		300
RG7 WRT L	A07S1	1-01 *				9-3/8		301
RG7 WRT L	D05S1	1-02 *				2-7/8		301
RG7 WRT L	E04R2	1-03 *						301
RG7 WRT L		1				12-2/8		301
TS REG BUS 04 H	A06A1	1-01 *				4-3/8		302
TS REG BUS 04 H	B05H1	1-02 *				5-5/8		302
TS REG BUS 04 H	D04D1	1-03 *				3-5/8		302
TS REG BUS 04 H	C08V2	1-04 *				7-7/8		302
TS REG BUS 04 H	F07J1	1-05 *						302
TS REG BUS 04 H		1				21-4/8		302
TSREG BUS 00 H	A06K2	1-01 *				7-3/8		303
TSREG BUS 00 H	C04T2	1-02 *				2-5/8		303
TSREG BUS 00 H	D08E1	1-03 *				1-7/8		303
TSREG BUS 00 H	D07P1	1-04 *				6-1/8		303
TSREG BUS 00 H	F05M2	1-05 *						303
TSREG BUS 00 H		1				18-0/8		303
TSREG BUS 01 H	A06N2	1-01 *				6-3/8		304
TSREG BUS 01 H	C08L2	1-02 *				3-3/8		304
TSREG BUS 01 H	C04S1	1-03 *				3-1/8		304
TSREG BUS 01 H	D07K2	1-04 *				6-5/8		304
TSREG BUS 01 H	F05K2	1-05 *						304
TSREG BUS 01 H		1				19-4/8		304

WK611.F RUN NAME	WRAPD .V35(102)-1 A/P PIN ORDER NAME PIN	03-JUN-77 BAY - Q ORDER	DRAW RV RG Y X Z OPT	REMARKS	18-Aug-77	15131 NC LENGTH FLAG	PAGE 35 EXCEPTIONS	RUN NUMBER
TSRFG BUS 02 H	A06R2	1-01 *				8-3/8		305
TSRFG BUS 02 H	D08J1	1-02 *				1		305
TSRFG BUS 02 H	D07N2	1-03 *				6-1/8		305
TSRFG BUS 02 H	F05J2	1-04 *				8-5/8		305
TSREG BUS 02 H	C04N1	1-05 *						305
TSREG BUS 02 H		1				24-1/8		305
TSREG BUS 03 H	A06N1	1-01 *				6-5/8		306
TSREG BUS 03 H	C04P2	1-02 *				3-4/8		306
TSRFG BUS 03 H	D08K2	1-03 *				1-1/8		306
TSRFG BUS 03 H	D07L1	1-04 *				6-1/8		306
TSRFG BUS 03 H	F05F1	1-05 *						306
TSRFG BUS 03 H		1				17-3/8		306
TSREG BUS 05 H	A06D1	1-01 *				3-7/8		307
TSRFG BUS 05 H	B05F1	1-02 *				5-7/8		307
TSRFG BUS 05 H	C08T2	1-03 *				3-6/8		307
TSRFG BUS 05 H	D04E2	1-04 *				6-5/8		307
TSRFG BUS 05 H	F07C1	1-05 *						307
TSREG BUS 05 H		1				20-1/8		307
TSREG BUS 06 H	A06D2	1-01 *				2		308
TSREG BUS 06 H	A08P1	1-02 *				2		308
TSRFG BUS 06 H	A05V2	1-03 *				6-3/8		308
TSRFG BUS 06 H	C04V1	1-04 *				8-3/8		308
TSRFG BUS 06 H	F07E2	1-05 *						308
TSRFG BUS 06 H		1				18-6/8		308
TSREG BUS 07 H	A08N1	1-01 *				1-6/8		309
TSREG BUS 07 H	A06F1	1-02 *				1-5/8		309
TSREG BUS 07 H	A05P1	1-03 *				7-7/8		309
TSREG BUS 07 H	D04F1	1-04 *				8-5/8		309
TSREG BUS 07 H	F07V1	1-05 *						309
TSREG BUS 07 H		1				19-7/8		309
TSRFG BUS 08 H	A06H2	1-01 *				5-1/8		310
TSREG BUS 08 H	B05U1	1-02 *				2-3/8		310
TSREG BUS 08 H	C04M2	1-03 *				2-4/8		310
TSREG BUS 08 H	C08M2	1-04 *				8-5/8		310
TSREG BUS 08 H	F07K2	1-05 *						310
TSREG BUS 08 H		1				18-5/8		310
TSRFG BUS 09 H	A06J2	1-01 *				4-5/8		311
TSRFG BUS 09 H	B05R1	1-02 *				2-5/8		311
TSRFG BUS 09 H	C04K2	1-03 *				3-1/8		311
TSREG BUS 09 H	C08U1	1-04 *				7-7/8		311
TSREG BUS 09 H	F07I1	1-05 *						311
TSREG BUS 09 H		1				18-2/8		311
TSREG BUS 10 H	B06S2	1-01 *				1-3/8		312
TSREG BUS 10 H	E05P1	1-02 *				2-1/8		312
TSRFG BUS 10 H	C04F2	1-03 *				2-5/8		312
TSREG BUS 10 H	C08K2	1-04 *				9-3/8		312
TSREG BUS 10 H	F07M1	1-05 *						312
TSREG BUS 10 H		1				15-4/8		312

RK611.F RUN NAME	WRAPD .V35(102)-1 A/P PIN ORDER BAY - Q DRAW PV RG Y X Z	03-JUN-77	REMARKS	18-Aug-77	15131 NC LENGTH EXCEPTIONS FLAG	PAGE 36	RUN NUMBER
TSREG BUS 11 H	A06C1	1-01 *				4-5/8	313
TSREG BUS 11 H	B05M1	1-02 *				2-7/8	313
TSREG BUS 11 H	C04H1	1-03 *				3-3/8	313
TSREG BUS 11 H	C08S1	1-04 *				7-7/8	313
TSREG BUS 11 H	F07L2	1-05 *					313
TSREG BUS 11 H		1				10-6/8	313
TSREG BUS 12 H	A06B1	1-01 *				6-3/8	314
TSREG BUS 12 H	C08A1	1-02 *				5-7/8	314
TSREG BUS 12 H	D04K2	1-03 *				2-5/8	314
TSREG BUS 12 H	E05D1	1-04 *				1-4/8	314
TSREG BUS 12 H	F07D1	1-05 *					314
TSREG BUS 12 H		1				16-3/8	314
TSREG BUS 13 H	A06E1	1-01 *				6-1/8	315
TSREG BUS 13 H	B08V2	1-02 *				6-7/8	315
TSREG BUS 13 H	D04K1	1-03 *				2-6/8	315
TSREG BUS 13 H	E07C1	1-04 *				1-3/8	315
TSREG BUS 13 H	F05F2	1-05 *					315
TSREG BUS 13 H		1				17-1/8	315
TSREG BUS 14 H	A06E2	1-01 *				3-7/8	316
TSREG BUS 14 H	B08D1	1-02 *				7-7/8	316
TSREG BUS 14 H	D04H2	1-03 *				2-1/8	316
TSREG BUS 14 H	D05V1	1-04 *				2-2/8	316
TSREG BUS 14 H	F07D2	1-05 *					316
TSREG BUS 14 H		1				16-1/8	316
TSREG BUS 15 H	A06F2	1-01 *				9-7/8	317
TSREG BUS 15 H	D04H1	1-02 *				2-2/8	317
TSREG BUS 15 H	D05U2	1-03 *				1-7/8	317
TSREG BUS 15 H	E07F1	1-04 *				8-5/8	317
TSREG BUS 15 H	F08E1	1-05 *					317
TSREG BUS 15 H		1				22-5/8	317
UB1 CCLR H	A07D2	1-01 *				2-5/8	318
UB1 CCLR H	A05U1	1-02 *				10-1/8	318
UB1 CCLR H	D08T2	1-03 *					318
UB1 CCLR H		1				12-6/8	318
UB1 CCLR L	C07D1	1-01 *				3-3/8	319
UB1 CCLR L	B06D1	1-02 *				7-7/8	319
UB1 CCLR L	D08P2	1-03 *				3-5/8	319
UB1 CCLR L	F04H1	1-04 *					319
UB1 CCLR L		1				14-7/8	319
UB1 DRIVE INIT H	A04H2	1-01 *				1-3/8	320
UB1 DRIVE INIT H	A06J1	1-02 *				14-1/8	320
UB1 DRIVE INIT H	F08E1	1-03 *					320
UB1 DRIVE INIT H		1				15-4/8	320
UB1 LOAD ATN/OFST L	D07K1	1-01 *				1-3/8	321
UB1 LOAD ATN/OFST L	D08S1	1-02 *					321
UB1 LOAD ATN/OFST L		1				1-3/8	321

RK611.F RUN NAME	WRAPD .V35(102)-1 A/P PIN ORDER BAY - Q DRAW PV RG Y X Z	03-JUN-77	REMARKS	18-Aug-77	15131 NC LENGTH EXCEPTIONS FLAG	PAGE 37	RUN NUMBER
UB1 LOAD CS2 L	B06M1	1-01 *				4-7/8	322
UB1 LOAD CS2 L	D07A1	1-02 *				5-3/8	322
UB1 LOAD CS2 L	E08S2	1-03 *					322
UB1 LOAD CS2 L		1				10-2/8	322
UB1 LOAD DA L	B07N1	1-01 *				7-3/8	323
UB1 LOAD DA L	E08B1	1-02 *					323
UB1 LOAD DA L		1				7-3/8	323
UB1 LOAD DB L	A05S1	1-01 *				12-1/8	324
UB1 LOAD DB L	E08M2	1-02 *					324
UB1 LOAD DB L		1				12-1/8	324
UB1 LOAD DES CYL L	D06H2	1-01 *				4-3/8	325
UB1 LOAD DES CYL L	E08L2	1-02 *					325
UB1 LOAD DES CYL L		1				4-3/8	325
UB1 LOAD MR1 L	D04V1	1-01 *				3-5/8	326
UB1 LOAD MR1 L	E08N2	1-02 *				4-7/8	326
UB1 LOAD MR1 L	F05P2	1-03 *					326
UB1 LOAD MR1 L		1				8-4/8	326
UB1 LOAD WC L	D08S2	1-01 *				4-5/8	327
UB1 LOAD WC L	F07A1	1-02 *					327
UB1 LOAD WC L		1				4-5/8	327
UB1 MODULE OUT UR H	E07S2	1-01 *				0-5/8	328
UB1 MODULE OUT UR H	F08V1	1-02 *					328
UB1 MODULE OUT UR H		1				0-5/8	328
UB1 READ CS2/ST L	C07T2	1-01 *				3-1/8	329
UB1 READ CS2/ST L	D08N2	1-02 *					329
UB1 READ CS2/ST L		1				3-1/8	329
UB1 READ DB/MR1 L	C05V1	1-01 *				4-5/8	330
UB1 READ DB/MR1 L	D08U2	1-02 *					330
UB1 READ DB/MR1 L		1				4-5/8	330
UB1 READ DES CYL L	A06M1	1-01 *				10-1/8	331
UB1 READ DES CYL L	D08U1	1-02 *					331
UB1 READ DES CYL L		1				10-1/8	331
UB1 READ ECC REGS L	D04J1	1-01 *				3-4/8	332
UB1 READ ECC REGS L	D06V1	1-02 *					332
UB1 READ ECC REGS L		1				3-4/8	332
UB1 READ ERR/ATTN L	C07S1	1-01 *				3-1/8	333
UB1 READ ERR/ATTN L	D08M1	1-02 *					333
UB1 READ ERR/ATTN L		1				3-1/8	333
UB1 READ MR2/3 L	D08P2	1-01 *				2-7/8	334
UB1 READ MR2/3 L	E07H1	1-02 *					334
UB1 READ MR2/3 L		1				2-7/8	334

RK611.F RUN NAME	WRAPD .V35(102)-1 A/P PIN ORDER NAME PIN	03-JUN-77 BAY - Q DRAW RV RG Y X Z	REMARKS	18-Aug-77	15:31 NC LENGTH EXCEPTIONS FLAG	PAGE 40	RUN NUMBER
UB7 D05 IN H	B06U2	1-01 *			7-7/8		357
UB7 D05 IN H	E04F1	1-02 *			3-7/8		357
UB7 D05 IN H	F08T2	1-03 *			3-1/8		357
UB7 D05 IN H	F05E1	1-04 *			2-5/8		357
UB7 D05 IN H	F07U1	1-05 *			17-4/8		357
UB7 D05 IN H		1					
UB7 D06 IN H	B06R2	1-01 *			8-1/8		358
UB7 D06 IN H	E04F2	1-02 *			2-7/8		358
UB7 D06 IN H	F05A1	1-03 *			2-7/8		358
UB7 D06 IN H	F08M2	1-04 *			1-2/8		358
UB7 D06 IN H	F07T2	1-05 *			15-1/8		358
UB7 D06 IN H		1					
UB7 D07 IN H	B06R1	1-01 *			7-5/8		359
UB7 D07 IN H	E04A1	1-02 *			4-5/8		359
UB7 D07 IN H	F05F2	1-03 *			1-2/8		359
UB7 D07 IN H	F07K1	1-04 *			1-3/8		359
UB7 D07 IN H	F08P2	1-05 *			14-7/8		359
UB7 D07 IN H		1					
UB7 D08 IN H	B06B1	1-01 *			1-2/8		360
UB7 D08 IN H	B07H1	1-02 *			8-7/8		360
UB7 D08 IN H	E08F2	1-03 *			2-7/8		360
UB7 D08 IN H	F04D1	1-04 *			5-3/8		360
UB7 D08 IN H	F05U2	1-05 *			18-3/8		360
UB7 D08 IN H		1					
UB7 D09 IN H	B06L1	1-01 *			1		361
UB7 D09 IN H	B07J1	1-02 *			7-7/8		361
UB7 D09 IN H	E08C1	1-03 *			2-5/8		361
UB7 D09 IN H	E04E1	1-04 *			5-3/8		361
UB7 D09 IN H	F05V1	1-05 *			16-7/8		361
UB7 D09 IN H		1					
UB7 D10 IN H	B07D1	1-01 *			6-3/8		362
UB7 D10 IN H	D08H1	1-02 *			4-3/8		362
UB7 D10 IN H	E05J1	1-03 *			10-6/8		362
UB7 D10 IN H		1					
UB7 D11 IN H	D08H2	1-01 *			4-1/8		363
UB7 D11 IN H	E05F2	1-02 *			5-1/8		363
UB7 D11 IN H	F07S2	1-03 *			9-2/8		363
UB7 D11 IN H		1					
UB7 D12 IN H	D08T1	1-01 *			4-3/8		364
UB7 D12 IN H	E05N2	1-02 *			4-5/8		364
UB7 D12 IN H	F07U2	1-03 *			9-0/8		364
UB7 D12 IN H		1					
UB7 D13 IN H	D08P1	1-01 *			4-5/8		365
UB7 D13 IN H	E05L2	1-02 *			5-1/8		365
UB7 D13 IN H	F07V2	1-03 *			9-6/8		365
UB7 D13 IN H		1					

RK611.F RUN NAME	WRAPD .V35(102)-1 A/P PIN ORDER NAME PIN	03-JUN-77 BAY - Q DRAW RV RG Y X Z	REMARKS	18-Aug-77	15:31 NC LENGTH EXCEPTIONS FLAG	PAGE 41	RUN NUMBER
UB7 D14 IN H	D05S2	1-01 *			2-3/8		366
UB7 D14 IN H	D08M2	1-02 *			6-3/8		366
UB7 D14 IN H	F07R2	1-03 *			8-6/8		366
UB7 D14 IN H		1					
UB7 D15 IN H	D05T2	1-01 *			4-7/8		367
UB7 D15 IN H	F08A1	1-02 *			2-1/8		367
UB7 D15 IN H	F07P2	1-03 *			7-0/8		367
UB7 D15 IN H		1					
UB7 D16 IN H	B07V1	1-01 *			2-5/8		368
UB7 D16 IN H	C08P1	1-02 *			6-7/8		368
UB7 D16 IN H	E05M1	1-03 *			9-4/8		368
UB7 D16 IN H		1					
UB7 D17 IN H	B07F1	1-01 *			2-7/8		369
UB7 D17 IN H	C08B1	1-02 *			8-1/8		369
UB7 D17 IN H	E05M2	1-03 *			11-0/8		369
UB7 D17 IN H		1					
UB7 DC LOW IN H	C04E1	1-01 *			2-5/8		370
UB7 DC LOW IN H	C08F1	1-02 *			2-5/8		370
UB7 DC LOW IN H		1					
UB7 NPC GATE DATA H	B05D1	1-01 *			12-7/8		371
UB7 NPC GATE DATA H	F08J1	1-02 *			12-7/8		371
UB7 NPC GATE DATA H		1					

This drawing and specifications, herein, are the property of Digital Equipment Corporation and shall not be reproduced or copied or used in whole or in part as the basis for the manufacture or sale of items without written permission. © 1976

DRAWING NUMBER	INIT REL		AUTOMATIC WIRE TESTER (AWT) REVISION STATUS																	
	TI	*	A	B	C	D	E	F												
C-IA-7012413-0-0	-	-	-	-	-	A	B	B												
K-WL-RK611-0-1		-	A	B	C	D	E	F												
D-CS-5411920-0-1	B	B	B	B	B	C	C	C												

REV. NUMBER
A WT 7012413-0

CHK	CHANGE NO.	REVISIONS					
		REV. A	REV. B	REV. C	REV. D	REV. E	REV. F
G.P.	RK611-00002						
TFF	RK611-00003						
TFF	RK611-00004						
TFF	RK611-00007						
G.P.	RK611-00008						
MR	RK611-00009						

DRN <i>W. J. Greene</i>	DATE 31 MAR 76	digital EQUIPMENT CORPORATION MAYNARD, MASSACHUSETTS
CHK'D <i>J. Bentley</i>	DATE 30 APR 76	
ENG. <i>T. F. FAVA</i>	DATE 30 APR 76	TITLE RK611
PROJ. ENG. <i>D. Ellis</i>	DATE 30 APR 76	AWT REVISION STATUS
PROD. <i>Howell</i>	DATE 30 APR 76	
FIRST USED ON RK611	SIZE CODE A WT	NUMBER 7012413-0
SCALE	REV. F	
SHEET OF	DIST.	

THIS DRAWING AND SPECIFICATIONS, HEREIN, ARE THE PROPERTY OF DIGITAL EQUIPMENT CORPORATION AND SHALL NOT BE REPRODUCED OR COPIED OR USED IN WHOLE OR IN PART AS THE BASIS FOR THE MANUFACTURE OR SALE OF ITEMS WITHOUT WRITTEN PERMISSION. COPYRIGHT © 1976, DIGITAL EQUIPMENT CORPORATION

REV. NUMBER D MURK611-0-3 2 1

- NOTES:
- VIEW OF LOGIC PANEL IS FROM WIRING SIDE.
 - THE SMALL PERIPHERAL CONTROLLER SLOTS MAY CONTAIN A VARIETY OF PDP-11 OPTIONS. THE OPTION MAY CONSIST OF A SINGLE QUAD MODULE (SLOTS C,D,E & F) OR A DOUBLE HEIGHT CONTROLLER BOARD (SLOTS C & D) WITH AN M105 ADDRESS SELECTOR MODULE (SLOT E) AND AN M7821 INTERRUPT CONTROL MODULE (SLOT F).
 - THE MODIFIED UNIBUS DEVICE SLOTS MAY CONTAIN PDP-11 OPTIONS CONSISTING OF QUAD (SLOTS A,B,C & D) OR HEX MODULES. ANY SLOT MAY NOT CONTAIN BOTH A MODIFIED UNIBUS DEVICE AND AN SPC OPTION.
 - IF NO OPTION IS PRESENT IN THE SMALL PERIPHERAL CONTROLLER/MODIFIED UNIBUS SLOTS, G727 GRANT CONTINUITY MODULES MUST BE INSERTED IN SLOTS D.
 - IF AN NPR OPTION IS TO BE INSTALLED IN AN SPC/MOD UNIBUS SLOT, REMOVE CA1 TO CB1 WIRE WRAP JUMPER. IF THE NPR OPTION IS REMOVED, THIS JUMPER MUST BE REPLACED TO MAINTAIN NPG CONTINUITY.
 - MAY BE EITHER M9202 UNIBUS JUMPER (CONNECTION FROM ADJACENT DEVICE) OR BC11A CABLE (CONNECTION FROM ANOTHER BOX OR NON-ADJACENT DEVICE).
 - MAY BE M920 OR M9202 (CONNECTION TO ADJACENT DEVICE), M930 (UNIBUS TERMINATOR), OR BC11A CABLE (CONNECTION TO NEXT BOX OR NON-ADJACENT DEVICE).
 - UNDER NO CIRCUMSTANCES MAY A STANDARD UNIBUS CABLE BE PLUGGED INTO THE MODIFIED UNIBUS SLOTS. DOING SO MAY DAMAGE OTHER SYSTEM COMPONENTS.

9	CABLE		UNIBUS OUT SEE NOTE 7
8	M7900	RK611 UNIBUS INTER-FACE MODULE	
7	M7901	RK611 REGISTER BOARD	
6	M7902	RK611 CONTROL BOARD	
5	M7903	RK611 DATA MODULE	
4	M7904	RK611 DRIVE INTER-FACE MODULE	
3		MODIFIED UNIBUS DEVICE (OPTIONAL)	SEE NOTES 3,5,8
2		SMALL PERIPHERAL CONTROL (DEV 1) (DEV 2) (DEV 3)	SEE NOTES 2,5 (OPTIONAL)
1	M9202 CABLE	UNIBUS IN SEE NOTE 6	

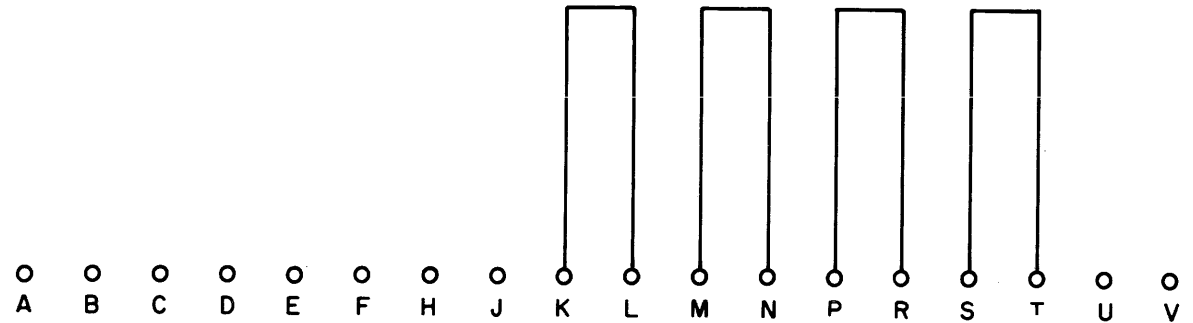
VIEW FROM WIRING SIDE

REV. CHANGE NO. REV. DATE

THIRD ANGLE PROJECTION	DRN. W. J. HARRIS 6 FEB 76	FIRST USED ON	RK611 digital
REMOVE BURRS AND BREAK SHARP CORNERS	CHK'D T. PAVIA 5 APR 76	TITLE	MODULE UTILIZATION
DO NOT SCALE DWG	PROJ. ENG. J. S. HARRIS 3 APR 76	MATERIAL	D-UA-RK611-0-0
	PROD. C. HARRIS 3 APR 76	SCALE	NONE
		FINISH	
		SHEET	2 OF 2
		DIST.	

DEC FORM NO. 100 1000

THIS SCHEMATIC IS FURNISHED ONLY FOR TEST AND MAINTENANCE PURPOSES. THE CIRCUITS ARE PROPRIETARY IN NATURE AND SHOULD BE TREATED ACCORDINGLY. COPYRIGHT 1969 BY DIGITAL EQUIPMENT CORPORATION



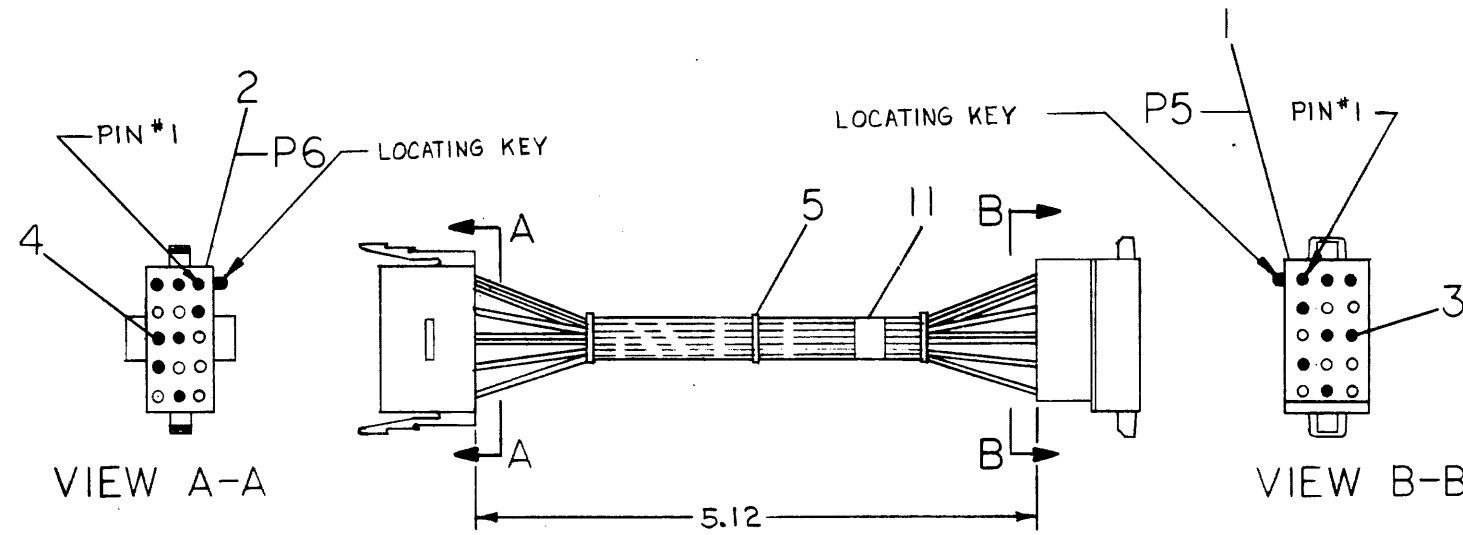
REVISIONS CHK CHG NO. REV.	DRN. <i>BUTLER</i>	DATE <i>11-19-69</i>	TRANSISTOR & DIODE CONVERSION CHART				digital EQUIPMENT CORPORATION MAYNARD, MASSACHUSETTS	TITLE GRANT CONTINUITY G727			
	CHK'D <i>P. J. Staud</i>	DATE <i>6-FEB-70</i>	DEC	EIA	DEC	EIA		SIZE B	CODE CS	NUMBER G727-0-1	REV.
	ENG. <i>P. E. Johnson</i>	DATE <i>1/28/70</i>						PRINTED CIRCUIT REV. <i>A</i>			
	PROD.	DATE									

"THIS DRAWING AND SPECIFICATIONS, HEREIN, ARE THE PROPERTY OF DIGITAL EQUIPMENT CORPORATION AND SHALL NOT BE REPRODUCED OR COPIED OR USED IN WHOLE OR IN PART AS THE BASIS FOR THE MANUFACTURE OR SALE OF ITEMS WITHOUT WRITTEN PERMISSION. COPYRIGHT © 1976, DIGITAL EQUIPMENT CORPORATION"

NOTES:
1. WIRE LENGTH TOLERANCE TO BE ±.12, UNLESS OTHERWISE SPECIFIED.

WIRING TABLE

ITEM NO	DESCRIPTION		FROM		TO		WIRE LENGTH	STRIP BACK
	AWG	COLOR	CONNECTION	WITH	CONNECTION	WITH		
9	14	RED	P5-1	3	P6-1	4	5.87	.156 ± .030
6	18	GREY	P5-2	3	P6-2	4	↑	↑
10	14	ORN	P5-3	3	P6-3	4	↑	↑
9	14	RED	P5-4	3	P6-4	4	↑	↑
7	14	BLK	P5-8	3	P6-8	4	↑	↑
7	14	BLK	P5-9	3	P6-9	4	↓	↓
9	14	RED	P5-10	3	P6-12	4	↓	↓
8	14	BRN	P5-14	3	P6-14	4	5.87	.156 ± .030



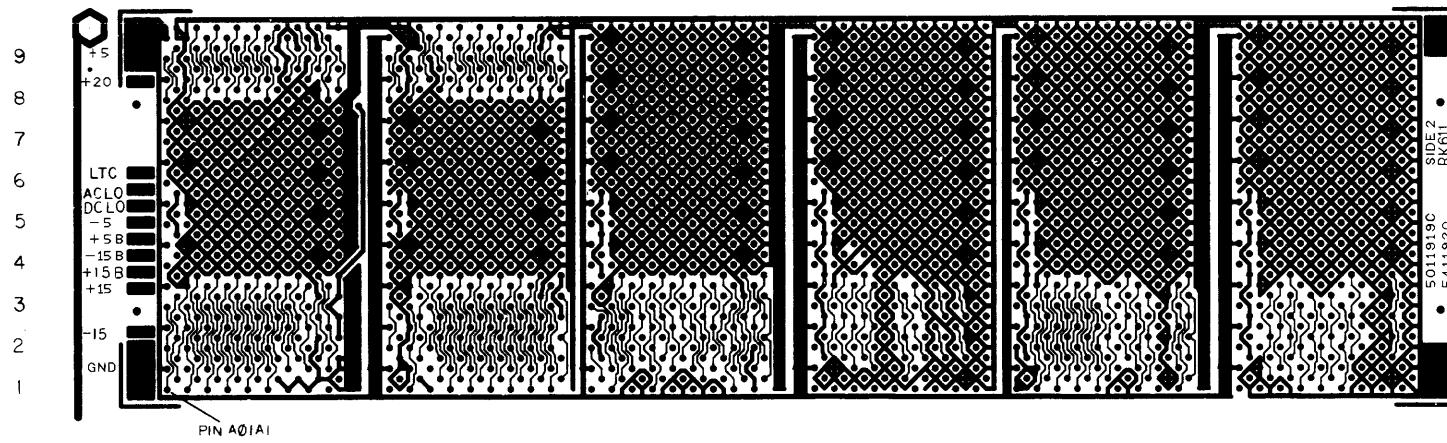
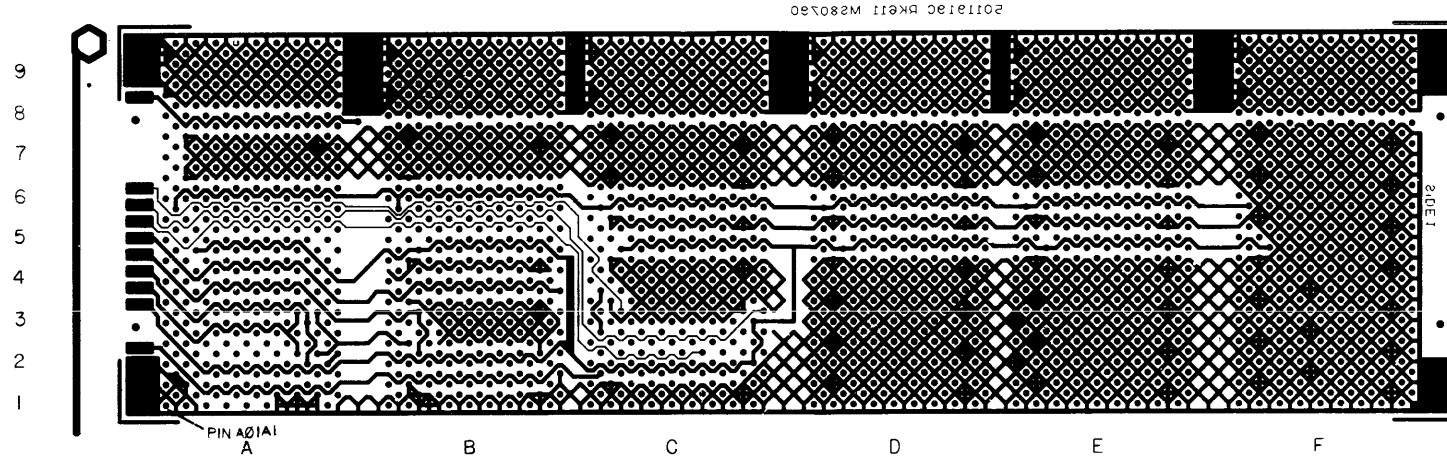
QTY.	DESCRIPTION	PART NO.	ITEM NO.
1	LABEL, IDENTIFICATION	9009532-00	11
A/R	WIRE, #14 AWG (ORN)	9107370-33	10
A/R	WIRE, #14 AWG (RED)	9107370-22	9
A/R	WIRE, #14 AWG (BRN)	9107370-11	8
A/R	WIRE, #14 AWG (BLK)	9107370-00	7
A/R	WIRE, #18 AWG (GRY)	9107360-88	6
5	TIE WRAP	9007031-00	5
8	PIN, FEMALE	1209379-00	4
8	PIN, MALE	1209378-00	3
1	CONN., 15 SOCKET	1209350-15	2
1	CONN., 15 PIN	1209351-15	1

FIRST USED ON OPTION/MODEL RK611		PARTS LIST	
UNLESS OTHERWISE SPECIFIED DIMENSION IN INCHES	DRN. <i>W. J. Greene</i>	DATE 4 MAR 76	 MAYNARD, MASSACHUSETTS
TOLERANCES	CHK'D <i>F. DeBruin</i>	DATE 17 MAR 76	
DECIMALS	ENG. <i>T.F. FAVA</i>	DATE 30 APR 76	
ANGLES	PROJ. ENG. <i>D. S. Ellis</i>	DATE 30 APR 76	
REMOVE BURRS AND BREAK SHARP CORNERS SURFACE QUALITY Y	PROD. <i>C. E. Vowell</i>	DATE 30 APR 76	TITLE CABLE, POWER EXTENSION
MATERIAL SEE PARTS LIST	NEXT HIGHER ASSY.	SIZE CODE CIA	NUMBER 7012574-0-0
FINISH	SCALE SHEET 1 OF 1	DIST.	REV. B

REV.	CHANGE NO.	DATE	BY
A	0001	3 Nov 76	T.F. FAVA
B	0002	11-5-76	R. BERTHAUME

REV. B
NUMBER CIA 7012574-0-0
SIZE CODE B

THIS DRAWING AND SPECIFICATIONS, HEREIN, ARE THE PROPERTY OF DIGITAL EQUIPMENT CORPORATION AND SHALL NOT BE REPRODUCED OR COPIED IN WHOLE OR IN PART AS THE BASIS FOR THE MANUFACTURE OR SALE OF ITEMS WITHOUT WRITTEN PERMISSION.
 COPYRIGHT © 1976 DIGITAL EQUIPMENT CORPORATION



NOTES:

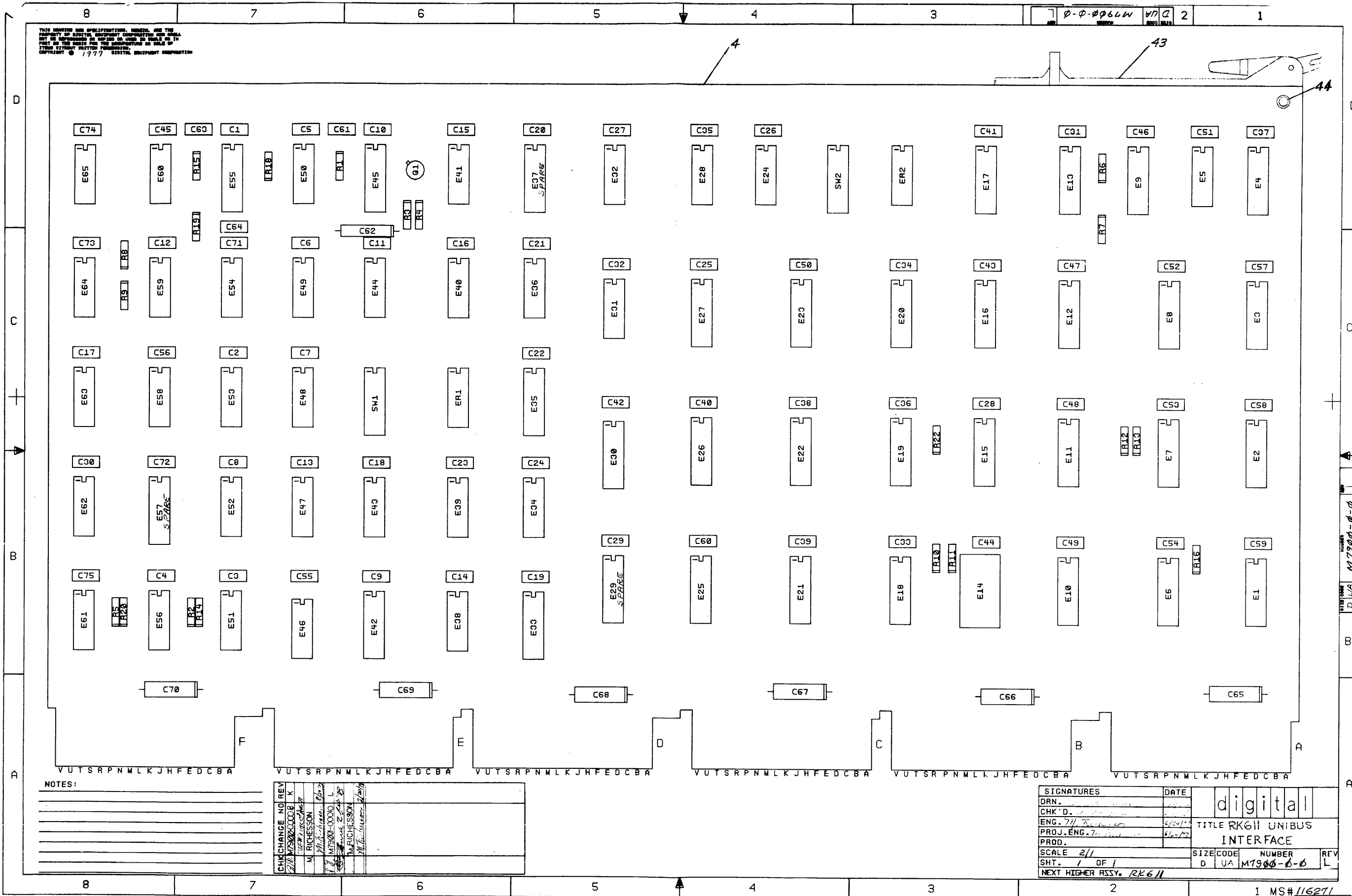
CHANGE NO	REV	DATE	BY
5411920-1	C	4-15-76	T. FAVA

SIGNATURES		DATE	TITLE
DRN. J. Fitzgerald		3 Feb 76	
CHK. D. [Signature]		18 Feb 76	CIRCUIT SCHEMATIC
ENG. T. FAVA		23 Feb 76	
PROD. [Signature]		23 Feb 76	NUMBER
SCALE	1-1	SIZE CODE	D CS
SHT.	1 OF 1	NUMBER	5411920-0-1
ETCH REV C		FIRST USED ON	REV C

5411920-0-1 C

THIS DRAWING AND SPECIFICATIONS, HEREIN, ARE THE PROPERTY OF DIGITAL EQUIPMENT CORPORATION AND SHALL NOT BE REPRODUCED OR COPIED IN WHOLE OR IN PART OR THE BASIS FOR THE MANUFACTURE OF ANY OTHER DRAWING WITHOUT THE WRITTEN PERMISSION OF DIGITAL EQUIPMENT CORPORATION.

φ-φ-φφ66W V77 D 2



NOTES:

CHK	CHANGE NO	REV
✓	M7900-0008	K
✓	M7900-0009	L
✓	M7900-0010	L
✓	M7900-0011	L
✓	M7900-0012	L
✓	M7900-0013	L
✓	M7900-0014	L
✓	M7900-0015	L
✓	M7900-0016	L
✓	M7900-0017	L
✓	M7900-0018	L
✓	M7900-0019	L
✓	M7900-0020	L
✓	M7900-0021	L
✓	M7900-0022	L
✓	M7900-0023	L
✓	M7900-0024	L
✓	M7900-0025	L
✓	M7900-0026	L
✓	M7900-0027	L
✓	M7900-0028	L
✓	M7900-0029	L
✓	M7900-0030	L
✓	M7900-0031	L
✓	M7900-0032	L
✓	M7900-0033	L
✓	M7900-0034	L
✓	M7900-0035	L
✓	M7900-0036	L
✓	M7900-0037	L
✓	M7900-0038	L
✓	M7900-0039	L
✓	M7900-0040	L
✓	M7900-0041	L
✓	M7900-0042	L
✓	M7900-0043	L
✓	M7900-0044	L
✓	M7900-0045	L
✓	M7900-0046	L
✓	M7900-0047	L
✓	M7900-0048	L
✓	M7900-0049	L
✓	M7900-0050	L
✓	M7900-0051	L
✓	M7900-0052	L
✓	M7900-0053	L
✓	M7900-0054	L
✓	M7900-0055	L
✓	M7900-0056	L
✓	M7900-0057	L
✓	M7900-0058	L
✓	M7900-0059	L
✓	M7900-0060	L
✓	M7900-0061	L
✓	M7900-0062	L
✓	M7900-0063	L
✓	M7900-0064	L
✓	M7900-0065	L
✓	M7900-0066	L
✓	M7900-0067	L
✓	M7900-0068	L
✓	M7900-0069	L
✓	M7900-0070	L
✓	M7900-0071	L
✓	M7900-0072	L
✓	M7900-0073	L
✓	M7900-0074	L
✓	M7900-0075	L
✓	M7900-0076	L
✓	M7900-0077	L
✓	M7900-0078	L
✓	M7900-0079	L
✓	M7900-0080	L
✓	M7900-0081	L
✓	M7900-0082	L
✓	M7900-0083	L
✓	M7900-0084	L
✓	M7900-0085	L
✓	M7900-0086	L
✓	M7900-0087	L
✓	M7900-0088	L
✓	M7900-0089	L
✓	M7900-0090	L
✓	M7900-0091	L
✓	M7900-0092	L
✓	M7900-0093	L
✓	M7900-0094	L
✓	M7900-0095	L
✓	M7900-0096	L
✓	M7900-0097	L
✓	M7900-0098	L
✓	M7900-0099	L
✓	M7900-0100	L

SIGNATURES		DATE
DRN.		
CHK'D.		
ENG. 7/1		4/24/77
PROJ. ENG. 7/1		4/24/77
PROD.		
SCALE 2/1		
SHT. 1 OF 1		
NEXT HIGHER ASSY. RK611		

digital	
TITLE RK611 UNIBUS INTERFACE	
SIZE CODE	NUMBER
D UA	M7900-0-0
REV	L

1 MS#116271

LINE ITEM	DOCUMENT NO.	PART NO.	DESCRIPTION	QTY	REFERENCE DESIGNATORS
1	1	D-CS-M7900-0-1	RK611 UNIBUS INTERFACE (C.S.)	REF	
2	2	D-AH-M7900-0-5	ASSY/DRILLING HOLE LAYOUT	REF	
3	3	B-MH-M7900-0-6	MODULE ECO HISTORY	REF	
4	4	5011481-00	M7900	1	
5	5	1000006-00	10.0 MMF 100V 5%200PPM DM15S	(10-00) 2	C63,C64
6	6	1000019-00	150.0 MMF 100V 5%200PPM DM15S	(10-00) 1	C61
7	7	SEE NOTE 48	.01 MFD 50V Z5U 309CER/8000PF MIN	65	C1-C60,C71-C75
8	8	1004813-00	10 MFD 20V 10% 150D S.TA	(10-00) 1	C62
9	9	1012084-01	8 MFD 25V 6% 30D AL EL	(10-12) 6	C65-C70
10	10	1211164-04	SW,DIP 1P 1A 8POS	2	SW1,SW2
11	11	1300295-00	330 1/4W 5% CC	(13-00) 2	R6,R8
12	12	1300005-01	R NETWORK 13-1K RESISTORS 5% DIP	(13-00) 2	ER1,ER2
13	13	1301874-00	5.6 K 1/4W 5% CC	(13-00) 2	R1,R22
14	14	1304854-00	5.11 K 1/4W 1% RN55D-F 100PPM	(13-00) 2	R15,R19
15	15	1300365-00	1 K 1/4W 5% CC	(13-00) 4	R2,R5,R14,R18
16	16	1301401-00	750 1/4W 5% CC	(13-00) 2	R7,R9
17	17	1302177-00	47 K 1/4W 5% CC	(13-00) 1	R4
18	18	1302398-00	470 K 1/4W 5% CC	(13-00) 1	R3
19	19	1509587-00	SE 4020 NPN 200MW SI 60120 M	1	Q1
20	20	1905575-00	7400 NAND GATE-QUAD 2IN	4	E24,E44,E52,E61
21	21	1909004-00	DEC 7402 NOR GATE-QUAD 2IN	2	E48,E50
22	22	1909686-00	7404 INVERTER GATE-HEX 1IN	2	E40,E56
23	23	1910155-00	DEC 7408 AND GATE,POS.QUAD 2IN	14	E39,E54,E58,E63
24	24	1905576-00	7410 NAND GATE-TRIPLE 3IN	2	E31,E60
25	25	1905577-00	7420 NAND GATE-DUAL 4INPUT	1	E5
26	26	1910878-00	7427 NOR GATE-TRIPLE 3IN	1	E47
27	27	1910091-00	DEC 7437 NAND GATE-QUAD 2IN,BUFFER	14	E36
28	28	1905547-00	DEC 7474 FF-D DUAL,EDGE TRIGGER,15MHZ	6	E28,E32,E41,E46,E49,E65
29	29	1910544-00	74574 FF-D DUAL,EDGE TRIGGER	3	E59,E62,E64
30	30	1910436-00	DEC 74123 ONE SHOT-DUAL,RETRIGGERABLE	2	E45,E55

REVISION HISTORY			VARIATIONS FOR THIS ASSY.			FIRST USED ON:			DIGITAL EQUIPMENT CORPORATION MAYNARD, MASSACHUSETTS				
CHK	ECO NO	REV							TITLE				
P.G	00010	L				MADE BY:	D.BENNETT	DATE:	02-FEB-78	PARTS LIST			
						CHECKED:	H.DARNHJIN	DATE:	02-FEB-78	RK611 UNIBUS INTERFACE			
						DSN.ENG.:	M.RICHESSON	DATE:	02-FEB-78	SIZE	CODE	DOCUMENT NUMBER	REV
						PROD.:	F.CORTEZZE	DATE:	02-FEB-78	K	PL	M7900-0-0	L
						RESP.ENG.:	M.RICHESSON	DATE:	02-FEB-78	ASSY.NO.:	D-UA-M7900-0-0		EDIT#
													5

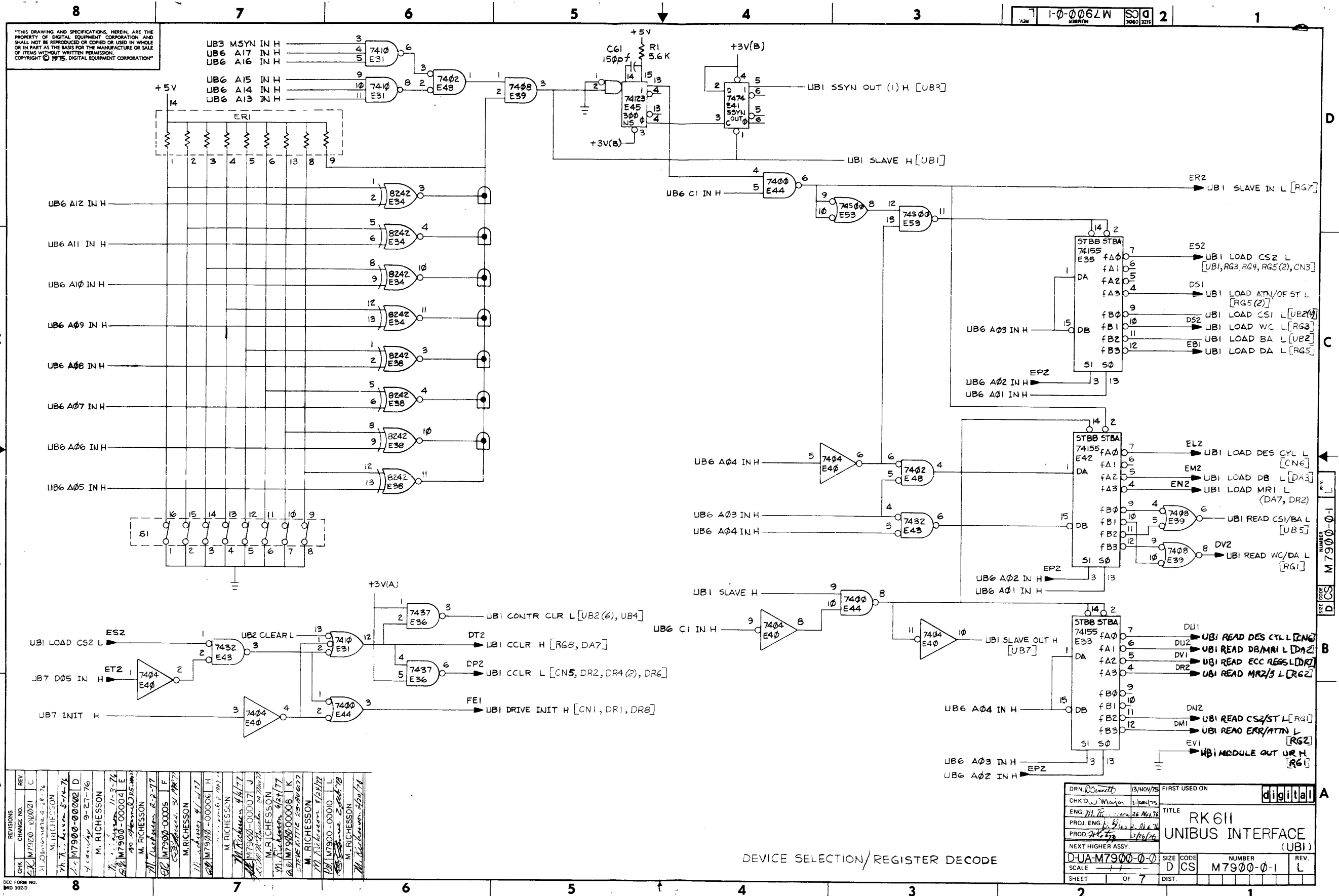
THIS DRAWING AND SPECIFICATIONS HEREIN, ARE THE PROPERTY OF DIGITAL EQUIPMENT CORPORATION AND SHALL NOT BE REPRODUCED OR COPIED OR USED IN WHOLE OR IN PART AS THE BASIS FOR THE MANUFACTURE OR SALE OF ITEMS WITHOUT WRITTEN PERMISSION.
COPYRIGHT 1978. DIGITAL EQUIPMENT CORPORATION

LINE ITEM	DOCUMENT NO.	PART NO.	DESCRIPTION	QTY	REFERENCE DESIGNATORS
31	31	1910656-00	74155 DECODER-2 OF 4(DUAL)&DEMUX	3	E33,E35,E42
32	32	1910650-00	74161 COUNTER,SYNCHR. UP	5	E9,E13,E26,E27,E30
33	33	1911521-00	7432 OR GATE-QUAD 2IN, POSITIVE	1	E43
34	34	1910652-00	74174 FF-D HEX	1	E17
35	35	1912647-00	LS257 MUX 1 OF 2 (QUAD) TRI-STA	4	E4,E12,E16,E20
36	36	1911527-00	8097 BUFFER GATE-HEX 2INPUT TRI-STA	3	E7,E8,E23
37	37	1909712-00	DEC 8242 COMPARATOR-4BIT N,OPN COLL.	2	E34,E38
38	38	1911579-00	8641 TRANSCEIVER, UNIBUS	12	E1,E2,E3,E6,E10,E11,E15,E18, CONT E19,E21,E22,E25
39	39	1909705-00	DEC 8881-INAND GATE-QUAD 2IN,OPN COLL.	1	E51
40	40	1209838-00	SOCKET 16PIN	1	
41	41	1210711-02	HANDLE ASSY,MOD DOEHLER-JARVIS	1	
42	42	9000024-01	EYELET, ROLLED FLANGE, .121 OD X .196 LG	12	
43	43	1910532-00	74500 NAND GATE-QUAD 2IN	1	E53
44	44	1311422-00	178 1/4W 1% RN55D-F 100PPM (13-00	4	R10,R12,R16,R20
45	45	1305125-00	383 1/4W 1% RN55D-F 100PPM (13-00	2	R11,R13
46	46	9105740-55	WIRE(WRAP)30AWG UL1423 (91-00 A/R		
47	47	5408778-00	PLUG PRIORITY	1	E14

48 NOTE: 1001610-01 MAYBE SUBSTITUTED FOR 1001610-00
 49 NOTE: 9006732-00 MAYBE SUBSTITUTED FOR 9000024-01 WHEN NECESSARY
 50 NOTE: ITEM 40 IS USED FOR E14

DIGITAL EQUIPMENT CORPORATION MAYNARD, MASSACHUSETTS	TITLE RK611 UNIBUS INTERFACE	PARTS LIST	SIZE K	CODE PL	DOCUMENT NUMBER M7900-0-0	REV L
---------------------------------------------------------	---------------------------------	------------	-----------	------------	------------------------------	----------

THIS DRAWING AND SPECIFICATIONS, HEREIN, ARE THE PROPERTY OF DIGITAL EQUIPMENT CORPORATION AND SHALL NOT BE REPRODUCED OR COPIED OR USED IN WHOLE OR IN PART AS THE BASIS FOR THE MANUFACTURE OR SALE OF ITEMS WITHOUT WRITTEN PERMISSION. COPYRIGHT © 1975, DIGITAL EQUIPMENT CORPORATION

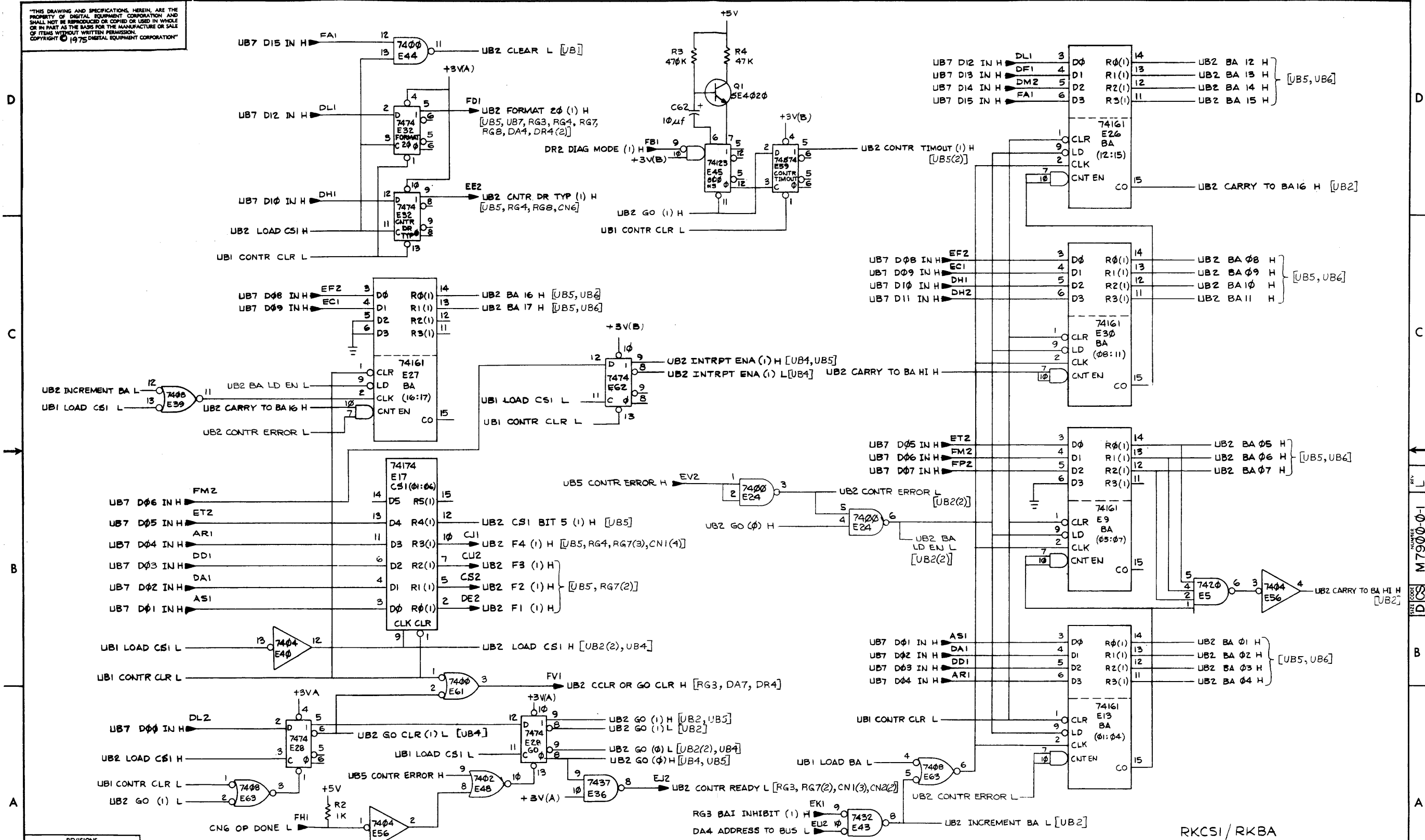


REV.	CHG.	NO.	BY	DATE
1	1	1	M. RICHESON	11-3-74
2	1	1	M. RICHESON	11-3-74
3	1	1	M. RICHESON	11-3-74
4	1	1	M. RICHESON	11-3-74
5	1	1	M. RICHESON	11-3-74
6	1	1	M. RICHESON	11-3-74
7	1	1	M. RICHESON	11-3-74
8	1	1	M. RICHESON	11-3-74
9	1	1	M. RICHESON	11-3-74
10	1	1	M. RICHESON	11-3-74
11	1	1	M. RICHESON	11-3-74
12	1	1	M. RICHESON	11-3-74
13	1	1	M. RICHESON	11-3-74
14	1	1	M. RICHESON	11-3-74
15	1	1	M. RICHESON	11-3-74
16	1	1	M. RICHESON	11-3-74
17	1	1	M. RICHESON	11-3-74
18	1	1	M. RICHESON	11-3-74
19	1	1	M. RICHESON	11-3-74
20	1	1	M. RICHESON	11-3-74

DEVICE SELECTION/REGISTER DECODE

DRN	13/NOV/75	FIRST USED ON	digital
CHK'D	W. Major	DATE	
ENG.	M. Richeson	DATE	
PROJ. ENG.	W. Major	DATE	
PROD. ENG.	W. Major	DATE	
NEXT HIGHER ASSY.			
D-UA-M7900-0-0		SIZE	D CS
SCALE 1:1		NUMBER	M7900-0-1
SHEET 1 OF 7		REV.	L
TITLE RK 611 UNIBUS INTERFACE (UBI)			

"THIS DRAWING AND SPECIFICATIONS, HEREIN, ARE THE PROPERTY OF DIGITAL EQUIPMENT CORPORATION AND SHALL NOT BE REPRODUCED OR COPIED OR USED IN WHOLE OR IN PART AS THE BASIS FOR THE MANUFACTURE OR SALE OF ITEMS WITHOUT WRITTEN PERMISSION. COPYRIGHT © 1975 DIGITAL EQUIPMENT CORPORATION"



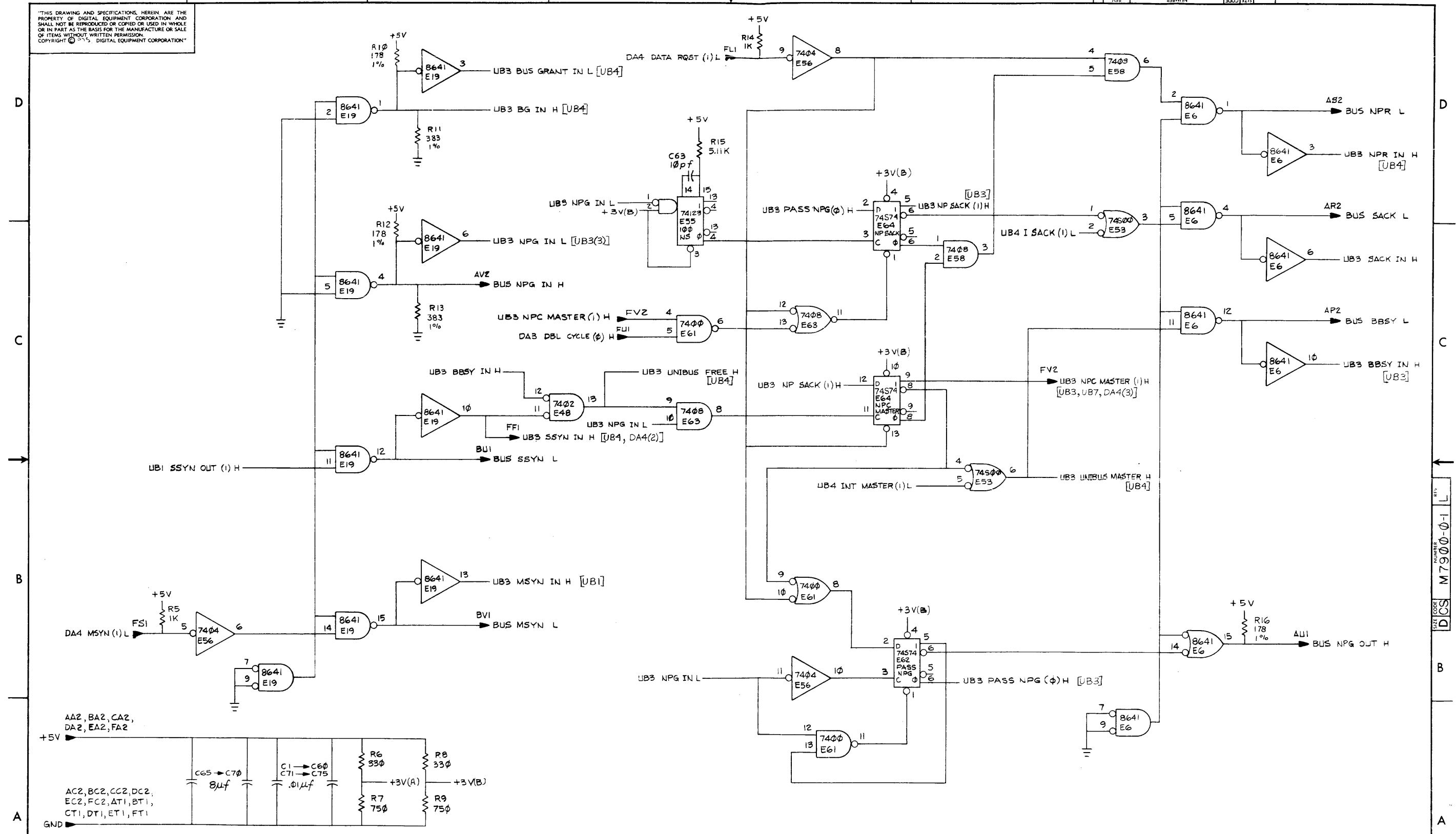
REVISIONS		
CHK	CHANGE NO.	REV.

TITLE	RK611 (UB2)	SIZE CODE	D CS	NUMBER	M7900-0-1	REV.	L
SCALE	SHEET 2	OF 7	DIST.				

REV. DATE DRAWN BY CHECKED BY M7900-0-1 DCS

RKCS1/RKBA

"THIS DRAWING AND SPECIFICATIONS HEREIN ARE THE PROPERTY OF DIGITAL EQUIPMENT CORPORATION AND SHALL NOT BE REPRODUCED OR COPIED OR USED IN WHOLE OR IN PART AS THE BASIS FOR THE MANUFACTURE OR SALE OF ITEMS WITHOUT WRITTEN PERMISSION. COPYRIGHT © 1975 DIGITAL EQUIPMENT CORPORATION"

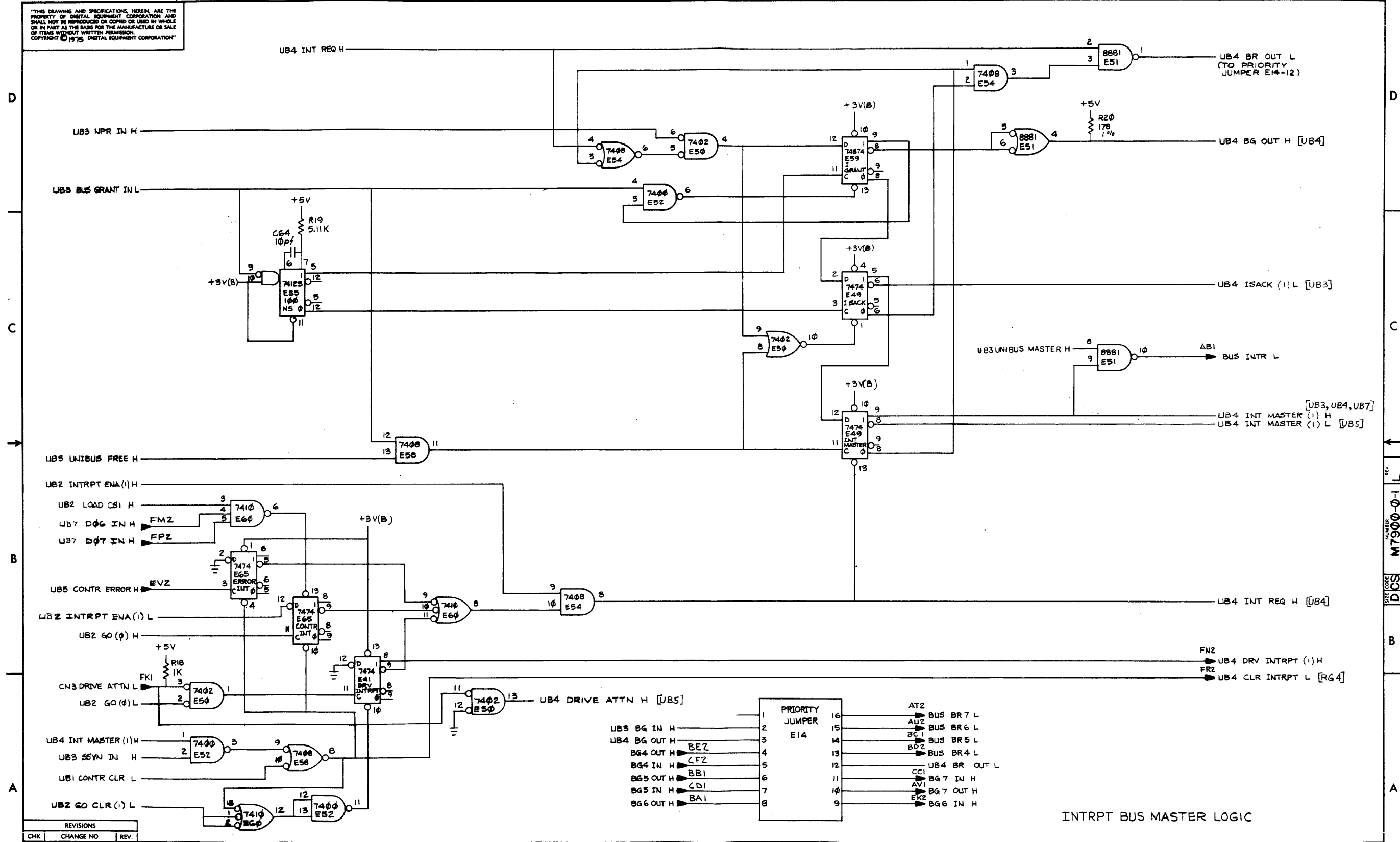


NP BUS MASTER LOGIC

REVISIONS		
CHK	CHANGE NO.	REV.

TITLE	RK611 (UB3)	SIZE CODE	DCS	NUMBER	M7900-0-1	REV.	L
SCALE	SHEET 3 OF 7		DIST.				

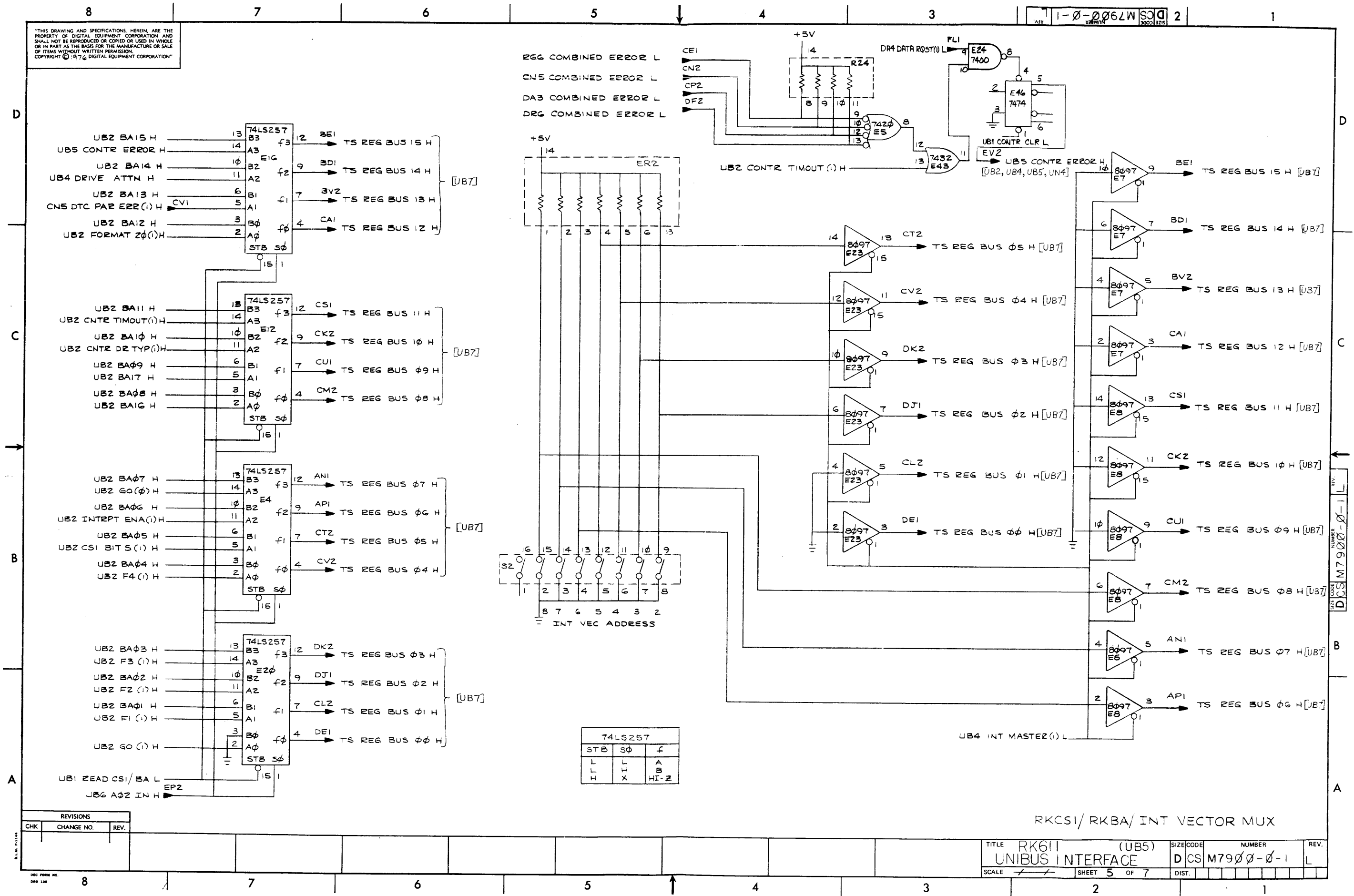
"THIS DRAWING AND SPECIFICATIONS HEREIN ARE THE PROPERTY OF DIGITAL EQUIPMENT CORPORATION AND SHALL NOT BE REPRODUCED OR COPIED OR USED IN WHOLE OR IN PART AS THE BASIS FOR THE MANUFACTURE OR SALE OF ITEMS WITHOUT WRITTEN PERMISSION. COPYRIGHT © 1975 DIGITAL EQUIPMENT CORPORATION"



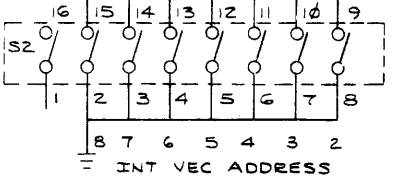
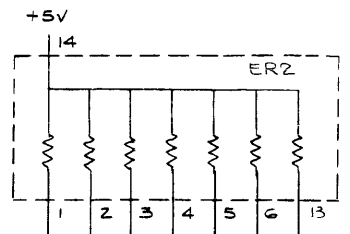
REVISIONS		
CHK	CHANGE NO.	REV.

TITLE	RK611 (UB4)	SIZE CODE	DCS	NUMBER	M7900-0-1	REV.	L
SCALE	1/1	SHEET	4 OF 7	DIST.			

"THIS DRAWING AND SPECIFICATIONS HEREIN ARE THE PROPERTY OF DIGITAL EQUIPMENT CORPORATION AND SHALL NOT BE REPRODUCED OR COPIED OR USED IN WHOLE OR IN PART AS THE BASIS FOR THE MANUFACTURE OR SALE OF ITEMS WITHOUT WRITTEN PERMISSION. COPYRIGHT © 1974 DIGITAL EQUIPMENT CORPORATION"



REG COMBINED ERROR L
 CN5 COMBINED ERROR L
 DAB COMBINED ERROR L
 DRG COMBINED ERROR L



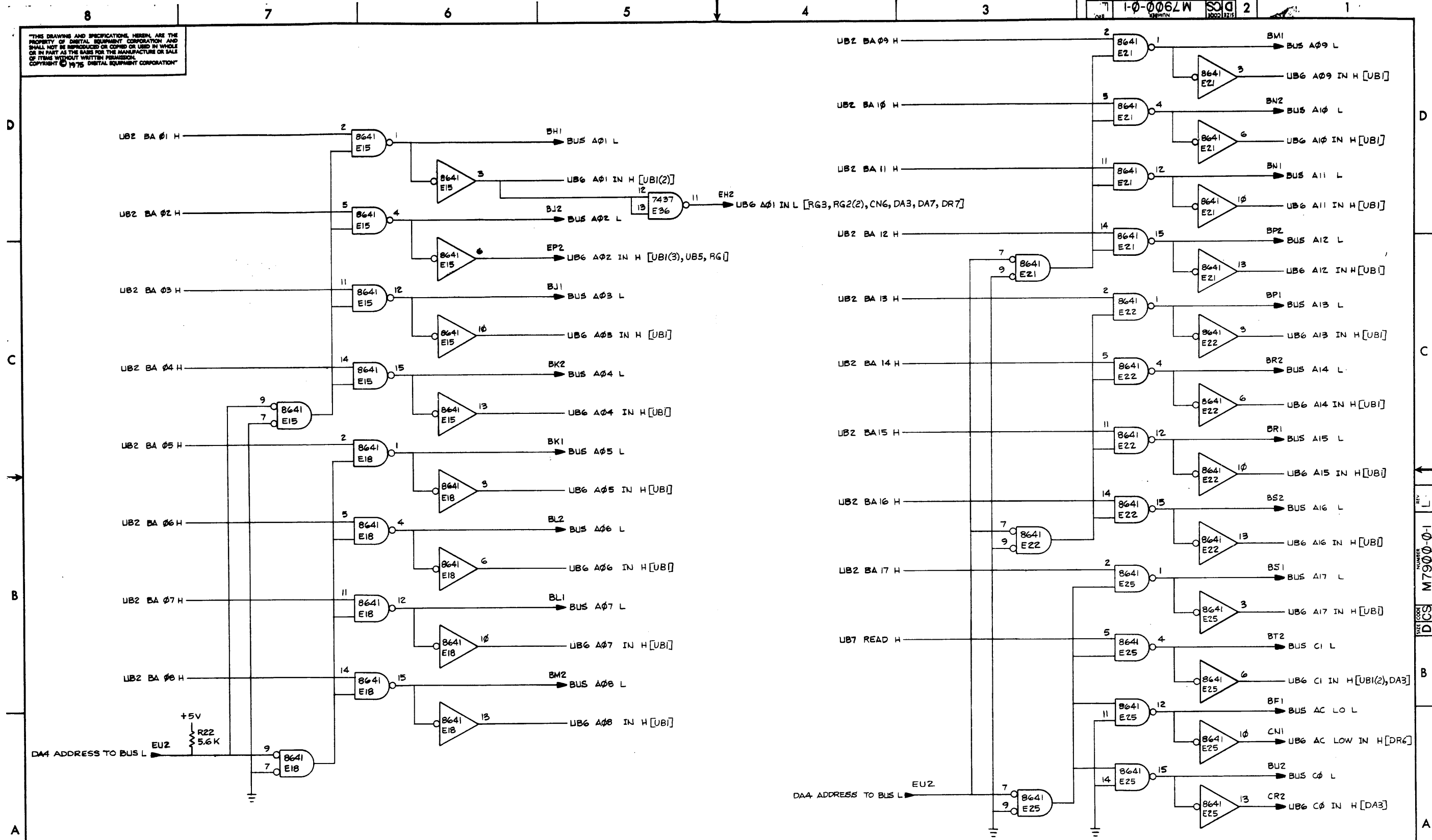
74LS257		
STB	SΦ	f
L	L	A
L	H	B
H	X	HI-Z

RKCSI/RKBA/INT VECTOR MUX

REVISIONS		
CHK	CHANGE NO.	REV.

NUMBER DCS M7900-0-1 L
 REV.

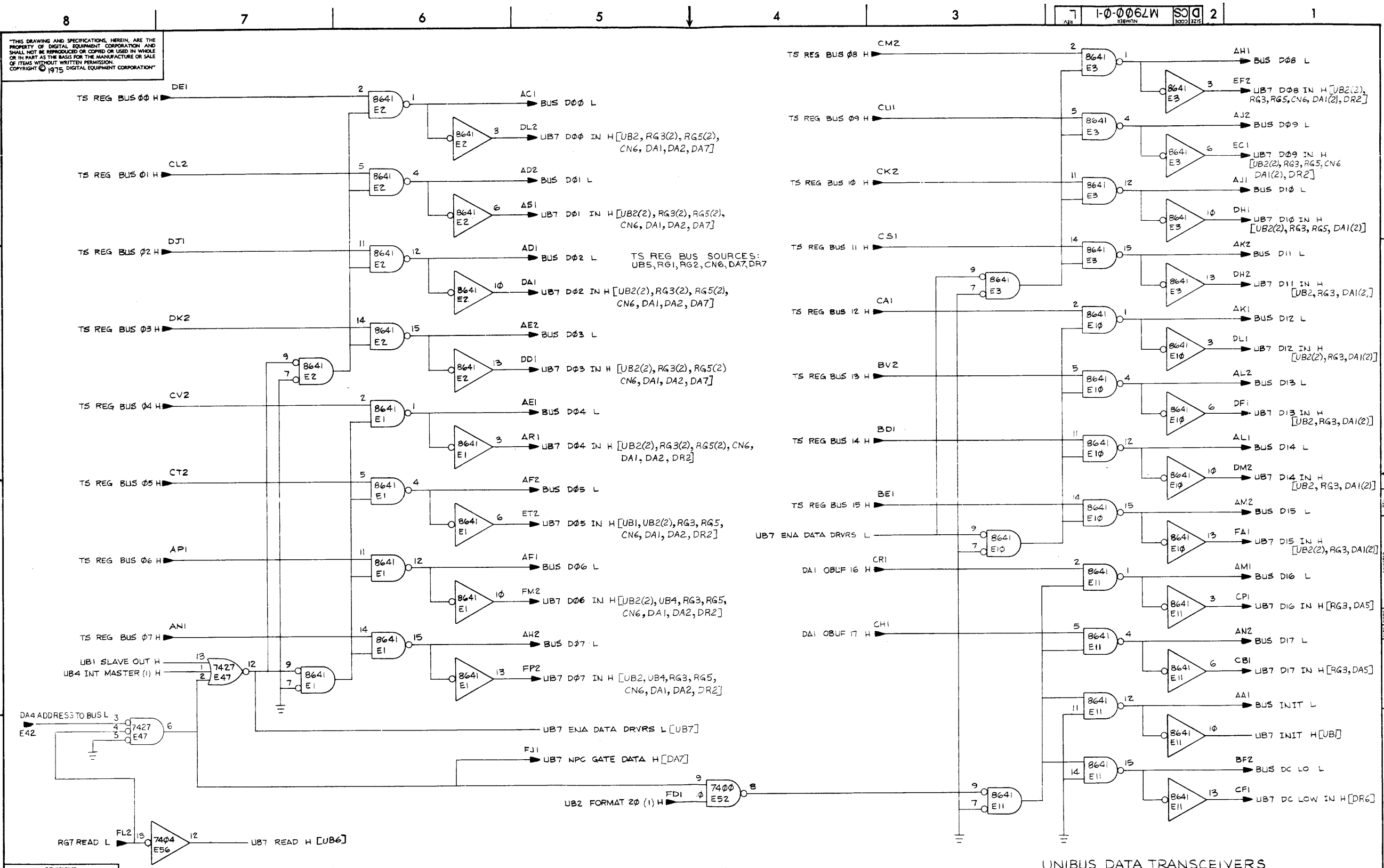
THIS DRAWING AND SPECIFICATIONS HEREIN ARE THE PROPERTY OF DIGITAL EQUIPMENT CORPORATION AND SHALL NOT BE REPRODUCED OR COPIED OR USED IN WHOLE OR IN PART AS THE BASIS FOR THE MANUFACTURE OR SALE OF ITEMS WITHOUT WRITTEN PERMISSION. COPYRIGHT © 1975 DIGITAL EQUIPMENT CORPORATION



UNIBUS ADDRESS TRANSCEIVERS

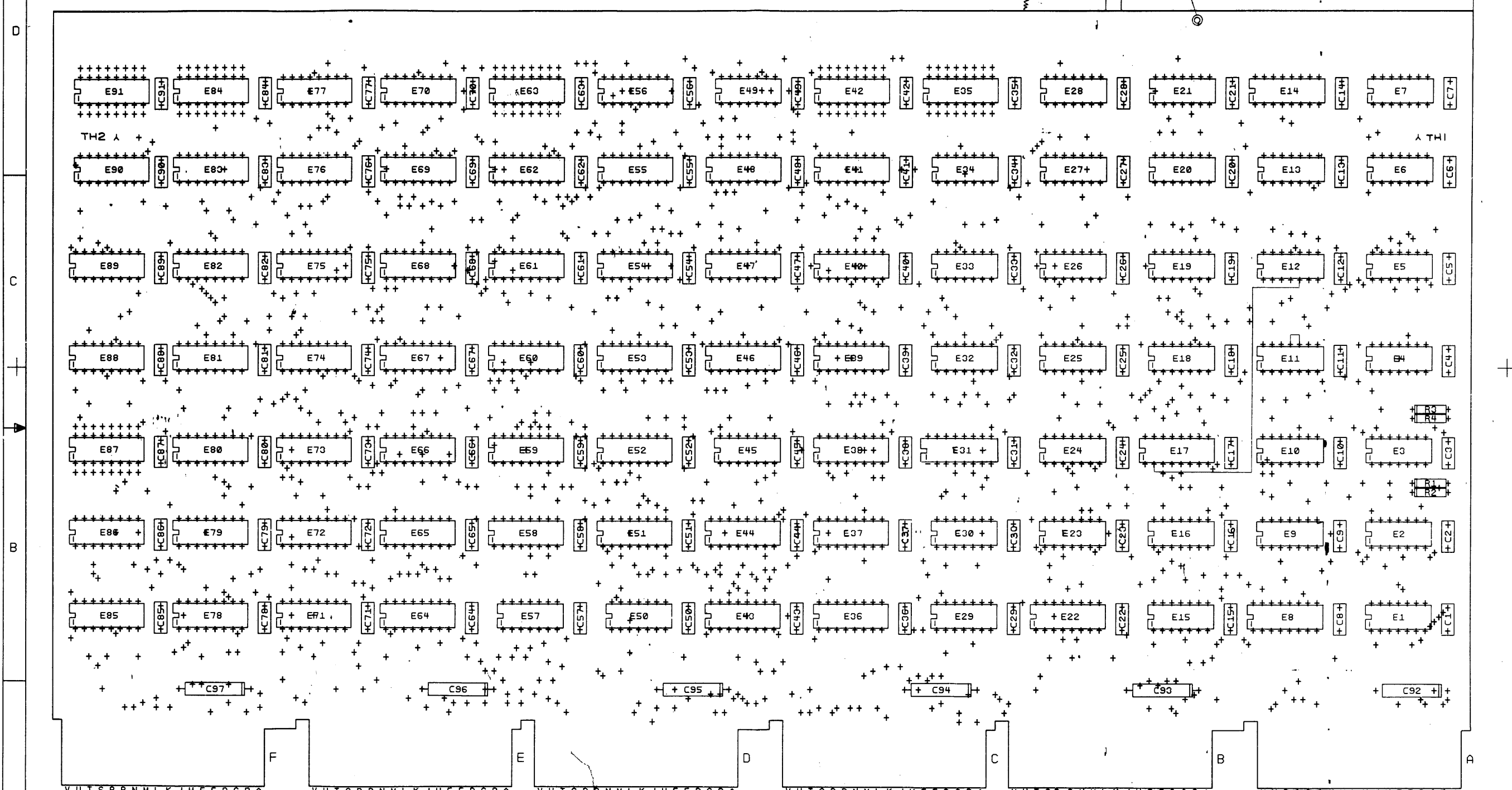
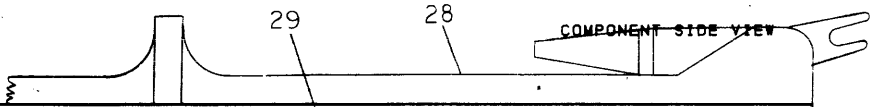
REVISIONS		
CHK	CHANGE NO.	REV.

TITLE	RK611 (UB6)	SIZE CODE	DCS	NUMBER	M7900-0-1	REV.	L
SCALE		SHEET	6	OF	7	DIST.	



REVISIONS		
CHK	CHANGE NO.	REV.

THIS DRAWING AND SPECIFICATIONS, GENERAL AND THE PROPERTY OF BENTON ENGINEERING CORPORATION AND WILL BE KEPT IN CONFIDENCE AND NOT TO BE LOANED, REPRODUCED OR COPIED IN WHOLE OR IN PART WITHOUT THE WRITTEN PERMISSION OF BENTON ENGINEERING CORPORATION © 1974



NOTES:

CHK	CHANGE	NO	REV	DATE	BY
	REVISION	D			
	REDRAWN				

SIGNATURES		DATE	
DRN.	<i>John Carter</i>	11-15-77	digital
CHK'D	<i>D. J. Mason</i>	11-17-77	
ENC.	<i>M. Richardson</i>	11-17-77	
PROJ. ENG.	<i>J. H. [unclear]</i>		TITLE
PROD.			REGISTER BOARD
SCALE	2X		SIZE CODE
SHT.	1 OF 1		NUMBER
NEXT HIGHER ASSY.			01UA M7901-0-0

DUA M7901-0-0 F

DIGITAL EQUIPMENT CORPORATION

PARTS LIST

ETCH REV E

MADE BY Lora Metzger
 DATE 20 NOV 75
 ENG M. Richardson
 DATE 26 MAR 76

CHECKED *H. Harshjian*
 DATE 6 JAN 76
 PROD *J.P. Cottrell*
 DATE 3/26/76

SECTION
 ISSUED SECTION

QUANTITY / VARIATION

NOTES:

ITEM NO.	DRAWING NO.	PART NO.	DESCRIPTION	REF											REF. DESIGNATION		
1	D-CS-M7901-0-1		REGISTER BOARD (C.S.)	REF													
2	D-AH-M7901-0-5		ASSY/DRILLING HOLE LAYOUT	REF													
3	B-MH-M7901-0-6		MODULE ECO HISTORY	REF													
4	5011480		ETCHED CIRCUIT BOARD	1													
5	1001610-01		CAP .01UF 100V 5% DISC	91													C1 THRU C91
6	1012084-01		CAP 8 UF	6													C92 THRU C97
7	1300295-00		RES 330 1/2W 5%	2													R1, R3
8	1301401-00		RES 750 1/2W 5%	2													R2, R4
9	1905575-00		IC 7400	4													E4, E6, E10, E18
10	1909004-00		IC 7402	5													E21, E24, E25, E28, E7
11	1909686-00		IC 7404	4													E2, E9, E15, E20
12	1910155-00		IC 7408	2													E12, E45
13	1905576-00		IC 7410	2													E11, E16
14	1911521-00		IC 7432	3													E5, E13, E26
15	1910091-00		IC 7437	1													E1
16	1905547-00		IC 7474	8													E3, E23, E29, E30, E32, E33, E34, E50
17	1905578-00		IC 7430	1													E27
18	1910878-00		IC 7427	1													E57
19	1910011-00		IC 7486	2													E19, E49

E.C.O. NO.
00001
00002
00003

THIS DRAWING AND SPECIFICATIONS, HEREIN, ARE THE PROPERTY OF DIGITAL EQUIPMENT CORPORATION AND SHALL NOT BE REPRODUCED OR COPIED OR USED IN WHOLE OR IN PART AS THE BASIS FOR THE MANUFACTURE OR SALE OF ITEMS WITHOUT WRITTEN PERMISSION. COPYRIGHT © 1975 DIGITAL EQUIPMENT CORPORATION

TITLE
REGISTER BOARD

ASSY NO.
D-UA-M7901-0-0
SHEET 1 OF 2

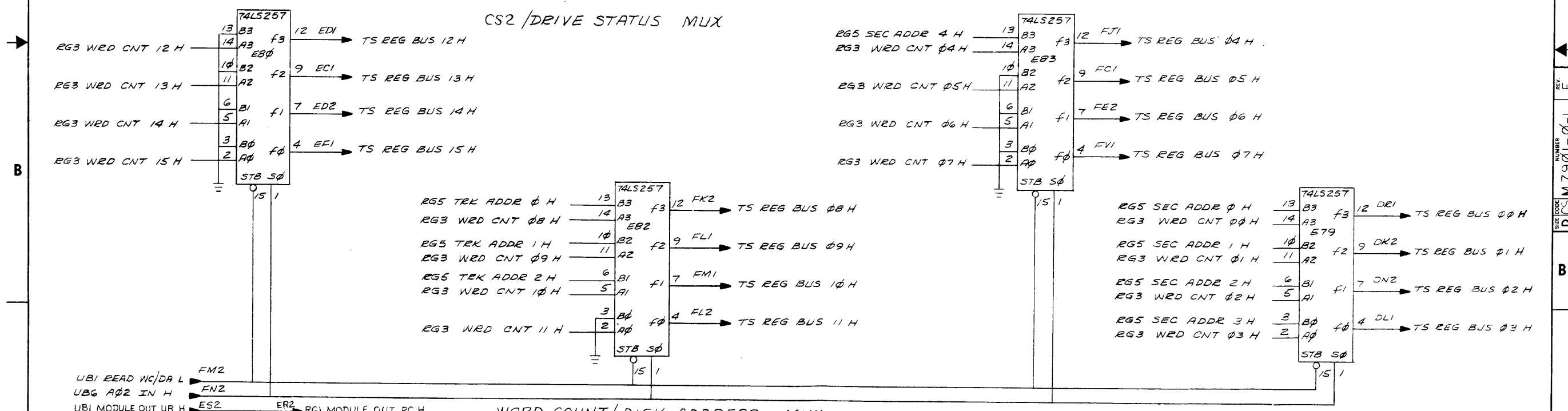
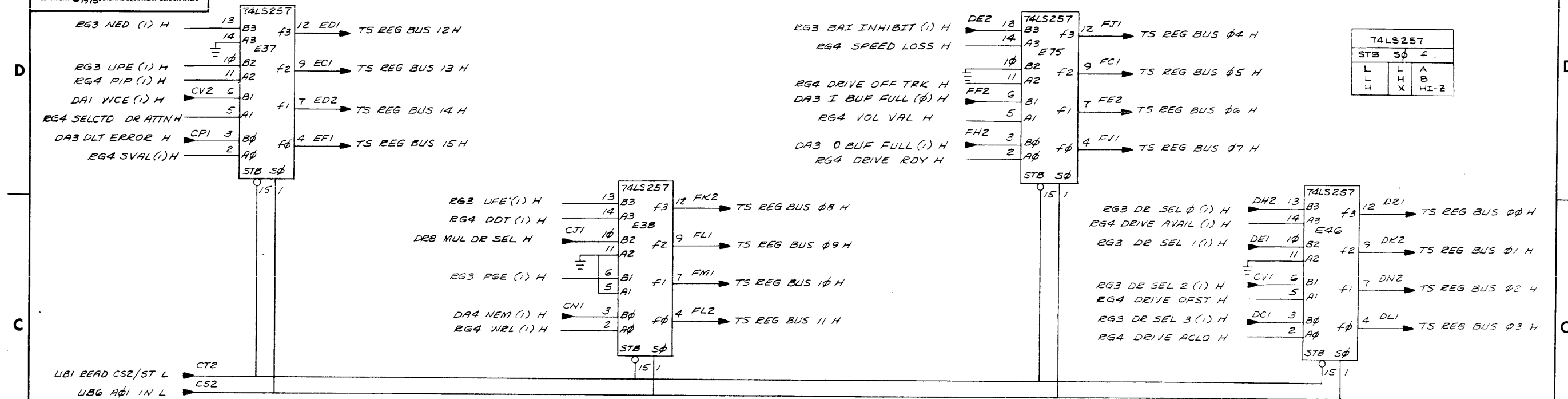
SIZE B CODE PL NUMBER M7901-0-0

REV. F

DIGITAL EQUIPMENT CORPORATION				QUANTITY / VARIATION												NOTES:		
PARTS LIST				ETCH REV E														
MADE BY Lora Metzger		CHECKED <i>H. Santjian</i>		SECTION														
DATE 20 NOV 75		DATE 6 JAN 76		ISSUED SECTION														
ENG <i>M. Richardson</i>		PROD <i>T.P. [unclear]</i>																
DATE 26 MAR 76		DATE 3/26/76																
ITEM NO.	DRAWING NO.	PART NO.	DESCRIPTION	2														REF. DESIGNATION
20	1910656-00		IC 74155	2														E8, E14
21	1910655-00		IC 74157	9														E40, E54, E56, E59, E60, E61, E66, E72, E73
22	1910652-00		IC 74174	4														E41, E43, E68, E70
23	1910096-00		IC 74191	8														E71, E78, E81, E85, E86, E88, E89, E90
24	1910018-00		IC 74193	3														E17, E22, E44
25	1910623-00		IC 74194	8														E47, E48, E55, E62, E64, E65, E67, E69
26	1912647-00		IC 74LS257	16														E31, E36, E37, E38, E39, E46, E51, E53, E58, E75, E76, E77, E79, E80, E82, E83
27	1910651-00		IC 74175	2														E52, E74
28	1210711-02		HANDLE ASSEMBLY HEX	1														
29	9006732-00		EYELET	12														
30			SPARES															E35, E42, E63, E84, E87, E91
31	9105740-55		WIRE 30 AWG, GRN.	A/R														
32	9105740-55		WIRE 30 AWG, GRN	A/R														

E.C.O. NO.	THIS DRAWING AND SPECIFICATIONS. HEREIN, ARE THE PROPERTY OF DIGITAL EQUIPMENT CORPORATION AND SHALL NOT BE REPRODUCED OR COPIED OR USED IN WHOLE OR IN PART AS THE BASIS FOR THE MANUFACTURE OR SALE OF ITEMS WITHOUT WRITTEN PERMISSION. COPYRIGHT © 1975 DIGITAL EQUIPMENT CORPORATION.			TITLE REGISTER BOARD	ASSY NO. D-UA-M7901-0-0	SIZE B	CODE PL	NUMBER M7901-0-0	REV. F
	SHEET 2 OF 2					DIST.			

"THIS DRAWING AND SPECIFICATIONS, HEREIN, ARE THE PROPERTY OF DIGITAL EQUIPMENT CORPORATION AND SHALL NOT BE REPRODUCED OR COPIED OR USED IN WHOLE OR IN PART AS THE BASIS FOR THE MANUFACTURE OR SALE OF ITEMS WITHOUT WRITTEN PERMISSION. COPYRIGHT © 1975, DIGITAL EQUIPMENT CORPORATION"



REV.	CHG.	NO.	DATE	BY	CHK.
0					
1					
2					
3					
4					
5					
6					
7					
8					

DRN: [Signature]	FIRST USED ON: 11/20/75	digital
CHK'D: [Signature]	15/2/76	
ENG: [Signature]	TITLE: (RGI)	REGISTER BOARD
PROJ. ENG: [Signature]		
PROD: [Signature]		
NEXT HIGHER ASSY:		
D-UA-M7901-0-0	SIZE CODE: D	NUMBER: CSM7901-0-1
SCALE: +	DIST:	REV: F
SHEET 1 OF 8		

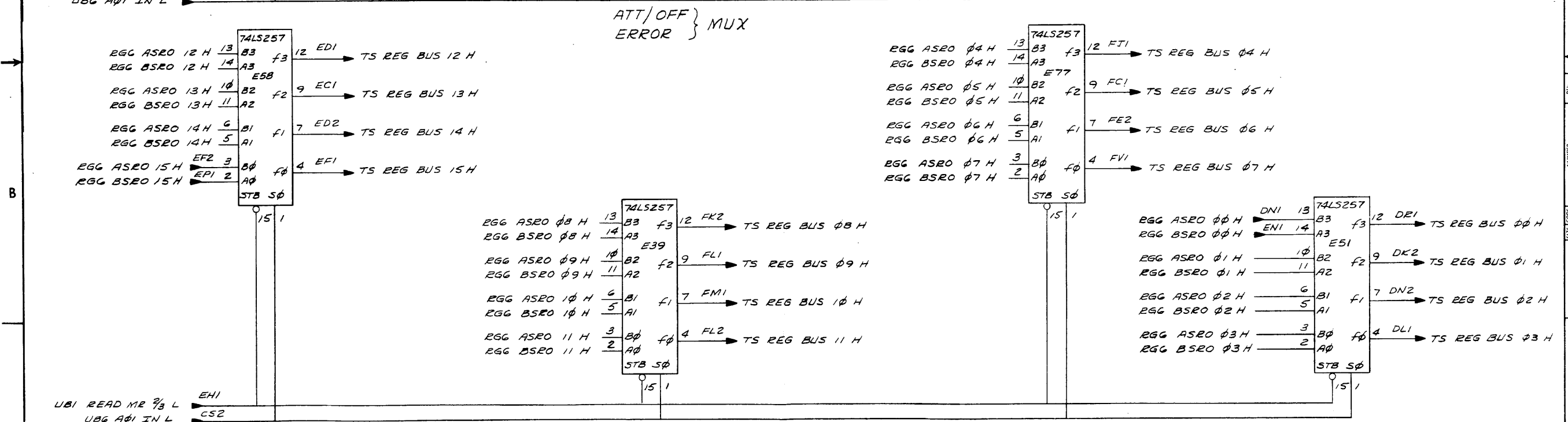
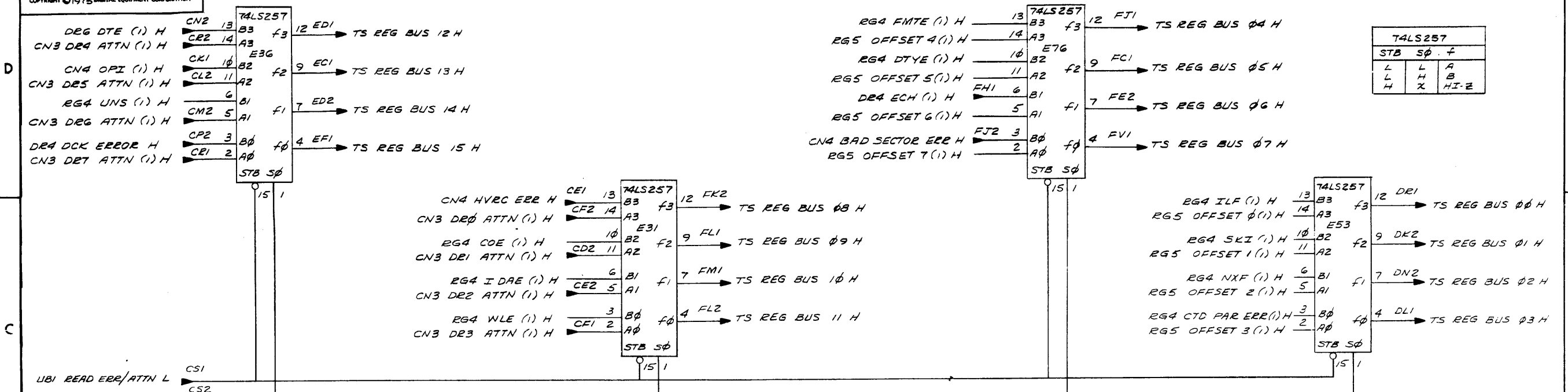
REV. F
NUMBER M7901-0-1
SIZE CODE D

B

A

THIS DRAWING AND SPECIFICATIONS HEREIN ARE THE PROPERTY OF DIGITAL EQUIPMENT CORPORATION AND SHALL NOT BE REPRODUCED OR COPIED OR USED IN WHOLE OR IN PART AS THE BASIS FOR THE MANUFACTURE OR SALE OF ITEMS WITHOUT WRITTEN PERMISSION. COPYRIGHT © 1975 DIGITAL EQUIPMENT CORPORATION

74LS257		
STB	Sφ	f
L	L	A
L	H	B
H	X	HI-Z



ATT/OFF } MUX
ERROR }

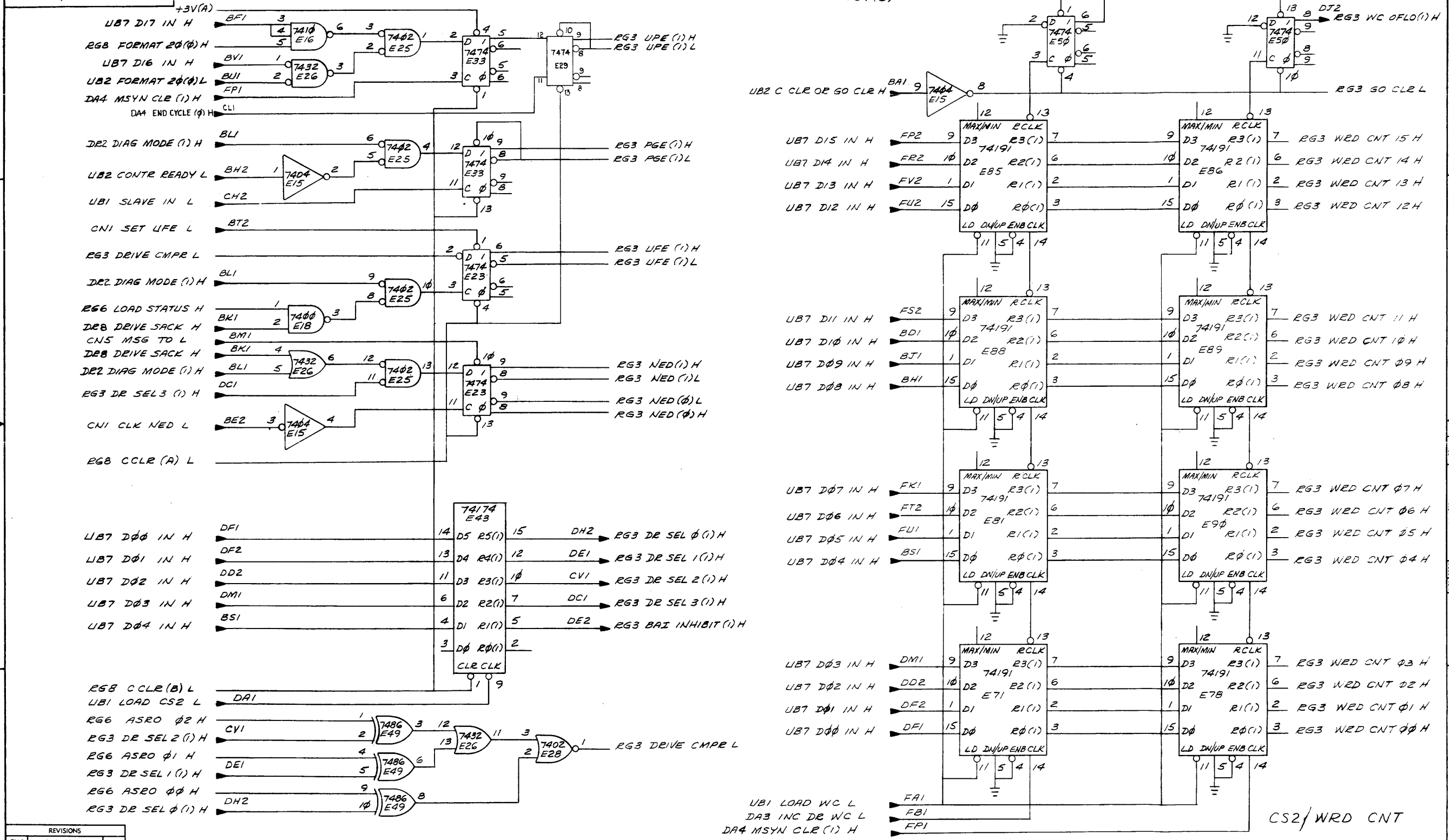
A SR } MUX
B SR }

RKASF/RKER/RKMR2/RKMR3 MUX

REVISIONS		
CHK	CHANGE NO.	REV.

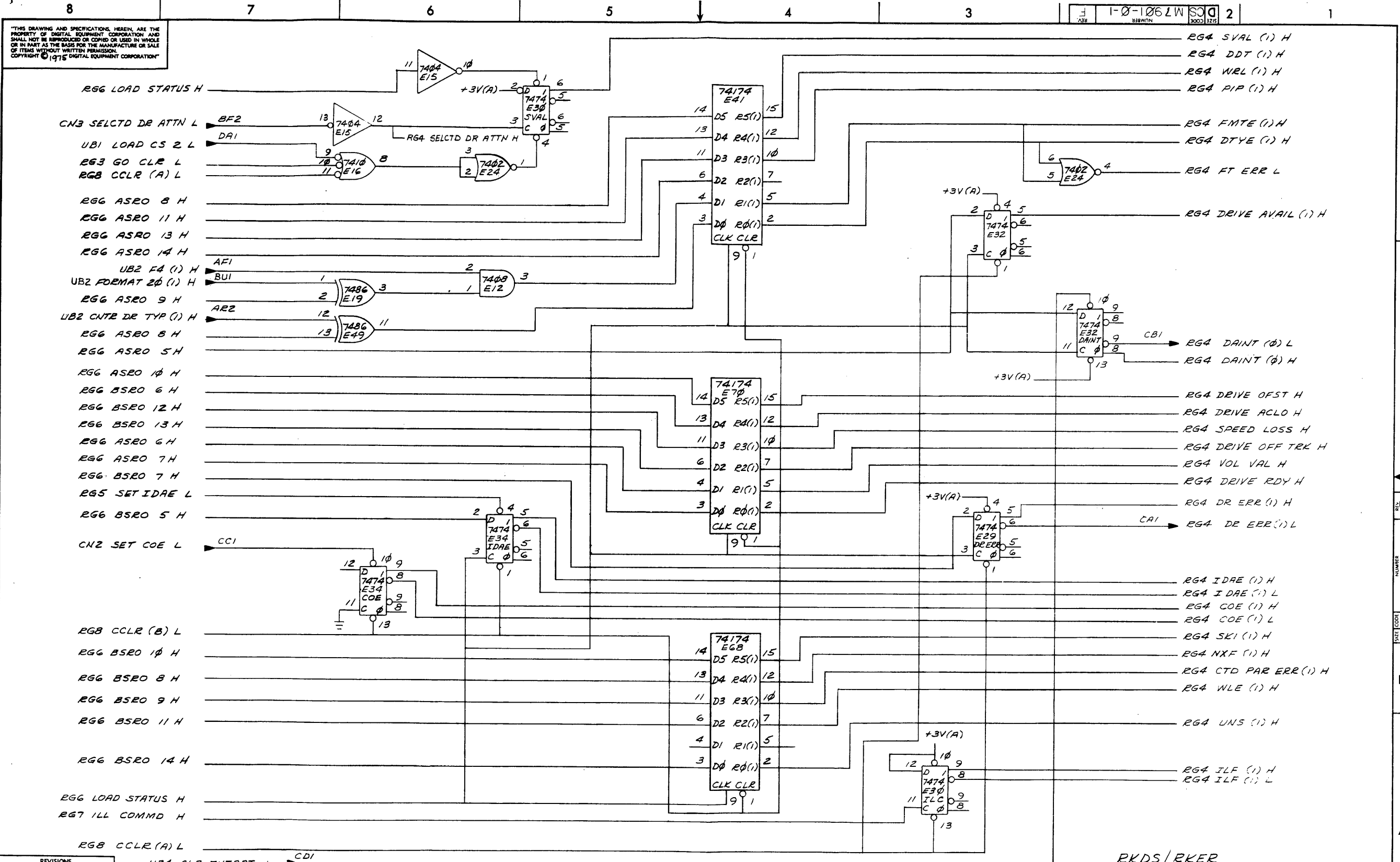
TITLE	REGISTER BOARD (RG2)	SIZE CODE	D CS M7901-0-1	NUMBER	F	REV.	F
SCALE	+	SHEET	2 OF 8	DIST.			

"THIS DRAWING AND SPECIFICATIONS, HEREIN, ARE THE PROPERTY OF DIGITAL EQUIPMENT CORPORATION AND SHALL NOT BE REPRODUCED OR COPIED OR USED IN WHOLE OR IN PART AS THE BASIS FOR THE MANUFACTURE OR SALE OF ITEMS WITHOUT WRITTEN PERMISSION. COPYRIGHT © 1975 DIGITAL EQUIPMENT CORPORATION"



REVISIONS		
CHK	CHANGE NO.	REV.

TITLE	REGISTER BOARD (RG3)	SIZE CODE	D CS M 7901 - 0-1	NUMBER		REV.	F
SCALE		SHEET	3	OF	8	DIST	

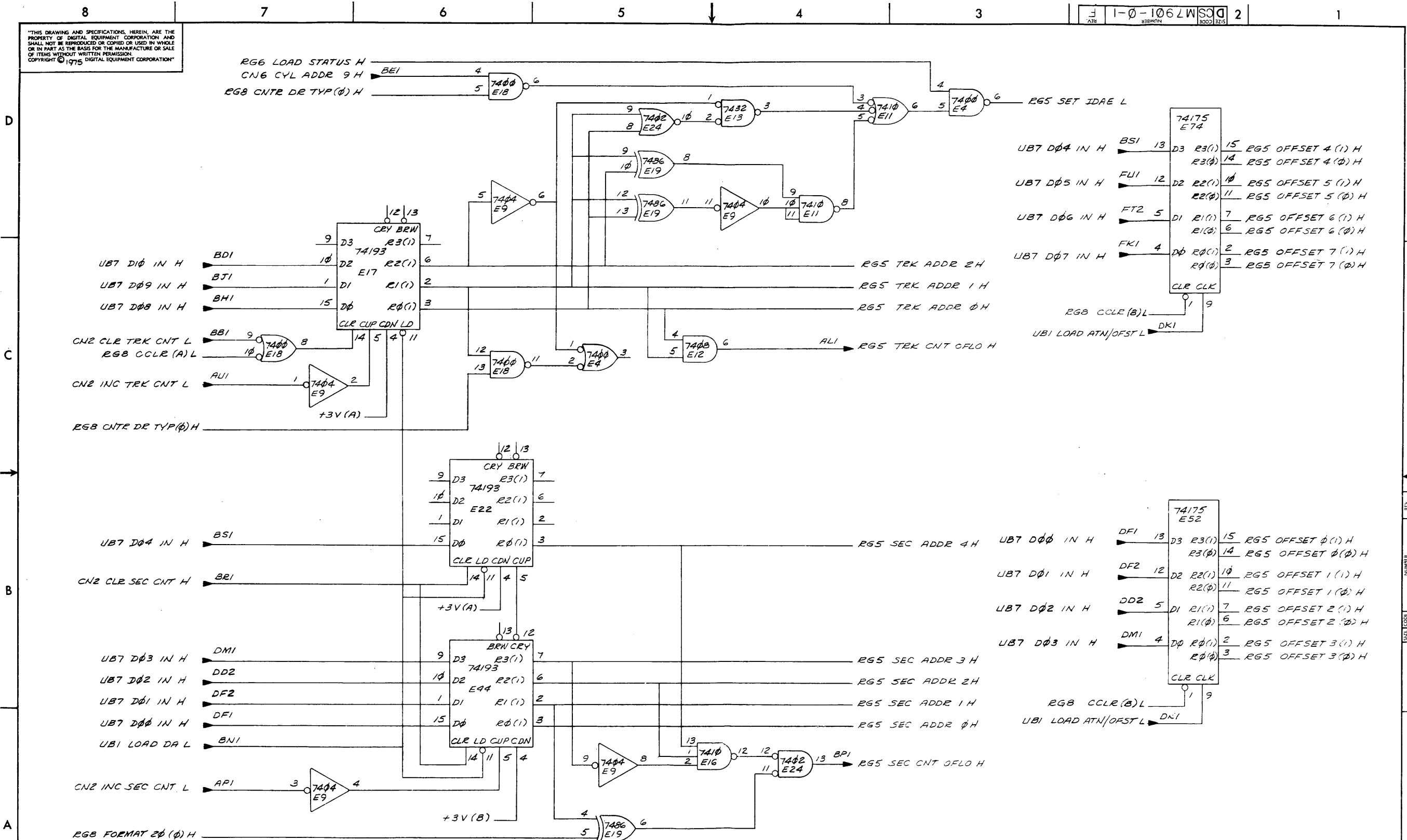


REVISIONS		
CHK	CHANGE NO	REV.

DEC FORM NO. DRD 138

REV. F 1-0-1-06Z W 3003 3215 2

"THIS DRAWING AND SPECIFICATIONS, HEREIN, ARE THE PROPERTY OF DIGITAL EQUIPMENT CORPORATION AND SHALL NOT BE REPRODUCED OR COPIED OR USED IN WHOLE OR IN PART AS THE BASIS FOR THE MANUFACTURE OR SALE OF ITEMS WITHOUT WRITTEN PERMISSION. COPYRIGHT © 1975 DIGITAL EQUIPMENT CORPORATION"



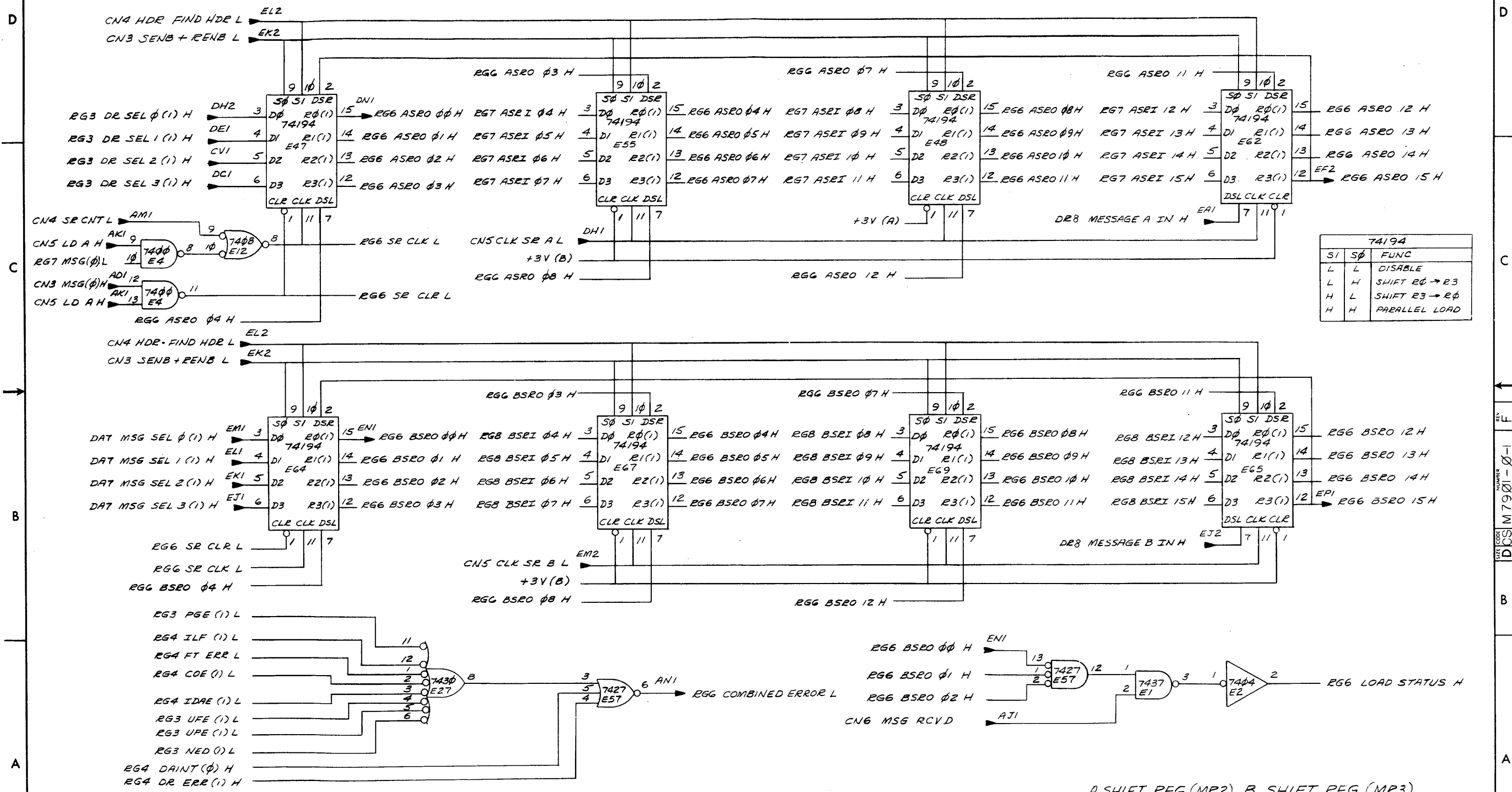
RKDA/RKASF < 00:07 >

REVISIONS		
CHK	CHANGE NO.	REV.

TITLE	(RG5)	SIZE CODE	NUMBER	REV.
REGISTER BOARD	DCS	M7901-0-1	F	
SCALE	SHEET 5 OF 8	DIST.		

DRAWING NUMBER DCS M7901-0-1

"THIS DRAWING AND SPECIFICATIONS, HEREIN, ARE THE PROPERTY OF DIGITAL EQUIPMENT CORPORATION AND SHALL NOT BE REPRODUCED OR COPIED OR USED IN WHOLE OR IN PART AS THE BASIS FOR THE MANUFACTURE OR SALE OF ITEMS WITHOUT WRITTEN PERMISSION. COPYRIGHT © 1975 DIGITAL EQUIPMENT CORPORATION"

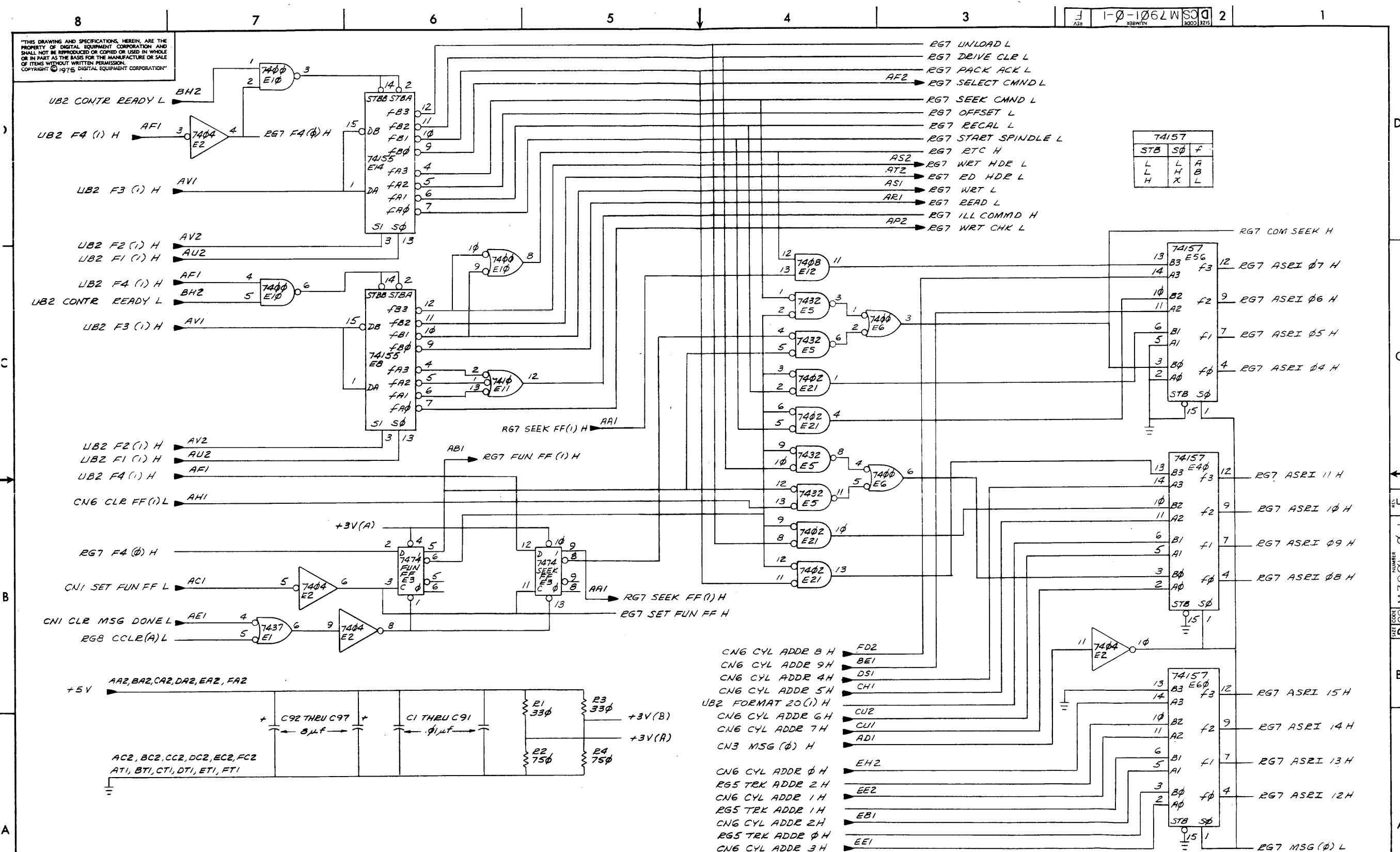


A SHIFT REG (MR2), B SHIFT REG (MR3)

REVISIONS		
CHK	CHANGE NO.	REV.

TITLE	REGISTER BOARD (RG6)	SIZE/CODE	D CS	NUMBER	M7901-0-1	REV.	F
SCALE	1:1	SHEET	6	OF	8	DIST.	

THIS DRAWING AND SPECIFICATIONS, HEREIN, ARE THE PROPERTY OF DIGITAL EQUIPMENT CORPORATION AND SHALL NOT BE REPRODUCED OR COPIED OR USED IN WHOLE OR IN PART AS THE BASIS FOR THE MANUFACTURE OR SALE OF ITEMS WITHOUT WRITTEN PERMISSION. COPYRIGHT © 1975 DIGITAL EQUIPMENT CORPORATION



74157		
STB	Sφ	f
L	L	A
H	H	B
L	H	X
H	L	L

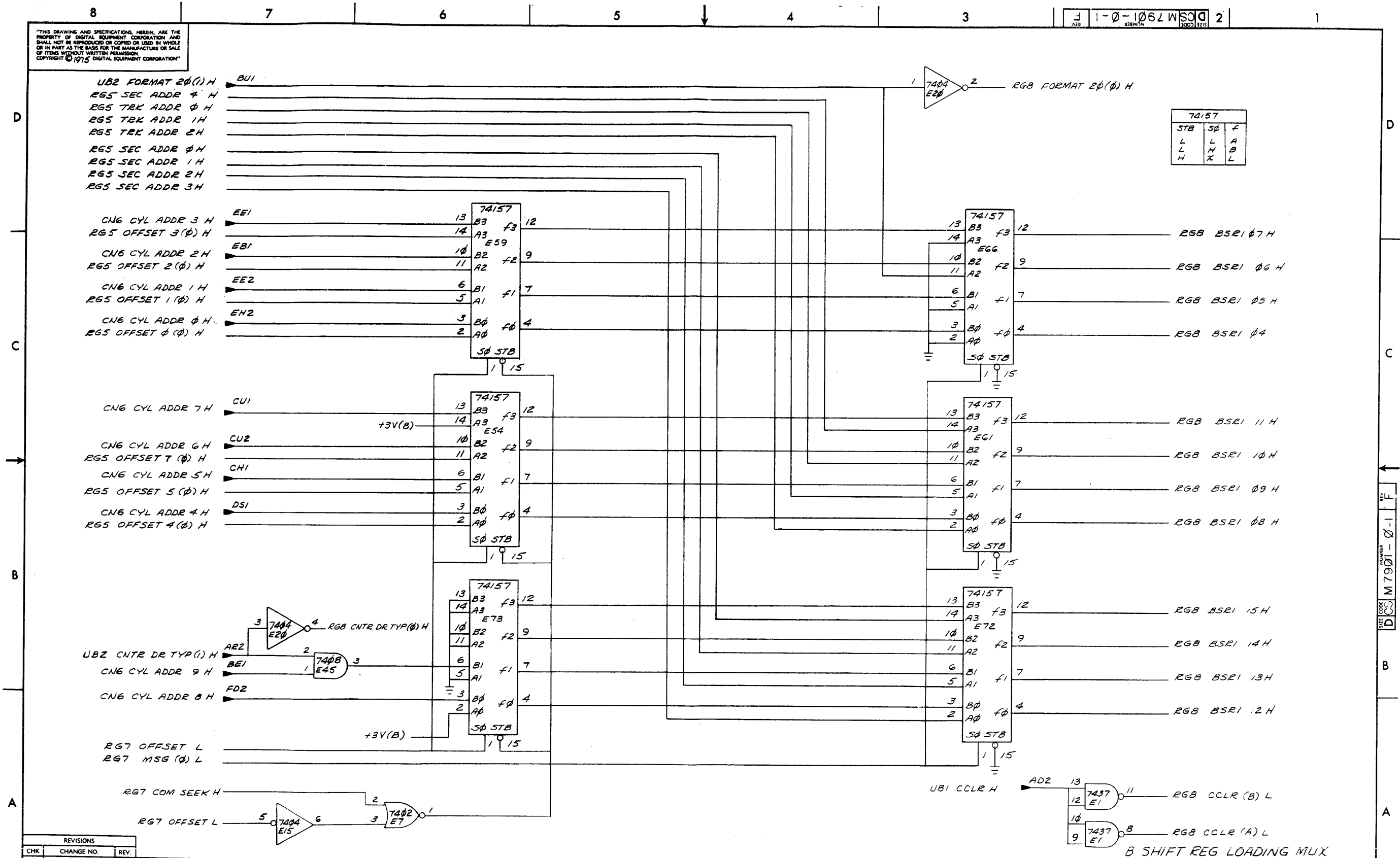
- CN6 CYL ADDR 8 H → FD2
- CN6 CYL ADDR 9 H → BE1
- CN6 CYL ADDR 4 H → DS1
- CN6 CYL ADDR 5 H → CH1
- UB2 FORMAT 20(1) H → CU2
- CN6 CYL ADDR 6 H → CU1
- CN6 CYL ADDR 7 H → AD1
- CN3 MSG(φ) H → EH2
- CN6 CYL ADDR 0 H → EE2
- RG5 TRK ADDR 2 H → EB1
- CN6 CYL ADDR 1 H → EE1
- RG5 TRK ADDR 1 H → EE1
- CN6 CYL ADDR 2 H → EE1
- RG5 TRK ADDR 0 H → EE1
- CN6 CYL ADDR 3 H → EE1

COMMAND DECODE, A SHIFT REG LDING MUX

REVISIONS		
CHK	CHANGE NO.	REV.

TITLE	REGISTER BOARD (RG7)	SIZE CODE	DCS M7901-0-1	NUMBER	F
SCALE	1:1	SHEET	7 OF 8	DIST.	

"THIS DRAWING AND SPECIFICATIONS HEREIN ARE THE PROPERTY OF DIGITAL EQUIPMENT CORPORATION AND SHALL NOT BE REPRODUCED OR COPIED OR USED IN WHOLE OR IN PART AS THE BASIS FOR THE MANUFACTURE OR SALE OF ITEMS WITHOUT WRITTEN PERMISSION. COPYRIGHT © 1975 DIGITAL EQUIPMENT CORPORATION"



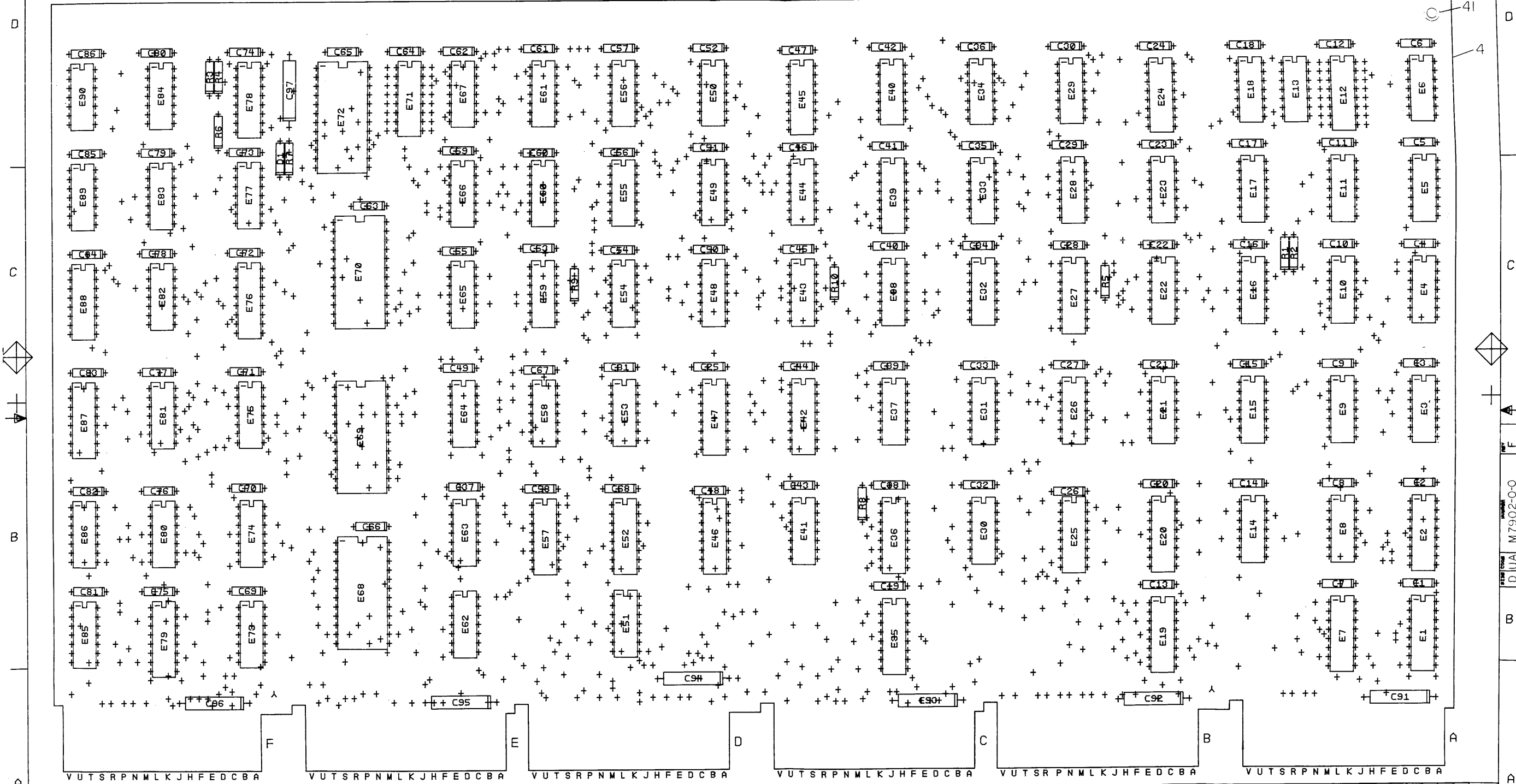
74157		
STB	S ϕ	f
L	L	A
L	H	B
H	X	L

REVISIONS		
CHK	CHANGE NO.	REV.

TITLE	(RG8)	SIZE CODE	NUMBER	REV.
REGISTER BOARD		DCS M7901-0-1		F
SCALE	++	SHEET 8 OF 8	DIST.	

THIS DRAWING AND SPECIFICATIONS, HEREINAFTER, ARE THE PROPERTY OF MILITARY EQUIPMENT CORPORATION AND SHALL NOT BE REPRODUCED OR COPIED IN WHOLE OR IN PART FOR THE UNITED STATES GOVERNMENT OR FOR THE UNITED STATES GOVERNMENT OR FOR THE UNITED STATES GOVERNMENT OR FOR THE UNITED STATES GOVERNMENT.

COMPONENT SIDE VIEW



NOTES: 1. E12 & E71 ARE SPARE IC LOCATIONS.

CHKCHANGE NO	REV
REDRAWN	F
ML	006

ETCH REV.	E-PI
-----------	------

SIGNATURES		DATE	digital
DRN.	<i>[Signature]</i>	10-15-78	
CHK'D.	<i>[Signature]</i>	10-20-80	TITLE
MECH. ENG.	<i>[Signature]</i>	10-20-80	
PROJ. ENG.	<i>[Signature]</i>	10-20-80	
SCALE 2:1			CONTROL BOARD
SHT. 1 OF 1			
NEXT HIGHER REV. B-EP-M7902-0		SIZE CODE	NUMBER
		D U A	M7902-0-0

STEP	↑ Y AXIS	— STEP	— TIMES
REPEAT	→ X AXIS	— STEP	— TIMES

LINE ITEM	DOCUMENT NUMBER	PART NUMBER	DESCRIPTION	QTY PER VARIATION 00	REFERENCE DESIGNATOR
1	1	D-CS-M7902-0-1	CONTROL BOARD (C.S.)	REF	
2	2	D-UA-M7902-0-0	UNIT ASSY	REF	
3	3	B-MH-M7902-0-6	MODULE ECO HISTORY	REF	
4	4	5011461-00	M7902	1	
5	5	1002630-00	.015 MFD 100V 10% MYLR	1	C97
6	6	1001610-00	.01 MFD 50V +80-20% 25U CER	86	C1-C86
7	7	1012084-01	8 MFD 25V +75-10% AL EL	6	C91-C96
8	8	1105275-00	D 672 TR= 15NS PIV= 60V SI	1	D1
9	9	1300295-00	330.0 .25 W 5.0 % CC	2	R1,R3
10	10	1301401-00	750.0 .25 W 5.0 % CC	2	R2,R4
11	11	1300365-00	1.0 K .25 W 5.0 % CC	3	R8-R10
12	12	1304854-00	5.11 K .25 W 1.0 % RN55D-F10	1	R7
13	13	1301874-00	5.60 K .25 W 5.0 % CC	2	R5,R6
14	14	1905575-00	7400 NAND GATE-QUAD 2IN	6	E40,E56,E58,E59,E63,E82
15	15	1909004-00	DEC 7402 NOR GATE-QUAD 2IN	3	E9,E44,E55
16	16	1909686-00	7404 INVERTER GATE-HEX 1I	4	E21,E53,E64,E89
17	17	1910155-00	DEC 7408 AND GATE,POS,QUAD 2I	7	E6,E50,E38,E65,E73,E49,E75
18	18	1905576-00	7410 NAND GATE-TRIPLE 3IN	1	E15
19	19	1910537-00	74S11 AND GATE-TRIPLE 3INP	1	E60
20	20	1905577-00	7420 NAND GATE-DUAL 4INPU	3	E8,E31,E28
21	21	1910878-00	7427 NOR GATE-TRIPLE 3IN	3	E4,E26,E22
22	22	1905578-00	7430 NAND GATE-SINGLE 8IN	1	E30
23	23	1911521-00	7432 OR GATE-QUAD 2IN, PO	3	E3,E48,E74
24	24	1910091-00	DEC 7437 AND GATE-QUAD 2IN,BU	2	E11,E17
25	25	1905580-00	DEC 7450 A-0-I XPNDBLE GATE-D	1	E14
26	26	1905589-00	DEC 7470 FF-JK EDGE TRIPPER	2	E13,E18
27	27	1905587-00	DEC 7473 FF-JK DUAL,MASTER SL	1	E33
28	28	1905547-00	7474 FF-D DUAL,EDGE TRIGG	19	E5,E10,E23,E32,E34,E37,E43,E54, E61,E66,E67,E77,E80,E81,E83,E85, E86,E51,E62

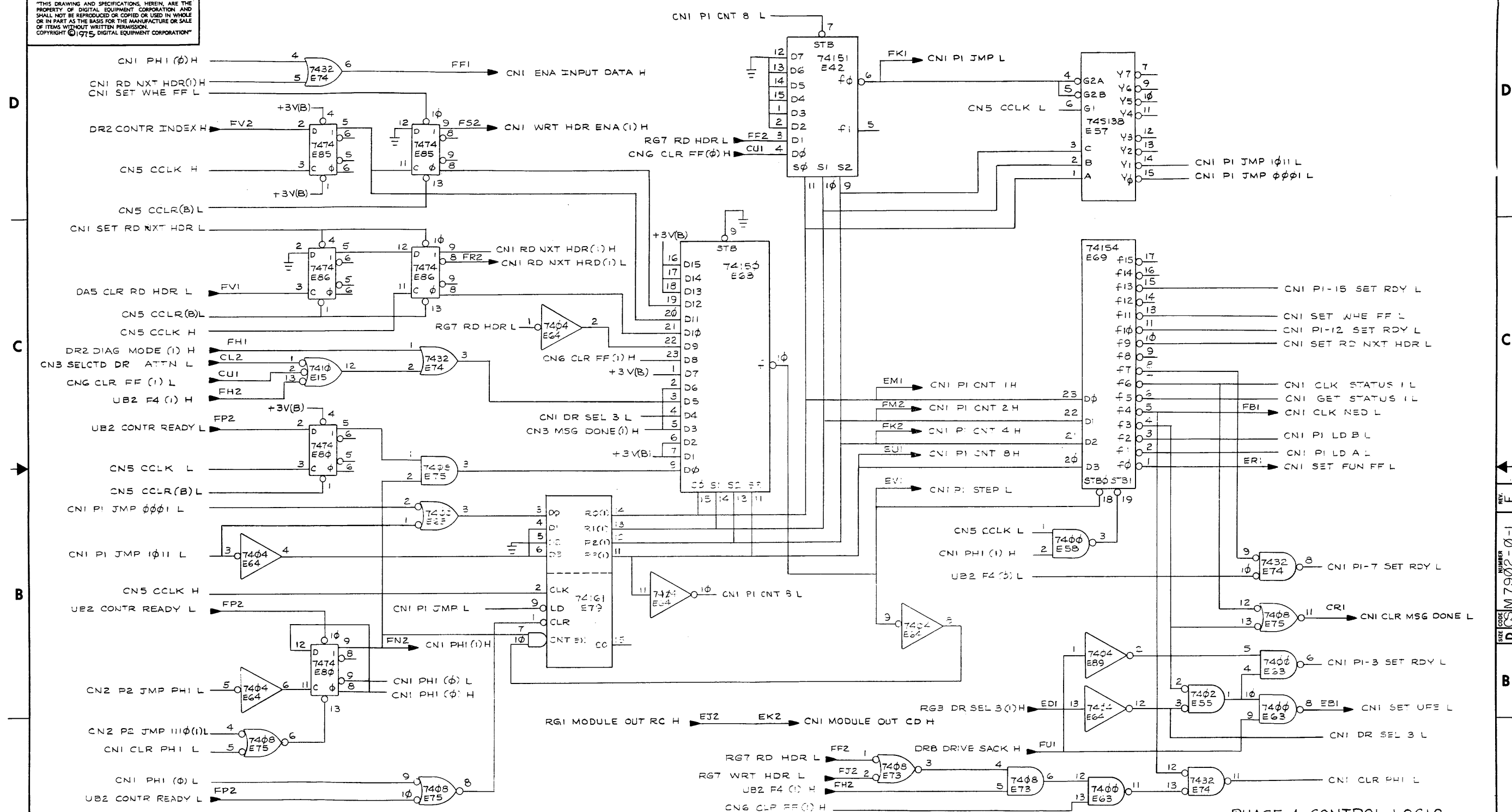
REVISION HISTORY		BASIC PART NO: M7902		DRN:	LORA METZGER	DATE:	15-DEC-75	D I G I T A L			
ENG	ECO NUMBER	REV	SECTION A OF A	CHK'D:	F.BOSSMAN	DATE:	13-JUN-80	TITLE PARTS LIST			
---	INITIAL	A	SECTION VARIATION INDEX					CONTROL BOARD			
---	M7902-00001	B	[A] 00								
---	M7902-00004	C	[B]								
---	M7902-ML005	E	[C]	DES.ENG:	M.RICHESSON	DATE:	29-MAR-76				
M.C.	M7902-ML006	F	[D]					DOCUMENT NUMBER			
			[E]								
			[F]	RESP.ENG.:	M.RICHESSON	DATE:	29-MAR-80	SIZE	CODE	NUMBER	REV
			[G]								
			[H]								
			[I]								
			[J]								
			[K]	MFG.ENG.:	C.E.POWELL	DATE:	29-MAR-76	K	PL	M7902-0-DBP	F
			[L]								
			[M]	ASSEMBLY NUMBER:		TOP DOCUMENT NUMBER:		FILE NAME:		EDIT #:	
			[N]	D-UA-M7902-0-0		#B-DD-M7902-0		Z1501F.PLS		12	

"THIS DRAWING AND SPECIFICATIONS HEREIN, ARE THE PROPERTY OF DIGITAL EQUIPMENT CORPORATION AND SHALL NOT BE REPRODUCED OR COPIED OR USED IN WHOLE OR IN PART AS THE BASIS FOR THE MANUFACTURE OR SALE OF ITEMS WITHOUT WRITTEN PERMISSION. COPYRIGHT (C) 1980, DIGITAL EQUIPMENT CORPORATION"

LINE ITEM	DOCUMENT NUMBER	PART NUMBER	DESCRIPTION	QTY PER VARIATION	REFERENCE DESIGNATOR
				00	
29	29	1910011-00	DEC 7486 X-OR GATE-QUAD 2INPU	2	E16,E29
30	30	1910436-00	DEC 74123 ONE SHOT-DUAL,RETRIG	2	E27,E78
31	31	1911675-00	74S138 DECODER/DEMUX 3-8 LIN	2	E57,E87
32	32	1910153-00	DEC 74150 MUX 1 OF 16	2	E68,E72
33	33	1909936-00	74151 MUX 1 OF 8	3	E35,E42,E88
34	34	1909937-00	74153 MUX 1 OF 4 (DUAL)	2	E19,E24
35	35	1909701-00	74154 1 OF 16,BINA	2	E69,E70
36	36	1910650-00	74161 COUNTER,SYNCHR. UP	5	E79,E47,E76,E39,E45
37	37	1910041-00	DEC 74164 SHIFT REG.,8BIT SERI	3	E41,E84,E90
38	38	1910651-00	DEC 74175 FF-D QUAD	2	E36,E46
39	39	1910018-00	DEC 74193 COUNTER,SYNCHR. UP/D	3	E20,E25,E52
40	40	1911527-00	8097 BUFFER GATE-HEX 2INP	3	E1,E2,E7
41	41	9006732-00	EYELET, ROLLED FLANGE, .121 OD X	12	
42	42	1210711-02	/REPLACED BY 12-16988-02	1	
43	43	9105740-55	WIRE(WRAP)30AWG UL1423	A/R	
44	44	D-EC-5011461-0-0	ETCH CUT DWG	REF	

! ! ! ! ! ! ! !	! TITLE	! ! ! ! ! ! ! !	! ! ! ! ! ! ! !	! ! ! ! ! ! ! !	! ! ! ! ! ! ! !
! D ! I ! G ! I ! T ! A ! L !	CONTROL BOARD	! ! ! ! ! ! ! !	! SECTION A OF A	! ! ! ! ! ! ! !	! ! ! ! ! ! ! !
! ! ! ! ! ! ! !	! ! ! ! ! ! ! !	! ! ! ! ! ! ! !	! ! ! ! ! ! ! !	! ! ! ! ! ! ! !	! ! ! ! ! ! ! !
! ! ! ! ! ! ! !	! ! ! ! ! ! ! !	! ! ! ! ! ! ! !	! ! ! ! ! ! ! !	! ! ! ! ! ! ! !	! ! ! ! ! ! ! !

"THIS DRAWING AND SPECIFICATIONS, HEREIN, ARE THE PROPERTY OF DIGITAL EQUIPMENT CORPORATION AND SHALL NOT BE REPRODUCED OR COPIED OR USED IN WHOLE OR IN PART AS THE BASIS FOR THE MANUFACTURE OR SALE OF ITEMS WITHOUT WRITTEN PERMISSION. COPYRIGHT © 1975 DIGITAL EQUIPMENT CORPORATION"

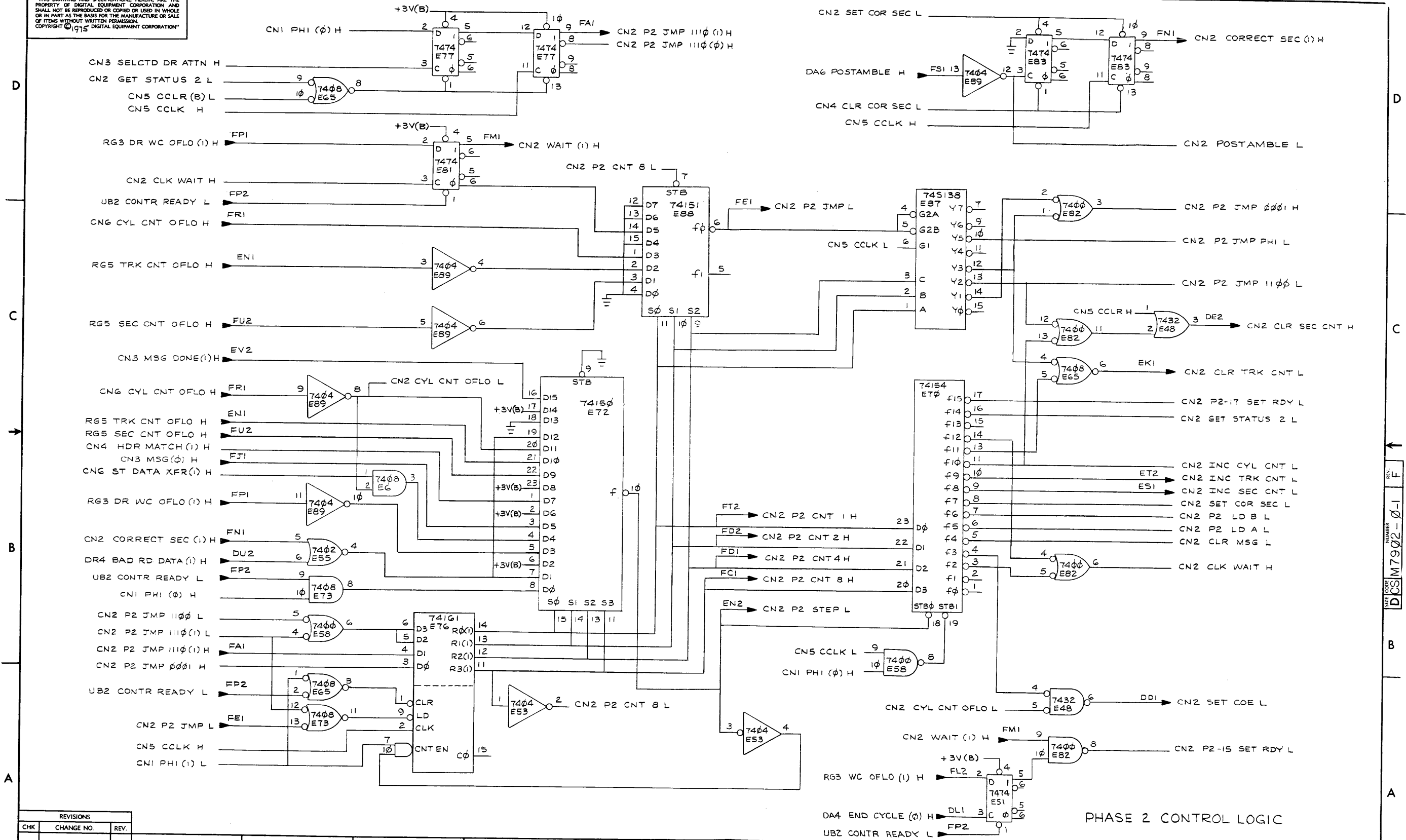


PHASE 1 CONTROL LOGIC

REV.	CHANGE NO.	DATE	BY	CHK
C	00001			
B				
A				

DRN: S. METZGER	11/9/75	FIRST USED ON	RK611
CHK'D: [Signature]	12/25/75	TITLE	
ENG: M. P. [Signature]	12/11/75	CONTROL BOARD	
PROJ. ENG: [Signature]	12/11/75	(CNI)	
PROD: [Signature]	12/11/75	NEXT HIGHER ASSY.	
D-UA-M7902-0-0		SIZE	CODE
SCALE	D	CS	M7902-0-1
SHEET	1	OF 6	DIST.

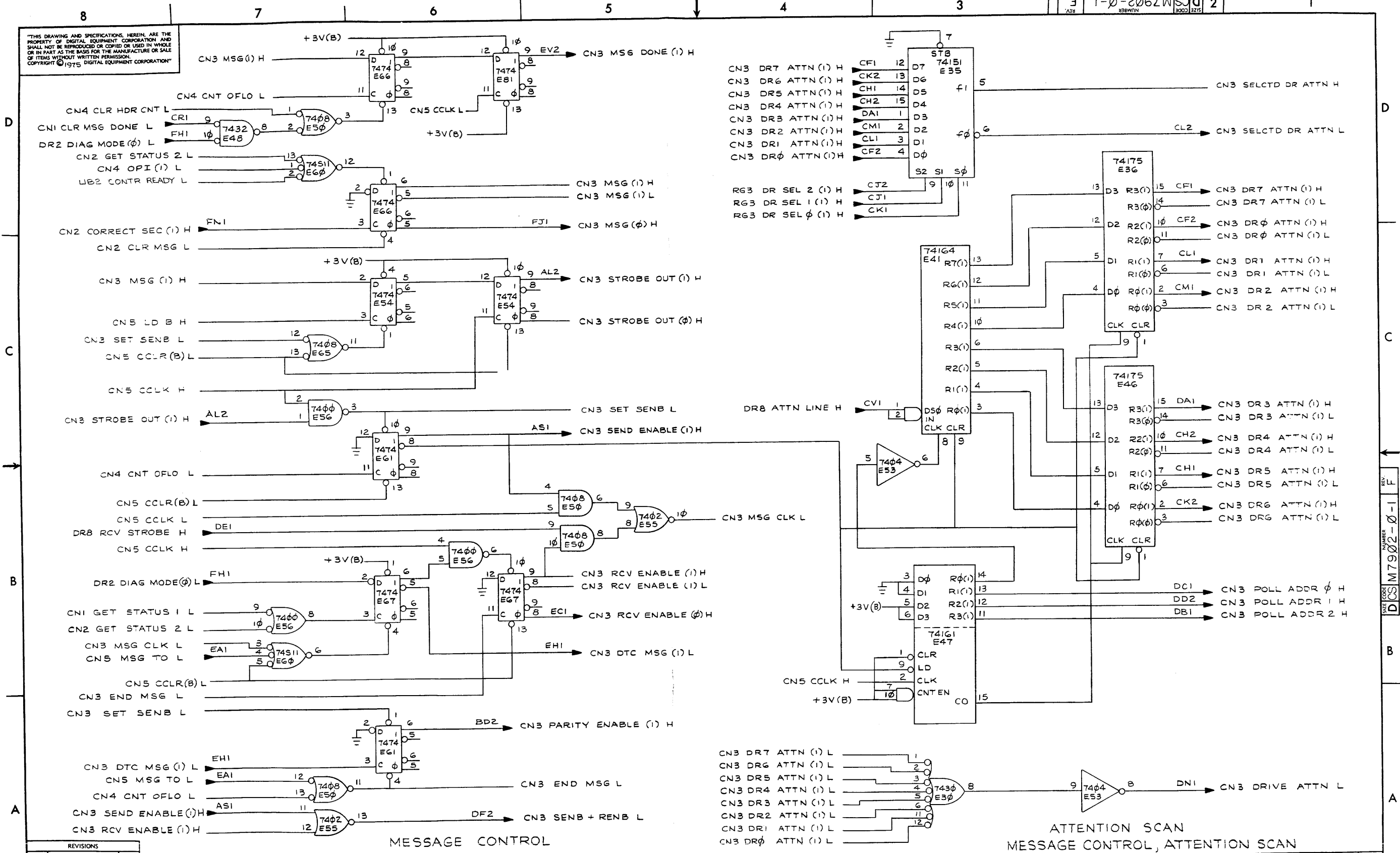
"THIS DRAWING AND SPECIFICATIONS, HEREIN, ARE THE PROPERTY OF DIGITAL EQUIPMENT CORPORATION AND SHALL NOT BE REPRODUCED OR COPIED OR USED IN WHOLE OR IN PART AS THE BASIS FOR THE MANUFACTURE OR SALE OF ITEMS WITHOUT WRITTEN PERMISSION. COPYRIGHT © 1975 DIGITAL EQUIPMENT CORPORATION"



REVISIONS		
CHK	CHANGE NO.	REV.

TITLE	CONTROL BOARD (CN2)	SIZE CODE	D CS M7902-0-1	NUMBER	2	REV.	F
SCALE		SHEET	2	OF	6	DIST.	

"THIS DRAWING AND SPECIFICATIONS, HEREIN, ARE THE PROPERTY OF DIGITAL EQUIPMENT CORPORATION AND SHALL NOT BE REPRODUCED OR COPIED IN WHOLE OR IN PART AS THE BASIS FOR THE MANUFACTURE OR SALE OF ITEMS WITHOUT WRITTEN PERMISSION. COPYRIGHT © 1975 DIGITAL EQUIPMENT CORPORATION"



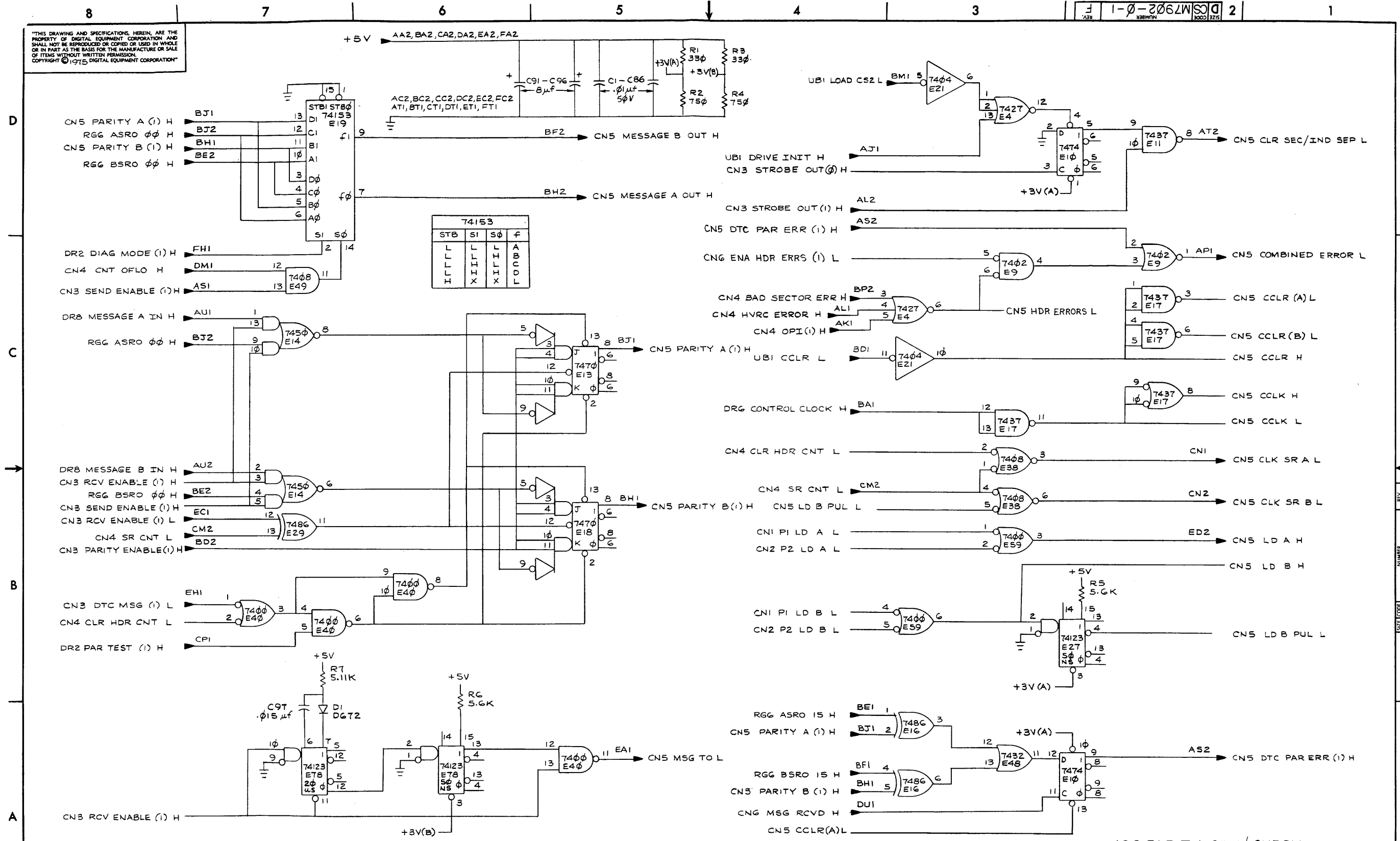
REVISIONS		
CHK	CHANGE NO.	REV.

ATTENTION SCAN
MESSAGE CONTROL, ATTENTION SCAN

TITLE CONTROL BOARD (CN3)	SIZE CODE DCS M7902-0-1	NUMBER 3	REV. F
SCALE	SHEET 3 OF 6	DIST.	

REV. 1-1 DCS M7902-0-1

"THIS DRAWING AND SPECIFICATIONS, HEREIN, ARE THE PROPERTY OF DIGITAL EQUIPMENT CORPORATION AND SHALL NOT BE REPRODUCED OR COPIED OR USED IN WHOLE OR IN PART AS THE BASIS FOR THE MANUFACTURE OR SALE OF ITEMS WITHOUT WRITTEN PERMISSION. COPYRIGHT © 1975, DIGITAL EQUIPMENT CORPORATION"

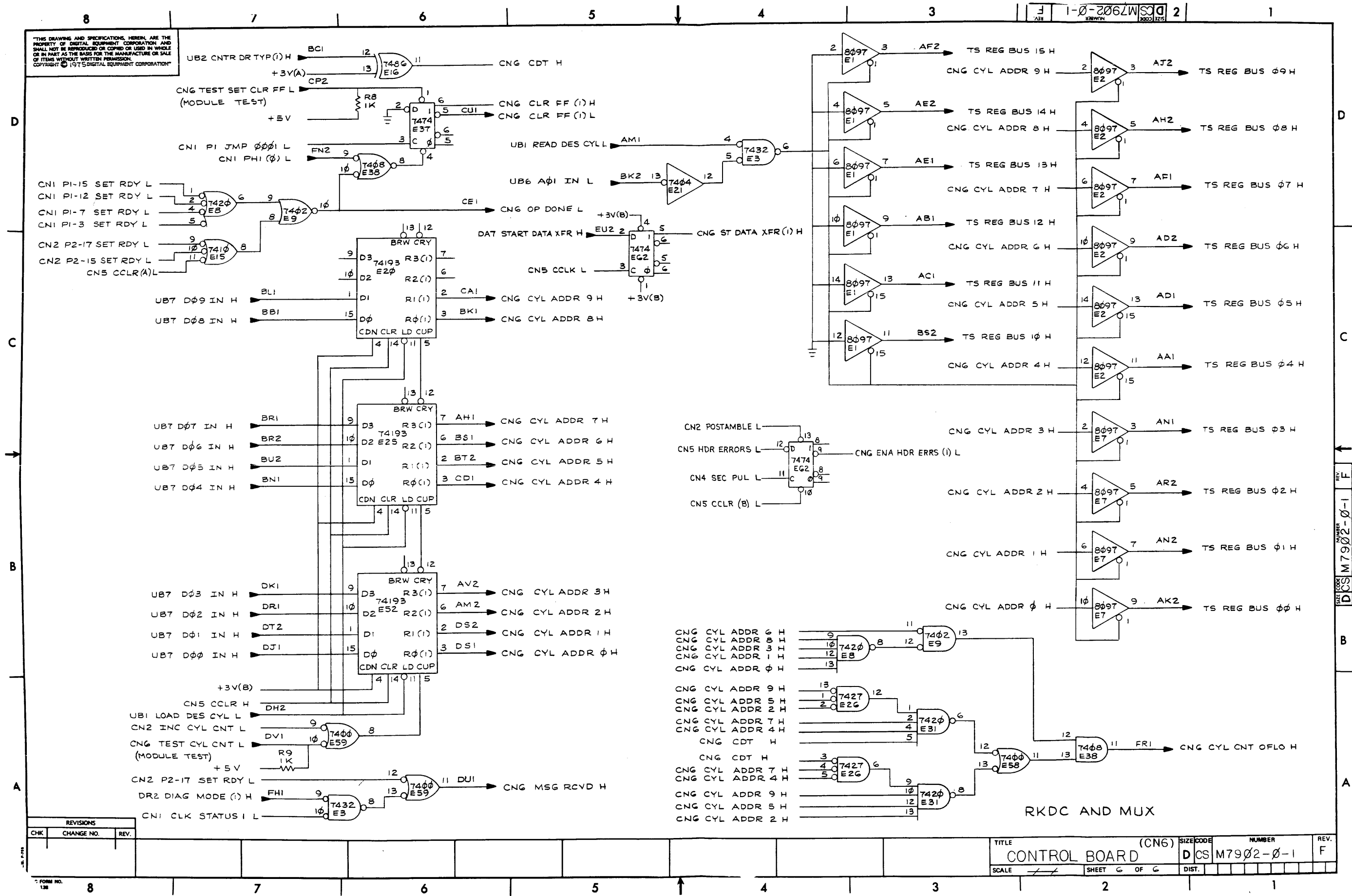


MSG PARITY GEN/CHECK

REVISIONS		
CHK	CHANGE NO.	REV.

TITLE	CONTROL BOARD (CN5)	SIZE/CODE	DCS M7902-0-1	NUMBER		REV.	F
SCALE		SHEET	5 OF 6	DIST.			

"THIS DRAWING AND SPECIFICATIONS HEREIN ARE THE PROPERTY OF DIGITAL EQUIPMENT CORPORATION AND SHALL NOT BE REPRODUCED OR COPIED OR USED IN WHOLE OR IN PART AS THE BASIS FOR THE MANUFACTURE OR SALE OF ITEMS WITHOUT WRITTEN PERMISSION. COPYRIGHT © 1975 DIGITAL EQUIPMENT CORPORATION"



REVISIONS		
CHK	CHANGE NO.	REV.

TITLE	CONTROL BOARD (CN6)	SIZE CODE	D CS M7902-0-1	NUMBER		REV.	F
SCALE		SHEET	6 OF 6	DIST.			

THIS DRAWING AND SPECIFICATIONS, HEREIN, ARE THE PROPERTY OF DIGITAL EQUIPMENT CORPORATION AND SHALL NOT BE REPRODUCED OR COPIED OR USED IN WHOLE OR IN PART AS THE BASIS FOR THE MANUFACTURE OR SALE OF ITEMS WITHOUT WRITTEN PERMISSION. COPYRIGHT © 1975, DIGITAL EQUIPMENT CORPORATION

CLASS A DRIVE COMMANDS
(PHASE I ONLY)

DRIVE SELECT	1
PACK ACK	3
DRIVE CLEAR	5
UNLOAD	7
START SPINDLE	11
RECALIBRATE	13
OFFSET	15
SEEK	17

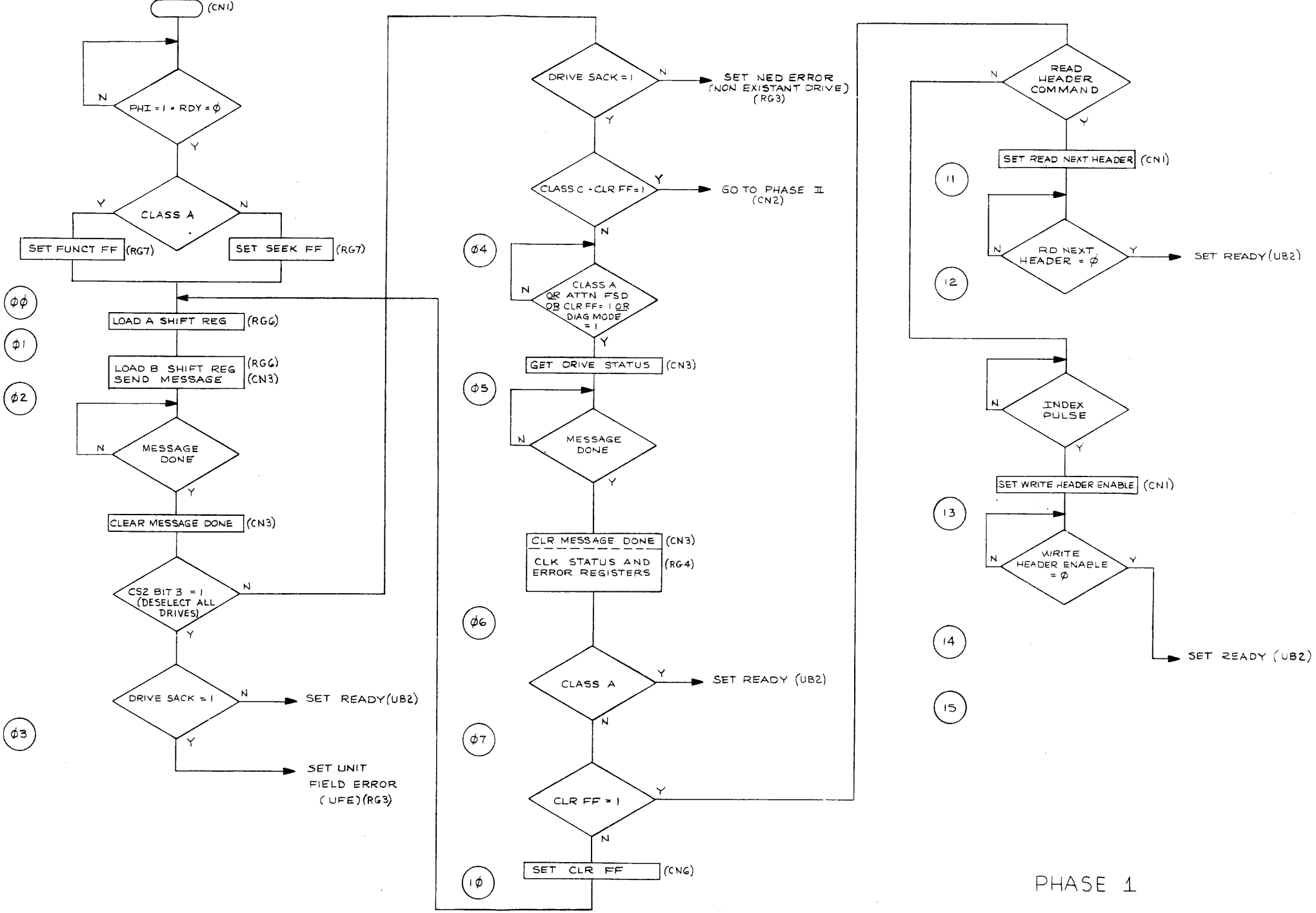
CLASS B DRIVE COMMANDS
(PHASE I ONLY)

READ HEADER	25
WRITE HEADER	27

CLASS C DRIVE COMMANDS
(PHASE I AND II)

READ	21
WRITE	23
WRITE CHECK	31

PHASE 1



D
C
B
A

D
C
B
A

REV.	
CHG.	
CHK.	

DEC FORM NO. 102-0

XX = PHASE ADDRESS COUNTER

PHASE 1

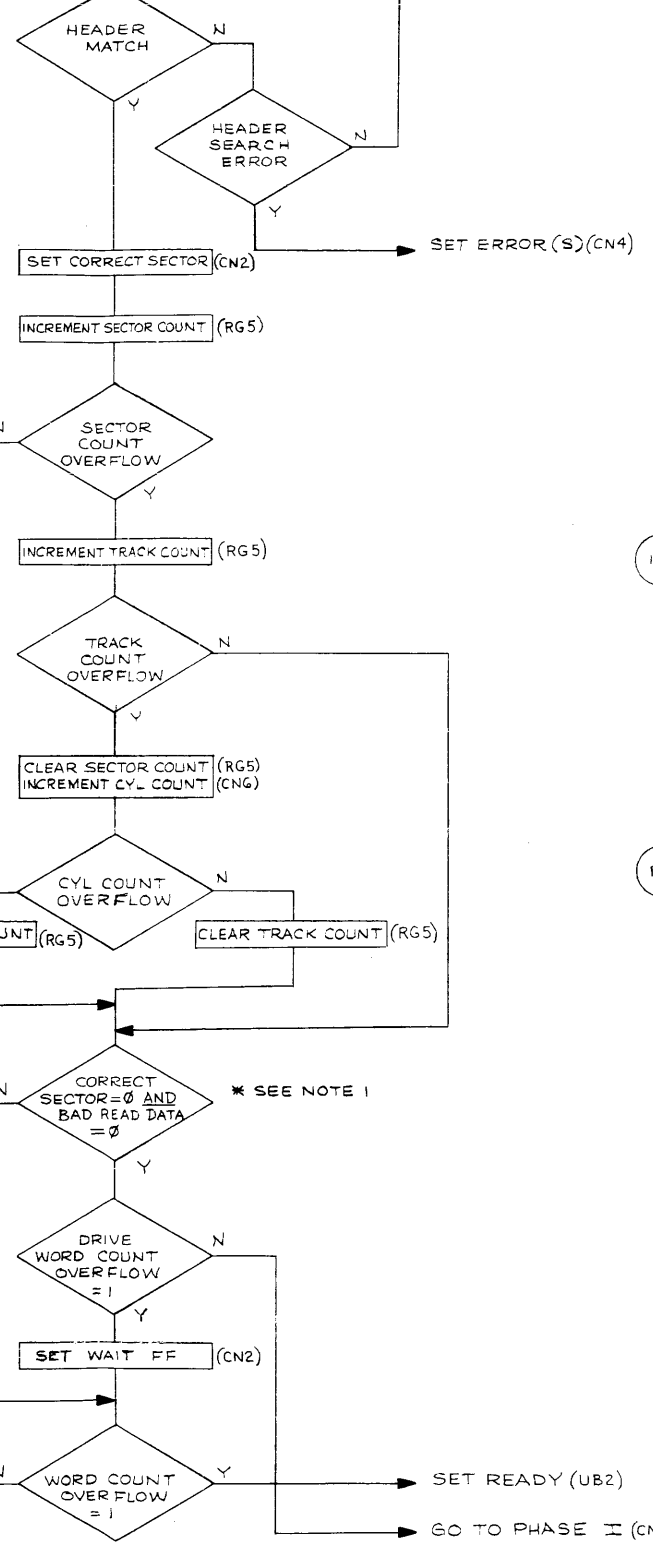
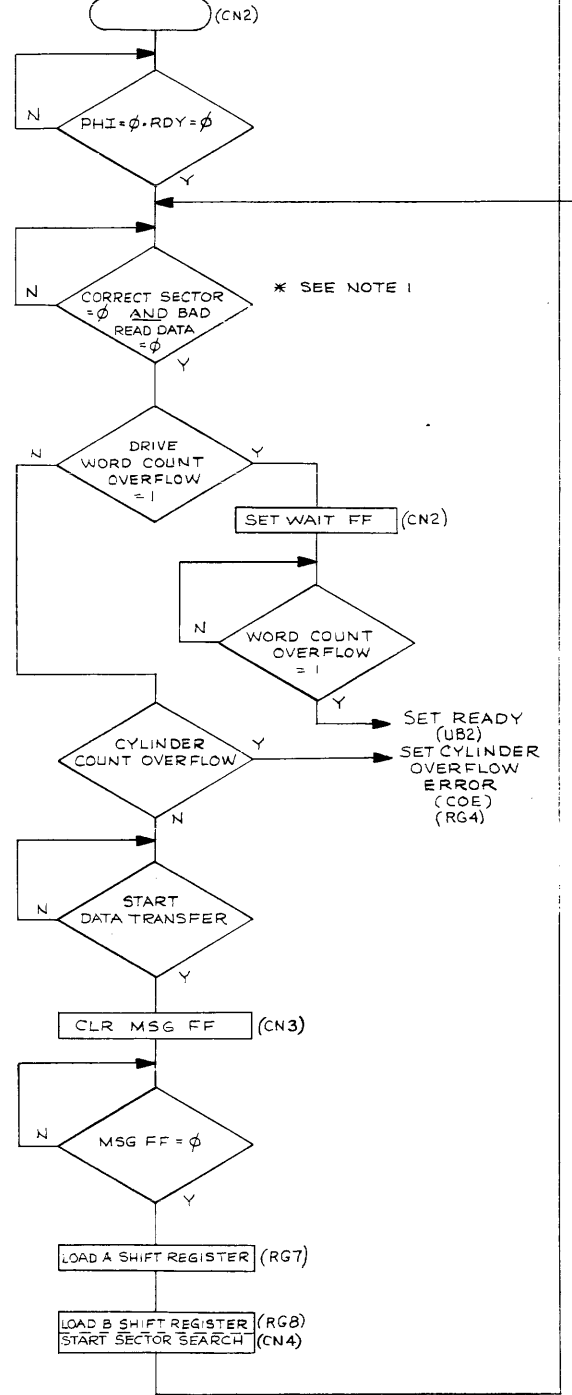
DRN. <i>Scal...</i>	11/19/75	FIRST USED ON	RK611	digital
CHK'D. <i>M. Beck...</i>	12 DEC 75	TITLE	CONTROL FLOW CHART	
ENG. <i>M. Beck...</i>	12/18/75	SCALE	1/1	
PROJ. ENG. <i>D. ...</i>	12/18/75	SHEET	1	OF 2
NEXT HIGHER ASSY.		SIZE	CODE	NUMBER
B-DD-RK611-φ		D	FD	M7902-0-9
DIST.				

"THIS DRAWING AND SPECIFICATIONS, HEREIN, ARE THE PROPERTY OF DIGITAL EQUIPMENT CORPORATION AND SHALL NOT BE REPRODUCED OR COPIED OR USED IN WHOLE OR IN PART AS THE BASIS FOR THE MANUFACTURE OR SALE OF ITEMS WITHOUT WRITTEN PERMISSION. COPYRIGHT © 1975 DIGITAL EQUIPMENT CORPORATION"

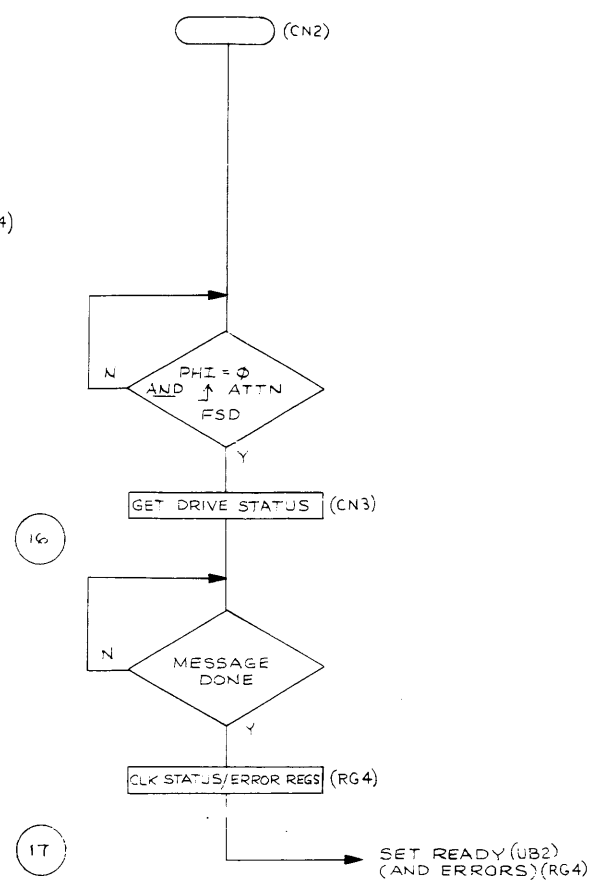
D
C
B
A

D
C
B
A

PHASE II



DRIVE ERROR INTERRUPT



NOTE
1. WAITING FOR COMPLETION OF ECC FIELD IN CURRENT SECTOR.

PHASE II

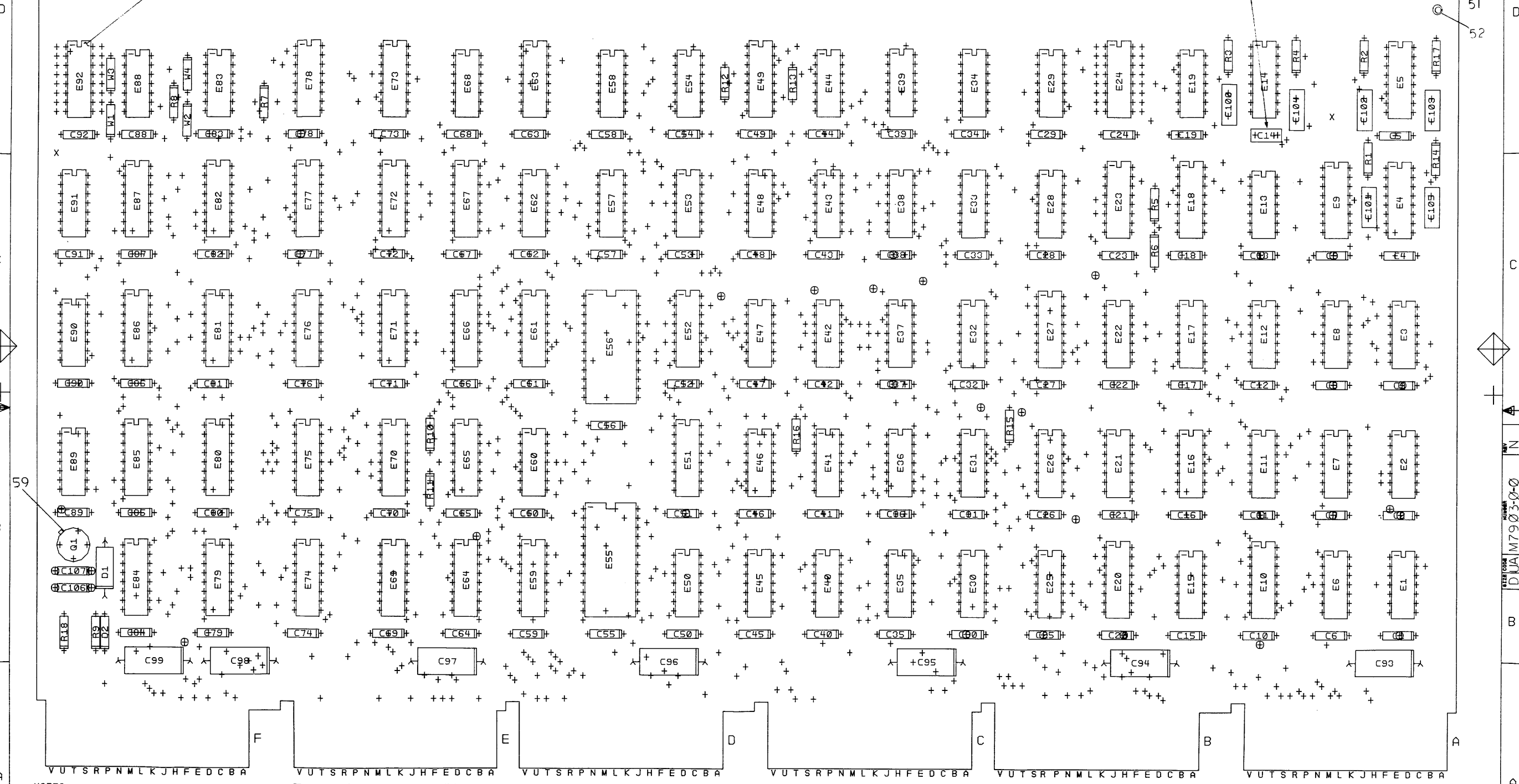
REVISIONS		
CHK	CHANGE NO.	REV.

DEC FORM NO. DRD 138

TITLE	CONTROL FLOW CHART	SIZE CODE	D	NUMBER	M7902-0-9	REV.	
SCALE		SHEET	2	OF	2	DIST.	

TITLE CODE DFD M7902-0-9 INT.

THIS DRAWING AND SPECIFICATIONS, HEREIN, ARE THE PROPERTY OF DIGITAL EQUIPMENT CORPORATION AND SHALL NOT BE REPRODUCED OR COPIED OR USED IN WHOLE OR IN PART AS THE BASIS FOR THE MANUFACTURE OR SALE OF ITEMS WITHOUT WRITTEN PERMISSION. COPYRIGHT © 1982 DIGITAL EQUIPMENT CORPORATION



SEE NOTE 1

SEE NOTE 2 COMPONENT SIDE VIEW

NOTES: 1. E24 & E92 ARE SPARE IC LOCATIONS.
2. C14 MUST BE HAND INSERTED.

STEP	↑ Y AXIS	STEP	TIMES
REPEAT	→ X AXIS	STEP	TIMES

CHK	CHANGE	NO	REV
REVISD	REVISD	REVISD	REVISD
REBORN	REBORN	REBORN	REBORN
MLD	MLD	MLD	MLD
N	N	N	N

ETCH REV. F - P1

SIGNATURES		DATE	digital
DRN. POWERS		25-79	
CHK'D.		16 JUN 80	TITLE
MECH. ENG.			
PROJ. ENG.			
SCALE 2:1			NUMBER
SHT. 1 OF 1			
NEXT HIGHER ASSY. B-DD-M7903-0			REV
SIZE CODE			N

1 MS#

PARTS LIST

LINE ITEM	DOCUMENT NUMBER	PART NUMBER	DESCRIPTION	QTY PER VARIATION 00	REFERENCE DESIGNATOR
1	1	D-CS-M7903-0-1	CIRCUIT SCHEMATIC	REF	
2	2	D-UA-M7903-0-0	UNIT ASSEMBLY	REF	
3	3	B-MH-M7903-0-6	MODULE HISTORY	REF	
4	4		M7903	1	
5	5	5011499-00		1	
6	6	1000010-00	39.0 MMF 100V 5%200PPM MICA	1	C104
7	7	1000013-00	62.0 MMF 100V 5%200PPM MICA	2	C101,C102
8	8	1001610-00	.01 MFD 50V +80-20% 25U CER	94	C1-C92,C106,C107
9	9	1001636-00	*** THIS ITEM IS NOT USED ***	-	
10	10	1002427-00	15.0 MMF 100V 5%200PPM MICA	1	C100
11	11	1012084-01	8 MFD 25V +75-10% AL EL	7	C93-C99
12	12	1000019-00	150.0 MMF 100V 5%200PPM MICA	1	C103
13	13	1100114-00	D 664 QS\75PCB PIV= 25V SP	1	D2
14	14	1105275-00	*** THIS ITEM IS NOT USED ***	-	
15	15	1110836-00	1N 759A VZ= 12.0 5% .40W	1	D1
16	16	1300295-00	330.0 .25 W 5.0 % CC	2	R5,R10
17	17	1300365-00	1.0 K .25 W 5.0 % CC	2	R15,R16
18	18	1300479-00	10.0 K .25 W 5.0 % CC	1	R17
19	19	1300496-00	15.0 K .25 W 5.0 % CC	1	R9
20	20	1301401-00	750.0 .25 W 5.0 % CC	4	R6,R7,R8,R11
21	21	1301874-00	5.60 K .25 W 5.0 % CC	6	R1,R2,R3,R4,R12,R13
22	22	1501913-00	2N 2904A FNP 600MW SI 60 40 Y	1	Q1
23	23	1510678-00	*** THIS ITEM IS NOT USED ***	-	
		1905547-00	7474 FF-D DUAL,EDGE TRIGG	10	E3,E12,E26,E28,E35,E42,E43,E44, E47,E54
24	24	1905575-00	7400 NAND GATE-QUAD 2IN	5	E6,E8,E37,E39,E48
25	25	1905576-00	7410 NAND GATE-TRIPLE 3IN	3	E15,E19,E38
26	26	1905577-00	7420 NAND GATE-DUAL 4INPU	1	E68
27	27	1909004-00	DEC 7402 NOR GATE-QUAD 2IN	5	E13,E17,E25,E41,E58
28	28	1909615-00	DEC 8271 SHIFT REG.,4BIT PARA	5	E65,E70,E85,E86,E87
29	29	1909686-00	7404 INVERTER GATE-HEX 1I	5	E16,E21,E34,E40,E60

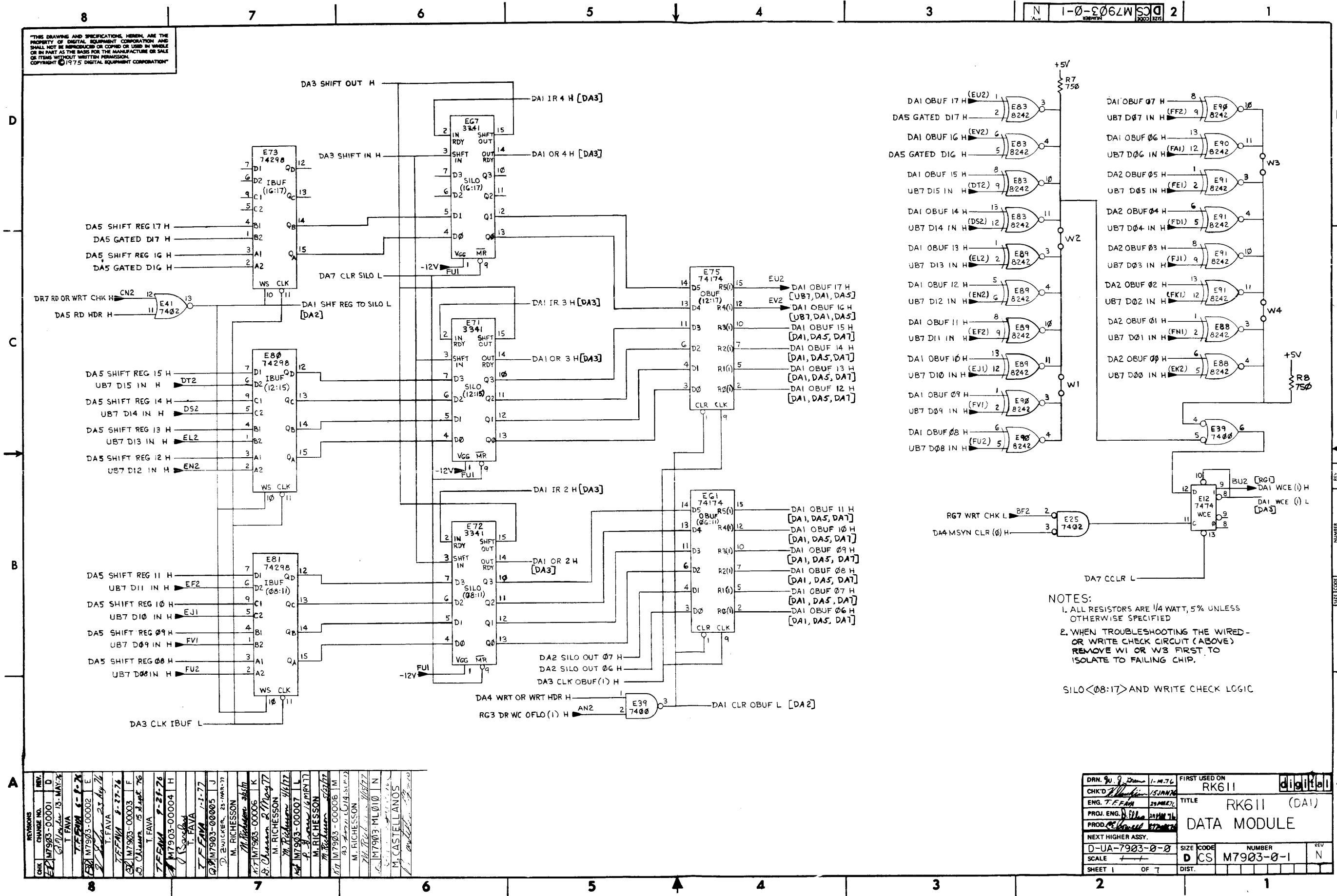
REVISION HISTORY		BASIC PART NO: M7903		DRN:	W.J.GREENE	DATE:	13-JUN-80	D I G I T A L			
ENG!	ECO NUMBER	REV	SECTION A OF A	CHK'D:	H.DARAKJIAN	DATE:	13-JUN-80	TITLE PARTS LIST			
MC	M7903-ML010	N	SECTION VARIATION INDEX					RK611 DATA MODULE			
			[A] 00								
			[B]								
			[C]	DES.ENG:	T.F.FAVA	DATE:	13-JUN-80				
			[D]								
			[E]								
			[F]	RESP.ENG.:	T.F.FAVA	DATE:	13-JUN-80	DOCUMENT NUMBER			
			[G]								
			[H]								
			[J]					SIZE	CODE	NUMBER	REV
			[K]	MFG.ENG.:	C.E.POWELL	DATE:	13-JUN-80	K	PL	M7903-0-DBF	N
			[L]								
			[M]	ASSEMBLY NUMBER:		TOP DOCUMENT NUMBER:		FILE NAME:		EDIT #	
			[N]	D-UA-M7903-0-0		B-DD-M7903-0		Z1502N.PLS		5	

*THIS DRAWING AND SPECIFICATIONS HEREIN, ARE THE PROPERTY OF DIGITAL EQUIPMENT CORPORATION AND SHALL NOT BE REPRODUCED OR COPIED OR USED IN WHOLE OR IN PART AS THE BASIS FOR THE MANUFACTURE OR SALE OF ITEMS WITHOUT WRITTEN PERMISSION. COPYRIGHT (C) 1980. DIGITAL EQUIPMENT CORPORATION *

LINE ITEM	DOCUMENT NUMBER	PART NUMBER	DESCRIPTION	QTY PER VARIATION 00	REFERENCE DESIGNATOR
30	30	1909712-00	DEC 8242 COMPARATOR-4BIT N,	5	E83,E88,E89,E90,E91
31	31	1910018-00	DEC 74193 COUNTER,SYNCHR. UP/D	3	E9,E51,E52
32	32	1910091-00	DEC 7437 AND GATE-QUAD 2IN,BU	1	E7
33	33	1910155-00	DEC 7408 AND GATE,POS.QUAD 2I	6	E11,E32,E45,E46,E50,E57
34	34	1910436-00	DEC 74123 ONE SHOT-DUAL,RETRIG	4	E4,E5,E14,E49
35	35	1910532-00	74S00 NAND GATE-QUAD 2IN	1	E31
36	36	1910536-00	74S10 NAND GATE-TRIPLE 3IN	1	E36
37	37	1910544-00	74S74 FF-D DUAL,EDGE TRIGG	3	E2,E22,E62
38	38	1910548-00	74S157 MUX 1 OF 2 (QUAD)	1	E78
39	39	1910650-00	74161 COUNTER,SYNCHR. UP	5	E18,E23,E63,E69,E74
40	40	1910651-00	DEC 74175 FF-D QUAD	1	E84
41	41	1910652-00	74174 FF-D HEX	3	E61,E75,E76
42	42	1910878-00	7427 NOR GATE-TRIPLE 3IN	1	E1
43	43	1911271-00	74298 MUX 1 OF 4 W/STORA	5	E64,E73,E80,E81,E82
44	44	1911314-00	74120 DRIVER,PULSE SYNCHR	1	E27
45	45	1911712-00	74S51 AND-OR GATE-INVERT D	3	E29,E30,E33
46	46	1912647-00	LS257 MUX 1 OF 2 (QUAD)	4	E10,E20,E59,E79
47	47	23001D1-00	D1-01,D1-02 RO	1	E55
48	48	23002D1-00	D1-01,D1-02 RO	1	E56
49	49	1912388-00	74S02 NOR GATE-QUAD 2IN,PO	1	E53
50	50	2111188-00	3341 64X4 FIFO MEMORY	5	E66,E67,E71,E72,E77
51	51	1210711-02	HANDLE,MODULE,HEX	1	
52	52	9006732-00	EYELET, ROLLED FLANGE, .121 OD X	12	
53	53	9008185-00	*** THIS ITEM IS NOT USED ***	-	
54	54	9009185-00	JUMPER, WIRE, INSULATED, BLACK B	4	W1-W4
55	55	1000027-00	820.0 MMF 100V 5%200PPM MICA	1	C105
56	56	1304838-00	43.0 K .25 W 5.0 % CC	1	R14
57	57	1300229-00	100.0 .25 W 5.0 % CC	1	R18
58	58	9107256-11	*** THIS ITEM IS NOT USED ***	-	
59	59	9007201-00	TRANSIPADS #10253	1	
60	60	9105740-55	WIRE(WRAP)30AWG UL1423	A/R	
61	61	D-EC-5011499-0-0	ETCH CUT DRAWING	REF	
62	62	D-MD-5011499-0-0	DRILL AND ETCH DRAWING	REF	

D	I	G	I	T	A	L	TITLE	SECTION A OF A	SIZE	CODE	DOCUMENT NUMBER	REV
							RK611 DATA MODULE		K	PL	M7903-0-DBP	N

THIS DRAWING AND SPECIFICATIONS HEREIN ARE THE PROPERTY OF DIGITAL EQUIPMENT CORPORATION AND SHALL NOT BE REPRODUCED OR COPIED OR USED IN WHOLE OR IN PART AS THE BASIS FOR THE MANUFACTURE OR SALE OF ITEMS WITHOUT WRITTEN PERMISSION. COPYRIGHT © 1975 DIGITAL EQUIPMENT CORPORATION



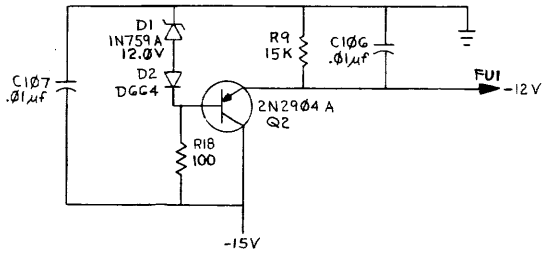
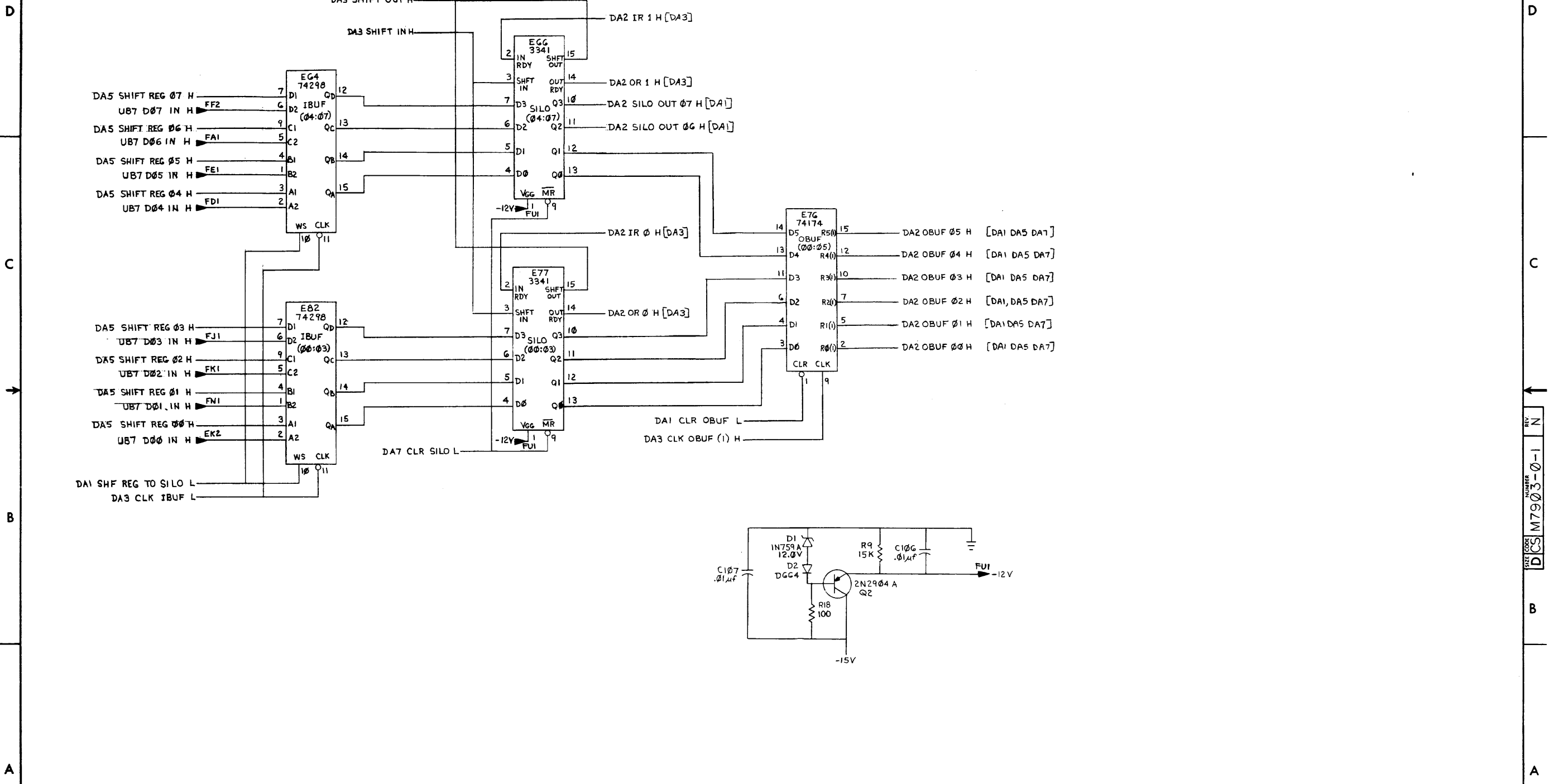
- NOTES:
1. ALL RESISTORS ARE 1/4 WATT, 5% UNLESS OTHERWISE SPECIFIED
 2. WHEN TROUBLESHOOTING THE WIRED-OR WRITE CHECK CIRCUIT (ABOVE) REMOVE W1 OR W3 FIRST TO ISOLATE TO FAILING CHIP.

SILO<08:17> AND WRITE CHECK LOGIC

REV.	DATE	BY	CHK'D	DESCRIPTION
1	13-MAY-75	T.F.AVA		INITIAL DESIGN
2	25-APR-76	T.F.AVA		REVISED FOR MANUFACTURE
3	03-OCT-76	T.F.AVA		REVISED FOR MANUFACTURE
4	09-SEP-77	T.F.AVA		REVISED FOR MANUFACTURE
5	12-DEC-77	T.F.AVA		REVISED FOR MANUFACTURE
6	23-MAR-77	T.F.AVA		REVISED FOR MANUFACTURE
7	01-MAY-77	T.F.AVA		REVISED FOR MANUFACTURE
8	01-MAY-77	T.F.AVA		REVISED FOR MANUFACTURE

DRN. 90-9	1-M-76	FIRST USED ON	RK611	digital
CHK'D	15-JAN-76	TITLE	RK611 (DAI)	
ENG. T.F.AVA	24-MAR-76	TITLE	DATA MODULE	
PROJ. ENG. D. J. ...				
PROD. ...				
NEXT HIGHER ASSY.				
D-UA-7903-0-0	SIZE	CODE	NUMBER	REV
SCALE	D	CS	M7903-0-1	N
SHEET 1	OF 7	DIST.		

THIS DRAWING AND SPECIFICATIONS HEREIN ARE THE PROPERTY OF DIGITAL EQUIPMENT CORPORATION AND SHALL NOT BE REPRODUCED OR COPIED OR USED IN WHOLE OR IN PART AS THE BASIS FOR THE MANUFACTURE OR SALE OF ITEMS WITHOUT WRITTEN PERMISSION. COPYRIGHT © 1975 DIGITAL EQUIPMENT CORPORATION

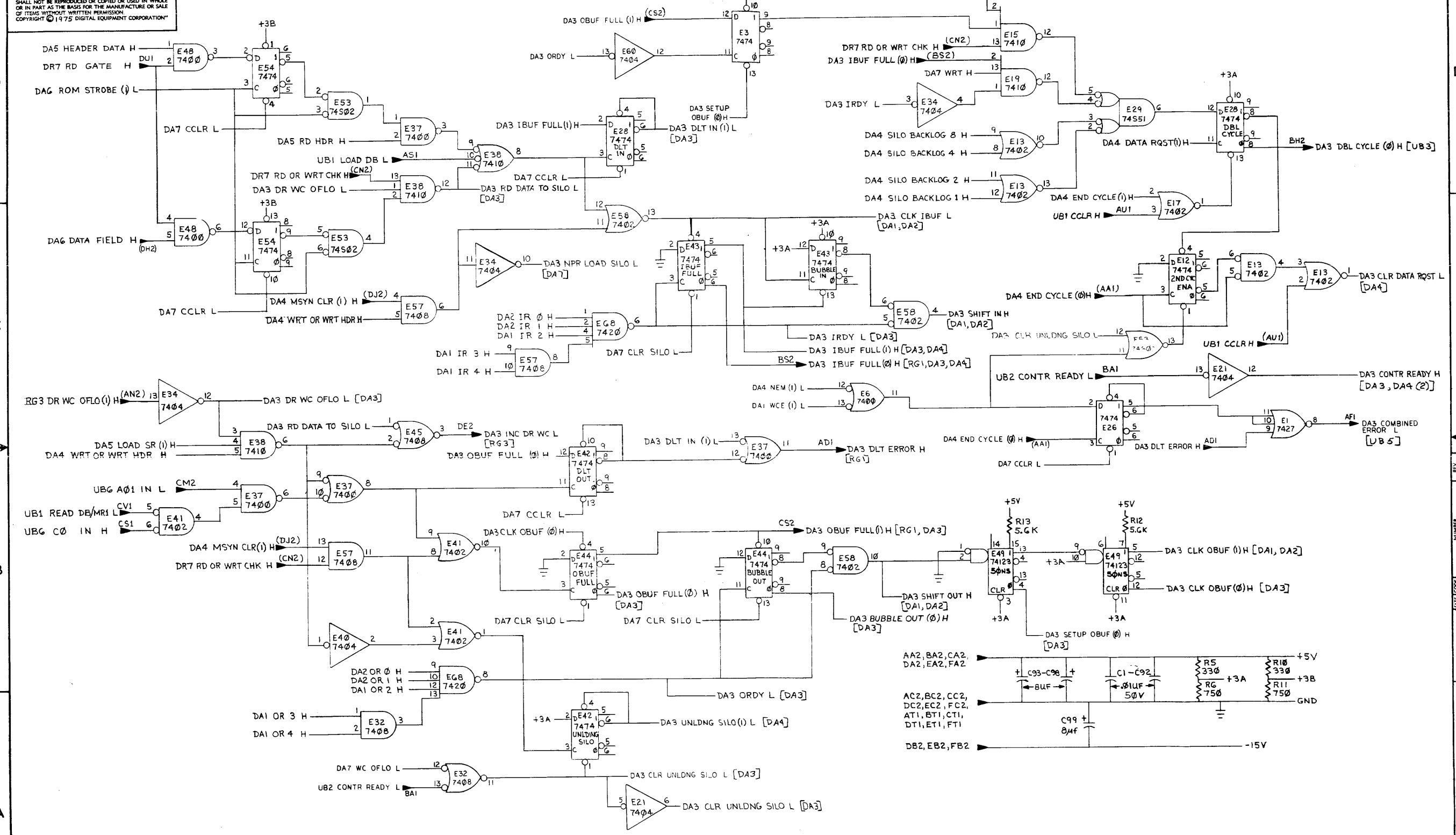


REVISIONS		
CHK	CHANGE NO.	REV.

SILO<00:07>

TITLE	SIZE	CODE	NUMBER	REV.
RK 611 DATA MODULE (DA2)	D	CS	M7903-0-1	N
SCALE	SHEET	OF	DIST.	
	2	7		

"THIS DRAWING AND SPECIFICATIONS, HEREIN, ARE THE PROPERTY OF DIGITAL EQUIPMENT CORPORATION AND SHALL NOT BE REPRODUCED OR COPIED OR USED IN WHOLE OR IN PART AS THE BASIS FOR THE MANUFACTURE OR SALE OF ITEMS WITHOUT WRITTEN PERMISSION. COPYRIGHT © 1975 DIGITAL EQUIPMENT CORPORATION"

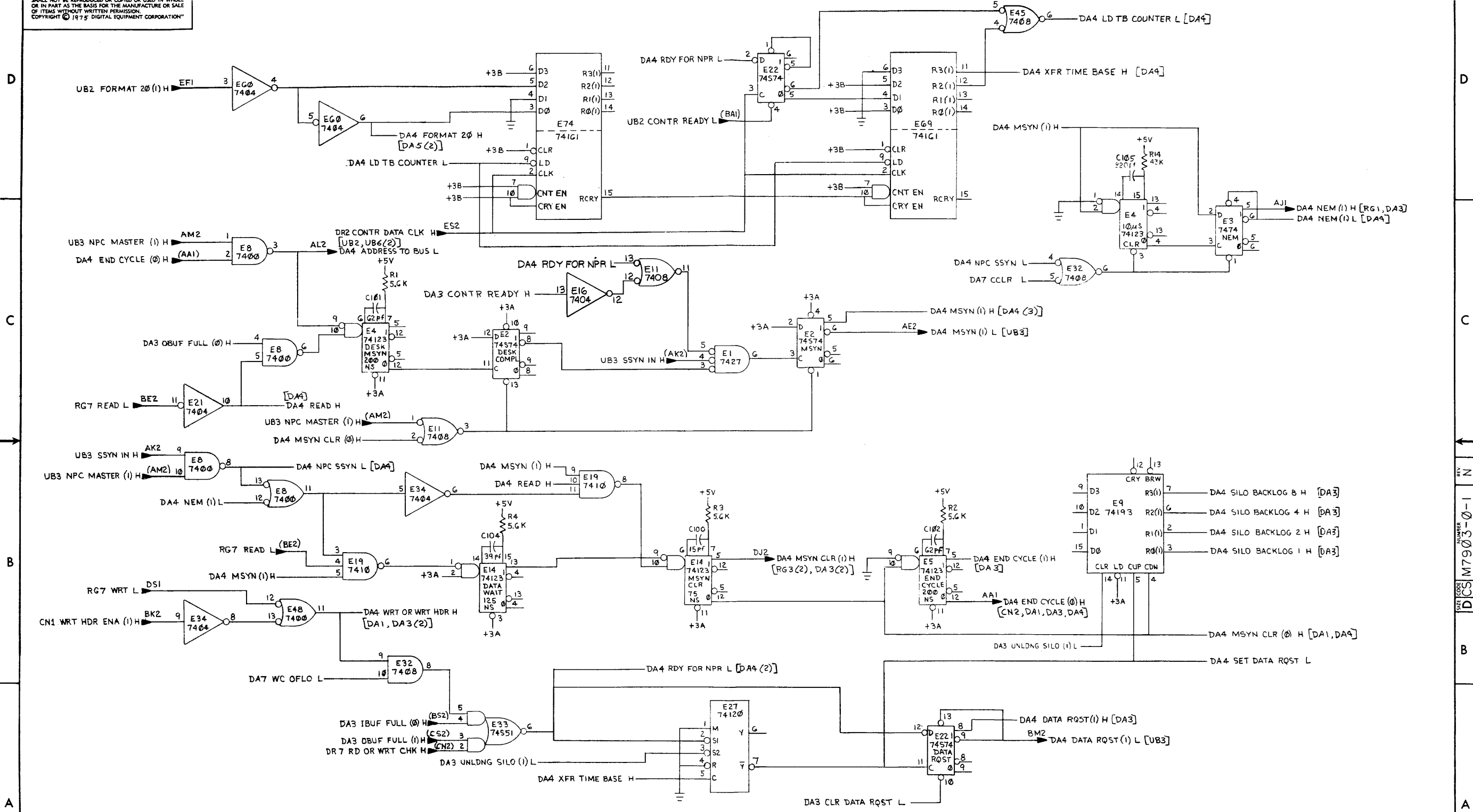


REVISIONS		
CHK	CHANGE NO.	REV.

TITLE		SIZE	CODE	NUMBER	REV.
RK 611 DATA MODULE (DA3)		D	CS	M7903-0-1	N
SCALE	SHEET 3 OF 7	DIST.			

REV. N
NUMBER DCS M7903-0-1

"THIS DRAWING AND SPECIFICATIONS, HEREIN, ARE THE PROPERTY OF DIGITAL EQUIPMENT CORPORATION AND SHALL NOT BE REPRODUCED OR COPIED OR USED IN WHOLE OR IN PART AS THE BASIS FOR THE MANUFACTURE OR SALE OF ITEMS WITHOUT WRITTEN PERMISSION. COPYRIGHT © 1975 DIGITAL EQUIPMENT CORPORATION"

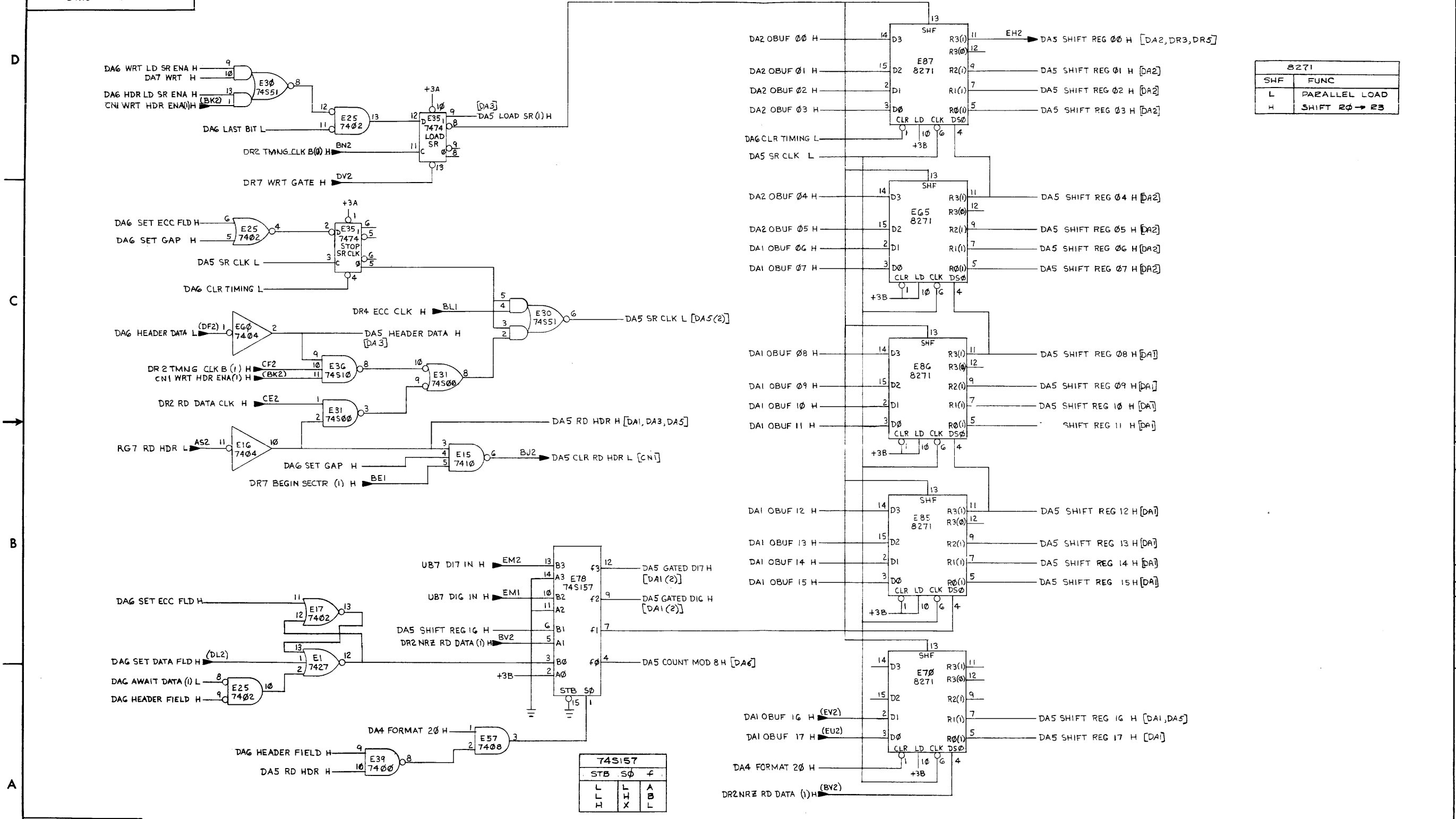


REVISIONS		
CHK	CHANGE NO.	REV.

NPR CONTROL

TITLE	SCALE	SHEET	OF	DIST.	SIZE	CODE	NUMBER	REV.
RK 611 DATA MODULE		4	7		D	CS	M7903-0-1	N

"THIS DRAWING AND SPECIFICATIONS, HEREIN, ARE THE PROPERTY OF DIGITAL EQUIPMENT CORPORATION AND SHALL NOT BE REPRODUCED OR COPIED OR USED IN WHOLE OR IN PART AS THE BASIS FOR THE MANUFACTURE OR SALE OF ITEMS WITHOUT WRITTEN PERMISSION. COPYRIGHT © 1975 DIGITAL EQUIPMENT CORPORATION"



8271	
SHF	FUNC
L	PARALLEL LOAD
H	SHIFT 20 → 23

74517		
STB	S0	f
L	L	A
L	H	B
H	X	L

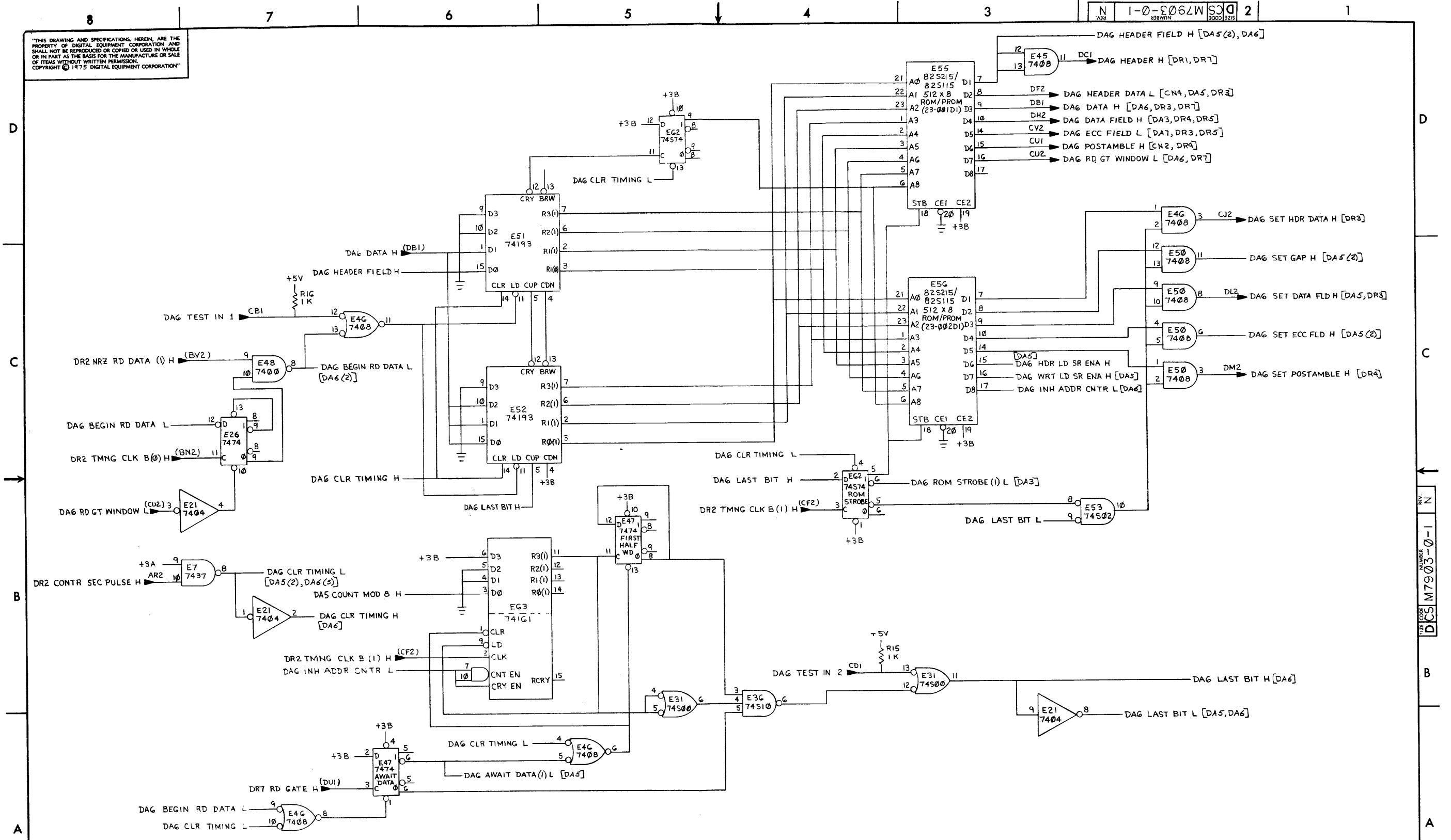
DATA SHIFT REGISTER AND CONTROL

REVISIONS		
CHK	CHANGE NO.	REV.

TITLE	RK611 DATA MODULE (DA5)	SIZE CODE	D CS	NUMBER	M7903-0-1	REV.	N
SCALE	1:1	SHEET	5	OF	7	DIST.	

REV. N
M7903-0-1
DCS

"THIS DRAWING AND SPECIFICATIONS, HEREIN, ARE THE PROPERTY OF DIGITAL EQUIPMENT CORPORATION AND SHALL NOT BE REPRODUCED OR COPIED OR USED IN WHOLE OR IN PART AS THE BASIS FOR THE MANUFACTURE OR SALE OF ITEMS WITHOUT WRITTEN PERMISSION. COPYRIGHT © 1975 DIGITAL EQUIPMENT CORPORATION"

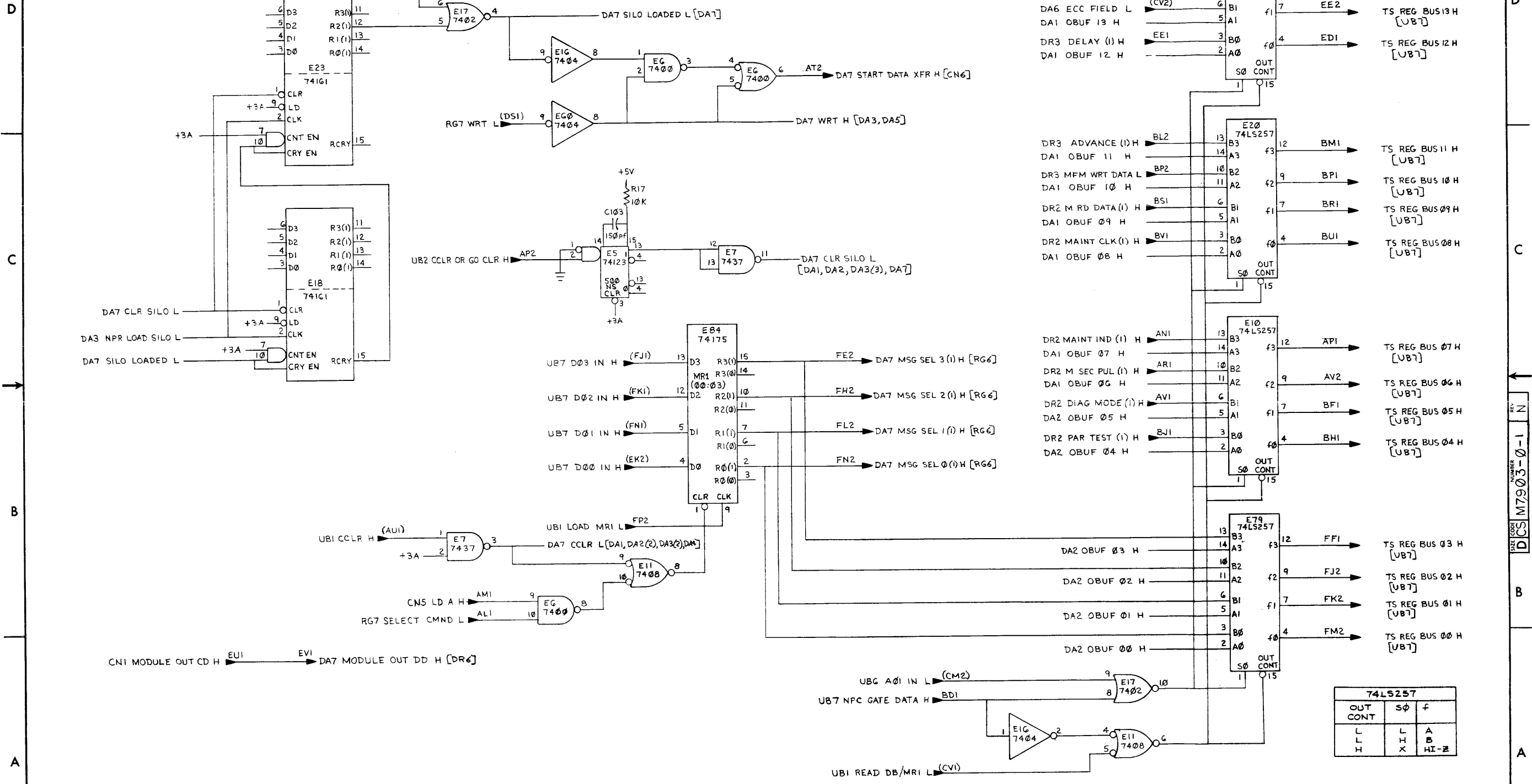


REVISIONS		
CHK	CHANGE NO.	REV.

TITLE		SIZE CODE		NUMBER		REV.
RK 611 DATA MODULE (DAG)		DCS		M7903-0-1		N
SCALE	SHEET 6 OF 7	DIST.				

DCS M7903-0-1

"THIS DRAWING AND SPECIFICATIONS, HEREIN, ARE THE PROPERTY OF DIGITAL EQUIPMENT CORPORATION AND SHALL NOT BE REPRODUCED OR COPIED OR USED IN WHOLE OR IN PART AS THE BASIS FOR THE MANUFACTURE OR SALE OF ITEMS WITHOUT WRITTEN PERMISSION. COPYRIGHT © 1975 DIGITAL EQUIPMENT CORPORATION"



REVISIONS		
CHK	CHANGE NO.	REV.

MRI <00:03>, FILL SILO COUNT AND DB/MRI MULTIPLEXERS

TITLE	RK 611 DATA MODULE (DA7)	SIZE CODE	D CS	NUMBER	M7903-0-1	REV.	N
SCALE	1:1	SHEET	7	OF	7	DIST.	

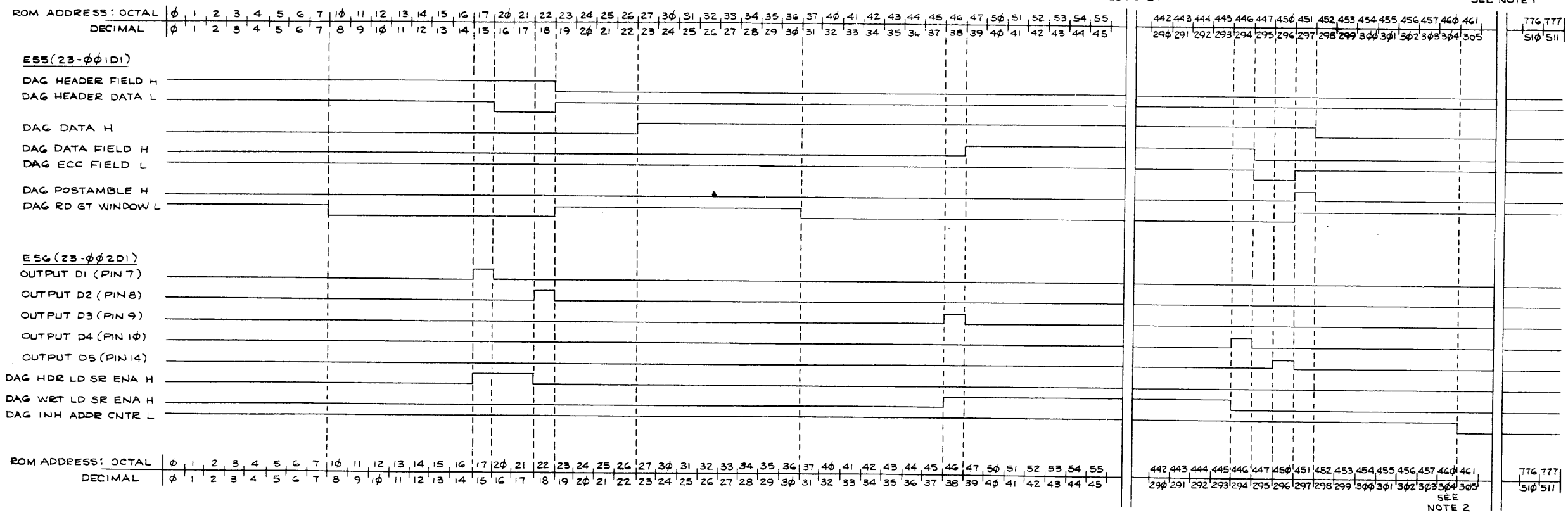
"THIS DRAWING AND SPECIFICATIONS, HEREIN, ARE THE PROPERTY OF DIGITAL EQUIPMENT CORPORATION AND SHALL NOT BE REPRODUCED OR COPIED OR USED IN WHOLE OR IN PART AS THE BASIS FOR THE MANUFACTURE OR SALE OF ITEMS WITHOUT WRITTEN PERMISSION. COPYRIGHT © 1976 DIGITAL EQUIPMENT CORPORATION"

NOTES:

1. ROM OUTPUTS DO NOT CHANGE DURING THESE INTERVALS
2. WHEN FUNCTIONING PROPERLY, THE ROM ADDRESS COUNTER WILL NOT ADVANCE BEYOND ADDRESS 461_8 ($3\phi 5_{10}$). NORMALLY THE COUNTER WILL BE RESET TO ADDRESS ϕ BY SECTOR PULSE BEFORE REACHING ADDRESS 461_8

SEE NOTE 1

SEE NOTE 1

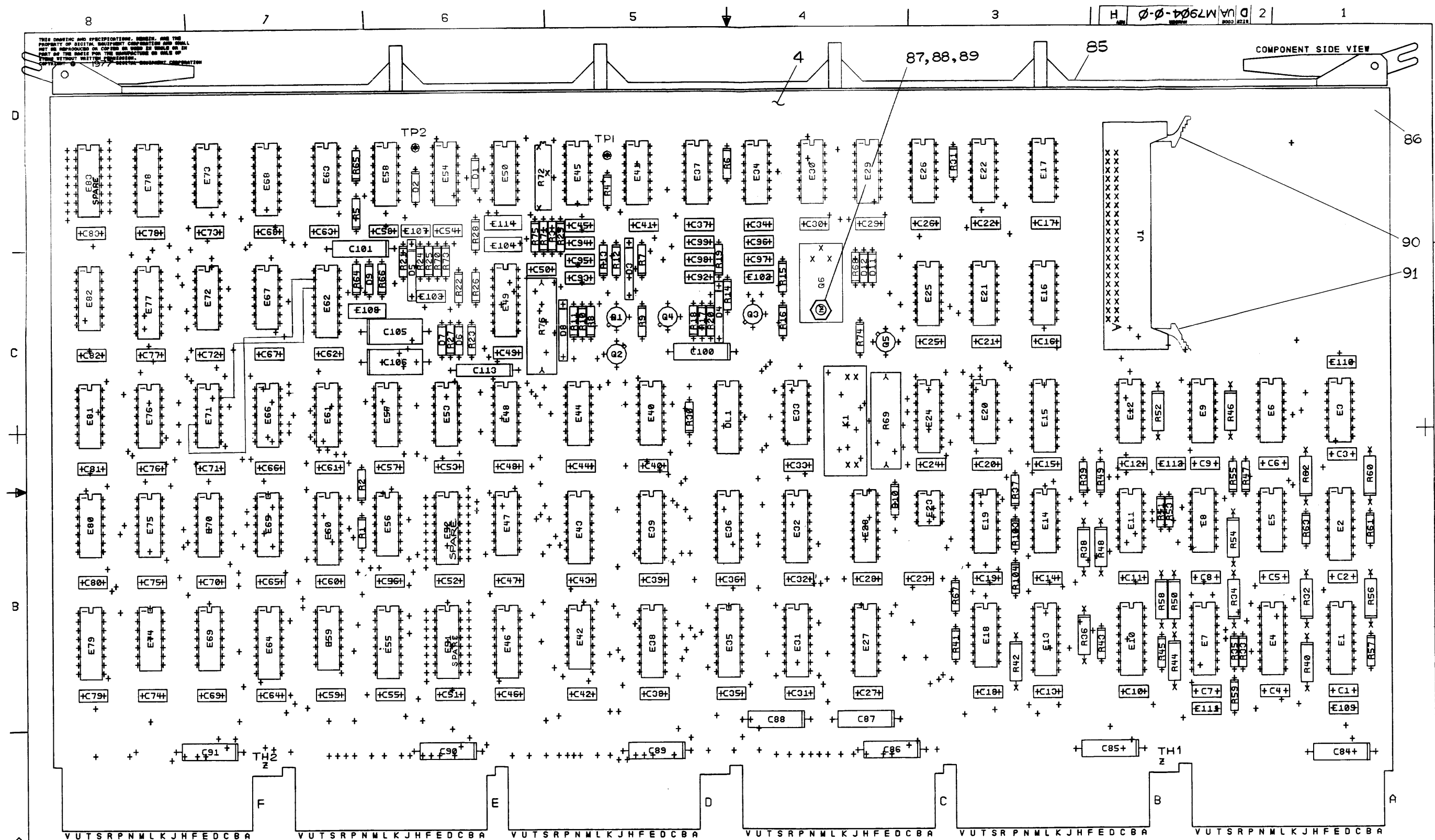


REVISIONS	REV.
CHANGE NO.	
CHK	

DRN. <i>John McVese</i>	2/24/76	FIRST USED ON	RK611	digital
CHK'D. <i>H. ...</i>	1 MAR 76	TITLE	M7903	
ENG. <i>T.F. ...</i>	29 MAR 76	TITLE	ROM TIMING	
PROJ. ENG. <i>D. ...</i>	28 MAR 76			
PROD. <i>G. ...</i>	16 APR 76			
NEXT HIGHER ASSY.				
B-DD-RK611-0		SIZE CODE	D	
SCALE		NUMBER	7903-0-7	REV.
SHEET 1	OF 1	DIST.		

REV. NUMBER DTD M 7903-0-7

THIS DRAWING AND SPECIFICATIONS, HEREIN, ARE THE PROPERTY OF BUSHNELL INDUSTRIES CORPORATION AND SHALL NOT BE REPRODUCED OR COPIED IN WHOLE OR IN PART BY THE BIDDERS FOR THE CONTRACT OR BY ANY OTHER PARTY WITHOUT WRITTEN PERMISSION.



- NOTES: REWORK ECO 7**
- CUT ETCH AT E62-3 SIDE 1
 - CUT ETCH AT E62-2 SIDE 2
 - ADD WIRE FROM E71-9 TO E62-2
 - ADD WIRE FROM E71-13 TO E62-3
- REWORK ECO #9**
- SAME AS #1,2 & 4 OF ECO #7
 - REMOVE WIRE FROM E71-9 TO E62-2
 - ADD WIRE FROM E71-5 TO E62-2

CHANGE NO	REV	DATE	BY	CHKD
M7904-E	0005			
M7904-M17	F			
MCASTELLANOS				
M7904 M1009 H				
MCASTELLANOS				

ETCH REV. D	P.C. DESIGN DATA BASE REV. D-P2
-------------	---------------------------------

SIGNATURES	DATE	TITLE
DRN. J. CARTER	3-30-77	digital
CHK'D. <i>W. J. Carter</i>	23 AUG 77	
ENG. <i>M. J. ...</i>	13 Sep 77	
PROJ. ENG. <i>M. J. ...</i>	13 Sep 77	
PROD.		
SCALE 2/1	SIZE CODE	NUMBER
SHT. 1 OF 1	D UA	M7904-0-0
NEXT HIGHER ASSY. RK611		

LINE	ITEM	DOCUMENT NUMBER	PART NUMBER	DESCRIPTION	QTY	PER VARIATION	REFERENCE DESIGNATOR
					00		
1	1	D-CS-M7904-0-1		RK611 DRIVE INTERFACE (C.S.)		REF	
2	2	D-AH-M7904-0-5		ASSY/DRILLING HOLE LAYOUT		REF	
3	3	B-TH-M7904-0-6		MODULE ECO HISTORY		REF	
4	4		5011709-00	M7904		1	
5	5		1000015-00	82.0 MMF 100V 5%200PPM MICA		1	C107
6	6		1000020-00	180.0 MMF 100V 5%200PPM MICA		1	C108
7	7		1000050-00	.033 MFD 100V 10% MYLR		1	C105
8	8		1001610-01	.01 MFD50/100V +80-20% DISC		85	C5,C6,C9,C11,C12,C15-C83, C92-C99,C109-C111
9	9		1001739-00	27.0 MMF 100V 5%200PPM MICA		1	CONT C104
10	10		1002323-00	.022 MFD 100V 10% MYLR		1	C106
11	11		1005306-00	6.8MFD 35V 10% S.TANT		3	C100,C101,C113
12	12		1010274-00	.22 MFD 50V +80-20% Z5U CER		10	C1-C4,C7,C8,C10,C13,C14,C112
13	13		1010973-36	.1 MFD 50V 10% CER		2	C102,C103
14	14		1012004-01	8 MFD 25V +75-10% AL EL		8	C84-C91
15	15		1105275-00	D 672 TR= 15NS PIV= 60V SI		6	D1,D2,D6,D7,D9,D11
16	16		1105796-00	1N 4004 PIV=400 I= 1A D041 SP		1	D10
17	17		1110483-00	1N 4733 VZ= 5.1 10% 1W N		1	D12
18	18		1110994-00	1N 751A VZ= 5.1 5% .40W		4	D3-D5,D8
19	19		1209941-02	HEADER 100 40POS RT ANGLE		1	J1
20	20		1210397-00	RLY,REED, 6V COIL,SPST,.50A		1	K1
21	21		1300229-00	100.0 .25 W 5.0 % CC		4	R9,R10,R16,R18
22	22		1300271-00	220.0 .25 W 5.0 % CC		1	R30
23	23		1300295-00	330.0 .25 W 5.0 % CC		2	R1,R104
24	24		1300316-00	470.0 .25 W 5.0 % CC		3	R4,R26,R68
25	25		1300365-00	1.0 K .25 W 5.0 % CC		12	R6,R7,R12-R15,R19,R31,R65,R67, R70,R73
26	26		1309413-00	3.83 K .25 W 1.0 % RN55D-F10		2	CONT R25,R75
27	27		1300439-00	3.30 K .25 W 5.0 % CC		1	R28
28	28		1300444-00	3.90 K .25 W 5.0 % CC		3	R11,R20,R74

REVISION HISTORY		BASIC PART NO: M7904		DRN:	D.BENNETT	DATE:	19-AUG-80	DIGITAL			
ENG	ECO NUMBER	REV	SECTION A OF A	CHK'D:	HAROLD DARAKIAN	DATE:	19-AUG-80	PARTS LIST			
MC	M7904-NL009	H	SECTION.VARIATION INDEX					TITLE			
			[A] 00					RK611 DRIVE INTERFACE			
			[B]					DES.ENG: T.FAVA			
			[C]					DATE: 19-AUG-80			
			[D]					RESP.ENG.: T.FAVA			
			[E]					DATE: 19-AUG-80			
			[F]					DOCUMENT NUMBER			
			[G]					SIZE	CODE	NUMBER	REV
			[H]					K	PL	M7904-0-DBP	H
			[I]					MFG.ENG.: C.POWELL			
			[J]					DATE: 19-AUG-80			
			[K]					ASSEMBLY NUMBER:			
			[L]					TOP DOCUMENT NUMBER:			
			[M]					FILE NAME:			
			[N]					D-UA-M7904-0-0			
								Z1575H.PLS			
								EDIT #			
								6			

*THIS DRAWING AND SPECIFICATIONS HEREIN, ARE THE PROPERTY OF DIGITAL EQUIPMENT CORPORATION AND SHALL NOT BE REPRODUCED OR COPIED OR USED IN WHOLE OR IN PART AS THE BASIS FOR THE MANUFACTURE OR SALE OF ITEMS WITHOUT WRITTEN PERMISSION.
COPYRIGHT (C) 1980. DIGITAL EQUIPMENT CORPORATION *

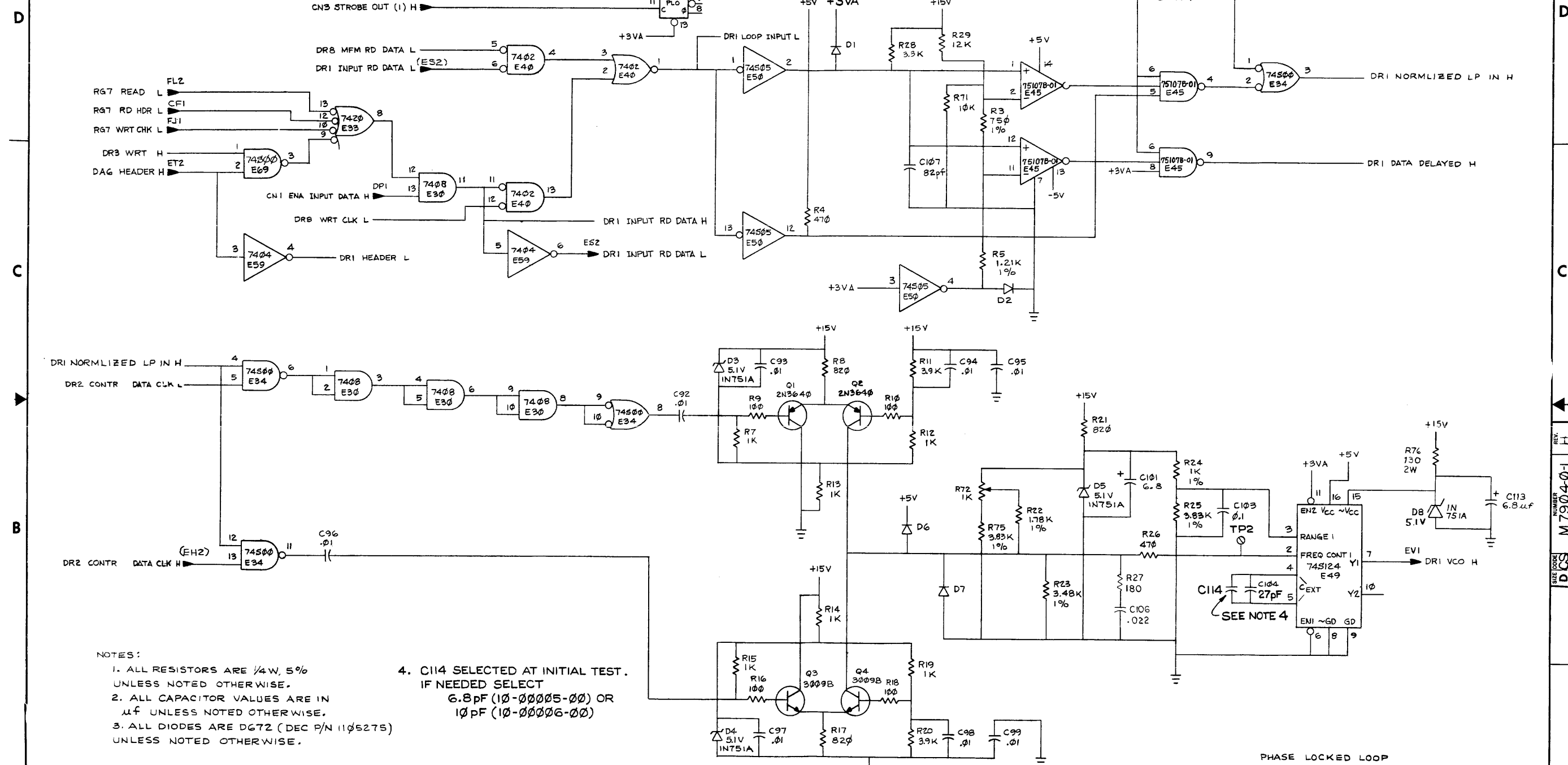
LINE ITEM	DOCUMENT NUMBER	PART NUMBER	DESCRIPTION	QTY PER VARIATION	REFERENCE DESIGNATOR
				00	
29	29	1300479-00	10.0 K .25 W 5.0 % CC	1	R71
30	30	1300488-00	12.0 K .25 W 5.0 % CC	1	R29
31	31	1301322-00	180.0 .25 W 5.0 % CC	1	R27
32	32	1301401-00	750.0 .25 W 5.0 % CC	2	R2,R103
33	33	1301477-00	82.0 .25 W 5.0 % CC	16	R33,R35,R37,R39,R41,R43,R45,R47, CONT R51,R53,R55,R57,R59,R61,R63,R49
34	34	1301775-00	820.0 .25 W 5.0 % CC	3	R8,R17,R21
35	35	1301781-00	82.0 .50 W 5.0 % CC	16	R32,R34,R36,R38,R40,R42,R44,R46, CONT R48,R50,R52,R54,R56,R58,R60,R62
36	36	1302177-00	47.0 K .25 W 5.0 % CC	1	R66
37	37	1302612-00	1.78 K .25 W 1.0 % RN55D-F10	1	R22
38	38	1303114-00	1.0 K .25 W 1.0 % RN55D-F10	1	R24
39	39	1305114-00	3.48 K .25 W 1.0 % RN55D-F10	1	R23
40	40	1309143-07	1.0 K .75 W10.0 % POT	1	R72
41	41	1309994-00	36.0 2.0 W 5.0 % CC	1	R69
42	42	1302955-00	750.0 .25 W 1.0 % RN55D-F10	1	R3
43	43	1302871-00	1.21 K .25 W 1.0 % RN55D-F10	1	R5
44	44	1503014-00	DEC 3646 NPN 200MW SI 15 5 30	1	Q5
45	45	1503029-00	2N 3640 PNP 200MW SI	2	Q1,Q2
46	46	1503100-00	DEC3009B NPN 200MW SI 20 25	2	Q3,Q4
47	47	1510708-01	D 45H8CPNP 50WT SI 60 60 Y	1	Q6
48	48	1610033-00	DELAY= 10-100NS,10TAPS	1	DL1
49	49	1905547-00	7474 FF-D DUAL,EDGE TRIGG	5	E6,E9,E54,E61,E71
50	50	1905575-00	7400 NAND GATE-QUAD 2IN	3	E47,E70,E80
51	51	1905576-00	7410 NAND GATE-TRIPLE 3IN	1	E74
52	52	1905577-00	7420 NAND GATE-DUAL 4INPU	2	E20,E33
53	53	1905578-00	7430 NAND GATE-SINGLE 8IN	1	E22
54	54	1909004-00	DEC 7402 NOR GATE-QUAD 2IN	1	E40
55	55	1909686-00	7404 INVERTER GATE-HEX 1I	1	E59
56	56	1909936-00	74151 MUX 1 OF 8	1	E79
57	57	1910011-00	DEC 7486 X-OR GATE-QUAD 2INPU	1	E3
58	58	1910041-00	DEC 74164 SHIFT REG.,8BIT SERI	3	E17,E29,E42
59	59	1910091-00	DEC 7437 AND GATE-QUAD 2IN,BU	1	E75
60	60	1910096-00	DEC 74191 COUNTER,SYNCHR. UP/D	4	E28,E32,E36,E39
61	61	1910155-00	DEC 7408 AND GATE,POS,QUAD 2I	1	E30
62	62	1910268-00	DEC 75107B RECEIVER,LINE,DUAL,	5	E5,E8,E11,E14,E18
63	63	1910436-00	DEC 74123 ONE SHOT-DUAL,RETRIG	1	E62
64	64	1910532-00	74S00 NAND GATE-QUAD 2IN	3	E34,E69,E72
65	65	1910534-00	74S04 INVERTER GATE-HEX 1I	2	E19,E41
66	66	1910535-00	74S05 INVERTER GATE-HEX 1	1	E50
67	67	1910536-00	74S10 NAND GATE-TRIPLE 3IN	2	E65,E66
68	68	1910537-00	74S11 AND GATE-TRIPLE 3INP	1	E57
69	69	1910542-00	74S64 A-O-I GATE 4-2-3-2	4	E37,E58,E63,E73
70	70	1910544-00	74S74 FF-D DUAL,EDGE TRIGG	5	E12,E44,E67,E81,E82
71	71	1910545-00	74S112 FF-JK DUAL,EDGE TRIG	3	E64,E77,E78
72	72	1910548-00	74S157 MUX 1 OF 2 (QUAD)	1	E55
73	73	1910650-00	74161 COUNTER,SYNCHR. UP	1	E43
74	74	1910651-00	DEC 74175 FF-D QUAD	3	E15,E24,E68

D	I	G	I	T	A	L	TITLE	SECTION A OF A	SIZE	CODE	DOCUMENT NUMBER	REV
							RK611 DRIVE INTERFACE		K	PL	M7904-0-IBP	H

LINE ITEM	DOCUMENT NUMBER	PART NUMBER	DESCRIPTION	QTY PER VARIATION 00	REFERENCE DESIGNATOR
75	75	1910652-00	74174 FF-D HEX	1	E46
76	76	1910878-00	7427 NOR GATE-TRIPLE 3IN	3	E16,E26,E48
77	77	1911036-00	75453 DRIVER,PERIPH,DUAL,	1	E23
78	78	1911314-00	74120 DRIVER,PULSE SYNCHR	1	E60
79	79	1911341-00	75113 DRIVER,LINE,DUAL,MA	6	E1,E2,E4,E7,E10,E13
80	80	1911712-00	74S51 AND-OR GATE-INVERT D	2	E56,E76
81	81	1911911-00	DEC 74S124 OSCILLATOR,DUAL VOLT	1	E49
82	82	1912647-00	LS257 MUX 1 OF 2 (QUAD)	4	E27,E31,E35,E38
83	83	1910268-01	DEC 75107B-01 RECEIVER,LINE,DUA	1	E45
84	84	SPARES	IC SPARES	3	E51,E83,E52
85	85	1216988-02	HANDLE,MODULE,HEX TWO EJECTORS	1	
86	86	9000024-01	EYELET, ROLLED FLANGE, .121 OD X	12	
87	87	9006010-04	SCREW,BIND,SLOT, 4-40X 5/16	1	
88	88	9006557-00	NUT,KEP , 4-40X 1/4 AF	1	
89	89	BLANK	COMPOUND, THERMAL JOINT	A/R	
90	90	1209941-03	HEADER RT ANGLE LEFT L	1	
91	91	1209941-04	HEADER RT ANGLE,RIGHT	1	
92	92	1302394-00	30.0 K .25 W 5.0 % CC	1	R64
93	104	9105740-55	WIRE(WRAP)30AWG UL1423	A/R	
94	94	1300243-00	*** THIS ITEM IS NOT USED ***	-	
95	95	1300249-00	*** THIS ITEM IS NOT USED ***	-	
96	96	9107256-11	TUBING,THIN WALL,.027ID UL	A/R	
97	97	1304832-00	130.0 2.0 W 5.0 % CC	1	R76
98	98	1912388-00	74S02 NOR GATE-QUAD 2IN,PO	1	E21
99	99	1912389-00	74S08 AND GATE-QUAD 2IN,PO	1	E53
100	100	1912829-00	LS86 X-OR GATE-QUAD 2IN	1	E25
101	101	B-DD-7012603-0	7012603-00 TESTER M7904	REF	
102	102	9006735-00	EYELET, FUNNEL FLANGE, .059 OD X	2	TP1,TP2
103	103	1000005-00	6.8 MMF 100V 5%200PPM MICA	A/R	
104	103	1000006-00	10.0 MMF 100V 5%200PPM MICA	A/R	
105	105	D-UA-M7904-0-0	UNIT ASSY	REF	

D	I	G	I	T	A	L	TITLE	SECTION A OF A	SIZE	CODE	DOCUMENT NUMBER	REV
							RK611 DRIVE INTERFACE		K	PL	M7904-0-DBP	H

"THIS DRAWING AND SPECIFICATIONS, HEREIN, ARE THE PROPERTY OF DIGITAL EQUIPMENT CORPORATION AND SHALL NOT BE REPRODUCED OR COPIED OR USED IN WHOLE OR IN PART AS THE BASIS FOR THE MANUFACTURE OR SALE OF ITEMS WITHOUT WRITTEN PERMISSION. COPYRIGHT © 1975, DIGITAL EQUIPMENT CORPORATION"



- NOTES:
1. ALL RESISTORS ARE 1/4W, 5% UNLESS NOTED OTHERWISE.
 2. ALL CAPACITOR VALUES ARE IN μf UNLESS NOTED OTHERWISE.
 3. ALL DIODES ARE DG72 (DEC P/N 1105275) UNLESS NOTED OTHERWISE.
 4. C114 SELECTED AT INITIAL TEST. IF NEEDED SELECT 6.8pF (10-00005-00) OR 10pF (10-00006-00)

REV.	CHG.	BY	DATE	REVISIONS
1		T. FAVA	11-17-76	INITIAL DESIGN
2		T. FAVA	11-17-76	REVISED FOR MANUFACTURE
3		M. RICHESON	11-17-76	REVISED FOR MANUFACTURE
4		M. RICHESON	11-17-76	REVISED FOR MANUFACTURE
5		M. RICHESON	11-17-76	REVISED FOR MANUFACTURE
6		M. RICHESON	11-17-76	REVISED FOR MANUFACTURE
7		M. RICHESON	11-17-76	REVISED FOR MANUFACTURE
8		M. RICHESON	11-17-76	REVISED FOR MANUFACTURE

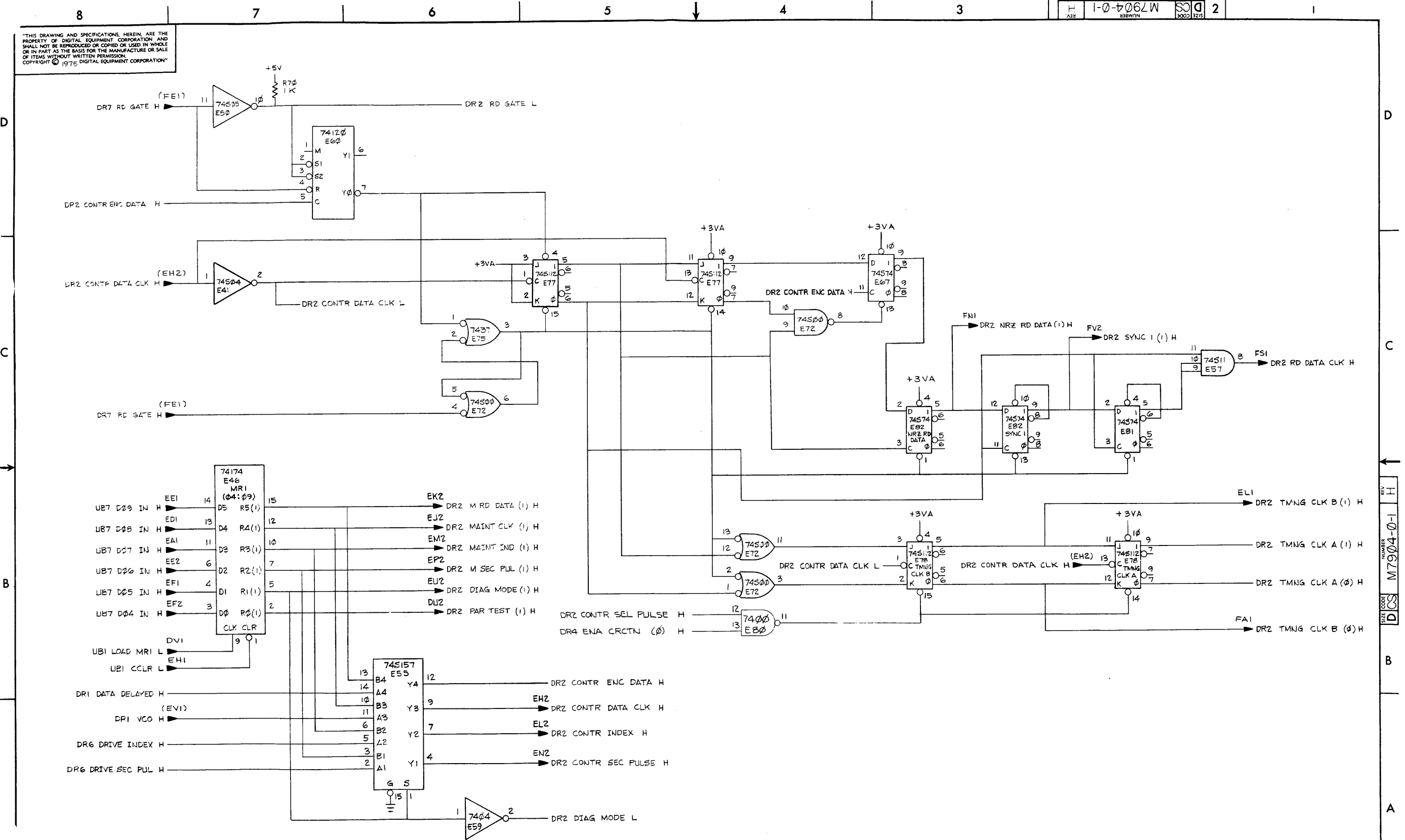
PHASE LOCKED LOOP

ETCH REV D

DRN. DATE	10/DEC/75	FIRST USED ON	RK611
CHK'D. BY	13 JAN 76	TITLE	RK611 (DR1)
ENG. T. FAVA	30 MAR 76		DRIVE INTERFACE
PROJ. ENG. B. EDWARDS	30 MAR 76		
PROD. REVISED	30 MAR 76		
NEXT HIGHER ASSY.			
D-UA-M7904-0-0	SIZE CODE	NUMBER	REV
SCALE 1:1	D CS	M7904-0-1	H
SHEET 1 OF 8	DIST.		

REV. H M7904-0-1

"THIS DRAWING AND SPECIFICATIONS, HEREIN, ARE THE PROPERTY OF DIGITAL EQUIPMENT CORPORATION AND SHALL NOT BE REPRODUCED OR COPIED OR USED IN WHOLE OR IN PART AS THE BASIS FOR THE MANUFACTURE OR SALE OF ITEMS WITHOUT WRITTEN PERMISSION. COPYRIGHT © 1975 DIGITAL EQUIPMENT CORPORATION"



REVISIONS		
CHK	CHANGE NO.	REV.

DATA SEPARATOR/MR1

TITLE	RK611 (DR2) DRIVE INTERFACE	SIZE CODE	DCS	NUMBER	M7904-0-1	REV.	14
SCALE	1/1	SHEET	2	OF	8	DIST.	

"THIS DRAWING AND SPECIFICATIONS, HEREIN, ARE THE PROPERTY OF DIGITAL EQUIPMENT CORPORATION AND SHALL NOT BE REPRODUCED OR COPIED OR USED IN WHOLE OR IN PART AS THE BASIS FOR THE MANUFACTURE OR SALE OF ITEMS WITHOUT WRITTEN PERMISSION. COPYRIGHT © 1975 DIGITAL EQUIPMENT CORPORATION"

D CS M7904-0-1

D

C

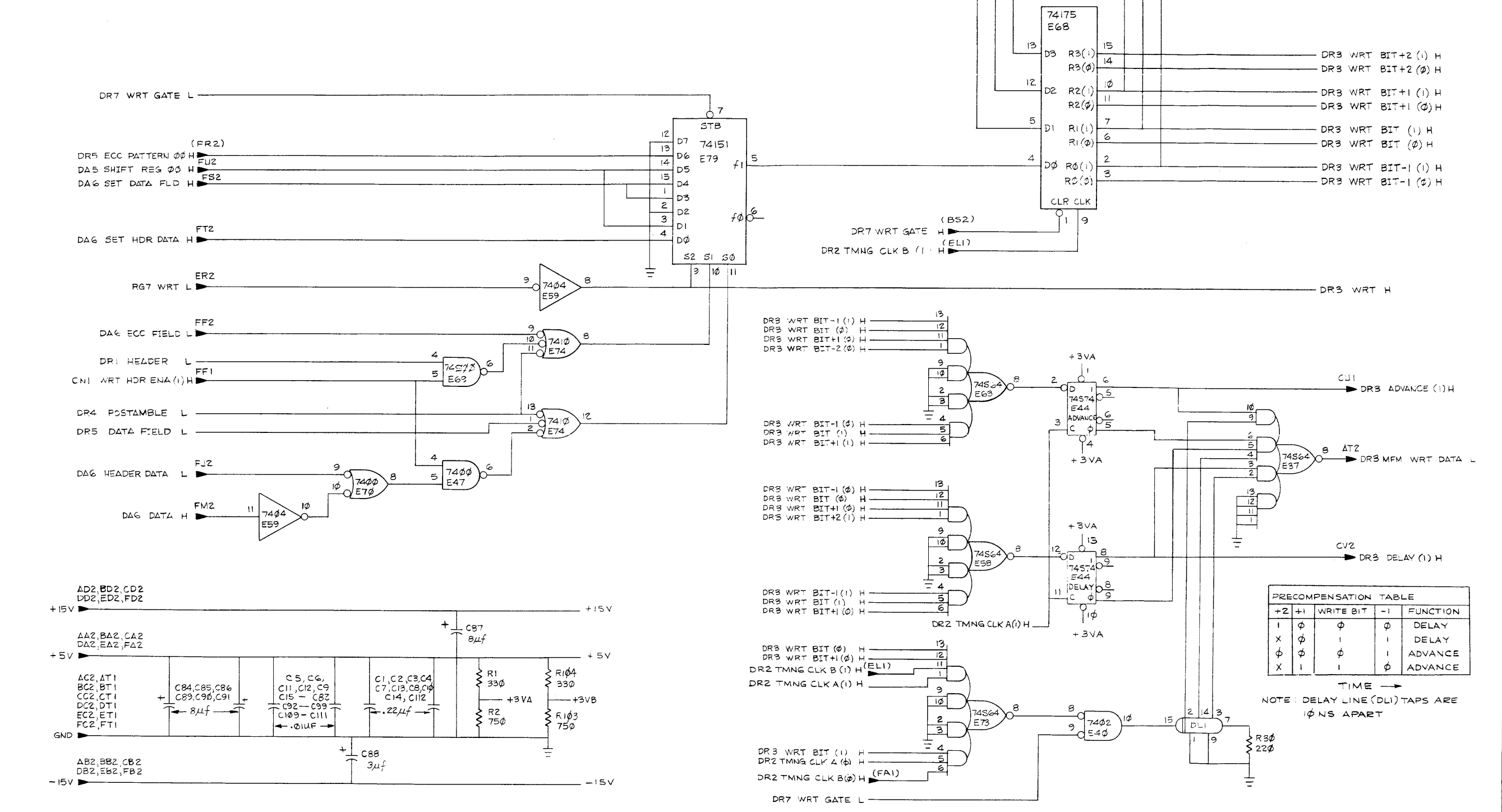
B

D

C

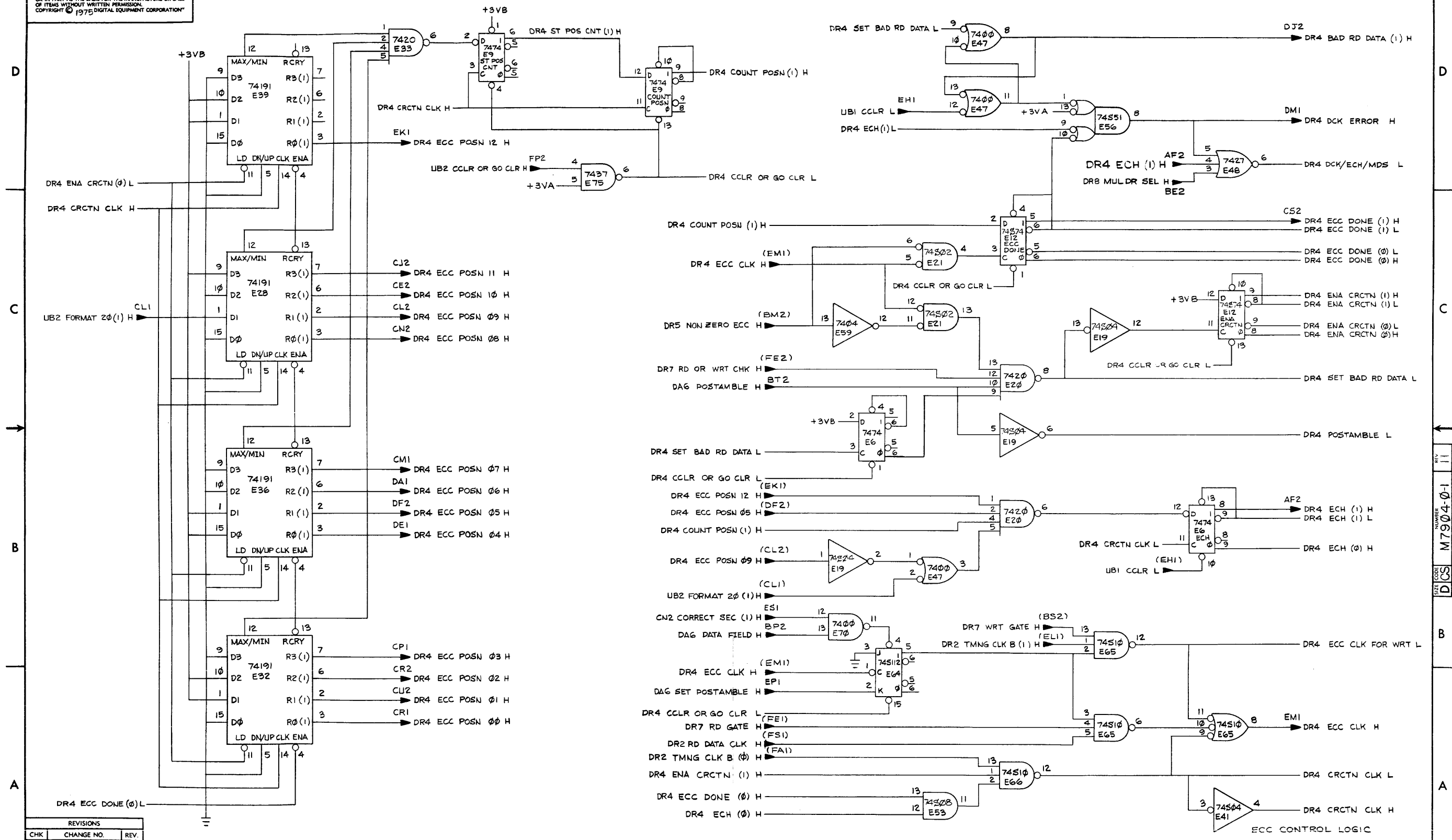
B

A



REVISIONS	
CHANGE NO.	REV.

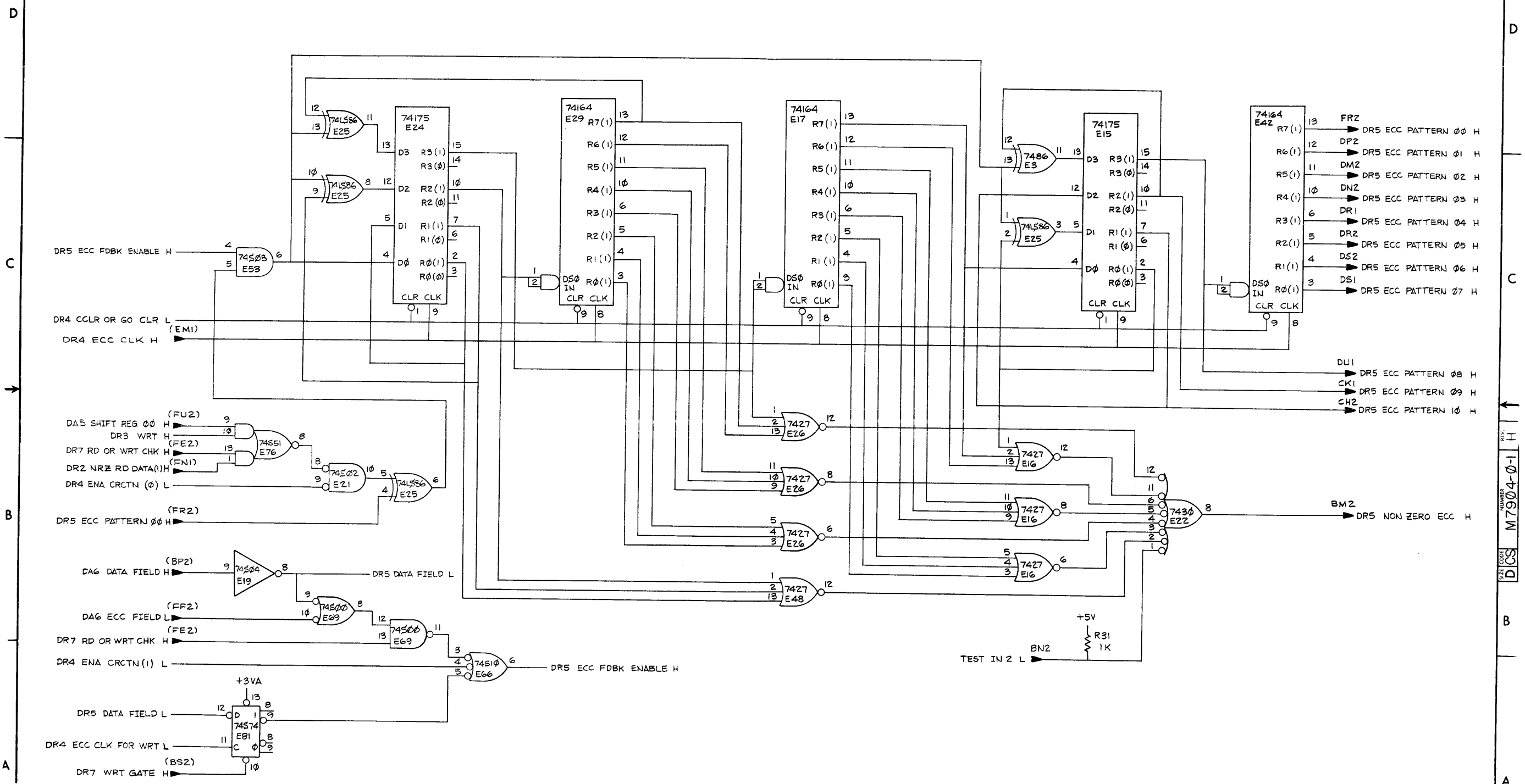
"THIS DRAWING AND SPECIFICATIONS, HEREIN, ARE THE PROPERTY OF DIGITAL EQUIPMENT CORPORATION AND SHALL NOT BE REPRODUCED OR COPIED OR USED IN WHOLE OR IN PART AS THE BASIS FOR THE MANUFACTURE OR SALE OF ITEMS WITHOUT WRITTEN PERMISSION. COPYRIGHT © 1975 DIGITAL EQUIPMENT CORPORATION"



REVISIONS		
CHK	CHANGE NO.	REV.

REV. 11 NUMBER M7904-0-1 SIZE CODE DCS

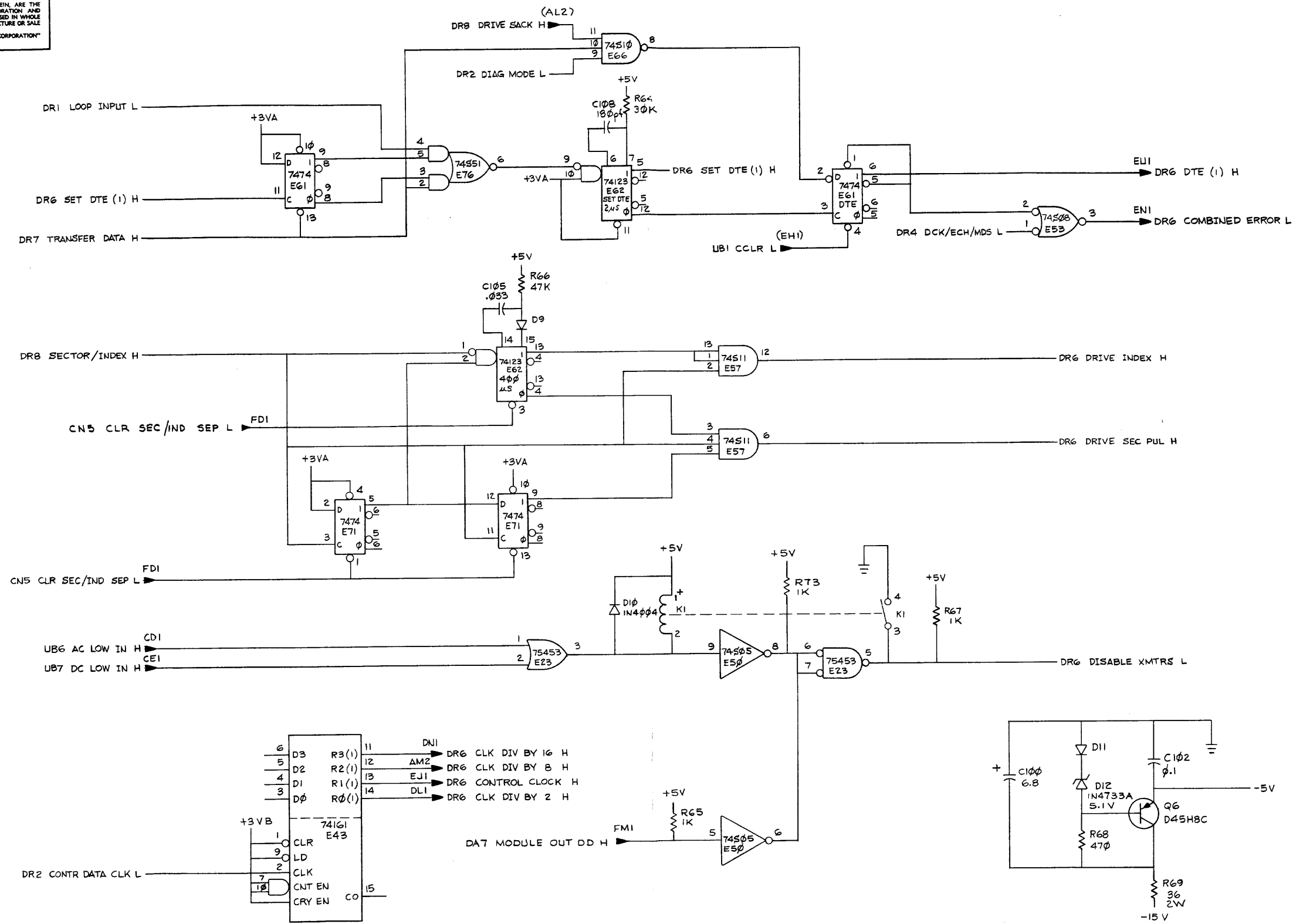
"THIS DRAWING AND SPECIFICATIONS, HEREIN, ARE THE PROPERTY OF DIGITAL EQUIPMENT CORPORATION AND SHALL NOT BE REPRODUCED OR COPIED OR USED IN WHOLE OR IN PART AS THE BASIS FOR THE MANUFACTURE OR SALE OF ITEMS WITHOUT WRITTEN PERMISSION. COPYRIGHT © 1975 DIGITAL EQUIPMENT CORPORATION"



REVISIONS	
CHANGE NO.	REV.

ECC POLYNOMIAL GENERATOR

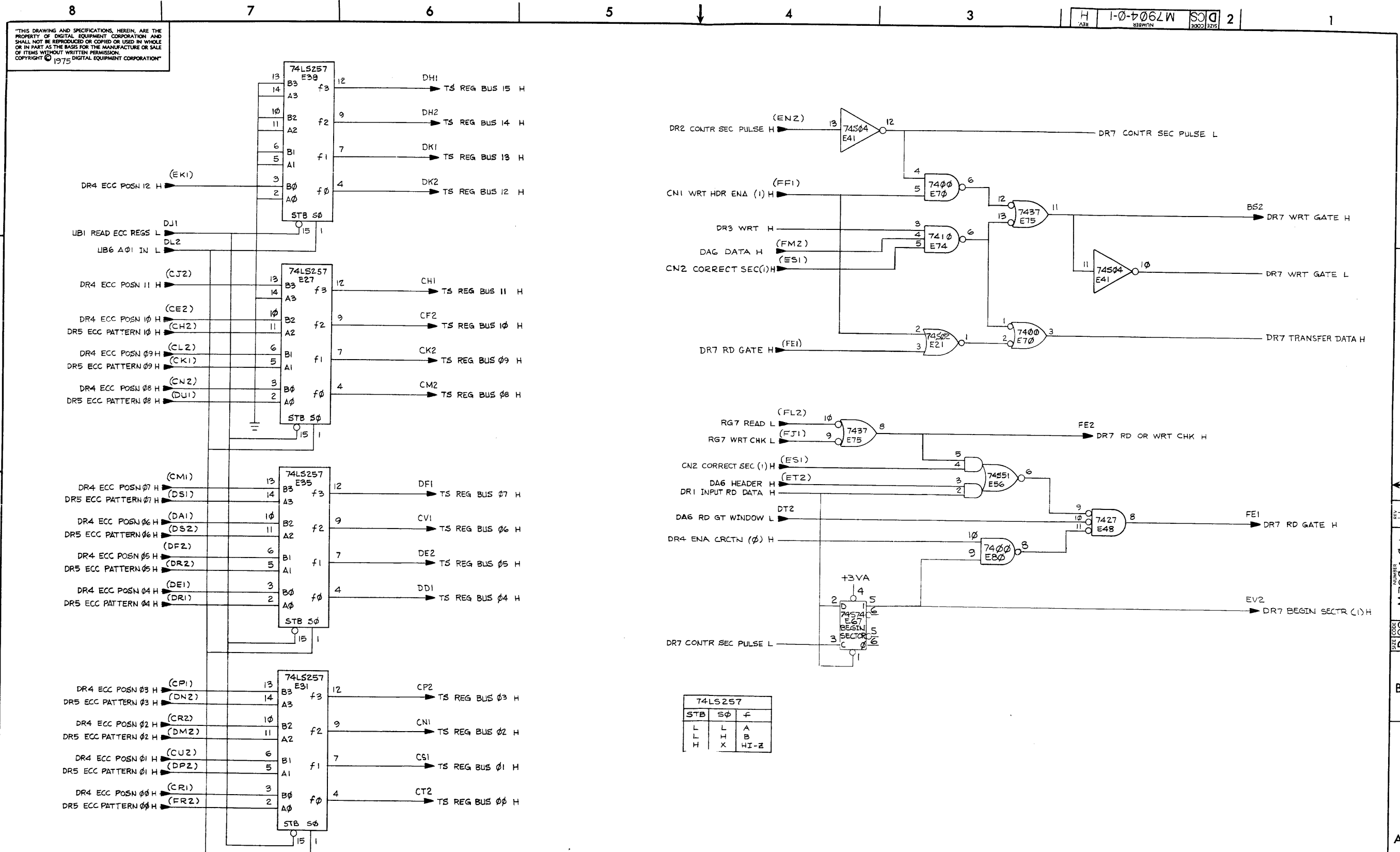
"THIS DRAWING AND SPECIFICATIONS, HEREIN, ARE THE PROPERTY OF DIGITAL EQUIPMENT CORPORATION AND SHALL NOT BE REPRODUCED OR COPIED OR USED IN WHOLE OR IN PART AS THE BASIS FOR THE MANUFACTURE OR SALE OF ITEMS WITHOUT WRITTEN PERMISSION. COPYRIGHT © 1975 DIGITAL EQUIPMENT CORPORATION"



INTERFACE TRANSMITTER DISABLE, SECTOR/INDEX SEPARATOR AND DTE DETECT

REV.	CHANGE NO.	REVISIONS

TITLE	RK611 (DR6) DRIVE INTERFACE	SIZE CODE	DCS	NUMBER	M7904-0-1	REV.	H
SCALE		SHEET	6	OF	8	DIST.	



"THIS DRAWING AND SPECIFICATIONS, HEREIN, ARE THE PROPERTY OF DIGITAL EQUIPMENT CORPORATION AND SHALL NOT BE REPRODUCED OR COPIED OR USED IN WHOLE OR IN PART AS THE BASIS FOR THE MANUFACTURE OR SALE OF ITEMS WITHOUT WRITTEN PERMISSION. COPYRIGHT © 1975 DIGITAL EQUIPMENT CORPORATION"

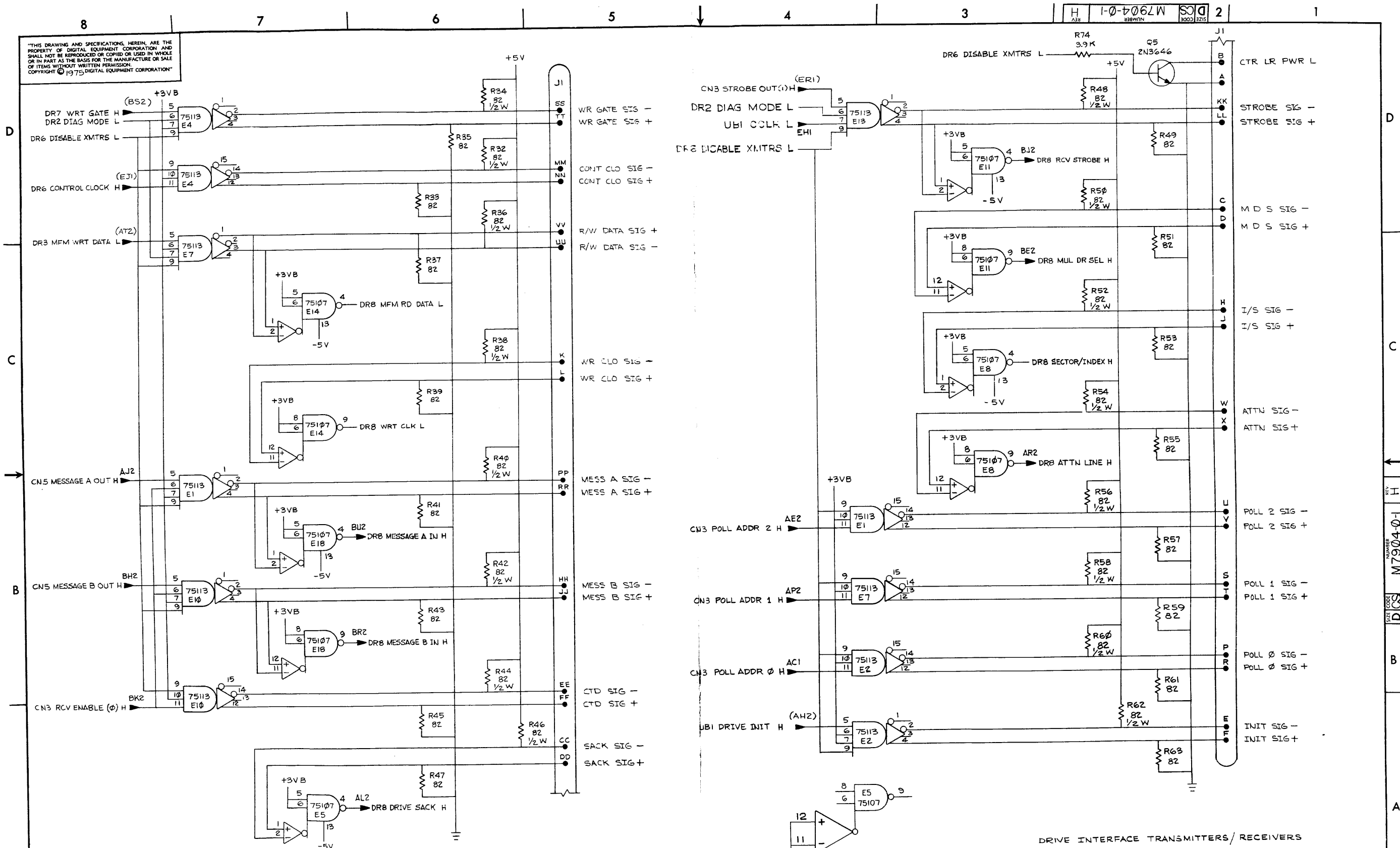
74LS257		
STB	Sφ	f
L	L	A
H	H	B
	X	HI-Z

RD GATE, WRT GATE, AND ECC REGS MULTIPLEXER

REVISIONS	
CHANGE NO.	REV.

SIZE CODE DCS NUMBER M7904-0-1 REV. H

"THIS DRAWING AND SPECIFICATIONS, HEREIN, ARE THE PROPERTY OF DIGITAL EQUIPMENT CORPORATION, AND SHALL NOT BE REPRODUCED OR COPIED OR USED IN WHOLE OR IN PART AS THE BASIS FOR THE MANUFACTURE OR SALE OF ITEMS WITHOUT WRITTEN PERMISSION. COPYRIGHT © 1975 DIGITAL EQUIPMENT CORPORATION"



REVISIONS		
CHK	CHANGE NO.	REV.

TITLE	RK611 (DR8)	SIZE CODE	D CS	NUMBER	M7904-0-1	REV.	H
SCALE	/ /	SHEET	8	OF	8	DIST.	

DRIVE INTERFACE TRANSMITTERS/RECEIVERS

DIGITAL EQUIPMENT CORPORATION MAYNARD, MASSACHUSETTS				QUANTITY / VARIATION												
MADE BY		CHECKED		SECTION												
F. Carberry		<i>F. Carberry</i>		1												
DATE		DATE		ISSUED SECT.												
30 MAR 76		30 APR 76		1												
ENG		PROD		ISSUED SECT.												
T.F. FIVA		<i>C. Howard</i>		1												
DATE		DATE														
30 APR 76		30 APR 76														
ITEM NO.	DWG NO. / PART NO.	DESCRIPTION														
1	E-UA-RK611-Ø-Ø	RKØ6 CONTROLLER									1					
2	MPØØ1Ø5	FIELD MAINTENANCE PRINT SET									1					
3	23-752A9	ROM									1					
4	9906228	BOX									1					
TITLE		ASSY NO.	SIZE	CODE	NUMBER		REV.	ECO NO.								
SHIPPING LIST		NONE	A	PL	RK611-Ø-4		A	00013								
SHEET 1 OF 1			DIST.													