



DIGITAL EQUIPMENT CORPORATION

PARTS LIST

MADE BY *K. Koppenthal* DATE 3-1-76
 CHECKED *[Signature]* DATE 3-2-76
 PROD *R. Wade* DATE 3-2-76
 ISSUED SECTION

ITEM NO.	DRAWING NO.	PART NO.	DESCRIPTION	QUANTITY / VARIATION	REF DESIGNATION
----------	-------------	----------	-------------	----------------------	-----------------

1.		501820	ETCH BOARD	1	
2.		100025	CAP, 560PF, 100V, 5%	2	C92, C53
3.		100018	CAP, 120PF, 100V, 5%	2	C99, C96
4.		100024	CAP, 470PF, 100V, 5%	25	C93, C100-122, C131,
5.		100042	CAP, 1000PF, 100V, 5%	1	C98
6.		1001610-00	CAP, 01UF, 50V	91	C1-C52, C54-C91, C130
7.		100010	CAP, 39PF, 100V, 5%	1	C97
8.		1005306	CAP, 6.8UF, 35V, 10%	6	C123-C126, C128, C129
9.		1000021	CAP, 220PF, 100V, 5%	1	C95
10.		1000023	CAP, 330PF, 100V, 5%	1	C94
11.		1105796	DIODE, IN4004	2	D1, D5
12.		1109943	DIODE, IN4733A	2	D2, D6
13.		1103340	DIODE, IN4736A	2	D3, D7
14.		1101938	DIODE, IN4370A	2	D4, D8
15.		1905547	IC, 7474	1	E96
16.		1909705	IC, 8881	1	E72
17.		1910091	IC, 7437	2	E24, E68
18.		1910322	IC, 1488L	4	E7 - E10
19.		1910323	IC, 1489L	6	E1 - E6
20.		1910454	IC, 9318	1	E82
21.		1910459-01	IC, 1602 (PART)	8	E44 - E51

ITEM NO.	DRAWING NO.	PART NO.	DESCRIPTION	QUANTITY / VARIATION	REF DESIGNATION
----------	-------------	----------	-------------	----------------------	-----------------

THIS DRAWING AND SPECIFICATIONS HEREIN ARE THE PROPERTY OF DIGITAL EQUIPMENT CORPORATION AND SHALL NOT BE REPRODUCED OR COPIED OR USED IN WHOLE OR IN PART AS THE BASIS FOR THE MANUFACTURE OR SALE OF ITEMS WITHOUT WRITTEN PERMISSION. COPYRIGHT © 1976. DIGITAL EQUIPMENT CORPORATION.

TITLE: 8 LINE EIA ASYNCHRONOUS MUX

ASSY NO. D-UA-M7819-0-0

SHEET 1 OF 4

SIZE: B PL

NUMBER: M7819-0-0

REV. E

INSERTION PARTS LIST DATA BASE REV

FIG. CO. NO. 00001, 00002, 00003

NOTES:

FIG. CO. NO. 00001, 00002, 00003

DIGITAL EQUIPMENT CORPORATION

PARTS LIST

QUANTITY / VARIATION

NOTES:

MADE BY *R. Koppenal*
 DATE *3-1-76*
 ENG *John A. Carmody*
 DATE *3-2-76*

CHECKED *John A. Carmody*
 DATE *3-2-76*
 PROD *R. Wall*
 DATE *3-2-76*

SECTION
 ISSUED SECTION

ITEM NO.	DRAWING NO.	PART NO.	DESCRIPTION	QUANTITY / VARIATION										REF DESIGNATION	
22.		1910951	IC, 9602	2											E78, E106
23.		1911116	IC, 8837	1											E70
24.		1911579	IC, 8641	4											E28, E29, E36, E37
25.		1912083	IC, 8647	2											E89, E90
26.		1912395	IC, 8136	3											E61, E71, E80
27.		1912799	IC, 74LS00	4											E23, E73, E76, E99
28.		1912801	IC, 74LS02	1											E108
29.		1912803	IC, 74LS04	5											E13, E14, E86, E101, E12
30.		1912805	IC, 74LS08	4											E63, E65, E87, E107
31.		1912807	IC, 74LS10	1											E97
32.		1912811	IC, 74LS21	1											E69
33.		1912816	IC, 74LS32	2											E100, E84
34.		1912824	IC, 74LS74	4											E77, E85, E88, E109
35.		1912830	IC, 74LS90	1											E66
36.		1912842	IC, 74LS138	2											E74, E75
37.		1912844	IC, 74LS151	2											E91, E92
38.		1912845	IC, 74LS153	8											E30 - E33, E38 - E41
39.		1912846	IC, 74LS155	3											E83, E94, E95
40.		1912847	IC, 74LS157	5											E19-22, E102
41.		1912853	IC, 74LS175	13											E15-18, E26, E27, E34, E35, E42, E43, E93, E98, E104

ECO. NO.

THIS DRAWING AND SPECIFICATIONS, HEREIN, ARE THE PROPERTY OF DIGITAL EQUIPMENT CORPORATION AND SHALL NOT BE REPRODUCED OR COPIED OR USED IN WHOLE OR IN PART AS THE BASIS FOR THE MANUFACTURE OR SALE OF ITEMS WITHOUT WRITTEN PERMISSION. COPYRIGHT © 1976 DIGITAL EQUIPMENT CORPORATION

TITLE
 8 LINE EIA ASYNCHRONOUS MUX

ASSY NO.
 D-UA-M7819-0-0
 SHEET 2 OF 4

SIZE CODE
 B PL

NUMBER
 M7819-0-0
 INSERTION PARTS LIST DATA BASE REV

REV.
 E

DIGITAL EQUIPMENT CORPORATION

PARTS LIST

QUANTITY / VARIATION

NOTES:

MADE BY <i>R. Koppenal</i>	CHECKED <i>[Signature]</i>	SECTION
DATE <i>3-1-76</i>	DATE <i>3-2-76</i>	
ENG <i>[Signature]</i>	PROD <i>R. Wall</i>	ISSUED SECTION
DATE <i>3-2-76</i>	DATE <i>3-2-76</i>	

ITEM NO.	DRAWING NO.	PART NO.	DESCRIPTION	QUANTITY / VARIATION										REF DESIGNATION	
62		5408778	PRIORITY 5 INSERT	1											PLUG INTO E52
63		9006735	SPLIT LUG	2											
64		9006732	EYELETS	12											
65		9009185	JUMPER, INSULATED	1											W1
66		1811660-02	OSCILLATOR, 5.068 MHE	1											E67

E.C.O. NO. _____

THIS DRAWING AND SPECIFICATIONS, HEREIN, ARE THE PROPERTY OF DIGITAL EQUIPMENT CORPORATION AND SHALL NOT BE REPRODUCED OR COPIED OR USED IN WHOLE OR IN PART AS THE BASIS FOR THE MANUFACTURE OR SALE OF ITEMS WITHOUT WRITTEN PERMISSION. COPYRIGHT © 1976, DIGITAL EQUIPMENT CORPORATION.	TITLE 8 LINE EIA ASYNCHRONOUS MUX	ASSY NO.	SIZE	CODE	NUMBER	REV.
		D-UA-M7819-0-0	B	PL	M7819-0-0	E

8

7

6

5

4

3

F

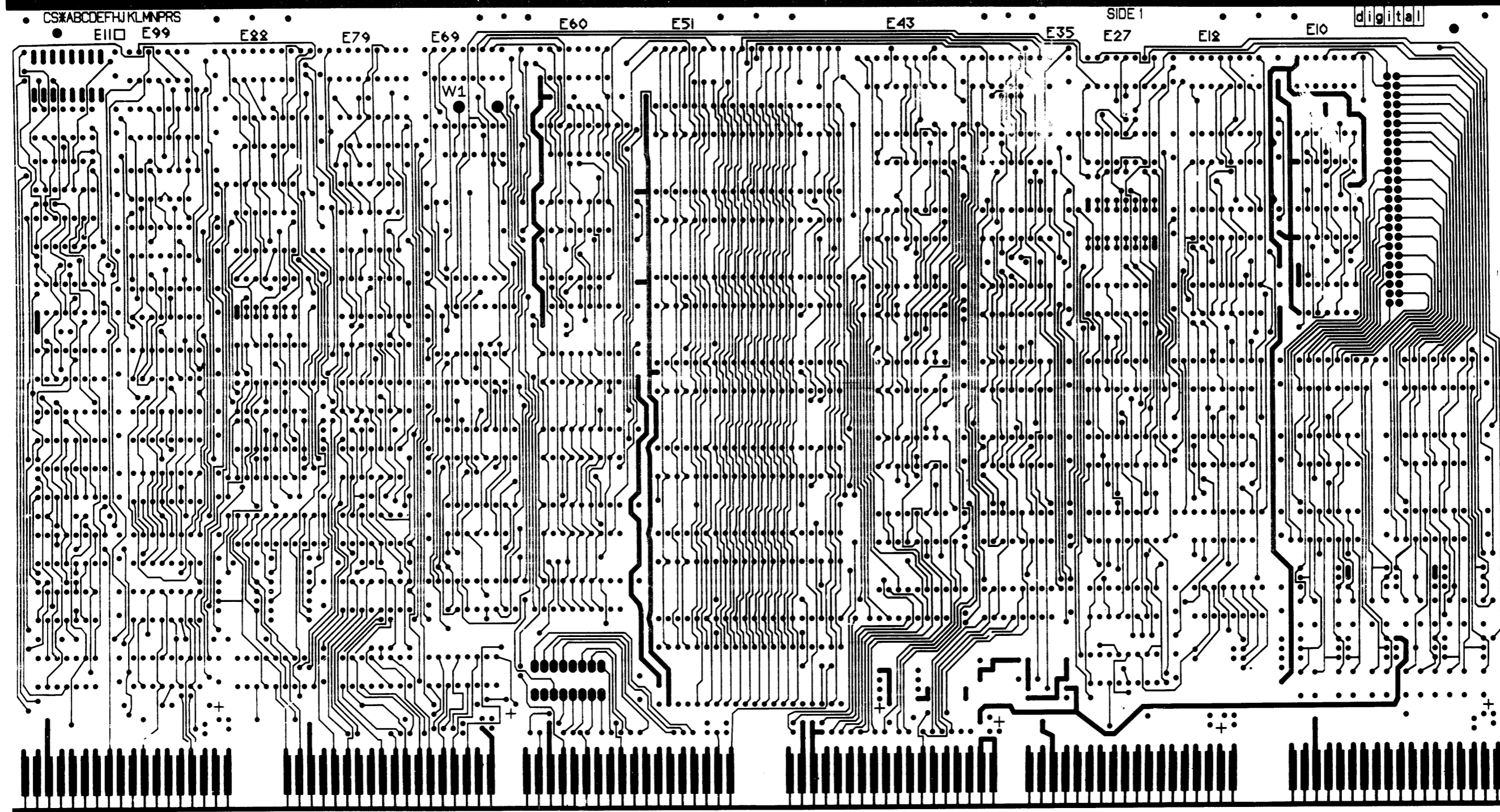
D

2

1

LAYER 1

M7819 5011220E-P2



M7819

TITLE		SIZE/CODE	NUMBER
8 LINE EIA ASYN MULY		D UA	M7819-0-0
SCALE	SHEET 2 OF 5	DIST	

8

7

6

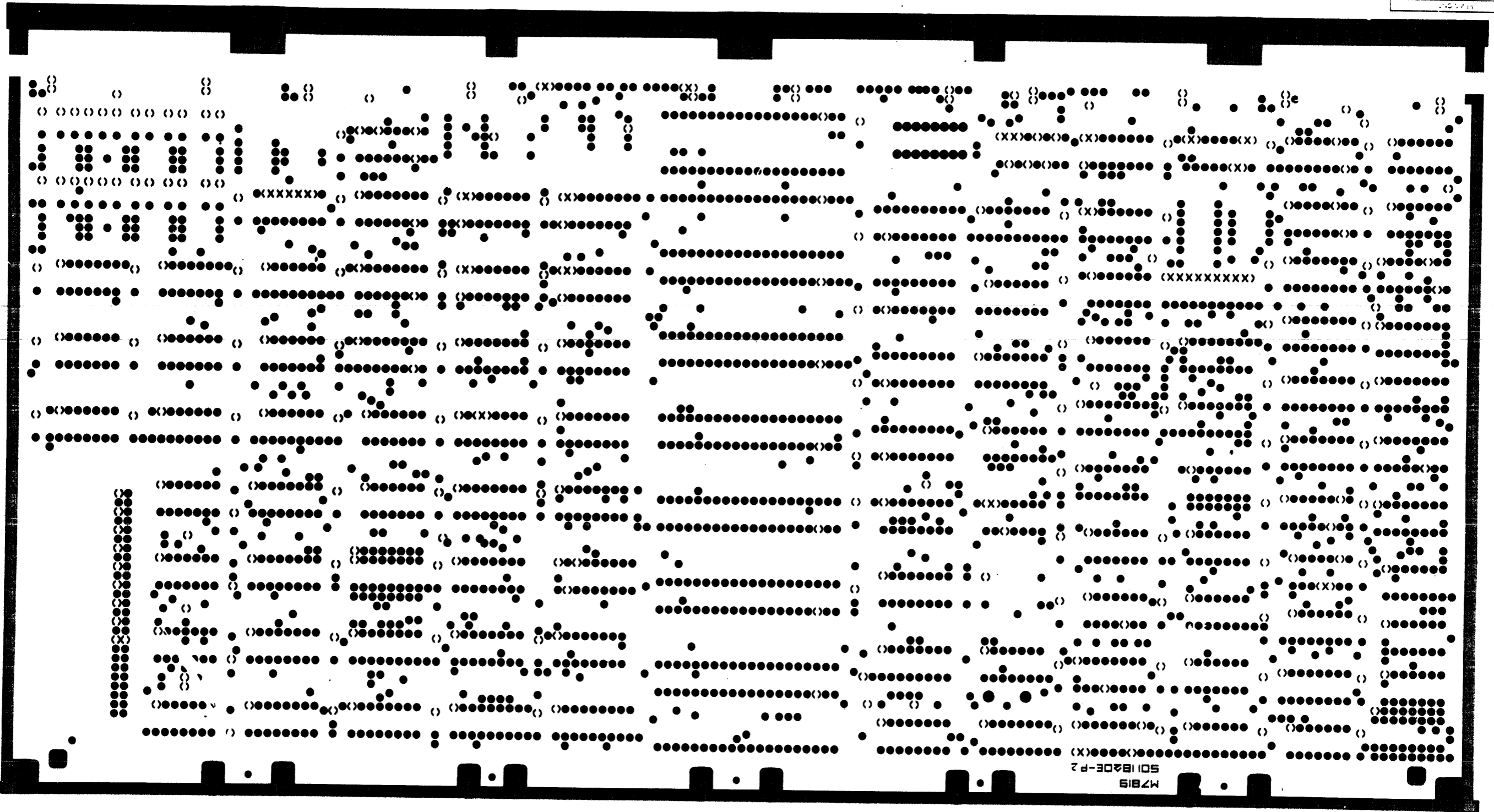
5

4

3

2

1



M7819
 SOI1820E-P2

104101

GND

THE INFORMATION CONTAINED HEREIN IS UNCLASSIFIED EXCEPT WHERE SHOWN OTHERWISE IN A NOTICE IN THE MARGIN OF THIS DOCUMENT. DATE OF DECLASSIFICATION IS INDEFINITE.

8

7

6

5

4

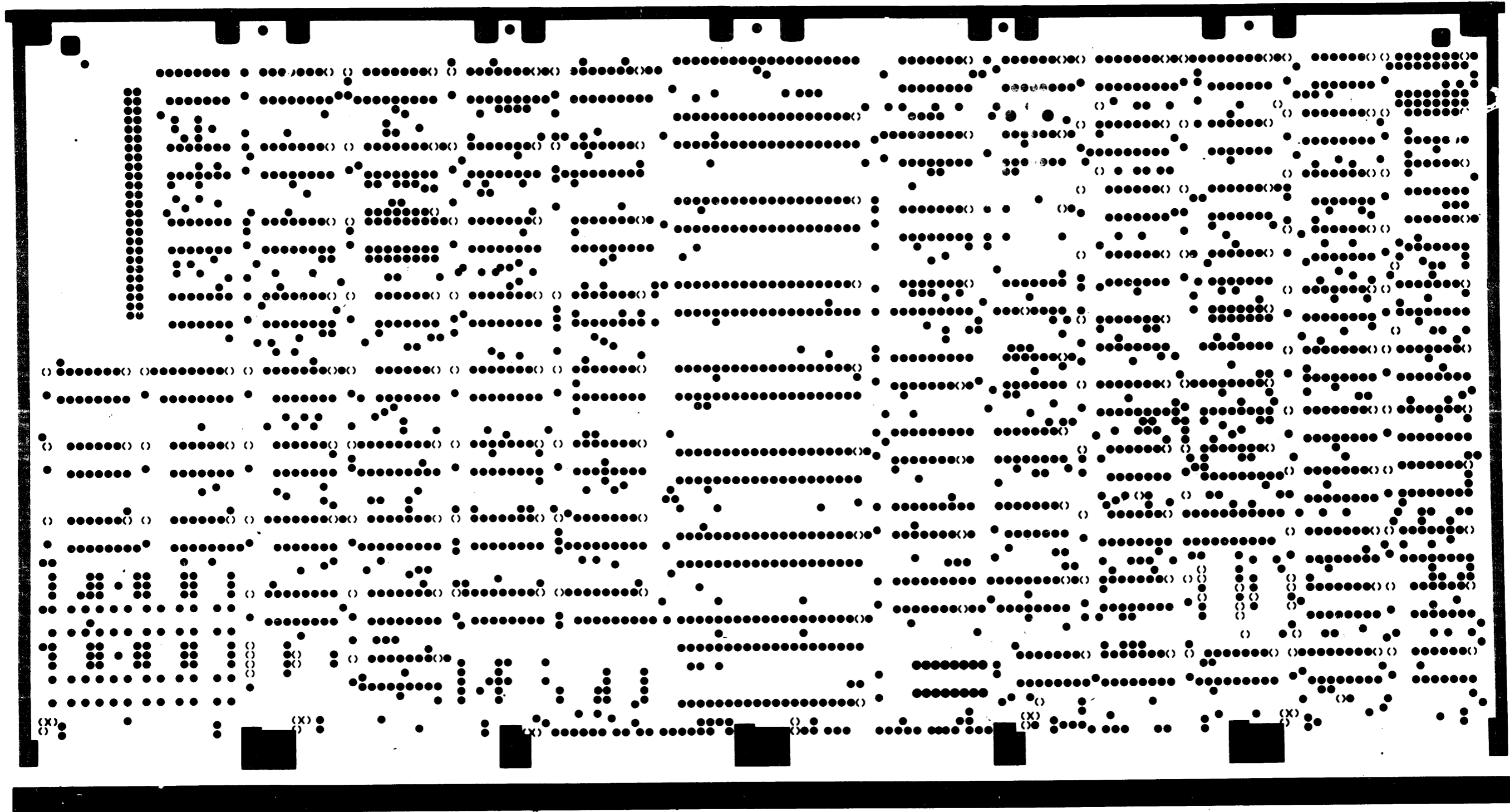
3

UA M7819-0-0 2

1

THIS DRAWING AND SPECIFICATIONS ARE THE PROPERTY OF THE COMPANY. COPIES AND REPRODUCTIONS OF ANY KIND ARE STRICTLY PROHIBITED. © 1977

M7819 5011820E-P2



REVISIONS		
CHK	DATE	BY

TITLE	SIZE CODE	NUMBER	REV.
8 LINE EIA ASYN MUX	D UA	M7819-0-0	F
SCALE	SHEET 4 OF 5	DIST.	

8

7

6

5

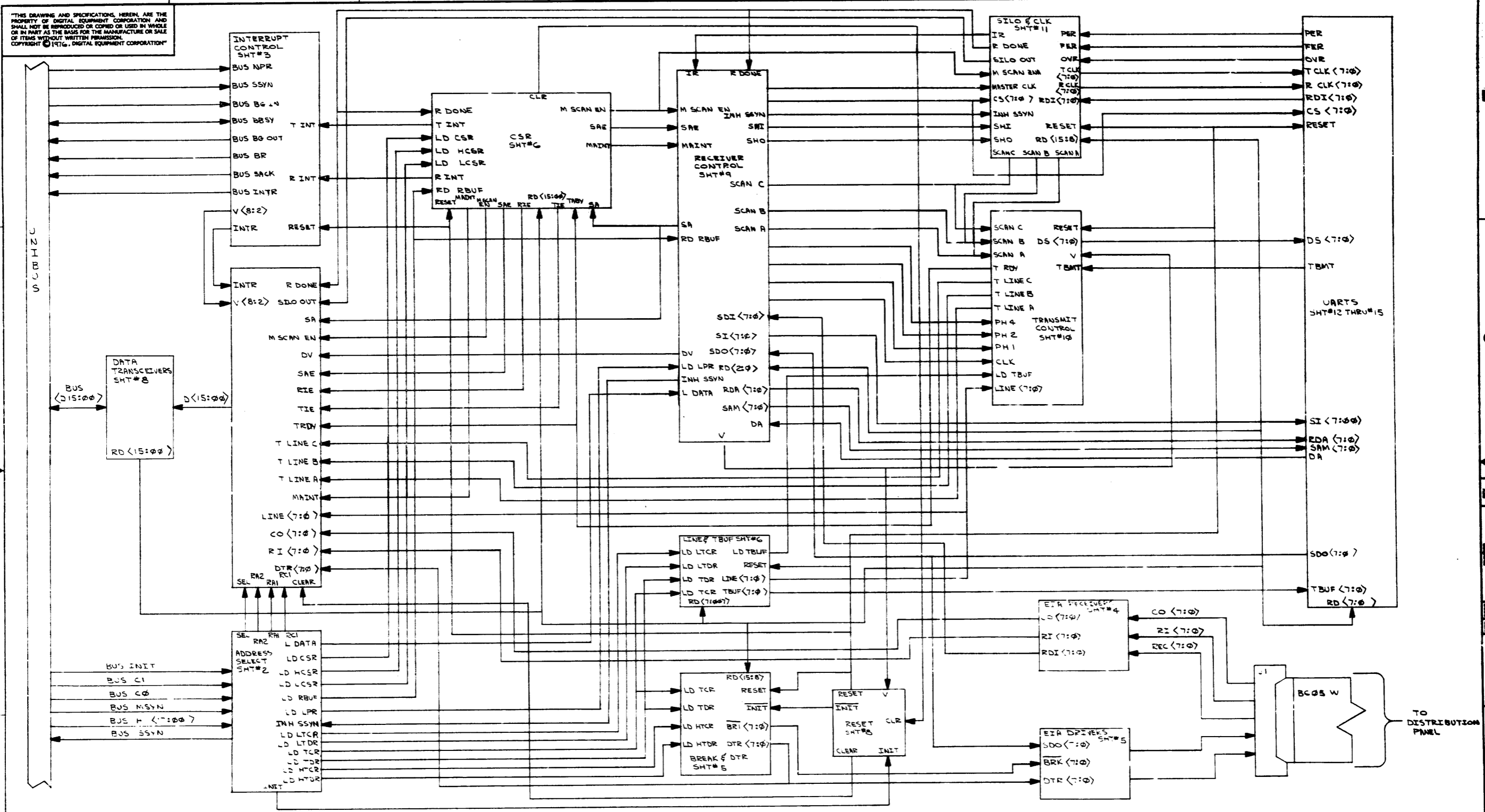
4

3

2

1

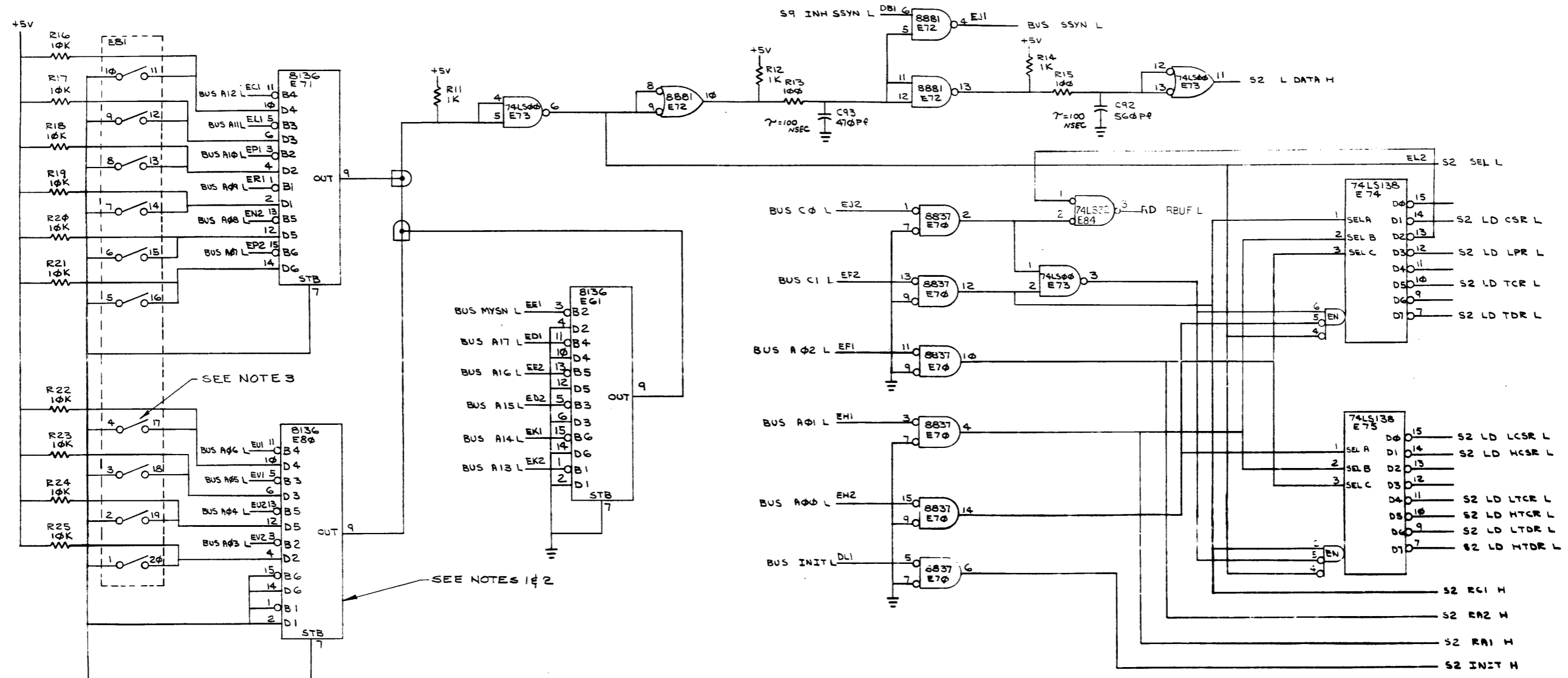
THIS DRAWING AND SPECIFICATIONS, HEREIN, ARE THE PROPERTY OF DIGITAL EQUIPMENT CORPORATION AND SHALL NOT BE REPRODUCED OR COPIED OR USED IN WHOLE OR IN PART AS THE BASIS FOR THE MANUFACTURE OR SALE OF ITEMS WITHOUT WRITTEN PERMISSION. COPYRIGHT © 1976, DIGITAL EQUIPMENT CORPORATION



REV.	CHANGE NO.

DRN. X. (Date)	2-26-76	FIRST USED ON	DZ11-A
CHK'D (Date)	3-2-76	TITLE	M7819
ENG (Date)	3-2-76		BLOCK DIAGRAM
PRD (Date)	3-2-76		
PROD. R. (Date)	3-2-76		
NEXT HIGHER ASSY.			
D-UA-M7819-0-0	SIZE CODE	NUMBER	REV.
SCALE	D BDM7819-0-8	A	
SHEET 1 OF 1	DIST.		

"THIS DRAWING AND SPECIFICATIONS HEREIN ARE THE PROPERTY OF DIGITAL EQUIPMENT CORPORATION AND SHALL NOT BE REPRODUCED OR COPIED OR USED IN WHOLE OR IN PART AS THE BASIS FOR THE MANUFACTURE OR SALE OF ITEMS WITHOUT WRITTEN PERMISSION. COPYRIGHT © 1976 DIGITAL EQUIPMENT CORPORATION"



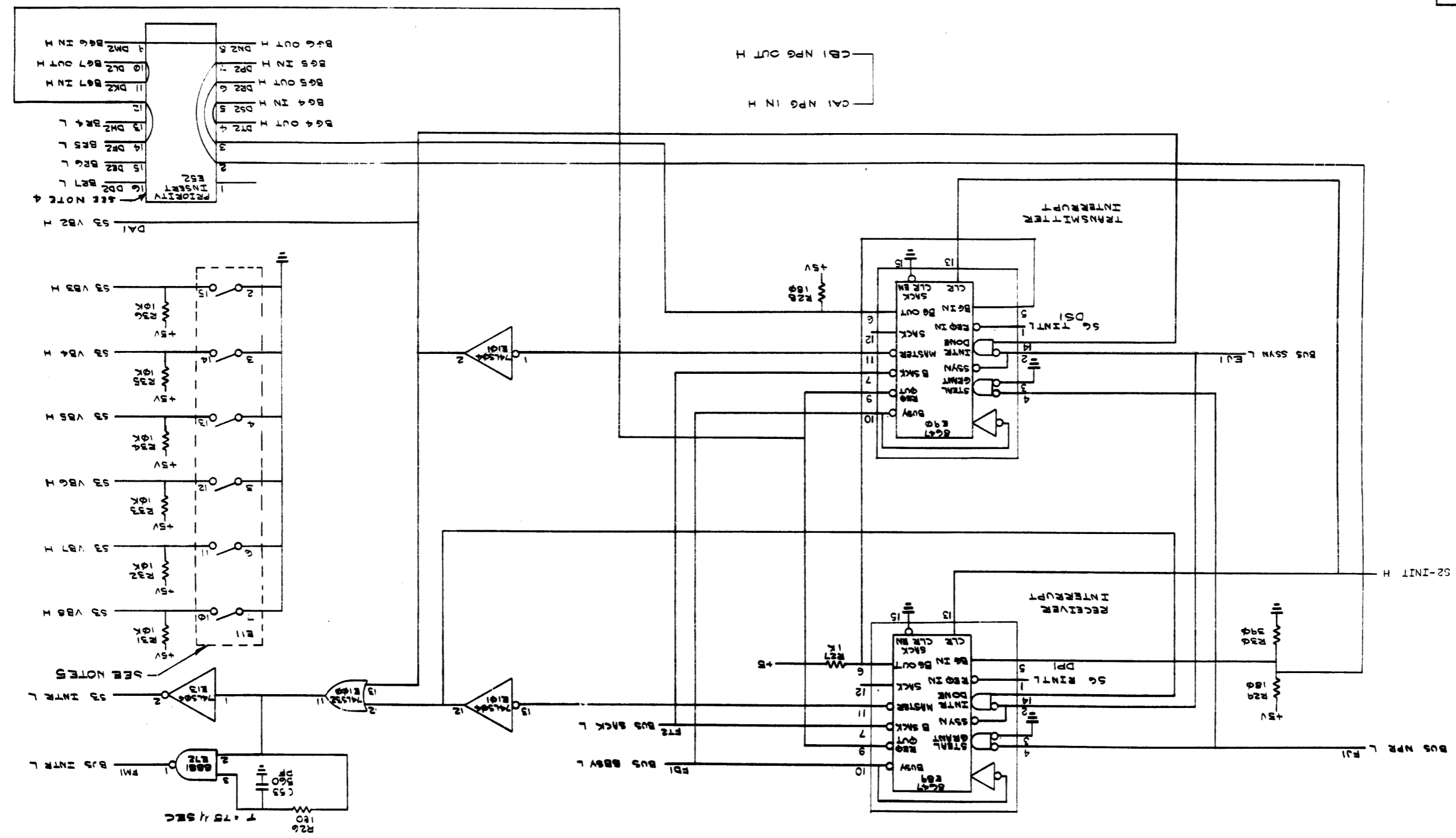
REVISIONS		
CHK	CHANGE NO.	REV.

TITLE		SIZE/DOC	NUMBER	REV.
ADDRESS SELECT		D CS	M7819-0-1	F
SCALE	SHEET 2 OF 15	DIST.		

REV.	CHANGE NO.	REV.

CHK FROM NO. 100
Dwg 100

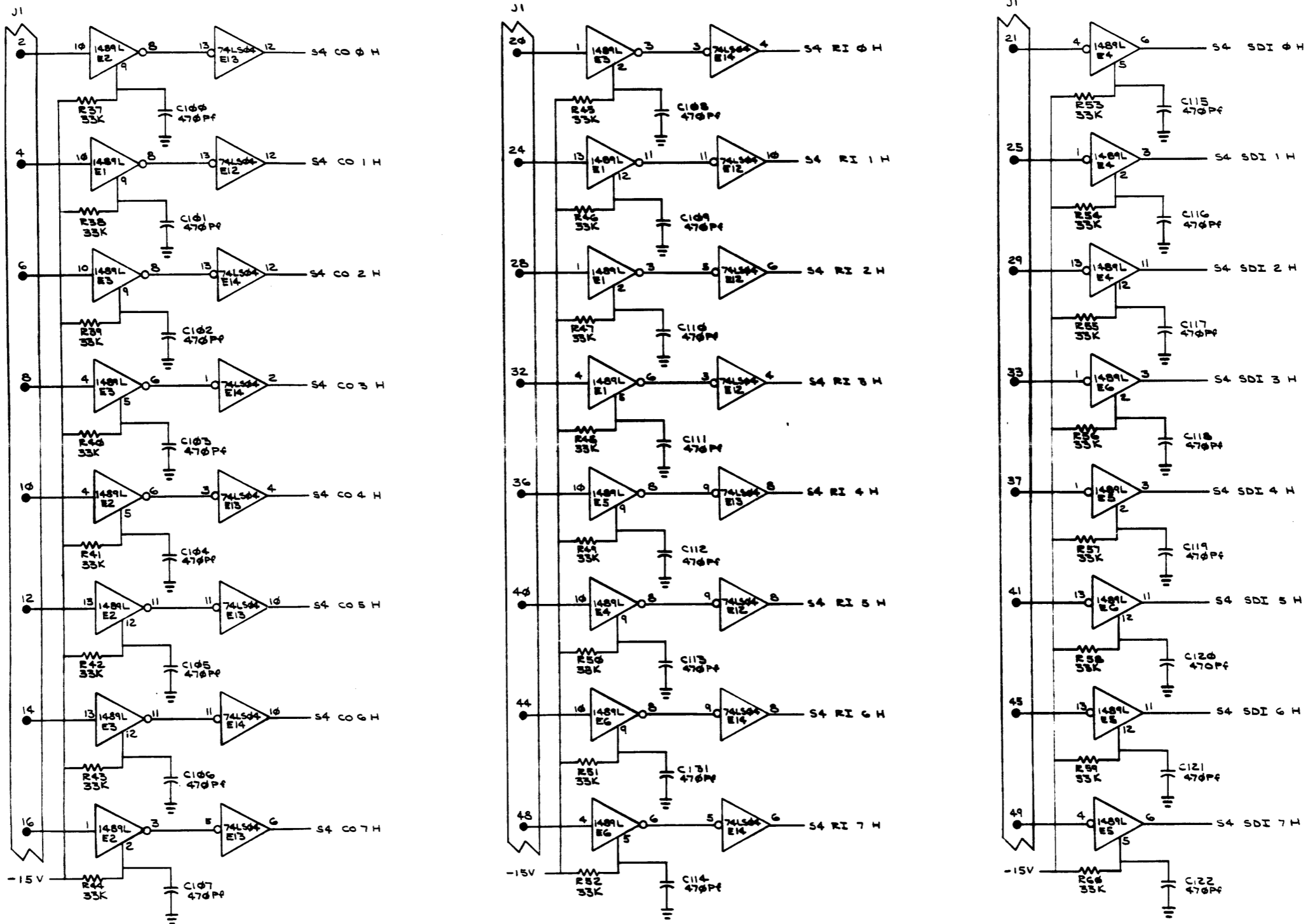
REV. F
NUMBER
DCS M7019-0-1
SIZE CODE
TITLE
3 LINE EIA ASYNCHRONOUS MUX
SCALE 1/8
SHEET 3 OF 15



THIS DRAWING AND SPECIFICATIONS, HEREIN, ARE THE PROPERTY OF BELL AND HOWELL CORPORATION AND SHALL BE KEPT IN CONFIDENTIALITY TO THE EXTENT OF THE DRAWING AND SPECIFICATIONS AS SUCH. NO PART OF THIS DRAWING OR SPECIFICATIONS IS TO BE REPRODUCED OR TRANSMITTED IN ANY FORM OR BY ANY MEANS, ELECTRONIC OR MECHANICAL, INCLUDING PHOTOCOPYING, RECORDING, OR BY ANY INFORMATION STORAGE AND RETRIEVAL SYSTEM, WITHOUT THE WRITTEN PERMISSION OF BELL AND HOWELL CORPORATION.

1-0-6187M50D 2

THE DRAWING AND SPECIFICATIONS HEREIN ARE THE PROPERTY OF DIGITAL EQUIPMENT CORPORATION AND SHALL NOT BE REPRODUCED OR COPIED IN WHOLE OR IN PART AS THE BASIS FOR THE MANUFACTURE OR SALE OF ITEMS WITHOUT WRITTEN PERMISSION. COPYRIGHT © 1976, DIGITAL EQUIPMENT CORPORATION



(EIA RECEIVERS)

REVISIONS		
CHK	CHANGE NO.	REV.

TITLE	8 LINE EIA ASYNCHRONOUS MUX	SIZE CODE	D CS	NUMBER	M7819-0-1	REV.	F
SCALE	1/4	SHEET	4	OF	15	DIST.	

CHK	CHANGE NO.	REV.

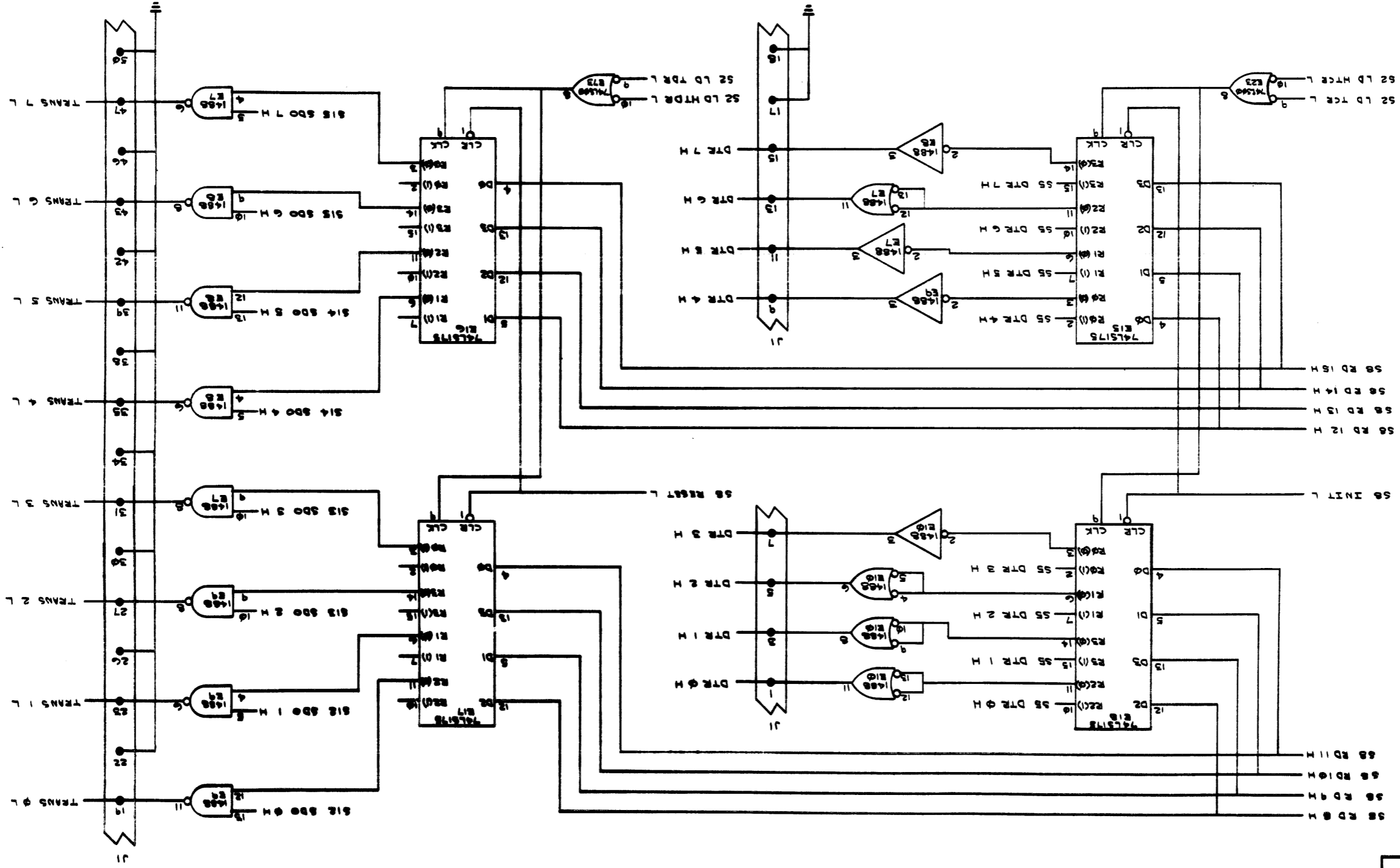
REV. 1
NUMBER
CS M7819-0-1

8 LINE EIA ASYNCHRONOUS MUX (DIRÉ BRKÉ EIA TRANSMITTER)

SHEET 5 OF 15

SCALE

DIST.



THIS DRAWING AND ANY INFORMATION CONTAINED HEREIN IS UNCLASSIFIED EXCEPT WHERE SHOWN OTHERWISE.

2 bksM7819-0-1 F 1

1

3

4

5

6

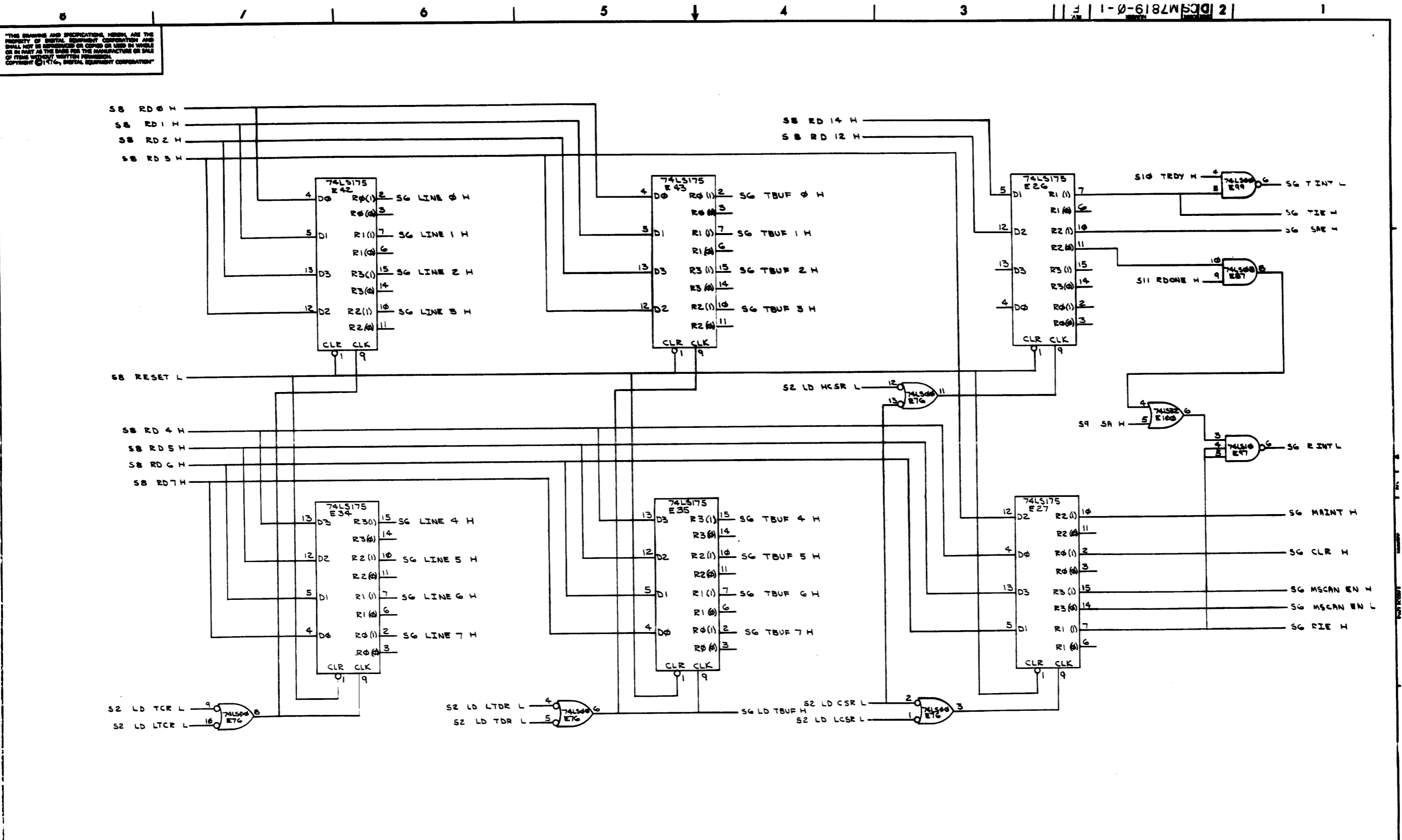
7

8

DEC FORM NO. 104

NOV 68

THIS DRAWING AND SPECIFICATIONS HEREIN ARE THE PROPERTY OF DIGITAL EQUIPMENT CORPORATION AND SHALL NOT BE REPRODUCED OR COPIED OR USED IN WHOLE OR IN PART AS THE BASIS FOR THE MANUFACTURE OR SALE OF ITEMS WITHOUT WRITTEN PERMISSION. COPYRIGHT © 1976, DIGITAL EQUIPMENT CORPORATION



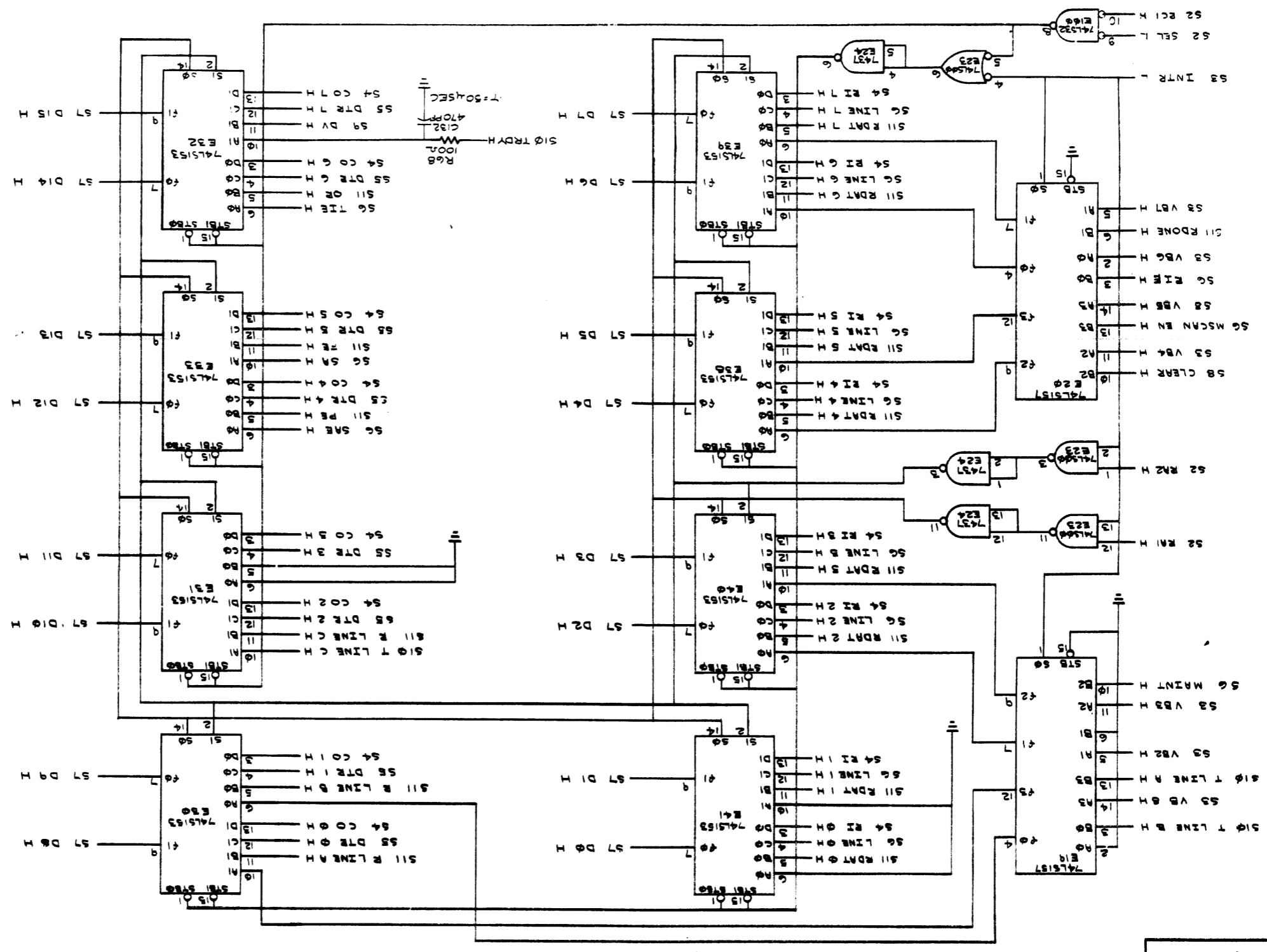
REVISIONS		
CHK	CHANGE NO.	REV.

(REGISTERS)		TITLE	SIZE CODE	NUMBER	REV.
8 LINE EIA ASYNCHRONOUS MUX		DCS	M7819-0-1		
SCALE	SHEET 6 OF 15	DIST.			

REV.	CHG	NO.	REVISIONS

(OUTPUT DATA MULTIPLEXER)

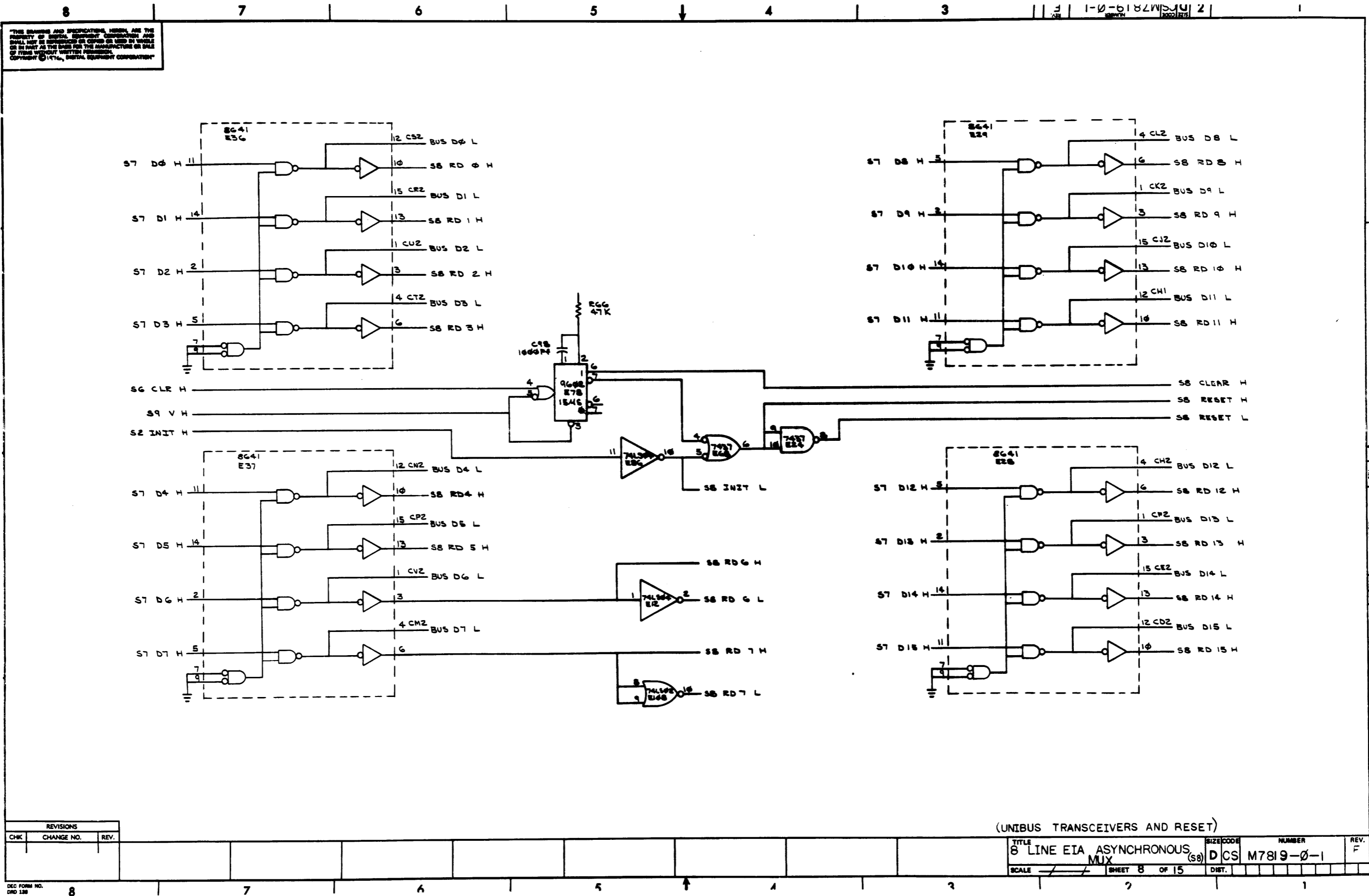
TITLE LINE EIA ASYNCHRONOUS MUX
 DCS M7819-0-1
 NUMBER
 REV. F



THE DRAWING AND DESCRIPTION HEREIN ARE THE PROPERTY OF THE GOVERNMENT AND ARE TO BE REPRODUCED OR TRANSMITTED IN ANY FORM OR BY ANY MEANS, ELECTRONIC OR MECHANICAL, INCLUDING PHOTOCOPYING, RECORDING, OR BY ANY INFORMATION STORAGE AND RETRIEVAL SYSTEM, WITHOUT PERMISSION IN WRITING FROM THE GOVERNMENT.

1-0-6187M5C0 2

"THE DRAWING AND SPECIFICATIONS HEREIN ARE THE PROPERTY OF DIGITAL EQUIPMENT CORPORATION AND SHALL NOT BE REPRODUCED OR COPIED OR USED IN WHOLE OR IN PART AS THE BASIS FOR THE MANUFACTURE OR SALE OF ITEMS WITHOUT WRITTEN PERMISSION. COPYRIGHT © 1976, DIGITAL EQUIPMENT CORPORATION"

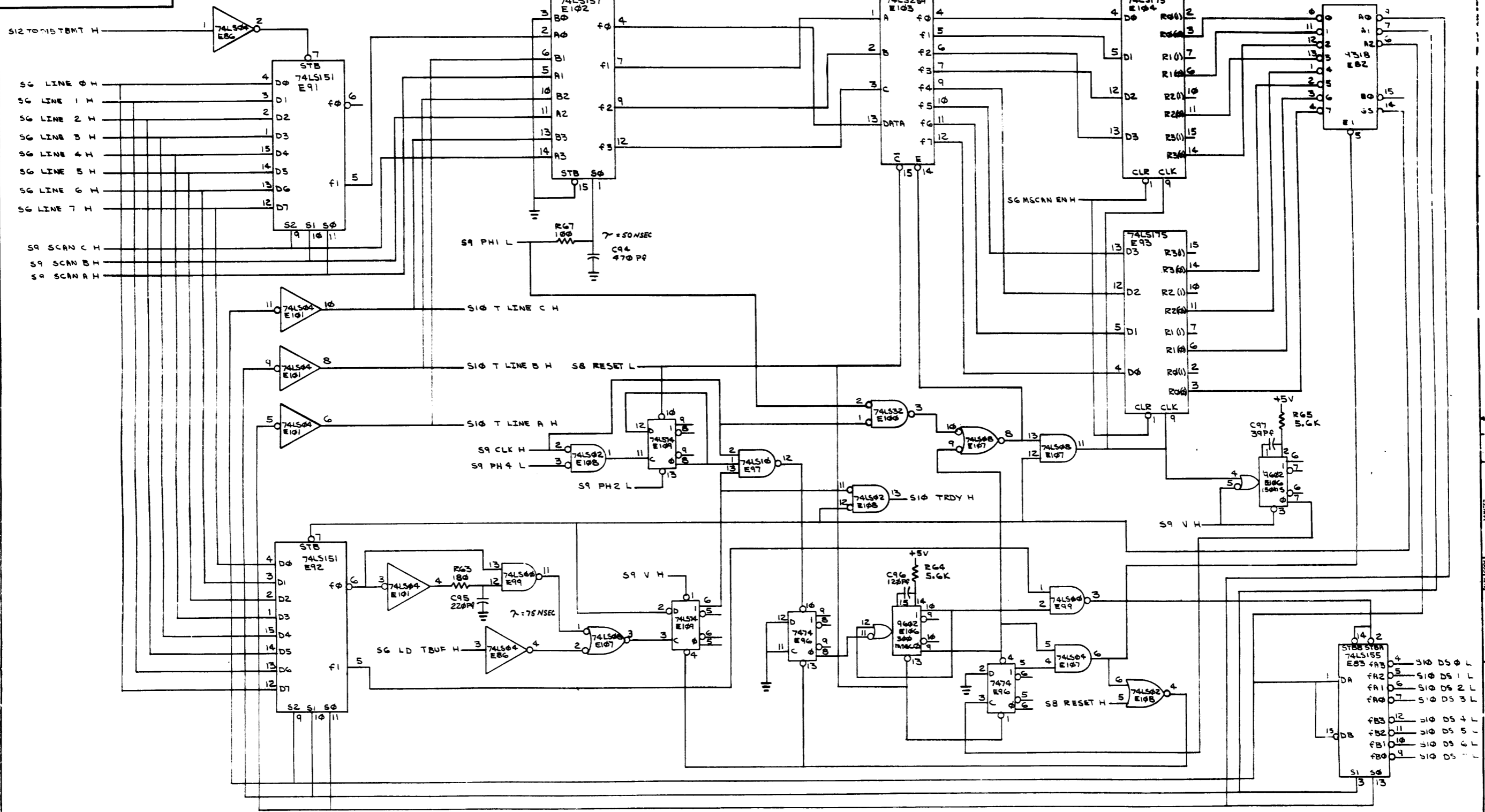


REVISIONS		
CHK	CHANGE NO.	REV.

(UNIBUS TRANSCEIVERS AND RESET)

TITLE	8 LINE EIA ASYNCHRONOUS MUX	SIZE CODE	D CS	NUMBER	M7819-0-1	REV.	F
SCALE		SHEET	8	OF	15	DIST.	

THIS DRAWING AND SPECIFICATIONS HEREIN ARE THE PROPERTY OF DIGITAL EQUIPMENT CORPORATION AND SHALL NOT BE REPRODUCED OR COPIED OR USED IN WHOLE OR IN PART AS THE BASIS FOR THE MANUFACTURE OR SALE OF ITEMS WITHOUT WRITTEN PERMISSION. COPYRIGHT © 1976, DIGITAL EQUIPMENT CORPORATION

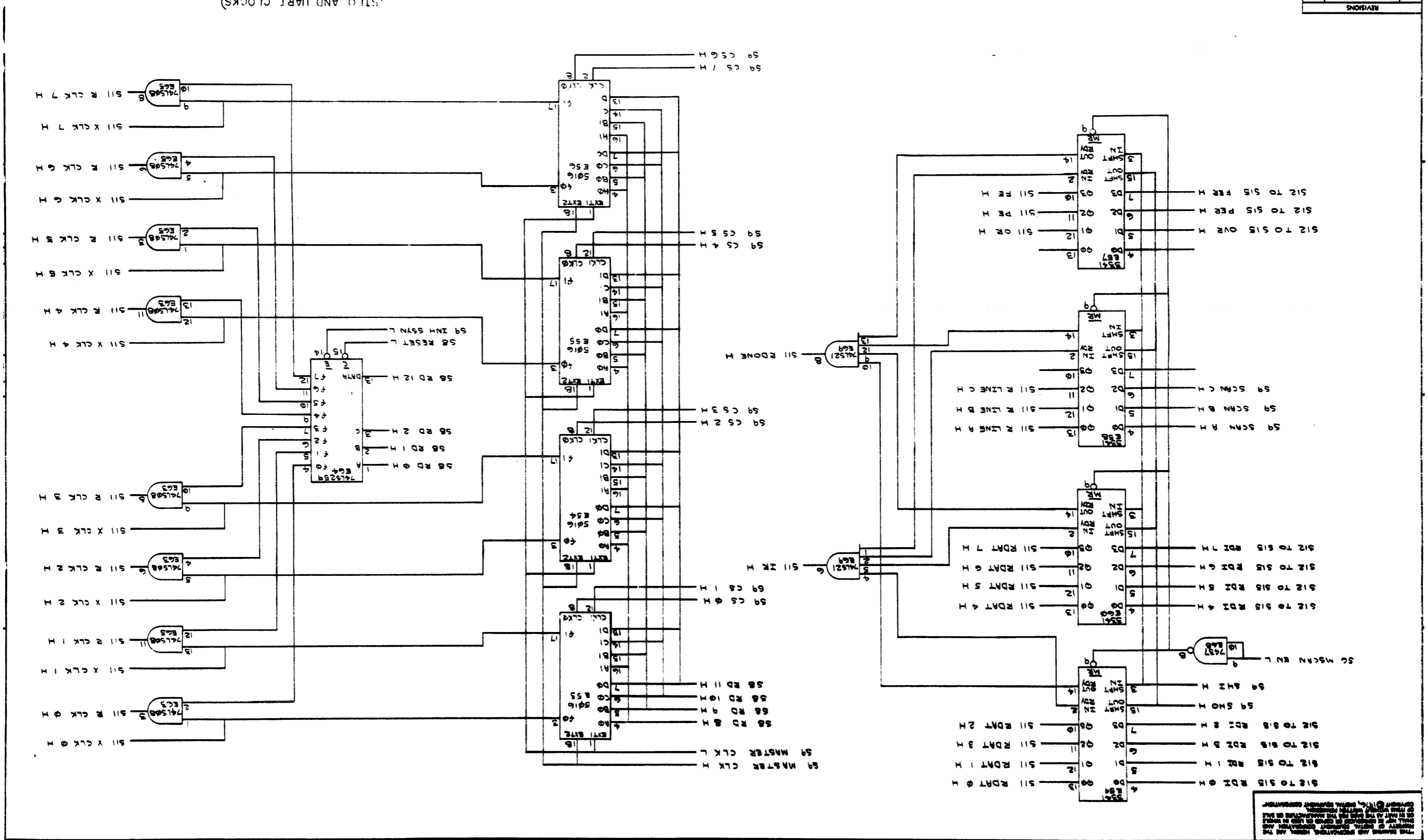


REVISIONS		
CHK	CHANGE NO.	REV.

(TRANSMITTER CONTROL)		TITLE	SIZE CODE	NUMBER	REV.
		R LINE EIA ASYNCHRONOUS MUX	DCS	M7319-0-1	F
SCALE	SHEET 10 OF 15	DIST.			

REV.	CHANGE NO.	REVISIONS

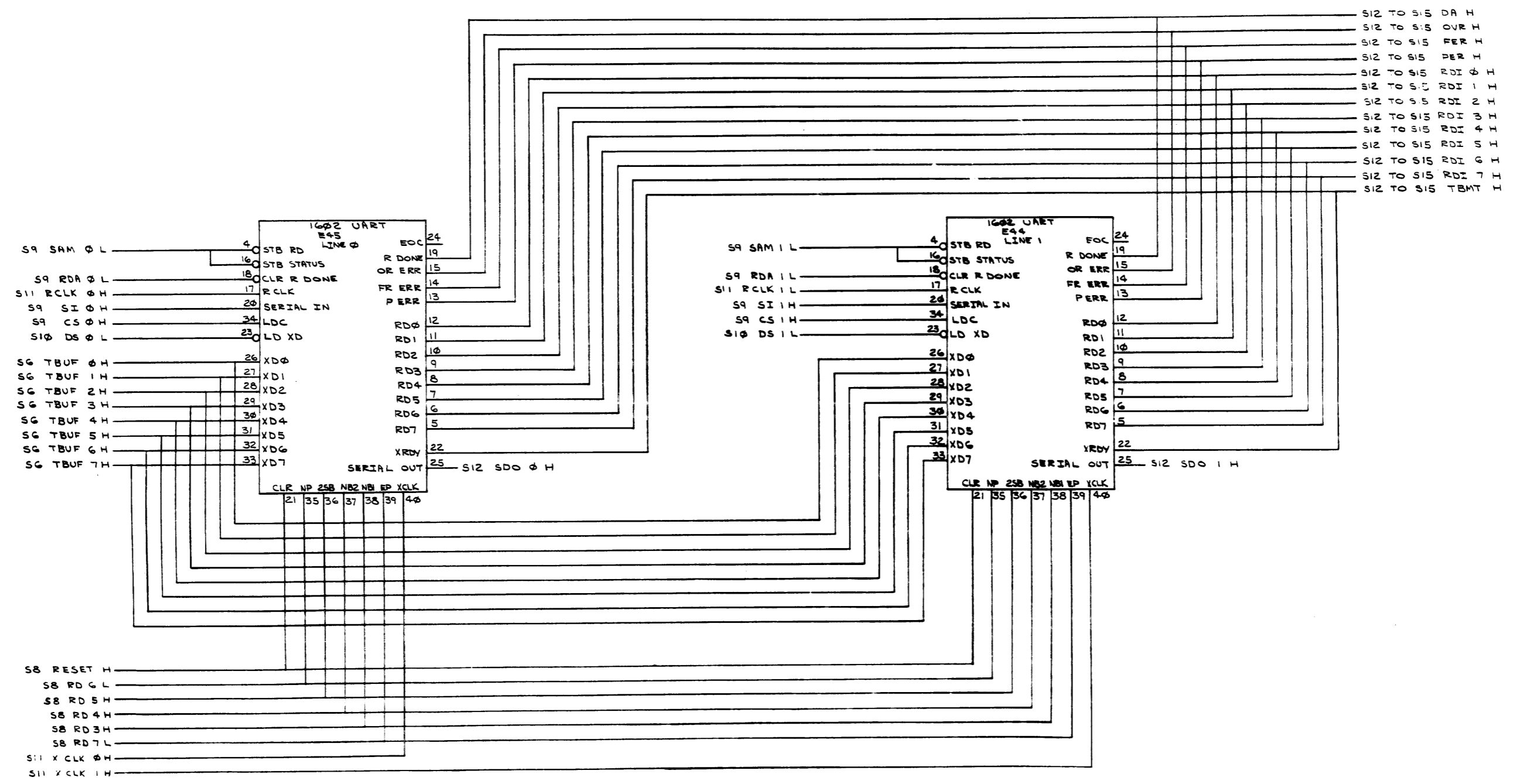
REV. F
 NUMBER DCS M7819-0-1
 TITLE 5 LINE EIA ASYNCHRONOUS MUX (S11)
 SHEET 7 OF 15
 SCALE 1:1
 DIST. 1



THIS DRAWING AND SPECIFICATION, HEREIN, ARE THE PROPERTY OF THE UNITED STATES GOVERNMENT AND SHALL NOT BE REPRODUCED OR TRANSMITTED IN ANY FORM OR BY ANY MEANS, ELECTRONIC OR MECHANICAL, INCLUDING PHOTOCOPYING, RECORDING, OR BY ANY INFORMATION STORAGE AND RETRIEVAL SYSTEM, WITHOUT PERMISSION IN WRITING FROM THE UNITED STATES GOVERNMENT.

"THIS DRAWING AND SPECIFICATIONS HEREIN ARE THE PROPERTY OF DIGITAL EQUIPMENT CORPORATION AND SHALL NOT BE REPRODUCED OR COPIED OR USED IN WHOLE OR IN PART AS THE BASIS FOR THE MANUFACTURE OR SALE OF ITEMS WITHOUT WRITTEN PERMISSION. COPYRIGHT © 1976, DIGITAL EQUIPMENT CORPORATION"

1-0-6182W SJD 2

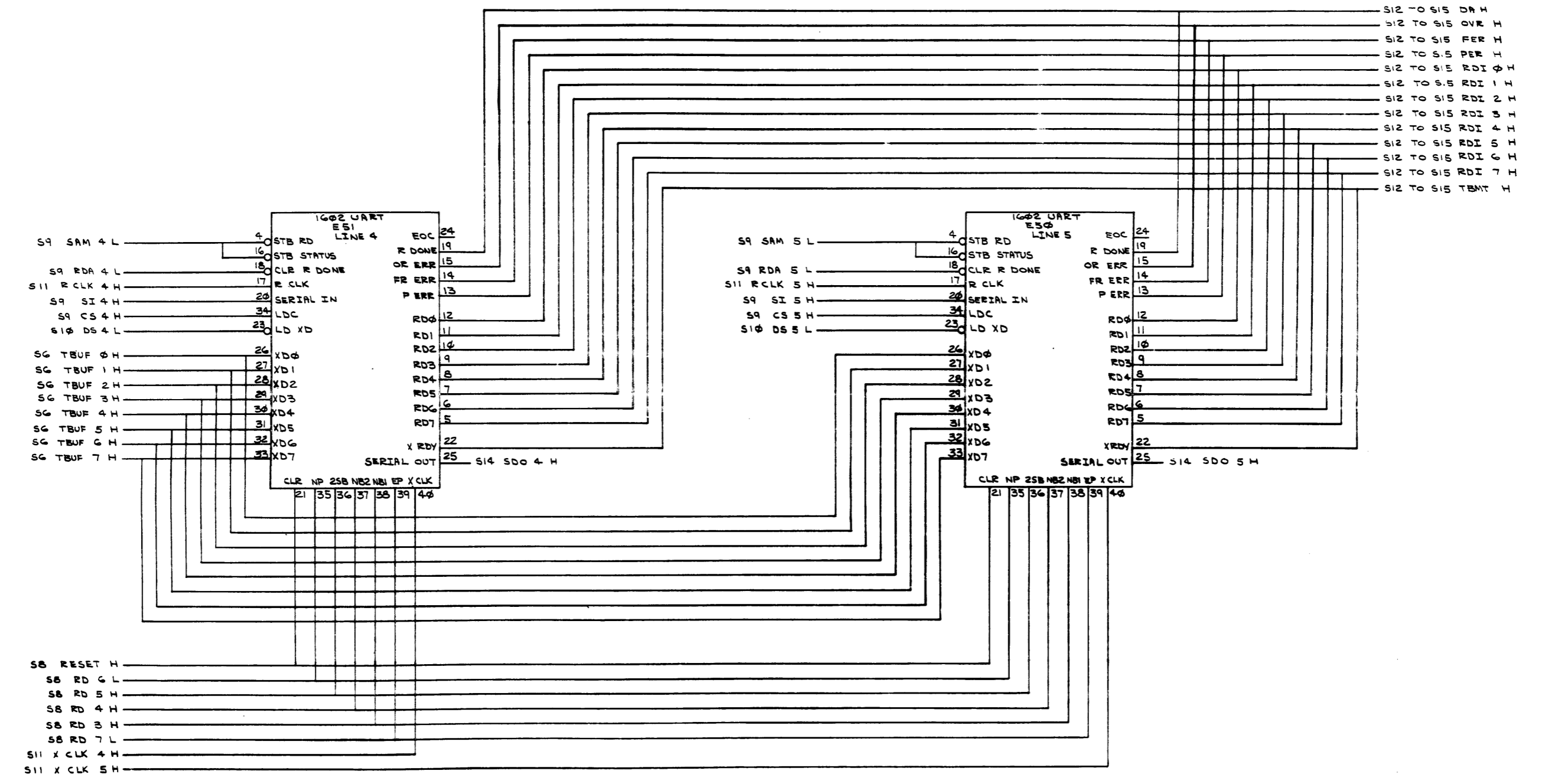


REVISIONS		
CHK	CHANGE NO.	REV.

(TRANSCEIVER LINES 0 & 1)

TITLE	SIZE CODE	NUMBER	REV.
8 LINE EIA ASYNCHRONOUS MUX (S12)	D CS	M7819-0-1	F
SCALE	SHEET 12 OF 15	DIST.	

THIS DRAWING AND SPECIFICATIONS HEREIN ARE THE PROPERTY OF THE UNITED STATES GOVERNMENT AND SHALL NOT BE REPRODUCED OR COPIED IN WHOLE OR IN PART AS IS OR BY ANY MEANS, ELECTRONIC OR MECHANICAL, INCLUDING PHOTOCOPYING, RECORDING, OR BY ANY INFORMATION STORAGE AND RETRIEVAL SYSTEM, WITHOUT PERMISSION IN WRITING FROM THE UNITED STATES GOVERNMENT.

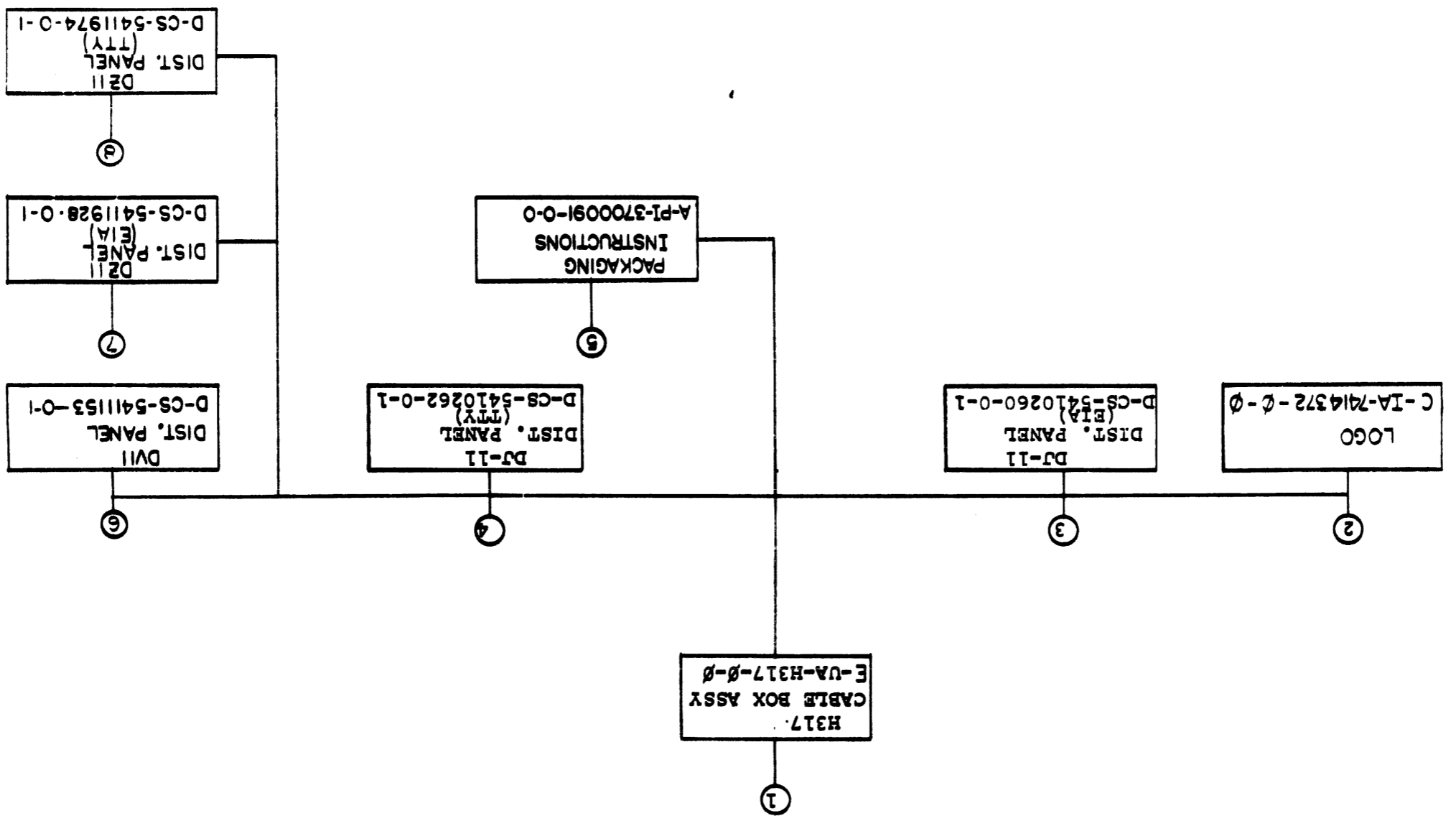


REVISIONS		
CHK	CHANGE NO.	REV.

TRANSCEIVER LINES 4 & 5

TITLE	8 LINE EIA ASYNCHRONOUS MUX	DCS	NUMBER	M7819-0-1	REV.	
SCALE		SHEET	14	OF	15	DIST.

REV	D	NUMBER	H317-0
SIZE CODE	B DD	SHEET 2 OF 3	
TITLE	H317 CABLE BOX ASSY.		



ELECTRICAL					MECHANICAL											
CUSTOMER PRINT SET	DEPOT SET	FIND NO.	DRAWING NO.	REV	NO OF SHT	DESCRIPTION	OPTION NO.	CUSTOMER PRINT SET	DEPOT SET	FIND NO.	DRAWING NO.	REV	NO OF SHT	DESCRIPTION	OPTION NO.	
X		1	D-UA-H317-0-0	C	1	H317 CABLE BOX ASSY				1	E-UA-H317-0-0		1	H317 CABLE BOX ASSY		
											E-IA-7416243-0-0		1	H317 MTG PLATE		
											D-MD-7416248-0-0		1	BAR SLIDE		
											A-DC-7410661-0-0		1	DECAL, TERM BLOCK		
		2	E-IA-7410667-0-0		1	COVER, CABLE BOX					D-PS-1213318-0-0		1	BAR, CABLE HOLDOWN		
											D-PS-1212632-0-0		1	COVER CABLE BOX PLASTIC		
X		3	D-CS-5410260-0-1	#	3	DJ-11 DIST. PANEL (EIA)				2	C-IA-741472-0-0		1	LOGO		
			B-MH-5410260-0-6		1	MODULE ECO HISTORY					A-SS-7414372-0-1		1	SILKSCREEN H317-A		
											A-SS-7414372-0-2		1	SILKSCREEN H317-B		
											A-SS-7414372-0-3		1	SILKSCREEN H317-C		
											A-SS-7414372-0-6		1	SILKSCREEN H317-E		
											A-SS-7414372-0-7		1	SILKSCREEN H317 F		
X		4	D-CS-5410262-0-1	#	6	DJ-11 DIST. PANEL (TTY)				3	D-CS-5410260-0-1	#	3	DJ-11 DIST. PANEL (EIA)		
			B-MH-5410262-0-6		1	MODULE ECO HISTORY					K-CO-5410260-0-4		1	X-Y COORDINATE HOLE LOCATION		
											D-AH-5410260-0-5		1	ASSY/DRILLING HOLE LAYOUT		
X		6	D-CS-5411153-0-1	#	3	DV11 DIST PANEL					B-MH-5410260-0-6		1	MODULE ECO HISTORY		
			B-MH-5411153-0-6	#	1	MODULE ECO HISTORY										
X		7	D-CS-5411928-0-1	#	2	DZ11 DIST. PANEL (EIA)				4	D-CS-5410262-0-1	#	6	DJ-11 DIST. PANEL (TTY)		
			B-MH-5411928-0-6	#	1	MODULE ECO HISTORY					K-CO-5410262-0-4		1	X-Y COORDINATE HOLE LOCATION		
											D-AH-5410262-0-5		1	ASSY/DRILLING HOLE LAYOUT		
X		8	D-CS-5411974-0-1	#	1	DZ11 DIST. PANEL (TTY)					B-MH-5410262-0-6		1	MODULE ECO HISTORY		
			B-MH-5411974-0-6	#	1	MODULE ECO HISTORY										
										X	5	A-PI-3700091-0-0		2	PACKAGING INSTRUCTIONS	
												A-PS-9905315-0-0		2	OUTER CARTON	
												A-PS-9905317-0-0		2	LAMINATED TRAY	
												A-PS-9905316-0-0		2	CORRUGATED PAD	
											6	D-CS-5411153-0-1	#	3		
												K-CO-5411153-0-4		1		
												D-AH-5411153-0-5		1		
												B-MH-5411153-0-6		1		
											7	D-CS-5411928-0-1	#	2	DZ11 DIST. PANEL (EIA)	
												K-CO-5411928-0-4		1	X-Y COORDINATE HOLE LOC.	
												E-MD-5011927-0-0		4	ASSY/DRILLING HOLE LAYOUT	
												B-MH-5411928-0-6		1	MODULE ECO HISTORY	
											8	D-CS-5411974-0-1	#	1	DZ11 DIST. PANEL (TTY)	
												K-CO-5411974-0-4		1	X-Y COORDINATE HOLE LOC.	
												D-MD-5011973-0-0		3	ASSY/DRILLING HOLE LAYOUT	
												B-MH-5411974-0-6		1	MODULE ECO HISTORY	

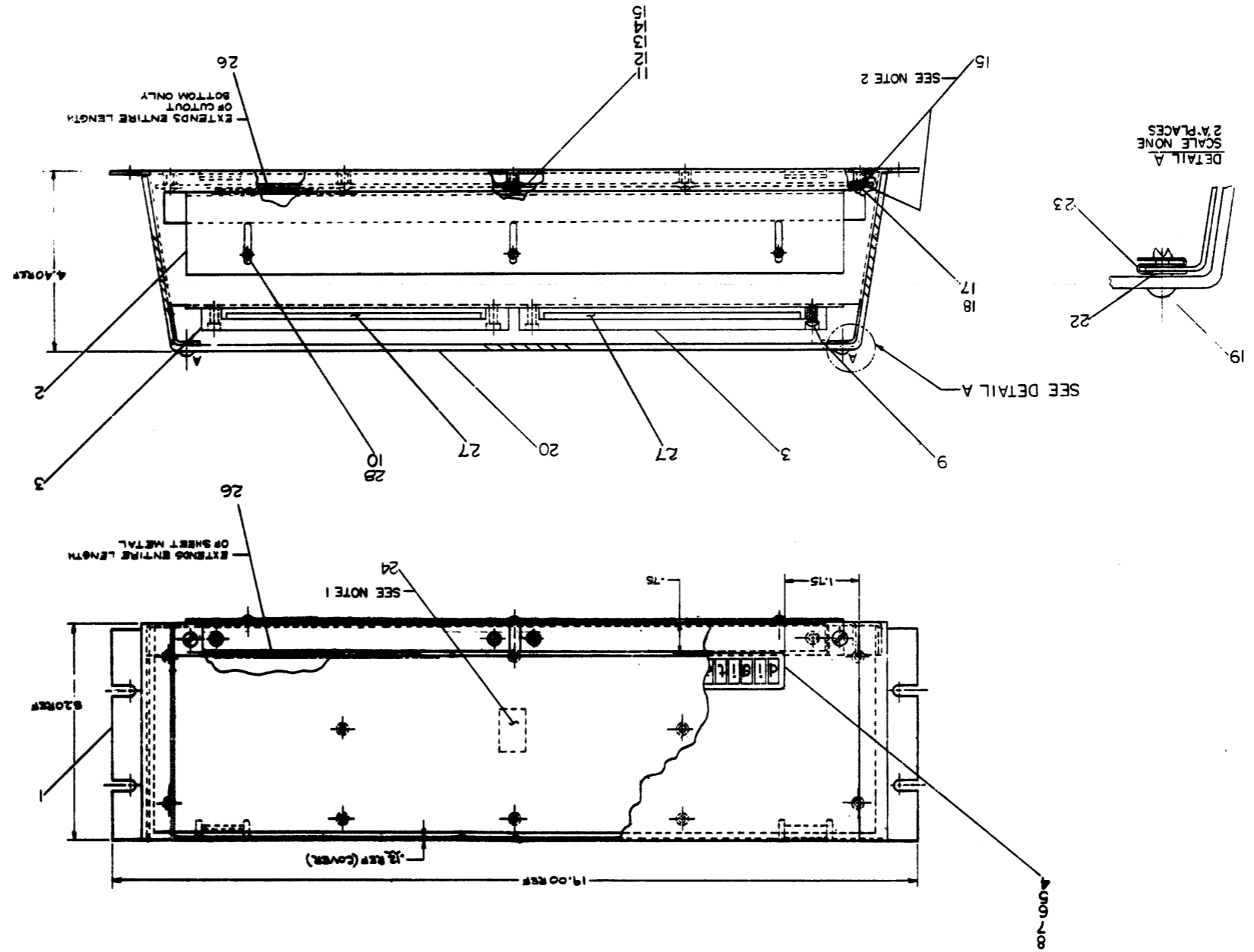
TITLE	SIZE CODE	NUMBER	REV
H317 CABLE BOX ASSY.	B DD	H317-0	D
SHEET 3 OF 3			

MK

ITEM NO.	DESCRIPTION	QTY	UNIT	REMARKS
1	IF ITEM #11 IS USED THE DECAL (ITEM #24) IS TO BE APPLIED TO THE INSIDE SURFACE OF COVER			
2	PRIOR TO MFG. DIST. PANEL, ADHERE NYLON WASHER (ITEM #21) TO STANDOFFS ON MFG. PANEL (ITEM #1) USING ECO BOND ADHESIVE (ITEM #16) AND ALLOW TO DRY.			
3	USE ASSY TOOL #96094 TO POSITION LOGO ITEM #2 THRU ON COVER (ITEM #20)			
4	ON H317A USE UPPER HOLE IN H317-E USE MIDDLE HOLES.			
5	FOAM ADHESIVE (ITEM #25) TO PACKING INSTRUCTIONS			
6	DECAL			
7	FASTENER 5/16" DIA. NYLON			
8	RETAINER, SPL. RING			
9	WASHER, NYLON #8			
10	COVERABLE BOX PLASTIC			
11	RECEPTACLE CLIP ON			
12	LOCKWASHER INT #8			
13	SCR. PHL. HD. 8-32 X .516			
14	ECO BOND ADHESIVE			
15	DIST. PANEL			
16	DIST. PANEL (TYP)			
17	DIST. PANEL (TYP)			
18	DIST. PANEL (TYP)			
19	DIST. PANEL (TYP)			
20	COVERABLE BOX PLASTIC			
21	WASHER, NYLON #8			
22	RETAINER, SPL. RING			
23	FASTENER 5/16" DIA. NYLON			
24	DECAL			
25	FOAM ADHESIVE (ITEM #25) TO PACKING INSTRUCTIONS			
26	SCR. PHL. HD. 8-32 X .516			
27	WASHER, NYLON #8			
28	COVERABLE BOX PLASTIC			
29	RECEPTACLE CLIP ON			
30	LOCKWASHER INT #8			
31	SCR. PHL. HD. 8-32 X .516			
32	ECO BOND ADHESIVE			
33	DIST. PANEL			
34	DIST. PANEL (TYP)			
35	DIST. PANEL (TYP)			
36	DIST. PANEL (TYP)			
37	DIST. PANEL (TYP)			
38	DIST. PANEL (TYP)			
39	DIST. PANEL (TYP)			
40	DIST. PANEL (TYP)			
41	DIST. PANEL (TYP)			
42	DIST. PANEL (TYP)			
43	DIST. PANEL (TYP)			
44	DIST. PANEL (TYP)			
45	DIST. PANEL (TYP)			
46	DIST. PANEL (TYP)			
47	DIST. PANEL (TYP)			
48	DIST. PANEL (TYP)			
49	DIST. PANEL (TYP)			
50	DIST. PANEL (TYP)			

ITEM NO.	DESCRIPTION	QTY	UNIT	REMARKS
1	IF ITEM #11 IS USED THE DECAL (ITEM #24) IS TO BE APPLIED TO THE INSIDE SURFACE OF COVER			
2	PRIOR TO MFG. DIST. PANEL, ADHERE NYLON WASHER (ITEM #21) TO STANDOFFS ON MFG. PANEL (ITEM #1) USING ECO BOND ADHESIVE (ITEM #16) AND ALLOW TO DRY.			
3	USE ASSY TOOL #96094 TO POSITION LOGO ITEM #2 THRU ON COVER (ITEM #20)			
4	ON H317A USE UPPER HOLE IN H317-E USE MIDDLE HOLES.			
5	FOAM ADHESIVE (ITEM #25) TO PACKING INSTRUCTIONS			
6	DECAL			
7	FASTENER 5/16" DIA. NYLON			
8	RETAINER, SPL. RING			
9	WASHER, NYLON #8			
10	COVERABLE BOX PLASTIC			
11	RECEPTACLE CLIP ON			
12	LOCKWASHER INT #8			
13	SCR. PHL. HD. 8-32 X .516			
14	ECO BOND ADHESIVE			
15	DIST. PANEL			
16	DIST. PANEL (TYP)			
17	DIST. PANEL (TYP)			
18	DIST. PANEL (TYP)			
19	DIST. PANEL (TYP)			
20	COVERABLE BOX PLASTIC			
21	WASHER, NYLON #8			
22	RETAINER, SPL. RING			
23	FASTENER 5/16" DIA. NYLON			
24	DECAL			
25	FOAM ADHESIVE (ITEM #25) TO PACKING INSTRUCTIONS			
26	SCR. PHL. HD. 8-32 X .516			
27	WASHER, NYLON #8			
28	COVERABLE BOX PLASTIC			
29	RECEPTACLE CLIP ON			
30	LOCKWASHER INT #8			
31	SCR. PHL. HD. 8-32 X .516			
32	ECO BOND ADHESIVE			
33	DIST. PANEL			
34	DIST. PANEL (TYP)			
35	DIST. PANEL (TYP)			
36	DIST. PANEL (TYP)			
37	DIST. PANEL (TYP)			
38	DIST. PANEL (TYP)			
39	DIST. PANEL (TYP)			
40	DIST. PANEL (TYP)			
41	DIST. PANEL (TYP)			
42	DIST. PANEL (TYP)			
43	DIST. PANEL (TYP)			
44	DIST. PANEL (TYP)			
45	DIST. PANEL (TYP)			
46	DIST. PANEL (TYP)			
47	DIST. PANEL (TYP)			
48	DIST. PANEL (TYP)			
49	DIST. PANEL (TYP)			
50	DIST. PANEL (TYP)			

NOTES



ITEM NO.	DESCRIPTION	QTY	UNIT	REMARKS
1	IF ITEM #11 IS USED THE DECAL (ITEM #24) IS TO BE APPLIED TO THE INSIDE SURFACE OF COVER			
2	PRIOR TO MFG. DIST. PANEL, ADHERE NYLON WASHER (ITEM #21) TO STANDOFFS ON MFG. PANEL (ITEM #1) USING ECO BOND ADHESIVE (ITEM #16) AND ALLOW TO DRY.			
3	USE ASSY TOOL #96094 TO POSITION LOGO ITEM #2 THRU ON COVER (ITEM #20)			
4	ON H317A USE UPPER HOLE IN H317-E USE MIDDLE HOLES.			
5	FOAM ADHESIVE (ITEM #25) TO PACKING INSTRUCTIONS			
6	DECAL			
7	FASTENER 5/16" DIA. NYLON			
8	RETAINER, SPL. RING			
9	WASHER, NYLON #8			
10	COVERABLE BOX PLASTIC			
11	RECEPTACLE CLIP ON			
12	LOCKWASHER INT #8			
13	SCR. PHL. HD. 8-32 X .516			
14	ECO BOND ADHESIVE			
15	DIST. PANEL			
16	DIST. PANEL (TYP)			
17	DIST. PANEL (TYP)			
18	DIST. PANEL (TYP)			
19	DIST. PANEL (TYP)			
20	COVERABLE BOX PLASTIC			
21	WASHER, NYLON #8			
22	RETAINER, SPL. RING			
23	FASTENER 5/16" DIA. NYLON			
24	DECAL			
25	FOAM ADHESIVE (ITEM #25) TO PACKING INSTRUCTIONS			
26	SCR. PHL. HD. 8-32 X .516			
27	WASHER, NYLON #8			
28	COVERABLE BOX PLASTIC			
29	RECEPTACLE CLIP ON			
30	LOCKWASHER INT #8			
31	SCR. PHL. HD. 8-32 X .516			
32	ECO BOND ADHESIVE			
33	DIST. PANEL			
34	DIST. PANEL (TYP)			
35	DIST. PANEL (TYP)			
36	DIST. PANEL (TYP)			
37	DIST. PANEL (TYP)			
38	DIST. PANEL (TYP)			
39	DIST. PANEL (TYP)			
40	DIST. PANEL (TYP)			
41	DIST. PANEL (TYP)			
42	DIST. PANEL (TYP)			
43	DIST. PANEL (TYP)			
44	DIST. PANEL (TYP)			
45	DIST. PANEL (TYP)			
46	DIST. PANEL (TYP)			
47	DIST. PANEL (TYP)			
48	DIST. PANEL (TYP)			
49	DIST. PANEL (TYP)			
50	DIST. PANEL (TYP)			

ITEM NO.	DESCRIPTION	QTY	UNIT	REMARKS
1	IF ITEM #11 IS USED THE DECAL (ITEM #24) IS TO BE APPLIED TO THE INSIDE SURFACE OF COVER			
2	PRIOR TO MFG. DIST. PANEL, ADHERE NYLON WASHER (ITEM #21) TO STANDOFFS ON MFG. PANEL (ITEM #1) USING ECO BOND ADHESIVE (ITEM #16) AND ALLOW TO DRY.			
3	USE ASSY TOOL #96094 TO POSITION LOGO ITEM #2 THRU ON COVER (ITEM #20)			
4	ON H317A USE UPPER HOLE IN H317-E USE MIDDLE HOLES.			
5	FOAM ADHESIVE (ITEM #25) TO PACKING INSTRUCTIONS			
6	DECAL			
7	FASTENER 5/16" DIA. NYLON			
8	RETAINER, SPL. RING			
9	WASHER, NYLON #8			
10	COVERABLE BOX PLASTIC			
11	RECEPTACLE CLIP ON			
12	LOCKWASHER INT #8			
13	SCR. PHL. HD. 8-32 X .516			
14	ECO BOND ADHESIVE			
15	DIST. PANEL			
16	DIST. PANEL (TYP)			
17	DIST. PANEL (TYP)			
18	DIST. PANEL (TYP)			
19	DIST. PANEL (TYP)			
20	COVERABLE BOX PLASTIC			
21	WASHER, NYLON #8			
22	RETAINER, SPL. RING			
23	FASTENER 5/16" DIA. NYLON			
24	DECAL			
25	FOAM ADHESIVE (ITEM #25) TO PACKING INSTRUCTIONS			
26	SCR. PHL. HD. 8-32 X .516			
27	WASHER, NYLON #8			
28	COVERABLE BOX PLASTIC			
29	RECEPTACLE CLIP ON			
30	LOCKWASHER INT #8			
31	SCR. PHL. HD. 8-32 X .516			
32	ECO BOND ADHESIVE			
33	DIST. PANEL			
34	DIST. PANEL (TYP)			
35	DIST. PANEL (TYP)			
36	DIST. PANEL (TYP)			
37	DIST. PANEL (TYP)			
38	DIST. PANEL (TYP)			
39	DIST. PANEL (TYP)			
40	DIST. PANEL (TYP)			
41	DIST. PANEL (TYP)			
42	DIST. PANEL (TYP)			
43	DIST. PANEL (TYP)			
44	DIST. PANEL (TYP)			
45	DIST. PANEL (TYP)			
46	DIST. PANEL (TYP)			
47	DIST. PANEL (TYP)			
48	DIST. PANEL (TYP)			
49	DIST. PANEL (TYP)			
50	DIST. PANEL (TYP)			

ITEM NO.	DESCRIPTION	QTY	UNIT	REMARKS
1	IF ITEM #11 IS USED THE DECAL (ITEM #24) IS TO BE APPLIED TO THE INSIDE SURFACE OF COVER			
2	PRIOR TO MFG. DIST. PANEL, ADHERE NYLON WASHER (ITEM #21) TO STANDOFFS ON MFG. PANEL (ITEM #1) USING ECO BOND ADHESIVE (ITEM #16) AND ALLOW TO DRY.			
3	USE ASSY TOOL #96094 TO POSITION LOGO ITEM #2 THRU ON COVER (ITEM #20)			
4	ON H317A USE UPPER HOLE IN H317-E USE MIDDLE HOLES.			
5	FOAM ADHESIVE (ITEM #25) TO PACKING INSTRUCTIONS			
6	DECAL			
7	FASTENER 5/16" DIA. NYLON			
8	RETAINER, SPL. RING			
9	WASHER, NYLON #8			
10	COVERABLE BOX PLASTIC			
11	RECEPTACLE CLIP ON			
12	LOCKWASHER INT #8			
13	SCR. PHL. HD. 8-32 X .516			
14	ECO BOND ADHESIVE			
15	DIST. PANEL			
16	DIST. PANEL (TYP)			
17	DIST. PANEL (TYP)			
18	DIST. PANEL (TYP)			
19	DIST. PANEL (TYP)			
20	COVERABLE BOX PLASTIC			
21	WASHER, NYLON #8			
22	RETAINER, SPL. RING			
23	FASTENER 5/16" DIA. NYLON			
24	DECAL			
25	FOAM ADHESIVE (ITEM #25) TO PACKING INSTRUCTIONS			
26	SCR. PHL. HD. 8-32 X .516			
27	WASHER, NYLON #8			
28	COVERABLE BOX PLASTIC			
29	RECEPTACLE CLIP ON			
30	LOCKWASHER INT #8			
31	SCR. PHL. HD. 8-32 X .516			
32	ECO BOND ADHESIVE			
33	DIST. PANEL			
34	DIST. PANEL (TYP)			
35	DIST. PANEL (TYP)			
36	DIST. PANEL (TYP)			
37	DIST. PANEL (TYP)			
38	DIST. PANEL (TYP)			
39	DIST. PANEL (TYP)			
40	DIST. PANEL (TYP)			
41	DIST. PANEL (TYP)			
42	DIST. PANEL (TYP)			
43	DIST. PANEL (TYP)			
44	DIST. PANEL (TYP)			
45	DIST. PANEL (TYP)			
46	DIST. PANEL (TYP)			
47	DIST. PANEL (TYP)			
48	DIST. PANEL (TYP)			
49	DIST. PANEL (TYP)			
50	DIST. PANEL (TYP)			

NOTES

ITEM NO.	DESCRIPTION	QTY	UNIT	REMARKS
1	IF ITEM #11 IS USED THE DECAL (ITEM #24) IS TO BE APPLIED TO THE INSIDE SURFACE OF COVER			
2	PRIOR TO MFG. DIST. PANEL, ADHERE NYLON WASHER (ITEM #21) TO STANDOFFS ON MFG. PANEL (ITEM #1) USING ECO BOND ADHESIVE (ITEM #16)			

DIGITAL EQUIPMENT CORPORATION

PARTS LIST

NOTES:

QUANTITY / VARIATION

MADE BY R. A. CORMIER

DATE 2-12-76

CHECKED R. A. CORMIER

DATE 3-24-76

PROD R. WALL

ENG *Art O. Otm...*

DATE 3-26-76

ISSUED SECTION

ITEM NO.

DRAWING NO.

PART NO.

DESCRIPTION

REF DESIGNATION

ITEM NO.	DRAWING NO.	PART NO.	DESCRIPTION	QUANTITY	VARIATION	REF DESIGNATION
1	E-MD-5011927-0-0	5011927	ETCHED CIRCUIT BOARD	1		
2	1209941-03		LATCH, LEFT FOR RT. ANG. HEADER	2		
3	1209941-04		LATCH, RIGHT FOR RT. ANG. HEADER	2		
4	1209941-07		CONN. 50P. RT. ANG. HEADER	2		J18, J20
5	1205886-01		CONN. D-SUB MIN W/PC TERM	16		J1-J16
6	9009113-10		STANDOFF P.C. BOARD 4-4Ø X .187	32		
7	9008451		SCREWLOCK D2Ø418-2 4-4Ø X .312	32		
8	9009185		JUMPER, WIRE INSULATED	80		W1-W8Ø

ECO. NO.

THIS DRAWING AND SPECIFICATIONS HEREIN ARE THE PROPERTY OF DIGITAL EQUIPMENT CORPORATION AND SHALL NOT BE REPRODUCED OR COPIED OR USED IN WHOLE OR IN PART AS THE BASIS FOR THE MANUFACTURE OR SALE OF ITEMS WITHOUT WRITTEN PERMISSION. COPYRIGHT © 1976 DIGITAL EQUIPMENT CORPORATION.

TITLE D211 EIA DISTRIBUTION PANEL

ASSY NO. E-UA-5411928-0-0

SIZE B PL

NUMBER 5411928-0-0

REV. B

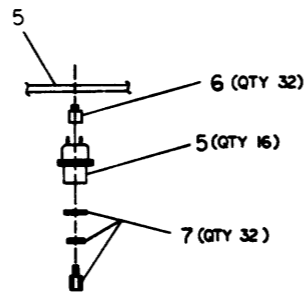
SHEET 1 OF 1

INSERTION PARTS LIST DATA BASE REV

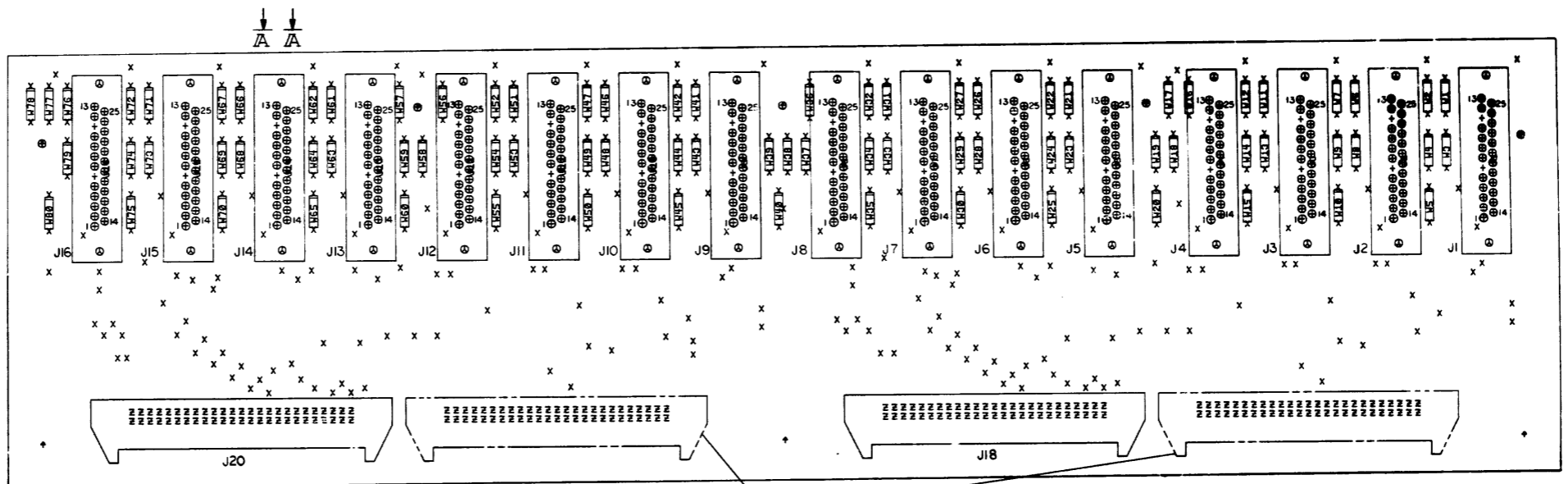
N 01140A 16 R276 (25)

DRG 125

ALL DIMENSIONS ARE IN INCHES UNLESS OTHERWISE SPECIFIED.
 DIMENSIONS TO CENTER UNLESS OTHERWISE SPECIFIED.
 DIMENSIONS TO FACE UNLESS OTHERWISE SPECIFIED.
 DIMENSIONS TO EDGE UNLESS OTHERWISE SPECIFIED.



VIEW A-A
 (16 PLACES)



NOTES:
 1. BOARD MUST BE DRILLED ON TRUE DRILL MACHINE.
 2. .06 HOLES ARE CRITICAL.
 3. CONN. BLOCKS IN PHANTOM ARE OPTIONAL.

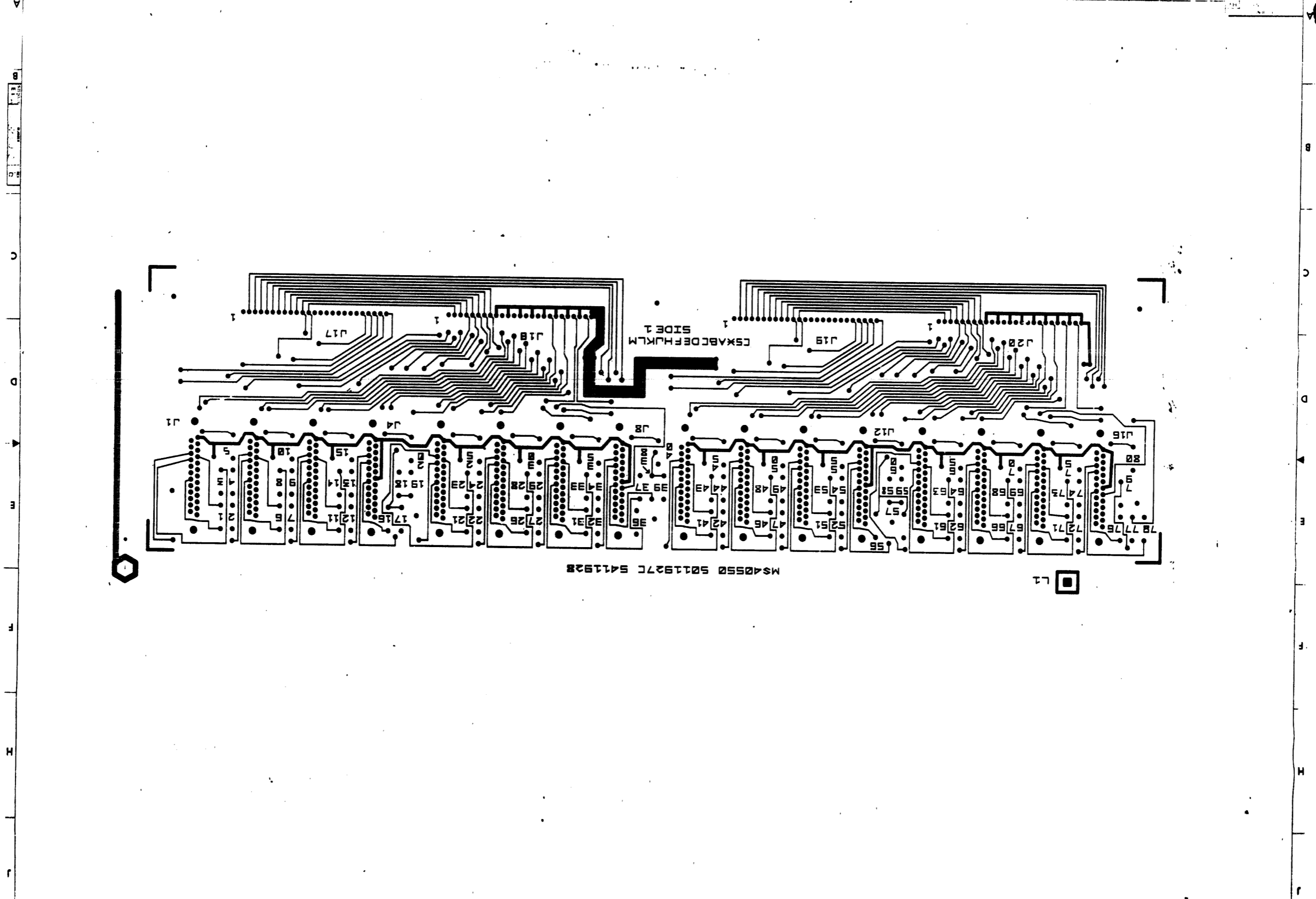
CHANGE NO. REV.

SEE NOTE 3

ETCH REV.	DESIGNER	DATE	digital
PCB DESIGN DATA SPEC. REV.	DATE	DATE	
TITLE: PANEL			EIA DISTRIBUTION
PART NO. 541928-0-0 15			
REV. 2/1			
NEXT NUMBER PREV. B-DD-541928-0-5			

REV. 1
 CHANGE NO. 1
 REV.

541928-0-0

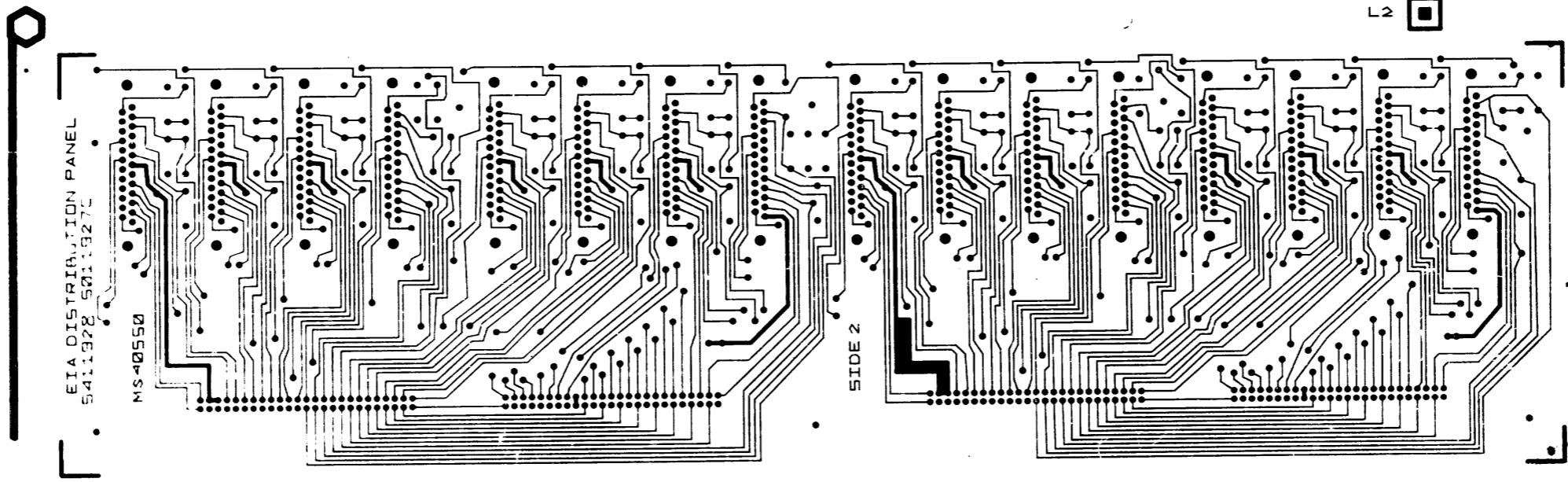


M540550 5011927C 5411928

L1

ALL DIMENSIONS ARE IN INCHES UNLESS OTHERWISE SPECIFIED
TOLERANCES ARE AS SHOWN
DIMENSIONS TO CENTER UNLESS OTHERWISE SPECIFIED
HOLE DIMENSIONS TO INSIDE UNLESS OTHERWISE SPECIFIED
HOLE DIMENSIONS TO OUTSIDE UNLESS OTHERWISE SPECIFIED
HOLE DIMENSIONS TO CENTER UNLESS OTHERWISE SPECIFIED
HOLE DIMENSIONS TO CENTER UNLESS OTHERWISE SPECIFIED

8 7 6 5 4 3 2 1



EIA DISTRIBUTION PANEL
 5411928 5011927C

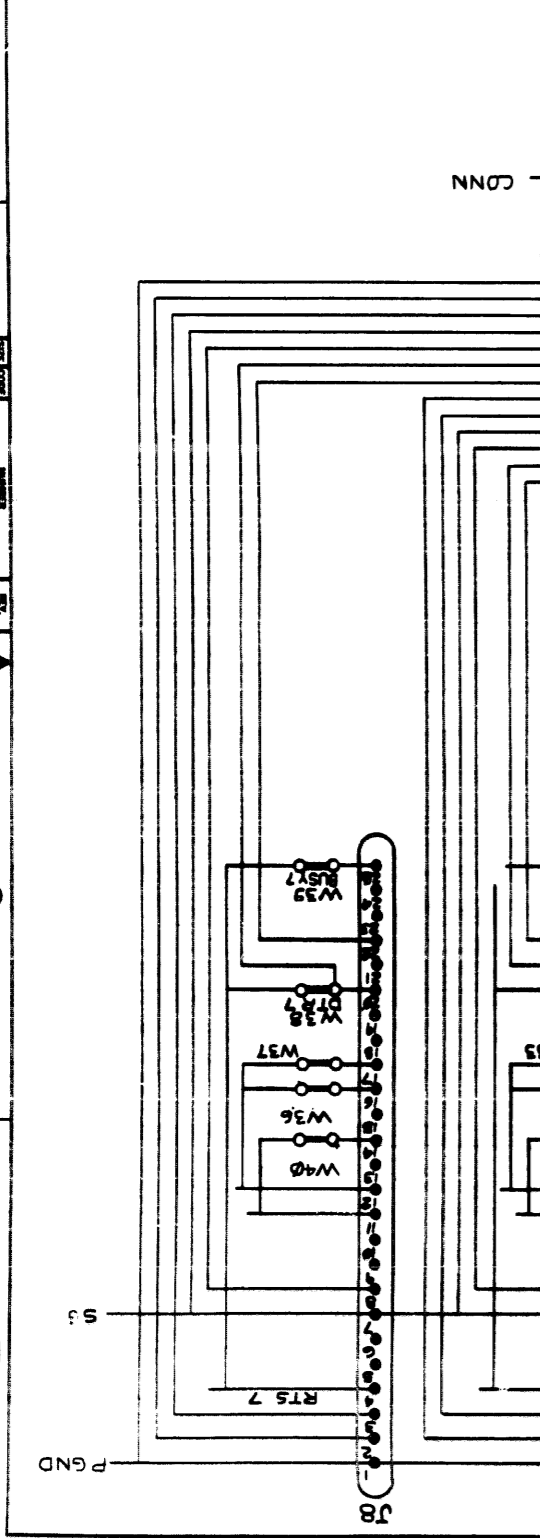
H
F
E
A
D
C
A

8 7 6 5 4 3 2 1

TITLE		SIZE/CODE	NUMBER
EIA DISTRIBUTION PANEL		EUA	5411928 77
SHEET 2 OF 3		DIST.	

REVISIONS	
REV.	CHANGE NO.
1	ORIGINATED
2	DESIGNED
3	APPROVED
4	TESTED
5	ASSEMBLED
6	INSPECTED
7	REWORKED
8	REWORKED

FORM NO.	102-2
CHK	1
ORIGINATED	2
DESIGNED	3
APPROVED	4
TESTED	5
ASSEMBLED	6
INSPECTED	7
REWORKED	8

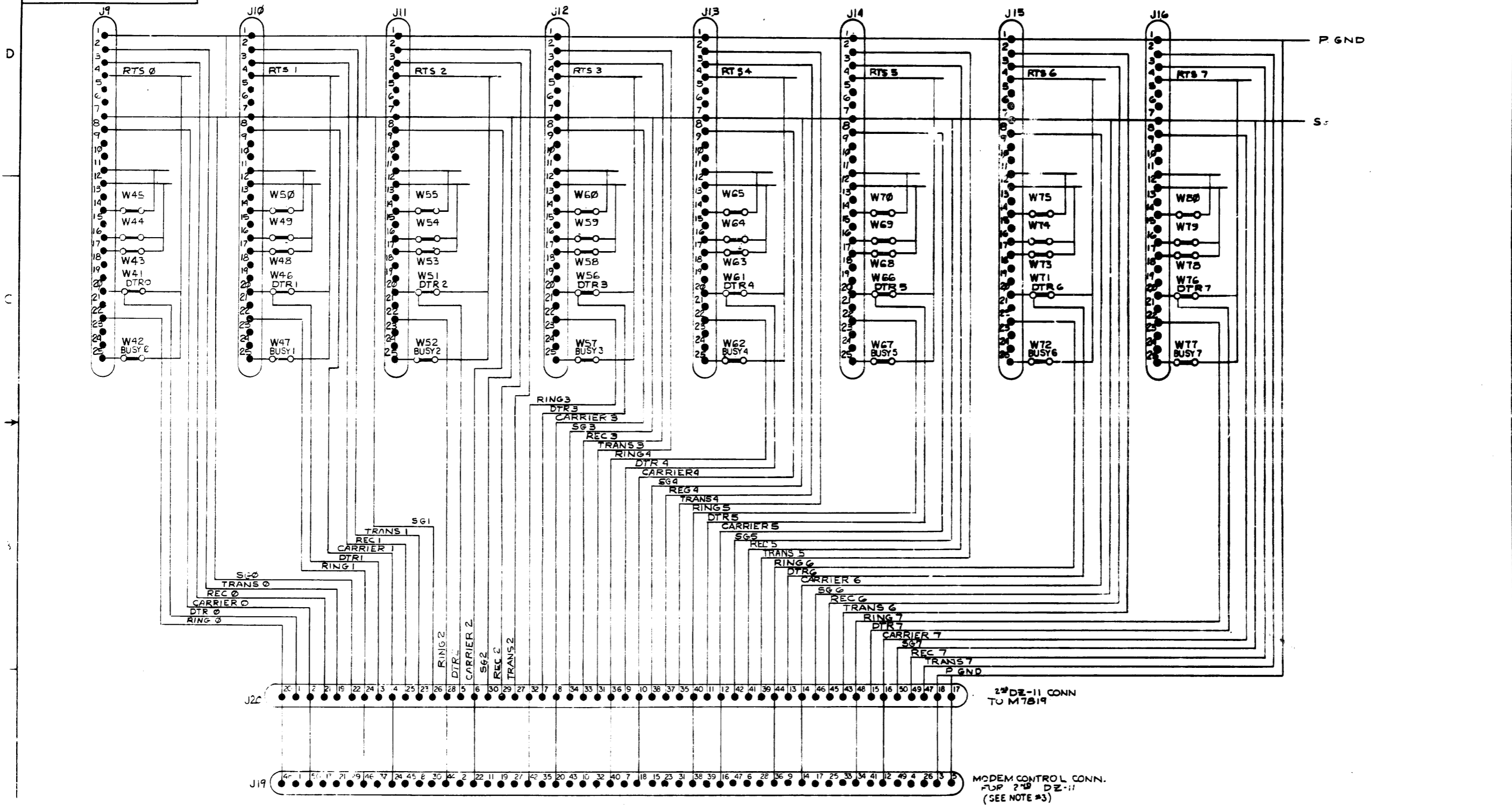


NOTES:
 1. EXCEPT FOR P GND, SIGNALS ON SHT 1
 DO NOT CONNECT WITH SIGNALS ON
 SHT 2.
 2. ALL JUMPER ARE NORMALLY "IN"; THEY ARE OPTIONS
 RESERVED FOR FUTURE USE.
 3. J17 AND J19 ARE NOT INSTALLED; THEY ARE RESERVED
 FOR FUTURE USE.

"THIS DRAWING AND SPECIFICATION HEREIN ARE THE
 PROPERTY OF DIGITAL EQUIPMENT CORPORATION AND
 SHALL NOT BE REPRODUCED OR COPIED IN WHOLE
 OR IN PART AS THE BASIS FOR THE MANUFACTURE OR SALE
 OF ITEMS WITHOUT WRITTEN PERMISSION.
 COPYRIGHT © 1977, DIGITAL EQUIPMENT CORPORATION"

"THIS DRAWING AND SPECIFICATIONS, HEREIN, ARE THE PROPERTY OF DIGITAL EQUIPMENT CORPORATION AND SHALL NOT BE REPRODUCED OR COPIED OR USED IN WHOLE OR IN PART AS THE BASIS FOR THE MANUFACTURE OR SALE OF ITEMS WITHOUT WRITTEN PERMISSION. COPYRIGHT © 1975 DIGITAL EQUIPMENT CORPORATION"

1" DZ-11 CONNECTIONS



2" DZ-11 CONN TO M7819

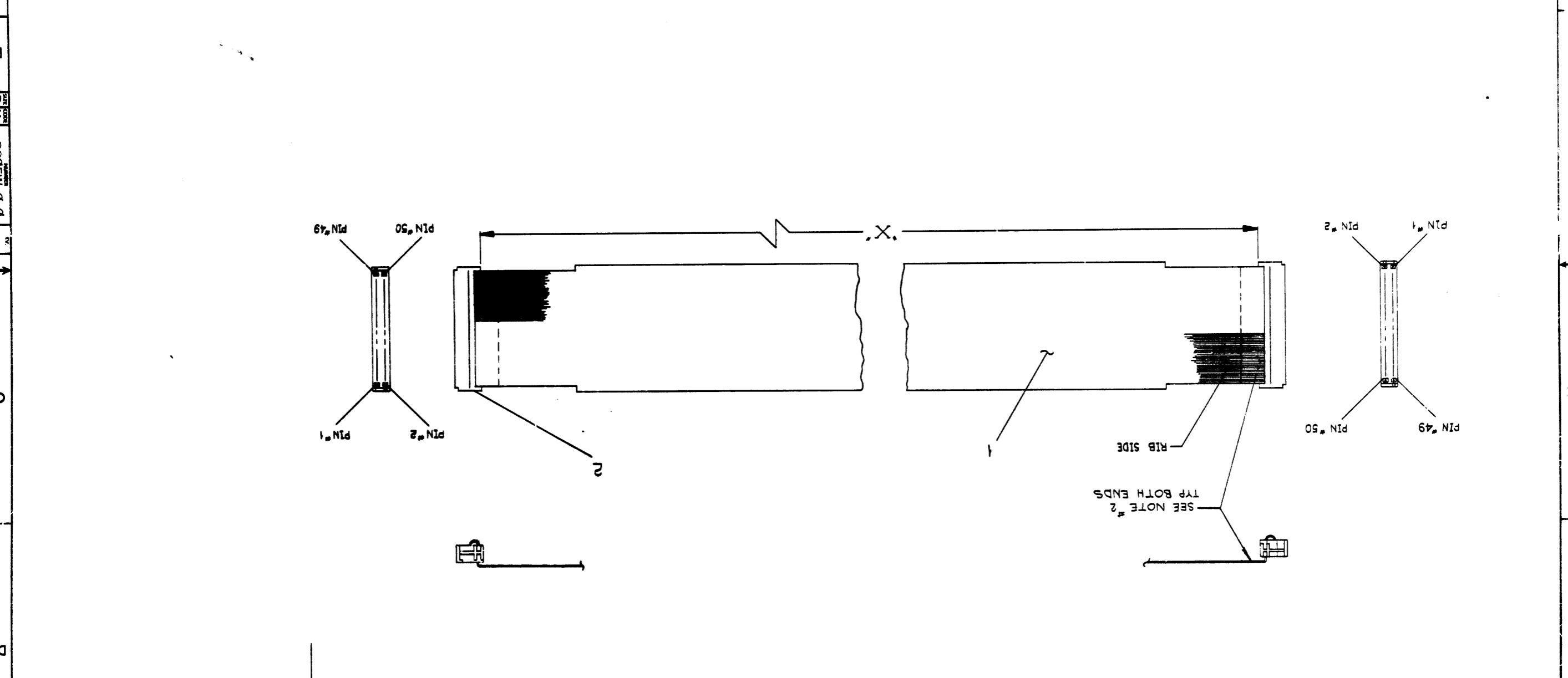
MODEM CONTROL CONN. FOR 2" DZ-11 (SEE NOTE #3)

REVISIONS		
CHK	CHANGE NO.	REV.

REV.	CHANGE NO.	CHK.
A	BC05W-000-01	J CYR
B		J CYR

REV. 1
 J CYR
 J CYR
 J CYR

REV. 13	BC05W-0-0	SIZE CODE D1A	DIST.
50 CONDUCTOR SIGNAL CABLE (BC05W)			
PARTS LIST			
QTY.	DESCRIPTION	PART NO.	REV. NO.
2	CABLE CONN., 50 COND. FLUTE	1211664	2
1	CABLE, 50 COND FLATSHIELD	700004-01	1



LEGEND	
NUMBER	DIM. "X" VAR.
BC05W-02	2 FT ± 1 IN.
BC05W-04	4 FT ± 1 IN.
BC05W-15	15 FT ± 3 IN.

NOTE
 1. THIS CABLE IS POINT TO POINT. PIN #1 TO PIN #50 AND PIN #2 TO PIN #49 ETC., ETC.
 2. STRIP BACK SHIELDING APPROX 1" WITH

REVISIONS
 J CYR
 J CYR
 J CYR

BC05W-0-0

A

B

C

D

1

2

3

4

5

6

7

8

1

2

3

4

5

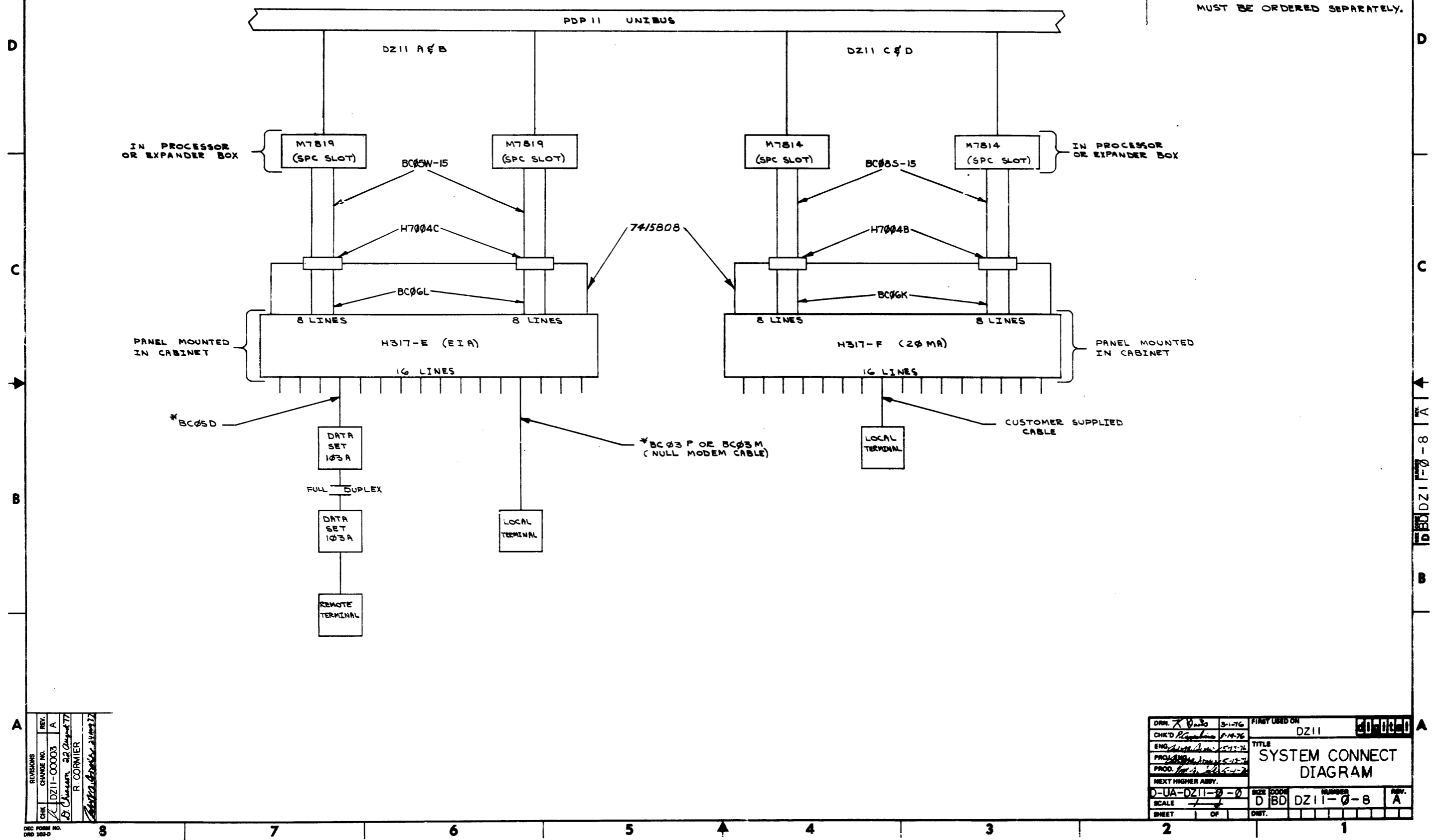
6

7

8

THE DRAWING AND SPECIFICATIONS HEREIN ARE THE PROPERTY OF DIGITAL EQUIPMENT CORPORATION AND SHALL NOT BE REPRODUCED OR COPIED OR USED IN WHOLE OR IN PART AS THE BASIS FOR THE MANUFACTURE OR SALE OF ITEMS WITHOUT WRITTEN PERMISSION.
 COPYRIGHT © 1976, DIGITAL EQUIPMENT CORPORATION

NOTES:
 1. * THE BC05D, BC03M, BC03P CABLES ARE NOT INCLUDED IN THE DZ11 OPTION AND MUST BE ORDERED SEPARATELY.



REV. A	CHG. NO. 0003	DATE 22 August 77	BY R. CORMIER
CHK	DZ11-0003		
REVISIONS			

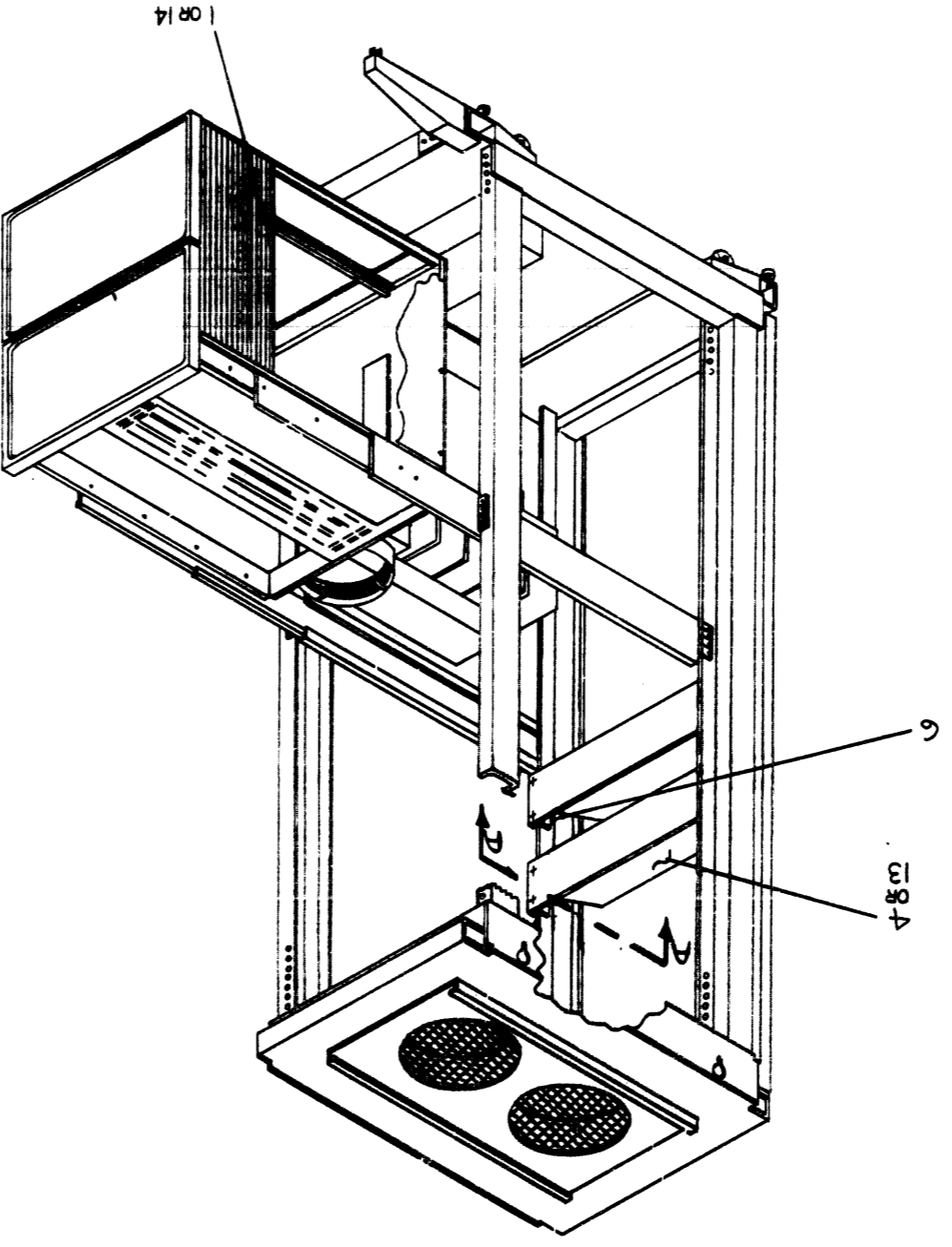
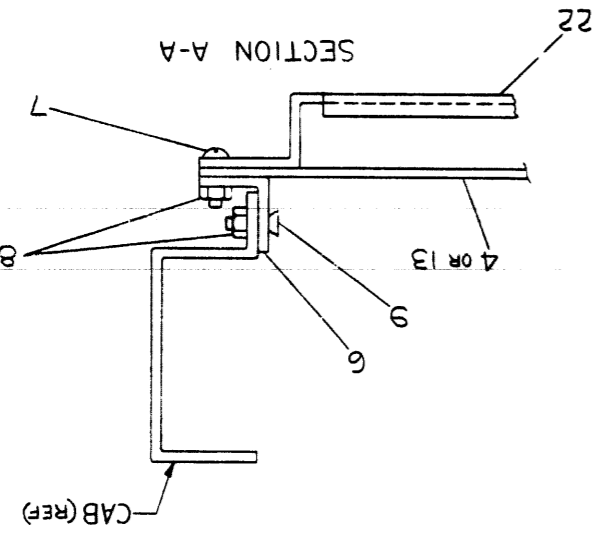
DRN. 7 0 30	9-1-76	FINISHED ON	DZ11
CHK'D	1-14-76	TITLE	SYSTEM CONNECT DIAGRAM
ENG.	5-13-76	PROJECT	
PROD.	5-13-76	PROJ. NO.	
NEXT HIGHER ASSY.		SIZE	D BD
D-UA-DZ11-0-0		NUMBER	DZ11-0-8
SCALE		REV.	A
SHEET	OF	DIST.	

DEC FORM NO. 010 102-D

REV.	CHG. NO.	DATE	BY	APP.
A	DZ11-00001	4 Jan 77	R. A. CORMIER	
B	DZ11-00002	9 May 77	R. A. CORMIER	
C	DZ11-00003	23 August 77	R. CORMIER	

DESCRIPTION		DIM./PART NO.		ITEM NO.	
UNLESS OTHERWISE SPECIFIED DIMENSIONS ARE IN INCHES					
ANGLES CLASS OF SURFACE ACCURACY					
CHECK ONE					
SURFACE QUALITY IN					
MICROFINISH					
PREFERRED					
FIRST USED ON					
DZ11					
UNIT ASSY					
B-DU-DZ11-0					
SEE PARTS LIST					
MATERIAL					
FINISH					

FOR PARTS LIST SEE A-PL-DZ11-0-0



NOTES:

2. TEST CONNECTORS ITEMS 2 & 5 (NOT SHOWN) ARE USED FOR TESTING DZ11 A,B,E, ALSO NOT SHOWN IS A TEST CONNECTOR (ITEM 15) USED FOR TESTING THE DZ11-C,D & F.

DZ11-0-0 C

This drawing is the property of the U.S. Government and is loaned to your organization for your information and use only. It and its contents are not to be distributed outside your organization.

"THE DRAWING AND SPECIFICATIONS HEREIN ARE THE PROPERTY OF DIGITAL EQUIPMENT CORPORATION AND SHALL NOT BE REPRODUCED OR COPIED OR USED IN WHOLE OR IN PART AS THE BASIS FOR THE MANUFACTURE OR SALE OF ITEMS WITHOUT THE WRITTEN PERMISSION OF DIGITAL EQUIPMENT CORPORATION"

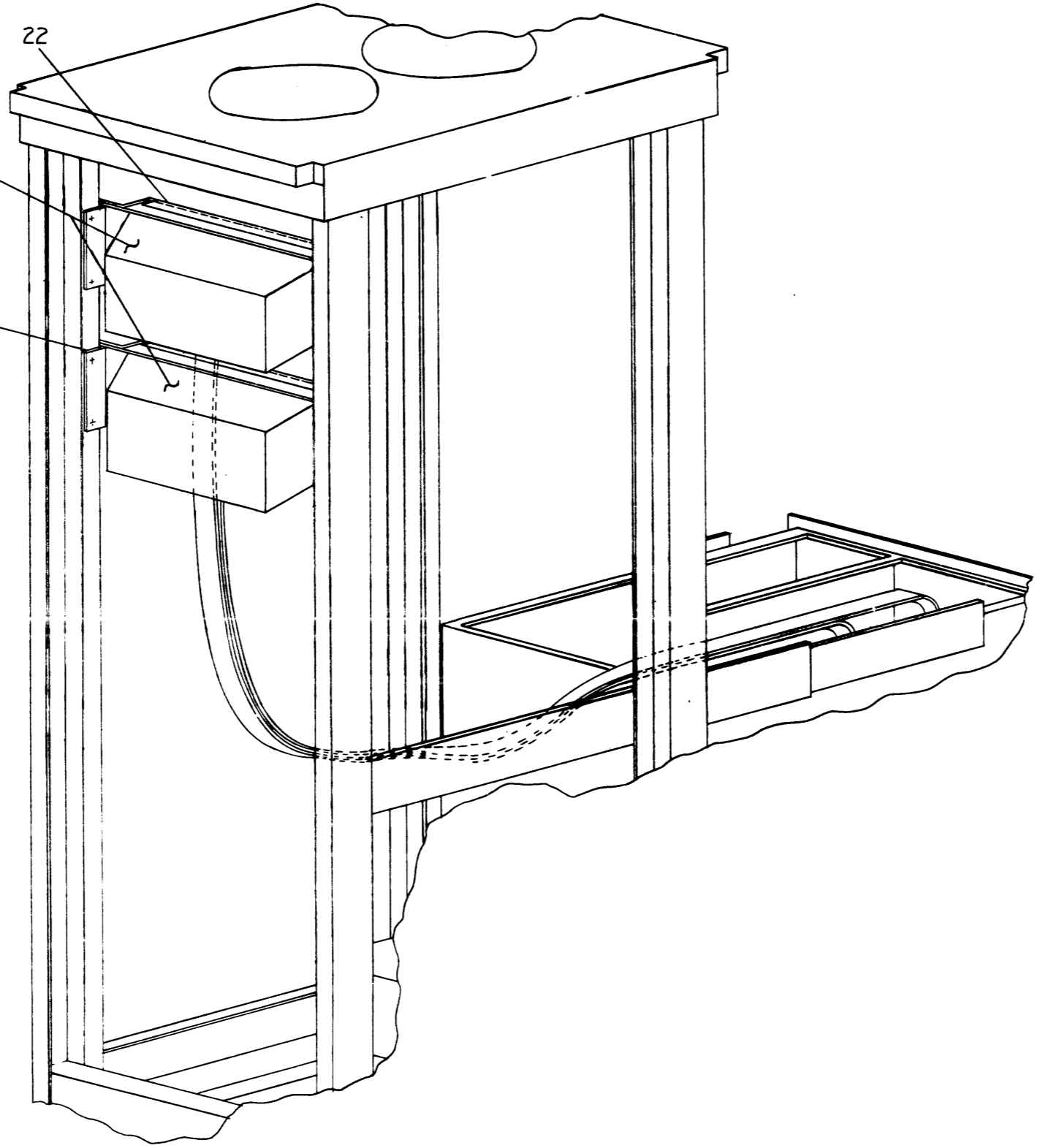
0-0-11 ZOMK 2

8 7 6 5 4 3 2 1

4 OR 13 REF
SEE DETAILS
A, B, C & D ON
SHEET # 4

(REF) 6

22



D
C
B
A

REVISIONS		
CHK	CHANGE NO.	REV.

TITLE	UNIT ASSY DZ11	SIZE CODE	DUA	NUMBER	DZ11-0-0	REV.	C
SCALE	NONE	SHEET	2 OF 4	DIST.			

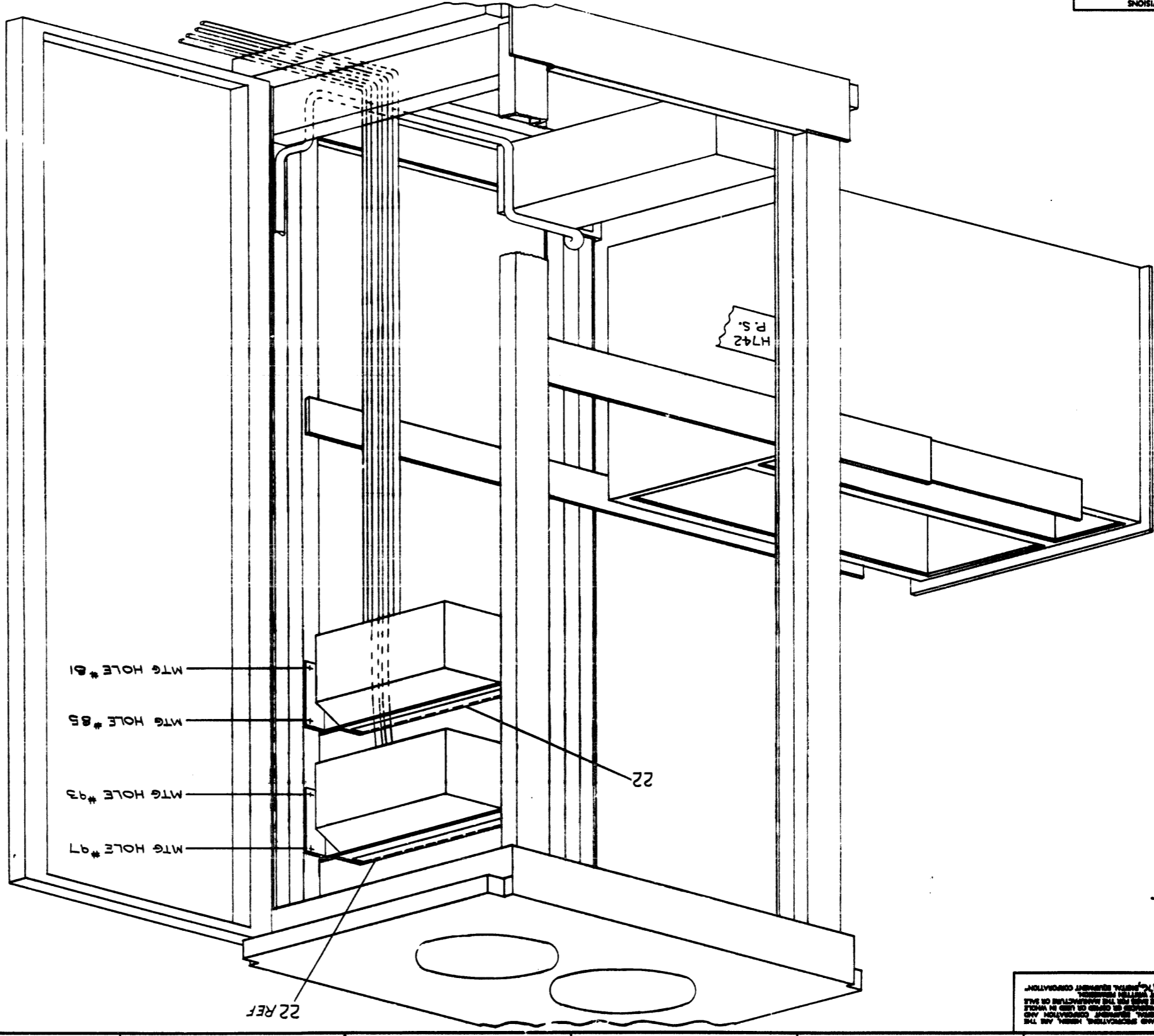
8 7 6 5 4 3 2 1

CHK	CHANGE NO.	REV.

REV.	NUMBER	DESCRIPTION
C	DUA DZ11-0-0	

TITLE	SIZE CODE	DIST.
UNIT ASSY DZ11	DUA	3 OF 4

SCALE NONE



THE DRAWING AND SPECIFICATIONS HEREIN ARE THE PROPERTY OF THE BUREAU OF AERONAUTICS AND SHALL BE RETURNED TO OR DESTROYED BY THE RECIPIENT THEREOF. THIS DRAWING IS UNCLASSIFIED AND IS IN THE PUBLIC DOMAIN.

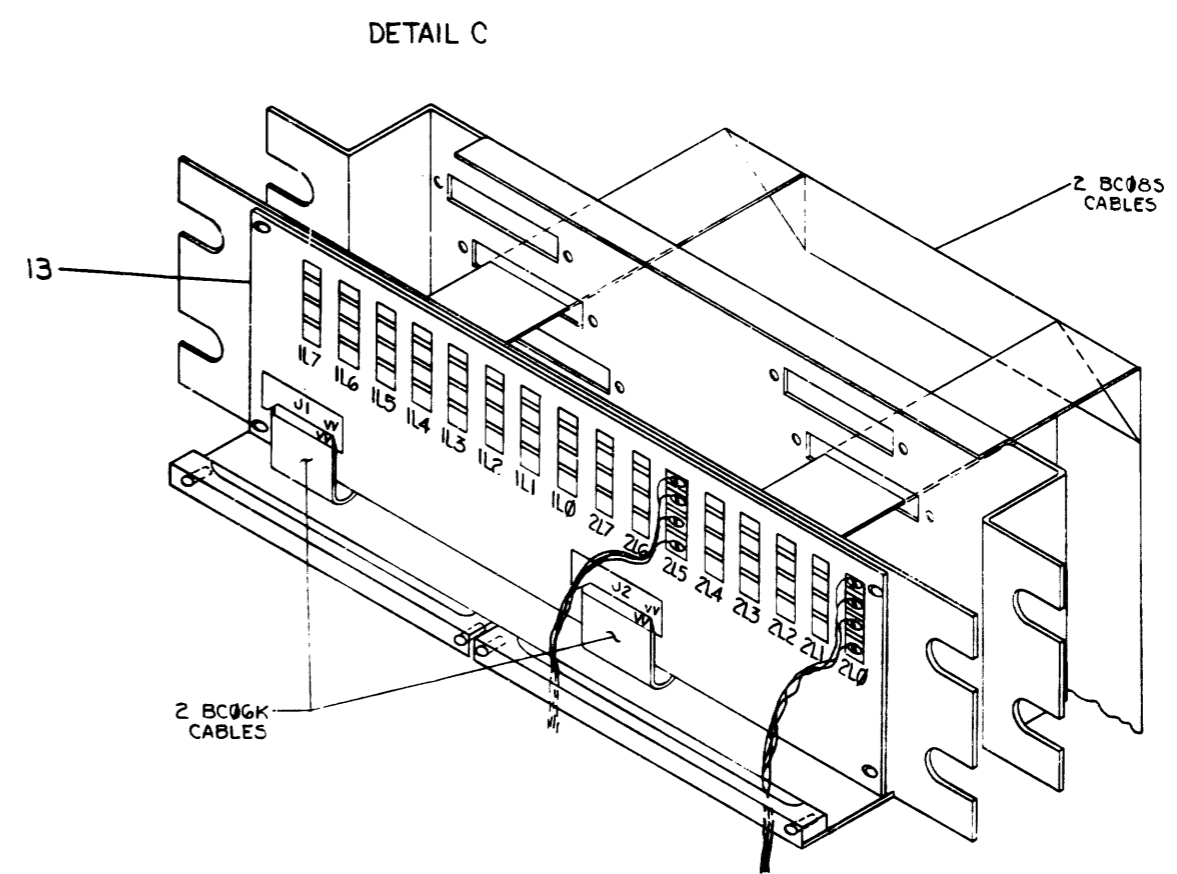
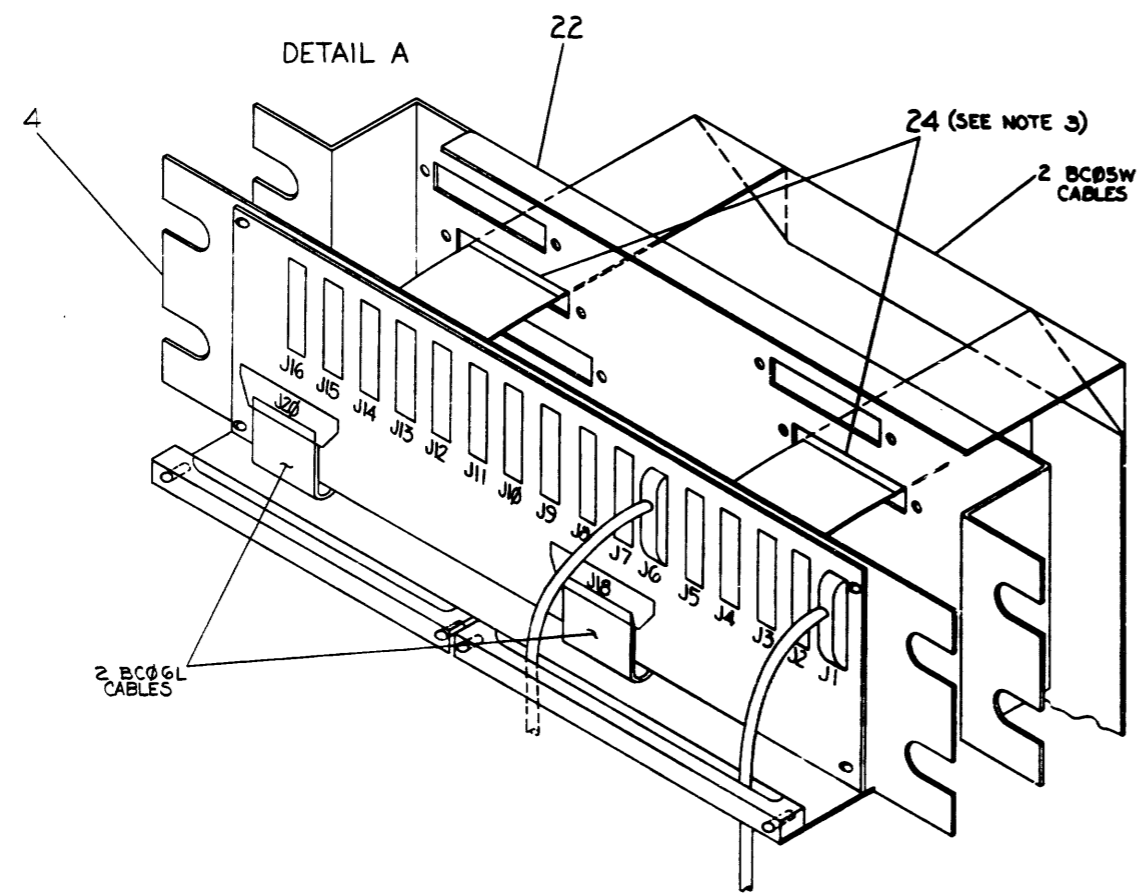
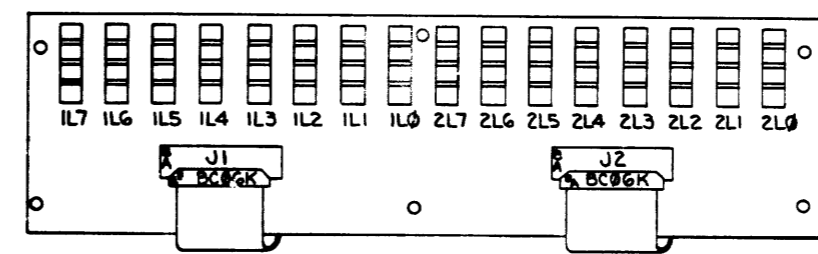
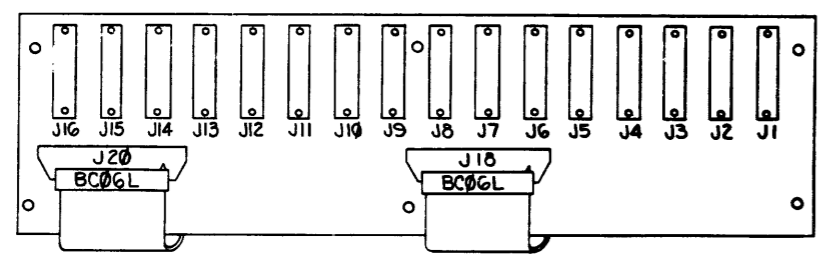
1
2
3
4
5
6
7
8

1 2 3 4 5 6 7 8

THIS DRAWING AND SPECIFICATIONS HEREIN ARE THE PROPERTY OF DIGITAL EQUIPMENT CORPORATION AND SHALL NOT BE REPRODUCED OR COPIED OR USED IN WHOLE OR IN PART AS THE BASIS FOR THE MANUFACTURE OR SALE OF ITEMS WITHOUT WRITTEN PERMISSION. DIGITAL EQUIPMENT CORPORATION

0-0-11ZD 2

NOTE:
MOUNT FILTERS (ITEM 23 OR 24) TO THE OUTSIDE OF MOUNTING BRACKET (ITEM 22) WITH SCREWS AND LOCK WASHERS (ITEM 27 AND 28)



REVISIONS		
CHK	CHANGE NO.	REV.

TITLE	UNIT ASSY. DZ11	SIZE CODE	D UA	NUMBER	DZ11-0-0	REV.	C
SCALE	NONE	SHEET	4	OF	4	DIST.	

DIGITAL EQUIPMENT CORPORATION
MAYNARD, MASSACHUSETTS
PARTS LIST

QUANTITY/VARIATION

MADE BY K. DAVIS
 DATE 5-4-76
 ENG R. CORMIER
 DATE 13-MAY-76

SECTION
 ISSUED SECT.

ITEM NO.	DWG NO. / PART NO.	DESCRIPTION	DZ11-A	DZ11-B	DZ11-E	DZ11-C	DZ11-D	DZ11-F
1	D-UA-M7819- ϕ - ϕ	8 LINE EIA ASYNCHRONOUS MUX	1	1	2	-	-	-
2	D-UA-H3271-0-0	CONNECTOR, TURN AROUND (EIA)	1	-	1	-	-	-
3	D-IA-BC ϕ 5W-15	5 ϕ CONDUCTOR SIGNAL CABLE (BC ϕ 5W)	1	1	2	-	-	-
4	D-UA-H317-E- ϕ	H317 CABLE BOX ASSY (EIA)	1	-	1	-	-	-
5	D-CS-H325- ϕ -1	H325 TEST CONNECTOR	1	-	1	-	-	-
6	C-MD-7414386-0-0	BRACKET, PANEL	2	-	2	2	-	2
7	9006071-03	SCR, PH, TRUSS, HD, 10-32 X .38	4	-	4	4	-	4
8	9006565-00	NUT, KEP 10-32	8	-	8	8	-	8
9	9006073-02	SCR, PH, FL, HD, 10-32 X .50	4	-	4	4	-	4
10	9007786-00	MUX, SPEED 10-32	4	-	4	4	-	4
11	D-BD-DZ11- ϕ -8	SYSTEM CONNECT DIAGRAM	REF	REF	REF	REF	REF	REF
12	C-IA-BC08S-15	40 CONDUCTOR SIGNAL CABLE (BC08S)	-	-	-	1	1	2
13	D-UA-H317-F- ϕ	H317 CABLE BOX ASSY (20 MA)	-	-	-	1	1	1
14	D-UA-M7814- ϕ - ϕ	8 LINE 20 MA ASYNCHRONOUS MIX	-	-	-	1	1	2
15	D-UA-H319 ϕ -0-0	CONNECTOR, TURN AROUND (20 MA)	-	-	-	1	1	2
16	A-SP-3700285-0-0	PKG. INST. CUSTOMER(A VERSION)	1	-	-	-	-	-
17	A-SP-3700285-1-0	PKG. INST. CUSTOMER(C VERSION)	-	-	-	1	-	-
18	A-SP-3700285-2-0	PKG. INST. CUSTOMER(B VERSION)	-	1	-	-	-	-
19	A-SP-3700285-3-0	PKG. INST. CUSTOMER(D VERSION)	-	-	-	-	1	-
20	A-SP-3700285-4-0	PKG. INST. CUSTOMER(E VERSION)	-	-	1	-	-	-
21	A-SP-3700285-5-0	PKG. INST. CUSTOMER(F VERSION)	-	-	-	-	-	1
22	D-IA-7415808-0-0	CONNECTOR, MTG. PANEL	1	-	1	1	-	1

ASSY NO. D-UA-DZ11- ϕ - ϕ SIZE CODE A PL NUMBER DZ11- ϕ - ϕ REV. ECO NO. C DZ11-000003

DEC FORM DEC 16-(325)-1031-NR70
 DRA 110

DIGITAL EQUIPMENT CORPORATION
MAYNARD, MASSACHUSETTS
PARTS LIST

QUANTITY/VARIATION

MADE BY K. DAVIS
 DATE 4-MAY-76
 ENG R. CORMIER
 DATE 13-MAY-76

SECTION 1
 ISSUED SECT. 1

ITEM NO.	DWG NO. / PART NO.	DESCRIPTION	DZ11-A	DZ11-B	DZ11-E	DZ11-C	DZ11-D	DZ11-F
23	H7 ϕ 4B	FILTERED CONNECTOR (40 POS)	-	-	-	1	1	2
24	H7 ϕ 4C	FILTERED CONNECTOR (50 POS)	1	1	2	-	-	
25	D-UA-BC ϕ 6K- ϕ J- ϕ	MIRROR IMAGE CABLE (40 POS)	-	-	-	1	1	
26	D-UA-BC ϕ 6L- ϕ J- ϕ	MIRROR IMAGE CABLE (50 POS)	1	1	2	-	-	
27	9006022-01	SCR, PHL PAN HD #6-32 X .38	2	2	4	2	2	
28	9006633-00	WASHER, INT TOOTH LOCK #6	2	2	4	2	4	

ASSY NO. D-UA-DZ11- ϕ - ϕ SIZE CODE A PL NUMBER DZ11- ϕ - ϕ REV. ECO NO. C

DEC FORM DEC 16-(325)-1031-NR70

REV C

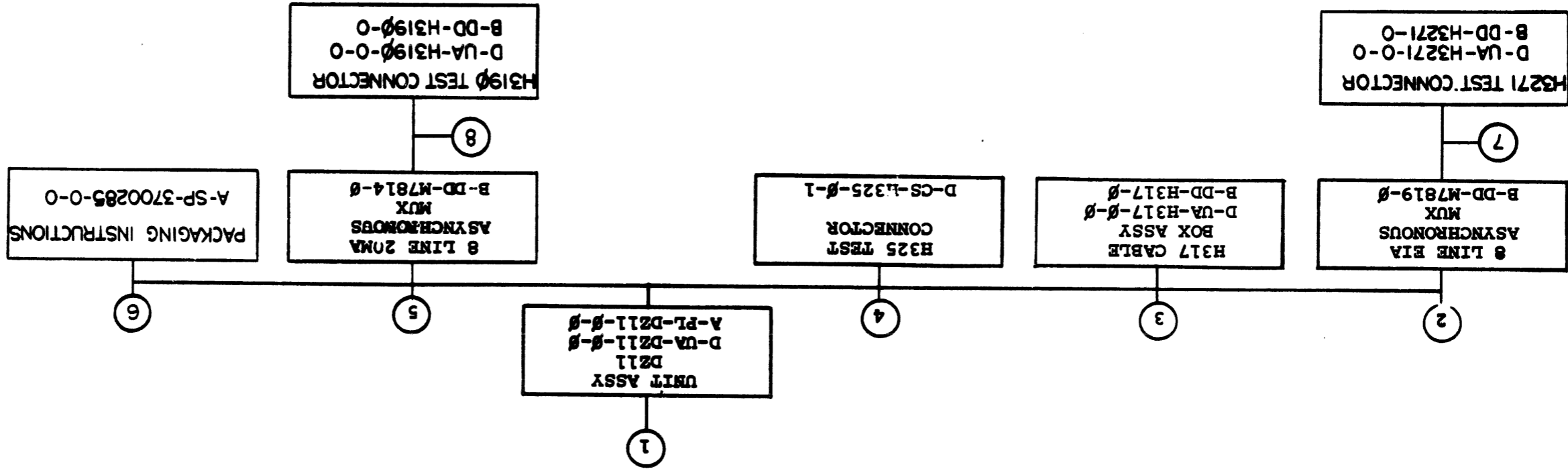
DZ11-Ø
NUMBER

SIZE CODE
B DD

SHEET 2 OF 3

TITLE
ASYNCHRONOUS MUX
DZ11

DRB 107
DEC 16-(325)-1062-3-N871



FIND NO.	DRAWING NO.	DESCRIPTION	TYPE	FIND NO.	DRAWING NO.	DESCRIPTION	TYPE
1	MP00132	DZ11-A, B, & E FIELD MAINTENANCE PRINT SET	-				
	B-TC-DZ11-0-6	DZ11-A, B, & E FIELD MAINTENANCE PRINT SET (TC)	-				
	D-UA-DZ11-0-0	UNIT ASSY DZ11	E/M				
	A-PL-DZ11-0-0	ASYNCHRONOUS MUX DZ11	E/M				
	C-IA-H327-0-0	CONNECTOR, TURN AROUND	E/M				
	D-IA-BC05W-0-0	50 CONDUCTOR SIGNAL CABLE (BC05W)	E/M				
	C-MD-7414386-0-0	BRACKET, PANEL	M				
	C-IA-BC08S-0-0	40 CONDUCTOR SIGNAL CABLE (BC08S)	E/M				
	D-UA-BC06K-0-0	MIRROR IMAGE CABLE (40 POS)	E/M				
	A-PL-DZ11-0-5	SHIPPING LIST	M				
	D-BD-DZ11-0-8	SYSTEM CONNECT DIAGRAM	E				
	D-UA-BC06L-0-0	MIRROR IMAGE CABLE (50 POS)	E/M				
	MP00253	DZ11-C, D&F FIELD MAINTENANCE PRINT SET	-				
	B-TC-DZ11-0-11	DZ11-C, D&F FIELD MAINTENANCE PRINT SET	-				
	A-PL-H7004-0-0	H7004 FILTER CONNECTOR	E/M				
	A-SP-DZ11-0-1	DZ11 TEST PROCEDURE	E/M				
	A-SP-DZ11-0-2	DZ11 ACCEPTANCE PROCEDURE	-				
	A-SP-DZ11-0-9	DZ11 ENGINEERING SPECIFICATION	-				
	D-IA-7415808-0-0	CONNECTOR MTG PANEL	M				
2	B-DD-M7819-0	8 LINE EIA ASYNCHRONOUS MUX	E/M				
3	D-UA-H317-0-0	H317 CABLE BOX ASSY	E/M				
	B-DD-H317-0	H317 CABLE BOX ASSY	E				
4	D-CS-H325-0-1	H325 TEST CONNECTOR	E/M				
	K-CO-H325-0-4	X-Y COORDINATE HOLE LOCATION	M				
	D-AH-H325-0-5	ASSY/DRILLING HOLE LAYOUT	M				
	B-MH-H325-0-6	MODULE ECO HISTORY	E/M				
5	B-DD-M7814-0	8 LINE 20 MA ASYNCHRONOUS MUX	E/M				
6	A-SP-3700285-0-0	PACKAGING INSTRUCTION	M				
7	D-UA-H3271-0-0	CONNECTOR, TURN AROUND (EIA)	M				
	B-DD-H3271-0	CONNECTOR, TURN AROUND (EIA)	E/M				
8	D-UA-H3190-0-0	CONNECTOR, TURN AROUND (20 MA)	M				
	B-DD-H3190-0	CONNECTOR, TURN AROUND (20 MA)	E/M				

TYPE: E ELECTRICAL
M MECHANICAL
E/M ELECTRO/MECHANICAL



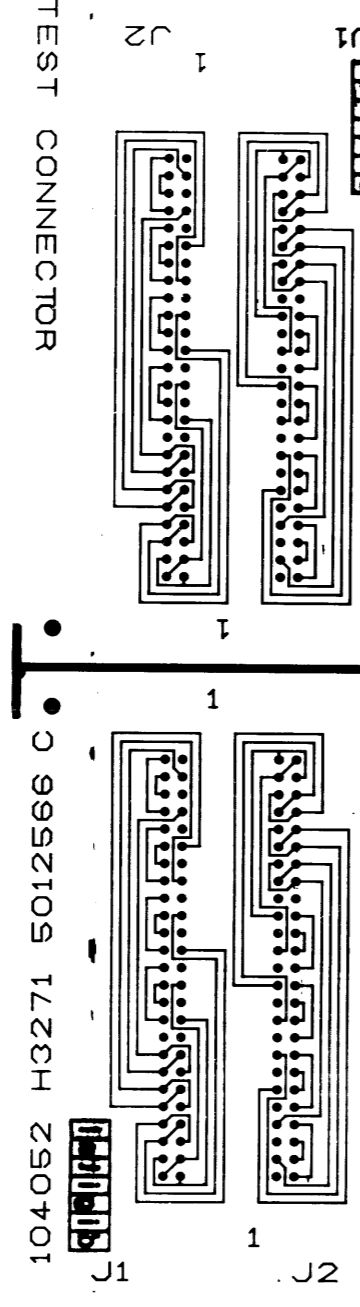
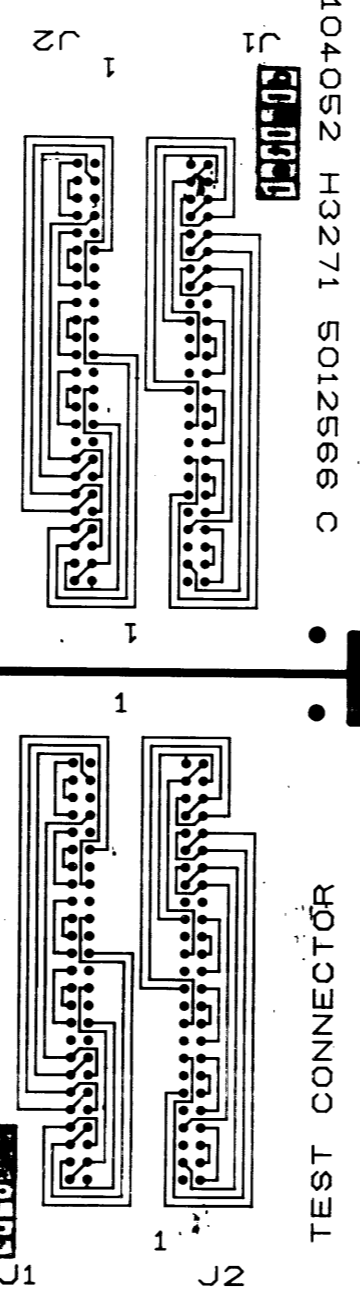
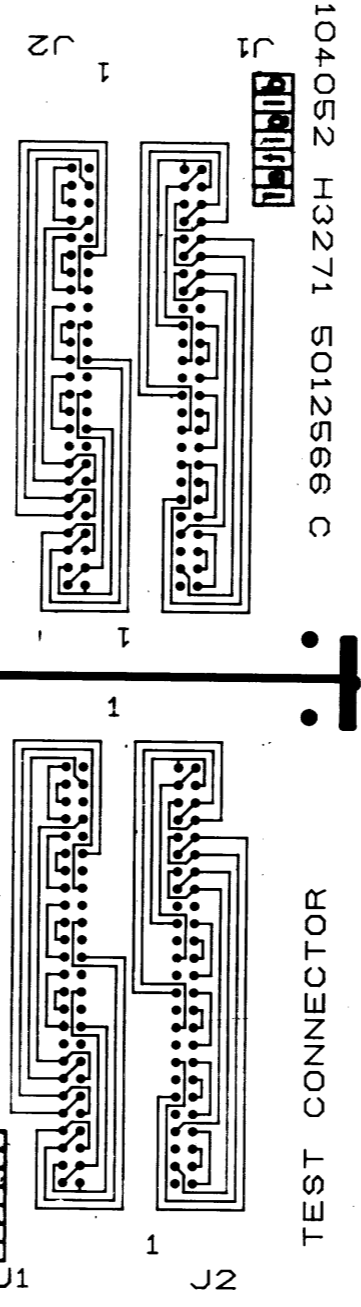
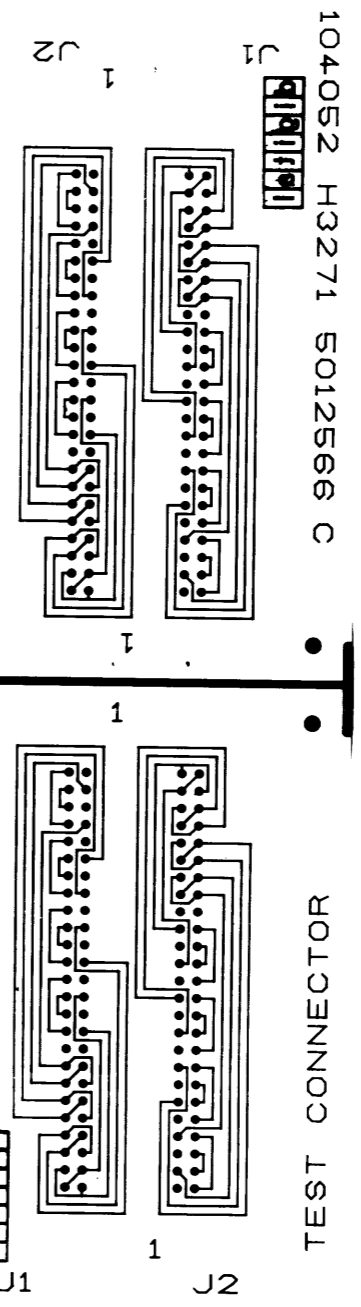
TITLE ASYNCHRONOUS MUX
DZ11

SHEET 3 OF 3

SIZE CODE B DD

NUMBER DZ11-0

REV C



VIEWS FROM 2

PROPERTY OF THE GOVERNMENT
 SHALL NOT BE REPRODUCED OR
 DISSEMINATED IN ANY FORM OR
 BY ANY MEANS, ELECTRONIC OR
 MECHANICAL, INCLUDING PHOTOCOPYING,
 RECORDING, OR BY ANY INFORMATION
 STORAGE AND RETRIEVAL SYSTEM,
 WITHOUT PERMISSION IN WRITING
 FROM THE GOVERNMENT

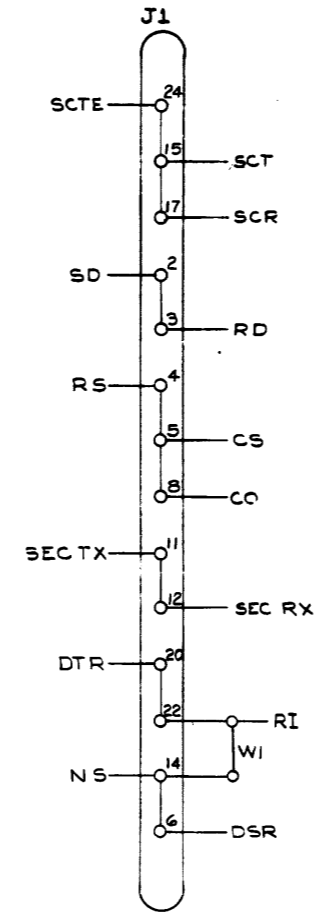
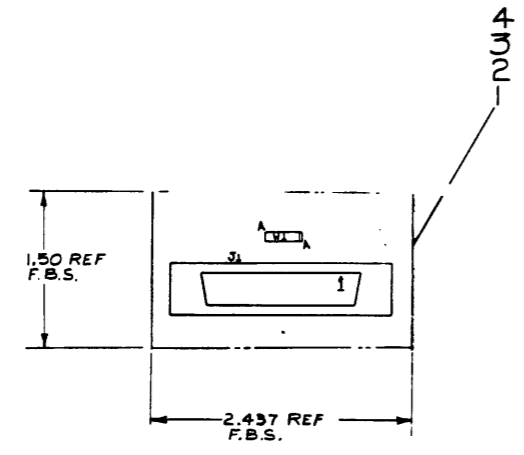
A B C D

A B C D

DUA H3271 -0-0 B

"THIS DRAWING AND SPECIFICATIONS HEREAFTER ARE THE PROPERTY OF DIGITAL EQUIPMENT CORPORATION AND SHALL NOT BE REPRODUCED OR COPIED OR USED IN WHOLE OR IN PART AS THE BASIS FOR THE MANUFACTURE OR SALE OF ITEMS WITHOUT WRITTEN PERMISSION.
COPYRIGHT © 1975 DIGITAL EQUIPMENT CORPORATION"

NOTES:



REF	X-Y COORDINATE HOLE LOC.	K-CO-H325-0-4	1
REF	ASSY/DRILLING HOLE LAYOUT	D-AH-H325-0-5	2
REF	MODULE ECO HISTORY	B-MH-H325-0-6	3
1	ETCHED CIRCUIT BOARD	5011698	4
1 J1	CONNECTOR	1210247	5
1 WI	INSULATED JUMPER WIRE	9009185	6

QTY	REF. DESIGNATION	DESCRIPTION	PART NO.	ITEM NO.
PARTS LIST				
	DVII	ETCH BOARD REV. C		

DWN: [Signature] DATE: 1/2/75 CDR: [Signature] DATE: 1/2/75 ENGR: [Signature] DATE: 1/2/75 PROJ. MGR: [Signature] DATE: 1/2/75	
TITLE: H325 TEST CONNECTOR	
NEXT HIGHER ASSY: DUA-DVII-0-0 SCALE: 1 OF 1 SHEET: 1 OF 1	DCS H325-0-1 B

IC TYPE	GND	+5V
GND AND 5V ARE USUALLY PIN 7 AND 14 RESPECTIVELY EXCEPTIONS ARE STATED ABOVE		
IC PIN LOCATIONS		

REV.	CHANGE NO.	REVISIONS
1	1	ORIGINAL
2	2	REVISED

DEC NO.	EIA NO.	DEC NO.	EIA NO.

SEMICONDUCTOR CONVERSION CHART

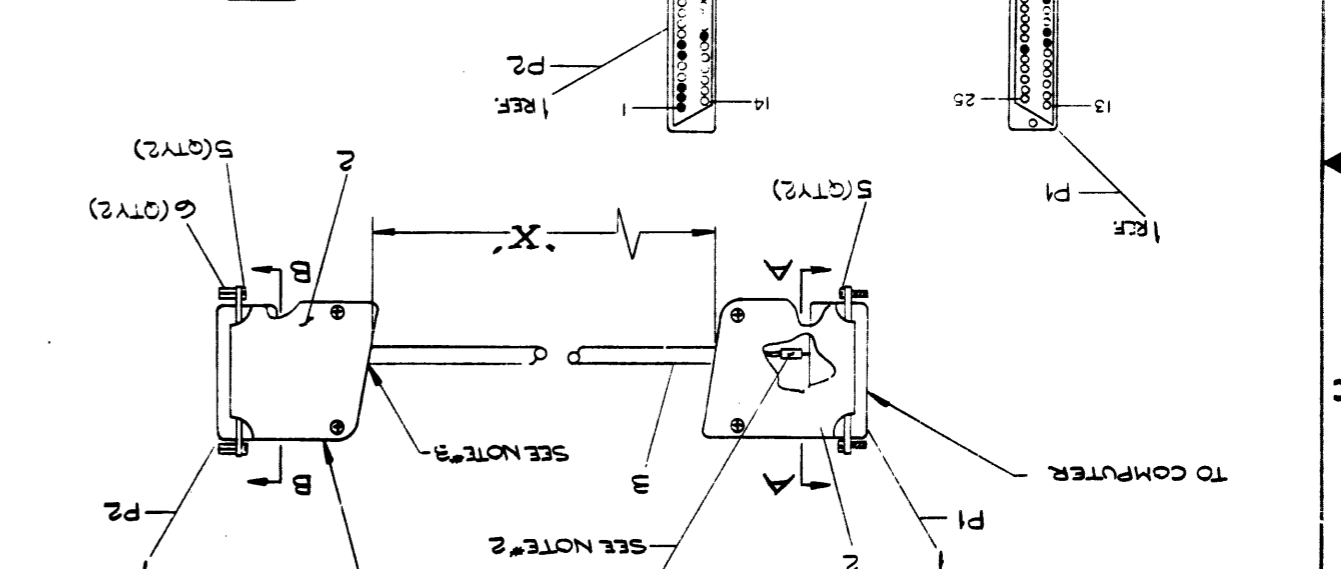
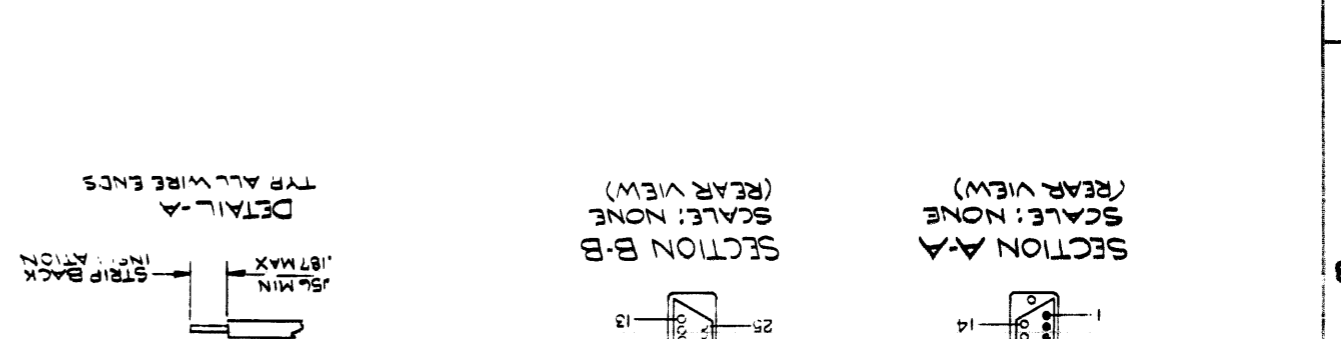
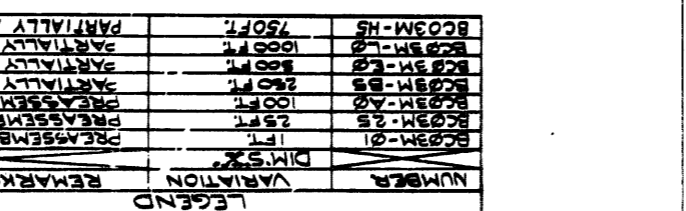
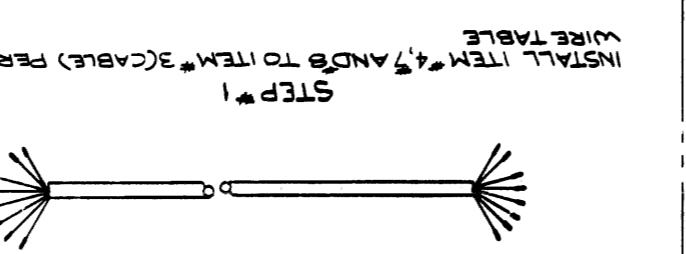
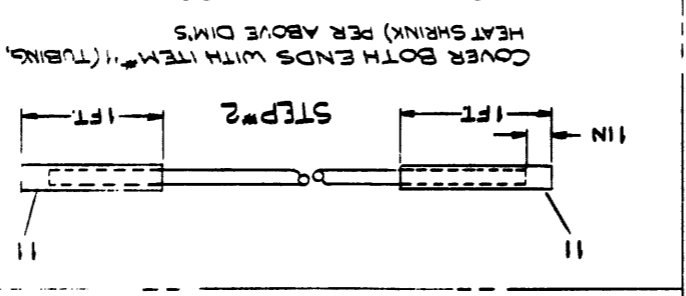
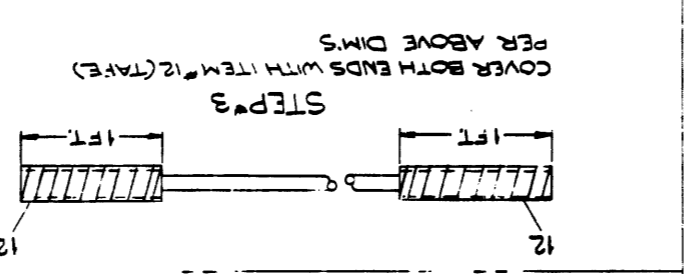
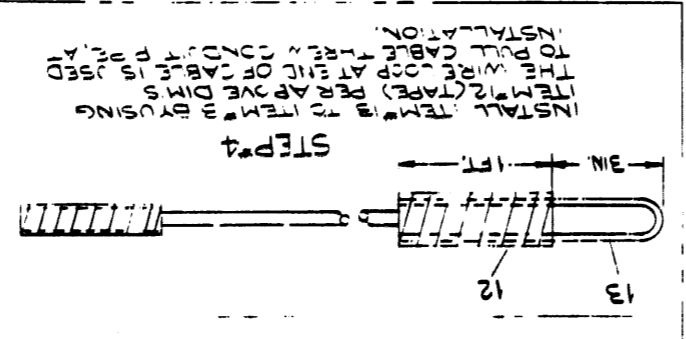
REV.	CHANGE NO.	DESCRIPTION
A	00001	BC03M-00001
B	00002	BC03M-00002
C	00003	BC03M-00003

REV. C	SIZE CODE A	SCALE 1/1	SHEET 1 OF 1
REV. B	SIZE CODE B	SCALE 1/1	SHEET 1 OF 1
REV. A	SIZE CODE C	SCALE 1/1	SHEET 1 OF 1

ITEM NO.	DWG./PART NO.	DESCRIPTION	QUANTITY	UNIT
1	1211354	PL 5	2	2
2	1210493-50	HOOD	2	2
3	910723	CABLE	4	4
4	1212583-1	SOCKET #18-20	4	4
5	9009722	SCR. RETAINER (MATE)	4	4
6	9009498	SOCKET #18-20	2	2
7	1210728-11	TUBING #18 GA (MATE)	4	4
8	1212583-0	SOCKET #22	8	8
9	4700024	TOOL INSERT/EXTRACT	1	1
10	9905129-21	BAG PLASTIC	1	1
11	9107252-00	TUBING (#18 GA)	4	4
12	9009507	TAPE (ROLL)	1	1
13	907370-00	WIRE #14 AWG (26 WLS)	4	4

NUMBER	VARIATION	REMARKS
BC03M-01	1 FT.	PREASSEMBLED
BC03M-25	25 FT.	PREASSEMBLED
BC03M-A0	100 FT.	PARTIALLY ASSEMBLED
BC03M-B5	250 FT.	PARTIALLY ASSEMBLED
BC03M-E0	500 FT.	PARTIALLY ASSEMBLED
BC03M-L0	1000 FT.	PARTIALLY ASSEMBLED
BC03M-H5	750 FT.	PARTIALLY ASSEMBLED

NOTES:
 1. VARIATIONS AND LENGTHS SHOWN IN FEET AND INCHES ARE STANDARD AND ARE SPECIFIED BY NUMERIC DESIGNATION IN FOOT INCREMENTS. THE TOLERANCE IN FOOT INCREMENTS WILL BE 2% OF THE FOOT INCREMENT.
 2. DRAIN WIRES TO BE ENCLOSED WITH CABLE JACKET TO POINT WHERE THEY ENTER CONTACT.
 3. CUT BACK DRAIN WIRE TO OUTER INSULATION ON BOTH ENDS.
 4. THERE ARE TWO WIRES INSTALLED IN EACH #18-20 GA CONTACT (ITEM#4).
 5. USE INSERTION/EXTRACTION TOOL (ITEM#9) TO CONSTRUCT CABLE. THIS PIECE IS DISCARDED AFTER USE.
 6. 1 FOOT, 25 FOOT AND 100 FOOT CABLES ARE PREASSEMBLED. ALL OTHERS ARE PARTIALLY ASSEMBLED.
 7. STEPS 1 THRU 4 ARE FOR CABLE LENGTH-THE OVER 100 FT. REFERENCE INFORMATION USE CRIMP TOOL-TYPE M2520/-01 WITH THIS LOCATOR.
 CABLES OVER 10 FT ARE TO BE STRIPPED IN KIT FORM AS FOLLOWS: PUT TEKS #2, #3 AND 1 (ONE) COPY OF THIS PRINT INTO PLASTIC BAGS (ITEM#10) AND FOLD OVER CABLE (ITEM#9) AND STAPLE TOGETHER. (ITEM#3) AND STAPLE TOGETHER.



ITEM NO.	DESCRIPTION	FROM	TO	CONNECTION	WITH	CONNECTION	REMARKS
3	1	RED	P1-2	8	P2-3	8	
3	2	BLK	P1-7 NOTE #4	4	P2-7 NOTE #4	4	
3	3	SHLD	P1-1 NOTE #2 & 4	4	P2-1 NOTE #2	4	
3	4	WHT	P1-3	8	P2-2	8	
3	5	SHLD	P1-1 NOTE #2 & 4	4	P2-1 NOTE #2	4	
3	6	BLK	P1-7 NOTE #4	4	P2-7 NOTE #4	4	
3	7	SHLD	P1-1 NOTE #2 & 4	4	P2-1 NOTE #2	4	
3	8	GRN	P1-20	8	P2-20	8	
3	9	SHLD	P1-20	8	P2-20	8	
3	10	SHLD	P1-20	8	P2-20	8	

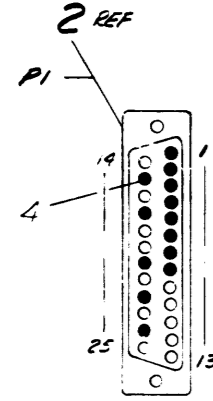
THIS DRAWING AND SPECIFICATIONS HEREIN ARE THE PROPERTY OF NORTON BRUSH COMPANY AND SHALL NOT BE REPRODUCED OR COPIED IN WHOLE OR IN PART AS THE BASIS FOR THE MANUFACTURE OF SIMILAR ITEMS WITHOUT WRITTEN PERMISSION. COMMENT: N17 SERIAL EQUIPMENT COMPATIBILITY.

"THIS DRAWING AND SPECIFICATIONS, HEREIN, ARE THE PROPERTY OF DIGITAL EQUIPMENT CORPORATION AND SHALL NOT BE REPRODUCED OR COPIED OR USED IN WHOLE OR IN PART AS THE BASIS FOR THE MANUFACTURE OR SALE OF ITEMS WITHOUT WRITTEN PERMISSION. COPYRIGHT © 1975, DIGITAL EQUIPMENT CORPORATION"

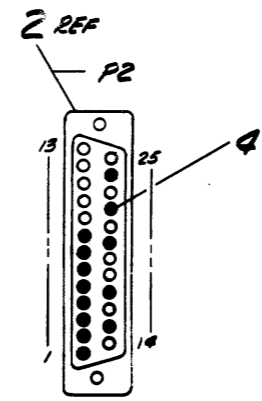
WIRE TABLE						
ITEM NO	DESCRIPTION	COLOR	FROM		TO	
			CONNECTION	WITH	CONNECTION	WITH
1	*22	BLK	P1-1	*4	P2-1	*4
1	*22	RED	P1-2	*4	P2-3	*4
1	*22	GRN	P1-3	*4	P2-2	*4
5	*26	GRN			P1-5	*4
1	*22	BLU	P1-4	*4	P2-8	*4
1	*22	YEL	P1-7	*4	P2-7	*4
1	*22	VIO	P1-8	*4	P2-9	*4
5	*26	GRN	P2-5	*4		
1	*22	GRY	P1-20	*4	P2-6	*4
5	*26	GRN	P2-22	*4		
1	*22	GRN			P2-20	*4
5	*26	GRN	P1-6	*4	P1-22	*4
* 1	*22	BRN	P1-15	*4	P2-17	*4
* 5	*26	GRN			P1-24	*4
* 1	*22	WHT	P1-17	*4		
* 5	*26	GRN	P2-24	*4	P2-15	*4

LEGEND		
NUMBER	DIM "X"	VARIATION
BC03P-2	2 FT ± 1 IN.	2 FT 1 IN ± 1 IN
BC03P-25	25 FT ± 3 IN	25 FT 1 IN ± 3 IN
BC03P-50	50 FT ± 10 IN	50 FT 1 IN ± 10 IN
BC03P-RD	100 FT ± 20 IN	100 FT 1 IN ± 20 IN

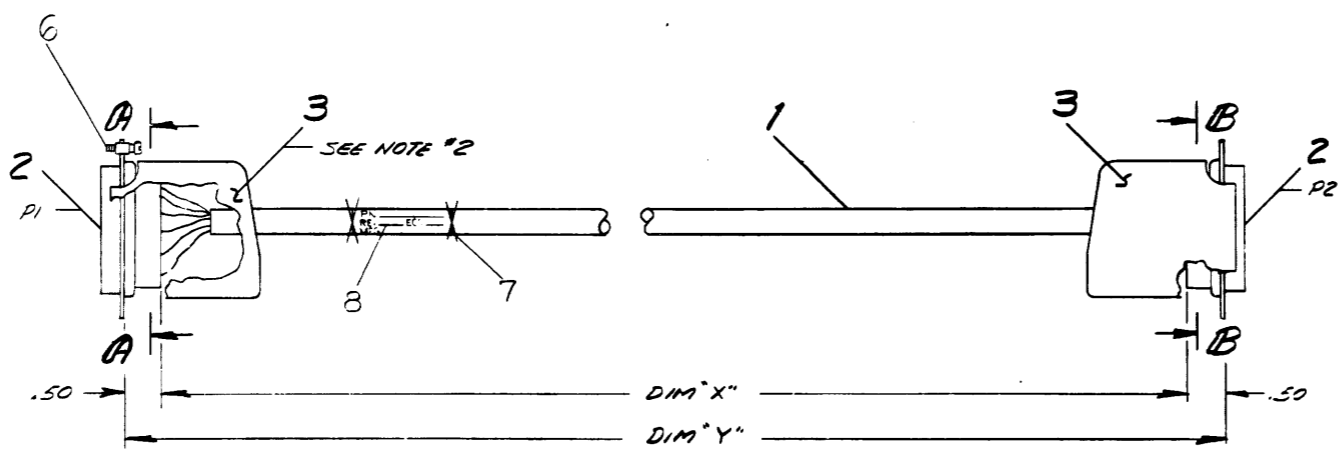
NOTES:
 1. DO NOT USE LONG BC03P CABLES BETWEEN SYNCHRONOUS DEVICES BECAUSE THE UNSHIELDED TIMING LEADS (PIN 15 AND 17) CAN CAUSE CROSSTALK. THE BC03P-2 IS BEST FOR THIS TYPE OF APPLICATION.
 2. CABLE (ITEM #1) TO GO INSIDE HOOD (ITEM #2) AT LEAST .50 AND WIRES SHOULD BE APPROXIMATELY 1.38 IN. IN LENGTH, SO THEY DON'T BUNCH INSIDE HOOD.



VIEW A-A
WITH HOOD REMOVED
SCALE: NONE



VIEW B-B
WITH HOOD REMOVED
SCALE: NONE



* SEE NOTE #1

SEE NOTE #2

ITEM NO	DESCRIPTION	DWG./PART NO.	ITEM NO.
1	LABEL, CABLE	900952	3
2	TIE WRAP (SMALL)	9007131	7
4	SCREW, CAPTIVE ASSY.	9009722	6
AW	WIRE *26 AWG (GRN)	9107636-55	5
26	SOCKET, CRAMP	1210993-41	4
2	HOOD & STRAIN RELIEF	1210993-50	3
2	SHELL & INSERT	1210993-32	2
AW	CABLE, (10 CONDUCTOR)	9107623	1

DESCRIPTION		DWG./PART NO.		ITEM NO.	
UNLESS OTHERWISE SPECIFIED DIMENSIONS ARE IN INCHES					
ANGLES ±0° 30'	CLASS OF ACCURACY (CHECK ONE)	NOMINAL DIMENSION RANGE INCHES			
SURFACE QUALITY IN MICROINCHES	MEDIUM	OVER 0 TO 0.2	OVER 0.2 TO 0.5	OVER 0.5 TO 1.0	OVER 1.0 TO 40.0
	PREFERRED	±.004	±.008	±.012	±.024
		±.012	±.016	±.026	±.063

THIRD ANGLE PROJECTION

REMOVE BURRS AND BREAK SHARP CORNERS

DO NOT SCALE DWG

MATERIAL: SEE PARTS LIST

FINISH: —

QUANTITY & VARIATION

FIRST USED ON: DE11

TITLE: NULL MODEM CABLE ASSY.

SIZE: D IA

NUMBER: BC03P-0-0

REV: B

SHEET: 1 OF 2

REV.	CHANGE NO.	DESCRIPTION
1	1	INITIAL DESIGN
2	2	REVISED
3	3	REVISED
4	4	REVISED
5	5	REVISED
6	6	REVISED
7	7	REVISED
8	8	REVISED
9	9	REVISED
10	10	REVISED

THIS DRAWING AND SPECIFICATIONS, HEREIN, ARE THE PROPERTY OF DIGITAL EQUIPMENT CORPORATION AND SHALL NOT BE REPRODUCED OR USED IN WHOLE OR IN PART AS THE BASIS FOR THE MANUFACTURE OR SALE OF ITEMS WITHOUT WRITTEN PERMISSION. COPYRIGHT © 1975, DIGITAL EQUIPMENT CORPORATION.

REVISIONS	
CHK	CHANGE NO

REV. B	SIZE CODE	TITLE	SCALE	SHEET	OF	DIST
		NULL MODEM CABLE ASSY DIA BC03P-0-0		2	2	
		NUMBER				

* SEE NOTE * 1

P1	1	P GND	BLK
2	2	REC DATA	BRN
3	3	TRANS DATA	GRN
4	4	REQ TO SEND	BLU
5	5	CLEAR TO SEND	DBN
6	6	D.T.R.	
7	7	S.G.	
8	8	REQ TO SEND	
9	9	CARRIER	
10	10	VIO	
11	11	CLEAR TO SEND	
12	12	D.T.R.	
13	13	D.S.R.	
14	14	RING	
15	15	EXT CLOCK *	
16	16	REC CLOCK *	
17	17	TRANS CLOCK *	
18	18	REQ CLOCK *	
19	19	RING	
20	20	EXT CLOCK *	
21	21	WHT	
22	22	REC CLOCK *	
23	23	TRANS CLOCK *	
24	24	REQ CLOCK *	
25	25	EXT CLOCK *	
26	26	WHT	
27	27	REC CLOCK *	
28	28	TRANS CLOCK *	
29	29	REQ CLOCK *	
30	30	EXT CLOCK *	

DIA BC03P-0-0

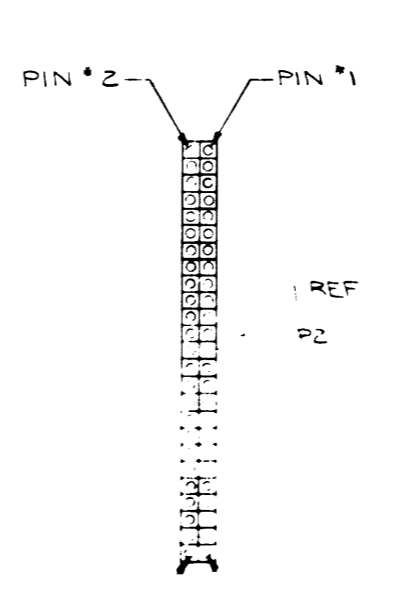
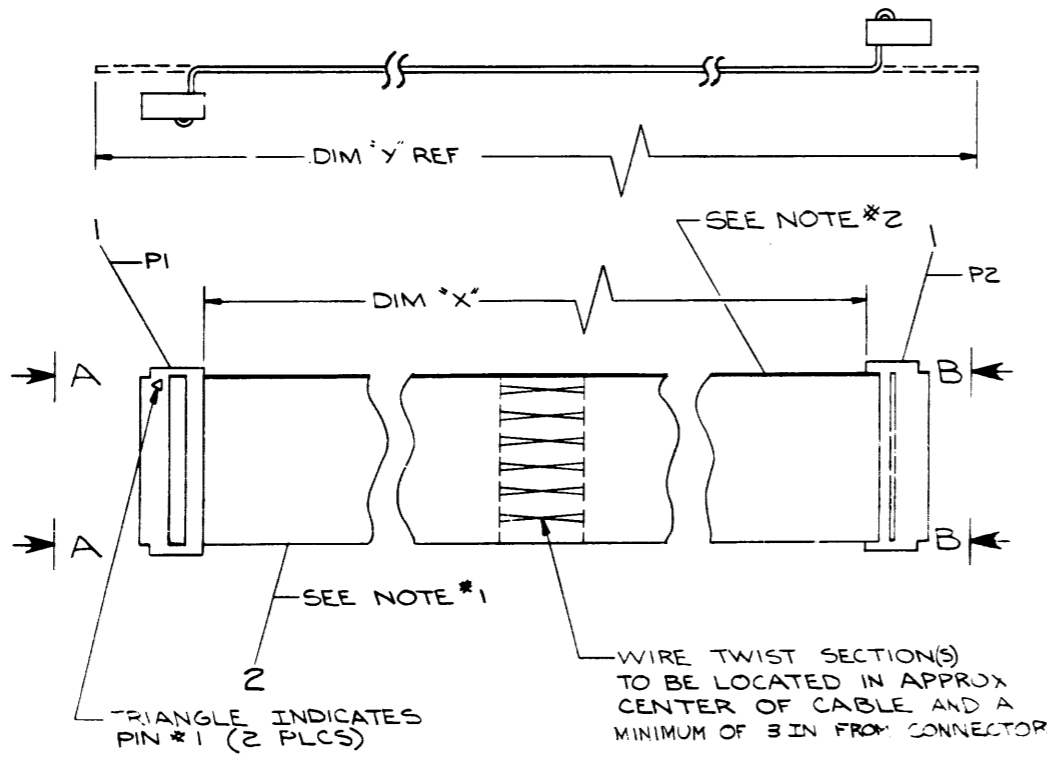
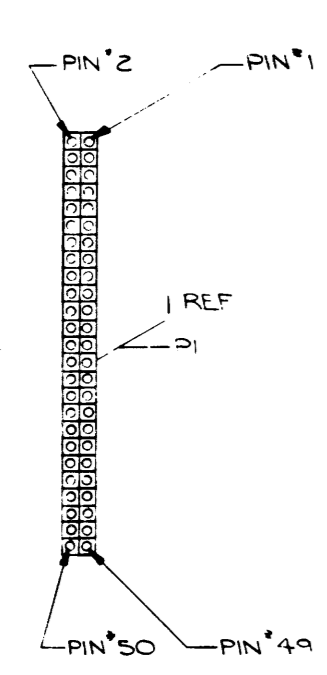
THIS DRAWING AND SPECIFICATIONS HEREIN ARE THE PROPERTY OF DIGITAL EQUIPMENT CORPORATION AND SHALL NOT BE REPRODUCED OR COPIED OR USED IN WHOLE OR IN PART AS THE BASIS FOR THE MANUFACTURE OR SALE OF ITEMS WITHOUT WRITTEN PERMISSION.
COPYRIGHT © 1977 DIGITAL EQUIPMENT CORPORATION

ITEM NO	DESCRIPTION	FROM		TO	
		AWG	COLOR	CONN WITH	CONN WITH
2	*30			P1-1	P2-2
				P1-2	P2-1
				P1-3	P2-4
				P1-4	P2-3
				P1-5	P2-6
				P1-6	P2-5
				P1-7	P2-8
				P1-8	P2-7
				P1-9	P2-10
				P1-10	P2-9
				P1-11	P2-12
				P1-12	P2-11
				P1-13	P2-14
				P1-14	P2-13
				P1-15	P2-16
				P1-16	P2-15
				P1-17	P2-18
				P1-18	P2-17
				P1-19	P2-20
				P1-20	P2-19
				P1-21	P2-22
				P1-22	P2-21
				P1-23	P2-24
				P1-24	P2-23
				P1-25	P2-26

ITEM NO	DESCRIPTION	FROM		TO	
		AWG	COLOR	CONN WITH	CONN WITH
2	*30			P1-26	P2-25
				P1-27	P2-28
				P1-28	P2-27
				P1-29	P2-30
				P1-30	P2-29
				P1-31	P2-32
				P1-32	P2-31
				P1-33	P2-34
				P1-34	P2-33
				P1-35	P2-36
				P1-36	P2-35
				P1-37	P2-38
				P1-38	P2-37
				P1-39	P2-40
				P1-40	P2-39
				P1-41	P2-42
				P1-42	P2-41
				P1-43	P2-44
				P1-44	P2-43
				P1-45	P2-46
				P1-46	P2-45
				P1-47	P2-48
				P1-48	P2-47
				P1-49	P2-50
				P1-50	P2-49

NUMBER	DIM 'X' VARIATION	DIM 'Y' (PRECUT) REF
BC06L-0J	8 IN ± .5 IN	9 IN ± .5 IN
BC06L-1K	1 FT 9 IN ± 1 IN	1 FT 10 IN ± 1 IN
BC06L-7K	7 FT 9 IN ± 2 IN	7 FT 10 IN ± 2 IN
BC06L-49	4 FT 2 IN ± 2 IN	4 FT 3 IN ± 2 IN

- NOTES:
- 'CABLE' (ITEM #2) CONTAINS A TWIST SECTION EVERY 21 INCHES. THERE MUST BE AN ODD NUMBER OF TWIST SECTIONS IN EVERY BC06L LENGTH VARIATION.
 - IF RED STRIPING APPEARS ON 'CABLE' (ITEM #2) IT IS TO BE POSITIONED AS SHOWN



REV.	DATE	BY	CHK
A			

QUANTITY & VARIATION	1	1700081-01	2
DESCRIPTION	2	1211664-00	1
UNLESS OTHERWISE SPECIFIED DIMENSIONS ARE IN INCHES			
ANGLES 10°/30°	CLASS OF ACCURACY	NOMINAL DIMENSION RANGE INCHES	
SURFACE QUALITY IN	(CHECK ONE)	OVER 0 TO 0.25	0.005
		OVER 0.25 TO 0.50	0.004
MATERIALS	PREFERRED	OVER 0.50 TO 1.00	0.003
		OVER 1.00 TO 2.00	0.002
THIRD ANGLE PROJECTION		FIRST USED ON	H7004-C
REMOVAL OF BURRS AND BREAK SHARP CORNERS		TITLE	MIRROR IMAGE CABLE
DO NOT SCALE DWG		SCALE	D U A BC06L - 0 - 0
MATERIALS SEE PARTS LIST		SHEET	OF

DIGITAL EQUIPMENT CORPORATION
MAYNARD, MASSACHUSETTS

QUANTITY / VARIATION

MADE BY K. DAVIS
DATE 4 MAY 76
ENG *Robert J. J. J. J.*
DATE 5-13-76

CHECKED *P. Capobianco*
DATE *14 May 76*
PROD *Tom J. Burke*
DATE 5-14-76

PARTS LIST

ITEM NO.	DWG NO. / PART NO.	DESCRIPTION	SECTION	ISSUED SECT.	DZ11-A	DZ11-B	DZ11-E	DZ11-C-11ZD	DZ11-Q-11ZD	DZ11-5
1	D-UA-M7819-0-0	8 LINE EIA ASYNCHRONOUS MUX			1	1	2	-	-	-
2	D-UA-H3271-0-0	CONNECTOR, TURN AROUND (EIA)			1	-	1	-	-	-
3	D-IA-BC05W-15	50 CONDUCTOR SIGNAL CABLE (BC05W)			1	1	2	-	-	-
4	EK-DZ110-OP-001	MANUAL, USERS			1	-	1	1	-	1
5	ZJ223-RB	DIAGNOSTIC SOFTWARE KIT			1	-	1	1	-	1
6	B-TC-DZ11-0-6	DZ11-A,B&E PRINT SET (MP00132)			1	1	1	-	-	-
7	B-TC-DZ11-0-10	DZ11-B PRINT SET			-	-	-	-	-	-
8	D-CS-H325-0-1	H325 TEST CONNECTOR			1	-	1	-	-	-
9	D-UA-H317-E-0	H317 CABLE BOX ASSY (EIA)			1	-	1	-	-	-
10	MAINDEC-11-DX0LL	DEC/X11 LIBRARY *			1	-	1	1	-	1
11	C-IA-BC08S-15	40 CONDUCTOR SIGNAL CABLE (BC08S)			-	-	-	1	1	2
12	D-UA-H317-F-0	H317 CABLE BOX ASS (20 MA)			-	-	-	1	-	1
13	B-TC-DZ11-0-11	DZ11 C,D & F PRINT SET (MP00253)			-	-	-	1	1	1
14	D-FC-DZ11-0-12	DZ11-D PRINT SET			-	-	-	-	-	-
15	D-UA-M7814-0-0	8 LINE 20MA ASYNCHRONOUS MUX			-	-	-	1	1	2
16	MAINDEC-11-DZDZB-REV-D	ITEP LISTING			1	-	1	-	-	-
17	MAINDEC-11-DZDZB-REV-PB	ITEP OVERLAY TAPE			1	-	1	-	-	-
18	D-IA-7415808-0-0	CONNECTOR MTC PANEL			1	-	1	1	-	1
19	A-PL-H7004B	FILTERED CONNECTOR (40 POS)			-	-	-	1	1	2
20	A-PL-H7004C	FILTERED CONNECTOR (50 POS)			1	1	2	-	-	-
21	B-UA-BC06K-0J	MIRROR IMAGE CABLE (40 POS)			-	-	-	1	1	2
22	D-UA-BC06L-0J	MIRROR IMAGE CABLE (50 POS)			1	1	2	-	-	-

TITLE: SHIPPING LIST
DZ11
ASSY NO.: D-UA-DZ11-0-0
SHEET 1 OF 2
SIZE CODE: A PL
DZ11-0-5
REV. ECO NO.: C DZ11-000003

DIGITAL EQUIPMENT CORPORATION
MAYNARD, MASSACHUSETTS

QUANTITY / VARIATION

MADE BY K. DAVIS
DATE 4 MAY 76
ENG R. COMIER
DATE 5-13-76

CHECKED P. CAPPIANCA
DATE 14 MAY 76
PROD T. MCABE
DATE 5-14-76

ITEM NO.	DWG NO. / PART NO.	DESCRIPTION	SECTION	ISSUED SECT.	4-11ZD	8-11ZD	8-11ZD	9-11ZD	9-11ZD	4-11ZD
23	D-UA-H3190-0-0	CONNECTOR, TURN AROUND (20 MA)			-	-	-	1	1	2

*THIS LIBRARY IS A BOOK THAT INCLUDES THE DZ11 DEC/X11 SYSTEM EXERCISER LISTING (MAINDEC-11-DXZA-REV-D).

TITLE: SHIPPING LIST
DZ11
ASSY NO.: D-UA-DZ11-0-0
SHEET 2 OF 2
SIZE CODE: A PL
DZ11-0-5
REV. ECO NO.: C

C

1

2

C

3

4

C

